

The newest family of programmable gain instrumentation amplifiers (PGA) provides immense versatility with the [PGA855](#), a differential output device, and the [PGA849](#), a single ended output device. This family was developed using new current-feedback input stage architecture independent to the ADC compatible output stage, resulting in superb DC and AC performance, all in one integrated IC design. These devices can interface with a wide variety of sensors, such as bridge sensors or pressure sensors, and can be used in low gain applications or attenuating gain applications. The family of devices boast additional features such as input voltage protection up to ± 40 beyond the power supply, optional filtering and separate power supply rails to support output clamping.

The [PGA855](#) and [PGA849](#) excel in applications that require a combination of high DC accuracy with low noise and low distortion AC performance over frequency measurements.

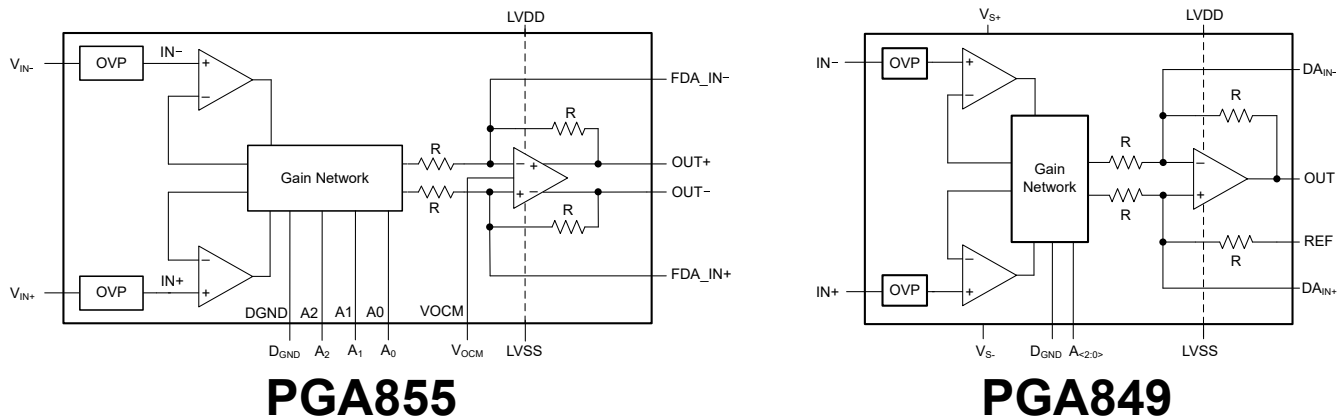


Figure 1. PGA855 and PGA849 Block Diagrams

Design Considerations

- Over-voltage protection of downstream device
- Input over-voltage protection of up to $\pm 40V$
- Attenuating gain down to $0.125V/V$ and up to $16V/V$
- Optional additional output-noise filtering
- Directly drive high-resolution ADC, up to 1MSPS

The input stage implements TI's super-beta technology which inherently has higher input impedance, making the PGA855 and PGA849 great choices for interfacing with high source impedances. The super-beta transistors also offer an impressively low input bias current (200pA), which provides a very low input current noise density of $0.3pA/\sqrt{Hz}$; the devices also benefit from an ultra-low $1/f$ noise corner of less than 5Hz. This family provides the lowest overall signal error in the industry and delivers best DC precision for low gain applications.

The PGA855 and PGA849 reduce the total source-errors by more than half of the leading current solutions. The family of devices maintain good linearity and long-term stability across temperature and excellent gain stability with a gain error drift of $2ppm/^{\circ}C$ across all gains. The device family also facilitates the timely and costly process of calibration by providing a low offset voltage ($\pm 350\mu V$) and low offset drift ($\pm 1\mu V/^{\circ}C$) in combination with the low gain error drift and low noise. With great DC performance, these devices are a natural choice for sensor interfacing. Refer to [Precision signal chain for digital multimeters reference design](#) for an example of the benefits of the PGA855.

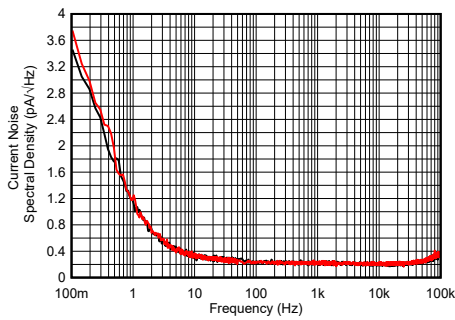


Figure 2. Current Noise Spectral Density Versus Frequency

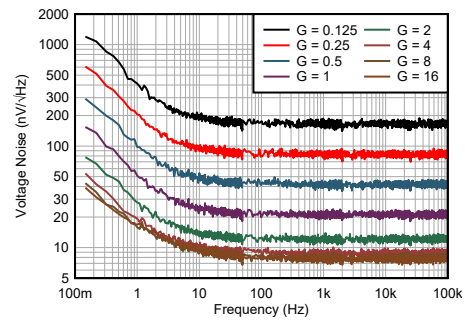


Figure 3. Voltage Noise Spectral Density (RTI) Versus Frequency

The output stage of the PGA855 encompasses an integrated, independent fully-differential output amplifier (FDA), providing a flat frequency response up to 10MHz, across all gains, and a high minimum CMRR of 82dB.

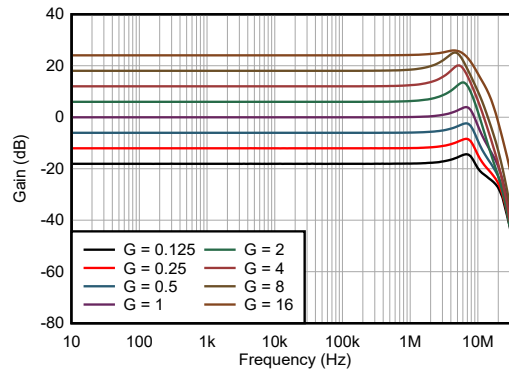


Figure 4. Gain Versus Frequency

The output stage architecture is optimized to drive inputs of high-resolution ADCs without the need of supplementary driving circuitry, supporting unbuffered precision SAR ADCs up to 1MSPS sampling rate. The PGA855 can successfully be used as the front-end circuit of the [ADS8900B](#), an unbuffered 20-bit SAR ADC. For a comprehensive circuit example and performance evaluation refer to the [PGA855 data sheet](#). The PGA855 is also capable of driving the [ADS127L21](#), a 24-bit delta sigma ADC and is able to achieve an SNR of 109dB; a detailed circuit example and performance evaluation can be found in the [ADS127L21 data sheet](#); while [Figure 5](#) demonstrates the evaluated circuit.

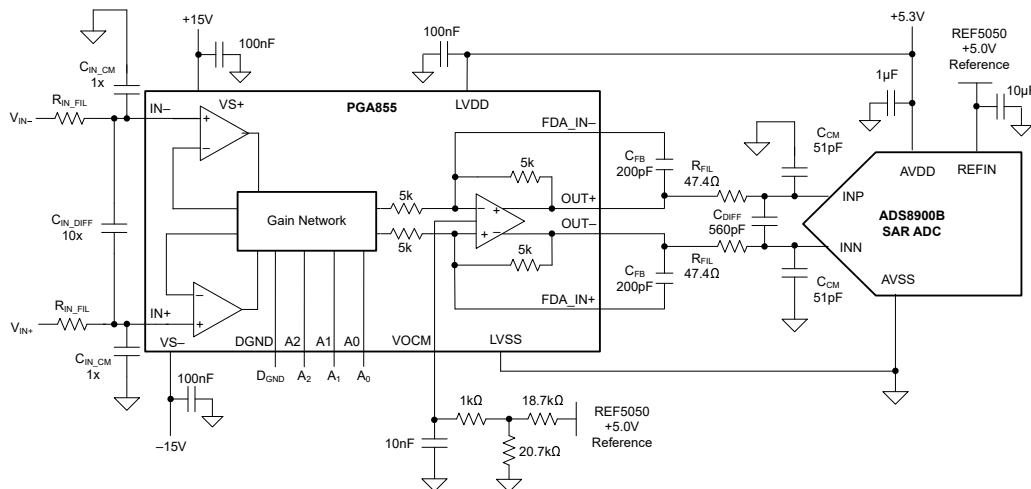


Figure 5. PGA855 Driving ADS8900B, 20-bit SAR ADC Circuit

System performance is imperative when using high resolution precision ADCs. This PGA family of devices provide external access pins to the differential output amplifier loop for optional noise filtering by implementing feedback capacitors to further improve SNR performance. [Figure 6](#) demonstrates the additional noise filtering when driving an ADS127L21, application note [Achieve High SNR with the PGA855, Fully Differential Programmable-Gain Amplifier](#) showcases this application and further explains the implementation. [Figure 7](#) demonstrates an example circuit implementing the optional capacitors.

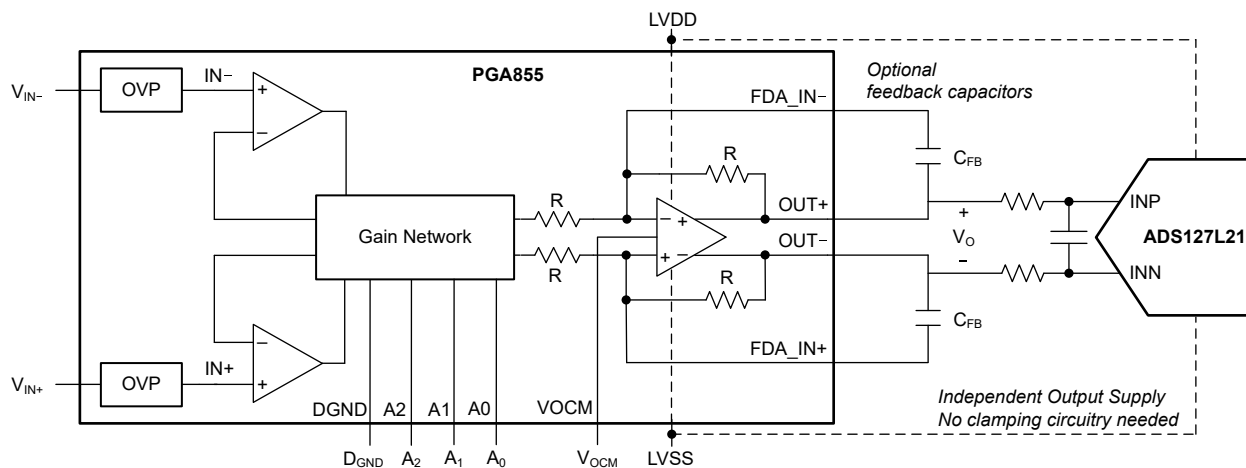


Figure 6. PGA855 Driving ADS127L21,24 Bit Delta Sigma ADC, With Optional Feedback Capacitors

[Figure 7](#) illustrates a block diagram of the PGA849 directly driving the [ADS8860](#), a 16-bit SAR ADC. For a detailed circuit design and information see [PGA849 data sheet](#).

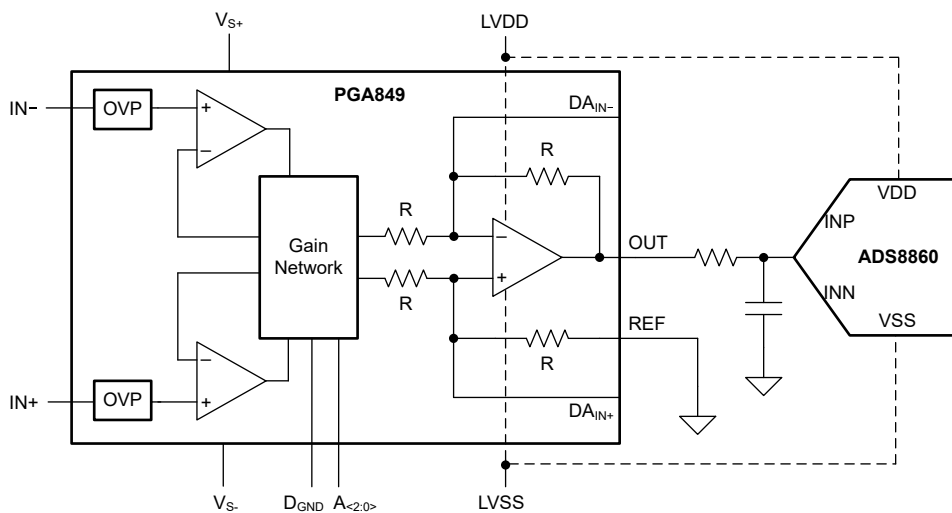


Figure 7. PGA849 Driving ADS8860, 16-bit SAR ADC Circuit Example

The output stage of this family of devices has separately decoupled power supplies (LVSS/LVDD) from the input stage. The output stage power rails, LVSS/LVDD, can be connected to the power rail of the downstream device, most commonly an ADC, to protect the device against overdrive damage by limiting the PGA855 output voltage to within LVSS/LVDD. To help demonstrate this functionality, TI created the PGA85X Input and Output Range Design calculator, available [online](#).

The PGA85X Input and Output Range Design calculator is an interactive tool that graphically displays the range of the device based on user inputs, [download here](#).

PGA855 Input and Output Range Design Calculator

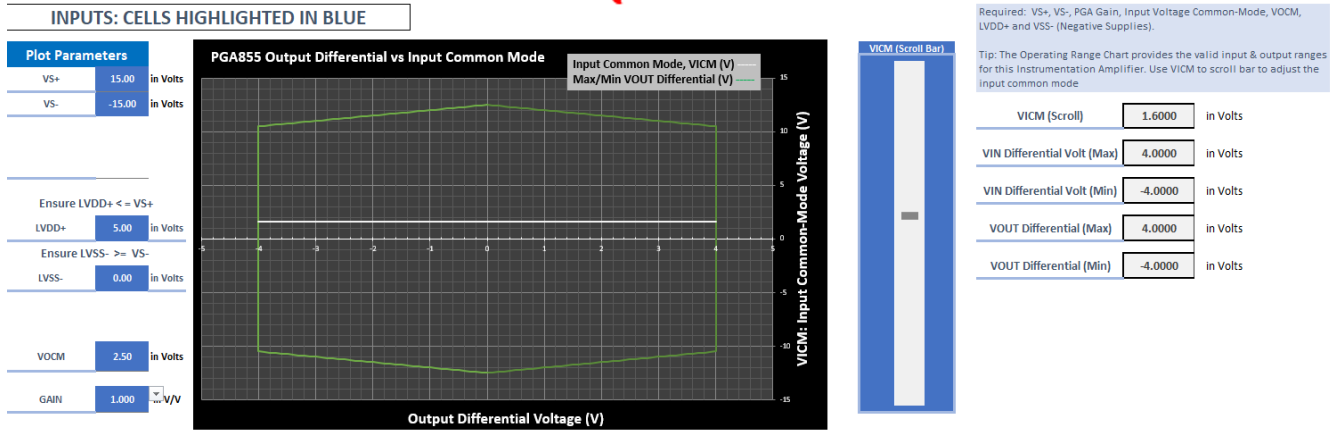
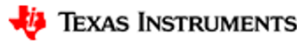


Figure 8. PGA855 Input and Output Range Design Calculator

Table 1. Design Tools

Description	Type of Document	Link
PGA855 ADC Driver Circuit for ADS8900B 20-Bit SAR ADC	Application Example	PGA855 data sheet
PGA855 ADC Driver Circuit for ADS127L21 24-Bit Delta Sigma	Application Example	ADS127L21 data sheet
PGA855 ADC Driver Circuit for ADS127L11 24-Bit Delta Sigma	Application Example	PGA855 data sheet
PGA849 ADC Driver Circuit for ADS8860 16-Bit SAR ADC	Application Example	PGA849 data sheet
Precision Signal Chain for Digital Multimeters Reference Design	Reference Design	TIDU45
Achieve the Highest SNR performance with the PGA855 Fully-Differential Output Programmable-Gain Instrumentation Amplifier	Application Note	SBOA858
PGA85X Input and Output Range Design Calculator	Calculator Tool	Download Excel
INA851 Input and Output Range Design Calculator	Calculator Tool	Download Excel

Table 2. Featured Devices

Part Number (1)	Maximum Operating Voltage	Output Type	Companion ADC	Description
PGA855	36V	Differential	ADS89x0B ADS127Lx1	Low-noise, wide-bandwidth, fully-differential-output programmable-gain instrumentation amplifier
PGA849	36V	Single-Ended	ADS886x	Single-ended, Low-noise, wide-bandwidth, programmable-gain instrumentation amplifier
INA851	36V	Differential	ADS127Lx1	Low-noise (3.2nV/√Hz) high-speed (22MHz) fully-differential instrumentation amplifier with OVP (±40V)
INA849	36V	Single-Ended	ADS8588S	Single-ended, ultra-low noise (1nV/√Hz), high-speed (28MHz, 35V/μs), precision (35μV) instrumentation amplifier
INA848	36V	Single-Ended	ADS8588S	Ultra-low-noise, high-bandwidth instrumentation amplifier with fixed gain of 2000

Trademarks

All trademarks are the property of their respective owners.

IMPORTANT NOTICE AND DISCLAIMER

TI PROVIDES TECHNICAL AND RELIABILITY DATA (INCLUDING DATA SHEETS), DESIGN RESOURCES (INCLUDING REFERENCE DESIGNS), APPLICATION OR OTHER DESIGN ADVICE, WEB TOOLS, SAFETY INFORMATION, AND OTHER RESOURCES "AS IS" AND WITH ALL FAULTS, AND DISCLAIMS ALL WARRANTIES, EXPRESS AND IMPLIED, INCLUDING WITHOUT LIMITATION ANY IMPLIED WARRANTIES OF MERCHANTABILITY, FITNESS FOR A PARTICULAR PURPOSE OR NON-INFRINGEMENT OF THIRD PARTY INTELLECTUAL PROPERTY RIGHTS.

These resources are intended for skilled developers designing with TI products. You are solely responsible for (1) selecting the appropriate TI products for your application, (2) designing, validating and testing your application, and (3) ensuring your application meets applicable standards, and any other safety, security, regulatory or other requirements.

These resources are subject to change without notice. TI grants you permission to use these resources only for development of an application that uses the TI products described in the resource. Other reproduction and display of these resources is prohibited. No license is granted to any other TI intellectual property right or to any third party intellectual property right. TI disclaims responsibility for, and you will fully indemnify TI and its representatives against, any claims, damages, costs, losses, and liabilities arising out of your use of these resources.

TI's products are provided subject to [TI's Terms of Sale](#) or other applicable terms available either on [ti.com](https://www.ti.com) or provided in conjunction with such TI products. TI's provision of these resources does not expand or otherwise alter TI's applicable warranties or warranty disclaimers for TI products.

TI objects to and rejects any additional or different terms you may have proposed.

Mailing Address: Texas Instruments, Post Office Box 655303, Dallas, Texas 75265
Copyright © 2024, Texas Instruments Incorporated