

TI DLP® technology for mobile projectors

The biggest displays in the smallest form factor



Create large, bright displays



Display on any surface



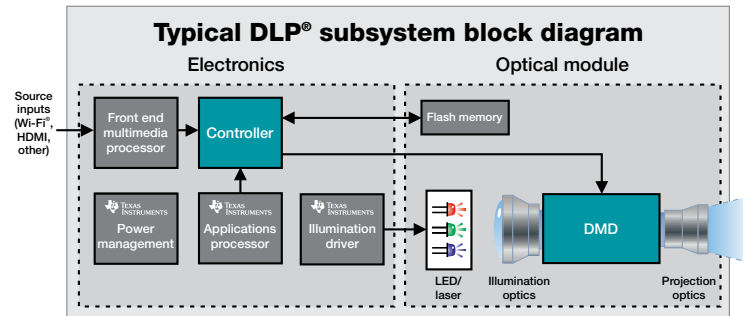
Build ultra-portable devices

Mobile projectors are small, battery-powered products that can display content from a mobile device. They are small enough to fit in a backpack or even a pocket, yet powerful enough to create a 70" or larger display on a variety of surfaces.

Texas Instruments DLP Pico™ technology is a great fit for mobile projectors. Its high optical efficiency, small size and high contrast enable low power, compact and high-performance projection solutions.

Why DLP Pico technology is the leader in mobile projection

- Optimized for low power consumption
 - High optical efficiency reduces the illumination power needed for a given brightness. DLP Intellibright™ image-processing algorithms are designed to optimize brightness, contrast and power consumption.
- High resolution in the smallest size chipset
 - Micromirrors as small as 5.4 μm enable resolutions up to 1080p in mobile accessory form factors.
- High contrast ratio
 - Enables displays with vivid colors and darker blacks.
- Mature ecosystem for fastest time-to-market
 - Off-the-shelf components from diverse ecosystem enable shorter design cycle times.



Chipset:	DLP2010	DLP230xx	DLP3010	DLP3310
Resolution	854×480	960×540 1280×720 1920×1080	1280×720	1920×1080
Brightness (Lumens)	Up to 150	Up to 250	Up to 300	Up to 500
Controller	DLPC3430/5	DLPC3432/4/6	DLPC3433/8	DLPC3437
PMIC	DLPA200x/3000	DLPA200x/3000	DLPA200x/3000	DLPA300x

Getting started

Learn more about DLP technology

- [Getting started application note](#)
- [DLP chipset selection guide](#)
- [Brightness Requirements and Tradeoffs application note](#)

Develop with easy-to-use Evaluation Modules (EVMs)

[DLP® LightCrafter™ Display EVMs](#)

Speed up development using TI reference designs

- [Mobile Projector reference design](#)
- [DLP Pico Products reference designs](#)

Reduce time-to-market with third-party vendors

- [Optical module suppliers](#)
- [Design services vendors](#)

How to develop a product with DLP technology

Choose chipset based on resolution and brightness

Identify optical module supplier

Integrate optical module and electronics

DLPT029

Intellibright, LightCrafter and Pico are trademarks and DLP is a registered mark of Texas Instruments. All other marks are the property of their respective owners.

© 2021 Texas Instruments Incorporated



IMPORTANT NOTICE AND DISCLAIMER

TI PROVIDES TECHNICAL AND RELIABILITY DATA (INCLUDING DATASHEETS), DESIGN RESOURCES (INCLUDING REFERENCE DESIGNS), APPLICATION OR OTHER DESIGN ADVICE, WEB TOOLS, SAFETY INFORMATION, AND OTHER RESOURCES "AS IS" AND WITH ALL FAULTS, AND DISCLAIMS ALL WARRANTIES, EXPRESS AND IMPLIED, INCLUDING WITHOUT LIMITATION ANY IMPLIED WARRANTIES OF MERCHANTABILITY, FITNESS FOR A PARTICULAR PURPOSE OR NON-INFRINGEMENT OF THIRD PARTY INTELLECTUAL PROPERTY RIGHTS.

These resources are intended for skilled developers designing with TI products. You are solely responsible for (1) selecting the appropriate TI products for your application, (2) designing, validating and testing your application, and (3) ensuring your application meets applicable standards, and any other safety, security, or other requirements. These resources are subject to change without notice. TI grants you permission to use these resources only for development of an application that uses the TI products described in the resource. Other reproduction and display of these resources is prohibited. No license is granted to any other TI intellectual property right or to any third party intellectual property right. TI disclaims responsibility for, and you will fully indemnify TI and its representatives against, any claims, damages, costs, losses, and liabilities arising out of your use of these resources.

TI's products are provided subject to TI's Terms of Sale (<https://www.ti.com/legal/termsofsale.html>) or other applicable terms available either on [ti.com](https://www.ti.com) or provided in conjunction with such TI products. TI's provision of these resources does not expand or otherwise alter TI's applicable warranties or warranty disclaimers for TI products.

Mailing Address: Texas Instruments, Post Office Box 655303, Dallas, Texas 75265
Copyright © 2021, Texas Instruments Incorporated