

Roll with the Design Punches and Overcome Power-sequencing Challenges



Celi Palhua Flores

As boxer Mike Tyson once said, “Everybody has a plan until they get punched in the mouth.” Good boxers thrive when they can successfully throw their opponents off their game plan. Great boxers, however, are willing to get punched in the mouth and improvise until they can get back to their winning formula.

Similarly, system designers must improvise when faced with power-sequencing problems. Often, the simplest and most cost-efficient solution is to add a multiplexer with powered-off and fail-safe protection.

What Is Powered-off Protection?

Powered-off protection is a key feature in certain analog switches that helps solve power-sequencing challenges. In today’s pursuit of low-power systems, it’s common to have multiple power rails powering several integrated circuits (ICs). As you might guess, this can get messy. You must consider that fault cases during power up and power down can occur when adding or altering supply rails. Often, preventing conditions such as back-powering or latch-up can be extremely frustrating, as these issues can happen in the 11th hour. Flexible and cost-effective solutions that can quickly solve problems are like a boxer’s improvisations after getting punched.

Signal switches and multiplexers are the solution for protecting a system’s analog and digital signals. More specifically, switches with powered-off protection such as the [TMUX1511](#) are a great tool for isolating two subsystems and protecting downstream components. Integrated powered-off protection protects downstream components from digital signals by preventing back-powering. In [Figure 1](#), you can see a basic signal switch used to isolate a 3.3-V digital control signal from subsystem A to subsystem B.

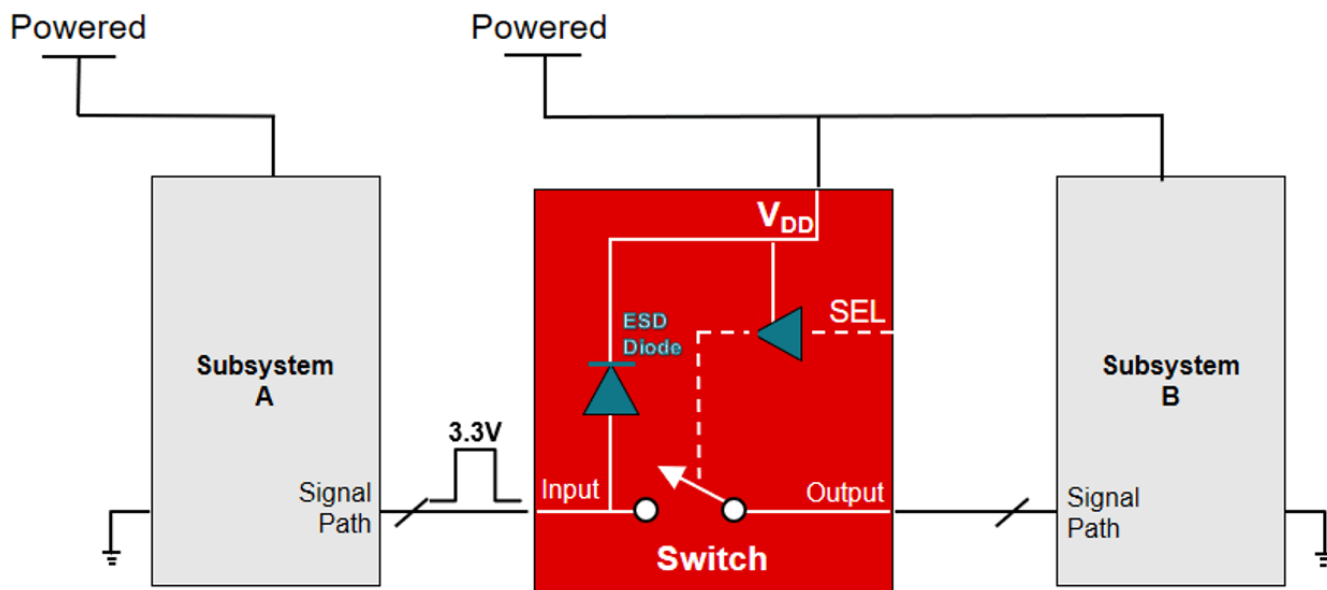


Figure 1. Switch for Signal Isolation

The open switch keeps the control signal at subsystem A until it is safe to pass the signal to subsystem B. Generally, the purpose of the switch is to dictate when to pass the control signal that may turn on critical parts of subsystem B. As straightforward as this sounds, the punch in the mouth happens when a timing mismatch

unexpectedly occurs during power up and power down. In this case, the supply rail of subsystem A can power up before the switch and subsystem B, as shown in [Figure 2](#).

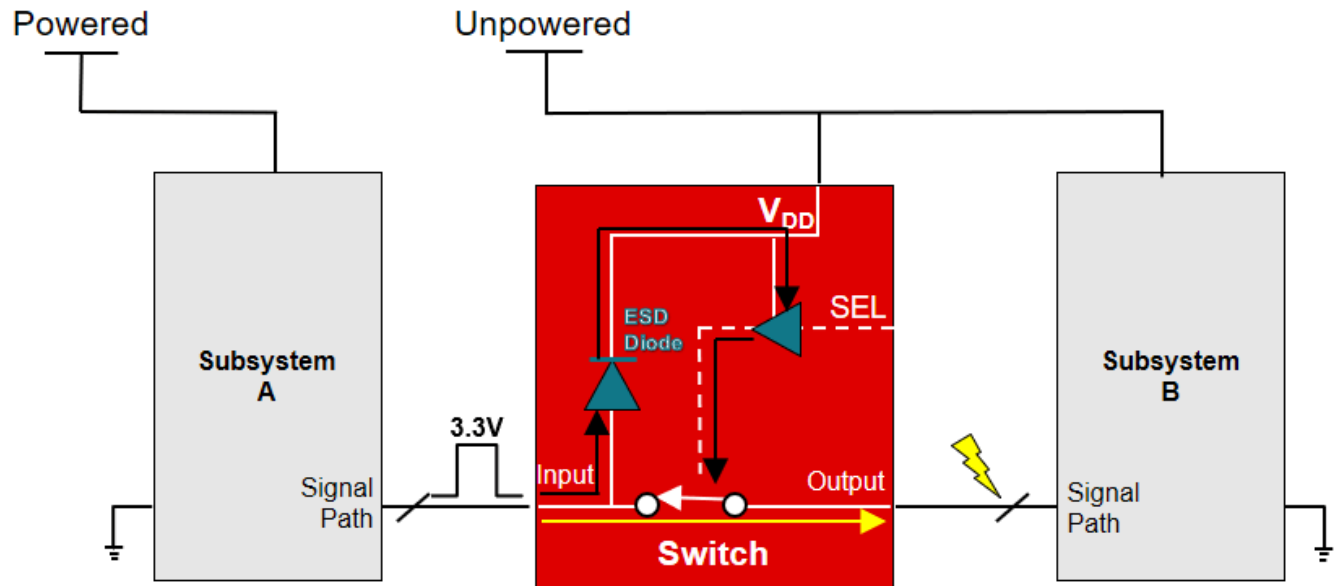


Figure 2. Back-powering During Power Sequencing

In contrast to [Figure 1](#), the 3.3-V signal from subsystem A back-powers the internal electrostatic discharge diodes, turning the switch on. This closes the signal path to subsystem B, allowing the signal to leak through the switch (yellow arrow), resulting in a false logic state that can damage subsystem B and disrupt system startup.

As a solution, TI powered-off protection switches maintain a high impedance state on the input/output (I/O) pins, preventing the unpowered supply rail (V_{DD}) and the select (SEL) pin from back-powering.

[Figure 3](#) shows the TMUX1511 successfully isolating the digital signal, protecting itself and subsystem B during power sequencing. Because of the powered-off protection feature, the switch is able to isolate the signal path from the power-supply rail. This adds a key layer of system protection because the switch can now isolate subsystems either powered or unpowered. Ultimately, this gives you a flexible method of solving power-sequencing complications by adding protection to the signal paths.

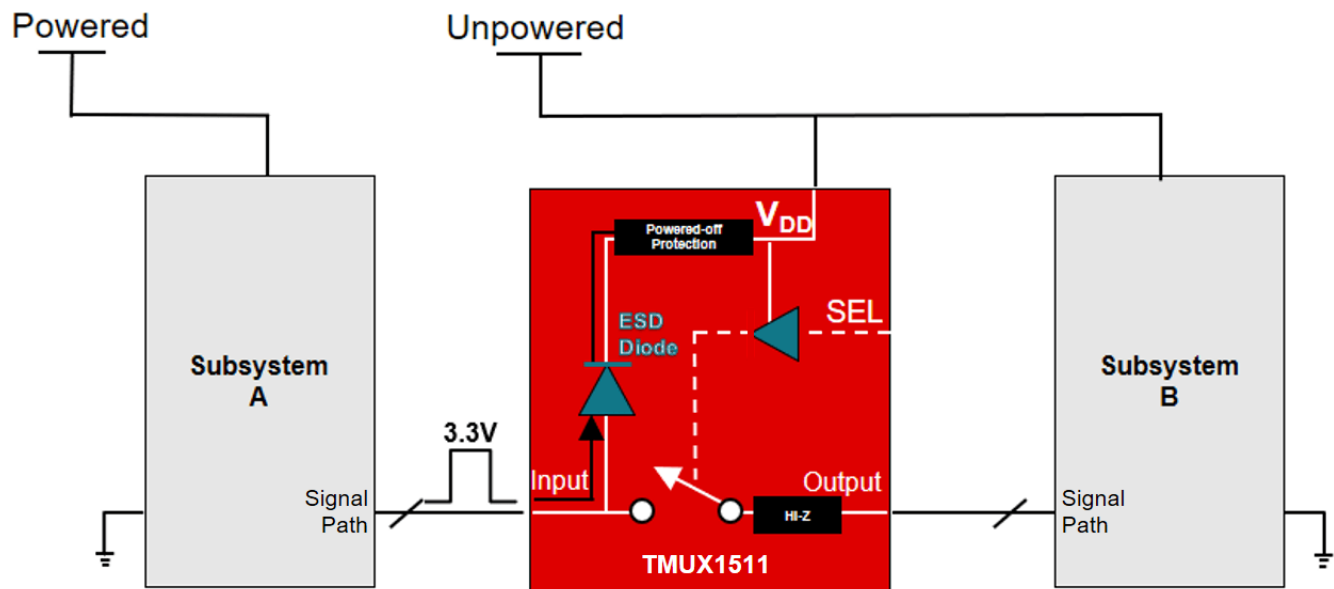


Figure 3. TI Switches with Powered-off Protection

What about the Logic Signals in the SEL Pin?

Much like how powered-off protection isolates the supply rail and I/O signal path, fail-safe logic isolates the supply rail and SEL pin logic signal, as illustrated in [Figure 4](#).

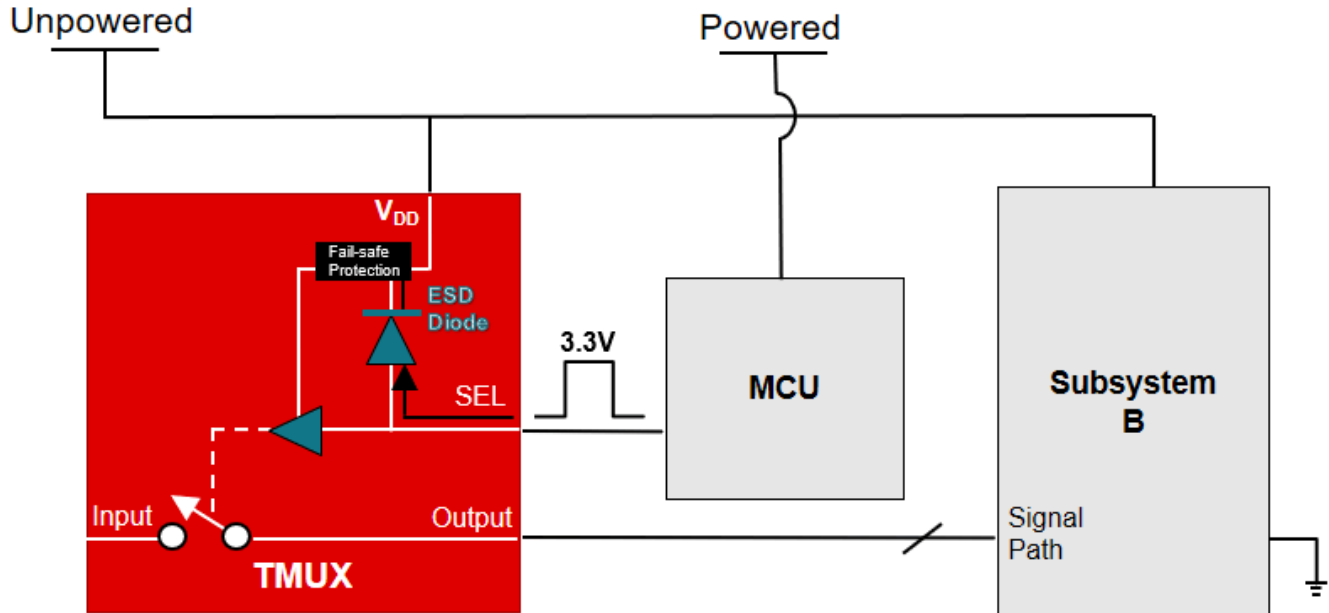


Figure 4. Fail-safe Logic Switches Preventing Back-powering

Without fail-safe logic, the logic signal in the SEL or EN pin can back-power V_{DD} , causing damage to subsystem B and the switch itself. Similar to powered-off protection, the switch maintains a high impedance state on the SEL logic pins, preventing power from going through V_{DD} during power sequencing.

Choosing the Switch Right for You

TI's [switch and multiplexer portfolio](#) includes a broad range of channel count, configurations and voltage levels. This feature-rich portfolio includes switches with the [powered-off protection](#) and [fail-safe logic](#) features, including the TMUX1575, TMUX1072 and SN3257-Q1.

Additional Resources

- Learn more about the protection features of the TMUX1072 in the TI training video, [Multiplexers that protect from system overvoltage conditions](#).

IMPORTANT NOTICE AND DISCLAIMER

TI PROVIDES TECHNICAL AND RELIABILITY DATA (INCLUDING DATA SHEETS), DESIGN RESOURCES (INCLUDING REFERENCE DESIGNS), APPLICATION OR OTHER DESIGN ADVICE, WEB TOOLS, SAFETY INFORMATION, AND OTHER RESOURCES "AS IS" AND WITH ALL FAULTS, AND DISCLAIMS ALL WARRANTIES, EXPRESS AND IMPLIED, INCLUDING WITHOUT LIMITATION ANY IMPLIED WARRANTIES OF MERCHANTABILITY, FITNESS FOR A PARTICULAR PURPOSE OR NON-INFRINGEMENT OF THIRD PARTY INTELLECTUAL PROPERTY RIGHTS.

These resources are intended for skilled developers designing with TI products. You are solely responsible for (1) selecting the appropriate TI products for your application, (2) designing, validating and testing your application, and (3) ensuring your application meets applicable standards, and any other safety, security, regulatory or other requirements.

These resources are subject to change without notice. TI grants you permission to use these resources only for development of an application that uses the TI products described in the resource. Other reproduction and display of these resources is prohibited. No license is granted to any other TI intellectual property right or to any third party intellectual property right. TI disclaims responsibility for, and you will fully indemnify TI and its representatives against, any claims, damages, costs, losses, and liabilities arising out of your use of these resources.

TI's products are provided subject to [TI's Terms of Sale](#) or other applicable terms available either on [ti.com](https://www.ti.com) or provided in conjunction with such TI products. TI's provision of these resources does not expand or otherwise alter TI's applicable warranties or warranty disclaimers for TI products.

TI objects to and rejects any additional or different terms you may have proposed.

Mailing Address: Texas Instruments, Post Office Box 655303, Dallas, Texas 75265
Copyright © 2023, Texas Instruments Incorporated