

Cool Down Your Industrial System Design with Integrated Data and Power Isolation



Neel Seshan

Winters are getting shorter and temperatures are on the rise, and I think you'll agree with me that overheating is never a good thing. Whether it's human beings, equipment or pizza, you never want anything to be too hot.

As the demands on industrial applications – such as [factory automation](#) and [grid infrastructure](#) equipment – increase, the need to add more features to the system increases as well. This puts more pressure on the power-management system to power the various circuits for optimum performance without raising equipment temperatures.

In one of my previous [blog posts](#), I discussed the use of isolators for protecting the low-voltage side from the high-voltage side of a system. The data isolators can easily achieve signal isolation. But isolating just the data is not enough; the power supply also needs isolation. In some cases, there are two isolated power supplies available to directly power up the primary and secondary sides of the isolator. But in others, the application may not have a secondary power supply. In those cases, you'll need to generate the isolated secondary power from the primary power supply.

[Figure 1](#) shows a solution using discrete components to build an isolated power supply. The transformer driver operating from the primary power supply generates a push-pull signal to drive the primary windings of the isolation transformer. Depending on the turns ratio, the transformer provides the desired secondary voltage. The rectifier diodes following the transformer help with rectification, and the regulator that follows helps smooth out the ripple. It might even be possible to eliminate the regulator if the output of the rectifier is good enough for the system performance.

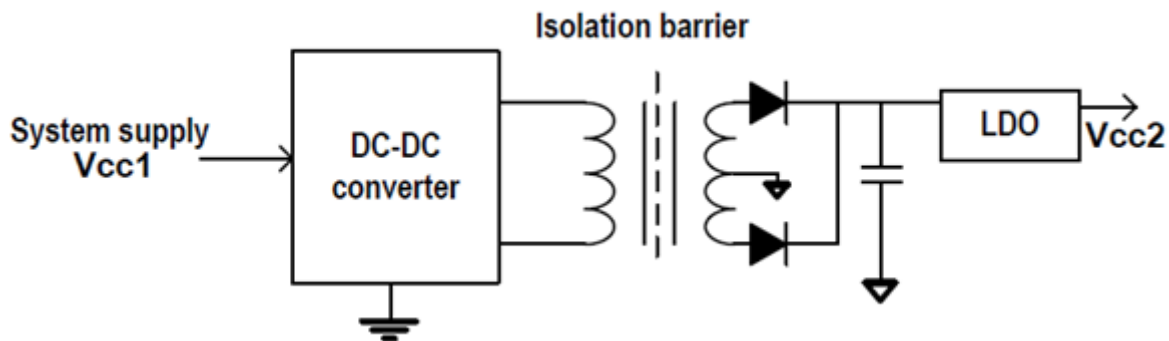


Figure 1. Isolated Power Supply Using Discrete Components

This solution offers very good power-transfer efficiency due to the external transformer, but using multiple components adds to system cost and board space. And in case the system uses multiple isolators, the discrete circuit needs to be replicated to match the number of isolators and – you guessed it – this adds to system cost and board space.

A single-chip solution that provides isolated signal and power would solve these issues. [Figure 2](#) shows TI's ISOW7841, which provides isolated data and power. This device does not need external components to build the isolated power supply. The integrated DC/DC converter provides up to 650mW of isolated output power, and because it's integrated, board space and solution cost are reduced.

- Start designing your industrial systems with the [optimized binary module using digital isolator with integrated power converter](#) and [8-channel isolated high-voltage analog input module](#) reference designs.
- Read this [article](#) and learn how to achieve low radiated emissions with fully integrated data and power isolation.



IMPORTANT NOTICE AND DISCLAIMER

TI PROVIDES TECHNICAL AND RELIABILITY DATA (INCLUDING DATA SHEETS), DESIGN RESOURCES (INCLUDING REFERENCE DESIGNS), APPLICATION OR OTHER DESIGN ADVICE, WEB TOOLS, SAFETY INFORMATION, AND OTHER RESOURCES "AS IS" AND WITH ALL FAULTS, AND DISCLAIMS ALL WARRANTIES, EXPRESS AND IMPLIED, INCLUDING WITHOUT LIMITATION ANY IMPLIED WARRANTIES OF MERCHANTABILITY, FITNESS FOR A PARTICULAR PURPOSE OR NON-INFRINGEMENT OF THIRD PARTY INTELLECTUAL PROPERTY RIGHTS.

These resources are intended for skilled developers designing with TI products. You are solely responsible for (1) selecting the appropriate TI products for your application, (2) designing, validating and testing your application, and (3) ensuring your application meets applicable standards, and any other safety, security, regulatory or other requirements.

These resources are subject to change without notice. TI grants you permission to use these resources only for development of an application that uses the TI products described in the resource. Other reproduction and display of these resources is prohibited. No license is granted to any other TI intellectual property right or to any third party intellectual property right. TI disclaims responsibility for, and you will fully indemnify TI and its representatives against, any claims, damages, costs, losses, and liabilities arising out of your use of these resources.

TI's products are provided subject to [TI's Terms of Sale](#) or other applicable terms available either on [ti.com](https://www.ti.com) or provided in conjunction with such TI products. TI's provision of these resources does not expand or otherwise alter TI's applicable warranties or warranty disclaimers for TI products.

TI objects to and rejects any additional or different terms you may have proposed.

Mailing Address: Texas Instruments, Post Office Box 655303, Dallas, Texas 75265
Copyright © 2023, Texas Instruments Incorporated