

User's Guide

ADS9224REVM-PDK



Luis Chioye

Data Acquisition Products

ABSTRACT

This user's guide describes the characteristics, operation, and use of the ADS9224R evaluation module (EVM) performance demonstration kit (PDK). The EVM-PDK eases the evaluation of the [ADS9224R](#) device with hardware, software, and computer connectivity through a universal serial bus (USB) interface. Throughout this document, the terms evaluation board, evaluation module, and EVM are synonymous with the ADS9224REVM-PDK. This user's guide includes complete circuit descriptions, schematic diagrams, and a bill of materials.

The following related documents are available through the Texas Instruments web site at www.ti.com.

Related Documentation

Device	Literature Number
ADS9224R	SBAS876
THS4551	SBOS778
REF5025	SBOS410
TPS7A4700	SBVS204

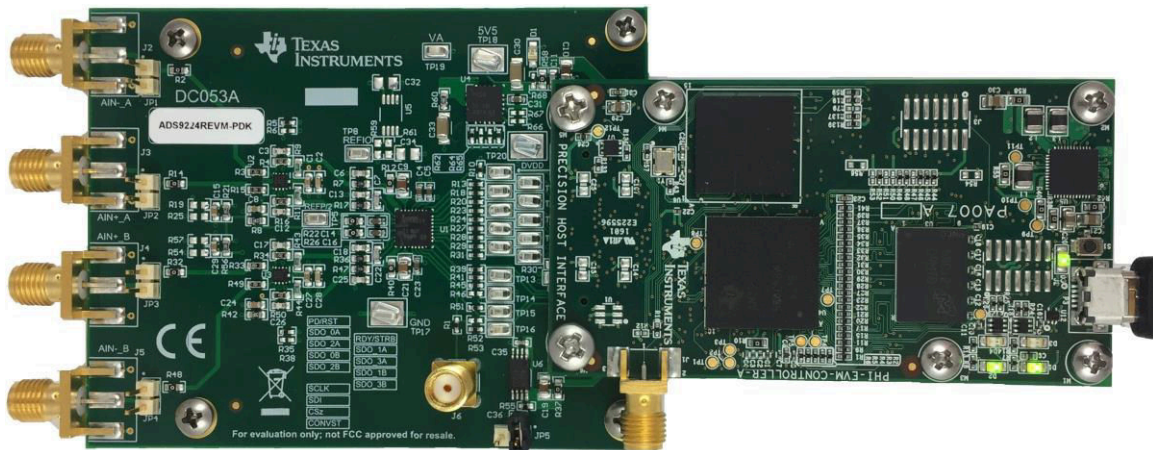


Table of Contents

1 Overview	4
1.1 ADS9224REVM-PDK Features.....	4
1.2 ADS9224REVM Features.....	4
2 Analog Interface	5
2.1 Connectors for Signal Source.....	5
2.2 ADC Differential Input Signal Driver.....	5
2.2.1 Input Signal Path.....	6
2.3 ADS9224R Internal Reference.....	7
3 Digital Interfaces	7
3.1 multiSPI™ for ADC Digital IO.....	7
4 Power Supplies	8
5 Setup	9
5.1 Default Jumper Settings.....	9
5.2 EVM Graphical User Interface (GUI) Software Installation.....	10
6 Operation	13
6.1 EVM GUI Global Settings for ADC Control.....	14
6.2 Register Map Configuration Tool.....	15
6.3 Time Domain Display Tool.....	16
6.4 Spectral Analysis Tool.....	17
6.5 Histogram Tool.....	18
7 ADS9224REVM Bill of Materials, PCB Layout, and Schematics	19
7.1 Bill of Materials.....	19
7.2 PCB Layout.....	23
7.3 Schematics.....	26
8 Revision History	28

List of Figures

Figure 2-1. THS4551 Differential Input Driving Path.....	6
Figure 2-2. THS4551 Fully-Differential Amplifier Driver.....	6
Figure 5-1. ADS9224REVM-PDK Jumper Locations.....	9
Figure 5-2. ADS9224R Software Installation Prompts.....	10
Figure 5-3. Device Driver Installation Wizard Prompts.....	10
Figure 5-4. LabVIEW Run-Time Engine Installation.....	11
Figure 5-5. ADS9224REVM-PDK Folder Post-Installation.....	12
Figure 6-1. EVM-PDK Hardware Setup and LED Indicators.....	13
Figure 6-2. Launch the EVM GUI Software.....	13
Figure 6-3. EVM GUI Global Input Parameters.....	14
Figure 6-4. Register Map Configuration.....	15
Figure 6-5. Time Domain Display Tool Options.....	16
Figure 6-6. Spectral Analysis Tool.....	17
Figure 6-7. Histogram Analysis Tool.....	18
Figure 7-1. ADS9224REVM PCB Top Overlay.....	23
Figure 7-2. ADS9224REVM PCB Layer 1: Top Layer.....	23
Figure 7-3. ADS9224REVM PCB Layer 2: GND Plane.....	24
Figure 7-4. ADS9224REVM PCB Layer 3: Power Planes.....	24
Figure 7-5. ADS9224REVM PCB Layer 4: Bottom Layer.....	25
Figure 7-6. ADS9224REVM Schematic Diagram 1.....	26
Figure 7-7. ADS9224REVM Schematic Diagram 2.....	27

List of Tables

Table 2-1. J2 to J5 SMA Analog Interface Connections.....	5
Table 2-2. JP1 to JP4 Header Descriptions.....	5
Table 3-1. SPI Test Points.....	7
Table 4-1. Power-Supply Test Points.....	8
Table 5-1. Default Jumper Configurations.....	9
Table 6-1. External Source Requirements for Evaluation of the ADS9224R.....	17
Table 7-1. ADS9224REVM Bill of Materials.....	19

Trademarks

multiSPI™ is a trademark of Texas Instruments.

LabVIEW™ is a trademark of National Instruments.

multiSPI® is a registered trademark of Texas Instruments.

Windows® is a registered trademark of Microsoft Corporation.

All trademarks are the property of their respective owners.

1 Overview

The ADS9224REVM-PDK is an evaluation platform for the [ADS9224R](#), a dual, simultaneous-sampling, 16-bit, 3-MSPS, fully-differential input successive approximation register (SAR) analog-to-digital converter (ADC). The ADS9224R features an enhanced serial multiSPI® digital interface. The evaluation kit includes the ADS9224REVM board and the *Precision Host Interface* (PHI) controller board that enables the accompanying computer software to communicate with the ADC using a USB interface for data capture and analysis.

The ADS9224REVM board includes the ADS9224R SAR ADC, all the peripheral analog circuits, and components required to extract optimum performance from the ADC.

The PHI board primarily serves three functions:

- Provides a communication interface from the EVM to the computer through a USB port
- Provides the digital input and output signals necessary to communicate with the ADS9224R
- Supplies power to all active circuitry on the ADS9224REVM-PDK board

Along with the ADS9224REVM and PHI controller board, this evaluation kit includes an A-to-micro-B USB cable to connect to a computer.

1.1 ADS9224REVM-PDK Features

The ADS9224REVM-PDK includes the following features:

- Hardware and software required for diagnostic testing as well as accurate performance evaluation of the ADS9224R ADC
- USB powered—no external power supply is required
- A PHI controller that provides a convenient communication interface to the ADS9224R ADC over USB 2.0 (or higher) for power delivery as well as digital input and output
- Easy-to-use evaluation software for Windows® 7, 8, and 10, 64-bit operating systems
- The software suite includes graphical tools for data capture, histogram analysis, spectral analysis, linearity analysis, and reference settling analysis. This suite also has a provision for exporting data to a text file for post-processing.

1.2 ADS9224REVM Features

The ADS9224REVM includes the following features:

- Onboard low-noise and low distortion ADC fully-differential amplifier input drivers optimized to meet ADC performance
- Onboard ultra-low-noise, low-dropout (LDO) regulator for excellent, 5-V single-supply regulation of the voltage reference and all the fully-differential amplifier input drivers

2 Analog Interface

The ADS9224R is a dual-channel, simultaneous-sampling ADC that supports fully-differential inputs. Each channel of the ADS9224R uses a [THS4551](#) fully-differential amplifier (FDA) to drive the differential inputs of the ADC. This section covers driver details and board connections for a differential signal source.

2.1 Connectors for Signal Source

The ADS9224REVM is designed for easy interfacing to multiple analog sources. SMA connectors allow the EVM to have input signals connected through coaxial cables. In addition, header connectors JP1 through JP4 provide a convenient way to connect input signals. All analog inputs are buffered by the THS4551 high-speed FDA in order to properly drive the ADS9224R ADC inputs.

Table 2-1. J2 to J5 SMA Analog Interface Connections

Pin Number	Signal	Description
J2	AIN-_A	CHA negative differential input. This SMA connector can be grounded by installing a shunt on JP1 for single-ended signals. 1-k Ω input impedance
J3	AIN+_A	CHA positive differential input or input for single-ended signals. 1-k Ω input impedance
J4	AIN+_B	CHB positive differential input or input for single-ended signals. 1-k Ω input impedance
J5	AIN-_B	CHB negative differential input. This SMA connector can be grounded by installing a shunt on JP4 for single-ended signals. 1-k Ω input impedance

Table 2-2. JP1 to JP4 Header Descriptions

Pin Number	Signal	Description
JP1.1	AIN-_A	CHA negative differential input. This SMA connector can be grounded by installing a shunt on JP1 for single-ended signals. 1-k Ω input impedance.
JP2.1	AIN+_A	CHA positive differential input or input for single-ended signals. 1-k Ω input impedance.
JP3.1	AIN+_B	CHB positive differential input or input for single-ended signals. 1-k Ω input impedance.
JP4.1	AIN-_B	CHB negative differential input. This SMA connector can be grounded by installing a shunt on JP4 for single-ended signals. 1-k Ω input impedance.

2.2 ADC Differential Input Signal Driver

The analog inputs of the ADS9224R SAR ADC are not high-impedance but rather present a dynamic load as the sample-and-hold switches open and close. The current demand of the SAR ADC input increases as a function of the sampling rate. Thus, the evaluation board provides the THS4551 FDA driver that maintains ADC performance with maximum loading at the full device throughput of 3 MSPS.

2.2.1 Input Signal Path

Figure 2-1 shows the signal path for the differential signal applied at the board inputs. The board input impedance is 1 k Ω . The overall signal-path bandwidth is limited to 1.5-MHz by the 1-k Ω resistor and 100-pF capacitor at the FDA feedback. The two THS4551 FDAs drive the ADS9224R differential inputs through an RC charge-kickback filter. These drivers provide a low dynamic impedance source at the ADC inputs at the full throughput of 3 MS/PS.

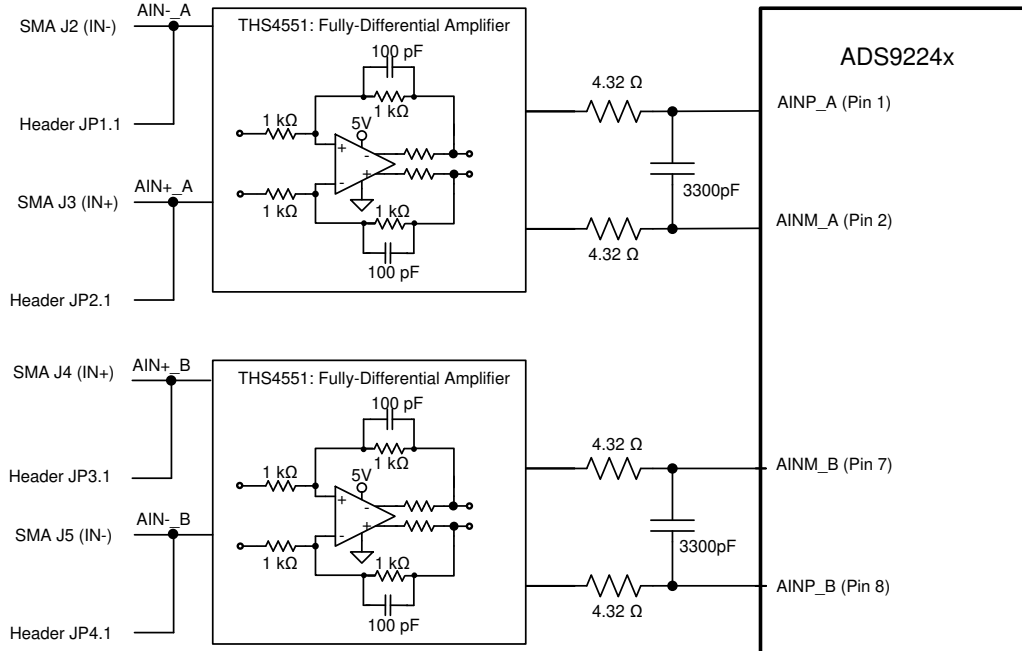


Figure 2-1. THS4551 Differential Input Driving Path

The ADS9224xREVM incorporates two THS4551 FDAs to drive the ADC inputs. The FDAs shift the signal to the appropriate common-mode voltage level. Figure 2-2 shows the fully-differential amplifier circuit. A differential input signal with a common-mode voltage of 0 V is applied to the inputs of the THS4551. The FDA establishes a fixed common-mode voltage at the ADC inputs using the FDA V_{OCM} input pin. The ADS9224R incorporates a REF / 2 buffer output pin for setting the common-mode voltage. The ADS9224R REF / 2 output is connected to each THS4551 V_{OCM} input pin. The THS4551 shifts the signal to the required common-mode voltage of REF / 2. Because of the THS4551 output swing specification to GND, either the input signals must be limited to a differential voltage of ± 3.876 V amplitude in order to avoid saturating the amplifier output, or the negative supply must be driven below GND (in other words, -200 mV) to extend the output range.

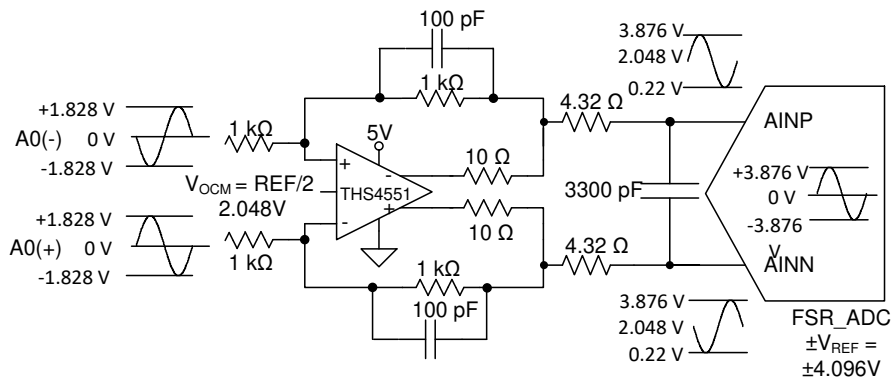


Figure 2-2. THS4551 Fully-Differential Amplifier Driver

2.3 ADS9224R Internal Reference

The ADS9224R device incorporates an internal 2.5-V band-gap reference and independently matched reference buffers for each ADC. The internal reference output pin (REFOUT) is decoupled with a 1- μ F capacitor and can be probed at test point TP8. The internally matched reference buffers provide a gain of 1.6384 V/V. These reference buffers generate a high-precision, 4.096-V reference voltage for each ADC channel at pins REFP_A and REFP_B. These pins are decoupled with 10- μ F decoupling capacitors. Additionally, a mid-reference output (REFby2) is available at test point TP5. This internal REFby2 buffer provides a common-mode voltage for input amplifiers driving the ADC inputs.

3 Digital Interfaces

As noted in [Section 1](#), the EVM interfaces with the PHI that, in turn, communicates with the computer using the USB interface. There are two devices on the EVM that communicate with the PHI: the ADS9224R ADC (over SPI or multiSPI) and the EEPROM (over I²C). The EEPROM comes preprogrammed with the information required to configure and initialize the ADS9224REVM-PDK platform. After the hardware is initialized, the EEPROM is no longer used.

3.1 multiSPI™ for ADC Digital IO

The ADS9224REVM-PDK supports several interface modes, as detailed in the [ADS9224R data sheet](#). In addition to the standard SPI modes (single-, dual-, and quad-SDO lines), the multiSPI modes support single- and dual-data output rates. The PHI is capable of operating at a 3.3-V logic level and is directly connected to the digital I/O lines of the ADC. [Table 3-1](#) lists the test points available for probing the SPI pins in both SPI and parallel byte mode.

Table 3-1. SPI Test Points

Designator	Signal	Description
TP1	RST	Asynchronous reset; active low.
TP2	READY/STR	Indicates data-ready or strobe output for data capture.
TP3	SDO-0/0A	SPI mode: data output 0 for channel A.
		Parallel byte mode: least significant bit (LSB) from the data byte.
TP4	SDO-1/1A	SPI mode: data output 1 for channel A.
		Parallel byte mode: LSB+1 from the data byte.
TP6	SDO-2/2A	SPI mode: data output 2 for channel A.
		Parallel byte mode: LSB+2 from the data byte.
TP7	SDO-3/3A	SPI mode: data output 3 for channel A.
		Parallel byte mode: LSB+3 from the data byte.
TP9	SDO-4/0B	SPI mode: data output 4 for channel A.
		Parallel byte mode: LSB+4 from the data byte.
TP10	SDO-5/1B	SPI mode: data output 5 for channel A.
		Parallel byte mode: LSB+5 from the data byte.
TP11	SDO-6/2B	SPI mode: data output 6 for channel A.
		Parallel byte mode: LSB+6 from the data byte.
TP12	SDO-7/3B	SPI mode: data output 7 for channel A.
		Parallel byte mode: MSB from the data byte.
TP13	SCLK	Clock input pin for the serial interface.
TP14	SDI	Serial data input pin.
TP15	$\overline{\text{CS}}$	Chip-select input pin; active low.
TP16	CONVST	Conversion start input pin.

4 Power Supplies

The PHI controller provides multiple power-supply options for the EVM, derived from the USB supply of the computer.

The EEPROM on the ADS9224REVM use a 3.3-V power supply generated directly by the PHI. The ADC and analog input drive circuits are powered by the [TPS7A4700](#) onboard the EVM. The TPS7A4700 is a low-noise linear regulator that uses the 5.5-V supply out of a switching regulator on the PHI to generate a much cleaner 5.0-V output. The 3.3-V supply to the digital section of the ADC is provided directly by an LDO regulator on the PHI.

The power supply for each active component on the EVM is bypassed with a ceramic capacitor placed close to that component. Additionally, the EVM layout uses thick traces or large copper fill areas, where possible, between bypass capacitors and their loads in order to minimize inductance along the load current path.

The LM7705 outputs a -230-mV option to drive the negative supply ($VS-$) of the fully-differential input amplifiers. This option allows the amplifier outputs to swing all the way to ground and achieve a full-scale differential signal at the ADC input. Configure JP8 in the [1-2] position to use the -230-mV supply for $VS-$. If the entire full-scale range is not required, $VS-$ can be connected to GND by configuring JP8 in the [2-3] position. U8 can be disabled by uninstalling the jumper on JP7. [Table 4-1](#) lists the relevant power supply test points on the EVM.

Table 4-1. Power-Supply Test Points

Designator	Signal	Description
TP17	GND	EVM ground
TP18	LDO_IN_5V5	5.5-V supply from PHI EVM controller
TP19	VA	5-V analog supply
TP20	DVDD	3.3-V digital supply
TP21	VS-	Negative supply for fully-differential input amplifiers

5 Setup

This section explains the initial hardware and software setup procedures that must be completed for the proper operation of the ADS9224xEVM-PDK.

5.1 Default Jumper Settings

JP1-JP2 and JP3-JP4 are used to connect differential analog sources to channel A and channel B inputs, respectively. In addition, shunts can be used on jumpers JP1 and JP4 to ground the negative inputs and support single-ended signals, as described in [Section 2.1](#).

. [Figure 5-1](#) shows the default factory jumper locations and settings.

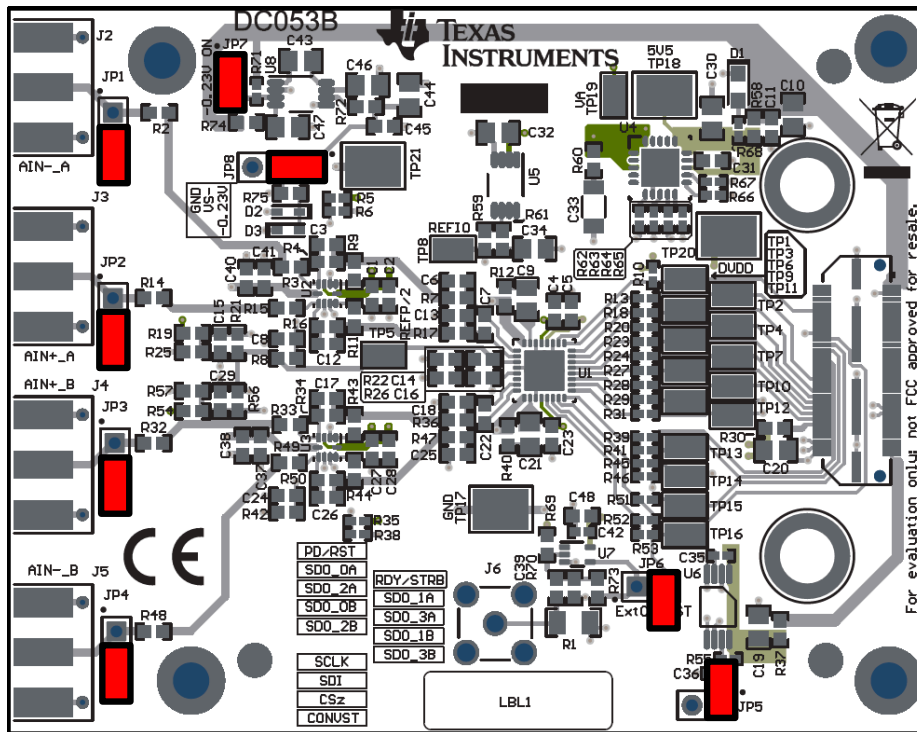


Figure 5-1. ADS9224REVM-PDK Jumper Locations

[Table 5-1](#) explains the functionality of each of these jumpers and their default configurations.

Table 5-1. Default Jumper Configurations

Designator	Default Configuration	Description
JP1	Open	CHA negative differential input. This pin can be grounded by shunting JP1 pin 1 and JP1 pin 2 for single-ended signals.
JP2	Open	CHA positive differential input or input for single-ended signals.
JP3	Open	CHB negative differential input. This pin can be grounded by shunting JP1 pin 1 and JP1 pin 2 for single-ended signals.
JP4	Open	CHB positive differential input or input for single-ended signals.
JP5	Open	EEPROM write protect function (EEPROM rewrite disabled).
JP6	Open	External CONVST is disconnected.
JP7	Installed	Shutdown pin on U8 LDO is disabled.
JP8	1-2	Negative supply for fully-differential input amplifiers is connected to -230 mV.

5.2 EVM Graphical User Interface (GUI) Software Installation

Download the latest version of the EVM GUI installer from the *Tools and Software* folder of the ADS9224R, and run the GUI installer to install the EVM GUI software on the user's computer.

Note

Manually disable any antivirus software running on the computer before downloading the EVM GUI installer onto the local hard disk. Otherwise, depending on the antivirus settings, an error message may appear or the *installer.exe* file may be deleted.

Accept the license agreements and follow the onscreen instructions to complete the installation.

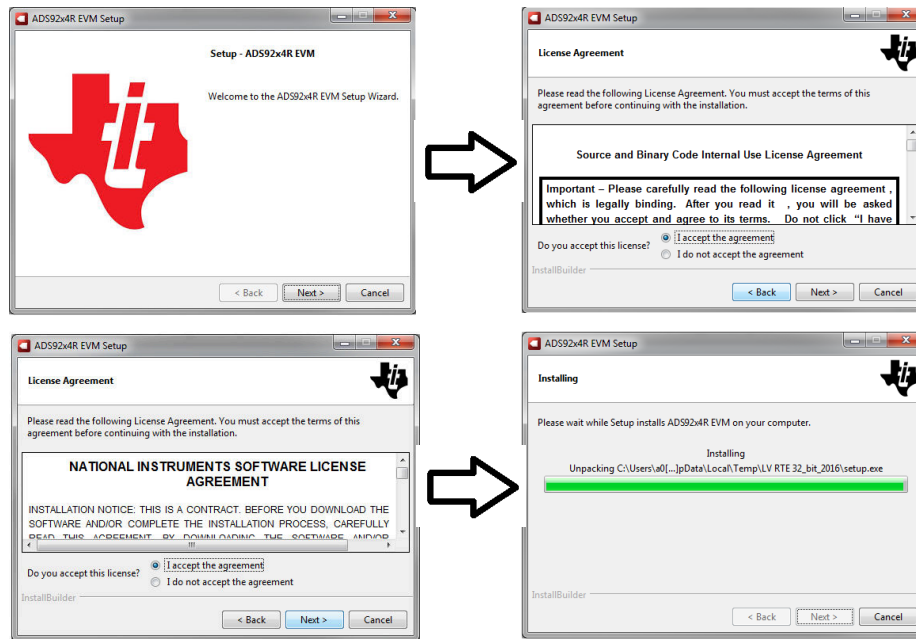


Figure 5-2. ADS9224R Software Installation Prompts

As a part of the ADS9224REVM GUI installation, a prompt with a *Device Driver Installation* will appear on the screen. Click *Next* to proceed.

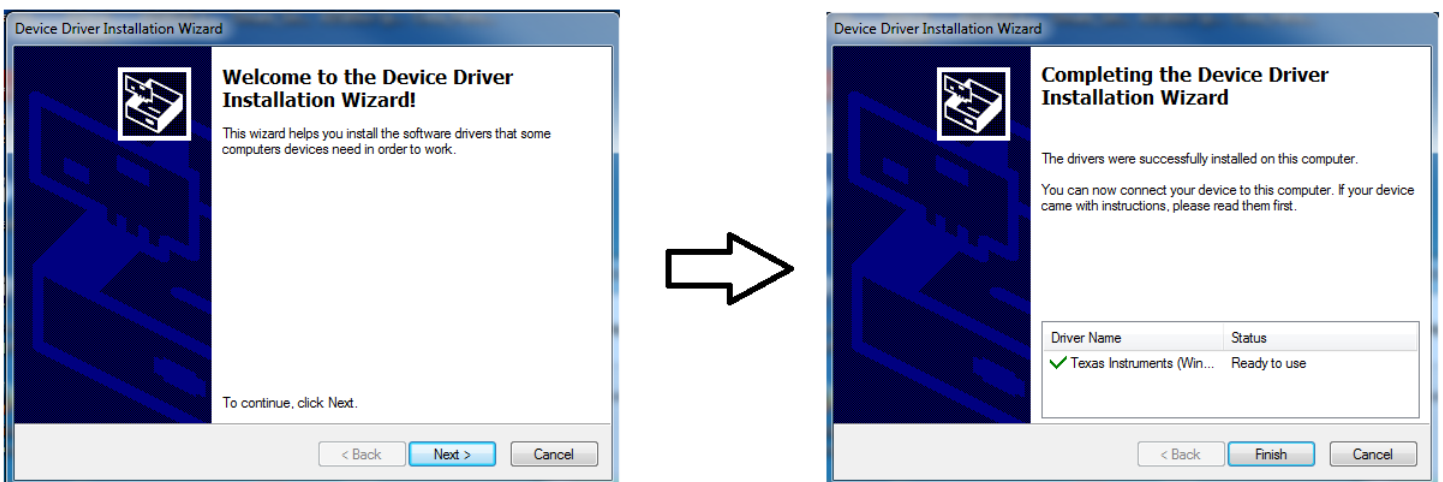


Figure 5-3. Device Driver Installation Wizard Prompts

Note

A notice may appear on the screen stating that Widows cannot verify the publisher of this driver software. Select *Install this driver software anyway*.

The ADS9224xEVM-PDK requires *LabVIEW™ Run-Time Engine*, and may prompt for the installation of this software if not already installed.

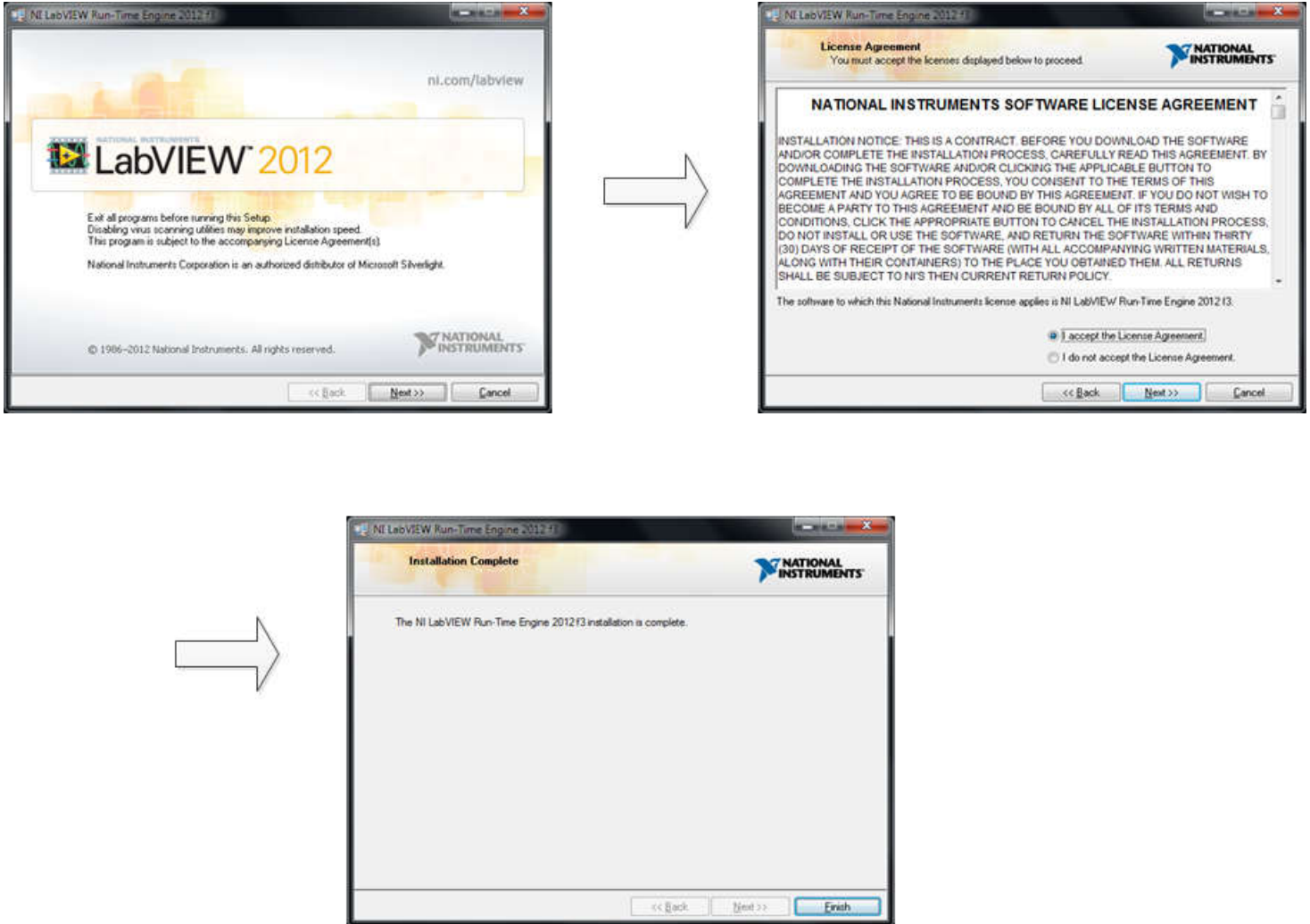


Figure 5-4. LabVIEW Run-Time Engine Installation

After these installations, verify that `C:\Program Files (x86)\Texas Instruments\ADS9224REVM` is as shown in Figure 5-5.

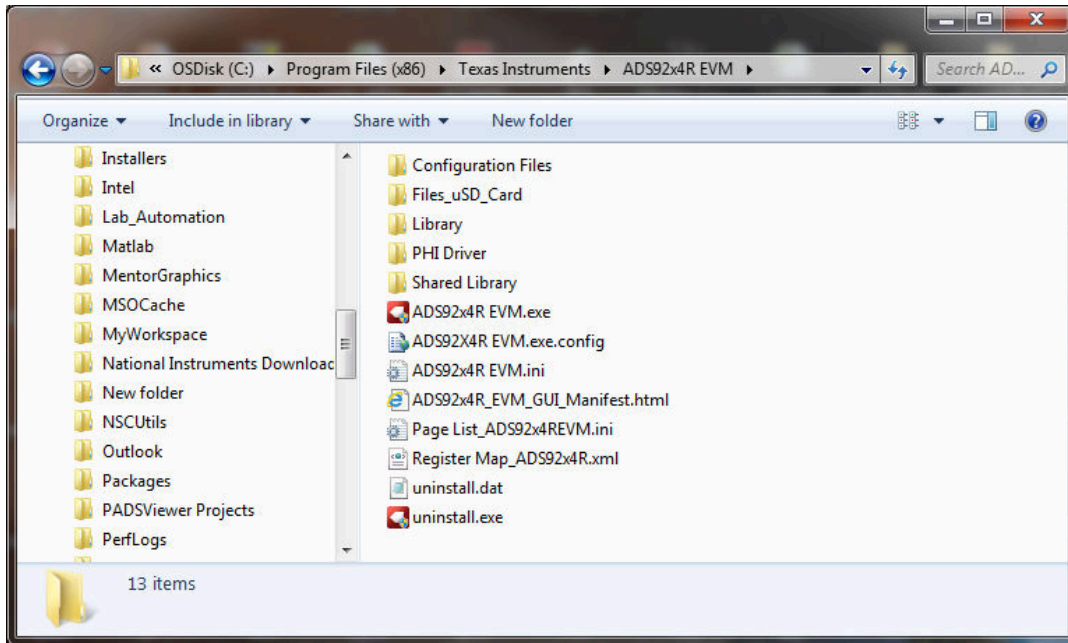


Figure 5-5. ADS9224REVM-PDK Folder Post-Installation

6 Operation

The following instructions are a step-by-step guide to connecting the ADS9224REVM-PDK to the computer and evaluating the performance of the ADS9224R:

1. Connect the ADS9224REVM to the PHI, and install the two screws, as indicated in [Figure 6-1](#).
2. Use the provided USB cable to connect the PHI to the computer.
 - LED D5 on the PHI lights up, indicating that the PHI is powered up.
 - LEDs D1 and D2 on the PHI start blinking to indicate that the PHI is booted up and communicating with the PC.

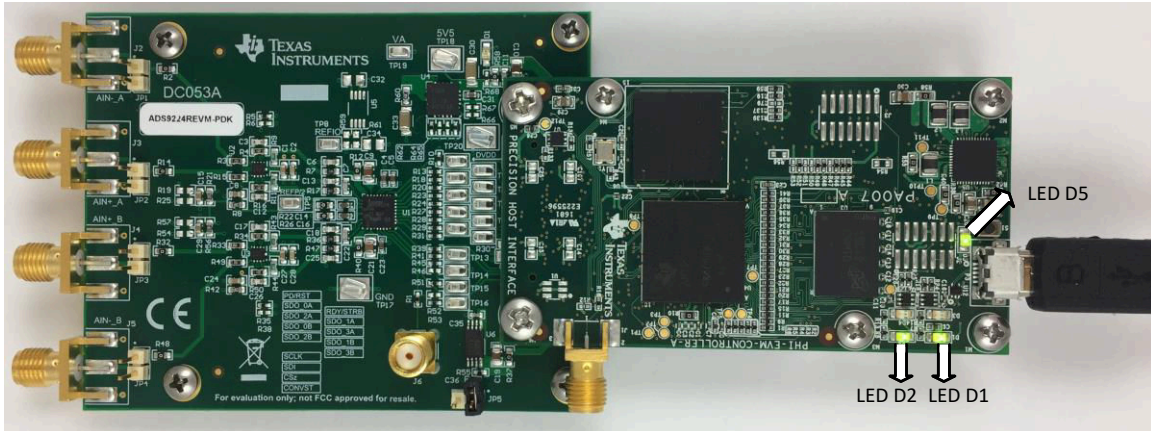


Figure 6-1. EVM-PDK Hardware Setup and LED Indicators

3. Double-click on the *ADS92x4R EVM.exe*, file to launch the ADS9224REVM-PDK GUI software. [Figure 6-2](#) shows the ADS9224REVM software folder.

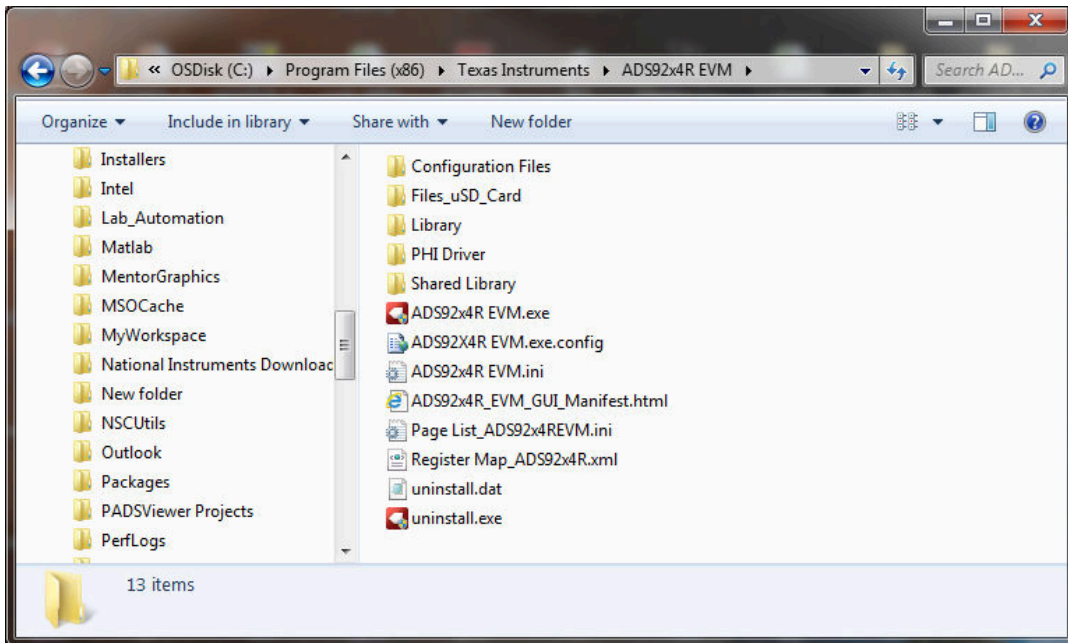


Figure 6-2. Launch the EVM GUI Software

6.1 EVM GUI Global Settings for ADC Control

Although the EVM GUI does not allow direct access to the levels and timing configuration of the ADC digital interface, the EVM GUI does allow high-level control over virtually all functions of the ADS9224R. The available functions include interface modes, sampling rate, and number of samples to be captured.

Figure 6-3 presents the input parameters and the default values of the GUI, through which the various functions of the ADS9224R are exercised. These settings are global and are applied to all the pages listed in *Pages* section at the top of the left pane.

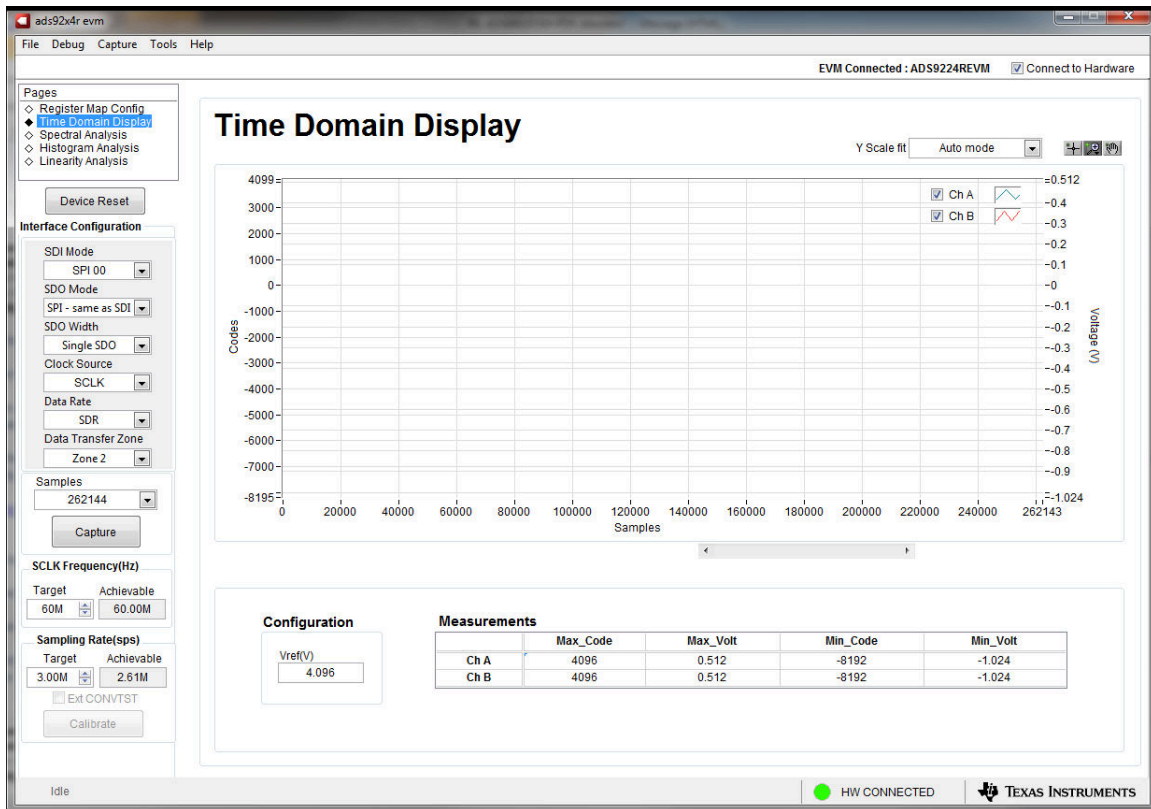


Figure 6-3. EVM GUI Global Input Parameters

The host configuration options in this pane allow the user to choose from various SPI and multiSPI host interface options available on the ADS9224R. The host always communicates with the ADS9224R using the standard SPI protocol over the single SDI lane, irrespective of the mode selected for data capture.

The drop-down boxes under the *Interface Configuration* submenu allow the user to select the data capture protocol. The *SDO Width* drop-down menu allows selection between Single-, Dual- and Quad-SDO lanes. The *SDO Mode* drop-down menu allows selection between standard SPI and multiSPI modes. The ADS9224REVM-PDK software supports maximum throughput of 3-MSPS when using Dual- and Quad-SDO lanes, and a maximum throughput of 2.61-MSPS when using Single-SDO lane. For maximum throughput of 3-MSPS, select the Dual or Quad-SDO lanes.

In SPI mode, the *SDI Mode* drop-down menu allows selection between the four SPI protocol combinations for CPOL and CPHA.

In multiSPI mode, the *Data Rate* drop-down menu allows selection between SDR and DDR modes. Detailed descriptions of each of these modes is available in the [ADS9224R data sheet](#). The selected data capture protocol is summarized in the *Protocol Selected* indicator box.

Select *SCLK Frequency* and *Sampling Rate* on this pane. Enter the targeted values for these two parameters, and the GUI computes the best values that can be achieved, considering the timing constraints of the selected device protocol.

Specify a target SCLK frequency (in Hz), and the GUI tries to match this frequency as closely as possible by changing the PHI PLL settings. However, the achievable frequency may differ from the target value entered. Similarly, the sampling rate of the ADC can be adjusted by modifying the *Target Sampling Rate* argument (also in Hz). The achievable ADC sampling rate can differ from the target value depending on the applied SCLK frequency and selected *Device Mode*. The closest achievable match is then displayed. Thus, this pane allows the user to test various available settings on the ADS9224R in an iterative fashion until the best settings for the corresponding test scenario are found.

The *Device Reset* button functions as a master reset to both the ADS9224REVM and the GUI. When the button is pressed, the ADC resets to the reset configuration explained in the [ADS9224R data sheet](#). The GUI also updates the interface configuration settings and the register map to reflect the device reset state.

6.2 Register Map Configuration Tool

Use the register map configuration tool to view and modify the registers of the ADS9224R. To select this tool, click on the *Register Map Config* radio button in the *Pages* section at the top of the left pane, as shown in [Figure 6-4](#). At power-up, the values on this page correspond to the host configuration settings that enable ADC sampling at the maximum sampling rate specified for the ADC. Edit the register values by double-clicking the corresponding value field. If interface mode settings are affected by the change in register values, this change reflects on the left pane immediately. The effect of changes in the register value reflect on the ADS9224R device on ADS9224REVM-PDK based on the *Update Mode* selection, as described in [Figure 6-4](#).

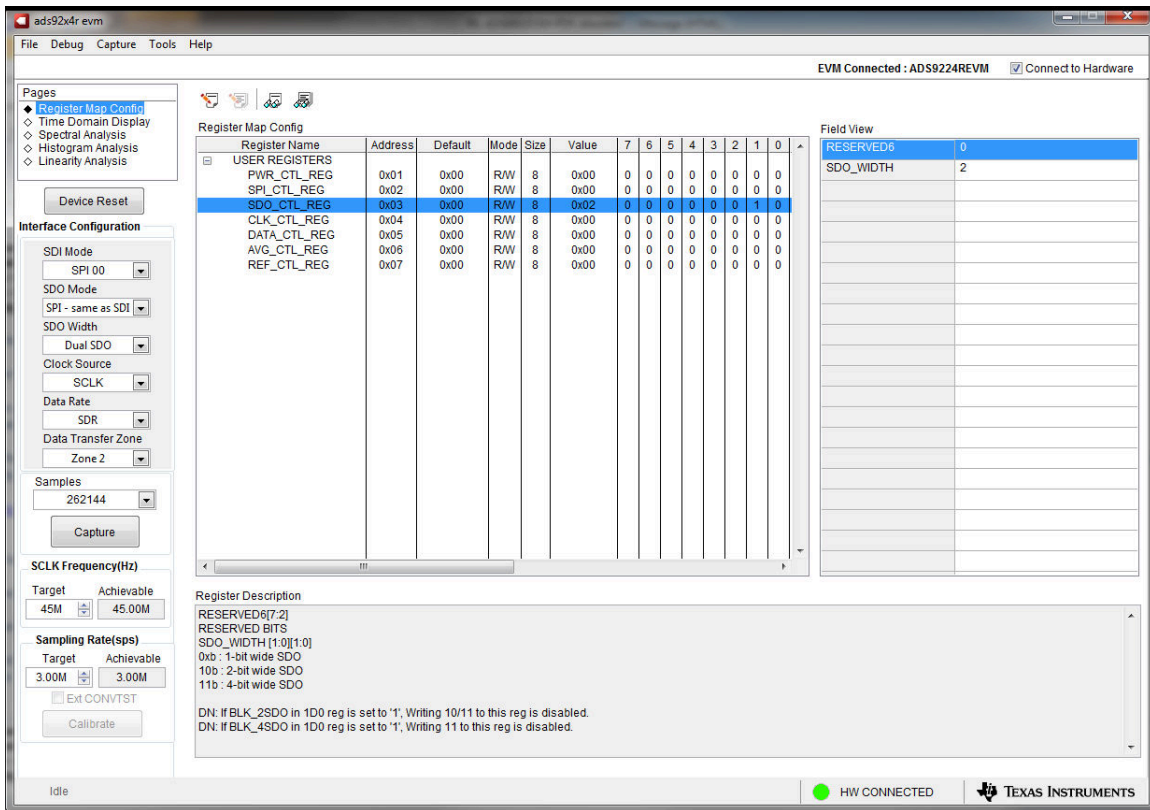


Figure 6-4. Register Map Configuration

6.3 Time Domain Display Tool

The time domain display tool allows visualization of the ADC response to a given input signal. This tool is useful for both studying the behavior and debugging any gross problems with the ADC or drive circuits.

To trigger a capture of the data of the selected number of samples from the ADS9224R, as per the current interface mode settings, use the *Capture* button shown on the left pane of Figure 6-5. The sample indices are on the x-axis. The two y-axes show the corresponding output codes, as well as the equivalent analog voltages based on the specified reference voltage. To display channel A (Ch A) data or channel B (Ch B) data, select the proper channel, as shown in the top right section of Figure 6-5. Switching pages to any of the analysis tools described in the subsequent sections triggers calculations that are performed on the same set of data.

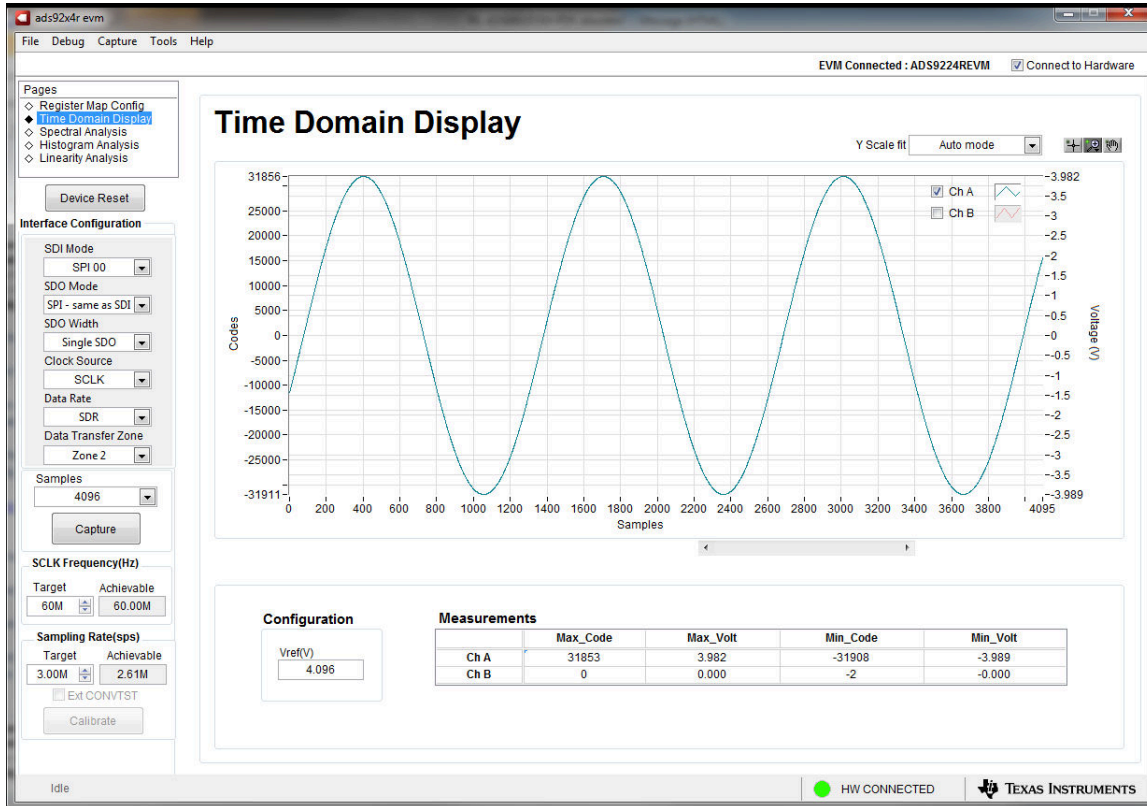


Figure 6-5. Time Domain Display Tool Options

6.4 Spectral Analysis Tool

The spectral analysis tool evaluates the dynamic performance (SNR, THD, SFDR, SINAD, and ENOB) of the ADS9224R SAR ADC. Evaluation is done through single-tone sinusoidal signal FFT analysis using the 7-term Blackman-Harris window setting. The window setting of *None* can be used to search for noise spurs over frequency in dc inputs.

For dynamic performance evaluation, the external differential source must have better specifications than the ADC. The measured system performance must not be limited by the performance of the signal source. Therefore, the external reference source must meet the source requirements mentioned in [Table 6-1](#).

Table 6-1. External Source Requirements for Evaluation of the ADS9224R

Specification Description	Specification Value
Signal frequency	Less than $f_S / 2$
External source type	Balanced differential
External source common-mode voltage	0 V or floating
Source differential signal (V_{PP} amplitude for -0.5 dBFS)	$\pm 3.875 V_P$ OR $7.75 V_{PP}$
Maximum noise	$20 \mu V_{RMS}$
Minimum SNR	103.2 dB
Maximum THD	-120 dB

For 2-kHz SNR and ENOB evaluation at a maximum throughput of 3 MSPS, the number of samples must be a minimum of 65536.

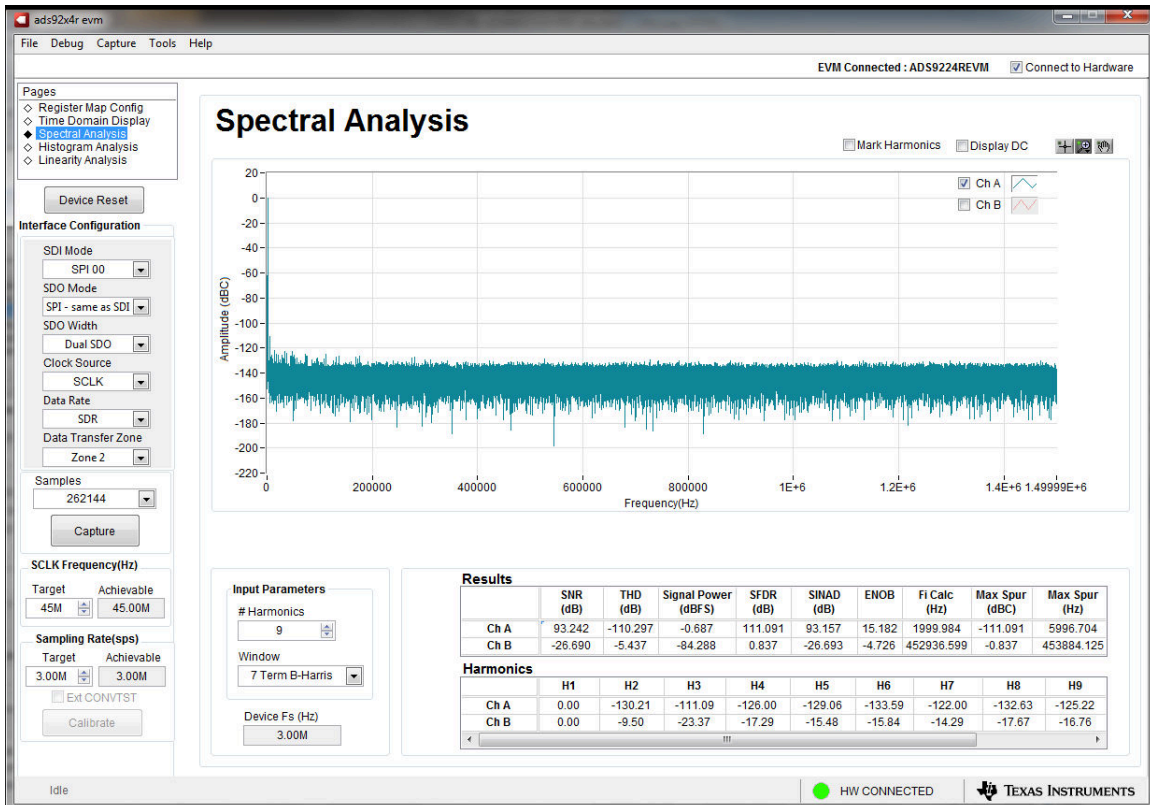


Figure 6-6. Spectral Analysis Tool

Finally, the FFT tool includes windowing options that are required to mitigate the effects of noncoherent sampling (a discussion that is beyond the scope of this document). The 7-Term Blackman Harris window is the default option and has sufficient dynamic range to resolve the frequency components of up to a 24-bit ADC. The *None* option corresponds to not using a window (or using a rectangular window) and is not recommended.

6.5 Histogram Tool

Noise degrades ADC resolution. The histogram tool can be used to estimate *effective resolution*. Effective resolution is an indicator of the number of bits of ADC resolution losses resulting from noise generated by the various sources connected to the ADC when measuring a dc signal. The cumulative effect of noise coupling to the ADC output from sources (such as the input drive circuits, the reference drive circuit, the ADC power supply, and the ADC) is reflected in the standard deviation of the ADC output code histogram that is obtained by performing multiple conversions of a dc input applied to a given channel.

The histogram corresponding to a dc input is displayed on clicking the *Capture* button, as shown in [Figure 6-7](#):

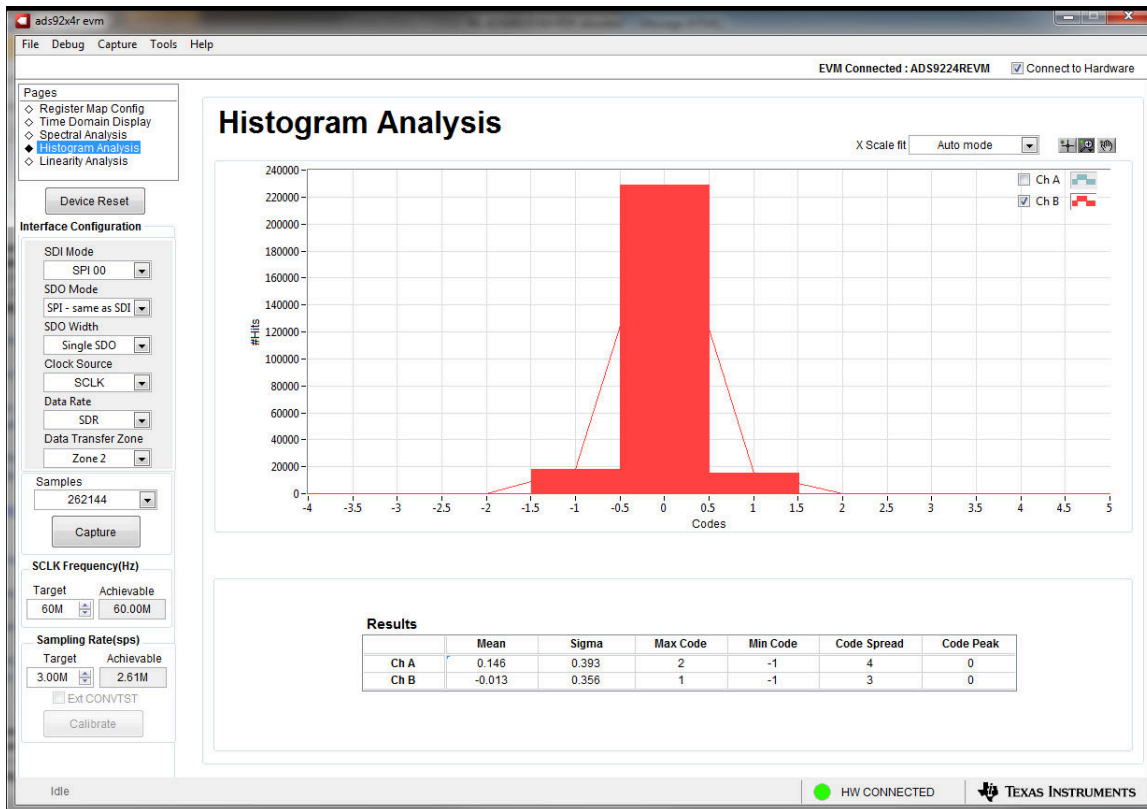


Figure 6-7. Histogram Analysis Tool

7 ADS9224REVM Bill of Materials, PCB Layout, and Schematics

This section contains the ADS9224REVM [bill of materials](#), [PCB layout](#), and the [EVM schematics](#).

7.1 Bill of Materials

The following table lists the ADS9224REVM bill of materials.

Table 7-1. ADS9224REVM Bill of Materials

Designator	Quantity	Value	Description	Package Reference	Part Number	Manufacturer
!PCB1	1		Printed Circuit Board		DC053	Any
C1, C8, C15, C24, C27, C29, C37, C39, C40	9	0.1uF	CAP, CERM, 0.1 uF, 16 V, +/- 10%, X7R, 0603	0603	885012206046	Wurth Elektronik
C2, C28, C38, C41	4	0.01uF	CAP, CERM, 0.01 uF, 10 V, +/- 10%, X7R, 0603	0603	0603ZC103KAT2A	AVX
C3, C12, C17, C26	4	100pF	CAP, CERM, 100 pF, 50 V, +/- 1%, C0G/NP0, 0603	0603	06035A101FAT2A	AVX
C4, C5, C14, C16, C23, C31, C48	7	1uF	CAP, 1uF, 25V, ±10%, X7R, 0603	0603	CL10B105KA8NNNC	Samsung
C6, C13, C18, C25	4	330pF	CAP, CERM, 330 pF, 50 V, +/- 5%, C0G/NP0, 0603	0603	C0603C331J5GACTU	Kemet
C7, C22	2	3300pF	CAP, CERM, 3300 pF, 50 V, +/- 5%, C0G/NP0, 0603	0603	GRM1885C1H332JA01D	MuRata
C9, C10, C19, C20, C21, C30, C47	7	10uF	CAP, CERM, 10 uF, 16 V, +/- 10%, X7R, 0805	0805	CL21B106KOQNNNE	Samsung Electro-Mechanics
C11	1	1000pF	CAP, CERM, 1000 pF, 50 V, +/- 1%, C0G/NP0, 0603	0603	GRM1885C1H102FA01J	MuRata
C33	1	47uF	CAP, CERM, 47 uF, 25 V, +/- 20%, X5R, 1206_190	1206_190	C3216X5R1E476M160AC	TDK
C35, C36, C42	3	0.1uF	CAP, CERM, 0.1 uF, 16 V, +/- 10%, X7R, 0402	0402	GRM155R71C104KA88D	MuRata
C43, C46	2	4.7uF	CAP, CERM, 4.7 uF, 16 V, +/- 10%, X5R, 0805	0805	CL21A475KOFNNNE	Samsung Electro-Mechanics
C44	1	22uF	CAP, CERM, 22 uF, 16 V, +/- 10%, X5R, 0805	0805	CL21A226KOQNNNE	Samsung Electro-Mechanics
C45	1	0.47uF	CAP, CERM, 0.47 uF, 16 V, +/- 10%, X5R, 0603	0603	GRM188R61C474KA93D	MuRata
D1	1	Green	LED, Green, SMD	LED_0805	APT2012LZGCK	Kingbright
D2, D3	2	75V	Diode, Switching, 75 V, 0.3 A, SOD-523F	SOD-523F	1N4148WT	Fairchild Semiconductor

Table 7-1. ADS9224REVM Bill of Materials (continued)

Designator	Quantity	Value	Description	Package Reference	Part Number	Manufacturer
H1, H2, H3, H4	4		MACHINE SCREW PAN PHILLIPS 4-40	Machine Screw, 4-40, 1/4 inch	PMSSS 440 0025 PH	B&F Fastener Supply
H6, H7, H8, H9	4		Hex Standoff, #4-40, Aluminum, 1/4"	1/4 inch Aluminum Hex Standoff	1891	Keystone
H10, H11	2		Machine Screw Pan PHILLIPS M3		RM3X4MM 2701	APM HEXSEAL
H12, H13	2		ROUND STANDOFF M3 STEEL 5MM	ROUND STANDOFF M3 STEEL 5MM	9774050360R	Wurth Elektronik
J1	1		Header(Shrouded), 19.7mil, 30x2, Gold, SMT	Header (Shrouded), 19.7mil, 30x2, SMT	QTH-030-01-L-D-A	Samtec
J2, J3, J4, J5	4		Connector, End launch SMA, 50 ohm, SMT	End Launch SMA	142-0701-801	Cinch Connectivity
J6	1		SMA Straight PCB Socket Die Cast, 50 Ohm, TH	SMA Straight PCB Socket Die Cast, TH	5-1814832-1	TE Connectivity
JP1, JP2, JP3, JP4, JP5, JP6, JP7	7		Header, 100mil, 2x1, Gold, TH	Header, 100mil, 2x1, TH	HTSW-102-07-G-S	Samtec
JP8	1		Header, 100mil, 3x1, Gold, TH	Header, 100mil, 3x1, TH	HTSW-103-07-G-S	Samtec
LBL1	1		Thermal Transfer Printable Labels, 0.650" W x 0.200" H - 10,000 per roll	PCB Label 0.650 x 0.200 inch	THT-14-423-10	Brady
R1	1	49.9	RES, 49.9, 1%, 0.25 W, 1206	1206	RC1206FR-0749R9L	Yageo America
R2, R12, R14, R22, R26, R32, R40, R48, R74	9	0	RES, 0, 1%, 0.1 W, AEC-Q200 Grade 0, 0603	0603	RMCF0603ZT0R00	Stackpole Electronics Inc
R3, R4, R15, R16, R33, R34, R49, R50	8	1.00k	RES, 1.00 k, 0.1%, 0.1 W, 0603	0603	RT0603BRD071KL	Yageo America
R5, R10, R35, R55, R68, R71	6	10.0k	RES, 10.0 k, 1%, 0.1 W, 0402	0402	ERJ-2RKF1002X	Panasonic

Table 7-1. ADS9224REVM Bill of Materials (continued)

Designator	Quantity	Value	Description	Package Reference	Part Number	Manufacturer
R7, R17, R36, R47	4	4.32	RES, 4.32, 1%, 0.1 W, AEC-Q200 Grade 0, 0603	0603	CRCW06034R32FKEA	Vishay-Dale
R8, R21, R42, R56	4	100	RES, 100, 1%, 0.1 W, 0603	0603	RC0603FR-07100RL	Yageo America
R9, R11, R43, R44	4	10.0	RES, 10.0, 0.1%, 0.1 W, 0603	0603	TNPW060310R0BEEA	Vishay-Dale
R13, R18, R20, R23, R24, R27, R28, R29, R31, R39, R41, R45, R51, R53	14	0	RES, 0, 5%, 0.1 W, AEC-Q200 Grade 0, 0402	0402	ERJ-2GE0R00X	Panasonic
R30	1	5.11	RES, 5.11, 1%, 0.1 W, AEC-Q200 Grade 0, 0603	0603	CRCW06035R11FKEA	Vishay-Dale
R37	1	0	RES, 0, 5%, 0.1 W, AEC-Q200 Grade 0, 0603	0603	ERJ-3GEY0R00V	Panasonic
R58, R72, R75	3	0	RES, 0, 5%, 0.1 W, 0603	0603	ERJ-3GEY0R00V	Panasonic
R60	1	0.1	RES, 0.1, 1%, 0.1 W, 0603	0603	ERJ-3RSFR10V	Panasonic
R62, R65	2	0	RES, 0, 5%, 0.063 W, 0402	0402	ERJ-2GE0R00X	Panasonic
R69	1	1.24k	RES, 1.24 k, 1%, 0.1 W, 0603	0603	RC0603FR-071K24L	Yageo
R70	1	1.00k	RES, 1.00 k, 1%, 0.1 W, 0603	0603	ERJ-3EKF1001V	Panasonic
SH-J1, SH-J2, SH-J3, SH-J4, SH-J5, SH-J6, SH-J7, SH-J8	8		Shunt, 100mil, Gold plated, Black	Shunt 2 pos. 100 mil	881545-2	TE Connectivity
TP1, TP2, TP3, TP4, TP5, TP6, TP7, TP8, TP9, TP10, TP11, TP12, TP13, TP14, TP15, TP16, TP19	17		Test Point, Miniature, SMT	Testpoint_Keystone_Miniature	5015	Keystone
TP17, TP18, TP20, TP21	4		Test Point, Compact, SMT	Testpoint_Keystone_Compact	5016	Keystone
U1	1		Dual, Low Latency, Simultaneous-Sampling SAR ADC, RHB0032E (VQFN-32)	RHB0032E	ADS9224RRHB	Texas Instruments

Table 7-1. ADS9224REVM Bill of Materials (continued)

Designator	Quantity	Value	Description	Package Reference	Part Number	Manufacturer
U2, U3	2		Low Noise, Precision, 150MHz, Fully Differential Amplifier, RUN0010A (WQFN-10)	RUN0010A	THS4551IRUNR	Texas Instruments
U4	1		36-V, 1-A, 4.17-uVRMS, RF LDO Voltage Regulator, RGW0020A (VQFN-20)	RGW0020A	TPS7A4700RGWR	Texas Instruments
U6	1		I2C BUS EEPROM (2-Wire), TSSOP-B8	TSSOP-8	BR24G32FVT-3AGE2	Rohm
U7	1		Single Schmitt-Trigger Inverter, DCK0005A (SOT-SC70-5)	DCK0005A	SN74LVC1G14DCKT	Texas Instruments
U8	1		Low Noise Negative Bias Generator, 8-pin Mini SOIC, Pb-Free	DGK0008A	LM7705MM/NOPB	Texas Instruments
C32	0	1uF	CAP, CERM, 1 uF, 10 V, +/- 10%, X7R, 0805	0805	0805ZC105KAT2A	AVX
C34	0	10uF	CAP, CERM, 10 uF, 16 V, +/- 10%, X7R, 0805	0805	CL21B106K0QNNNE	Samsung Electro-Mechanics
FID1, FID2, FID3	0		Fiducial mark. There is nothing to buy or mount.	N/A	N/A	N/A
H5	0		Cable, USB-A to micro USB-B, 1 m		102-1092-BL-00100	CnC Tech
R6, R38	0	10.0k	RES, 10.0 k, 1%, 0.1 W, 0402	0402	ERJ-2RKF1002X	Panasonic
R19, R25, R54, R57	0	100k	RES, 100 k, 0.1%, 0.1 W, 0603	0603	RT0603BRD07100KL	Yageo America
R46, R52	0	0	RES, 0, 5%, 0.1 W, AEC-Q200 Grade 0, 0402	0402	ERJ-2GE0R00X	Panasonic
R59	0	1.00k	RES, 1.00 k, 1%, 0.1 W, AEC-Q200 Grade 0, 0603	0603	CRCW06031K00FKEA	Vishay-Dale
R61	0	0.22	RES, 0.22, 1%, 0.1 W, 0603	0603	ERJ-3RQFR22V	Panasonic
R63, R64, R66, R67	0	0	RES, 0, 5%, 0.063 W, 0402	0402	ERJ-2GE0R00X	Panasonic
R73	0	0	RES, 0, 1%, 0.1 W, AEC-Q200 Grade 0, 0603	0603	RMCF0603ZT0R00	Stackpole Electronics Inc
U5	0		3 uVpp/V Noise, 3 ppm/°C Drift Precision Series Voltage Reference, DGK0008A (VSSOP-8)	DGK0008A	REF5025AIDGKR	Texas Instruments

7.2 PCB Layout

Figure 7-1 through Figure 7-5 illustrate the EVM PCB layout.

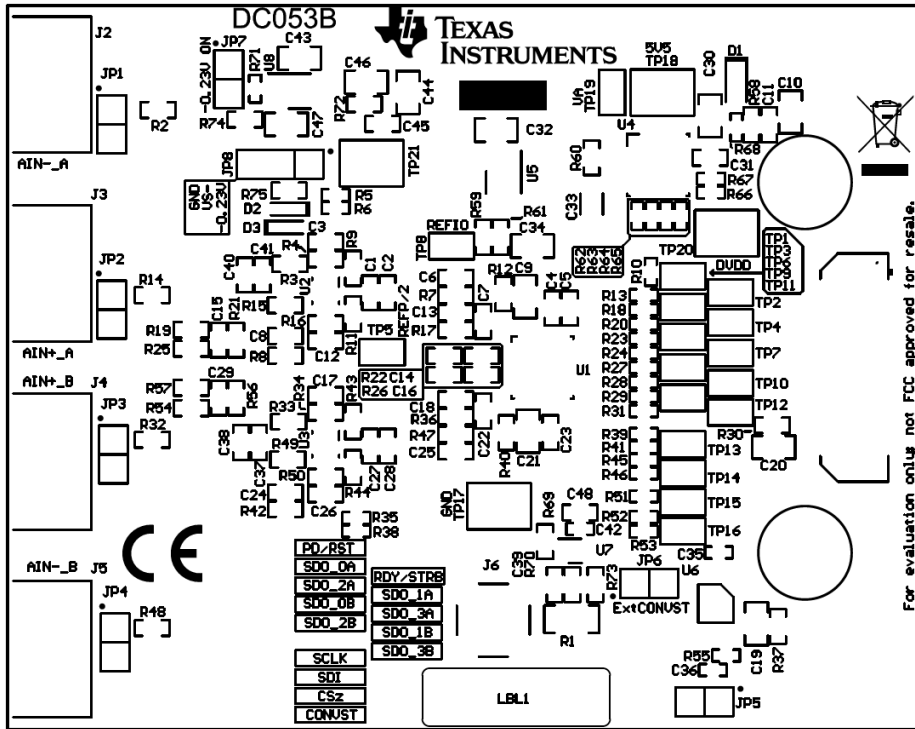


Figure 7-1. ADS9224REVM PCB Top Overlay

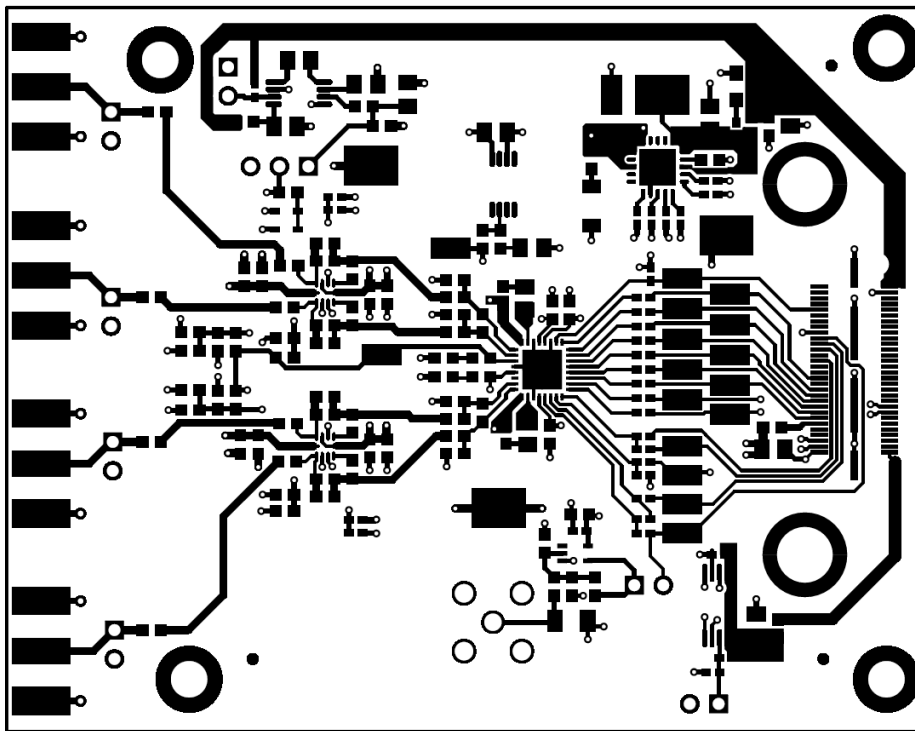


Figure 7-2. ADS9224REVM PCB Layer 1: Top Layer

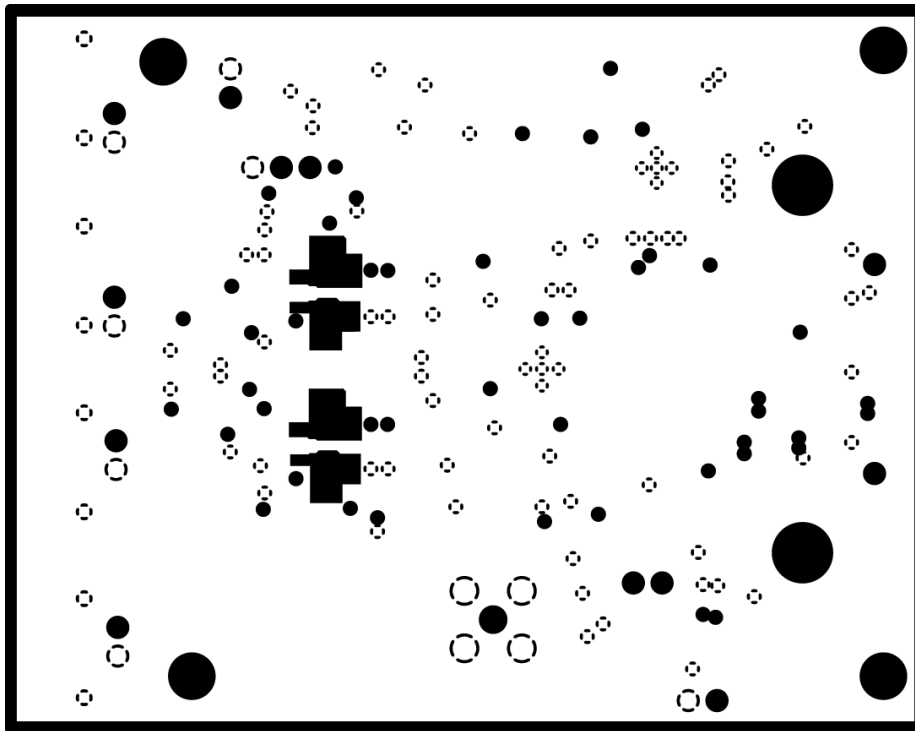


Figure 7-3. ADS9224REVM PCB Layer 2: GND Plane

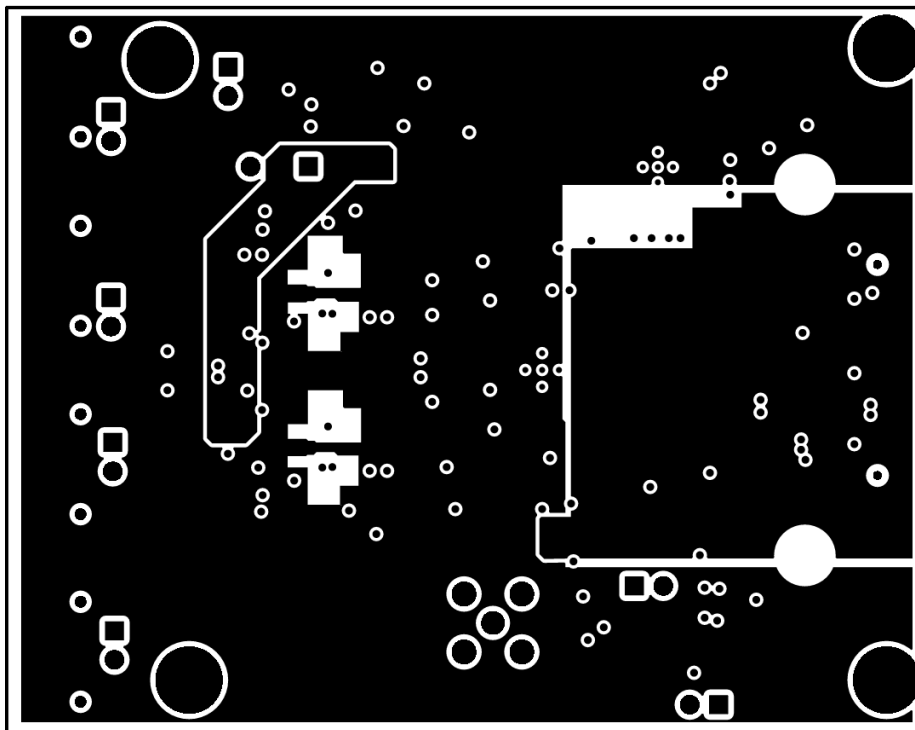


Figure 7-4. ADS9224REVM PCB Layer 3: Power Planes

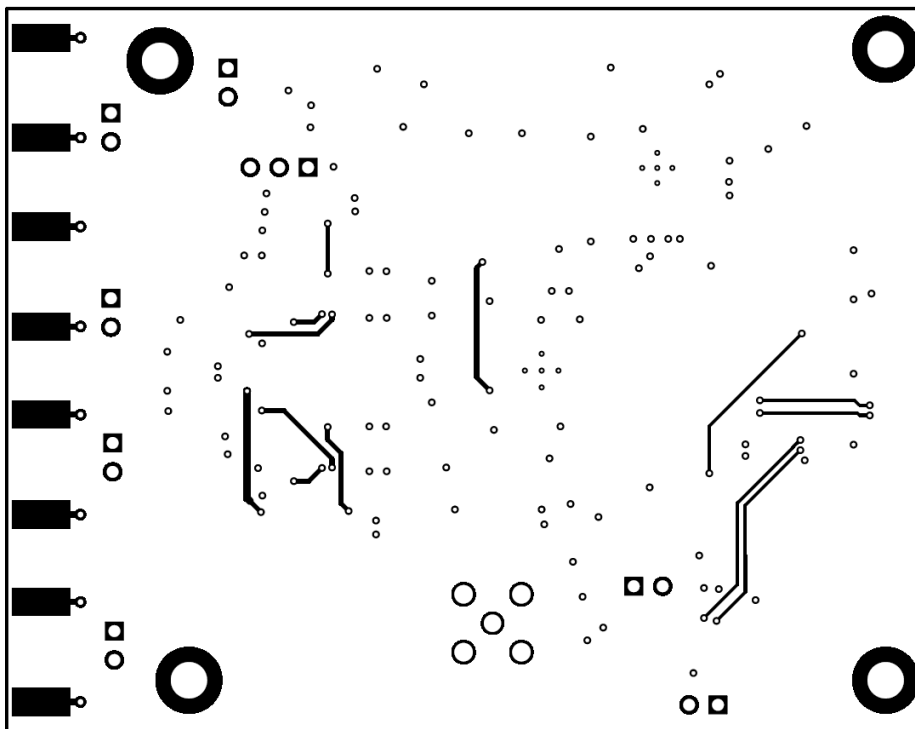


Figure 7-5. ADS9224REVM PCB Layer 4: Bottom Layer

7.3 Schematics

Figure 7-6 and Figure 7-7 illustrate the EVM schematics.

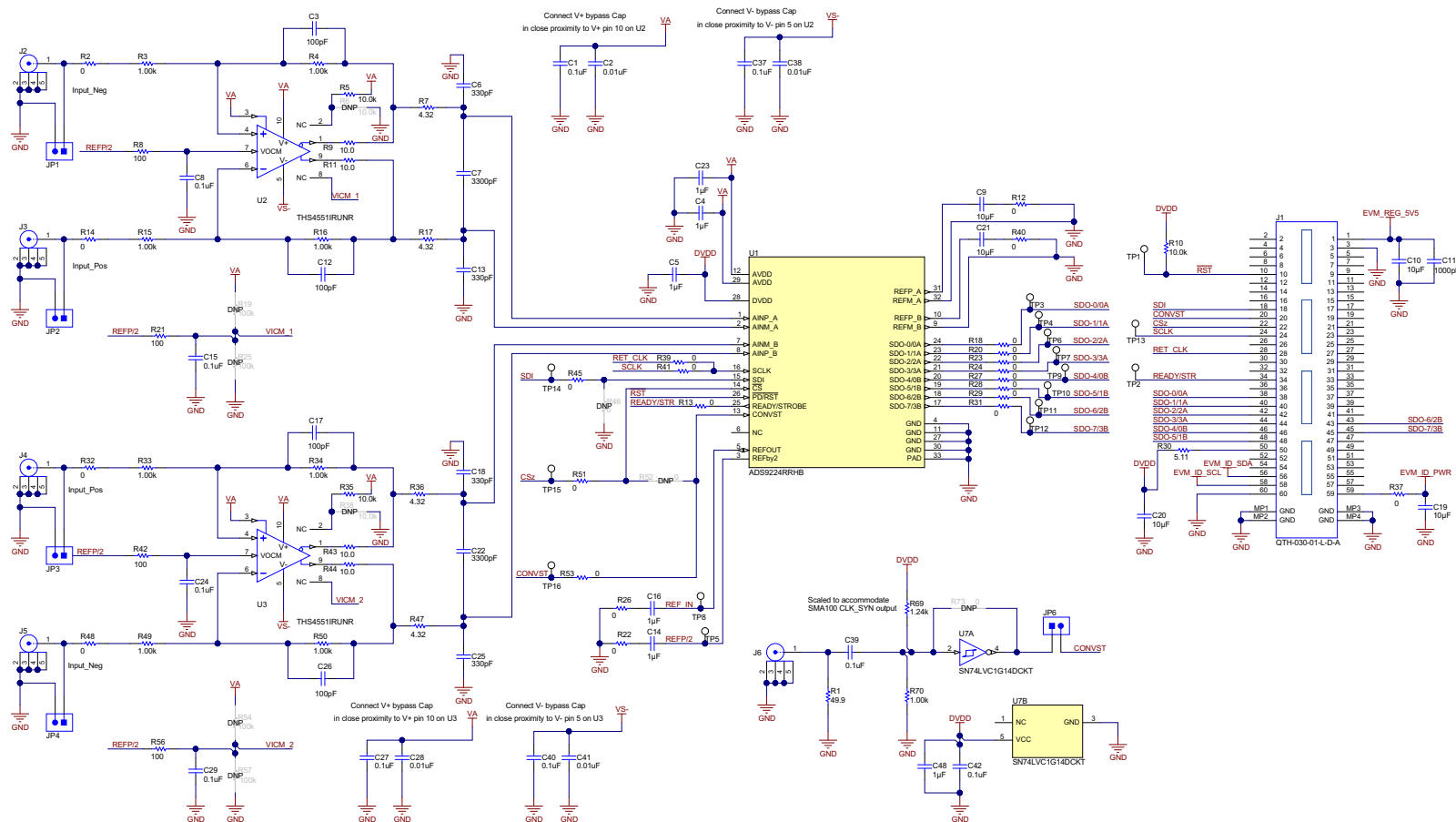
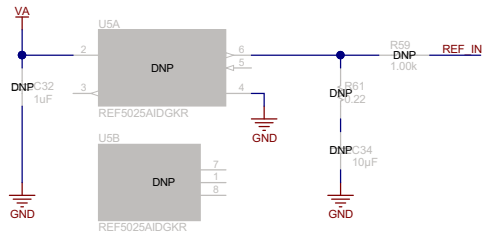
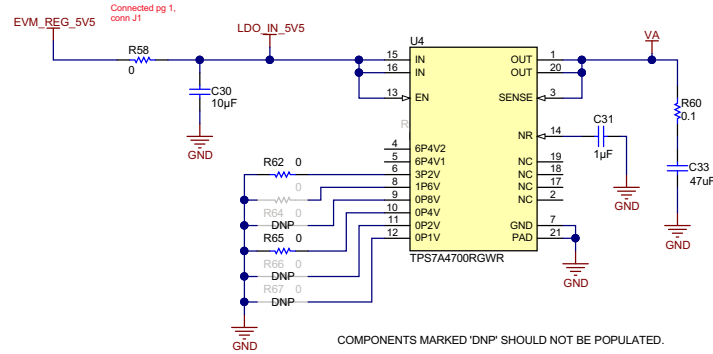


Figure 7-6. ADS9224REVM Schematic Diagram 1

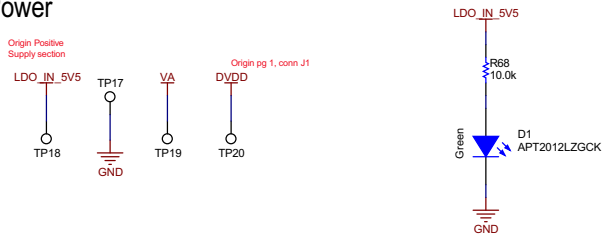
REFERENCE (Not populated for ADS9224R variant):



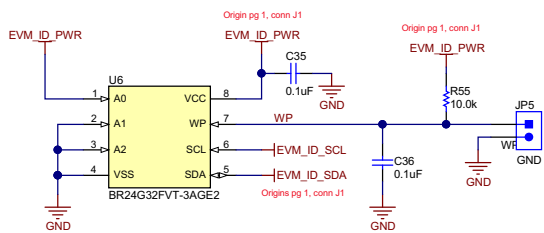
Positive Supply



Power



EEPROM



FDA NEGATIVE SUPPLY

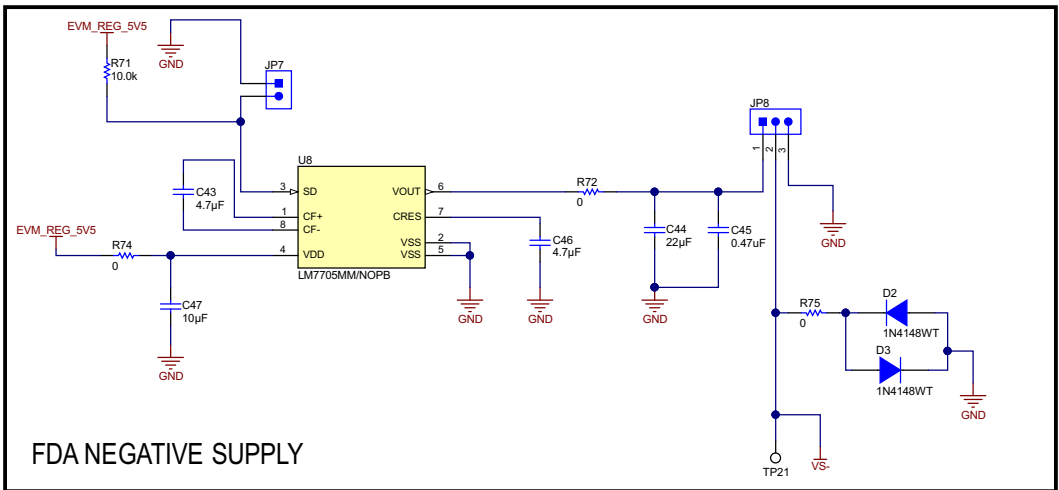


Figure 7-7. ADS9224REVM Schematic Diagram 2

8 Revision History

NOTE: Page numbers for previous revisions may differ from page numbers in the current version.

Changes from Revision A (June 2019) to Revision B (March 2025)	Page
• Updated the numbering format for tables, figures, and cross-references throughout the document.....	1

Changes from Revision * (July 2018) to Revision A (June 2019)	Page
• Changed J2, J4, and J5 in <i>J2 to J5 SMA Analog Interface Connections</i> table.....	5
• Changed <i>JP1 to JP4 Header Descriptions</i> table.....	5
• Changed discussion of how the input signal must be limited in <i>Input Signal Path</i> section.....	6
• Added REFby2 discussion and added test point TP8 to discussion of REFOUT in <i>ADS9224R Internal Reference</i> section.....	7
• Added <i>SPI Test Points</i> table to <i>multiSPI™ for ADC Digital IO</i> section.....	7
• Added last paragraph and <i>Power-Supply Test Points</i> table to <i>Power Supplies</i> section.....	8
• Changed <i>shunts can be used on jumpers JP2 to shunts can be used on jumpers JP1</i> in <i>Default Jumper Settings</i> section.....	9
• Added JP6, JP7, and JP8 rows to <i>Default Jumper Configurations</i> table.....	9
• Changed <i>signal frequency and source differential signal</i> specification values in <i>External Source Requirements for Evaluation of the ADS9224R</i> table.....	17
• Changed <i>ADS9224EVM Bill of Materials</i> table.....	19
• Changed <i>Schematics</i> figures.....	26

STANDARD TERMS FOR EVALUATION MODULES

1. *Delivery:* TI delivers TI evaluation boards, kits, or modules, including any accompanying demonstration software, components, and/or documentation which may be provided together or separately (collectively, an "EVM" or "EVMs") to the User ("User") in accordance with the terms set forth herein. User's acceptance of the EVM is expressly subject to the following terms.
 - 1.1 EVMs are intended solely for product or software developers for use in a research and development setting to facilitate feasibility evaluation, experimentation, or scientific analysis of TI semiconductor products. EVMs have no direct function and are not finished products. EVMs shall not be directly or indirectly assembled as a part or subassembly in any finished product. For clarification, any software or software tools provided with the EVM ("Software") shall not be subject to the terms and conditions set forth herein but rather shall be subject to the applicable terms that accompany such Software
 - 1.2 EVMs are not intended for consumer or household use. EVMs may not be sold, sublicensed, leased, rented, loaned, assigned, or otherwise distributed for commercial purposes by Users, in whole or in part, or used in any finished product or production system.
2. *Limited Warranty and Related Remedies/Disclaimers:*
 - 2.1 These terms do not apply to Software. The warranty, if any, for Software is covered in the applicable Software License Agreement.
 - 2.2 TI warrants that the TI EVM will conform to TI's published specifications for ninety (90) days after the date TI delivers such EVM to User. Notwithstanding the foregoing, TI shall not be liable for a nonconforming EVM if (a) the nonconformity was caused by neglect, misuse or mistreatment by an entity other than TI, including improper installation or testing, or for any EVMs that have been altered or modified in any way by an entity other than TI, (b) the nonconformity resulted from User's design, specifications or instructions for such EVMs or improper system design, or (c) User has not paid on time. Testing and other quality control techniques are used to the extent TI deems necessary. TI does not test all parameters of each EVM. User's claims against TI under this Section 2 are void if User fails to notify TI of any apparent defects in the EVMs within ten (10) business days after delivery, or of any hidden defects with ten (10) business days after the defect has been detected.
 - 2.3 TI's sole liability shall be at its option to repair or replace EVMs that fail to conform to the warranty set forth above, or credit User's account for such EVM. TI's liability under this warranty shall be limited to EVMs that are returned during the warranty period to the address designated by TI and that are determined by TI not to conform to such warranty. If TI elects to repair or replace such EVM, TI shall have a reasonable time to repair such EVM or provide replacements. Repaired EVMs shall be warranted for the remainder of the original warranty period. Replaced EVMs shall be warranted for a new full ninety (90) day warranty period.

WARNING

Evaluation Kits are intended solely for use by technically qualified, professional electronics experts who are familiar with the dangers and application risks associated with handling electrical mechanical components, systems, and subsystems.

User shall operate the Evaluation Kit within TI's recommended guidelines and any applicable legal or environmental requirements as well as reasonable and customary safeguards. Failure to set up and/or operate the Evaluation Kit within TI's recommended guidelines may result in personal injury or death or property damage. Proper set up entails following TI's instructions for electrical ratings of interface circuits such as input, output and electrical loads.

NOTE:

EXPOSURE TO ELECTROSTATIC DISCHARGE (ESD) MAY CAUSE DEGRADATION OR FAILURE OF THE EVALUATION KIT; TI RECOMMENDS STORAGE OF THE EVALUATION KIT IN A PROTECTIVE ESD BAG.

3 Regulatory Notices:

3.1 United States

3.1.1 Notice applicable to EVMs not FCC-Approved:

FCC NOTICE: This kit is designed to allow product developers to evaluate electronic components, circuitry, or software associated with the kit to determine whether to incorporate such items in a finished product and software developers to write software applications for use with the end product. This kit is not a finished product and when assembled may not be resold or otherwise marketed unless all required FCC equipment authorizations are first obtained. Operation is subject to the condition that this product not cause harmful interference to licensed radio stations and that this product accept harmful interference. Unless the assembled kit is designed to operate under part 15, part 18 or part 95 of this chapter, the operator of the kit must operate under the authority of an FCC license holder or must secure an experimental authorization under part 5 of this chapter.

3.1.2 For EVMs annotated as FCC – FEDERAL COMMUNICATIONS COMMISSION Part 15 Compliant:

CAUTION

This device complies with part 15 of the FCC Rules. Operation is subject to the following two conditions: (1) This device may not cause harmful interference, and (2) this device must accept any interference received, including interference that may cause undesired operation.

Changes or modifications not expressly approved by the party responsible for compliance could void the user's authority to operate the equipment.

FCC Interference Statement for Class A EVM devices

NOTE: This equipment has been tested and found to comply with the limits for a Class A digital device, pursuant to part 15 of the FCC Rules. These limits are designed to provide reasonable protection against harmful interference when the equipment is operated in a commercial environment. This equipment generates, uses, and can radiate radio frequency energy and, if not installed and used in accordance with the instruction manual, may cause harmful interference to radio communications. Operation of this equipment in a residential area is likely to cause harmful interference in which case the user will be required to correct the interference at his own expense.

FCC Interference Statement for Class B EVM devices

NOTE: This equipment has been tested and found to comply with the limits for a Class B digital device, pursuant to part 15 of the FCC Rules. These limits are designed to provide reasonable protection against harmful interference in a residential installation. This equipment generates, uses and can radiate radio frequency energy and, if not installed and used in accordance with the instructions, may cause harmful interference to radio communications. However, there is no guarantee that interference will not occur in a particular installation. If this equipment does cause harmful interference to radio or television reception, which can be determined by turning the equipment off and on, the user is encouraged to try to correct the interference by one or more of the following measures:

- Reorient or relocate the receiving antenna.
- Increase the separation between the equipment and receiver.
- Connect the equipment into an outlet on a circuit different from that to which the receiver is connected.
- Consult the dealer or an experienced radio/TV technician for help.

3.2 Canada

3.2.1 For EVMs issued with an Industry Canada Certificate of Conformance to RSS-210 or RSS-247

Concerning EVMs Including Radio Transmitters:

This device complies with Industry Canada license-exempt RSSs. Operation is subject to the following two conditions:

(1) this device may not cause interference, and (2) this device must accept any interference, including interference that may cause undesired operation of the device.

Concernant les EVMs avec appareils radio:

Le présent appareil est conforme aux CNR d'Industrie Canada applicables aux appareils radio exempts de licence. L'exploitation est autorisée aux deux conditions suivantes: (1) l'appareil ne doit pas produire de brouillage, et (2) l'utilisateur de l'appareil doit accepter tout brouillage radioélectrique subi, même si le brouillage est susceptible d'en compromettre le fonctionnement.

Concerning EVMs Including Detachable Antennas:

Under Industry Canada regulations, this radio transmitter may only operate using an antenna of a type and maximum (or lesser) gain approved for the transmitter by Industry Canada. To reduce potential radio interference to other users, the antenna type and its gain should be so chosen that the equivalent isotropically radiated power (e.i.r.p.) is not more than that necessary for successful communication. This radio transmitter has been approved by Industry Canada to operate with the antenna types listed in the user guide with the maximum permissible gain and required antenna impedance for each antenna type indicated. Antenna types not included in this list, having a gain greater than the maximum gain indicated for that type, are strictly prohibited for use with this device.

Concernant les EVMs avec antennes détachables

Conformément à la réglementation d'Industrie Canada, le présent émetteur radio peut fonctionner avec une antenne d'un type et d'un gain maximal (ou inférieur) approuvé pour l'émetteur par Industrie Canada. Dans le but de réduire les risques de brouillage radioélectrique à l'intention des autres utilisateurs, il faut choisir le type d'antenne et son gain de sorte que la puissance isotrope rayonnée équivalente (p.i.r.e.) ne dépasse pas l'intensité nécessaire à l'établissement d'une communication satisfaisante. Le présent émetteur radio a été approuvé par Industrie Canada pour fonctionner avec les types d'antenne énumérés dans le manuel d'usage et ayant un gain admissible maximal et l'impédance requise pour chaque type d'antenne. Les types d'antenne non inclus dans cette liste, ou dont le gain est supérieur au gain maximal indiqué, sont strictement interdits pour l'exploitation de l'émetteur.

3.3 Japan

3.3.1 *Notice for EVMs delivered in Japan:* Please see http://www.tij.co.jp/lstds/ti_ja/general/eStore/notice_01.page 日本国内に輸入される評価用キット、ボードについては、次のところをご覧ください。

<https://www.ti.com/ja-jp/legal/notice-for-evaluation-kits-delivered-in-japan.html>

3.3.2 *Notice for Users of EVMs Considered "Radio Frequency Products" in Japan:* EVMs entering Japan may not be certified by TI as conforming to Technical Regulations of Radio Law of Japan.

If User uses EVMs in Japan, not certified to Technical Regulations of Radio Law of Japan, User is required to follow the instructions set forth by Radio Law of Japan, which includes, but is not limited to, the instructions below with respect to EVMs (which for the avoidance of doubt are stated strictly for convenience and should be verified by User):

1. Use EVMs in a shielded room or any other test facility as defined in the notification #173 issued by Ministry of Internal Affairs and Communications on March 28, 2006, based on Sub-section 1.1 of Article 6 of the Ministry's Rule for Enforcement of Radio Law of Japan,
2. Use EVMs only after User obtains the license of Test Radio Station as provided in Radio Law of Japan with respect to EVMs, or
3. Use of EVMs only after User obtains the Technical Regulations Conformity Certification as provided in Radio Law of Japan with respect to EVMs. Also, do not transfer EVMs, unless User gives the same notice above to the transferee. Please note that if User does not follow the instructions above, User will be subject to penalties of Radio Law of Japan.

【無線電波を送信する製品の開発キットをお使いになる際の注意事項】 開発キットの中には技術基準適合証明を受けていないものがあります。技術適合証明を受けていないものご使用に際しては、電波法遵守のため、以下のいずれかの措置を取っていただく必要がありますのでご注意ください。

1. 電波法施行規則第6条第1項第1号に基づく平成18年3月28日総務省告示第173号で定められた電波暗室等の試験設備でご使用いただく。
2. 実験局の免許を取得後ご使用いただく。
3. 技術基準適合証明を取得後ご使用いただく。

なお、本製品は、上記の「ご使用にあたっての注意」を譲渡先、移転先に通知しない限り、譲渡、移転できないものとします。

上記を遵守頂けない場合は、電波法の罰則が適用される可能性があることをご留意ください。日本テキサス・イ

ンスツルメンツ株式会社

東京都新宿区西新宿 6 丁目 2 4 番 1 号

西新宿三井ビル

3.3.3 *Notice for EVMs for Power Line Communication:* Please see http://www.tij.co.jp/lstds/ti_ja/general/eStore/notice_02.page

電力線搬送波通信についての開発キットをお使いになる際の注意事項については、次のところをご覧ください。 <https://www.ti.com/ja-jp/legal/notice-for-evaluation-kits-for-power-line-communication.html>

3.4 European Union

3.4.1 *For EVMs subject to EU Directive 2014/30/EU (Electromagnetic Compatibility Directive):*

This is a class A product intended for use in environments other than domestic environments that are connected to a low-voltage power-supply network that supplies buildings used for domestic purposes. In a domestic environment this product may cause radio interference in which case the user may be required to take adequate measures.

-
- 4 *EVM Use Restrictions and Warnings:*
 - 4.1 EVMS ARE NOT FOR USE IN FUNCTIONAL SAFETY AND/OR SAFETY CRITICAL EVALUATIONS, INCLUDING BUT NOT LIMITED TO EVALUATIONS OF LIFE SUPPORT APPLICATIONS.
 - 4.2 User must read and apply the user guide and other available documentation provided by TI regarding the EVM prior to handling or using the EVM, including without limitation any warning or restriction notices. The notices contain important safety information related to, for example, temperatures and voltages.
 - 4.3 *Safety-Related Warnings and Restrictions:*
 - 4.3.1 User shall operate the EVM within TI's recommended specifications and environmental considerations stated in the user guide, other available documentation provided by TI, and any other applicable requirements and employ reasonable and customary safeguards. Exceeding the specified performance ratings and specifications (including but not limited to input and output voltage, current, power, and environmental ranges) for the EVM may cause personal injury or death, or property damage. If there are questions concerning performance ratings and specifications, User should contact a TI field representative prior to connecting interface electronics including input power and intended loads. Any loads applied outside of the specified output range may also result in unintended and/or inaccurate operation and/or possible permanent damage to the EVM and/or interface electronics. Please consult the EVM user guide prior to connecting any load to the EVM output. If there is uncertainty as to the load specification, please contact a TI field representative. During normal operation, even with the inputs and outputs kept within the specified allowable ranges, some circuit components may have elevated case temperatures. These components include but are not limited to linear regulators, switching transistors, pass transistors, current sense resistors, and heat sinks, which can be identified using the information in the associated documentation. When working with the EVM, please be aware that the EVM may become very warm.
 - 4.3.2 EVMs are intended solely for use by technically qualified, professional electronics experts who are familiar with the dangers and application risks associated with handling electrical mechanical components, systems, and subsystems. User assumes all responsibility and liability for proper and safe handling and use of the EVM by User or its employees, affiliates, contractors or designees. User assumes all responsibility and liability to ensure that any interfaces (electronic and/or mechanical) between the EVM and any human body are designed with suitable isolation and means to safely limit accessible leakage currents to minimize the risk of electrical shock hazard. User assumes all responsibility and liability for any improper or unsafe handling or use of the EVM by User or its employees, affiliates, contractors or designees.
 - 4.4 User assumes all responsibility and liability to determine whether the EVM is subject to any applicable international, federal, state, or local laws and regulations related to User's handling and use of the EVM and, if applicable, User assumes all responsibility and liability for compliance in all respects with such laws and regulations. User assumes all responsibility and liability for proper disposal and recycling of the EVM consistent with all applicable international, federal, state, and local requirements.
 5. *Accuracy of Information:* To the extent TI provides information on the availability and function of EVMs, TI attempts to be as accurate as possible. However, TI does not warrant the accuracy of EVM descriptions, EVM availability or other information on its websites as accurate, complete, reliable, current, or error-free.
 6. *Disclaimers:*
 - 6.1 EXCEPT AS SET FORTH ABOVE, EVMS AND ANY MATERIALS PROVIDED WITH THE EVM (INCLUDING, BUT NOT LIMITED TO, REFERENCE DESIGNS AND THE DESIGN OF THE EVM ITSELF) ARE PROVIDED "AS IS" AND "WITH ALL FAULTS." TI DISCLAIMS ALL OTHER WARRANTIES, EXPRESS OR IMPLIED, REGARDING SUCH ITEMS, INCLUDING BUT NOT LIMITED TO ANY EPIDEMIC FAILURE WARRANTY OR IMPLIED WARRANTIES OF MERCHANTABILITY OR FITNESS FOR A PARTICULAR PURPOSE OR NON-INFRINGEMENT OF ANY THIRD PARTY PATENTS, COPYRIGHTS, TRADE SECRETS OR OTHER INTELLECTUAL PROPERTY RIGHTS.
 - 6.2 EXCEPT FOR THE LIMITED RIGHT TO USE THE EVM SET FORTH HEREIN, NOTHING IN THESE TERMS SHALL BE CONSTRUED AS GRANTING OR CONFERRING ANY RIGHTS BY LICENSE, PATENT, OR ANY OTHER INDUSTRIAL OR INTELLECTUAL PROPERTY RIGHT OF TI, ITS SUPPLIERS/LICENSORS OR ANY OTHER THIRD PARTY, TO USE THE EVM IN ANY FINISHED END-USER OR READY-TO-USE FINAL PRODUCT, OR FOR ANY INVENTION, DISCOVERY OR IMPROVEMENT, REGARDLESS OF WHEN MADE, CONCEIVED OR ACQUIRED.
 7. *USER'S INDEMNITY OBLIGATIONS AND REPRESENTATIONS.* USER WILL DEFEND, INDEMNIFY AND HOLD TI, ITS LICENSORS AND THEIR REPRESENTATIVES HARMLESS FROM AND AGAINST ANY AND ALL CLAIMS, DAMAGES, LOSSES, EXPENSES, COSTS AND LIABILITIES (COLLECTIVELY, "CLAIMS") ARISING OUT OF OR IN CONNECTION WITH ANY HANDLING OR USE OF THE EVM THAT IS NOT IN ACCORDANCE WITH THESE TERMS. THIS OBLIGATION SHALL APPLY WHETHER CLAIMS ARISE UNDER STATUTE, REGULATION, OR THE LAW OF TORT, CONTRACT OR ANY OTHER LEGAL THEORY, AND EVEN IF THE EVM FAILS TO PERFORM AS DESCRIBED OR EXPECTED.

8. *Limitations on Damages and Liability:*

8.1 *General Limitations.* IN NO EVENT SHALL TI BE LIABLE FOR ANY SPECIAL, COLLATERAL, INDIRECT, PUNITIVE, INCIDENTAL, CONSEQUENTIAL, OR EXEMPLARY DAMAGES IN CONNECTION WITH OR ARISING OUT OF THESE TERMS OR THE USE OF THE EVMS , REGARDLESS OF WHETHER TI HAS BEEN ADVISED OF THE POSSIBILITY OF SUCH DAMAGES. EXCLUDED DAMAGES INCLUDE, BUT ARE NOT LIMITED TO, COST OF REMOVAL OR REINSTALLATION, ANCILLARY COSTS TO THE PROCUREMENT OF SUBSTITUTE GOODS OR SERVICES, RETESTING, OUTSIDE COMPUTER TIME, LABOR COSTS, LOSS OF GOODWILL, LOSS OF PROFITS, LOSS OF SAVINGS, LOSS OF USE, LOSS OF DATA, OR BUSINESS INTERRUPTION. NO CLAIM, SUIT OR ACTION SHALL BE BROUGHT AGAINST TI MORE THAN TWELVE (12) MONTHS AFTER THE EVENT THAT GAVE RISE TO THE CAUSE OF ACTION HAS OCCURRED.

8.2 *Specific Limitations.* IN NO EVENT SHALL TI'S AGGREGATE LIABILITY FROM ANY USE OF AN EVM PROVIDED HEREUNDER, INCLUDING FROM ANY WARRANTY, INDEMNITY OR OTHER OBLIGATION ARISING OUT OF OR IN CONNECTION WITH THESE TERMS, , EXCEED THE TOTAL AMOUNT PAID TO TI BY USER FOR THE PARTICULAR EVM(S) AT ISSUE DURING THE PRIOR TWELVE (12) MONTHS WITH RESPECT TO WHICH LOSSES OR DAMAGES ARE CLAIMED. THE EXISTENCE OF MORE THAN ONE CLAIM SHALL NOT ENLARGE OR EXTEND THIS LIMIT.

9. *Return Policy.* Except as otherwise provided, TI does not offer any refunds, returns, or exchanges. Furthermore, no return of EVM(s) will be accepted if the package has been opened and no return of the EVM(s) will be accepted if they are damaged or otherwise not in a resalable condition. If User feels it has been incorrectly charged for the EVM(s) it ordered or that delivery violates the applicable order, User should contact TI. All refunds will be made in full within thirty (30) working days from the return of the components(s), excluding any postage or packaging costs.

10. *Governing Law:* These terms and conditions shall be governed by and interpreted in accordance with the laws of the State of Texas, without reference to conflict-of-laws principles. User agrees that non-exclusive jurisdiction for any dispute arising out of or relating to these terms and conditions lies within courts located in the State of Texas and consents to venue in Dallas County, Texas. Notwithstanding the foregoing, any judgment may be enforced in any United States or foreign court, and TI may seek injunctive relief in any United States or foreign court.

Mailing Address: Texas Instruments, Post Office Box 655303, Dallas, Texas 75265
Copyright © 2023, Texas Instruments Incorporated

IMPORTANT NOTICE AND DISCLAIMER

TI PROVIDES TECHNICAL AND RELIABILITY DATA (INCLUDING DATASHEETS), DESIGN RESOURCES (INCLUDING REFERENCE DESIGNS), APPLICATION OR OTHER DESIGN ADVICE, WEB TOOLS, SAFETY INFORMATION, AND OTHER RESOURCES "AS IS" AND WITH ALL FAULTS, AND DISCLAIMS ALL WARRANTIES, EXPRESS AND IMPLIED, INCLUDING WITHOUT LIMITATION ANY IMPLIED WARRANTIES OF MERCHANTABILITY, FITNESS FOR A PARTICULAR PURPOSE OR NON-INFRINGEMENT OF THIRD PARTY INTELLECTUAL PROPERTY RIGHTS.

These resources are intended for skilled developers designing with TI products. You are solely responsible for (1) selecting the appropriate TI products for your application, (2) designing, validating and testing your application, and (3) ensuring your application meets applicable standards, and any other safety, security, regulatory or other requirements.

These resources are subject to change without notice. TI grants you permission to use these resources only for development of an application that uses the TI products described in the resource. Other reproduction and display of these resources is prohibited. No license is granted to any other TI intellectual property right or to any third party intellectual property right. TI disclaims responsibility for, and you fully indemnify TI and its representatives against any claims, damages, costs, losses, and liabilities arising out of your use of these resources.

TI's products are provided subject to [TI's Terms of Sale](#), [TI's General Quality Guidelines](#), or other applicable terms available either on [ti.com](#) or provided in conjunction with such TI products. TI's provision of these resources does not expand or otherwise alter TI's applicable warranties or warranty disclaimers for TI products. Unless TI explicitly designates a product as custom or customer-specified, TI products are standard, catalog, general purpose devices.

TI objects to and rejects any additional or different terms you may propose.

Copyright © 2025, Texas Instruments Incorporated

Last updated 10/2025