

# **ADS5410 EVM**

## *User's Guide*

## IMPORTANT NOTICE

Texas Instruments Incorporated and its subsidiaries (TI) reserve the right to make corrections, modifications, enhancements, improvements, and other changes to its products and services at any time and to discontinue any product or service without notice. Customers should obtain the latest relevant information before placing orders and should verify that such information is current and complete. All products are sold subject to TI's terms and conditions of sale supplied at the time of order acknowledgment.

TI warrants performance of its hardware products to the specifications applicable at the time of sale in accordance with TI's standard warranty. Testing and other quality control techniques are used to the extent TI deems necessary to support this warranty. Except where mandated by government requirements, testing of all parameters of each product is not necessarily performed.

TI assumes no liability for applications assistance or customer product design. Customers are responsible for their products and applications using TI components. To minimize the risks associated with customer products and applications, customers should provide adequate design and operating safeguards.

TI does not warrant or represent that any license, either express or implied, is granted under any TI patent right, copyright, mask work right, or other TI intellectual property right relating to any combination, machine, or process in which TI products or services are used. Information published by TI regarding third-party products or services does not constitute a license from TI to use such products or services or a warranty or endorsement thereof. Use of such information may require a license from a third party under the patents or other intellectual property of the third party, or a license from TI under the patents or other intellectual property of TI.

Reproduction of information in TI data books or data sheets is permissible only if reproduction is without alteration and is accompanied by all associated warranties, conditions, limitations, and notices. Reproduction of this information with alteration is an unfair and deceptive business practice. TI is not responsible or liable for such altered documentation.

Resale of TI products or services with statements different from or beyond the parameters stated by TI for that product or service voids all express and any implied warranties for the associated TI product or service and is an unfair and deceptive business practice. TI is not responsible or liable for any such statements.

Mailing Address:

Texas Instruments  
Post Office Box 655303  
Dallas, Texas 75265

## EVM IMPORTANT NOTICE

Texas Instruments (TI) provides the enclosed product(s) under the following conditions:

This evaluation kit being sold by TI is intended for use for **ENGINEERING DEVELOPMENT OR EVALUATION PURPOSES ONLY** and is not considered by TI to be fit for commercial use. As such, the goods being provided may not be complete in terms of required design-, marketing-, and/or manufacturing-related protective considerations, including product safety measures typically found in the end product incorporating the goods. As a prototype, this product does not fall within the scope of the European Union directive on electromagnetic compatibility and therefore may not meet the technical requirements of the directive.

Should this evaluation kit not meet the specifications indicated in the EVM User's Guide, the kit may be returned within 30 days from the date of delivery for a full refund. **THE FOREGOING WARRANTY IS THE EXCLUSIVE WARRANTY MADE BY SELLER TO BUYER AND IS IN LIEU OF ALL OTHER WARRANTIES, EXPRESSED, IMPLIED, OR STATUTORY, INCLUDING ANY WARRANTY OF MERCHANTABILITY OR FITNESS FOR ANY PARTICULAR PURPOSE.**

The user assumes all responsibility and liability for proper and safe handling of the goods. Further, the user indemnifies TI from all claims arising from the handling or use of the goods. Please be aware that the products received may not be regulatory compliant or agency certified (FCC, UL, CE, etc.). Due to the open construction of the product, it is the user's responsibility to take any and all appropriate precautions with regard to electrostatic discharge.

**EXCEPT TO THE EXTENT OF THE INDEMNITY SET FORTH ABOVE, NEITHER PARTY SHALL BE LIABLE TO THE OTHER FOR ANY INDIRECT, SPECIAL, INCIDENTAL, OR CONSEQUENTIAL DAMAGES.**

TI currently deals with a variety of customers for products, and therefore our arrangement with the user **is not exclusive**.

TI assumes **no liability for applications assistance, customer product design, software performance, or infringement of patents or services described herein.**

Please read the EVM User's Guide and, specifically, the EVM Warnings and Restrictions notice in the EVM User's Guide prior to handling the product. This notice contains important safety information about temperatures and voltages. For further safety concerns, please contact the TI application engineer.

Persons handling the product must have electronics training and observe good laboratory practice standards.

No license is granted under any patent right or other intellectual property right of TI covering or relating to any machine, process, or combination in which such TI products or services might be or are used.

Mailing Address:

Texas Instruments  
Post Office Box 655303  
Dallas, Texas 75265

## **EVM WARNINGS AND RESTRICTIONS**

It is important to operate this EVM within the input voltage range of 0 V to 5 V.

Exceeding the specified input range may cause unexpected operation and/or irreversible damage to the EVM. If there are questions concerning the input range, please contact a TI field representative prior to connecting the input power.

Applying loads outside of the specified output range may result in unintended operation and/or possible permanent damage to the EVM. Please consult the EVM User's Guide prior to connecting any load to the EVM output. If there is uncertainty as to the load specification, please contact a TI field representative.

During normal operation, some circuit components may have case temperatures greater than 40°C. The EVM is designed to operate properly with certain components above 40°C as long as the input and output ranges are maintained. These components include but are not limited to linear regulators, switching transistors, pass transistors, and current sense resistors. These types of devices can be identified using the EVM schematic located in the EVM User's Guide. When placing measurement probes near these devices during operation, please be aware that these devices may be very warm to the touch.

### **Mailing Address:**

Texas Instruments  
Post Office Box 655303  
Dallas, Texas 75265

# Read This First

---

---

---

---

### ***About This Manual***

This user's guide is to assist the user with the operation of the EVM using the ADS5410 devices.

### ***How to Use This Manual***

This document contains the following chapters:

- Chapter 1—Overview
- Chapter 2—Physical Description
- Chapter 3—Circuit Description

### ***Information About Cautions and Warnings***

This book may contain cautions and warnings.

**This is an example of a caution statement.**

**A caution statement describes a situation that could potentially damage your software or equipment.**

**This is an example of a warning statement.**

**A warning statement describes a situation that could potentially cause harm to you.**

The information in a caution or a warning is provided for your protection. Please read each caution and warning carefully.

**FCC Warning**

This equipment is intended for use in a laboratory test environment only. It generates, uses, and can radiate radio frequency energy and has not been tested for compliance with the limits of computing devices pursuant to subpart J of part 15 of FCC rules, which are designed to provide reasonable protection against radio frequency interference. Operation of this equipment in other environments may cause interference with radio communications, in which case the user at his own expense will be required to take whatever measures may be required to correct this interference.

# Contents

---

---

---

<b>1</b>	<b>Overview</b> .....	<b>1-1</b>
1.1	Purpose .....	1-2
1.2	EVM Basic Functions .....	1-2
1.3	Power Requirements .....	1-2
1.4	ADS5410 EVM Operational Procedure .....	1-3
<b>2</b>	<b>Physical Description</b> .....	<b>2-1</b>
2.1	PCB Layout .....	2-2
2.2	Bill of Materials .....	2-6
<b>3</b>	<b>Circuit Description</b> .....	<b>3-1</b>
3.1	Circuit Function .....	3-2
3.1.1	Analog Inputs .....	3-2
3.1.2	Clock Inputs .....	3-3
3.1.3	Control Inputs .....	3-3
3.1.4	Power .....	3-3
3.1.5	Outputs .....	3-3
3.2	Schematic Diagram .....	3-4

# Figures

---

---

---

2-1	Top Layer .....	2-2
2-2	Inner Layer 1, Ground Plane .....	2-3
2-3	Inner Layer 2, Power Plane .....	2-4
2-4	Bottom Layer .....	2-5

# Tables

---

---

---

1-1	Two Pin Jumper List .....	1-3
1-2	Three Pin Jumper List .....	1-3
2-1	Bill of Materials .....	2-5
3-1	Output Connector J15 .....	3-4

# Notes, Cautions, and Warnings

---

---

---

Voltage Limits .....	1-2
----------------------	-----



# Overview

---

---

---

---

This user's guide gives a general overview of the ADS5410 evaluation module (EVM) and provides a general description of the features and functions to be considered while using this module.

<b>Topic</b>	<b>Page</b>
<b>1.1 Purpose</b> .....	<b>1-2</b>
<b>1.2 EVM Basic Functions</b> .....	<b>1-2</b>
<b>1.3 Power Requirements</b> .....	<b>1-2</b>
<b>1.4 ADS5410 EVM Operational Procedure</b> .....	<b>1-3</b>

## 1.1 Purpose

The ADS5410 EVM provides a platform for evaluating the ADS5410 analog-to-digital converter (ADC) under various signal, reference, and supply conditions. Use this document in combination with the EVM schematic diagram supplied.

## 1.2 EVM Basic Functions

Analog input to the ADC is provided via two external SMA connectors. The single-ended input the user provides is converted into a differential signal at the input of the device. One input uses a differential amplifier, while the other input is transformer coupled.

The EVM provides an external SMA connection for input of the ADC clock. The user can send this clock to the output connector with the digital data or provide a second clock source to be sent in place of the ADC clock. This allows the user to provide the required setup and hold times of the output data with respect to the output clock. See the *Clock Inputs* section for the proper configuration and operation.

Digital output from the EVM is via a 40-pin connector. The digital lines from the ADC are buffered before going to this connector. More information on this connector can be found in the ADC output section.

Power connections to the EVM are via banana jack sockets. Separate sockets are provided for the analog and digital supply.

## 1.3 Power Requirements

The EVM can be powered directly with only a 1.8-V and 3.3-V supply if using the module with a transformer coupled input and an internal reference source.

A voltage of  $\pm 5$  V is required if using the differential amplifier input. Provision has also been made to allow the EVM to be powered with independent analog, digital, and I/O supplies to provide higher performance.

### **Voltage Limits**

**Exceeding the maximum input voltages can damage EVM components. Undervoltage may cause improper operation of some or all of the EVM components.**

## 1.4 ADS5410 EVM Operational Procedure

The ADS5410 EVM provides a flexible means of evaluating the ADS5410 in a number of modes of operation. A basic setup procedure that can be used as a board confidence check is as follows:

- 1) Verify all jumper settings against the schematic jumper list in Table 1–1 and Table 1–2:

*Table 1–1. Two Pin Jumper List*

Jumper	Function	Installed	Removed	Default
W10	N/A			Removed
W11	N/A			Removed
R37	Positive analog input	Transformer coupled	No connection	Installed
R39	Negative analog input	Transformer coupled	No connection	Installed
R36	Positive analog input	Differential amplifier	No connection	Removed
R38	Negative analog input	Differential amplifier	No connection	Removed
R43, R44	Output clock option	ADC clock at output connector	Buff clock at output connector	Removed
R62	Optional output clock parallel termination	Provides pullup termination	No pullup termination	Removed
R40	Single-ended clock option	Single-ended clock to ADC	Differential clock input to ADC	Removed

*Table 1–2. Three Pin Jumper List*

Jumper	Function	Location: Pins 1–2	Location: Pins 2–3	Default
W3	Transformer and diff amp common mode select	ADC output common mode voltage	N/A	1–2
W6	Power-down select	Power-down mode	Operate mode	2–3
W1	Reference select	N/A	Internal reference	2–3

- 2) Connect supplies to the EVM as follows:
  - 1.8-V digital supply to J9 and return to J10
  - 3.3-V driver supply to J13 and return to J14
  - 3.3-V analog supply to J6 and return to J5
- 3) Switch power supplies on.
- 4) Use a function generator with 50-Ω output to input a 80-MHz differential sine wave, 0-V offset, 1 V<sub>(p-p)</sub> to 6 V<sub>(p-p)</sub>. To provide the ADC clock, connect the positive output into J3 and the negative output into J16.

**Note:**

The frequency of the clock must be within the specification for the device speed grade.

- 5) Use a function generator with 50- $\Omega$  output to input a 1.5-V offset, 3-V<sub>(p-p)</sub> amplitude square wave signal into J4 to be used as the buffered output clock.

**Note:**

This signal must be the same frequency and synchronized with the ADC clock.

- 6) Use a frequency generator with 50- $\Omega$  output to input a 17-MHz, 0-V offset, 1.5-V<sub>(p-p)</sub> amplitude sine wave signal into J2. This provides a transformer coupled differential signal to the ADC.
- 7) The digital pattern on the output connector J15 now represents a sine wave and can be monitored using a logic analyzer.

# Physical Description

---

---

---

---

This chapter describes the physical characteristics and PCB layout of the EVM and lists the components used on the module.

<b>Topic</b>	<b>Page</b>
<b>2.1 PCB Layout</b> .....	<b>2-2</b>
<b>2.2 Bill of Materials</b> .....	<b>2-6</b>

## 2.1 PCB Layout

The EVM is constructed on a 4-layer, 104 mm (4.1 inch) x 114 mm (4.5 inch) x 1,57 mm (0.062 inch) thick PCB using FR-4 material. Figure 2–1 through Figure 2–4 show the individual layers.

Figure 2–1. Top Layer

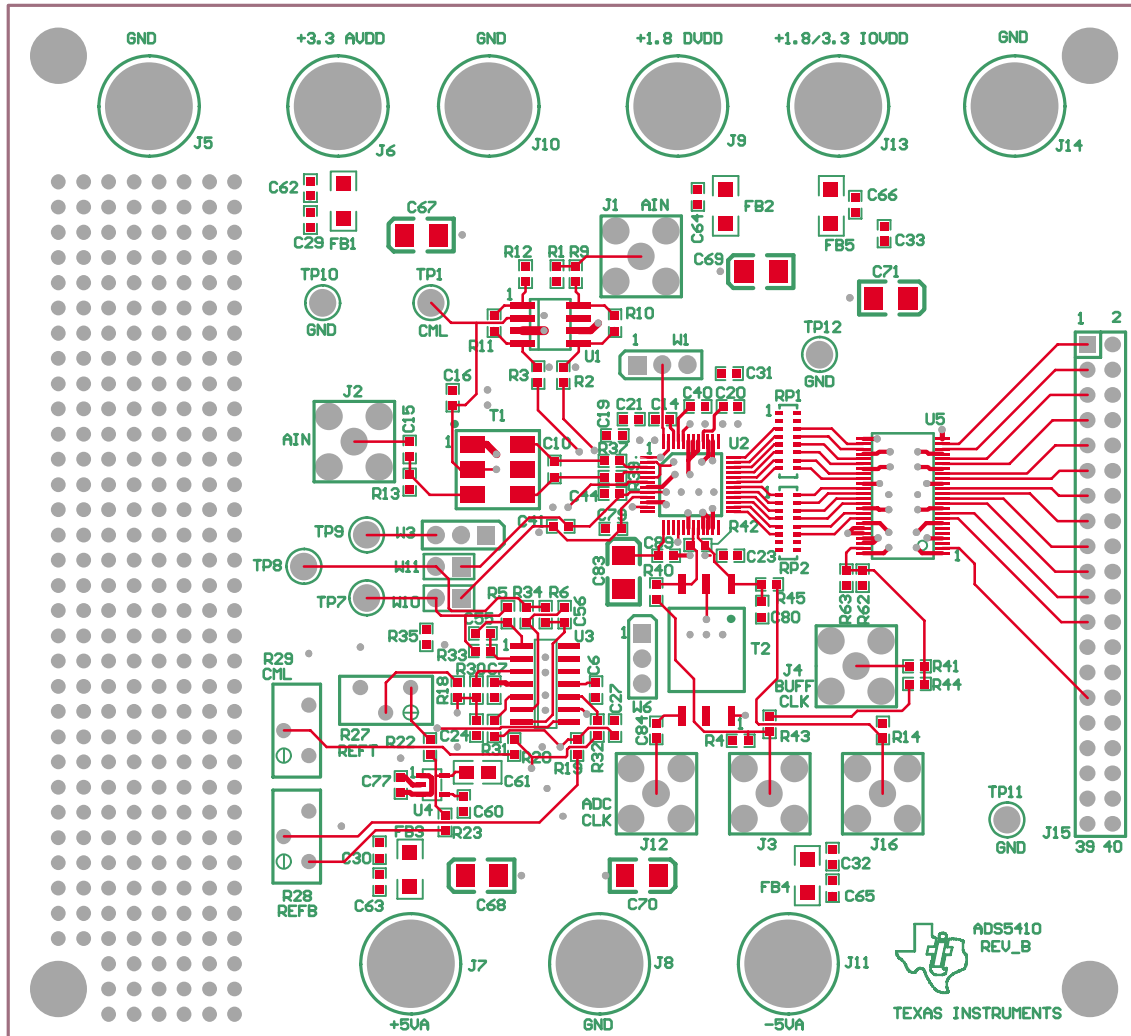


Figure 2–2. Inner Layer 1, Ground Plane

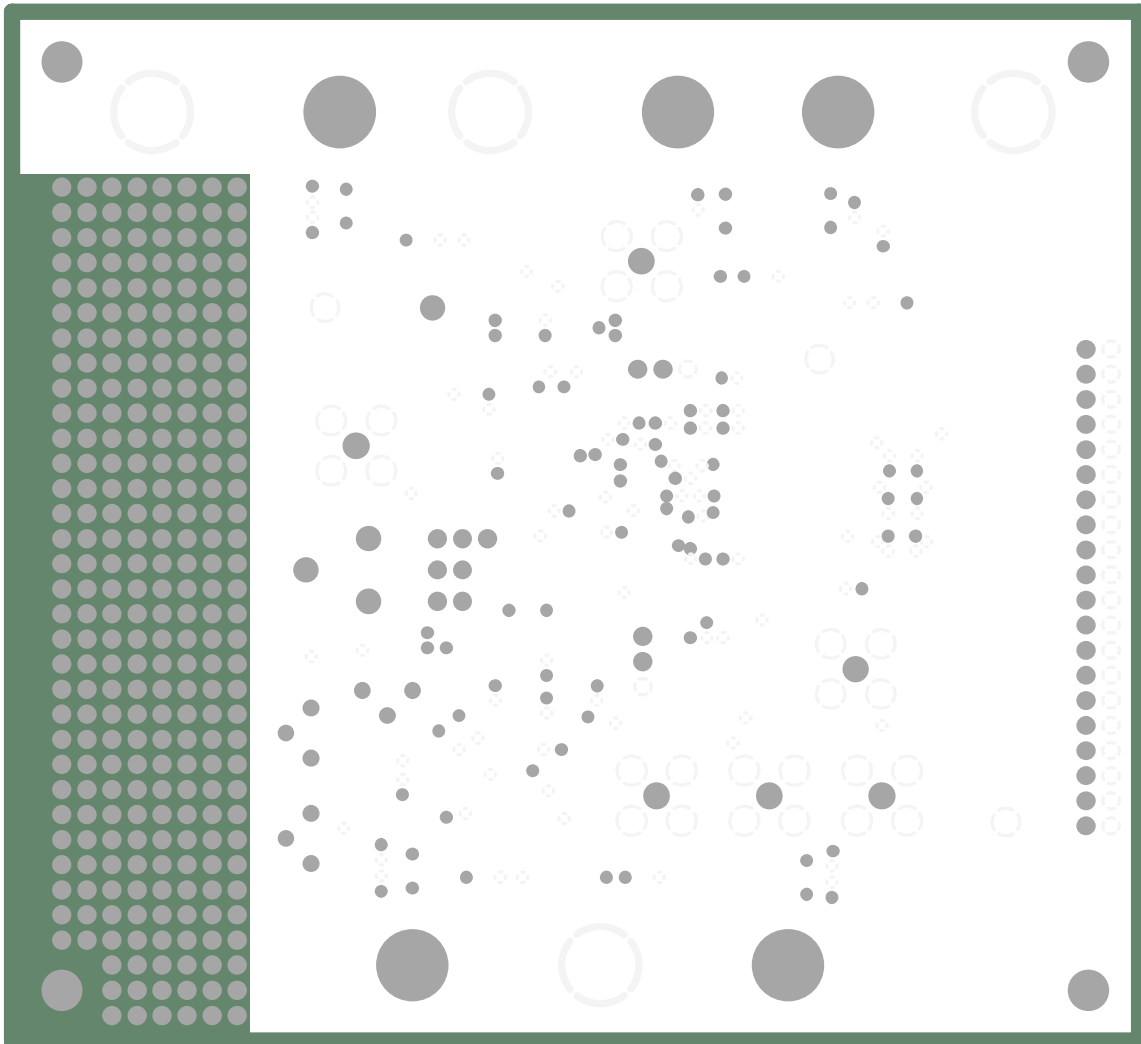


Figure 2–3. Inner Layer 2, Power Plane

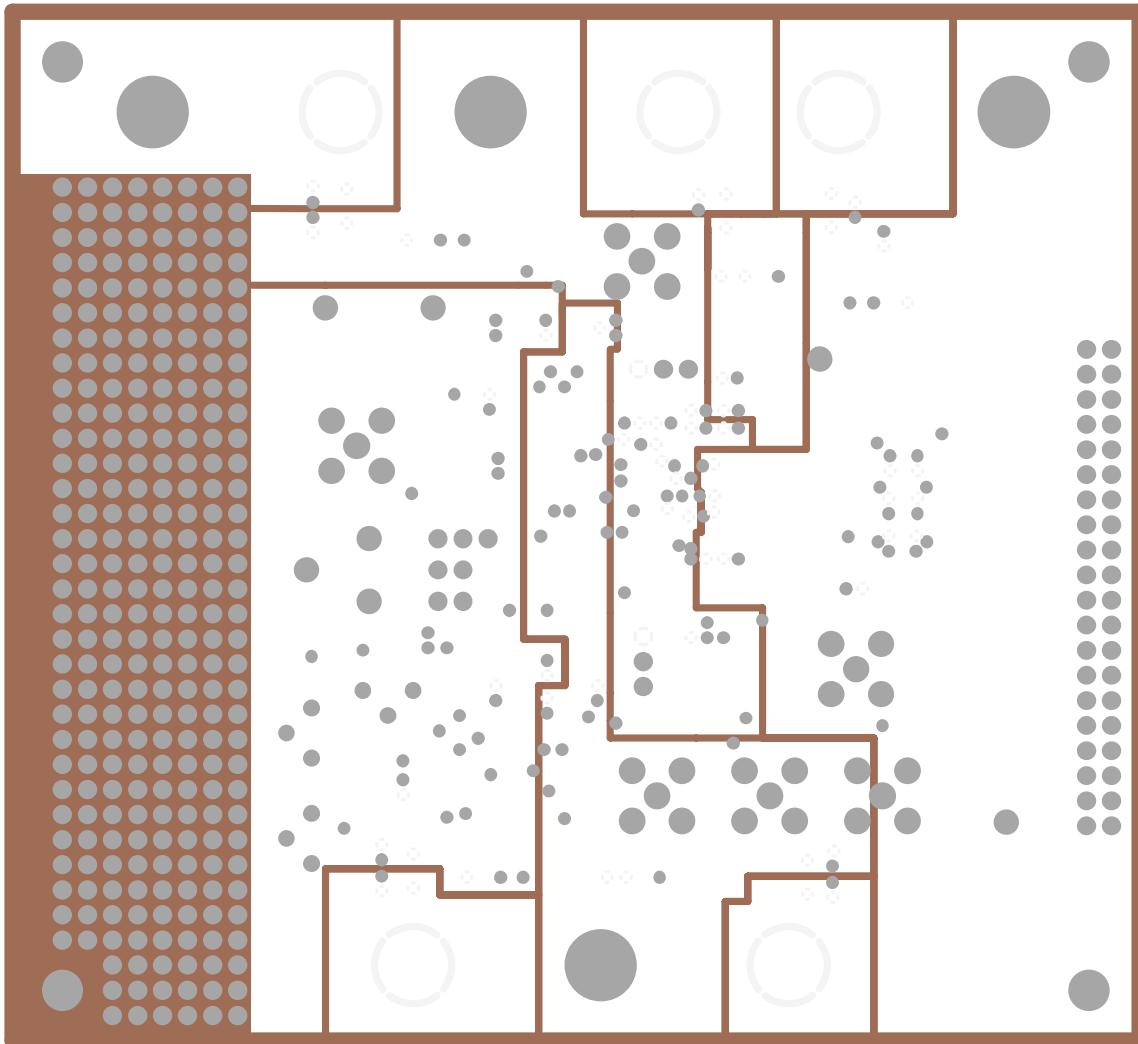
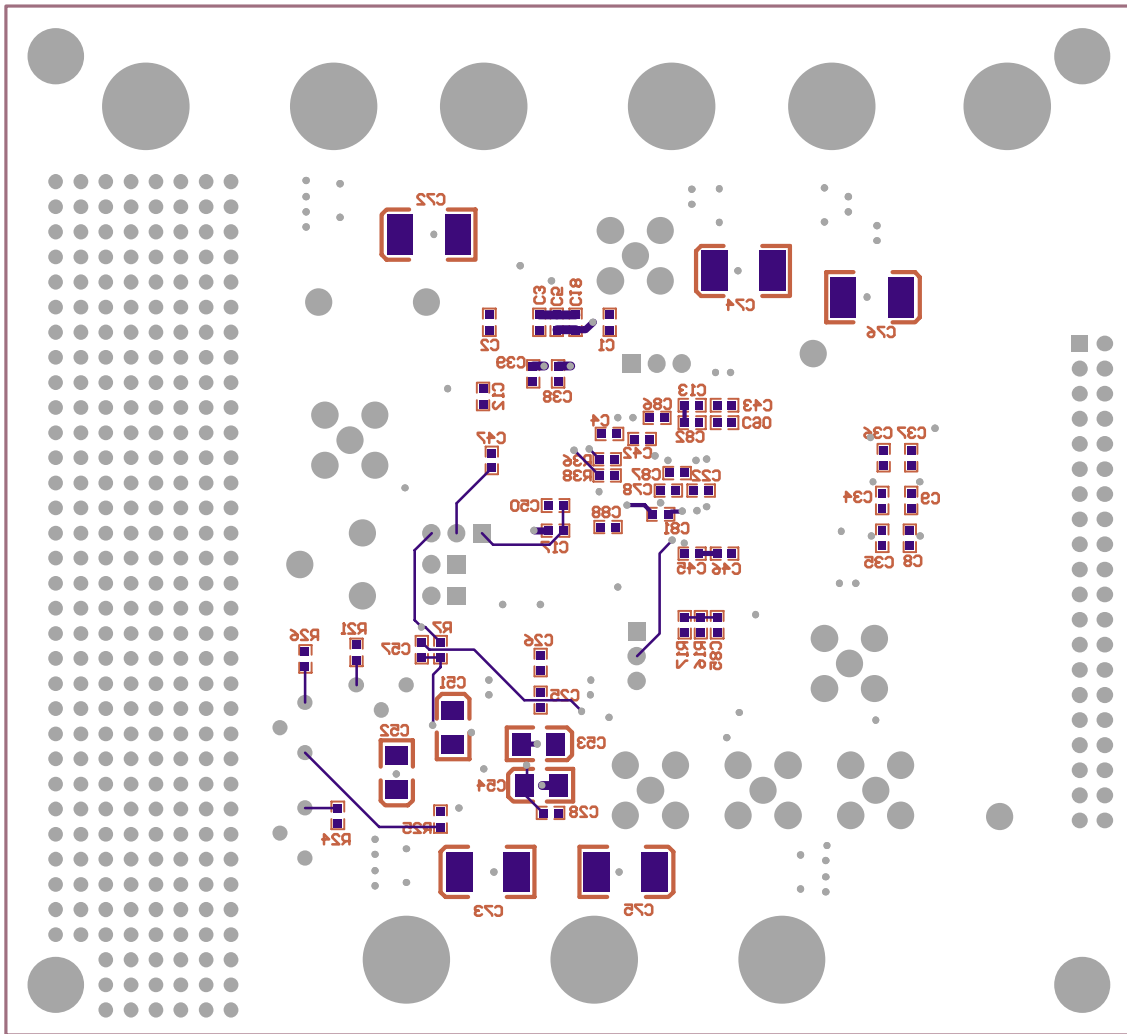




Figure 2–4. Bottom Layer



## 2.2 Bill of Materials

Table 2–1 lists the parts used in constructing the EVM.

Table 2–1. Bill of Materials

Description	QTY	Part Number	MFG	REF DES	Not Installed
47 $\mu$ F, 10 V, 10% tantalum capacitor	5	10TPA47M	Sanyo	C72–C76	
0.1 $\mu$ F, 16 V, 10% capacitor	36	ECJ–1VB1C104K	Panasonic	C4, C8, C9, C12, C14–C20, C22, C23, C29–C37, C41, C44, C47, C62–C66, C81, C85, C86–C89	C24–C28, C80
10 $\mu$ F, 10 V, 10% capacitor	6	GRM42X5R106K10	Murata	C67–C71, C83	C51–C54
0.01 $\mu$ F, 50 V, 10% capacitor	13	06035A103KATZA	AVX	C13, C21, C40, C42, C43, C45, C46 C50, C78, C79, C82, C84, C90	C60
1 $\mu$ F, 10 V, 10% capacitor	0	ECJ-1VF1A105Z	Panasonic		C77
22 pF, 50 V, 5%, capacitor	2	PCC220ACVCT	AVX	C38, C39	
0.047 $\mu$ F, 50 V, 10% capacitor	0	PCC1758CT	Panasonic		C55, C56, C57
12 pF, 50 V, 10%	1	PCC12ACVCT	Panasonic	C10	
2 pF, 16 V, 10% capacitor	2	ECU-V1H020CCV	Panasonic	C1, C2	
470 pF, 50 V, 10% capacitor	2	PCC471BVCT	Panasonic	C3, C5	C6, C7
2.2 $\mu$ F, 16 V, 10% capacitor	0	PCC1851CT	Panasonic		C61
Ferrite bead	5	D01608C-472	Coil Craft	FB1–FB5	
100- $\Omega$ resistor, 1/16 W, 1%	0	ERJ-3EKF1000V	Panasonic		R30, R31, R32
392- $\Omega$ resistor, 1/16 W, 1%	2	ERJ-3EKF392R0V	Panasonic	R10, R11	
374- $\Omega$ resistor, 1/16 W, 1%	1	ERJ-3EKF374R0V	Panasonic	R9	
402- $\Omega$ resistor, 1/16 W, 1%	1	ERJ-3EKF402R0V	Panasonic	R12	
499- $\Omega$ resistor, 1/16 W, 1%	0	ERJ-3EKF499R0V	Panasonic		R22
2.87-k $\Omega$ resistor, 1/16 W, 1%	0	ERJ-3EKF2871V	Panasonic		R23
2.55-k $\Omega$ resistor, 1/16 w, 1%	0	ERJ-3EKF2551V	Panasonic		R24
4.99-k $\Omega$ resistor, 1/16 w, 1%	0	ERJ-3EKF4991V	Panasonic		R26
56.2- $\Omega$ resistor, 1/16 W, 1%	1	ERJ-3EKF56R2V	Panasonic	R1	
49.9- $\Omega$ resistor, 1/16 W, 1%	6	ERJ-3EKF49R9V	Panasonic	R2–R4, R13, R14, R63	R5, R6, R7, R42
5.62-k $\Omega$ resistor, 1/16 w, 1%	0	ERJ-3EKF5621V	Panasonic		R21
10- $\Omega$ resistor, 1/16 W, 10%	2	ERJ-3EKF10R0V	Panasonic	R37, R39	
10-k $\Omega$ resistor, 1/16 W, 1%	0	ERJ-3EKF1002V	Panasonic		R18, R19, R20
1-k $\Omega$ resistor, 1/16 W, 1%	0	ERJ-3EKF1001V	Panasonic		R16, R17
2-k $\Omega$ resistor, 1/16 W, 1%	0	ERJ-3EKF2001V	Panasonic		R25, R33, R34, R35

Description	QTY	Part Number	MFG	REF DES	Not Installed
0-Ω resistor, 1/16 W, 1%	1	ERJ-3EKF0R00V	Panasonic	R41	R36, R38, R40, R43, R44, R45, R62
1K Pot	0	3296Y-102	Bourns		R27, R28, R29
Transformer	1	ADT1-1WT		T1	
Transformer	0	T1-6T-KK81	Mini-Circuits		T2
SMA connectors	6	713-4339 (901-144-8RFX)	Allied	J1, J2, J3, J4, J12, J16	
Black test point	3	5011K	Keystone	TP10, TP11, TP12	
Red test point	1	5000K	Keystone	TP1	TP7, TP8, TP9
2POS header	0	TSW-150-07-L-S	Samtec		W10, W11
3POS header	3	TSW-150-07-L-S	Samtec	W1, W3, W6	
2-circuit jumpers	3	863-3285	Allied (molex)		
40-pin header	1	TSW-120-07-L-D	Samtec	J15	
Red banana jacks	5	ST-351A	Allied	J6, J7, J9, J11, J13	
Black banana jacks	4	ST351B	Allied	J5, J8, J10, J14	
ADS5410	1	ADS5410PFB	TI	U2	
TPS79225	0	TPS79225DBVR	TI		U4
100-Ω R-pack	2	742C163101JCT	Bourns	RP1, RP2	
SN74AVC16244DGG	1	SN74AVC16244DGG	TI	U5	
THS4503	1	THS4503ID	TI	U1	
OPA4227UA	0	OPA4227UA	TI		U3
Stand off hex (1/4" x 1")	4	219-2063	Allied		



# Circuit Description

---

---

---

---

This chapter describes the circuit function and shows the schematic for the EVM.

<b>Topic</b>	<b>Page</b>
<b>3.1 Circuit Function</b> .....	<b>3-2</b>
<b>3.2 Schematic Diagram</b> .....	<b>3-4</b>

### 3.1 Circuit Function

The following paragraphs describe the function of the individual circuits. See data sheet for device operating characteristics.

#### 3.1.1 Analog Inputs

The ADC has either transformer-coupled inputs or differential-amplifier inputs from a single-ended source. The inputs are provided via the SMA connectors J1 and J2 on the EVM, which must be configured as follows:

- For a 1:1 transformer coupled input to the ADC, a single ended source is connected to J2. R36 and R38 must be removed, and R37 and R39 must be installed. The input is ac-coupled and has a 50- $\Omega$  terminator. This is the EVM initial configuration.
- For a differential amplifier input to the ADC, a single ended source is connected to J1. R36 and R38 must be installed, and R37 and R39 must be removed. The input has a 50- $\Omega$  terminator.

#### 3.1.2 Clock Inputs

The EVM provides separate inputs for the ADC clock and output buffer clock. This allows the user to send a modified version of the ADC clock (inverted, delayed, etc.) with the output data to generate the required setup and hold times for the user interface.

##### 3.1.2.1 Differential ADC Clock

The initial configuration of this EVM converts a single-ended input clock into a differential clock using transformer T2. To provide a true differential ADC clock, configure the board as follows:

- 1) Install J3, J16, R40, and R45.
- 2) Remove T2 and R42.
- 3) Connect the positive clock input to J3 and the negative clock input to J16.

##### 3.1.2.2 Single-Ended ADC Clock

To provide a single-ended ADC clock, configure the EVM as follows:

- 1) Install J3, R40, and C80.
- 2) Remove T2, R42, and R45.
- 3) Apply the clock input to the SMA connector J3.

### **3.1.2.3 Buffer Clock**

To provide a clock to the output buffer, apply a clock input to J4. To provide the single-ended ADC clock to the output buffer do the following:

- 1) Insert R43 and R44.
- 2) Remove R41.
- 3) Install R62 if a pull-up resistor is desired.

Since the input clock will now be terminated at both loads, the clock signal amplitude should be adjusted to provide the appropriate levels at the loads.

### **3.1.3 Control Inputs**

The ADC has one discrete input to control the operation of the device.

#### **3.1.3.1 Power Down**

With jumper W6 installed between pins 1 and 2, the ADC is in power-down mode. The device is in operate mode with jumper W6 installed between pin 2 and pin32.

### **3.1.4 Power**

Power is supplied to the EVM via banana jack sockets. A separate connection is provided for a 3.3-V analog supply (J6 and J5), a 1.8-V digital supply (J9 and J10), a 1.8/3.3-V digital driver supply (J13 and J14), and a  $\pm 5$ -V analog supply (J7, J8, and J11).

### **3.1.5 Outputs**

The data outputs from the ADC are buffered using a SN74AVC16244 before going to header J15. The ADC and output buffer can provide 1.8-V or 3.3-V output levels. The voltage placed at the driver power inputs (J13 and J14) selects this. J15 is a standard 40-pin header on a 100-mil grid, and allows easy connection to a logic analyzer. The connector pin out is listed in Table 3–1.

Table 3–1. Output Connector J15

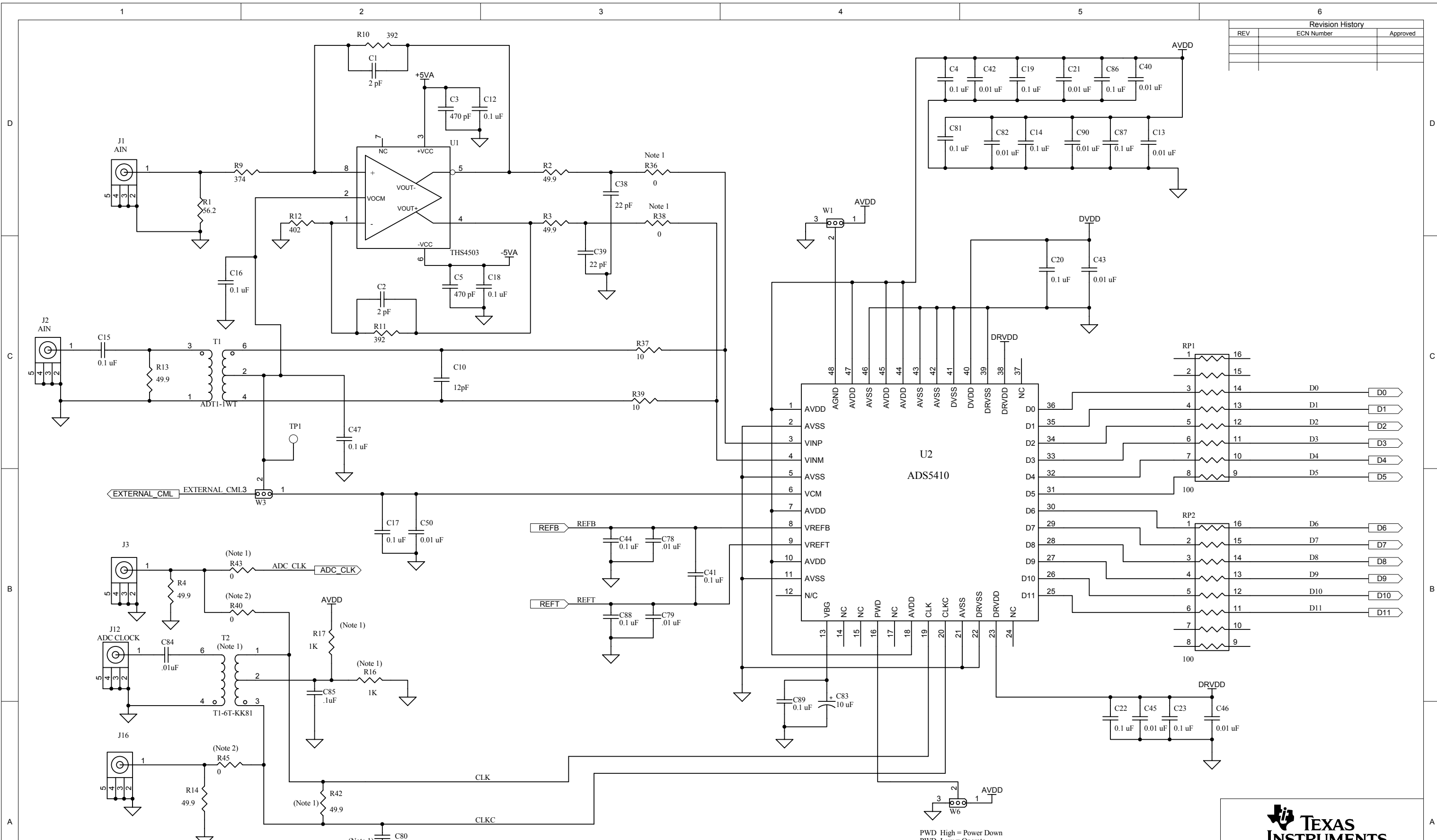
J15 Pin	Description	J15 Pin	Description
1	Data bit 0 (LSB)	21	Data bit 10
2	GND	22	GND
3	Data bit 1	23	Data bit 11
4	GND	24	GND
5	Data bit 2	25	NC
6	GND	26	GND
7	Data bit 3	27	NC
8	GND	28	GND
9	Data bit 4	29	Output clock
10	GND	30	GND
11	Data bit 5	31	NC
12	GND	32	GND
13	Data bit 6	33	NC
14	GND	34	GND
15	Data bit 7	35	NC
16	GND	36	GND
17	Data bit 8	37	NC
18	GND	38	GND
19	Data bit 9	39	NC
20	GND	40	GND

### 3.2 Schematic Diagram

The following figures show the schematic diagram for the EVM.



Revision History		
REV	ECN Number	Approved



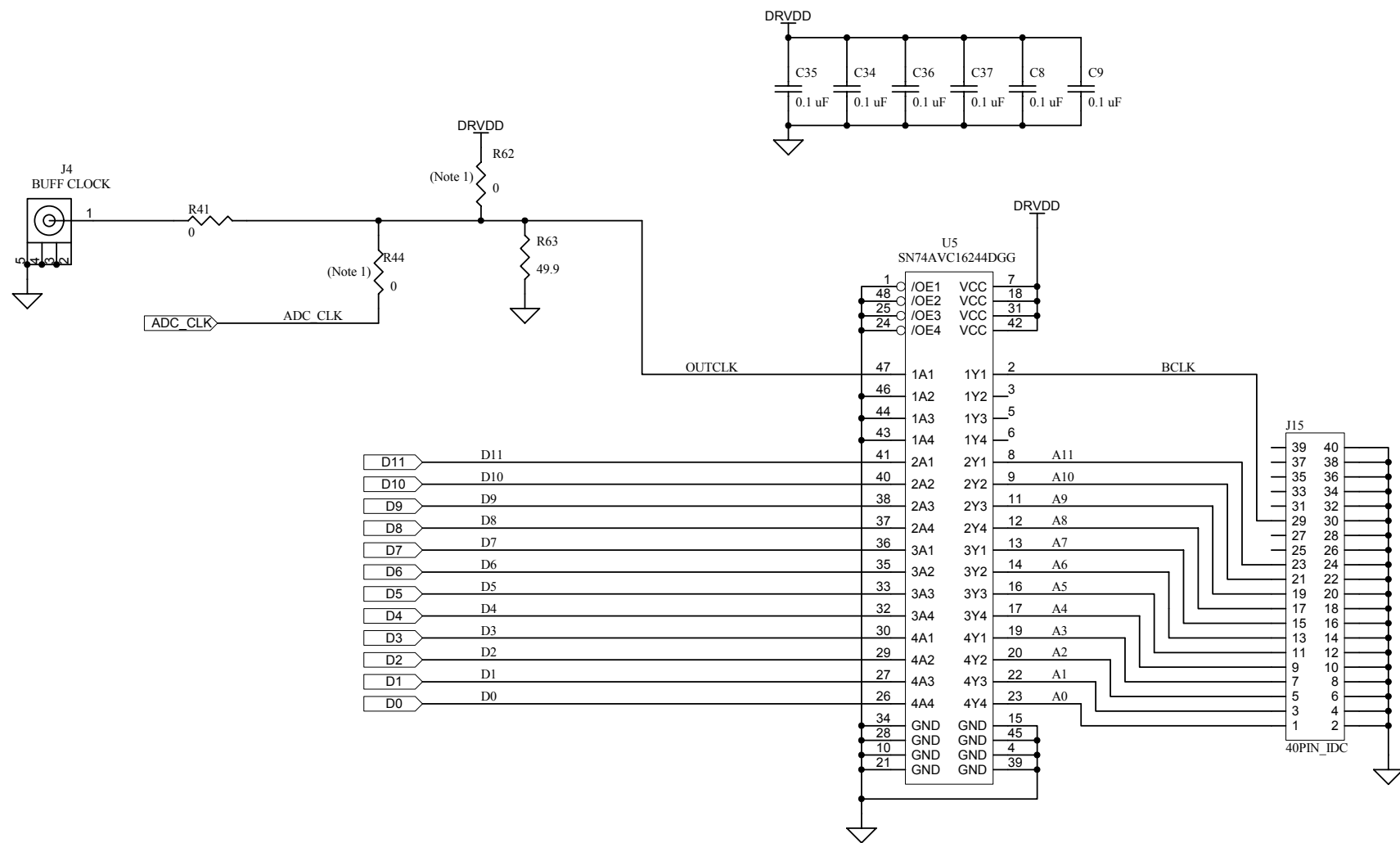
Note 1. Part not installed  
 Note 2. Part replaced with 0.1 uF capacitor for true differential clock option

PWD High = Power Down  
 PWD Low = Operate


**TEXAS INSTRUMENTS**  
 12500 TI Boulevard, Dallas, Texas 75243

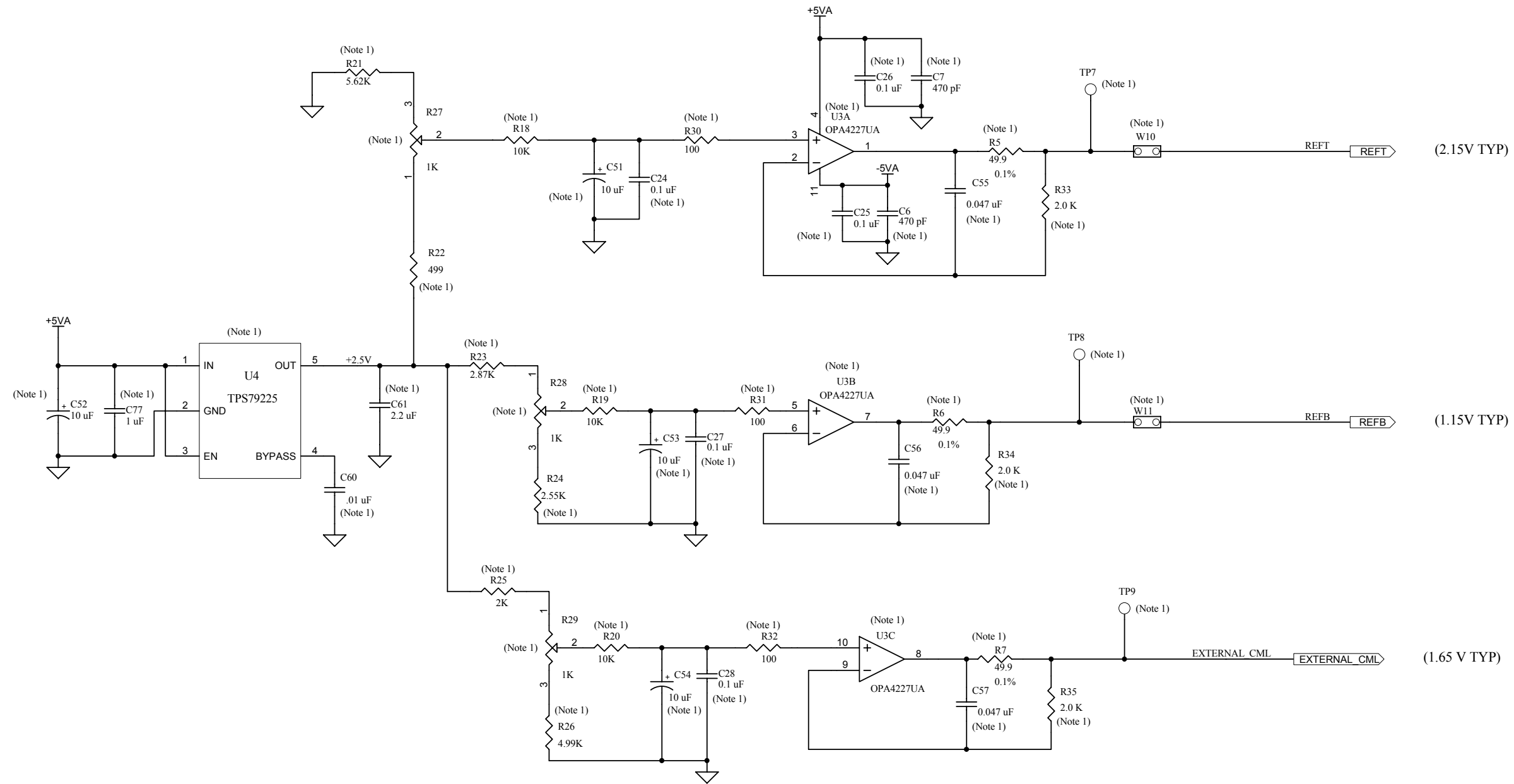
Title: **ADS5410**

Engineer: J. SETON	DOCUMENT CONTROL # 6435809	REV: A
Drawn By: Y. DEWONCK	DATE: 11-Jun-2002	SHEET: 1 OF: 4
FILE: Sheet1_RevA.Sch	SIZE:	

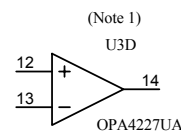


Note 1. Part not Installed

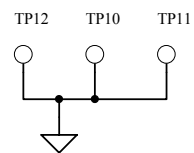
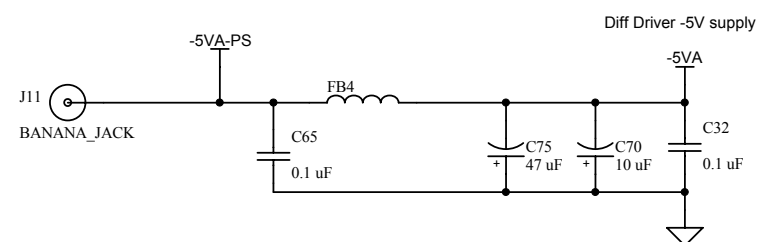
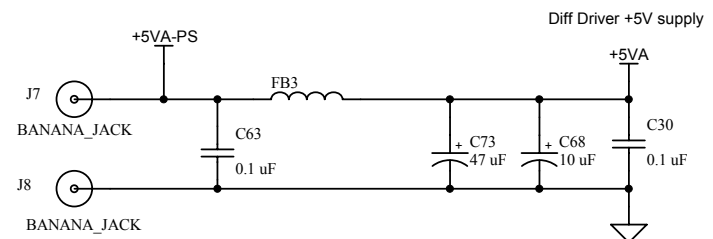
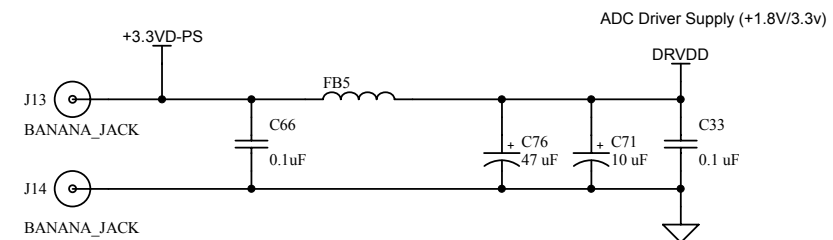
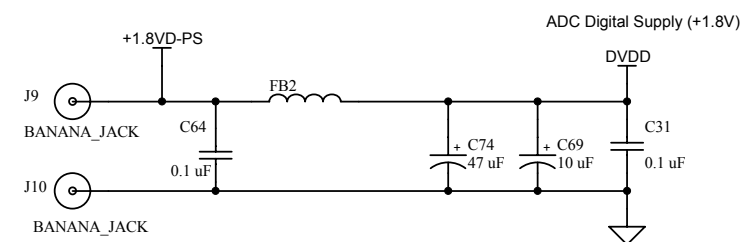
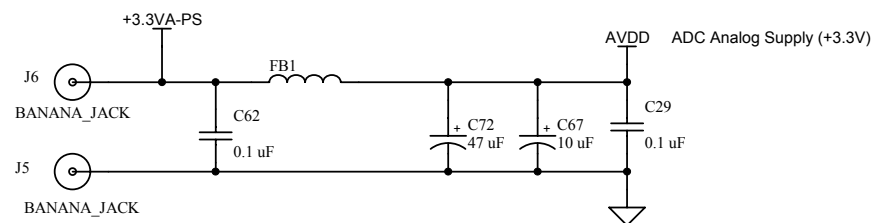
 <b>TEXAS INSTRUMENTS</b> 12500 TI Boulevard, Dallas, Texas 75243		
Title: <b>ADS5410</b>		
Engineer: J. SETON	DOCUMENT CONTROL # <b>6435809</b>	REV: A
Drawn By: Y. DEWONCK	DATE: 11-Jun-2002	SIZE: SHEET: 2 OF: 4



Note 1. Part not installed



12500 TI Boulevard, Dallas, Texas 75243		
Title:	ADS5410	
Engineer:	J. SETON	REV: A
Drawn By:	Y. DEWONCK	DOCUMENT CONTROL # 6435809
FILE:	DATE: 11-Jun-2002	SIZE: SHEET: 3 OF: 4



12500 TI Boulevard, Dallas, Texas 75243

Title: ADS5410	
DOCUMENT CONTROL # 6435809	REV: A
DATE: 11-Jun-2002	SIZE: SHEET: 4 OF: 4

Engineer: J. SETON
Drawn By: Y. DEWONCK
FILE: