

CAPTIVATE-EMC Getting Started Guide

This getting started guide provides a brief overview of the [CAPTIVATE-EMC](#) capacitive touch evaluation board for the CapTlvate™ development ecosystem.

Contents

1	Introduction	2
1.1	Scope.....	2
1.2	Key Features	2
1.3	What's Included	3
2	Required Tools	3
3	Hardware.....	4
3.1	Functional Block Diagram	4
3.2	Connectors	4
3.3	Power Supply.....	5
3.4	Debug Connector	5
4	Getting Started	5
4.1	Setting up the Hardware	6
4.2	Running the Out-of-Box Demo	6
4.3	Using CapTlvate Design Center	7
5	Test Certification	8
6	REACH Compliance.....	8

List of Figures

1	CAPTIVATE-EMC Board	2
2	CAPTIVATE-EMC Overview	4
3	CAPTIVATE-EMC Block Diagram.....	4
4	CAPTIVATE-EMC Power Supply Options.....	5
5	Hardware Setup.....	6
6	Out-of-Box Demonstration.....	6
7	Connection to CapTlvate Design Center	7
8	CAPTIVATE-EMC Project Canvas	7

Trademarks

CapTlvate, Code Composer Studio are trademarks of Texas Instruments.
 IAR Embedded Workbench is a registered trademark of IAR Systems.
 All other trademarks are the property of their respective owners.

1 Introduction

The **CAPTIVATE-EMC** is an evaluation board that lets you easily evaluate the electromagnetic compatibility performance of CapTivate technology relative to your design requirements. The EVM features the **MSP430FR2676** CapTivate MCU with hardware accelerated frequency hopping and oversampling. This EVM demonstrates how to design hardware and software that can pass challenging system-level tests for conducted RF immunity, electrical fast transient and burst immunity, electrostatic discharge immunity, and radiated immunity.

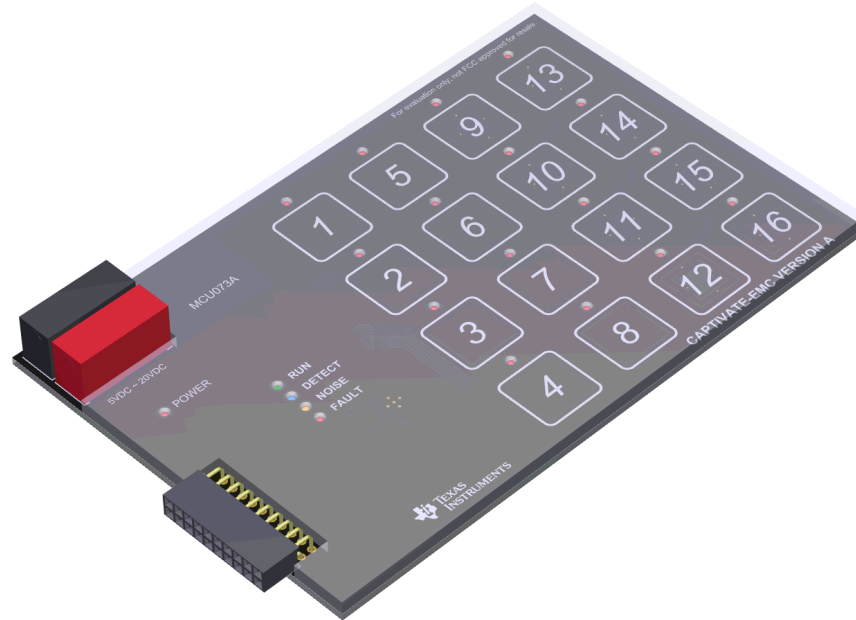


Figure 1. CAPTIVATE-EMC Board

Free software development tools are also available, such as TI's Eclipse-based Code Composer Studio™ IDE (CCS) and IAR Embedded Workbench® IDE.

1.1 Scope

This getting started guide provides a brief overview of how to use the CAPTIVATE-EMC. The full EVM user's guide is available in the CapTivate Design Center integrated documentation. The latest version of the user's guide is also available online with the [CapTivate Technology Guide](#).

1.2 Key Features

The CAPTIVATE-EMC supports the following features:

- 16 capacitive touch sensing buttons
 - One MSP430FR2676 microcontroller
 - 8 self-capacitance buttons and 8 mutual-capacitance buttons
- EMC noise immunity
 - IEC 61000-4-2 electrostatic discharge tolerance
 - IEC 61000-4-3 RF noise tolerance
 - IEC 61000-4-4 electrical fast transient and burst tolerance
 - IEC 61000-4-6 conducted noise tolerance
- Onboard LED feedback
 - Sensor state LEDs to indicate a touch event
 - System status LEDs to indicate system status

- Onboard audio feedback
 - Plays different tones for different events
- Two power options for touch evaluation
 - Power from [CAPTIVATE-PGMR](#) for quick bring up and debug
 - Power from standard banana jack connector when running EMC test
- 20-pin debug connector
 - Supports UART communication interface to [CapTivate Design Center](#)
 - Supports Spy-Bi-Wire debug interface

1.3 What's Included

The CAPTIVATE-EMC comes with the following hardware and software:

Kit Contents

- 1 CAPTIVATE-EMC evaluation board
- 1 quick start guide

Software Examples

The following software example is available to run on the MSP430FR2676 MCU on the CAPTIVATE-EMC:

- CAPTIVATE-EMC-Demo: The out-of-box demonstration (factory programmed on a new CAPTIVATE-EMC).

2 Required Tools

The following tools are required to use CAPTIVATE-EMC:

- A CAPTIVATE-EMC evaluation board programmed with the CAPTIVATE-EMC-Demo firmware example
- A [CAPTIVATE-PGMR](#) MCU programmer
- A [CAPTIVATE-ISO](#) communication isolation board
- A DC power supply that can output 12 VDC at 1 A. The CAPTIVATE-EMC accepts 5-V to 20-V DC power supply input.
- A PC running the latest CapTivate Design Center
- A micro-USB cable to connect the CAPTIVATE-PGMR to the host PC

3 Hardware

The following sections describe the CAPTIVATE-EMC hardware (see [Figure 2](#)). For a detailed description of the hardware, see the CAPTIVATE-EMC hardware description in the [CapTivate Technology Guide](#).

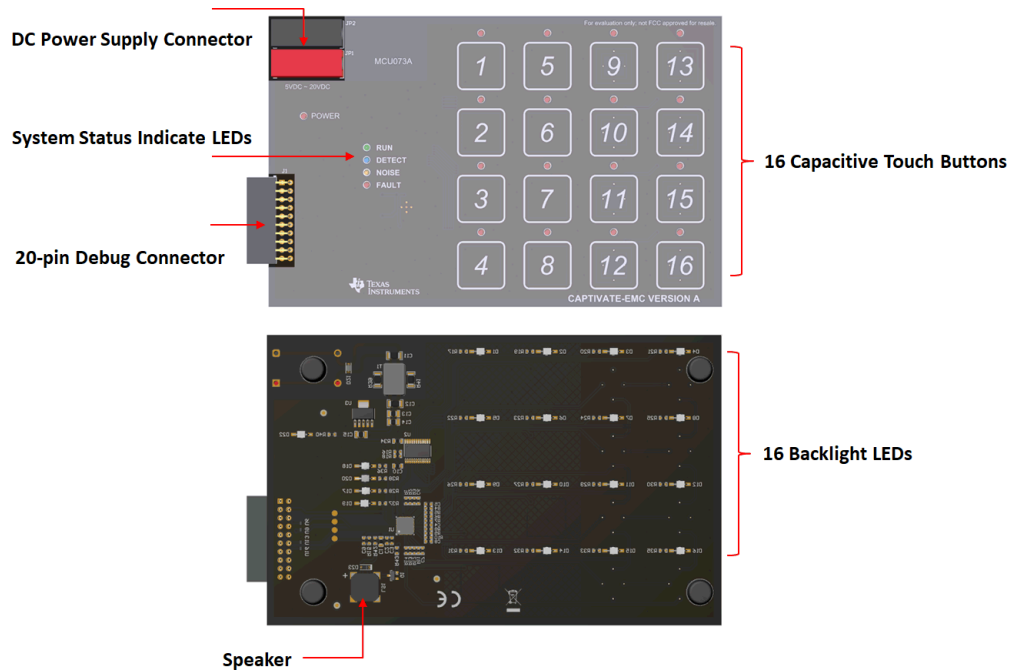


Figure 2. CAPTIVATE-EMC Overview

3.1 Functional Block Diagram

Figure 3 shows the CAPTIVATE-EMC functional block diagram.

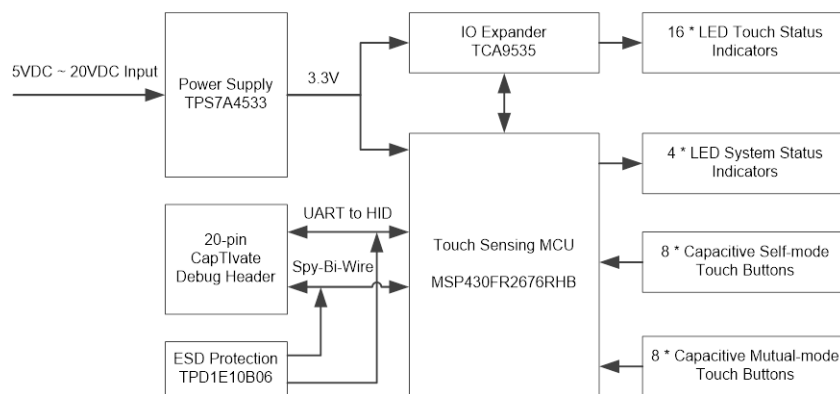


Figure 3. CAPTIVATE-EMC Block Diagram

3.2 Connectors

There are two connectors on the CAPTIVATE-EMC board:

- DC power supply connector
- 20-pin debug connector

3.3 Power Supply

There are two power supply options for CAPTIVATE-EMC board (see [Figure 4](#)):

- 5 V to 20 V DC power through connectors JP1 and JP2. The color of the connectors shows the polarity, red for positive and black for negative. A TI [TPS7A4533](#) +3.3-V 1.5-A LDO provides power for all the devices on the CAPTIVATE-EMC.
- The CAPTIVATE-PGMR board also can provide 3.3-V power supply to the CAPTIVATE-EMC through connector J1.



Figure 4. CAPTIVATE-EMC Power Supply Options

NOTE: Do not connect the CAPTIVATE-PGMR directly to the CAPTIVATE-EMC when a DC power supply is enabled.

3.4 Debug Connector

The 20-pin debug connector J1 is for interfacing to the CAPTIVATE-PGMR board. This connector provides power, Spy-Bi-Wire, and UART connectivity with the CAPTIVATE-PGMR module.

The Spy-Bi-Wire port lets the user download and debug their own code or the demo code to the MSP430FR2676 MCU on the CAPTIVATE-EMC board.

The MSP430FR2676 MCU communicates with a dedicated USB HID Bridge MCU located on the CAPTIVATE-PGMR module using UART to send sensor data and status to the [CapTivate Design Center](#) as part of the sensor design and tuning process.

4 Getting Started

To get started with the CAPTIVATE-EMC, see the *CAPTIVATE-EMC Getting Started* section of the [CapTivate Technology Guide](#).

An easy way to get started with the EVM is by using its preprogrammed out-of-box code. This code demonstrates some key features of the EVM.

4.1 Setting up the Hardware

CAPTIVATE-EMC is designed to accommodate various powering methods, including through the 20-pin connector from CAPTIVATE-PGMR and a banana jack connector from a DC power supply.

CAUTION

Do not enable both power supplies at the same time because this can damage the CAPTIVATE-PGMR board.

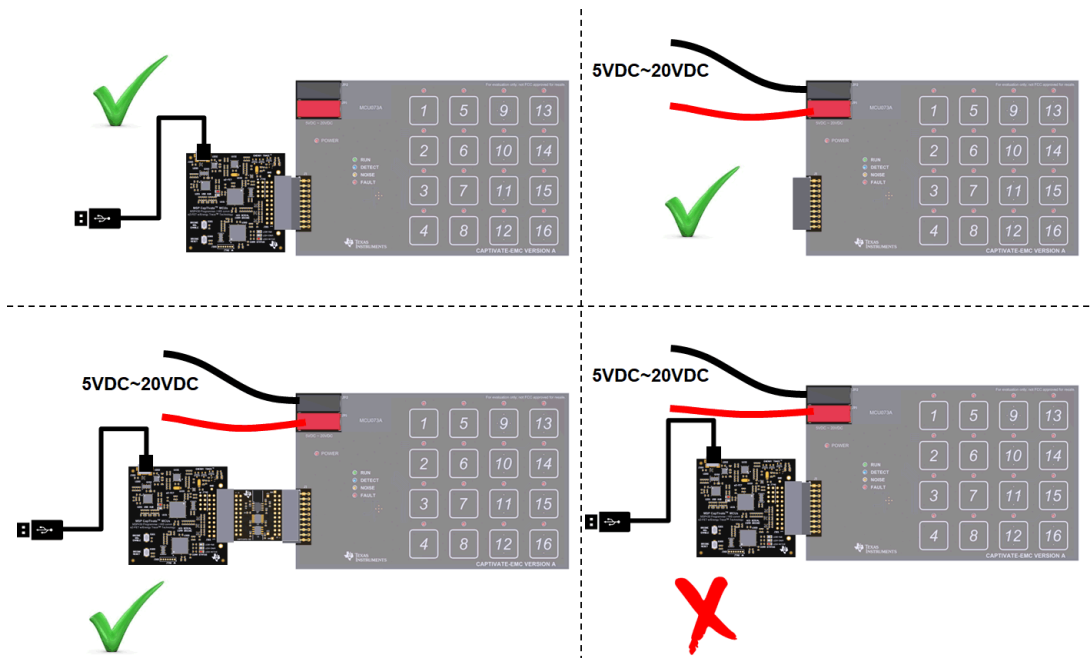


Figure 5. Hardware Setup

4.2 Running the Out-of-Box Demo

By default after power up, the CAPTIVATE-EMC development kit runs system initialization and capacitive touch calibration. When this initialization is finished, the POWER LED illuminates, the RUN LED blinks, all other LEDs are off, and the beeper is off. Touch a button on the CAPTIVATE-EMC panel to turn on or turn off the indicator LED above that button. The DETECT LED illuminates and the speaker beeps when a button is touched.

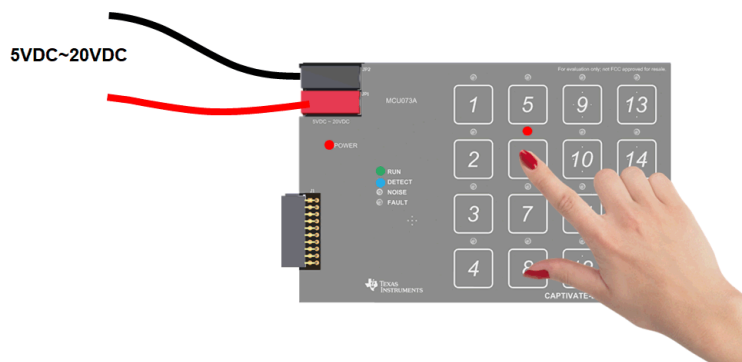


Figure 6. Out-of-Box Demonstration

4.3 Using CapTlvate Design Center

Figure 7 shows the options for connecting the CAPTIVATE-EMC to a host computer:

- Connect the CAPTIVATE-EMC to a host computer with the CAPTIVATE-PGMR and remove the connection from the DC power supply.
- Keep the DC power supply and connect the CAPTIVATE-EMC to a host computer with CAPTIVATE-PGMR and CAPTIVATE-ISO.

Open CapTlvate Design Center on the host computer.

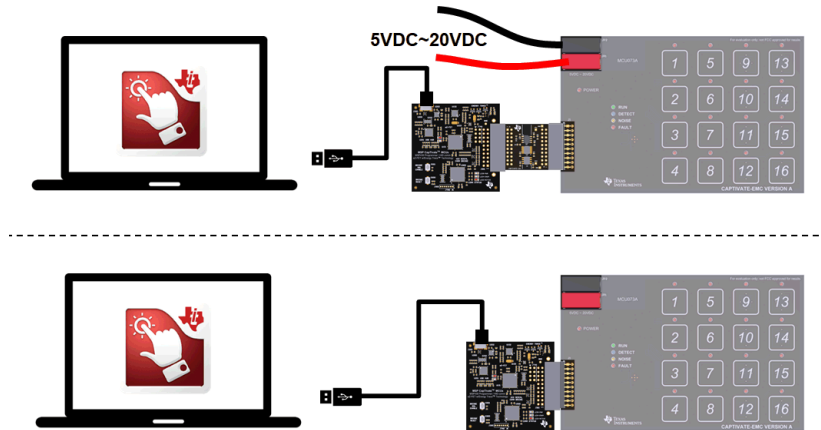


Figure 7. Connection to CapTlvate Design Center

Open the FR2676_CAPTIVATE-EMC example project in CapTlvate Design Center. Select Communications → Connect from the menu bar in CapTlvate Design Center to enable target communications. When the user touches a button, the button status is reflected in CapTlvate Design Center (see Figure 8).

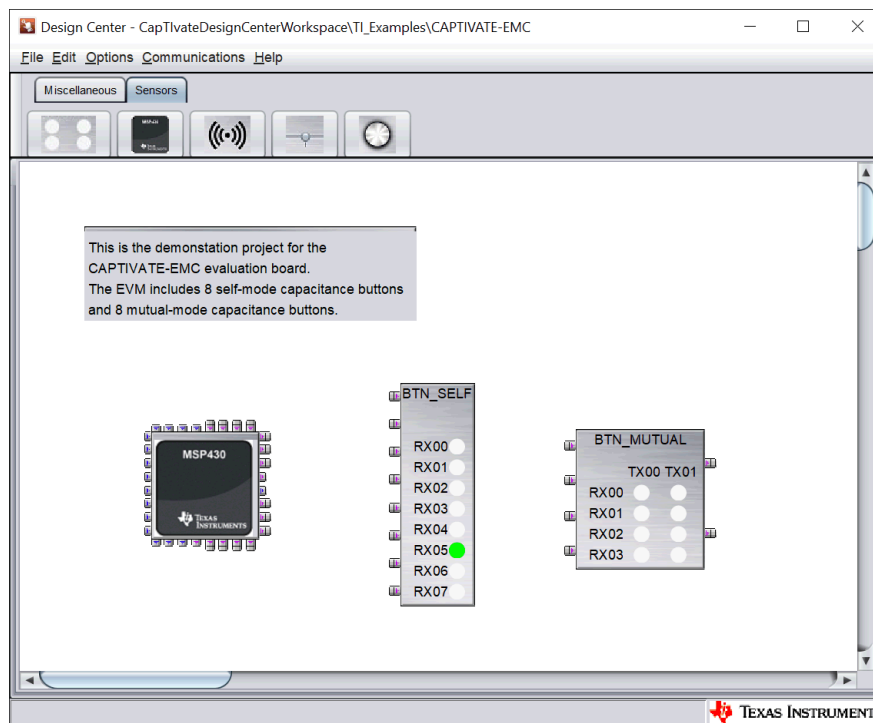


Figure 8. CAPTIVATE-EMC Project Canvas

5 Test Certification

TA Technology (Shanghai) Co., Ltd. in Shanghai, China validated the internal test findings of the CAPTIVATE-EMC. Detailed test reports are available in [Enabling Noise Tolerant Capacitive Touch HMIs With MSP CapTivate™ Technology](#).

6 REACH Compliance

In compliance with the Article 33 provision of the EU REACH regulation, we are notifying you that this EVM includes component(s) containing at least one Substance of Very High Concern (SVHC) above 0.1%. These uses from Texas Instruments do not exceed 1 ton per year. The SVHCs are:

Component Manufacturer	Component type	Component Part Number	SVHC Substance	SVHC CAS (When Available)
Hirschmann Automation and Controls GmbH	Test socket, PCB, 4 mm, red	973 582-101	Lead	7439-92-1
Hirschmann Automation and Controls GmbH	Test socket, PCB, 4 mm, black	973 582-100	Lead	7439-92-1

IMPORTANT NOTICE AND DISCLAIMER

TI PROVIDES TECHNICAL AND RELIABILITY DATA (INCLUDING DATASHEETS), DESIGN RESOURCES (INCLUDING REFERENCE DESIGNS), APPLICATION OR OTHER DESIGN ADVICE, WEB TOOLS, SAFETY INFORMATION, AND OTHER RESOURCES "AS IS" AND WITH ALL FAULTS, AND DISCLAIMS ALL WARRANTIES, EXPRESS AND IMPLIED, INCLUDING WITHOUT LIMITATION ANY IMPLIED WARRANTIES OF MERCHANTABILITY, FITNESS FOR A PARTICULAR PURPOSE OR NON-INFRINGEMENT OF THIRD PARTY INTELLECTUAL PROPERTY RIGHTS.

These resources are intended for skilled developers designing with TI products. You are solely responsible for (1) selecting the appropriate TI products for your application, (2) designing, validating and testing your application, and (3) ensuring your application meets applicable standards, and any other safety, security, or other requirements. These resources are subject to change without notice. TI grants you permission to use these resources only for development of an application that uses the TI products described in the resource. Other reproduction and display of these resources is prohibited. No license is granted to any other TI intellectual property right or to any third party intellectual property right. TI disclaims responsibility for, and you will fully indemnify TI and its representatives against, any claims, damages, costs, losses, and liabilities arising out of your use of these resources.

TI's products are provided subject to TI's Terms of Sale (www.ti.com/legal/termsofsale.html) or other applicable terms available either on ti.com or provided in conjunction with such TI products. TI's provision of these resources does not expand or otherwise alter TI's applicable warranties or warranty disclaimers for TI products.

Mailing Address: Texas Instruments, Post Office Box 655303, Dallas, Texas 75265
Copyright © 2019, Texas Instruments Incorporated