

TUSB3410 General-Purpose Input/Output Evaluation Board

User's Guide

IMPORTANT NOTICE

Texas Instruments Incorporated and its subsidiaries (TI) reserve the right to make corrections, modifications, enhancements, improvements, and other changes to its products and services at any time and to discontinue any product or service without notice. Customers should obtain the latest relevant information before placing orders and should verify that such information is current and complete. All products are sold subject to TI's terms and conditions of sale supplied at the time of order acknowledgment.

TI warrants performance of its hardware products to the specifications applicable at the time of sale in accordance with TI's standard warranty. Testing and other quality control techniques are used to the extent TI deems necessary to support this warranty. Except where mandated by government requirements, testing of all parameters of each product is not necessarily performed.

TI assumes no liability for applications assistance or customer product design. Customers are responsible for their products and applications using TI components. To minimize the risks associated with customer products and applications, customers should provide adequate design and operating safeguards.

TI does not warrant or represent that any license, either express or implied, is granted under any TI patent right, copyright, mask work right, or other TI intellectual property right relating to any combination, machine, or process in which TI products or services are used. Information published by TI regarding third-party products or services does not constitute a license from TI to use such products or services or a warranty or endorsement thereof. Use of such information may require a license from a third party under the patents or other intellectual property of the third party, or a license from TI under the patents or other intellectual property of TI.

Reproduction of information in TI data books or data sheets is permissible only if reproduction is without alteration and is accompanied by all associated warranties, conditions, limitations, and notices. Reproduction of this information with alteration is an unfair and deceptive business practice. TI is not responsible or liable for such altered documentation.

Resale of TI products or services with statements different from or beyond the parameters stated by TI for that product or service voids all express and any implied warranties for the associated TI product or service and is an unfair and deceptive business practice. TI is not responsible or liable for any such statements.

Mailing Address:

Texas Instruments
Post Office Box 655303
Dallas, Texas 75265

EVM IMPORTANT NOTICE

Texas Instruments (TI) provides the enclosed product(s) under the following conditions:

This evaluation kit being sold by TI is intended for use for **ENGINEERING DEVELOPMENT OR EVALUATION PURPOSES ONLY** and is not considered by TI to be fit for commercial use. As such, the goods being provided may not be complete in terms of required design-, marketing-, and/or manufacturing-related protective considerations, including product safety measures typically found in the end product incorporating the goods. As a prototype, this product does not fall within the scope of the European Union directive on electromagnetic compatibility and therefore may not meet the technical requirements of the directive.

Should this evaluation kit not meet the specifications indicated in the EVM User's Guide, the kit may be returned within 30 days from the date of delivery for a full refund. **THE FOREGOING WARRANTY IS THE EXCLUSIVE WARRANTY MADE BY SELLER TO BUYER AND IS IN LIEU OF ALL OTHER WARRANTIES, EXPRESSED, IMPLIED, OR STATUTORY, INCLUDING ANY WARRANTY OF MERCHANTABILITY OR FITNESS FOR ANY PARTICULAR PURPOSE.**

The user assumes all responsibility and liability for proper and safe handling of the goods. Further, the user indemnifies TI from all claims arising from the handling or use of the goods. Please be aware that the products received may not be regulatory compliant or agency certified (FCC, UL, CE, etc.). Due to the open construction of the product, it is the user's responsibility to take any and all appropriate precautions with regard to electrostatic discharge.

EXCEPT TO THE EXTENT OF THE INDEMNITY SET FORTH ABOVE, NEITHER PARTY SHALL BE LIABLE TO THE OTHER FOR ANY INDIRECT, SPECIAL, INCIDENTAL, OR CONSEQUENTIAL DAMAGES.

TI currently deals with a variety of customers for products, and therefore our arrangement with the user **is not exclusive**.

TI assumes **no liability for applications assistance, customer product design, software performance, or infringement of patents or services described herein**.

Please read the EVM User's Guide and, specifically, the EVM Warnings and Restrictions notice in the EVM User's Guide prior to handling the product. This notice contains important safety information about temperatures and voltages. For further safety concerns, please contact the TI application engineer.

Persons handling the product must have electronics training and observe good laboratory practice standards.

No license is granted under any patent right or other intellectual property right of TI covering or relating to any machine, process, or combination in which such TI products or services might be or are used.

Mailing Address:

Texas Instruments
Post Office Box 655303
Dallas, Texas 75265

EVM WARNINGS AND RESTRICTIONS

It is important to operate this EVM within the input voltage range of 4.75 V and the output voltage range of 4.75 V and 5.25 V.

Exceeding the specified input range may cause unexpected operation and/or irreversible damage to the EVM. If there are questions concerning the input range, please contact a TI field representative prior to connecting the input power.

Applying loads outside of the specified output range may result in unintended operation and/or possible permanent damage to the EVM. Please consult the EVM User's Guide prior to connecting any load to the EVM output. If there is uncertainty as to the load specification, please contact a TI field representative.

During normal operation, some circuit components may have case temperatures greater than 50°C. The EVM is designed to operate properly with certain components above 60°C as long as the input and output ranges are maintained. These components include but are not limited to linear regulators, switching transistors, pass transistors, and current sense resistors. These types of devices can be identified using the EVM schematic located in the EVM User's Guide. When placing measurement probes near these devices during operation, please be aware that these devices may be very warm to the touch.

Mailing Address:

Texas Instruments
Post Office Box 655303
Dallas, Texas 75265

Read This First

About This Manual

This user's guide describes the setup and operation of the TUSB3410 general-purpose input/output evaluation board. Familiarity with the universal serial bus (USB) protocol and common lab testing equipment is required, and is assumed throughout this user's guide.

How to Use This Manual

This document contains the following chapters:

- Chapter 1—Required Hardware and Software
- Chapter 2—EVM Operation
- Chapter 3—Bill of Materials and EVM Layouts
- Appendix A—TUSB3410 GPIO EVM Schematic Diagram

Related Documentation From Texas Instruments

TUSB3410 USB to Serial Port Controller data manual Literature No. SLLS519

FCC Warning

This equipment is intended for use in a laboratory test environment only. It generates, uses, and can radiate radio frequency energy and has not been tested for compliance with the limits of computing devices pursuant to subpart J of part 15 of FCC rules, which are designed to provide reasonable protection against radio frequency interference. Operation of this equipment in other environments may cause interference with radio communications, in which case the user at his own expense will be required to take whatever measures may be required to correct this interference.



Contents

| | | |
|----------|--|------------|
| 1 | Required Hardware and Software | 1-1 |
| 1.1 | Hardware Items | 1-2 |
| 1.2 | Hardware Overview | 1-3 |
| 2 | EVM Operation | 2-1 |
| 2.1 | TUSB3410 EVM Setup | 2-2 |
| 2.2 | Interfaces and USB Ports | 2-2 |
| 2.3 | Power Supply | 2-2 |
| 2.4 | Buttons | 2-2 |
| 2.5 | Light Emitting Diodes (LEDs) | 2-2 |
| 2.6 | Jumpers | 2-3 |
| 2.7 | EEPROM | 2-3 |
| 3 | Bill of Materials and EVM Layouts | 3-1 |
| 3.1 | Bill of Materials | 3-2 |
| 3.2 | EVM Layouts | 3-3 |
| 4 | TUSB3410 GPIO EVM Schematic Diagram | A-1 |

Figures

| | | |
|-----|--------------------------------------|-----|
| 1-1 | TUSB3410 Evaluation Hardware | 1-2 |
| 1-2 | TUSB3410 GPIO Evaluation Board | 1-3 |
| 3-1 | Top Layer | 3-3 |
| 3-2 | Bottom Layer | 3-3 |

Tables

| | | |
|-----|--------------------------|-----|
| 2-1 | Button Description | 2-2 |
| 2-2 | LED Description | 2-2 |
| 2-3 | Jumper Description | 2-3 |



Required Hardware and Software

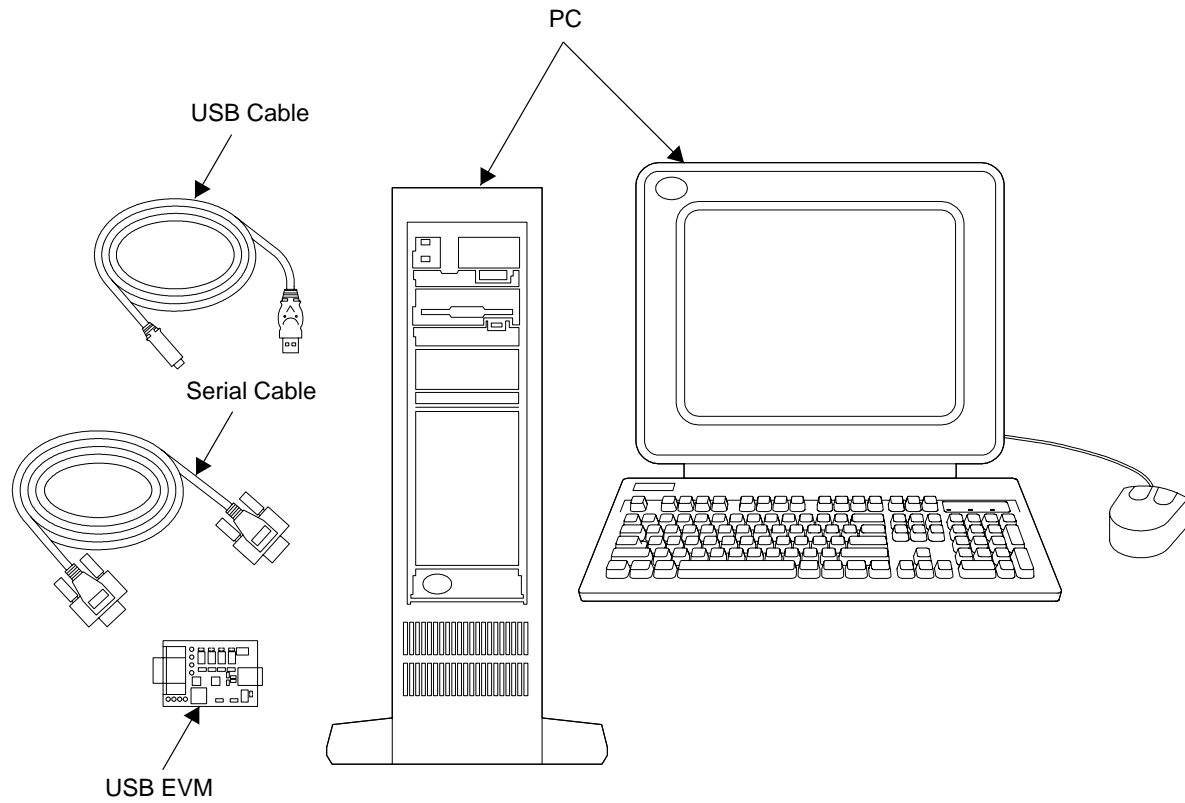
The TUSB3410 general-purpose input-output EVM was designed for use with a personal computer running a USB-enabled operating system. The PC should be USB 1.1 or USB 2.0 spec compliant. This implies the BIOS, chipsets, and operating system are all spec compliant. If the BIOS is not spec compliant, the system may not boot when USB devices are connected at power up and the EVM may not function. Note that the EVM can only function in the bus-powered mode.

| Topic | Page |
|------------------------------------|-------------|
| 1.1 Hardware Items | 1-2 |
| 1.2 Hardware Overview | 1-3 |

1.1 Hardware Items

The TUSB3410 EVM is shown in Figure 1, together with typical representations of the hardware items required for its use.

Figure 1–1. TUSB3410 Evaluation Hardware



1.2 Hardware Overview

The TUSB3410 GPIO EVM hardware platform is 4,3 cm × 6,8 cm in width × length. Throughout this document, text inside of parentheses (ex.) is reference designators found on the TUSB3210 EVM. See Figure 1–2 for a reference picture of the EVM. First, all jumpers are installed with the factory settings. See Table 2–3 for a description of jumper settings and make any required changes before using the EVM. The TUSB3410 GPIO EVM is designed to allow great flexibility in evaluation while being very easy and practical to use. The EVM is designed to run using a 12-MHz crystal and an I²C EEPROM. The EVM is set up for bus-powered operation using a 5-V to 3.3-V voltage regulator. The firmware installed at the factory in the EEPROM is special USB keyboard firmware, which makes it very easy for evaluation on any USB-enabled OS without the need for a device driver. The firmware installed is reference firmware and the source code is available for developers. The RS-232 port is available for monitoring 8052 MCU activity for debugging purposes. The RS-232 port requires a 1-to-1 cable, not a null-modem cable. Several test points have been added to the EVM for probing. An LED (D2) displays the suspend status of the TUSB3410 device. A USB cable should be plugged into a USB port on a PC or USB hub and connected to the TUSB3410 EVM type-B USB connector (U3).

Figure 1–2. TUSB3410 GPIO Evaluation Board





EVM Operation

This chapter provides information required for proper operation of the TUSB3410 GPIO EVM. This includes power and PC connection requirements, as well as descriptions of important operating features of the board, such as switches, jumpers, and indicators.

| Topic | Page |
|---|-------------|
| 2.1 TUSB3410 EVM Setup | 2-2 |
| 2.2 Interfaces and USB Ports | 2-2 |
| 2.3 Power Supply | 2-2 |
| 2.4 Buttons | 2-2 |
| 2.5 Light Emitting Diodes (LEDs) | 2-2 |
| 2.6 Jumpers | 2-3 |
| 2.7 EEPROM | 2-3 |

2.1 TUSB3410 EVM Setup

The TUSB3410 general-purpose EVM is designed to support many USB applications. The EVM comes in a default configuration that requires no additional components on the EVM. A full description of the TUSB3410 device is specified in the data manual. The PC must be running a USB-capable operating system. Configure the EVM if required, based on desired settings specified later in this section. Use a standard USB cable to connect the TUSB3410 EVM to a downstream port of the PC or a USB hub tier.

2.2 Interfaces and USB Ports

The EVM uses a standard type-B connector for the upstream port. An I²C serial interface is provided to access an I²C EEPROM. A UART port is embedded in the microcontroller and is connected to the RS-232 port on the EVM. The RS-232 port connection can not be disabled by using the jumpers. See jumper settings for more details. There are four buttons and four LEDs on the EVM that can be used as general-purpose inputs and outputs to evaluate how the system works.

2.3 Power Supply

The TUSB3410 EVM uses USB bus power as its power supply.

2.4 Buttons

Table 2–1. Button Description

| Button | Button Description |
|--------|--|
| SW1 | System reset |
| SW2 | Wakes up system if system is in suspend mode |
| SW3 | General-purpose input, pulls P3.0 low if pressed |
| SW4 | General-purpose input, pulls P3.1 low if pressed |
| SW5 | General-purpose input, pulls P3.4 low if pressed |
| SW6 | General-purpose input, pulls P3.3 low if pressed |

2.5 Light Emitting Diodes (LEDs)

Table 2–2. LED Description

| LED | LED Description |
|-----|---|
| D2 | LED on indicates that the EVM is suspended LED off indicates that EVM is not suspended |
| D3 | General-purpose output, indicates status of P3.0 (RXD) |
| D4 | General-purpose output, indicates status of P3.1 (TXD) |
| D5 | General-purpose output, indicates status of P3.4 |
| D6 | General-purpose output, indicates status of P3.3 |

2.6 Jumpers

Table 2–3 is provided to help set up and configure the EVM platform jumpers for the desired mode of operation. The EVM can download firmware code from the PC through a loading program (may or may not be supplied with your EVM) or from an I²C EEPROM. JP2 and JP3 are used to connect P3.0 and P3.1 to D3 and D4 respectively. JP4 is for separating the SCL pin of the I²C EEPROM from SCL of the TUSB3410.

Table 2–3. Jumper Description

| Jumper | Jumper Description |
|--------|--|
| JP1 | Installed: connect suspend LED to SUSP pin of TUSB3410 |
| JP2 | Installed: connect LED D4 and SW4 to P3.1 (GPIO_TXD) |
| JP3 | Installed: connect LED D3 and SW3 to P3.0 (GPIO_RXD) |
| JP4 | Installed: connect SCL of I ² C EEPROM to SCL of TUSB3410 for normal operation Uninstalled: downloads firmware from USB instead of I ² C EEPROM |

2.7 EEPROM

The I²C EEPROM is used to provide application-specific firmware. The TUSB3410 automatically reads the EEPROM at power up via the I²C bus. A header must be added to the application firmware before loading it into the EEPROM. See the TUSB3410 data manual for a description of the header definition. The header can be generated automatically using the I²C header-generation utility software provided with the device.

The EVM ships with a preprogrammed EEPROM that has keyboard controller firmware. It enumerates properly when connected to a USB host.



Bill of Materials and EVM Layouts

This chapter describes the bill of materials and EVM layouts for the TUSB3410 EVM.

| Topic | Page |
|------------------------------------|-------------|
| 3.1 Bill of Materials | 3-2 |
| 3.2 EVM Layouts | 3-3 |

3.1 Bill of Materials

| Item | Qty. | Reference | Part | Part Number | PCB Footprint |
|------|------|--|---------------------------|----------------|---------------|
| 1 | 1 | CN2 | Connector-DB9 | 747250-4 | DB9-HF |
| 2 | 2 | C21, C1 | 1 μ F | C2012X7R1C105M | SMT_0805 |
| 3 | 1 | C2 | 4.7 μ F | C3216X7R1C475M | SMT_1206 |
| 4 | 8 | C3, C6, C8, C10, C49, C50, C51, C52 | 0.1 μ F | C1608X7R1H104K | SMT_0603 |
| 5 | 2 | C4,C5 | 0.01 μ F | C1608X7R1H103K | SMT_0603 |
| 6 | 7 | C7, C9, C53, C54, C55, C56, C57 | 0.001 μ F | C1608X7R1H102K | SMT_0603 |
| 7 | 2 | C11, C12 | 22 pF | C1608C0G1H220J | SMT_0603 |
| 8 | 2 | C20, C19 | 33 pF | C1608C0G1H330J | SMT_0603 |
| 9 | 1 | D1 | SOT-23-diode | BAS21ZXCT-ND | SOT23-DIODE |
| 10 | 5 | D2, D3, D4, D5, D6 | LED | 160-1421-1-ND | SMT_0805 |
| 11 | 1 | F2 | TDK MPZ2012S331A | MPZ2012S331A | MPZ2012 |
| 12 | 4 | JP1, JP2, JP3, JP4 | Jumper | | HDR1X2 |
| 13 | 1 | R1 | 90.9 k Ω | P100KCCT-ND | SMT_0603 |
| 14 | 1 | R2 | 100 k Ω | P100KCCT-ND | SMT_0603 |
| 15 | 1 | R3 | 1.5 k Ω | P1.50KCCT-ND | SMT_0603 |
| 16 | 2 | R4, R5 | 33 Ω | P33.2CCT-ND | SMT_0603 |
| 17 | 8 | R9, R10, R14, R15, R16, R17, R18, R19 | 1 k Ω | P1.00KCCT-ND | SMT_0603 |
| 18 | 1 | R11 | 32 k Ω | P32.4KCCT-ND | SMT_0603 |
| 19 | 1 | R12 | 10 k Ω | P10.0KCCT-ND | SMT_0603 |
| 20 | 1 | R13 | 15 k Ω | P15.0KCCT-ND | SMT_0603 |
| 21 | 1 | R20 | 5 k Ω | P1.50KCCT-ND | SMT_0603 |
| 22 | 1 | R21 | 5 k Ω | P10.0KCCT-ND | SMT_0603 |
| 23 | 6 | SW1, SW2, SW3, SW4, SW5, SW6 | Switch | 7914G-1-000E | MOM-SW |
| 24 | 2 | TP5, TP6 | T point R | HDR1X1 | TP52 |
| 25 | 2 | TP7,TP8 | Test point | | TP52 |
| 26 | 5 | TP9, TP10, TP11, TP12, TP13 | Test point, small | | TP52 |
| 27 | 1 | U1 | TUSB3410 | TUSB3410 | LQFP-32 |
| 28 | 1 | U2 | TPS76933 | TPS76933DBVT | SOT-5P |
| 29 | 1 | U3 | Type B USB-shield | AE1085-ND | 4P-B-RECEP |
| 30 | 1 | U5 | 8-pin socket for 24LCxx | A400-ND | DIP8_SKT |
| 31 | 1 | U6 | MAX3221E | MAX322E T.I. | MAX3221E |
| 32 | 1 | Y1 | 12-MHz crystal HC49SMD | P-16695 | CRYSTEK |

3.2 EVM Layouts

Figure 3–1. Top Layer

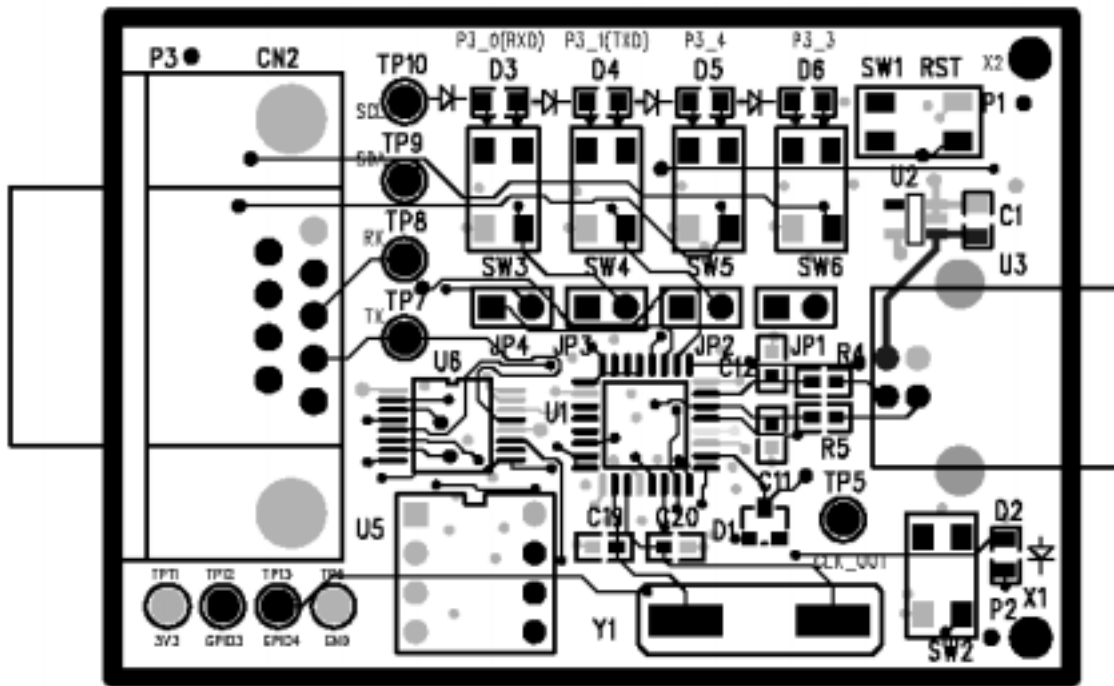
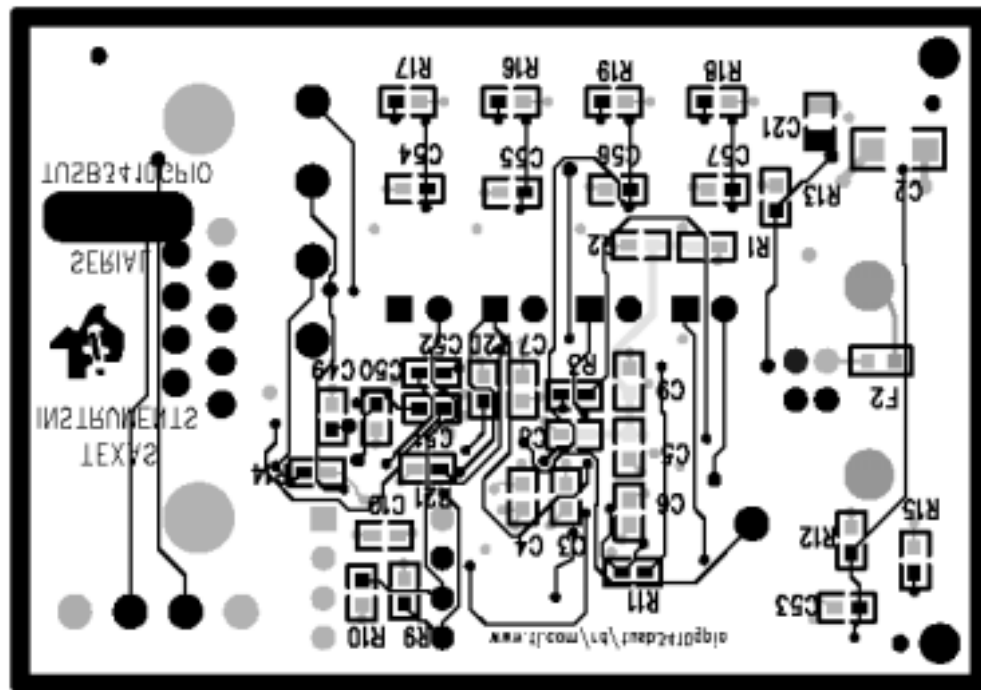


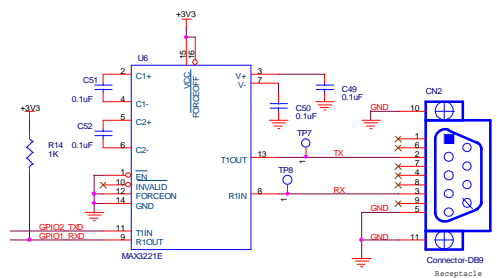
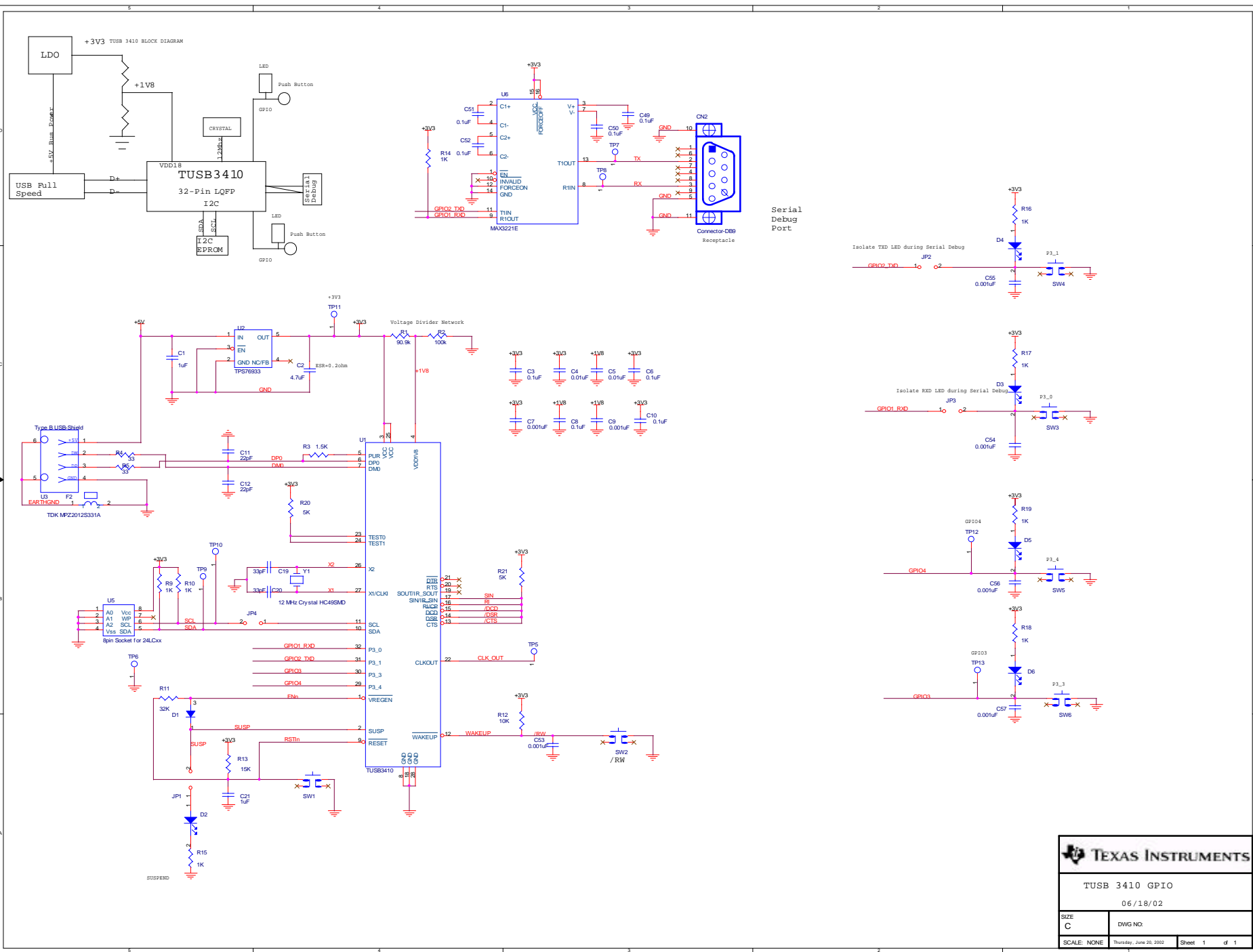
Figure 3–2. Bottom Layer



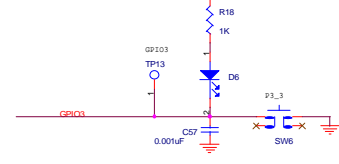
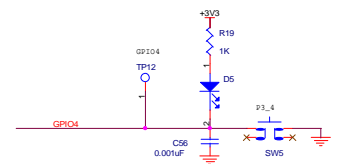
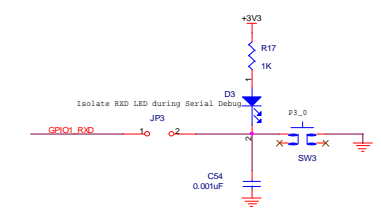
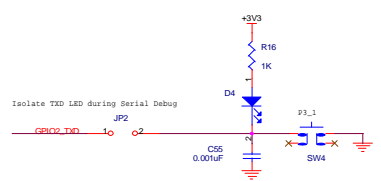


TUSB3410 GPIO EVM Schematic Diagram





Serial Debug Port



TEXAS INSTRUMENTS

TUSB 3410 GPIO

06/18/02

| | |
|-------------|--------------------------------------|
| SIZE C | DWG NO. |
| SCALE: NONE | Thursday, June 20, 2002 Sheet 1 of 1 |