

THVD8000 EVM User's Guide

This user's guide describes the evaluation module (EVM) for a RS-485 over power transceiver THVD8000. This EVM helps designers evaluate the device performance for fast development and analysis of data transmission systems with power delivery on the same two wires.

Contents

1	Overview	1
2	EVM Schematic and layout	3
3	THVD8000EVM Setup and Operation	5

List of Figures

1	THVD8000 Operation	2
2	THVD8000EVM Schematic.....	3
3	THVD8000EVM Layout	4

List of Tables

1	Jumpers and Test points	3
2	F_SET Pin Resistor Selection	5
3	J27 pin connection.....	6

Trademarks

1 Overview

In the 1980s, the Electronics Industries Association (EIA) approved a balanced transmission standard called RS-485, which has become the industry's interface workhorse with widespread usage in various end equipment. Leveraging RS-485 physical layer signaling, THVD8000 enables power line communication on the same two wires. Built-in OOK modulation enables RS-485 data to be directly coupled onto existing power cables via series capacitors without any updates to the MCU or the controller. The THVD8000 receiver extracts the data from the power cables after AC-coupling by using a precise bandpass filter and a demodulator.

1.1 THVD8000 Operation

In the block diagram (Figure 1), a point to point communication is set up with two THVD8000EVM boards to demonstrate the THVD8000 functionality. In this test, the input TTL data from a microcontroller (MCU) is OOK modulated by THVD8000. The input low is converted to a high frequency clock signal, while the input high stays as a DC voltage. The signal is carried with DC power on the same bus for transmitting. The device in the receiver side demodulates the differential signal to digital domain, while the power is separated to drive the load.

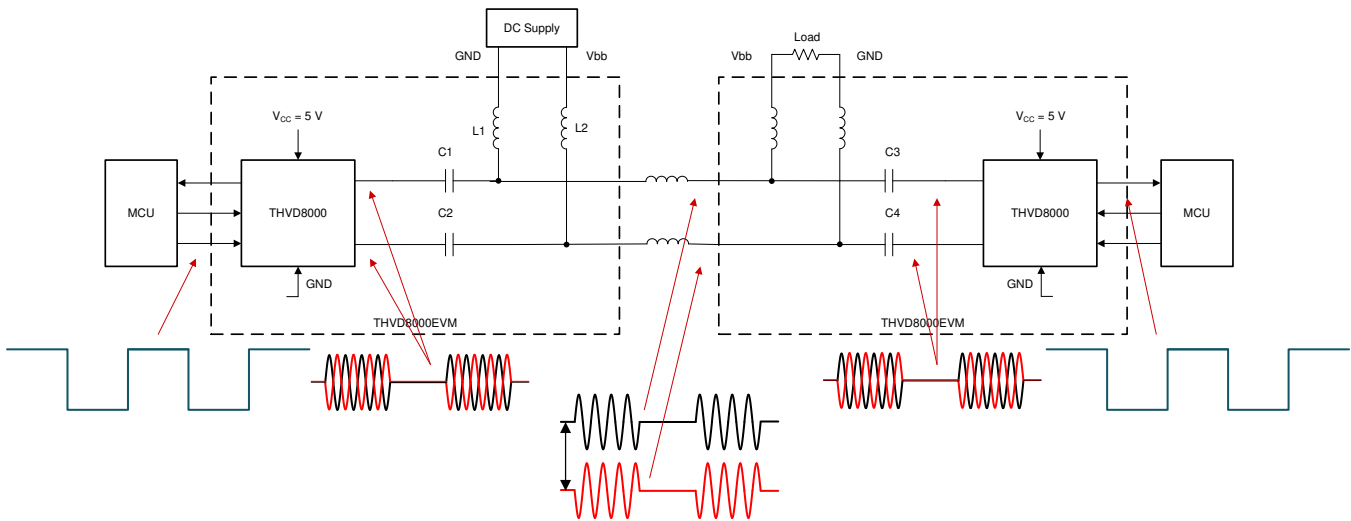


Figure 1. THVD8000 Operation

2 EVM Schematic and layout

The THVD8000 EVM has simple connections to all necessary pins of the THVD8000 transceiver device, and jumpers where necessary to provide flexibility for device pin and data over power configuration. There are test points (loops) for all main points where probing is necessary for evaluation such as GND, VCC, D, R, A/B (bus pins), Pin 3 (MODE pin). The EVM supports many options for data over power configuration, such as various carrier frequencies via the pre-installed resistor bank. The EVM is pre-configured with two 120-Ω resistors that may be connected on the bus via jumpers. The inductor and capacitor for power delivery are also pre-installed for quick evaluation. TVS diodes for protection and other footprints are available for customer installation of the desired component(s).

2.1 THVD8000EVM Schematic

The schematic is shown in Figure 2. The function of each jumper and test point is listed in Table 1.

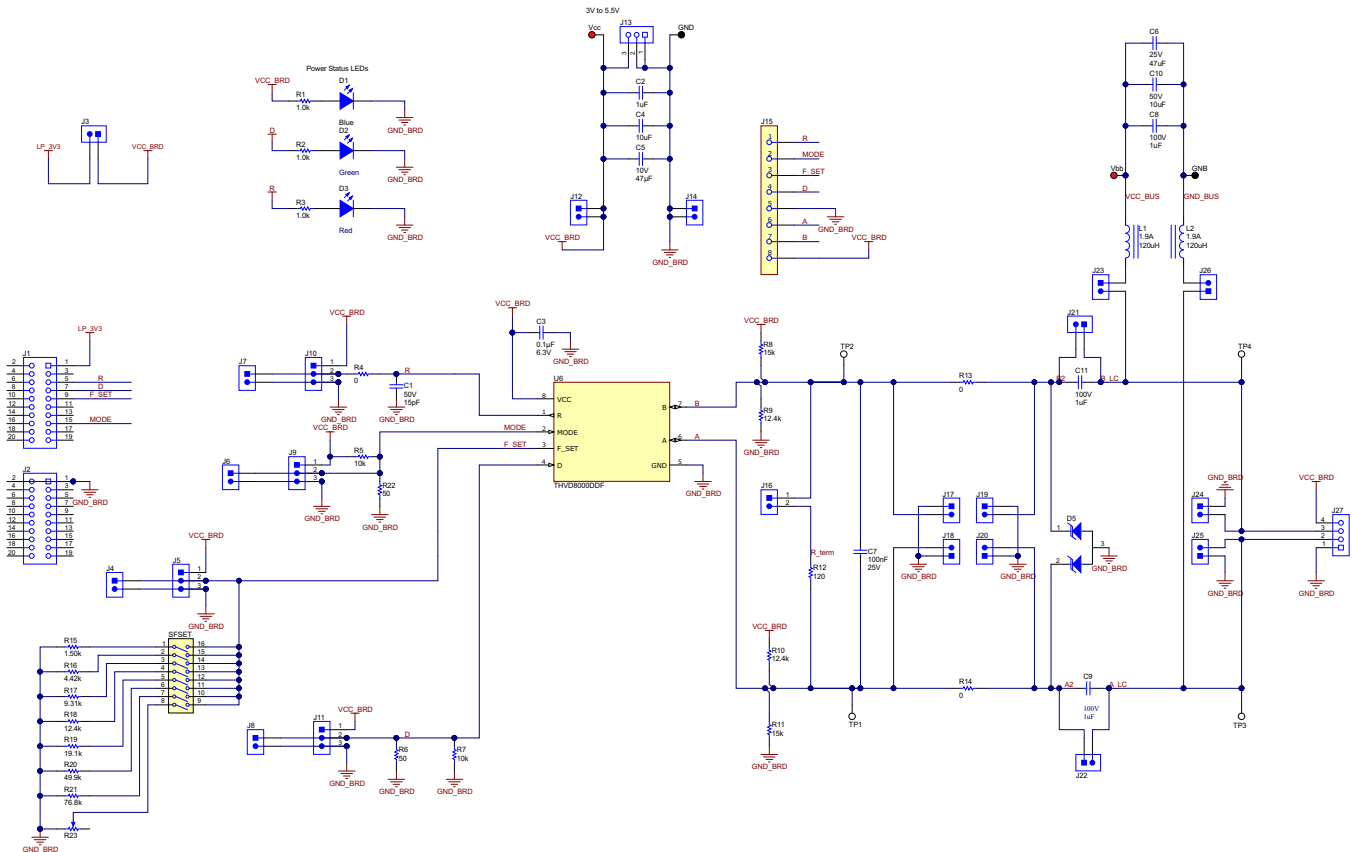


Figure 2. THVD8000EVM Schematic

Table 1. Jumpers and Test points

Connection	Type	Description
J1/J2	20 pin jumper	Used for optional external LaunchPad connection
J3	2 pin jumper	V _{CC} supply from LaunchPad (optional)
J4	2 pin jumper	F_SET, device pin 3 probing
J5	3 pin jumper	F_SET shunt to V _{CC} or GND
J6	2 pin jumper	MODE, device pin 2 probing
J7	2 pin jumper	R, device pin 1 probing
J8	2 pin jumper	D, device pin 4 probing
J9	3 pin jumper	Used for mode selection on pin 2. Shunt to V _{CC} for transmitting mode, shunt to GND for receiving mode.

Table 1. Jumpers and Test points (continued)

Connection	Type	Description
J10	3 pin jumper	R pin shunt to V _{CC} or GND
J11	3 pin jumper	D pin shunt to V _{CC} for sending bit '1' or to GND for sending bit '0'
J12	2 pin jumper	V _{CC} input
J13	3 pin connector	V _{CC} and GND input (pin 1 and pin 2: GND; pin 3: V _{CC})
J14	2 pin jumper	GND input
J15	1 Socket	DDF socket (unpopulated)
J16	2 pin jumper	Connect 120 Ω termination to the bus.
J17	2 pin jumper	B probing
J18	2 pin jumper	A probing
J19	2 pin jumper	B probing
J20	2 pin jumper	A probing
J21	2 pin jumper	Bypass B decoupling capacitor (unpopulated)
J22	2 pin jumper	Bypass A decoupling capacitor (unpopulated)
J23	2 pin jumper	Connecting inductor to bus B
J24	2 pin jumper	B probing (bus side after cap)
J25	2 pin jumper	A probing (bus side after cap)
J26	2 pin jumper	Connecting inductor to bus A
J27	4 pin connector	Bus wire connector (pin 1: GND, pin 2: B, pin 3: A, pin 4: V _{CC})
SFSET	8 position SPST switch	To set resistor value for carrier frequency selection
TP1	Test Point	A test point
TP2	Test Point	B test point

2.2 THVD8000EVM Layout

THVD8000EVM board layout is shown in [Figure 3](#).

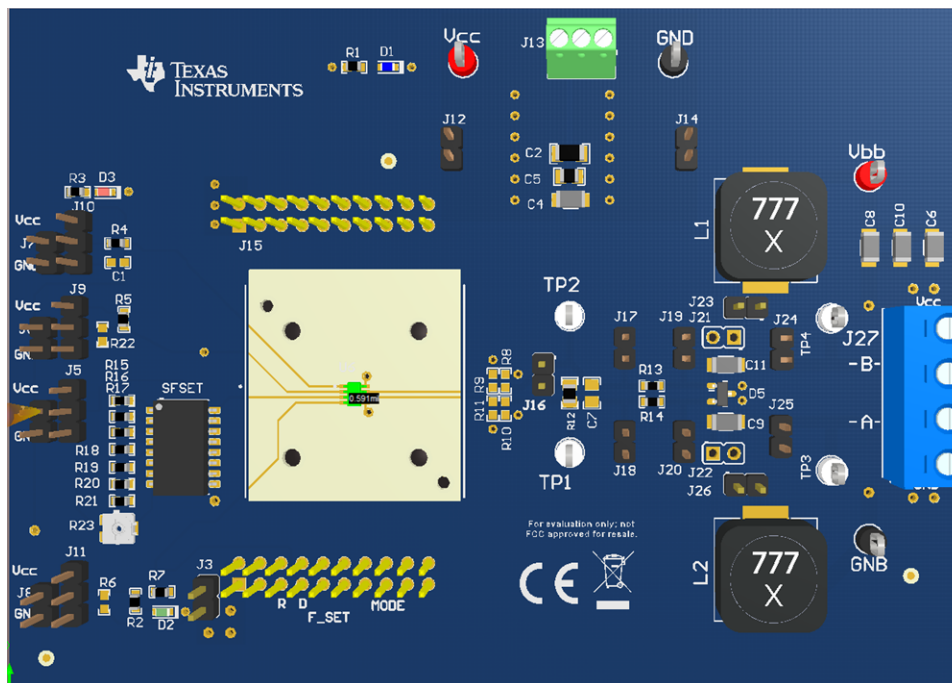


Figure 3. THVD8000EVM Layout

3 THVD8000EVM Setup and Operation

This section describes the setup and operation of the EVM for functional and parameter performance evaluation.

3.1 Overview and Basic Operation Settings

3.1.1 Transceiver V_{CC} power supply (J12 or J13 or V_{CC}) and GND (J14 or J13 or GND)

The basic setup of the THVD8000 EVM uses a single 3.3-V or 5-V power supply to evaluate the transceiver's performance. To power the transceiver, connect the 5-V or 3.3-V V_{CC} supply to the J12/J14 or J13 jumper headers or the V_{CC} and GND test-point loops. The power supplied should meet the required specification of V_{CC} for the transceiver being tested. LED D1 (blue) is used to indicate V_{CC} presence.

3.1.2 Power delivery supply V_{bb} (V_{bb}) and GNB (GNB)

To transfer the power on the same two wires as data, connect the supply to the V_{bb} and GNB test-point loops.

3.1.3 D input (J8 or J11)

The D (pin 4) of the transceiver, transmit data is routed to J8 or J11. The signal path to the J8 header is pre-installed with a 10-k Ω pull-down resistor R7 to GND. LED D2 (Green) is used to indicate a high state on D.

3.1.4 MODE input (J6 or J9)

The MODE (pin 2) of the transceiver sets the mode of the device. Pin 2 is routed to J6 or J9. The signal path to the J9 header is pre-installed with a 10-k Ω pull-up resistor R5 to V_{CC} .

3.1.5 F_SET input (J4 or J5)

The F_SET (pin 3) of the transceiver sets the carrier frequency of the OOK modulation of the device. The various resistors R15 (1.5 k Ω), R16 (4.4 k Ω), R17 (9.3 k Ω), R18 (12.4 k Ω), R19 (19 k Ω), R20 (50 k Ω), R21 (77 k Ω) are pre-installed with a dip switch SFSET for selection. A potentiometer with the range from 10 Ω to 10 k Ω , R23, is pre-installed for choosing the other resistance value, by which the larger resistance is obtained with rotating the head clockwise.

Table 2. F_SET Pin Resistor Selection

Resistor	Resistance (Ω)	Carrier frequency (kHz)
R15	1.5k	5000
R16	4.4k	2000
R17	9.3k	1000
R18	12.4k	750
R19	19k	500
R20	50k	187.5
R21	77k	125
R23	10-10k	variable

3.1.6 R output (J7 or J10)

The R (pin 1) of the transceiver, receive data is routed to J7 or J10. The signal path to the J10 header is pre-installed with a 0- Ω series resistor, R4. LED D3 (red) is used to indicate a high level on R.

3.1.7 Termination (J16)

Using header J16 makes the bus terminated with a pre-installed 120- Ω resistor, R12.

3.1.8 Capacitor and inductor bypass (J21, J22, J23, J26)

The headers J21 and J22 make the signal path bypass the decoupling capacitor C9 and C11. The headers J23 and J26 make the coupling inductor L1 and L2 connect to the signal path.

3.1.9 Wire connection (J27)

The header J27 makes the signal path to connect the media externally, such as a cable.

Table 3. J27 pin connection

Pin	Connection	Description
1	GND	Pin 4 of Transceiver. GND.
2	A	Bus wire
3	B	Bus wire
4	V _{CC}	Pin 1 of Transceiver. V _{CC}

3.2 Operation Example

This example shows step-by-step how to operate two boards for data over power communication.

- Two EVM boards are required. Connect a 3.3-V to 5-V power supply capable of 100 mA to the test points V_{CC} and GND of each EVM boards. Due to the isolation of the signal path, the two boards can be powered by separate sources and with ground potential differences. The GND and V_{CC} connections are marked by the silk screen. This will be the main supply for the boards.
- (Optional) Connect V_{bb} and GNB through V_{bb} and GNB connectors for power delivery. Short the shunt TL_A and TL_B to connect the inductor to bus. The maximum DC current rating of the populated inductor on the EVM is 1.9 A. The voltage rating of the populated capacitor is 100 V. On the transmitting board, V_{bb} and GNB connect to the power source, like a 12 V DC. On the receiving board, V_{bb} and GNB connect to the loading circuit (Figure 1). The received power may have a lower voltage level due to the cable loss.
- Put a shunt connector on J9-2 (MODE pin) to V_{CC} on the transmitting board. Put a shunt connector on J9-2 (MODE pin) to GND on the receiving board. In this configuration, THVD8000 would work in transmitter or receiver mode only. Another option is to connect the MODE pin to an MCU control logic, for example, the signal that controls the DE/RE control inputs of a half-duplex transceiver.
- Close one of the switches where the silk screen label shows SFSET for the carrier frequency selection. SFSET needs to be selected for both transmitting and receiving boards. Put the F_SET dip switch on the same setting on both boards.
- Connect transmitting and receiving boards by a two-wire twisted cable by J27.
- Connect the function generator to the J11-2 header on the transmitting board. Set the function generator to generate a square wave of a certain frequency, 50% duty cycle, the low voltage level to 0 V, and the high level to 5 V. This clock signal simulates the TTL data from MCU. Alternatively PRBS data from a signal generator can be transmitted. Please note the data rate is not recommended to be faster than 1/10 of the carrier frequency. The transmitted signal can be checked on an oscilloscope by test points TP1 and TP2 on the transmitting board, which should show a nearly rail-to-rail OOK modulated waveform at the carrier frequency. This indicates that the transmitter of THVD8000 operates correctly.
- Connect an oscilloscope probe to the J10-2 pin on the receiving board. Setup the oscilloscope for proper time and voltage per division. Allow room to show three periods of bit-long waveform on the oscilloscope. The received TTL signal should match the transmitted data. This indicates that the receiver of THVD8000 operates correctly. Similarly the received signal can be checked on an oscilloscope by test points TP1 and TP2 on the receiving board. The received signal may have smaller amplitude due to the cable loss.
- Both transmitting and receiving and functions can be tested for each board with swapped mode by repeating step 3 to 7.

STANDARD TERMS FOR EVALUATION MODULES

1. *Delivery:* TI delivers TI evaluation boards, kits, or modules, including any accompanying demonstration software, components, and/or documentation which may be provided together or separately (collectively, an "EVM" or "EVMs") to the User ("User") in accordance with the terms set forth herein. User's acceptance of the EVM is expressly subject to the following terms.
 - 1.1 EVMs are intended solely for product or software developers for use in a research and development setting to facilitate feasibility evaluation, experimentation, or scientific analysis of TI semiconductor products. EVMs have no direct function and are not finished products. EVMs shall not be directly or indirectly assembled as a part or subassembly in any finished product. For clarification, any software or software tools provided with the EVM ("Software") shall not be subject to the terms and conditions set forth herein but rather shall be subject to the applicable terms that accompany such Software
 - 1.2 EVMs are not intended for consumer or household use. EVMs may not be sold, sublicensed, leased, rented, loaned, assigned, or otherwise distributed for commercial purposes by Users, in whole or in part, or used in any finished product or production system.
2. *Limited Warranty and Related Remedies/Disclaimers:*
 - 2.1 These terms do not apply to Software. The warranty, if any, for Software is covered in the applicable Software License Agreement.
 - 2.2 TI warrants that the TI EVM will conform to TI's published specifications for ninety (90) days after the date TI delivers such EVM to User. Notwithstanding the foregoing, TI shall not be liable for a nonconforming EVM if (a) the nonconformity was caused by neglect, misuse or mistreatment by an entity other than TI, including improper installation or testing, or for any EVMs that have been altered or modified in any way by an entity other than TI, (b) the nonconformity resulted from User's design, specifications or instructions for such EVMs or improper system design, or (c) User has not paid on time. Testing and other quality control techniques are used to the extent TI deems necessary. TI does not test all parameters of each EVM. User's claims against TI under this Section 2 are void if User fails to notify TI of any apparent defects in the EVMs within ten (10) business days after delivery, or of any hidden defects with ten (10) business days after the defect has been detected.
 - 2.3 TI's sole liability shall be at its option to repair or replace EVMs that fail to conform to the warranty set forth above, or credit User's account for such EVM. TI's liability under this warranty shall be limited to EVMs that are returned during the warranty period to the address designated by TI and that are determined by TI not to conform to such warranty. If TI elects to repair or replace such EVM, TI shall have a reasonable time to repair such EVM or provide replacements. Repaired EVMs shall be warranted for the remainder of the original warranty period. Replaced EVMs shall be warranted for a new full ninety (90) day warranty period.

WARNING

Evaluation Kits are intended solely for use by technically qualified, professional electronics experts who are familiar with the dangers and application risks associated with handling electrical mechanical components, systems, and subsystems.

User shall operate the Evaluation Kit within TI's recommended guidelines and any applicable legal or environmental requirements as well as reasonable and customary safeguards. Failure to set up and/or operate the Evaluation Kit within TI's recommended guidelines may result in personal injury or death or property damage. Proper set up entails following TI's instructions for electrical ratings of interface circuits such as input, output and electrical loads.

NOTE:

EXPOSURE TO ELECTROSTATIC DISCHARGE (ESD) MAY CAUSE DEGRADATION OR FAILURE OF THE EVALUATION KIT; TI RECOMMENDS STORAGE OF THE EVALUATION KIT IN A PROTECTIVE ESD BAG.

3 Regulatory Notices:

3.1 United States

3.1.1 Notice applicable to EVMs not FCC-Approved:

FCC NOTICE: This kit is designed to allow product developers to evaluate electronic components, circuitry, or software associated with the kit to determine whether to incorporate such items in a finished product and software developers to write software applications for use with the end product. This kit is not a finished product and when assembled may not be resold or otherwise marketed unless all required FCC equipment authorizations are first obtained. Operation is subject to the condition that this product not cause harmful interference to licensed radio stations and that this product accept harmful interference. Unless the assembled kit is designed to operate under part 15, part 18 or part 95 of this chapter, the operator of the kit must operate under the authority of an FCC license holder or must secure an experimental authorization under part 5 of this chapter.

3.1.2 For EVMs annotated as FCC – FEDERAL COMMUNICATIONS COMMISSION Part 15 Compliant:

CAUTION

This device complies with part 15 of the FCC Rules. Operation is subject to the following two conditions: (1) This device may not cause harmful interference, and (2) this device must accept any interference received, including interference that may cause undesired operation.

Changes or modifications not expressly approved by the party responsible for compliance could void the user's authority to operate the equipment.

FCC Interference Statement for Class A EVM devices

NOTE: This equipment has been tested and found to comply with the limits for a Class A digital device, pursuant to part 15 of the FCC Rules. These limits are designed to provide reasonable protection against harmful interference when the equipment is operated in a commercial environment. This equipment generates, uses, and can radiate radio frequency energy and, if not installed and used in accordance with the instruction manual, may cause harmful interference to radio communications. Operation of this equipment in a residential area is likely to cause harmful interference in which case the user will be required to correct the interference at his own expense.

FCC Interference Statement for Class B EVM devices

NOTE: This equipment has been tested and found to comply with the limits for a Class B digital device, pursuant to part 15 of the FCC Rules. These limits are designed to provide reasonable protection against harmful interference in a residential installation. This equipment generates, uses and can radiate radio frequency energy and, if not installed and used in accordance with the instructions, may cause harmful interference to radio communications. However, there is no guarantee that interference will not occur in a particular installation. If this equipment does cause harmful interference to radio or television reception, which can be determined by turning the equipment off and on, the user is encouraged to try to correct the interference by one or more of the following measures:

- Reorient or relocate the receiving antenna.
- Increase the separation between the equipment and receiver.
- Connect the equipment into an outlet on a circuit different from that to which the receiver is connected.
- Consult the dealer or an experienced radio/TV technician for help.

3.2 Canada

3.2.1 For EVMs issued with an Industry Canada Certificate of Conformance to RSS-210 or RSS-247

Concerning EVMs Including Radio Transmitters:

This device complies with Industry Canada license-exempt RSSs. Operation is subject to the following two conditions:

(1) this device may not cause interference, and (2) this device must accept any interference, including interference that may cause undesired operation of the device.

Concernant les EVMs avec appareils radio:

Le présent appareil est conforme aux CNR d'Industrie Canada applicables aux appareils radio exempts de licence. L'exploitation est autorisée aux deux conditions suivantes: (1) l'appareil ne doit pas produire de brouillage, et (2) l'utilisateur de l'appareil doit accepter tout brouillage radioélectrique subi, même si le brouillage est susceptible d'en compromettre le fonctionnement.

Concerning EVMs Including Detachable Antennas:

Under Industry Canada regulations, this radio transmitter may only operate using an antenna of a type and maximum (or lesser) gain approved for the transmitter by Industry Canada. To reduce potential radio interference to other users, the antenna type and its gain should be so chosen that the equivalent isotropically radiated power (e.i.r.p.) is not more than that necessary for successful communication. This radio transmitter has been approved by Industry Canada to operate with the antenna types listed in the user guide with the maximum permissible gain and required antenna impedance for each antenna type indicated. Antenna types not included in this list, having a gain greater than the maximum gain indicated for that type, are strictly prohibited for use with this device.

Concernant les EVMs avec antennes détachables

Conformément à la réglementation d'Industrie Canada, le présent émetteur radio peut fonctionner avec une antenne d'un type et d'un gain maximal (ou inférieur) approuvé pour l'émetteur par Industrie Canada. Dans le but de réduire les risques de brouillage radioélectrique à l'intention des autres utilisateurs, il faut choisir le type d'antenne et son gain de sorte que la puissance isotrope rayonnée équivalente (p.i.r.e.) ne dépasse pas l'intensité nécessaire à l'établissement d'une communication satisfaisante. Le présent émetteur radio a été approuvé par Industrie Canada pour fonctionner avec les types d'antenne énumérés dans le manuel d'usage et ayant un gain admissible maximal et l'impédance requise pour chaque type d'antenne. Les types d'antenne non inclus dans cette liste, ou dont le gain est supérieur au gain maximal indiqué, sont strictement interdits pour l'exploitation de l'émetteur.

3.3 Japan

3.3.1 *Notice for EVMs delivered in Japan:* Please see http://www.tij.co.jp/lstds/ti_ja/general/eStore/notice_01.page 日本国内に輸入される評価用キット、ボードについては、次のところをご覧ください。
http://www.tij.co.jp/lstds/ti_ja/general/eStore/notice_01.page

3.3.2 *Notice for Users of EVMs Considered "Radio Frequency Products" in Japan:* EVMs entering Japan may not be certified by TI as conforming to Technical Regulations of Radio Law of Japan.

If User uses EVMs in Japan, not certified to Technical Regulations of Radio Law of Japan, User is required to follow the instructions set forth by Radio Law of Japan, which includes, but is not limited to, the instructions below with respect to EVMs (which for the avoidance of doubt are stated strictly for convenience and should be verified by User):

1. Use EVMs in a shielded room or any other test facility as defined in the notification #173 issued by Ministry of Internal Affairs and Communications on March 28, 2006, based on Sub-section 1.1 of Article 6 of the Ministry's Rule for Enforcement of Radio Law of Japan,
2. Use EVMs only after User obtains the license of Test Radio Station as provided in Radio Law of Japan with respect to EVMs, or
3. Use of EVMs only after User obtains the Technical Regulations Conformity Certification as provided in Radio Law of Japan with respect to EVMs. Also, do not transfer EVMs, unless User gives the same notice above to the transferee. Please note that if User does not follow the instructions above, User will be subject to penalties of Radio Law of Japan.

【無線電波を送信する製品の開発キットをお使いになる際の注意事項】 開発キットの中には技術基準適合証明を受けていないものがあります。技術適合証明を受けていないものご使用に際しては、電波法遵守のため、以下のいずれかの措置を取っていただく必要がありますのでご注意ください。

1. 電波法施行規則第6条第1項第1号に基づく平成18年3月28日総務省告示第173号で定められた電波暗室等の試験設備でご使用いただく。
2. 実験局の免許を取得後ご使用いただく。
3. 技術基準適合証明を取得後ご使用いただく。

なお、本製品は、上記の「ご使用にあたっての注意」を譲渡先、移転先に通知しない限り、譲渡、移転できないものとします。

上記を遵守頂けない場合は、電波法の罰則が適用される可能性があることをご留意ください。日本テキサス・インスツルメンツ株式会社
東京都新宿区西新宿 6 丁目 2 4 番 1 号
西新宿三井ビル

3.3.3 *Notice for EVMs for Power Line Communication:* Please see http://www.tij.co.jp/lstds/ti_ja/general/eStore/notice_02.page
電力線搬送波通信についての開発キットをお使いになる際の注意事項については、次のところをご覧ください。http://www.tij.co.jp/lstds/ti_ja/general/eStore/notice_02.page

3.4 European Union

3.4.1 *For EVMs subject to EU Directive 2014/30/EU (Electromagnetic Compatibility Directive):*

This is a class A product intended for use in environments other than domestic environments that are connected to a low-voltage power-supply network that supplies buildings used for domestic purposes. In a domestic environment this product may cause radio interference in which case the user may be required to take adequate measures.

-
- 4 *EVM Use Restrictions and Warnings:*
 - 4.1 EVMS ARE NOT FOR USE IN FUNCTIONAL SAFETY AND/OR SAFETY CRITICAL EVALUATIONS, INCLUDING BUT NOT LIMITED TO EVALUATIONS OF LIFE SUPPORT APPLICATIONS.
 - 4.2 User must read and apply the user guide and other available documentation provided by TI regarding the EVM prior to handling or using the EVM, including without limitation any warning or restriction notices. The notices contain important safety information related to, for example, temperatures and voltages.
 - 4.3 *Safety-Related Warnings and Restrictions:*
 - 4.3.1 User shall operate the EVM within TI's recommended specifications and environmental considerations stated in the user guide, other available documentation provided by TI, and any other applicable requirements and employ reasonable and customary safeguards. Exceeding the specified performance ratings and specifications (including but not limited to input and output voltage, current, power, and environmental ranges) for the EVM may cause personal injury or death, or property damage. If there are questions concerning performance ratings and specifications, User should contact a TI field representative prior to connecting interface electronics including input power and intended loads. Any loads applied outside of the specified output range may also result in unintended and/or inaccurate operation and/or possible permanent damage to the EVM and/or interface electronics. Please consult the EVM user guide prior to connecting any load to the EVM output. If there is uncertainty as to the load specification, please contact a TI field representative. During normal operation, even with the inputs and outputs kept within the specified allowable ranges, some circuit components may have elevated case temperatures. These components include but are not limited to linear regulators, switching transistors, pass transistors, current sense resistors, and heat sinks, which can be identified using the information in the associated documentation. When working with the EVM, please be aware that the EVM may become very warm.
 - 4.3.2 EVMs are intended solely for use by technically qualified, professional electronics experts who are familiar with the dangers and application risks associated with handling electrical mechanical components, systems, and subsystems. User assumes all responsibility and liability for proper and safe handling and use of the EVM by User or its employees, affiliates, contractors or designees. User assumes all responsibility and liability to ensure that any interfaces (electronic and/or mechanical) between the EVM and any human body are designed with suitable isolation and means to safely limit accessible leakage currents to minimize the risk of electrical shock hazard. User assumes all responsibility and liability for any improper or unsafe handling or use of the EVM by User or its employees, affiliates, contractors or designees.
 - 4.4 User assumes all responsibility and liability to determine whether the EVM is subject to any applicable international, federal, state, or local laws and regulations related to User's handling and use of the EVM and, if applicable, User assumes all responsibility and liability for compliance in all respects with such laws and regulations. User assumes all responsibility and liability for proper disposal and recycling of the EVM consistent with all applicable international, federal, state, and local requirements.
 5. *Accuracy of Information:* To the extent TI provides information on the availability and function of EVMs, TI attempts to be as accurate as possible. However, TI does not warrant the accuracy of EVM descriptions, EVM availability or other information on its websites as accurate, complete, reliable, current, or error-free.
 6. *Disclaimers:*
 - 6.1 EXCEPT AS SET FORTH ABOVE, EVMS AND ANY MATERIALS PROVIDED WITH THE EVM (INCLUDING, BUT NOT LIMITED TO, REFERENCE DESIGNS AND THE DESIGN OF THE EVM ITSELF) ARE PROVIDED "AS IS" AND "WITH ALL FAULTS." TI DISCLAIMS ALL OTHER WARRANTIES, EXPRESS OR IMPLIED, REGARDING SUCH ITEMS, INCLUDING BUT NOT LIMITED TO ANY EPIDEMIC FAILURE WARRANTY OR IMPLIED WARRANTIES OF MERCHANTABILITY OR FITNESS FOR A PARTICULAR PURPOSE OR NON-INFRINGEMENT OF ANY THIRD PARTY PATENTS, COPYRIGHTS, TRADE SECRETS OR OTHER INTELLECTUAL PROPERTY RIGHTS.
 - 6.2 EXCEPT FOR THE LIMITED RIGHT TO USE THE EVM SET FORTH HEREIN, NOTHING IN THESE TERMS SHALL BE CONSTRUED AS GRANTING OR CONFERRING ANY RIGHTS BY LICENSE, PATENT, OR ANY OTHER INDUSTRIAL OR INTELLECTUAL PROPERTY RIGHT OF TI, ITS SUPPLIERS/LICENSORS OR ANY OTHER THIRD PARTY, TO USE THE EVM IN ANY FINISHED END-USER OR READY-TO-USE FINAL PRODUCT, OR FOR ANY INVENTION, DISCOVERY OR IMPROVEMENT, REGARDLESS OF WHEN MADE, CONCEIVED OR ACQUIRED.
 7. *USER'S INDEMNITY OBLIGATIONS AND REPRESENTATIONS.* USER WILL DEFEND, INDEMNIFY AND HOLD TI, ITS LICENSORS AND THEIR REPRESENTATIVES HARMLESS FROM AND AGAINST ANY AND ALL CLAIMS, DAMAGES, LOSSES, EXPENSES, COSTS AND LIABILITIES (COLLECTIVELY, "CLAIMS") ARISING OUT OF OR IN CONNECTION WITH ANY HANDLING OR USE OF THE EVM THAT IS NOT IN ACCORDANCE WITH THESE TERMS. THIS OBLIGATION SHALL APPLY WHETHER CLAIMS ARISE UNDER STATUTE, REGULATION, OR THE LAW OF TORT, CONTRACT OR ANY OTHER LEGAL THEORY, AND EVEN IF THE EVM FAILS TO PERFORM AS DESCRIBED OR EXPECTED.

8. *Limitations on Damages and Liability:*

8.1 *General Limitations.* IN NO EVENT SHALL TI BE LIABLE FOR ANY SPECIAL, COLLATERAL, INDIRECT, PUNITIVE, INCIDENTAL, CONSEQUENTIAL, OR EXEMPLARY DAMAGES IN CONNECTION WITH OR ARISING OUT OF THESE TERMS OR THE USE OF THE EVMS , REGARDLESS OF WHETHER TI HAS BEEN ADVISED OF THE POSSIBILITY OF SUCH DAMAGES. EXCLUDED DAMAGES INCLUDE, BUT ARE NOT LIMITED TO, COST OF REMOVAL OR REINSTALLATION, ANCILLARY COSTS TO THE PROCUREMENT OF SUBSTITUTE GOODS OR SERVICES, RETESTING, OUTSIDE COMPUTER TIME, LABOR COSTS, LOSS OF GOODWILL, LOSS OF PROFITS, LOSS OF SAVINGS, LOSS OF USE, LOSS OF DATA, OR BUSINESS INTERRUPTION. NO CLAIM, SUIT OR ACTION SHALL BE BROUGHT AGAINST TI MORE THAN TWELVE (12) MONTHS AFTER THE EVENT THAT GAVE RISE TO THE CAUSE OF ACTION HAS OCCURRED.

8.2 *Specific Limitations.* IN NO EVENT SHALL TI'S AGGREGATE LIABILITY FROM ANY USE OF AN EVM PROVIDED HEREUNDER, INCLUDING FROM ANY WARRANTY, INDEMNITY OR OTHER OBLIGATION ARISING OUT OF OR IN CONNECTION WITH THESE TERMS, , EXCEED THE TOTAL AMOUNT PAID TO TI BY USER FOR THE PARTICULAR EVM(S) AT ISSUE DURING THE PRIOR TWELVE (12) MONTHS WITH RESPECT TO WHICH LOSSES OR DAMAGES ARE CLAIMED. THE EXISTENCE OF MORE THAN ONE CLAIM SHALL NOT ENLARGE OR EXTEND THIS LIMIT.

9. *Return Policy.* Except as otherwise provided, TI does not offer any refunds, returns, or exchanges. Furthermore, no return of EVM(s) will be accepted if the package has been opened and no return of the EVM(s) will be accepted if they are damaged or otherwise not in a resalable condition. If User feels it has been incorrectly charged for the EVM(s) it ordered or that delivery violates the applicable order, User should contact TI. All refunds will be made in full within thirty (30) working days from the return of the components(s), excluding any postage or packaging costs.

10. *Governing Law:* These terms and conditions shall be governed by and interpreted in accordance with the laws of the State of Texas, without reference to conflict-of-laws principles. User agrees that non-exclusive jurisdiction for any dispute arising out of or relating to these terms and conditions lies within courts located in the State of Texas and consents to venue in Dallas County, Texas. Notwithstanding the foregoing, any judgment may be enforced in any United States or foreign court, and TI may seek injunctive relief in any United States or foreign court.

Mailing Address: Texas Instruments, Post Office Box 655303, Dallas, Texas 75265
Copyright © 2019, Texas Instruments Incorporated

IMPORTANT NOTICE AND DISCLAIMER

TI PROVIDES TECHNICAL AND RELIABILITY DATA (INCLUDING DATASHEETS), DESIGN RESOURCES (INCLUDING REFERENCE DESIGNS), APPLICATION OR OTHER DESIGN ADVICE, WEB TOOLS, SAFETY INFORMATION, AND OTHER RESOURCES "AS IS" AND WITH ALL FAULTS, AND DISCLAIMS ALL WARRANTIES, EXPRESS AND IMPLIED, INCLUDING WITHOUT LIMITATION ANY IMPLIED WARRANTIES OF MERCHANTABILITY, FITNESS FOR A PARTICULAR PURPOSE OR NON-INFRINGEMENT OF THIRD PARTY INTELLECTUAL PROPERTY RIGHTS.

These resources are intended for skilled developers designing with TI products. You are solely responsible for (1) selecting the appropriate TI products for your application, (2) designing, validating and testing your application, and (3) ensuring your application meets applicable standards, and any other safety, security, or other requirements. These resources are subject to change without notice. TI grants you permission to use these resources only for development of an application that uses the TI products described in the resource. Other reproduction and display of these resources is prohibited. No license is granted to any other TI intellectual property right or to any third party intellectual property right. TI disclaims responsibility for, and you will fully indemnify TI and its representatives against, any claims, damages, costs, losses, and liabilities arising out of your use of these resources.

TI's products are provided subject to TI's Terms of Sale (www.ti.com/legal/termsofsale.html) or other applicable terms available either on ti.com or provided in conjunction with such TI products. TI's provision of these resources does not expand or otherwise alter TI's applicable warranties or warranty disclaimers for TI products.

Mailing Address: Texas Instruments, Post Office Box 655303, Dallas, Texas 75265
Copyright © 2020, Texas Instruments Incorporated