

bq2010 Evaluation System

Features

- bq2010 Gas Gauge IC evaluation and development system
- PC interface hardware for easy access to state-of-charge information
- Alternative terminal block for direct connection to the serial port
- Battery state-of-charge monitoring for 5- to 10-cell (series) applications (2 user-selectable options for 3, 4, or greater than 10 cells)
- On-board regulator for greater than 4-cell applications
- State-of-charge information displayed on bank of 6 LEDs
- Nominal capacity jumper-configurable
- Cell chemistry jumper-configurable
- Display mode jumper-configurable

General Description

The EV2010 Evaluation System provides a development and evaluation environment for the bq2010 Gas Gauge IC. The EV2010 incorporates a bq2010, a sense resistor, and all other hardware necessary to provide a capacity monitoring function for 3 to 12 series NiCd or NiMH cells.

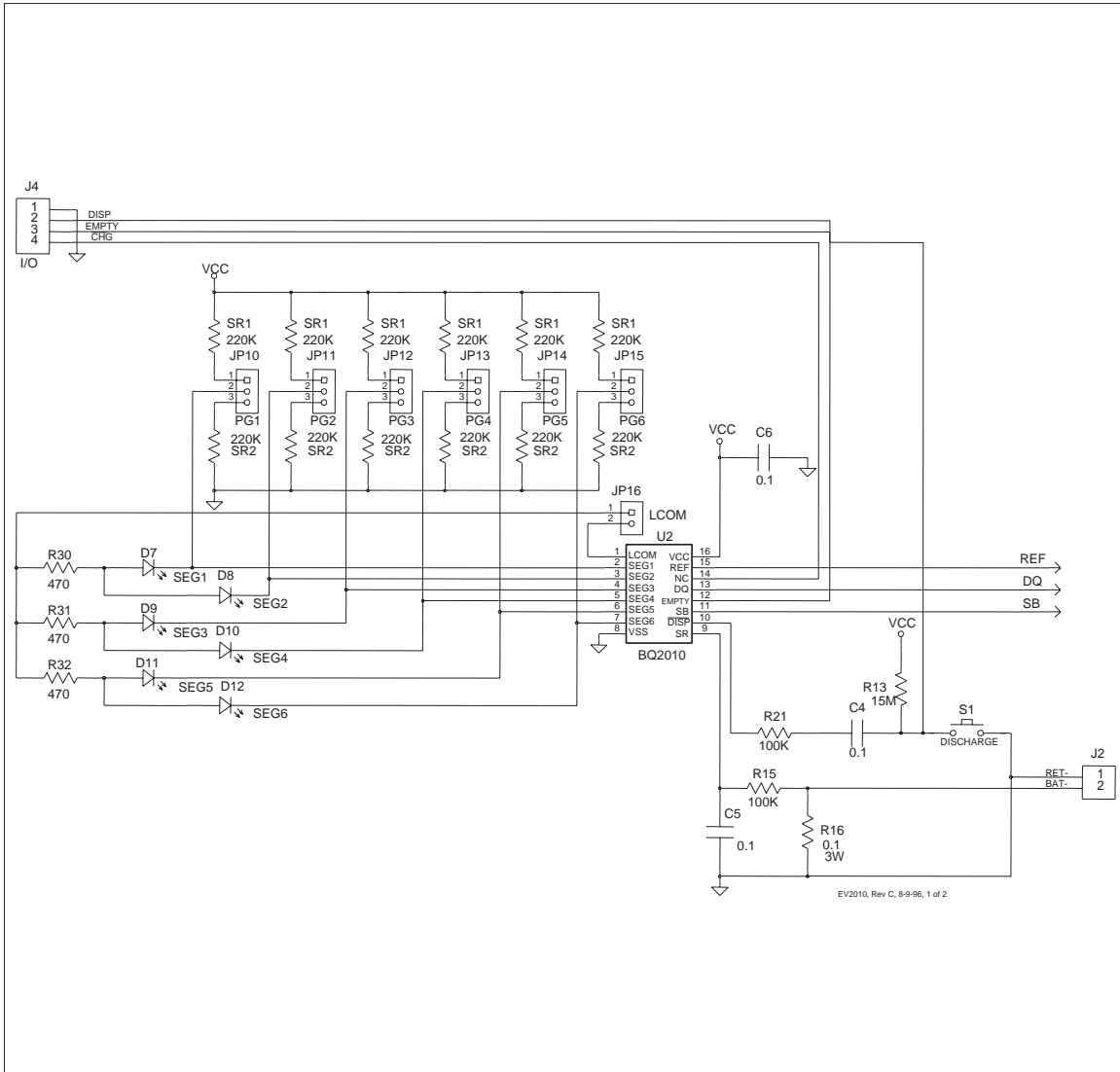
Hardware for a PC interface is included on the EV2010 so that easy access to the state-of-charge information can be achieved via the serial port of the bq2010. Direct connection to the serial port of the bq2010 is also made available for check-out of the final hardware/software implementation.



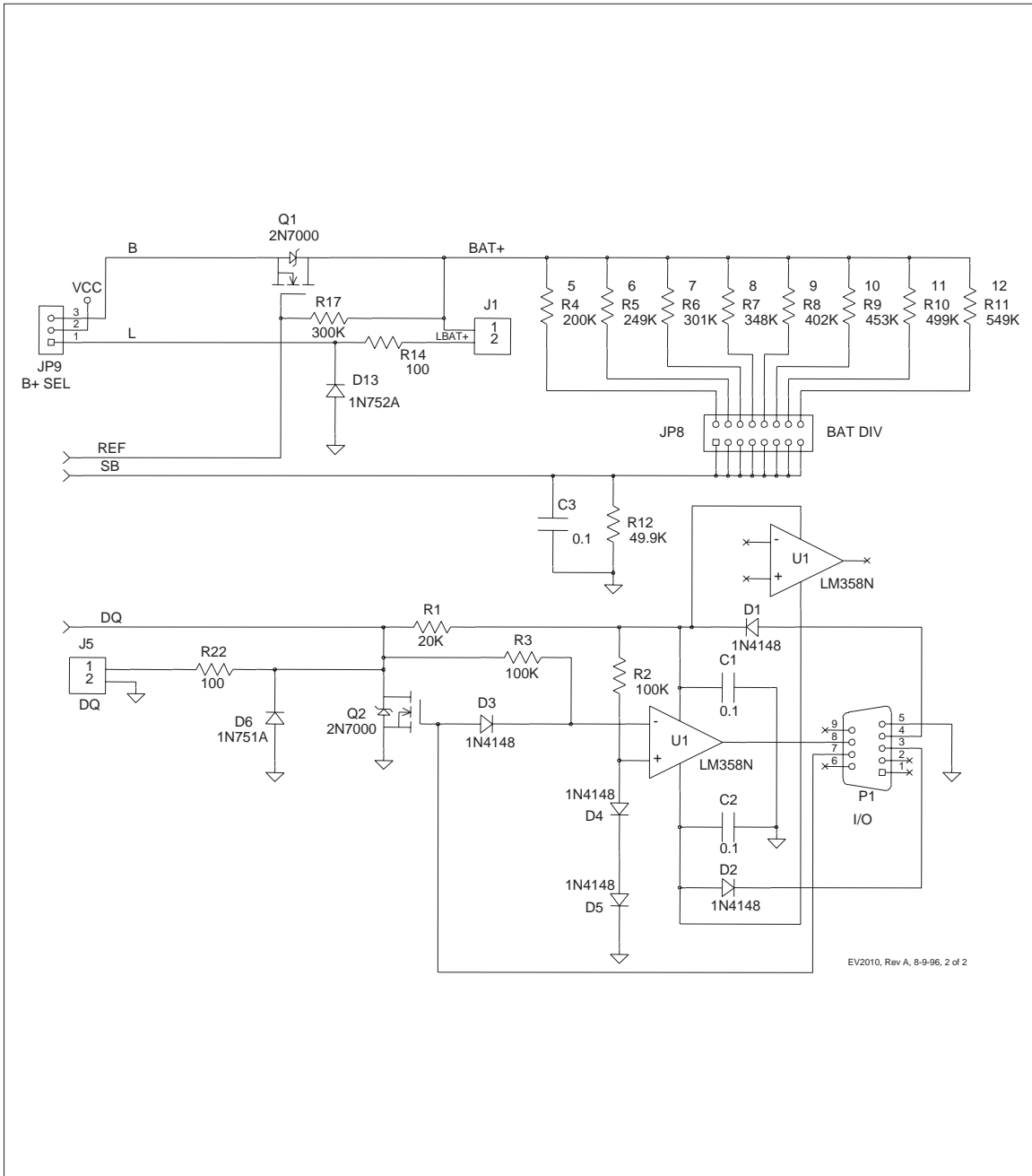
The menu-driven software provided with the EV2010 displays charge/discharge activity and allows user interface to the bq2010 from any standard DOS PC.

A full data sheet for this product is available on our web site (<http://www.benchmark.com>), or you may contact the factory for one.

EV2010 Board Schematic



EV2010 Board Schematic (Continued)



EV2010, Rev A, 8-9-96, 2 of 2

Notes

IMPORTANT NOTICE

Texas Instruments and its subsidiaries (TI) reserve the right to make changes to their products or to discontinue any product or service without notice, and advise customers to obtain the latest version of relevant information to verify, before placing orders, that information being relied on is current and complete. All products are sold subject to the terms and conditions of sale supplied at the time of order acknowledgement, including those pertaining to warranty, patent infringement, and limitation of liability.

TI warrants performance of its semiconductor products to the specifications applicable at the time of sale in accordance with TI's standard warranty. Testing and other quality control techniques are utilized to the extent TI deems necessary to support this warranty. Specific testing of all parameters of each device is not necessarily performed, except those mandated by government requirements.

CERTAIN APPLICATIONS USING SEMICONDUCTOR PRODUCTS MAY INVOLVE POTENTIAL RISKS OF DEATH, PERSONAL INJURY, OR SEVERE PROPERTY OR ENVIRONMENTAL DAMAGE ("CRITICAL APPLICATIONS"). TI SEMICONDUCTOR PRODUCTS ARE NOT DESIGNED, AUTHORIZED, OR WARRANTED TO BE SUITABLE FOR USE IN LIFE-SUPPORT DEVICES OR SYSTEMS OR OTHER CRITICAL APPLICATIONS. INCLUSION OF TI PRODUCTS IN SUCH APPLICATIONS IS UNDERSTOOD TO BE FULLY AT THE CUSTOMER'S RISK.

In order to minimize risks associated with the customer's applications, adequate design and operating safeguards must be provided by the customer to minimize inherent or procedural hazards.

TI assumes no liability for applications assistance or customer product design. TI does not warrant or represent that any license, either express or implied, is granted under any patent right, copyright, mask work right, or other intellectual property right of TI covering or relating to any combination, machine, or process in which such semiconductor products or services might be or are used. TI's publication of information regarding any third party's products or services does not constitute TI's approval, warranty or endorsement thereof.