

# ***Using the TPS54383EVM***

## ***User's Guide***

# ***Using the TPS54383EVM***

## ***User's Guide***

Literature Number: SLUU285C  
July 2007–Revised January 2008



# **A 12-V Input, 5.0-V and 3.3-V Output, 2-A Non-Synchronous Buck Converter**

---

---

---

## **1 Introduction**

The TPS54383EVM evaluation module (EVM) is a dual non-synchronous buck converter providing fixed 5.0-V and 3.3-V output at up to 2 A each from a 12-V input bus. The EVM is designed to start up from a single supply, so no additional bias voltage is required for start-up. The module uses the TPS54383 Dual Non-Synchronous Buck Converter with Integral High-Side FET.

### **1.1 Description**

TPS54383EVM is designed to use a regulated 12-V (+10% / -20%) bus to produce two regulated power rails, 5.0 V and 3.3 V at up to 2 A of load current each. TPS54383EVM is designed to demonstrate the TPS54383 in a typical 12-V bus system while providing a number of test points to evaluate the performance of the TPS54383 in a given application. The EVM can be modified to other input or output voltages by changing some of the components.

### **1.2 Applications**

- Non-Isolated Low Current Point of Load and Voltage bus converters
- Consumer Electronics
- LCD TV
- Computer Peripherals
- Digital Set Top Box

### **1.3 Features**

- 12-V (+10% / -20%) Input Range
- 5.0-V and 3.3-V Fixed Output Voltage, Adjustable with Resistor Change
- 2-A<sub>DC</sub> Steady State Output Current (3 A Peak)
- 300-kHz Switching Frequency (fixed by TPS54383)
- Internal Switching MOSFET and External Rectifier Diode
- Double Sided 2 Active Layer PCB (all components on top side, test point signals routed on internal layers)
- Active Converter Area (less than 2.5 square inch < 1.15" x 2.15")
- Convenient Test Points (used for probing switching waveforms and non-invasive loop response testing)

## 2 TPS54383EVM Electrical Performance Specifications

**Table 1. Electrical Performance Specifications**

SYMBOL	PARAMETER	CONDITIONS	MIN	TYP	MAX	UNITS	
<b>Input Characteristics</b>							
$V_{IN}$	Input voltage		9.6	12	13.2	V	
$I_{IN}$	Input current	$V_{IN} = \text{nom}$ , $I_{OUT} = \text{max}$	-	1.6	2.0	A	
	No load input current	$V_{IN} = \text{nom}$ , $I_{OUT} = 0 \text{ A}$	-	12	20	mA	
$V_{IN\_UVLO}$	Input UVLO	$I_{OUT} = \text{min to max}$	4.0	4.2	4.4	V	
<b>Output Characteristics</b>							
$V_{OUT1}$	Output voltage 1	$V_{IN} = \text{nom}$ , $I_{OUT} = \text{nom}$	4.85	5.0	5.15	V	
$V_{OUT2}$	Output voltage 2	$V_{IN} = \text{nom}$ , $I_{OUT} = \text{nom}$	3.20	3.3	3.40		
	Line regulation	$V_{IN} = \text{min to max}$	-	-	1%		
	Load regulation	$I_{OUT} = \text{min to max}$	-	-	1%		
$V_{OUT\_ripple}$	Output voltage ripple	$V_{IN} = \text{nom}$ , $I_{OUT} = \text{max}$	-	-	50	mV <sub>pp</sub>	
$I_{OUT1}$	Output current 1 <sup>(1)</sup>	$V_{IN} = \text{min to max}$	0		2.0	A	
$I_{OUT2}$	Output current 2 <sup>(1)</sup>	$V_{IN} = \text{min to max}$	0		2.0		
$I_{OCP1}$	Output over current Channel 1	$V_{IN} = \text{nom}$ , $V_{OUT} = V_{OUT1} - 5\%$	3.1	3.7	4.5		
$I_{OCP2}$	Output over current Channel 2	$V_{IN} = \text{nom}$ , $V_{OUT} = V_{OUT2} - 5\%$	3.1	3.7	4.5		
<b>Systems Characteristics</b>							
$F_{SW}$	Switching frequency		255	310	375		kHz
$\eta_{pk}$	Peak efficiency	$V_{IN} = \text{nom}$	-	90%	-		
$\eta$	Full load efficiency	$V_{IN} = \text{nom}$ , $I_{OUT} = \text{max}$	-	85%	-		
Top	Operating temperature range	$V_{IN} = \text{min to max}$ , $I_{OUT} = \text{min to max}$	0	25	60	°C	

(1) Recommended Load Current limited to 2 A to prevent rectifier diodes surface temperature from exceeding 65°C.

3 Schematic

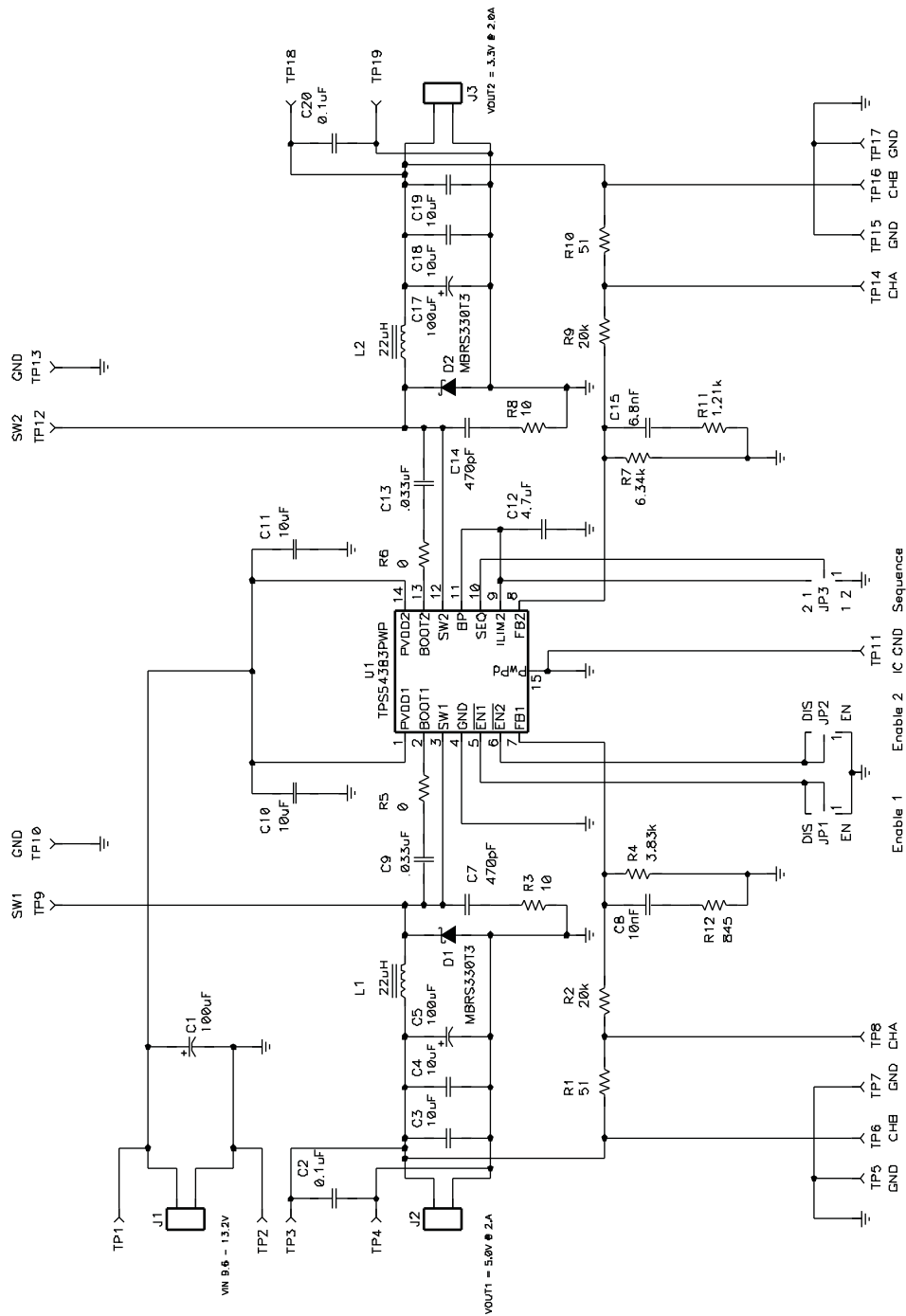


Figure 1. TPS54383EVM Schematic

**Note:** For reference only, see [Table 4](#), List of Materials for specific values.

### 3.1 Sequencing Jump (JP3)

The TPS54383EVM provides a 3-pin, 100-mil header and shunt for programming the TPS54383's sequencing function. Placing the JP3 shunt in the left position connects the sequence pin to BP and sets the TPS54383 controller to sequence Channel 2 prior to Channel 1 when Enable 2 is activated. Placing the JP3 shunt in the right position connects the sequence pin to GND and sets the TPS54383 converter to sequence Channel 1 prior to Channel 1 when Enable 1 is activated. Removing the JP3 shunt disables sequencing and allows Channel 1 and Channel 2 to be enabled independently.

### 3.2 Enable Jumpers (JP1 and JP2)

TPS54383EVM provides separate 3-pin, 100-mil headers and shunts for exercising the TPS54383 Enable functions. When JP3 is removed placing the JP1 shunt in the left position connects EN1 to ground and turns on Output 1 and placing the JP2 shunt in the left position connects EN2 to ground and turns on Output 2.

When the JP3 shunt is in the LEFT position, placing the JP2 shunt in the left position connects EN2 to ground and turns on first Output 2 and then Output 1.

When the JP3 shunt is in the RIGHT position, placing the JP1 shunt in the left position connects EN1 to ground and turns on first Output 1 and then Output 2.

### 3.3 Test Point Descriptions

**Table 2. Test Point Descriptions**

Test Point	Lable	Use	Section
TP1	VIN	Monitor input voltage	<a href="#">Section 3.3.1</a>
TP2	GND	Ground for input voltage	<a href="#">Section 3.3.1</a>
TP3	VOUT1	Monitor VOUT1 Voltage	<a href="#">Section 3.3.2</a>
TP4	GND	Ground for VOUT1 voltage	<a href="#">Section 3.3.2</a>
TP5	GND	Ground for Channel B loop monitoring	<a href="#">Section 3.3.3</a>
TP6	CHB	Channel B for loop monitoring	<a href="#">Section 3.3.3</a>
TP7	GND	Ground for Channel A loop monitoring	<a href="#">Section 3.3.3</a>
TP8	CHA	Channel A for loop monitoring	<a href="#">Section 3.3.3</a>
TP9	SW1	Monitor switching node of Channel 1	<a href="#">Section 3.3.4</a>
TP10	GND	Ground for switch node of Channel 1	<a href="#">Section 3.3.4</a>
TP11	IC_GND	Monitor device ground	<a href="#">Section 3.3.5</a>
TP12	SW2	Monitor switching node of Channel 2	<a href="#">Section 3.3.6</a>
TP13	GND	Ground for switch node of Channel 2	<a href="#">Section 3.3.6</a>
TP14	CHA	Channel A for loop monitoring	<a href="#">Section 3.3.7</a>
TP15	GND	Ground for Channel A loop monitoring	<a href="#">Section 3.3.7</a>
TP16	CHB	Channel B for loop monitoring	<a href="#">Section 3.3.7</a>
TP17	GND	Ground for Channel B loop monitoring	<a href="#">Section 3.3.7</a>
TP18	VOUT2	Monitor VOUT2 voltage	<a href="#">Section 3.3.8</a>
TP19	GND	Ground for VOUT2 voltage	<a href="#">Section 3.3.8</a>

### 3.3.1 Input Voltage Monitoring (TP1 and TP2)

TPS54383EVM provides two test points for measuring the voltage applied to the module. This allows the user to measure the actual module voltage without losses from input cables and connectors. All input voltage measurements should be made between TP1 and TP2. To use TP1 and TP2, connect a voltmeter positive terminal to TP1 and negative terminal to TP2.

### 3.3.2 Channel 1 Output Voltage Monitoring (TP3 and TP4)

TPS54383EVM provides two test points for measuring the voltage generated by the module. This allows the user to measure the actual module output voltage without losses from output cables and connectors. All output voltage measurements should be made between TP3 and TP4. To use TP3 and TP4, connect a voltmeter positive terminal to TP3 and negative terminal to TP4. For Output ripple measurements, TP3 and TP4 allow a user to limit the ground loop area by using the Tip and Barrel measurement technique shown in [Figure 3](#). All output ripple measurements should be made using the Tip and Barrel measurement.

### 3.3.3 Channel 1 Loop Analysis (TP5, TP6, TP7 and TP8)

TPS54383EVM contains a 51- $\Omega$  series resistor (R1) in the feedback loop to allow for matched impedance signal injection into the feedback for loop response analysis. An isolation transformer should be used to apply a small (30 mV or less) signal across R1 through TP6 and TP8. By monitoring the ac injection level at TP8 and the returned ac level at TP6, the power supply loop response can be determined.

### 3.3.4 Channel 1 Switching Waveforms (TP9 and TP10)

TPS54383EVM provides a test point and a local ground connection (TP10) for the monitoring of the Channel 1 power stage switching waveform. Connect an oscilloscope probe to TP9 to monitor the switch node voltage for Channel 1.

### 3.3.5 TPS54383 Device Ground (TP11)

TPS54383EVM provides a test point for the device ground. To measure the device pin voltages, connect the ground of the oscilloscope probe to TP11.

### 3.3.6 Channel 2 Switching Waveforms (TP12 and TP13)

TPS54383EVM provides a test point and a local ground connection (TP13) for the monitoring of the Channel 1 power stage switching waveform. Connect an oscilloscope probe to TP12 to monitor the switch node voltage for Channel 1.

### 3.3.7 Channel 2 Loop Analysis (TP14, TP15, TP16 and TP17)

TPS54383EVM contains a 51- $\Omega$  series resistor (R10) in the feedback loop to allow for matched impedance signal injection into the feedback for loop response analysis. An isolation transformer should be used to apply a small (30 mV or less) signal across R10 through TP14 and TP16. By monitoring the ac injection level at TP14 and the returned ac level at TP16, the power supply loop response can be determined.

### 3.3.8 Output Voltage Monitoring (TP18 and TP19)

TPS54383EVM provides two test points for measuring the voltage generated by the module. This allows the user to measure the actual module output voltage without losses from output cables and connector losses. All output voltage measurements should be made between TP18 and TP19. To use TP18 and TP19, connect a voltmeter positive terminal to TP18 and negative terminal to TP19. For output ripple measurements, TP18 and TP19 allow a user to limit the ground loop area by using the Tip and Barrel measurement technique shown in [Figure 3](#). All output ripple measurements should be made using the Tip and Barrel measurement.

## 4 Test Set Up

### 4.1 Equipment

#### 4.1.1 Voltage Source

**VIN:** The input voltage source (VIN) should be a 0-15 V variable dc source capable of 5 A<sub>DC</sub>. Connect VIN to J1 as shown in [Figure 3](#).

#### 4.1.2 Meters

- A1: 0-3 A<sub>DC</sub>, ammeter
- V1: VIN, 0-15 V voltmeter
- V2: VOUT1 0-6 V voltmeter
- V3: VOUT2 0-4 V voltmeter

#### 4.1.3 Loads

**LOAD1:** The Output1 Load (LOAD1) should be an electronic constant current mode load capable of 0-2 A<sub>DC</sub> at 5.0 V

**LOAD2:** The Output2 Load (LOAD2) should be an electronic constant current mode load capable of 0-2 A<sub>DC</sub> at 3.3 V

#### 4.1.4 Oscilloscope

**Oscilloscope:** A digital or analog oscilloscope can be used to measure the ripple voltage on VOUT. The oscilloscope should be set for 1-M $\Omega$  impedance, 20-MHz bandwidth, ac coupling, 1- $\mu$ s/division horizontal resolution, 10-mV/division vertical resolution for taking output ripple measurements. TP3 and TP4 or TP18 and TP19 can be used to measure the output ripple voltages by placing the oscilloscope probe tip through TP3 or TP18 and holding the ground barrel to TP4 or TP19 as shown in [Figure 3](#). For a hands free approach, the loop in TP4 or TP19 can be cut and opened to cradle the probe barrel. Using a leaded ground connection may induce additional noise due to the large ground loop area.

#### 4.1.5 Recommended Wire Gauge

**VIN to J1:** The connection between the source voltage, VIN and J1 of HPA241 can carry as much as 5 A<sub>DC</sub>. The minimum recommended wire size is AWG #16 with the total length of wire less than 4 feet (2 feet input, 2 feet return).

**J2 to LOAD1:** The power connection between J2 of HPA241 and LOAD1 can carry as much as 2 A<sub>DC</sub>. The minimum recommended wire size is AWG #18, with the total length of wire less than 2 feet (1 foot output, 1 foot return).

**J3 to LOAD2:** The power connection between J3 of HPA241 and LOAD2 can carry as much as 2 A<sub>DC</sub>. The minimum recommended wire size is AWG #18, with the total length of wire less than 2 feet (1 foot output, 1 foot return).

#### 4.1.6 Other

**Fan:** This evaluation module includes components that can get hot to the touch, because this EVM is not enclosed to allow probing of circuit nodes, a small fan capable of 200-400 lfm is recommended to reduce component surface temperatures to prevent user injury. The EVM should not be left unattended while powered. The EVM should not be probed while the fan is not running.



## 4.2 Equipment Setup

Shown in Figure 2 is the basic test set up recommended to evaluate the TPS54383EVM. Please note that although the return for J1, J2 and JP3 are the same system ground, the connections should remain separate as shown in Figure 2

### 4.2.1 Procedure

1. Working at an ESD workstation, make sure that any wrist straps, bootstraps or mats are connected referencing the user to earth ground before power is applied to the EVM. Electrostatic smock and safety glasses should also be worn.
2. Prior to connecting the dc input source, VIN, it is advisable to limit the source current from VIN to 5.0 A maximum. Make sure VIN is initially set to 0 V and connected as shown in Figure 2.
3. Connect the ammeter A1 (0-5 A range) between VIN and J1 as shown in Figure 2.
4. Connect voltmeter V1 to TP1 and TP2 as shown in Figure 2.
5. Connect LOAD1 to J2 as shown in Figure 2. Set LOAD1 to constant current mode to sink 0 A<sub>DC</sub> before VIN is applied.
6. Connect voltmeter, V2 across TP3 and TP4 as shown in Figure 2.
7. Connect LOAD2 to J3 as shown in Figure 2. Set LOAD2 to constant current mode to sink 0 A<sub>DC</sub> before VIN is applied.
8. Connect voltmeter, V3 across TP18 and TP19 as shown in Figure 2.
9. Place fan as shown in Figure 2 and turn on, making sure air is flowing across the EVM.

### 4.2.2 Diagram

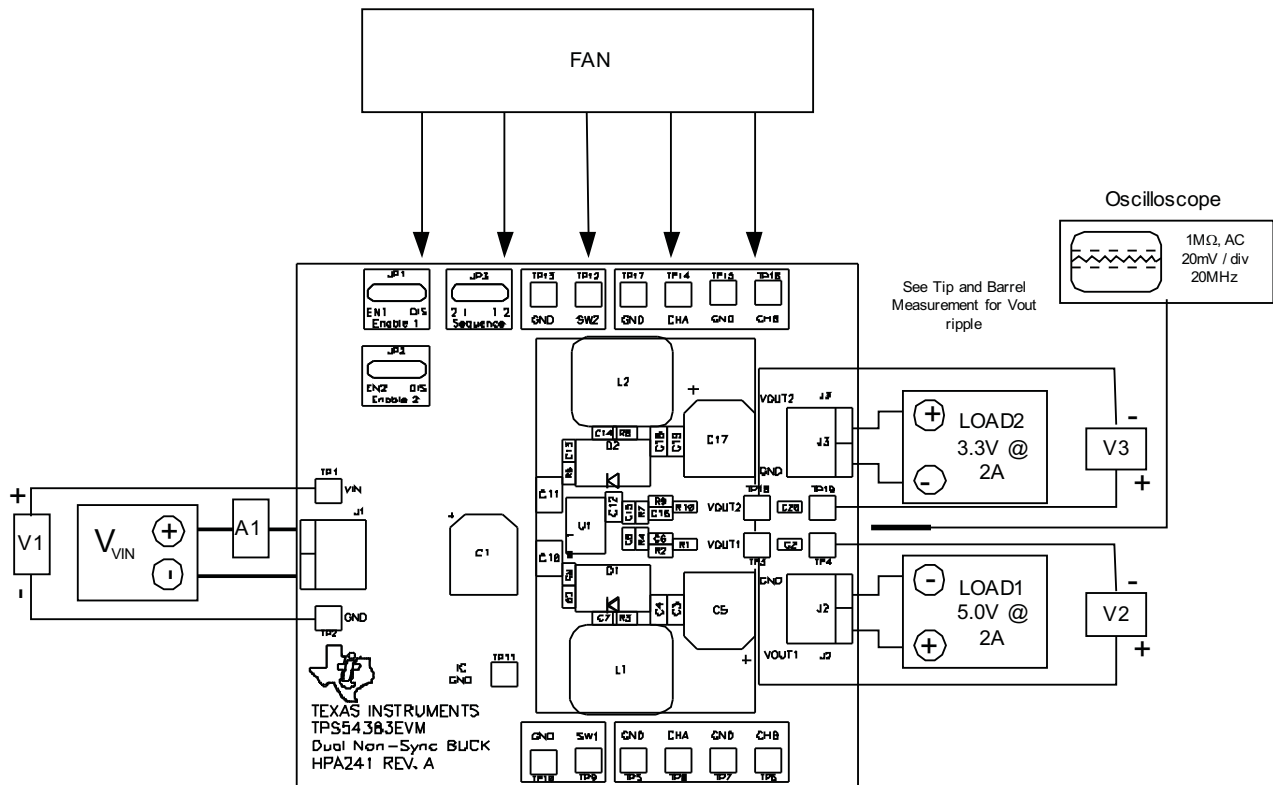
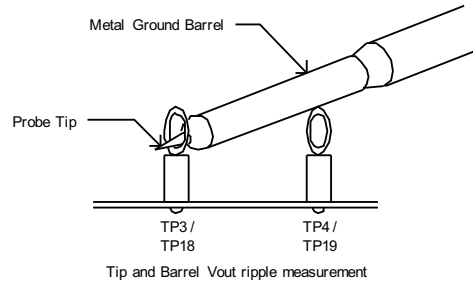
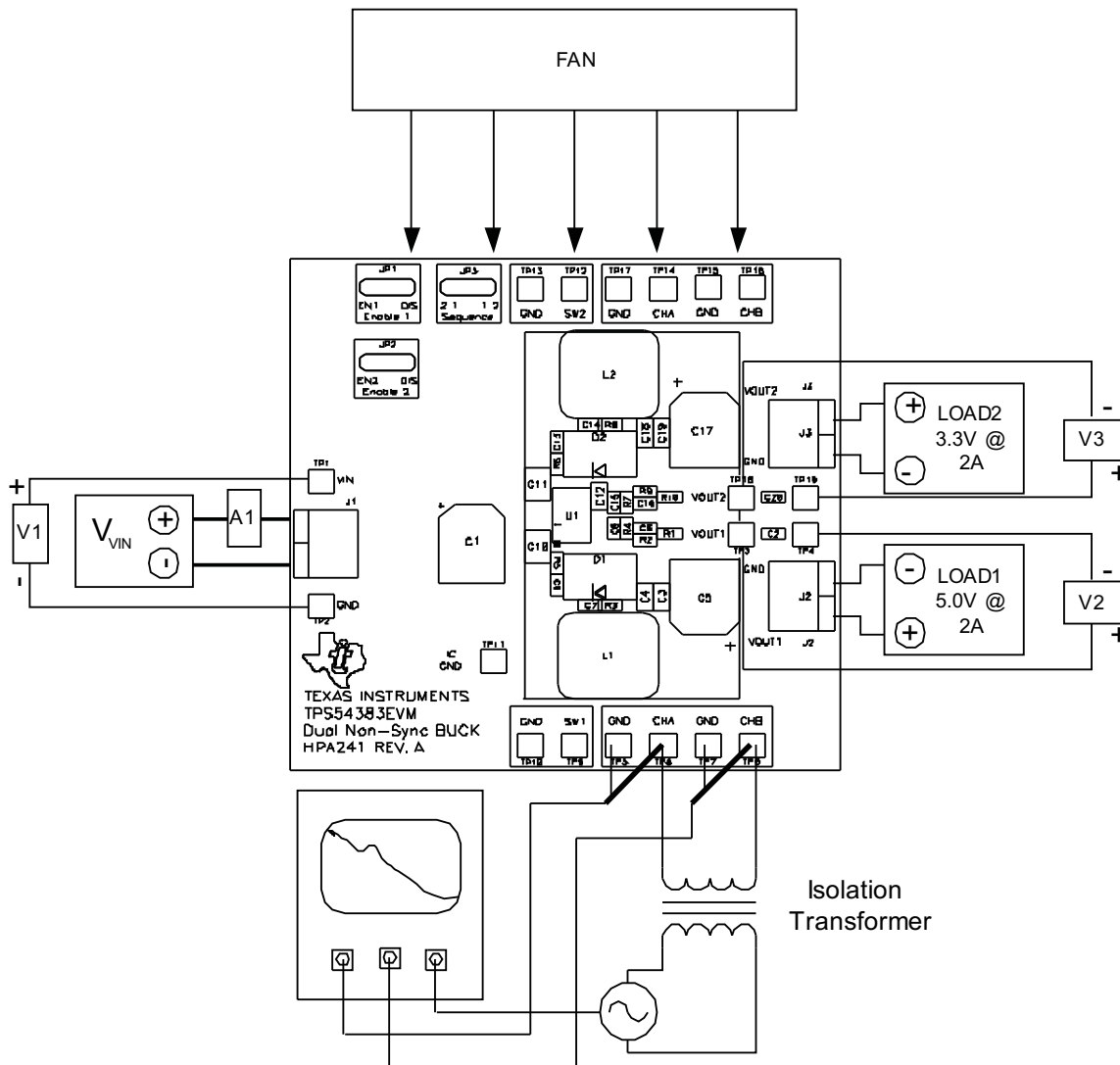


Figure 2. TPS54383EVM Recommended Test Set-Up



**Figure 3. Tip and Barrel Measurement Technique (output ripple measurement using TP3 and TP4 or TP18 and TP19)**



**Figure 4. Control Loop Measurement Setup**

### 4.3 Start Up / Shut Down Procedure

1. Increase VIN from 0 V to 12 V<sub>DC</sub>.
2. Vary LOAD1 from 0 – 2 A<sub>DC</sub>
3. Vary LOAD2 from 0 – 2 A<sub>DC</sub>
4. Vary VIN from 9.6 V<sub>DC</sub> to 13.2 V<sub>DC</sub>
5. Decrease VIN to 0 V<sub>DC</sub>
6. Decrease LOAD1 to 0 A.

### 4.4 Output Ripple Voltage Measurement Procedure

1. Increase VIN from 0 V to 12 V<sub>DC</sub>.
2. Adjust LOAD1 to desired load between 0 A<sub>DC</sub> and 2 A<sub>DC</sub>.
3. Adjust VIN to desired load between 9.6 V<sub>DC</sub> and 13.2 V<sub>DC</sub>.
4. Connect oscilloscope probe to TP3 and TP4 or TP18 and TP19 as shown in [Figure 3](#).
5. Measure output ripple.
6. Decrease VIN to 0 V<sub>DC</sub>.
7. Decrease LOAD1 to 0 A.

### 4.5 Control Loop Gain and Phase Measurement Procedure

1. Connect 1 kHz to 1 MHz isolation transformer to TP6 and TP8 as show in [Figure 4](#).
2. Connect input signal amplitude measurement probe (Channel A) to TP8 as shown in [Figure 4](#).
3. Connect output signal amplitude measurement probe (Channel B) to TP6 as shown in [Figure 4](#).
4. Connect ground lead of Channel A and Channel B to TP5 & TP7 as shown in [Figure 4](#).
5. Inject 30 mV or less signal across R1 through isolation transformer.
6. Sweep frequency from 1 kHz to 1 MHz with 10 Hz or lower post filter.

$$20 \times \text{LOG} \left( \frac{\text{Channel B}}{\text{Channel A}} \right)$$

7. Control loop gain can be measured by:
8. Control loop phase is measured by the phase difference between Channel A and Channel B.
9. Control loop for Channel 2 can be measured by making the following substitutions.
  - a. Change TP6 to TP16
  - b. Change TP8 to TP14
  - c. Change TP5 to TP17
  - d. Change TP7 to TP15
10. Disconnect isolation transformer before making any other measurements (signal injection into feedback may interfere with accuracy of other measurements).

### 4.6 Equipment Shutdown

1. Shut down oscilloscope
2. Shut down VIN
3. Shut down LOAD1
4. Shut down fan

## 5 TPS54383EVM Typical Performance Data and Characteristic Curves

Figure 5 through Figure 9 present typical performance curves for the TPS54383EVM. Since actual performance data can be affected by measurement techniques and environmental variables, these curves are presented for reference and may differ from actual field measurements.

### 5.1 Efficiency

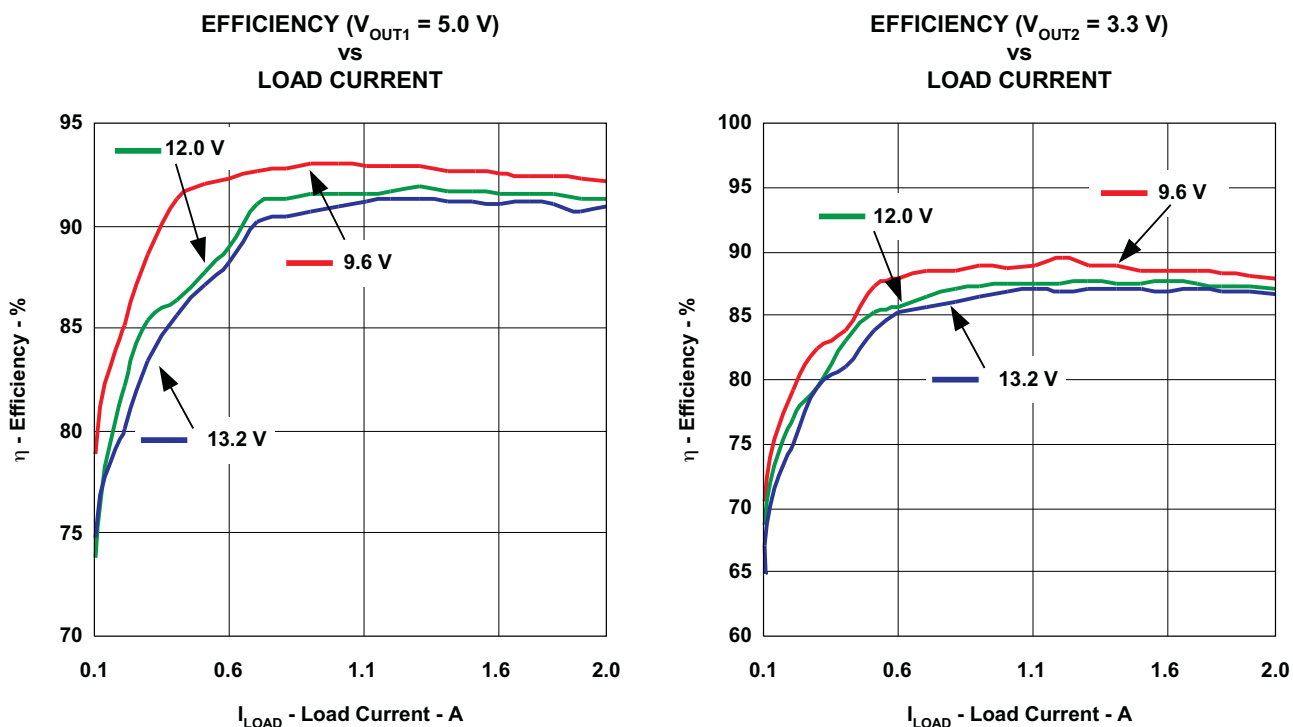


Figure 5. TPS54383EVM Efficiency versus Load Current  $V_{IN} = 9.6-13.2\text{ V}$ ,  $V_{OUT1} = 5.0\text{ V}$   $I_{OUT1} = 0-2\text{ A}$ ,  $V_{OUT2} = 3.3\text{ V}$   $I_{OUT2} = 0-2\text{ A}$

## 5.2 Line and Load Regulation

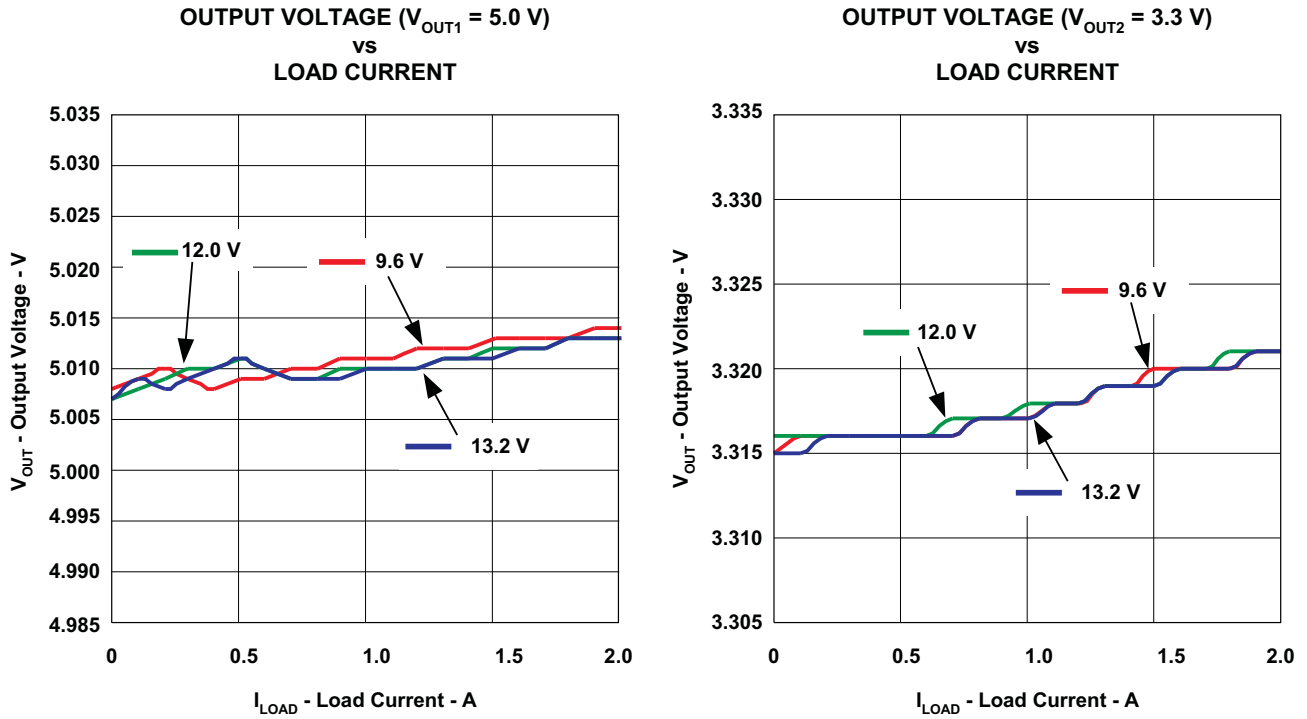


Figure 6. TPS54383EVM Output Voltage versus Load Current  $V_{IN} = 9.6\text{--}13.2\text{ V}$ ,  $V_{OUT1} = 5.0\text{ V}$   $I_{OUT1} = 0\text{--}2\text{ A}$ ,  $V_{OUT2} = 3.3\text{ V}$   $I_{OUT2} = 0\text{--}2\text{ A}$

## 5.3 Output Voltage Ripple

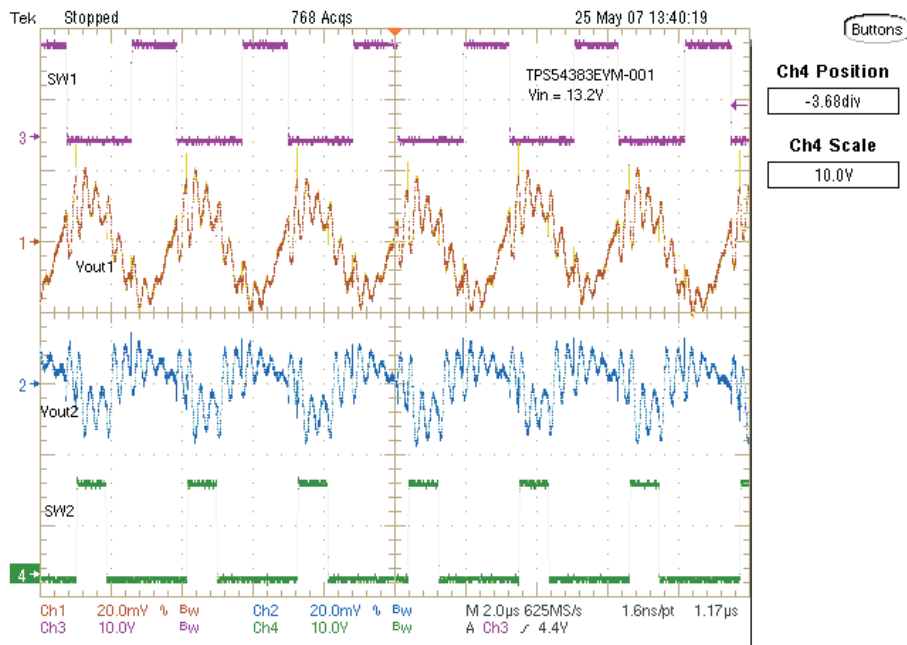


Figure 7. TPS54383EVM Output Voltage Ripple ( $V_{IN} = 13.2\text{ V}$ ,  $I_{OUT1} = I_{OUT2} = 2\text{ A}$ )

### 5.4 Switch Node

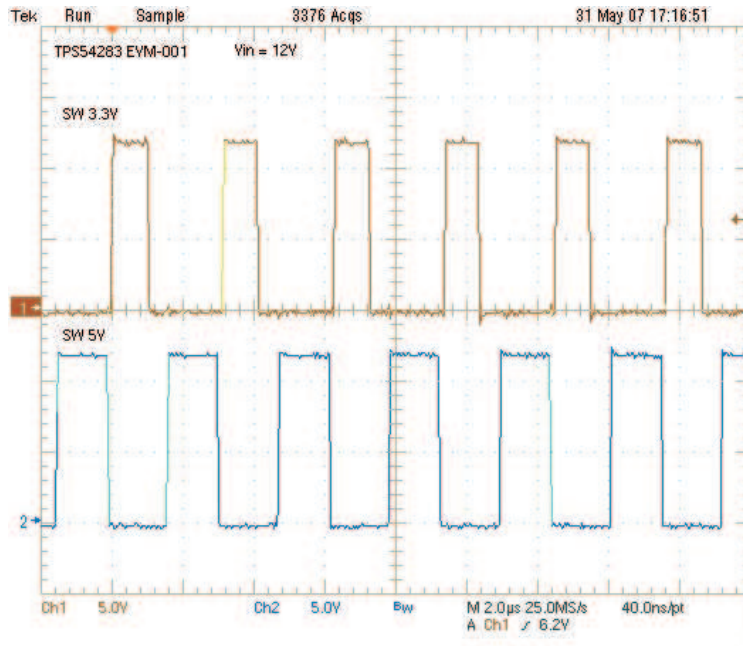


Figure 8. TPS54383EVM Switching Waveforms  $V_{IN} = 12\text{ V}$ ,  $I_{OUT} = 2\text{ A}$  Ch1: TP9 (SW1), Ch2: TP12 (SW2)

### 5.5 Control Loop Bode Plot (low line, $V_{IN} = 8\text{ V}$ )

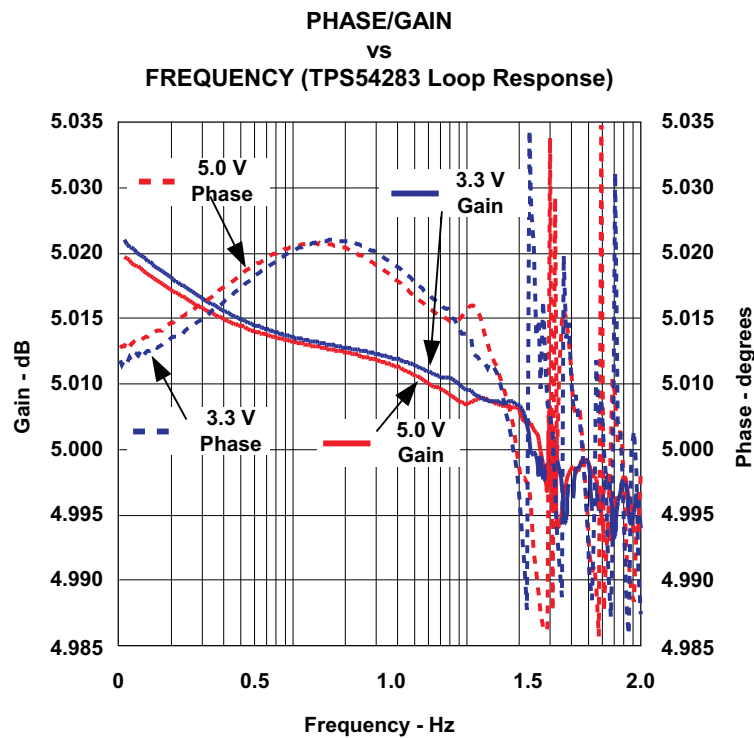


Figure 9. TPS54383EVM Gain and Phase vs Frequency

## 5.6 Light Load Operation (revision A PCB only)

Under light load operation the TPS54383 controller can enter a pulse skipping mode when the inductor current falls below 800 mA. Under this mode of operation the output ripple voltage will increase. [Table 3](#) shows the typical output ripple over the range of light load currents.

**Table 3. Output Voltage Ripple verse Load Current at Light Load**

LOAD CURRENT (A)	V <sub>OUT1</sub> RIPPLE (mV)	V <sub>OUT2</sub> RIPPLE (mV)	PULSE SKIPPING (Yes/No)
0.0	105	61	Yes
0.1	94	72	Yes
0.2	120	75	Yes
0.3	136	92	Yes
0.4	117	94	Yes
0.5	34	20	No
0.6	26	18	No
0.7	28	19	No
0.8	28	21	No
0.9	29	22	No
1.0	29	22	No

## 6 EVM Assembly Drawings and Layout

The following figures (Figure 10 through Figure 15) show the design of the TPS54383EVM printed circuit board. The EVM has been designed using a 4-Layer, 2-oz copper-clad circuit board 3.0" x 3.0" with all components in a 1.15" x 2.15" active area on the top side and all active traces to the top and bottom layers to allow the user to easily view, probe and evaluate the TPS54383 control device in a practical double-sided application. Moving components to both sides of the PCB or using additional internal layers can offer additional size reduction for space constrained systems.

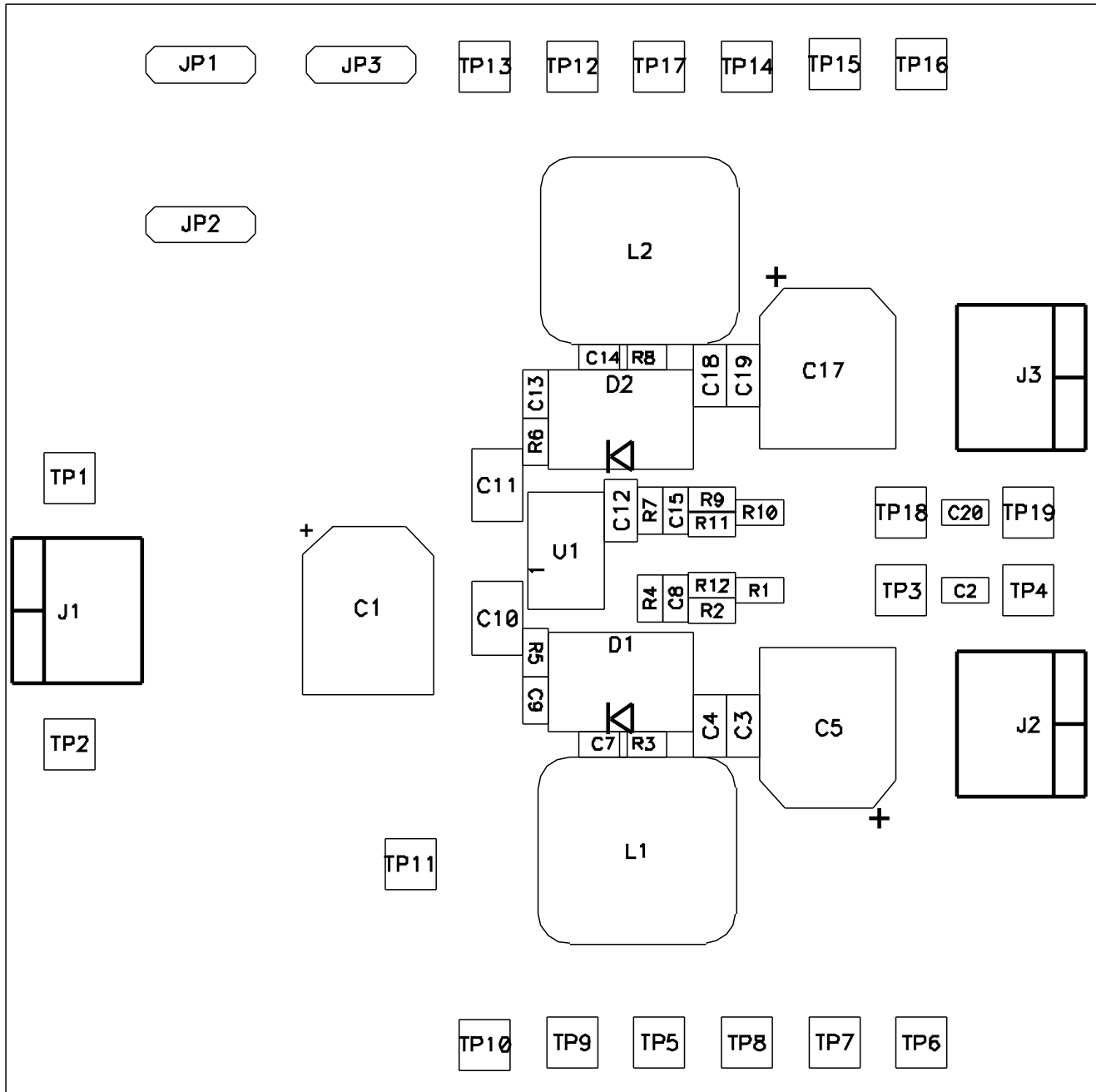


Figure 10. TPS54383EVM Component Placement (viewed from top)



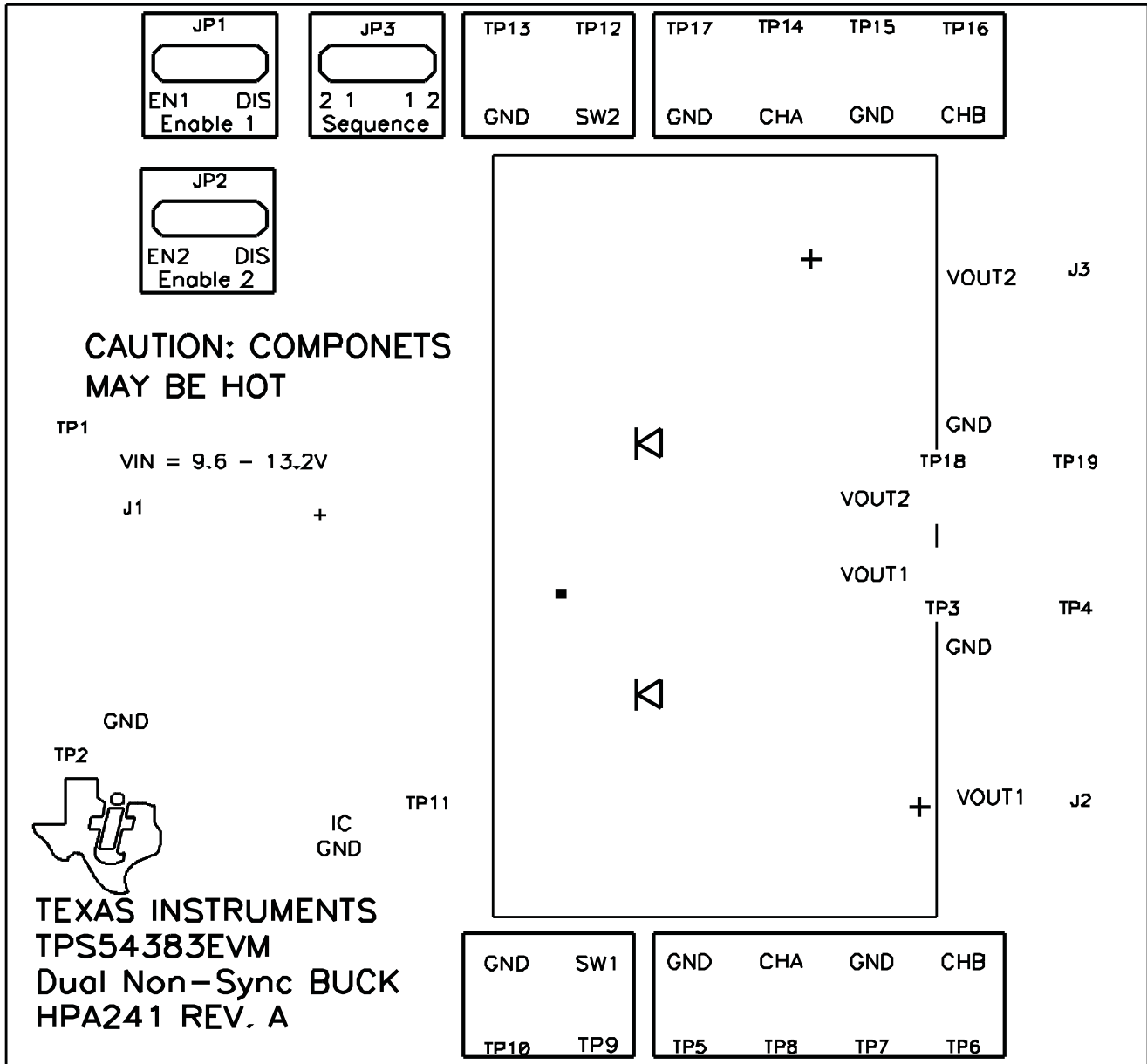


Figure 11. TPS54383EVM Silkscreen (viewed from top)

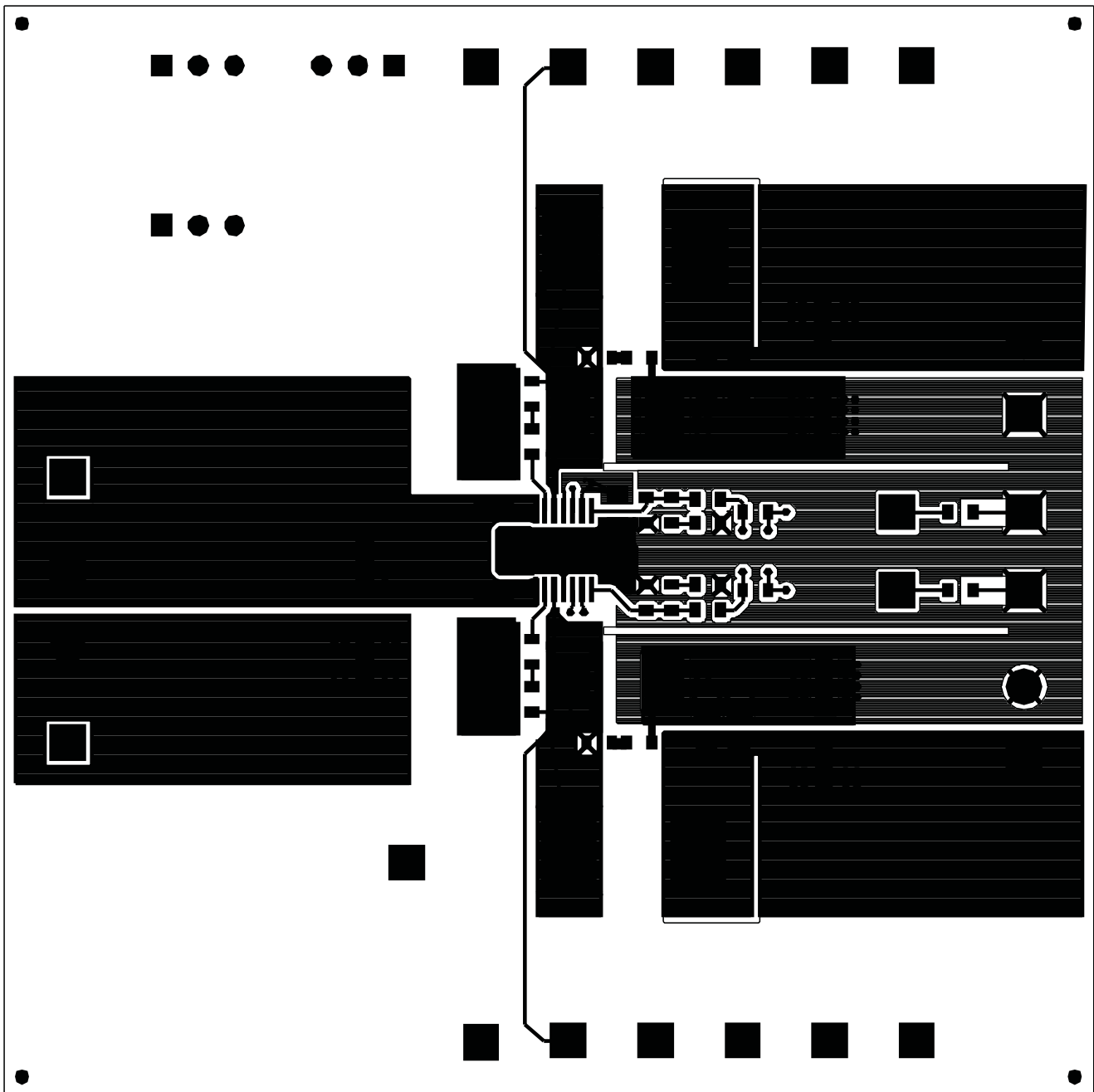


Figure 12. TPS54383EVM Top Copper (viewed from top)

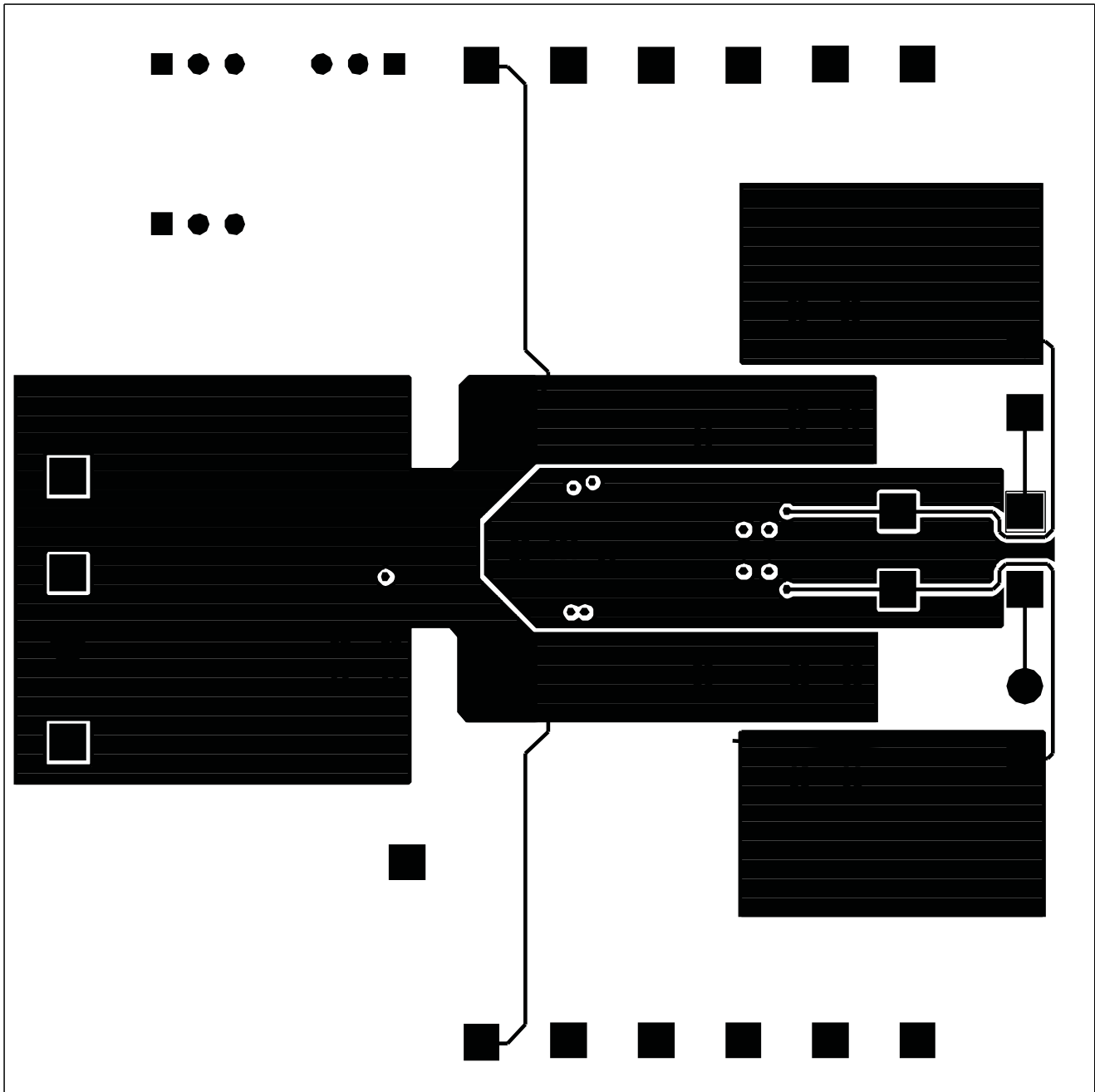


Figure 13. TPS54383EVM Bottom Copper (x-ray view from top)

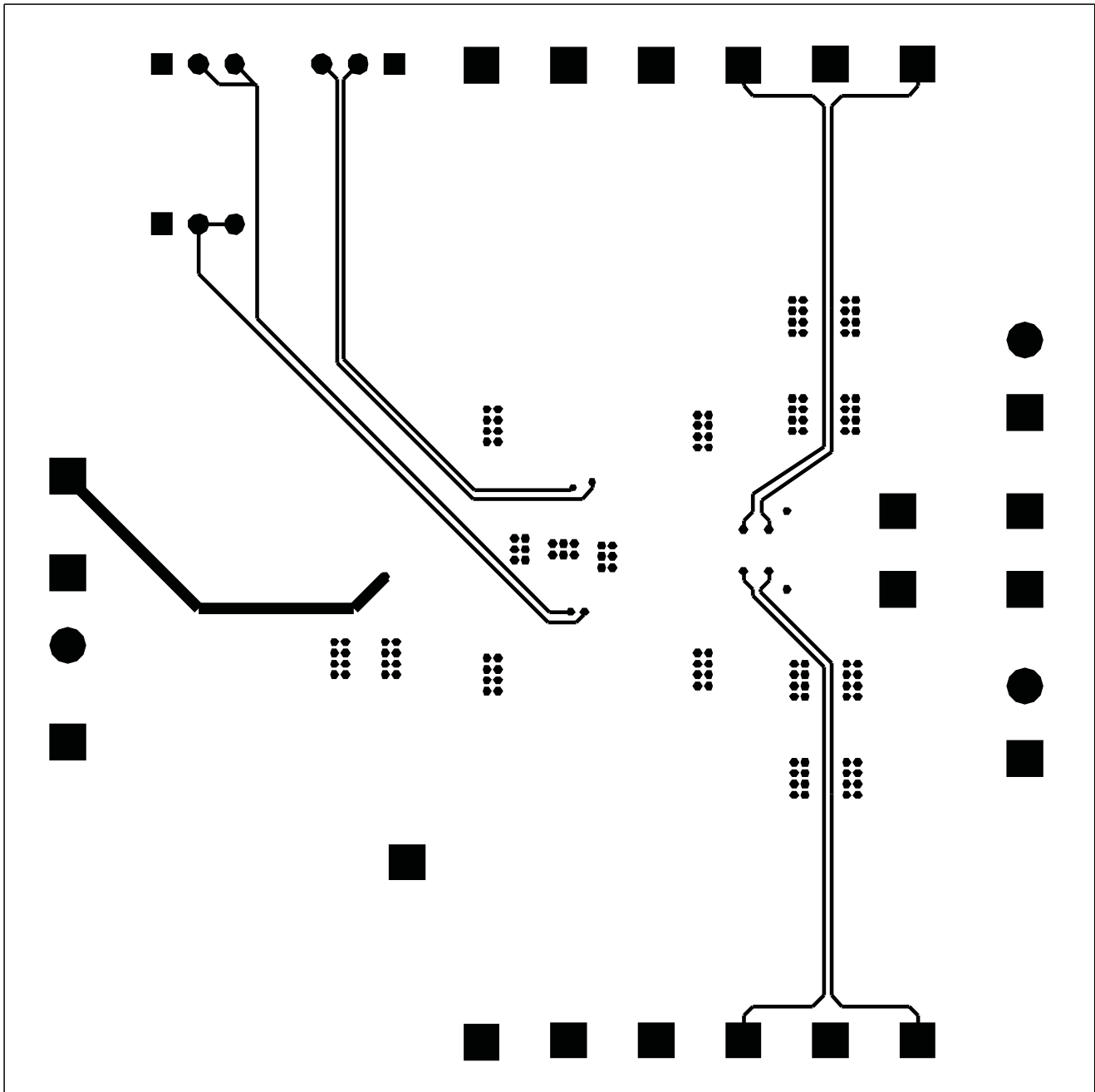


Figure 14. TPS54383EVM Internal 1 (x-ray view from top)

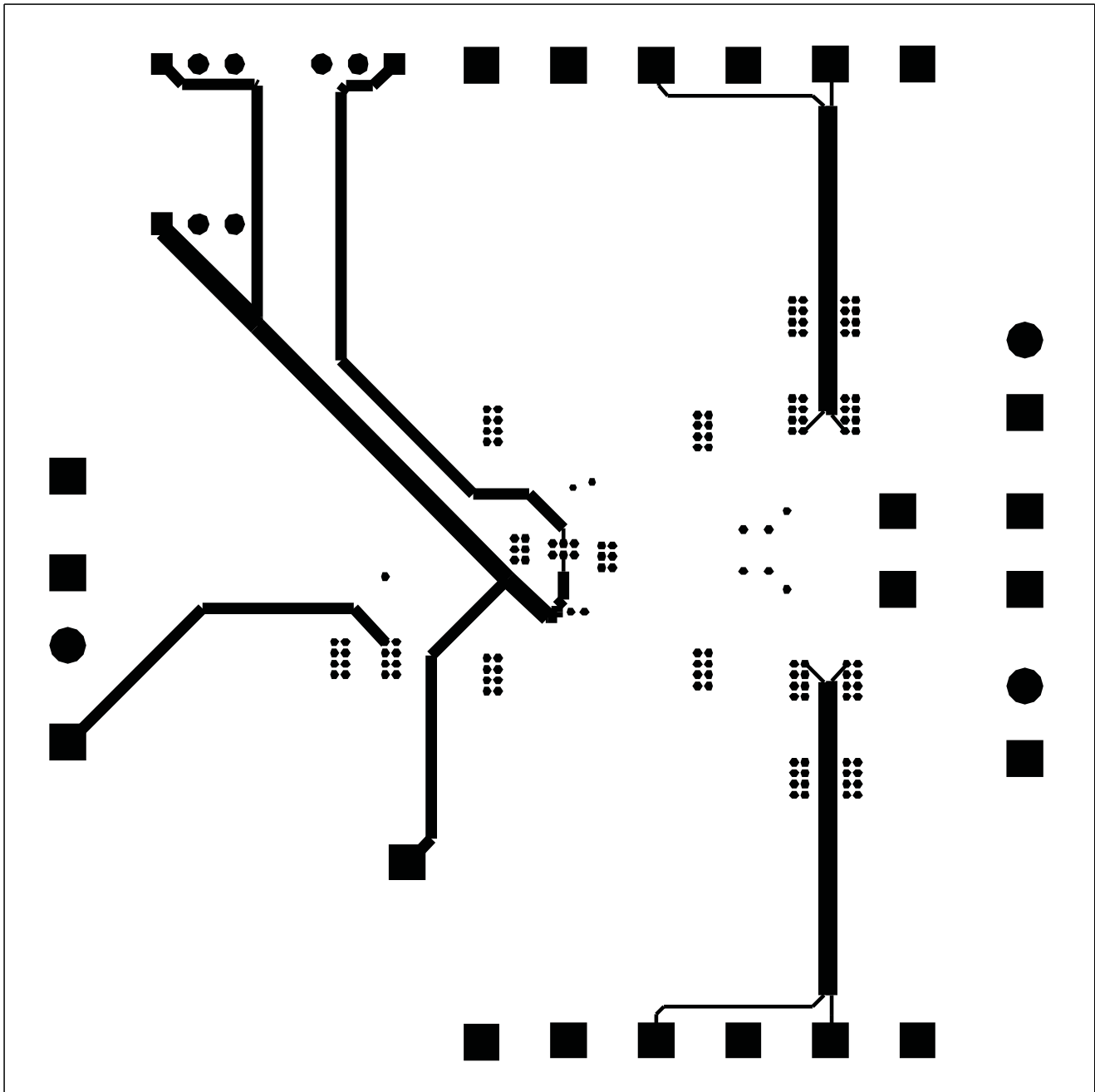


Figure 15. TPS54383EVM Internal 2 (x-ray view from top)

## 7 List of Materials

**Table 4. TPS54383EVM List of Materials**

QTY	REF DES	DESCRIPTION	MFR	PART NUMBER
1	C1	Capacitor, aluminum, 25 V, 20%, 100 $\mu$ F, 0.328 x 0.390 inch	Panasonic	EEEFC1E101P
2	C10, C11	Capacitor, ceramic, 25 V, X5R, 20%, 10 $\mu$ F, 1210	TDK	C3216X5R1E106M
1	C12	Capacitor, ceramic, 10 V, X5R, 20%, 4.7 $\mu$ F, 0805	Std	Std
1	C15	Capacitor, ceramic, 25 V, X7R, 20%, 6.8 nF, 0603	Std	Std
2	C2, C20	Capacitor, ceramic, 10 V, X7R, 20%, 0.1 $\mu$ F, 0603	Std	Std
4	C3, C4, C18, C19	Capacitor, ceramic, 6.3 V, X5R, 20%, 10 $\mu$ F, 0805	TDK	C2012X5R0J106M
2	C5, C17	Capacitor, aluminum, 10 V, 20%, FC series, 100 $\mu$ F, 0.335 x 0.374	Panasonic	EEEFC1A101P
2	C7, C14	Capacitor, ceramic, 25 V, X7R, 20%, 470 pF, 0603	Std	Std
1	C8	Capacitor, ceramic, 25 V, X7R, 20%, 10 nF, 0603	Std	Std
2	C9, C13	Capacitor, ceramic, 25 V, X7R, 20%, .033 $\mu$ F, 0603	Std	Std
2	D1, D2	Diode, Schottky, 3 A, 30 V, SMC	On Semi	MBRS330T3
3	J1, J2, J3	Terminal block, 2 pin, 15 A, 5.1 mm, 0.40 x 0.35 inch	OST	ED1609
3	JP1, JP2, JP3	Header, 3 pin, 100-mil spacing, (36-pin strip), 0.100 inch x 3	Sullins	PTC36SAAN
2	L1, L2	Inductor, Power, 6.8 A, 0.038 $\Omega$ , 22 $\mu$ H, 0.484 x 0.484 inch	Coilcraft	MSS1278-223ML
2	R1, R10	Resistor, chip, 1/16 W, 5%, 51 $\Omega$ , 0603	Std	Std
1	R11	Resistor, chip, 1/16 W, 1%, 1.21 k $\Omega$ , 0603	Std	Std
1	R12	Resistor, chip, 1/16 W, 1%, 845 $\Omega$ , 0603	Std	Std
2	R2, R9	Resistor, chip, 1/16 W, 1%, 20 k $\Omega$ , 0603	Std	Std
2	R3, R8	Resistor, chip, 1/16 W, 5%, 10 $\Omega$ , 0603	Std	Std
1	R4	Resistor, chip, 1/16 W, 1%, 3.83 k $\Omega$ , 0603	Std	Std
2	R5, R6	Resistor, chip, 1/16 W, 5%, 0 $\Omega$ , 0603	Std	Std
1	R7	Resistor, chip, 1/16 W, 1%, 6.34 k $\Omega$ , 0603	Std	Std
3	TP1, TP3, TP18	Test point, red, thru hole, 5010, 0.125 x 0.125 inch	Keystone	5010
9	TP2, TP4, TP5, TP7, TP10, TP13, TP15, TP17, TP19	Test point, black, thru hole, 5011, 0.125 x 0.125 inch	Keystone	5011
7	TP6, TP8, TP9, TP11, TP12, TP14, TP16	Test point, white, thru hole, 5012, 0.125 x 0.125 inch	Keystone	5012
1	U1**	IC, 300-kHz Dual Non-Sync Buck with Integrated FETs, HTSSOP-14	TI	TPS54383PWP

## IMPORTANT NOTICE

Texas Instruments Incorporated and its subsidiaries (TI) reserve the right to make corrections, modifications, enhancements, improvements, and other changes to its products and services at any time and to discontinue any product or service without notice. Customers should obtain the latest relevant information before placing orders and should verify that such information is current and complete. All products are sold subject to TI's terms and conditions of sale supplied at the time of order acknowledgment.

TI warrants performance of its hardware products to the specifications applicable at the time of sale in accordance with TI's standard warranty. Testing and other quality control techniques are used to the extent TI deems necessary to support this warranty. Except where mandated by government requirements, testing of all parameters of each product is not necessarily performed.

TI assumes no liability for applications assistance or customer product design. Customers are responsible for their products and applications using TI components. To minimize the risks associated with customer products and applications, customers should provide adequate design and operating safeguards.

TI does not warrant or represent that any license, either express or implied, is granted under any TI patent right, copyright, mask work right, or other TI intellectual property right relating to any combination, machine, or process in which TI products or services are used. Information published by TI regarding third-party products or services does not constitute a license from TI to use such products or services or a warranty or endorsement thereof. Use of such information may require a license from a third party under the patents or other intellectual property of the third party, or a license from TI under the patents or other intellectual property of TI.

Reproduction of TI information in TI data books or data sheets is permissible only if reproduction is without alteration and is accompanied by all associated warranties, conditions, limitations, and notices. Reproduction of this information with alteration is an unfair and deceptive business practice. TI is not responsible or liable for such altered documentation. Information of third parties may be subject to additional restrictions.

Resale of TI products or services with statements different from or beyond the parameters stated by TI for that product or service voids all express and any implied warranties for the associated TI product or service and is an unfair and deceptive business practice. TI is not responsible or liable for any such statements.

TI products are not authorized for use in safety-critical applications (such as life support) where a failure of the TI product would reasonably be expected to cause severe personal injury or death, unless officers of the parties have executed an agreement specifically governing such use. Buyers represent that they have all necessary expertise in the safety and regulatory ramifications of their applications, and acknowledge and agree that they are solely responsible for all legal, regulatory and safety-related requirements concerning their products and any use of TI products in such safety-critical applications, notwithstanding any applications-related information or support that may be provided by TI. Further, Buyers must fully indemnify TI and its representatives against any damages arising out of the use of TI products in such safety-critical applications.

TI products are neither designed nor intended for use in military/aerospace applications or environments unless the TI products are specifically designated by TI as military-grade or "enhanced plastic." Only products designated by TI as military-grade meet military specifications. Buyers acknowledge and agree that any such use of TI products which TI has not designated as military-grade is solely at the Buyer's risk, and that they are solely responsible for compliance with all legal and regulatory requirements in connection with such use.

TI products are neither designed nor intended for use in automotive applications or environments unless the specific TI products are designated by TI as compliant with ISO/TS 16949 requirements. Buyers acknowledge and agree that, if they use any non-designated products in automotive applications, TI will not be responsible for any failure to meet such requirements.

Following are URLs where you can obtain information on other Texas Instruments products and application solutions:

### Products

Amplifiers	<a href="http://amplifier.ti.com">amplifier.ti.com</a>
Data Converters	<a href="http://dataconverter.ti.com">dataconverter.ti.com</a>
DSP	<a href="http://dsp.ti.com">dsp.ti.com</a>
Clocks and Timers	<a href="http://www.ti.com/clocks">www.ti.com/clocks</a>
Interface	<a href="http://interface.ti.com">interface.ti.com</a>
Logic	<a href="http://logic.ti.com">logic.ti.com</a>
Power Mgmt	<a href="http://power.ti.com">power.ti.com</a>
Microcontrollers	<a href="http://microcontroller.ti.com">microcontroller.ti.com</a>
RFID	<a href="http://www.ti-rfid.com">www.ti-rfid.com</a>
RF/IF and ZigBee® Solutions	<a href="http://www.ti.com/lprf">www.ti.com/lprf</a>

### Applications

Audio	<a href="http://www.ti.com/audio">www.ti.com/audio</a>
Automotive	<a href="http://www.ti.com/automotive">www.ti.com/automotive</a>
Broadband	<a href="http://www.ti.com/broadband">www.ti.com/broadband</a>
Digital Control	<a href="http://www.ti.com/digitalcontrol">www.ti.com/digitalcontrol</a>
Medical	<a href="http://www.ti.com/medical">www.ti.com/medical</a>
Military	<a href="http://www.ti.com/military">www.ti.com/military</a>
Optical Networking	<a href="http://www.ti.com/opticalnetwork">www.ti.com/opticalnetwork</a>
Security	<a href="http://www.ti.com/security">www.ti.com/security</a>
Telephony	<a href="http://www.ti.com/telephony">www.ti.com/telephony</a>
Video & Imaging	<a href="http://www.ti.com/video">www.ti.com/video</a>
Wireless	<a href="http://www.ti.com/wireless">www.ti.com/wireless</a>

Mailing Address: Texas Instruments, Post Office Box 655303, Dallas, Texas 75265  
Copyright 2008, Texas Instruments Incorporated