

High-Efficiency 12-A Synchronous-Buck Converter with PMBus™ and Eco-Mode™

User's Guide



Literature Number: SLUUAS2B
October 2013–Revised February 2014

High-Efficiency 12-A Synchronous-Buck Converter with PMBus™ and Eco-Mode™

1 Introduction

The TPS53915EVM-PWR587 evaluation module (EVM) uses the TPS53915 device. The TPS53915 device is a D-CAP3™ mode, 12-A synchronous buck-converter with integrated MOSFETs. The device provides a fixed 1.2-V output at up to 12 A from a 12-V input bus.

2 Description

The TPS53915EVM-PWR587 is designed for a regulated 12-V bus to produce a regulated 1.2-V output at up to 12 A of load current. The TPS53915EVM-PWR587 is designed to demonstrate the TPS53915 device in a typical low-voltage application while providing a number of test points to evaluate the performance of the TPS53915 device.

2.1 Typical Applications

- Servers and storage
- Workstations and desktops
- Telecommunication infrastructure

2.2 Features

The TPS53915EVM-PWR587 features include the following:

- 12-A DC steady-state output current
- Support for a prebias-output voltage at startup
- Jumper, J2, for enable function
- Jumper, J5, for auto-skip and forced-continuous-conduction-mode (FCCM) selection
- Jumper, J7, for extra 5-V input for further power saving purpose
- Convenient test points for probing critical waveforms

3 Electrical Performance Specifications

Table 1. TPS53915EVM-PWR587 Electrical Performance Specifications⁽¹⁾

PARAMETER	TEST CONDITIONS	MIN	TYP	MAX	UNITS
Input Characteristics					
Voltage range	V_{IN}	5	12	18	V
Maximum input current	$V_{IN} = 5\text{ V}$, $I_O = 8\text{ A}$		2.5		A
No load input current	$V_{IN} = 12\text{ V}$, $I_O = 0\text{ A}$ with auto-skip mode		1		mA
Output Characteristics					
Output voltage V_{OUT}			1.2		V
Output voltage regulation	Line regulation ($V_{IN} = 5\text{ V} - 14\text{ V}$) with FCCM		0.2		%
	Load regulation ($V_{IN} = 12\text{ V}$, $I_O = 0\text{ A} - 8\text{ A}$) with FCCM		0.5		%
Output voltage ripple	$V_{IN} = 12\text{ V}$, $I_O = 8\text{ A}$ with FCCM		10		mVpp
Output load current		0		12	A
Output over current			15		A
Soft-start			1		ms
Systems Characteristics					
Switching frequency	$V_{IN} = 12\text{ V}$, 1.2 V / 4 A		1000		kHz
Peak efficiency	$V_{IN} = 12\text{ V}$, 1.2 V / 8 A		88.5		%
Full load efficiency			86.9		%
Operating temperature			25		°C

⁽¹⁾ Jumpers set to default locations, See [Section 6](#).

4 Schematic

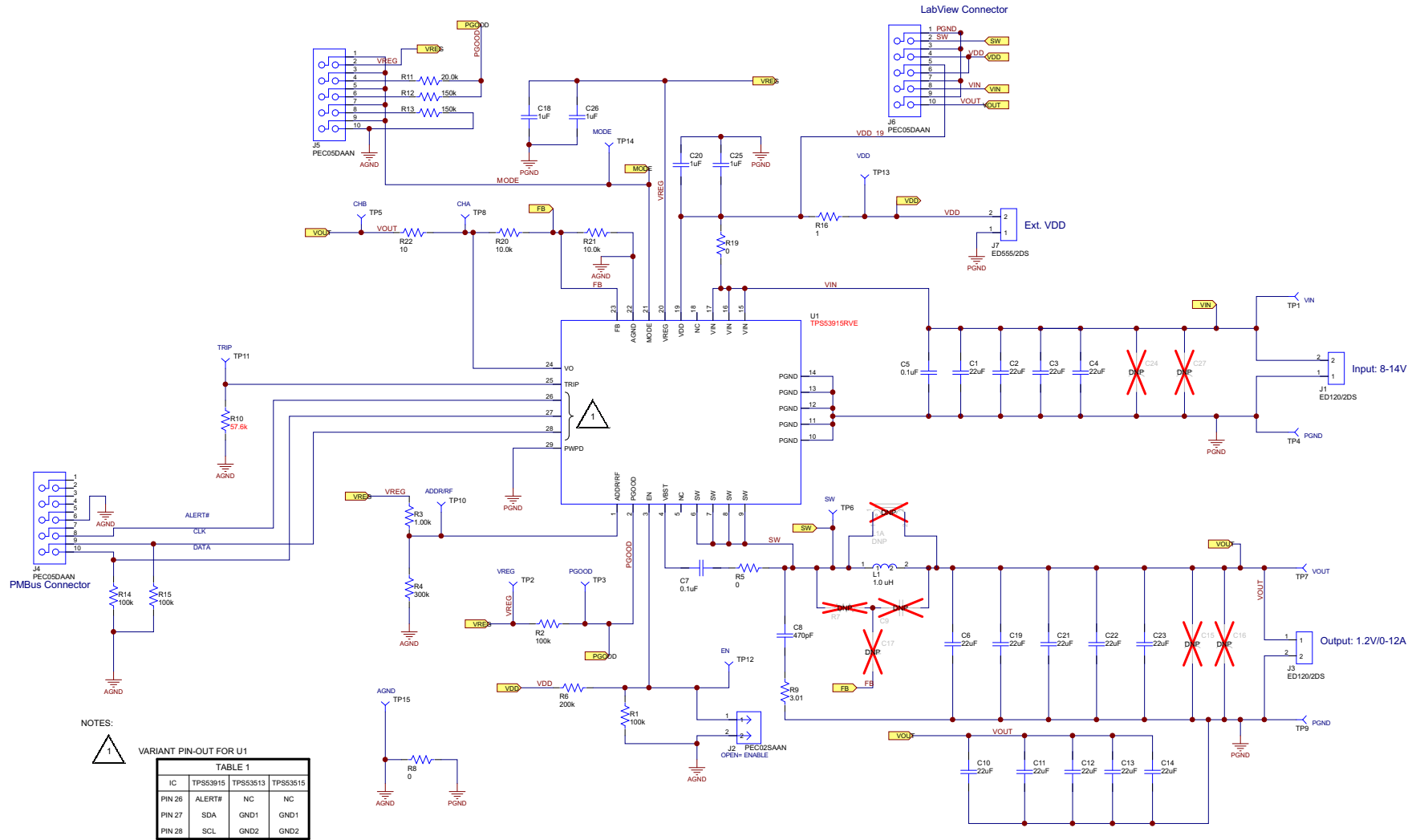


Figure 1. TPS53915EVM-PWR587 Schematic

5 Test Setup

5.1 Test Equipment

Oscilloscope— A digital or analog oscilloscope measures the output ripple. The oscilloscope must be set for the following: 1-M Ω impedance, 20-MHz bandwidth, AC coupling, 1- μ s / division horizontal resolution, 20-mV / division vertical resolution. Test points TP7 and TP9 measure the output ripple voltage by placing the oscilloscope probe tip through TP7 and holding the ground barrel on TP9 as shown in Figure 2. Using a leaded ground connection can induce additional noise due to the large ground loop.

Voltage Source—The input voltage source V_{IN} must be a 0 to 14-V variable-DC source capable of supplying 10 ADC. Connect V_{IN} to J1 as shown in Figure 3.

Multimeters— V1: V_{IN} at TP1 (V_{IN}) and TP4 (GND).
V2: V_{OUT} at TP7 (V_{OUT}) and TP9 (GND).

Output Load—The output load must be an electronic constant-resistance-mode load capable of 0 to 15 ADC at 1.2 V.

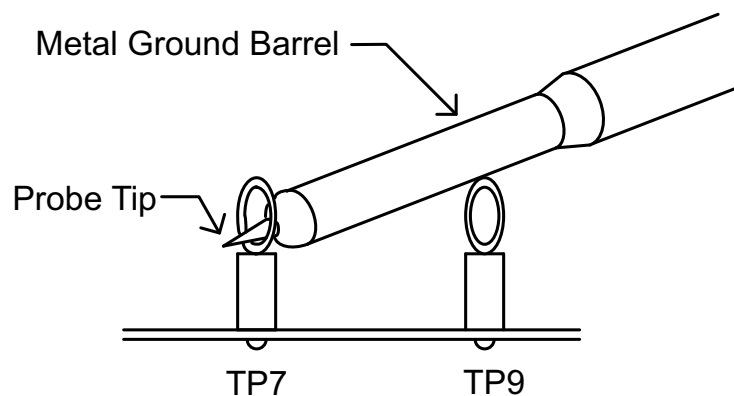


Figure 2. Tip and Barrel Measurement for V_{OUT} Ripple

Recommended Wire Gauge:

1. V_{IN} to J1 (12-V input)
 - The recommended wire size is 1 \times AWG number 14 per input connection, with the total length of wire less than 4 feet (2 feet input, 2 feet return).
2. J3 to LOAD
 - The minimum recommended wire size is 2 \times AWG number 14, with the total length of wire less than 4 feet (2 feet output, 2 feet return).

5.2 Recommended Test Setup

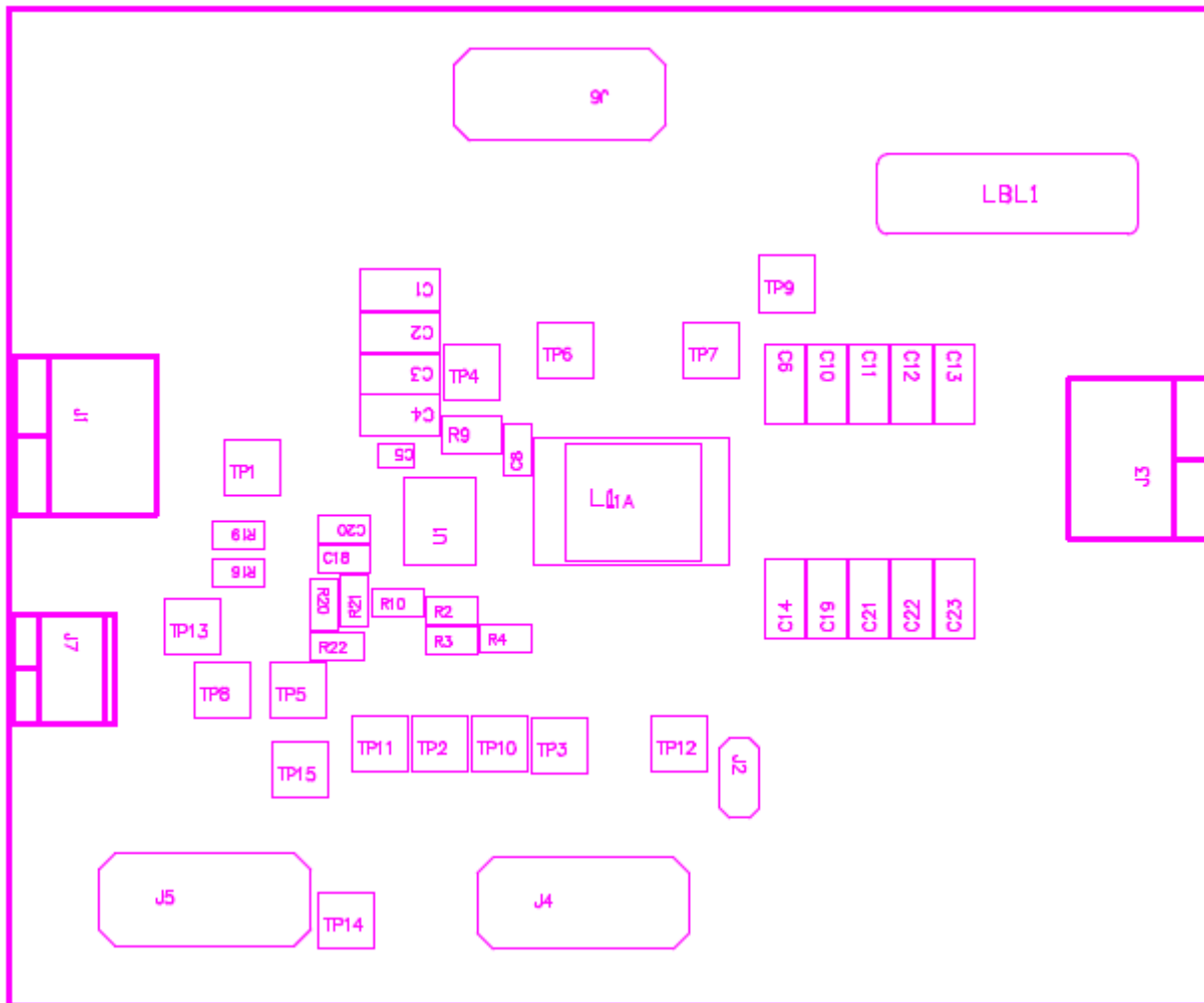


Figure 3. TPS53915EVM-587 Top Layer for Test Setup

Input Connections:

1. Prior to connecting the DC input-source, VIN, TI recommends to limit the source current from VIN to 10 A maximum. Ensure that VIN is initially set to 0 V and connected as shown in [Figure 3](#).
2. Connect the voltmeter V1 at TP1 (VIN) and TP4 (GND) to measure the input voltage.

Output Connections:

1. Connect the load to J3 and set the load to constant-resistance-mode to sink 0 ADC before VIN is applied.
2. Connect the voltmeter V2 at TP7 (VOUT) and TP9 (GND) to measure the output voltage.

6 Configurations

All Jumper selections must be made prior to applying power to the EVM. Configure this EVM using the following configuration selections.

6.1 PMBus Address Selection

The PMBus address can be changed as shown in [Table 2](#).

Table 2. PMBus Address Selection Settings

PMBus ADDRESS	RESISTOR DIVIDER RATIO (Ω)			(R_{HIGH}) (k Ω) HIGH-SIDE RESISTOR	(R_{LOW}) (k Ω) LOW-SIDE RESISTOR
	$(R_{LOW}/R_{LOW}+R_{HIGH})$	MIN	MAX		
00111111	> 0.557			1	300
00111110	0.5100	0.4958	0.5247	160	165
00111101	0.4625	0.4482	0.4772	180	154
00111100	0.4182	0.4073	0.4294	200	143
00111011	0.3772	0.3662	0.3886	200	120
00111010	0.3361	0.3249	0.3476	220	110
00111001	0.2985	0.2905	0.3067	249	105
00111000	0.2641	0.2560	0.2725	249	88.7
00101111	0.2298	0.2215	0.2385	240	71.5
00101110	0.1955	0.1870	0.2044	249	60.4
00101101	0.1611	0.1524	0.1703	249	47.5
00101100	0.1268	0.1179	0.1363	249	36.0
00100111	0.0960	0.0900	0.1024	255	27.0
00100110	0.0684	0.0622	0.0752	255	18.7
00100011	0.0404	0.0340	0.0480	270	11.5
00100000	< 0.013			300	1

For different switching frequency setting, please change R3 and R4 as shown in [Table 2](#).

6.2 Mode Selection

The MODE can be set by J5.

Table 3. Mode Selection

JUMPER SET TO:	MODE SELECTION
1 to 2 pin shorted	FCCM with 2x RC time constant
3 to 4 pin shorted ⁽¹⁾	FCCM ⁽²⁾ with 1x RC time constant ⁽¹⁾
5 to 6 pin shorted	FCCM ⁽²⁾ with 2x RC time constant
7 to 8 pin shorted	Auto-skip mode with 2x RC time constant
9 to 10 pin shorted	Auto-skip mode with 1x RC time constant

⁽¹⁾ Default setting.

⁽²⁾ The device enters FCCM after PGOOD goes high.

6.3 VDD Pin Supply Selection

The controller can be enabled and disabled by J7.

Table 4. Enable Selection

SET ON CONNECTION	ENABLE SELECTION
R19 = 0 Ω ⁽¹⁾	VDD pin connected to VIN pins ⁽¹⁾
R19 = Open	VDD pin disconnected to VIN pins

⁽¹⁾ Default setting: the VDD pin connected to the VIN pins through R19.

For power-up, input J7 with proper voltage. The VDD pin input voltage range is from 4.5 V to 25 V.

7 Test Procedure

7.1 Line and Load Regulation and Efficiency Measurement Procedure

1. Set up the EVM as described in [Section 5](#) and [Figure 3](#).
2. Ensure the load is set to constant-resistance mode and to sink at 0 ADC.
3. Ensure all jumper settings are configured as shown in [Section 6](#).
4. Ensure the jumper provided in the EVM shorts on J2 before VIN is applied.
5. Increase VIN from 0 to 12 V. Use V1 to measure input voltage.
6. Remove the jumper on J2 to enable the controller.
7. Use V2 to measure the VOUT voltage.
8. Vary the load from 0 to 10 ADC, VOUT must remain in load regulation.
9. Vary VIN from 8 to 14 V, VOUT must remain in line regulation.
10. To disable the converter, place the jumper on J2.
11. Decrease the load to 0 A
12. Decrease VIN to 0 V.

7.2 PMBUS Setup and Verification

The TPS53915EVM-PWR587 contains a 10-Ω series resistor in the feedback loop for loop response analysis.

1. Download the Graphical User Interface (GUI) from www.TI.com.
2. Type *fusion* in the TI search bar.
3. Select *FUSION_DIGITAL_POWER_DESIGNER* from the search result.
4. Download and install the latest release version of the software. The most current version to date is version 1.8.325 of the Fusion Digital Power Designer.
5. Connect the USB Interface Adaptor EVM (see www.ti.com for more information) to J4 of the EVM. Ensure that Pin 1 of the USB interface adaptor (red wire) is connected correctly to Pin 1 of J4 on the EVM.
6. Connect the USB wire of the USB interface adaptor to one of the USB ports on the computer tower.
7. Ensure that the EVM is powered up and connected to the USB interface adaptor before opening the Fusion Designer GUI.
8. Double click the shortcut icon on the desktop for the Fusion Designer GUI. **Use the online version.**
9. Double click on the *TPS40400, TPS4042x, ect (DEVICE CODE)* from the *Select Device Scanning Mode* window as shown in [Figure 4](#).
10. When the GUI is loaded (see [Figure 5](#)), verify communication between the GUI and the EVM by changing the frequency of the EVM.

NOTE: The TPS53915EVM is pre-set to a 400-KHz switching frequency.

11. Use the oscilloscope to monitor the switching frequency on the EVM on TP6.
12. Select a different frequency by clicking on the drop down box of the *FREQUENCY_CONFIG:TPS53819 (TPS5391X)*.
13. Click on *Write to Hardware* and monitor the change of the switching frequency on the oscilloscope.
14. See the TPS53915 datasheet ([SLUSAS9](#)) for more information regarding PMBUS registers.

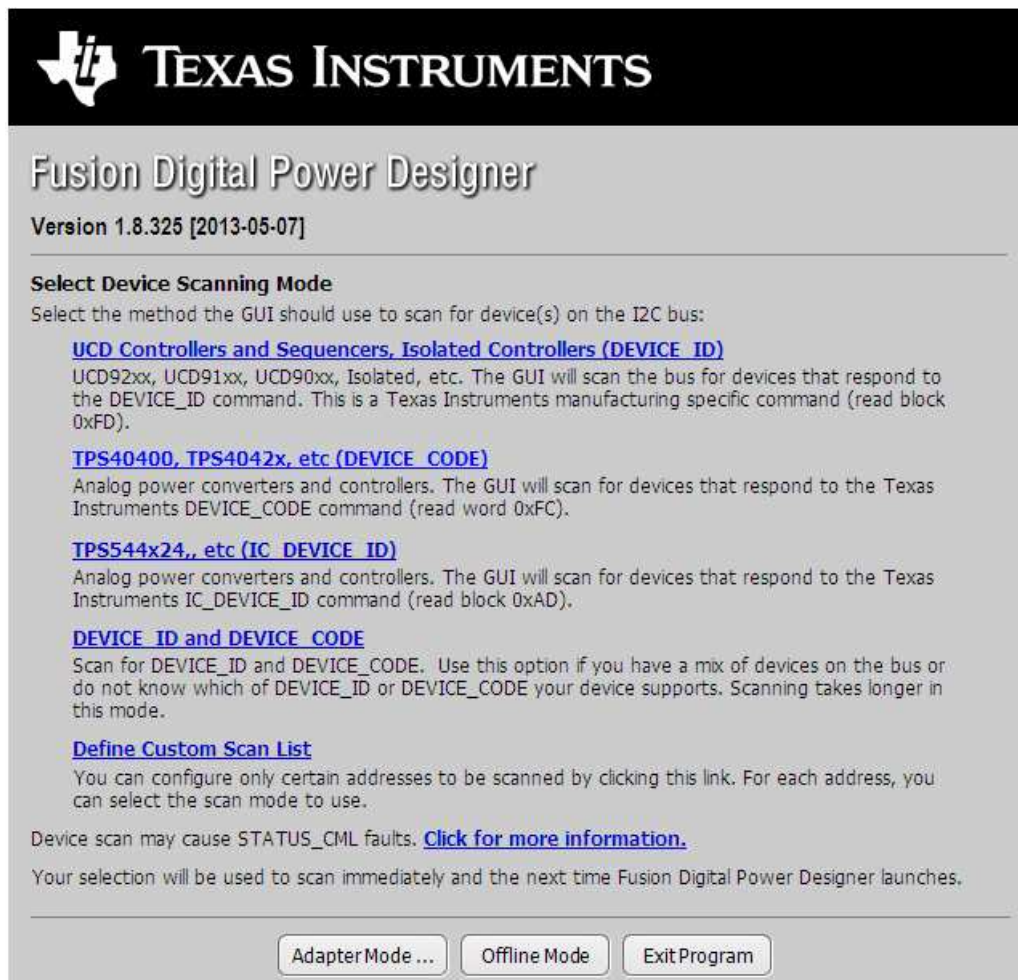


Figure 4. Select Device Scanning Mode

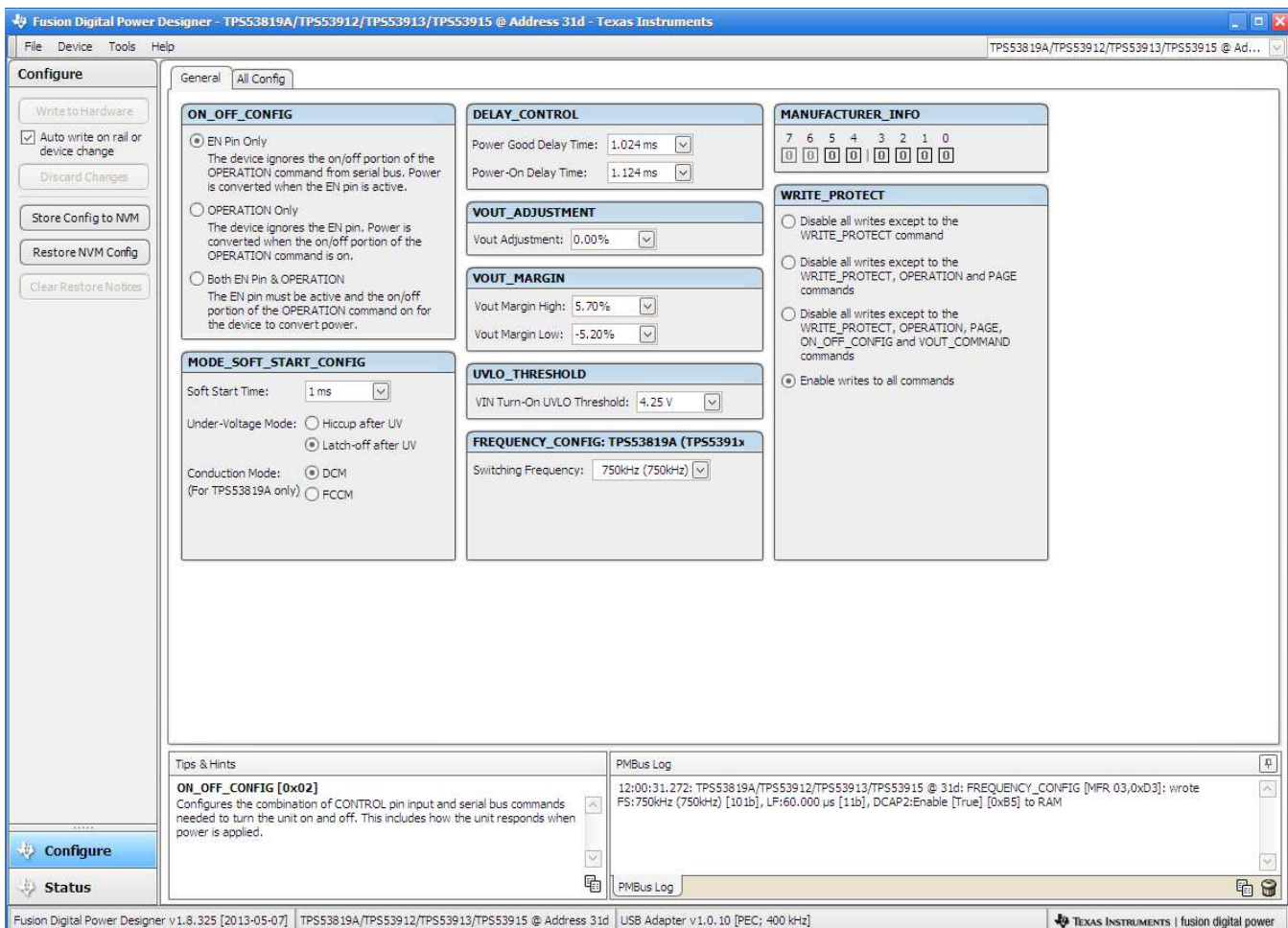


Figure 5. GUI for the Fusion Digital Power Designer

7.3 Control-Loop Gain and Phase-Measurement Procedure

The TPS53915EVM-PWR587 contains a 10-Ω series resistor in the feedback loop for loop response analysis.

1. Set up the EVM as described in Section 5 and Figure 3.
2. Connect the isolation transformer to the test points marked TP5 and TP8.
3. Connect the input-signal amplitude-measurement probe (channel A) to TP10. Connect the output-signal amplitude-measurement probe (channel B) to TP11.
4. Connect the ground lead of channel A and channel B to TP15.
5. Inject around 20 mV or less signal through the isolation transformer.
6. To measure control-loop gain and phase margin, change the frequency from 100 Hz to 1 MHz using a 10-Hz or less post filter.
7. Disconnect the isolation transformer from the bode-plot test points before making other measurements.
 - Signal injection into feedback can interfere with the accuracy of other measurements.

7.4 List of Test Points

Table 5. Test Point Functions

TEST POINTS	NAME	DESCRIPTION
TP1	VIN	Converter input supply voltage
TP2	VREG	LDO voltage
TP3	PGOOD	Power good output
TP4	PGND	Power ground
TP5	CHB	Input B for loop injection
TP6	SW	Switch Node
TP7	VOUT	VOUT terminal +
TP8	CHA	Input A for loop injection
TP9	PGND	Power ground
TP10	RF	RF pin
TP11	TRIP	TRIP pin
TP12	EN	Enable pin
TP13	VDD	VDD pin
TP14	MODE	MODE pin
TP15	AGND	Analog ground

7.5 Equipment Shutdown

Follow these steps when shutting down the equipment.

1. Shut down load
2. Shut down VIN

8 EVM Assembly Drawing and PCB Layout

The following figures show the design of the TPS53915EVM-PWR587 printed circuit board (see [Figure 6](#), [Figure 7](#), [Figure 8](#), [Figure 9](#), [Figure 10](#), [Figure 11](#), [Figure 12](#), and [Figure 13](#)). The EVM has been designed using a six-layer 2-oz copper-circuit board.

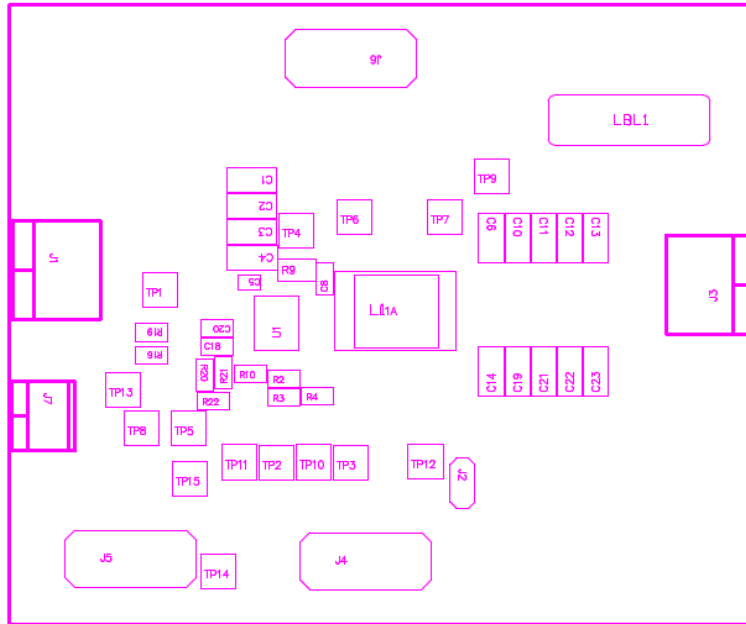


Figure 6. TPS53915EVM-587 Top-Layer Assembly Drawing

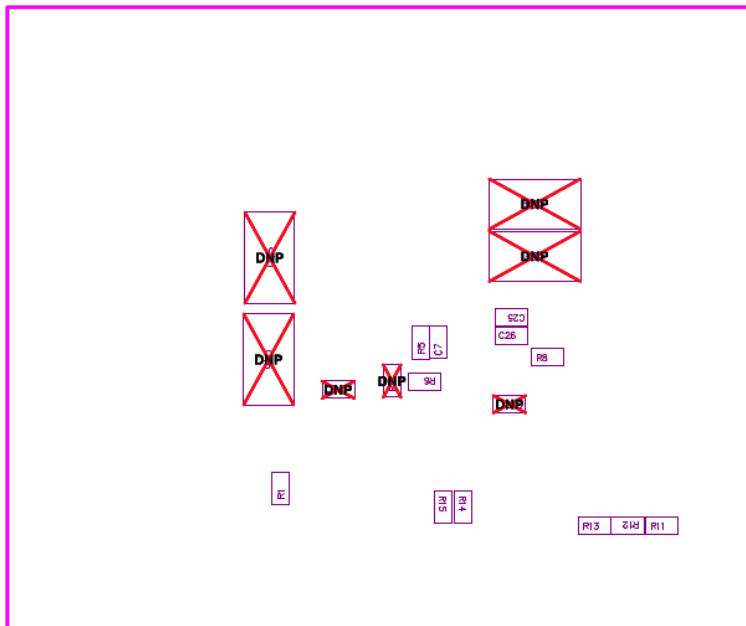


Figure 7. TPS53915EVM-587 Bottom-Layer Assembly Drawing

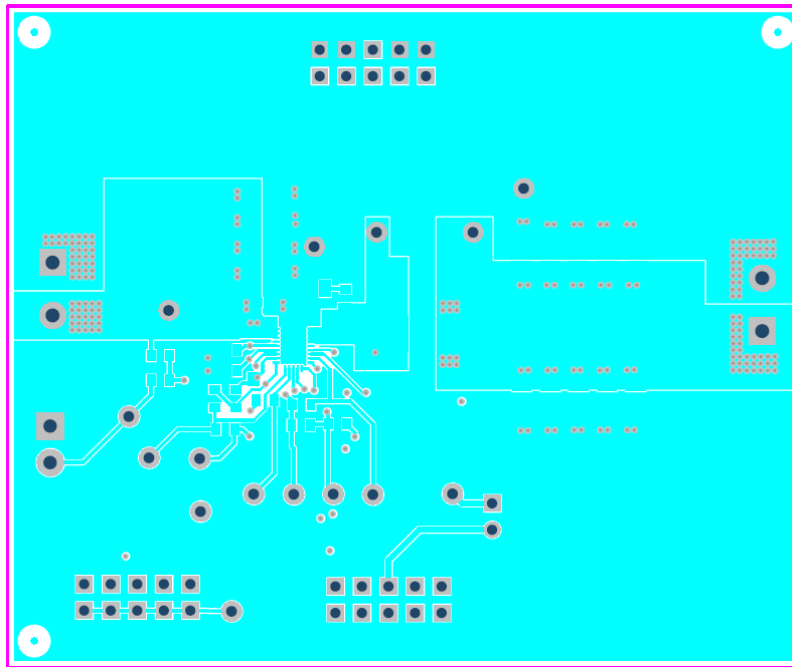


Figure 8. TPS53915EVM-587 Top Layer, Copper

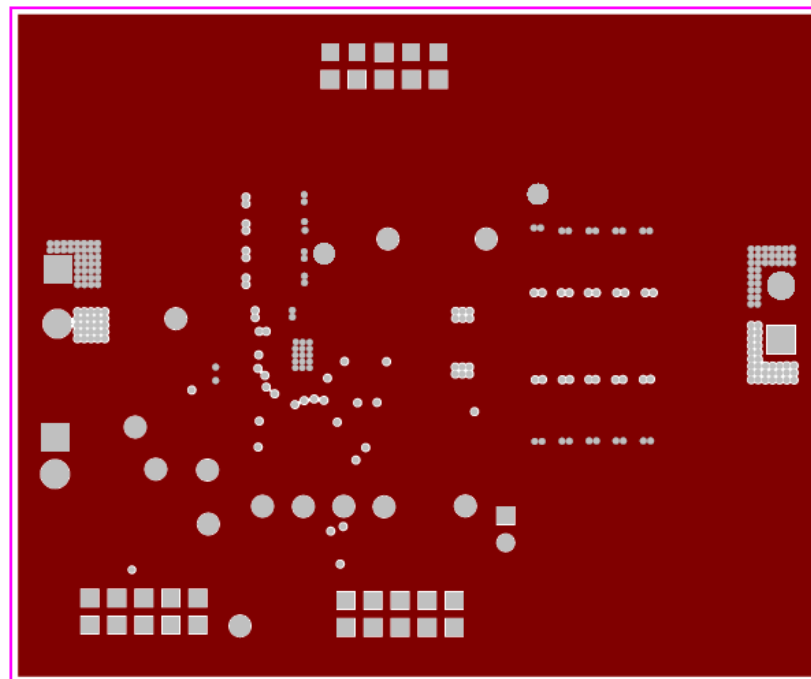


Figure 9. TPS53915EVM-587 Layer Two, Copper

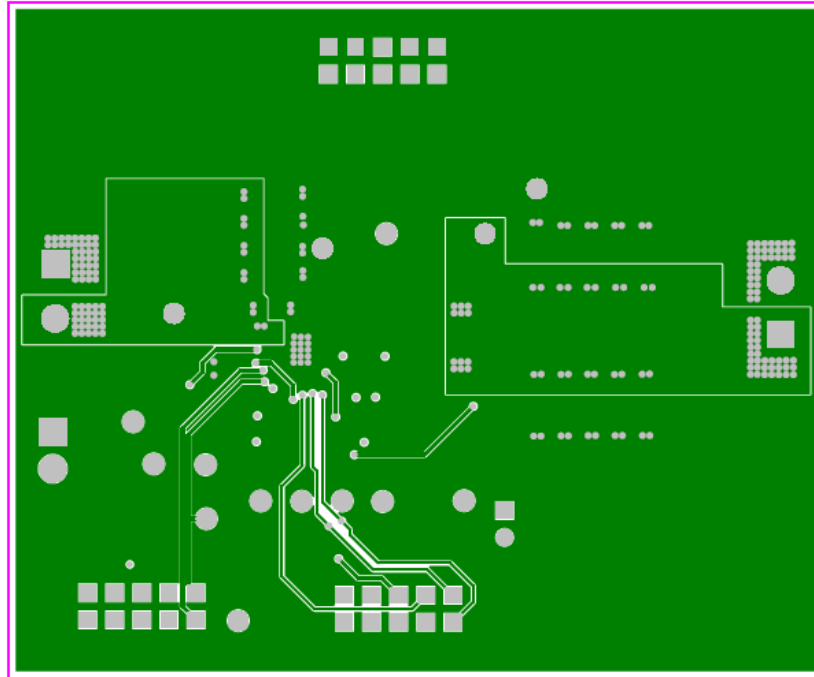


Figure 10. TPS53915EVM-587 Layer Three, Copper

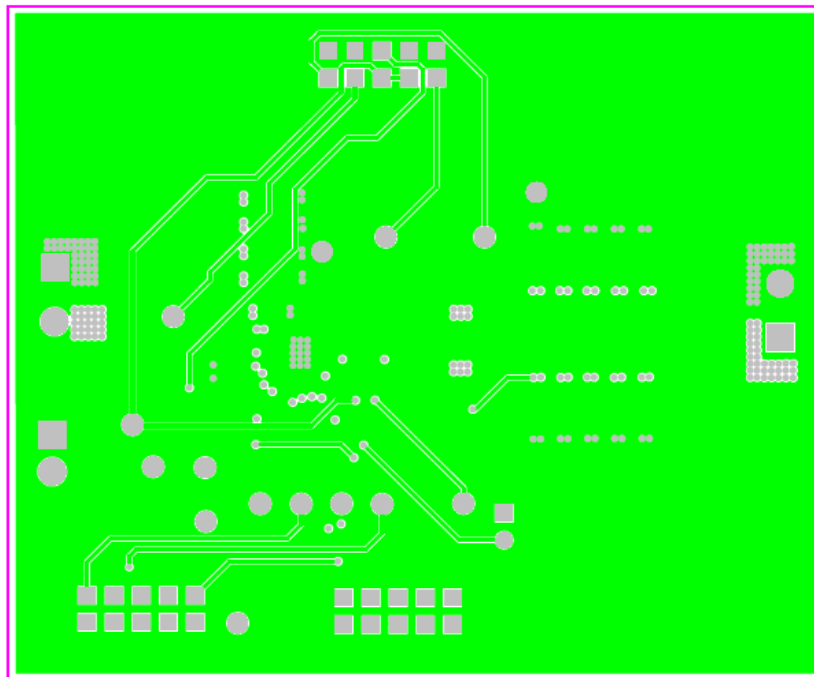


Figure 11. TPS53915EVM-587 Layer Four, Copper

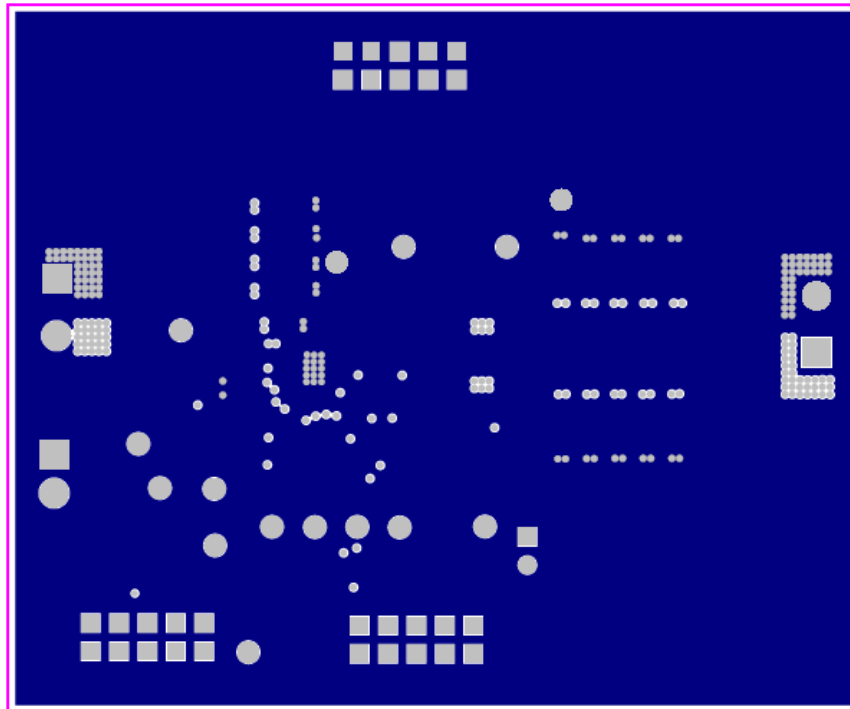


Figure 12. TPS53915EVM-587 Layer Five, Copper

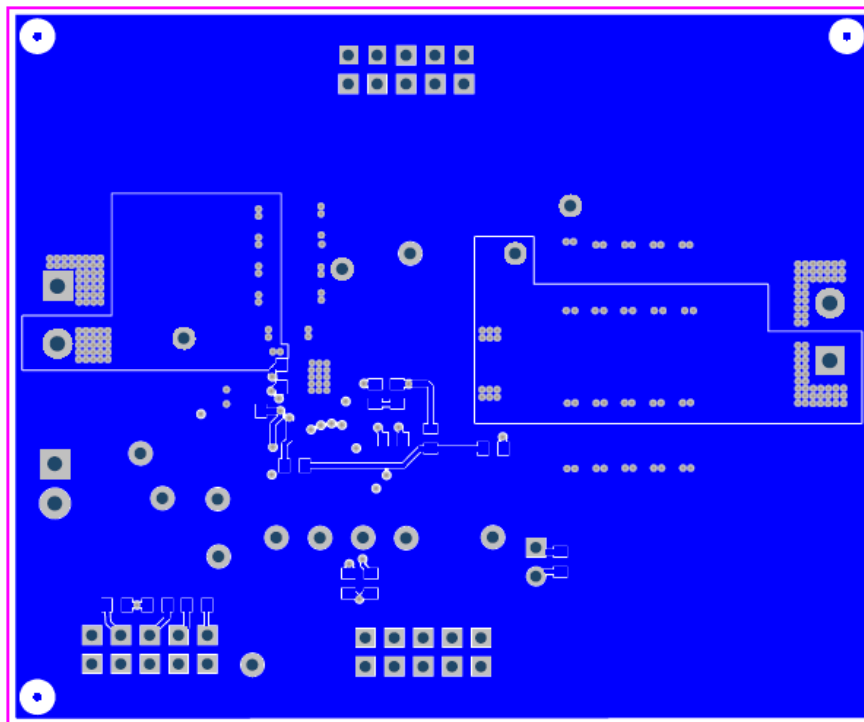


Figure 13. TPS53915EVM-587 Bottom Layer, Copper

9 Bill of Materials

Table 6. EVM Components List (Based on the Schematic, see Figure 1)

Designator	Quantity	Value	Description	Package Reference	Part Number	Manufacturer
C1, C2, C3, C4	4	22 μ F	Capacitor, Ceramic, 25 V, X5R, 10%	1206	GRM31CR61E226KE15L	Murata
C5	1	0.1 μ F	CAP CER 0.1 μ F 25 V 10% X5R 0402	0402	GRM155R61E104KA87D	Murata
C6, C10, C11, C12, C13, C14, C19, C21, C22, C23	10	22 μ F	Capacitor, Ceramic, 6.3 V, X5R, 20%	1206	GRM31CR60J226KE19L	Murata
C7	1	0.1 μ F	CAP CER 0.1 μ F 50 V 10% X7R 0603	0603	GRM188R71H104KA93D	Murata
C8	1	470 pF	CAP CER 470 pF 50 V 10% X7R 0603	0603	GRM188R71H471KA01D	Murata
C9, C17	0	Open	Capacitor, Ceramic, 50 V, X7R, 10%	0603	Standard	Standard
C15, C16, C24, C27	0	Open	Capacitor, POSCAP, SMT, 2.5 V, 330 μ F, 8 m Ω	7343(D)	2R5TPE330M9 or 6TPE330MIL	Sanyo
C18, C20, C25, C26	4	1 μ F	CAP CER 1 μ F 16 V 10% X7R 0603	0603	GRM188R71C105KA12J	Murata
FID1, FID2, FID3, FID4, FID5, FID6	0		Fiducial mark. There is nothing to buy or mount.	Fiducial	N/A	N/A
J1, J3	2	ED120/2DS	Terminal Block, 2-pin, 15-A, 5,1 mm	0.4 x 0.35 inch	ED120/2DS	OST
J2	1	PEC02SAAN	Header, Male 2-pin, 100-mil spacing,	0.1 x 2 inch	PEC02SAAN	Sullins
J4, J5, J6	3	PEC05DAAN	Header, Male 2x5-pin, 100-mil spacing	0.1 x 2 x 5 inch	PEC05DAAN	Sullins
J7	1	ED555/2DS	Terminal Block, 2-pin, 6-A, 3,5 mm	0.27 x 0.25 inch	ED555/2DS	OST
L1	1	1 μ H	Inductor, Power Chokes SMD	6,6 x 7,1 mm	PIMB065T-1R0MS	Cyntec
L1A	0	DNP	Inductor, High Fq Power, \pm 15%	0.283 x 0.433 inch	69P987xN	Vitec
LBL1	1		Thermal Transfer Printable Labels, 0.650 (W) x 0.2 inch (H) — 10,000 per roll	PCB Label 0.65 (H) x 0.2 inch (W)	THT-14-423-10	Brady
R1, R2, R14, R15	4	100k	RES, 100 k Ω , 1%, 0.1 W, 0603	0603	CRCW0603100KFKEA	Vishay-Dale
R3	1	1k	RES, 1 k Ω , 1%, 0.1 W, 0603	0603	CRCW06031K00FKEA	Vishay-Dale
R4	1	300k	RES, 300 k Ω , 1%, 0.1 W, 0603	0603	RC0603FR-07300KL	Yageo America
R5, R8, R19	3	0	RES, 0 Ω , 5%, 0.1 W, 0603	0603	CRCW06030000Z0EA	Vishay-Dale
R6	1	200k	RES, 200 k Ω , 1%, 0.1 W, 0603	0603	CRCW0603200KFKEA	Vishay-Dale
R7	0	Open	Resistor, Chip, 1/16 W, 1%	0603	Standard	Standard
R9	1	3.01	RES, 3.01 Ω , 1%, 0.125 W, 0805	0805	CRCW08053R01FKEA	Vishay-Dale
R10	1	57.6k	RES, 57.6 k Ω , 1%, 0.1 W, 0603	0603	RC0603FR-0757K6L	Yageo America
R11	1	20k	RES, 20.0 k Ω , 1%, 0.1 W, 0603	0603	CRCW060320K0FKEA	Vishay-Dale
R12, R13	2	150k	RES, 150 k Ω , 1%, 0.1 W, 0603	0603	CRCW0603150KFKEA	Vishay-Dale
R16	1	1	RES, 1 Ω , 1%, 0.1 W, 0603	0603	CRCW06031R00FKEA	Vishay-Dale
R20, R21	2	10k	RES, 10 k Ω , 1%, 0.1 W, 0603	0603	CRCW060310K0FKEA	Vishay-Dale
R22	1	10	RES, 10 Ω , 1%, 0.1 W, 0603	0603	CRCW060310R0FKEA	Vishay-Dale
TP1, TP2, TP3, TP5, TP6, TP7, TP8, TP10, TP11, TP12, TP13, TP14, TP15	13	5000	Test Point, Red, Thru Hole Color Keyed	0.1 x 0.1 inch	5000	Keystone
TP4, TP9	2	5001	Test Point, Black, Thru Hole Color Keyed	0.1 x 0.1 inch	5001	Keystone
U1	1	TPS53915RVE	IC, High Performance, 12-A Single Sync. Step-Down Converter with PMBus.		TPS53915RVE	TI

Revision History

Changes from A Revision (December 2013) to B Revision	Page
<ul style="list-style-type: none"> • Changed the test points in the <i>Tip and Barrel Measurement for VOUT Ripple</i> image from TPS5 and TPS7 to TPS7 and TPS9 (respectively from left to right) 	5

NOTE: Page numbers for previous revisions may differ from page numbers in the current version.

Revision History

Changes from Original (October 2013) to A Revision	Page
<ul style="list-style-type: none"> • Added PMBus to title 	2
<ul style="list-style-type: none"> • Changed output from 1.2 V / 0-6 A to 1.2 V / 0-12 A in the schematic 	4
<ul style="list-style-type: none"> • Changed <i>Switching Frequency Selection</i> section and table to <i>PMBus Address Selection</i> section and table in the <i>Configurations</i> section 	7
<ul style="list-style-type: none"> • Added link to TPS53915 data sheet 	9

NOTE: Page numbers for previous revisions may differ from page numbers in the current version.

EVALUATION BOARD/KIT/MODULE (EVM) ADDITIONAL TERMS

Texas Instruments (TI) provides the enclosed Evaluation Board/Kit/Module (EVM) under the following conditions:

The user assumes all responsibility and liability for proper and safe handling of the goods. Further, the user indemnifies TI from all claims arising from the handling or use of the goods.

Should this evaluation board/kit not meet the specifications indicated in the User's Guide, the board/kit may be returned within 30 days from the date of delivery for a full refund. THE FOREGOING LIMITED WARRANTY IS THE EXCLUSIVE WARRANTY MADE BY SELLER TO BUYER AND IS IN LIEU OF ALL OTHER WARRANTIES, EXPRESSED, IMPLIED, OR STATUTORY, INCLUDING ANY WARRANTY OF MERCHANTABILITY OR FITNESS FOR ANY PARTICULAR PURPOSE. EXCEPT TO THE EXTENT OF THE INDEMNITY SET FORTH ABOVE, NEITHER PARTY SHALL BE LIABLE TO THE OTHER FOR ANY INDIRECT, SPECIAL, INCIDENTAL, OR CONSEQUENTIAL DAMAGES.

Please read the User's Guide and, specifically, the Warnings and Restrictions notice in the User's Guide prior to handling the product. This notice contains important safety information about temperatures and voltages. For additional information on TI's environmental and/or safety programs, please visit www.ti.com/esh or contact TI.

No license is granted under any patent right or other intellectual property right of TI covering or relating to any machine, process, or combination in which such TI products or services might be or are used. TI currently deals with a variety of customers for products, and therefore our arrangement with the user is not exclusive. TI assumes no liability for applications assistance, customer product design, software performance, or infringement of patents or services described herein.

REGULATORY COMPLIANCE INFORMATION

As noted in the EVM User's Guide and/or EVM itself, this EVM and/or accompanying hardware may or may not be subject to the Federal Communications Commission (FCC) and Industry Canada (IC) rules.

For EVMs **not** subject to the above rules, this evaluation board/kit/module is intended for use for ENGINEERING DEVELOPMENT, DEMONSTRATION OR EVALUATION PURPOSES ONLY and is not considered by TI to be a finished end product fit for general consumer use. It generates, uses, and can radiate radio frequency energy and has not been tested for compliance with the limits of computing devices pursuant to part 15 of FCC or ICES-003 rules, which are designed to provide reasonable protection against radio frequency interference. Operation of the equipment may cause interference with radio communications, in which case the user at his own expense will be required to take whatever measures may be required to correct this interference.

General Statement for EVMs including a radio

User Power/Frequency Use Obligations: This radio is intended for development/professional use only in legally allocated frequency and power limits. Any use of radio frequencies and/or power availability of this EVM and its development application(s) must comply with local laws governing radio spectrum allocation and power limits for this evaluation module. It is the user's sole responsibility to only operate this radio in legally acceptable frequency space and within legally mandated power limitations. Any exceptions to this are strictly prohibited and unauthorized by Texas Instruments unless user has obtained appropriate experimental/development licenses from local regulatory authorities, which is responsibility of user including its acceptable authorization.

For EVMs annotated as FCC – FEDERAL COMMUNICATIONS COMMISSION Part 15 Compliant

Caution

This device complies with part 15 of the FCC Rules. Operation is subject to the following two conditions: (1) This device may not cause harmful interference, and (2) this device must accept any interference received, including interference that may cause undesired operation.

Changes or modifications not expressly approved by the party responsible for compliance could void the user's authority to operate the equipment.

FCC Interference Statement for Class A EVM devices

This equipment has been tested and found to comply with the limits for a Class A digital device, pursuant to part 15 of the FCC Rules. These limits are designed to provide reasonable protection against harmful interference when the equipment is operated in a commercial environment. This equipment generates, uses, and can radiate radio frequency energy and, if not installed and used in accordance with the instruction manual, may cause harmful interference to radio communications. Operation of this equipment in a residential area is likely to cause harmful interference in which case the user will be required to correct the interference at his own expense.

FCC Interference Statement for Class B EVM devices

This equipment has been tested and found to comply with the limits for a Class B digital device, pursuant to part 15 of the FCC Rules. These limits are designed to provide reasonable protection against harmful interference in a residential installation. This equipment generates, uses and can radiate radio frequency energy and, if not installed and used in accordance with the instructions, may cause harmful interference to radio communications. However, there is no guarantee that interference will not occur in a particular installation. If this equipment does cause harmful interference to radio or television reception, which can be determined by turning the equipment off and on, the user is encouraged to try to correct the interference by one or more of the following measures:

- Reorient or relocate the receiving antenna.
- Increase the separation between the equipment and receiver.
- Connect the equipment into an outlet on a circuit different from that to which the receiver is connected.
- Consult the dealer or an experienced radio/TV technician for help.

For EVMs annotated as IC – INDUSTRY CANADA Compliant

This Class A or B digital apparatus complies with Canadian ICES-003.

Changes or modifications not expressly approved by the party responsible for compliance could void the user's authority to operate the equipment.

Concerning EVMs including radio transmitters

This device complies with Industry Canada licence-exempt RSS standard(s). Operation is subject to the following two conditions: (1) this device may not cause interference, and (2) this device must accept any interference, including interference that may cause undesired operation of the device.

Concerning EVMs including detachable antennas

Under Industry Canada regulations, this radio transmitter may only operate using an antenna of a type and maximum (or lesser) gain approved for the transmitter by Industry Canada. To reduce potential radio interference to other users, the antenna type and its gain should be so chosen that the equivalent isotropically radiated power (e.i.r.p.) is not more than that necessary for successful communication.

This radio transmitter has been approved by Industry Canada to operate with the antenna types listed in the user guide with the maximum permissible gain and required antenna impedance for each antenna type indicated. Antenna types not included in this list, having a gain greater than the maximum gain indicated for that type, are strictly prohibited for use with this device.

Cet appareil numérique de la classe A ou B est conforme à la norme NMB-003 du Canada.

Les changements ou les modifications pas expressément approuvés par la partie responsable de la conformité ont pu vider l'autorité de l'utilisateur pour actionner l'équipement.

Concernant les EVMs avec appareils radio

Le présent appareil est conforme aux CNR d'Industrie Canada applicables aux appareils radio exempts de licence. L'exploitation est autorisée aux deux conditions suivantes : (1) l'appareil ne doit pas produire de brouillage, et (2) l'utilisateur de l'appareil doit accepter tout brouillage radioélectrique subi, même si le brouillage est susceptible d'en compromettre le fonctionnement.

Concernant les EVMs avec antennes détachables

Conformément à la réglementation d'Industrie Canada, le présent émetteur radio peut fonctionner avec une antenne d'un type et d'un gain maximal (ou inférieur) approuvé pour l'émetteur par Industrie Canada. Dans le but de réduire les risques de brouillage radioélectrique à l'intention des autres utilisateurs, il faut choisir le type d'antenne et son gain de sorte que la puissance isotrope rayonnée équivalente (p.i.r.e.) ne dépasse pas l'intensité nécessaire à l'établissement d'une communication satisfaisante.

Le présent émetteur radio a été approuvé par Industrie Canada pour fonctionner avec les types d'antenne énumérés dans le manuel d'usage et ayant un gain admissible maximal et l'impédance requise pour chaque type d'antenne. Les types d'antenne non inclus dans cette liste, ou dont le gain est supérieur au gain maximal indiqué, sont strictement interdits pour l'exploitation de l'émetteur.

【Important Notice for Users of EVMs for RF Products in Japan】

This development kit is NOT certified as Confirming to Technical Regulations of Radio Law of Japan

If you use this product in Japan, you are required by Radio Law of Japan to follow the instructions below with respect to this product:

1. Use this product in a shielded room or any other test facility as defined in the notification #173 issued by Ministry of Internal Affairs and Communications on March 28, 2006, based on Sub-section 1.1 of Article 6 of the Ministry's Rule for Enforcement of Radio Law of Japan,
2. Use this product only after you obtained the license of Test Radio Station as provided in Radio Law of Japan with respect to this product, or
3. Use of this product only after you obtained the Technical Regulations Conformity Certification as provided in Radio Law of Japan with respect to this product. Also, please do not transfer this product, unless you give the same notice above to the transferee. Please note that if you could not follow the instructions above, you will be subject to penalties of Radio Law of Japan.

Texas Instruments Japan Limited
(address) 24-1, Nishi-Shinjuku 6 chome, Shinjuku-ku, Tokyo, Japan

<http://www.tij.co.jp>

【無線電波を送信する製品の開発キットをお使いになる際の注意事項】

本開発キットは技術基準適合証明を受けておりません。

本製品のご使用に際しては、電波法遵守のため、以下のいずれかの措置を取っていただく必要がありますのでご注意ください。

1. 電波法施行規則第6条第1項第1号に基づく平成18年3月28日総務省告示第173号で定められた電波暗室等の試験設備でご使用いただく。
2. 実験局の免許を取得後ご使用いただく。
3. 技術基準適合証明を取得後ご使用いただく。

なお、本製品は、上記の「ご使用にあたっての注意」を譲渡先、移転先に通知しない限り、譲渡、移転できないものとします。

上記を遵守頂けない場合は、電波法の罰則が適用される可能性があることをご留意ください。

日本テキサス・インスツルメンツ株式会社

東京都新宿区西新宿 6 丁目 2 4 番 1 号

西新宿三井ビル

<http://www.tij.co.jp>

EVALUATION BOARD/KIT/MODULE (EVM) WARNINGS, RESTRICTIONS AND DISCLAIMERS

For Feasibility Evaluation Only, in Laboratory/Development Environments. Unless otherwise indicated, this EVM is not a finished electrical equipment and not intended for consumer use. It is intended solely for use for preliminary feasibility evaluation in laboratory/development environments by technically qualified electronics experts who are familiar with the dangers and application risks associated with handling electrical mechanical components, systems and subsystems. It should not be used as all or part of a finished end product.

Your Sole Responsibility and Risk. You acknowledge, represent and agree that:

1. You have unique knowledge concerning Federal, State and local regulatory requirements (including but not limited to Food and Drug Administration regulations, if applicable) which relate to your products and which relate to your use (and/or that of your employees, affiliates, contractors or designees) of the EVM for evaluation, testing and other purposes.
2. You have full and exclusive responsibility to assure the safety and compliance of your products with all such laws and other applicable regulatory requirements, and also to assure the safety of any activities to be conducted by you and/or your employees, affiliates, contractors or designees, using the EVM. Further, you are responsible to assure that any interfaces (electronic and/or mechanical) between the EVM and any human body are designed with suitable isolation and means to safely limit accessible leakage currents to minimize the risk of electrical shock hazard.
3. Since the EVM is not a completed product, it may not meet all applicable regulatory and safety compliance standards (such as UL, CSA, VDE, CE, RoHS and WEEE) which may normally be associated with similar items. You assume full responsibility to determine and/or assure compliance with any such standards and related certifications as may be applicable. You will employ reasonable safeguards to ensure that your use of the EVM will not result in any property damage, injury or death, even if the EVM should fail to perform as described or expected.
4. You will take care of proper disposal and recycling of the EVM's electronic components and packing materials.

Certain Instructions. It is important to operate this EVM within TI's recommended specifications and environmental considerations per the user guidelines. Exceeding the specified EVM ratings (including but not limited to input and output voltage, current, power, and environmental ranges) may cause property damage, personal injury or death. If there are questions concerning these ratings please contact a TI field representative prior to connecting interface electronics including input power and intended loads. Any loads applied outside of the specified output range may result in unintended and/or inaccurate operation and/or possible permanent damage to the EVM and/or interface electronics. Please consult the EVM User's Guide prior to connecting any load to the EVM output. If there is uncertainty as to the load specification, please contact a TI field representative. During normal operation, some circuit components may have case temperatures greater than 60°C as long as the input and output are maintained at a normal ambient operating temperature. These components include but are not limited to linear regulators, switching transistors, pass transistors, and current sense resistors which can be identified using the EVM schematic located in the EVM User's Guide. When placing measurement probes near these devices during normal operation, please be aware that these devices may be very warm to the touch. As with all electronic evaluation tools, only qualified personnel knowledgeable in electronic measurement and diagnostics normally found in development environments should use these EVMs.

Agreement to Defend, Indemnify and Hold Harmless. You agree to defend, indemnify and hold TI, its licensors and their representatives harmless from and against any and all claims, damages, losses, expenses, costs and liabilities (collectively, "Claims") arising out of or in connection with any use of the EVM that is not in accordance with the terms of the agreement. This obligation shall apply whether Claims arise under law of tort or contract or any other legal theory, and even if the EVM fails to perform as described or expected.

Safety-Critical or Life-Critical Applications. If you intend to evaluate the components for possible use in safety critical applications (such as life support) where a failure of the TI product would reasonably be expected to cause severe personal injury or death, such as devices which are classified as FDA Class III or similar classification, then you must specifically notify TI of such intent and enter into a separate Assurance and Indemnity Agreement.

Mailing Address: Texas Instruments, Post Office Box 655303, Dallas, Texas 75265
Copyright © 2014, Texas Instruments Incorporated

IMPORTANT NOTICE

Texas Instruments Incorporated and its subsidiaries (TI) reserve the right to make corrections, enhancements, improvements and other changes to its semiconductor products and services per JESD46, latest issue, and to discontinue any product or service per JESD48, latest issue. Buyers should obtain the latest relevant information before placing orders and should verify that such information is current and complete. All semiconductor products (also referred to herein as "components") are sold subject to TI's terms and conditions of sale supplied at the time of order acknowledgment.

TI warrants performance of its components to the specifications applicable at the time of sale, in accordance with the warranty in TI's terms and conditions of sale of semiconductor products. Testing and other quality control techniques are used to the extent TI deems necessary to support this warranty. Except where mandated by applicable law, testing of all parameters of each component is not necessarily performed.

TI assumes no liability for applications assistance or the design of Buyers' products. Buyers are responsible for their products and applications using TI components. To minimize the risks associated with Buyers' products and applications, Buyers should provide adequate design and operating safeguards.

TI does not warrant or represent that any license, either express or implied, is granted under any patent right, copyright, mask work right, or other intellectual property right relating to any combination, machine, or process in which TI components or services are used. Information published by TI regarding third-party products or services does not constitute a license to use such products or services or a warranty or endorsement thereof. Use of such information may require a license from a third party under the patents or other intellectual property of the third party, or a license from TI under the patents or other intellectual property of TI.

Reproduction of significant portions of TI information in TI data books or data sheets is permissible only if reproduction is without alteration and is accompanied by all associated warranties, conditions, limitations, and notices. TI is not responsible or liable for such altered documentation. Information of third parties may be subject to additional restrictions.

Resale of TI components or services with statements different from or beyond the parameters stated by TI for that component or service voids all express and any implied warranties for the associated TI component or service and is an unfair and deceptive business practice. TI is not responsible or liable for any such statements.

Buyer acknowledges and agrees that it is solely responsible for compliance with all legal, regulatory and safety-related requirements concerning its products, and any use of TI components in its applications, notwithstanding any applications-related information or support that may be provided by TI. Buyer represents and agrees that it has all the necessary expertise to create and implement safeguards which anticipate dangerous consequences of failures, monitor failures and their consequences, lessen the likelihood of failures that might cause harm and take appropriate remedial actions. Buyer will fully indemnify TI and its representatives against any damages arising out of the use of any TI components in safety-critical applications.

In some cases, TI components may be promoted specifically to facilitate safety-related applications. With such components, TI's goal is to help enable customers to design and create their own end-product solutions that meet applicable functional safety standards and requirements. Nonetheless, such components are subject to these terms.

No TI components are authorized for use in FDA Class III (or similar life-critical medical equipment) unless authorized officers of the parties have executed a special agreement specifically governing such use.

Only those TI components which TI has specifically designated as military grade or "enhanced plastic" are designed and intended for use in military/aerospace applications or environments. Buyer acknowledges and agrees that any military or aerospace use of TI components which have **not** been so designated is solely at the Buyer's risk, and that Buyer is solely responsible for compliance with all legal and regulatory requirements in connection with such use.

TI has specifically designated certain components as meeting ISO/TS16949 requirements, mainly for automotive use. In any case of use of non-designated products, TI will not be responsible for any failure to meet ISO/TS16949.

Products

Audio	www.ti.com/audio
Amplifiers	amplifier.ti.com
Data Converters	dataconverter.ti.com
DLP® Products	www.dlp.com
DSP	dsp.ti.com
Clocks and Timers	www.ti.com/clocks
Interface	interface.ti.com
Logic	logic.ti.com
Power Mgmt	power.ti.com
Microcontrollers	microcontroller.ti.com
RFID	www.ti-rfid.com
OMAP Applications Processors	www.ti.com/omap
Wireless Connectivity	www.ti.com/wirelessconnectivity

Applications

Automotive and Transportation	www.ti.com/automotive
Communications and Telecom	www.ti.com/communications
Computers and Peripherals	www.ti.com/computers
Consumer Electronics	www.ti.com/consumer-apps
Energy and Lighting	www.ti.com/energy
Industrial	www.ti.com/industrial
Medical	www.ti.com/medical
Security	www.ti.com/security
Space, Avionics and Defense	www.ti.com/space-avionics-defense
Video and Imaging	www.ti.com/video

TI E2E Community

e2e.ti.com