

# TPS62810EVM-015 Evaluation Module

This user's guide describes the characteristics, operation, and use of TI's evaluation module (EVM) for the TPS62810-Q1, TPS62811-Q1, TPS62812-Q1, and TPS62813-Q1 devices. The TPS62810EVM-015 is designed to help the user easily evaluate and test the operation and functionality of the TPS6281x buck converters. The EVM converts a 2.7-V to 6.0-V input voltage to a regulated 1.8-V output voltage that delivers up to 4 A. This user's guide includes setup instructions for the hardware, a printed-circuit board (PCB) layout, a schematic diagram and a bill of materials (BOM).

### Contents

1	Introduction .....	2
2	Setup .....	3
3	TPS62810EVM-015 Test Results .....	3
4	Board Layout .....	3
5	Schematic and Bill of Materials .....	5

### List of Figures

1	Top Silk .....	3
2	Top Layer .....	3
3	Layer 2 .....	4
4	Layer 3 .....	4
5	Bottom Layer .....	4
6	TPS62810EVM-015 Schematic.....	5

### List of Tables

1	Performance Specification Summary .....	2
2	TPS62810EVM-015 BOM .....	6

### Trademarks

All trademarks are the property of their respective owners.

## 1 Introduction

The TPS6281x device is a high-frequency, synchronous, step-down converter optimized for a small solution size and high efficiency. The devices focus on high-efficiency, step-down conversion over a wide output current range. At medium to heavy loads, the converter operates in PWM mode and automatically enters *Power Save Mode* operation at light load to maintain high efficiency over the entire load-current range. The internal compensation circuit allows a compact solution and small external components. The device is available in a 3.0-mm × 2.0-mm, 9-pin VQFN package.

### 1.1 Performance Specification

Table 1 provides a summary of the TPS62810EVM-015 performance specifications.

**Table 1. Performance Specification Summary**

Specification		Test Conditions	MIN	TYP	MAX	Unit
Input voltage			2.7		6.0	V
Output voltage setpoint				1.8		V
Output current	TPS62810EVM-015		0		4.0	A

### 1.2 Modifications

The printed-circuit board (PCB) for this EVM is designed to accommodate the different adjustable output voltage versions of this integrated circuit (IC). On the EVM, additional input and output capacitors can be added, the soft-start time can be changed and the switching frequency can be modified.

#### 1.2.1 Input and Output Capacitors

Footprints for an additional input capacitor (C22) as well as for additional output capacitors (C31, C32 and C33) are provided. These capacitors are not required for proper operation but can be used to reduce the input and output voltage ripple and to improve the load transient response. For proper operation the total output capacitance must remain within the recommended range described in the [TPS6281x-Q1 Low Input Voltage, Adjustable-Frequency Step-Down Converter data sheet](#).

#### 1.2.2 Adjustable-Output IC U1 Operation

U1 is configured for evaluation of the adjustable-output version. This unit is set to 1.8 V. Resistors R1 and R2 can be used to set the output voltage between 0.6 V and 5.5 V. For recommended values, see the [TPS6281x-Q1 Low Input Voltage, Adjustable-Frequency Step-Down Converter data sheet](#).

#### 1.2.3 Feedforward Capacitor

C5 is the feedforward capacitor. If the feedback divider (R1 and R2) has been modified it may be required to adjust the value of the feedforward capacitor as well. For recommended values, see the [TPS6281x-Q1 Low Input Voltage, Adjustable-Frequency Step-Down Converter data sheet](#).

#### 1.2.4 Soft-Start Time

C4 controls the soft-start time of the output voltage. It can be changed for a faster or slower ramp up of the output voltage. For recommended capacitor values, see the [TPS6281x-Q1 Low Input Voltage, Adjustable-Frequency Step-Down Converter data sheet](#).

#### 1.2.5 Tracking

A control voltage connected to J6 can be used to control the output voltage. For more details see the [TPS6281x-Q1 Low Input Voltage, Adjustable-Frequency Step-Down Converter data sheet](#).

### 1.2.6 Switching Frequency and Control Loop Compensation

R4 controls the switching frequency of the converter. It is also used to select a predefined control loop compensation setting. For recommended values, see the [TPS6281x-Q1 Low Input Voltage, Adjustable-Frequency Step-Down Converter data sheet](#).

## 2 Setup

This section describes how to correctly use the TPS62810EVM-015.

### 2.1 Connector Descriptions

<b>J1, Pin 1 and 2 – VIN</b>	Positive input voltage connection from the input supply for the EVM
<b>J1, Pin 3 and 4 – S+/S–</b>	Input voltage sense connections, measure the input voltage at this point
<b>J1, Pin 5 and 6 – GND</b>	Input return connection from the input supply for the EVM
<b>J2, Pin 1 and 2 – VOUT</b>	Positive output voltage connection
<b>J2, Pin 3 and 4 – S+/S–</b>	Output voltage sense connections, measure the output voltage at this point
<b>J2, Pin 5 and 6 – GND</b>	Output return connection
<b>J3 – EN</b>	EN pin jumper. Place the supplied jumper across ON and EN to turn on the IC. Place the jumper across OFF and EN to turn off the IC.
<b>J4 – MODE/SYNC</b>	MODE/SYNC pin jumper. Place the supplied jumper across VIN and MODE/SYNC to force the device in fixed frequency PWM operation at all load currents. Place the jumper across MODE/SYNC and GND to enable power save mode. Connect a clock signal to MODE/SYNC referenced to GND to synchronize the switching frequency to the clock signal.
<b>J5 – PG</b>	The PG output appears on pin 1 of this header with a convenient ground on pin 2.
<b>J6 – SS/TR</b>	SS/TR input, a voltage connected on pin 1 of this header referenced to GND on pin 2 can be used to control the output voltage (tracking).

### 2.2 Hardware Setup

To operate the EVM, set jumpers J3 and J4 to the desired positions per [Section 2.1](#). Connect the input supply to J1, between VIN and GND and connect the load to J2 between VOUT and GND.

## 3 TPS62810EVM-015 Test Results

The TPS62810EVM-015 was used to take the typical characteristics data in the TPS62810-Q1 data sheet. See [TPS6281x-Q1 Low Input Voltage, Adjustable-Frequency Step-Down Converter data sheet](#) for the performance of this EVM.

## 4 Board Layout

This section provides the TPS62810EVM-015 board layout. The Gerber files are available on the [TPS62810EVM-015](#) tool page

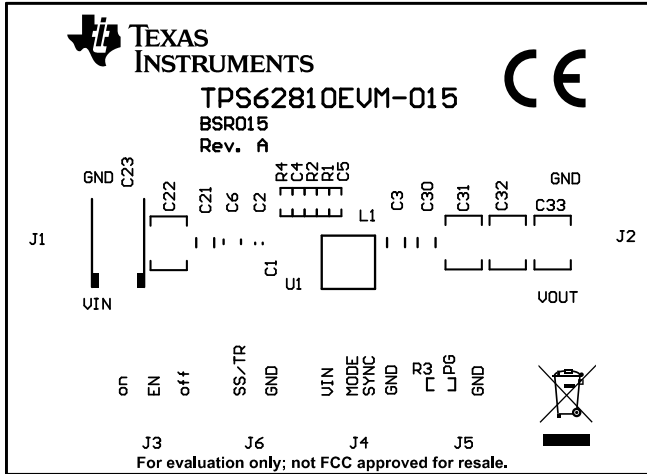


Figure 1. Top Silk

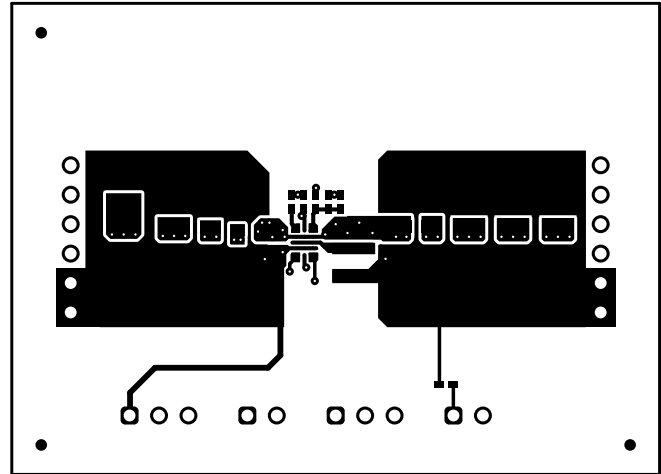


Figure 2. Top Layer

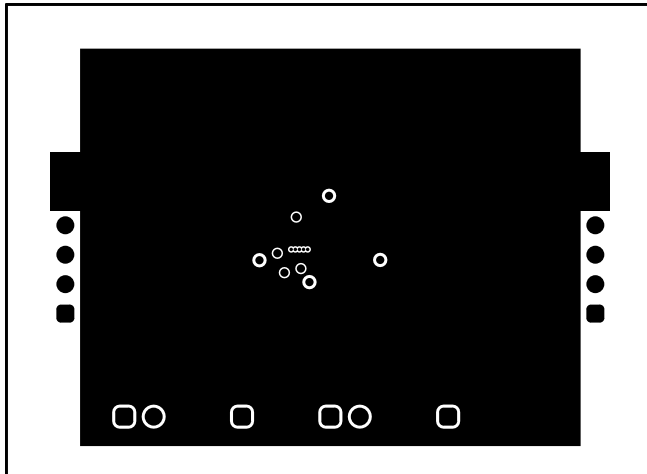


Figure 3. Layer 2

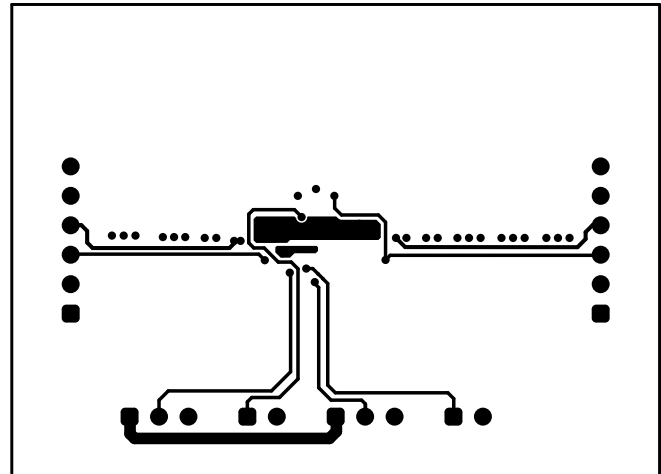


Figure 4. Layer 3

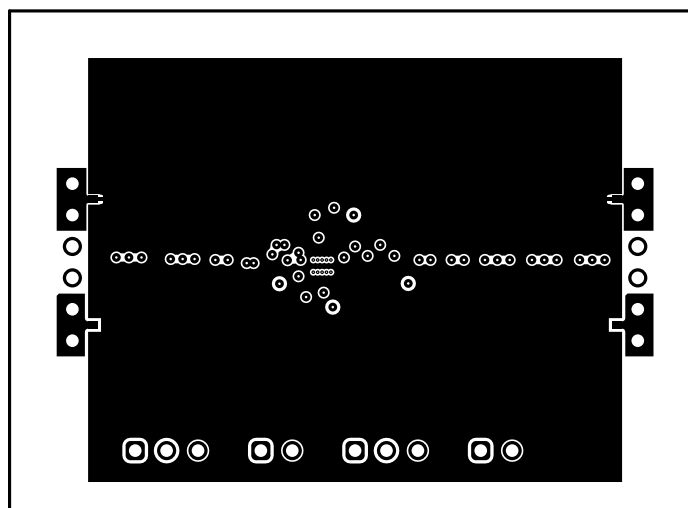


Figure 5. Bottom Layer

## 5 Schematic and Bill of Materials

This section includes the TPS62810EVM-015 schematic and bill of materials.

### 5.1 Schematic

Figure 6 shows the EVM schematic.

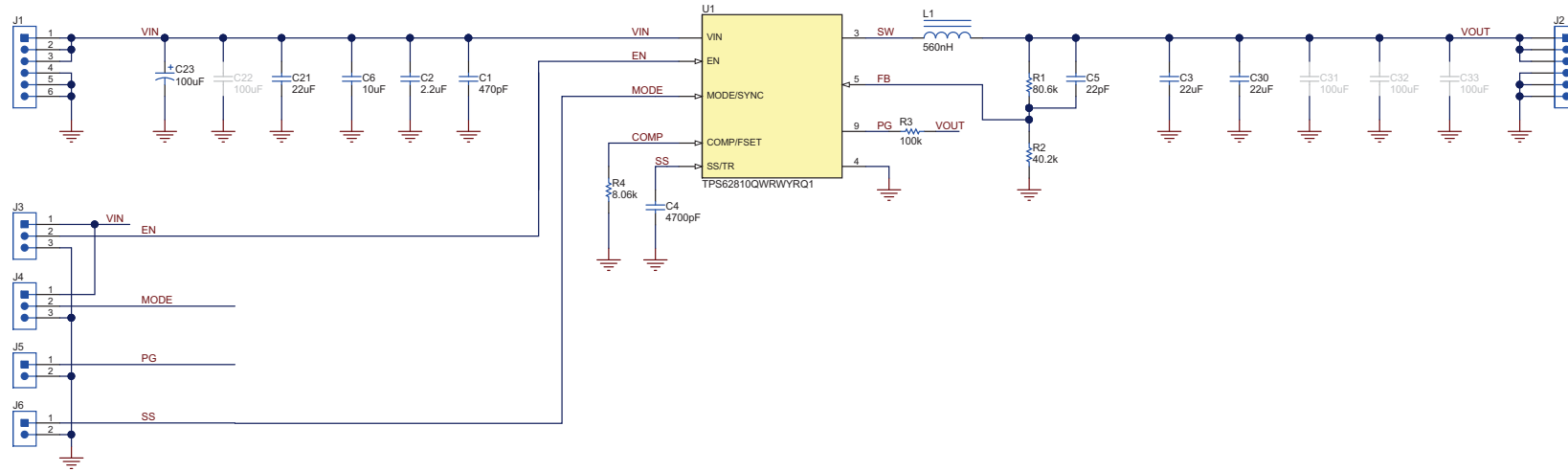


Figure 6. TPS62810EVM-015 Schematic

## 5.2 Bill of Materials

Table 2 lists the BOM for this EVM.

**Table 2. TPS62810EVM-015 BOM**

Qty	Ref Des	Value	Description	Size	Part Number	MFR
1	C1	470 pF	Ceramic Capacitor, 50V, X7R	0402		any
1	C2	2.2 $\mu$ F	Ceramic Capacitor, 10V, X7S	0603	CGA3E3X7S1A225K080A B	TDK
3	C3, C21, C30	22 $\mu$ F	Ceramic Capacitor, 10V, X7R	1206	GCM31CR71A226KE02	MuRata
1	C4	4700 pF	Ceramic Capacitor, 50V, X7R	0402		any
1	C5	22pF	Ceramic Capacitor, 50V, COG/NPO	0402		any
1	C6	10 $\mu$ F	Ceramic Capacitor, 10V, X7R	0805	GCM21BR71A106KE22	MuRata
1	C23	100 $\mu$ F	Polymer Capacitor, 20V	7.3x4.3mm	20TQC100MYF	Panasonic
1	L1	560 nH	Inductor	4.0 x 4.0 x 2.0 mm	XEL4020-561MEB	Coilcraft
1	R1	80.6 k $\Omega$	Resistor 1%, 0.1 W	0402		any
1	R2	40.2 k $\Omega$	Resistor 1%, 0.1 W	0402		any
1	R3	100 k $\Omega$	Resistor 1%, 0.1 W	0402		any
1	R4	8.06 k $\Omega$	Resistor 1%, 0.1 W	0402		any
1	U1		Low Input Voltage, Adjustable-Frequency Step-down Converter	VQFN-HR-9	TPS62810QWRWYRQ1	Texas Instruments

## IMPORTANT NOTICE FOR TI DESIGN INFORMATION AND RESOURCES

Texas Instruments Incorporated ("TI") technical, application or other design advice, services or information, including, but not limited to, reference designs and materials relating to evaluation modules, (collectively, "TI Resources") are intended to assist designers who are developing applications that incorporate TI products; by downloading, accessing or using any particular TI Resource in any way, you (individually or, if you are acting on behalf of a company, your company) agree to use it solely for this purpose and subject to the terms of this Notice.

TI's provision of TI Resources does not expand or otherwise alter TI's applicable published warranties or warranty disclaimers for TI products, and no additional obligations or liabilities arise from TI providing such TI Resources. TI reserves the right to make corrections, enhancements, improvements and other changes to its TI Resources.

You understand and agree that you remain responsible for using your independent analysis, evaluation and judgment in designing your applications and that you have full and exclusive responsibility to assure the safety of your applications and compliance of your applications (and of all TI products used in or for your applications) with all applicable regulations, laws and other applicable requirements. You represent that, with respect to your applications, you have all the necessary expertise to create and implement safeguards that (1) anticipate dangerous consequences of failures, (2) monitor failures and their consequences, and (3) lessen the likelihood of failures that might cause harm and take appropriate actions. You agree that prior to using or distributing any applications that include TI products, you will thoroughly test such applications and the functionality of such TI products as used in such applications. TI has not conducted any testing other than that specifically described in the published documentation for a particular TI Resource.

You are authorized to use, copy and modify any individual TI Resource only in connection with the development of applications that include the TI product(s) identified in such TI Resource. NO OTHER LICENSE, EXPRESS OR IMPLIED, BY ESTOPPEL OR OTHERWISE TO ANY OTHER TI INTELLECTUAL PROPERTY RIGHT, AND NO LICENSE TO ANY TECHNOLOGY OR INTELLECTUAL PROPERTY RIGHT OF TI OR ANY THIRD PARTY IS GRANTED HEREIN, including but not limited to any patent right, copyright, mask work right, or other intellectual property right relating to any combination, machine, or process in which TI products or services are used. Information regarding or referencing third-party products or services does not constitute a license to use such products or services, or a warranty or endorsement thereof. Use of TI Resources may require a license from a third party under the patents or other intellectual property of the third party, or a license from TI under the patents or other intellectual property of TI.

TI RESOURCES ARE PROVIDED "AS IS" AND WITH ALL FAULTS. TI DISCLAIMS ALL OTHER WARRANTIES OR REPRESENTATIONS, EXPRESS OR IMPLIED, REGARDING TI RESOURCES OR USE THEREOF, INCLUDING BUT NOT LIMITED TO ACCURACY OR COMPLETENESS, TITLE, ANY EPIDEMIC FAILURE WARRANTY AND ANY IMPLIED WARRANTIES OF MERCHANTABILITY, FITNESS FOR A PARTICULAR PURPOSE, AND NON-INFRINGEMENT OF ANY THIRD PARTY INTELLECTUAL PROPERTY RIGHTS.

TI SHALL NOT BE LIABLE FOR AND SHALL NOT DEFEND OR INDEMNIFY YOU AGAINST ANY CLAIM, INCLUDING BUT NOT LIMITED TO ANY INFRINGEMENT CLAIM THAT RELATES TO OR IS BASED ON ANY COMBINATION OF PRODUCTS EVEN IF DESCRIBED IN TI RESOURCES OR OTHERWISE. IN NO EVENT SHALL TI BE LIABLE FOR ANY ACTUAL, DIRECT, SPECIAL, COLLATERAL, INDIRECT, PUNITIVE, INCIDENTAL, CONSEQUENTIAL OR EXEMPLARY DAMAGES IN CONNECTION WITH OR ARISING OUT OF TI RESOURCES OR USE THEREOF, AND REGARDLESS OF WHETHER TI HAS BEEN ADVISED OF THE POSSIBILITY OF SUCH DAMAGES.

You agree to fully indemnify TI and its representatives against any damages, costs, losses, and/or liabilities arising out of your non-compliance with the terms and provisions of this Notice.

This Notice applies to TI Resources. Additional terms apply to the use and purchase of certain types of materials, TI products and services. These include; without limitation, TI's standard terms for semiconductor products (<http://www.ti.com/sc/docs/stdterms.htm>), [evaluation modules](#), and [samples](http://www.ti.com/sc/docs/sampterm.htm) (<http://www.ti.com/sc/docs/sampterm.htm>).

Mailing Address: Texas Instruments, Post Office Box 655303, Dallas, Texas 75265  
Copyright © 2018, Texas Instruments Incorporated