

# EVM User's Guide: TPS7H4011EVM

## TPS7H4011EVM Evaluation Module

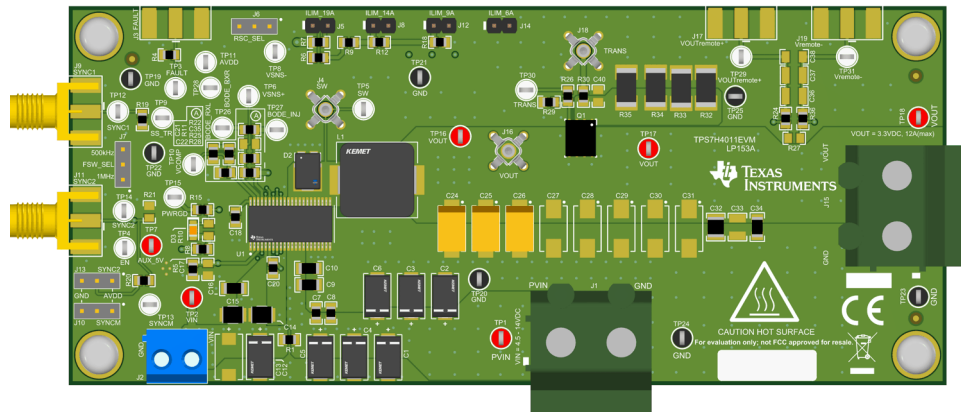


### Description

The [TPS7H4011EVM](#) demonstrates the operation of a single [TPS7H4011-SEP](#) buck converter (plastic package). The board provides footprints that can be populated with additional components to allow for testing of customized configurations, as well as jumpers and test points for easy device configuration, and performance validation.

### Features

- Input voltage range from 4.5V to 14V
- 12A maximum output current
- Differential remote sensing
- Selectable current limit, switching frequency, and slope compensation
- High-current transient test circuit
- $0.6V \pm 0.67\%$  voltage reference over line, temperature, and radiation



EVM Board

# 1 Evaluation Module Overview

## 1.1 Introduction

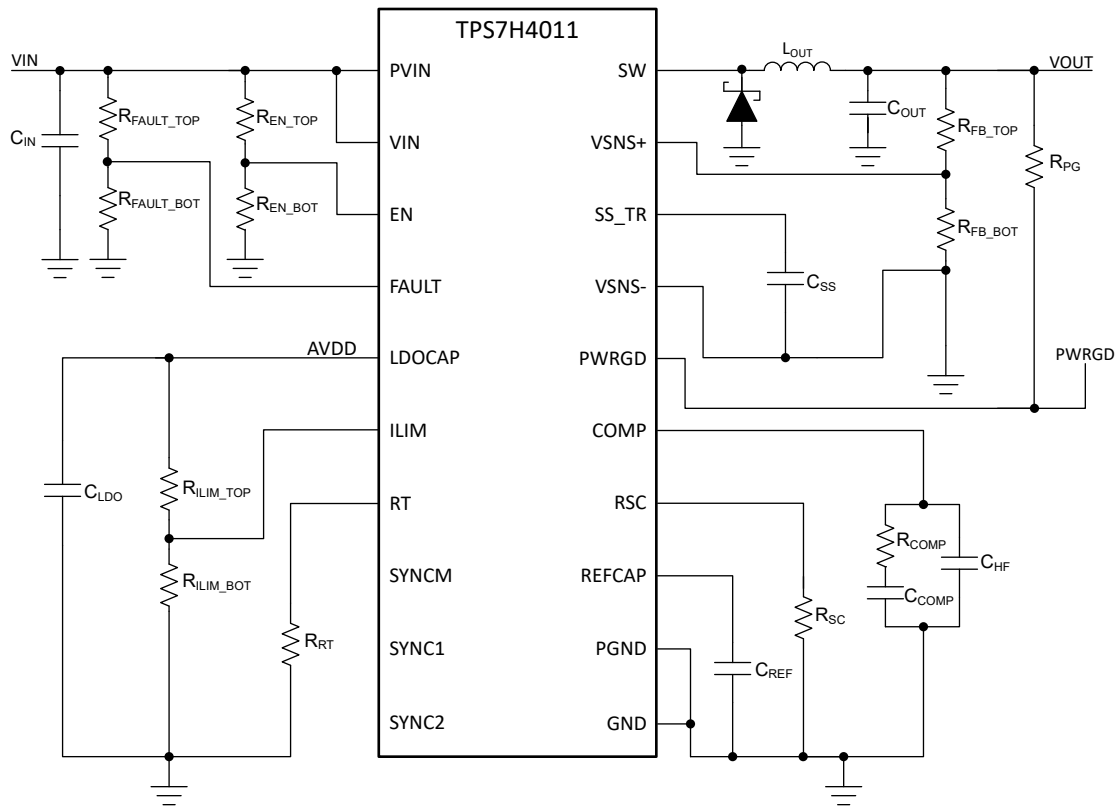
The TPS7H4011EVM is the evaluation module (EVM) for the plastic package versions of the TPS7H4011 and provides a platform to electrically evaluate its features. This user's guide provides details about the EVM, including the configuration, schematics, and BOM.

The EVM is designed to provide flexibility in configuring the device under different conditions. Footprints for additional components, multiple connection options for monitoring device pins, and external remote sensing are provided. To configure the device in a custom configuration, please refer to the [TPS7H4011 data sheet](#) to calculate values of any passives that need to be changed.

## 1.2 Kit Contents

- TPS7H4011EVM Board (1)

## 1.3 Specification



**Figure 1-1. Simplified Schematic**

**Table 1-1. Default Configuration Options**

SPECIFICATION	VALUE	DESCRIPTION
Input voltage VIN	12V	Falls within the recommended device input voltage range of 4.5V to 14V.
Output voltage VOUT	3.3V	Common power rail voltage within the device output capability. Configurable by changing R25 or R28.
Slope compensation resistor RSC	511kΩ or 267kΩ	Configurable using a jumper on the EVM.
Switching frequency FSW	1MHz or 500kHz	Configurable using a jumper on the EVM.
Current limit ILIM	5.6A, 9A, 13.4A, or 18.3A	Configurable using a jumper on the EVM.

## 1.4 Device Information

The [TPS7H4011](#) is a 14V, 12A synchronous buck converter optimized for use in a space environment. High efficiency and reduced component count are achieved through peak current mode control. The wide voltage range of the TPS7H4011 enables it to be used as a point of load regulator to convert directly from a 12V rail. Additionally, various features are included such as differential remote sensing, selectable current limit, a flexible fault input pin, and configurable compensation.

Further information about the TPS7H4011-SP can be found in the device [data sheet](#).

## 2 Hardware

### 2.1 Setup

#### 2.1.1 Jumper Configuration

The TPS7H4011EVM includes 8 jumpers to control SYNCM, SYNC2, FSW, RSC, and ILIM. In order for the device to switch properly without an external clock signal, a jumper must be installed in J7 (FSW\_SEL). It is also recommended that a jumper be installed in J6 (RSC\_SEL) whenever the device is operating for slope compensation to function. The proper slope compensation depends on the exact device configuration. Please see the [TPS7H4011 data sheet](#) for more information.

The TPS7H4011EVM provides 4 jumpers for setting the device's current limit (ILIM). When setting a current limit with the jumpers, please ensure only one current limit jumper is populated at a time for a proper current limit configuration. It is recommend to have an ILIM jumper populated whenever the device is functioning.

#### 2.1.2 Transient Load Circuit

The TPS7H4011EVM provides a transient load circuit using CSD16408Q5 N-Channel Power MOSFET, along with a 333mΩ load resistance created by 3, 1Ω chip resistors connected in parallel. While the CSD16408Q5 power MOSFET is capable of conducting the full 12A output current of the TPS7H4011, the chip resistors are each rated for only 2W. When utilizing the transient circuit on the TPS7H4011EVM, the signal sent to the MOSFET gate through TP30 (TRANS) can be modulated to keep the average power through the load resistors below the 2W rating.

For additional information on operation of the power MOSFET, please see the [CSD16408Q5 data sheet](#).

### 2.2 Connector Descriptions

[Table 2-1](#) provides the connector descriptions for the TPS7H4011EVM.

**Table 2-1. Connector Descriptions**

REFERENCE DESIGNATOR	FUNCTION	
J1	PVIN	Power input connectors Connected together using R1 by default.
J2	VIN	
J15	VOUT	Power output connector
J9	SYNC1	SMA connector
J11	SYNC2	

**Table 2-1. Connector Descriptions (continued)**

REFERENCE DESIGNATOR	FUNCTION		
TP1	PVIN	Test point	
TP2	VIN		
TP3	FAULT		
TP4	EN		
TP5	SW		
TP6	VSNS+		
TP7	AUX_5V		
TP8	VSNS-		
TP9	SS_TR		
TP10	VCOMP		
TP11	AVDD		
TP12	SYNC1		
TP13	SYNCM		
TP14	SYNC2		
TP15	PWRGD		
TP16, TP17, TP18	VOUT		
TP19, TP20, TP21, TP22, TP23, TP24, TP25	GND		
TP26	BODE_RXL		
TP27	BODE_INJ		
TP28	BODE_RXR		
TP29	VOUTrremote+		
TP30	TRANS		
TP31	Vremote-		
J4	SW		Compact probe tip connector
J16	VOUT		
J18	TRANS		
J5	ILIM_19A	Jumper for mode selection	
J6	RSC_SEL		
J7	FSW_SEL		
J8	ILIM_14A		
J10	SYNCM		
J12	ILIM_9A		
J13	SYNC2		
J14	ILIM6A		

## 2.3 Best Practices

The following information is provided to convey best practices while operating this device.



### **WARNING**

**Hot surface! Contact can cause burns. Do not touch!**

Some components can reach high temperatures  $> 55^{\circ}\text{C}$  when the board is powered on. Do not touch the board at any point during operation or immediately after operating, as high temperatures can be present.

### 3 Implementation Results

#### 3.1 Default Configuration Results

The following tests were performed using the TPS7H4011EVM in the default configuration with detailed settings shown in Table 3-1.

Table 3-1. Test Settings

SPECIFICATION	VALUE
VIN	12V
VOUT	3.3V
FSW	500kHz
ILIM	18.3A
RSC	511kΩ

#### 3.2 Soft Startup

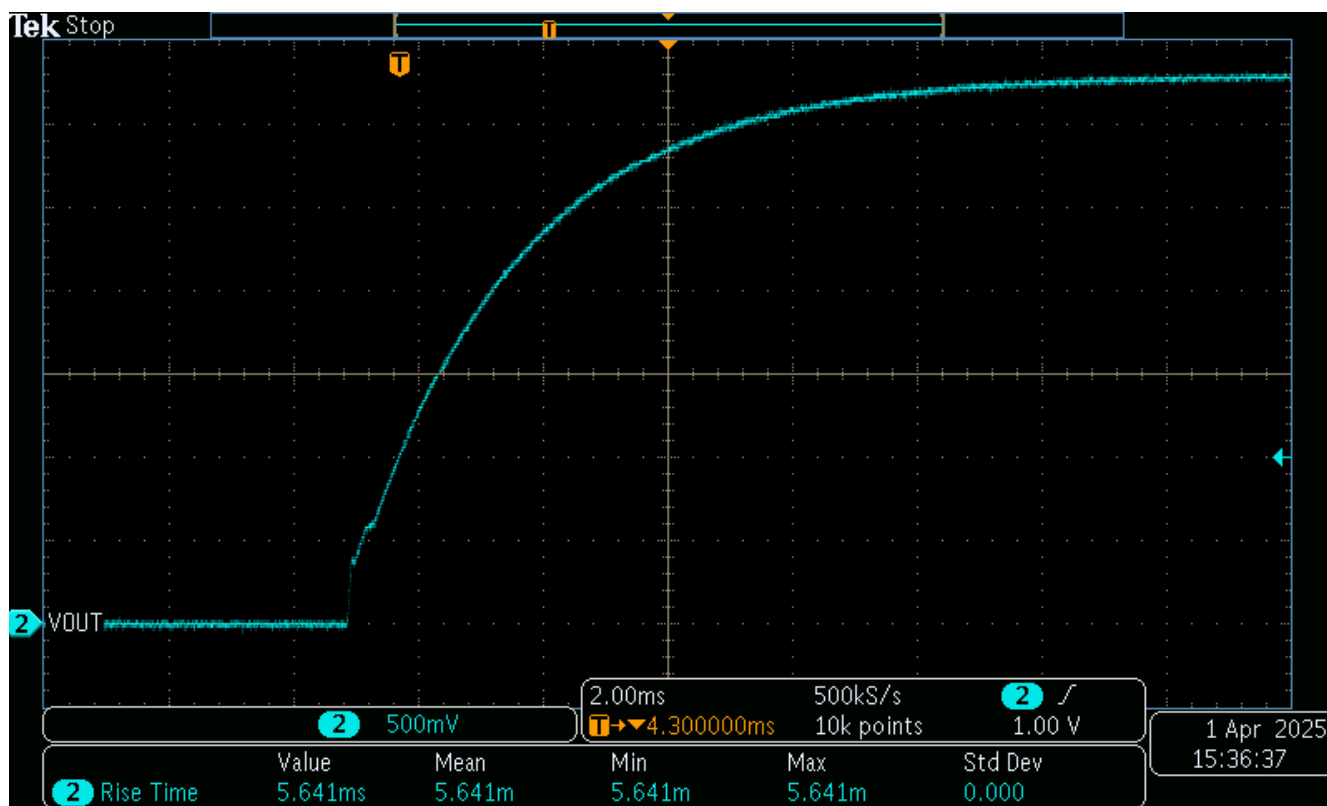


Figure 3-1. Soft Startup Into 275mΩ Load

### 3.3 Voltage Ripple on VOUT

**Note**

To avoid coupled noise from the switch node, output voltage ripple was measured across C24 using a "tip-and-barrel" method with a coil wire ground.

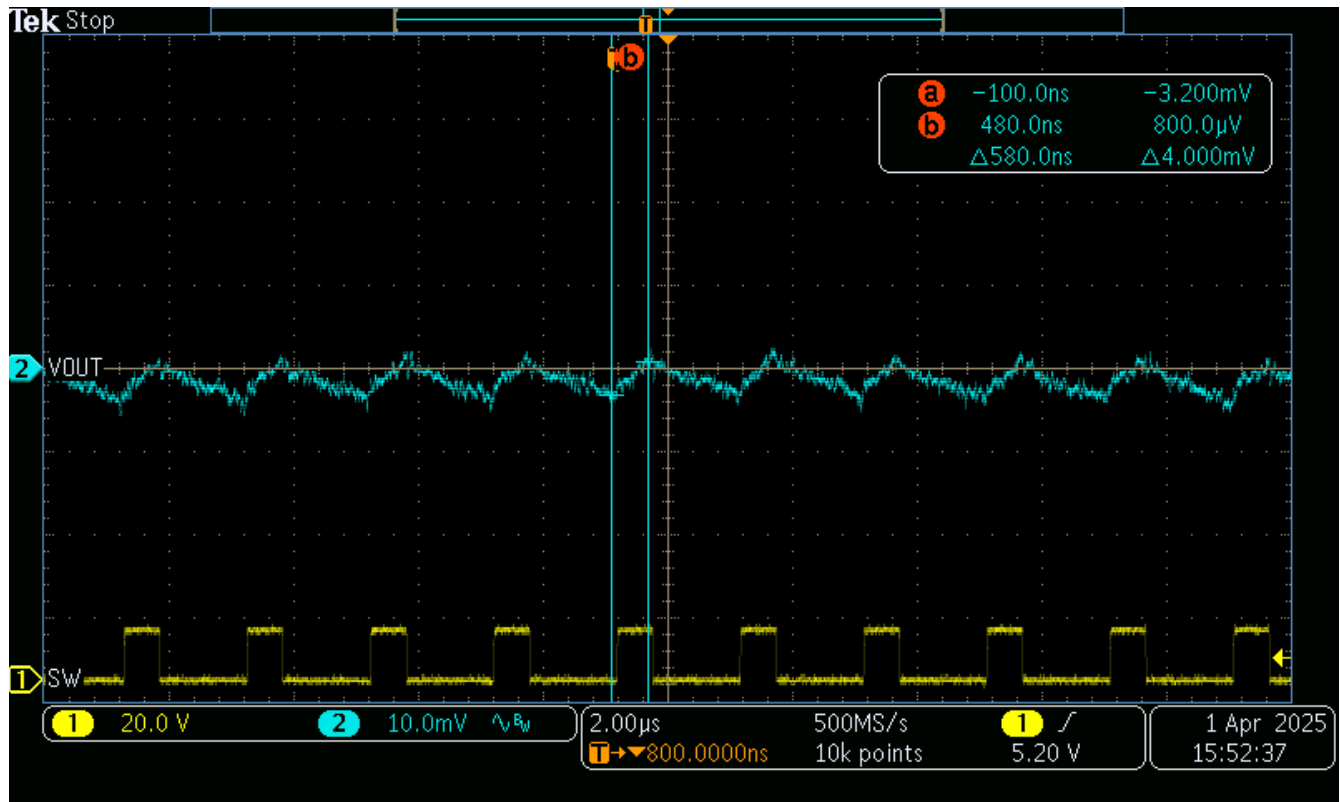


Figure 3-2. Output Voltage Ripple



### 3.4 Load Step

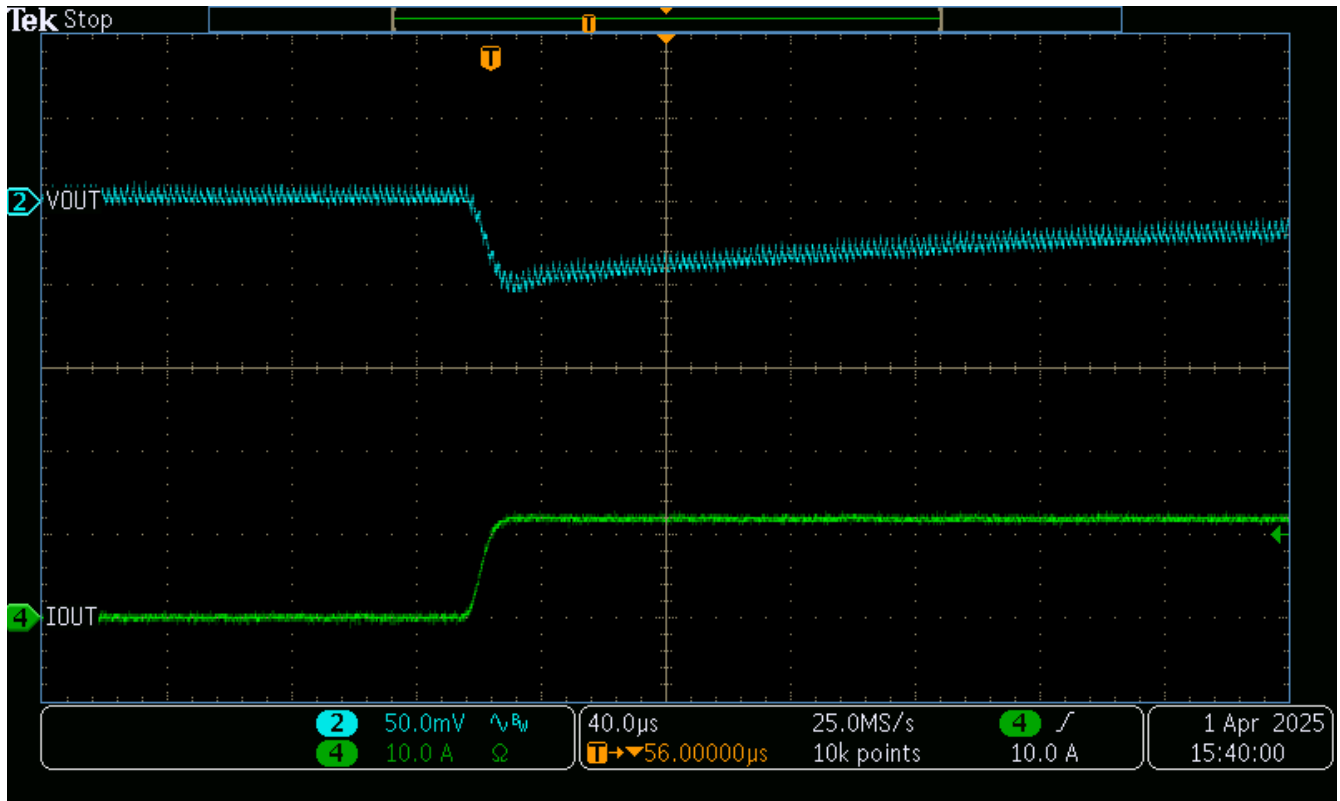


Figure 3-3. Transient Response to Load Step 100mA to 12A at 8A/μs

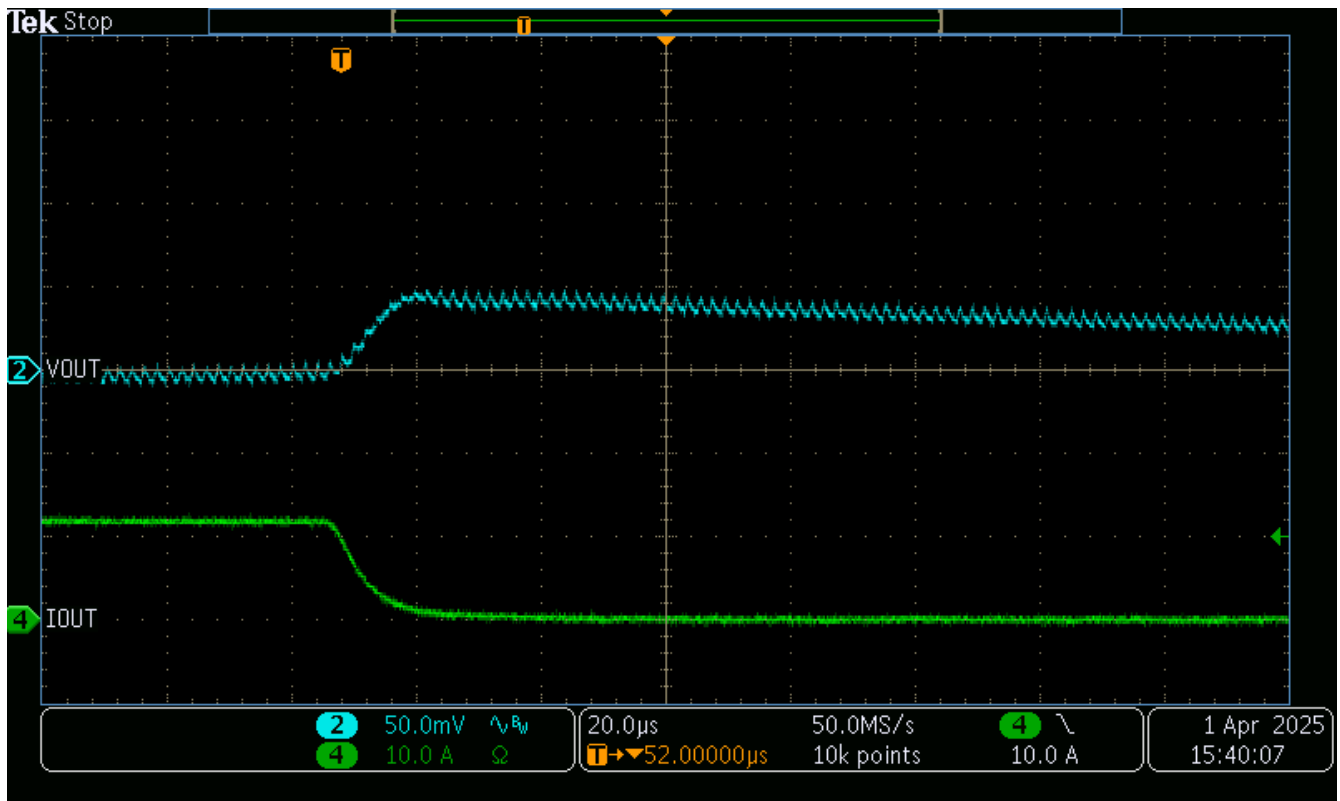


Figure 3-4. Transient Response to Load Step 12A to 100mA at 8A/μs

### 3.5 Frequency Response

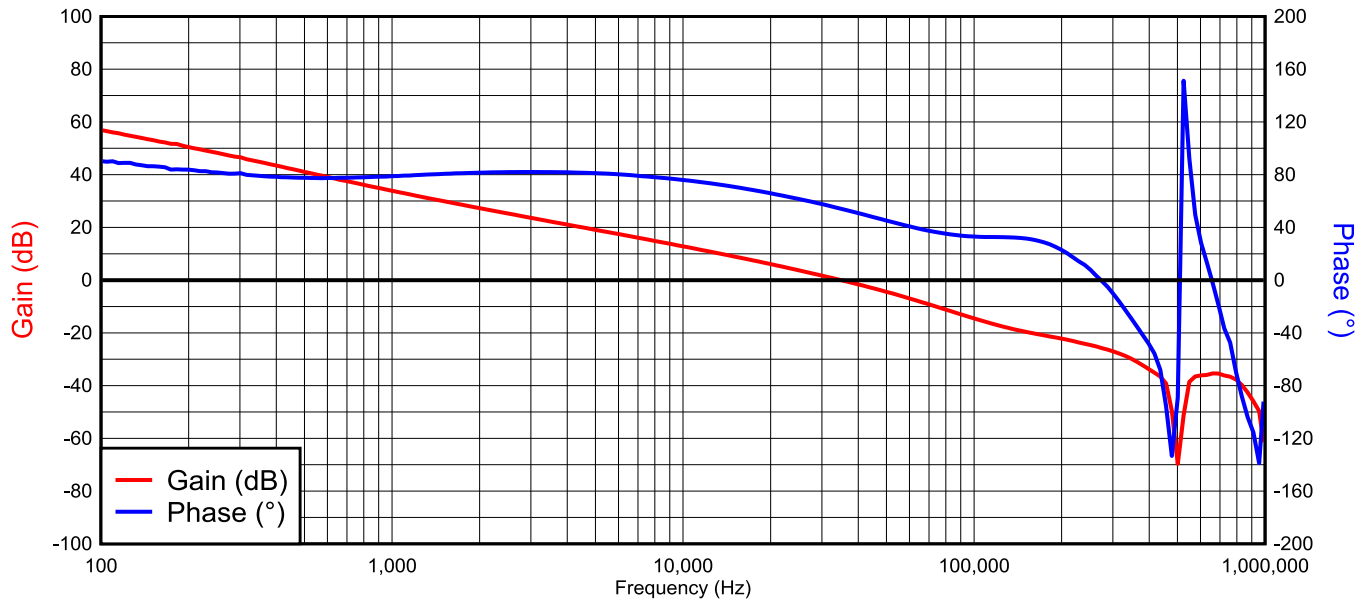


Figure 3-5. Frequency Response IOUT = 6A

## 4 Hardware Design Files

### 4.1 Schematics

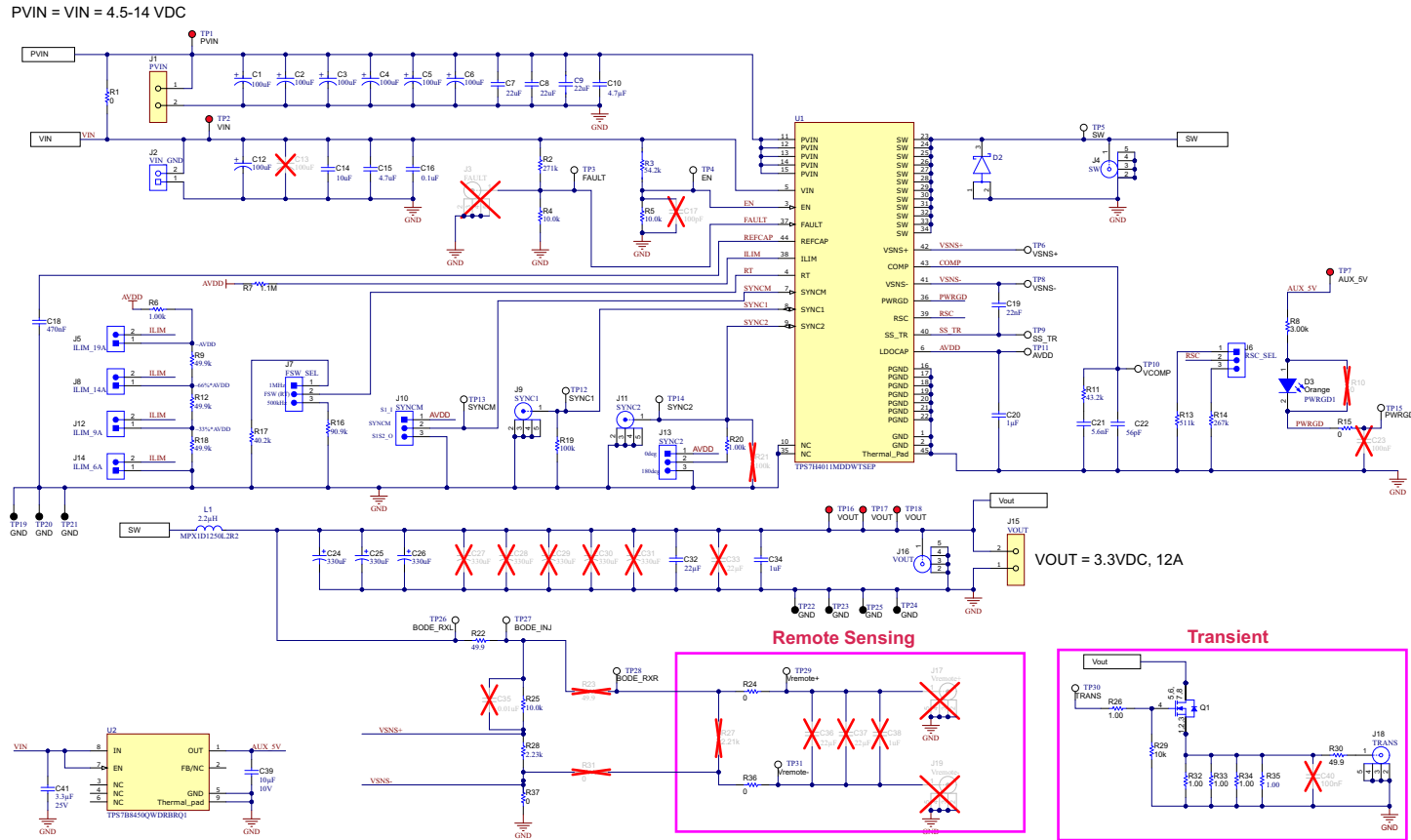


Figure 4-1. Default EVM Schematic

## 4.2 PCB Layouts

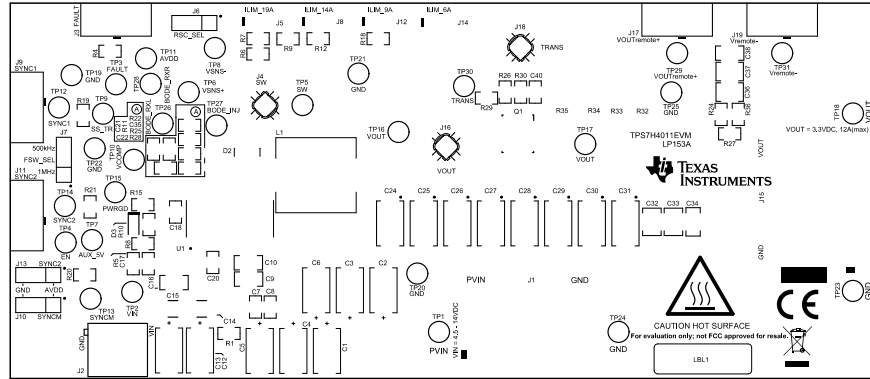


Figure 4-2. Top Overlay

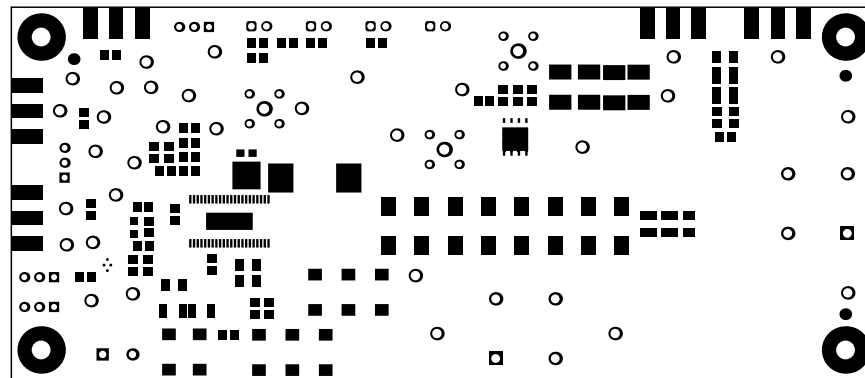


Figure 4-3. Top Solder Mask

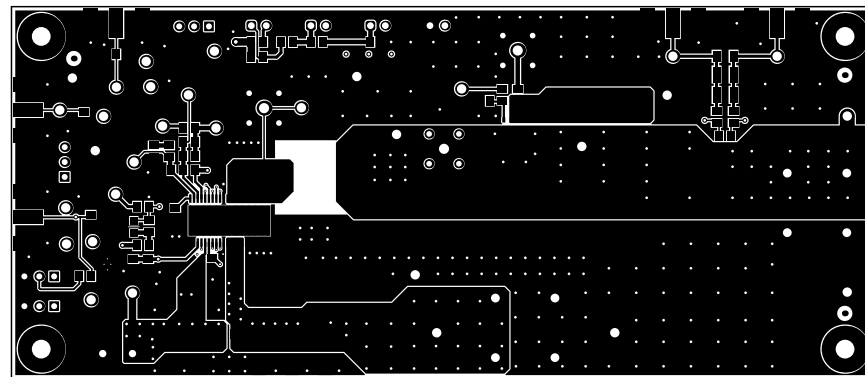
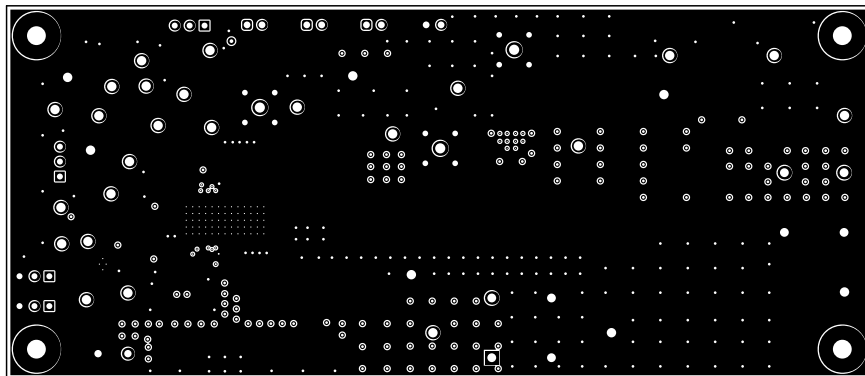
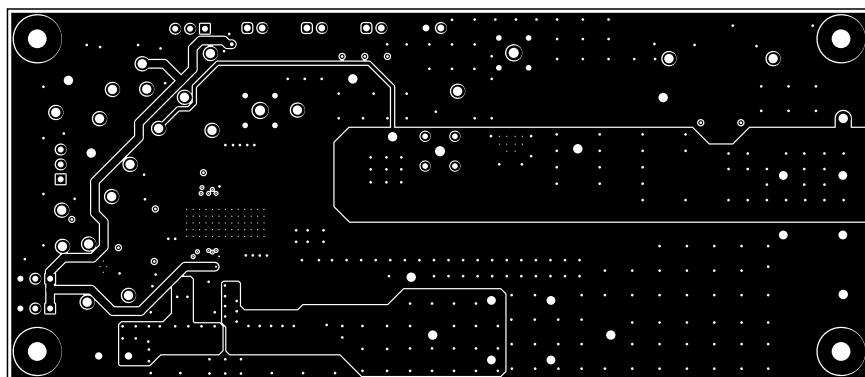


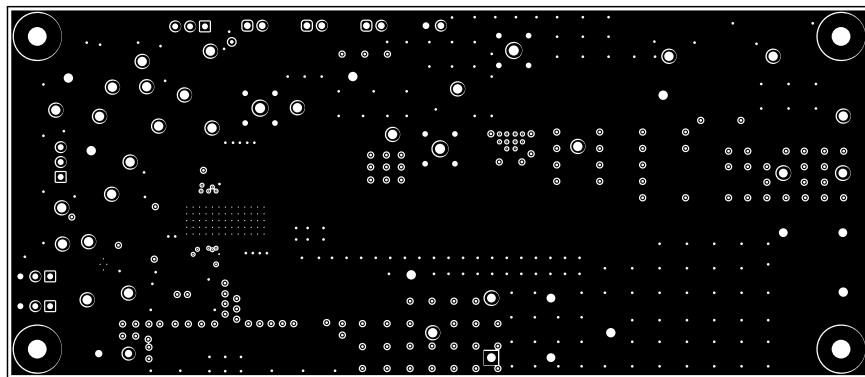
Figure 4-4. Layer 1 (Top)



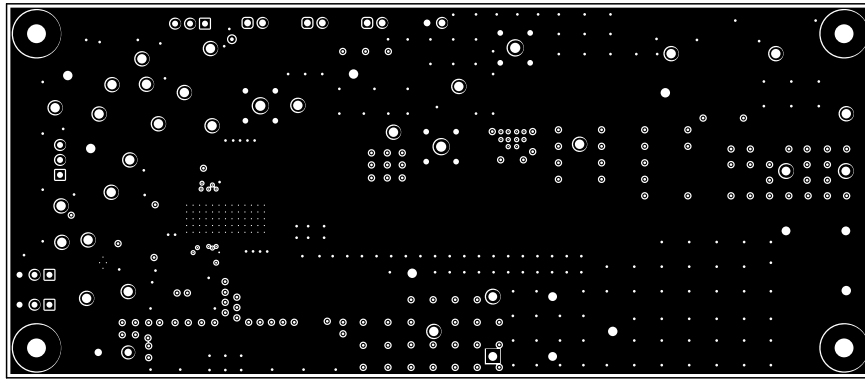
**Figure 4-5. Layer 2**



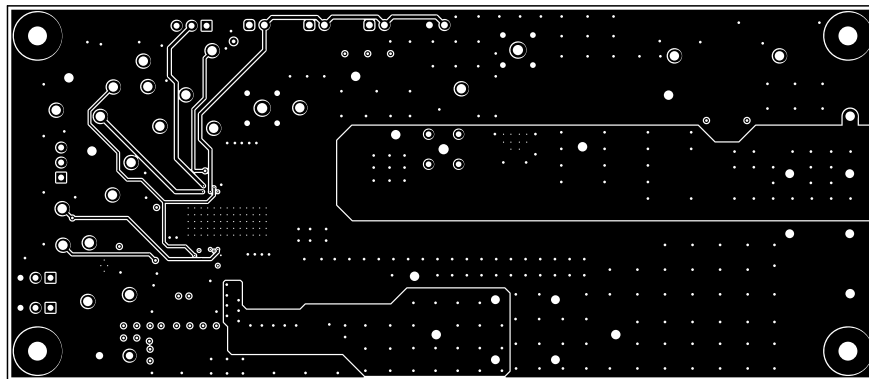
**Figure 4-6. Layer 3**



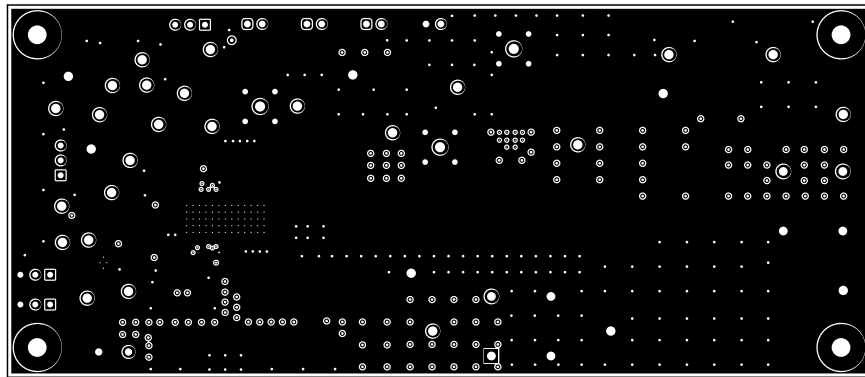
**Figure 4-7. Layer 4**



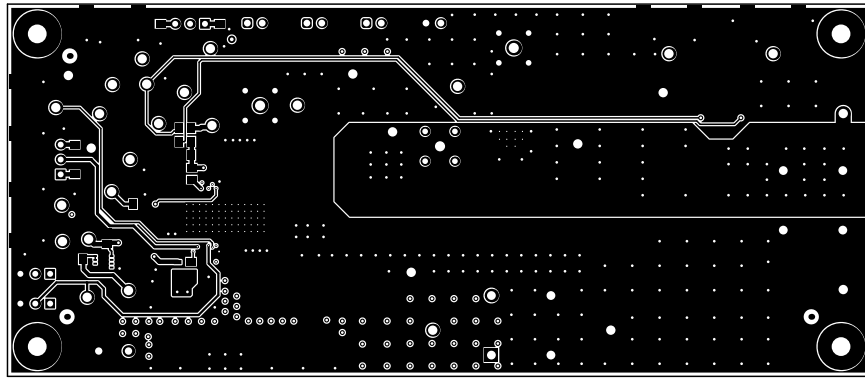
**Figure 4-8. Layer 5**



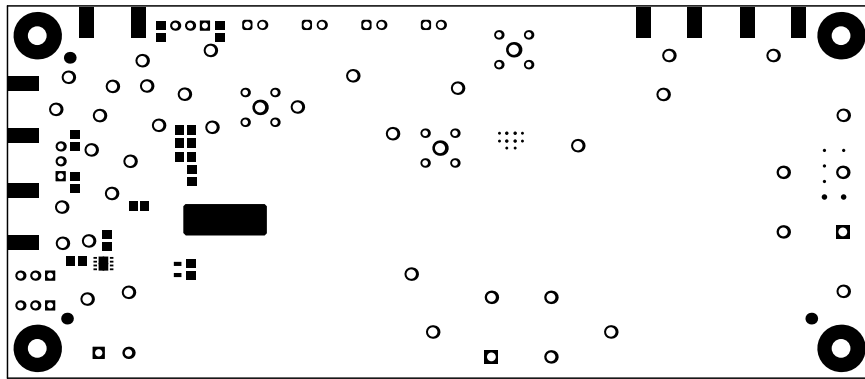
**Figure 4-9. Layer 6**



**Figure 4-10. Layer 7**



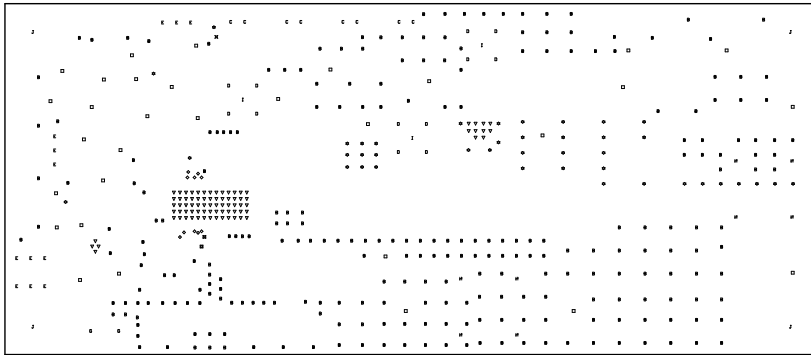
**Figure 4-11. Layer 8 (Bottom)**



**Figure 4-12. Bottom Solder Mask**



**Figure 4-13. Bottom Overlay**



DRILL TABLE:

Symbol	Quantity	Finished Hole Size	Plated	Hole Type	Drill Layer Pair	Hole Tolerance(mil)	
▽	79	7.87mil (0.200mm)		PTH	Round	Top Layer - Bottom Layer	+0/-7.274
◇	10	10.00mil (0.254mm)		PTH	Round	Top Layer - Bottom Layer	
⊠	1	12.00mil (0.305mm)		PTH	Round	Top Layer - Bottom Layer	
⊠	1	14.00mil (0.356mm)		PTH	Round	Top Layer - Bottom Layer	
⊠	41	18.00mil (0.457mm)		PTH	Round	Top Layer - Bottom Layer	
B	260	18.00mil (0.457mm)		PTH	Round	Top Layer - Bottom Layer	+/-3
X	1	25.00mil (0.635mm)		PTH	Round	Top Layer - Bottom Layer	
D	12	38.00mil (0.965mm)		PTH	Round	Top Layer - Bottom Layer	+/-3
E	12	40.00mil (1.016mm)		PTH	Round	Top Layer - Bottom Layer	+/-3
C	8	45.28mil (1.150mm)		PTH	Round	Top Layer - Bottom Layer	+/-3
G	2	49.21mil (1.250mm)		PTH	Round	Top Layer - Bottom Layer	+/-3
H	8	59.06mil (1.500mm)		PTH	Round	Top Layer - Bottom Layer	+/-3
□	31	63.00mil (1.600mm)		PTH	Round	Top Layer - Bottom Layer	+/-3
I	3	68.00mil (1.727mm)		PTH	Round	Top Layer - Bottom Layer	+/-3
J	4	125.98mil (3.200mm)		PTH	Round	Top Layer - Bottom Layer	+/-3
473 Total							

Figure 4-14. Drill Drawing



### 4.3 Bill of Materials (BOM)

Designator	Quantity	Value	Description	Package Reference	PartNumber	Manufacturer
C1, C2, C3, C4, C5, C6, C12	7	100µF	Cap Tant Polymer 100uF 25VDC D CASE 20% (7.3 X 4.3 X 2.8mm) SMD 7343-31 0.04 Ohm 105C T/R	2917	T521D107M025ATE040	KEMET
C7, C8	2	22uF	CAP, CERM, 22 uF, 25 V, +/- 20%, X5R, 0805	0805	GRM21BR61E226ME44L	MuRata
C9	1	22µF	Cap Ceramic 22uF 25V X5R 10% SMD 1206 85C Embossed T/R	1206	CL31A226KAHNNNE	Samsung
C10	1	4.7uF	CAP, CERM, 4.7 µF, 25 V,+/- 10%, X7R, AEC-Q200 Grade 1, 1206	1206	GCM31CR71E475KA55L	MuRata
C14	1	10uF	CAP, CERM, 10 uF, 25 V, +/- 10%, X7R, 1210	1210	12103C106KAT2A	AVX
C15	1	4.7uF	CAP, CERM, 4.7 uF, 50 V, +/- 10%, X7R, 1210	1210	C3225X7R1H475K250AB	TDK
C16	1	0.1uF	CAP, CERM, 0.1 uF, 50 V, +/- 5%, X7R, 1206	1206	C1206C104J5RACTU	Kemet
C18	1	0.47uF	CAP, CERM, 0.47 uF, 16 V, +/- 5%, X7R, 0805	0805	0805YC474JAT2A	AVX
C19	1	0.022uF	CAP, CERM, 0.022 uF, 100 V, +/- 5%, X7R, 0805	0805	08051C223JAT2A	AVX
C20	1	1uF	CAP, CERM, 1 uF, 16 V, +/- 10%, X7R, 0805	0805	C0805C105K4RACTU	Kemet
C21	1	5600pF	CAP, CERM, 5600 pF, 50 V, +/- 10%, X7R, 0805	0805	C0805C562K5RACTU	Kemet
C22	1	56pF	CAP, CERM, 56 pF, 50 V, +/- 5%, C0G/NP0, 0805	0805	C0805C560J5GACTU	Kemet
C24, C25, C26	3	330uF	CAP, Tantalum Polymer, 330 uF, 10 V, +/- 20%, 0.006 ohm, 7343-43 SMD	7343-43	T530X337M010ATE006	Kemet
C32	1	22uF	CAP, CERM, 22 µF, 16 V,+/- 10%, X7R, AEC-Q200 Grade 1, 1210	1210	CL32B226KOJVPNE	Samsung Electro-Mechanics
C34	1	1uF	CAP, CERM, 1 uF, 25 V, +/- 10%, X7R, 1206	1206	C1206C105K3RACTU	Kemet
C39	1	10uF	CAP, CERM, 10 µF, 10 V,+/- 10%, X7R, AEC-Q200 Grade 1, 0805	0805	GCJ21BR71A106KE01L	MuRata
C41	1	3.3uF	CAP, CERM, 3.3 uF, 25 V, +/- 10%, X7R, 0805	0805	C2012X7R1E335K125AB	TDK
D2	1		Diode 40 V 10A Surface Mount TO-277A (SMPC)	SMPC	SS10P4-M3/86A	Vishay
D3	1	Orange	LED, Orange, SMD	LED_0805	LTST-C170KFKT	Lite-On
H1, H2, H3, H4	4		Machine Screw, Round, #4-40 x 1/4, Nylon, Philips panhead	Screw	NY PMS 440 0025 PH	B&F Fastener Supply
H5, H6, H7, H8	4		Standoff, Hex, 0.5"L #4-40 Nylon	Standoff	1902C	Keystone
J1, J15	2		Fixed Terminal Blocks MKDSP 10 HV/ 2-10	HDR2	1929517	Phoenix Contact
J2	1		Terminal Block, 5.08 mm, 2x1, Brass, TH	2x1 5.08 mm Terminal Block	ED120/2DS	On-Shore Technology

Designator	Quantity	Value	Description	Package Reference	PartNumber	Manufacturer
J4, J16, J18	3		Compact Probe Tip Circuit Board Test Points, TH, 25 per	TH Scope Probe	131-5031-00	Tektronix
J5, J8, J12, J14	4		Header, 2.54 mm, 2x1, Gold, TH	Header, 2.54mm, 2x1, TH	61300211121	Würth Elektronik
J6, J7, J10, J13	4		Header, 100mil, 3x1, Gold, TH	Header, 100mil, 3x1, TH	HTSW-103-07-G-S	Samtec
J9, J11	2		Connector, End launch SMA, 50 ohm, SMT	SMA End Launch	142-0701-851	Cinch Connectivity
L1	1	2.2uH	2.2 $\mu$ H Shielded Wirewound Inductor 21 A 4.8mOhm Max Nonstandard	SMD2	MPX1D1250L2R2	KEMET
LBL1	1		Thermal Transfer Printable Labels, 0.650" W x 0.200" H - 10,000 per roll	PCB Label 0.650 x 0.200 inch	THT-14-423-10	Brady
Q1	1	25V	MOSFET, N-CH, 25 V, 113 A, DQH0008A (VSON-CLIP-8)	DQH0008A	CSD16408Q5	Texas Instruments
R1, R15, R24, R36, R37	5	0	RES, 0, 5%, 0.125 W, AEC-Q200 Grade 0, 0805	0805	CRCW08050000Z0EA	Vishay-Dale
R2	1	271k	RES, 271 k, 0.1%, 0.125 W, 0805	0805	RT0805BRD07271KL	Yageo America
R3	1	54.2k	54.2 kOhms $\pm$ 0.1% 0.26W Chip Resistor 0805 (2012 Metric) Anti-Sulfur, Automotive AEC-Q200, Moisture Resistant Thin Film	0805	TNPW080554K2BEEN	Vishay
R4, R5, R25	3	10.0k	RES, 10.0 k, 0.1%, 0.125 W, 0805	0805	RG2012P-103-B-T5	Susumu Co Ltd
R6, R20	2	1.00k	RES, 1.00 k, 1%, 0.125 W, AEC-Q200 Grade 0, 0805	0805	ERJ-6ENF1001V	Panasonic
R7	1	1.1Meg	RES, 1.1 M, 5%, 0.125 W, AEC-Q200 Grade 0, 0805	0805	ERJ-6GEYJ115V	Panasonic
R8	1	3.00k	RES, 3.00 k, 1%, 0.125 W, AEC-Q200 Grade 0, 0805	0805	ERJ-6ENF3001V	Panasonic
R9, R12, R18	3	49.9k	RES, 49.9 k, 1%, 0.125 W, AEC-Q200 Grade 0, 0805	0805	ERJ-6ENF4992V	Panasonic
R11	1	43.2k	RES, 43.2 k, 0.1%, 0.125 W, 0805	0805	RT0805BRD0743K2L	Yageo America
R13	1	511k	RES, 511 k, 1%, 0.125 W, AEC-Q200 Grade 0, 0805	0805	ERJ-6ENF5113V	Panasonic
R14	1	267k	RES, 267 k, 1%, 0.125 W, AEC-Q200 Grade 0, 0805	0805	CRCW0805267KFKEA	Vishay-Dale
R16	1	90.9k	RES, 90.9 k, 0.1%, 0.125 W, 0805	0805	RG2012P-9092-B-T5	Susumu Co Ltd
R17	1	40.2k	RES, 40.2 k, 0.1%, 0.125 W, 0805	0805	RG2012P-4022-B-T5	Susumu Co Ltd
R19	1	100k	RES, 100 k, 1%, 0.125 W, AEC-Q200 Grade 0, 0805	0805	ERJ-6ENF1003V	Panasonic
R22, R30	2	49.9	RES, 49.9, 0.1%, 0.125 W, 0805	0805	RT0805BRD0749R9L	Yageo America
R26	1	1	RES, 1.00, 1%, 0.125 W, 0805	0805	RC0805FR-071RL	Yageo America

Designator	Quantity	Value	Description	Package Reference	PartNumber	Manufacturer
R28	1	2.23k	RES, 2.23 k, 0.1%, 0.125 W, 0805	0805	RT0805BRD072K23L	Yageo America
R29	1	10k	RES, 10 k, 5%, 0.125 W, AEC-Q200 Grade 0, 0805	0805	CRCW080510K0JNEA	Vishay-Dale
R32, R33, R34, R35	4	1	RES, 1.00, 1%, 2 W, 6.3x3.1mm	6.3x3.1mm	CRM2512-FX-1R00ELF	Bourns
SH-J1, SH-J2, SH-J3, SH-J4, SH-J5	5	1x2	Shunt, 100mil, Flash Gold, Black	Closed Top 100mil Shunt	SPC02SYAN	Sullins Connector Solutions
TP1, TP2, TP7, TP16, TP17, TP18	6		Test Point, Multipurpose, Red, TH	Red Multipurpose Testpoint	5010	Keystone Electronics
TP3, TP4, TP5, TP6, TP8, TP9, TP10, TP11, TP12, TP13, TP14, TP15, TP26, TP27, TP28, TP29, TP30, TP31	18		Test Point, Multipurpose, White, TH	White Multipurpose Testpoint	5012	Keystone Electronics
TP19, TP20, TP21, TP22, TP23, TP24, TP25	7		Test Point, Multipurpose, Black, TH	Black Multipurpose Testpoint	5011	Keystone Electronics
U1	1		4.5-V to 14-V Input 12-A Radiation Hardened Synchronous Buck Converter	HTSSOP44	TPS7H4011MDDWTSEP	Texas Instruments
U2	1		Linear Voltage Regulator IC Positive Fixed 1 Output 150mA 8-SON (3x3)	VSON8	TPS7B8450QWDRBRQ1	Texas Instruments
C13	0	100µF	Cap Tant Polymer 100uF 25VDC D CASE 20% (7.3 X 4.3 X 2.8mm) SMD 7343-31 0.04 Ohm 105C T/R	2917	T521D107M025ATE040	KEMET
C17	0	100pF	CAP, CERM, 100 pF, 100 V, +/- 5%, X7R, 0805	0805	C0805C101J1RACTU	Kemet
C23	0	0.1uF	CAP, CERM, 0.1 uF, 50 V, +/- 5%, X7R, 0805	0805	08055C104JAT2A	AVX
C27, C28, C29, C30, C31	0	330uF	CAP, Tantalum Polymer, 330 uF, 10 V, +/- 20%, 0.006 ohm, 7343-43 SMD	7343-43	T530X337M010ATE006	Kemet
C33, C36, C37	0	22uF	CAP, CERM, 22 µF, 16 V,+/- 10%, X7R, AEC-Q200 Grade 1, 1210	1210	CL32B226KOJVPNE	Samsung Electro-Mechanics
C35	0	0.01uF	CAP, CERM, 0.01 uF, 100 V, +/- 5%, X7R, 0805	0805	08051C103JAT2A	AVX
C38	0	1uF	CAP, CERM, 1 uF, 25 V, +/- 10%, X7R, 1206	1206	C1206C105K3RACTU	Kemet
C40	0	0.1uF	CAP, CERM, 0.1 uF, 50 V, +/- 10%, X7R, 0805	0805	C0805C104K5RACTU	Kemet
J3, J17, J19	0		Connector, End launch SMA, 50 ohm, SMT	SMA End Launch	142-0701-851	Cinch Connectivity
R10, R31	0	0	RES, 0, 5%, 0.125 W, AEC-Q200 Grade 0, 0805	0805	CRCW08050000Z0EA	Vishay-Dale
R21	0	100k	RES, 100 k, 1%, 0.125 W, AEC-Q200 Grade 0, 0805	0805	ERJ-6ENF1003V	Panasonic
R23	0	49.9	RES, 49.9, 0.1%, 0.125 W, 0805	0805	RT0805BRD0749R9L	Yageo America
R27	0	2.21k	RES, 2.21 k, 0.1%, 0.125 W, 0805	0805	RT0805BRD072K21L	Yageo America

## **5 Compliance Information**

### **5.1 Compliance and Certifications**

- Texas Instruments, [TPS7H4011EVM EU RoHS Declaration of Conformity \(DoC\)](#)

## **6 Additional Information**

### **6.1 Trademarks**

All trademarks are the property of their respective owners.

## 7 Related Documentation

- Texas Instruments, [TPS7H4011-SP and TPS7H4011-SEP 4.5V to 14V Input 12A Radiation Hardened Synchronous Buck Converter data sheet](#)
- Texas Instruments, [N-Channel NexFET™ Power MOSFET \(CSD16408Q5\) data sheet](#)

## STANDARD TERMS FOR EVALUATION MODULES

1. *Delivery:* TI delivers TI evaluation boards, kits, or modules, including any accompanying demonstration software, components, and/or documentation which may be provided together or separately (collectively, an "EVM" or "EVMs") to the User ("User") in accordance with the terms set forth herein. User's acceptance of the EVM is expressly subject to the following terms.
  - 1.1 EVMs are intended solely for product or software developers for use in a research and development setting to facilitate feasibility evaluation, experimentation, or scientific analysis of TI semiconductors products. EVMs have no direct function and are not finished products. EVMs shall not be directly or indirectly assembled as a part or subassembly in any finished product. For clarification, any software or software tools provided with the EVM ("Software") shall not be subject to the terms and conditions set forth herein but rather shall be subject to the applicable terms that accompany such Software
  - 1.2 EVMs are not intended for consumer or household use. EVMs may not be sold, sublicensed, leased, rented, loaned, assigned, or otherwise distributed for commercial purposes by Users, in whole or in part, or used in any finished product or production system.
2. *Limited Warranty and Related Remedies/Disclaimers:*
  - 2.1 These terms do not apply to Software. The warranty, if any, for Software is covered in the applicable Software License Agreement.
  - 2.2 TI warrants that the TI EVM will conform to TI's published specifications for ninety (90) days after the date TI delivers such EVM to User. Notwithstanding the foregoing, TI shall not be liable for a nonconforming EVM if (a) the nonconformity was caused by neglect, misuse or mistreatment by an entity other than TI, including improper installation or testing, or for any EVMs that have been altered or modified in any way by an entity other than TI, (b) the nonconformity resulted from User's design, specifications or instructions for such EVMs or improper system design, or (c) User has not paid on time. Testing and other quality control techniques are used to the extent TI deems necessary. TI does not test all parameters of each EVM. User's claims against TI under this Section 2 are void if User fails to notify TI of any apparent defects in the EVMs within ten (10) business days after delivery, or of any hidden defects with ten (10) business days after the defect has been detected.
  - 2.3 TI's sole liability shall be at its option to repair or replace EVMs that fail to conform to the warranty set forth above, or credit User's account for such EVM. TI's liability under this warranty shall be limited to EVMs that are returned during the warranty period to the address designated by TI and that are determined by TI not to conform to such warranty. If TI elects to repair or replace such EVM, TI shall have a reasonable time to repair such EVM or provide replacements. Repaired EVMs shall be warranted for the remainder of the original warranty period. Replaced EVMs shall be warranted for a new full ninety (90) day warranty period.

### **WARNING**

**Evaluation Kits are intended solely for use by technically qualified, professional electronics experts who are familiar with the dangers and application risks associated with handling electrical mechanical components, systems, and subsystems.**

**User shall operate the Evaluation Kit within TI's recommended guidelines and any applicable legal or environmental requirements as well as reasonable and customary safeguards. Failure to set up and/or operate the Evaluation Kit within TI's recommended guidelines may result in personal injury or death or property damage. Proper set up entails following TI's instructions for electrical ratings of interface circuits such as input, output and electrical loads.**

**NOTE:**

**EXPOSURE TO ELECTROSTATIC DISCHARGE (ESD) MAY CAUSE DEGRADATION OR FAILURE OF THE EVALUATION KIT; TI RECOMMENDS STORAGE OF THE EVALUATION KIT IN A PROTECTIVE ESD BAG.**

### 3 Regulatory Notices:

#### 3.1 United States

##### 3.1.1 Notice applicable to EVMs not FCC-Approved:

**FCC NOTICE:** This kit is designed to allow product developers to evaluate electronic components, circuitry, or software associated with the kit to determine whether to incorporate such items in a finished product and software developers to write software applications for use with the end product. This kit is not a finished product and when assembled may not be resold or otherwise marketed unless all required FCC equipment authorizations are first obtained. Operation is subject to the condition that this product not cause harmful interference to licensed radio stations and that this product accept harmful interference. Unless the assembled kit is designed to operate under part 15, part 18 or part 95 of this chapter, the operator of the kit must operate under the authority of an FCC license holder or must secure an experimental authorization under part 5 of this chapter.

##### 3.1.2 For EVMs annotated as FCC – FEDERAL COMMUNICATIONS COMMISSION Part 15 Compliant:

#### **CAUTION**

This device complies with part 15 of the FCC Rules. Operation is subject to the following two conditions: (1) This device may not cause harmful interference, and (2) this device must accept any interference received, including interference that may cause undesired operation.

Changes or modifications not expressly approved by the party responsible for compliance could void the user's authority to operate the equipment.

#### **FCC Interference Statement for Class A EVM devices**

*NOTE: This equipment has been tested and found to comply with the limits for a Class A digital device, pursuant to part 15 of the FCC Rules. These limits are designed to provide reasonable protection against harmful interference when the equipment is operated in a commercial environment. This equipment generates, uses, and can radiate radio frequency energy and, if not installed and used in accordance with the instruction manual, may cause harmful interference to radio communications. Operation of this equipment in a residential area is likely to cause harmful interference in which case the user will be required to correct the interference at his own expense.*

#### **FCC Interference Statement for Class B EVM devices**

*NOTE: This equipment has been tested and found to comply with the limits for a Class B digital device, pursuant to part 15 of the FCC Rules. These limits are designed to provide reasonable protection against harmful interference in a residential installation. This equipment generates, uses and can radiate radio frequency energy and, if not installed and used in accordance with the instructions, may cause harmful interference to radio communications. However, there is no guarantee that interference will not occur in a particular installation. If this equipment does cause harmful interference to radio or television reception, which can be determined by turning the equipment off and on, the user is encouraged to try to correct the interference by one or more of the following measures:*

- Reorient or relocate the receiving antenna.
- Increase the separation between the equipment and receiver.
- Connect the equipment into an outlet on a circuit different from that to which the receiver is connected.
- Consult the dealer or an experienced radio/TV technician for help.

#### 3.2 Canada

##### 3.2.1 For EVMs issued with an Industry Canada Certificate of Conformance to RSS-210 or RSS-247

#### **Concerning EVMs Including Radio Transmitters:**

This device complies with Industry Canada license-exempt RSSs. Operation is subject to the following two conditions:

(1) this device may not cause interference, and (2) this device must accept any interference, including interference that may cause undesired operation of the device.

#### **Concernant les EVMs avec appareils radio:**

Le présent appareil est conforme aux CNR d'Industrie Canada applicables aux appareils radio exempts de licence. L'exploitation est autorisée aux deux conditions suivantes: (1) l'appareil ne doit pas produire de brouillage, et (2) l'utilisateur de l'appareil doit accepter tout brouillage radioélectrique subi, même si le brouillage est susceptible d'en compromettre le fonctionnement.

#### **Concerning EVMs Including Detachable Antennas:**

Under Industry Canada regulations, this radio transmitter may only operate using an antenna of a type and maximum (or lesser) gain approved for the transmitter by Industry Canada. To reduce potential radio interference to other users, the antenna type and its gain should be so chosen that the equivalent isotropically radiated power (e.i.r.p.) is not more than that necessary for successful communication. This radio transmitter has been approved by Industry Canada to operate with the antenna types listed in the user guide with the maximum permissible gain and required antenna impedance for each antenna type indicated. Antenna types not included in this list, having a gain greater than the maximum gain indicated for that type, are strictly prohibited for use with this device.



### Concernant les EVMs avec antennes détachables

Conformément à la réglementation d'Industrie Canada, le présent émetteur radio peut fonctionner avec une antenne d'un type et d'un gain maximal (ou inférieur) approuvé pour l'émetteur par Industrie Canada. Dans le but de réduire les risques de brouillage radioélectrique à l'intention des autres utilisateurs, il faut choisir le type d'antenne et son gain de sorte que la puissance isotrope rayonnée équivalente (p.i.r.e.) ne dépasse pas l'intensité nécessaire à l'établissement d'une communication satisfaisante. Le présent émetteur radio a été approuvé par Industrie Canada pour fonctionner avec les types d'antenne énumérés dans le manuel d'usage et ayant un gain admissible maximal et l'impédance requise pour chaque type d'antenne. Les types d'antenne non inclus dans cette liste, ou dont le gain est supérieur au gain maximal indiqué, sont strictement interdits pour l'exploitation de l'émetteur.

#### 3.3 Japan

3.3.1 *Notice for EVMs delivered in Japan:* Please see [http://www.tij.co.jp/lstds/ti\\_ja/general/eStore/notice\\_01.page](http://www.tij.co.jp/lstds/ti_ja/general/eStore/notice_01.page) 日本国内に輸入される評価用キット、ボードについては、次のところをご覧ください。

<https://www.ti.com/ja-jp/legal/notice-for-evaluation-kits-delivered-in-japan.html>

3.3.2 *Notice for Users of EVMs Considered "Radio Frequency Products" in Japan:* EVMs entering Japan may not be certified by TI as conforming to Technical Regulations of Radio Law of Japan.

If User uses EVMs in Japan, not certified to Technical Regulations of Radio Law of Japan, User is required to follow the instructions set forth by Radio Law of Japan, which includes, but is not limited to, the instructions below with respect to EVMs (which for the avoidance of doubt are stated strictly for convenience and should be verified by User):

1. Use EVMs in a shielded room or any other test facility as defined in the notification #173 issued by Ministry of Internal Affairs and Communications on March 28, 2006, based on Sub-section 1.1 of Article 6 of the Ministry's Rule for Enforcement of Radio Law of Japan,
2. Use EVMs only after User obtains the license of Test Radio Station as provided in Radio Law of Japan with respect to EVMs, or
3. Use of EVMs only after User obtains the Technical Regulations Conformity Certification as provided in Radio Law of Japan with respect to EVMs. Also, do not transfer EVMs, unless User gives the same notice above to the transferee. Please note that if User does not follow the instructions above, User will be subject to penalties of Radio Law of Japan.

【無線電波を送信する製品の開発キットをお使いになる際の注意事項】 開発キットの中には技術基準適合証明を受けていないものがあります。技術適合証明を受けていないものご使用に際しては、電波法遵守のため、以下のいずれかの措置を取っていただく必要がありますのでご注意ください。

1. 電波法施行規則第6条第1項第1号に基づく平成18年3月28日総務省告示第173号で定められた電波暗室等の試験設備でご使用いただく。
2. 実験局の免許を取得後ご使用いただく。
3. 技術基準適合証明を取得後ご使用いただく。

なお、本製品は、上記の「ご使用にあたっての注意」を譲渡先、移転先に通知しない限り、譲渡、移転できないものとします。

上記を遵守頂けない場合は、電波法の罰則が適用される可能性があることをご留意ください。日本テキサス・イ

ンスツルメンツ株式会社

東京都新宿区西新宿 6 丁目 2 4 番 1 号

西新宿三井ビル

3.3.3 *Notice for EVMs for Power Line Communication:* Please see [http://www.tij.co.jp/lstds/ti\\_ja/general/eStore/notice\\_02.page](http://www.tij.co.jp/lstds/ti_ja/general/eStore/notice_02.page)

電力線搬送波通信についての開発キットをお使いになる際の注意事項については、次のところをご覧ください。 <https://www.ti.com/ja-jp/legal/notice-for-evaluation-kits-for-power-line-communication.html>

#### 3.4 European Union

3.4.1 *For EVMs subject to EU Directive 2014/30/EU (Electromagnetic Compatibility Directive):*

This is a class A product intended for use in environments other than domestic environments that are connected to a low-voltage power-supply network that supplies buildings used for domestic purposes. In a domestic environment this product may cause radio interference in which case the user may be required to take adequate measures.

- 
- 4 *EVM Use Restrictions and Warnings:*
    - 4.1 EVMS ARE NOT FOR USE IN FUNCTIONAL SAFETY AND/OR SAFETY CRITICAL EVALUATIONS, INCLUDING BUT NOT LIMITED TO EVALUATIONS OF LIFE SUPPORT APPLICATIONS.
    - 4.2 User must read and apply the user guide and other available documentation provided by TI regarding the EVM prior to handling or using the EVM, including without limitation any warning or restriction notices. The notices contain important safety information related to, for example, temperatures and voltages.
    - 4.3 *Safety-Related Warnings and Restrictions:*
      - 4.3.1 User shall operate the EVM within TI's recommended specifications and environmental considerations stated in the user guide, other available documentation provided by TI, and any other applicable requirements and employ reasonable and customary safeguards. Exceeding the specified performance ratings and specifications (including but not limited to input and output voltage, current, power, and environmental ranges) for the EVM may cause personal injury or death, or property damage. If there are questions concerning performance ratings and specifications, User should contact a TI field representative prior to connecting interface electronics including input power and intended loads. Any loads applied outside of the specified output range may also result in unintended and/or inaccurate operation and/or possible permanent damage to the EVM and/or interface electronics. Please consult the EVM user guide prior to connecting any load to the EVM output. If there is uncertainty as to the load specification, please contact a TI field representative. During normal operation, even with the inputs and outputs kept within the specified allowable ranges, some circuit components may have elevated case temperatures. These components include but are not limited to linear regulators, switching transistors, pass transistors, current sense resistors, and heat sinks, which can be identified using the information in the associated documentation. When working with the EVM, please be aware that the EVM may become very warm.
      - 4.3.2 EVMs are intended solely for use by technically qualified, professional electronics experts who are familiar with the dangers and application risks associated with handling electrical mechanical components, systems, and subsystems. User assumes all responsibility and liability for proper and safe handling and use of the EVM by User or its employees, affiliates, contractors or designees. User assumes all responsibility and liability to ensure that any interfaces (electronic and/or mechanical) between the EVM and any human body are designed with suitable isolation and means to safely limit accessible leakage currents to minimize the risk of electrical shock hazard. User assumes all responsibility and liability for any improper or unsafe handling or use of the EVM by User or its employees, affiliates, contractors or designees.
    - 4.4 User assumes all responsibility and liability to determine whether the EVM is subject to any applicable international, federal, state, or local laws and regulations related to User's handling and use of the EVM and, if applicable, User assumes all responsibility and liability for compliance in all respects with such laws and regulations. User assumes all responsibility and liability for proper disposal and recycling of the EVM consistent with all applicable international, federal, state, and local requirements.
  5. *Accuracy of Information:* To the extent TI provides information on the availability and function of EVMs, TI attempts to be as accurate as possible. However, TI does not warrant the accuracy of EVM descriptions, EVM availability or other information on its websites as accurate, complete, reliable, current, or error-free.
  6. *Disclaimers:*
    - 6.1 EXCEPT AS SET FORTH ABOVE, EVMS AND ANY MATERIALS PROVIDED WITH THE EVM (INCLUDING, BUT NOT LIMITED TO, REFERENCE DESIGNS AND THE DESIGN OF THE EVM ITSELF) ARE PROVIDED "AS IS" AND "WITH ALL FAULTS." TI DISCLAIMS ALL OTHER WARRANTIES, EXPRESS OR IMPLIED, REGARDING SUCH ITEMS, INCLUDING BUT NOT LIMITED TO ANY EPIDEMIC FAILURE WARRANTY OR IMPLIED WARRANTIES OF MERCHANTABILITY OR FITNESS FOR A PARTICULAR PURPOSE OR NON-INFRINGEMENT OF ANY THIRD PARTY PATENTS, COPYRIGHTS, TRADE SECRETS OR OTHER INTELLECTUAL PROPERTY RIGHTS.
    - 6.2 EXCEPT FOR THE LIMITED RIGHT TO USE THE EVM SET FORTH HEREIN, NOTHING IN THESE TERMS SHALL BE CONSTRUED AS GRANTING OR CONFERRING ANY RIGHTS BY LICENSE, PATENT, OR ANY OTHER INDUSTRIAL OR INTELLECTUAL PROPERTY RIGHT OF TI, ITS SUPPLIERS/LICENSORS OR ANY OTHER THIRD PARTY, TO USE THE EVM IN ANY FINISHED END-USER OR READY-TO-USE FINAL PRODUCT, OR FOR ANY INVENTION, DISCOVERY OR IMPROVEMENT, REGARDLESS OF WHEN MADE, CONCEIVED OR ACQUIRED.
  7. *USER'S INDEMNITY OBLIGATIONS AND REPRESENTATIONS.* USER WILL DEFEND, INDEMNIFY AND HOLD TI, ITS LICENSORS AND THEIR REPRESENTATIVES HARMLESS FROM AND AGAINST ANY AND ALL CLAIMS, DAMAGES, LOSSES, EXPENSES, COSTS AND LIABILITIES (COLLECTIVELY, "CLAIMS") ARISING OUT OF OR IN CONNECTION WITH ANY HANDLING OR USE OF THE EVM THAT IS NOT IN ACCORDANCE WITH THESE TERMS. THIS OBLIGATION SHALL APPLY WHETHER CLAIMS ARISE UNDER STATUTE, REGULATION, OR THE LAW OF TORT, CONTRACT OR ANY OTHER LEGAL THEORY, AND EVEN IF THE EVM FAILS TO PERFORM AS DESCRIBED OR EXPECTED.

8. *Limitations on Damages and Liability:*

8.1 *General Limitations.* IN NO EVENT SHALL TI BE LIABLE FOR ANY SPECIAL, COLLATERAL, INDIRECT, PUNITIVE, INCIDENTAL, CONSEQUENTIAL, OR EXEMPLARY DAMAGES IN CONNECTION WITH OR ARISING OUT OF THESE TERMS OR THE USE OF THE EVMS , REGARDLESS OF WHETHER TI HAS BEEN ADVISED OF THE POSSIBILITY OF SUCH DAMAGES. EXCLUDED DAMAGES INCLUDE, BUT ARE NOT LIMITED TO, COST OF REMOVAL OR REINSTALLATION, ANCILLARY COSTS TO THE PROCUREMENT OF SUBSTITUTE GOODS OR SERVICES, RETESTING, OUTSIDE COMPUTER TIME, LABOR COSTS, LOSS OF GOODWILL, LOSS OF PROFITS, LOSS OF SAVINGS, LOSS OF USE, LOSS OF DATA, OR BUSINESS INTERRUPTION. NO CLAIM, SUIT OR ACTION SHALL BE BROUGHT AGAINST TI MORE THAN TWELVE (12) MONTHS AFTER THE EVENT THAT GAVE RISE TO THE CAUSE OF ACTION HAS OCCURRED.

8.2 *Specific Limitations.* IN NO EVENT SHALL TI'S AGGREGATE LIABILITY FROM ANY USE OF AN EVM PROVIDED HEREUNDER, INCLUDING FROM ANY WARRANTY, INDEMNITY OR OTHER OBLIGATION ARISING OUT OF OR IN CONNECTION WITH THESE TERMS, , EXCEED THE TOTAL AMOUNT PAID TO TI BY USER FOR THE PARTICULAR EVM(S) AT ISSUE DURING THE PRIOR TWELVE (12) MONTHS WITH RESPECT TO WHICH LOSSES OR DAMAGES ARE CLAIMED. THE EXISTENCE OF MORE THAN ONE CLAIM SHALL NOT ENLARGE OR EXTEND THIS LIMIT.

9. *Return Policy.* Except as otherwise provided, TI does not offer any refunds, returns, or exchanges. Furthermore, no return of EVM(s) will be accepted if the package has been opened and no return of the EVM(s) will be accepted if they are damaged or otherwise not in a resalable condition. If User feels it has been incorrectly charged for the EVM(s) it ordered or that delivery violates the applicable order, User should contact TI. All refunds will be made in full within thirty (30) working days from the return of the components(s), excluding any postage or packaging costs.

10. *Governing Law:* These terms and conditions shall be governed by and interpreted in accordance with the laws of the State of Texas, without reference to conflict-of-laws principles. User agrees that non-exclusive jurisdiction for any dispute arising out of or relating to these terms and conditions lies within courts located in the State of Texas and consents to venue in Dallas County, Texas. Notwithstanding the foregoing, any judgment may be enforced in any United States or foreign court, and TI may seek injunctive relief in any United States or foreign court.

Mailing Address: Texas Instruments, Post Office Box 655303, Dallas, Texas 75265  
Copyright © 2023, Texas Instruments Incorporated

## IMPORTANT NOTICE AND DISCLAIMER

TI PROVIDES TECHNICAL AND RELIABILITY DATA (INCLUDING DATA SHEETS), DESIGN RESOURCES (INCLUDING REFERENCE DESIGNS), APPLICATION OR OTHER DESIGN ADVICE, WEB TOOLS, SAFETY INFORMATION, AND OTHER RESOURCES "AS IS" AND WITH ALL FAULTS, AND DISCLAIMS ALL WARRANTIES, EXPRESS AND IMPLIED, INCLUDING WITHOUT LIMITATION ANY IMPLIED WARRANTIES OF MERCHANTABILITY, FITNESS FOR A PARTICULAR PURPOSE OR NON-INFRINGEMENT OF THIRD PARTY INTELLECTUAL PROPERTY RIGHTS.

These resources are intended for skilled developers designing with TI products. You are solely responsible for (1) selecting the appropriate TI products for your application, (2) designing, validating and testing your application, and (3) ensuring your application meets applicable standards, and any other safety, security, regulatory or other requirements.

These resources are subject to change without notice. TI grants you permission to use these resources only for development of an application that uses the TI products described in the resource. Other reproduction and display of these resources is prohibited. No license is granted to any other TI intellectual property right or to any third party intellectual property right. TI disclaims responsibility for, and you will fully indemnify TI and its representatives against, any claims, damages, costs, losses, and liabilities arising out of your use of these resources.

TI's products are provided subject to [TI's Terms of Sale](#) or other applicable terms available either on [ti.com](https://www.ti.com) or provided in conjunction with such TI products. TI's provision of these resources does not expand or otherwise alter TI's applicable warranties or warranty disclaimers for TI products.

TI objects to and rejects any additional or different terms you may have proposed.

Mailing Address: Texas Instruments, Post Office Box 655303, Dallas, Texas 75265

Copyright © 2025, Texas Instruments Incorporated