

AN-1342 LP3994 microSMD Evaluation Board Information

This evaluation board is designed to enable the evaluation of the LP3994 Voltage Regulator. Each board is assembled and tested in the factory. This evaluation board has the LP3994 microSMD-4 bump package mounted.

Contents

1	Introduction	1
2	Information	1
3	Hardware	1

List of Figures

1	Evaluation Board Schematic	2
2	Evaluation Board Component and Pin Layout Board Size:- 1.200 x 1.000 in.....	2

List of Tables

1	Bill of materials for the LP3994 microSMD-4 board	2
---	---	---

1 Introduction

This evaluation board is designed to enable the evaluation of the LP3994 Voltage Regulator. Each board is assembled and tested in the factory. This evaluation board has the LP3994 microSMD-4 bump package mounted.

2 Information

The LP3994 is a 50mA CMOS voltage regulator with enable control. It is designed as a general purpose device suitable for use in a wide variety of hand-held battery-powered applications. The output of the LP3994 can deliver up to 50 mA and is enabled/disabled via a logic control pin V_{EN} . The recommended capacitors for the input and output are small surface mount ceramic capacitors with nominal value 1.0 μ F.

An input voltage between 2.5V and 5.5V should be applied between IN and GND. The output voltage from the LDO is available at OUT. A load can be connected across OUT and GND.

ON/OFF is provided on the evaluation board for an external enable signal. If an external enable function is not used by the application then ON/OFF pin (V_{EN}) should be tied to the IN pin (V_{IN}).

3 Hardware

The schematic and layout of the evaluation board are given below:

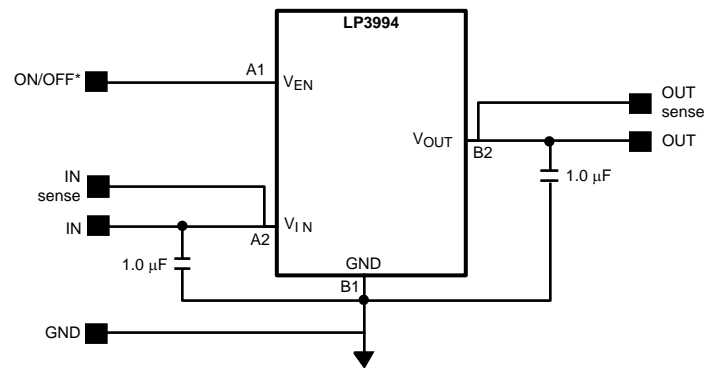
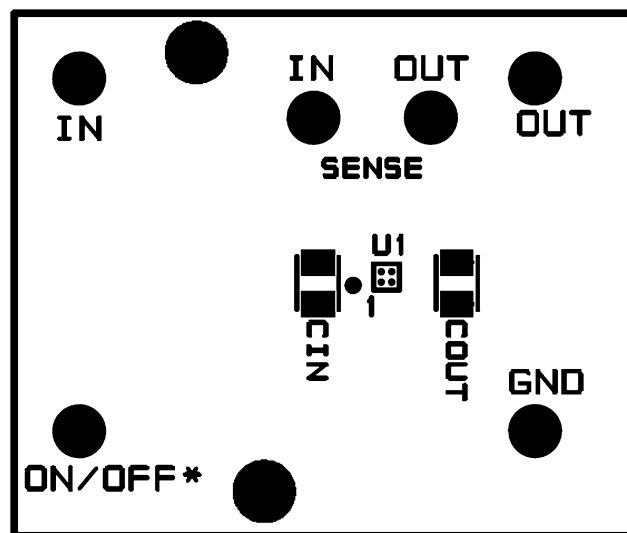

Figure 1. Evaluation Board Schematic

Figure 2. Evaluation Board Component and Pin Layout
 Board Size:- 1.200 x 1.000 in.

Table 1. Bill of materials for the LP3994 microSMD-4 board

Designator	Value	Amount	Footprint	Note
U1	LP3994TL-x.y	1	TLA04	The "x.y" corresponds to the appropriate LDO output Voltage
CIN	1.0 µF	1	0805	X7R
COUT	1.0 µF	1	0805	X7R
IN, OUT, IN SENSE, OUT SENSE, ON/OFF, GND	Test pins	6		

IMPORTANT NOTICE

Texas Instruments Incorporated and its subsidiaries (TI) reserve the right to make corrections, enhancements, improvements and other changes to its semiconductor products and services per JESD46, latest issue, and to discontinue any product or service per JESD48, latest issue. Buyers should obtain the latest relevant information before placing orders and should verify that such information is current and complete. All semiconductor products (also referred to herein as "components") are sold subject to TI's terms and conditions of sale supplied at the time of order acknowledgment.

TI warrants performance of its components to the specifications applicable at the time of sale, in accordance with the warranty in TI's terms and conditions of sale of semiconductor products. Testing and other quality control techniques are used to the extent TI deems necessary to support this warranty. Except where mandated by applicable law, testing of all parameters of each component is not necessarily performed.

TI assumes no liability for applications assistance or the design of Buyers' products. Buyers are responsible for their products and applications using TI components. To minimize the risks associated with Buyers' products and applications, Buyers should provide adequate design and operating safeguards.

TI does not warrant or represent that any license, either express or implied, is granted under any patent right, copyright, mask work right, or other intellectual property right relating to any combination, machine, or process in which TI components or services are used. Information published by TI regarding third-party products or services does not constitute a license to use such products or services or a warranty or endorsement thereof. Use of such information may require a license from a third party under the patents or other intellectual property of the third party, or a license from TI under the patents or other intellectual property of TI.

Reproduction of significant portions of TI information in TI data books or data sheets is permissible only if reproduction is without alteration and is accompanied by all associated warranties, conditions, limitations, and notices. TI is not responsible or liable for such altered documentation. Information of third parties may be subject to additional restrictions.

Resale of TI components or services with statements different from or beyond the parameters stated by TI for that component or service voids all express and any implied warranties for the associated TI component or service and is an unfair and deceptive business practice. TI is not responsible or liable for any such statements.

Buyer acknowledges and agrees that it is solely responsible for compliance with all legal, regulatory and safety-related requirements concerning its products, and any use of TI components in its applications, notwithstanding any applications-related information or support that may be provided by TI. Buyer represents and agrees that it has all the necessary expertise to create and implement safeguards which anticipate dangerous consequences of failures, monitor failures and their consequences, lessen the likelihood of failures that might cause harm and take appropriate remedial actions. Buyer will fully indemnify TI and its representatives against any damages arising out of the use of any TI components in safety-critical applications.

In some cases, TI components may be promoted specifically to facilitate safety-related applications. With such components, TI's goal is to help enable customers to design and create their own end-product solutions that meet applicable functional safety standards and requirements. Nonetheless, such components are subject to these terms.

No TI components are authorized for use in FDA Class III (or similar life-critical medical equipment) unless authorized officers of the parties have executed a special agreement specifically governing such use.

Only those TI components which TI has specifically designated as military grade or "enhanced plastic" are designed and intended for use in military/aerospace applications or environments. Buyer acknowledges and agrees that any military or aerospace use of TI components which have **not** been so designated is solely at the Buyer's risk, and that Buyer is solely responsible for compliance with all legal and regulatory requirements in connection with such use.

TI has specifically designated certain components as meeting ISO/TS16949 requirements, mainly for automotive use. In any case of use of non-designated products, TI will not be responsible for any failure to meet ISO/TS16949.

Products

Audio	www.ti.com/audio
Amplifiers	amplifier.ti.com
Data Converters	dataconverter.ti.com
DLP® Products	www.dlp.com
DSP	dsp.ti.com
Clocks and Timers	www.ti.com/clocks
Interface	interface.ti.com
Logic	logic.ti.com
Power Mgmt	power.ti.com
Microcontrollers	microcontroller.ti.com
RFID	www.ti-rfid.com
OMAP Applications Processors	www.ti.com/omap
Wireless Connectivity	www.ti.com/wirelessconnectivity

Applications

Automotive and Transportation	www.ti.com/automotive
Communications and Telecom	www.ti.com/communications
Computers and Peripherals	www.ti.com/computers
Consumer Electronics	www.ti.com/consumer-apps
Energy and Lighting	www.ti.com/energy
Industrial	www.ti.com/industrial
Medical	www.ti.com/medical
Security	www.ti.com/security
Space, Avionics and Defense	www.ti.com/space-avionics-defense
Video and Imaging	www.ti.com/video

TI E2E Community

e2e.ti.com