

AN–1215 LM2655 2.5A Synchronous Switching Regulator Evaluation Board

1 Introduction

The LM2655 is a high efficiency current -mode controlled PWM step down switching regulator. Efficiencies > 90% are obtained with synchronous operation.

Internal low ON resistance MOSFET and an external N-channel MOSFET provide the highest efficiency design. For cost saving at the expense of some efficiency, the external MOSFET can be replaced with a suitable Schottky diode. (Asynchronous operation). The IC uses patented current sensing circuitry that eliminates the need for an external current sense resistor. A programmable soft start limits start-up current surges and provides a means of sequencing multiple power supplies.

The evaluation board can be obtained by ordering part number LM2655EVAL from your local Texas Instruments sales office, or the TI website at <http://www.ti.com>.

2 Evaluation Board Design

The LM2655 evaluation board is designed to supply 2.5 V at a maximum of 2.5A. The input voltage is from 4 V to 14 V. The board can be loaded with an SO-8 MOSFET as the lower switching element for lower switching losses than a Schottky Diode would provide by itself. The Schottky Diode, D1, improves efficiency.

Components were selected based on the design procedure in the *LM2655 2.5A High Efficiency Synchronous Switching Regulator Data Sheet (SNVS072)*. The feedback resistors can be adjusted to achieve different output voltages. Use the formula:

$$R_{FB1} = R_{FB2} * (V_{out} - V_{ref}) / V_{ref} \tag{1}$$

where $V_{ref} = 1.238$ V.

PCB layout is critical to reduce noises and ensure specified performance. For layout guidelines, see the *LM2655 2.5A High Efficiency Synchronous Switching Regulator Data Sheet (SNVS072)*. The artwork for this evaluation board is included in this document.

The schematic of the evaluation board is shown in [Figure 2](#) and the parts list is given in [Table 2](#).

The LM2655 has both under voltage and over voltage shutdown protection on the output as well as under voltage lock out on the input. When the under voltage protection occurs, the output voltage can be pulled below ground by the inductor. In applications that must be protected from reverse polarity, an output clamping diode can be added across C_{OUT} .

3 Soft Start

Soft start in the LM2655 provides delay and current ramp-up rate control at startup. Both are a function of the value of C_{SS} . After a delay, pulses begin with the current limit set to zero then ramped up to full. The total time for soft start process is estimated as:

$$T_{ss} = C_{ss} (.6 V / 2 \mu A) + C_{ss} (2 V - .6 V) / 10 \mu A \tag{2}$$

Which reduces to $T_{ss} = C_{ss} (440,000)$

Table 1. Examples

C _{ss}	T _{ss}
470 pF	225.5 μs
1 nF	451 μs
2.2 nF	992 μs
4.7 nF	2.07 ms

To begin with, use 4.7nF. This will assure the circuit will get up and running under full load.

If the output voltage does not attain 80% of its intended voltage when the under voltage lockout is enabled, (C_{ss} too small) the regulator will latch off. The actual time required for the output voltage to rise will depend upon the value of the inductor, output capacitor, the load on start up, and the supply voltage, as well as the value of C_{ss}. The calculated value of T_{ss} approximates the time that the under voltage and over voltage lock out circuitry will be delayed from the application of power.

4 LDelay

A capacitor at Ldelay provides an additional delay in enabling the undervoltage latch after the output voltage has reached 80% of its nominal. The value of the capacitor C_{delay} is determined by the equation:

$$T_{\text{delay}} \text{ (mS)} = C_{\text{delay}} \text{ (nF)} \times .4 \tag{3}$$

200pF is a good start point for this component.

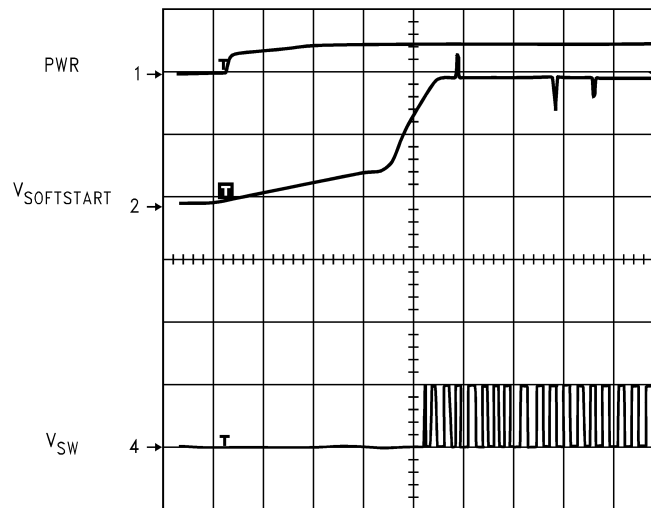


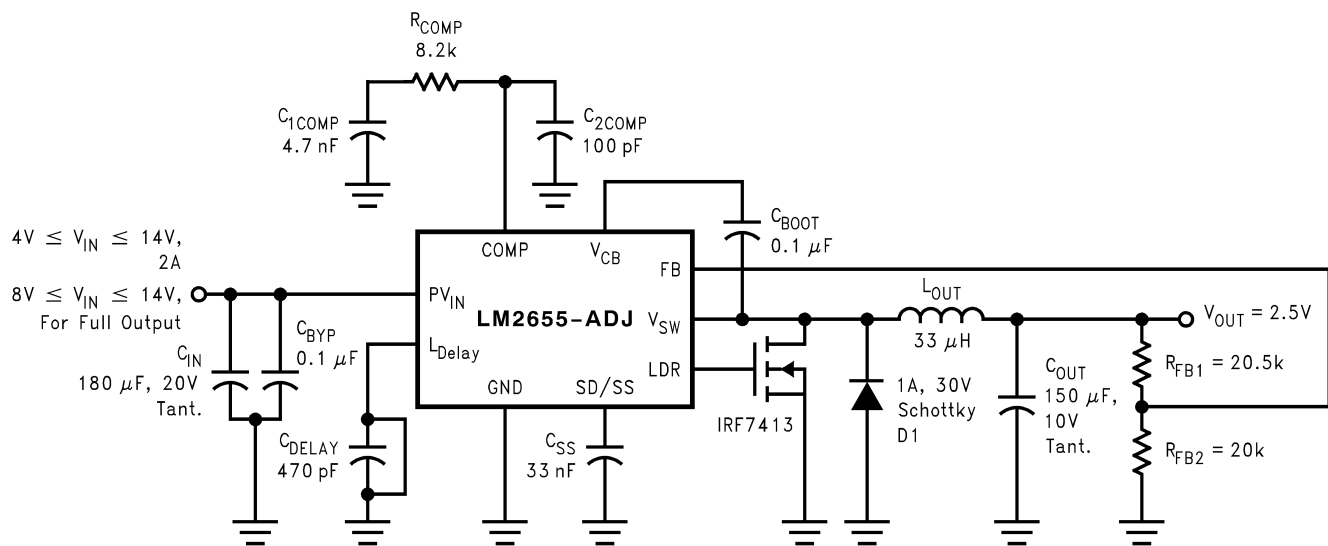
Figure 1. Start-Up Waveform

Table 2. Parts List

Component	Value	Description	Model Number
C _{OUT}	150 μF, 10 V	Output Capacitor	595D1570010 (Sprague) (Vishay)
C _{IN}	180 μF/20 V	Input Capacitor	595D1870020 (Sprague) (Vishay)
C _{DELAY}	200 pF, 0805	Delay	VJ0805Y221KXAA (Vishay)
C _{BYP}	0.1 μF, 0805	Bypass Capacitor	VJ0805Y104KXAA (Vishay)
C _{SS}	4.7 nF, 0805	Soft start	VJ0805Y472KXAA (Vishay)
Q1	3A, 30 V	Synchronous N-FET	IRF7413 or Si 4874 (International Rectifier or Siliconix)
D1	1A, 30 V (Schottky)	Catch Diode	MBRS130L (On Semiconductor)
L _{OUT}	15 μH, 3A	Power Inductor	MIDCOM DUS5121-150

Table 2. Parts List (continued)

Component	Value	Description	Model Number
C _{OUT}	150 μF, 10V	Output Capacitor	595D1570010 (Sprague) (Vishay)
C _{1COMP}	4.7nF, 0805	Compensation Capacitor	VJ0805Y472KXAA (Vishay)
C _{2COMP}	100 pF, 0805	Compensation Capacitor	VJ0805Y100KXAA (Vishay)
C _{BOOT}	0.1 μF, 50 V, 0805	Bootstrap Capacitor	VJ0805Y104KXAA (Vishay)
R _{COMP}	8.2k, 0805	Compensation Resistor	CRCW08058251F (Dale)
R _{FB1}	15k, 0805	Upper Feedback Resistor	CRCW08051502F (Dale)
R _{FB2}	10k, 0805	Lower Feedback Resistor	CRCW08051002F (Dale)
U1	LM2655	Voltage Regulator	LM2655 (Texas Instruments)



$$V_{OUT} = 1.23 * (R_{FB1} + R_{FB2}) / R_{FB2}$$

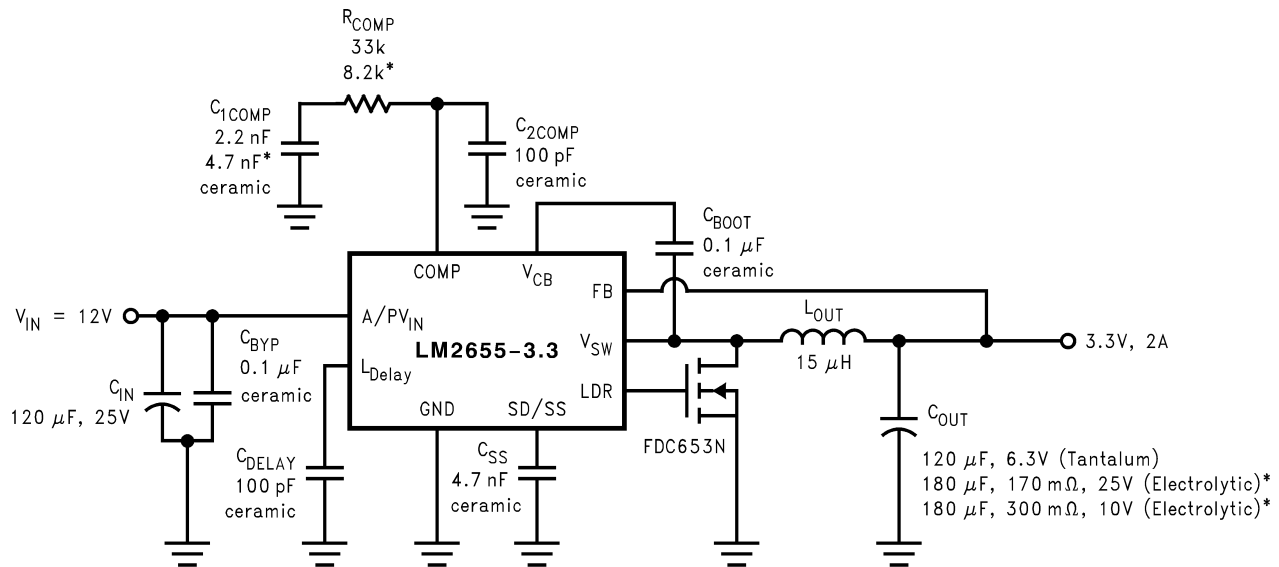
C_{DELAY} is shorted to turn off undervoltage protection.

A jumper between SD/SS and ground provides on/off functionality.

Shipped in synchronous mode. Take MOSFET out to run in Asynchronous mode. Diode is large to accommodate synchronous and asynchronous operation.

D1 will limit output 1 Low V_{IN} ...
with 3A Diode V_{IN} Low Limit
is < 4V.

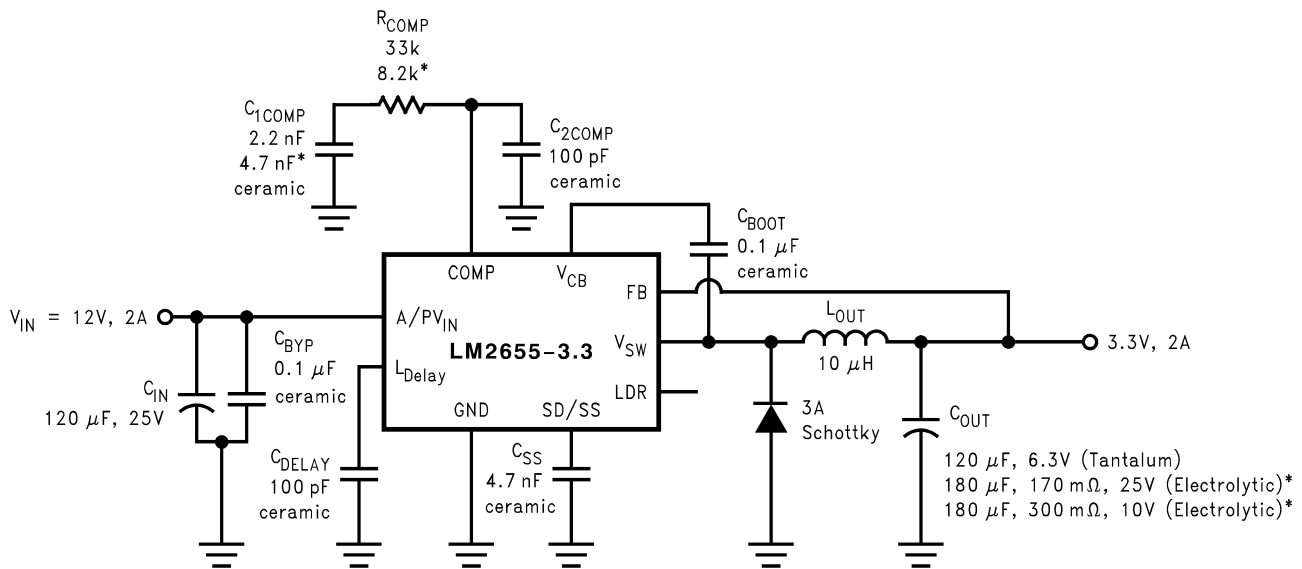
Figure 2. LM2655 Evaluation Board Schematic



* If electrolytic capacitors are used, make compensation network $R_c = 8.2\text{ k}\Omega$ and $C_c = 4.7\text{ nF}$.

Efficiency $\cong 91\%$

Figure 3. LM2655 Buck Converter (12V to 3.3V, Synchronous)



* If electrolytic capacitors are used, make compensation network $R_c = 8.2\text{ k}\Omega$ and $C_c = 4.7\text{ nF}$.

Efficiency $\cong 88\%$

Figure 4. LM2655 Buck Converter (12V to 3.3V, Asynchronous)

5 Board Layout

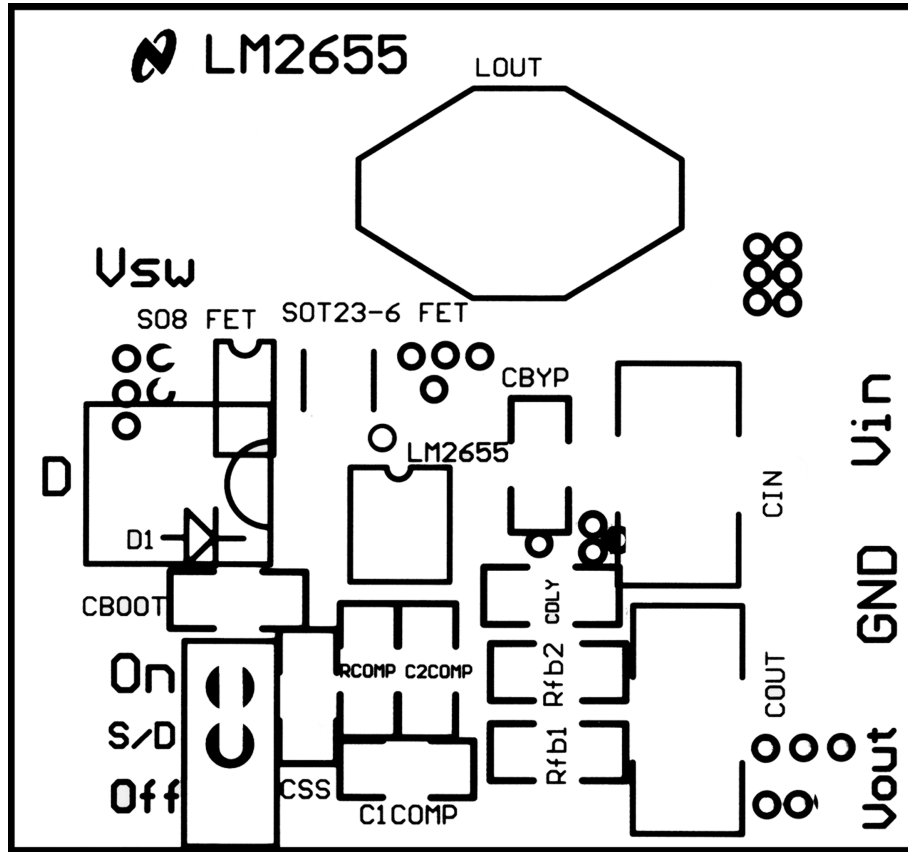


Figure 5. Slik Screen

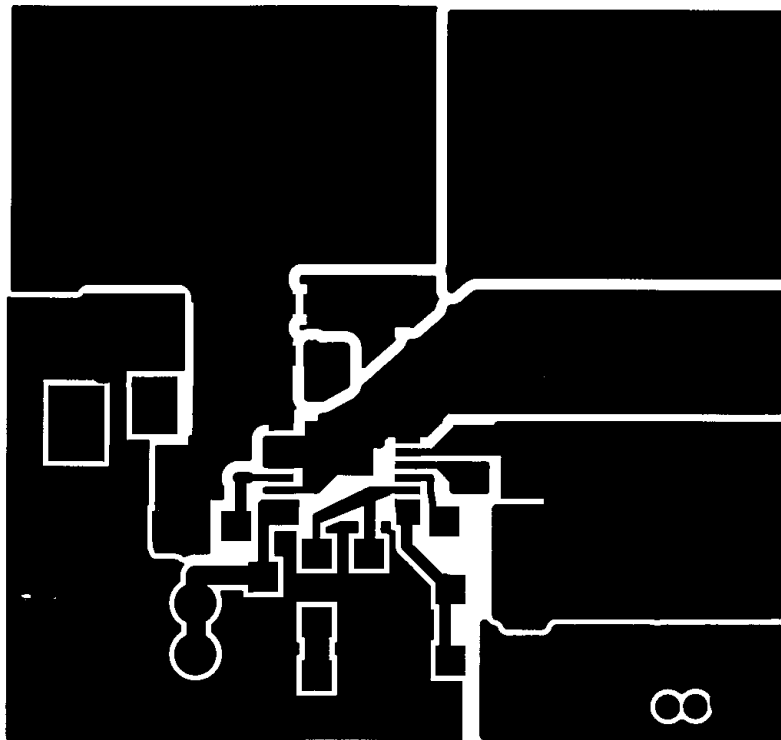


Figure 6. Top Layer

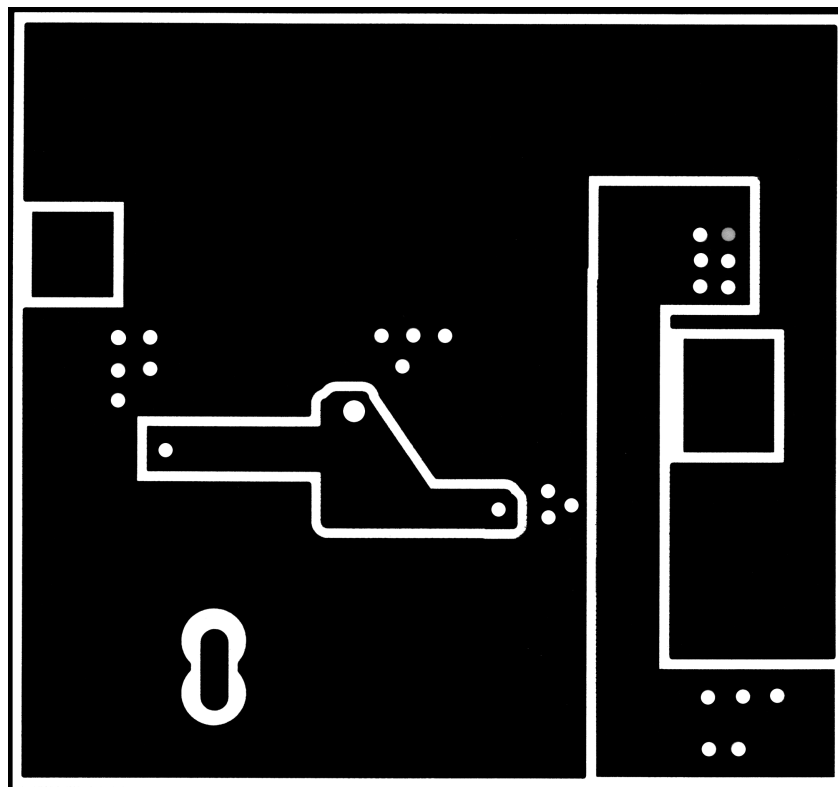


Figure 7. Bottom Layer

IMPORTANT NOTICE

Texas Instruments Incorporated and its subsidiaries (TI) reserve the right to make corrections, enhancements, improvements and other changes to its semiconductor products and services per JESD46, latest issue, and to discontinue any product or service per JESD48, latest issue. Buyers should obtain the latest relevant information before placing orders and should verify that such information is current and complete. All semiconductor products (also referred to herein as "components") are sold subject to TI's terms and conditions of sale supplied at the time of order acknowledgment.

TI warrants performance of its components to the specifications applicable at the time of sale, in accordance with the warranty in TI's terms and conditions of sale of semiconductor products. Testing and other quality control techniques are used to the extent TI deems necessary to support this warranty. Except where mandated by applicable law, testing of all parameters of each component is not necessarily performed.

TI assumes no liability for applications assistance or the design of Buyers' products. Buyers are responsible for their products and applications using TI components. To minimize the risks associated with Buyers' products and applications, Buyers should provide adequate design and operating safeguards.

TI does not warrant or represent that any license, either express or implied, is granted under any patent right, copyright, mask work right, or other intellectual property right relating to any combination, machine, or process in which TI components or services are used. Information published by TI regarding third-party products or services does not constitute a license to use such products or services or a warranty or endorsement thereof. Use of such information may require a license from a third party under the patents or other intellectual property of the third party, or a license from TI under the patents or other intellectual property of TI.

Reproduction of significant portions of TI information in TI data books or data sheets is permissible only if reproduction is without alteration and is accompanied by all associated warranties, conditions, limitations, and notices. TI is not responsible or liable for such altered documentation. Information of third parties may be subject to additional restrictions.

Resale of TI components or services with statements different from or beyond the parameters stated by TI for that component or service voids all express and any implied warranties for the associated TI component or service and is an unfair and deceptive business practice. TI is not responsible or liable for any such statements.

Buyer acknowledges and agrees that it is solely responsible for compliance with all legal, regulatory and safety-related requirements concerning its products, and any use of TI components in its applications, notwithstanding any applications-related information or support that may be provided by TI. Buyer represents and agrees that it has all the necessary expertise to create and implement safeguards which anticipate dangerous consequences of failures, monitor failures and their consequences, lessen the likelihood of failures that might cause harm and take appropriate remedial actions. Buyer will fully indemnify TI and its representatives against any damages arising out of the use of any TI components in safety-critical applications.

In some cases, TI components may be promoted specifically to facilitate safety-related applications. With such components, TI's goal is to help enable customers to design and create their own end-product solutions that meet applicable functional safety standards and requirements. Nonetheless, such components are subject to these terms.

No TI components are authorized for use in FDA Class III (or similar life-critical medical equipment) unless authorized officers of the parties have executed a special agreement specifically governing such use.

Only those TI components which TI has specifically designated as military grade or "enhanced plastic" are designed and intended for use in military/aerospace applications or environments. Buyer acknowledges and agrees that any military or aerospace use of TI components which have **not** been so designated is solely at the Buyer's risk, and that Buyer is solely responsible for compliance with all legal and regulatory requirements in connection with such use.

TI has specifically designated certain components as meeting ISO/TS16949 requirements, mainly for automotive use. In any case of use of non-designated products, TI will not be responsible for any failure to meet ISO/TS16949.

Products

Audio	www.ti.com/audio
Amplifiers	amplifier.ti.com
Data Converters	dataconverter.ti.com
DLP® Products	www.dlp.com
DSP	dsp.ti.com
Clocks and Timers	www.ti.com/clocks
Interface	interface.ti.com
Logic	logic.ti.com
Power Mgmt	power.ti.com
Microcontrollers	microcontroller.ti.com
RFID	www.ti-rfid.com
OMAP Applications Processors	www.ti.com/omap
Wireless Connectivity	www.ti.com/wirelessconnectivity

Applications

Automotive and Transportation	www.ti.com/automotive
Communications and Telecom	www.ti.com/communications
Computers and Peripherals	www.ti.com/computers
Consumer Electronics	www.ti.com/consumer-apps
Energy and Lighting	www.ti.com/energy
Industrial	www.ti.com/industrial
Medical	www.ti.com/medical
Security	www.ti.com/security
Space, Avionics and Defense	www.ti.com/space-avionics-defense
Video and Imaging	www.ti.com/video

TI E2E Community

e2e.ti.com