

AN-1321 LM2796 Evaluation Board

1 Board Operation

1.1 Basic Connections

To operate the LM2796 evaluation board, connect a supply voltage (2.7V-5.5V) between board connectors VIN and GND.

Default Jumper Connections:

- EN: Connects the “+” post to the middle post of the EN header strip. This connects VIN to the EN pin of the LM2796, enabling the part.
- ENA: Connects the “+” post to the middle post of the ENA header strip. This connects VIN to the ENA pin of the LM2796, enabling D1A-D4A outputs
- ENB: Connects the “+” post to the middle post of the ENB header strip. This connects VIN to the ENB pin of the LM2796, enabling D1B-D3B outputs.
- LEDS_ON: Jumper connects the two posts of the LEDS_ON header strip. This connects the cathodes of all 7 LEDs to GND, establishing the LED current path.

When these connections are all made correctly, all LEDs will be ON.

1.2 R_{SET} : Setting LED Currents

The resistance of the R_{SET} resistor sets the DC output currents of the LM2796 according to equation:

$$I_{Dxx} = 100 \times (1.25V / R_{set}) \quad (1)$$

The default R_{SET} on the evaluation board is 8.3k Ω and gives a DC output current of 15mA (typ.).

Component Rset' is an optional leaded resistor replacement for the surface mount Rset, provided for ease of use.

1.3 EN, ENA, and ENB Headers: LED Activation and PWM Brightness Control

The header strips EN, ENA, and ENB can be used to enable/disable the LM2796 and/or the LED (output) currents. The connections to the ENx pins provided by these posts can also be used to connect pulse-width modulated (PWM) signals to the LM2796 in order to adjust the average brightness of the LEDs.

On each of these header strips, the post labeled “+” is connected to VIN. The post labeled “-” is connected to GND. The middle post connects to EN, ENA, and ENB, respectively.

Jumpers can be used to connect each ENx pin to either VIN or GND. Connecting EN to VIN enables the charge pump and other internal circuitry of the LM2796. Connecting EN to GND places the part in Shutdown mode.

When the part is enabled (EN = VIN), connecting ENA to VIN enables the D1A-D4A LEDs. Connecting ENA to GND disables these LEDs. Similarly, connecting ENB to VIN enables the D1B-D3B LEDs, and connecting ENB to GND disables them.

A pulse signal (PWM) can be connected to the ENA and/or ENB pins to adjust the brightness of the respective LED banks. The duty cycle of the pulse signal determines the net brightness, as perceived by the human eye. For example, with a duty cycle of 50%, the LEDs will only be ON for 50% of the time, and the perceived brightness will be approximately half of what the brightness is when the output current flows continuously through the LEDs. Recommended frequency range for PWM signals: 100Hz to 1kHz.

All trademarks are the property of their respective owners.

It is recommended that ENA and ENB pins be used for PWM brightness adjustment (dimming). Toggling the voltage on these pins turns the internal LM2796 current sources on and off, and the charge pump stays ON continuously. Placing a PWM signal on the EN pin repeatedly turns the internal charge pump ON and OFF. Each time the charge pump is activated, significant inrush current can be expected as the large external capacitors are quickly recharged. This could inject noise on the input line.

1.4 Using the LEDs on Headers to Measure Output Currents or to Drive Different LEDs

By removing the LEDS_ON jumper, LM2796 output currents can easily be measured. Removing the jumper disconnects the cathodes of all LEDs from GND, breaking the LED current paths. By placing a current meter between the two header pins, as shown on the following page in [Figure 1](#), the sum total of all LED currents can be measured.

With the LEDS_ON jumper removed, the current of an individual output can be measured by placing a current meter between a Dxx header and GND, as shown in [Figure 2](#).

With such a connection, the voltage on pin Dxx will be almost 0V because the series resistance of the current meter is likely to be quite small. Since the regulated output currents of the LM2796 are almost completely independent of Dxx pin voltage (provided V_{Dxx} is not too high to inhibit regulation), this measurement will still be quite accurate.

With the LEDS_ON jumper removed, the LM2796 can drive external LEDs simply by connecting each LED between a Dxx output and GND. The LEDs on the evaluation board need not be removed for this type of test/evaluation.

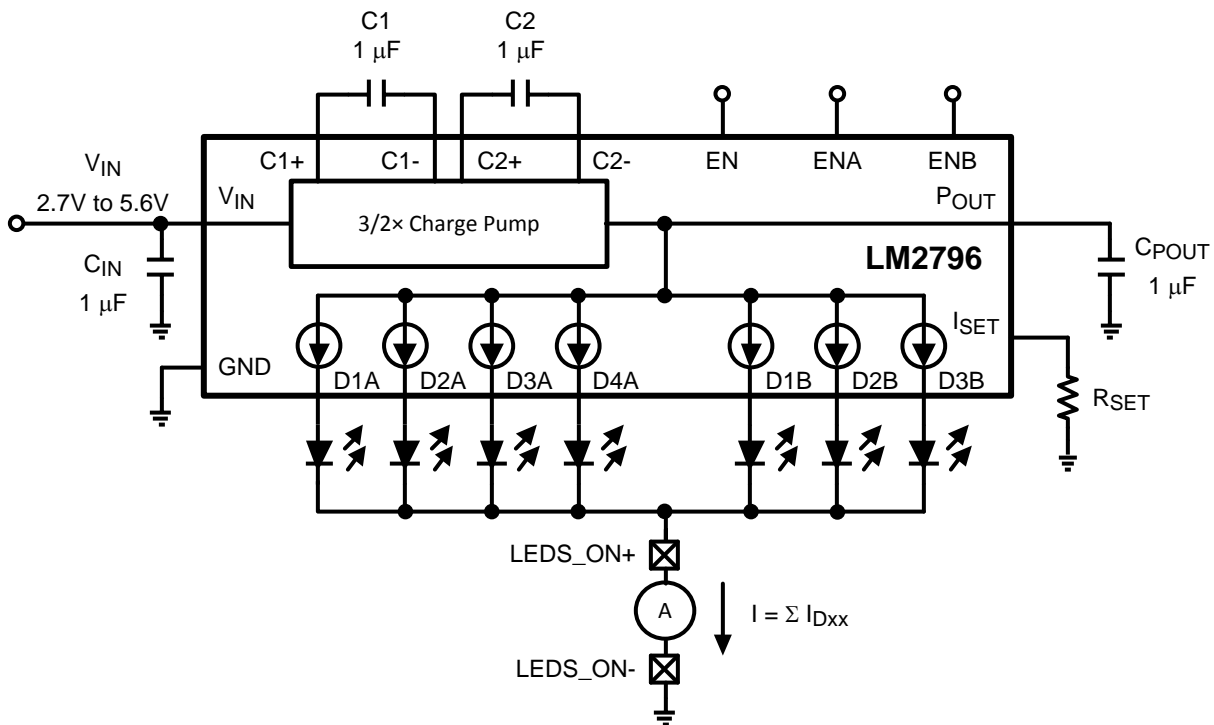


Figure 1. Measuring Current of all LEDs by Removing LEDS_ON Jumper and Placing a Current Meter Between the Two LEDS_ON Header Posts

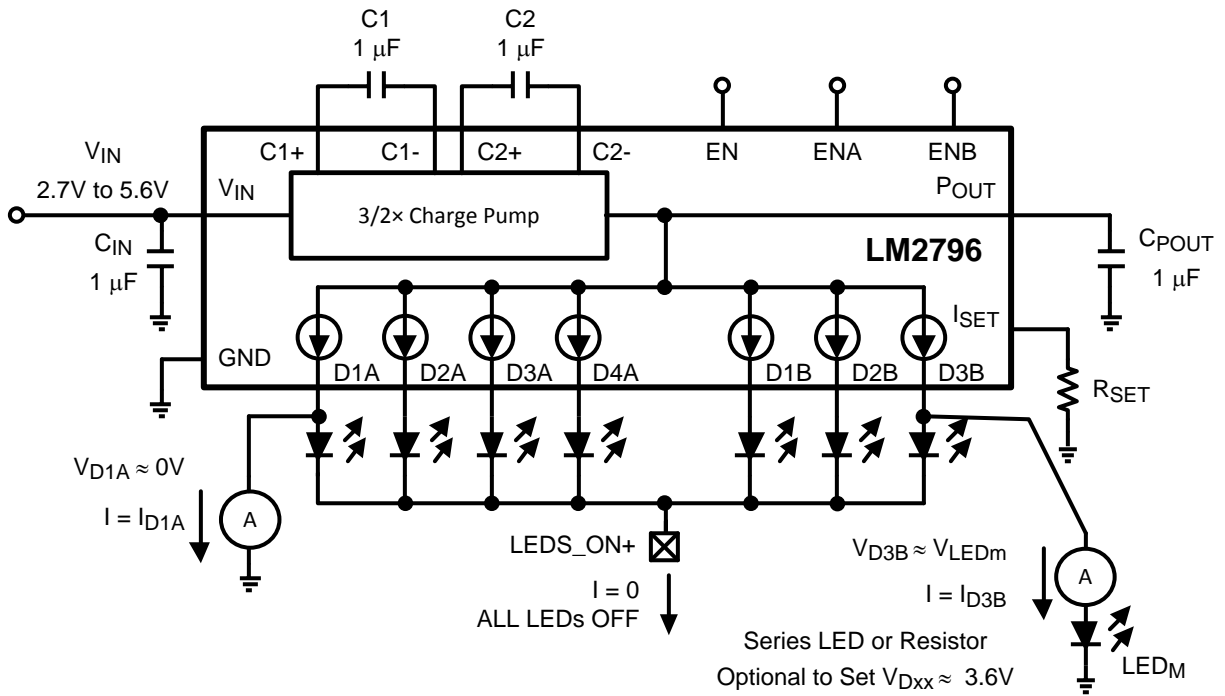
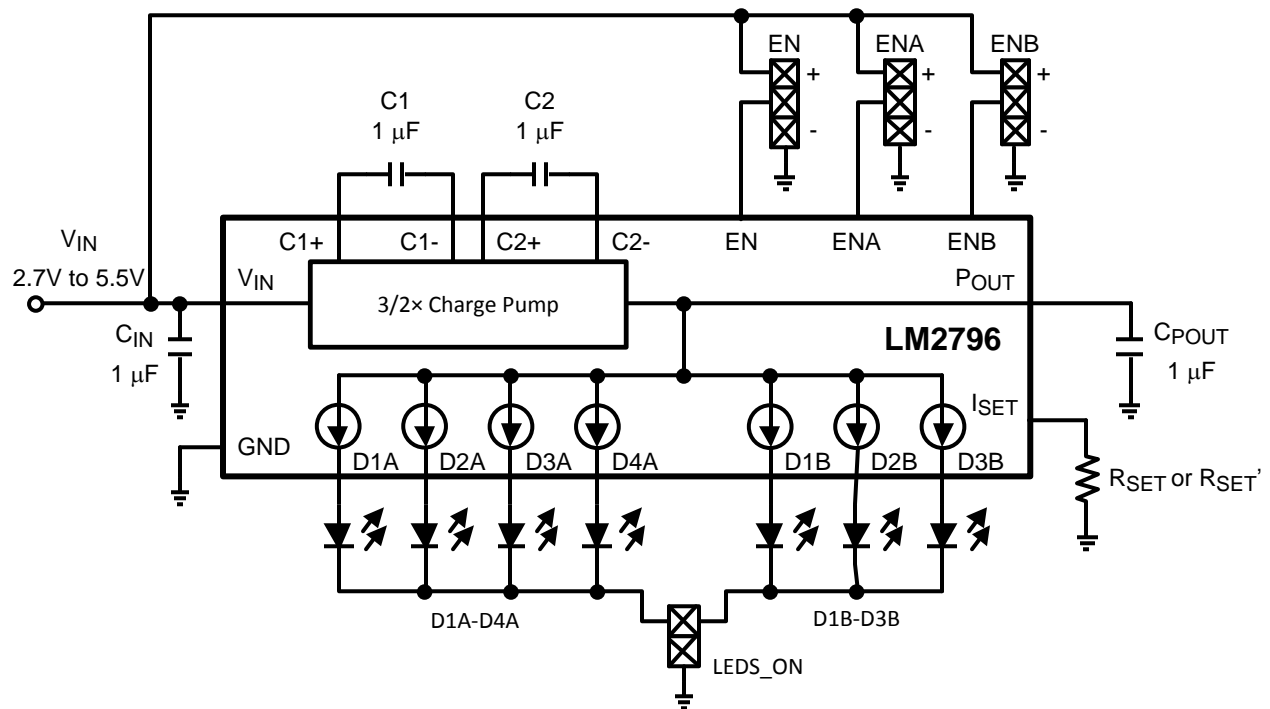


Figure 2. Measuring Current of All Individual D_{xx} Outputs by Removing the LEADS_ON Jumper and Placing Current Meters Between the D_{xx} Pins and GND

2 Schematic



3 Bill of Materials

Component Symbol	Value	Package [U.S. (Metric)]	Dimensions (mm)	Temperature Characteristic	Manufacturer	Part #
LM2796	--	YZR0018 DSBGA	2.1 x 2.4 x 0.6	--	Texas Instruments	LM2796
Cin, Cout	2.2µF, 6.3V	0603 (1608)	1.6 x 0.8 x 0.8	X5R	TDK	C1608X5R0J225K
C1, C2	1µF, 10V	0603 (1608)	1.6 x 0.8 x 0.8	X5R	TDK	C1608X5R1A105K
Dxx	White LEDs	--	1.5 x 2.3 x 1.4	--	OSRAM	LWM67C-T1U1-3C5D
Rset	8.3kΩ	0603 (1608)	1.6 x 0.8 x 0.8	--	Vishay-Dale	CRCW06048251F
Rset'	(optional)	--	--	--	--	--

4 LM2796 Evaluation Board Layout

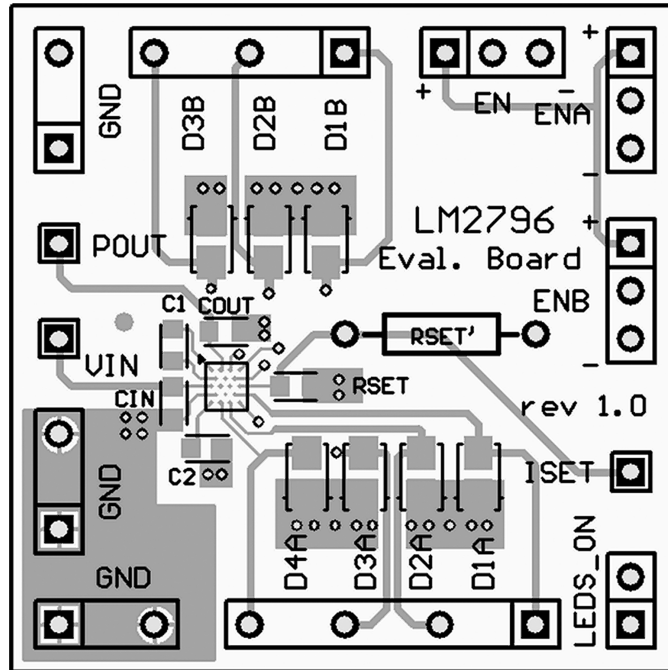


Figure 3. Top Layer

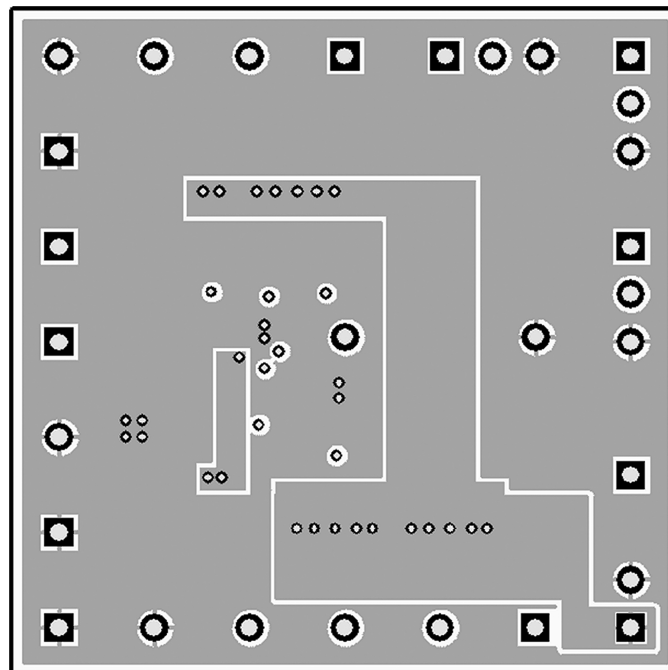


Figure 4. Bottom Layer (top view, unmirrored)

IMPORTANT NOTICE

Texas Instruments Incorporated and its subsidiaries (TI) reserve the right to make corrections, enhancements, improvements and other changes to its semiconductor products and services per JESD46, latest issue, and to discontinue any product or service per JESD48, latest issue. Buyers should obtain the latest relevant information before placing orders and should verify that such information is current and complete. All semiconductor products (also referred to herein as "components") are sold subject to TI's terms and conditions of sale supplied at the time of order acknowledgment.

TI warrants performance of its components to the specifications applicable at the time of sale, in accordance with the warranty in TI's terms and conditions of sale of semiconductor products. Testing and other quality control techniques are used to the extent TI deems necessary to support this warranty. Except where mandated by applicable law, testing of all parameters of each component is not necessarily performed.

TI assumes no liability for applications assistance or the design of Buyers' products. Buyers are responsible for their products and applications using TI components. To minimize the risks associated with Buyers' products and applications, Buyers should provide adequate design and operating safeguards.

TI does not warrant or represent that any license, either express or implied, is granted under any patent right, copyright, mask work right, or other intellectual property right relating to any combination, machine, or process in which TI components or services are used. Information published by TI regarding third-party products or services does not constitute a license to use such products or services or a warranty or endorsement thereof. Use of such information may require a license from a third party under the patents or other intellectual property of the third party, or a license from TI under the patents or other intellectual property of TI.

Reproduction of significant portions of TI information in TI data books or data sheets is permissible only if reproduction is without alteration and is accompanied by all associated warranties, conditions, limitations, and notices. TI is not responsible or liable for such altered documentation. Information of third parties may be subject to additional restrictions.

Resale of TI components or services with statements different from or beyond the parameters stated by TI for that component or service voids all express and any implied warranties for the associated TI component or service and is an unfair and deceptive business practice. TI is not responsible or liable for any such statements.

Buyer acknowledges and agrees that it is solely responsible for compliance with all legal, regulatory and safety-related requirements concerning its products, and any use of TI components in its applications, notwithstanding any applications-related information or support that may be provided by TI. Buyer represents and agrees that it has all the necessary expertise to create and implement safeguards which anticipate dangerous consequences of failures, monitor failures and their consequences, lessen the likelihood of failures that might cause harm and take appropriate remedial actions. Buyer will fully indemnify TI and its representatives against any damages arising out of the use of any TI components in safety-critical applications.

In some cases, TI components may be promoted specifically to facilitate safety-related applications. With such components, TI's goal is to help enable customers to design and create their own end-product solutions that meet applicable functional safety standards and requirements. Nonetheless, such components are subject to these terms.

No TI components are authorized for use in FDA Class III (or similar life-critical medical equipment) unless authorized officers of the parties have executed a special agreement specifically governing such use.

Only those TI components which TI has specifically designated as military grade or "enhanced plastic" are designed and intended for use in military/aerospace applications or environments. Buyer acknowledges and agrees that any military or aerospace use of TI components which have **not** been so designated is solely at the Buyer's risk, and that Buyer is solely responsible for compliance with all legal and regulatory requirements in connection with such use.

TI has specifically designated certain components as meeting ISO/TS16949 requirements, mainly for automotive use. In any case of use of non-designated products, TI will not be responsible for any failure to meet ISO/TS16949.

Products

Audio	www.ti.com/audio
Amplifiers	amplifier.ti.com
Data Converters	dataconverter.ti.com
DLP® Products	www.dlp.com
DSP	dsp.ti.com
Clocks and Timers	www.ti.com/clocks
Interface	interface.ti.com
Logic	logic.ti.com
Power Mgmt	power.ti.com
Microcontrollers	microcontroller.ti.com
RFID	www.ti-rfid.com
OMAP Applications Processors	www.ti.com/omap
Wireless Connectivity	www.ti.com/wirelessconnectivity

Applications

Automotive and Transportation	www.ti.com/automotive
Communications and Telecom	www.ti.com/communications
Computers and Peripherals	www.ti.com/computers
Consumer Electronics	www.ti.com/consumer-apps
Energy and Lighting	www.ti.com/energy
Industrial	www.ti.com/industrial
Medical	www.ti.com/medical
Security	www.ti.com/security
Space, Avionics and Defense	www.ti.com/space-avionics-defense
Video and Imaging	www.ti.com/video

TI E2E Community

e2e.ti.com