

AN-1339 LM2716 Evaluation Board

1 Abstract

This Application note describes how to configure the LM3524 as a transformer isolated flyback power supply.

2 Introduction

The LM2716 is composed of two high current PWM DC/DC converters. The buck (step-down) converter provides a fixed 3.3V output at up to 1.6A. The boost (step-up) converter contains a 3.6A switch and is adjustable up to 20V output. The LM2716 evaluation board is designed for 3.3V output at up to 1.6A and 15V output with an input voltage range of 4.5V to 12.5V. The 15V output is capable of supplying approximately 800mA at 5V input and approximately 2A at 12V input. The board is ideally set up for TFT display power applications or any other application requiring 3.3V and 15V. The 15V output may be changed to fit other applications as desired. The schematic, layout, and bill of materials used follows:

3 Schematic and Layout

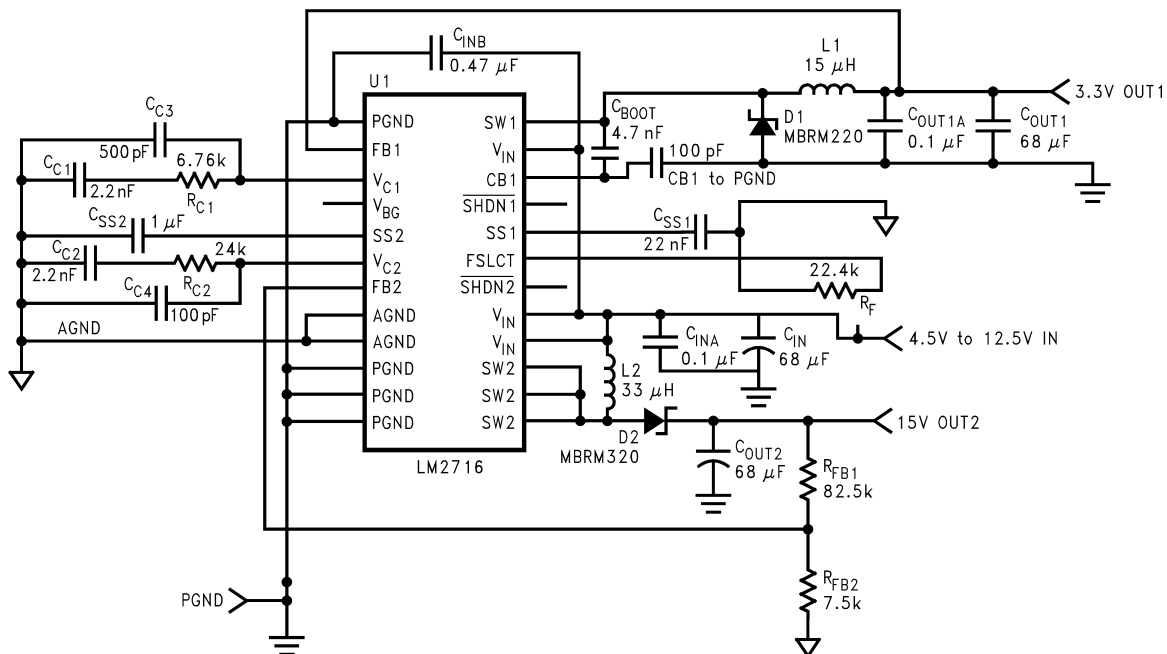


Figure 1. Schematic

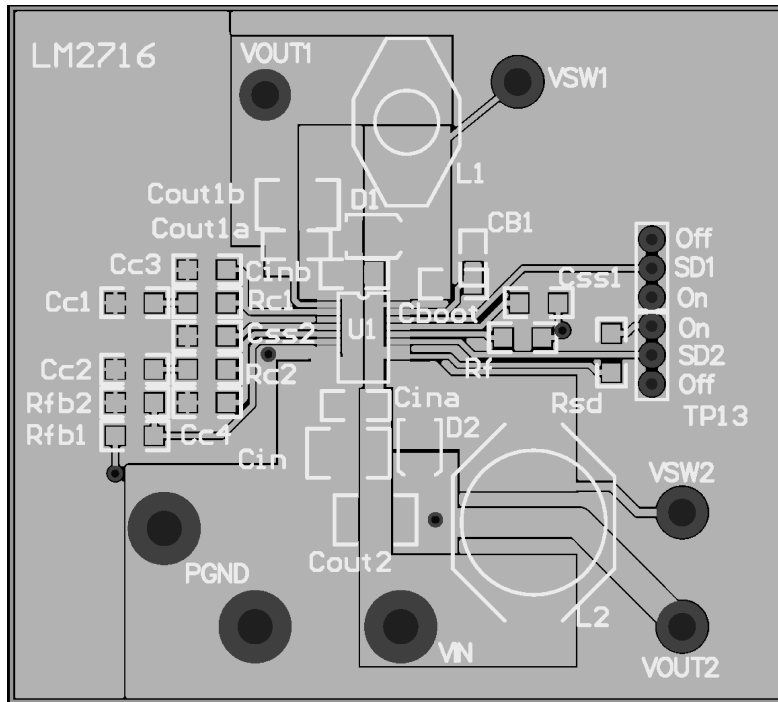


Figure 2. Layout, Top Layer

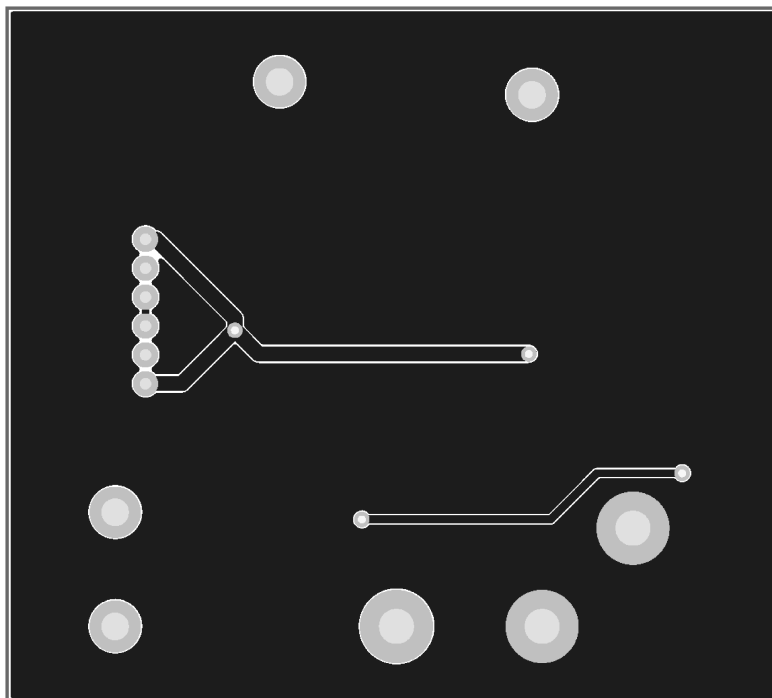


Figure 3. Layout, Bottom Layer

4 Bill of Materials

Designator	Component	Manufacturer
U1	LM2716, TSSOP-24	Texas Instruments
L1	15 μ H, DO3316P-153	Coilcraft
L2	33 μ H, DO5022P-333	Coilcraft
C _{IN} , C _{OUT2}	68 μ F, 20V Tantalum, 293D686X9020D	Vishay
C _{INA} , C _{OUT1A}	0.1 μ F, Ceramic, VJ1206Y104KXX	Vishay
C _{INB}	0.47 μ F Ceramic, VJ1206Y474KXX	Vishay
C _{OUT1B}	68 μ F, 10V Tantalum, 293D686X9010D	Vishay
D1, D2	2A, 40V Schottky, MBRS240LT	On Semiconductor
C _{SS1}	22 nF, 1206 Case, VJ1206Y223KXA	Vishay
C _{SS2}	1 μ F, Ceramic, VJ1206Y105KXJ	Vishay
C _{BOOT}	4.7 nF, 1206 Case, VJ1206Y472KXA	Vishay
C _{C1} , C _{C2}	2.2 nF, 1206 Case, VJ1206Y222KXA	Vishay
C _{C3}	470 pF, 1206 Case, VJ1206A471KXA	Vishay
C _{C4} , CB1 (Only required for inputs higher than 10V)	100 pF, 1206 Case, VJ1206A101KXA	Vishay
R _{C1}	6.81k, 1206 Case, CRCW12066811F	Vishay
R _{C2}	24k, 1206 Case, CRCW12062402F	Vishay
R _F	22.6k, 1206 Case, CRCW12062262F	Vishay
R _{sd}	150k, 1206 Case, CRCW12061503F	Vishay
R _{FB1}	82.5k, 1206 Case, CRCW12068252F	Vishay
R _{FB2}	7.5k, 1206 Case, CRCW12067501F	Vishay
Test Posts (7)	160-1026-02-01-00	Cambion

IMPORTANT NOTICE

Texas Instruments Incorporated and its subsidiaries (TI) reserve the right to make corrections, enhancements, improvements and other changes to its semiconductor products and services per JESD46, latest issue, and to discontinue any product or service per JESD48, latest issue. Buyers should obtain the latest relevant information before placing orders and should verify that such information is current and complete. All semiconductor products (also referred to herein as "components") are sold subject to TI's terms and conditions of sale supplied at the time of order acknowledgment.

TI warrants performance of its components to the specifications applicable at the time of sale, in accordance with the warranty in TI's terms and conditions of sale of semiconductor products. Testing and other quality control techniques are used to the extent TI deems necessary to support this warranty. Except where mandated by applicable law, testing of all parameters of each component is not necessarily performed.

TI assumes no liability for applications assistance or the design of Buyers' products. Buyers are responsible for their products and applications using TI components. To minimize the risks associated with Buyers' products and applications, Buyers should provide adequate design and operating safeguards.

TI does not warrant or represent that any license, either express or implied, is granted under any patent right, copyright, mask work right, or other intellectual property right relating to any combination, machine, or process in which TI components or services are used. Information published by TI regarding third-party products or services does not constitute a license to use such products or services or a warranty or endorsement thereof. Use of such information may require a license from a third party under the patents or other intellectual property of the third party, or a license from TI under the patents or other intellectual property of TI.

Reproduction of significant portions of TI information in TI data books or data sheets is permissible only if reproduction is without alteration and is accompanied by all associated warranties, conditions, limitations, and notices. TI is not responsible or liable for such altered documentation. Information of third parties may be subject to additional restrictions.

Resale of TI components or services with statements different from or beyond the parameters stated by TI for that component or service voids all express and any implied warranties for the associated TI component or service and is an unfair and deceptive business practice. TI is not responsible or liable for any such statements.

Buyer acknowledges and agrees that it is solely responsible for compliance with all legal, regulatory and safety-related requirements concerning its products, and any use of TI components in its applications, notwithstanding any applications-related information or support that may be provided by TI. Buyer represents and agrees that it has all the necessary expertise to create and implement safeguards which anticipate dangerous consequences of failures, monitor failures and their consequences, lessen the likelihood of failures that might cause harm and take appropriate remedial actions. Buyer will fully indemnify TI and its representatives against any damages arising out of the use of any TI components in safety-critical applications.

In some cases, TI components may be promoted specifically to facilitate safety-related applications. With such components, TI's goal is to help enable customers to design and create their own end-product solutions that meet applicable functional safety standards and requirements. Nonetheless, such components are subject to these terms.

No TI components are authorized for use in FDA Class III (or similar life-critical medical equipment) unless authorized officers of the parties have executed a special agreement specifically governing such use.

Only those TI components which TI has specifically designated as military grade or "enhanced plastic" are designed and intended for use in military/aerospace applications or environments. Buyer acknowledges and agrees that any military or aerospace use of TI components which have **not** been so designated is solely at the Buyer's risk, and that Buyer is solely responsible for compliance with all legal and regulatory requirements in connection with such use.

TI has specifically designated certain components as meeting ISO/TS16949 requirements, mainly for automotive use. In any case of use of non-designated products, TI will not be responsible for any failure to meet ISO/TS16949.

Products

Audio	www.ti.com/audio
Amplifiers	amplifier.ti.com
Data Converters	dataconverter.ti.com
DLP® Products	www.dlp.com
DSP	dsp.ti.com
Clocks and Timers	www.ti.com/clocks
Interface	interface.ti.com
Logic	logic.ti.com
Power Mgmt	power.ti.com
Microcontrollers	microcontroller.ti.com
RFID	www.ti-rfid.com
OMAP Applications Processors	www.ti.com/omap
Wireless Connectivity	www.ti.com/wirelessconnectivity

Applications

Automotive and Transportation	www.ti.com/automotive
Communications and Telecom	www.ti.com/communications
Computers and Peripherals	www.ti.com/computers
Consumer Electronics	www.ti.com/consumer-apps
Energy and Lighting	www.ti.com/energy
Industrial	www.ti.com/industrial
Medical	www.ti.com/medical
Security	www.ti.com/security
Space, Avionics and Defense	www.ti.com/space-avionics-defense
Video and Imaging	www.ti.com/video

TI E2E Community

e2e.ti.com