

## AN-1837 LM2738 Evaluation Board

### 1 Introduction

The LM2738 demo board is configured to convert 12V input to 3.3V output at 1.5A load current using the LM2738X 1.6MHz or the LM2738Y 550kHz step down DC-DC regulator. The tiny low profile MSOP-PowerPAD-8 and WSON-8 packages allows the demo board to be manufactured using just over one square inch of a 4-layer printed circuit board.

The circuit is configured with the boost diode connected to  $V_{OUT}$ , and according to the data sheet,  $V_{OUT}$  must not exceed the maximum operating limit of  $5.5V + V_{ID2}$  using this configuration. This will ensure that the voltage between the Boost and SW pins,  $V_{BOOST} - V_{SW}$ , does not exceed 5.5V for proper operation. Please see the *LM2738 550kHz/1.6MHz 1.5A Step-Down DC-DC Switching Regulator* ([SNVS556](#)) data sheet for more information regarding this requirement.

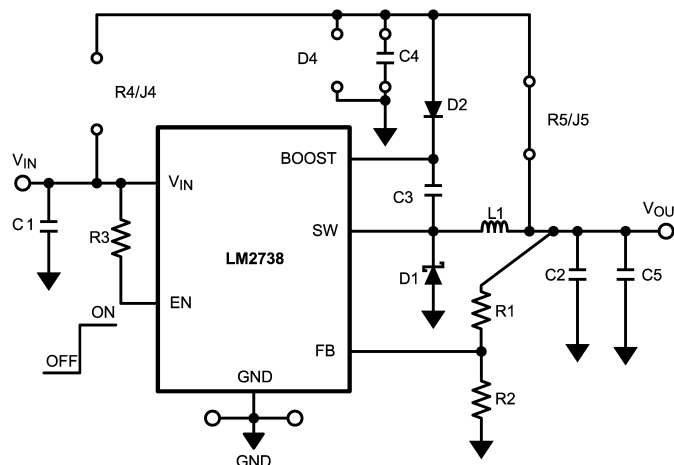
A bill of materials describes the parts used on this demo board. A schematic and layout have also been included below along with measured performance characteristics. The schematics at the end of this document show how to re-configure this demo board for various input and output conditions as discussed in the *LM2738 550kHz/1.6MHz 1.5A Step-Down DC-DC Switching Regulator* [SNVS556](#) data sheet. Short or leave open the indicated connection as indicated in the schematics. The above restrictions for the input voltage are valid only for the demo board as shipped with the demo board schematic (see [Figure 1](#)).

### 2 Operating Conditions

$$V_{IN} = 12V$$

$$V_O = 3.3V$$

$$I_O = 1.5A$$



**Figure 1. LM2738 Demo Board Schematic -  $V_{BOOST}$  derived from  $V_{OUT} = 3.3V$ ,  $V_{IN} = 12V$**

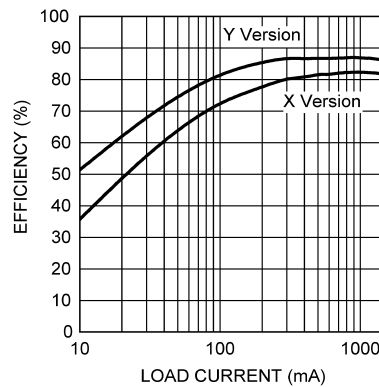


Figure 2. Efficiency vs Load Current -  $V_{IN} = 12V$ ,  $V_{OUT} = 3.3V$

Table 1. Bill of Materials X-Version (1.6MHz)

Part ID	Part Value	Manufacturer	Part Number	Package Type
C1, Input Cap	10 $\mu$ F, 25V, X7R	TDK	C3216X5R1E106	1206
C2, C5, Output Cap	22 $\mu$ F, 10V, X5R	TDK	C3216X5R1A226	1206
C3 (Boost Cap), C4	0.1 $\mu$ F	TDK	C2012X7R1A104	0805
D2, Boost Diode	1V <sub>F</sub> @ 100mA Diode	Diodes, Inc.	BAT54WS-TP	SOD-323
R2, R3	10k $\Omega$ , 1%	Vishay	CRCW12061002F	0805
U1	1.5A Buck Regulator	Texas Instruments	LM2738	WSOP-8
			LM2738	MSOP-PowerPAD-8
D1, Catch Diode	0.34V <sub>F</sub> Schottky 1.5A, 30VR	Toshiba	CRS08	-
L1	5.0 $\mu$ H, 2.9A	Coilcraft	MSS7341-502NL	-
R1	31.6k $\Omega$ , 1%	Vishay	CRCW12063162F	0805
R5	0 $\Omega$	Vishay	CRCW12060R00F	0805
D4, R4	Open or No Load			

Table 2. Bill of Materials Y-Version (550kHz)

Part ID	Part Value	Manufacturer	Part Number	Package Type
C1, Input Cap	10 $\mu$ F, 25V, X7R	TDK	C3216X5R1E106	1206
C2, C5, Output Cap	22 $\mu$ F, 10V, X5R	TDK	C3216X5R1A226	1206
C3 (Boost Cap), C4	0.1 $\mu$ F	TDK	C2012X7R1A104	0805
D2, Boost Diode	1V <sub>F</sub> @ 100mA Diode	Diodes, Inc.	BAT54WS-TP	SOD-323
R2, R3	10k $\Omega$ , 1%	Vishay	CRCW12061002F	0805
U1	1.5A Buck Regulator	Texas Instruments	LM2738	WSOP-8
			LM2738	MSOP-PowerPAD-8
D1, Catch Diode	0.34V <sub>F</sub> Schottky 1.5A, 30VR	Toshiba	CRS08	-
L1	10.0 $\mu$ H, 2.0A	Coilcraft	MSS7341-103NL	-
R1	31.6k $\Omega$ , 1%	Vishay	CRCW12063162F	0805
R5	0 $\Omega$	Vishay	CRCW12060R00F	0805
D4, R4	Open or No Load			



3 PCB Layout - WSON

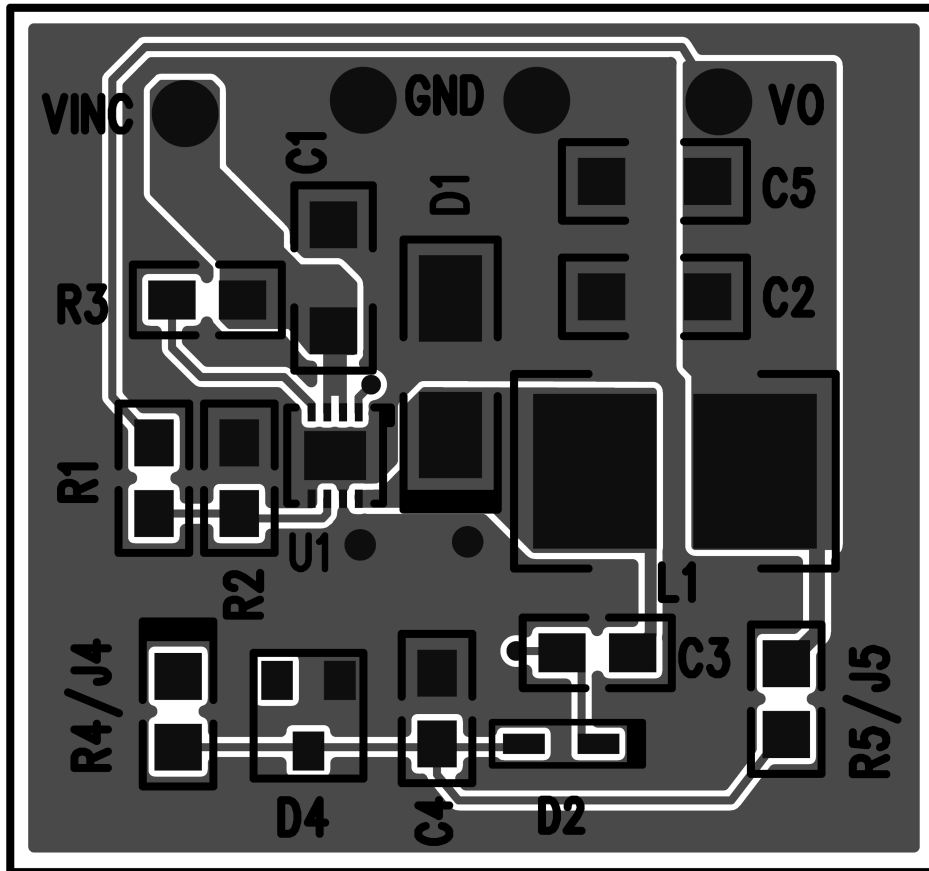


Figure 3. Top Layer

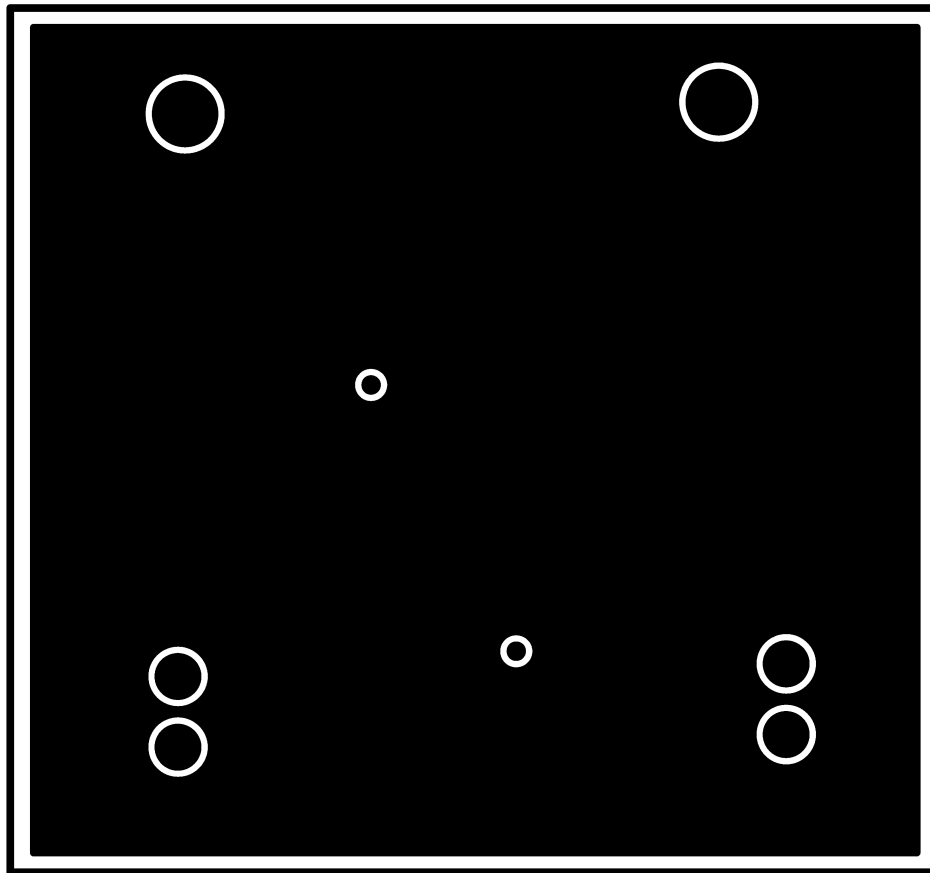


Figure 4. Internal Plane - Layer 2 (GND)

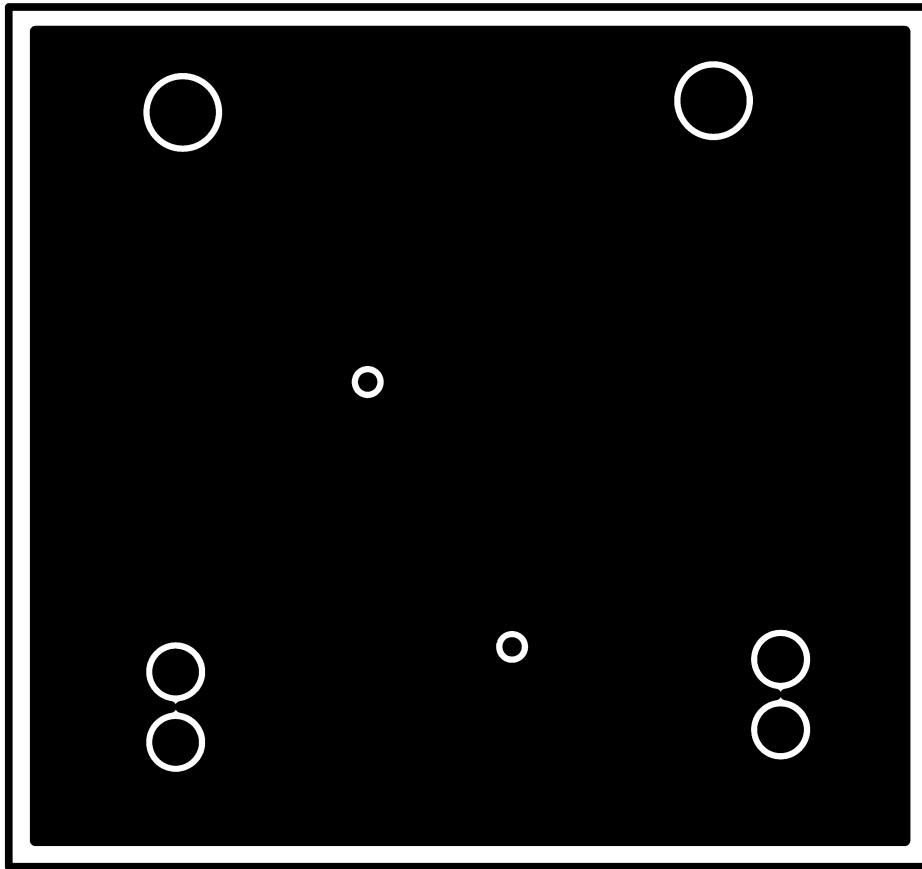


Figure 5. Internal Plane - Layer 3 (GND)

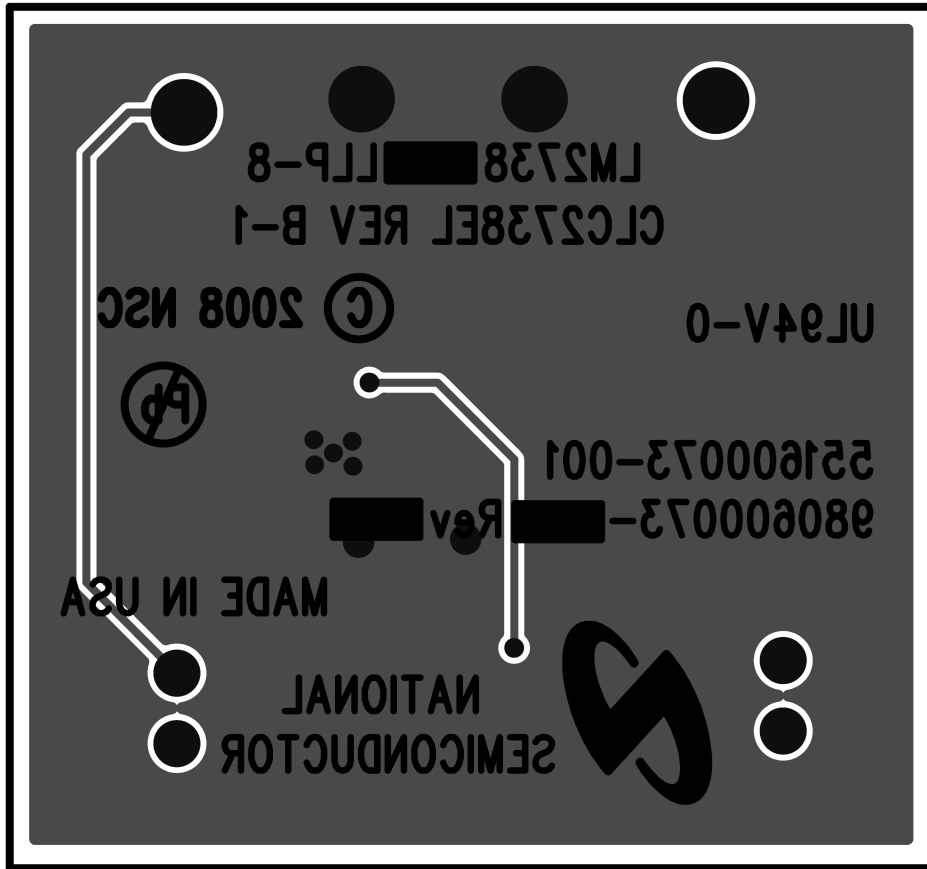


Figure 6. Bottom Layer

4 PCB Layout - MSOP-PowerPAD

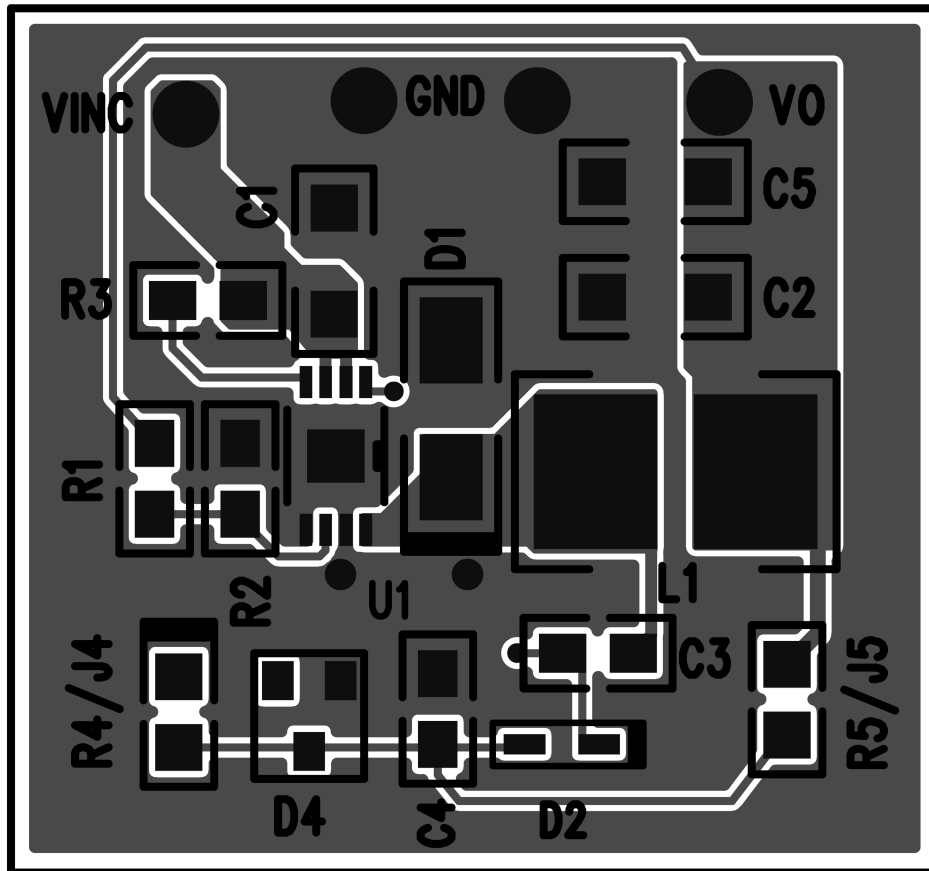


Figure 7. Top Layer



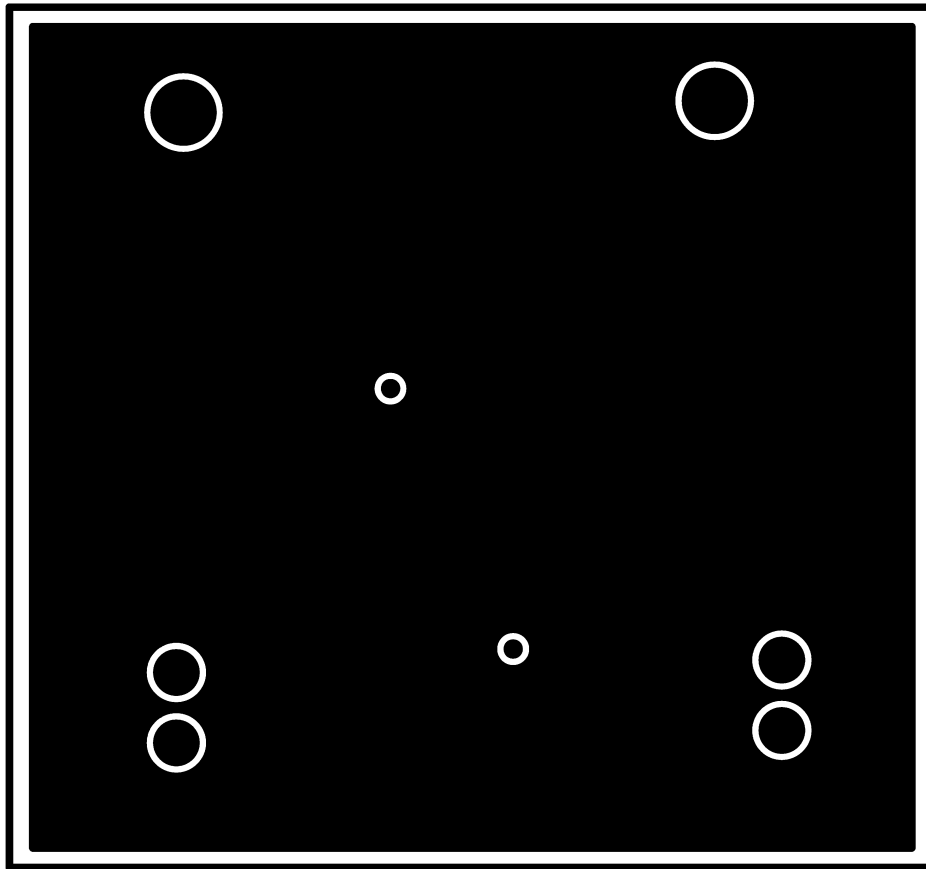


Figure 8. Internal Plane - Layer 2 (GND)

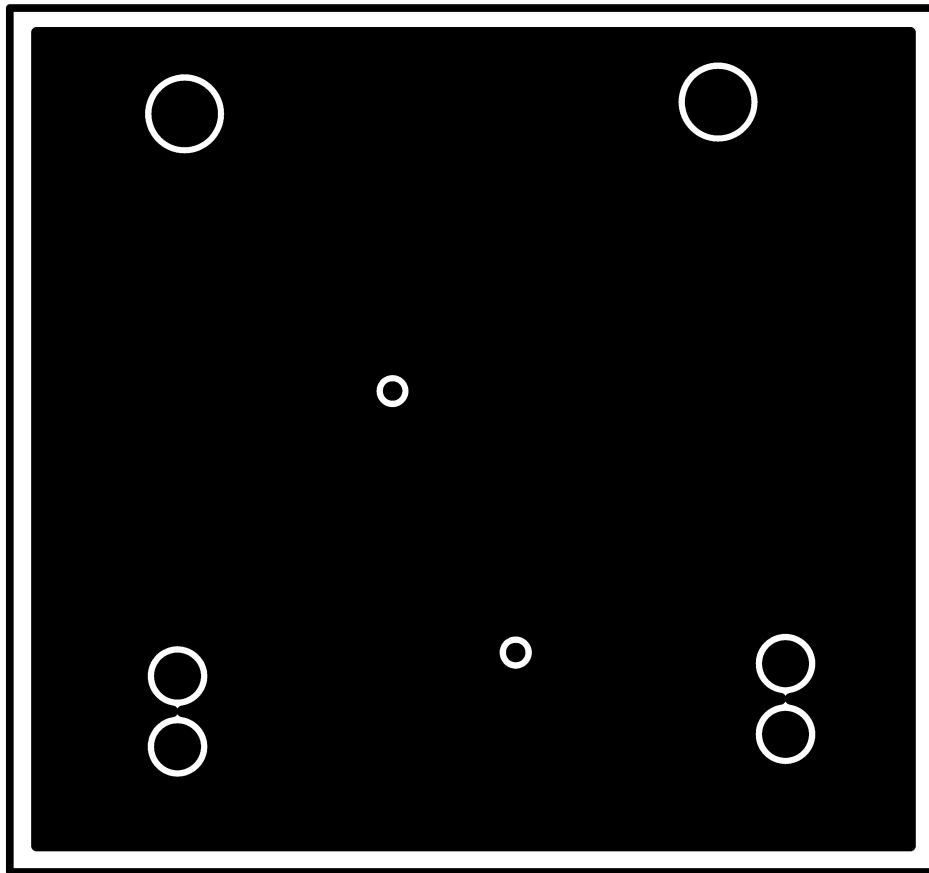


Figure 9. Internal Plane - Layer 3 (GND)

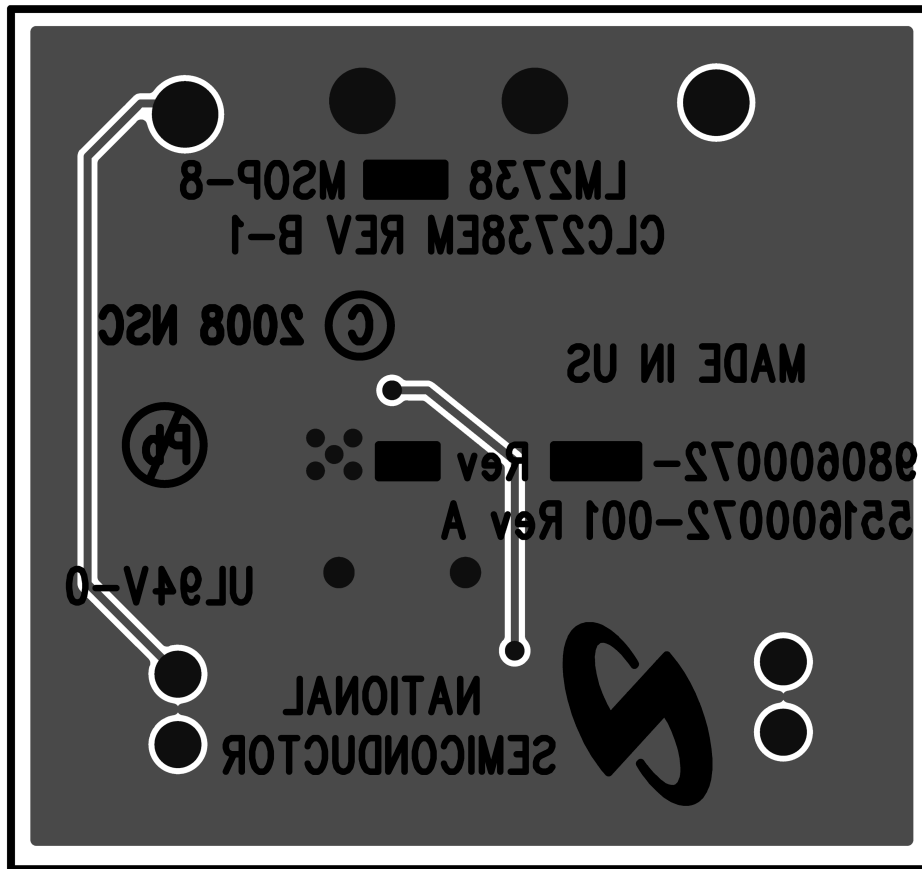


Figure 10. Bottom Layer

## 5 Additional Circuit Configuration Schematics

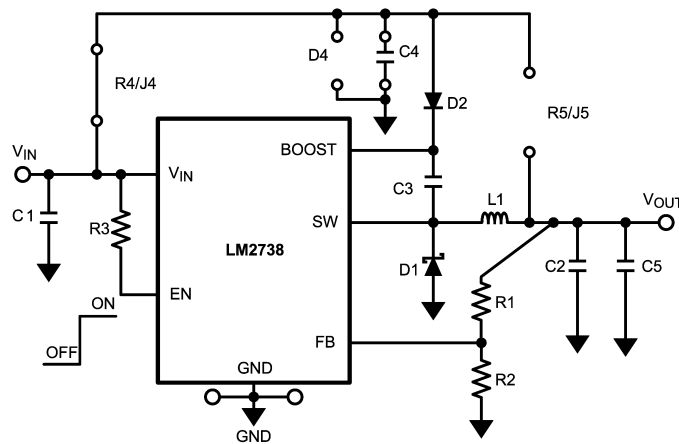


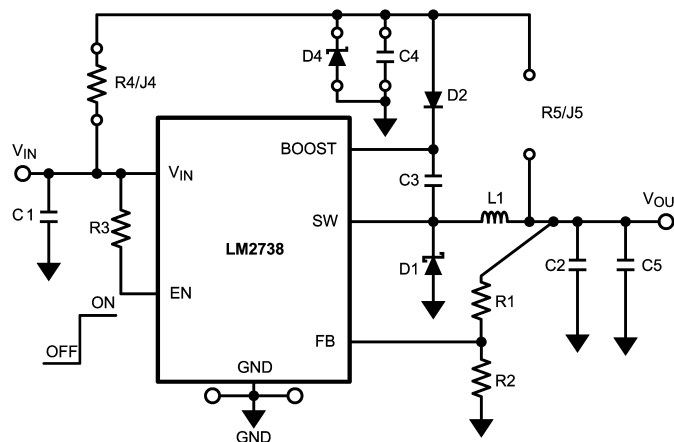
Figure 11.  $V_{BOOST}$  derived from  $V_{IN} = 5V$ , for  $V_{OUT} = 1.5V$

**Table 3. Bill of Materials X-Version (1.6MHz)**

Part ID	Part Value	Manufacturer	Part Number	Package Type
C1, Input Cap	10 $\mu$ F, 25V, X7R	TDK	C3216X5R1E106	1206
C2, Output Cap	22 $\mu$ F, 6.3V, X5R	TDK	C3216X5R0J2266	1206
C3 (Boost Cap), C4	0.1 $\mu$ F	TDK	C2012X7R1A104	0805
D2, Boost Diode	1V <sub>F</sub> @ 100mA Diode	Diodes, Inc.	BAT54WS-TP	SOD-323
R2, R3	10k $\Omega$ , 1%	Vishay	CRCW12061002F	0805
U1	1.5A Buck Regulator	Texas Instruments	LM2738	WSON-8
			LM2738	MSOP-PowerPAD-8
D1, Catch Diode	0.34V <sub>F</sub> Schottky 1.5A, 30V	Toshiba	CRS08	-
L1	2.2 $\mu$ H, 1.9A	Coilcraft	MSS5131-222ML	-
R1	8.87k $\Omega$ , 1%	Vishay	CRCW12068871F	0805
R4	0 $\Omega$	Vishay	CRCW12060R00F	0805
D4, R5, C5	Open or No Load			

**Table 4. Bill of Materials Y-Version (550kHz)**

Part ID	Part Value	Manufacturer	Part Number	Package Type
C1, Input Cap	10 $\mu$ F, 25V, X7R	TDK	C3216X5R1E106	1206
C2, C5, Output Caps	22 $\mu$ F, 6.3V, X5R	TDK	C3216X5R0J226	1206
C3 (Boost Cap), C4	0.1 $\mu$ F	TDK	C2012X7R1A104	0805
D2, Boost Diode	1V <sub>F</sub> @ 100mA Diode	Diodes, Inc.	BAT54WS-TP	SOD-323
R2, R3	10k $\Omega$ , 1%	Vishay	CRCW12061002F	0805
U1	1.5A Buck Regulator	Texas Instruments	LM2738	WSON-8
			LM2738	MSOP-PowerPAD-8
D1, Catch Diode	0.34V <sub>F</sub> Schottky 1.5A, 30V	Toshiba	CRS08	-
L1	6.2 $\mu$ H, 2.5A	Coilcraft	MSS7341-622NL	-
R1	8.87k $\Omega$ , 1%	Vishay	CRCW12068871F	0805
R4	0 $\Omega$	Vishay	CRCW12060R00F	0805
D4, R5	Open or No Load			



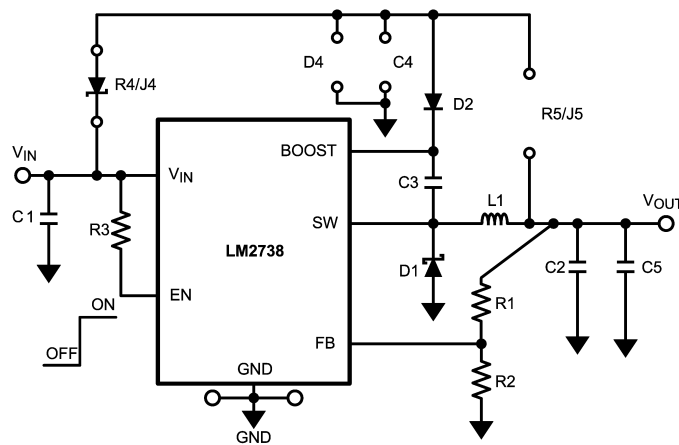
**Figure 12.  $V_{BOOST}$  derived from  $V_{SHUNT}$  coming from  $V_{IN} = 18V$ ,  $V_{OUT} = 1.5V$**

**Table 5. Bill of Materials X-Version (1.6MHz)**

Part ID	Part Value	Manufacturer	Part Number	Package Type
C1, Input Cap	10 $\mu$ F, 25V, X7R	TDK	C3216X5R1E106	1206
C2, C5, Output Caps	22 $\mu$ F, 6.3V, X5R	TDK	C3216X5R0J226	1206
C3 (Boost Cap), C4	0.1 $\mu$ F	TDK	C2012X7R1A104	0805
D2, Boost Diode	1V <sub>F</sub> @ 100mA Diode	Diodes, Inc.	BAT54WS-TP	SOD-323
D4, Zener	5.1V, 200mW	Diodes, Inc.	BZX84C5V1W	SOT-323
R2, R3	10k $\Omega$ , 1%	Vishay	CRCW12061002F	0805
U1	1.5A Buck Regulator	Texas Instruments	LM2738	WSO8-8
			LM2738	MSOP-PowerPAD-8
D1, Catch Diode	0.34V <sub>F</sub> Schottky 1.5A, 30V	Toshiba	CRS08	-
L1	2.7 $\mu$ H, 1.76A	TDK	VLCF5020T-2R7N1R7	-
R1	8.87k $\Omega$ , 1%	Vishay	CRCW12068871F	0805
R4	4.12k $\Omega$ , 1%	Vishay	CRCW12064121F	0805
R5	Open or No Load			

**Table 6. Bill of Materials Y-Version (550kHz)**

Part ID	Part Value	Manufacturer	Part Number	Package Type
C1, Input Cap	10 $\mu$ F, 25V, X7R	TDK	C3216X5R1E106	1206
C2, C5, Output Caps	47 $\mu$ F, 6.3V, X5R	TDK	C3216X5R0J476	1206
C3 (Boost Cap), C4	0.1 $\mu$ F	TDK	C2012X7R1A104	0805
D2, Boost Diode	1V <sub>F</sub> @ 100mA Diode	Diodes, Inc.	BAT54WS-TP	SOD-323
D4, Zener	5.1V, 200mW	Diodes, Inc.	BZX84C5V1W	SOT-323
R2, R3	10k $\Omega$ , 1%	Vishay	CRCW12061002F	0805
U1	1.5A Buck Regulator	Texas Instruments	LM2738	WSO8-8
			LM2738	MSOP-PowerPAD-8
D1, Catch Diode	0.34V <sub>F</sub> Schottky 1.5A, 30V	Toshiba	CRS08	-
L1	8.7 $\mu$ H, 2.2A	Coilcraft	MSS7341-872NL	-
R1	8.87k $\Omega$ , 1%	Vishay	CRCW12068871F	0805
R4	4.21k $\Omega$ , 1%	Vishay	CRCW12064211F	0805
R5	Open or No Load			

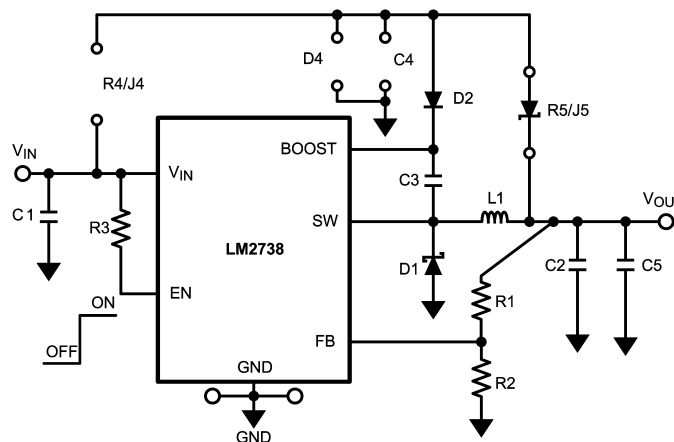

**Figure 13.  $V_{BOOST}$  derived from Series Zener Diode from  $V_{IN} = 15V$ ,  $V_{OUT} = 1.5V$**

**Table 7. Bill of Materials X-Version (1.6MHz)**

Part ID	Part Value	Manufacturer	Part Number	Package Type
C1, Input Cap	10µF, 25V, X7R	TDK	C3216X5R1E106	1206
C2, C5, Output Caps	22µF, 6.3V, X5R	TDK	C3216X5R0J226	1206
C3 (Boost Cap)	0.1µF	TDK	C2012X7R1A104	0805
D2, Boost Diode	1V <sub>F</sub> @ 100mA Diode	Diodes, Inc.	BAT54WS-TP	SOD-323
R2, R3	10kΩ, 1%	Vishay	CRCW12061002F	0805
U1	1.5A Buck Regulator	Texas Instruments	LM2738	WSO8-8
			LM2738	MSOP-PowerPAD-8
D1, Catch Diode	0.34V <sub>F</sub> Schottky 1.5A, 30V	Toshiba	CRS08	-
L1	3.3µH, 3.5A	Coilcraft	MSS7341-332NL	-
R1	8.87kΩ, 1%	Vishay	CRCW12068871F	0805
R4	11V, 200mW, Zener	Vishay	BZX384C11-V	SOD-323
D4, R5, C4	Open or No Load			

**Table 8. Bill of Materials Y-Version (550kHz)**

Part ID	Part Value	Manufacturer	Part Number	Package Type
C1, Input Cap	10µF, 25V, X7R	TDK	C3216X5R1E106	1206
C2, C5, Output Caps	47µF, 6.3V, X5R	TDK	C3216X5R0J476	1206
C3 (Boost Cap)	0.1µF	TDK	C2012X7R1A104	0805
D2, Boost Diode	1V <sub>F</sub> @ 100mA Diode	Diodes, Inc.	BAT54WS-TP	SOD-323
R2, R3	10kΩ, 1%	Vishay	CRCW12061002F	0805
U1	1.5A Buck Regulator	Texas Instruments	LM2738	WSO8-8
			LM2738	MSOP-PowerPAD-8
D1, Catch Diode	0.34V <sub>F</sub> Schottky 1.5A, 30V	Toshiba	CRS08	-
L1	8.7µH, 2.2A	Coilcraft	MSS7341-872NL	-
R1	8.87kΩ, 1%	Vishay	CRCW12068871F	0805
R4	11V, 200mW, Zener	Vishay	BZX384C11-V	SOD-323
D4, R5, C4	Open or No Load			



**Figure 14. V<sub>BOOST</sub> derived from Series Zener Diode from V<sub>OUT</sub> = 9V, V<sub>IN</sub> = 15V**

**Table 9. Bill of Materials X-Version (1.6MHz)**

Part ID	Part Value	Manufacturer	Part Number	Package Type
C1, Input Cap	10 $\mu$ F, 25V, X7R	TDK	C3216X5R1E106	1206
C2, Output Cap	22 $\mu$ F, 10V, X5R	TDK	C3216X5R1A226	1206
C3 (Boost Cap), C4	0.1 $\mu$ F	TDK	C2012X7R1A104	0805
D2, Boost Diode	1V <sub>F</sub> @ 100mA Diode	Diodes, Inc.	BAT54WS-TP	SOD-323
R2, R3	10k $\Omega$ , 1%	Vishay	CRCW12061002F	0805
U1	1.5A Buck Regulator	Texas Instruments	LM2738	WSO8-8
			LM2738	MSOP-PowerPAD-8
D1, Catch Diode	0.34V <sub>F</sub> Schottky 1.5A, 30V	Toshiba	CRS08	-
L1	6.2 $\mu$ H, 2.5A	Coilcraft	MSS7341-622NL	-
R1	102k $\Omega$ , 1%	Vishay	CRCW1206123F	0805
R5	4.3V, 200mW, Zener	Vishay	BZX384C4V3-V	SOD-323
D4, R4	Open or No Load			

**Table 10. Bill of Materials Y-Version (550kHz)**

Part ID	Part Value	Manufacturer	Part Number	Package Type
C1, Input Cap	10 $\mu$ F, 25V, X7R	TDK	C3216X5R1E106	1206
C2, Output Cap	22 $\mu$ F, 10V, X5R	TDK	C3216X5R1A226	1206
C3 (Boost Cap), C4	0.1 $\mu$ F	TDK	C2012X7R1A104	0805
D2, Boost Diode	1V <sub>F</sub> @ 100mA Diode	Diodes, Inc.	BAT54WS-TP	SOD-323
R2, R3	10k $\Omega$ , 1%	Vishay	CRCW12061002F	0805
U1	1.5A Buck Regulator	Texas Instruments	LM2738	WSO8-8
			LM2738	MSOP-PowerPAD-8
D1, Catch Diode	0.34V <sub>F</sub> Schottky 1.5A, 30V	Toshiba	CRS08	-
L1	5.0 $\mu$ H, 2.9A	Coilcraft	MSS7341-502NL	-
R1	102k $\Omega$ , 1%	Vishay	CRCW12061023F	0805
R5	4.3V, 200mW, Zener	Vishay	BZX384C4V3-V	SOD-323
D4, R4	Open or No Load			

## IMPORTANT NOTICE

Texas Instruments Incorporated and its subsidiaries (TI) reserve the right to make corrections, enhancements, improvements and other changes to its semiconductor products and services per JESD46, latest issue, and to discontinue any product or service per JESD48, latest issue. Buyers should obtain the latest relevant information before placing orders and should verify that such information is current and complete. All semiconductor products (also referred to herein as "components") are sold subject to TI's terms and conditions of sale supplied at the time of order acknowledgment.

TI warrants performance of its components to the specifications applicable at the time of sale, in accordance with the warranty in TI's terms and conditions of sale of semiconductor products. Testing and other quality control techniques are used to the extent TI deems necessary to support this warranty. Except where mandated by applicable law, testing of all parameters of each component is not necessarily performed.

TI assumes no liability for applications assistance or the design of Buyers' products. Buyers are responsible for their products and applications using TI components. To minimize the risks associated with Buyers' products and applications, Buyers should provide adequate design and operating safeguards.

TI does not warrant or represent that any license, either express or implied, is granted under any patent right, copyright, mask work right, or other intellectual property right relating to any combination, machine, or process in which TI components or services are used. Information published by TI regarding third-party products or services does not constitute a license to use such products or services or a warranty or endorsement thereof. Use of such information may require a license from a third party under the patents or other intellectual property of the third party, or a license from TI under the patents or other intellectual property of TI.

Reproduction of significant portions of TI information in TI data books or data sheets is permissible only if reproduction is without alteration and is accompanied by all associated warranties, conditions, limitations, and notices. TI is not responsible or liable for such altered documentation. Information of third parties may be subject to additional restrictions.

Resale of TI components or services with statements different from or beyond the parameters stated by TI for that component or service voids all express and any implied warranties for the associated TI component or service and is an unfair and deceptive business practice. TI is not responsible or liable for any such statements.

Buyer acknowledges and agrees that it is solely responsible for compliance with all legal, regulatory and safety-related requirements concerning its products, and any use of TI components in its applications, notwithstanding any applications-related information or support that may be provided by TI. Buyer represents and agrees that it has all the necessary expertise to create and implement safeguards which anticipate dangerous consequences of failures, monitor failures and their consequences, lessen the likelihood of failures that might cause harm and take appropriate remedial actions. Buyer will fully indemnify TI and its representatives against any damages arising out of the use of any TI components in safety-critical applications.

In some cases, TI components may be promoted specifically to facilitate safety-related applications. With such components, TI's goal is to help enable customers to design and create their own end-product solutions that meet applicable functional safety standards and requirements. Nonetheless, such components are subject to these terms.

No TI components are authorized for use in FDA Class III (or similar life-critical medical equipment) unless authorized officers of the parties have executed a special agreement specifically governing such use.

Only those TI components which TI has specifically designated as military grade or "enhanced plastic" are designed and intended for use in military/aerospace applications or environments. Buyer acknowledges and agrees that any military or aerospace use of TI components which have **not** been so designated is solely at the Buyer's risk, and that Buyer is solely responsible for compliance with all legal and regulatory requirements in connection with such use.

TI has specifically designated certain components as meeting ISO/TS16949 requirements, mainly for automotive use. In any case of use of non-designated products, TI will not be responsible for any failure to meet ISO/TS16949.

### Products

Audio	<a href="http://www.ti.com/audio">www.ti.com/audio</a>
Amplifiers	<a href="http://amplifier.ti.com">amplifier.ti.com</a>
Data Converters	<a href="http://dataconverter.ti.com">dataconverter.ti.com</a>
DLP® Products	<a href="http://www.dlp.com">www.dlp.com</a>
DSP	<a href="http://dsp.ti.com">dsp.ti.com</a>
Clocks and Timers	<a href="http://www.ti.com/clocks">www.ti.com/clocks</a>
Interface	<a href="http://interface.ti.com">interface.ti.com</a>
Logic	<a href="http://logic.ti.com">logic.ti.com</a>
Power Mgmt	<a href="http://power.ti.com">power.ti.com</a>
Microcontrollers	<a href="http://microcontroller.ti.com">microcontroller.ti.com</a>
RFID	<a href="http://www.ti-rfid.com">www.ti-rfid.com</a>
OMAP Applications Processors	<a href="http://www.ti.com/omap">www.ti.com/omap</a>
Wireless Connectivity	<a href="http://www.ti.com/wirelessconnectivity">www.ti.com/wirelessconnectivity</a>

### Applications

Automotive and Transportation	<a href="http://www.ti.com/automotive">www.ti.com/automotive</a>
Communications and Telecom	<a href="http://www.ti.com/communications">www.ti.com/communications</a>
Computers and Peripherals	<a href="http://www.ti.com/computers">www.ti.com/computers</a>
Consumer Electronics	<a href="http://www.ti.com/consumer-apps">www.ti.com/consumer-apps</a>
Energy and Lighting	<a href="http://www.ti.com/energy">www.ti.com/energy</a>
Industrial	<a href="http://www.ti.com/industrial">www.ti.com/industrial</a>
Medical	<a href="http://www.ti.com/medical">www.ti.com/medical</a>
Security	<a href="http://www.ti.com/security">www.ti.com/security</a>
Space, Avionics and Defense	<a href="http://www.ti.com/space-avionics-defense">www.ti.com/space-avionics-defense</a>
Video and Imaging	<a href="http://www.ti.com/video">www.ti.com/video</a>

### TI E2E Community

[e2e.ti.com](http://e2e.ti.com)