

## LMZ21701 and LMZ21700 SIMPLE SWITCHER® Nano Module Evaluation Board

### Introduction

The LMZ21701 and LMZ21700 SIMPLE SWITCHER® nano modules are easy-to-use DC-DC solutions optimized for space constrained applications. The LMZ21701 is capable of driving up to 1A load with excellent power conversion efficiency, output voltage accuracy, line and load regulation and load transient response. The LMZ21700 is a 650 mA load current version module, pin-to-pin compatible with the LMZ21701. The evaluation board is configured for 3.3V output voltage from 5V to 17V input. The resistor voltage divider  $R_{FBT}$  and  $R_{FBB}$  set the output voltage. The external capacitor  $C_{SS}$  sets the softstart time for  $V_{OUT}$ . See the datasheet for component selection and device details. The board features turret terminals for easy connection to input supply, load, EN input, as well as softstart voltage and Power Good flag monitoring.

### Board Specifications

- $V_{IN}$  = 5V to 17V
- $V_{OUT}$  = 3.3V
- 1A max load (LMZ21701)
- 650mA max load (LMZ21700)
- 4 layer PCB
- 4.2 x 4.2 cm PCB size

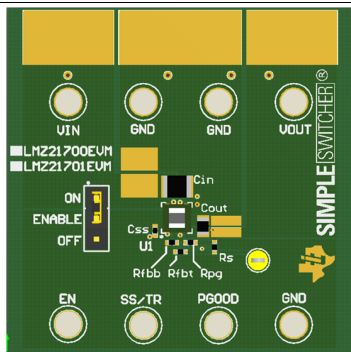


Figure 1. Board Top View

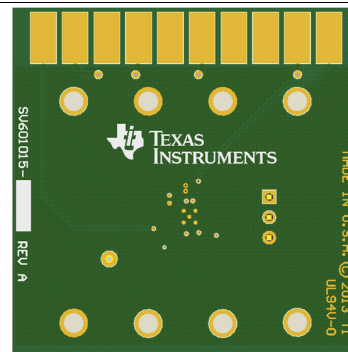
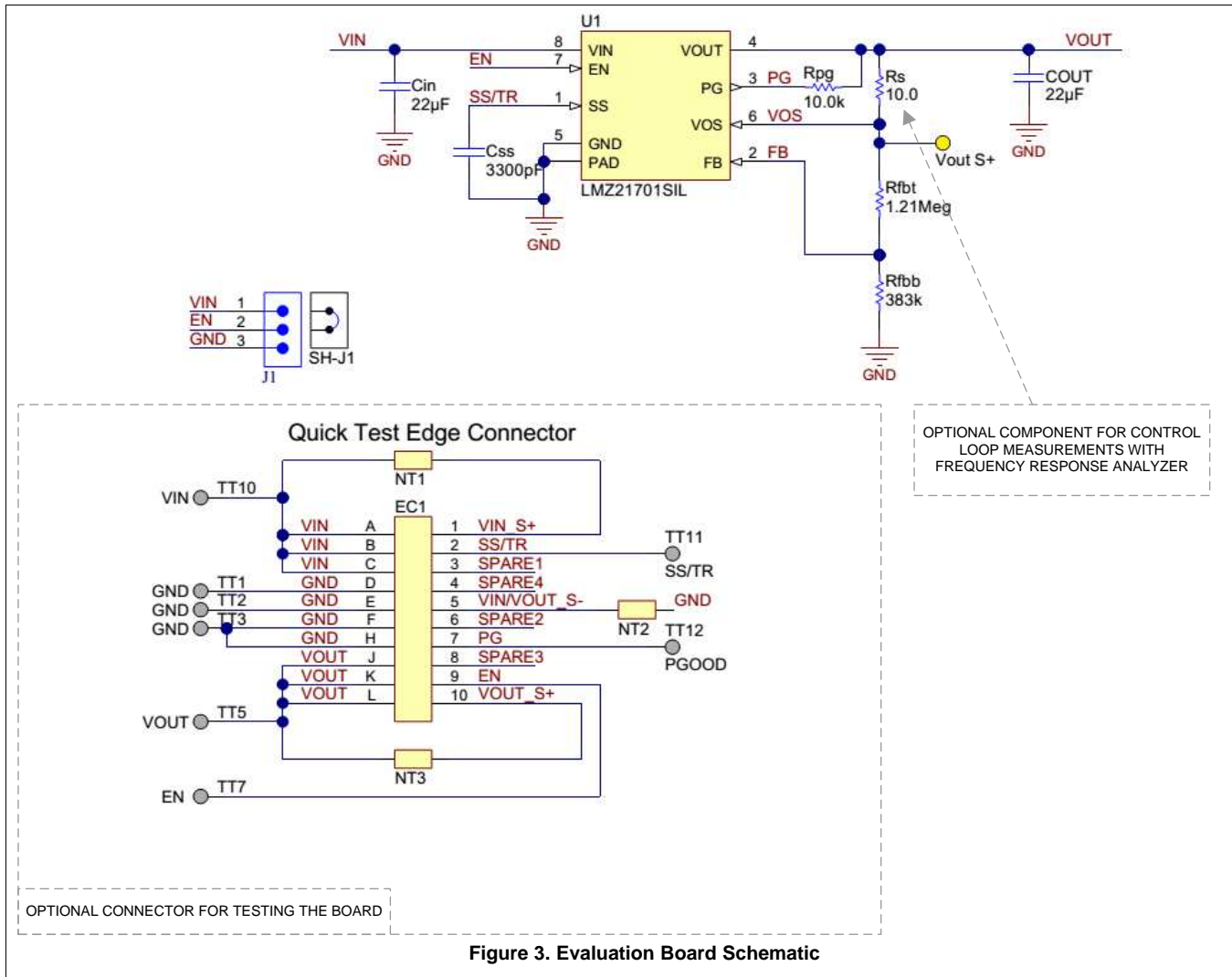


Figure 2. Board Top View

# 1 Schematic, Bill of Materials, and PCB Layout



**Table 1. Bill of Materials,  $V_{IN} = 5\text{ V to }17\text{ V}$ ,  $V_{OUT} = 3.3\text{ V}$ ,  
 $I_{OUT (MAX)} = 1000\text{ mA (LMZ21701)}$ ,  $650\text{ mA (LMZ21700)}$**

Designator	Description	Case Size	Manufacturer	Manufacturer P/N	Quantity
U1	SIMPLE SWITCHER® Nano Module	SIL0008E	Texas Instruments	LMZ21701SIL / LMZ21700SIL	1
C <sub>IN</sub>	CAP, CERM, 22 µF, 25V, +/-10%, X7R	1210	MuRata	GRM32ER71E226KE15L	1
C <sub>OUT</sub>	CAP, CERM, 22 µF, 10V, +/-20%, X5R	0805	Taiyo Yuden	LMK212BJ226MG-T	1
C <sub>SS</sub>	CAP, CERM, 3300 pF, 50V, +/-10%, X7R	0402	MuRata	GRM155R71H332KA01D	1
J1	Header, TH, 100 mil, 1x3, Gold plated		Samtec, Inc	TSW-103-07-G-S	1
Rfbb	RES, 383k ohm, 1%, 0.063W	0402	Vishay-Dale	CRCW0402383KFKED	1
Rfbb	RES, 1.21Meg ohm, 1%, 0.063W	0402	Vishay-Dale	CRCW04021M21FKED	1
Rpg	RES, 10.0k ohm, 1%, 0.063W	0402	Vishay-Dale	CRCW040210K0FKED	1

**Table 1. Bill of Materials,  $V_{IN} = 5\text{ V}$  to  $17\text{ V}$ ,  $V_{OUT} = 3.3\text{ V}$ ,  $I_{OUT (MAX)} = 1000\text{ mA}$  (LMZ21701),  $650\text{ mA}$  (LMZ21700) (continued)**

Designator	Description	Case Size	Manufacturer	Manufacturer P/N	Quantity
Rs	RES, 10.0 ohm, 1%, 0.063W	0402	Vishay-Dale	CRCW040210R0FKED	1
SH-J1	Shunt, 100mil, Gold plated, Black		Samtec, Inc	SNT-100-BK-G	1
TT1-12	Terminal, Turret, TH, Double		Keystone Electronics	1502-2	8
Vout S+	Test Point, TH, Miniature, Yellow		Keystone Electronics	5004	1

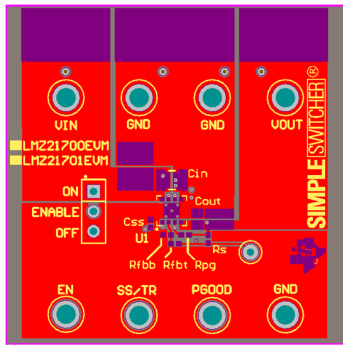


Figure 4. Evaluation Board Top Layer

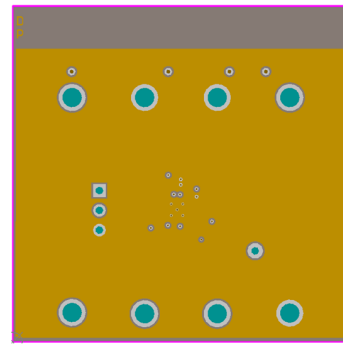


Figure 5. Evaluation Board Mid Layer 1

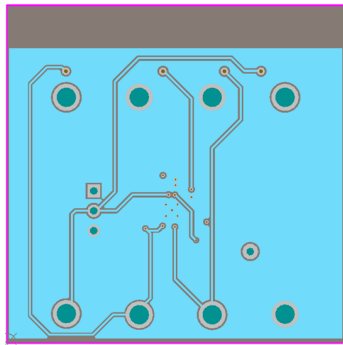


Figure 6. Evaluation Board Mid Layer 2

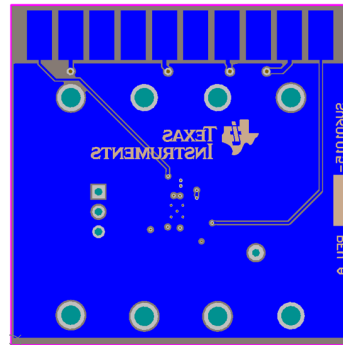
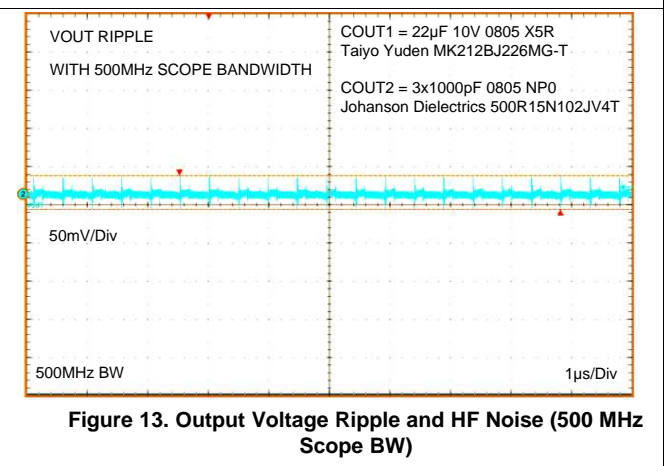
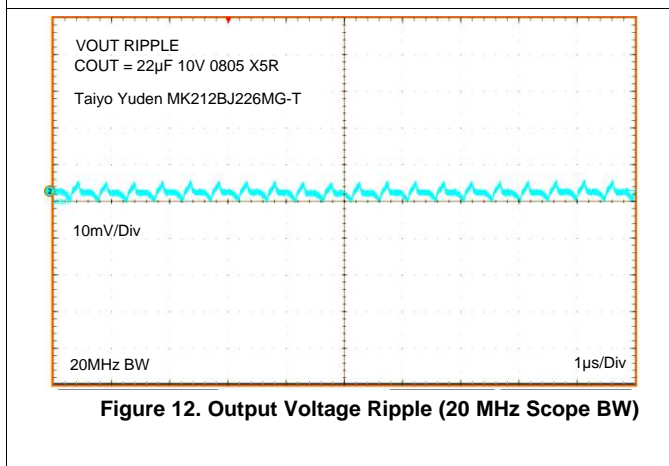
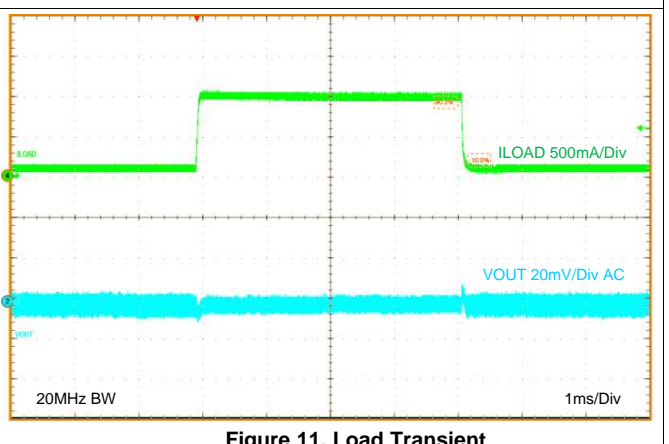
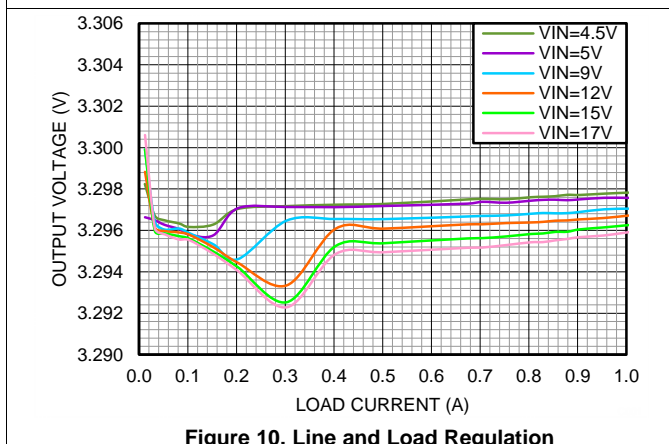
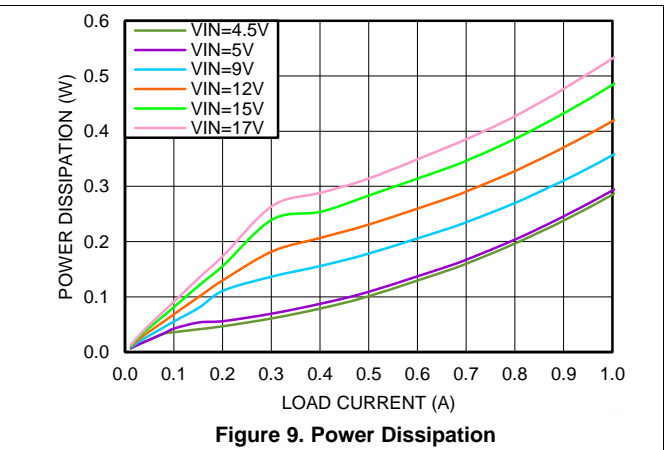
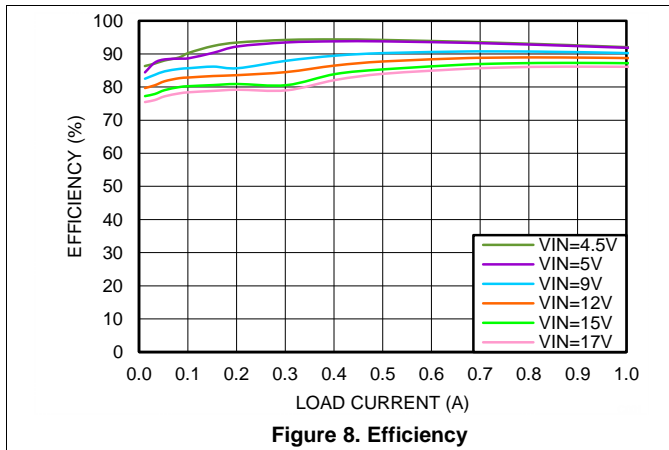


Figure 7. Evaluation Board Bottom Layer

## 2 Typical Performance



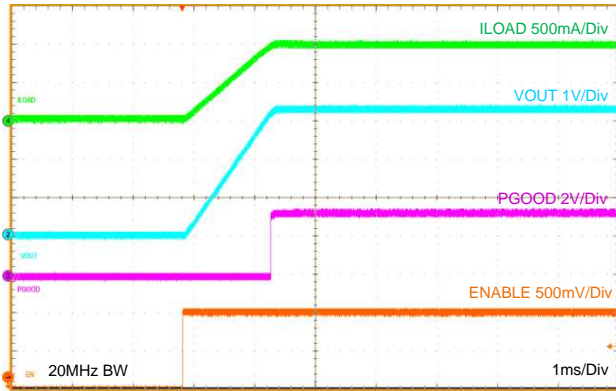


Figure 14. Startup

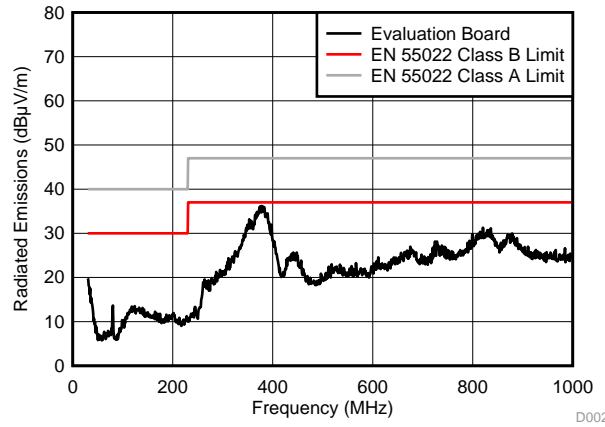


Figure 15. LMZ21700 Radiated EMI (Default BOM), VIN = 12 V, VOUT = 3.3 V, IOU = 650 mA

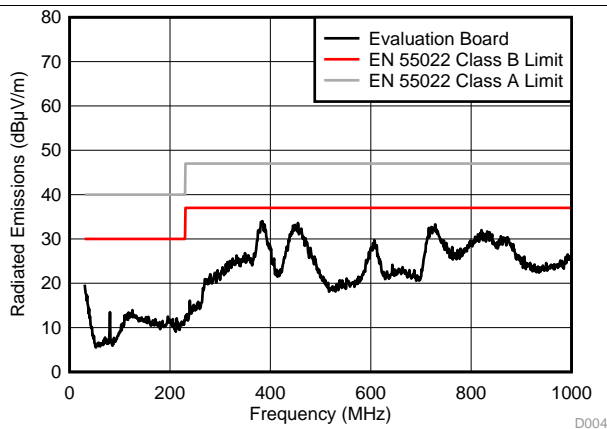


Figure 16. LMZ21701 Radiated EMI (Default BOM), VIN = 12 V, VOUT = 3.3 V, IOU = 1000 mA

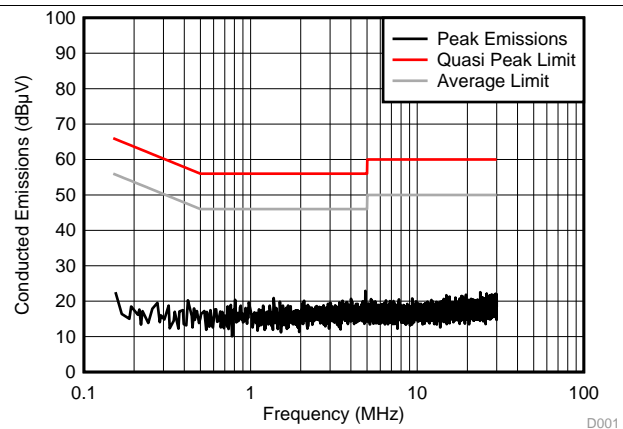


Figure 17. LMZ21700 Conducted EMI (1 µF, 2.2 µH input filter), VIN = 12V, VOUT = 3.3V, IOU = 650 mA

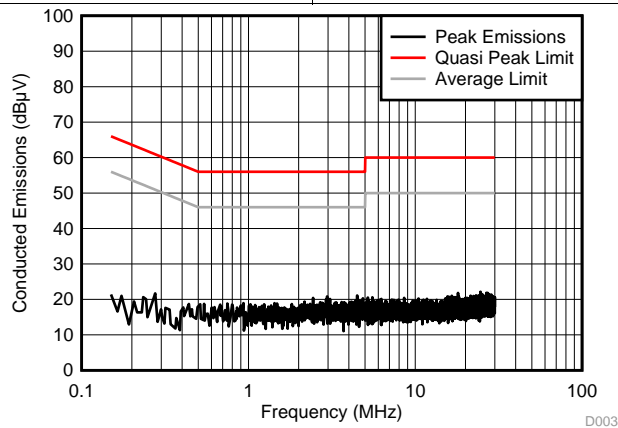


Figure 18. LMZ21701 Conducted EMI (1 µF, 2.2 µH additional input filter), VIN = 12V, VOUT = 3.3 V, IOU = 1000 mA

---

## Revision History

<b>Changes from Original (April 2014) to A Revision</b>	<b>Page</b>
---	-------------

---

- Added SVA cleanup and editing..... 5
- 

NOTE: Page numbers for previous revisions may differ from page numbers in the current version.

## IMPORTANT NOTICE

Texas Instruments Incorporated and its subsidiaries (TI) reserve the right to make corrections, enhancements, improvements and other changes to its semiconductor products and services per JESD46, latest issue, and to discontinue any product or service per JESD48, latest issue. Buyers should obtain the latest relevant information before placing orders and should verify that such information is current and complete. All semiconductor products (also referred to herein as "components") are sold subject to TI's terms and conditions of sale supplied at the time of order acknowledgment.

TI warrants performance of its components to the specifications applicable at the time of sale, in accordance with the warranty in TI's terms and conditions of sale of semiconductor products. Testing and other quality control techniques are used to the extent TI deems necessary to support this warranty. Except where mandated by applicable law, testing of all parameters of each component is not necessarily performed.

TI assumes no liability for applications assistance or the design of Buyers' products. Buyers are responsible for their products and applications using TI components. To minimize the risks associated with Buyers' products and applications, Buyers should provide adequate design and operating safeguards.

TI does not warrant or represent that any license, either express or implied, is granted under any patent right, copyright, mask work right, or other intellectual property right relating to any combination, machine, or process in which TI components or services are used. Information published by TI regarding third-party products or services does not constitute a license to use such products or services or a warranty or endorsement thereof. Use of such information may require a license from a third party under the patents or other intellectual property of the third party, or a license from TI under the patents or other intellectual property of TI.

Reproduction of significant portions of TI information in TI data books or data sheets is permissible only if reproduction is without alteration and is accompanied by all associated warranties, conditions, limitations, and notices. TI is not responsible or liable for such altered documentation. Information of third parties may be subject to additional restrictions.

Resale of TI components or services with statements different from or beyond the parameters stated by TI for that component or service voids all express and any implied warranties for the associated TI component or service and is an unfair and deceptive business practice. TI is not responsible or liable for any such statements.

Buyer acknowledges and agrees that it is solely responsible for compliance with all legal, regulatory and safety-related requirements concerning its products, and any use of TI components in its applications, notwithstanding any applications-related information or support that may be provided by TI. Buyer represents and agrees that it has all the necessary expertise to create and implement safeguards which anticipate dangerous consequences of failures, monitor failures and their consequences, lessen the likelihood of failures that might cause harm and take appropriate remedial actions. Buyer will fully indemnify TI and its representatives against any damages arising out of the use of any TI components in safety-critical applications.

In some cases, TI components may be promoted specifically to facilitate safety-related applications. With such components, TI's goal is to help enable customers to design and create their own end-product solutions that meet applicable functional safety standards and requirements. Nonetheless, such components are subject to these terms.

No TI components are authorized for use in FDA Class III (or similar life-critical medical equipment) unless authorized officers of the parties have executed a special agreement specifically governing such use.

Only those TI components which TI has specifically designated as military grade or "enhanced plastic" are designed and intended for use in military/aerospace applications or environments. Buyer acknowledges and agrees that any military or aerospace use of TI components which have **not** been so designated is solely at the Buyer's risk, and that Buyer is solely responsible for compliance with all legal and regulatory requirements in connection with such use.

TI has specifically designated certain components as meeting ISO/TS16949 requirements, mainly for automotive use. In any case of use of non-designated products, TI will not be responsible for any failure to meet ISO/TS16949.

### Products

Audio	<a href="http://www.ti.com/audio">www.ti.com/audio</a>
Amplifiers	<a href="http://amplifier.ti.com">amplifier.ti.com</a>
Data Converters	<a href="http://dataconverter.ti.com">dataconverter.ti.com</a>
DLP® Products	<a href="http://www.dlp.com">www.dlp.com</a>
DSP	<a href="http://dsp.ti.com">dsp.ti.com</a>
Clocks and Timers	<a href="http://www.ti.com/clocks">www.ti.com/clocks</a>
Interface	<a href="http://interface.ti.com">interface.ti.com</a>
Logic	<a href="http://logic.ti.com">logic.ti.com</a>
Power Mgmt	<a href="http://power.ti.com">power.ti.com</a>
Microcontrollers	<a href="http://microcontroller.ti.com">microcontroller.ti.com</a>
RFID	<a href="http://www.ti-rfid.com">www.ti-rfid.com</a>
OMAP Applications Processors	<a href="http://www.ti.com/omap">www.ti.com/omap</a>
Wireless Connectivity	<a href="http://www.ti.com/wirelessconnectivity">www.ti.com/wirelessconnectivity</a>

### Applications

Automotive and Transportation	<a href="http://www.ti.com/automotive">www.ti.com/automotive</a>
Communications and Telecom	<a href="http://www.ti.com/communications">www.ti.com/communications</a>
Computers and Peripherals	<a href="http://www.ti.com/computers">www.ti.com/computers</a>
Consumer Electronics	<a href="http://www.ti.com/consumer-apps">www.ti.com/consumer-apps</a>
Energy and Lighting	<a href="http://www.ti.com/energy">www.ti.com/energy</a>
Industrial	<a href="http://www.ti.com/industrial">www.ti.com/industrial</a>
Medical	<a href="http://www.ti.com/medical">www.ti.com/medical</a>
Security	<a href="http://www.ti.com/security">www.ti.com/security</a>
Space, Avionics and Defense	<a href="http://www.ti.com/space-avionics-defense">www.ti.com/space-avionics-defense</a>
Video and Imaging	<a href="http://www.ti.com/video">www.ti.com/video</a>

### TI E2E Community

[e2e.ti.com](http://e2e.ti.com)