

TMS320C6457 DSP Host Port Interface (HPI)

User's Guide



Literature Number: SPRUGK7A
March 2009—Revised July 2010

Preface	6
1 Introduction to the HPI	7
1.1 Summary of the HPI Registers	8
1.2 Summary of the HPI Signals	9
2 Using the Address Registers	11
2.1 Single-HPIA Mode	11
2.2 Dual-HPIA Mode	11
3 HPI Operation	12
3.1 Host-HPI Signal Connections	12
3.2 HPI Configuration and Data Flow	14
3.3 $\overline{HDS2}$, $\overline{HDS1}$, and \overline{HCS} : Data Strobing and Chip Selection	15
3.4 $\overline{HCNTL}[1:0]$ and $\overline{HR}/\overline{W}$: Indicating the Cycle Type	16
3.5 \overline{HHWIL} : Identifying the First and Second Halfwords in 16-Bit Multiplexed Mode	17
3.6 \overline{FAS} : Forcing the HPI to Latch Control Information Early	17
3.7 Performing a Multiplexed Access Without \overline{FAS}	20
3.8 Single-Halfword HPIC Cycle in the 16-Bit Multiplexed Mode	22
3.9 Hardware Handshaking Using the HPI-Ready (\overline{HRDY}) Signal	22
4 Software Handshaking Using the HPI Ready (\overline{HRDY}) Bit	29
4.1 Polling the \overline{HRDY} Bit	29
5 Interrupts Between the Host and the CPU	30
5.1 \overline{DSPINT} Bit: Host-to-CPU Interrupts	30
5.2 \overline{HINT} Bit: CPU-to-Host Interrupts	30
6 FIFOs and Bursting	32
6.1 Read Bursting	32
6.2 Write Bursting	33
6.3 FIFO Flush Conditions	34
6.4 FIFO Behavior When a Hardware Reset or Software Reset Occurs	34
7 Emulation and Reset Considerations	35
7.1 Emulation Modes	35
7.2 Software Reset Considerations	35
7.3 Hardware Reset Considerations	35
8 HPI Registers	36
8.1 Introduction	36
8.2 Power and Emulation Management Register ($\overline{PWREMU_MGMT}$)	37
8.3 Host Port Interface Control Register (HPIC)	38
8.4 Host Port Interface Address Registers (\overline{HPIAW} and \overline{HPIAR})	40
8.5 Data Register (HPID)	41
Appendix A Revision History	42

List of Figures

1	HPI Position in the Host-DSP System	7
2	Example of Host-DSP Signal Connections When Using the $\overline{H\overline{A}S}$ Signal in the 32-Bit Multiplexed Mode	12
3	Example of Host-DSP Signal Connections When the $\overline{H\overline{A}S}$ Signal is Tied High in the 32-Bit Multiplexed Mode	13
4	Example of Host-DSP Signal Connections When Using the $\overline{H\overline{A}S}$ Signal in the 16-Bit Multiplexed Mode	13
5	Example of Host-DSP Signal Connections When the $\overline{H\overline{A}S}$ Signal is Tied High in the 16-Bit Multiplexed Mode	14
6	HPI Strobe and Select Logic.....	15
7	16-Bit Multiplexed Mode Host Read Cycle Using $\overline{H\overline{A}S}$	18
8	16-Bit Multiplexed Mode Host Write Cycle Using $\overline{H\overline{A}S}$	19
9	16-Bit Multiplexed Mode Host Read Cycle With $\overline{H\overline{A}S}$ Tied High.....	20
10	16-Bit Multiplexed Mode Host Write Cycle With $\overline{H\overline{A}S}$ Tied High	21
11	16-Bit Multiplexed Mode Single-Halfword HPIC Cycle with $\overline{H\overline{A}S}$ Tied High.....	22
12	\overline{HRDY} Behavior During an HPIC or HPIA Read Cycle in the 16-Bit Multiplexed Mode.....	23
13	\overline{HRDY} Behavior During a Data Read Operation in the 16-Bit Multiplexed Mode (Case 1: HPIA Write Cycle Followed by Nonautoincrement HPID Read Cycle)	23
14	\overline{HRDY} Behavior During a Data Read Operation in the 16-Bit Multiplexed Mode (Case 2: HPIA Write Cycle Followed by Autoincrement HPID Read Cycles)	23
15	\overline{HRDY} Behavior During an HPIC Write Cycle in the 16-Bit Multiplexed Mode	24
16	\overline{HRDY} Behavior During a Data Write Operation in the 16-Bit Multiplexed Mode (Case 1: No Autoincrementing)	24
17	\overline{HRDY} Behavior During a Data Write Operation in the 16-Bit Multiplexed Mode(Case 2: Autoincrementing Selected, FIFO Empty Before Write).....	24
18	\overline{HRDY} Behavior During a Data Write Operation in the 16-Bit Multiplexed Mode(Case 3: Autoincrementing Selected, FIFO Not Empty Before Write).....	25
19	\overline{HRDY} Behavior During an HPIC or HPIA Read Cycle in the 32-Bit Multiplexed Mode.....	25
20	\overline{HRDY} Behavior During a Data Read Operation in the 16-Bit Multiplexed Mode (Case 1: HPIA Write Cycle Followed by Nonautoincrement HPID Read Cycle)	26
21	\overline{HRDY} Behavior During a Data Read Operation in the 32-Bit Multiplexed Mode (Case 2: HPIA Write Cycle Followed by Autoincrement HPID Read Cycles)	26
22	\overline{HRDY} Behavior During an HPIC Write Cycle in the 32-Bit Multiplexed Mode	27
23	\overline{HRDY} Behavior During a Data Write Operation in the 32-Bit Multiplexed Mode (Case 1: No Autoincrementing)	27
24	\overline{HRDY} Behavior During a Data Write Operation in the 32-Bit Multiplexed Mode (Case 2: Autoincrementing Selected, FIFO Empty Before Write).....	28
25	\overline{HRDY} Behavior During a Data Write Operation in the 32-Bit Multiplexed Mode (Case 3: Autoincrementing Selected, FIFO Not Empty Before Write).....	28
26	Host-to-CPU Interrupt State Diagram.....	30
27	CPU-to-Host Interrupt State Diagram.....	31
28	FIFOs in the HPI.....	32
29	Power and Emulation Management Register (PWREMU_MGMT)	37
30	Host Access Permissions	38
31	CPU Access Permissions	38
32	Format of an Address Register (HPIAW or HPIAR) - Host Access Permissions	40
33	Format of an Address Register (HPIAW or HPIAR) - CPU Access Permissions	40
34	Data Register (HPID) (Host access permissions, CPU cannot access HPID)	41

List of Tables

1	Summary of HPI Registers	9
2	HPI Signals	9
3	Options for Connecting Host and HPI Data Strobe Pins	15
4	Access Types Selectable by the HCNTL Signals	16
5	Cycle Types Selectable With the HCNTL and HR/W Signals	16
6	Host Port Interface (HPI) Registers	36
7	Power and Emulation Management Register (PWREMU_MGMT) Field Descriptions	37
8	Host Port Interface Control Register (HPIC) Field Descriptions.....	38
9	Host Port Interface Address Registers (HPIAW or HPIAR) Field Descriptions	40
10	Data Register (HPID) Field Descriptions	41
11	TMS320C6457 HPI Revision History	42

Read This First

About This Manual

This guide describes the host port interface (HPI) on the TMS320C6457 digital signal processors (DSPs). The HPI enables an external host processor (host) to directly access the internal or external memory of the DSP using a 16-bit (HPI16) or 32-bit (HPI32) interface.

Notational Conventions

This document uses the following conventions.

- Hexadecimal numbers are shown with the suffix h. For example, the following number is 40 hexadecimal (decimal 64): 40h.
- Registers in this document are shown in figures and described in tables.
 - Each register figure shows a rectangle divided into fields that represent the fields of the register. Each field is labeled with its bit name, its beginning and ending bit numbers above, and its read/write properties below. A legend explains the notation used for the properties.
 - Reserved bits in a register figure designate a bit that is used for future device expansion.

Related Documentation From Texas Instruments

The following documents describe the C6000™ devices and related support tools. Copies of these documents are available on the Internet at www.ti.com. *Tip:* Enter the literature number in the search box provided at www.ti.com.

[SPRU189](#) — ***TMS320C6000 DSP CPU and Instruction Set Reference Guide***. Describes the CPU architecture, pipeline, instruction set, and interrupts for the TMS320C6000 digital signal processors (DSPs).

[SPRU198](#) — ***TMS320C6000 Programmer's Guide***. Describes ways to optimize C and assembly code for the TMS320C6000™ DSPs and includes application program examples.

[SPRU301](#) — ***TMS320C6000 Code Composer Studio Tutorial***. Introduces the Code Composer Studio™ integrated development environment and software tools.

[SPRU321](#) — ***Code Composer Studio Application Programming Interface Reference Guide***. Describes the Code Composer Studio™ application programming interface (API), which allows you to program custom plug-ins for Code Composer.

[SPRU871](#) — ***TMS320C64x+ Megamodule Reference Guide***. Describes the TMS320C64x+ digital signal processor (DSP) megamodule. Included is a discussion on the internal direct memory access (IDMA) controller, the interrupt controller, the power-down controller, memory protection, bandwidth management, and the memory and cache.

Host Port Interface (HPI)

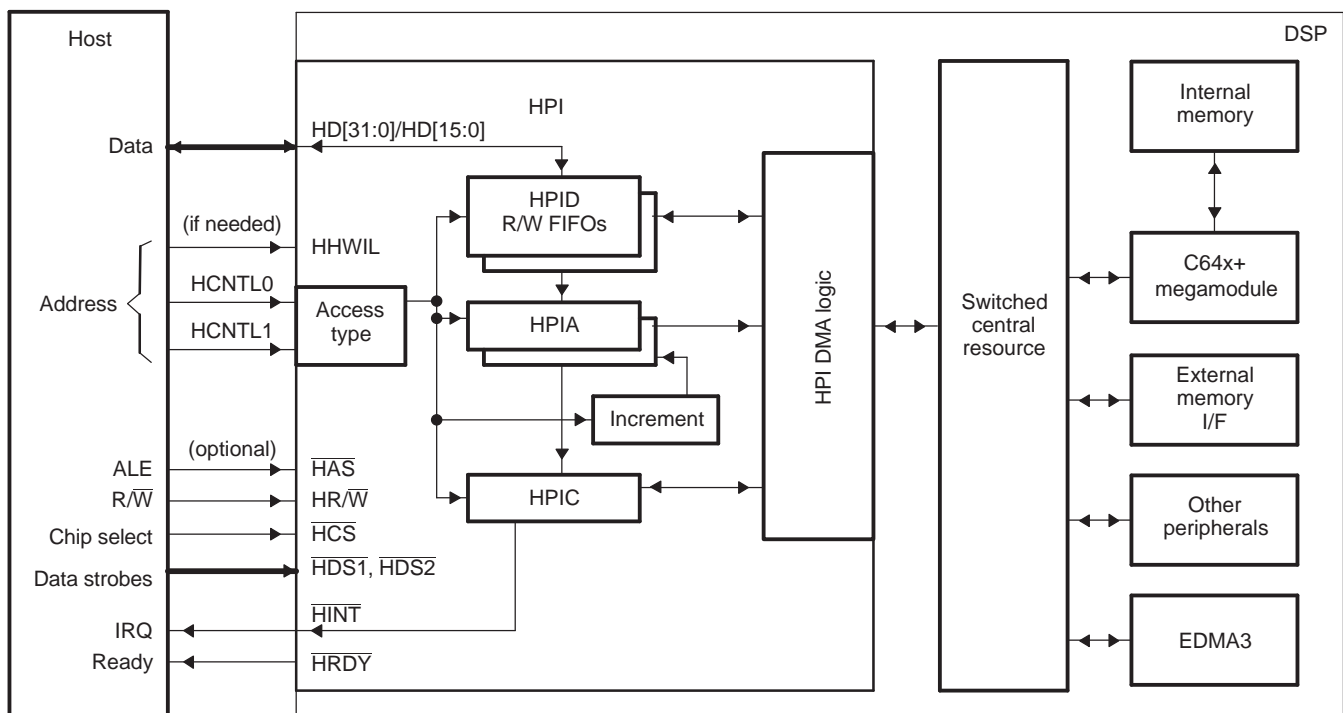
This guide describes the host port interface (HPI) on the TMS320C6457 digital signal processors (DSPs). The HPI enables an external host processor (host) to directly access DSP resources (including internal and external memory) using a 16-bit (HPI16) or 32-bit (HPI32) interface.

1 Introduction to the HPI

The HPI provides a parallel port interface through which an external host processor (host) can access DSP resources. The HPI enables a host device and CPU to exchange information via internal or external memory. Dedicated address and data registers (HPIA and HPID respectively) within the HPI provide the data path between the external host interface and the processor resources. An HPI control register (HPIC) is available to the host and the CPU for various configuration and interrupt functions.

Figure 1 is a high-level block diagram showing how the HPI connects a host (left side of figure) and the DSP internal resources (right side of figure). The host functions as a master to the HPI. Host activity is asynchronous to the internal clock that drives the HPI. When HPI resources are temporarily busy or unavailable, the HPI informs the host by deasserting the HPI-ready (HRDY) output signal.

Figure 1. HPI Position in the Host-DSP System



The HPI uses multiplexed operation, meaning the data bus carries both address and data. When the host drives an address on the bus, the address is stored in the address register (HPIA) in the HPI, so that the bus can then be used for data.

The HPI supports two interface modes: HPI16 and HPI32 mode. DSP selects either HPI16 or HPI32 mode via the HPI_WIDTH device configuration pin at reset.

- 16-bit multiplexed mode (HPI16). The HPI is called HPI16 when operating as a 16-bit wide host port. This mode is selected if the HPI_WIDTH configuration pin of the DSP is sampled low at reset. In this mode, a 16-bit data bus (HD[15:0]) carries both addresses and data. HPI16 combines successive 16-bit transfers to provide 32-bit data to the CPU. The halfword identification line (HHWIL) input is used on the HPI16 to identify the first or second half word of a word transfer.
- 32-bit multiplexed mode (HPI32). HPI operates in this mode as a 32-bit wide host port. This mode is selected if the HPI_WIDTH configuration pin of the DSP is sampled high at reset. In this mode, a 32-bit data bus (HD[31:0]) carries both addresses and data. HHWIL is not applicable for HPI32 mode.

The HPI contains two HPIAs (HPIAR and HPIAW), which can be used as separate address registers for read accesses and write accesses (for details, see [Section 2](#)).

A 32-bit control register (HPIC) is accessible by the DSP CPU and the host. The CPU can use HPIC to send an interrupt request to the host, to clear an interrupt request from the host, and to monitor the HPI. The host can use HPIC to configure and monitor the HPI, to send an interrupt request to the CPU, and to clear an interrupt request from the CPU.

Data flow between the host and the HPI uses a temporary storage register, the 32-bit data register (HPID). Data arriving from the host is held in HPID until the data can be stored elsewhere in the DSP. Data to be sent to the host is held in HPID until the HPI is ready to perform the transfer. When address autoincrementing is used, read and write FIFOs are used to store burst data. If autoincrementing is not used, the FIFO memory acts as a single register (only one location is used).

NOTE: To manage data transfers between HPID and the internal memory, the DSP contains dedicated HPI DMA logic. The HPI DMA logic is not programmable. It automatically stores or fetches data using the address provided by the host. The HPI DMA logic is independent of the EDMA3 controller included in the DSP.

In the DSP system, master and slave peripherals communicate with each other via the Switched Central Resource (SCR). By definition, master peripherals are capable of initiating read and write transfers in the system and may not solely rely on the EDMA3 controller for their data transfers. Slave peripherals rely on the EDMA3 controller to perform transfers. The HPI is a master peripheral; it uses its DMA logic to directly communicate with the rest of the system via the SCR and does not rely on the EDMA3 controller for its data transfers. Note that the HPI cannot access all DSP resources or peripherals; see the device-specific data manual for a list of resources accessible through the HPI.

1.1 Summary of the HPI Registers

[Table 1](#) summarizes the registers inside the HPI, including access permissions and access requirements from the perspective of the host and the DSP CPU. See [Section 8](#) for detailed descriptions of all these registers. [Section 2](#) describes the two address registers (HPIAW and HPIAR) and describes the two HPIA modes that determine how the host uses these registers.

The host can only access HPIC, HPIAW, HPIAR, and HPID. By driving specific levels on the HCNTL[1:0] signals, the host indicates whether it is performing an HPIC, HPIA, or HPID access. For an HPID access, the HCNTL signals also indicate whether or not the HPI should perform an automatic address increment after the access. [Section 3.4](#) describes the effects of the HCNTL[1:0] signals. The HR/W signal indicates whether the host is reading or writing.

The DSP CPU cannot access HPID but has limited access to HPIC, HPIAR, and HPIAW. The CPU has full access to the power and emulation management register, which selects an emulation mode for the HPI.

HPI registers accessible by the CPU have an address in the DSP memory map. [Table 1](#) shows the offset addresses for various HPI registers. See the device-specific data manual for the base addresses of the HPI registers.

Table 1. Summary of HPI Registers

Register	Description	Host Access		CPU Access	
		Read/Write Permissions	Access Requirements	Read/Write Permissions	Offset Address
PWREMU_MGMT	Power and Emulation Management Register	None	-	Read/Write	04h
HPIC	Host Port Interface Control Register	Read/Write	HCNTL1 low HCNTL0 low	Read: All bits Write: HINT and DSPINT bits only	30h
HPIAW	Host Port Interface Write Address Register	Read/Write	HCNTL1 high HCNTL0 low Single-HPIA mode, or dual-HPIA mode with HPIAW selected ⁽¹⁾	Read only	34h
HPIAR	Host Port Interface Read Address Register	Read/Write	HCNTL1 high HCNTL0 low Single-HPIA mode, or dual-HPIA mode with HPIAR selected ⁽¹⁾	Read only	38h
HPID	Host Port Interface Data Register	Read/Write	With autoincrementing: HCNTL1 low HCNTL0 high No autoincrementing: HCNTL1 high HCNTL0 high	None	None

⁽¹⁾ The single-HPIA mode and the dual-HPIA mode are described in [Section 2](#).

1.2 Summary of the HPI Signals

[Table 2](#) summarizes each of the HPI signals. It provides the signal name, the possible states for the signal (input, output, or high-impedance), the connection(s) to be made on the host side of the interface, and a description of the signal's function.

CAUTION

Note that the encoding of HCNTL0 and HCNTL1 for the different types of HPI accesses varies on many TI DSPs; therefore, you should use caution to ensure that the correct encoding of these inputs is used for your device. The encoding of these signals as described in this document applies only to C6457 DSPs.

Table 2. HPI Signals

Signal	State ⁽¹⁾	Host Connection	Description
HCS	I	Chip select pin	HPI chip select. HCS must be low for the HPI to be selected by the host. HCS can be kept low between accesses. HCS normally precedes an active HDS (data strobe) signal, but can be connected to an HDS pin for simultaneous select and strobe activity.
HDS1 and HDS2	I	Read strobe and write strobe pins or any data strobe pin	HPI data strobe pins. These pins are used for strobing data in and out of the HPI (for data strobing details, see Section 3.3). The direction of the data transfer depends on the logic level of the HR/W signal. The HDS signals are also used to latch control information (if HAS is tied high) on the falling edge. During an HPID write access, data is latched into the HPID register on the rising edge of HDS. During read operations, these pins act as output-enable pins of the host data bus.

⁽¹⁾ I = Input, O = Output, Z = High Impedance.

Table 2. HPI Signals (continued)

Signal	State ⁽¹⁾	Host Connection	Description
HCNTL[1:0]	I	Address or control pins	The HPI latches the logic levels of these pins on the falling edge of $\overline{\text{HAS}}$ or internal $\overline{\text{HSTRB}}$ (for details about internal $\overline{\text{HSTRB}}$, see Section 3.3). The four binary states of these pins determine the access type of the current transfer (HPIC, HPID with autoincrementing, HPIA, or HPID without autoincrementing).
$\overline{\text{HR/W}}$	I	R/W strobe pin	HPI read/write. On the falling edge of $\overline{\text{HAS}}$ or internal $\overline{\text{HSTRB}}$, $\overline{\text{HR/W}}$ indicates whether the current access is to be a read or write operation. Driving $\overline{\text{HR/W}}$ high indicates the transfer is a read from the HPI, while driving $\overline{\text{HR/W}}$ low indicates a write to the HPI.
HHWIL	I	Address or control pins	Halfword identification control input. This bit identifies the first and second halfwords of a dual halfword cycle operation. HHWIL=0 identifies the first cycle and HHWIL=1 identifies the second cycle. HHWIL applies only to HPI16 mode and not to HPI32 mode.
$\overline{\text{HAS}}$	I	ALE (address latch enable) or address strobe pin	Address strobe. A host with a multiplexed address/data bus can have $\overline{\text{HAS}}$ connected to its ALE pin. The falling edge of $\overline{\text{HAS}}$ latches the logic levels of the $\overline{\text{HR/W}}$, HCNTL1, and HCNTL0 pins, which are typically connected to host address lines. When used, the $\overline{\text{HAS}}$ signal must precede the falling edge of the internal $\overline{\text{HSTRB}}$ signal.
HD[31:0] HD[15:0]	I/O/Z	Data bus	The HPI data bus carries the data to/from the HPI. HD[31:0] applies to HPI32 and HD[15:0] applies to HPI16.
$\overline{\text{HRDY}}$	O/Z	Asynchronous ready pin	When the HPI drives $\overline{\text{HRDY}}$ low, the host has permission to complete the current host cycle. When the HPI drives $\overline{\text{HRDY}}$ high, the HPI is not ready for the current host cycle to complete.
HINT	O/Z	Interrupt pin	The DSP can interrupt the host processor by writing a 1 to the HINT bit of HPIC. Before subsequent HINT interrupts can occur, the host must clear previous interrupts by writing a 1 to the HINT bit. This pin is active-low and inverted from the HINT bit value in HPIC.

2 Using the Address Registers

The HPI contains two 32-bit address registers: one for read operations (HPIAR) and one for write operations (HPIAW). These roles are unchanging from the position of the HPI DMA logic. HPI DMA logic collects the address from HPIAR when reading from DSP internal/external memory and collects the address from HPIAW when writing to DSP internal/external memory.

However, unlike the HPI DMA logic, the host can choose how to interact with the two HPIA registers. Using the DUALHPIA bit of HPIC, the host determines whether HPIAR and HPIAW act as a single 32-bit register (single-HPIA mode) or as two independent 32-bit registers (dual-HPIA mode).

CAUTION

The host must always write a **word** address to the HPIAs. For example, L2 memory has a base **byte** address of 80 0000h that corresponds to a **word** address of 20 0000h. A host must write 20 0000h to the HPIA register to point the HPI to the base of L2 memory.

2.1 Single-HPIA Mode

If DUALHPIA = 0 in HPIC, HPIAR and HPIAW become a single HPIA register for the host. In this mode:

- A host HPIA write cycle (HCNTL[1:0] = 10b, HR/\overline{W} = 0) updates HPIAR and HPIAW with the same value.
- Both HPIA registers are incremented during autoincrement read/write cycles (HCNTL[1:0] = 01b).
- An HPIA read cycle (HCNTL[1:0] = 10b, HR/\overline{W} = 1) returns the contents of HPIAR, which should be identical to the contents of HPIAW.

To maintain consistency between the contents of HPIAR and HPIAW, the host should always re-initialize the HPIA registers after changing the state of the DUALHPIA bit. In addition, when DUALHPIA = 0, the host must always re-initialize the HPIA registers when it changes the data direction (from an HPID read cycle to an HPID write cycle, or vice versa). Otherwise, the memory location accessed by the HPI DMA logic might not be the host's intended location.

2.2 Dual-HPIA Mode

The host can take advantage of two independent HPIA registers by choosing the dual-HPIA mode (DUALHPIA = 1 in HPIC). In this mode:

- A host HPIA access (HCNTL[1:0] = 10b) reads/updates either HPIAR or HPIAW, depending on the value of the HPIA read/write select (HPIARWSEL) bit of HPIC. This bit is programmed by the host. While HPIARWSEL = 1, only HPIAR is read or updated by the host. While HPIARWSEL = 0, only HPIAW is read or updated by the host. The HPIARWSEL bit is only meaningful in the dual-HPIA mode.

NOTE: The HPIARWSEL bit does not affect the HPI DMA logic. Regardless of the value of HPIARWSEL, the HPI DMA logic uses HPIAR when reading from memory and HPIAW when writing to memory.

- A host HPID access with autoincrementing (HCNTL[1:0] = 01b) causes only the relevant HPIA value to be incremented to the next consecutive memory address. In an autoincrement read cycle, HPIAR is incremented after it has been used to perform the current read from memory. In an autoincrement write cycle, HPIAW is incremented after it has been used for the write operation.

3 HPI Operation

3.1 Host-HPI Signal Connections

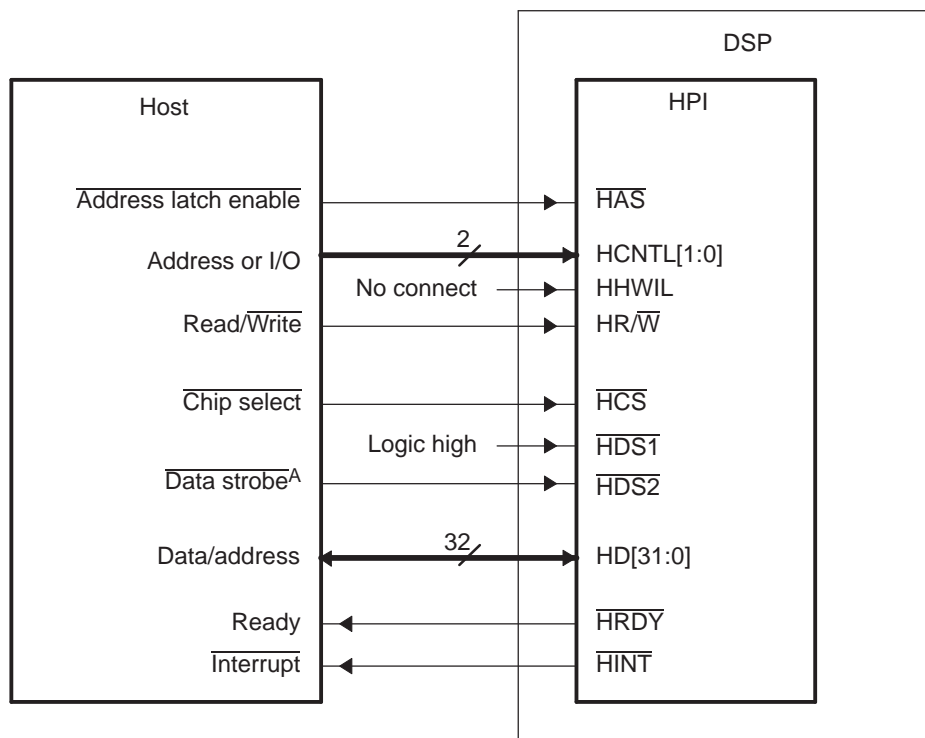
Figure 2 and Figure 3 show examples of signal connections for the 32-bit multiplexed mode. Figure 4 and Figure 5 show similar examples for the 16-bit multiplexed mode. In Figure 2 and Figure 4, the HAS signal is used as described in Section 3.6. In Figure 3 and Figure 5, $\overline{\text{HAS}}$ is tied high (not used). Note the following key comparisons between the signal connections in the two interface modes:

- The HPI_WIDTH configuration pin of the DSP must be held high at reset for the 32-bit multiplexed mode (HPI32) or low at reset for the 16-bit multiplexed mode (HPI16).
- The address strobe ($\overline{\text{HAS}}$) of the HPI is optional for both modes.
- The halfword identification control line (HHWIL) of the HPI is not used in the 32-bit multiplexed mode, but is required in the 16-bit multiplexed mode.

CAUTION

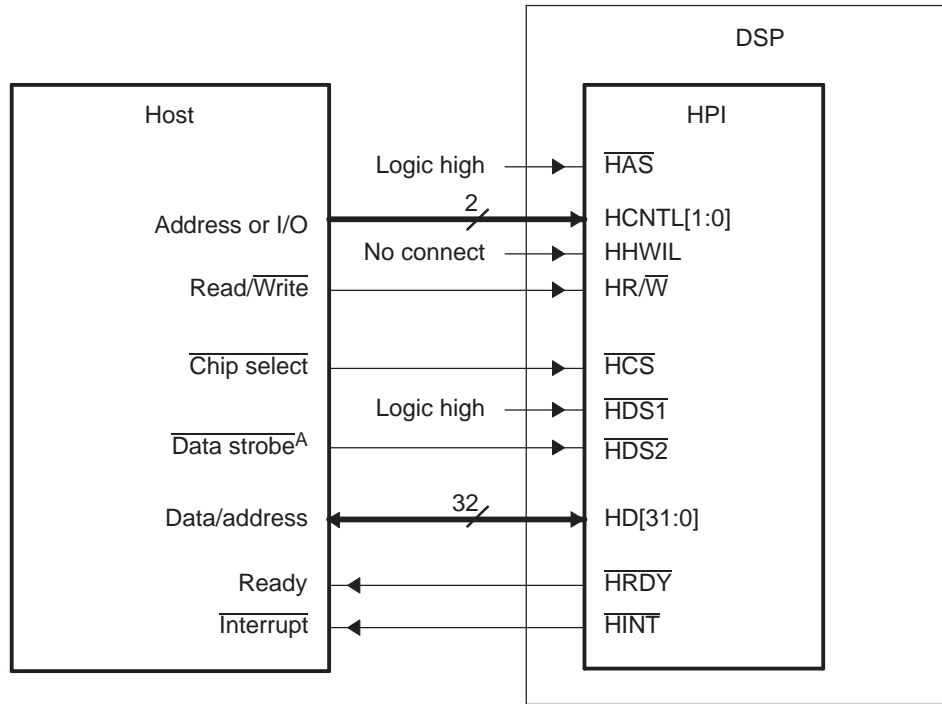
Note that the encoding of HCNTL0 and HCNTL1 for the different types of HPI accesses varies on many TI DSPs; therefore, you should use caution to ensure that the correct encoding of these inputs is used for your device. The encoding of these signals as described in this document applies only to C6457 DSPs.

Figure 2. Example of Host-DSP Signal Connections When Using the $\overline{\text{HAS}}$ Signal in the 32-Bit Multiplexed Mode



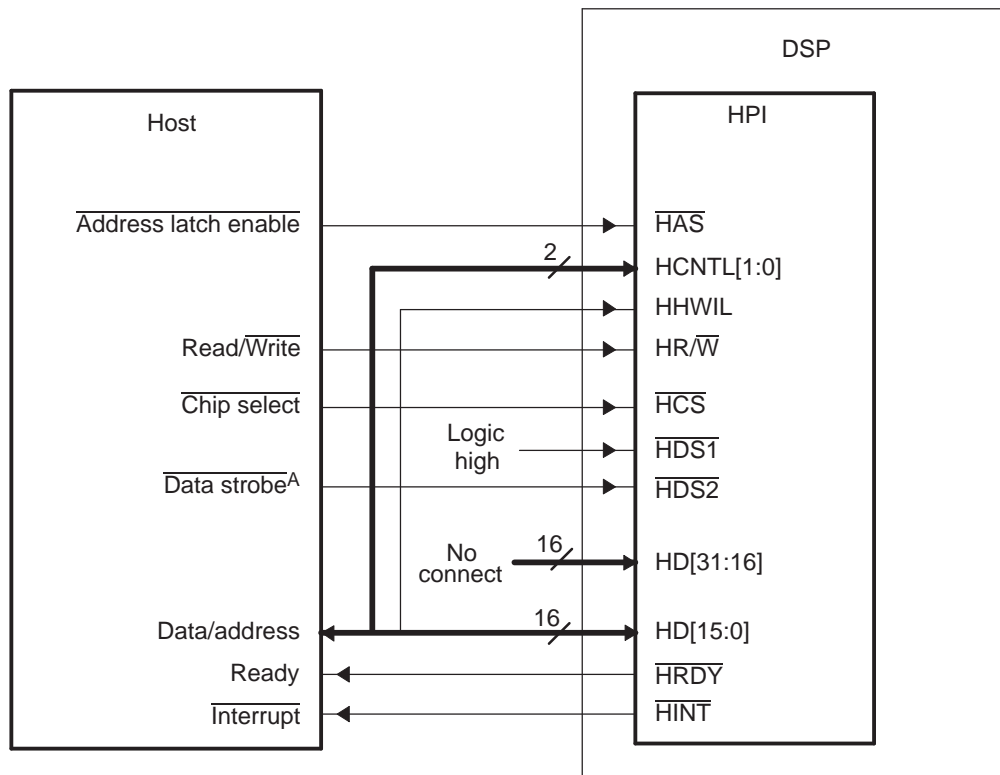
A Data strobing options are given in Section 3.3.

Figure 3. Example of Host-DSP Signal Connections When the $\overline{\text{HAS}}$ Signal is Tied High in the 32-Bit Multiplexed Mode



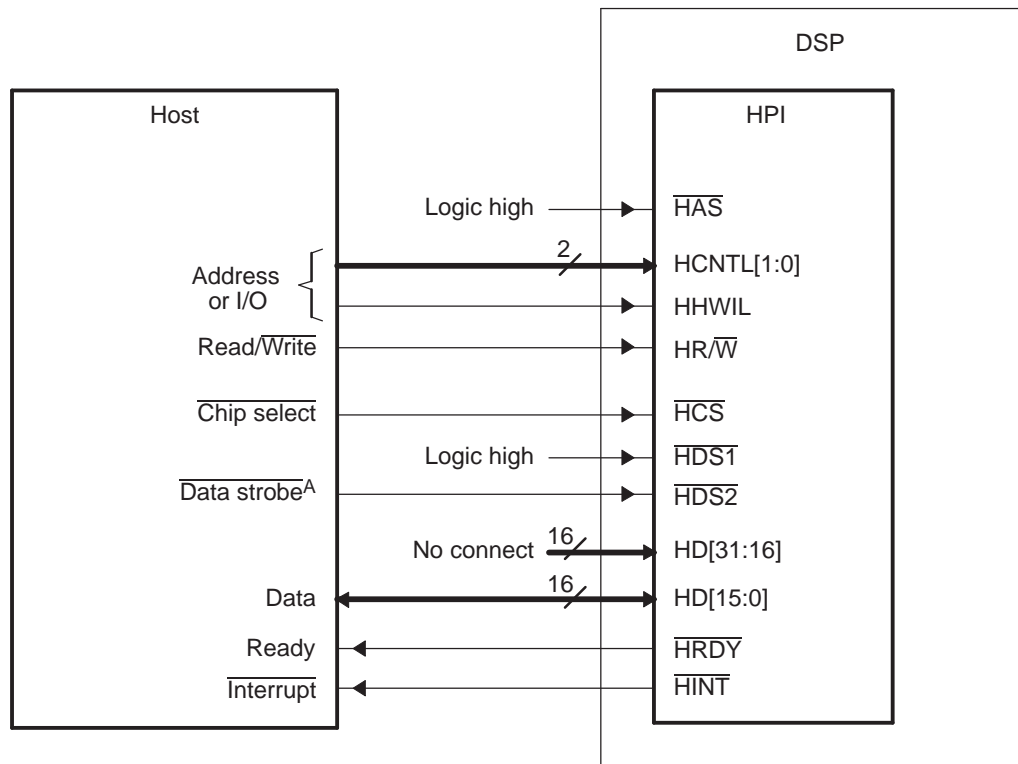
A Data strobing options are given in [Section 3.3](#).

Figure 4. Example of Host-DSP Signal Connections When Using the $\overline{\text{HAS}}$ Signal in the 16-Bit Multiplexed Mode



A Data strobing options are given in [Section 3.3](#).

Figure 5. Example of Host-DSP Signal Connections When the $\overline{\text{HAS}}$ Signal is Tied High in the 16-Bit Multiplexed Mode



A Data strobing options are given in [Section 3.3](#).

3.2 HPI Configuration and Data Flow

In multiplexed mode, the HPIC and HPIA must be initialized before valid host access cycles can take place. The CPU and host must follow these steps to configure the HPI initially:

1. The CPU clears the HPIRST bit in the HPI register. All host accesses will be held off by the deassertion of $\overline{\text{HRDY}}$ until HPIRST is cleared.
2. After the HPIRST bit is cleared, the host writes the HPIC register to program the halfword ordering bit (HWOB) and the HPIA-related bits (DUALHPIA and HPIARWSEL). The HWOB bit must be programmed before any accesses to the HPID and HPIA registers because this bit defines the ordering of all halfword accesses in the 16-bit multiplexed mode.
3. The host writes the desired internal DSP word address to an address register (HPIAR and/or HPIAW). [Section 2](#) introduces the two HPIA registers and their interaction with the host.
4. The host either reads from or writes to the data register (HPID). Data transfers between HPID and the internal resources of the DSP are handled by the HPI DMA logic.

Each step of the access uses the same bus. Therefore, the host must drive the appropriate levels on the HCNTL1 and HCNTL0 signals to indicate which register is to be accessed. The host must also drive the appropriate level on the $\overline{\text{HR/W}}$ signal to indicate the data direction (read or write) and must drive other control signals as appropriate. When HPI resources are temporarily busy or unavailable, the HPI informs the host by deasserting the HPI-ready ($\overline{\text{HRDY}}$) output signal.

When performing an access, the HPI first latches the levels on HCNTL[1:0], $\overline{\text{HR/W}}$, and other control signals. This latching can occur on the falling edge of the internal strobe signal (see [Section 3.3](#)) or the falling edge of $\overline{\text{HAS}}$ (see [Section 3.6](#)). After the control information is latched, the HPI initiates an access based on the control signals.

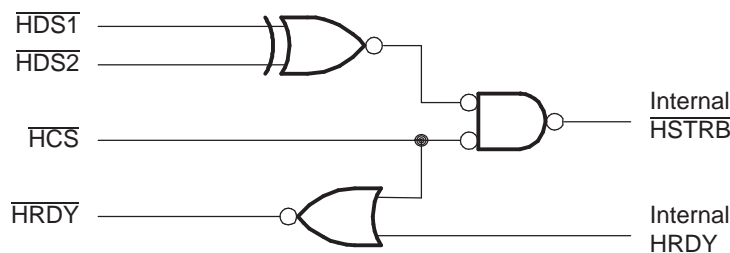
If the host wants to read data from the DSP internal/external memory, the HPI DMA logic reads the memory address from HPIAR and retrieves the data from the addressed memory location. When the data has been placed in HPID, the HPI drives the data onto its HD bus. The $\overline{\text{HRDY}}$ signal informs the host whether the data on the HD bus is valid ($\overline{\text{HRDY}}$ low) or not valid yet ($\overline{\text{HRDY}}$ high). When the data is valid, the host latches the data and drives the connected data strobe ($\overline{\text{HDS1}}$ or $\overline{\text{HDS2}}$) inactive, which, in turn, will cause the internal strobe (internal $\overline{\text{HSTRB}}$) signal to transition from low to high.

If the host wants to write data to the DSP internal/external memory, the operation is similar. After the host determines that the HPI is ready to latch the data ($\overline{\text{HRDY}}$ is low), it must cause internal $\overline{\text{HSTRB}}$ to transition from low to high, which causes the data to be latched into HPID. Once the data is in HPID, the HPI DMA logic reads the memory address from HPIAW and transfers the data from HPID to the addressed memory location.

3.3 $\overline{\text{HDS2}}$, $\overline{\text{HDS1}}$, and $\overline{\text{HCS}}$: Data Strobing and Chip Selection

As illustrated in Figure 6, the strobing logic is a function of three key inputs: the chip select pin ($\overline{\text{HCS}}$) and two data strobe signals ($\overline{\text{HDS1}}$ and $\overline{\text{HDS2}}$). The internal strobe signal, which is referred to as internal $\overline{\text{HSTRB}}$ throughout this document, functions as the actual strobe signal inside the HPI. $\overline{\text{HCS}}$ must be low (HPI selected) during strobe activity on the $\overline{\text{HDS}}$ pins. If $\overline{\text{HCS}}$ remains high (HPI not selected), activity on the $\overline{\text{HDS}}$ pins is ignored.

Figure 6. HPI Strobe and Select Logic



Strobe connections between the host and the HPI partially depend on the number and types of strobe pins available on the host. Table 3 describes various options for connecting to the $\overline{\text{HDS}}$ pins. Notice in Figure 6 that $\overline{\text{HRDY}}$ is also gated by $\overline{\text{HCS}}$. If $\overline{\text{HCS}}$ goes high (HPI not selected), $\overline{\text{HRDY}}$ goes low, regardless of whether the current internal transfer is completed in the DSP.

Table 3. Options for Connecting Host and HPI Data Strobe Pins

Available Host Data Strobe Pins	Connections to HPI Data Strobe Pins
Host has separate read and write strobe pins, both active-low	Connect one strobe pin to $\overline{\text{HDS1}}$ and other to $\overline{\text{HDS2}}$ ⁽¹⁾ . Because such a host might not provide an $\overline{\text{R/W}}$ line, $\overline{\text{HR/W}}$ timings must be satisfied as stated in the device datasheet, perhaps by using a host address line.
Host has separate read and write strobe pins, both active-high	Connect one strobe pin to $\overline{\text{HDS1}}$ and other to $\overline{\text{HDS2}}$ ⁽¹⁾ . Because such a host might not provide an $\overline{\text{R/W}}$ line, $\overline{\text{HR/W}}$ timings must be satisfied as stated in the device datasheet, perhaps by using a host address line.
Host has one active-low strobe pin	Connect the strobe pin to $\overline{\text{HDS1}}$ or $\overline{\text{HDS2}}$, and connect the other pin to logic level 1.
Host has one active-high strobe pin	Connect the strobe pin to $\overline{\text{HDS1}}$ or $\overline{\text{HDS2}}$, and connect the other pin to logic level 0.

⁽¹⁾ The $\overline{\text{HR/W}}$ signal could be driven by a host address line in this case.

NOTE:

1. The $\overline{\text{HCS}}$ input and one $\overline{\text{HDS}}$ strobe input can be tied together and driven with a single strobe signal from the host. This technique selects the HPI and provides the strobe simultaneously. When using this method, note that $\overline{\text{HRDY}}$ is gated by $\overline{\text{HCS}}$ as previously described.
2. It is not recommended to tie both $\overline{\text{HDS1}}$ and $\overline{\text{HDS2}}$ to static logic levels and use $\overline{\text{HCS}}$ as a strobe.

3.4 HCNTL[1:0] and HR/ \overline{W} : Indicating the Cycle Type

The cycle type consists of:

- The access type selected by the host by driving the appropriate levels on the HCNTL[1:0] pins of the HPI. [Table 4](#) describes the four available access types.
- The transfer direction that the host selects with the HR/ \overline{W} pin. The host must drive the HR/ \overline{W} signal high (read) or low (write).

[Table 5](#) summarizes the cycle types. The HPI samples the HCNTL levels either at the falling edge of \overline{HAS} (if \overline{HAS} is used) or at the falling edge of the internal strobe signal \overline{HSTRB} (if \overline{HAS} is not used or is tied high).

CAUTION

Note that the encoding of HCNTL0 and HCNTL1 for the different types of HPI accesses varies on many TI DSPs; therefore, you should use caution to ensure that the correct encoding of these inputs is used for your device. The encoding of these signals as described in this document applies only to C6457 DSPs.

Table 4. Access Types Selectable by the HCNTL Signals

HCNTL1	HCNTL0	Description
0	0	HPIC access. The host requests to access the HPI control register (HPIC).
0	1	HPID access with autoincrementing. The host requests to access the HPI data register (HPID) and to have the appropriate HPI address register (HPIAR and/or HPIAW) automatically incremented by 1 after the access.
1	0	HPIA access. The host requests to access the appropriate HPI address register (HPIAR and/or HPIAW).
1	1	HPID access without autoincrementing. The host requests to access the HPI data register (HPID) but requests no automatic post-increment of the HPI address register.

Table 5. Cycle Types Selectable With the HCNTL and HR/ \overline{W} Signals

HCNTL1	HCNTL0	HR/ \overline{W}	Cycle Type
0	0	0	HPIC write cycle
0	0	1	HPIC read cycle
0	1	0	HPID write cycle with autoincrementing
0	1	1	HPID read cycle with autoincrementing
1	0	0	HPIA write cycle
1	0	1	HPIA read cycle
1	1	0	HPID write cycle without autoincrementing
1	1	1	HPID read cycle without autoincrementing

3.5 **HHWIL: Identifying the First and Second Halfwords in 16-Bit Multiplexed Mode**

In the 16-bit multiplexed mode, each host cycle consists of two consecutive halfword transfers. For each transfer, the host must specify the cycle type with HCNTL[1:0] and HR/ \overline{W} , and the host must use HHWIL to indicate whether the first or second halfword is being transferred. For HPID and HPIA accesses, HHWIL must always be driven low for the first halfword transfer and high for the second halfword transfer. Results are undefined if the sequence is broken. For examples of HHWIL usage, see the figures in [Section 3.6](#) and [Section 3.7](#).

When the host sends the two halfwords of a 32-bit word in this manner, the host can send the most and least significant halfwords of the 32-bit word in either order (most significant halfword first or most significant halfword second). However, the host must inform the HPI of the selected order before beginning the host cycle. This is done by programming the halfword order (HWOB) bit of HPIC. Although (HWOB) is written at bit 0 in HPIC, its current value is readable at both bit 0 and bit 8 (HWOBSTAT). Thus, the host can determine the current halfword-order configuration by checking the least significant bit of either half of HPIC.

There is one case when the 16-bit multiplexed mode does not require a dual-halfword cycle with HHWIL low for the first halfword and HHWIL high for the second halfword. The least significant 16 bits of the HPIC register can be accessed with a single-halfword cycle. During such a cycle, the host can drive HHWIL either high or low. Either approach returns the same value. [Section 3.9](#) includes an example timing diagram of this case.

In the 32-bit multiplexed mode, each host cycle is one word transfer. The HHWIL signal is ignored and 32 bits of data transferred for each active cycle of the internal strobe signal (internal \overline{HSTRB}).

3.6 **\overline{HAS} : Forcing the HPI to Latch Control Information Early**

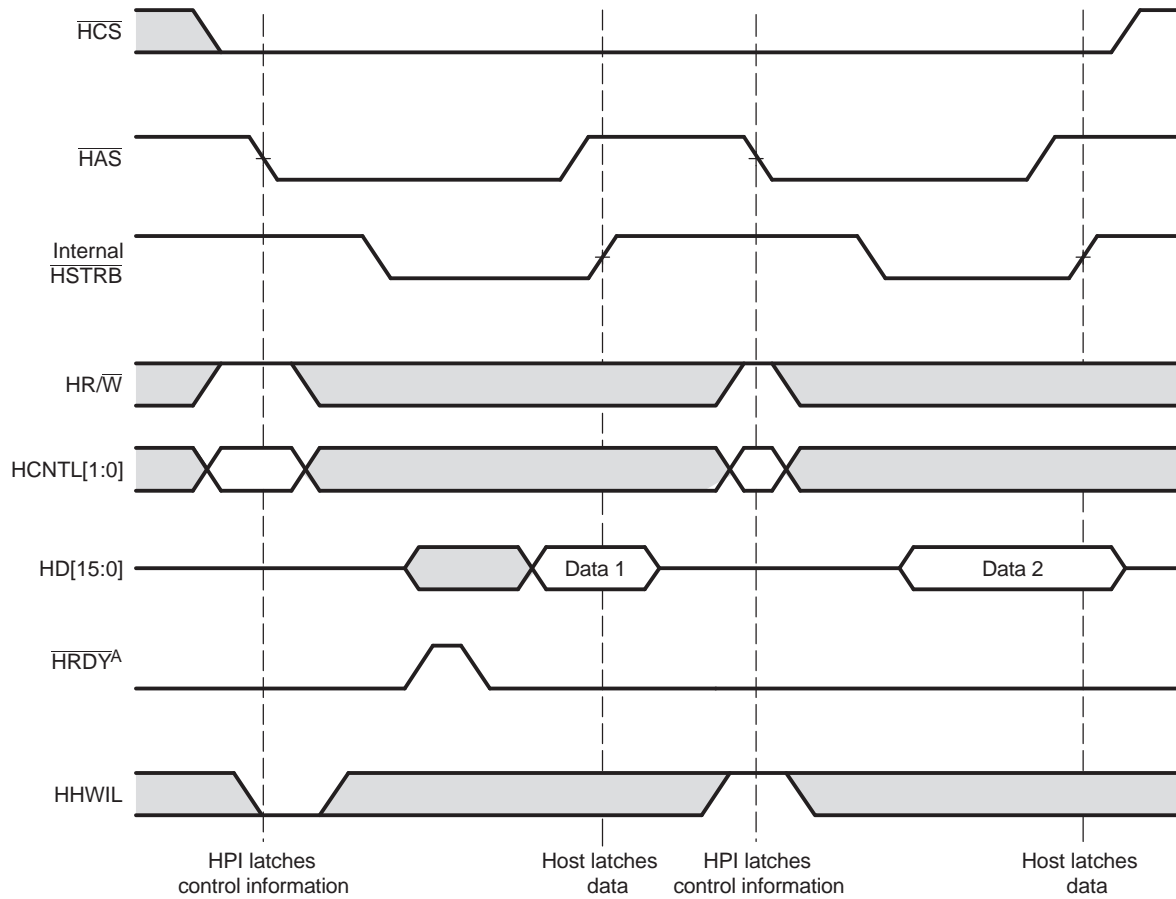
The \overline{HAS} signal is an address strobe that allows control information to be removed earlier in a host cycle, allowing more time to switch bus states from address to data information. This feature facilitates the interface for multiplexed address and data buses. In this type of system, an address latch enable (ALE) signal is often provided and is normally the signal connected to \overline{HAS} .

[Figure 2](#) and [Figure 4](#) show examples of signal connections when \overline{HAS} is used for multiplexed transfers. [Figure 7](#) and [Figure 8](#) show typical HPI signal activity when \overline{HAS} is used. The process for using \overline{HAS} is as follows:

1. The host selects the access type. The host drives the appropriate levels on the HCNTL [1:0] and HR/ \overline{W} signals, and indicates which halfword (first or second) will be transferred by driving HHWIL high or low.
2. The host drives \overline{HAS} low. On the falling edge of \overline{HAS} , the HPI latches the states of the HCNTL[1:0], HR/ \overline{W} , and HHWIL. The high to low transition of \overline{HAS} must precede the falling edge of the internal strobe signal (internal \overline{HSTRB}), which is derived from \overline{HCS} , $\overline{HDS1}$, and $\overline{HDS2}$, as described in [Section 3.3](#).

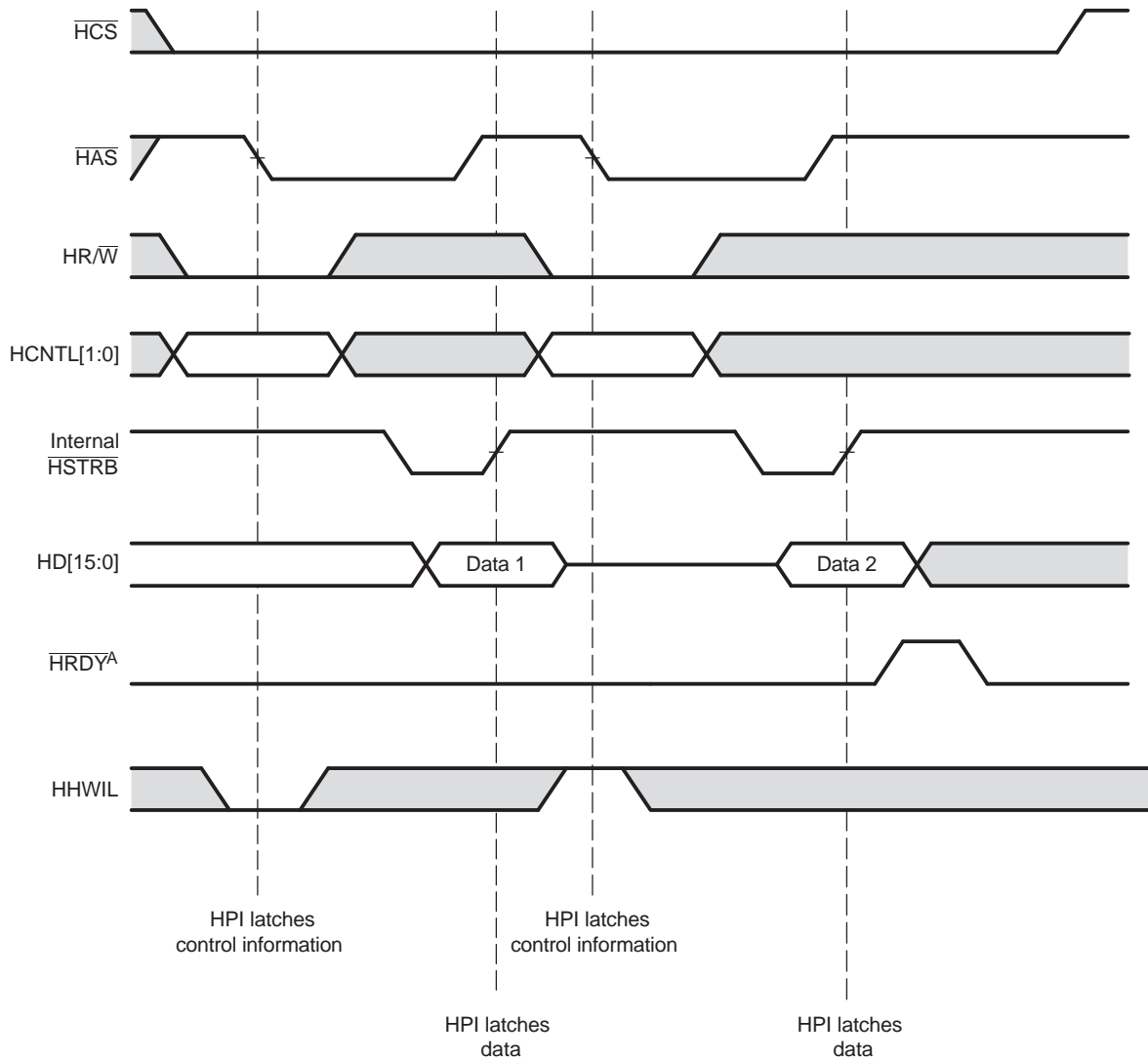
\overline{HCS} does not gate the \overline{HAS} input, which allows time for the host to perform the subsequent access. The \overline{HAS} signal may be brought high after internal \overline{HSTRB} goes low, indicating that the data access is about to occur. \overline{HAS} is not required to be driven high at any time during the cycle, but eventually must transition high before the host uses it for another access with different values for HCNTL [1:0], HR/ \overline{W} , and HHWIL.

Figure 7. 16-Bit Multiplexed Mode Host Read Cycle Using $\overline{\text{HAS}}$



A Depending on the type of write operation (HPID without autoincrementing, HPIA, HPIC, or HPID with autoincrementing) and the state of the FIFO, transitions on $\overline{\text{HRDY}}$ may or may not occur. For more information, see [Section 3.9](#).

Figure 8. 16-Bit Multiplexed Mode Host Write Cycle Using \overline{HAS}

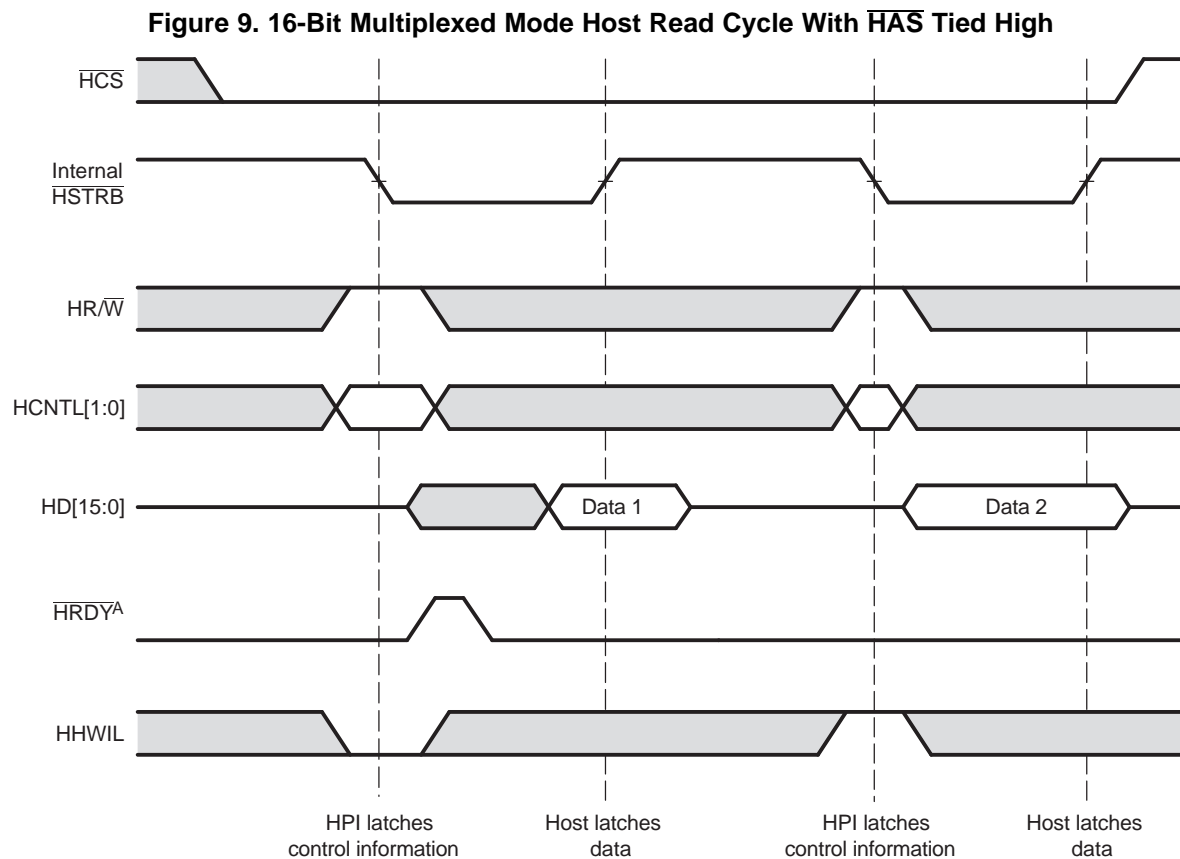


A Depending on the type of write operation (HPID without autoincrementing, HPIA, HPIC, or HPID with autoincrementing) and the state of the FIFO, transitions on \overline{HRDY} may or may not occur. For more information, see [Section 3.9](#).

3.7 Performing a Multiplexed Access Without \overline{HAS}

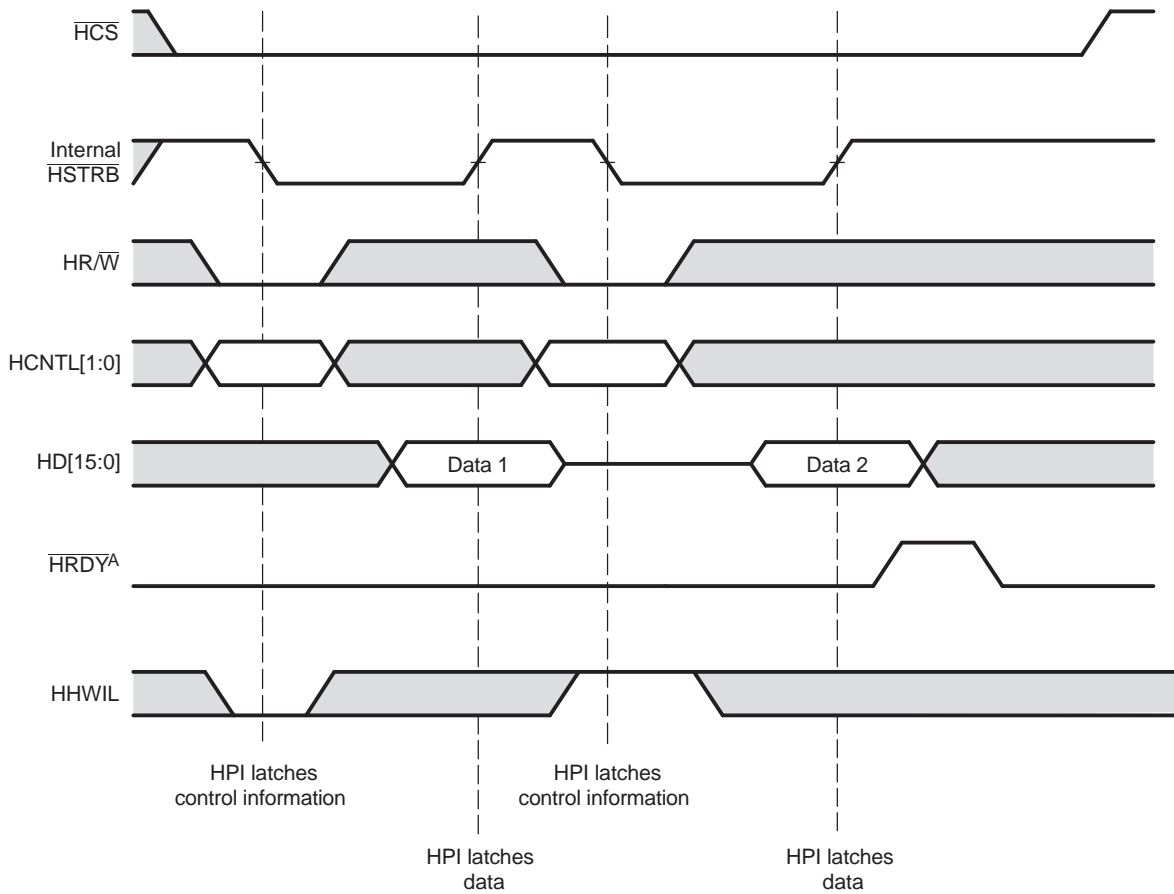
The \overline{HAS} signal is not required when the host processor has dedicated signals (address lines or bit I/O) capable of driving the control lines. Dedicated pins can be directly connected to HCNTL[1:0], HR/ \overline{W} , and HHWIL.

Figure 3 and Figure 5 show examples of signal connections when \overline{HAS} is not used for multiplexed transfers. When \overline{HAS} is not used, it must be tied high (inactive). Figure 9 and Figure 10 show typical HPI signal activity when \overline{HAS} is tied high. The falling edge of internal \overline{HSTRB} latches the HCNTL[1:0], HR/ \overline{W} , and HHWIL states into the HPI. Internal \overline{HSTRB} is derived from \overline{HCS} , $\overline{HDS1}$, and $\overline{HDS2}$, as described in Section 3.3.



- A Depending on the type of write operation (HPID without autoincrementing, HPIA, HPIC, or HPID with autoincrementing) and the state of the FIFO, transitions on \overline{HRDY} may or may not occur. For more information, see Section 3.9.

Figure 10. 16-Bit Multiplexed Mode Host Write Cycle With $\overline{\text{H\!AS}}$ Tied High

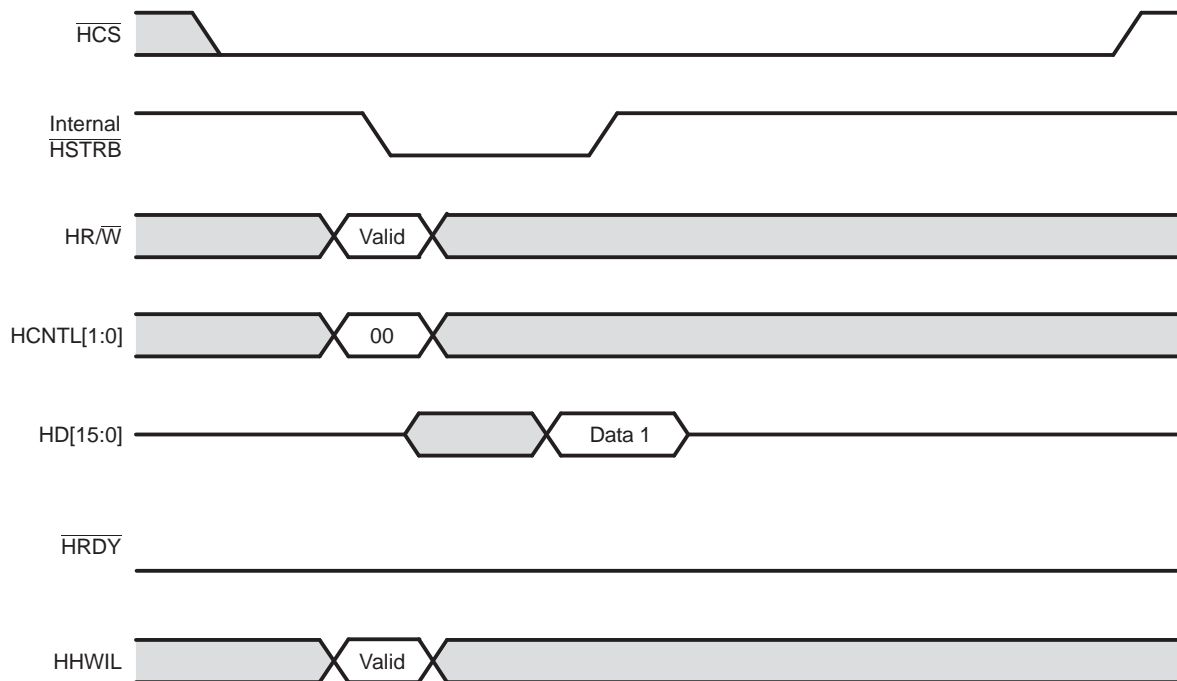


A Depending on the type of write operation (HPID without autoincrementing, HPIA, HPIC, or HPID with autoincrementing) and the state of the FIFO, transitions on $\overline{\text{HRDY}}$ may or may not occur. For more information, see [Section 3.9](#).

3.8 Single-Halfword HPIC Cycle in the 16-Bit Multiplexed Mode

In 16-bit multiplexed mode, the lower 16 bits of the HPIC registers are duplicated on the upper 16 bits during HPIC host accesses. Therefore, the host only needs to perform a single halfword cycle access to read the HPIC register. The host can drive the HHWIL pin either high or low, and either approach returns the same value. Figure 11 shows the special case in which the host performs a single-halfword cycle to access the HPIC (see Section 3.5). Although the example in Figure 11 has the $\overline{\text{HAS}}$ signal tied high, this type of HPIC cycle can also be done using the $\overline{\text{HAS}}$ signal to force early latching of control information.

Figure 11. 16-Bit Multiplexed Mode Single-Halfword HPIC Cycle with $\overline{\text{HAS}}$ Tied High



3.9 Hardware Handshaking Using the HPI-Ready ($\overline{\text{HRDY}}$) Signal

The HPI ready signal $\overline{\text{HRDY}}$ indicates to the host whether the HPI is ready to complete an access. During a read cycle, the HPI is ready (drives $\overline{\text{HRDY}}$ low) when it has data available for the host. During a write cycle, the HPI is ready (drives $\overline{\text{HRDY}}$ low) when it is ready to latch data from the host. If the HPI is not ready, it can drive $\overline{\text{HRDY}}$ high to insert wait states. These wait states indicate to the host that read data is not yet valid (read cycle) or that the HPI is not ready to latch write data (write cycle). The number of wait states that must be inserted by the HPI is dependent upon the state of the accessed resource. See the device-specific data manual for more information.

NOTE: In some cases, if the host does not have an input pin to connect to the $\overline{\text{HRDY}}$ pin, the host can check the readiness of the HPI by polling the HRDY bit in the control register (HPIC). For details, see Section 4.

When the HPI is not ready to complete the current cycle ($\overline{\text{HRDY}}$ high), the host can begin a new host cycle by forcing the HPI to latch new control information. However, once the cycle has been initiated, the host must wait until $\overline{\text{HRDY}}$ goes low before causing a rising edge on the internal strobe signal (internal $\overline{\text{HSTRB}}$) to complete the cycle. If internal $\overline{\text{HSTRB}}$ goes high when the HPI is not ready, the cycle will be terminated with invalid data being returned (read cycle) or written (write cycle).

One reason the HPI may drive $\overline{\text{HRDY}}$ high is a not-ready condition in one of its first-in, first-out buffers (FIFOs). For example, any HPID access that occurs while the write FIFO is full or the read FIFO is empty may result in some number of wait states being inserted by the HPI. The FIFOs are explained in Section 6.

The following sections describe the behavior of $\overline{\text{HRDY}}$ during HPI register accesses. In all cases, the chip select signal, $\overline{\text{HCS}}$, must be asserted for $\overline{\text{HRDY}}$ to go high.

3.9.1 $\overline{\text{HRDY}}$ Behavior During 16-Bit Multiplexed Read Operations

Figure 12 shows an HPIC (HCNTL[1:0] = 00b) or HPIA (HCNTL[1:0] = 10b) read cycle during 16-bit multiplexed HPI operation. Neither an HPIC read cycle nor an HPIA read cycle causes $\overline{\text{HRDY}}$ to go high.

Figure 12. $\overline{\text{HRDY}}$ Behavior During an HPIC or HPIA Read Cycle in the 16-Bit Multiplexed Mode

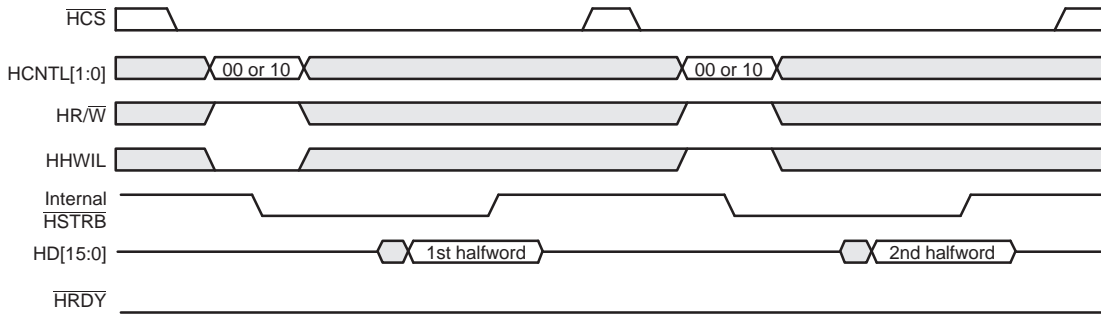


Figure 13 includes an HPID read cycle without autoincrementing in the 16-bit multiplexed mode. The host writes the memory address during the HPIA (HCNTL[1:0] = 10b) write cycle, and the host reads the data during the HPID (HCNTL[1:0] = 11b) read cycle. $\overline{\text{HRDY}}$ goes high for each HPIA halfword access, but $\overline{\text{HRDY}}$ goes high for only the first halfword access in each HPID read cycle.

Figure 13. $\overline{\text{HRDY}}$ Behavior During a Data Read Operation in the 16-Bit Multiplexed Mode (Case 1: HPIA Write Cycle Followed by Nonautoincrement HPID Read Cycle)

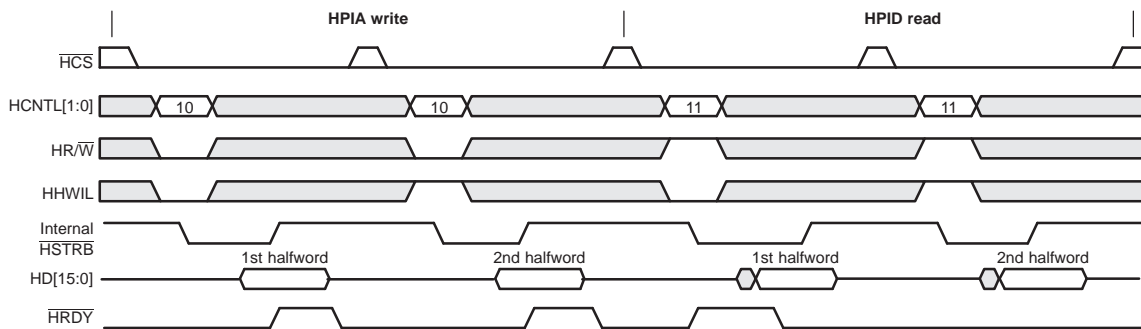
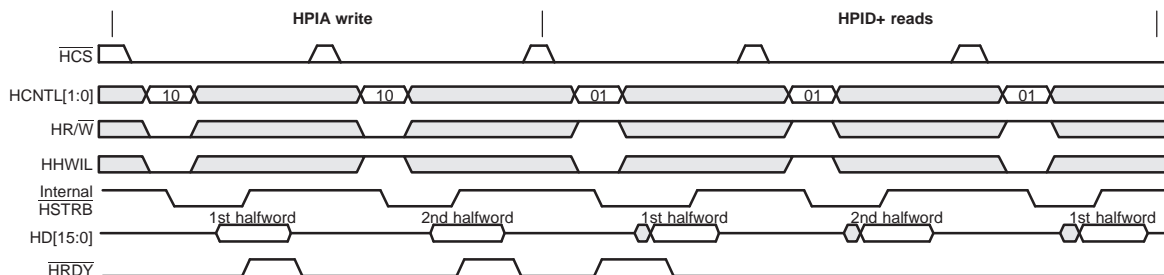


Figure 14 includes an autoincrement HPID read cycle in the 16-bit multiplexed mode. The host writes the memory address while asserting $\text{HCNTL}[1:0] = 10\text{b}$ and reads the data while asserting $\text{HCNTL}[1:0] = 01\text{b}$. During the first HPID read cycle, $\overline{\text{HRDY}}$ goes high for only the first halfword access, and subsequent HPID read cycles do not cause $\overline{\text{HRDY}}$ to go high.

Figure 14. $\overline{\text{HRDY}}$ Behavior During a Data Read Operation in the 16-Bit Multiplexed Mode (Case 2: HPIA Write Cycle Followed by Autoincrement HPID Read Cycles)



3.9.2 $\overline{\text{HRDY}}$ Behavior During 16-Bit Multiplexed Write Operations

Figure 15 shows an HPIC (HCNTL[1:0] = 00b) write cycle during 16-bit multiplexed HPI operation. An HPIC write cycle does not cause $\overline{\text{HRDY}}$ to go high.

Figure 15. $\overline{\text{HRDY}}$ Behavior During an HPIC Write Cycle in the 16-Bit Multiplexed Mode

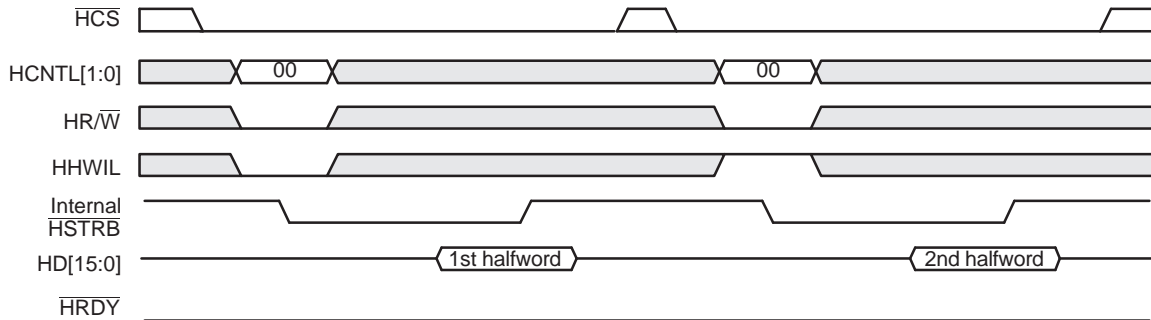


Figure 16 includes a HPID write cycle without autoincrementing in the 16-bit multiplexed mode. The host writes the memory address while HCNTL[1:0] = 10b and writes the data while HCNTL[1:0] = 11b. During the HPID write cycle, $\overline{\text{HRDY}}$ goes high only for the second halfword access.

Figure 16. $\overline{\text{HRDY}}$ Behavior During a Data Write Operation in the 16-Bit Multiplexed Mode (Case 1: No Autoincrementing)

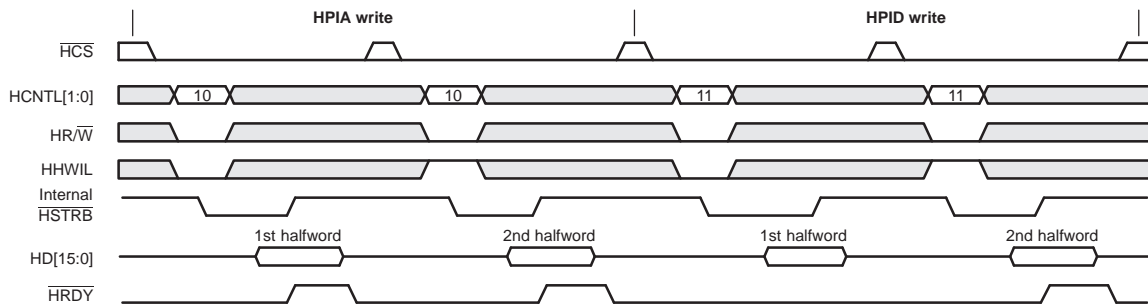


Figure 17 shows autoincrement HPID write cycles in the 16-bit multiplexed mode when the write FIFO is empty prior to the HPIA write. The host writes the memory address while HCNTL[1:0] = 10b and writes the data while HCNTL[1:0] = 01b. $\overline{\text{HRDY}}$ does not go high during any of the HPID write cycles.

Figure 17. $\overline{\text{HRDY}}$ Behavior During a Data Write Operation in the 16-Bit Multiplexed Mode (Case 2: Autoincrementing Selected, FIFO Empty Before Write)

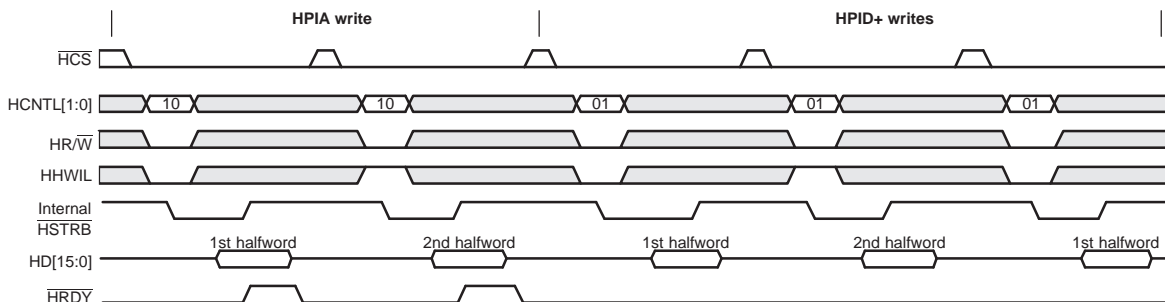
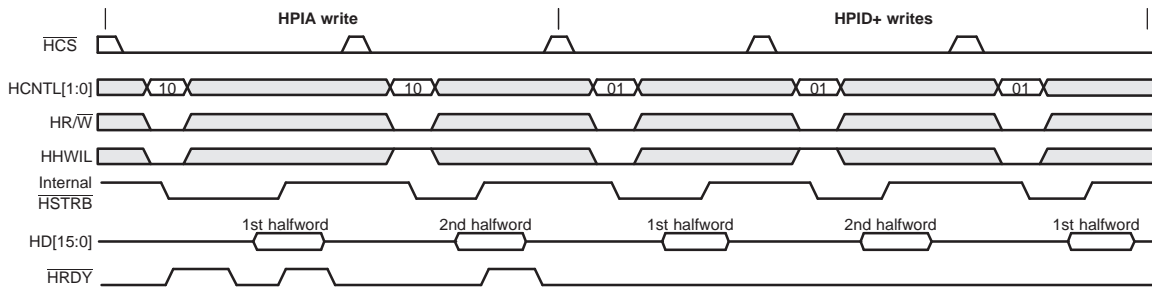


Figure 18 shows a case similar to that of Figure 17. However, in Figure 18, the write FIFO is not empty when the HPIA access is made. $\overline{\text{HRDY}}$ goes high twice for the first halfword access of the HPIA write cycle. The first $\overline{\text{HRDY}}$ high period is due to the non-empty FIFO. The data currently in the FIFO must first be written to the memory. This results in $\overline{\text{HRDY}}$ going high immediately after the falling edge of the data strobe (HSTRB). The second and third $\overline{\text{HRDY}}$ high periods occur for the writes to the HPIA. $\overline{\text{HRDY}}$ remains low for the HPID accesses.

Figure 18. $\overline{\text{HRDY}}$ Behavior During a Data Write Operation in the 16-Bit Multiplexed Mode (Case 3: Autoincrementing Selected, FIFO Not Empty Before Write)



3.9.3 $\overline{\text{HRDY}}$ Behavior During 32-Bit Multiplexed Read Operations

Figure 19 shows an HPIC ($\text{HCNTL}[1:0] = 00\text{b}$) read or an HPIA ($\text{HCNTL}[1:0] = 10\text{b}$) read access for 32-bit multiplexed HPI operation. Note that neither an HPIC nor an HPIA read access causes $\overline{\text{HRDY}}$ to become active.

Figure 19. $\overline{\text{HRDY}}$ Behavior During an HPIC or HPIA Read Cycle in the 32-Bit Multiplexed Mode

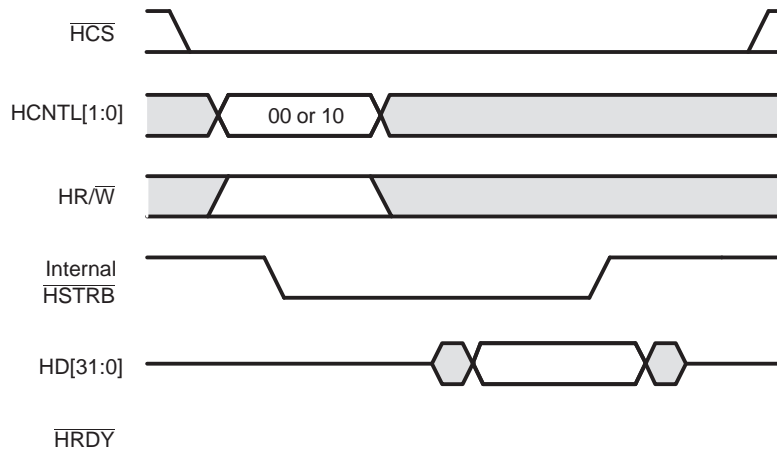


Figure 20 shows an HPIA ($\text{HCNTL}[1:0] = 10\text{b}$) write access followed by an HPID ($\text{HCNTL}[1:0] = 11\text{b}$) read access for 32-bit multiplexed HPI operation.

Figure 20. $\overline{\text{HRDY}}$ Behavior During a Data Read Operation in the 16-Bit Multiplexed Mode (Case 1: HPIA Write Cycle Followed by Nonautoincrement HPID Read Cycle)

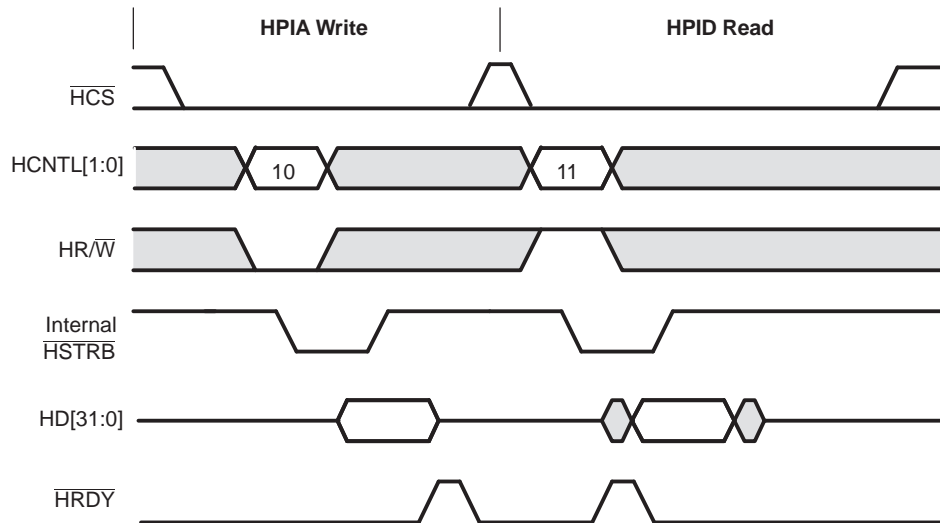
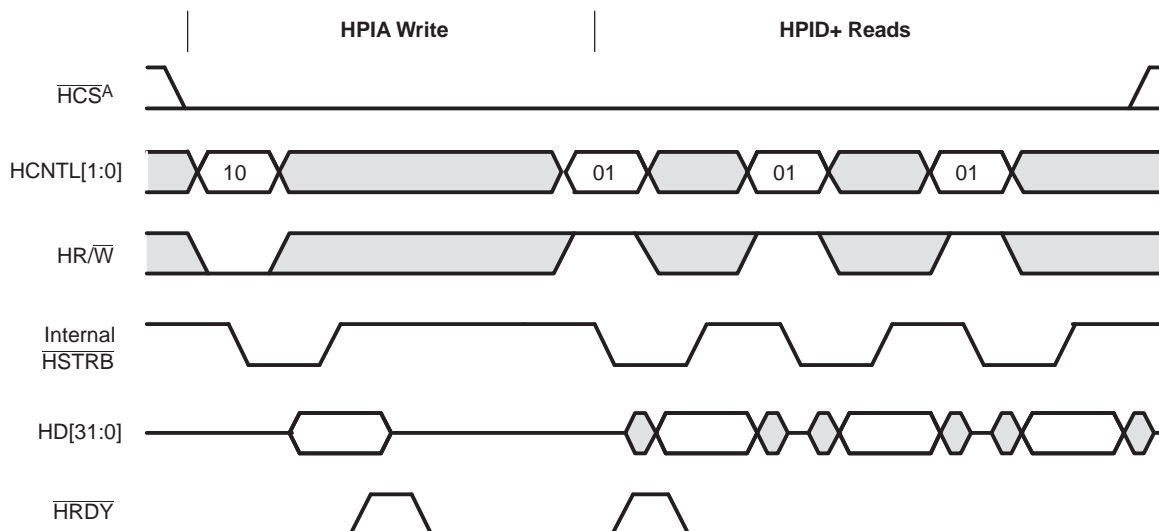


Figure 21 shows an HPIA ($\text{HCNTL}[1:0] = 10\text{b}$) write access followed by several autoincrement HPID ($\text{HCNTL}[1:0] = 01\text{b}$) read accesses. Note that $\overline{\text{HRDY}}$ is active for the HPIA access. $\overline{\text{HRDY}}$ is also active for the first HPID read access, but not for subsequent read accesses.

Figure 21. $\overline{\text{HRDY}}$ Behavior During a Data Read Operation in the 32-Bit Multiplexed Mode (Case 2: HPIA Write Cycle Followed by Autoincrement HPID+ Read Cycles)



A $\overline{\text{HCS}}$ may be brought high during strobe cycles. However, note that $\overline{\text{HRDY}}$ is gated by $\overline{\text{HCS}}$.

3.9.4 $\overline{\text{HRDY}}$ Behavior During 32-Bit Multiplexed Write Operations

Figure 22 shows an HPIC ($\text{HCNTL}[1:0] = 00\text{b}$) write access for 32-bit multiplexed HPI operation. Note that an HPIC write access does not cause $\overline{\text{HRDY}}$ to become active.

Figure 22. $\overline{\text{HRDY}}$ Behavior During an HPIC Write Cycle in the 32-Bit Multiplexed Mode

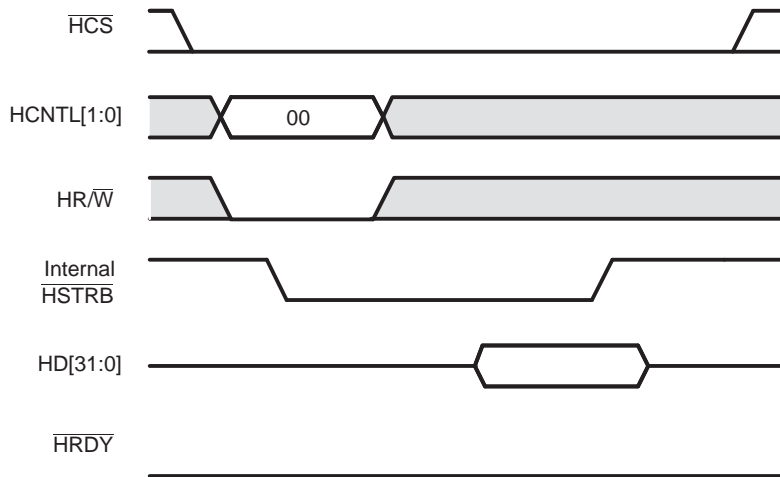


Figure 23 shows an HPIA ($\text{HCNTL}[1:0] = 10\text{b}$) write access followed by an HPID ($\text{HCNTL}[1:0] = 11\text{b}$) write access for 32-bit multiplexed HPI operation.

Figure 23. $\overline{\text{HRDY}}$ Behavior During a Data Write Operation in the 32-Bit Multiplexed Mode (Case 1: No Autoincrementing)

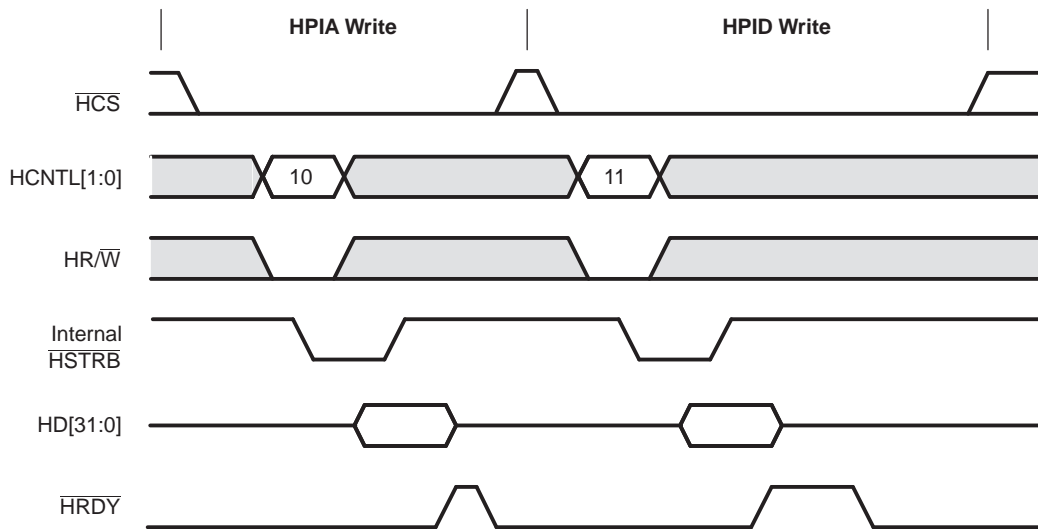
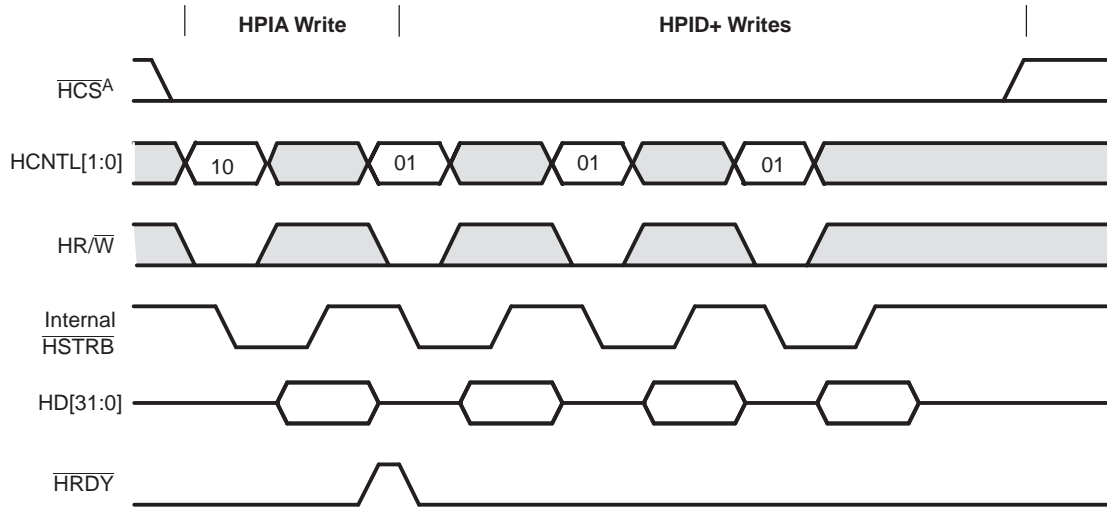


Figure 24 shows an HPIA ($\text{HCNTL}[1:0] = 10\text{b}$) write access followed by several autoincrementing HPID ($\text{HCNTL}[1:0] = 01\text{b}$) write accesses when the write FIFO is empty. Note that $\overline{\text{HRDY}}$ is active during the HPIA access but not active during any of the HPID accesses.

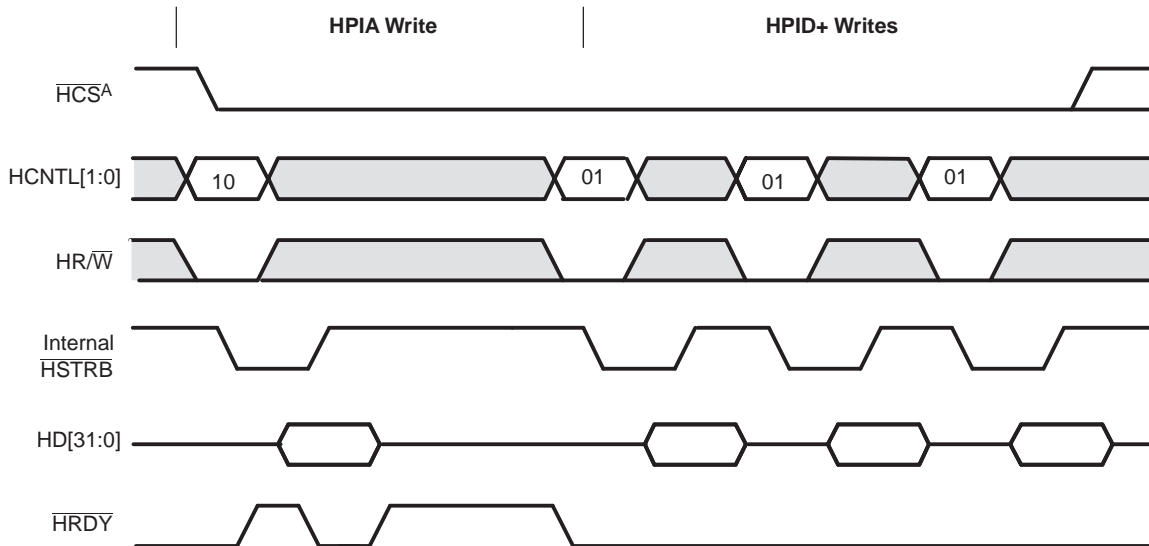
Figure 24. $\overline{\text{HRDY}}$ Behavior During a Data Write Operation in the 32-Bit Multiplexed Mode (Case 2: Autoincrementing Selected, FIFO Empty Before Write)



A $\overline{\text{HCS}}$ may be brought high during strobe cycles. However, note that $\overline{\text{HRDY}}$ is gated by $\overline{\text{HCS}}$.

Figure 25 shows an HPIA ($\text{HCNTL}[1:0] = 10\text{b}$) write access when the write FIFO is not empty, followed by several autoincrementing HPID ($\text{HCNTL}[1:0] = 01\text{b}$) write accesses. Note that $\overline{\text{HRDY}}$ is active twice for the HPIA access. This occurs because the FIFO is not empty and the data in the FIFO must first be written to memory. This results in an $\overline{\text{HRDY}}$ assertion immediately after the falling edge of the datastrobe (HSTRB). When a write request to memory has been made that will empty the internal FIFO, the HPIA write operation can complete with the rising edge of HSTRB . The second $\overline{\text{HRDY}}$ assertion is for the write to the HPIA register. $\overline{\text{HRDY}}$ is not active for the HPID accesses.

Figure 25. $\overline{\text{HRDY}}$ Behavior During a Data Write Operation in the 32-Bit Multiplexed Mode (Case 3: Autoincrementing Selected, FIFO Not Empty Before Write)



A $\overline{\text{HCS}}$ may be brought high during strobe cycles. However, note that $\overline{\text{HRDY}}$ is gated by $\overline{\text{HCS}}$.

4 Software Handshaking Using the HPI Ready (HRDY) Bit

In addition to the $\overline{\text{HRDY}}$ output signal, the HPI contains an HRDY bit in the control register (HPIC). This bit is useful for software polling when the host does not have an input pin to connect to the $\overline{\text{HRDY}}$ pin. In some cases, the host can read the HPIC register and, based on the status of the HRDY bit, determine whether the HPI is ready with read data (during a read cycle) or ready to latch write data (during a write cycle). [Section 4.1](#) explains which read cycles and write cycles allow for polling of the HRDY bit.

NOTE: Software handshaking using the HRDY bit is not supported on all devices. See your device-specific data manual to determine if this functionality is supported on your device.

When the host is performing HPID host cycles with an automatic address increment between accesses, the value in the HRDY bit refers to the availability of space in the write FIFO or the availability of data in the read FIFO. If the previous host cycle was a read cycle, the HRDY bit refers to the read FIFO. If the previous host cycle was a write cycle, the HRDY bit refers to the write FIFO. If the previous host cycle set the FETCH bit of HPIC, the HRDY bit refers to the read FIFO. If the host has performed no data accesses yet, the HRDY bit refers to the write FIFO by default.

The HRDY bit reflects the level of an internal HRDY signal that is not gated by the chip select ($\overline{\text{HCS}}$) input. The HRDY bit could be cleared in response to one of the following conditions:

- A prefetch was issued (FETCH = 1 in HPIC). HRDY is low until a flush occurs and new data is loaded in the read FIFO. When the data is available, the HRDY bit is set.
- The previous cycle was an autoincrement HPID write cycle, and the write FIFO became full. When space is available in the write FIFO, the HRDY bit is set.
- The previous cycle was a non-autoincrement HPID write cycle and the write FIFO is not empty. This condition indicates that the data has not yet been written to memory.
- The previous cycle was an HPID read cycle and the read FIFO is empty. Exception: If the previous cycle was a non-autoincrement HPID read cycle, when internal $\overline{\text{HSTRB}}$ becomes high (inactive), the HRDY bit stays 1 even though the FIFO is empty. This exception accommodates hosts that require the HPI to indicate that it is ready before the host begins the next cycle.
- The previous cycle was an HPID read cycle and a read FIFO flush is in progress.

4.1 Polling the HRDY Bit

Read cycles. Only the FETCH command and autoincrement HPID read cycles may perform reads in this mode while using HRDY polling. Fixed address mode HPID read cycles may not be performed because during cycles in fixed address mode, the host must extend the read cycle until the read FIFO is flushed and the read data is retrieved from the DSP memory. Therefore, the host cannot create the HPIC cycles needed to poll HRDY because the host bus is busy with the current read access. The difference in a cycle with autoincrementing is that the host can release the host bus while the read data is automatically loaded into the read FIFO (due to the FETCH command and subsequent autoincrement read cycles).

Write cycles. As long as the HRDY bit is sampled high (and refers to write FIFO status), any type of write cycle may be performed by the host. This includes autoincrement HPID write cycles and fixed address mode HPID write cycle. It is possible to do either type of HPID cycle because the write data goes into the FIFO, and the internal transfer to DSP memory takes place after the host has ended the host bus cycle. This leaves the host bus inactive and available to the host for HPIC reads to poll the HRDY bit.

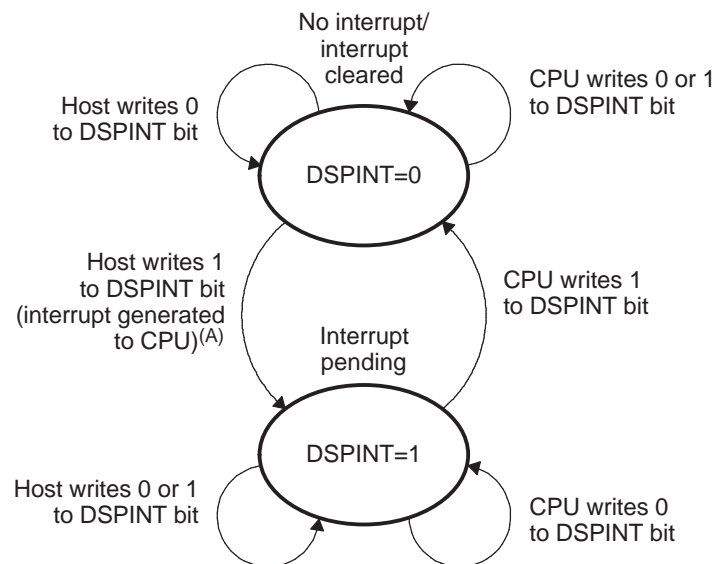
5 Interrupts Between the Host and the CPU

The host can interrupt the CPU of the DSP via the DSPINT bit of the HPIC, as described in [Section 5.1](#). The CPU can send an interrupt to the host by using the HINT bit of HPIC, as described in [Section 5.2](#).

5.1 DSPINT Bit: Host-to-CPU Interrupts

The DSPINT bit of HPIC allows the host to send an interrupt request to the CPU, as summarized in [Figure 26](#) and detailed following the figure.

Figure 26. Host-to-CPU Interrupt State Diagram



A When the DSPINT bit transitions from 0 to 1, an interrupt is generated to the CPU. No new interrupt can be generated until the CPU has cleared the bit (DSPINT = 0).

To interrupt the CPU, the host must:

1. Drive both HCNTL1 and HCNTL0 low to request a write to HPIC.
2. Write 1 to the DSPINT bit in HPIC.

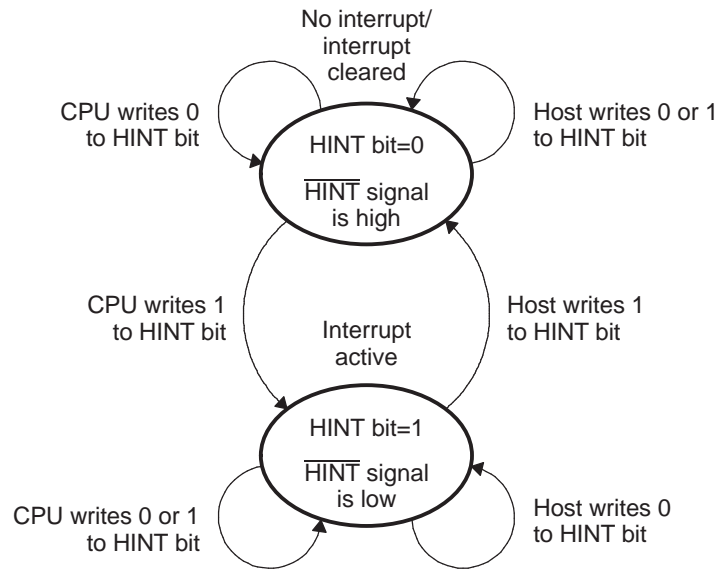
When the host sets the DSPINT bit, the HPI generates an interrupt pulse to the CPU that sets the corresponding flag bit in an interrupt flag register of the CPU. If this maskable interrupt is properly enabled in the CPU, the CPU executes the corresponding interrupt service routine (ISR). Before the host can use DSPINT to generate a subsequent interrupt to the CPU, the CPU must acknowledge the current interrupt by writing a 1 to the DSPINT bit. When the CPU writes 1, DSPINT is forced to 0. The host should verify that DSPINT = 0 before generating subsequent interrupts. While DSPINT = 1, host writes to the DSPINT bit do not generate an interrupt pulse.

Writes of 0 have no effect on the DSPINT bit. A hardware reset immediately clears DSPINT and thus clears an active host-to-CPU interrupt.

5.2 HINT Bit: CPU-to-Host Interrupts

The HINT bit of HPIC allows the CPU to send an interrupt request to the host, as summarized in [Figure 27](#) and detailed following the figure.

Figure 27. CPU-to-Host Interrupt State Diagram



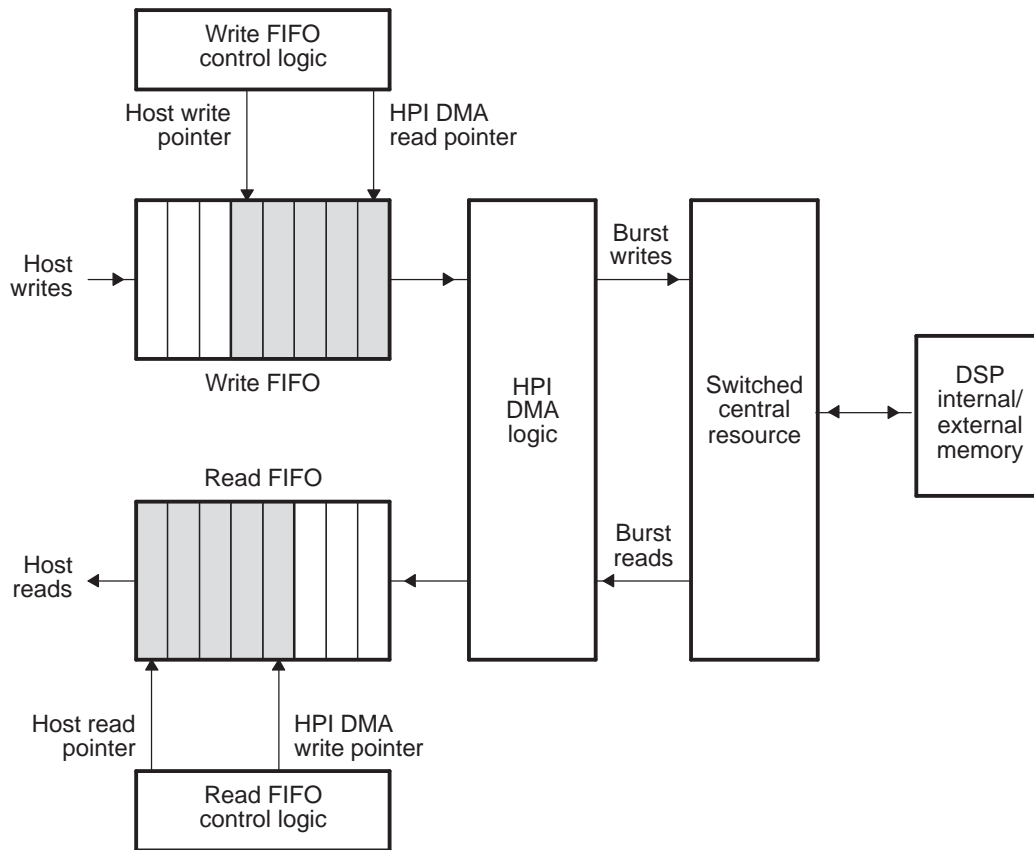
If the CPU writes 1 to the HINT bit of HPIC, the HPI drives the $\overline{\text{HINT}}$ signal low, indicating an interrupt condition to the host. Before the CPU can use the HINT bit to generate a subsequent interrupt to host, the host must acknowledge the current interrupt by writing 1 to the HINT bit. When the host does this, the HPI clears the HINT bit (HINT = 0), and this drives the $\overline{\text{HINT}}$ signal high. The CPU should read HPIC and ensure HINT = 0 before generating subsequent interrupts. Writes of 0 have no effect on the HINT bit. A hardware reset immediately clears the HINT bit and thus clears an active CPU-to-host interrupt.

6 FIFOs and Bursting

The HPI data register (HPID) is a port through which the host accesses two first-in, first-out buffers (FIFOs). As shown in Figure 28, a read FIFO supports host read cycles, and a write FIFO supports host write cycles. Both read and write FIFOs are 8-words deep (each word is 32 bits). If the host is performing multiple reads or writes to consecutive memory addresses (autoincrement HPID cycles), the FIFOs are used for bursting. The HPI DMA logic reads or writes a burst of four words at a time when accessing one of the FIFOs.

Bursting is essentially invisible to the host because the host interface signaling is not affected. Its benefit to the host is that the $\overline{\text{HRDY}}$ signal is deasserted less often when there are multiple reads or writes to consecutive addresses.

Figure 28. FIFOs in the HPI



6.1 Read Bursting

When the host writes to the read address register (HPIAR), the read FIFO is flushed. Any host read data that was in the read FIFO is discarded (the read FIFO pointers are reset). If an HPI DMA write to the read FIFO is in progress at the time of a flush request, the HPI allows this write to complete and then performs the flush.

After any read FIFO flush, no read cycles are being initiated. Read bursting can begin in one of two ways: the host initiates an HPID read cycle with autoincrementing, or the host initiates issues a **FETCH** command (writes 1 to the **FETCH** bit in **HPIC**).

If the host initiates an HPID read cycle with autoincrementing, the HPI DMA logic performs two 4-word burst operations to fill the read FIFO. The host is initially held off by the deassertion of the $\overline{\text{HRDY}}$ signal until data is available to be read from the read FIFO. Once data is available in the read FIFO, the host can read data from the read FIFO by performing subsequent reads of HPID with autoincrementing. Once the initial read has been performed, the HPI DMA logic continues to perform 4-word burst operations to consecutive memory addresses every time there are four empty word locations in the read FIFO. The HPI DMA logic continues to prefetch data to keep the read FIFO full, until the occurrence of an event that causes a read FIFO flush (see [Section 6.3](#)).

As mentioned, read bursting may also begin with a FETCH command. The host should always precede the FETCH command with the initialization of the HPIAR register or a non-autoincrement access, so that the read FIFO is flushed beforehand. When the host initiates a FETCH command, the HPI DMA logic begins to prefetch data to keep the read FIFO full, as described in the previous paragraph. The FETCH bit in HPIC does not actually store the value that is written to it; rather, the decoding of a host write of 1 to this bit is considered a FETCH command.

The FETCH command can be helpful if the host does not use the $\overline{\text{HRDY}}$ signal. The host can initiate prefetching by writing 1 to the FETCH bit and then poll the HRDY bit, which is also in HPIC. When the HRDY bit is 1, the host can perform an HPID read cycle. See [Section 4](#) for more details on the HRDY bit.

Both types of continuous or burst reads described previously begin with a write to the HPI address register, which causes a read FIFO flush. This is the typical way of initiating read cycles, because the initial read address needs to be specified.

An HPID read cycle without autoincrementing does not initiate any prefetching activity. Instead, it causes the read FIFO to be flushed and causes the HPI DMA logic to perform a single-word read from the processor memory. As soon as the host activates a read cycle without autoincrementing, prefetching activity ceases until the occurrence of a FETCH command or an autoincrement read cycle. A non-autoincrement read cycle always should be preceded by another non-autoincrement cycle or the direct initialization of HPIAR, so that the read FIFO is flushed beforehand.

6.2 Write Bursting

A write to the write address register (HPIAW) causes the write FIFO to be flushed. This means that any write data in the write FIFO is forced to its destination in the processor memory (the HPI DMA logic performs burst operations until the write FIFO is empty). When the FIFO has been flushed, the only action that will cause the HPI DMA logic to perform burst writes is a host write to HPID with autoincrementing. The initial host-write data is stored in the write FIFO. An HPI DMA write is not requested until there are four words in the write FIFO. As soon as four words have been written to the FIFO via the HPID write cycles with autoincrementing, the HPI DMA logic performs a 4-word burst operation to the processor memory. The burst operations continue as long as there are at least four words in the FIFO. If the FIFO becomes full (eight words are waiting in the FIFO), the HPI holds off the host by deasserting $\overline{\text{HRDY}}$ until at least one empty word location is available in the FIFO.

Because excessive time might pass between consecutive burst operations, the HPI has a time-out counter. If there are fewer than four words in the write FIFO and the time-out counter expires, the HPI DMA logic empties the FIFO immediately by performing a 2-word or 3-word burst, or a single-word write, as necessary. Every time new data is written to the write FIFO, the time-out counter is automatically reset to begin its count again. The time-out period is 256 internal clock cycles. See the device-specific data manual to determine how the HPI is clocked on your device.

An HPID write cycle without autoincrementing does not initiate any bursting activity. Instead, it causes the write FIFO to be flushed and causes the HPI DMA logic to perform a single-word write to the processor memory. As soon as the host activates a write cycle without autoincrementing, bursting activity ceases until the occurrence of an autoincrement write cycle. A non-autoincrement write cycle always should be preceded by the initialization of HPIAW or by another non-autoincrement access, so that the write FIFO is flushed beforehand.

6.3 FIFO Flush Conditions

When specific conditions occur within the HPI, the read or write FIFO must be flushed to prevent the reading of stale data from the FIFOs. When a read FIFO flush condition occurs, all current host accesses and direct memory accesses (DMAs) to the read FIFO are allowed to complete. This includes DMAs that have been requested but not yet initiated. The read FIFO pointers are then reset, causing any read data to be discarded.

Similarly, when a write FIFO flush condition occurs, all current host accesses and DMAs to the write FIFO are allowed to complete. This includes DMAs that have been requested but not yet initiated. All posted writes in the FIFO are then forced to completion with a final burst or single-word write, as necessary.

If the host initiates an HPID host cycle during a FIFO flush, the cycle is held off with the deassertion of $\overline{\text{HRDY}}$ until the flush is complete and the FIFO is ready to be accessed.

The following conditions cause the read and write FIFOs to be flushed:

- Read FIFO flush conditions:
 - A value from the host is written to the read address register (HPIAR)
 - The host performs an HPID read cycle without autoincrementing
- Write FIFO flush conditions:
 - A value from the host is written to the write address register (HPIAW)
 - The host performs an HPID write cycle without autoincrementing
 - The write-burst time-out counter expires

When operating with $\text{DUALHPIA} = 0$ (all HPIA writes and increments affect both HPIAR and HPIAW), any read or write flush condition causes both read and write FIFOs to be flushed. In addition, the following scenarios cause both FIFOs to be flushed when $\text{DUALHPIA} = 0$:

- The host performs an HPID write cycle with autoincrementing while the read FIFO is not empty (the read FIFO still contains data from prefetching or an HPID read cycle with autoincrementing).
- The host performs an HPID read cycle with autoincrementing while the write FIFO is not empty (there is still posted write data in the write FIFO).

This is useful in providing protection against reading stale data by reading a memory address when a previous write cycle has not been completed at the same address. Similarly, this protects against overwriting data at a memory address when a previous read cycle has not been completed at the same address.

When operating with $\text{DUALHPIA} = 1$ (HPIAR and HPIAW are independent), there is no such protection. However, when $\text{DUALHPIA} = 1$, data flow can occur in both directions without flushing both FIFOs simultaneously, thereby improving HPI bandwidth.

6.4 FIFO Behavior When a Hardware Reset or Software Reset Occurs

A hardware reset (device-level reset) or an HPI software reset ($\text{HPIRST} = 1$ in HPIC) causes the FIFOs to be reset. The FIFO pointers are cleared, so that all data in the FIFOs are discarded. In addition, all associated FIFO logic is reset.

If a host cycle is active when a hardware or HPI software reset occurs, the $\overline{\text{HRDY}}$ signal is asserted (driven low), allowing the host to complete the cycle. When the cycle is complete, $\overline{\text{HRDY}}$ is deasserted (driven high). Any access interrupted by a reset may result in corrupted read data or a lost write data (if the write does not actually update the intended memory or register). Although data may be lost, the host interface protocol is not violated. While either of reset condition is true, and the host is idle (internal $\overline{\text{HSTRB}}$ is held high), the FIFOs are held in reset, and host transactions are held off with an inactive $\overline{\text{HRDY}}$ signal.

7 Emulation and Reset Considerations

7.1 Emulation Modes

The FREE and SOFT bits of the power and emulation management register (PWREMU_MGMT) determine the response of the HPI to an emulation suspend condition. If FREE = 1, the HPI is not affected, and the SOFT bit has no effect. If FREE = 0 and SOFT = 0, the HPI is not affected. If FREE = 0 and SOFT = 1:

- The HPI DMA logic halts after the current host and HPI DMA operations are completed.
- The external host interface functions as normal throughout the emulation suspend condition. The host may access the control register (HPIC). In the 16-bit and 32-bit multiplexed modes, the host may also access the HPIA registers and may perform data reads until the read FIFO is empty or data writes until the write FIFO is full. As in normal operation, the $\overline{\text{HRDY}}$ pin is driven high during a host cycle that cannot be completed due to the write FIFO being full or the read FIFO being empty. If this occurs, $\overline{\text{HRDY}}$ continues to be driven high, holding off the host, until the emulation suspend condition is over and the FIFOs are serviced by the HPI DMA logic, allowing the host cycle to complete.
- When the emulation suspend condition is over, the appropriate requests by the HPI DMA logic are made to process any posted host writes in the write FIFO or to fill the read FIFO as necessary. HPI operation then continues as normal.

7.2 Software Reset Considerations

The control register (HPIC) provides an HPI software reset bit (HPIRST) that is used to reset the read and write FIFOs. When the CPU sets the HPIRST bit:

- If the internal strobe signal, internal $\overline{\text{HSTRB}}$, is high (host is inactive), $\overline{\text{HRDY}}$ is driven high and remains high until the reset condition is over.
- If internal $\overline{\text{HSTRB}}$ is low (host cycle is active), direct memory accesses (DMAs) of the FIFOs are allowed to complete. Then $\overline{\text{HRDY}}$ is driven low, allowing the host to complete the cycle. When internal $\overline{\text{HSTRB}}$ goes high (cycle is complete), $\overline{\text{HRDY}}$ is driven high and remains high until the reset condition is over. If the active cycle was a write cycle, the memory or register may not have been correctly updated. If the active cycle was a read cycle, the fetched value may not be valid.
- After any remaining DMAs of the FIFOs are complete, the read and write FIFOs and the associated FIFO logic are reset. The FIFO pointers are cleared, so that any data in the FIFOs are discarded. The CPU reads 0 in HPIRST until the FIFOs are fully reset. Writing 0 to HPIRST before the FIFO reset is complete will not stop the FIFO reset from occurring.

An HPI software reset does not reset any HPI registers other than the FIFOs.

7.3 Hardware Reset Considerations

When the DSP is reset:

- If the internal strobe signal, internal $\overline{\text{HSTRB}}$, is high (host is inactive), $\overline{\text{HRDY}}$ is driven high and remains high until the reset condition is over.
- If internal $\overline{\text{HSTRB}}$ is low (host cycle is active), $\overline{\text{HRDY}}$ is driven low, allowing the host to complete the cycle. When internal $\overline{\text{HSTRB}}$ goes high (cycle is complete), $\overline{\text{HRDY}}$ is driven high and remains high until the reset condition is over. If the active cycle was a write cycle, the memory or register may not have been correctly updated. If the active cycle was a read cycle, the fetched value may not be valid.
- The HPI registers are reset to their default values. These default values are shown under each bit field of the register figures in [Section 8](#).
- The read and write FIFOs and the associated FIFO logic are reset (this includes a flush of the FIFOs).
- Host-to-CPU and CPU-to-host interrupts are cleared.

8 HPI Registers

8.1 Introduction

Table 6 lists the memory-mapped registers for the Host Port Interface (HPI). See the device-specific data manual for the memory address of these registers.

Table 6. Host Port Interface (HPI) Registers

Offset	Acronym	Register Description	See
0004h	PWREMU_MGMT	Power and Emulation Management Register	Section 8.2
0030h	HPIC	Host Port Interface Control Register	Section 8.3
0034h	HPIAW	Host Port Interface Address Register (Write)	Section 8.4
0038h	HPIAR	Host Port Interface Address Register (Read)	Section 8.4
None	HPID	Data Register	Section 8.5

8.2 Power and Emulation Management Register (PWREMU_MGMT)

The power management and emulation register is shown in [Figure 29](#) and described in [Table 7](#).

Figure 29. Power and Emulation Management Register (PWREMU_MGMT)

31-16			
Reserved			
R-0			
15-2			1
Reserved			0
R-0			R/W-0
R-0			R/W-0

LEGEND: R/W = Read/Write; R = Read only; -n = value after reset

Table 7. Power and Emulation Management Register (PWREMU_MGMT) Field Descriptions

Bit	Field	Value	Description
31-2	Reserved		Reserved
1	SOFT	0	Upon emulation suspend, the HPI operation is not affected.
		1	In response to an emulation suspend event, the HPI logic halts after the current HPI transaction is completed.
0	FREE	0	The SOFT bit selects the HPI mode.
		1	The HPI runs free regardless of the SOFT bit.

8.3 Host Port Interface Control Register (HPIC)

The HPIC register stores control and status bits used to configure and operate the HPI peripheral. The bit positions of the HPIC register and their functions are illustrated in [Table 8](#).

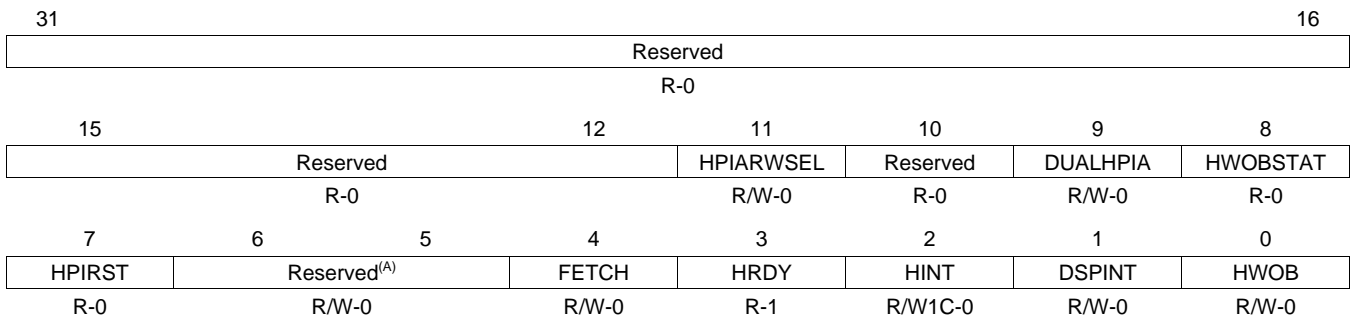
In 16-bit multiplexed mode, the lower 16 bits of the HPIC register are duplicated on the upper 16 bits during host accesses. Therefore, reading the upper or lower halfword of the HPIC register returns the same value.

As shown in [Figure 30](#) and [Figure 31](#), the host and the CPU do not have the same access permissions. The host owns HPIC and thus has full read/write access. The CPU has primarily read-only access, but the exceptions are:

- The CPU can write 1 to the HINT bit to generate an interrupt to the host.
- The CPU can write 1 to the DSPINT bit to clear/acknowledge an interrupt from the host.

The host port interface control register is shown in [Figure 30](#) and [Figure 31](#) and described in [Table 8](#).

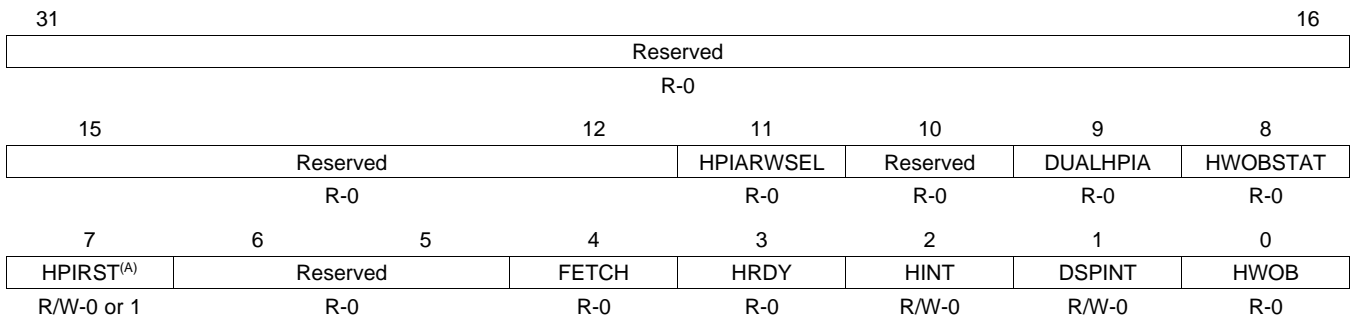
Figure 30. Host Access Permissions



LEGEND: R/W = Read/Write; R = Read only; W1C = Write 1 to clear (writing 0 has no effect); -n = value after reset

A. Always keep this bit as zero.

Figure 31. CPU Access Permissions



LEGEND: R/W = Read/Write; R = Read only; -n = value after reset

A. This bit defaults to 0 when HPI boot is selected; otherwise it defaults to 1.

Table 8. Host Port Interface Control Register (HPIC) Field Descriptions

Bit	Field	Value	Description
31-12	Reserved	0	Read-only reserved bits. Reads return 0.
11	HPIARWSEL	0 1	HPIA read/write select bit (configured by the host). This bit is applicable only in the dual-HPIA mode (DUALHPIA = 1). Note: HPIARWSEL does not affect the HPI DMA logic. Regardless of the value of HPIARWSEL, the HPI DMA logic uses HPIAW when writing to memory and HPIAR when reading from memory.. 0 In the next HPIA host cycle, the host will access HPIAW (the write address register). 1 In the next HPIA host cycle, the host will access HPIAR (the read address register).
10	Reserved	0	Read-only reserved bits. Reads return 0.

Table 8. Host Port Interface Control Register (HPIC) Field Descriptions (continued)

Bit	Field	Value	Description
9	DUALHPIA	0	Single-HPIA mode. From the host's perspective, there is one 32-bit HPIA register. A host HPIA write cycle places the same value in both HPIAR and HPIAW. During autoincrementing, both HPIAR and HPIAW are incremented. A host HPIA read cycle retrieves the value from HPIAR.
		1	Dual-HPIA mode. The host sees two 32-bit HPIA registers: HPIAR for read addresses and HPIAW for write addresses.
8	HWOBSTAT	0	HWOB bit = 0 (first halfword is most significant)
		1	HWOB bit = 1 (first halfword is least significant)
7	HPIRST	0	HPI software reset bit (set by CPU). Host: Reads of HPIRST always return 0. CPU: Once the CPU has written 1 to HPIRST, reads return 0 until the FIFOs are completely reset. Writing 0 before the reset process is complete will not stop the reset from occurring.
		1	CPU: Writing 1 causes the read and write FIFOs and the associated FIFO logic to be reset. As described in Section 7.2 , an active host cycle is allowed to complete before the reset process begins. When HPIRST = 1, the HRDY pin is deasserted (not ready), thereby holding off all host accesses. The CPU must set HPIRST = 0 to allow host accesses.
6-5	Reserved	0	The host must write 0s to these bits. The CPU cannot modify these bits.
4	FETCH	0	Host data fetch command bit (set by host). CPU/Host: Reads of FETCH always return 0.
		1	Host: Write 1 to tell the HPI DMA logic to pre-fetch data into the read FIFO.
3	HRDY	0	HPI-ready indicator (read-only). Host: Internal HRDY is low. The HPI is not ready to complete a host cycle. CPU: Reads of HRDY always return 0.
		1	Host: Internal HRDY is high. The HPI is ready to complete a host cycle. Note: HRDY bit is not the same as the HRDY pin status. Refer to Section 4 for details.
2	HINT	0	Host interrupt bit (set by the CPU, cleared by the host). CPU/Host: Writing 0 has no effect.
		1	CPU: Writing 1 to HINT generates a CPU-to-host interrupt. HINT remains 1 until it is cleared by the host or by a hardware reset. Host: Writing 1 to HINT clears HINT to 0, to acknowledge the CPU-to-host interrupt.
1	DSPINT	0	DSP interrupt bit (set by the host, cleared by the CPU). CPU/Host: Writing 0 has no effect.
		1	CPU: Writing 1 to DSPINT clears DSPINT to 0, to acknowledge the host-to-CPU interrupt. Host: Writing 1 to DSPINT generates a host-to-CPU interrupt. DSPINT remains 1 until it is cleared by the CPU or by a hardware reset.
0	HWOB		Halfword order bit (configured by the host). This bit is applicable only in the 16-bit multiplexed mode. HWOB must be initialized by the host before the first data or address register access. The status of HWOB is also reflected in HWOBSTAT (see bit 8).
			For host write cycle:
		0	The first halfword received from the bus is most significant (written to the high half of HPID/HPIC/HPIAR/HPIAW). The second halfword is least significant (written to the low half of HPID/HPIC/HPIAR/HPIAW).
		1	The first halfword received from the bus is least significant (written to the low half of HPID/HPIC/HPIAR/HPIAW). The second halfword is most significant (written to the high half of HPID/HPIC/HPIAR/HPIAW).
		For host read cycle:	
	0	The first halfword transmitted on the bus is most significant (taken from the high half of HPID/HPIC/HPIAR/HPIAW). The second halfword is least significant (taken from the low half of HPID/HPIC/HPIAR/HPIAW).	
	1	The first halfword transmitted on the bus is least significant (taken from the low half of HPID/HPIC/HPIAR/HPIAW). The second halfword is most significant (taken from the high half of HPID/HPIC/HPIAR/HPIAW).	

8.4 Host Port Interface Address Registers (HPIAW and HPIAR)

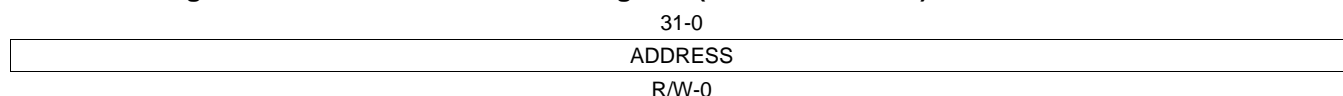
There are two 32-bit HPIA registers: HPIAW for write operations and HPIAR for read operations. The HPI can be configured such that HPIAW and HPIAR act as a single 32-bit HPIA (single-HPIA mode) or as two separate 32-bit HPIAs (dual-HPIA mode) from the perspective of the host. For details about these HPIA modes, see [Section 2](#).

[Figure 32](#) and [Figure 33](#) show the format of an address register during host and CPU accesses. As shown in the figures, the host has full read/write access to the HPIAs, while the CPU can only read the HPIAs.

CAUTION

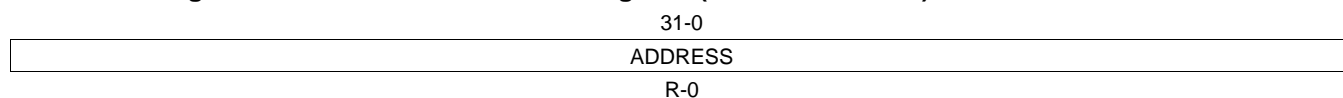
The host must always write a **word** address to the HPIAs. For example, L2 memory has a base **byte** address of 80 0000h that corresponds to a **word** address of 20 0000h. A host must write 20 0000h to the HPIA register to point the HPI to the base of L2 memory.

Figure 32. Format of an Address Register (HPIAW or HPIAR) - Host Access Permissions



LEGEND: R = Read only; W = Write; -n = value after reset

Figure 33. Format of an Address Register (HPIAW or HPIAR) - CPU Access Permissions



LEGEND: R = Read only; -n = value after reset

Table 9. Host Port Interface Address Registers (HPIAW or HPIAR) Field Descriptions

Bit	Field	Value	Description
31-0	ADDRESS		Read/write address. The host must initiate this field with a word address.

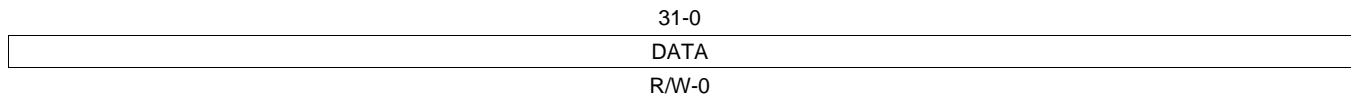
8.5 Data Register (HPID)

The 32-bit register HPID provides the data path between the host and the HPI DMA logic. During a host write cycle, the host fills HPID with 32 bits, and then the HPI DMA logic transfers the 32-bit value to the internal memory of the DSP. During a host read cycle, the HPI DMA logic fills HPID with 32 bits from the internal memory, and then the HPI transfers the 32-bit value to the host. A host cycle is a single 32-bit transfer (in the 32-bit multiplexed mode) or two consecutive 16-bit transfers (in the 16-bit multiplexed mode).

As shown in [Figure 34](#), the host has full read/write access to HPID. The CPU cannot access HPID.

In the multiplexed modes, HPID is actually a port through which the host accesses two first-in, first-out buffers (FIFOs). The read FIFO and the write FIFO play a significant role in providing a higher data throughput. For information about the FIFOs, see [Section 6](#).

Figure 34. Data Register (HPID) (Host access permissions, CPU cannot access HPID)



LEGEND: R = Read only; W = Write; -n = Value after hardware reset

Table 10. Data Register (HPID) Field Descriptions

Bit	Field	Value	Description
31-0	DATA		HPI data

Appendix A Revision History

This revision history highlights the technical changes made to the document in this revision.

Table 11. TMS320C6457 HPI Revision History

See	Additions/Modifications/Deletions
Table 6	Modified table

IMPORTANT NOTICE

Texas Instruments Incorporated and its subsidiaries (TI) reserve the right to make corrections, modifications, enhancements, improvements, and other changes to its products and services at any time and to discontinue any product or service without notice. Customers should obtain the latest relevant information before placing orders and should verify that such information is current and complete. All products are sold subject to TI's terms and conditions of sale supplied at the time of order acknowledgment.

TI warrants performance of its hardware products to the specifications applicable at the time of sale in accordance with TI's standard warranty. Testing and other quality control techniques are used to the extent TI deems necessary to support this warranty. Except where mandated by government requirements, testing of all parameters of each product is not necessarily performed.

TI assumes no liability for applications assistance or customer product design. Customers are responsible for their products and applications using TI components. To minimize the risks associated with customer products and applications, customers should provide adequate design and operating safeguards.

TI does not warrant or represent that any license, either express or implied, is granted under any TI patent right, copyright, mask work right, or other TI intellectual property right relating to any combination, machine, or process in which TI products or services are used. Information published by TI regarding third-party products or services does not constitute a license from TI to use such products or services or a warranty or endorsement thereof. Use of such information may require a license from a third party under the patents or other intellectual property of the third party, or a license from TI under the patents or other intellectual property of TI.

Reproduction of TI information in TI data books or data sheets is permissible only if reproduction is without alteration and is accompanied by all associated warranties, conditions, limitations, and notices. Reproduction of this information with alteration is an unfair and deceptive business practice. TI is not responsible or liable for such altered documentation. Information of third parties may be subject to additional restrictions.

Resale of TI products or services with statements different from or beyond the parameters stated by TI for that product or service voids all express and any implied warranties for the associated TI product or service and is an unfair and deceptive business practice. TI is not responsible or liable for any such statements.

TI products are not authorized for use in safety-critical applications (such as life support) where a failure of the TI product would reasonably be expected to cause severe personal injury or death, unless officers of the parties have executed an agreement specifically governing such use. Buyers represent that they have all necessary expertise in the safety and regulatory ramifications of their applications, and acknowledge and agree that they are solely responsible for all legal, regulatory and safety-related requirements concerning their products and any use of TI products in such safety-critical applications, notwithstanding any applications-related information or support that may be provided by TI. Further, Buyers must fully indemnify TI and its representatives against any damages arising out of the use of TI products in such safety-critical applications.

TI products are neither designed nor intended for use in military/aerospace applications or environments unless the TI products are specifically designated by TI as military-grade or "enhanced plastic." Only products designated by TI as military-grade meet military specifications. Buyers acknowledge and agree that any such use of TI products which TI has not designated as military-grade is solely at the Buyer's risk, and that they are solely responsible for compliance with all legal and regulatory requirements in connection with such use.

TI products are neither designed nor intended for use in automotive applications or environments unless the specific TI products are designated by TI as compliant with ISO/TS 16949 requirements. Buyers acknowledge and agree that, if they use any non-designated products in automotive applications, TI will not be responsible for any failure to meet such requirements.

Following are URLs where you can obtain information on other Texas Instruments products and application solutions:

Products		Applications	
Amplifiers	amplifier.ti.com	Audio	www.ti.com/audio
Data Converters	dataconverter.ti.com	Automotive	www.ti.com/automotive
DLP® Products	www.dlp.com	Communications and Telecom	www.ti.com/communications
DSP	dsp.ti.com	Computers and Peripherals	www.ti.com/computers
Clocks and Timers	www.ti.com/clocks	Consumer Electronics	www.ti.com/consumer-apps
Interface	interface.ti.com	Energy	www.ti.com/energy
Logic	logic.ti.com	Industrial	www.ti.com/industrial
Power Mgmt	power.ti.com	Medical	www.ti.com/medical
Microcontrollers	microcontroller.ti.com	Security	www.ti.com/security
RFID	www.ti-rfid.com	Space, Avionics & Defense	www.ti.com/space-avionics-defense
RF/IF and ZigBee® Solutions	www.ti.com/lprf	Video and Imaging	www.ti.com/video
		Wireless	www.ti.com/wireless-apps

Mailing Address: Texas Instruments, Post Office Box 655303, Dallas, Texas 75265
Copyright © 2010, Texas Instruments Incorporated