

# ***TMS320F2807x Real-Time Microcontrollers***

*Technical Reference Manual*

---



Literature Number: SPRUHM9G  
OCTOBER 2014 – REVISED OCTOBER 2023



# Table of Contents



<b>Read This First</b> .....	67
About This Manual.....	67
Notational Conventions.....	67
Glossary.....	67
Related Documentation From Texas Instruments.....	67
Support Resources.....	67
Trademarks.....	68
<b>1 C2000™ Microcontrollers Software Support</b> .....	69
1.1 Introduction.....	70
1.2 C2000Ware Structure.....	70
1.3 Documentation.....	70
1.4 Devices.....	70
1.5 Libraries.....	70
1.6 Code Composer Studio™ Integrated Development Environment (IDE).....	70
1.7 SysConfig and PinMUX Tool.....	71
<b>2 C28x Processor</b> .....	73
2.1 Introduction.....	74
2.2 C28X Related Collateral.....	74
2.3 Features.....	74
2.4 Floating-Point Unit.....	74
2.5 Trigonometric Math Unit (TMU).....	75
<b>3 System Control and Interrupt</b> .....	77
3.1 Introduction.....	78
3.2 System Control Functional Description.....	78
3.2.1 Device Identification.....	78
3.2.2 Device Configuration Registers.....	78
3.3 Resets.....	79
3.3.1 Reset Sources.....	79
3.3.2 External Reset ( $\overline{XRS}$ ).....	79
3.3.3 Power-On Reset (POR).....	79
3.3.4 Debugger Reset ( $\overline{SYSRS}$ ).....	80
3.3.5 Watchdog Reset ( $\overline{WDRS}$ ).....	80
3.3.6 NMI Watchdog Reset (NMIWDRS).....	80
3.3.7 DCSM Safe Code Copy Reset ( $\overline{SCCRESET}$ ).....	80
3.3.8 Hibernate Reset ( $\overline{HIBRESET}$ ).....	80
3.3.9 Hardware BIST Reset (HWBISTR $\overline{S}$ ).....	80
3.3.10 Test Reset ( $\overline{TRST}$ ).....	81
3.4 Peripheral Interrupts.....	81
3.4.1 Interrupt Concepts.....	81
3.4.2 Interrupt Architecture.....	81
3.4.3 Interrupt Entry Sequence.....	82
3.4.4 Configuring and Using Interrupts.....	83
3.4.5 PIE Channel Mapping.....	85
3.4.6 Vector Tables.....	87
3.5 Exceptions and Non-Maskable Interrupts.....	92
3.5.1 Configuring and Using NMIs.....	92
3.5.2 Emulation Considerations.....	93
3.5.3 NMI Sources.....	93
3.5.4 Illegal Instruction Trap (ITRAP).....	93

3.6 Safety Features.....	93
3.6.1 Write Protection on Registers.....	94
3.6.2 Missing Clock Detection Logic.....	94
3.6.3 PLLSLIP Detection.....	95
3.6.4 CPU Vector Address Validity Check.....	96
3.6.5 NMIWDs.....	96
3.6.6 ECC and Parity Enabled RAMs, Shared RAMs Protection.....	96
3.6.7 ECC Enabled Flash Memory.....	96
3.6.8 ERRORSTS Pin.....	97
3.7 Clocking.....	97
3.7.1 Clock Sources.....	99
3.7.2 Derived Clocks.....	100
3.7.3 Device Clock Domains.....	101
3.7.4 XCLKOUT.....	102
3.7.5 Clock Connectivity.....	103
3.7.6 Clock Source and PLL Setup.....	104
3.7.7 Clock (OSCCLK) Failure Detection.....	107
3.8 32-Bit CPU Timers 0/1/2.....	109
3.9 Watchdog Timers.....	110
3.9.1 Servicing the Watchdog Timer.....	111
3.9.2 Minimum Window Check.....	111
3.9.3 Watchdog Reset or Watchdog Interrupt Mode.....	112
3.9.4 Watchdog Operation in Low Power Modes.....	112
3.9.5 Emulation Considerations.....	112
3.10 Low-Power Modes.....	113
3.10.1 IDLE.....	113
3.10.2 STANDBY.....	113
3.10.3 HALT.....	114
3.10.4 Hibernate (HIB).....	116
3.11 Memory Controller Module.....	117
3.11.1 Functional Description.....	117
3.12 Flash and OTP Memory.....	124
3.12.1 Features.....	124
3.12.2 Flash Tools.....	124
3.12.3 Default Flash Configuration.....	125
3.12.4 Flash Bank, One-Time Programmable (OTP) Memory, and Flash Pump.....	125
3.12.5 Flash Module Controller (FMC).....	126
3.12.6 Flash and OTP Memory Power-Down Modes and Wakeup.....	127
3.12.7 Flash and OTP Memory Performance.....	128
3.12.8 Flash Read Interface.....	128
3.12.9 Erase/Program Flash.....	130
3.12.10 Error Correction Code (ECC) Protection.....	131
3.12.11 Reserved Locations Within Flash and OTP Memory.....	135
3.12.12 Procedure to Change the Flash Control Registers.....	135
3.12.13 Simple Procedure to Modify an Application from RAM Configuration to Flash Configuration.....	136
3.13 Dual Code Security Module (DCSM).....	137
3.13.1 Functional Description.....	137
3.13.2 CSM Impact on Other On-Chip Resources.....	144
3.13.3 Incorporating Code Security in User Applications.....	145
3.14 JTAG.....	150
3.15 System Control Register Configuration Restrictions.....	150
3.16 Software.....	151
3.16.1 SYSCTL Examples.....	151
3.16.2 TIMER Examples.....	151
3.16.3 MEMCFG Examples.....	152
3.16.4 INTERRUPT Examples.....	152
3.16.5 LPM Examples.....	154
3.16.6 WATCHDOG Examples.....	155
3.17 System Control Registers.....	156
3.17.1 System Control Base Addresses.....	156
3.17.2 CPUTIMER_REGS Registers.....	157

3.17.3 PIE_CTRL_REGS Registers.....	164
3.17.4 WD_REGS Registers.....	216
3.17.5 NMI_INTRUPT_REGS Registers.....	222
3.17.6 XINT_REGS Registers.....	233
3.17.7 SYNC_SOC_REGS Registers.....	242
3.17.8 DMA_CLA_SRC_SEL_REGS Registers.....	249
3.17.9 DEV_CFG_REGS Registers.....	256
3.17.10 CLK_CFG_REGS Registers.....	301
3.17.11 CPU_SYS_REGS Registers.....	323
3.17.12 ROM_PREFETCH_REGS Registers.....	362
3.17.13 DCSM_Z1_REGS Registers.....	364
3.17.14 DCSM_Z2_REGS Registers.....	384
3.17.15 DCSM_COMMON_REGS Registers.....	404
3.17.16 MEM_CFG_REGS Registers.....	411
3.17.17 ACCESS_PROTECTION_REGS Registers.....	456
3.17.18 MEMORY_ERROR_REGS Registers.....	479
3.17.19 ROM_WAIT_STATE_REGS Registers.....	496
3.17.20 FLASH_CTRL_REGS Registers.....	498
3.17.21 FLASH_ECC_REGS Registers.....	507
3.17.22 UID_REGS Registers.....	530
3.17.23 DCSM_Z1_OTP Registers.....	539
3.17.24 DCSM_Z2_OTP Registers.....	546
3.17.25 Register to Driverlib Function Mapping.....	553
<b>4 ROM Code and Peripheral Booting.....</b>	<b>571</b>
4.1 Introduction.....	572
4.2 Boot ROM Registers.....	572
4.3 Device Boot Sequence.....	572
4.4 Device Boot Modes.....	573
4.5 Configuring Boot Mode Pins.....	574
4.6 Configuring Get Boot Options.....	575
4.7 Configuring Emulation Boot Options.....	576
4.8 Device Boot Flow Diagrams.....	577
4.8.1 Emulation Boot Flow Diagrams.....	578
4.8.2 Standalone and Hibernate Boot Flow Diagrams.....	579
4.9 Device Reset and Exception Handling.....	580
4.9.1 Reset Causes and Handling.....	580
4.9.2 Exceptions and Interrupts Handling.....	581
4.10 Boot ROM Description.....	582
4.10.1 Entry Points.....	582
4.10.2 Wait Points.....	582
4.10.3 Memory Maps.....	582
4.10.4 Boot Modes.....	585
4.10.5 Boot Data Stream Structure.....	600
4.10.6 GPIO Assignments.....	602
4.10.7 Secure ROM Function APIs.....	604
4.10.8 Clock Initializations.....	605
4.10.9 Wait State Configuration.....	605
4.10.10 Boot Status information.....	606
4.10.11 ROM Version.....	606
<b>5 Direct Memory Access (DMA).....</b>	<b>607</b>
5.1 Introduction.....	608
5.1.1 Features.....	608
5.1.2 Block Diagram.....	609
5.2 Architecture.....	610
5.2.1 Common Peripheral Architecture.....	610
5.2.2 Peripheral Interrupt Event Trigger Sources.....	610
5.2.3 DMA Bus.....	615
5.3 Address Pointer and Transfer Control.....	615
5.4 Pipeline Timing and Throughput.....	621
5.5 CPU and CLA Arbitration.....	622
5.6 Channel Priority.....	623

5.6.1 Round-Robin Mode.....	623
5.6.2 Channel 1 High-Priority Mode.....	624
5.7 Overrun Detection Feature.....	624
5.8 Software.....	625
5.8.1 DMA Examples.....	625
5.9 DMA Registers.....	626
5.9.1 DMA Base Addresses.....	626
5.9.2 DMA_REGS Registers.....	627
5.9.3 DMA_CH_REGS Registers.....	632
5.9.4 DMA Registers to Driverlib Functions.....	658
<b>6 Control Law Accelerator (CLA).....</b>	<b>661</b>
6.1 Introduction.....	662
6.1.1 Features.....	662
6.1.2 CLA Related Collateral.....	662
6.1.3 Block Diagram.....	663
6.2 CLA Interface.....	664
6.2.1 CLA Memory.....	664
6.2.2 CLA Memory Bus.....	665
6.2.3 Shared Peripherals and EALLOW Protection.....	666
6.2.4 CLA Tasks and Interrupt Vectors.....	666
6.2.5 CLA Software Interrupt to CPU.....	669
6.3 CLA and CPU Arbitration.....	670
6.3.1 CLA Message RAM.....	670
6.3.2 CLA Program Memory.....	671
6.3.3 CLA Data Memory.....	672
6.3.4 Peripheral Registers (ePWM, HRPWM, Comparator).....	672
6.4 CLA Configuration and Debug.....	673
6.4.1 Building a CLA Application.....	673
6.4.2 Typical CLA Initialization Sequence.....	673
6.4.3 Debugging CLA Code.....	674
6.4.4 CLA Illegal Opcode Behavior.....	676
6.4.5 Resetting the CLA.....	677
6.5 Pipeline.....	677
6.5.1 Pipeline Overview.....	677
6.5.2 CLA Pipeline Alignment.....	678
6.5.3 Parallel Instructions.....	682
6.5.4 CLA Task Execution Latency.....	682
6.6 Software.....	683
6.6.1 CLA Examples.....	683
6.7 Instruction Set.....	684
6.7.1 Instruction Descriptions.....	684
6.7.2 Addressing Modes and Encoding.....	685
6.7.3 Instructions.....	688
6.8 CLA Registers.....	814
6.8.1 CLA Base Addresses.....	815
6.8.2 CLA_REGS Registers.....	816
6.8.3 CLA_SOFTINT_REGS Registers.....	855
6.8.4 CLA Registers to Driverlib Functions.....	859
<b>7 General-Purpose Input/Output (GPIO).....</b>	<b>861</b>
7.1 Introduction.....	862
7.1.1 GPIO Related Collateral.....	863
7.2 Configuration Overview.....	864
7.3 Digital General-Purpose I/O Control.....	865
7.4 Input Qualification.....	866
7.4.1 No Synchronization (Asynchronous Input).....	866
7.4.2 Synchronization to SYSCLKOUT Only.....	866
7.4.3 Qualification Using a Sampling Window.....	867
7.5 USB Signals.....	870
7.6 SPI Signals.....	870
7.7 GPIO and Peripheral Muxing.....	871
7.7.1 GPIO Muxing.....	871

7.7.2 Peripheral Muxing.....	877
7.8 Internal Pullup Configuration Requirements.....	878
7.9 Software.....	879
7.9.1 GPIO Examples.....	879
7.9.2 LED Examples.....	879
7.10 GPIO Registers.....	880
7.10.1 GPIO Base Addresses.....	880
7.10.2 GPIO_CTRL_REGS Registers.....	881
7.10.3 GPIO_DATA_REGS Registers.....	1047
7.10.4 GPIO Registers to Driverlib Functions.....	1096
<b>8 Crossbar (X-BAR).....</b>	<b>1103</b>
8.1 Input X-BAR.....	1104
8.2 ePWM, CLB, and GPIO Output X-BAR.....	1107
8.2.1 ePWM X-BAR.....	1107
8.2.2 CLB X-BAR.....	1109
8.2.3 GPIO Output X-BAR.....	1112
8.2.4 X-BAR Flags.....	1114
8.3 XBAR Registers.....	1115
8.3.1 XBAR Base Addresses.....	1115
8.3.2 INPUT_XBAR_REGS Registers.....	1116
8.3.3 XBAR_REGS Registers.....	1133
8.3.4 EPWM_XBAR_REGS Registers.....	1147
8.3.5 CLB_XBAR_REGS Registers.....	1240
8.3.6 OUTPUT_XBAR_REGS Registers.....	1333
8.3.7 Register to Driverlib Function Mapping.....	1434
<b>9 Analog Subsystem.....</b>	<b>1441</b>
9.1 Introduction.....	1442
9.1.1 Features.....	1442
9.1.2 Block Diagram.....	1442
9.2 Optimizing Power-Up Time.....	1445
9.3 Analog Subsystem Registers.....	1445
9.3.1 Analog Subsystem Base Addresses.....	1445
9.3.2 ANALOG_SUBSYS_REGS Registers.....	1446
<b>10 Analog-to-Digital Converter (ADC).....</b>	<b>1455</b>
10.1 Introduction.....	1456
10.1.1 ADC Related Collateral.....	1456
10.1.2 Features.....	1457
10.1.3 Block Diagram.....	1458
10.2 ADC Configurability.....	1459
10.2.1 Clock Configuration.....	1459
10.2.2 Resolution.....	1459
10.2.3 Voltage Reference.....	1460
10.2.4 Signal Mode.....	1460
10.2.5 Expected Conversion Results.....	1460
10.2.6 Interpreting Conversion Results.....	1460
10.3 SOC Principle of Operation.....	1461
10.3.1 SOC Configuration.....	1462
10.3.2 Trigger Operation.....	1462
10.3.3 ADC Acquisition (Sample and Hold) Window.....	1462
10.3.4 ADC Input Models.....	1463
10.3.5 Channel Selection.....	1464
10.4 SOC Configuration Examples.....	1465
10.4.1 Single Conversion from ePWM Trigger.....	1465
10.4.2 Oversampled Conversion from ePWM Trigger.....	1465
10.4.3 Multiple Conversions from CPU Timer Trigger.....	1466
10.4.4 Software Triggering of SOCs.....	1467
10.5 ADC Conversion Priority.....	1467
10.6 Burst Mode.....	1470
10.6.1 Burst Mode Example.....	1470
10.6.2 Burst Mode Priority Example.....	1471
10.7 EOC and Interrupt Operation.....	1472

10.7.1 Interrupt Overflow.....	1473
10.7.2 Continue to Interrupt Mode.....	1473
10.7.3 Early Interrupt Configuration Mode.....	1473
10.8 Post-Processing Blocks.....	1474
10.8.1 PPB Offset Correction.....	1475
10.8.2 PPB Error Calculation.....	1475
10.8.3 PPB Limit Detection and Zero-Crossing Detection.....	1475
10.8.4 PPB Sample Delay Capture.....	1477
10.9 Opens/Shorts Detection Circuit (OSDETECT).....	1478
10.9.1 Implementation.....	1479
10.9.2 Detecting an Open Input Pin.....	1479
10.9.3 Detecting a Shorted Input Pin.....	1479
10.10 Power-Up Sequence.....	1480
10.11 ADC Calibration.....	1480
10.11.1 ADC Zero Offset Calibration.....	1481
10.12 ADC Timings.....	1482
10.12.1 ADC Timing Diagrams.....	1482
10.13 Additional Information.....	1486
10.13.1 Ensuring Synchronous Operation.....	1486
10.13.2 Choosing an Acquisition Window Duration.....	1489
10.13.3 Achieving Simultaneous Sampling.....	1491
10.13.4 Result Register Mapping.....	1491
10.13.5 Internal Temperature Sensor.....	1491
10.13.6 Designing an External Reference Circuit.....	1492
10.14 Software.....	1494
10.14.1 ADC Examples.....	1494
10.15 ADC Registers.....	1498
10.15.1 ADC Base Addresses.....	1498
10.15.2 ADC_RESULT_REGS Registers.....	1499
10.15.3 ADC_REGS Registers.....	1520
10.15.4 ADC Registers to Driverlib Functions.....	1636
<b>11 Buffered Digital-to-Analog Converter (DAC).....</b>	<b>1641</b>
11.1 Introduction.....	1642
11.1.1 DAC Related Collateral.....	1642
11.1.2 Features.....	1642
11.1.3 Block Diagram.....	1642
11.2 Using the DAC.....	1643
11.2.1 Initialization Sequence.....	1643
11.2.2 DAC Offset Adjustment.....	1644
11.2.3 EPWMSYNCPER Signal.....	1644
11.3 Lock Registers.....	1644
11.4 Software.....	1645
11.4.1 DAC Examples.....	1645
11.5 DAC Registers.....	1645
11.5.1 DAC Base Addresses.....	1645
11.5.2 DAC_REGS Registers.....	1646
11.5.3 DAC Registers to Driverlib Functions.....	1653
<b>12 Comparator Subsystem (CMPSS).....</b>	<b>1655</b>
12.1 Introduction.....	1656
12.1.1 CMPSS Related Collateral.....	1656
12.1.2 Features.....	1656
12.1.3 Block Diagram.....	1657
12.2 Comparator.....	1657
12.3 Reference DAC.....	1658
12.4 Ramp Generator.....	1659
12.4.1 Ramp Generator Overview.....	1659
12.4.2 Ramp Generator Behavior.....	1660
12.4.3 Ramp Generator Behavior at Corner Cases.....	1661
12.5 Digital Filter.....	1662
12.5.1 Filter Initialization Sequence.....	1663
12.6 Using the CMPSS.....	1663



12.6.1 LATCHCLR and EPWMSYNCPER Signals .....	1663
12.6.2 Synchronizer, Digital Filter, and Latch Delays.....	1663
12.6.3 Calibrating the CMPSS .....	1664
12.6.4 Enabling and Disabling the CMPSS Clock.....	1664
12.7 Software.....	1665
12.7.1 CMPSS Examples.....	1665
12.8 CMPSS Registers.....	1666
12.8.1 CMPSS Base Addresses.....	1666
12.8.2 CMPSS_REGS Registers.....	1667
12.8.3 CMPSS Registers to Driverlib Functions.....	1690
<b>13 Sigma Delta Filter Module (SDFM).....</b>	<b>1693</b>
13.1 Introduction.....	1694
13.1.1 SDFM Related Collateral.....	1694
13.1.2 Features.....	1695
13.1.3 Block Diagram.....	1696
13.2 Configuring Device Pins.....	1698
13.3 Input Control Unit.....	1699
13.4 Sinc Filter.....	1700
13.4.1 Data Rate and Latency of the Sinc Filter.....	1702
13.5 Data (Primary) Filter Unit.....	1703
13.5.1 32-bit or 16-bit Data Filter Output Representation.....	1704
13.5.2 SDSYNC Event.....	1705
13.6 Comparator (Secondary) Filter Unit.....	1706
13.6.1 Higher Threshold (HLT) Comparator .....	1707
13.6.2 Lower Threshold (LLT) Comparator .....	1707
13.7 Theoretical SDFM Filter Output.....	1708
13.8 Interrupt Unit.....	1710
13.8.1 SDFM (SDINT) Interrupt Sources .....	1710
13.9 Register Descriptions.....	1712
13.10 Software.....	1714
13.10.1 SDFM Examples.....	1714
13.11 SDFM Registers.....	1714
13.11.1 SDFM Base Addresses.....	1714
13.11.2 SDFM_REGS Registers.....	1715
13.11.3 SDFM Registers to Driverlib Functions.....	1751
<b>14 Enhanced Pulse Width Modulator (ePWM).....</b>	<b>1753</b>
14.1 Introduction.....	1754
14.1.1 EPWM Related Collateral.....	1755
14.1.2 Submodule Overview.....	1756
14.2 Configuring Device Pins.....	1761
14.3 ePWM Modules Overview.....	1761
14.4 Time-Base (TB) Submodule.....	1763
14.4.1 Purpose of the Time-Base Submodule.....	1763
14.4.2 Controlling and Monitoring the Time-Base Submodule.....	1764
14.4.3 Calculating PWM Period and Frequency.....	1766
14.4.4 Phase Locking the Time-Base Clocks of Multiple ePWM Modules.....	1769
14.4.5 Simultaneous Writes to TBPRD and CMPx Registers Between ePWM Modules.....	1769
14.4.6 Time-Base Counter Modes and Timing Waveforms.....	1770
14.4.7 Global Load.....	1774
14.5 Counter-Compare (CC) Submodule.....	1776
14.5.1 Purpose of the Counter-Compare Submodule.....	1776
14.5.2 Controlling and Monitoring the Counter-Compare Submodule.....	1777
14.5.3 Operational Highlights for the Counter-Compare Submodule.....	1778
14.5.4 Count Mode Timing Waveforms.....	1779
14.6 Action-Qualifier (AQ) Submodule.....	1782
14.6.1 Purpose of the Action-Qualifier Submodule.....	1782
14.6.2 Action-Qualifier Submodule Control and Status Register Definitions.....	1783
14.6.3 Action-Qualifier Event Priority.....	1785
14.6.4 AQCTLA and AQCTLB Shadow Mode Operations.....	1786
14.6.5 Configuration Requirements for Common Waveforms.....	1788
14.7 Dead-Band Generator (DB) Submodule.....	1795

14.7.1 Purpose of the Dead-Band Submodule.....	1795
14.7.2 Dead-band Submodule Additional Operating Modes.....	1796
14.7.3 Operational Highlights for the Dead-Band Submodule.....	1798
14.8 PWM Chopper (PC) Submodule.....	1802
14.8.1 Purpose of the PWM Chopper Submodule.....	1802
14.8.2 Operational Highlights for the PWM Chopper Submodule.....	1802
14.8.3 Waveforms.....	1803
14.9 Trip-Zone (TZ) Submodule.....	1806
14.9.1 Purpose of the Trip-Zone Submodule.....	1806
14.9.2 Operational Highlights for the Trip-Zone Submodule.....	1807
14.9.3 Generating Trip Event Interrupts.....	1809
14.10 Event-Trigger (ET) Submodule.....	1812
14.10.1 Operational Overview of the ePWM Event-Trigger Submodule.....	1813
14.11 Digital Compare (DC) Submodule.....	1817
14.11.1 Purpose of the Digital Compare Submodule.....	1819
14.11.2 Enhanced Trip Action Using CMPSS.....	1819
14.11.3 Using CMPSS to Trip the ePWM on a Cycle-by-Cycle Basis.....	1819
14.11.4 Operation Highlights of the Digital Compare Submodule.....	1820
14.12 ePWM Crossbar (X-BAR).....	1827
14.13 Applications to Power Topologies.....	1828
14.13.1 Overview of Multiple Modules.....	1828
14.13.2 Key Configuration Capabilities.....	1829
14.13.3 Controlling Multiple Buck Converters With Independent Frequencies.....	1830
14.13.4 Controlling Multiple Buck Converters With Same Frequencies.....	1832
14.13.5 Controlling Multiple Half H-Bridge (HHB) Converters.....	1834
14.13.6 Controlling Dual 3-Phase Inverters for Motors (ACI and PMSM).....	1836
14.13.7 Practical Applications Using Phase Control Between PWM Modules.....	1838
14.13.8 Controlling a 3-Phase Interleaved DC/DC Converter.....	1839
14.13.9 Controlling Zero Voltage Switched Full Bridge (ZVSFB) Converter.....	1842
14.13.10 Controlling a Peak Current Mode Controlled Buck Module.....	1844
14.13.11 Controlling H-Bridge LLC Resonant Converter.....	1845
14.14 High-Resolution Pulse Width Modulator (HRPWM).....	1846
14.14.1 Operational Description of HRPWM.....	1848
14.14.2 SFO Library Software - SFO_TI_Build_V8.lib.....	1869
14.15 ePWM Registers.....	1872
14.15.1 ePWM Base Addresses.....	1872
14.15.2 EPWM_REGS Registers.....	1873
14.15.3 Register to Driverlib Function Mapping.....	1993
<b>15 Enhanced Capture (eCAP).....</b>	<b>2005</b>
15.1 Introduction.....	2006
15.1.1 Features.....	2006
15.1.2 ECAP Related Collateral.....	2006
15.2 Description.....	2006
15.3 Configuring Device Pins for the eCAP.....	2007
15.4 Capture and APWM Operating Mode.....	2008
15.5 Capture Mode Description.....	2010
15.5.1 Event Prescaler.....	2011
15.5.2 Edge Polarity Select and Qualifier.....	2011
15.5.3 Continuous/One-Shot Control.....	2012
15.5.4 32-Bit Counter and Phase Control.....	2013
15.5.5 CAP1-CAP4 Registers.....	2013
15.5.6 eCAP Synchronization.....	2014
15.5.7 Interrupt Control.....	2015
15.5.8 DMA Interrupt.....	2017
15.5.9 Shadow Load and Lockout Control.....	2017
15.5.10 APWM Mode Operation.....	2017
15.6 Application of the eCAP Module.....	2019
15.6.1 Example 1 - Absolute Time-Stamp Operation Rising-Edge Trigger.....	2019
15.6.2 Example 2 - Absolute Time-Stamp Operation Rising- and Falling-Edge Trigger.....	2020
15.6.3 Example 3 - Time Difference (Delta) Operation Rising-Edge Trigger.....	2021
15.6.4 Example 4 - Time Difference (Delta) Operation Rising- and Falling-Edge Trigger.....	2022

15.7 Application of the APWM Mode.....	2023
15.7.1 Example 1 - Simple PWM Generation (Independent Channels).....	2023
15.8 Software.....	2024
15.8.1 ECAP Examples.....	2024
15.9 eCAP Registers.....	2025
15.9.1 eCAP Base Addresses.....	2025
15.9.2 ECAP_REGS Registers.....	2026
15.9.3 ECAP Registers to Driverlib Functions.....	2041
<b>16 Enhanced Quadrature Encoder Pulse (eQEP).....</b>	<b>2045</b>
16.1 Introduction.....	2046
16.1.1 EQEP Related Collateral.....	2048
16.2 Configuring Device Pins.....	2048
16.3 Description.....	2049
16.3.1 EQEP Inputs.....	2049
16.3.2 Functional Description.....	2050
16.3.3 eQEP Memory Map.....	2051
16.4 Quadrature Decoder Unit (QDU).....	2052
16.4.1 Position Counter Input Modes.....	2052
16.4.2 eQEP Input Polarity Selection.....	2055
16.4.3 Position-Compare Sync Output.....	2055
16.5 Position Counter and Control Unit (PCCU).....	2055
16.5.1 Position Counter Operating Modes.....	2055
16.5.2 Position Counter Latch.....	2058
16.5.3 Position Counter Initialization.....	2060
16.5.4 eQEP Position-compare Unit.....	2061
16.6 eQEP Edge Capture Unit.....	2063
16.7 eQEP Watchdog.....	2067
16.8 eQEP Unit Timer Base.....	2067
16.9 eQEP Interrupt Structure.....	2068
16.10 eQEP Registers.....	2068
16.10.1 eQEP Base Addresses.....	2068
16.10.2 EQEP_REGS Registers.....	2069
16.10.3 EQEP Registers to Driverlib Functions.....	2100
<b>17 Serial Peripheral Interface (SPI).....</b>	<b>2103</b>
17.1 Introduction.....	2104
17.1.1 Features.....	2104
17.1.2 SPI Related Collateral.....	2104
17.1.3 Block Diagram.....	2105
17.2 System-Level Integration.....	2106
17.2.1 SPI Module Signals.....	2106
17.2.2 Configuring Device Pins.....	2107
17.2.3 SPI Interrupts.....	2107
17.2.4 DMA Support.....	2109
17.3 SPI Operation.....	2110
17.3.1 Introduction to Operation.....	2110
17.3.2 Master Mode.....	2111
17.3.3 Slave Mode.....	2112
17.3.4 Data Format.....	2114
17.3.5 Baud Rate Selection.....	2115
17.3.6 SPI Clocking Schemes.....	2116
17.3.7 SPI FIFO Description.....	2117
17.3.8 SPI DMA Transfers.....	2118
17.3.9 SPI High-Speed Mode.....	2119
17.3.10 SPI 3-Wire Mode Description.....	2119
17.4 Programming Procedure.....	2121
17.4.1 Initialization Upon Reset.....	2121
17.4.2 Configuring the SPI.....	2121
17.4.3 Configuring the SPI for High-Speed Mode.....	2122
17.4.4 Data Transfer Example.....	2123
17.4.5 SPI 3-Wire Mode Code Examples.....	2124
17.4.6 SPI STEINV Bit in Digital Audio Transfers.....	2126

17.5 Software.....	2127
17.5.1 SPI Examples.....	2127
17.6 SPI Registers.....	2129
17.6.1 SPI Base Addresses.....	2129
17.6.2 SPI_REGS Registers.....	2130
17.6.3 SPI Registers to Driverlib Functions.....	2148
<b>18 Serial Communications Interface (SCI).....</b>	<b>2151</b>
18.1 Introduction.....	2152
18.1.1 Features.....	2152
18.1.2 SCI Related Collateral.....	2153
18.1.3 Block Diagram.....	2153
18.2 Architecture.....	2153
18.3 SCI Module Signal Summary.....	2153
18.4 Configuring Device Pins.....	2155
18.5 Multiprocessor and Asynchronous Communication Modes.....	2155
18.6 SCI Programmable Data Format.....	2156
18.7 SCI Multiprocessor Communication.....	2157
18.7.1 Recognizing the Address Byte.....	2157
18.7.2 Controlling the SCI TX and RX Features.....	2157
18.7.3 Receipt Sequence.....	2157
18.8 Idle-Line Multiprocessor Mode.....	2158
18.8.1 Idle-Line Mode Steps.....	2158
18.8.2 Block Start Signal.....	2159
18.8.3 Wake-Up Temporary (WUT) Flag.....	2159
18.8.4 Receiver Operation.....	2159
18.9 Address-Bit Multiprocessor Mode.....	2160
18.9.1 Sending an Address.....	2160
18.10 SCI Communication Format.....	2161
18.10.1 Receiver Signals in Communication Modes.....	2162
18.10.2 Transmitter Signals in Communication Modes.....	2163
18.11 SCI Port Interrupts.....	2164
18.11.1 Break Detect.....	2166
18.12 SCI Baud Rate Calculations.....	2166
18.13 SCI Enhanced Features.....	2167
18.13.1 SCI FIFO Description.....	2167
18.13.2 SCI Auto-Baud.....	2169
18.13.3 Autobaud-Detect Sequence.....	2169
18.14 Software.....	2170
18.14.1 SCI Examples.....	2170
18.15 SCI Registers.....	2170
18.15.1 SCI Base Addresses.....	2170
18.15.2 SCI_REGS Registers.....	2171
18.15.3 SCI Registers to Driverlib Functions.....	2193
<b>19 Inter-Integrated Circuit Module (I2C).....</b>	<b>2197</b>
19.1 Introduction.....	2198
19.1.1 I2C Related Collateral.....	2198
19.1.2 Features.....	2199
19.1.3 Features Not Supported.....	2199
19.1.4 Functional Overview.....	2200
19.1.5 Clock Generation.....	2201
19.1.6 I2C Clock Divider Registers (I2CCLKL and I2CCLKH).....	2202
19.2 Configuring Device Pins.....	2203
19.3 I2C Module Operational Details.....	2203
19.3.1 Input and Output Voltage Levels.....	2203
19.3.2 Selecting Pullup Resistors.....	2203
19.3.3 Data Validity.....	2203
19.3.4 Operating Modes.....	2203
19.3.5 I2C Module START and STOP Conditions.....	2207
19.3.6 Non-repeat Mode versus Repeat Mode.....	2208
19.3.7 Serial Data Formats.....	2208
19.3.8 Clock Synchronization.....	2211

19.3.9 Arbitration.....	2212
19.3.10 Digital Loopback Mode.....	2213
19.3.11 NACK Bit Generation.....	2214
19.4 Interrupt Requests Generated by the I2C Module.....	2215
19.4.1 Basic I2C Interrupt Requests.....	2215
19.4.2 I2C FIFO Interrupts.....	2218
19.5 Resetting or Disabling the I2C Module.....	2218
19.6 Software.....	2219
19.6.1 I2C Examples.....	2219
19.7 I2C Registers.....	2221
19.7.1 I2C Base Addresses.....	2221
19.7.2 I2C_REGS Registers.....	2222
19.7.3 I2C Registers to Driverlib Functions.....	2245
<b>20 Multichannel Buffered Serial Port (McBSP).....</b>	<b>2247</b>
20.1 Introduction.....	2248
20.1.1 MCBSP Related Collateral.....	2248
20.1.2 Features of the McBSPs.....	2248
20.1.3 McBSP Pins/Signals.....	2249
20.2 Configuring Device Pins.....	2249
20.3 McBSP Operation.....	2250
20.3.1 Data Transfer Process of McBSPs.....	2251
20.3.2 Companding (Compressing and Expanding) Data.....	2251
20.3.3 Clocking and Framing Data.....	2253
20.3.4 Frame Phases.....	2255
20.3.5 McBSP Reception.....	2258
20.3.6 McBSP Transmission.....	2259
20.3.7 Interrupts and DMA Events Generated by a McBSP.....	2260
20.4 McBSP Sample Rate Generator.....	2260
20.4.1 Block Diagram.....	2261
20.4.2 Frame Synchronization Generation in the Sample Rate Generator.....	2264
20.4.3 Synchronizing Sample Rate Generator Outputs to an External Clock.....	2264
20.4.4 Reset and Initialization Procedure for the Sample Rate Generator.....	2266
20.5 McBSP Exception/Error Conditions.....	2267
20.5.1 Types of Errors.....	2267
20.5.2 Overrun in the Receiver.....	2268
20.5.3 Unexpected Receive Frame-Synchronization Pulse.....	2269
20.5.4 Overwrite in the Transmitter.....	2271
20.5.5 Underflow in the Transmitter.....	2272
20.5.6 Unexpected Transmit Frame-Synchronization Pulse.....	2273
20.6 Multichannel Selection Modes.....	2276
20.6.1 Channels, Blocks, and Partitions.....	2276
20.6.2 Multichannel Selection.....	2277
20.6.3 Configuring a Frame for Multichannel Selection.....	2277
20.6.4 Using Two Partitions.....	2277
20.6.5 Using Eight Partitions.....	2279
20.6.6 Receive Multichannel Selection Mode.....	2280
20.6.7 Transmit Multichannel Selection Modes.....	2281
20.6.8 Using Interrupts Between Block Transfers.....	2282
20.7 SPI Operation Using the Clock Stop Mode.....	2284
20.7.1 SPI Protocol.....	2284
20.7.2 Clock Stop Mode.....	2284
20.7.3 Enable and Configure the Clock Stop Mode.....	2285
20.7.4 Clock Stop Mode Timing Diagrams.....	2286
20.7.5 Procedure for Configuring a McBSP for SPI Operation.....	2288
20.7.6 McBSP as the SPI Master.....	2288
20.7.7 McBSP as an SPI Slave.....	2290
20.8 Receiver Configuration.....	2291
20.8.1 Programming the McBSP Registers for the Desired Receiver Operation.....	2291
20.8.2 Resetting and Enabling the Receiver.....	2292
20.8.3 Set the Receiver Pins to Operate as McBSP Pins.....	2293
20.8.4 Digital Loopback Mode.....	2293

20.8.5 Clock Stop Mode.....	2293
20.8.6 Receive Multichannel Selection Mode.....	2294
20.8.7 Receive Frame Phases.....	2294
20.8.8 Receive Word Lengths.....	2295
20.8.9 Receive Frame Length.....	2296
20.8.10 Receive Frame-Synchronization Ignore Function.....	2297
20.8.11 Receive Companding Mode.....	2298
20.8.12 Receive Data Delay.....	2300
20.8.13 Receive Sign-Extension and Justification Mode.....	2302
20.8.14 Receive Interrupt Mode.....	2303
20.8.15 Receive Frame-Synchronization Mode.....	2303
20.8.16 Receive Frame-Synchronization Polarity.....	2305
20.8.17 Receive Clock Mode.....	2308
20.8.18 Receive Clock Polarity.....	2309
20.8.19 SRG Clock Divide-Down Value.....	2311
20.8.20 SRG Clock Synchronization Mode.....	2311
20.8.21 SRG Clock Mode (Choose an Input Clock).....	2312
20.8.22 SRG Input Clock Polarity.....	2312
20.9 Transmitter Configuration.....	2313
20.9.1 Programming the McBSP Registers for the Desired Transmitter Operation.....	2313
20.9.2 Resetting and Enabling the Transmitter.....	2314
20.9.3 Set the Transmitter Pins to Operate as McBSP Pins.....	2314
20.9.4 Digital Loopback Mode.....	2315
20.9.5 Clock Stop Mode.....	2315
20.9.6 Transmit Multichannel Selection Mode.....	2316
20.9.7 XCEs Used in the Transmit Multichannel Selection Mode.....	2317
20.9.8 Transmit Frame Phases.....	2319
20.9.9 Transmit Word Lengths.....	2319
20.9.10 Transmit Frame Length.....	2320
20.9.11 Enable/Disable the Transmit Frame-Synchronization Ignore Function.....	2321
20.9.12 Transmit Companding Mode.....	2322
20.9.13 Transmit Data Delay.....	2323
20.9.14 Transmit DXENA Mode.....	2325
20.9.15 Transmit Interrupt Mode.....	2325
20.9.16 Transmit Frame-Synchronization Mode.....	2326
20.9.17 Transmit Frame-Synchronization Polarity.....	2327
20.9.18 SRG Frame-Synchronization Period and Pulse Width.....	2328
20.9.19 Transmit Clock Mode.....	2329
20.9.20 Transmit Clock Polarity.....	2329
20.10 Emulation and Reset Considerations.....	2331
20.10.1 McBSP Emulation Mode.....	2331
20.10.2 Resetting and Initializing McBSPs.....	2331
20.11 Data Packing Examples.....	2334
20.11.1 Data Packing Using Frame Length and Word Length.....	2334
20.11.2 Data Packing Using Word Length and the Frame-Synchronization Ignore Function.....	2336
20.12 Interrupt Generation.....	2337
20.12.1 McBSP Receive Interrupt Generation.....	2337
20.12.2 McBSP Transmit Interrupt Generation.....	2338
20.12.3 Error Flags.....	2338
20.13 McBSP Modes.....	2339
20.14 Special Case: External Device is the Transmit Frame Master.....	2339
20.15 Software.....	2341
20.15.1 MCBSP Examples.....	2341
20.16 McBSP Registers.....	2341
20.16.1 McBSP Base Addresses.....	2341
20.16.2 McBSP_REGS Registers.....	2342
20.16.3 McBSP Registers to Driverlib Functions.....	2386
<b>21 Controller Area Network (CAN).....</b>	<b>2391</b>
21.1 Introduction.....	2392
21.1.1 DCAN Related Collateral.....	2392
21.1.2 Features.....	2392

21.1.3 Block Diagram.....	2393
21.2 Functional Description.....	2395
21.2.1 Configuring Device Pins.....	2395
21.2.2 Address/Data Bus Bridge.....	2395
21.3 Operating Modes.....	2397
21.3.1 Initialization.....	2397
21.3.2 CAN Message Transfer (Normal Operation).....	2398
21.3.3 Test Modes.....	2399
21.4 Multiple Clock Source.....	2403
21.5 Interrupt Functionality.....	2404
21.5.1 Message Object Interrupts.....	2404
21.5.2 Status Change Interrupts.....	2404
21.5.3 Error Interrupts.....	2404
21.5.4 Peripheral Interrupt Expansion (PIE) Module Nomenclature for DCAN Interrupts.....	2404
21.5.5 Interrupt Topologies.....	2405
21.6 Parity Check Mechanism.....	2406
21.6.1 Behavior on Parity Error.....	2406
21.7 Debug Mode.....	2407
21.8 Module Initialization.....	2407
21.9 Configuration of Message Objects.....	2408
21.9.1 Configuration of a Transmit Object for Data Frames.....	2408
21.9.2 Configuration of a Transmit Object for Remote Frames.....	2408
21.9.3 Configuration of a Single Receive Object for Data Frames.....	2408
21.9.4 Configuration of a Single Receive Object for Remote Frames.....	2409
21.9.5 Configuration of a FIFO Buffer.....	2409
21.10 Message Handling.....	2409
21.10.1 Message Handler Overview.....	2410
21.10.2 Receive/Transmit Priority.....	2410
21.10.3 Transmission of Messages in Event Driven CAN Communication.....	2410
21.10.4 Updating a Transmit Object.....	2411
21.10.5 Changing a Transmit Object.....	2411
21.10.6 Acceptance Filtering of Received Messages.....	2412
21.10.7 Reception of Data Frames.....	2412
21.10.8 Reception of Remote Frames.....	2412
21.10.9 Reading Received Messages.....	2412
21.10.10 Requesting New Data for a Receive Object.....	2413
21.10.11 Storing Received Messages in FIFO Buffers.....	2413
21.10.12 Reading from a FIFO Buffer.....	2413
21.11 CAN Bit Timing.....	2415
21.11.1 Bit Time and Bit Rate.....	2415
21.11.2 Configuration of the CAN Bit Timing.....	2420
21.12 Message Interface Register Sets.....	2424
21.12.1 Message Interface Register Sets 1 and 2 (IF1 and IF2).....	2424
21.12.2 Message Interface Register Set 3 (IF3).....	2425
21.13 Message RAM.....	2426
21.13.1 Structure of Message Objects.....	2426
21.13.2 Addressing Message Objects in RAM.....	2429
21.13.3 Message RAM Representation in Debug Mode.....	2430
21.14 Software.....	2431
21.14.1 CAN Examples.....	2431
21.15 CAN Registers.....	2431
21.15.1 CAN Base Addresses.....	2431
21.15.2 CAN_REGS Registers.....	2432
21.15.3 CAN Registers to Driverlib Functions.....	2488
<b>22 Universal Serial Bus (USB) Controller.....</b>	<b>2493</b>
22.1 Introduction.....	2494
22.1.1 Features.....	2494
22.1.2 USB Related Collateral.....	2494
22.1.3 Block Diagram.....	2495
22.2 Functional Description.....	2497
22.2.1 Operation as a Device.....	2497

22.2.2 Operation as a Host.....	2502
22.2.3 DMA Operation.....	2506
22.2.4 Address/Data Bus Bridge.....	2506
22.3 Initialization and Configuration.....	2508
22.3.1 Pin Configuration.....	2508
22.3.2 Endpoint Configuration.....	2509
22.4 USB Global Interrupts.....	2509
22.5 Software.....	2510
22.5.1 USB Examples.....	2510
22.6 USB Registers.....	2510
22.6.1 USB Base Address.....	2510
22.6.2 USB Register Map.....	2510
22.6.3 Register Descriptions.....	2518
22.6.4 USB Registers to Driverlib Functions.....	2588
<b>23 External Memory Interface (EMIF).....</b>	<b>2607</b>
23.1 Introduction.....	2608
23.1.1 Purpose of the Peripheral.....	2608
23.1.2 EMIF Related Collateral.....	2608
23.1.3 Features.....	2609
23.1.4 Functional Block Diagram.....	2610
23.1.5 Configuring Device Pins.....	2610
23.2 EMIF Module Architecture.....	2611
23.2.1 EMIF Clock Control.....	2611
23.2.2 EMIF Requests.....	2611
23.2.3 EMIF Signal Descriptions.....	2612
23.2.4 EMIF Signal Multiplexing Control.....	2613
23.2.5 SDRAM Controller and Interface.....	2613
23.2.6 Asynchronous Controller and Interface.....	2626
23.2.7 Data Bus Parking.....	2638
23.2.8 Reset and Initialization Considerations.....	2638
23.2.9 Interrupt Support.....	2638
23.2.10 DMA Event Support.....	2639
23.2.11 EMIF Signal Multiplexing.....	2639
23.2.12 Memory Map.....	2639
23.2.13 Priority and Arbitration.....	2640
23.2.14 System Considerations.....	2640
23.2.15 Power Management.....	2641
23.2.16 Emulation Considerations.....	2641
23.3 Example Configuration.....	2641
23.3.1 Hardware Interface.....	2641
23.3.2 Software Configuration.....	2642
23.4 EMIF Registers.....	2649
23.4.1 EMIF Base Addresses.....	2649
23.4.2 EMIF_REGS Registers.....	2650
23.4.3 EMIF1_CONFIG_REGS Registers.....	2670
23.4.4 EMIF2_CONFIG_REGS Registers.....	2674
23.4.5 EMIF Registers to Driverlib Functions.....	2677
<b>24 Configurable Logic Block (CLB).....</b>	<b>2679</b>
24.1 Introduction.....	2680
24.1.1 CLB Related Collateral.....	2680
24.2 Description.....	2680
24.2.1 CLB Clock.....	2682
24.3 CLB Input/Output Connection.....	2683
24.3.1 Overview.....	2683
24.3.2 CLB Input Selection.....	2683
24.3.3 CLB Output Selection.....	2689
24.3.4 CLB Output Signal Multiplexer.....	2690
24.4 CLB Tile.....	2691
24.4.1 Static Switch Block.....	2692
24.4.2 Counter Block.....	2694
24.4.3 FSM Block.....	2697



24.4.4 LUT4 Block.....	2699
24.4.5 Output LUT Block.....	2699
24.4.6 High Level Controller (HLC).....	2700
24.5 CPU Interface.....	2704
24.5.1 Register Description.....	2704
24.5.2 Non-Memory Mapped Registers.....	2705
24.6 DMA Access.....	2705
24.7 Software.....	2706
24.7.1 CLB Examples.....	2706
24.8 CLB Registers.....	2709
24.8.1 CLB Base Addresses.....	2709
24.8.2 CLB_LOGIC_CONFIG_REGS Registers.....	2710
24.8.3 CLB_LOGIC_CONTROL_REGS Registers.....	2742
24.8.4 CLB_DATA_EXCHANGE_REGS Registers.....	2769
24.8.5 CLB Registers to Driverlib Functions.....	2771
<b>25 Revision History.....</b>	<b>2774</b>

## List of Figures

Figure 3-1. Device Interrupt Architecture.....	81
Figure 3-2. Interrupt Propagation Path.....	82
Figure 3-3. Missing Clock Detection Logic.....	95
Figure 3-4. ERRORSTS Pin Diagram.....	97
Figure 3-5. Clocking System.....	98
Figure 3-6. Single-ended 3.3V External Clock.....	99
Figure 3-7. External Crystal.....	99
Figure 3-8. External Resonator.....	100
Figure 3-9. AUXCLKIN.....	100
Figure 3-10. Missing Clock Detection Logic.....	108
Figure 3-11. CPU-Timers.....	109
Figure 3-12. CPU-Timer Interrupts Signals and Output Signal.....	109
Figure 3-13. CPU Watchdog Timer Module.....	110
Figure 3-14. Memory Architecture.....	117
Figure 3-15. Arbitration Scheme on Global Shared Memories.....	119
Figure 3-16. Arbitration Scheme on Local Shared Memories.....	119
Figure 3-17. FMC Interface with Core, Bank, and Pump.....	126
Figure 3-18. Flash Prefetch Mode.....	129
Figure 3-19. ECC Logic Inputs and Outputs.....	132
Figure 3-20. Storage of Zone-Select Bits in OTP Memory.....	141
Figure 3-21. Location of Zone-Select Block Based on Link-Pointer.....	142
Figure 3-22. CSM Password Match Flow (PMF).....	146
Figure 3-23. ECSL Password Match Flow (PMF).....	148
Figure 3-24. TIM Register.....	158
Figure 3-25. PRD Register.....	159
Figure 3-26. TCR Register.....	160
Figure 3-27. TPR Register.....	162
Figure 3-28. TPRH Register.....	163
Figure 3-29. PIECTRL Register.....	166
Figure 3-30. PIEACK Register.....	167
Figure 3-31. PIEIER1 Register.....	168
Figure 3-32. PIEIFR1 Register.....	170
Figure 3-33. PIEIER2 Register.....	172
Figure 3-34. PIEIFR2 Register.....	174
Figure 3-35. PIEIER3 Register.....	176
Figure 3-36. PIEIFR3 Register.....	178
Figure 3-37. PIEIER4 Register.....	180
Figure 3-38. PIEIFR4 Register.....	182
Figure 3-39. PIEIER5 Register.....	184
Figure 3-40. PIEIFR5 Register.....	186
Figure 3-41. PIEIER6 Register.....	188
Figure 3-42. PIEIFR6 Register.....	190

Figure 3-43. PIEIER7 Register.....	192
Figure 3-44. PIEIFR7 Register.....	194
Figure 3-45. PIEIER8 Register.....	196
Figure 3-46. PIEIFR8 Register.....	198
Figure 3-47. PIEIER9 Register.....	200
Figure 3-48. PIEIFR9 Register.....	202
Figure 3-49. PIEIER10 Register.....	204
Figure 3-50. PIEIFR10 Register.....	206
Figure 3-51. PIEIER11 Register.....	208
Figure 3-52. PIEIFR11 Register.....	210
Figure 3-53. PIEIER12 Register.....	212
Figure 3-54. PIEIFR12 Register.....	214
Figure 3-55. SCSR Register.....	217
Figure 3-56. WDCNTR Register.....	218
Figure 3-57. WDKEY Register.....	219
Figure 3-58. WDCR Register.....	220
Figure 3-59. WDWCR Register.....	221
Figure 3-60. NMICFG Register.....	223
Figure 3-61. NMIFLG Register.....	224
Figure 3-62. NMIFLGCLR Register.....	226
Figure 3-63. NMIFLGFRC Register.....	228
Figure 3-64. NMIWDCNT Register.....	229
Figure 3-65. NMIWDP RD Register.....	230
Figure 3-66. NMISHDFLG Register.....	231
Figure 3-67. XINT1CR Register.....	234
Figure 3-68. XINT2CR Register.....	235
Figure 3-69. XINT3CR Register.....	236
Figure 3-70. XINT4CR Register.....	237
Figure 3-71. XINT5CR Register.....	238
Figure 3-72. XINT1CTR Register.....	239
Figure 3-73. XINT2CTR Register.....	240
Figure 3-74. XINT3CTR Register.....	241
Figure 3-75. SYNCSELECT Register.....	243
Figure 3-76. ADCSOCOUTSELECT Register.....	245
Figure 3-77. SYNCSOCLOCK Register.....	248
Figure 3-78. CLA1TASKSRCSELLOCK Register.....	250
Figure 3-79. DMACHSRCSELLOCK Register.....	251
Figure 3-80. CLA1TASKSRCSEL1 Register.....	252
Figure 3-81. CLA1TASKSRCSEL2 Register.....	253
Figure 3-82. DMACHSRCSEL1 Register.....	254
Figure 3-83. DMACHSRCSEL2 Register.....	255
Figure 3-84. PARTIDL Register.....	258
Figure 3-85. PARTIDH Register.....	260
Figure 3-86. REVID Register.....	261
Figure 3-87. DC0 Register.....	262
Figure 3-88. DC1 Register.....	263
Figure 3-89. DC2 Register.....	264
Figure 3-90. DC3 Register.....	265
Figure 3-91. DC4 Register.....	267
Figure 3-92. DC5 Register.....	268
Figure 3-93. DC6 Register.....	269
Figure 3-94. DC7 Register.....	270
Figure 3-95. DC8 Register.....	271
Figure 3-96. DC9 Register.....	272
Figure 3-97. DC10 Register.....	273
Figure 3-98. DC11 Register.....	274
Figure 3-99. DC12 Register.....	275
Figure 3-100. DC13 Register.....	276
Figure 3-101. DC14 Register.....	277
Figure 3-102. DC15 Register.....	278
Figure 3-103. DC17 Register.....	280

Figure 3-104. DC18 Register.....	281
Figure 3-105. DC20 Register.....	282
Figure 3-106. PERCNF1 Register.....	284
Figure 3-107. FUSEERR Register.....	285
Figure 3-108. SOFTPRES0 Register.....	286
Figure 3-109. SOFTPRES1 Register.....	287
Figure 3-110. SOFTPRES2 Register.....	288
Figure 3-111. SOFTPRES3 Register.....	290
Figure 3-112. SOFTPRES4 Register.....	291
Figure 3-113. SOFTPRES6 Register.....	292
Figure 3-114. SOFTPRES7 Register.....	293
Figure 3-115. SOFTPRES8 Register.....	294
Figure 3-116. SOFTPRES9 Register.....	295
Figure 3-117. SOFTPRES11 Register.....	296
Figure 3-118. SOFTPRES13 Register.....	297
Figure 3-119. SOFTPRES14 Register.....	298
Figure 3-120. SOFTPRES16 Register.....	299
Figure 3-121. SYSDBGCTL Register.....	300
Figure 3-122. CLKCFGLOCK1 Register.....	303
Figure 3-123. CLKSRCCTL1 Register.....	305
Figure 3-124. CLKSRCCTL2 Register.....	307
Figure 3-125. CLKSRCCTL3 Register.....	309
Figure 3-126. SYSPLLCTL1 Register.....	310
Figure 3-127. SYSPLLMULT Register.....	311
Figure 3-128. SYSPLLSTS Register.....	312
Figure 3-129. AUXPLLCTL1 Register.....	313
Figure 3-130. AUXPLLMULT Register.....	314
Figure 3-131. AUXPLLSTS Register.....	315
Figure 3-132. SYSCLKDIVSEL Register.....	316
Figure 3-133. AUXCLKDIVSEL Register.....	317
Figure 3-134. PERCLKDIVSEL Register.....	318
Figure 3-135. XCLKOUTDIVSEL Register.....	319
Figure 3-136. LOSPCP Register.....	320
Figure 3-137. MCDCCR Register.....	321
Figure 3-138. X1CNT Register.....	322
Figure 3-139. CPUSYSLOCK1 Register.....	325
Figure 3-140. HIBBOOTMODE Register.....	328
Figure 3-141. IORESTOREADDR Register.....	329
Figure 3-142. PIEVERRADDR Register.....	330
Figure 3-143. PCLKCR0 Register.....	331
Figure 3-144. PCLKCR1 Register.....	333
Figure 3-145. PCLKCR2 Register.....	334
Figure 3-146. PCLKCR3 Register.....	336
Figure 3-147. PCLKCR4 Register.....	337
Figure 3-148. PCLKCR6 Register.....	338
Figure 3-149. PCLKCR7 Register.....	339
Figure 3-150. PCLKCR8 Register.....	340
Figure 3-151. PCLKCR9 Register.....	341
Figure 3-152. PCLKCR10 Register.....	342
Figure 3-153. PCLKCR11 Register.....	343
Figure 3-154. PCLKCR12 Register.....	344
Figure 3-155. PCLKCR13 Register.....	345
Figure 3-156. PCLKCR14 Register.....	346
Figure 3-157. PCLKCR16 Register.....	348
Figure 3-158. SECMSEL Register.....	349
Figure 3-159. LPMCR Register.....	350
Figure 3-160. GPIOLPMSEL0 Register.....	352
Figure 3-161. GPIOLPMSEL1 Register.....	355
Figure 3-162. TMR2CLKCTL Register.....	358
Figure 3-163. RESC Register.....	360
Figure 3-164. ROMPREFETCH Register.....	363

Figure 3-165. Z1_LINKPOINTER Register.....	365
Figure 3-166. Z1_OTPSECLOCK Register.....	366
Figure 3-167. Z1_BOOTCTRL Register.....	367
Figure 3-168. Z1_LINKPOINTERERR Register.....	368
Figure 3-169. Z1_CSMKEY0 Register.....	369
Figure 3-170. Z1_CSMKEY1 Register.....	370
Figure 3-171. Z1_CSMKEY2 Register.....	371
Figure 3-172. Z1_CSMKEY3 Register.....	372
Figure 3-173. Z1_CR Register.....	373
Figure 3-174. Z1_GRABSECTR Register.....	374
Figure 3-175. Z1_GRABRAMR Register.....	377
Figure 3-176. Z1_EXEONLYSECTR Register.....	379
Figure 3-177. Z1_EXEONLYRAMR Register.....	382
Figure 3-178. Z2_LINKPOINTER Register.....	385
Figure 3-179. Z2_OTPSECLOCK Register.....	386
Figure 3-180. Z2_BOOTCTRL Register.....	387
Figure 3-181. Z2_LINKPOINTERERR Register.....	388
Figure 3-182. Z2_CSMKEY0 Register.....	389
Figure 3-183. Z2_CSMKEY1 Register.....	390
Figure 3-184. Z2_CSMKEY2 Register.....	391
Figure 3-185. Z2_CSMKEY3 Register.....	392
Figure 3-186. Z2_CR Register.....	393
Figure 3-187. Z2_GRABSECTR Register.....	394
Figure 3-188. Z2_GRABRAMR Register.....	397
Figure 3-189. Z2_EXEONLYSECTR Register.....	399
Figure 3-190. Z2_EXEONLYRAMR Register.....	402
Figure 3-191. FLSEM Register.....	405
Figure 3-192. SECTSTAT Register.....	406
Figure 3-193. RAMSTAT Register.....	409
Figure 3-194. DxLOCK Register.....	413
Figure 3-195. DxCOMMIT Register.....	414
Figure 3-196. DxACCPROT0 Register.....	415
Figure 3-197. DxTEST Register.....	416
Figure 3-198. DxINIT Register.....	417
Figure 3-199. DxINITDONE Register.....	418
Figure 3-200. LSxLOCK Register.....	419
Figure 3-201. LSxCOMMIT Register.....	421
Figure 3-202. LSxMSEL Register.....	423
Figure 3-203. LSxCLAPGM Register.....	425
Figure 3-204. LSxACCPROT0 Register.....	426
Figure 3-205. LSxACCPROT1 Register.....	428
Figure 3-206. LSxTEST Register.....	429
Figure 3-207. LSxINIT Register.....	431
Figure 3-208. LSxINITDONE Register.....	432
Figure 3-209. GSxLOCK Register.....	433
Figure 3-210. GSxCOMMIT Register.....	435
Figure 3-211. GSxACCPROT0 Register.....	438
Figure 3-212. GSxACCPROT1 Register.....	440
Figure 3-213. GSxACCPROT2 Register.....	442
Figure 3-214. GSxACCPROT3 Register.....	444
Figure 3-215. GSxTEST Register.....	446
Figure 3-216. GSxINIT Register.....	449
Figure 3-217. GSxINITDONE Register.....	451
Figure 3-218. MSGxTEST Register.....	453
Figure 3-219. MSGxINIT Register.....	454
Figure 3-220. MSGxINITDONE Register.....	455
Figure 3-221. NMAVFLG Register.....	458
Figure 3-222. NMAVSET Register.....	460
Figure 3-223. NMAVCLR Register.....	462
Figure 3-224. NMAVINTEN Register.....	464
Figure 3-225. NMCPURDAVADDR Register.....	465

Figure 3-226. NMCPUWRAVADDR Register.....	466
Figure 3-227. NMCPUFAVADDR Register.....	467
Figure 3-228. NMDMAWRAVADDR Register.....	468
Figure 3-229. NMCLA1RDAVADDR Register.....	469
Figure 3-230. NMCLA1WRAVADDR Register.....	470
Figure 3-231. NMCLA1FAVADDR Register.....	471
Figure 3-232. MAVFLG Register.....	472
Figure 3-233. MAVSET Register.....	473
Figure 3-234. MAVCLR Register.....	474
Figure 3-235. MAVINTEN Register.....	475
Figure 3-236. MCPUFAVADDR Register.....	476
Figure 3-237. MCPUWRAVADDR Register.....	477
Figure 3-238. MDMAWRAVADDR Register.....	478
Figure 3-239. UCERRFLG Register.....	480
Figure 3-240. UCERRSET Register.....	481
Figure 3-241. UCERRCLR Register.....	482
Figure 3-242. UCCPUREADDR Register.....	483
Figure 3-243. UCDMAREADDR Register.....	484
Figure 3-244. UCCLA1READDR Register.....	485
Figure 3-245. CERRFLG Register.....	486
Figure 3-246. CERRSET Register.....	487
Figure 3-247. CERRCLR Register.....	488
Figure 3-248. CCPUREADDR Register.....	489
Figure 3-249. CERRCNT Register.....	490
Figure 3-250. CERRTHRES Register.....	491
Figure 3-251. CEINTFLG Register.....	492
Figure 3-252. CEINTCLR Register.....	493
Figure 3-253. CEINTSET Register.....	494
Figure 3-254. CEINTEN Register.....	495
Figure 3-255. ROMWAITSTATE Register.....	497
Figure 3-256. FRDCNTL Register.....	499
Figure 3-257. FBAC Register.....	500
Figure 3-258. FBFALLBACK Register.....	501
Figure 3-259. FBPRDY Register.....	502
Figure 3-260. FPAC1 Register.....	503
Figure 3-261. FMSTAT Register.....	504
Figure 3-262. FRD_INTF_CTRL Register.....	506
Figure 3-263. ECC_ENABLE Register.....	509
Figure 3-264. SINGLE_ERR_ADDR_LOW Register.....	510
Figure 3-265. SINGLE_ERR_ADDR_HIGH Register.....	511
Figure 3-266. UNC_ERR_ADDR_LOW Register.....	512
Figure 3-267. UNC_ERR_ADDR_HIGH Register.....	513
Figure 3-268. ERR_STATUS Register.....	514
Figure 3-269. ERR_POS Register.....	516
Figure 3-270. ERR_STATUS_CLR Register.....	517
Figure 3-271. ERR_CNT Register.....	518
Figure 3-272. ERR_THRESHOLD Register.....	519
Figure 3-273. ERR_INTFLG Register.....	520
Figure 3-274. ERR_INTCLR Register.....	521
Figure 3-275. FDATAH_TEST Register.....	522
Figure 3-276. FDATAL_TEST Register.....	523
Figure 3-277. FADDR_TEST Register.....	524
Figure 3-278. FECC_TEST Register.....	525
Figure 3-279. FECC_CTRL Register.....	526
Figure 3-280. FOUTH_TEST Register.....	527
Figure 3-281. FOUTL_TEST Register.....	528
Figure 3-282. FECC_STATUS Register.....	529
Figure 3-283. UID_PSRAND0 Register.....	531
Figure 3-284. UID_PSRAND1 Register.....	532
Figure 3-285. UID_PSRAND2 Register.....	533
Figure 3-286. UID_PSRAND3 Register.....	534

Figure 3-287. UID_PSRAND4 Register.....	535
Figure 3-288. UID_PSRAND5 Register.....	536
Figure 3-289. UID_UNIQUE Register.....	537
Figure 3-290. UID_CHECKSUM Register.....	538
Figure 3-291. Z1OTP_LINKPOINTER1 Register.....	540
Figure 3-292. Z1OTP_LINKPOINTER2 Register.....	541
Figure 3-293. Z1OTP_LINKPOINTER3 Register.....	542
Figure 3-294. Z1OTP_PSWDLOCK Register.....	543
Figure 3-295. Z1OTP_CRCLOCK Register.....	544
Figure 3-296. Z1OTP_BOOTCTRL Register.....	545
Figure 3-297. Z2OTP_LINKPOINTER1 Register.....	547
Figure 3-298. Z2OTP_LINKPOINTER2 Register.....	548
Figure 3-299. Z2OTP_LINKPOINTER3 Register.....	549
Figure 3-300. Z2OTP_PSWDLOCK Register.....	550
Figure 3-301. Z2OTP_CRCLOCK Register.....	551
Figure 3-302. Z2OTP_BOOTCTRL Register.....	552
Figure 4-1. Z1 and Z2 BOOTCTRL Selection.....	574
Figure 4-2. CPU Device Boot Flow.....	577
Figure 4-3. CPU Emulation Boot Flow.....	578
Figure 4-4. CPU Standalone and Hibernate Boot Flow.....	579
Figure 4-5. Overview of SCI Bootloader Operation.....	586
Figure 4-6. Overview of SCI Boot Function.....	587
Figure 4-7. SPI Loader.....	588
Figure 4-8. Data Transfer From EEPROM Flow.....	589
Figure 4-9. EEPROM Device at Address 0x50.....	590
Figure 4-10. Overview of I2C Boot Function.....	591
Figure 4-11. Random Read.....	592
Figure 4-12. Sequential Read.....	592
Figure 4-13. Overview of Parallel GPIO Bootloader Operation.....	593
Figure 4-14. Parallel GPIO Bootloader Handshake Protocol.....	594
Figure 4-15. Parallel GPIO Mode Overview.....	594
Figure 4-16. Parallel GPIO Mode - Host Transfer Flow.....	595
Figure 4-17. 8-Bit Parallel GetWord Function.....	596
Figure 4-18. Overview of CAN-A Bootloader Operation.....	597
Figure 4-19. USB Boot Flow.....	599
Figure 5-1. DMA Block Diagram.....	609
Figure 5-2. Common Peripheral Architecture.....	610
Figure 5-3. DMA Trigger Architecture.....	612
Figure 5-4. Peripheral Interrupt Trigger Input Diagram.....	613
Figure 5-5. DMA State Diagram.....	620
Figure 5-6. 3-Stage Pipeline DMA Transfer.....	621
Figure 5-7. 3-stage Pipeline with One Read Stall.....	621
Figure 5-8. Overrun Detection Logic.....	624
Figure 5-9. DMACTRL Register.....	628
Figure 5-10. DEBUGCTRL Register.....	629
Figure 5-11. PRIORITYCTRL1 Register.....	630
Figure 5-12. PRIORITYSTAT Register.....	631
Figure 5-13. MODE Register.....	633
Figure 5-14. CONTROL Register.....	635
Figure 5-15. BURST_SIZE Register.....	637
Figure 5-16. BURST_COUNT Register.....	638
Figure 5-17. SRC_BURST_STEP Register.....	639
Figure 5-18. DST_BURST_STEP Register.....	640
Figure 5-19. TRANSFER_SIZE Register.....	641
Figure 5-20. TRANSFER_COUNT Register.....	642
Figure 5-21. SRC_TRANSFER_STEP Register.....	643
Figure 5-22. DST_TRANSFER_STEP Register.....	644
Figure 5-23. SRC_WRAP_SIZE Register.....	645
Figure 5-24. SRC_WRAP_COUNT Register.....	646
Figure 5-25. SRC_WRAP_STEP Register.....	647
Figure 5-26. DST_WRAP_SIZE Register.....	648

Figure 5-27. DST_WRAP_COUNT Register.....	649
Figure 5-28. DST_WRAP_STEP Register.....	650
Figure 5-29. SRC_BEG_ADDR_SHADOW Register.....	651
Figure 5-30. SRC_ADDR_SHADOW Register.....	652
Figure 5-31. SRC_BEG_ADDR_ACTIVE Register.....	653
Figure 5-32. SRC_ADDR_ACTIVE Register.....	654
Figure 5-33. DST_BEG_ADDR_SHADOW Register.....	655
Figure 5-34. DST_ADDR_SHADOW Register.....	656
Figure 5-35. DST_BEG_ADDR_ACTIVE Register.....	657
Figure 5-36. DST_ADDR_ACTIVE Register.....	658
Figure 6-1. CLA (Type 1) Block Diagram.....	663
Figure 6-2. MVECT1 Register.....	818
Figure 6-3. MVECT2 Register.....	819
Figure 6-4. MVECT3 Register.....	820
Figure 6-5. MVECT4 Register.....	821
Figure 6-6. MVECT5 Register.....	822
Figure 6-7. MVECT6 Register.....	823
Figure 6-8. MVECT7 Register.....	824
Figure 6-9. MVECT8 Register.....	825
Figure 6-10. MCTL Register.....	826
Figure 6-11. MIFR Register.....	827
Figure 6-12. MIOVF Register.....	831
Figure 6-13. MIFRC Register.....	834
Figure 6-14. MICLR Register.....	836
Figure 6-15. MICLROVF Register.....	838
Figure 6-16. MIER Register.....	840
Figure 6-17. MIRUN Register.....	843
Figure 6-18. _MPC Register.....	845
Figure 6-19. _MAR0 Register.....	846
Figure 6-20. _MAR1 Register.....	847
Figure 6-21. _MSTF Register.....	848
Figure 6-22. _MR0 Register.....	851
Figure 6-23. _MR1 Register.....	852
Figure 6-24. _MR2 Register.....	853
Figure 6-25. _MR3 Register.....	854
Figure 6-26. SOFTINTEN Register.....	856
Figure 6-27. SOFTINTFRC Register.....	858
Figure 7-1. GPIO Logic for a Single Pin.....	863
Figure 7-2. Input Qualification Using a Sampling Window.....	867
Figure 7-3. Input Qualifier Clock Cycles.....	869
Figure 7-4. GPACTRL Register.....	885
Figure 7-5. GPAQSEL1 Register.....	886
Figure 7-6. GPAQSEL2 Register.....	888
Figure 7-7. GPAMUX1 Register.....	890
Figure 7-8. GPAMUX2 Register.....	892
Figure 7-9. GPADIR Register.....	894
Figure 7-10. GPAPUD Register.....	896
Figure 7-11. GPAINV Register.....	898
Figure 7-12. GPAODR Register.....	900
Figure 7-13. GPAGMUX1 Register.....	902
Figure 7-14. GPAGMUX2 Register.....	903
Figure 7-15. GPACSEL1 Register.....	904
Figure 7-16. GPACSEL2 Register.....	905
Figure 7-17. GPACSEL3 Register.....	906
Figure 7-18. GPACSEL4 Register.....	907
Figure 7-19. GPALOCK Register.....	908
Figure 7-20. GPACR Register.....	910
Figure 7-21. GPBCTRL Register.....	912
Figure 7-22. GPBQSEL1 Register.....	913
Figure 7-23. GPBQSEL2 Register.....	915
Figure 7-24. GPBMUX1 Register.....	917

Figure 7-25. GPBMUX2 Register.....	919
Figure 7-26. GPBDIR Register.....	921
Figure 7-27. GPBPUD Register.....	923
Figure 7-28. GPBINV Register.....	925
Figure 7-29. GPBODR Register.....	927
Figure 7-30. GPBAMSEL Register.....	929
Figure 7-31. GPBGMUX1 Register.....	931
Figure 7-32. GPBGMUX2 Register.....	932
Figure 7-33. GPBCSEL1 Register.....	933
Figure 7-34. GPBCSEL2 Register.....	934
Figure 7-35. GPBCSEL3 Register.....	935
Figure 7-36. GPBCSEL4 Register.....	936
Figure 7-37. GPBLOCK Register.....	937
Figure 7-38. GPBCR Register.....	939
Figure 7-39. GPCCTRL Register.....	941
Figure 7-40. GPCQSEL1 Register.....	942
Figure 7-41. GPCQSEL2 Register.....	944
Figure 7-42. GPCMUX1 Register.....	946
Figure 7-43. GPCMUX2 Register.....	948
Figure 7-44. GPCDIR Register.....	950
Figure 7-45. GPCPUD Register.....	952
Figure 7-46. GPCINV Register.....	954
Figure 7-47. GPCODR Register.....	956
Figure 7-48. GPCGMUX1 Register.....	958
Figure 7-49. GPCGMUX2 Register.....	959
Figure 7-50. GPCCSEL1 Register.....	960
Figure 7-51. GPCCSEL2 Register.....	961
Figure 7-52. GPCCSEL3 Register.....	962
Figure 7-53. GPCCSEL4 Register.....	963
Figure 7-54. GPCLOCK Register.....	964
Figure 7-55. GPCCR Register.....	966
Figure 7-56. GPDCTRL Register.....	968
Figure 7-57. GPDQSEL1 Register.....	969
Figure 7-58. GPDQSEL2 Register.....	971
Figure 7-59. GPDMUX1 Register.....	973
Figure 7-60. GPDMUX2 Register.....	975
Figure 7-61. GPDDIR Register.....	977
Figure 7-62. GPDPUUD Register.....	979
Figure 7-63. GPDINV Register.....	981
Figure 7-64. GPDODR Register.....	983
Figure 7-65. GPDGMUX1 Register.....	985
Figure 7-66. GPDGMUX2 Register.....	987
Figure 7-67. GPDCSEL1 Register.....	989
Figure 7-68. GPDCSEL2 Register.....	990
Figure 7-69. GPDCSEL3 Register.....	991
Figure 7-70. GPDCSEL4 Register.....	992
Figure 7-71. GPDLOCK Register.....	993
Figure 7-72. GPDCCR Register.....	995
Figure 7-73. GPECTRL Register.....	997
Figure 7-74. GPEQSEL1 Register.....	998
Figure 7-75. GPEQSEL2 Register.....	1000
Figure 7-76. GPEMUX1 Register.....	1002
Figure 7-77. GPEMUX2 Register.....	1004
Figure 7-78. GPEDIR Register.....	1006
Figure 7-79. GPEPUD Register.....	1008
Figure 7-80. GPEINV Register.....	1010
Figure 7-81. GPEODR Register.....	1012
Figure 7-82. GPEGMUX1 Register.....	1014
Figure 7-83. GPEGMUX2 Register.....	1016
Figure 7-84. GPECSEL1 Register.....	1018
Figure 7-85. GPECSEL2 Register.....	1019



Figure 7-86. GPECSEL3 Register.....	1020
Figure 7-87. GPECSEL4 Register.....	1021
Figure 7-88. GPELOCK Register.....	1022
Figure 7-89. GPECR Register.....	1024
Figure 7-90. GPFCTRL Register.....	1026
Figure 7-91. GPFQSEL1 Register.....	1027
Figure 7-92. GPFMUX1 Register.....	1029
Figure 7-93. GPFDIR Register.....	1031
Figure 7-94. GPFPUID Register.....	1033
Figure 7-95. GPFINV Register.....	1035
Figure 7-96. GPFODR Register.....	1037
Figure 7-97. GPFGMUX1 Register.....	1039
Figure 7-98. GPFSEL1 Register.....	1041
Figure 7-99. GPFSEL2 Register.....	1042
Figure 7-100. GPFLOCK Register.....	1043
Figure 7-101. GPFGR Register.....	1045
Figure 7-102. GPADAT Register.....	1049
Figure 7-103. GPASET Register.....	1051
Figure 7-104. GPACLEAR Register.....	1053
Figure 7-105. GPATOGGLE Register.....	1055
Figure 7-106. GPBDAT Register.....	1057
Figure 7-107. GPBSET Register.....	1059
Figure 7-108. GPBCLEAR Register.....	1061
Figure 7-109. GPBTOGGLE Register.....	1063
Figure 7-110. GPCDAT Register.....	1065
Figure 7-111. GPCSET Register.....	1067
Figure 7-112. GPCCLEAR Register.....	1069
Figure 7-113. GPCTOGGLE Register.....	1071
Figure 7-114. GPDDAT Register.....	1073
Figure 7-115. GPDSET Register.....	1075
Figure 7-116. GPD CLEAR Register.....	1077
Figure 7-117. GPDTOGGLE Register.....	1079
Figure 7-118. GPEDAT Register.....	1081
Figure 7-119. GPESET Register.....	1083
Figure 7-120. GPECLEAR Register.....	1085
Figure 7-121. GPETOGGLE Register.....	1087
Figure 7-122. GPFDAT Register.....	1089
Figure 7-123. GPFSET Register.....	1091
Figure 7-124. GPF CLEAR Register.....	1093
Figure 7-125. GPFTOGGLE Register.....	1095
Figure 8-1. Input X-BAR.....	1105
Figure 8-2. ePWM X-BAR Architecture - Single Output.....	1107
Figure 8-3. CLB X-BAR Architecture - Single Output.....	1109
Figure 8-4. GPIO to CLB Tile Connections.....	1110
Figure 8-5. GPIO Output X-BAR Architecture.....	1112
Figure 8-6. X-BAR Input Sources.....	1114
Figure 8-7. INPUT1SELECT Register.....	1117
Figure 8-8. INPUT2SELECT Register.....	1118
Figure 8-9. INPUT3SELECT Register.....	1119
Figure 8-10. INPUT4SELECT Register.....	1120
Figure 8-11. INPUT5SELECT Register.....	1121
Figure 8-12. INPUT6SELECT Register.....	1122
Figure 8-13. INPUT7SELECT Register.....	1123
Figure 8-14. INPUT8SELECT Register.....	1124
Figure 8-15. INPUT9SELECT Register.....	1125
Figure 8-16. INPUT10SELECT Register.....	1126
Figure 8-17. INPUT11SELECT Register.....	1127
Figure 8-18. INPUT12SELECT Register.....	1128
Figure 8-19. INPUT13SELECT Register.....	1129
Figure 8-20. INPUT14SELECT Register.....	1130
Figure 8-21. INPUTSELECTLOCK Register.....	1131

Figure 8-22. XBARFLG1 Register.....	1134
Figure 8-23. XBARFLG2 Register.....	1136
Figure 8-24. XBARFLG3 Register.....	1138
Figure 8-25. XBARCLR1 Register.....	1140
Figure 8-26. XBARCLR2 Register.....	1142
Figure 8-27. XBARCLR3 Register.....	1145
Figure 8-28. TRIP4MUX0TO15CFG Register.....	1149
Figure 8-29. TRIP4MUX16TO31CFG Register.....	1152
Figure 8-30. TRIP5MUX0TO15CFG Register.....	1155
Figure 8-31. TRIP5MUX16TO31CFG Register.....	1158
Figure 8-32. TRIP7MUX0TO15CFG Register.....	1161
Figure 8-33. TRIP7MUX16TO31CFG Register.....	1164
Figure 8-34. TRIP8MUX0TO15CFG Register.....	1167
Figure 8-35. TRIP8MUX16TO31CFG Register.....	1170
Figure 8-36. TRIP9MUX0TO15CFG Register.....	1173
Figure 8-37. TRIP9MUX16TO31CFG Register.....	1176
Figure 8-38. TRIP10MUX0TO15CFG Register.....	1179
Figure 8-39. TRIP10MUX16TO31CFG Register.....	1182
Figure 8-40. TRIP11MUX0TO15CFG Register.....	1185
Figure 8-41. TRIP11MUX16TO31CFG Register.....	1188
Figure 8-42. TRIP12MUX0TO15CFG Register.....	1191
Figure 8-43. TRIP12MUX16TO31CFG Register.....	1194
Figure 8-44. TRIP4MUXENABLE Register.....	1197
Figure 8-45. TRIP5MUXENABLE Register.....	1202
Figure 8-46. TRIP7MUXENABLE Register.....	1207
Figure 8-47. TRIP8MUXENABLE Register.....	1212
Figure 8-48. TRIP9MUXENABLE Register.....	1217
Figure 8-49. TRIP10MUXENABLE Register.....	1222
Figure 8-50. TRIP11MUXENABLE Register.....	1227
Figure 8-51. TRIP12MUXENABLE Register.....	1232
Figure 8-52. TRIPOUTINV Register.....	1237
Figure 8-53. TRIPLOCK Register.....	1239
Figure 8-54. AUXSIG0MUX0TO15CFG Register.....	1242
Figure 8-55. AUXSIG0MUX16TO31CFG Register.....	1245
Figure 8-56. AUXSIG1MUX0TO15CFG Register.....	1248
Figure 8-57. AUXSIG1MUX16TO31CFG Register.....	1251
Figure 8-58. AUXSIG2MUX0TO15CFG Register.....	1254
Figure 8-59. AUXSIG2MUX16TO31CFG Register.....	1257
Figure 8-60. AUXSIG3MUX0TO15CFG Register.....	1260
Figure 8-61. AUXSIG3MUX16TO31CFG Register.....	1263
Figure 8-62. AUXSIG4MUX0TO15CFG Register.....	1266
Figure 8-63. AUXSIG4MUX16TO31CFG Register.....	1269
Figure 8-64. AUXSIG5MUX0TO15CFG Register.....	1272
Figure 8-65. AUXSIG5MUX16TO31CFG Register.....	1275
Figure 8-66. AUXSIG6MUX0TO15CFG Register.....	1278
Figure 8-67. AUXSIG6MUX16TO31CFG Register.....	1281
Figure 8-68. AUXSIG7MUX0TO15CFG Register.....	1284
Figure 8-69. AUXSIG7MUX16TO31CFG Register.....	1287
Figure 8-70. AUXSIG0MUXENABLE Register.....	1290
Figure 8-71. AUXSIG1MUXENABLE Register.....	1295
Figure 8-72. AUXSIG2MUXENABLE Register.....	1300
Figure 8-73. AUXSIG3MUXENABLE Register.....	1305
Figure 8-74. AUXSIG4MUXENABLE Register.....	1310
Figure 8-75. AUXSIG5MUXENABLE Register.....	1315
Figure 8-76. AUXSIG6MUXENABLE Register.....	1320
Figure 8-77. AUXSIG7MUXENABLE Register.....	1325
Figure 8-78. AUXSIGOUTINV Register.....	1330
Figure 8-79. AUXSIGLOCK Register.....	1332
Figure 8-80. OUTPUT1MUX0TO15CFG Register.....	1335
Figure 8-81. OUTPUT1MUX16TO31CFG Register.....	1338
Figure 8-82. OUTPUT2MUX0TO15CFG Register.....	1341

Figure 8-83. OUTPUT2MUX16TO31CFG Register.....	1344
Figure 8-84. OUTPUT3MUX0TO15CFG Register.....	1347
Figure 8-85. OUTPUT3MUX16TO31CFG Register.....	1350
Figure 8-86. OUTPUT4MUX0TO15CFG Register.....	1353
Figure 8-87. OUTPUT4MUX16TO31CFG Register.....	1356
Figure 8-88. OUTPUT5MUX0TO15CFG Register.....	1359
Figure 8-89. OUTPUT5MUX16TO31CFG Register.....	1362
Figure 8-90. OUTPUT6MUX0TO15CFG Register.....	1365
Figure 8-91. OUTPUT6MUX16TO31CFG Register.....	1368
Figure 8-92. OUTPUT7MUX0TO15CFG Register.....	1371
Figure 8-93. OUTPUT7MUX16TO31CFG Register.....	1374
Figure 8-94. OUTPUT8MUX0TO15CFG Register.....	1377
Figure 8-95. OUTPUT8MUX16TO31CFG Register.....	1380
Figure 8-96. OUTPUT1MUXENABLE Register.....	1383
Figure 8-97. OUTPUT2MUXENABLE Register.....	1388
Figure 8-98. OUTPUT3MUXENABLE Register.....	1393
Figure 8-99. OUTPUT4MUXENABLE Register.....	1398
Figure 8-100. OUTPUT5MUXENABLE Register.....	1403
Figure 8-101. OUTPUT6MUXENABLE Register.....	1408
Figure 8-102. OUTPUT7MUXENABLE Register.....	1413
Figure 8-103. OUTPUT8MUXENABLE Register.....	1418
Figure 8-104. OUTPUTLATCH Register.....	1423
Figure 8-105. OUTPUTLATCHCLR Register.....	1425
Figure 8-106. OUTPUTLATCHFRC Register.....	1427
Figure 8-107. OUTPUTLATCHENABLE Register.....	1429
Figure 8-108. OUTPUTINV Register.....	1431
Figure 8-109. OUTPUTLOCK Register.....	1433
Figure 9-1. Analog Subsystem Block Diagram (176-Pin PTP).....	1443
Figure 9-2. Analog Subsystem Block Diagram (100-Pin PZP).....	1444
Figure 9-3. INTOSC1TRIM Register.....	1447
Figure 9-4. INTOSC2TRIM Register.....	1448
Figure 9-5. TSNMCTL Register.....	1449
Figure 9-6. LOCK Register.....	1450
Figure 9-7. ANAREFTRIMA Register.....	1452
Figure 9-8. ANAREFTRIMB Register.....	1453
Figure 9-9. ANAREFTRIMD Register.....	1454
Figure 10-1. ADC Module Block Diagram.....	1458
Figure 10-2. SOC Block Diagram.....	1461
Figure 10-3. Single-Ended Input Model.....	1463
Figure 10-4. Round Robin Priority Example.....	1468
Figure 10-5. High Priority Example.....	1469
Figure 10-6. Burst Priority Example.....	1471
Figure 10-7. ADC EOC Interrupts.....	1472
Figure 10-8. ADC PPB Block Diagram.....	1474
Figure 10-9. ADC PPB Interrupt Event.....	1476
Figure 10-10. Opens/Shorts Detection Circuit.....	1478
Figure 10-11. Input Circuit Equivalent with OSDETECT Enabled.....	1479
Figure 10-12. ADC Timings for 12-bit Mode in Early Interrupt Mode.....	1483
Figure 10-13. ADC Timings for 12-bit Mode in Late Interrupt Mode.....	1484
Figure 10-14. Example: Basic Synchronous Operation.....	1486
Figure 10-15. Example: Synchronous Operation with Multiple Trigger Sources.....	1487
Figure 10-16. Example: Synchronous Operation with Uneven SOC Numbers.....	1488
Figure 10-17. Example: Asynchronous Operation with Uneven SOC Numbers – Trigger Overflow.....	1488
Figure 10-18. Example: Synchronous Equivalent Operation with Non-Overlapping Conversions.....	1489
Figure 10-19. ADC Reference System.....	1492
Figure 10-20. ADC Shared Reference System.....	1493
Figure 10-21. ADCRESULT0 Register.....	1500
Figure 10-22. ADCRESULT1 Register.....	1501
Figure 10-23. ADCRESULT2 Register.....	1502
Figure 10-24. ADCRESULT3 Register.....	1503
Figure 10-25. ADCRESULT4 Register.....	1504

Figure 10-26. ADCRESULT5 Register.....	1505
Figure 10-27. ADCRESULT6 Register.....	1506
Figure 10-28. ADCRESULT7 Register.....	1507
Figure 10-29. ADCRESULT8 Register.....	1508
Figure 10-30. ADCRESULT9 Register.....	1509
Figure 10-31. ADCRESULT10 Register.....	1510
Figure 10-32. ADCRESULT11 Register.....	1511
Figure 10-33. ADCRESULT12 Register.....	1512
Figure 10-34. ADCRESULT13 Register.....	1513
Figure 10-35. ADCRESULT14 Register.....	1514
Figure 10-36. ADCRESULT15 Register.....	1515
Figure 10-37. ADCPPB1RESULT Register.....	1516
Figure 10-38. ADCPPB2RESULT Register.....	1517
Figure 10-39. ADCPPB3RESULT Register.....	1518
Figure 10-40. ADCPPB4RESULT Register.....	1519
Figure 10-41. ADCCTL1 Register.....	1523
Figure 10-42. ADCCTL2 Register.....	1525
Figure 10-43. ADCBURSTCTL Register.....	1526
Figure 10-44. ADCINTFLG Register.....	1528
Figure 10-45. ADCINTFLGCLR Register.....	1530
Figure 10-46. ADCINTOVF Register.....	1531
Figure 10-47. ADCINTOVFCLR Register.....	1532
Figure 10-48. ADCINTSEL1N2 Register.....	1533
Figure 10-49. ADCINTSEL3N4 Register.....	1535
Figure 10-50. ADCSOCPRICTL Register.....	1537
Figure 10-51. ADCINTSOCSEL1 Register.....	1539
Figure 10-52. ADCINTSOCSEL2 Register.....	1541
Figure 10-53. ADCSOCFLG1 Register.....	1543
Figure 10-54. ADCSOCFRC1 Register.....	1547
Figure 10-55. ADCSOCOVF1 Register.....	1552
Figure 10-56. ADCSOCOVFCLR1 Register.....	1555
Figure 10-57. ADCSOC0CTL Register.....	1558
Figure 10-58. ADCSOC1CTL Register.....	1560
Figure 10-59. ADCSOC2CTL Register.....	1562
Figure 10-60. ADCSOC3CTL Register.....	1564
Figure 10-61. ADCSOC4CTL Register.....	1566
Figure 10-62. ADCSOC5CTL Register.....	1568
Figure 10-63. ADCSOC6CTL Register.....	1570
Figure 10-64. ADCSOC7CTL Register.....	1572
Figure 10-65. ADCSOC8CTL Register.....	1574
Figure 10-66. ADCSOC9CTL Register.....	1576
Figure 10-67. ADCSOC10CTL Register.....	1578
Figure 10-68. ADCSOC11CTL Register.....	1580
Figure 10-69. ADCSOC12CTL Register.....	1582
Figure 10-70. ADCSOC13CTL Register.....	1584
Figure 10-71. ADCSOC14CTL Register.....	1586
Figure 10-72. ADCSOC15CTL Register.....	1588
Figure 10-73. ADCEVTSTAT Register.....	1590
Figure 10-74. ADCEVTCLR Register.....	1593
Figure 10-75. ADCEVTSEL Register.....	1595
Figure 10-76. ADCEVTINTSEL Register.....	1597
Figure 10-77. ADCOSDETECT Register.....	1599
Figure 10-78. ADCCOUNTER Register.....	1600
Figure 10-79. ADCREV Register.....	1601
Figure 10-80. ADCOFFTRIM Register.....	1602
Figure 10-81. ADCPPB1CONFIG Register.....	1603
Figure 10-82. ADCPPB1STAMP Register.....	1605
Figure 10-83. ADCPPB1OFFCAL Register.....	1606
Figure 10-84. ADCPPB1OFFREF Register.....	1607
Figure 10-85. ADCPPB1TRIPHI Register.....	1608
Figure 10-86. ADCPPB1TRIPLO Register.....	1609

Figure 10-87. ADCPPB2CONFIG Register.....	1610
Figure 10-88. ADCPPB2STAMP Register.....	1612
Figure 10-89. ADCPPB2OFFCAL Register.....	1613
Figure 10-90. ADCPPB2OFFREF Register.....	1614
Figure 10-91. ADCPPB2TRIPHI Register.....	1615
Figure 10-92. ADCPPB2TRIPLO Register.....	1616
Figure 10-93. ADCPPB3CONFIG Register.....	1617
Figure 10-94. ADCPPB3STAMP Register.....	1619
Figure 10-95. ADCPPB3OFFCAL Register.....	1620
Figure 10-96. ADCPPB3OFFREF Register.....	1621
Figure 10-97. ADCPPB3TRIPHI Register.....	1622
Figure 10-98. ADCPPB3TRIPLO Register.....	1623
Figure 10-99. ADCPPB4CONFIG Register.....	1624
Figure 10-100. ADCPPB4STAMP Register.....	1626
Figure 10-101. ADCPPB4OFFCAL Register.....	1627
Figure 10-102. ADCPPB4OFFREF Register.....	1628
Figure 10-103. ADCPPB4TRIPHI Register.....	1629
Figure 10-104. ADCPPB4TRIPLO Register.....	1630
Figure 10-105. ADCINLTRIM1 Register.....	1631
Figure 10-106. ADCINLTRIM2 Register.....	1632
Figure 10-107. ADCINLTRIM3 Register.....	1633
Figure 10-108. ADCINLTRIM4 Register.....	1634
Figure 10-109. ADCINLTRIM5 Register.....	1635
Figure 10-110. ADCINLTRIM6 Register.....	1636
Figure 11-1. DAC Module Block Diagram.....	1643
Figure 11-2. DACREV Register.....	1647
Figure 11-3. DACCTL Register.....	1648
Figure 11-4. DACVALA Register.....	1649
Figure 11-5. DACVALS Register.....	1650
Figure 11-6. DACOUTEN Register.....	1651
Figure 11-7. DACLOCK Register.....	1652
Figure 11-8. DACTRIM Register.....	1653
Figure 12-1. CMPSS Module Block Diagram.....	1657
Figure 12-2. Comparator Block Diagram.....	1657
Figure 12-3. Reference DAC Block Diagram.....	1658
Figure 12-4. Ramp Generator Block Diagram.....	1660
Figure 12-5. Ramp Generator Behavior.....	1661
Figure 12-6. Digital Filter Behavior.....	1662
Figure 12-7. COMPCTL Register.....	1669
Figure 12-8. COMPHYSCTL Register.....	1671
Figure 12-9. COMPSTS Register.....	1672
Figure 12-10. COMPSTSCLR Register.....	1673
Figure 12-11. COMPDACCTL Register.....	1674
Figure 12-12. DACHVALS Register.....	1675
Figure 12-13. DACHVALA Register.....	1676
Figure 12-14. RAMPMAXREFA Register.....	1677
Figure 12-15. RAMPMAXREFS Register.....	1678
Figure 12-16. RAMPDECVALA Register.....	1679
Figure 12-17. RAMPDECVALS Register.....	1680
Figure 12-18. RAMPSTS Register.....	1681
Figure 12-19. DACLVALS Register.....	1682
Figure 12-20. DACLVALA Register.....	1683
Figure 12-21. RAMPDLYA Register.....	1684
Figure 12-22. RAMPDLYS Register.....	1685
Figure 12-23. CTRIPFILCTL Register.....	1686
Figure 12-24. CTRIPFILCLKCTL Register.....	1687
Figure 12-25. CTRIPHFILCTL Register.....	1688
Figure 12-26. CTRIPHFILCLKCTL Register.....	1689
Figure 12-27. COMPLOCK Register.....	1690
Figure 13-1. Sigma Delta Filter Module (SDFM) CPU Interface.....	1694
Figure 13-2. Sigma Delta Filter Module (SDFM) Block Diagram.....	1696

Figure 13-3. Block Diagram of One Filter Module.....	1697
Figure 13-4. Different Modulator Modes Supported.....	1700
Figure 13-5. Simplified Sinc Filter Architecture.....	1701
Figure 13-6. Z-Transform of Sinc Filter of Order N.....	1701
Figure 13-7. Frequency Response of Different Sinc Filters.....	1701
Figure 13-8. SDSYNC Event.....	1705
Figure 13-9. Comparator Unit Structure.....	1706
Figure 13-10. SDFM Error (SD_ERR) Interrupt Sources.....	1710
Figure 13-11. SDIFLG Register.....	1717
Figure 13-12. SDIFLGCLR Register.....	1719
Figure 13-13. SDCTL Register.....	1721
Figure 13-14. SDMFILEN Register.....	1722
Figure 13-15. SDCTLPARM1 Register.....	1723
Figure 13-16. SDDFPARM1 Register.....	1724
Figure 13-17. SDDPARM1 Register.....	1725
Figure 13-18. SDCMPH1 Register.....	1726
Figure 13-19. SDCMPL1 Register.....	1727
Figure 13-20. SDCPARM1 Register.....	1728
Figure 13-21. SDDATA1 Register.....	1729
Figure 13-22. SDCTLPARM2 Register.....	1730
Figure 13-23. SDDFPARM2 Register.....	1731
Figure 13-24. SDDPARM2 Register.....	1732
Figure 13-25. SDCMPH2 Register.....	1733
Figure 13-26. SDCMPL2 Register.....	1734
Figure 13-27. SDCPARM2 Register.....	1735
Figure 13-28. SDDATA2 Register.....	1736
Figure 13-29. SDCTLPARM3 Register.....	1737
Figure 13-30. SDDFPARM3 Register.....	1738
Figure 13-31. SDDPARM3 Register.....	1739
Figure 13-32. SDCMPH3 Register.....	1740
Figure 13-33. SDCMPL3 Register.....	1741
Figure 13-34. SDCPARM3 Register.....	1742
Figure 13-35. SDDATA3 Register.....	1743
Figure 13-36. SDCTLPARM4 Register.....	1744
Figure 13-37. SDDFPARM4 Register.....	1745
Figure 13-38. SDDPARM4 Register.....	1746
Figure 13-39. SDCMPH4 Register.....	1747
Figure 13-40. SDCMPL4 Register.....	1748
Figure 13-41. SDCPARM4 Register.....	1749
Figure 13-42. SDDATA4 Register.....	1750
Figure 14-1. Multiple ePWM Modules.....	1757
Figure 14-2. Submodules and Signal Connections for an ePWM Module.....	1758
Figure 14-3. ePWM Modules and Critical Internal Signal Interconnects.....	1760
Figure 14-4. Time-Base Submodule.....	1763
Figure 14-5. Time-Base Submodule Signals and Registers.....	1764
Figure 14-6. Time-Base Frequency and Period.....	1766
Figure 14-7. Time-Base Counter Synchronization Scheme.....	1768
Figure 14-8. Time-Base Up-Count Mode Waveforms.....	1770
Figure 14-9. Time-Base Down-Count Mode Waveforms.....	1771
Figure 14-10. Time-Base Up-Down-Count Waveforms, TBCTL[PHSDIR = 0] Count Down On Synchronization Event.....	1772
Figure 14-11. Time-Base Up-Down Count Waveforms, TBCTL[PHSDIR = 1] Count Up On Synchronization Event.....	1773
Figure 14-12. Global Load: Signals and Registers.....	1774
Figure 14-13. One-Shot Sync Mode.....	1775
Figure 14-14. Counter-Compare Submodule.....	1776
Figure 14-15. Detailed View of the Counter-Compare Submodule.....	1777
Figure 14-16. Counter-Compare Event Waveforms in Up-Count Mode.....	1780
Figure 14-17. Counter-Compare Events in Down-Count Mode.....	1780
Figure 14-18. Counter-Compare Events In Up-Down-Count Mode, TBCTL[PHSDIR = 0] Count Down On Synchronization Event.....	1781
Figure 14-19. Counter-Compare Events In Up-Down-Count Mode, TBCTL[PHSDIR = 1] Count Up On Synchronization Event.....	1781

Figure 14-20. Action-Qualifier Submodule.....	1782
Figure 14-21. Action-Qualifier Submodule Inputs and Outputs.....	1783
Figure 14-22. Possible Action-Qualifier Actions for EPWMxA and EPWMxB Outputs.....	1784
Figure 14-23. AQCTL[SHDWAQAMODE].....	1787
Figure 14-24. AQCTL[SHDWAQBMODE].....	1787
Figure 14-25. Up-Down Count Mode Symmetrical Waveform.....	1789
Figure 14-26. Up, Single Edge Asymmetric Waveform, with Independent Modulation on EPWMxA and EPWMxB— Active High.....	1790
Figure 14-27. Up, Single Edge Asymmetric Waveform with Independent Modulation on EPWMxA and EPWMxB— Active Low.....	1791
Figure 14-28. Up-Count, Pulse Placement Asymmetric Waveform With Independent Modulation on EPWMxA.....	1792
Figure 14-29. Up-Down Count, Dual-Edge Symmetric Waveform, with Independent Modulation on EPWMxA and EPWMxB — Active Low.....	1792
Figure 14-30. Up-Down Count, Dual-Edge Symmetric Waveform, with Independent Modulation on EPWMxA and EPWMxB — Complementary.....	1793
Figure 14-31. Up-Down Count, Dual-Edge Asymmetric Waveform, with Independent Modulation on EPWMxA—Active Low.....	1793
Figure 14-32. Up-Down Count, PWM Waveform Generation Utilizing T1 and T2 Events.....	1794
Figure 14-33. Dead_Band Submodule.....	1795
Figure 14-34. Configuration Options for the Dead-Band Submodule.....	1798
Figure 14-35. Dead-Band Waveforms for Typical Cases (0% < Duty < 100%).....	1800
Figure 14-36. PWM Chopper Submodule.....	1802
Figure 14-37. PWM Chopper Submodule Operational Details.....	1803
Figure 14-38. Simple PWM Chopper Submodule Waveforms Showing Chopping Action Only.....	1803
Figure 14-39. PWM Chopper Submodule Waveforms Showing the First Pulse and Subsequent Sustaining Pulses.....	1804
Figure 14-40. PWM Chopper Submodule Waveforms Showing the Pulse Width (Duty Cycle) Control of Sustaining Pulses.....	1805
Figure 14-41. Trip-Zone Submodule.....	1806
Figure 14-42. Trip-Zone Submodule Mode Control Logic.....	1810
Figure 14-43. Trip-Zone Submodule Interrupt Logic.....	1811
Figure 14-44. Event-Trigger Submodule.....	1812
Figure 14-45. Event-Trigger Submodule Showing Event Inputs and Prescaled Outputs.....	1813
Figure 14-46. Event-Trigger Interrupt Generator.....	1815
Figure 14-47. Event-Trigger SOCA Pulse Generator.....	1816
Figure 14-48. Event-Trigger SOCB Pulse Generator.....	1816
Figure 14-49. Digital-Compare Submodule High-Level Block Diagram.....	1817
Figure 14-50. GPIO MUX-to-Trip Input Connectivity.....	1818
Figure 14-51. DCAEVT1 Event Triggering.....	1821
Figure 14-52. DCAEVT2 Event Triggering.....	1821
Figure 14-53. DCBEVT1 Event Triggering.....	1822
Figure 14-54. DCBEVT2 Event Triggering.....	1822
Figure 14-55. Event Filtering.....	1823
Figure 14-56. Blanking Window Timing Diagram.....	1824
Figure 14-57. Valley Switching.....	1826
Figure 14-58. ePWM X-BAR.....	1827
Figure 14-59. Simplified ePWM Module.....	1828
Figure 14-60. EPWM1 Configured as a Typical Master, EPWM2 Configured as a Slave.....	1829
Figure 14-61. Control of Four Buck Stages. Here $F_{PWM1} \neq F_{PWM2} \neq F_{PWM3} \neq F_{PWM4}$ .....	1830
Figure 14-62. Buck Waveforms for Control of Four Buck Stages (Note: Only three bucks shown here).....	1831
Figure 14-63. Control of Four Buck Stages. (Note: $F_{PWM2} = N \times F_{PWM1}$ ).....	1832
Figure 14-64. Buck Waveforms for Control of Four Buck Stages (Note: $F_{PWM2} = F_{PWM1}$ ).....	1833
Figure 14-65. Control of Two Half-H Bridge Stages ( $F_{PWM2} = N \times F_{PWM1}$ ).....	1834
Figure 14-66. Half-H Bridge Waveforms for Control of Two Half-H Bridge Stages (Note: Here $F_{PWM2} = F_{PWM1}$ ).....	1835
Figure 14-67. Control of Dual 3-Phase Inverter Stages as Is Commonly Used in Motor Control.....	1836
Figure 14-68. 3-Phase Inverter Waveforms for Control of Dual 3-Phase Inverter Stages (Only One Inverter Shown).....	1837
Figure 14-69. Configuring Two PWM Modules for Phase Control.....	1838
Figure 14-70. Timing Waveforms Associated with Phase Control Between Two Modules.....	1839
Figure 14-71. Control of 3-Phase Interleaved DC/DC Converter.....	1840
Figure 14-72. 3-Phase Interleaved DC/DC Converter Waveforms for Control of 3-Phase Interleaved DC/DC Converter....	1841
Figure 14-73. Control of Full-H Bridge Stage ( $F_{PWM2} = F_{PWM1}$ ).....	1842
Figure 14-74. ZVS Full-H Bridge Waveforms.....	1843
Figure 14-75. Peak Current Mode Control of Buck Converter.....	1844

Figure 14-76. Peak Current Mode Control Waveforms for Control of Buck Converter.....	1844
Figure 14-77. Control of Two Resonant Converter Stages.....	1845
Figure 14-78. H-Bridge LLC Resonant Converter PWM Waveforms.....	1845
Figure 14-79. HRPWM Block Diagram.....	1846
Figure 14-80. Resolution Calculations for Conventionally Generated PWM.....	1847
Figure 14-81. Operating Logic Using MEP.....	1848
Figure 14-82. HRPWM Extension Registers and Memory Configuration.....	1849
Figure 14-83. HRPWM System Interface.....	1850
Figure 14-84. HRPWM and HRCAL Source Clock.....	1851
Figure 14-85. Required PWM Waveform for a Requested Duty = 40.5%.....	1854
Figure 14-86. Low % Duty Cycle Range Limitation Example (HRPCTL[HRPE] = 0).....	1857
Figure 14-87. High % Duty Cycle Range Limitation Example (HRPCTL[HRPE] = 0).....	1858
Figure 14-88. Up-Count Duty Cycle Range Limitation Example (HRPCTL[HRPE]=1).....	1858
Figure 14-89. Up-Down Count Duty Cycle Range Limitation Example (HRPCTL[HRPE]=1).....	1858
Figure 14-90. Simple Buck Controlled Converter Using a Single PWM.....	1865
Figure 14-91. PWM Waveform Generated for Simple Buck Controlled Converter.....	1865
Figure 14-92. Simple Reconstruction Filter for a PWM-based DAC.....	1867
Figure 14-93. PWM Waveform Generated for the PWM DAC Function.....	1867
Figure 14-94. TBCTL Register.....	1876
Figure 14-95. TBCTL2 Register.....	1878
Figure 14-96. TBCTR Register.....	1879
Figure 14-97. TBSTS Register.....	1880
Figure 14-98. CMPCTL Register.....	1881
Figure 14-99. CMPCTL2 Register.....	1883
Figure 14-100. DBCTL Register.....	1885
Figure 14-101. DBCTL2 Register.....	1888
Figure 14-102. AQCTL Register.....	1889
Figure 14-103. AQTSRCSEL Register.....	1891
Figure 14-104. PCCTL Register.....	1892
Figure 14-105. VCAPCTL Register.....	1894
Figure 14-106. VCNTCFG Register.....	1896
Figure 14-107. HRCNFG Register.....	1898
Figure 14-108. HRPWR Register.....	1900
Figure 14-109. HRMSTEP Register.....	1901
Figure 14-110. HRCNFG2 Register.....	1902
Figure 14-111. HRPCTL Register.....	1903
Figure 14-112. TRREM Register.....	1905
Figure 14-113. GLDCTL Register.....	1906
Figure 14-114. GLDCFG Register.....	1908
Figure 14-115. EPWMXLINK Register.....	1910
Figure 14-116. AQCTLA Register.....	1912
Figure 14-117. AQCTLA2 Register.....	1914
Figure 14-118. AQCTLB Register.....	1915
Figure 14-119. AQCTLB2 Register.....	1917
Figure 14-120. AQSFRC Register.....	1918
Figure 14-121. AQCSFRC Register.....	1919
Figure 14-122. DBREDHR Register.....	1920
Figure 14-123. DBRED Register.....	1921
Figure 14-124. DBFEDHR Register.....	1922
Figure 14-125. DBFED Register.....	1923
Figure 14-126. TBPHS Register.....	1924
Figure 14-127. TBPRDHR Register.....	1925
Figure 14-128. TBPRD Register.....	1926
Figure 14-129. CMPA Register.....	1927
Figure 14-130. CMPB Register.....	1928
Figure 14-131. CMPC Register.....	1929
Figure 14-132. CMPD Register.....	1930
Figure 14-133. GLDCTL2 Register.....	1931
Figure 14-134. SWVDELVAL Register.....	1932
Figure 14-135. TZSEL Register.....	1933
Figure 14-136. TZDCSEL Register.....	1935



Figure 14-137. TZCTL Register.....	1936
Figure 14-138. TZCTL2 Register.....	1938
Figure 14-139. TZCTLDCA Register.....	1940
Figure 14-140. TZCTLDCA Register.....	1942
Figure 14-141. TZEINT Register.....	1944
Figure 14-142. TZFLG Register.....	1945
Figure 14-143. TZCBCFLG Register.....	1947
Figure 14-144. TZOSTFLG Register.....	1949
Figure 14-145. TZCLR Register.....	1951
Figure 14-146. TZCBCCLR Register.....	1953
Figure 14-147. TZOSTCLR Register.....	1954
Figure 14-148. TZFRC Register.....	1955
Figure 14-149. ETSEL Register.....	1956
Figure 14-150. ETPS Register.....	1959
Figure 14-151. ETFLG Register.....	1962
Figure 14-152. ETCLR Register.....	1963
Figure 14-153. ETFRC Register.....	1964
Figure 14-154. ETINTPS Register.....	1965
Figure 14-155. ETSOCPS Register.....	1966
Figure 14-156. ETCNTINITCTL Register.....	1968
Figure 14-157. ETCNTINIT Register.....	1969
Figure 14-158. DCTRIPSEL Register.....	1970
Figure 14-159. DCACTL Register.....	1972
Figure 14-160. DCBCTL Register.....	1973
Figure 14-161. DCFCTL Register.....	1974
Figure 14-162. DCCAPCTL Register.....	1976
Figure 14-163. DCFOFFSET Register.....	1978
Figure 14-164. DCFOFFSETCNT Register.....	1979
Figure 14-165. DCFWINDOW Register.....	1980
Figure 14-166. DCFWINDOWCNT Register.....	1981
Figure 14-167. DCCAP Register.....	1982
Figure 14-168. DCAHTRIPSEL Register.....	1983
Figure 14-169. DCALTRIPSEL Register.....	1985
Figure 14-170. DCBHTRIPSEL Register.....	1987
Figure 14-171. DCBLTRIPSEL Register.....	1989
Figure 14-172. HWVDELVAL Register.....	1991
Figure 14-173. VCNTVAL Register.....	1992
Figure 15-1. Capture and APWM Modes of Operation.....	2008
Figure 15-2. Counter Compare and PRD Effects on the eCAP Output in APWM Mode.....	2009
Figure 15-3. eCAP Block Diagram.....	2010
Figure 15-4. Event Prescale Control.....	2011
Figure 15-5. Prescale Function Waveforms.....	2011
Figure 15-6. Details of the Continuous/One-shot Block.....	2012
Figure 15-7. Details of the Counter and Synchronization Block.....	2014
Figure 15-8. Time-Base Counter Synchronization Scheme.....	2015
Figure 15-9. Interrupts in eCAP Module.....	2016
Figure 15-10. PWM Waveform Details Of APWM Mode Operation.....	2017
Figure 15-11. Time-Base Frequency and Period Calculation.....	2018
Figure 15-12. Capture Sequence for Absolute Time-stamp and Rising-Edge Detect.....	2019
Figure 15-13. Capture Sequence for Absolute Time-stamp with Rising- and Falling-Edge Detect.....	2020
Figure 15-14. Capture Sequence for Delta Mode Time-stamp and Rising Edge Detect.....	2021
Figure 15-15. Capture Sequence for Delta Mode Time-stamp with Rising- and Falling-Edge Detect.....	2022
Figure 15-16. PWM Waveform Details of APWM Mode Operation.....	2023
Figure 15-17. TSCTR Register.....	2027
Figure 15-18. CTRPHS Register.....	2028
Figure 15-19. CAP1 Register.....	2029
Figure 15-20. CAP2 Register.....	2030
Figure 15-21. CAP3 Register.....	2031
Figure 15-22. CAP4 Register.....	2032
Figure 15-23. ECCTL1 Register.....	2033
Figure 15-24. ECCTL2 Register.....	2035

Figure 15-25. ECEINT Register.....	2037
Figure 15-26. ECFLG Register.....	2039
Figure 15-27. ECCLR Register.....	2040
Figure 15-28. ECFRC Register.....	2041
Figure 16-1. Optical Encoder Disk.....	2046
Figure 16-2. QEP Encoder Output Signal for Forward/Reverse Movement.....	2046
Figure 16-3. Index Pulse Example.....	2047
Figure 16-4. Functional Block Diagram of the eQEP Peripheral.....	2050
Figure 16-5. Functional Block Diagram of Decoder Unit.....	2052
Figure 16-6. Quadrature Decoder State Machine.....	2053
Figure 16-7. Quadrature-clock and Direction Decoding.....	2054
Figure 16-8. Position Counter Reset by Index Pulse for 1000-Line Encoder (QPOSMAX = 3999 or 0xF9F).....	2056
Figure 16-9. Position Counter Underflow/Overflow (QPOSMAX = 4).....	2057
Figure 16-10. Software Index Marker for 1000-line Encoder (QEPCTL[IEL] = 1).....	2059
Figure 16-11. Strobe Event Latch (QEPCTL[SEL] = 1).....	2059
Figure 16-12. eQEP Position-compare Unit.....	2061
Figure 16-13. eQEP Position-compare Event Generation Points.....	2062
Figure 16-14. eQEP Position-compare Sync Output Pulse Stretcher.....	2062
Figure 16-15. eQEP Edge Capture Unit.....	2064
Figure 16-16. Unit Position Event for Low Speed Measurement (QCAPCTL[UPPS] = 0010).....	2065
Figure 16-17. eQEP Edge Capture Unit - Timing Details.....	2065
Figure 16-18. eQEP Watchdog Timer.....	2067
Figure 16-19. eQEP Unit Timer Base.....	2067
Figure 16-20. eQEP Interrupt Generation.....	2068
Figure 16-21. QPOSCNT Register.....	2070
Figure 16-22. QPOSINIT Register.....	2071
Figure 16-23. QPOSMAX Register.....	2072
Figure 16-24. QPOSCMP Register.....	2073
Figure 16-25. QPOSILAT Register.....	2074
Figure 16-26. QPOSSLAT Register.....	2075
Figure 16-27. QPOSLAT Register.....	2076
Figure 16-28. QUTMR Register.....	2077
Figure 16-29. QUPRD Register.....	2078
Figure 16-30. QWDTMR Register.....	2079
Figure 16-31. QWDPRD Register.....	2080
Figure 16-32. QDECCTL Register.....	2081
Figure 16-33. QEPCTL Register.....	2083
Figure 16-34. QCAPCTL Register.....	2085
Figure 16-35. QPOSCTL Register.....	2086
Figure 16-36. QEINT Register.....	2087
Figure 16-37. QFLG Register.....	2089
Figure 16-38. QCLR Register.....	2091
Figure 16-39. QFRC Register.....	2093
Figure 16-40. QEPSTS Register.....	2095
Figure 16-41. QCTMR Register.....	2097
Figure 16-42. QCPRD Register.....	2098
Figure 16-43. QCTMRLAT Register.....	2099
Figure 16-44. QCPRDLAT Register.....	2100
Figure 17-1. SPI CPU Interface.....	2105
Figure 17-2. SPI Interrupt Flags and Enable Logic Generation.....	2108
Figure 17-3. SPI DMA Trigger Diagram.....	2109
Figure 17-4. SPI Master/Slave Connection.....	2110
Figure 17-5. SPI Module Master Configuration.....	2112
Figure 17-6. SPI Module Slave Configuration.....	2113
Figure 17-7. SPICLK Signal Options.....	2116
Figure 17-8. SPI: SPICLK-LSPCLK Characteristic when (BRR + 1) is Odd, BRR > 3, and CLKPOLARITY = 1.....	2117
Figure 17-9. SPI 3-wire Master Mode.....	2119
Figure 17-10. SPI 3-wire Slave Mode.....	2120
Figure 17-11. Five Bits per Character.....	2123
Figure 17-12. SPI Digital Audio Receiver Configuration Using Two SPIs.....	2126
Figure 17-13. Standard Right-Justified Digital Audio Data Format.....	2126

Figure 17-14. SPICCR Register.....	2131
Figure 17-15. SPICTL Register.....	2133
Figure 17-16. SPISTS Register.....	2135
Figure 17-17. SPIBRR Register.....	2137
Figure 17-18. SPIRXEMU Register.....	2138
Figure 17-19. SPIRXBUF Register.....	2139
Figure 17-20. SPITXBUF Register.....	2140
Figure 17-21. SPIDAT Register.....	2141
Figure 17-22. SPIFFTX Register.....	2142
Figure 17-23. SPIFFRX Register.....	2144
Figure 17-24. SPIFFCT Register.....	2146
Figure 17-25. SPIPRI Register.....	2147
Figure 18-1. SCI CPU Interface.....	2152
Figure 18-2. Serial Communications Interface (SCI) Module Block Diagram.....	2154
Figure 18-3. Typical SCI Data Frame Formats.....	2156
Figure 18-4. Idle-Line Multiprocessor Communication Format.....	2158
Figure 18-5. Double-Buffered WUT and TXSHF.....	2159
Figure 18-6. Address-Bit Multiprocessor Communication Format.....	2160
Figure 18-7. SCI Asynchronous Communications Format.....	2161
Figure 18-8. SCI RX Signals in Communication Modes.....	2162
Figure 18-9. SCI TX Signals in Communications Mode.....	2163
Figure 18-10. SCI FIFO Interrupt Flags and Enable Logic.....	2168
Figure 18-11. SCICCR Register.....	2172
Figure 18-12. SCICTL1 Register.....	2174
Figure 18-13. SCIHBAUD Register.....	2176
Figure 18-14. SCILBAUD Register.....	2177
Figure 18-15. SCICTL2 Register.....	2178
Figure 18-16. SCIRXST Register.....	2180
Figure 18-17. SCIRXEMU Register.....	2184
Figure 18-18. SCIRXBUF Register.....	2185
Figure 18-19. SCITXBUF Register.....	2187
Figure 18-20. SCIFFTX Register.....	2188
Figure 18-21. SCIFFRX Register.....	2190
Figure 18-22. SCIFFCT Register.....	2192
Figure 18-23. SCIPRI Register.....	2193
Figure 19-1. Multiple I2C Modules Connected.....	2198
Figure 19-2. I2C Module Conceptual Block Diagram.....	2201
Figure 19-3. Clocking Diagram for the I2C Module.....	2201
Figure 19-4. Roles of the Clock Divide-Down Values (ICCL and ICCH).....	2202
Figure 19-5. Bit Transfer on the I2C bus.....	2203
Figure 19-6. I2C Slave TX / RX Flowchart.....	2205
Figure 19-7. I2C Master TX / RX Flowchart.....	2206
Figure 19-8. I2C Module START and STOP Conditions.....	2207
Figure 19-9. I2C Module Data Transfer (7-Bit Addressing with 8-bit Data Configuration Shown).....	2208
Figure 19-10. I2C Module 7-Bit Addressing Format (FDF = 0, XA = 0 in I2CMDR).....	2209
Figure 19-11. I2C Module 10-Bit Addressing Format (FDF = 0, XA = 1 in I2CMDR).....	2209
Figure 19-12. I2C Module Free Data Format (FDF = 1 in I2CMDR).....	2210
Figure 19-13. Repeated START Condition (in This Case, 7-Bit Addressing Format).....	2210
Figure 19-14. Synchronization of Two I2C Clock Generators During Arbitration.....	2211
Figure 19-15. Arbitration Procedure Between Two Master-Transmitters.....	2212
Figure 19-16. Pin Diagram Showing the Effects of the Digital Loopback Mode (DLB) Bit.....	2213
Figure 19-17. Enable Paths of the I2C Interrupt Requests.....	2216
Figure 19-18. Backwards Compatibility Mode and Forward Compatibility Bit, Slave Transmitter.....	2217
Figure 19-19. I2C FIFO Interrupt.....	2218
Figure 19-20. I2COAR Register.....	2223
Figure 19-21. I2CIER Register.....	2224
Figure 19-22. I2CSTR Register.....	2225
Figure 19-23. I2CCLKL Register.....	2229
Figure 19-24. I2CCLKH Register.....	2230
Figure 19-25. I2CCNT Register.....	2231
Figure 19-26. I2CDRR Register.....	2232

Figure 19-27. I2CSAR Register.....	2233
Figure 19-28. I2CDXR Register.....	2234
Figure 19-29. I2CMDR Register.....	2235
Figure 19-30. I2CISRC Register.....	2239
Figure 19-31. I2CEMDR Register.....	2240
Figure 19-32. I2CPSC Register.....	2241
Figure 19-33. I2CFFTX Register.....	2242
Figure 19-34. I2CFFRX Register.....	2244
Figure 20-1. Conceptual Block Diagram of the McBSP.....	2250
Figure 20-2. McBSP Data Transfer Paths.....	2251
Figure 20-3. Companding Processes.....	2252
Figure 20-4. $\mu$ -Law Transmit Data Companding Format.....	2252
Figure 20-5. A-Law Transmit Data Companding Format.....	2252
Figure 20-6. Two Methods by Which the McBSP Can Compand Internal Data.....	2253
Figure 20-7. Example - Clock Signal Control of Bit Transfer Timing.....	2253
Figure 20-8. McBSP Operating at Maximum Packet Frequency.....	2255
Figure 20-9. Single-Phase Frame for a McBSP Data Transfer.....	2256
Figure 20-10. Dual-Phase Frame for a McBSP Data Transfer.....	2256
Figure 20-11. Implementing the AC97 Standard With a Dual-Phase Frame.....	2257
Figure 20-12. Timing of an AC97-Standard Data Transfer Near Frame Synchronization.....	2257
Figure 20-13. McBSP Reception Physical Data Path.....	2258
Figure 20-14. McBSP Reception Signal Activity.....	2258
Figure 20-15. McBSP Transmission Physical Data Path.....	2259
Figure 20-16. McBSP Transmission Signal Activity.....	2259
Figure 20-17. Conceptual Block Diagram of the Sample Rate Generator.....	2261
Figure 20-18. Possible Inputs to the Sample Rate Generator and the Polarity Bits.....	2263
Figure 20-19. CLKG Synchronization and FSG Generation When GSYNC = 1 and CLKGDV = 1.....	2265
Figure 20-20. CLKG Synchronization and FSG Generation When GSYNC = 1 and CLKGDV = 3.....	2266
Figure 20-21. Overrun in the McBSP Receiver.....	2268
Figure 20-22. Overrun Prevented in the McBSP Receiver.....	2269
Figure 20-23. Possible Responses to Receive Frame-Synchronization Pulses.....	2269
Figure 20-24. An Unexpected Frame-Synchronization Pulse During a McBSP Reception.....	2270
Figure 20-25. Proper Positioning of Frame-Synchronization Pulses.....	2271
Figure 20-26. Data in the McBSP Transmitter Overwritten and Thus Not Transmitted.....	2271
Figure 20-27. Underflow During McBSP Transmission.....	2272
Figure 20-28. Underflow Prevented in the McBSP Transmitter.....	2273
Figure 20-29. Possible Responses to Transmit Frame-Synchronization Pulses.....	2273
Figure 20-30. An Unexpected Frame-Synchronization Pulse During a McBSP Transmission.....	2274
Figure 20-31. Proper Positioning of Frame-Synchronization Pulses.....	2275
Figure 20-32. Alternating Between the Channels of Partition A and the Channels of Partition B.....	2278
Figure 20-33. Reassigning Channel Blocks Throughout a McBSP Data Transfer.....	2278
Figure 20-34. McBSP Data Transfer in the 8-Partition Mode.....	2279
Figure 20-35. Activity on McBSP Pins for the Possible Values of XMCM.....	2283
Figure 20-36. Typical SPI Interface.....	2284
Figure 20-37. SPI Transfer with CLKSTP = 10b (No Clock Delay), CLKXP = 0, and CLKRP = 0.....	2286
Figure 20-38. SPI Transfer with CLKSTP = 11b (Clock Delay), CLKXP = 0, CLKRP = 1.....	2286
Figure 20-39. SPI Transfer with CLKSTP = 10b (No Clock Delay), CLKXP = 1, and CLKRP = 0.....	2287
Figure 20-40. SPI Transfer with CLKSTP = 11b (Clock Delay), CLKXP = 1, CLKRP = 1.....	2287
Figure 20-41. SPI Interface with McBSP Used as Master.....	2289
Figure 20-42. SPI Interface With McBSP Used as Slave.....	2290
Figure 20-43. Unexpected Frame-Synchronization Pulse With (R/X)FIG = 0.....	2298
Figure 20-44. Unexpected Frame-Synchronization Pulse With (R/X)FIG = 1.....	2298
Figure 20-45. Companding Processes for Reception and for Transmission.....	2299
Figure 20-46. Range of Programmable Data Delay.....	2300
Figure 20-47. 2-Bit Data Delay Used to Skip a Framing Bit.....	2301
Figure 20-48. Data Clocked Externally Using a Rising Edge and Sampled by the McBSP Receiver on a Falling Edge.....	2306
Figure 20-49. Frame of Period 16 CLKG Periods and Active Width of 2 CLKG Periods.....	2307
Figure 20-50. Data Clocked Externally Using a Rising Edge and Sampled by the McBSP Receiver on a Falling Edge.....	2310
Figure 20-51. Unexpected Frame-Synchronization Pulse With (R/X) FIG = 0.....	2321
Figure 20-52. Unexpected Frame-Synchronization Pulse With (R/X) FIG = 1.....	2321
Figure 20-53. Companding Processes for Reception and for Transmission.....	2322

Figure 20-54. $\mu$ -Law Transmit Data Companding Format.....	2323
Figure 20-55. A-Law Transmit Data Companding Format.....	2323
Figure 20-56. Range of Programmable Data Delay.....	2324
Figure 20-57. 2-Bit Data Delay Used to Skip a Framing Bit.....	2324
Figure 20-58. Data Clocked Externally Using a Rising Edge and Sampled by the McBSP Receiver on a Falling Edge.....	2328
Figure 20-59. Frame of Period 16 CLKG Periods and Active Width of 2 CLKG Periods.....	2328
Figure 20-60. Data Clocked Externally Using a Rising Edge and Sampled by the McBSP Receiver on a Falling Edge.....	2330
Figure 20-61. Four 8-Bit Data Words Transferred To/From the McBSP.....	2334
Figure 20-62. One 32-Bit Data Word Transferred To/From the McBSP.....	2335
Figure 20-63. 8-Bit Data Words Transferred at Maximum Packet Frequency.....	2336
Figure 20-64. Configuring the Data Stream of <a href="#">Figure 20-63</a> as a Continuous 32-Bit Word.....	2336
Figure 20-65. Receive Interrupt Generation.....	2337
Figure 20-66. Transmit Interrupt Generation.....	2338
Figure 20-67. DRR2 Register.....	2344
Figure 20-68. DRR1 Register.....	2345
Figure 20-69. DXR2 Register.....	2346
Figure 20-70. DXR1 Register.....	2347
Figure 20-71. SPCR2 Register.....	2348
Figure 20-72. SPCR1 Register.....	2351
Figure 20-73. RCR2 Register.....	2354
Figure 20-74. RCR1 Register.....	2356
Figure 20-75. XCR2 Register.....	2357
Figure 20-76. XCR1 Register.....	2359
Figure 20-77. SRGR2 Register.....	2360
Figure 20-78. SRGR1 Register.....	2362
Figure 20-79. MCR2 Register.....	2363
Figure 20-80. MCR1 Register.....	2365
Figure 20-81. RCERA Register.....	2367
Figure 20-82. RCERB Register.....	2368
Figure 20-83. XCERA Register.....	2369
Figure 20-84. XCERB Register.....	2370
Figure 20-85. PCR Register.....	2371
Figure 20-86. RCERC Register.....	2374
Figure 20-87. RCERD Register.....	2375
Figure 20-88. XCERC Register.....	2376
Figure 20-89. XCERD Register.....	2377
Figure 20-90. RCERE Register.....	2378
Figure 20-91. RCERF Register.....	2379
Figure 20-92. XCERE Register.....	2380
Figure 20-93. XCERF Register.....	2381
Figure 20-94. RCERG Register.....	2382
Figure 20-95. RCERH Register.....	2383
Figure 20-96. XCERG Register.....	2384
Figure 20-97. XCERH Register.....	2385
Figure 20-98. MFFINT Register.....	2386
Figure 21-1. CAN Block Diagram.....	2393
Figure 21-2. Accessing Message Objects Through IFx Registers.....	2394
Figure 21-3. CAN_MUX.....	2399
Figure 21-4. CAN Core in Silent Mode.....	2400
Figure 21-5. CAN Core in Loopback Mode.....	2401
Figure 21-6. CAN Core in External Loopback Mode.....	2402
Figure 21-7. CAN Core in Loopback Combined with Silent Mode.....	2403
Figure 21-8. CAN Interrupt Topology 1.....	2405
Figure 21-9. CAN Interrupt Topology 2.....	2405
Figure 21-10. Initialization of a Transmit Object.....	2408
Figure 21-11. Initialization of a Single Receive Object for Data Frames.....	2408
Figure 21-12. Initialization of a Single Receive Object for Remote Frames.....	2409
Figure 21-13. CPU Handling of a FIFO Buffer (Interrupt Driven).....	2414
Figure 21-14. Bit Timing.....	2415
Figure 21-15. Propagation Time Segment.....	2416
Figure 21-16. Synchronization on Late and Early Edges.....	2418

Figure 21-17. Filtering of Short Dominant Spikes.....	2419
Figure 21-18. Structure of the CAN Core's CAN Protocol Controller.....	2421
Figure 21-19. Data Transfer Between IF1 / IF2 Registers and Message RAM.....	2425
Figure 21-20. Structure of a Message Object.....	2426
Figure 21-21. Message RAM Representation in Debug Mode.....	2430
Figure 21-22. CAN_CTL Register.....	2434
Figure 21-23. CAN_ES Register.....	2437
Figure 21-24. CAN_ERRC Register.....	2439
Figure 21-25. CAN_BTR Register.....	2440
Figure 21-26. CAN_INT Register.....	2442
Figure 21-27. CAN_TEST Register.....	2443
Figure 21-28. CAN_PERR Register.....	2445
Figure 21-29. CAN_RAM_INIT Register.....	2446
Figure 21-30. CAN_GLB_INT_EN Register.....	2447
Figure 21-31. CAN_GLB_INT_FLG Register.....	2448
Figure 21-32. CAN_GLB_INT_CLR Register.....	2449
Figure 21-33. CAN_ABOTR Register.....	2450
Figure 21-34. CAN_TXRQ_X Register.....	2451
Figure 21-35. CAN_TXRQ_21 Register.....	2452
Figure 21-36. CAN_NDAT_X Register.....	2453
Figure 21-37. CAN_NDAT_21 Register.....	2454
Figure 21-38. CAN_IPEN_X Register.....	2455
Figure 21-39. CAN_IPEN_21 Register.....	2456
Figure 21-40. CAN_MVAL_X Register.....	2457
Figure 21-41. CAN_MVAL_21 Register.....	2458
Figure 21-42. CAN_IP_MUX21 Register.....	2459
Figure 21-43. CAN_IF1CMD Register.....	2460
Figure 21-44. CAN_IF1MSK Register.....	2463
Figure 21-45. CAN_IF1ARB Register.....	2464
Figure 21-46. CAN_IF1MCTL Register.....	2466
Figure 21-47. CAN_IF1DATA Register.....	2468
Figure 21-48. CAN_IF1DATB Register.....	2469
Figure 21-49. CAN_IF2CMD Register.....	2470
Figure 21-50. CAN_IF2MSK Register.....	2473
Figure 21-51. CAN_IF2ARB Register.....	2474
Figure 21-52. CAN_IF2MCTL Register.....	2476
Figure 21-53. CAN_IF2DATA Register.....	2478
Figure 21-54. CAN_IF2DATB Register.....	2479
Figure 21-55. CAN_IF3OBS Register.....	2480
Figure 21-56. CAN_IF3MSK Register.....	2482
Figure 21-57. CAN_IF3ARB Register.....	2483
Figure 21-58. CAN_IF3MCTL Register.....	2484
Figure 21-59. CAN_IF3DATA Register.....	2486
Figure 21-60. CAN_IF3DATB Register.....	2487
Figure 21-61. CAN_IF3UPD Register.....	2488
Figure 22-1. USB Block Diagram.....	2495
Figure 22-2. USB Scheme.....	2496
Figure 22-3. USB Device Functional Address Register (USBFADDR).....	2518
Figure 22-4. USB Power Management Register (USBPOWER) in Host Mode.....	2519
Figure 22-5. USB Power Management Register (USBPOWER) in Device Mode.....	2520
Figure 22-6. USB Transmit Interrupt Status Register (USBTXIS).....	2521
Figure 22-7. USB Transmit Interrupt Status Register (USBRXIS).....	2523
Figure 22-8. USB Transmit Interrupt Status Enable Register (USBTXIE).....	2525
Figure 22-9. USB Transmit Interrupt Status Enable Register (USBRXIE).....	2527
Figure 22-10. USB General Interrupt Status Register (USBIS) in Host Mode.....	2529
Figure 22-11. USB General Interrupt Status Register (USBIS) in Device Mode.....	2530
Figure 22-12. USB Interrupt Enable Register (USBIE) in Host Mode.....	2531
Figure 22-13. USB Interrupt Enable Register (USBIE) in Device Mode.....	2532
Figure 22-14. USB Frame Value Register (USBFRAME).....	2533
Figure 22-15. USB Endpoint Index Register (USBEPIDX).....	2533
Figure 22-16. USB Test Mode Register (USBTEST) in Host Mode.....	2534

Figure 22-17. USB Test Mode Register (USBTEST) in Device Mode.....	2535
Figure 22-18. USB FIFO Endpoint <i>n</i> Register (USBFIFO[ <i>n</i> ]).....	2536
Figure 22-19. USB Device Control Register (USBDEVCTL).....	2537
Figure 22-20. USB Transmit Dynamic FIFO Sizing Register (USBTXFIFOSZ).....	2539
Figure 22-21. USB Receive Dynamic FIFO Sizing Register (USBRXFIFOSZ).....	2540
Figure 22-22. USB Transmit FIFO Start Address Register (USBTXFIFOADDR).....	2541
Figure 22-23. USB Receive FIFO Start Address Register (USBRXFIFOADDR).....	2542
Figure 22-24. USB Connect Timing Register (USBCONTIM).....	2543
Figure 22-25. USB Full-Speed Last Transaction to End of Frame Timing Register (USBFSEOF).....	2544
Figure 22-26. USB Low-Speed Last Transaction to End of Frame Timing Register (USBLSEOF).....	2544
Figure 22-27. USB Transmit Functional Address Endpoint <i>n</i> Registers (USBTXFUNCADDR[ <i>n</i> ]).....	2545
Figure 22-28. USB Transmit Hub Address Endpoint <i>n</i> Registers (USBTXHUBADDR[ <i>n</i> ]).....	2546
Figure 22-29. USB Transmit Hub Port Endpoint <i>n</i> Registers (USBTXHUBPORT[ <i>n</i> ]).....	2547
Figure 22-30. USB Receive Functional Address Endpoint <i>n</i> Registers (USBFIFO[ <i>n</i> ]).....	2548
Figure 22-31. USB Receive Hub Address Endpoint <i>n</i> Registers (USBRXHUBADDR[ <i>n</i> ]).....	2549
Figure 22-32. USB Receive Hub Port Endpoint <i>n</i> Register (USBRXHUBPORT[ <i>n</i> ]).....	2550
Figure 22-33. USB Maximum Transmit Data Endpoint <i>n</i> Registers (USBTXMAXP[ <i>n</i> ]).....	2551
Figure 22-34. USB Control and Status Endpoint 0 Low Register (USBCSRL0) in Host Mode.....	2552
Figure 22-35. USB Control and Status Endpoint 0 Low Register (USBCSRL0) in Device Mode.....	2553
Figure 22-36. USB Control and Status Endpoint 0 High Register (USBCSRH0) in Host Mode.....	2555
Figure 22-37. USB Control and Status Endpoint 0 High Register (USBCSRH0) in Device Mode.....	2556
Figure 22-38. USB Receive Byte Count Endpoint 0 Register (USBCOUNT0).....	2557
Figure 22-39. USB Type Endpoint 0 Register (USBTTYPE0).....	2557
Figure 22-40. USB NAK Limit Register (USBNAKLMT).....	2558
Figure 22-41. USB Transmit Control and Status Endpoint <i>n</i> Low Register (USBTXCSRL[ <i>n</i> ]) in Host Mode.....	2559
Figure 22-42. USB Transmit Control and Status Endpoint <i>n</i> Low Register (USBTXCSRL[ <i>n</i> ]) in Device Mode.....	2560
Figure 22-43. USB Transmit Control and Status Endpoint <i>n</i> High Register (USBTXCSRH[ <i>n</i> ]) in Host Mode.....	2562
Figure 22-44. USB Transmit Control and Status Endpoint <i>n</i> High Register (USBTXCSRH[ <i>n</i> ]) in Device Mode.....	2563
Figure 22-45. USB Maximum Receive Data Endpoint <i>n</i> Registers (USBRXMAXP[ <i>n</i> ]).....	2564
Figure 22-46. USB Receive Control and Status Endpoint <i>n</i> Low Register (USBRXCSRL[ <i>n</i> ]) in Host Mode.....	2565
Figure 22-47. USB Receive Control and Status Endpoint <i>n</i> Low Register (USBRXCSRL[ <i>n</i> ]) in Device Mode.....	2566
Figure 22-48. USB Receive Control and Status Endpoint <i>n</i> High Register (USBRXCSRH[ <i>n</i> ]) in Host Mode.....	2568
Figure 22-49. USB Receive Control and Status Endpoint <i>n</i> High Register (USBRXCSRH[ <i>n</i> ]) in Device Mode.....	2569
Figure 22-50. USB Receive Byte Count Endpoint <i>n</i> Register (USBRXCOUNT[ <i>n</i> ]).....	2570
Figure 22-51. USB Host Transmit Configure Type Endpoint <i>n</i> Registers (USBTXTYPE[ <i>n</i> ]).....	2571
Figure 22-52. USB Host Transmit Interval Endpoint <i>n</i> Registers (USBTXINTERVAL[ <i>n</i> ]).....	2572
Figure 22-53. USB Host Configure Receive Type Endpoint <i>n</i> Register (USBRXTYPE[ <i>n</i> ]).....	2573
Figure 22-54. USB Host Receive Polling Interval Endpoint <i>n</i> Registers (USBRXINTERVAL[ <i>n</i> ]).....	2574
Figure 22-55. USB Request Packet Count in Block Transfer Endpoint <i>n</i> Registers (USBRQPKTCOUNT[ <i>n</i> ]).....	2575
Figure 22-56. USB Receive Double Packet Buffer Disable Register (USBRXDPKTBUFDIS).....	2576
Figure 22-57. USB Transmit Double Packet Buffer Disable Register (USBTXDPKTBUFDIS).....	2577
Figure 22-58. USB External Power Control Register (USBEPCC).....	2578
Figure 22-59. USB External Power Control Raw Interrupt Status Register (USBEPCCRIS).....	2580
Figure 22-60. USB External Power Control Interrupt Mask Register (USBEPCCIM).....	2581
Figure 22-61. USB External Power Control Interrupt Status and Clear Register (USBEPCCISC).....	2582
Figure 22-62. USB Device RESUME Raw Interrupt Status Register (USBDRRIS).....	2583
Figure 22-63. USB Device RESUME Raw Interrupt Status Register (USBDRRIS).....	2584
Figure 22-64. USB Device RESUME Interrupt Status and Clear Register (USBDRISC).....	2585
Figure 22-65. USB General-Purpose Control and Status Register (USBGPCS).....	2586
Figure 22-66. USB DMA Select Register (USBDMASEL).....	2587
Figure 23-1. EMIF Module Overview.....	2608
Figure 23-2. EMIF Functional Block Diagram.....	2610
Figure 23-3. Timing Waveform of SDRAM PRE Command.....	2614
Figure 23-4. EMIF to 2M × 16 × 4 Bank SDRAM Interface.....	2615
Figure 23-5. EMIF to 512K × 16 × 2 Bank SDRAM Interface.....	2615
Figure 23-6. Timing Waveform for Basic SDRAM Read Operation.....	2623
Figure 23-7. Timing Waveform for Basic SDRAM Write Operation.....	2624
Figure 23-8. EMIF Asynchronous Interface.....	2626
Figure 23-9. EMIF to 8-bit/16-bit Memory Interface.....	2627
Figure 23-10. Common Asynchronous Interface.....	2627
Figure 23-11. Timing Waveform of an Asynchronous Read Cycle in Normal Mode.....	2631

Figure 23-12. Timing Waveform of an Asynchronous Write Cycle in Normal Mode.....	2633
Figure 23-13. Timing Waveform of an Asynchronous Read Cycle in Select Strobe Mode.....	2635
Figure 23-14. Timing Waveform of an Asynchronous Write Cycle in Select Strobe Mode.....	2637
Figure 23-15. Example Configuration Interface.....	2642
Figure 23-16. SDRAM Timing Register (SDRAM_TR).....	2643
Figure 23-17. SDRAM Self Refresh Exit Timing Register (SDR_EXT_TMNG).....	2644
Figure 23-18. SDRAM Refresh Control Register (SDRAM_RCR).....	2644
Figure 23-19. SDRAM Configuration Register (SDRAM_CR).....	2645
Figure 23-20. LH28F800BJE-PTTL90 to EMIF Read Timing Waveforms.....	2646
Figure 23-21. LH28F800BJE-PTTL90 to EMIF Write Timing Waveforms.....	2647
Figure 23-22. Asynchronous <i>m</i> Configuration Register ( <i>m</i> = 1, 2) (ASYNC_CS <i>n</i> _CR( <i>n</i> = 2, 3)).....	2649
Figure 23-23. RCSR Register.....	2651
Figure 23-24. ASYNC_WCCR Register.....	2652
Figure 23-25. SDRAM_CR Register.....	2653
Figure 23-26. SDRAM_RCR Register.....	2655
Figure 23-27. ASYNC_CS2_CR Register.....	2656
Figure 23-28. ASYNC_CS3_CR Register.....	2658
Figure 23-29. ASYNC_CS4_CR Register.....	2660
Figure 23-30. SDRAM_TR Register.....	2662
Figure 23-31. TOTAL_SDRAM_AR Register.....	2663
Figure 23-32. TOTAL_SDRAM_ACTR Register.....	2664
Figure 23-33. SDR_EXT_TMNG Register.....	2665
Figure 23-34. INT_RAW Register.....	2666
Figure 23-35. INT_MSK Register.....	2667
Figure 23-36. INT_MSK_SET Register.....	2668
Figure 23-37. INT_MSK_CLR Register.....	2669
Figure 23-38. EMIF1LOCK Register.....	2671
Figure 23-39. EMIF1COMMIT Register.....	2672
Figure 23-40. EMIF1ACCPROT0 Register.....	2673
Figure 23-41. EMIF2LOCK Register.....	2675
Figure 23-42. EMIF2COMMIT Register.....	2676
Figure 23-43. EMIF2ACCPROT0 Register.....	2677
Figure 24-1. Block Diagram of the CLB Subsystem in the Device.....	2681
Figure 24-2. Block Diagram of a CLB Tile and CPU Interface.....	2681
Figure 24-3. CLB Clocking.....	2682
Figure 24-4. GPIO to CLB Tile Connections.....	2683
Figure 24-5. CLB Input Mux and Filter.....	2684
Figure 24-6. CLB Input Synchronization Example.....	2684
Figure 24-7. CLB Outputs.....	2689
Figure 24-8. CLB Output Signal Multiplexer.....	2690
Figure 24-9. CLB Tile Submodules.....	2691
Figure 24-10. Counter Block.....	2694
Figure 24-11. FSM Block.....	2697
Figure 24-12. FSM LUT Block.....	2698
Figure 24-13. LUT4 Block.....	2699
Figure 24-14. Output LUT Block.....	2699
Figure 24-15. High Level Controller Block.....	2700
Figure 24-16. CLB_COUNT_RESET Register.....	2712
Figure 24-17. CLB_COUNT_MODE_1 Register.....	2713
Figure 24-18. CLB_COUNT_MODE_0 Register.....	2714
Figure 24-19. CLB_COUNT_EVENT Register.....	2715
Figure 24-20. CLB_FSM_EXTRA_IN0 Register.....	2716
Figure 24-21. CLB_FSM_EXTERNAL_IN0 Register.....	2717
Figure 24-22. CLB_FSM_EXTERNAL_IN1 Register.....	2718
Figure 24-23. CLB_FSM_EXTRA_IN1 Register.....	2719
Figure 24-24. CLB_LUT4_IN0 Register.....	2720
Figure 24-25. CLB_LUT4_IN1 Register.....	2721
Figure 24-26. CLB_LUT4_IN2 Register.....	2722
Figure 24-27. CLB_LUT4_IN3 Register.....	2723
Figure 24-28. CLB_FSM_LUT_FN1_0 Register.....	2724
Figure 24-29. CLB_FSM_LUT_FN2 Register.....	2725



Figure 24-30. CLB_LUT4_FN1_0 Register.....	2726
Figure 24-31. CLB_LUT4_FN2 Register.....	2727
Figure 24-32. CLB_FSM_NEXT_STATE_0 Register.....	2728
Figure 24-33. CLB_FSM_NEXT_STATE_1 Register.....	2729
Figure 24-34. CLB_FSM_NEXT_STATE_2 Register.....	2730
Figure 24-35. CLB_MISC_CONTROL Register.....	2731
Figure 24-36. CLB_OUTPUT_LUT_0 Register.....	2733
Figure 24-37. CLB_OUTPUT_LUT_1 Register.....	2734
Figure 24-38. CLB_OUTPUT_LUT_2 Register.....	2735
Figure 24-39. CLB_OUTPUT_LUT_3 Register.....	2736
Figure 24-40. CLB_OUTPUT_LUT_4 Register.....	2737
Figure 24-41. CLB_OUTPUT_LUT_5 Register.....	2738
Figure 24-42. CLB_OUTPUT_LUT_6 Register.....	2739
Figure 24-43. CLB_OUTPUT_LUT_7 Register.....	2740
Figure 24-44. CLB_HLC_EVENT_SEL Register.....	2741
Figure 24-45. CLB_LOAD_EN Register.....	2744
Figure 24-46. CLB_LOAD_ADDR Register.....	2745
Figure 24-47. CLB_LOAD_DATA Register.....	2746
Figure 24-48. CLB_INPUT_FILTER Register.....	2747
Figure 24-49. CLB_IN_MUX_SEL_0 Register.....	2749
Figure 24-50. CLB_LCL_MUX_SEL_1 Register.....	2751
Figure 24-51. CLB_LCL_MUX_SEL_2 Register.....	2752
Figure 24-52. CLB_BUF_PTR Register.....	2753
Figure 24-53. CLB_GP_REG Register.....	2754
Figure 24-54. CLB_OUT_EN Register.....	2755
Figure 24-55. CLB_GLBL_MUX_SEL_1 Register.....	2756
Figure 24-56. CLB_GLBL_MUX_SEL_2 Register.....	2757
Figure 24-57. CLB_INTR_TAG_REG Register.....	2758
Figure 24-58. CLB_LOCK Register.....	2759
Figure 24-59. CLB_DBG_R0 Register.....	2760
Figure 24-60. CLB_DBG_R1 Register.....	2761
Figure 24-61. CLB_DBG_R2 Register.....	2762
Figure 24-62. CLB_DBG_R3 Register.....	2763
Figure 24-63. CLB_DBG_C0 Register.....	2764
Figure 24-64. CLB_DBG_C1 Register.....	2765
Figure 24-65. CLB_DBG_C2 Register.....	2766
Figure 24-66. CLB_DBG_OUT Register.....	2767
Figure 24-67. CLB_PUSH_y Register.....	2770
Figure 24-68. CLB_PULL_y Register.....	2771

## List of Tables

Table 1-1. C2000Ware Root Directories.....	70
Table 2-1. TMU Supported Instructions.....	75
Table 3-1. Reset Signals.....	79
Table 3-2. PIE Channel Mapping.....	85
Table 3-3. CPU Interrupt Vectors.....	87
Table 3-4. PIE Interrupt Vectors.....	88
Table 3-5. Access to EALLOW-Protected Registers.....	94
Table 3-6. Clock Connections Sorted by Clock Domain.....	103
Table 3-7. Clock Connections Sorted by Module Name.....	104
Table 3-8. Clock Source (OSCCLK) Failure Detection.....	107
Table 3-9. Example Watchdog Key Sequences.....	111
Table 3-10. LPM Entry and Exit Criteria.....	115
Table 3-11. Local Shared RAM.....	118
Table 3-12. Global Shared RAM.....	118
Table 3-13. Error Handling in Different Scenarios.....	122
Table 3-14. Mapping of ECC Bits in Read Data from ECC/Parity Address Map.....	123
Table 3-15. Mapping of Parity Bits in Read Data from ECC/Parity Address Map.....	123
Table 3-16. CLA Access Filter.....	137
Table 3-17. RAM Status.....	138

Table 3-18. Security Levels.....	138
Table 3-19. System Control Registers Impacted.....	150
Table 3-20. System Control Base Address Table.....	156
Table 3-21. CPUTIMER_REGS Registers.....	157
Table 3-22. CPUTIMER_REGS Access Type Codes.....	157
Table 3-23. TIM Register Field Descriptions.....	158
Table 3-24. PRD Register Field Descriptions.....	159
Table 3-25. TCR Register Field Descriptions.....	160
Table 3-26. TPR Register Field Descriptions.....	162
Table 3-27. TPRH Register Field Descriptions.....	163
Table 3-28. PIE_CTRL_REGS Registers.....	164
Table 3-29. PIE_CTRL_REGS Access Type Codes.....	164
Table 3-30. PIECTRL Register Field Descriptions.....	166
Table 3-31. PIEACK Register Field Descriptions.....	167
Table 3-32. PIEIER1 Register Field Descriptions.....	168
Table 3-33. PIEIFR1 Register Field Descriptions.....	170
Table 3-34. PIEIER2 Register Field Descriptions.....	172
Table 3-35. PIEIFR2 Register Field Descriptions.....	174
Table 3-36. PIEIER3 Register Field Descriptions.....	176
Table 3-37. PIEIFR3 Register Field Descriptions.....	178
Table 3-38. PIEIER4 Register Field Descriptions.....	180
Table 3-39. PIEIFR4 Register Field Descriptions.....	182
Table 3-40. PIEIER5 Register Field Descriptions.....	184
Table 3-41. PIEIFR5 Register Field Descriptions.....	186
Table 3-42. PIEIER6 Register Field Descriptions.....	188
Table 3-43. PIEIFR6 Register Field Descriptions.....	190
Table 3-44. PIEIER7 Register Field Descriptions.....	192
Table 3-45. PIEIFR7 Register Field Descriptions.....	194
Table 3-46. PIEIER8 Register Field Descriptions.....	196
Table 3-47. PIEIFR8 Register Field Descriptions.....	198
Table 3-48. PIEIER9 Register Field Descriptions.....	200
Table 3-49. PIEIFR9 Register Field Descriptions.....	202
Table 3-50. PIEIER10 Register Field Descriptions.....	204
Table 3-51. PIEIFR10 Register Field Descriptions.....	206
Table 3-52. PIEIER11 Register Field Descriptions.....	208
Table 3-53. PIEIFR11 Register Field Descriptions.....	210
Table 3-54. PIEIER12 Register Field Descriptions.....	212
Table 3-55. PIEIFR12 Register Field Descriptions.....	214
Table 3-56. WD_REGS Registers.....	216
Table 3-57. WD_REGS Access Type Codes.....	216
Table 3-58. SCSR Register Field Descriptions.....	217
Table 3-59. WDCNTR Register Field Descriptions.....	218
Table 3-60. WDKEY Register Field Descriptions.....	219
Table 3-61. WDCR Register Field Descriptions.....	220
Table 3-62. WDWCR Register Field Descriptions.....	221
Table 3-63. NMI_INTRUPT_REGS Registers.....	222
Table 3-64. NMI_INTRUPT_REGS Access Type Codes.....	222
Table 3-65. NMICFG Register Field Descriptions.....	223
Table 3-66. NMIFLG Register Field Descriptions.....	224
Table 3-67. NMIFLGCLR Register Field Descriptions.....	226
Table 3-68. NMIFLGFRC Register Field Descriptions.....	228
Table 3-69. NMIWDCNT Register Field Descriptions.....	229
Table 3-70. NMIWDCNTR Register Field Descriptions.....	230
Table 3-71. NMISHDFLG Register Field Descriptions.....	231
Table 3-72. XINT_REGS Registers.....	233
Table 3-73. XINT_REGS Access Type Codes.....	233
Table 3-74. XINT1CR Register Field Descriptions.....	234
Table 3-75. XINT2CR Register Field Descriptions.....	235
Table 3-76. XINT3CR Register Field Descriptions.....	236
Table 3-77. XINT4CR Register Field Descriptions.....	237
Table 3-78. XINT5CR Register Field Descriptions.....	238

Table 3-79. XINT1CTR Register Field Descriptions.....	239
Table 3-80. XINT2CTR Register Field Descriptions.....	240
Table 3-81. XINT3CTR Register Field Descriptions.....	241
Table 3-82. SYNC_SOC_REGS Registers.....	242
Table 3-83. SYNC_SOC_REGS Access Type Codes.....	242
Table 3-84. SYNCSELECT Register Field Descriptions.....	243
Table 3-85. ADCSOCOUTSELECT Register Field Descriptions.....	245
Table 3-86. SYNCSOCLOCK Register Field Descriptions.....	248
Table 3-87. DMA_CLA_SRC_SEL_REGS Registers.....	249
Table 3-88. DMA_CLA_SRC_SEL_REGS Access Type Codes.....	249
Table 3-89. CLA1TASKSRCSELLOCK Register Field Descriptions.....	250
Table 3-90. DMACHSRCSELLOCK Register Field Descriptions.....	251
Table 3-91. CLA1TASKSRCSEL1 Register Field Descriptions.....	252
Table 3-92. CLA1TASKSRCSEL2 Register Field Descriptions.....	253
Table 3-93. DMACHSRCSEL1 Register Field Descriptions.....	254
Table 3-94. DMACHSRCSEL2 Register Field Descriptions.....	255
Table 3-95. DEV_CFG_REGS Registers.....	256
Table 3-96. DEV_CFG_REGS Access Type Codes.....	257
Table 3-97. PARTIDL Register Field Descriptions.....	258
Table 3-98. PARTIDH Register Field Descriptions.....	260
Table 3-99. REVID Register Field Descriptions.....	261
Table 3-100. DC0 Register Field Descriptions.....	262
Table 3-101. DC1 Register Field Descriptions.....	263
Table 3-102. DC2 Register Field Descriptions.....	264
Table 3-103. DC3 Register Field Descriptions.....	265
Table 3-104. DC4 Register Field Descriptions.....	267
Table 3-105. DC5 Register Field Descriptions.....	268
Table 3-106. DC6 Register Field Descriptions.....	269
Table 3-107. DC7 Register Field Descriptions.....	270
Table 3-108. DC8 Register Field Descriptions.....	271
Table 3-109. DC9 Register Field Descriptions.....	272
Table 3-110. DC10 Register Field Descriptions.....	273
Table 3-111. DC11 Register Field Descriptions.....	274
Table 3-112. DC12 Register Field Descriptions.....	275
Table 3-113. DC13 Register Field Descriptions.....	276
Table 3-114. DC14 Register Field Descriptions.....	277
Table 3-115. DC15 Register Field Descriptions.....	278
Table 3-116. DC17 Register Field Descriptions.....	280
Table 3-117. DC18 Register Field Descriptions.....	281
Table 3-118. DC20 Register Field Descriptions.....	282
Table 3-119. PERCNF1 Register Field Descriptions.....	284
Table 3-120. FUSEERR Register Field Descriptions.....	285
Table 3-121. SOFTPRES0 Register Field Descriptions.....	286
Table 3-122. SOFTPRES1 Register Field Descriptions.....	287
Table 3-123. SOFTPRES2 Register Field Descriptions.....	288
Table 3-124. SOFTPRES3 Register Field Descriptions.....	290
Table 3-125. SOFTPRES4 Register Field Descriptions.....	291
Table 3-126. SOFTPRES6 Register Field Descriptions.....	292
Table 3-127. SOFTPRES7 Register Field Descriptions.....	293
Table 3-128. SOFTPRES8 Register Field Descriptions.....	294
Table 3-129. SOFTPRES9 Register Field Descriptions.....	295
Table 3-130. SOFTPRES11 Register Field Descriptions.....	296
Table 3-131. SOFTPRES13 Register Field Descriptions.....	297
Table 3-132. SOFTPRES14 Register Field Descriptions.....	298
Table 3-133. SOFTPRES16 Register Field Descriptions.....	299
Table 3-134. SYSDBGCTL Register Field Descriptions.....	300
Table 3-135. CLK_CFG_REGS Registers.....	301
Table 3-136. CLK_CFG_REGS Access Type Codes.....	301
Table 3-137. CLKCFGLOCK1 Register Field Descriptions.....	303
Table 3-138. CLKSRCCTL1 Register Field Descriptions.....	305
Table 3-139. CLKSRCCTL2 Register Field Descriptions.....	307

Table 3-140. CLKSRCCTL3 Register Field Descriptions.....	309
Table 3-141. SYSPLLCTL1 Register Field Descriptions.....	310
Table 3-142. SYSPLLMULT Register Field Descriptions.....	311
Table 3-143. SYSPLLSTS Register Field Descriptions.....	312
Table 3-144. AUXPLLCTL1 Register Field Descriptions.....	313
Table 3-145. AUXPLLMULT Register Field Descriptions.....	314
Table 3-146. AUXPLLSTS Register Field Descriptions.....	315
Table 3-147. SYSCLKDIVSEL Register Field Descriptions.....	316
Table 3-148. AUXCLKDIVSEL Register Field Descriptions.....	317
Table 3-149. PERCLKDIVSEL Register Field Descriptions.....	318
Table 3-150. XCLKOUTDIVSEL Register Field Descriptions.....	319
Table 3-151. LOSPCP Register Field Descriptions.....	320
Table 3-152. MCDCCR Register Field Descriptions.....	321
Table 3-153. X1CNT Register Field Descriptions.....	322
Table 3-154. CPU_SYS_REGS Registers.....	323
Table 3-155. CPU_SYS_REGS Access Type Codes.....	323
Table 3-156. CPUSYSLOCK1 Register Field Descriptions.....	325
Table 3-157. HIBBOOTMODE Register Field Descriptions.....	328
Table 3-158. IORESTOREADDR Register Field Descriptions.....	329
Table 3-159. PIEVERRADDR Register Field Descriptions.....	330
Table 3-160. PCLKCR0 Register Field Descriptions.....	331
Table 3-161. PCLKCR1 Register Field Descriptions.....	333
Table 3-162. PCLKCR2 Register Field Descriptions.....	334
Table 3-163. PCLKCR3 Register Field Descriptions.....	336
Table 3-164. PCLKCR4 Register Field Descriptions.....	337
Table 3-165. PCLKCR6 Register Field Descriptions.....	338
Table 3-166. PCLKCR7 Register Field Descriptions.....	339
Table 3-167. PCLKCR8 Register Field Descriptions.....	340
Table 3-168. PCLKCR9 Register Field Descriptions.....	341
Table 3-169. PCLKCR10 Register Field Descriptions.....	342
Table 3-170. PCLKCR11 Register Field Descriptions.....	343
Table 3-171. PCLKCR12 Register Field Descriptions.....	344
Table 3-172. PCLKCR13 Register Field Descriptions.....	345
Table 3-173. PCLKCR14 Register Field Descriptions.....	346
Table 3-174. PCLKCR16 Register Field Descriptions.....	348
Table 3-175. SECMSSEL Register Field Descriptions.....	349
Table 3-176. LPMCR Register Field Descriptions.....	350
Table 3-177. GPIOLPMSEL0 Register Field Descriptions.....	352
Table 3-178. GPIOLPMSEL1 Register Field Descriptions.....	355
Table 3-179. TMR2CLKCTL Register Field Descriptions.....	358
Table 3-180. RESC Register Field Descriptions.....	360
Table 3-181. ROM_PREFETCH_REGS Registers.....	362
Table 3-182. ROM_PREFETCH_REGS Access Type Codes.....	362
Table 3-183. ROMPREFETCH Register Field Descriptions.....	363
Table 3-184. DCSM_Z1_REGS Registers.....	364
Table 3-185. DCSM_Z1_REGS Access Type Codes.....	364
Table 3-186. Z1_LINKPOINTER Register Field Descriptions.....	365
Table 3-187. Z1_OTPSECLOCK Register Field Descriptions.....	366
Table 3-188. Z1_BOOTCTRL Register Field Descriptions.....	367
Table 3-189. Z1_LINKPOINTERERR Register Field Descriptions.....	368
Table 3-190. Z1_CSMKEY0 Register Field Descriptions.....	369
Table 3-191. Z1_CSMKEY1 Register Field Descriptions.....	370
Table 3-192. Z1_CSMKEY2 Register Field Descriptions.....	371
Table 3-193. Z1_CSMKEY3 Register Field Descriptions.....	372
Table 3-194. Z1_CR Register Field Descriptions.....	373
Table 3-195. Z1_GRABSECTR Register Field Descriptions.....	374
Table 3-196. Z1_GRABRAMR Register Field Descriptions.....	377
Table 3-197. Z1_EXEONLYSECTR Register Field Descriptions.....	379
Table 3-198. Z1_EXEONLYRAMR Register Field Descriptions.....	382
Table 3-199. DCSM_Z2_REGS Registers.....	384
Table 3-200. DCSM_Z2_REGS Access Type Codes.....	384

Table 3-201. Z2_LINKPOINTER Register Field Descriptions.....	385
Table 3-202. Z2_OTPSECLOCK Register Field Descriptions.....	386
Table 3-203. Z2_BOOTCTRL Register Field Descriptions.....	387
Table 3-204. Z2_LINKPOINTERERR Register Field Descriptions.....	388
Table 3-205. Z2_CSMKEY0 Register Field Descriptions.....	389
Table 3-206. Z2_CSMKEY1 Register Field Descriptions.....	390
Table 3-207. Z2_CSMKEY2 Register Field Descriptions.....	391
Table 3-208. Z2_CSMKEY3 Register Field Descriptions.....	392
Table 3-209. Z2_CR Register Field Descriptions.....	393
Table 3-210. Z2_GRABSECTR Register Field Descriptions.....	394
Table 3-211. Z2_GRABRAMR Register Field Descriptions.....	397
Table 3-212. Z2_EXEONLYSECTR Register Field Descriptions.....	399
Table 3-213. Z2_EXEONLYRAMR Register Field Descriptions.....	402
Table 3-214. DCSM_COMMON_REGS Registers.....	404
Table 3-215. DCSM_COMMON_REGS Access Type Codes.....	404
Table 3-216. FLSEM Register Field Descriptions.....	405
Table 3-217. SECTSTAT Register Field Descriptions.....	406
Table 3-218. RAMSTAT Register Field Descriptions.....	409
Table 3-219. MEM_CFG_REGS Registers.....	411
Table 3-220. MEM_CFG_REGS Access Type Codes.....	411
Table 3-221. DxLOCK Register Field Descriptions.....	413
Table 3-222. DxCOMMIT Register Field Descriptions.....	414
Table 3-223. DxACCPROT0 Register Field Descriptions.....	415
Table 3-224. DxTEST Register Field Descriptions.....	416
Table 3-225. DxINIT Register Field Descriptions.....	417
Table 3-226. DxINITDONE Register Field Descriptions.....	418
Table 3-227. LSxLOCK Register Field Descriptions.....	419
Table 3-228. LSxCOMMIT Register Field Descriptions.....	421
Table 3-229. LSxMSEL Register Field Descriptions.....	423
Table 3-230. LSxCLAPGM Register Field Descriptions.....	425
Table 3-231. LSxACCPROT0 Register Field Descriptions.....	426
Table 3-232. LSxACCPROT1 Register Field Descriptions.....	428
Table 3-233. LSxTEST Register Field Descriptions.....	429
Table 3-234. LSxINIT Register Field Descriptions.....	431
Table 3-235. LSxINITDONE Register Field Descriptions.....	432
Table 3-236. GSxLOCK Register Field Descriptions.....	433
Table 3-237. GSxCOMMIT Register Field Descriptions.....	435
Table 3-238. GSxACCPROT0 Register Field Descriptions.....	438
Table 3-239. GSxACCPROT1 Register Field Descriptions.....	440
Table 3-240. GSxACCPROT2 Register Field Descriptions.....	442
Table 3-241. GSxACCPROT3 Register Field Descriptions.....	444
Table 3-242. GSxTEST Register Field Descriptions.....	446
Table 3-243. GSxINIT Register Field Descriptions.....	449
Table 3-244. GSxINITDONE Register Field Descriptions.....	451
Table 3-245. MSGxTEST Register Field Descriptions.....	453
Table 3-246. MSGxINIT Register Field Descriptions.....	454
Table 3-247. MSGxINITDONE Register Field Descriptions.....	455
Table 3-248. ACCESS_PROTECTION_REGS Registers.....	456
Table 3-249. ACCESS_PROTECTION_REGS Access Type Codes.....	456
Table 3-250. NMAVFLG Register Field Descriptions.....	458
Table 3-251. NMAVSET Register Field Descriptions.....	460
Table 3-252. NMAVCLR Register Field Descriptions.....	462
Table 3-253. NMAVINTEN Register Field Descriptions.....	464
Table 3-254. NMCPURDAVADDR Register Field Descriptions.....	465
Table 3-255. NMCPUWRAVADDR Register Field Descriptions.....	466
Table 3-256. NMCPUFAVADDR Register Field Descriptions.....	467
Table 3-257. NMDMAWRAVADDR Register Field Descriptions.....	468
Table 3-258. NMCLA1RDAVADDR Register Field Descriptions.....	469
Table 3-259. NMCLA1WRAVADDR Register Field Descriptions.....	470
Table 3-260. NMCLA1FAVADDR Register Field Descriptions.....	471
Table 3-261. MAVFLG Register Field Descriptions.....	472

Table 3-262. MAVSET Register Field Descriptions.....	473
Table 3-263. MAVCLR Register Field Descriptions.....	474
Table 3-264. MAVINTEN Register Field Descriptions.....	475
Table 3-265. MCPUFAVADDR Register Field Descriptions.....	476
Table 3-266. MCPUWRAVADDR Register Field Descriptions.....	477
Table 3-267. MDMAWRAVADDR Register Field Descriptions.....	478
Table 3-268. MEMORY_ERROR_REGS Registers.....	479
Table 3-269. MEMORY_ERROR_REGS Access Type Codes.....	479
Table 3-270. UCERRFLG Register Field Descriptions.....	480
Table 3-271. UCERRSET Register Field Descriptions.....	481
Table 3-272. UCERRCLR Register Field Descriptions.....	482
Table 3-273. UCCPUREADDR Register Field Descriptions.....	483
Table 3-274. UCDMAREADDR Register Field Descriptions.....	484
Table 3-275. UCCLA1READDR Register Field Descriptions.....	485
Table 3-276. CERRFLG Register Field Descriptions.....	486
Table 3-277. CERRSET Register Field Descriptions.....	487
Table 3-278. CERRCLR Register Field Descriptions.....	488
Table 3-279. CCPUREADDR Register Field Descriptions.....	489
Table 3-280. CERRCNT Register Field Descriptions.....	490
Table 3-281. CERRTHRES Register Field Descriptions.....	491
Table 3-282. CEINTFLG Register Field Descriptions.....	492
Table 3-283. CEINTCLR Register Field Descriptions.....	493
Table 3-284. CEINTSET Register Field Descriptions.....	494
Table 3-285. CEINTEN Register Field Descriptions.....	495
Table 3-286. ROM_WAIT_STATE_REGS Registers.....	496
Table 3-287. ROM_WAIT_STATE_REGS Access Type Codes.....	496
Table 3-288. ROMWAITSTATE Register Field Descriptions.....	497
Table 3-289. FLASH_CTRL_REGS Registers.....	498
Table 3-290. FLASH_CTRL_REGS Access Type Codes.....	498
Table 3-291. FRDCNTL Register Field Descriptions.....	499
Table 3-292. FBAC Register Field Descriptions.....	500
Table 3-293. FBFALLBACK Register Field Descriptions.....	501
Table 3-294. FBPRDY Register Field Descriptions.....	502
Table 3-295. FPAC1 Register Field Descriptions.....	503
Table 3-296. FMSTAT Register Field Descriptions.....	504
Table 3-297. FRD_INTF_CTRL Register Field Descriptions.....	506
Table 3-298. FLASH_ECC_REGS Registers.....	507
Table 3-299. FLASH_ECC_REGS Access Type Codes.....	507
Table 3-300. ECC_ENABLE Register Field Descriptions.....	509
Table 3-301. SINGLE_ERR_ADDR_LOW Register Field Descriptions.....	510
Table 3-302. SINGLE_ERR_ADDR_HIGH Register Field Descriptions.....	511
Table 3-303. UNC_ERR_ADDR_LOW Register Field Descriptions.....	512
Table 3-304. UNC_ERR_ADDR_HIGH Register Field Descriptions.....	513
Table 3-305. ERR_STATUS Register Field Descriptions.....	514
Table 3-306. ERR_POS Register Field Descriptions.....	516
Table 3-307. ERR_STATUS_CLR Register Field Descriptions.....	517
Table 3-308. ERR_CNT Register Field Descriptions.....	518
Table 3-309. ERR_THRESHOLD Register Field Descriptions.....	519
Table 3-310. ERR_INTFLG Register Field Descriptions.....	520
Table 3-311. ERR_INTCLR Register Field Descriptions.....	521
Table 3-312. FDATAH_TEST Register Field Descriptions.....	522
Table 3-313. FDATAI_TEST Register Field Descriptions.....	523
Table 3-314. FADDR_TEST Register Field Descriptions.....	524
Table 3-315. FECC_TEST Register Field Descriptions.....	525
Table 3-316. FECC_CTRL Register Field Descriptions.....	526
Table 3-317. FOUTH_TEST Register Field Descriptions.....	527
Table 3-318. FOUTL_TEST Register Field Descriptions.....	528
Table 3-319. FECC_STATUS Register Field Descriptions.....	529
Table 3-320. UID_REGS Registers.....	530
Table 3-321. UID_REGS Access Type Codes.....	530
Table 3-322. UID_PSRAND0 Register Field Descriptions.....	531

Table 3-323. UID_PSRAND1 Register Field Descriptions.....	532
Table 3-324. UID_PSRAND2 Register Field Descriptions.....	533
Table 3-325. UID_PSRAND3 Register Field Descriptions.....	534
Table 3-326. UID_PSRAND4 Register Field Descriptions.....	535
Table 3-327. UID_PSRAND5 Register Field Descriptions.....	536
Table 3-328. UID_UNIQUE Register Field Descriptions.....	537
Table 3-329. UID_CHECKSUM Register Field Descriptions.....	538
Table 3-330. DCSM_Z1_OTP Registers.....	539
Table 3-331. DCSM_Z1_OTP Access Type Codes.....	539
Table 3-332. Z1OTP_LINKPOINTER1 Register Field Descriptions.....	540
Table 3-333. Z1OTP_LINKPOINTER2 Register Field Descriptions.....	541
Table 3-334. Z1OTP_LINKPOINTER3 Register Field Descriptions.....	542
Table 3-335. Z1OTP_PSWDLOCK Register Field Descriptions.....	543
Table 3-336. Z1OTP_CRCLOCK Register Field Descriptions.....	544
Table 3-337. Z1OTP_BOOTCTRL Register Field Descriptions.....	545
Table 3-338. DCSM_Z2_OTP Registers.....	546
Table 3-339. DCSM_Z2_OTP Access Type Codes.....	546
Table 3-340. Z2OTP_LINKPOINTER1 Register Field Descriptions.....	547
Table 3-341. Z2OTP_LINKPOINTER2 Register Field Descriptions.....	548
Table 3-342. Z2OTP_LINKPOINTER3 Register Field Descriptions.....	549
Table 3-343. Z2OTP_PSWDLOCK Register Field Descriptions.....	550
Table 3-344. Z2OTP_CRCLOCK Register Field Descriptions.....	551
Table 3-345. Z2OTP_BOOTCTRL Register Field Descriptions.....	552
Table 3-346. CPUTIMER Registers to Driverlib Functions.....	553
Table 3-347. ASYSCTL Registers to Driverlib Functions.....	553
Table 3-348. PIE Registers to Driverlib Functions.....	554
Table 3-349. SYSCTL Registers to Driverlib Functions.....	555
Table 3-350. NMI Registers to Driverlib Functions.....	561
Table 3-351. XINT Registers to Driverlib Functions.....	561
Table 3-352. DCSM Registers to Driverlib Functions.....	562
Table 3-353. MEMCFG Registers to Driverlib Functions.....	564
Table 3-354. FLASH Registers to Driverlib Functions.....	567
Table 4-1. ROM Memory.....	572
Table 4-2. Boot ROM Registers.....	572
Table 4-3. Boot ROM Sequence.....	572
Table 4-4. Device Default Boot Modes.....	573
Table 4-5. All Available Boot Modes.....	573
Table 4-6. BOOTCTRL Register Bit Fields.....	574
Table 4-7. Get Mode Decoding.....	575
Table 4-8. Emulation Boot Options.....	576
Table 4-9. Boot ROM Reset Causes and Actions.....	580
Table 4-10. Boot ROM Exceptions and Actions.....	581
Table 4-11. Entry Point Addresses.....	582
Table 4-12. Wait Point Addresses.....	582
Table 4-13. Boot ROM Memory Map.....	582
Table 4-14. CLA Data ROM Memory Map.....	583
Table 4-15. Reserved RAM and Flash Memory-Map.....	583
Table 4-16. CLA Data ROM Tables.....	584
Table 4-17. SPI 8-Bit Data Stream.....	588
Table 4-18. I2C 8-Bit Data Stream.....	592
Table 4-19. Parallel GPIO Boot 8-Bit Data Stream.....	593
Table 4-20. Bit-Rate Value for Internal Oscillators.....	597
Table 4-21. CAN 8-Bit Data Stream.....	598
Table 4-22. USB 8-Bit Data Stream.....	600
Table 4-23. LSB/MSB Loading Sequence in 8-Bit Data Stream.....	601
Table 4-24. SCI Boot Options.....	602
Table 4-25. CAN Boot Options.....	602
Table 4-26. I2C Boot Options.....	602
Table 4-27. USB Boot Options.....	602
Table 4-28. RAM Boot Options.....	603
Table 4-29. Flash Boot Options.....	603

Table 4-30. Wait Boot Options.....	603
Table 4-31. SPI Boot Options.....	603
Table 4-32. Parallel Boot Options.....	603
Table 4-33. Safe Copy Code Function.....	604
Table 4-34. Safe CRC Calculation Function.....	604
Table 4-35. Boot Clock Sources.....	605
Table 4-36. Clock State After Boot ROM.....	605
Table 4-37. ROM Wait States.....	605
Table 4-38. CPU Boot Status Address.....	606
Table 4-39. CPU Boot Status Bit Fields.....	606
Table 4-40. Boot ROM Version Information.....	606
Table 5-1. DMA Trigger Source Options.....	613
Table 5-2. BURSTSIZE versus DATASIZE Behavior.....	617
Table 5-3. DMA Base Address Table.....	626
Table 5-4. DMA_REGS Registers.....	627
Table 5-5. DMA_REGS Access Type Codes.....	627
Table 5-6. DMACTRL Register Field Descriptions.....	628
Table 5-7. DEBUGCTRL Register Field Descriptions.....	629
Table 5-8. PRIORITYCTRL1 Register Field Descriptions.....	630
Table 5-9. PRIORITYSTAT Register Field Descriptions.....	631
Table 5-10. DMA_CH_REGS Registers.....	632
Table 5-11. DMA_CH_REGS Access Type Codes.....	632
Table 5-12. MODE Register Field Descriptions.....	633
Table 5-13. CONTROL Register Field Descriptions.....	635
Table 5-14. BURST_SIZE Register Field Descriptions.....	637
Table 5-15. BURST_COUNT Register Field Descriptions.....	638
Table 5-16. SRC_BURST_STEP Register Field Descriptions.....	639
Table 5-17. DST_BURST_STEP Register Field Descriptions.....	640
Table 5-18. TRANSFER_SIZE Register Field Descriptions.....	641
Table 5-19. TRANSFER_COUNT Register Field Descriptions.....	642
Table 5-20. SRC_TRANSFER_STEP Register Field Descriptions.....	643
Table 5-21. DST_TRANSFER_STEP Register Field Descriptions.....	644
Table 5-22. SRC_WRAP_SIZE Register Field Descriptions.....	645
Table 5-23. SRC_WRAP_COUNT Register Field Descriptions.....	646
Table 5-24. SRC_WRAP_STEP Register Field Descriptions.....	647
Table 5-25. DST_WRAP_SIZE Register Field Descriptions.....	648
Table 5-26. DST_WRAP_COUNT Register Field Descriptions.....	649
Table 5-27. DST_WRAP_STEP Register Field Descriptions.....	650
Table 5-28. SRC_BEG_ADDR_SHADOW Register Field Descriptions.....	651
Table 5-29. SRC_ADDR_SHADOW Register Field Descriptions.....	652
Table 5-30. SRC_BEG_ADDR_ACTIVE Register Field Descriptions.....	653
Table 5-31. SRC_ADDR_ACTIVE Register Field Descriptions.....	654
Table 5-32. DST_BEG_ADDR_SHADOW Register Field Descriptions.....	655
Table 5-33. DST_ADDR_SHADOW Register Field Descriptions.....	656
Table 5-34. DST_BEG_ADDR_ACTIVE Register Field Descriptions.....	657
Table 5-35. DST_ADDR_ACTIVE Register Field Descriptions.....	658
Table 5-36. DMA Registers to Driverlib Functions.....	658
Table 6-1. Configuration Options.....	667
Table 6-2. Write Followed by Read - Read Occurs First.....	678
Table 6-3. Write Followed by Read - Write Occurs First.....	678
Table 6-4. ADC to CLA Early Interrupt Response.....	681
Table 6-5. Operand Nomenclature.....	684
Table 6-6. INSTRUCTION dest, source1, source2 Short Description.....	685
Table 6-7. Addressing Modes.....	686
Table 6-8. Shift Field Encoding.....	686
Table 6-9. Operand Encoding.....	687
Table 6-10. Condition Field Encoding.....	687
Table 6-11. Pipeline Activity for MBCNDD, Branch Not Taken.....	705
Table 6-12. Pipeline Activity for MBCNDD, Branch Taken.....	705
Table 6-13. Pipeline Activity for MCCNDD, Call Not Taken.....	710
Table 6-14. Pipeline Activity for MCCNDD, Call Taken.....	711



Table 6-15. Pipeline Activity for MMOV16 MARx, MRa , #16l.....	751
Table 6-16. Pipeline Activity for MMOV16 MAR0/MAR1, mem16.....	754
Table 6-17. Pipeline Activity for MMOVI16 MAR0/MAR1, #16l.....	772
Table 6-18. Pipeline Activity for MRCNDD, Return Not Taken.....	796
Table 6-19. Pipeline Activity for MRCNDD, Return Taken.....	796
Table 6-20. Pipeline Activity for MSTOP.....	799
Table 6-21. CLA Base Address Table.....	815
Table 6-22. CLA_REGS Registers.....	816
Table 6-23. CLA_REGS Access Type Codes.....	816
Table 6-24. MVECT1 Register Field Descriptions.....	818
Table 6-25. MVECT2 Register Field Descriptions.....	819
Table 6-26. MVECT3 Register Field Descriptions.....	820
Table 6-27. MVECT4 Register Field Descriptions.....	821
Table 6-28. MVECT5 Register Field Descriptions.....	822
Table 6-29. MVECT6 Register Field Descriptions.....	823
Table 6-30. MVECT7 Register Field Descriptions.....	824
Table 6-31. MVECT8 Register Field Descriptions.....	825
Table 6-32. MCTL Register Field Descriptions.....	826
Table 6-33. MIFR Register Field Descriptions.....	827
Table 6-34. MIOVF Register Field Descriptions.....	831
Table 6-35. MIFRC Register Field Descriptions.....	834
Table 6-36. MICLR Register Field Descriptions.....	836
Table 6-37. MICLROVF Register Field Descriptions.....	838
Table 6-38. MIER Register Field Descriptions.....	840
Table 6-39. MIRUN Register Field Descriptions.....	843
Table 6-40. _MPC Register Field Descriptions.....	845
Table 6-41. _MAR0 Register Field Descriptions.....	846
Table 6-42. _MAR1 Register Field Descriptions.....	847
Table 6-43. _MSTF Register Field Descriptions.....	848
Table 6-44. _MR0 Register Field Descriptions.....	851
Table 6-45. _MR1 Register Field Descriptions.....	852
Table 6-46. _MR2 Register Field Descriptions.....	853
Table 6-47. _MR3 Register Field Descriptions.....	854
Table 6-48. CLA_SOFTINT_REGS Registers.....	855
Table 6-49. CLA_SOFTINT_REGS Access Type Codes.....	855
Table 6-50. SOFTINTEN Register Field Descriptions.....	856
Table 6-51. SOFTINTFRC Register Field Descriptions.....	858
Table 6-52. CLA Registers to Driverlib Functions.....	859
Table 7-1. Sampling Period.....	867
Table 7-2. Sampling Frequency.....	867
Table 7-3. Case 1: Three-Sample Sampling Window Width.....	868
Table 7-4. Case 2: Six-Sample Sampling Window Width.....	868
Table 7-5. USB I/O Signal Muxing.....	870
Table 7-6. GPIO Configuration for High-Speed SPI.....	870
Table 7-7. GPIO Muxed Pins.....	871
Table 7-8. GPIO and Peripheral Muxing.....	877
Table 7-9. Peripheral Muxing (Multiple Pins Assigned).....	878
Table 7-10. Specific versus Generic Terminology for Registers.....	880
Table 7-11. GPIO Base Address Table.....	880
Table 7-12. GPIO_CTRL_REGS Registers.....	881
Table 7-13. GPIO_CTRL_REGS Access Type Codes.....	883
Table 7-14. GPACTRL Register Field Descriptions.....	885
Table 7-15. GPAQSEL1 Register Field Descriptions.....	886
Table 7-16. GPAQSEL2 Register Field Descriptions.....	888
Table 7-17. GPAMUX1 Register Field Descriptions.....	890
Table 7-18. GPAMUX2 Register Field Descriptions.....	892
Table 7-19. GPADIR Register Field Descriptions.....	894
Table 7-20. GPAPUD Register Field Descriptions.....	896
Table 7-21. GPAINV Register Field Descriptions.....	898
Table 7-22. GPAODR Register Field Descriptions.....	900
Table 7-23. GPAGMUX1 Register Field Descriptions.....	902

Table 7-24. GPAGMUX2 Register Field Descriptions.....	903
Table 7-25. GPACSEL1 Register Field Descriptions.....	904
Table 7-26. GPACSEL2 Register Field Descriptions.....	905
Table 7-27. GPACSEL3 Register Field Descriptions.....	906
Table 7-28. GPACSEL4 Register Field Descriptions.....	907
Table 7-29. GPALOCK Register Field Descriptions.....	908
Table 7-30. GPACR Register Field Descriptions.....	910
Table 7-31. GPBCTRL Register Field Descriptions.....	912
Table 7-32. GPBQSEL1 Register Field Descriptions.....	913
Table 7-33. GPBQSEL2 Register Field Descriptions.....	915
Table 7-34. GPBMUX1 Register Field Descriptions.....	917
Table 7-35. GPBMUX2 Register Field Descriptions.....	919
Table 7-36. GPBDIR Register Field Descriptions.....	921
Table 7-37. GPBPUD Register Field Descriptions.....	923
Table 7-38. GPBINV Register Field Descriptions.....	925
Table 7-39. GPBODR Register Field Descriptions.....	927
Table 7-40. GPBAMSEL Register Field Descriptions.....	929
Table 7-41. GPBGMUX1 Register Field Descriptions.....	931
Table 7-42. GPBGMUX2 Register Field Descriptions.....	932
Table 7-43. GPBCSEL1 Register Field Descriptions.....	933
Table 7-44. GPBCSEL2 Register Field Descriptions.....	934
Table 7-45. GPBCSEL3 Register Field Descriptions.....	935
Table 7-46. GPBCSEL4 Register Field Descriptions.....	936
Table 7-47. GPBLOCK Register Field Descriptions.....	937
Table 7-48. GPBCR Register Field Descriptions.....	939
Table 7-49. GPCCTRL Register Field Descriptions.....	941
Table 7-50. GPCQSEL1 Register Field Descriptions.....	942
Table 7-51. GPCQSEL2 Register Field Descriptions.....	944
Table 7-52. GPCMUX1 Register Field Descriptions.....	946
Table 7-53. GPCMUX2 Register Field Descriptions.....	948
Table 7-54. GPCDIR Register Field Descriptions.....	950
Table 7-55. GPCPUD Register Field Descriptions.....	952
Table 7-56. GPCINV Register Field Descriptions.....	954
Table 7-57. GPCODR Register Field Descriptions.....	956
Table 7-58. GPCGMUX1 Register Field Descriptions.....	958
Table 7-59. GPCGMUX2 Register Field Descriptions.....	959
Table 7-60. GPCCSEL1 Register Field Descriptions.....	960
Table 7-61. GPCCSEL2 Register Field Descriptions.....	961
Table 7-62. GPCCSEL3 Register Field Descriptions.....	962
Table 7-63. GPCCSEL4 Register Field Descriptions.....	963
Table 7-64. GPCLOCK Register Field Descriptions.....	964
Table 7-65. GPCCR Register Field Descriptions.....	966
Table 7-66. GPDCTRL Register Field Descriptions.....	968
Table 7-67. GPDQSEL1 Register Field Descriptions.....	969
Table 7-68. GPDQSEL2 Register Field Descriptions.....	971
Table 7-69. GPDMUX1 Register Field Descriptions.....	973
Table 7-70. GPDMUX2 Register Field Descriptions.....	975
Table 7-71. GPDDIR Register Field Descriptions.....	977
Table 7-72. GPDPUUD Register Field Descriptions.....	979
Table 7-73. GPDINV Register Field Descriptions.....	981
Table 7-74. GPDODR Register Field Descriptions.....	983
Table 7-75. GPDGMUX1 Register Field Descriptions.....	985
Table 7-76. GPDGMUX2 Register Field Descriptions.....	987
Table 7-77. GPDCESEL1 Register Field Descriptions.....	989
Table 7-78. GPDCESEL2 Register Field Descriptions.....	990
Table 7-79. GPDCESEL3 Register Field Descriptions.....	991
Table 7-80. GPDCESEL4 Register Field Descriptions.....	992
Table 7-81. GPDLOCK Register Field Descriptions.....	993
Table 7-82. GPDCESEL4 Register Field Descriptions.....	995
Table 7-83. GPECTRL Register Field Descriptions.....	997
Table 7-84. GPEQSEL1 Register Field Descriptions.....	998

Table 7-85. GPEQSEL2 Register Field Descriptions.....	1000
Table 7-86. GPEMUX1 Register Field Descriptions.....	1002
Table 7-87. GPEMUX2 Register Field Descriptions.....	1004
Table 7-88. GPEDIR Register Field Descriptions.....	1006
Table 7-89. GPEPUD Register Field Descriptions.....	1008
Table 7-90. GPEINV Register Field Descriptions.....	1010
Table 7-91. GPEODR Register Field Descriptions.....	1012
Table 7-92. GPEGMUX1 Register Field Descriptions.....	1014
Table 7-93. GPEGMUX2 Register Field Descriptions.....	1016
Table 7-94. GPECSEL1 Register Field Descriptions.....	1018
Table 7-95. GPECSEL2 Register Field Descriptions.....	1019
Table 7-96. GPECSEL3 Register Field Descriptions.....	1020
Table 7-97. GPECSEL4 Register Field Descriptions.....	1021
Table 7-98. GPELOCK Register Field Descriptions.....	1022
Table 7-99. GPECR Register Field Descriptions.....	1024
Table 7-100. GPFCTRL Register Field Descriptions.....	1026
Table 7-101. GPFQSEL1 Register Field Descriptions.....	1027
Table 7-102. GPFMUX1 Register Field Descriptions.....	1029
Table 7-103. GPFDIR Register Field Descriptions.....	1031
Table 7-104. GPFPUUD Register Field Descriptions.....	1033
Table 7-105. GPFINV Register Field Descriptions.....	1035
Table 7-106. GPFODR Register Field Descriptions.....	1037
Table 7-107. GPFGMUX1 Register Field Descriptions.....	1039
Table 7-108. GPFQSEL1 Register Field Descriptions.....	1041
Table 7-109. GPFQSEL2 Register Field Descriptions.....	1042
Table 7-110. GPFLOCK Register Field Descriptions.....	1043
Table 7-111. GPFCCR Register Field Descriptions.....	1045
Table 7-112. GPIO_DATA_REGS Registers.....	1047
Table 7-113. GPIO_DATA_REGS Access Type Codes.....	1047
Table 7-114. GPADAT Register Field Descriptions.....	1049
Table 7-115. GPASET Register Field Descriptions.....	1051
Table 7-116. GPACLEAR Register Field Descriptions.....	1053
Table 7-117. GPATOGGLE Register Field Descriptions.....	1055
Table 7-118. GPBDAT Register Field Descriptions.....	1057
Table 7-119. GPBSET Register Field Descriptions.....	1059
Table 7-120. GPBCLEAR Register Field Descriptions.....	1061
Table 7-121. GPBTOGGLE Register Field Descriptions.....	1063
Table 7-122. GPCDAT Register Field Descriptions.....	1065
Table 7-123. GPCSET Register Field Descriptions.....	1067
Table 7-124. GPCCLEAR Register Field Descriptions.....	1069
Table 7-125. GPCTOGGLE Register Field Descriptions.....	1071
Table 7-126. GPDDAT Register Field Descriptions.....	1073
Table 7-127. GPDSET Register Field Descriptions.....	1075
Table 7-128. GPD CLEAR Register Field Descriptions.....	1077
Table 7-129. GPDTOGGLE Register Field Descriptions.....	1079
Table 7-130. GPEDAT Register Field Descriptions.....	1081
Table 7-131. GPESET Register Field Descriptions.....	1083
Table 7-132. GPECLEAR Register Field Descriptions.....	1085
Table 7-133. GPETOGGLE Register Field Descriptions.....	1087
Table 7-134. GPFDAT Register Field Descriptions.....	1089
Table 7-135. GPFSET Register Field Descriptions.....	1091
Table 7-136. GPF CLEAR Register Field Descriptions.....	1093
Table 7-137. GPFTOGGLE Register Field Descriptions.....	1095
Table 7-138. GPIO Registers to Driverlib Functions.....	1096
Table 8-1. Input X-BAR Destinations.....	1106
Table 8-2. EPWM X-BAR Mux Configuration Table.....	1108
Table 8-3. CLB X-BAR Mux Configuration Table.....	1111
Table 8-4. Output X-BAR Mux Configuration Table.....	1113
Table 8-5. XBAR Base Address Table.....	1115
Table 8-6. INPUT_XBAR_REGS Registers.....	1116
Table 8-7. INPUT_XBAR_REGS Access Type Codes.....	1116

Table 8-8. INPUT1SELECT Register Field Descriptions.....	1117
Table 8-9. INPUT2SELECT Register Field Descriptions.....	1118
Table 8-10. INPUT3SELECT Register Field Descriptions.....	1119
Table 8-11. INPUT4SELECT Register Field Descriptions.....	1120
Table 8-12. INPUT5SELECT Register Field Descriptions.....	1121
Table 8-13. INPUT6SELECT Register Field Descriptions.....	1122
Table 8-14. INPUT7SELECT Register Field Descriptions.....	1123
Table 8-15. INPUT8SELECT Register Field Descriptions.....	1124
Table 8-16. INPUT9SELECT Register Field Descriptions.....	1125
Table 8-17. INPUT10SELECT Register Field Descriptions.....	1126
Table 8-18. INPUT11SELECT Register Field Descriptions.....	1127
Table 8-19. INPUT12SELECT Register Field Descriptions.....	1128
Table 8-20. INPUT13SELECT Register Field Descriptions.....	1129
Table 8-21. INPUT14SELECT Register Field Descriptions.....	1130
Table 8-22. INPUTSELECTLOCK Register Field Descriptions.....	1131
Table 8-23. XBAR_REGS Registers.....	1133
Table 8-24. XBAR_REGS Access Type Codes.....	1133
Table 8-25. XBARFLG1 Register Field Descriptions.....	1134
Table 8-26. XBARFLG2 Register Field Descriptions.....	1136
Table 8-27. XBARFLG3 Register Field Descriptions.....	1138
Table 8-28. XBARCLR1 Register Field Descriptions.....	1140
Table 8-29. XBARCLR2 Register Field Descriptions.....	1142
Table 8-30. XBARCLR3 Register Field Descriptions.....	1145
Table 8-31. EPWM_XBAR_REGS Registers.....	1147
Table 8-32. EPWM_XBAR_REGS Access Type Codes.....	1147
Table 8-33. TRIP4MUX0TO15CFG Register Field Descriptions.....	1149
Table 8-34. TRIP4MUX16TO31CFG Register Field Descriptions.....	1152
Table 8-35. TRIP5MUX0TO15CFG Register Field Descriptions.....	1155
Table 8-36. TRIP5MUX16TO31CFG Register Field Descriptions.....	1158
Table 8-37. TRIP7MUX0TO15CFG Register Field Descriptions.....	1161
Table 8-38. TRIP7MUX16TO31CFG Register Field Descriptions.....	1164
Table 8-39. TRIP8MUX0TO15CFG Register Field Descriptions.....	1167
Table 8-40. TRIP8MUX16TO31CFG Register Field Descriptions.....	1170
Table 8-41. TRIP9MUX0TO15CFG Register Field Descriptions.....	1173
Table 8-42. TRIP9MUX16TO31CFG Register Field Descriptions.....	1176
Table 8-43. TRIP10MUX0TO15CFG Register Field Descriptions.....	1179
Table 8-44. TRIP10MUX16TO31CFG Register Field Descriptions.....	1182
Table 8-45. TRIP11MUX0TO15CFG Register Field Descriptions.....	1185
Table 8-46. TRIP11MUX16TO31CFG Register Field Descriptions.....	1188
Table 8-47. TRIP12MUX0TO15CFG Register Field Descriptions.....	1191
Table 8-48. TRIP12MUX16TO31CFG Register Field Descriptions.....	1194
Table 8-49. TRIP4MUXENABLE Register Field Descriptions.....	1197
Table 8-50. TRIP5MUXENABLE Register Field Descriptions.....	1202
Table 8-51. TRIP7MUXENABLE Register Field Descriptions.....	1207
Table 8-52. TRIP8MUXENABLE Register Field Descriptions.....	1212
Table 8-53. TRIP9MUXENABLE Register Field Descriptions.....	1217
Table 8-54. TRIP10MUXENABLE Register Field Descriptions.....	1222
Table 8-55. TRIP11MUXENABLE Register Field Descriptions.....	1227
Table 8-56. TRIP12MUXENABLE Register Field Descriptions.....	1232
Table 8-57. TRIPOUTINV Register Field Descriptions.....	1237
Table 8-58. TRIPLOCK Register Field Descriptions.....	1239
Table 8-59. CLB_XBAR_REGS Registers.....	1240
Table 8-60. CLB_XBAR_REGS Access Type Codes.....	1240
Table 8-61. AUXSIG0MUX0TO15CFG Register Field Descriptions.....	1242
Table 8-62. AUXSIG0MUX16TO31CFG Register Field Descriptions.....	1245
Table 8-63. AUXSIG1MUX0TO15CFG Register Field Descriptions.....	1248
Table 8-64. AUXSIG1MUX16TO31CFG Register Field Descriptions.....	1251
Table 8-65. AUXSIG2MUX0TO15CFG Register Field Descriptions.....	1254
Table 8-66. AUXSIG2MUX16TO31CFG Register Field Descriptions.....	1257
Table 8-67. AUXSIG3MUX0TO15CFG Register Field Descriptions.....	1260
Table 8-68. AUXSIG3MUX16TO31CFG Register Field Descriptions.....	1263

Table 8-69. AUXSIG4MUX0TO15CFG Register Field Descriptions.....	1266
Table 8-70. AUXSIG4MUX16TO31CFG Register Field Descriptions.....	1269
Table 8-71. AUXSIG5MUX0TO15CFG Register Field Descriptions.....	1272
Table 8-72. AUXSIG5MUX16TO31CFG Register Field Descriptions.....	1275
Table 8-73. AUXSIG6MUX0TO15CFG Register Field Descriptions.....	1278
Table 8-74. AUXSIG6MUX16TO31CFG Register Field Descriptions.....	1281
Table 8-75. AUXSIG7MUX0TO15CFG Register Field Descriptions.....	1284
Table 8-76. AUXSIG7MUX16TO31CFG Register Field Descriptions.....	1287
Table 8-77. AUXSIG0MUXENABLE Register Field Descriptions.....	1290
Table 8-78. AUXSIG1MUXENABLE Register Field Descriptions.....	1295
Table 8-79. AUXSIG2MUXENABLE Register Field Descriptions.....	1300
Table 8-80. AUXSIG3MUXENABLE Register Field Descriptions.....	1305
Table 8-81. AUXSIG4MUXENABLE Register Field Descriptions.....	1310
Table 8-82. AUXSIG5MUXENABLE Register Field Descriptions.....	1315
Table 8-83. AUXSIG6MUXENABLE Register Field Descriptions.....	1320
Table 8-84. AUXSIG7MUXENABLE Register Field Descriptions.....	1325
Table 8-85. AUXSIGOUTINV Register Field Descriptions.....	1330
Table 8-86. AUXSIGLOCK Register Field Descriptions.....	1332
Table 8-87. OUTPUT_XBAR_REGS Registers.....	1333
Table 8-88. OUTPUT_XBAR_REGS Access Type Codes.....	1333
Table 8-89. OUTPUT1MUX0TO15CFG Register Field Descriptions.....	1335
Table 8-90. OUTPUT1MUX16TO31CFG Register Field Descriptions.....	1338
Table 8-91. OUTPUT2MUX0TO15CFG Register Field Descriptions.....	1341
Table 8-92. OUTPUT2MUX16TO31CFG Register Field Descriptions.....	1344
Table 8-93. OUTPUT3MUX0TO15CFG Register Field Descriptions.....	1347
Table 8-94. OUTPUT3MUX16TO31CFG Register Field Descriptions.....	1350
Table 8-95. OUTPUT4MUX0TO15CFG Register Field Descriptions.....	1353
Table 8-96. OUTPUT4MUX16TO31CFG Register Field Descriptions.....	1356
Table 8-97. OUTPUT5MUX0TO15CFG Register Field Descriptions.....	1359
Table 8-98. OUTPUT5MUX16TO31CFG Register Field Descriptions.....	1362
Table 8-99. OUTPUT6MUX0TO15CFG Register Field Descriptions.....	1365
Table 8-100. OUTPUT6MUX16TO31CFG Register Field Descriptions.....	1368
Table 8-101. OUTPUT7MUX0TO15CFG Register Field Descriptions.....	1371
Table 8-102. OUTPUT7MUX16TO31CFG Register Field Descriptions.....	1374
Table 8-103. OUTPUT8MUX0TO15CFG Register Field Descriptions.....	1377
Table 8-104. OUTPUT8MUX16TO31CFG Register Field Descriptions.....	1380
Table 8-105. OUTPUT1MUXENABLE Register Field Descriptions.....	1383
Table 8-106. OUTPUT2MUXENABLE Register Field Descriptions.....	1388
Table 8-107. OUTPUT3MUXENABLE Register Field Descriptions.....	1393
Table 8-108. OUTPUT4MUXENABLE Register Field Descriptions.....	1398
Table 8-109. OUTPUT5MUXENABLE Register Field Descriptions.....	1403
Table 8-110. OUTPUT6MUXENABLE Register Field Descriptions.....	1408
Table 8-111. OUTPUT7MUXENABLE Register Field Descriptions.....	1413
Table 8-112. OUTPUT8MUXENABLE Register Field Descriptions.....	1418
Table 8-113. OUTPUTLATCH Register Field Descriptions.....	1423
Table 8-114. OUTPUTLATCHCLR Register Field Descriptions.....	1425
Table 8-115. OUTPUTLATCHFRC Register Field Descriptions.....	1427
Table 8-116. OUTPUTLATCHENABLE Register Field Descriptions.....	1429
Table 8-117. OUTPUTINV Register Field Descriptions.....	1431
Table 8-118. OUTPUTLOCK Register Field Descriptions.....	1433
Table 8-119. INPUTXBAR Registers to Driverlib Functions.....	1434
Table 8-120. XBAR Registers to Driverlib Functions.....	1434
Table 8-121. EPWMXBAR Registers to Driverlib Functions.....	1435
Table 8-122. CLBXBAR Registers to Driverlib Functions.....	1436
Table 8-123. OUTPUTXBAR Registers to Driverlib Functions.....	1437
Table 9-1. Analog Signal Descriptions.....	1444
Table 9-2. Reference Summary.....	1445
Table 9-3. Analog Subsystem Base Address Table.....	1445
Table 9-4. ANALOG_SUBSYS_REGS Registers.....	1446
Table 9-5. ANALOG_SUBSYS_REGS Access Type Codes.....	1446
Table 9-6. INTOSC1TRIM Register Field Descriptions.....	1447

Table 9-7. INTOSC2TRIM Register Field Descriptions.....	1448
Table 9-8. TSNCTRL Register Field Descriptions.....	1449
Table 9-9. LOCK Register Field Descriptions.....	1450
Table 9-10. ANAREFTRIMA Register Field Descriptions.....	1452
Table 9-11. ANAREFTRIMB Register Field Descriptions.....	1453
Table 9-12. ANAREFTRIMD Register Field Descriptions.....	1454
Table 10-1. ADC Options and Configuration Levels.....	1459
Table 10-2. Analog to 12-bit Digital Formulas.....	1460
Table 10-3. 12-Bit Digital-to-Analog Formulas.....	1460
Table 10-4. Channel Selection of Input Pins.....	1464
Table 10-5. Example Requirements for Multiple Signal Sampling.....	1466
Table 10-6. Example Connections for Multiple Signal Sampling.....	1466
Table 10-7. DETECTCFG Settings.....	1478
Table 10-8. ADC Timing Parameter Descriptions.....	1482
Table 10-9. ADC Timings in 12-bit Mode.....	1485
Table 10-10. ADC Base Address Table.....	1498
Table 10-11. ADC_RESULT_REGS Registers.....	1499
Table 10-12. ADC_RESULT_REGS Access Type Codes.....	1499
Table 10-13. ADCRESULT0 Register Field Descriptions.....	1500
Table 10-14. ADCRESULT1 Register Field Descriptions.....	1501
Table 10-15. ADCRESULT2 Register Field Descriptions.....	1502
Table 10-16. ADCRESULT3 Register Field Descriptions.....	1503
Table 10-17. ADCRESULT4 Register Field Descriptions.....	1504
Table 10-18. ADCRESULT5 Register Field Descriptions.....	1505
Table 10-19. ADCRESULT6 Register Field Descriptions.....	1506
Table 10-20. ADCRESULT7 Register Field Descriptions.....	1507
Table 10-21. ADCRESULT8 Register Field Descriptions.....	1508
Table 10-22. ADCRESULT9 Register Field Descriptions.....	1509
Table 10-23. ADCRESULT10 Register Field Descriptions.....	1510
Table 10-24. ADCRESULT11 Register Field Descriptions.....	1511
Table 10-25. ADCRESULT12 Register Field Descriptions.....	1512
Table 10-26. ADCRESULT13 Register Field Descriptions.....	1513
Table 10-27. ADCRESULT14 Register Field Descriptions.....	1514
Table 10-28. ADCRESULT15 Register Field Descriptions.....	1515
Table 10-29. ADCPPB1RESULT Register Field Descriptions.....	1516
Table 10-30. ADCPPB2RESULT Register Field Descriptions.....	1517
Table 10-31. ADCPPB3RESULT Register Field Descriptions.....	1518
Table 10-32. ADCPPB4RESULT Register Field Descriptions.....	1519
Table 10-33. ADC_REGS Registers.....	1520
Table 10-34. ADC_REGS Access Type Codes.....	1521
Table 10-35. ADCCTL1 Register Field Descriptions.....	1523
Table 10-36. ADCCTL2 Register Field Descriptions.....	1525
Table 10-37. ADCBURSTCTL Register Field Descriptions.....	1526
Table 10-38. ADCINTFLG Register Field Descriptions.....	1528
Table 10-39. ADCINTFLGCLR Register Field Descriptions.....	1530
Table 10-40. ADCINTOVF Register Field Descriptions.....	1531
Table 10-41. ADCINTOVFCLR Register Field Descriptions.....	1532
Table 10-42. ADCINTSEL1N2 Register Field Descriptions.....	1533
Table 10-43. ADCINTSEL3N4 Register Field Descriptions.....	1535
Table 10-44. ADCSOCPRCTL Register Field Descriptions.....	1537
Table 10-45. ADCINTSOCSEL1 Register Field Descriptions.....	1539
Table 10-46. ADCINTSOCSEL2 Register Field Descriptions.....	1541
Table 10-47. ADCSOCFLG1 Register Field Descriptions.....	1543
Table 10-48. ADCSOCFRC1 Register Field Descriptions.....	1547
Table 10-49. ADCSOCOVF1 Register Field Descriptions.....	1552
Table 10-50. ADCSOCOVFCLR1 Register Field Descriptions.....	1555
Table 10-51. ADCSOC0CTL Register Field Descriptions.....	1558
Table 10-52. ADCSOC1CTL Register Field Descriptions.....	1560
Table 10-53. ADCSOC2CTL Register Field Descriptions.....	1562
Table 10-54. ADCSOC3CTL Register Field Descriptions.....	1564
Table 10-55. ADCSOC4CTL Register Field Descriptions.....	1566

Table 10-56. ADCSOC5CTL Register Field Descriptions.....	1568
Table 10-57. ADCSOC6CTL Register Field Descriptions.....	1570
Table 10-58. ADCSOC7CTL Register Field Descriptions.....	1572
Table 10-59. ADCSOC8CTL Register Field Descriptions.....	1574
Table 10-60. ADCSOC9CTL Register Field Descriptions.....	1576
Table 10-61. ADCSOC10CTL Register Field Descriptions.....	1578
Table 10-62. ADCSOC11CTL Register Field Descriptions.....	1580
Table 10-63. ADCSOC12CTL Register Field Descriptions.....	1582
Table 10-64. ADCSOC13CTL Register Field Descriptions.....	1584
Table 10-65. ADCSOC14CTL Register Field Descriptions.....	1586
Table 10-66. ADCSOC15CTL Register Field Descriptions.....	1588
Table 10-67. ADCEVTSTAT Register Field Descriptions.....	1590
Table 10-68. ADCEVTCLR Register Field Descriptions.....	1593
Table 10-69. ADCEVTSEL Register Field Descriptions.....	1595
Table 10-70. ADCEVTINTSEL Register Field Descriptions.....	1597
Table 10-71. ADCODETECT Register Field Descriptions.....	1599
Table 10-72. ADCCOUNTER Register Field Descriptions.....	1600
Table 10-73. ADCREV Register Field Descriptions.....	1601
Table 10-74. ADCOFFTRIM Register Field Descriptions.....	1602
Table 10-75. ADCPPB1CONFIG Register Field Descriptions.....	1603
Table 10-76. ADCPPB1STAMP Register Field Descriptions.....	1605
Table 10-77. ADCPPB1OFFCAL Register Field Descriptions.....	1606
Table 10-78. ADCPPB1OFFREF Register Field Descriptions.....	1607
Table 10-79. ADCPPB1TRIPHI Register Field Descriptions.....	1608
Table 10-80. ADCPPB1TRIPLO Register Field Descriptions.....	1609
Table 10-81. ADCPPB2CONFIG Register Field Descriptions.....	1610
Table 10-82. ADCPPB2STAMP Register Field Descriptions.....	1612
Table 10-83. ADCPPB2OFFCAL Register Field Descriptions.....	1613
Table 10-84. ADCPPB2OFFREF Register Field Descriptions.....	1614
Table 10-85. ADCPPB2TRIPHI Register Field Descriptions.....	1615
Table 10-86. ADCPPB2TRIPLO Register Field Descriptions.....	1616
Table 10-87. ADCPPB3CONFIG Register Field Descriptions.....	1617
Table 10-88. ADCPPB3STAMP Register Field Descriptions.....	1619
Table 10-89. ADCPPB3OFFCAL Register Field Descriptions.....	1620
Table 10-90. ADCPPB3OFFREF Register Field Descriptions.....	1621
Table 10-91. ADCPPB3TRIPHI Register Field Descriptions.....	1622
Table 10-92. ADCPPB3TRIPLO Register Field Descriptions.....	1623
Table 10-93. ADCPPB4CONFIG Register Field Descriptions.....	1624
Table 10-94. ADCPPB4STAMP Register Field Descriptions.....	1626
Table 10-95. ADCPPB4OFFCAL Register Field Descriptions.....	1627
Table 10-96. ADCPPB4OFFREF Register Field Descriptions.....	1628
Table 10-97. ADCPPB4TRIPHI Register Field Descriptions.....	1629
Table 10-98. ADCPPB4TRIPLO Register Field Descriptions.....	1630
Table 10-99. ADCINLTRIM1 Register Field Descriptions.....	1631
Table 10-100. ADCINLTRIM2 Register Field Descriptions.....	1632
Table 10-101. ADCINLTRIM3 Register Field Descriptions.....	1633
Table 10-102. ADCINLTRIM4 Register Field Descriptions.....	1634
Table 10-103. ADCINLTRIM5 Register Field Descriptions.....	1635
Table 10-104. ADCINLTRIM6 Register Field Descriptions.....	1636
Table 10-105. ADC Registers to Driverlib Functions.....	1636
Table 11-1. DAC Base Address Table.....	1645
Table 11-2. DAC_REGS Registers.....	1646
Table 11-3. DAC_REGS Access Type Codes.....	1646
Table 11-4. DACREV Register Field Descriptions.....	1647
Table 11-5. DACCTL Register Field Descriptions.....	1648
Table 11-6. DACVALA Register Field Descriptions.....	1649
Table 11-7. DACVALS Register Field Descriptions.....	1650
Table 11-8. DACOUTEN Register Field Descriptions.....	1651
Table 11-9. DACLOCK Register Field Descriptions.....	1652
Table 11-10. DACTRIM Register Field Descriptions.....	1653
Table 11-11. DAC Registers to Driverlib Functions.....	1653

Table 12-1. CMPSS Base Address Table.....	1666
Table 12-2. CMPSS_REGS Registers.....	1667
Table 12-3. CMPSS_REGS Access Type Codes.....	1667
Table 12-4. COMPCTL Register Field Descriptions.....	1669
Table 12-5. COMPHYSCTL Register Field Descriptions.....	1671
Table 12-6. COMPSTS Register Field Descriptions.....	1672
Table 12-7. COMPSTSCLR Register Field Descriptions.....	1673
Table 12-8. COMPDACCTL Register Field Descriptions.....	1674
Table 12-9. DACHVALS Register Field Descriptions.....	1675
Table 12-10. DACHVALA Register Field Descriptions.....	1676
Table 12-11. RAMPMAXREFA Register Field Descriptions.....	1677
Table 12-12. RAMPMAXREFS Register Field Descriptions.....	1678
Table 12-13. RAMPDECVALA Register Field Descriptions.....	1679
Table 12-14. RAMPDECVALS Register Field Descriptions.....	1680
Table 12-15. RAMPSTS Register Field Descriptions.....	1681
Table 12-16. DACLVALS Register Field Descriptions.....	1682
Table 12-17. DACLVALA Register Field Descriptions.....	1683
Table 12-18. RAMPDLYA Register Field Descriptions.....	1684
Table 12-19. RAMPDLYS Register Field Descriptions.....	1685
Table 12-20. CTRIPLFILCTL Register Field Descriptions.....	1686
Table 12-21. CTRIPLFILCLKCTL Register Field Descriptions.....	1687
Table 12-22. CTRIPHFILCTL Register Field Descriptions.....	1688
Table 12-23. CTRIPHFILCLKCTL Register Field Descriptions.....	1689
Table 12-24. COMPLOCK Register Field Descriptions.....	1690
Table 12-25. CMPSS Registers to Driverlib Functions.....	1690
Table 13-1. Modulator Clock Modes.....	1699
Table 13-2. Order of Sinc Filter.....	1702
Table 13-3. Peak Data Values for Different DOSR/Filter Combinations.....	1703
Table 13-4. Shift Control Bit Configuration Settings.....	1704
Table 13-5. Number of Incorrect Samples Tabulated.....	1705
Table 13-6. Peak Data Values for Different OSR/Filter Combinations.....	1706
Table 13-7. General Registers.....	1712
Table 13-8. Filter 1 Registers.....	1712
Table 13-9. Filter 2 Registers.....	1712
Table 13-10. Filter 3 Registers.....	1713
Table 13-11. Filter 4 Registers.....	1713
Table 13-12. SDFM Base Address Table.....	1714
Table 13-13. SDFM_REGS Registers.....	1715
Table 13-14. SDFM_REGS Access Type Codes.....	1715
Table 13-15. SDIFLG Register Field Descriptions.....	1717
Table 13-16. SDIFLGCLR Register Field Descriptions.....	1719
Table 13-17. SDCTL Register Field Descriptions.....	1721
Table 13-18. SDMFILEN Register Field Descriptions.....	1722
Table 13-19. SDCTLPARM1 Register Field Descriptions.....	1723
Table 13-20. SDDFPARM1 Register Field Descriptions.....	1724
Table 13-21. SDDPARAM1 Register Field Descriptions.....	1725
Table 13-22. SDCMPH1 Register Field Descriptions.....	1726
Table 13-23. SDCMPL1 Register Field Descriptions.....	1727
Table 13-24. SDCPARAM1 Register Field Descriptions.....	1728
Table 13-25. SDDATA1 Register Field Descriptions.....	1729
Table 13-26. SDCTLPARM2 Register Field Descriptions.....	1730
Table 13-27. SDDFPARM2 Register Field Descriptions.....	1731
Table 13-28. SDDPARAM2 Register Field Descriptions.....	1732
Table 13-29. SDCMPH2 Register Field Descriptions.....	1733
Table 13-30. SDCMPL2 Register Field Descriptions.....	1734
Table 13-31. SDCPARAM2 Register Field Descriptions.....	1735
Table 13-32. SDDATA2 Register Field Descriptions.....	1736
Table 13-33. SDCTLPARM3 Register Field Descriptions.....	1737
Table 13-34. SDDFPARM3 Register Field Descriptions.....	1738
Table 13-35. SDDPARAM3 Register Field Descriptions.....	1739
Table 13-36. SDCMPH3 Register Field Descriptions.....	1740



Table 13-37. SDCMPL3 Register Field Descriptions.....	1741
Table 13-38. SDCPARM3 Register Field Descriptions.....	1742
Table 13-39. SDDATA3 Register Field Descriptions.....	1743
Table 13-40. SDCTLPARM4 Register Field Descriptions.....	1744
Table 13-41. SDDFPARM4 Register Field Descriptions.....	1745
Table 13-42. SDDPARM4 Register Field Descriptions.....	1746
Table 13-43. SDCMPH4 Register Field Descriptions.....	1747
Table 13-44. SDCMPL4 Register Field Descriptions.....	1748
Table 13-45. SDCPARM4 Register Field Descriptions.....	1749
Table 13-46. SDDATA4 Register Field Descriptions.....	1750
Table 13-47. SDFM Registers to Driverlib Functions.....	1751
Table 14-1. Submodule Configuration Parameters.....	1761
Table 14-2. Key Time-Base Signals.....	1765
Table 14-3. Action-Qualifier Submodule Possible Input Events.....	1783
Table 14-4. Action-Qualifier Event Priority for Up-Down-Count Mode.....	1785
Table 14-5. Action-Qualifier Event Priority for Up-Count Mode.....	1785
Table 14-6. Action-Qualifier Event Priority for Down-Count Mode.....	1785
Table 14-7. Behavior if CMPA/CMPB is Greater than the Period.....	1786
Table 14-8. Classical Dead-Band Operating Modes.....	1799
Table 14-9. Additional Dead-Band Operating Modes.....	1799
Table 14-10. Dead-Band Delay Values in $\mu$ S as a Function of DBFED and DBRED.....	1801
Table 14-11. Possible Pulse Width Values for EPWMCLK = 80 MHz.....	1804
Table 14-12. Possible Actions On a Trip Event.....	1808
Table 14-13. Resolution for PWM and HRPWM.....	1847
Table 14-14. Relationship Between MEP Steps, PWM Frequency, and Resolution.....	1853
Table 14-15. CMPA versus Duty (left), and [CMPA:CMPAHR] versus Duty (right).....	1854
Table 14-16. Duty Cycle Range Limitation for Three EPWMCLK/TBCLK Cycles.....	1857
Table 14-17. SFO Library Features.....	1869
Table 14-18. Factor Values.....	1870
Table 14-19. ePWM Base Address Table.....	1872
Table 14-20. EPWM_REGS Registers.....	1873
Table 14-21. EPWM_REGS Access Type Codes.....	1875
Table 14-22. TBCTL Register Field Descriptions.....	1876
Table 14-23. TBCTL2 Register Field Descriptions.....	1878
Table 14-24. TBCTR Register Field Descriptions.....	1879
Table 14-25. TBSTS Register Field Descriptions.....	1880
Table 14-26. CMPCTL Register Field Descriptions.....	1881
Table 14-27. CMPCTL2 Register Field Descriptions.....	1883
Table 14-28. DBCTL Register Field Descriptions.....	1885
Table 14-29. DBCTL2 Register Field Descriptions.....	1888
Table 14-30. AQCTL Register Field Descriptions.....	1889
Table 14-31. AQTSRCSEL Register Field Descriptions.....	1891
Table 14-32. PCCTL Register Field Descriptions.....	1892
Table 14-33. VCAPCTL Register Field Descriptions.....	1894
Table 14-34. VCNTCFG Register Field Descriptions.....	1896
Table 14-35. HRCNFG Register Field Descriptions.....	1898
Table 14-36. HRPWR Register Field Descriptions.....	1900
Table 14-37. HRMSTEP Register Field Descriptions.....	1901
Table 14-38. HRCNFG2 Register Field Descriptions.....	1902
Table 14-39. HRPCTL Register Field Descriptions.....	1903
Table 14-40. TRREM Register Field Descriptions.....	1905
Table 14-41. GLDCTL Register Field Descriptions.....	1906
Table 14-42. GLDCFG Register Field Descriptions.....	1908
Table 14-43. EPWMXLINK Register Field Descriptions.....	1910
Table 14-44. AQCTLA Register Field Descriptions.....	1912
Table 14-45. AQCTLA2 Register Field Descriptions.....	1914
Table 14-46. AQCTLB Register Field Descriptions.....	1915
Table 14-47. AQCTLB2 Register Field Descriptions.....	1917
Table 14-48. AQSFRC Register Field Descriptions.....	1918
Table 14-49. AQCSFRC Register Field Descriptions.....	1919
Table 14-50. DBREDHR Register Field Descriptions.....	1920

Table 14-51. DBRED Register Field Descriptions.....	1921
Table 14-52. DBFEDHR Register Field Descriptions.....	1922
Table 14-53. DBFED Register Field Descriptions.....	1923
Table 14-54. TBPHS Register Field Descriptions.....	1924
Table 14-55. TBPRDHR Register Field Descriptions.....	1925
Table 14-56. TBPRD Register Field Descriptions.....	1926
Table 14-57. CMPA Register Field Descriptions.....	1927
Table 14-58. CMPB Register Field Descriptions.....	1928
Table 14-59. CMPC Register Field Descriptions.....	1929
Table 14-60. CMPD Register Field Descriptions.....	1930
Table 14-61. GLDCTL2 Register Field Descriptions.....	1931
Table 14-62. SWVDELVAL Register Field Descriptions.....	1932
Table 14-63. TZSEL Register Field Descriptions.....	1933
Table 14-64. TZDCSEL Register Field Descriptions.....	1935
Table 14-65. TZCTL Register Field Descriptions.....	1936
Table 14-66. TZCTL2 Register Field Descriptions.....	1938
Table 14-67. TZCTLDCA Register Field Descriptions.....	1940
Table 14-68. TZCTLDCB Register Field Descriptions.....	1942
Table 14-69. TZEINT Register Field Descriptions.....	1944
Table 14-70. TZFLG Register Field Descriptions.....	1945
Table 14-71. TZCBCFLG Register Field Descriptions.....	1947
Table 14-72. TZOSTFLG Register Field Descriptions.....	1949
Table 14-73. TZCLR Register Field Descriptions.....	1951
Table 14-74. TZCBCCLR Register Field Descriptions.....	1953
Table 14-75. TZOSTCLR Register Field Descriptions.....	1954
Table 14-76. TZFRC Register Field Descriptions.....	1955
Table 14-77. ETSEL Register Field Descriptions.....	1956
Table 14-78. ETPS Register Field Descriptions.....	1959
Table 14-79. ETFLG Register Field Descriptions.....	1962
Table 14-80. ETCLR Register Field Descriptions.....	1963
Table 14-81. ETFRC Register Field Descriptions.....	1964
Table 14-82. ETINTPS Register Field Descriptions.....	1965
Table 14-83. ETSOCPs Register Field Descriptions.....	1966
Table 14-84. ETCNTINITCTL Register Field Descriptions.....	1968
Table 14-85. ETCNTINIT Register Field Descriptions.....	1969
Table 14-86. DCTRIPSEL Register Field Descriptions.....	1970
Table 14-87. DCACTL Register Field Descriptions.....	1972
Table 14-88. DCBCTL Register Field Descriptions.....	1973
Table 14-89. DCFCTL Register Field Descriptions.....	1974
Table 14-90. DCCAPCTL Register Field Descriptions.....	1976
Table 14-91. DCFOFFSET Register Field Descriptions.....	1978
Table 14-92. DCFOFFSETCNT Register Field Descriptions.....	1979
Table 14-93. DCFWINDOW Register Field Descriptions.....	1980
Table 14-94. DCFWINDOWCNT Register Field Descriptions.....	1981
Table 14-95. DCCAP Register Field Descriptions.....	1982
Table 14-96. DCAHTRIPSEL Register Field Descriptions.....	1983
Table 14-97. DCALTRIPSEL Register Field Descriptions.....	1985
Table 14-98. DCBHTRIPSEL Register Field Descriptions.....	1987
Table 14-99. DCBLTRIPSEL Register Field Descriptions.....	1989
Table 14-100. HWVDELVAL Register Field Descriptions.....	1991
Table 14-101. VCNTVAL Register Field Descriptions.....	1992
Table 14-102. EPWM Registers to Driverlib Functions.....	1993
Table 14-103. HRPWM Registers to Driverlib Functions.....	1999
Table 15-1. eCAP Base Address Table.....	2025
Table 15-2. ECAP_REGS Registers.....	2026
Table 15-3. ECAP_REGS Access Type Codes.....	2026
Table 15-4. TSCTR Register Field Descriptions.....	2027
Table 15-5. CTRPHS Register Field Descriptions.....	2028
Table 15-6. CAP1 Register Field Descriptions.....	2029
Table 15-7. CAP2 Register Field Descriptions.....	2030
Table 15-8. CAP3 Register Field Descriptions.....	2031

Table 15-9. CAP4 Register Field Descriptions.....	2032
Table 15-10. ECCTL1 Register Field Descriptions.....	2033
Table 15-11. ECCTL2 Register Field Descriptions.....	2035
Table 15-12. ECEINT Register Field Descriptions.....	2037
Table 15-13. ECFLG Register Field Descriptions.....	2039
Table 15-14. ECCLR Register Field Descriptions.....	2040
Table 15-15. ECFRC Register Field Descriptions.....	2041
Table 15-16. ECAP Registers to Driverlib Functions.....	2041
Table 16-1. EQEP Memory Map.....	2051
Table 16-2. Quadrature Decoder Truth Table.....	2053
Table 16-3. eQEP Base Address Table.....	2068
Table 16-4. EQEP_REGS Registers.....	2069
Table 16-5. EQEP_REGS Access Type Codes.....	2069
Table 16-6. QPOSCNT Register Field Descriptions.....	2070
Table 16-7. QPOSINIT Register Field Descriptions.....	2071
Table 16-8. QPOSMAX Register Field Descriptions.....	2072
Table 16-9. QPOSCMP Register Field Descriptions.....	2073
Table 16-10. QPOSILAT Register Field Descriptions.....	2074
Table 16-11. QPOSSLAT Register Field Descriptions.....	2075
Table 16-12. QPOSLAT Register Field Descriptions.....	2076
Table 16-13. QUTMR Register Field Descriptions.....	2077
Table 16-14. QUPRD Register Field Descriptions.....	2078
Table 16-15. QWDTMR Register Field Descriptions.....	2079
Table 16-16. QWDPRD Register Field Descriptions.....	2080
Table 16-17. QDECCTL Register Field Descriptions.....	2081
Table 16-18. QEPCTL Register Field Descriptions.....	2083
Table 16-19. QCAPCTL Register Field Descriptions.....	2085
Table 16-20. QPOSCTL Register Field Descriptions.....	2086
Table 16-21. QEINT Register Field Descriptions.....	2087
Table 16-22. QFLG Register Field Descriptions.....	2089
Table 16-23. QCLR Register Field Descriptions.....	2091
Table 16-24. QFRC Register Field Descriptions.....	2093
Table 16-25. QEPSTS Register Field Descriptions.....	2095
Table 16-26. QCTMR Register Field Descriptions.....	2097
Table 16-27. QCPRD Register Field Descriptions.....	2098
Table 16-28. QCTMRLAT Register Field Descriptions.....	2099
Table 16-29. QCPRDLAT Register Field Descriptions.....	2100
Table 16-30. EQEP Registers to Driverlib Functions.....	2100
Table 17-1. SPI Module Signal Summary.....	2106
Table 17-2. SPI Interrupt Flag Modes.....	2108
Table 17-3. SPI Clocking Scheme Selection Guide.....	2116
Table 17-4. 4-wire versus 3-wire SPI Pin Functions.....	2119
Table 17-5. 3-Wire SPI Pin Configuration.....	2120
Table 17-6. SPI Base Address Table.....	2129
Table 17-7. SPI_REGS Registers.....	2130
Table 17-8. SPI_REGS Access Type Codes.....	2130
Table 17-9. SPICCR Register Field Descriptions.....	2131
Table 17-10. SPICTL Register Field Descriptions.....	2133
Table 17-11. SPISTS Register Field Descriptions.....	2135
Table 17-12. SPIBRR Register Field Descriptions.....	2137
Table 17-13. SPIRXEMU Register Field Descriptions.....	2138
Table 17-14. SPIRXBUF Register Field Descriptions.....	2139
Table 17-15. SPITXBUF Register Field Descriptions.....	2140
Table 17-16. SPIDAT Register Field Descriptions.....	2141
Table 17-17. SPIFFTX Register Field Descriptions.....	2142
Table 17-18. SPIFFRX Register Field Descriptions.....	2144
Table 17-19. SPIFFCT Register Field Descriptions.....	2146
Table 17-20. SPIPRI Register Field Descriptions.....	2147
Table 17-21. SPI Registers to Driverlib Functions.....	2148
Table 18-1. SCI Module Signal Summary.....	2153
Table 18-2. Programming the Data Format Using SCICCR.....	2156

Table 18-3. Asynchronous Baud Register Values for Common SCI Bit Rates.....	2166
Table 18-4. SCI Interrupt Flags.....	2168
Table 18-5. SCI Base Address Table.....	2170
Table 18-6. SCI_REGS Registers.....	2171
Table 18-7. SCI_REGS Access Type Codes.....	2171
Table 18-8. SCICCR Register Field Descriptions.....	2172
Table 18-9. SCICTL1 Register Field Descriptions.....	2174
Table 18-10. SCIHBAUD Register Field Descriptions.....	2176
Table 18-11. SCILBAUD Register Field Descriptions.....	2177
Table 18-12. SCICTL2 Register Field Descriptions.....	2178
Table 18-13. SCIRXST Register Field Descriptions.....	2180
Table 18-14. SCIRXEMU Register Field Descriptions.....	2184
Table 18-15. SCIRXBUF Register Field Descriptions.....	2185
Table 18-16. SCITXBUF Register Field Descriptions.....	2187
Table 18-17. SCIFFTX Register Field Descriptions.....	2188
Table 18-18. SCIFFRX Register Field Descriptions.....	2190
Table 18-19. SCIFFCT Register Field Descriptions.....	2192
Table 18-20. SCIPRI Register Field Descriptions.....	2193
Table 18-21. SCI Registers to Driverlib Functions.....	2193
Table 19-1. Dependency of Delay d on the Divide-Down Value IPSC.....	2202
Table 19-2. Operating Modes of the I2C Module.....	2204
Table 19-3. Master-Transmitter/Receiver Bus Activity Defined by the RM, STT, and STP Bits of I2CMDR.....	2204
Table 19-4. How the MST and FDF Bits of I2CMDR Affect the Role of the TRX Bit of I2CMDR.....	2210
Table 19-5. Ways to Generate a NACK Bit.....	2214
Table 19-6. Descriptions of the Basic I2C Interrupt Requests.....	2215
Table 19-7. I2C Base Address Table (C28).....	2221
Table 19-8. I2C_REGS Registers.....	2222
Table 19-9. I2C_REGS Access Type Codes.....	2222
Table 19-10. I2COAR Register Field Descriptions.....	2223
Table 19-11. I2CIER Register Field Descriptions.....	2224
Table 19-12. I2CSTR Register Field Descriptions.....	2225
Table 19-13. I2CCLKL Register Field Descriptions.....	2229
Table 19-14. I2CCLKH Register Field Descriptions.....	2230
Table 19-15. I2CCNT Register Field Descriptions.....	2231
Table 19-16. I2CDRR Register Field Descriptions.....	2232
Table 19-17. I2CSAR Register Field Descriptions.....	2233
Table 19-18. I2CDXR Register Field Descriptions.....	2234
Table 19-19. I2CMDR Register Field Descriptions.....	2235
Table 19-20. I2CISRC Register Field Descriptions.....	2239
Table 19-21. I2CEMDR Register Field Descriptions.....	2240
Table 19-22. I2CPSC Register Field Descriptions.....	2241
Table 19-23. I2CFFTX Register Field Descriptions.....	2242
Table 19-24. I2CFFRX Register Field Descriptions.....	2244
Table 19-25. I2C Registers to Driverlib Functions.....	2245
Table 20-1. McBSP Interface Pins/Signals.....	2249
Table 20-2. Register Bits That Determine the Number of Phases, Words, and Bits.....	2256
Table 20-3. Interrupts and DMA Events Generated by a McBSP.....	2260
Table 20-4. Effects of DLB and CLKSTP on Clock Modes.....	2262
Table 20-5. Choosing an Input Clock for the Sample Rate Generator with the SCLKME and CLKSM Bits.....	2262
Table 20-6. Polarity Options for the Input to the Sample Rate Generator.....	2263
Table 20-7. Input Clock Selection for Sample Rate Generator.....	2267
Table 20-8. Block - Channel Assignment.....	2276
Table 20-9. 2-Partition Mode.....	2276
Table 20-10. 8-Partition Mode.....	2276
Table 20-11. Receive Channel Assignment and Control With Eight Receive Partitions.....	2279
Table 20-12. Transmit Channel Assignment and Control When Eight Transmit Partitions Are Used.....	2279
Table 20-13. Selecting a Transmit Multichannel Selection Mode With the XMCM Bits.....	2281
Table 20-14. Bits Used to Enable and Configure the Clock Stop Mode.....	2285
Table 20-15. Effects of CLKSTP, CLKXP, and CLKRP on the Clock Scheme.....	2285
Table 20-16. Bit Values Required to Configure the McBSP as an SPI Master.....	2289
Table 20-17. Bit Values Required to Configure the McBSP as an SPI Slave.....	2290

Table 20-18. Register Bits Used to Reset or Enable the McBSP Receiver Field Descriptions.....	2292
Table 20-19. Reset State of Each McBSP Pin.....	2292
Table 20-20. Register Bit Used to Enable/Disable the Digital Loopback Mode.....	2293
Table 20-21. Receive Signals Connected to Transmit Signals in Digital Loopback Mode.....	2293
Table 20-22. Register Bits Used to Enable/Disable the Clock Stop Mode.....	2293
Table 20-23. Effects of CLKSTP, CLKXP, and CLKRP on the Clock Scheme.....	2294
Table 20-24. Register Bit Used to Enable/Disable the Receive Multichannel Selection Mode.....	2294
Table 20-25. Register Bit Used to Choose One or Two Phases for the Receive Frame.....	2294
Table 20-26. Register Bits Used to Set the Receive Word Lengths.....	2295
Table 20-27. Register Bits Used to Set the Receive Frame Length.....	2296
Table 20-28. How to Calculate the Length of the Receive Frame.....	2296
Table 20-29. Register Bit Used to Enable/Disable the Receive Frame-Synchronization Ignore Function.....	2297
Table 20-30. Register Bits Used to Set the Receive Companding Mode.....	2298
Table 20-31. Register Bits Used to Set the Receive Data Delay.....	2300
Table 20-32. Register Bits Used to Set the Receive Sign-Extension and Justification Mode.....	2302
Table 20-33. Example: Use of RJUST Field With 12-Bit Data Value ABC <sub>h</sub> .....	2302
Table 20-34. Example: Use of RJUST Field With 20-Bit Data Value ABCDE <sub>h</sub> .....	2302
Table 20-35. Register Bits Used to Set the Receive Interrupt Mode.....	2303
Table 20-36. Register Bits Used to Set the Receive Frame Synchronization Mode.....	2304
Table 20-37. Select Sources to Provide the Receive Frame-Synchronization Signal and the Effect on the FSR Pin.....	2305
Table 20-38. Register Bit Used to Set Receive Frame-Synchronization Polarity.....	2305
Table 20-39. Register Bits Used to Set the SRG Frame-Synchronization Period and Pulse Width.....	2307
Table 20-40. Register Bits Used to Set the Receive Clock Mode.....	2308
Table 20-41. Receive Clock Signal Source Selection.....	2309
Table 20-42. Register Bit Used to Set Receive Clock Polarity.....	2309
Table 20-43. Register Bits Used to Set the Sample Rate Generator (SRG) Clock Divide-Down Value.....	2311
Table 20-44. Register Bit Used to Set the SRG Clock Synchronization Mode.....	2311
Table 20-45. Register Bits Used to Set the SRG Clock Mode (Choose an Input Clock).....	2312
Table 20-46. Register Bits Used to Set the SRG Input Clock Polarity.....	2312
Table 20-47. Register Bits Used to Place Transmitter in Reset Field Descriptions.....	2314
Table 20-48. Register Bit Used to Enable/Disable the Digital Loopback Mode.....	2315
Table 20-49. Receive Signals Connected to Transmit Signals in Digital Loopback Mode.....	2315
Table 20-50. Register Bits Used to Enable/Disable the Clock Stop Mode.....	2315
Table 20-51. Effects of CLKSTP, CLKXP, and CLKRP on the Clock Scheme.....	2316
Table 20-52. Register Bits Used to Enable/Disable Transmit Multichannel Selection.....	2316
Table 20-53. Use of the Transmit Channel Enable Registers.....	2317
Table 20-54. Register Bit Used to Choose 1 or 2 Phases for the Transmit Frame.....	2319
Table 20-55. Register Bits Used to Set the Transmit Word Lengths.....	2319
Table 20-56. Register Bits Used to Set the Transmit Frame Length.....	2320
Table 20-57. How to Calculate Frame Length.....	2320
Table 20-58. Register Bit Used to Enable/Disable the Transmit Frame-Synchronization Ignore Function.....	2321
Table 20-59. Register Bits Used to Set the Transmit Companding Mode.....	2322
Table 20-60. Register Bits Used to Set the Transmit Data Delay.....	2323
Table 20-61. Register Bit Used to Set the Transmit DXENA (DX Delay Enabler) Mode.....	2325
Table 20-62. Register Bits Used to Set the Transmit Interrupt Mode.....	2325
Table 20-63. Register Bits Used to Set the Transmit Frame-Synchronization Mode.....	2326
Table 20-64. How FSXM and FSGM Select the Source of Transmit Frame-Synchronization Pulses.....	2326
Table 20-65. Register Bit Used to Set Transmit Frame-Synchronization Polarity.....	2327
Table 20-66. Register Bits Used to Set SRG Frame-Synchronization Period and Pulse Width.....	2328
Table 20-67. Register Bit Used to Set the Transmit Clock Mode.....	2329
Table 20-68. How the CLKXM Bit Selects the Transmit Clock and the Corresponding Status of the MCLKX pin.....	2329
Table 20-69. Register Bit Used to Set Transmit Clock Polarity.....	2329
Table 20-70. McBSP Emulation Modes Selectable with FREE and SOFT Bits of SPCR2.....	2331
Table 20-71. Reset State of Each McBSP Pin.....	2331
Table 20-72. Receive Interrupt Sources and Signals.....	2337
Table 20-73. Transmit Interrupt Sources and Signals.....	2338
Table 20-74. Error Flags.....	2338
Table 20-75. McBSP Mode Selection.....	2339
Table 20-76. McBSP Base Address Table.....	2341
Table 20-77. MCBSP_REGS Registers.....	2342
Table 20-78. MCBSP_REGS Access Type Codes.....	2342

Table 20-79. DRR2 Register Field Descriptions.....	2344
Table 20-80. DRR1 Register Field Descriptions.....	2345
Table 20-81. DXR2 Register Field Descriptions.....	2346
Table 20-82. DXR1 Register Field Descriptions.....	2347
Table 20-83. SPCR2 Register Field Descriptions.....	2348
Table 20-84. SPCR1 Register Field Descriptions.....	2351
Table 20-85. RCR2 Register Field Descriptions.....	2354
Table 20-86. RCR1 Register Field Descriptions.....	2356
Table 20-87. XCR2 Register Field Descriptions.....	2357
Table 20-88. XCR1 Register Field Descriptions.....	2359
Table 20-89. SRGR2 Register Field Descriptions.....	2360
Table 20-90. SRGR1 Register Field Descriptions.....	2362
Table 20-91. MCR2 Register Field Descriptions.....	2363
Table 20-92. MCR1 Register Field Descriptions.....	2365
Table 20-93. RCERA Register Field Descriptions.....	2367
Table 20-94. RCERB Register Field Descriptions.....	2368
Table 20-95. XCERA Register Field Descriptions.....	2369
Table 20-96. XCERB Register Field Descriptions.....	2370
Table 20-97. PCR Register Field Descriptions.....	2371
Table 20-98. RCERC Register Field Descriptions.....	2374
Table 20-99. RCERD Register Field Descriptions.....	2375
Table 20-100. XCERC Register Field Descriptions.....	2376
Table 20-101. XCERD Register Field Descriptions.....	2377
Table 20-102. RCERE Register Field Descriptions.....	2378
Table 20-103. RCERF Register Field Descriptions.....	2379
Table 20-104. XCERE Register Field Descriptions.....	2380
Table 20-105. XCERF Register Field Descriptions.....	2381
Table 20-106. RCERG Register Field Descriptions.....	2382
Table 20-107. RCERH Register Field Descriptions.....	2383
Table 20-108. XCERG Register Field Descriptions.....	2384
Table 20-109. XCERH Register Field Descriptions.....	2385
Table 20-110. MFFINT Register Field Descriptions.....	2386
Table 20-111. MCBSP Registers to Driverlib Functions.....	2386
Table 21-1. CAN Register Access from Software.....	2396
Table 21-2. CAN Register Access from Code Composer Studio™ IDE.....	2396
Table 21-3. PIE Module Nomenclature for Interrupts.....	2404
Table 21-4. Programmable Ranges Required by CAN Protocol.....	2416
Table 21-5. Message Object Field Descriptions.....	2426
Table 21-6. Message RAM Addressing in Debug Mode.....	2429
Table 21-7. CAN Base Address Table.....	2431
Table 21-8. CAN_REGS Registers.....	2432
Table 21-9. CAN_REGS Access Type Codes.....	2433
Table 21-10. CAN_CTL Register Field Descriptions.....	2434
Table 21-11. CAN_ES Register Field Descriptions.....	2437
Table 21-12. CAN_ERRC Register Field Descriptions.....	2439
Table 21-13. CAN_BTR Register Field Descriptions.....	2440
Table 21-14. CAN_INT Register Field Descriptions.....	2442
Table 21-15. CAN_TEST Register Field Descriptions.....	2443
Table 21-16. CAN_PERR Register Field Descriptions.....	2445
Table 21-17. CAN_RAM_INIT Register Field Descriptions.....	2446
Table 21-18. CAN_GLB_INT_EN Register Field Descriptions.....	2447
Table 21-19. CAN_GLB_INT_FLG Register Field Descriptions.....	2448
Table 21-20. CAN_GLB_INT_CLR Register Field Descriptions.....	2449
Table 21-21. CAN_ABOTR Register Field Descriptions.....	2450
Table 21-22. CAN_TXRQ_X Register Field Descriptions.....	2451
Table 21-23. CAN_TXRQ_21 Register Field Descriptions.....	2452
Table 21-24. CAN_NDAT_X Register Field Descriptions.....	2453
Table 21-25. CAN_NDAT_21 Register Field Descriptions.....	2454
Table 21-26. CAN_IPEN_X Register Field Descriptions.....	2455
Table 21-27. CAN_IPEN_21 Register Field Descriptions.....	2456
Table 21-28. CAN_MVAL_X Register Field Descriptions.....	2457

Table 21-29. CAN_MVAL_21 Register Field Descriptions.....	2458
Table 21-30. CAN_IP_MUX21 Register Field Descriptions.....	2459
Table 21-31. CAN_IF1CMD Register Field Descriptions.....	2460
Table 21-32. CAN_IF1MSK Register Field Descriptions.....	2463
Table 21-33. CAN_IF1ARB Register Field Descriptions.....	2464
Table 21-34. CAN_IF1MCTL Register Field Descriptions.....	2466
Table 21-35. CAN_IF1DATA Register Field Descriptions.....	2468
Table 21-36. CAN_IF1DATB Register Field Descriptions.....	2469
Table 21-37. CAN_IF2CMD Register Field Descriptions.....	2470
Table 21-38. CAN_IF2MSK Register Field Descriptions.....	2473
Table 21-39. CAN_IF2ARB Register Field Descriptions.....	2474
Table 21-40. CAN_IF2MCTL Register Field Descriptions.....	2476
Table 21-41. CAN_IF2DATA Register Field Descriptions.....	2478
Table 21-42. CAN_IF2DATB Register Field Descriptions.....	2479
Table 21-43. CAN_IF3OBS Register Field Descriptions.....	2480
Table 21-44. CAN_IF3MSK Register Field Descriptions.....	2482
Table 21-45. CAN_IF3ARB Register Field Descriptions.....	2483
Table 21-46. CAN_IF3MCTL Register Field Descriptions.....	2484
Table 21-47. CAN_IF3DATA Register Field Descriptions.....	2486
Table 21-48. CAN_IF3DATB Register Field Descriptions.....	2487
Table 21-49. CAN_IF3UPD Register Field Descriptions.....	2488
Table 21-50. CAN Registers to Driverlib Functions.....	2488
Table 22-1. USB Memory Access from Software.....	2507
Table 22-2. USB Memory Access from CCS IDE.....	2508
Table 22-3. USB Base Address Table (C28).....	2510
Table 22-4. Universal Serial Bus (USB) Controller Register Map.....	2510
Table 22-5. USB Device Functional Address Register (USBFADDR) Field Descriptions.....	2518
Table 22-6. USB Power Management Register (USBPOWER) in Host Mode Field Descriptions.....	2519
Table 22-7. USB Power Management Register (USBPOWER) in Device Mode Field Descriptions.....	2520
Table 22-8. USB Transmit Interrupt Status Register (USBTXIS) Field Descriptions.....	2521
Table 22-9. USB Transmit Interrupt Status Register (USBRXIS) Field Descriptions.....	2523
Table 22-10. USB Transmit Interrupt Status Register (USBTXIE) Field Descriptions.....	2525
Table 22-11. USB Transmit Interrupt Status Register (USBRXIE) Field Descriptions.....	2527
Table 22-12. USB General Interrupt Status Register (USBIS) in Host Mode Field Descriptions.....	2529
Table 22-13. USB General Interrupt Status Register (USBIS) in Device Mode Field Descriptions.....	2530
Table 22-14. USB Interrupt Enable Register (USBIE) in Host Mode Field Descriptions.....	2531
Table 22-15. USB Interrupt Enable Register (USBIE) in Device Mode Field Descriptions.....	2532
Table 22-16. USB Frame Value Register (USBFRAME) Field Descriptions.....	2533
Table 22-17. USB Endpoint Index Register (USBEPIDX) Field Descriptions.....	2533
Table 22-18. USB Test Mode Register (USBTEST) in Host Mode Field Descriptions.....	2534
Table 22-19. USB Test Mode Register (USBTEST) in Device Mode Field Descriptions.....	2535
Table 22-20. USB FIFO Endpoint <i>n</i> Register (USBFIFO[ <i>n</i> ]) Field Descriptions.....	2536
Table 22-21. USB Device Control Register (USBDEVCTL) Field Descriptions.....	2537
Table 22-22. USB Transmit Dynamic FIFO Sizing Register (USBTXFIFOSZ) Field Descriptions.....	2539
Table 22-23. USB Receive Dynamic FIFO Sizing Register (USBRXFIFOSZ) Field Descriptions.....	2540
Table 22-24. USB Transmit FIFO Start Address Register (USBTXFIFOADDR) Field Descriptions.....	2541
Table 22-25. USB Receive FIFO Start Address Register (USBRXFIFOADDR) Field Descriptions.....	2542
Table 22-26. USB Connect Timing Register (USBCONTIM) Field Descriptions.....	2543
Table 22-27. USB Full-Speed Last Transaction to End of Frame Timing Register (USBFSEOF) Field Descriptions.....	2544
Table 22-28. USB Low-Speed Last Transaction to End of Frame Timing Register (USBLSEOF) Field Descriptions.....	2544
Table 22-29. USB Transmit Functional Address Endpoint <i>n</i> Registers (USBTXFUNCADDR[ <i>n</i> ]) Field Descriptions.....	2545
Table 22-30. USB Transmit Hub Address Endpoint <i>n</i> Registers(USBTXHUBADDR[ <i>n</i> ]) Field Descriptions.....	2546
Table 22-31. USB Transmit Hub Port Endpoint <i>n</i> Registers(USBTXHUBPORT[ <i>n</i> ]) Field Descriptions.....	2547
Table 22-32. USB Receive Functional Address Endpoint <i>n</i> Registers(USBFIFO[ <i>n</i> ]) Field Descriptions.....	2548
Table 22-33. USB Receive Hub Address Endpoint <i>n</i> Registers (USBRXHUBADDR[ <i>n</i> ]) Field Descriptions.....	2549
Table 22-34. USB Receive Hub Port Endpoint <i>n</i> Register (USBRXHUBPORT[ <i>n</i> ]) Field Descriptions.....	2550
Table 22-35. USB Maximum Transmit Data Endpoint <i>n</i> Registers (USBTXMAXP[ <i>n</i> ]) Field Descriptions.....	2551
Table 22-36. USB Control and Status Endpoint 0 Low Register (USBCSRL0) in Host Mode Field Descriptions.....	2552
Table 22-37. USB Control and Status Endpoint 0 Low Register (USBCSRL0) in Device Mode Field Descriptions.....	2553
Table 22-38. USB Control and Status Endpoint 0 High Register (USBCSRH0) in Host Mode Field Descriptions.....	2555
Table 22-39. USB Control and Status Endpoint 0 High Register (USBCSRH0) in Device Mode Field Descriptions.....	2556

Table 22-40. USB Receive Byte Count Endpoint 0 Register (USBCOUNT0) Field Descriptions.....	2557
Table 22-41. USB Type Endpoint 0 Register (USBTYPE0) Field Descriptions.....	2557
Table 22-42. USB NAK Limit Register (USBNAKLMT) Field Descriptions.....	2558
Table 22-43. USB Transmit Control and Status Endpoint n Low Register (USBTXCSRL[n]) in Host Mode Field Descriptions.....	2559
Table 22-44. USB Transmit Control and Status Endpoint n Low Register (USBTXCSRL[n]) in Device Mode Field Descriptions.....	2560
Table 22-45. USB Transmit Control and Status Endpoint n High Register (USBTXCSRH[n]) in Host Mode Field Descriptions.....	2562
Table 22-46. USB Transmit Control and Status Endpoint n High Register (USBTXCSRH[n]) in Device Mode Field Descriptions.....	2563
Table 22-47. USB Maximum Receive Data Endpoint n Registers (USBRXMAXP[n]) Field Descriptions.....	2564
Table 22-48. USB Receive Control and Status Endpoint n Low Register (USBRXCSRL[n]) in Host Mode Field Descriptions.....	2565
Table 22-49. USB Receive Control and Status Endpoint n Low Register (USBRX CSRL[n]) in Device Mode Field Descriptions.....	2566
Table 22-50. USB Receive Control and Status Endpoint n High Register (USBRXCSRH[n]) in Host Mode Field Descriptions.....	2568
Table 22-51. USB Receive Control and Status Endpoint n High Register (USBRXCSRH[n]) in Device Mode Field Descriptions.....	2569
Table 22-52. USB Receive Byte Count Endpoint n Register (USBRXCOUNT[n]) Field Descriptions.....	2570
Table 22-53. USB Host Transmit Configure Type Endpoint n Registers (USBTXTYPE[n]) Field Descriptions.....	2571
Table 22-54. USB Host Transmit Interval Endpoint n Registers (USBTXINTERVAL[n]) Frame Numbers.....	2572
Table 22-55. USB Host Transmit Interval Endpoint n Registers (USBTXINTERVAL[n]) Field Descriptions.....	2572
Table 22-56. USB Host Configure Receive Type Endpoint n Register (USBRXTYPE[n]) Field Descriptions.....	2573
Table 22-57. USB Host Receive Polling Interval Endpoint n Registers (USBRXINTERVAL[n]) Frame Numbers.....	2574
Table 22-58. USB Host Receive Polling Interval Endpoint n Registers (USBRXINTERVAL[n]) Field Descriptions.....	2574
Table 22-59. USB Request Packet Count in Block Transfer Endpoint n Registers (USBRPKTCOUNT[n]) Field Descriptions.....	2575
Table 22-60. USB Receive Double Packet Buffer Disable Register (USBRXDPKTBUFFDIS) Field Descriptions.....	2576
Table 22-61. USB Transmit Double Packet Buffer Disable Register (USBTXDPKTBUFFDIS) Field Descriptions.....	2577
Table 22-62. USB External Power Control Register (USBEPCC) Field Descriptions.....	2578
Table 22-63. USB External Power Control Raw Interrupt Status Register (USBEPCCRIS) Field Descriptions.....	2580
Table 22-64. USB External Power Control Interrupt Mask Register (USBEPCCIM) Field Descriptions.....	2581
Table 22-65. USB External Power Control Interrupt Status and Clear Register (USBEPCCISC) Field Descriptions.....	2582
Table 22-66. USB Device RESUME Raw Interrupt Status Register (USBDRRIS) Field Descriptions.....	2583
Table 22-67. USB Device RESUME Raw Interrupt Status Register (USBDRRIS) Field Descriptions.....	2584
Table 22-68. USB Device RESUME Interrupt Status and Clear Register (USBDRISC) Field Descriptions.....	2585
Table 22-69. USB General-Purpose Control and Status Register (USBGPCS) Field Descriptions.....	2586
Table 22-70. USB DMA Select Register (USBDMASEL) Field Descriptions.....	2587
Table 22-71. USB Registers to Driverlib Functions.....	2588
Table 23-1. Configuration for the EMIF1 Module.....	2608
Table 23-2. EMIF Pins Used to Access Both SDRAM and Asynchronous Memories.....	2612
Table 23-3. EMIF Pins Specific to SDRAM.....	2612
Table 23-4. EMIF Pins Specific to Asynchronous Memory.....	2613
Table 23-5. EMIF SDRAM Commands.....	2613
Table 23-6. Truth Table for SDRAM Commands.....	2614
Table 23-7. 16-bit EMIF Address Pin Connections.....	2616
Table 23-8. Description of the SDRAM Configuration Register (SDRAM_CR).....	2617
Table 23-9. Description of the SDRAM Refresh Control Register (SDRAM_RCR).....	2617
Table 23-10. Description of the SDRAM Timing Register (SDRAM_TR).....	2617
Table 23-11. Description of the SDRAM Self Refresh Exit Timing Register (SDR_EXT_TMNG).....	2618
Table 23-12. SDRAM LOAD MODE REGISTER Command.....	2618
Table 23-13. Refresh Urgency Levels.....	2620
Table 23-14. Mapping from Logical Address to EMIF Pins for 32-bit SDRAM.....	2625
Table 23-15. Mapping from Logical Address to EMIF Pins for 16-bit SDRAM.....	2625
Table 23-16. Normal Mode vs. Select Strobe Mode.....	2626
Table 23-17. Description of the Asynchronous m Configuration Register (ASYNC_CS <sub>n</sub> _CR).....	2628
Table 23-18. Description of the Asynchronous Wait Cycle Configuration Register (ASYNC_WCCR).....	2629
Table 23-19. Description of EMIF Interrupt Mask Set Register (INT_MSK_SET).....	2629
Table 23-20. Description of EMIF Interrupt Mast Clear Register (INT_MSK_CLR).....	2630



Table 23-21. Asynchronous Read Operation in Normal Mode.....	2630
Table 23-22. Asynchronous Write Operation in Normal Mode.....	2632
Table 23-23. Asynchronous Read Operation in Select Strobe Mode.....	2634
Table 23-24. Asynchronous Write Operation in Select Strobe Mode.....	2636
Table 23-25. Interrupt Monitor and Control Bit Fields.....	2639
Table 23-26. SR Field Value For EMIF to K4S641632H-TC(L)70 Interface.....	2642
Table 23-27. SDRAM_TR Field Calculations for EMIF to K4S641632H-TC(L)70 Interface.....	2643
Table 23-28. RR Calculation for EMIF to K4S641632H-TC(L)70 Interface.....	2644
Table 23-29. RR Calculation for EMIF to K4S641632H-TC(L)70 Interface.....	2644
Table 23-30. SDRAM_CR Field Values For EMIF to K4S641632H-TC(L)70 Interface.....	2645
Table 23-31. AC Characteristics for a Read Access.....	2646
Table 23-32. AC Characteristics for a Write Access.....	2646
Table 23-33. EMIF Base Address Table.....	2649
Table 23-34. EMIF_REGS Registers.....	2650
Table 23-35. EMIF_REGS Access Type Codes.....	2650
Table 23-36. RCSR Register Field Descriptions.....	2651
Table 23-37. ASYNC_WCCR Register Field Descriptions.....	2652
Table 23-38. SDRAM_CR Register Field Descriptions.....	2653
Table 23-39. SDRAM_RCR Register Field Descriptions.....	2655
Table 23-40. ASYNC_CS2_CR Register Field Descriptions.....	2656
Table 23-41. ASYNC_CS3_CR Register Field Descriptions.....	2658
Table 23-42. ASYNC_CS4_CR Register Field Descriptions.....	2660
Table 23-43. SDRAM_TR Register Field Descriptions.....	2662
Table 23-44. TOTAL_SDRAM_AR Register Field Descriptions.....	2663
Table 23-45. TOTAL_SDRAM_ACTR Register Field Descriptions.....	2664
Table 23-46. SDR_EXT_TMNG Register Field Descriptions.....	2665
Table 23-47. INT_RAW Register Field Descriptions.....	2666
Table 23-48. INT_MSK Register Field Descriptions.....	2667
Table 23-49. INT_MSK_SET Register Field Descriptions.....	2668
Table 23-50. INT_MSK_CLR Register Field Descriptions.....	2669
Table 23-51. EMIF1_CONFIG_REGS Registers.....	2670
Table 23-52. EMIF1_CONFIG_REGS Access Type Codes.....	2670
Table 23-53. EMIF1LOCK Register Field Descriptions.....	2671
Table 23-54. EMIF1COMMIT Register Field Descriptions.....	2672
Table 23-55. EMIF1ACCPROT0 Register Field Descriptions.....	2673
Table 23-56. EMIF2_CONFIG_REGS Registers.....	2674
Table 23-57. EMIF2_CONFIG_REGS Access Type Codes.....	2674
Table 23-58. EMIF2LOCK Register Field Descriptions.....	2675
Table 23-59. EMIF2COMMIT Register Field Descriptions.....	2676
Table 23-60. EMIF2ACCPROT0 Register Field Descriptions.....	2677
Table 23-61. EMIF Registers to Driverlib Functions.....	2677
Table 24-1. Global Signals and Mux Selection.....	2685
Table 24-2. Local Signals and Mux Selection.....	2687
Table 24-3. CLB Output Signal Multiplexer Table.....	2690
Table 24-4. Output Table.....	2692
Table 24-5. Input Table.....	2693
Table 24-6. Ports Tied Off to Prevent Combinatorial Loops.....	2693
Table 24-7. Counter Block Operating Modes.....	2696
Table 24-8. HLC Event List.....	2701
Table 24-9. HLC Instruction Address Ranges.....	2702
Table 24-10. HLC Instruction Format.....	2702
Table 24-11. HLC Instruction Description.....	2702
Table 24-12. HLC Register Encoding.....	2703
Table 24-13. Non-Memory Mapped Register Addresses.....	2705
Table 24-14. CLB Base Address Table (C28).....	2709
Table 24-15. CLB_LOGIC_CONFIG_REGS Registers.....	2710
Table 24-16. CLB_LOGIC_CONFIG_REGS Access Type Codes.....	2710
Table 24-17. CLB_COUNT_RESET Register Field Descriptions.....	2712
Table 24-18. CLB_COUNT_MODE_1 Register Field Descriptions.....	2713
Table 24-19. CLB_COUNT_MODE_0 Register Field Descriptions.....	2714
Table 24-20. CLB_COUNT_EVENT Register Field Descriptions.....	2715

Table 24-21. CLB_FSM_EXTRA_IN0 Register Field Descriptions.....	2716
Table 24-22. CLB_FSM_EXTERNAL_IN0 Register Field Descriptions.....	2717
Table 24-23. CLB_FSM_EXTERNAL_IN1 Register Field Descriptions.....	2718
Table 24-24. CLB_FSM_EXTRA_IN1 Register Field Descriptions.....	2719
Table 24-25. CLB_LUT4_IN0 Register Field Descriptions.....	2720
Table 24-26. CLB_LUT4_IN1 Register Field Descriptions.....	2721
Table 24-27. CLB_LUT4_IN2 Register Field Descriptions.....	2722
Table 24-28. CLB_LUT4_IN3 Register Field Descriptions.....	2723
Table 24-29. CLB_FSM_LUT_FN1_0 Register Field Descriptions.....	2724
Table 24-30. CLB_FSM_LUT_FN2 Register Field Descriptions.....	2725
Table 24-31. CLB_LUT4_FN1_0 Register Field Descriptions.....	2726
Table 24-32. CLB_LUT4_FN2 Register Field Descriptions.....	2727
Table 24-33. CLB_FSM_NEXT_STATE_0 Register Field Descriptions.....	2728
Table 24-34. CLB_FSM_NEXT_STATE_1 Register Field Descriptions.....	2729
Table 24-35. CLB_FSM_NEXT_STATE_2 Register Field Descriptions.....	2730
Table 24-36. CLB_MISC_CONTROL Register Field Descriptions.....	2731
Table 24-37. CLB_OUTPUT_LUT_0 Register Field Descriptions.....	2733
Table 24-38. CLB_OUTPUT_LUT_1 Register Field Descriptions.....	2734
Table 24-39. CLB_OUTPUT_LUT_2 Register Field Descriptions.....	2735
Table 24-40. CLB_OUTPUT_LUT_3 Register Field Descriptions.....	2736
Table 24-41. CLB_OUTPUT_LUT_4 Register Field Descriptions.....	2737
Table 24-42. CLB_OUTPUT_LUT_5 Register Field Descriptions.....	2738
Table 24-43. CLB_OUTPUT_LUT_6 Register Field Descriptions.....	2739
Table 24-44. CLB_OUTPUT_LUT_7 Register Field Descriptions.....	2740
Table 24-45. CLB_HLC_EVENT_SEL Register Field Descriptions.....	2741
Table 24-46. CLB_LOGIC_CONTROL_REGS Registers.....	2742
Table 24-47. CLB_LOGIC_CONTROL_REGS Access Type Codes.....	2742
Table 24-48. CLB_LOAD_EN Register Field Descriptions.....	2744
Table 24-49. CLB_LOAD_ADDR Register Field Descriptions.....	2745
Table 24-50. CLB_LOAD_DATA Register Field Descriptions.....	2746
Table 24-51. CLB_INPUT_FILTER Register Field Descriptions.....	2747
Table 24-52. CLB_IN_MUX_SEL_0 Register Field Descriptions.....	2749
Table 24-53. CLB_LCL_MUX_SEL_1 Register Field Descriptions.....	2751
Table 24-54. CLB_LCL_MUX_SEL_2 Register Field Descriptions.....	2752
Table 24-55. CLB_BUF_PTR Register Field Descriptions.....	2753
Table 24-56. CLB_GP_REG Register Field Descriptions.....	2754
Table 24-57. CLB_OUT_EN Register Field Descriptions.....	2755
Table 24-58. CLB_GLBL_MUX_SEL_1 Register Field Descriptions.....	2756
Table 24-59. CLB_GLBL_MUX_SEL_2 Register Field Descriptions.....	2757
Table 24-60. CLB_INTR_TAG_REG Register Field Descriptions.....	2758
Table 24-61. CLB_LOCK Register Field Descriptions.....	2759
Table 24-62. CLB_DBG_R0 Register Field Descriptions.....	2760
Table 24-63. CLB_DBG_R1 Register Field Descriptions.....	2761
Table 24-64. CLB_DBG_R2 Register Field Descriptions.....	2762
Table 24-65. CLB_DBG_R3 Register Field Descriptions.....	2763
Table 24-66. CLB_DBG_C0 Register Field Descriptions.....	2764
Table 24-67. CLB_DBG_C1 Register Field Descriptions.....	2765
Table 24-68. CLB_DBG_C2 Register Field Descriptions.....	2766
Table 24-69. CLB_DBG_OUT Register Field Descriptions.....	2767
Table 24-70. CLB_DATA_EXCHANGE_REGS Registers.....	2769
Table 24-71. CLB_DATA_EXCHANGE_REGS Access Type Codes.....	2769
Table 24-72. CLB_PUSH_y Register Field Descriptions.....	2770
Table 24-73. CLB_PULL_y Register Field Descriptions.....	2771
Table 24-74. CLB Registers to Driverlib Functions.....	2771



## About This Manual

This Technical Reference Manual (TRM) details the integration, the environment, the functional description, and the programming models for each peripheral and subsystem in the device.

The TRM should not be considered a substitute for the data sheet, rather a companion guide that should be used alongside the device-specific data sheet to understand the details to program the device. The primary purpose of the TRM is to abstract the programming details of the device from the data sheet. This allows the data sheet to outline the high-level features of the device without unnecessary information about register descriptions or programming models.

---

### Note

Texas Instruments is transitioning to use more inclusive terminology. Some language may be different than what you expect to see for certain technology areas.

---

## Notational Conventions

This document uses the following conventions.

- Hexadecimal numbers can be shown with the suffix h or the prefix 0x. For example, the following number is 40 hexadecimal (decimal 64): 40h or 0x40.
- Registers in this document are shown in figures and described in tables.
  - Each register figure shows a rectangle divided into fields that represent the fields of the register. Each field is labeled with its bit name, its beginning and ending bit numbers above, and its read/write properties with default reset value below. A legend explains the notation used for the properties.
  - Reserved bits in a register figure can have one of multiple meanings:
    - Not implemented on the device
    - Reserved for future device expansion
    - Reserved for TI testing
    - Reserved configurations of the device that are not supported
  - Writing nondefault values to the Reserved bits could cause unexpected behavior and should be avoided.

## Glossary

[TI Glossary](#) This glossary lists and explains terms, acronyms, and definitions.

## Related Documentation From Texas Instruments

For a complete listing of related documentation and development-support tools for these devices, visit the Texas Instruments website at <http://www.ti.com>. Additionally, the [TMS320C28x DSP CPU and Instruction Set Reference Guide](#) and the [TMS320C28x Floating Point Unit and Instruction Set Reference Guide](#) must be used in conjunction with this TRM.

## Support Resources

[TI E2E™ support forums](#) are an engineer's go-to source for fast, verified answers and design help — straight from the experts. Search existing answers or ask your own question to get the quick design help you need.

Linked content is provided "AS IS" by the respective contributors. They do not constitute TI specifications and do not necessarily reflect TI's views; see TI's [Terms of Use](#).

**Trademarks**

TI E2E™, C2000™, Code Composer Studio™, Texas Instruments™, and controlSUITE™ are trademarks of Texas Instruments.

USB Specification Revision 2.0™ is a trademark of Compaq Computer Corp.

All trademarks are the property of their respective owners.

Chapter 1

# C2000™ Microcontrollers Software Support

---



This chapter discusses the C2000Ware for the C2000™ microcontrollers. The C2000Ware can be downloaded from: [www.ti.com/tool/C2000WARE](http://www.ti.com/tool/C2000WARE)

<b>1.1 Introduction</b> .....	<b>70</b>
<b>1.2 C2000Ware Structure</b> .....	<b>70</b>
<b>1.3 Documentation</b> .....	<b>70</b>
<b>1.4 Devices</b> .....	<b>70</b>
<b>1.5 Libraries</b> .....	<b>70</b>
<b>1.6 Code Composer Studio™ Integrated Development Environment (IDE)</b> .....	<b>70</b>
<b>1.7 SysConfig and PinMUX Tool</b> .....	<b>71</b>

## 1.1 Introduction

C2000Ware for the C2000™ microcontrollers is a cohesive set of development software and documentation designed to minimize software development time. From device-specific drivers and libraries to device peripheral examples, C2000Ware provides a solid foundation to begin development and evaluation of your product.

C2000Ware can be downloaded from: [www.ti.com/tool/C2000WARE](http://www.ti.com/tool/C2000WARE)

## 1.2 C2000Ware Structure

The C2000Ware software package is organized into the following directory structure as shown in [Table 1-1](#).

**Table 1-1. C2000Ware Root Directories**

Directory Name	Description
boards	Contains the hardware design schematics, BOM, Gerber files, and documentation for C2000 controlCARDS.
device_support	Contains all device-specific support files, bit field headers and device development user's guides.
docs	Contains the C2000Ware package user's guides and the HTML index page of all package documentation.
driverlib	Contains the device-specific driver library and driver-based peripheral examples.
libraries	Contains the device-specific and core libraries.

## 1.3 Documentation

Within C2000Ware, there is an extensive amount of development documentation ranging from board design documentation, to library user's guides, to driver API documentation. The "boards" directory contains all the hardware design, BOM, Gerber files, and more for controlCARDS. To assist with locating the necessary documentation, an HTML page is provided that contains a full list of all the documents in the C2000Ware package. Locate this page in the "docs" directory.

## 1.4 Devices

C2000Ware contains the necessary software and documentation to jumpstart development for C2000™ microcontrollers. Each device includes device-specific common source files, peripheral example projects, bit field headers, and if available, a device peripheral driver library. Additionally, documentation is provided for each device on how to set up a CCS project, as well as give an overview of all the included example projects and assist with troubleshooting. For devices with a driver library, documentation is also included that details all the peripheral APIs available.

To learn more about C2000™ microcontrollers, visit: [www.ti.com/c2000](http://www.ti.com/c2000).

## 1.5 Libraries

The libraries included in C2000Ware range from fixed-point and floating-point math libraries, to specialized DSP libraries, as well as calibration libraries. Each library includes documentation and examples, where applicable. Additionally, the Flash API files and boot ROM source code are located in the "libraries" directory.

## 1.6 Code Composer Studio™ Integrated Development Environment (IDE)

Code Composer Studio™ is an integrated development environment (IDE) that supports TI's microcontroller and embedded processors portfolio. The Code Composer Studio™ IDE comprises a suite of tools used to develop and debug embedded applications. The latest version of Code Composer Studio™ IDE can be obtained at: [www.ti.com/ccstudio](http://www.ti.com/ccstudio)

All projects and examples in C2000Ware are built for and tested with the Code Composer Studio™ IDE. Although the Code Composer Studio™ IDE is not included with the C2000Ware installer, Code Composer Studio™ IDE is easily obtainable in a variety of versions.

## 1.7 SysConfig and PinMUX Tool

To help simplify configuration challenges and accelerate software development, Texas Instruments™ created SysConfig, an intuitive and comprehensive collection of graphical utilities for configuring pins, peripherals, subsystems, and other components. SysConfig helps you manage, expose, and resolve conflicts visually so that you have more time to create differentiated applications.

The tool's output includes C header and code files that can be used with C2000Ware examples or used to configure custom software.

The SysConfig tool automatically selects the pinmux settings that satisfy the entered requirements. The SysConfig tool is delivered integrated in the Code Composer Studio™ IDE, in the C2000Ware GPIO example, as a standalone installer, or can be used by way of the cloud tools portal at: [dev.ti.com](https://dev.ti.com)

This page intentionally left blank.





This chapter contains a short description of the C28x processor and extended instruction sets.

Further information can be found in the following documents:

- [TMS320C28x CPU and Instruction Set Reference Guide](#)
- [TMS320C28x Extended Instruction Sets Technical Reference Manual](#)
- [Accelerators: Enhancing the Capabilities of the C2000 MCU Family Technical Brief](#)
- [TMS320C28x FPU Primer Application Report](#)

<b>2.1 Introduction</b> .....	<b>74</b>
<b>2.2 C28X Related Collateral</b> .....	<b>74</b>
<b>2.3 Features</b> .....	<b>74</b>
<b>2.4 Floating-Point Unit</b> .....	<b>74</b>
<b>2.5 Trigonometric Math Unit (TMU)</b> .....	<b>75</b>

## 2.1 Introduction

The C28x CPU is a 32-bit fixed-point processor. This device draws from the best features of digital signal processing, reduced instruction set computing (RISC), microcontroller architectures, firmware, and tool sets.

For more information on CPU architecture and instruction set, see the [TMS320C28x CPU and Instruction Set Reference Guide](#).

## 2.2 C28X Related Collateral

### Foundational Materials

- [C2000 Academy - C28x](#)
- [C2000 C28x Optimization Guide](#)
- [C2000 Software Guide](#)
- [Enhancing the Computational Performance of the C2000™ Microcontroller Family Application Report](#)
- [How fast is your 32-bit MCU?](#)

### Getting Started Materials

- [C2000 Multicore Development User Guide](#)
- [C2000 VCU, Viterbi, Complex Math, and CRC \(Video\)](#)
- [C2000Ware - CLAMath](#)
- [C2000Ware - FPU Fast RTS](#)
- [C2000Ware - FPU Library](#)
- [C2000Ware - Fast Integer Division](#)
- [C2000Ware - Fixed Point Library](#)
- [C2000Ware - IQMath](#)
- [C2000Ware - VCU Library](#)
- [C2000Ware Libraries Overview](#)
- [CRC Engines in C2000 Devices Application Report](#)
- [Migrating Software From 8-Bit \(Byte\) Addressable CPU's to C28x CPU Application Report](#)
- [TMS320C28x Extended Instruction Sets Application Report](#)
- [TMS320C28x FPU Primer Application Report](#)

## 2.3 Features

The CPU features include a modified Harvard architecture and circular addressing. The RISC features are single-cycle instruction execution, register-to-register operations, and modified Harvard architecture. The microcontroller features include ease of use through an intuitive instruction set, byte packing and unpacking, and bit manipulation. The modified Harvard architecture of the CPU enables instruction and data fetches to be performed in parallel. The CPU can read instructions and data while it writes data simultaneously to maintain the single-cycle instruction operation across the pipeline.

## 2.4 Floating-Point Unit

The C28x plus floating-point (C28x+FPU) processor extends the capabilities of the C28x fixed-point CPU by adding registers and instructions to support IEEE single-precision floating point operations.

Devices with the C28x+FPU include the standard C28x register set plus an additional set of floating-point unit registers. The additional floating-point unit registers are the following:

- Eight floating-point result registers, RnH (where n = 0–7)
- Floating-point Status Register (STF)
- Repeat Block Register (RB)

All of the floating-point registers, except the repeat block register, are shadowed. This shadowing can be used in high-priority interrupts for fast context save and restore of the floating-point registers.

For more information, see the [TMS320C28x Extended Instruction Sets Technical Reference Manual](#).

## 2.5 Trigonometric Math Unit (TMU)

The trigonometric math unit (TMU) extends the capabilities of a C28x+FPU by adding instructions and leveraging existing FPU instructions to speed up the execution of common trigonometric and arithmetic operations listed in [Table 2-1](#).

**Table 2-1. TMU Supported Instructions**

Instructions	C Equivalent Operation	Pipeline Cycles
MPY2PIF32 RaH,RbH	$a = b * 2\pi$	2/3
DIV2PIF32 RaH,RbH	$a = b / 2\pi$	2/3
DIVF32 RaH,RbH,RcH	$a = b/c$	5
SQRTF32 RaH,RbH	$a = \text{sqrt}(b)$	5
SINPUF32 RaH,RbH	$a = \sin(b*2\pi)$	4
COSPUF32 RaH,RbH	$a = \cos(b*2\pi)$	4
ATANPUF32 RaH,RbH	$a = \text{atan}(b)/2\pi$	4
QUADF32 RaH,RbH,RcH,RdH	Operation to assist in calculating ATANPU2	5

No changes have been made to existing instructions, pipeline or memory bus architecture. All TMU instructions use the existing FPU register set (R0H to R7H) to carry out their operations.

For more information, see the [TMS320C28x Extended Instruction Sets Technical Reference Manual](#).

This page intentionally left blank.

## Chapter 3 System Control and Interrupt



This chapter explains system control and interrupts found on the MCU. The system control module configures and manages the overall operation of the device and provides information about the device status. Configurable features in system control include reset control, NMI operation, power control, clock control, and low-power modes.

<b>3.1 Introduction</b> .....	<b>78</b>
<b>3.2 System Control Functional Description</b> .....	<b>78</b>
<b>3.3 Resets</b> .....	<b>79</b>
<b>3.4 Peripheral Interrupts</b> .....	<b>81</b>
<b>3.5 Exceptions and Non-Maskable Interrupts</b> .....	<b>92</b>
<b>3.6 Safety Features</b> .....	<b>93</b>
<b>3.7 Clocking</b> .....	<b>97</b>
<b>3.8 32-Bit CPU Timers 0/1/2</b> .....	<b>109</b>
<b>3.9 Watchdog Timers</b> .....	<b>110</b>
<b>3.10 Low-Power Modes</b> .....	<b>113</b>
<b>3.11 Memory Controller Module</b> .....	<b>117</b>
<b>3.12 Flash and OTP Memory</b> .....	<b>124</b>
<b>3.13 Dual Code Security Module (DCSM)</b> .....	<b>137</b>
<b>3.14 JTAG</b> .....	<b>150</b>
<b>3.15 System Control Register Configuration Restrictions</b> .....	<b>150</b>
<b>3.16 Software</b> .....	<b>151</b>
<b>3.17 System Control Registers</b> .....	<b>156</b>

### 3.1 Introduction

This chapter explains the register space of the device system control module that is divided into three categories:

1. System Control Device Configuration Registers (DEV\_CFG\_REGS). The base address of these registers begins at 0x5D000.
2. System Control Clock Configuration Registers (CLK\_CFG\_REGS). The base address of these registers begins at 0x5D200.
3. System control CPU Subsystem Registers (CPU\_SYS\_REGS). The base address of these registers begins at 0x5D300.

### 3.2 System Control Functional Description

The system control module provides the following capabilities:

- Device identification and configuration registers
- Reset control
- Exceptions and Interrupt control
- Safety and error handling features of the device
- Power control
- Clock control
- Low Power modes
- Security module

#### 3.2.1 Device Identification

Device identification registers provide information on device class, device family, revision, part number, pin count, operating temperature range, package type, and device qualification status.

All of the device information is part of the DEV\_CFG\_REGS space and is accessible only by the software running on the CPU1 subsystem.

The control subsystem device identification registers are: PARTIDL, PARTIDH, and REVID.

A 256-bit Unique ID (UID) is available in UID\_REGS. The 256 bits are separated into these registers:

- UID\_PSRAND0-5: 192 bits of pseudo-random data
- UID\_UNIQUE: 32-bit unique data, the value in this register is unique across all devices with the same PARTIDH
- UID\_CHECKSUM: 32-bit Fletcher checksum of UID\_PSRAND0-5 and UID\_UNIQUE
- CPU ID: 16-bit location in OTP memory. The value at this location provides the information about the CPU. Refer to the device data sheet for more detail.

#### 3.2.2 Device Configuration Registers

Several registers provide users with configuration information for debug and identification purposes on this MCU. This information includes the features of the peripheral and how much RAM and FLASH memory is available on this part.

These registers are part of DEV\_CFG\_REGS space .

- DC0 – DC20: Device Configuration or Capabilities registers.  
If a particular bit in these registers is set to '1' then the associated/feature or module is available in the device.
- PERCNF: Peripheral configuration register.  
This register configures ADC capabilities, and enables or disables the USB internal PHY.
- CPUID: CPU identification register

### 3.3 Resets

This section explains the types and effects of the different resets on this device.

#### 3.3.1 Reset Sources

Table 3-1 summarizes the various reset signals and their effect on the device.

**Table 3-1. Reset Signals**

Reset Source	CPU Core Reset (C28x, TMU, FPU)	Peripherals Reset	JTAG / Debug Logic Reset	IOs	XRS Output
POR	Yes	Yes	Yes	Hi-Z	Yes
$\overline{\text{XRS}}$ Pin	Yes	Yes	No	Hi-Z	-
$\overline{\text{WDRS}}$	Yes	Yes	No	Hi-Z	Yes
$\overline{\text{NMIWDRS}}$	Yes	Yes	No	Hi-Z	Yes
$\overline{\text{SYSRS}}$ (Debugger Reset)	Yes	Yes	No	Hi-Z	No
$\overline{\text{SCCRESET}}$	Yes	Yes	No	Hi-Z	No
$\overline{\text{HIBRESET}}$	Yes	Yes	Yes	Isolated	No
$\overline{\text{HWBISTRs}}$	Yes	No	No	-	No
$\overline{\text{TRST}}$	No	No	Yes	-	No

The resets can be divided into a few groups:

- Chip-level resets ( $\overline{\text{XRS}}$ , POR,  $\overline{\text{WDRS}}$ , and  $\overline{\text{NMIWDRS}}$ ), which reset all or almost all of the device.
- System resets ( $\overline{\text{SYSRS}}$  and  $\overline{\text{SCCRESET}}$ ), which reset a large subset of the device but maintain some system-level configuration.
- Special resets ( $\overline{\text{HIBRESET}}$ ,  $\overline{\text{HWBISTRs}}$ , and  $\overline{\text{TRST}}$ ), which enable specific device functions.

After a reset, the reset cause register (RESC) is updated with the reset cause. The bits in this register maintain their state across multiple resets. The bits can only be cleared by a power-on reset (POR) or by writing ones to the register.

Many peripheral modules have individual resets accessible through the system control registers. For information about a module's reset state, refer to the appropriate chapter for that module.

#### Note

After a POR, XRS, WDRS, NMIWDRS, or HIBRESET, the boot ROM clears all of the system and message RAMs.

#### 3.3.2 External Reset ( $\overline{\text{XRS}}$ )

The external reset ( $\overline{\text{XRS}}$ ) is the main chip-level reset for the device and resets the CPU, all peripherals and I/O pin configurations, and most of the system control registers. There is a dedicated open-drain pin for  $\overline{\text{XRS}}$ . This pin can be used to drive reset pins for other ICs in the application, and can be driven by an external source. The  $\overline{\text{XRS}}$  is driven internally during watchdog, NMI, and power-on resets. In hibernate mode, toggling  $\overline{\text{XRS}}$  produces a  $\overline{\text{HIBRESET}}$ .

The XRSn bit in the RESC register is set whenever  $\overline{\text{XRS}}$  is driven low for any reason. This bit is then cleared by the boot ROM.

#### 3.3.3 Power-On Reset (POR)

The power-on reset (POR) circuit creates a clean reset throughout the device during power-up, suppressing glitches on the GPIOs. The  $\overline{\text{XRS}}$  pin is held low for the duration of the POR. In most applications,  $\overline{\text{XRS}}$  is held low long enough to reset other system ICs, but some applications can require a longer pulse. In these cases,  $\overline{\text{XRS}}$  can be driven low externally to provide the correct reset duration. A POR resets everything that  $\overline{\text{XRS}}$  does, along with a few other registers – the reset cause register (RESC), the NMI shadow flag

register (NMISHDFLG), the X1 clock counter register (X1CNT), and the hibernate configuration registers (HIBBOOTMODE, IORESTOREADDR, and LPMC.M0M1MODE).

After a POR, the POR and XRSn bits in RESC are set. These bits are then cleared by the boot ROM.

### 3.3.4 Debugger Reset ( $\overline{\text{SYSRS}}$ )

During development, it is sometimes necessary to reset the CPU and its peripherals without disconnecting the debugger or disrupting the system-level configuration. To facilitate this, the CPU has a subsystem reset, which can be triggered by a debugger using Code Composer Studio™ IDE. This reset ( $\overline{\text{SYSRS}}$ ) resets the CPU, the peripherals, many system control registers (including the clock gating and LPM configuration), and all I/O pin configurations.

The  $\overline{\text{SYSRS}}$  does not reset the ICEPick debug module, the device capability registers, the clock source and PLL configurations, the missing clock detection state, the PIE vector fetch error handler address, the NMI flags, the analog trims, or anything reset only by a POR (see [Section 3.3.3](#)).

### 3.3.5 Watchdog Reset ( $\overline{\text{WDRS}}$ )

The device has a watchdog timer that can optionally trigger a reset that lasts for 512 INTOSC1 cycles. This watchdog reset ( $\overline{\text{WDRS}}$ ) produces an  $\overline{\text{XRS}}$ .

After a watchdog reset, the WDRSn bit in RESC is set.

### 3.3.6 NMI Watchdog Reset ( $\overline{\text{NMIWDRS}}$ )

The device has a non-maskable interrupt (NMI) module that detects hardware errors in the system. The NMI module has a watchdog timer that triggers a reset, if the CPU does not respond to an error within a user-specified amount of time. This NMI watchdog reset ( $\overline{\text{NMIWDRS}}$ ) produces an  $\overline{\text{XRS}}$ .

After an NMI watchdog reset, the NMIWDRSn bit in RESC is set.

### 3.3.7 DCSM Safe Code Copy Reset ( $\overline{\text{SCCRESET}}$ )

The device has a dual-zone code security module (DCSM) that blocks read access to certain areas of the Flash memory. To facilitate CRC checks and copying of CLA code, TI provides ROM functions to securely access those memory areas. To prevent security breaches, interrupts must be disabled before calling these functions. If a vector fetch occurs in a safe copy or CRC function, the DCSM triggers a reset. The security reset ( $\overline{\text{SCCRESET}}$ ) is similar to a  $\overline{\text{SYSRS}}$ . However, the security reset also resets the debug logic to deny access to a potential attacker.

After a security reset, the SCCRESETn bit in RESC is set.

### 3.3.8 Hibernate Reset ( $\overline{\text{HIBRESET}}$ )

Hibernate is a chip-level low-power mode that gates power to large portions of the device. Waking up from hibernate involves a special reset ( $\overline{\text{HIBRESET}}$ ). This reset is similar to a POR except that the I/O pins remain isolated and the  $\overline{\text{XRS}}$  pin is not toggled. (An external  $\overline{\text{XRS}}$  toggle during hibernate triggers a  $\overline{\text{HIBRESET}}$ ). I/O isolation is disabled in software as part of a special boot ROM flow. For more information on hibernate, refer to [Section 3.10](#).

After a hibernate reset, the HIBRESETn bit in RESC is set. This bit is then cleared by the boot ROM.

### 3.3.9 Hardware BIST Reset ( $\overline{\text{HWBISTR}}$ )

The Hardware Built-In Self-Test (HWBIST) module tests the functionality of the CPU. At the end of the test, it resets the CPU to return it to a working state. This reset ( $\overline{\text{HWBISTR}}$ ) only affects the CPU itself. The peripherals and system control remain as previously configured. The CPU state is restored in software as part of a special boot ROM flow. For more information on the HWBIST flow, contact your local TI representative.

After a HWBIST reset, the HWBISTRn bit in RESC is set. This bit is then cleared by the boot ROM.



### 3.3.10 Test Reset ( $\overline{\text{TRST}}$ )

The ICEPick debug module and associated JTAG logic has a reset ( $\overline{\text{TRST}}$ ) that is controlled by a dedicated pin. This reset is normally active unless the user connects a debugger to the device. For more information on the debug module, see the TI Processors Wiki page on ICEPick: <http://processors.wiki.ti.com/index.php/ICEPICK>.

The  $\overline{\text{TRST}}$  does not have a normal RESC bit, but the TRSTn\_pin\_status bit indicates the state of the pin.

## 3.4 Peripheral Interrupts

This section explains the peripheral interrupt handling on the device. Non-maskable interrupts are covered in Section 3.5. Software interrupts and emulation interrupts are not covered in this document. For information on those, see the *TMS320C28x CPU and Instruction Set Reference Guide*.

### 3.4.1 Interrupt Concepts

An interrupt is a signal that causes the CPU to pause its current execution and branch to a different piece of code known as an interrupt service routine (ISR). This is a useful mechanism for handling peripheral events, and involves less CPU overhead or program complexity than register polling. However, because interrupts are asynchronous to the program flow, care must be taken to avoid conflicts over resources that are accessed both in interrupts and in the main program code.

Interrupts propagate to the CPU through a series of flag and enable registers. The flag registers store the interrupt until it is processed. The enable registers block the propagation of the interrupt. When an interrupt signal reaches the CPU, the CPU fetches the appropriate ISR address from a list called the vector table.

### 3.4.2 Interrupt Architecture

The C28x CPU has 14 peripheral interrupt lines. Two of them (INT13 and INT14) are connected directly to CPU timers 1 and 2, respectively. The remaining 12 are connected to peripheral interrupt signals through the enhanced Peripheral Interrupt Expansion module (ePIE, or PIE as a shortened version). The PIE multiplexes up to 16 peripheral interrupts into each CPU interrupt line and also expands the vector table to allow each interrupt to have an ISR. This allows the CPU to support a large number of peripherals.

An interrupt path is divided into three stages – the peripheral, the PIE, and the CPU. Each stage has enable and flag registers. This system allows the CPU to handle one interrupt while others are pending, implement and prioritize nested interrupts in software, and disable interrupts during certain critical tasks.

Figure 3-1 shows the interrupt architecture for this device.

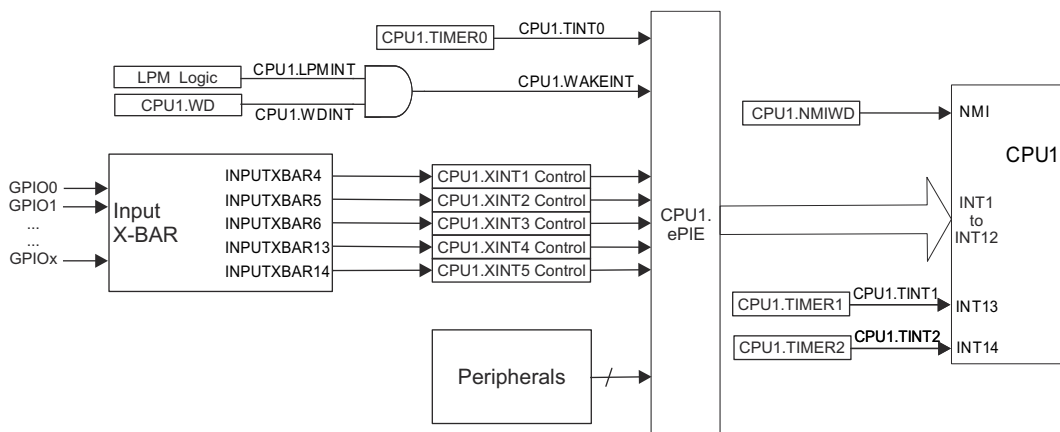


Figure 3-1. Device Interrupt Architecture

### 3.4.2.1 Peripheral Stage

Each peripheral has a unique interrupt configuration, which is described in that peripheral's chapter. Some peripherals allow multiple events to trigger the same interrupt signal. For example, a communications peripheral can use the same interrupt to indicate that data has been received or that there has been a transmission error. The cause of the interrupt can be determined by reading the peripheral's status register. Often, the bits in the status register must be cleared manually before another interrupt is generated.

### 3.4.2.2 PIE Stage

The PIE provides individual flag and enable register bits for each of the peripheral interrupt signals, which are sometimes called PIE channels. These channels are grouped according to their associated CPU interrupt. Each PIE group has one 16-bit enable register (PIEIERx), one 16-bit flag register (PIEIFRx), and one bit in the PIE acknowledge register (PIEACK). The PIEACK register bit acts as a common interrupt mask for the entire PIE group.

When the CPU receives an interrupt, it fetches the address of the ISR from the PIE. The PIE returns the vector for the lowest-numbered channel in the group that is both flagged and enabled. This gives lower-numbered interrupts a higher priority when multiple interrupts are pending.

If no interrupt is both flagged and enabled, the PIE returns the vector for channel 1. This condition does not happen unless software changes the state of the PIE while an interrupt is propagating. [Section 3.4.4](#) contains procedures for safely modifying the PIE configuration once interrupts have been enabled.

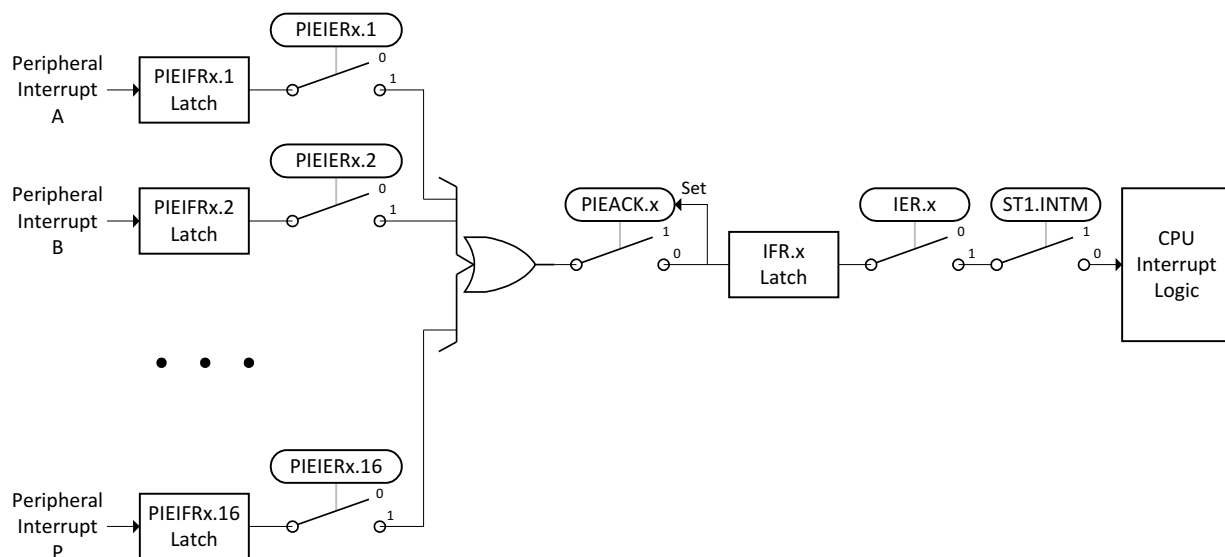
### 3.4.2.3 CPU Stage

Like the PIE, the CPU provides flag and enable register bits for each of its interrupts. There is one enable register (IER) and one flag register (IFR), both of which are internal CPU registers. There is also a global interrupt mask, which is controlled by the INTM bit in the ST1 register. This mask can be set and cleared using the CPU's SETC instruction. In C code, controlSUITE's DINT and EINT macros can be used for this purpose.

Writes to IER and INTM are atomic operations. In particular, if INTM is cleared, the next instruction in the pipeline runs with interrupts disabled. No software delays are needed.

### 3.4.3 Interrupt Entry Sequence

Figure 3-2 shows how peripheral interrupts propagate to the CPU.



**Figure 3-2. Interrupt Propagation Path**

When a peripheral generates an interrupt (on PIE group x, channel y), the following sequence of events is triggered:

1. The interrupt is latched in PIEIFRx.y.
2. If PIEIERx.y is set, the interrupt propagates.
3. If PIEACK.x is clear, the interrupt propagates and PIEACK.x is set.
4. The interrupt is latched in IFR.x.
5. If IER.x is set, the interrupt propagates.
6. If INTM is clear, the CPU receives the interrupt.
7. Any instructions in the D2 or later stage of the pipeline are run to completion. Instructions in earlier stages are flushed.
8. The CPU saves the context on the stack.
9. IFR.x and IER.x are cleared. INTM is set. EALLOW is cleared.
10. The CPU fetches the ISR vector from the PIE. PIEIFRx.y is cleared.
11. The CPU branches to the ISR.

The interrupt latency is the time between PIEIFRx.y latching the interrupt and the first ISR instruction entering the execution stage of the CPU pipeline. The minimum interrupt latency is 14 SYSCLK cycles. Wait states on the ISR or stack memories add to the latency. External interrupts add a minimum of two SYSCLK cycles for GPIO synchronization plus extra time for input qualification (if used). Loops created using the RPT instruction cannot be interrupted.

### 3.4.4 Configuring and Using Interrupts

At power-up, no interrupts are enabled by default. The PIEIER and IER registers are cleared and INTM is set. The application code is responsible for configuring and enabling all peripheral interrupts.

#### 3.4.4.1 Enabling Interrupts

To enable a peripheral interrupt, perform the following steps:

1. Disable interrupts globally (DINT or SETC INTM).
2. Enable the PIE by setting the ENPIE bit of the PIECTRL register.
3. Write the ISR vector for each interrupt to the appropriate location in the PIE vector table, which can be found in [Table 3-2](#).
4. Set the appropriate PIEIERx bit for each interrupt. The PIE group and channel assignments can be found in [Table 3-2](#).
5. Set the CPU IER bit for any PIE group containing enabled interrupts.
6. Enable the interrupt in the peripheral.
7. Enable interrupts globally (EINT or CLRC INTM).

Step 4 does not apply to the Timer1 and Timer2 interrupts, which connect directly to the CPU.

#### 3.4.4.2 Handling Interrupts

ISRs are similar to normal functions, but must do the following:

1. Save and restore the state of certain CPU registers (if used).
2. Clear the PIEACK bit for the interrupt group.
3. Return using the IRET instruction.

Requirements 1 and 3 are handled automatically by the TMS320C28x C compiler if the function is defined using the `__interrupt` keyword. For information on this keyword, see the Keywords section of the [TMS320C28x Optimizing C/C++ Compiler v6.2.4 User's Guide](#). For information on writing assembly code to handle interrupts, see the Standard Operation for Maskable Interrupts section of the [TMS320C28x CPU and Instruction Set Reference Guide](#).

The PIEACK bit for the interrupt group must be cleared manually in user code. This is normally done at the end of the ISR. If the PIEACK bit is not cleared, the CPU does not receive any further interrupts from that group. This does not apply to the Timer1 and Timer2 interrupts, which do not go through the PIE.

### 3.4.4.3 Disabling Interrupts

To disable all interrupts, set the CPU's global interrupt mask using a DINT or SETC INTM. It is not necessary to add NOPs after setting INTM or modifying IER – the next instruction executes with interrupts disabled.

Individual interrupts can be disabled using the PIEIERx registers, but care must be taken to avoid race conditions. If an interrupt signal is already propagating when the PIEIER write completes, it may reach the CPU and trigger a spurious interrupt condition. To avoid this, use the following procedure:

1. Disable interrupts globally (DINT or SETC INTM).
2. Clear the PIEIER bit for the interrupt.
3. Wait 5 cycles to make sure that any propagating interrupt has reached the CPU IFR register.
4. Clear the CPU IFR bit for the interrupt's PIE group.
5. Clear the PIEACK bit for the interrupt's PIE group.
6. Enable interrupts globally (EINT or CLRC INTM).

Interrupt groups can be disabled using the CPU IER register. This cannot cause a race condition, so no special procedure is needed.

PIEIFR bits must never be cleared in software since the read/modify/write operation may cause incoming interrupts to be lost. The only safe way to clear a PIEIFR bit is to have the CPU take the interrupt. The following procedure can be used to bypass the normal ISR:

1. Disable interrupts globally (DINT or SETC INTM).
2. Modify the PIE vector table to map the PIEIFR bit interrupt vector to an empty ISR. This ISR only contains a return from interrupt instruction (IRET).
3. Disable the interrupt in the peripheral registers.
4. Enable interrupts globally (EINT or CLRC INTM).
5. Wait for the pending interrupt to be serviced by the empty ISR.
6. Disable interrupts globally.
7. Modify the PIE vector table to map the interrupt vector back to the original ISR.
8. Clear the PIEACK bit for the interrupt's PIE group.
9. Enable interrupts globally.

### 3.4.4.4 Nesting Interrupts

By default, interrupts do not nest. It is possible to nest and prioritize interrupts via software control of the IER and PIEIERx registers. Documentation and example code can be found in controlSUITE and on the TI Processors wiki:

[http://processors.wiki.ti.com/index.php/Interrupt\\_Nesting\\_on\\_C28x](http://processors.wiki.ti.com/index.php/Interrupt_Nesting_on_C28x)

### 3.4.5 PIE Channel Mapping

Table 3-2 shows the PIE group and channel assignments for each peripheral interrupt. Each row is a group, and each column is a channel within that group. When multiple interrupts are pending, the lowest-numbered channel is the lowest-numbered group is serviced first. Thus, the interrupts at the top of the table have the highest priority, and the interrupts at the bottom have the lowest priority.

**Note**

Cells marked "-" are Reserved

**Table 3-2. PIE Channel Mapping**

	INTx.1	INTx.2	INTx.3	INTx.4	INTx.5	INTx.6	INTx.7	INTx.8	INTx.9	INTx.10	INTx.11	INTx.12	INTx.13	INTx.14	INTx.15	INTx.16
INT1.y	ADCA1	ADCB1	-	XINT1	XINT2	ADCD1	TIMER0	WAKE	-	-	-	-				
INT2.y	EPWM1_TZ	EPWM2_TZ	EPWM3_TZ	EPWM4_TZ	EPWM5_TZ	EPWM6_TZ	EPWM7_TZ	EPWM8_TZ	EPWM9_TZ	EPWM10_TZ	EPWM11_TZ	EPWM12_TZ	-	-	-	-
INT3.y	EPWM1	EPWM2	EPWM3	EPWM4	EPWM5	EPWM6	EPWM7	EPWM8	EPWM9	EPWM10	EPWM11	EPWM12	-	-	-	-
INT4.y	ECAP1	ECAP2	ECAP3	ECAP4	ECAP5	ECAP6	-	-	-	-	-	-	-	-	-	-
INT5.y	EQEP1	EQEP2	EQEP3	-	CLB1	CLB2	CLB3	CLB4	SD1	SD2	-	-	-	-	-	-
INT6.y	SPIA_RX	SPIA_TX	SPIB_RX	SPIB_TX	MCBSPA_RX	MCBSPA_TX	MCBSPB_RX	MCBSPB_TX	SPIC_RX	SPIC_TX	-	-	-	-	-	-
INT7.y	DMA_CH1	DMA_CH2	DMA_CH3	DMA_CH4	DMA_CH5	DMA_CH6	-	-	-	-	-	-	-	-	-	-
INT8.y	I2CA	I2CA_FIFO	I2CB	I2CB_FIFO	SCIC_RX	SCIC_TX	SCID_RX	SCID_TX	-	-	-	-	-	-	UPPA	-
INT9.y	SCIA_RX	SCIA_TX	SCIB_RX	SCIB_TX	CANA_0	CANA_1	CANB_0	CANB_1	-	-	-	-	-	-	USBA	-
INT10.y	ADCA_EVT	ADCA2	ADCA3	ADCA4	ADCB_EVT	ADCB2	ADCB3	ADCB4	-	-	-	-	ADCD_EVT	ADCD2	ADCD3	ADCD4
INT11.y	CLA1_1	CLA1_2	CLA1_3	CLA1_4	CLA1_5	CLA1_6	CLA1_7	CLA1_8	-	-	-	-	-	-	-	-
INT12.y	XINT3	XINT4	XINT5	-	-		FPU_OVER_FLOW	FPU_UNDER_FLOW	EMIF_ERROR	RAM_CORRECTABLE_ERROR	FLASH_CORRECTABLE_ERROR	RAM_ACCESS_VIOLATION	SYS_PLL_SLIP	AUX_PLL_SLIP	CLA_OVER_FLOW	CLA_UNDER_FLOW

### 3.4.5.1 PIE Interrupt Priority

#### 3.4.5.1.1 Channel Priority

For every PIE group, the low number channels in the group have the highest priority. For instance in PIE group 1, channel 1.1 has priority over channel 1.3. If those two enabled interrupts occurred simultaneously, channel 1.1 is serviced first with channel 1.3 left pending. Once the ISR for channel 1.1 completes and provided there are no other enabled and pending interrupts for PIE group 1, channel 1.3 is serviced. However, for the CPU to service any more interrupts from a PIE group, PIEACK for the group must be cleared. For this specific example, in order for channel 1.3 to be serviced, channel 1.1's ISR has to clear PIEACK for group 1.

The following example describes an alternative scenario: channel 1.1 is currently being serviced by the CPU, channel 1.3 is pending and before channel 1.1's ISR completes, channel 1.2 which is enabled also comes in. Since channel 1.2 has a higher priority than channel 1.3, the CPU services channel 1.2 and channel 1.3 is still remains pending. Using the steps from the Interrupt Entry Sequence ([Section 3.4.3](#)), channel 1.2 interrupt can happen as late as step 10 (The CPU fetches the ISR vector from the PIE. PIEIFRx.y is cleared) and channel 1.2 is still serviced ahead of channel 1.3.

#### 3.4.5.1.2 Group Priority

Generally, the lowest channel in the lowest PIE group has the highest priority. An example of this is channels 1.1 and 2.1. Those two channels have the highest priority in their respective groups. If the interrupts for those two enabled channels happened simultaneously and provided there are no other enabled and pending interrupts, channel 1.1 is serviced first by the CPU with channel 2.1 left pending.

However, there are cases where channel priority supersedes group priority. This special case happens depending on which step the CPU is currently at in the Interrupt Entry Sequence ([Section 3.4.3](#)).

The following describes an example of this special case.

The CPU is about to service channel 2.3 and is currently going through the steps in the Interrupt Entry Sequence ([Section 3.4.3](#)).

1. As the CPU reaches step 10 (The CPU fetches the ISR vector from the PIE. PIEIFRx.y is cleared), two enabled interrupts: channel 1.1 and channel 2.1 come in.
2. Due to channel priority, channel 2.1 is serviced ahead of channel 2.3. However, group priority dictates that channel 1.1 be serviced ahead of channels 2.1 and 2.3.
3. Channel priority supersedes here and channel 2.1 is serviced ahead of 1.1 and 2.3.
4. After channel 2.1 completes, channel 1.1 is serviced followed by channel 2.3.

Group priority is only guaranteed if no interrupts are currently being serviced, that is, the Interrupt Entry Sequence ([Section 3.4.3](#)) is not executing.

### 3.4.6 Vector Tables

Table 3-3 shows the CPU interrupt vector table. The vectors for INT1 – INT12 are not used in this device. The reset vector is fetched from the boot ROM instead of from this table.

Table 3-4 shows the PIE vector table.

**Table 3-3. CPU Interrupt Vectors**

Name	Vector ID	Address	Size (x16)	Description	Core priority	ePIE group Priority
Reset	0	0x0000 0D00	2	Reset is always fetched from location 0x003F_FFC0 in Boot ROM	1 (Highest)	-
INT1	1	0x0000 0D02	2	Not used. See PIE Group 1	5	-
INT2	2	0x0000 0D04	2	Not used. See PIE Group 2	6	-
INT3	3	0x0000 0D06	2	Not used. See PIE Group 3	7	-
INT4	4	0x0000 0D08	2	Not used. See PIE Group 4	8	-
INT5	5	0x0000 0D0A	2	Not used. See PIE Group 5	9	-
INT6	6	0x0000 0D0C	2	Not used. See PIE Group 6	10	-
INT7	7	0x0000 0D0E	2	Not used. See PIE Group 7	11	-
INT8	8	0x0000 0D10	2	Not used. See PIE Group 8	12	-
INT9	9	0x0000 0D12	2	Not used. See PIE Group 9	13	-
INT10	10	0x0000 0D14	2	Not used. See PIE Group 10	14	-
INT11	11	0x0000 0D16	2	Not used. See PIE Group 11	15	-
INT12	12	0x0000 0D18	2	Not used. See PIE Group 12	16	-
INT13	13	0x0000 0D1A	2	CPU TIMER1 Interrupt	17	-
INT14	14	0x0000 0D1C	2	CPU TIMER2 Interrupt (for TI/RTOS use)	18	-
DATALOG	15	0x0000 0D1E	2	CPU Data Logging Interrupt	19 (lowest)	-
RTOSINT	16	0x0000 0D20	2	CPU Real-Time OS Interrupt	4	-
RSVD	17	0x0000 0D22	2	Reserved	2	-
NMI	18	0x0000 0D24	2	Non-Maskable Interrupt	3	-
ILLEGAL	19	0x0000 0D26	2	Illegal Instruction (ITRAP)	-	-
USER 1	20	0x0000 0D28	2	User-Defined Trap	-	-
USER 2	21	0x0000 0D2A	2	User-Defined Trap	-	-
USER 3	22	0x0000 0D2C	2	User-Defined Trap	-	-
USER 4	23	0x0000 0D2E	2	User-Defined Trap	-	-
USER 5	24	0x0000 0D30	2	User-Defined Trap	-	-
USER 6	25	0x0000 0D32	2	User-Defined Trap	-	-
USER 7	26	0x0000 0D34	2	User-Defined Trap	-	-
USER 8	27	0x0000 0D36	2	User-Defined Trap	-	-
USER 9	28	0x0000 0D38	2	User-Defined Trap	-	-
USER 10	29	0x0000 0D3A	2	User-Defined Trap	-	-
USER 11	30	0x0000 0D3C	2	User-Defined Trap	-	-
USER 12	31	0x0000 0D3E	2	User-Defined Trap	-	-

**Table 3-4. PIE Interrupt Vectors**

Name	Vector ID	Address	Size (x16)	Description	Core Priority	ePIE Group Priority
<b>PIE Group 1 Vectors - Muxed into CPU INT1</b>						
INT1.1	32	0x0000 0D40	2	ADCA1 interrupt	5	1 (Highest)
INT1.2	33	0x0000 0D42	2	ADCB1 interrupt	5	2
INT1.3	34	0x0000 0D44	2	Reserved	5	3
INT1.4	35	0x0000 0D46	2	XINT1 interrupt	5	4
INT1.5	36	0x0000 0D48	2	XINT2 interrupt	5	5
INT1.6	37	0x0000 0D4A	2	ADCD1 interrupt	5	6
INT1.7	38	0x0000 0D4C	2	TIMER0 interrupt	5	7
INT1.8	39	0x0000 0D4E	2	WAKE interrupt	5	8
INT1.9	128	0x0000 0E00	2	Reserved	5	9
INT1.10	129	0x0000 0E02	2	Reserved	5	10
INT1.11	130	0x0000 0E04	2	Reserved	5	11
INT1.12	131	0x0000 0E06	2	Reserved	5	12
INT1.13	132	0x0000 0E08	2	IPC1 interrupt	5	13
INT1.14	133	0x0000 0E0A	2	IPC2 interrupt	5	14
INT1.15	134	0x0000 0E0C	2	IPC3 interrupt	5	15
INT1.16	135	0x0000 0E0E	2	IPC4 interrupt	5	16 (Lowest)
<b>PIE Group 2 Vectors - Muxed into CPU INT2</b>						
INT2.1	40	0x0000 0D50	2	EPWM1_TZ interrupt	6	1 (Highest)
INT2.2	41	0x0000 0D52	2	EPWM2_TZ interrupt	6	2
INT2.3	42	0x0000 0D54	2	EPWM3_TZ interrupt	6	3
INT2.4	43	0x0000 0D56	2	EPWM4_TZ interrupt	6	4
INT2.5	44	0x0000 0D58	2	EPWM5_TZ interrupt	6	5
INT2.6	45	0x0000 0D5A	2	EPWM6_TZ interrupt	6	6
INT2.7	46	0x0000 0D5C	2	EPWM7_TZ interrupt	6	7
INT2.8	47	0x0000 0D5E	2	EPWM8_TZ interrupt	6	8
INT2.9	136	0x0000 0E10	2	EPWM9_TZ interrupt	6	9
INT2.10	137	0x0000 0E12	2	EPWM10_TZ interrupt	6	10
INT2.11	138	0x0000 0E14	2	EPWM11_TZ interrupt	6	11
INT2.12	139	0x0000 0E16	2	EPWM12_TZ interrupt	6	12
INT2.13	140	0x0000 0E18	2	Reserved	6	13
INT2.14	141	0x0000 0E1A	2	Reserved	6	14
INT2.15	142	0x0000 0E1C	2	Reserved	6	15
INT2.16	143	0x0000 0E1E	2	Reserved	6	16 (Lowest)
<b>PIE Group 3 Vectors - Muxed into CPU INT3</b>						
INT3.1	48	0x0000 0D60	2	EPWM1 interrupt	7	1 (Highest)
INT3.2	49	0x0000 0D62	2	EPWM2 interrupt	7	2
INT3.3	50	0x0000 0D64	2	EPWM3 interrupt	7	3
INT3.4	51	0x0000 0D66	2	EPWM4 interrupt	7	4
INT3.5	52	0x0000 0D68	2	EPWM5 interrupt	7	5
INT3.6	53	0x0000 0D6A	2	EPWM6 interrupt	7	6
INT3.7	54	0x0000 0D6C	2	EPWM7 interrupt	7	7
INT3.8	55	0x0000 0D6E	2	EPWM8 interrupt	7	8
INT3.9	144	0x0000 0E20	2	EPWM9 interrupt	7	9



**Table 3-4. PIE Interrupt Vectors (continued)**

Name	Vector ID	Address	Size (x16)	Description	Core Priority	ePIE Group Priority
INT3.10	145	0x0000 0E22	2	EPWM10 interrupt	7	10
INT3.11	146	0x0000 0E24	2	EPWM11 interrupt	7	11
INT3.12	147	0x0000 0E26	2	EPWM12 interrupt	7	12
INT3.13	148	0x0000 0E28	2	Reserved	7	13
INT3.14	149	0x0000 0E2A	2	Reserved	7	14
INT3.15	150	0x0000 0E2C	2	Reserved	7	15
INT3.16	151	0x0000 0E2E	2	Reserved	7	16 (Lowest)
<b>PIE Group 4 Vectors - Muxed into CPU INT4</b>						
INT4.1	56	0x0000 0D70	2	ECAP1 interrupt	8	1 (Highest)
INT4.2	57	0x0000 0D72	2	ECAP2 interrupt	8	2
INT4.3	58	0x0000 0D74	2	ECAP3 interrupt	8	3
INT4.4	59	0x0000 0D76	2	ECAP4 interrupt	8	4
INT4.5	60	0x0000 0D78	2	ECAP5 interrupt	8	5
INT4.6	61	0x0000 0D7A	2	ECAP6 interrupt	8	6
INT4.7	62	0x0000 0D7C	2	Reserved	8	7
INT4.8	63	0x0000 0D7E	2	Reserved	8	8
INT4.9	152	0x0000 0E30	2	Reserved	8	9
INT4.10	153	0x0000 0E32	2	Reserved	8	10
INT4.11	154	0x0000 0E34	2	Reserved	8	11
INT4.12	155	0x0000 0E36	2	Reserved	8	12
INT4.13	156	0x0000 0E38	2	Reserved	8	13
INT4.14	157	0x0000 0E3A	2	Reserved	8	14
INT4.15	158	0x0000 0E3C	2	Reserved	8	15
INT4.16	159	0x0000 0E3E	2	Reserved	8	16 (Lowest)
<b>PIE Group 5 Vectors - Muxed into CPU INT5</b>						
INT5.1	64	0x0000 0D80	2	EQEP1 interrupt	9	1 (Highest)
INT5.2	65	0x0000 0D82	2	EQEP2 interrupt	9	2
INT5.3	66	0x0000 0D84	2	EQEP3 interrupt	9	3
INT5.4	67	0x0000 0D86	2	Reserved	9	4
INT5.5	68	0x0000 0D88	2	CLB1 Interrupt	9	5
INT5.6	69	0x0000 0D8A	2	CLB2 Interrupt	9	6
INT5.7	70	0x0000 0D8C	2	CLB3 Interrupt	9	7
INT5.8	71	0x0000 0D8E	2	CLB4 Interrupt	9	8
INT5.9	160	0x0000 0E40	2	SD1 interrupt	9	9
INT5.10	161	0x0000 0E42	2	SD2 interrupt	9	10
INT5.11	162	0x0000 0E44	2	Reserved	9	11
INT5.12	163	0x0000 0E46	2	Reserved	9	12
INT5.13	164	0x0000 0E48	2	Reserved	9	13
INT5.14	165	0x0000 0E4A	2	Reserved	9	14
INT5.15	166	0x0000 0E4C	2	Reserved	9	15
INT5.16	167	0x0000 0E4E	2	Reserved	9	16 (Lowest)
<b>PIE Group 6 Vectors - Muxed into CPU INT6</b>						
INT6.1	72	0x0000 0D90	2	SPIA_RX interrupt	10	1 (Highest)
INT6.2	73	0x0000 0D92	2	SPIA_TX interrupt	10	2

**Table 3-4. PIE Interrupt Vectors (continued)**

Name	Vector ID	Address	Size (x16)	Description	Core Priority	ePIE Group Priority
INT6.3	74	0x0000 0D94	2	SPIB_RX interrupt	10	3
INT6.4	75	0x0000 0D96	2	SPIB_TX interrupt	10	4
INT6.5	76	0x0000 0D98	2	MCBSPA_RX interrupt	10	5
INT6.6	77	0x0000 0D9A	2	MCBSPA_TX interrupt	10	6
INT6.7	78	0x0000 0D9C	2	MCBSPB_RX interrupt	10	7
INT6.8	79	0x0000 0D9E	2	MCBSPB_TX interrupt	10	8
INT6.9	168	0x0000 0E50	2	SPIC_RX interrupt	10	9
INT6.10	169	0x0000 0E52	2	SPIC_TX interrupt	10	10
INT6.11	170	0x0000 0E54	2	Reserved	10	11
INT6.12	171	0x0000 0E56	2	Reserved	10	12
INT6.13	172	0x0000 0E58	2	Reserved	10	13
INT6.14	173	0x0000 0E5A	2	Reserved	10	14
INT6.15	174	0x0000 0E5C	2	Reserved	10	15
INT6.16	175	0x0000 0E5E	2	Reserved	10	16 (Lowest)
<b>PIE Group 7 Vectors - Muxed into CPU INT7</b>						
INT7.1	80	0x0000 0DA0	2	DMA_CH1 interrupt	11	1 (Highest)
INT7.2	81	0x0000 0DA2	2	DMA_CH2 interrupt	11	2
INT7.3	82	0x0000 0DA4	2	DMA_CH3 interrupt	11	3
INT7.4	83	0x0000 0DA6	2	DMA_CH4 interrupt	11	4
INT7.5	84	0x0000 0DA8	2	DMA_CH5 interrupt	11	5
INT7.6	85	0x0000 0DAA	2	DMA_CH6 interrupt	11	6
INT7.7	86	0x0000 0DAC	2	Reserved	11	7
INT7.8	87	0x0000 0DAE	2	Reserved	11	8
INT7.9	176	0x0000 0E60	2	Reserved	11	9
INT7.10	177	0x0000 0E62	2	Reserved	11	10
INT7.11	178	0x0000 0E64	2	Reserved	11	11
INT7.12	179	0x0000 0E66	2	Reserved	11	12
INT7.13	180	0x0000 0E68	2	Reserved	11	13
INT7.14	181	0x0000 0E6A	2	Reserved	11	14
INT7.15	182	0x0000 0E6C	2	Reserved	11	15
INT7.16	183	0x0000 0E6E	2	Reserved	11	16 (Lowest)
<b>PIE Group 8 Vectors - Muxed into CPU INT8</b>						
INT8.1	88	0x0000 0DB0	2	I2CA interrupt	12	1 (Highest)
INT8.2	89	0x0000 0DB2	2	I2CA_FIFO interrupt	12	2
INT8.3	90	0x0000 0DB4	2	I2CB interrupt	12	3
INT8.4	91	0x0000 0DB6	2	I2CB_FIFO interrupt	12	4
INT8.5	92	0x0000 0DB8	2	SCIC_RX interrupt	12	5
INT8.6	93	0x0000 0DBA	2	SCIC_TX interrupt	12	6
INT8.7	94	0x0000 0DBC	2	SCID_RX interrupt	12	7
INT8.8	95	0x0000 0DBE	2	SCID_TX interrupt	12	8
INT8.9	184	0x0000 0E70	2	Reserved	12	9
INT8.10	185	0x0000 0E72	2	Reserved	12	10
INT8.11	186	0x0000 0E74	2	Reserved	12	11
INT8.12	187	0x0000 0E76	2	Reserved	12	12

**Table 3-4. PIE Interrupt Vectors (continued)**

Name	Vector ID	Address	Size (x16)	Description	Core Priority	ePIE Group Priority
INT8.13	188	0x0000 0E78	2	Reserved	12	13
INT8.14	189	0x0000 0E7A	2	Reserved	12	14
INT8.15	190	0x0000 0E7C	2	UPPA interrupt (CPU1 only)	12	15
INT8.16	191	0x0000 0E7E	2	Reserved	12	16 (Lowest)
<b>PIE Group 9 Vectors - Muxed into CPU INT9</b>						
INT9.1	96	0x0000 0DC0	2	SCIA_RX interrupt	13	1 (Highest)
INT9.2	97	0x0000 0DC2	2	SCIA_TX interrupt	13	2
INT9.3	98	0x0000 0DC4	2	SCIB_RX interrupt	13	3
INT9.4	99	0x0000 0DC6	2	SCIB_TX interrupt	13	4
INT9.5	100	0x0000 0DC8	2	CANA interrupt 0	13	5
INT9.6	101	0x0000 0DCA	2	CANA interrupt 1	13	6
INT9.7	102	0x0000 0DCC	2	CANB interrupt 0	13	7
INT9.8	103	0x0000 0DCE	2	CANB interrupt 1	13	8
INT9.9	192	0x0000 0E80	2	Reserved	13	9
INT9.10	193	0x0000 0E82	2	Reserved	13	10
INT9.11	194	0x0000 0E84	2	Reserved	13	11
INT9.12	195	0x0000 0E86	2	Reserved	13	12
INT9.13	196	0x0000 0E88	2	Reserved	13	13
INT9.14	197	0x0000 0E8A	2	Reserved	13	14
INT9.15	198	0x0000 0E8C	2	USB A interrupt (CPU1 only)	13	15
INT9.16	199	0x0000 0E8E	2	Reserved	13	16 (Lowest)
<b>PIE Group 10 Vectors - Muxed into CPU INT10</b>						
INT10.1	104	0x0000 0DD0	2	ADCA_EVT interrupt	14	1 (Highest)
INT10.2	105	0x0000 0DD2	2	ADCA2 interrupt	14	2
INT10.3	106	0x0000 0DD4	2	ADCA3 interrupt	14	3
INT10.4	107	0x0000 0DD6	2	ADCA4 interrupt	14	4
INT10.5	108	0x0000 0DD8	2	ADCB_EVT interrupt	14	5
INT10.6	109	0x0000 0DDA	2	ADCB2 interrupt	14	6
INT10.7	110	0x0000 0DDC	2	ADCB3 interrupt	14	7
INT10.8	111	0x0000 0DDE	2	ADCB4 interrupt	14	8
INT10.9	200	0x0000 0E90	2	Reserved	14	9
INT10.10	201	0x0000 0E92	2	Reserved	14	10
INT10.11	202	0x0000 0E94	2	Reserved	14	11
INT10.12	203	0x0000 0E96	2	Reserved	14	12
INT10.13	204	0x0000 0E98	2	ADCD_EVT interrupt	14	13
INT10.14	205	0x0000 0E9A	2	ADCD2 interrupt	14	14
INT10.15	206	0x0000 0E9C	2	ADCD3 interrupt	14	15
INT10.16	207	0x0000 0E9E	2	ADCD4 interrupt	14	16 (Lowest)
<b>PIE Group 11 Vectors - Muxed into CPU INT11</b>						
INT11.1	112	0x0000 0DE0	2	CLA1_1 interrupt	15	1 (Highest)
INT11.2	113	0x0000 0DE2	2	CLA1_2 interrupt	15	2
INT11.3	114	0x0000 0DE4	2	CLA1_3 interrupt	15	3
INT11.4	115	0x0000 0DE6	2	CLA1_4 interrupt	15	4
INT11.5	116	0x0000 0DE8	2	CLA1_5 interrupt	15	5

**Table 3-4. PIE Interrupt Vectors (continued)**

Name	Vector ID	Address	Size (x16)	Description	Core Priority	ePIE Group Priority
INT11.6	117	0x0000 0DEA	2	CLA1_6 interrupt	15	6
INT11.7	118	0x0000 0DEC	2	CLA1_7 interrupt	15	7
INT11.8	119	0x0000 0DEE	2	CLA1_8 interrupt	15	8
INT11.9	208	0x0000 0EA0	2	Reserved	15	9
INT11.10	209	0x0000 0EA2	2	Reserved	15	10
INT11.11	210	0x0000 0EA4	2	Reserved	15	11
INT11.12	211	0x0000 0EA6	2	Reserved	15	12
INT11.13	212	0x0000 0EA8	2	Reserved	15	13
INT11.14	213	0x0000 0EAA	2	Reserved	15	14
INT11.15	214	0x0000 0EAC	2	Reserved	15	15
INT11.16	215	0x0000 0EAE	2	Reserved	15	16 (Lowest)
<b>PIE Group 12 Vectors - Muxed into CPU INT12</b>						
INT12.1	120	0x0000 0DF0	2	XINT3 interrupt	16	1 (Highest)
INT12.2	121	0x0000 0DF2	2	XINT4 interrupt	16	2
INT12.3	122	0x0000 0DF4	2	XINT5 interrupt	16	3
INT12.4	123	0x0000 0DF6	2	Reserved	16	4
INT12.5	124	0x0000 0DF8	2	Reserved	16	5
INT12.6	125	0x0000 0DFA	2		16	6
INT12.7	126	0x0000 0DFC	2	FPU_OVERFLOW interrupt	16	7
INT12.8	127	0x0000 0DFE	2	FPU_UNDERFLOW interrupt	16	8
INT12.9	216	0x0000 0EB0	2	EMIF_ERROR interrupt	16	9
INT12.10	217	0x0000 0EB2	2	RAM_CORRECTABLE_ERROR interrupt	16	10
INT12.11	218	0x0000 0EB4	2	FLASH_CORRECTABLE_ERROR interrupt	16	11
INT12.12	219	0x0000 0EB6	2	RAM_ACCESS_VIOLATION interrupt	16	12
INT12.13	220	0x0000 0EB8	2	SYS_PLL_SLIP interrupt	16	13
INT12.14	221	0x0000 0EBA	2	AUX_PLL_SLIP interrupt	16	14
INT12.15	222	0x0000 0EBC	2	CLA_OVERFLOW interrupt	16	15
INT12.16	223	0x0000 0EBE	2	CLA_UNDERFLOW interrupt	16	16 (Lowest)

### 3.5 Exceptions and Non-Maskable Interrupts

This section describes system-level error conditions that can trigger a non-maskable interrupt (NMI). The interrupt allows the application to respond to the error.

#### 3.5.1 Configuring and Using NMIs

An incoming NMI sets a status bit in the NMIFLG register and starts the NMI watchdog counter. This counter is clocked by the SYSCLK, and if it reaches the value in the NMIWDRPD register, it triggers an NMI watchdog reset (NMIWDRS). To prevent this, the NMI handler must clear the flag bit using the NMIFLGCLR register. Once all flag bits are clear, the NMIINT bit in the NMIFLG register may also be cleared to allow future NMIs to be taken.

The NMI module is enabled by the boot ROM during the startup process. To respond to NMIs, an NMI handler vector must be written to the PIE vector table.

### 3.5.2 Emulation Considerations

The NMI watchdog counter behaves as follows under debug conditions:

CPU Suspended	When the CPU is suspended, the NMI watchdog counter is suspended.
Run-Free Mode	When the CPU is placed in run-free mode, the NMI watchdog counter resumes operation as normal.
Real-Time Single-Step Mode	When the CPU is in real-time single-step mode, the NMI watchdog counter is suspended. The counter remains suspended even within real-time interrupts.
Real-Time Run-Free Mode	When the CPU is in real-time run-free mode, the NMI watchdog counter operates as normal.

### 3.5.3 NMI Sources

There are several types of hardware errors that can trigger an NMI. Additional information about the error is usually available from the module that detects it.

#### 3.5.3.1 Missing Clock Detection

The missing clock detection logic monitors OSCCLK for failure. If the OSCCLK source stops, the PLL is bypassed, OSCCLK is connected to INTOSC1, and an NMI is fired to the CPU. For more information on missing clock detection, see [Section 3.6.2](#).

#### 3.5.3.2 RAM Uncorrectable ECC Error

A single-bit parity error, double-bit ECC data error, or single-bit ECC address error in a RAM read triggers an NMI. This applies to CPU, CLA, and DMA reads. Single-bit ECC data errors do not trigger an NMI, but can optionally trigger a normal peripheral interrupt. For more information on RAM error detection, see [Section 3.11.1.7](#).

#### 3.5.3.3 Flash Uncorrectable ECC Error

A double-bit ECC data error or single-bit ECC address error in a Flash read triggers an NMI. Single-bit ECC data errors do not trigger an NMI, but can optionally trigger a normal peripheral interrupt. For more information on Flash error detection, see [Section 3.12.10](#).

### 3.5.4 Illegal Instruction Trap (ITRAP)

If the CPU tries to execute an illegal instruction, the CPU generates a special interrupt called an illegal instruction trap (ITRAP). This interrupt is non-maskable and has a vector in the PIE vector table. For more information about ITRAPs, see the Illegal-Instruction Trap in the [TMS320C28x DSP CPU and Instruction Set Reference Guide](#).

---

#### Note

A RAM fetch access violation triggers an ITRAP in addition to the normal peripheral interrupt for RAM access violations. The CPU handles the ITRAP first.

---

## 3.6 Safety Features

This section gives details on features that monitor device operation during run-time to detect any error in operation.

### 3.6.1 Write Protection on Registers

#### 3.6.1.1 LOCK Protection on System Configuration Registers

Several system configuration registers are protected from spurious CPU writes by “LOCK” registers. Once these associated LOCK register bits are set the respective locked registers can no longer be modified by software. See specific register descriptions for details.

#### 3.6.1.2 EALLOW Protection

Several control registers are protected from spurious CPU writes by the EALLOW protection mechanism. The EALLOW bit in status register 1 (ST1) indicates the state of protection as shown in [Table 3-5](#).

**Table 3-5. Access to EALLOW-Protected Registers**

EALLOW Bit	CPU Writes	CPU Reads	JTAG Writes	JTAG Reads
0	Ignored	Allowed	Allowed <sup>(1)</sup>	Allowed
1	Allowed	Allowed	Allowed	Allowed

(1) The EALLOW bit is overridden via the JTAG port, allowing full access of protected registers during debug from the Code Composer Studio™ IDE interface.

At reset, the EALLOW bit is cleared, enabling EALLOW protection. While protected, all writes to protected registers by the CPU are ignored and only CPU reads, JTAG reads, and JTAG writes are allowed. If this bit is set, by executing the EALLOW instruction, the CPU is allowed to write freely to protected registers. After modifying registers, the registers can once again be protected by executing the EDIS instruction to clear the EALLOW bit.

### 3.6.2 Missing Clock Detection Logic

The missing clock detect (MCD) logic detects OSCCLK failure, using INTOSC1 as the reference clock source. This circuit only detects complete loss of OSCCLK and doesn't do any detection of frequency drift on the OSCCLK.

This circuit monitors the OSCLK (primary clock) using the 10 MHz clock provided by the INTOSC1 (secondary clock) as a backup clock. This circuit functions as following.

1. The primary clock (OSCCLK) clock keeps ticking a 7-bit counter (named as MCDPCNT). This counter is asynchronously reset with  $\overline{XRS}$ .
2. The secondary clock (INTOSC1) clock keeps ticking a 13-bit counter (named as MCDSCNT). This counter is asynchronously reset with  $\overline{XRS}$ .
3. Each time MCDPCNT overflows, the MCDSCNT counter is reset. Thus, if OSCCLK is present or is not slower than INTOSC1 by a factor of 64, MCDSCNT never overflows.
4. If OSCCLK stops for some reason or is slower than INTOSC1 by at least a factor of 64, the MCDSCNT overflows and a missing clock condition is detected on OSCCLK.
5. The above check is continuously active, unless the MCD is disabled using MCDPCR register (by making the MCLKOFF bit 1)
6. If the circuit ever detects a missing OSCCLK, the following occurs:
  - The MCLKSTS flag is set.
  - The MCDSCNT counter is frozen to prevent further missing clock detection.
  - The CLOCKFAIL signal goes high, which generates TRIP events to PWM modules and fires NMIs to CPU1.NMIWD .
  - PLL is forcefully bypassed and OSCCLK is switched to INTOSC1 (after the PLLSYSCLK divider). PLLMULT is zeroed out automatically in this case.
  - While the MCLKSTS bit is set, the OSCCLKSRCSEL bits have no effect and OSCCLK is forcefully connected to INTOSC1.
  - PLLRAWCLK going to the system is switched to INTOSC1 automatically.
7. If the MCLKCLR bit is written (W = 1 bit), MCLKSTS bit are cleared and OSCCLK source is decided by the OSCCLKSRCSEL bits. Writing to MCLKCLR also clears the MCDPCNT and MCDSCNT counters to allow the circuit re-evaluate missing clock detection. To lock the PLL after a missing clock detection, switch the clock source to INTOSC1 (using OSCCLKSRCSEL register), do a MCLKCLR, and re-lock the PLL.

8. The MCD is enabled at power up. There is no support for a missing clock detection, if INTOSC2 is failed from the device power-up.

Figure 3-3 shows the missing clock logic functional flow.

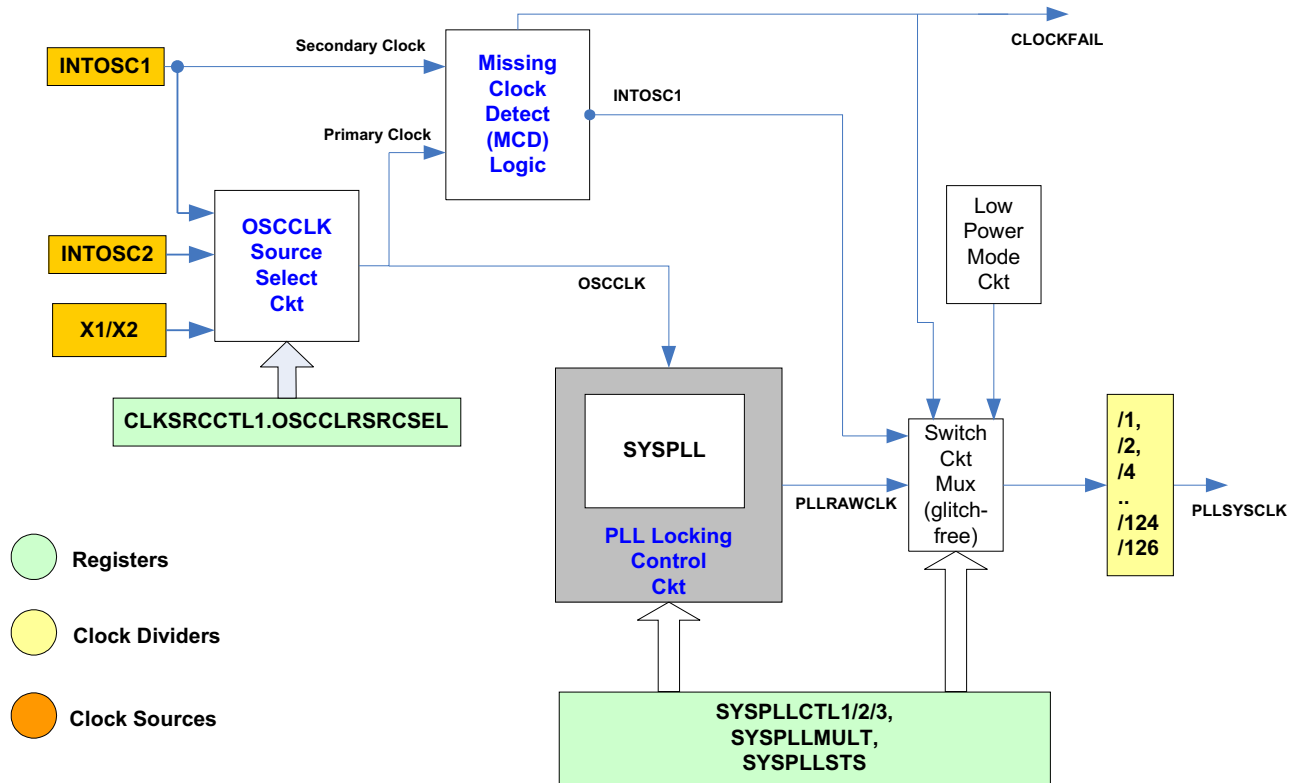


Figure 3-3. Missing Clock Detection Logic

**Note**

On a complete clock failure when OSCCLK is dead, it can take a maximum time of 8192 INTOSC1 cycles (that is, 0.8192 ms) before the CLOCKFAIL signal goes high, after which:

- NMI is generated
- OSCCLK is switched to INTOSC1
- PWM trip happens

**3.6.3 PLLSLIP Detection**

The PLL SLIP detection on this device can detect if the PLL reference clock goes too high or too slow while PLL is locked. An interrupt to both the CPUs is triggered as shown in the ePIE table in Section 3.4. Apart from the interrupt to both the CPUs, the PLLSTS.SLIP bit is set for user software to check the error.

The SLIP detection is available on both SYSPLL and AUXPLL.

### 3.6.4 CPU Vector Address Validity Check

The ePIE vector table is duplicated into two parts:

- Main ePIE Vector Table mapped from 0xD00 to 0xEFF in the C28x memory space
- Redundant ePIE Vector Table mapped from 0x1000D00 to 0x1000EFF in the C28x memory space

Following is the behavior of accesses to the ePIE memories:

- Data Writes to Main Vector Table: Writes to both memories
- Data Writes to Redundant Vector Table: Writes only to the Redundant Vector Table
- Vector Fetch: Data from both the vector tables are compared
- Data Read: Can read the Main and Redundant vector table separately

On every vector fetch from the ePIE, a hardware comparison (no cycle penalty is incurred to do the comparison) of both the vector table outputs is performed and if there is a mismatch between the two vector table outputs, the following occurs:

1. If the PIEVERRADDR register (default value 0x3F FFFF) is not initialized, the default error handler at address 0x3FFFBE gets executed. But, when the PIEVERRADDR register is initialized to the address of the user-defined routine, the user-defined routine is executed instead of the default error handler.
2. Hardware also generates EPWM Trip signals that trips the PWM outputs using TRIPIN15.

If there is no mismatch, the correct vector is jammed onto the C28x program control.

### 3.6.5 NMIWDs

CPU1 has a user-programmable NMIWD period register in which users can set a limit on how much time they want to allocate for the device to acknowledge the NMI. If the NMI is not acknowledged, the NMI causes a device reset.

### 3.6.6 ECC and Parity Enabled RAMs, Shared RAMs Protection

The CPU subsystem has different RAM blocks. Few RAM blocks are ECC-enabled and others are parity-enabled. All single-bit errors in ECC RAM are auto-corrected and an error counter is incremented every time a single bit error is detected. If the error counter reaches a predefined user configured limit, an interrupt is generated to the corresponding CPU. A typical threshold setting to avoid triggering on transient errors which are corrected, but identify persistent faults is 10. Refer to [Section 3.11](#) for more details on RAM errors.

All uncorrectable double-bit errors end up triggering an NMI to corresponding CPUs.

### 3.6.7 ECC Enabled Flash Memory

When ECC is programmed and enabled, Flash single-bit errors are corrected automatically by ECC logic before giving data to CPU1, but the errors are not corrected in Flash memory. Flash memory still contains wrong data until another erase/program operation happens to correct the Flash contents. Irrespective of whether the error interrupt is enabled or disabled, single-bit errors are always corrected before giving data to CPU1. When the interrupt is disabled, users can check the single-bit error counter register for any single-bit error occurrences. The error counter stops incrementing once the value is equal to the threshold+1. It is always suggested to set the threshold register to a non-zero value so that the error counter can increment. It is up to the user to decide the threshold value at which to reprogram the Flash with the correct data. A typical threshold setting to avoid triggering on transient errors that are corrected, but identify persistent faults is 10. When ECC is programmed and enabled, Flash uncorrectable errors end up triggering an NMI to CPU1. Please refer to [Section 3.11](#) for more details on Flash error correction and error catching mechanisms.



### 3.6.8 ERRORSTS Pin

The ERRORSTS pin is an ‘always output’ pin and remains low until an error is detected inside the chip. On an error, the ERRORSTS pin goes high until the corresponding internal error status flag for that error source is cleared. [Figure 3-4](#) shows the functionality of the ERRORSTS pin.

The ERRORSTS pin is tri-stated until the chip power rails ramp up to the lower operational limit. As the ERRORSTS pin is an active-high pin, users who care about the state of this pin during power-up must connect an external pull-down on this pin.

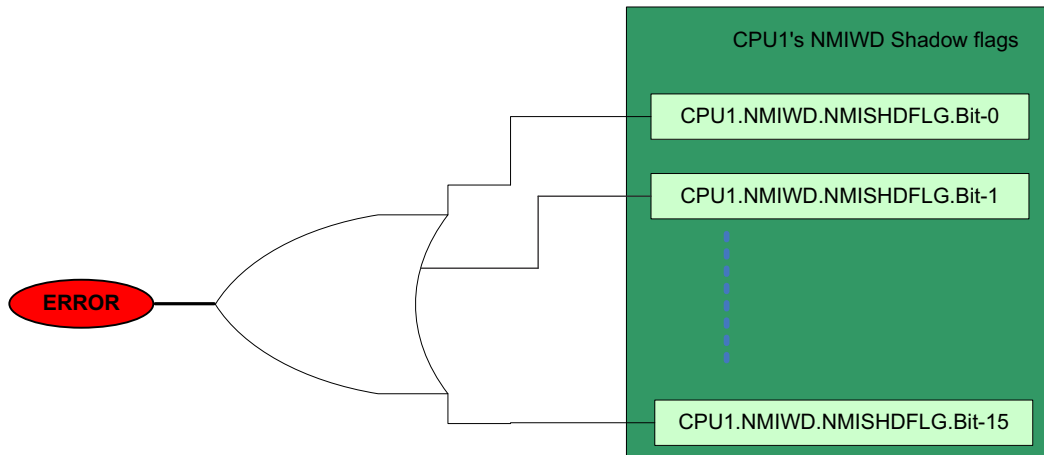


Figure 3-4. ERRORSTS Pin Diagram

### 3.7 Clocking

This section explains the clock sources and clock domains on this device, and how to configure them for application use. [Figure 3-5](#) provides an overview of the device clocking system.

---

**Note**

The default/2 divider for ePWMs and EMIFs is not shown in [Figure 3-5](#).

---

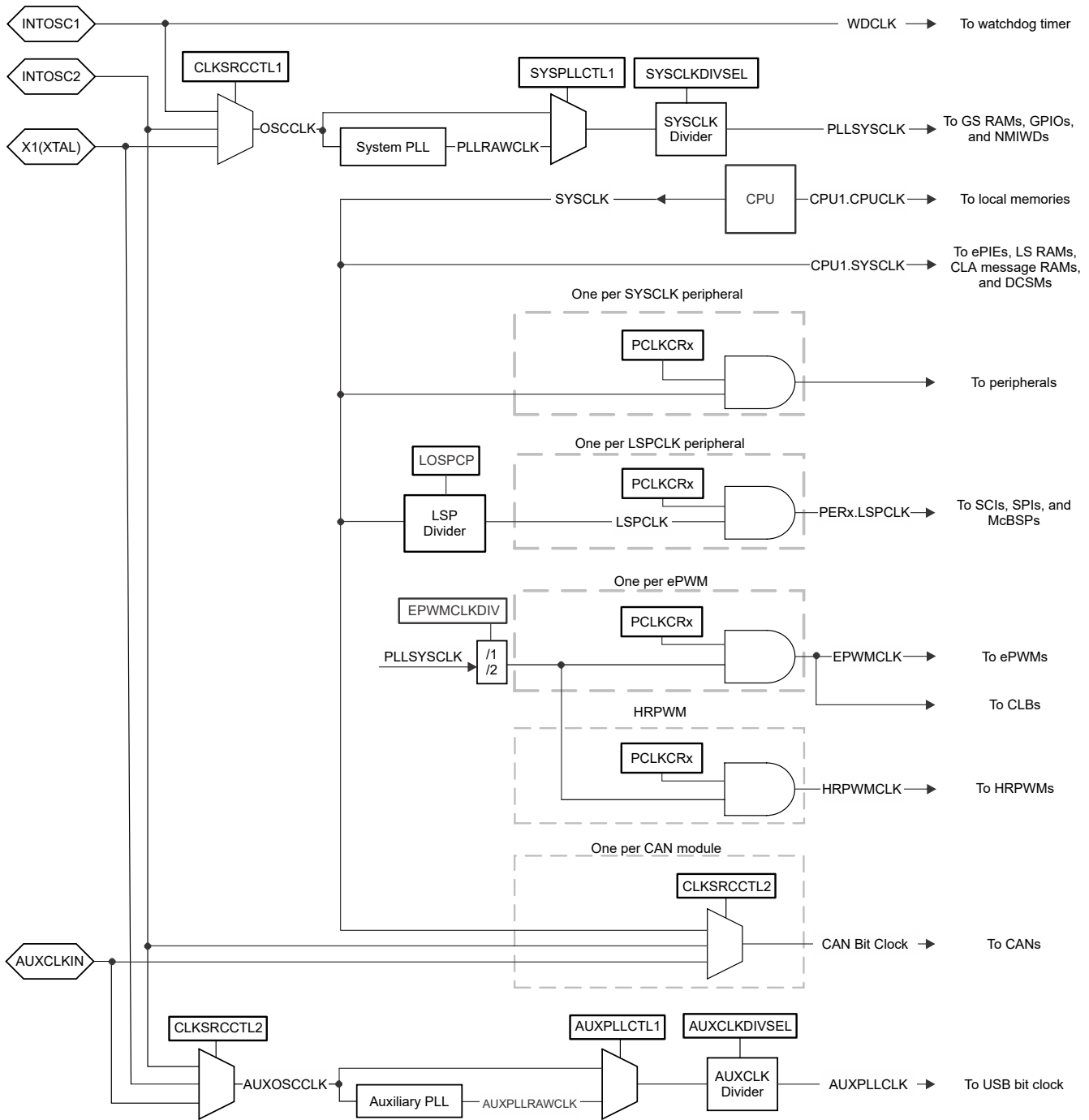


Figure 3-5. Clocking System

### 3.7.1 Clock Sources

All of the clocks in the device are derived from one of four clock sources.

#### 3.7.1.1 Primary Internal Oscillator (INTOSC2)

At power-up, the device is clocked from an on-chip 10 MHz oscillator (INTOSC2). INTOSC2 is the primary internal clock source, and is the default system clock at reset. It is used to run the boot ROM and can be used as the system clock source for the application. Note that INTOSC2's frequency tolerance is too loose to meet the timing requirements for CAN and USB, so an external clock must be used to support those features.

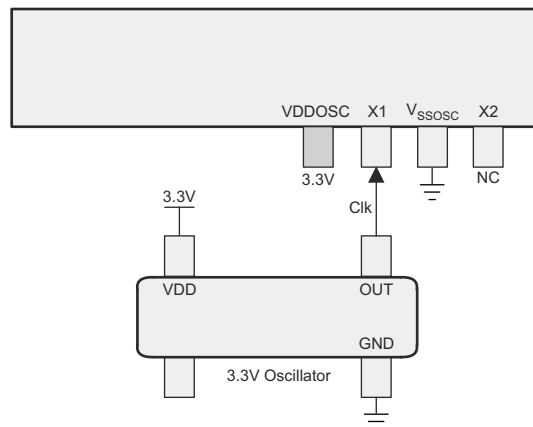
#### 3.7.1.2 Backup Internal Oscillator (INTOSC1)

The device also includes a redundant on-chip 10 MHz oscillator (INTOSC1). INTOSC1 is a backup clock source that normally only clocks the watchdog timers and missing clock detection circuit (MCD). If MCD is enabled and a missing system clock is detected, the system PLL is bypassed and all system clocks are connected to INTOSC1 automatically. INTOSC1 may also be manually selected as the system and auxiliary clock source for debug purposes.

#### 3.7.1.3 External Oscillator (XTAL)

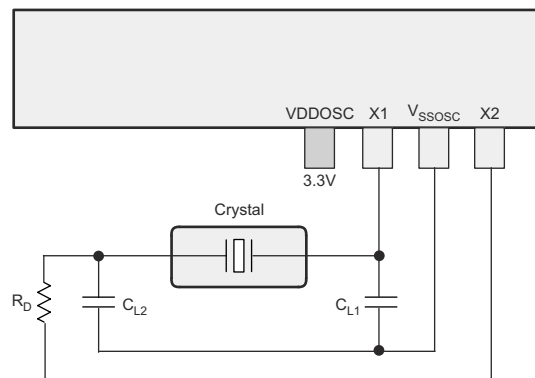
The dedicated X1 and X2 pins support an external clock source (XTAL), which can be used as the main system and auxiliary clock source. Frequency limits and timing requirements can be found in the device data sheet. Three types of external clock sources are supported:

- A single-ended 3.3V external clock. The clock signal must be connected to X1 while X2 is left unconnected, as shown in [Figure 3-6](#).



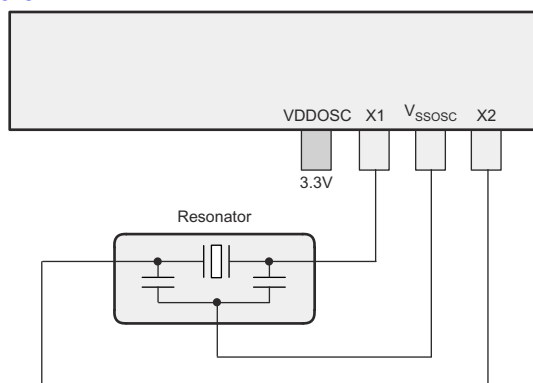
**Figure 3-6. Single-ended 3.3V External Clock**

- An external crystal. The crystal must be connected across X1 and X2 with the load capacitors connected to VSSOSC as shown in [Figure 3-7](#).



**Figure 3-7. External Crystal**

- An external resonator. The resonator must be connected across X1 and X2 with the ground connected to VSSOSC as shown in [Figure 3-8](#).



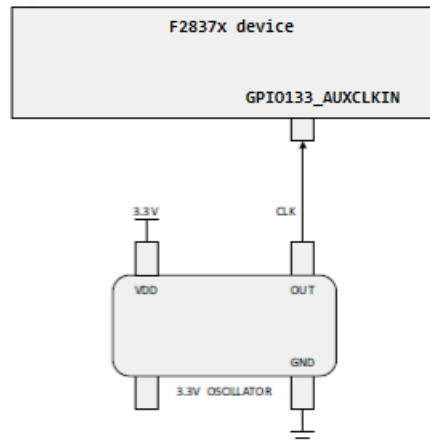
**Figure 3-8. External Resonator**

#### Note

All 3 external clocking modes require the XTALOFF bit in CLKSRCCTL1 register to be set to 0. This enables the path and circuitry required for the clock to propagate to the device.

#### 3.7.1.4 Auxiliary Clock Input (AUXCLKIN)

An additional external clock source is supported on GPIO133 (AUXCLKIN). This must be a single-ended 3.3V external clock and can be used as the source for the USB and CAN bit clocks. Frequency limits and timing requirements can be found in the device data sheet. The external clock must be connected directly to the GPIO133 pin, as shown in [Figure 3-9](#).



**Figure 3-9. AUXCLKIN**

### 3.7.2 Derived Clocks

The clock sources discussed in the previous section can be multiplied (via PLL) and divided down to produce the desired clock frequencies for the application. This process produces a set of derived clocks, which are described in this section.

#### 3.7.2.1 Oscillator Clock (OSCCLK)

One of INTOSC2, XTAL, or INTOSC1 must be chosen to be the master reference clock (OSCCLK) for the CPU and most of the peripherals. OSCCLK may be used directly or fed through the system PLL to reach a higher frequency. At reset, OSCCLK is the default system clock, and is connected to INTOSC2.

### 3.7.2.2 System PLL Output Clock (PLLRAWCLK)

The system PLL allows the device to run at its maximum rated operating frequency, and in most applications generates the main system clock. This PLL uses OSCCLK as a reference, and features a fractional multiplier and slip detection. For configuration instructions, see [Section 3.7.6](#).

### 3.7.2.3 Auxiliary Oscillator Clock (AUXOSCCLK)

One of INTOSC2, XTAL, or AUXCLKIN may be chosen to be the auxiliary reference clock (AUXOSCCLK) for the USB module. (This selection does not affect the CAN bit clock, which uses AUXCLKIN directly). AUXOSCCLK may be used directly or fed through the auxiliary PLL to reach a higher frequency. At reset, AUXOSCCLK is connected to INTOSC2, but only an external oscillator can meet the USB timing requirements.

### 3.7.2.4 Auxiliary PLL Output Clock (AUXPLLRAWCLK)

The auxiliary PLL is used to generate a 60 MHz clock for the USB module. This PLL uses AUXOSCCLK as a reference, and features a fractional multiplier and slip detection. For configuration instructions, see [Section 3.7.6](#).

## 3.7.3 Device Clock Domains

The device clock domains feed the clock inputs of the various modules in the device. They are connected to the derived clocks, either directly or through an additional divider.

### 3.7.3.1 System Clock (PLLSYSCLK)

The system control registers, GS RAMs, GPIO qualification, and NMI watchdog timer have their own clock domain (PLLSYSCLK). Despite the name, PLLSYSCLK may be connected to the system PLL (PLLRAWCLK) or to OSCCLK. The chosen clock source is run through a frequency divider, which is configured via the SYSCLKDIVSEL register. PLLSYSCLK is gated in HALT mode.

### 3.7.3.2 CPU Clock (CPUCLK)

The CPU has a clock (CPUCLK) that is used to clock the CPU, the coprocessors, the private RAMs (M0, M1, D0, and D1), and the boot ROM and Flash wrapper. This clock is identical to PLLSYSCLK, but is gated when the CPU enters IDLE, STANDBY, or HALT mode.

### 3.7.3.3 CPU Subsystem Clock (SYSCLK and PERx.SYSCLK)

The CPU provides a clock (SYSCLK) to the CLA, DMA, and most peripherals. This clock is identical to PLLSYSCLK, but is gated when the CPU enters STANDBY or HALT mode.

Each peripheral clock has its own independent clock gating that is controlled by the PCLKCRx registers. By default, the ePWM, EMIF1, and EMIF2 clocks each have an additional /2 divider, which is required to support CPU frequencies over 100 MHz. At slower CPU frequencies, these dividers can be disabled using the PERCLKDIVSEL register.

### 3.7.3.4 Low-Speed Peripheral Clock (LSPCLK and PERx.LSPCLK)

The SCI, SPI, and McBSP modules can communicate at bit rates that are much slower than the CPU frequency. These modules are connected to a shared clock divider, which generates a low-speed peripheral clock (LSPCLK) derived from SYSCLK. LSPCLK uses a /4 divider by default, but the ratio can be changed via the LOSPCP register. Each SCI, SPI, and McBSP module's clock (PERx.LSPCLK) can be gated independently via the PCLKCRx registers.

### 3.7.3.5 USB Auxiliary Clock (AUXPLLCLK)

The USB module requires a fixed 60-MHz clock for bit sampling. Since the main system clock is usually not a multiple of 60 MHz, the correct frequency cannot be achieved with a simple divider. Instead, the USB clock is provided through an auxiliary clock path (AUXPLLCLK), which can use an independent clock source and PLL to generate the correct frequency.

USB clock tolerances are very tight. As stated in section 7.1.11 of the USB 2.0 specification, low-speed devices (1.50 Mb/s) have a tolerance of  $\pm 1.5\%$ , while high-speed devices (12.000 Mb/s) have a tolerance of  $\pm 0.25\%$ . Typically these tolerances are achieved by using an external crystal or resonator as the source for AUXOSCCLK.

### 3.7.3.6 CAN Bit Clock

The required frequency tolerance for the CAN bit clock depends on the bit timing setup and network configuration, and can be as tight as 0.1%. Since the main system clock (in the form of PERx.SYSCLK) may not be precise enough, the bit clock can also be connected to XTAL or AUXCLKIN via the CLKSRCCTL2 register. There is an independent selection for each CAN module.

### 3.7.3.7 CPU Timer2 Clock (TIMER2CLK)

CPU timers 0 and 1 are connected to PERx.SYSCLK. Timer 2 is connected to PERx.SYSCLK by default, but may also be connected to INTOSC1, INTOSC2, XTAL, or AUXPLLCLK via the TMR2CLKCTL register. This register also provides a separate prescale divider for timer 2. If a source other than SYSCLK is used, the SYSCLK frequency must be at least twice the source frequency to ensure correct sampling.

The main reason to use a non-SYSCLK source would be for internal frequency measurement. In most applications, timer 2 runs off of the SYSCLK.

### 3.7.4 XCLKOUT

It is sometimes necessary to observe a clock directly for debug and testing purposes. The external clock output (XCLKOUT) feature supports this by connecting a clock to an external pin, GPIO73. The available clock sources are PLLSYSCLK, PLLRAWCLK, SYSCLK, AUXPLLRAWCLK, INTOSC1, and INTOSC2.

To use XCLKOUT, first select the clock source via the CLKSRCCTL3 register. Next, select the desired output divider via the XCLKOUTDIVSEL register. Finally, connect GPIO73 to mux channel 3 using the GPIO configuration registers.

### 3.7.5 Clock Connectivity

The following tables provide details on the clock connections of every module present in the device.

**Table 3-6. Clock Connections Sorted by Clock Domain**

Clock Domain	Module Name
CPUCLK	CPU FPU TMU Flash M0 - M1 RAMs D0 - D1 RAMs BootROM
SYSCLK	ePIE LS0 - LS5 RAMs CLA1 Message RAMs DCSM
PLLSYSCLK	NMIWD GS0 - GS15 RAMs GPIO Input Sync and Qual EMIF1
PERx.SYSCLK	CLA1 DMA Timer0 - 2 EMIF2 ADCA - D CLB1 - 4 CMPSS1 - 8 DACA - C ePWM1 - 12 eCAP1 - 6 eQEP1 - 3 I2CA - B McBSPA - B SDFM1 - 8 uPP A
PERx.LSPCLK	McBSPA - B SCIA - D SPIA - C
CAN Bit Clock	CANA - B
AUXPLLCLK	USB
WDCLK (INTOSC1)	Watchdog Timer

**Table 3-7. Clock Connections Sorted by Module Name**

Module Name	Clock Domain
ADCA - D	PERx.SYSCLK
Boot ROM	CPUCLK
CANA - B	CAN Bit Clock
CLA	PERx.SYSCLK
CLA Message RAMs	SYSCLK
CLB1 - 4	PERx.SYSCLK
CMPSS1 - 8	PERx.SYSCLK
CPU	CPUCLK
CPU Timers	PERx.SYSCLK
D0 - D1 RAMs	CPUCLK
DACA - C	PERx.SYSCLK
DCSM	SYSCLK
DMA	PERx.SYSCLK
eCAP1 - 6	PERx.SYSCLK
EMIF1	PLLSYSCLK
EMIF2	PERx.SYSCLK
ePIE	SYSCLK
ePWM	PERx.SYSCLK
eQEP1 - 3	PERx.SYSCLK
Flash	CPUCLK
FPU	CPUCLK
GS0 - GS15 RAMs	PLLSYSCLK
I2CA - B	PERx.SYSCLK
LS0 - LS5 RAMs	SYSCLK
M0 - M1 RAMs	CPUCLK
McBSPA - B	PERx.LSPCLK
NMIWD	PLLSYSCLK
SCIA - D	PERx.LSPCLK
SDFM1 - 8	PERx.SYSCLK
SPIA - C	PERx.LSPCLK
TMU	CPUCLK
uPP	PERx.SYSCLK
USB	AUXPLLCLK
Watchdog Timer	WDCLK (INTOSC1)

### 3.7.6 Clock Source and PLL Setup

The needs of the application are what ultimately determine the clock configuration. Specific concerns such as application performance, power consumption, total system cost, and EMC are beyond the scope of this document. The concerns must provide answers to the following questions:

1. What is the desired CPU frequency?
2. Is CAN required?
3. Is USB required?
4. What types of external oscillators or clock sources are available?

If CAN or USB is required, an external clock source with a precise frequency must be used as a reference clock. Otherwise, it can be possible to use only INTOSC2 and avoid the need for more external components.



### 3.7.6.1 Choosing PLL Settings

There are two settings to configure for each PLL – a multiplier and a divider. They obey the formulas:

$$f_{\text{PLLSYSCLK}} = f_{\text{OSCCLK}} * (\text{SYSPLLMULT.IMULT} + \text{SYSPLLMULT.FMULT}) / \text{SYSCLKDIVSEL.PLLSYSCLKDIV}$$

$$f_{\text{AUXPLLCLK}} = f_{\text{AUXOSCCLK}} * (\text{AUXPLLMULT.IMULT} + \text{AUXPLLMULT.FMULT}) / \text{AUXCLKDIVSEL.AUXPLLDIV}$$

where  $f_{\text{OSCCLK}}$  is the system oscillator clock frequency,  $f_{\text{AUXOSCCLK}}$  is the auxiliary oscillator clock frequency, IMULT and FMULT are the integral and fractional parts of the multipliers, PLLSYSCLKDIV is the system clock divider, and AUXPLLDIV is the auxiliary clock divider. For the permissible values of the multipliers and dividers, see the documentation for their respective registers.

Many combinations of multiplier and divider can produce the same output frequency. However, the product of the reference clock frequency and the multiplier (known as the VCO frequency) must be in the range specified in the data sheet.

---

#### Note

The system clock frequency (PLLSYSCLK) may not exceed the limit specified in the datasheet. This limit does not allow for oscillator tolerance.

---

### 3.7.6.2 System Clock Setup

Once the application requirements are understood, a specific clock configuration can be determined. The default configuration is for INTOSC2 to be used as the system clock (PLLSYSCLK) with a divider of 1. The following procedure must be used to set up the desired application configuration:

1. Select the reference clock source (OSCCLK) by writing to CLKSRCCTL1.OSCCLKSRCSEL.
2. Set up the system PLL: (see the InitSysPll() function in your devices controlSUITE installation for an example):
  - a. Bypass the PLL by clearing SYSPLLCTL1[PLLCLKEN].
  - b. Set the system clock divider to /1 to make sure of the fastest PLL configuration by clearing SYSCLKDIVSEL[PLLSYSCLKDIV].
  - c. Set the integral and fractional multipliers by simultaneously writing them both to SYSPLLMULT. This automatically enables the PLL. Be sure that the product of OSCCLK and the multiplier is in the range specified in the data sheet.
  - d. Lock the PLL five times (see your device errata for details). This number can be increased depending on application requirements. A higher number of lock attempts helps to make sure of a successful PLL start.
  - e. Set the system clock divider one setting higher than the final desired value. For example `ClkCfgRegs.SYSCLKDIVSEL.bit.PLLSYSCLKDIV = divsel + 1`. This limits the current increase when switching to the PLL.
  - f. Set up the watchdog to reset the device. Note that the SCRS[WDOVERRIDE] bit must not be cleared prior to locking the PLL.
  - g. Set the SYSDBGCTL[BIT\_0] bit. This bit is only reset by a POR reset. If the watchdog has to reset the device due to an issue with switching to the PLL, this bit can be checked in the reset handler to determine the reset was caused by a PLL error.
  - h. Switch to the PLL as the system clock by setting SYSPLLCTL1[PLLCLKEN].
  - i. Clear the SYSDBGCTL[BIT\_0] bit.
  - j. Change the divider to the appropriate value.
  - k. Reconfigure the watchdog as needed for the application.

### 3.7.6.3 USB Auxiliary Clock Setup

See the InitAuxPll() function in your device's controlSUITE installation for an example.

If USB functionality is needed, the auxiliary clock (AUXPLLCLK) must be configured to produce 60 MHz. The procedure is similar to the system clock setup:

1. Select the reference clock source (AUXOSCCLK) by writing to CLKSRCCTL2.AUXOSCCLKSRCSEL.
2. Wait two AUXOSCCLK cycles.
3. Set up the auxiliary PLL. If the PLL is not needed, bypass the PLL and power the PLL down by writing a 0 to AUXPLLCTL1.PLEN. To use the PLL:
  - a. Set the desired auxiliary clock divider by writing to AUXCLKDIVSEL.AUXPLLDIV.
  - b. ) Configure CPU Timer 2 to be clocked from AUXPLL. Keep the counter frozen.
  - c. ) Power down the AUXPLL by clearing AUXPLLCTL1[PLEN].
  - d. Set the integral and fractional multipliers simultaneously. This automatically enables the PLL. Be sure that the product of AUXOSCCLK and the multiplier is in the range specified in the data sheet.
  - e. Wait for the PLL to lock by polling the AUXPLLSTS.LOCKS bit. This takes 16  $\mu$ s plus 1024 AUXOSCCLK cycles.
  - f. Connect the auxiliary PLL output clock (AUXPLLRAWCLK) to AUXPLLCLK by writing a 1 to AUXPLLCTL1.PLLCLKEN.
  - g. Start CPU Timer 2. In a large for() loop, continue polling the TCR[TIF] overflow flag. If the flag is set, the AUXPLL started correctly. If not set, repeat steps (c) through (g). The auxiliary clock configuration can be changed at run time. Changing the AUXOSCCLK source automatically bypasses the PLL and sets the multiplier to zero. Changing the multiplier from one non-zero value to another temporarily bypasses the PLL until the PLL re-locks.

The auxiliary clock configuration can be changed at run time. Changing the AUXOSCCLK source automatically bypasses the PLL and sets the multiplier to zero. Changing the multiplier from one non-zero value to another temporarily bypasses the PLL until the PLL re-locks.

---

#### Note

If the AUXOSCCLK source is changed on the same AUXOSCCLK cycle as the multiplier, the PLL is disabled but the AUXPLLMULT register shows the written value. This can happen when the system PLL is enabled before configuring the auxiliary PLL (CPUCLK >> AUXOSCCLK). To avoid this issue, wait 2 AUXOSCCLK cycles between changing the clock source and writing to AUXPLLMULT.

---

### 3.7.6.4 Clock Configuration Examples

**Example 1:** Using a crystal (15 MHz) as a reference, generates a CPU frequency of 100 MHz and a USB clock of 60 MHz:

```

CLKSRCCTL1.OSCCLKSRCSEL = 0x1
SYSPLLMULT.IMULT = 26 (0x1A)
SYSPLLMULT.FMULT = .50 (0x2)
SYSCLKDIVSEL.PLLSYSCLKDIV = 4 (0x2)
SYSPLLCTL1.PLLCLKEN = 1

PERCLKDIVSEL.EPWMCLKDIV = 1 (0x0)
PERCLKDIVSEL.EMIF1CLKDIV = 1 (0x0)
PERCLKDIVSEL.EMIF2CLKDIV = 1 (0x0)

CLKSRCCTL2.AUXOSCCLKSRCSEL = 0x1
AUXPLLMULT.IMULT = 8 (0x08)
AUXPLLMULT.FMULT = .00 (0x0)
AUXCLKDIVSEL.AUXPLLDIV = 2 (0x1)
AUXPLLCTL1.PLLCLKEN = 1

```

This gives a PLLRAWCLK of 397.5 MHz and an AUXPLLRWCLK of 120 MHz, both of which are in the acceptable range. The CPU frequency is 99.375 MHz. Crystals have tight frequency tolerances, which can keep the system clock from exceeding 100 MHz. The USB frequency is exactly 60 MHz. Since the CPU frequency is less than 100 MHz, the ePWM and EMIF clock dividers can be set to /1.

### 3.7.7 Clock (OSCCLK) Failure Detection

To achieve safety diagnostic, Missing Clock Detection (MCD) can be used. [Table 3-8](#) lists the details.

**Table 3-8. Clock Source (OSCCLK) Failure Detection**

Clock Failure Detection Circuitry	Clocks Detected	Time for Detection (in Cycles)	Limitations
Missing Clock Detection (MCD)	INTOSC2, XTAL/X1	8192 INTOSC1 cycles	Cannot detect INTOSC1 clock failure.

#### 3.7.7.1 Missing Clock Detection Logic

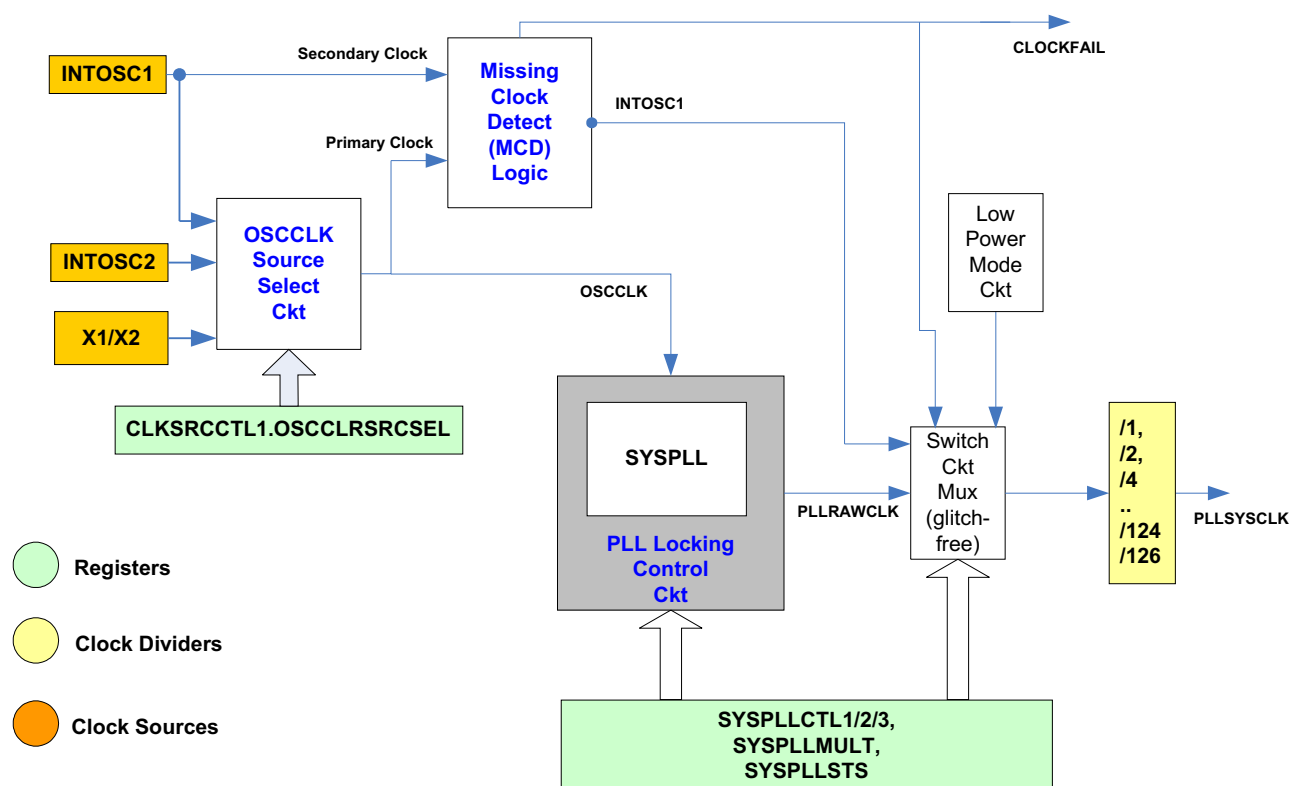
The missing clock detect (MCD) logic detects OSCCLK failure, using INTOSC1 as the reference clock source. This circuit only detects complete loss of OSCCLK and doesn't do any detection of frequency drift on the OSCCLK.

This circuit monitors the OSCLK (primary clock) using the 10 MHz clock provided by the INTOSC1 (secondary clock) as a backup clock. This circuit functions as following.

1. The primary clock (OSCCLK) clock keeps ticking a 7-bit counter (named as MCDPCNT). This counter is asynchronously reset with XRS.
2. The secondary clock (INTOSC1) clock keeps ticking a 13-bit counter (named as MCDSCNT). This counter is asynchronously reset with XRS.
3. Each time MCDPCNT overflows, the MCDSCNT counter is reset. Thus, if OSCCLK is present or is not slower than INTOSC1 by a factor of 64, MCDSCNT never overflows.
4. If OSCCLK stops for some reason or is slower than INTOSC1 by at least a factor of 64, the MCDSCNT overflows and a missing clock condition is detected on OSCCLK.
5. The above check is continuously active, unless the MCD is disabled using MCDCCR register (by making the MCLKOFF bit 1)

6. If the circuit ever detects a missing OSCCLK, the following occurs:
  - The MCLKSTS flag is set.
  - The MCDSCNT counter is frozen to prevent further missing clock detection.
  - The CLOCKFAIL signal goes high, which generates TRIP events to PWM modules and fires NMIs to CPU1.NMIWD .
  - PLL is forcefully bypassed and OSCCLK is switched to INTOSC1 (after the PLLSYSCLK divider). PLLMULT is zeroed out automatically in this case.
  - While the MCLKSTS bit is set, the OSCCLKSRCSEL bits have no effect and OSCCLK is forcefully connected to INTOSC1.
  - PLLRAWCLK going to the system is switched to INTOSC1 automatically.
7. If the MCLKCLR bit is written (W = 1 bit), MCLKSTS bit are cleared and OSCCLK source is decided by the OSCCLKSRCSEL bits. Writing to MCLKCLR also clears the MCDPCNT and MCDSCNT counters to allow the circuit re-evaluate missing clock detection. To lock the PLL after a missing clock detection, switch the clock source to INTOSC1 (using OSCCLKSRCSEL register), do a MCLKCLR, and re-lock the PLL.
8. The MCD is enabled at power up. There is no support for a missing clock detection, if INTOSC2 is failed from the device power-up.

Figure 3-10 shows the missing clock logic functional flow.



**Figure 3-10. Missing Clock Detection Logic**

#### Note

On a complete clock failure when OSCCLK is dead, it can take a maximum time of 8192 INTOSC1 cycles (that is, 0.8192 ms) before the CLOCKFAIL signal goes high, after which:

- NMI is generated
- OSCCLK is switched to INTOSC1
- PWM trip happens

### 3.8 32-Bit CPU Timers 0/1/2

This section describes the three 32-bit CPU-Timers (TIMER0/1/2) shown in Figure 3-11.

CPU-Timer0 and CPU-Timer1 can be used in user applications. CPU-Timer2 is reserved for real-time operating system uses (for example, TI-RTOS). If the application is not using an operating system that utilizes this timer, then CPU-Timer2 can be used in the application. CPU-Timer0 and CPU-Timer1 run off of SYSCLK. CPU-Timer2 normally runs off of SYSCLK, but can also use INTOSC1, INTOSC2, XTAL, and AUXPLLCLK. The CPU-Timer interrupt signals (TINT0, TINT1, TINT2) are connected as shown in Figure 3-12.

**Note**

If a source other than SYSCLK is used for CPU-Timer2, the SYSCLK frequency must be at least twice the source frequency to make sure of correct sampling.

The CPU-Timer2 pre-scaler is implemented as a post-scale of the results

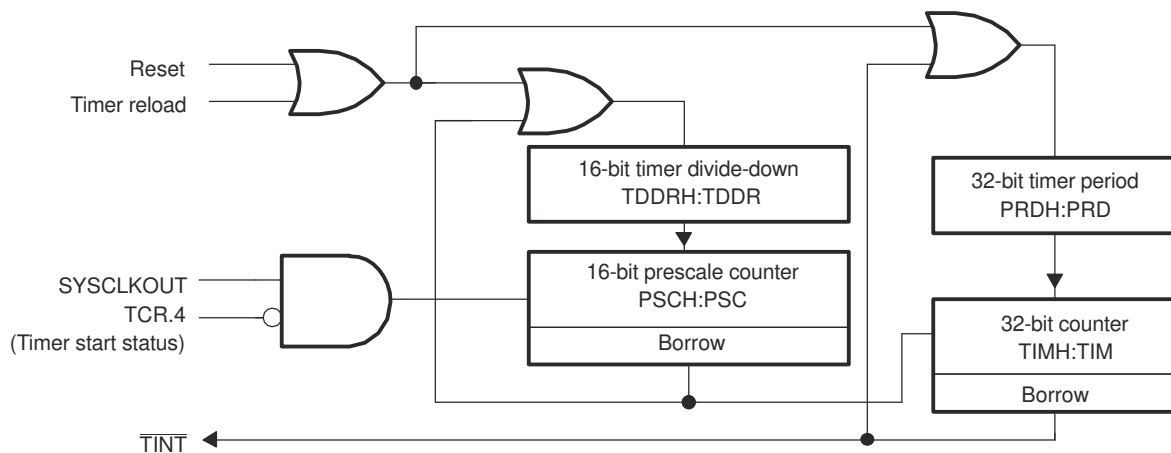
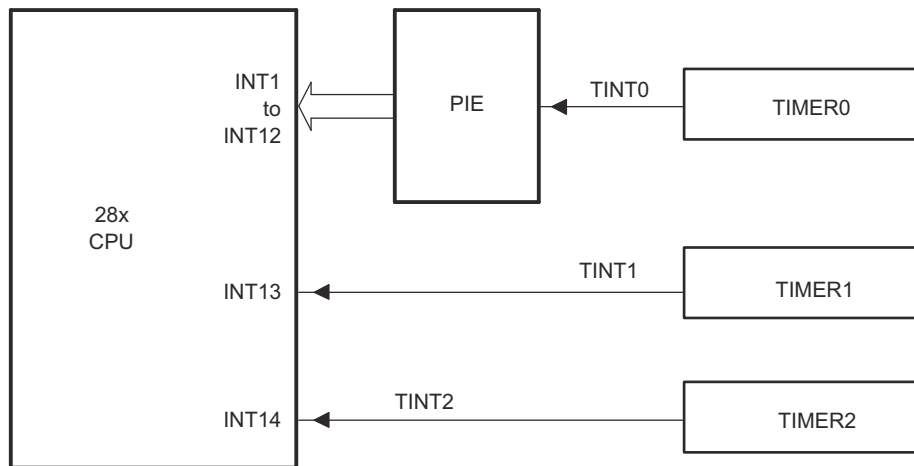


Figure 3-11. CPU-Timers



- A. The timer registers are connected to the memory bus of the C28x processor.
- B. The CPU Timers are synchronized to SYSCLKOUT.

Figure 3-12. CPU-Timer Interrupts Signals and Output Signal

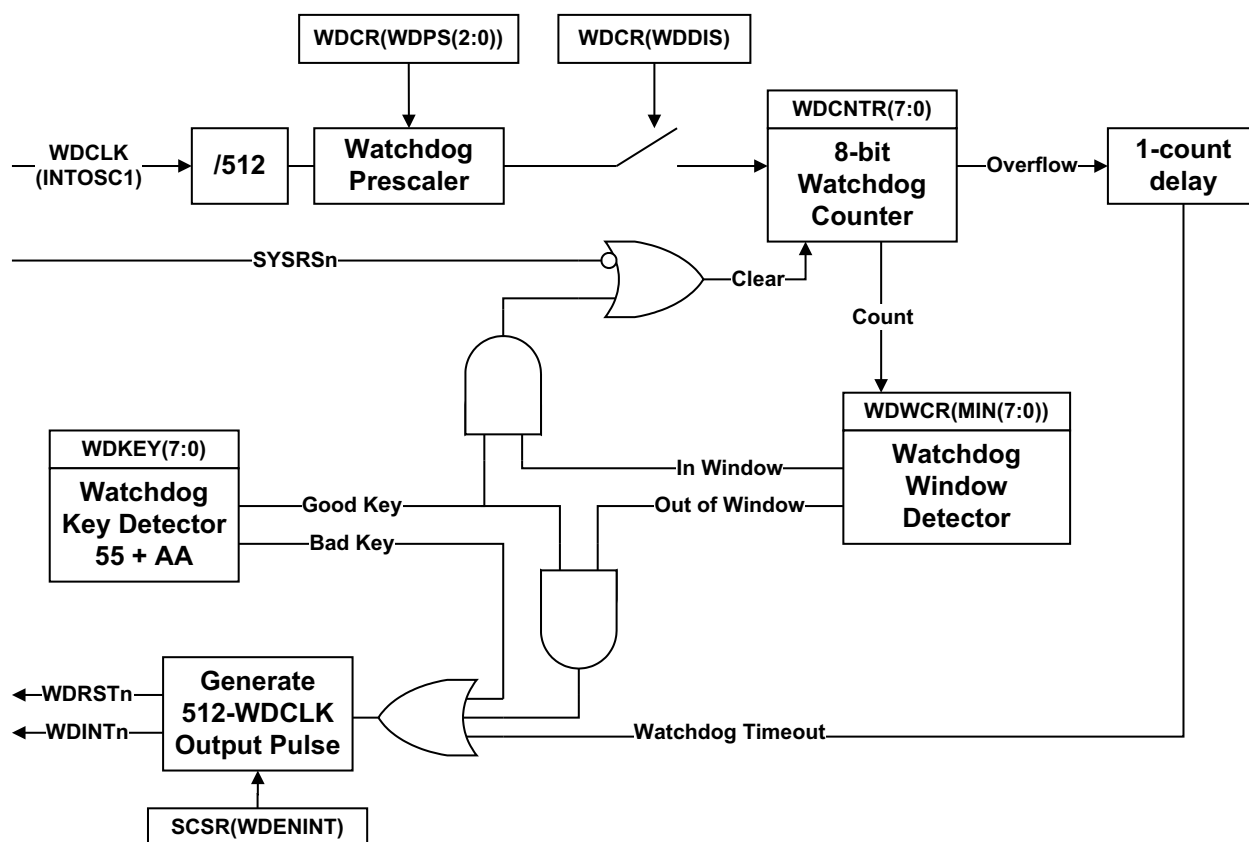
The general operation of the CPU-Timer is as follows:

- The 32-bit counter register, TIMH:TIM, is loaded with the value in the period register PRDH:PRD
- The counter decrements once every  $(TPR[TDDRH:TDDR]+1)$  SYSCLKOUT cycles, where TDDRH:TDDR is the timer divider.
- When the counter reaches 0, a timer interrupt output signal generates an interrupt pulse.

The registers listed in [Section 3.17](#) are used to configure the timers.

### 3.9 Watchdog Timers

The watchdog module generates an output pulse 512 watchdog clocks (WDCLKs) wide whenever the 8-bit watchdog up counter has reached the maximum value. The watchdog clock source is INTOSC1. Software must periodically write a 0x55 + 0xAA sequence into the watchdog key register to reset the watchdog counter. The counter can also be disabled. [Figure 3-13](#) shows the various functional blocks within the watchdog module.



**Figure 3-13. CPU Watchdog Timer Module**

### 3.9.1 Servicing the Watchdog Timer

The watchdog counter (WDCNTR) is reset when the proper sequence is written to the WDKEY register before the 8-bit watchdog counter overflows. The WDCNTR is reset-enabled when a value of 0x55 is written to the WDKEY. When the next value written to the WDKEY register is 0xAA, then the WDCNTR is reset. Any value written to the WDKEY other than 0x55 or 0xAA causes no action. Any sequence of 0x55 and 0xAA values can be written to the WDKEY without causing a system reset; only a write of 0x55 followed by a write of 0xAA to the WDKEY resets the WDCNTR.

**Table 3-9. Example Watchdog Key Sequences**

Step	Value Written to WDKEY	Result
1	0xAA	No action
2	0xAA	No action
3	0x55	WDCNTR is enabled to be reset if next value is 0xAA.
4	0x55	WDCNTR is enabled to be reset if next value is 0xAA.
5	0x55	WDCNTR is enabled to be reset if next value is 0xAA.
6	0xAA	WDCNTR is reset.
7	0xAA	No action
8	0x55	WDCNTR is enabled to be reset if next value is 0xAA.
9	0xAA	WDCNTR is reset.
10	0x55	WDCNTR is enabled to be reset if next value is 0xAA.
11	0x32	Improper value written to WDKEY. No action, WDCNTR no longer enabled to be reset by next 0xAA.
12	0xAA	No action due to previous invalid value.
13	0x55	WDCNTR is enabled to be reset if next value is 0xAA.
14	0xAA	WDCNTR is reset.

Step 3 in [Table 3-9](#) is the first action that enables the WDCNTR to be reset. The WDCNTR is not actually reset until step 6. Step 8 again re-enables the WDCNTR to be reset and step 9 resets the WDCNTR. Step 10 again re-enables the WDCNTR to be reset. Writing the wrong key value to the WDKEY in step 11 causes no action, however the WDCNTR is no longer enabled to be reset and the 0xAA in step 12 now has no effect.

If the watchdog is configured to reset the device, then a WDCR overflow or writing the incorrect value to the WDCR[WDCHK] bits resets the device and set the watchdog flag (WDRSn) in the reset cause register (RESC). After a reset, the program can read the state of this flag to determine whether the reset was caused by the watchdog. After doing this, the program must clear WDRSn to allow subsequent watchdog resets to be detected. Watchdog resets are not prevented when the flag is set.

### 3.9.2 Minimum Window Check

To complement the timeout mechanism, the watchdog also contains an optional "windowing" feature that requires a minimum delay between counter resets. This can help protect against error conditions that bypass large parts of the normal program flow but still include watchdog handling.

To set the window minimum, write the desired minimum watchdog count to the WDWCR register. This value takes effect after the next WDKEY sequence. From then on, any attempt to service the watchdog when WDCNTR is less than WDWCR triggers a watchdog interrupt or reset. When WDCNTR is greater than or equal to WDWCR, the watchdog can be serviced normally.

At reset, the window minimum is zero, which disables the windowing feature.

### 3.9.3 Watchdog Reset or Watchdog Interrupt Mode

The watchdog can be configured in the SCSR register to either reset the device ( $\overline{\text{WDRST}}$ ) or assert an interrupt ( $\overline{\text{WDINT}}$ ) if the watchdog counter reaches the maximum value. The behavior of each condition is described below:

- **Reset mode:**

If the watchdog is configured to reset the device, then the  $\overline{\text{WDRST}}$  signal pulls the device reset ( $\overline{\text{XRS}}$ ) pin low for 512 OSCCLK cycles when the watchdog counter reaches the maximum value.

**Note:** After a watchdog reset, the boot ROM clears all of the system and message RAMs.

- **Interrupt mode:**

When the watchdog counter expires, the watchdog asserts an interrupt by driving the  $\overline{\text{WDINT}}$  signal low for 512 OSCCLK cycles. The falling edge of  $\overline{\text{WDINT}}$  triggers a WAKEINT interrupt in the PIE, if the interrupt is enabled. Because the PIE is edge-triggered, re-enabling the WAKEINT while  $\overline{\text{WDINT}}$  is active does not produce a duplicate interrupt.

To avoid unexpected behavior, software must not change the configuration of the watchdog while  $\overline{\text{WDINT}}$  is active. For example, changing from interrupt mode to reset mode while  $\overline{\text{WDINT}}$  is active, immediately resets the device. Disabling the watchdog while  $\overline{\text{WDINT}}$  is active, causes a duplicate interrupt if the watchdog is later re-enabled. If a debug reset is issued while  $\overline{\text{WDINT}}$  is active, the reset cause register (RESC) shows a watchdog reset. The WDINTS bit in the SCSR register can be read to determine the current state of  $\overline{\text{WDINT}}$ .

### 3.9.4 Watchdog Operation in Low Power Modes

In IDLE mode, the watchdog interrupt ( $\overline{\text{WDINT}}$ ) signal can generate an interrupt to the CPU to take the CPU out of IDLE mode. As with any other peripheral, the watchdog interrupt triggers a WAKEINT interrupt in the PIE during IDLE mode. User software must determine which peripheral caused the interrupt.

In STANDBY mode, all of the clocks to the peripherals are turned off within the CPU subsystem. The only peripheral that remains functional is the watchdog since the watchdog module runs off the oscillator clock (OSCCLK). The  $\overline{\text{WDINT}}$  signal is fed to the Low Power Modes (LPM) block so that it can be used to wake the CPU from STANDBY low power mode. This feature is enabled by setting LPMCR.WDINTE = 1. See [Section 3.10](#) for details.

**Note:** If the watchdog interrupt is used to wake-up from an IDLE or STANDBY low power mode condition, software must make sure that the  $\overline{\text{WDINT}}$  signal goes back high before attempting to reenter the IDLE or STANDBY mode. The  $\overline{\text{WDINT}}$  signal is held low for 512 OSCCLK cycles when the watchdog interrupt is generated. The current state of  $\overline{\text{WDINT}}$  can be determined by reading the watchdog interrupt status bit (WDINTS) bit in the SCSR register. WDINTS follows the state of  $\overline{\text{WDINT}}$  by two SYSCLKOUT cycles.

In HALT mode, the internal oscillators and CPU1 watchdog are kept active if the user sets CLKSRCCTL1.WDHALTI = 1. A watchdog reset can wake the system from HALT mode, but a watchdog interrupt cannot.

### 3.9.5 Emulation Considerations

The watchdog module behaves as follows under various debug conditions:

CPU Suspended:	When the CPU is suspended, the watchdog clock (WDCLK) is suspended
Run-Free Mode:	When the CPU is placed in run-free mode, then the watchdog module resumes operation as normal.
Real-Time Single-Step Mode:	When the CPU is in real-time single-step mode, the watchdog clock (WDCLK) is suspended. The watchdog remains suspended even within real-time interrupts.
Real-Time Run-Free Mode:	When the CPU is in real-time run-free mode, the watchdog operates as normal.



### 3.10 Low-Power Modes

This device has three clock-gating, low-power modes, and a special power-gating mode. All low-power modes are entered by setting the LPMCR register and executing the IDLE instruction. More information about the IDLE instruction can be found in the [TMS320C28x CPU and Instruction Set Reference Guide](#).

Low-power modes must not be entered into while a Flash program or erase is ongoing.

The application can verify the following before entering STANDBY or HALT mode:

1. Check the value of the GPIODAT register of the pin selected for STANDBY or HALT wake-up (GPIOLPMSEL0/1) prior to entering the low-power mode to make sure that the wake event has not already been asserted.
2. The LPMCR.QUALSTDBY register must be set to a value greater than the ratio of INTOSC1/PLLSYSCLK to make sure of proper wake up. This is applicable to STANDBY only.

#### 3.10.1 IDLE

IDLE is a standard feature of the C28x CPU. In this mode, the CPU clock is gated while all peripheral clocks are left running. IDLE can thus be used to conserve power while a CPU is waiting for peripheral events.

Any enabled interrupt wakes up the CPU from IDLE mode.

To enter IDLE mode, set LPMCR.LPM to 0x0 and execute the IDLE instruction.

#### 3.10.2 STANDBY

STANDBY is a more aggressive low-power mode that gates both the CPU clock and any peripheral clocks derived from the CPU's SYSCLK. The watchdog however, is left active. STANDBY is best for an application where the wake-up signal is from an external system rather than a peripheral input.

An NMI (or optionally) a watchdog interrupt or a configured GPIO can wake the CPU from STANDBY mode. Each GPIO from GPIO0-63 can be configured to wake the CPU when the GPIOs are driven active low. Upon wakeup, the CPU receives the WAKEINT interrupt if configured.

##### To enter STANDBY mode:

1. Set LPMCR.LPM to 0x1.
2. Enable the WAKEINT interrupt in the PIE.
3. For watchdog interrupt wakeup, set LPMCR.WDINTE to 1 and configure the watchdog to generate interrupts.
4. For GPIO wakeup, set GPIOLPMSEL0 and GPIOLPMSEL1 to connect the chosen GPIOs to the LPM module, and set LPMCR.QUALSTDBY to select the number of OSCCLK cycles for input qualification.
5. Execute the IDLE instruction to enter STANDBY.

##### To wake up from Standby mode:

1. Configure the desired GPIO to trigger the wakeup.
2. Drive the selected GPIO signal low; the signal must remain low for the number of OSCCLK cycles specified in the QUALSTDBY bits in the LPMCR register. If the signal is sampled high during this period, the count restarts.

At the end of the qualification period, the PLL enables the CLKIN to the CPU and the WAKEINT interrupt is latched in the PIE block. The WAKEINT interrupt can also be triggered by a watchdog interrupt.

The CPU is now out of STANDBY mode and can resume normal execution.

### 3.10.3 HALT

HALT is a global low-power mode that gates almost all system clocks and allows for power-down of oscillators and analog blocks. HALT can be used for additional power savings over putting the CPU in STANDBY, although the options for wakeup are more limited.

Similar to STANDBY, any of GPIO0-63 can be configured to wake up the system from HALT. No other wakeup option is available. However, CPU1's watchdog can still be clocked, and can be configured to produce a watchdog reset if a timeout mechanism is needed. On wakeup, the CPU receives a WAKEINT interrupt.

#### To enter HALT mode:

1. Disable all interrupts with the exception of the WAKEINT interrupt on both CPUs. The other interrupts can be reenabled after the device is brought out of HALT mode.
2. Set LPMCR.LPM to 0x2. Set GPIOLPMSEL0 and GPIOLPMSEL1 to connect the chosen GPIOs to the LPM module.
3. Set CLKSRCCTL1.WDHALTI to 1 to keep the CPU1 watchdog active and INTOSC1 and INTOSC2 powered up in HALT.
4. Set CLKSRCCTL1.WDHALTI to 0 to disable the CPU1 watchdog and power down INTOSC1 and INTOSC2 in HALT.
5. Execute the IDLE instruction on CPU1 to enter HALT.

If an interrupt or NMI is received while the IDLE instruction is in the pipeline, the system begins executing the WAKEINT ISR. After HALT wakeup, ISR execution resumes where the execution left off.

---

#### Note

Before entering HALT mode, if the system PLL is locked (SYSPLL.LOCKS = 1), the system PLL must also be connected to the system clock (PLLCTL1.PLLCLKEN = 1). Otherwise, the device never wakes up.

---

#### To wake up from HALT mode:

1. Drive the selected GPIO low for a minimum 5  $\mu$ s. This activates the CPU1.WAKEINT PIE interrupt.
2. Drive the wake-up GPIO high again to initiate the powering up of the SYSPLL and AUXPLL
3. Wait 16  $\mu$ s plus 1024 OSCCLK cycles to allow the PLLs to lock and the WAKEINT ISR to be latched.
4. Execute the WAKEINT ISR.

The device is now out of HALT mode and can resume normal execution.

**Table 3-10. LPM Entry and Exit Criteria**

<b>LPM Mode</b>	<b>Entry Sequence</b>	<b>Exit Criteria</b>
CPU1 IDLE	<ol style="list-style-type: none"> <li>1. CPU1 configures CPU1.LPMCR.LPM to 00b</li> <li>2. CPU1 Executes IDLE instruction</li> </ol>	<ol style="list-style-type: none"> <li>1. POR/BOR</li> <li>2. IORSn</li> <li>3. Any enabled CPU1 interrupt</li> <li>4. CPU1 NMI</li> </ol>
CPU1 STANDBY	<ol style="list-style-type: none"> <li>1. CPU1 configures CPU1.LPMCR.LPM bits to 01b</li> <li>2. CPU1 programs CPU1.LPMCR.QUAL bits to configure appropriate OSCCLK qualification for GPIO wakeup pin</li> <li>3. CPU1 programs CPU1.GPIOLPMSEL0/1 register to select GPIO0 to GPIO63 pin for wake</li> <li>4. CPU1 Executes IDLE instruction</li> </ol>	<ol style="list-style-type: none"> <li>1. POR/BOR</li> <li>2. IORSn</li> <li>3. CPU1.WDINTn</li> <li>4. GPIO0.async to GPIO63.async selected using CPU1.GPIOLPMSEL0/1 (after OSCCLK qualification)</li> <li>5. CPU2toCPU1IPCINT1</li> <li>6. CPU1.POWERABORT</li> </ol>
HALT	<ol style="list-style-type: none"> <li>1. CPU1 configures CPU1.LPMCR.LPM bits to 10b</li> <li>2. CPU1 programs CPU1.GPIOLPMSEL0/1 registers to select GPIO0 to GPIO63 pin for wake</li> <li>3. CPU1 software confirms whether CPU2 has gone to IDLE or not using LPMSTAT register</li> <li>4. CPU1 Executes IDLE instruction</li> </ol>	<ol style="list-style-type: none"> <li>1. POR/BOR</li> <li>2. IORSn</li> <li>3. CPU1.WDRSn</li> <li>4. GPIO0.async to GPIO63.async selected using CPU1.GPIOLPMSEL0/1 (kept low until XTAL, INTOSCx, and PLL powers up)</li> <li>5. CPU1.POWERABORT</li> </ol>

### 3.10.4 Hibernate (HIB)

Hibernate (HIB) is a global low-power mode that gates the supply voltages to most of the system. HIB is essentially a controlled power-down with remote wakeup capability, and can be used to save power during long periods of inactivity. Because gating the supply voltage corrupts the state of the logic, a reset is required to exit HIB. To prevent external systems from being affected by the reset, HIB provides isolation of the I/O pin states as well as low-power data retention via the M0 and M1 memories.

Unlike the clock-gating modes, HIB does not have a true wakeup. Instead, GPIO41 becomes  $\overline{\text{HIBWAKE}}$ , an asynchronous reset signal. When the boot ROM detects a HIB wakeup, the boot ROM avoids clearing M0 and M1 and calls a user-specified I/O restore function. To prevent glitches on internal and external signals,  $\overline{\text{XRS}}$  also generates a  $\overline{\text{HIBWAKE}}$  signal during HIB. The I/O restore function must set up the GPIO control registers to match their pre-HIB state, then write a 1 to LPMCR.IOISODIS to deactivate I/O isolation. If the restore function does not disable isolation, the boot ROM disables isolation.

#### To enter HIB mode:

1. Save any necessary state to the M0 and M1 memories .
2. Put all I/Os in the desired state for isolation and deactivate any analog modules in use.
3. Write the address of the I/O restore function for the CPU to the IORESTOREADDR register.
4. Bypass the PLL by setting PLLCLKEN to 0.
5. Set CPU1's LPMCR.LPM to 0x3 and execute the IDLE instruction.

Any debugger connection is lost on HIB entry since the JTAG logic is powered down.

Due to the loss of system state on HIB entry, it is possible for error information to be lost if an NMI is triggered while the IDLE instruction is in the pipeline. The ERRORSTS pin is set and remains set until I/O isolation is disabled, but there is no way to determine what caused the error.

#### To wake the device from HIB mode:

1. Assert the dedicated  $\overline{\text{GPIOHIBWAKE}}$  pin (GPIO41) low to enable the power-up of the device clock sources.
2. Assert  $\overline{\text{GPIOHIBWAKE}}$  pin high again. This triggers the power-up of the rest of the device.
3. Boot ROM code executes on HIB wake-up. Boot ROM reads CPU1.RESC.HIBRESTn bit to determine this is a wakeup from HIB.
4. Boot ROM calls the I/O context restore routine. This I/O restore function must reconfigure the I/O configuration and do any other necessary application setup.

Since waking up from HIB mode is a type of reset, the device enters the main function. The device is now out of HIB mode and can normal execution.

---

#### Note

The bootROM uses locations 0x02-0x122 on CPU1 M0 RAM . To prevent losing any data during HIB wake-up, avoid saving any critical data to these locations.

The application must bypass the PLL before executing the IDLE instruction to enter HIB. If the PLL is not bypassed when entering HIB, there is a brief current spike on the Vdd supply that can cause the device to reset.

---

### 3.11 Memory Controller Module

#### Note

All RAMs on these devices are SRAMs.

For these devices, the RAMs have different characteristics. Some are:

- dedicated to the CPU (M0, M1, and Dx RAMs),
- shared between the CPU and CLA (LSx RAM),
- shared between the CPU and DMA (GSx RAM), and
- used to send and receive messages between processors (MSGRAM).

All these RAMs are highly configurable to achieve control for write access and fetch access from different masters. All dedicated RAMs are enabled with the ECC feature (both data and address) and shared RAMs, are enabled with the PARITY (both data and address) feature. Some of the dedicated memories are secure memory as well. Refer to [Section 3.13](#) for more details. Each RAM has its own controller that takes care of the access protection/security related checks and ECC/Parity features for that RAM. [Figure 3-14](#) shows the configuration of these RAMs.

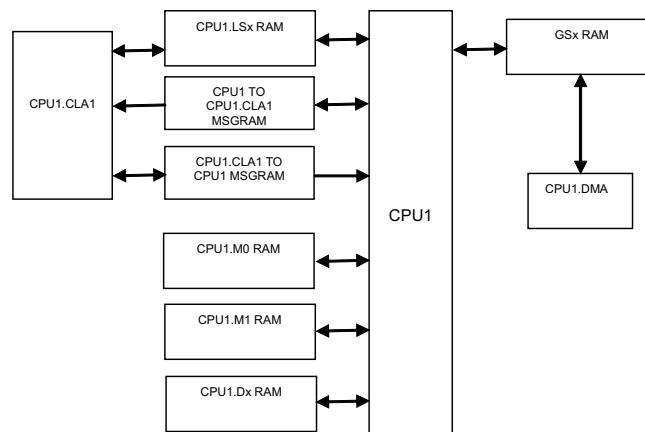


Figure 3-14. Memory Architecture

#### 3.11.1 Functional Description

This section further defines and discusses the dedicated RAMs, shared RAMs, and MSG RAMs on this device.

##### 3.11.1.1 Dedicated RAM (Dx RAM)

This device has four dedicated RAM blocks: M0, M1, D0, and D1. M0/M1 memories are small blocks of memory which are tightly coupled with the CPU. Only the CPU has access to these memories. No other masters (including DMA) have any access to these memories.

All dedicated RAMs have the ECC feature. All dedicated memories (except for M0/M1) are secure memory and also have the access protection (CPU write protection/CPU fetch protection) feature. Each type of access protection for each RAM block can be enabled/disabled by configuring the specific bit in the access protection register (DxACCPROT).

##### 3.11.1.2 Local Shared RAM (LSx RAM)

RAM blocks that are accessible to the CPU and CLA only, are called local shared RAMs (LSx RAMs). All such memories are secure memory and have the parity feature. By default, these memories are dedicated to the CPU only, and the user can choose to share these memories with the CLA by appropriately configuring the MSEL\_LSx bit field in the LSxMSEL register. Further, when these memories are shared between the CPU and CLA, the user can choose to use these memories as CLA program memory by configuring the CLAPGM\_LSx bit

field in the LSxCLAPGM registers. CPU access to all memory blocks, which are programmed as CLA program memory, are blocked.

All these RAMs have the access protection (CPU write/CPU fetch) feature. Each type of access protection for each RAM block can be enabled or disabled by configuring the specific bit in the local shared RAM access protection registers. [Table 3-11](#) shows the LSx RAM features.

**Table 3-11. Local Shared RAM**

MSEL_LSx	CLAPGM_LSx	CPUx Allowed Access	CPUx.CLA1 Allowed Access	Comment
00	X	All	-	LSx memory is configured as CPU dedicated RAM
01	0	All	Data Read Data Write	LSx memory is shared between CPU and CLA1
01	1	Emulation Read Emulation Write	Fetch Only	LSx memory is CLA1 program memory

### 3.11.1.3 Global Shared RAM (GSx RAM)

RAM blocks that are accessible from the CPU and DMA are called global shared RAMs (GSx RAMs).

[Table 3-12](#) shows the features of the GSx RAM.

**Table 3-12. Global Shared RAM**

CPU1	CPU1	CPU1	CPU1.DMA	CPU1.DMA
Fetch	Read	Write	Read	Write
Yes	Yes	Yes	Yes	Yes

Like other shared RAM, these RAMs also have a different levels of access protection which can be enabled or disabled by configuring specific bits in the GSxACCPROT registers.

Master select and access protection configuration for each GSx RAM block can be individually locked by the user to prevent further update to these bit fields. The user can also choose to permanently lock the configuration to individual bit fields by setting the specific bit fields in the GSxCOMMIT register (refer to the register description for more details). Once configuration is committed for a particular GSx RAM block, the configuration cannot be changed further until CPU1. SYSRS is issued.

### 3.11.1.4 Message RAM (CLA MSGRAM)

These RAM blocks are be used to share data between the CPU and CLA. The CLA has read and write access to the "CLA to CPU MSGRAM." The CPU has read and write access to the "CPU to CLA MSGRAM." The CPU and CLA both have read access to both MSGRAMs.

This RAM has parity.

### 3.11.1.5 Access Arbitration

For a shared RAM, multiple accesses can happen at a given time. The maximum number of accesses to any shared RAM at any given time depends on the type of shared RAM. On this device, a combination of a fixed and round robin scheme is followed to arbitrate multiple access at any given time.

The following is the order of fixed priority for CPU accesses:

1. Data Write/Program Write
2. Data Read
3. Program Read/Program Fetch

The following is the order of fixed priority for CLA accesses:

1. Data Write
2. Data Read/Program Fetch

Figure 3-15 represents the arbitration scheme on global shared memories:

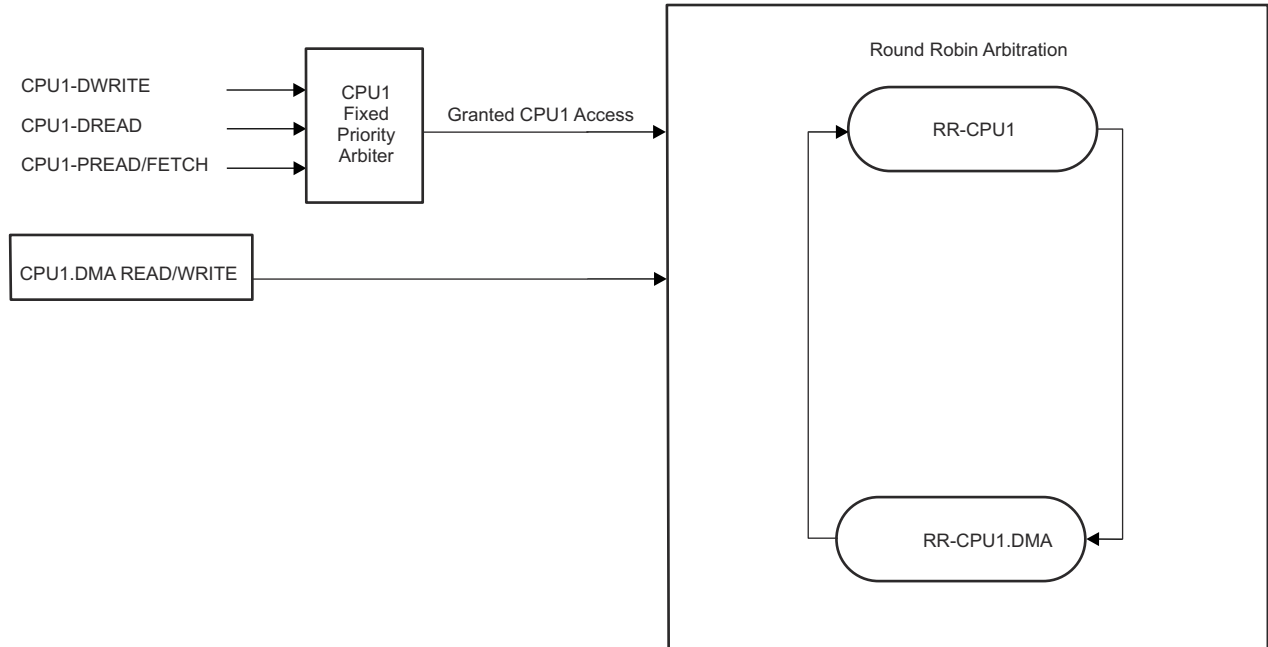


Figure 3-15. Arbitration Scheme on Global Shared Memories

Figure 3-16 represents the arbitration scheme on local shared memories.

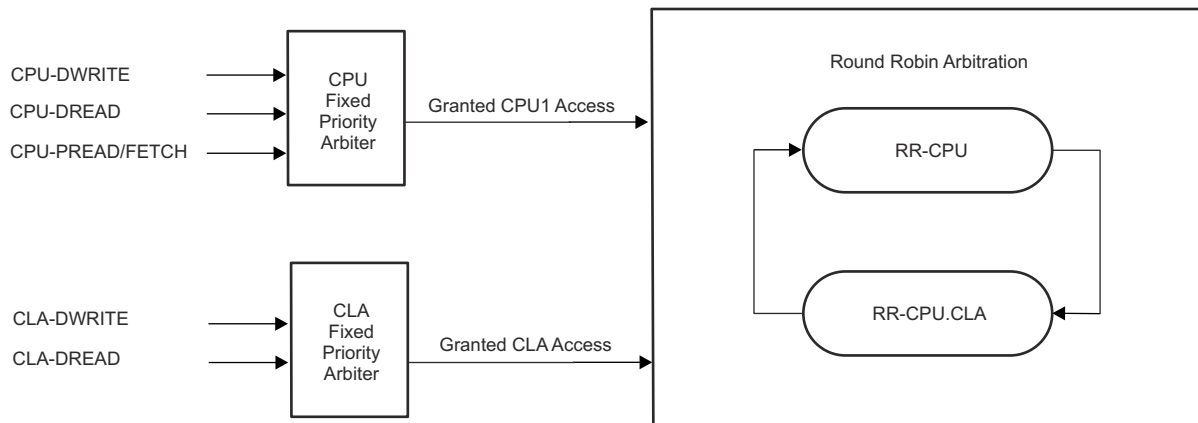


Figure 3-16. Arbitration Scheme on Local Shared Memories

### 3.11.1.6 Access Protection

All RAM blocks except for M0/M1 have different levels of protection. This feature allows the user to enable or disable specific access to individual RAM blocks from individual masters. There is no protection for read accesses, hence reads are always allowed from all the masters which have access to that RAM block.

The following sections describe the different kinds of protection available for RAM blocks on this device.

**Note:** For debug accesses, all the protections are disabled.

#### 3.11.1.6.1 CPU Fetch Protection

Fetch accesses from the CPU can be protected by setting the FETCHPROTx bit of the specific register to '1.' If fetch access is done by the CPU to a memory where CPU fetch protection is enabled, a fetch protection violation occurs.

If a fetch protection violation occurs, it results in an ITRAP for CPU. A flag gets set into the appropriate access violation flag register, and the memory address for which the access violation occurred, get latched into the appropriate CPU fetch access violation address register.

#### 3.11.1.6.2 CPU Write Protection

Write accesses from the CPU can be protected by setting the CPUWRPROTx bit of the specific register to 1. If write access is done by a CPU to memory where the write is protected, a write protection violation occurs.

If a write protection violation occurs, write gets ignored, a flag gets set into the appropriate access violation flag register, and the memory address for which the access violation occurred, gets latched into the appropriate CPU write access violation address register. Also, an access violation interrupt is generated if enabled in the interrupt enable register.

#### 3.11.1.6.3 CPU Read Protection

For local shared RAM, if memory is shared between the CPU and the CLA, the CPU only has access if the memory is configured as data RAM for the CLA. If the memory is programmed as program RAM, all the access from the CPU, including a read, is blocked and the violation is considered as a non-master access violation.

If a read protection violation occurs, a flag gets set into the appropriate access violation flag register, and the memory address for which the access violation occurred, gets latched into the appropriate CPU read access violation address register. Also, an access violation interrupt is generated, if enabled in the interrupt enable register.

#### 3.11.1.6.4 CLA Fetch Protection

If local shared RAM is configured as dedicated RAM for the CPU, or if it is configured as data RAM for the CLA, any fetch access from the CLA to that particular LSx RAM results in a CLA fetch protection violation, which is a non-master access violation.

If a CLA fetch protection violation occurs, it results in a MSTOP, a flag gets set into the appropriate access violation flag register, and the memory address for which the access violation occurred, gets latched into the appropriate CLA fetch access violation address register. Also, an access violation interrupt is generated to the master CPU if enabled in the interrupt enable register.

#### 3.11.1.6.5 CLA Write Protection

If local shared RAM is configured as dedicated RAM for the CPU, or if it is configured as program RAM for the CLA, any data write access from the CLA to that particular LSx RAM results in a CLA write protection violation, which is a non-master access violation.

If a CLA write protection violation occurs, write gets ignored, a flag gets set into the appropriate access violation flag register, and the memory address for which the access violation occurred, gets latched into the appropriate CLA write access violation address register. Also, an access violation interrupt is generated to the master CPU if enabled in the interrupt enable register.

#### 3.11.1.6.6 CLA Read Protection

If local shared RAM is configured as dedicated RAM for the CPU, or if it is configured as program RAM for the CLA, any data read access from the CLA to that particular LSx RAM results in a CLA read protection violation, which is a non-master access violation.

If a CLA read protection violation occurs, a flag gets set into the appropriate access violation flag register, and the memory address for which the access violation occurred, gets latched into the appropriate CLA read access violation address register. Also, an access violation interrupt is generated to the master CPU if enabled in the interrupt enable register.



### 3.11.1.6.7 DMA Write Protection

Write accesses from the DMA can be protected by setting the DMAWRPROTx bit of a specific register to 1. If write access is done by the DMA to protected memory, a write protection violation occurs.

If a write access is made to GSx memory by a non-master DMA, the write access is called a non-master write protection violation. If a write access is made to a dedicated or shared memory by a master DMA, and DMAWRPROTx is set to 1 for that memory, the write access is called a master DMA write protection violation.

A flag gets set in the DMA access violation flag register, and the memory address where the violation happened gets latched in the DMA fetch access violation address register. These are dedicated registers for each subsystem.

- Note 1:** All access protections are ignored during debug accesses. Write access to a protected memory goes through when the write is done using the debugger, irrespective of the write protection configuration for that memory.
- Note 2:** Access protection is not implemented for M0 and M1 memories.
- Note 3:** In the case of local shared RAM, if memory is shared between the CPU and the CLA, the CPU only has access if the memory is configured as data RAM for the CLA. If the memory is programmed as program RAM, all the access from the CPU (including read) and data access from the CLA is blocked, and the violation is considered as a non-master access violation. If the memory is configured as dedicated to the CPU, all access from the CLA is blocked and the violation is considered a non-master access violation.

### 3.11.1.7 Memory Error Detection, Correction and Error Handling

These devices have memory error detection and correction features to satisfy safety standards requirements. These requirements warrant the addition of detection mechanisms for finite dangerous failures.

In this device, all dedicated RAMs support error correction code (ECC) protection and the shared RAMs have parity protection. The ECC scheme used is Single Error Correction Double Error Detection (SECCDED). The parity scheme used is even parity. ECC/Parity covers the data bits stored in memory as well as address.

ECC/Parity calculation is done inside the memory controller module and then calculated. ECC/Parity is written into the memory along with the data. ECC/Parity is computed for 16-bit data; hence, for each 32-bit data, there are three 7-bit ECC codes (or 3-bit parity), two of which are for data and a third one for the address.

#### 3.11.1.7.1 Error Detection and Correction

Error detection is done while reading the data from memory. The error detection is performed for data as well as address. For parity memory, only a single-bit error gets detected, whereas in case of ECC memory, along with a single-bit error, a double-bit error also gets detected. These errors are called correctable error and uncorrectable errors. The following are characteristics of these errors:

- Parity errors are always uncorrectable errors
- Single-bit ECC errors are correctable errors
- Double-bit ECC errors are uncorrectable errors
- Address ECC errors are also uncorrectable errors

Correctable errors get corrected by the memory controller module and then correct data is given back as read data to the master. It is also written back into the memory to prevent double-bit error due to another single-bit error at the same memory address.

---

### Note

ECC/Parity for address is calculated for address offset only (based on RAM block size) of corresponding 32-bit aligned address. For example, in case of LSx RAM that are 4-KB RAM block, only 11 LSBs of 32-bit aligned address are used. So if address is 0x8F8F, address ECC (or Parity) is calculated for address 0x78E (11-bit offset of 32-bit aligned address). Similarly for 8-KB RAM block, 12-bit address offset is used.

---

#### 3.11.1.7.2 Error Handling

For each correctable error, the count in the correctable error count register increments by one. When the value in this count register becomes equal to the value configured into the correctable error threshold register, an interrupt is generated to the respective CPU, that is, if the interrupt is enabled in the correctable interrupt enable register. The user needs to configure the correctable error threshold register based on the system requirements. Also, the address for which the error occurred, gets latched into the master-specific status register and a flag gets set. Each of these registers are dedicated for each CPU subsystem.

If there are uncorrectable errors, an NMI gets generated for the respective CPU. In this case, the address for which the error occurred, also gets latched into the master-specific address status register, and a flag gets set.

[Table 3-13](#) summarizes different error situations that can arise. These need to be handled appropriately in the software, using the status and interrupt indications provided.

**Table 3-13. Error Handling in Different Scenarios**

Access Type	Error Found In	Error Type	Status Indication	Error Notification
Reads	Data read from memory	Uncorrectable Error (Single-bit error for Parity RAMs OR Double bit Error for ECC RAMs)	Yes -CPU1/CPU1.DMA/CPU1.CLA1 CPU/DMA/CLA Read Error Address Register Data returned to CPU1/ CPU1.DMA/CPU1.CLA1 is incorrect	NMI for CPU1 access NMI for CPU1.DMA access NMI to CPU for CPU1.CLA1 access
Reads	Data read from memory	Single-bit error for ECC RAMs	Yes - CPU1/CPU1.DMA CPU/DMA Read Error Address Register Increment single error counter	Interrupt when error counter reaches the user programmable threshold for single errors
Reads	Address	Address error	Yes - CPU1/CPU1.DMA/CPU1.CLA1 CPU/DMA/CLA Read Address Error Register Data returned to CPU1/ CPU1.DMA/CPU1.CLA1 is incorrect	NMI to CPU for CPU1 access NMI to CPU for CPU1.DMA access NMI to CPU for CPU1.CLA1 access

---

### Note

In the case of an uncorrectable error during fetch on the CPU, there is the possibility of getting an ITRAP before an NMI exception, since garbage instructions enter into the CPU pipeline before the NMI gets generated.

During debug accesses, correctable as well as uncorrectable errors are masked.

---

### 3.11.1.8 Application Test Hooks for Error Detection and Correction

Since error detection and correction logic is part of safety critical logic, safety applications need to make sure that the logic is always working fine (during run time also). To enable this, a test mode is provided, in which a user can modify the data bits (without modifying the ECC/Parity bits) or ECC/Parity bits directly. Using this feature, an ECC/Parity error can be injected into data.

---

#### Note

The memory map for ECC/Parity bits and data bits are the same. The user must choose a different test mode to access ECC/Parity bits.

---

Table 3-14 shows the bit mapping for the ECC bits when the bits are read in RAMTEST mode using their respective addresses. Table 3-15 shows the bit mapping for the Parity bits when the bits are read in RAMTEST mode using their respective addresses.

**Table 3-14. Mapping of ECC Bits in Read Data from ECC/Parity Address Map**

Data Bits Location in Read Data	Content (ECC Memory)
6:0	ECC Code for lower 16 bits of data
7	Not Used
14:8	ECC Code for upper 16 bits of data
15	Not Used
22:16	ECC Code for address
31:23	Not Used

**Table 3-15. Mapping of Parity Bits in Read Data from ECC/Parity Address Map**

Data Bits Location in Read Data	Content (Parity Memory)
0	Parity for lower 16 bits of data
7:1	Not Used
8	Parity for upper 16 bits of data
15:9	Not Used
16	Parity for address
31:17	Not Used

### 3.11.1.9 RAM Initialization

To make sure that read/fetch from uninitialized RAM locations do not cause ECC or parity errors, the RAM\_INIT feature is provided for each memory block. Using this feature, any RAM block can be initialized with 0x0 data and respective ECC/Parity bits accordingly. This can be initiated by setting the INIT bit to 1 for the specific RAM block in INIT registers. To check the status of RAM initialization, the software must poll for the INITDONE bit for that RAM block in the INITDONE register to be set. Unless this bit gets set, no access must be made to that RAM memory block.

---

#### Note

None of the masters must access the memory while initialization is taking place. If memory is accessed before RAMINITDONE is set, the memory read/write as well as initialization does not happen correctly.

---

## 3.12 Flash and OTP Memory

Flash is an electrically erasable/programmable nonvolatile memory that can be programmed and erased many times to ease code development. Flash memory can be used primarily as a program memory for the core, and secondarily as static data memory.

This section describes the proper sequence to configure the wait states and operating mode of Flash. This section also includes information on Flash and OTP memory power modes, how to improve Flash performance by enabling the Flash prefetch/cache mode, and the SECEDED safety feature.

### 3.12.1 Features

Features of Flash memory include:

- A Flash bank (refer to the device data sheet for the size of the Flash bank)
- 128 bits (bank width) can be programmed at a time along with ECC
- Flash module controller (FMC)
- Multiple sectors providing the option of leaving some sectors programmed and only erasing specific sectors
- User-programmable OTP memory locations (in USER OTP) for configuring security, OTP boot-mode and boot-mode select pins (if the user is unable to use the factory-default boot-mode select pins)
- Flash pump
- Enhanced performance using the code-prefetch mechanism and data cache in FMC
- Configurable wait states to give the best performance for a given execution speed
- Safety Features
  - SECEDED-single error correction and double error detection is supported in the FMC
  - Address bits are included in ECC
  - Test mode to check the health of ECC logic
- Supports low-power modes for Flash bank and pump for power savings
- Built-in power mode control logic
- Integrated Flash program/erase state machine (FSM) in the FMC
  - Fast erase and program times (refer to the device data sheet for details)
- Code Security Module (CSM) to prevent access to the Flash by unauthorized persons (refer to [Section 3.13](#) for details)

### 3.12.2 Flash Tools

Texas Instruments provides the following tools for Flash:

- Code Composer Studio (CCS) IDE - the development environment with integrated Flash plugin
- F021 Flash API Library - a set of software peripheral functions to erase/program Flash
- UniFlash - standalone tool to erase/program/verify the Flash content through JTAG. No CCS IDE is required.
- CCS On-Chip Flash Plugin and UniFlash tools developed for these devices support AutoEccGeneration (see [TMS320F2837xD Flash API Version 1.54 Reference Guide](#)). But the tools do not support the program of ECC generated by the linker -ecc options.

Users must check and install available updates for CCS On-Chip Flash Plugin and UniFlash tools.

### 3.12.3 Default Flash Configuration

The following are Flash module configuration settings at power-up:

- The Flash bank is in sleep power mode
- Pump is in sleep mode
- ECC is enabled
- Wait-states are set to the maximum (0xF)
- Code-prefetch mechanism and data cache are disabled in the FMC

During the boot process, the boot ROM performs a dummy read of the Code Security Module (CSM) password locations in the OTP memory. This read is performed to unlock a new (or erased) device that has no password stored in the device, so that Flash programming or loading of code into CSM-protected SARAM can be performed. On devices with a password, this read has no effect and the device remains locked. One effect of this read is that the Flash transitions from the sleep (reset) state to the active state.

User application software must initialize wait-states using the FRDCNTL register, and configure cache/prefetch features using the RD\_INTF\_CTRL register, to achieve optimum system performance. Software that configures Flash settings like wait-states, cache/prefetch features, and so on, must be executed only from RAM memory, **not** from Flash memory.

---

#### Note

Before initializing wait-states, turn off the pre-fetch and data caching in the FRD\_INTF\_CTRL register.

---

### 3.12.4 Flash Bank, One-Time Programmable (OTP) Memory, and Flash Pump

There is one Flash bank. Also, there is a one-time programmable (OTP) memory called USER OTP, which the user can program only once and cannot erase. Flash and OTP memory are uniformly mapped in both program and data memory space.

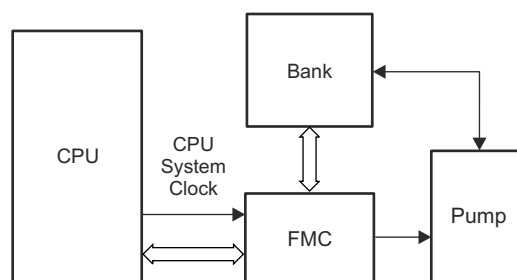
There is also a TI-OTP that contains manufacturing information like settings used by the Flash state machine for erase and program operations, and so on. Users can read TI-OTP but the TI-OTP cannot be programmed or erased. For memory-map and size information of the bank, TI-OTP, USER OTP, and corresponding ECC locations, refer to the device data sheet.

The Bank and OTP share a common Flash pump.

[Figure 3-21](#) depicts the user-programmable OTP memory locations in USER-OTP. For more information on the functionality of these fields, refer to [Section 3.13](#) and [Chapter 4](#).

### 3.12.5 Flash Module Controller (FMC)

The CPU interfaces with the FMC, which in turn interfaces with the Bank and the shared pump to perform erase or program operations as well as to read data and execute code from the bank.



**Figure 3-17. FMC Interface with Core, Bank, and Pump**

Control signals to the Flash pump are controlled by the FMC.

There is a state machine in the FMC that generates the erase and program sequences in hardware. This simplifies the Flash API software that configures control registers in the FMC to perform Flash erase and program operations (see [TMS320F2837xD Flash API Version 1.54 Reference Guide](#), for details on Flash API).

### 3.12.6 Flash and OTP Memory Power-Down Modes and Wakeup

The Flash bank and pump consume a significant amount of power when active. The Flash module provides a mechanism to power-down the Flash bank and pump. Special timers automatically sequence the power-up of the Bank. The charge pump module has an independent power-up timer as well.

The Flash bank and OTP memory operate in three power modes: Sleep (lowest power), Standby, and Active (highest power)

- **Sleep State:** This is the state after a device reset. In this state, a CPU data read or opcode fetch automatically initiates a change in power mode to the standby state and then to the active state. During this transition time to the active state, the CPU is automatically stalled.
- **Standby State:** This state uses more power than the sleep state, but takes a shorter time to transition to the active or read state. In this state, a CPU data read or opcode fetch automatically initiates a change in power mode to the active state. During this transition time to the active state, the CPU is automatically stalled. Once the Flash/OTP memory has reached the active state, the CPU access completes as normal.
- **Active or Read State:** In this state, the bank and pump are in active power mode state (highest power).

The charge pump operates in two power modes:

- Sleep (lowest power)
- Active (highest power)

Any access to Flash bank/OTP memory causes the charge pump to go into active mode, if the charge pump is in sleep mode. An erase or program command causes the charge pump and bank to become active. If the bank is in active or in standby mode, the charge pump is in active mode, independent of the pump power mode control configuration (PMPPWR bit-field in the FPAC1 register). The application software can also check the current power mode of the Flash bank and charge pump by reading the FBPRDY register. See the register descriptions, [Section 3.17](#), for detailed information.

While the pump is in sleep state, a charge pump sleep down counter holds a user configurable value (PSLEEP bit field in the FPAC1 register) and when the charge pump exits sleep power mode, the down counter delays from 0 to PSLEEP prescaled SYSCLK clock cycles (prescaled clock is SYSCLK/2) before putting the charge pump into active power mode. Note that the configured PSLEEP value must yield at least a delay of 20  $\mu$ s for the pump to go to active mode. Refer to the register descriptions, [Section 3.17](#), for detailed information.

Before configuring Flash bank and pump power modes to sleep, make sure that the VREADST (refer to the FBAC register) value is 0xF (which is the reset value) to make sure the requisite delay is needed for the Flash pump/bank to come out of low-power mode later.

Following are the number of cycles for the Bank and pump to wake up from low-power modes:

- Pump sleep to active = PSLEEP \* (SYSCLK/2) cycles
- Bank sleep to standby = 425 Flash clock cycles
- Bank standby to active = 90 Flash clock cycles

Where in Flash clock = SYSCLK/(RWAIT+1)

### 3.12.7 Flash and OTP Memory Performance

Once the Flash bank and pump are in the active power state, a read or fetch access can be classified as a Flash access (access to an address location in Flash) or an OTP memory access (access to an address location in OTP memory). Once the CPU throws an access to a Flash memory address, data is returned after  $RWAIT+1$  number of SYSCLK cycles. For a USER-OTP access, data is returned after 11 SYSCLK cycles.

RWAIT defines the number of random access wait-states and is configurable using the RWAIT bit-field in the FRDCNTL register. At reset, the RWAIT bit-field defaults to a worst-case wait-state count (15), and therefore needs to be initialized for the appropriate number of wait states to improve performance, based on the CPU clock rate and the access time of the Flash. The Flash supports 0-wait accesses when the RWAIT bits are set to zero. This assumes that the CPU speed is low enough to accommodate the access time.

For a given system clock frequency, RWAIT has to be configured using the formula:

$$RWAIT = \text{ceiling}[(SYSCLK/FCLK)-1]$$

where SYSCLK is the system operating frequency

FCLK is Flash clock frequency. FCLK must be  $\leq FCLK_{\text{max}}$ , allowed maximum Flash clock frequency at  $RWAIT=0$ .

If RWAIT results in a fractional value when calculated using the above formula, RWAIT has to be rounded up to the nearest integer.

### 3.12.8 Flash Read Interface

This section provides details about the data read modes to access Flash bank/OTP memory and the configuration registers which control the read interface. In addition to a standard read mode, the FMC has a built-in prefetch and cache mechanism to allow increased clock speeds and CPU throughput wherever applicable.

#### 3.12.8.1 FMC Flash Read Interface

##### 3.12.8.1.1 Standard Read Mode

Standard read mode is defined as the read mode in effect when code prefetch-mechanism and data cache are disabled. Standard read mode is also the default read mode after reset. During this mode, each read access to Flash is decoded by the Flash wrapper to fetch the data from the addressed location and the data is returned after the  $RWAIT+1$  number of cycles.

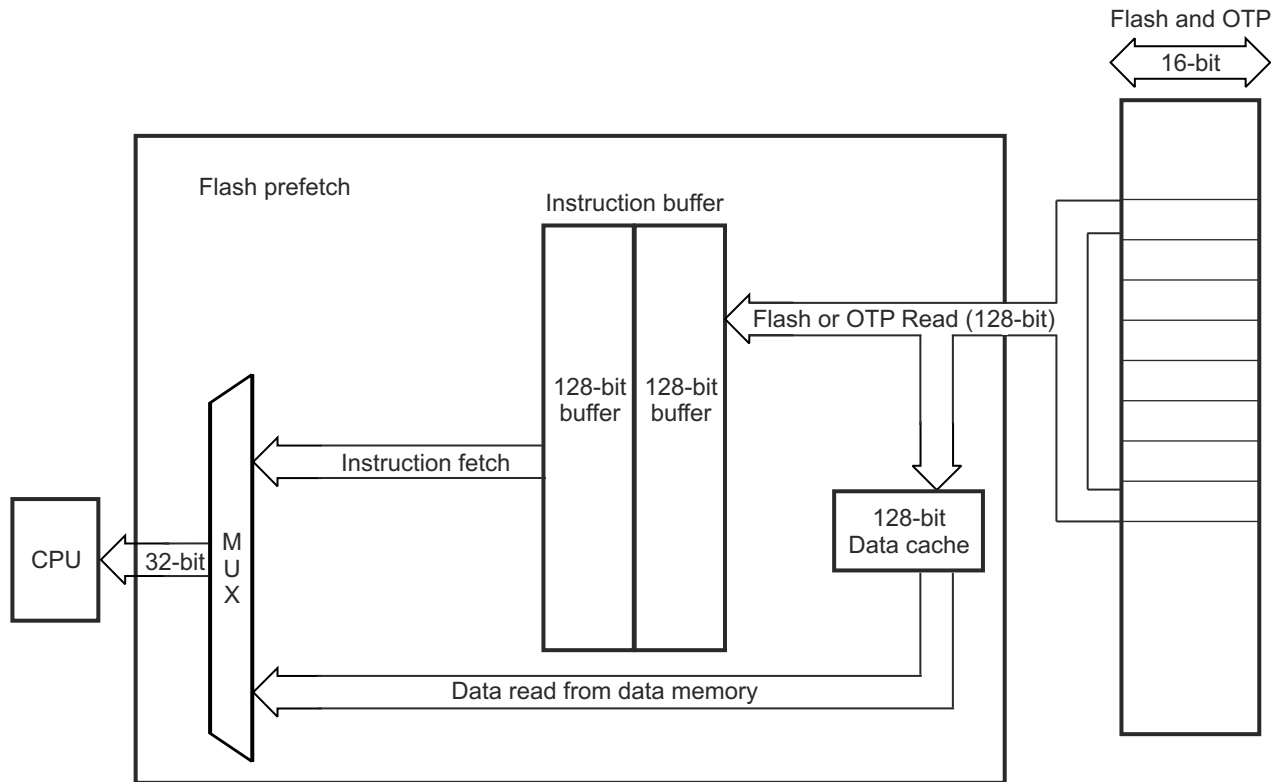
Prefetch buffers associated with prefetch mechanism and data cache are bypassed in standard read mode; therefore, every access to the Flash/OTP memory is used by the CPU immediately, and every access creates a unique Flash bank access.

Standard read mode is the recommended mode for lower system-frequency operation in which RWAIT can be set to zero to provide single-cycle access operation. The FMC can operate at higher frequencies using standard read mode at the expense of adding wait states. At higher system frequencies, it is recommended to enable cache and prefetch mechanisms to improve performance. Refer to the device specific data sheet to determine the maximum Flash frequency allowed in standard read mode (that is, maximum Flash clock frequency with  $RWAIT=0$ ,  $FCLK_{\text{MAX}}$ ).

##### 3.12.8.1.2 Prefetch Mode

Flash memory is typically used to store application code. During code execution, instructions are fetched from sequential memory addresses, except when a discontinuity occurs. Usually the portion of the code that resides in sequential addresses makes up the majority of the application code and is referred to as linear code. To improve the performance of linear code execution, a Flash prefetch-mechanism has been implemented in the FMC. [Figure 3-18](#) illustrates how this mode functions.





**Figure 3-18. Flash Prefetch Mode**

This prefetch mechanism does a look-ahead prefetch on linear address increments starting from the address of the last instruction fetch. The Flash prefetch mechanism is disabled by default. Setting the PREFETCH\_EN bit in the FRD\_INTF\_CTRL register enables this prefetch mode.

An instruction fetch from the Flash or OTP memory reads out 128 bits per access. The starting address of the access from Flash is automatically aligned to a 128-bit boundary, such that the instruction location is within the 128 bits to be fetched. With the Flash prefetch mode enabled, the 128 bits read from the instruction fetch are stored in a 128-bit wide by 2-level deep instruction prefetch buffer. The contents of this prefetch buffer are then sent to the CPU for processing as required.

Up to four 32-bit or eight 16-bit instructions can reside within a single 128-bit access. The majority of C28x instructions are 16 bits, so for every 128-bit instruction fetch from the Flash bank, it is likely that there are up to eight instructions in the prefetch buffer ready to process through the CPU. During the time it takes to process these instructions, the Flash prefetch mechanism automatically initiates another access to the Flash bank to prefetch the next 128 bits. In this manner, the Flash prefetch mechanism works in the background to keep the instruction prefetch buffers as full as possible. Using this technique, the overall efficiency of sequential code execution from Flash or OTP memory is improved significantly.

**Note**

If the prefetch mechanism is enabled, then the last two rows (16 16-bit words, 256 bits) of the bank that does not have a valid address beyond the boundary must not be used, because the prefetch logic that does a look-ahead prefetch tries to fetch from outside the bank and can result in an ECC error.

The Flash prefetch is aborted only on a PC discontinuity caused by executing an instruction such as a branch, BANZ, call, or loop. When this occurs, the prefetch mechanism is aborted and the contents of the prefetch buffer are flushed. There are two possible scenarios when this occurs:

1. If the destination address is within the Flash or OTP memory, the prefetch aborts and then resumes at the destination address.

2. If the destination address is outside of the Flash and OTP memory, the prefetch is aborted and begins again only when a branch is made back into the Flash or OTP memory. The Flash prefetch mechanism only applies to instruction fetches from program space. Data reads from data memory and from program memory do not utilize the prefetch buffer capability and thus bypass the prefetch buffer. For example, instructions such as MAC, DMAC, and PREAD read a data value from program memory. When this read happens, the prefetch buffer is bypassed but the buffer is not flushed. If an instruction prefetch is already in progress when a data read operation is initiated, then the data read is stalled until the prefetch completes.

Note that the prefetch mechanism gets bypassed when RWAIT is configured as zero.

#### 3.12.8.1.2.1 Data Cache

Along with the prefetch mechanism, a data cache of 128-bits wide is also implemented to improve data-space read performance. This data cache is not filled by the prefetch mechanism. When any kind of data-space read is made by the CPU from an address in the bank, and if the data corresponding to the requested address is not in the data cache, then 128 bits of data is read from the bank and loaded in the data cache. This data is eventually sent to the CPU for processing. The starting address of the access from Flash is automatically aligned to a 128-bit boundary such that the requested address location is within the 128 bits to be read from the bank. By default, this data cache is disabled and can be enabled by setting DATA\_CACHE\_EN bit in the FRD\_INTF\_CTRL register. Note that the data cache gets bypassed when RWAIT is configured as zero.

Some other points to keep in mind when working with Flash/ OTP memory:

- Reads of the USER OTP locations are hardwired for 10 wait states. The RWAIT bits have no effect on these locations.
- CPU writes to the Flash or OTP memory-map areas are ignored. The writes complete in a single cycle.
- If a security zone is in the locked state and the respective password lock bits are not all 1s, then,
  - Data reads to Zx-CSMPSWD return 0
  - Program space reads to Zx-CSMPSWD return 0
  - Program fetches to Zx-CSMPSWD return 0
- When the Code Security Module (CSM) is secured, reads to the Flash/OTP memory-map area from outside the secure zone take the same number of cycles as a normal access. However, the read operation returns a zero.
- The arbitration scheme in FMC prioritizes CPU accesses in the fixed priority order of data read (highest priority), program space read and program fetches/program prefetches (lowest priority).
- When FSM interface is active for erase/program operations, data in the prefetch buffers and data cache in FMC are flushed.
- When data cache is enabled, the debugger memory window open to Flash/OTP memory space invokes data caching. Hence, the debugger memory window must not be left open for Flash/OTP memory space when benchmarking the code for performance.

---

#### Note

Flash contents are verified for ECC correctness before the contents enter the prefetch buffer or data cache and not inside the prefetch buffer or data cache itself.

---

### 3.12.9 Erase/Program Flash

Flash memory can be programmed either by using the CCS Flash plugin or by using UniFlash. If these methods are not feasible in an application, the API can be used. The Flash memory must be programmed, erased, and verified only by using the F021 Flash API library. These functions are written, compiled and validated by Texas Instruments. The Flash module contains a Flash state machine (FSM) to perform program and erase operations. This section only provides a high level description for these operations, therefore, refer to the [TMS320F2837xD Flash API Version 1.54 Reference Guide](#) for more information. Note that Flash API execution is interruptible. However, there must not be any read/fetch access from the Flash bank on which an erase/program operation is in progress. Flash API must be executed from RAM.

A typical flow to program Flash is:

Erase → Program → Verify

Always refer to the device-specific support folder in the controlSUITE™ software for the latest Flash API library.

### 3.12.9.1 Erase

When the target Flash is erased, Flash reads as all 1s. This state is called 'blank.' The erase function must be executed before programming. The user must not skip erase on sectors that read as 'blank', because these sectors can require additional erasing due to marginally erased bits columns. The FSM provides an "Erase Sector" command to erase the target sector. The erase function erases the data and the ECC together. This command is implemented by the following Flash API function:

```
Fapi_issueAsyncCommandWithAddress();
```

The Flash API provides the following function to determine if the Flash bank is 'blank':

```
Fapi_doBlankCheck();
```

### 3.12.9.2 Program

The FSM provides a command to program the USER OTP and Flash. This command is also used to program ECC check bits.

This command is implemented by the following Flash API function:

```
Fapi_issueProgrammingCommand();
```

The Program function provides the options to program data without ECC, data along with user-provided ECC data, data along with ECC calculated by API software using ECC logic in the device, and to program ECC only.

### 3.12.9.3 Verify

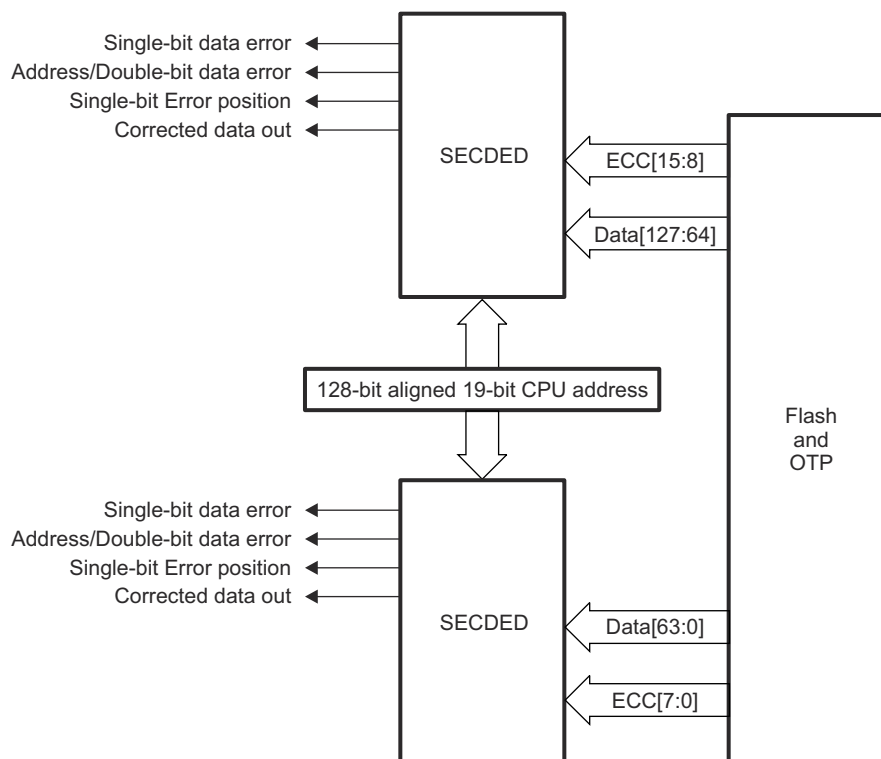
After programming, the user must perform verify using API function `Fapi_doVerify()`. This function verifies the Flash contents against supplied data.

Application software typically perform a CRC check of the Flash memory contents during power-up and at regular intervals during runtime (as needed). Apart from this, ECC logic, when enabled (enabled by default), catches single-bit errors, double-bit errors, and address errors whenever the CPU reads/fetches from a Flash address.

### 3.12.10 Error Correction Code (ECC) Protection

FMC contains an embedded single error correction and double error detection (SECEDED) module. SECEDED, when enabled, provides the capability to screen out memory faults. SECEDED can detect and correct single-bit data errors and detect address errors/double-bit data errors. For every 64 bits of Flash/OTP memory data (aligned on a 64-bit memory boundary) that is programmed, eight ECC check bits have to be calculated and programmed in ECC memory space. Refer to the device data sheet for the Flash/OTP memory ECC memory-map. SECEDED works with a total of eight error correction code (ECC) check bits associated with each 64-bit wide data word and the corresponding 128-bit memory-aligned address. Users must program ECC check bits along with Flash data. TI recommends using the `AutoEccGeneration` option available in Plugin/API to program ECC. Users can use the F021 Flash API to calculate and program ECC data along with Flash data. Flash API uses hardware ECC logic in the device to generate the ECC data for the given Flash data. The Flash Plugin, the Flash programming tool integrated with Code Composer Studio IDE, uses Flash API to generate and program ECC data).

Figure 3-19 illustrates the ECC logic inputs and outputs.



**Figure 3-19. ECC Logic Inputs and Outputs**

During an instruction fetch or a data read operation, the 19 most-significant address bits (3 least-significant bits of address are not considered), together with the 64-bit data/8-bit ECC read-out of Flash banks/ECC memory-map area, pass through the SECDDED logic and the eight checkbits are produced in FMC. These eight calculated ECC check bits are then XORed with the stored check bits (user programmed check bits) associated with the address and the read data. The 8-bit output is decoded inside the SECDDED module to determine one of three conditions:

- No error occurred
- A correctable error (single bit data error) occurred
- A non-correctable error (double bit data error or address error) occurred

If the SECDDED logic finds a single-bit error in the address field, then the error is considered to be a non-correctable error.

#### Note

TI recommends programming ECC while programming Flash to avoid any error. Since ECC is calculated for an entire 64-bit data, a non 64-bit read such as a byte read or a half-word read still forces the entire 64-bit data to be read and calculated, but only the byte or half-word is actually used by the CPU.

This ECC (SECDDED) feature is enabled at reset. The ECC\_ENABLE register can be used to configure( enable/disable) the ECC feature. The ECC for the application code must be programmed. There are two SECDDED modules in the FMC. Out of the 128-bit data (aligned on a 128-bit memory boundary) read from the bank/OTP memory address, the lower 64-bits of data and corresponding 8 ECC bits (read from user programmable ECC memory area) are fed as inputs to one SECDDED module along with 128-bit aligned 19-bit address from where data has been read. The upper 64- bits of data and corresponding 8 ECC bits are fed as inputs to another SECDDED module in parallel, along with 128-bit aligned 19-bit address. Each of the SECDDED modules evaluate their inputs and determine if there is any single-bit data error or double-bit data error/address error.

ECC logic is bypassed when the 64 data bits and the associated ECC bits fetched from the bank are either all ones or zeros.

### 3.12.10.1 Single-Bit Data Error

This section provides information for both single-bit data errors and single-bit ECC check bit errors. If there is a single bit flip (0 to 1 or 1 to 0) in Flash data or in ECC data, then it is considered as a single-bit data error. The SECEDED module detects and corrects single-bit errors, if any, in the 64-bit Flash data or eight ECC check bits read from the Flash/ECC memory map before the read data is provided to the CPU.

When SECEDED finds and corrects single bit data errors, the following information is logged in the ECC registers if the ECC feature is enabled:

- Address where the error occurred – if the single-bit error occurs in the lower 64-bits of a 128-bit memory-aligned data, the lower 64-bit memory-aligned address is captured in the SINGLE\_ERR\_ADDR\_LOW register. If the single-bit error occurs in the upper 64-bits of a 128-bit memory-aligned data, the upper 64-bit memory-aligned address is captured in the SINGLE\_ERR\_ADDR\_HIGH register.
- Whether the error occurred in data bits or ECC bits – the ERR\_TYPE\_L and ERR\_TYPE\_H bit fields in the ERR\_POS register indicate whether the error occurred in data bits or ECC bits of the lower 64-bits, or the upper 64-bits respectively, of a 128-bit memory-aligned data.
- Bit position at which error occurred – the ERR\_POS\_L and ERR\_POS\_H bit fields in the ERR\_POS register indicate the bit position of the error in the lower 64-bits/lower 8-bit ECC, or the upper 64-bits/upper 8-bit ECC respectively, of a 128-bit memory-aligned data.
- Whether the corrected value is 0 (FAIL\_0\_L, FAIL\_0\_H flags in ERR\_STATUS register)
- Whether the corrected value is 1 (FAIL\_1\_L, FAIL\_1\_H flags in ERR\_STATUS register)
- A single bit error counter that increments on every single bit error occurrence (ERR\_CNT register) until a user-configurable threshold (see ERR\_THRESHOLD) is met
- A flag that gets set when one or more single-bit errors occurs after ERR\_CNT equals ERR\_THRESHOLD (SINGLE\_ERR\_INT\_FLG flag in the ERR\_INTFLG register)

When the ERR\_CNT value equals THRESHOLD+1 value and a single bit error occurs, the SINGLE\_ERR\_INT flag is set, and an interrupt (FLASH\_CORRECTABLE\_ERR on C28x PIE has to be enabled for interrupt, if needed) is fired. The SINGLE\_ERR interrupt is not fired again until the SINGLE\_ERR\_INTFLG is cleared. If the single error interrupt flag is not cleared using the corresponding error interrupt clear bit in the ERR\_INTCLR register, the error interrupt does not come again, as this is an edge-based interrupt.

When multiple single-bit errors get caught by ECC logic, Flash ECC registers hold the information related to the latest ECC error. When multiple single-bit errors get caught, both FAIL\_0\_L and FAIL\_1\_L (and/or FAIL\_0\_H and FAIL\_1\_H) might get set, indicating that single-bit fail0/fail1 occurred in different 64-bit aligned addresses.

Although ECC is calculated on 64-bit basis, a read of any address location within a 128-bit aligned Flash memory causes the single-bit error flag to get set when there is a single-bit error in both or in either one of the lower 64 and upper 64 bits (or corresponding ECC check bits) of that 128-bit data.

### 3.12.10.2 Uncorrectable Error

Uncorrectable errors include address errors and double-bit errors in data/ECC. When SECEDED finds uncorrectable errors, the following information is logged in ECC registers if the ECC feature is enabled:

- Address where the error occurred – if the uncorrectable error occurs in the lower 64-bits of a 128-bit memory-aligned data, the lower 64-bit memory-aligned address is captured in the UNC\_ERR\_ADDR\_LOW register. If the uncorrectable error occurs in the upper 64-bits of a 128-bit memory-aligned data, the upper 64-bit memory-aligned address is captured in the UNC\_ERR\_ADDR\_HIGH register.
- A flag is set indicating that an uncorrectable error occurred – the UNC\_ERR\_L and UNC\_ERR\_H flags in the ERR\_STATUS register indicate the uncorrectable error occurrence in the lower 64-bits/lower 8-bit ECC, or the upper 64-bits/upper 8-bit ECC, respectively, of a 128-bit memory-aligned data.
- A flag is set indicating that an uncorrectable error interrupt is fired (UNC\_ERR\_INTFLG in ERR\_INTFLG register)

When an uncorrectable error occurs, the `UNC_ERR_INTFLG` bit is set and an uncorrectable error interrupt is fired. This uncorrectable error interrupt generates an NMI, if enabled. If an uncorrectable error interrupt flag is not cleared using the corresponding error interrupt clear bit in the `ERR_INTCLR` register, an error interrupt does not come again, as this is an edge based interrupt.

Although ECC is calculated on 64-bit basis, a read of any address location within a 128-bit aligned Flash memory causes the uncorrectable error flag to get set when there is a uncorrectable error in both or in either one of the lower 64 and upper 64 bits (or corresponding ECC check bits) of that 128-bit data. NMI occurs on the CPU for a read of any address location within a 128-bit aligned Flash memory, when there is an uncorrectable error in both or in either one of the lower 64 and upper 64 bits (or corresponding ECC check bits) of that 128-bit data.

### 3.12.10.3 SECDED Logic Correctness Check

Since error detection and correction logic are part of safety-critical logic, safety applications need to make sure that the SECDED logic is always working properly. For these safety concerns, make sure the correctness of the SECDED logic, an ECC test mode is provided to test the correctness of ECC logic periodically. In this ECC test mode, data/ECC and address inputs to the ECC logic are controlled by the ECC test mode registers `FDATAH_TEST`, `FDATAL_TEST`, `FECC_TEST`, and `FADDR_TEST`, respectively. Using this test mode, users can introduce single-bit errors, double-bit errors, or address errors and check whether or not SECDED logic is catching those errors. Users can also check if SECDED logic is reporting any false errors when no errors are introduced.

This ECC test mode can be enabled by setting the `ECC_TEST_EN` bit in the `FECC_CTRL` register. When ECC test mode is enabled, the CPU cannot read the data from Flash and instead the CPU gets data from the ECC test mode registers (`FDATAH_TEST`/`FDATAL_TEST`). This is because ECC test mode registers (`FDATAH_TEST`, `FDATAL_TEST`, `FECC_TEST`) are multiplexed with data from the Flash. Hence, the CPU must not read/fetch from Flash when ECC test mode is enabled. For this reason, ECC test mode code must be executed from RAM and not from Flash.

Only one of the SECDED modules (out of the two SECDED modules that work on lower 64 bits and upper 64 bits of a read 128-bit data) at a time can be tested. The `ECC_SELECT` bit in the `FECC_CTRL` register can be configured by users to select one of the SECDED modules for test.

To test the ECC logic using ECC test mode, users can follow the steps below:

1. Obtain the ECC for a given Flash address (128-bit aligned) and 64-bit data by using the Auto ECC generation option provided in Flash API .
2. Develop an application to test ECC logic using the above data. In this application
  - Write the 128-bit aligned 19-bit Flash address in `FADDR_TEST`
  - Write 64-bit data in `FDATAH_TEST` (upper 32-bits) and `FDATAL_TEST` (lower 32-bits) registers
  - Write the corresponding 8-bit ECC in the `FECC_TEST` register
  - In any of the above three steps, users can insert errors (single-bit data error or double-bit data error or address error or single-bit ECC error or double-bit ECC error) to check whether or not ECC logic is able to catch the errors
  - Select the ECC logic block (lower 64-bits or upper 64-bits) which needs to be tested using the `ECC_SELECT` bit in the `FECC_CTRL` register
  - Enable ECC test mode using the `ECC_TEST_EN` bit in `FECC_CTRL` register
  - Write a value of 1 in the `DO_ECC_CALC` bit in `FECC_CTRL` register to enable ECC test logic for a single cycle to evaluate the address, data, ECC in `FADDR_TEST`, `FDATAx_TEST` and `FECC_TEST` registers for ECC errors

Once the above ECC test mode registers are written by the user:

- The `FECC_OUTH` register holds the data output bits 63:32 from the SECDED block under test
- The `FECC_OUTL` register holds the data output bits 31:0 from the SECDED block under test
- The `FECC_STATUS` register holds the status of single-bit error occurrence, uncorrectable error occurrence, and error position of single-bit error in data/check bits

### 3.12.10.4 Reading ECC Memory From a Higher Address Space

In these devices, ECC memory for Flash and OTP memory is allocated at a higher address space (address width more than 22 bits). C2000 Codegen tools (6.2 and onwards) are updated to include the below intrinsics to read ECC space.

For 16-bit read: unsigned int variable = \_\_addr32\_read\_uint16(unsigned long address);

For 32-bit read: unsigned long variable = \_\_addr32\_read\_uint32(unsigned long address);

### 3.12.11 Reserved Locations Within Flash and OTP Memory

When allocating code and data to Flash and OTP memory, keep the following reserved locations in mind:

- The entire OTP memory has reserved user-configurable locations for security and boot process. For more details on the functionality of these fields, refer to [Section 3.13](#) and [Chapter 4](#).
- Refer to [Chapter 4](#) for reserved locations in Flash for real-time operating system usage and a boot-to-Flash entry point. A boot-to-Flash entry point is reserved for an entry-into-Flash branch instruction. When the boot-to-Flash boot option is used, the boot ROM jumps to this address in Flash. If the user programs a branch instruction here, that then redirects code execution to the entry point of the application.

### 3.12.12 Procedure to Change the Flash Control Registers

During Flash configuration, no accesses to the Flash or OTP memory can be in progress. This includes instructions still in the CPU pipeline, data reads, and instruction prefetch operations. To be sure that no access takes place during the configuration change, follow this procedure for any code that modifies the Flash control registers.

1. Start executing application code from RAM/Flash/OTP memory.
2. Branch to or call the Flash configuration code (that writes to Flash control registers) in RAM. This is required to properly flush the CPU pipeline before the configuration change. The function that changes the Flash configuration cannot execute from the Flash or OTP memory. The function must reside in RAM.
3. Execute the Flash configuration code (must be located in RAM) that writes to Flash control registers like FRDCNTL, FRD\_INTF\_CTRL, and so on.
4. At the end of the Flash configuration code execution, wait eight cycles to let the write instructions propagate through the CPU pipeline. This must be done before the return-from-function call is made.
5. Return to the calling function that resides in RAM or Flash/OTP memory and continue execution.

### 3.12.13 Simple Procedure to Modify an Application from RAM Configuration to Flash Configuration

All of the C2000Ware example projects are provided with both RAM and Flash build configurations. To change the build configuration from RAM to Flash, import the project in to the CCS IDE and right click on the project and select 'Build Configurations' -> 'Set Active' -> 'Flash'. By selecting this, notice that:

1. `_FLASH` symbol is defined in the "Predefined symbols" section under Project Build settings. This is used to define and execute any Flash-build specific code.
2. Flash-based linker command file is chosen for the application instead of a RAM-based linker command file. Flash-based linker command files are provided in the C2000Ware for reference (for example: `XXX_FLASH_Ink_cpu1.cmd` at `C2000Ware_x_xx_xx_xx\device_support\XXX\common\cmd`). Flash-based linker command files have `codestart` mapped to a Flash entry point address.
3. All of the initialized sections are mapped to Flash memory in the Flash-based linker command file.
4. All of the functions that need to execute from RAM (for initialization or 0-wait performance purpose) are assigned to the `.TI.ramfunc` section in the code. For example, `Flash_initModule()` is assigned to `.TI.ramfunc` section.
5. `.TI.ramfunc` section is mapped to a Flash address for "Load" and a RAM address for "RUN" in the Flash-based linker command file.
6. All of the sections mapped to Flash are aligned on a 128-bit boundary using the `ALIGN()` directive in the Flash-based linker command file.
7. `memcpy()` function is called in the application to copy the `.TI.ramfunc` content from Flash to RAM. The `memcpy()` is called before executing any code that is assigned to `.TI.ramfunc` section.
8. For EABI type executable: All uninitialized sections mapped to RAM are defined as `NOINIT` sections (using the directive "type=NOINIT") in the linker cmd file.



### 3.13 Dual Code Security Module (DCSM)

The dual code security module (DCSM) is a security feature incorporated in this device. It prevents access and visibility to on-chip secure memories (and other secure resources) to unauthorized persons. It also prevents duplication and reverse engineering of proprietary code. The term “secure” implies access to on-chip secure memories and resources are blocked. The term “unsecure” implies access is allowed (the contents of the memory could be read by any means); for example, through a debugging tool such as the Code Composer Studio™ IDE.

The CPU subsystem's CSM has dual-zone security, zone1 and zone2.

#### 3.13.1 Functional Description

The security module restricts the CPU access to on-chip secure memory and resources without interrupting or stalling CPU execution. When a read occurs to a secure memory location, the read returns a zero value and CPU execution continues with the next instruction. This, in effect, blocks read and write access to secure memories through the JTAG port or external peripherals.

The code security mechanism offers protection for two zones, Zone 1 (Z1) and Zone 2 (Z2). The security mechanism for both the zones is identical. Each zone has a dedicated secure resource and allocated secure resource. The following are different secure resources available on this device:

- **OTP:** Each zone has a dedicated secure OTP (USER OTP). This contains the security configurations for the individual zone. If a zone is secure, the USER OTP content (including CSM passwords) can be read (execution not allowed) only if the zone is unlocked using the password match flow (PMF).
- **CLA:** The CLA is a secure resource that can be allocated to either zone by configuring the GRABRAM location in the USER OTP. CLA configuration can only be performed by code running from the zone to which it has been allocated. The CLA message RAMs also belong to the same zone.

**Table 3-16. CLA Access Filter**

CLA Ownership	RAM Block Ownership	Fetch Access	Read Access	Write Access
None	None	Yes	Yes	Yes
None	Z1 or Z2	No	No	No
Z1	Z1	Yes	Yes	Yes
Z1	Z2	No	No	No
Z1	None	No	Yes	Yes
Z2	Z1	No	No	No
Z2	Z2	Yes	Yes	Yes
Z2	None	No	Yes	Yes

- **RAM:** All Dx and LSx RAMs can be secure RAM on this device. These RAMs can be allocated to either zone by configuring the respective GRABRAM location in the USER OTP.
- **Flash Sectors:** Flash Sectors can be secure on this device. Each Flash sector can be allocated to either zone by configuring the respective GRABSECT location in the USER OTP.
- **Secure ROM:** This device also has secure ROM which is EXEONLY-protected. This ROM contains specific function for the user, provided by TI.

Table 3-17 shows the status of a RAM block based on the configuration in GRABRAM register.

**Table 3-17. RAM Status**

GRAM_RAMx Bits in Z1_GRABRAMR Register	GRAM_RAMx Bits in Z2_GRABRAMR Register	Ownership
00	XX	GRAM_RAMx is inaccessible
XX	00	GRAM_RAMx is inaccessible
Differential Value (01/10)	Differential Value (01/10)	GRAM_RAMx is inaccessible
Differential Value (01/10)	11	GRAM_RAMx belongs to Z1
11	Differential Value (01/10)	GRAM_RAMx belongs to Z2
11	11	GRAM_RAMx is Non-Secure

The security of each zone is maintained by a 128-bit (four 32-bit words) password (CSM password). The password for each zone is stored in a dedicated OTP memory location based on a zone-specific link pointer. A zone can be unsecured by executing the password match flow (PMF), described in [Section 3.13.3.3.2](#).

There are three types of accesses: data/program reads, JTAG access, and instruction fetches (calls, jumps, code executions, ISRs). Instruction fetches are never blocked. JTAG accesses are always blocked when a memory is secure. Data reads to a secure memory are always blocked unless the program is executing from a memory which belongs to the same zone. Data reads to unsecure memory are always allowed. [Table 3-18](#) shows the levels of security.

**Table 3-18. Security Levels**

PMF Executed With Correct Password?	Operating Mode of the Zone	Program Fetch Location	Security Description
No	Secure	Outside secure memory	Only instruction fetches by the CPU are allowed to secure memory. In other words, code can still be executed, but not read.
No	Secure	Inside secure memory	CPU has full access (except for EXEONLY memories where read is not allowed). JTAG port cannot read the secured memory contents.
Yes	Non-Secure	Anywhere	Full access for CPU and JTAG port to secure memory of that zone.

If the password locations of a zone have all 128 bits as ones, the zone is considered unsecure. Since new Flash devices have erased Flash (all ones), only a read of the password locations is required to bring any zone into unsecure mode. If the password locations of a zone have all 128 bits as zeros, the zone is secure, regardless of the contents of the CSMKEY registers. This means the zone cannot be unlocked using PMF, the password match flow described in [Section 3.13.3.3.2](#). Therefore, the user must never use all zeros as a password. A password of all zeros prevents debug of secure code or reprogramming the Flash.

CSMKEY registers are user-accessible registers that are used to unsecure the zones.

### 3.13.1.1 Emulation Code Security Logic (ECSL)

In addition to the CSM, the emulation code security logic (ECSL) has been implemented using a 64-bit password (part of existing CSM password) for each zone to prevent unauthorized users from stepping through secure code. A halt in secure code while the emulator is connected trips the ECSL and break the emulation connection. To allow emulation of secure code, while maintaining the CSM protection against secure memory reads, the user must write the correct 64-bit password into the CSMKEY (0/1) registers, which matches the password value stored in the USER OTP of that zone. This disables the ECSL for the specific zone.

When initially debugging a device with the password locations in OTP memory programmed (secured), the emulator takes some time to take control of the CPU. During this time, the CPU starts running and executes an

instruction that performs an access to a protected ECSL area and if the CPU is halted when the program counter (PC) is pointing to a secure location, the ECSL trips and causes the emulator connection to be broken.

A solution to this problem is:

- Use the Wait Boot Mode boot option. In this mode, the CPU is in a loop and hence does not jump to the user application code. Using this BOOTMODE, the user can connect to CCS and debug the code.

### 3.13.1.2 CPU Secure Logic

The CPU Secure Logic (CPUSL) on this device prevents a hacker from reading the CPU registers in a watch window while code is running in a secure zone. All accesses to CPU registers when the PC points to a secure location are blocked by this logic. The only exception to this is read access to the PC. It is highly recommended not to write into the CPU register in this case, because proper code execution may get affected. If the CSM is unlocked using the CSM password match flow, the CPUSL logic also gets disabled.

### 3.13.1.3 Execute-Only Protection

To achieve a higher level of security on secure Flash sectors and RAM blocks that store critical user code (instruction opcodes), the Execute-Only protection feature is provided. When the Execute-Only protection is turned on for any secure Flash sector or RAM block, data reads to that Flash sectors are disallowed from any code (even from secure code). Execute-only protection for a Flash sector and RAM block can be turned on by configuring the bit field associated for that particular sector/RAM block in the zone's (which has ownership of that sector/RAM block) EXEONLYSECT and EXEONLYRAM register, respectively.

### 3.13.1.4 Password Lock

The password locations for each zone can be locked by programming the zone's PSWDLOCK field with any value other than 1111 (0xF) at the PSWDLOCK location in OTP memory. Until the passwords of a zone are locked, password locations are not secure and can be read from the debugger as well as code running from non-secure memory. This feature can be used by the user to avoid accidental locking of the zone while programming the Flash sectors during the software development phase. On a new device, the value for password lock fields for all zones at the PSWDLOCK location in OTP memory is 1111, which means the password for all zones is unlocked.

---

#### Note

Password unlock only makes password locations non-secure. All other secure memories and other locations of Flash sectors, which contain a password, remains secure as per security settings. But since passwords are non-secure, anyone can read the password and make the zone non-secure by running through PMF.

---

### 3.13.1.5 JTAG Lock

The JTAG lock feature can be used to *permanently* disable any access to the device using the JTAG port. For example, access by the Code Composer Studio™ IDE debugger or Flash programming tools are blocked. This feature is enabled by programming the Z1OTP\_JTAGLOCK location in user OTP memory with any value other than 1111 (0xF). Values of CRCLOCK, JTAGLOCK, and PSWDLOCK locations in the OTP memory are copied in the Z1\_OTPSECLOCK register by the boot-ROM code.

#### CAUTION

If the JTAG lock feature is enabled, all future debug of the device through JTAG is disabled. This specifically impairs TI's ability to analyze devices returned to TI for failure analysis. If the JTAG lock feature is enabled, TI rejects any return analysis requests.

### 3.13.1.6 Link Pointer and Zone Select

For each of the two security zones a dedicated OTP memory block exists that holds the configuration related to zone's security. The following are the available programmed configurations:

- Zx-LINKPOINTER1
- Zx-LINKPOINTER2
- Zx-LINKPOINTER3
- Zx-PSWDLOCK
- Zx-CRCLOCK
- Zx-BOOTCTRL
- Zx-EXEONLYRAM
- Zx-EXEONLYSECT
- Zx-GRABRAM
- Zx-GRABSECT
- Zx-CSMPASSWORD

Since OTP memory cannot be erased, to provide flexibility of configuring some of the security settings like CSM passwords, allocation of RAM/Flash sectors and their attributes, multiple times by the user, the following configurations are placed in zone select regions of each zone's OTP Flash.

- Zx-EXEONLYRAM
- Zx-EXEONLYSECT
- Zx-GRABRAM
- Zx-GRABSECT
- Zx-CSMPASSWORD

The location of the zone select region in OTP memory is decided based on the value of three 29-bit link pointers (Zx-LINKPOINTERx) programmed in the OTP memory of each zone. All OTP memory locations except link pointer locations are protected with ECC. Since the link pointer locations are not protected with ECC, three link pointers are provided that need to be programmed with the same value. The final value of the link pointer is resolved in hardware when a dummy read is done to all the link pointers by comparing all the three values (bit-wise voting logic). Since in OTP memory, a 1 can be flipped by the user to 0 but a 0 cannot be flipped to a 1 (no erase operation for OTP memory), the most-significant bit position in the resolved link pointer that is 0 defines the valid base address for the zone select region. While generating the final link pointer value, if the bit patterns is not one of those listed in [Figure 3-20](#), the final link pointer value becomes All\_1 (0xFFFF\_FFFF) that selects the Zone-Select-Block1 (also known as the default zone select block).

Zx-LINKPOINTER	Addr Offset Of Zone-Select Block
32'bxxx11111111111111111111111111111111	0x20
32'bxxx11111111111111111111111111111111 0	0x30
32'bxxx11111111111111111111111111111111 0x	0x40
32'bxxx11111111111111111111111111111111 0xx	0x50
32'bxxx11111111111111111111111111111111 0xxx	0x60
32'bxxx11111111111111111111111111111111 0xxxx	0x70
32'bxxx11111111111111111111111111111111 0xxxxx	0x80
32'bxxx11111111111111111111111111111111 0xxxxxx	0x90
32'bxxx11111111111111111111111111111111 0xxxxxxx	0xa0
32'bxxx11111111111111111111111111111111 0xxxxxxx	0xb0
32'bxxx11111111111111111111111111111111 0xxxxxxx	0xc0
32'bxxx11111111111111111111111111111111 0xxxxxxx	0xd0
32'bxxx11111111111111111111111111111111 0xxxxxxx	0xe0
32'bxxx11111111111111111111111111111111 0xxxxxxx	0xf0
32'bxxx11111111111111111111111111111111 0xxxxxxx	0x100
32'bxxx11111111111111111111111111111111 0xxxxxxx	0x110
32'bxxx11111111111111111111111111111111 0xxxxxxx	0x120
32'bxxx11111111111111111111111111111111 0xxxxxxx	0x130
32'bxxx11111111111111111111111111111111 0xxxxxxx	0x140
32'bxxx11111111111111111111111111111111 0xxxxxxx	0x150
32'bxxx11111111111111111111111111111111 0xxxxxxx	0x160
32'bxxx11111111111111111111111111111111 0xxxxxxx	0x170
32'bxxx11111111111111111111111111111111 0xxxxxxx	0x180
32'bxxx11111111111111111111111111111111 0xxxxxxx	0x190
32'bxxx11111111111111111111111111111111 0xxxxxxx	0x1a0
32'bxxx11111111111111111111111111111111 0xxxxxxx	0x1b0
32'bxxx11111111111111111111111111111111 0xxxxxxx	0x1c0
32'bxxx11111111111111111111111111111111 0xxxxxxx	0x1d0
32'bxxx10xxxxxxx11111111111111111111111111111111	0x1e0
32'bxxx0xxxxxxx11111111111111111111111111111111	0x1f0

Zone Select Block	
Addr Offset	32-Bit Content
0x0	Zx-EXEONLYRAM
0x2	Zx-EXEONLYSECT
0x4	Zx-GRABRAM
0x6	Zx-GRABSECT
0x8	Zx-CSMPSWD0
0xa	Zx-CSMPSWD1
0xc	Zx-CSMPSWD2
0xe	Zx-CSMPSWD3

Figure 3-20. Storage of Zone-Select Bits in OTP Memory

**Note**

Address locations for other security settings (PSWDLCK/CRCLOCK) that are not part of Zone Select blocks can be programmed only once; therefore, the user must program the address locations toward the end of the development cycle.

Since linkpointer location in USER OTP does not have ECC, the user must always define a separate structure and section for linkpointers.

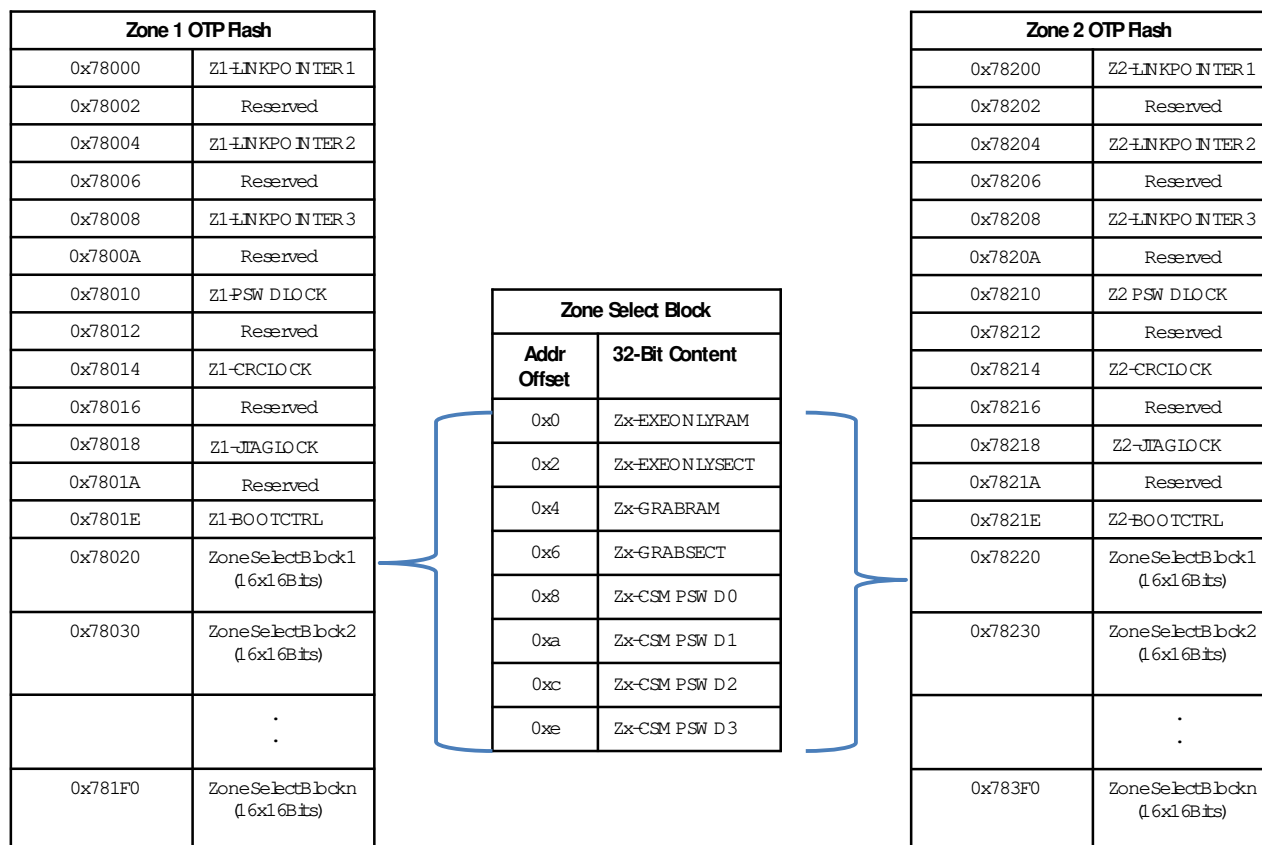


Figure 3-21. Location of Zone-Select Block Based on Link-Pointer

### 3.13.1.6.1 C Code Example to get Zone Select Block Addr for Zone1

```

unsigned long LinkPointer;
unsigned long *Zone1SelBlockPtr;
int Bitpos = 28;
int ZeroFound = 0;
// Read Z1-Linkpointer register of DCSM module.
LinkPointer = *(unsigned long *)0x5F000;
// Bits 31 30 and 29 as most-significant 0 are reserved LinkPointer options
LinkPointer = LinkPointer << 3;
while ((ZeroFound == 0) && (bitpos > -1))
{
    if ((LinkPointer & 0x80000000) == 0)
    {
        ZeroFound = 1;
        Zone1SelBlockPtr = (unsigned long *) (0x78000 + ((bitpos + 3)*16));
    } else
    {
        bitpos--;
        LinkPointer = LinkPointer << 1;
    }
}
if (ZeroFound == 0)
{
    //Default in case there is no zero found.
    Zone1SelBlockPtr = (unsigned long *)0x78020;
}
    
```

### 3.13.1.7 Flash and OTP Memory Erase/Program

On this device, OTP memory, as well as normal Flash, are secure resources. Each zone has a dedicated OTP memory, whereas normal Flash sectors can be allocated to any zone based on the value programmed in the GRABSECT location in OTP memory. Each zone has CSM passwords; read and write accesses are not allowed to resources owned by Z1 from code running from memory allocated to Z2 and conversely. Before programming any secure Flash sector, the user must either unlock the zone to which that particular sector belongs, using PMF or execute the Flash programming code from secure memory that belongs to the same zone. The same is the case for erasing any secure Flash sector. To program the security settings in OTP Flash, the user must unlock the CSM of the respective zone. Unless the zone is unlocked, security settings in OTP Flash cannot be updated. The OTP Flash content cannot be erased.

This device has only one Flash pump used for erase/program operation of normal Flash and OTP Flash. A semaphore mechanism is provided to avoid the conflict between Zone1 and Zone2. A zone needs to grab this semaphore to successfully complete the erase/program operation on the Flash sectors allocated to that zone. A semaphore can be grabbed by a zone by writing the appropriate value in the SEM field of the FLSEM register. For further details of this field, see the register description.

---

#### Note

If there is a loss of power or a reset of any nature during the Flash programming operation, there is high probability of some (or possibly all) of the 128 bits in the corresponding 128-bit aligned address getting corrupted. If this happens while programming the password locations in USER OTP, the passwords can get corrupted.

---

### 3.13.1.8 Safe Copy Code

In some applications, the user may want to copy the code from secure Flash to secure RAM for better performance. The user cannot do this for EXEONLY Flash sectors because EXEONLY secure memories cannot be read from anywhere. TI provides specific “Safe Copy Code” library functions for each zone to enable the user to copy content from EXEONLY secure Flash sectors to EXEONLY RAM blocks. These functions do the copy-code operation in a highly secure environment and allow a copy to be performed only when the following conditions are met:

- The secure RAM block and the secure Flash sector belong to the same zone.
- Both the secure RAM block and the secure Flash sector have EXEONLY protection enabled.

For further usage of these library functions, see the device-specific Boot ROM documentation.

### 3.13.1.9 SafeCRC

Since reads from EXEONLY memories are not allowed, the user cannot calculate the CRC for content in EXEONLY memories using the VCU-II. But in some safety-critical applications, the user may have to calculate the CRC on these memories as well. To enable this without compromising on security, TI provides specific “SafeCRC” library functions for each zone. These functions do the CRC calculation in highly secure environment and allow a CRC calculation to be performed only when the following conditions are met:

- The source address must be modulo the number of words (based on length\_id) for which the CRC needs to be calculated.
- The destination address must belong to the same zone as the source address.

For further usage of these library functions, see the device-specific Boot ROM documentation.

---

#### Note

The user must disable all the interrupts before calling the safe copy code and the safeCRC function. If there is a vector fetch during copy code operation, the CPU gets reset immediately.

---

**Disclaimer: Code Security Module Disclaimer** The Code Security Module (CSM) included on this device was designed to password protect the data stored in the associated memory and is warranted by Texas Instruments (TI), in accordance with its standard terms and conditions, to conform to TI's published specifications for the warranty period applicable for this device. TI DOES NOT, HOWEVER, WARRANT OR REPRESENT THAT THE CSM CANNOT BE COMPROMISED OR BREACHED OR THAT THE DATA STORED IN THE ASSOCIATED MEMORY CANNOT BE ACCESSED THROUGH OTHER MEANS. MOREOVER, EXCEPT AS SET FORTH ABOVE, TI MAKES NO WARRANTIES OR REPRESENTATIONS CONCERNING THE CSM OR OPERATION OF THIS DEVICE, INCLUDING ANY IMPLIED WARRANTIES OF MERCHANTABILITY OR FITNESS FOR A PARTICULAR PURPOSE. IN NO EVENT SHALL TI BE LIABLE FOR ANY CONSEQUENTIAL, SPECIAL, INDIRECT, INCIDENTAL, OR PUNITIVE DAMAGES, HOWEVER CAUSED, ARISING IN ANY WAY OUT OF YOUR USE OF THE CSM OR THIS DEVICE, WHETHER OR NOT TI HAS BEEN ADVISED OF THE POSSIBILITY OF SUCH DAMAGES. EXCLUDED DAMAGES INCLUDE, BUT ARE NOT LIMITED TO LOSS OF DATA, LOSS OF GOODWILL, LOSS OF USE OR INTERRUPTION OF BUSINESS OR OTHER ECONOMIC LOSS.

### 3.13.2 CSM Impact on Other On-Chip Resources

On this device, M0/M1 and GSx memories are not secure. To avoid any potential hacking when the device is in the default state (post reset), accesses (all types) to all memories (secure as well as non-secure, except BOOT-ROM and OTP memory) are disabled until proper security initialization is done. This means that after reset none of the memory resources except BOOT\_ROM and OTP memory is accessible to the user.

The following steps are required after reset (any type of reset) to initialize the security on each CPU subsystem.

- Dummy Read to address location of SECDC (0x703F0, TI-reserved register) in TI OTP memory
- Dummy Read to address location of Z1\_LINKPOINTER1 in Z1 OTP memory
- Dummy Read to address location of Z1\_LINKPOINTER2 in Z1 OTP memory
- Dummy Read to address location of Z1\_LINKPOINTER3 in Z1 OTP memory
- Dummy Read to address location of Z1\_PSWDLOCK in Z1 OTP memory
- Dummy Read to address location of Z1\_CRCLOCK in Z1 OTP memory
- Dummy Read to address location 0x78018 in Z1 OTP memory
- Dummy Read to address location of Z1\_BOOTCTRL in Z1 OTP memory
- Read to memory map register of Z1\_LINKPOINTER in DCSM module to calculate the address of zone select block for Z1
- Dummy read to address location of Z1\_EXEONLYRAM in Z1 OTP memory
- Dummy read to address location of Z1\_EXEONLYSECT in Z1 OTP memory
- Dummy read to address location of Z1\_GRABRAM in Z1 OTP memory
- Dummy read to address location of Z1\_GRABSECT in Z1 OTP memory
- Dummy Read to address location of Z2\_LINKPOINTER1 in Z2 OTP memory
- Dummy Read to address location of Z2\_LINKPOINTER2 in Z2 OTP memory
- Dummy Read to address location of Z2\_LINKPOINTER3 in Z2 OTP memory
- Dummy Read to address location of Z2\_PSWDLOCK in Z2 OTP memory
- Dummy Read to address location of Z2\_CRCLOCK in Z2 OTP memory
- Dummy Read to address location 0x78218 in Z2 OTP memory
- Dummy Read to address location of Z2\_BOOTCTRL in Z2 OTP memory
- Read to memory map register of Z2\_LINKPOINTER in DCSM module to calculate the address of zone select block for Z2
- Dummy read to address location of Z2\_EXEONLYRAM in Z2 OTP memory
- Dummy read to address location of Z2\_EXEONLYSECT in Z2 OTP memory
- Dummy read to address location of Z2\_GRABRAM in Z2 OTP memory
- Dummy read to address location of Z2\_GRABSECT in Z2 OTP memory

---

#### Note

Security Initialization is done by BOOTROM code on all the resets that assert SYSRSn (as part of device initialization). This is not part of the user application code.

---



### 3.13.3 Incorporating Code Security in User Applications

Code security is typically not required in the development phase of a project. However, security is needed once a robust code is developed for a zone. Before such a code is programmed in the Flash memory, a CSM password must be chosen to secure the zone. Once a CSM password is in place for a zone, the zone is secured (programming a password at the appropriate locations and either performing a device reset or setting the FORCESEC bit (Zx\_CR.15) is the action that secures the device). From that time on, access to debug the contents of secure memory by any means (using JTAG, code running off external/on-chip memory, and so forth) requires a valid password. A password is not needed to run the code out of secure memory (such as in a typical end-user usage); however, access to secure memory contents for debug purposes, requires a password.

#### 3.13.3.1 Environments That Require Security Unlocking

The following are the typical situations under which unsecuring can be required:

- Code development using debuggers (such as Code Composer Studio). This is the most common environment during the design phase of a product.
- Flash programming using TI's Flash utilities such as Code Composer Studio On-Chip Flash Programmer plug-in or the UniFlash tool. Flash programming is common during code development and testing. Once the user supplies the necessary password, the Flash utilities disable the security logic before attempting to program the Flash. The Flash utilities can disable the code security logic in new devices without any authorization, since new devices come with an erased Flash. However, reprogramming devices that already contain a custom password require the password to be supplied to the Flash utilities in order to unlock the device to enable programming. In custom programming solutions that use the Flash API supplied by TI, unlocking the CSM can be avoided by executing the Flash programming algorithms from secure memory.
- Custom environment defined by the application
  - In addition to the above, access to secure memory contents can be required in situations such as:
    - Using the on-chip bootloader to load code or data into secure SARAM or to erase and program the Flash.
    - Executing code from on-chip unsecure memory and requiring access to secure memory for the lookup table. This is not a suggested operating condition as supplying the password from external code could compromise code security.

The unsecuring sequence is identical in all the above situations. This sequence is referred to as the password match flow (PMF) for simplicity. [Figure 3-22](#) explains the sequence of operation that is required every time the user attempts to unsecure a particular zone. A code example is listed for clarity.

### 3.13.3.2 CSM Password Match Flow

Password match flow (PMF) is essentially a sequence of four dummy reads from password locations (PWL) followed by four writes (32-bit writes) to CSMKEY(0/1/2/3) registers. Figure 3-22 shows how PMF helps to initialize the security logic registers and disable security logic.

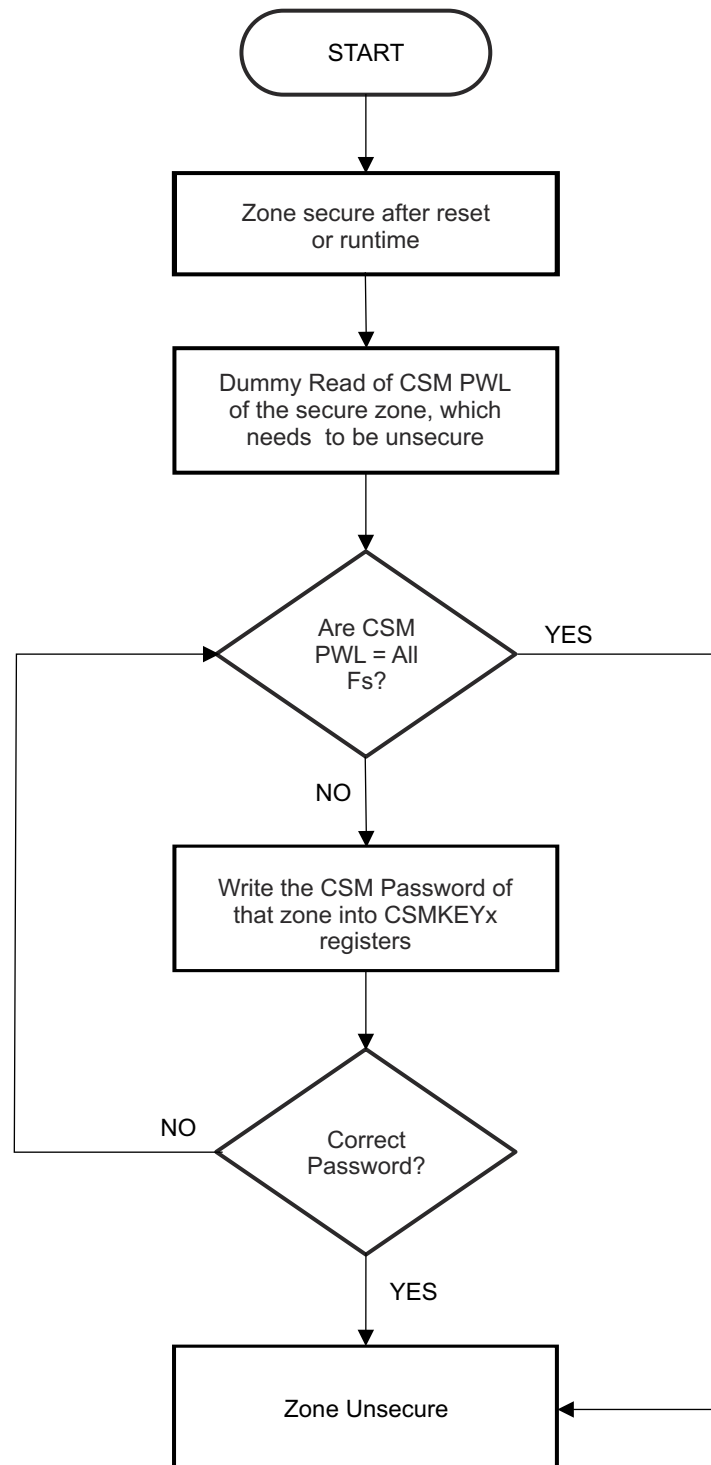


Figure 3-22. CSM Password Match Flow (PMF)

### 3.13.3.3 Unsecuring Considerations for Zones With and Without Code Security

Case 1 and Case 2 provide unsecuring considerations for zones with and without code security.

- **Case 1: Zone With Code Security**

A zone with code security must have a predetermined password stored in the password locations of that zone. The following are steps to unsecure any secure zone:

1. Perform a dummy read of the password locations of that zone.
2. Write the password into the CSMKEY registers.
3. If the password is correct, the zone becomes unsecure; otherwise, the zone stays secure.

- **Case 2: Zone Without Code Security**

A zone without code security must have 0x FFFF FFFF FFFF FFFF FFFF FFFF FFFF FFFF (128 bits of all ones) stored in the password locations. The following are steps to use this zone:

1. At reset, the CSM locks memory regions protected by the CSM.
2. Perform a dummy read of the password locations.
3. Since the password is all ones, this unlocks the zone and all the secure memories dedicated to that zone are fully accessible immediately after this operation is completed.

---

#### Note

Even if a zone is not protected with a password (all password locations all ones), the CSM locks at reset. Thus, a dummy read operation must still be performed on these zones prior to reading, writing, or programming secure memory if the code performing the access is executing from outside of the CSM protected memory region. The Boot ROM code does this dummy read for convenience.

---

#### 3.13.3.3.1 C Code Example to Unsecure C28x Zone1

```
volatile long int *CSM = (volatile long int *)0x5F010; //CSM register file
volatile long int *CSMPWL = (volatile long int *)0x78028; //CSM Password location (assuming default
Zone sel block)
volatile int tmp;

int I;
// Read the 128-bits of the CSM password locations (PWL)
//
for (I=0;I<4; I++) tmp = *CSMPWL++;
// If the password locations (CSMPWL) are all = ones (0xFFFF),
// then the zone will now be unsecure. If the password
// is not all ones (0xFFFF), then the code below is required
// to unsecure the CSM.
// Write the 128-bit password to the CSMKEY registers
// If this password matches that stored in the
// CSLPWL then the CSM will become unsecure. If it does not
// match, then the zone will remain secure.
// An example password of:
// 0x11112222333344445555666677778888 is used.
*CSM++ = 0x22221111; // Register Z1_CSMKEY0 at 0x5F010
*CSM++ = 0x44443333; // Register Z1_CSMKEY1 at 0x5F012
*CSM++ = 0x66665555; // Register Z1_CSMKEY2 at 0x5F014
*CSM++ = 0x88887777; // Register Z1_CSMKEY3 at 0x5F016
```

#### 3.13.3.3.2 C Code Example to Resecure C28x Zone1

```
volatile int *Z1_CR = 0x5F019; //CSMSCR register
//Set FORCESEC bit
*Z1_CR = 0x8000;
```

### 3.13.3.4 Environments That Require ECSL Unlocking

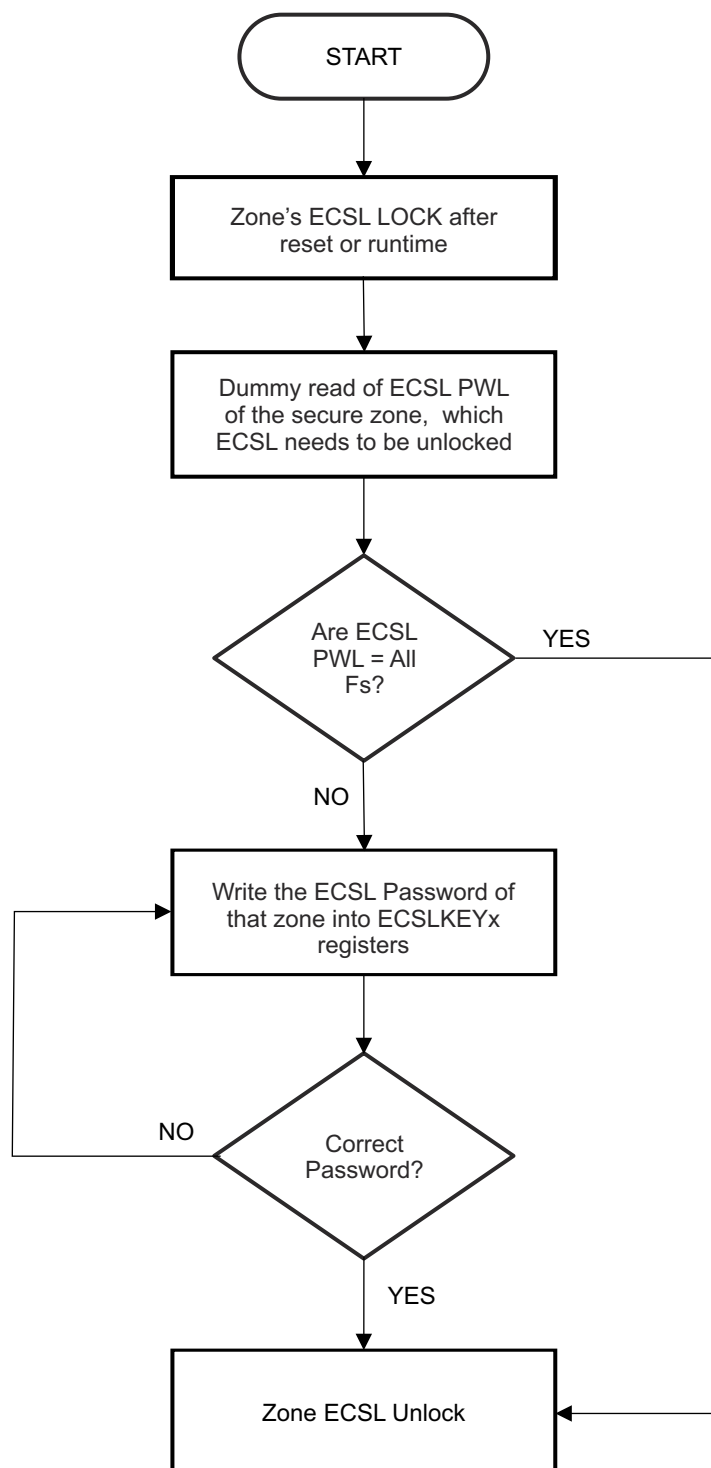
The following are the typical situations under which unsecuring can be required:

- The user develops some main IP, and then outsources peripheral functions to a subcontractor who must be able to run the user code during debug and may halt while main IP code is running. If ECSL is not unlocked,

then Code Composer Studio IDE connections get disconnected, which can be inconvenient for the user. Note that unlocking ECSL doesn't enable access to secure code but only avoids disconnection of CCS (JTAG).

### 3.13.3.5 ECSL Password Match Flow

A password match flow (PMF) is essentially a sequence of eight dummy reads from password locations (PWL) followed by two writes to KEY registers. Figure 3-23 shows how the PMF helps to initialize the security logic registers and disable security logic.



**Figure 3-23. ECSL Password Match Flow (PMF)**

### 3.13.3.6 ECSL Disable Considerations for any Zone

A zone with ECSL enabled must have a predetermined ECSL password stored in the ECSL password locations in Flash (same as lower 64 bits of CSM passwords). The following are steps to disable the ECSL for any particular zone:

- Perform a dummy read of CAM password locations of that Zone
- Write the password into the CSMKEYx registers, corresponding to that Zone.
- If the password is correct, the ECSL gets disabled; otherwise, the ECSL stays enabled.

#### 3.13.3.6.1 C Code Example to Disable ECSL for C28x-Zone1

```
volatile long int *ECSL = (volatile int *)0x5F010; //ECSL register file
volatile long int *ECSLPWL = (volatile int *)0x78028; //ECSL Password location (assuming default
Zone sel block)
volatile int tmp;

int I;
// Read the 64-bits of the password locations (PWL)
for (I=0;I<2; I++) tmp = *ECSLPWL++;
// If the ECSL password locations (ECSLPWL) are all = ones (0xFFFF),
// then the ECSL will now be disable. If the password
// is not all ones (0xFFFF), then the code below is required
// to disable the ECSL.
// Write the 64-bit password to the CSMKEYx registers
// If this password matches that stored in the
// CSMPWL then ECSL will get disable. If it does not
// match, then the zone will remain secure.
// An example password of:
// 0x1111222233334444 is used.
*ECSL++ = 0x22221111; // Register Z1_CSMKEY0 at 0x5F010
*ECSL++ = 0x44443333; // Register Z1_CSMKEY1 at 0x5F012
```

### 3.13.3.7 Device Unique ID

The bank 0 OTP memory contains a 256-bit value that is made up of both pseudo-random and sequential parts. This value may be used as a seed for code encryption. The starting address of the value is 0x703C0. The first 192 bits are pseudo-random, the next 32 bits are sequential, and the last 32 bits are a checksum value. The degree of randomness is not specified.

### 3.14 JTAG

Gel files perform certain initialization tasks. This helps the users in a debug environment. However, when executed standalone (without the emulator connected) the application may not work as expected, since there is no gel file to perform those initializations. For example, gel file disables watchdog. If user code does not service the watchdog in the application (or fails to disable it), there is difference in how the application behaves with the debugger and without.

Common tasks performed by the gel files (but not boot-ROM)

On Reset:

- Disable Flash ECC on some devices.
  - Disabling ECC only when using Flash API functions, see the Flash API User Guide for details. Otherwise, TI suggests to always program ECC and enable ECC-check.
- Disable Watchdog
- Enable CLA clock
- Select real-time mode or C28x mode

On Restart:

- Select real-time mode or C28x mode
- Clear IER and IFR

On Target Connect:

- Select real-time mode or C28x mode

### 3.15 System Control Register Configuration Restrictions

Memory-mapped registers in the System Control operate on INTOSC1 clock domain; hence, any CPU writes to these registers requires a delay between subsequent writes otherwise a second write can be lost. The application needs to take this into consideration and add a delay in terms of the number of NOP instructions after every write to these registers that are mentioned in [Table 3-19](#). The formula to compute delay between subsequent writes:

$$\text{Delay (in SYSCLK cycles)} = 3 \times (F_{\text{SYSCLK}} \div F_{\text{INTOSC1}}) + 9$$

For Example - For SYSCLK = 100 MHz

$$\text{Delay (in SYSCLK cycles)} = 3 \times (100 \text{ MHz} \div 10 \text{ MHz}) + 9 = 39 \text{ SYSCLK cycles}$$

**Table 3-19. System Control Registers Impacted**

Registers requiring delay after every write
PERCLKDIVSEL
SYSCLKDIVSEL
SYSPLLCTL1
SYSPLLMULT
WDCR
XCLKOUTDIVSEL
CLKSRCCTL1
CLKSRCCTL2
CLKSRCCTL3
CPU1TMR2CTL (TMR2CLKCTL)

## 3.16 Software

### 3.16.1 SYSCTL Examples

NOTE: These examples are located in the [C2000Ware](#) installation at the following location: C2000Ware\_VERSION#/driverlib/DEVICE\_GPN/examples/CORE\_IF\_MULTICORE/sysctl

Cloud access to these examples is available at the following link: [dev.ti.com C2000Ware Examples](#).

#### 3.16.1.1 Missing clock detection (MCD)

FILE: sysctl\_ex1\_missing\_clock\_detection.c

This example demonstrates the missing clock detection functionality and the way to handle it. Once the MCD is simulated by disconnecting the OSCCLK to the MCD module an NMI would be generated. This NMI determines that an MCD was generated due to a clock failure which is handled in the ISR.

Before an MCD the clock frequency would be as per device initialization (200Mhz). Post MCD the frequency would move to 10Mhz or INTOSC1.

The example also shows how we can lock the PLL after missing clock, detection, by first explicitly switching the clock source to INTOSC1, resetting the missing clock detect circuit and then re-locking the PLL. Post a re-lock the clock frequency would be 200Mhz but using the INTOSC1 as clock source.

##### External Connections

- None.

##### Watch Variables

- *fail* - Indicates that a missing clock was either not detected or was not handled correctly.
- *mcd\_clkfail\_isr* - Indicates that the missing clock failure caused an NMI to be triggered and called an the ISR to handle it.
- *mcd\_detect* - Indicates that a missing clock was detected.
- *result* - Status of a successful handling of missing clock detection

#### 3.16.1.2 XCLKOUT (External Clock Output) Configuration

FILE: sysctl\_ex2\_xclkout\_config.c

This example demonstrates how to configure the XCLKOUT pin for observing internal clocks through an external pin, for debugging and testing purposes.

In this example, we are using INTOSC1 as the XCLKOUT clock source and configuring the divider as 8. Expected frequency of XCLKOUT = (INTOSC1 freq)/8 = 10/8 = 1.25MHz

View the XCLKOUT on GPIO73 using an oscilloscope.

### 3.16.2 TIMER Examples

NOTE: These examples are located in the [C2000Ware](#) installation at the following location: C2000Ware\_VERSION#/driverlib/DEVICE\_GPN/examples/CORE\_IF\_MULTICORE/timer

Cloud access to these examples is available at the following link: [dev.ti.com C2000Ware Examples](#).

#### 3.16.2.1 CPU Timers

FILE: timer\_ex1\_cputimers.c

This example configures CPU Timer0, 1, and 2 and increments a counter each time the timer asserts an interrupt. In order to migrate the project within syscfg to any device, click the swtich button under the device view and select your corresponding device to migrate, saving the project will auto-migrate your project settings.

##### External Connections

- None

##### Watch Variables

- cpuTimer0IntCount
- cpuTimer1IntCount
- cpuTimer2IntCount

### 3.16.2.2 CPU Timers

FILE: timer\_ex1\_cputimers\_sysconfig.c

This example configures CPU Timer0, 1, and 2 and increments a counter each time the timer asserts an interrupt.

#### External Connections

- None

#### Watch Variables

- cpuTimer0IntCount
- cpuTimer1IntCount
- cpuTimer2IntCount

### 3.16.3 MEMCFG Examples

NOTE: These examples are located in the [C2000Ware](#) installation at the following location: C2000Ware\_VERSION#/driverlib/DEVICE\_GPN/examples/CORE\_IF\_MULTICORE/memcfg

Cloud access to these examples is available at the following link: [dev.ti.com](http://dev.ti.com) [C2000Ware Examples](#).

### 3.16.4 INTERRUPT Examples

NOTE: These examples are located in the [C2000Ware](#) installation at the following location: C2000Ware\_VERSION#/driverlib/DEVICE\_GPN/examples/CORE\_IF\_MULTICORE/interrupt

Cloud access to these examples is available at the following link: [dev.ti.com](http://dev.ti.com) [C2000Ware Examples](#).

#### 3.16.4.1 External Interrupts (ExternalInterrupt)

FILE: interrupt\_ex1\_external.c

This program sets up GPIO0 as XINT1 and GPIO1 as XINT2. Two other GPIO signals are used to trigger the interrupt (GPIO10 triggers XINT1 and GPIO11 triggers XINT2). The user is required to externally connect these signals for the program to work properly.

XINT1 input is synced to SYSCLKOUT.

XINT2 has a long qualification - 6 samples at 510\*SYSCLKOUT each.

GPIO16 will go high outside of the interrupts and low within the interrupts. This signal can be monitored on a scope.

Each interrupt is fired in sequence - XINT1 first and then XINT2

#### External Connections

- Connect GPIO10 to GPIO0. GPIO0 will be assigned to XINT1
- Connect GPIO11 to GPIO1. GPIO1 will be assigned to XINT2

Monitor GPIO16 with an oscilloscope. GPIO16 will be high outside of the ISRs and low within each ISR.

#### Watch Variables

- xint1Count for the number of times through XINT1 interrupt
- xint2Count for the number of times through XINT2 interrupt
- loopCount for the number of times through the idle loop

#### 3.16.4.2 Multiple interrupt handling of I2C, SCI & SPI Digital Loopback

FILE: interrupt\_ex2\_with\_i2c\_sci\_spi\_loopback.c



This program is used to demonstrate how to handle multiple interrupts when using multiple communication peripherals like I2C, SCI & SPI Digital Loopback all in a single example. The data transfers would be done with FIFO Interrupts.

It uses the internal loopback test mode of these modules. Both the TX and RX FIFOs and their interrupts are used. Other than boot mode pin configuration, no other hardware configuration is required.

A stream of data is sent and then compared to the received stream. The sent data looks like this for I2C and SCI:

```
0000 0001
0001 0002
0002 0003
....
00FE 00FF
00FF 0000
etc..
```

The sent data looks like this for SPI:

```
0000 0001
0001 0002
0002 0003
....
FFFE FFFF
FFFF 0000
etc..
```

This pattern is repeated forever.

#### *External Connections*

- None

#### *Watch Variables*

- *sDataI2cA* - Data to send through I2C
- *rDataI2cA* - Received I2C data
- *rDataPoint* - Used to keep track of the last position in the receive I2C stream for error checking
- *sDataSpiA* - Data to send through SPI
- *rDataSpiA* - Received SPI data
- *rDataPointSpiA* - Used to keep track of the last position in the receive SPI stream for error checking
- *sDataSciA* - SCI Data being sent
- *rDataSciA* - SCI Data received
- *rDataPointA* - Keep track of where we are in the SCI data stream. This is used to check the incoming data

### **3.16.4.3 CPU Timer Interrupt Software Prioritization**

FILE: interrupt\_ex3\_sw\_prioritization.c

This examples demonstrates the software prioritization of interrupts through CPU Timer Interrupts. Software prioritization of interrupts is achieved by enabling interrupt nesting.

In this device, hardware priorities for CPU Timer 0, 1 and 2 are set as timer 0 being highest priority and timer 2 being lowest priority. This example configures CPU Timer0, 1, and 2 priority in software with timer 2 priority being highest and timer 0 being lowest in software and prints a trace for the order of execution.

For most applications, the hardware prioritizing of the interrupts is sufficient. For applications that need custom prioritizing, this example illustrates how this can be done through software. User specific priorities can be configured in sw\_prioritized\_isr\_level.h header file.

To enable interrupt nesting, following sequence needs to followed in ISRs. *Step 1:* Set the global priority: Modify the IER register to allow CPU interrupts with a higher user priority to be serviced. Note: at this time IER has already been saved on the stack. *Step 2:* Set the group priority: (optional) Modify the appropriate PIEIERx

register to allow group interrupts with a higher user set priority to be serviced. Do NOT clear PIEIER register bits from another group other than that being serviced by this ISR. Doing so can cause erroneous interrupts to occur. *Step 3:* Enable interrupts: There are three steps to do this: a. Clear the PIEACK bits b. Wait at least one cycle c. Clear the INTM bit. *Step 4:* Run the main part of the ISR *Step 5:* Set INTM to disable interrupts. *Step 6:* Restore PIEIERx (optional depending on step 2) *Step 7:* Return from ISR

Refer to below link on more details on Interrupt nesting in C28x devices:

[C2000Ware\docs\c28x\\_interrupt\\_nesting\html\index.html](http://<C2000Ware>\docs\c28x_interrupt_nesting\html\index.html)

#### External Connections

- None

#### Watch Variables

- traceISR - shows the order in which ISRs are executed.

### 3.16.4.4 EPWM Real-Time Interrupt

FILE: interrupt\_ex4\_epwm\_realtime\_interrupt.c

This example configures the ePWM1 Timer and increments a counter each time the ISR is executed. ePWM interrupt can be configured as time critical to demonstrate real-time mode functionality and real-time interrupt capability.

The example uses 2 LEDs - LED1 is toggled in the main loop and LED2 is toggled in the EPWM Timer Interrupt. FREE\_SOFT bits and DBGIER.INT3 bit must be set to enable ePWM1 interrupt to be time critical and operational in real time mode after halt command

How to run the example?

- Add the watch variables as mentioned below and enable Continuous Refresh.
- Enable real-time mode (Run->Advanced->Enable Silicon Real-time Mode)
- Initially, the DBGIER register is set to 0 and the EPWM emulation mode is set to EPWM\_EMULATION\_STOP\_AFTER\_NEXT\_TB (FREE\_SOFT = 0)
- When the application is running, you will find both LEDs toggling and the watch variables EPwm1TimerIntCount, EPwm1Regs.TBCTR getting updated.
- When the application is halted, both LEDs stop toggling and the watch variables remain constant. EPWM counter is stopped on debugger halt.
- To enable EPWM counter run during debugger halt, set emulation mode as EPWM\_EMULATION\_FREE\_RUN (FREE\_SOFT = 2). You will find EPwm1Regs.TBCTR is running, but EPwm1TimerIntCount remains constant. This means, the EPWM counter is running, but the ISRs are not getting serviced.
- To enable real-time interrupts, set DBGIER.INT3 = 1 (EPWM1 interrupt is part of PIE Group 3). You will find that the EPwm1TimerIntCount is incrementing and the LED starts toggling. The EPWM ISR is getting serviced even during a debugger halt.

For more details, watch this video : [C2000 Real-Time Features](#)

#### External Connections

- None

#### Watch Variables

- EPwm1TimerIntCount - EPWM1 ISR counter
- EPwm1Regs.TBCTR.TBCTR - EPWM1 Time Base counter
- EPwm1Regs.TBCTL.FREE\_SOFT - Set this to 2 to enable free run
- DBGIER.INT3 - Set to 1 to enable real time interrupt

### 3.16.5 LPM Examples

NOTE: These examples are located in the [C2000Ware](#) installation at the following location:  
C2000Ware\_VERSION#/driverlib/DEVICE\_GPN/examples/CORE\_IF\_MULTICORE/lpm

Cloud access to these examples is available at the following link: [dev.ti.com](http://dev.ti.com) [C2000Ware Examples](#).

### 3.16.6 WATCHDOG Examples

NOTE: These examples are located in the [C2000Ware](#) installation at the following location:  
C2000Ware\_VERSION#/driverlib/DEVICE\_GPN/examples/CORE\_IF\_MULTICORE/watchdog

Cloud access to these examples is available at the following link: [dev.ti.com](http://dev.ti.com) [C2000Ware Examples](#).

#### 3.16.6.1 Watchdog

FILE: watchdog\_ex1\_service.c

This example shows how to service the watchdog or generate a wakeup interrupt using the watchdog. By default the example will generate a Wake interrupt. To service the watchdog and not generate the interrupt, uncomment the SysCtl\_serviceWatchdog() line in the main for loop.

##### *External Connections*

- None.

##### *Watch Variables*

- wakeCount - The number of times entered into the watchdog ISR
- loopCount - The number of loops performed while not in ISR

## 3.17 System Control Registers

### 3.17.1 System Control Base Addresses

**Table 3-20. System Control Base Address Table**

Device Registers	Register Name	Start Address	End Address
CpuTimer0Regs	CPUTIMER_REGS	0x0000_0C00	0x0000_0C07
CpuTimer1Regs	CPUTIMER_REGS	0x0000_0C08	0x0000_0C0F
CpuTimer2Regs	CPUTIMER_REGS	0x0000_0C10	0x0000_0C17
PieCtrlRegs	PIE_CTRL_REGS	0x0000_0CE0	0x0000_0CFF
WdRegs	WD_REGS	0x0000_7000	0x0000_703F
NmiIntruptRegs	NMI_INTRUPT_REGS	0x0000_7060	0x0000_706F
XintRegs	XINT_REGS	0x0000_7070	0x0000_707F
SyncSocRegs	SYNC_SOC_REGS	0x0000_7940	0x0000_794F
DmaClaSrcSelRegs	DMA_CLA_SRC_SEL_REGS	0x0000_7980	0x0000_79BF
DevCfgRegs	DEV_CFG_REGS	0x0005_D000	0x0005_D17F
ClkCfgRegs	CLK_CFG_REGS	0x0005_D200	0x0005_D2FF
CpuSysRegs	CPU_SYS_REGS	0x0005_D300	0x0005_D3FF
RomPrefetchRegs	ROM_PREFETCH_REGS	0x0005_E608	0x0005_E609
DcsmZ1Regs	DCSM_Z1_REGS	0x0005_F000	0x0005_F02F
DcsmZ2Regs	DCSM_Z2_REGS	0x0005_F040	0x0005_F05F
DcsmCommonRegs	DCSM_COMMON_REGS	0x0005_F070	0x0005_F07F
MemCfgRegs	MEM_CFG_REGS	0x0005_F400	0x0005_F47F
AccessProtectionRegs	ACCESS_PROTECTION_REGS	0x0005_F4C0	0x0005_F4FF
MemoryErrorRegs	MEMORY_ERROR_REGS	0x0005_F500	0x0005_F53F
RomWaitStateRegs	ROM_WAIT_STATE_REGS	0x0005_F540	0x0005_F541
Flash0CtrlRegs	FLASH_CTRL_REGS	0x0005_F800	0x0005_FAFF
Flash0EccRegs	FLASH_ECC_REGS	0x0005_FB00	0x0005_FB3F
UidRegs	UID_REGS	0x0007_03C0	0x0007_03CF
DcsmZ1OTPRRegs	DCSM_Z1_OTP	0x0007_8000	0x0007_81FF
DcsmZ2OTPRRegs	DCSM_Z2_OTP	0x0007_8200	0x0007_83FF

### 3.17.2 CPUTIMER\_REGS Registers

Table 3-21 lists the memory-mapped registers for the CPUTIMER\_REGS registers. All register offset addresses not listed in Table 3-21 should be considered as reserved locations and the register contents should not be modified.

**Table 3-21. CPUTIMER\_REGS Registers**

Offset	Acronym	Register Name	Write Protection	Section
0h	TIM	CPU-Timer, Counter Register		<a href="#">Go</a>
2h	PRD	CPU-Timer, Period Register		<a href="#">Go</a>
4h	TCR	CPU-Timer, Control Register		<a href="#">Go</a>
6h	TPR	CPU-Timer, Prescale Register		<a href="#">Go</a>
7h	TPRH	CPU-Timer, Prescale Register High		<a href="#">Go</a>

Complex bit access types are encoded to fit into small table cells. Table 3-22 shows the codes that are used for access types in this section.

**Table 3-22. CPUTIMER\_REGS Access Type Codes**

Access Type	Code	Description
Read Type		
R	R	Read
Write Type		
W	W	Write
W1C	W 1C	Write 1 to clear
Reset or Default Value		
-n		Value after reset or the default value

### 3.17.2.1 TIM Register (Offset = 0h) [Reset = 0000FFFFh]

TIM is shown in [Figure 3-24](#) and described in [Table 3-23](#).

Return to the [Summary Table](#).

CPU-Timer, Counter Register

**Figure 3-24. TIM Register**

31	30	29	28	27	26	25	24	23	22	21	20	19	18	17	16	15	14	13	12	11	10	9	8	7	6	5	4	3	2	1	0
MSW																LSW															
R/W-0h																R/W-FFFFh															

**Table 3-23. TIM Register Field Descriptions**

Bit	Field	Type	Reset	Description
31-16	MSW	R/W	0h	CPU-Timer Counter Registers The TIMH register holds the high 16 bits of the current 32-bit count of the timer. The TIMH:TIM decrements by one every (TDDRH:TDDR+1) clock cycles, where TDDRH:TDDR is the timer prescale dividedown value. When the TIMH:TIM decrements to zero, the TIMH:TIM register is reloaded with the period value contained in the PRDH:PRD registers. The timer interrupt (TINT) signal is generated. Reset type: SYSRSn
15-0	LSW	R/W	FFFFh	CPU-Timer Counter Registers The TIM register holds the low 16 bits of the current 32-bit count of the timer. The TIMH:TIM decrements by one every (TDDRH:TDDR+1) clock cycles, where TDDRH:TDDR is the timer prescale dividedown value. When the TIMH:TIM decrements to zero, the TIMH:TIM register is reloaded with the period value contained in the PRDH:PRD registers. The timer interrupt (TINT) signal is generated. Reset type: SYSRSn

### 3.17.2.2 PRD Register (Offset = 2h) [Reset = 0000FFFFh]

PRD is shown in [Figure 3-25](#) and described in [Table 3-24](#).

Return to the [Summary Table](#).

CPU-Timer, Period Register

**Figure 3-25. PRD Register**

31	30	29	28	27	26	25	24	23	22	21	20	19	18	17	16	15	14	13	12	11	10	9	8	7	6	5	4	3	2	1	0
MSW																LSW															
R/W-0h																R/W-FFFFh															

**Table 3-24. PRD Register Field Descriptions**

Bit	Field	Type	Reset	Description
31-16	MSW	R/W	0h	CPU-Timer Period Registers The PRDH register holds the high 16 bits of the 32-bit period. When the TIMH:TIM decrements to zero, the TIMH:TIM register is reloaded with the period value contained in the PRDH:PRD registers, at the start of the next timer input clock cycle (the output of the prescaler). The PRDH:PRD contents are also loaded into the TIMH:TIM when you set the timer reload bit (TRB) in the Timer Control Register (TCR). Reset type: SYSRSn
15-0	LSW	R/W	FFFFh	CPU-Timer Period Registers The PRD register holds the low 16 bits of the 32-bit period. When the TIMH:TIM decrements to zero, the TIMH:TIM register is reloaded with the period value contained in the PRDH:PRD registers, at the start of the next timer input clock cycle (the output of the prescaler). The PRDH:PRD contents are also loaded into the TIMH:TIM when you set the timer reload bit (TRB) in the Timer Control Register (TCR). Reset type: SYSRSn

### 3.17.2.3 TCR Register (Offset = 4h) [Reset = 0001h]

TCR is shown in [Figure 3-26](#) and described in [Table 3-25](#).

Return to the [Summary Table](#).

CPU-Timer, Control Register

**Figure 3-26. TCR Register**

15		14		13		12		11		10		9		8	
TIF		TIE		RESERVED				FREE		SOFT		RESERVED			
R/W1C-0h		R/W-0h		R-0h				R/W-0h		R/W-0h		R-0h			
7		6		5		4		3		2		1		0	
RESERVED				TRB		TSS		RESERVED							
R-0h				R/W-0h		R/W-0h		R-1h							

**Table 3-25. TCR Register Field Descriptions**

Bit	Field	Type	Reset	Description
15	TIF	R/W1C	0h	CPU-Timer Overflow Flag. TIF indicates whether a timer overflow has happened since TIF was last cleared. TIF is not cleared automatically and does not need to be cleared to enable the next timer interrupt. Reset type: SYSRSn 0h (R/W) = The CPU-Timer has not decremented to zero. Writes of 0 are ignored. 1h (R/W) = This flag gets set when the CPU-timer decrements to zero. Writing a 1 to this bit clears the flag.
14	TIE	R/W	0h	CPU-Timer Interrupt Enable. Reset type: SYSRSn 0h (R/W) = The CPU-Timer interrupt is disabled. 1h (R/W) = The CPU-Timer interrupt is enabled. If the timer decrements to zero, and TIE is set, the timer asserts its interrupt request.
13-12	RESERVED	R	0h	Reserved
11	FREE	R/W	0h	If the FREE bit is set to 1, then, upon a software breakpoint, the timer continues to run. If FREE is 0, then the SOFT bit controls the emulation behavior. Reset type: SYSRSn 0h (R/W) = Stop after the next decrement of the TIMH:TIM (hard stop) (SOFT bit controls the emulation behavior) 1h (R/W) = Free Run (SOFT bit is don't care, counter is free running)
10	SOFT	R/W	0h	If the FREE bit is set to 1, then, upon a software breakpoint, the timer continues to run (that is, free runs). In this case, SOFT is a don't care. But if FREE is 0, then SOFT takes effect. Reset type: SYSRSn 0h (R/W) = Stop after the next decrement of the TIMH:TIM (hard stop). (ONLY if FREE=0, if FREE=1 this bit is don't care) 1h (R/W) = Stop after the TIMH:TIM decrements to 0 (soft stop) In the SOFT STOP mode, the timer generates an interrupt before shutting down (since reaching 0 is the interrupt causing condition). (ONLY if FREE=0, if FREE=1 this bit is don't care)
9-6	RESERVED	R	0h	Reserved



**Table 3-25. TCR Register Field Descriptions (continued)**

Bit	Field	Type	Reset	Description
5	TRB	R/W	0h	<p>Timer reload</p> <p>Reset type: SYSRSn</p> <p>0h (R/W) = The TRB bit is always read as zero. Writes of 0 are ignored.</p> <p>1h (R/W) = When you write a 1 to TRB, the TIMH:TIM is loaded with the value in the PRDH:PRD, and the prescaler counter (PSCH:PSC) is loaded with the value in the timer dividedown register (TDDR:H:TDDR).</p>
4	TSS	R/W	0h	<p>CPU-Timer stop status bit.</p> <p>TSS is a 1-bit flag that stops or starts the CPU-timer.</p> <p>Reset type: SYSRSn</p> <p>0h (R/W) = Reads of 0 indicate the CPU-timer is running. To start or restart the CPU-timer, set TSS to 0. At reset, TSS is cleared to 0 and the CPU-timer immediately starts.</p> <p>1h (R/W) = Reads of 1 indicate that the CPU-timer is stopped. To stop the CPU-timer, set TSS to 1.</p>
3-0	RESERVED	R	1h	Reserved

### 3.17.2.4 TPR Register (Offset = 6h) [Reset = 0000h]

TPR is shown in [Figure 3-27](#) and described in [Table 3-26](#).

Return to the [Summary Table](#).

CPU-Timer, Prescale Register

**Figure 3-27. TPR Register**

15	14	13	12	11	10	9	8
PSC							
R-0h							
7	6	5	4	3	2	1	0
TDDR							
R/W-0h							

**Table 3-26. TPR Register Field Descriptions**

Bit	Field	Type	Reset	Description
15-8	PSC	R	0h	<p>CPU-Timer Prescale Counter.</p> <p>These bits hold the current prescale count for the timer. For every timer clock source cycle that the PSCH:PSC value is greater than 0, the PSCH:PSC decrements by one. One timer clock (output of the timer prescaler) cycle after the PSCH:PSC reaches 0, the PSCH:PSC is loaded with the contents of the TDDRH:TDDR, and the timer counter register (TIMH:TIM) decrements by one. The PSCH:PSC is also reloaded whenever the timer reload bit (TRB) is set by software. The PSCH:PSC can be checked by reading the register, but it cannot be set directly. It must get its value from the timer divide-down register (TDDRH:TDDR). At reset, the PSCH:PSC is set to 0.</p> <p>Reset type: SYSRSn</p>
7-0	TDDR	R/W	0h	<p>CPU-Timer Divide-Down.</p> <p>Every (TDDRH:TDDR + 1) timer clock source cycles, the timer counter register (TIMH:TIM) decrements by one. At reset, the TDDRH:TDDR bits are cleared to 0. To increase the overall timer count by an integer factor, write this factor minus one to the TDDRH:TDDR bits. When the prescaler counter (PSCH:PSC) value is 0, one timer clock source cycle later, the contents of the TDDRH:TDDR reload the PSCH:PSC, and the TIMH:TIM decrements by one. TDDRH:TDDR also reloads the PSCH:PSC whenever the timer reload bit (TRB) is set by software.</p> <p>Reset type: SYSRSn</p>

### 3.17.2.5 TPRH Register (Offset = 7h) [Reset = 0000h]

TPRH is shown in [Figure 3-28](#) and described in [Table 3-27](#).

Return to the [Summary Table](#).

CPU-Timer, Prescale Register High

**Figure 3-28. TPRH Register**

15	14	13	12	11	10	9	8
PSCH							
R-0h							
7	6	5	4	3	2	1	0
TDDRH							
R/W-0h							

**Table 3-27. TPRH Register Field Descriptions**

Bit	Field	Type	Reset	Description
15-8	PSCH	R	0h	See description of TIMERxTPR. Reset type: SYSRSn
7-0	TDDRH	R/W	0h	See description of TIMERxTPR. Reset type: SYSRSn

### 3.17.3 PIE\_CTRL\_REGS Registers

Table 3-28 lists the memory-mapped registers for the PIE\_CTRL\_REGS registers. All register offset addresses not listed in Table 3-28 should be considered as reserved locations and the register contents should not be modified.

**Table 3-28. PIE\_CTRL\_REGS Registers**

Offset	Acronym	Register Name	Write Protection	Section
0h	PIECTRL	ePIE Control Register		<a href="#">Go</a>
1h	PIEACK	Interrupt Acknowledge Register		<a href="#">Go</a>
2h	PIEIER1	Interrupt Group 1 Enable Register		<a href="#">Go</a>
3h	PIEIFR1	Interrupt Group 1 Flag Register		<a href="#">Go</a>
4h	PIEIER2	Interrupt Group 2 Enable Register		<a href="#">Go</a>
5h	PIEIFR2	Interrupt Group 2 Flag Register		<a href="#">Go</a>
6h	PIEIER3	Interrupt Group 3 Enable Register		<a href="#">Go</a>
7h	PIEIFR3	Interrupt Group 3 Flag Register		<a href="#">Go</a>
8h	PIEIER4	Interrupt Group 4 Enable Register		<a href="#">Go</a>
9h	PIEIFR4	Interrupt Group 4 Flag Register		<a href="#">Go</a>
Ah	PIEIER5	Interrupt Group 5 Enable Register		<a href="#">Go</a>
Bh	PIEIFR5	Interrupt Group 5 Flag Register		<a href="#">Go</a>
Ch	PIEIER6	Interrupt Group 6 Enable Register		<a href="#">Go</a>
Dh	PIEIFR6	Interrupt Group 6 Flag Register		<a href="#">Go</a>
Eh	PIEIER7	Interrupt Group 7 Enable Register		<a href="#">Go</a>
Fh	PIEIFR7	Interrupt Group 7 Flag Register		<a href="#">Go</a>
10h	PIEIER8	Interrupt Group 8 Enable Register		<a href="#">Go</a>
11h	PIEIFR8	Interrupt Group 8 Flag Register		<a href="#">Go</a>
12h	PIEIER9	Interrupt Group 9 Enable Register		<a href="#">Go</a>
13h	PIEIFR9	Interrupt Group 9 Flag Register		<a href="#">Go</a>
14h	PIEIER10	Interrupt Group 10 Enable Register		<a href="#">Go</a>
15h	PIEIFR10	Interrupt Group 10 Flag Register		<a href="#">Go</a>
16h	PIEIER11	Interrupt Group 11 Enable Register		<a href="#">Go</a>
17h	PIEIFR11	Interrupt Group 11 Flag Register		<a href="#">Go</a>
18h	PIEIER12	Interrupt Group 12 Enable Register		<a href="#">Go</a>
19h	PIEIFR12	Interrupt Group 12 Flag Register		<a href="#">Go</a>

Complex bit access types are encoded to fit into small table cells. Table 3-29 shows the codes that are used for access types in this section.

**Table 3-29. PIE\_CTRL\_REGS Access Type Codes**

Access Type	Code	Description
Read Type		
R	R	Read
R-0	R -0	Read Returns 0s
Write Type		
W	W	Write
W1S	W 1S	Write 1 to set
Reset or Default Value		

**Table 3-29. PIE\_CTRL\_REGS Access Type Codes  
(continued)**

Access Type	Code	Description
<i>-n</i>		Value after reset or the default value

### 3.17.3.1 PIECTRL Register (Offset = 0h) [Reset = 0000h]

PIECTRL is shown in [Figure 3-29](#) and described in [Table 3-30](#).

Return to the [Summary Table](#).

ePIE Control Register

**Figure 3-29. PIECTRL Register**

15	14	13	12	11	10	9	8
PIEVECT							
R-0h							
7	6	5	4	3	2	1	0
PIEVECT							ENPIE
R-0h							R/W-0h

**Table 3-30. PIECTRL Register Field Descriptions**

Bit	Field	Type	Reset	Description
15-1	PIEVECT	R	0h	These bits indicate the vector address of the vector fetched from the ePIE vector table. The least significant bit of the address is ignored and only bits 1 to 15 of the address are shown. The vector value can be read by the user to determine which interrupt generated the vector fetch. Note: When a NMI is serviced, the PIEVECT bit-field does not reflect the vector as it does for other interrupts. Reset type: SYSRSn
0	ENPIE	R/W	0h	Enable vector fetching from ePIE block. This bit must be set to 1 for peripheral interrupts to work. All ePIE registers (PIEACK, PIEIFR, PIEIER) can be accessed even when the ePIE block is disabled. Reset type: SYSRSn

### 3.17.3.2 PIEACK Register (Offset = 1h) [Reset = 0000h]

PIEACK is shown in [Figure 3-30](#) and described in [Table 3-31](#).

Return to the [Summary Table](#).

#### Acknowledge Register

When an interrupt propagates from the ePIE to a CPU interrupt line, the interrupt group's PIEACK bit is set. This prevents other interrupts in that group from propagating to the CPU while the first interrupt is handled. Writing a 1 to a PIEACK bit clears it and allows another interrupt from the corresponding group to propagate. ISRs for PIE interrupts should clear the group's PIEACK bit before returning from the interrupt.

Writes of 0 are ignored.

**Figure 3-30. PIEACK Register**

15	14	13	12	11	10	9	8
RESERVED				ACK12	ACK11	ACK10	ACK9
R-0-0h				R/W1S-0h	R/W1S-0h	R/W1S-0h	R/W1S-0h
7	6	5	4	3	2	1	0
ACK8	ACK7	ACK6	ACK5	ACK4	ACK3	ACK2	ACK1
R/W1S-0h	R/W1S-0h	R/W1S-0h	R/W1S-0h	R/W1S-0h	R/W1S-0h	R/W1S-0h	R/W1S-0h

**Table 3-31. PIEACK Register Field Descriptions**

Bit	Field	Type	Reset	Description
15-12	RESERVED	R-0	0h	Reserved
11	ACK12	R/W1S	0h	Acknowledge PIE Interrupt Group 12 Reset type: SYSRSn
10	ACK11	R/W1S	0h	Acknowledge PIE Interrupt Group 11 Reset type: SYSRSn
9	ACK10	R/W1S	0h	Acknowledge PIE Interrupt Group 10 Reset type: SYSRSn
8	ACK9	R/W1S	0h	Acknowledge PIE Interrupt Group 9 Reset type: SYSRSn
7	ACK8	R/W1S	0h	Acknowledge PIE Interrupt Group 8 Reset type: SYSRSn
6	ACK7	R/W1S	0h	Acknowledge PIE Interrupt Group 7 Reset type: SYSRSn
5	ACK6	R/W1S	0h	Acknowledge PIE Interrupt Group 6 Reset type: SYSRSn
4	ACK5	R/W1S	0h	Acknowledge PIE Interrupt Group 5 Reset type: SYSRSn
3	ACK4	R/W1S	0h	Acknowledge PIE Interrupt Group 4 Reset type: SYSRSn
2	ACK3	R/W1S	0h	Acknowledge PIE Interrupt Group 3 Reset type: SYSRSn
1	ACK2	R/W1S	0h	Acknowledge PIE Interrupt Group 2 Reset type: SYSRSn
0	ACK1	R/W1S	0h	Acknowledge PIE Interrupt Group 1 Reset type: SYSRSn

### 3.17.3.3 PIEIER1 Register (Offset = 2h) [Reset = 0000h]

PIEIER1 is shown in [Figure 3-31](#) and described in [Table 3-32](#).

Return to the [Summary Table](#).

#### Interrupt Group 1 Enable Register

These register bits individually enable an interrupt within a group. They behave very much like the bits in the CPU interrupt enable register (IER).

Setting a bit to 1 allows the corresponding interrupt to propagate to the CPU.

Setting a bit to 0 prevents the corresponding interrupt from propagating. Note that a peripheral interrupt signal can still set the PIEIFR bit for the disabled interrupt.

**Figure 3-31. PIEIER1 Register**

15	14	13	12	11	10	9	8
INTx16	INTx15	INTx14	INTx13	INTx12	INTx11	INTx10	INTx9
R/W-0h	R/W-0h	R/W-0h	R/W-0h	R/W-0h	R/W-0h	R/W-0h	R/W-0h
7	6	5	4	3	2	1	0
INTx8	INTx7	INTx6	INTx5	INTx4	INTx3	INTx2	INTx1
R/W-0h	R/W-0h	R/W-0h	R/W-0h	R/W-0h	R/W-0h	R/W-0h	R/W-0h

**Table 3-32. PIEIER1 Register Field Descriptions**

Bit	Field	Type	Reset	Description
15	INTx16	R/W	0h	Enable for Interrupt 1.16 Reset type: SYSRSn
14	INTx15	R/W	0h	Enable for Interrupt 1.15 Reset type: SYSRSn
13	INTx14	R/W	0h	Enable for Interrupt 1.14 Reset type: SYSRSn
12	INTx13	R/W	0h	Enable for Interrupt 1.13 Reset type: SYSRSn
11	INTx12	R/W	0h	Enable for Interrupt 1.12 Reset type: SYSRSn
10	INTx11	R/W	0h	Enable for Interrupt 1.11 Reset type: SYSRSn
9	INTx10	R/W	0h	Enable for Interrupt 1.10 Reset type: SYSRSn
8	INTx9	R/W	0h	Enable for Interrupt 1.9 Reset type: SYSRSn
7	INTx8	R/W	0h	Enable for Interrupt 1.8 Reset type: SYSRSn
6	INTx7	R/W	0h	Enable for Interrupt 1.7 Reset type: SYSRSn
5	INTx6	R/W	0h	Enable for Interrupt 1.6 Reset type: SYSRSn
4	INTx5	R/W	0h	Enable for Interrupt 1.5 Reset type: SYSRSn
3	INTx4	R/W	0h	Enable for Interrupt 1.4 Reset type: SYSRSn
2	INTx3	R/W	0h	Enable for Interrupt 1.3 Reset type: SYSRSn
1	INTx2	R/W	0h	Enable for Interrupt 1.2 Reset type: SYSRSn



**Table 3-32. PIEIER1 Register Field Descriptions (continued)**

Bit	Field	Type	Reset	Description
0	INTx1	R/W	0h	Enable for Interrupt 1.1 Reset type: SYSRSn

### 3.17.3.4 PIEIFR1 Register (Offset = 3h) [Reset = 0000h]

PIEIFR1 is shown in [Figure 3-32](#) and described in [Table 3-33](#).

Return to the [Summary Table](#).

#### Interrupt Group 1 Flag Register

These register bits indicate whether each interrupt in the group is currently pending. They behave very much like the bits in the CPU interrupt flag register (IFR).

When a peripheral sends an interrupt, the corresponding bit is set. This bit is cleared when the interrupt propagates to the CPU, at which point PIEACK is set.

NOTE: PIE IFR flags can be written to create software interrupts.

The IFR flag will be cleared on a write of zero. Hence, when the intent is to fire an interrupt it may cause inadvertent cancellation of other interrupts. It is recommended to use this only for testing or with extreme caution in the application code. Reading the PIE IFR registers is safe.

**Figure 3-32. PIEIFR1 Register**

15	14	13	12	11	10	9	8
INTx16	INTx15	INTx14	INTx13	INTx12	INTx11	INTx10	INTx9
R/W-0h	R/W-0h	R/W-0h	R/W-0h	R/W-0h	R/W-0h	R/W-0h	R/W-0h
7	6	5	4	3	2	1	0
INTx8	INTx7	INTx6	INTx5	INTx4	INTx3	INTx2	INTx1
R/W-0h	R/W-0h	R/W-0h	R/W-0h	R/W-0h	R/W-0h	R/W-0h	R/W-0h

**Table 3-33. PIEIFR1 Register Field Descriptions**

Bit	Field	Type	Reset	Description
15	INTx16	R/W	0h	Flag for Interrupt 1.16 Reset type: SYSRSn
14	INTx15	R/W	0h	Flag for Interrupt 1.15 Reset type: SYSRSn
13	INTx14	R/W	0h	Flag for Interrupt 1.14 Reset type: SYSRSn
12	INTx13	R/W	0h	Flag for Interrupt 1.13 Reset type: SYSRSn
11	INTx12	R/W	0h	Flag for Interrupt 1.12 Reset type: SYSRSn
10	INTx11	R/W	0h	Flag for Interrupt 1.11 Reset type: SYSRSn
9	INTx10	R/W	0h	Flag for Interrupt 1.10 Reset type: SYSRSn
8	INTx9	R/W	0h	Flag for Interrupt 1.9 Reset type: SYSRSn
7	INTx8	R/W	0h	Flag for Interrupt 1.8 Reset type: SYSRSn
6	INTx7	R/W	0h	Flag for Interrupt 1.7 Reset type: SYSRSn
5	INTx6	R/W	0h	Flag for Interrupt 1.6 Reset type: SYSRSn
4	INTx5	R/W	0h	Flag for Interrupt 1.5 Reset type: SYSRSn
3	INTx4	R/W	0h	Flag for Interrupt 1.4 Reset type: SYSRSn

**Table 3-33. PIEIFR1 Register Field Descriptions (continued)**

Bit	Field	Type	Reset	Description
2	INTx3	R/W	0h	Flag for Interrupt 1.3 Reset type: SYSRSn
1	INTx2	R/W	0h	Flag for Interrupt 1.2 Reset type: SYSRSn
0	INTx1	R/W	0h	Flag for Interrupt 1.1 Reset type: SYSRSn

### 3.17.3.5 PIEIER2 Register (Offset = 4h) [Reset = 0000h]

PIEIER2 is shown in [Figure 3-33](#) and described in [Table 3-34](#).

Return to the [Summary Table](#).

#### Interrupt Group 2 Enable Register

These register bits individually enable an interrupt within a group. They behave very much like the bits in the CPU interrupt enable register (IER).

Setting a bit to 1 allows the corresponding interrupt to propagate to the CPU.

Setting a bit to 0 prevents the corresponding interrupt from propagating. Note that a peripheral interrupt signal can still set the PIEIFR bit for the disabled interrupt.

**Figure 3-33. PIEIER2 Register**

15	14	13	12	11	10	9	8
INTx16	INTx15	INTx14	INTx13	INTx12	INTx11	INTx10	INTx9
R/W-0h	R/W-0h	R/W-0h	R/W-0h	R/W-0h	R/W-0h	R/W-0h	R/W-0h
7	6	5	4	3	2	1	0
INTx8	INTx7	INTx6	INTx5	INTx4	INTx3	INTx2	INTx1
R/W-0h	R/W-0h	R/W-0h	R/W-0h	R/W-0h	R/W-0h	R/W-0h	R/W-0h

**Table 3-34. PIEIER2 Register Field Descriptions**

Bit	Field	Type	Reset	Description
15	INTx16	R/W	0h	Enable for Interrupt 2.16 Reset type: SYSRSn
14	INTx15	R/W	0h	Enable for Interrupt 2.15 Reset type: SYSRSn
13	INTx14	R/W	0h	Enable for Interrupt 2.14 Reset type: SYSRSn
12	INTx13	R/W	0h	Enable for Interrupt 2.13 Reset type: SYSRSn
11	INTx12	R/W	0h	Enable for Interrupt 2.12 Reset type: SYSRSn
10	INTx11	R/W	0h	Enable for Interrupt 2.11 Reset type: SYSRSn
9	INTx10	R/W	0h	Enable for Interrupt 2.10 Reset type: SYSRSn
8	INTx9	R/W	0h	Enable for Interrupt 2.9 Reset type: SYSRSn
7	INTx8	R/W	0h	Enable for Interrupt 2.8 Reset type: SYSRSn
6	INTx7	R/W	0h	Enable for Interrupt 2.7 Reset type: SYSRSn
5	INTx6	R/W	0h	Enable for Interrupt 2.6 Reset type: SYSRSn
4	INTx5	R/W	0h	Enable for Interrupt 2.5 Reset type: SYSRSn
3	INTx4	R/W	0h	Enable for Interrupt 2.4 Reset type: SYSRSn
2	INTx3	R/W	0h	Enable for Interrupt 2.3 Reset type: SYSRSn
1	INTx2	R/W	0h	Enable for Interrupt 2.2 Reset type: SYSRSn

**Table 3-34. PIEIER2 Register Field Descriptions (continued)**

Bit	Field	Type	Reset	Description
0	INTx1	R/W	0h	Enable for Interrupt 2.1 Reset type: SYSRSn

### 3.17.3.6 PIEIFR2 Register (Offset = 5h) [Reset = 0000h]

PIEIFR2 is shown in [Figure 3-34](#) and described in [Table 3-35](#).

Return to the [Summary Table](#).

#### Interrupt Group 2 Flag Register

These register bits indicate whether each interrupt in the group is currently pending. They behave very much like the bits in the CPU interrupt flag register (IFR).

When a peripheral sends an interrupt, the corresponding bit is set. This bit is cleared when the interrupt propagates to the CPU, at which point PIEACK is set.

NOTE: PIE IFR flags can be written to create software interrupts.

The IFR flag will be cleared on a write of zero. Hence, when the intent is to fire an interrupt it may cause inadvertent cancellation of other interrupts. It is recommended to use this only for testing or with extreme caution in the application code. Reading the PIE IFR registers is safe.

**Figure 3-34. PIEIFR2 Register**

15	14	13	12	11	10	9	8
INTx16	INTx15	INTx14	INTx13	INTx12	INTx11	INTx10	INTx9
R/W-0h	R/W-0h	R/W-0h	R/W-0h	R/W-0h	R/W-0h	R/W-0h	R/W-0h
7	6	5	4	3	2	1	0
INTx8	INTx7	INTx6	INTx5	INTx4	INTx3	INTx2	INTx1
R/W-0h	R/W-0h	R/W-0h	R/W-0h	R/W-0h	R/W-0h	R/W-0h	R/W-0h

**Table 3-35. PIEIFR2 Register Field Descriptions**

Bit	Field	Type	Reset	Description
15	INTx16	R/W	0h	Flag for Interrupt 2.16 Reset type: SYSRSn
14	INTx15	R/W	0h	Flag for Interrupt 2.15 Reset type: SYSRSn
13	INTx14	R/W	0h	Flag for Interrupt 2.14 Reset type: SYSRSn
12	INTx13	R/W	0h	Flag for Interrupt 2.13 Reset type: SYSRSn
11	INTx12	R/W	0h	Flag for Interrupt 2.12 Reset type: SYSRSn
10	INTx11	R/W	0h	Flag for Interrupt 2.11 Reset type: SYSRSn
9	INTx10	R/W	0h	Flag for Interrupt 2.10 Reset type: SYSRSn
8	INTx9	R/W	0h	Flag for Interrupt 2.9 Reset type: SYSRSn
7	INTx8	R/W	0h	Flag for Interrupt 2.8 Reset type: SYSRSn
6	INTx7	R/W	0h	Flag for Interrupt 2.7 Reset type: SYSRSn
5	INTx6	R/W	0h	Flag for Interrupt 2.6 Reset type: SYSRSn
4	INTx5	R/W	0h	Flag for Interrupt 2.5 Reset type: SYSRSn
3	INTx4	R/W	0h	Flag for Interrupt 2.4 Reset type: SYSRSn

**Table 3-35. PIEIFR2 Register Field Descriptions (continued)**

Bit	Field	Type	Reset	Description
2	INTx3	R/W	0h	Flag for Interrupt 2.3 Reset type: SYSRSn
1	INTx2	R/W	0h	Flag for Interrupt 2.2 Reset type: SYSRSn
0	INTx1	R/W	0h	Flag for Interrupt 2.1 Reset type: SYSRSn

### 3.17.3.7 PIEIER3 Register (Offset = 6h) [Reset = 0000h]

PIEIER3 is shown in [Figure 3-35](#) and described in [Table 3-36](#).

Return to the [Summary Table](#).

#### Interrupt Group 3 Enable Register

These register bits individually enable an interrupt within a group. They behave very much like the bits in the CPU interrupt enable register (IER).

Setting a bit to 1 allows the corresponding interrupt to propagate to the CPU.

Setting a bit to 0 prevents the corresponding interrupt from propagating. Note that a peripheral interrupt signal can still set the PIEIFR bit for the disabled interrupt.

**Figure 3-35. PIEIER3 Register**

15	14	13	12	11	10	9	8
INTx16	INTx15	INTx14	INTx13	INTx12	INTx11	INTx10	INTx9
R/W-0h	R/W-0h	R/W-0h	R/W-0h	R/W-0h	R/W-0h	R/W-0h	R/W-0h
7	6	5	4	3	2	1	0
INTx8	INTx7	INTx6	INTx5	INTx4	INTx3	INTx2	INTx1
R/W-0h	R/W-0h	R/W-0h	R/W-0h	R/W-0h	R/W-0h	R/W-0h	R/W-0h

**Table 3-36. PIEIER3 Register Field Descriptions**

Bit	Field	Type	Reset	Description
15	INTx16	R/W	0h	Enable for Interrupt 3.16 Reset type: SYSRSn
14	INTx15	R/W	0h	Enable for Interrupt 3.15 Reset type: SYSRSn
13	INTx14	R/W	0h	Enable for Interrupt 3.14 Reset type: SYSRSn
12	INTx13	R/W	0h	Enable for Interrupt 3.13 Reset type: SYSRSn
11	INTx12	R/W	0h	Enable for Interrupt 3.12 Reset type: SYSRSn
10	INTx11	R/W	0h	Enable for Interrupt 3.11 Reset type: SYSRSn
9	INTx10	R/W	0h	Enable for Interrupt 3.10 Reset type: SYSRSn
8	INTx9	R/W	0h	Enable for Interrupt 3.9 Reset type: SYSRSn
7	INTx8	R/W	0h	Enable for Interrupt 3.8 Reset type: SYSRSn
6	INTx7	R/W	0h	Enable for Interrupt 3.7 Reset type: SYSRSn
5	INTx6	R/W	0h	Enable for Interrupt 3.6 Reset type: SYSRSn
4	INTx5	R/W	0h	Enable for Interrupt 3.5 Reset type: SYSRSn
3	INTx4	R/W	0h	Enable for Interrupt 3.4 Reset type: SYSRSn
2	INTx3	R/W	0h	Enable for Interrupt 3.3 Reset type: SYSRSn
1	INTx2	R/W	0h	Enable for Interrupt 3.2 Reset type: SYSRSn



**Table 3-36. PIEIER3 Register Field Descriptions (continued)**

Bit	Field	Type	Reset	Description
0	INTx1	R/W	0h	Enable for Interrupt 3.1 Reset type: SYSRSn

### 3.17.3.8 PIEIFR3 Register (Offset = 7h) [Reset = 0000h]

PIEIFR3 is shown in [Figure 3-36](#) and described in [Table 3-37](#).

Return to the [Summary Table](#).

#### Interrupt Group 3 Flag Register

These register bits indicate whether each interrupt in the group is currently pending. They behave very much like the bits in the CPU interrupt flag register (IFR).

When a peripheral sends an interrupt, the corresponding bit is set. This bit is cleared when the interrupt propagates to the CPU, at which point PIEACK is set.

NOTE: PIE IFR flags can be written to create software interrupts.

The IFR flag will be cleared on a write of zero. Hence, when the intent is to fire an interrupt it may cause inadvertent cancellation of other interrupts. It is recommended to use this only for testing or with extreme caution in the application code. Reading the PIE IFR registers is safe.

**Figure 3-36. PIEIFR3 Register**

15	14	13	12	11	10	9	8
INTx16	INTx15	INTx14	INTx13	INTx12	INTx11	INTx10	INTx9
R/W-0h	R/W-0h	R/W-0h	R/W-0h	R/W-0h	R/W-0h	R/W-0h	R/W-0h
7	6	5	4	3	2	1	0
INTx8	INTx7	INTx6	INTx5	INTx4	INTx3	INTx2	INTx1
R/W-0h	R/W-0h	R/W-0h	R/W-0h	R/W-0h	R/W-0h	R/W-0h	R/W-0h

**Table 3-37. PIEIFR3 Register Field Descriptions**

Bit	Field	Type	Reset	Description
15	INTx16	R/W	0h	Flag for Interrupt 3.16 Reset type: SYSRSn
14	INTx15	R/W	0h	Flag for Interrupt 3.15 Reset type: SYSRSn
13	INTx14	R/W	0h	Flag for Interrupt 3.14 Reset type: SYSRSn
12	INTx13	R/W	0h	Flag for Interrupt 3.13 Reset type: SYSRSn
11	INTx12	R/W	0h	Flag for Interrupt 3.12 Reset type: SYSRSn
10	INTx11	R/W	0h	Flag for Interrupt 3.11 Reset type: SYSRSn
9	INTx10	R/W	0h	Flag for Interrupt 3.10 Reset type: SYSRSn
8	INTx9	R/W	0h	Flag for Interrupt 3.9 Reset type: SYSRSn
7	INTx8	R/W	0h	Flag for Interrupt 3.8 Reset type: SYSRSn
6	INTx7	R/W	0h	Flag for Interrupt 3.7 Reset type: SYSRSn
5	INTx6	R/W	0h	Flag for Interrupt 3.6 Reset type: SYSRSn
4	INTx5	R/W	0h	Flag for Interrupt 3.5 Reset type: SYSRSn
3	INTx4	R/W	0h	Flag for Interrupt 3.4 Reset type: SYSRSn

**Table 3-37. PIEIFR3 Register Field Descriptions (continued)**

Bit	Field	Type	Reset	Description
2	INTx3	R/W	0h	Flag for Interrupt 3.3 Reset type: SYSRSn
1	INTx2	R/W	0h	Flag for Interrupt 3.2 Reset type: SYSRSn
0	INTx1	R/W	0h	Flag for Interrupt 3.1 Reset type: SYSRSn

### 3.17.3.9 PIEIER4 Register (Offset = 8h) [Reset = 0000h]

PIEIER4 is shown in [Figure 3-37](#) and described in [Table 3-38](#).

Return to the [Summary Table](#).

#### Interrupt Group 4 Enable Register

These register bits individually enable an interrupt within a group. They behave very much like the bits in the CPU interrupt enable register (IER).

Setting a bit to 1 allows the corresponding interrupt to propagate to the CPU.

Setting a bit to 0 prevents the corresponding interrupt from propagating. Note that a peripheral interrupt signal can still set the PIEIFR bit for the disabled interrupt.

**Figure 3-37. PIEIER4 Register**

15	14	13	12	11	10	9	8
INTx16	INTx15	INTx14	INTx13	INTx12	INTx11	INTx10	INTx9
R/W-0h	R/W-0h	R/W-0h	R/W-0h	R/W-0h	R/W-0h	R/W-0h	R/W-0h
7	6	5	4	3	2	1	0
INTx8	INTx7	INTx6	INTx5	INTx4	INTx3	INTx2	INTx1
R/W-0h	R/W-0h	R/W-0h	R/W-0h	R/W-0h	R/W-0h	R/W-0h	R/W-0h

**Table 3-38. PIEIER4 Register Field Descriptions**

Bit	Field	Type	Reset	Description
15	INTx16	R/W	0h	Enable for Interrupt 4.16 Reset type: SYSRSn
14	INTx15	R/W	0h	Enable for Interrupt 4.15 Reset type: SYSRSn
13	INTx14	R/W	0h	Enable for Interrupt 4.14 Reset type: SYSRSn
12	INTx13	R/W	0h	Enable for Interrupt 4.13 Reset type: SYSRSn
11	INTx12	R/W	0h	Enable for Interrupt 4.12 Reset type: SYSRSn
10	INTx11	R/W	0h	Enable for Interrupt 4.11 Reset type: SYSRSn
9	INTx10	R/W	0h	Enable for Interrupt 4.10 Reset type: SYSRSn
8	INTx9	R/W	0h	Enable for Interrupt 4.9 Reset type: SYSRSn
7	INTx8	R/W	0h	Enable for Interrupt 4.8 Reset type: SYSRSn
6	INTx7	R/W	0h	Enable for Interrupt 4.7 Reset type: SYSRSn
5	INTx6	R/W	0h	Enable for Interrupt 4.6 Reset type: SYSRSn
4	INTx5	R/W	0h	Enable for Interrupt 4.5 Reset type: SYSRSn
3	INTx4	R/W	0h	Enable for Interrupt 4.4 Reset type: SYSRSn
2	INTx3	R/W	0h	Enable for Interrupt 4.3 Reset type: SYSRSn
1	INTx2	R/W	0h	Enable for Interrupt 4.2 Reset type: SYSRSn

**Table 3-38. PIEIER4 Register Field Descriptions (continued)**

Bit	Field	Type	Reset	Description
0	INTx1	R/W	0h	Enable for Interrupt 4.1 Reset type: SYSRSn

### 3.17.3.10 PIEIFR4 Register (Offset = 9h) [Reset = 0000h]

PIEIFR4 is shown in [Figure 3-38](#) and described in [Table 3-39](#).

Return to the [Summary Table](#).

#### Interrupt Group 4 Flag Register

These register bits indicate whether each interrupt in the group is currently pending. They behave very much like the bits in the CPU interrupt flag register (IFR).

When a peripheral sends an interrupt, the corresponding bit is set. This bit is cleared when the interrupt propagates to the CPU, at which point PIEACK is set.

NOTE: PIE IFR flags can be written to create software interrupts.

The IFR flag will be cleared on a write of zero. Hence, when the intent is to fire an interrupt it may cause inadvertent cancellation of other interrupts. It is recommended to use this only for testing or with extreme caution in the application code. Reading the PIE IFR registers is safe.

**Figure 3-38. PIEIFR4 Register**

15	14	13	12	11	10	9	8
INTx16	INTx15	INTx14	INTx13	INTx12	INTx11	INTx10	INTx9
R/W-0h	R/W-0h	R/W-0h	R/W-0h	R/W-0h	R/W-0h	R/W-0h	R/W-0h
7	6	5	4	3	2	1	0
INTx8	INTx7	INTx6	INTx5	INTx4	INTx3	INTx2	INTx1
R/W-0h	R/W-0h	R/W-0h	R/W-0h	R/W-0h	R/W-0h	R/W-0h	R/W-0h

**Table 3-39. PIEIFR4 Register Field Descriptions**

Bit	Field	Type	Reset	Description
15	INTx16	R/W	0h	Flag for Interrupt 4.16 Reset type: SYSRSn
14	INTx15	R/W	0h	Flag for Interrupt 4.15 Reset type: SYSRSn
13	INTx14	R/W	0h	Flag for Interrupt 4.14 Reset type: SYSRSn
12	INTx13	R/W	0h	Flag for Interrupt 4.13 Reset type: SYSRSn
11	INTx12	R/W	0h	Flag for Interrupt 4.12 Reset type: SYSRSn
10	INTx11	R/W	0h	Flag for Interrupt 4.11 Reset type: SYSRSn
9	INTx10	R/W	0h	Flag for Interrupt 4.10 Reset type: SYSRSn
8	INTx9	R/W	0h	Flag for Interrupt 4.9 Reset type: SYSRSn
7	INTx8	R/W	0h	Flag for Interrupt 4.8 Reset type: SYSRSn
6	INTx7	R/W	0h	Flag for Interrupt 4.7 Reset type: SYSRSn
5	INTx6	R/W	0h	Flag for Interrupt 4.6 Reset type: SYSRSn
4	INTx5	R/W	0h	Flag for Interrupt 4.5 Reset type: SYSRSn
3	INTx4	R/W	0h	Flag for Interrupt 4.4 Reset type: SYSRSn

**Table 3-39. PIEIFR4 Register Field Descriptions (continued)**

Bit	Field	Type	Reset	Description
2	INTx3	R/W	0h	Flag for Interrupt 4.3 Reset type: SYSRSn
1	INTx2	R/W	0h	Flag for Interrupt 4.2 Reset type: SYSRSn
0	INTx1	R/W	0h	Flag for Interrupt 4.1 Reset type: SYSRSn

### 3.17.3.11 PIEIER5 Register (Offset = Ah) [Reset = 0000h]

PIEIER5 is shown in [Figure 3-39](#) and described in [Table 3-40](#).

Return to the [Summary Table](#).

#### Interrupt Group 5 Enable Register

These register bits individually enable an interrupt within a group. They behave very much like the bits in the CPU interrupt enable register (IER).

Setting a bit to 1 allows the corresponding interrupt to propagate to the CPU.

Setting a bit to 0 prevents the corresponding interrupt from propagating. Note that a peripheral interrupt signal can still set the PIEIFR bit for the disabled interrupt.

**Figure 3-39. PIEIER5 Register**

15	14	13	12	11	10	9	8
INTx16	INTx15	INTx14	INTx13	INTx12	INTx11	INTx10	INTx9
R/W-0h	R/W-0h	R/W-0h	R/W-0h	R/W-0h	R/W-0h	R/W-0h	R/W-0h
7	6	5	4	3	2	1	0
INTx8	INTx7	INTx6	INTx5	INTx4	INTx3	INTx2	INTx1
R/W-0h	R/W-0h	R/W-0h	R/W-0h	R/W-0h	R/W-0h	R/W-0h	R/W-0h

**Table 3-40. PIEIER5 Register Field Descriptions**

Bit	Field	Type	Reset	Description
15	INTx16	R/W	0h	Enable for Interrupt 5.16 Reset type: SYSRSn
14	INTx15	R/W	0h	Enable for Interrupt 5.15 Reset type: SYSRSn
13	INTx14	R/W	0h	Enable for Interrupt 5.14 Reset type: SYSRSn
12	INTx13	R/W	0h	Enable for Interrupt 5.13 Reset type: SYSRSn
11	INTx12	R/W	0h	Enable for Interrupt 5.12 Reset type: SYSRSn
10	INTx11	R/W	0h	Enable for Interrupt 5.11 Reset type: SYSRSn
9	INTx10	R/W	0h	Enable for Interrupt 5.10 Reset type: SYSRSn
8	INTx9	R/W	0h	Enable for Interrupt 5.9 Reset type: SYSRSn
7	INTx8	R/W	0h	Enable for Interrupt 5.8 Reset type: SYSRSn
6	INTx7	R/W	0h	Enable for Interrupt 5.7 Reset type: SYSRSn
5	INTx6	R/W	0h	Enable for Interrupt 5.6 Reset type: SYSRSn
4	INTx5	R/W	0h	Enable for Interrupt 5.5 Reset type: SYSRSn
3	INTx4	R/W	0h	Enable for Interrupt 5.4 Reset type: SYSRSn
2	INTx3	R/W	0h	Enable for Interrupt 5.3 Reset type: SYSRSn
1	INTx2	R/W	0h	Enable for Interrupt 5.2 Reset type: SYSRSn



**Table 3-40. PIEIER5 Register Field Descriptions (continued)**

Bit	Field	Type	Reset	Description
0	INTx1	R/W	0h	Enable for Interrupt 5.1 Reset type: SYSRSn

### 3.17.3.12 PIEIFR5 Register (Offset = Bh) [Reset = 0000h]

PIEIFR5 is shown in [Figure 3-40](#) and described in [Table 3-41](#).

Return to the [Summary Table](#).

#### Interrupt Group 5 Flag Register

These register bits indicate whether each interrupt in the group is currently pending. They behave very much like the bits in the CPU interrupt flag register (IFR).

When a peripheral sends an interrupt, the corresponding bit is set. This bit is cleared when the interrupt propagates to the CPU, at which point PIEACK is set.

NOTE: PIE IFR flags can be written to create software interrupts.

The IFR flag will be cleared on a write of zero. Hence, when the intent is to fire an interrupt it may cause inadvertent cancellation of other interrupts. It is recommended to use this only for testing or with extreme caution in the application code. Reading the PIE IFR registers is safe.

**Figure 3-40. PIEIFR5 Register**

15	14	13	12	11	10	9	8
INTx16	INTx15	INTx14	INTx13	INTx12	INTx11	INTx10	INTx9
R/W-0h	R/W-0h	R/W-0h	R/W-0h	R/W-0h	R/W-0h	R/W-0h	R/W-0h
7	6	5	4	3	2	1	0
INTx8	INTx7	INTx6	INTx5	INTx4	INTx3	INTx2	INTx1
R/W-0h	R/W-0h	R/W-0h	R/W-0h	R/W-0h	R/W-0h	R/W-0h	R/W-0h

**Table 3-41. PIEIFR5 Register Field Descriptions**

Bit	Field	Type	Reset	Description
15	INTx16	R/W	0h	Flag for Interrupt 5.16 Reset type: SYSRSn
14	INTx15	R/W	0h	Flag for Interrupt 5.15 Reset type: SYSRSn
13	INTx14	R/W	0h	Flag for Interrupt 5.14 Reset type: SYSRSn
12	INTx13	R/W	0h	Flag for Interrupt 5.13 Reset type: SYSRSn
11	INTx12	R/W	0h	Flag for Interrupt 5.12 Reset type: SYSRSn
10	INTx11	R/W	0h	Flag for Interrupt 5.11 Reset type: SYSRSn
9	INTx10	R/W	0h	Flag for Interrupt 5.10 Reset type: SYSRSn
8	INTx9	R/W	0h	Flag for Interrupt 5.9 Reset type: SYSRSn
7	INTx8	R/W	0h	Flag for Interrupt 5.8 Reset type: SYSRSn
6	INTx7	R/W	0h	Flag for Interrupt 5.7 Reset type: SYSRSn
5	INTx6	R/W	0h	Flag for Interrupt 5.6 Reset type: SYSRSn
4	INTx5	R/W	0h	Flag for Interrupt 5.5 Reset type: SYSRSn
3	INTx4	R/W	0h	Flag for Interrupt 5.4 Reset type: SYSRSn

**Table 3-41. PIEIFR5 Register Field Descriptions (continued)**

Bit	Field	Type	Reset	Description
2	INTx3	R/W	0h	Flag for Interrupt 5.3 Reset type: SYSRSn
1	INTx2	R/W	0h	Flag for Interrupt 5.2 Reset type: SYSRSn
0	INTx1	R/W	0h	Flag for Interrupt 5.1 Reset type: SYSRSn

### 3.17.3.13 PIEIER6 Register (Offset = Ch) [Reset = 0000h]

PIEIER6 is shown in [Figure 3-41](#) and described in [Table 3-42](#).

Return to the [Summary Table](#).

#### Interrupt Group 6 Enable Register

These register bits individually enable an interrupt within a group. They behave very much like the bits in the CPU interrupt enable register (IER).

Setting a bit to 1 allows the corresponding interrupt to propagate to the CPU.

Setting a bit to 0 prevents the corresponding interrupt from propagating. Note that a peripheral interrupt signal can still set the PIEIFR bit for the disabled interrupt.

**Figure 3-41. PIEIER6 Register**

15	14	13	12	11	10	9	8
INTx16	INTx15	INTx14	INTx13	INTx12	INTx11	INTx10	INTx9
R/W-0h	R/W-0h	R/W-0h	R/W-0h	R/W-0h	R/W-0h	R/W-0h	R/W-0h
7	6	5	4	3	2	1	0
INTx8	INTx7	INTx6	INTx5	INTx4	INTx3	INTx2	INTx1
R/W-0h	R/W-0h	R/W-0h	R/W-0h	R/W-0h	R/W-0h	R/W-0h	R/W-0h

**Table 3-42. PIEIER6 Register Field Descriptions**

Bit	Field	Type	Reset	Description
15	INTx16	R/W	0h	Enable for Interrupt 6.16 Reset type: SYSRSn
14	INTx15	R/W	0h	Enable for Interrupt 6.15 Reset type: SYSRSn
13	INTx14	R/W	0h	Enable for Interrupt 6.14 Reset type: SYSRSn
12	INTx13	R/W	0h	Enable for Interrupt 6.13 Reset type: SYSRSn
11	INTx12	R/W	0h	Enable for Interrupt 6.12 Reset type: SYSRSn
10	INTx11	R/W	0h	Enable for Interrupt 6.11 Reset type: SYSRSn
9	INTx10	R/W	0h	Enable for Interrupt 6.10 Reset type: SYSRSn
8	INTx9	R/W	0h	Enable for Interrupt 6.9 Reset type: SYSRSn
7	INTx8	R/W	0h	Enable for Interrupt 6.8 Reset type: SYSRSn
6	INTx7	R/W	0h	Enable for Interrupt 6.7 Reset type: SYSRSn
5	INTx6	R/W	0h	Enable for Interrupt 6.6 Reset type: SYSRSn
4	INTx5	R/W	0h	Enable for Interrupt 6.5 Reset type: SYSRSn
3	INTx4	R/W	0h	Enable for Interrupt 6.4 Reset type: SYSRSn
2	INTx3	R/W	0h	Enable for Interrupt 6.3 Reset type: SYSRSn
1	INTx2	R/W	0h	Enable for Interrupt 6.2 Reset type: SYSRSn

**Table 3-42. PIEIER6 Register Field Descriptions (continued)**

Bit	Field	Type	Reset	Description
0	INTx1	R/W	0h	Enable for Interrupt 6.1 Reset type: SYSRSn

### 3.17.3.14 PIEIFR6 Register (Offset = Dh) [Reset = 0000h]

PIEIFR6 is shown in [Figure 3-42](#) and described in [Table 3-43](#).

Return to the [Summary Table](#).

#### Interrupt Group 6 Flag Register

These register bits indicate whether each interrupt in the group is currently pending. They behave very much like the bits in the CPU interrupt flag register (IFR).

When a peripheral sends an interrupt, the corresponding bit is set. This bit is cleared when the interrupt propagates to the CPU, at which point PIEACK is set.

NOTE: PIE IFR flags can be written to create software interrupts.

The IFR flag will be cleared on a write of zero. Hence, when the intent is to fire an interrupt it may cause inadvertent cancellation of other interrupts. It is recommended to use this only for testing or with extreme caution in the application code. Reading the PIE IFR registers is safe.

**Figure 3-42. PIEIFR6 Register**

15	14	13	12	11	10	9	8
INTx16	INTx15	INTx14	INTx13	INTx12	INTx11	INTx10	INTx9
R/W-0h	R/W-0h	R/W-0h	R/W-0h	R/W-0h	R/W-0h	R/W-0h	R/W-0h
7	6	5	4	3	2	1	0
INTx8	INTx7	INTx6	INTx5	INTx4	INTx3	INTx2	INTx1
R/W-0h	R/W-0h	R/W-0h	R/W-0h	R/W-0h	R/W-0h	R/W-0h	R/W-0h

**Table 3-43. PIEIFR6 Register Field Descriptions**

Bit	Field	Type	Reset	Description
15	INTx16	R/W	0h	Flag for Interrupt 6.16 Reset type: SYSRSn
14	INTx15	R/W	0h	Flag for Interrupt 6.15 Reset type: SYSRSn
13	INTx14	R/W	0h	Flag for Interrupt 6.14 Reset type: SYSRSn
12	INTx13	R/W	0h	Flag for Interrupt 6.13 Reset type: SYSRSn
11	INTx12	R/W	0h	Flag for Interrupt 6.12 Reset type: SYSRSn
10	INTx11	R/W	0h	Flag for Interrupt 6.11 Reset type: SYSRSn
9	INTx10	R/W	0h	Flag for Interrupt 6.10 Reset type: SYSRSn
8	INTx9	R/W	0h	Flag for Interrupt 6.9 Reset type: SYSRSn
7	INTx8	R/W	0h	Flag for Interrupt 6.8 Reset type: SYSRSn
6	INTx7	R/W	0h	Flag for Interrupt 6.7 Reset type: SYSRSn
5	INTx6	R/W	0h	Flag for Interrupt 6.6 Reset type: SYSRSn
4	INTx5	R/W	0h	Flag for Interrupt 6.5 Reset type: SYSRSn
3	INTx4	R/W	0h	Flag for Interrupt 6.4 Reset type: SYSRSn

**Table 3-43. PIEIFR6 Register Field Descriptions (continued)**

Bit	Field	Type	Reset	Description
2	INTx3	R/W	0h	Flag for Interrupt 6.3 Reset type: SYSRSn
1	INTx2	R/W	0h	Flag for Interrupt 6.2 Reset type: SYSRSn
0	INTx1	R/W	0h	Flag for Interrupt 6.1 Reset type: SYSRSn

### 3.17.3.15 PIEIER7 Register (Offset = Eh) [Reset = 0000h]

PIEIER7 is shown in [Figure 3-43](#) and described in [Table 3-44](#).

Return to the [Summary Table](#).

#### Interrupt Group 7 Enable Register

These register bits individually enable an interrupt within a group. They behave very much like the bits in the CPU interrupt enable register (IER).

Setting a bit to 1 allows the corresponding interrupt to propagate to the CPU.

Setting a bit to 0 prevents the corresponding interrupt from propagating. Note that a peripheral interrupt signal can still set the PIEIFR bit for the disabled interrupt.

**Figure 3-43. PIEIER7 Register**

15	14	13	12	11	10	9	8
INTx16	INTx15	INTx14	INTx13	INTx12	INTx11	INTx10	INTx9
R/W-0h	R/W-0h	R/W-0h	R/W-0h	R/W-0h	R/W-0h	R/W-0h	R/W-0h
7	6	5	4	3	2	1	0
INTx8	INTx7	INTx6	INTx5	INTx4	INTx3	INTx2	INTx1
R/W-0h	R/W-0h	R/W-0h	R/W-0h	R/W-0h	R/W-0h	R/W-0h	R/W-0h

**Table 3-44. PIEIER7 Register Field Descriptions**

Bit	Field	Type	Reset	Description
15	INTx16	R/W	0h	Enable for Interrupt 7.16 Reset type: SYSRSn
14	INTx15	R/W	0h	Enable for Interrupt 7.15 Reset type: SYSRSn
13	INTx14	R/W	0h	Enable for Interrupt 7.14 Reset type: SYSRSn
12	INTx13	R/W	0h	Enable for Interrupt 7.13 Reset type: SYSRSn
11	INTx12	R/W	0h	Enable for Interrupt 7.12 Reset type: SYSRSn
10	INTx11	R/W	0h	Enable for Interrupt 7.11 Reset type: SYSRSn
9	INTx10	R/W	0h	Enable for Interrupt 7.10 Reset type: SYSRSn
8	INTx9	R/W	0h	Enable for Interrupt 7.9 Reset type: SYSRSn
7	INTx8	R/W	0h	Enable for Interrupt 7.8 Reset type: SYSRSn
6	INTx7	R/W	0h	Enable for Interrupt 7.7 Reset type: SYSRSn
5	INTx6	R/W	0h	Enable for Interrupt 7.6 Reset type: SYSRSn
4	INTx5	R/W	0h	Enable for Interrupt 7.5 Reset type: SYSRSn
3	INTx4	R/W	0h	Enable for Interrupt 7.4 Reset type: SYSRSn
2	INTx3	R/W	0h	Enable for Interrupt 7.3 Reset type: SYSRSn
1	INTx2	R/W	0h	Enable for Interrupt 7.2 Reset type: SYSRSn



**Table 3-44. PIEIER7 Register Field Descriptions (continued)**

Bit	Field	Type	Reset	Description
0	INTx1	R/W	0h	Enable for Interrupt 7.1 Reset type: SYSRSn

### 3.17.3.16 PIEIFR7 Register (Offset = Fh) [Reset = 0000h]

PIEIFR7 is shown in [Figure 3-44](#) and described in [Table 3-45](#).

Return to the [Summary Table](#).

#### Interrupt Group 7 Flag Register

These register bits indicate whether each interrupt in the group is currently pending. They behave very much like the bits in the CPU interrupt flag register (IFR).

When a peripheral sends an interrupt, the corresponding bit is set. This bit is cleared when the interrupt propagates to the CPU, at which point PIEACK is set.

NOTE: PIE IFR flags can be written to create software interrupts.

The IFR flag will be cleared on a write of zero. Hence, when the intent is to fire an interrupt it may cause inadvertent cancellation of other interrupts. It is recommended to use this only for testing or with extreme caution in the application code. Reading the PIE IFR registers is safe.

**Figure 3-44. PIEIFR7 Register**

15	14	13	12	11	10	9	8
INTx16	INTx15	INTx14	INTx13	INTx12	INTx11	INTx10	INTx9
R/W-0h	R/W-0h	R/W-0h	R/W-0h	R/W-0h	R/W-0h	R/W-0h	R/W-0h
7	6	5	4	3	2	1	0
INTx8	INTx7	INTx6	INTx5	INTx4	INTx3	INTx2	INTx1
R/W-0h	R/W-0h	R/W-0h	R/W-0h	R/W-0h	R/W-0h	R/W-0h	R/W-0h

**Table 3-45. PIEIFR7 Register Field Descriptions**

Bit	Field	Type	Reset	Description
15	INTx16	R/W	0h	Flag for Interrupt 7.16 Reset type: SYSRSn
14	INTx15	R/W	0h	Flag for Interrupt 7.15 Reset type: SYSRSn
13	INTx14	R/W	0h	Flag for Interrupt 7.14 Reset type: SYSRSn
12	INTx13	R/W	0h	Flag for Interrupt 7.13 Reset type: SYSRSn
11	INTx12	R/W	0h	Flag for Interrupt 7.12 Reset type: SYSRSn
10	INTx11	R/W	0h	Flag for Interrupt 7.11 Reset type: SYSRSn
9	INTx10	R/W	0h	Flag for Interrupt 7.10 Reset type: SYSRSn
8	INTx9	R/W	0h	Flag for Interrupt 7.9 Reset type: SYSRSn
7	INTx8	R/W	0h	Flag for Interrupt 7.8 Reset type: SYSRSn
6	INTx7	R/W	0h	Flag for Interrupt 7.7 Reset type: SYSRSn
5	INTx6	R/W	0h	Flag for Interrupt 7.6 Reset type: SYSRSn
4	INTx5	R/W	0h	Flag for Interrupt 7.5 Reset type: SYSRSn
3	INTx4	R/W	0h	Flag for Interrupt 7.4 Reset type: SYSRSn

**Table 3-45. PIEIFR7 Register Field Descriptions (continued)**

Bit	Field	Type	Reset	Description
2	INTx3	R/W	0h	Flag for Interrupt 7.3 Reset type: SYSRSn
1	INTx2	R/W	0h	Flag for Interrupt 7.2 Reset type: SYSRSn
0	INTx1	R/W	0h	Flag for Interrupt 7.1 Reset type: SYSRSn

### 3.17.3.17 PIEIER8 Register (Offset = 10h) [Reset = 0000h]

PIEIER8 is shown in [Figure 3-45](#) and described in [Table 3-46](#).

Return to the [Summary Table](#).

#### Interrupt Group 8 Enable Register

These register bits individually enable an interrupt within a group. They behave very much like the bits in the CPU interrupt enable register (IER).

Setting a bit to 1 allows the corresponding interrupt to propagate to the CPU.

Setting a bit to 0 prevents the corresponding interrupt from propagating. Note that a peripheral interrupt signal can still set the PIEIFR bit for the disabled interrupt.

**Figure 3-45. PIEIER8 Register**

15	14	13	12	11	10	9	8
INTx16	INTx15	INTx14	INTx13	INTx12	INTx11	INTx10	INTx9
R/W-0h	R/W-0h	R/W-0h	R/W-0h	R/W-0h	R/W-0h	R/W-0h	R/W-0h
7	6	5	4	3	2	1	0
INTx8	INTx7	INTx6	INTx5	INTx4	INTx3	INTx2	INTx1
R/W-0h	R/W-0h	R/W-0h	R/W-0h	R/W-0h	R/W-0h	R/W-0h	R/W-0h

**Table 3-46. PIEIER8 Register Field Descriptions**

Bit	Field	Type	Reset	Description
15	INTx16	R/W	0h	Enable for Interrupt 8.16 Reset type: SYSRSn
14	INTx15	R/W	0h	Enable for Interrupt 8.15 Reset type: SYSRSn
13	INTx14	R/W	0h	Enable for Interrupt 8.14 Reset type: SYSRSn
12	INTx13	R/W	0h	Enable for Interrupt 8.13 Reset type: SYSRSn
11	INTx12	R/W	0h	Enable for Interrupt 8.12 Reset type: SYSRSn
10	INTx11	R/W	0h	Enable for Interrupt 8.11 Reset type: SYSRSn
9	INTx10	R/W	0h	Enable for Interrupt 8.10 Reset type: SYSRSn
8	INTx9	R/W	0h	Enable for Interrupt 8.9 Reset type: SYSRSn
7	INTx8	R/W	0h	Enable for Interrupt 8.8 Reset type: SYSRSn
6	INTx7	R/W	0h	Enable for Interrupt 8.7 Reset type: SYSRSn
5	INTx6	R/W	0h	Enable for Interrupt 8.6 Reset type: SYSRSn
4	INTx5	R/W	0h	Enable for Interrupt 8.5 Reset type: SYSRSn
3	INTx4	R/W	0h	Enable for Interrupt 8.4 Reset type: SYSRSn
2	INTx3	R/W	0h	Enable for Interrupt 8.3 Reset type: SYSRSn
1	INTx2	R/W	0h	Enable for Interrupt 8.2 Reset type: SYSRSn

**Table 3-46. PIEIER8 Register Field Descriptions (continued)**

Bit	Field	Type	Reset	Description
0	INTx1	R/W	0h	Enable for Interrupt 8.1 Reset type: SYSRSn

### 3.17.3.18 PIEIFR8 Register (Offset = 11h) [Reset = 0000h]

PIEIFR8 is shown in [Figure 3-46](#) and described in [Table 3-47](#).

Return to the [Summary Table](#).

#### Interrupt Group 8 Flag Register

These register bits indicate whether each interrupt in the group is currently pending. They behave very much like the bits in the CPU interrupt flag register (IFR).

When a peripheral sends an interrupt, the corresponding bit is set. This bit is cleared when the interrupt propagates to the CPU, at which point PIEACK is set.

NOTE: PIE IFR flags can be written to create software interrupts.

The IFR flag will be cleared on a write of zero. Hence, when the intent is to fire an interrupt it may cause inadvertent cancellation of other interrupts. It is recommended to use this only for testing or with extreme caution in the application code. Reading the PIE IFR registers is safe.

**Figure 3-46. PIEIFR8 Register**

15	14	13	12	11	10	9	8
INTx16	INTx15	INTx14	INTx13	INTx12	INTx11	INTx10	INTx9
R/W-0h	R/W-0h	R/W-0h	R/W-0h	R/W-0h	R/W-0h	R/W-0h	R/W-0h
7	6	5	4	3	2	1	0
INTx8	INTx7	INTx6	INTx5	INTx4	INTx3	INTx2	INTx1
R/W-0h	R/W-0h	R/W-0h	R/W-0h	R/W-0h	R/W-0h	R/W-0h	R/W-0h

**Table 3-47. PIEIFR8 Register Field Descriptions**

Bit	Field	Type	Reset	Description
15	INTx16	R/W	0h	Flag for Interrupt 8.16 Reset type: SYSRSn
14	INTx15	R/W	0h	Flag for Interrupt 8.15 Reset type: SYSRSn
13	INTx14	R/W	0h	Flag for Interrupt 8.14 Reset type: SYSRSn
12	INTx13	R/W	0h	Flag for Interrupt 8.13 Reset type: SYSRSn
11	INTx12	R/W	0h	Flag for Interrupt 8.12 Reset type: SYSRSn
10	INTx11	R/W	0h	Flag for Interrupt 8.11 Reset type: SYSRSn
9	INTx10	R/W	0h	Flag for Interrupt 8.10 Reset type: SYSRSn
8	INTx9	R/W	0h	Flag for Interrupt 8.9 Reset type: SYSRSn
7	INTx8	R/W	0h	Flag for Interrupt 8.8 Reset type: SYSRSn
6	INTx7	R/W	0h	Flag for Interrupt 8.7 Reset type: SYSRSn
5	INTx6	R/W	0h	Flag for Interrupt 8.6 Reset type: SYSRSn
4	INTx5	R/W	0h	Flag for Interrupt 8.5 Reset type: SYSRSn
3	INTx4	R/W	0h	Flag for Interrupt 8.4 Reset type: SYSRSn

**Table 3-47. PIEIFR8 Register Field Descriptions (continued)**

Bit	Field	Type	Reset	Description
2	INTx3	R/W	0h	Flag for Interrupt 8.3 Reset type: SYSRSn
1	INTx2	R/W	0h	Flag for Interrupt 8.2 Reset type: SYSRSn
0	INTx1	R/W	0h	Flag for Interrupt 8.1 Reset type: SYSRSn

### 3.17.3.19 PIEIER9 Register (Offset = 12h) [Reset = 0000h]

PIEIER9 is shown in [Figure 3-47](#) and described in [Table 3-48](#).

Return to the [Summary Table](#).

#### Interrupt Group 9 Enable Register

These register bits individually enable an interrupt within a group. They behave very much like the bits in the CPU interrupt enable register (IER).

Setting a bit to 1 allows the corresponding interrupt to propagate to the CPU.

Setting a bit to 0 prevents the corresponding interrupt from propagating. Note that a peripheral interrupt signal can still set the PIEIFR bit for the disabled interrupt.

**Figure 3-47. PIEIER9 Register**

15	14	13	12	11	10	9	8
INTx16	INTx15	INTx14	INTx13	INTx12	INTx11	INTx10	INTx9
R/W-0h	R/W-0h	R/W-0h	R/W-0h	R/W-0h	R/W-0h	R/W-0h	R/W-0h
7	6	5	4	3	2	1	0
INTx8	INTx7	INTx6	INTx5	INTx4	INTx3	INTx2	INTx1
R/W-0h	R/W-0h	R/W-0h	R/W-0h	R/W-0h	R/W-0h	R/W-0h	R/W-0h

**Table 3-48. PIEIER9 Register Field Descriptions**

Bit	Field	Type	Reset	Description
15	INTx16	R/W	0h	Enable for Interrupt 9.16 Reset type: SYSRSn
14	INTx15	R/W	0h	Enable for Interrupt 9.15 Reset type: SYSRSn
13	INTx14	R/W	0h	Enable for Interrupt 9.14 Reset type: SYSRSn
12	INTx13	R/W	0h	Enable for Interrupt 9.13 Reset type: SYSRSn
11	INTx12	R/W	0h	Enable for Interrupt 9.12 Reset type: SYSRSn
10	INTx11	R/W	0h	Enable for Interrupt 9.11 Reset type: SYSRSn
9	INTx10	R/W	0h	Enable for Interrupt 9.10 Reset type: SYSRSn
8	INTx9	R/W	0h	Enable for Interrupt 9.9 Reset type: SYSRSn
7	INTx8	R/W	0h	Enable for Interrupt 9.8 Reset type: SYSRSn
6	INTx7	R/W	0h	Enable for Interrupt 9.7 Reset type: SYSRSn
5	INTx6	R/W	0h	Enable for Interrupt 9.6 Reset type: SYSRSn
4	INTx5	R/W	0h	Enable for Interrupt 9.5 Reset type: SYSRSn
3	INTx4	R/W	0h	Enable for Interrupt 9.4 Reset type: SYSRSn
2	INTx3	R/W	0h	Enable for Interrupt 9.3 Reset type: SYSRSn
1	INTx2	R/W	0h	Enable for Interrupt 9.2 Reset type: SYSRSn



**Table 3-48. PIEIER9 Register Field Descriptions (continued)**

Bit	Field	Type	Reset	Description
0	INTx1	R/W	0h	Enable for Interrupt 9.1 Reset type: SYSRSn

### 3.17.3.20 PIEIFR9 Register (Offset = 13h) [Reset = 0000h]

PIEIFR9 is shown in [Figure 3-48](#) and described in [Table 3-49](#).

Return to the [Summary Table](#).

#### Interrupt Group 9 Flag Register

These register bits indicate whether each interrupt in the group is currently pending. They behave very much like the bits in the CPU interrupt flag register (IFR).

When a peripheral sends an interrupt, the corresponding bit is set. This bit is cleared when the interrupt propagates to the CPU, at which point PIEACK is set.

NOTE: PIE IFR flags can be written to create software interrupts.

The IFR flag will be cleared on a write of zero. Hence, when the intent is to fire an interrupt it may cause inadvertent cancellation of other interrupts. It is recommended to use this only for testing or with extreme caution in the application code. Reading the PIE IFR registers is safe.

**Figure 3-48. PIEIFR9 Register**

15	14	13	12	11	10	9	8
INTx16	INTx15	INTx14	INTx13	INTx12	INTx11	INTx10	INTx9
R/W-0h	R/W-0h	R/W-0h	R/W-0h	R/W-0h	R/W-0h	R/W-0h	R/W-0h
7	6	5	4	3	2	1	0
INTx8	INTx7	INTx6	INTx5	INTx4	INTx3	INTx2	INTx1
R/W-0h	R/W-0h	R/W-0h	R/W-0h	R/W-0h	R/W-0h	R/W-0h	R/W-0h

**Table 3-49. PIEIFR9 Register Field Descriptions**

Bit	Field	Type	Reset	Description
15	INTx16	R/W	0h	Flag for Interrupt 9.16 Reset type: SYSRSn
14	INTx15	R/W	0h	Flag for Interrupt 9.15 Reset type: SYSRSn
13	INTx14	R/W	0h	Flag for Interrupt 9.14 Reset type: SYSRSn
12	INTx13	R/W	0h	Flag for Interrupt 9.13 Reset type: SYSRSn
11	INTx12	R/W	0h	Flag for Interrupt 9.12 Reset type: SYSRSn
10	INTx11	R/W	0h	Flag for Interrupt 9.11 Reset type: SYSRSn
9	INTx10	R/W	0h	Flag for Interrupt 9.10 Reset type: SYSRSn
8	INTx9	R/W	0h	Flag for Interrupt 9.9 Reset type: SYSRSn
7	INTx8	R/W	0h	Flag for Interrupt 9.8 Reset type: SYSRSn
6	INTx7	R/W	0h	Flag for Interrupt 9.7 Reset type: SYSRSn
5	INTx6	R/W	0h	Flag for Interrupt 9.6 Reset type: SYSRSn
4	INTx5	R/W	0h	Flag for Interrupt 9.5 Reset type: SYSRSn
3	INTx4	R/W	0h	Flag for Interrupt 9.4 Reset type: SYSRSn

**Table 3-49. PIEIFR9 Register Field Descriptions (continued)**

Bit	Field	Type	Reset	Description
2	INTx3	R/W	0h	Flag for Interrupt 9.3 Reset type: SYSRSn
1	INTx2	R/W	0h	Flag for Interrupt 9.2 Reset type: SYSRSn
0	INTx1	R/W	0h	Flag for Interrupt 9.1 Reset type: SYSRSn

### 3.17.3.21 PIEIER10 Register (Offset = 14h) [Reset = 0000h]

PIEIER10 is shown in [Figure 3-49](#) and described in [Table 3-50](#).

Return to the [Summary Table](#).

#### Interrupt Group 10 Enable Register

These register bits individually enable an interrupt within a group. They behave very much like the bits in the CPU interrupt enable register (IER).

Setting a bit to 1 allows the corresponding interrupt to propagate to the CPU.

Setting a bit to 0 prevents the corresponding interrupt from propagating. Note that a peripheral interrupt signal can still set the PIEIFR bit for the disabled interrupt.

**Figure 3-49. PIEIER10 Register**

15	14	13	12	11	10	9	8
INTx16	INTx15	INTx14	INTx13	INTx12	INTx11	INTx10	INTx9
R/W-0h	R/W-0h	R/W-0h	R/W-0h	R/W-0h	R/W-0h	R/W-0h	R/W-0h
7	6	5	4	3	2	1	0
INTx8	INTx7	INTx6	INTx5	INTx4	INTx3	INTx2	INTx1
R/W-0h	R/W-0h	R/W-0h	R/W-0h	R/W-0h	R/W-0h	R/W-0h	R/W-0h

**Table 3-50. PIEIER10 Register Field Descriptions**

Bit	Field	Type	Reset	Description
15	INTx16	R/W	0h	Enable for Interrupt 10.16 Reset type: SYSRSn
14	INTx15	R/W	0h	Enable for Interrupt 10.15 Reset type: SYSRSn
13	INTx14	R/W	0h	Enable for Interrupt 10.14 Reset type: SYSRSn
12	INTx13	R/W	0h	Enable for Interrupt 10.13 Reset type: SYSRSn
11	INTx12	R/W	0h	Enable for Interrupt 10.12 Reset type: SYSRSn
10	INTx11	R/W	0h	Enable for Interrupt 10.11 Reset type: SYSRSn
9	INTx10	R/W	0h	Enable for Interrupt 10.10 Reset type: SYSRSn
8	INTx9	R/W	0h	Enable for Interrupt 10.9 Reset type: SYSRSn
7	INTx8	R/W	0h	Enable for Interrupt 10.8 Reset type: SYSRSn
6	INTx7	R/W	0h	Enable for Interrupt 10.7 Reset type: SYSRSn
5	INTx6	R/W	0h	Enable for Interrupt 10.6 Reset type: SYSRSn
4	INTx5	R/W	0h	Enable for Interrupt 10.5 Reset type: SYSRSn
3	INTx4	R/W	0h	Enable for Interrupt 10.4 Reset type: SYSRSn
2	INTx3	R/W	0h	Enable for Interrupt 10.3 Reset type: SYSRSn
1	INTx2	R/W	0h	Enable for Interrupt 10.2 Reset type: SYSRSn

**Table 3-50. PIEIER10 Register Field Descriptions (continued)**

Bit	Field	Type	Reset	Description
0	INTx1	R/W	0h	Enable for Interrupt 10.1 Reset type: SYSRSn

### 3.17.3.22 PIEIFR10 Register (Offset = 15h) [Reset = 0000h]

PIEIFR10 is shown in [Figure 3-50](#) and described in [Table 3-51](#).

Return to the [Summary Table](#).

#### Interrupt Group 10 Flag Register

These register bits indicate whether each interrupt in the group is currently pending. They behave very much like the bits in the CPU interrupt flag register (IFR).

When a peripheral sends an interrupt, the corresponding bit is set. This bit is cleared when the interrupt propagates to the CPU, at which point PIEACK is set.

NOTE: PIE IFR flags can be written to create software interrupts.

The IFR flag will be cleared on a write of zero. Hence, when the intent is to fire an interrupt it may cause inadvertent cancellation of other interrupts. It is recommended to use this only for testing or with extreme caution in the application code. Reading the PIE IFR registers is safe.

**Figure 3-50. PIEIFR10 Register**

15	14	13	12	11	10	9	8
INTx16	INTx15	INTx14	INTx13	INTx12	INTx11	INTx10	INTx9
R/W-0h	R/W-0h	R/W-0h	R/W-0h	R/W-0h	R/W-0h	R/W-0h	R/W-0h
7	6	5	4	3	2	1	0
INTx8	INTx7	INTx6	INTx5	INTx4	INTx3	INTx2	INTx1
R/W-0h	R/W-0h	R/W-0h	R/W-0h	R/W-0h	R/W-0h	R/W-0h	R/W-0h

**Table 3-51. PIEIFR10 Register Field Descriptions**

Bit	Field	Type	Reset	Description
15	INTx16	R/W	0h	Flag for Interrupt 10.16 Reset type: SYSRSn
14	INTx15	R/W	0h	Flag for Interrupt 10.15 Reset type: SYSRSn
13	INTx14	R/W	0h	Flag for Interrupt 10.14 Reset type: SYSRSn
12	INTx13	R/W	0h	Flag for Interrupt 10.13 Reset type: SYSRSn
11	INTx12	R/W	0h	Flag for Interrupt 10.12 Reset type: SYSRSn
10	INTx11	R/W	0h	Flag for Interrupt 10.11 Reset type: SYSRSn
9	INTx10	R/W	0h	Flag for Interrupt 10.10 Reset type: SYSRSn
8	INTx9	R/W	0h	Flag for Interrupt 10.9 Reset type: SYSRSn
7	INTx8	R/W	0h	Flag for Interrupt 10.8 Reset type: SYSRSn
6	INTx7	R/W	0h	Flag for Interrupt 10.7 Reset type: SYSRSn
5	INTx6	R/W	0h	Flag for Interrupt 10.6 Reset type: SYSRSn
4	INTx5	R/W	0h	Flag for Interrupt 10.5 Reset type: SYSRSn
3	INTx4	R/W	0h	Flag for Interrupt 10.4 Reset type: SYSRSn

**Table 3-51. PIEIFR10 Register Field Descriptions (continued)**

Bit	Field	Type	Reset	Description
2	INTx3	R/W	0h	Flag for Interrupt 10.3 Reset type: SYSRSn
1	INTx2	R/W	0h	Flag for Interrupt 10.2 Reset type: SYSRSn
0	INTx1	R/W	0h	Flag for Interrupt 10.1 Reset type: SYSRSn

### 3.17.3.23 PIEIER11 Register (Offset = 16h) [Reset = 0000h]

PIEIER11 is shown in [Figure 3-51](#) and described in [Table 3-52](#).

Return to the [Summary Table](#).

#### Interrupt Group 11 Enable Register

These register bits individually enable an interrupt within a group. They behave very much like the bits in the CPU interrupt enable register (IER).

Setting a bit to 1 allows the corresponding interrupt to propagate to the CPU.

Setting a bit to 0 prevents the corresponding interrupt from propagating. Note that a peripheral interrupt signal can still set the PIEIFR bit for the disabled interrupt.

**Figure 3-51. PIEIER11 Register**

15	14	13	12	11	10	9	8
INTx16	INTx15	INTx14	INTx13	INTx12	INTx11	INTx10	INTx9
R/W-0h	R/W-0h	R/W-0h	R/W-0h	R/W-0h	R/W-0h	R/W-0h	R/W-0h
7	6	5	4	3	2	1	0
INTx8	INTx7	INTx6	INTx5	INTx4	INTx3	INTx2	INTx1
R/W-0h	R/W-0h	R/W-0h	R/W-0h	R/W-0h	R/W-0h	R/W-0h	R/W-0h

**Table 3-52. PIEIER11 Register Field Descriptions**

Bit	Field	Type	Reset	Description
15	INTx16	R/W	0h	Enable for Interrupt 11.16 Reset type: SYSRSn
14	INTx15	R/W	0h	Enable for Interrupt 11.15 Reset type: SYSRSn
13	INTx14	R/W	0h	Enable for Interrupt 11.14 Reset type: SYSRSn
12	INTx13	R/W	0h	Enable for Interrupt 11.13 Reset type: SYSRSn
11	INTx12	R/W	0h	Enable for Interrupt 11.12 Reset type: SYSRSn
10	INTx11	R/W	0h	Enable for Interrupt 11.11 Reset type: SYSRSn
9	INTx10	R/W	0h	Enable for Interrupt 11.10 Reset type: SYSRSn
8	INTx9	R/W	0h	Enable for Interrupt 11.9 Reset type: SYSRSn
7	INTx8	R/W	0h	Enable for Interrupt 11.8 Reset type: SYSRSn
6	INTx7	R/W	0h	Enable for Interrupt 11.7 Reset type: SYSRSn
5	INTx6	R/W	0h	Enable for Interrupt 11.6 Reset type: SYSRSn
4	INTx5	R/W	0h	Enable for Interrupt 11.5 Reset type: SYSRSn
3	INTx4	R/W	0h	Enable for Interrupt 11.4 Reset type: SYSRSn
2	INTx3	R/W	0h	Enable for Interrupt 11.3 Reset type: SYSRSn
1	INTx2	R/W	0h	Enable for Interrupt 11.2 Reset type: SYSRSn



**Table 3-52. PIEIER11 Register Field Descriptions (continued)**

Bit	Field	Type	Reset	Description
0	INTx1	R/W	0h	Enable for Interrupt 11.1 Reset type: SYSRSn

### 3.17.3.24 PIEIFR11 Register (Offset = 17h) [Reset = 0000h]

PIEIFR11 is shown in [Figure 3-52](#) and described in [Table 3-53](#).

Return to the [Summary Table](#).

#### Interrupt Group 11 Flag Register

These register bits indicate whether each interrupt in the group is currently pending. They behave very much like the bits in the CPU interrupt flag register (IFR).

When a peripheral sends an interrupt, the corresponding bit is set. This bit is cleared when the interrupt propagates to the CPU, at which point PIEACK is set.

NOTE: PIE IFR flags can be written to create software interrupts.

The IFR flag will be cleared on a write of zero. Hence, when the intent is to fire an interrupt it may cause inadvertent cancellation of other interrupts. It is recommended to use this only for testing or with extreme caution in the application code. Reading the PIE IFR registers is safe.

**Figure 3-52. PIEIFR11 Register**

15		14		13		12		11		10		9		8	
INTx16	INTx15	INTx14	INTx13	INTx12	INTx11	INTx10	INTx9								
R/W-0h	R/W-0h	R/W-0h	R/W-0h	R/W-0h	R/W-0h	R/W-0h	R/W-0h								
7		6		5		4		3		2		1		0	
INTx8	INTx7	INTx6	INTx5	INTx4	INTx3	INTx2	INTx1								
R/W-0h	R/W-0h	R/W-0h	R/W-0h	R/W-0h	R/W-0h	R/W-0h	R/W-0h								

**Table 3-53. PIEIFR11 Register Field Descriptions**

Bit	Field	Type	Reset	Description
15	INTx16	R/W	0h	Flag for Interrupt 11.16 Reset type: SYSRSn
14	INTx15	R/W	0h	Flag for Interrupt 11.15 Reset type: SYSRSn
13	INTx14	R/W	0h	Flag for Interrupt 11.14 Reset type: SYSRSn
12	INTx13	R/W	0h	Flag for Interrupt 11.13 Reset type: SYSRSn
11	INTx12	R/W	0h	Flag for Interrupt 11.12 Reset type: SYSRSn
10	INTx11	R/W	0h	Flag for Interrupt 11.11 Reset type: SYSRSn
9	INTx10	R/W	0h	Flag for Interrupt 11.10 Reset type: SYSRSn
8	INTx9	R/W	0h	Flag for Interrupt 11.9 Reset type: SYSRSn
7	INTx8	R/W	0h	Flag for Interrupt 11.8 Reset type: SYSRSn
6	INTx7	R/W	0h	Flag for Interrupt 11.7 Reset type: SYSRSn
5	INTx6	R/W	0h	Flag for Interrupt 11.6 Reset type: SYSRSn
4	INTx5	R/W	0h	Flag for Interrupt 11.5 Reset type: SYSRSn
3	INTx4	R/W	0h	Flag for Interrupt 11.4 Reset type: SYSRSn

**Table 3-53. PIEIFR11 Register Field Descriptions (continued)**

Bit	Field	Type	Reset	Description
2	INTx3	R/W	0h	Flag for Interrupt 11.3 Reset type: SYSRSn
1	INTx2	R/W	0h	Flag for Interrupt 11.2 Reset type: SYSRSn
0	INTx1	R/W	0h	Flag for Interrupt 11.1 Reset type: SYSRSn

### 3.17.3.25 PIEIER12 Register (Offset = 18h) [Reset = 0000h]

PIEIER12 is shown in [Figure 3-53](#) and described in [Table 3-54](#).

Return to the [Summary Table](#).

#### Interrupt Group 12 Enable Register

These register bits individually enable an interrupt within a group. They behave very much like the bits in the CPU interrupt enable register (IER).

Setting a bit to 1 allows the corresponding interrupt to propagate to the CPU.

Setting a bit to 0 prevents the corresponding interrupt from propagating. Note that a peripheral interrupt signal can still set the PIEIFR bit for the disabled interrupt.

**Figure 3-53. PIEIER12 Register**

15	14	13	12	11	10	9	8
INTx16	INTx15	INTx14	INTx13	INTx12	INTx11	INTx10	INTx9
R/W-0h	R/W-0h	R/W-0h	R/W-0h	R/W-0h	R/W-0h	R/W-0h	R/W-0h
7	6	5	4	3	2	1	0
INTx8	INTx7	INTx6	INTx5	INTx4	INTx3	INTx2	INTx1
R/W-0h	R/W-0h	R/W-0h	R/W-0h	R/W-0h	R/W-0h	R/W-0h	R/W-0h

**Table 3-54. PIEIER12 Register Field Descriptions**

Bit	Field	Type	Reset	Description
15	INTx16	R/W	0h	Enable for Interrupt 12.16 Reset type: SYSRSn
14	INTx15	R/W	0h	Enable for Interrupt 12.15 Reset type: SYSRSn
13	INTx14	R/W	0h	Enable for Interrupt 12.14 Reset type: SYSRSn
12	INTx13	R/W	0h	Enable for Interrupt 12.13 Reset type: SYSRSn
11	INTx12	R/W	0h	Enable for Interrupt 12.12 Reset type: SYSRSn
10	INTx11	R/W	0h	Enable for Interrupt 12.11 Reset type: SYSRSn
9	INTx10	R/W	0h	Enable for Interrupt 12.10 Reset type: SYSRSn
8	INTx9	R/W	0h	Enable for Interrupt 12.9 Reset type: SYSRSn
7	INTx8	R/W	0h	Enable for Interrupt 12.8 Reset type: SYSRSn
6	INTx7	R/W	0h	Enable for Interrupt 12.7 Reset type: SYSRSn
5	INTx6	R/W	0h	Enable for Interrupt 12.6 Reset type: SYSRSn
4	INTx5	R/W	0h	Enable for Interrupt 12.5 Reset type: SYSRSn
3	INTx4	R/W	0h	Enable for Interrupt 12.4 Reset type: SYSRSn
2	INTx3	R/W	0h	Enable for Interrupt 12.3 Reset type: SYSRSn
1	INTx2	R/W	0h	Enable for Interrupt 12.2 Reset type: SYSRSn

**Table 3-54. PIEIER12 Register Field Descriptions (continued)**

Bit	Field	Type	Reset	Description
0	INTx1	R/W	0h	Enable for Interrupt 12.1 Reset type: SYSRSn

### 3.17.3.26 PIEIFR12 Register (Offset = 19h) [Reset = 0000h]

PIEIFR12 is shown in [Figure 3-54](#) and described in [Table 3-55](#).

Return to the [Summary Table](#).

#### Interrupt Group 12 Flag Register

These register bits indicate whether each interrupt in the group is currently pending. They behave very much like the bits in the CPU interrupt flag register (IFR).

When a peripheral sends an interrupt, the corresponding bit is set. This bit is cleared when the interrupt propagates to the CPU, at which point PIEACK is set.

NOTE: PIE IFR flags can be written to create software interrupts.

The IFR flag will be cleared on a write of zero. Hence, when the intent is to fire an interrupt it may cause inadvertent cancellation of other interrupts. It is recommended to use this only for testing or with extreme caution in the application code. Reading the PIE IFR registers is safe.

**Figure 3-54. PIEIFR12 Register**

15	14	13	12	11	10	9	8
INTx16	INTx15	INTx14	INTx13	INTx12	INTx11	INTx10	INTx9
R/W-0h	R/W-0h	R/W-0h	R/W-0h	R/W-0h	R/W-0h	R/W-0h	R/W-0h
7	6	5	4	3	2	1	0
INTx8	INTx7	INTx6	INTx5	INTx4	INTx3	INTx2	INTx1
R/W-0h	R/W-0h	R/W-0h	R/W-0h	R/W-0h	R/W-0h	R/W-0h	R/W-0h

**Table 3-55. PIEIFR12 Register Field Descriptions**

Bit	Field	Type	Reset	Description
15	INTx16	R/W	0h	Flag for Interrupt 12.16 Reset type: SYSRSn
14	INTx15	R/W	0h	Flag for Interrupt 12.15 Reset type: SYSRSn
13	INTx14	R/W	0h	Flag for Interrupt 12.14 Reset type: SYSRSn
12	INTx13	R/W	0h	Flag for Interrupt 12.13 Reset type: SYSRSn
11	INTx12	R/W	0h	Flag for Interrupt 12.12 Reset type: SYSRSn
10	INTx11	R/W	0h	Flag for Interrupt 12.11 Reset type: SYSRSn
9	INTx10	R/W	0h	Flag for Interrupt 12.10 Reset type: SYSRSn
8	INTx9	R/W	0h	Flag for Interrupt 12.9 Reset type: SYSRSn
7	INTx8	R/W	0h	Flag for Interrupt 12.8 Reset type: SYSRSn
6	INTx7	R/W	0h	Flag for Interrupt 12.7 Reset type: SYSRSn
5	INTx6	R/W	0h	Flag for Interrupt 12.6 Reset type: SYSRSn
4	INTx5	R/W	0h	Flag for Interrupt 12.5 Reset type: SYSRSn
3	INTx4	R/W	0h	Flag for Interrupt 12.4 Reset type: SYSRSn

**Table 3-55. PIEIFR12 Register Field Descriptions (continued)**

Bit	Field	Type	Reset	Description
2	INTx3	R/W	0h	Flag for Interrupt 12.3 Reset type: SYSRSn
1	INTx2	R/W	0h	Flag for Interrupt 12.2 Reset type: SYSRSn
0	INTx1	R/W	0h	Flag for Interrupt 12.1 Reset type: SYSRSn

### 3.17.4 WD\_REGS Registers

Table 3-56 lists the memory-mapped registers for the WD\_REGS registers. All register offset addresses not listed in Table 3-56 should be considered as reserved locations and the register contents should not be modified.

**Table 3-56. WD\_REGS Registers**

Offset	Acronym	Register Name	Write Protection	Section
22h	SCSR	System Control & Status Register	EALLOW	<a href="#">Go</a>
23h	WDCNTR	Watchdog Counter Register	EALLOW	<a href="#">Go</a>
25h	WDKEY	Watchdog Reset Key Register	EALLOW	<a href="#">Go</a>
29h	WDCR	Watchdog Control Register Note: IORSn reset type is asserted when XRSn or CPU1.SYSRSn or CPU1.WDRSn or CPU1.NMIRSn is asserted.	EALLOW	<a href="#">Go</a>
2Ah	WDWCR	Watchdog Windowed Control Register	EALLOW	<a href="#">Go</a>

Complex bit access types are encoded to fit into small table cells. Table 3-57 shows the codes that are used for access types in this section.

**Table 3-57. WD\_REGS Access Type Codes**

Access Type	Code	Description
Read Type		
R	R	Read
R-0	R-0	Read Returns 0s
Write Type		
W	W	Write
W1C	W1C	Write 1 to clear
W1S	W1S	Write 1 to set
Reset or Default Value		
-n		Value after reset or the default value
Register Array Variables		
i,j,k,l,m,n		When these variables are used in a register name, an offset, or an address, they refer to the value of a register array where the register is part of a group of repeating registers. The register groups form a hierarchical structure and the array is represented with a formula.
y		When this variable is used in a register name, an offset, or an address it refers to the value of a register array.



### 3.17.4.1 SCSR Register (Offset = 22h) [Reset = 0005h]

SCSR is shown in [Figure 3-55](#) and described in [Table 3-58](#).

Return to the [Summary Table](#).

It is recommended to only use 16 bit accesses to write to this register. Use a read-modify-write instruction may inadvertently clear other bits.

**Figure 3-55. SCSR Register**

15	14	13	12	11	10	9	8
RESERVED							
R-0-0h							
7	6	5	4	3	2	1	0
RESERVED					WDINTS	WDENINT	WDOVERRIDE
R-0-0h					R-1h	R/W-0h	R/W1C-1h

**Table 3-58. SCSR Register Field Descriptions**

Bit	Field	Type	Reset	Description
15-3	RESERVED	R-0	0h	Reserved
2	WDINTS	R	1h	<p>Watchdog interrupt (WDINTn) status signal. This is a read only bit reflecting the current state of the WDINTn signal from the watchdog block (after synchronization with SYCLKOUT). If this bit is 1, the watchdog interrupt is not active. If this bit is 0, then the watchdog interrupt is active.</p> <p>Note: If the WDINTn signal is used to wake up from IDLE or STANDBY condition, then the user should make sure that the WDINTn signal goes back high again before attempting to go back into IDLE or STANDBY mode. Reading this bit will tell the user the current state of this signal.</p> <p>Reset type: SYSRSn</p>
1	WDENINT	R/W	0h	<p>If this bit is set to 1, the watchdog reset (WDRSTn) output signal is disabled and the watchdog interrupt (WDINTn) output signal is enabled. If this bit is zero, then the WDRSTn output signal is enabled and the WDINTn output signal is disabled. This is the default state on system reset (SYSRSn).</p> <p>Reset type: SYSRSn</p>
0	WDOVERRIDE	R/W1C	1h	<p>If this bit is set to 1, the user is allowed to change the state of the Watchdog disable (WDDIS) bit in the Watchdog Control (WDCR) register. If the WDOVERRIDE bit is cleared, by writing a 1 the WDDIS bit cannot be modified by the user. Writing a 0 will have no effect. If this bit is cleared, then it will remain in this state until a reset occurs. The current state of this bit is readable by the user.</p> <p>Reset type: SYSRSn</p>

### 3.17.4.2 WDCNTR Register (Offset = 23h) [Reset = 0000h]

WDCNTR is shown in [Figure 3-56](#) and described in [Table 3-59](#).

Return to the [Summary Table](#).

Watchdog Counter Register

**Figure 3-56. WDCNTR Register**

15	14	13	12	11	10	9	8
RESERVED							
R-0-0h							
7	6	5	4	3	2	1	0
WDCNTR							
R-0h							

**Table 3-59. WDCNTR Register Field Descriptions**

Bit	Field	Type	Reset	Description
15-8	RESERVED	R-0	0h	Reserved
7-0	WDCNTR	R	0h	These bits contain the current value of the WD counter. The 8-bit counter continually increments at the WDCLK rate. If the counter overflows, then a watchdog output pulse (WDOUTn) is generated. If the WDKEY register is written with a valid combination, then the counter is reset to zero. Reset type: IORSn

### 3.17.4.3 WDKEY Register (Offset = 25h) [Reset = 0000h]

WDKEY is shown in [Figure 3-57](#) and described in [Table 3-60](#).

Return to the [Summary Table](#).

Watchdog Reset Key Register

**Figure 3-57. WDKEY Register**

15	14	13	12	11	10	9	8
RESERVED							
R-0-0h							
7	6	5	4	3	2	1	0
WDKEY							
R/W-0h							

**Table 3-60. WDKEY Register Field Descriptions**

Bit	Field	Type	Reset	Description
15-8	RESERVED	R-0	0h	Reserved
7-0	WDKEY	R/W	0h	Writing 0x55 followed by 0xAA will cause the WDCNTR bits to be cleared. Note: [1] Reads from the WDKEY return the value of WDCR register. Reset type: IORSn

### 3.17.4.4 WDCR Register (Offset = 29h) [Reset = 0000h]

WDCR is shown in [Figure 3-58](#) and described in [Table 3-61](#).

Return to the [Summary Table](#).

#### Watchdog Control Register

This memory mapped register requires a delay of 69 SYSCLK cycles between subsequent writes to the register, otherwise a second write can be lost. This delay can be realized by adding 69 NOP instructions.

**Figure 3-58. WDCR Register**

15	14	13	12	11	10	9	8
RESERVED							
R-0-0h							
7	6	5	4	3	2	1	0
RESERVED	WDDIS	WDCHK			WDPS		
R/W1S-0h	R/W-0h	R-0/W-0h			R/W-0h		

**Table 3-61. WDCR Register Field Descriptions**

Bit	Field	Type	Reset	Description
15-8	RESERVED	R-0	0h	Reserved
7	RESERVED	R/W1S	0h	Reserved
6	WDDIS	R/W	0h	Writing a 1 to this bit will disable the watchdog module. Writing a 0 will enable the module. This bit can only be modified if the WDOVERRIDE bit in the SCSR2 register is set to 1. On reset, the watchdog module is enabled. Reset type: IORSn
5-3	WDCHK	R-0/W	0h	The user must ALWAYS write 1,0,1 to these bits whenever a write to this register is performed. Writing any other value will cause an immediate reset to the core (if WD enabled). Reset type: IORSn
2-0	WDPS	R/W	0h	These bits configure the watchdog counter clock (WDCLK) rate relative to INTOSC1/512: 000 WDCLK = INTOSC1/512/1 001 WDCLK = INTOSC1/512/1 010 WDCLK = INTOSC1/512/2 011 WDCLK = INTOSC1/512/4 100 WDCLK = INTOSC1/512/8 101 WDCLK = INTOSC1/512/16 110 WDCLK = INTOSC1/512/32 111 WDCLK = INTOSC1/512/64 Reset type: IORSn

### 3.17.4.5 WDWCR Register (Offset = 2Ah) [Reset = 0000h]

WDWCR is shown in [Figure 3-59](#) and described in [Table 3-62](#).

Return to the [Summary Table](#).

Watchdog Windowed Control Register

**Figure 3-59. WDWCR Register**

15	14	13	12	11	10	9	8
RESERVED							FIRSTKEY
R-0-0h							R-0h
7	6	5	4	3	2	1	0
MIN							
R/W-0h							

**Table 3-62. WDWCR Register Field Descriptions**

Bit	Field	Type	Reset	Description
15-9	RESERVED	R-0	0h	Reserved
8	FIRSTKEY	R	0h	This bit indicates if the 1st valid WDKEY (0x55 + 0xAA) got detected after MIN was configured to a non-zero value 0: First Valid Key after non-zero MIN configuration has not happened yet 1: First Valid key after non-zero MIN configuration got detected Notes: [1] If MIN = 0, this bit is never set [2] If MIN is changed back to 0x0 from a non-zero value, this bit is auto-cleared [3] This bit is added for debug purposes only Reset type: IORSn
7-0	MIN	R/W	0h	These bits define the lower limit of the Windowed functionality Reset type: IORSn

### 3.17.5 NMI\_INTRUPT\_REGS Registers

Table 3-63 lists the memory-mapped registers for the NMI\_INTRUPT\_REGS registers. All register offset addresses not listed in Table 3-63 should be considered as reserved locations and the register contents should not be modified.

**Table 3-63. NMI\_INTRUPT\_REGS Registers**

Offset	Acronym	Register Name	Write Protection	Section
0h	NMICFG	NMI Configuration Register	EALLOW	<a href="#">Go</a>
1h	NMIFLG	NMI Flag Register (XRSn Clear)		<a href="#">Go</a>
2h	NMIFLGCLR	NMI Flag Clear Register	EALLOW	<a href="#">Go</a>
3h	NMIFLGFRC	NMI Flag Force Register	EALLOW	<a href="#">Go</a>
4h	NMIWDCNT	NMI Watchdog Counter Register		<a href="#">Go</a>
5h	NMIWDPRD	NMI Watchdog Period Register	EALLOW	<a href="#">Go</a>
6h	NMISHDFLG	NMI Shadow Flag Register		<a href="#">Go</a>

Complex bit access types are encoded to fit into small table cells. Table 3-64 shows the codes that are used for access types in this section.

**Table 3-64. NMI\_INTRUPT\_REGS Access Type Codes**

Access Type	Code	Description
Read Type		
R	R	Read
R-0	R -0	Read Returns 0s
Write Type		
W	W	Write
W1S	W 1S	Write 1 to set
Reset or Default Value		
-n		Value after reset or the default value

### 3.17.5.1 NMICFG Register (Offset = 0h) [Reset = 0000h]

NMICFG is shown in [Figure 3-60](#) and described in [Table 3-65](#).

Return to the [Summary Table](#).

NMI Configuration Register

**Figure 3-60. NMICFG Register**

15	14	13	12	11	10	9	8
RESERVED							
R-0-0h							
7	6	5	4	3	2	1	0
RESERVED							NMIE
R-0-0h							R/W1S-0h

**Table 3-65. NMICFG Register Field Descriptions**

Bit	Field	Type	Reset	Description
15-1	RESERVED	R-0	0h	Reserved
0	NMIE	R/W1S	0h	When set to 1 any condition will generate an NMI interrupt to the C28 CPU and kick off the NMI watchdog counter. As part of boot sequence this bit should be set after the device security related initialization is complete. 0 NMI disabled 1 NMI enabled Reset type: SYSRSn

### 3.17.5.2 NMIFLG Register (Offset = 1h) [Reset = 0000h]

NMIFLG is shown in [Figure 3-61](#) and described in [Table 3-66](#).

Return to the [Summary Table](#).

NMI Flag Register (XRSn Clear)

**Figure 3-61. NMIFLG Register**

15	14	13	12	11	10	9	8
RESERVED			RESERVED	RESERVED	RESERVED	RESERVED	CLBNMI
R-0-0h			R-0h	R-0h	R-0h	R-0h	R-0h
7	6	5	4	3	2	1	0
RESERVED	RESERVED	RESERVED	CPU1HWBISTERR	FLUNCERR	RAMUNCERR	CLOCKFAIL	NMIINT
R-0h	R-0h	R-0h	R-0h	R-0h	R-0h	R-0h	R-0h

**Table 3-66. NMIFLG Register Field Descriptions**

Bit	Field	Type	Reset	Description
15-12	RESERVED	R-0	0h	Reserved
11	RESERVED	R	0h	Reserved
10	RESERVED	R	0h	Reserved
9	RESERVED	R	0h	Reserved
8	CLBNMI	R	0h	Configurable Logic Block NMI Flag: This bit indicates if an NMI was generated by the Configurable Logic Block. This bit can only be cleared by the user writing to the corresponding clear bit in the NMIFLGCLR register or by an XRSn reset: 0, No Configurable Logic Block NMI pending 1, Configurable Logic Block NMI generated Reset type: XRSn
7	RESERVED	R	0h	Reserved
6	RESERVED	R	0h	Reserved
5	RESERVED	R	0h	Reserved
4	CPU1HWBISTERR	R	0h	HW BIST Error NMI Flag: This bit indicates if the time out error or a signature mismatch error condition during hardware BIST of C28 CPU1 occurred. This bit can only be cleared by the user writing to the corresponding clear bit in the NMIFLGCLR register or by an XRSn reset: 0, No C28 HWBIST error condition pending 1, C28 BIST error condition generated Reset type: XRSn
3	FLUNCERR	R	0h	Flash Uncorrectable Error NMI Flag: This bit indicates if an uncorrectable error occurred on a C28 Flash access and that condition is latched. This bit can only be cleared by the user writing to the corresponding clear bit in the NMIFLGCLR register or by an XRSn reset: 0, No C28 Flash uncorrectable error condition pending 1, C28 Flash uncorrectable error condition generated Reset type: XRSn
2	RAMUNCERR	R	0h	RAM Uncorrectable Error NMI Flag: This bit indicates if an uncorrectable error occurred on a RAM access (by any master) and that condition is latched. This bit can only be cleared by the user writing to the corresponding clear bit in the NMIFLGCLR register or by an XRSn reset: 0, No RAM uncorrectable error condition pending 1, RAM uncorrectable error condition generated Reset type: XRSn



**Table 3-66. NMIFLG Register Field Descriptions (continued)**

Bit	Field	Type	Reset	Description
1	CLOCKFAIL	R	0h	Clock Fail Interrupt Flag: These bits indicates if the CLOCKFAIL condition is latched. These bits can only be cleared by the user writing to the respective bit in the NMIFLGCLR register or by an XRSn reset: 0, No CLOCKFAIL Condition Pending 1, CLOCKFAIL Condition Generated Reset type: XRSn
0	NMIINT	R	0h	NMI Interrupt Flag: This bit indicates if an NMI interrupt was generated. This bit can only be cleared by the user writing to the respective bit in the NMIFLGCLR register or by an XRSn reset: 0 No NMI Interrupt Generated 1 NMI Interrupt Generated No further NMI interrupts pulses are generated until this flag is cleared by the user. Reset type: XRSn

### 3.17.5.3 NMIFLGCLR Register (Offset = 2h) [Reset = 0000h]

NMIFLGCLR is shown in [Figure 3-62](#) and described in [Table 3-67](#).

Return to the [Summary Table](#).

NMI Flag Clear Register

**Figure 3-62. NMIFLGCLR Register**

15	14	13	12	11	10	9	8
RESERVED				RESERVED	RESERVED	RESERVED	CLBNMI
R-0-0h				R-0/W1S-0h	R-0/W1S-0h	R-0/W1S-0h	R-0/W1S-0h
7	6	5	4	3	2	1	0
RESERVED	RESERVED	RESERVED	CPU1HWBISTERR	FLUNCERR	RAMUNCERR	CLOCKFAIL	NMIINT
R-0/W1S-0h	R-0/W1S-0h	R-0/W1S-0h	R-0/W1S-0h	R-0/W1S-0h	R-0/W1S-0h	R-0/W1S-0h	R-0/W1S-0h

**Table 3-67. NMIFLGCLR Register Field Descriptions**

Bit	Field	Type	Reset	Description
15-12	RESERVED	R-0	0h	Reserved
11	RESERVED	R-0/W1S	0h	Reserved
10	RESERVED	R-0/W1S	0h	Reserved
9	RESERVED	R-0/W1S	0h	Reserved
8	CLBNMI	R-0/W1S	0h	Writing a 1 to the respective bit clears the corresponding flag bit in the NMIFLG and NMISHDFLG registers. Writes of 0 are ignored. Always reads back 0. Notes: [1] If hardware is trying to set a bit to 1 while software is trying to clear a bit to 0 on the same cycle, hardware has priority. [2] Users should clear the pending FAIL flag first and then clear the NMIINT flag. Reset type: SYSRSn
7	RESERVED	R-0/W1S	0h	Reserved
6	RESERVED	R-0/W1S	0h	Reserved
5	RESERVED	R-0/W1S	0h	Reserved
4	CPU1HWBISTERR	R-0/W1S	0h	Writing a 1 to the respective bit clears the corresponding flag bit in the NMIFLG and NMISHDFLG registers. Writes of 0 are ignored. Always reads back 0. Notes: [1] If hardware is trying to set a bit to 1 while software is trying to clear a bit to 0 on the same cycle, hardware has priority. [2] Users should clear the pending FAIL flag first and then clear the NMIINT flag. Reset type: SYSRSn
3	FLUNCERR	R-0/W1S	0h	Writing a 1 to the respective bit clears the corresponding flag bit in the NMIFLG and NMISHDFLG registers. Writes of 0 are ignored. Always reads back 0. Notes: [1] If hardware is trying to set a bit to 1 while software is trying to clear a bit to 0 on the same cycle, hardware has priority. [2] Users should clear the pending FAIL flag first and then clear the NMIINT flag. Reset type: SYSRSn

**Table 3-67. NMIFLGCLR Register Field Descriptions (continued)**

Bit	Field	Type	Reset	Description
2	RAMUNCERR	R-0/W1S	0h	<p>Writing a 1 to the respective bit clears the corresponding flag bit in the NMIFLG and NMISHDFLG registers. Writes of 0 are ignored. Always reads back 0.</p> <p>Notes:</p> <p>[1] If hardware is trying to set a bit to 1 while software is trying to clear a bit to 0 on the same cycle, hardware has priority.</p> <p>[2] Users should clear the pending FAIL flag first and then clear the NMIINT flag.</p> <p>Reset type: SYSRSn</p>
1	CLOCKFAIL	R-0/W1S	0h	<p>Writing a 1 to the respective bit clears the corresponding flag bit in the NMIFLG and NMISHDFLG registers. Writes of 0 are ignored. Always reads back 0.</p> <p>Notes:</p> <p>[1] If hardware is trying to set a bit to 1 while software is trying to clear a bit to 0 on the same cycle, hardware has priority.</p> <p>[2] Users should clear the pending FAIL flag first and then clear the NMIINT flag.</p> <p>Reset type: SYSRSn</p>
0	NMIINT	R-0/W1S	0h	<p>Writing a 1 to the respective bit clears the corresponding flag bit in the NMIFLG and NMISHDFLG registers. Writes of 0 are ignored. Always reads back 0.</p> <p>Notes:</p> <p>[1] If hardware is trying to set a bit to 1 while software is trying to clear a bit to 0 on the same cycle, hardware has priority.</p> <p>[2] Users should clear the pending FAIL flag first and then clear the NMIINT flag.</p> <p>Reset type: SYSRSn</p>

### 3.17.5.4 NMIFLGFR Register (Offset = 3h) [Reset = 0000h]

NMIFLGFR is shown in [Figure 3-63](#) and described in [Table 3-68](#).

Return to the [Summary Table](#).

NMI Flag Force Register

**Figure 3-63. NMIFLGFR Register**

15	14	13	12	11	10	9	8
RESERVED				RESERVED	RESERVED	RESERVED	CLBNMI
R-0-0h				R-0/W1S-0h	R-0/W1S-0h	R-0/W1S-0h	R-0/W1S-0h
7	6	5	4	3	2	1	0
RESERVED	RESERVED	RESERVED	CPU1HWBISTERR	FLUNCERR	RAMUNCERR	CLOCKFAIL	RESERVED
R-0/W1S-0h	R-0/W1S-0h	R-0/W1S-0h	R-0/W1S-0h	R-0/W1S-0h	R-0/W1S-0h	R-0/W1S-0h	R-0-0h

**Table 3-68. NMIFLGFR Register Field Descriptions**

Bit	Field	Type	Reset	Description
15-12	RESERVED	R-0	0h	Reserved
11	RESERVED	R-0/W1S	0h	Reserved
10	RESERVED	R-0/W1S	0h	Reserved
9	RESERVED	R-0/W1S	0h	Reserved
8	CLBNMI	R-0/W1S	0h	Writing a 1 to these bits will set the respective FAIL flag in the NMIFLG and NMISHDFLG registers. Writes of 0 are ignored. Always reads back 0. This can be used as a means to test the NMI mechanisms. Reset type: SYSRSn
7	RESERVED	R-0/W1S	0h	Reserved
6	RESERVED	R-0/W1S	0h	Reserved
5	RESERVED	R-0/W1S	0h	Reserved
4	CPU1HWBISTERR	R-0/W1S	0h	Writing a 1 to these bits will set the respective FAIL flag in the NMIFLG and NMISHDFLG registers. Writes of 0 are ignored. Always reads back 0. This can be used as a means to test the NMI mechanisms. Reset type: SYSRSn
3	FLUNCERR	R-0/W1S	0h	Writing a 1 to these bits will set the respective FAIL flag in the NMIFLG and NMISHDFLG registers. Writes of 0 are ignored. Always reads back 0. This can be used as a means to test the NMI mechanisms. Reset type: SYSRSn
2	RAMUNCERR	R-0/W1S	0h	Writing a 1 to these bits will set the respective FAIL flag in the NMIFLG and NMISHDFLG registers. Writes of 0 are ignored. Always reads back 0. This can be used as a means to test the NMI mechanisms. Reset type: SYSRSn
1	CLOCKFAIL	R-0/W1S	0h	Writing a 1 to these bits will set the respective FAIL flag in the NMIFLG and NMISHDFLG registers. Writes of 0 are ignored. Always reads back 0. This can be used as a means to test the NMI mechanisms. Reset type: SYSRSn
0	RESERVED	R-0	0h	Reserved

### 3.17.5.5 NMIWDCNT Register (Offset = 4h) [Reset = 0000h]

NMIWDCNT is shown in [Figure 3-64](#) and described in [Table 3-69](#).

Return to the [Summary Table](#).

NMI Watchdog Counter Register

**Figure 3-64. NMIWDCNT Register**

15	14	13	12	11	10	9	8
NMIWDCNT							
R-0h							
7	6	5	4	3	2	1	0
NMIWDCNT							
R-0h							

**Table 3-69. NMIWDCNT Register Field Descriptions**

Bit	Field	Type	Reset	Description
15-0	NMIWDCNT	R	0h	<p>NMI Watchdog Counter: This 16-bit incremental counter will start incrementing whenever any one of the enabled FAIL flags are set. If the counter reaches the period value, an NMIRSn signal is fired which will then resets the system. The counter will reset to zero when it reaches the period value and will then restart counting if any of the enabled FAIL flags are set.</p> <p>If no enabled FAIL flag is set, then the counter will reset to zero and remain at zero until an enabled FAIL flag is set.</p> <p>Normally, the software would respond to the NMI interrupt generated and clear the offending FLAG(s) before the NMI watchdog triggers a reset. In some situations, the software may decide to allow the watchdog to reset the device anyway.</p> <p>The counter is clocked at the SYSCLKOUT rate.</p> <p>Reset type: SYSRSn</p>

### 3.17.5.6 NMIWDPRD Register (Offset = 5h) [Reset = FFFFh]

NMIWDPRD is shown in [Figure 3-65](#) and described in [Table 3-70](#).

Return to the [Summary Table](#).

NMI Watchdog Period Register

**Figure 3-65. NMIWDPRD Register**

15	14	13	12	11	10	9	8
NMIWDPRD							
R/W-FFFFh							
7	6	5	4	3	2	1	0
NMIWDPRD							
R/W-FFFFh							

**Table 3-70. NMIWDPRD Register Field Descriptions**

Bit	Field	Type	Reset	Description
15-0	NMIWDPRD	R/W	FFFFh	NMI Watchdog Period: This 16-bit value contains the period value at which a reset is generated when the watchdog counter matches. At reset this value is set at the maximum. The software can decrease the period value at initialization time. Writing a PERIOD value that is smaller than the current counter value will automatically force an NMIRSn and hence reset the watchdog counter. Reset type: SYSRSn

### 3.17.5.7 NMISHDFLG Register (Offset = 6h) [Reset = 0000h]

NMISHDFLG is shown in [Figure 3-66](#) and described in [Table 3-71](#).

Return to the [Summary Table](#).

NMI Shadow Flag Register

**Figure 3-66. NMISHDFLG Register**

15	14	13	12	11	10	9	8
RESERVED			RESERVED	RESERVED	RESERVED	RESERVED	CLBNMI
R-0-0h			R-0h	R-0h	R-0h	R-0h	R-0h
7	6	5	4	3	2	1	0
RESERVED	RESERVED	RESERVED	CPU1HWBISTERR	FLUNCERR	RAMUNCERR	CLOCKFAIL	RESERVED
R-0h	R-0h	R-0h	R-0h	R-0h	R-0h	R-0h	R-0-0h

**Table 3-71. NMISHDFLG Register Field Descriptions**

Bit	Field	Type	Reset	Description
15-12	RESERVED	R-0	0h	Reserved
11	RESERVED	R	0h	Reserved
10	RESERVED	R	0h	Reserved
9	RESERVED	R	0h	Reserved
8	CLBNMI	R	0h	Shadow NMI Flags: When an NMIFLG bit is set due to any of the possible NMI source in the device, the corresponding bit in this register is also set. Note that NMIFLGFRC and NMIFLGCLR register also affects the bits of this register in the same way as they do for the NMIFLG register. This register is only reset by a PORESETn reset. Notes: [1] This register is added to keep the definition of System Control Reset Cause Register Clean. Reset type: PORESETn
7	RESERVED	R	0h	Reserved
6	RESERVED	R	0h	Reserved
5	RESERVED	R	0h	Reserved
4	CPU1HWBISTERR	R	0h	Shadow NMI Flags: When an NMIFLG bit is set due to any of the possible NMI source in the device, the corresponding bit in this register is also set. Note that NMIFLGFRC and NMIFLGCLR register also affects the bits of this register in the same way as they do for the NMIFLG register. This register is only reset by a PORESETn reset. Notes: [1] This register is added to keep the definition of System Control Reset Cause Register Clean. Reset type: PORESETn
3	FLUNCERR	R	0h	Shadow NMI Flags: When an NMIFLG bit is set due to any of the possible NMI source in the device, the corresponding bit in this register is also set. Note that NMIFLGFRC and NMIFLGCLR register also affects the bits of this register in the same way as they do for the NMIFLG register. This register is only reset by a PORESETn reset. Notes: [1] This register is added to keep the definition of System Control Reset Cause Register Clean. Reset type: PORESETn

**Table 3-71. NMISHDFLG Register Field Descriptions (continued)**

Bit	Field	Type	Reset	Description
2	RAMUNCERR	R	0h	Shadow NMI Flags: When an NMIFLG bit is set due to any of the possible NMI source in the device, the corresponding bit in this register is also set. Note that NMIFLGFRC and NMIFLGCLR register also affects the bits of this register in the same way as they do for the NMIFLG register. This register is only reset by a PORESETn reset. Notes: [1] This register is added to keep the definition of System Control Reset Cause Register Clean. Reset type: PORESETn
1	CLOCKFAIL	R	0h	Shadow NMI Flags: When an NMIFLG bit is set due to any of the possible NMI source in the device, the corresponding bit in this register is also set. Note that NMIFLGFRC and NMIFLGCLR register also affects the bits of this register in the same way as they do for the NMIFLG register. This register is only reset by a PORESETn reset. Notes: [1] This register is added to keep the definition of System Control Reset Cause Register Clean. Reset type: PORESETn
0	RESERVED	R-0	0h	Reserved



### 3.17.6 XINT\_REGS Registers

Table 3-72 lists the memory-mapped registers for the XINT\_REGS registers. All register offset addresses not listed in Table 3-72 should be considered as reserved locations and the register contents should not be modified.

**Table 3-72. XINT\_REGS Registers**

Offset	Acronym	Register Name	Write Protection	Section
0h	XINT1CR	XINT1 configuration register		<a href="#">Go</a>
1h	XINT2CR	XINT2 configuration register		<a href="#">Go</a>
2h	XINT3CR	XINT3 configuration register		<a href="#">Go</a>
3h	XINT4CR	XINT4 configuration register		<a href="#">Go</a>
4h	XINT5CR	XINT5 configuration register		<a href="#">Go</a>
8h	XINT1CTR	XINT1 counter register		<a href="#">Go</a>
9h	XINT2CTR	XINT2 counter register		<a href="#">Go</a>
Ah	XINT3CTR	XINT3 counter register		<a href="#">Go</a>

Complex bit access types are encoded to fit into small table cells. Table 3-73 shows the codes that are used for access types in this section.

**Table 3-73. XINT\_REGS Access Type Codes**

Access Type	Code	Description
Read Type		
R	R	Read
R-0	R-0	Read Returns 0s
Write Type		
W	W	Write
Reset or Default Value		
-n		Value after reset or the default value
Register Array Variables		
i,j,k,l,m,n		When these variables are used in a register name, an offset, or an address, they refer to the value of a register array where the register is part of a group of repeating registers. The register groups form a hierarchical structure and the array is represented with a formula.
y		When this variable is used in a register name, an offset, or an address it refers to the value of a register array.

### 3.17.6.1 XINT1CR Register (Offset = 0h) [Reset = 0000h]

XINT1CR is shown in [Figure 3-67](#) and described in [Table 3-74](#).

Return to the [Summary Table](#).

XINT1 configuration register

**Figure 3-67. XINT1CR Register**

15	14	13	12	11	10	9	8
RESERVED							
R-0-0h							
7	6	5	4	3	2	1	0
RESERVED				POLARITY		RESERVED	ENABLE
R-0-0h				R/W-0h		R-0-0h	R/W-0h

**Table 3-74. XINT1CR Register Field Descriptions**

Bit	Field	Type	Reset	Description
15-4	RESERVED	R-0	0h	Reserved
3-2	POLARITY	R/W	0h	00: Interrupt is selected as negative edge triggered 01: Interrupt is selected as positive edge triggered 10: Interrupt is selected as negative edge triggered 11: Interrupt is selected as positive or negative edge triggered Reset type: SYSRSn
1	RESERVED	R-0	0h	Reserved
0	ENABLE	R/W	0h	0: Interrupt Disabled 1: Interrupt Enabled Reset type: SYSRSn

### 3.17.6.2 XINT2CR Register (Offset = 1h) [Reset = 0000h]

XINT2CR is shown in [Figure 3-68](#) and described in [Table 3-75](#).

Return to the [Summary Table](#).

XINT2 configuration register

**Figure 3-68. XINT2CR Register**

15	14	13	12	11	10	9	8
RESERVED							
R-0-0h							
7	6	5	4	3	2	1	0
RESERVED				POLARITY		RESERVED	ENABLE
R-0-0h				R/W-0h		R-0-0h	R/W-0h

**Table 3-75. XINT2CR Register Field Descriptions**

Bit	Field	Type	Reset	Description
15-4	RESERVED	R-0	0h	Reserved
3-2	POLARITY	R/W	0h	00: Interrupt is selected as negative edge triggered 01: Interrupt is selected as positive edge triggered 10: Interrupt is selected as negative edge triggered 11: Interrupt is selected as positive or negative edge triggered Reset type: SYSRSn
1	RESERVED	R-0	0h	Reserved
0	ENABLE	R/W	0h	0: Interrupt Disabled 1: Interrupt Enabled Reset type: SYSRSn

### 3.17.6.3 XINT3CR Register (Offset = 2h) [Reset = 0000h]

XINT3CR is shown in [Figure 3-69](#) and described in [Table 3-76](#).

Return to the [Summary Table](#).

XINT3 configuration register

**Figure 3-69. XINT3CR Register**

15	14	13	12	11	10	9	8
RESERVED							
R-0-0h							
7	6	5	4	3	2	1	0
RESERVED				POLARITY		RESERVED	ENABLE
R-0-0h				R/W-0h		R-0-0h	R/W-0h

**Table 3-76. XINT3CR Register Field Descriptions**

Bit	Field	Type	Reset	Description
15-4	RESERVED	R-0	0h	Reserved
3-2	POLARITY	R/W	0h	00: Interrupt is selected as negative edge triggered 01: Interrupt is selected as positive edge triggered 10: Interrupt is selected as negative edge triggered 11: Interrupt is selected as positive or negative edge triggered Reset type: SYSRSn
1	RESERVED	R-0	0h	Reserved
0	ENABLE	R/W	0h	0: Interrupt Disabled 1: Interrupt Enabled Reset type: SYSRSn

### 3.17.6.4 XINT4CR Register (Offset = 3h) [Reset = 0000h]

XINT4CR is shown in [Figure 3-70](#) and described in [Table 3-77](#).

Return to the [Summary Table](#).

XINT4 configuration register

**Figure 3-70. XINT4CR Register**

15	14	13	12	11	10	9	8
RESERVED							
R-0-0h							
7	6	5	4	3	2	1	0
RESERVED				POLARITY		RESERVED	ENABLE
R-0-0h				R/W-0h		R-0-0h	R/W-0h

**Table 3-77. XINT4CR Register Field Descriptions**

Bit	Field	Type	Reset	Description
15-4	RESERVED	R-0	0h	Reserved
3-2	POLARITY	R/W	0h	00: Interrupt is selected as negative edge triggered 01: Interrupt is selected as positive edge triggered 10: Interrupt is selected as negative edge triggered 11: Interrupt is selected as positive or negative edge triggered Reset type: SYSRSn
1	RESERVED	R-0	0h	Reserved
0	ENABLE	R/W	0h	0: Interrupt Disabled 1: Interrupt Enabled Reset type: SYSRSn

### 3.17.6.5 XINT5CR Register (Offset = 4h) [Reset = 0000h]

XINT5CR is shown in [Figure 3-71](#) and described in [Table 3-78](#).

Return to the [Summary Table](#).

XINT5 configuration register

**Figure 3-71. XINT5CR Register**

15	14	13	12	11	10	9	8
RESERVED							
R-0-0h							
7	6	5	4	3	2	1	0
RESERVED				POLARITY		RESERVED	ENABLE
R-0-0h				R/W-0h		R-0-0h	R/W-0h

**Table 3-78. XINT5CR Register Field Descriptions**

Bit	Field	Type	Reset	Description
15-4	RESERVED	R-0	0h	Reserved
3-2	POLARITY	R/W	0h	00: Interrupt is selected as negative edge triggered 01: Interrupt is selected as positive edge triggered 10: Interrupt is selected as negative edge triggered 11: Interrupt is selected as positive or negative edge triggered Reset type: SYSRSn
1	RESERVED	R-0	0h	Reserved
0	ENABLE	R/W	0h	0: Interrupt Disabled 1: Interrupt Enabled Reset type: SYSRSn

### 3.17.6.6 XINT1CTR Register (Offset = 8h) [Reset = 0000h]

XINT1CTR is shown in [Figure 3-72](#) and described in [Table 3-79](#).

Return to the [Summary Table](#).

XINT1 counter register

**Figure 3-72. XINT1CTR Register**

15	14	13	12	11	10	9	8
INTCTR							
R-0h							
7	6	5	4	3	2	1	0
INTCTR							
R-0h							

**Table 3-79. XINT1CTR Register Field Descriptions**

Bit	Field	Type	Reset	Description
15-0	INTCTR	R	0h	This is a free running 16-bit up-counter that is clocked at the SYSCLKOUT rate. The counter value is reset to 0x0000 when a valid interrupt edge is detected and then continues counting until the next valid interrupt edge is detected. The counter must only be reset by the selected POLARITY edge as selected in the respective interrupt control register. When the interrupt is disabled, the counter will stop. The counter is a free-running counter and will wrap around to zero when the max value is reached. The counter is a read only register and can only be reset to zero by a valid interrupt edge or by reset. Reset type: SYSRSn

### 3.17.6.7 XINT2CTR Register (Offset = 9h) [Reset = 0000h]

XINT2CTR is shown in [Figure 3-73](#) and described in [Table 3-80](#).

Return to the [Summary Table](#).

XINT2 counter register

**Figure 3-73. XINT2CTR Register**

15	14	13	12	11	10	9	8
INTCTR							
R-0h							
7	6	5	4	3	2	1	0
INTCTR							
R-0h							

**Table 3-80. XINT2CTR Register Field Descriptions**

Bit	Field	Type	Reset	Description
15-0	INTCTR	R	0h	This is a free running 16-bit up-counter that is clocked at the SYSCLKOUT rate. The counter value is reset to 0x0000 when a valid interrupt edge is detected and then continues counting until the next valid interrupt edge is detected. The counter must only be reset by the selected POLARITY edge as selected in the respective interrupt control register. When the interrupt is disabled, the counter will stop. The counter is a free-running counter and will wrap around to zero when the max value is reached. The counter is a read only register and can only be reset to zero by a valid interrupt edge or by reset. Reset type: SYSRSn



### 3.17.6.8 XINT3CTR Register (Offset = Ah) [Reset = 0000h]

XINT3CTR is shown in [Figure 3-74](#) and described in [Table 3-81](#).

Return to the [Summary Table](#).

XINT3 counter register

**Figure 3-74. XINT3CTR Register**

15	14	13	12	11	10	9	8
INTCTR							
R-0h							
7	6	5	4	3	2	1	0
INTCTR							
R-0h							

**Table 3-81. XINT3CTR Register Field Descriptions**

Bit	Field	Type	Reset	Description
15-0	INTCTR	R	0h	This is a free running 16-bit up-counter that is clocked at the SYSCLKOUT rate. The counter value is reset to 0x0000 when a valid interrupt edge is detected and then continues counting until the next valid interrupt edge is detected. The counter must only be reset by the selected POLARITY edge as selected in the respective interrupt control register. When the interrupt is disabled, the counter will stop. The counter is a free-running counter and will wrap around to zero when the max value is reached. The counter is a read only register and can only be reset to zero by a valid interrupt edge or by reset. Reset type: SYSRSn

### 3.17.7 SYNC\_SOC\_REGS Registers

Table 3-82 lists the memory-mapped registers for the SYNC\_SOC\_REGS registers. All register offset addresses not listed in Table 3-82 should be considered as reserved locations and the register contents should not be modified.

**Table 3-82. SYNC\_SOC\_REGS Registers**

Offset	Acronym	Register Name	Write Protection	Section
0h	SYNCSELECT	Sync Input and Output Select Register	EALLOW	<a href="#">Go</a>
2h	ADCSOCOUTSELECT	External ADC (Off Chip) SOC Select Register	EALLOW	<a href="#">Go</a>
4h	SYNCSOCLOCK	SYNCSEL and EXTADC SOC Select Lock register	EALLOW	<a href="#">Go</a>

Complex bit access types are encoded to fit into small table cells. Table 3-83 shows the codes that are used for access types in this section.

**Table 3-83. SYNC\_SOC\_REGS Access Type Codes**

Access Type	Code	Description
Read Type		
R	R	Read
R-0	R -0	Read Returns 0s
Write Type		
W	W	Write
WOnce	W Once	Write Set once
Reset or Default Value		
-n		Value after reset or the default value
Register Array Variables		
i,j,k,l,m,n		When these variables are used in a register name, an offset, or an address, they refer to the value of a register array where the register is part of a group of repeating registers. The register groups form a hierarchical structure and the array is represented with a formula.
y		When this variable is used in a register name, an offset, or an address it refers to the value of a register array.

### 3.17.7.1 SYNCSELECT Register (Offset = 0h) [Reset = 0000000h]

SYNCSELECT is shown in [Figure 3-75](#) and described in [Table 3-84](#).

Return to the [Summary Table](#).

Sync Input and Output Select Register

**Figure 3-75. SYNCSELECT Register**

31	30	29	28	27	26	25	24
RESERVED			SYNCOUT			RESERVED	
R-0-0h			R/W-0h			R-0-0h	
23	22	21	20	19	18	17	16
RESERVED							
R-0-0h							
15	14	13	12	11	10	9	8
RESERVED	ECAP4SYNCIN			ECAP1SYNCIN			EPWM10SYN CIN
R-0-0h	R/W-0h			R/W-0h			R/W-0h
7	6	5	4	3	2	1	0
EPWM10SYN CIN		EPWM7SYN CIN			EPWM4SYN CIN		
R/W-0h		R/W-0h			R/W-0h		

**Table 3-84. SYNCSELECT Register Field Descriptions**

Bit	Field	Type	Reset	Description
31-29	RESERVED	R-0	0h	Reserved
28-27	SYNCOUT	R/W	0h	Select Syncout Source: 00: EPWM1SYNCOU selected 01: EPWM4SYNCOU selected 10: EPWM7SYNCOU selected 11: EPWM10SYNCOU selected Reset type: CPU1.SYSRSn
26-16	RESERVED	R-0	0h	Reserved
15	RESERVED	R-0	0h	Reserved
14-12	ECAP4SYNCIN	R/W	0h	Selects Sync Input Source for ECAP4: 000: EPWM1SYNCOU selected 001: EPWM4SYNCOU selected 010: EPWM7SYNCOU selected 011: EPWM10SYNCOU selected 100: ECAP1SYNCOU selected 101: EXTSYNIN1 selected 110: EXTSYNIN2 selected 111: Reserved Notes: [1] Reserved position defaults to 000 selection Reset type: CPU1.SYSRSn

**Table 3-84. SYNCSELECT Register Field Descriptions (continued)**

Bit	Field	Type	Reset	Description
11-9	ECAP1SYNCIN	R/W	0h	<p>Selects Sync Input Source for ECAP1:</p> <p>000: EPWM1SYNCOOUT selected            001: EPWM4SYNCOOUT selected            010: EPWM7SYNCOOUT selected            011: EPWM10SYNCOOUT selected            100: ECAP1SYNCOOUT selected (Reserved)            101: EXTSYNCIN1 selected            110: EXTSYNCIN2 selected            111: Reserved</p> <p>Notes:            [1] Reserved position defaults to 000 selection            Reset type: CPU1.SYSRSn</p>
8-6	EPWM10SYNCIN	R/W	0h	<p>Selects Sync Input Source for EPWM10:</p> <p>000: EPWM1SYNCOOUT selected            001: EPWM4SYNCOOUT selected            010: EPWM7SYNCOOUT selected            011: EPWM10SYNCOOUT selected (Reserved)            100: ECAP1SYNCOOUT selected (Reserved)            101: EXTSYNCIN1 selected            110: EXTSYNCIN2 selected            111: Reserved</p> <p>Notes:            [1] Reserved position defaults to 000 selection            Reset type: CPU1.SYSRSn</p>
5-3	EPWM7SYNCIN	R/W	0h	<p>Selects Sync Input Source for EPWM7:</p> <p>000: EPWM1SYNCOOUT selected            001: EPWM4SYNCOOUT selected            010: EPWM7SYNCOOUT selected (Reserved)            011: EPWM10SYNCOOUT selected (Reserved)            100: ECAP1SYNCOOUT selected (Reserved)            101: EXTSYNCIN1 selected            110: EXTSYNCIN2 selected            111: Reserved</p> <p>Notes:            [1] Reserved position defaults to 000 selection            Reset type: CPU1.SYSRSn</p>
2-0	EPWM4SYNCIN	R/W	0h	<p>Selects Sync Input Source for EPWM4:</p> <p>000: EPWM1SYNCOOUT selected            001: EPWM4SYNCOOUT selected (Reserved)            010: EPWM7SYNCOOUT selected (Reserved)            011: EPWM10SYNCOOUT selected (Reserved)            100: ECAP1SYNCOOUT selected (Reserved)            101: EXTSYNCIN1 selected            110: EXTSYNCIN2 selected            111: Reserved</p> <p>Notes:            [1] Reserved position defaults to 000 selection            Reset type: CPU1.SYSRSn</p>

### 3.17.7.2 ADCSOCOUTSELECT Register (Offset = 2h) [Reset = 0000000h]

ADCSOCOUTSELECT is shown in [Figure 3-76](#) and described in [Table 3-85](#).

Return to the [Summary Table](#).

The ADCSOCAO and ADCSOCBO signals will be active low for 32 SYSCLK cycles. They can be used to trigger a conversion on an external ADC.

**Figure 3-76. ADCSOCOUTSELECT Register**

31	30	29	28	27	26	25	24
RESERVED				PWM12SOCBE N	PWM11SOCBE N	PWM10SOCBE N	PWM9SOCBEN
R-0-0h				R/W-0h	R/W-0h	R/W-0h	R/W-0h
23	22	21	20	19	18	17	16
PWM8SOCBEN	PWM7SOCBEN	PWM6SOCBEN	PWM5SOCBEN	PWM4SOCBEN	PWM3SOCBEN	PWM2SOCBEN	PWM1SOCBEN
R/W-0h	R/W-0h	R/W-0h	R/W-0h	R/W-0h	R/W-0h	R/W-0h	R/W-0h
15	14	13	12	11	10	9	8
RESERVED				PWM12SOCAE N	PWM11SOCAE N	PWM10SOCAE N	PWM9SOCAEN
R-0-0h				R/W-0h	R/W-0h	R/W-0h	R/W-0h
7	6	5	4	3	2	1	0
PWM8SOCAEN	PWM7SOCAEN	PWM6SOCAEN	PWM5SOCAEN	PWM4SOCAEN	PWM3SOCAEN	PWM2SOCAEN	PWM1SOCAEN
R/W-0h	R/W-0h	R/W-0h	R/W-0h	R/W-0h	R/W-0h	R/W-0h	R/W-0h

**Table 3-85. ADCSOCOUTSELECT Register Field Descriptions**

Bit	Field	Type	Reset	Description
31-28	RESERVED	R-0	0h	Reserved
27	PWM12SOCBEN	R/W	0h	ADCSOCBO source select: 0: Respective EPWM SOCB output is not selected 1: Respective EPWM SOCB output is selected Reset type: CPU1.SYSRSn
26	PWM11SOCBEN	R/W	0h	ADCSOCBO source select: 0: Respective EPWM SOCB output is not selected 1: Respective EPWM SOCB output is selected Reset type: CPU1.SYSRSn
25	PWM10SOCBEN	R/W	0h	ADCSOCBO source select: 0: Respective EPWM SOCB output is not selected 1: Respective EPWM SOCB output is selected Reset type: CPU1.SYSRSn
24	PWM9SOCBEN	R/W	0h	ADCSOCBO source select: 0: Respective EPWM SOCB output is not selected 1: Respective EPWM SOCB output is selected Reset type: CPU1.SYSRSn
23	PWM8SOCBEN	R/W	0h	ADCSOCBO source select: 0: Respective EPWM SOCB output is not selected 1: Respective EPWM SOCB output is selected Reset type: CPU1.SYSRSn
22	PWM7SOCBEN	R/W	0h	ADCSOCBO source select: 0: Respective EPWM SOCB output is not selected 1: Respective EPWM SOCB output is selected Reset type: CPU1.SYSRSn

**Table 3-85. ADCSOCOUTSELECT Register Field Descriptions (continued)**

Bit	Field	Type	Reset	Description
21	PWM6SOCBEN	R/W	0h	ADCSOCBO source select: 0: Respective EPWM SOCB output is not selected 1: Respective EPWM SOCB output is selected Reset type: CPU1.SYSRSn
20	PWM5SOCBEN	R/W	0h	ADCSOCBO source select: 0: Respective EPWM SOCB output is not selected 1: Respective EPWM SOCB output is selected Reset type: CPU1.SYSRSn
19	PWM4SOCBEN	R/W	0h	ADCSOCBO source select: 0: Respective EPWM SOCB output is not selected 1: Respective EPWM SOCB output is selected Reset type: CPU1.SYSRSn
18	PWM3SOCBEN	R/W	0h	ADCSOCBO source select: 0: Respective EPWM SOCB output is not selected 1: Respective EPWM SOCB output is selected Reset type: CPU1.SYSRSn
17	PWM2SOCBEN	R/W	0h	ADCSOCBO source select: 0: Respective EPWM SOCB output is not selected 1: Respective EPWM SOCB output is selected Reset type: CPU1.SYSRSn
16	PWM1SOCBEN	R/W	0h	ADCSOCBO source select: 0: Respective EPWM SOCB output is not selected 1: Respective EPWM SOCB output is selected Reset type: CPU1.SYSRSn
15-12	RESERVED	R-0	0h	Reserved
11	PWM12SOCAEN	R/W	0h	ADCSOCOA source select: 0: Respective EPWM SOCA output is not selected 1: Respective EPWM SOCA output is selected Reset type: CPU1.SYSRSn
10	PWM11SOCAEN	R/W	0h	ADCSOCOA source select: 0: Respective EPWM SOCA output is not selected 1: Respective EPWM SOCA output is selected Reset type: CPU1.SYSRSn
9	PWM10SOCAEN	R/W	0h	ADCSOCOA source select: 0: Respective EPWM SOCA output is not selected 1: Respective EPWM SOCA output is selected Reset type: CPU1.SYSRSn
8	PWM9SOCAEN	R/W	0h	ADCSOCOA source select: 0: Respective EPWM SOCA output is not selected 1: Respective EPWM SOCA output is selected Reset type: CPU1.SYSRSn
7	PWM8SOCAEN	R/W	0h	ADCSOCOA source select: 0: Respective EPWM SOCA output is not selected 1: Respective EPWM SOCA output is selected Reset type: CPU1.SYSRSn
6	PWM7SOCAEN	R/W	0h	ADCSOCOA source select: 0: Respective EPWM SOCA output is not selected 1: Respective EPWM SOCA output is selected Reset type: CPU1.SYSRSn
5	PWM6SOCAEN	R/W	0h	ADCSOCOA source select: 0: Respective EPWM SOCA output is not selected 1: Respective EPWM SOCA output is selected Reset type: CPU1.SYSRSn

**Table 3-85. ADCSOCOUTSELECT Register Field Descriptions (continued)**

Bit	Field	Type	Reset	Description
4	PWM5SOCAEN	R/W	0h	ADCSOCAO source select: 0: Respective EPWM SOCA output is not selected 1: Respective EPWM SOCA output is selected Reset type: CPU1.SYSRSn
3	PWM4SOCAEN	R/W	0h	ADCSOCAO source select: 0: Respective EPWM SOCA output is not selected 1: Respective EPWM SOCA output is selected Reset type: CPU1.SYSRSn
2	PWM3SOCAEN	R/W	0h	ADCSOCAO source select: 0: Respective EPWM SOCA output is not selected 1: Respective EPWM SOCA output is selected Reset type: CPU1.SYSRSn
1	PWM2SOCAEN	R/W	0h	ADCSOCAO source select: 0: Respective EPWM SOCA output is not selected 1: Respective EPWM SOCA output is selected Reset type: CPU1.SYSRSn
0	PWM1SOCAEN	R/W	0h	ADCSOCAO source select: 0: Respective EPWM SOCA output is not selected 1: Respective EPWM SOCA output is selected Reset type: CPU1.SYSRSn

### 3.17.7.3 SYNCLOCK Register (Offset = 4h) [Reset = 0000000h]

SYNCLOCK is shown in [Figure 3-77](#) and described in [Table 3-86](#).

Return to the [Summary Table](#).

SYNCSEL and EXTADCSOC Select Lock register

**Figure 3-77. SYNCLOCK Register**

31	30	29	28	27	26	25	24
RESERVED							
R-0-0h							
23	22	21	20	19	18	17	16
RESERVED							
R-0-0h							
15	14	13	12	11	10	9	8
RESERVED							
R-0-0h							
7	6	5	4	3	2	1	0
RESERVED						ADCSOCOUTS ELECT	SYNCSELECT
R-0-0h						R/WOnce-0h	R/WOnce-0h

**Table 3-86. SYNCLOCK Register Field Descriptions**

Bit	Field	Type	Reset	Description
31-16	RESERVED	R-0	0h	Reserved
15-2	RESERVED	R-0	0h	Reserved
1	ADCSOCOUTSELECT	R/WOnce	0h	ADCSOCOUTSELECT Register Lock bit: 0: Respective register is not locked 1: Respective register is locked. Notes: [1] Any bit in this register, once set can only be created through a CPU1.SYSRSn. Write of 0 to any bit of this register has no effect [2] The locking mechanism applies to only writes. Reads to the registers which have LOCK protection are always allowed Reset type: CPU1.SYSRSn
0	SYNCSELECT	R/WOnce	0h	SYNCSELECT Register Lock bit: 0: Respective register is not locked 1: Respective register is locked. Notes: [1] Any bit in this register, once set can only be created through a CPU1.SYSRSn. Write of 0 to any bit of this register has no effect [2] The locking mechanism applies to only writes. Reads to the registers which have LOCK protection are always allowed Reset type: CPU1.SYSRSn



### 3.17.8 DMA\_CLA\_SRC\_SEL\_REGS Registers

Table 3-87 lists the memory-mapped registers for the DMA\_CLA\_SRC\_SEL\_REGS registers. All register offset addresses not listed in Table 3-87 should be considered as reserved locations and the register contents should not be modified.

**Table 3-87. DMA\_CLA\_SRC\_SEL\_REGS Registers**

Offset	Acronym	Register Name	Write Protection	Section
0h	CLA1TASKSRCSELLOCK	CLA1 Task Trigger Source Select Lock Register	EALLOW	<a href="#">Go</a>
4h	DMACHSRCSELLOCK	DMA Channel Trigger Source Select Lock Register	EALLOW	<a href="#">Go</a>
6h	CLA1TASKSRCSEL1	CLA1 Task Trigger Source Select Register-1	EALLOW	<a href="#">Go</a>
8h	CLA1TASKSRCSEL2	CLA1 Task Trigger Source Select Register-2	EALLOW	<a href="#">Go</a>
16h	DMACHSRCSEL1	DMA Channel Trigger Source Select Register-1	EALLOW	<a href="#">Go</a>
18h	DMACHSRCSEL2	DMA Channel Trigger Source Select Register-2	EALLOW	<a href="#">Go</a>

Complex bit access types are encoded to fit into small table cells. Table 3-88 shows the codes that are used for access types in this section.

**Table 3-88. DMA\_CLA\_SRC\_SEL\_REGS Access Type Codes**

Access Type	Code	Description
Read Type		
R	R	Read
R-0	R-0	Read Returns 0s
Write Type		
W	W	Write
WOnce	WOnce	Write Set once
Reset or Default Value		
-n		Value after reset or the default value
Register Array Variables		
i,j,k,l,m,n		When these variables are used in a register name, an offset, or an address, they refer to the value of a register array where the register is part of a group of repeating registers. The register groups form a hierarchical structure and the array is represented with a formula.
y		When this variable is used in a register name, an offset, or an address it refers to the value of a register array.

### 3.17.8.1 CLA1TASKSRCSELLOCK Register (Offset = 0h) [Reset = 0000000h]

CLA1TASKSRCSELLOCK is shown in [Figure 3-78](#) and described in [Table 3-89](#).

Return to the [Summary Table](#).

CLA1 Task Trigger Source Select Lock Register

**Figure 3-78. CLA1TASKSRCSELLOCK Register**

31	30	29	28	27	26	25	24
RESERVED							
R-0-0h							
23	22	21	20	19	18	17	16
RESERVED							
R-0-0h							
15	14	13	12	11	10	9	8
RESERVED							
R-0-0h							
7	6	5	4	3	2	1	0
RESERVED						CLA1TASKSRC SEL2	CLA1TASKSRC SEL1
R-0-0h						R/WSoOnce-0h	R/WSoOnce-0h

**Table 3-89. CLA1TASKSRCSELLOCK Register Field Descriptions**

Bit	Field	Type	Reset	Description
31-16	RESERVED	R-0	0h	Reserved
15-2	RESERVED	R-0	0h	Reserved
1	CLA1TASKSRCSEL2	R/WSoOnce	0h	CLA1TASKSRCSEL2 Register Lock bit: 0: Respective register is not locked 1: Respective register is locked. Notes: [1] Any SOnce bit in this register, once set can only be cleared through a SYSRSn. Write of 0 to any bit of this register has no effect [2] The locking mechanism applies to only writes. Reads to the registers which have LOCK protection are always allowed Reset type: SYSRSn
0	CLA1TASKSRCSEL1	R/WSoOnce	0h	CLA1TASKSRCSEL1 Register Lock bit: 0: Respective register is not locked 1: Respective register is locked. Notes: [1] Any SOnce bit in this register, once set can only be cleared through a SYSRSn. Write of 0 to any bit of this register has no effect [2] The locking mechanism applies to only writes. Reads to the registers which have LOCK protection are always allowed Reset type: SYSRSn

### 3.17.8.2 DMACHSRCSELLOCK Register (Offset = 4h) [Reset = 0000000h]

DMACHSRCSELLOCK is shown in [Figure 3-79](#) and described in [Table 3-90](#).

Return to the [Summary Table](#).

DMA Channel Trigger Source Select Lock Register

**Figure 3-79. DMACHSRCSELLOCK Register**

31	30	29	28	27	26	25	24
RESERVED							
R-0-0h							
23	22	21	20	19	18	17	16
RESERVED							
R-0-0h							
15	14	13	12	11	10	9	8
RESERVED							
R-0-0h							
7	6	5	4	3	2	1	0
RESERVED						DMACHSRCSE L2	DMACHSRCSE L1
R-0-0h						R/WSoOnce-0h	R/WSoOnce-0h

**Table 3-90. DMACHSRCSELLOCK Register Field Descriptions**

Bit	Field	Type	Reset	Description
31-16	RESERVED	R-0	0h	Reserved
15-2	RESERVED	R-0	0h	Reserved
1	DMACHSRCSEL2	R/WSoOnce	0h	DMACHSRCSEL2 Register Lock bit: 0: Respective register is not locked 1: Respective register is locked. Notes: [1] Any SOnce bit in this register, once set can only be cleared through a SYSRSn. Write of 0 to any bit of this register has no effect [2] The locking mechanism applies to only writes. Reads to the registers which have LOCK protection are always allowed Reset type: SYSRSn
0	DMACHSRCSEL1	R/WSoOnce	0h	DMACHSRCSEL1 Register Lock bit: 0: Respective register is not locked 1: Respective register is locked. Notes: [1] Any SOnce bit in this register, once set can only be cleared through a SYSRSn. Write of 0 to any bit of this register has no effect [2] The locking mechanism applies to only writes. Reads to the registers which have LOCK protection are always allowed Reset type: SYSRSn

### 3.17.8.3 CLA1TASKSRCSEL1 Register (Offset = 6h) [Reset = 0000000h]

CLA1TASKSRCSEL1 is shown in [Figure 3-80](#) and described in [Table 3-91](#).

Return to the [Summary Table](#).

CLA1 Task Trigger Source Select Register-1

**Figure 3-80. CLA1TASKSRCSEL1 Register**

31	30	29	28	27	26	25	24	23	22	21	20	19	18	17	16	15	14	13	12	11	10	9	8	7	6	5	4	3	2	1	0
TASK4								TASK3								TASK2								TASK1							
R/W-0h								R/W-0h								R/W-0h								R/W-0h							

**Table 3-91. CLA1TASKSRCSEL1 Register Field Descriptions**

Bit	Field	Type	Reset	Description
31-24	TASK4	R/W	0h	Selects the Trigger Source for TASK4 of CLA1 Reset type: SYSRSn
23-16	TASK3	R/W	0h	Selects the Trigger Source for TASK3 of CLA1 Reset type: SYSRSn
15-8	TASK2	R/W	0h	Selects the Trigger Source for TASK2 of CLA1 Reset type: SYSRSn
7-0	TASK1	R/W	0h	Selects the Trigger Source for TASK1 of CLA1 Reset type: SYSRSn

### 3.17.8.4 CLA1TASKSRCSEL2 Register (Offset = 8h) [Reset = 0000000h]

CLA1TASKSRCSEL2 is shown in [Figure 3-81](#) and described in [Table 3-92](#).

Return to the [Summary Table](#).

CLA1 Task Trigger Source Select Register-2

**Figure 3-81. CLA1TASKSRCSEL2 Register**

31	30	29	28	27	26	25	24	23	22	21	20	19	18	17	16	15	14	13	12	11	10	9	8	7	6	5	4	3	2	1	0
TASK8								TASK7								TASK6								TASK5							
R/W-0h								R/W-0h								R/W-0h								R/W-0h							

**Table 3-92. CLA1TASKSRCSEL2 Register Field Descriptions**

Bit	Field	Type	Reset	Description
31-24	TASK8	R/W	0h	Selects the Trigger Source for TASK8 of CLA1 Reset type: SYSRSn
23-16	TASK7	R/W	0h	Selects the Trigger Source for TASK7 of CLA1 Reset type: SYSRSn
15-8	TASK6	R/W	0h	Selects the Trigger Source for TASK6 of CLA1 Reset type: SYSRSn
7-0	TASK5	R/W	0h	Selects the Trigger Source for TASK5 of CLA1 Reset type: SYSRSn

### 3.17.8.5 DMACHSRCSEL1 Register (Offset = 16h) [Reset = 0000000h]

DMACHSRCSEL1 is shown in [Figure 3-82](#) and described in [Table 3-93](#).

Return to the [Summary Table](#).

DMA Channel Trigger Source Select Register-1

**Figure 3-82. DMACHSRCSEL1 Register**

31	30	29	28	27	26	25	24	23	22	21	20	19	18	17	16	15	14	13	12	11	10	9	8	7	6	5	4	3	2	1	0
CH4								CH3								CH2								CH1							
R/W-0h								R/W-0h								R/W-0h								R/W-0h							

**Table 3-93. DMACHSRCSEL1 Register Field Descriptions**

Bit	Field	Type	Reset	Description
31-24	CH4	R/W	0h	Selects the Trigger and Sync Source CH4 of DMA Reset type: SYSRSn
23-16	CH3	R/W	0h	Selects the Trigger and Sync Source CH3 of DMA Reset type: SYSRSn
15-8	CH2	R/W	0h	Selects the Trigger and Sync Source CH2 of DMA Reset type: SYSRSn
7-0	CH1	R/W	0h	Selects the Trigger and Sync Source CH1 of DMA Reset type: SYSRSn

### 3.17.8.6 DMACHSRCSEL2 Register (Offset = 18h) [Reset = 0000000h]

DMACHSRCSEL2 is shown in [Figure 3-83](#) and described in [Table 3-94](#).

Return to the [Summary Table](#).

DMA Channel Trigger Source Select Register-2

**Figure 3-83. DMACHSRCSEL2 Register**

31	30	29	28	27	26	25	24	23	22	21	20	19	18	17	16	15	14	13	12	11	10	9	8	7	6	5	4	3	2	1	0
RESERVED																CH6						CH5									
R-0-0h																R/W-0h						R/W-0h									

**Table 3-94. DMACHSRCSEL2 Register Field Descriptions**

Bit	Field	Type	Reset	Description
31-16	RESERVED	R-0	0h	Reserved
15-8	CH6	R/W	0h	Selects the Trigger and Sync Source CH6 of DMA Reset type: SYSRSn
7-0	CH5	R/W	0h	Selects the Trigger and Sync Source CH5 of DMA Reset type: SYSRSn

### 3.17.9 DEV\_CFG\_REGS Registers

Table 3-95 lists the memory-mapped registers for the DEV\_CFG\_REGS registers. All register offset addresses not listed in Table 3-95 should be considered as reserved locations and the register contents should not be modified.

**Table 3-95. DEV\_CFG\_REGS Registers**

Offset	Acronym	Register Name	Write Protection	Section
8h	PARTIDL	Lower 32-bit of Device PART Identification Number		<a href="#">Go</a>
Ah	PARTIDH	Upper 32-bit of Device PART Identification Number		<a href="#">Go</a>
Ch	REVID	Device Revision Number		<a href="#">Go</a>
10h	DC0	Device Capability: Device Information		<a href="#">Go</a>
12h	DC1	Device Capability: Processing Block Customization		<a href="#">Go</a>
14h	DC2	Device Capability: EMIF Customization		<a href="#">Go</a>
16h	DC3	Device Capability: Peripheral Customization		<a href="#">Go</a>
18h	DC4	Device Capability: Peripheral Customization		<a href="#">Go</a>
1Ah	DC5	Device Capability: Peripheral Customization		<a href="#">Go</a>
1Ch	DC6	Device Capability: Peripheral Customization		<a href="#">Go</a>
1Eh	DC7	Device Capability: Peripheral Customization		<a href="#">Go</a>
20h	DC8	Device Capability: Peripheral Customization		<a href="#">Go</a>
22h	DC9	Device Capability: Peripheral Customization		<a href="#">Go</a>
24h	DC10	Device Capability: Peripheral Customization		<a href="#">Go</a>
26h	DC11	Device Capability: Peripheral Customization		<a href="#">Go</a>
28h	DC12	Device Capability: Peripheral Customization		<a href="#">Go</a>
2Ah	DC13	Device Capability: Peripheral Customization		<a href="#">Go</a>
2Ch	DC14	Device Capability: Analog Modules Customization		<a href="#">Go</a>
2Eh	DC15	Device Capability: Analog Modules Customization		<a href="#">Go</a>
32h	DC17	Device Capability: Analog Modules Customization		<a href="#">Go</a>
34h	DC18	Device Capability: CPU1 Lx SRAM Customization		<a href="#">Go</a>
38h	DC20	Device Capability: GSx SRAM Customization		<a href="#">Go</a>
60h	PERCNF1	Peripheral Configuration register		<a href="#">Go</a>
74h	FUSEERR	e-Fuse error Status register		<a href="#">Go</a>
82h	SOFTPRES0	Processing Block Software Reset register	EALLOW	<a href="#">Go</a>
84h	SOFTPRES1	EMIF Software Reset register	EALLOW	<a href="#">Go</a>
86h	SOFTPRES2	Peripheral Software Reset register	EALLOW	<a href="#">Go</a>
88h	SOFTPRES3	Peripheral Software Reset register	EALLOW	<a href="#">Go</a>
8Ah	SOFTPRES4	Peripheral Software Reset register	EALLOW	<a href="#">Go</a>
8Eh	SOFTPRES6	Peripheral Software Reset register	EALLOW	<a href="#">Go</a>
90h	SOFTPRES7	Peripheral Software Reset register	EALLOW	<a href="#">Go</a>
92h	SOFTPRES8	Peripheral Software Reset register	EALLOW	<a href="#">Go</a>
94h	SOFTPRES9	Peripheral Software Reset register	EALLOW	<a href="#">Go</a>
98h	SOFTPRES11	Peripheral Software Reset register	EALLOW	<a href="#">Go</a>
9Ch	SOFTPRES13	Peripheral Software Reset register	EALLOW	<a href="#">Go</a>
9Eh	SOFTPRES14	Peripheral Software Reset register	EALLOW	<a href="#">Go</a>
A2h	SOFTPRES16	Peripheral Software Reset register	EALLOW	<a href="#">Go</a>
12Ch	SYSDBGCTL	System Debug Control register	EALLOW	<a href="#">Go</a>



Complex bit access types are encoded to fit into small table cells. [Table 3-96](#) shows the codes that are used for access types in this section.

**Table 3-96. DEV\_CFG\_REGS Access Type Codes**

Access Type	Code	Description
Read Type		
R	R	Read
R-0	R-0	Read Returns 0s
Write Type		
W	W	Write
W1S	W1S	Write 1 to set
WOnce	WOnce	Write Write once
WOnce	WOnce	Write Write once
WOnce	WOnce	Write Write once
WOnce	WOnce	Write Write once
WOnce	WOnce	Write Write once
Reset or Default Value		
-n		Value after reset or the default value
Register Array Variables		
i,j,k,l,m,n		When these variables are used in a register name, an offset, or an address, they refer to the value of a register array where the register is part of a group of repeating registers. The register groups form a hierarchical structure and the array is represented with a formula.
y		When this variable is used in a register name, an offset, or an address it refers to the value of a register array.

### 3.17.9.1 PARTIDL Register (Offset = 8h) [Reset = 0000000h]

PARTIDL is shown in [Figure 3-84](#) and described in [Table 3-97](#).

Return to the [Summary Table](#).

Lower 32-bit of Device PART Identification Number

**Figure 3-84. PARTIDL Register**

31	30	29	28	27	26	25	24
PARTID_FORMAT_REVISION				RESERVED			
R-0h				R-0h			
23	22	21	20	19	18	17	16
FLASH_SIZE							
R-0h							
15	14	13	12	11	10	9	8
RESERVED	INSTASPIN		RESERVED	RESERVED	PIN_COUNT		
R-0h	R-0h		R-0h	R-0h	R-0h		
7	6	5	4	3	2	1	0
QUAL		RESERVED	RESERVED		RESERVED		
R-0h		R-0h	R-0h		R-0h		

**Table 3-97. PARTIDL Register Field Descriptions**

Bit	Field	Type	Reset	Description
31-28	PARTID_FORMAT_REVISION	R	0h	Revision of the PARTID format Reset type: XRSn
27-24	RESERVED	R	0h	Reserved
23-16	FLASH_SIZE	R	0h	0x7 - 512KB 0x6 - 256KB Note: This field shows flash size on CPU1 (see datasheet for flash size available) Reset type: XRSn
15	RESERVED	R	0h	Reserved
14-13	INSTASPIN	R	0h	0 = Reserved for future 1 = Reserved for future 2 = Reserved for future 3 = NONE Reset type: XRSn
12	RESERVED	R	0h	Reserved
11	RESERVED	R	0h	Reserved
10-8	PIN_COUNT	R	0h	0 = reserved for future 1 = reserved for future 2 = reserved for future 3 = reserved for future 4 = reserved for future 5 = 100 pin 6 = 176 pin 7 = 337 pin Reset type: XRSn
7-6	QUAL	R	0h	0 = Engineering sample.(TMX) 1 = Pilot production (TMP) 2 = Fully qualified (TMS) Reset type: XRSn
5	RESERVED	R	0h	Reserved
4-3	RESERVED	R	0h	Reserved

**Table 3-97. PARTIDL Register Field Descriptions (continued)**

Bit	Field	Type	Reset	Description
2-0	RESERVED	R	0h	Reserved

### 3.17.9.2 PARTIDH Register (Offset = Ah) [Reset = 0000000h]

PARTIDH is shown in [Figure 3-85](#) and described in [Table 3-98](#).

Return to the [Summary Table](#).

Upper 32-bit of Device PART Identification Number

**Figure 3-85. PARTIDH Register**

31	30	29	28	27	26	25	24	23	22	21	20	19	18	17	16
DEVICE_CLASS_ID								PARTNO							
R-0h								R-0h							
15	14	13	12	11	10	9	8	7	6	5	4	3	2	1	0
FAMILY								RESERVED							
R-0h								R-0h							

**Table 3-98. PARTIDH Register Field Descriptions**

Bit	Field	Type	Reset	Description
31-24	DEVICE_CLASS_ID	R	0h	Reserved Reset type: XRSn
23-16	PARTNO	R	0h	Refer to Datasheet for Device Part Number Reset type: XRSn
15-8	FAMILY	R	0h	Device Family 0x3 - DUAL CORE 0x4 - SINGLE CORE 0x5 - SINGLE CORE Other values Reserved Reset type: XRSn
7-0	RESERVED	R	0h	Reserved

### 3.17.9.3 REVID Register (Offset = Ch) [Reset = 00000000h]

REVID is shown in [Figure 3-86](#) and described in [Table 3-99](#).

Return to the [Summary Table](#).

Device Revision Number

**Figure 3-86. REVID Register**

31	30	29	28	27	26	25	24	23	22	21	20	19	18	17	16	15	14	13	12	11	10	9	8	7	6	5	4	3	2	1	0
REVID																															
R-0h																															

**Table 3-99. REVID Register Field Descriptions**

Bit	Field	Type	Reset	Description
31-0	REVID	R	0h	These 32-bits specify the silicon revision. See your device specific datasheet for details. Reset type: N/A

### 3.17.9.4 DC0 Register (Offset = 10h) [Reset = 000000Xh]

DC0 is shown in [Figure 3-87](#) and described in [Table 3-100](#).

Return to the [Summary Table](#).

Device Capability: Device Information

**Figure 3-87. DC0 Register**

31	30	29	28	27	26	25	24
RESERVED							
R-0-0h							
23	22	21	20	19	18	17	16
RESERVED							
R-0-0h							
15	14	13	12	11	10	9	8
RESERVED							
R-0-0h							
7	6	5	4	3	2	1	0
RESERVED							SINGLE_CORE
R-0-0h							R-X

**Table 3-100. DC0 Register Field Descriptions**

Bit	Field	Type	Reset	Description
31-16	RESERVED	R-0	0h	Reserved
15-1	RESERVED	R-0	0h	Reserved
0	SINGLE_CORE	R	X	Single Core vs Dual Core 0: Single Core 1: Dual Core Reset type: XRSn

### 3.17.9.5 DC1 Register (Offset = 12h) [Reset = 0000XXXh]

DC1 is shown in [Figure 3-88](#) and described in [Table 3-101](#).

Return to the [Summary Table](#).

Device Capability: Processing Block Customization

**Figure 3-88. DC1 Register**

31	30	29	28	27	26	25	24
RESERVED							
R-0-0h							
23	22	21	20	19	18	17	16
RESERVED							
R-0-0h							
15	14	13	12	11	10	9	8
RESERVED						RESERVED	RESERVED
R-0-0h						R-X	R-X
7	6	5	4	3	2	1	0
RESERVED	CPU1_CLA1	RESERVED		RESERVED	CPU1_VCU	RESERVED	CPU1_FPU_TM U
R-X	R-X	R-0-0h		R-X	R-X	R-X	R-X

**Table 3-101. DC1 Register Field Descriptions**

Bit	Field	Type	Reset	Description
31-16	RESERVED	R-0	0h	Reserved
15-10	RESERVED	R-0	0h	Reserved
9	RESERVED	R	X	Reserved
8	RESERVED	R	X	Reserved
7	RESERVED	R	X	Reserved
6	CPU1_CLA1	R	X	0 - feature is not present on this device 1 - feature is present on this device Reset type: XRSn
5-4	RESERVED	R-0	0h	Reserved
3	RESERVED	R	X	Reserved
2	CPU1_VCU	R	X	0 - feature is not present on this device 1 - feature is present on this device Reset type: XRSn
1	RESERVED	R	X	Reserved
0	CPU1_FPU_TMU	R	X	0 - feature is not present on this device 1 - feature is present on this device Reset type: XRSn

### 3.17.9.6 DC2 Register (Offset = 14h) [Reset = 000000Xh]

DC2 is shown in [Figure 3-89](#) and described in [Table 3-102](#).

Return to the [Summary Table](#).

Device Capability: EMIF Customization

**Figure 3-89. DC2 Register**

31	30	29	28	27	26	25	24
RESERVED							
R-0-0h							
23	22	21	20	19	18	17	16
RESERVED							
R-0-0h							
15	14	13	12	11	10	9	8
RESERVED							
R-0-0h							
7	6	5	4	3	2	1	0
RESERVED						EMIF2	EMIF1
R-0-0h						R-X	R-X

**Table 3-102. DC2 Register Field Descriptions**

Bit	Field	Type	Reset	Description
31-16	RESERVED	R-0	0h	Reserved
15-2	RESERVED	R-0	0h	Reserved
1	EMIF2	R	X	EMIF2 : 0: Feature not present on the device 1: Feature present on the device Reset type: XRSn
0	EMIF1	R	X	EMIF1 : 0: Feature not present on the device 1: Feature present on the device Reset type: XRSn



### 3.17.9.7 DC3 Register (Offset = 16h) [Reset = 0000XXXXh]

DC3 is shown in [Figure 3-90](#) and described in [Table 3-103](#).

Return to the [Summary Table](#).

Device Capability: Peripheral Customization

**Figure 3-90. DC3 Register**

31	30	29	28	27	26	25	24
RESERVED							
R-0-0h							
23	22	21	20	19	18	17	16
RESERVED							
R-0-0h							
15	14	13	12	11	10	9	8
RESERVED	RESERVED	RESERVED	RESERVED	EPWM12	EPWM11	EPWM10	EPWM9
R-X	R-X	R-X	R-X	R-X	R-X	R-X	R-X
7	6	5	4	3	2	1	0
EPWM8	EPWM7	EPWM6	EPWM5	EPWM4	EPWM3	EPWM2	EPWM1
R-X	R-X	R-X	R-X	R-X	R-X	R-X	R-X

**Table 3-103. DC3 Register Field Descriptions**

Bit	Field	Type	Reset	Description
31-16	RESERVED	R-0	0h	Reserved
15	RESERVED	R	X	Reserved
14	RESERVED	R	X	Reserved
13	RESERVED	R	X	Reserved
12	RESERVED	R	X	Reserved
11	EPWM12	R	X	EPWM12 : 0: Feature not present on the device 1: Feature present on the device Reset type: XRSn
10	EPWM11	R	X	EPWM11 : 0: Feature not present on the device 1: Feature present on the device Reset type: XRSn
9	EPWM10	R	X	EPWM10 : 0: Feature not present on the device 1: Feature present on the device Reset type: XRSn
8	EPWM9	R	X	EPWM9 : 0: Feature not present on the device 1: Feature present on the device Reset type: XRSn
7	EPWM8	R	X	EPWM8 : 0: Feature not present on the device 1: Feature present on the device Reset type: XRSn
6	EPWM7	R	X	EPWM7 : 0: Feature not present on the device 1: Feature present on the device Reset type: XRSn

**Table 3-103. DC3 Register Field Descriptions (continued)**

Bit	Field	Type	Reset	Description
5	EPWM6	R	X	EPWM6 : 0: Feature not present on the device 1: Feature present on the device Reset type: XRSn
4	EPWM5	R	X	EPWM5 : 0: Feature not present on the device 1: Feature present on the device Reset type: XRSn
3	EPWM4	R	X	EPWM4 : 0: Feature not present on the device 1: Feature present on the device Reset type: XRSn
2	EPWM3	R	X	EPWM3 : 0: Feature not present on the device 1: Feature present on the device Reset type: XRSn
1	EPWM2	R	X	EPWM2 : 0: Feature not present on the device 1: Feature present on the device Reset type: XRSn
0	EPWM1	R	X	EPWM1 : 0: Feature not present on the device 1: Feature present on the device Reset type: XRSn

### 3.17.9.8 DC4 Register (Offset = 18h) [Reset = 00000XXh]

DC4 is shown in [Figure 3-91](#) and described in [Table 3-104](#).

Return to the [Summary Table](#).

Device Capability: Peripheral Customization

**Figure 3-91. DC4 Register**

31	30	29	28	27	26	25	24
RESERVED							
R-0-0h							
23	22	21	20	19	18	17	16
RESERVED							
R-0-0h							
15	14	13	12	11	10	9	8
RESERVED							
R-0-0h							
7	6	5	4	3	2	1	0
RESERVED	RESERVED	ECAP6	ECAP5	ECAP4	ECAP3	ECAP2	ECAP1
R-X	R-X	R-X	R-X	R-X	R-X	R-X	R-X

**Table 3-104. DC4 Register Field Descriptions**

Bit	Field	Type	Reset	Description
31-16	RESERVED	R-0	0h	Reserved
15-8	RESERVED	R-0	0h	Reserved
7	RESERVED	R	X	Reserved
6	RESERVED	R	X	Reserved
5	ECAP6	R	X	ECAP6 : 0: Feature not present on the device 1: Feature present on the device Reset type: XRSn
4	ECAP5	R	X	ECAP5 : 0: Feature not present on the device 1: Feature present on the device Reset type: XRSn
3	ECAP4	R	X	ECAP4 : 0: Feature not present on the device 1: Feature present on the device Reset type: XRSn
2	ECAP3	R	X	ECAP3 : 0: Feature not present on the device 1: Feature present on the device Reset type: XRSn
1	ECAP2	R	X	ECAP2 : 0: Feature not present on the device 1: Feature present on the device Reset type: XRSn
0	ECAP1	R	X	ECAP1 : 0: Feature not present on the device 1: Feature present on the device Reset type: XRSn

### 3.17.9.9 DC5 Register (Offset = 1Ah) [Reset = 000000Xh]

DC5 is shown in [Figure 3-92](#) and described in [Table 3-105](#).

Return to the [Summary Table](#).

Device Capability: Peripheral Customization

**Figure 3-92. DC5 Register**

31	30	29	28	27	26	25	24
RESERVED							
R-0-0h							
23	22	21	20	19	18	17	16
RESERVED							
R-0-0h							
15	14	13	12	11	10	9	8
RESERVED							
R-0-0h							
7	6	5	4	3	2	1	0
RESERVED				RESERVED	EQEP3	EQEP2	EQEP1
R-0-0h				R-X	R-X	R-X	R-X

**Table 3-105. DC5 Register Field Descriptions**

Bit	Field	Type	Reset	Description
31-16	RESERVED	R-0	0h	Reserved
15-4	RESERVED	R-0	0h	Reserved
3	RESERVED	R	X	Reserved
2	EQEP3	R	X	EQEP3 : 0: Feature not present on the device 1: Feature present on the device Reset type: XRSn
1	EQEP2	R	X	EQEP2 : 0: Feature not present on the device 1: Feature present on the device Reset type: XRSn
0	EQEP1	R	X	EQEP1 : 0: Feature not present on the device 1: Feature present on the device Reset type: XRSn

### 3.17.9.10 DC6 Register (Offset = 1Ch) [Reset = 00000XXh]

DC6 is shown in [Figure 3-93](#) and described in [Table 3-106](#).

Return to the [Summary Table](#).

Device Capability: Peripheral Customization

**Figure 3-93. DC6 Register**

31	30	29	28	27	26	25	24
RESERVED							
R-0-0h							
23	22	21	20	19	18	17	16
RESERVED							
R-0-0h							
15	14	13	12	11	10	9	8
RESERVED							
R-0-0h							
7	6	5	4	3	2	1	0
RESERVED	RESERVED	RESERVED	RESERVED	CLB4	CLB3	CLB2	CLB1
R-X	R-X	R-X	R-X	R-X	R-X	R-X	R-X

**Table 3-106. DC6 Register Field Descriptions**

Bit	Field	Type	Reset	Description
31-16	RESERVED	R-0	0h	Reserved
15-8	RESERVED	R-0	0h	Reserved
7	RESERVED	R	X	Reserved
6	RESERVED	R	X	Reserved
5	RESERVED	R	X	Reserved
4	RESERVED	R	X	Reserved
3	CLB4	R	X	CLB4 : 0: Feature not present on the device 1: Feature present on the device Reset type: XRSn
2	CLB3	R	X	CLB3 : 0: Feature not present on the device 1: Feature present on the device Reset type: XRSn
1	CLB2	R	X	CLB2 : 0: Feature not present on the device 1: Feature present on the device Reset type: XRSn
0	CLB1	R	X	CLB1 : 0: Feature not present on the device 1: Feature present on the device Reset type: XRSn

### 3.17.9.11 DC7 Register (Offset = 1Eh) [Reset = 00000XXh]

DC7 is shown in [Figure 3-94](#) and described in [Table 3-107](#).

Return to the [Summary Table](#).

Device Capability: Peripheral Customization

**Figure 3-94. DC7 Register**

31	30	29	28	27	26	25	24	23	22	21	20	19	18	17	16
RESERVED															
R-0-0h															
15	14	13	12	11	10	9	8	7	6	5	4	3	2	1	0
RESERVED								RESE RVED	RESE RVED	RESE RVED	RESE RVED	RESE RVED	RESE RVED	SD2	SD1
R-0-0h								R-X	R-X	R-X	R-X	R-X	R-X	R-X	R-X

**Table 3-107. DC7 Register Field Descriptions**

Bit	Field	Type	Reset	Description
31-16	RESERVED	R-0	0h	Reserved
15-8	RESERVED	R-0	0h	Reserved
7	RESERVED	R	X	Reserved
6	RESERVED	R	X	Reserved
5	RESERVED	R	X	Reserved
4	RESERVED	R	X	Reserved
3	RESERVED	R	X	Reserved
2	RESERVED	R	X	Reserved
1	SD2	R	X	SD2 : 0: Feature not present on the device 1: Feature present on the device Reset type: XRSn
0	SD1	R	X	SD1 : 0: Feature not present on the device 1: Feature present on the device Reset type: XRSn

### 3.17.9.12 DC8 Register (Offset = 20h) [Reset = 000000Xh]

DC8 is shown in [Figure 3-95](#) and described in [Table 3-108](#).

Return to the [Summary Table](#).

Device Capability: Peripheral Customization

**Figure 3-95. DC8 Register**

31	30	29	28	27	26	25	24
RESERVED							
R-0-0h							
23	22	21	20	19	18	17	16
RESERVED							
R-0-0h							
15	14	13	12	11	10	9	8
RESERVED							
R-0-0h							
7	6	5	4	3	2	1	0
RESERVED				SCI_D	SCI_C	SCI_B	SCI_A
R-0-0h				R-X	R-X	R-X	R-X

**Table 3-108. DC8 Register Field Descriptions**

Bit	Field	Type	Reset	Description
31-16	RESERVED	R-0	0h	Reserved
15-4	RESERVED	R-0	0h	Reserved
3	SCI_D	R	X	SCI_D : 0: Feature not present on the device 1: Feature present on the device Reset type: XRSn
2	SCI_C	R	X	SCI_C : 0: Feature not present on the device 1: Feature present on the device Reset type: XRSn
1	SCI_B	R	X	SCI_B : 0: Feature not present on the device 1: Feature present on the device Reset type: XRSn
0	SCI_A	R	X	SCI_A : 0: Feature not present on the device 1: Feature present on the device Reset type: XRSn

### 3.17.9.13 DC9 Register (Offset = 22h) [Reset = 000X000Xh]

DC9 is shown in [Figure 3-96](#) and described in [Table 3-109](#).

Return to the [Summary Table](#).

Device Capability: Peripheral Customization

**Figure 3-96. DC9 Register**

31	30	29	28	27	26	25	24
RESERVED							
R-0-0h							
23	22	21	20	19	18	17	16
RESERVED						RESERVED	RESERVED
R-0-0h						R-X	R-X
15	14	13	12	11	10	9	8
RESERVED							
R-0-0h							
7	6	5	4	3	2	1	0
RESERVED				RESERVED	SPI_C	SPI_B	SPI_A
R-0-0h				R-X	R-X	R-X	R-X

**Table 3-109. DC9 Register Field Descriptions**

Bit	Field	Type	Reset	Description
31-18	RESERVED	R-0	0h	Reserved
17	RESERVED	R	X	Reserved
16	RESERVED	R	X	Reserved
15-4	RESERVED	R-0	0h	Reserved
3	RESERVED	R	X	Reserved
2	SPI_C	R	X	SPI_C : 0: Feature not present on the device 1: Feature present on the device Reset type: XRSn
1	SPI_B	R	X	SPI_B : 0: Feature not present on the device 1: Feature present on the device Reset type: XRSn
0	SPI_A	R	X	SPI_A : 0: Feature not present on the device 1: Feature present on the device Reset type: XRSn



### 3.17.9.14 DC10 Register (Offset = 24h) [Reset = 000X000Xh]

DC10 is shown in [Figure 3-97](#) and described in [Table 3-110](#).

Return to the [Summary Table](#).

Device Capability: Peripheral Customization

**Figure 3-97. DC10 Register**

31	30	29	28	27	26	25	24
RESERVED							
R-0-0h							
23	22	21	20	19	18	17	16
RESERVED						RESERVED	RESERVED
R-0-0h						R-X	R-X
15	14	13	12	11	10	9	8
RESERVED							
R-0-0h							
7	6	5	4	3	2	1	0
RESERVED						I2C_B	I2C_A
R-0-0h						R-X	R-X

**Table 3-110. DC10 Register Field Descriptions**

Bit	Field	Type	Reset	Description
31-18	RESERVED	R-0	0h	Reserved
17	RESERVED	R	X	Reserved
16	RESERVED	R	X	Reserved
15-2	RESERVED	R-0	0h	Reserved
1	I2C_B	R	X	I2C_B : 0: Feature not present on the device 1: Feature present on the device Reset type: XRSn
0	I2C_A	R	X	I2C_A : 0: Feature not present on the device 1: Feature present on the device Reset type: XRSn

### 3.17.9.15 DC11 Register (Offset = 26h) [Reset = 000000Xh]

DC11 is shown in [Figure 3-98](#) and described in [Table 3-111](#).

Return to the [Summary Table](#).

Device Capability: Peripheral Customization

**Figure 3-98. DC11 Register**

31	30	29	28	27	26	25	24
RESERVED							
R-0-0h							
23	22	21	20	19	18	17	16
RESERVED							
R-0-0h							
15	14	13	12	11	10	9	8
RESERVED							
R-0-0h							
7	6	5	4	3	2	1	0
RESERVED				RESERVED	RESERVED	CAN_B	CAN_A
R-0-0h				R-X	R-X	R-X	R-X

**Table 3-111. DC11 Register Field Descriptions**

Bit	Field	Type	Reset	Description
31-16	RESERVED	R-0	0h	Reserved
15-4	RESERVED	R-0	0h	Reserved
3	RESERVED	R	X	Reserved
2	RESERVED	R	X	Reserved
1	CAN_B	R	X	CAN_B : 0: Feature not present on the device 1: Feature present on the device Reset type: XRSn
0	CAN_A	R	X	CAN_A : 0: Feature not present on the device 1: Feature present on the device Reset type: XRSn

### 3.17.9.16 DC12 Register (Offset = 28h) [Reset = 000X000Xh]

DC12 is shown in [Figure 3-99](#) and described in [Table 3-112](#).

Return to the [Summary Table](#).

Device Capability: Peripheral Customization

**Figure 3-99. DC12 Register**

31	30	29	28	27	26	25	24
RESERVED							
R-0-0h							
23	22	21	20	19	18	17	16
RESERVED				RESERVED		USB_A	
R-0-0h				R-X		R-X	
15	14	13	12	11	10	9	8
RESERVED							
R-0-0h							
7	6	5	4	3	2	1	0
RESERVED						McBSP_B	McBSP_A
R-0-0h						R-X	R-X

**Table 3-112. DC12 Register Field Descriptions**

Bit	Field	Type	Reset	Description
31-20	RESERVED	R-0	0h	Reserved
19-18	RESERVED	R	X	Reserved
17-16	USB_A	R	X	Capability of the USB_A Module: 2'b00: No USB function 2'b01: Device Only 2'b10: Device or Host 2'b11: Device or Host Reset type: XRSn
15-2	RESERVED	R-0	0h	Reserved
1	McBSP_B	R	X	McBSP_B : 0: Feature not present on the device 1: Feature present on the device Reset type: XRSn
0	McBSP_A	R	X	McBSP_A : 0: Feature not present on the device 1: Feature present on the device Reset type: XRSn

### 3.17.9.17 DC13 Register (Offset = 2Ah) [Reset = 000000Xh]

DC13 is shown in [Figure 3-100](#) and described in [Table 3-113](#).

Return to the [Summary Table](#).

Device Capability: Peripheral Customization

**Figure 3-100. DC13 Register**

31	30	29	28	27	26	25	24
RESERVED							
R-0-0h							
23	22	21	20	19	18	17	16
RESERVED							
R-0-0h							
15	14	13	12	11	10	9	8
RESERVED							
R-0-0h							
7	6	5	4	3	2	1	0
RESERVED						RESERVED	uPP_A
R-0-0h						R-X	R-X

**Table 3-113. DC13 Register Field Descriptions**

Bit	Field	Type	Reset	Description
31-16	RESERVED	R-0	0h	Reserved
15-2	RESERVED	R-0	0h	Reserved
1	RESERVED	R	X	Reserved
0	uPP_A	R	X	uPP_A : 0: Feature not present on the device 1: Feature present on the device Reset type: XRSn

### 3.17.9.18 DC14 Register (Offset = 2Ch) [Reset = 000000Xh]

DC14 is shown in [Figure 3-101](#) and described in [Table 3-114](#).

Return to the [Summary Table](#).

Device Capability: Analog Modules Customization

**Figure 3-101. DC14 Register**

31	30	29	28	27	26	25	24
RESERVED							
R-0-0h							
23	22	21	20	19	18	17	16
RESERVED							
R-0-0h							
15	14	13	12	11	10	9	8
RESERVED							
R-0-0h							
7	6	5	4	3	2	1	0
RESERVED				ADC_D	RESERVED	ADC_B	ADC_A
R-0-0h				R-X	R-X	R-X	R-X

**Table 3-114. DC14 Register Field Descriptions**

Bit	Field	Type	Reset	Description
31-16	RESERVED	R-0	0h	Reserved
15-4	RESERVED	R-0	0h	Reserved
3	ADC_D	R	X	ADC_D : 0: Feature not present on the device 1: Feature present on the device Reset type: XRSn
2	RESERVED	R	X	Reserved
1	ADC_B	R	X	ADC_B : 0: Feature not present on the device 1: Feature present on the device Reset type: XRSn
0	ADC_A	R	X	ADC_A : 0: Feature not present on the device 1: Feature present on the device Reset type: XRSn

### 3.17.9.19 DC15 Register (Offset = 2Eh) [Reset = 00000XXh]

DC15 is shown in [Figure 3-102](#) and described in [Table 3-115](#).

Return to the [Summary Table](#).

Device Capability: Analog Modules Customization

**Figure 3-102. DC15 Register**

31	30	29	28	27	26	25	24
RESERVED							
R-0-0h							
23	22	21	20	19	18	17	16
RESERVED							
R-0-0h							
15	14	13	12	11	10	9	8
RESERVED							
R-0-0h							
7	6	5	4	3	2	1	0
CMPSS8	CMPSS7	CMPSS6	CMPSS5	CMPSS4	CMPSS3	CMPSS2	CMPSS1
R-X	R-X	R-X	R-X	R-X	R-X	R-X	R-X

**Table 3-115. DC15 Register Field Descriptions**

Bit	Field	Type	Reset	Description
31-16	RESERVED	R-0	0h	Reserved
15-8	RESERVED	R-0	0h	Reserved
7	CMPSS8	R	X	CMPSS8 : 0: Feature not present on the device 1: Feature present on the device Reset type: XRSn
6	CMPSS7	R	X	CMPSS7 : 0: Feature not present on the device 1: Feature present on the device Reset type: XRSn
5	CMPSS6	R	X	CMPSS6 : 0: Feature not present on the device 1: Feature present on the device Reset type: XRSn
4	CMPSS5	R	X	CMPSS5 : 0: Feature not present on the device 1: Feature present on the device Reset type: XRSn
3	CMPSS4	R	X	CMPSS4 : 0: Feature not present on the device 1: Feature present on the device Reset type: XRSn
2	CMPSS3	R	X	CMPSS3 : 0: Feature not present on the device 1: Feature present on the device Reset type: XRSn
1	CMPSS2	R	X	CMPSS2 : 0: Feature not present on the device 1: Feature present on the device Reset type: XRSn

**Table 3-115. DC15 Register Field Descriptions (continued)**

Bit	Field	Type	Reset	Description
0	CMPSS1	R	X	CMPSS1 : 0: Feature not present on the device 1: Feature present on the device Reset type: XRSn

### 3.17.9.20 DC17 Register (Offset = 32h) [Reset = 000X000Xh]

DC17 is shown in [Figure 3-103](#) and described in [Table 3-116](#).

Return to the [Summary Table](#).

Device Capability: Analog Modules Customization

**Figure 3-103. DC17 Register**

31	30	29	28	27	26	25	24
RESERVED							
R-0-0h							
23	22	21	20	19	18	17	16
RESERVED				RESERVED	DAC_C	DAC_B	DAC_A
R-0-0h				R-X	R-X	R-X	R-X
15	14	13	12	11	10	9	8
RESERVED							
R-0-0h							
7	6	5	4	3	2	1	0
RESERVED				RESERVED	RESERVED	RESERVED	RESERVED
R-0-0h				R-X	R-X	R-X	R-X

**Table 3-116. DC17 Register Field Descriptions**

Bit	Field	Type	Reset	Description
31-20	RESERVED	R-0	0h	Reserved
19	RESERVED	R	X	Reserved
18	DAC_C	R	X	Buffered-DAC_C : 0: Feature not present on the device 1: Feature present on the device Reset type: XRSn
17	DAC_B	R	X	Buffered-DAC_B : 0: Feature not present on the device 1: Feature present on the device Reset type: XRSn
16	DAC_A	R	X	Buffered-DAC_A : 0: Feature not present on the device 1: Feature present on the device Reset type: XRSn
15-4	RESERVED	R-0	0h	Reserved
3	RESERVED	R	X	Reserved
2	RESERVED	R	X	Reserved
1	RESERVED	R	X	Reserved
0	RESERVED	R	X	Reserved



### 3.17.9.21 DC18 Register (Offset = 34h) [Reset = 00000XXh]

DC18 is shown in [Figure 3-104](#) and described in [Table 3-117](#).

Return to the [Summary Table](#).

Device Capability: CPU1 Lx SRAM Customization

**Figure 3-104. DC18 Register**

31	30	29	28	27	26	25	24
RESERVED							
R-0-0h							
23	22	21	20	19	18	17	16
RESERVED							
R-0-0h							
15	14	13	12	11	10	9	8
RESERVED							
R-0-0h							
7	6	5	4	3	2	1	0
RESERVED		LS5_1	LS4_1	LS3_1	LS2_1	LS1_1	LS0_1
R-0-0h		R-X	R-X	R-X	R-X	R-X	R-X

**Table 3-117. DC18 Register Field Descriptions**

Bit	Field	Type	Reset	Description
31-16	RESERVED	R-0	0h	Reserved
15-6	RESERVED	R-0	0h	Reserved
5	LS5_1	R	X	LS5_1 : 0: Feature not present on the device 1: Feature present on the device Reset type: XRSn
4	LS4_1	R	X	LS4_1 : 0: Feature not present on the device 1: Feature present on the device Reset type: XRSn
3	LS3_1	R	X	LS3_1 : 0: Feature not present on the device 1: Feature present on the device Reset type: XRSn
2	LS2_1	R	X	LS2_1 : 0: Feature not present on the device 1: Feature present on the device Reset type: XRSn
1	LS1_1	R	X	LS1_1 : 0: Feature not present on the device 1: Feature present on the device Reset type: XRSn
0	LS0_1	R	X	LS0_1 : 0: Feature not present on the device 1: Feature present on the device Reset type: XRSn

### 3.17.9.22 DC20 Register (Offset = 38h) [Reset = 0000XXXh]

DC20 is shown in [Figure 3-105](#) and described in [Table 3-118](#).

Return to the [Summary Table](#).

Device Capability: GSx SRAM Customization

**Figure 3-105. DC20 Register**

31	30	29	28	27	26	25	24
RESERVED							
R-0-0h							
23	22	21	20	19	18	17	16
RESERVED							
R-0-0h							
15	14	13	12	11	10	9	8
GS15	GS14	GS13	GS12	GS11	GS10	GS9	GS8
R-X	R-X	R-X	R-X	R-X	R-X	R-X	R-X
7	6	5	4	3	2	1	0
GS7	GS6	GS5	GS4	GS3	GS2	GS1	GS0
R-X	R-X	R-X	R-X	R-X	R-X	R-X	R-X

**Table 3-118. DC20 Register Field Descriptions**

Bit	Field	Type	Reset	Description
31-16	RESERVED	R-0	0h	Reserved
15	GS15	R	X	GS15 : 0: Feature not present on the device 1: Feature present on the device Reset type: XRSn
14	GS14	R	X	GS14 : 0: Feature not present on the device 1: Feature present on the device Reset type: XRSn
13	GS13	R	X	GS13 : 0: Feature not present on the device 1: Feature present on the device Reset type: XRSn
12	GS12	R	X	GS12 : 0: Feature not present on the device 1: Feature present on the device Reset type: XRSn
11	GS11	R	X	GS11 : 0: Feature not present on the device 1: Feature present on the device Reset type: XRSn
10	GS10	R	X	GS10 : 0: Feature not present on the device 1: Feature present on the device Reset type: XRSn
9	GS9	R	X	GS9 : 0: Feature not present on the device 1: Feature present on the device Reset type: XRSn

**Table 3-118. DC20 Register Field Descriptions (continued)**

Bit	Field	Type	Reset	Description
8	GS8	R	X	GS8 : 0: Feature not present on the device 1: Feature present on the device Reset type: XRSn
7	GS7	R	X	GS7 : 0: Feature not present on the device 1: Feature present on the device Reset type: XRSn
6	GS6	R	X	GS6 : 0: Feature not present on the device 1: Feature present on the device Reset type: XRSn
5	GS5	R	X	GS5 : 0: Feature not present on the device 1: Feature present on the device Reset type: XRSn
4	GS4	R	X	GS4 : 0: Feature not present on the device 1: Feature present on the device Reset type: XRSn
3	GS3	R	X	GS3 : 0: Feature not present on the device 1: Feature present on the device Reset type: XRSn
2	GS2	R	X	GS2 : 0: Feature not present on the device 1: Feature present on the device Reset type: XRSn
1	GS1	R	X	GS1 : 0: Feature not present on the device 1: Feature present on the device Reset type: XRSn
0	GS0	R	X	GS0 : 0: Feature not present on the device 1: Feature present on the device Reset type: XRSn

### 3.17.9.23 PERCNF1 Register (Offset = 60h) [Reset = 000X000Xh]

PERCNF1 is shown in [Figure 3-106](#) and described in [Table 3-119](#).

Return to the [Summary Table](#).

Peripheral Configuration register

**Figure 3-106. PERCNF1 Register**

31	30	29	28	27	26	25	24
RESERVED							
R-0-0h							
23	22	21	20	19	18	17	16
RESERVED						RESERVED	USB_A_PHY
R-0-0h						R-X	R-X
15	14	13	12	11	10	9	8
RESERVED							
R-0-0h							
7	6	5	4	3	2	1	0
RESERVED				ADC_D_MODE	RESERVED	ADC_B_MODE	ADC_A_MODE
R-0-0h				R-X	R-X	R-X	R-X

**Table 3-119. PERCNF1 Register Field Descriptions**

Bit	Field	Type	Reset	Description
31-18	RESERVED	R-0	0h	Reserved
17	RESERVED	R	X	Reserved
16	USB_A_PHY	R	X	Internal PHY is present present or not for the USB_A module: 0: Internal USB PHY Module is not present 1: Internal USB PHY Module is present. Reset type: XRSn
15-4	RESERVED	R-0	0h	Reserved
3	ADC_D_MODE	R	X	0: 16-bit or 12-bit configurable in software 1: Only 12-bit operation available Reset type: XRSn
2	RESERVED	R	X	Reserved
1	ADC_B_MODE	R	X	0: 16-bit or 12-bit configurable in software 1: Only 12-bit operation available Reset type: XRSn
0	ADC_A_MODE	R	X	0: 16-bit or 12-bit configurable in software 1: Only 12-bit operation available Reset type: XRSn

### 3.17.9.24 FUSEERR Register (Offset = 74h) [Reset = 0000000h]

FUSEERR is shown in [Figure 3-107](#) and described in [Table 3-120](#).

Return to the [Summary Table](#).

e-Fuse error Status register

**Figure 3-107. FUSEERR Register**

31	30	29	28	27	26	25	24	23	22	21	20	19	18	17	16
RESERVED															
R-0-0h															
15	14	13	12	11	10	9	8	7	6	5	4	3	2	1	0
RESERVED										ERR	ALERR				
R-0-0h										R-0h		R-0h			

**Table 3-120. FUSEERR Register Field Descriptions**

Bit	Field	Type	Reset	Description
31-16	RESERVED	R-0	0h	Reserved
15-6	RESERVED	R-0	0h	Reserved
5	ERR	R	0h	Efuse Self Test Error Status set by hardware after fuse self test completes, in case of self test error 0: No error during fuse self test 1: Fuse self test error Reset type: XRSn
4-0	ALERR	R	0h	Efuse Autoload Error Status set by hardware after fuse auto load completes 00000: No error in auto load Other: Non zero value indicates error in autoload Reset type: XRSn

### 3.17.9.25 SOFTPRES0 Register (Offset = 82h) [Reset = 0000000h]

SOFTPRES0 is shown in [Figure 3-108](#) and described in [Table 3-121](#).

Return to the [Summary Table](#).

Processing Block Software Reset register

When bits in this register are set, the respective module is in reset. All design data is lost and the module registers are returned to their reset states. Bits must be manually cleared after being set.

**Figure 3-108. SOFTPRES0 Register**

31	30	29	28	27	26	25	24
RESERVED							
R-0-0h							
23	22	21	20	19	18	17	16
RESERVED							
R-0-0h							
15	14	13	12	11	10	9	8
RESERVED							
R-0-0h							
7	6	5	4	3	2	1	0
RESERVED				RESERVED	RESERVED	RESERVED	CPU1_CLA1
R-0-0h				R/W-0h	R/W-0h	R/W-0h	R/W-0h

**Table 3-121. SOFTPRES0 Register Field Descriptions**

Bit	Field	Type	Reset	Description
31-16	RESERVED	R-0	0h	Reserved
15-4	RESERVED	R-0	0h	Reserved
3	RESERVED	R/W	0h	Reserved
2	RESERVED	R/W	0h	Reserved
1	RESERVED	R/W	0h	Reserved
0	CPU1_CLA1	R/W	0h	1: Module is under reset 0: Module reset is determined by the normal device reset structure Reset type: CPU1.SYSRSn

### 3.17.9.26 SOFTPRES1 Register (Offset = 84h) [Reset = 0000000h]

SOFTPRES1 is shown in [Figure 3-109](#) and described in [Table 3-122](#).

Return to the [Summary Table](#).

EMIF Software Reset register

**Figure 3-109. SOFTPRES1 Register**

31	30	29	28	27	26	25	24
RESERVED							
R-0-0h							
23	22	21	20	19	18	17	16
RESERVED							
R-0-0h							
15	14	13	12	11	10	9	8
RESERVED							
R-0-0h							
7	6	5	4	3	2	1	0
RESERVED						EMIF2	EMIF1
R-0-0h						R/W-0h	R/W-0h

**Table 3-122. SOFTPRES1 Register Field Descriptions**

Bit	Field	Type	Reset	Description
31-16	RESERVED	R-0	0h	Reserved
15-2	RESERVED	R-0	0h	Reserved
1	EMIF2	R/W	0h	When this bit is set, only the control logic of the respective EMIF2 is reset. It does not reset the internal registers except the Total Access register and the Total Activate register. This bit must be manually cleared after being set. 1: EMIF2 is under SOFTRESET 0: Module reset is determined by the device Reset Network Reset type: CPU1.SYSRSn
0	EMIF1	R/W	0h	When this bit is set, only the control logic of the respective EMIF1 is reset. It does not reset the internal registers except the Total Access register and the Total Activate register. This bit must be manually cleared after being set. 1: EMIF1 is under SOFTRESET 0: Module reset is determined by the device Reset Network Reset type: CPU1.SYSRSn

### 3.17.9.27 SOFTPRES2 Register (Offset = 86h) [Reset = 0000000h]

SOFTPRES2 is shown in [Figure 3-110](#) and described in [Table 3-123](#).

Return to the [Summary Table](#).

Peripheral Software Reset register

When bits in this register are set, the respective peripheral is in reset. All data is lost and the peripheral registers are returned to their reset states. Bits must be manually cleared after being set.

**Figure 3-110. SOFTPRES2 Register**

31	30	29	28	27	26	25	24
RESERVED							
R-0-0h							
23	22	21	20	19	18	17	16
RESERVED							
R-0-0h							
15	14	13	12	11	10	9	8
RESERVED	RESERVED	RESERVED	RESERVED	EPWM12	EPWM11	EPWM10	EPWM9
R/W-0h	R/W-0h	R/W-0h	R/W-0h	R/W-0h	R/W-0h	R/W-0h	R/W-0h
7	6	5	4	3	2	1	0
EPWM8	EPWM7	EPWM6	EPWM5	EPWM4	EPWM3	EPWM2	EPWM1
R/W-0h	R/W-0h	R/W-0h	R/W-0h	R/W-0h	R/W-0h	R/W-0h	R/W-0h

**Table 3-123. SOFTPRES2 Register Field Descriptions**

Bit	Field	Type	Reset	Description
31-16	RESERVED	R-0	0h	Reserved
15	RESERVED	R/W	0h	Reserved
14	RESERVED	R/W	0h	Reserved
13	RESERVED	R/W	0h	Reserved
12	RESERVED	R/W	0h	Reserved
11	EPWM12	R/W	0h	1: Module is under reset 0: Module reset is determined by the normal device reset structure Reset type: CPU1.SYSRSn
10	EPWM11	R/W	0h	1: Module is under reset 0: Module reset is determined by the normal device reset structure Reset type: CPU1.SYSRSn
9	EPWM10	R/W	0h	1: Module is under reset 0: Module reset is determined by the normal device reset structure Reset type: CPU1.SYSRSn
8	EPWM9	R/W	0h	1: Module is under reset 0: Module reset is determined by the normal device reset structure Reset type: CPU1.SYSRSn
7	EPWM8	R/W	0h	1: Module is under reset 0: Module reset is determined by the normal device reset structure Reset type: CPU1.SYSRSn
6	EPWM7	R/W	0h	1: Module is under reset 0: Module reset is determined by the normal device reset structure Reset type: CPU1.SYSRSn
5	EPWM6	R/W	0h	1: Module is under reset 0: Module reset is determined by the normal device reset structure Reset type: CPU1.SYSRSn



**Table 3-123. SOFTPRES2 Register Field Descriptions (continued)**

Bit	Field	Type	Reset	Description
4	EPWM5	R/W	0h	1: Module is under reset 0: Module reset is determined by the normal device reset structure Reset type: CPU1.SYSRSn
3	EPWM4	R/W	0h	1: Module is under reset 0: Module reset is determined by the normal device reset structure Reset type: CPU1.SYSRSn
2	EPWM3	R/W	0h	1: Module is under reset 0: Module reset is determined by the normal device reset structure Reset type: CPU1.SYSRSn
1	EPWM2	R/W	0h	1: Module is under reset 0: Module reset is determined by the normal device reset structure Reset type: CPU1.SYSRSn
0	EPWM1	R/W	0h	1: Module is under reset 0: Module reset is determined by the normal device reset structure Reset type: CPU1.SYSRSn

### 3.17.9.28 SOFTPRES3 Register (Offset = 88h) [Reset = 0000000h]

SOFTPRES3 is shown in [Figure 3-111](#) and described in [Table 3-124](#).

Return to the [Summary Table](#).

Peripheral Software Reset register

When bits in this register are set, the respective peripheral is in reset. All data is lost and the peripheral registers are returned to their reset states. Bits must be manually cleared after being set.

**Figure 3-111. SOFTPRES3 Register**

31	30	29	28	27	26	25	24
RESERVED							
R-0-0h							
23	22	21	20	19	18	17	16
RESERVED							
R-0-0h							
15	14	13	12	11	10	9	8
RESERVED							
R-0-0h							
7	6	5	4	3	2	1	0
RESERVED	RESERVED	ECAP6	ECAP5	ECAP4	ECAP3	ECAP2	ECAP1
R/W-0h	R/W-0h	R/W-0h	R/W-0h	R/W-0h	R/W-0h	R/W-0h	R/W-0h

**Table 3-124. SOFTPRES3 Register Field Descriptions**

Bit	Field	Type	Reset	Description
31-16	RESERVED	R-0	0h	Reserved
15-8	RESERVED	R-0	0h	Reserved
7	RESERVED	R/W	0h	Reserved
6	RESERVED	R/W	0h	Reserved
5	ECAP6	R/W	0h	1: Module is under reset 0: Module reset is determined by the normal device reset structure Reset type: CPU1.SYSRSn
4	ECAP5	R/W	0h	1: Module is under reset 0: Module reset is determined by the normal device reset structure Reset type: CPU1.SYSRSn
3	ECAP4	R/W	0h	1: Module is under reset 0: Module reset is determined by the normal device reset structure Reset type: CPU1.SYSRSn
2	ECAP3	R/W	0h	1: Module is under reset 0: Module reset is determined by the normal device reset structure Reset type: CPU1.SYSRSn
1	ECAP2	R/W	0h	1: Module is under reset 0: Module reset is determined by the normal device reset structure Reset type: CPU1.SYSRSn
0	ECAP1	R/W	0h	1: Module is under reset 0: Module reset is determined by the normal device reset structure Reset type: CPU1.SYSRSn

### 3.17.9.29 SOFTPRES4 Register (Offset = 8Ah) [Reset = 0000000h]

SOFTPRES4 is shown in [Figure 3-112](#) and described in [Table 3-125](#).

Return to the [Summary Table](#).

Peripheral Software Reset register

When bits in this register are set, the respective peripheral is in reset. All data is lost and the peripheral registers are returned to their reset states. Bits must be manually cleared after being set.

**Figure 3-112. SOFTPRES4 Register**

31	30	29	28	27	26	25	24
RESERVED							
R-0-0h							
23	22	21	20	19	18	17	16
RESERVED							
R-0-0h							
15	14	13	12	11	10	9	8
RESERVED							
R-0-0h							
7	6	5	4	3	2	1	0
RESERVED				RESERVED	EQEP3	EQEP2	EQEP1
R-0-0h				R/W-0h	R/W-0h	R/W-0h	R/W-0h

**Table 3-125. SOFTPRES4 Register Field Descriptions**

Bit	Field	Type	Reset	Description
31-16	RESERVED	R-0	0h	Reserved
15-4	RESERVED	R-0	0h	Reserved
3	RESERVED	R/W	0h	Reserved
2	EQEP3	R/W	0h	1: Module is under reset 0: Module reset is determined by the normal device reset structure Reset type: CPU1.SYSRSn
1	EQEP2	R/W	0h	1: Module is under reset 0: Module reset is determined by the normal device reset structure Reset type: CPU1.SYSRSn
0	EQEP1	R/W	0h	1: Module is under reset 0: Module reset is determined by the normal device reset structure Reset type: CPU1.SYSRSn

### 3.17.9.30 SOFTPRES6 Register (Offset = 8Eh) [Reset = 0000000h]

SOFTPRES6 is shown in [Figure 3-113](#) and described in [Table 3-126](#).

Return to the [Summary Table](#).

Peripheral Software Reset register

When bits in this register are set, the respective peripheral is in reset. All data is lost and the peripheral registers are returned to their reset states. Bits must be manually cleared after being set.

**Figure 3-113. SOFTPRES6 Register**

31	30	29	28	27	26	25	24	23	22	21	20	19	18	17	16
RESERVED															
R-0-0h															
15	14	13	12	11	10	9	8	7	6	5	4	3	2	1	0
RESERVED								RESE RVED	RESE RVED	RESE RVED	RESE RVED	RESE RVED	RESE RVED	SD2	SD1
R-0-0h								R/W-0h	R/W-0h	R/W-0h	R/W-0h	R/W-0h	R/W-0h	R/W-0h	R/W-0h

**Table 3-126. SOFTPRES6 Register Field Descriptions**

Bit	Field	Type	Reset	Description
31-16	RESERVED	R-0	0h	Reserved
15-8	RESERVED	R-0	0h	Reserved
7	RESERVED	R/W	0h	Reserved
6	RESERVED	R/W	0h	Reserved
5	RESERVED	R/W	0h	Reserved
4	RESERVED	R/W	0h	Reserved
3	RESERVED	R/W	0h	Reserved
2	RESERVED	R/W	0h	Reserved
1	SD2	R/W	0h	1: Module is under reset 0: Module reset is determined by the normal device reset structure Reset type: CPU1.SYSRSn
0	SD1	R/W	0h	1: Module is under reset 0: Module reset is determined by the normal device reset structure Reset type: CPU1.SYSRSn

### 3.17.9.31 SOFTPRES7 Register (Offset = 90h) [Reset = 0000000h]

SOFTPRES7 is shown in [Figure 3-114](#) and described in [Table 3-127](#).

Return to the [Summary Table](#).

Peripheral Software Reset register

When bits in this register are set, the respective peripheral is in reset. All data is lost and the peripheral registers are returned to their reset states. Bits must be manually cleared after being set.

**Figure 3-114. SOFTPRES7 Register**

31	30	29	28	27	26	25	24
RESERVED							
R-0-0h							
23	22	21	20	19	18	17	16
RESERVED							
R-0-0h							
15	14	13	12	11	10	9	8
RESERVED							
R-0-0h							
7	6	5	4	3	2	1	0
RESERVED				SCI_D	SCI_C	SCI_B	SCI_A
R-0-0h				R/W-0h	R/W-0h	R/W-0h	R/W-0h

**Table 3-127. SOFTPRES7 Register Field Descriptions**

Bit	Field	Type	Reset	Description
31-16	RESERVED	R-0	0h	Reserved
15-4	RESERVED	R-0	0h	Reserved
3	SCI_D	R/W	0h	1: Module is under reset 0: Module reset is determined by the normal device reset structure Reset type: CPU1.SYSRSn
2	SCI_C	R/W	0h	1: Module is under reset 0: Module reset is determined by the normal device reset structure Reset type: CPU1.SYSRSn
1	SCI_B	R/W	0h	1: Module is under reset 0: Module reset is determined by the normal device reset structure Reset type: CPU1.SYSRSn
0	SCI_A	R/W	0h	1: Module is under reset 0: Module reset is determined by the normal device reset structure Reset type: CPU1.SYSRSn

### 3.17.9.32 SOFTPRES8 Register (Offset = 92h) [Reset = 0000000h]

SOFTPRES8 is shown in [Figure 3-115](#) and described in [Table 3-128](#).

Return to the [Summary Table](#).

Peripheral Software Reset register

When bits in this register are set, the respective peripheral is in reset. All data is lost and the peripheral registers are returned to their reset states. Bits must be manually cleared after being set.

**Figure 3-115. SOFTPRES8 Register**

31	30	29	28	27	26	25	24
RESERVED							
R-0-0h							
23	22	21	20	19	18	17	16
RESERVED						RESERVED	RESERVED
R-0-0h						R/W-0h	R/W-0h
15	14	13	12	11	10	9	8
RESERVED							
R-0-0h							
7	6	5	4	3	2	1	0
RESERVED				RESERVED	SPI_C	SPI_B	SPI_A
R-0-0h				R/W-0h	R/W-0h	R/W-0h	R/W-0h

**Table 3-128. SOFTPRES8 Register Field Descriptions**

Bit	Field	Type	Reset	Description
31-18	RESERVED	R-0	0h	Reserved
17	RESERVED	R/W	0h	Reserved
16	RESERVED	R/W	0h	Reserved
15-4	RESERVED	R-0	0h	Reserved
3	RESERVED	R/W	0h	Reserved
2	SPI_C	R/W	0h	1: Module is under reset 0: Module reset is determined by the normal device reset structure Reset type: CPU1.SYSRSn
1	SPI_B	R/W	0h	1: Module is under reset 0: Module reset is determined by the normal device reset structure Reset type: CPU1.SYSRSn
0	SPI_A	R/W	0h	1: Module is under reset 0: Module reset is determined by the normal device reset structure Reset type: CPU1.SYSRSn

### 3.17.9.33 SOFTPRES9 Register (Offset = 94h) [Reset = 0000000h]

SOFTPRES9 is shown in [Figure 3-116](#) and described in [Table 3-129](#).

Return to the [Summary Table](#).

Peripheral Software Reset register

When bits in this register are set, the respective peripheral is in reset. All data is lost and the peripheral registers are returned to their reset states. Bits must be manually cleared after being set.

**Figure 3-116. SOFTPRES9 Register**

31	30	29	28	27	26	25	24
RESERVED							
R-0-0h							
23	22	21	20	19	18	17	16
RESERVED						RESERVED	RESERVED
R-0-0h						R/W-0h	R/W-0h
15	14	13	12	11	10	9	8
RESERVED							
R-0-0h							
7	6	5	4	3	2	1	0
RESERVED						I2C_B	I2C_A
R-0-0h						R/W-0h	R/W-0h

**Table 3-129. SOFTPRES9 Register Field Descriptions**

Bit	Field	Type	Reset	Description
31-18	RESERVED	R-0	0h	Reserved
17	RESERVED	R/W	0h	Reserved
16	RESERVED	R/W	0h	Reserved
15-2	RESERVED	R-0	0h	Reserved
1	I2C_B	R/W	0h	1: Module is under reset 0: Module reset is determined by the normal device reset structure Reset type: CPU1.SYSRSn
0	I2C_A	R/W	0h	1: Module is under reset 0: Module reset is determined by the normal device reset structure Reset type: CPU1.SYSRSn

### 3.17.9.34 SOFTPRES11 Register (Offset = 98h) [Reset = 0000000h]

SOFTPRES11 is shown in [Figure 3-117](#) and described in [Table 3-130](#).

Return to the [Summary Table](#).

Peripheral Software Reset register

When bits in this register are set, the respective peripheral is in reset. All data is lost and the peripheral registers are returned to their reset states. Bits must be manually cleared after being set.

**Figure 3-117. SOFTPRES11 Register**

31	30	29	28	27	26	25	24
RESERVED							
R-0-0h							
23	22	21	20	19	18	17	16
RESERVED						RESERVED	USB_A
R-0-0h						R/W-0h	R/W-0h
15	14	13	12	11	10	9	8
RESERVED							
R-0-0h							
7	6	5	4	3	2	1	0
RESERVED						McBSP_B	McBSP_A
R-0-0h						R/W-0h	R/W-0h

**Table 3-130. SOFTPRES11 Register Field Descriptions**

Bit	Field	Type	Reset	Description
31-18	RESERVED	R-0	0h	Reserved
17	RESERVED	R/W	0h	Reserved
16	USB_A	R/W	0h	1: Module is under reset 0: Module reset is determined by the normal device reset structure Reset type: CPU1.SYSRSn
15-2	RESERVED	R-0	0h	Reserved
1	McBSP_B	R/W	0h	1: Module is under reset 0: Module reset is determined by the normal device reset structure Reset type: CPU1.SYSRSn
0	McBSP_A	R/W	0h	1: Module is under reset 0: Module reset is determined by the normal device reset structure Reset type: CPU1.SYSRSn



### 3.17.9.35 SOFTPRES13 Register (Offset = 9Ch) [Reset = 0000000h]

SOFTPRES13 is shown in [Figure 3-118](#) and described in [Table 3-131](#).

Return to the [Summary Table](#).

Peripheral Software Reset register

When bits in this register are set, the respective peripheral is in reset. All data is lost and the peripheral registers are returned to their reset states. Bits must be manually cleared after being set.

**Figure 3-118. SOFTPRES13 Register**

31	30	29	28	27	26	25	24
RESERVED							
R-0-0h							
23	22	21	20	19	18	17	16
RESERVED							
R-0-0h							
15	14	13	12	11	10	9	8
RESERVED							
R-0-0h							
7	6	5	4	3	2	1	0
RESERVED				ADC_D	RESERVED	ADC_B	ADC_A
R-0-0h				R/W-0h	R/W-0h	R/W-0h	R/W-0h

**Table 3-131. SOFTPRES13 Register Field Descriptions**

Bit	Field	Type	Reset	Description
31-16	RESERVED	R-0	0h	Reserved
15-4	RESERVED	R-0	0h	Reserved
3	ADC_D	R/W	0h	1: Module is under reset 0: Module reset is determined by the normal device reset structure Reset type: CPU1.SYSRSn
2	RESERVED	R/W	0h	Reserved
1	ADC_B	R/W	0h	1: Module is under reset 0: Module reset is determined by the normal device reset structure Reset type: CPU1.SYSRSn
0	ADC_A	R/W	0h	1: Module is under reset 0: Module reset is determined by the normal device reset structure Reset type: CPU1.SYSRSn

### 3.17.9.36 SOFTPRES14 Register (Offset = 9Eh) [Reset = 0000000h]

SOFTPRES14 is shown in [Figure 3-119](#) and described in [Table 3-132](#).

Return to the [Summary Table](#).

Peripheral Software Reset register

When bits in this register are set, the respective peripheral is in reset. All data is lost and the peripheral registers are returned to their reset states. Bits must be manually cleared after being set.

**Figure 3-119. SOFTPRES14 Register**

31	30	29	28	27	26	25	24
RESERVED							
R-0-0h							
23	22	21	20	19	18	17	16
RESERVED							
R-0-0h							
15	14	13	12	11	10	9	8
RESERVED							
R-0-0h							
7	6	5	4	3	2	1	0
CMPSS8	CMPSS7	CMPSS6	CMPSS5	CMPSS4	CMPSS3	CMPSS2	CMPSS1
R/W-0h	R/W-0h	R/W-0h	R/W-0h	R/W-0h	R/W-0h	R/W-0h	R/W-0h

**Table 3-132. SOFTPRES14 Register Field Descriptions**

Bit	Field	Type	Reset	Description
31-16	RESERVED	R-0	0h	Reserved
15-8	RESERVED	R-0	0h	Reserved
7	CMPSS8	R/W	0h	1: Module is under reset 0: Module reset is determined by the normal device reset structure Reset type: CPU1.SYSRSn
6	CMPSS7	R/W	0h	1: Module is under reset 0: Module reset is determined by the normal device reset structure Reset type: CPU1.SYSRSn
5	CMPSS6	R/W	0h	1: Module is under reset 0: Module reset is determined by the normal device reset structure Reset type: CPU1.SYSRSn
4	CMPSS5	R/W	0h	1: Module is under reset 0: Module reset is determined by the normal device reset structure Reset type: CPU1.SYSRSn
3	CMPSS4	R/W	0h	1: Module is under reset 0: Module reset is determined by the normal device reset structure Reset type: CPU1.SYSRSn
2	CMPSS3	R/W	0h	1: Module is under reset 0: Module reset is determined by the normal device reset structure Reset type: CPU1.SYSRSn
1	CMPSS2	R/W	0h	1: Module is under reset 0: Module reset is determined by the normal device reset structure Reset type: CPU1.SYSRSn
0	CMPSS1	R/W	0h	1: Module is under reset 0: Module reset is determined by the normal device reset structure Reset type: CPU1.SYSRSn

### 3.17.9.37 SOFTPRES16 Register (Offset = A2h) [Reset = 0000000h]

SOFTPRES16 is shown in [Figure 3-120](#) and described in [Table 3-133](#).

Return to the [Summary Table](#).

Peripheral Software Reset register

When bits in this register are set, the respective peripheral is in reset. All data is lost and the peripheral registers are returned to their reset states. Bits must be manually cleared after being set.

**Figure 3-120. SOFTPRES16 Register**

31	30	29	28	27	26	25	24
RESERVED							
R-0-0h							
23	22	21	20	19	18	17	16
RESERVED				RESERVED	DAC_C	DAC_B	DAC_A
R-0-0h				R/W-0h	R/W-0h	R/W-0h	R/W-0h
15	14	13	12	11	10	9	8
RESERVED							
R-0-0h							
7	6	5	4	3	2	1	0
RESERVED				RESERVED	RESERVED	RESERVED	RESERVED
R-0-0h				R/W-0h	R/W-0h	R/W-0h	R/W-0h

**Table 3-133. SOFTPRES16 Register Field Descriptions**

Bit	Field	Type	Reset	Description
31-20	RESERVED	R-0	0h	Reserved
19	RESERVED	R/W	0h	Reserved
18	DAC_C	R/W	0h	1: Module is under reset 0: Module reset is determined by the normal device reset structure Reset type: CPU1.SYSRSn
17	DAC_B	R/W	0h	1: Module is under reset 0: Module reset is determined by the normal device reset structure Reset type: CPU1.SYSRSn
16	DAC_A	R/W	0h	1: Module is under reset 0: Module reset is determined by the normal device reset structure Reset type: CPU1.SYSRSn
15-4	RESERVED	R-0	0h	Reserved
3	RESERVED	R/W	0h	Reserved
2	RESERVED	R/W	0h	Reserved
1	RESERVED	R/W	0h	Reserved
0	RESERVED	R/W	0h	Reserved

### 3.17.9.38 SYSDBGCTL Register (Offset = 12Ch) [Reset = 0000000h]

SYSDBGCTL is shown in [Figure 3-121](#) and described in [Table 3-134](#).

Return to the [Summary Table](#).

System Debug Control register

**Figure 3-121. SYSDBGCTL Register**

31	30	29	28	27	26	25	24
RESERVED							
R-0-0h							
23	22	21	20	19	18	17	16
RESERVED							
R-0-0h							
15	14	13	12	11	10	9	8
RESERVED							
R-0-0h							
7	6	5	4	3	2	1	0
RESERVED							BIT_0
R-0-0h							R/W-0h

**Table 3-134. SYSDBGCTL Register Field Descriptions**

Bit	Field	Type	Reset	Description
31-16	RESERVED	R-0	0h	Reserved
15-1	RESERVED	R-0	0h	Reserved
0	BIT_0	R/W	0h	This bit is for use in PLL startup and is only reset by POR. Reset type: POR

### 3.17.10 CLK\_CFG\_REGS Registers

Table 3-135 lists the memory-mapped registers for the CLK\_CFG\_REGS registers. All register offset addresses not listed in Table 3-135 should be considered as reserved locations and the register contents should not be modified.

**Table 3-135. CLK\_CFG\_REGS Registers**

Offset	Acronym	Register Name	Write Protection	Section
2h	CLKCFGLOCK1	Lock bit for CLKCFG registers	EALLOW	<a href="#">Go</a>
8h	CLKSRCCTL1	Clock Source Control register-1	EALLOW	<a href="#">Go</a>
Ah	CLKSRCCTL2	Clock Source Control register-2	EALLOW	<a href="#">Go</a>
Ch	CLKSRCCTL3	Clock Source Control register-3	EALLOW	<a href="#">Go</a>
Eh	SYSPLLCTL1	SYSPLL Control register-1	EALLOW	<a href="#">Go</a>
14h	SYSPLLMULT	SYSPLL Multiplier register	EALLOW	<a href="#">Go</a>
16h	SYSPLLSTS	SYSPLL Status register		<a href="#">Go</a>
18h	AUXPLLCTL1	AUXPLL Control register-1	EALLOW	<a href="#">Go</a>
1Eh	AUXPLLMULT	AUXPLL Multiplier register	EALLOW	<a href="#">Go</a>
20h	AUXPLLSTS	AUXPLL Status register		<a href="#">Go</a>
22h	SYSCLKDIVSEL	System Clock Divider Select register	EALLOW	<a href="#">Go</a>
24h	AUXCLKDIVSEL	Auxillary Clock Divider Select register	EALLOW	<a href="#">Go</a>
26h	PERCLKDIVSEL	Peripheral Clock Divider Selet register	EALLOW	<a href="#">Go</a>
28h	XCLKOUTDIVSEL	XCLKOUT Divider Select register	EALLOW	<a href="#">Go</a>
2Ch	LOSPCP	Low Speed Clock Source Prescalar	EALLOW	<a href="#">Go</a>
2Eh	MDCDR	Missing Clock Detect Control Register	EALLOW	<a href="#">Go</a>
30h	X1CNT	10-bit Counter on X1 Clock		<a href="#">Go</a>

Complex bit access types are encoded to fit into small table cells. Table 3-136 shows the codes that are used for access types in this section.

**Table 3-136. CLK\_CFG\_REGS Access Type Codes**

Access Type	Code	Description
Read Type		
R	R	Read
R-0	R-0	Read Returns 0s
Write Type		
W	W	Write
W1S	W1S	Write 1 to set
WOnce	WOnce	Write Set once
Reset or Default Value		
-n		Value after reset or the default value
Register Array Variables		
i,j,k,l,m,n		When these variables are used in a register name, an offset, or an address, they refer to the value of a register array where the register is part of a group of repeating registers. The register groups form a hierarchical structure and the array is represented with a formula.

**Table 3-136. CLK\_CFG\_REGS Access Type Codes (continued)**

Access Type	Code	Description
y		When this variable is used in a register name, an offset, or an address it refers to the value of a register array.

### 3.17.10.1 CLKCFGLOCK1 Register (Offset = 2h) [Reset = 0000000h]

CLKCFGLOCK1 is shown in [Figure 3-122](#) and described in [Table 3-137](#).

Return to the [Summary Table](#).

Lock bit for CLKCFG registers

Notes:

[1] Any bit in this register, once set can only be cleared through a CPU1.SYSRSn. Write of 0 to any bit of this register has no effect

[2] The locking mechanism applies to only writes. Reads to the registers which have LOCK protection are always allowed

**Figure 3-122. CLKCFGLOCK1 Register**

31	30	29	28	27	26	25	24
RESERVED							
R-0-0h							
23	22	21	20	19	18	17	16
RESERVED							
R-0-0h							
15	14	13	12	11	10	9	8
LOSPCP	RESERVED	PERCLKDIVSEL	AUXCLKDIVSEL	SYSCLKDIVSEL	AUXPLLMULT	RESERVED	RESERVED
R/WOnce-0h	R-0-0h	R/WOnce-0h	R/WOnce-0h	R/WOnce-0h	R/WOnce-0h	R-0-0h	R-0-0h
7	6	5	4	3	2	1	0
AUXPLLCTL1	SYSPLLMULT	SYSPLLCTL3	SYSPLLCTL2	SYSPLLCTL1	CLKSRCCTL3	CLKSRCCTL2	CLKSRCCTL1
R/WOnce-0h	R/WOnce-0h	R/WOnce-0h	R/WOnce-0h	R/WOnce-0h	R/WOnce-0h	R/WOnce-0h	R/WOnce-0h

**Table 3-137. CLKCFGLOCK1 Register Field Descriptions**

Bit	Field	Type	Reset	Description
31-16	RESERVED	R-0	0h	Reserved
15	LOSPCP	R/WOnce	0h	Lock bit for LOSPCP register: 0: Respective register is not locked 1: Respective register is locked. Reset type: CPU1.SYSRSn
14	RESERVED	R-0	0h	Reserved
13	PERCLKDIVSEL	R/WOnce	0h	Lock bit for PERCLKDIVSEL register: 0: Respective register is not locked 1: Respective register is locked. Reset type: CPU1.SYSRSn
12	AUXCLKDIVSEL	R/WOnce	0h	Lock bit for AUXCLKDIVSEL register: 0: Respective register is not locked 1: Respective register is locked. Reset type: CPU1.SYSRSn
11	SYSCLKDIVSEL	R/WOnce	0h	Lock bit for SYSCLKDIVSEL register: 0: Respective register is not locked 1: Respective register is locked. Reset type: CPU1.SYSRSn
10	AUXPLLMULT	R/WOnce	0h	Lock bit for AUXPLLMULT register: 0: Respective register is not locked 1: Respective register is locked. Reset type: CPU1.SYSRSn
9	RESERVED	R-0	0h	Reserved
8	RESERVED	R-0	0h	Reserved

**Table 3-137. CLKCFGLOCK1 Register Field Descriptions (continued)**

Bit	Field	Type	Reset	Description
7	AUXPLLCTL1	R/WOnce	0h	Lock bit for AUXPLLCTL1 register: 0: Respective register is not locked 1: Respective register is locked. Reset type: CPU1.SYSRSn
6	SYSPLLMULT	R/WOnce	0h	Lock bit for SYSPLLMULT register: 0: Respective register is not locked 1: Respective register is locked. Reset type: CPU1.SYSRSn
5	SYSPLLCTL3	R/WOnce	0h	Lock bit for SYSPLLCTL3 register: 0: Respective register is not locked 1: Respective register is locked. Reset type: CPU1.SYSRSn
4	SYSPLLCTL2	R/WOnce	0h	Lock bit for SYSPLLCTL2 register: 0: Respective register is not locked 1: Respective register is locked. Reset type: CPU1.SYSRSn
3	SYSPLLCTL1	R/WOnce	0h	Lock bit for SYSPLLCTL1 register: 0: Respective register is not locked 1: Respective register is locked. Reset type: CPU1.SYSRSn
2	CLKSRCCTL3	R/WOnce	0h	Lock bit for CLKSRCCTL3 register: 0: Respective register is not locked 1: Respective register is locked. Reset type: CPU1.SYSRSn
1	CLKSRCCTL2	R/WOnce	0h	Lock bit for CLKSRCCTL2 register: 0: Respective register is not locked 1: Respective register is locked. Reset type: CPU1.SYSRSn
0	CLKSRCCTL1	R/WOnce	0h	Lock bit for CLKSRCCTL1 register: 0: Respective register is not locked 1: Respective register is locked. Reset type: CPU1.SYSRSn



### 3.17.10.2 CLKSRCCTL1 Register (Offset = 8h) [Reset = 0000000h]

CLKSRCCTL1 is shown in [Figure 3-123](#) and described in [Table 3-138](#).

Return to the [Summary Table](#).

Clock Source Control register-1

This memory mapped register requires a delay of 69 SYCLK cycles between subsequent writes to the register, otherwise a second write can be lost. This delay can be realized by adding 69 NOP instructions.

**Figure 3-123. CLKSRCCTL1 Register**

31	30	29	28	27	26	25	24
RESERVED							
R-0-0h							
23	22	21	20	19	18	17	16
RESERVED							
R-0-0h							
15	14	13	12	11	10	9	8
RESERVED							
R-0-0h							
7	6	5	4	3	2	1	0
RESERVED		WDHALTI	XTALOFF	INTOSC2OFF	RESERVED	OSCCLKSRCSEL	
R-0-0h		R/W-0h	R/W-0h	R/W-0h	R-0-0h	R/W-0h	

**Table 3-138. CLKSRCCTL1 Register Field Descriptions**

Bit	Field	Type	Reset	Description
31-16	RESERVED	R-0	0h	Reserved
15-6	RESERVED	R-0	0h	Reserved
5	WDHALTI	R/W	0h	Watchdog HALT Mode Ignore Bit: This bit determines if CPU1.WD is functional in the HALT mode or not. 0 = CPU1.WD is not functional in the HALT mode. Clock to CPU1.WD is gated when system enters HALT mode. Additionally, INTOSC1 and INTOSC2 are powered-down when system enters HALT mode 1 = CPU1.WD is functional in the HALT mode. Clock to CPU1.WD is not gated and INTOSC1/2 are not powered-down when system enters HALT mode Notes: [1] Clock to CPU2.WD clocks is always gated in the HALT mode. Reset type: XRSn
4	XTALOFF	R/W	0h	Crystal (External) Oscillator Off Bit: This bit turns external oscillator off: 0 = Crystal (External) Oscillator On (default on reset) 1 = Crystal (External) Oscillator Off NOTE: Ensure no resources are using a clock source prior to disabling it. For example OSCCLKSRCSEL (SYSPLL), AUXOSCCLKSRCSEL (AUXPLL), CANxBCLKSEL (CAN Clock), TMR2CLKSRCSEL (CPUTIMER2) and XCLKOUTSEL(XCLKOUT). Reset type: XRSn

**Table 3-138. CLKSRCCTL1 Register Field Descriptions (continued)**

Bit	Field	Type	Reset	Description
3	INTOSC2OFF	R/W	0h	<p>Internal Oscillator 2 Off Bit: This bit turns oscillator 2 off:            0 = Internal Oscillator 2 On (default on reset)            1 = Internal Oscillator 2 Off            This bit could be used by the user to turn off the internal oscillator 2 if it is not used.            NOTE: Ensure no resources are using a clock source prior to disabling it. For example OSCCLKSRCSEL (SYSPLL), AUXOSCCLKSRCSEL (AUXPLL), TMR2CLKSRCSEL (CPUTIMER2) and XCLOCKOUT (XCLKOUT).            Reset type: XRSn</p>
2	RESERVED	R-0	0h	Reserved
1-0	OSCCLKSRCSEL	R/W	0h	<p>Oscillator Clock Source Select Bit: This bit selects the source for OSCCLK.            00 = INTOSC2 (default on reset)            01 = External Oscillator (XTAL)            10 = INTOSC1            11 = reserved (default to INTOSC1)            At power-up or after an XRSn, INTOSC2 is selected by default. Whenever the user changes the clock source using these bits, the SYSPLLMULT register will be forced to zero and the PLL will be bypassed and powered down. This prevents potential PLL overshoot. The user will then have to write to the SYSPLLMULT register to configure the appropriate multiplier.            The user must wait 10 OSCCLK cycles before writing to SYSPLLMULT or disabling the previous clock source to allow the change to complete..            Notes:            [1] Reserved selection defaults to 00 configuration            [2] INTOSC1 is recommended to be used only after missing clock detection. If user wants to re-lock the PLL with INTOSC1 (the back-up clock source) after missing clock is detected, he can do a MCLKCLR and lock the PLL.            Reset type: XRSn</p>

### 3.17.10.3 CLKSRCCTL2 Register (Offset = Ah) [Reset = 0000000h]

CLKSRCCTL2 is shown in [Figure 3-124](#) and described in [Table 3-139](#).

Return to the [Summary Table](#).

Clock Source Control register-2

This memory mapped register requires a delay of 69 SYCLK cycles between subsequent writes to the register, otherwise a second write can be lost. This delay can be realized by adding 69 NOP instructions.

**Figure 3-124. CLKSRCCTL2 Register**

31	30	29	28	27	26	25	24
RESERVED							
R-0-0h							
23	22	21	20	19	18	17	16
RESERVED							
R-0-0h							
15	14	13	12	11	10	9	8
RESERVED						RESERVED	
R-0-0h						R/W-0h	
7	6	5	4	3	2	1	0
RESERVED		CANBBCLKSEL		CANABCLKSEL		AUXOSCCLKSRCSEL	
R/W-0h		R/W-0h		R/W-0h		R/W-0h	

**Table 3-139. CLKSRCCTL2 Register Field Descriptions**

Bit	Field	Type	Reset	Description
31-16	RESERVED	R-0	0h	Reserved
15-10	RESERVED	R-0	0h	Reserved
9-8	RESERVED	R/W	0h	Reserved
7-6	RESERVED	R/W	0h	Reserved
5-4	CANBBCLKSEL	R/W	0h	CANB Bit-Clock Source Select Bit: 00 = PERx.SYCLK (default on reset) 01 = External Oscillator (XTAL) 10 = AUXCLKIN (from GPIO) 11 = Reserved Missing clock detect circuit doesnt have any impact on these bits. Reset type: XRSn
3-2	CANABCLKSEL	R/W	0h	CANA Bit-Clock Source Select Bit: 00 = PERx.SYCLK (default on reset) 01 = External Oscillator (XTAL) 10 = AUXCLKIN (from GPIO) 11 = Reserved Missing clock detect circuit doesnt have any impact on these bits. Reset type: XRSn

**Table 3-139. CLKSRCCTL2 Register Field Descriptions (continued)**

Bit	Field	Type	Reset	Description
1-0	AUXOSCCLKSRCSEL	R/W	0h	<p>Oscillator Clock Source Select Bit: This bit selects the source for AUXOSCCLK:</p> <p>00 = INTOSC2 (default on reset)            01 = External Oscillator (XTAL)            10 = AUXCLKIN (from GPIO)            11 = Reserved</p> <p>Whenever the user changes the clock source using these bits, the AUXPLLMULT register will be forced to zero and the PLL will be bypassed and powered down. This prevents potential PLL overshoot. The user will then have to write to the AUXPLLMULT register to configure the appropriate multiplier.</p> <p>The user must wait 10 OSCCLK cycles before writing to AUXPLLMULT or disabling the previous clock source to allow the change to complete.</p> <p>The missing clock detection circuit does not affect these bits.</p> <p>Reset type: XRSn</p>

### 3.17.10.4 CLKSRCCTL3 Register (Offset = Ch) [Reset = 0000000h]

CLKSRCCTL3 is shown in [Figure 3-125](#) and described in [Table 3-140](#).

Return to the [Summary Table](#).

Clock Source Control register-3

This memory mapped register requires a delay of 69 SYCLK cycles between subsequent writes to the register, otherwise a second write can be lost. This delay can be realized by adding 69 NOP instructions.

**Figure 3-125. CLKSRCCTL3 Register**

31	30	29	28	27	26	25	24
RESERVED							
R-0-0h							
23	22	21	20	19	18	17	16
RESERVED							
R-0-0h							
15	14	13	12	11	10	9	8
RESERVED							
R-0-0h							
7	6	5	4	3	2	1	0
RESERVED					XCLKOUTSEL		
R-0-0h					R/W-0h		

**Table 3-140. CLKSRCCTL3 Register Field Descriptions**

Bit	Field	Type	Reset	Description
31-16	RESERVED	R-0	0h	Reserved
15-3	RESERVED	R-0	0h	Reserved
2-0	XCLKOUTSEL	R/W	0h	XCLKOUT Source Select Bit: This bit selects the source for XCLKOUT: 000 = PLLSYSCLK (default on reset) 001 = PLLRAWCLK 010 = CPU1.SYSCLK 011 = CPU2.SYSCLK 100 = AUXPLLRAWCLK 101 = INTOSC1 110 = INTOSC2 111 = Reserved Reset type: CPU1.SYSRSn

### 3.17.10.5 SYSPLLCTL1 Register (Offset = Eh) [Reset = 0000000h]

SYSPLLCTL1 is shown in [Figure 3-126](#) and described in [Table 3-141](#).

Return to the [Summary Table](#).

#### SYSPLL Control register-1

This memory mapped register requires a delay of 69 SYSCCLK cycles between subsequent writes to the register, otherwise a second write can be lost. This delay can be realized by adding 69 NOP instructions.

**Figure 3-126. SYSPLLCTL1 Register**

31	30	29	28	27	26	25	24
RESERVED							
R-0-0h							
23	22	21	20	19	18	17	16
RESERVED							
R-0-0h							
15	14	13	12	11	10	9	8
RESERVED							
R-0-0h							
7	6	5	4	3	2	1	0
RESERVED						PLLCLKEN	PLLEN
R-0-0h						R/W-0h	R/W-0h

**Table 3-141. SYSPLLCTL1 Register Field Descriptions**

Bit	Field	Type	Reset	Description
31-16	RESERVED	R-0	0h	Reserved
15-2	RESERVED	R-0	0h	Reserved
1	PLLCLKEN	R/W	0h	SYSPLL bypassed or included in the PLLSYSCLK path: This bit decides if the SYSPLL is bypassed when PLLSYSCLK is generated 1 = PLLSYSCLK is fed from the SYSPLL clock output. Users need to make sure that the PLL is locked before enabling this clock to the system. 0 = SYSPLL is bypassed. Clock to system is direct feed from OSCCLK Reset type: XRSn
0	PLLEN	R/W	0h	SYSPLL enabled or disabled: This bit decides if the SYSPLL is enabled or not 1 = SYSPLL is enabled 0 = SYSPLL is powered off. Clock to system is direct feed from OSCCLK Reset type: XRSn

### 3.17.10.6 SYSPLLMULT Register (Offset = 14h) [Reset = 0000000h]

SYSPLLMULT is shown in [Figure 3-127](#) and described in [Table 3-142](#).

Return to the [Summary Table](#).

SYSPLL Multiplier register

NOTE: FMULT and IMULT fields must be written at the same time for correct PLL operation.

This memory mapped register requires a delay of 69 SYSCCLK cycles between subsequent writes to the register, otherwise a second write can be lost. This delay can be realized by adding 69 NOP instructions.

**Figure 3-127. SYSPLLMULT Register**

31	30	29	28	27	26	25	24
RESERVED							
R-0-0h							
23	22	21	20	19	18	17	16
RESERVED							
R-0-0h							
15	14	13	12	11	10	9	8
RESERVED						FMULT	
R-0-0h						R/W-0h	
7	6	5	4	3	2	1	0
RESERVED		IMULT					
R-0-0h		R/W-0h					

**Table 3-142. SYSPLLMULT Register Field Descriptions**

Bit	Field	Type	Reset	Description
31-16	RESERVED	R-0	0h	Reserved
15-10	RESERVED	R-0	0h	Reserved
9-8	FMULT	R/W	0h	SYSPLL Fractional Multiplier: 00 Fractional Multiplier = 0 01 Fractional Multiplier = 0.25 10 Fractional Multiplier = 0.5 11 Fractional Multiplier = 0.75 Reset type: XRSn
7	RESERVED	R-0	0h	Reserved
6-0	IMULT	R/W	0h	SYSPLL Integer Multiplier: For 0000000 Fout = Fref (PLLBYPASS) Integer Multiplier = 1 0000001 Integer Multiplier = 1 0000010 Integer Multiplier = 2 0000011 Integer Multiplier = 3 ..... 1111111 Integer Multiplier = 127 Reset type: XRSn

### 3.17.10.7 SYSPLLSTS Register (Offset = 16h) [Reset = 0000000h]

SYSPLLSTS is shown in [Figure 3-128](#) and described in [Table 3-143](#).

Return to the [Summary Table](#).

SYSPLL Status register

**Figure 3-128. SYSPLLSTS Register**

31	30	29	28	27	26	25	24
RESERVED							
R-0-0h							
23	22	21	20	19	18	17	16
RESERVED							
R-0-0h							
15	14	13	12	11	10	9	8
RESERVED							
R-0-0h							
7	6	5	4	3	2	1	0
RESERVED						SLIPS	LOCKS
R-0-0h						R-0h	R-0h

**Table 3-143. SYSPLLSTS Register Field Descriptions**

Bit	Field	Type	Reset	Description
31-16	RESERVED	R-0	0h	Reserved
15-2	RESERVED	R-0	0h	Reserved
1	SLIPS	R	0h	<p>SYSPLL Slip Status Bit: This bit indicates whether the SYSPLL is out of lock range</p> <p>0 = SYSPLL is not out of lock</p> <p>1 = SYSPLL is out of loc</p> <p>The SLIPS bit will only be set on a PLL slip condition after the PLL is used as the SYSCLK source by setting the SYSPLLCTL1[PLLCLKEN] bit. Disabling and re-enabling the PLL with PLEN is the only way to clear this bit.</p> <p>Note:</p> <p>[1] If SYSPLL out of lock condition is detected then interrupts are fired to CPU1 and CPU2 through their respective ePIE modules. Software can decide to relock the PLL or switch to PLL bypass mode in the interrupt handler</p> <p>Reset type: XRSn</p>
0	LOCKS	R	0h	<p>SYSPLL Lock Status Bit: This bit indicates whether the SYSPLL is locked or not</p> <p>0 = SYSPLL is not yet locked</p> <p>1 = SYSPLL is locked</p> <p>Reset type: XRSn</p>



### 3.17.10.8 AUXPLLCTL1 Register (Offset = 18h) [Reset = 0000000h]

AUXPLLCTL1 is shown in [Figure 3-129](#) and described in [Table 3-144](#).

Return to the [Summary Table](#).

AUXPLL Control register-1

**Figure 3-129. AUXPLLCTL1 Register**

31	30	29	28	27	26	25	24
RESERVED							
R-0-0h							
23	22	21	20	19	18	17	16
RESERVED							
R-0-0h							
15	14	13	12	11	10	9	8
RESERVED							
R-0-0h							
7	6	5	4	3	2	1	0
RESERVED						PLLCLKEN	PLLEN
R-0-0h						R/W-0h	R/W-0h

**Table 3-144. AUXPLLCTL1 Register Field Descriptions**

Bit	Field	Type	Reset	Description
31-16	RESERVED	R-0	0h	Reserved
15-2	RESERVED	R-0	0h	Reserved
1	PLLCLKEN	R/W	0h	AUXPLL bypassed or included in the AUXPLLCLK path: This bit decides if the AUXPLL is bypassed when AUXPLLCLK is generated 1 = AUXPLLCLK is fed from the AUXPLL clock output. Users need to make sure that the PLL is locked before enabling this clock to the AUXPLLCLK connected modules. 0 = AUXPLL is bypassed. Clock to modules connected to AUXPLLCLK is direct feed from AUXOSCCLK Reset type: XRSn
0	PLLEN	R/W	0h	AUXPLL enabled or disabled: This bit decides if the AUXPLL is enabled or not 1 = AUXPLL is enabled 0 = AUXPLL is powered off. Clock to system is direct feed from AUXOSCCLK Reset type: XRSn

### 3.17.10.9 AUXPLLMULT Register (Offset = 1Eh) [Reset = 0000000h]

AUXPLLMULT is shown in [Figure 3-130](#) and described in [Table 3-145](#).

Return to the [Summary Table](#).

AUXPLL Multiplier register

NOTE: FMULT and IMULT fields must be written at the same time for correct PLL operation.

This memory mapped register requires a delay of 69 SYSCLK cycles between subsequent writes to the register, otherwise a second write can be lost. This delay can be realized by adding 69 NOP instructions.

**Figure 3-130. AUXPLLMULT Register**

31	30	29	28	27	26	25	24
RESERVED							
R-0-0h							
23	22	21	20	19	18	17	16
RESERVED							
R-0-0h							
15	14	13	12	11	10	9	8
RESERVED						FMULT	
R-0-0h						R/W-0h	
7	6	5	4	3	2	1	0
RESERVED		IMULT					
R-0-0h		R/W-0h					

**Table 3-145. AUXPLLMULT Register Field Descriptions**

Bit	Field	Type	Reset	Description
31-16	RESERVED	R-0	0h	Reserved
15-10	RESERVED	R-0	0h	Reserved
9-8	FMULT	R/W	0h	AUXPLL Fractional Multiplier : 00 Fractional Multiplier = 0 01 Fractional Multiplier = 0.25 10 Fractional Multiplier = 0.5 11 Fractional Multiplier = 0.75 Reset type: XRSn
7	RESERVED	R-0	0h	Reserved
6-0	IMULT	R/W	0h	AUXPLL Integer Multiplier: For 0000000 Fout = Fref (PLLBYPASS) Integer Multiplier = 1 0000001 Integer Multiplier = 1 0000010 Integer Multiplier = 2 0000011 Integer Multiplier = 3 ..... 1111111 Integer Multiplier = 127 Reset type: XRSn

### 3.17.10.10 AUXPLLSTS Register (Offset = 20h) [Reset = 0000000h]

AUXPLLSTS is shown in [Figure 3-131](#) and described in [Table 3-146](#).

Return to the [Summary Table](#).

AUXPLL Status register

**Figure 3-131. AUXPLLSTS Register**

31	30	29	28	27	26	25	24
RESERVED							
R-0-0h							
23	22	21	20	19	18	17	16
RESERVED							
R-0-0h							
15	14	13	12	11	10	9	8
RESERVED							
R-0-0h							
7	6	5	4	3	2	1	0
RESERVED						SLIPS	LOCKS
R-0-0h						R-0h	R-0h

**Table 3-146. AUXPLLSTS Register Field Descriptions**

Bit	Field	Type	Reset	Description
31-16	RESERVED	R-0	0h	Reserved
15-2	RESERVED	R-0	0h	Reserved
1	SLIPS	R	0h	AUXPLL Slip Status Bit: This bit indicates whether the AUXPLL is out of lock range 0 = AUXPLL is not out of lock 1 = AUXPLL is out of lock The SLIPS bit will only be set on a PLL slip condition after the PLL is used as the AUXPLLCLK source by setting the AUXPLLCTL1[PLLCLKEN] bit. Disabling and re-enabling the PLL with PLEN is the only way to clear this bit. Note: [1] If AUXPLL out of lock condition is detected then interrupts are fired to CPU1 and CPU2 through their respective ePIE modules. Software can decide to relock the PLL or switch to PLL bypass mode in the interrupt handler Reset type: XRSn
0	LOCKS	R	0h	AUXPLL Lock Status Bit: This bit indicates whether the AUXPLL is locked or not 0 = AUXPLL is not yet locked 1 = AUXPLL is locked Reset type: XRSn

### 3.17.10.11 SYCLKDIVSEL Register (Offset = 22h) [Reset = 0000002h]

SYCLKDIVSEL is shown in [Figure 3-132](#) and described in [Table 3-147](#).

Return to the [Summary Table](#).

System Clock Divider Select register

This memory mapped register requires a delay of 69 SYCLK cycles between subsequent writes to the register, otherwise a second write can be lost. This delay can be realized by adding 69 NOP instructions.

**Figure 3-132. SYCLKDIVSEL Register**

31	30	29	28	27	26	25	24	23	22	21	20	19	18	17	16
RESERVED															
R-0-0h															
15	14	13	12	11	10	9	8	7	6	5	4	3	2	1	0
RESERVED										PLLSYSCLKDIV					
R-0-0h										R/W-2h					

**Table 3-147. SYCLKDIVSEL Register Field Descriptions**

Bit	Field	Type	Reset	Description
31-16	RESERVED	R-0	0h	Reserved
15-6	RESERVED	R-0	0h	Reserved
5-0	PLLSYSCLKDIV	R/W	2h	PLLSYSCLK Divide Select: This bit selects the divider setting for the PLLSYSCLK. 000000 = /1 000001 = /2 000010 = /4 (default on reset) 000011 = /6 000100 = /8 ..... 111111 = /126 Reset type: XRSn

### 3.17.10.12 AUXCLKDIVSEL Register (Offset = 24h) [Reset = 0000001h]

AUXCLKDIVSEL is shown in [Figure 3-133](#) and described in [Table 3-148](#).

Return to the [Summary Table](#).

Auxillary Clock Divider Select register

This memory mapped register requires a delay of 69 SYCLK cycles between subsequent writes to the register, otherwise a second write can be lost. This delay can be realized by adding 69 NOP instructions.

**Figure 3-133. AUXCLKDIVSEL Register**

31	30	29	28	27	26	25	24
RESERVED							
R-0-0h							
23	22	21	20	19	18	17	16
RESERVED							
R-0-0h							
15	14	13	12	11	10	9	8
RESERVED							
R-0-0h							
7	6	5	4	3	2	1	0
RESERVED						AUXPLLDIV	
R-0-0h						R/W-1h	

**Table 3-148. AUXCLKDIVSEL Register Field Descriptions**

Bit	Field	Type	Reset	Description
31-16	RESERVED	R-0	0h	Reserved
15-2	RESERVED	R-0	0h	Reserved
1-0	AUXPLLDIV	R/W	1h	AUXPLLCLK Divide Select: This bit selects the divider setting for the AUXPLLCK. 00 = /1 01 = /2 (default on reset) 10 = /4 11 = /8 Reset type: XRSn

### 3.17.10.13 PERCLKDIVSEL Register (Offset = 26h) [Reset = 0000051h]

PERCLKDIVSEL is shown in [Figure 3-134](#) and described in [Table 3-149](#).

Return to the [Summary Table](#).

Peripheral Clock Divider Selet register

This memory mapped register requires a delay of 69 SYSCLK cycles between subsequent writes to the register, otherwise a second write can be lost. This delay can be realized by adding 69 NOP instructions.

**Figure 3-134. PERCLKDIVSEL Register**

31	30	29	28	27	26	25	24
RESERVED							
R-0-0h							
23	22	21	20	19	18	17	16
RESERVED							
R-0-0h							
15	14	13	12	11	10	9	8
RESERVED							
R-0-0h							
7	6	5	4	3	2	1	0
RESERVED	EMIF2CLKDIV	RESERVED	EMIF1CLKDIV	RESERVED	RESERVED	RESERVED	EPWMCLKDIV
R-0-0h	R/W-1h	R-0-0h	R/W-1h	R/W-0h	R/W-0h	R/W-0h	R/W-1h

**Table 3-149. PERCLKDIVSEL Register Field Descriptions**

Bit	Field	Type	Reset	Description
31-16	RESERVED	R-0	0h	Reserved
15-7	RESERVED	R-0	0h	Reserved
6	EMIF2CLKDIV	R/W	1h	EMIF2 Clock Divide Select: This bit selects whether the EMIF2 module run with a /1 or /2 clock. 0: /1 of CPU1.SYSCLK is selected 1: /2 of CPU1.SYSCLK is selected Reset type: CPU1.SYSRSn
5	RESERVED	R-0	0h	Reserved
4	EMIF1CLKDIV	R/W	1h	EMIF1 Clock Divide Select: This bit selects whether the EMIF1 module run with a /1 or /2 clock. For single core device 0: /1 of CPU1.SYSCLK is selected 1: /2 of CPU1.SYSCLK is selected For Dual core device 0: /1 of PLLSYSCLK is selected 1: /2 of PLLSYSCLK is selected Reset type: CPU1.SYSRSn
3-2	RESERVED	R/W	0h	Reserved
1-0	EPWMCLKDIV	R/W	1h	EPWM Clock Divide Select: This bit selects whether the EPWM modules run with a /1 or /2 clock. This divider sits in front of the PLLSYSCLK x0 = /1 of PLLSYSCLK x1 = /2 of PLLSYSCLK (default on reset) Note: /1 should only be used when SYSCLK is 100MHz or less, see the datasheet for EPWMCLK specifications Reset type: CPU1.SYSRSn

### 3.17.10.14 XCLKOUTDIVSEL Register (Offset = 28h) [Reset = 0000003h]

XCLKOUTDIVSEL is shown in [Figure 3-135](#) and described in [Table 3-150](#).

Return to the [Summary Table](#).

XCLKOUT Divider Select register

This memory mapped register requires a delay of 69 SYCLK cycles between subsequent writes to the register, otherwise a second write can be lost. This delay can be realized by adding 69 NOP instructions.

**Figure 3-135. XCLKOUTDIVSEL Register**

31	30	29	28	27	26	25	24
RESERVED							
R-0-0h							
23	22	21	20	19	18	17	16
RESERVED							
R-0-0h							
15	14	13	12	11	10	9	8
RESERVED							
R-0-0h							
7	6	5	4	3	2	1	0
RESERVED						XCLKOUTDIV	
R-0-0h						R/W-3h	

**Table 3-150. XCLKOUTDIVSEL Register Field Descriptions**

Bit	Field	Type	Reset	Description
31-16	RESERVED	R-0	0h	Reserved
15-2	RESERVED	R-0	0h	Reserved
1-0	XCLKOUTDIV	R/W	3h	XCLKOUT Divide Select: This bit selects the divider setting for the XCLKOUT. 00 = /1 01 = /2 10 = /4 11 = /8 (default on reset) Reset type: CPU1.SYSRSn

### 3.17.10.15 LOSPCP Register (Offset = 2Ch) [Reset = 0000002h]

LOSPCP is shown in [Figure 3-136](#) and described in [Table 3-151](#).

Return to the [Summary Table](#).

Low Speed Clock Source Prescaler

**Figure 3-136. LOSPCP Register**

31	30	29	28	27	26	25	24	23	22	21	20	19	18	17	16
RESERVED															
R-0-0h															
15	14	13	12	11	10	9	8	7	6	5	4	3	2	1	0
RESERVED													LSPCLKDIV		
R-0-0h													R/W-2h		

**Table 3-151. LOSPCP Register Field Descriptions**

Bit	Field	Type	Reset	Description
31-16	RESERVED	R-0	0h	Reserved
15-3	RESERVED	R-0	0h	Reserved
2-0	LSPCLKDIV	R/W	2h	These bits configure the low-speed peripheral clock (LSPCLK) rate relative to SYSCLK of CPU1 and CPU2. 000,LSPCLK = / 1 001,LSPCLK = / 2 010,LSPCLK = / 4 (default on reset) 011,LSPCLK = / 6 100,LSPCLK = / 8 101,LSPCLK = / 10 110,LSPCLK = / 12 111,LSPCLK = / 14 Note: [1] This clock is used as strobe for the SCI and SPI modules. Reset type: CPU1.SYSRSn



### 3.17.10.16 MCDCCR Register (Offset = 2Eh) [Reset = 0000000h]

MCDCCR is shown in [Figure 3-137](#) and described in [Table 3-152](#).

Return to the [Summary Table](#).

Missing Clock Detect Control Register

**Figure 3-137. MCDCCR Register**

31	30	29	28	27	26	25	24
RESERVED							
R-0-0h							
23	22	21	20	19	18	17	16
RESERVED							
R-0-0h							
15	14	13	12	11	10	9	8
RESERVED							
R-0-0h							
7	6	5	4	3	2	1	0
RESERVED				OSCOFF	MCLKOFF	MCLKCLR	MCLKSTS
R-0-0h				R/W-0h	R/W-0h	R-0/W1S-0h	R-0h

**Table 3-152. MCDCCR Register Field Descriptions**

Bit	Field	Type	Reset	Description
31-16	RESERVED	R-0	0h	Reserved
15-4	RESERVED	R-0	0h	Reserved
3	OSCOFF	R/W	0h	Oscillator Clock Off Bit: 0 = OSCCLK Connected to OSCCLK Counter in MCD module 1 = OSCCLK Disconnected to OSCCLK Counter in MCD module Reset type: XRSn
2	MCLKOFF	R/W	0h	Missing Clock Detect Off Bit: 0 = Missing Clock Detect Circuit Enabled 1 = Missing Clock Detect Circuit Disabled Reset type: XRSn
1	MCLKCLR	R-0/W1S	0h	Missing Clock Clear Bit: Write '1' to this bit to clear MCLKSTS bit and reset the missing clock detect circuit. Reset type: XRSn
0	MCLKSTS	R	0h	Missing Clock Status Bit: 0 = OSCCLK Is OK 1 = OSCCLK Detected Missing, CLOCKFAILn Generated Reset type: XRSn

### 3.17.10.17 X1CNT Register (Offset = 30h) [Reset = 0000000h]

X1CNT is shown in [Figure 3-138](#) and described in [Table 3-153](#).

Return to the [Summary Table](#).

10-bit Counter on X1 Clock

**Figure 3-138. X1CNT Register**

31	30	29	28	27	26	25	24	23	22	21	20	19	18	17	16
RESERVED															
R-0-0h															
15	14	13	12	11	10	9	8	7	6	5	4	3	2	1	0
RESERVED						X1CNT									
R-0-0h						R-0h									

**Table 3-153. X1CNT Register Field Descriptions**

Bit	Field	Type	Reset	Description
31-16	RESERVED	R-0	0h	Reserved
15-10	RESERVED	R-0	0h	Reserved
9-0	X1CNT	R	0h	X1 Counter: - This counter increments on every X1 CLOCKS positive-edge. - Once it reaches the values of 0x3ff, it freezes - Before switching from INTOSC2 to X1, application must check this counter and make sure that it has saturated. This will ensure that the Crystal connected to X1/X2 is oscillating. Note: Since this bit counter cannot be reset locally, TI recommends using the 'SysCtl_pollCpuTimer' function in C2000Ware to detect the validity of the clock on X1 Reset type: POR

### 3.17.11 CPU\_SYS\_REGS Registers

Table 3-154 lists the memory-mapped registers for the CPU\_SYS\_REGS registers. All register offset addresses not listed in Table 3-154 should be considered as reserved locations and the register contents should not be modified.

**Table 3-154. CPU\_SYS\_REGS Registers**

Offset	Acronym	Register Name	Write Protection	Section
0h	CPUSYSLOCK1	Lock bit for CPUSYS registers	EALLOW	<a href="#">Go</a>
6h	HIBBOOTMODE	HIB Boot Mode Register	EALLOW	<a href="#">Go</a>
8h	IORESTOREADDR	IORestore() routine Address Register	EALLOW	<a href="#">Go</a>
Ah	PIEVERRADDR	PIE Vector Fetch Error Address register	EALLOW	<a href="#">Go</a>
22h	PCLKCR0	Peripheral Clock Gating Registers	EALLOW	<a href="#">Go</a>
24h	PCLKCR1	Peripheral Clock Gating Registers	EALLOW	<a href="#">Go</a>
26h	PCLKCR2	Peripheral Clock Gating Registers	EALLOW	<a href="#">Go</a>
28h	PCLKCR3	Peripheral Clock Gating Registers	EALLOW	<a href="#">Go</a>
2Ah	PCLKCR4	Peripheral Clock Gating Registers	EALLOW	<a href="#">Go</a>
2Eh	PCLKCR6	Peripheral Clock Gating Registers	EALLOW	<a href="#">Go</a>
30h	PCLKCR7	Peripheral Clock Gating Registers	EALLOW	<a href="#">Go</a>
32h	PCLKCR8	Peripheral Clock Gating Registers	EALLOW	<a href="#">Go</a>
34h	PCLKCR9	Peripheral Clock Gating Registers	EALLOW	<a href="#">Go</a>
36h	PCLKCR10	Peripheral Clock Gating Registers	EALLOW	<a href="#">Go</a>
38h	PCLKCR11	Peripheral Clock Gating Registers	EALLOW	<a href="#">Go</a>
3Ah	PCLKCR12	Peripheral Clock Gating Registers	EALLOW	<a href="#">Go</a>
3Ch	PCLKCR13	Peripheral Clock Gating Registers	EALLOW	<a href="#">Go</a>
3Eh	PCLKCR14	Peripheral Clock Gating Registers	EALLOW	<a href="#">Go</a>
42h	PCLKCR16	Peripheral Clock Gating Registers	EALLOW	<a href="#">Go</a>
74h	SECMSEL	Secondary Master Select register for common peripherals: Selects between CLA & DMA	EALLOW	<a href="#">Go</a>
76h	LPMCR	LPM Control Register	EALLOW	<a href="#">Go</a>
78h	GPIO_LPMSEL0	GPIO LPM Wakeup select registers	EALLOW	<a href="#">Go</a>
7Ah	GPIO_LPMSEL1	GPIO LPM Wakeup select registers	EALLOW	<a href="#">Go</a>
7Ch	TMR2CLKCTL	Timer2 Clock Measurement functionality control register	EALLOW	<a href="#">Go</a>
80h	RESC	Reset Cause register		<a href="#">Go</a>

Complex bit access types are encoded to fit into small table cells. Table 3-155 shows the codes that are used for access types in this section.

**Table 3-155. CPU\_SYS\_REGS Access Type Codes**

Access Type	Code	Description
Read Type		
R	R	Read
R-0	R-0	Read Returns 0s
Write Type		
W	W	Write
W1C	W1C	Write 1 to clear
W1S	W1S	Write 1 to set

**Table 3-155. CPU\_SYS\_REGS Access Type Codes (continued)**

Access Type	Code	Description
WOnce	W Once	Write Set once
Reset or Default Value		
-n		Value after reset or the default value
Register Array Variables		
i,j,k,l,m,n		When these variables are used in a register name, an offset, or an address, they refer to the value of a register array where the register is part of a group of repeating registers. The register groups form a hierarchical structure and the array is represented with a formula.
y		When this variable is used in a register name, an offset, or an address it refers to the value of a register array.

### 3.17.11.1 CPUSYSLOCK1 Register (Offset = 0h) [Reset = 0000000h]

CPUSYSLOCK1 is shown in [Figure 3-139](#) and described in [Table 3-156](#).

Return to the [Summary Table](#).

Lock bit for CPUSYS registers

Notes:

[1] Any bit in this register, once set can only be cleared through a CPU1.SYSRSn. Write of 0 to any bit of this register has no effect

[2] The locking mechanism applies to only writes. Reads to the registers which have LOCK protection are always allowed

**Figure 3-139. CPUSYSLOCK1 Register**

31								30								29								28								27								26								25								24							
RESERVED																																																															
R-0-0h																																																															
23								22								21								20								19								18								17								16							
GPIOLPMSEL1								GPIOLPMSEL0								LPMCR								SECMSEL								PCLKCR16								PCLKCR15								PCLKCR14								PCLKCR13							
R/WOnce-0h								R/WOnce-0h								R/WOnce-0h								R/WOnce-0h								R/WOnce-0h								R/WOnce-0h								R/WOnce-0h								R/WOnce-0h							
15								14								13								12								11								10								9								8							
PCLKCR12								PCLKCR11								PCLKCR10								PCLKCR9								PCLKCR8								PCLKCR7								PCLKCR6								PCLKCR5							
R/WOnce-0h								R/WOnce-0h								R/WOnce-0h								R/WOnce-0h								R/WOnce-0h								R/WOnce-0h								R/WOnce-0h								R/WOnce-0h							
7								6								5								4								3								2								1								0							
PCLKCR4								PCLKCR3								PCLKCR2								PCLKCR1								PCLKCR0								PIEVERRADDR								IORESTOREA DDR								HIBBOOTMOD E							
R/WOnce-0h								R/WOnce-0h								R/WOnce-0h								R/WOnce-0h								R/WOnce-0h								R/WOnce-0h								R/WOnce-0h								R/WOnce-0h							

**Table 3-156. CPUSYSLOCK1 Register Field Descriptions**

Bit	Field	Type	Reset	Description
31-24	RESERVED	R-0	0h	Reserved
23	GPIOLPMSEL1	R/WOnce	0h	Lock bit for GPIOLPMSEL1 Register: 0: Respective register is not locked 1: Respective register is locked. Reset type: SYSRSn
22	GPIOLPMSEL0	R/WOnce	0h	Lock bit for GPIOLPMSEL0 Register: 0: Respective register is not locked 1: Respective register is locked. Reset type: SYSRSn
21	LPMCR	R/WOnce	0h	Lock bit for LPMCR Register: 0: Respective register is not locked 1: Respective register is locked. Reset type: SYSRSn
20	SECMSEL	R/WOnce	0h	Lock bit for SECMSEL Register: 0: Respective register is not locked 1: Respective register is locked. Reset type: SYSRSn
19	PCLKCR16	R/WOnce	0h	Lock bit for PCLKCR16 Register: 0: Respective register is not locked 1: Respective register is locked. Reset type: SYSRSn
18	PCLKCR15	R/WOnce	0h	Lock bit for PCLKCR15 Register: 0: Respective register is not locked 1: Respective register is locked. Reset type: SYSRSn

**Table 3-156. CPUSYSLOCK1 Register Field Descriptions (continued)**

Bit	Field	Type	Reset	Description
17	PCLKCR14	R/WOnce	0h	Lock bit for PCLKCR14 Register: 0: Respective register is not locked 1: Respective register is locked. Reset type: SYSRSn
16	PCLKCR13	R/WOnce	0h	Lock bit for PCLKCR13 Register: 0: Respective register is not locked 1: Respective register is locked. Reset type: SYSRSn
15	PCLKCR12	R/WOnce	0h	Lock bit for PCLKCR12 Register: 0: Respective register is not locked 1: Respective register is locked. Reset type: SYSRSn
14	PCLKCR11	R/WOnce	0h	Lock bit for PCLKCR11 Register: 0: Respective register is not locked 1: Respective register is locked. Reset type: SYSRSn
13	PCLKCR10	R/WOnce	0h	Lock bit for PCLKCR10 Register: 0: Respective register is not locked 1: Respective register is locked. Reset type: SYSRSn
12	PCLKCR9	R/WOnce	0h	Lock bit for PCLKCR9 Register: 0: Respective register is not locked 1: Respective register is locked. Reset type: SYSRSn
11	PCLKCR8	R/WOnce	0h	Lock bit for PCLKCR8 Register: 0: Respective register is not locked 1: Respective register is locked. Reset type: SYSRSn
10	PCLKCR7	R/WOnce	0h	Lock bit for PCLKCR7 Register: 0: Respective register is not locked 1: Respective register is locked. Reset type: SYSRSn
9	PCLKCR6	R/WOnce	0h	Lock bit for PCLKCR6 Register: 0: Respective register is not locked 1: Respective register is locked. Reset type: SYSRSn
8	PCLKCR5	R/WOnce	0h	Lock bit for PCLKCR5 Register: 0: Respective register is not locked 1: Respective register is locked. Reset type: SYSRSn
7	PCLKCR4	R/WOnce	0h	Lock bit for PCLKCR4 Register: 0: Respective register is not locked 1: Respective register is locked. Reset type: SYSRSn
6	PCLKCR3	R/WOnce	0h	Lock bit for PCLKCR3 Register: 0: Respective register is not locked 1: Respective register is locked. Reset type: SYSRSn
5	PCLKCR2	R/WOnce	0h	Lock bit for PCLKCR2 Register: 0: Respective register is not locked 1: Respective register is locked. Reset type: SYSRSn
4	PCLKCR1	R/WOnce	0h	Lock bit for PCLKCR1 Register: 0: Respective register is not locked 1: Respective register is locked. Reset type: SYSRSn

**Table 3-156. CPUSYSLOCK1 Register Field Descriptions (continued)**

Bit	Field	Type	Reset	Description
3	PCLKCR0	R/WOnce	0h	Lock bit for PCLKCR0 Register: 0: Respective register is not locked 1: Respective register is locked. Reset type: SYSRSn
2	PIEVERRADDR	R/WOnce	0h	Lock bit for PIEVERRADDR Register: 0: Respective register is not locked 1: Respective register is locked. Reset type: SYSRSn
1	IORESTOREADDR	R/WOnce	0h	Lock bit for IORESTOREADDR Register: 0: Respective register is not locked 1: Respective register is locked. Reset type: SYSRSn
0	HIBBOOTMODE	R/WOnce	0h	Lock bit for HIBBOOTMODE register: 0: Respective register is not locked 1: Respective register is locked. Reset type: SYSRSn

### 3.17.11.2 HIBBOOTMODE Register (Offset = 6h) [Reset = 000000Fh]

HIBBOOTMODE is shown in [Figure 3-140](#) and described in [Table 3-157](#).

Return to the [Summary Table](#).

HIB Boot Mode Register

**Figure 3-140. HIBBOOTMODE Register**

31	30	29	28	27	26	25	24	23	22	21	20	19	18	17	16	15	14	13	12	11	10	9	8	7	6	5	4	3	2	1	0
																	BMODE														
																	R/W-Fh														

**Table 3-157. HIBBOOTMODE Register Field Descriptions**

Bit	Field	Type	Reset	Description
31-0	BMODE	R/W	Fh	This register defined the boot mode on a HIB Wakeup. Its the responsibility of user to initialize the appropriate boot mode before going into HIB mode. Refer to the Boot ROM section for more details on this register Reset type: POR



### 3.17.11.3 IORESTOREADDR Register (Offset = 8h) [Reset = 003FFFFFFh]

IORESTOREADDR is shown in [Figure 3-141](#) and described in [Table 3-158](#).

Return to the [Summary Table](#).

IORestore() routine Address Register

**Figure 3-141. IORESTOREADDR Register**

31	30	29	28	27	26	25	24	23	22	21	20	19	18	17	16	15	14	13	12	11	10	9	8	7	6	5	4	3	2	1	0
RESERVED										ADDR																					
R-0-0h										R/W-003FFFFFFh																					

**Table 3-158. IORESTOREADDR Register Field Descriptions**

Bit	Field	Type	Reset	Description
31-22	RESERVED	R-0	0h	Reserved
21-0	ADDR	R/W	003FFFFFFh	This register defines the address of the restoreIO() routine on a HIB wakeup. Its the responsibility of user to initialize this register with the restoreIO() routine address before going into HIB mode. Refer to the Boot ROM section for more details on this register. Reset type: POR

### 3.17.11.4 PIEVERRADDR Register (Offset = Ah) [Reset = 003FFFFh]

PIEVERRADDR is shown in [Figure 3-142](#) and described in [Table 3-159](#).

Return to the [Summary Table](#).

PIE Vector Fetch Error Address register

**Figure 3-142. PIEVERRADDR Register**

31	30	29	28	27	26	25	24	23	22	21	20	19	18	17	16	15	14	13	12	11	10	9	8	7	6	5	4	3	2	1	0
RESERVED										ADDR																					
R-0-0h										R/W-003FFFFh																					

**Table 3-159. PIEVERRADDR Register Field Descriptions**

Bit	Field	Type	Reset	Description
31-22	RESERVED	R-0	0h	Reserved
21-0	ADDR	R/W	003FFFFh	This register defines the address of the PIE Vector Fetch Error handler routine. Its the responsibility of user to initialize this register. If this register is not initialized, a default error handler at address 0x3ffbe will get executed. Refer to the Boot ROM section for more details on this register. Reset type: XRSn

### 3.17.11.5 PCLKCR0 Register (Offset = 22h) [Reset = 0000038h]

PCLKCR0 is shown in [Figure 3-143](#) and described in [Table 3-160](#).

Return to the [Summary Table](#).

Peripheral Clock Gating Registers

**Figure 3-143. PCLKCR0 Register**

31	30	29	28	27	26	25	24
RESERVED							
R-0-0h							
23	22	21	20	19	18	17	16
RESERVED				RESERVED	TBCLKSYNC	RESERVED	HRPWM
R-0-0h				R/W-0h	R/W-0h	R-0-0h	R/W-0h
15	14	13	12	11	10	9	8
RESERVED							
R-0-0h							
7	6	5	4	3	2	1	0
RESERVED		CPUTIMER2	CPUTIMER1	CPUTIMER0	DMA	RESERVED	CLA1
R-0-0h		R/W-1h	R/W-1h	R/W-1h	R/W-0h	R/W-0h	R/W-0h

**Table 3-160. PCLKCR0 Register Field Descriptions**

Bit	Field	Type	Reset	Description
31-20	RESERVED	R-0	0h	Reserved
19	RESERVED	R/W	0h	Reserved
18	TBCLKSYNC	R/W	0h	EPWM Time Base Clock sync: When set PWM time bases of all the PWM modules belonging to the same CPU-Subsystem (as partitioned using their CPUSEL bits) start counting. This bit only impacts the TBCTR of all EPWM modules. Everything except the TBCTR of each module enabled in PCLKCR2 will still be clocked by EPWMCLK. Notes: 1. This bit from CPU1.PCLKCR0 or CPU2.PCLKCR0 is selected and fed to the individual EPWM modules based on their respective CPUSEL bit. Reset type: SYSRSn
17	RESERVED	R-0	0h	Reserved
16	HRPWM	R/W	0h	HRPWM Clock Enable Bit: When set, this enables the clock to the HRPWM module 1: HRPWM clock is enabled 0: HRPWM clock is disabled Note: [1] This bit is present only in CPU1.PCLKCR0. This bit is not used (R/W) in CPU2.PCLKCR0 Reset type: SYSRSn
15-6	RESERVED	R-0	0h	Reserved
5	CPUTIMER2	R/W	1h	CPUTIMER2 Clock Enable bit: 0: Module clock is gated-off 1: Module clock is turned-on Reset type: SYSRSn
4	CPUTIMER1	R/W	1h	CPUTIMER1 Clock Enable bit: 0: Module clock is gated-off 1: Module clock is turned-on Reset type: SYSRSn

**Table 3-160. PCLKCR0 Register Field Descriptions (continued)**

Bit	Field	Type	Reset	Description
3	CPUTIMER0	R/W	1h	CPUTIMER0 Clock Enable bit: 0: Module clock is gated-off 1: Module clock is turned-on Reset type: SYSRSn
2	DMA	R/W	0h	DMA Clock Enable bit: 0: Module clock is gated-off 1: Module clock is turned-on Reset type: SYSRSn
1	RESERVED	R/W	0h	Reserved
0	CLA1	R/W	0h	CLA1 Clock Enable Bit: 0: Module clock is gated-off 1: Module clock is turned-on Reset type: SYSRSn

### 3.17.11.6 PCLKCR1 Register (Offset = 24h) [Reset = 0000000h]

PCLKCR1 is shown in [Figure 3-144](#) and described in [Table 3-161](#).

Return to the [Summary Table](#).

Peripheral Clock Gating Registers

**Figure 3-144. PCLKCR1 Register**

31	30	29	28	27	26	25	24
RESERVED							
R-0-0h							
23	22	21	20	19	18	17	16
RESERVED							
R-0-0h							
15	14	13	12	11	10	9	8
RESERVED							
R-0-0h							
7	6	5	4	3	2	1	0
RESERVED						EMIF2	EMIF1
R-0-0h						R/W-0h	R/W-0h

**Table 3-161. PCLKCR1 Register Field Descriptions**

Bit	Field	Type	Reset	Description
31-16	RESERVED	R-0	0h	Reserved
15-2	RESERVED	R-0	0h	Reserved
1	EMIF2	R/W	0h	EMIF2 Clock Enable bit: 0: Module clock is gated-off 1: Module clock is turned-on Notes: [1] These bits are not used (R/W) in CPU2.PCLKCR1 register. EMIF1 & EMIF2 clock enabled are controlled only from CPU1.PCLKCR1 register. Reset type: SYSRSn
0	EMIF1	R/W	0h	EMIF1 Clock Enable bit: 0: Module clock is gated-off 1: Module clock is turned-on Notes: [1] These bits are not used (R/W) in CPU2.PCLKCR1 register. EMIF1 & EMIF2 clock enabled are controlled only from CPU1.PCLKCR1 register. Reset type: SYSRSn

### 3.17.11.7 PCLKCR2 Register (Offset = 26h) [Reset = 0000000h]

PCLKCR2 is shown in [Figure 3-145](#) and described in [Table 3-162](#).

Return to the [Summary Table](#).

Peripheral Clock Gating Registers

**Figure 3-145. PCLKCR2 Register**

31	30	29	28	27	26	25	24
RESERVED							
R-0-0h							
23	22	21	20	19	18	17	16
RESERVED							
R-0-0h							
15	14	13	12	11	10	9	8
RESERVED	RESERVED	RESERVED	RESERVED	EPWM12	EPWM11	EPWM10	EPWM9
R/W-0h	R/W-0h	R/W-0h	R/W-0h	R/W-0h	R/W-0h	R/W-0h	R/W-0h
7	6	5	4	3	2	1	0
EPWM8	EPWM7	EPWM6	EPWM5	EPWM4	EPWM3	EPWM2	EPWM1
R/W-0h	R/W-0h	R/W-0h	R/W-0h	R/W-0h	R/W-0h	R/W-0h	R/W-0h

**Table 3-162. PCLKCR2 Register Field Descriptions**

Bit	Field	Type	Reset	Description
31-16	RESERVED	R-0	0h	Reserved
15	RESERVED	R/W	0h	Reserved
14	RESERVED	R/W	0h	Reserved
13	RESERVED	R/W	0h	Reserved
12	RESERVED	R/W	0h	Reserved
11	EPWM12	R/W	0h	EPWM12 Clock Enable bit: 0: Module clock is gated-off 1: Module clock is turned-on Reset type: SYSRSn
10	EPWM11	R/W	0h	EPWM11 Clock Enable bit: 0: Module clock is gated-off 1: Module clock is turned-on Reset type: SYSRSn
9	EPWM10	R/W	0h	EPWM10 Clock Enable bit: 0: Module clock is gated-off 1: Module clock is turned-on Reset type: SYSRSn
8	EPWM9	R/W	0h	EPWM9 Clock Enable bit: 0: Module clock is gated-off 1: Module clock is turned-on Reset type: SYSRSn
7	EPWM8	R/W	0h	EPWM8 Clock Enable bit: 0: Module clock is gated-off 1: Module clock is turned-on Reset type: SYSRSn
6	EPWM7	R/W	0h	EPWM7 Clock Enable bit: 0: Module clock is gated-off 1: Module clock is turned-on Reset type: SYSRSn

**Table 3-162. PCLKCR2 Register Field Descriptions (continued)**

Bit	Field	Type	Reset	Description
5	EPWM6	R/W	0h	EPWM6 Clock Enable bit: 0: Module clock is gated-off 1: Module clock is turned-on Reset type: SYSRSn
4	EPWM5	R/W	0h	EPWM5 Clock Enable bit: 0: Module clock is gated-off 1: Module clock is turned-on Reset type: SYSRSn
3	EPWM4	R/W	0h	EPWM4 Clock Enable bit: 0: Module clock is gated-off 1: Module clock is turned-on Notes: [1] This bit is also used to enable clocking for CLB4 Reset type: SYSRSn
2	EPWM3	R/W	0h	EPWM3 Clock Enable bit: 0: Module clock is gated-off 1: Module clock is turned-on Notes: [1] This bit is also used to enable clocking for CLB3 Reset type: SYSRSn
1	EPWM2	R/W	0h	EPWM2 Clock Enable bit: 0: Module clock is gated-off 1: Module clock is turned-on Notes: [1] This bit is also used to enable clocking for CLB2 Reset type: SYSRSn
0	EPWM1	R/W	0h	EPWM1 Clock Enable bit: 0: Module clock is gated-off 1: Module clock is turned-on Notes: [1] This bit is also used to enable clocking for CLB1 Reset type: SYSRSn

### 3.17.11.8 PCLKCR3 Register (Offset = 28h) [Reset = 0000000h]

PCLKCR3 is shown in [Figure 3-146](#) and described in [Table 3-163](#).

Return to the [Summary Table](#).

Peripheral Clock Gating Registers

**Figure 3-146. PCLKCR3 Register**

31	30	29	28	27	26	25	24
RESERVED							
R-0-0h							
23	22	21	20	19	18	17	16
RESERVED							
R-0-0h							
15	14	13	12	11	10	9	8
RESERVED							
R-0-0h							
7	6	5	4	3	2	1	0
RESERVED	RESERVED	ECAP6	ECAP5	ECAP4	ECAP3	ECAP2	ECAP1
R/W-0h	R/W-0h	R/W-0h	R/W-0h	R/W-0h	R/W-0h	R/W-0h	R/W-0h

**Table 3-163. PCLKCR3 Register Field Descriptions**

Bit	Field	Type	Reset	Description
31-16	RESERVED	R-0	0h	Reserved
15-8	RESERVED	R-0	0h	Reserved
7	RESERVED	R/W	0h	Reserved
6	RESERVED	R/W	0h	Reserved
5	ECAP6	R/W	0h	ECAP6 Clock Enable bit: 0: Module clock is gated-off 1: Module clock is turned-on Reset type: SYSRSn
4	ECAP5	R/W	0h	ECAP5 Clock Enable bit: 0: Module clock is gated-off 1: Module clock is turned-on Reset type: SYSRSn
3	ECAP4	R/W	0h	ECAP4 Clock Enable bit: 0: Module clock is gated-off 1: Module clock is turned-on Reset type: SYSRSn
2	ECAP3	R/W	0h	ECAP3 Clock Enable bit: 0: Module clock is gated-off 1: Module clock is turned-on Reset type: SYSRSn
1	ECAP2	R/W	0h	ECAP2 Clock Enable bit: 0: Module clock is gated-off 1: Module clock is turned-on Reset type: SYSRSn
0	ECAP1	R/W	0h	ECAP1 Clock Enable bit: 0: Module clock is gated-off 1: Module clock is turned-on Reset type: SYSRSn



### 3.17.11.9 PCLKCR4 Register (Offset = 2Ah) [Reset = 0000000h]

PCLKCR4 is shown in [Figure 3-147](#) and described in [Table 3-164](#).

Return to the [Summary Table](#).

Peripheral Clock Gating Registers

**Figure 3-147. PCLKCR4 Register**

31	30	29	28	27	26	25	24
RESERVED							
R-0-0h							
23	22	21	20	19	18	17	16
RESERVED							
R-0-0h							
15	14	13	12	11	10	9	8
RESERVED							
R-0-0h							
7	6	5	4	3	2	1	0
RESERVED				RESERVED	EQEP3	EQEP2	EQEP1
R-0-0h				R/W-0h	R/W-0h	R/W-0h	R/W-0h

**Table 3-164. PCLKCR4 Register Field Descriptions**

Bit	Field	Type	Reset	Description
31-16	RESERVED	R-0	0h	Reserved
15-4	RESERVED	R-0	0h	Reserved
3	RESERVED	R/W	0h	Reserved
2	EQEP3	R/W	0h	EQEP3 Clock Enable bit: 0: Module clock is gated-off 1: Module clock is turned-on Reset type: SYSRSn
1	EQEP2	R/W	0h	EQEP2 Clock Enable bit: 0: Module clock is gated-off 1: Module clock is turned-on Reset type: SYSRSn
0	EQEP1	R/W	0h	EQEP1 Clock Enable bit: 0: Module clock is gated-off 1: Module clock is turned-on Reset type: SYSRSn

### 3.17.11.10 PCLKCR6 Register (Offset = 2Eh) [Reset = 0000000h]

PCLKCR6 is shown in [Figure 3-148](#) and described in [Table 3-165](#).

Return to the [Summary Table](#).

Peripheral Clock Gating Registers

**Figure 3-148. PCLKCR6 Register**

31	30	29	28	27	26	25	24	23	22	21	20	19	18	17	16
RESERVED															
R-0-0h															
15	14	13	12	11	10	9	8	7	6	5	4	3	2	1	0
RESERVED								RESE RVED	RESE RVED	RESE RVED	RESE RVED	RESE RVED	RESE RVED	SD2	SD1
R-0-0h								R/W-0h	R/W-0h	R/W-0h	R/W-0h	R/W-0h	R/W-0h	R/W-0h	R/W-0h

**Table 3-165. PCLKCR6 Register Field Descriptions**

Bit	Field	Type	Reset	Description
31-16	RESERVED	R-0	0h	Reserved
15-8	RESERVED	R-0	0h	Reserved
7	RESERVED	R/W	0h	Reserved
6	RESERVED	R/W	0h	Reserved
5	RESERVED	R/W	0h	Reserved
4	RESERVED	R/W	0h	Reserved
3	RESERVED	R/W	0h	Reserved
2	RESERVED	R/W	0h	Reserved
1	SD2	R/W	0h	SD2 Clock Enable bit: 0: Module clock is gated-off 1: Module clock is turned-on Reset type: SYSRSn
0	SD1	R/W	0h	SD1 Clock Enable bit: 0: Module clock is gated-off 1: Module clock is turned-on Reset type: SYSRSn

### 3.17.11.11 PCLKCR7 Register (Offset = 30h) [Reset = 0000000h]

PCLKCR7 is shown in [Figure 3-149](#) and described in [Table 3-166](#).

Return to the [Summary Table](#).

Peripheral Clock Gating Registers

**Figure 3-149. PCLKCR7 Register**

31	30	29	28	27	26	25	24
RESERVED							
R-0-0h							
23	22	21	20	19	18	17	16
RESERVED							
R-0-0h							
15	14	13	12	11	10	9	8
RESERVED							
R-0-0h							
7	6	5	4	3	2	1	0
RESERVED				SCI_D	SCI_C	SCI_B	SCI_A
R-0-0h				R/W-0h	R/W-0h	R/W-0h	R/W-0h

**Table 3-166. PCLKCR7 Register Field Descriptions**

Bit	Field	Type	Reset	Description
31-16	RESERVED	R-0	0h	Reserved
15-4	RESERVED	R-0	0h	Reserved
3	SCI_D	R/W	0h	SCI_D Clock Enable bit: 0: Module clock is gated-off 1: Module clock is turned-on Reset type: SYSRSn
2	SCI_C	R/W	0h	SCI_C Clock Enable bit: 0: Module clock is gated-off 1: Module clock is turned-on Reset type: SYSRSn
1	SCI_B	R/W	0h	SCI_B Clock Enable bit: 0: Module clock is gated-off 1: Module clock is turned-on Reset type: SYSRSn
0	SCI_A	R/W	0h	SCI_A Clock Enable bit: 0: Module clock is gated-off 1: Module clock is turned-on Reset type: SYSRSn

### 3.17.11.12 PCLKCR8 Register (Offset = 32h) [Reset = 0000000h]

PCLKCR8 is shown in [Figure 3-150](#) and described in [Table 3-167](#).

Return to the [Summary Table](#).

Peripheral Clock Gating Registers

**Figure 3-150. PCLKCR8 Register**

31	30	29	28	27	26	25	24
RESERVED							
R-0-0h							
23	22	21	20	19	18	17	16
RESERVED						RESERVED	RESERVED
R-0-0h						R/W-0h	R/W-0h
15	14	13	12	11	10	9	8
RESERVED							
R-0-0h							
7	6	5	4	3	2	1	0
RESERVED				RESERVED	SPI_C	SPI_B	SPI_A
R-0-0h				R/W-0h	R/W-0h	R/W-0h	R/W-0h

**Table 3-167. PCLKCR8 Register Field Descriptions**

Bit	Field	Type	Reset	Description
31-18	RESERVED	R-0	0h	Reserved
17	RESERVED	R/W	0h	Reserved
16	RESERVED	R/W	0h	Reserved
15-4	RESERVED	R-0	0h	Reserved
3	RESERVED	R/W	0h	Reserved
2	SPI_C	R/W	0h	SPI_C Clock Enable bit: 0: Module clock is gated-off 1: Module clock is turned-on Reset type: SYSRSn
1	SPI_B	R/W	0h	SPI_B Clock Enable bit: 0: Module clock is gated-off 1: Module clock is turned-on Reset type: SYSRSn
0	SPI_A	R/W	0h	SPI_A Clock Enable bit: 0: Module clock is gated-off 1: Module clock is turned-on Reset type: SYSRSn

### 3.17.11.13 PCLKCR9 Register (Offset = 34h) [Reset = 0000000h]

PCLKCR9 is shown in [Figure 3-151](#) and described in [Table 3-168](#).

Return to the [Summary Table](#).

Peripheral Clock Gating Registers

**Figure 3-151. PCLKCR9 Register**

31	30	29	28	27	26	25	24
RESERVED							
R-0-0h							
23	22	21	20	19	18	17	16
RESERVED						RESERVED	RESERVED
R-0-0h						R/W-0h	R/W-0h
15	14	13	12	11	10	9	8
RESERVED							
R-0-0h							
7	6	5	4	3	2	1	0
RESERVED						I2C_B	I2C_A
R-0-0h						R/W-0h	R/W-0h

**Table 3-168. PCLKCR9 Register Field Descriptions**

Bit	Field	Type	Reset	Description
31-18	RESERVED	R-0	0h	Reserved
17	RESERVED	R/W	0h	Reserved
16	RESERVED	R/W	0h	Reserved
15-2	RESERVED	R-0	0h	Reserved
1	I2C_B	R/W	0h	I2C_B Clock Enable bit: 0: Module clock is gated-off 1: Module clock is turned-on Reset type: SYSRSn
0	I2C_A	R/W	0h	I2C_A Clock Enable bit: 0: Module clock is gated-off 1: Module clock is turned-on Reset type: SYSRSn

### 3.17.11.14 PCLKCR10 Register (Offset = 36h) [Reset = 0000000h]

PCLKCR10 is shown in [Figure 3-152](#) and described in [Table 3-169](#).

Return to the [Summary Table](#).

Peripheral Clock Gating Registers

**Figure 3-152. PCLKCR10 Register**

31	30	29	28	27	26	25	24
RESERVED							
R-0-0h							
23	22	21	20	19	18	17	16
RESERVED							
R-0-0h							
15	14	13	12	11	10	9	8
RESERVED							
R-0-0h							
7	6	5	4	3	2	1	0
RESERVED				RESERVED	RESERVED	CAN_B	CAN_A
R-0-0h				R/W-0h	R/W-0h	R/W-0h	R/W-0h

**Table 3-169. PCLKCR10 Register Field Descriptions**

Bit	Field	Type	Reset	Description
31-16	RESERVED	R-0	0h	Reserved
15-4	RESERVED	R-0	0h	Reserved
3	RESERVED	R/W	0h	Reserved
2	RESERVED	R/W	0h	Reserved
1	CAN_B	R/W	0h	CAN_B Clock Enable bit: 0: Module clock is gated-off 1: Module clock is turned-on Reset type: SYSRSn
0	CAN_A	R/W	0h	CAN_A Clock Enable bit: 0: Module clock is gated-off 1: Module clock is turned-on Reset type: SYSRSn

### 3.17.11.15 PCLKCR11 Register (Offset = 38h) [Reset = 0000000h]

PCLKCR11 is shown in [Figure 3-153](#) and described in [Table 3-170](#).

Return to the [Summary Table](#).

Peripheral Clock Gating Registers

**Figure 3-153. PCLKCR11 Register**

31	30	29	28	27	26	25	24
RESERVED							
R-0-0h							
23	22	21	20	19	18	17	16
RESERVED						RESERVED	USB_A
R-0-0h						R/W-0h	R/W-0h
15	14	13	12	11	10	9	8
RESERVED							
R-0-0h							
7	6	5	4	3	2	1	0
RESERVED						McBSP_B	McBSP_A
R-0-0h						R/W-0h	R/W-0h

**Table 3-170. PCLKCR11 Register Field Descriptions**

Bit	Field	Type	Reset	Description
31-18	RESERVED	R-0	0h	Reserved
17	RESERVED	R/W	0h	Reserved
16	USB_A	R/W	0h	USB_A Clock Enable bit: 0: Module clock is gated-off 1: Module clock is turned-on Notes: [1] This bit is not used (R/W) in CPU2.PCLKCR11 register. USB_A clock enabled is controlled only from CPU1.PCLKCR11 register Reset type: SYSRSn
15-2	RESERVED	R-0	0h	Reserved
1	McBSP_B	R/W	0h	McBSP_B Clock Enable bit: 0: Module clock is gated-off 1: Module clock is turned-on Reset type: SYSRSn
0	McBSP_A	R/W	0h	McBSP_A Clock Enable bit: 0: Module clock is gated-off 1: Module clock is turned-on Reset type: SYSRSn

### 3.17.11.16 PCLKCR12 Register (Offset = 3Ah) [Reset = 0000000h]

PCLKCR12 is shown in [Figure 3-154](#) and described in [Table 3-171](#).

Return to the [Summary Table](#).

Peripheral Clock Gating Registers

**Figure 3-154. PCLKCR12 Register**

31	30	29	28	27	26	25	24
RESERVED							
R-0-0h							
23	22	21	20	19	18	17	16
RESERVED							
R-0-0h							
15	14	13	12	11	10	9	8
RESERVED							
R-0-0h							
7	6	5	4	3	2	1	0
RESERVED						RESERVED	uPP_A
R-0-0h						R/W-0h	R/W-0h

**Table 3-171. PCLKCR12 Register Field Descriptions**

Bit	Field	Type	Reset	Description
31-16	RESERVED	R-0	0h	Reserved
15-2	RESERVED	R-0	0h	Reserved
1	RESERVED	R/W	0h	Reserved
0	uPP_A	R/W	0h	uPP_A Clock Enable bit: 0: Module clock is gated-off 1: Module clock is turned-on Notes: [1] This bit also affects the uPP message RAM wrapper associated with the respective uPP module [2] This bit is not used (R/W) in CPU2.PCLKCR12 register. UPP_A clock enabled is controlled only from CPU1.PCLKCR12 register Reset type: SYSRSn



### 3.17.11.17 PCLKCR13 Register (Offset = 3Ch) [Reset = 0000000h]

PCLKCR13 is shown in [Figure 3-155](#) and described in [Table 3-172](#).

Return to the [Summary Table](#).

Peripheral Clock Gating Registers

**Figure 3-155. PCLKCR13 Register**

31	30	29	28	27	26	25	24
RESERVED							
R-0-0h							
23	22	21	20	19	18	17	16
RESERVED							
R-0-0h							
15	14	13	12	11	10	9	8
RESERVED							
R-0-0h							
7	6	5	4	3	2	1	0
RESERVED				ADC_D	RESERVED	ADC_B	ADC_A
R-0-0h				R/W-0h	R/W-0h	R/W-0h	R/W-0h

**Table 3-172. PCLKCR13 Register Field Descriptions**

Bit	Field	Type	Reset	Description
31-16	RESERVED	R-0	0h	Reserved
15-4	RESERVED	R-0	0h	Reserved
3	ADC_D	R/W	0h	ADC_D Clock Enable bit: 0: Module clock is gated-off 1: Module clock is turned-on Reset type: SYSRSn
2	RESERVED	R/W	0h	Reserved
1	ADC_B	R/W	0h	ADC_B Clock Enable bit: 0: Module clock is gated-off 1: Module clock is turned-on Reset type: SYSRSn
0	ADC_A	R/W	0h	ADC_A Clock Enable bit: 0: Module clock is gated-off 1: Module clock is turned-on Reset type: SYSRSn

### 3.17.11.18 PCLKCR14 Register (Offset = 3Eh) [Reset = 0000000h]

PCLKCR14 is shown in [Figure 3-156](#) and described in [Table 3-173](#).

Return to the [Summary Table](#).

Peripheral Clock Gating Registers

**Figure 3-156. PCLKCR14 Register**

31	30	29	28	27	26	25	24
RESERVED							
R-0-0h							
23	22	21	20	19	18	17	16
RESERVED							
R-0-0h							
15	14	13	12	11	10	9	8
RESERVED							
R-0-0h							
7	6	5	4	3	2	1	0
CMPSS8	CMPSS7	CMPSS6	CMPSS5	CMPSS4	CMPSS3	CMPSS2	CMPSS1
R/W-0h	R/W-0h	R/W-0h	R/W-0h	R/W-0h	R/W-0h	R/W-0h	R/W-0h

**Table 3-173. PCLKCR14 Register Field Descriptions**

Bit	Field	Type	Reset	Description
31-16	RESERVED	R-0	0h	Reserved
15-8	RESERVED	R-0	0h	Reserved
7	CMPSS8	R/W	0h	CMPSS8 Clock Enable bit: 0: Module clock is gated-off 1: Module clock is turned-on Reset type: SYSRSn
6	CMPSS7	R/W	0h	CMPSS7 Clock Enable bit: 0: Module clock is gated-off 1: Module clock is turned-on Reset type: SYSRSn
5	CMPSS6	R/W	0h	CMPSS6 Clock Enable bit: 0: Module clock is gated-off 1: Module clock is turned-on Reset type: SYSRSn
4	CMPSS5	R/W	0h	CMPSS5 Clock Enable bit: 0: Module clock is gated-off 1: Module clock is turned-on Reset type: SYSRSn
3	CMPSS4	R/W	0h	CMPSS4 Clock Enable bit: 0: Module clock is gated-off 1: Module clock is turned-on Reset type: SYSRSn
2	CMPSS3	R/W	0h	CMPSS3 Clock Enable bit: 0: Module clock is gated-off 1: Module clock is turned-on Reset type: SYSRSn
1	CMPSS2	R/W	0h	CMPSS2 Clock Enable bit: 0: Module clock is gated-off 1: Module clock is turned-on Reset type: SYSRSn

**Table 3-173. PCLKCR14 Register Field Descriptions (continued)**

Bit	Field	Type	Reset	Description
0	CMPSS1	R/W	0h	CMPSS1 Clock Enable bit: 0: Module clock is gated-off 1: Module clock is turned-on Reset type: SYSRSn

### 3.17.11.19 PCLKCR16 Register (Offset = 42h) [Reset = 0000000h]

PCLKCR16 is shown in [Figure 3-157](#) and described in [Table 3-174](#).

Return to the [Summary Table](#).

Peripheral Clock Gating Registers

**Figure 3-157. PCLKCR16 Register**

31	30	29	28	27	26	25	24
RESERVED							
R-0-0h							
23	22	21	20	19	18	17	16
RESERVED				RESERVED	DAC_C	DAC_B	DAC_A
R-0-0h				R/W-0h	R/W-0h	R/W-0h	R/W-0h
15	14	13	12	11	10	9	8
RESERVED							
R-0-0h							
7	6	5	4	3	2	1	0
RESERVED				RESERVED	RESERVED	RESERVED	RESERVED
R-0-0h				R/W-0h	R/W-0h	R/W-0h	R/W-0h

**Table 3-174. PCLKCR16 Register Field Descriptions**

Bit	Field	Type	Reset	Description
31-20	RESERVED	R-0	0h	Reserved
19	RESERVED	R/W	0h	Reserved
18	DAC_C	R/W	0h	Buffered_DAC_C Clock Enable Bit: 0: Module clock is gated-off 1: Module clock is turned-on Reset type: SYSRSn
17	DAC_B	R/W	0h	Buffered_DAC_B Clock Enable Bit: 0: Module clock is gated-off 1: Module clock is turned-on Reset type: SYSRSn
16	DAC_A	R/W	0h	Buffered_DAC_A Clock Enable Bit: 0: Module clock is gated-off 1: Module clock is turned-on Reset type: SYSRSn
15-4	RESERVED	R-0	0h	Reserved
3	RESERVED	R/W	0h	Reserved
2	RESERVED	R/W	0h	Reserved
1	RESERVED	R/W	0h	Reserved
0	RESERVED	R/W	0h	Reserved

### 3.17.11.20 SECMSEL Register (Offset = 74h) [Reset = 0000000h]

SECMSEL is shown in [Figure 3-158](#) and described in [Table 3-175](#).

Return to the [Summary Table](#).

Secondary Master Select register for common peripherals: Selects between CLA & DMA

**Figure 3-158. SECMSEL Register**

31	30	29	28	27	26	25	24
RESERVED							
R-0-0h							
23	22	21	20	19	18	17	16
RESERVED							
R-0-0h							
15	14	13	12	11	10	9	8
RESERVED		RESERVED		RESERVED		RESERVED	
R-0-0h		R/W-0h		R/W-0h		R/W-0h	
7	6	5	4	3	2	1	0
RESERVED		RESERVED		PF2SEL		PF1SEL	
R/W-0h		R/W-0h		R/W-0h		R/W-0h	

**Table 3-175. SECMSEL Register Field Descriptions**

Bit	Field	Type	Reset	Description
31-16	RESERVED	R-0	0h	Reserved
15-14	RESERVED	R-0	0h	Reserved
13-12	RESERVED	R/W	0h	Reserved
11-10	RESERVED	R/W	0h	Reserved
9-8	RESERVED	R/W	0h	Reserved
7-6	RESERVED	R/W	0h	Reserved
5-4	RESERVED	R/W	0h	Reserved
3-2	PF2SEL	R/W	0h	This bit selects whether the dual ported bridge is connected with DMA or CLA as the secondary master (C28x is always connected as primary master) x0: Bridge is connected to CLA x1: Bridge is connected to DMA Reset type: SYSRSn
1-0	PF1SEL	R/W	0h	This bit selects whether the dual ported bridge is connected with DMA or CLA as the secondary master (C28x is always connected as primary master) x0: Bridge is connected to CLA x1: Bridge is connected to DMA Reset type: SYSRSn

### 3.17.11.21 LPMCR Register (Offset = 76h) [Reset = 00000FCh]

LPMCR is shown in Figure 3-159 and described in Table 3-176.

Return to the [Summary Table](#).

LPM Control Register

**Figure 3-159. LPMCR Register**

31	30	29	28	27	26	25	24
IOISODIS	RESERVED						
R/W1S-0h				R-0-0h			
23	22	21	20	19	18	17	16
RESERVED						M0M1MODE	
R-0-0h				R/W-0h			
15	14	13	12	11	10	9	8
WDINTE	RESERVED						
R/W-0h				R-0-0h			
7	6	5	4	3	2	1	0
QUALSTDBY						LPM	
R/W-3Fh				R/W-0h			

**Table 3-176. LPMCR Register Field Descriptions**

Bit	Field	Type	Reset	Description
31	IOISODIS	R/W1S	0h	0: Indicates IO ISOLATION is not turned ON 1: Indicates IO ISOLATION is turned ON. This bit is set one by hardware ONLY during HIB. This bit cant be set to 1 by software Writing 0 to this bit has not effect. Writing 1 to this bit deactivates IO ISOLATION Notes: [1] This bit is reserved in the register mapped to CPU2 Reset type: raw-XRSn
30-18	RESERVED	R-0	0h	Reserved
17-16	M0M1MODE	R/W	0h	These bit control the state of CPU1's and CPU2's M0 & M1 memories when Device goes into HIB mode. 00: CPUx's M0 & M1 memories ON with low-leakage mode 01: CPUx's M0 & M1 memories OFF 1x: Reserved Notes: [1] Low-leakage mode for M0 & M1 memories uses the 'Retention' feature of the SRAMs. [2] These bits take effect only when device goes into HIB mode. If the device is not in HIB mode, the value in this bit doesn't control the state of CPU1's and CPU2's M0 & M1 memories Reset type: POR
15	WDINTE	R/W	0h	When this bit is set to 1, it enables the watchdog interrupt signal to wake the device from STANDBY mode. Note: [1] To use this signal, the user must also enable the WDINTn signal using the WDENINT bit in the SCSR register. This signal will not wake the device from HALT mode because the clock to watchdog module is turned off Reset type: SYSRSn
14-8	RESERVED	R-0	0h	Reserved

**Table 3-176. LPMCR Register Field Descriptions (continued)**

Bit	Field	Type	Reset	Description
7-2	QUALSTDBY	R/W	3Fh	Select number of OSCCLK clock cycles to qualify the selected inputs when waking the from STANDBY mode: 000000 = 2 OSCCLKs 000001 = 3 OSCCLKs ..... 111111 = 65 OSCCLKs Note: The LPMCR.QUALSTDBY register should be set to a value greater than the ratio of INTOSC1/PLLSYSCLK to ensure proper wake up. Reset type: SYSRSn
1-0	LPM	R/W	0h	These bits set the low power mode for the device. Takes effect when CPU executes the IDLE instruction (when IDLE instruction is out of EXE Phase of the Pipeline) 00: IDLE Mode 01: STANDBY Mode 10: HALT Mode (treated as STANDBY for CPU2) 11: HIB Mode (treated as STANDBY for CPU2) Reset type: SYSRSn

### 3.17.11.22 GPIO\_LPMSEL0 Register (Offset = 78h) [Reset = 0000000h]

GPIO\_LPMSEL0 is shown in [Figure 3-160](#) and described in [Table 3-177](#).

Return to the [Summary Table](#).

GPIO LPM Wakeup select registers

Connects the selected pin to the LPM circuit. Refer to LPM section of the TRM for the wakeup capabilities of the selected pin.

**Figure 3-160. GPIO\_LPMSEL0 Register**

31	30	29	28	27	26	25	24
GPIO31	GPIO30	GPIO29	GPIO28	GPIO27	GPIO26	GPIO25	GPIO24
R/W-0h	R/W-0h	R/W-0h	R/W-0h	R/W-0h	R/W-0h	R/W-0h	R/W-0h
23	22	21	20	19	18	17	16
GPIO23	GPIO22	GPIO21	GPIO20	GPIO19	GPIO18	GPIO17	GPIO16
R/W-0h	R/W-0h	R/W-0h	R/W-0h	R/W-0h	R/W-0h	R/W-0h	R/W-0h
15	14	13	12	11	10	9	8
GPIO15	GPIO14	GPIO13	GPIO12	GPIO11	GPIO10	GPIO9	GPIO8
R/W-0h	R/W-0h	R/W-0h	R/W-0h	R/W-0h	R/W-0h	R/W-0h	R/W-0h
7	6	5	4	3	2	1	0
GPIO7	GPIO6	GPIO5	GPIO4	GPIO3	GPIO2	GPIO1	GPIO0
R/W-0h	R/W-0h	R/W-0h	R/W-0h	R/W-0h	R/W-0h	R/W-0h	R/W-0h

**Table 3-177. GPIO\_LPMSEL0 Register Field Descriptions**

Bit	Field	Type	Reset	Description
31	GPIO31	R/W	0h	0 pin is dis-connected from LPM circuit 1 pin is connected to LPM circuit Reset type: SYSRSn
30	GPIO30	R/W	0h	0 pin is dis-connected from LPM circuit 1 pin is connected to LPM circuit Reset type: SYSRSn
29	GPIO29	R/W	0h	0 pin is dis-connected from LPM circuit 1 pin is connected to LPM circuit Reset type: SYSRSn
28	GPIO28	R/W	0h	0 pin is dis-connected from LPM circuit 1 pin is connected to LPM circuit Reset type: SYSRSn
27	GPIO27	R/W	0h	0 pin is dis-connected from LPM circuit 1 pin is connected to LPM circuit Reset type: SYSRSn
26	GPIO26	R/W	0h	0 pin is dis-connected from LPM circuit 1 pin is connected to LPM circuit Reset type: SYSRSn
25	GPIO25	R/W	0h	0 pin is dis-connected from LPM circuit 1 pin is connected to LPM circuit Reset type: SYSRSn
24	GPIO24	R/W	0h	0 pin is dis-connected from LPM circuit 1 pin is connected to LPM circuit Reset type: SYSRSn
23	GPIO23	R/W	0h	0 pin is dis-connected from LPM circuit 1 pin is connected to LPM circuit Reset type: SYSRSn



**Table 3-177. GPIO\_LPMSEL0 Register Field Descriptions (continued)**

Bit	Field	Type	Reset	Description
22	GPIO22	R/W	0h	0 pin is dis-connected from LPM circuit 1 pin is connected to LPM circuit Reset type: SYSRSn
21	GPIO21	R/W	0h	0 pin is dis-connected from LPM circuit 1 pin is connected to LPM circuit Reset type: SYSRSn
20	GPIO20	R/W	0h	0 pin is dis-connected from LPM circuit 1 pin is connected to LPM circuit Reset type: SYSRSn
19	GPIO19	R/W	0h	0 pin is dis-connected from LPM circuit 1 pin is connected to LPM circuit Reset type: SYSRSn
18	GPIO18	R/W	0h	0 pin is dis-connected from LPM circuit 1 pin is connected to LPM circuit Reset type: SYSRSn
17	GPIO17	R/W	0h	0 pin is dis-connected from LPM circuit 1 pin is connected to LPM circuit Reset type: SYSRSn
16	GPIO16	R/W	0h	0 pin is dis-connected from LPM circuit 1 pin is connected to LPM circuit Reset type: SYSRSn
15	GPIO15	R/W	0h	0 pin is dis-connected from LPM circuit 1 pin is connected to LPM circuit Reset type: SYSRSn
14	GPIO14	R/W	0h	0 pin is dis-connected from LPM circuit 1 pin is connected to LPM circuit Reset type: SYSRSn
13	GPIO13	R/W	0h	0 pin is dis-connected from LPM circuit 1 pin is connected to LPM circuit Reset type: SYSRSn
12	GPIO12	R/W	0h	0 pin is dis-connected from LPM circuit 1 pin is connected to LPM circuit Reset type: SYSRSn
11	GPIO11	R/W	0h	0 pin is dis-connected from LPM circuit 1 pin is connected to LPM circuit Reset type: SYSRSn
10	GPIO10	R/W	0h	0 pin is dis-connected from LPM circuit 1 pin is connected to LPM circuit Reset type: SYSRSn
9	GPIO9	R/W	0h	0 pin is dis-connected from LPM circuit 1 pin is connected to LPM circuit Reset type: SYSRSn
8	GPIO8	R/W	0h	0 pin is dis-connected from LPM circuit 1 pin is connected to LPM circuit Reset type: SYSRSn
7	GPIO7	R/W	0h	0 pin is dis-connected from LPM circuit 1 pin is connected to LPM circuit Reset type: SYSRSn
6	GPIO6	R/W	0h	0 pin is dis-connected from LPM circuit 1 pin is connected to LPM circuit Reset type: SYSRSn

**Table 3-177. GPIOLPMSEL0 Register Field Descriptions (continued)**

Bit	Field	Type	Reset	Description
5	GPIO5	R/W	0h	0 pin is dis-connected from LPM circuit 1 pin is connected to LPM circuit Reset type: SYSRSn
4	GPIO4	R/W	0h	0 pin is dis-connected from LPM circuit 1 pin is connected to LPM circuit Reset type: SYSRSn
3	GPIO3	R/W	0h	0 pin is dis-connected from LPM circuit 1 pin is connected to LPM circuit Reset type: SYSRSn
2	GPIO2	R/W	0h	0 pin is dis-connected from LPM circuit 1 pin is connected to LPM circuit Reset type: SYSRSn
1	GPIO1	R/W	0h	0 pin is dis-connected from LPM circuit 1 pin is connected to LPM circuit Reset type: SYSRSn
0	GPIO0	R/W	0h	0 pin is dis-connected from LPM circuit 1 pin is connected to LPM circuit Reset type: SYSRSn

### 3.17.11.23 GPIO\_LPMSEL1 Register (Offset = 7Ah) [Reset = 0000000h]

GPIO\_LPMSEL1 is shown in [Figure 3-161](#) and described in [Table 3-178](#).

Return to the [Summary Table](#).

GPIO LPM Wakeup select registers

Connects the selected pin to the LPM circuit. Refer to LPM section of the TRM for the wakeup capabilities of the selected pin.

**Figure 3-161. GPIO\_LPMSEL1 Register**

31	30	29	28	27	26	25	24
GPIO63	GPIO62	GPIO61	GPIO60	GPIO59	GPIO58	GPIO57	GPIO56
R/W-0h	R/W-0h	R/W-0h	R/W-0h	R/W-0h	R/W-0h	R/W-0h	R/W-0h
23	22	21	20	19	18	17	16
GPIO55	GPIO54	GPIO53	GPIO52	GPIO51	GPIO50	GPIO49	GPIO48
R/W-0h	R/W-0h	R/W-0h	R/W-0h	R/W-0h	R/W-0h	R/W-0h	R/W-0h
15	14	13	12	11	10	9	8
GPIO47	GPIO46	GPIO45	GPIO44	GPIO43	GPIO42	GPIO41	GPIO40
R/W-0h	R/W-0h	R/W-0h	R/W-0h	R/W-0h	R/W-0h	R/W-0h	R/W-0h
7	6	5	4	3	2	1	0
GPIO39	GPIO38	GPIO37	GPIO36	GPIO35	GPIO34	GPIO33	GPIO32
R/W-0h	R/W-0h	R/W-0h	R/W-0h	R/W-0h	R/W-0h	R/W-0h	R/W-0h

**Table 3-178. GPIO\_LPMSEL1 Register Field Descriptions**

Bit	Field	Type	Reset	Description
31	GPIO63	R/W	0h	0 pin is dis-connected from LPM circuit 1 pin is connected to LPM circuit Reset type: SYSRSn
30	GPIO62	R/W	0h	0 pin is dis-connected from LPM circuit 1 pin is connected to LPM circuit Reset type: SYSRSn
29	GPIO61	R/W	0h	0 pin is dis-connected from LPM circuit 1 pin is connected to LPM circuit Reset type: SYSRSn
28	GPIO60	R/W	0h	0 pin is dis-connected from LPM circuit 1 pin is connected to LPM circuit Reset type: SYSRSn
27	GPIO59	R/W	0h	0 pin is dis-connected from LPM circuit 1 pin is connected to LPM circuit Reset type: SYSRSn
26	GPIO58	R/W	0h	0 pin is dis-connected from LPM circuit 1 pin is connected to LPM circuit Reset type: SYSRSn
25	GPIO57	R/W	0h	0 pin is dis-connected from LPM circuit 1 pin is connected to LPM circuit Reset type: SYSRSn
24	GPIO56	R/W	0h	0 pin is dis-connected from LPM circuit 1 pin is connected to LPM circuit Reset type: SYSRSn
23	GPIO55	R/W	0h	0 pin is dis-connected from LPM circuit 1 pin is connected to LPM circuit Reset type: SYSRSn

**Table 3-178. GPIO\_LPMSEL1 Register Field Descriptions (continued)**

Bit	Field	Type	Reset	Description
22	GPIO54	R/W	0h	0 pin is dis-connected from LPM circuit 1 pin is connected to LPM circuit Reset type: SYSRSn
21	GPIO53	R/W	0h	0 pin is dis-connected from LPM circuit 1 pin is connected to LPM circuit Reset type: SYSRSn
20	GPIO52	R/W	0h	0 pin is dis-connected from LPM circuit 1 pin is connected to LPM circuit Reset type: SYSRSn
19	GPIO51	R/W	0h	0 pin is dis-connected from LPM circuit 1 pin is connected to LPM circuit Reset type: SYSRSn
18	GPIO50	R/W	0h	0 pin is dis-connected from LPM circuit 1 pin is connected to LPM circuit Reset type: SYSRSn
17	GPIO49	R/W	0h	0 pin is dis-connected from LPM circuit 1 pin is connected to LPM circuit Reset type: SYSRSn
16	GPIO48	R/W	0h	0 pin is dis-connected from LPM circuit 1 pin is connected to LPM circuit Reset type: SYSRSn
15	GPIO47	R/W	0h	0 pin is dis-connected from LPM circuit 1 pin is connected to LPM circuit Reset type: SYSRSn
14	GPIO46	R/W	0h	0 pin is dis-connected from LPM circuit 1 pin is connected to LPM circuit Reset type: SYSRSn
13	GPIO45	R/W	0h	0 pin is dis-connected from LPM circuit 1 pin is connected to LPM circuit Reset type: SYSRSn
12	GPIO44	R/W	0h	0 pin is dis-connected from LPM circuit 1 pin is connected to LPM circuit Reset type: SYSRSn
11	GPIO43	R/W	0h	0 pin is dis-connected from LPM circuit 1 pin is connected to LPM circuit Reset type: SYSRSn
10	GPIO42	R/W	0h	0 pin is dis-connected from LPM circuit 1 pin is connected to LPM circuit Reset type: SYSRSn
9	GPIO41	R/W	0h	0 pin is dis-connected from LPM circuit 1 pin is connected to LPM circuit Reset type: SYSRSn
8	GPIO40	R/W	0h	0 pin is dis-connected from LPM circuit 1 pin is connected to LPM circuit Reset type: SYSRSn
7	GPIO39	R/W	0h	0 pin is dis-connected from LPM circuit 1 pin is connected to LPM circuit Reset type: SYSRSn
6	GPIO38	R/W	0h	0 pin is dis-connected from LPM circuit 1 pin is connected to LPM circuit Reset type: SYSRSn

**Table 3-178. GPIOLPMSEL1 Register Field Descriptions (continued)**

Bit	Field	Type	Reset	Description
5	GPIO37	R/W	0h	0 pin is dis-connected from LPM circuit 1 pin is connected to LPM circuit Reset type: SYSRSn
4	GPIO36	R/W	0h	0 pin is dis-connected from LPM circuit 1 pin is connected to LPM circuit Reset type: SYSRSn
3	GPIO35	R/W	0h	0 pin is dis-connected from LPM circuit 1 pin is connected to LPM circuit Reset type: SYSRSn
2	GPIO34	R/W	0h	0 pin is dis-connected from LPM circuit 1 pin is connected to LPM circuit Reset type: SYSRSn
1	GPIO33	R/W	0h	0 pin is dis-connected from LPM circuit 1 pin is connected to LPM circuit Reset type: SYSRSn
0	GPIO32	R/W	0h	0 pin is dis-connected from LPM circuit 1 pin is connected to LPM circuit Reset type: SYSRSn

### 3.17.11.24 TMR2CLKCTL Register (Offset = 7Ch) [Reset = 0000000h]

TMR2CLKCTL is shown in [Figure 3-162](#) and described in [Table 3-179](#).

Return to the [Summary Table](#).

Timer2 Clock Measurement functionality control register

This memory mapped register requires a delay of 69 SYCLK cycles between subsequent writes to the register, otherwise a second write can be lost. This delay can be realized by adding 69 NOP instructions.

**Figure 3-162. TMR2CLKCTL Register**

31	30	29	28	27	26	25	24
RESERVED							
R-0-0h							
23	22	21	20	19	18	17	16
RESERVED							
R-0-0h							
15	14	13	12	11	10	9	8
RESERVED							
R-0-0h							
7	6	5	4	3	2	1	0
RESERVED		TMR2CLKPRESCALE			TMR2CLKSRCSEL		
R-0-0h		R/W-0h			R/W-0h		

**Table 3-179. TMR2CLKCTL Register Field Descriptions**

Bit	Field	Type	Reset	Description
31-16	RESERVED	R-0	0h	Reserved
15-6	RESERVED	R-0	0h	Reserved
5-3	TMR2CLKPRESCALE	R/W	0h	<p>CPU Timer 2 Clock Pre-Scale Value: These bits select the pre-scale value for the selected clock source for CPU Timer 2:</p> <p>0,0,0,/1 (default on reset)</p> <p>0,0,1,/2,</p> <p>0,1,0,/4</p> <p>0,1,1,/8</p> <p>1,0,0,/16</p> <p>1,0,1,spare (defaults to /16)</p> <p>1,1,0,spare (defaults to /16)</p> <p>1,1,1,spare (defaults to /16)</p> <p>Note:</p> <p>[1] The CPU Timer2s Clock sync logic detects an input clock edge when configured for any clock source other than SYCLK and generates an appropriate clock pulse to the CPU timer2. If SYCLK is approximately the same or less then the input clock source, then the user would need to configure the pre-scale value such that SYCLK is at least twice as fast as the pre-scaled value.</p> <p>[2] Pre-scaler is bypassed if SYCLK is selected as the source of CPU Timer 2 in TMR2CLKSRCSEL of TMR2CLKCTL.</p> <p>Reset type: SYSRSn</p>

**Table 3-179. TMR2CLKCTL Register Field Descriptions (continued)**

Bit	Field	Type	Reset	Description
2-0	TMR2CLKSRCSEL	R/W	0h	CPU Timer 2 Clock Source Select Bit: This bit selects the source for CPU Timer 2: 000 = SYCLK Selected (default on reset, pre-scale is bypassed) 001 = INTOSC1 010 = INTOSC2 011 = XTAL 100 = Reserved 101 = Reserved 110 = AUXPLLCLK 111 = reserved Reset type: SYSRSn

### 3.17.11.25 RESC Register (Offset = 80h) [Reset = 0000003h]

RESC is shown in [Figure 3-163](#) and described in [Table 3-180](#).

Return to the [Summary Table](#).

Reset Cause register

**Figure 3-163. RESC Register**

31	30	29	28	27	26	25	24
TRSTn_pin_status	XRSn_pin_status	RESERVED					
R-0h	R-0h	R-0-0h					
23	22	21	20	19	18	17	16
RESERVED							
R-0-0h							
15	14	13	12	11	10	9	8
RESERVED							SCCRESETn
R-0-0h							R/W1C-0h
7	6	5	4	3	2	1	0
RESERVED	HIBRESETn	HWBISTn	RESERVED	NMIWDRSn	WDRSn	XRSn	POR
R-0-0h	R/W1C-0h	R/W1C-0h	R-0-0h	R/W1C-0h	R/W1C-0h	R/W1C-1h	R/W1C-1h

**Table 3-180. RESC Register Field Descriptions**

Bit	Field	Type	Reset	Description
31	TRSTn_pin_status	R	0h	Reading this bit provides the current status of TRSTn at the respective C28x CPUs TRSTn input port. Reset value is reflective of the pin status. Reset type: N/A
30	XRSn_pin_status	R	0h	Reading this bit provides the current status of the XRSn pin. Reset value is reflective of the pin status. Reset type: N/A
29-16	RESERVED	R-0	0h	Reserved
15-9	RESERVED	R-0	0h	Reserved
8	SCCRESETn	R/W1C	0h	If this bit is set, indicates that the device was reset by SCCRESETn (fired by DCSM). Writing a 1 to this bit will force the bit to 0 Writing of 0 will have no effect. Reset type: POR
7	RESERVED	R-0	0h	Reserved
6	HIBRESETn	R/W1C	0h	If this bit is set, indicates that the device was reset due to a Hibernate mode Wakeup. Writing a 1 to this bit will force the bit to 0 Writing of 0 will have no effect. Reset type: raw-XRSn
5	HWBISTn	R/W1C	0h	If this bit is set, indicates that the device was reset by HWBIST. Writing a 1 to this bit will force the bit to 0 Writing of 0 will have no effect. Reset type: POR
4	RESERVED	R-0	0h	Reserved



**Table 3-180. RESC Register Field Descriptions (continued)**

Bit	Field	Type	Reset	Description
3	NMIWDRSn	R/W1C	0h	If this bit is set, indicates that the device was reset by NMIWDRSn. Writing a 1 to this bit will force the bit to 0. Writing of 0 will have no effect. To know the exact cause of NMI after the reset, software needs to read CPU1/2.NMISHDFLG registers. Reset type: POR
2	WDRSn	R/W1C	0h	If this bit is set, indicates that the device was reset by WDRSn. Writing a 1 to this bit will force the bit to 0. Writing of 0 will have no effect. Reset type: POR
1	XRSn	R/W1C	1h	If this bit is set, indicates that the device was reset by XRSn. Writing a 1 to this bit will force the bit to 0. Writing of 0 will have no effect. Reset type: POR
0	POR	R/W1C	1h	If this bit is set, indicates that the device was reset by PORn. Writing a 1 to this bit will force the bit to 0. Writing of 0 will have no effect. Reset type: POR

### 3.17.12 ROM\_PREFETCH\_REGS Registers

Table 3-181 lists the memory-mapped registers for the ROM\_PREFETCH\_REGS registers. All register offset addresses not listed in Table 3-181 should be considered as reserved locations and the register contents should not be modified.

**Table 3-181. ROM\_PREFETCH\_REGS Registers**

Offset	Acronym	Register Name	Write Protection	Section
0h	ROM_PREFETCH	ROM Prefetch Configuration Register	EALLOW	<a href="#">Go</a>

Complex bit access types are encoded to fit into small table cells. Table 3-182 shows the codes that are used for access types in this section.

**Table 3-182. ROM\_PREFETCH\_REGS Access Type Codes**

Access Type	Code	Description
Read Type		
R	R	Read
Write Type		
W	W	Write
Reset or Default Value		
-n		Value after reset or the default value
Register Array Variables		
i,j,k,l,m,n		When these variables are used in a register name, an offset, or an address, they refer to the value of a register array where the register is part of a group of repeating registers. The register groups form a hierarchical structure and the array is represented with a formula.
y		When this variable is used in a register name, an offset, or an address it refers to the value of a register array.

### 3.17.12.1 ROM PREFETCH Register (Offset = 0h) [Reset = 0000000h]

ROM PREFETCH is shown in [Figure 3-164](#) and described in [Table 3-183](#).

Return to the [Summary Table](#).

ROM Prefetch Configuration Register

**Figure 3-164. ROM PREFETCH Register**

31	30	29	28	27	26	25	24
RESERVED							
R-0h							
23	22	21	20	19	18	17	16
RESERVED							
R-0h							
15	14	13	12	11	10	9	8
RESERVED							
R-0h							
7	6	5	4	3	2	1	0
RESERVED							PFENABLE
R-0h							R/W-0h

**Table 3-183. ROM PREFETCH Register Field Descriptions**

Bit	Field	Type	Reset	Description
31-16	RESERVED	R	0h	Reserved
15-1	RESERVED	R	0h	Reserved
0	PFENABLE	R/W	0h	0: Prefetch is disabled for secure ROM and boot ROM. 1: Prefetch is enabled for secure ROM and boot ROM. Reset type: SYSRSn

### 3.17.13 DCSM\_Z1\_REGS Registers

Table 3-184 lists the memory-mapped registers for the DCSM\_Z1\_REGS registers. All register offset addresses not listed in Table 3-184 should be considered as reserved locations and the register contents should not be modified.

**Table 3-184. DCSM\_Z1\_REGS Registers**

Offset	Acronym	Register Name	Write Protection	Section
0h	Z1_LINKPOINTER	Zone 1 Link Pointer		<a href="#">Go</a>
2h	Z1_OTPSECLOCK	Zone 1 OTP Secure JTAG lock		<a href="#">Go</a>
4h	Z1_BOOTCTRL	Boot Mode		<a href="#">Go</a>
6h	Z1_LINKPOINTERERR	Link Pointer Error		<a href="#">Go</a>
10h	Z1_CSMKEY0	Zone 1 CSM Key 0		<a href="#">Go</a>
12h	Z1_CSMKEY1	Zone 1 CSM Key 1		<a href="#">Go</a>
14h	Z1_CSMKEY2	Zone 1 CSM Key 2		<a href="#">Go</a>
16h	Z1_CSMKEY3	Zone 1 CSM Key 3		<a href="#">Go</a>
19h	Z1_CR	Zone 1 CSM Control Register		<a href="#">Go</a>
1Ah	Z1_GRABSECTR	Zone 1 Grab Flash Sectors Register		<a href="#">Go</a>
1Ch	Z1_GRABRAMR	Zone 1 Grab RAM Blocks Register		<a href="#">Go</a>
1Eh	Z1_EXEONLYSECTR	Zone 1 Flash Execute_Only Sector Register		<a href="#">Go</a>
20h	Z1_EXEONLYRAMR	Zone 1 RAM Execute_Only Block Register		<a href="#">Go</a>

Complex bit access types are encoded to fit into small table cells. Table 3-185 shows the codes that are used for access types in this section.

**Table 3-185. DCSM\_Z1\_REGS Access Type Codes**

Access Type	Code	Description
Read Type		
R	R	Read
R-0	R -0	Read Returns 0s
Write Type		
W	W	Write
Reset or Default Value		
-n		Value after reset or the default value
Register Array Variables		
i,j,k,l,m,n		When these variables are used in a register name, an offset, or an address, they refer to the value of a register array where the register is part of a group of repeating registers. The register groups form a hierarchical structure and the array is represented with a formula.
y		When this variable is used in a register name, an offset, or an address it refers to the value of a register array.

### 3.17.13.1 Z1\_LINKPOINTER Register (Offset = 0h) [Reset = E000000h]

Z1\_LINKPOINTER is shown in [Figure 3-165](#) and described in [Table 3-186](#).

Return to the [Summary Table](#).

Zone 1 Link Pointer

**Figure 3-165. Z1\_LINKPOINTER Register**

31	30	29	28	27	26	25	24	23	22	21	20	19	18	17	16
RESERVED			LINKPOINTER												
R-7h			R-0h												
15	14	13	12	11	10	9	8	7	6	5	4	3	2	1	0
LINKPOINTER															
R-0h															

**Table 3-186. Z1\_LINKPOINTER Register Field Descriptions**

Bit	Field	Type	Reset	Description
31-29	RESERVED	R	7h	Reserved
28-0	LINKPOINTER	R	0h	This is resolved Link-Pointer value which is generated by looking at the three physical Link-Pointer values loaded from OTP. Reset type: SYSRSn

### 3.17.13.2 Z1\_OTPSECLOCK Register (Offset = 2h) [Reset = 0000FFFh]

Z1\_OTPSECLOCK is shown in [Figure 3-166](#) and described in [Table 3-187](#).

Return to the [Summary Table](#).

Zone 1 OTP Secure JTAG lock

**Figure 3-166. Z1\_OTPSECLOCK Register**

31	30	29	28	27	26	25	24	23	22	21	20	19	18	17	16
RESERVED															
R-0h															
15	14	13	12	11	10	9	8	7	6	5	4	3	2	1	0
RESERVED				CRCLOCK				PSWDLOCK				JTAGLOCK			
R-0h				R-Fh				R-Fh				R-Fh			

**Table 3-187. Z1\_OTPSECLOCK Register Field Descriptions**

Bit	Field	Type	Reset	Description
31-16	RESERVED	R	0h	Reserved
15-12	RESERVED	R	0h	Reserved
11-8	CRCLOCK	R	Fh	Value in this field gets loaded from Z1_CRCLOCK[3:0] when a read is issued to address location of Z1_CRCLOCK in OTP. 1111 : VCU has ability to calculate CRC on secure memories. Other Value : VCU doesn't have ability to calculate CRC on secure memories. Reset type: SYSRSn
7-4	PSWDLOCK	R	Fh	Value in this field gets loaded from Z1_PSWDLOCK[3:0] when a read is issued to address location of Z1_PSWDLOCK in OTP. 1111 : CSM password locations in OTP are not protected and can be read from debugger as well as code running from anywhere. Other Value : CSM password locations in OTP are protected and can't be read without unlocking CSM of that zone. Reset type: SYSRSn
3-0	JTAGLOCK	R	Fh	Value in this field gets loaded from Z1_JTAGLOCK[3:0] when a read is issued to address location of Z1_JTAGLOCK in OTP. 1111 : JTAG/Emulation access is allowed. Other Value : JTAG/Emulation access not allowed. Reset type: SYSRSn

### 3.17.13.3 Z1\_BOOTCTRL Register (Offset = 4h) [Reset = 0000000h]

Z1\_BOOTCTRL is shown in [Figure 3-167](#) and described in [Table 3-188](#).

Return to the [Summary Table](#).

Boot Mode

**Figure 3-167. Z1\_BOOTCTRL Register**

31	30	29	28	27	26	25	24	23	22	21	20	19	18	17	16	15	14	13	12	11	10	9	8	7	6	5	4	3	2	1	0
BOOTPIN1								BOOTPIN0								BMODE								KEY							
R-0h								R-0h								R-0h								R-0h							

**Table 3-188. Z1\_BOOTCTRL Register Field Descriptions**

Bit	Field	Type	Reset	Description
31-24	BOOTPIN1	R	0h	This field gets loaded with Z1_BOOTCTRL[31:24] when a dummy read is issued to address location of Z1_BOOTCTRL in OTP. This assigns the pin to be used as BOOTPIN1. 0 : Pick default bootmode pin. 1 : Pick GPIO0 as BOOTPIN1. 2 : Pick GPIO1 as BOOTPIN1. .... .... n : Pick GPIO <sub>n-1</sub> as BOOTPIN1. Reset type: SYSRSn
23-16	BOOTPIN0	R	0h	This field gets loaded with Z1_BOOTCTRL[23:16] when a dummy read is issued to address location of Z1_BOOTCTRL in OTP. This assigns the pin to be used as BOOTPIN1. 0 : Pick default bootmode pin. 1 : Pick GPIO0 as BOOTPIN1. 2 : Pick GPIO1 as BOOTPIN1. .... .... n : Pick GPIO <sub>n-1</sub> as BOOTPIN1. Reset type: SYSRSn
15-8	BMODE	R	0h	This field gets loaded with Z1_BOOTCTRL[15:8] when a dummy read is issued to address location of Z1_BOOTCTRL in OTP. Reset type: SYSRSn
7-0	KEY	R	0h	This field gets loaded with Z1_BOOTCTRL[7:0] when a dummy read is issued to address location of Z1_BOOTCTRL in OTP. Reset type: SYSRSn

### 3.17.13.4 Z1\_LINKPOINTERERR Register (Offset = 6h) [Reset = FFFFFFFFh]

Z1\_LINKPOINTERERR is shown in [Figure 3-168](#) and described in [Table 3-189](#).

Return to the [Summary Table](#).

Link Pointer Error

**Figure 3-168. Z1\_LINKPOINTERERR Register**

31	30	29	28	27	26	25	24	23	22	21	20	19	18	17	16	15	14	13	12	11	10	9	8	7	6	5	4	3	2	1	0
Z1_LINKPOINTERERR																															
R-FFFFFFFh																															

**Table 3-189. Z1\_LINKPOINTERERR Register Field Descriptions**

Bit	Field	Type	Reset	Description
31-0	Z1_LINKPOINTERERR	R	FFFFFFFh	These bits indicate errors during formation of the resolved Link-Pointer value after the three physical Link-Pointer values loaded of OTP. 0 : No Error. Other : Error on bit positions which is set to 1. Reset type: SYSRSn



### 3.17.13.5 Z1\_CSMKEY0 Register (Offset = 10h) [Reset = 0000000h]

Z1\_CSMKEY0 is shown in [Figure 3-169](#) and described in [Table 3-190](#).

Return to the [Summary Table](#).

Zone 1 CSM Key 0

**Figure 3-169. Z1\_CSMKEY0 Register**

31	30	29	28	27	26	25	24	23	22	21	20	19	18	17	16	15	14	13	12	11	10	9	8	7	6	5	4	3	2	1	0
Z1_CSMKEY0																															
R-0h																															

**Table 3-190. Z1\_CSMKEY0 Register Field Descriptions**

Bit	Field	Type	Reset	Description
31-0	Z1_CSMKEY0	R	0h	To unlock Zone1, user needs to write this register with exact value as Z1_CSMPSWD0, programmed in OTP (zone gets unlock only if 128 bit password in OTP match with value written in four CSMKEY registers.) Reset type: SYSRSn

### 3.17.13.6 Z1\_CSMKEY1 Register (Offset = 12h) [Reset = 0000000h]

Z1\_CSMKEY1 is shown in [Figure 3-170](#) and described in [Table 3-191](#).

Return to the [Summary Table](#).

Zone 1 CSM Key 1

**Figure 3-170. Z1\_CSMKEY1 Register**

31	30	29	28	27	26	25	24	23	22	21	20	19	18	17	16	15	14	13	12	11	10	9	8	7	6	5	4	3	2	1	0
Z1_CSMKEY1																															
R-0h																															

**Table 3-191. Z1\_CSMKEY1 Register Field Descriptions**

Bit	Field	Type	Reset	Description
31-0	Z1_CSMKEY1	R	0h	To unlock Zone1, user needs to write this register with exact value as Z1_CSMPWD1, programmed in OTP (zone gets unlock only if 128 bit password in OTP match with value written in four CSMKEY registers.) Reset type: SYSRSn

### 3.17.13.7 Z1\_CSMKEY2 Register (Offset = 14h) [Reset = 0000000h]

Z1\_CSMKEY2 is shown in [Figure 3-171](#) and described in [Table 3-192](#).

Return to the [Summary Table](#).

Zone 1 CSM Key 2

**Figure 3-171. Z1\_CSMKEY2 Register**

31	30	29	28	27	26	25	24	23	22	21	20	19	18	17	16	15	14	13	12	11	10	9	8	7	6	5	4	3	2	1	0
Z1_CSMKEY2																															
R-0h																															

**Table 3-192. Z1\_CSMKEY2 Register Field Descriptions**

Bit	Field	Type	Reset	Description
31-0	Z1_CSMKEY2	R	0h	To unlock Zone1, user needs to write this register with exact value as Z1_CSMPWD2, programmed in OTP (zone gets unlock only if 128 bit password in OTP match with value written in four CSMKEY registers.) Reset type: SYSRSn

### 3.17.13.8 Z1\_CSMKEY3 Register (Offset = 16h) [Reset = 0000000h]

Z1\_CSMKEY3 is shown in [Figure 3-172](#) and described in [Table 3-193](#).

Return to the [Summary Table](#).

Zone 1 CSM Key 3

**Figure 3-172. Z1\_CSMKEY3 Register**

31	30	29	28	27	26	25	24	23	22	21	20	19	18	17	16	15	14	13	12	11	10	9	8	7	6	5	4	3	2	1	0
Z1_CSMKEY3																															
R-0h																															

**Table 3-193. Z1\_CSMKEY3 Register Field Descriptions**

Bit	Field	Type	Reset	Description
31-0	Z1_CSMKEY3	R	0h	To unlock Zone1, user needs to write this register with exact value as Z1_CSMPSWD3, programmed in OTP (zone gets unlock only if 128 bit password in OTP match with value written in four CSMKEY registers.) Reset type: SYSRSn

### 3.17.13.9 Z1\_CR Register (Offset = 19h) [Reset = 0008h]

Z1\_CR is shown in [Figure 3-173](#) and described in [Table 3-194](#).

Return to the [Summary Table](#).

Zone 1 CSM Control Register

**Figure 3-173. Z1\_CR Register**

15	14	13	12	11	10	9	8
FORCESEC	RESERVED						
R-0/W-0h				R-0h			
7	6	5	4	3	2	1	0
RESERVED	ARMED	UNSECURE	ALLONE	ALLZERO	RESERVED		
R-0h	R-0h	R-0h	R-0h	R-1h	R-0h		

**Table 3-194. Z1\_CR Register Field Descriptions**

Bit	Field	Type	Reset	Description
15	FORCESEC	R-0/W	0h	A write '1' to this fields resets the state of zone. If zone is unlocked, it'll lock(secure) the zone and also resets all the bits in this register. Reset type: SYSRSn
14-8	RESERVED	R	0h	Reserved
7	RESERVED	R	0h	Reserved
6	ARMED	R	0h	0 : Dummy read to CSM Password locations in OTP hasn't been performed. 1 : Dummy read to CSM Password locations in OTP has been performed. Reset type: SYSRSn
5	UNSECURE	R	0h	Indicates the state of Zone. 0 : Zone is in lock(secure) state. 1 : Zone is in unlock(unsecure) state. Reset type: SYSRSn
4	ALLONE	R	0h	Indicates the state of CSM passwords. 0 : CSM Passwords are not all ones. 1 : CSM Passwords are all ones and zone is in unlock state. Reset type: SYSRSn
3	ALLZERO	R	1h	Indicates the state of CSM passwords. 0 : CSM Passwords are not all zeros. 1 : CSM Passwords are all zero and device is permanently locked. Reset type: SYSRSn
2-0	RESERVED	R	0h	Reserved

### 3.17.13.10 Z1\_GRABSECTR Register (Offset = 1Ah) [Reset = 0000000h]

Z1\_GRABSECTR is shown in [Figure 3-174](#) and described in [Table 3-195](#).

Return to the [Summary Table](#).

Zone 1 Grab Flash Sectors Register

**Figure 3-174. Z1\_GRABSECTR Register**

31	30	29	28	27	26	25	24
RESERVED		GRAB_BANK1		GRAB_SECTN		GRAB_SECTM	
R-0h		R-0h		R-0h		R-0h	
23	22	21	20	19	18	17	16
GRAB_SECTL		GRAB_SECTK		GRAB_SECTJ		GRAB_SECTI	
R-0h		R-0h		R-0h		R-0h	
15	14	13	12	11	10	9	8
GRAB_SECTH		GRAB_SECTG		GRAB_SECTF		GRAB_SECTE	
R-0h		R-0h		R-0h		R-0h	
7	6	5	4	3	2	1	0
GRAB_SECTD		GRAB_SECTC		GRAB_SECTB		GRAB_SECTA	
R-0h		R-0h		R-0h		R-0h	

**Table 3-195. Z1\_GRABSECTR Register Field Descriptions**

Bit	Field	Type	Reset	Description
31-30	RESERVED	R	0h	Reserved
29-28	GRAB_BANK1	R	0h	Value in this field gets loaded from Z1_GRABSECTR[29:28] when a read is issued to address location of Z1_GRABSECTR in OTP. 00 : Invalid. Flash BANK1 is inaccessible. 01 : Request to allocate Flash BANK1 to Zone1. 10 : Request to allocate Flash BANK1 to Zone1. 11 : Request to make Flash BANK1 Non-Secure. Reset type: SYSRSn
27-26	GRAB_SECTN	R	0h	Value in this field gets loaded from Z1_GRABSECTR[27:26] when a read is issued to address location of Z1_GRABSECTR in OTP. 00 : Invalid. Flash Sector N is inaccessible. 01 : Request to allocate Flash Sector N to Zone1. 10 : Request to allocate Flash Sector N to Zone1. 11 : Request to make Flash sector N Non-Secure. Reset type: SYSRSn
25-24	GRAB_SECTM	R	0h	Value in this field gets loaded from Z1_GRABSECTR[25:24] when a read is issued to address location of Z1_GRABSECTR in OTP. 00 : Invalid. Flash Sector M is inaccessible. 01 : Request to allocate Flash Sector M to Zone1. 10 : Request to allocate Flash Sector M to Zone1. 11 : Request to make Flash sector M Non-Secure. Reset type: SYSRSn
23-22	GRAB_SECTL	R	0h	Value in this field gets loaded from Z1_GRABSECTR[23:22] when a read is issued to address location of Z1_GRABSECTR in OTP. 00 : Invalid. Flash Sector L is inaccessible. 01 : Request to allocate Flash Sector L to Zone1. 10 : Request to allocate Flash Sector L to Zone1. 11 : Request to make Flash sector L Non-Secure. Reset type: SYSRSn

**Table 3-195. Z1\_GRABSECTR Register Field Descriptions (continued)**

Bit	Field	Type	Reset	Description
21-20	GRAB_SECTK	R	0h	Value in this field gets loaded from Z1_GRABSECTR[21:20] when a read is issued to address location of Z1_GRABSECTR in OTP. 00 : Invalid. Flash Sector K is inaccessible. 01 : Request to allocate Flash Sector K to Zone1. 10 : Request to allocate Flash Sector K to Zone1. 11 : Request to make Flash sector K Non-Secure. Reset type: SYSRSn
19-18	GRAB_SECTJ	R	0h	Value in this field gets loaded from Z1_GRABSECTR[19:18] when a read is issued to address location of Z1_GRABSECTR in OTP. 00 : Invalid. Flash Sector J is inaccessible. 01 : Request to allocate Flash Sector J to Zone1. 10 : Request to allocate Flash Sector J to Zone1. 11 : Request to make Flash sector J Non-Secure. Reset type: SYSRSn
17-16	GRAB_SECTI	R	0h	Value in this field gets loaded from Z1_GRABSECTR[17:16] when a read is issued to address location of Z1_GRABSECTR in OTP. 00 : Invalid. Flash Sector I is inaccessible. 01 : Request to allocate Flash Sector I to Zone1. 10 : Request to allocate Flash Sector I to Zone1. 11 : Request to make Flash sector I Non-Secure. Reset type: SYSRSn
15-14	GRAB_SECTH	R	0h	Value in this field gets loaded from Z1_GRABSECTR[15:14] when a read is issued to address location of Z1_GRABSECTR in OTP. 00 : Invalid. Flash Sector H is inaccessible. 01 : Request to allocate Flash Sector H to Zone1. 10 : Request to allocate Flash Sector H to Zone1. 11 : Request to make Flash sector H Non-Secure. Reset type: SYSRSn
13-12	GRAB_SECTG	R	0h	Value in this field gets loaded from Z1_GRABSECTR[13:12] when a read is issued to address location of Z1_GRABSECTR in OTP. 00 : Invalid. Flash Sector G is inaccessible. 01 : Request to allocate Flash Sector G to Zone1. 10 : Request to allocate Flash Sector G to Zone1. 11 : Request to make Flash sector G Non-Secure. Reset type: SYSRSn
11-10	GRAB_SECTF	R	0h	Value in this field gets loaded from Z1_GRABSECTR[11:10] when a read is issued to address location of Z1_GRABSECTR in OTP. 00 : Invalid. Flash Sector F is inaccessible. 01 : Request to allocate Flash Sector F to Zone1. 10 : Request to allocate Flash Sector F to Zone1. 11 : Request to make Flash sector F Non-Secure. Reset type: SYSRSn
9-8	GRAB_SECTE	R	0h	Value in this field gets loaded from Z1_GRABSECTR[9:8] when a read is issued to address location of Z1_GRABSECTR in OTP. 00 : Invalid. Flash Sector E is inaccessible. 01 : Request to allocate Flash Sector E to Zone1. 10 : Request to allocate Flash Sector E to Zone1. 11 : Request to make Flash sector E Non-Secure. Reset type: SYSRSn
7-6	GRAB_SECTD	R	0h	Value in this field gets loaded from Z1_GRABSECTR[7:6] when a read is issued to address location of Z1_GRABSECTR in OTP. 00 : Invalid. Flash Sector D is inaccessible. 01 : Request to allocate Flash Sector D to Zone1. 10 : Request to allocate Flash Sector D to Zone1. 11 : Request to make Flash sector D Non-Secure. Reset type: SYSRSn

**Table 3-195. Z1\_GRABSECTR Register Field Descriptions (continued)**

Bit	Field	Type	Reset	Description
5-4	GRAB_SECTC	R	0h	Value in this field gets loaded from Z1_GRABSECT[5:4] when a read is issued to address location of Z1_GRABSECT in OTP. 00 : Invalid. Flash Sector C is inaccessible. 01 : Request to allocate Flash Sector C to Zone1. 10 : Request to allocate Flash Sector C to Zone1. 11 : Request to make Flash sector C Non-Secure. Reset type: SYSRSn
3-2	GRAB_SECTB	R	0h	Value in this field gets loaded from Z1_GRABSECT[3:2] when a read is issued to address location of Z1_GRABSECT in OTP. 00 : Invalid. Flash Sector B is inaccessible. 01 : Request to allocate Flash Sector B to Zone1. 10 : Request to allocate Flash Sector B to Zone1. 11 : Request to make Flash sector B Non-Secure. Reset type: SYSRSn
1-0	GRAB_SECTA	R	0h	Value in this field gets loaded from Z1_GRABSECT[1:0] when a read is issued to address location of Z1_GRABSECT in OTP. 00 : Invalid. Flash Sector A is inaccessible. 01 : Request to allocate Flash Sector A to Zone1. 10 : Request to allocate Flash Sector A to Zone1. 11 : Request to make Flash sector A Non-Secure. Reset type: SYSRSn



### 3.17.13.11 Z1\_GRABRAMR Register (Offset = 1Ch) [Reset = 0000000h]

Z1\_GRABRAMR is shown in [Figure 3-175](#) and described in [Table 3-196](#).

Return to the [Summary Table](#).

Zone 1 Grab RAM Blocks Register

**Figure 3-175. Z1\_GRABRAMR Register**

31	30	29	28	27	26	25	24
RESERVED		GRAB_CLA1		RESERVED			
R-0h		R-0h		R-0h			
23	22	21	20	19	18	17	16
RESERVED							
R-0h							
15	14	13	12	11	10	9	8
GRAB_RAM7		GRAB_RAM6		GRAB_RAM5		GRAB_RAM4	
R-0h		R-0h		R-0h		R-0h	
7	6	5	4	3	2	1	0
GRAB_RAM3		GRAB_RAM2		GRAB_RAM1		GRAB_RAM0	
R-0h		R-0h		R-0h		R-0h	

**Table 3-196. Z1\_GRABRAMR Register Field Descriptions**

Bit	Field	Type	Reset	Description
31-30	RESERVED	R	0h	Reserved
29-28	GRAB_CLA1	R	0h	Value in this field gets loaded from Z1_GRABRAM[29:28] when a read is issued to address location of Z1_GRABRAM in OTP. 00 : Invalid. CLA1 is inaccessible. 01 : Request to allocate CLA1 to Zone1. 10 : Request to allocate CLA1 to Zone1. 11 : Request to make CLA1 Non-Secure. Reset type: SYSRSn
27-16	RESERVED	R	0h	Reserved
15-14	GRAB_RAM7	R	0h	Value in this field gets loaded from Z1_GRABRAM[15:14] when a read is issued to address location of Z1_GRABRAM in OTP. 00 : Invalid. D1 RAM is inaccessible. 01 : Request to allocate D1 RAM to Zone1. 10 : Request to allocate D1 RAM to Zone1. 11 : Request to make D1 RAM Non-Secure. Reset type: SYSRSn
13-12	GRAB_RAM6	R	0h	Value in this field gets loaded from Z1_GRABRAM[13:12] when a read is issued to address location of Z1_GRABRAM in OTP. 00 : Invalid. D0 RAM is inaccessible. 01 : Request to allocate D0 RAM to Zone1. 10 : Request to allocate D0 RAM to Zone1. 11 : Request to make D0 RAM Non-Secure. Reset type: SYSRSn
11-10	GRAB_RAM5	R	0h	Value in this field gets loaded from Z1_GRABRAM[11:10] when a read is issued to address location of Z1_GRABRAM in OTP. 00 : Invalid. LS5 RAM is inaccessible. 01 : Request to allocate LS5 RAM to Zone1. 10 : Request to allocate LS5 RAM to Zone1. 11 : Request to make LS5 RAM Non-Secure. Reset type: SYSRSn

**Table 3-196. Z1\_GRABRAMR Register Field Descriptions (continued)**

Bit	Field	Type	Reset	Description
9-8	GRAB_RAM4	R	0h	Value in this field gets loaded from Z1_GRABRAM[9:8] when a read is issued to address location of Z1_GRABRAM in OTP. 00 : Invalid. LS4 RAM is inaccessible. 01 : Request to allocate LS4 RAM to Zone1. 10 : Request to allocate LS4 RAM to Zone1. 11 : Request to make LS4 RAM Non-Secure. Reset type: SYSRSn
7-6	GRAB_RAM3	R	0h	Value in this field gets loaded from Z1_GRABRAM[7:6] when a read is issued to address location of Z1_GRABRAM in OTP. 00 : Invalid. LS3 RAM is inaccessible. 01 : Request to allocate LS3 RAM to Zone1. 10 : Request to allocate LS3 RAM to Zone1. 11 : Request to make LS3 RAM Non-Secure. Reset type: SYSRSn
5-4	GRAB_RAM2	R	0h	Value in this field gets loaded from Z1_GRABRAM[5:4] when a read is issued to address location of Z1_GRABRAM in OTP. 00 : Invalid. LS2 RAM is inaccessible. 01 : Request to allocate LS2 RAM to Zone1. 10 : Request to allocate LS2 RAM to Zone1. 11 : Request to make LS2 RAM Non-Secure. Reset type: SYSRSn
3-2	GRAB_RAM1	R	0h	Value in this field gets loaded from Z1_GRABRAM[3:2] when a read is issued to address location of Z1_GRABRAM in OTP. 00 : Invalid. LS1 RAM is inaccessible. 01 : Request to allocate LS1 RAM to Zone1. 10 : Request to allocate LS1 RAM to Zone1. 11 : Request to make LS1 RAM Non-Secure. Reset type: SYSRSn
1-0	GRAB_RAM0	R	0h	Value in this field gets loaded from Z1_GRABRAM[1:0] when a read is issued to address location of Z1_GRABRAM in OTP. 00 : Invalid. LS0 RAM is inaccessible. 01 : Request to allocate LS0 RAM to Zone1. 10 : Request to allocate LS0 RAM to Zone1. 11 : Request to make LS0 RAM Non-Secure. Reset type: SYSRSn

### 3.17.13.12 Z1\_EXEONLYSECTR Register (Offset = 1Eh) [Reset = 0000000h]

Z1\_EXEONLYSECTR is shown in [Figure 3-176](#) and described in [Table 3-197](#).

Return to the [Summary Table](#).

Zone 1 Flash Execute\_Only Sector Register

**Figure 3-176. Z1\_EXEONLYSECTR Register**

31	30	29	28	27	26	25	24
RESERVED							
R-0h							
23	22	21	20	19	18	17	16
RESERVED							
R-0h							
15	14	13	12	11	10	9	8
RESERVED	EXEONLY_BA NK1	EXEONLY_SE CTN	EXEONLY_SE CTM	EXEONLY_SE CTL	EXEONLY_SE CTK	EXEONLY_SE CTJ	EXEONLY_SE CTI
R-0h	R-0h	R-0h	R-0h	R-0h	R-0h	R-0h	R-0h
7	6	5	4	3	2	1	0
EXEONLY_SE CTH	EXEONLY_SE CTG	EXEONLY_SE CTF	EXEONLY_SE CTE	EXEONLY_SE CTD	EXEONLY_SE CTC	EXEONLY_SE CTB	EXEONLY_SE CTA
R-0h	R-0h	R-0h	R-0h	R-0h	R-0h	R-0h	R-0h

**Table 3-197. Z1\_EXEONLYSECTR Register Field Descriptions**

Bit	Field	Type	Reset	Description
31-16	RESERVED	R	0h	Reserved
15	RESERVED	R	0h	Reserved
14	EXEONLY_BANK1	R	0h	Value in this field gets loaded from Z1_EXEONLYSECTR[14:14] when a read is issued to Z1_EXEONLYSECTR address location in OTP. 0 : Execute-Only protection is enabled for Flash BANK1 (only if it's allocated to Zone1) 1 : Execute-Only protection is disabled for Flash BANK1 (only if it's allocated to Zone1) Reset type: SYSRSn
13	EXEONLY_SECTN	R	0h	Value in this field gets loaded from Z1_EXEONLYSECTR[13:13] when a read is issued to Z1_EXEONLYSECTR address location in OTP. 0 : Execute-Only protection is enabled for Flash Sector N (only if it's allocated to Zone1) 1 : Execute-Only protection is disabled for Flash Sector N (only if it's allocated to Zone1) Reset type: SYSRSn
12	EXEONLY_SECTM	R	0h	Value in this field gets loaded from Z1_EXEONLYSECTR[12:12] when a read is issued to Z1_EXEONLYSECTR address location in OTP. 0 : Execute-Only protection is enabled for Flash Sector M (only if it's allocated to Zone1) 1 : Execute-Only protection is disabled for Flash Sector M (only if it's allocated to Zone1) Reset type: SYSRSn
11	EXEONLY_SECTL	R	0h	Value in this field gets loaded from Z1_EXEONLYSECTR[11:11] when a read is issued to Z1_EXEONLYSECTR address location in OTP. 0 : Execute-Only protection is enabled for Flash Sector L (only if it's allocated to Zone1) 1 : Execute-Only protection is disabled for Flash Sector L (only if it's allocated to Zone1) Reset type: SYSRSn

**Table 3-197. Z1\_EXEONLYSECTR Register Field Descriptions (continued)**

Bit	Field	Type	Reset	Description
10	EXEONLY_SECTK	R	0h	Value in this field gets loaded from Z1_EXEONLYSECTR[10:10] when a read is issued to Z1_EXEONLYSECTR address location in OTP. 0 : Execute-Only protection is enabled for Flash Sector K (only if it's allocated to Zone1) 1 : Execute-Only protection is disabled for Flash Sector K (only if it's allocated to Zone1) Reset type: SYSRSn
9	EXEONLY_SECTJ	R	0h	Value in this field gets loaded from Z1_EXEONLYSECTR[9:9] when a read is issued to Z1_EXEONLYSECTR address location in OTP. 0 : Execute-Only protection is enabled for Flash Sector J (only if it's allocated to Zone1) 1 : Execute-Only protection is disabled for Flash Sector J (only if it's allocated to Zone1) Reset type: SYSRSn
8	EXEONLY_SECTI	R	0h	Value in this field gets loaded from Z1_EXEONLYSECTR[8:8] when a read is issued to Z1_EXEONLYSECTR address location in OTP. 0 : Execute-Only protection is enabled for Flash Sector I (only if it's allocated to Zone1) 1 : Execute-Only protection is disabled for Flash Sector I (only if it's allocated to Zone1) Reset type: SYSRSn
7	EXEONLY_SECTH	R	0h	Value in this field gets loaded from Z1_EXEONLYSECTR[7:7] when a read is issued to Z1_EXEONLYSECTR address location in OTP. 0 : Execute-Only protection is enabled for Flash Sector H (only if it's allocated to Zone1) 1 : Execute-Only protection is disabled for Flash Sector H (only if it's allocated to Zone1) Reset type: SYSRSn
6	EXEONLY_SECTG	R	0h	Value in this field gets loaded from Z1_EXEONLYSECTR[6:6] when a read is issued to Z1_EXEONLYSECTR address location in OTP. 0 : Execute-Only protection is enabled for Flash Sector G (only if it's allocated to Zone1) 1 : Execute-Only protection is disabled for Flash Sector G (only if it's allocated to Zone1) Reset type: SYSRSn
5	EXEONLY_SECTF	R	0h	Value in this field gets loaded from Z1_EXEONLYSECTR[5:5] when a read is issued to Z1_EXEONLYSECTR address location in OTP. 0 : Execute-Only protection is enabled for Flash Sector F (only if it's allocated to Zone1) 1 : Execute-Only protection is disabled for Flash Sector F (only if it's allocated to Zone1) Reset type: SYSRSn
4	EXEONLY_SECTE	R	0h	Value in this field gets loaded from Z1_EXEONLYSECTR[4:4] when a read is issued to Z1_EXEONLYSECTR address location in OTP. 0 : Execute-Only protection is enabled for Flash Sector E (only if it's allocated to Zone1) 1 : Execute-Only protection is disabled for Flash Sector E (only if it's allocated to Zone1) Reset type: SYSRSn
3	EXEONLY_SECTD	R	0h	Value in this field gets loaded from Z1_EXEONLYSECTR[3:3] when a read is issued to Z1_EXEONLYSECTR address location in OTP. 0 : Execute-Only protection is enabled for Flash Sector D (only if it's allocated to Zone1) 1 : Execute-Only protection is disabled for Flash Sector D (only if it's allocated to Zone1) Reset type: SYSRSn

**Table 3-197. Z1\_EXEONLYSECTR Register Field Descriptions (continued)**

Bit	Field	Type	Reset	Description
2	EXEONLY_SECTC	R	0h	Value in this field gets loaded from Z1_EXEONLYSECT[2:2] when a read is issued to Z1_EXEONLYSECT address location in OTP. 0 : Execute-Only protection is enabled for Flash Sector C (only if it's allocated to Zone1) 1 : Execute-Only protection is disabled for Flash Sector C (only if it's allocated to Zone1) Reset type: SYSRSn
1	EXEONLY_SECTB	R	0h	Value in this field gets loaded from Z1_EXEONLYSECT[1:1] when a read is issued to Z1_EXEONLYSECT address location in OTP. 0 : Execute-Only protection is enabled for Flash Sector B (only if it's allocated to Zone1) 1 : Execute-Only protection is disabled for Flash Sector B (only if it's allocated to Zone1) Reset type: SYSRSn
0	EXEONLY_SECTA	R	0h	Value in this field gets loaded from Z1_EXEONLYSECT[0:0] when a read is issued to Z1_EXEONLYSECT address location in OTP. 0 : Execute-Only protection is enabled for Flash Sector A (only if it's allocated to Zone1) 1 : Execute-Only protection is disabled for Flash Sector A (only if it's allocated to Zone1) Reset type: SYSRSn

### 3.17.13.13 Z1\_EXEONLYRAMR Register (Offset = 20h) [Reset = 0000000h]

Z1\_EXEONLYRAMR is shown in [Figure 3-177](#) and described in [Table 3-198](#).

Return to the [Summary Table](#).

Zone 1 RAM Execute\_Only Block Register

**Figure 3-177. Z1\_EXEONLYRAMR Register**

31	30	29	28	27	26	25	24
RESERVED							
R-0h							
23	22	21	20	19	18	17	16
RESERVED							
R-0h							
15	14	13	12	11	10	9	8
RESERVED							
R-0h							
7	6	5	4	3	2	1	0
EXEONLY_RA M7	EXEONLY_RA M6	EXEONLY_RA M5	EXEONLY_RA M4	EXEONLY_RA M3	EXEONLY_RA M2	EXEONLY_RA M1	EXEONLY_RA M0
R-0h	R-0h	R-0h	R-0h	R-0h	R-0h	R-0h	R-0h

**Table 3-198. Z1\_EXEONLYRAMR Register Field Descriptions**

Bit	Field	Type	Reset	Description
31-16	RESERVED	R	0h	Reserved
15-8	RESERVED	R	0h	Reserved
7	EXEONLY_RAM7	R	0h	Value in this field gets loaded from Z1_EXEONLYRAM[7:7] when a read is issued to Z1_EXEONLYRAM address location in OTP. 0 : Execute-Only protection is enabled for D1 RAM (only if it's allocated to Zone1) 1 : Execute-Only protection is disabled for D1 RAM (only if it's allocated to Zone1) Reset type: SYSRSn
6	EXEONLY_RAM6	R	0h	Value in this field gets loaded from Z1_EXEONLYRAM[6:6] when a read is issued to Z1_EXEONLYRAM address location in OTP. 0 : Execute-Only protection is enabled for D0 RAM (only if it's allocated to Zone1) 1 : Execute-Only protection is disabled for D0 RAM (only if it's allocated to Zone1) Reset type: SYSRSn
5	EXEONLY_RAM5	R	0h	Value in this field gets loaded from Z1_EXEONLYRAM[5:5] when a read is issued to Z1_EXEONLYRAM address location in OTP. 0 : Execute-Only protection is enabled for LS5 RAM (only if it's allocated to Zone1) 1 : Execute-Only protection is disabled for LS5 RAM (only if it's allocated to Zone1) Reset type: SYSRSn
4	EXEONLY_RAM4	R	0h	Value in this field gets loaded from Z1_EXEONLYRAM[4:4] when a read is issued to Z1_EXEONLYRAM address location in OTP. 0 : Execute-Only protection is enabled for LS4 RAM (only if it's allocated to Zone1) 1 : Execute-Only protection is disabled for LS4 RAM (only if it's allocated to Zone1) Reset type: SYSRSn

**Table 3-198. Z1\_EXEONLYRAMR Register Field Descriptions (continued)**

Bit	Field	Type	Reset	Description
3	EXEONLY_RAM3	R	0h	Value in this field gets loaded from Z1_EXEONLYRAM[3:3] when a read is issued to Z1_EXEONLYRAM address location in OTP. 0 : Execute-Only protection is enabled for LS3 RAM (only if it's allocated to Zone1) 1 : Execute-Only protection is disabled for LS3 RAM (only if it's allocated to Zone1) Reset type: SYSRSn
2	EXEONLY_RAM2	R	0h	Value in this field gets loaded from Z1_EXEONLYRAM[2:2] when a read is issued to Z1_EXEONLYRAM address location in OTP. 0 : Execute-Only protection is enabled for LS2 RAM (only if it's allocated to Zone1) 1 : Execute-Only protection is disabled for LS2 RAM (only if it's allocated to Zone1) Reset type: SYSRSn
1	EXEONLY_RAM1	R	0h	Value in this field gets loaded from Z1_EXEONLYRAM[1:1] when a read is issued to Z1_EXEONLYRAM address location in OTP. 0 : Execute-Only protection is enabled for LS1 RAM (only if it's allocated to Zone1) 1 : Execute-Only protection is disabled for LS1 RAM (only if it's allocated to Zone1) Reset type: SYSRSn
0	EXEONLY_RAM0	R	0h	Value in this field gets loaded from Z1_EXEONLYRAM[0:0] when a read is issued to Z1_EXEONLYRAM address location in OTP. 0 : Execute-Only protection is enabled for LS0 RAM (only if it's allocated to Zone1) 1 : Execute-Only protection is disabled for LS0 RAM (only if it's allocated to Zone1) Reset type: SYSRSn

### 3.17.14 DCSM\_Z2\_REGS Registers

Table 3-199 lists the memory-mapped registers for the DCSM\_Z2\_REGS registers. All register offset addresses not listed in Table 3-199 should be considered as reserved locations and the register contents should not be modified.

**Table 3-199. DCSM\_Z2\_REGS Registers**

Offset	Acronym	Register Name	Write Protection	Section
0h	Z2_LINKPOINTER	Zone 2 Link Pointer		<a href="#">Go</a>
2h	Z2_OTPSECLOCK	Zone 2 OTP Secure JTAG lock		<a href="#">Go</a>
4h	Z2_BOOTCTRL	Boot Mode		<a href="#">Go</a>
6h	Z2_LINKPOINTERERR	Link Pointer Error		<a href="#">Go</a>
10h	Z2_CSMKEY0	Zone 2 CSM Key 0		<a href="#">Go</a>
12h	Z2_CSMKEY1	Zone 2 CSM Key 1		<a href="#">Go</a>
14h	Z2_CSMKEY2	Zone 2 CSM Key 2		<a href="#">Go</a>
16h	Z2_CSMKEY3	Zone 2 CSM Key 3		<a href="#">Go</a>
19h	Z2_CR	Zone 2 CSM Control Register		<a href="#">Go</a>
1Ah	Z2_GRABSECTR	Zone 2 Grab Flash Sectors Register		<a href="#">Go</a>
1Ch	Z2_GRABRAMR	Zone 2 Grab RAM Blocks Register		<a href="#">Go</a>
1Eh	Z2_EXEONLYSECTR	Zone 2 Flash Execute_Only Sector Register		<a href="#">Go</a>
20h	Z2_EXEONLYRAMR	Zone 2 RAM Execute_Only Block Register		<a href="#">Go</a>

Complex bit access types are encoded to fit into small table cells. Table 3-200 shows the codes that are used for access types in this section.

**Table 3-200. DCSM\_Z2\_REGS Access Type Codes**

Access Type	Code	Description
Read Type		
R	R	Read
R-0	R -0	Read Returns 0s
Write Type		
W	W	Write
Reset or Default Value		
-n		Value after reset or the default value
Register Array Variables		
i,j,k,l,m,n		When these variables are used in a register name, an offset, or an address, they refer to the value of a register array where the register is part of a group of repeating registers. The register groups form a hierarchical structure and the array is represented with a formula.
y		When this variable is used in a register name, an offset, or an address it refers to the value of a register array.



### 3.17.14.1 Z2\_LINKPOINTER Register (Offset = 0h) [Reset = E000000h]

Z2\_LINKPOINTER is shown in [Figure 3-178](#) and described in [Table 3-201](#).

Return to the [Summary Table](#).

Zone 2 Link Pointer

**Figure 3-178. Z2\_LINKPOINTER Register**

31	30	29	28	27	26	25	24	23	22	21	20	19	18	17	16
RESERVED			LINKPOINTER												
R-7h			R-0h												
15	14	13	12	11	10	9	8	7	6	5	4	3	2	1	0
LINKPOINTER															
R-0h															

**Table 3-201. Z2\_LINKPOINTER Register Field Descriptions**

Bit	Field	Type	Reset	Description
31-29	RESERVED	R	7h	Reserved
28-0	LINKPOINTER	R	0h	This is the Resolved Link-Pointer value which is generated by looking at the three physical Link-Pointer values loaded from OTP. Reset type: SYSRSn

### 3.17.14.2 Z2\_OTPSECLOCK Register (Offset = 2h) [Reset = 0000FFFh]

Z2\_OTPSECLOCK is shown in [Figure 3-179](#) and described in [Table 3-202](#).

Return to the [Summary Table](#).

Zone 2 OTP Secure JTAG lock

**Figure 3-179. Z2\_OTPSECLOCK Register**

31	30	29	28	27	26	25	24	23	22	21	20	19	18	17	16
RESERVED															
R-0h															
15	14	13	12	11	10	9	8	7	6	5	4	3	2	1	0
RESERVED				CRCLOCK				PSWDLOCK				JTAGLOCK			
R-0h				R-Fh				R-Fh				R-Fh			

**Table 3-202. Z2\_OTPSECLOCK Register Field Descriptions**

Bit	Field	Type	Reset	Description
31-16	RESERVED	R	0h	Reserved
15-12	RESERVED	R	0h	Reserved
11-8	CRCLOCK	R	Fh	Value in this field gets loaded from Z2_CRCLOCK[3:0] when a read is issued to address location of Z2_CRCLOCK in OTP. 1111 : VCU has ability to calculate CRC on secure memories. Other Value : VCU doesn't have ability to calculate CRC on secure memories. Reset type: SYSRSn
7-4	PSWDLOCK	R	Fh	Value in this field gets loaded from Z2_PSWDLOCK[3:0] when a read is issued to address location of Z2_PSWDLOCK in OTP. 1111 : CSM password locations in OTP are not protected and can be read from debugger as well as code running from anywhere. Other Value : CSM password locations in OTP are protected and can't be read without unlocking CSM of that zone. Reset type: SYSRSn
3-0	JTAGLOCK	R	Fh	Value in this field gets loaded from Z2_JTAGLOCK[3:0] when a read is issued to address location of Z2_JTAGLOCK in OTP. 1111 : JTAG/Emulation access is allowed. Other Value : JTAG/Emulation access not allowed. Reset type: SYSRSn

### 3.17.14.3 Z2\_BOOTCTRL Register (Offset = 4h) [Reset = 0000000h]

Z2\_BOOTCTRL is shown in [Figure 3-180](#) and described in [Table 3-203](#).

Return to the [Summary Table](#).

Boot Mode

**Figure 3-180. Z2\_BOOTCTRL Register**

31	30	29	28	27	26	25	24	23	22	21	20	19	18	17	16	15	14	13	12	11	10	9	8	7	6	5	4	3	2	1	0
BOOTPIN1								BOOTPIN0								BMODE								KEY							
R-0h								R-0h								R-0h								R-0h							

**Table 3-203. Z2\_BOOTCTRL Register Field Descriptions**

Bit	Field	Type	Reset	Description
31-24	BOOTPIN1	R	0h	This field gets loaded with Z2_BOOTCTRL[31:24] when a dummy read is issued to address location of Z2_BOOTCTRL in OTP. This assigns the pin to be used as BOOTPIN1. 0 : Pick default bootmode pin. 1 : Pick GPIO0 as BOOTPIN1. 2 : Pick GPIO1 as BOOTPIN1. .... .... n : Pick GPIO <sub>n-1</sub> as BOOTPIN1. Reset type: SYSRSn
23-16	BOOTPIN0	R	0h	This field gets loaded with Z2_BOOTCTRL[23:16] when a dummy read is issued to address location of Z2_BOOTCTRL in OTP. This assigns the pin to be used as BOOTPIN1. 0 : Pick default bootmode pin. 1 : Pick GPIO0 as BOOTPIN1. 2 : Pick GPIO1 as BOOTPIN1. .... .... n : Pick GPIO <sub>n-1</sub> as BOOTPIN1. Reset type: SYSRSn
15-8	BMODE	R	0h	This field gets loaded with Z2_BOOTCTRL[15:8] when a dummy read is issued to address location of Z2_BOOTCTRL in OTP. Reset type: SYSRSn
7-0	KEY	R	0h	This field gets loaded with Z2_BOOTCTRL[7:0] when a dummy read is issued to address location of Z2_BOOTCTRL in OTP. Reset type: SYSRSn

### 3.17.14.4 Z2\_LINKPOINTERERR Register (Offset = 6h) [Reset = FFFFFFFFh]

Z2\_LINKPOINTERERR is shown in [Figure 3-181](#) and described in [Table 3-204](#).

Return to the [Summary Table](#).

Link Pointer Error

**Figure 3-181. Z2\_LINKPOINTERERR Register**

31	30	29	28	27	26	25	24	23	22	21	20	19	18	17	16	15	14	13	12	11	10	9	8	7	6	5	4	3	2	1	0
Z2_LINKPOINTERERR																															
R-FFFFFFFh																															

**Table 3-204. Z2\_LINKPOINTERERR Register Field Descriptions**

Bit	Field	Type	Reset	Description
31-0	Z2_LINKPOINTERERR	R	FFFFFFFh	These bits indicate errors during formation of the resolved Link-Pointer value after the three physical Link-Pointer values loaded of OTP. 0 : No Error. Other : Error on bit positions which is set to 1. Reset type: SYSRSn

### 3.17.14.5 Z2\_CSMKEY0 Register (Offset = 10h) [Reset = 0000000h]

Z2\_CSMKEY0 is shown in [Figure 3-182](#) and described in [Table 3-205](#).

Return to the [Summary Table](#).

Zone 2 CSM Key 0

**Figure 3-182. Z2\_CSMKEY0 Register**

31	30	29	28	27	26	25	24	23	22	21	20	19	18	17	16	15	14	13	12	11	10	9	8	7	6	5	4	3	2	1	0
Z2_CSMKEY0																															
R-0h																															

**Table 3-205. Z2\_CSMKEY0 Register Field Descriptions**

Bit	Field	Type	Reset	Description
31-0	Z2_CSMKEY0	R	0h	To unlock Zone2, user needs to write this register with exact value as Z2_CSMPSWD0, programmed in OTP (zone gets unlock only if 128 bit password in OTP match with value written in four CSMKEY registers.) Reset type: SYSRSn

### 3.17.14.6 Z2\_CSMKEY1 Register (Offset = 12h) [Reset = 0000000h]

Z2\_CSMKEY1 is shown in [Figure 3-183](#) and described in [Table 3-206](#).

Return to the [Summary Table](#).

Zone 2 CSM Key 1

**Figure 3-183. Z2\_CSMKEY1 Register**

31	30	29	28	27	26	25	24	23	22	21	20	19	18	17	16	15	14	13	12	11	10	9	8	7	6	5	4	3	2	1	0
Z2_CSMKEY1																															
R-0h																															

**Table 3-206. Z2\_CSMKEY1 Register Field Descriptions**

Bit	Field	Type	Reset	Description
31-0	Z2_CSMKEY1	R	0h	To unlock Zone2, user needs to write this register with exact value as Z2_CSMPSWD1, programmed in OTP (zone gets unlock only if 128 bit password in OTP match with value written in four CSMKEY registers.) Reset type: SYSRSn

### 3.17.14.7 Z2\_CSMKEY2 Register (Offset = 14h) [Reset = 0000000h]

Z2\_CSMKEY2 is shown in [Figure 3-184](#) and described in [Table 3-207](#).

Return to the [Summary Table](#).

Zone 2 CSM Key 2

**Figure 3-184. Z2\_CSMKEY2 Register**

31	30	29	28	27	26	25	24	23	22	21	20	19	18	17	16	15	14	13	12	11	10	9	8	7	6	5	4	3	2	1	0
Z2_CSMKEY2																															
R-0h																															

**Table 3-207. Z2\_CSMKEY2 Register Field Descriptions**

Bit	Field	Type	Reset	Description
31-0	Z2_CSMKEY2	R	0h	To unlock Zone2, user needs to write this register with exact value as Z2_CSMPSWD2, programmed in OTP (zone gets unlock only if 128 bit password in OTP match with value written in four CSMKEY registers.) Reset type: SYSRSn

### 3.17.14.8 Z2\_CSMKEY3 Register (Offset = 16h) [Reset = 0000000h]

Z2\_CSMKEY3 is shown in [Figure 3-185](#) and described in [Table 3-208](#).

Return to the [Summary Table](#).

Zone 2 CSM Key 3

**Figure 3-185. Z2\_CSMKEY3 Register**

31	30	29	28	27	26	25	24	23	22	21	20	19	18	17	16	15	14	13	12	11	10	9	8	7	6	5	4	3	2	1	0
Z2_CSMKEY3																															
R-0h																															

**Table 3-208. Z2\_CSMKEY3 Register Field Descriptions**

Bit	Field	Type	Reset	Description
31-0	Z2_CSMKEY3	R	0h	To unlock Zone2, user needs to write this register with exact value as Z2_CSMPSWD3, programmed in OTP (zone gets unlock only if 128 bit password in OTP match with value written in four CSMKEY registers.) Reset type: SYSRStn



### 3.17.14.9 Z2\_CR Register (Offset = 19h) [Reset = 0008h]

Z2\_CR is shown in [Figure 3-186](#) and described in [Table 3-209](#).

Return to the [Summary Table](#).

Zone 2 CSM Control Register

**Figure 3-186. Z2\_CR Register**

15	14	13	12	11	10	9	8
FORCESEC	RESERVED						
R-0/W-0h				R-0-0h			
7	6	5	4	3	2	1	0
RESERVED	ARMED	UNSECURE	ALLONE	ALLZERO	RESERVED		
R-0h	R-0h	R-0h	R-0h	R-1h	R-0h		

**Table 3-209. Z2\_CR Register Field Descriptions**

Bit	Field	Type	Reset	Description
15	FORCESEC	R-0/W	0h	A write '1' to this fields resets the state of zone. If zone is unlocked, it'll lock(secure) the zone and also resets all the bits in this register. Reset type: SYSRSn
14-8	RESERVED	R-0	0h	Reserved
7	RESERVED	R	0h	Reserved
6	ARMED	R	0h	0 : Dummy read to CSM Password locations in OTP hasn't been performed. 1 : Dummy read to CSM Password locations in OTP has been performed. Reset type: SYSRSn
5	UNSECURE	R	0h	Indicates the state of Zone. 0 : Zone is in lock(secure) state. 1 : Zone is in unlock(unsecure) state. Reset type: SYSRSn
4	ALLONE	R	0h	Indicates the state of CSM passowrds. 0 : CSM Passwords are not all ones. 1 : CSM Passwords are all ones and zone is in unlock state. Reset type: SYSRSn
3	ALLZERO	R	1h	Indicates the state of CSM passowrds. 0 : CSM Passwords are not all zeros. 1 : CSM Passwords are all zero and device is permanently locked. Reset type: SYSRSn
2-0	RESERVED	R	0h	Reserved

### 3.17.14.10 Z2\_GRABSECTR Register (Offset = 1Ah) [Reset = 0000000h]

Z2\_GRABSECTR is shown in [Figure 3-187](#) and described in [Table 3-210](#).

Return to the [Summary Table](#).

Zone 2 Grab Flash Sectors Register

**Figure 3-187. Z2\_GRABSECTR Register**

31	30	29	28	27	26	25	24
RESERVED		GRAB_BANK1		GRAB_SECTN		GRAB_SECTM	
R-0h		R-0h		R-0h		R-0h	
23	22	21	20	19	18	17	16
GRAB_SECTL		GRAB_SECTK		GRAB_SECTJ		GRAB_SECTI	
R-0h		R-0h		R-0h		R-0h	
15	14	13	12	11	10	9	8
GRAB_SECTH		GRAB_SECTG		GRAB_SECTF		GRAB_SECTE	
R-0h		R-0h		R-0h		R-0h	
7	6	5	4	3	2	1	0
GRAB_SECTD		GRAB_SECTC		GRAB_SECTB		GRAB_SECTA	
R-0h		R-0h		R-0h		R-0h	

**Table 3-210. Z2\_GRABSECTR Register Field Descriptions**

Bit	Field	Type	Reset	Description
31-30	RESERVED	R	0h	Reserved
29-28	GRAB_BANK1	R	0h	Value in this field gets loaded from Z2_GRABSECT[29:28] when a read is issued to address location of Z2_GRABSECT in OTP. 00 : Invalid. Flash BANK1 J is inaccessible. 01 : Request to allocate Flash BANK1 to Zone2. 10 : Request to allocate Flash BANK1 to Zone2. 11 : Request to make Flash sector BANK1 Non-Secure. Reset type: SYSRSn
27-26	GRAB_SECTN	R	0h	Value in this field gets loaded from Z2_GRABSECT[27:26] when a read is issued to address location of Z2_GRABSECT in OTP. 00 : Invalid. Flash Sector N is inaccessible. 01 : Request to allocate Flash Sector N to Zone2. 10 : Request to allocate Flash Sector N to Zone2. 11 : Request to make Flash sector N Non-Secure. Reset type: SYSRSn
25-24	GRAB_SECTM	R	0h	Value in this field gets loaded from Z2_GRABSECT[25:24] when a read is issued to address location of Z2_GRABSECT in OTP. 00 : Invalid. Flash Sector M is inaccessible. 01 : Request to allocate Flash Sector M to Zone2. 10 : Request to allocate Flash Sector M to Zone2. 11 : Request to make Flash sector M Non-Secure. Reset type: SYSRSn
23-22	GRAB_SECTL	R	0h	Value in this field gets loaded from Z2_GRABSECT[23:22] when a read is issued to address location of Z2_GRABSECT in OTP. 00 : Invalid. Flash Sector L is inaccessible. 01 : Request to allocate Flash Sector L to Zone2. 10 : Request to allocate Flash Sector L to Zone2. 11 : Request to make Flash sector L Non-Secure. Reset type: SYSRSn

**Table 3-210. Z2\_GRABSECTR Register Field Descriptions (continued)**

Bit	Field	Type	Reset	Description
21-20	GRAB_SECTK	R	0h	Value in this field gets loaded from Z2_GRABSECTR[21:20] when a read is issued to address location of Z2_GRABSECTR in OTP. 00 : Invalid. Flash Sector K is inaccessible. 01 : Request to allocate Flash Sector K to Zone2. 10 : Request to allocate Flash Sector K to Zone2. 11 : Request to make Flash sector K Non-Secure. Reset type: SYSRSn
19-18	GRAB_SECTJ	R	0h	Value in this field gets loaded from Z2_GRABSECTR[19:18] when a read is issued to address location of Z2_GRABSECTR in OTP. 00 : Invalid. Flash Sector J is inaccessible. 01 : Request to allocate Flash Sector J to Zone2. 10 : Request to allocate Flash Sector J to Zone2. 11 : Request to make Flash sector J Non-Secure. Reset type: SYSRSn
17-16	GRAB_SECTI	R	0h	Value in this field gets loaded from Z2_GRABSECTR[17:16] when a read is issued to address location of Z2_GRABSECTR in OTP. 00 : Invalid. Flash Sector I is inaccessible. 01 : Request to allocate Flash Sector I to Zone2. 10 : Request to allocate Flash Sector I to Zone2. 11 : Request to make Flash sector I Non-Secure. Reset type: SYSRSn
15-14	GRAB_SECTH	R	0h	Value in this field gets loaded from Z2_GRABSECTR[15:14] when a read is issued to address location of Z2_GRABSECTR in OTP. 00 : Invalid. Flash Sector H is inaccessible. 01 : Request to allocate Flash Sector H to Zone2. 10 : Request to allocate Flash Sector H to Zone2. 11 : Request to make Flash sector H Non-Secure. Reset type: SYSRSn
13-12	GRAB_SECTG	R	0h	Value in this field gets loaded from Z2_GRABSECTR[13:12] when a read is issued to address location of Z2_GRABSECTR in OTP. 00 : Invalid. Flash Sector G is inaccessible. 01 : Request to allocate Flash Sector G to Zone2. 10 : Request to allocate Flash Sector G to Zone2. 11 : Request to make Flash sector G Non-Secure. Reset type: SYSRSn
11-10	GRAB_SECTF	R	0h	Value in this field gets loaded from Z2_GRABSECTR[11:10] when a read is issued to address location of Z2_GRABSECTR in OTP. 00 : Invalid. Flash Sector F is inaccessible. 01 : Request to allocate Flash Sector F to Zone2. 10 : Request to allocate Flash Sector F to Zone2. 11 : Request to make Flash sector F Non-Secure. Reset type: SYSRSn
9-8	GRAB_SECTE	R	0h	Value in this field gets loaded from Z2_GRABSECTR[9:8] when a read is issued to address location of Z2_GRABSECTR in OTP. 00 : Invalid. Flash Sector E is inaccessible. 01 : Request to allocate Flash Sector E to Zone2. 10 : Request to allocate Flash Sector E to Zone2. 11 : Request to make Flash sector E Non-Secure. Reset type: SYSRSn
7-6	GRAB_SECTD	R	0h	Value in this field gets loaded from Z2_GRABSECTR[7:6] when a read is issued to address location of Z2_GRABSECTR in OTP. 00 : Invalid. Flash Sector D is inaccessible. 01 : Request to allocate Flash Sector D to Zone2. 10 : Request to allocate Flash Sector D to Zone2. 11 : Request to make Flash sector D Non-Secure. Reset type: SYSRSn

**Table 3-210. Z2\_GRABSECTR Register Field Descriptions (continued)**

Bit	Field	Type	Reset	Description
5-4	GRAB_SECTC	R	0h	Value in this field gets loaded from Z2_GRABSECT[5:4] when a read is issued to address location of Z2_GRABSECT in OTP. 00 : Invalid. Flash Sector C is inaccessible. 01 : Request to allocate Flash Sector C to Zone2. 10 : Request to allocate Flash Sector C to Zone2. 11 : Request to make Flash sector C Non-Secure. Reset type: SYSRSn
3-2	GRAB_SECTB	R	0h	Value in this field gets loaded from Z2_GRABSECT[3:2] when a read is issued to address location of Z2_GRABSECT in OTP. 00 : Invalid. Flash Sector B is inaccessible. 01 : Request to allocate Flash Sector B to Zone2. 10 : Request to allocate Flash Sector B to Zone2. 11 : Request to make Flash sector B Non-Secure. Reset type: SYSRSn
1-0	GRAB_SECTA	R	0h	Value in this field gets loaded from Z2_GRABSECT[1:0] when a read is issued to address location of Z2_GRABSECT in OTP. 00 : Invalid. Flash Sector A is inaccessible. 01 : Request to allocate Flash Sector A to Zone2. 10 : Request to allocate Flash Sector A to Zone2. 11 : Request to make Flash sector A Non-Secure. Reset type: SYSRSn

### 3.17.14.11 Z2\_GRABRAMR Register (Offset = 1Ch) [Reset = 0000000h]

Z2\_GRABRAMR is shown in [Figure 3-188](#) and described in [Table 3-211](#).

Return to the [Summary Table](#).

Zone 2 Grab RAM Blocks Register

**Figure 3-188. Z2\_GRABRAMR Register**

31	30	29	28	27	26	25	24
RESERVED		GRAB_CLA1		RESERVED			
R-0h		R-0h		R-0h			
23	22	21	20	19	18	17	16
RESERVED							
R-0h							
15	14	13	12	11	10	9	8
GRAB_RAM7		GRAB_RAM6		GRAB_RAM5		GRAB_RAM4	
R-0h		R-0h		R-0h		R-0h	
7	6	5	4	3	2	1	0
GRAB_RAM3		GRAB_RAM2		GRAB_RAM1		GRAB_RAM0	
R-0h		R-0h		R-0h		R-0h	

**Table 3-211. Z2\_GRABRAMR Register Field Descriptions**

Bit	Field	Type	Reset	Description
31-30	RESERVED	R	0h	Reserved
29-28	GRAB_CLA1	R	0h	Value in this field gets loaded from Z2_GRABRAM[29:28] when a read is issued to address location of Z2_GRABRAM in OTP. 00 : Invalid. CLA1 is inaccessible. 01 : Request to allocate CLA1 to Zone2. 10 : Request to allocate CLA1 to Zone2. 11 : Request to make CLA1 Non-Secure. Reset type: SYSRSn
27-16	RESERVED	R	0h	Reserved
15-14	GRAB_RAM7	R	0h	Value in this field gets loaded from Z2_GRABRAM[15:14] when a read is issued to address location of Z2_GRABRAM in OTP. 00 : Invalid. D1 RAM is inaccessible. 01 : Request to allocate D1 RAM to Zone2. 10 : Request to allocate D1 RAM to Zone2. 11 : Request to make D1 RAM Non-Secure. Reset type: SYSRSn
13-12	GRAB_RAM6	R	0h	Value in this field gets loaded from Z2_GRABRAM[13:12] when a read is issued to address location of Z2_GRABRAM in OTP. 00 : Invalid. D0 RAM is inaccessible. 01 : Request to allocate D0 RAM to Zone2. 10 : Request to allocate D0 RAM to Zone2. 11 : Request to make D0 RAM Non-Secure. Reset type: SYSRSn
11-10	GRAB_RAM5	R	0h	Value in this field gets loaded from Z2_GRABRAM[11:10] when a read is issued to address location of Z2_GRABRAM in OTP. 00 : Invalid. LS5 RAM is inaccessible. 01 : Request to allocate LS5 RAM to Zone2. 10 : Request to allocate LS5 RAM to Zone2. 11 : Request to make LS5 RAM Non-Secure. Reset type: SYSRSn

**Table 3-211. Z2\_GRABRAMR Register Field Descriptions (continued)**

Bit	Field	Type	Reset	Description
9-8	GRAB_RAM4	R	0h	Value in this field gets loaded from Z2_GRABRAM[9:8] when a read is issued to address location of Z2_GRABRAM in OTP. 00 : Invalid. LS4 RAM is inaccessible. 01 : Request to allocate LS4 RAM to Zone2. 10 : Request to allocate LS4 RAM to Zone2. 11 : Request to make LS4 RAM Non-Secure. Reset type: SYSRSn
7-6	GRAB_RAM3	R	0h	Value in this field gets loaded from Z2_GRABRAM[7:6] when a read is issued to address location of Z2_GRABRAM in OTP. 00 : Invalid. LS3 RAM is inaccessible. 01 : Request to allocate LS3 RAM to Zone2. 10 : Request to allocate LS3 RAM to Zone2. 11 : Request to make LS3 RAM Non-Secure. Reset type: SYSRSn
5-4	GRAB_RAM2	R	0h	Value in this field gets loaded from Z2_GRABRAM[5:4] when a read is issued to address location of Z2_GRABRAM in OTP. 00 : Invalid. LS2 RAM is inaccessible. 01 : Request to allocate LS2 RAM to Zone2. 10 : Request to allocate LS2 RAM to Zone2. 11 : Request to make LS2 RAM Non-Secure. Reset type: SYSRSn
3-2	GRAB_RAM1	R	0h	Value in this field gets loaded from Z2_GRABRAM[3:2] when a read is issued to address location of Z2_GRABRAM in OTP. 00 : Invalid. LS1 RAM is inaccessible. 01 : Request to allocate LS1 RAM to Zone2. 10 : Request to allocate LS1 RAM to Zone2. 11 : Request to make LS1 RAM Non-Secure. Reset type: SYSRSn
1-0	GRAB_RAM0	R	0h	Value in this field gets loaded from Z2_GRABRAM[1:0] when a read is issued to address location of Z2_GRABRAM in OTP. 00 : Invalid. LS0 RAM is inaccessible. 01 : Request to allocate LS0 RAM to Zone2. 10 : Request to allocate LS0 RAM to Zone2. 11 : Request to make LS0 RAM Non-Secure. Reset type: SYSRSn

### 3.17.14.12 Z2\_EXEONLYSECTR Register (Offset = 1Eh) [Reset = 0000000h]

Z2\_EXEONLYSECTR is shown in [Figure 3-189](#) and described in [Table 3-212](#).

Return to the [Summary Table](#).

Zone 2 Flash Execute\_Only Sector Register

**Figure 3-189. Z2\_EXEONLYSECTR Register**

31	30	29	28	27	26	25	24
RESERVED							
R-0h							
23	22	21	20	19	18	17	16
RESERVED							
R-0h							
15	14	13	12	11	10	9	8
RESERVED	EXEONLY_BA NK1	EXEONLY_SE CTN	EXEONLY_SE CTM	EXEONLY_SE CTL	EXEONLY_SE CTK	EXEONLY_SE CTJ	EXEONLY_SE CTI
R-0h	R-0h	R-0h	R-0h	R-0h	R-0h	R-0h	R-0h
7	6	5	4	3	2	1	0
EXEONLY_SE CTH	EXEONLY_SE CTG	EXEONLY_SE CTF	EXEONLY_SE CTE	EXEONLY_SE CTD	EXEONLY_SE CTC	EXEONLY_SE CTB	EXEONLY_SE CTA
R-0h	R-0h	R-0h	R-0h	R-0h	R-0h	R-0h	R-0h

**Table 3-212. Z2\_EXEONLYSECTR Register Field Descriptions**

Bit	Field	Type	Reset	Description
31-16	RESERVED	R	0h	Reserved
15	RESERVED	R	0h	Reserved
14	EXEONLY_BANK1	R	0h	Value in this field gets loaded from Z2_EXEONLYSECTR[14:14] when a read is issued to Z2_EXEONLYSECTR address location in OTP. 0 : Execute-Only protection is enabled for Flash BANK1 (only if it's allocated to Zone2) 1 : Execute-Only protection is disabled for Flash BANK1 (only if it's allocated to Zone2) Reset type: SYSRSn
13	EXEONLY_SECTN	R	0h	Value in this field gets loaded from Z2_EXEONLYSECTR[13:13] when a read is issued to Z2_EXEONLYSECTR address location in OTP. 0 : Execute-Only protection is enabled for Flash Sector N (only if it's allocated to Zone2) 1 : Execute-Only protection is disabled for Flash Sector N (only if it's allocated to Zone2) Reset type: SYSRSn
12	EXEONLY_SECTM	R	0h	Value in this field gets loaded from Z2_EXEONLYSECTR[12:12] when a read is issued to Z2_EXEONLYSECTR address location in OTP. 0 : Execute-Only protection is enabled for Flash Sector M (only if it's allocated to Zone2) 1 : Execute-Only protection is disabled for Flash Sector M (only if it's allocated to Zone2) Reset type: SYSRSn
11	EXEONLY_SECTL	R	0h	Value in this field gets loaded from Z2_EXEONLYSECTR[11:11] when a read is issued to Z2_EXEONLYSECTR address location in OTP. 0 : Execute-Only protection is enabled for Flash Sector L (only if it's allocated to Zone2) 1 : Execute-Only protection is disabled for Flash Sector L (only if it's allocated to Zone2) Reset type: SYSRSn

**Table 3-212. Z2\_EXEONLYSECTR Register Field Descriptions (continued)**

Bit	Field	Type	Reset	Description
10	EXEONLY_SECTK	R	0h	Value in this field gets loaded from Z2_EXEONLYSECT[10:10] when a read is issued to Z2_EXEONLYSECT address location in OTP. 0 : Execute-Only protection is enabled for Flash Sector K (only if it's allocated to Zone2) 1 : Execute-Only protection is disabled for Flash Sector K (only if it's allocated to Zone2) Reset type: SYSRSn
9	EXEONLY_SECTJ	R	0h	Value in this field gets loaded from Z2_EXEONLYSECT[9:9] when a read is issued to Z2_EXEONLYSECT address location in OTP. 0 : Execute-Only protection is enabled for Flash Sector J (only if it's allocated to Zone2) 1 : Execute-Only protection is disabled for Flash Sector J (only if it's allocated to Zone2) Reset type: SYSRSn
8	EXEONLY_SECTI	R	0h	Value in this field gets loaded from Z2_EXEONLYSECT[8:8] when a read is issued to Z2_EXEONLYSECT address location in OTP. 0 : Execute-Only protection is enabled for Flash Sector I (only if it's allocated to Zone2) 1 : Execute-Only protection is disabled for Flash Sector I (only if it's allocated to Zone2) Reset type: SYSRSn
7	EXEONLY_SECTH	R	0h	Value in this field gets loaded from Z2_EXEONLYSECT[7:7] when a read is issued to Z2_EXEONLYSECT address location in OTP. 0 : Execute-Only protection is enabled for Flash Sector H (only if it's allocated to Zone2) 1 : Execute-Only protection is disabled for Flash Sector H (only if it's allocated to Zone2) Reset type: SYSRSn
6	EXEONLY_SECTG	R	0h	Value in this field gets loaded from Z2_EXEONLYSECT[6:6] when a read is issued to Z2_EXEONLYSECT address location in OTP. 0 : Execute-Only protection is enabled for Flash Sector G (only if it's allocated to Zone2) 1 : Execute-Only protection is disabled for Flash Sector G (only if it's allocated to Zone2) Reset type: SYSRSn
5	EXEONLY_SECTF	R	0h	Value in this field gets loaded from Z2_EXEONLYSECT[5:5] when a read is issued to Z2_EXEONLYSECT address location in OTP. 0 : Execute-Only protection is enabled for Flash Sector F (only if it's allocated to Zone2) 1 : Execute-Only protection is disabled for Flash Sector F (only if it's allocated to Zone2) Reset type: SYSRSn
4	EXEONLY_SECTE	R	0h	Value in this field gets loaded from Z2_EXEONLYSECT[4:4] when a read is issued to Z2_EXEONLYSECT address location in OTP. 0 : Execute-Only protection is enabled for Flash Sector E (only if it's allocated to Zone2) 1 : Execute-Only protection is disabled for Flash Sector E (only if it's allocated to Zone2) Reset type: SYSRSn
3	EXEONLY_SECTD	R	0h	Value in this field gets loaded from Z2_EXEONLYSECT[3:3] when a read is issued to Z2_EXEONLYSECT address location in OTP. 0 : Execute-Only protection is enabled for Flash Sector D (only if it's allocated to Zone2) 1 : Execute-Only protection is disabled for Flash Sector D (only if it's allocated to Zone2) Reset type: SYSRSn



**Table 3-212. Z2\_EXEONLYSECTR Register Field Descriptions (continued)**

Bit	Field	Type	Reset	Description
2	EXEONLY_SECTC	R	0h	Value in this field gets loaded from Z2_EXEONLYSECT[2:2] when a read is issued to Z2_EXEONLYSECT address location in OTP. 0 : Execute-Only protection is enabled for Flash Sector C (only if it's allocated to Zone2) 1 : Execute-Only protection is disabled for Flash Sector C (only if it's allocated to Zone2) Reset type: SYSRSn
1	EXEONLY_SECTB	R	0h	Value in this field gets loaded from Z2_EXEONLYSECT[1:1] when a read is issued to Z2_EXEONLYSECT address location in OTP. 0 : Execute-Only protection is enabled for Flash Sector B (only if it's allocated to Zone2) 1 : Execute-Only protection is disabled for Flash Sector B (only if it's allocated to Zone2) Reset type: SYSRSn
0	EXEONLY_SECTA	R	0h	Value in this field gets loaded from Z2_EXEONLYSECT[0:0] when a read is issued to Z2_EXEONLYSECT address location in OTP. 0 : Execute-Only protection is enabled for Flash Sector A (only if it's allocated to Zone2) 1 : Execute-Only protection is disabled for Flash Sector A (only if it's allocated to Zone2) Reset type: SYSRSn

### 3.17.14.13 Z2\_EXEONLYRAMR Register (Offset = 20h) [Reset = 0000000h]

Z2\_EXEONLYRAMR is shown in [Figure 3-190](#) and described in [Table 3-213](#).

Return to the [Summary Table](#).

Zone 2 RAM Execute\_Only Block Register

**Figure 3-190. Z2\_EXEONLYRAMR Register**

31	30	29	28	27	26	25	24
RESERVED							
R-0-0h							
23	22	21	20	19	18	17	16
RESERVED							
R-0-0h							
15	14	13	12	11	10	9	8
RESERVED							
R-0-0h							
7	6	5	4	3	2	1	0
EXEONLY_RA M7	EXEONLY_RA M6	EXEONLY_RA M5	EXEONLY_RA M4	EXEONLY_RA M3	EXEONLY_RA M2	EXEONLY_RA M1	EXEONLY_RA M0
R-0h	R-0h	R-0h	R-0h	R-0h	R-0h	R-0h	R-0h

**Table 3-213. Z2\_EXEONLYRAMR Register Field Descriptions**

Bit	Field	Type	Reset	Description
31-16	RESERVED	R-0	0h	Reserved
15-8	RESERVED	R-0	0h	Reserved
7	EXEONLY_RAM7	R	0h	Value in this field gets loaded from Z2_EXEONLYRAM[7:7] when a read is issued to Z2_EXEONLYRAM address location in OTP. 0 : Execute-Only protection is enabled for D1 RAM (only if it's allocated to Zone2) 1 : Execute-Only protection is disabled for D1 RAM (only if it's allocated to Zone2) Reset type: SYSRSn
6	EXEONLY_RAM6	R	0h	Value in this field gets loaded from Z2_EXEONLYRAM[6:6] when a read is issued to Z2_EXEONLYRAM address location in OTP. 0 : Execute-Only protection is enabled for D0 RAM (only if it's allocated to Zone2) 1 : Execute-Only protection is disabled for D0 RAM (only if it's allocated to Zone2) Reset type: SYSRSn
5	EXEONLY_RAM5	R	0h	Value in this field gets loaded from Z2_EXEONLYRAM[5:5] when a read is issued to Z2_EXEONLYRAM address location in OTP. 0 : Execute-Only protection is enabled for LS5 RAM (only if it's allocated to Zone2) 1 : Execute-Only protection is disabled for LS5 RAM (only if it's allocated to Zone2) Reset type: SYSRSn
4	EXEONLY_RAM4	R	0h	Value in this field gets loaded from Z2_EXEONLYRAM[4:4] when a read is issued to Z2_EXEONLYRAM address location in OTP. 0 : Execute-Only protection is enabled for LS4 RAM (only if it's allocated to Zone2) 1 : Execute-Only protection is disabled for LS4 RAM (only if it's allocated to Zone2) Reset type: SYSRSn

**Table 3-213. Z2\_EXEONLYRAMR Register Field Descriptions (continued)**

Bit	Field	Type	Reset	Description
3	EXEONLY_RAM3	R	0h	Value in this field gets loaded from Z2_EXEONLYRAM[3:3] when a read is issued to Z2_EXEONLYRAM address location in OTP. 0 : Execute-Only protection is enabled for LS3 RAM (only if it's allocated to Zone2) 1 : Execute-Only protection is disabled for LS3 RAM (only if it's allocated to Zone2) Reset type: SYSRSn
2	EXEONLY_RAM2	R	0h	Value in this field gets loaded from Z2_EXEONLYRAM[2:2] when a read is issued to Z2_EXEONLYRAM address location in OTP. 0 : Execute-Only protection is enabled for LS2 RAM (only if it's allocated to Zone2) 1 : Execute-Only protection is disabled for LS2 RAM (only if it's allocated to Zone2) Reset type: SYSRSn
1	EXEONLY_RAM1	R	0h	Value in this field gets loaded from Z2_EXEONLYRAM[1:1] when a read is issued to Z2_EXEONLYRAM address location in OTP. 0 : Execute-Only protection is enabled for LS1 RAM (only if it's allocated to Zone2) 1 : Execute-Only protection is disabled for LS1 RAM (only if it's allocated to Zone2) Reset type: SYSRSn
0	EXEONLY_RAM0	R	0h	Value in this field gets loaded from Z2_EXEONLYRAM[0:0] when a read is issued to Z2_EXEONLYRAM address location in OTP. 0 : Execute-Only protection is enabled for LS0 RAM (only if it's allocated to Zone2) 1 : Execute-Only protection is disabled for LS0 RAM (only if it's allocated to Zone2) Reset type: SYSRSn

### 3.17.15 DCSM\_COMMON\_REGS Registers

Table 3-214 lists the memory-mapped registers for the DCSM\_COMMON\_REGS registers. All register offset addresses not listed in Table 3-214 should be considered as reserved locations and the register contents should not be modified.

**Table 3-214. DCSM\_COMMON\_REGS Registers**

Offset	Acronym	Register Name	Write Protection	Section
0h	FLSEM	Flash Wrapper Semaphore Register	EALLOW	<a href="#">Go</a>
2h	SECTSTAT	Sectors Status Register		<a href="#">Go</a>
4h	RAMSTAT	RAM Status Register		<a href="#">Go</a>

Complex bit access types are encoded to fit into small table cells. Table 3-215 shows the codes that are used for access types in this section.

**Table 3-215. DCSM\_COMMON\_REGS Access Type Codes**

Access Type	Code	Description
Read Type		
R	R	Read
R-0	R -0	Read Returns 0s
Write Type		
W	W	Write
Reset or Default Value		
-n		Value after reset or the default value
Register Array Variables		
i,j,k,l,m,n		When these variables are used in a register name, an offset, or an address, they refer to the value of a register array where the register is part of a group of repeating registers. The register groups form a hierarchical structure and the array is represented with a formula.
y		When this variable is used in a register name, an offset, or an address it refers to the value of a register array.

### 3.17.15.1 FLSEM Register (Offset = 0h) [Reset = 0000000h]

FLSEM is shown in [Figure 3-191](#) and described in [Table 3-216](#).

Return to the [Summary Table](#).

Flash Wrapper Semaphore Register

**Figure 3-191. FLSEM Register**

31	30	29	28	27	26	25	24	23	22	21	20	19	18	17	16
RESERVED															
R-0h															
15	14	13	12	11	10	9	8	7	6	5	4	3	2	1	0
KEY								RESERVED						SEM	
R-0/W-0h								R-0h						R/W-0h	

**Table 3-216. FLSEM Register Field Descriptions**

Bit	Field	Type	Reset	Description
31-16	RESERVED	R	0h	Reserved
15-8	KEY	R-0/W	0h	Writing a value 0xA5 into this field will allow the writing of the SEM bits, else writes are ignored. Reads will return 0. Reset type: SYSRSn
7-2	RESERVED	R	0h	Reserved
1-0	SEM	R/W	0h	00 : C28X Flash Wrapper registers can be written by code running from non-secure zone. 01 : Flash Wrapper registers can be written by code running from Zone1 security zone only. User must set this value to perform flash operation on flash sectors of Zone1. 10 : C28X Flash Wrapper registers can be written by code running from Zone2 security zone only. User must set this value to perform flash operation on flash sectors of Zone2. 11 : C28X Flash Wrapper registers can be written by code running from non-secure zone. Allowed State Transitions in this field. 00 to 11 : Code running from anywhere. 11 to 00 : Not allowed. 00/11 to 01 : Code running from Zone1 only can perform this transition. 01 to 00/11 : Code running from Zone1 only can perform this transition. 00/11 to 10 : Code running from Zone2 only can perform this transition. 10 to 00/11 : Code running from Zone2 can perform this transition Reset type: SYSRSn

### 3.17.15.2 SECTSTAT Register (Offset = 2h) [Reset = 0000000h]

SECTSTAT is shown in [Figure 3-192](#) and described in [Table 3-217](#).

Return to the [Summary Table](#).

Sectors Status Register

**Figure 3-192. SECTSTAT Register**

31	30	29	28	27	26	25	24
RESERVED		STATUS_BANK1		STATUS_SECTN		STATUS_SECTM	
R-0h		R-0h		R-0h		R-0h	
23	22	21	20	19	18	17	16
STATUS_SECTL		STATUS_SECTK		STATUS_SECTJ		STATUS_SECTI	
R-0h		R-0h		R-0h		R-0h	
15	14	13	12	11	10	9	8
STATUS_SECTH		STATUS_SECTG		STATUS_SECTF		STATUS_SECTE	
R-0h		R-0h		R-0h		R-0h	
7	6	5	4	3	2	1	0
STATUS_SECTD		STATUS_SECTC		STATUS_SECTB		STATUS_SECTA	
R-0h		R-0h		R-0h		R-0h	

**Table 3-217. SECTSTAT Register Field Descriptions**

Bit	Field	Type	Reset	Description
31-30	RESERVED	R	0h	Reserved
29-28	STATUS_BANK1	R	0h	Reflects the status of flash BANK1. 00 : Sector is in-accessible 01 : Sector belongs to Zone1. 10 : Sector belongs to Zone2. 11: Sector is un-secure and code running in both zone have full access to it. Reset type: SYSRSn
27-26	STATUS_SECTN	R	0h	Reflects the status of flash sector N. 00 : Sector is in-accessible 01 : Sector belongs to Zone1. 10 : Sector belongs to Zone2. 11: Sector is un-secure and code running in both zone have full access to it. Reset type: SYSRSn
25-24	STATUS_SECTM	R	0h	Reflects the status of flash sector M. 00 : Sector is in-accessible 01 : Sector belongs to Zone1. 10 : Sector belongs to Zone2. 11: Sector is un-secure and code running in both zone have full access to it. Reset type: SYSRSn
23-22	STATUS_SECTL	R	0h	Reflects the status of flash sector L. 00 : Sector is in-accessible 01 : Sector belongs to Zone1. 10 : Sector belongs to Zone2. 11: Sector is un-secure and code running in both zone have full access to it. Reset type: SYSRSn

**Table 3-217. SECTSTAT Register Field Descriptions (continued)**

Bit	Field	Type	Reset	Description
21-20	STATUS_SECTK	R	0h	Reflects the status of flash sector K. 00 : Sector is in-accessible 01 : Sector belongs to Zone1. 10 : Sector belongs to Zone2. 11: Sector is un-secure and code running in both zone have full access to it. Reset type: SYSRSn
19-18	STATUS_SECTJ	R	0h	Reflects the status of flash sector J. 00 : Sector is in-accessible 01 : Sector belongs to Zone1. 10 : Sector belongs to Zone2. 11: Sector is un-secure and code running in both zone have full access to it. Reset type: SYSRSn
17-16	STATUS_SECTI	R	0h	Reflects the status of flash sector I. 00 : Sector is in-accessible 01 : Sector belongs to Zone1. 10 : Sector belongs to Zone2. 11: Sector is un-secure and code running in both zone have full access to it. Reset type: SYSRSn
15-14	STATUS_SECTH	R	0h	Reflects the status of flash sector H. 00 : Sector is in-accessible 01 : Sector belongs to Zone1. 10 : Sector belongs to Zone2. 11: Sector is un-secure and code running in both zone have full access to it. Reset type: SYSRSn
13-12	STATUS_SECTG	R	0h	Reflects the status of flash sector G. 00 : Sector is in-accessible 01 : Sector belongs to Zone1. 10 : Sector belongs to Zone2. 11: Sector is un-secure and code running in both zone have full access to it. Reset type: SYSRSn
11-10	STATUS_SECTF	R	0h	Reflects the status of flash sector F. 00 : Sector is in-accessible 01 : Sector belongs to Zone1. 10 : Sector belongs to Zone2. 11: Sector is un-secure and code running in both zone have full access to it. Reset type: SYSRSn
9-8	STATUS_SECTE	R	0h	Reflects the status of flash sector E. 00 : Sector is in-accessible 01 : Sector belongs to Zone1. 10 : Sector belongs to Zone2. 11: Sector is un-secure and code running in both zone have full access to it. Reset type: SYSRSn
7-6	STATUS_SECTD	R	0h	Reflects the status of flash sector D. 00 : Sector is in-accessible 01 : Sector belongs to Zone1. 10 : Sector belongs to Zone2. 11: Sector is un-secure and code running in both zone have full access to it. Reset type: SYSRSn

**Table 3-217. SECTSTAT Register Field Descriptions (continued)**

Bit	Field	Type	Reset	Description
5-4	STATUS_SECTC	R	0h	Reflects the status of flash sector C. 00 : Sector is in-accessible 01 : Sector belongs to Zone1. 10 : Sector belongs to Zone2. 11: Sector is un-secure and code running in both zone have full access to it. Reset type: SYSRSn
3-2	STATUS_SECTB	R	0h	Reflects the status of flash sector B. 00 : Sector is in-accessible 01 : Sector belongs to Zone1. 10 : Sector belongs to Zone2. 11: Sector is un-secure and code running in both zone have full access to it. Reset type: SYSRSn
1-0	STATUS_SECTA	R	0h	Reflects the status of flash sector A. 00 : Sector is in-accessible 01 : Sector belongs to Zone1. 10 : Sector belongs to Zone2. 11: Sector is un-secure and code running in both zone have full access to it. Reset type: SYSRSn



### 3.17.15.3 RAMSTAT Register (Offset = 4h) [Reset = 0000000h]

RAMSTAT is shown in [Figure 3-193](#) and described in [Table 3-218](#).

Return to the [Summary Table](#).

RAM Status Register

**Figure 3-193. RAMSTAT Register**

31	30	29	28	27	26	25	24
RESERVED		STATUS_CLA1		RESERVED			
R-0h		R-0h		R-0h			
23	22	21	20	19	18	17	16
RESERVED							
R-0h							
15	14	13	12	11	10	9	8
STATUS_RAM7		STATUS_RAM6		STATUS_RAM5		STATUS_RAM4	
R-0h		R-0h		R-0h		R-0h	
7	6	5	4	3	2	1	0
STATUS_RAM3		STATUS_RAM2		STATUS_RAM1		STATUS_RAM0	
R-0h		R-0h		R-0h		R-0h	

**Table 3-218. RAMSTAT Register Field Descriptions**

Bit	Field	Type	Reset	Description
31-30	RESERVED	R	0h	Reserved
29-28	STATUS_CLA1	R	0h	Reflects the status of CLA1. 00 : CLA is in-accessible 01 : CLA belongs to Zone1. 10 : CLA belongs to Zone2. 11: CLA is un-secure and code running in both zone have full access to it. Reset type: SYSRSn
27-16	RESERVED	R	0h	Reserved
15-14	STATUS_RAM7	R	0h	Reflects the status of D1 RAM. 00 : RAM is in-accessible 01 : RAM belongs to Zone1. 10 : RAM belongs to Zone2. 11: RAM is un-secure and code running in both zone have full access to it. Reset type: SYSRSn
13-12	STATUS_RAM6	R	0h	Reflects the status of D0 RAM. 00 : RAM is in-accessible 01 : RAM belongs to Zone1. 10 : RAM belongs to Zone2. 11: RAM is un-secure and code running in both zone have full access to it. Reset type: SYSRSn
11-10	STATUS_RAM5	R	0h	Reflects the status of LS5 RAM. 00 : RAM is in-accessible 01 : RAM belongs to Zone1. 10 : RAM belongs to Zone2. 11: RAM is un-secure and code running in both zone have full access to it. Reset type: SYSRSn

**Table 3-218. RAMSTAT Register Field Descriptions (continued)**

Bit	Field	Type	Reset	Description
9-8	STATUS_RAM4	R	0h	Reflects the status of LS4 RAM. 00 : RAM is in-accessible 01 : RAM belongs to Zone1. 10 : RAM belongs to Zone2. 11: RAM is un-secure and code running in both zone have full access to it. Reset type: SYSRSn
7-6	STATUS_RAM3	R	0h	Reflects the status of LS3 RAM. 00 : RAM is in-accessible 01 : RAM belongs to Zone1. 10 : RAM belongs to Zone2. 11: RAM is un-secure and code running in both zone have full access to it. Reset type: SYSRSn
5-4	STATUS_RAM2	R	0h	Reflects the status of LS2 RAM. 00 : RAM is in-accessible 01 : RAM belongs to Zone1. 10 : RAM belongs to Zone2. 11: RAM is un-secure and code running in both zone have full access to it. Reset type: SYSRSn
3-2	STATUS_RAM1	R	0h	Reflects the status of LS1 RAM. 00 : RAM is in-accessible 01 : RAM belongs to Zone1. 10 : RAM belongs to Zone2. 11: RAM is un-secure and code running in both zone have full access to it. Reset type: SYSRSn
1-0	STATUS_RAM0	R	0h	Reflects the status of LS0 RAM. 00 : RAM is in-accessible 01 : RAM belongs to Zone1. 10 : RAM belongs to Zone2. 11: RAM is un-secure and code running in both zone have full access to it. Reset type: SYSRSn

### 3.17.16 MEM\_CFG\_REGS Registers

Table 3-219 lists the memory-mapped registers for the MEM\_CFG\_REGS registers. All register offset addresses not listed in Table 3-219 should be considered as reserved locations and the register contents should not be modified.

**Table 3-219. MEM\_CFG\_REGS Registers**

Offset	Acronym	Register Name	Write Protection	Section
0h	DxLOCK	Dedicated RAM Config Lock Register	EALLOW	<a href="#">Go</a>
2h	DxCOMMIT	Dedicated RAM Config Lock Commit Register	EALLOW	<a href="#">Go</a>
8h	DxACCPROT0	Dedicated RAM Config Register	EALLOW	<a href="#">Go</a>
10h	DxTEST	Dedicated RAM TEST Register	EALLOW	<a href="#">Go</a>
12h	DxINIT	Dedicated RAM Init Register	EALLOW	<a href="#">Go</a>
14h	DxINITDONE	Dedicated RAM InitDone Status Register		<a href="#">Go</a>
20h	LSxLOCK	Local Shared RAM Config Lock Register	EALLOW	<a href="#">Go</a>
22h	LSxCOMMIT	Local Shared RAM Config Lock Commit Register	EALLOW	<a href="#">Go</a>
24h	LSxMSEL	Local Shared RAM Master Sel Register	EALLOW	<a href="#">Go</a>
26h	LSxCLAPGM	Local Shared RAM Prog/Exe control Register	EALLOW	<a href="#">Go</a>
28h	LSxACCPROT0	Local Shared RAM Config Register 0	EALLOW	<a href="#">Go</a>
2Ah	LSxACCPROT1	Local Shared RAM Config Register 1	EALLOW	<a href="#">Go</a>
30h	LSxTEST	Local Shared RAM TEST Register	EALLOW	<a href="#">Go</a>
32h	LSxINIT	Local Shared RAM Init Register	EALLOW	<a href="#">Go</a>
34h	LSxINITDONE	Local Shared RAM InitDone Status Register		<a href="#">Go</a>
40h	GSxLOCK	Global Shared RAM Config Lock Register	EALLOW	<a href="#">Go</a>
42h	GSxCOMMIT	Global Shared RAM Config Lock Commit Register	EALLOW	<a href="#">Go</a>
48h	GSxACCPROT0	Global Shared RAM Config Register 0	EALLOW	<a href="#">Go</a>
4Ah	GSxACCPROT1	Global Shared RAM Config Register 1	EALLOW	<a href="#">Go</a>
4Ch	GSxACCPROT2	Global Shared RAM Config Register 2	EALLOW	<a href="#">Go</a>
4Eh	GSxACCPROT3	Global Shared RAM Config Register 3	EALLOW	<a href="#">Go</a>
50h	GSxTEST	Global Shared RAM TEST Register	EALLOW	<a href="#">Go</a>
52h	GSxINIT	Global Shared RAM Init Register	EALLOW	<a href="#">Go</a>
54h	GSxINITDONE	Global Shared RAM InitDone Status Register		<a href="#">Go</a>
70h	MSGxTEST	Message RAM TEST Register	EALLOW	<a href="#">Go</a>
72h	MSGxINIT	Message RAM Init Register	EALLOW	<a href="#">Go</a>
74h	MSGxINITDONE	Message RAM InitDone Status Register		<a href="#">Go</a>

Complex bit access types are encoded to fit into small table cells. Table 3-220 shows the codes that are used for access types in this section.

**Table 3-220. MEM\_CFG\_REGS Access Type Codes**

Access Type	Code	Description
Read Type		
R	R	Read
R-0	R-0	Read Returns 0s
Write Type		
W	W	Write
W1S	W1S	Write 1 to set

**Table 3-220. MEM\_CFG\_REGS Access Type Codes (continued)**

Access Type	Code	Description
WOnce	W Once	Write Set once
Reset or Default Value		
-n		Value after reset or the default value
Register Array Variables		
i,j,k,l,m,n		When these variables are used in a register name, an offset, or an address, they refer to the value of a register array where the register is part of a group of repeating registers. The register groups form a hierarchical structure and the array is represented with a formula.
y		When this variable is used in a register name, an offset, or an address it refers to the value of a register array.

### 3.17.16.1 DxLOCK Register (Offset = 0h) [Reset = 0000000h]

DxLOCK is shown in [Figure 3-194](#) and described in [Table 3-221](#).

Return to the [Summary Table](#).

Dedicated RAM Config Lock Register

**Figure 3-194. DxLOCK Register**

31	30	29	28	27	26	25	24
RESERVED							
R-0h							
23	22	21	20	19	18	17	16
RESERVED							
R-0h							
15	14	13	12	11	10	9	8
RESERVED							
R-0h							
7	6	5	4	3	2	1	0
RESERVED				LOCK_D1	LOCK_D0	RESERVED	
R-0h				R/W-0h	R/W-0h	R-0h	

**Table 3-221. DxLOCK Register Field Descriptions**

Bit	Field	Type	Reset	Description
31-16	RESERVED	R	0h	Reserved
15-4	RESERVED	R	0h	Reserved
3	LOCK_D1	R/W	0h	Locks the write to access protection and master select fields for D1 RAM: 0: Write to ACCPROT and Mselect fields are allowed. 1: Write to ACCPROT and Mselect fields are blocked. Reset type: SYSRSn
2	LOCK_D0	R/W	0h	Locks the write to access protection and master select fields for D0 RAM: 0: Write to ACCPROT and Mselect fields are allowed. 1: Write to ACCPROT and Mselect fields are blocked. Reset type: SYSRSn
1-0	RESERVED	R	0h	Reserved

### 3.17.16.2 DxCOMMIT Register (Offset = 2h) [Reset = 0000000h]

DxCOMMIT is shown in [Figure 3-195](#) and described in [Table 3-222](#).

Return to the [Summary Table](#).

Dedicated RAM Config Lock Commit Register

**Figure 3-195. DxCOMMIT Register**

31	30	29	28	27	26	25	24
RESERVED							
R-0h							
23	22	21	20	19	18	17	16
RESERVED							
R-0h							
15	14	13	12	11	10	9	8
RESERVED							
R-0h							
7	6	5	4	3	2	1	0
RESERVED				COMMIT_D1	COMMIT_D0	RESERVED	
R-0h				R/WOnce-0h	R/WOnce-0h	R-0h	

**Table 3-222. DxCOMMIT Register Field Descriptions**

Bit	Field	Type	Reset	Description
31-16	RESERVED	R	0h	Reserved
15-4	RESERVED	R	0h	Reserved
3	COMMIT_D1	R/WOnce	0h	Permanently Locks the write to access protection and master select fields for D1 RAM: 0: Write to ACCPROT and Mselect fields are allowed based on value of lock field in DxLOCK register. 1: Write to ACCPROT and Mselect fields are permanently blocked. Reset type: SYSRSn
2	COMMIT_D0	R/WOnce	0h	Permanently Locks the write to access protection and master select fields for D0 RAM: 0: Write to ACCPROT and Mselect fields are allowed based on value of lock field in DxLOCK register. 1: Write to ACCPROT and Mselect fields are permanently blocked. Reset type: SYSRSn
1-0	RESERVED	R	0h	Reserved

### 3.17.16.3 DxACCPROT0 Register (Offset = 8h) [Reset = 0000000h]

DxACCPROT0 is shown in [Figure 3-196](#) and described in [Table 3-223](#).

Return to the [Summary Table](#).

Dedicated RAM Config Register

**Figure 3-196. DxACCPROT0 Register**

31	30	29	28	27	26	25	24
RESERVED						CPUWRPROT_ D1	FETCHPROT_ D1
R-0h						R/W-0h	R/W-0h
23	22	21	20	19	18	17	16
RESERVED						CPUWRPROT_ D0	FETCHPROT_ D0
R-0h						R/W-0h	R/W-0h
15	14	13	12	11	10	9	8
RESERVED							
R-0h							
7	6	5	4	3	2	1	0
RESERVED							
R-0h							

**Table 3-223. DxACCPROT0 Register Field Descriptions**

Bit	Field	Type	Reset	Description
31-26	RESERVED	R	0h	Reserved
25	CPUWRPROT_D1	R/W	0h	CPU WR Protection For D1 RAM: 0: CPU Writes are allowed. 1: CPU Writes are blocked. Reset type: SYSRSn
24	FETCHPROT_D1	R/W	0h	Fetch Protection For D1 RAM: 0: CPU Fetch are allowed. 1: CPU Fetch are blocked. Reset type: SYSRSn
23-18	RESERVED	R	0h	Reserved
17	CPUWRPROT_D0	R/W	0h	CPU WR Protection For D0 RAM: 0: CPU Writes are allowed. 1: CPU Writes are block. Reset type: SYSRSn
16	FETCHPROT_D0	R/W	0h	Fetch Protection For D0 RAM: 0: CPU Fetch are allowed. 1: CPU Fetch are blocked. Reset type: SYSRSn
15-0	RESERVED	R	0h	Reserved

### 3.17.16.4 DxTEST Register (Offset = 10h) [Reset = 0000000h]

DxTEST is shown in [Figure 3-197](#) and described in [Table 3-224](#).

Return to the [Summary Table](#).

Dedicated RAM TEST Register

**Figure 3-197. DxTEST Register**

31	30	29	28	27	26	25	24
RESERVED							
R-0h							
23	22	21	20	19	18	17	16
RESERVED							
R-0h							
15	14	13	12	11	10	9	8
RESERVED							
R-0h							
7	6	5	4	3	2	1	0
TEST_D1		TEST_D0		TEST_M1		TEST_M0	
R/W-0h		R/W-0h		R/W-0h		R/W-0h	

**Table 3-224. DxTEST Register Field Descriptions**

Bit	Field	Type	Reset	Description
31-16	RESERVED	R	0h	Reserved
15-8	RESERVED	R	0h	Reserved
7-6	TEST_D1	R/W	0h	Selects the different modes for D1 RAM: 00: Functional Mode. 01: Writes are allowed to data bits only. No write to ECC bits. 10: Writes are allowed to ECC bits only. No write to data bits. 11: Functional Mode. Reset type: SYSRSn
5-4	TEST_D0	R/W	0h	Selects the different modes for D0 RAM: 00: Functional Mode. 01: Writes are allowed to data bits only. No write to ECC bits. 10: Writes are allowed to ECC bits only. No write to data bits. 11: Functional Mode. Reset type: SYSRSn
3-2	TEST_M1	R/W	0h	Selects the different modes for M1 RAM: 00: Functional Mode. 01: Writes are allowed to data bits only. No write to ECC bits. 10: Writes are allowed to ECC bits only. No write to data bits. 11: Functional Mode. Reset type: SYSRSn
1-0	TEST_M0	R/W	0h	Selects the different modes for M0 RAM: 00: Functional Mode. 01: Writes are allowed to data bits only. No write to ECC bits. 10: Writes are allowed to ECC bits only. No write to data bits. 11: Functional Mode. Reset type: SYSRSn



### 3.17.16.5 DxINIT Register (Offset = 12h) [Reset = 0000000h]

DxINIT is shown in [Figure 3-198](#) and described in [Table 3-225](#).

Return to the [Summary Table](#).

Dedicated RAM Init Register

**Figure 3-198. DxINIT Register**

31	30	29	28	27	26	25	24
RESERVED							
R-0h							
23	22	21	20	19	18	17	16
RESERVED							
R-0h							
15	14	13	12	11	10	9	8
RESERVED							
R-0h							
7	6	5	4	3	2	1	0
RESERVED				INIT_D1	INIT_D0	INIT_M1	INIT_M0
R-0h				R-0/W1S-0h	R-0/W1S-0h	R-0/W1S-0h	R-0/W1S-0h

**Table 3-225. DxINIT Register Field Descriptions**

Bit	Field	Type	Reset	Description
31-16	RESERVED	R	0h	Reserved
15-4	RESERVED	R	0h	Reserved
3	INIT_D1	R-0/W1S	0h	RAM Initialization control for D1 RAM: 0: None. 1: Start RAM Initialization. Reset type: SYSRSn
2	INIT_D0	R-0/W1S	0h	RAM Initialization control for D0 RAM: 0: None. 1: Start RAM Initialization. Reset type: SYSRSn
1	INIT_M1	R-0/W1S	0h	RAM Initialization control for M1 RAM: 0: None. 1: Start RAM Initialization. Reset type: SYSRSn
0	INIT_M0	R-0/W1S	0h	RAM Initialization control for M0 RAM: 0: None. 1: Start RAM Initialization. Reset type: SYSRSn

### 3.17.16.6 DxINITDONE Register (Offset = 14h) [Reset = 0000000h]

DxINITDONE is shown in [Figure 3-199](#) and described in [Table 3-226](#).

Return to the [Summary Table](#).

Dedicated RAM InitDone Status Register

**Figure 3-199. DxINITDONE Register**

31	30	29	28	27	26	25	24
RESERVED							
R-0h							
23	22	21	20	19	18	17	16
RESERVED							
R-0h							
15	14	13	12	11	10	9	8
RESERVED							
R-0h							
7	6	5	4	3	2	1	0
RESERVED				INITDONE_D1	INITDONE_D0	INITDONE_M1	INITDONE_M0
R-0h				R-0h	R-0h	R-0h	R-0h

**Table 3-226. DxINITDONE Register Field Descriptions**

Bit	Field	Type	Reset	Description
31-16	RESERVED	R	0h	Reserved
15-4	RESERVED	R	0h	Reserved
3	INITDONE_D1	R	0h	RAM Initialization status for D1 RAM: 0: RAM Initialization is not done. 1: RAM Initialization is done. Reset type: SYSRSn
2	INITDONE_D0	R	0h	RAM Initialization status for D0 RAM: 0: RAM Initialization is not done. 1: RAM Initialization is done. Reset type: SYSRSn
1	INITDONE_M1	R	0h	RAM Initialization status for M1 RAM: 0: RAM Initialization is not done. 1: RAM Initialization is done. Reset type: SYSRSn
0	INITDONE_M0	R	0h	RAM Initialization status for M0 RAM: 0: RAM Initialization is not done. 1: RAM Initialization is done. Reset type: SYSRSn

### 3.17.16.7 LSxLOCK Register (Offset = 20h) [Reset = 0000000h]

LSxLOCK is shown in [Figure 3-200](#) and described in [Table 3-227](#).

Return to the [Summary Table](#).

Local Shared RAM Config Lock Register

**Figure 3-200. LSxLOCK Register**

31	30	29	28	27	26	25	24
RESERVED							
R-0h							
23	22	21	20	19	18	17	16
RESERVED							
R-0h							
15	14	13	12	11	10	9	8
RESERVED							
R-0h							
7	6	5	4	3	2	1	0
RESERVED		LOCK_LS5	LOCK_LS4	LOCK_LS3	LOCK_LS2	LOCK_LS1	LOCK_LS0
R-0h		R/W-0h	R/W-0h	R/W-0h	R/W-0h	R/W-0h	R/W-0h

**Table 3-227. LSxLOCK Register Field Descriptions**

Bit	Field	Type	Reset	Description
31-16	RESERVED	R	0h	Reserved
15-6	RESERVED	R	0h	Reserved
5	LOCK_LS5	R/W	0h	Locks the write to access protection and master select fields for LS5 RAM: 0: Write to ACCPROT and Mselect fields are allowed. 1: Write to ACCPROT and Mselect fields are blocked. Reset type: SYSRSn
4	LOCK_LS4	R/W	0h	Locks the write to access protection and master select fields for LS4 RAM: 0: Write to ACCPROT and Mselect fields are allowed. 1: Write to ACCPROT and Mselect fields are blocked. Reset type: SYSRSn
3	LOCK_LS3	R/W	0h	Locks the write to access protection and master select fields for LS3 RAM: 0: Write to ACCPROT and Mselect fields are allowed. 1: Write to ACCPROT and Mselect fields are blocked. Reset type: SYSRSn
2	LOCK_LS2	R/W	0h	Locks the write to access protection and master select fields for LS2 RAM: 0: Write to ACCPROT and Mselect fields are allowed. 1: Write to ACCPROT and Mselect fields are blocked. Reset type: SYSRSn
1	LOCK_LS1	R/W	0h	Locks the write to access protection and master select fields for LS1 RAM: 0: Write to ACCPROT and Mselect fields are allowed. 1: Write to ACCPROT and Mselect fields are blocked. Reset type: SYSRSn

**Table 3-227. LSxLOCK Register Field Descriptions (continued)**

Bit	Field	Type	Reset	Description
0	LOCK_LS0	R/W	0h	Locks the write to access protection and master select fields for LS0 RAM: 0: Write to ACCPROT and Mselect fields are allowed. 1: Write to ACCPROT and Mselect fields are blocked. Reset type: SYSRSn

### 3.17.16.8 LSxCOMMIT Register (Offset = 22h) [Reset = 0000000h]

LSxCOMMIT is shown in [Figure 3-201](#) and described in [Table 3-228](#).

Return to the [Summary Table](#).

Local Shared RAM Config Lock Commit Register

**Figure 3-201. LSxCOMMIT Register**

31	30	29	28	27	26	25	24
RESERVED							
R-0h							
23	22	21	20	19	18	17	16
RESERVED							
R-0h							
15	14	13	12	11	10	9	8
RESERVED							
R-0h							
7	6	5	4	3	2	1	0
RESERVED		COMMIT_LS5	COMMIT_LS4	COMMIT_LS3	COMMIT_LS2	COMMIT_LS1	COMMIT_LS0
R-0h		R/WOnce-0h	R/WOnce-0h	R/WOnce-0h	R/WOnce-0h	R/WOnce-0h	R/WOnce-0h

**Table 3-228. LSxCOMMIT Register Field Descriptions**

Bit	Field	Type	Reset	Description
31-16	RESERVED	R	0h	Reserved
15-6	RESERVED	R	0h	Reserved
5	COMMIT_LS5	R/WOnce	0h	Permanently Locks the write to access protection and master select fields for LS5 RAM: 0: Write to ACCPROT and Mselect fields are allowed based on value of lock field in LSxLOCK register. 1: Write to ACCPROT and Mselect fields are permanently blocked. Reset type: SYSRSn
4	COMMIT_LS4	R/WOnce	0h	Permanently Locks the write to access protection and master select fields for LS4 RAM: 0: Write to ACCPROT and Mselect fields are allowed based on value of lock field in LSxLOCK register. 1: Write to ACCPROT and Mselect fields are permanently blocked. Reset type: SYSRSn
3	COMMIT_LS3	R/WOnce	0h	Permanently Locks the write to access protection and master select fields for LS3 RAM: 0: Write to ACCPROT and Mselect fields are allowed based on value of lock field in LSxLOCK register. 1: Write to ACCPROT and Mselect fields are permanently blocked. Reset type: SYSRSn
2	COMMIT_LS2	R/WOnce	0h	Permanently Locks the write to access protection and master select fields for LS2 RAM: 0: Write to ACCPROT and Mselect fields are allowed based on value of lock field in LSxLOCK register. 1: Write to ACCPROT and Mselect fields are permanently blocked. Reset type: SYSRSn
1	COMMIT_LS1	R/WOnce	0h	Permanently Locks the write to access protection and master select fields for LS1 RAM: 0: Write to ACCPROT and Mselect fields are allowed based on value of lock field in LSxLOCK register. 1: Write to ACCPROT and Mselect fields are permanently blocked. Reset type: SYSRSn

**Table 3-228. LSxCOMMIT Register Field Descriptions (continued)**

Bit	Field	Type	Reset	Description
0	COMMIT_LS0	R/WOnce	0h	Permanently Locks the write to access protection and master select fields for LS0 RAM: 0: Write to ACCPROT and Mselect fields are allowed based on value of lock field in LSxLOCK register. 1: Write to ACCPROT and Mselect fields are permanently blocked. Reset type: SYSRSn

### 3.17.16.9 LSxMSEL Register (Offset = 24h) [Reset = 0000000h]

LSxMSEL is shown in [Figure 3-202](#) and described in [Table 3-229](#).

Return to the [Summary Table](#).

Local Shared RAM Master Sel Register

**Figure 3-202. LSxMSEL Register**

31	30	29	28	27	26	25	24
RESERVED							
R-0h							
23	22	21	20	19	18	17	16
RESERVED							
R-0h							
15	14	13	12	11	10	9	8
RESERVED				MSEL_LS5		MSEL_LS4	
R-0h				R/W-0h		R/W-0h	
7	6	5	4	3	2	1	0
MSEL_LS3		MSEL_LS2		MSEL_LS1		MSEL_LS0	
R/W-0h		R/W-0h		R/W-0h		R/W-0h	

**Table 3-229. LSxMSEL Register Field Descriptions**

Bit	Field	Type	Reset	Description
31-16	RESERVED	R	0h	Reserved
15-12	RESERVED	R	0h	Reserved
11-10	MSEL_LS5	R/W	0h	Master Select for LS5 RAM: 00: Memory is dedicated to CPU. 01: Memory is shared between CPU and CLA1. 10: Reserved. 11: Reserved. Reset type: SYSRSn
9-8	MSEL_LS4	R/W	0h	Master Select for LS4 RAM: 00: Memory is dedicated to CPU. 01: Memory is shared between CPU and CLA1. 10: Reserved. 11: Reserved. Reset type: SYSRSn
7-6	MSEL_LS3	R/W	0h	Master Select for LS3 RAM: 00: Memory is dedicated to CPU. 01: Memory is shared between CPU and CLA1. 10: Reserved. 11: Reserved. Reset type: SYSRSn
5-4	MSEL_LS2	R/W	0h	Master Select for LS2 RAM: 00: Memory is dedicated to CPU. 01: Memory is shared between CPU and CLA1. 10: Reserved. 11: Reserved. Reset type: SYSRSn
3-2	MSEL_LS1	R/W	0h	Master Select for LS1 RAM: 00: Memory is dedicated to CPU. 01: Memory is shared between CPU and CLA1. 10: Reserved. 11: Reserved. Reset type: SYSRSn

**Table 3-229. LSxMSEL Register Field Descriptions (continued)**

Bit	Field	Type	Reset	Description
1-0	MSEL_LS0	R/W	0h	Master Select for LS0 RAM: 00: Memory is dedicated to CPU. 01: Memory is shared between CPU and CLA1. 10: Reserved. 11: Reserved. Reset type: SYSRSn



### 3.17.16.10 LSxCLAPGM Register (Offset = 26h) [Reset = 0000000h]

LSxCLAPGM is shown in [Figure 3-203](#) and described in [Table 3-230](#).

Return to the [Summary Table](#).

Local Shared RAM Prog/Exe control Register

**Figure 3-203. LSxCLAPGM Register**

31	30	29	28	27	26	25	24
RESERVED							
R-0h							
23	22	21	20	19	18	17	16
RESERVED							
R-0h							
15	14	13	12	11	10	9	8
RESERVED							
R-0h							
7	6	5	4	3	2	1	0
RESERVED		CLAPGM_LS5	CLAPGM_LS4	CLAPGM_LS3	CLAPGM_LS2	CLAPGM_LS1	CLAPGM_LS0
R-0h		R/W-0h	R/W-0h	R/W-0h	R/W-0h	R/W-0h	R/W-0h

**Table 3-230. LSxCLAPGM Register Field Descriptions**

Bit	Field	Type	Reset	Description
31-16	RESERVED	R	0h	Reserved
15-6	RESERVED	R	0h	Reserved
5	CLAPGM_LS5	R/W	0h	Selects LS5 RAM as program vs data memory for CLA: 0: CLA Data memory. 1: CLA Program memory. Reset type: SYSRSn
4	CLAPGM_LS4	R/W	0h	Selects LS4 RAM as program vs data memory for CLA: 0: CLA Data memory. 1: CLA Program memory. Reset type: SYSRSn
3	CLAPGM_LS3	R/W	0h	Selects LS3 RAM as program vs data memory for CLA: 0: CLA Data memory. 1: CLA Program memory. Reset type: SYSRSn
2	CLAPGM_LS2	R/W	0h	Selects LS2 RAM as program vs data memory for CLA: 0: CLA Data memory. 1: CLA Program memory. Reset type: SYSRSn
1	CLAPGM_LS1	R/W	0h	Selects LS1 RAM as program vs data memory for CLA: 0: CLA Data memory. 1: CLA Program memory. Reset type: SYSRSn
0	CLAPGM_LS0	R/W	0h	Selects LS0 RAM as program vs data memory for CLA: 0: CLA Data memory. 1: CLA Program memory. Reset type: SYSRSn

### 3.17.16.11 LSxACCPROT0 Register (Offset = 28h) [Reset = 0000000h]

LSxACCPROT0 is shown in [Figure 3-204](#) and described in [Table 3-231](#).

Return to the [Summary Table](#).

Local Shared RAM Config Register 0

**Figure 3-204. LSxACCPROT0 Register**

31	30	29	28	27	26	25	24
RESERVED						CPUWRPROT_ LS3	FETCHPROT_ LS3
R-0h						R/W-0h	R/W-0h
23	22	21	20	19	18	17	16
RESERVED						CPUWRPROT_ LS2	FETCHPROT_ LS2
R-0h						R/W-0h	R/W-0h
15	14	13	12	11	10	9	8
RESERVED						CPUWRPROT_ LS1	FETCHPROT_ LS1
R-0h						R/W-0h	R/W-0h
7	6	5	4	3	2	1	0
RESERVED						CPUWRPROT_ LS0	FETCHPROT_ LS0
R-0h						R/W-0h	R/W-0h

**Table 3-231. LSxACCPROT0 Register Field Descriptions**

Bit	Field	Type	Reset	Description
31-26	RESERVED	R	0h	Reserved
25	CPUWRPROT_LS3	R/W	0h	CPU WR Protection For LS3 RAM: 0: CPU Writes are allowed. 1: CPU Writes are blocked. Reset type: SYSRSn
24	FETCHPROT_LS3	R/W	0h	Fetch Protection For LS3 RAM: 0: CPU Fetch are allowed. 1: CPU Fetch are blocked. Reset type: SYSRSn
23-18	RESERVED	R	0h	Reserved
17	CPUWRPROT_LS2	R/W	0h	CPU WR Protection For LS2 RAM: 0: CPU Writes are allowed. 1: CPU Writes are blocked. Reset type: SYSRSn
16	FETCHPROT_LS2	R/W	0h	Fetch Protection For LS2 RAM: 0: CPU Fetch are allowed. 1: CPU Fetch are blocked. Reset type: SYSRSn
15-10	RESERVED	R	0h	Reserved
9	CPUWRPROT_LS1	R/W	0h	CPU WR Protection For LS1 RAM: 0: CPU Writes are allowed. 1: CPU Writes are blocked. Reset type: SYSRSn
8	FETCHPROT_LS1	R/W	0h	Fetch Protection For LS1 RAM: 0: CPU Fetch are allowed. 1: CPU Fetch are blocked. Reset type: SYSRSn

**Table 3-231. LSxACCPR0 Register Field Descriptions (continued)**

Bit	Field	Type	Reset	Description
7-2	RESERVED	R	0h	Reserved
1	CPUWRPROT_LS0	R/W	0h	CPU WR Protection For LS0 RAM: 0: CPU Writes are allowed. 1: CPU Writes are blocked. Reset type: SYSRSn
0	FETCHPROT_LS0	R/W	0h	Fetch Protection For LS0 RAM: 0: CPU Fetch are allowed. 1: CPU Fetch are blocked. Reset type: SYSRSn

### 3.17.16.12 LSxACCPROT1 Register (Offset = 2Ah) [Reset = 0000000h]

LSxACCPROT1 is shown in [Figure 3-205](#) and described in [Table 3-232](#).

Return to the [Summary Table](#).

Local Shared RAM Config Register 1

**Figure 3-205. LSxACCPROT1 Register**

31	30	29	28	27	26	25	24
RESERVED							
R-0h							
23	22	21	20	19	18	17	16
RESERVED							
R-0h							
15	14	13	12	11	10	9	8
RESERVED						CPUWRPROT_	FETCHPROT_L
						LS5	S5
R-0h						R/W-0h	R/W-0h
7	6	5	4	3	2	1	0
RESERVED						CPUWRPROT_	FETCHPROT_L
						LS4	S4
R-0h						R/W-0h	R/W-0h

**Table 3-232. LSxACCPROT1 Register Field Descriptions**

Bit	Field	Type	Reset	Description
31-16	RESERVED	R	0h	Reserved
15-10	RESERVED	R	0h	Reserved
9	CPUWRPROT_LS5	R/W	0h	CPU WR Protection For LS5 RAM: 0: CPU Writes are allowed. 1: CPU Writes are blocked. Reset type: SYSRSn
8	FETCHPROT_LS5	R/W	0h	Fetch Protection For LS5 RAM: 0: CPU Fetch are allowed. 1: CPU Fetch are blocked. Reset type: SYSRSn
7-2	RESERVED	R	0h	Reserved
1	CPUWRPROT_LS4	R/W	0h	CPU WR Protection For LS4 RAM: 0: CPU Writes are allowed. 1: CPU Writes are blocked. Reset type: SYSRSn
0	FETCHPROT_LS4	R/W	0h	Fetch Protection For LS4 RAM: 0: CPU Fetch are allowed. 1: CPU Fetch are blocked. Reset type: SYSRSn

### 3.17.16.13 LSxTEST Register (Offset = 30h) [Reset = 0000000h]

LSxTEST is shown in [Figure 3-206](#) and described in [Table 3-233](#).

Return to the [Summary Table](#).

Local Shared RAM TEST Register

**Figure 3-206. LSxTEST Register**

31	30	29	28	27	26	25	24
RESERVED							
R-0h							
23	22	21	20	19	18	17	16
RESERVED							
R-0h							
15	14	13	12	11	10	9	8
RESERVED				TEST_LS5		TEST_LS4	
R-0h				R/W-0h		R/W-0h	
7	6	5	4	3	2	1	0
TEST_LS3		TEST_LS2		TEST_LS1		TEST_LS0	
R/W-0h		R/W-0h		R/W-0h		R/W-0h	

**Table 3-233. LSxTEST Register Field Descriptions**

Bit	Field	Type	Reset	Description
31-16	RESERVED	R	0h	Reserved
15-12	RESERVED	R	0h	Reserved
11-10	TEST_LS5	R/W	0h	Selects the different modes for LS5 RAM: 00: Functional Mode. 01: Writes are allowed to data bits only. No write to parity bits. 10: Writes are allowed to parity bits only. No write to data bits. 11: Functional Mode. Reset type: SYSRSn
9-8	TEST_LS4	R/W	0h	Selects the different modes for LS4 RAM: 00: Functional Mode. 01: Writes are allowed to data bits only. No write to parity bits. 10: Writes are allowed to parity bits only. No write to data bits. 11: Functional Mode. Reset type: SYSRSn
7-6	TEST_LS3	R/W	0h	Selects the different modes for LS3 RAM: 00: Functional Mode. 01: Writes are allowed to data bits only. No write to parity bits. 10: Writes are allowed to parity bits only. No write to data bits. 11: Functional Mode. Reset type: SYSRSn
5-4	TEST_LS2	R/W	0h	Selects the different modes for LS2 RAM: 00: Functional Mode. 01: Writes are allowed to data bits only. No write to parity bits. 10: Writes are allowed to parity bits only. No write to data bits. 11: Functional Mode. Reset type: SYSRSn
3-2	TEST_LS1	R/W	0h	Selects the different modes for LS1 RAM: 00: Functional Mode. 01: Writes are allowed to data bits only. No write to parity bits. 10: Writes are allowed to parity bits only. No write to data bits. 11: Functional Mode. Reset type: SYSRSn

**Table 3-233. LSxTEST Register Field Descriptions (continued)**

Bit	Field	Type	Reset	Description
1-0	TEST_LS0	R/W	0h	Selects the different modes for LS0 RAM: 00: Functional Mode. 01: Writes are allowed to data bits only. No write to parity bits. 10: Writes are allowed to parity bits only. No write to data bits. 11: Functional Mode. Reset type: SYSRSn

### 3.17.16.14 LSxINIT Register (Offset = 32h) [Reset = 0000000h]

LSxINIT is shown in [Figure 3-207](#) and described in [Table 3-234](#).

Return to the [Summary Table](#).

Local Shared RAM Init Register

**Figure 3-207. LSxINIT Register**

31	30	29	28	27	26	25	24
RESERVED							
R-0h							
23	22	21	20	19	18	17	16
RESERVED							
R-0h							
15	14	13	12	11	10	9	8
RESERVED							
R-0h							
7	6	5	4	3	2	1	0
RESERVED		INIT_LS5	INIT_LS4	INIT_LS3	INIT_LS2	INIT_LS1	INIT_LS0
R-0h		R-0/W1S-0h	R-0/W1S-0h	R-0/W1S-0h	R-0/W1S-0h	R-0/W1S-0h	R-0/W1S-0h

**Table 3-234. LSxINIT Register Field Descriptions**

Bit	Field	Type	Reset	Description
31-16	RESERVED	R	0h	Reserved
15-6	RESERVED	R	0h	Reserved
5	INIT_LS5	R-0/W1S	0h	RAM Initialization control for LS5 RAM: 0: None. 1: Start RAM Initialization. Reset type: SYSRSn
4	INIT_LS4	R-0/W1S	0h	RAM Initialization control for LS4 RAM: 0: None. 1: Start RAM Initialization. Reset type: SYSRSn
3	INIT_LS3	R-0/W1S	0h	RAM Initialization control for LS3 RAM: 0: None. 1: Start RAM Initialization. Reset type: SYSRSn
2	INIT_LS2	R-0/W1S	0h	RAM Initialization control for LS2 RAM: 0: None. 1: Start RAM Initialization. Reset type: SYSRSn
1	INIT_LS1	R-0/W1S	0h	RAM Initialization control for LS1 RAM: 0: None. 1: Start RAM Initialization. Reset type: SYSRSn
0	INIT_LS0	R-0/W1S	0h	RAM Initialization control for LS0 RAM: 0: None. 1: Start RAM Initialization. Reset type: SYSRSn

### 3.17.16.15 LSxINITDONE Register (Offset = 34h) [Reset = 0000000h]

LSxINITDONE is shown in [Figure 3-208](#) and described in [Table 3-235](#).

Return to the [Summary Table](#).

Local Shared RAM InitDone Status Register

**Figure 3-208. LSxINITDONE Register**

31	30	29	28	27	26	25	24
RESERVED							
R-0h							
23	22	21	20	19	18	17	16
RESERVED							
R-0h							
15	14	13	12	11	10	9	8
RESERVED							
R-0h							
7	6	5	4	3	2	1	0
RESERVED		INITDONE_LS5	INITDONE_LS4	INITDONE_LS3	INITDONE_LS2	INITDONE_LS1	INITDONE_LS0
R-0h		R-0h	R-0h	R-0h	R-0h	R-0h	R-0h

**Table 3-235. LSxINITDONE Register Field Descriptions**

Bit	Field	Type	Reset	Description
31-16	RESERVED	R	0h	Reserved
15-6	RESERVED	R	0h	Reserved
5	INITDONE_LS5	R	0h	RAM Initialization status for LS5 RAM: 0: RAM Initialization is not done. 1: RAM Initialization is done. Reset type: SYSRSn
4	INITDONE_LS4	R	0h	RAM Initialization status for LS4 RAM: 0: RAM Initialization is not done. 1: RAM Initialization is done. Reset type: SYSRSn
3	INITDONE_LS3	R	0h	RAM Initialization status for LS3 RAM: 0: RAM Initialization is not done. 1: RAM Initialization is done. Reset type: SYSRSn
2	INITDONE_LS2	R	0h	RAM Initialization status for LS2 RAM: 0: RAM Initialization is not done. 1: RAM Initialization is done. Reset type: SYSRSn
1	INITDONE_LS1	R	0h	RAM Initialization status for LS1 RAM: 0: RAM Initialization is not done. 1: RAM Initialization is done. Reset type: SYSRSn
0	INITDONE_LS0	R	0h	RAM Initialization status for LS0 RAM: 0: RAM Initialization is not done. 1: RAM Initialization is done. Reset type: SYSRSn



### 3.17.16.16 GSxLOCK Register (Offset = 40h) [Reset = 0000000h]

GSxLOCK is shown in [Figure 3-209](#) and described in [Table 3-236](#).

Return to the [Summary Table](#).

Global Shared RAM Config Lock Register

**Figure 3-209. GSxLOCK Register**

31	30	29	28	27	26	25	24
RESERVED							
R-0h							
23	22	21	20	19	18	17	16
RESERVED							
R-0h							
15	14	13	12	11	10	9	8
LOCK_GS15	LOCK_GS14	LOCK_GS13	LOCK_GS12	LOCK_GS11	LOCK_GS10	LOCK_GS9	LOCK_GS8
R/W-0h	R/W-0h	R/W-0h	R/W-0h	R/W-0h	R/W-0h	R/W-0h	R/W-0h
7	6	5	4	3	2	1	0
LOCK_GS7	LOCK_GS6	LOCK_GS5	LOCK_GS4	LOCK_GS3	LOCK_GS2	LOCK_GS1	LOCK_GS0
R/W-0h	R/W-0h	R/W-0h	R/W-0h	R/W-0h	R/W-0h	R/W-0h	R/W-0h

**Table 3-236. GSxLOCK Register Field Descriptions**

Bit	Field	Type	Reset	Description
31-16	RESERVED	R	0h	Reserved
15	LOCK_GS15	R/W	0h	Locks the write to access protection and master select fields for GS15 RAM: 0: Write to ACCPROT and Mselect fields are allowed. 1: Write to ACCPROT and Mselect fields are blocked. Reset type: SYSRSn
14	LOCK_GS14	R/W	0h	Locks the write to access protection and master select fields for GS14 RAM: 0: Write to ACCPROT and Mselect fields are allowed. 1: Write to ACCPROT and Mselect fields are blocked. Reset type: SYSRSn
13	LOCK_GS13	R/W	0h	Locks the write to access protection and master select fields for GS13 RAM: 0: Write to ACCPROT and Mselect fields are allowed. 1: Write to ACCPROT and Mselect fields are blocked. Reset type: SYSRSn
12	LOCK_GS12	R/W	0h	Locks the write to access protection and master select fields for GS12 RAM: 0: Write to ACCPROT and Mselect fields are allowed. 1: Write to ACCPROT and Mselect fields are blocked. Reset type: SYSRSn
11	LOCK_GS11	R/W	0h	Locks the write to access protection and master select fields for GS11 RAM: 0: Write to ACCPROT and Mselect fields are allowed. 1: Write to ACCPROT and Mselect fields are blocked. Reset type: SYSRSn
10	LOCK_GS10	R/W	0h	Locks the write to access protection and master select fields for GS10 RAM: 0: Write to ACCPROT and Mselect fields are allowed. 1: Write to ACCPROT and Mselect fields are blocked. Reset type: SYSRSn

**Table 3-236. GSxLOCK Register Field Descriptions (continued)**

Bit	Field	Type	Reset	Description
9	LOCK_GS9	R/W	0h	Locks the write to access protection and master select fields for GS9 RAM: 0: Write to ACCPROT and Mselect fields are allowed. 1: Write to ACCPROT and Mselect fields are blocked. Reset type: SYSRSn
8	LOCK_GS8	R/W	0h	Locks the write to access protection and master select fields for GS8 RAM: 0: Write to ACCPROT and Mselect fields are allowed. 1: Write to ACCPROT and Mselect fields are blocked. Reset type: SYSRSn
7	LOCK_GS7	R/W	0h	Locks the write to access protection and master select fields for GS7 RAM: 0: Write to ACCPROT and Mselect fields are allowed. 1: Write to ACCPROT and Mselect fields are blocked. Reset type: SYSRSn
6	LOCK_GS6	R/W	0h	Locks the write to access protection and master select fields for GS6 RAM: 0: Write to ACCPROT and Mselect fields are allowed. 1: Write to ACCPROT and Mselect fields are blocked. Reset type: SYSRSn
5	LOCK_GS5	R/W	0h	Locks the write to access protection and master select fields for GS5 RAM: 0: Write to ACCPROT and Mselect fields are allowed. 1: Write to ACCPROT and Mselect fields are blocked. Reset type: SYSRSn
4	LOCK_GS4	R/W	0h	Locks the write to access protection and master select fields for GS4 RAM: 0: Write to ACCPROT and Mselect fields are allowed. 1: Write to ACCPROT and Mselect fields are blocked. Reset type: SYSRSn
3	LOCK_GS3	R/W	0h	Locks the write to access protection and master select fields for GS3 RAM: 0: Write to ACCPROT and Mselect fields are allowed. 1: Write to ACCPROT and Mselect fields are blocked. Reset type: SYSRSn
2	LOCK_GS2	R/W	0h	Locks the write to access protection and master select fields for GS2 RAM: 0: Write to ACCPROT and Mselect fields are allowed. 1: Write to ACCPROT and Mselect fields are blocked. Reset type: SYSRSn
1	LOCK_GS1	R/W	0h	Locks the write to access protection and master select fields for GS1 RAM: 0: Write to ACCPROT and Mselect fields are allowed. 1: Write to ACCPROT and Mselect fields are blocked. Reset type: SYSRSn
0	LOCK_GS0	R/W	0h	Locks the write to access protection and master select fields for GS0 RAM: 0: Write to ACCPROT and Mselect fields are allowed. 1: Write to ACCPROT and Mselect fields are blocked. Reset type: SYSRSn

### 3.17.16.17 GSxCOMMIT Register (Offset = 42h) [Reset = 0000000h]

GSxCOMMIT is shown in [Figure 3-210](#) and described in [Table 3-237](#).

Return to the [Summary Table](#).

Global Shared RAM Config Lock Commit Register

**Figure 3-210. GSxCOMMIT Register**

31	30	29	28	27	26	25	24
RESERVED							
R-0h							
23	22	21	20	19	18	17	16
RESERVED							
R-0h							
15	14	13	12	11	10	9	8
COMMIT_GS15	COMMIT_GS14	COMMIT_GS13	COMMIT_GS12	COMMIT_GS11	COMMIT_GS10	COMMIT_GS9	COMMIT_GS8
R/WOnce-0h	R/WOnce-0h	R/WOnce-0h	R/WOnce-0h	R/WOnce-0h	R/WOnce-0h	R/WOnce-0h	R/WOnce-0h
7	6	5	4	3	2	1	0
COMMIT_GS7	COMMIT_GS6	COMMIT_GS5	COMMIT_GS4	COMMIT_GS3	COMMIT_GS2	COMMIT_GS1	COMMIT_GS0
R/WOnce-0h	R/WOnce-0h	R/WOnce-0h	R/WOnce-0h	R/WOnce-0h	R/WOnce-0h	R/WOnce-0h	R/WOnce-0h

**Table 3-237. GSxCOMMIT Register Field Descriptions**

Bit	Field	Type	Reset	Description
31-16	RESERVED	R	0h	Reserved
15	COMMIT_GS15	R/WOnce	0h	Permanently Locks the write to access protection and master select fields for GS15 RAM: 0: Write to ACCPROT and Mselect fields are allowed based on value of lock field in GSxLOCK register. 1: Write to ACCPROT and Mselect fields are permanently blocked. Reset type: SYSRSn
14	COMMIT_GS14	R/WOnce	0h	Permanently Locks the write to access protection and master select fields for GS14 RAM: 0: Write to ACCPROT and Mselect fields are allowed based on value of lock field in GSxLOCK register. 1: Write to ACCPROT and Mselect fields are permanently blocked. Reset type: SYSRSn
13	COMMIT_GS13	R/WOnce	0h	Permanently Locks the write to access protection and master select fields for GS13 RAM: 0: Write to ACCPROT and Mselect fields are allowed based on value of lock field in GSxLOCK register. 1: Write to ACCPROT and Mselect fields are permanently blocked. Reset type: SYSRSn
12	COMMIT_GS12	R/WOnce	0h	Permanently Locks the write to access protection and master select fields for GS12 RAM: 0: Write to ACCPROT and Mselect fields are allowed based on value of lock field in GSxLOCK register. 1: Write to ACCPROT and Mselect fields are permanently blocked. Reset type: SYSRSn
11	COMMIT_GS11	R/WOnce	0h	Permanently Locks the write to access protection and master select fields for GS11 RAM: 0: Write to ACCPROT and Mselect fields are allowed based on value of lock field in GSxLOCK register. 1: Write to ACCPROT and Mselect fields are permanently blocked. Reset type: SYSRSn

**Table 3-237. GSxCOMMIT Register Field Descriptions (continued)**

Bit	Field	Type	Reset	Description
10	COMMIT_GS10	R/WOnce	0h	Permanently Locks the write to access protection and master select fields for GS10 RAM: 0: Write to ACCPROT and Mselect fields are allowed based on value of lock field in GSxLOCK register. 1: Write to ACCPROT and Mselect fields are permanently blocked. Reset type: SYSRSn
9	COMMIT_GS9	R/WOnce	0h	Permanently Locks the write to access protection and master select fields for GS9 RAM: 0: Write to ACCPROT and Mselect fields are allowed based on value of lock field in GSxLOCK register. 1: Write to ACCPROT and Mselect fields are permanently blocked. Reset type: SYSRSn
8	COMMIT_GS8	R/WOnce	0h	Permanently Locks the write to access protection and master select fields for GS8 RAM: 0: Write to ACCPROT and Mselect fields are allowed based on value of lock field in GSxLOCK register. 1: Write to ACCPROT and Mselect fields are permanently blocked. Reset type: SYSRSn
7	COMMIT_GS7	R/WOnce	0h	Permanently Locks the write to access protection and master select fields for GS7 RAM: 0: Write to ACCPROT and Mselect fields are allowed based on value of lock field in GSxLOCK register. 1: Write to ACCPROT and Mselect fields are permanently blocked. Reset type: SYSRSn
6	COMMIT_GS6	R/WOnce	0h	Permanently Locks the write to access protection and master select fields for GS6 RAM: 0: Write to ACCPROT and Mselect fields are allowed based on value of lock field in GSxLOCK register. 1: Write to ACCPROT and Mselect fields are permanently blocked. Reset type: SYSRSn
5	COMMIT_GS5	R/WOnce	0h	Permanently Locks the write to access protection and master select fields for GS5 RAM: 0: Write to ACCPROT and Mselect fields are allowed based on value of lock field in GSxLOCK register. 1: Write to ACCPROT and Mselect fields are permanently blocked. Reset type: SYSRSn
4	COMMIT_GS4	R/WOnce	0h	Permanently Locks the write to access protection and master select fields for GS4 RAM: 0: Write to ACCPROT and Mselect fields are allowed based on value of lock field in GSxLOCK register. 1: Write to ACCPROT and Mselect fields are permanently blocked. Reset type: SYSRSn
3	COMMIT_GS3	R/WOnce	0h	Permanently Locks the write to access protection and master select fields for GS3 RAM: 0: Write to ACCPROT and Mselect fields are allowed based on value of lock field in GSxLOCK register. 1: Write to ACCPROT and Mselect fields are permanently blocked. Reset type: SYSRSn
2	COMMIT_GS2	R/WOnce	0h	Permanently Locks the write to access protection and master select fields for GS2 RAM: 0: Write to ACCPROT and Mselect fields are allowed based on value of lock field in GSxLOCK register. 1: Write to ACCPROT and Mselect fields are permanently blocked. Reset type: SYSRSn

**Table 3-237. GSxCOMMIT Register Field Descriptions (continued)**

Bit	Field	Type	Reset	Description
1	COMMIT_GS1	R/WOnce	0h	Permanently Locks the write to access protection and master select fields for GS1 RAM: 0: Write to ACCPROT and Mselect fields are allowed based on value of lock field in GSxLOCK register. 1: Write to ACCPROT and Mselect fields are permanently blocked. Reset type: SYSRSn
0	COMMIT_GS0	R/WOnce	0h	Permanently Locks the write to access protection and master select fields for GS0 RAM: 0: Write to ACCPROT and Mselect fields are allowed based on value of lock field in GSxLOCK register. 1: Write to ACCPROT and Mselect fields are permanently blocked. Reset type: SYSRSn

### 3.17.16.18 GSxACCPROT0 Register (Offset = 48h) [Reset = 0000000h]

GSxACCPROT0 is shown in [Figure 3-211](#) and described in [Table 3-238](#).

Return to the [Summary Table](#).

Global Shared RAM Config Register 0

**Figure 3-211. GSxACCPROT0 Register**

31	30	29	28	27	26	25	24
RESERVED					DMAWRPROT_ GS3	CPUWRPROT_ GS3	FETCHPROT_ GS3
R-0h					R/W-0h	R/W-0h	R/W-0h
23	22	21	20	19	18	17	16
RESERVED					DMAWRPROT_ GS2	CPUWRPROT_ GS2	FETCHPROT_ GS2
R-0h					R/W-0h	R/W-0h	R/W-0h
15	14	13	12	11	10	9	8
RESERVED					DMAWRPROT_ GS1	CPUWRPROT_ GS1	FETCHPROT_ GS1
R-0h					R/W-0h	R/W-0h	R/W-0h
7	6	5	4	3	2	1	0
RESERVED					DMAWRPROT_ GS0	CPUWRPROT_ GS0	FETCHPROT_ GS0
R-0h					R/W-0h	R/W-0h	R/W-0h

**Table 3-238. GSxACCPROT0 Register Field Descriptions**

Bit	Field	Type	Reset	Description
31-27	RESERVED	R	0h	Reserved
26	DMAWRPROT_ GS3	R/W	0h	DMA WR Protection For GS3 RAM: 0: DMA Writes are allowed. 1: DMA Writes are blocked. Reset type: SYSRSn
25	CPUWRPROT_ GS3	R/W	0h	CPU WR Protection For GS3 RAM: 0: CPU Writes are allowed. 1: CPU Writes are blocked. Reset type: SYSRSn
24	FETCHPROT_ GS3	R/W	0h	Fetch Protection For GS3 RAM: 0: CPU Fetch are allowed. 1: CPU Fetch are blocked. Reset type: SYSRSn
23-19	RESERVED	R	0h	Reserved
18	DMAWRPROT_ GS2	R/W	0h	DMA WR Protection For GS2 RAM: 0: DMA Writes are allowed. 1: DMA Writes are blocked. Reset type: SYSRSn
17	CPUWRPROT_ GS2	R/W	0h	CPU WR Protection For GS2 RAM: 0: CPU Writes are allowed. 1: CPU Writes are blocked. Reset type: SYSRSn
16	FETCHPROT_ GS2	R/W	0h	Fetch Protection For GS2 RAM: 0: CPU Fetch are allowed. 1: CPU Fetch are blocked. Reset type: SYSRSn
15-11	RESERVED	R	0h	Reserved

**Table 3-238. GSxACCPROT0 Register Field Descriptions (continued)**

Bit	Field	Type	Reset	Description
10	DMAWRPROT_GS1	R/W	0h	DMA WR Protection For GS1 RAM: 0: DMA Writes are allowed. 1: DMA Writes are blocked. Reset type: SYSRSn
9	CPUWRPROT_GS1	R/W	0h	CPU WR Protection For GS1 RAM: 0: CPU Writes are allowed. 1: CPU Writes are blocked. Reset type: SYSRSn
8	FETCHPROT_GS1	R/W	0h	Fetch Protection For GS1 RAM: 0: CPU Fetch are allowed. 1: CPU Fetch are blocked. Reset type: SYSRSn
7-3	RESERVED	R	0h	Reserved
2	DMAWRPROT_GS0	R/W	0h	DMA WR Protection For GS0 RAM: 0: DMA Writes are allowed. 1: DMA Writes are blocked. Reset type: SYSRSn
1	CPUWRPROT_GS0	R/W	0h	CPU WR Protection For GS0 RAM: 0: CPU Writes are allowed. 1: CPU Writes are blocked. Reset type: SYSRSn
0	FETCHPROT_GS0	R/W	0h	Fetch Protection For GS0 RAM: 0: CPU Fetch are allowed. 1: CPU Fetch are blocked. Reset type: SYSRSn

### 3.17.16.19 GSxACCPROT1 Register (Offset = 4Ah) [Reset = 0000000h]

GSxACCPROT1 is shown in [Figure 3-212](#) and described in [Table 3-239](#).

Return to the [Summary Table](#).

Global Shared RAM Config Register 1

**Figure 3-212. GSxACCPROT1 Register**

31	30	29	28	27	26	25	24
RESERVED					DMAWRPROT_ GS7	CPUWRPROT_ GS7	FETCHPROT_ GS7
R-0h					R/W-0h	R/W-0h	R/W-0h
23	22	21	20	19	18	17	16
RESERVED					DMAWRPROT_ GS6	CPUWRPROT_ GS6	FETCHPROT_ GS6
R-0h					R/W-0h	R/W-0h	R/W-0h
15	14	13	12	11	10	9	8
RESERVED					DMAWRPROT_ GS5	CPUWRPROT_ GS5	FETCHPROT_ GS5
R-0h					R/W-0h	R/W-0h	R/W-0h
7	6	5	4	3	2	1	0
RESERVED					DMAWRPROT_ GS4	CPUWRPROT_ GS4	FETCHPROT_ GS4
R-0h					R/W-0h	R/W-0h	R/W-0h

**Table 3-239. GSxACCPROT1 Register Field Descriptions**

Bit	Field	Type	Reset	Description
31-27	RESERVED	R	0h	Reserved
26	DMAWRPROT_GS7	R/W	0h	DMA WR Protection For GS7 RAM: 0: DMA Writes are allowed. 1: DMA Writes are blocked. Reset type: SYSRSn
25	CPUWRPROT_GS7	R/W	0h	CPU WR Protection For GS7 RAM: 0: CPU Writes are allowed. 1: CPU Writes are blocked. Reset type: SYSRSn
24	FETCHPROT_GS7	R/W	0h	Fetch Protection For GS7 RAM: 0: CPU Fetch are allowed. 1: CPU Fetch are blocked. Reset type: SYSRSn
23-19	RESERVED	R	0h	Reserved
18	DMAWRPROT_GS6	R/W	0h	DMA WR Protection For GS6 RAM: 0: DMA Writes are allowed. 1: DMA Writes are blocked. Reset type: SYSRSn
17	CPUWRPROT_GS6	R/W	0h	CPU WR Protection For GS6 RAM: 0: CPU Writes are allowed. 1: CPU Writes are blocked. Reset type: SYSRSn
16	FETCHPROT_GS6	R/W	0h	Fetch Protection For GS6 RAM: 0: CPU Fetch are allowed. 1: CPU Fetch are blocked. Reset type: SYSRSn
15-11	RESERVED	R	0h	Reserved



**Table 3-239. GSxACCPROT1 Register Field Descriptions (continued)**

Bit	Field	Type	Reset	Description
10	DMAWRPROT_GS5	R/W	0h	DMA WR Protection For GS5 RAM: 0: DMA Writes are allowed. 1: DMA Writes are blocked. Reset type: SYSRSn
9	CPUWRPROT_GS5	R/W	0h	CPU WR Protection For GS5 RAM: 0: CPU Writes are allowed. 1: CPU Writes are blocked. Reset type: SYSRSn
8	FETCHPROT_GS5	R/W	0h	Fetch Protection For GS5 RAM: 0: CPU Fetch are allowed. 1: CPU Fetch are blocked. Reset type: SYSRSn
7-3	RESERVED	R	0h	Reserved
2	DMAWRPROT_GS4	R/W	0h	DMA WR Protection For GS4 RAM: 0: DMA Writes are allowed. 1: DMA Writes are blocked. Reset type: SYSRSn
1	CPUWRPROT_GS4	R/W	0h	CPU WR Protection For GS4 RAM: 0: CPU Writes are allowed. 1: CPU Writes are blocked. Reset type: SYSRSn
0	FETCHPROT_GS4	R/W	0h	Fetch Protection For GS4 RAM: 0: CPU Fetch are allowed. 1: CPU Fetch are blocked. Reset type: SYSRSn

### 3.17.16.20 GSxACCPROT2 Register (Offset = 4Ch) [Reset = 0000000h]

GSxACCPROT2 is shown in [Figure 3-213](#) and described in [Table 3-240](#).

Return to the [Summary Table](#).

Global Shared RAM Config Register 2

**Figure 3-213. GSxACCPROT2 Register**

31	30	29	28	27	26	25	24
RESERVED					DMAWRPROT_ GS11	CPUWRPROT_ GS11	FETCHPROT_ GS11
R-0h					R/W-0h	R/W-0h	R/W-0h
23	22	21	20	19	18	17	16
RESERVED					DMAWRPROT_ GS10	CPUWRPROT_ GS10	FETCHPROT_ GS10
R-0h					R/W-0h	R/W-0h	R/W-0h
15	14	13	12	11	10	9	8
RESERVED					DMAWRPROT_ GS9	CPUWRPROT_ GS9	FETCHPROT_ GS9
R-0h					R/W-0h	R/W-0h	R/W-0h
7	6	5	4	3	2	1	0
RESERVED					DMAWRPROT_ GS8	CPUWRPROT_ GS8	FETCHPROT_ GS8
R-0h					R/W-0h	R/W-0h	R/W-0h

**Table 3-240. GSxACCPROT2 Register Field Descriptions**

Bit	Field	Type	Reset	Description
31-27	RESERVED	R	0h	Reserved
26	DMAWRPROT_GS11	R/W	0h	DMA WR Protection For GS11 RAM: 0: DMA Writes are allowed. 1: DMA Writes are blocked. Reset type: SYSRSn
25	CPUWRPROT_GS11	R/W	0h	CPU WR Protection For GS11 RAM: 0: CPU Writes are allowed. 1: CPU Writes are blocked. Reset type: SYSRSn
24	FETCHPROT_GS11	R/W	0h	Fetch Protection For GS11 RAM: 0: CPU Fetch are allowed. 1: CPU Fetch are blocked. Reset type: SYSRSn
23-19	RESERVED	R	0h	Reserved
18	DMAWRPROT_GS10	R/W	0h	DMA WR Protection For GS10 RAM: 0: DMA Writes are allowed. 1: DMA Writes are blocked. Reset type: SYSRSn
17	CPUWRPROT_GS10	R/W	0h	CPU WR Protection For GS10 RAM: 0: CPU Writes are allowed. 1: CPU Writes are blocked. Reset type: SYSRSn
16	FETCHPROT_GS10	R/W	0h	Fetch Protection For GS10 RAM: 0: CPU Fetch are allowed. 1: CPU Fetch are blocked. Reset type: SYSRSn
15-11	RESERVED	R	0h	Reserved

**Table 3-240. GSxACCPROT2 Register Field Descriptions (continued)**

Bit	Field	Type	Reset	Description
10	DMAWRPROT_GS9	R/W	0h	DMA WR Protection For GS9 RAM: 0: DMA Writes are allowed. 1: DMA Writes are blocked. Reset type: SYSRSn
9	CPUWRPROT_GS9	R/W	0h	CPU WR Protection For GS9 RAM: 0: CPU Writes are allowed. 1: CPU Writes are blocked. Reset type: SYSRSn
8	FETCHPROT_GS9	R/W	0h	Fetch Protection For GS9 RAM: 0: CPU Fetch are allowed. 1: CPU Fetch are blocked. Reset type: SYSRSn
7-3	RESERVED	R	0h	Reserved
2	DMAWRPROT_GS8	R/W	0h	DMA WR Protection For GS8 RAM: 0: DMA Writes are allowed. 1: DMA Writes are blocked. Reset type: SYSRSn
1	CPUWRPROT_GS8	R/W	0h	CPU WR Protection For GS8 RAM: 0: CPU Writes are allowed. 1: CPU Writes are blocked. Reset type: SYSRSn
0	FETCHPROT_GS8	R/W	0h	Fetch Protection For GS8 RAM: 0: CPU Fetch are allowed. 1: CPU Fetch are blocked. Reset type: SYSRSn

### 3.17.16.21 GSxACCPROT3 Register (Offset = 4Eh) [Reset = 0000000h]

GSxACCPROT3 is shown in [Figure 3-214](#) and described in [Table 3-241](#).

Return to the [Summary Table](#).

Global Shared RAM Config Register 3

**Figure 3-214. GSxACCPROT3 Register**

31	30	29	28	27	26	25	24
RESERVED					DMAWRPROT_ GS15	CPUWRPROT_ GS15	FETCHPROT_ GS15
R-0h					R/W-0h	R/W-0h	R/W-0h
23	22	21	20	19	18	17	16
RESERVED					DMAWRPROT_ GS14	CPUWRPROT_ GS14	FETCHPROT_ GS14
R-0h					R/W-0h	R/W-0h	R/W-0h
15	14	13	12	11	10	9	8
RESERVED					DMAWRPROT_ GS13	CPUWRPROT_ GS13	FETCHPROT_ GS13
R-0h					R/W-0h	R/W-0h	R/W-0h
7	6	5	4	3	2	1	0
RESERVED					DMAWRPROT_ GS12	CPUWRPROT_ GS12	FETCHPROT_ GS12
R-0h					R/W-0h	R/W-0h	R/W-0h

**Table 3-241. GSxACCPROT3 Register Field Descriptions**

Bit	Field	Type	Reset	Description
31-27	RESERVED	R	0h	Reserved
26	DMAWRPROT_GS15	R/W	0h	DMA WR Protection For GS15 RAM: 0: DMA Writes are allowed. 1: DMA Writes are blocked. Reset type: SYSRSn
25	CPUWRPROT_GS15	R/W	0h	CPU WR Protection For GS15 RAM: 0: CPU Writes are allowed. 1: CPU Writes are blocked. Reset type: SYSRSn
24	FETCHPROT_GS15	R/W	0h	Fetch Protection For GS15 RAM: 0: CPU Fetch are allowed. 1: CPU Fetch are blocked. Reset type: SYSRSn
23-19	RESERVED	R	0h	Reserved
18	DMAWRPROT_GS14	R/W	0h	DMA WR Protection For GS14 RAM: 0: DMA Writes are allowed. 1: DMA Writes are blocked. Reset type: SYSRSn
17	CPUWRPROT_GS14	R/W	0h	CPU WR Protection For GS14 RAM: 0: CPU Writes are allowed. 1: CPU Writes are blocked. Reset type: SYSRSn
16	FETCHPROT_GS14	R/W	0h	Fetch Protection For GS14 RAM: 0: CPU Fetch are allowed. 1: CPU Fetch are blocked. Reset type: SYSRSn
15-11	RESERVED	R	0h	Reserved

**Table 3-241. GSxACCPROT3 Register Field Descriptions (continued)**

Bit	Field	Type	Reset	Description
10	DMAWRPROT_GS13	R/W	0h	DMA WR Protection For GS13 RAM: 0: DMA Writes are allowed. 1: DMA Writes are blocked. Reset type: SYSRSn
9	CPUWRPROT_GS13	R/W	0h	CPU WR Protection For GS13 RAM: 0: CPU Writes are allowed. 1: CPU Writes are blocked. Reset type: SYSRSn
8	FETCHPROT_GS13	R/W	0h	Fetch Protection For GS13 RAM: 0: CPU Fetch are allowed. 1: CPU Fetch are blocked. Reset type: SYSRSn
7-3	RESERVED	R	0h	Reserved
2	DMAWRPROT_GS12	R/W	0h	DMA WR Protection For GS12 RAM: 0: DMA Writes are allowed. 1: DMA Writes are blocked. Reset type: SYSRSn
1	CPUWRPROT_GS12	R/W	0h	CPU WR Protection For GS12 RAM: 0: CPU Writes are allowed. 1: CPU Writes are blocked. Reset type: SYSRSn
0	FETCHPROT_GS12	R/W	0h	Fetch Protection For GS12 RAM: 0: CPU Fetch are allowed. 1: CPU Fetch are blocked. Reset type: SYSRSn

### 3.17.16.22 GSxTEST Register (Offset = 50h) [Reset = 0000000h]

GSxTEST is shown in [Figure 3-215](#) and described in [Table 3-242](#).

Return to the [Summary Table](#).

Global Shared RAM TEST Register

**Figure 3-215. GSxTEST Register**

31	30	29	28	27	26	25	24
TEST_GS15		TEST_GS14		TEST_GS13		TEST_GS12	
R/W-0h		R/W-0h		R/W-0h		R/W-0h	
23	22	21	20	19	18	17	16
TEST_GS11		TEST_GS10		TEST_GS9		TEST_GS8	
R/W-0h		R/W-0h		R/W-0h		R/W-0h	
15	14	13	12	11	10	9	8
TEST_GS7		TEST_GS6		TEST_GS5		TEST_GS4	
R/W-0h		R/W-0h		R/W-0h		R/W-0h	
7	6	5	4	3	2	1	0
TEST_GS3		TEST_GS2		TEST_GS1		TEST_GS0	
R/W-0h		R/W-0h		R/W-0h		R/W-0h	

**Table 3-242. GSxTEST Register Field Descriptions**

Bit	Field	Type	Reset	Description
31-30	TEST_GS15	R/W	0h	Selects the different modes for GS15 RAM: 00: Functional Mode. 01: Writes are allowed to data bits only. No write to parity bits. 10: Writes are allowed to parity bits only. No write to data bits. 11: Functional Mode. Reset type: SYSRSn
29-28	TEST_GS14	R/W	0h	Selects the different modes for GS14 RAM: 00: Functional Mode. 01: Writes are allowed to data bits only. No write to parity bits. 10: Writes are allowed to parity bits only. No write to data bits. 11: Functional Mode. Reset type: SYSRSn
27-26	TEST_GS13	R/W	0h	Selects the different modes for GS13 RAM: 00: Functional Mode. 01: Writes are allowed to data bits only. No write to parity bits. 10: Writes are allowed to parity bits only. No write to data bits. 11: Functional Mode. Reset type: SYSRSn
25-24	TEST_GS12	R/W	0h	Selects the different modes for GS12 RAM: 00: Functional Mode. 01: Writes are allowed to data bits only. No write to parity bits. 10: Writes are allowed to parity bits only. No write to data bits. 11: Functional Mode. Reset type: SYSRSn
23-22	TEST_GS11	R/W	0h	Selects the different modes for GS11 RAM: 00: Functional Mode. 01: Writes are allowed to data bits only. No write to parity bits. 10: Writes are allowed to parity bits only. No write to data bits. 11: Functional Mode. Reset type: SYSRSn

**Table 3-242. GSxTEST Register Field Descriptions (continued)**

Bit	Field	Type	Reset	Description
21-20	TEST_GS10	R/W	0h	Selects the different modes for GS10 RAM: 00: Functional Mode. 01: Writes are allowed to data bits only. No write to parity bits. 10: Writes are allowed to parity bits only. No write to data bits. 11: Functional Mode. Reset type: SYSRSn
19-18	TEST_GS9	R/W	0h	Selects the different modes for GS9 RAM: 00: Functional Mode. 01: Writes are allowed to data bits only. No write to parity bits. 10: Writes are allowed to parity bits only. No write to data bits. 11: Functional Mode. Reset type: SYSRSn
17-16	TEST_GS8	R/W	0h	Selects the different modes for GS8 RAM: 00: Functional Mode. 01: Writes are allowed to data bits only. No write to parity bits. 10: Writes are allowed to parity bits only. No write to data bits. 11: Functional Mode. Reset type: SYSRSn
15-14	TEST_GS7	R/W	0h	Selects the different modes for GS7 RAM: 00: Functional Mode. 01: Writes are allowed to data bits only. No write to parity bits. 10: Writes are allowed to parity bits only. No write to data bits. 11: Functional Mode. Reset type: SYSRSn
13-12	TEST_GS6	R/W	0h	Selects the different modes for GS6 RAM: 00: Functional Mode. 01: Writes are allowed to data bits only. No write to parity bits. 10: Writes are allowed to parity bits only. No write to data bits. 11: Functional Mode. Reset type: SYSRSn
11-10	TEST_GS5	R/W	0h	Selects the different modes for GS5 RAM: 00: Functional Mode. 01: Writes are allowed to data bits only. No write to parity bits. 10: Writes are allowed to parity bits only. No write to data bits. 11: Functional Mode. Reset type: SYSRSn
9-8	TEST_GS4	R/W	0h	Selects the different modes for GS4 RAM: 00: Functional Mode. 01: Writes are allowed to data bits only. No write to parity bits. 10: Writes are allowed to parity bits only. No write to data bits. 11: Functional Mode. Reset type: SYSRSn
7-6	TEST_GS3	R/W	0h	Selects the different modes for GS3 RAM: 00: Functional Mode. 01: Writes are allowed to data bits only. No write to parity bits. 10: Writes are allowed to parity bits only. No write to data bits. 11: Functional Mode. Reset type: SYSRSn
5-4	TEST_GS2	R/W	0h	Selects the different modes for GS2 RAM: 00: Functional Mode. 01: Writes are allowed to data bits only. No write to parity bits. 10: Writes are allowed to parity bits only. No write to data bits. 11: Functional Mode. Reset type: SYSRSn

**Table 3-242. GSxTEST Register Field Descriptions (continued)**

Bit	Field	Type	Reset	Description
3-2	TEST_GS1	R/W	0h	Selects the different modes for GS1 RAM: 00: Functional Mode. 01: Writes are allowed to data bits only. No write to parity bits. 10: Writes are allowed to parity bits only. No write to data bits. 11: Functional Mode. Reset type: SYSRSn
1-0	TEST_GS0	R/W	0h	Selects the different modes for GS0 RAM: 00: Functional Mode. 01: Writes are allowed to data bits only. No write to parity bits. 10: Writes are allowed to parity bits only. No write to data bits. 11: Functional Mode. Reset type: SYSRSn



### 3.17.16.23 GSxINIT Register (Offset = 52h) [Reset = 0000000h]

GSxINIT is shown in [Figure 3-216](#) and described in [Table 3-243](#).

Return to the [Summary Table](#).

Global Shared RAM Init Register

**Figure 3-216. GSxINIT Register**

31	30	29	28	27	26	25	24
RESERVED							
R-0h							
23	22	21	20	19	18	17	16
RESERVED							
R-0h							
15	14	13	12	11	10	9	8
INIT_GS15	INIT_GS14	INIT_GS13	INIT_GS12	INIT_GS11	INIT_GS10	INIT_GS9	INIT_GS8
R-0/W1S-0h	R-0/W1S-0h	R-0/W1S-0h	R-0/W1S-0h	R-0/W1S-0h	R-0/W1S-0h	R-0/W1S-0h	R-0/W1S-0h
7	6	5	4	3	2	1	0
INIT_GS7	INIT_GS6	INIT_GS5	INIT_GS4	INIT_GS3	INIT_GS2	INIT_GS1	INIT_GS0
R-0/W1S-0h	R-0/W1S-0h	R-0/W1S-0h	R-0/W1S-0h	R-0/W1S-0h	R-0/W1S-0h	R-0/W1S-0h	R-0/W1S-0h

**Table 3-243. GSxINIT Register Field Descriptions**

Bit	Field	Type	Reset	Description
31-16	RESERVED	R	0h	Reserved
15	INIT_GS15	R-0/W1S	0h	RAM Initialization control for GS15 RAM: 0: None. 1: Start RAM Initialization. Reset type: SYSRSn
14	INIT_GS14	R-0/W1S	0h	RAM Initialization control for GS14 RAM: 0: None. 1: Start RAM Initialization. Reset type: SYSRSn
13	INIT_GS13	R-0/W1S	0h	RAM Initialization control for GS13 RAM: 0: None. 1: Start RAM Initialization. Reset type: SYSRSn
12	INIT_GS12	R-0/W1S	0h	RAM Initialization control for GS12 RAM: 0: None. 1: Start RAM Initialization. Reset type: SYSRSn
11	INIT_GS11	R-0/W1S	0h	RAM Initialization control for GS11 RAM: 0: None. 1: Start RAM Initialization. Reset type: SYSRSn
10	INIT_GS10	R-0/W1S	0h	RAM Initialization control for GS10 RAM: 0: None. 1: Start RAM Initialization. Reset type: SYSRSn
9	INIT_GS9	R-0/W1S	0h	RAM Initialization control for GS9 RAM: 0: None. 1: Start RAM Initialization. Reset type: SYSRSn

**Table 3-243. GSxINIT Register Field Descriptions (continued)**

Bit	Field	Type	Reset	Description
8	INIT_GS8	R-0/W1S	0h	RAM Initialization control for GS8 RAM: 0: None. 1: Start RAM Initialization. Reset type: SYSRSn
7	INIT_GS7	R-0/W1S	0h	RAM Initialization control for GS7 RAM: 0: None. 1: Start RAM Initialization. Reset type: SYSRSn
6	INIT_GS6	R-0/W1S	0h	RAM Initialization control for GS6 RAM: 0: None. 1: Start RAM Initialization. Reset type: SYSRSn
5	INIT_GS5	R-0/W1S	0h	RAM Initialization control for GS5 RAM: 0: None. 1: Start RAM Initialization. Reset type: SYSRSn
4	INIT_GS4	R-0/W1S	0h	RAM Initialization control for GS4 RAM: 0: None. 1: Start RAM Initialization. Reset type: SYSRSn
3	INIT_GS3	R-0/W1S	0h	RAM Initialization control for GS3 RAM: 0: None. 1: Start RAM Initialization. Reset type: SYSRSn
2	INIT_GS2	R-0/W1S	0h	RAM Initialization control for GS2 RAM: 0: None. 1: Start RAM Initialization. Reset type: SYSRSn
1	INIT_GS1	R-0/W1S	0h	RAM Initialization control for GS1 RAM: 0: None. 1: Start RAM Initialization. Reset type: SYSRSn
0	INIT_GS0	R-0/W1S	0h	RAM Initialization control for GS0 RAM: 0: None. 1: Start RAM Initialization. Reset type: SYSRSn

### 3.17.16.24 GSxINITDONE Register (Offset = 54h) [Reset = 0000000h]

GSxINITDONE is shown in [Figure 3-217](#) and described in [Table 3-244](#).

Return to the [Summary Table](#).

Global Shared RAM InitDone Status Register

**Figure 3-217. GSxINITDONE Register**

31	30	29	28	27	26	25	24
RESERVED							
R-0h							
23	22	21	20	19	18	17	16
RESERVED							
R-0h							
15	14	13	12	11	10	9	8
INITDONE_GS 15	INITDONE_GS 14	INITDONE_GS 13	INITDONE_GS 12	INITDONE_GS 11	INITDONE_GS 10	INITDONE_GS 9	INITDONE_GS 8
R-0h	R-0h	R-0h	R-0h	R-0h	R-0h	R-0h	R-0h
7	6	5	4	3	2	1	0
INITDONE_GS 7	INITDONE_GS 6	INITDONE_GS 5	INITDONE_GS 4	INITDONE_GS 3	INITDONE_GS 2	INITDONE_GS 1	INITDONE_GS 0
R-0h	R-0h	R-0h	R-0h	R-0h	R-0h	R-0h	R-0h

**Table 3-244. GSxINITDONE Register Field Descriptions**

Bit	Field	Type	Reset	Description
31-16	RESERVED	R	0h	Reserved
15	INITDONE_GS15	R	0h	RAM Initialization status for GS15 RAM: 0: RAM Initialization is not done. 1: RAM Initialization is done. Reset type: SYSRSn
14	INITDONE_GS14	R	0h	RAM Initialization status for GS14 RAM: 0: RAM Initialization is not done. 1: RAM Initialization is done. Reset type: SYSRSn
13	INITDONE_GS13	R	0h	RAM Initialization status for GS13 RAM: 0: RAM Initialization is not done. 1: RAM Initialization is done. Reset type: SYSRSn
12	INITDONE_GS12	R	0h	RAM Initialization status for GS12 RAM: 0: RAM Initialization is not done. 1: RAM Initialization is done. Reset type: SYSRSn
11	INITDONE_GS11	R	0h	RAM Initialization status for GS11 RAM: 0: RAM Initialization is not done. 1: RAM Initialization is done. Reset type: SYSRSn
10	INITDONE_GS10	R	0h	RAM Initialization status for GS10 RAM: 0: RAM Initialization is not done. 1: RAM Initialization is done. Reset type: SYSRSn
9	INITDONE_GS9	R	0h	RAM Initialization status for GS9 RAM: 0: RAM Initialization is not done. 1: RAM Initialization is done. Reset type: SYSRSn

**Table 3-244. GSxINITDONE Register Field Descriptions (continued)**

Bit	Field	Type	Reset	Description
8	INITDONE_GS8	R	0h	RAM Initialization status for GS8 RAM: 0: RAM Initialization is not done. 1: RAM Initialization is done. Reset type: SYSRSn
7	INITDONE_GS7	R	0h	RAM Initialization status for GS7 RAM: 0: RAM Initialization is not done. 1: RAM Initialization is done. Reset type: SYSRSn
6	INITDONE_GS6	R	0h	RAM Initialization status for GS6 RAM: 0: RAM Initialization is not done. 1: RAM Initialization is done. Reset type: SYSRSn
5	INITDONE_GS5	R	0h	RAM Initialization status for GS5 RAM: 0: RAM Initialization is not done. 1: RAM Initialization is done. Reset type: SYSRSn
4	INITDONE_GS4	R	0h	RAM Initialization status for GS4 RAM: 0: RAM Initialization is not done. 1: RAM Initialization is done. Reset type: SYSRSn
3	INITDONE_GS3	R	0h	RAM Initialization status for GS3 RAM: 0: RAM Initialization is not done. 1: RAM Initialization is done. Reset type: SYSRSn
2	INITDONE_GS2	R	0h	RAM Initialization status for GS2 RAM: 0: RAM Initialization is not done. 1: RAM Initialization is done. Reset type: SYSRSn
1	INITDONE_GS1	R	0h	RAM Initialization status for GS1 RAM: 0: RAM Initialization is not done. 1: RAM Initialization is done. Reset type: SYSRSn
0	INITDONE_GS0	R	0h	RAM Initialization status for GS0 RAM: 0: RAM Initialization is not done. 1: RAM Initialization is done. Reset type: SYSRSn

### 3.17.16.25 MSGxTEST Register (Offset = 70h) [Reset = 0000000h]

MSGxTEST is shown in [Figure 3-218](#) and described in [Table 3-245](#).

Return to the [Summary Table](#).

Message RAM TEST Register

**Figure 3-218. MSGxTEST Register**

31	30	29	28	27	26	25	24
RESERVED							
R-0h							
23	22	21	20	19	18	17	16
RESERVED							
R-0h							
15	14	13	12	11	10	9	8
RESERVED						RESERVED	
R-0h						R/W-0h	
7	6	5	4	3	2	1	0
RESERVED		TEST_CLA1TOCPU		TEST_CPUTOCLA1		TEST_CPUTOCPU	
R/W-0h		R/W-0h		R/W-0h		R/W-0h	

**Table 3-245. MSGxTEST Register Field Descriptions**

Bit	Field	Type	Reset	Description
31-16	RESERVED	R	0h	Reserved
15-10	RESERVED	R	0h	Reserved
9-8	RESERVED	R/W	0h	Reserved
7-6	RESERVED	R/W	0h	Reserved
5-4	TEST_CLA1TOCPU	R/W	0h	Selects the different modes for CLA1TOCPU MSG RAM: 00: Functional Mode. 01: Writes are allowed to data bits only. No write to parity bits. 10: Writes are allowed to parity bits only. No write to data bits. 11: Functional Mode. Reset type: SYSRSn
3-2	TEST_CPUTOCLA1	R/W	0h	Selects the different modes for CPUTOCLA1 MSG RAM: 00: Functional Mode. 01: Writes are allowed to data bits only. No write to parity bits. 10: Writes are allowed to parity bits only. No write to data bits. 11: Functional Mode. Reset type: SYSRSn
1-0	TEST_CPUTOCPU	R/W	0h	Selects the different modes for CPUTOCPU MSG RAM: 00: Functional Mode. 01: Writes are allowed to data bits only. No write to parity bits. 10: Writes are allowed to parity bits only. No write to data bits. 11: Functional Mode. Reset type: SYSRSn

### 3.17.16.26 MSGxINIT Register (Offset = 72h) [Reset = 0000000h]

MSGxINIT is shown in [Figure 3-219](#) and described in [Table 3-246](#).

Return to the [Summary Table](#).

Message RAM Init Register

**Figure 3-219. MSGxINIT Register**

31	30	29	28	27	26	25	24
RESERVED							
R-0h							
23	22	21	20	19	18	17	16
RESERVED							
R-0h							
15	14	13	12	11	10	9	8
RESERVED							
R-0h							
7	6	5	4	3	2	1	0
RESERVED			RESERVED	RESERVED	INIT_CLA1TOC PU	INIT_CPUTOCL A1	INIT_CPUTOC PU
R-0h			R-0/W1S-0h	R-0/W1S-0h	R-0/W1S-0h	R-0/W1S-0h	R-0/W1S-0h

**Table 3-246. MSGxINIT Register Field Descriptions**

Bit	Field	Type	Reset	Description
31-16	RESERVED	R	0h	Reserved
15-5	RESERVED	R	0h	Reserved
4	RESERVED	R-0/W1S	0h	Reserved
3	RESERVED	R-0/W1S	0h	Reserved
2	INIT_CLA1TOCPU	R-0/W1S	0h	RAM Initialization control for CLA1TOCPU MSG RAM: 0: None. 1: Start RAM Initialization. Reset type: SYSRSn
1	INIT_CPUTOCLA1	R-0/W1S	0h	RAM Initialization control for CPUTOCLA1 MSG RAM: 0: None. 1: Start RAM Initialization. Reset type: SYSRSn
0	INIT_CPUTOCPU	R-0/W1S	0h	RAM Initialization control for CPUTOCPU MSG RAM: 0: None. 1: Start RAM Initialization. Reset type: SYSRSn

### 3.17.16.27 MSGxINITDONE Register (Offset = 74h) [Reset = 0000000h]

MSGxINITDONE is shown in [Figure 3-220](#) and described in [Table 3-247](#).

Return to the [Summary Table](#).

Message RAM InitDone Status Register

**Figure 3-220. MSGxINITDONE Register**

31	30	29	28	27	26	25	24
RESERVED							
R-0h							
23	22	21	20	19	18	17	16
RESERVED							
R-0h							
15	14	13	12	11	10	9	8
RESERVED							
R-0h							
7	6	5	4	3	2	1	0
RESERVED			RESERVED	RESERVED	INITDONE_CL A1TOCPU	INITDONE_CP UTOCLA1	INITDONE_CP UTOCPU
R-0h			R-0h	R-0h	R-0h	R-0h	R-0h

**Table 3-247. MSGxINITDONE Register Field Descriptions**

Bit	Field	Type	Reset	Description
31-16	RESERVED	R	0h	Reserved
15-5	RESERVED	R	0h	Reserved
4	RESERVED	R	0h	Reserved
3	RESERVED	R	0h	Reserved
2	INITDONE_CLA1TOCPU	R	0h	RAM Initialization status for CLA1TOCPU MSG RAM: 0: RAM Initialization is not done. 1: RAM Initialization is done. Reset type: SYSRSn
1	INITDONE_CPUTOCLA1	R	0h	RAM Initialization status for CPUTOCLA1 MSG RAM: 0: RAM Initialization is not done. 1: RAM Initialization is done. Reset type: SYSRSn
0	INITDONE_CPUTOCPU	R	0h	RAM Initialization status for CPUTOCPU MSG RAM: 0: RAM Initialization is not done. 1: RAM Initialization is done. Reset type: SYSRSn

### 3.17.17 ACCESS\_PROTECTION\_REGS Registers

Table 3-248 lists the memory-mapped registers for the ACCESS\_PROTECTION\_REGS registers. All register offset addresses not listed in Table 3-248 should be considered as reserved locations and the register contents should not be modified.

**Table 3-248. ACCESS\_PROTECTION\_REGS Registers**

Offset	Acronym	Register Name	Write Protection	Section
0h	NMAVFLG	Non-Master Access Violation Flag Register		<a href="#">Go</a>
2h	NMAVSET	Non-Master Access Violation Flag Set Register	EALLOW	<a href="#">Go</a>
4h	NMAVCLR	Non-Master Access Violation Flag Clear Register	EALLOW	<a href="#">Go</a>
6h	NMAVINTEN	Non-Master Access Violation Interrupt Enable Register	EALLOW	<a href="#">Go</a>
8h	NMCPURDAVADDR	Non-Master CPU Read Access Violation Address		<a href="#">Go</a>
Ah	NMCPUWRAVADDR	Non-Master CPU Write Access Violation Address		<a href="#">Go</a>
Ch	NMCPUFAVADDR	Non-Master CPU Fetch Access Violation Address		<a href="#">Go</a>
Eh	NMDMAWRAVADDR	Non-Master DMA Write Access Violation Address		<a href="#">Go</a>
10h	NMCLA1RDAVADDR	Non-Master CLA1 Read Access Violation Address		<a href="#">Go</a>
12h	NMCLA1WRAVADDR	Non-Master CLA1 Write Access Violation Address		<a href="#">Go</a>
14h	NMCLA1FAVADDR	Non-Master CLA1 Fetch Access Violation Address		<a href="#">Go</a>
20h	MAVFLG	Master Access Violation Flag Register		<a href="#">Go</a>
22h	MAVSET	Master Access Violation Flag Set Register	EALLOW	<a href="#">Go</a>
24h	MAVCLR	Master Access Violation Flag Clear Register	EALLOW	<a href="#">Go</a>
26h	MAVINTEN	Master Access Violation Interrupt Enable Register	EALLOW	<a href="#">Go</a>
28h	MCPUFAVADDR	Master CPU Fetch Access Violation Address		<a href="#">Go</a>
2Ah	MCPUWRAVADDR	Master CPU Write Access Violation Address		<a href="#">Go</a>
2Ch	MDMAWRAVADDR	Master DMA Write Access Violation Address		<a href="#">Go</a>

Complex bit access types are encoded to fit into small table cells. Table 3-249 shows the codes that are used for access types in this section.

**Table 3-249. ACCESS\_PROTECTION\_REGS Access Type Codes**

Access Type	Code	Description
Read Type		
R	R	Read
R-0	R-0	Read Returns 0s
Write Type		
W	W	Write
W1S	W1S	Write 1 to set
Reset or Default Value		
-n		Value after reset or the default value
Register Array Variables		
i,j,k,l,m,n		When these variables are used in a register name, an offset, or an address, they refer to the value of a register array where the register is part of a group of repeating registers. The register groups form a hierarchical structure and the array is represented with a formula.



**Table 3-249. ACCESS\_PROTECTION\_REGS Access Type Codes (continued)**

Access Type	Code	Description
y		When this variable is used in a register name, an offset, or an address it refers to the value of a register array.

### 3.17.17.1 NMAVFLG Register (Offset = 0h) [Reset = 0000000h]

NMAVFLG is shown in [Figure 3-221](#) and described in [Table 3-250](#).

Return to the [Summary Table](#).

Non-Master Access Violation Flag Register

**Figure 3-221. NMAVFLG Register**

31	30	29	28	27	26	25	24
RESERVED							
R-0h							
23	22	21	20	19	18	17	16
RESERVED							
R-0h							
15	14	13	12	11	10	9	8
RESERVED						RESERVED	RESERVED
R-0h						R-0h	R-0h
7	6	5	4	3	2	1	0
RESERVED	CLA1FETCH	CLA1WRITE	CLA1READ	DMAWRITE	CPUFETCH	CPUWRITE	CPUREAD
R-0h	R-0h	R-0h	R-0h	R-0h	R-0h	R-0h	R-0h

**Table 3-250. NMAVFLG Register Field Descriptions**

Bit	Field	Type	Reset	Description
31-16	RESERVED	R	0h	Reserved
15-10	RESERVED	R	0h	Reserved
9	RESERVED	R	0h	Reserved
8	RESERVED	R	0h	Reserved
7	RESERVED	R	0h	Reserved
6	CLA1FETCH	R	0h	Non Master CLA1 Fetch Access Violation Flag: 0: No violation. 1: Access violation occurred. Reset type: SYSRSn
5	CLA1WRITE	R	0h	Non Master CLA1 Write Access Violation Flag: 0: No violation. 1: Access violation occurred. Reset type: SYSRSn
4	CLA1READ	R	0h	Non Master CLA1 Read Access Violation Flag: 0: No violation. 1: Access violation occurred. Reset type: SYSRSn
3	DMAWRITE	R	0h	Non Master DMA Write Access Violation Flag: 0: No violation. 1: Access violation occurred. Reset type: SYSRSn
2	CPUFETCH	R	0h	Non Master CPU Fetch Access Violation Flag: 0: No violation. 1: Access violation occurred. Reset type: SYSRSn
1	CPUWRITE	R	0h	Non Master CPU Write Access Violation Flag: 0: No violation. 1: Access violation occurred. Reset type: SYSRSn

**Table 3-250. NMAVFLG Register Field Descriptions (continued)**

Bit	Field	Type	Reset	Description
0	CPUREAD	R	0h	Non Master CPU Read Access Violation Flag: 0: No violation. 1: Access violation occurred. Reset type: SYSRSn

### 3.17.17.2 NMAVSET Register (Offset = 2h) [Reset = 0000000h]

NMAVSET is shown in [Figure 3-222](#) and described in [Table 3-251](#).

Return to the [Summary Table](#).

Non-Master Access Violation Flag Set Register

**Figure 3-222. NMAVSET Register**

31	30	29	28	27	26	25	24
RESERVED							
R-0h							
23	22	21	20	19	18	17	16
RESERVED							
R-0h							
15	14	13	12	11	10	9	8
RESERVED						RESERVED	RESERVED
R-0h						R-0/W1S-0h	R-0/W1S-0h
7	6	5	4	3	2	1	0
RESERVED	CLA1FETCH	CLA1WRITE	CLA1READ	DMAWRITE	CPUFETCH	CPUWRITE	CPUREAD
R-0/W1S-0h	R-0/W1S-0h	R-0/W1S-0h	R-0/W1S-0h	R-0/W1S-0h	R-0/W1S-0h	R-0/W1S-0h	R-0/W1S-0h

**Table 3-251. NMAVSET Register Field Descriptions**

Bit	Field	Type	Reset	Description
31-16	RESERVED	R	0h	Reserved
15-10	RESERVED	R	0h	Reserved
9	RESERVED	R-0/W1S	0h	Reserved
8	RESERVED	R-0/W1S	0h	Reserved
7	RESERVED	R-0/W1S	0h	Reserved
6	CLA1FETCH	R-0/W1S	0h	0: No action. 1: CLA1 Fetch Access Violation Flag in NMAVFLG register will be set and interrupt will be generated if enabled.. Reset type: SYSRSn
5	CLA1WRITE	R-0/W1S	0h	0: No action. 1: CLA1 Write Access Violation Flag in NMAVFLG register will be set and interrupt will be generated if enabled.. Reset type: SYSRSn
4	CLA1READ	R-0/W1S	0h	0: No action. 1: CLA1 Read Access Violation Flag in NMAVFLG register will be set and interrupt will be generated if enabled.. Reset type: SYSRSn
3	DMAWRITE	R-0/W1S	0h	0: No action. 1: DMA Write Access Violation Flag in NMAVFLG register will be set and interrupt will be generated if enabled.. Reset type: SYSRSn
2	CPUFETCH	R-0/W1S	0h	0: No action. 1: CPU Fetch Access Violation Flag in NMAVFLG register will be set and interrupt will be generated if enabled.. Reset type: SYSRSn
1	CPUWRITE	R-0/W1S	0h	0: No action. 1: CPU Write Access Violation Flag in NMAVFLG register will be set and interrupt will be generated if enabled.. Reset type: SYSRSn

**Table 3-251. NMAVSET Register Field Descriptions (continued)**

Bit	Field	Type	Reset	Description
0	CPUREAD	R-0/W1S	0h	0: No action. 1: CPU Read Access Violation Flag in NMAVFLG register will be set and interrupt will be generated if enabled.. Reset type: SYSRSn

### 3.17.17.3 NMAVCLR Register (Offset = 4h) [Reset = 0000000h]

NMAVCLR is shown in [Figure 3-223](#) and described in [Table 3-252](#).

Return to the [Summary Table](#).

Non-Master Access Violation Flag Clear Register

**Figure 3-223. NMAVCLR Register**

31	30	29	28	27	26	25	24
RESERVED							
R-0h							
23	22	21	20	19	18	17	16
RESERVED							
R-0h							
15	14	13	12	11	10	9	8
RESERVED						RESERVED	RESERVED
R-0h						R-0/W1S-0h	R-0/W1S-0h
7	6	5	4	3	2	1	0
RESERVED	CLA1FETCH	CLA1WRITE	CLA1READ	DMAWRITE	CPUFETCH	CPUWRITE	CPUREAD
R-0/W1S-0h	R-0/W1S-0h	R-0/W1S-0h	R-0/W1S-0h	R-0/W1S-0h	R-0/W1S-0h	R-0/W1S-0h	R-0/W1S-0h

**Table 3-252. NMAVCLR Register Field Descriptions**

Bit	Field	Type	Reset	Description
31-16	RESERVED	R	0h	Reserved
15-10	RESERVED	R	0h	Reserved
9	RESERVED	R-0/W1S	0h	Reserved
8	RESERVED	R-0/W1S	0h	Reserved
7	RESERVED	R-0/W1S	0h	Reserved
6	CLA1FETCH	R-0/W1S	0h	0: No action. 1: CLA1 Fetch Access Violation Flag in NMAVFLG register will be cleared. Reset type: SYSRSn
5	CLA1WRITE	R-0/W1S	0h	0: No action. 1: CLA1 Write Access Violation Flag in NMAVFLG register will be cleared. Reset type: SYSRSn
4	CLA1READ	R-0/W1S	0h	0: No action. 1: CLA1 Read Access Violation Flag in NMAVFLG register will be cleared. Reset type: SYSRSn
3	DMAWRITE	R-0/W1S	0h	0: No action. 1: DMA Write Access Violation Flag in NMAVFLG register will be cleared. Reset type: SYSRSn
2	CPUFETCH	R-0/W1S	0h	0: No action. 1: CPU Fetch Access Violation Flag in NMAVFLG register will be cleared. Reset type: SYSRSn
1	CPUWRITE	R-0/W1S	0h	0: No action. 1: CPU Write Access Violation Flag in NMAVFLG register will be cleared. Reset type: SYSRSn

**Table 3-252. NMAVCLR Register Field Descriptions (continued)**

Bit	Field	Type	Reset	Description
0	CPUREAD	R-0/W1S	0h	0: No action. 1: CPU Read Access Violation Flag in NMAVFLG register will be cleared. Reset type: SYSRSn

### 3.17.17.4 NMAVINTEN Register (Offset = 6h) [Reset = 0000000h]

NMAVINTEN is shown in [Figure 3-224](#) and described in [Table 3-253](#).

Return to the [Summary Table](#).

Non-Master Access Violation Interrupt Enable Register

**Figure 3-224. NMAVINTEN Register**

31	30	29	28	27	26	25	24
RESERVED							
R-0h							
23	22	21	20	19	18	17	16
RESERVED							
R-0h							
15	14	13	12	11	10	9	8
RESERVED						RESERVED	RESERVED
R-0h						R/W-0h	R/W-0h
7	6	5	4	3	2	1	0
RESERVED	CLA1FETCH	CLA1WRITE	CLA1READ	DMAWRITE	CPUFETCH	CPUWRITE	CPUREAD
R/W-0h	R/W-0h	R/W-0h	R/W-0h	R/W-0h	R/W-0h	R/W-0h	R/W-0h

**Table 3-253. NMAVINTEN Register Field Descriptions**

Bit	Field	Type	Reset	Description
31-16	RESERVED	R	0h	Reserved
15-10	RESERVED	R	0h	Reserved
9	RESERVED	R/W	0h	Reserved
8	RESERVED	R/W	0h	Reserved
7	RESERVED	R/W	0h	Reserved
6	CLA1FETCH	R/W	0h	0: CLA1 Non Master Fetch Access Violation Interrupt is disabled. 1: CLA1 Non Master Fetch Access Violation Interrupt is enabled. Reset type: SYSRSn
5	CLA1WRITE	R/W	0h	0: CLA1 Non Master Write Access Violation Interrupt is disabled. 1: CLA1 Non Master Write Access Violation Interrupt is enabled. Reset type: SYSRSn
4	CLA1READ	R/W	0h	0: CLA1 Non Master Read Access Violation Interrupt is disabled. 1: CLA1 Non Master Read Access Violation Interrupt is enabled. Reset type: SYSRSn
3	DMAWRITE	R/W	0h	0: DMA Non Master Write Access Violation Interrupt is disabled. 1: DMA Non Master Write Access Violation Interrupt is enabled. Reset type: SYSRSn
2	CPUFETCH	R/W	0h	0: CPU Non Master Fetch Access Violation Interrupt is disabled. 1: CPU Non Master Fetch Access Violation Interrupt is enabled. Reset type: SYSRSn
1	CPUWRITE	R/W	0h	0: CPU Non Master Write Access Violation Interrupt is disabled. 1: CPU Non Master Write Access Violation Interrupt is enabled. Reset type: SYSRSn
0	CPUREAD	R/W	0h	0: CPU Non Master Read Access Violation Interrupt is disabled. 1: CPU Non Master Read Access Violation Interrupt is enabled. Reset type: SYSRSn



### 3.17.17.5 NMCPURDAVADDR Register (Offset = 8h) [Reset = 0000000h]

NMCPURDAVADDR is shown in [Figure 3-225](#) and described in [Table 3-254](#).

Return to the [Summary Table](#).

Non-Master CPU Read Access Violation Address

**Figure 3-225. NMCPURDAVADDR Register**

31	30	29	28	27	26	25	24	23	22	21	20	19	18	17	16	15	14	13	12	11	10	9	8	7	6	5	4	3	2	1	0
NMCPURDAVADDR																															
R-0h																															

**Table 3-254. NMCPURDAVADDR Register Field Descriptions**

Bit	Field	Type	Reset	Description
31-0	NMCPURDAVADDR	R	0h	This register captures the address location for which non master CPU read access violation occurred. Reset type: SYSRSn

### 3.17.17.6 NMCPUWRAVADDR Register (Offset = Ah) [Reset = 0000000h]

NMCPUWRAVADDR is shown in [Figure 3-226](#) and described in [Table 3-255](#).

Return to the [Summary Table](#).

Non-Master CPU Write Access Violation Address

**Figure 3-226. NMCPUWRAVADDR Register**

31	30	29	28	27	26	25	24	23	22	21	20	19	18	17	16	15	14	13	12	11	10	9	8	7	6	5	4	3	2	1	0
NMCPUWRAVADDR																															
R-0h																															

**Table 3-255. NMCPUWRAVADDR Register Field Descriptions**

Bit	Field	Type	Reset	Description
31-0	NMCPUWRAVADDR	R	0h	This register captures the address location for which non master CPU write access violation occurred. Reset type: SYSRSn

### 3.17.17.7 NMCPUFAVADDR Register (Offset = Ch) [Reset = 0000000h]

NMCPUFAVADDR is shown in [Figure 3-227](#) and described in [Table 3-256](#).

Return to the [Summary Table](#).

Non-Master CPU Fetch Access Violation Address

**Figure 3-227. NMCPUFAVADDR Register**

31	30	29	28	27	26	25	24	23	22	21	20	19	18	17	16	15	14	13	12	11	10	9	8	7	6	5	4	3	2	1	0
NMCPUFAVADDR																															
R-0h																															

**Table 3-256. NMCPUFAVADDR Register Field Descriptions**

Bit	Field	Type	Reset	Description
31-0	NMCPUFAVADDR	R	0h	This register captures the address location for which non master CPU fetch access violation occurred. Reset type: SYSRSn

### 3.17.17.8 NMDMAWRAVADDR Register (Offset = Eh) [Reset = 0000000h]

NMDMAWRAVADDR is shown in [Figure 3-228](#) and described in [Table 3-257](#).

Return to the [Summary Table](#).

Non-Master DMA Write Access Violation Address

**Figure 3-228. NMDMAWRAVADDR Register**

31	30	29	28	27	26	25	24	23	22	21	20	19	18	17	16	15	14	13	12	11	10	9	8	7	6	5	4	3	2	1	0
NMDMAWRAVADDR																															
R-0h																															

**Table 3-257. NMDMAWRAVADDR Register Field Descriptions**

Bit	Field	Type	Reset	Description
31-0	NMDMAWRAVADDR	R	0h	This register captures the address location for which non master DMA write access violation occurred. Reset type: SYSRSn

### 3.17.17.9 NMCLA1RDAVADDR Register (Offset = 10h) [Reset = 0000000h]

NMCLA1RDAVADDR is shown in [Figure 3-229](#) and described in [Table 3-258](#).

Return to the [Summary Table](#).

Non-Master CLA1 Read Access Violation Address

**Figure 3-229. NMCLA1RDAVADDR Register**

31	30	29	28	27	26	25	24	23	22	21	20	19	18	17	16	15	14	13	12	11	10	9	8	7	6	5	4	3	2	1	0
NMCLA1RDAVADDR																															
R-0h																															

**Table 3-258. NMCLA1RDAVADDR Register Field Descriptions**

Bit	Field	Type	Reset	Description
31-0	NMCLA1RDAVADDR	R	0h	This register captures the address location for which non master CLA1 read access violation occurred. Reset type: SYSRSn

### 3.17.17.10 NMCLA1WRAVADDR Register (Offset = 12h) [Reset = 00000000h]

NMCLA1WRAVADDR is shown in [Figure 3-230](#) and described in [Table 3-259](#).

Return to the [Summary Table](#).

Non-Master CLA1 Write Access Violation Address

**Figure 3-230. NMCLA1WRAVADDR Register**

31	30	29	28	27	26	25	24	23	22	21	20	19	18	17	16	15	14	13	12	11	10	9	8	7	6	5	4	3	2	1	0
NMCLA1WRAVADDR																															
R-0h																															

**Table 3-259. NMCLA1WRAVADDR Register Field Descriptions**

Bit	Field	Type	Reset	Description
31-0	NMCLA1WRAVADDR	R	0h	This register captures the address location for which non master CLA1 write access violation occurred. Reset type: SYSRSn

### 3.17.17.11 NMCLA1FAVADDR Register (Offset = 14h) [Reset = 00000000h]

NMCLA1FAVADDR is shown in [Figure 3-231](#) and described in [Table 3-260](#).

Return to the [Summary Table](#).

Non-Master CLA1 Fetch Access Violation Address

**Figure 3-231. NMCLA1FAVADDR Register**

31	30	29	28	27	26	25	24	23	22	21	20	19	18	17	16	15	14	13	12	11	10	9	8	7	6	5	4	3	2	1	0
NMCLA1FAVADDR																															
R-0h																															

**Table 3-260. NMCLA1FAVADDR Register Field Descriptions**

Bit	Field	Type	Reset	Description
31-0	NMCLA1FAVADDR	R	0h	This register captures the address location for which non master CLA1 fetch access violation occurred. Reset type: SYSRSn

### 3.17.17.12 MAVFLG Register (Offset = 20h) [Reset = 0000000h]

MAVFLG is shown in [Figure 3-232](#) and described in [Table 3-261](#).

Return to the [Summary Table](#).

Master Access Violation Flag Register

**Figure 3-232. MAVFLG Register**

31	30	29	28	27	26	25	24
RESERVED							
R-0h							
23	22	21	20	19	18	17	16
RESERVED							
R-0h							
15	14	13	12	11	10	9	8
RESERVED							
R-0h							
7	6	5	4	3	2	1	0
RESERVED					DMAWRITE	CPUWRITE	CPUFETCH
R-0h					R-0h	R-0h	R-0h

**Table 3-261. MAVFLG Register Field Descriptions**

Bit	Field	Type	Reset	Description
31-16	RESERVED	R	0h	Reserved
15-3	RESERVED	R	0h	Reserved
2	DMAWRITE	R	0h	Master DMA Write Access Violation Flag: 0: No violation. 1: Access violation occurred. Reset type: SYSRSn
1	CPUWRITE	R	0h	Master CPU Write Access Violation Flag: 0: No violation. 1: Access violation occurred. Reset type: SYSRSn
0	CPUFETCH	R	0h	Master CPU Fetch Access Violation Flag: 0: No violation. 1: Access violation occurred. Reset type: SYSRSn



### 3.17.17.13 MAVSET Register (Offset = 22h) [Reset = 0000000h]

MAVSET is shown in [Figure 3-233](#) and described in [Table 3-262](#).

Return to the [Summary Table](#).

Master Access Violation Flag Set Register

**Figure 3-233. MAVSET Register**

31	30	29	28	27	26	25	24
RESERVED							
R-0h							
23	22	21	20	19	18	17	16
RESERVED							
R-0h							
15	14	13	12	11	10	9	8
RESERVED							
R-0h							
7	6	5	4	3	2	1	0
RESERVED					DMAWRITE	CPUWRITE	CPUFETCH
R-0h					R-0/W1S-0h	R-0/W1S-0h	R-0/W1S-0h

**Table 3-262. MAVSET Register Field Descriptions**

Bit	Field	Type	Reset	Description
31-16	RESERVED	R	0h	Reserved
15-3	RESERVED	R	0h	Reserved
2	DMAWRITE	R-0/W1S	0h	0: No action. 1: DMA Write Access Violation Flag in MAVFLG register will be set and interrupt will be generated if enabled.. Reset type: SYSRSn
1	CPUWRITE	R-0/W1S	0h	0: No action. 1: CPU Write Access Violation Flag in MAVFLG register will be set and interrupt will be generated if enabled.. Reset type: SYSRSn
0	CPUFETCH	R-0/W1S	0h	0: No action. 1: CPU Fetch Access Violation Flag in MAVFLG register will be set and interrupt will be generated if enabled.. Reset type: SYSRSn

### 3.17.17.14 MAVCLR Register (Offset = 24h) [Reset = 0000000h]

MAVCLR is shown in [Figure 3-234](#) and described in [Table 3-263](#).

Return to the [Summary Table](#).

Master Access Violation Flag Clear Register

**Figure 3-234. MAVCLR Register**

31	30	29	28	27	26	25	24
RESERVED							
R-0h							
23	22	21	20	19	18	17	16
RESERVED							
R-0h							
15	14	13	12	11	10	9	8
RESERVED							
R-0h							
7	6	5	4	3	2	1	0
RESERVED					DMAWRITE	CPUWRITE	CPUFETCH
R-0h					R-0/W1S-0h	R-0/W1S-0h	R-0/W1S-0h

**Table 3-263. MAVCLR Register Field Descriptions**

Bit	Field	Type	Reset	Description
31-16	RESERVED	R	0h	Reserved
15-3	RESERVED	R	0h	Reserved
2	DMAWRITE	R-0/W1S	0h	0: No action. 1: DMA Write Access Violation Flag in MAVFLG register will be cleared. Reset type: SYSRSn
1	CPUWRITE	R-0/W1S	0h	0: No action. 1: CPU Write Access Violation Flag in MAVFLG register will be cleared . Reset type: SYSRSn
0	CPUFETCH	R-0/W1S	0h	0: No action. 1: CPU Fetch Access Violation Flag in MAVFLG register will be cleared. Reset type: SYSRSn

### 3.17.17.15 MAVINTEN Register (Offset = 26h) [Reset = 0000000h]

MAVINTEN is shown in [Figure 3-235](#) and described in [Table 3-264](#).

Return to the [Summary Table](#).

Master Access Violation Interrupt Enable Register

**Figure 3-235. MAVINTEN Register**

31	30	29	28	27	26	25	24
RESERVED							
R-0h							
23	22	21	20	19	18	17	16
RESERVED							
R-0h							
15	14	13	12	11	10	9	8
RESERVED							
R-0h							
7	6	5	4	3	2	1	0
RESERVED					DMAWRITE	CPUWRITE	CPUFETCH
R-0h					R/W-0h	R/W-0h	R/W-0h

**Table 3-264. MAVINTEN Register Field Descriptions**

Bit	Field	Type	Reset	Description
31-16	RESERVED	R	0h	Reserved
15-3	RESERVED	R	0h	Reserved
2	DMAWRITE	R/W	0h	0: DMA Write Access Violation Interrupt is disabled. 1: DMA Write Access Violation Interrupt is enabled. Reset type: SYSRSn
1	CPUWRITE	R/W	0h	0: CPU Write Access Violation Interrupt is disabled. 1: CPU Write Access Violation Interrupt is enabled. Reset type: SYSRSn
0	CPUFETCH	R/W	0h	0: CPU Fetch Access Violation Interrupt is disabled. 1: CPU Fetch Access Violation Interrupt is enabled. Reset type: SYSRSn

### 3.17.17.16 MCPUFAVADDR Register (Offset = 28h) [Reset = 00000000h]

MCPUFAVADDR is shown in [Figure 3-236](#) and described in [Table 3-265](#).

Return to the [Summary Table](#).

Master CPU Fetch Access Violation Address

**Figure 3-236. MCPUFAVADDR Register**

31	30	29	28	27	26	25	24	23	22	21	20	19	18	17	16	15	14	13	12	11	10	9	8	7	6	5	4	3	2	1	0
MCPUFAVADDR																															
R-0h																															

**Table 3-265. MCPUFAVADDR Register Field Descriptions**

Bit	Field	Type	Reset	Description
31-0	MCPUFAVADDR	R	0h	This register captures the address location for which master CPU fetch access violation occurred. Reset type: SYSRSn

### 3.17.17.17 MCPUWRAVADDR Register (Offset = 2Ah) [Reset = 00000000h]

MCPUWRAVADDR is shown in [Figure 3-237](#) and described in [Table 3-266](#).

Return to the [Summary Table](#).

Master CPU Write Access Violation Address

**Figure 3-237. MCPUWRAVADDR Register**

31	30	29	28	27	26	25	24	23	22	21	20	19	18	17	16	15	14	13	12	11	10	9	8	7	6	5	4	3	2	1	0
MCPUWRAVADDR																															
R-0h																															

**Table 3-266. MCPUWRAVADDR Register Field Descriptions**

Bit	Field	Type	Reset	Description
31-0	MCPUWRAVADDR	R	0h	This register captures the address location for which master CPU write access violation occurred. Reset type: SYSRSn

### 3.17.17.18 MDMAWRVADDR Register (Offset = 2Ch) [Reset = 0000000h]

MDMAWRVADDR is shown in [Figure 3-238](#) and described in [Table 3-267](#).

Return to the [Summary Table](#).

Master DMA Write Access Violation Address

**Figure 3-238. MDMAWRVADDR Register**

31	30	29	28	27	26	25	24	23	22	21	20	19	18	17	16	15	14	13	12	11	10	9	8	7	6	5	4	3	2	1	0
MDMAWRVADDR																															
R-0h																															

**Table 3-267. MDMAWRVADDR Register Field Descriptions**

Bit	Field	Type	Reset	Description
31-0	MDMAWRVADDR	R	0h	This register captures the address location for which master DMA write access violation occurred. Reset type: SYSRSn

### 3.17.18 MEMORY\_ERROR\_REGS Registers

Table 3-268 lists the memory-mapped registers for the MEMORY\_ERROR\_REGS registers. All register offset addresses not listed in Table 3-268 should be considered as reserved locations and the register contents should not be modified.

**Table 3-268. MEMORY\_ERROR\_REGS Registers**

Offset	Acronym	Register Name	Write Protection	Section
0h	UCERRFLG	Uncorrectable Error Flag Register		<a href="#">Go</a>
2h	UCERRSET	Uncorrectable Error Flag Set Register	EALLOW	<a href="#">Go</a>
4h	UCERRCLR	Uncorrectable Error Flag Clear Register	EALLOW	<a href="#">Go</a>
6h	UCCPUREADDR	Uncorrectable CPU Read Error Address		<a href="#">Go</a>
8h	UCDMAREADDR	Uncorrectable DMA Read Error Address		<a href="#">Go</a>
Ah	UCCLA1READDR	Uncorrectable CLA1 Read Error Address		<a href="#">Go</a>
20h	CERRFLG	Correctable Error Flag Register		<a href="#">Go</a>
22h	CERRSET	Correctable Error Flag Set Register	EALLOW	<a href="#">Go</a>
24h	CERRCLR	Correctable Error Flag Clear Register	EALLOW	<a href="#">Go</a>
26h	CCPUREADDR	Correctable CPU Read Error Address		<a href="#">Go</a>
2Eh	CERRCNT	Correctable Error Count Register		<a href="#">Go</a>
30h	CERRTHRES	Correctable Error Threshold Value Register	EALLOW	<a href="#">Go</a>
32h	CEINTFLG	Correctable Error Interrupt Flag Status Register		<a href="#">Go</a>
34h	CEINTCLR	Correctable Error Interrupt Flag Clear Register	EALLOW	<a href="#">Go</a>
36h	CEINTSET	Correctable Error Interrupt Flag Set Register	EALLOW	<a href="#">Go</a>
38h	CEINTEN	Correctable Error Interrupt Enable Register	EALLOW	<a href="#">Go</a>

Complex bit access types are encoded to fit into small table cells. Table 3-269 shows the codes that are used for access types in this section.

**Table 3-269. MEMORY\_ERROR\_REGS Access Type Codes**

Access Type	Code	Description
Read Type		
R	R	Read
R-0	R -0	Read Returns 0s
Write Type		
W	W	Write
W1S	W 1S	Write 1 to set
Reset or Default Value		
-n		Value after reset or the default value
Register Array Variables		
i,j,k,l,m,n		When these variables are used in a register name, an offset, or an address, they refer to the value of a register array where the register is part of a group of repeating registers. The register groups form a hierarchical structure and the array is represented with a formula.
y		When this variable is used in a register name, an offset, or an address it refers to the value of a register array.

### 3.17.18.1 UCERRFLG Register (Offset = 0h) [Reset = 0000000h]

UCERRFLG is shown in [Figure 3-239](#) and described in [Table 3-270](#).

Return to the [Summary Table](#).

Uncorrectable Error Flag Register

**Figure 3-239. UCERRFLG Register**

31	30	29	28	27	26	25	24
RESERVED							
R-0h							
23	22	21	20	19	18	17	16
RESERVED							
R-0h							
15	14	13	12	11	10	9	8
RESERVED							
R-0h							
7	6	5	4	3	2	1	0
RESERVED				RESERVED	CLA1RDERR	DMARDERR	CPURDERR
R-0h				R-0h	R-0h	R-0h	R-0h

**Table 3-270. UCERRFLG Register Field Descriptions**

Bit	Field	Type	Reset	Description
31-16	RESERVED	R	0h	Reserved
15-4	RESERVED	R	0h	Reserved
3	RESERVED	R	0h	Reserved
2	CLA1RDERR	R	0h	CLA1 Uncorrectable Read Error Flag 0: No Error. 1: Uncorrectable error occurred during CLA1 read. Reset type: SYSRSn
1	DMARDERR	R	0h	DMA Uncorrectable Read Error Flag 0: No Error. 1: Uncorrectable error occurred during DMA read. Reset type: SYSRSn
0	CPURDERR	R	0h	CPU Uncorrectable Read Error Flag 0: No Error. 1: Uncorrectable error occurred during CPU read. Reset type: SYSRSn



### 3.17.18.2 UCERRSET Register (Offset = 2h) [Reset = 0000000h]

UCERRSET is shown in [Figure 3-240](#) and described in [Table 3-271](#).

Return to the [Summary Table](#).

Uncorrectable Error Flag Set Register

**Figure 3-240. UCERRSET Register**

31	30	29	28	27	26	25	24
RESERVED							
R-0h							
23	22	21	20	19	18	17	16
RESERVED							
R-0h							
15	14	13	12	11	10	9	8
RESERVED							
R-0h							
7	6	5	4	3	2	1	0
RESERVED				RESERVED	CLA1RDERR	DMARDERR	CPURDERR
R-0h				R-0/W1S-0h	R-0/W1S-0h	R-0/W1S-0h	R-0/W1S-0h

**Table 3-271. UCERRSET Register Field Descriptions**

Bit	Field	Type	Reset	Description
31-16	RESERVED	R	0h	Reserved
15-4	RESERVED	R	0h	Reserved
3	RESERVED	R-0/W1S	0h	Reserved
2	CLA1RDERR	R-0/W1S	0h	0: No action. 1: CLA1 Read Error Flag in UCERRFLG register will be set and interrupt will be generated if enabled.. Reset type: SYSRSn
1	DMARDERR	R-0/W1S	0h	0: No action. 1: DMA Read Error Flag in UCERRFLG register will be set and interrupt will be generated if enabled.. Reset type: SYSRSn
0	CPURDERR	R-0/W1S	0h	0: No action. 1: CPU Read Error Flag in UCERRFLG register will be set and interrupt will be generated if enabled.. Reset type: SYSRSn

### 3.17.18.3 UCERRCLR Register (Offset = 4h) [Reset = 0000000h]

UCERRCLR is shown in [Figure 3-241](#) and described in [Table 3-272](#).

Return to the [Summary Table](#).

Uncorrectable Error Flag Clear Register

**Figure 3-241. UCERRCLR Register**

31	30	29	28	27	26	25	24
RESERVED							
R-0h							
23	22	21	20	19	18	17	16
RESERVED							
R-0h							
15	14	13	12	11	10	9	8
RESERVED							
R-0h							
7	6	5	4	3	2	1	0
RESERVED				RESERVED	CLA1RDERR	DMARDERR	CPURDERR
R-0h				R-0/W1S-0h	R-0/W1S-0h	R-0/W1S-0h	R-0/W1S-0h

**Table 3-272. UCERRCLR Register Field Descriptions**

Bit	Field	Type	Reset	Description
31-16	RESERVED	R	0h	Reserved
15-4	RESERVED	R	0h	Reserved
3	RESERVED	R-0/W1S	0h	Reserved
2	CLA1RDERR	R-0/W1S	0h	0: No action. 1: CLA1 Read Error Flag in UCERRFLG register will be cleared. Reset type: SYSRSn
1	DMARDERR	R-0/W1S	0h	0: No action. 1: DMA Read Error Flag in UCERRFLG register will be cleared . Reset type: SYSRSn
0	CPURDERR	R-0/W1S	0h	0: No action. 1: CPU Read Error Flag in UCERRFLG register will be cleared. Reset type: SYSRSn

### 3.17.18.4 UCCPUREADDR Register (Offset = 6h) [Reset = 0000000h]

UCCPUREADDR is shown in [Figure 3-242](#) and described in [Table 3-273](#).

Return to the [Summary Table](#).

Uncorrectable CPU Read Error Address

**Figure 3-242. UCCPUREADDR Register**

31	30	29	28	27	26	25	24	23	22	21	20	19	18	17	16	15	14	13	12	11	10	9	8	7	6	5	4	3	2	1	0
UCCPUREADDR																															
R-0h																															

**Table 3-273. UCCPUREADDR Register Field Descriptions**

Bit	Field	Type	Reset	Description
31-0	UCCPUREADDR	R	0h	This register captures the address location for which CPU read/fetch access resulted in uncorrectable ECC/Parity error. Reset type: SYSRSn

### 3.17.18.5 UCDMAREADDR Register (Offset = 8h) [Reset = 0000000h]

UCDMAREADDR is shown in [Figure 3-243](#) and described in [Table 3-274](#).

Return to the [Summary Table](#).

Uncorrectable DMA Read Error Address

**Figure 3-243. UCDMAREADDR Register**

31	30	29	28	27	26	25	24	23	22	21	20	19	18	17	16	15	14	13	12	11	10	9	8	7	6	5	4	3	2	1	0
UCDMAREADDR																															
R-0h																															

**Table 3-274. UCDMAREADDR Register Field Descriptions**

Bit	Field	Type	Reset	Description
31-0	UCDMAREADDR	R	0h	This register captures the address location for which DMA read access resulted in uncorrectable ECC/Parity error. Reset type: SYSRSn

### 3.17.18.6 UCCLA1READDR Register (Offset = Ah) [Reset = 0000000h]

UCCLA1READDR is shown in [Figure 3-244](#) and described in [Table 3-275](#).

Return to the [Summary Table](#).

Uncorrectable CLA1 Read Error Address

**Figure 3-244. UCCLA1READDR Register**

31	30	29	28	27	26	25	24	23	22	21	20	19	18	17	16	15	14	13	12	11	10	9	8	7	6	5	4	3	2	1	0
UCCLA1READDR																															
R-0h																															

**Table 3-275. UCCLA1READDR Register Field Descriptions**

Bit	Field	Type	Reset	Description
31-0	UCCLA1READDR	R	0h	This register captures the address location for which CLA1 read/ fetch access resulted in uncorrectable ECC/Parity error. Reset type: SYSRSn

### 3.17.18.7 CERRFLG Register (Offset = 20h) [Reset = 0000000h]

CERRFLG is shown in [Figure 3-245](#) and described in [Table 3-276](#).

Return to the [Summary Table](#).

Correctable Error Flag Register

**Figure 3-245. CERRFLG Register**

31	30	29	28	27	26	25	24
RESERVED							
R-0h							
23	22	21	20	19	18	17	16
RESERVED							
R-0h							
15	14	13	12	11	10	9	8
RESERVED							
R-0h							
7	6	5	4	3	2	1	0
RESERVED				RESERVED	CLA1RDERR	DMARDERR	CPURDERR
R-0h				R-0h	R-0h	R-0h	R-0h

**Table 3-276. CERRFLG Register Field Descriptions**

Bit	Field	Type	Reset	Description
31-16	RESERVED	R	0h	Reserved
15-4	RESERVED	R	0h	Reserved
3	RESERVED	R	0h	Reserved
2	CLA1RDERR	R	0h	CLA1 Correctable Read Error Flag 0: No Error. 1: Correctable error occurred during CLA1 read. Reset type: SYSRSn
1	DMARDERR	R	0h	DMA Correctable Read Error Flag 0: No Error. 1: Correctable error occurred during DMA read. Reset type: SYSRSn
0	CPURDERR	R	0h	CPU Correctable Read Error Flag 0: No Error. 1: Correctable error occurred during CPU read. Reset type: SYSRSn

### 3.17.18.8 CERRSET Register (Offset = 22h) [Reset = 0000000h]

CERRSET is shown in [Figure 3-246](#) and described in [Table 3-277](#).

Return to the [Summary Table](#).

Correctable Error Flag Set Register

**Figure 3-246. CERRSET Register**

31	30	29	28	27	26	25	24
RESERVED							
R-0h							
23	22	21	20	19	18	17	16
RESERVED							
R-0h							
15	14	13	12	11	10	9	8
RESERVED							
R-0h							
7	6	5	4	3	2	1	0
RESERVED				RESERVED	CLA1RDERR	DMARDERR	CPURDERR
R-0h				R-0/W1S-0h	R-0/W1S-0h	R-0/W1S-0h	R-0/W1S-0h

**Table 3-277. CERRSET Register Field Descriptions**

Bit	Field	Type	Reset	Description
31-16	RESERVED	R	0h	Reserved
15-4	RESERVED	R	0h	Reserved
3	RESERVED	R-0/W1S	0h	Reserved
2	CLA1RDERR	R-0/W1S	0h	0: No action. 1: CLA1 Read Error Flag in CERRFLG register will be set and interrupt will be generated if enabled.. Reset type: SYSRSn
1	DMARDERR	R-0/W1S	0h	0: No action. 1: DMA Read Error Flag in CERRFLG register will be set and interrupt will be generated if enabled.. Reset type: SYSRSn
0	CPURDERR	R-0/W1S	0h	0: No action. 1: CPU Read Error Flag in CERRFLG register will be set and interrupt will be generated if enabled.. Reset type: SYSRSn

### 3.17.18.9 CERRCLR Register (Offset = 24h) [Reset = 0000000h]

CERRCLR is shown in [Figure 3-247](#) and described in [Table 3-278](#).

Return to the [Summary Table](#).

Correctable Error Flag Clear Register

**Figure 3-247. CERRCLR Register**

31	30	29	28	27	26	25	24
RESERVED							
R-0h							
23	22	21	20	19	18	17	16
RESERVED							
R-0h							
15	14	13	12	11	10	9	8
RESERVED							
R-0h							
7	6	5	4	3	2	1	0
RESERVED				RESERVED	CLA1RDERR	DMARDERR	CPURDERR
R-0h				R-0/W1S-0h	R-0/W1S-0h	R-0/W1S-0h	R-0/W1S-0h

**Table 3-278. CERRCLR Register Field Descriptions**

Bit	Field	Type	Reset	Description
31-16	RESERVED	R	0h	Reserved
15-4	RESERVED	R	0h	Reserved
3	RESERVED	R-0/W1S	0h	Reserved
2	CLA1RDERR	R-0/W1S	0h	0: No action. 1: CLA1 Read Error Flag in CERRFLG register will be cleared. Reset type: SYSRSn
1	DMARDERR	R-0/W1S	0h	0: No action. 1: DMA Read Error Flag in CERRFLG register will be cleared . Reset type: SYSRSn
0	CPURDERR	R-0/W1S	0h	0: No action. 1: CPU Read Error Flag in CERRFLG register will be cleared. Reset type: SYSRSn



### 3.17.18.10 CCPUREADDR Register (Offset = 26h) [Reset = 00000000h]

CCPUREADDR is shown in [Figure 3-248](#) and described in [Table 3-279](#).

Return to the [Summary Table](#).

Correctable CPU Read Error Address

**Figure 3-248. CCPUREADDR Register**

31	30	29	28	27	26	25	24	23	22	21	20	19	18	17	16	15	14	13	12	11	10	9	8	7	6	5	4	3	2	1	0
CCPUREADDR																															
R-0h																															

**Table 3-279. CCPUREADDR Register Field Descriptions**

Bit	Field	Type	Reset	Description
31-0	CCPUREADDR	R	0h	This register captures the address location for which CPU read/fetch access resulted in correctable ECC error. Reset type: SYSRSn

### 3.17.18.11 CERRCNT Register (Offset = 2Eh) [Reset = 0000000h]

CERRCNT is shown in [Figure 3-249](#) and described in [Table 3-280](#).

Return to the [Summary Table](#).

Correctable Error Count Register

**Figure 3-249. CERRCNT Register**

31	30	29	28	27	26	25	24	23	22	21	20	19	18	17	16	15	14	13	12	11	10	9	8	7	6	5	4	3	2	1	0
RESERVED																CERRCNT															
R-0h																R-0h															

**Table 3-280. CERRCNT Register Field Descriptions**

Bit	Field	Type	Reset	Description
31-16	RESERVED	R	0h	Reserved
15-0	CERRCNT	R	0h	This register holds the count of how many times correctable error occurred. Reset type: SYSRSn

### 3.17.18.12 CERRTHRES Register (Offset = 30h) [Reset = 0000000h]

CERRTHRES is shown in [Figure 3-250](#) and described in [Table 3-281](#).

Return to the [Summary Table](#).

Correctable Error Threshold Value Register

**Figure 3-250. CERRTHRES Register**

31	30	29	28	27	26	25	24	23	22	21	20	19	18	17	16	15	14	13	12	11	10	9	8	7	6	5	4	3	2	1	0
RESERVED																CERRTHRES															
R-0h																R/W-0h															

**Table 3-281. CERRTHRES Register Field Descriptions**

Bit	Field	Type	Reset	Description
31-16	RESERVED	R	0h	Reserved
15-0	CERRTHRES	R/W	0h	When value in CERRCNT register is greater or equal to than value configured in this register, correctable interrupt gets generated, if enabled. Reset type: SYSRSn

### 3.17.18.13 CEINTFLG Register (Offset = 32h) [Reset = 0000000h]

CEINTFLG is shown in [Figure 3-251](#) and described in [Table 3-282](#).

Return to the [Summary Table](#).

Correctable Error Interrupt Flag Status Register

**Figure 3-251. CEINTFLG Register**

31	30	29	28	27	26	25	24
RESERVED							
R-0h							
23	22	21	20	19	18	17	16
RESERVED							
R-0h							
15	14	13	12	11	10	9	8
RESERVED							
R-0h							
7	6	5	4	3	2	1	0
RESERVED							CEINTFLAG
R-0h							R-0h

**Table 3-282. CEINTFLG Register Field Descriptions**

Bit	Field	Type	Reset	Description
31-16	RESERVED	R	0h	Reserved
15-1	RESERVED	R	0h	Reserved
0	CEINTFLAG	R	0h	Total corrected error count exceeded threshold Flag 0: Total correctable errors < Threshold value configured in CERRTHRES register. 1: Total correctable errors >= Threshold value configured in CERRTHRES register. Reset type: SYSRSn

### 3.17.18.14 CEINTCLR Register (Offset = 34h) [Reset = 0000000h]

CEINTCLR is shown in [Figure 3-252](#) and described in [Table 3-283](#).

Return to the [Summary Table](#).

Correctable Error Interrupt Flag Clear Register

**Figure 3-252. CEINTCLR Register**

31	30	29	28	27	26	25	24
RESERVED							
R-0h							
23	22	21	20	19	18	17	16
RESERVED							
R-0h							
15	14	13	12	11	10	9	8
RESERVED							
R-0h							
7	6	5	4	3	2	1	0
RESERVED							CEINTCLR
R-0h							R-0/W1S-0h

**Table 3-283. CEINTCLR Register Field Descriptions**

Bit	Field	Type	Reset	Description
31-16	RESERVED	R	0h	Reserved
15-1	RESERVED	R	0h	Reserved
0	CEINTCLR	R-0/W1S	0h	0: No action. 1: Total corrected error count exceeded flag in CEINTFLG register will be cleared. Reset type: SYSRSn

### 3.17.18.15 CEINTSET Register (Offset = 36h) [Reset = 0000000h]

CEINTSET is shown in [Figure 3-253](#) and described in [Table 3-284](#).

Return to the [Summary Table](#).

Correctable Error Interrupt Flag Set Register

**Figure 3-253. CEINTSET Register**

31	30	29	28	27	26	25	24
RESERVED							
R-0h							
23	22	21	20	19	18	17	16
RESERVED							
R-0h							
15	14	13	12	11	10	9	8
RESERVED							
R-0h							
7	6	5	4	3	2	1	0
RESERVED							CEINTSET
R-0h							R-0/W1S-0h

**Table 3-284. CEINTSET Register Field Descriptions**

Bit	Field	Type	Reset	Description
31-16	RESERVED	R	0h	Reserved
15-1	RESERVED	R	0h	Reserved
0	CEINTSET	R-0/W1S	0h	0: No action. 1: Total corrected error count exceeded flag in CEINTFLG register will be set and interrupt will be generated if enabled. Reset type: SYSRSn

### 3.17.18.16 CEINTEN Register (Offset = 38h) [Reset = 0000000h]

CEINTEN is shown in [Figure 3-254](#) and described in [Table 3-285](#).

Return to the [Summary Table](#).

Correctable Error Interrupt Enable Register

**Figure 3-254. CEINTEN Register**

31	30	29	28	27	26	25	24
RESERVED							
R-0h							
23	22	21	20	19	18	17	16
RESERVED							
R-0h							
15	14	13	12	11	10	9	8
RESERVED							
R-0h							
7	6	5	4	3	2	1	0
RESERVED							CEINTEN
R-0h							R/W-0h

**Table 3-285. CEINTEN Register Field Descriptions**

Bit	Field	Type	Reset	Description
31-16	RESERVED	R	0h	Reserved
15-1	RESERVED	R	0h	Reserved
0	CEINTEN	R/W	0h	0: Correctable Error Interrupt is disabled. 1: Correctable Error Interrupt is enabled. Reset type: SYSRSn

### 3.17.19 ROM\_WAIT\_STATE\_REGS Registers

Table 3-286 lists the memory-mapped registers for the ROM\_WAIT\_STATE\_REGS registers. All register offset addresses not listed in Table 3-286 should be considered as reserved locations and the register contents should not be modified.

**Table 3-286. ROM\_WAIT\_STATE\_REGS Registers**

Offset	Acronym	Register Name	Write Protection	Section
0h	ROMWAITSTATE	ROM Wait State Configuration Register	EALLOW	<a href="#">Go</a>

Complex bit access types are encoded to fit into small table cells. Table 3-287 shows the codes that are used for access types in this section.

**Table 3-287. ROM\_WAIT\_STATE\_REGS Access Type Codes**

Access Type	Code	Description
Read Type		
R	R	Read
Write Type		
W	W	Write
Reset or Default Value		
-n		Value after reset or the default value
Register Array Variables		
i,j,k,l,m,n		When these variables are used in a register name, an offset, or an address, they refer to the value of a register array where the register is part of a group of repeating registers. The register groups form a hierarchical structure and the array is represented with a formula.
y		When this variable is used in a register name, an offset, or an address it refers to the value of a register array.



### 3.17.19.1 ROMWAITSTATE Register (Offset = 0h) [Reset = 0000000h]

ROMWAITSTATE is shown in [Figure 3-255](#) and described in [Table 3-288](#).

Return to the [Summary Table](#).

ROM Wait State Configuration Register

**Figure 3-255. ROMWAITSTATE Register**

31	30	29	28	27	26	25	24
RESERVED							
R-0h							
23	22	21	20	19	18	17	16
RESERVED							
R-0h							
15	14	13	12	11	10	9	8
RESERVED							
R-0h							
7	6	5	4	3	2	1	0
RESERVED							WSDISABLE
R-0h							R/W-0h

**Table 3-288. ROMWAITSTATE Register Field Descriptions**

Bit	Field	Type	Reset	Description
31-16	RESERVED	R	0h	Reserved
15-1	RESERVED	R	0h	Reserved
0	WSDISABLE	R/W	0h	0: C28x ROM Wait State is enabled. C28x CPU accesses to ROM are 1-wait. 1: C28x ROM Wait State is disabled. C28x CPU accesses to ROM are 0-wait. Reset type: SYSRSn

### 3.17.20 FLASH\_CTRL\_REGS Registers

Table 3-289 lists the memory-mapped registers for the FLASH\_CTRL\_REGS registers. All register offset addresses not listed in Table 3-289 should be considered as reserved locations and the register contents should not be modified.

**Table 3-289. FLASH\_CTRL\_REGS Registers**

Offset	Acronym	Register Name	Write Protection	Section
0h	FRDCNTL	Flash Read Control Register	EALLOW	<a href="#">Go</a>
1Eh	FBAC	Flash Bank Access Control Register	EALLOW	<a href="#">Go</a>
20h	FBFALLBACK	Flash Bank Fallback Power Register	EALLOW	<a href="#">Go</a>
22h	FBPRDY	Flash Bank Pump Ready Register	EALLOW	<a href="#">Go</a>
24h	FPAC1	Flash Pump Access Control Register 1	EALLOW	<a href="#">Go</a>
2Ah	FMSTAT	Flash Module Status Register	EALLOW	<a href="#">Go</a>
180h	FRD_INTF_CTRL	Flash Read Interface Control Register	EALLOW	<a href="#">Go</a>

Complex bit access types are encoded to fit into small table cells. Table 3-290 shows the codes that are used for access types in this section.

**Table 3-290. FLASH\_CTRL\_REGS Access Type Codes**

Access Type	Code	Description
Read Type		
R	R	Read
Write Type		
W	W	Write
Reset or Default Value		
-n		Value after reset or the default value
Register Array Variables		
i,j,k,l,m,n		When these variables are used in a register name, an offset, or an address, they refer to the value of a register array where the register is part of a group of repeating registers. The register groups form a hierarchical structure and the array is represented with a formula.
y		When this variable is used in a register name, an offset, or an address it refers to the value of a register array.

### 3.17.20.1 FRDCNTL Register (Offset = 0h) [Reset = 0000F00h]

FRDCNTL is shown in [Figure 3-256](#) and described in [Table 3-291](#).

Return to the [Summary Table](#).

Flash Read Control Register

**Figure 3-256. FRDCNTL Register**

31	30	29	28	27	26	25	24	23	22	21	20	19	18	17	16
RESERVED															
R-0h															
15	14	13	12	11	10	9	8	7	6	5	4	3	2	1	0
RESERVED				RWAIT				RESERVED							
R-0h				R/W-Fh				R-0h							

**Table 3-291. FRDCNTL Register Field Descriptions**

Bit	Field	Type	Reset	Description
31-16	RESERVED	R	0h	Reserved
15-12	RESERVED	R	0h	Reserved
11-8	RWAIT	R/W	Fh	Random read waitstate These bits indicate how many waitstates are added to a flash read/ fetch access. The RWAIT value can be set anywhere from 0 to 0xF. For a flash access, data is returned in RWAIT+1 SYSCLK cycles. Note: The required wait states for each SYSCLK frequency can be found in the device data manual. Reset type: SYSRSn
7-0	RESERVED	R	0h	Reserved

### 3.17.20.2 FBAC Register (Offset = 1Eh) [Reset = 000000Fh]

FBAC is shown in [Figure 3-257](#) and described in [Table 3-292](#).

Return to the [Summary Table](#).

Flash Bank Access Control Register

**Figure 3-257. FBAC Register**

31	30	29	28	27	26	25	24	23	22	21	20	19	18	17	16	15	14	13	12	11	10	9	8	7	6	5	4	3	2	1	0
RESERVED																RESERVED						VREADST									
R-0h																R/W-0h						R/W-Fh									

**Table 3-292. FBAC Register Field Descriptions**

Bit	Field	Type	Reset	Description
31-16	RESERVED	R	0h	Reserved
15-8	RESERVED	R/W	0h	Reserved
7-0	VREADST	R/W	Fh	This bit-field ensures that the requisite delay is introduced for the flash pump/bank to come out of low-power mode, so that the flash/OTP array is ready for CPU accesses. The reset value of this bit-field is 0xF. Before entering any low-power mode for the flash bank/pump, this bit-field must be configured as described in the 'Flash and OTP Memory' chapter of the TRM. Applications typically use the flash bank/pump low-power modes to reduce power (i) during the device low-power modes such as IDLE/STANDBY/HALT (ii) while running code off RAM after powering down the flash. Reset type: SYSRSn

### 3.17.20.3 FBFALLBACK Register (Offset = 20h) [Reset = 0000000h]

FBFALLBACK is shown in [Figure 3-258](#) and described in [Table 3-293](#).

Return to the [Summary Table](#).

Flash Bank Fallback Power Register

**Figure 3-258. FBFALLBACK Register**

31	30	29	28	27	26	25	24
RESERVED							
R-0h							
23	22	21	20	19	18	17	16
RESERVED							
R-0h							
15	14	13	12	11	10	9	8
RESERVED							
R-0h							
7	6	5	4	3	2	1	0
RESERVED						BNKPWR0	
R-0h						R/W-0h	

**Table 3-293. FBFALLBACK Register Field Descriptions**

Bit	Field	Type	Reset	Description
31-16	RESERVED	R	0h	Reserved
15-2	RESERVED	R	0h	Reserved
1-0	BNKPWR0	R/W	0h	Bank Power Mode Control 00 Sleep (Sense amplifiers and sense reference disabled) 01 Standby (Sense amplifiers disabled, but sense reference enabled) 10 Reserved 11 Active (Both sense amplifiers and sense reference enabled) Note: If the bank and pump are not in active mode and an access is made, the value of this register is automatically changed to active. Reset type: SYSRSn

### 3.17.20.4 FBPRDY Register (Offset = 22h) [Reset = 0000000h]

FBPRDY is shown in [Figure 3-259](#) and described in [Table 3-294](#).

Return to the [Summary Table](#).

Flash Bank Pump Ready Register

**Figure 3-259. FBPRDY Register**

31	30	29	28	27	26	25	24
RESERVED							
R-0h							
23	22	21	20	19	18	17	16
RESERVED							
R-0h							
15	14	13	12	11	10	9	8
PUMPRDY	RESERVED						
R-0h	R-0h			R-0h			
7	6	5	4	3	2	1	0
RESERVED							BANKRDY
R-0h							R-0h

**Table 3-294. FBPRDY Register Field Descriptions**

Bit	Field	Type	Reset	Description
31-16	RESERVED	R	0h	Reserved
15	PUMPRDY	R	0h	Pump Ready. This is a read-only bit which allows software to determine if the pump is ready for flash access before attempting the actual access. If an access is made to a bank when the pump is not ready, wait states are asserted until it becomes ready. 0 Pump is not ready. 1 Pump is ready, in active power state. Reset type: SYSRSn
14-1	RESERVED	R	0h	Reserved
0	BANKRDY	R	0h	Bank Ready. This is a read-only register which allows software to determine if the bank is ready for Flash access before the access is attempted. Note: The user should wait for both the pump and the bank to be ready before attempting an access. 0 Bank is not ready. 1 Bank is in active power mode and is ready for access. Reset type: SYSRSn

### 3.17.20.5 FPAC1 Register (Offset = 24h) [Reset = 08600000h]

FPAC1 is shown in [Figure 3-260](#) and described in [Table 3-295](#).

Return to the [Summary Table](#).

Flash Pump Access Control Register 1

**Figure 3-260. FPAC1 Register**

31	30	29	28	27	26	25	24
RESERVED				PSLEEP			
R-0h				R/W-860h			
23	22	21	20	19	18	17	16
PSLEEP				R/W-860h			
15	14	13	12	11	10	9	8
RESERVED							
R-0h							
7	6	5	4	3	2	1	0
RESERVED							PMPWWR
R-0h							R/W-0h

**Table 3-295. FPAC1 Register Field Descriptions**

Bit	Field	Type	Reset	Description
31-28	RESERVED	R	0h	Reserved
27-16	PSLEEP	R/W	860h	<p>Pump sleep. These bits contain the starting count value for the charge pump sleep down counter. While the charge pump is in sleep mode, the power mode management logic holds the charge pump sleep counter at this value. When the charge pump exits sleep power mode, the down counter delays from 0 to PSLEEP prescaled SYSCLK clock cycles before putting the charge pump into active power mode.</p> <p>Note: The pump sleep down counter uses a prescaled clock which is divided by 2 of input SYSCLK. The configured PSLEEP value should yield a delay of at least 20 microseconds for the pump to go to active mode.</p> <p>Reset type: SYSRSn</p>
15-1	RESERVED	R	0h	Reserved
0	PMPWWR	R/W	0h	<p>Flash Charge Pump Control Power Mode. Configures the power mode of the charge pump.</p> <p>0 Sleep (all pump circuits disabled) 1 Active (all pump circuits active)</p> <p>Reset type: SYSRSn</p>

### 3.17.20.6 FMSTAT Register (Offset = 2Ah) [Reset = 0000000h]

FMSTAT is shown in [Figure 3-261](#) and described in [Table 3-296](#).

Return to the [Summary Table](#).

Flash Module Status Register

**Figure 3-261. FMSTAT Register**

31	30	29	28	27	26	25	24
RESERVED							
R-0h							
23	22	21	20	19	18	17	16
RESERVED						RESERVED	RESERVED
R-0h						R-0h	R-0h
15	14	13	12	11	10	9	8
RESERVED	RESERVED	RESERVED	PGV	RESERVED	EV	RESERVED	BUSY
R-0h	R-0h	R-0h	R-0h	R-0h	R-0h	R-0h	R-0h
7	6	5	4	3	2	1	0
ERS	PGM	INVDAT	CSTAT	VOLTSTAT	ESUSP	PSUSP	RESERVED
R-0h	R-0h	R-0h	R-0h	R-0h	R-0h	R-0h	R-0h

**Table 3-296. FMSTAT Register Field Descriptions**

Bit	Field	Type	Reset	Description
31-18	RESERVED	R	0h	Reserved
17	RESERVED	R	0h	Reserved
16	RESERVED	R	0h	Reserved
15	RESERVED	R	0h	Reserved
14	RESERVED	R	0h	Reserved
13	RESERVED	R	0h	Reserved
12	PGV	R	0h	Program verify When set, indicates that a word is not successfully programmed after the maximum allowed number of program pulses are given for program operation. Reset type: SYSRSn
11	RESERVED	R	0h	Reserved
10	EV	R	0h	Erase verify When set, indicates that a sector is not successfully erased after the maximum allowed number of erase pulses are given for erase operation. Reset type: SYSRSn
9	RESERVED	R	0h	Reserved
8	BUSY	R	0h	When set, this bit indicates that a program, erase, or suspend operation is being processed. Reset type: SYSRSn
7	ERS	R	0h	Erase Active. When set, this bit indicates that the flash module is actively performing an erase operation. This bit is set when erasing starts and is cleared when erasing is complete. It is also cleared when the erase is suspended and set when the erase resumes. Reset type: SYSRSn
6	PGM	R	0h	Program Active. When set, this bit indicates that the flash module is currently performing a program operation. This bit is set when programming starts and is cleared when programming is complete. It is also cleared when programming is suspended and set when programming is resumed. Reset type: SYSRSn



**Table 3-296. FMSTAT Register Field Descriptions (continued)**

Bit	Field	Type	Reset	Description
5	INVDAT	R	0h	Invalid Data. When set, this bit indicates that the user attempted to program a '1' where a '0' was already present. Reset type: SYSRSn
4	CSTAT	R	0h	Command Status. Once the FSM starts any failure will set this bit. When set, this bit informs the host that the program, erase, or validate sector command failed and the command was stopped. This bit is cleared by the Clear Status command. For some errors, this will be the only indication of an FSM error because the cause does not fall within the other error bit types. Reset type: SYSRSn
3	VOLTSTAT	R	0h	Core Voltage Status. When set, this bit indicates that the core voltage generator of the pump power supply dipped below the lower limit allowable during a program or erase operation. Reset type: SYSRSn
2	ESUSP	R	0h	When set, this bit indicates that the flash module has received and processed an erase suspend operation. This bit remains set until the erase resume command has been issued or until the Clear_More command is run. Reset type: SYSRSn
1	PSUSP	R	0h	When set, this bit indicates that the flash module has received and processed a program suspend operation. This bit remains set until the program resume command has been issued or until the Clear_More command is run. Reset type: SYSRSn
0	RESERVED	R	0h	Reserved

### 3.17.20.7 FRD\_INTF\_CTRL Register (Offset = 180h) [Reset = 0000000h]

FRD\_INTF\_CTRL is shown in [Figure 3-262](#) and described in [Table 3-297](#).

Return to the [Summary Table](#).

Flash Read Interface Control Register

**Figure 3-262. FRD\_INTF\_CTRL Register**

31	30	29	28	27	26	25	24
RESERVED							
R-0h							
23	22	21	20	19	18	17	16
RESERVED							
R-0h							
15	14	13	12	11	10	9	8
RESERVED							
R-0h							
7	6	5	4	3	2	1	0
RESERVED						DATA_CACHE_	PREFETCH_E
R-0h						EN	N
R-0h						R/W-0h	R/W-0h

**Table 3-297. FRD\_INTF\_CTRL Register Field Descriptions**

Bit	Field	Type	Reset	Description
31-16	RESERVED	R	0h	Reserved
15-2	RESERVED	R	0h	Reserved
1	DATA_CACHE_EN	R/W	0h	Data cache enable. 0 A value of 0 disables the data cache. 1 A value of 1 enables the data cache. Reset type: SYSRSn
0	PREFETCH_EN	R/W	0h	Prefetch enable. 0 A value of 0 disables prefetch mechanism. 1 A value of 1 enables pre-fetch mechanism. Reset type: SYSRSn

### 3.17.21 FLASH\_ECC\_REGS Registers

Table 3-298 lists the memory-mapped registers for the FLASH\_ECC\_REGS registers. All register offset addresses not listed in Table 3-298 should be considered as reserved locations and the register contents should not be modified.

**Table 3-298. FLASH\_ECC\_REGS Registers**

Offset	Acronym	Register Name	Write Protection	Section
0h	ECC_ENABLE	ECC Enable	EALLOW	<a href="#">Go</a>
2h	SINGLE_ERR_ADDR_LOW	Single Error Address Low	EALLOW	<a href="#">Go</a>
4h	SINGLE_ERR_ADDR_HIGH	Single Error Address High	EALLOW	<a href="#">Go</a>
6h	UNC_ERR_ADDR_LOW	Uncorrectable Error Address Low	EALLOW	<a href="#">Go</a>
8h	UNC_ERR_ADDR_HIGH	Uncorrectable Error Address High	EALLOW	<a href="#">Go</a>
Ah	ERR_STATUS	Error Status	EALLOW	<a href="#">Go</a>
Ch	ERR_POS	Error Position	EALLOW	<a href="#">Go</a>
Eh	ERR_STATUS_CLR	Error Status Clear	EALLOW	<a href="#">Go</a>
10h	ERR_CNT	Error Control	EALLOW	<a href="#">Go</a>
12h	ERR_THRESHOLD	Error Threshold	EALLOW	<a href="#">Go</a>
14h	ERR_INTFLG	Error Interrupt Flag	EALLOW	<a href="#">Go</a>
16h	ERR_INTCLR	Error Interrupt Flag Clear	EALLOW	<a href="#">Go</a>
18h	FDATAH_TEST	Data High Test	EALLOW	<a href="#">Go</a>
1Ah	FDATAL_TEST	Data Low Test	EALLOW	<a href="#">Go</a>
1Ch	FADDR_TEST	ECC Test Address	EALLOW	<a href="#">Go</a>
1Eh	FECC_TEST	ECC Test Address	EALLOW	<a href="#">Go</a>
20h	FECC_CTRL	ECC Control	EALLOW	<a href="#">Go</a>
22h	FOUTH_TEST	Test Data Out High	EALLOW	<a href="#">Go</a>
24h	FOUTL_TEST	Test Data Out Low	EALLOW	<a href="#">Go</a>
26h	FECC_STATUS	ECC Status	EALLOW	<a href="#">Go</a>

Complex bit access types are encoded to fit into small table cells. Table 3-299 shows the codes that are used for access types in this section.

**Table 3-299. FLASH\_ECC\_REGS Access Type Codes**

Access Type	Code	Description
Read Type		
R	R	Read
R-0	R-0	Read Returns 0s
Write Type		
W	W	Write
W1S	W1S	Write 1 to set
Reset or Default Value		
-n		Value after reset or the default value
Register Array Variables		
i,j,k,l,m,n		When these variables are used in a register name, an offset, or an address, they refer to the value of a register array where the register is part of a group of repeating registers. The register groups form a hierarchical structure and the array is represented with a formula.

**Table 3-299. FLASH\_ECC\_REGS Access Type Codes (continued)**

Access Type	Code	Description
y		When this variable is used in a register name, an offset, or an address it refers to the value of a register array.

### 3.17.21.1 ECC\_ENABLE Register (Offset = 0h) [Reset = 000000Ah]

ECC\_ENABLE is shown in [Figure 3-263](#) and described in [Table 3-300](#).

Return to the [Summary Table](#).

ECC Enable

**Figure 3-263. ECC\_ENABLE Register**

31	30	29	28	27	26	25	24	23	22	21	20	19	18	17	16
RESERVED															
R-0h															
15	14	13	12	11	10	9	8	7	6	5	4	3	2	1	0
RESERVED												ENABLE			
R-0h												R/W-Ah			

**Table 3-300. ECC\_ENABLE Register Field Descriptions**

Bit	Field	Type	Reset	Description
31-16	RESERVED	R	0h	Reserved
15-4	RESERVED	R	0h	Reserved
3-0	ENABLE	R/W	Ah	ECC enable. A value of 0xA would enable ECC. Any other value would disable ECC. Reset type: SYSRSn

### 3.17.21.2 SINGLE\_ERR\_ADDR\_LOW Register (Offset = 2h) [Reset = 0000000h]

SINGLE\_ERR\_ADDR\_LOW is shown in [Figure 3-264](#) and described in [Table 3-301](#).

Return to the [Summary Table](#).

Single Error Address Low

**Figure 3-264. SINGLE\_ERR\_ADDR\_LOW Register**

31	30	29	28	27	26	25	24	23	22	21	20	19	18	17	16	15	14	13	12	11	10	9	8	7	6	5	4	3	2	1	0
ERR_ADDR_L																															
R/W-0h																															

**Table 3-301. SINGLE\_ERR\_ADDR\_LOW Register Field Descriptions**

Bit	Field	Type	Reset	Description
31-0	ERR_ADDR_L	R/W	0h	64-bit aligned address at which a single bit error occurred in the lower 64-bits of a 128-bit aligned memory. Reset type: SYSRSn

### 3.17.21.3 SINGLE\_ERR\_ADDR\_HIGH Register (Offset = 4h) [Reset = 0000000h]

SINGLE\_ERR\_ADDR\_HIGH is shown in [Figure 3-265](#) and described in [Table 3-302](#).

Return to the [Summary Table](#).

Single Error Address High

**Figure 3-265. SINGLE\_ERR\_ADDR\_HIGH Register**

31	30	29	28	27	26	25	24	23	22	21	20	19	18	17	16	15	14	13	12	11	10	9	8	7	6	5	4	3	2	1	0
ERR_ADDR_H																															
R/W-0h																															

**Table 3-302. SINGLE\_ERR\_ADDR\_HIGH Register Field Descriptions**

Bit	Field	Type	Reset	Description
31-0	ERR_ADDR_H	R/W	0h	64-bit aligned address at which a single bit error occurred in the upper 64-bits of a 128-bit aligned memory. Reset type: SYSRSn

### 3.17.21.4 UNC\_ERR\_ADDR\_LOW Register (Offset = 6h) [Reset = 00000000h]

UNC\_ERR\_ADDR\_LOW is shown in [Figure 3-266](#) and described in [Table 3-303](#).

Return to the [Summary Table](#).

Uncorrectable Error Address Low

**Figure 3-266. UNC\_ERR\_ADDR\_LOW Register**

31	30	29	28	27	26	25	24	23	22	21	20	19	18	17	16	15	14	13	12	11	10	9	8	7	6	5	4	3	2	1	0
UNC_ERR_ADDR_L																															
R/W-0h																															

**Table 3-303. UNC\_ERR\_ADDR\_LOW Register Field Descriptions**

Bit	Field	Type	Reset	Description
31-0	UNC_ERR_ADDR_L	R/W	0h	64-bit aligned address at which an uncorrectable error occurred in the lower 64-bits of a 128-bit aligned memory. Reset type: SYSRSn



### 3.17.21.5 UNC\_ERR\_ADDR\_HIGH Register (Offset = 8h) [Reset = 0000000h]

UNC\_ERR\_ADDR\_HIGH is shown in [Figure 3-267](#) and described in [Table 3-304](#).

Return to the [Summary Table](#).

Uncorrectable Error Address High

**Figure 3-267. UNC\_ERR\_ADDR\_HIGH Register**

31	30	29	28	27	26	25	24	23	22	21	20	19	18	17	16	15	14	13	12	11	10	9	8	7	6	5	4	3	2	1	0
UNC_ERR_ADDR_H																															
R/W-0h																															

**Table 3-304. UNC\_ERR\_ADDR\_HIGH Register Field Descriptions**

Bit	Field	Type	Reset	Description
31-0	UNC_ERR_ADDR_H	R/W	0h	64-bit aligned address at which an uncorrectable error occurred in the upper 64-bits of a 128-bit aligned memory. Reset type: SYSRSn

### 3.17.21.6 ERR\_STATUS Register (Offset = Ah) [Reset = 0000000h]

ERR\_STATUS is shown in [Figure 3-268](#) and described in [Table 3-305](#).

Return to the [Summary Table](#).

Error Status

**Figure 3-268. ERR\_STATUS Register**

31	30	29	28	27	26	25	24
RESERVED							
R-0h							
23	22	21	20	19	18	17	16
RESERVED					UNC_ERR_H	FAIL_1_H	FAIL_0_H
R-0h					R-0h	R-0h	R-0h
15	14	13	12	11	10	9	8
RESERVED							
R-0h							
7	6	5	4	3	2	1	0
RESERVED					UNC_ERR_L	FAIL_1_L	FAIL_0_L
R-0h					R-0h	R-0h	R-0h

**Table 3-305. ERR\_STATUS Register Field Descriptions**

Bit	Field	Type	Reset	Description
31-19	RESERVED	R	0h	Reserved
18	UNC_ERR_H	R	0h	Uncorrectable error. A value of 1 indicates that an un-correctable error occurred in upper 64bits of a 128-bit aligned address. Cleared by writing a 1 to UNC_ERR_H_CLR bit of ERR_STATUS_CLR register. Reset type: SYSRSn
17	FAIL_1_H	R	0h	Fail on 1. 0 Fail on 1 single bit error did not occur in upper 64bits of a 128-bit aligned address. 1 A value of 1 would indicate that a single bit error occurred in upper 64bits of a 128-bit aligned address and the corrected value was 1. Cleared by writing a 1 to FAIL_1_H_CLR bit of ERR_STATUS_CLR register. Note: This bit is updated on every flash access which results in a single bit error, So, in case of multiple single bit error, the status would correspond to the last error which occurred. Reset type: SYSRSn
16	FAIL_0_H	R	0h	Fail on 0. 0 Fail on 0 single bit error did not occur in upper 64bits of a 128-bit aligned address. 1 A value of 1 would indicate that a single bit error occurred in upper 64bits of a 128-bit aligned address and the corrected value was 0. Cleared by writing a 1 to FAIL_0_H_CLR bit of ERR_STATUS_CLR register. Note: This bit is updated on every flash access which results in a single bit error, So, in case of multiple single bit error, the status would correspond to the last error which occurred. Reset type: SYSRSn
15-3	RESERVED	R	0h	Reserved

**Table 3-305. ERR\_STATUS Register Field Descriptions (continued)**

Bit	Field	Type	Reset	Description
2	UNC_ERR_L	R	0h	Uncorrectable error. A value of 1 indicates that an un-correctable error occurred in lower 64bits of a 128-bit aligned address. Cleared by writing a 1 to UNC_ERR_L_CLR bit of ERR_STATUS_CLR register. Reset type: SYSRSn
1	FAIL_1_L	R	0h	Fail on 1. 0 Fail on 1 single bit error did not occur in lower 64bits of a 128-bit aligned address. 1 A value of 1 would indicate that a single bit error occurred in lower 64bits of a 128-bit aligned address and the corrected value was 1. Cleared by writing a 1 to FAIL_1_L_CLR bit of ERR_STATUS_CLR register. Note: This bit is updated on every flash access which results in a single bit error. So, in case of multiple single bit error, the status would correspond to the last error which occurred. Reset type: SYSRSn
0	FAIL_0_L	R	0h	Fail on 0. 0 Fail on 0 single bit error did not occur in lower 64bits of a 128-bit aligned address. 1 Would indicate that a single bit error occurred in lower 64bits of a 128-bit aligned address and the corrected value was 0. Cleared by writing a 1 to FAIL_0_L_CLR bit of ERR_STATUS_CLR register. Note: This bit is updated on every flash access which results in a single bit error. So, in case of multiple single bit error, the status would correspond to the last error which occurred. Reset type: SYSRSn

### 3.17.21.7 ERR\_POS Register (Offset = Ch) [Reset = 0000000h]

ERR\_POS is shown in [Figure 3-269](#) and described in [Table 3-306](#).

Return to the [Summary Table](#).

Error Position

**Figure 3-269. ERR\_POS Register**

31	30	29	28	27	26	25	24
RESERVED							ERR_TYPE_H
R-0h							R-0h
23	22	21	20	19	18	17	16
RESERVED		ERR_POS_H					
R-0h		R-0h					
15	14	13	12	11	10	9	8
RESERVED							ERR_TYPE_L
R-0h							R-0h
7	6	5	4	3	2	1	0
RESERVED		ERR_POS_L					
R-0h		R-0h					

**Table 3-306. ERR\_POS Register Field Descriptions**

Bit	Field	Type	Reset	Description
31-25	RESERVED	R	0h	Reserved
24	ERR_TYPE_H	R	0h	Error type 0 Indicates that a single bit error occurred in upper 64 data bits of a 128-bit aligned address. 1 Indicates that a single bit error occurred in ECC check bits of upper 64bits of a 128-bit aligned address. Reset type: SYSRSn
23-22	RESERVED	R	0h	Reserved
21-16	ERR_POS_H	R	0h	Error position. Bit position of the single bit error in upper 64bits of a 128-bit aligned address. The position is interpreted depending on whether the ERR_TYPE bit indicates a check bit or a data bit. If ERR_TYPE indicates a check bit error, the error position could range from 0 to 7, else it could range from 0 to 63. Reset type: SYSRSn
15-9	RESERVED	R	0h	Reserved
8	ERR_TYPE_L	R	0h	Error type 0 Indicates that a single bit error occurred in lower 64 data bits of a 128-bit aligned address. 1 Indicates that a single bit error occurred in ECC check bits of lower 64bits of a 128-bit aligned address. Reset type: SYSRSn
7-6	RESERVED	R	0h	Reserved
5-0	ERR_POS_L	R	0h	Error position. Bit position of the single bit error in lower 64bits of a 128-bit aligned address. The position is interpreted depending on whether the ERR_TYPE bit indicates a check bit or a data bit. If ERR_TYPE indicates a check bit error, the error position could range from 0 to 7, else it could range from 0 to 63. Reset type: SYSRSn

### 3.17.21.8 ERR\_STATUS\_CLR Register (Offset = Eh) [Reset = 0000000h]

ERR\_STATUS\_CLR is shown in [Figure 3-270](#) and described in [Table 3-307](#).

Return to the [Summary Table](#).

Error Status Clear

**Figure 3-270. ERR\_STATUS\_CLR Register**

31	30	29	28	27	26	25	24
RESERVED							
R-0h							
23	22	21	20	19	18	17	16
RESERVED					UNC_ERR_H_CLR	FAIL_1_H_CLR	FAIL_0_H_CLR
R-0h					R-0/W1S-0h	R-0/W1S-0h	R-0/W1S-0h
15	14	13	12	11	10	9	8
RESERVED							
R-0h							
7	6	5	4	3	2	1	0
RESERVED					UNC_ERR_L_CLR	FAIL_1_L_CLR	FAIL_0_L_CLR
R-0h					R-0/W1S-0h	R-0/W1S-0h	R-0/W1S-0h

**Table 3-307. ERR\_STATUS\_CLR Register Field Descriptions**

Bit	Field	Type	Reset	Description
31-19	RESERVED	R	0h	Reserved
18	UNC_ERR_H_CLR	R-0/W1S	0h	Uncorrectable error clear. Writing a 1 to this bit will clear the UNC_ERR_H bit of ERR_STATUS register. Writes of 0 have no effect. Read returns 0. Reset type: SYSRSn
17	FAIL_1_H_CLR	R-0/W1S	0h	Fail on 1 clear. Writing a 1 to this bit will clear the FAIL_1_H bit of ERR_STATUS register. Writes of 0 have no effect. Read returns 0. Reset type: SYSRSn
16	FAIL_0_H_CLR	R-0/W1S	0h	Fail on 0 clear. Writing a 1 to this bit will clear the FAIL_0_H bit of ERR_STATUS register. Writes of 0 have no effect. Read returns 0. Reset type: SYSRSn
15-3	RESERVED	R	0h	Reserved
2	UNC_ERR_L_CLR	R-0/W1S	0h	Uncorrectable error clear. Writing a 1 to this bit will clear the UNC_ERR_L bit of ERR_STATUS register. Writes of 0 have no effect. Read returns 0. Reset type: SYSRSn
1	FAIL_1_L_CLR	R-0/W1S	0h	Fail on 1 clear. Writing a 1 to this bit will clear the FAIL_1_L bit of ERR_STATUS register. Writes of 0 have no effect. Read returns 0. Reset type: SYSRSn
0	FAIL_0_L_CLR	R-0/W1S	0h	Fail on 0 clear. Writing a 1 to this bit will clear the FAIL_0_L bit of ERR_STATUS register. Writes of 0 have no effect. Read returns 0. Reset type: SYSRSn

### 3.17.21.9 ERR\_CNT Register (Offset = 10h) [Reset = 0000000h]

ERR\_CNT is shown in [Figure 3-271](#) and described in [Table 3-308](#).

Return to the [Summary Table](#).

Error Control

**Figure 3-271. ERR\_CNT Register**

31	30	29	28	27	26	25	24	23	22	21	20	19	18	17	16	15	14	13	12	11	10	9	8	7	6	5	4	3	2	1	0
RESERVED																ERR_CNT															
R-0h																R/W-0h															

**Table 3-308. ERR\_CNT Register Field Descriptions**

Bit	Field	Type	Reset	Description
31-16	RESERVED	R	0h	Reserved
15-0	ERR_CNT	R/W	0h	Single bit error count. This counter increments with every single bit ECC error occurrence. Upon reaching the threshold value counter stops counting on single bit errors. ERR_CNT can be cleared (irrespective of whether threshold is met or not) using 'Single Err Int Clear' bit. This is applicable for ECC logic test mode and normal operational mode. Reset type: SYSRSn

### 3.17.21.10 ERR\_THRESHOLD Register (Offset = 12h) [Reset = 0000000h]

ERR\_THRESHOLD is shown in [Figure 3-272](#) and described in [Table 3-309](#).

Return to the [Summary Table](#).

Error Threshold

**Figure 3-272. ERR\_THRESHOLD Register**

31	30	29	28	27	26	25	24	23	22	21	20	19	18	17	16	15	14	13	12	11	10	9	8	7	6	5	4	3	2	1	0
RESERVED																ERR_THRESHOLD															
R-0h																R/W-0h															

**Table 3-309. ERR\_THRESHOLD Register Field Descriptions**

Bit	Field	Type	Reset	Description
31-16	RESERVED	R	0h	Reserved
15-0	ERR_THRESHOLD	R/W	0h	Single bit error threshold. Sets the threshold for single bit errors. When the ERR_CNT value equals the THRESHOLD value and a single bit error occurs, SINGLE_ERR_INT flag is set, and an interrupt is fired. Reset type: SYSRSn

### 3.17.21.11 ERR\_INTFLG Register (Offset = 14h) [Reset = 0000000h]

ERR\_INTFLG is shown in [Figure 3-273](#) and described in [Table 3-310](#).

Return to the [Summary Table](#).

Error Interrupt Flag

**Figure 3-273. ERR\_INTFLG Register**

31	30	29	28	27	26	25	24
RESERVED							
R-0h							
23	22	21	20	19	18	17	16
RESERVED							
R-0h							
15	14	13	12	11	10	9	8
RESERVED							
R-0h							
7	6	5	4	3	2	1	0
RESERVED						UNC_ERR_INT FLG	SINGLE_ERR_I NTFLG
R-0h						R-0h	R-0h

**Table 3-310. ERR\_INTFLG Register Field Descriptions**

Bit	Field	Type	Reset	Description
31-16	RESERVED	R	0h	Reserved
15-2	RESERVED	R	0h	Reserved
1	UNC_ERR_INTFLG	R	0h	Uncorrectable bit error interrupt flag. When a Un-correctable error occurs, this bit is set and the UNC_ERR_INT interrupt is fired. When UNC_ERR_INTCLR bit of ERR_INTCLR register is written a value of 1 this bit is cleared. Reset type: SYSRSn
0	SINGLE_ERR_INTFLG	R	0h	Single bit error interrupt flag. When the ERR_CNT value equals the ERR_THRESHOLD value and a single bit error occurs then SINGLE_ERR_INT flag is set and SINGLE_ERR_INT interrupt is fired. When SINGLE_ERR_INTCLR bit of ERR_INTCLR register is written a value of 1 this bit is cleared. Reset type: SYSRSn



### 3.17.21.12 ERR\_INTCLR Register (Offset = 16h) [Reset = 0000000h]

ERR\_INTCLR is shown in [Figure 3-274](#) and described in [Table 3-311](#).

Return to the [Summary Table](#).

Error Interrupt Flag Clear

**Figure 3-274. ERR\_INTCLR Register**

31	30	29	28	27	26	25	24
RESERVED							
R-0h							
23	22	21	20	19	18	17	16
RESERVED							
R-0h							
15	14	13	12	11	10	9	8
RESERVED							
R-0h							
7	6	5	4	3	2	1	0
RESERVED						UNC_ERR_INT CLR	SINGLE_ERR_I NTCLR
R-0h						R-0/W1S-0h	R-0/W1S-0h

**Table 3-311. ERR\_INTCLR Register Field Descriptions**

Bit	Field	Type	Reset	Description
31-16	RESERVED	R	0h	Reserved
15-2	RESERVED	R	0h	Reserved
1	UNC_ERR_INTCLR	R-0/W1S	0h	Uncorrectable bit error interrupt flag clear. Writing a 1 to this bit will clear UNC_ERR_INT_FLG. Writes of 0 have no effect. Reset type: SYSRSn
0	SINGLE_ERR_INTCLR	R-0/W1S	0h	Single bit error interrupt flag clear. Writing a 1 to this bit will clear SINGLE_ERR_INT_FLG. Writes of 0 have no effect. Reset type: SYSRSn

### 3.17.21.13 FDATAH\_TEST Register (Offset = 18h) [Reset = 00000000h]

FDATAH\_TEST is shown in [Figure 3-275](#) and described in [Table 3-312](#).

Return to the [Summary Table](#).

Data High Test

**Figure 3-275. FDATAH\_TEST Register**

31	30	29	28	27	26	25	24	23	22	21	20	19	18	17	16	15	14	13	12	11	10	9	8	7	6	5	4	3	2	1	0
FDATAH																															
R/W-0h																															

**Table 3-312. FDATAH\_TEST Register Field Descriptions**

Bit	Field	Type	Reset	Description
31-0	FDATAH	R/W	0h	High double word of selected 64-bit data. User-configurable bits 63:32 of the selected data block in ECC test mode. Reset type: SYSRSn

### 3.17.21.14 FDATA<sub>L</sub>\_TEST Register (Offset = 1Ah) [Reset = 0000000h]

FDATA<sub>L</sub>\_TEST is shown in [Figure 3-276](#) and described in [Table 3-313](#).

Return to the [Summary Table](#).

Data Low Test

**Figure 3-276. FDATA<sub>L</sub>\_TEST Register**

31	30	29	28	27	26	25	24	23	22	21	20	19	18	17	16	15	14	13	12	11	10	9	8	7	6	5	4	3	2	1	0
FDATA <sub>L</sub>																															
R/W-0h																															

**Table 3-313. FDATA<sub>L</sub>\_TEST Register Field Descriptions**

Bit	Field	Type	Reset	Description
31-0	FDATA <sub>L</sub>	R/W	0h	Low double word of selected 64-bit data. User-configurable bits 31:0 of the selected data block in ECC test mode. Reset type: SYSRSn

### 3.17.21.15 FADDR\_TEST Register (Offset = 1Ch) [Reset = 0000000h]

FADDR\_TEST is shown in [Figure 3-277](#) and described in [Table 3-314](#).

Return to the [Summary Table](#).

ECC Test Address

**Figure 3-277. FADDR\_TEST Register**

31	30	29	28	27	26	25	24	23	22	21	20	19	18	17	16
RESERVED										ADDRH					
R-0h										R/W-0h					
15	14	13	12	11	10	9	8	7	6	5	4	3	2	1	0
ADDRL												RESERVED			
R/W-0h												R-0h			

**Table 3-314. FADDR\_TEST Register Field Descriptions**

Bit	Field	Type	Reset	Description
31-22	RESERVED	R	0h	Reserved
21-16	ADDRH	R/W	0h	Address for selected 64-bit data. User-configurable address bits of the selected data in ECC test mode. Left-shift the address by one bit (to provide byte address) and ignore the three least significant bits of the address and write the bits 21:16 in remaining address bits in this field. Reset type: SYSRSn
15-3	ADDRL	R/W	0h	Address for selected 64-bit data. User-configurable address bits of the selected data in ECC test mode. Left-shift the address by one bit (to provide byte address) and ignore the three least significant bits of the address and write the bits 15:3 in remaining address bits in this field. Reset type: SYSRSn
2-0	RESERVED	R	0h	Reserved

### 3.17.21.16 FECC\_TEST Register (Offset = 1Eh) [Reset = 0000000h]

FECC\_TEST is shown in [Figure 3-278](#) and described in [Table 3-315](#).

Return to the [Summary Table](#).

ECC Test Address

**Figure 3-278. FECC\_TEST Register**

31	30	29	28	27	26	25	24	23	22	21	20	19	18	17	16	15	14	13	12	11	10	9	8	7	6	5	4	3	2	1	0
RESERVED																RESERVED						ECC									
R-0h																R-0h						R/W-0h									

**Table 3-315. FECC\_TEST Register Field Descriptions**

Bit	Field	Type	Reset	Description
31-16	RESERVED	R	0h	Reserved
15-8	RESERVED	R	0h	Reserved
7-0	ECC	R/W	0h	8-bit ECC for selected 64-bit data. User-configurable ECC bits of the selected 64-bit data block in ECC test mode. Reset type: SYSRSn

### 3.17.21.17 FECC\_CTRL Register (Offset = 20h) [Reset = 0000000h]

FECC\_CTRL is shown in [Figure 3-279](#) and described in [Table 3-316](#).

Return to the [Summary Table](#).

ECC Control

**Figure 3-279. FECC\_CTRL Register**

31	30	29	28	27	26	25	24
RESERVED							
R-0h							
23	22	21	20	19	18	17	16
RESERVED							
R-0h							
15	14	13	12	11	10	9	8
RESERVED							
R-0h							
7	6	5	4	3	2	1	0
RESERVED					DO_ECC_CALC	ECC_SELECT	ECC_TEST_EN
R-0h					R-0/W1S-0h	R/W-0h	R/W-0h

**Table 3-316. FECC\_CTRL Register Field Descriptions**

Bit	Field	Type	Reset	Description
31-16	RESERVED	R	0h	Reserved
15-3	RESERVED	R	0h	Reserved
2	DO_ECC_CALC	R-0/W1S	0h	Enable ECC calculation. ECC logic will calculate ECC in one cycle for the data and address written in ECC test registers when ECC test logic is enabled by setting ECC_TEST_EN. Reset type: SYSRSn
1	ECC_SELECT	R/W	0h	ECC block select. 0 Selects the ECC block on bits [63:0] of bank data. 1 Selects the ECC block on bits [127:64] of bank data. Reset type: SYSRSn
0	ECC_TEST_EN	R/W	0h	ECC test mode enable. 0 ECC test mode disabled 1 ECC test mode enabled Reset type: SYSRSn

### 3.17.21.18 FOUTH\_TEST Register (Offset = 22h) [Reset = 0000000h]

FOUTH\_TEST is shown in [Figure 3-280](#) and described in [Table 3-317](#).

Return to the [Summary Table](#).

Test Data Out High

**Figure 3-280. FOUTH\_TEST Register**

31	30	29	28	27	26	25	24	23	22	21	20	19	18	17	16	15	14	13	12	11	10	9	8	7	6	5	4	3	2	1	0
DATAOUTH																															
R-0h																															

**Table 3-317. FOUTH\_TEST Register Field Descriptions**

Bit	Field	Type	Reset	Description
31-0	DATAOUTH	R	0h	High double word test data out. Holds bits 63:32 of the data out of the selected ECC block. Reset type: SYSRSn

### 3.17.21.19 FOUTL\_TEST Register (Offset = 24h) [Reset = 00000000h]

FOUTL\_TEST is shown in [Figure 3-281](#) and described in [Table 3-318](#).

Return to the [Summary Table](#).

Test Data Out Low

**Figure 3-281. FOUTL\_TEST Register**

31	30	29	28	27	26	25	24	23	22	21	20	19	18	17	16	15	14	13	12	11	10	9	8	7	6	5	4	3	2	1	0
DATAOUTL																															
R-0h																															

**Table 3-318. FOUTL\_TEST Register Field Descriptions**

Bit	Field	Type	Reset	Description
31-0	DATAOUTL	R	0h	Low double word test data out. Holds bits 31:0 of the data out of the selected ECC block. Reset type: SYSRSn



### 3.17.21.20 FECC\_STATUS Register (Offset = 26h) [Reset = 0000000h]

FECC\_STATUS is shown in [Figure 3-282](#) and described in [Table 3-319](#).

Return to the [Summary Table](#).

ECC Status

**Figure 3-282. FECC\_STATUS Register**

31	30	29	28	27	26	25	24
RESERVED							
R-0h							
23	22	21	20	19	18	17	16
RESERVED							
R-0h							
15	14	13	12	11	10	9	8
RESERVED							ERR_TYPE
R-0h							R-0h
7	6	5	4	3	2	1	0
DATA_ERR_POS						UNC_ERR	SINGLE_ERR
R-0h						R-0h	R-0h

**Table 3-319. FECC\_STATUS Register Field Descriptions**

Bit	Field	Type	Reset	Description
31-16	RESERVED	R	0h	Reserved
15-9	RESERVED	R	0h	Reserved
8	ERR_TYPE	R	0h	Test mode ECC single bit error indicator. When 1, indicates that the single bit error is in check bits. When 0, indicates that the single bit error is in data bits (If SINGLE_ERR field is also set). Reset type: SYSRSn
7-2	DATA_ERR_POS	R	0h	Test mode single bit error position. Holds the bit position where the single bit error occurred. The position is interpreted depending on whether the CHK_ERR bit indicates a check bit or a data bit. If CHK_ERR indicates a check bit error, the error position could range from 0 to 7, or it could range from 0 to 63. Reset type: SYSRSn
1	UNC_ERR	R	0h	Test mode ECC double bit error. When 1 indicates that the ECC test resulted in an uncorrectable bit error. Reset type: SYSRSn
0	SINGLE_ERR	R	0h	Test mode ECC single bit error. When 1 indicates that the ECC test resulted in a single bit error. Reset type: SYSRSn

### 3.17.22 UID\_REGS Registers

Table 3-320 lists the memory-mapped registers for the UID\_REGS registers. All register offset addresses not listed in Table 3-320 should be considered as reserved locations and the register contents should not be modified.

**Table 3-320. UID\_REGS Registers**

Offset	Acronym	Register Name	Write Protection	Section
0h	UID_PSRAND0	UID Psuedo-random 192 bit number		<a href="#">Go</a>
2h	UID_PSRAND1	UID Psuedo-random 192 bit number		<a href="#">Go</a>
4h	UID_PSRAND2	UID Psuedo-random 192 bit number		<a href="#">Go</a>
6h	UID_PSRAND3	UID Psuedo-random 192 bit number		<a href="#">Go</a>
8h	UID_PSRAND4	UID Psuedo-random 192 bit number		<a href="#">Go</a>
Ah	UID_PSRAND5	UID Psuedo-random 192 bit number		<a href="#">Go</a>
Ch	UID_UNIQUE	UID Unique 32 bit number		<a href="#">Go</a>
Eh	UID_CHECKSUM	UID Checksum		<a href="#">Go</a>

Complex bit access types are encoded to fit into small table cells. Table 3-321 shows the codes that are used for access types in this section.

**Table 3-321. UID\_REGS Access Type Codes**

Access Type	Code	Description
Read Type		
R	R	Read
Reset or Default Value		
-n		Value after reset or the default value

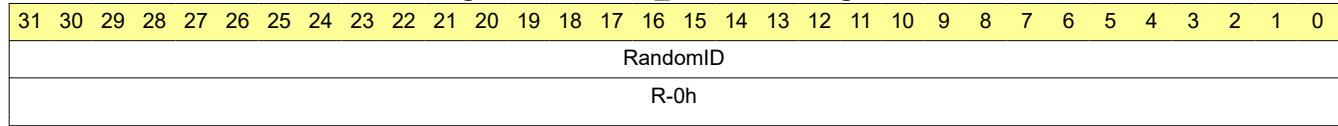
### 3.17.22.1 UID\_PSRAND0 Register (Offset = 0h) [Reset = 00000000h]

UID\_PSRAND0 is shown in [Figure 3-283](#) and described in [Table 3-322](#).

Return to the [Summary Table](#).

UID Psuedo-random 192 bit number

**Figure 3-283. UID\_PSRAND0 Register**



**Table 3-322. UID\_PSRAND0 Register Field Descriptions**

Bit	Field	Type	Reset	Description
31-0	RandomID	R	0h	Psuedorandom portion of the UID Reset type: N/A

### 3.17.22.2 UID\_PSRAND1 Register (Offset = 2h) [Reset = 0000000h]

UID\_PSRAND1 is shown in [Figure 3-284](#) and described in [Table 3-323](#).

Return to the [Summary Table](#).

UID Psuedo-random 192 bit number

**Figure 3-284. UID\_PSRAND1 Register**

31	30	29	28	27	26	25	24	23	22	21	20	19	18	17	16	15	14	13	12	11	10	9	8	7	6	5	4	3	2	1	0
RandomID																															
R-0h																															

**Table 3-323. UID\_PSRAND1 Register Field Descriptions**

Bit	Field	Type	Reset	Description
31-0	RandomID	R	0h	Psuedorandom portion of the UID Reset type: N/A

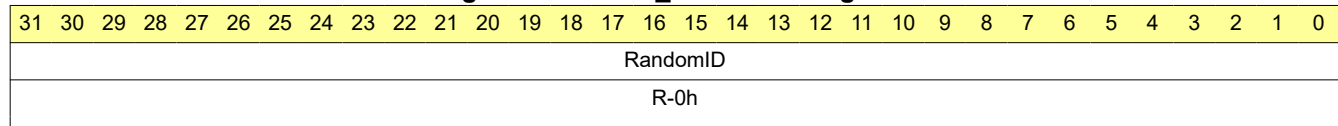
### 3.17.22.3 UID\_PSRAND2 Register (Offset = 4h) [Reset = 00000000h]

UID\_PSRAND2 is shown in [Figure 3-285](#) and described in [Table 3-324](#).

Return to the [Summary Table](#).

UID Psuedo-random 192 bit number

**Figure 3-285. UID\_PSRAND2 Register**



**Table 3-324. UID\_PSRAND2 Register Field Descriptions**

Bit	Field	Type	Reset	Description
31-0	RandomID	R	0h	Psuedorandom portion of the UID Reset type: N/A

### 3.17.22.4 UID\_PSRAND3 Register (Offset = 6h) [Reset = 0000000h]

UID\_PSRAND3 is shown in [Figure 3-286](#) and described in [Table 3-325](#).

Return to the [Summary Table](#).

UID Psuedo-random 192 bit number

**Figure 3-286. UID\_PSRAND3 Register**

31	30	29	28	27	26	25	24	23	22	21	20	19	18	17	16	15	14	13	12	11	10	9	8	7	6	5	4	3	2	1	0
RandomID																															
R-0h																															

**Table 3-325. UID\_PSRAND3 Register Field Descriptions**

Bit	Field	Type	Reset	Description
31-0	RandomID	R	0h	Psuedorandom portion of the UID Reset type: N/A

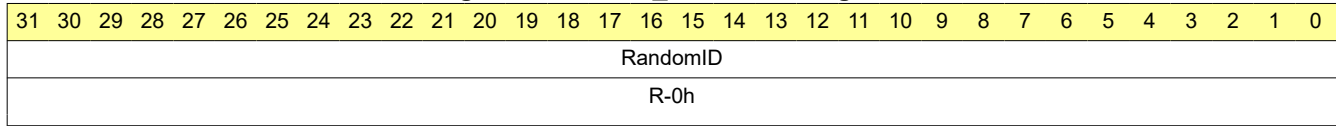
### 3.17.22.5 UID\_PSRAND4 Register (Offset = 8h) [Reset = 00000000h]

UID\_PSRAND4 is shown in [Figure 3-287](#) and described in [Table 3-326](#).

Return to the [Summary Table](#).

UID Psuedo-random 192 bit number

**Figure 3-287. UID\_PSRAND4 Register**



**Table 3-326. UID\_PSRAND4 Register Field Descriptions**

Bit	Field	Type	Reset	Description
31-0	RandomID	R	0h	Psuedorandom portion of the UID Reset type: N/A

### 3.17.22.6 UID\_PSRAND5 Register (Offset = Ah) [Reset = 0000000h]

UID\_PSRAND5 is shown in [Figure 3-288](#) and described in [Table 3-327](#).

Return to the [Summary Table](#).

UID Psuedo-random 192 bit number

**Figure 3-288. UID\_PSRAND5 Register**

31	30	29	28	27	26	25	24	23	22	21	20	19	18	17	16	15	14	13	12	11	10	9	8	7	6	5	4	3	2	1	0
RandomID																															
R-0h																															

**Table 3-327. UID\_PSRAND5 Register Field Descriptions**

Bit	Field	Type	Reset	Description
31-0	RandomID	R	0h	Psuedorandom portion of the UID Reset type: N/A



### 3.17.22.7 UID\_UNIQUE Register (Offset = Ch) [Reset = 00000000h]

UID\_UNIQUE is shown in [Figure 3-289](#) and described in [Table 3-328](#).

Return to the [Summary Table](#).

UID Unique 32 bit number

**Figure 3-289. UID\_UNIQUE Register**

31	30	29	28	27	26	25	24	23	22	21	20	19	18	17	16	15	14	13	12	11	10	9	8	7	6	5	4	3	2	1	0
UniqueID																															
R-0h																															

**Table 3-328. UID\_UNIQUE Register Field Descriptions**

Bit	Field	Type	Reset	Description
31-0	UniqueID	R	0h	Unique portion of the UID. This identifier will be unique across all devices with the same PARTIDH. Reset type: N/A

### 3.17.22.8 UID\_CHECKSUM Register (Offset = Eh) [Reset = 00000000h]

UID\_CHECKSUM is shown in [Figure 3-290](#) and described in [Table 3-329](#).

Return to the [Summary Table](#).

Fletcher checksum of UID\_PSRAND and UID\_UNIQUE registers

**Figure 3-290. UID\_CHECKSUM Register**

31	30	29	28	27	26	25	24	23	22	21	20	19	18	17	16	15	14	13	12	11	10	9	8	7	6	5	4	3	2	1	0
Checksum																															
R-0h																															

**Table 3-329. UID\_CHECKSUM Register Field Descriptions**

Bit	Field	Type	Reset	Description
31-0	Checksum	R	0h	Fletcher checksum of UID_PSRANDx and UID_UNIQUE Reset type: N/A

### 3.17.23 DCSM\_Z1\_OTP Registers

Table 3-330 lists the memory-mapped registers for the DCSM\_Z1\_OTP registers. All register offset addresses not listed in Table 3-330 should be considered as reserved locations and the register contents should not be modified.

**Table 3-330. DCSM\_Z1\_OTP Registers**

Offset	Acronym	Register Name	Write Protection	Section
0h	Z1OTP_LINKPOINTER1	Zone 1 Link Pointer1 in Z1 OTP		<a href="#">Go</a>
4h	Z1OTP_LINKPOINTER2	Zone 1 Link Pointer2 in Z1 OTP		<a href="#">Go</a>
8h	Z1OTP_LINKPOINTER3	Zone 1 Link Pointer3 in Z1 OTP		<a href="#">Go</a>
10h	Z1OTP_PSWDLOCK	Secure Password Lock in Z1 OTP		<a href="#">Go</a>
14h	Z1OTP_CRCLOCK	Secure CRC Lock in Z1 OTP		<a href="#">Go</a>
1Eh	Z1OTP_BOOTCTRL	Boot Mode in Z1 OTP		<a href="#">Go</a>

Complex bit access types are encoded to fit into small table cells. Table 3-331 shows the codes that are used for access types in this section.

**Table 3-331. DCSM\_Z1\_OTP Access Type Codes**

Access Type	Code	Description
Read Type		
R	R	Read
Reset or Default Value		
-n		Value after reset or the default value
Register Array Variables		
i,j,k,l,m,n		When these variables are used in a register name, an offset, or an address, they refer to the value of a register array where the register is part of a group of repeating registers. The register groups form a hierarchical structure and the array is represented with a formula.
y		When this variable is used in a register name, an offset, or an address it refers to the value of a register array.

### 3.17.23.1 Z1OTP\_LINKPOINTER1 Register (Offset = 0h) [Reset = FFFFFFFFh]

Z1OTP\_LINKPOINTER1 is shown in [Figure 3-291](#) and described in [Table 3-332](#).

Return to the [Summary Table](#).

Zone 1 Link Pointer1 in Z1 OTP

**Figure 3-291. Z1OTP\_LINKPOINTER1 Register**

31	30	29	28	27	26	25	24	23	22	21	20	19	18	17	16	15	14	13	12	11	10	9	8	7	6	5	4	3	2	1	0
Z1OTP_LINKPOINTER1																															
R-FFFFFFFh																															

**Table 3-332. Z1OTP\_LINKPOINTER1 Register Field Descriptions**

Bit	Field	Type	Reset	Description
31-0	Z1OTP_LINKPOINTER1	R	FFFFFFFh	Zone1 Link Pointer 1 location in USER OTP. Reset type: SYSRSn

### 3.17.23.2 Z1OTP\_LINKPOINTER2 Register (Offset = 4h) [Reset = FFFFFFFFh]

Z1OTP\_LINKPOINTER2 is shown in [Figure 3-292](#) and described in [Table 3-333](#).

Return to the [Summary Table](#).

Zone 1 Link Pointer2 in Z1 OTP

**Figure 3-292. Z1OTP\_LINKPOINTER2 Register**

31	30	29	28	27	26	25	24	23	22	21	20	19	18	17	16	15	14	13	12	11	10	9	8	7	6	5	4	3	2	1	0
Z1OTP_LINKPOINTER2																															
R-FFFFFFFh																															

**Table 3-333. Z1OTP\_LINKPOINTER2 Register Field Descriptions**

Bit	Field	Type	Reset	Description
31-0	Z1OTP_LINKPOINTER2	R	FFFFFFFh	Zone1 Link Pointer 2 location in USER OTP. Reset type: SYSRSn

### 3.17.23.3 Z1OTP\_LINKPOINTER3 Register (Offset = 8h) [Reset = FFFFFFFFh]

Z1OTP\_LINKPOINTER3 is shown in [Figure 3-293](#) and described in [Table 3-334](#).

Return to the [Summary Table](#).

Zone 1 Link Pointer3 in Z1 OTP

**Figure 3-293. Z1OTP\_LINKPOINTER3 Register**

31	30	29	28	27	26	25	24	23	22	21	20	19	18	17	16	15	14	13	12	11	10	9	8	7	6	5	4	3	2	1	0
Z1OTP_LINKPOINTER3																															
R-FFFFFFFh																															

**Table 3-334. Z1OTP\_LINKPOINTER3 Register Field Descriptions**

Bit	Field	Type	Reset	Description
31-0	Z1OTP_LINKPOINTER3	R	FFFFFFFh	Zone1 Link Pointer 3 location in USER OTP. Reset type: SYSRSn

### 3.17.23.4 Z1OTP\_PSWDLOCK Register (Offset = 10h) [Reset = FFFFFFFFh]

Z1OTP\_PSWDLOCK is shown in [Figure 3-294](#) and described in [Table 3-335](#).

Return to the [Summary Table](#).

Secure Password Lock in Z1 OTP

**Figure 3-294. Z1OTP\_PSWDLOCK Register**

31	30	29	28	27	26	25	24	23	22	21	20	19	18	17	16	15	14	13	12	11	10	9	8	7	6	5	4	3	2	1	0
Z1OTP_PSWDLOCK																															
R-FFFFFFFh																															

**Table 3-335. Z1OTP\_PSWDLOCK Register Field Descriptions**

Bit	Field	Type	Reset	Description
31-0	Z1OTP_PSWDLOCK	R	FFFFFFFh	Zone1 password lock location in USER OTP. Reset type: SYSRSn

### 3.17.23.5 Z1OTP\_CRCLOCK Register (Offset = 14h) [Reset = FFFFFFFFh]

Z1OTP\_CRCLOCK is shown in [Figure 3-295](#) and described in [Table 3-336](#).

Return to the [Summary Table](#).

Secure CRC Lock in Z1 OTP

**Figure 3-295. Z1OTP\_CRCLOCK Register**

31	30	29	28	27	26	25	24	23	22	21	20	19	18	17	16	15	14	13	12	11	10	9	8	7	6	5	4	3	2	1	0
Z1OTP_CRCLOCK																															
R-FFFFFFFh																															

**Table 3-336. Z1OTP\_CRCLOCK Register Field Descriptions**

Bit	Field	Type	Reset	Description
31-0	Z1OTP_CRCLOCK	R	FFFFFFFh	Zone1 CRC lock location in USER OTP. Reset type: SYSRSn



### 3.17.23.6 Z1OTP\_BOOTCTRL Register (Offset = 1Eh) [Reset = FFFFFFFFh]

Z1OTP\_BOOTCTRL is shown in [Figure 3-296](#) and described in [Table 3-337](#).

Return to the [Summary Table](#).

Boot Mode in Z1 OTP

**Figure 3-296. Z1OTP\_BOOTCTRL Register**

31	30	29	28	27	26	25	24	23	22	21	20	19	18	17	16	15	14	13	12	11	10	9	8	7	6	5	4	3	2	1	0
Z1OTP_BOOTCTRL																															
R-FFFFFFFh																															

**Table 3-337. Z1OTP\_BOOTCTRL Register Field Descriptions**

Bit	Field	Type	Reset	Description
31-0	Z1OTP_BOOTCTRL	R	FFFFFFFh	Zone1 Boot control location in USER OTP. Reset type: SYSRSn

### 3.17.24 DCSM\_Z2\_OTP Registers

Table 3-338 lists the memory-mapped registers for the DCSM\_Z2\_OTP registers. All register offset addresses not listed in Table 3-338 should be considered as reserved locations and the register contents should not be modified.

**Table 3-338. DCSM\_Z2\_OTP Registers**

Offset	Acronym	Register Name	Write Protection	Section
0h	Z2OTP_LINKPOINTER1	Zone 2 Link Pointer1 in Z2 OTP		<a href="#">Go</a>
4h	Z2OTP_LINKPOINTER2	Zone 2 Link Pointer2 in Z2 OTP		<a href="#">Go</a>
8h	Z2OTP_LINKPOINTER3	Zone 2 Link Pointer3 in Z2 OTP		<a href="#">Go</a>
10h	Z2OTP_PSWDLOCK	Secure Password Lock in Z2 OTP		<a href="#">Go</a>
14h	Z2OTP_CRCLOCK	Secure CRC Lock in Z2 OTP		<a href="#">Go</a>
1Eh	Z2OTP_BOOTCTRL	Boot Mode in Z2 OTP		<a href="#">Go</a>

Complex bit access types are encoded to fit into small table cells. Table 3-339 shows the codes that are used for access types in this section.

**Table 3-339. DCSM\_Z2\_OTP Access Type Codes**

Access Type	Code	Description
Read Type		
R	R	Read
Reset or Default Value		
-n		Value after reset or the default value
Register Array Variables		
i,j,k,l,m,n		When these variables are used in a register name, an offset, or an address, they refer to the value of a register array where the register is part of a group of repeating registers. The register groups form a hierarchical structure and the array is represented with a formula.
y		When this variable is used in a register name, an offset, or an address it refers to the value of a register array.

### 3.17.24.1 Z2OTP\_LINKPOINTER1 Register (Offset = 0h) [Reset = FFFFFFFFh]

Z2OTP\_LINKPOINTER1 is shown in [Figure 3-297](#) and described in [Table 3-340](#).

Return to the [Summary Table](#).

Zone 2 Link Pointer1 in Z2 OTP

**Figure 3-297. Z2OTP\_LINKPOINTER1 Register**

31	30	29	28	27	26	25	24	23	22	21	20	19	18	17	16	15	14	13	12	11	10	9	8	7	6	5	4	3	2	1	0
Z2OTP_LINKPOINTER1																															
R-FFFFFFFh																															

**Table 3-340. Z2OTP\_LINKPOINTER1 Register Field Descriptions**

Bit	Field	Type	Reset	Description
31-0	Z2OTP_LINKPOINTER1	R	FFFFFFFh	Zone2 Link Pointer 1 location in USER OTP. Reset type: SYSRSn

### 3.17.24.2 Z2OTP\_LINKPOINTER2 Register (Offset = 4h) [Reset = FFFFFFFFh]

Z2OTP\_LINKPOINTER2 is shown in [Figure 3-298](#) and described in [Table 3-341](#).

Return to the [Summary Table](#).

Zone 2 Link Pointer2 in Z2 OTP

**Figure 3-298. Z2OTP\_LINKPOINTER2 Register**

31	30	29	28	27	26	25	24	23	22	21	20	19	18	17	16	15	14	13	12	11	10	9	8	7	6	5	4	3	2	1	0
Z2OTP_LINKPOINTER2																															
R-FFFFFFFh																															

**Table 3-341. Z2OTP\_LINKPOINTER2 Register Field Descriptions**

Bit	Field	Type	Reset	Description
31-0	Z2OTP_LINKPOINTER2	R	FFFFFFFh	Zone2 Link Pointer 2 location in USER OTP. Reset type: SYSRSn

### 3.17.24.3 Z2OTP\_LINKPOINTER3 Register (Offset = 8h) [Reset = FFFFFFFFh]

Z2OTP\_LINKPOINTER3 is shown in [Figure 3-299](#) and described in [Table 3-342](#).

Return to the [Summary Table](#).

Zone 2 Link Pointer3 in Z2 OTP

**Figure 3-299. Z2OTP\_LINKPOINTER3 Register**

31	30	29	28	27	26	25	24	23	22	21	20	19	18	17	16	15	14	13	12	11	10	9	8	7	6	5	4	3	2	1	0
Z2OTP_LINKPOINTER3																															
R-FFFFFFFh																															

**Table 3-342. Z2OTP\_LINKPOINTER3 Register Field Descriptions**

Bit	Field	Type	Reset	Description
31-0	Z2OTP_LINKPOINTER3	R	FFFFFFFh	Zone2 Link Pointer 3 location in USER OTP. Reset type: SYSRSn

### 3.17.24.4 Z2OTP\_PSWDLOCK Register (Offset = 10h) [Reset = FFFFFFFFh]

Z2OTP\_PSWDLOCK is shown in [Figure 3-300](#) and described in [Table 3-343](#).

Return to the [Summary Table](#).

Secure Password Lock in Z2 OTP

**Figure 3-300. Z2OTP\_PSWDLOCK Register**

31	30	29	28	27	26	25	24	23	22	21	20	19	18	17	16	15	14	13	12	11	10	9	8	7	6	5	4	3	2	1	0
Z2OTP_PSWDLOCK																															
R-FFFFFFFh																															

**Table 3-343. Z2OTP\_PSWDLOCK Register Field Descriptions**

Bit	Field	Type	Reset	Description
31-0	Z2OTP_PSWDLOCK	R	FFFFFFFh	Zone2 password lock location in USER OTP. Reset type: SYSRSn

### 3.17.24.5 Z2OTP\_CRCLOCK Register (Offset = 14h) [Reset = FFFFFFFFh]

Z2OTP\_CRCLOCK is shown in [Figure 3-301](#) and described in [Table 3-344](#).

Return to the [Summary Table](#).

Secure CRC Lock in Z2 OTP

**Figure 3-301. Z2OTP\_CRCLOCK Register**

31	30	29	28	27	26	25	24	23	22	21	20	19	18	17	16	15	14	13	12	11	10	9	8	7	6	5	4	3	2	1	0
Z2OTP_CRCLOCK																															
R-FFFFFFFh																															

**Table 3-344. Z2OTP\_CRCLOCK Register Field Descriptions**

Bit	Field	Type	Reset	Description
31-0	Z2OTP_CRCLOCK	R	FFFFFFFh	Zone2 CRC lock location in USER OTP. Reset type: SYSRSn

### 3.17.24.6 Z2OTP\_BOOTCTRL Register (Offset = 1Eh) [Reset = FFFFFFFFh]

Z2OTP\_BOOTCTRL is shown in [Figure 3-302](#) and described in [Table 3-345](#).

Return to the [Summary Table](#).

Boot Mode in Z2 OTP

**Figure 3-302. Z2OTP\_BOOTCTRL Register**

31	30	29	28	27	26	25	24	23	22	21	20	19	18	17	16	15	14	13	12	11	10	9	8	7	6	5	4	3	2	1	0
Z2OTP_BOOTCTRL																															
R-FFFFFFFh																															

**Table 3-345. Z2OTP\_BOOTCTRL Register Field Descriptions**

Bit	Field	Type	Reset	Description
31-0	Z2OTP_BOOTCTRL	R	FFFFFFFh	Zone2 Boot control location in USER OTP. Reset type: SYSRSn



### 3.17.25 Register to Driverlib Function Mapping

#### 3.17.25.1 CPUTIMER Registers to Driverlib Functions

**Table 3-346. CPUTIMER Registers to Driverlib Functions**

File	Driverlib Function
<b>TIM</b>	
cputimer.h	CPUTimer_getTimerCount
sysctl.c	SysCtl_setClock
<b>PRD</b>	
cputimer.h	CPUTimer_setPeriod
sysctl.c	SysCtl_setClock
sysctl.c	SysCtl_setAuxClock
sysctl.c	SysCtl_selectXTAL
<b>TCR</b>	
cputimer.c	CPUTimer_setEmulationMode
cputimer.h	CPUTimer_clearOverflowFlag
cputimer.h	CPUTimer_disableInterrupt
cputimer.h	CPUTimer_enableInterrupt
cputimer.h	CPUTimer_reloadTimerCounter
cputimer.h	CPUTimer_stopTimer
cputimer.h	CPUTimer_resumeTimer
cputimer.h	CPUTimer_startTimer
cputimer.h	CPUTimer_getTimerOverflowStatus
sysctl.c	SysCtl_setClock
sysctl.c	SysCtl_setAuxClock
sysctl.c	SysCtl_selectXTAL
<b>TPR</b>	
cputimer.h	CPUTimer_setPreScaler
sysctl.c	SysCtl_setClock
sysctl.c	SysCtl_setAuxClock
sysctl.c	SysCtl_selectXTAL
<b>TPRH</b>	
cputimer.h	CPUTimer_setPreScaler
sysctl.c	SysCtl_setClock
sysctl.c	SysCtl_setAuxClock
sysctl.c	SysCtl_selectXTAL

#### 3.17.25.2 ASYSCTL Registers to Driverlib Functions

**Table 3-347. ASYSCTL Registers to Driverlib Functions**

File	Driverlib Function
<b>INTOSC1TRIM</b>	
-	
<b>INTOSC2TRIM</b>	
-	
<b>TSNSCTL</b>	
asysctl.h	ASysCtl_enableTemperatureSensor
asysctl.h	ASysCtl_disableTemperatureSensor

**Table 3-347. ASYSCTL Registers to Driverlib Functions (continued)**

File	Driverlib Function
<b>LOCK</b>	
asysctl.h	ASysCtl_lockTemperatureSensor
<b>ANAREFTRIMA</b>	
-	
<b>ANAREFTRIMB</b>	
-	
<b>ANAREFTRIMD</b>	
-	

**3.17.25.3 PIE Registers to Driverlib Functions****Table 3-348. PIE Registers to Driverlib Functions**

File	Driverlib Function
<b>CTRL</b>	
interrupt.c	Interrupt_initModule
interrupt.c	Interrupt_defaultHandler
interrupt.h	Interrupt_enablePIE
interrupt.h	Interrupt_disablePIE
<b>ACK</b>	
interrupt.c	Interrupt_disable
interrupt.h	Interrupt_clearACKGroup
<b>IER1</b>	
interrupt.c	Interrupt_initModule
interrupt.c	Interrupt_enable
interrupt.c	Interrupt_disable
<b>IFR1</b>	
interrupt.c	Interrupt_initModule
<b>IER2</b>	
interrupt.c	Interrupt_initModule
<b>IFR2</b>	
interrupt.c	Interrupt_initModule
<b>IER3</b>	
interrupt.c	Interrupt_initModule
<b>IFR3</b>	
interrupt.c	Interrupt_initModule
<b>IER4</b>	
interrupt.c	Interrupt_initModule
<b>IFR4</b>	
interrupt.c	Interrupt_initModule
<b>IER5</b>	
interrupt.c	Interrupt_initModule
<b>IFR5</b>	
interrupt.c	Interrupt_initModule
<b>IER6</b>	
interrupt.c	Interrupt_initModule
<b>IFR6</b>	

**Table 3-348. PIE Registers to Driverlib Functions (continued)**

File	Driverlib Function
interrupt.c	Interrupt_initModule
<b>IER7</b>	
interrupt.c	Interrupt_initModule
<b>IFR7</b>	
interrupt.c	Interrupt_initModule
<b>IER8</b>	
interrupt.c	Interrupt_initModule
<b>IFR8</b>	
interrupt.c	Interrupt_initModule
<b>IER9</b>	
interrupt.c	Interrupt_initModule
<b>IFR9</b>	
interrupt.c	Interrupt_initModule
<b>IER10</b>	
interrupt.c	Interrupt_initModule
<b>IFR10</b>	
interrupt.c	Interrupt_initModule
<b>IER11</b>	
interrupt.c	Interrupt_initModule
<b>IFR11</b>	
interrupt.c	Interrupt_initModule
<b>IER12</b>	
interrupt.c	Interrupt_initModule
<b>IFR12</b>	
interrupt.c	Interrupt_initModule

### 3.17.25.4 SYSCCTL Registers to Driverlib Functions

**Table 3-349. SYSCCTL Registers to Driverlib Functions**

File	Driverlib Function
<b>PARTIDL</b>	
sysctl.c	SysCtl_getDeviceParametric
<b>PARTIDH</b>	
sysctl.c	SysCtl_getDeviceParametric
<b>REVID</b>	
adc.h	ADC_getTemperatureC
adc.h	ADC_getTemperatureK
sysctl.h	SysCtl_getDeviceRevision
<b>DC0</b>	
-	
<b>DC1</b>	
-	
<b>DC2</b>	
-	
<b>DC3</b>	
-	

**Table 3-349. SYSCTL Registers to Driverlib Functions (continued)**

File	Driverlib Function
<b>DC4</b>	
-	
<b>DC5</b>	
-	
<b>DC6</b>	
-	
<b>DC7</b>	
-	
<b>DC8</b>	
-	
<b>DC9</b>	
-	
<b>DC10</b>	
-	
<b>DC11</b>	
-	
<b>DC12</b>	
-	
<b>DC13</b>	
-	
<b>DC14</b>	
-	
<b>DC15</b>	
-	
<b>DC17</b>	
-	
<b>DC18</b>	
-	
<b>DC20</b>	
-	
<b>PERCNF1</b>	
sysctl.h	SysCtl_isPresentUSBPHY
<b>FUSEERR</b>	
sysctl.h	SysCtl_getEfuseError
<b>SOFTPRES0</b>	
sysctl.h	SysCtl_resetPeripheral
<b>SOFTPRES1</b>	
-	See SOFTPRES0
<b>SOFTPRES2</b>	
-	See SOFTPRES0
<b>SOFTPRES3</b>	
-	See SOFTPRES0
<b>SOFTPRES4</b>	
-	See SOFTPRES0
<b>SOFTPRES6</b>	

**Table 3-349. SYSCTL Registers to Driverlib Functions (continued)**

File	Driverlib Function
-	See SOFTPRES0
<b>SOFTPRES7</b>	
-	See SOFTPRES0
<b>SOFTPRES8</b>	
-	See SOFTPRES0
<b>SOFTPRES9</b>	
-	See SOFTPRES0
<b>SOFTPRES11</b>	
-	See SOFTPRES0
<b>SOFTPRES13</b>	
-	See SOFTPRES0
<b>SOFTPRES14</b>	
-	See SOFTPRES0
<b>SOFTPRES16</b>	
-	See SOFTPRES0
<b>SYSDBGCTL</b>	
sysctl.c	SysCtl_setClock
<b>CLKCFGLOCK1</b>	
-	
<b>CLKSRCCTL1</b>	
sysctl.c	SysCtl_getClock
sysctl.c	SysCtl_selectXTAL
sysctl.c	SysCtl_selectOscSource
sysctl.c	SysCtl_selectOscSourceAuxPLL
sysctl.h	SysCtl_turnOnOsc
sysctl.h	SysCtl_turnOffOsc
sysctl.h	SysCtl_enableWatchdogInHalt
sysctl.h	SysCtl_disableWatchdogInHalt
<b>CLKSRCCTL2</b>	
can.h	CAN_selectClockSource
sysctl.c	SysCtl_getAuxClock
sysctl.c	SysCtl_selectXTAL
sysctl.c	SysCtl_selectOscSourceAuxPLL
<b>CLKSRCCTL3</b>	
sysctl.h	SysCtl_selectClockOutSource
<b>SYSPLLCTL1</b>	
sysctl.c	SysCtl_getClock
sysctl.c	SysCtl_setClock
sysctl.h	SysCtl_enterHaltMode
sysctl.h	SysCtl_enterHibernateMode
<b>SYSPLLMULT</b>	
sysctl.c	SysCtl_getClock
sysctl.c	SysCtl_setClock
<b>SYSPLLSTS</b>	
sysctl.c	SysCtl_setClock

**Table 3-349. SYSCTL Registers to Driverlib Functions (continued)**

File	Driverlib Function
<b>AUXPLLCTL1</b>	
sysctl.c	SysCtl_getAuxClock
sysctl.c	SysCtl_setAuxClock
sysctl.c	SysCtl_selectXTAL
<b>AUXPLLMULT</b>	
sysctl.c	SysCtl_getAuxClock
sysctl.c	SysCtl_setAuxClock
<b>AUXPLLSTS</b>	
sysctl.c	SysCtl_setAuxClock
<b>SYSCLKDIVSEL</b>	
sysctl.c	SysCtl_getClock
sysctl.c	SysCtl_setClock
sysctl.h	SysCtl_setPLLSysClk
<b>AUXCLKDIVSEL</b>	
sysctl.c	SysCtl_getAuxClock
sysctl.c	SysCtl_setAuxClock
sysctl.c	SysCtl_selectXTAL
sysctl.h	SysCtl_setAuxPLLCIk
<b>PERCLKDIVSEL</b>	
sysctl.h	SysCtl_setEPWMClockDivider
sysctl.h	SysCtl_setEMIF1ClockDivider
sysctl.h	SysCtl_setEMIF2ClockDivider
<b>XCLKOUTDIVSEL</b>	
sysctl.h	SysCtl_setXCk
<b>LOSPCP</b>	
sysctl.c	SysCtl_getLowSpeedClock
sysctl.h	SysCtl_setLowSpeedClock
<b>MCDCR</b>	
sysctl.h	SysCtl_enableMCD
sysctl.h	SysCtl_disableMCD
sysctl.h	SysCtl_isMCDClockFailureDetected
sysctl.h	SysCtl_resetMCD
sysctl.h	SysCtl_connectMCDClockSource
sysctl.h	SysCtl_disconnectMCDClockSource
<b>X1CNT</b>	
sysctl.h	SysCtl_getExternalOscCounterValue
<b>CPUSYSLOCK1</b>	
-	
<b>HIBBOOTMODE</b>	
-	
<b>IORESTOREADDR</b>	
-	
<b>PIEVERRADDR</b>	
sysctl.h	SysCtl_getPIEVErrAddr
<b>PCLKCR0</b>	

**Table 3-349. SYSCTL Registers to Driverlib Functions (continued)**

File	Driverlib Function
sysctl.h	SysCtl_enablePeripheral
sysctl.h	SysCtl_disablePeripheral
<b>PCLKCR1</b>	
-	See PCLKCR0
<b>PCLKCR2</b>	
-	See PCLKCR0
<b>PCLKCR3</b>	
-	See PCLKCR0
<b>PCLKCR4</b>	
-	See PCLKCR0
<b>PCLKCR6</b>	
-	See PCLKCR0
<b>PCLKCR7</b>	
-	See PCLKCR0
<b>PCLKCR8</b>	
-	See PCLKCR0
<b>PCLKCR9</b>	
-	See PCLKCR0
<b>PCLKCR10</b>	
-	See PCLKCR0
<b>PCLKCR11</b>	
-	See PCLKCR0
<b>PCLKCR12</b>	
-	See PCLKCR0
<b>PCLKCR13</b>	
-	See PCLKCR0
<b>PCLKCR14</b>	
-	See PCLKCR0
<b>PCLKCR16</b>	
-	See PCLKCR0
<b>SECMSEL</b>	
sysctl.h	SysCtl_selectSecController
<b>LPMCR</b>	
sysctl.h	SysCtl_enterIdleMode
sysctl.h	SysCtl_enterStandbyMode
sysctl.h	SysCtl_enterHaltMode
sysctl.h	SysCtl_enterHibernateMode
sysctl.h	SysCtl_setStandbyQualificationPeriod
sysctl.h	SysCtl_enableWatchdogStandbyWakeup
sysctl.h	SysCtl_disableWatchdogStandbyWakeup
<b>GPIOLPMSEL0</b>	
sysctl.h	SysCtl_enableLPMWakeupPin
sysctl.h	SysCtl_disableLPMWakeupPin
<b>GPIOLPMSEL1</b>	
sysctl.h	SysCtl_enableLPMWakeupPin

**Table 3-349. SYSCTL Registers to Driverlib Functions (continued)**

File	Driverlib Function
sysctl.h	SysCtl_disableLPMWakeupPin
<b>TMR2CLKCTL</b>	
cputimer.h	CPUTimer_selectClockSource
sysctl.c	SysCtl_setClock
sysctl.c	SysCtl_setAuxClock
sysctl.c	SysCtl_selectXTAL
sysctl.h	SysCtl_setCputimer2Clk
<b>RESC</b>	
sysctl.h	SysCtl_getResetCause
sysctl.h	SysCtl_clearResetCause
sysctl.h	SysCtl_getWatchdogResetStatus
sysctl.h	SysCtl_clearWatchdogResetStatus
<b>SCSR</b>	
sysctl.c	SysCtl_setClock
sysctl.h	SysCtl_setWatchdogMode
sysctl.h	SysCtl_isWatchdogInterruptActive
sysctl.h	SysCtl_clearWatchdogOverride
<b>WDCNTR</b>	
sysctl.h	SysCtl_getWatchdogCounterValue
<b>WDKEY</b>	
sysctl.h	SysCtl_serviceWatchdog
sysctl.h	SysCtl_enableWatchdogReset
sysctl.h	SysCtl_resetWatchdog
<b>WDCR</b>	
sysctl.c	SysCtl_setClock
sysctl.h	SysCtl_resetDevice
sysctl.h	SysCtl_disableWatchdog
sysctl.h	SysCtl_enableWatchdog
sysctl.h	SysCtl_isWatchdogEnabled
sysctl.h	SysCtl_setWatchdogPrescaler
<b>WDWCR</b>	
sysctl.c	SysCtl_setClock
sysctl.h	SysCtl_setWatchdogWindowValue
<b>CLA1TASKSRCSELLOCK</b>	
-	
<b>DMACHSRCSELLOCK</b>	
-	
<b>CLA1TASKSRCSEL1</b>	
cla.c	CLA_setTriggerSource
<b>CLA1TASKSRCSEL2</b>	
cla.c	CLA_setTriggerSource
<b>DMACHSRCSEL1</b>	
dma.c	DMA_configMode
<b>DMACHSRCSEL2</b>	
dma.c	DMA_configMode



**Table 3-349. SYSCTL Registers to Driverlib Functions (continued)**

File	Driverlib Function
<b>SYNCSELECT</b>	
sysctl.h	SysCtl_setSyncInputConfig
sysctl.h	SysCtl_setSyncOutputConfig
<b>ADCSOCOUTSELECT</b>	
sysctl.h	SysCtl_enableExtADCSOCSource
sysctl.h	SysCtl_disableExtADCSOCSource
<b>SYNCSOCCLOCK</b>	
sysctl.h	SysCtl_lockExtADCSOCSelect
sysctl.h	SysCtl_lockSyncSelect

**3.17.25.5 NMI Registers to Driverlib Functions****Table 3-350. NMI Registers to Driverlib Functions**

File	Driverlib Function
<b>CFG</b>	
sysctl.h	SysCtl_enableNMIGlobalInterrupt
<b>FLG</b>	
sysctl.h	SysCtl_getNMIStatus
sysctl.h	SysCtl_getNMIFlagStatus
sysctl.h	SysCtl_isNMIFlagSet
sysctl.h	SysCtl_clearNMIStatus
sysctl.h	SysCtl_clearAllNMIFlags
sysctl.h	SysCtl_forceNMIFlags
<b>FLGCLR</b>	
sysctl.h	SysCtl_clearNMIStatus
sysctl.h	SysCtl_clearAllNMIFlags
<b>FLGFRC</b>	
sysctl.h	SysCtl_forceNMIFlags
<b>WDCNT</b>	
sysctl.h	SysCtl_getNMIWatchdogCounter
<b>WDPRD</b>	
sysctl.h	SysCtl_setNMIWatchdogPeriod
sysctl.h	SysCtl_getNMIWatchdogPeriod
<b>SHDFLG</b>	
sysctl.h	SysCtl_getNMIShadowFlagStatus
sysctl.h	SysCtl_isNMIShadowFlagSet

**3.17.25.6 XINT Registers to Driverlib Functions****Table 3-351. XINT Registers to Driverlib Functions**

File	Driverlib Function
<b>1CR</b>	
gpio.c	GPIO_setInterruptPin
gpio.h	GPIO_setInterruptType
gpio.h	GPIO_getInterruptType
gpio.h	GPIO_enableInterrupt
gpio.h	GPIO_disableInterrupt

**Table 3-351. XINT Registers to Driverlib Functions (continued)**

File	Driverlib Function
gpio.h	GPIO_getInterruptCounter
<b>2CR</b>	
-	See 1CR
<b>3CR</b>	
-	See 1CR
<b>4CR</b>	
-	See 1CR
<b>5CR</b>	
-	See 1CR
<b>1CTR</b>	
gpio.h	GPIO_getInterruptCounter
<b>2CTR</b>	
-	
<b>3CTR</b>	
-	

### 3.17.25.7 DCSM Registers to Driverlib Functions

**Table 3-352. DCSM Registers to Driverlib Functions**

File	Driverlib Function
<b>Z1OTP_LINKPOINTER1</b>	
-	
<b>Z1OTP_LINKPOINTER2</b>	
-	
<b>Z1OTP_LINKPOINTER3</b>	
-	
<b>Z1OTP_PSWDLOCK</b>	
-	
<b>Z1OTP_CRCLOCK</b>	
-	
<b>Z1OTP_BOOTCTRL</b>	
-	
<b>Z2OTP_LINKPOINTER1</b>	
-	
<b>Z2OTP_LINKPOINTER2</b>	
-	
<b>Z2OTP_LINKPOINTER3</b>	
-	
<b>Z2OTP_PSWDLOCK</b>	
-	
<b>Z2OTP_CRCLOCK</b>	
-	
<b>Z2OTP_BOOTCTRL</b>	
-	
<b>Z1_LINKPOINTER</b>	
dscm.c	DCSM_unlockZone1CSM

**Table 3-352. DCSM Registers to Driverlib Functions (continued)**

File	Driverlib Function
dcsm.h	DCSM_getZone1LinkPointerError
<b>Z1_OTPSECLOCK</b>	
-	
<b>Z1_BOOTCTRL</b>	
-	
<b>Z1_LINKPOINTERERR</b>	
dcsm.h	DCSM_getZone1LinkPointerError
<b>Z1_CSMKEY0</b>	
dcsm.c	DCSM_unlockZone1CSM
<b>Z1_CSMKEY1</b>	
dcsm.c	DCSM_unlockZone1CSM
<b>Z1_CSMKEY2</b>	
dcsm.c	DCSM_unlockZone1CSM
<b>Z1_CSMKEY3</b>	
dcsm.c	DCSM_unlockZone1CSM
<b>Z1_CR</b>	
dcsm.h	DCSM_secureZone1
dcsm.h	DCSM_getZone1CSMSecurityStatus
dcsm.h	DCSM_getZone1ControlStatus
<b>Z1_GRABSECTR</b>	
-	
<b>Z1_GRABRAMR</b>	
-	
<b>Z1_EXEONLYSECTR</b>	
dcsm.c	DCSM_getZone1FlashEXEStatus
<b>Z1_EXEONLYRAMR</b>	
dcsm.c	DCSM_getZone1RAMEXEStatus
<b>Z2_LINKPOINTER</b>	
dcsm.c	DCSM_unlockZone2CSM
dcsm.h	DCSM_getZone2LinkPointerError
<b>Z2_OTPSECLOCK</b>	
-	
<b>Z2_BOOTCTRL</b>	
-	
<b>Z2_LINKPOINTERERR</b>	
dcsm.h	DCSM_getZone2LinkPointerError
<b>Z2_CSMKEY0</b>	
dcsm.c	DCSM_unlockZone2CSM
<b>Z2_CSMKEY1</b>	
dcsm.c	DCSM_unlockZone2CSM
<b>Z2_CSMKEY2</b>	
dcsm.c	DCSM_unlockZone2CSM
<b>Z2_CSMKEY3</b>	
dcsm.c	DCSM_unlockZone2CSM
<b>Z2_CR</b>	

**Table 3-352. DCSM Registers to Driverlib Functions (continued)**

File	Driverlib Function
dcsm.h	DCSM_secureZone2
dcsm.h	DCSM_getZone2CSMSecurityStatus
dcsm.h	DCSM_getZone2ControlStatus
<b>Z2_GRABSECTR</b>	
-	
<b>Z2_GRABRAMR</b>	
-	
<b>Z2_EXEONLYSECTR</b>	
dcsm.c	DCSM_getZone2FlashEXEStatus
<b>Z2_EXEONLYRAMR</b>	
dcsm.c	DCSM_getZone2RAMEXEStatus
<b>FLSEM</b>	
dcsm.c	DCSM_claimZoneSemaphore
dcsm.c	DCSM_releaseZoneSemaphore
<b>SECTSTAT</b>	
dcsm.h	DCSM_getFlashSectorZone
<b>RAMSTAT</b>	
dcsm.h	DCSM_getRAMZone

**3.17.25.8 MEMCFG Registers to Driverlib Functions****Table 3-353. MEMCFG Registers to Driverlib Functions**

File	Driverlib Function
<b>DXLOCK</b>	
memcfg.c	MemCfg_lockConfig
memcfg.c	MemCfg_unlockConfig
<b>DXCOMMIT</b>	
memcfg.c	MemCfg_commitConfig
<b>DXACCPROTO</b>	
memcfg.c	MemCfg_setProtection
<b>DXTEST</b>	
memcfg.c	MemCfg_setTestMode
<b>DXINIT</b>	
memcfg.c	MemCfg_initSections
memcfg.c	MemCfg_getInitStatus
<b>DXINITDONE</b>	
memcfg.c	MemCfg_getInitStatus
<b>LSXLOCK</b>	
memcfg.c	MemCfg_lockConfig
memcfg.c	MemCfg_unlockConfig
<b>LSXCOMMIT</b>	
memcfg.c	MemCfg_commitConfig
<b>LSXMSEL</b>	
memcfg.c	MemCfg_setLSRAMControllerSel
<b>LSXCLAPGM</b>	
memcfg.h	MemCfg_setCLAMemType

**Table 3-353. MEMCFG Registers to Driverlib Functions (continued)**

File	Driverlib Function
<b>LSXACCPROT0</b>	
memcfg.c	MemCfg_setProtection
<b>LSXACCPROT1</b>	
-	
<b>LSXTEST</b>	
memcfg.c	MemCfg_setTestMode
<b>LSXINIT</b>	
memcfg.c	MemCfg_initSections
memcfg.c	MemCfg_getInitStatus
<b>LSXINITDONE</b>	
memcfg.c	MemCfg_getInitStatus
<b>G SXLOCK</b>	
memcfg.c	MemCfg_lockConfig
memcfg.c	MemCfg_unlockConfig
<b>G SXCOMMIT</b>	
memcfg.c	MemCfg_commitConfig
<b>G SXACCPROT0</b>	
memcfg.c	MemCfg_setProtection
<b>G SXACCPROT1</b>	
-	See GSXACCPROT0
<b>G SXACCPROT2</b>	
-	See GSXACCPROT0
<b>G SXACCPROT3</b>	
-	See GSXACCPROT0
<b>G SXTEST</b>	
memcfg.c	MemCfg_setTestMode
<b>G SXINIT</b>	
memcfg.c	MemCfg_initSections
memcfg.c	MemCfg_getInitStatus
<b>G SXINITDONE</b>	
memcfg.c	MemCfg_getInitStatus
<b>MSGXTEST</b>	
memcfg.c	MemCfg_setTestMode
<b>MSGXINIT</b>	
memcfg.c	MemCfg_initSections
memcfg.c	MemCfg_getInitStatus
<b>MSGXINITDONE</b>	
memcfg.c	MemCfg_getInitStatus
<b>EMIF1LOCK</b>	
emif.h	EMIF_lockAccessConfig
emif.h	EMIF_unlockAccessConfig
<b>EMIF1COMMIT</b>	
emif.h	EMIF_commitAccessConfig
<b>EMIF1ACCPROT0</b>	
emif.h	EMIF_setAccessProtection

**Table 3-353. MEMCFG Registers to Driverlib Functions (continued)**

File	Driverlib Function
<b>EMIF2LOCK</b>	
-	
<b>EMIF2COMMIT</b>	
-	
<b>EMIF2ACCPROT0</b>	
-	
<b>NMAVFLG</b>	
memcfg.h	MemCfg_getViolationInterruptStatus
<b>NMAVSET</b>	
memcfg.h	MemCfg_forceViolationInterrupt
<b>NMAVCLR</b>	
memcfg.h	MemCfg_clearViolationInterruptStatus
<b>NMAVINTEN</b>	
memcfg.h	MemCfg_enableViolationInterrupt
memcfg.h	MemCfg_disableViolationInterrupt
<b>NMCPURDAVADDR</b>	
memcfg.c	MemCfg_getViolationAddress
<b>NMCPUWRAVADDR</b>	
memcfg.c	MemCfg_getViolationAddress
<b>NMCPUFAVADDR</b>	
-	
<b>NMDMAWRAVADDR</b>	
-	
<b>NMCLA1RDAVADDR</b>	
-	
<b>NMCLA1WRAVADDR</b>	
-	
<b>NMCLA1FAVADDR</b>	
-	
<b>MAVFLG</b>	
memcfg.h	MemCfg_getViolationInterruptStatus
<b>MAVSET</b>	
memcfg.h	MemCfg_forceViolationInterrupt
<b>MAVCLR</b>	
memcfg.h	MemCfg_clearViolationInterruptStatus
<b>MAVINTEN</b>	
memcfg.h	MemCfg_enableViolationInterrupt
memcfg.h	MemCfg_disableViolationInterrupt
<b>MCPUFAVADDR</b>	
memcfg.c	MemCfg_getViolationAddress
<b>MCPUWRAVADDR</b>	
-	
<b>MDMAWRAVADDR</b>	
-	
<b>UCERRFLG</b>	

**Table 3-353. MEMCFG Registers to Driverlib Functions (continued)**

File	Driverlib Function
memcfg.h	MemCfg_getUncorrErrorStatus
<b>UCERRSET</b>	
memcfg.h	MemCfg_forceUncorrErrorStatus
<b>UCERRCLR</b>	
memcfg.h	MemCfg_clearUncorrErrorStatus
<b>UCCPUREADDR</b>	
memcfg.c	MemCfg_getUncorrErrorAddress
<b>UCDMAREADDR</b>	
memcfg.c	MemCfg_getUncorrErrorAddress
<b>UCCLA1READDR</b>	
-	
<b>CERRFLG</b>	
memcfg.h	MemCfg_getCorrErrorStatus
<b>CERRSET</b>	
memcfg.h	MemCfg_forceCorrErrorStatus
<b>CERRCLR</b>	
memcfg.h	MemCfg_clearCorrErrorStatus
<b>CCPUREADDR</b>	
memcfg.c	MemCfg_getCorrErrorAddress
<b>CERRCNT</b>	
memcfg.h	MemCfg_getCorrErrorCount
<b>CERRTHRES</b>	
memcfg.h	MemCfg_setCorrErrorThreshold
<b>CEINTFLG</b>	
memcfg.h	MemCfg_getCorrErrorInterruptStatus
<b>CEINTCLR</b>	
memcfg.h	MemCfg_clearCorrErrorInterruptStatus
<b>CEINTSET</b>	
memcfg.h	MemCfg_forceCorrErrorInterrupt
<b>CEINTEN</b>	
memcfg.h	MemCfg_enableCorrErrorInterrupt
memcfg.h	MemCfg_disableCorrErrorInterrupt
<b>ROMWAITSTATE</b>	
memcfg.h	MemCfg_enableROMWaitState
memcfg.h	MemCfg_disableROMWaitState
<b>ROMPREFETCH</b>	
memcfg.h	MemCfg_enableROMPrefetch
memcfg.h	MemCfg_disableROMPrefetch

### 3.17.25.9 FLASH Registers to Driverlib Functions

**Table 3-354. FLASH Registers to Driverlib Functions**

File	Driverlib Function
<b>FRDCNTL</b>	
flash.h	Flash_setWaitstates
<b>FBAC</b>	

**Table 3-354. FLASH Registers to Driverlib Functions (continued)**

File	Driverlib Function
flash.h	Flash_setBankPowerUpDelay
<b>FBFALLBACK</b>	
flash.h	Flash_setBankPowerMode
<b>FBPRDY</b>	
flash.h	Flash_isBankReady
flash.h	Flash_isPumpReady
<b>FPAC1</b>	
flash.h	Flash_setPumpPowerMode
flash.h	Flash_setPumpWakeupTime
<b>FMSTAT</b>	
-	
<b>FRD_INTF_CTRL</b>	
flash.h	Flash_enablePrefetch
flash.h	Flash_disablePrefetch
flash.h	Flash_enableCache
flash.h	Flash_disableCache
<b>ECC_ENABLE</b>	
flash.h	Flash_enableECC
flash.h	Flash_disableECC
<b>SINGLE_ERR_ADDR_LOW</b>	
flash.h	Flash_getSingleBitErrorAddressLow
<b>SINGLE_ERR_ADDR_HIGH</b>	
flash.h	Flash_getSingleBitErrorAddressHigh
<b>UNC_ERR_ADDR_LOW</b>	
flash.h	Flash_getUncorrectableErrorAddressLow
<b>UNC_ERR_ADDR_HIGH</b>	
flash.h	Flash_getUncorrectableErrorAddressHigh
<b>ERR_STATUS</b>	
flash.h	Flash_getLowErrorStatus
flash.h	Flash_getHighErrorStatus
flash.h	Flash_clearLowErrorStatus
flash.h	Flash_clearHighErrorStatus
<b>ERR_POS</b>	
flash.h	Flash_getLowErrorPosition
flash.h	Flash_getHighErrorPosition
flash.h	Flash_getLowErrorType
flash.h	Flash_getHighErrorType
<b>ERR_STATUS_CLR</b>	
flash.h	Flash_clearLowErrorStatus
flash.h	Flash_clearHighErrorStatus
<b>ERR_CNT</b>	
flash.h	Flash_getErrorCount
<b>ERR_THRESHOLD</b>	
flash.h	Flash_setErrorThreshold
<b>ERR_INTFLG</b>	



**Table 3-354. FLASH Registers to Driverlib Functions (continued)**

File	Driverlib Function
flash.h	Flash_getInterruptFlag
<b>ERR_INTCLR</b>	
flash.h	Flash_clearSingleErrorInterruptFlag
flash.h	Flash_clearUncorrectableInterruptFlag
<b>FDATAH_TEST</b>	
flash.h	Flash_setDataHighECCTest
<b>FDATAL_TEST</b>	
flash.h	Flash_setDataLowECCTest
<b>FADDR_TEST</b>	
flash.h	Flash_setECCTestAddress
<b>FECC_TEST</b>	
flash.h	Flash_setECCTestECCBits
<b>FECC_CTRL</b>	
flash.h	Flash_enableECCTestMode
flash.h	Flash_disableECCTestMode
flash.h	Flash_selectLowECCBlock
flash.h	Flash_selectHighECCBlock
flash.h	Flash_performECCCalculation
<b>FOUTH_TEST</b>	
flash.h	Flash_getTestDataOutHigh
<b>FOUTL_TEST</b>	
flash.h	Flash_getTestDataOutLow
<b>FECC_STATUS</b>	
flash.h	Flash_getECCTestStatus
flash.h	Flash_getECCTestErrorPosition
flash.h	Flash_getECCTestSingleBitErrorType

This page intentionally left blank.

## Chapter 4 ROM Code and Peripheral Booting

---



This chapter describes the booting functionality.

Further information about the boot-loading process can be found in the [TMS320F28004x Boot Features and Configurations Application Report](#).

<b>4.1 Introduction</b> .....	<b>572</b>
<b>4.2 Boot ROM Registers</b> .....	<b>572</b>
<b>4.3 Device Boot Sequence</b> .....	<b>572</b>
<b>4.4 Device Boot Modes</b> .....	<b>573</b>
<b>4.5 Configuring Boot Mode Pins</b> .....	<b>574</b>
<b>4.6 Configuring Get Boot Options</b> .....	<b>575</b>
<b>4.7 Configuring Emulation Boot Options</b> .....	<b>576</b>
<b>4.8 Device Boot Flow Diagrams</b> .....	<b>577</b>
<b>4.9 Device Reset and Exception Handling</b> .....	<b>580</b>
<b>4.10 Boot ROM Description</b> .....	<b>582</b>

## 4.1 Introduction

This chapter explains the boot ROM code functionality including the boot procedure when executed, the functions and features of the boot ROM code, and details the ROM memory map contents. On every reset, the device executes a boot sequence in the ROM depending on the reset type and boot configuration. This sequence initializes the device to run application code. The boot ROM also contains peripheral bootloaders which can be used to load an application into RAM. ROM Memory is shown in [Table 4-1](#).

**Table 4-1. ROM Memory**

ROM	CPU Size
Unsecure boot ROM	64 KB
Secure ROM	64 KB
CLA Data ROM	8 KB

## 4.2 Boot ROM Registers

The boot process code accesses several memory addresses and registers during execution. There are two sets of addresses, one for emulation and one for standalone boot flow. The emulation boot-control locations emulate OTP configurations and can be written to as many times as needed. The user configurable DCSM OTP locations used in the standalone boot flow program the device OTP and thus can only be written once. [Table 4-2](#) details these locations.

**Table 4-2. Boot ROM Registers**

Boot Flow	Register Name	Boot ROM Name	Address
Emulation	-	EMU_BOOTCTRL	0x0000 0D00
Standalone (Using Z1)	Z1_BOOTCTRL	Z1_BOOTCTRL	0x0005 F004
Standalone (Using Z2)	Z2_BOOTCTRL	Z2_BOOTCTRL	0x0005 F044

## 4.3 Device Boot Sequence

The boot sequence, [Table 4-3](#), describes the general boot ROM procedure each time the CPU core is reset.

During booting, the boot ROM code updates a boot status location in RAM that details the actions taken during this process. Refer to [Section 4.10.10](#) for more details.

**Table 4-3. Boot ROM Sequence**

Step	CPU Action
1	After reset, the FUSE error register is checked for any errors and are handled accordingly.
2	Clock and Flash Configuration
3	Device configuration registers are programmed from OTP.
4	All CPU RAMs are initialized.
5	Any pending NMI is handled by the code.
6	DCSM initialization sequence is executed.
7	Based on the boot mode select GPIO pins and boot mode set in OTP, the boot mode is determined, and the appropriate boot sequence is executed. Refer to <a href="#">Section 4.8</a> for a flow chart of the device boot sequences.

## 4.4 Device Boot Modes

This section explains the boot modes supported on this device. The boot ROM uses the boot select GPIO pins to determine the boot mode configuration. The device can be configured to boot to RAM, boot to Flash, execute a bootloader, or hold in a wait mode.

Table 4-4 shows the boot mode options available through selection by the default boot mode select pins. The boot mode select pins' GPIOs and realized boot mode for when Get boot mode is selected can be customized through the BOOTCTRL register detailed in Section 4.5.

**Table 4-4. Device Default Boot Modes**

Boot Mode	GPIO72 (Default boot mode select pin 1)	GPIO84 (Default boot mode select pin 0)
Parallel IO	0	0
SCI	0	1
Wait	1	0
Get / Flash <sup>(1)</sup>	1	1

- (1) Get boot mode, by default, on an unprogrammed device, or when the BOOTCTRL register contains an invalid key, boots to Flash mode. Get boot mode can be programmed on the device to change the default boot mode. Refer to Section 4.6 for more details on using Get boot mode.

**Table 4-5. All Available Boot Modes**

Boot Mode
Parallel IO
SCI
Wait
Get
SPI
I2C
CAN
RAM
Flash
USB

### Note

All the peripheral boot modes that are supported use the first instance of the peripheral module (SCIA, SPIA, I2CA, CANA, and so forth). Whenever these boot modes are referred to in this chapter, such as SCI boot, the mode is actually referring to the first module instance, meaning the SCI boot on the SCIA port. The same applies to the other peripheral boots.

## 4.5 Configuring Boot Mode Pins

This section details how the boot mode select pins can be customized by the user, by programming the BOOTCTRL register location in user-configurable DCSM OTP. The BOOTCTRL register, when programmed with a valid key, allows different GPIOs to be used for the two boot mode select pins. Additionally, the boot mode select pins allow the same GPIO to be assigned to each pin for single GPIO use cases. Also within the BOOTCTRL register, the default boot mode for use with Get boot can be changed. When debugging, EMU\_BOOTCTRL is the emulation equivalent of the BOOTCTRL register and allows users to experiment with different boot modes without writing to OTP memory. Refer to [Section 4.7](#) for details on values that can be set in the EMU\_BOOTCTRL control word.

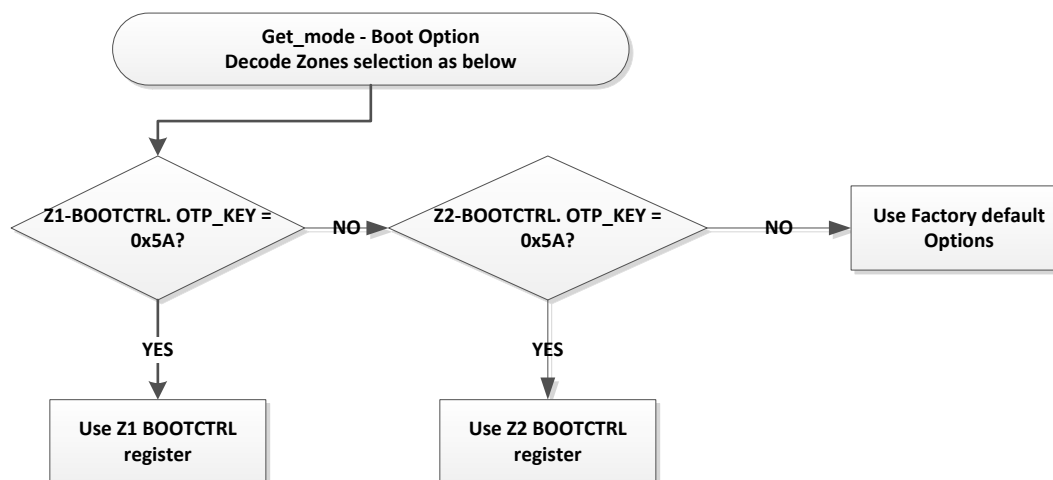
### Note

Refer to [Section 3.13](#) for the address of the BOOTCTRL register location in the user-configurable DCSM OTP.

**Table 4-6. BOOTCTRL Register Bit Fields**

Bit	Name	Description
31-24	Boot Mode Select Pin 1 (BMSP1)	Set to the GPIO pin to be used during boot (up to 255). 0 = Default BMSP1 1 = GPIO0; 2 = GPIO1 and so on to 255 = GPIO254
23-16	Boot Mode Select Pin 0 (BMSP0)	Set to the GPIO pin to be used during boot (up to 255). 0 = Default BMSP0 1 = GPIO0; 2 = GPIO1 and so on to 255 = GPIO254
15-8	Boot Mode (BMODE)	Boot mode definition when using Get boot mode option. Refer to <a href="#">Section 4.6</a> for valid BMODE values.
7 - 0	Key	Write 0x5A to these 8-bits to tell the boot ROM code that the bits in this register are valid

On this device, the DCSM has two zones. Each zone, Z1 and Z2, has a copy of the BOOTCTRL register. The boot ROM is designed to be able to read from either location and uses the procedure in [Figure 4-1](#) to identify which register to use. By default, if the Z1 BOOTCTRL is programmed, then that register is given the priority. If the Z1 BOOTCTRL is not programmed, then the boot ROM checks if Z2 BOOTCTRL is programmed; if not programmed, then the factory default options are used.



**Figure 4-1. Z1 and Z2 BOOTCTRL Selection**

## 4.6 Configuring Get Boot Options

In Get boot mode, the boot ROM reads the boot mode (BMODE) bit field in the BOOTCTRL register to determine which boot procedure to execute. By default, Get boot mode executes Flash boot when in standalone mode or wait boot mode when an emulator is connected to the device. [Table 4-7](#) lists the values that can be set to the BMODE field in BOOTCTRL and the corresponding boot mode represented. For additional details on the GPIOs used for each boot mode, refer to [Section 4.10.6](#). When debugging the device using an emulator and EMU\_BOOTCTRL, the BMODE field has some additional values that can be found in [Section 4.7](#).

**Table 4-7. Get Mode Decoding**

Key	BMODE Value	Realized Boot Mode
!= 0x5A	Don't Care	Flash Boot / Wait Boot <sup>(1)</sup>
= 0x5A	0x00	Parallel Boot
	0x01	SCI Boot 0
	0x02	Wait Boot
	0x04	SPI Boot 0
	0x05	I2C Boot 0
	0x07	CAN Boot 0
	0x0A	RAM Boot
	0x0B	Flash Boot
	0x0C	USB Boot
	0x81	SCI Boot 1
	0x84	SPI Boot 1
	0x85	I2C Boot 1
	0x87	CAN Boot 1
	Other	Flash Boot / Wait Boot <sup>(1)</sup>

- (1) When an emulator is connected (TRSTn = 1) to the device, then an invalid EMU BOOTCTRL key or invalid EMU configured boot mode results in wait boot mode. If an emulator is connected with a valid EMU BOOTCTRL key and the EMU boot mode is configured to "Get Mode" boot then an invalid OTP BOOTCTRL key results in Flash boot mode. If an emulator is not connected with the boot mode selected to "Get Mode" boot, then an invalid OTP BOOTCTRL key or invalid OTP memory configured boot mode results in Flash boot mode.

## 4.7 Configuring Emulation Boot Options

When connected to the device using an emulator, the EMU\_BOOTCTRL control word is used to determine the boot mode. This control word allows the user to experiment with various boot mode settings before writing to the BOOTCTRL register in the user-configurable DCSM OTP. The values that can be set in the BMODE field of the EMU\_BOOTCTRL control word are listed in [Section 4.7](#). Some notable options include being able to have emulation boot read from the boot mode select pins, emulate standalone boot using the values in OTP, and boot according to the Get boot value stored in OTP memory. Refer to [Section 4.10.6](#) for details on the GPIOs used in the various boot modes.

### Note

EMU\_BOOTCTRL is not actually a register, but refers to a location in RAM (PIE RAM). PIE RAM starts at 0xD00, but the first few locations are reserved (when initializing the PIE vector table in application code) for these boot ROM variables.

**Table 4-8. Emulation Boot Options**

Key	BMODE Value	Realized Boot Mode
!= 0x5A	Don't Care	Wait Boot
= 0x5A	0xFE	Boot as per BMSP0 and BMSP1
	0xFF	Emulate Standalone boot
	0x00	Parallel Boot
	0x01	SCI Boot 0
	0x02	Wait Boot
	0x03	Get Mode (read OTP BOOTCTRL)
	0x04	SPI Boot 0
	0x05	I2C Boot 0
	0x07	CAN Boot 0
	0x0A	RAM Boot
	0x0B	Flash Boot
	0x0C	USB Boot
	0x81	SCI Boot 1
	0x84	SPI Boot 1
	0x85	I2C Boot 1
	0x87	CAN Boot 1
	Other	Wait Boot



### 4.8 Device Boot Flow Diagrams

Figure 4-2 shows the device boot flow detailing the actions executed by boot ROM after a reset.

**Note**

The PLL is not used in the device clock path during boot, only INTOSC is used.

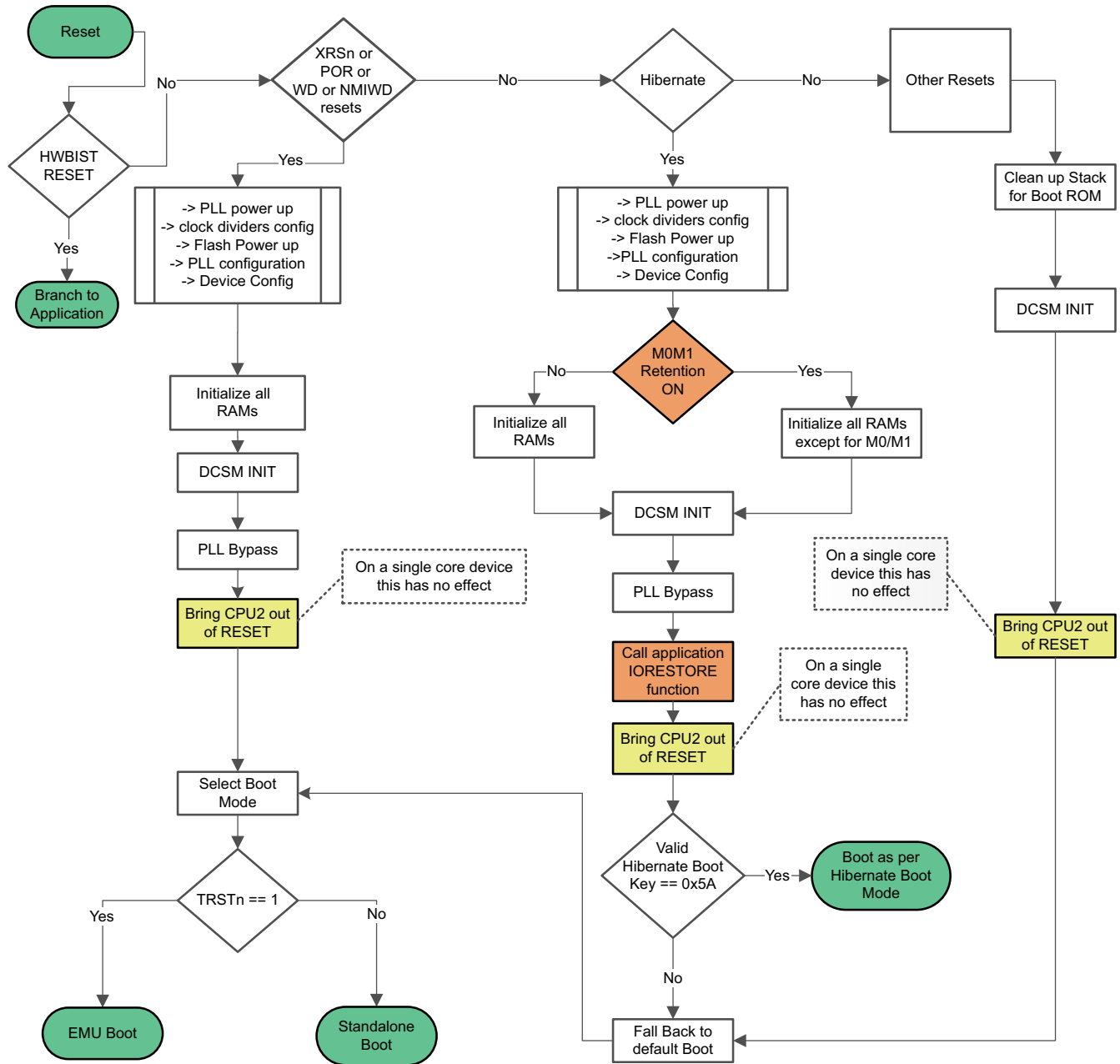


Figure 4-2. CPU Device Boot Flow

### 4.8.1 Emulation Boot Flow Diagrams

Figure 4-3 shows the boot flow when running the device in emulation mode.

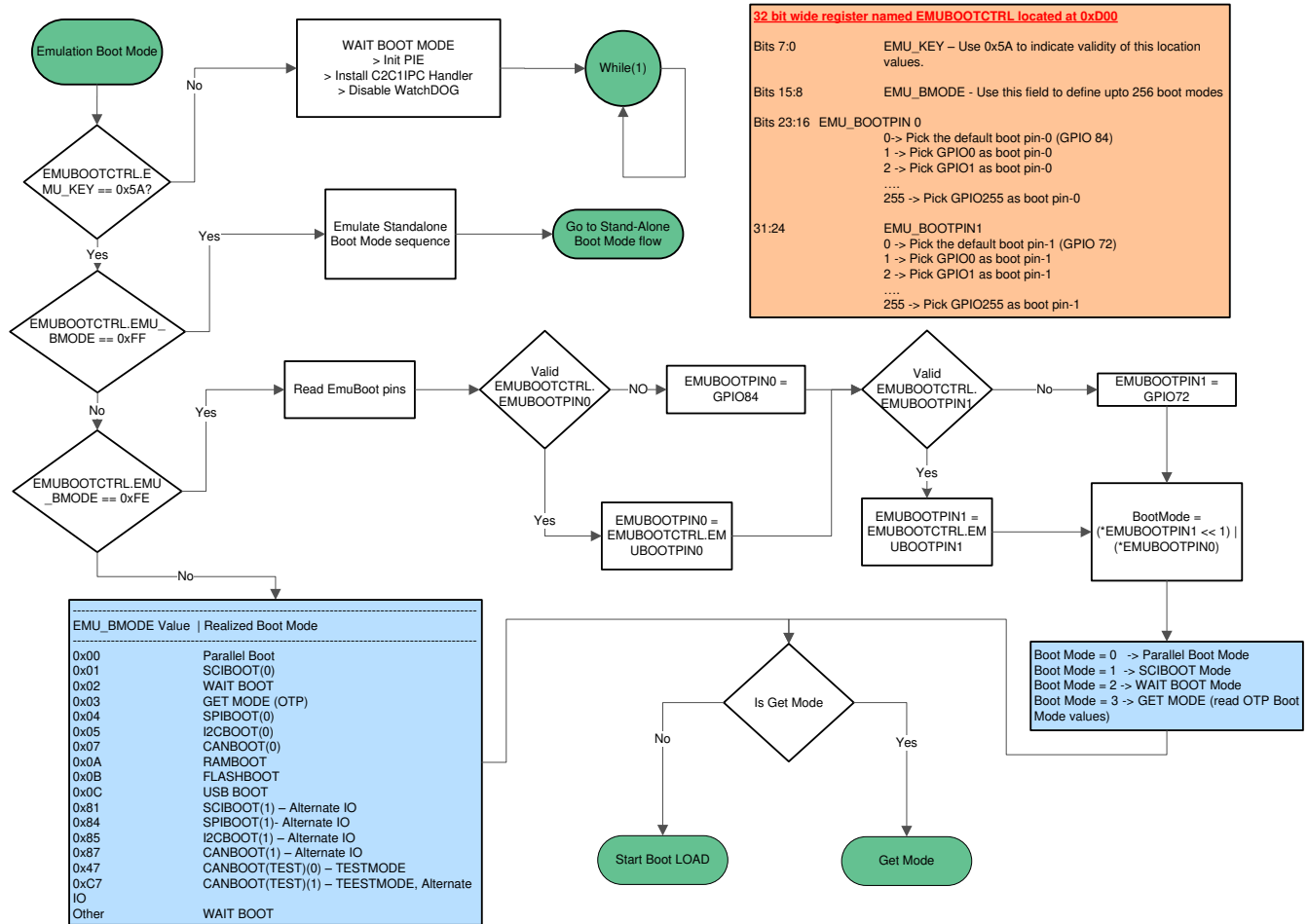


Figure 4-3. CPU Emulation Boot Flow

### 4.8.2 Standalone and Hibernate Boot Flow Diagrams

Figure 4-4 shows the device boot flow when running the device in standalone boot mode or when booting from hibernate.

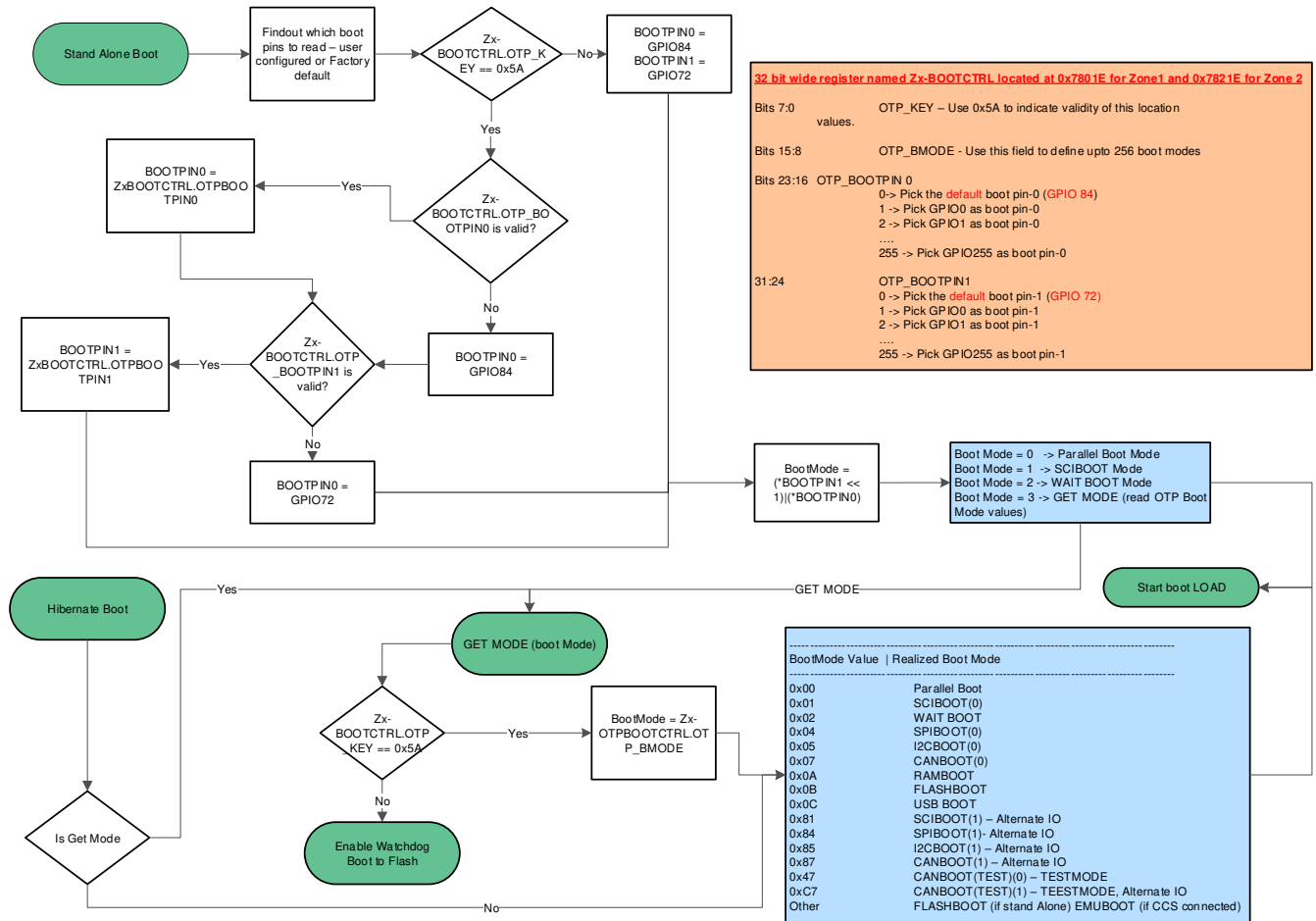


Figure 4-4. CPU Standalone and Hibernate Boot Flow

## 4.9 Device Reset and Exception Handling

### 4.9.1 Reset Causes and Handling

This section explains the actions boot ROM performs upon reset after checking the reset cause.

**Table 4-9. Boot ROM Reset Causes and Actions**

Reset Source	CPU Boot ROM Action
POR	<ol style="list-style-type: none"> <li>1. Adjust clock divider to /1</li> <li>2. Device configuration</li> <li>3. RAM initialization</li> <li>4. Continue default boot flow</li> </ol>
XRS	<ol style="list-style-type: none"> <li>1. Adjust clock divider to /1</li> <li>2. Device configuration</li> <li>3. RAM initialization</li> <li>4. Continue default boot flow</li> </ol>
HWBIST	Branch to application code
Hibernate	<ol style="list-style-type: none"> <li>1. Adjust clock divider to /1</li> <li>2. Device configuration</li> <li>3. RAM initialization (Either all RAMS except for M0M1 or all RAMS)</li> <li>4. Continue default boot flow</li> </ol>
WDRS	<ol style="list-style-type: none"> <li>1. Adjust clock divider to /1</li> <li>2. Device configuration</li> <li>3. RAM initialization</li> <li>4. Continue default boot flow</li> </ol>
NMIWDRS	<ol style="list-style-type: none"> <li>1. Adjust clock divider to /1</li> <li>2. Device configuration</li> <li>3. RAM initialization</li> <li>4. Continue default boot flow</li> </ol>
Debugger	<ol style="list-style-type: none"> <li>1. Clear boot stack</li> <li>2. Continue default boot flow</li> </ol>
SCCRESET	<ol style="list-style-type: none"> <li>1. Clear boot stack</li> <li>2. Continue default boot flow</li> </ol>

## 4.9.2 Exceptions and Interrupts Handling

This section explains the actions boot ROM performs if any exceptions that can occur happen during boot.

**Table 4-10. Boot ROM Exceptions and Actions**

Exception Event Source	CPU Boot ROM Action	Event Logged
Single-bit error in FUSEERR	Ignore and continue to boot	No
Multi-bit error in FUSEERR	Reset the device	No
Clock fail condition detected	Clear the NMI and continue to boot	Yes
Double-bit ECC error from RAM	Reset the device	Yes
Double-bit error from Flash	Reset the device	Yes
PIE Vector Error	Ignore and continue to boot	Yes
HWBIST Error	Ignore and continue to boot	Yes
ITRAP Exception	Provide ROM location where ROM loops	Yes
Any spurious PIE interrupt occurs	Acknowledge interrupt and continue to boot	No

## 4.10 Boot ROM Description

This section explains the details regarding the device boot ROM.

### 4.10.1 Entry Points

[Table 4-11](#) gives the entry point addresses for various boot modes. These entry points indicate to the boot ROM where to branch to at the end of booting as per the selected boot mode.

**Table 4-11. Entry Point Addresses**

Entry Point	Address
RAM	0x0000 0000
Flash	0x0008 0000

### 4.10.2 Wait Points

During boot ROM execution, there are situations where the CPU can enter a wait loop in the code. This state can occur for a variety of reasons.

[Table 4-12](#) gives the address ranges that the CPU PC register value falls between, if the boot code has entered one of these instances.

**Table 4-12. Wait Point Addresses**

Address Range	Description
0x003FE2D4 – 0x003FE2EF	In Wait Boot
0x003FE73E – 0x003FE824	In NMI Handler (startup)
0x003FE35A – 0x003FE468	In NMI Handler (PIE)
0x003FE468 – 0x003FE495	In ITRAP ISR

### 4.10.3 Memory Maps

This section details the ROM memory maps.

#### 4.10.3.1 Boot ROM Memory Map

**Table 4-13. Boot ROM Memory Map**

Memory	Start Address	End Address	Length
ROM Signature	0x003F 8000	0x003F 8001	0x0002
TI-RTOS (ROM) <sup>(1)</sup>	0x003F 8002	0x003F 9E0F	0x1E0E
PLC Tables 1	0x003F 9E10	0x003F D817	0x3A08
PLC Tables 2	0x003F D818	0x003F DE17	0x0600
Boot	0x003F DE18	0x003F FF31	0x211A
CRC Table	0x003F FF32	0x003F FF39	0x0008
BIST Signature	0x003F FF3A	0x003F FF79	0x0040
Version	0x003F FF7A	0x003F FF7B	0x0002
Checksum	0x003F FF7C	0x003F FFBD	0x0042
Vectors	0x003F FFBE	0x003F FFFF	0x0042
TI-RTOS (Flash)	0x0008 2000	0x0008 3FFF	0x2000

(1) The SYS/BIOS (TI-RTOS) section in ROM is no longer supported and must not be used for new designs.

#### 4.10.3.2 CLA Data ROM Memory Map

**Table 4-14. CLA Data ROM Memory Map**

Memory	Start Address	End Address	Length
FFT Tables (Load)	0x0100 1070	0x0100 186F	0x0800
Data (Load)	0x0100 1870	0x0100 1FF9	0x078A
Version (Load)	0x0100 1FFA	0x0100 1FFF	0x0006

#### 4.10.3.3 Reserved RAM and Flash Memory-Map

**Table 4-15. Reserved RAM and Flash Memory-Map**

Memory	Description	Start Address	End Address	Length
RAM	Boot ROM	0x0000 0002	0x0000 0122	0x0121
	TI-RTOS <sup>(1)</sup>	0x0000 0780	0x0000 07FF	0x0080
Flash	TI-RTOS <sup>(1) (2)</sup>	0x0008 2000	0x0008 2823	0x0824

- (1) If not planning on using TI-RTOS in ROM, then these memory locations are free to be used by the application.
- (2) For using the TI-RTOS in Flash sector A, TI recommends that this sector be made unsecure, or at minimum, the sector must be verified that there is no secure zone claiming this sector.

#### 4.10.3.4 ROM Tables

This section details the boot ROM and CLA ROM symbol tables.

##### 4.10.3.4.1 Boot ROM Tables

The boot ROM symbols and their addresses can be located in the .map file that is included with the released boot ROM source and header code. Within the .map file, locate the Global Symbols category to get a list of the boot ROM symbols and addresses present.

##### 4.10.3.4.2 CLA ROM Tables

**Table 4-16. CLA Data ROM Tables**

	Start Address From CLA in Hex	Start Address From CPU in Hex
_CLAatan2HalfPItable	F870	01001870
_CLAINV2PI	F874	01001874
_CLAatan2Table	F876	01001876
_CLAasinHalfPItable	F9fc	010019fc
_CLAatan2TableEnd	F9fc	010019fc
_CLAasinTable	Fa00	01001a00
_CLAacosinHalfPItable	Fb86	01001b86
_CLAasinTableEnd	Fb86	01001b86
_CLAacosinTable	Fb8a	01001b8a
_CLAacosinTableEnd	Fd0a	01001d0a
_CLAsinTable	Fd0a	01001d0a
_CLAsincosTable	Fd0a	01001d0a
_CLAsincosTable_Sin0	Fd0a	01001d0a
_CLAcosTable	Fd4a	01001d4a
_CLAsincosTable_Cos0	Fd4a	01001d4a
_CLAsinTableEnd	Fe0a	01001e0a
_CLAcosTableEnd	Fe4c	01001e4c
_CLAsincosTable_TABLE_SIZE	Fe4c	01001e4c
_CLAsincosTable_TABLE_SIZEDivTwoPi	Fe4e	01001e4e
_CLAsincosTable_TwoPiDivTABLE_SIZE	Fe50	01001e50
_CLAsincosTable_TABLE_MASK	Fe52	01001e52
_CLAsincosTable_Coef0	Fe54	01001e54
_CLAsincosTable_Coef1	Fe56	01001e56
_CLAsincosTable_Coef1_pos	Fe58	01001e58
_CLAsincosTable_Coef2	Fe5a	01001e5a
_CLAsincosTable_Coef3	Fe5c	01001e5c
_CLAsincosTable_Coef3_neg	Fe5e	01001e5e
_CLALNV2	Fe60	01001e60
_CLAsincosTableEnd	Fe60	01001e60
_CLALNVe	Fe62	01001e62
_CLALNV10	Fe64	01001e64
_CLABIAS	Fe66	01001e66
_CLALN_TABLE_MASK1	Fe68	01001e68
_CLALN_TABLE_MASK2	Fe6a	01001e6a
_CLALnTable	Fe6c	01001e6c
_CLAINV1	Ff32	01001f32
_CLALnTableEnd	Ff32	01001f32



**Table 4-16. CLA Data ROM Tables (continued)**

	Start Address From CLA in Hex	Start Address From CPU in Hex
_CLAINV2	Ff34	01001f34
_CLAINV3	Ff36	01001f36
_CLAINV4	Ff38	01001f38
_CLAINV5	Ff3a	01001f3a
_CLAINV6	Ff3c	01001f3c
_CLAINV7	Ff3e	01001f3e
_CLALOG10	Ff40	01001f40
_CLAEExpTable	Ff42	01001f42
_CLAEExpTableEnd	Fff4	01001ff4
CROM VERSION	FFFA	01001FFA (2 16-bit words) .word 0x0100 ; Boot ROM Version v1.0 .word 0x0413 ; Month/Year: (ex: 0x0109 = 1/09 = Jan 2009)

#### 4.10.4 Boot Modes

The available boot modes supported on this device are detailed in this section. Each boot mode allows for various options, providing configurations with different IOs to be used, depending on the application.

While each subsection gives details regarding the implementation of the native boot modes on the device, the subsections do not address utilizing each boot mode for common system operations such as:

- Device Firmware Upgrade (DFU)
- Erasing the Flash memory
- Verifying the Flash memory
- Unlocking the security zones
- Running the embedded code from "main"
- Resetting the MCU

These operations and more are covered in the [Serial Flash Programming of C2000™ Microcontrollers Application Report](#).

##### 4.10.4.1 Wait Boot Mode

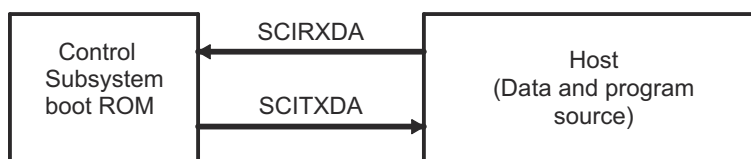
The wait boot mode puts the CPU in a loop and does not branch to the user application code. The device can enter wait boot mode either manually or because an error occurred during boot up. TI recommends using wait boot when using a debugger to avoid any JTAG complications.

Actions resulting in entering wait boot mode:

- Wait boot is set by the user as the boot mode
- The boot mode is unrecognized and a debugger is connected to the device
- The emulation BOOCTRL key is not equal to 0xA5 or 0x5A
- An error occurs during emulation boot and the boot mode pins are decoded with a value not recognized as a valid boot mode

#### 4.10.4.2 SCI Boot Mode

The SCI boot mode asynchronously transfers code from SCI-A to internal memory. This boot mode only supports an incoming 8-bit data stream and follows the data flow as outlined in [Example 4-1](#).



**Figure 4-5. Overview of SCI Bootloader Operation**

The device communicates with the external host by communication through the SCI-A peripheral. The autobaud feature of the SCI port is used to lock baud rates with the host. For this reason the SCI loader is very flexible and you can use a number of different baud rates to communicate with the device.

After each data transfer, the bootloader echoes back the 8-bit character received to the host. This allows the host to check that each character was received by the bootloader.

At higher baud rates, the slew rate of the incoming data bits can be affected by transceiver and connector performance. While normal serial communications can work well, this slew rate can limit reliable auto-baud detection at higher baud rates (typically beyond 100kbaud) and cause the auto-baud lock feature to fail. To avoid this, the following is recommended:

1. Achieve a baud-lock between the host and SCI bootloader using a lower baud rate.
2. Load the incoming application or custom loader at this lower baud rate.
3. The host can then handshake with the loaded application to set the SCI baud rate register to the desired high baud rate.

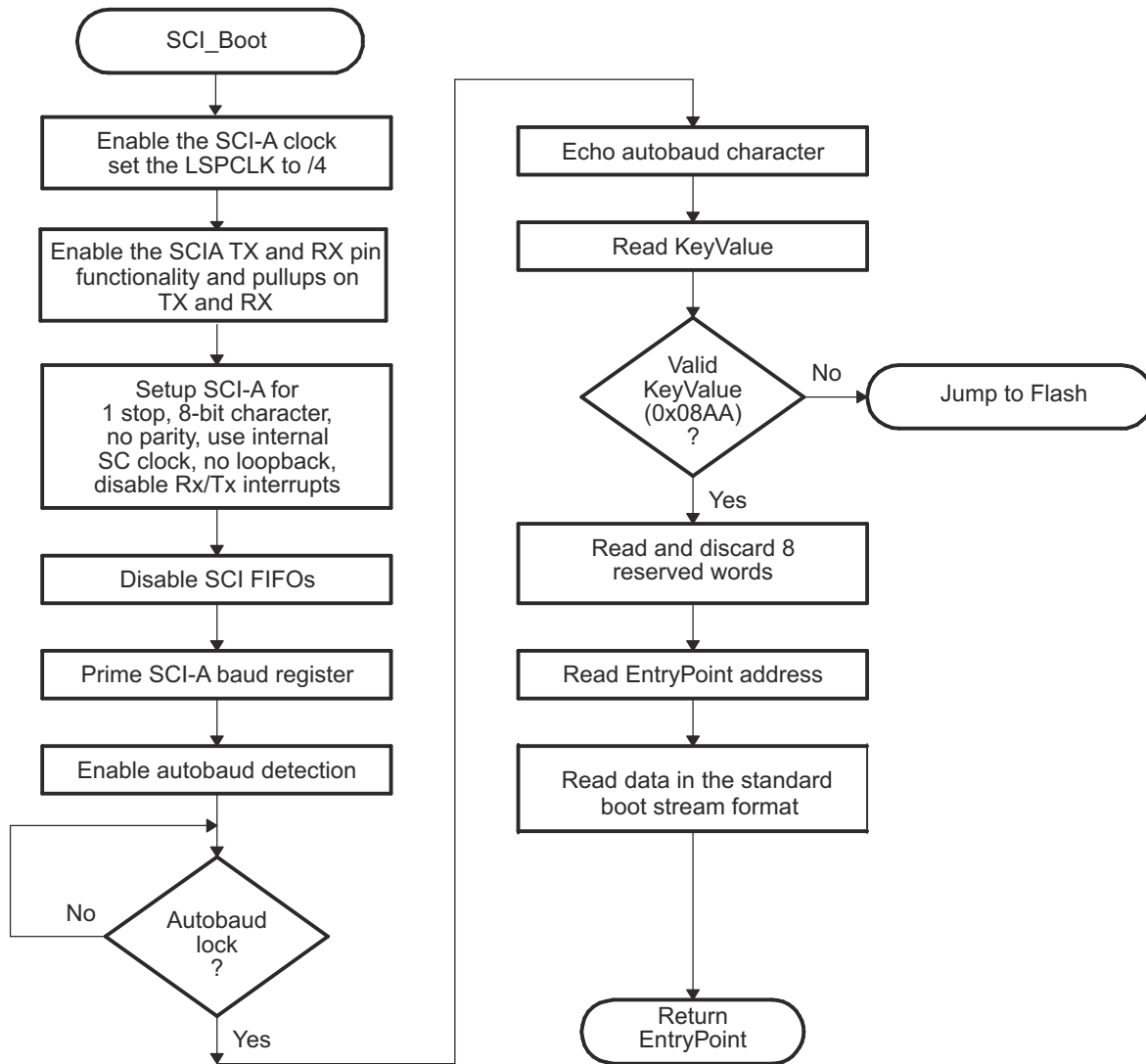
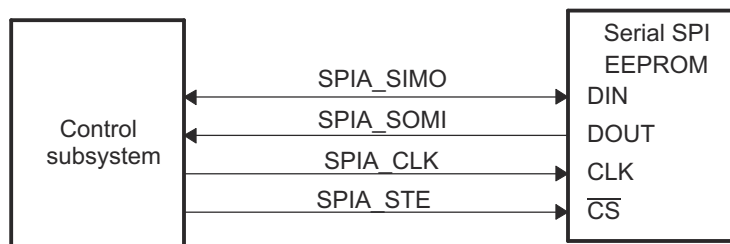


Figure 4-6. Overview of SCI Boot Function

#### 4.10.4.3 SPI Boot Mode

The SPI loader expects an SPI-compatible 16-bit or 24-bit addressable serial EEPROM or serial Flash device to be present on the SPI-A pins as indicated in Figure 4-7. The SPI bootloader supports an 8-bit data stream and does not support a 16-bit data stream.



**Figure 4-7. SPI Loader**

The SPI boot ROM loader initializes the SPI module to interface to a serial SPI EEPROM or Flash. Devices of this type include, but are not limited to, the Xicor X25320 (4Kx8) and Xicor X25256 (32Kx8) SPI serial SPI EEPROMs and the Atmel AT25F1024A Serial Flash.

The SPI boot ROM loader initializes the SPI with the following settings: FIFO enabled, 8-bit character, internal SPICLK master mode and talk mode, clock phase = 1, polarity = 0, using the slowest baud rate.

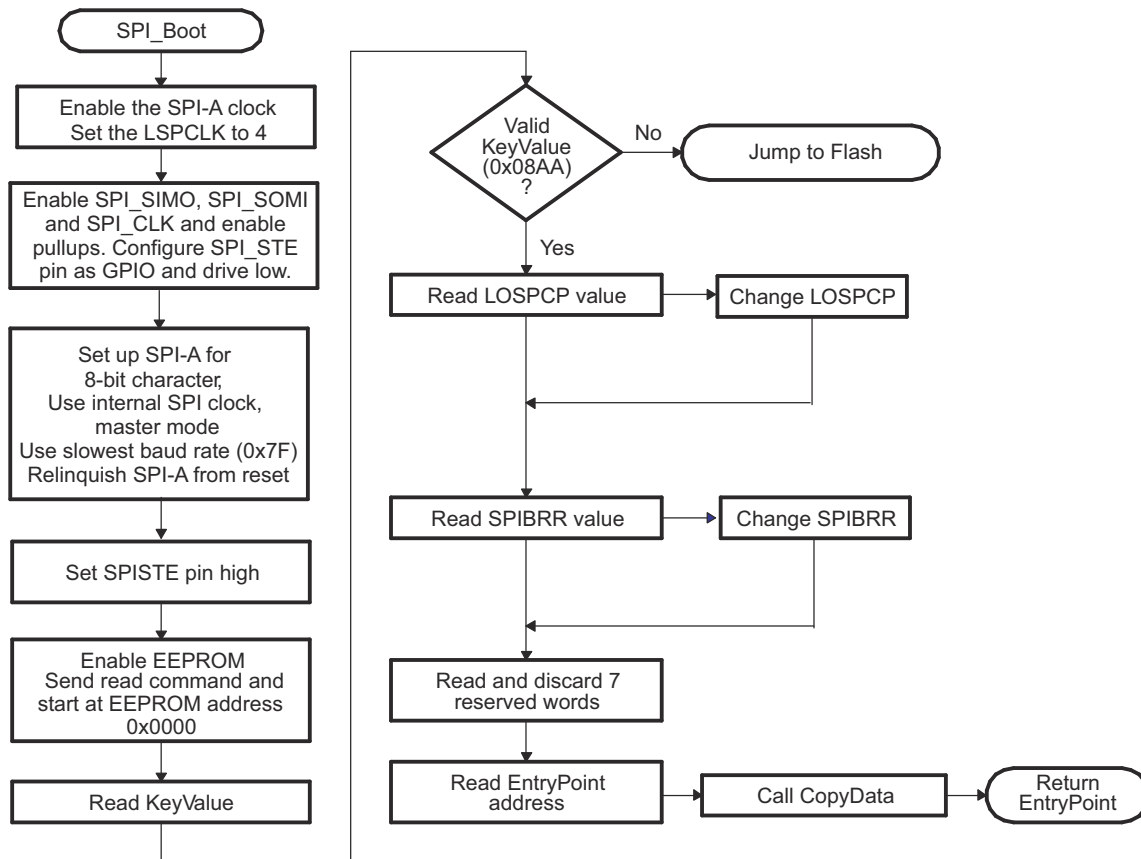
If the download is to be performed from an SPI port on another device, then that device must be setup to operate in the slave mode and mimic a serial SPI EEPROM. Immediately after entering the SPI\_Boot function, the pin functions for the SPI pins are set to primary and the SPI is initialized. The initialization is done at the slowest speed possible. Once the SPI is initialized and the key value read, you can specify a change in baud rate or low-speed peripheral clock.

**Table 4-17. SPI 8-Bit Data Stream**

Byte	Contents
1	LSB: AA (KeyValue for memory width = 8-bits)
2	MSB: 08h (KeyValue for memory width = 8-bits)
3	LSB: LOSPCP
4	MSB: SPIBRR
5	LSB: reserved for future use
6	MSB: reserved for future use
...	...
...	Data for this section.
17	LSB: reserved for future use
18	MSB: reserved for future use
19	LSB: Upper half (MSW) of Entry point PC[23:16]
20	MSB: Upper half (MSW) of Entry point PC[31:24] (Note: Always 0x00)
21	LSB: Lower half (LSW) of Entry point PC[7:0]
22	MSB: Lower half (LSW) of Entry point PC[15:8]
...	....
...	Data for this section.
...	Blocks of data in the format size/destination address/data as shown in the generic data stream description
...	...
...	Data for this section.
n	LSB: 00h
n+1	MSB: 00h - indicates the end of the source

The data transfer is done in "burst" mode from the serial SPI EEPROM. The transfer is carried out entirely in byte mode (SPI at 8 bits/character). A step-by-step description of the sequence follows:

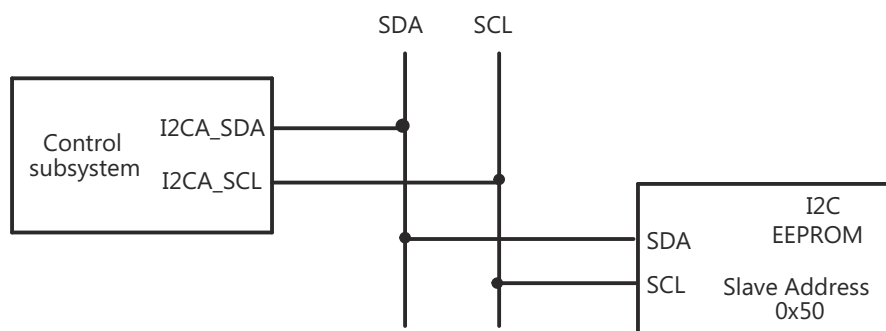
1. The SPI-A port is initialized
2. The GPIO19 (SPISTE) pin is used as a chip-select for the serial SPI EEPROM or Flash
3. The SPI-A outputs a read command for the serial SPI EEPROM or Flash
4. The SPI-A sends the serial SPI EEPROM an address 0x0000; that is, the host requires that the EEPROM or Flash must have the downloadable packet starting at address 0x0000 in the EEPROM or Flash. The loader is compatible with both 16-bit addresses and 24-bit addresses.
5. The next word fetched must match the key value for an 8-bit data stream (0x08AA). The least significant byte of this word is the byte read first and the most significant byte is the next byte fetched. This is true of all word transfers on the SPI. If the key value does not match, then the load is aborted and the bootloader jumps to Flash.
6. The next 2 bytes fetched can be used to change the value of the low speed peripheral clock register (LOSPCP) and the SPI baud rate register (SPIBRR). The first byte read is the LOSPCP value and the second byte read is the SPIBRR value. The next 7 words are reserved for future enhancements. The SPI bootloader reads these 7 words and discards them.
7. The next two words makeup the 32-bit entry point address where execution can continue after the boot load process is complete. This is typically the entry point for the program being downloaded through the SPI port.
8. Multiple blocks of code and data are then copied into memory from the external serial SPI EEPROM through the SPI port. The blocks of code are organized in the standard data stream structure presented earlier. This is done until a block size of 0x0000 is encountered. At that point in time the entry point address is returned to the calling routine that then exits the bootloader and resumes execution at the address specified.



**Figure 4-8. Data Transfer From EEPROM Flow**

#### 4.10.4.4 I2C Boot Mode

The I2C bootloader expects an 8-bit wide I2C-compatible EEPROM device to be present at address 0x50 on the I2C-A bus as indicated in Figure 4-9. The EEPROM must adhere to conventional I2C EEPROM protocol, as described in this section, with a 16-bit base address architecture.



**Figure 4-9. EEPROM Device at Address 0x50**

If the download is to be performed from a device other than an EEPROM, then that device must be set up to operate in the slave mode and mimic the I2C EEPROM. Immediately after entering the I2C boot function, the GPIO pins are configured for I2C-A operation and the I2C is initialized. The following requirements must be met when booting from the I2C module:

- The input frequency to the device must be in the appropriate range.
- The EEPROM must be at slave address 0x50.

The bit-period prescalers (I2CCLKH and I2CCLKL) are configured by the bootloader to run the I2C at a 50 percent duty cycle at 100-kHz bit rate (standard I2C mode) when the system clock is 10 MHz. These registers can be modified after receiving the first few bytes from the EEPROM. This allows the communication to be increased up to a 400-kHz bit rate (fast I2C mode) during the remaining data reads.

Arbitration, bus busy, and slave signals are not checked. Therefore, no other master is allowed to control the bus during this initialization phase. If the application requires another master during I2C boot mode, that master must be configured to hold off sending any I2C messages until the application software signals that it is past the bootloader portion of initialization.

The non-acknowledgment bit is checked only during the first message sent to initialize the EEPROM base address. This is to make sure that an EEPROM is present at address 0x50 before continuing. If an EEPROM is not present, the non-acknowledgment bit is not checked during the address phase of the data read messages (I2C\_Get Word). If a non-acknowledgment is received during the data read messages, the I2C bus hangs. Table 4-18 shows the 8-bit data stream used by the I2C.

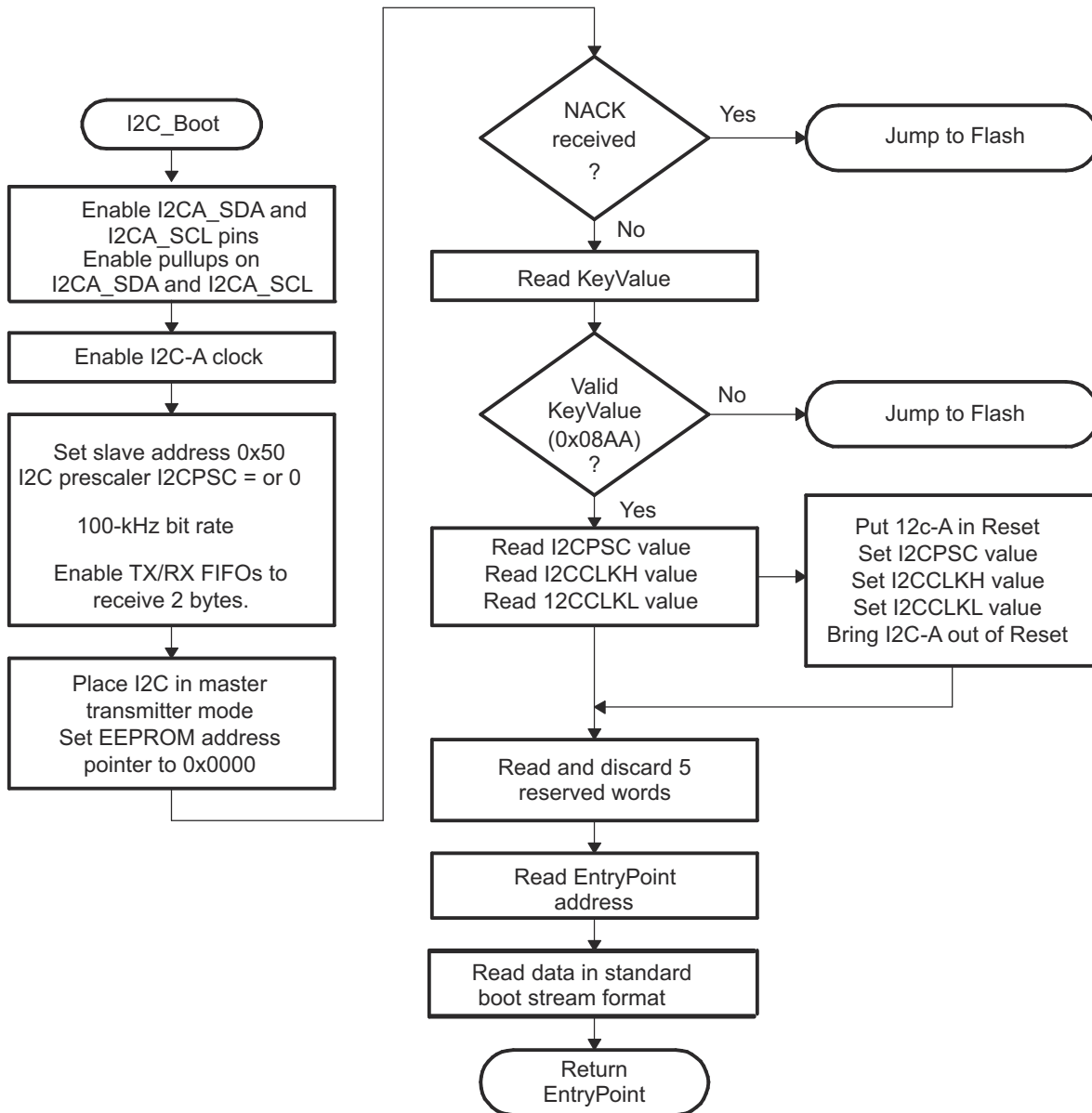
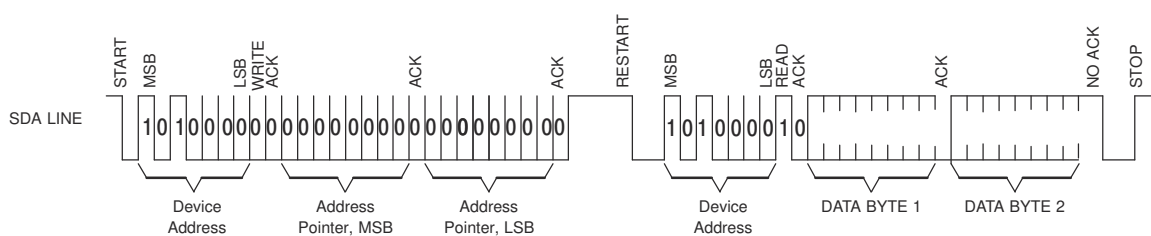
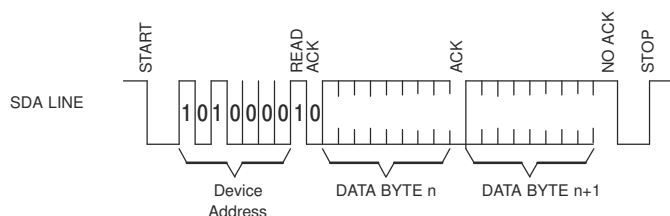


Figure 4-10. Overview of I2C Boot Function

**Table 4-18. I2C 8-Bit Data Stream**

Byte	Contents
1	LSB: AA (KeyValue for memory width = 8 bits)
2	MSB: 08h (KeyValue for memory width = 8 bits)
3	LSB: I2CPSC[7:0]
4	reserved
5	LSB: I2CCLKH[7:0]
6	MSB: I2CCLKH[15:8]
7	LSB: I2CCLKL[7:0]
8	MSB: I2CCLKL[15:8]
...	...
...	Data for this section.
...	...
17	LSB: Reserved for future use
18	MSB: Reserved for future use
19	LSB: Upper half of entry point PC
20	MSB: Upper half of entry point PC[22:16] (Note: Always 0x00)
21	LSB: Lower half of entry point PC[15:8]
22	MSB: Lower half of entry point PC[7:0]
...	...
...	Data for this section.
...	...
...	Blocks of data in the format size/destination address/data as shown in the generic data stream description.
...	...
...	Data for this section.
...	...
n	LSB: 00h
n+1	MSB: 00h - indicates the end of the source

The I2C EEPROM protocol required by the I2C bootloader is shown in [Figure 4-11](#) and [Figure 4-12](#). The first communication, which sets the EEPROM address pointer to 0x0000 and reads the KeyValue (0x08AA) from it, is shown in [Figure 4-11](#). All subsequent reads are shown in [Figure 4-12](#) and are read two bytes at a time.


**Figure 4-11. Random Read**

**Figure 4-12. Sequential Read**



#### 4.10.4.5 Parallel Boot Mode

The parallel general purpose I/O (GPIO) boot mode asynchronously transfers code from GPIO58 -GPIO63, GPIO64-GPIO65 to internal memory. Each value is 8 bits long and follows the same data flow as outlined in Figure 4-13.

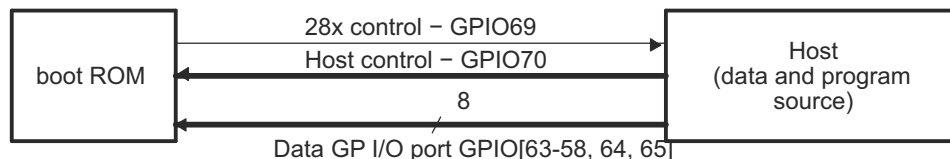


Figure 4-13. Overview of Parallel GPIO Bootloader Operation

The control subsystem communicates with the external host device by polling/driving the GPIO70 and GPIO69 lines. The handshake protocol shown in Figure 4-14 must be used to successfully transfer each word using GPIO [63-58,64,65]. This protocol is very robust and allows for a slower or faster host to communicate with the master subsystem.

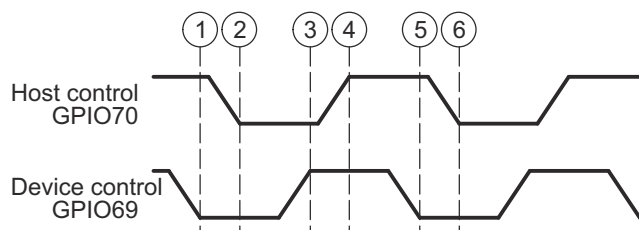
Two consecutive 8-bit words are read to form a single 16-bit word. The most significant byte (MSB) is read first followed by the least-significant byte (LSB). In this case, data is read from GPIO[63-58,64,65].

The 8-bit data stream is shown in Table 4-19.

Table 4-19. Parallel GPIO Boot 8-Bit Data Stream

Bytes	GPIO[63:58,64,65] (Byte 1 of 2)	GPIO[63:58,64,65] (Byte 2 of 2)	Description
1 2	AA	08	0x08AA (KeyValue for memory width = 16 bits)
3 4	00	00	8 reserved words (words 2 - 9)
...	...	...	...
17 18	00	00	Last reserved word
19 20	BB	00	Entry point PC[22:16]
21 22	DD	CC	Entry point PC[15:0] (PC = 0x00BBCCDD)
23 24	NN	MM	Block size of the first block of data to load = 0xMMNN words
25 26	BB	AA	Destination address of first block Addr[31:16]
27 28	DD	CC	Destination address of first block Addr[15:0] (Addr = 0xAABCCDD)
29 30	BB	AA	First word of the first block in the source being loaded = 0xAABB
...			...
...			Data for this section.
...			...
.	BB	AA	Last word of the first block of the source being loaded = 0xAABB
.	NN	MM	Block size of the 2nd block to load = 0xMMNN words
.	BB	AA	Destination address of second block Addr[31:16]
.	DD	CC	Destination address of second block Addr[15:0]
.	BB	AA	First word of the second block in the source being loaded
.			...
n n+1	BB	AA	Last word of the last block of the source being loaded (More sections if required)
n+2 n+3	00	00	Block size of 0000h - indicates end of the source program

The device first signals the host that the device is ready to begin data transfer by pulling the GPIO69 pin low. The host load then initiates the data transfer by pulling the GPIO70 pin low. The complete protocol is shown in Figure 4-14.

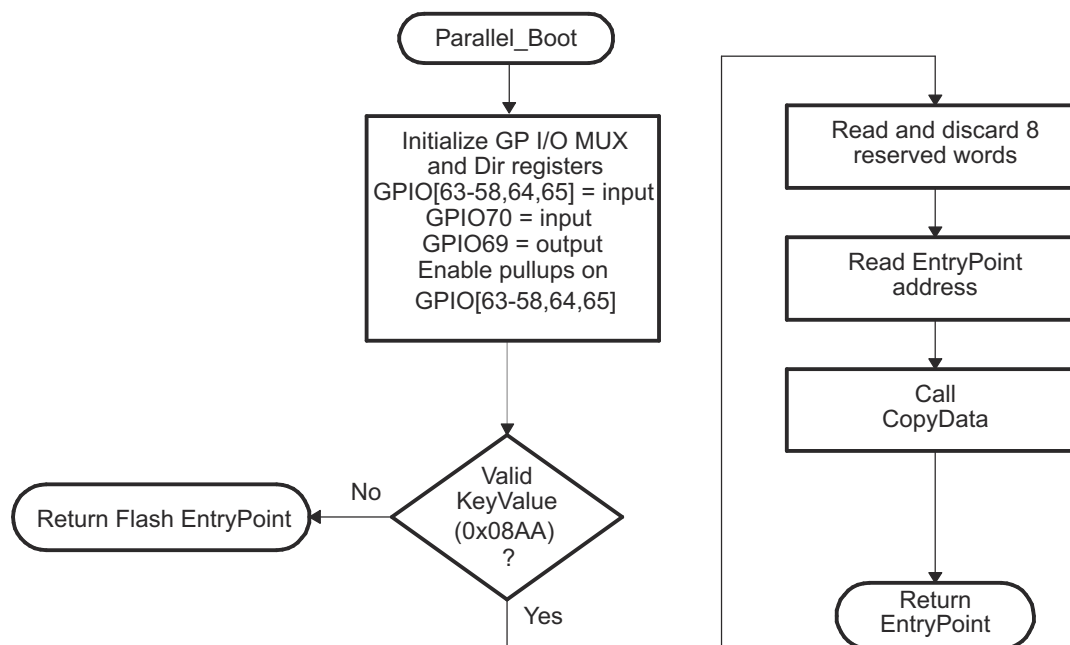


**Figure 4-14. Parallel GPIO Bootloader Handshake Protocol**

1. The device indicates the device is ready to start receiving data by pulling the GPIO69 pin low.
2. The bootloader waits until the host puts data on GPIO [63-58,64,65]. The host signals to the device that data is ready by pulling the GPIO70 pin low.
3. The device reads the data and signals the host that the read is complete by pulling GPIO69 high.
4. The bootloader waits until the host acknowledges the device by pulling GPIO70 high.
5. The device again indicates the device is ready for more data by pulling the GPIO69 pin low.

This process is repeated for each data value to be sent.

Figure 4-15 shows an overview of the Parallel GPIO bootloader flow.



**Figure 4-15. Parallel GPIO Mode Overview**

Figure 4-16 shows the transfer flow from the host side. The operating speed of the CPU and host are not critical in this mode as the host waits for the device and the device waits for the host. In this manner, the protocol works with both a host running faster and a host running slower than the device.

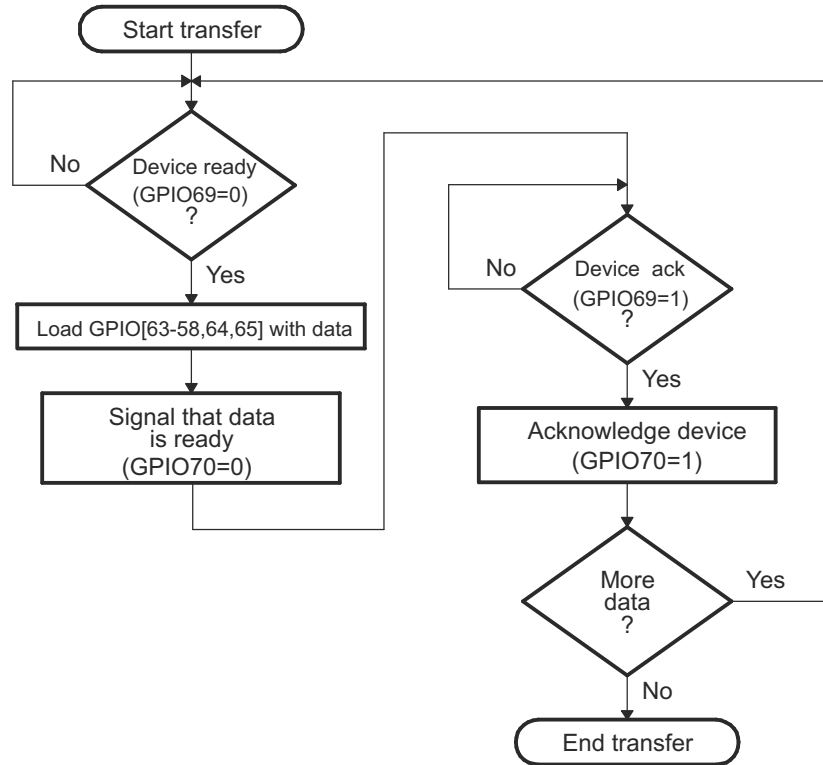


Figure 4-16. Parallel GPIO Mode - Host Transfer Flow

Figure 4-17 shows the flow used to read a single word of data from the parallel port.

- **8-bit data stream**

The 8-bit routine, shown in Figure 4-17, discards the upper 8 bits of the first read from the port and treats the lower 8 bits masked with GPIO65 in bit position 7 and GPIO64 in bit position 6 as the least-significant byte (LSB) of the word to be fetched. The routine then performs a second read to fetch the most-significant byte (MSB). The routine then combines the MSB and LSB into a single 16-bit value to be passed back to the calling routine.

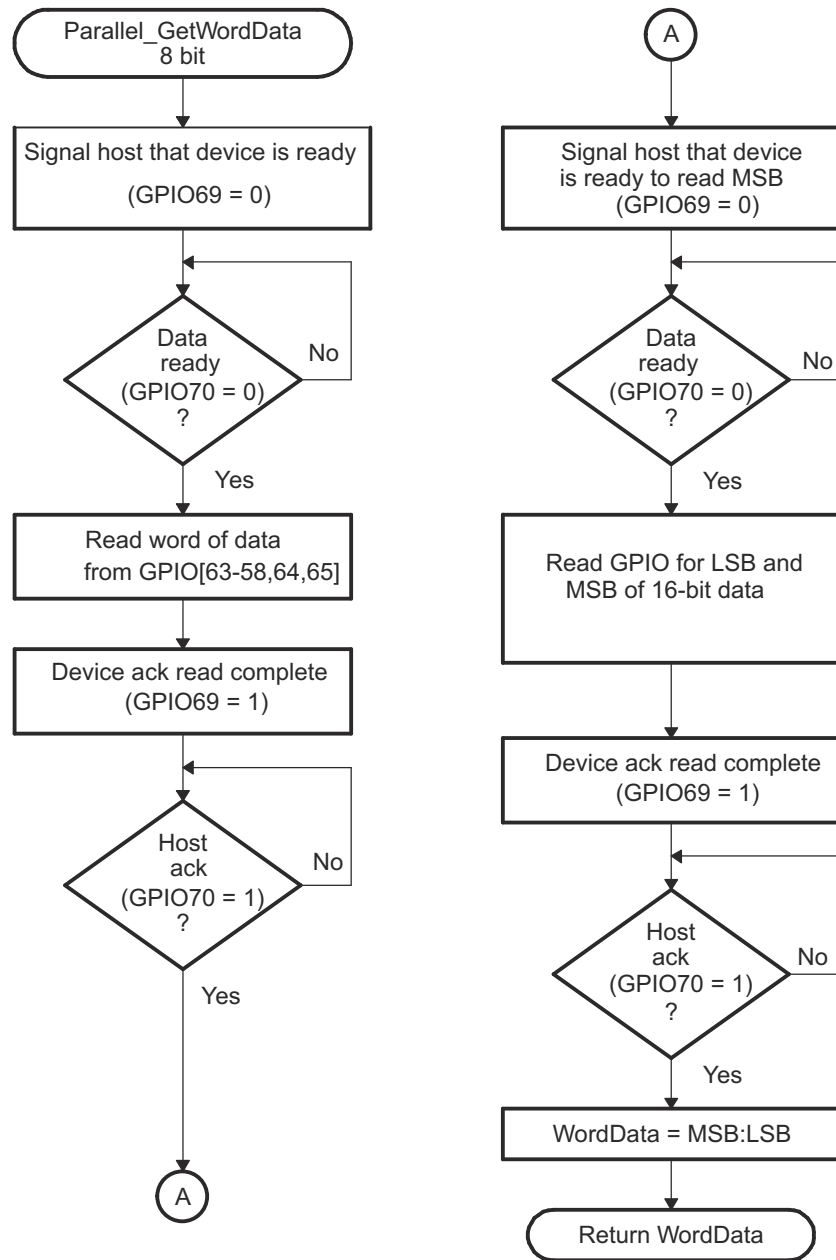


Figure 4-17. 8-Bit Parallel GetWord Function

#### 4.10.4.6 CAN Boot Mode

The CAN bootloader asynchronously transfers code from CAN-A to internal memory. The host can be any CAN node. The communication is first done with 11-bit standard identifiers (with a MSGID of 0x1) using two bytes per data frame. The host can download a kernel to reconfigure the CAN if higher data throughput is desired.

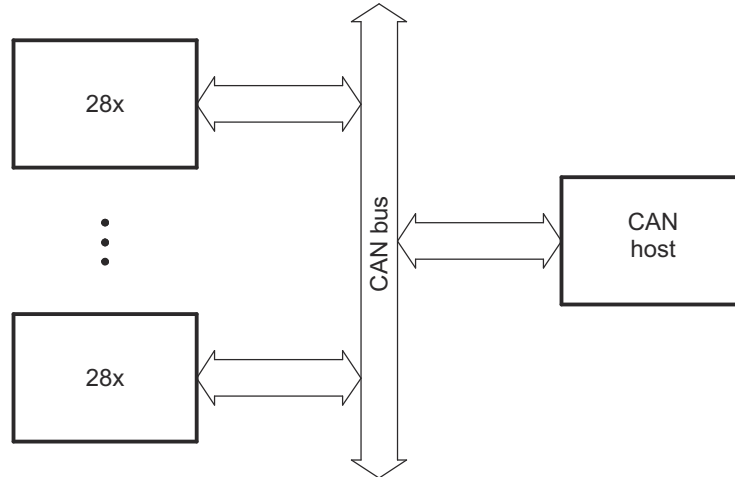


Figure 4-18. Overview of CAN-A Bootloader Operation

The bit timing registers are programmed in such a way that a 50-kbps bit rate is achieved with the 10-MHz INTOSC1 oscillator, as shown in [Table 4-20](#).

Table 4-20. Bit-Rate Value for Internal Oscillators

OSCCLK	SYSCLKOUT	Bit Rate
10 MHz	10 MHz	50 kbps

The SYSCLKOUT values shown are the reset values with the default PLL setting. The BRP and bit-time values are hard-coded to 10 and 20, respectively.

**Note**

The CPU CAN boot loader uses INTOSC as the bit clock source.

Mailbox 1 is programmed with a standard MSGID of 0x1 for boot-loader communication. The CAN host can transmit only 2 bytes at a time, LSB first and MSB next. For example, to transmit the word 0x08AA to the device, transmit AA first, followed by 08. The program flow of the CAN bootloader is identical to the SCI bootloader. The data sequence for the CAN bootloader is shown in [Table 4-21](#).

**Table 4-21. CAN 8-Bit Data Stream**

Bytes	Byte 1 of 2	Byte 2 of 2	Description
1 2	AA	08	0x08AA (KeyValue for memory width = 16 bits)
3 4	00	00	reserved
5 6	00	00	reserved
7 8	00	00	reserved
9 10	00	00	reserved
11 12	00	00	reserved
13 14	00	00	reserved
15 16	00	00	reserved
17 18	00	00	reserved
19 20	BB	AA	Entry point PC[22:16]
21 22	DD	CC	Entry point PC[15:0] (PC = 0xAABBCCDD)
23 24	NN	MM	Block size of the first block of data to load = 0xMMNN words
25 26	BB	AA	Destination address of first block Addr[31:16]
27 28	DD	CC	Destination address of first block Addr[15:0] (Addr = 0xAABBCCDD)
29 30	BB	AA	First word of the first block in the source being loaded = 0xAABB
...			....
...			Data for this section.
			...
.	BB	AA	Last word of the first block of the source being loaded = 0xAABB
.	NN	MM	Block size of the 2nd block to load = 0xMMNN words
.	BB	AA	Destination address of second block Addr[31:16]
.	DD	CC	Destination address of second block Addr[15:0]
.	BB	AA	First word of the second block in the source being loaded
.			...
n n+1	BB	AA	Last word of the last block of the source being loaded (More sections if required)
n+2 n+3	00	00	Block size of 0000h - indicates end of the source program

#### 4.10.4.7 USB Boot Mode

In USB boot mode, the device enumerates with vendor ID 0x1CBE and product ID 0x00FF. The device descriptor and interface descriptor both show the class as 0xFF (vendor-specific), the subclass as 0x00, and the protocol as 0x00. After enumeration, the device waits for data. Data can be sent using bulk OUT transfers to endpoint 1. The data is interpreted as a series of 8-bit bytes in the standard data stream format described in Section 4.10.5, shown here in Table 4-22. No reserved bytes are used. Once the data transfer is complete (block size of 0x0000 sent), the device disconnects from the USB bus, allowing other software to make use of the module if desired. Figure 4-19 illustrates the flow for USB boot mode.

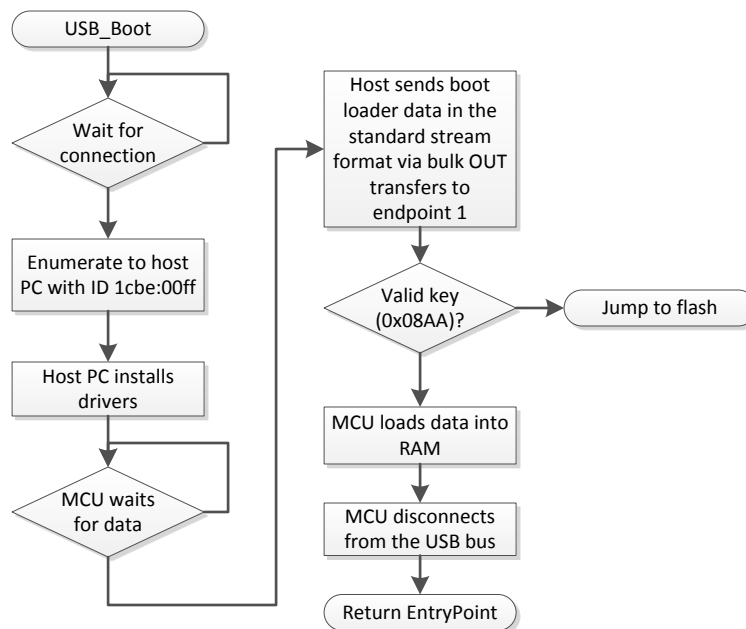


Figure 4-19. USB Boot Flow

Implementing PC-side USB software is not trivial. It is recommended to use the TI-provided tools and drivers to load data in USB boot mode. Hex and binary files for loader tools can be generated from COFF (.out) files using the hex2000 tool. To produce a plain binary file in the boot loader format, use the following command line:

```
hex2000 -boot -b Program_to_Load.out -o Binary_Loader_Data.dat
```

For more information on hex2000, see the [TMS320C28x Assembly Language Tools User's Guide](#).

**Table 4-22. USB 8-Bit Data Stream**

Bytes	First Byte (LSB)	Second Byte (MSB)	Description
1 2	AA	08	0x08AA (KeyValue for memory width = 16bits)
3 4	00	00	reserved
5 6	00	00	reserved
7 8	00	00	reserved
9 10	00	00	reserved
11 12	00	00	reserved
13 14	00	00	reserved
15 16	00	00	reserved
17 18	00	00	reserved
19 20	BB	AA	Entry point PC[22:16]
21 22	DD	CC	Entry point PC[15:0] (PC = 0xAABBCCDD)
23 24	NN	MM	Block size of the first block of data to load = 0xMMNN words
25 26	BB	AA	Destination address of first block Addr[31:16]
27 28	DD	CC	Destination address of first block Addr[15:0] (Addr = 0xAABBCCDD)
29 30	BB	AA	First word of the first block in the source being loaded = 0xAABB
...			....
...			Data for this section.
...			...
.	BB	AA	Last word of the first block of the source being loaded = 0xAABB
.	NN	MM	Block size of the 2nd block to load = 0xMMNN words
.	BB	AA	Destination address of second block Addr[31:16]
.	DD	CC	Destination address of second block Addr[15:0]
.	BB	AA	First word of the second block in the source being loaded
.			...
n n+1	BB	AA	Last word of the last block of the source being loaded (More sections if required)
n+2 n+3	00	00	Block size of 0000h - indicates end of the source program

#### 4.10.5 Boot Data Stream Structure

This section details the data transfer protocols or stream structures that allow boot data transfer between boot ROM and host device. This data transfer protocol is compatible to the respective bootloaders on other C2000 devices.

##### 4.10.5.1 Bootloader Data Stream Structure

[Table 4-23](#) and [Example 4-1](#) show the structure of the data stream incoming to the bootloader. The basic structure is the same for all the bootloaders and is based on the C54x source data stream generated by the C54x hex utility. The C28x hex utility (hex2000.exe) has been updated to support this structure. The hex2000.exe utility is included with the C2000 code generation tools. All values in the data stream structure are in hex.

The first 16-bit word in the data stream is known as the key value. The key value is used to indicate to the bootloader the width of the incoming stream: 8 or 16 bits. Note that not all bootloaders accept both 8 and 16-bit streams. Refer to the detailed information on each loader for the valid data stream width. For an 8-bit data stream, the key value is 0x08AA and for a 16-bit stream the key value is 0x10AA. If a bootloader receives an invalid key value, then the load is aborted.

The next eight words are used to initialize register values or otherwise enhance the bootloader by passing values to it. If a bootloader does not use these values then they are reserved for future use and the bootloader



simply reads the value and then discards it. Currently only the SPI and I2C and parallel bootloaders use these words to initialize registers.

The tenth and eleventh words comprise the 22-bit entry point address. This address is used to initialize the PC after the boot load is complete. This address is most likely the entry point of the program downloaded by the bootloader.

The twelfth word in the data stream is the size of the first data block to be transferred. The size of the block is defined as 8-bit data stream format. For example, to transfer a block of 20 8-bit data values from an 8-bit data stream, the block size is 0x000A to indicate 10 16-bit words.

The next two words indicate to the loader the destination address of the block of data. Following the size and address is the 16-bit words that makeup that block of data.

This pattern of block size/destination address repeats for each block of data to be transferred. Once all the blocks have been transferred, a block size of 0x0000 signals to the loader that the transfer is complete. At this point, the loader returns the entry point address to the calling routine that cleans up and exits. Execution then continues at the entry point address as determined by the input data stream contents.

**Table 4-23. LSB/MSB Loading Sequence in 8-Bit Data Stream**

Byte		Contents	
		LSB (First Byte of 2)	MSB (Second Byte of 2)
1	2	LSB: AA (KeyValue for memory width = 8 bits)	MSB: 08h (KeyValue for memory width = 8 bits)
3	4	LSB: Register initialization value or reserved	MSB: Register initialization value or reserved
5	6	LSB: Register initialization value or reserved	MSB: Register initialization value or reserved
7	8	LSB: Register initialization value or reserved	MSB: Register initialization value or reserved
...	...	...	...
17	18	LSB: Register initialization value or reserved	MSB: Register initialization value or reserved
19	20	LSB: Upper half of Entry point PC[23:16]	MSB: Upper half of entry point PC[31:24] (Always 0x00)
21	22	LSB: Lower half of Entry point PC[7:0]	MSB: Lower half of Entry point PC[15:8]
23	24	LSB: Block size in words of the first block to load. If the block size is 0, this indicates the end of the source program. Otherwise another block follows. For example, a block size of 0x000A indicates 10 words or 20 bytes in the block.	MSB: block size
25	26	LSB: MSW destination address, first block Addr[23:16]	MSB: MSW destination address, first block Addr[31:24]
27	28	LSB: LSW destination address, first block Addr[7:0]	MSB: LSW destination address, first block Addr[15:8]
29	30	LSB: First word of the first block being loaded	MSB: First word of the first block being loaded
...	...	...	...
.	.	LSB: Last word of the first block to load	MSB: Last word of the first block to load
.	.	LSB: Block size of the second block	MSB: Block size of the second block
.	.	LSB: MSW destination address, second block Addr[23:16]	MSB: MSW destination address, second block Addr[31:24]
.	.	LSB: LSW destination address, second block Addr[7:0]	MSB: LSW destination address, second block Addr[15:8]
.	.	LSB: First word of the second block being loaded	MSB: First word of the second block being loaded
...	...	...	...
.	.	LSB: Last word of the second block	MSB: Last word of the second block
.	.	LSB: Block size of the last block	MSB: Block size of the last block
.	.	LSB: MSW of destination address of last block Addr[23:16]	MSB: MSW destination address, last block Addr[31:24]
.	.	LSB: LSW destination address, last block Addr[7:0]	MSB: LSW destination address, last block Addr[15:8]
.	.	LSB: First word of the last block being loaded	MSB: First word of the last block being loaded
...	...	...	...
.	.	LSB: Last word of the last block	MSB: Last word of the last block
n	n+1	LSB: 00h	MSB: 00h - indicates the end of the source

**Example 4-1. Data Stream Structure 8-bit**

```

AA 08      ; 0x08AA 8-bit key value
00 00 00 00 ; 8 reserved words
00 00 00 00
00 00 00 00
00 00 00 00
3F 00 00 80 ; 0x003F8000 EntryAddr, starting point after boot load completes
05 00      ; 0x0005 - First block consists of 5 16-bit words
3F 00 10 90 ; 0x003F9010 - First block will be loaded starting at 0x3F9010
01 00      ; Data loaded = 0x0001 0x0002 0x0003 0x0004 0x0005
02 00
03 00
04 00
05 00
02 00      ; 0x0002 - 2nd block consists of 2 16-bit words
3F 00 00 80 ; 0x003F8000 - 2nd block will be loaded starting at 0x3F8000
00 77      ; Data loaded = 0x7700 0x7625
25 76
00 00      ; 0x0000 - size of 0 indicates end of data stream
After load has completed the following memory values will have been initialized as follows:
Location  Value
0x3F9010  0x0001
0x3F9011  0x0002
0x3F9012  0x0003
0x3F9013  0x0004
0x3F9014  0x0005
0x3F8000  0x7700
0x3F8001  0x7625
PC Begins execution at 0x3F8000
    
```

**4.10.6 GPIO Assignments**

This section details the GPIOs and boot options used for each boot mode set in the BMODE bit-field of the BOOTCTRL register in OTP memory. Refer to [Section 4.5](#) on the details of the BOOTCTRL fields.

**Table 4-24. SCI Boot Options**

Option	BMODE Value	SCITXDA GPIO	SCIRXDA GPIO
0 (default)	0x01	GPIO84	GPIO85
1	0x81	GPIO29	GPIO28

**Table 4-25. CAN Boot Options**

Option	BMODE Value	CANTXA GPIO	CANRXA GPIO
0	0x07	GPIO71	GPIO70
1	0x87	GPIO63	GPIO62

**Table 4-26. I2C Boot Options**

Option	BMODE Value	SDAA GPIO	SCLA GPIO
0	0x05	GPIO91	GPIO92
1	0x85	GPIO32	GPIO33

**Table 4-27. USB Boot Options**

Option	BMODE Value	USBDM GPIO	USBDP GPIO
0	0x0C	GPIO42	GPIO43

**Table 4-28. RAM Boot Options**

Option	BMODE Value	RAM Entry Point (Address)
0	0x0A	0x0000 0000

**Table 4-29. Flash Boot Options**

Option	BMODE Value	Flash Entry Point (Address)	Flash Sector
0	0x0B	0x0008 0000	Sector A

**Table 4-30. Wait Boot Options**

Option	BMODE Value
0 (default)	0x02

**Table 4-31. SPI Boot Options**

Option	BMODE Value	SPISIMOA	SPISOMIA	SPICLKA	SPISTEA
0	0x04	GPIO58	GPIO59	GPIO60	GPIO61
1	0x84	GPIO16	GPIO17	GPIO18	GPIO19

**Table 4-32. Parallel Boot Options**

Option	BMODE Value	D0-D7 GPIO	DSP Control GPIO	Host Control GPIO
0 (default)	0x0	D0 - GPIO65	GPIO69	GPIO70
		D1 - GPIO64		
		D2 - GPIO58		
		D3 - GPIO59		
		D4 - GPIO60		
		D5 - GPIO61		
		D6 - GPIO62		
		D7 - GPIO63		

### 4.10.7 Secure ROM Function APIs

Within secure ROM of each core, functions are available to be called by the application to perform EXEONLY Flash/RAM tasks in a secure manner.

#### Note

The application must disable interrupts before calling one of the EXEONLY function APIs.

If a vector fetch request is given by the CPU while the program counter (PC) is within the EXEONLY function API code of the Secure ROM, a reset fires. The consequence of this is if an NMI or ITRAP occurs while the PC is executing one of the EXEONLY API functions, the NMI/ITRAP cannot be serviced because a reset is fired to that subsystem.

The **safe copy code zone 1 and zone 2 functions** allow EXEONLY Flash to be copied to EXEONLY RAM in a secure manner. The source must be from EXEONLY Flash and the destination to EXEONLY RAM. There is no support to copy EXEONLY ROM or EXEONLY RAM to RAM. Both Flash and RAM must be set to EXEONLY and configured for the same zone. Additionally, the copy size must not cross over the Flash sector boundary. Any violations of these requirements results in a failure status returned. Upon successful copy of the data, the number of 16-bit words copied is returned.

**Table 4-33. Safe Copy Code Function**

CPU	Function Prototype	Function Parameters	Function Return Value
CPU	<code>Uint16 SafeCopyCodeZ1(Uint32 size, Uint16 *dst, Uint16 *src)</code>	<p><i>size</i> : The number of 16-bit words to copy</p> <p><i>dst</i> : The destination memory address in EXEONLY RAM</p> <p><i>src</i> : The source memory address in EXEONLY Flash</p>	<p>0xFFFF : Returns the number of 16-bit words copied</p> <p>0x0000 : Indicates one of the following: Copy length is zero; Copy size crosses over Flash sector boundary; Flash and RAM do not belong to the same zone; Flash and/or RAM are not set to EXEONLY; Error occurred during data copy</p>
	<code>Uint16 SafeCopyCodeZ2(Uint32 size, Uint16 *dst, Uint16 *src)</code>		

The **safe CRC calculation zone 1 and zone 2 functions** allow a safety CRC check of EXEONLY memory in a secure manner. The CRC length provided must be a value from 1 to 8 where 1 represents a CRC size of 32 16-bit words and 8 represents a CRC size of 4096 16-bit words. The source address specifies the starting address for the CRC and the destination address is the location that the resulting CRC value is stored. The source and destination memories must be configured for the same zone. Additionally, the CRC length must not cross over the Flash sector or RAM block boundary. Any violations of these requirements results in a failure status returned. Upon successful CRC, the number of 16-bit words CRC'd is returned.

**Table 4-34. Safe CRC Calculation Function**

CPU	Function Prototype	Function Parameters	Function Return Value
CPU	<code>Uint16 SafeCRCCalcZ1(Uint16 len_id, Uint16 *dst, Uint16 *src)</code>	<p><i>len_id</i> : A number from 1 to 8 that corresponds to length options of 32, 64, 128, 256, 512, 1024, 2048, or 4096 16-bit words</p> <p><i>dst</i> : The destination memory address for resulting CRC</p> <p><i>src</i> : The source memory address to begin CRC calculation</p>	<p>0xFFFF : Returns the number of 16-bit words CRC'd</p> <p>0x0000 : Indicates one of the following: Invalid length option; Source address is not modulo of length value; Destination address is not within secure RAM; CRC size crosses over Flash sector or RAM block boundary; The source and destination memory do not belong to the same zone</p>
	<code>Uint16 SafeCRCCalcZ2(Uint16 size, Uint16 *dst, Uint16 *src)</code>		

#### 4.10.8 Clock Initializations

During boot up, the boot ROM initializes the device clocking, depending upon the reset source, to assist in faster boot time response. Clock configurations are performed by the boot ROM code only for POR, XRS, and HIBERNATE reset types. For all other resets, the boot ROM starts executing with the clocks that were already set up before reset.

**Table 4-35. Boot Clock Sources**

Source	Frequency	Description
INTOSC1	10 MHz	Set as clock source, if missing clock is detected at power up or right after device reset.

**Table 4-36. Clock State After Boot ROM**

Reset Source	Clock State
POR/XRS/HIBERNATE	Bypassed PLL.
	PLL multiplier is set to 0x0
	Clock divider is set to /1.
All other Resets	Maintain clocks setup before device reset.

#### Note

If the PLL is used during the boot process, the PLL is bypassed by the boot ROM code before branching to the user application.

#### 4.10.9 Wait State Configuration

This section details the ROM memory wait state configurations. By default, the CPU ROM memory on this device is not zero-wait state; the ROM memory is 1-wait state with prefetch disabled. ROM does support prefetch enable and disable configurations to provide better execution speeds at varying clock frequencies. Configuring the wait state enables user applications to adjust for when performing callbacks into ROM or secure copy code (SCC).

**Table 4-37. ROM Wait States**

Wait State Disable Bit ROMWAITSTATE Register (Bit 0 – 0x5F540)	Pre-Fetch Enable Bit ROMPREFETCH Register (Bit 0 – 0x5E608)	C28x ROM Configuration
0	0	<ul style="list-style-type: none"> <li>Wait state enabled</li> <li>Prefetch disabled</li> <li>Maximum Frequency: 200 MHz</li> </ul>
0	1	<ul style="list-style-type: none"> <li>Wait state enabled</li> <li>Prefetch enabled</li> <li>Maximum Frequency: 180 MHz</li> </ul>
1	Don't Care	<ul style="list-style-type: none"> <li>0 Wait state</li> <li>Prefetch disabled</li> <li>Maximum Frequency: 150 MHz</li> </ul>

#### 4.10.10 Boot Status information

Boot ROM keeps a record of the different events that can occur during boot ROM execution. This is because NMI and other exceptions are enabled by default in the device, and must be handled accordingly. Boot ROM stores the boot status information in a RAM location so that the user application can look at this boot status and take the necessary actions per the application's needs to handle these events.

##### 4.10.10.1 CPU Booting Status

This section details the boot status RAM location and the bit field definitions. When the specific bit field is set, the described event or action has occurred.

**Table 4-38. CPU Boot Status Address**

Description	Address
CPU Boot ROM Status	0x0000 002C

**Table 4-39. CPU Boot Status Bit Fields**

Bit	Description
31	CPU Boot ROM has finished running
30	Boot ROM detected a missing clock NMI
29	Boot ROM detected a RAM bit error NMI
28	Boot ROM detected a Flash bit error NMI
27	Boot ROM detected CPU HWBIST error NMI
25	Boot ROM detected PIE vector error NMI
20	Boot ROM detected OVF NMI
19	Boot ROM detected a PIE mismatch
17	Boot ROM detected an ITRAP
15	Boot ROM handled POR
14	Boot ROM handled XRS
13	Boot ROM handled HWBIST reset
12	Boot ROM handled hibernate reset
11	Boot ROM handled all the resets
10	DCSM initialization has completed
9	Flash boot has started
8	CPU Boot ROM has started running

#### 4.10.11 ROM Version

The ROM revision and release date information is stored at the ROM locations specified in [Table 4-40](#).

**Table 4-40. Boot ROM Version Information**

Start Address	End Address	Contents
0x003F FF7A	0x003F FF7A	Revision Number
0x003F FF7B	0x003F FF7B	Revision Date

Interpreting the contents:

- Reading a revision value of 0x100 represents version 1.0.
- Reading a revision date value of 0x0715 represents 07/15 or July 2015.

Chapter 5  
**Direct Memory Access (DMA)**

---



The direct memory access (DMA) module provides a hardware method of transferring data between peripherals and memory without intervention from the CPU; thereby, freeing up bandwidth for other system functions. Additionally, the DMA has the capability to orthogonally rearrange the data as the data is transferred as well as “ping-pong” data between buffers. These features are useful for structuring data into blocks for CPU processing.

<b>5.1 Introduction</b> .....	<b>608</b>
<b>5.2 Architecture</b> .....	<b>610</b>
<b>5.3 Address Pointer and Transfer Control</b> .....	<b>615</b>
<b>5.4 Pipeline Timing and Throughput</b> .....	<b>621</b>
<b>5.5 CPU and CLA Arbitration</b> .....	<b>622</b>
<b>5.6 Channel Priority</b> .....	<b>623</b>
<b>5.7 Overrun Detection Feature</b> .....	<b>624</b>
<b>5.8 Software</b> .....	<b>625</b>
<b>5.9 DMA Registers</b> .....	<b>626</b>

## 5.1 Introduction

The strength of a controller is not measured purely in processor speed, but in total system capabilities. As a part of the equation, any time the CPU bandwidth for a given function can be reduced, the greater the system capabilities. Many times applications spend a significant amount of their bandwidth moving data, whether moving data from off-chip memory to on-chip memory, from a peripheral such as an analog-to-digital converter (ADC) to RAM, or from one peripheral to another. Furthermore, many times this data comes in a format that is not conducive to the optimum processing powers of the CPU. The DMA module described in this chapter has the ability to free up CPU bandwidth and rearrange the data into a pattern for more streamlined processing.

The DMA module is an event-based machine, meaning the DMA module requires a peripheral or software trigger to start a DMA transfer. Although the DMA module can be made into a periodic time-driven machine by configuring a timer as the DMA trigger source, there is no mechanism within the module itself to start memory transfers periodically. The DMA module has six independent DMA channels that can be configured separately and each channel contains their own independent PIE interrupt to let the CPU know when a DMA transfer has either started or completed. Five of the six channels are exactly the same, while Channel 1 has the ability to be configured at a higher priority than the others. At the heart of the DMA is a state machine and tightly coupled address control logic. This address control logic allows for rearrangement of the block of data during the transfer as well as the process of ping-ponging data between buffers. Each of these features is discussed in detail in this chapter.

### 5.1.1 Features

DMA features include:

- Six channels with independent PIE interrupts
- Each DMA channel can be triggered from multiple peripheral trigger sources independently
- Word Size: 16-bit or 32-bit (SPI limited to 16-bit)
- Throughput: 3 cycles/word without arbitration



### 5.1.2 Block Diagram

Figure 5-1 shows a device-level block diagram of the DMA.

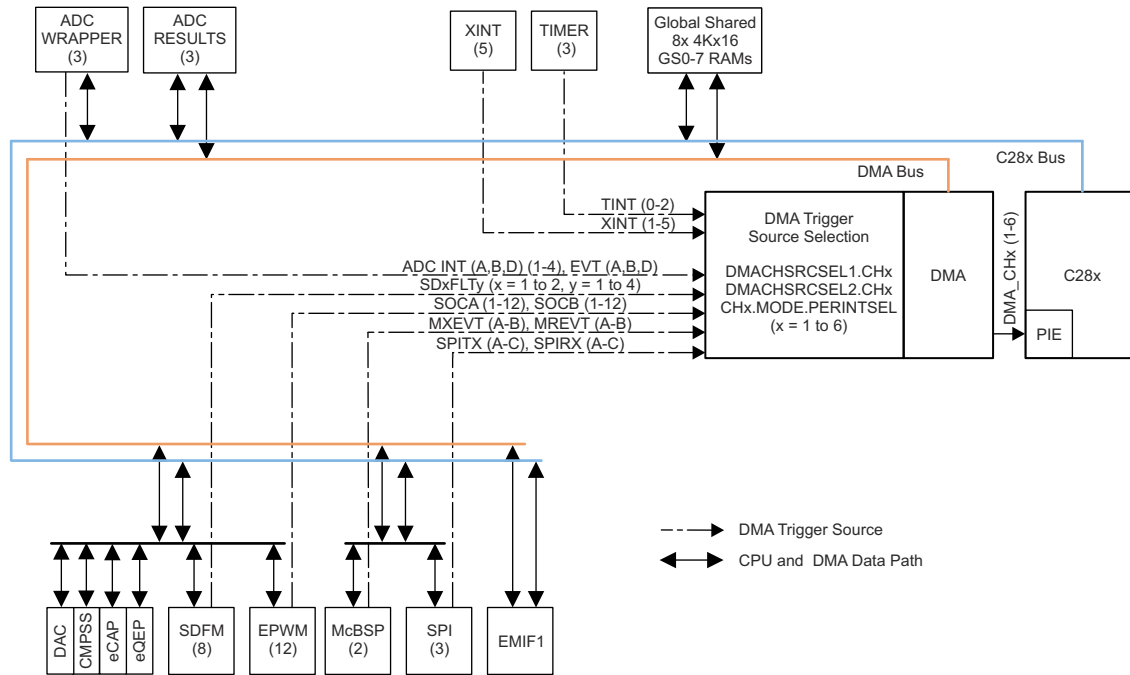


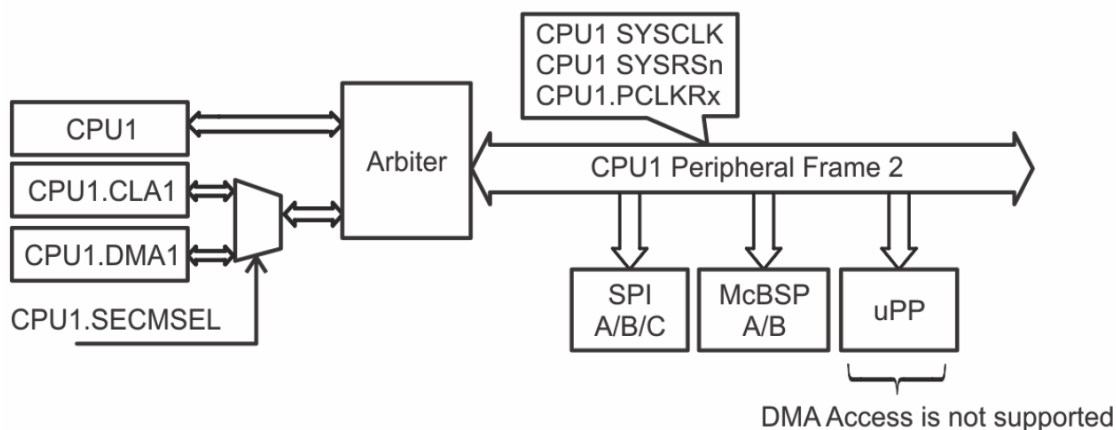
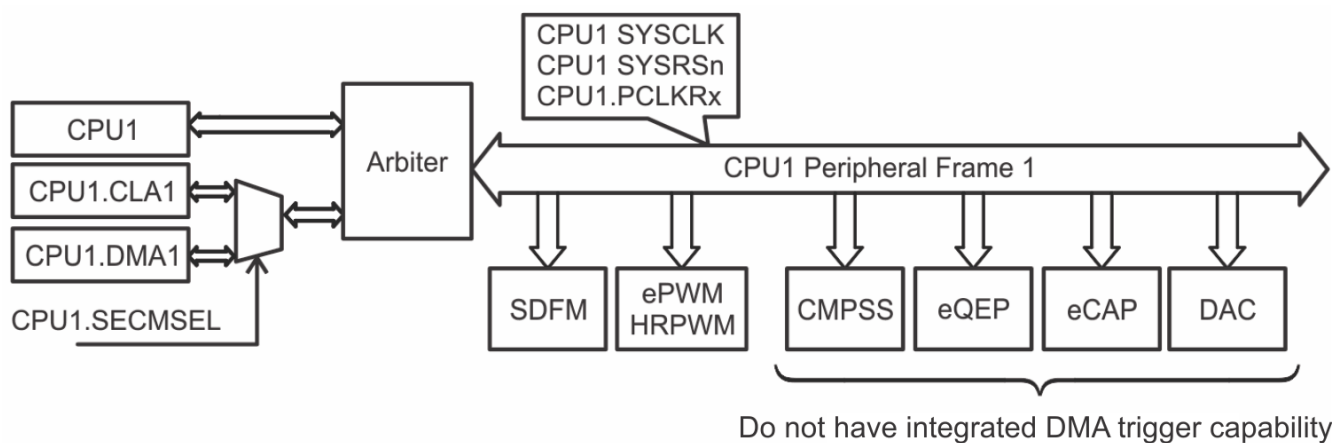
Figure 5-1. DMA Block Diagram

## 5.2 Architecture

### 5.2.1 Common Peripheral Architecture

The architecture of this device allows for common peripherals to be accessed by different masters. A peripheral can be accessed by the CPU and one of the secondary masters (DMA or CLA1). The secondary master is selected using the SECMSEL register. Refer to the SECMSEL register definition for more details. If a secondary master is not selected, all writes from that master are ignored and all reads return 0x0.

Refer to [Section 5.5](#) for more details on the arbitration scheme for all masters.



**Figure 5-2. Common Peripheral Architecture**

#### Note

If CPU and DMA make an access to the same peripheral frame in the same cycle, the DMA has priority and the CPU is stalled.

### 5.2.2 Peripheral Interrupt Event Trigger Sources

Each DMA Channel can be configured to trigger by software and other peripheral triggers events. DMACHSRCSELx register can be used to configure DMA Trigger sources for each DMA channel. CHx.MODE.PERINTSEL register bit field can be set to channel number (CHx.MODE.PERINTSEL = x) as shown in [Figure 5-3](#). Included in these DMA Trigger sources are five external interrupt signals that can be connected to most of the general-purpose input/output (GPIO) pins on the device. This adds significant flexibility to the event trigger capabilities. Upon receipt of a peripheral interrupt event signal, the DMA automatically sends a clear signal to the interrupt source so that subsequent interrupt events occur.

---

**Note**

To use the system-level DMA Trigger source selection, the DMA internal trigger source selection configuration for each channel can be done using the DMACHSRCSELx register and the CHx.MODE.PERINTSEL register. See [Table 5-1](#) or the DMACHSRCSELx register definition for a complete list of DMA trigger sources.

---

Regardless of the value of the MODE.CHx[PERINTSEL] bit field, software can always force a trigger by using the CONTROL.CHx[PERINTFRC] bit. Likewise, software can always clear a pending DMA trigger using the CONTROL.CHx[PERINTCLR] bit.

Once a particular peripheral trigger event sets a channel's PERINTFLG bit, the bit remains pending until the priority logic of the state machine starts the burst transfer for that channel. Once the burst transfer starts, the flag is cleared. If a new peripheral trigger event is generated while a burst is in progress, the burst completes before responding to the new peripheral trigger event (after proper prioritization). If a third peripheral trigger event occurs before the pending event is serviced, an error flag is set in the CONTROL.CHx[OVRFLG] bit. If a peripheral trigger event occurs at the same time as the latched flag is being cleared, the trigger event has priority and the PERINTFLG remains set.

[Figure 5-4](#) shows a diagram of the trigger select circuit.

[Table 5-1](#) shows the peripheral trigger source options that are available for each channel.

**CAUTION**

See the Device Errata "ADC:DMA Read of Stale Result" Advisory regarding the potential for the DMA to read the ADC result registers before the result is ready

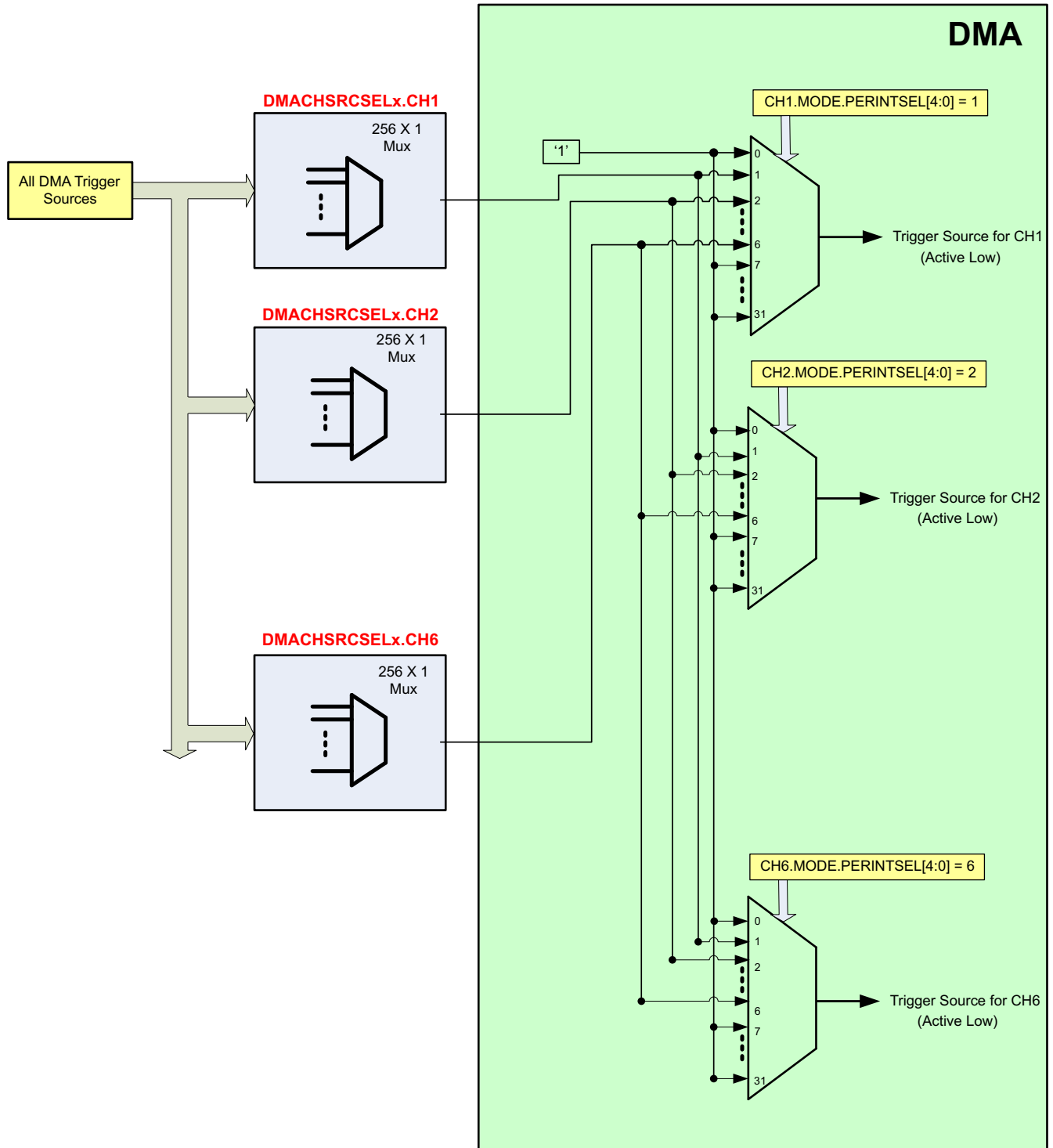
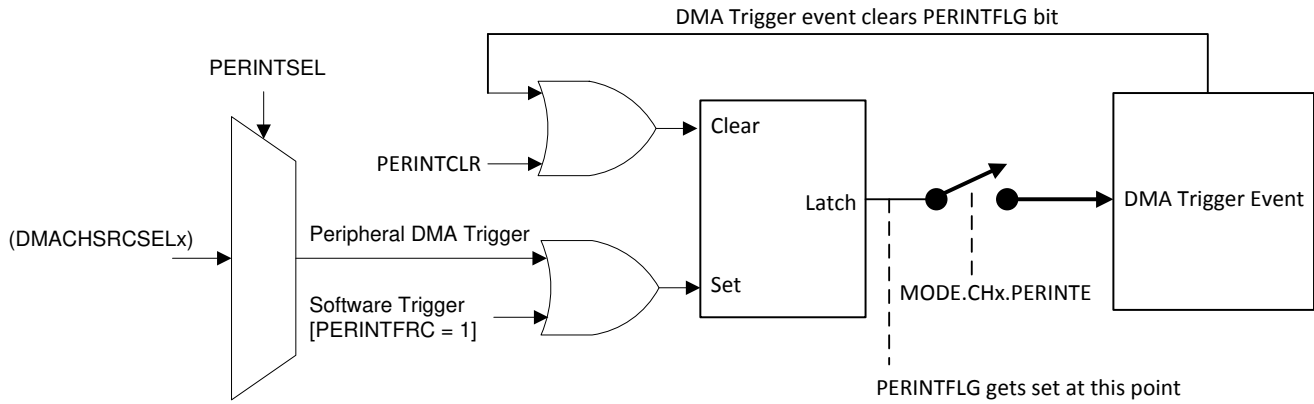


Figure 5-3. DMA Trigger Architecture



Note: See Figure 5-3.

Figure 5-4. Peripheral Interrupt Trigger Input Diagram

Table 5-1. DMA Trigger Source Options

Select Index	Trigger Source
0	DMA_SOFTWARE_TRIGGER
1	ADCAINT1_DMA
2	ADCAINT2_DMA
3	ADCAINT3_DMA
4	ADCAINT4_DMA
5	ADCAEVT
6	ADCBINT1_DMA
7	ADCBINT2_DMA
8	ADCBINT3_DMA
9	ADCBINT4_DMA
10	ADCBEVT
11-15	Reserved
16	ADCDINT1_DMA
17	ADCDINT2_DMA
18	ADCDINT3_DMA
19	ADCDINT4_DMA
20	ADCDEV
21-28	Reserved
29	XINT1
30	XINT2
31	XINT3
32	XINT4
33	XINT5
34-35	Reserved
36	EPWM1_SOCA
37	EPWM1_SOCB
38	EPWM2_SOCA
39	EPWM2_SOCB
40	EPWM3_SOCA
41	EPWM3_SOCB
42	EPWM4_SOCA

**Table 5-1. DMA Trigger Source Options (continued)**

Select Index	Trigger Source
43	EPWM4_SOCA
44	EPWM4_SOCB
45	EPWM5_SOCA
46	EPWM5_SOCB
47	EPWM6_SOCA
48	EPWM6_SOCB
49	EPWM7_SOCA
50	EPWM7_SOCB
51	EPWM8_SOCA
52	EPWM8_SOCB
53	EPWM9_SOCA
54	EPWM9_SOCB
55	EPWM10_SOCA
56	EPWM10_SOCB
57	EPWM11_SOCA
58	EPWM11_SOCB
59	EPWM12_SOCA
60-67	Reserved
68	CPU_TINT0
69	CPU_TINT1
70	CPU_TINT2
71	MCBSPA_XEVT
72	MCBSPA_REVT
73	MCBSPB_XEVT
74	MCBSPB_REVT
75-94	Reserved
95	SD1FLT1_DRINT
96	SD1FLT2_DRINT
97	SD1FLT3_DRINT
98	SD1FLT4_DRINT
99	SD2FLT1_DRINT
100	SD2FLT2_DRINT
101	SD2FLT3_DRINT
102	SD2FLT4_DRINT
103-108	Reserved
109	SPIA_TXDMA
110	SPIA_RXDMA
111	SPIB_TXDMA
112	SPIB_RXDMA
113	SPIC_TXDMA
114	SPIC_RXDMA
115-126	Reserved
127	CLB1_INT
128	CLB2_INT
129	CLB3_INT

**Table 5-1. DMA Trigger Source Options (continued)**

Select Index	Trigger Source
130	CLB4_INT
131	USBA_EPX_RX1
132	USBA_EPX_TX1
133	USBA_EPX_RX2
134	USBA_EPX_TX2
135	USBA_EPX_RX3
136	USBA_EPX_TX3
137-255	Reserved

### 5.2.3 DMA Bus

The DMA bus architecture consists of a 32-bit address bus, a 32-bit data read bus, and a 32-bit data write bus. Memories and register locations connected to the DMA bus by way of interfaces that sometimes share resources with the CPU memory or peripheral bus. Arbitration rules are defined in [Section 5.5](#).

### 5.3 Address Pointer and Transfer Control

The DMA state machine is, at the most basic level, two nested loops.

#### Burst (Inner) Loop:

The burst (inner) loop transfers a programmable number of words set by (BURST\_SIZE + 1) register when a DMA channel trigger (Peripheral or Software trigger) is received. The BURST\_SIZE register allows a maximum of 32 sixteen-bit words to be transferred in one burst. Each DMA channel supports both 16-bit or 32-bit word burst that can be controlled by MODE.DATASIZE bit field. Each DMA channel contains a shadowed address pointer for the source (SRC\_ADDR\_SHADOW) and the destination (DST\_ADDR\_SHADOW) address. At the beginning of each transfer, the shadowed version of each pointer is copied into the respective active (SRC\_ADDR\_ACTIVE or DST\_ADDR\_ACTIVE) register. During the burst loop, after each word is transferred, the signed value contained in the appropriate source or destination BURST\_STEP register is added to the active register:

$$\text{SRC\_ADDR\_ACTIVE} = \text{SRC\_ADDR\_ACTIVE} + \text{SRC\_BURST\_STEP}$$

$$\text{DST\_ADDR\_ACTIVE} = \text{DST\_ADDR\_ACTIVE} + \text{DST\_BURST\_STEP}$$

The burst (inner) loop transfers a burst of data when a DMA Channel Trigger (Peripheral or Software trigger) is received.

#### Transfer (Outer) Loop:

The Transfer (outer) loop transfers a programmable number of bursts set by (TRANSFER\_SIZE + 1) register for each channel. Since TRANSFER\_SIZE is a 16-bit register, the total size of a transfer allowed is well beyond any practical requirement. During the transfer loop, after each burst is complete, there are two methods that can be used to modify the active address pointer:

**Method 1 (Default):** When address wrapping is disabled (SRC\_WRAP\_SIZE or DST\_WRAP\_SIZE is greater than TRANSFER\_SIZE), active address pointer is updated as shown below

$$\text{SRC\_ADDR\_ACTIVE} = \text{SRC\_ADDR\_ACTIVE} + \text{SRC\_TRANSFER\_STEP}$$

$$\text{DST\_ADDR\_ACTIVE} = \text{DST\_ADDR\_ACTIVE} + \text{DST\_TRANSFER\_STEP}$$

**Method 2:** Address wrapping gets enabled when SRC\_WRAP\_SIZE or DST\_WRAP\_SIZE is less than TRANSFER\_SIZE. This allows the channel to wrap multiple times within a single transfer. When the number of bursts is equal to (SRC/DST\_WRAP\_SIZE + 1) register, the state machine modifies the active address pointers as:

$$\text{SRC\_BEG\_ADDR\_ACTIVE} = \text{SRC\_BEG\_ADDR\_ACTIVE} + \text{SRC\_WRAP\_STEP}$$

$$\text{DST\_BEG\_ADDR\_ACTIVE} = \text{DST\_BEG\_ADDR\_ACTIVE} + \text{DST\_WRAP\_STEP}$$

$$\text{SRC\_ADDR\_ACTIVE} = \text{SRC\_BEG\_ADDR\_ACTIVE}$$

$$\text{DST\_ADDR\_ACTIVE} = \text{DST\_BEG\_ADDR\_ACTIVE}$$

At the end of DMA transfer, DMA can have transferred  $(\text{BURST\_SIZE} + 1) \times (\text{TRANSFER\_SIZE} + 1)$  words.

### OneShot Mode:

OneShot mode is disabled by default.

When OneShot mode is disabled ( $\text{MODE.CHx}[\text{ONESHOT}] = 0$ ), DMA transfers one burst  $[(\text{BURST\_SIZE} + 1)$  words] of data each time a DMA Channel Trigger is received. After the burst is completed, the state machine moves on to the next pending channel in the priority scheme, even if another trigger for the channel just completed is pending. This feature keeps any single channel from monopolizing the DMA bus.

When OneShot mode is enabled ( $\text{MODE.CHx}[\text{ONESHOT}] = 1$ ), DMA transfers all the bursts  $[(\text{BURST\_SIZE} + 1) \times (\text{TRANSFER\_SIZE} + 1)$  words] on a single DMA channel trigger. Be careful when using this mode, since this can create a condition where one trigger uses up the majority of the DMA bandwidth.

### Continuous Mode:

Continuous mode is disabled by default.

When Continuous mode is disabled ( $\text{MODE.CHx}[\text{CONTINUOUS}] = 0$ ), DMA state machine disables channel after all bursts in a transfer loop ( $\text{TRANSFER\_COUNT} = 0$ ) are complete. The channel must be re-enabled by setting the RUN bit in the CONTROL register before another transfer can be started on that channel.

When Continuous mode is enabled ( $\text{MODE.CHx}[\text{CONTINUOUS}] = 1$ ), DMA state machine keep channel active even after all bursts in a transfer loop ( $\text{TRANSFER\_COUNT} = 0$ ) are complete.

Each DMA channel can trigger their own EPIE interrupt for each DMA transfer either at start of DMA transfer or end of DMA transfer using  $\text{MODE.CHx}[\text{CHINTMODE}]$  bit.

**Source/Destination Address Pointers (SRC/DST\_ADDR)** The value written into the shadow register is the start address of the first location where data is read or written to.

At the beginning of a transfer the shadow register ( $\text{SRC/DST\_ADDR\_SHADOW}$ ) is copied into the active register ( $\text{SRC/DST\_ADDR\_ACTIVE}$ ). The active register performs as the current address pointer.

**Source/Destination Begin Address Pointers (SRC/DST\_BEG\_ADDR)** This is the wrap pointer.

The value written into the shadow register ( $\text{SRC/DST\_BEG\_ADDR\_SHADOW}$ ) is loaded into the active register ( $\text{SRC/DST\_BEG\_ADDR\_ACTIVE}$ ) at the start of a transfer. On a wrap condition, the active register ( $\text{SRC/DST\_BEG\_ADDR\_ACTIVE}$ ) is incremented by the signed value in the appropriate  $\text{SRC/DST\_WRAP\_STEP}$  register prior to being loaded into the active register ( $\text{SRC/DST\_ADDR\_ACTIVE}$ ).



For each channel, the transfer process can be controlled with the following size values:

**Source and  
Destination  
Burst Size  
(BURST\_SIZE)**

This specifies the number of words to be transferred in a burst.

This value is loaded into the BURST\_COUNT register at the beginning of each burst. The BURST\_COUNT decrements each word that is transferred and when the register reaches a zero value, the burst is complete, indicating that the next channel can be serviced. The behavior of the current channel is defined by the ONE\_SHOT bit in the MODE register. The maximum size of the burst is dictated by the type of peripheral. For the ADC, the burst size can be all 16 registers (if all 16 registers are used). For RAM, the burst size can be up to the maximum allowed by the BURST\_SIZE register, which is 32. See [Table 5-2](#) to understand how BURST\_SIZE register affects the number of 16-bit words transferred with respect to DATASIZE.

**Table 5-2. BURSTSIZE versus DATASIZE Behavior**

BURSTSIZE	Number of 16-bit words transferred in	
	DataSize = 16-bit data	DataSize = 32-bit data
0	1	2
1	2	2
2	3	4
3	4	4
4	5	6
5	6	6
6	7	8
7	8	8
8	9	10
9	10	10
10	11	12
11	12	12
*	*	*
*	*	*
*	*	*
30	31	32
31	32	32

**Source and  
Destination  
Transfer Size  
(TRANSFER\_SIZE)**

This specifies the number of bursts to be transferred per CPU interrupt (if enabled).

Whether this interrupt is generated at the beginning or the end of the transfer is defined in the CHINTMODE bit in the MODE register. Whether the channel remains enabled or not after the transfer is completed is defined by the CONTINUOUS bit in the MODE register. The TRANSFER\_SIZE register is loaded into the TRANSFER\_COUNT register at the beginning of each transfer. The TRANSFER\_COUNT register keeps track of how many bursts of data the channel has transferred and when the register reaches zero, the DMA transfer is complete.

**Source/Destination Wrap Size (SRC/DST\_WRAP\_SIZE)** This specifies the number of bursts to be transferred before the current address pointer wraps around to the beginning.

This feature is used to implement a circular addressing type function. This value is loaded into the appropriate SRC/DST\_WRAP\_COUNT register at the beginning of each transfer. The SRC/DST\_WRAP\_COUNT registers keep track of how many bursts of data the channel has transferred and when the registers reach zero, the wrap procedure is performed on the appropriate source or destination address pointer. A separate size and count register is allocated for source and destination pointers. To disable the wrap function, assign the value of these registers to be larger than the TRANSFER\_SIZE.

---

#### Note

The value written to the SIZE registers is one less than the intended size. So, to transfer three 16-bit words, the value 2 can be placed in the SIZE register.

Regardless of the state of the DATASIZE bit, the value specified in the SIZE registers are for 16-bit addresses. So, to transfer three 32-bit words, the value 5 can be placed in the SIZE register.

---

For each source/destination pointer, the address changes can be controlled with the following step values:

**Source/Destination Burst Step (SRC/DST\_BURST\_STEP)** Within each burst transfer, the address source and destination step sizes are specified by these registers.

This value is a signed 2s compliment number so that the address pointer can be incremented or decremented as required. If no increment is desired, such as when accessing the data receive or transmit registers in a communication peripheral, the value of these registers can be set to zero.

**Source/Destination Transfer Step (SRC/DST\_TRANSFER\_STEP)** This specifies the address offset to start the next burst transfer after completing the current burst transfer.

This is used in cases where registers or data memory locations are spaced at constant intervals. This value is a signed 2s compliment number so that the address pointer can be incremented or decremented as required.

**Source/Destination Wrap Step (SRC/DST\_WRAP\_STEP)** When the wrap counter reaches zero, this value specifies the number of words to add/subtract from the SRC/DST\_BEG\_ADDR pointer and hence sets the new start address.

This implements a circular type of addressing mode, useful in many applications. This value is a signed 2s compliment number so that the address pointer can be incremented or decremented as required.

---

#### Note

Regardless of the state of the DATASIZE bit, the value specified in the STEP registers are for 16-bit addresses. So, to increment one 32-bit address, a value of 2 can be placed in these registers.

---

**Channel Interrupt Mode (CHINTMODE)** This mode bit selects whether the DMA interrupt from the respective channel is generated at the beginning of a new transfer or at the end of the transfer.

If implementing a ping-pong buffer scheme with continuous mode of operation, then the interrupt can be generated at the beginning, just after the working registers are copied to the shadow set. If the DMA does not operate in continuous mode, then the interrupt is typically generated at the end when the transfer is complete.

All of the previous features and modes are shown in [Figure 5-5](#). The following items are in reference to [Figure 5-5](#).

- The *HALT* points represent where the channel halts operation when interrupted by a high priority channel 1 trigger, or when the HALT command is set, or when an emulation halt is issued and the FREE bit is cleared to 0.
- The SRC/DST\_ADDR\_ACTIVE registers are not affected by SRC/DST\_BEG\_ADDR\_ACTIVE at the start of a transfer. SRC/DST\_BEG\_ADDR\_ACTIVE only affects the SRC/DST\_ADDR\_ACTIVE registers on a wrap. Following is what happens when a transfer first starts:
  - SRC/DST\_BEG\_ADDR\_SHADOW remains unchanged.
  - SRC/DST\_ADDR\_SHADOW remains unchanged.
  - SRC/DST\_BEG\_ADDR\_ACTIVE = SRC/DST\_BEG\_ADDR\_SHADOW
  - SRC/DST\_ADDR\_ACTIVE = SRC/DST\_ADDR\_SHADOW
- The active registers get updated when a wrap occurs. The shadow registers remain unchanged. Specifically:
  - SRC/DST\_BEG\_ADDR\_SHADOW remains unchanged.
  - SRC/DST\_ADDR\_SHADOW remains unchanged.
  - SRC/DST\_BEG\_ADDR\_ACTIVE += SRC/DST\_WRAP\_STEP
  - SRC/DST\_ADDR\_ACTIVE = SRC/DST\_BEG\_ADDR\_ACTIVE
- The best way to remember this is:
  - The shadow registers never change except by software.
  - The active registers never change except by hardware, and a shadow register is only copied into their own active register, never an active register by another name.

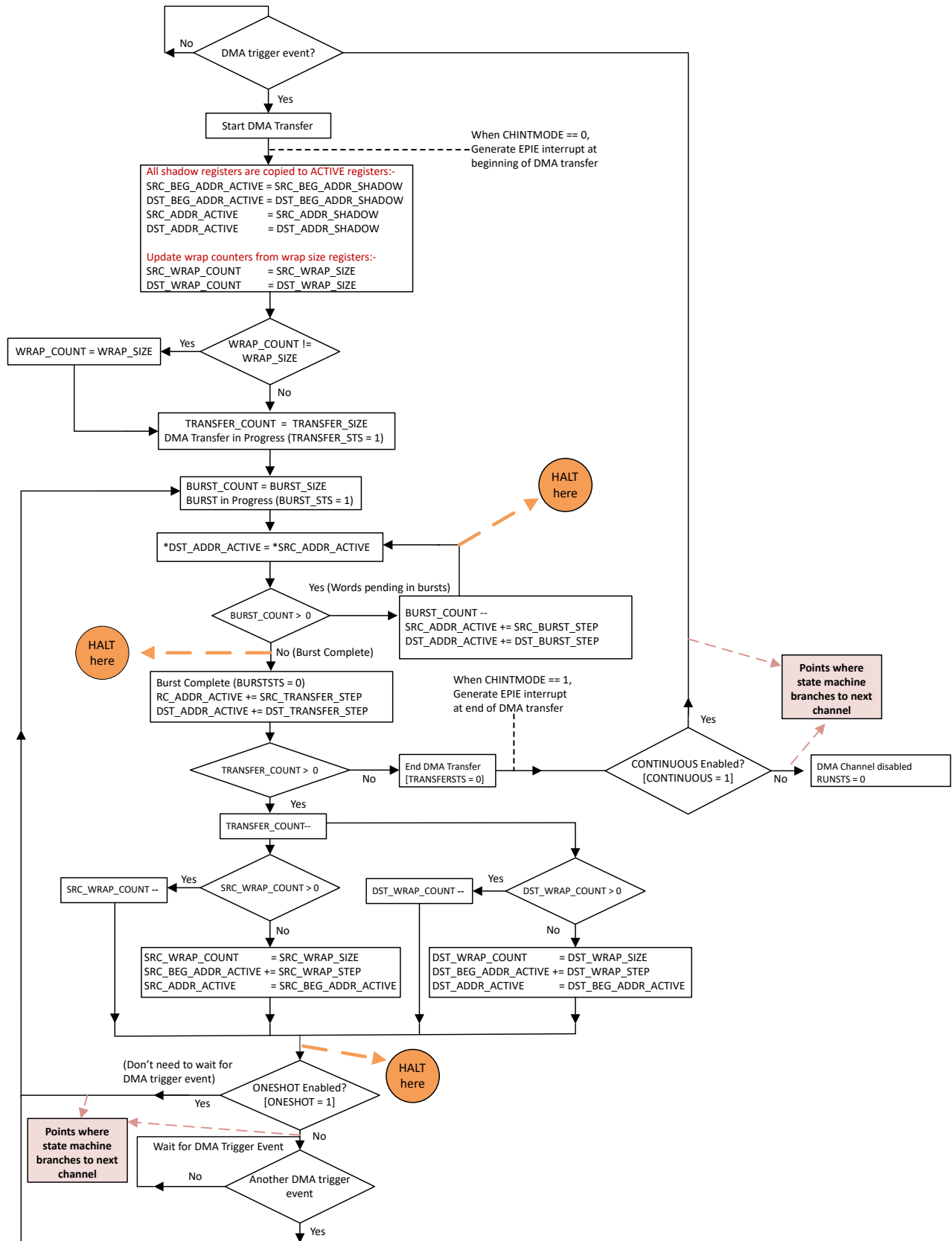


Figure 5-5. DMA State Diagram

### 5.4 Pipeline Timing and Throughput

In addition to the pipeline there are a few other behaviors of the DMA that affect the total throughput:

- A 1-cycle delay is added at the beginning of each burst
- A 1-cycle delay is added when returning from a CH1 high-priority interrupt
- Collisions with the CPU can add delay slots (see [Section 5.5](#))
- 32-bit transfers run at double the speed of a 16-bit transfer (takes the same amount of time to transfer a 32-bit word as to transfer a 16-bit word)

For example, to transfer 128 16-bit words from GS0 RAM to GS3 RAM, a channel can be configured to transfer 8 bursts of 16 words/burst. This gives:

$$8 \text{ bursts} * [(3 \text{ cycles/word} * 16 \text{ words/burst}) + 1] = 392 \text{ cycles}$$

If instead the channel were configured to transfer the same amount of data 32 bits at a time (the word size is configured to 32 bits), the transfer can take:

$$8 \text{ bursts} * [(3 \text{ cycles/word} * 8 \text{ words/burst}) + 1] = 200 \text{ cycles}$$

The DMA module consists of a 3-stage pipeline as shown in [Figure 5-6](#) and [Figure 5-7](#).

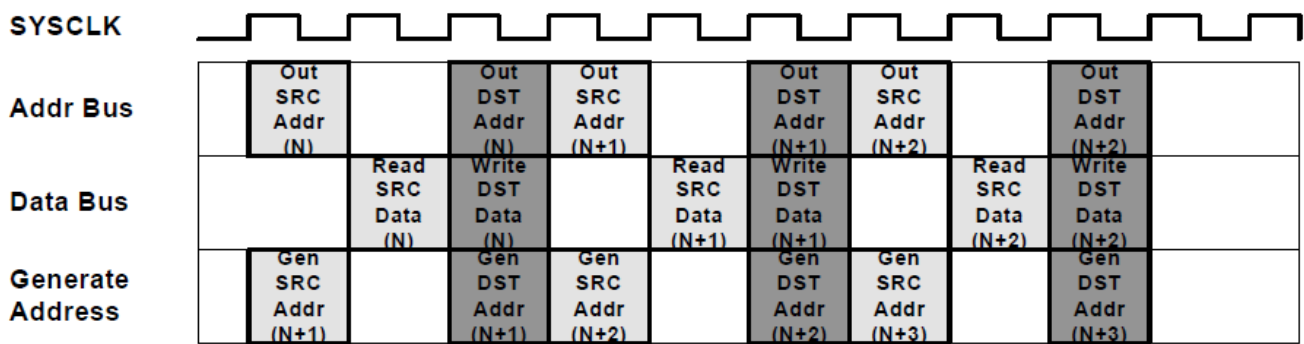


Figure 5-6. 3-Stage Pipeline DMA Transfer

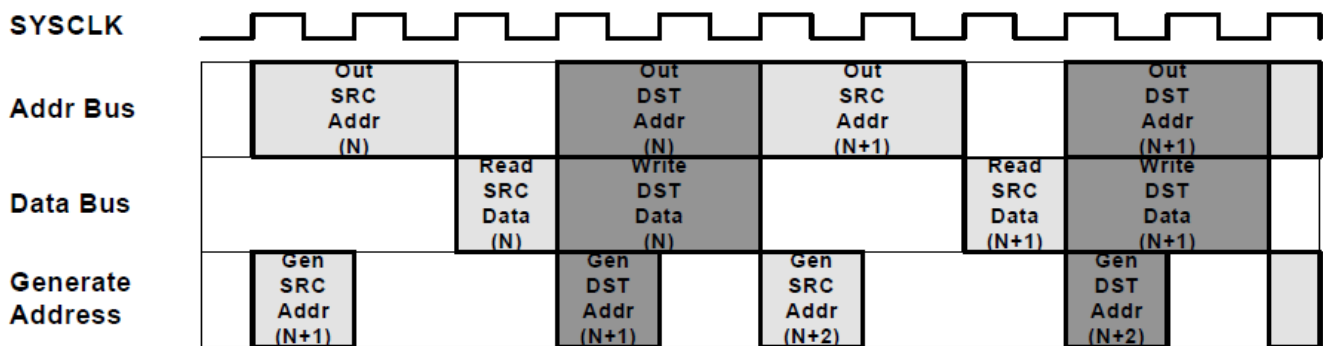


Figure 5-7. 3-stage Pipeline with One Read Stall

## 5.5 CPU and CLA Arbitration

Typically, DMA activity is independent of CPU and CLA activity. However, when the DMA and CPU (or CLA) try to access the same peripheral at the same time, an arbitration procedure is required to resolve the conflict. All instances of the same peripheral type conflict with each other. For instance, CAN-A and CAN-B conflict. Accesses to global shared RAM, across different instances, do not have this conflict. Different peripheral types can share a bus interface, which creates further opportunities for conflicts. These bus interfaces are:

- Peripheral frame 1: ePWM, eCAP, eQEP, CMPSS, DAC , SDFM
- Peripheral frame 2: PMBus, SPI

**Conflict Example:** The CLA is accessing DAC-A while the DMA is simultaneously accessing DAC-B.

**Conflict Example:** The CPU is accessing an SPI FIFO while the DMA is simultaneously accessing a PMBus register.

**Non-conflict Example:** The CPU is accessing a shared ePWM while the DMA is accessing an SPI.

**Non-conflict Example:** The CPU is accessing GS0 while the DMA is accessing GS1

The exception to all this is the ADC result registers, which are duplicated for each bus master. The CPU, DMA, and CLA can all simultaneously read these result registers with no stalls or arbitration needed for any master.

A DMA transfer consists of four phases: send source address, read source data, send destination address, and write destination data (see [Section 5.4](#)). Suppose CPU accesses a peripheral/memory causing conflict in middle of a DMA transfer, CPU is stalled till the current DMA access is complete and not until the completion of whole DMA transfer.

The following priority schemes are implemented for the various interfaces on the device:

- The fixed priority scheme for the peripheral frames is:
  - CLA/DMA Write
  - CLA/DMA Read
  - CPU Write
  - CPU Read
- The priority scheme for GSx RAM accesses is round-robin.
- The ADC results are duplicated for CPU, CLA, and DMA so that no arbitration is needed when reading the result registers. This allows all masters to access the ADC result registers simultaneously without delay.

---

### Note

If the CPU is performing a read-modify-write operation and the DMA performs a write to the same location, the DMA write can be lost if the operation occurs in between the CPU read and the CPU write. Avoid mixing CPU writes with DMA writes to the same locations.

---

Arbitration within DMA channels is based on a round-robin priority or Channel 1 high-priority scheme described in [Section 5.6](#).

## 5.6 Channel Priority

Two priority schemes exist when determining channel priority: Round-robin mode and Channel 1 high-priority mode.

### 5.6.1 Round-Robin Mode

In this mode, all channels have *equal* priority and each enabled channel is serviced in round-robin fashion as:

$$\text{CH1} \rightarrow \text{CH2} \rightarrow \text{CH3} \rightarrow \text{CH4} \rightarrow \text{CH5} \rightarrow \text{CH6} \rightarrow \text{CH1} \rightarrow \text{CH2} \rightarrow \dots$$

In the case above, after each channel has transferred a burst of words, the next channel is serviced. The user can specify the size of the burst for each channel. Once CH6 (or the last enabled channel) has been serviced, and no other channels are pending, the round-robin state machine enters an idle state.

From the idle state, channel 1 (if enabled) is always serviced first. However, if the DMA is currently processing another channel *x*, all other pending channels between *x* and the end of the round are serviced before CH1. All the channels are of *equal* priority. For instance, take an example where CH1, CH4, and CH5 are enabled in round-robin mode and CH4 is currently being processed. Then CH1 and CH5 both receive an interrupt trigger from their respective peripherals before CH4 completes. CH1 and CH5 are now both pending. When CH4 completes the burst, CH5 is serviced next. Only after CH5 completes is CH1 serviced. Upon completion of CH1, if there are no more channels pending, the round-robin state machine enters an idle state.

A more complicated example is:

- Assume all channels are enabled, and the DMA is in an idle state,
- Initially a trigger occurs on CH1, CH3, and CH5 on the same cycle,
- When the CH1 burst transfer starts, requests from CH3 and CH5 are pending,
- Before completion of the CH1 burst, the DMA receives a request from CH2. Now the pending requests are from CH2, CH3, and CH5,
- After completing the CH1 burst, CH2 is serviced since this channel is next in the round-robin scheme after CH1.
- After the burst from CH2 is finished, the CH3 burst is serviced, followed by CH5 burst.
- Now while the CH5 burst is being serviced, the DMA receives a request from CH1, CH3, and CH6.
- The burst from CH6 starts after the completion of the CH5 burst, since this channel is the next channel after CH5 in the round-robin scheme.
- This is followed by the CH1 burst and then the CH3 burst
- After the CH3 burst finishes, assuming no more triggers have occurred, the round-robin state machine enters an idle state.

The round-robin state machine can be reset to the idle state using the DMACTRL[PRIORITYRESET] bit.

### 5.6.2 Channel 1 High-Priority Mode

In this mode, Channel 1 has high priority over all the other channels. Channels 2 to 6 have equal priority and each enabled channel is serviced in a round-robin fashion.

Higher priority: CH1

Lower priority: CH2 → CH3 → CH4 → CH5 → CH6 → CH2 → ...

Given an example where CH1, CH4, and CH5 are enabled in Channel 1 high-priority mode and CH4 is currently being processed. Then CH1 and CH5 both receive an interrupt trigger from their respective peripherals before CH4 completes. CH1 and CH5 are now both pending. When the current CH4 word transfer is completed, regardless of whether the DMA has completed the entire CH4 burst, CH4 execution is suspended and CH1 is serviced. After the CH1 burst completes, CH4 resumes execution.

Upon completion of CH4, CH5 is serviced. After CH5 completes, if there are no more channels pending, the round-robin state machine enters an idle state.

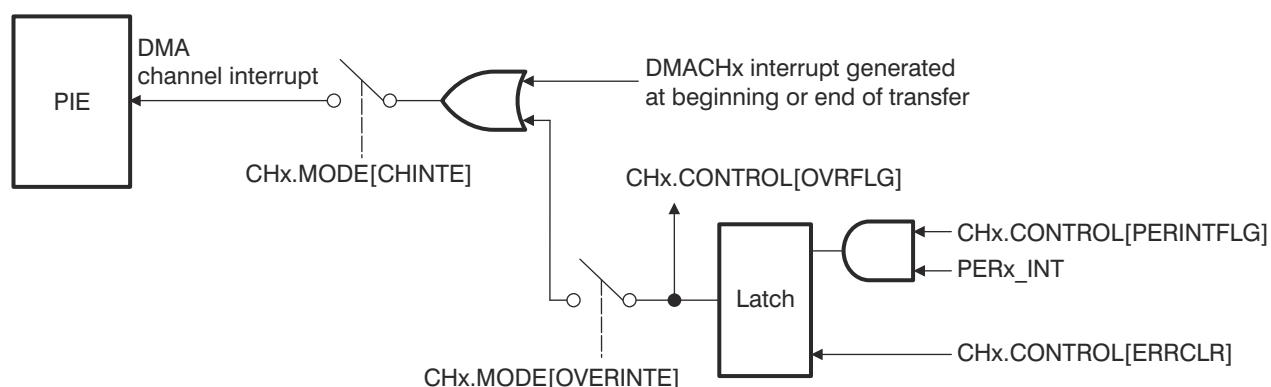
Typically Channel 1 is used in this mode for the ADC, since the data rate is so high. However, Channel 1 high-priority mode can be used in conjunction with any peripheral.

#### Note

High-priority mode and ONESHOT mode cannot be used at the same time on Channel 1. Other channels can use ONESHOT mode when Channel 1 is in high-priority mode.

### 5.7 Overrun Detection Feature

The DMA contains overrun detection logic. When a peripheral event trigger is received by the DMA, the PERINTFLG bit in the CONTROL register is set, pending the channel to the DMA state machine. When the burst for that channel is started, the PERINTFLG is cleared. If however, between the time that the PERINTFLG bit is set by an event trigger and cleared by the start of the burst, an additional event trigger arrives, the second trigger is lost. This condition sets the OVRFLG bit in the CONTROL register as in Figure 5-8. If the overrun interrupt is enabled, the channel interrupt is generated to the PIE module.



**Figure 5-8. Overrun Detection Logic**



## 5.8 Software

### 5.8.1 DMA Examples

NOTE: These examples are located in the [C2000Ware](#) installation at the following location:  
C2000Ware\_VERSION#/driverlib/DEVICE\_GPN/examples/CORE\_IF\_MULTICORE/dma

Cloud access to these examples is available at the following link: [dev.ti.com](http://dev.ti.com) [C2000Ware Examples](#).

#### 5.8.1.1 DMA GSRAM Transfer (*dma\_ex1\_gsram\_transfer*)

FILE: dma\_ex1\_gsram\_transfer.c

This example uses one DMA channel to transfer data from a buffer in RAMGS0 to a buffer in RAMGS1. The example sets the DMA channel PERINTFRC bit repeatedly until the transfer of 16 bursts (where each burst is 8 16-bit words) has been completed. When the whole transfer is complete, it will trigger the DMA interrupt.

##### *Watch Variables*

- *sData* - Data to send
- *rData* - Received data

#### 5.8.1.2 DMA Transfer Shared Peripheral - C28X\_DUAL

FILE: dma\_ex1\_shared\_periph\_cpu1.c

This example shows how to initiate a DMA transfer on CPU1 from a shared peripheral which is owned by CPU2. In this specific example, a timer ISR is used on CPU2 to initiate a SPI transfer which will trigger the CPU1 DMA. CPU1's DMA will then in turn update the ePWM1 CMPA value for the PWM which it owns. The PWM output can be observed on the GPIO pins. It is recommended to run the c28x1 core first, followed by the C28x2 core.

##### *Watch Pins*

- GPIO0 and GPIO1 - ePWM output can be viewed with oscilloscope

#### 5.8.1.3 DMA Transfer for Shared Peripheral Example (CPU2) - C28X\_DUAL

FILE: dma\_ex1\_shared\_periph\_cpu2.c

This example shows how to initiate a DMA transfer on CPU1 from a shared peripheral that is owned by CPU2. In this specific example, a timer ISR is used on CPU2 to initiate a SPI transfer that triggers the CPU1 DMA. CPU1 DMA then updates the ePWM1 CMPA value for the PWM that the DMA owns. The PWM output can be observed on the GPIO pins. It is recommended to run the c28x1 core first, followed by the C28x2 core.

#### 5.8.1.4 DMA GSRAM Transfer (*dma\_ex2\_gsram\_transfer*)

FILE: dma\_ex2\_gsram\_transfer.c

This example uses one DMA channel to transfer data from a buffer in RAMGS0 to a buffer in RAMGS1. The example sets the DMA channel PERINTFRC bit repeatedly until the transfer of 16 bursts (where each burst is 8 16-bit words) has been completed. When the whole transfer is complete, it will trigger the DMA interrupt.

##### *Watch Variables*

- *sData* - Data to send
- *rData* - Received data

## 5.9 DMA Registers

This section describes the Direct Memory Access Registers.

### 5.9.1 DMA Base Addresses

**Table 5-3. DMA Base Address Table**

Device Registers	Register Name	Start Address	End Address
DmaRegs	DMA_REGS	0x0000_1000	0x0000_11FF

## 5.9.2 DMA\_REGS Registers

Table 5-4 lists the memory-mapped registers for the DMA\_REGS registers. All register offset addresses not listed in Table 5-4 should be considered as reserved locations and the register contents should not be modified.

**Table 5-4. DMA\_REGS Registers**

Offset	Acronym	Register Name	Write Protection	Section
0h	DMACTRL	DMA Control Register	EALLOW	<a href="#">Go</a>
1h	DEBUGCTRL	Debug Control Register	EALLOW	<a href="#">Go</a>
4h	PRIORITYCTRL1	Priority Control 1 Register	EALLOW	<a href="#">Go</a>
6h	PRIORITYSTAT	Priority Status Register	EALLOW	<a href="#">Go</a>

Complex bit access types are encoded to fit into small table cells. Table 5-5 shows the codes that are used for access types in this section.

**Table 5-5. DMA\_REGS Access Type Codes**

Access Type	Code	Description
Read Type		
R	R	Read
R-0	R -0	Read Returns 0s
Write Type		
W	W	Write
W1S	W 1S	Write 1 to set
Reset or Default Value		
-n		Value after reset or the default value

### 5.9.2.1 DMACTRL Register (Offset = 0h) [Reset = 0000h]

DMACTRL is shown in [Figure 5-9](#) and described in [Table 5-6](#).

Return to the [Summary Table](#).

DMA Control Register

**Figure 5-9. DMACTRL Register**

15	14	13	12	11	10	9	8
RESERVED							
R-0h							
7	6	5	4	3	2	1	0
RESERVED						PRIORITYRESET	HARDRESET
R-0h						R-0/W1S-0h	R-0/W1S-0h

**Table 5-6. DMACTRL Register Field Descriptions**

Bit	Field	Type	Reset	Description
15-2	RESERVED	R	0h	Reserved
1	PRIORITYRESET	R-0/W1S	0h	The priority reset bit resets the round-robin state machine when a 1 is written. Service starts from the first enabled channel. Writes of 0 are ignored and this bit always reads back a 0. When a 1 is written to this bit, any pending burst transfer completes before resetting the channel priority machine. If CH1 is configured as a high-priority channel, and this bit is written to while CH1 is servicing a burst, both the CH1 burst and the next pending low-priority burst are completed before the state machine is reset. If CH1 is high-priority, the state machine restarts from CH2 (or the next highest enabled channel). Reset type: SYSRSn
0	HARDRESET	R-0/W1S	0h	Writing a 1 to the hard reset bit resets the whole DMA and aborts any current access (similar to applying a device reset). Writes of 0 are ignored and this bit always reads back a 0. For a soft reset, a bit is provided for each channel to perform a gentler reset. Refer to the channel control registers. When writing to this bit, there is a one cycle delay before it takes effect. Hence, a one-cycle delay (such as a NOP instruction) is required in software before attempting to access any other DMA register. Reset type: SYSRSn

### 5.9.2.2 DEBUGCTRL Register (Offset = 1h) [Reset = 0000h]

DEBUGCTRL is shown in [Figure 5-10](#) and described in [Table 5-7](#).

Return to the [Summary Table](#).

Debug Control Register

**Figure 5-10. DEBUGCTRL Register**

15	14	13	12	11	10	9	8
FREE	RESERVED						
R/W-0h	R-0h						
7	6	5	4	3	2	1	0
RESERVED							
R-0h							

**Table 5-7. DEBUGCTRL Register Field Descriptions**

Bit	Field	Type	Reset	Description
15	FREE	R/W	0h	Emulation Control This bit specifies the action when an emulation halt event occurs. Reset type: SYSRSn 0h (R/W) = The DMA completes the current read-write operation, then halts. 1h (R/W) = The DMA continues running during an emulation halt.
14-0	RESERVED	R	0h	Reserved

### 5.9.2.3 PRIORITYCTRL1 Register (Offset = 4h) [Reset = 0000h]

PRIORITYCTRL1 is shown in [Figure 5-11](#) and described in [Table 5-8](#).

Return to the [Summary Table](#).

Priority Control 1 Register

**Figure 5-11. PRIORITYCTRL1 Register**

15	14	13	12	11	10	9	8
RESERVED							
R-0h							
7	6	5	4	3	2	1	0
RESERVED							CH1PRIORITY
R-0h							R/W-0h

**Table 5-8. PRIORITYCTRL1 Register Field Descriptions**

Bit	Field	Type	Reset	Description
15-1	RESERVED	R	0h	Reserved
0	CH1PRIORITY	R/W	0h	DMA Channel 1 Priority This bit selects whether CH1 has high priority or not. The priority can only be changed when all channels are disabled. A priority reset should be performed before restarting channels after changing priority Reset type: SYSRSn 0h (R/W) = CH1 has the same priority as the other channels 1h (R/W) = CH1 has a higher priority than the other channels

### 5.9.2.4 PRIORITYSTAT Register (Offset = 6h) [Reset = 0000h]

PRIORITYSTAT is shown in [Figure 5-12](#) and described in [Table 5-9](#).

Return to the [Summary Table](#).

Priority Status Register

**Figure 5-12. PRIORITYSTAT Register**

15	14	13	12	11	10	9	8
RESERVED							
R-0h							
7	6	5	4	3	2	1	0
RESERVED	ACTIVESTS_SHADOW			RESERVED	ACTIVESTS		
R-0h	R-0h			R-0h	R-0h		

**Table 5-9. PRIORITYSTAT Register Field Descriptions**

Bit	Field	Type	Reset	Description
15-7	RESERVED	R	0h	Reserved
6-4	ACTIVESTS_SHADOW	R	0h	<p>Active Channel Status Shadow</p> <p>These bits are only meaningful when CH1 is in high-priority mode. When CH1 is serviced, the ACTIVESTS bits are copied to the shadow bits and indicate which channel was interrupted by CH1. When CH1 service is completed, the shadow bits are copied back to the ACTIVESTS bits. If this bit field is zero or the same as the ACTIVESTS bit field, then no channel is pending due to a CH1 interrupt. When CH1 is not a higher priority channel, these bits should be ignored.</p> <p>Reset type: SYSRSn</p> <p>0h (R/W) = No channel is active            1h (R/W) = CH 1            2h (R/W) = CH 2            3h (R/W) = CH 3            4h (R/W) = CH 4            5h (R/W) = CH 5            6h (R/W) = CH 6            7h (R/W) = Reserved</p>
3	RESERVED	R	0h	Reserved
2-0	ACTIVESTS	R	0h	<p>Active Channel Status</p> <p>These bits indicate which channel (if any) is currently active or performing a transfer.</p> <p>Reset type: SYSRSn</p> <p>0h (R/W) = No channel is active            1h (R/W) = CH 1            2h (R/W) = CH 2            3h (R/W) = CH 3            4h (R/W) = CH 4            5h (R/W) = CH 5            6h (R/W) = CH 6            7h (R/W) = Reserved</p>

### 5.9.3 DMA\_CH\_REGS Registers

Table 5-10 lists the memory-mapped registers for the DMA\_CH\_REGS registers. All register offset addresses not listed in Table 5-10 should be considered as reserved locations and the register contents should not be modified.

**Table 5-10. DMA\_CH\_REGS Registers**

Offset	Acronym	Register Name	Write Protection	Section
0h	MODE	Mode Register	EALLOW	<a href="#">Go</a>
1h	CONTROL	Control Register	EALLOW	<a href="#">Go</a>
2h	BURST_SIZE	Burst Size Register	EALLOW	<a href="#">Go</a>
3h	BURST_COUNT	Burst Count Register	EALLOW	<a href="#">Go</a>
4h	SRC_BURST_STEP	Source Burst Step Register	EALLOW	<a href="#">Go</a>
5h	DST_BURST_STEP	Destination Burst Step Register	EALLOW	<a href="#">Go</a>
6h	TRANSFER_SIZE	Transfer Size Register	EALLOW	<a href="#">Go</a>
7h	TRANSFER_COUNT	Transfer Count Register	EALLOW	<a href="#">Go</a>
8h	SRC_TRANSFER_STEP	Source Transfer Step Register	EALLOW	<a href="#">Go</a>
9h	DST_TRANSFER_STEP	Destination Transfer Step Register	EALLOW	<a href="#">Go</a>
Ah	SRC_WRAP_SIZE	Source Wrap Size Register	EALLOW	<a href="#">Go</a>
Bh	SRC_WRAP_COUNT	Source Wrap Count Register	EALLOW	<a href="#">Go</a>
Ch	SRC_WRAP_STEP	Source Wrap Step Register	EALLOW	<a href="#">Go</a>
Dh	DST_WRAP_SIZE	Destination Wrap Size Register	EALLOW	<a href="#">Go</a>
Eh	DST_WRAP_COUNT	Destination Wrap Count Register	EALLOW	<a href="#">Go</a>
Fh	DST_WRAP_STEP	Destination Wrap Step Register	EALLOW	<a href="#">Go</a>
10h	SRC_BEG_ADDR_SHADOW	Source Begin Address Shadow Register	EALLOW	<a href="#">Go</a>
12h	SRC_ADDR_SHADOW	Source Address Shadow Register	EALLOW	<a href="#">Go</a>
14h	SRC_BEG_ADDR_ACTIVE	Source Begin Address Active Register	EALLOW	<a href="#">Go</a>
16h	SRC_ADDR_ACTIVE	Source Address Active Register	EALLOW	<a href="#">Go</a>
18h	DST_BEG_ADDR_SHADOW	Destination Begin Address Shadow Register	EALLOW	<a href="#">Go</a>
1Ah	DST_ADDR_SHADOW	Destination Address Shadow Register	EALLOW	<a href="#">Go</a>
1Ch	DST_BEG_ADDR_ACTIVE	Destination Begin Address Active Register	EALLOW	<a href="#">Go</a>
1Eh	DST_ADDR_ACTIVE	Destination Address Active Register	EALLOW	<a href="#">Go</a>

Complex bit access types are encoded to fit into small table cells. Table 5-11 shows the codes that are used for access types in this section.

**Table 5-11. DMA\_CH\_REGS Access Type Codes**

Access Type	Code	Description
Read Type		
R	R	Read
R-0	R-0	Read Returns 0s
Write Type		
W	W	Write
W1S	W1S	Write 1 to set
Reset or Default Value		
-n		Value after reset or the default value



### 5.9.3.1 MODE Register (Offset = 0h) [Reset = 0000h]

MODE is shown in [Figure 5-13](#) and described in [Table 5-12](#).

Return to the [Summary Table](#).

Mode Register

**Figure 5-13. MODE Register**

15		14		13		12		11		10		9		8	
CHINTE	DATASIZE	RESERVED	RESERVED	CONTINUOUS	ONESHOT	CHINTMODE	PERINTE								
R/W-0h	R/W-0h	R/W-0h	R/W-0h	R/W-0h	R/W-0h	R/W-0h	R/W-0h								
7		6		5		4		3		2		1		0	
OVRINTE	RESERVED			PERINTSEL											
R/W-0h	R-0h			R/W-0h											

**Table 5-12. MODE Register Field Descriptions**

Bit	Field	Type	Reset	Description
15	CHINTE	R/W	0h	Channel Interrupt Enable Bit This bit enables the DMA channel's CPU interrupt. Reset type: SYSRSn 0h (R/W) = Interrupt disabled 1h (R/W) = Interrupt enabled
14	DATASIZE	R/W	0h	Data Size Mode Bit This bit determines whether the DMA channel transfers 16 bits or 32 bits of data per read/write operation. Regardless of this setting, all data lengths and offsets in other DMA registers refer to 16-bit words. The pointer step increments must be configured to accommodate 32-bit words. Reset type: SYSRSn 0h (R/W) = 16-bit data transfer size 1h (R/W) = 32-bit data transfer size
13	RESERVED	R/W	0h	Reserved
12	RESERVED	R/W	0h	Reserved
11	CONTINUOUS	R/W	0h	Continuous Mode Bit If this bit is set to 1, then the channel re-initializes when TRANSFER_COUNT is zero and waits for the next event trigger. Otherwise, the DMA stops and clears the RUNSTS bit. Reset type: SYSRSn
10	ONESHOT	R/W	0h	One Shot Mode If this bit is set to 1, each peripheral event trigger causes the channel to perform an entire transfer. Otherwise, the channel only performs one burst per trigger. Reset type: SYSRSn
9	CHINTMODE	R/W	0h	Channel Interrupt Generation Mode This bit specifies when the DMA channel generates a CPU interrupt for a transfer. Reset type: SYSRSn 0h (R/W) = Generate interrupt at beginning of new transfer 1h (R/W) = Generate interrupt at end of transfer.
8	PERINTE	R/W	0h	Peripheral Event Trigger Enable This bit enables peripheral event triggers on the DMA channel. Reset type: SYSRSn 0h (R/W) = Peripheral event trigger disabled. Neither the selected peripheral nor software can start a DMA burst. 1h (R/W) = Peripheral event trigger enabled.

**Table 5-12. MODE Register Field Descriptions (continued)**

Bit	Field	Type	Reset	Description
7	OVRINTE	R/W	0h	Overflow Interrupt Enable The bit determines whether the DMA module generates a CPU interrupt when it detects an overflow event. Reset type: SYSRSn 0h (R/W) = Overflow interrupt disabled 1h (R/W) = Overflow interrupt enabled
6-5	RESERVED	R	0h	Reserved
4-0	PERINTSEL	R/W	0h	Peripheral Event Trigger Source Select These are legacy bits and should be set to the channel number. The actual source selection is done via the DMACHSRCSELn registers, which are part of the DMA_CLA_SRC_SEL_REGS group. Reset type: SYSRSn

### 5.9.3.2 CONTROL Register (Offset = 1h) [Reset = 0000h]

CONTROL is shown in [Figure 5-14](#) and described in [Table 5-13](#).

Return to the [Summary Table](#).

Control Register

**Figure 5-14. CONTROL Register**

15	14	13	12	11	10	9	8
RESERVED	OVRFLG	RUNSTS	BURSTSTS	TRANSFERSTS	RESERVED	RESERVED	PERINTFLG
R-0h	R-0h	R-0h	R-0h	R-0h	R-0h	R-0h	R-0h
7	6	5	4	3	2	1	0
ERRCLR	RESERVED	RESERVED	PERINTCLR	PERINTFRC	SOFTRESET	HALT	RUN
R-0/W1S-0h	R-0/W1S-0h	R-0/W1S-0h	R-0/W1S-0h	R-0/W1S-0h	R-0/W1S-0h	R-0/W1S-0h	R-0/W1S-0h

**Table 5-13. CONTROL Register Field Descriptions**

Bit	Field	Type	Reset	Description
15	RESERVED	R	0h	Reserved
14	OVRFLG	R	0h	<p>Overflow Flag</p> <p>This bit indicates that a peripheral event trigger was received while PERINTFLG was already set. It can be cleared by writing to the ERRCLR bit.</p> <p>Reset type: SYSRSn</p> <p>0h (R/W) = No overflow detected</p> <p>1h (R/W) = Overflow detected</p>
13	RUNSTS	R	0h	<p>Run Status Flag</p> <p>This bit indicates that the DMA channel is ready to respond to peripheral event triggers. This bit is set when a 1 is written to the RUN bit. It is cleared when a transfer completes (TRANSFER_COUNT = 0) and continuous mode is disabled, or when the HARDRESET, SOFTRESET, or HALT bit is set.</p> <p>Reset type: SYSRSn</p> <p>0h (R/W) = The channel is disabled</p> <p>1h (R/W) = The channel is enabled</p>
12	BURSTSTS	R	0h	<p>Burst Status Flag</p> <p>This bit is set when a DMA burst begins. The BURST_COUNT is set to the BURST_SIZE. This bit is cleared when BURST_COUNT reaches zero, or when the HARDRESET or SOFTRESET bit is set.</p> <p>Reset type: SYSRSn</p> <p>0h (R/W) = No burst activity</p> <p>1h (R/W) = The DMA is currently servicing or suspending a burst transfer from this channel</p>
11	TRANSFERSTS	R	0h	<p>Transfer Status Flag</p> <p>This bit is set when a DMA transfer begins. The address registers are copied to the shadow set and the TRANSFER_COUNT is set to the TRANSFER_SIZE. This bit is cleared when TRANSFER_COUNT reaches zero, or when the HARDRESET or SOFTRESET bit is set.</p> <p>Reset type: SYSRSn</p> <p>0h (R/W) = No transfer activity</p> <p>1h (R/W) = The channel is currently in the middle of a transfer regardless of whether a burst of data is actively being transferred or not</p>
10	RESERVED	R	0h	Reserved
9	RESERVED	R	0h	Reserved

**Table 5-13. CONTROL Register Field Descriptions (continued)**

Bit	Field	Type	Reset	Description
8	PERINTFLG	R	0h	Peripheral Event Trigger Flag This bit indicates whether a peripheral event trigger has arrived. This bit is automatically cleared when the first burst transfer begins. Reset type: SYSRSn 0h (R/W) = Waiting for event trigger 1h (R/W) = Event trigger pending
7	ERRCLR	R-0/W1S	0h	Clear Error Writing a 1 to this bit will clear the OVRFLG bit. This is normally done when initializing the DMA module or if an overflow condition is detected. If an overflow event occurs at the same time this bit is set, the overrun has priority and the OVRFLG bit is set. Reset type: SYSRSn
6	RESERVED	R-0/W1S	0h	Reserved
5	RESERVED	R-0/W1S	0h	Reserved
4	PERINTCLR	R-0/W1S	0h	Clear Peripheral Event Trigger Writing a 1 to this bit clears PERINTFLG, which cancels a pending event trigger. This is normally done when initializing the DMA module. If an event trigger arrives at the same time this bit is set, the trigger has priority and PERINTFLG is set. Reset type: SYSRSn
3	PERINTFRC	R-0/W1S	0h	Force Peripheral Event Trigger If the PERINTE bit of the MODE register is set, writing a 1 to this bit sets PERINTFLG, which triggers a DMA burst. This bit can be used to start a DMA transfer in software. Reset type: SYSRSn
2	SOFTRESET	R-0/W1S	0h	Channel Soft Reset Writing a 1 to this bit places the channel into its default state after the current read/write access has completed: RUNSTS = 0 TRANSFERSTS = 0 BURSTSTS = 0 BURST_COUNT = 0 TRANSFER_COUNT = 0 SRC_WRAP_COUNT = 0 DST_WRAP_COUNT = 0 When writing to this bit, there is a one cycle delay before it takes effect. Hence, a one-cycle delay (such as a NOP instruction) is required in software before attempting to access any other DMA register. Reset type: SYSRSn
1	HALT	R-0/W1S	0h	Halt Channel Writing a 1 to this bit halts the DMA channel in its current state after any ongoing read/write access has completed. Reset type: SYSRSn
0	RUN	R-0/W1S	0h	Run Channel Writing a 1 to this bit enables the DMA channel and sets the RUNSTS bit to 1. This bit is also used to resume after a channel halt. The RUN bit is typically used to start the DMA channel after configuration. The channel will then wait for the first peripheral event trigger (PERINTFLG == 1) to start a burst. Reset type: SYSRSn

### 5.9.3.3 BURST\_SIZE Register (Offset = 2h) [Reset = 0000h]

BURST\_SIZE is shown in [Figure 5-15](#) and described in [Table 5-14](#).

Return to the [Summary Table](#).

Burst Size Register

**Figure 5-15. BURST\_SIZE Register**

15	14	13	12	11	10	9	8
RESERVED							
R-0h							
7	6	5	4	3	2	1	0
RESERVED				BURSTSIZE			
R-0h				R/W-0h			

**Table 5-14. BURST\_SIZE Register Field Descriptions**

Bit	Field	Type	Reset	Description
15-5	RESERVED	R	0h	Reserved
4-0	BURSTSIZE	R/W	0h	These bits specify the burst size in 16-bit words. The actual size is equal to BURSTSIZE + 1. Reset type: SYSRSn

### 5.9.3.4 BURST\_COUNT Register (Offset = 3h) [Reset = 0000h]

BURST\_COUNT is shown in [Figure 5-16](#) and described in [Table 5-15](#).

Return to the [Summary Table](#).

Burst Count Register

**Figure 5-16. BURST\_COUNT Register**

15	14	13	12	11	10	9	8
RESERVED							
R-0h							
7	6	5	4	3	2	1	0
RESERVED				BURSTCOUNT			
R-0h				R-0h			

**Table 5-15. BURST\_COUNT Register Field Descriptions**

Bit	Field	Type	Reset	Description
15-5	RESERVED	R	0h	Reserved
4-0	BURSTCOUNT	R	0h	These bits indicate the number of words left in the current burst. Reset type: SYSRSn 0h (R/W) = 0 word left in a burst 1h (R/W) = 1 word left in a burst 2h (R/W) = 2 word left in a burst 3h (R/W) = 3 word left in a burst 4h (R/W) = 4 word left in a burst 5h (R/W) = 5 word left in a burst 6h (R/W) = 6 word left in a burst 7h (R/W) = 7 word left in a burst 8h (R/W) = 8 word left in a burst 9h (R/W) = 9 word left in a burst Ah (R/W) = 10 word left in a burst Bh (R/W) = 11 word left in a burst Ch (R/W) = 12 word left in a burst Dh (R/W) = 13 word left in a burst Eh (R/W) = 14 word left in a burst Fh (R/W) = 15 word left in a burst 10h (R/W) = 16 word left in a burst 11h (R/W) = 17 word left in a burst 12h (R/W) = 18 word left in a burst 13h (R/W) = 19 word left in a burst 14h (R/W) = 20 word left in a burst 15h (R/W) = 21 word left in a burst 16h (R/W) = 22 word left in a burst 17h (R/W) = 23 word left in a burst 18h (R/W) = 24 word left in a burst 19h (R/W) = 25 word left in a burst 1Ah (R/W) = 26 word left in a burst 1Bh (R/W) = 27 word left in a burst 1Ch (R/W) = 28 word left in a burst 1Dh (R/W) = 29 word left in a burst 1Eh (R/W) = 30 word left in a burst 1Fh (R/W) = 31 word left in a burst

### 5.9.3.5 SRC\_BURST\_STEP Register (Offset = 4h) [Reset = 0000h]

SRC\_BURST\_STEP is shown in [Figure 5-17](#) and described in [Table 5-16](#).

Return to the [Summary Table](#).

Source Burst Step Register

**Figure 5-17. SRC\_BURST\_STEP Register**

15	14	13	12	11	10	9	8
SRCBURSTSTEP							
R/W-0h							
7	6	5	4	3	2	1	0
SRCBURSTSTEP							
R/W-0h							

**Table 5-16. SRC\_BURST\_STEP Register Field Descriptions**

Bit	Field	Type	Reset	Description
15-0	SRCBURSTSTEP	R/W	0h	<p>These bits specify the change in the source address after each word in a burst. The size must be a 16-bit two's complement value between -4096 and 4095 (inclusive). This value is added to the source address after each read/write operation in a burst.</p> <p>Reset type: SYSRSn</p> <p>0h (R/W) = No address change            1h (R/W) = Add 1 to the address            2h (R/W) = Add 2 to the address            FFEh (R/W) = Add 4094 to the address            FFFh (R/W) = Add 4095 to the address            F00h (R/W) = Subtract 4096 from the address            F01h (R/W) = Subtract 4095 from the address            FFFEh (R/W) = Subtract 2 from the address            FFFFh (R/W) = Subtract 1 from the address</p>

### 5.9.3.6 DST\_BURST\_STEP Register (Offset = 5h) [Reset = 0000h]

DST\_BURST\_STEP is shown in [Figure 5-18](#) and described in [Table 5-17](#).

Return to the [Summary Table](#).

Destination Burst Step Register

**Figure 5-18. DST\_BURST\_STEP Register**

15	14	13	12	11	10	9	8
DSTBURSTSTEP							
R/W-0h							
7	6	5	4	3	2	1	0
DSTBURSTSTEP							
R/W-0h							

**Table 5-17. DST\_BURST\_STEP Register Field Descriptions**

Bit	Field	Type	Reset	Description
15-0	DSTBURSTSTEP	R/W	0h	These bits specify the change in the destination address after each word in a burst. The size must be a 16-bit two's complement value between -4096 and 4095 (inclusive). This value is added to the destination address after each read/write operation in a burst. Reset type: SYSRSn 0h (R/W) = No address change 1h (R/W) = Add 1 to the address 2h (R/W) = Add 2 to the address FFEh (R/W) = Add 4094 to the address FFFh (R/W) = Add 4095 to the address F00h (R/W) = Subtract 4096 from the address F01h (R/W) = Subtract 4095 from the address FFFEh (R/W) = Subtract 2 from the address FFFFh (R/W) = Subtract 1 from the address



### 5.9.3.7 TRANSFER\_SIZE Register (Offset = 6h) [Reset = 0000h]

TRANSFER\_SIZE is shown in [Figure 5-19](#) and described in [Table 5-18](#).

Return to the [Summary Table](#).

Transfer Size Register

**Figure 5-19. TRANSFER\_SIZE Register**

15	14	13	12	11	10	9	8
TRANSFERSIZE							
R/W-0h							
7	6	5	4	3	2	1	0
TRANSFERSIZE							
R/W-0h							

**Table 5-18. TRANSFER\_SIZE Register Field Descriptions**

Bit	Field	Type	Reset	Description
15-0	TRANSFERSIZE	R/W	0h	These bits specify the transfer size in bursts. The actual size is equal to TRANSFERSIZE + 1. Reset type: SYSRSn

### 5.9.3.8 TRANSFER\_COUNT Register (Offset = 7h) [Reset = 0000h]

TRANSFER\_COUNT is shown in [Figure 5-20](#) and described in [Table 5-19](#).

Return to the [Summary Table](#).

Transfer Count Register

**Figure 5-20. TRANSFER\_COUNT Register**

15	14	13	12	11	10	9	8
TRANSFERCOUNT							
R-0h							
7	6	5	4	3	2	1	0
TRANSFERCOUNT							
R-0h							

**Table 5-19. TRANSFER\_COUNT Register Field Descriptions**

Bit	Field	Type	Reset	Description
15-0	TRANSFERCOUNT	R	0h	These bits indicate the number of bursts left in the current transfer. Reset type: SYSRSn

### 5.9.3.9 SRC\_TRANSFER\_STEP Register (Offset = 8h) [Reset = 0000h]

SRC\_TRANSFER\_STEP is shown in [Figure 5-21](#) and described in [Table 5-20](#).

Return to the [Summary Table](#).

Source Transfer Step Register

**Figure 5-21. SRC\_TRANSFER\_STEP Register**

15	14	13	12	11	10	9	8
SRCTRANSFERSTEP							
R/W-0h							
7	6	5	4	3	2	1	0
SRCTRANSFERSTEP							
R/W-0h							

**Table 5-20. SRC\_TRANSFER\_STEP Register Field Descriptions**

Bit	Field	Type	Reset	Description
15-0	SRCTRANSFERSTEP	R/W	0h	<p>These bits specify the change in the source address after a burst completes. The size must be a 16-bit two's complement value between -4096 and 4095 (inclusive). This value is added to the source address after each burst completes.</p> <p>Reset type: SYSRSn</p> <p>0h (R/W) = No address change            1h (R/W) = Add 1 to the address            2h (R/W) = Add 2 to the address            FFEh (R/W) = Add 4094 to the address            FFFh (R/W) = Add 4095 to the address            F00h (R/W) = Subtract 4096 from the address            F01h (R/W) = Subtract 4095 from the address            FFFEh (R/W) = Subtract 2 from the address            FFFFh (R/W) = Subtract 1 from the address</p>

### 5.9.3.10 DST\_TRANSFER\_STEP Register (Offset = 9h) [Reset = 0000h]

DST\_TRANSFER\_STEP is shown in [Figure 5-22](#) and described in [Table 5-21](#).

Return to the [Summary Table](#).

Destination Transfer Step Register

**Figure 5-22. DST\_TRANSFER\_STEP Register**

15	14	13	12	11	10	9	8
DSTTRANSFERSTEP							
R/W-0h							
7	6	5	4	3	2	1	0
DSTTRANSFERSTEP							
R/W-0h							

**Table 5-21. DST\_TRANSFER\_STEP Register Field Descriptions**

Bit	Field	Type	Reset	Description
15-0	DSTTRANSFERSTEP	R/W	0h	These bits specify the change in the destination address after a burst completes. The size must be a 16-bit two's complement value between -4096 and 4095 (inclusive). This value is added to the destination address after each burst completes. Reset type: SYSRSn 0h (R/W) = No address change 1h (R/W) = Add 1 to the address 2h (R/W) = Add 2 to the address FFEh (R/W) = Add 4094 to the address FFFh (R/W) = Add 4095 to the address F00h (R/W) = Subtract 4096 from the address F01h (R/W) = Subtract 4095 from the address FFFEh (R/W) = Subtract 2 from the address FFFFh (R/W) = Subtract 1 from the address

### 5.9.3.11 SRC\_WRAP\_SIZE Register (Offset = Ah) [Reset = FFFFh]

SRC\_WRAP\_SIZE is shown in [Figure 5-23](#) and described in [Table 5-22](#).

Return to the [Summary Table](#).

Source Wrap Size Register

**Figure 5-23. SRC\_WRAP\_SIZE Register**

15	14	13	12	11	10	9	8
WRAPSIZE							
R/W-FFFFh							
7	6	5	4	3	2	1	0
WRAPSIZE							
R/W-FFFFh							

**Table 5-22. SRC\_WRAP\_SIZE Register Field Descriptions**

Bit	Field	Type	Reset	Description
15-0	WRAPSIZE	R/W	FFFFh	These bits specify the number of bursts to transfer before the source address wraps around to the beginning address. The actual number is equal to WRAPSIZE + 1. To disable the wrapping function, set WRAPSIZE to a value larger than TRANSFERSIZE. Reset type: SYSRSn

### 5.9.3.12 SRC\_WRAP\_COUNT Register (Offset = Bh) [Reset = 0000h]

SRC\_WRAP\_COUNT is shown in [Figure 5-24](#) and described in [Table 5-23](#).

Return to the [Summary Table](#).

Source Wrap Count Register

**Figure 5-24. SRC\_WRAP\_COUNT Register**

15	14	13	12	11	10	9	8
WRAPSIZE							
R-0h							
7	6	5	4	3	2	1	0
WRAPSIZE							
R-0h							

**Table 5-23. SRC\_WRAP\_COUNT Register Field Descriptions**

Bit	Field	Type	Reset	Description
15-0	WRAPSIZE	R	0h	These bits indicate the number of bursts left before wrapping the source address. Reset type: SYSRSn

### 5.9.3.13 SRC\_WRAP\_STEP Register (Offset = Ch) [Reset = 0000h]

SRC\_WRAP\_STEP is shown in [Figure 5-25](#) and described in [Table 5-24](#).

Return to the [Summary Table](#).

Source Wrap Step Register

**Figure 5-25. SRC\_WRAP\_STEP Register**

15	14	13	12	11	10	9	8
WRAPSTEP							
R/W-0h							
7	6	5	4	3	2	1	0
WRAPSTEP							
R/W-0h							

**Table 5-24. SRC\_WRAP\_STEP Register Field Descriptions**

Bit	Field	Type	Reset	Description
15-0	WRAPSTEP	R/W	0h	<p>These bits specify the change in the source beginning address when the wrap counter reaches zero. The size must be a 16-bit two's complement value between -4096 and 4095 (inclusive). This value is added to the source address when wrapping occurs.</p> <p>Reset type: SYSRSn</p> <p>0h (R/W) = No address change            1h (R/W) = Add 1 to the address            2h (R/W) = Add 2 to the address            FFEh (R/W) = Add 4094 to the address            FFFh (R/W) = Add 4095 to the address            F000h (R/W) = Subtract 4096 from the address            F001h (R/W) = Subtract 4095 from the address            FFFEh (R/W) = Subtract 2 from the address            FFFFh (R/W) = Subtract 1 from the address</p>

### 5.9.3.14 DST\_WRAP\_SIZE Register (Offset = Dh) [Reset = FFFFh]

DST\_WRAP\_SIZE is shown in [Figure 5-26](#) and described in [Table 5-25](#).

Return to the [Summary Table](#).

Destination Wrap Size Register

**Figure 5-26. DST\_WRAP\_SIZE Register**

15	14	13	12	11	10	9	8
WRAPSIZE							
R/W-FFFFh							
7	6	5	4	3	2	1	0
WRAPSIZE							
R/W-FFFFh							

**Table 5-25. DST\_WRAP\_SIZE Register Field Descriptions**

Bit	Field	Type	Reset	Description
15-0	WRAPSIZE	R/W	FFFFh	These bits specify the number of bursts to transfer before the destination address wraps around to the beginning address. The actual number is equal to WRAPSIZE + 1. To disable the wrapping function, set WRAPSIZE to a value larger than TRANSFERSIZE. Reset type: SYSRSn



### 5.9.3.15 DST\_WRAP\_COUNT Register (Offset = Eh) [Reset = 0000h]

DST\_WRAP\_COUNT is shown in [Figure 5-27](#) and described in [Table 5-26](#).

Return to the [Summary Table](#).

Destination Wrap Count Register

**Figure 5-27. DST\_WRAP\_COUNT Register**

15	14	13	12	11	10	9	8
WRAPSIZE							
R-0h							
7	6	5	4	3	2	1	0
WRAPSIZE							
R-0h							

**Table 5-26. DST\_WRAP\_COUNT Register Field Descriptions**

Bit	Field	Type	Reset	Description
15-0	WRAPSIZE	R	0h	These bits indicate the number of bursts left before wrapping the destination address. Reset type: SYSRSn

### 5.9.3.16 DST\_WRAP\_STEP Register (Offset = Fh) [Reset = 0000h]

DST\_WRAP\_STEP is shown in [Figure 5-28](#) and described in [Table 5-27](#).

Return to the [Summary Table](#).

Destination Wrap Step Register

**Figure 5-28. DST\_WRAP\_STEP Register**

15	14	13	12	11	10	9	8
WRAPSTEP							
R/W-0h							
7	6	5	4	3	2	1	0
WRAPSTEP							
R/W-0h							

**Table 5-27. DST\_WRAP\_STEP Register Field Descriptions**

Bit	Field	Type	Reset	Description
15-0	WRAPSTEP	R/W	0h	<p>These bits specify the change in the destination beginning address when the wrap counter reaches zero. The size must be a 16-bit two's complement value between -4096 and 4095 (inclusive). This value is added to the destination address when wrapping occurs.</p> <p>Reset type: SYSRSn</p> <p>0h (R/W) = No address change            1h (R/W) = Add 1 to the address            2h (R/W) = Add 2 to the address            FFEh (R/W) = Add 4094 to the address            FFFh (R/W) = Add 4095 to the address            F000h (R/W) = Subtract 4096 from the address            F001h (R/W) = Subtract 4095 from the address            FFFEh (R/W) = Subtract 2 from the address            FFFFh (R/W) = Subtract 1 from the address</p>

### 5.9.3.17 SRC\_BEG\_ADDR\_SHADOW Register (Offset = 10h) [Reset = 0000000h]

SRC\_BEG\_ADDR\_SHADOW is shown in [Figure 5-29](#) and described in [Table 5-28](#).

Return to the [Summary Table](#).

Source Begin Address Shadow Register

**Figure 5-29. SRC\_BEG\_ADDR\_SHADOW Register**

31	30	29	28	27	26	25	24	23	22	21	20	19	18	17	16	15	14	13	12	11	10	9	8	7	6	5	4	3	2	1	0
BEGADDR																															
R/W-0h																															

**Table 5-28. SRC\_BEG\_ADDR\_SHADOW Register Field Descriptions**

Bit	Field	Type	Reset	Description
31-0	BEGADDR	R/W	0h	Shadow Source Beginning Address At the start of a transfer, the value in this register is loaded into the SRC_BEG_ADDR_ACTIVE register and used as the beginning value for the source address. This register can be safely updated during a transfer. Reset type: SYSRSn

### 5.9.3.18 SRC\_ADDR\_SHADOW Register (Offset = 12h) [Reset = 0000000h]

SRC\_ADDR\_SHADOW is shown in [Figure 5-30](#) and described in [Table 5-29](#).

Return to the [Summary Table](#).

Source Address Shadow Register

**Figure 5-30. SRC\_ADDR\_SHADOW Register**

31	30	29	28	27	26	25	24	23	22	21	20	19	18	17	16	15	14	13	12	11	10	9	8	7	6	5	4	3	2	1	0
ADDR																															
R/W-0h																															

**Table 5-29. SRC\_ADDR\_SHADOW Register Field Descriptions**

Bit	Field	Type	Reset	Description
31-0	ADDR	R/W	0h	Shadow Source Address At the start of a transfer, the value in this register is loaded into the SRC_ADDR_ACTIVE register and used as the value of the source address. This register can be safely updated during a transfer. Reset type: SYSRSn

### 5.9.3.19 SRC\_BEG\_ADDR\_ACTIVE Register (Offset = 14h) [Reset = 0000000h]

SRC\_BEG\_ADDR\_ACTIVE is shown in [Figure 5-31](#) and described in [Table 5-30](#).

Return to the [Summary Table](#).

Source Begin Address Active Register

**Figure 5-31. SRC\_BEG\_ADDR\_ACTIVE Register**

31	30	29	28	27	26	25	24	23	22	21	20	19	18	17	16	15	14	13	12	11	10	9	8	7	6	5	4	3	2	1	0
BEGADDR																															
R-0h																															

**Table 5-30. SRC\_BEG\_ADDR\_ACTIVE Register Field Descriptions**

Bit	Field	Type	Reset	Description
31-0	BEGADDR	R	0h	<p>Active Source Beginning Address</p> <p>If a transfer is ongoing, this register holds the current beginning value for the source address. This address may be updated after wrapping.</p> <p>When a transfer starts, this register is loaded with the shadow address from the SRC_BEG_ADDR_SHADOW register.</p> <p>Reset type: SYSRSn</p>

### 5.9.3.20 SRC\_ADDR\_ACTIVE Register (Offset = 16h) [Reset = 0000000h]

SRC\_ADDR\_ACTIVE is shown in [Figure 5-32](#) and described in [Table 5-31](#).

Return to the [Summary Table](#).

Source Address Active Register

**Figure 5-32. SRC\_ADDR\_ACTIVE Register**

31	30	29	28	27	26	25	24	23	22	21	20	19	18	17	16	15	14	13	12	11	10	9	8	7	6	5	4	3	2	1	0
ADDR																															
R-0h																															

**Table 5-31. SRC\_ADDR\_ACTIVE Register Field Descriptions**

Bit	Field	Type	Reset	Description
31-0	ADDR	R	0h	Active Source Address If a transfer is ongoing, this register holds the current value of the source address. This address may change after a write, a burst, or wrapping. Reset type: SYSRSn

### 5.9.3.21 DST\_BEG\_ADDR\_SHADOW Register (Offset = 18h) [Reset = 0000000h]

DST\_BEG\_ADDR\_SHADOW is shown in [Figure 5-33](#) and described in [Table 5-32](#).

Return to the [Summary Table](#).

Destination Begin Address Shadow Register

**Figure 5-33. DST\_BEG\_ADDR\_SHADOW Register**

31	30	29	28	27	26	25	24	23	22	21	20	19	18	17	16	15	14	13	12	11	10	9	8	7	6	5	4	3	2	1	0
BEGADDR																															
R/W-0h																															

**Table 5-32. DST\_BEG\_ADDR\_SHADOW Register Field Descriptions**

Bit	Field	Type	Reset	Description
31-0	BEGADDR	R/W	0h	Shadow Destination Beginning Address At the start of a transfer, the value in this register is loaded into the DST_BEG_ADDR_ACTIVE register and used as the beginning value for the destination address. This register can be safely updated during a transfer. Reset type: SYSRSn

### 5.9.3.22 DST\_ADDR\_SHADOW Register (Offset = 1Ah) [Reset = 0000000h]

DST\_ADDR\_SHADOW is shown in [Figure 5-34](#) and described in [Table 5-33](#).

Return to the [Summary Table](#).

Destination Address Shadow Register

**Figure 5-34. DST\_ADDR\_SHADOW Register**

31	30	29	28	27	26	25	24	23	22	21	20	19	18	17	16	15	14	13	12	11	10	9	8	7	6	5	4	3	2	1	0
ADDR																															
R/W-0h																															

**Table 5-33. DST\_ADDR\_SHADOW Register Field Descriptions**

Bit	Field	Type	Reset	Description
31-0	ADDR	R/W	0h	Shadow Destination Address At the start of a transfer, the value in this register is loaded into the DST_ADDR_ACTIVE register and used as the value of the destination address. This register can be safely updated during a transfer. Reset type: SYSRSn



### 5.9.3.23 DST\_BEG\_ADDR\_ACTIVE Register (Offset = 1Ch) [Reset = 0000000h]

DST\_BEG\_ADDR\_ACTIVE is shown in [Figure 5-35](#) and described in [Table 5-34](#).

Return to the [Summary Table](#).

Destination Begin Address Active Register

**Figure 5-35. DST\_BEG\_ADDR\_ACTIVE Register**

31	30	29	28	27	26	25	24	23	22	21	20	19	18	17	16	15	14	13	12	11	10	9	8	7	6	5	4	3	2	1	0
BEGADDR																															
R-0h																															

**Table 5-34. DST\_BEG\_ADDR\_ACTIVE Register Field Descriptions**

Bit	Field	Type	Reset	Description
31-0	BEGADDR	R	0h	Active Destination Beginning Address If a transfer is ongoing, this register holds the current destination value for the source address. This address may be updated after wrapping. When a transfer starts, this register is loaded with the shadow address from the DST_BEG_ADDR_SHADOW register. Reset type: SYSRSn

### 5.9.3.24 DST\_ADDR\_ACTIVE Register (Offset = 1Eh) [Reset = 0000000h]

DST\_ADDR\_ACTIVE is shown in [Figure 5-36](#) and described in [Table 5-35](#).

Return to the [Summary Table](#).

Destination Address Active Register

**Figure 5-36. DST\_ADDR\_ACTIVE Register**

31	30	29	28	27	26	25	24	23	22	21	20	19	18	17	16	15	14	13	12	11	10	9	8	7	6	5	4	3	2	1	0
ADDR																															
R-0h																															

**Table 5-35. DST\_ADDR\_ACTIVE Register Field Descriptions**

Bit	Field	Type	Reset	Description
31-0	ADDR	R	0h	Active Destination Address If a transfer is ongoing, this register holds the current value of the destination address. This address may change after a write, a burst, or wrapping. Reset type: SYSRStn

### 5.9.4 DMA Registers to Driverlib Functions

**Table 5-36. DMA Registers to Driverlib Functions**

File	Driverlib Function
<b>CTRL</b>	
dma.h	DMA_initController
<b>DEBUGCTRL</b>	
dma.h	DMA_setEmulationMode
<b>PRIORITYCTRL1</b>	
dma.h	DMA_setPriorityMode
<b>PRIORITYSTAT</b>	
-	
<b>MODE</b>	
dma.c	DMA_configMode
dma.h	DMA_enableTrigger
dma.h	DMA_disableTrigger
dma.h	DMA_enableInterrupt
dma.h	DMA_disableInterrupt
dma.h	DMA_enableOverrunInterrupt
dma.h	DMA_disableOverrunInterrupt
dma.h	DMA_setInterruptMode
<b>CONTROL</b>	
dma.h	DMA_triggerSoftReset
dma.h	DMA_forceTrigger
dma.h	DMA_clearTriggerFlag
dma.h	DMA_getTransferStatusFlag
dma.h	DMA_getBurstStatusFlag
dma.h	DMA_getRunStatusFlag
dma.h	DMA_getOverflowFlag
dma.h	DMA_getTriggerFlagStatus
dma.h	DMA_startChannel

**Table 5-36. DMA Registers to Driverlib Functions (continued)**

File	Driverlib Function
dma.h	DMA_stopChannel
dma.h	DMA_clearErrorFlag
<b>BURST_SIZE</b>	
dma.c	DMA_configBurst
<b>BURST_COUNT</b>	
-	
<b>SRC_BURST_STEP</b>	
dma.c	DMA_configBurst
<b>DST_BURST_STEP</b>	
dma.c	DMA_configBurst
<b>TRANSFER_SIZE</b>	
dma.c	DMA_configTransfer
<b>TRANSFER_COUNT</b>	
-	
<b>SRC_TRANSFER_STEP</b>	
dma.c	DMA_configTransfer
<b>DST_TRANSFER_STEP</b>	
dma.c	DMA_configTransfer
<b>SRC_WRAP_SIZE</b>	
dma.c	DMA_configWrap
<b>SRC_WRAP_COUNT</b>	
-	
<b>SRC_WRAP_STEP</b>	
dma.c	DMA_configWrap
<b>DST_WRAP_SIZE</b>	
dma.c	DMA_configWrap
<b>DST_WRAP_COUNT</b>	
-	
<b>DST_WRAP_STEP</b>	
dma.c	DMA_configWrap
<b>SRC_BEG_ADDR_SHADOW</b>	
dma.c	DMA_configAddresses
dma.h	DMA_configSourceAddress
<b>SRC_ADDR_SHADOW</b>	
dma.c	DMA_configAddresses
dma.h	DMA_configSourceAddress
<b>SRC_BEG_ADDR_ACTIVE</b>	
-	
<b>SRC_ADDR_ACTIVE</b>	
-	
<b>DST_BEG_ADDR_SHADOW</b>	
dma.c	DMA_configAddresses
dma.h	DMA_configDestAddress
<b>DST_ADDR_SHADOW</b>	
dma.c	DMA_configAddresses

**Table 5-36. DMA Registers to Driverlib Functions (continued)**

File	Driverlib Function
dma.h	DMA_configDestAddress
<b>DST_BEG_ADDR_ACTIVE</b>	
-	
<b>DST_ADDR_ACTIVE</b>	
-	

## Chapter 6 Control Law Accelerator (CLA)



The Control Law Accelerator (CLA) Type-1 is an independent, fully-programmable, 32-bit floating-point math processor that brings concurrent control-loop execution to the C28x family. The low interrupt latency of the CLA allows the CLA to read ADC samples "just-in-time." This significantly reduces the ADC sample to output delay to enable faster system response and higher MHz control loops. By using the CLA to service time-critical control loops, the main CPU is free to perform other system tasks such as communications and diagnostics. This chapter provides an overview of the architectural structure and components of the control law accelerator.

<b>6.1 Introduction</b> .....	<b>662</b>
<b>6.2 CLA Interface</b> .....	<b>664</b>
<b>6.3 CLA and CPU Arbitration</b> .....	<b>670</b>
<b>6.4 CLA Configuration and Debug</b> .....	<b>673</b>
<b>6.5 Pipeline</b> .....	<b>677</b>
<b>6.6 Software</b> .....	<b>683</b>
<b>6.7 Instruction Set</b> .....	<b>684</b>
<b>6.8 CLA Registers</b> .....	<b>814</b>

## 6.1 Introduction

The Control Law Accelerator extends the capabilities of the C28x CPU by adding parallel processing. Time-critical control loops serviced by the CLA can achieve low ADC sample to output delay. Thus, the CLA enables faster system response and higher frequency control loops. Utilizing the CLA for time-critical tasks frees up the main CPU to perform other system and communication functions concurrently.

### 6.1.1 Features

The following is a list of major features of the CLA:

- C compilers are available for CLA software development.
- Clocked at the same rate as the main CPU (SYSCLKOUT).
- An independent architecture allowing CLA algorithm execution independent of the main C28x CPU.
  - Complete bus architecture:
    - Program Address Bus (PAB) and Program Data Bus (PDB)
    - Data Read Address Bus (DRAB), Data Read Data Bus (DRDB), Data Write Address Bus (DWAB), and Data Write Data Bus (DWDB)
  - Independent eight stage pipeline.
  - 16-bit program counter (MPC)
  - Four 32-bit result registers (MR0-MR3)
  - Two 16-bit auxiliary registers (MAR0, MAR1)
  - Status register (MSTF)
- Instruction set includes:
  - IEEE single-precision (32-bit) floating-point math operations
  - Floating-point math with parallel load or store
  - Floating-point multiply with parallel add or subtract
  - 1/X and 1/sqrt(X) estimations
  - Data type conversions.
  - Conditional branch and call
  - Data load/store operations
- The CLA program code can consist of up to eight tasks or interrupt service routines
  - The start address of each task is specified by the MVECT registers.
  - No limit on task size as long as the tasks fit within the configurable CLA program memory space.
  - One task is serviced at a time until completion. There is no nesting of tasks.
  - Upon task completion a task-specific interrupt is flagged within the PIE.
  - When a task finishes the next highest-priority pending task is automatically started.
- Task trigger mechanisms:
  - C28x CPU using the IACK instruction
  - Task1 to Task8: up to 256 possible trigger sources from peripherals connected to the shared bus on which the CLA assumes secondary ownership.
- Memory and Shared Peripherals:
  - Two dedicated message RAMs for communication between the CLA and the main CPU.
  - The C28x CPU can map CLA program and data memory to the main CPU space or CLA space.
  - The CLA, on reset, is the secondary master for all peripherals that can have either the CLA or DMA as their secondary master.

### 6.1.2 CLA Related Collateral

#### Foundational Materials

- [C2000 Academy - CLA](#)
- [C2000 CLA C Compiler Series](#) (Video)
- [CLA Hands On Workshop](#) (Video)
- [CLA usage in Valley Switching Boost Power Factor Correction \(PFC\) Reference Design](#) (Video)

- [Enhancing the Computational Performance of the C2000™ Microcontroller Family Application Report](#)

**Getting Started Materials**

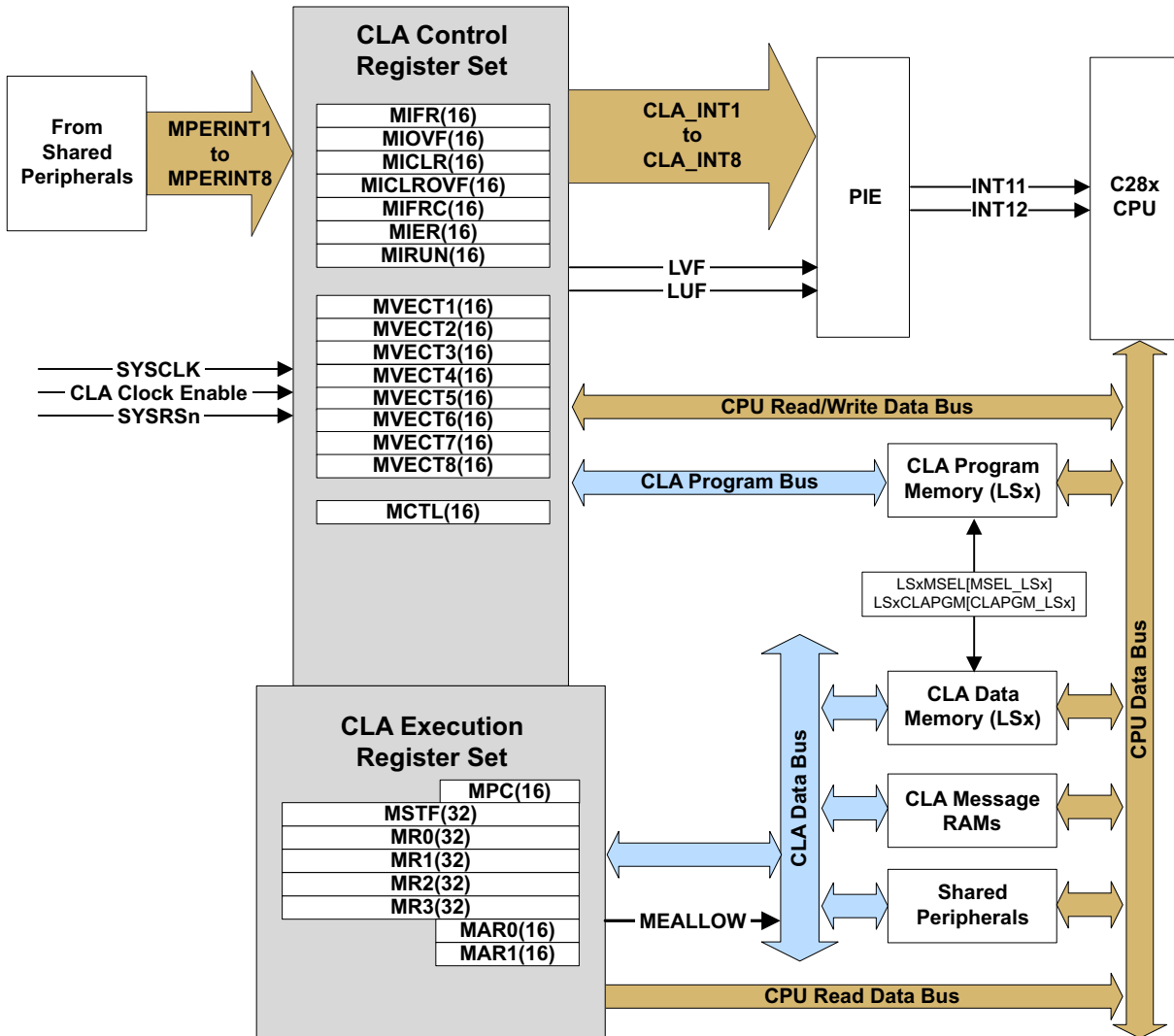
- [CLA Software Development Guide](#)
- [Software Examples to Showcase Unique Capabilities of TI's C2000™ CLA Application Report](#)

**Expert Materials**

- [Digital Control of Two Phase Interleaved PFC and Motor Drive Using MCU With CLA Application Report](#)
- [Sensorless Field Oriented Control:3-Phase Perm.Magnet Synch. Motors With CLA Application Report](#)

**6.1.3 Block Diagram**

Figure 6-1 is a block diagram of the CLA.



**Figure 6-1. CLA (Type 1) Block Diagram**

## 6.2 CLA Interface

This section describes how the C28x main CPU can interface to the CLA and conversely.

### 6.2.1 CLA Memory

The CLA can access three types of memory: program, data and message RAMs. The behavior and arbitration for each type of memory is described in this chapter. The CLA RAMs are protected by the DCSM module. Refer to the *Dual Code Security Module (DCSM)* section of the *System Control and Interrupts* chapter for more details on the security scheme.

- **CLA Program Memory**

The CLA program can be loaded with any of the local shared memories (LSxRAM). At reset, all memory blocks are mapped to the CPU. While mapped to the CPU space, the CPU can copy the CLA program code into the memory. During debug, the memory can also be loaded directly by the Code Composer Studio™ IDE.

Once the memory is initialized with CLA code, the CPU maps the memory to the CLA program space by:

1. Assigning ownership of the memory block to the CLA by writing a 1 to the memory block's MemCfgRegs.LSxMSEL[MSEL\_LSx] bit.
2. Specifying the memory block as a code block for the CLA by writing a 1 to the MemCfgRegs.LSxCLAPGM[CLAPGM\_LSx] bit.

When a memory block is configured as CLA program memory, debug accesses are allowed only on cycles where the CLA is not fetching a new instruction. A detailed explanation of the memory configurations and access arbitration (CPU, CLA, and DEBUG) process can be found in the *Memory Controller Module* section of the *System Control and Interrupts* chapter.

All CLA program fetches are performed as 32-bit read operations and all opcodes must be aligned to an even address. Since all CLA opcodes are 32-bits, this alignment occurs naturally.

- **CLA Data Memory**

Any of the device's LSxRAMs can serve as data memory blocks to the CLA. At reset, all blocks are mapped to the CPU memory space, whereby the CPU can initialize the memory with data tables, coefficients, and so on, for the CLA to use.

Once the memory is initialized with CLA data, the CPU maps the memory to the CLA data space by:

1. Assigning ownership of the memory block to the CLA by writing a 1 to the memory block's MemCfgRegs.LSxMSEL[MSEL\_LSx] bit.
2. Specifying the memory block as a data block for the CLA by writing a 0 to the MemCfgRegs.LSxCLAPGM[CLAPGM\_LSx] bit. The value of this bit at reset is 0.

When a memory block is configured as CLA data memory, CLA read and write accesses are arbitrated along with CPU accesses. The user has the option of turning on CPU fetch or write protection to the memory by writing to the appropriate bits of the MemCfgRegs.LSxACCPROT<sub>x</sub> registers. A detailed explanation of the memory configurations and access arbitration (CPU, CLA, and DEBUG) process can be found in the *Memory Controller Module* section of the *System Control and Interrupts* chapter.



- **CLA Shared Message RAMs**

There are two memory blocks for data sharing and communication between the CLA and the CPU. The message RAMs are always mapped to both CPU and CLA memory spaces, and only data access is allowed; no program fetches can be performed.

- **CLA to CPU Message RAM:** The CLA can use this block to pass data to the CPU. This block is both readable and writable by the CLA. This block is also readable by the CPU but writes by the CPU are ignored.
- **CPU to CLA Message RAM:** The CPU can use this block to pass data and messages to the CLA. This message RAM is both readable and writable by the CPU. The CLA can perform reads but writes by the CLA are ignored.

### 6.2.2 CLA Memory Bus

The CLA has dedicated bus architecture similar to that of the C28x CPU where there are separate program read, data read, and data write buses. Thus, there can be simultaneous instruction fetch, data read, and data write in a single cycle. Like the C28x CPU, the CLA expects memory logic to align any 32-bit read or write to an even address. If the address-generation logic generates an odd address, the CLA can begin reading or writing at the previous even address. This alignment does not affect the address values generated by the address-generation logic.

- **CLA Program Bus**

The CLA program bus has an access range of 32K 32-bit instructions. Since all CLA instructions are 32 bits, this bus always fetches 32 bits at a time and the opcodes must be even-word aligned. The amount of program space available for the CLA is limited to the number of available LSxRAM blocks. This number is device-dependent and can be described in the device-specific data sheet.

- **CLA Data Read Bus**

The CLA data read bus has a 64K x 16 address range. The bus can perform 16 or 32-bit reads and can automatically stall if there are memory access conflicts. The data read bus has access to both the message RAMs, CLA data memory, and the shared peripherals.

- **CLA Data Write Bus**

The CLA data write bus has a 64K x 16 address range. This bus can perform 16 or 32-bit writes. The bus can automatically stall if there are memory access conflicts. The data write bus has access to the CLA to CPU message RAM, CLA data memory, and the shared peripherals.

### 6.2.3 Shared Peripherals and EALLOW Protection

For a given CPU subsystem, the CLA and DMA share secondary access to some peripherals. The secondary ownership of the bus is determined by the `CpuSysRegs.SECMSEL[VBUS32_x]` bit. If the bit is set to 0, the CLA is the secondary owner. If the bit is set to 1, the DMA is the secondary owner. By default, at reset, the CLA is given the secondary ownership of the bus and, therefore, can access all the peripherals connected to the bus.

---

#### Note

The CLA read access time to the bus is 2-wait states while write access is 0-wait.

---

Refer to the device data sheet for the list of peripherals connected to the bus.

Several peripheral control registers are protected from spurious 28x CPU writes by the EALLOW protection mechanism. These same registers are also protected from spurious CLA writes. The EALLOW bit in the CPU status register 1 (ST1) indicates the state of protection for the CPU. Likewise, the MEALLOW bit in the CLA status register (MSTF) indicates the state of write protection for the CLA. The MEALLOW CLA instruction enables write access by the CLA to EALLOW protected registers. Likewise, the MEDIS CLA instruction disables write access. This way the CLA can enable and disable write access independent of the CPU.

The ADC offers the option to generate an early interrupt pulse at the start of a sample conversion. If this option is used to start an ADC-triggered CLA task, use the intervening cycles until the completion of the conversion to perform preliminary calculations or loads and stores before finally reading the ADC value. The CLA pipeline activity for this scenario is shown in [Section 6.5](#).

### 6.2.4 CLA Tasks and Interrupt Vectors

The CLA program code is divided up into tasks or interrupt service routines. Tasks do not have a fixed starting location or length. The CLA program memory can be divided up as desired. The CLA uses the contents of the interrupt vectors (MVECT1 to MVECT8) to determine where a task begins; tasks are terminated by the MSTOP instruction.

The CLA supports eight tasks. Task 1 has the highest priority and task 8 has the lowest priority.

A task can be requested by a peripheral interrupt or by software:

- **Peripheral interrupt trigger**

Each task can be triggered by software-selectable interrupt sources. The trigger for each task is defined by writing an appropriate value to the `DmaClaSrcSelRegs.CLA1TASKSRCSELx[TASKx]` bit field. Each option specifies an interrupt source from a specific peripheral on the shared bus. The peripheral interrupt triggers are listed in [Table 6-1](#).

For example, task 1 (MVECT1) can be set to trigger on EPWMINT1 by writing 36 to `DmaClaSrcSelRegs.CLA1TASKSRCSEL1.TASK1`. To disable the triggering of a task by a peripheral, set the `DmaClaSrcSelRegs.CLA1TASKSRCSELx[TASKx]` bit field to 0. Note that a CLA task only triggers on a level transition (an edge) of the configured interrupt source.

**Table 6-1. Configuration Options**

Select Value	CLA Trigger Source
0	CLA_SOFTWARE_TRIGGER
1	ADCAINT1
2	ADCAINT2
3	ADCAINT3
4	ADCAINT4
5	ADCA_EVT_INT
6	ADCBINT1
7	ADCBINT2
8	ADCBINT3
9	ADCBINT4
10	ADCB_EVT_INT
11-15	Reserved
16	ADCDINT1
17	ADCDINT2
18	ADCDINT3
19	ADCDINT4
20	ADCD_EVT_INT
21-28	Reserved
29	XINT1
30	XINT2
31	XINT3
32	XINT4
33	XINT5
34-35	Reserved
36	EPWM1_INT
37	EPWM2_INT
38	EPWM3_INT
39	EPWM4_INT
40	EPWM5_INT
41	EPWM6_INT
42	EPWM7_INT
43	EPWM8_INT
44	EPWM9_INT
45	EPWM10_INT
46	EPWM11_INT
47	EPWM12_INT
48-67	Reserved
68	CPU_TINT0

**Table 6-1. Configuration Options (continued)**

Select Value	CLA Trigger Source
69	CPU_TINT1
70	CPU_TINT2
71	MCBSPA_TX
72	MCBSPA_RX
73	MCBSPB_TX
74	MCBSPB_RX
75	ECAP1_INT
76	ECAP2_INT
77	ECAP3_INT
78	ECAP4_INT
79	ECAP5_INT
80	ECAP6_INT
81-82	Reserved
83	EQEP1_INT
84	EQEP2_INT
85	EQEP3_INT
86-94	Reserved
95	SD1_ERRINT
96	SD2_ERRINT
97-106	Reserved
107	UPPA_INT
108	Reserved
109	SPIA_TXINT
110	SPIA_RXINT
111	SPIB_TXINT
112	SPIB_RXINT
113	SPIC_TXINT
114	SPIC_RXINT
115-126	Reserved
127	CLB1_INT
128	CLB2_INT
129	CLB3_INT
130	CLB4_INT
131-255	Reserved

- **Software Trigger**

CPU software can trigger tasks by writing to the MIFRC register or by the IACK instruction. Using the IACK instruction is more efficient because the instruction does not require the need to issue an EALLOW to set MIFR bits. Set the MCTL[IACKE] bit to enable the IACK feature. Each bit in the operand of the IACK instruction corresponds to a task. For example, IACK #0x0001 sets bit 0 in the MIFR register to start task 1. Likewise, IACK #0x0003 set bits 0 and 1 in the MIFR register to start task 1 and task 2.

The CLA has their own fetch mechanism and can run and execute a task independent of the CPU. Only one task is serviced at a time; there is no nesting of tasks. The task currently running is indicated in the MIRUN register. Interrupts that have been received but not yet serviced are indicated in the flag register (MIFR). If an interrupt request from a peripheral is received and that same task is already flagged, then the overflow flag bit is set. Overflow flags remain set until the flags are cleared by the CPU.

If the CLA is idle (no task is currently running), then the highest priority interrupt request that is both flagged (MIFR) and enabled (MIER) starts.

The flow is as follows:

1. The associated RUN register bit is set (MIRUN) and the flag bit (MIFR) is cleared.
2. The CLA begins execution at the location indicated by the associated interrupt vector (MVECTx). MVECTx contains the absolute 16-bit address of the task in the lower 64K memory space.
3. The CLA executes instructions until the MSTOP instruction is found. This indicates the end of the task.
4. The MIRUN bit is cleared.
5. The task-specific interrupt to the PIE is issued. This informs the main CPU that the task has completed.
6. The CLA returns to idle.

Once a task completes the next highest-priority pending task is automatically serviced and this sequence repeats.

### 6.2.5 CLA Software Interrupt to CPU

The CLA can issue a software interrupt to the C28x CPU at any point in the code through the use of the CLA1SOFTINTEN and CLA1INTFRC registers. See [Section 6.8](#) for a description of these registers. If a software interrupt is selected for a CLA task, then an end-of-task interrupt is not issued to the C28x CPU when that task completes.

## 6.3 CLA and CPU Arbitration

Typically, CLA activity is independent of the CPU activity. Under the circumstance where the CLA or CPU attempt to concurrently access memory or a peripheral register within the same interface, an arbitration procedure occurs. This section describes this arbitration.

The arbitration follows a fixed arbitration scheme with highest priority first:

1. CLA WRITE
2. CLA READ
3. CPU WRITE
4. CPU READ

Refer to the Memory Controller Module section of the *System Control and Interrupts* chapter.

### 6.3.1 CLA Message RAM

Message RAMs consist of two blocks:

- CLA to CPU Message RAM
- CPU to CLA Message RAM

These blocks are useful for passing data between the CLA and CPU. No opcode fetches, from either the CLA or CPU, are allowed from the message RAMs. A write protection violation is not generated if the CLA attempts to write to the CPU to CLA message RAM, but the write is ignored. The arbitration scheme for the message RAMs are the same as those for the shared memories, described in the Memory Controller Module section of the *System Control and Interrupts* chapter.

The message RAMs have the following characteristics:

- CLA to CPU Message RAM:  
The following accesses are allowed:
  - CPU reads
  - CLA data reads and writes
  - CPU debug reads and writesThe following accesses are ignored:
  - CPU writes
- CPU to CLA Message RAM:  
The following accesses are allowed:
  - CPU reads and writes
  - CLA reads
  - CPU debug reads and writesThe following accesses are ignored:
  - CLA writes

### 6.3.2 CLA Program Memory

The behavior of the program memory depends on the state of the MMEMCFG[PROGE] bit. This bit controls whether the memory is mapped to CLA space or CPU space.

- **MMEMCFG[PROGE] == 0**

In this case, the memory is mapped to the CPU. The CLA is halted and no tasks can be incoming.

- Any CLA fetch is treated as an illegal opcode condition as described in [Section 6.4.4](#). This condition does not occur, if the proper procedure is followed to map the program memory.
- CLA reads and writes cannot occur
- The memory block behaves as any normal RAM block mapped to CPU memory space.

Priority of accesses are (highest priority first):

1. CPU data write, program write, debug write
2. CPU data read, program read, debug read
3. CPU fetch, program read

- **MMEMCFG[PROGE] == 1**

In this case, the memory block is mapped to CLA space. The CPU can only make debug accesses.

- CLA reads and writes cannot occur
- CLA fetches are allowed
- CPU fetches return 0 that is an illegal opcode and causes an ITRAP interrupt.
- CPU data reads and program reads return 0
- CPU data writes and program writes are ignored

Priority of accesses are (highest priority first):

1. CLA fetch
2. CPU debug write
3. CPU debug read

---

#### Note

Because the CLA fetch has higher priority than CPU debug reads, there is a possibility for the CLA to permanently block debug accesses if the CLA is executing in a loop. This can occur when initially developing CLA code due to a bug. To avoid this issue, the program memory returns all 0x0000 for CPU debug reads (ignore writes) when the CLA is running. When the CLA is halted or idle, then normal CPU debug read and write access can be performed.

---

### 6.3.3 CLA Data Memory

There are independent data memory blocks. The behavior of the data memory depends on the state of the MMEMCFG[RAM0E] MMEMCFG[RAM1E] bits. These bits determine whether the memory blocks are mapped to CLA space or CPU space.

- **MMEMCFG[RAMxE] == 0**

In this case the memory block is mapped to the CPU.

- CLA fetches cannot occur to this block.
- CLA reads return 0.
- CLA writes are ignored.
- The memory block behaves as any normal RAM block mapped to the CPU memory space.

Priority of accesses are (highest priority first):

1. CPU data write/program write/debug access write
2. CPU data read/debug access read
3. CPU fetch/program read

- **MMEMCFG[RAMxE] == 1**

In this case the memory block is mapped to CLA space. The CPU can make only debug accesses.

- CLA fetches cannot occur to this block.
- CLA read and CLA writes are allowed.
- CPU fetches return 0
- CPU data reads and program reads return 0.
- CPU data writes and program writes are ignored.

Priority of accesses are (highest priority first):

1. CLA data write
2. CPU debug write
3. CPU debug read
4. CLA read

### 6.3.4 Peripheral Registers (ePWM, HRPWM, Comparator)

Accesses to the registers follow these rules:

- If both the CPU and CLA request access at the same time, then the CLA has priority and the main CPU is stalled.
- If a CPU access is in-progress and another CPU access is pending, then the CLA has priority over the pending CPU access. In this case, the CLA access begins when the current CPU access completes.
- While a CPU access is in-progress, any incoming CLA access is stalled.
- While a CLA access is in-progress, any incoming CPU access is stalled.
- A CPU write operation has priority over a CPU read operation.
- A CLA write operation has priority over a CLA read operation.
- If the CPU is performing a read-modify-write operation and the CLA performs a write to the same location, the CLA write can be lost if the operation occurs in-between the CPU read and write. For this reason, do not mix CPU and CLA accesses to same location.



## 6.4 CLA Configuration and Debug

This section discusses the steps necessary to configure and debug the CLA.

### 6.4.1 Building a CLA Application

The control law accelerator can be programmed in either CLA assembly code, using the instructions described in [Section 6.7](#), or a reduced subset of the C language. CLA assembly code resides in the same project with C28x code. The only restriction is the CLA code must be in the assembly section. This can be easily done using the `.sect` assembly directive. This does not prevent CLA and C28x code from being linked into the same memory region in the linker command file.

System and CLA initialization are performed by the main CPU. This can typically be done in C or C++ but can also include C28x assembly code. The main CPU also copies the CLA code to the program memory and, if needed, initialize the CLA data RAMs. Once system initialization is complete and the application begins, the CLA services the interrupts using the CLA assembly code (or tasks). The main CPU can perform other tasks concurrently with CLA program execution.

The CLA Type 1 requires Codegen V6.2.4 or later with the compiler switch: `--cla_support=cla1`.

### 6.4.2 Typical CLA Initialization Sequence

A typical CLA initialization sequence is performed by the main CPU as described in this section.

#### 1. Copy CLA code into the CLA program RAM

The source for the CLA code can initially reside in the Flash or a data stream from a communications peripheral or anywhere the main CPU can access. The debugger can also be used to load code directly to the CLA program RAM during development.

#### 2. Initialize CLA data RAM, if necessary

Populate the CLA data RAM with any required data coefficients or constants.

#### 3. Configure the CLA registers

Configure the CLA registers, but keep interrupts disabled until later (leave `MIER = 0`):

- **Enable the CLA peripheral clock using the assigned PCLKCRn register**

The peripheral clock control (PCLKCRn) registers are defined in the *System Control and Interrupts* chapter.

- **Populate the CLA task interrupt vectors**

- MVECT1 to MVECT8

Each vector needs to be initialized with the start address of the task to be executed when the CLA receives the associated interrupt. This address is the full 16-bit starting address of the task in the lower 64K section of memory.

- **Select the task interrupt sources**

For each task select the interrupt source in the `CLA1TASKSRCSELx` register. If a task is software triggered, select no interrupt.

- **Enable IACK to start a task from software, if desired**

To enable the IACK instruction to start a task set the `MCTL[IACKE]` bit. Using the IACK instruction avoids having to set and clear the `EALLOW` bit.

- **Map CLA data RAM to CLA space, if necessary**

Map the data RAM to the CLA space by first, assigning ownership of the memory block to the CLA by writing a 1 to the memory block's MemCfgRegs.LSxMSEL[MSEL\_LSx] bit, and then specifying the memory block as a CLA data block by writing a 0 to the MemCfgRegs.LSxCLAPGM[CLAPGM\_LSx] bit. When an LSx memory is configured as a CLA data memory, the CLA read/write accesses are arbitrated along with CPU accesses. The user has the option of turning on CPU fetch or write protection to the memory by writing to the appropriate bits of the MemCfgRegs.LSxACCPROTx registers.

- **Map CLA program RAM to CLA space**

Map the CLA program RAM to CLA space by first assigning ownership of the memory block to the CLA by writing a 1 to the memory block's MemCfgRegs.LSxMSEL[MSEL\_LSx] bit, and then specifying the memory block as CLA code memory by writing a 1 to the MemCfgRegs.LSxCLAPGM[CLAPGM\_LSx] bit. When an LSx memory is configured as CLA program memory, only debug accesses are allowed on cycles in which the CLA is not fetching a new instruction.

#### 4. **Initialize the PIE vector table and registers**

When a CLA task completes, the associated interrupt in the PIE is flagged. The CLA overflow and underflow flags also have associated interrupts within the PIE.

#### 5. **Enable CLA tasks/interrupts**

Set appropriate bits in the interrupt enable register (MIER) to allow the CLA to service interrupts. Note that a CLA task only triggers on a level transition (a falling edge) of the configured interrupt source. If a peripheral is enabled and an interrupt fires before the CLA is configured, then the CLA does not recognize the interrupt edge and does not respond. To avoid this, configure the CLA before the peripherals or clear any pending peripheral interrupts before setting bits in the MIER register.

#### 6. **Initialize other peripherals**

Initialize any peripherals (such as ePWM, ADC, and others) that generate interrupt triggers for enabled CLA tasks.

The CLA is now ready to service interrupts and the message RAMs can be used to pass data between the CPU and the CLA. Mapping of the CLA program and data RAMs typically occurs only during the initialization process. If the RAM mapping needs to be changed after initialization, the CLA interrupts must be disabled and all tasks must be completed (by checking the MIRUN register) prior to modifying the RAM ownership.

### 6.4.3 Debugging CLA Code

Debugging the CLA code is a simple process that occurs independently of the main CPU.

### 6.4.3.1 Breakpoint Support (MDEBUGSTOP)

#### 1. Insert a breakpoint in CLA code

Insert a CLA breakpoint (MDEBUGSTOP instruction) into the code where the CLA is to halt, then rebuild and reload the code. Because the CLA does not flush the pipeline when in single-step, the MDEBUGSTOP instruction must be inserted as part of the code. The debugger cannot insert the MDEBUGSTOP instruction as needed.

If CLA breakpoints are not enabled, then the MDEBUGSTOP instruction is ignored and is treated as a MNOP. The MDEBUGSTOP instruction can be placed anywhere in the CLA code as long as the MDEBUGSTOP instruction is not within three instructions of a MBCNDD, MCCNDD, or MRCNDD instruction. When programming in C, the user can use the `__mdebugstop()` intrinsic instead; the compiler makes sure that the placement of the MDEBUSTOP instruction in the generated assembly does not violate any of the pipeline restrictions.

#### 2. Enable CLA breakpoints

Enable the CLA breakpoints in the debugger. In the Code Composer Studio™ IDE, this is done by connecting to the CLA core (or tap) from the debug perspective. Breakpoints are disabled when the core is disconnected.

#### 3. Start the task

There are three ways to start the task:

- a. The peripheral can assert an interrupt,
- b. The main CPU can execute an IACK instruction, or
- c. The user can manually write to the MIFRC register in the debugger window

When the task starts, the CLA executes instructions until the MDEBUGSTOP is in the D2 phase of the pipeline. At this point, the CLA halts and the pipeline is frozen. The MPC register reflects the address of the MDEBUGSTOP instruction.

#### 4. Single-step the CLA code

Once halted, the user can single-step the CLA code. The behavior of a CLA single-step is different than the main C28x. When issuing a CLA single-step, the pipeline is clocked only one cycle and then again frozen. On the C28x CPU, the pipeline is flushed for each single-step.

Run to the next MDEBUGSTOP or to the end of the task. If another task is pending, the task automatically starts when run to the end of the task.

---

#### Note

A CLA fetch has higher priority than CPU debug reads. For this reason, it is possible for the CLA to permanently block CPU debug accesses if the CLA is executing in a loop. This can occur when initially developing CLA code due to a bug that causes an infinite loop. To avoid locking up the main CPU, the program memory returns all 0x0000 for CPU debug reads when the CLA is running. When the CLA is halted or idle, then normal CPU debug read and write access to CLA program memory can be performed.

If the CLA gets caught in an infinite loop, use a soft or hard reset to exit the condition. A debugger reset also exits the condition.

---

There are special cases that can occur when single-stepping a task such that the program counter, MPC, reaches the MSTOP instruction at the end of the task.

- **MPC halts at or after the MSTOP with a task already pending**

If single-stepping or halted in "task A" and "task B" comes in before the MPC reaches the MSTOP, then "task B" starts if continuing to step through the MSTOP instruction. Basically, if "task B" is pending before the MPC reaches MSTOP in "task A" then there is no issue in "task B" starting and no special action is required.

- **MPC halts at or after the MSTOP with no task pending**

In this case, if single-stepped or halted in "task A" and the MPC has reached the MSTOP with no tasks pending. If "task B" comes in at this point, "task B" is flagged in the MIFR register but "task B" can or cannot start if continuing to single-step through the MSTOP instruction of "task A."

Depending on exactly when the new task comes in, to reliably start "task B", perform a soft reset and reconfigure the MIER bits. Once this is done, start single-stepping "task B."

This case can be handled slightly differently if there is control over when "task B" comes in (for example, using the IACK instruction to start the task). In this case, the task is single-stepped or halted in "task A" and the MPC has reached the MSTOP with no tasks pending. Before forcing "task B," run free to force the CLA out of the debug state. Once this is done, force "task B" and continue debugging.

#### 5. Disable CLA breakpoints, if desired

In the Code Composer Studio™ IDE, disable the CLA breakpoints by disconnecting the CLA core in the debug perspective. Make sure to first issue a run or reset; otherwise, the CLA is halted and no other tasks start.

#### 6.4.4 CLA Illegal Opcode Behavior

If the CLA fetches an opcode that does not correspond to a legal instruction, the CLA behaves as follows:

- The CLA halts with the illegal opcode in the D2 phase of the pipeline as if a breakpoint. This occurs whether CLA breakpoints are enabled or not.
- The CLA issues the task-specific interrupt to the PIE.
- The MIRUN bit for the task remains set.

Further single-stepping is ignored once execution halts due to an illegal op-code. To exit this situation, issue either a soft or hard reset of the CLA as described in [Section 6.4.5](#).

### 6.4.5 Resetting the CLA

There are times when resetting the CLA is needed. For example, during code debug the CLA can enter an infinite loop due to a code bug. The CLA has two types of resets: hard and soft. Both of these resets can be performed by the debugger or by the main CPU.

- **Hard Reset** Writing a 1 to the MCTL[HARDRESET] bit performs a hard reset of the CLA. The behavior of a hard reset is the same as a system reset (using  $\overline{XRS}$  or the debugger). In this case, all CLA configuration and execution registers can be set to their default state and CLA execution halts.
- **Soft Reset** Writing a 1 to the MCTL[SOFTRESET] bit performs a soft reset of the CLA. If a task is executing, the task halts and the associated MIRUN bit is cleared. All bits within the interrupt enable (MIER) register are also cleared, so that no new tasks start.

## 6.5 Pipeline

This section describes the CLA pipeline stages and presents cases where pipeline alignment must be considered.

### 6.5.1 Pipeline Overview

The CLA pipeline is very similar to the C28x pipeline with eight stages:

1. **Fetch 1 (F1):** During the F1 stage the program read address is placed on the CLA program address bus.
2. **Fetch 2 (F2):** During the F2 stage the instruction is read using the CLA program data bus.
3. **Decode 1 (D1):** During D1 the instruction is decoded.
4. **Decode 2 (D2):** Generate the data read address. Changes to MAR0 and MAR1 due to post-increment using indirect addressing takes place in the D2 phase. Conditional branch decisions are also made at this stage based on the MSTF register flags.
5. **Read 1 (R1):** Place the data read address on the CLA data-read address bus. If a memory conflict exists, the R1 stage is stalled.
6. **Read 2 (R2):** Read the data value using the CLA data read data bus.
7. **Execute (EXE):** Execute the operation. Changes to MAR0 and MAR1 due to loading an immediate value or value from memory take place in this stage.
8. **Write (W):** Place the write address and write data on the CLA write data bus. If a memory conflict exists, the W stage is stalled.

## 6.5.2 CLA Pipeline Alignment

The majority of the CLA instructions do not require any special pipeline considerations. This section lists the few operations that do require special consideration.

- **Write Followed by Read**

In both the C28x pipeline and the CLA pipeline, the read operation occurs before the write. This means that if a read operation immediately follows a write, then the read completes first as shown in [Table 6-2](#). In most cases this does not cause a problem since the contents of one memory location does not depend on the state of another. For accesses to peripherals where a write to one location can affect the value in another location, the code must wait for the write to complete before issuing the read as shown in [Table 6-3](#).

This behavior is different for the C28x CPU. For the C28x CPU, any write followed by read to the same location is protected by what is called write-followed-by-read protection. This protection automatically stalls the pipeline so that the write completes before the read. In addition, some peripheral frames are protected such that a C28x CPU write to one location within the frame always completes before a read to the frame. The CLA does not have this protection mechanism. Instead, the code must wait to perform the read.

**Table 6-2. Write Followed by Read - Read Occurs First**

Instruction	F1	F2	D1	D2	R1	R2	E	W
I1 MMOV16 @Reg1, MR3	I1							
I2 MMOV16 MR2, @Reg2	I2	I1						
		I2	I1					
			I2	I1				
				I2	I1			
					I2	I1		
						I2	I1	
							I2	I1

**Table 6-3. Write Followed by Read - Write Occurs First**

Instruction	F1	F2	D1	D2	R1	R2	E	W
I1 MMOV16 @Reg1, MR3	I1							
I2	I2	I1						
I3	I3	I2	I1					
I4	I4	I3	I2	I1				
I5 MMOV16 MR2, @Reg2	I5	I4	I3	I2	I1			
		I5	I4	I3	I2	I1		
			I5	I4	I3	I2	I1	
				I5	I4	I3	I2	I1
					I5	I4	I3	I1
						I5	I4	I1
							I5	I1

- **Delayed Conditional instructions: MBCNDD, MCCNDD, and MRCNDD**

Referring to [Example 6-1](#), the following applies to delayed conditional instructions:

- **I1:** I1 is the last instruction that can effect the CNDF flags for the branch, call, or return instruction. The CNDF flags are tested in the D2 phase of the pipeline. That is, a decision is made whether to branch or not when MBCNDD, MCCNDD, or MRCNDD is in the D2 phase.
- **I2, I3, and I4:** The three instructions preceding MBCNDD can change the MSTF flags but have no effect on whether the MBCNDD instruction branches or not. This is because the flag modification occurs after the D2 phase of the branch, call, or return instruction. These three instructions must not be a MSTOP, MDEBUGSTOP, MBCNDD, MCCNDD, or MRCNDD.
- **I5, I6, and I7:** The three instructions following a branch, call, or return are always executed irrespective of whether the condition is true or not. These instructions must not be MSTOP, MDEBUGSTOP, MBCNDD, MCCNDD, or MRCNDD.

For a more detailed description, refer to the description for [MBCNDD](#), [MCCNDD](#), and [MRCNDD](#).

**Example 6-1. Code Fragment For MBCNDD, MCCNDD, or MRCNDD**

```

<Instruction 1>      ; I1 Last instruction that can affect flags for
                    ;   the branch, call or return operation
<Instruction 2>      ; I2 Cannot be stop, branch, call or return
<Instruction 3>      ; I3 Cannot be stop, branch, call or return
<Instruction 4>      ; I4 Cannot be stop, branch, call or return
<branch/call/ret>    ; MBCNDD, MCCNDD or MRCNDD
                    ; I5-I7: Three instructions after are always
                    ;   executed whether the branch/call or return is
                    ;   taken or not
<Instruction 5>      ; I5 Cannot be stop, branch, call or return
<Instruction 6>      ; I6 Cannot be stop, branch, call or return
<Instruction 7>      ; I7 Cannot be stop, branch, call or return
<Instruction 8>      ; I8
<Instruction 9>      ; I9
....

```

- **Stop or Halting a Task: MSTOP and MDEBUGSTOP**

The MSTOP and MDEBUGSTOP instructions cannot be placed three instructions before or after a conditional branch, call or return instruction (MBCNDD, MCCNDD, or MRCNDD). Refer to [Example 6-1](#). To single-step through a branch/call or return, insert the MDEBUGSTOP at least four instructions back and step from there.

- **Loading MAR0 or MAR1**

A load of auxiliary register MAR0 or MAR1 occurs in the EXE phase of the pipeline. Any post increment of MAR0 or MAR1 using indirect addressing occurs in the D2 phase of the pipeline. Referring to [Example 6-2](#), the following applies when loading the auxiliary registers:

- **I1 and I2:** The two instructions following the load instruction use the value in MAR0 or MAR1 before the update occurs.
- **I3:** Loading of an auxiliary register occurs in the EXE phase while updates due to post-increment addressing occur in the D2 phase. Thus I3 cannot use the auxiliary register or there is a conflict. In the case of a conflict, the update due to address-mode post increment wins and the auxiliary register is not updated with #\_X.
- **I4:** Starting with the 4th instruction MAR0 or MAR1 has the new value.

**Example 6-2. Code Fragment for Loading MAR0 or MAR1**

```

; Assume MAR0 is 50 and #_X is 20
MMOVI16 MAR0, #_X ; Load MAR0 with address of x (20)
<Instruction 1> ; I1 will use the old value of MAR0 (50)
<Instruction 2> ; I2 will use the old value of MAR0 (50)
<Instruction 3> ; I3 Cannot use MAR0
<Instruction 4> ; I4 will use the new value of MAR0 (20)
<Instruction 5> ; I5 will use the new value of MAR0 (20)
....
    
```



### 6.5.2.1 ADC Early Interrupt to CLA Response

The ADC can be configured to generate an early interrupt pulse before the ADC conversion completes. If this option is used to start a CLA task, the CLA is able to read the result as soon as the conversion result is available in the ADC result register. This combination of just-in-time sampling along with the low interrupt response of the CLA enable faster system response and higher frequency control loops. The CLA task trigger to first instruction fetch interrupt latency is 4 cycles.

Timings for ADC conversions are shown in the timing diagrams of the ADC chapter. If the ADCCLK is a divided down version of the SYSCLK, the user has to account for the conversion time in SYSCLK cycles.

For example, if using the 12-bit ADC with ADCCLK at SYSCLK / 4, the ADC can take  $10.5 \text{ ADCCLK} \times 4 \text{ SYSCLK} = 42 \text{ SYSCLK}$  cycles to complete a conversion.

From a CLA perspective, the pipeline activity is shown in Table 6-4 for an N-cycle (SYSCLK) ADC conversion. The N-2 instruction arrives in the R2 phase just in time to read the result register. While the prior instructions enter the R2 phase of the pipeline too soon to read the conversion, the instructions can be efficiently used for pre-processing calculations needed by the task.

**Table 6-4. ADC to CLA Early Interrupt Response**

ADC Activity	CLA Activity	F1	F2	D1	D2	R1	R2	E	W
Sample									
Sample									
...									
Sample									
Conversion <sub>(Cycle 1)</sub>	Interrupt Received								
Conversion <sub>(Cycle 2)</sub>	Task Startup								
Conversion <sub>(Cycle 3)</sub>	Task Startup								
Conversion <sub>(Cycle 4)</sub>	I <sub>(Cycle 4)</sub>	I <sub>(Cycle 4)</sub>							
Conversion <sub>(Cycle 5)</sub>	I <sub>(Cycle 5)</sub>	I <sub>(Cycle 5)</sub>	I <sub>(Cycle 4)</sub>						
Conversion <sub>(...)</sub>	...	...	...	...	...	...	...		
Conversion <sub>(Cycle N-6)</sub>	I <sub>(Cycle N-6)</sub>	I <sub>(Cycle N-6)</sub>	I <sub>(Cycle N-7)</sub>	I <sub>(Cycle N-8)</sub>	I <sub>(Cycle N-9)</sub>	I <sub>(Cycle N-10)</sub>	I <sub>(Cycle N-11)</sub>		
Conversion <sub>(Cycle N-5)</sub>	I <sub>(Cycle N-5)</sub>	I <sub>(Cycle N-5)</sub>	I <sub>(Cycle N-6)</sub>	I <sub>(Cycle N-7)</sub>	I <sub>(Cycle N-8)</sub>	I <sub>(Cycle N-9)</sub>	I <sub>(Cycle N-10)</sub>		
Conversion <sub>(Cycle N-4)</sub>	I <sub>(Cycle N-4)</sub>	I <sub>(Cycle N-4)</sub>	I <sub>(Cycle N-5)</sub>	I <sub>(Cycle N-6)</sub>	I <sub>(Cycle N-7)</sub>	I <sub>(Cycle N-8)</sub>	I <sub>(Cycle N-9)</sub>		
Conversion <sub>(Cycle N-3)</sub>	I <sub>(Cycle N-3)</sub>	I <sub>(Cycle N-3)</sub>	I <sub>(Cycle N-4)</sub>	I <sub>(Cycle N-5)</sub>	I <sub>(Cycle N-6)</sub>	I <sub>(Cycle N-7)</sub>	I <sub>(Cycle N-8)</sub>		
Conversion <sub>(Cycle N-2)</sub>	<b>Read RESULT</b>	<b>Read RESULT</b>	I <sub>(Cycle N-3)</sub>	I <sub>(Cycle N-4)</sub>	I <sub>(Cycle N-5)</sub>	I <sub>(Cycle N-6)</sub>	I <sub>(Cycle N-7)</sub>		
Conversion <sub>(Cycle N-1)</sub>			<b>Read RESULT</b>	I <sub>(Cycle N-3)</sub>	I <sub>(Cycle N-4)</sub>	I <sub>(Cycle N-5)</sub>	I <sub>(Cycle N-6)</sub>		
Conversion <sub>(Cycle N-0)</sub>				<b>Read RESULT</b>	I <sub>(Cycle N-3)</sub>	I <sub>(Cycle N-4)</sub>	I <sub>(Cycle N-5)</sub>		
Conversion Complete					<b>Read RESULT</b>	I <sub>(Cycle N-3)</sub>	I <sub>(Cycle N-4)</sub>		
RESULT Latched						<b>Read RESULT</b>	I <sub>(Cycle N-3)</sub>		
<b>RESULT Available</b>							<b>Read RESULT</b>		

### 6.5.3 Parallel Instructions

Parallel instructions are single opcodes that perform two operations in parallel. The following types of parallel instructions are available: math operation in parallel with a move operation, or two math operations in parallel. Both operations complete in a single cycle and there are no special pipeline alignment requirements.

#### Example 6-3. Math Operation with Parallel Load

```

; MADDF32 || MMOV32 instruction: 32-bit floating-point add with parallel move
; MADDF32 is a 1 cycle operation
; MMOV32 is a 1 cycle operation
    MADDF32    MR0, MR1, #2    ; MR0 = MR1 + 2,
    || MMOV32  MR1, @val       ; MR1 gets the contents of val
                                ; <-- MMOV32 completes here (MR1 is valid)
                                ; <-- DDF32 completes here (MR0 is valid)
    MPPYF32 MR0, MR0, MR1     ; Any instruction, can use MR1 and/or MR0

```

#### Example 6-4. Multiply with Parallel Add

```

; MPPYF32 || MADDF32 instruction: 32-bit floating-point multiply with parallel add
; MPPYF32 is a 1 cycle operation
; MADDF32 is a 1 cycle operation
    MPPYF32 MR0, MR1, MR3     ; MR0 = MR1 * MR3
    || MADDF32 MR1, MR2, MR0   ; MR1 = MR2 + MR0 (Uses value of MR0 before MPPYF32)
                                ; <-- MPPYF32 and MADDF32 complete here (MR0 and MR1 are valid)
    MPPYF32 MR1, MR1, MR0     ; Any instruction, can use MR1 and/or MR0

```

### 6.5.4 CLA Task Execution Latency

The CLA task execution latency depends on the state of the system:

- CLA task trigger of new task (normal or background) without background task active:

Task takes 8 cycles from CLA task trigger to first instruction of task to reach the D2 phase of pipeline.

#### Note

If background task has been configured in the system, then the compiler during code compilation adds context save instructions at the start of each regular task and restore instructions at end of each task so that register content can be saved and restored in case a background task is executing while the regular task is triggered. When a regular task is entered, this compiler-generated context save instruction is the first instruction of the task.

- CLA task trigger of normal task when background task is active:

Task takes 9 cycles from CLA task trigger to first instruction of normal task to reach the D2 phase of pipeline. There is a difference of one clock cycle to force the MSTOP in the D2 phase of the background task before the task exits as compared to a new task trigger without the background task active.

#### Note

If the MBCNDD/MCCNDD/MRCNDD instructions in the background task are in the D2 phase of the pipeline when a new task gets triggered, the task takes a minimum of 3 more cycles to complete these uninterruptible instructions adding to the delay.

- Returning to background task from normal task:

The task takes 5 cycles to return from a normal task to resume the background task instruction at the D2 phase of the pipeline.

## 6.6 Software

### 6.6.1 CLA Examples

NOTE: These examples are located in the [C2000Ware](#) installation at the following location:  
C2000Ware\_VERSION#/driverlib/DEVICE\_GPN/examples/CORE\_IF\_MULTICORE/cla

Cloud access to these examples is available at the following link: [dev.ti.com](http://dev.ti.com) [C2000Ware Examples](#).

#### 6.6.1.1 CLA arcsine(x) using a lookup table (cla\_asin\_cpu01)

FILE: cla\_ex1\_asin.c

In this example, Task 1 of the CLA will calculate the arcsine of an input argument in the range (-1.0 to 1.0) using a lookup table.

##### *Memory Allocation*

- CLA1 Math Tables (RAMLS0)
- CLA1 to CPU Message RAM
  - fResult - Result of the lookup algorithm
- CPU to CLA1 Message RAM
  - fVal - Sample input to the lookup algorithm

##### *Watch Variables*

- fVal - Argument to task 1
- fResult - Result of arcsin(fVal)

#### 6.6.1.2 CLA arctangent(x) using a lookup table (cla\_atan\_cpu01)

FILE: cla\_ex2\_atan.c

In this example, Task 1 of the CLA will calculate the arctangent of an input argument using a lookup table.

##### *Memory Allocation*

- CLA1 Math Tables (RAMLS0)
- CLA1 to CPU Message RAM
  - fResult - Result of the lookup algorithm
- CPU to CLA1 Message RAM
  - fNum - Numerator of sample input
  - fDen - Denominator of sample input

##### *Watch Variables*

- fVal - Argument to task 1
- fResult - Result of arctan(fVal)

## 6.7 Instruction Set

This section describes the assembly language instructions of the control law accelerator. Also described are parallel operations, conditional operations, resource constraints, and addressing modes. The instructions listed here are independent from C28x and C28x+FPU instruction sets.

### 6.7.1 Instruction Descriptions

This section gives detailed information on the instruction set. Each instruction presents the following information:

- Operands
- Opcode
- Description
- Exceptions
- Pipeline
- Examples
- See also

The example INSTRUCTION is shown to familiarize you with the way each instruction is described. The example describes the kind of information you find in each part of the individual instruction description and where to obtain more information. CLA instructions follow the same format as the C28x instructions; the source operands are always on the right and the destination operands are on the left.

The explanations for the syntax of the operands used in the instruction descriptions for the C28x CLA are given in [Table 6-5](#).

**Table 6-5. Operand Nomenclature**

Symbol	Description
#16FHi	16-bit immediate (hex or float) value that represents the upper 16-bits of an IEEE 32-bit floating-point value. Lower 16-bits of the mantissa are assumed to be zero.
#16FHiHex	16-bit immediate hex value that represents the upper 16-bits of an IEEE 32-bit floating-point value. Lower 16-bits of the mantissa are assumed to be zero.
#16FLoHex	A 16-bit immediate hex value that represents the lower 16-bits of an IEEE 32-bit floating-point value
#32Fhex	32-bit immediate value that represents an IEEE 32-bit floating-point value
#32F	Immediate float value represented in floating-point representation
#0.0	Immediate zero
#SHIFT	Immediate value of 1 to 32 used for arithmetic and logical shifts.
addr	Opcode field indicating the addressing mode
CNDF	Condition to test the flags in the MSTF register
FLAG	Selected flags from MSTF register (OR) 8 bit mask indicating which floating-point status flags to change
MAR0	Auxiliary register 0
MAR1	Auxiliary register 1
MARx	Either MAR0 or MAR1
mem16	16-bit memory location accessed using direct, indirect, or offset addressing modes
mem32	32-bit memory location accessed using direct, indirect, or offset addressing modes
MRa	MR0 to MR3 registers
MRb	MR0 to MR3 registers
MRc	MR0 to MR3 registers
MRd	MR0 to MR3 registers
MRe	MR0 to MR3 registers
MRf	MR0 to MR3 registers
MSTF	CLA Floating-point Status Register
shift	Opcode field indicating the number of bits to shift.
VALUE	Flag value of 0 or 1 for selected flag (OR) 8 bit mask indicating the flag value; 0 or 1

Each instruction has a table that gives a list of the operands and a short description. Instructions always have their destination operands first followed by the source operands.

**Table 6-6. INSTRUCTION dest, source1, source2 Short Description**

	Description
dest1	Description for the 1st operand for the instruction
source1	Description for the 2nd operand for the instruction
source2	Description for the 3rd operand for the instruction
Opcode	This section shows the opcode for the instruction
Description	Detailed description of the instruction execution is described. Any constraints on the operands imposed by the processor or the assembler are discussed.
Restrictions	Any constraints on the operands or use of the instruction imposed by the processor are discussed.
Pipeline	This section describes the instruction in terms of pipeline cycles as described in <a href="#">Section 6.5</a>
Example	Examples of instruction execution. If applicable, register and memory values are given before and after instruction execution. Some examples are code fragments while other examples are full tasks that assume the CLA is correctly configured and the main CPU has passed the CLA data.
Operands	Each instruction has a table that gives a list of the operands and a short description. Instructions always have their destination operands first followed by the source operands.

### 6.7.2 Addressing Modes and Encoding

The CLA uses the same address to access data and registers as the main CPU. For example, if the main CPU accesses an ePWM register at address 0x00 6800, then the CLA accesses the register using address 0x6800. Since all CLA accessible memory and registers are within the low 64k x 16 of memory, only the low 16-bits of the address are used by the CLA.

To address the CLA data memory, message RAMs and shared peripherals, the CLA supports two addressing modes:

- Direct addressing mode: Uses the address of the variable or register directly.
- Indirect addressing with 16-bit post increment. This mode uses either XAR0 or XAR1.

The CLA does not use a data page pointer or a stack pointer. The two addressing modes are encoded as shown [Table 6-7](#).

**Table 6-7. Addressing Modes**

Addressing Mode	'addr' Opcode Field Encode <sup>(1)</sup>	Description
<b>@dir</b>	<b>0000</b>	<p><b>Direct Addressing Mode</b></p> <p>Example 1: <code>MMOV32 MR1, @_VarA</code></p> <p>Example 2: <code>MMOV32 MR1, @_EPwm1Regs.CMPA.all</code></p> <p>In this case, the 'mmm mmmm mmmm mmmm' opcode field is populated with the 16-bit address of the variable. This is the low 16-bits of the address to access the variable using the main CPU.</p> <p>For example, <code>@_VarA</code> populates the address of the variable <code>VarA</code>. and <code>@_EPwm1Regs.CMPA.all</code> populates the address of the <code>CMPA</code> register.</p>
<b>*MAR0[#imm16]++</b>	<b>0001</b>	<p><b>MAR0 Indirect Addressing with 16-bit Immediate Post Increment</b></p> <p><b>MAR1 Indirect Addressing with 16-bit Immediate Post Increment</b></p> <p><code>addr = MAR0 (or MAR1)</code> Access memory using the address stored in <code>MAR0 (or MAR1)</code>.  <code>MAR0 (or MAR1) += #imm16</code> Then post increment <code>MAR0 (or MAR1)</code> by <code>#imm16</code>.</p> <p>Example 1: <code>MMOV32 MR0, *MAR0[2]++</code></p> <p>Example 2: <code>MMOV32 MR1, *MAR1[-2]++</code></p> <p>For a post increment of 0, the assembler accepts both <code>*MAR0</code> and <code>*MAR0[0]++</code>.</p> <p>The 'mmm mmmm mmmm mmmm' opcode field is populated with the signed 16-bit pointer offset. For example, if <code>#imm16</code> is 2, then the opcode field is <code>0x0002</code>. Likewise, if <code>#imm16</code> is -2, then the opcode field is <code>0xFFFFE</code>.</p> <p>If addition of the 16-bit immediate causes overflow, then the value wraps around on a 16-bit boundary.</p>
<b>*MAR1[#imm16]++</b>	<b>0010</b>	
<b>*MAR0+[#imm16]</b>	<b>0101</b>	<p><b>MAR0 Offset Addressing with 16-bit Immediate Offset</b></p> <p><b>MAR1 Offset Addressing with 16-bit Immediate Offset</b></p> <p><code>addr = MAR0 (or MAR1) + #imm16</code> Add the offset <code>#imm16</code> to the address stored in <code>MAR0(MAR1)</code> to access the desired memory location.</p> <p>Example 1: <code>MMOV32 MR0, *MAR0+[2]</code></p> <p>Example 1: <code>MMOV32 MR1, *MAR1+[-2]</code></p> <p>The 'mmm mmmm mmmm mmmm' opcode field is populated with the signed 16-bit pointer offset. For example, if <code>#imm16</code> is 2, then the opcode field is <code>0x0002</code>. Likewise, if <code>#imm16</code> is -2, then the opcode field is <code>0xFFFFE</code>.</p> <p>If the addition of the 16-bit immediate causes overflow, the value wraps around on a 16-bit boundary.</p>
<b>*MAR1+[#imm16]</b>	<b>0110</b>	

(1) Values not shown are reserved.

Encoding for the shift fields in the `MASR32`, `MLSR32` and `MLSL32` instructions is shown in [Table 6-8](#).

**Table 6-8. Shift Field Encoding**

Shift Value	'shift' Opcode Field Encode
1	0000
2	0001
3	0010
....	....
32	1111

For instructions that use MRx (where x can be 'a' through 'f') as operands, the trailing alphabet appears in the opcode as a two-bit field. For example:

```
MMPYF32 MRa, MRb, MRc ||
MADDF32 MRd, MRe, MRf
```

whose opcode is,

```
LSW: 0000 ffee ddc bbaa
MSW: 0111 1010 0000 0000
```

The two-bit field specifies one of four working registers according to [Table 6-9](#).

**Table 6-9. Operand Encoding**

Two-Bit Field	Working Register
00	MR0
01	MR1
10	MR2
11	MR3

[Table 6-10](#) shows the condition field encoding for conditional instructions such as MNEGF, MSWAPF, MBCNDD, MCCNDD, and MRCNDD.

**Table 6-10. Condition Field Encoding**

Encode <sup>(1)</sup>	CNDF	Description	MSTF Flags Tested
0000	NEQ	Not equal to zero	ZF == 0
0001	EQ	Equal to zero	ZF == 1
0010	GT	Greater than zero	ZF == 0 AND NF == 0
0011	GEQ	Greater than or equal to zero	NF == 0
0100	LT	Less than zero	NF == 1
0101	LEQ	Less than or equal to zero	ZF == 1 OR NF == 1
1010	TF	Test flag set	TF == 1
1011	NTF	Test flag not set	TF == 0
1100	LU	Latched underflow	LUF == 1
1101	LV	Latched overflow	LVF == 1
1110	UNC	Unconditional	None
1111	UNCF <sup>(2)</sup>	Unconditional with flag modification	None

(1) Values not shown are reserved.

(2) This is the default operation, if no CNDF field is specified. This condition allows the ZF and NF flags to be modified when a conditional operation is executed. All other conditions do not modify these flags.

### 6.7.3 Instructions

The instructions are listed alphabetically.

#### Instruction Set Summary

<b>MABSF32 MRa, MRb</b> — 32-Bit Floating-Point Absolute Value.....	690
<b>MADD32 MRa, MRb, MRc</b> — 32-Bit Integer Add.....	691
<b>MADDF32 MRa, #16FHi, MRb</b> — 32-Bit Floating-Point Addition.....	692
<b>MADDF32 MRa, MRb, #16FHi</b> — 32-Bit Floating-Point Addition.....	694
<b>MADDF32 MRa, MRb, MRc</b> — 32-Bit Floating-Point Addition.....	696
<b>MADDF32 MRd, MRe, MRf   MMOV32 mem32, MRa</b> — 32-Bit Floating-Point Addition with Parallel Move.....	697
<b>MADDF32 MRd, MRe, MRf   MMOV32 MRa, mem32</b> — 32-Bit Floating-Point Addition with Parallel Move.....	698
<b>MAND32 MRa, MRb, MRc</b> — Bitwise AND.....	700
<b>MASR32 MRa, #SHIFT</b> — Arithmetic Shift Right.....	701
<b>MBCNDD 16BitDest {, CNDF}</b> — Branch Conditional Delayed.....	703
<b>MCCNDD 16BitDest {, CNDF}</b> — Call Conditional Delayed.....	708
<b>MCMP32 MRa, MRb</b> — 32-Bit Integer Compare for Equal, Less Than or Greater Than.....	712
<b>MCMPF32 MRa, MRb</b> — 32-Bit Floating-Point Compare for Equal, Less Than or Greater Than.....	714
<b>MCMPF32 MRa, #16FHi</b> — 32-Bit Floating-Point Compare for Equal, Less Than or Greater Than.....	715
<b>MDEBUGSTOP</b> — Debug Stop Task.....	717
<b>MEALLOW</b> — Enable CLA Write Access to EALLOW Protected Registers.....	718
<b>MEDIS</b> — Disable CLA Write Access to EALLOW Protected Registers.....	719
<b>MEINVF32 MRa, MRb</b> — 32-Bit Floating-Point Reciprocal Approximation.....	720
<b>MEISQRTF32 MRa, MRb</b> — 32-Bit Floating-Point Square-Root Reciprocal Approximation.....	722
<b>MF32TOI16 MRa, MRb</b> — Convert 32-Bit Floating-Point Value to 16-Bit Integer.....	724
<b>MF32TOI16R MRa, MRb</b> — Convert 32-Bit Floating-Point Value to 16-Bit Integer and Round.....	725
<b>MF32TOI32 MRa, MRb</b> — Convert 32-Bit Floating-Point Value to 32-Bit Integer.....	726
<b>MF32TOUI16 MRa, MRb</b> — Convert 32-Bit Floating-Point Value to 16-bit Unsigned Integer .....	728
<b>MF32TOUI16R MRa, MRb</b> — Convert 32-Bit Floating-Point Value to 16-bit Unsigned Integer and Round.....	729
<b>MF32TOUI32 MRa, MRb</b> — Convert 32-Bit Floating-Point Value to 32-Bit Unsigned Integer .....	730
<b>MFRACF32 MRa, MRb</b> — Fractional Portion of a 32-Bit Floating-Point Value.....	731
<b>MI16TOF32 MRa, MRb</b> — Convert 16-Bit Integer to 32-Bit Floating-Point Value .....	732
<b>MI16TOF32 MRa, mem16</b> — Convert 16-Bit Integer to 32-Bit Floating-Point Value .....	733
<b>MI32TOF32 MRa, mem32</b> — Convert 32-Bit Integer to 32-Bit Floating-Point Value .....	734
<b>MI32TOF32 MRa, MRb</b> — Convert 32-Bit Integer to 32-Bit Floating-Point Value .....	735
<b>MLSL32 MRa, #SHIFT</b> — Logical Shift Left.....	736
<b>MLSR32 MRa, #SHIFT</b> — Logical Shift Right.....	738
<b>MMACF32 MR3, MR2, MRd, MRe, MRf   MMOV32 MRa, mem32</b> — 32-Bit Floating-Point Multiply and Accumulate with Parallel Move.....	739
<b>MMAXF32 MRa, MRb</b> — 32-Bit Floating-Point Maximum.....	742
<b>MMAXF32 MRa, #16FHi</b> — 32-Bit Floating-Point Maximum.....	744
<b>MMINF32 MRa, MRb</b> — 32-Bit Floating-Point Minimum.....	746
<b>MMINF32 MRa, #16FHi</b> — 32-Bit Floating-Point Minimum.....	748
<b>MMOV16 MARx, MRa, #16I</b> — Load the Auxiliary Register with MRa + 16-bit Immediate Value.....	750
<b>MMOV16 MARx, mem16</b> — Load MAR1 with 16-bit Value.....	753
<b>MMOV16 mem16, MARx</b> — Move 16-Bit Auxiliary Register Contents to Memory.....	756
<b>MMOV16 mem16, MRa</b> — Move 16-Bit Floating-Point Register Contents to Memory.....	757
<b>MMOV32 mem32, MRa</b> — Move 32-Bit Floating-Point Register Contents to Memory .....	759
<b>MMOV32 mem32, MSTF</b> — Move 32-Bit MSTF Register to Memory.....	761
<b>MMOV32 MRa, mem32 {, CNDF}</b> — Conditional 32-Bit Move.....	762
<b>MMOV32 MRa, MRb {, CNDF}</b> — Conditional 32-Bit Move.....	764
<b>MMOV32 MSTF, mem32</b> — Move 32-Bit Value from Memory to the MSTF Register.....	766
<b>MMOVD32 MRa, mem32</b> — Move 32-Bit Value from Memory with Data Copy.....	767
<b>MMOVF32 MRa, #32F</b> — Load the 32-Bits of a 32-Bit Floating-Point Register.....	769



<b>MMOVE16 MARx, #16I</b> — Load the Auxiliary Register with the 16-Bit Immediate Value.....	771
<b>MMOVEI32 MRa, #32FHex</b> — Load the 32-Bits of a 32-Bit Floating-Point Register with the Immediate.....	773
<b>MMOVIZ MRa, #16FHi</b> — Load the Upper 16-Bits of a 32-Bit Floating-Point Register .....	775
<b>MMOVZ16 MRa, mem16</b> — Load MRx with 16-Bit Value.....	776
<b>MMOVXI MRa, #16FLoHex</b> — Move Immediate Value to the Lower 16-Bits of a Floating-Point Register.....	777
<b>MMPYF32 MRa, MRb, MRc</b> — 32-Bit Floating-Point Multiply.....	778
<b>MMPYF32 MRa, #16FHi, MRb</b> — 32-Bit Floating-Point Multiply .....	779
<b>MMPYF32 MRa, MRb, #16FHi</b> — 32-Bit Floating-Point Multiply .....	781
<b>MMPYF32 MRa, MRb, MRc  MADDF32 MRd, MRe, MRf</b> — 32-Bit Floating-Point Multiply with Parallel Add...	783
<b>MMPYF32 MRd, MRe, MRf   MMOV32 MRa, mem32</b> — 32-Bit Floating-Point Multiply with Parallel Move.....	785
<b>MMPYF32 MRd, MRe, MRf   MMOV32 mem32, MRa</b> — 32-Bit Floating-Point Multiply with Parallel Move.....	787
<b>MMPYF32 MRa, MRb, MRc   MSUBF32 MRd, MRe, MRf</b> — 32-Bit Floating-Point Multiply with Parallel Subtract .....	788
<b>MNEGF32 MRa, MRb{, CNDF}</b> — Conditional Negation.....	790
<b>MNOP</b> — No Operation.....	792
<b>MOR32 MRa, MRb, MRc</b> — Bitwise OR.....	793
<b>MRCNDD {CNDF}</b> — Return Conditional Delayed.....	794
<b>MSETFLG FLAG, VALUE</b> — Set or Clear Selected Floating-Point Status Flags.....	797
<b>MSTOP</b> — Stop Task.....	798
<b>MSUB32 MRa, MRb, MRc</b> — 32-Bit Integer Subtraction.....	800
<b>MSUBF32 MRa, MRb, MRc</b> — 32-Bit Floating-Point Subtraction.....	801
<b>MSUBF32 MRa, #16FHi, MRb</b> — 32-Bit Floating-Point Subtraction.....	802
<b>MSUBF32 MRd, MRe, MRf   MMOV32 MRa, mem32</b> — 32-Bit Floating-Point Subtraction with Parallel Move....	804
<b>MSUBF32 MRd, MRe, MRf   MMOV32 mem32, MRa</b> — 32-Bit Floating-Point Subtraction with Parallel Move....	805
<b>MSWAPF MRa, MRb {, CNDF}</b> — Conditional Swap.....	806
<b>MTESTTF CNDF</b> — Test MSTF Register Flag Condition.....	808
<b>MUI16TOF32 MRa, mem16</b> — Convert Unsigned 16-Bit Integer to 32-Bit Floating-Point Value.....	810
<b>MUI16TOF32 MRa, MRb</b> — Convert Unsigned 16-Bit Integer to 32-Bit Floating-Point Value.....	811
<b>MUI32TOF32 MRa, mem32</b> — Convert Unsigned 32-Bit Integer to 32-Bit Floating-Point Value.....	812
<b>MUI32TOF32 MRa, MRb</b> — Convert Unsigned 32-Bit Integer to 32-Bit Floating-Point Value.....	813
<b>MXOR32 MRa, MRb, MRc</b> — Bitwise Exclusive Or.....	814

**MABSF32 MRa, MRb****32-Bit Floating-Point Absolute Value****Operands**

MRa	CLA floating-point destination register (MR0 to MR3)
MRb	CLA floating-point source register (MR0 to MR3)

**Opcode**

```
LSW: 0000 0000 0000 bbaa
MSW: 0111 1110 0010 0000
```

**Description**

The absolute value of MRb is loaded into MRa. Only the sign bit of the operand is modified by the MABSF32 instruction.

```
if (MRb < 0) {MRa = -MRb};
else {MRa = MRb};
```

**Flags**

This instruction modifies the following flags in the MSTF register:

Flag	TF	ZF	NF	LUF	LVF
Modified	No	Yes	Yes	No	No

The MSTF register flags are modified as follows:

```
NF = 0;
ZF = 0;
if ( MRa(30:23) == 0) ZF = 1;
```

**Pipeline**

This is a single-cycle instruction.

**Example**

```
MMOVIZ MR0, #-2.0 ; MR0 = -2.0 (0xC0000000)
MABSF32 MR0, MR0 ; MR0 = 2.0 (0x40000000), ZF = NF = 0
MMOVIZ MR0, #5.0 ; MR0 = 5.0 (0x40A00000)
MABSF32 MR0, MR0 ; MR0 = 5.0 (0x40A00000), ZF = NF = 0
MMOVIZ MR0, #0.0 ; MR0 = 0.0
MABSF32 MR0, MR0 ; MR0 = 0.0 ZF = 1, NF = 0
```

**See also**

[MNEGF32 MRa, MRb {, CNDF}](#)

## MADD32 MRa, MRb, MRc

### 32-Bit Integer Add

#### Operands

MRa	CLA floating-point destination register (MR0 to MR3)
MRb	CLA floating-point destination register (MR0 to MR3)
MRc	CLA floating-point destination register (MR0 to MR3)

#### Opcode

```
LSW: 0000 0000 000cc bbaa
MSW: 0111 1110 1100 0000
```

#### Description

32-bit integer addition of MRb and MRc.

```
MRa(31:0) = MRb(31:0) + MRc(31:0);
```

#### Flags

This instruction modifies the following flags in the MSTF register:

Flag	TF	ZF	NF	LUF	LVF
Modified	No	Yes	Yes	No	No

The MSTF register flags are modified based on the integer results of the operation.

```
NF = MRa(31);
ZF = 0;
if(MRa(31:0) == 0) { ZF = 1; };
```

#### Pipeline

This is a single-cycle instruction.

#### Example

```
; Given A = (int32)1
; B = (int32)2
; C = (int32)-7
;
; Calculate Y2 = A + B + C
;
_Cla1Task1:
    MMOV32 MR0, @_A      ; MR0 = 1 (0x00000001)
    MMOV32 MR1, @_B      ; MR1 = 2 (0x00000002)
    MMOV32 MR2, @_C      ; MR2 = -7 (0xFFFFFFFF9)
    MADD32 MR3, MR0, MR1 ; A + B
    MADD32 MR3, MR2, MR3 ; A + B + C = -4 (0xFFFFFFFFFC)
    MMOV32 @_y2, MR3     ; Store y2
    MSTOP                ; end of task
```

#### See also

[MAND32 MRa, MRb, MRc](#)  
[MASR32 MRa, #SHIFT](#)  
[MLSL32 MRa, #SHIFT](#)  
[MLSR32 MRa, #SHIFT](#)  
[MOR32 MRa, MRb, MRc](#)  
[MXOR32 MRa, MRb, MRc](#)  
[MSUB32 MRa, MRb, MRc](#)

**MADDF32 MRa, #16FHi, MRb****32-Bit Floating-Point Addition****Operands**

MRa	CLA floating-point destination register (MR0 to MR3)
#16FHi	A 16-bit immediate value that represents the upper 16-bits of an IEEE 32-bit floating-point value. The low 16-bits of the mantissa are assumed to be all 0.
MRb	CLA floating-point source register (MR0 to MR3)

**Opcode**

```
LSW: IIII IIII IIII IIII
MSW: 0111 0111 1100 bbaa
```

**Description**

Add MRb to the floating-point value represented by the immediate operand. Store the result of the addition in MRa.

#16FHi is a 16-bit immediate value that represents the upper 16-bits of an IEEE 32-bit floating-point value. The low 16-bits of the mantissa are assumed to be all 0. #16FHi is most useful for representing constants where the lowest 16-bits of the mantissa are 0. Some examples are 2.0 (0x40000000), 4.0 (0x40800000), 0.5 (0x3F000000), and -1.5 (0xBFC00000). The assembler accepts either a hex or float as the immediate value. That is, the value -1.5 can be represented as #-1.5 or #0xBFC0.

```
MRa = MRb + #16FHi:0;
```

This instruction can also be written as MADDF32 MRa, MRb, #16FHi.

**Flags**

This instruction modifies the following flags in the MSTF register:

Flag	TF	ZF	NF	LUF	LVF
Modified	No	No	No	Yes	Yes

The MSTF register flags are modified as follows:

- LUF = 1 if MADDF32 generates an underflow condition.
- LVF = 1 if MADDF32 generates an overflow condition.

**Pipeline**

This is a single-cycle instruction.

**Example**

```
; Add to MR1 the value 2.0 in 32-bit floating-point format
; Store the result in MR0
MADDF32 MR0, #2.0, MR1 ; MR0 = 2.0 + MR1
; Add to MR3 the value -2.5 in 32-bit floating-point format
; Store the result in MR2
MADDF32 MR2, #-2.5, MR3 ; MR2 = -2.5 + MR3
; Add to MR3 the value 0x3FC00000 (1.5)
; Store the result in MR3
MADDF32 MR3, #0x3FC0, MR3 ; MR3 = 1.5 + MR3
```

**MADDF32 MRa, #16FHi, MRb** (continued)

**32-Bit Floating-Point Addition**

---

**See also**

[MADDF32 MRa, MRb, #16FHi](#)

[MADDF32 MRa, MRb, MRc](#)

[MADDF32 MRd, MRc, MRf || MMOV32 MRa, mem32](#)

[MADDF32 MRd, MRc, MRf || MMOV32 mem32, MRa](#)

[MMPYF32 MRa, MRb, MRc || MADDF32 MRd, MRc, MRf](#)

**MADDF32 MRa, MRb, #16FHi****32-Bit Floating-Point Addition****Operands**

MRa	CLA floating-point destination register (MR0 to MR3)
MRb	CLA floating-point source register (MR0 to MR3)
#16FHi	A 16-bit immediate value that represents the upper 16-bits of an IEEE 32-bit floating-point value. The low 16-bits of the mantissa are assumed to be all 0.

**Opcode**

```
LSW: IIII IIII IIII IIII
MSW: 0111 0111 1100 bbaa
```

**Description**

Add MRb to the floating-point value represented by the immediate operand. Store the result of the addition in MRa.

#16FHi is a 16-bit immediate value that represents the upper 16-bits of an IEEE 32-bit floating-point value. The low 16-bits of the mantissa are assumed to be all 0. #16FHi is most useful for representing constants where the lowest 16-bits of the mantissa are 0. Some examples are 2.0 (0x40000000), 4.0 (0x40800000), 0.5 (0x3F000000), and -1.5 (0xBFC00000). The assembler accepts either a hex or float as the immediate value. That is, the value -1.5 can be represented as #-1.5 or #0xBFC0.

```
MRa = MRb + #16FHi:0;
```

This instruction can also be written as MADDF32 MRa, #16FHi, MRb.

**Flags**

This instruction modifies the following flags in the MSTF register:

Flag	TF	ZF	NF	LUF	LVF
Modified	No	No	No	Yes	Yes

The MSTF register flags are modified as follows:

- LUF = 1 if MADDF32 generates an underflow condition.
- LVF = 1 if MADDF32 generates an overflow condition.

**Pipeline**

This is a single-cycle instruction.

**MADDF32 MRa, MRb, #16FHi** (continued)

**32-Bit Floating-Point Addition**
**Example 1**

```

; X is an array of 32-bit floating-point values
; Find the maximum value in an array X
; and store the value in Result
;
;
_Cla1Task1:
  MMOV16   MAR1, #_X           ; Start address
  MUI16TOF32 MR0, @_len       ; Length of the array
  MNOP                    ; delay for MAR1 load
  MNOP                    ; delay for MAR1 load
  MMOV32   MR1, *MAR1[2]++    ; MR1 = X0
LOOP
  MMOV32   MR2, *MAR1[2]++    ; MR2 = next element
  MMAXF32  MR1, MR2           ; MR1 = MAX(MR1, MR2)
  MADDF32  MR0, MR0, #-1.0    ; Decrement the counter
  MCMPF32  MR0, #0.0          ; Set/clear flags for MBCNDD
  MNOP
  MNOP
  MNOP
  MBCNDD   LOOP, NEQ          ; Branch if not equal to zero
  MMOV32   @_Result, MR1     ; Always executed
  MNOP
  MNOP
  MSTOP
; End of task

```

**Example 2**

```

; Show the basic operation of MADDF32
;
; Add to MR1 the value 2.0 in 32-bit floating-point format
; Store the result in MR0
  MADDF32 MR0, MR1, #2.0     ; MR0 = MR1 + 2.0
; Add to MR3 the value -2.5 in 32-bit floating-point format
; Store the result in MR2
  MADDF32 MR2, MR3, #-2.5    ; MR2 = MR3 + (-2.5)
; Add to MR0 the value 0x3FC00000 (1.5)
; Store the result in MR0
  MADDF32 MR0, MR0, #0x3FC0  ; MR0 = MR0 + 1.5

```

**See also**

[MADDF32 MRa, #16FHi, MRb](#)  
[MADDF32 MRa, MRb, MRc](#)  
[MADDF32 MRd, MRe, MRf || MMOV32 MRa, mem32](#)  
[MADDF32 MRd, MRe, MRf || MMOV32 mem32, MRa](#)  
[MMPYF32 MRa, MRb, MRc || MADDF32 MRd, MRe, MRf](#)

**MADDF32 MRa, MRb, MRc****32-Bit Floating-Point Addition****Operands**

MRa	CLA floating-point destination register (MR0 to MR3)
MRb	CLA floating-point source register (MR0 to MR3)
MRc	CLA floating-point source register (MR0 to MR3)

**Opcode**

```
LSW: 000 0000 00cc bbaa
MSW: 0111 1100 0010 0000
```

**Description**

Add the contents of MRc to the contents of MRb and load the result into MRa.

```
MRa = MRb + MRc;
```

**Flags**

This instruction modifies the following flags in the MSTF register:

Flag	TF	ZF	NF	LUF	LVF
Modified	No	No	No	Yes	Yes

The MSTF register flags are modified as follows:

- LUF = 1 if MADDF32 generates an underflow condition.
- LVF = 1 if MADDF32 generates an overflow condition.

**Pipeline**

This is a single-cycle instruction.

**Example**

```
; Given M1, X1, and B1 are 32-bit floating-point numbers
; Calculate Y1 = M1*X1+B1
;
;_Cla1Task1:
MMOV32 MR0,@M1      ; Load MR0 with M1
MMOV32 MR1,@X1      ; Load MR1 with X1
MMPYF32 MR1,MR1,MR0 ; Multiply M1*X1
|| MMOV32 MR0,@B1    ; and in parallel load MR0 with B1
MADDF32 MR1,MR1,MR0 ; Add M*X1 to B1 and store in MR1
MMOV32 @Y1,MR1      ; Store the result
MSTOP               ; end of task
```

**See also**

[MADDF32 MRa, #16FHi, MRb](#)  
[MADDF32 MRa, MRb, #16FHi](#)  
[MADDF32 MRd, MRc, MRf || MMOV32 MRa, mem32](#)  
[MADDF32 MRd, MRc, MRf || MMOV32 mem32, MRa](#)  
[MMPYF32 MRa, MRb, MRc || MADDF32 MRd, MRc, MRf](#)



**MADDF32 MRd, MRe, MRf|MMOV32 mem32, MRa**
**32-Bit Floating-Point Addition with Parallel Move**
**Operands**

MRd	CLA floating-point destination register for the MADDF32 (MR0 to MR3)
MRe	CLA floating-point source register for the MADDF32 (MR0 to MR3)
MRf	CLA floating-point source register for the MADDF32 (MR0 to MR3)
mem32	32-bit memory location accessed using one of the available addressing modes. This is the destination of the MMOV32.
MRa	CLA floating-point source register for the MMOV32 (MR0 to MR3)

**Opcode**

```
LSW: mmmm mmmm mmmm mmmm
MSW: 0101 ffee ddaa addr
```

**Description**

Perform an MADDF32 and a MMOV32 in parallel. Add MRf to the contents of MRe and store the result in MRd. In parallel move the contents of MRa to the 32-bit location mem32.

```
MRd = MRe + MRf;
[mem32] = MRa;
```

**Flags**

This instruction modifies the following flags in the MSTF register:

Flag	TF	ZF	NF	LUF	LVF
Modified	No	No	No	Yes	Yes

The MSTF register flags are modified as follows:

- LUF = 1 if MADDF32 generates an underflow condition.
- LVF = 1 if MADDF32 generates an overflow condition.

**Pipeline**

Both MADDF32 and MMOV32 complete in a single cycle.

**Example**

```
; Given A, B, and C are 32-bit floating-point numbers
; Calculate Y2 = (A * B)
;           Y3 = (A * B) + C
;
;
_Cla1Task2:
  MMOV32  MR0, @_A      ; Load MR0 with A
  MMOV32  MR1, @_B      ; Load MR1 with B
  MMPYF32 MR1, MR1, MR0 ; Multiply A*B
  || MMOV32 MR0, @_C      ; and in parallel load MR0 with C
  MADDF32 MR1, MR1, MR0 ; Add (A*B) to C
  || MMOV32 @_Y2, MR1    ; and in parallel store A*B
  MMOV32  @_Y3, MR1    ; Store the A*B + C
  MSTOP                    ; end of task
```

**See also**

[MADDF32 MRa, #16FHi, MRb](#)  
[MADDF32 MRa, MRb, #16FHi](#)  
[MADDF32 MRa, MRb, MRc](#)  
[MMPYF32 MRa, MRb, MRc || MADDF32 MRd, MRe, MRf](#)  
[MADDF32 MRd, MRe, MRf || MMOV32 MRa, mem32](#)

**MADDF32 MRd, MRe, MRf ||MMOV32 MRa, mem32**
**32-Bit Floating-Point Addition with Parallel Move**
**Operands**

MRd	CLA floating-point destination register for the MADDF32 (MR0 to MR3). MRd cannot be the same register as MRa.
MRe	CLA floating-point source register for the MADDF32 (MR0 to MR3)
MRf	CLA floating-point source register for the MADDF32 (MR0 to MR3)
MRa	CLA floating-point destination register for the MMOV32 (MR0 to MR3). MRa cannot be the same register as MRd.
mem32	32-bit memory location accessed using one of the available addressing modes. This is the source for the MMOV32.

**Opcode**

```
LSW: mmmm mmmm mmmm mmmm
MSW: 0001 ffee ddaa addr
```

**Description**

Perform an MADDF32 and a MMOV32 operation in parallel. Add MRf to the contents of MRe and store the result in MRd. In parallel move the contents of the 32-bit location mem32 to MRa.

```
MRd = MRe + MRf;
MRa = [mem32];
```

**Restrictions**

The destination register for the MADDF32 and the MMOV32 must be unique. That is, MRa and MRd cannot be the same register.

**Flags**

This instruction modifies the following flags in the MSTF register:

Flag	TF	ZF	NF	LUF	LVF
Modified	No	Yes	Yes	Yes	Yes

The MSTF register flags are modified as follows:

- LUF = 1 if MADDF32 generates an underflow condition.
- LVF = 1 if MADDF32 generates an overflow condition.

The MMOV32 Instruction sets the NF and ZF flags as follows:

```
NF = MRa(31);
ZF = 0;
if(MRa(30:23) == 0) { ZF = 1; NF = 0; };
```

**Pipeline**

The MADDF32 and the MMOV32 both complete in a single cycle.

**MADDF32 MRd, MRe, MRf || MMOV32 MRa, mem32 (continued)**
**32-Bit Floating-Point Addition with Parallel Move**
**Example 1**

```

; Given A, B, and C are 32-bit floating-point numbers
; Calculate Y1 = A + 4B
;           Y2 = A + C
;
;
_Cla1Task1:
    MMOV32 MR0, @A          ; Load MR0 with A
    MMOV32 MR1, @B          ; Load MR1 with B
    MMPYF32 MR1, MR1, #4.0 ; Multiply 4 * B
||  MMOV32 MR2, @C          ; and in parallel load C
    MADDF32 MR3, MR0, MR1  ; Add A + 4B
    MADDF32 MR3, MR0, MR2  ; Add A + C
||  MMOV32 @Y1, MR3        ; and in parallel store A+4B
    MMOV32 @Y2, MR3        ; store A + C
                                ; end of task

```

**Example 2**

```

; Given A, B, and C are 32-bit floating-point numbers
; Calculate Y3 = (A + B)
;           Y4 = (A + B) * C
;
;
_Cla1Task2:
    MMOV32 MR0, @A          ; Load MR0 with A
    MMOV32 MR1, @B          ; Load MR1 with B
    MADDF32 MR1, MR1, MR0  ; Add A+B
||  MMOV32 MR0, @C          ; and in parallel load MR0 with C
    MMPYF32 MR1, MR1, MR0  ; Multiply (A+B) by C
||  MMOV32 @Y3, MR1        ; and in parallel store A+B
    MMOV32 @Y4, MR1        ; Store the (A+B) * C
    MSTOP                  ; end of task

```

**See also**
[MADDF32 MRa, #16FHi, MRb](#)
[MADDF32 MRa, MRb, #16FHi](#)
[MADDF32 MRa, MRb, MRc](#)
[MADDF32 MRd, MRe, MRf || MMOV32 mem32, MRa](#)
[MMPYF32 MRa, MRb, MRc || MADDF32 MRd, MRe, MRf](#)

**MAND32 MRa, MRb, MRc****Bitwise AND****Operands**

MRa	CLA floating-point destination register (MR0 to MR3)
MRb	CLA floating-point source register (MR0 to MR3)
MRc	CLA floating-point source register (MR0 to MR3)

**Opcode**

```
LSW: 0000 0000 00cc bbaa
MSW: 0111 1100 0110 0000
```

**Description**

Bitwise AND of MRb with MRc.

```
MRa(31:0) = MRb(31:0) AND MRc(31:0);
```

**Flags**

This instruction modifies the following flags in the MSTF register:

Flag	TF	ZF	NF	LUF	LVF
Modified	No	Yes	Yes	No	No

The MSTF register flags are modified based on the integer results of the operation.

```
NF = MRa(31);
ZF = 0;
if(MRa(31:0) == 0) { ZF = 1; }
```

**Pipeline**

This is a single-cycle instruction.

**Example**

```
MMOVIZ MR0, #0x5555 ; MR0 = 0x5555AAAA
MMOVXI MR0, #0xAAAA
MMOVIZ MR1, #0x5432 ; MR1 = 0x5432FEDC
MMOVXI MR1, #0xFEDC
; 0101 AND 0101 = 0101 (5)
; 0101 AND 0100 = 0100 (4)
; 0101 AND 0011 = 0001 (1)
; 0101 AND 0010 = 0000 (0)
; 1010 AND 1111 = 1010 (A)
; 1010 AND 1110 = 1010 (A)
; 1010 AND 1101 = 1000 (8)
; 1010 AND 1100 = 1000 (8)
MAND32 MR2, MR1, MR0 ; MR3 = 0x5410AA88
```

**See also**

[MADD32 MRa, MRb, MRc](#)  
[MASR32 MRa, #SHIFT](#)  
[MLSL32 MRa, #SHIFT](#)  
[MLSR32 MRa, #SHIFT](#)  
[MOR32 MRa, MRb, MRc](#)  
[MXOR32 MRa, MRb, MRc](#)  
[MSUB32 MRa, MRb, MRc](#)

## MASR32 MRa, #SHIFT

### Arithmetic Shift Right

#### Operands

MRa	CLA floating-point source/destination register (MR0 to MR3)
#SHIFT	Number of bits to shift (1 to 32)

#### Opcode

```
LSW: 0000 0000 0shi ftaa
MSW: 0111 1011 0100 0000
```

#### Description

Arithmetic shift right of MRa by the number of bits indicated. The number of bits can be 1 to 32.

```
MARa(31:0) = Arithmetic Shift(MARa(31:0) by #SHIFT bits);
```

#### Flags

This instruction modifies the following flags in the MSTF register:

Flag	TF	ZF	NF	LUF	LVF
Modified	No	Yes	Yes	No	No

The MSTF register flags are modified based on the integer results of the operation.

```
NF = MRa(31);
ZF = 0;
if(MRa(31:0) == 0) { ZF = 1; }
```

#### Pipeline

This is a single-cycle instruction.

#### Example

```
; Given m2 = (int32)32
; x2 = (int32)64
; b2 = (int32)-128
;
; calculate
; m2 = m2/2
; x2 = x2/4
; b2 = b2/8
;
_Cla1Task2:
  MMOV32 MR0, @_m2 ; MR0 = 32 (0x00000020)
  MMOV32 MR1, @_x2 ; MR1 = 64 (0x00000040)
  MMOV32 MR2, @_b2 ; MR2 = -128 (0xFFFFFFFF80)
  MASR32 MR0, #1 ; MR0 = 16 (0x00000010)
  MASR32 MR1, #2 ; MR1 = 16 (0x00000010)
  MASR32 MR2, #3 ; MR2 = -16 (0xFFFFFFFFF0)
  MMOV32 @_m2, MR0 ; store results
  MMOV32 @_x2, MR1
  MMOV32 @_b2, MR2
  MSTOP ; end of task
```

**MASR32 MRa, #SHIFT** (continued)***Arithmetic Shift Right***

---

**See also**

[MADD32 MRa, MRb, MRc](#)  
[MAND32 MRa, MRb, MRc](#)  
[MLSL32 MRa, #SHIFT](#)  
[MLSR32 MRa, #SHIFT](#)  
[MOR32 MRa, MRb, MRc](#)  
[MXOR32 MRa, MRb, MRc](#)  
[MSUB32 MRa, MRb, MRc](#)

## MBCNDD 16BitDest {, CNDF}

### Branch Conditional Delayed

#### Operands

16BitDest	16-bit destination if condition is true
CNDF	Optional condition tested

#### Opcode

```
LSW: dest dest dest dest
MSW: 0111 1001 1000 cndf
```

#### Description

If the specified condition is true, then branch by adding the signed 16BitDest value to the MPC value. Otherwise, continue without branching. If the address overflows, the address wraps around. Therefore, a value of "0xFFFFE" puts the MPC back to the MBCNDD instruction.

Refer to the Pipeline section for important information regarding this instruction.

```
if (CNDF == TRUE) MPC += 16BitDest;
```

CNDF is one of the following conditions:

Encode <sup>(1)</sup>	CNDF	Description	MSTF Flags Tested
0000	NEQ	Not equal to zero	ZF == 0
0001	EQ	Equal to zero	ZF == 1
0010	GT	Greater than zero	ZF == 0 AND NF == 0
0011	GEQ	Greater than or equal to zero	NF == 0
0100	LT	Less than zero	NF == 1
0101	LEQ	Less than or equal to zero	ZF == 1 OR NF == 1
1010	TF	Test flag set	TF == 1
1011	NTF	Test flag not set	TF == 0
1100	LU	Latched underflow	LUF == 1
1101	LV	Latched overflow	LVF == 1
1110	UNC	Unconditional	None
1111	UNCF <sup>(2)</sup>	Unconditional with flag modification	None

(1) Values not shown are reserved.

(2) This is the default operation, if no CNDF field is specified. This condition allows the ZF and NF flags to be modified when a conditional operation is executed. All other conditions do not modify these flags.

#### Restrictions

The MBCNDD instruction is not allowed three instructions before or after a MBCNDD, MCCNDD, or MRCNDD instruction. Refer to the Pipeline section for more information.

#### Flags

This instruction does not modify flags in the MSTF register.

Flag	TF	ZF	NF	LUF	LVF
Modified	No	No	No	No	No

**MBCNDD 16BitDest {, CNDF}** (continued)

**Branch Conditional Delayed**
**Pipeline**

The MBCNDD instruction alone is a single-cycle instruction. As shown in [Table 6-11](#), 6 instruction slots are executed for each branch; 3 slots before the branch instruction (I2-I4) and 3 slots after the branch instruction (I5-I7). The total number of cycles for a branch taken or not taken depends on the usage of these slots. That is, the number of cycles depends on how many slots are filled with a MNOP as well as which slots are filled. The effective number of cycles for a branch can, therefore, range from 1 to 7 cycles. The number of cycles for a branch taken cannot be the same as for a branch not taken.

Referring to [Table 6-11](#) and [Table 6-12](#), the instructions before and after MBCNDD have the following properties:

- **I1**
  - I1 is the last instruction that can effect the CNDF flags for the MBCNDD instruction. The CNDF flags are tested in the D2 phase of the pipeline. That is, a decision is made whether to branch or not when MBCNDD is in the D2 phase.
  - There are no restrictions on the type of instruction for I1.
- **I2, I3, and I4**
  - The three instructions proceeding MBCNDD can change MSTF flags but have no effect on whether the MBCNDD instruction branches or not. This is because the flag modification occurs after the D2 phase of the MBCNDD instruction.
  - These instructions must not be the following: MSTOP, MDEBUGSTOP, MBCNDD, MCCNDD, or MRCNDD.
- **I5, I6, and I7**
  - The three instructions following MBCNDD are always executed irrespective of whether the branch is taken or not.
  - These instructions must not be the following: MSTOP, MDEBUGSTOP, MBCNDD, MCCNDD, or MRCNDD.

```

<Instruction 1> ; I1 Last instruction that can affect flags for
                ; the MBCNDD operation
<Instruction 2> ; I2 Cannot be stop, branch, call or return
<Instruction 3> ; I3 Cannot be stop, branch, call or return
<Instruction 4> ; I4 Cannot be stop, branch, call or return
MBCNDD _Skip, NEQ ; Branch to Skip if not equal to zero
                ; Three instructions after MBCNDD are always
                ; executed whether the branch is taken or not
<Instruction 5> ; I5 Cannot be stop, branch, call or return
<Instruction 6> ; I6 Cannot be stop, branch, call or return
<Instruction 7> ; I7 Cannot be stop, branch, call or return
<Instruction 8> ; I8
<Instruction 9> ; I9
....
_Skip:
<Destination 1> ; d1 Can be any instruction
<Destination 2> ; d2
<Destination 3> ; d3
....
MSTOP
....

```



**MBCNDD 16BitDest {, CNDF}** (continued)

**Branch Conditional Delayed**
**Table 6-11. Pipeline Activity for MBCNDD, Branch Not Taken**

Instruction	F1	F2	D1	D2	R1	R2	E	W
I1	I1							
I2	I2	I1						
I3	I3	I2	I1					
I4	I4	I3	I2	I1				
MBCNDD	MBCNDD	I4	I3	I2	I1			
I5	I5	MBCNDD	I4	I3	I2	I1		
I6	I6	I5	MBCNDD	I4	I3	I2	I1	
I7	I7	I6	I5	MBCNDD	I4	I3	I2	
I8	I8	I7	I6	I5	-	I4	I3	
I9	I9	I8	I7	I6	I5	-	I4	
I10	I10	I9	I8	I7	I6	I5	-	
		I10	I9	I8	I7	I6	I5	
			I10	I9	I8	I7	I6	
				I10	I9	I8	I7	
					I10	I9	I8	
						I10	I9	
							I10	

**Table 6-12. Pipeline Activity for MBCNDD, Branch Taken**

Instruction	F1	F2	D1	D2	R1	R2	E	W
I1	I1							
I2	I2	I1						
I3	I3	I2	I1					
I4	I4	I3	I2	I1				
MBCNDD	MBCNDD	I4	I3	I2	I1			
I5	I5	MBCNDD	I4	I3	I2	I1		
I6	I6	I5	MBCNDD	I4	I3	I2	I1	
I7	I7	I6	I5	MBCNDD	I4	I3	I2	
d1	d1	I7	I6	I5	-	I4	I3	
d2	d2	d1	I7	I6	I5	-	I4	
d3	d3	d2	d1	I7	I6	I5	-	
		d3	d2	d1	I7	I6	I5	
			d3	d2	d1	I7	I6	
				d3	d2	d1	I7	
					d3	d2	d1	
						d3	d2	
							d3	

**MBCNDD 16BitDest {, CNDF}** (continued)

**Branch Conditional Delayed**
**Example 1**

```

; if (State == 0.1)
; RampState = RampState || RAMPMASK
; else if (State == 0.01)
; CoastState = CoastState || COASTMASK
; else
; SteadyState = SteadyState || STEADYMASK
;
_Cla1Task1:
MMOV32 MR0, @State
MCMPF32 MR0, #0.1           ; Affects flags for 1st MBCNDD (A)
MNOP
MNOP
MNOP
MBCNDD Skip1, NEQ           ; (A) If State != 0.1, go to Skip1
MNOP ; Always executed
MNOP ; Always executed
MNOP ; Always executed
MMOV32 MR1, @RampState      ; Execute if (A) branch not taken
MMOVXI MR2, #RAMPMASK      ; Execute if (A) branch not taken
MOR32 MR1, MR2              ; Execute if (A) branch not taken
MMOV32 @RampState, MR1     ; Execute if (A) branch not taken
MSTOP                       ; end of task if (A) branch not taken
Skip1:
MCMPF32 MR0, #0.01         ; Affects flags for 2nd MBCNDD (B)
MNOP
MNOP
MNOP
MBCNDD Skip2, NEQ          ; (B) If State != 0.01, go to Skip2
MNOP ; Always executed
MNOP ; Always executed
MNOP ; Always executed
MMOV32 MR1, @CoastState    ; Execute if (B) branch not taken
MMOVXI MR2, #COASTMASK    ; Execute if (B) branch not taken
MOR32 MR1, MR2             ; Execute if (B) branch not taken
MMOV32 @CoastState, MR1   ; Execute if (B) branch not taken
MSTOP
Skip2:
MMOV32 MR3, @SteadyState   ; Executed if (B) branch taken
MMOVXI MR2, #STEADYMASK   ; Executed if (B) branch taken
MOR32 MR3, MR2             ; Executed if (B) branch taken
MMOV32 @SteadyState, MR3  ; Executed if (B) branch taken
MSTOP

```

**MBCNDD 16BitDest {, CNDF}** (continued)

**Branch Conditional Delayed**
**Example 2**

```

; This example is the same as Example 1, except
; the code is optimized to take advantage of delay slots
;
; if (State == 0.1)
; RampState = RampState || RAMPMASK
; else if (State == 0.01)
; CoastState = CoastState || COASTMASK
; else
; SteadyState = SteadyState || STEADYMASK
;
_Cla1Task2:
MMOV32 MR0, @State
MCMPPF32 MR0, #0.1           ; Affects flags for 1st MBCNDD (A)
MCMPPF32 MR0, #0.01         ; Check used by 2nd MBCNDD (B)
MTESTTF EQ                   ; Store EQ flag in TF for 2nd MBCNDD (B)
MNOP
MBCNDD Skip1, NEQ            ; (A) If State != 0.1, go to Skip1
MMOV32 MR1, @RampState       ; Always executed
MMOVXI MR2, #RAMPMASK        ; Always executed
MOR32 MR1, MR2               ; Always executed
MMOV32 @RampState, MR1       ; Execute if (A) branch not taken
MSTOP                        ; end of task if (A) branch not taken
Skip1:
MMOV32 MR3, @SteadyState
MMOVXI MR2, #STEADYMASK
MOR32 MR3, MR2
MBCNDD Skip2, NTF            ; (B) if State != .01, go to skip2
MMOV32 MR1, @CoastState      ; Always executed
MMOVXI MR2, #COASTMASK       ; Always executed
MOR32 MR1, MR2               ; Always executed
MMOV32 @CoastState, MR1     ; Execute if (B) branch not taken
MSTOP                        ; end of task if (B) branch not taken
Skip2:
MMOV32 @SteadyState, MR3     ; Executed if (B) branch taken
MSTOP

```

**See also**

[MCCNDD 16BitDest, CNDF](#)  
[MRCNDD CNDF](#)

## MCCNDD 16BitDest {, CNDF}

### Call Conditional Delayed

#### Operands

16BitDest	16-bit destination if condition is true
CNDF	Optional condition to be tested

#### Opcode

```
LSW: dest dest dest dest
MSW: 0111 1001 1001 cndf
```

#### Description

If the specified condition is true, then store the return address in the RPC field of MSTF and make the call by adding the signed 16BitDest value to the MPC value. Otherwise, continue code execution without making the call. If the address overflows, the address wraps around. Therefore a value of "0xFFFFE" puts the MPC back to the MCCNDD instruction.

Refer to the Pipeline section for important information regarding this instruction.

```
if (CNDF == TRUE)
{
    RPC = return address;
    MPC += 16BitDest;
};
```

CNDF is one of the following conditions:

Encode <sup>(1)</sup>	CNDF	Description	MSTF Flags Tested
0000	NEQ	Not equal to zero	ZF == 0
0001	EQ	Equal to zero	ZF == 1
0010	GT	Greater than zero	ZF == 0 AND NF == 0
0011	GEQ	Greater than or equal to zero	NF == 0
0100	LT	Less than zero	NF == 1
0101	LEQ	Less than or equal to zero	ZF == 1 OR NF == 1
1010	TF	Test flag set	TF == 1
1011	NTF	Test flag not set	TF == 0
1100	LU	Latched underflow	LUF == 1
1101	LV	Latched overflow	LVF == 1
1110	UNC	Unconditional	None
1111	UNCF <sup>(2)</sup>	Unconditional with flag modification	None

(1) Values not shown are reserved.

(2) This is the default operation if no CNDF field is specified. This condition allows the ZF and NF flags to be modified when a conditional operation is executed. All other conditions do not modify these flags.

#### Restrictions

The MCCNDD instruction is not allowed three instructions before or after a MBCNDD, MCCNDD, or MRCNDD instruction. Refer to the Pipeline section for more details.

#### Flags

This instruction does not modify flags in the MSTF register.

**MCCNDD 16BitDest {, CNDF}** (continued)

**Call Conditional Delayed**

Flag	TF	ZF	NF	LUF	LVF
Modified	No	No	No	No	No

**Pipeline**

The MCCNDD instruction alone is a single-cycle instruction. As shown in [Table 6-13](#), 6 instruction slots are executed for each call; 3 before the call instruction (I2-I4) and 3 after the call instruction (I5-I7). The total number of cycles for a call taken or not taken depends on the usage of these slots. That is, the number of cycles depends on how many slots are filled with a MNOP as well as which slots are filled. The effective number of cycles for a call can, therefore, range from 1 to 7 cycles. The number of cycles for a call taken cannot be the same as for a call not taken.

Referring to the following code fragment and the pipeline diagrams in [Table 6-13](#) and [Table 6-14](#), the instructions before and after MCCNDD have the following properties:

- **I1**
  - I1 is the last instruction that can effect the CNDF flags for the MCCNDD instruction. The CNDF flags are tested in the D2 phase of the pipeline. That is, a decision is made whether to branch or not when MCCNDD is in the D2 phase.
  - There are no restrictions on the type of instruction for I1.
- **I2, I3, and I4**
  - The three instructions proceeding MCCNDD can change MSTF flags but have no effect on whether the MCCNDD instruction makes the call or not. This is because the flag modification occurs after the D2 phase of the MCCNDD instruction.
  - These instructions must not be the following: MSTOP, MDEBUGSTOP, MBCNDD, MCCNDD, or MRCNDD.
- **I5, I6, and I7**
  - The three instructions following MBCNDD are always executed irrespective of whether the branch is taken or not.
  - These instructions must not be the following: MSTOP, MDEBUGSTOP, MBCNDD, MCCNDD, or MRCNDD.

**MCCNDD 16BitDest {, CNDF}** (continued)**Call Conditional Delayed**

```

<Instruction 1> ; I1 Last instruction that can affect flags for
; the MCCNDD operation
<Instruction 2> ; I2 Cannot be stop, branch, call or return
<Instruction 3> ; I3 Cannot be stop, branch, call or return
<Instruction 4> ; I4 Cannot be stop, branch, call or return
MCCNDD _func, NEQ ; Call to func if not equal to zero
; Three instructions after MCCNDD are always
; executed whether the call is taken or not
<Instruction 5> ; I5 Cannot be stop, branch, call or return
<Instruction 6> ; I6 Cannot be stop, branch, call or return
<Instruction 7> ; I7 Cannot be stop, branch, call or return
<Instruction 8> ; I8 The address of this instruction is saved
; in the RPC field of the MSTF register.
; Upon return this value is loaded into MPC
; and fetching continues from this point.
<Instruction 9> ; I9
....
_func:
<Destination 1> ; d1 Can be any instruction
<Destination 2> ; d2
<Destination 3> ; d3
<Destination 4> ; d4 Last instruction that can affect flags for
; the MRCNDD operation
<Destination 5> ; d5 Cannot be stop, branch, call or return
<Destination 6> ; d6 Cannot be stop, branch, call or return
<Destination 7> ; d7 Cannot be stop, branch, call or return
MRCNDD UNC ; Return to <Instruction 8>, unconditional
; Three instructions after MRCNDD are always
; executed whether the return is taken or not
<Destination 8> ; d8 Cannot be stop, branch, call or return
<Destination 9> ; d9 Cannot be stop, branch, call or return
<Destination 10> ; d10 Cannot be stop, branch, call or return
<Destination 11> ; d11
....
MSTOP

```

**Table 6-13. Pipeline Activity for MCCNDD, Call Not Taken**

Instruction	F1	F2	D1	D2	R1	R2	E	W
I1	I1							
I2	I2	I1						
I3	I3	I2	I1					
I4	I4	I3	I2	I1				
MCCNDD	MCCNDD	I4	I3	I2	I1			
I5	I5	MCCNDD	I4	I3	I2	I1		
I6	I6	I5	MCCNDD	I4	I3	I2	I1	
I7	I7	I6	I5	MCCNDD	I4	I3	I2	
I8	I8	I7	I6	I5	-	I4	I3	
I9	I9	I8	I7	I6	I5	-	I4	
I10	I10	I9	I8	I7	I6	I5	-	
etc ....		I10	I9	I8	I7	I6	I5	
....			I10	I9	I8	I7	I6	
....				I10	I9	I8	I7	
....					I10	I9	I8	
						I10	I9	
							I10	

**MCCNDD #16BitDest {, CNDF}** (continued)

**Call Conditional Delayed**
**Table 6-14. Pipeline Activity for MCCNDD, Call Taken**

Instruction	F1	F2	D1	D2	R1	R2	E	W
I1	I1							
I2	I2	I1						
I3	I3	I2	I1					
I4	I4	I3	I2	I1				
MCCNDD	MCCNDD	I4	I3	I2	I1			
I5	I5	MCCNDD	I4	I3	I2	I1		
I6	I6	I5	MCCNDD	I4	I3	I2	I1	
I7 <sup>(1)</sup>	I7	I6	I5	MCCNDD	I4	I3	I2	
d1	d1	I7	I6	I5	-	I4	I3	
d2	d2	d1	I7	I6	I5	-	I4	
d3	d3	d2	d1	I7	I6	I5	-	
etc ....		d3	d2	d1	I7	I6	I5	
....			d3	d2	d1	I7	I6	
....				d3	d2	d1	I7	
....					d3	d2	d1	
						d3	d2	
							d3	

(1) The RPC value in the MSTF register points to the instruction following I7 (instruction I8).

**See also**

[MBCNDD #16BitDest, CNDF](#)  
[MMOV32 mem32, MSTF](#)  
[MMOV32 MSTF, mem32](#)  
[MRCNDD CNDF](#)

**MCMP32 MRa, MRb****32-Bit Integer Compare for Equal, Less Than or Greater Than****Operands**

MRa	CLA floating-point source register (MR0 to MR3)
MRb	CLA floating-point source register (MR0 to MR3)

**Opcode**

```
LSW: 0000 0000 0000 bbaa
MSW: 0111 1111 0010 0000
```

**Description**

Set ZF and NF flags on the result of MRa - MRb where MRa and MRb are 32-bit integers. For a floating-point compare, refer to [MCMPF32](#).

**Note**

A known hardware issue exists in the MCMP32 instruction. Signed-integer comparisons using MCMP32 alone set the status bits in a way that is not useful for comparison when the difference between the two operands is too large, such as when the inputs have opposite sign and are near the extreme 32-bit signed values. This affects both signed and unsigned integer comparisons.

The compiler (version 18.1.5.LTS or higher) has implemented a workaround for this issue. The compiler checks the upper bits of the operands by performing a floating point comparison before proceeding to do the integer comparison or subtraction.

The compiler flag `--cla_signed_compare_workaround` enables this workaround.

**Flags**

This instruction modifies the following flags in the MSTF register:

Flag	TF	ZF	NF	LUF	LVF
Modified	No	Yes	Yes	No	No

The MSTF register flags are modified based on the integer results of the operation.

```
If(MRa == MRb) {ZF=1; NF=0;}
If(MRa > MRb) {ZF=0; NF=0;}
If(MRa < MRb) {ZF=0; NF=1;}
```

**Pipeline**

This is a single-cycle instruction.

**Example**

```
; Behavior of ZF and NF flags for different comparisons
;
; Given A = (int32)1
;       B = (int32)2
;       C = (int32)-7
;
MMOV32 MR0, @_A ; MR0 = 1 (0x00000001)
MMOV32 MR1, @_B ; MR1 = 2 (0x00000002)
MMOV32 MR2, @_C ; MR2 = -7 (0xFFFFFFFF9)
MCMP32 MR2, MR2 ; NF = 0, ZF = 1
MCMP32 MR0, MR1 ; NF = 1, ZF = 0
MCMP32 MR1, MR0 ; NF = 0, ZF = 0
```



**MCMP32 MRa, MRb** (continued)

***32-Bit Integer Compare for Equal, Less Than or Greater Than***

---

**See also**

[MADD32 MRa, MRb, MRc](#)  
[MSUB32 MRa, MRb, MRc](#)

**MCMPPF32 MRa, MRb****32-Bit Floating-Point Compare for Equal, Less Than or Greater Than****Operands**

MRa	CLA floating-point source register (MR0 to MR3)
MRb	CLA floating-point source register (MR0 to MR3)

**Opcode**

```
LSW: 0000 0000 0000 bbaa
MSW: 0111 1101 0000 0000
```

**Description**

Set ZF and NF flags on the result of MRa - MRb. The MCMPPF32 instruction is performed as a logical compare operation. This is possible because of the IEEE format offsetting the exponent. Basically the bigger the binary number, the bigger the floating-point value.

Special cases for inputs:

- Negative zero is treated as positive zero.
- A denormalized value is treated as positive zero.
- Not-a-Number (NaN) is treated as infinity.

**Flags**

This instruction modifies the following flags in the MSTF register:

Flag	TF	ZF	NF	LUF	LVF
Modified	No	Yes	Yes	No	No

The MSTF register flags are modified as follows:

```
If(MRa == MRb) {ZF=1; NF=0;}
If(MRa > MRb) {ZF=0; NF=0;}
If(MRa < MRb) {ZF=0; NF=1;}
```

**Pipeline**

This is a single-cycle instruction.

**Example**

```
; Behavior of ZF and NF flags for different comparisons
MMOVIZ MR1, #-2.0 ; MR1 = -2.0 (0xc0000000)
MMOVIZ MR0, #5.0 ; MR0 = 5.0 (0x40A00000)
MCMPPF32 MR1, MR0 ; ZF = 0, NF = 1
MCMPPF32 MR0, MR1 ; ZF = 0, NF = 0
MCMPPF32 MR0, MR0 ; ZF = 1, NF = 0
```

**See also**

[MCMPPF32 MRa, #16FHi](#)  
[MMAXF32 MRa, #16FHi](#)  
[MMAXF32 MRa, MRb](#)  
[MMINF32 MRa, #16FHi](#)  
[MMINF32 MRa, MRb](#)

## MCMPF32 MRa, #16FHi

### 32-Bit Floating-Point Compare for Equal, Less Than or Greater Than

#### Operands

MRa	CLA floating-point source register (MR0 to MR3)
#16FHi	A 16-bit immediate value that represents the upper 16-bits of an IEEE 32-bit floating-point value. The low 16-bits of the mantissa are assumed to be all 0.

#### Opcode

```
LSW: IIII IIII IIII IIII
MSW: 0111 1000 1100 00aa
```

#### Description

Compare the value in MRa with the floating-point value represented by the immediate operand. Set the ZF and NF flags on (MRa - #16FHi:0).

#16FHi is a 16-bit immediate value that represents the upper 16-bits of an IEEE 32-bit floating-point value. The low 16-bits of the mantissa are assumed to be all 0. This addressing mode is most useful for constants where the lowest 16-bits of the mantissa are 0. Some examples are 2.0 (0x40000000), 4.0 (0x40800000), 0.5 (0x3F000000), and -1.5 (0xBFC00000). The assembler accepts either a hex or float as the immediate value. That is, -1.5 can be represented as #-1.5 or #0xBFC0.

The MCMPF32 instruction is performed as a logical compare operation. This is possible because of the IEEE floating-point format offsets the exponent. Basically the bigger the binary number, the bigger the floating-point value.

Special cases for inputs:

- Negative zero is treated as positive zero.
- Denormalized value is treated as positive zero.
- Not-a-Number (NaN) is treated as infinity.

#### Flags

This instruction modifies the following flags in the MSTF register:

Flag	TF	ZF	NF	LUF	LVF
Modified	No	Yes	Yes	No	No

The MSTF register flags are modified as follows:

```
If(MRa == #16FHi:0) {ZF=1, NF=0;}
If(MRa > #16FHi:0) {ZF=0, NF=0;}
If(MRa < #16FHi:0) {ZF=0, NF=1;}

```

#### Pipeline

This is a single-cycle instruction

#### Example 1

```
; Behavior of ZF and NF flags for different comparisons
MMOVIZ MR1, #-2.0 ; MR1 = -2.0 (0xC0000000)
MMOVIZ MR0, #5.0 ; MR0 = 5.0 (0x40A00000)
MCMPF32 MR1, #-2.2 ; ZF = 0, NF = 0
MCMPF32 MR0, #6.5 ; ZF = 0, NF = 1
MCMPF32 MR0, #5.0 ; ZF = 1, NF = 0

```

**MCMPF32 MRa, #16FHi** (continued)

**32-Bit Floating-Point Compare for Equal, Less Than or Greater Than**
**Example 2**

```

; X is an array of 32-bit floating-point values
; and has length elements. Find the maximum value in
; the array and store the value in Result
;
;
; Note: MCMPF32 and MSWAPF can be replaced with MMAXF32
;
;
_Cla1Task1:
  MMOVI16 MAR1, #_X      ; Start address
  MUI16TOF32 MR0, @_len  ; Length of the array
  MNOP                   ; delay for MAR1 load
  MNOP                   ; delay for MAR1 load
  MMOV32 MR1, *MAR1[2]++ ; MR1 = X0
LOOP
  MMOV32 MR2, *MAR1[2]++ ; MR2 = next element
  MCMPF32 MR2, MR1       ; Compare MR2 with MR1
  MSWAPF MR1, MR2, GT    ; MR1 = MAX(MR1, MR2)
  MADD32 MR0, MR0, #-1.0 ; Decrement the counter
  MCMPF32 MR0 #0.0       ; Set/clear flags for MBCNDD
  MNOP
  MNOP
  MNOP
  MBCNDD LOOP, NEQ       ; Branch if not equal to zero
  MMOV32 @_Result, MR1   ; Always executed
  MNOP                   ; Always executed
  MNOP                   ; Always executed
  MSTOP                  ; End of task

```

**See also**

[MCMPIF32 MRa, MRb](#)  
[MMAXF32 MRa, #16FHi](#)  
[MMAXF32 MRa, MRb](#)  
[MMINF32 MRa, #16FHi](#)  
[MMINF32 MRa, MRb](#)

## MDEBUGSTOP

### Debug Stop Task

#### Operands

none	This instruction does not have any operands
------	---

#### Opcode

LSW: 0000 0000 0000 0000
MSW: 0111 1111 0110 0000

#### Description

When CLA breakpoints are enabled, the MDEBUGSTOP instruction is used to halt a task so that the task can be debugged. That is, MDEBUGSTOP is the CLA breakpoint. If CLA breakpoints are not enabled, the MDEBUGSTOP instruction behaves like a MNOP. Unlike the MSTOP, the MIRUN flag is not cleared and an interrupt is not issued. A single-step or run operation continues execution of the task.

#### Restrictions

The MDEBUGSTOP instruction cannot be placed 3 instructions before or after a [MBCNDD](#), [MCCNDD](#), or [MRCNDD](#) instruction.

#### Flags

This instruction does not modify flags in the MSTF register.

Flag	TF	ZF	NF	LUF	LVF
Modified	No	No	No	No	No

#### Pipeline

This is a single-cycle instruction.

#### See also

[MSTOP](#)

## MEALLOW

### Enable CLA Write Access to EALLOW Protected Registers

#### Operands

none	This instruction does not have any operands
------	---

#### Opcode

LSW: 0000 0000 0000 0000
MSW: 0111 1111 1001 0000

#### Description

This instruction sets the MEALLOW bit in the CLA status register MSTF. When this bit is set, the CLA is allowed write access to EALLOW protected registers. To again protect against CLA writes to protected registers, use the MEDIS instruction.

MEALLOW and MEDIS only control CLA write access; reads are allowed even if MEALLOW has not been executed. MEALLOW and MEDIS are also independent from the main CPU's EALLOW/EDIS. This instruction does not modify the EALLOW bit in the main CPU's status register. The MEALLOW bit in MSTF only controls access for the CLA while the EALLOW bit in the ST1 register only controls access for the main CPU.

As with EALLOW, the MEALLOW bit is overridden using the JTAG port, allowing full control of register accesses during debug from Code Composer Studio.

#### Flags

This instruction does not modify flags in the MSTF register.

Flag	TF	ZF	NF	LUF	LVF
Modified	No	No	No	No	No

#### Pipeline

This is a single-cycle instruction.

#### Example

```

; C header file including definition of
; the EPwm1Regs structure
;
; The ePWM TZSEL register is EALLOW protected
;
.cdecls C,LIST,"CLAShared.h"
...
_Cla1Task1:
...
MEALLOW                ; Allow CLA write access
MMOV16 @_EPwm1Regs.TZSEL.all, MR3 ; write to TZSEL
MEDIS                  ; Disallow CLA write access
...
...
MSTOP

```

#### See also

[MEDIS](#)

**MEDIS****Disable CLA Write Access to EALLOW Protected Registers****Operands**

none	This instruction does not have any operands
------	---

**Opcode**

LSW: 0000 0000 0000 0000
MSW: 0111 1111 1011 0000

**Description**

This instruction clears the MEALLOW bit in the CLA status register MSTF. When this bit is clear, the CLA is not allowed write access to EALLOW-protected registers. To enable CLA writes to protected registers, use the MEALLOW instruction.

MEALLOW and MEDIS only control CLA write access; reads are allowed even if MEALLOW has not been executed. MEALLOW and MEDIS are also independent from the main CPU's EALLOW/EDIS. This instruction does not modify the EALLOW bit in the main CPU's status register. The MEALLOW bit in MSTF only controls access for the CLA while the EALLOW bit in the ST1 register only controls access for the main CPU.

As with EALLOW, the MEALLOW bit is overridden using the JTAG port, allowing full control of register accesses during debug from the Code Composer Studio™ IDE.

**Flags**

This instruction does not modify flags in the MSTF register.

Flag	TF	ZF	NF	LUF	LVF
Modified	No	No	No	No	No

**Pipeline**

This is a single-cycle instruction.

**Example**

```

; C header file including definition of
; the EPwm1Regs structure
;
; The ePWM TZSEL register is EALLOW protected
;
.cdecls C,LIST,"CLAShared.h"
...
_Cla1Task1:
...
MEALLOW                ; Allow CLA write access
MMOV16 @_EPwm1Regs.TZSEL.all, MR3 ; write to TZSEL
MEDIS                  ; Disallow CLA write access
...
...
MSTOP

```

**See also**

[MEALLOW](#)

**MEINVF32 MRa, MRb****32-Bit Floating-Point Reciprocal Approximation****Operands**

MRa	CLA floating-point destination register (MR0 to MR3)
MRb	CLA floating-point source register (MR0 to MR3)

**Opcode**

```
LSW: 0000 0000 0000 bbaa
MSW: 0111 1111 0000 0000
```

**Description**

This operation generates an estimate of  $1/X$  in 32-bit floating-point format accurate to approximately 8 bits. This value can be used in a Newton-Raphson algorithm to get a more accurate answer. That is:

```
Ye = Estimate(1/X);
Ye = Ye*(2.0 - Ye*X);
Ye = Ye*(2.0 - Ye*X);
```

After two iterations of the Newton-Raphson algorithm, you get an exact answer accurate to the 32-bit floating-point format. On each iteration, the mantissa bit accuracy approximately doubles. The MEINVF32 operation does not generate a negative zero, DeNorm, or NaN value.

```
MRa = Estimate of 1/MRb;
```

**Flags**

This instruction modifies the following flags in the MSTF register:

Flag	TF	ZF	NF	LUF	LVF
Modified	No	No	No	Yes	Yes

The MSTF register flags are modified as follows:

- LUF = 1 if MEINVF32 generates an underflow condition.
- LVF = 1 if MEINVF32 generates an overflow condition.

**Pipeline**

This is a single-cycle instruction.



**MEINVF32 MRa, MRb** (continued)

**32-Bit Floating-Point Reciprocal Approximation**
**Example**

```

; Calculate Num/Den using a Newton-Raphson algorithm for 1/Den
; Ye = Estimate(1/X)
; Ye = Ye*(2.0 - Ye*X)
; Ye = Ye*(2.0 - Ye*X)
;
;
;_Cla1Task1:
  MMOV32 MR1, @_Den      ; MR1 = Den
  MEINVF32 MR2, MR1      ; MR2 = Ye = Estimate(1/Den)
  MPPYF32 MR3, MR2, MR1  ; MR3 = Ye*Den
  MSUBF32 MR3, #2.0, MR3 ; MR3 = 2.0 - Ye*Den
  MPPYF32 MR2, MR2, MR3  ; MR2 = Ye = Ye*(2.0 - Ye*Den)
  MPPYF32 MR3, MR2, MR1  ; MR3 = Ye*Den
  || MMOV32 MR0, @_Num    ; MR0 = Num
  MSUBF32 MR3, #2.0, MR3 ; MR3 = 2.0 - Ye*Den
  MPPYF32 MR2, MR2, MR3  ; MR2 = Ye = Ye*(2.0 - Ye*Den)
  || MMOV32 MR1, @_Den    ; Reload Den To Set Sign
  MNEGF32 MR0, MR0, EQ   ; if(Den == 0.0) Change Sign of Num
  MPPYF32 MR0, MR2, MR0  ; MR0 = Y = Ye*Num
  MMOV32 @_Dest, MR0     ; Store result
  MSTOP                  ; end of task

```

**See also**
[MEISQRTF32 MRa, MRb](#)

**MEISQRTF32 MRa, MRb****32-Bit Floating-Point Square-Root Reciprocal Approximation****Operands**

MRa	CLA floating-point destination register (MR0 to MR3)
MRb	CLA floating-point source register (MR0 to MR3)

**Opcode**

```
LSW: 0000 0000 0000 bbaa
MSW: 0111 1110 0100 0000
```

**Description**

This operation generates an estimate of  $1/\sqrt{X}$  in 32-bit floating-point format accurate to approximately 8 bits. This value can be used in a Newton-Raphson algorithm to get a more accurate answer. That is:

```
Ye = Estimate(1/sqrt(X));
Ye = Ye*(1.5 - Ye*Ye*X/2.0);
Ye = Ye*(1.5 - Ye*Ye*X/2.0);
```

After 2 iterations of the Newton-Raphson algorithm, you get an exact answer accurate to the 32-bit floating-point format. On each iteration, the mantissa bit accuracy approximately doubles. The MEISQRTF32 operation does not generate a negative zero, DeNorm, or NaN value.

```
MRa = Estimate of 1/sqrt (MRb);
```

**Flags**

This instruction modifies the following flags in the MSTF register:

Flag	TF	ZF	NF	LUF	LVF
Modified	No	No	No	Yes	Yes

The MSTF register flags are modified as follows:

- LUF = 1 if MEISQRTF32 generates an underflow condition.
- LVF = 1 if MEISQRTF32 generates an overflow condition.

**Pipeline**

This is a single-cycle instruction.

**MEISQRTF32 MRa, MRb** (continued)

**32-Bit Floating-Point Square-Root Reciprocal Approximation**
**Example**

```

; Y = sqrt(X)
; Ye = Estimate(1/sqrt(X));
; Ye = Ye*(1.5 - Ye*Ye*X*0.5)
; Ye = Ye*(1.5 - Ye*Ye*X*0.5)
; Y = X*Ye
;
;
;_Cla1Task3:
    MMOV32 MR0, @_x           ; MR0 = X
    MEISQRTF32 MR1, MR0      ; MR1 = Ye = Estimate(1/sqrt(X))
    MMOV32 MR1, @_x, EQ      ; if(x == 0.0) Ye = 0.0
    MMPYF32 MR3, MR0, #0.5   ; MR3 = X*0.5
    MMPYF32 MR2, MR1, MR3    ; MR2 = Ye*X*0.5
    MMPYF32 MR2, MR1, MR2    ; MR2 = Ye*Ye*X*0.5
    MSUBF32 MR2, #1.5, MR2   ; MR2 = 1.5 - Ye*Ye*X*0.5
    MMPYF32 MR1, MR1, MR2    ; MR1 = Ye = Ye*(1.5 - Ye*Ye*X*0.5)
    MMPYF32 MR2, MR1, MR3    ; MR2 = Ye*X*0.5
    MMPYF32 MR2, MR1, MR2    ; MR2 = Ye*Ye*X*0.5
    MSUBF32 MR2, #1.5, MR2   ; MR2 = 1.5 - Ye*Ye*X*0.5
    MMPYF32 MR1, MR1, MR2    ; MR1 = Ye = Ye*(1.5 - Ye*Ye*X*0.5)
    MMPYF32 MR0, MR1, MR0    ; MR0 = Y = Ye*X
    MMOV32 @_y, MR0         ; Store Y = sqrt(X)
    MSTOP                   ; end of task

```

**See also**
[MEINVF32 MRa, MRb](#)

**MF32TOI16 MRa, MRb****Convert 32-Bit Floating-Point Value to 16-Bit Integer****Operands**

MRa	CLA floating-point destination register (MR0 to MR3)
MRb	CLA floating-point source register (MR0 to MR3)

**Opcode**

```
LSW: 0000 0000 0000 bbaa
MSW: 0111 1101 1110 0000
```

**Description**

Convert a 32-bit floating point value in MRb to a 16-bit integer and truncate. The result is stored in MRa.

```
MRa(15:0) = F32TOI16(MRb);
MRa(31:16) = sign extension of MRa(15);
```

**Flags**

This instruction does not affect any flags:

Flag	TF	ZF	NF	LUF	LVF
Modified	No	No	No	No	No

**Pipeline**

This is a single-cycle instruction.

**Example**

```
MMOVIZ    MR0, #5.0 ; MR0      = 5.0 (0x40A00000)
MF32TOI16 MR1, MR0 ; MR1(15:0) = MF32TOI16(MR0) = 0x0005
           ; MR1(31:16) = Sign extension of MR1(15) = 0x0000
MMOVIZ    MR2, #-5.0 ; MR2      = -5.0 (0xC0A00000)
MF32TOI16 MR3, MR2 ; MR3(15:0) = MF32TOI16(MR2) = -5 (0xFFFFB)
           ; MR3(31:16) = Sign extension of MR3(15) = 0xFFFF
```

**See also**

[MF32TOI16R MRa, MRb](#)  
[MF32TOUI16 MRa, MRb](#)  
[MF32TOUI16R MRa, MRb](#)  
[MI16TOF32 MRa, MRb](#)  
[MI16TOF32 MRa, mem16](#)  
[MUI16TOF32 MRa, mem16](#)  
[MUI16TOF32 MRa, MRb](#)

## MF32TOI16R MRa, MRb

### Convert 32-Bit Floating-Point Value to 16-Bit Integer and Round

#### Operands

MRa	CLA floating-point destination register (MR0 to MR3)
MRb	CLA floating-point source register (MR0 to MR3)

#### Opcode

```
LSW: 0000 0000 0000 bbaa
MSW: 0111 1110 0110 0000
```

#### Description

Convert the 32-bit floating point value in MRb to a 16-bit integer and round to the nearest even value. The result is stored in MRa.

```
MRa(15:0) = F32TOI16round(MRb);
MRa(31:16) = sign extension of MRa(15);
```

#### Flags

This instruction does not affect any flags:

Flag	TF	ZF	NF	LUF	LVF
Modified	No	No	No	No	No

#### Pipeline

This is a single-cycle instruction.

#### Example

```
MMOVIZ MR0, #0x3FD9 ; MR0(31:16) = 0x3FD9
MMOVXI MR0, #0x999A ; MR0(15:0) = 0x999A
; MR0 = 1.7 (0x3FD9999A)
MF32TOI16R MR1, MR0 ; MR1(15:0) = MF32TOI16round (MR0) = 2 (0x0002)
; MR1(31:16) = Sign extension of MR1(15) = 0x0000
MMOVF32 MR2, #-1.7 ; MR2 = -1.7 (0xBFD9999A)
MF32TOI16R MR3, MR2 ; MR3(15:0) = MF32TOI16round (MR2) = -2 (0xFFFFE)
; MR3(31:16) = Sign extension of MR2(15) = 0xFFFF
```

#### See also

[MF32TOI16 MRa, MRb](#)  
[MF32TOUI16 MRa, MRb](#)  
[MF32TOUI16R MRa, MRb](#)  
[MI16TOF32 MRa, MRb](#)  
[MI16TOF32 MRa, mem16](#)  
[MUI16TOF32 MRa, mem16](#)  
[MUI16TOF32 MRa, MRb](#)

**MF32TOI32 MRa, MRb****Convert 32-Bit Floating-Point Value to 32-Bit Integer****Operands**

MRa	CLA floating-point destination register (MR0 to MR3)
MRb	CLA floating-point source register (MR0 to MR3)

**Opcode**

```
LSW: 0000 0000 0000 bbaa
MSW: 0111 1101 0110 0000
```

**Description**

Convert the 32-bit floating-point value in MRb to a 32-bit integer value and truncate. Store the result in MRa.

```
MRa = F32TOI32(MRb);
```

**Flags**

This instruction does not affect any flags:

Flag	TF	ZF	NF	LUF	LVF
Modified	No	No	No	No	No

**Pipeline**

This is a single-cycle instruction.

**Example 1**

```
MMOV32 MR2, #11204005.0 ; MR2 = 11204005.0 (0x4B2AF5A5)
MF32TOI32 MR3, MR2 ; MR3 = MF32TOI32(MR2) = 11204005 (0x00AAF5A5)
MMOV32 MR0, #-11204005.0 ; MR0 = -11204005.0 (0xCB2AF5A5)
MF32TOI32 MR1, MR0 ; MR1 = MF32TOI32(MR0) = -11204005 (0xFF550A5B)
```

**Example 2**

```
; Given X, M and B are IQ24 numbers:
; X = IQ24(+2.5) = 0x02800000
; M = IQ24(+1.5) = 0x01800000
; B = IQ24(-0.5) = 0xFF800000
;
; calculate Y = X * M + B
;
; Convert M, X, and B from IQ24 to float
;
_Cla1Task2:
  MI32TOF32 MR0, @_M ; MR0 = 0x4BC00000
  MI32TOF32 MR1, @_X ; MR1 = 0x4C200000
  MI32TOF32 MR2, @_B ; MR2 = 0xCB000000
  MMPYF32 MR0, MR0, #0x3380 ; M = 1/(1*2^24) * iqm = 1.5 (0x3FC00000)
  MMPYF32 MR1, MR1, #0x3380 ; X = 1/(1*2^24) * iqx = 2.5 (0x40200000)
  MMPYF32 MR2, MR2, #0x3380 ; B = 1/(1*2^24) * iqb = -.5 (0xBF000000)
  MMPYF32 MR3, MR0, MR1 ; M*X
  MADDF32 MR2, MR2, MR3 ; Y=MX+B = 3.25 (0x40500000)
; Convert Y from float32 to IQ24
  MMPYF32 MR2, MR2, #0x4B80 ; Y * 1*2^24
  MF32TOI32 MR2, MR2 ; IQ24(Y) = 0x03400000
  MMOV32 @_Y, MR2 ; store result
  MSTOP ; end of task
```

**MF32TOI32 MRa, MRb** (continued)

***Convert 32-Bit Floating-Point Value to 32-Bit Integer***

---

**See also**

[MF32TOUI32 MRa, MRb](#)  
[MI32TOF32 MRa, MRb](#)  
[MI32TOF32 MRa, mem32](#)  
[MUI32TOF32 MRa, MRb](#)  
[MUI32TOF32 MRa, mem32](#)

**MF32TOUI16 MRa, MRb****Convert 32-Bit Floating-Point Value to 16-bit Unsigned Integer****Operands**

MRa	CLA floating-point destination register (MR0 to MR3)
MRb	CLA floating-point source register (MR0 to MR3)

**Opcode**

```
LSW: 0000 0000 0000 bbaa
MSW: 0111 1110 1010 0000
```

**Description**

Convert the 32-bit floating point value in MRb to an unsigned 16-bit integer value and truncate to zero. The result is stored in MRa. To instead round the integer to the nearest even value, use the MF32TOUI16R instruction.

```
MRa(15:0) = F32TOUI16(MRb);
MRa(31:16) = 0x0000;
```

**Flags**

This instruction does not affect any flags:

Flag	TF	ZF	NF	LUF	LVF
Modified	No	No	No	No	No

**Pipeline**

This is a single-cycle instruction.

**Example**

```
MMOVIZ    MR0, #9.0    ; MR0 = 9.0 (0x41100000)
MF32TOUI16 MR1, MR0    ; MR1(15:0) = MF32TOUI16(MR0) = 9 (0x0009)
                ; MR1(31:16) = 0x0000
MMOVIZ    MR2, #-9.0   ; MR2 = -9.0 (0xc1100000)
MF32TOUI16 MR3, MR2    ; MR3(15:0) = MF32TOUI16(MR2) = 0 (0x0000)
                ; MR3(31:16) = 0x0000
```

**See also**

[MF32TOI16 MRa, MRb](#)  
[MF32TOUI16 MRa, MRb](#)  
[MF32TOUI16R MRa, MRb](#)  
[MI16TOF32 MRa, MRb](#)  
[MI16TOF32 MRa, mem16](#)  
[MUI16TOF32 MRa, mem16](#)  
[MUI16TOF32 MRa, MRb](#)



## MF32TOUI16R MRa, MRb

### Convert 32-Bit Floating-Point Value to 16-bit Unsigned Integer and Round

#### Operands

MRa	CLA floating-point destination register (MR0 to MR3)
MRb	CLA floating-point source register (MR0 to MR3)

#### Opcode

```
LSW: 0000 0000 0000 bbaa
MSW: 0111 1110 1100 0000
```

#### Description

Convert the 32-bit floating-point value in MRb to an unsigned 16-bit integer and round to the closest even value. The result is stored in MRa. To instead truncate the converted value, use the MF32TOUI16 instruction.

```
MRa(15:0) = MF32TOUI16round(MRb);
MRa(31:16) = 0x0000;
```

#### Flags

This instruction does not affect any flags:

Flag	TF	ZF	NF	LUF	LVF
Modified	No	No	No	No	No

#### Pipeline

This is a single-cycle instruction.

#### Example

```
MMOVIZ      MR0, #0x412C    ; MR0 = 0x412C
MMOVXI      MR0, #0xCCCC    ; MR0 = 0xCCCC ; MR0 = 10.8 (0x412CCCCD)
MF32TOUI16R MR1, MR0        ; MR1(15:0) = MF32TOUI16round(MR0) = 11 (0x000B)
                ; MR1(31:16) = 0x0000
MMOVF32     MR2, #-10.8     ; MR2 = -10.8 (0x0xc12CCCCD)
MF32TOUI16R MR3, MR2        ; MR3(15:0) = MF32TOUI16round(MR2) = 0 (0x0000)
                ; MR3(31:16) = 0x0000
```

#### See also

[MF32TOI16 MRa, MRb](#)  
[MF32TOI16R MRa, MRb](#)  
[MF32TOUI16 MRa, MRb](#)  
[MI16TOF32 MRa, MRb](#)  
[MI16TOF32 MRa, mem16](#)  
[MUI16TOF32 MRa, mem16](#)  
[MUI16TOF32 MRa, MRb](#)

**MF32TOUI32 MRa, MRb****Convert 32-Bit Floating-Point Value to 32-Bit Unsigned Integer****Operands**

MRa	CLA floating-point destination register (MR0 to MR3)
MRb	CLA floating-point source register (MR0 to MR3)

**Opcode**

```
LSW: 0000 0000 0000 bbaa
MSW: 0111 1101 1010 0000
```

**Description**

Convert the 32-bit floating-point value in MRb to an unsigned 32-bit integer and store the result in MRa.

```
MRa = F32TOUI32(MRb);
```

**Flags**

This instruction does not affect any flags:

Flag	TF	ZF	NF	LUF	LVF
Modified	No	No	No	No	No

**Pipeline**

This is a single-cycle instruction.

**Example**

```
MMOVIZ    MR0, #12.5 ; MR0 = 12.5 (0x41480000)
MF32TOUI32 MR0, MR0 ; MR0 = MF32TOUI32 (MR0) = 12 (0x0000000c)
MMOVIZ    MR1, #-6.5 ; MR1 = -6.5 (0xc0d00000)
MF32TOUI32 MR2, MR1 ; MR2 = MF32TOUI32 (MR1) = 0.0 (0x00000000)
```

**See also**

[MF32TOI32 MRa, MRb](#)  
[MI32TOF32 MRa, MRb](#)  
[MI32TOF32 MRa, mem32](#)  
[MUI32TOF32 MRa, MRb](#)  
[MUI32TOF32 MRa, mem32](#)

**MFRACF32 MRa, MRb**
**Fractional Portion of a 32-Bit Floating-Point Value**
**Operands**

MRa	CLA floating-point destination register (MR0 to MR3)
MRb	CLA floating-point source register (MR0 to MR3)

**Opcode**

```
LSW: 0000 0000 0000 bbaa
MSW: 0111 1110 0000 0000
```

**Description**

Returns in MRa the fractional portion of the 32-bit floating-point value in MRb

**Flags**

This instruction does not affect any flags:

Flag	TF	ZF	NF	LUF	LVF
Modified	No	No	No	No	No

**Pipeline**

This is a single-cycle instruction.

**Example**

```
MMOVIZ MR2, #19.625 ; MR2 = 19.625 (0x419D0000)
MFRACF32 MR3, MR2 ; MR3 = MFRACF32(MR2) = 0.625 (0x3F200000)0
```

**MI16TOF32 MRa, MRb****Convert 16-Bit Integer to 32-Bit Floating-Point Value****Operands**

MRa	CLA floating-point destination register (MR0 to MR3)
MRb	CLA floating-point source register (MR0 to MR3)

**Opcode**

```
LSW: 0000 0000 0000 bbaa
MSW: 0111 1110 1000 0000
```

**Description**

Convert the 16-bit signed integer in MRb to a 32-bit floating-point value and store the result in MRa.

```
MRa = MI16TOF32(MRb);
```

**Flags**

This instruction does not affect any flags:

Flag	TF	ZF	NF	LUF	LVF
Modified	No	No	No	No	No

**Pipeline**

This is a single-cycle instruction.

**Example**

```
MMOVIZ    MR0, #0x0000    ; MR0(31:16) = 0.0 (0x0000)
MMOVXI    MR0, #0x0004    ; MR0(15:0) = 4.0 (0x0004)
MI16TOF32 MR1, MR0        ; MR1 = MI16TOF32 (MR0) = 4.0 (0x40800000)
MMOVIZ    MR2, #0x0000    ; MR2(31:16) = 0.0 (0x0000)
MMOVXI    MR2, #0xFFFC    ; MR2(15:0) = -4.0 (0xFFFC)
MI16TOF32 MR3, MR2        ; MR3 = MI16TOF32 (MR2) = -4.0 (0xc0800000)
MSTOP
```

**See also**

[MF32TOI16 MRa, MRb](#)  
[MF32TOI16R MRa, MRb](#)  
[MF32TOUI16 MRa, MRb](#)  
[MF32TOUI16R MRa, MRb](#)  
[MI16TOF32 MRa, mem16](#)  
[MUI16TOF32 MRa, mem16](#)  
[MUI16TOF32 MRa, MRb](#)

**MI16TOF32 MRa, mem16**
**Convert 16-Bit Integer to 32-Bit Floating-Point Value**
**Operands**

MRa	CLA floating-point destination register (MR0 to MR3)
mem16	16-bit source memory location to be converted

**Opcode**

```
LSW: mmmm mmmm mmmm mmmm
MSW: 0111 0101 00aa addr
```

**Description**

Convert the 16-bit signed integer indicated by the mem16 pointer to a 32-bit floating-point value and store the result in MRa.

```
MRa = MI16TOF32[mem16];
```

**Flags**

This instruction does not affect any flags:

Flag	TF	ZF	NF	LUF	LVF
Modified	No	No	No	No	No

**Pipeline**

This is a single-cycle instruction:

**Example**

```
; Assume A = 4 (0x0004)
; B = -4 (0xFFFC)
MI16TOF32 MR0, @_A ; MR0 = MI16TOF32(A) = 4.0 (0x40800000)
MI16TOF32 MR1, @_B ; MR1 = MI16TOF32(B) = -4.0 (0xc0800000)
```

**See also**

[MF32TOI16 MRa, MRb](#)  
[MF32TOI16R MRa, MRb](#)  
[MF32TOUI16 MRa, MRb](#)  
[MF32TOUI16R MRa, MRb](#)  
[MI16TOF32 MRa, MRb](#)  
[MUI16TOF32 MRa, mem16](#)  
[MUI16TOF32 MRa, MRb](#)

**MI32TOF32 MRa, mem32****Convert 32-Bit Integer to 32-Bit Floating-Point Value****Operands**

MRa	CLA floating-point destination register (MR0 to MR3)
mem32	32-bit memory source for the MMOV32 operation.

**Opcode**

```
LSW: mmmm mmmm mmmm mmmm
MSW: 0111 0100 01aa addr
```

**Description**

Convert the 32-bit signed integer indicated by mem32 to a 32-bit floating-point value and store the result in MRa.

```
MRa = MI32TOF32[mem32];
```

**Flags**

This instruction does not affect any flags:

Flag	TF	ZF	NF	LUF	LVF
Modified	No	No	No	No	No

**Pipeline**

This is a single-cycle instruction.

**Example**

```
; Given X, M and B are IQ24 numbers:
; X = IQ24(+2.5) = 0x02800000
; M = IQ24(+1.5) = 0x01800000
; B = IQ24(-0.5) = 0xFF800000
;
; Calculate Y = X * M + B
;
; Convert M, X, and B from IQ24 to float
;
_Cla1Task3:
  MI32TOF32 MR0, @_M      ; MR0 = 0x4BC00000
  MI32TOF32 MR1, @_X      ; MR1 = 0x4C200000
  MI32TOF32 MR2, @_B      ; MR2 = 0xCB000000
  MMPYF32 MR0, MR0, #0x3380 ; M = 1/(1*2^24) * iqm = 1.5 (0x3FC00000)
  MMPYF32 MR1, MR1, #0x3380 ; X = 1/(1*2^24) * iqx = 2.5 (0x40200000)
  MMPYF32 MR2, MR2, #0x3380 ; B = 1/(1*2^24) * iqb = -.5 (0xBF000000)
  MMPYF32 MR3, MR0, MR1    ; M*X
  MADDF32 MR2, MR2, MR3    ; Y=MX+B = 3.25 (0x40500000)
; Convert Y from float32 to IQ24
  MMPYF32 MR2, MR2, #0x4B80 ; Y * 1*2^24
  MF32TOI32 MR2, MR2        ; IQ24(Y) = 0x03400000
  MMOV32 @_Y, MR2          ; store result
  MSTOP                    ; end of task
```

**See also**

[MF32TOI32 MRa, MRb](#)  
[MF32TOUI32 MRa, MRb](#)  
[MI32TOF32 MRa, MRb](#)  
[MUI32TOF32 MRa, MRb](#)  
[MUI32TOF32 MRa, mem32](#)

**MI32TOF32 MRa, MRb****Convert 32-Bit Integer to 32-Bit Floating-Point Value****Operands**

MRa	CLA floating-point destination register (MR0 to MR3)
MRb	CLA floating-point source register (MR0 to MR3)

**Opcode**

```
LSW: 0000 0000 0000 bbaa
MSW: 0111 1101 1000 0000
```

**Description**

Convert the signed 32-bit integer in MRb to a 32-bit floating-point value and store the result in MRa.

```
MRa = MI32TOF32(MRb);
```

**Flags**

This instruction does not affect any flags:

Flag	TF	ZF	NF	LUF	LVF
Modified	No	No	No	No	No

**Pipeline**

This is a single-cycle instruction.

**Example**

```
MMOVIZ MR2, #0x1111 ; MR2(31:16) = 4369 (0x1111)
MMOVXI MR2, #0x1111 ; MR2(15:0) = 4369 (0x1111)
                    ; MR2 = +286331153 (0x11111111)
MI32TOF32 MR3, MR2 ; MR3 = MI32TOF32 (MR2) = 286331153.0 (0x4D888888)
```

**See also**

[MF32TOI32 MRa, MRb](#)  
[MF32TOUI32 MRa, MRb](#)  
[MI32TOF32 MRa, mem32](#)  
[MUI32TOF32 MRa, MRb](#)  
[MUI32TOF32 MRa, mem32](#)

**MLSL32 MRa, #SHIFT****Logical Shift Left****Operands**

MRa	CLA floating-point source/destination register (MR0 to MR3)
#SHIFT	Number of bits to shift (1 to 32)

**Opcode**

```
LSW: 0000 0000 0shi ftaa
MSW: 0111 1011 1100 0000
```

**Description**

Logical shift-left of MRa by the number of bits indicated. The number of bits can be 1 to 32.

```
MARa(31:0) = Logical Shift Left(MARa(31:0) by #SHIFT bits);
```

**Flags**

This instruction modifies the following flags in the MSTF register:

Flag	TF	ZF	NF	LUF	LVF
Modified	No	Yes	Yes	No	No

The MSTF register flags are modified based on the integer results of the operation.

```
NF = MRa(31);
ZF = 0;
if(MRa(31:0) == 0) { ZF = 1; }
```

**Pipeline**

This is a single-cycle instruction.

**Example**

```
; Given m2 = (int32)32
; x2 = (int32)64
; b2 = (int32)-128
;
; calculate:
; m2 = m2*2
; x2 = x2*4
; b2 = b2*8
;
_Cla1Task3:
  MMOV32 MR0, @_m2 ; MR0 = 32 (0x00000020)
  MMOV32 MR1, @_x2 ; MR1 = 64 (0x00000040)
  MMOV32 MR2, @_b2 ; MR2 = -128 (0xFFFFF80)
  MLSL32 MR0, #1 ; MR0 = 64 (0x00000040)
  MLSL32 MR1, #2 ; MR1 = 256 (0x00000100)
  MLSL32 MR2, #3 ; MR2 = -1024 (0xFFFFFC00)
  MMOV32 @_m2, MR0 ; Store results
  MMOV32 @_x2, MR1
  MMOV32 @_b2, MR2
  MSTOP ; end of task
```



**MLSL32 MRa, #SHIFT** (continued)**Logical Shift Left**

---

**See also**

[MADD32 MRa, MRb, MRc](#)  
[MASR32 MRa, #SHIFT](#)  
[MAND32 MRa, MRb, MRc](#)  
[MLSR32 MRa, #SHIFT](#)  
[MOR32 MRa, MRb, MRc](#)  
[MXOR32 MRa, MRb, MRc](#)  
[MSUB32 MRa, MRb, MRc](#)

## MLSR32 MRa, #SHIFT

### Logical Shift Right

#### Operands

MRa	CLA floating-point source/destination register (MR0 to MR3)
#SHIFT	Number of bits to shift (1 to 32)

#### Opcode

```
LSW: 0000 0000 0shi ftaa
MSW: 0111 1011 1000 0000
```

#### Description

Logical shift-right of MRa by the number of bits indicated. The number of bits can be 1 to 32. Unlike the arithmetic shift (MASR32), the logical shift does not preserve the number's sign bit. Every bit in the operand is moved the specified number of bit positions, and the vacant bit positions are filled in with zeros.

```
MARa(31:0) = Logical Shift Right(MARa(31:0) by #SHIFT bits);
```

#### Flags

This instruction modifies the following flags in the MSTF register:

Flag	TF	ZF	NF	LUF	LVF
Modified	No	Yes	Yes	No	No

The MSTF register flags are modified based on the integer results of the operation.

```
NF = MRa(31);
ZF = 0;
if(MRa(31:0) == 0) { ZF = 1;}
```

#### Pipeline

This is a single-cycle instruction.

#### Example

```
; illustrate the difference between MASR32 and MLSR32
MMOVIZ MR0, #0xAAAA ; MR0 = 0xAAAA5555
MMOVXI MR0, #0x5555
MMOV32 MR1, MR0 ; MR1 = 0xAAAA5555
MMOV32 MR2, MR0 ; MR2 = 0xAAAA5555
MASR32 MR1, #1 ; MR1 = 0xD5552AAA
MLSR32 MR2, #1 ; MR2 = 0x55552AAA
MASR32 MR1, #1 ; MR1 = 0xEAAA9555
MLSR32 MR2, #1 ; MR2 = 0x2AAA9555
MASR32 MR1, #6 ; MR1 = 0xFFAAA555
MLSR32 MR2, #6 ; MR2 = 0x00AAA555
```

#### See also

[MADD32 MRa, MRb, MRc](#)  
[MASR32 MRa, #SHIFT](#)  
[MAND32 MRa, MRb, MRc](#)  
[MLSL32 MRa, #SHIFT](#)  
[MOR32 MRa, MRb, MRc](#)  
[MXOR32 MRa, MRb, MRc](#)  
[MSUB32 MRa, MRb, MRc](#)

**MMACF32 MR3, MR2, MRd, MRe, MRf ||MMOV32 MRa, mem32**
**32-Bit Floating-Point Multiply and Accumulate with Parallel Move**
**Operands**

MR3	floating-point destination/source register MR3 for the add operation
MR2	CLA floating-point source register MR2 for the add operation
MRd	CLA floating-point destination register (MR0 to MR3) for the multiply operation MRd cannot be the same register as MRa
MRe	CLA floating-point source register (MR0 to MR3) for the multiply operation
MRf	CLA floating-point source register (MR0 to MR3) for the multiply operation
MRa	CLA floating-point destination register for the MMOV32 operation (MR0 to MR3). MRa cannot be MR3 or the same register as MRd.
mem32	32-bit source for the MMOV32 operation

**Opcode**

```
LSW: mmmm mmmm mmmm mmmm
MSW: 0011 ffee ddaa addr
```

**Description**

Multiply and accumulate the contents of floating-point registers and move from register to memory. The destination register for the MMOV32 cannot be the same as the destination registers for the MMACF32.

```
MR3 = MR3 + MR2;
MRd = MRe * MRf;
MRa = [mem32];
```

**Restrictions**

The destination registers for the MMACF32 and the MMOV32 must be unique. That is, MRa cannot be MR3 and MRa cannot be the same register as MRd.

**Flags**

This instruction modifies the following flags in the MSTF register:

Flag	TF	ZF	NF	LUF	LVF
Modified	No	Yes	Yes	Yes	Yes

The MSTF register flags are modified as follows:

- LUF = 1 if MMACF32 (add or multiply) generates an underflow condition.
- LVF = 1 if MMACF32 (add or multiply) generates an overflow condition.

MMOV32 sets the NF and ZF flags as follows:

```
NF = MRa(31);
ZF = 0;
if(MRa(30:23) == 0) { ZF = 1; NF = 0; }
```

**Pipeline**

MMACF32 and MMOV32 complete in a single cycle.

**MMACF32 MR3, MR2, MRd, MRe, MRf ||MMOV32 MRa, mem32 (continued)**
**32-Bit Floating-Point Multiply and Accumulate with Parallel Move**
**Example 1**

```

; Perform 5 multiply and accumulate operations:
;
; X and Y are 32-bit floating-point arrays
;
; 1st multiply: A = X0 * Y0
; 2nd multiply: B = X1 * Y1
; 3rd multiply: C = X2 * Y2
; 4th multiply: D = X3 * Y3
; 5th multiply: E = X3 * Y3
;
; Result = A + B + C + D + E
;
_Cla1Task1:
  MMOV16 MAR0, #_X          ; MAR0 points to X array
  MMOV16 MAR1, #_Y          ; MAR1 points to Y array
  MNOP                      ; Delay for MAR0, MAR1 load
  MNOP                      ; Delay for MAR0, MAR1 load
  ; <-- MAR0 valid
  MMOV32 MR0, *MAR0[2]++    ; MR0 = X0, MAR0 += 2
  ; <-- MAR1 valid
  MMOV32 MR1, *MAR1[2]++    ; MR1 = Y0, MAR1 += 2
  MMPYF32 MR2, MR0, MR1     ; MR2 = A = X0 * Y0
  || MMOV32 MR0, *MAR0[2]++  ; In parallel MR0 = X1, MAR0 += 2
  MMOV32 MR1, *MAR1[2]++    ; MR1 = Y1, MAR1 += 2
  MMPYF32 MR3, MR0, MR1     ; MR3 = B = X1 * Y1
  || MMOV32 MR0, *MAR0[2]++  ; In parallel MR0 = X2, MAR0 += 2
  MMOV32 MR1, *MAR1[2]++    ; MR1 = Y2, MAR2 += 2
  MMACF32 MR3, MR2, MR2, MR0, MR1 ; MR3 = A + B, MR2 = C = X2 * Y2
  || MMOV32 MR0, *MAR0[2]++  ; In parallel MR0 = X3
  MMOV32 MR1, *MAR1[2]++    ; MR1 = Y3 M
  MACF32 MR3, MR2, MR2, MR0, MR1 ; MR3 = (A + B) + C, MR2 = D = X3 * Y3
  || MMOV32 MR0, *MAR0
  MMOV32 MR1, *MAR1         ; MR1 = Y4
  MMPYF32 MR2, MR0, MR1     ; MR2 = E = X4 * Y4
  || MADD32 MR3, MR3, MR2    ; in parallel MR3 = (A + B + C) + D
  MADD32 MR3, MR3, MR2     ; MR3 = (A + B + C + D) + E
  MMOV32 @_Result, MR3     ; Store the result
  MSTOP                    ; end of task

```

**MMACF32 MR3, MR2, MRd, MRe, MRf || MMOV32 MRa, mem32** (continued)

**32-Bit Floating-Point Multiply and Accumulate with Parallel Move**
**Example 2**

```

; sum = X0*B0 + X1*B1 + X2*B2 + Y1*A1 + Y2*B2
;
;
;      X2 = X1
;      X1 = X0
;      Y2 = Y1 ; Y1 = sum
;
_ClaTask2:
    MMOV32    MR0, @_B2      ; MR0 = B2
    MMOV32    MR1, @_X2      ; MR1 = X2
    MPMYF32   MR2, MR1, MR0  ; MR2 = X2*B2
    || MMOV32    MR0, @_B1      ; MR0 = B1
    MMOV32    MR1, @_X1      ; MR1 = X1, X2 = X1
    MPMYF32   MR3, MR1, MR0  ; MR3 = X1*B1
    || MMOV32    MR0, @_B0      ; MR0 = B0
    MMOV32    MR1, @_X0      ; MR1 = X0, X1 = X0
; MR3 = X1*B1 + X2*B2, MR2 = X0*B0
; MR0 = A2
; MMACF32 MR3, MR2, MR2, MR1, MR0
|| MMOV32 MR0, @_A2 M

    MOV32 MR1, @_Y2          ; MR1 = Y2
; MR3 = X0*B0 + X1*B1 + X2*B2, MR2 = Y2*A2
; MR0 = A1
; MMACF32 MR3, MR2, MR2, MR1, MR0
|| MMOV32 MR0, @_A1
    MMOV32    MR1, @_Y1      ; MR1 = Y1, Y2 = Y1
    MADD32    MR3, MR3, MR2   ; MR3 = Y2*A2 + X0*B0 + X1*B1 + X2*B2
    || MPMYF32 MR2, MR1, MR0  ; MR2 = Y1*A1
    MADD32    MR3, MR3, MR2   ; MR3 = Y1*A1 + Y2*A2 + X0*B0 + X1*B1 + X2*B2
    MMOV32    @_Y1, MR3      ; Y1 = MR3
    MSTOP
; end of task

```

**See also**
[MMPYF32 MRa, MRb, MRc || MADD32 MRd, MRe, MRf](#)

**MMAXF32 MRa, MRb****32-Bit Floating-Point Maximum****Operands**

MRa	CLA floating-point source/destination register (MR0 to MR3)
MRb	CLA floating-point source register (MR0 to MR3)

**Opcode**

```
LSW: 0000 0000 0000 bbaa
MSW: 0111 1101 0010 0000
```

**Description**

```
if(MRa < MRb) MRa = MRb;
```

Special cases for the output from the MMAXF32 operation:

- NaN output is converted to infinity
- A denormalized output is converted to positive zero.

**Flags**

This instruction modifies the following flags in the MSTF register:

Flag	TF	ZF	NF	LUF	LVF
Modified	No	Yes	Yes	No	No

The ZF and NF flags are configured on the result of the operation, not the result stored in the destination register.

```
if(MRa == MRb) {ZF=1; NF=0;}
if(MRa > MRb) {ZF=0; NF=0;}
if(MRa < MRb) {ZF=0; NF=1;}
```

**Pipeline**

This is a single-cycle instruction.

**Example 1**

```
MMOVIZ MR0, #5.0 ; MR0 = 5.0 (0x40A00000)
MMOVIZ MR1, #-2.0 ; MR1 = -2.0 (0xC0000000)
MMOVIZ MR2, #-1.5 ; MR2 = -1.5 (0xBFC00000)
MMAXF32 MR2, MR1 ; MR2 = -1.5, ZF = NF = 0
MMAXF32 MR1, MR2 ; MR1 = -1.5, ZF = 0, NF = 1
MMAXF32 MR2, MR0 ; MR2 = 5.0, ZF = 0, NF = 1
MAXF32 MR0, MR2 ; MR2 = 5.0, ZF = 1, NF = 0
```



**MMAXF32 MRa, #16FHi****32-Bit Floating-Point Maximum****Operands**

MRa	CLA floating-point source/destination register (MR0 to MR3)
#16FHi	A 16-bit immediate value that represents the upper 16-bits of an IEEE 32-bit floating-point value. The low 16-bits of the mantissa are assumed to be all 0.

**Opcode**

```
LSW: IIII IIII IIII IIII
MSW: 0111 1001 0000 00aa
```

**Description**

Compare MRa with the floating-point value represented by the immediate operand. If the immediate value is larger, then load the value into MRa.

```
if(MRa < #16FHi:0) MRa = #16FHi:0;
```

#16FHi is a 16-bit immediate value that represents the upper 16-bits of an IEEE 32-bit floating-point value. The low 16-bits of the mantissa are assumed to be all 0. This addressing mode is most useful for constants where the lowest 16-bits of the mantissa are 0. Some examples are 2.0 (0x40000000), 4.0 (0x40800000), 0.5 (0x3F000000), and -1.5 (0xBFC00000). The assembler accepts either a hex or float as the immediate value. That is, -1.5 can be represented as #-1.5 or #0xBFC0.

Special cases for the output from the MMAXF32 operation:

- NaN output is converted to infinity
- A denormalized output is converted to positive zero.

**Flags**

This instruction modifies the following flags in the MSTF register:

Flag	TF	ZF	NF	LUF	LVF
Modified	No	Yes	Yes	No	No

The ZF and NF flags are configured on the result of the operation, not the result stored in the destination register.

```
if(MRa == #16FHi:0) {ZF=1; NF=0;}
if(MRa > #16FHi:0) {ZF=0; NF=0;}
if(MRa < #16FHi:0) {ZF=0; NF=1;}
```

**Pipeline**

This is a single-cycle instruction.

**Example**

```
MMOVIZ MR0, #5.0 ; MR0 = 5.0 (0x40A00000)
MMOVIZ MR1, #4.0 ; MR1 = 4.0 (0x40800000)
MMOVIZ MR2, #-1.5 ; MR2 = -1.5 (0xBFC00000)
MMAXF32 MR0, #5.5 ; MR0 = 5.5, ZF = 0, NF = 1
MMAXF32 MR1, #2.5 ; MR1 = 4.0, ZF = 0, NF = 0
MMAXF32 MR2, #-1.0 ; MR2 = -1.0, ZF = 0, NF = 1
MMAXF32 MR2, #-1.0 ; MR2 = -1.5, ZF = 1, NF = 0
```



**MMAXF32 MRa, #16FHi** (continued)

***32-Bit Floating-Point Maximum***

---

**See also**

[MMAXF32 MRa, MRb](#)  
[MMINF32 MRa, MRb](#)  
[MMINF32 MRa, #16FHi](#)

**MMINF32 MRa, MRb****32-Bit Floating-Point Minimum****Operands**

MRa	CLA floating-point source/destination register (MR0 to MR3)
MRb	CLA floating-point source register (MR0 to MR3)

**Opcode**

```
LSW: 0000 0000 0000 bbaa
MSW: 0111 1101 0100 0000
```

**Description**

```
if(MRa > MRb) MRa = MRb;
```

Special cases for the output from the MMINF32 operation:

- NaN output is converted to infinity
- A denormalized output is converted to positive zero.

**Flags**

This instruction modifies the following flags in the MSTF register:

Flag	TF	ZF	NF	LUF	LVF
Modified	No	Yes	Yes	No	No

The ZF and NF flags are configured on the result of the operation, not the result stored in the destination register.

```
if(MRa == MRb) {ZF=1; NF=0;}
if(MRa > MRb) {ZF=0; NF=0;}
if(MRa < MRb) {ZF=0; NF=1;}
```

**Pipeline**

This is a single-cycle instruction.

**Example 1**

```
MMOVIZ MR0, #5.0 ; MR0 = 5.0 (0x40A00000)
MMOVIZ MR1, #4.0 ; MR1 = 4.0 (0x40800000)
MMOVIZ MR2, #-1.5 ; MR2 = -1.5 (0xBF000000)
MMINF32 MR0, MR1 ; MR0 = 4.0, ZF = 0, NF = 0
MMINF32 MR1, MR2 ; MR1 = -1.5, ZF = 0, NF = 0
MMINF32 MR2, MR1 ; MR2 = -1.5, ZF = 1, NF = 0
MMINF32 MR1, MR0 ; MR2 = -1.5, ZF = 0, NF = 1
```

**MMINF32 MRa, MRb** (continued)

**32-Bit Floating-Point Minimum**
**Example 2**

```

;
; X is an array of 32-bit floating-point values
; Find the minimum value in an array X
; and store the value in Result
;
;
_Cla1Task1:
MMOV16   MAR1, #_X           ; Start address
MUI16TOF32 MR0, @_len       ; Length of the array
MNOP                               ; delay for MAR1 load
MNOP                               ; delay for MAR1 load
MMOV32   MR1, *MAR1[2]++    ; MR1 = X0
LOOP
MMOV32   MR2, *MAR1[2]++    ; MR2 = next element
MMINF32  MR1, MR2           ; MR1 = MAX(MR1, MR2)
MADDF32  MR0, MR0, #-1.0    ; Decrement the counter
MCMPPF32 MR0 #0.0          ; Set/clear flags for MBCNDD
MNOP
MNOP
MNOP
MBCNDD   LOOP, NEQ         ; Branch if not equal to zero
MMOV32   @_Result, MR1     ; Always executed
MNOP                               ; Always executed
MNOP                               ; Always executed
MSTOP
; End of task

```

**See also**

[MMAXF32 MRa, MRb](#)  
[MMAXF32 MRa, #16FHi](#)  
[MMINF32 MRa, #16FHi](#)

**MMINF32 MRa, #16FHi****32-Bit Floating-Point Minimum****Operands**

MRa	floating-point source/destination register (MR0 to MR3)
#16FHi	A 16-bit immediate value that represents the upper 16-bits of an IEEE 32-bit floating-point value. The low 16-bits of the mantissa are assumed to be all 0.

**Opcode**

```
LSW: IIII IIII IIII IIII
MSW: 0111 1001 0100 00aa
```

**Description**

Compare MRa with the floating-point value represented by the immediate operand. If the immediate value is smaller, then load the value into MRa.

```
if(MRa > #16FHi:0) MRa = #16FHi:0;
```

#16FHi is a 16-bit immediate value that represents the upper 16-bits of an IEEE 32-bit floating-point value. The low 16-bits of the mantissa are assumed to be all 0. This addressing mode is most useful for constants where the lowest 16-bits of the mantissa are 0. Some examples are 2.0 (0x40000000), 4.0 (0x40800000), 0.5 (0x3F000000), and -1.5 (0xBFC00000). The assembler accepts either a hex or float as the immediate value. That is, -1.5 can be represented as #-1.5 or #0xBFC0.

Special cases for the output from the MMINF32 operation:

- NaN output is converted to infinity
- A denormalized output is converted to positive zero.

**Flags**

This instruction modifies the following flags in the MSTF register:

Flag	TF	ZF	NF	LUF	LVF
Modified	No	Yes	Yes	No	No

The ZF and NF flags are configured on the result of the operation, not the result stored in the destination register.

```
if(MRa == #16FHi:0) {ZF=1; NF=0;}
if(MRa > #16FHi:0) {ZF=0; NF=0;}
if(MRa < #16FHi:0) {ZF=0; NF=1;}
```

**Pipeline**

This is a single-cycle instruction.

**Example**

```
MMOVIZ MR0, #5.0 ; MR0 = 5.0 (0x40A00000)
MMOVIZ MR1, #4.0 ; MR1 = 4.0 (0x40800000)
MMOVIZ MR2, #-1.5 ; MR2 = -1.5 (0xBFC00000)
MMINF32 MR0, #5.5 ; MR0 = 5.0, ZF = 0, NF = 1
MMINF32 MR1, #2.5 ; MR1 = 2.5, ZF = 0, NF = 0
MMINF32 MR2, #-1.0 ; MR2 = -1.5, ZF = 0, NF = 1
MMINF32 MR2, #-1.5 ; MR2 = -1.5, ZF = 1, NF = 0
```

**MMINF32 MRa, #16FHi** (continued)

**32-Bit Floating-Point Minimum**

---

**See also**

[MMAXF32 MRa, #16FHi](#)  
[MMAXF32 MRa, MRb](#)  
[MMINF32 MRa, MRb](#)

**MMOV16 MARx, MRa, #16I****Load the Auxiliary Register with MRa + 16-bit Immediate Value****Operands**

MARx	Auxiliary register MAR0 or MAR1
MRa	CLA Floating-point register (MR0 to MR3)
#16I	16-bit immediate value

**Opcode**

```
LSW: IIII IIII IIII IIII (opcode of MMOV16 MAR0, MRa, #16I)
MSW: 0111 1111 1101 00AA
LSW: IIII IIII IIII IIII (opcode of MMOV16 MAR1, MRa, #16I)
MSW: 0111 1111 1111 00AA
```

**Description**

Load the auxiliary register, MAR0 or MAR1, with MRa(15:0) + 16-bit immediate value. Refer to the Pipeline section for important information regarding this instruction.

```
MARX = MRa(15:0) + #16I;
```

**Flags**

This instruction does not modify flags in the MSTF register:

Flag	TF	ZF	NF	LUF	LVF
Modified	No	No	No	No	No

**Pipeline**

This is a single-cycle instruction. The load of MAR0 or MAR1 occurs in the EXE phase of the pipeline. Any post increment of MAR0 or MAR1 using indirect addressing occurs in the D2 phase of the pipeline. Therefore, the following applies when loading the auxiliary registers:

- **I1 and I2**

The two instructions following MMOV16 use MAR0 or MAR1 before the update occurs. Thus, these two instructions use the old value of MAR0 or MAR1.

- **I3**

Loading of an auxiliary register occurs in the EXE phase while updates due to post-increment addressing occur in the D2 phase. Thus, I3 cannot use the auxiliary register or there is a conflict. In the case of a conflict, the update due to address-mode post increment wins and the auxiliary register is not updated with #\_X.

- **I4**

Starting with the 4th instruction, MAR0 or MAR1 is the new value loaded with MMOV16.

```
; Assume MAR0 is 50, MR0 is 10, and #_X is 20
MMOV16 MAR0, MR0, #_X ; Load MAR0 with address of x (20) + MR0 (10)
<Instruction 1> ; I1 Uses the old value of MAR0 (50)
<Instruction 2> ; I2 Uses the old value of MAR0 (50)
<Instruction 3> ; I3 Cannot use MAR0
<Instruction 4> ; I4 Uses the new value of MAR0 (30)
<Instruction 5> ; I5
```

**MMOV16 MARx, MRa, #16I** (continued)**Load the Auxiliary Register with MRa + 16-bit Immediate Value****Table 6-15. Pipeline Activity for MMOV16 MARx, MRa , #16I**

Instruction	F1	F2	D1	D2	R1	R2	E	W
MMOV16 MAR0, MR0, #_X	MMOV16							
I1	I1	MMOV16						
I2	I2	I1	MMOV16					
I3	I3	I2	I1	MMOV16				
I4	I4	I3	I2	I1	MMOV16			
I5	I5	I4	I3	I2	I1	MMOV16		
I6	I6	I5	I4	I3	I2	I1	MMOV16	

**Example 1**

```

; Calculate an offset into a sin/cos table
;
;_Cla1Task1:
  MMOV32 MR0,@_rad           ; MR0 = rad
  MMOV32 MR1,@_TABLE_SIZEdivTwoPi ; MR1 = TABLE_SIZE/(2*Pi)
  MMPYF32 MR1,MR0,MR1       ; MR1 = rad* TABLE_SIZE/(2*Pi)
|| MMOV32 MR2,@_TABLE_MASK   ; MR2 = TABLE_MASK
  MF32TOI32 MR3,MR1         ; MR3 = K=int(rad*TABLE_SIZE/(2*Pi))
  MAND32 MR3,MR3,MR2       ; MR3 = K & TABLE_MASK
  ML32 MR3,#1              ; MR3 = K * 2
  MMOV16 MAR0,MR3,#_Cos0    ; MAR0 K*2+addr of table.Cos0
  MFRACF32 MR1,MR1         ; I1
  MMOV32 MR0,@_TwoPivTABLE_SIZE ; I2
  MMPYF32 MR1,MR1,MR0      ; I3
|| MMOV32 MR0,@_Coef3
  MMOV32 MR2,*MAR0[#-64]++ ; MR2 = *MAR0, MAR0 += (-64)
  ...
  ...
  MSTOP ; end of task

```

**MMOV16 MARx, MRa, #16I** (continued)**Load the Auxiliary Register with MRa + 16-bit Immediate Value****Example 2**

```

; This task logs the last NUM_DATA_POINTS
; ADCRESULT1 values in the array VoltageCLA
;
; when the last element in the array has been
; filled, the task goes back to the
; the first element.
;
; Before starting the ADC conversions, force
; Task 8 to initialize the ConversionCount to zero
;
; The ADC is set to sample (acquire) for 15 SYSCLK cycles
; or 75ns. After the capacitor has captured the analog
; value, the ADC triggers this task early.
; It takes 10.5 ADCCLKs to complete a conversion,
; the ADCCLK being SYSCLK/4
;   T_sys = 1/200MHz = 5ns
;   T_adc = 4*T_sys = 20ns
; The ADC takes 10.5 * 4 or 42 SYSCLK cycles to complete
; a conversion. The ADC result register can be read on the
; 36th instruction after the task begins.
;
_Cla1Task2:
    .asg          0, N
    .loop
    MNOP
result
    .eval        N + 1, N
    .break       N = 28
    .endloop
    MMOVZ16     MR0, @_ConversionCount           ;I29 Current Conversion
    MMOV16     MAR1, MR0, #_VoltageCLA          ;I30 Next array location
    MUI16TOF32 MR0, MR0                         ;I31 Convert count to float32
    MADDF32    MR0, MR0, #1.0                   ;I32 Add 1 to conversion count
    MCMPPF32   MR0, #NUM_DATA_POINTS.0         ;I33 Compare count to max
    MF32TOUI16 MR0, MR0                         ;I34 Convert count to Uint16
    MNOP
result
    MMOVZ16     MR2, @_AdcaResultRegs.ADCRESULT1 ;I36 Read ADCRESULT1
    MMOV16     *MAR1, MR2                       ; Store ADCRESULT1
    MBCNDD     _RestartCount, GEQ              ; If count >= NUM_DATA_POINTS
    MMOVIZ     MR1, #0.0                       ; Always executed: MR1=0
    MNOP
    MNOP
    MMOV16     @_ConversionCount, MR0          ; If branch not taken
    MSTOP
result
    MMOV16     @_ConversionCount, MR1          ; If branch taken, restart
count
    MSTOP
; This task initializes the ConversionCount
; to zero
;
_Cla1Task8:
    MMOVIZ     MR0, #0.0
    MMOV16     @_ConversionCount, MR0
    MSTOP
_Cla1Task8End:

```



## MMOV16 MARx, mem16

### Load MAR1 with 16-bit Value

#### Operands

MARx	CLA auxiliary register MAR0 or MAR1
mem16	16-bit destination memory accessed using one of the available addressing modes

#### Opcode

```
LSW: mmmm mmmm mmmm mmmm (Opcode for MMOV16 MAR0, mem16)
MSW: 0111 0110 0000 addr
LSW: mmmm mmmm mmmm mmmm (Opcode for MMOV16 MAR1, mem16)
MSW: 0111 0110 0100 addr
```

#### Description

Load MAR0 or MAR1 with the 16-bit value pointed to by mem16. Refer to the Pipeline section for important information regarding this instruction.

```
MAR1 = [mem16];
```

#### Flags

No flags MSTF flags are affected.

Flag	TF	ZF	NF	LUF	LVF
Modified	No	No	No	No	No

#### Pipeline

This is a single-cycle instruction. The load of MAR0 or MAR1 occurs in the EXE phase of the pipeline. Any post increment of MAR0 or MAR1 using indirect addressing occurs in the D2 phase of the pipeline. Therefore, the following applies when loading the auxiliary registers:

- **I1 and I2**

The two instructions following MMOV16 use MAR0 or MAR1 before the update occurs. Thus, these two instructions use the old value of MAR0 or MAR1.

- **I3**

Loading of an auxiliary register occurs in the EXE phase while updates due to post-increment addressing occur in the D2 phase. Thus, I3 cannot use the auxiliary register or there is a conflict. In the case of a conflict, the update due to address-mode post increment, the auxiliary register is not updated with #\_X.

- **I4**

Starting with the 4th instruction, MAR0 or MAR1 is the new value loaded with MMOV16.

```
; Assume MAR0 is 50 and @_X is 20
MMOV16 MAR0, @_X ; Load MAR0 with the contents of x (20)
<Instruction 1> ; I1 Uses the old value of MAR0 (50)
<Instruction 2> ; I2 Uses the old value of MAR0 (50)
<Instruction 3> ; I3 Cannot use MAR0
<Instruction 4> ; I4 Uses the new value of MAR0 (20)
<Instruction 5> ; I5
....
```

**MMOV16 MARx, mem16** (continued)**Load MAR1 with 16-bit Value****Table 6-16. Pipeline Activity for MMOV16 MAR0/MAR1, mem16**

Instruction	F1	F2	D1	D2	R1	R2	E	W
MMOV16 MAR0, @_X	MMOV16							
I1	I1	MMOV16						
I2	I2	I1	MMOV16					
I3	I3	I2	I1	MMOV16				
I4	I4	I3	I2	I1	MMOV16			
I5	I5	I4	I3	I2	I1	MMOV16		
I6	I6	I5	I4	I3	I2	I1	MMOV16	

**MMOV16 MARx, mem16** (continued)**Load MAR1 with 16-bit Value****Example**

```

; This task logs the last NUM_DATA_POINTS
; ADCRESULT1 values in the array VoltageCLA
;
; when the last element in the array has been
; filled, the task goes back to the
; the first element.
;
; Before starting the ADC conversions, force
; Task 8 to initialize the ConversionCount to zero
;
; The ADC is set to sample (acquire) for 15 SYSCLK cycles
; or 75ns. After the capacitor has captured the analog
; value, the ADC triggers this task early.
; It takes 10.5 ADCCLKs to complete a conversion,
; the ADCCLK being SYSCLK/4
;   T_sys = 1/200MHz = 5ns
;   T_adc = 4*T_sys = 20ns
; The ADC takes 10.5 * 4 or 42 SYSCLK cycles to complete
; a conversion. The ADC result register can be read on the
; 36th instruction after the task begins.
;
;_ClatTask2:
;   .asg      0, N
;   .loop
;   MNOP
;I1 - I28 wait till I36 to read result
;   .eval    N + 1, N
;   .break   N = 28
;   .endloop
;   MMOVZ16  MR0, @_ConversionCount      ;I29 Current Conversion
;   MMOV16   MAR1, MR0, #_VoltageCLA     ;I30 Next array location
;   MUI16TOF32 MR0, MR0                 ;I31 Convert count to float32
;   MADDF32  MR0, MR0, #1.0             ;I32 Add 1 to conversion count
;   MCMPF32  MR0, #NUM_DATA_POINTS.0    ;I33 Compare count to max
;   MF32TOUI16 MR0, MR0                 ;I34 Convert count to Uint16
;   MNOP                                          ;I35 wait until I36 to read
; result
;   MMOVZ16  MR2, @_AdcaResultRegs.ADCRESULT1 ;I36 Read ADCRESULT1
;   MMOV16   *MAR1, MR2                  ; Store ADCRESULT1
;   MBCNDD   _RestartCount, GEQ          ; If count >= NUM_DATA_POINTS
;   MMOVIZ   MR1, #0.0                   ; Always executed: MR1=0
;   MNOP
;   MNOP
;   MMOV16   @_ConversionCount, MR0      ; If branch not taken
;   MSTOP                                         ; store current count
;_RestartCount
;   MMOV16   @_ConversionCount, MR1      ; If branch taken, restart
; count
;   MSTOP                                         ; end of task
; This task initializes the ConversionCount
; to zero
;
;_ClatTask8:
;   MMOVIZ   MR0, #0.0
;   MMOV16   @_ConversionCount, MR0
;   MSTOP
;_Clat8End:

```

**MMOV16 mem16, MARx****Move 16-Bit Auxiliary Register Contents to Memory****Operands**

mem16	16-bit destination memory accessed using one of the available addressing modes
MARx	CLA auxiliary register MAR0 or MAR1

**Opcode**

```

LSW: mmmm mmmm mmmm mmmm (Opcode for MMOV16 mem16, MAR0)
MSW: 0111 0110 1000 addr
LSW: mmmm mmmm mmmm mmmm (Opcode for MMOV16 mem16, MAR1)
MSW: 0111 0110 1100 addr

```

**Description**

Store the contents of MAR0 or MAR1 in the 16-bit memory location pointed to by mem16.

```
[mem16] = MAR0;
```

**Flags**

No flags MSTF flags are affected.

Flag	TF	ZF	NF	LUF	LVF
Modified	No	No	No	No	No

**Pipeline**

This is a single-cycle instruction.

**MMOV16 mem16, MRa**
**Move 16-Bit Floating-Point Register Contents to Memory**
**Operands**

mem16	16-bit destination memory accessed using one of the available addressing modes
MRa	CLA floating-point source register (MR0 to MR3)

**Opcode**

```
LSW: mmmm mmmm mmmm mmmm
MSW: 0111 0101 11aa addr
```

**Description**

Move 16-bit value from the lower 16-bits of the floating-point register (MRa(15:0)) to the location pointed to by mem16.

```
[mem16] = MRa(15:0);
```

**Flags**

No flags MSTF flags are affected.

Flag	TF	ZF	NF	LUF	LVF
Modified	No	No	No	No	No

**Pipeline**

This is a single-cycle instruction.

**MMOV16 mem16, MRa** (continued)**Move 16-Bit Floating-Point Register Contents to Memory****Example**

```

; This task logs the last NUM_DATA_POINTS
; ADCRESULT1 values in the array VoltageCLA
;
; when the last element in the array has been
; filled, the task goes back to the
; the first element.
;
; Before starting the ADC conversions, force
; Task 8 to initialize the ConversionCount to zero
;
; The ADC is set to sample (acquire) for 15 SYSCLK cycles
; or 75ns. After the capacitor has captured the analog
; value, the ADC triggers this task early.
; It takes 10.5 ADCCLKs to complete a conversion,
; the ADCCLK being SYSCLK/4
;   T_sys = 1/200MHz = 5ns
;   T_adc = 4*T_sys = 20ns
; The ADC takes 10.5 * 4 or 42 SYSCLK cycles to complete
; a conversion. The ADC result register can be read on the
; 36th instruction after the task begins.
;
;_Cla1Task2:
;   .asg      0, N
;   .loop
;   MNOP
;I1 - I28 wait till I36 to read result
;   .eval    N + 1, N
;   .break   N = 28
;   .endloop
;   MMOVZ16  MR0, @_ConversionCount           ;I29 Current Conversion
;   MMOV16   MAR1, MR0, #_VoltageCLA         ;I30 Next array location
;   MUI16TOF32 MR0, MR0                      ;I31 Convert count to float32
;   MADDF32  MR0, MR0, #1.0                  ;I32 Add 1 to conversion count
;   MCMPPF32 MR0, #NUM_DATA_POINTS.0        ;I33 Compare count to max
;   MF32TOUI16 MR0, MR0                     ;I34 Convert count to Uint16
;   MNOP                                         ;I35 wait till I36 to read
;
; result
;   MMOVZ16  MR2, @_AdcaResultRegs.ADCRESULT1 ;I36 Read ADCRESULT1
;   MMOV16   *MAR1, MR2                      ; Store ADCRESULT1
;   MBCNDD   _RestartCount, GEQ              ; If count >= NUM_DATA_POINTS
;   MMOVIZ   MR1, #0.0                       ; Always executed: MR1=0
;   MNOP
;   MNOP
;   MMOV16   @_ConversionCount, MR0          ; If branch not taken
;   MSTOP                                         ; store current count
;_RestartCount
;   MMOV16   @_ConversionCount, MR1          ; If branch taken, restart
; count
;   MSTOP                                         ; end of task
; This task initializes the ConversionCount
; to zero
;
;_Cla1Task8:
;   MMOVIZ   MR0, #0.0
;   MMOV16   @_ConversionCount, MR0
;   MSTOP
;_Cla1Task8End:

```

**See also**

[MMOVIZ MRa, #16FHi](#)  
[MMOVXI MRa, #16FLoHex](#)

**MMOV32 mem32, MRa**
**Move 32-Bit Floating-Point Register Contents to Memory**
**Operands**

MRa	floating-point register (MR0 to MR3)
mem32	32-bit destination memory accessed using one of the available addressing modes

**Opcode**

```
LSW: mmmm mmmm mmmm mmmm
MSW: 0111 0100 11aa addr
```

**Description**

Move from MRa to 32-bit memory location indicated by mem32.

```
[mem32] = MRa;
```

**Flags**

This instruction modifies the following flags in the MSTF register:

Flag	TF	ZF	NF	LUF	LVF
Modified	No	No	No	No	No

No flags affected.

**Pipeline**

This is a single-cycle instruction.

**MMOV32 mem32, MRa** (continued)**Move 32-Bit Floating-Point Register Contents to Memory****Example**

```

; Perform 5 multiply and accumulate operations:
;
; X and Y are 32-bit floating-point arrays;
; 1st multiply: A = X0 * Y0
; 2nd multiply: B = X1 * Y1
; 3rd multiply: C = X2 * Y2
; 4th multiply: D = X3 * Y3
; 5th multiply: E = X3 * Y3;
; Result = A + B + C + D + E
;
_Cla1Task1:
    MMOVI16    MAR0, #_X          ; MAR0 points to X array
    MMOVI16    MAR1, #_Y          ; MAR1 points to Y array
    MNOP                               ; Delay for MAR0, MAR1 load
    MNOP                               ; Delay for MAR0, MAR1 load
; <-- MAR0 valid
    MMOV32     MR0, *MAR0[2]++    ; MR0 = X0, MAR0 += 2
; <-- MAR1 valid
    MMOV32     MR1, *MAR1[2]++    ; MR1 = Y0, MAR1 += 2
    MMPYF32    MR2, MR0, MR1      ; MR2 = A = X0 * Y0
|| MMOV32     MR0, *MAR0[2]++    ; In parallel MR0 = X1, MAR0 += 2
    MMOV32     MR1, *MAR1[2]++    ; MR1 = Y1, MAR1 += 2
    MMPYF32    MR3, MR0, MR1      ; MR3 = B = X1 * Y1
|| MMOV32     MR0, *MAR0[2]++    ; In parallel MR0 = X2, MAR0 += 2
    MMOV32     MR1, *MAR1[2]++    ; MR1 = Y2, MAR2 += 2
    MMACF32    MR3, MR2, MR2, MR0, MR1 ; MR3 = A + B, MR2 = C = X2 * Y2
|| MMOV32     MR0, *MAR0[2]++    ; In parallel MR0 = X3
    MMOV32     MR1, *MAR1[2]++    ; MR1 = Y3
    MMACF32    MR3, MR2, MR2, MR0, MR1 ; MR3 = (A + B) + C, MR2 = D = X3 *
Y3
|| MMOV32     MR0, *MAR0          ; In parallel MR0 = X4
    MMOV32     MR1, *MAR1          ; MR1 = Y4
    MMPYF32    MR2, MR0, MR1      ; MR2 = E = X4 * Y4
|| MADD32     MR3, MR3, MR2      ; in parallel MR3 = (A + B + C) + D
    MADD32     MR3, MR3, MR2      ; MR3 = (A + B + C + D) + E
    MMOV32     @_Result, MR3      ; Store the result
; MSTOP ; end of task

```

**See also**
[MMOV32 mem32, MSTF](#)



## MMOV32 mem32, MSTF

### Move 32-Bit MSTF Register to Memory

#### Operands

MSTF	Floating-point status register
mem32	32-bit destination memory

#### Opcode

```
LSW: mmmm mmmm mmmm mmmm
MSW: 0111 0111 0100 addr
```

#### Description

Copy the CLA floating-point status register, MSTF, to memory.

```
[mem32] = MSTF;
```

#### Flags

This instruction does not modify flags in the MSTF register:

Flag	TF	ZF	NF	LUF	LVF
Modified	No	No	No	No	No

#### Pipeline

This is a single-cycle instruction.

One of the uses of this instruction is to save off the return PC (RPC) prior to calling a function. The decision to jump to a function is made when the MCCNDD is in the decode2 (D2) phase of the pipeline; the RPC is also updated in this phase. The actual jump occurs 3 cycles later when MCCNDD enters the execution (E) phase. You must save the old RPC before MCCNDD updates in the D2 phase; that is, save MSTF 3 instructions prior to the function call.

#### Example

The following example illustrates the pipeline flow for the context save (of the flags and RPC) prior to a function call. The first column in the comments shows the pipeline stages for the MMOV32 instruction while the second column pertains to the MCCNDD instruction.

```
MMOV32 @_temp, MSTF ; D2 | |
MNOP                ; R1 | F1 | MCCNDD is fetched
MNOP                ; R2 | F2 |
MNOP                ; E  | D1 |
MCCNDD _bar, UNC    ; W  | D2 | old RPC written to memory,
                   ;   |   | RPC updated with MPC+1
MNOP                ;   | R1 |
MNOP                ;   | R2 |
MNOP                ;   | E  | execution branches to _bar
```

#### See also

[MMOV32 mem32, MRa](#)

**MMOV32 MRa, mem32 {, CNDF}****Conditional 32-Bit Move****Operands**

MRa	CLA floating-point destination register (MR0 to MR3)
mem32	32-bit memory location accessed using one of the available addressing modes
CNDF	Optional condition

**Opcode**

```
LSW: mmmm mmmm mmmm mmmm
MSW: 0111 00cn dfaa addr
```

**Description**

If the condition is true, then move the 32-bit value referenced by mem32 to the floating-point register indicated by MRa.

```
if (CNDF == TRUE) MRa = [mem32];
```

CNDF is one of the following conditions:

Encode <sup>(1)</sup>	CNDF	Description	MSTF Flags Tested
0000	NEQ	Not equal to zero	ZF == 0
0001	EQ	Equal to zero	ZF == 1
0010	GT	Greater than zero	ZF == 0 AND NF == 0
0011	GEQ	Greater than or equal to zero	NF == 0
0100	LT	Less than zero	NF == 1
0101	LEQ	Less than or equal to zero	ZF == 1 OR NF == 1
1010	TF	Test flag set	TF == 1
1011	NTF	Test flag not set	TF == 0
1100	LU	Latched underflow	LUF == 1
1101	LV	Latched overflow	LVF == 1
1110	UNC	Unconditional	None
1111	UNCF <sup>(2)</sup>	Unconditional with flag modification	None

(1) Values not shown are reserved.

(2) This is the default operation, if no CNDF field is specified. This condition allows the ZF and NF flags to be modified when a conditional operation is executed. All other conditions do not modify these flags.

**Flags**

This instruction modifies the following flags in the MSTF register:

Flag	TF	ZF	NF	LUF	LVF
Modified	No	Yes	Yes	No	No

```
if(CNDF == UNCF)
{
  NF = MRa(31);
  ZF = 0;
  if(MRa(30:23) == 0) { ZF = 1; NF = 0; }
}
else No flags modified;
```

**MMOV32 MRa, mem32 {, CNDF}** (continued)

**Conditional 32-Bit Move**


---

**Pipeline**

This is a single-cycle instruction.

**Example**

```

; Given A, B, X, M1 and M2 are 32-bit floating-point numbers
;
; if(A == B) calculate Y = X*M1
; if(A! = B) calculate Y = X*M2
;
_Cla1Task5:
  MMOV32   MR0, @_A
  MMOV32   MR1, @_B
  MCMPF32  MR0, MR1
  MMOV32   MR2, @_M1, EQ ; if A == B, MR2 = M1
                    ; Y = M1*X
  MMOV32   MR2, @_M2, NEQ ; if A! = B, MR2 = M2
                    ; Y = M2*X

  MMOV32   MR3, @_X
  MMPYF32  MR3, MR2, MR3 ; Calculate Y
  MMOV32   @_Y, MR3      ; Store Y
  MSTOP
; end of task

```

**See also**

[MMOV32 MRa, MRb {, CNDF}](#)  
[MMOVD32 MRa, mem32](#)

**MMOV32 MRa, MRb {, CNDF}****Conditional 32-Bit Move****Operands**

MRa	CLA floating-point destination register (MR0 to MR3)
MRb	CLA floating-point source register (MR0 to MR3)
CNDF	Optional condition

**Opcode**

```
LSW: 0000 0000 cndf bbaa
MSW: 0111 1010 1100 0000
```

**Description**

If the condition is true, then move the 32-bit value in MRb to the floating-point register indicated by MRa.

```
if (CNDF == TRUE) MRa = MRb;
```

CNDF is one of the following conditions:

Encode <sup>(1)</sup>	CNDF	Description	MSTF Flags Tested
0000	NEQ	Not equal to zero	ZF == 0
0001	EQ	Equal to zero	ZF == 1
0010	GT	Greater than zero	ZF == 0 AND NF == 0
0011	GEQ	Greater than or equal to zero	NF == 0
0100	LT	Less than zero	NF == 1
0101	LEQ	Less than or equal to zero	ZF == 1 OR NF == 1
1010	TF	Test flag set	TF == 1
1011	NTF	Test flag not set	TF == 0
1100	LU	Latched underflow	LUF == 1
1101	LV	Latched overflow	LVF == 1
1110	UNC	Unconditional	None
1111	UNCF <sup>(2)</sup>	Unconditional with flag modification	None

(1) Values not shown are reserved.

(2) This is the default operation, if no CNDF field is specified. This condition allows the ZF, and NF flags to be modified when a conditional operation is executed. All other conditions do not modify these flags.

**Flags**

This instruction modifies the following flags in the MSTF register:

Flag	TF	ZF	NF	LUF	LVF
Modified	No	Yes	Yes	No	No

```
if(CNDF == UNCF)
{
  NF = MRa(31); ZF = 0;
  if(MRa(30:23) == 0) {ZF = 1; NF = 0;}
}
else No flags modified;
```

**MMOV32 MRa, MRb {, CNDF}** (continued)

**Conditional 32-Bit Move**


---

**Pipeline**

This is a single-cycle instruction.

**Example**

```

; Given: X = 8.0
;         Y = 7.0
;         A = 2.0
;         B = 5.0
; _ClTask1
MMOV32 MR3, @_X      ; MR3 = X = 8.0
MMOV32 MR0, @_Y      ; MR0 = Y = 7.0
MMAXF32 MR3, MR0     ; ZF = 0, NF = 0, MR3 = 8.0
MMOV32 MR1, @_A, GT  ; true, MR1 = A = 2.0
MMOV32 MR1, @_B, LT  ; false, does not load MR1
MMOV32 MR2, MR1, GT  ; true, MR2 = MR1 = 2.0
MMOV32 MR2, MR0, LT  ; false, does not load MR2
MSTOP

```

**See also**
[MMOV32 MRa, mem32 {,CNDF}](#)

**MMOV32 MSTF, mem32****Move 32-Bit Value from Memory to the MSTF Register****Operands**

MSTF	CLA status register
mem32	32-bit source memory location

**Opcode**

```
LSW: mmmm mmmm mmmm mmmm
MSW: 0111 0111 0000 addr
```

**Description**

Move from memory to the CLA's status register MSTF. This instruction is most useful when nesting function calls (using MCCNDD).

```
MSTF = [mem32];
```

**Flags**

This instruction modifies the following flags in the MSTF register:

Flag	TF	ZF	NF	LUF	LVF
Modified	Yes	Yes	Yes	Yes	Yes

Loading the status register can overwrite all flags and the RPC field. The MEALLOW field is not affected.

**Pipeline**

This is a single-cycle instruction.

**See also**

[MMOV32 mem32, MSTF](#)

**MMOVD32 MRa, mem32**
**Move 32-Bit Value from Memory with Data Copy**
**Operands**

MRa	CLA floating-point register (MR0 to MR3)
mem32	32-bit memory location accessed using one of the available addressing modes

**Opcode**

```
LSW: mmmm mmmm mmmm mmmm
MSW: 0111 0100 00aa addr
```

**Description**

Move the 32-bit value referenced by mem32 to the floating-point register indicated by MRa.

```
MRa = [mem32];
[mem32+2] = [mem32];
```

**Flags**

This instruction modifies the following flags in the MSTF register:

Flag	TF	ZF	NF	LUF	LVF
Modified	No	Yes	Yes	No	No

```
NF = MRa(31);
ZF = 0;
if(MRa(30:23) == 0){ ZF = 1; NF = 0; }
```

**Pipeline**

This is a single-cycle instruction.

**MMOVD32 MRa, mem32** (continued)

**Move 32-Bit Value from Memory with Data Copy**
**Example**

```

; sum = X0*B0 + X1*B1 + X2*B2 + Y1*A1 + Y2*B2
;
;
;   X2 = X1
;   X1 = X0
;   Y2 = Y1
;   Y1 = sum
;
;
;_Cla1Task2:
;   MMOV32 MR0, @_B2      ; MR0 = B2
;   MMOV32 MR1, @_X2      ; MR1 = X2
;   MPPYF32 MR2, MR1, MR0 ; MR2 = X2*B2
||  MMOV32 MR0, @_B1      ; MR0 = B1
;   MMOVD32 MR1, @_X1     ; MR1 = X1, X2 = X1
;   MPPYF32 MR3, MR1, MR0 ; MR3 = X1*B1
||  MMOV32 MR0, @_B0      ; MR0 = B0
;   MMOVD32 MR1, @_X0     ; MR1 = X0, X1 = X0
; MR3 = X1*B1 + X2*B2, MR2 = X0*B0
; MR0 = A2
;   MMACF32 MR3, MR2, MR2, MR1, MR0
||  MMOV32 MR0, @_A2

;   MMOV32 MR1, @_Y2      ; MR1 = Y2
; MR3 = X0*B0 + X1*B1 + X2*B2, MR2 = Y2*A2
; MR0 = A1
;   MMACF32 MR3, MR2, MR2, MR1, MR0
||  MMOV32 MR0, @_A1
;   MMOVD32 MR1, @_Y1     ; MR1 = Y1, Y2 = Y1
;   MADD32 MR3, MR3, MR2  ; MR3 = Y2*A2 + X0*B0 + X1*B1 + X2*B2
||  MPPYF32 MR2, MR1, MR0 ; MR2 = Y1*A1
;   MADD32 MR3, MR3, MR2  ; MR3 = Y1*A1 + Y2*A2 + X0*B0 + X1*B1 + X2*B2
;   MMOV32 @_Y1, MR3      ; Y1 = MR3
;   MSTOP                  ; end of task

```

**See also**
[MMOV32 MRa, mem32 {,CNDF}](#)



## MMOVF32 MRa, #32F

### Load the 32-Bits of a 32-Bit Floating-Point Register

#### Operands

This instruction is an alias for the MMOVIZ and MMOVXI instructions. The second operand is translated by the assembler such that the instruction becomes:

```
MMOVIZ MRa, #16FHiHex MMOVXI MRa, #16FLoHex
```

MRa	CLA floating-point destination register (MR0 to MR3)
#32F	Immediate float value represented in floating-point representation

#### Opcode

```
LSW: IIII IIII IIII IIII (opcode of MMOVIZ MRa, #16FHiHex)
MSW: 0111 1000 0100 00aa
LSW: IIII IIII IIII IIII (opcode of MMOVXI MRa, #16FLoHex)
MSW: 0111 1000 1000 00aa
```

#### Description

This instruction accepts the immediate operand only in floating-point representation. To specify the immediate value as a hex value (IEEE 32-bit floating-point format), use the MOVI32 MRa, #32FHex instruction.

Load the 32-bits of MRa with the immediate float value represented by #32F.

#32F is a float value represented in floating-point representation. The assembler only accepts a float value represented in floating-point representation. That is, 3.0 can only be represented as #3.0 (#0x40400000 results in an error).

```
MRa = #32F;
```

#### Flags

This instruction modifies the following flags in the MSTF register:

Flag	TF	ZF	NF	LUF	LVF
Modified	No	No	No	No	No

#### Pipeline

Depending on #32F, this instruction takes one or two cycles. If all of the lower 16-bits of the IEEE 32-bit floating-point format of #32F are zeros, then the assembler converts MMOVF32 into only an MMOVIZ instruction. If the lower 16-bits of the IEEE 32-bit floating-point format of #32F are not zeros, then the assembler converts MMOVF32 into MMOVIZ and MMOVXI instructions.

#### Example

```
MMOVF32 MR1, #3.0 ; MR1 = 3.0 (0x40400000)
                  ; Assembler converts this instruction as
                  ; MMOVIZ MR1, #0x4040
MMOVF32 MR2, #0.0 ; MR2 = 0.0 (0x00000000)
                  ; Assembler converts this instruction as
                  ; MMOVIZ MR2, #0x0
MMOVF32 MR3, #12.265 ; MR3 = 12.625 (0x41443D71)
                    ; Assembler converts this instruction as
                    ; MMOVIZ MR3, #0x4144
                    ; MMOVXI MR3, #0x3D71
```

**MMOVF32 MRa, #32F** (continued)

***Load the 32-Bits of a 32-Bit Floating-Point Register***

---

**See also**

[MMOVIZ MRa, #16FHi](#)  
[MMOVXI MRa, #16FLoHex](#)  
[MMOVI32 MRa, #32FHex](#)

## MMOVI16 MARx, #16I

### Load the Auxiliary Register with the 16-Bit Immediate Value

#### Operands

MARx	Auxiliary register MAR0 or MAR1
#16I	16-bit immediate value

#### Opcode

```
LSW: IIII IIII IIII IIII (opcode of MMOVI16 MAR0, #16I)
MSW: 0111 1111 1100 0000
LSW: IIII IIII IIII IIII (opcode of MMOVI16 MAR1, #16I)
MSW: 0111 1111 1110 0000
```

#### Description

Load the auxiliary register, MAR0 or MAR1, with a 16-bit immediate value. Refer to the Pipeline section for important information regarding this instruction.

```
MARx = #16I;
```

#### Flags

This instruction does not modify flags in the MSTF register:

Flag	TF	ZF	NF	LUF	LVF
Modified	No	No	No	No	No

#### Pipeline

This is a single-cycle instruction. The immediate load of MAR0 or MAR1 occurs in the EXE phase of the pipeline. Any post increment of MAR0 or MAR1 using indirect addressing occurs in the D2 phase of the pipeline. Therefore, the following applies when loading the auxiliary registers:

- **I1 and I2**

The two instructions following MMOVI16 use MAR0 or MAR1 before the update occurs. Thus, these two instructions use the old value of MAR0 or MAR1.

- **I3**

Loading of an auxiliary register occurs in the EXE phase while updates due to post-increment addressing occur in the D2 phase. Thus, I3 cannot use the auxiliary register or there is a conflict. In the case of a conflict, the update due to address-mode post increment, the auxiliary register is not updated with #\_X.

- **I4**

Starting with the 4th instruction, MAR0 or MAR1 is the new value loaded with MMOVI16.

```
; Assume MAR0 is 50 and #_X is 20
MMOVI16 MAR0, #_X          ; Load MAR0 with address of X (20)
<Instruction 1>             ; I1 Uses the old value of MAR0 (50)
<Instruction 2>             ; I2 Uses the old value of MAR0 (50)
<Instruction 3>             ; I3 Cannot use MAR0
<Instruction 4>             ; I4 Uses the new value of MAR0 (20)
<Instruction 5>             ; I5
....
```

**MMOVI16 MARx, #16I** (continued)**Load the Auxiliary Register with the 16-Bit Immediate Value****Table 6-17. Pipeline Activity for MMOVI16 MAR0/MAR1, #16I**

Instruction	F1	F2	D1	D2	R1	R2	E	W
MMOVI16 MAR0, #_X	MMOVI16							
I1	I1	MMOVI16						
I2	I2	I1	MMOVI16					
I3	I3	I2	I1	MMOVI16				
I4	I4	I3	I2	I1	MMOVI16			
I5	I5	I4	I3	I2	I1	MMOVI16		
I6	I6	I5	I4	I3	I2	I1	MMOVI16	

## MMOVI32 MRa, #32FHex

### Load the 32-Bits of a 32-Bit Floating-Point Register with the Immediate

#### Operands

MRa	Floating-point register (MR0 to MR3)
#32FHex	A 32-bit immediate value that represents an IEEE 32-bit floating-point value.

This instruction is an alias for the MMOVIZ and MMOVXI instructions. The second operand is translated by the assembler such that the instruction becomes:

```
MMOVIZ MRa, #16FHiHex
MMOVXI MRa, #16FLoHex
```

#### Opcode

```
LSW: IIII IIII IIII IIII (opcode of MMOVIZ MRa, #16FHiHex)
MSW: 0111 1000 0100 00aa
LSW: IIII IIII IIII IIII (opcode of MMOVXI MRa, #16FLoHex)
MSW: 0111 1000 1000 00aa
```

#### Description

This instruction only accepts a hex value as the immediate operand. To specify the immediate value with a floating-point representation, use the MMOVF32 MRa, #32F instruction.

Load the 32-bits of MRa with the immediate 32-bit hex value represented by #32FHex.

#32FHex is a 32-bit immediate hex value that represents the IEEE 32-bit floating-point value of a floating-point number. The assembler only accepts a hex immediate value. That is, 3.0 can only be represented as #0x40400000 (#3.0 results in an error).

```
MRa = #32FHex;
```

#### Flags

This instruction modifies the following flags in the MSTF register:

Flag	TF	ZF	NF	LUF	LVF
Modified	No	No	No	No	No

#### Pipeline

Depending on #32FHex, this instruction takes one or two cycles. If all of the lower 16-bits of #32FHex are zeros, then the assembler converts MOV32 to an MMOVIZ instruction. If the lower 16-bits of #32FHex are not zeros, then the assembler converts MOV32 to MMOVIZ and MMOVXI instructions.

**MMOVI32 MRa, #32FHex** (continued)

**Load the 32-Bits of a 32-Bit Floating-Point Register with the Immediate**
**Example**

```

MMOVI32 MR1, #0x40400000 ; MR1 = 0x40400000
                          ; Assembler converts this instruction as
                          ; MMOVIZ MR1, #0x4040
MMOVI32 MR2, #0x00000000 ; MR2 = 0x00000000
                          ; Assembler converts this instruction as
                          ; MMOVIZ MR2, #0x0
MMOVI32 MR3, #0x40004001 ; MR3 = 0x40004001
                          ; Assembler converts this instruction as
                          ; MMOVIZ MR3, #0x4000
                          ; MMOVXI MR3, #0x4001
MMOVI32 MR0, #0x00004040 ; MR0 = 0x00004040
                          ; Assembler converts this instruction as
                          ; MMOVIZ MR0, #0x0000
                          ; MMOVXI MR0, #0x4040

```

**See also**

[MMOVIZ MRa, #16FHi](#)  
[MMOVXI MRa, #16FLoHex](#)  
[MMOVF32 MRa, #32F](#)

## MMOVIZ MRa, #16FHi

### Load the Upper 16-Bits of a 32-Bit Floating-Point Register

#### Operands

MRa	Floating-point register (MR0 to MR3)
#16FHi	A 16-bit immediate value that represents the upper 16-bits of an IEEE 32-bit floating-point value. The low 16-bits of the mantissa are assumed to be all 0.

#### Opcode

```
LSW: IIII IIII IIII IIII
MSW: 0111 1000 0100 00aa
```

#### Description

Load the upper 16-bits of MRa with the immediate value #16FHi and clear the low 16-bits of MRa.

#16FHi is a 16-bit immediate value that represents the upper 16-bits of an IEEE 32-bit floating-point value. The low 16-bits of the mantissa are assumed to be all 0. The assembler only accepts a decimal or hex immediate value. That is, -1.5 can be represented as #-1.5 or #0xBFC0.

By itself, MMOVIZ is useful for loading a floating-point register with a constant in which the lowest 16-bits of the mantissa are 0. Some examples are 2.0 (0x40000000), 4.0 (0x40800000), 0.5 (0x3F000000), and -1.5 (0xBFC00000). If a constant requires all 32-bits of a floating-point register to be initialized, then use MMOVIZ along with the MMOVXI instruction.

```
MRa(31:16) = #16FHi;
MRa(15:0) = 0;
```

#### Flags

This instruction modifies the following flags in the MSTF register:

Flag	TF	ZF	NF	LUF	LVF
Modified	No	No	No	No	No

#### Pipeline

This is a single-cycle instruction.

#### Example

```
; Load MR0 and MR1 with -1.5 (0xBFC00000)
MMOVIZ MR0, #0xBFC0 ; MR0 = 0xBFC00000 (1.5)
MMOVIZ MR1, #-1.5 ; MR1 = -1.5 (0xBFC00000)
; Load MR2 with pi = 3.141593 (0x40490FDB)
MMOVIZ MR2, #0x4049 ; MR2 = 0x40490000
MMOVXI MR2, #0x0FDB ; MR2 = 0x40490FDB
```

#### See also

[MMOVF32 MRa, #32F](#)  
[MMOVI32 MRa, #32FHex](#)  
[MMOVXI MRa, #16FLoHex](#)

**MMOVZ16 MRa, mem16****Load MRx with 16-Bit Value****Operands**

MRa	CLA floating-point destination register (MR0 to MR3)
mem16	16-bit source memory location

**Opcode**

```
LSW: mmmm mmmm mmmm mmmm
MSW: 0111 0101 10aa addr
```

**Description**

Move the 16-bit value referenced by mem16 to the floating-point register indicated by MRa.

```
MRa(31:16) = 0;
MRa(15:0) = [mem16];
```

**Flags**

This instruction modifies the following flags in the MSTF register:

Flag	TF	ZF	NF	LUF	LVF
Modified	No	Yes	Yes	No	No

The MSTF register flags are modified based on the integer results of the operation.

```
NF = 0;
if (MRa(31:0) == 0) { ZF = 1; }
```

**Pipeline**

This is a single-cycle instruction.



**MMOVXI MRa, #16FLoHex**
**Move Immediate Value to the Lower 16-Bits of a Floating-Point Register**
**Operands**

MRa	CLA floating-point register (MR0 to MR3)
#16FLoHex	A 16-bit immediate hex value that represents the lower 16-bits of an IEEE 32-bit floating-point value. The upper 16-bits are not modified.

**Opcode**

```
LSW: IIII IIII IIII IIII
MSW: 0111 1000 1000 00aa
```

**Description**

Load the lower 16-bits of MRa with the immediate value #16FLoHex. #16FLoHex represents the lower 16-bits of an IEEE 32-bit floating-point value. The upper 16-bits of MRa are not modified. MMOVXI can be combined with the MMOVIZ instruction to initialize all 32-bits of a MRa register.

```
MRa(15:0) = #16FLoHex;
MRa(31:16) = Unchanged;
```

**Flags**

Flag	TF	ZF	NF	LUF	LVF
Modified	No	No	No	No	No

**Pipeline**

This is a single-cycle instruction.

**Example**

```
; Load MR0 with pi = 3.141593 (0x40490FDB)
MMOVIZ   MR0,#0x4049   ; MR0 = 0x40490000
MMOVXI   MR0,#0x0FDB   ; MR0 = 0x40490FDB
```

**See also**

[MMOVIZ MRa, #16FHi](#)

**MMPYF32 MRa, MRb, MRc****32-Bit Floating-Point Multiply****Operands**

MRa	CLA floating-point destination register (MR0 to MR3)
MRb	CLA floating-point source register (MR0 to MR3)
MRc	CLA floating-point source register (MR0 to MR3)

**Opcode**

```
LSW: 0000 0000 00cc bbaa
MSW: 0111 1100 0000 0000
```

**Description**

Multiply the contents of two floating-point registers.

```
MRa = MRb * MRc;
```

**Flags**

This instruction modifies the following flags in the MSTF register:

Flag	TF	ZF	NF	LUF	LVF
Modified	No	No	No	Yes	Yes

The MSTF register flags are modified as follows:

- LUF = 1 if MMPYF32 generates an underflow condition.
- LVF = 1 if MMPYF32 generates an overflow condition.

**Pipeline**

This is a single-cycle instruction.

**Example**

```
; Calculate Num/Den using a Newton-Raphson algorithm for 1/Den
; Ye = Estimate(1/X)
; Ye = Ye*(2.0 - Ye*X)
; Ye = Ye*(2.0 - Ye*X)
;
;
;_ClalTask1:
  MMOV32    MR1, @_Den      ; MR1 = Den
  MEINVF32  MR2, MR1       ; MR2 = Ye = Estimate(1/Den)
  MMPYF32   MR3, MR2, MR1  ; MR3 = Ye*Den
  MSUBF32   MR3, #2.0, MR3 ; MR3 = 2.0 - Ye*Den
  MMPYF32   MR2, MR2, MR3  ; MR2 = Ye = Ye*(2.0 - Ye*Den)
  MMPYF32   MR3, MR2, MR1  ; MR3 = Ye*Den
|| MMOV32   MR0, @_Num     ; MR0 = Num
  MSUBF32   MR3, #2.0, MR3 ; MR3 = 2.0 - Ye*Den
  MMPYF32   MR2, MR2, MR3  ; MR2 = Ye = Ye*(2.0 - Ye*Den)
|| MMOV32   MR1, @_Den     ; Reload Den To Set Sign
  MNEGF32   MR0, MR0, EQ   ; if(Den == 0.0) Change Sign Of Num
  MMPYF32   MR0, MR2, MR0  ; MR0 = Y = Ye*Num
  MMOV32    @_Dest, MR0   ; Store result
  MSTOP
```

**See also**

[MMPYF32 MRa, #16FHi, MRb](#)  
[MMPYF32 MRa, MRb, MRc || MADDF32 MRd, MRe, MRf](#)  
[MMPYF32 MRd, MRe, MRf || MMOV32 MRa, mem32](#)  
[MMPYF32 MRd, MRe, MRf || MMOV32 mem32, MRa](#)  
[MMPYF32 MRa, MRb, MRc || MSUBF32 MRd, MRe, MRf](#)  
[MMACF32 MR3, MR2, MRd, MRe, MRf || MMOV32 MRa, mem32](#)

## MMPYF32 MRa, #16FHi, MRb

### 32-Bit Floating-Point Multiply

#### Operands

MRa	CLA floating-point destination register (MR0 to MR3)
#16FHi	A 16-bit immediate value that represents the upper 16-bits of an IEEE 32-bit floating-point value. The lower 16-bits of the mantissa are assumed to be all 0.
MRb	CLA floating-point source register (MR0 to MR3)

#### Opcode

```
LSW: IIII IIII IIII IIII
MSW: 0111 0111 1000 bbaa
```

#### Description

Multiply MRb with the floating-point value represented by the immediate operand. Store the result of the addition in MRa.

#16FHi is a 16-bit immediate value that represents the upper 16-bits of an IEEE 32-bit floating-point value. The lower 16-bits of the mantissa are assumed to be all 0. #16FHi is most useful for representing constants where the lowest 16-bits of the mantissa are 0. Some examples are 2.0 (0x40000000), 4.0 (0x40800000), 0.5 (0x3F000000), and -1.5 (0xBFC00000). The assembler accepts either a hex or float as the immediate value. That is, the value -1.5 can be represented as #-1.5 or #0xBFC0.

```
MRa = MRb * #16FHi:0;
```

This instruction can also be written as MMPYF32 MRa, MRb, #16FHi.

#### Flags

This instruction modifies the following flags in the MSTF register:

Flag	TF	ZF	NF	LUF	LVF
Modified	No	No	No	Yes	Yes

The MSTF register flags are modified as follows:

- LUF = 1 if MMPYF32 generates an underflow condition.
- LVF = 1 if MMPYF32 generates an overflow condition.

#### Pipeline

This is a single-cycle instruction.

#### Example 1

```
; Same as example 2 but #16FHi is represented in float
MMOVIZ MR3, #2.0 ; MR3 = 2.0 (0x40000000)
MMPYF32 MR0, #3.0, MR3 ; MR0 = 3.0 * MR3 = 6.0 (0x40c00000)
MMOV32 @_X, MR0 ; Save the result in variable X
```

#### Example 2

```
; Same as example 1 but #16FHi is represented in Hex
MMOVIZ MR3, #2.0 ; MR3 = 2.0 (0x40000000)
MMPYF32 MR0, #0x4040, MR3 ; MR0 = 0x4040 * MR3 = 6.0 (0x40c00000)
MMOV32 @_X, MR0 ; Save the result in variable X
```

**MMPYF32 MRa, #16FHi, MRb** (continued)

**32-Bit Floating-Point Multiply**
**Example 3**

```

; Given X, M, and B are IQ24 numbers:
; X = IQ24(+2.5) = 0x02800000
; M = IQ24(+1.5) = 0x01800000
; B = IQ24(-0.5) = 0xFF800000
;
; Calculate Y = X * M + B
;
;
;_Cla1Task2:
;
; Convert M, X, and B from IQ24 to float
MI32TOF32 MR0, @_M ; MR0 = 0x4BC00000
MI32TOF32 MR1, @_X ; MR1 = 0x4C200000
MI32TOF32 MR2, @_B ; MR2 = 0xCB000000
MMPYF32 MR0, MR0, #0x3380 ; M = 1/(1*2^24) * iqm = 1.5 (0x3FC00000)
MMPYF32 MR1, MR1, #0x3380 ; X = 1/(1*2^24) * iqx = 2.5 (0x40200000)
MMPYF32 MR2, MR2, #0x3380 ; B = 1/(1*2^24) * iqb = -.5 (0xBF000000)
MMPYF32 MR3, MR0, MR1 ; M*X
MADDF32 MR2, MR2, MR3 ; Y=MX+B = 3.25 (0x40500000)
; Convert Y from float32 to IQ24
MMPYF32 MR2, MR2, #0x4B80 ; Y * 1*2^24
MF32TOI32 MR2, MR2 ; IQ24(Y) = 0x03400000
MMOV32 @_Y, MR2 ; store result
MSTOP ; end of task

```

**See also**
[MMPYF32 MRa, MRb, #16FHi](#)
[MMPYF32 MRa, MRb, MRc](#)
[MMPYF32 MRa, MRb, MRc || MADDF32 MRd, MRe, MRf](#)

## MMPYF32 MRa, MRb, #16FHi

### 32-Bit Floating-Point Multiply

#### Operands

MRa	CLA floating-point destination register (MR0 to MR3)
MRb	CLA floating-point source register (MR0 to MR3)
#16FHi	A 16-bit immediate value that represents the upper 16-bits of an IEEE 32-bit floating-point value. The lower 16-bits of the mantissa are assumed to be all 0.

#### Opcode

```
LSW: IIII IIII IIII IIII
MSW: 0111 0111 1000 bbaa
```

#### Description

Multiply MRb with the floating-point value represented by the immediate operand. Store the result of the addition in MRa.

#16FHi is a 16-bit immediate value that represents the upper 16-bits of an IEEE 32-bit floating-point value. The low 16-bits of the mantissa are assumed to be all 0. #16FHi is most useful for representing constants where the lowest 16-bits of the mantissa are 0. Some examples are 2.0 (0x40000000), 4.0 (0x40800000), 0.5 (0x3F000000), and -1.5 (0xBFC00000). The assembler accepts either a hex or float as the immediate value. That is, the value -1.5 can be represented as #-1.5 or #0xBFC0.

```
MRa = MRb * #16FHi:0;
```

This instruction can also be written as MMPYF32 MRa, #16FHi, MRb.

#### Flags

This instruction modifies the following flags in the MSTF register:

Flag	TF	ZF	NF	LUF	LVF
Modified	No	No	No	Yes	Yes

The MSTF register flags are modified as follows:

- LUF = 1 if MMPYF32 generates an underflow condition.
- LVF = 1 if MMPYF32 generates an overflow condition.

#### Pipeline

This is a single-cycle instruction.

#### Example 1

```
;Same as example 2 but #16FHi is represented in float
MMOVIZ MR3, #2.0 ; MR3 = 2.0 (0x40000000)
MMPYF32 MR0, MR3, #3.0 ; MR0 = MR3 * 3.0 = 6.0 (0x40C00000)
MMOV32 @_X, MR0 ; Save the result in variable X
```

#### Example 2

```
;Same as example 1 but #16FHi is represented in Hex
MMOVIZ MR3, #2.0 ; MR3 = 2.0 (0x40000000)
MMPYF32 MR0, MR3, #0x4040 ; MR0 = MR3 * 0x4040 = 6.0 (0x40C00000)
MMOV32 @_X, MR0 ; Save the result in variable X
```

**MMPYF32 MRa, MRb, #16FHi** (continued)

**32-Bit Floating-Point Multiply**
**Example 3**

```

; Given X, M, and B are IQ24 numbers:
; X = IQ24(+2.5) = 0x02800000
; M = IQ24(+1.5) = 0x01800000
; B = IQ24(-0.5) = 0xFF800000
;
; Calculate Y = X * M + B
;
_Cla1Task2:
;
; Convert M, X, and B from IQ24 to float
MI32TOF32 MR0, @_M ; MR0 = 0x4BC00000
MI32TOF32 MR1, @_X ; MR1 = 0x4C200000
MI32TOF32 MR2, @_B ; MR2 = 0xCB000000
MMPYF32 MR0, #0x3380, MR0 ; M = 1/(1*2^24) * iqm = 1.5 (0x3FC00000)
MMPYF32 MR1, #0x3380, MR1 ; X = 1/(1*2^24) * iqx = 2.5 (0x40200000)
MMPYF32 MR2, #0x3380, MR2 ; B = 1/(1*2^24) * iqb = -.5 (0xBF000000)
MMPYF32 MR3, MR0, MR1 ; M*X
MADDF32 MR2, MR2, MR3 ; Y=MX+B = 3.25 (0x40500000)
; Convert Y from float32 to IQ24
MMPYF32 MR2, #0x4B80, MR2 ; Y * 1*2^24
MF32TOI32 MR2, MR2 ; IQ24(Y) = 0x03400000
MMOV32 @_Y, MR2 ; store result
MSTOP ; end of task

```

**See also**
[MMPYF32 MRa, #16FHi, MRb](#)
[MMPYF32 MRa, MRb, MRc](#)

**MMPYF32 MRa, MRb, MRc||MADDF32 MRd, MRe, MRf**
**32-Bit Floating-Point Multiply with Parallel Add**
**Operands**

MRa	CLA floating-point destination register for MMPYF32 (MR0 to MR3) MRa cannot be the same register as MRd
MRb	CLA floating-point source register for MMPYF32 (MR0 to MR3)
MRC	CLA floating-point source register for MMPYF32 (MR0 to MR3)
MRd	CLA floating-point destination register for MADDF32 (MR0 to MR3) MRd cannot be the same register as MRa
MRe	CLA floating-point source register for MADDF32 (MR0 to MR3)
MRf	CLA floating-point source register for MADDF32 (MR0 to MR3)

**Opcode**

```
LSW: 0000 ffee ddcc bbaa
MSW: 0111 1010 0000 0000
```

**Description**

Multiply the contents of two floating-point registers with parallel addition of two registers.

```
MRa = MRb * MRC;
MRd = MRe + MRf;
```

**Restrictions**

The destination register for the MMPYF32 and the MADDF32 must be unique. That is, MRa cannot be the same register as MRd.

**Flags**

This instruction modifies the following flags in the MSTF register:

Flag	TF	ZF	NF	LUF	LVF
Modified	No	No	No	Yes	Yes

The MSTF register flags are modified as follows:

- LUF = 1 if MMPYF32 or MADDF32 generates an underflow condition.
- LVF = 1 if MMPYF32 or MADDF32 generates an overflow condition.

**Pipeline**

Both MMPYF32 and MADDF32 complete in a single cycle.

**MMPYF32 MRa, MRb, MRc || MADD32 MRd, MRe, MRf** (continued)

**32-Bit Floating-Point Multiply with Parallel Add**
**Example**

```

; Perform 5 multiply and accumulate operations:
;
; X and Y are 32-bit floating-point arrays
;
; 1st multiply: A = X0 * Y0
; 2nd multiply: B = X1 * Y1
; 3rd multiply: C = X2 * Y2
; 4th multiply: D = X3 * Y3
; 5th multiply: E = X3 * Y3
;
; Result = A + B + C + D + E
;
;_Cla1Task1:
  MMOV16    MAR0, #_X          ; MAR0 points to X array
  MMOV16    MAR1, #_Y          ; MAR1 points to Y array
  MNOP      ; Delay for MAR0, MAR1 load
  MNOP      ; Delay for MAR0, MAR1 load
;
; <-- MAR0 valid
  MMOV32    MR0, *MAR0[2]++    ; MR0 = X0, MAR0 += 2
; <-- MAR1 valid
  MMOV32    MR1, *MAR1[2]++    ; MR1 = Y0, MAR1 += 2
  MMPYF32   MR2, MR0, MR1      ; MR2 = A = X0 * Y0
|| MMOV32   MR0, *MAR0[2]++    ; In parallel MR0 = X1, MAR0 += 2
  MMOV32    MR1, *MAR1[2]++    ; MR1 = Y1, MAR1 += 2
  MMPYF32   MR3, MR0, MR1      ; MR3 = B = X1 * Y1
|| MMOV32   MR0, *MAR0[2]++    ; In parallel MR0 = X2, MAR0 += 2
  MMOV32    MR1, *MAR1[2]++    ; MR1 = Y2, MAR2 += 2
  MMACF32   MR3, MR2, MR2, MR0, MR1 ; MR3 = A + B, MR2 = C = X2 * Y2
|| MMOV32   MR0, *MAR0[2]++    ; In parallel MR0 = X3
  MMOV32    MR1, *MAR1[2]++    ; MR1 = Y3
  MMACF32   MR3, MR2, MR2, MR0, MR1 ; MR3 = (A + B) + C, MR2 = D = X3 * Y3
|| MMOV32   MR0, *MAR0
  MMOV32    MR1, *MAR1          ; MR1 = Y4
  MMPYF32   MR2, MR0, MR1      ; MR2 = E = X4 * Y4
|| MADD32   MR3, MR3, MR2      ; in parallel MR3 = (A + B + C) + D

  MADD32    MR3, MR3, MR2      ; MR3 = (A + B + C + D) + E
  MMOV32    @_Result, MR3      ; Store the result
  MSTOP
; end of task

```

**See also**
[MMACF32 MR3, MR2, MRd, MRe, MRf || MMOV32 MRa, mem32](#)



**MMPYF32 MRd, MRe, MRf ||MMOV32 MRa, mem32**
**32-Bit Floating-Point Multiply with Parallel Move**
**Operands**

MRd	CLA floating-point destination register for MMPYF32 (MR0 to MR3) MRd cannot be the same register as MRa
MRe	CLA floating-point source register for MMPYF32 (MR0 to MR3)
MRf	CLA floating-point source register for MMPYF32 (MR0 to MR3)
MRa	CLA floating-point destination register for MMOV32 (MR0 to MR3) MRa cannot be the same register as MRd
mem32	32-bit memory location accessed using one of the available addressing modes. This is the source of MMOV32.

**Opcode**

```
LSW: mmmm mmmm mmmm mmmm
MSW: 0000 ffee ddaa addr
```

**Description**

Multiply the contents of two floating-point registers and load another.

```
MRd = MRe * MRf;
MRa = [mem32];
```

**Restrictions**

The destination register for the MMPYF32 and the MMOV32 must be unique. That is, MRa cannot be the same register as MRd.

**Flags**

This instruction modifies the following flags in the MSTF register:

Flag	TF	ZF	NF	LUF	LVF
Modified	No	Yes	Yes	Yes	Yes

The MSTF register flags are modified as follows:

- LUF = 1 if MMPYF32 generates an underflow condition.
- LVF = 1 if MMPYF32 generates an overflow condition.

The MMOV32 instruction sets the NF and ZF flags as follows:

```
NF = MRa(31);
ZF = 0;
if(MRa(30:23) == 0) { ZF = 1; NF = 0; }
```

**Pipeline**

Both MMPYF32 and MMOV32 complete in a single cycle.

**Example 1**

```
; Given M1, X1, and B1 are 32-bit floating point
; Calculate Y1 = M1*X1+B1
;
;
_Cla1Task1:
    MMOV32    MR0, @M1        ; Load MR0 with M1
    MMOV32    MR1, @X1        ; Load MR1 with X1
    MMPYF32   MR1, MR1, MR0   ; Multiply M1*X1
||   MMOV32   MR0, @B1        ; and in parallel load MR0 with B1
    MADDF32   MR1, MR1, MR0   ; Add M*X1 to B1 and store in MR1
    MMOV32    @Y1, MR1        ; Store the result
    MSTOP                                ; end of task
```

**MMPYF32 MRd, MRe, MRf || MMOV32 MRa, mem32** (continued)

**32-Bit Floating-Point Multiply with Parallel Move**
**Example 2**

```

; Given A, B, and C are 32-bit floating-point numbers
; Calculate Y2 = (A * B)
;           Y3 = (A * B) * C
;
;
;_ClalTask2:
  MMOV32    MR0, @A      ; Load MR0 with A
  MMOV32    MR1, @B      ; Load MR1 with B
  MMPYF32   MR1, MR1, MR0 ; Multiply A*B
  || MMOV32  MR0, @C      ; and in parallel load MR0 with C
  MMPYF32   MR1, MR1, MR0 ; Multiply (A*B) by C
  || MMOV32  @Y2, MR1     ; and in parallel store A*B
  MMOV32    @Y3, MR1     ; Store the result
  MSTOP
; end of task

```

**See also**

[MMPYF32 MRd, MRe, MRf || MMOV32 mem32, MRa](#)  
[MMACF32 MR3, MR2, MRd, MRe, MRf || MMOV32 MRa, mem32](#)

**MMPYF32 MRd, MRe, MRf || MMOV32 mem32, MRa**
**32-Bit Floating-Point Multiply with Parallel Move**
**Operands**

MRd	CLA floating-point destination register for MMPYF32 (MR0 to MR3)
MRe	CLA floating-point source register for MMPYF32 (MR0 to MR3)
MRf	CLA floating-point source register for MMPYF32 (MR0 to MR3)
mem32	32-bit memory location accessed using one of the available addressing modes. This is the destination of MMOV32.
MRa	CLA floating-point source register for MMOV32 (MR0 to MR3)

**Opcode**

```
LSW: mmmm mmmm mmmm mmmm
MSW: 0100 ffee ddaa addr
```

**Description**

Multiply the contents of two floating-point registers and move from memory to register.

```
MRd = MRe * MRf;
[mem32] = MRa;
```

**Flags**

This instruction modifies the following flags in the MSTF register:

Flag	TF	ZF	NF	LUF	LVF
Modified	No	No	No	Yes	Yes

The MSTF register flags are modified as follows:

- LUF = 1 if MMPYF32 generates an underflow condition.
- LVF = 1 if MMPYF32 generates an overflow condition.

**Pipeline**

MMPYF32 and MMOV32 both complete in a single cycle.

**Example**

```
; Given A, B, and C are 32-bit floating-point numbers
; Calculate Y2 = (A * B)
;           Y3 = (A * B) * C
;
;
;_ClalTask2:
MMOV32 MR0, @A ; Load MR0 with A
MMOV32 MR1, @B ; Load MR1 with B
MMPYF32 MR1, MR1, MR0 ; Multiply A*B
|| MMOV32 MR0, @C ; and in parallel load MR0 with C
MMPYF32 MR1, MR1, MR0 ; Multiply (A*B) by C
|| MMOV32 @Y2, MR1 ; and in parallel store A*B
MMOV32 @Y3, MR1 ; Store the result
MSTOP ; end of task
```

**See also**

[MMPYF32 MRd, MRe, MRf || MMOV32 MRa, mem32](#)  
[MMACF32 MR3, MR2, MRd, MRe, MRf || MMOV32 MRa, mem32](#)

**MMPYF32 MRa, MRb, MRc ||MSUBF32 MRd, MRe, MRf**
**32-Bit Floating-Point Multiply with Parallel Subtract**
**Operands**

MRa	CLA floating-point destination register for MMPYF32 (MR0 to MR3) MRa cannot be the same register as MRd
MRb	CLA floating-point source register for MMPYF32 (MR0 to MR3)
MRC	CLA floating-point source register for MMPYF32 (MR0 to MR3)
MRd	CLA floating-point destination register for MSUBF32 (MR0 to MR3) MRd cannot be the same register as MRa
MRe	CLA floating-point source register for MSUBF32 (MR0 to MR3)
MRf	CLA floating-point source register for MSUBF32 (MR0 to MR3)

**Opcode**

```
LSW: 0000 ffee ddc bbaa
MSW: 0111 1010 0100 0000
```

**Description**

Multiply the contents of two floating-point registers with parallel subtraction of two registers.

```
MRa = MRb * MRC;
MRd = MRe - MRf;
```

**Restrictions**

The destination register for the MMPYF32 and the MSUBF32 must be unique. That is, MRa cannot be the same register as MRd.

**Flags**

This instruction modifies the following flags in the MSTF register:

Flag	TF	ZF	NF	LUF	LVF
Modified	No	No	No	Yes	Yes

The MSTF register flags are modified as follows:

- LUF = 1 if MMPYF32 or MSUBF32 generates an underflow condition.
- LVF = 1 if MMPYF32 or MSUBF32 generates an overflow condition.

**Pipeline**

MMPYF32 and MSUBF32 both complete in a single cycle.

**Example**

```
; Given A, B, and C are 32-bit floating-point numbers
; Calculate Y2 = (A * B)
;           Y3 = (A - B)
;
;
;_Cla1Task2:
  MMOV32  MR0, @A          ; Load MR0 with A
  MMOV32  MR1, @B          ; Load MR1 with B
  MMPYF32 MR2, MR0, MR1    ; Multiply (A*B)
  || MSUBF32 MR3, MR0, MR1 ; and in parallel sub (A-B)
  MMOV32  @Y2, MR2         ; Store A*B
  MMOV32  @Y3, MR3         ; Store A-B
  MSTOP                               ; end of task
```

**MMPYF32 MRa, MRb, MRc || MSUBF32 MRd, MRe, MRf** (continued)

***32-Bit Floating-Point Multiply with Parallel Subtract***

---

**See also**

[MSUBF32 MRa, MRb, MRc](#)

[MSUBF32 MRd, MRe, MRf || MMOV32 MRa, mem32](#)

[MSUBF32 MRd, MRe, MRf || MMOV32 mem32, MRa](#)

**MNEGF32 MRa, MRb{, CNDF}****Conditional Negation****Operands**

MRa	CLA floating-point destination register (MR0 to MR3)
MRb	CLA floating-point source register (MR0 to MR3)
CNDF	Condition tested

**Opcode**

```
LSW: 0000 0000 cndf bbaa
MSW: 0111 1010 1000 0000
```

**Description**

```
if (CNDF == true) {MRa = - MRb; }
else {MRa = MRb; }
```

CNDF is one of the following conditions:

Encode <sup>(1)</sup>	CNDF	Description	MSTF Flags Tested
0000	NEQ	Not equal to zero	ZF == 0
0001	EQ	Equal to zero	ZF == 1
0010	GT	Greater than zero	ZF == 0 AND NF == 0
0011	GEQ	Greater than or equal to zero	NF == 0
0100	LT	Less than zero	NF == 1
0101	LEQ	Less than or equal to zero	ZF == 1 OR NF == 1
1010	TF	Test flag set	TF == 1
1011	NTF	Test flag not set	TF == 0
1100	LU	Latched underflow	LUF == 1
1101	LV	Latched overflow	LVF == 1
1110	UNC	Unconditional	None
1111	UNCF <sup>(2)</sup>	Unconditional with flag modification	None

(1) Values not shown are reserved.

(2) This is the default operation, if no CNDF field is specified. This condition allows the ZF, and NF flags to be modified when a conditional operation is executed. All other conditions do not modify these flags.

**Flags**

This instruction modifies the following flags in the MSTF register:

Flag	TF	ZF	NF	LUF	LVF
Modified	No	Yes	Yes	No	No

**Pipeline**

This is a single-cycle instruction.

**MNEGF32 MRa, MRb{, CNDF}** (continued)

**Conditional Negation**
**Example 1**

```

; Show the basic operation of MNEGF32
;
MMOVIZ MR0, #5.0 ; MR0 = 5.0 (0x40A00000)
MMOVIZ MR1, #4.0 ; MR1 = 4.0 (0x40800000)
MMOVIZ MR2, #-1.5 ; MR2 = -1.5 (0xBFC00000)
MMPYF32 MR3, MR1, MR2 ; MR3 = -6.0
MMPYF32 MR0, MR0, MR1 ; MR0 = 20.0
MMOVIZ MR1, #0.0
MCMPIF32 MR3, MR1 ; NF = 1
MNEGF32 MR3, MR3, LT ; if NF = 1, MR3 = 6.0
MCMPIF32 MR0, MR1 ; NF = 0
MNEGF32 MR0, MR0, GEQ ; if NF = 0, MR0 = -20.0

```

**Example 2**

```

; Calculate Num/Den using a Newton-Raphson algorithm for 1/Den
; Ye = Estimate(1/X)
; Ye = Ye*(2.0 - Ye*X)
; Ye = Ye*(2.0 - Ye*X)
;
;_Cla1Task1:
MMOV32 MR1, @_Den ; MR1 = Den
MEINVF32 MR2, MR1 ; MR2 = Ye = Estimate(1/Den)
MMPYF32 MR3, MR2, MR1 ; MR3 = Ye*Den
MSUBF32 MR3, #2.0, MR3 ; MR3 = 2.0 - Ye*Den
MMPYF32 MR2, MR2, MR3 ; MR2 = Ye = Ye*(2.0 - Ye*Den)
MMPYF32 MR3, MR2, MR1 ; MR3 = Ye*Den
|| MMOV32 MR0, @_Num ; MR0 = Num
MSUBF32 MR3, #2.0, MR3 ; MR3 = 2.0 - Ye*Den
MMPYF32 MR2, MR2, MR3 ; MR2 = Ye = Ye*(2.0 - Ye*Den)
|| MMOV32 MR1, @_Den ; Reload Den To Set Sign
MNEGF32 MR0, MR0, EQ ; if(Den == 0.0) Change Sign of Num
MMPYF32 MR0, MR2, MR0 ; MR0 = Y = Ye*Num
MMOV32 @_Dest, MR0 ; Store result
MSTOP ; end of task

```

**See also**
[MABSF32 MRa, MRb](#)

**MNOP****No Operation****Operands**

none	This instruction does not have any operands
------	---

**Opcode**

LSW: 0000 0000 0000 0000
MSW: 0111 1111 1010 0000

**Description**

Do nothing. This instruction is used to fill required pipeline delay slots when other instructions are not available to fill the slots.

**Flags**

This instruction does not modify flags in the MSTF register.

Flag	TF	ZF	NF	LUF	LVF
Modified	No	No	No	No	No

**Pipeline**

This is a single-cycle instruction.

**Example**

```

; X is an array of 32-bit floating-point values
; Find the maximum value in an array x
; and store the value in Result
;
;_Cla1Task1:
    MMOV16    MAR1,#_X          ; Start address
    MUI16TOF32 MR0,@_len      ; Length of the array
    MNOP                      ; delay for MAR1 load
    MNOP                      ; delay for MAR1 load
    MMOV32    MR1,*MAR1[2]++  ; MR1 = x0
LOOP
    MMOV32    MR2,*MAR1[2]++  ; MR2 = next element
    MMAXF32   MR1,MR2         ; MR1 = MAX(MR1, MR2)
    MADD32    MR0,MR0,#-1.0   ; Decrement the counter
    MCMPF32   MR0,#0.0       ; Set/clear flags for MBCNDD
    MNOP                      ; Too late to affect MBCNDD
    MNOP                      ; Too late to affect MBCNDD
    MNOP                      ; Too late to affect MBCNDD
    MBCNDD    LOOP,NEQ        ; Branch if not equal to zero
    MMOV32    @_Result,MR1    ; Always executed
    MNOP                      ; Pad to separate MBCNDD and MSTOP
    MNOP                      ; Pad to separate MBCNDD and MSTOP
    MSTOP

```



## MOR32 MRa, MRb, MRc

### Bitwise OR

#### Operands

MRa	CLA floating-point destination register (MR0 to MR3)
MRb	CLA floating-point source register (MR0 to MR3)
MRc	CLA floating-point source register (MR0 to MR3)

#### Opcode

```
LSW: 0000 0000 00cc bbaa
MSW: 0111 1100 1000 0000
```

#### Description

Bitwise OR of MRb with MRc.

```
MARa(31:0) = MARb(31:0) OR MRC(31:0);
```

#### Flags

This instruction modifies the following flags in the MSTF register:

Flag	TF	ZF	NF	LUF	LVF
Modified	No	Yes	Yes	No	No

The MSTF register flags are modified based on the integer results of the operation.

```
NF = MRa(31);
ZF = 0;
if(MRa(31:0) == 0) { ZF = 1; }
```

#### Pipeline

This is a single-cycle instruction.

#### Example

```
MMOVIZ MR0, #0x5555 ; MR0 = 0x5555AAAA
MMOVXI MR0, #0xAAAA
MMOVIZ MR1, #0x5432 ; MR1 = 0x5432FEDC
MMOVXI MR1, #0xFEDC
; 0101 OR 0101 = 0101 (5)
; 0101 OR 0100 = 0101 (5)
; 0101 OR 0011 = 0111 (7)
; 0101 OR 0010 = 0111 (7)
; 1010 OR 1111 = 1111 (F)
; 1010 OR 1110 = 1110 (E)
; 1010 OR 1101 = 1111 (F)
; 1010 OR 1100 = 1110 (E)
MOR32 MR2, MR1, MR0 ; MR3 = 0x5555FEFE
```

#### See also

[MAND32 MRa, MRb, MRc](#)  
[MXOR32 MRa, MRb, MRc](#)

**MRCNDD {CNDF}****Return Conditional Delayed****Operands**

CNDF	Optional condition
------	--------------------

**Opcode**

LSW: 0000 0000 0000 0000
MSW: 0111 1001 1010 cndf

**Description**

If the specified condition is true, then the RPC field of MSTF is loaded into MPC and fetching continues from that location. Otherwise, program fetches continue without the return.

Refer to the Pipeline section for important information regarding this instruction.

<code>if (CNDF == TRUE) MPC = RPC;</code>
---

CNDF is one of the following conditions:

Encode <sup>(1)</sup>	CNDF	Description	MSTF Flags Tested
0000	NEQ	Not equal to zero	ZF == 0
0001	EQ	Equal to zero	ZF == 1
0010	GT	Greater than zero	ZF == 0 AND NF == 0
0011	GEQ	Greater than or equal to zero	NF == 0
0100	LT	Less than zero	NF == 1
0101	LEQ	Less than or equal to zero	ZF == 1 OR NF == 1
1010	TF	Test flag set	TF == 1
1011	NTF	Test flag not set	TF == 0
1100	LU	Latched underflow	LUF == 1
1101	LV	Latched overflow	LVF == 1
1110	UNC	Unconditional	None
1111	UNCF <sup>(2)</sup>	Unconditional with flag modification	None

(1) Values not shown are reserved.

(2) This is the default operation, if no CNDF field is specified. This condition allows the ZF and NF flags to be modified when a conditional operation is executed. All other conditions do not modify these flags.

**Flags**

This instruction does not modify flags in the MSTF register.

Flag	TF	ZF	NF	LUF	LVF
Modified	No	No	No	No	No

**Pipeline**

The MRCNDD instruction by itself is a single-cycle instruction. As shown in [Table 6-18](#), 6 instruction slots are executed for each return; 3 slots before the return instruction (d5-d7) and 3 slots after the return instruction (d8-d10). The total number of cycles for a return taken or not taken depends on the usage of these slots. That is, the number of cycles depends on how many slots are filled with a MNOP as well as which slots are filled.

**MRCNDD {CNDF}** (continued)

**Return Conditional Delayed**

The effective number of cycles for a return can, therefore, range from 1 to 7 cycles. The number of cycles for a return taken cannot be the same as for a return not taken.

Referring to the following code fragment and the pipeline diagrams in [Table 6-18](#) and [Table 6-19](#), the instructions before and after MRCNDD have the following properties:

```

;
;
<Instruction 1> ; I1 Last instruction that can affect flags for
; the MCCNDD operation
<Instruction 2> ; I2 Cannot be stop, branch, call or return
<Instruction 3> ; I3 Cannot be stop, branch, call or return
<Instruction 4> ; I4 Cannot be stop, branch, call or return
MCCNDD _func, NEQ ; Call to func if not equal to zero
; Three instructions after MCCNDD are always
; executed whether the call is taken or not
<Instruction 5> ; I5 Cannot be stop, branch, call or return
<Instruction 6> ; I6 Cannot be stop, branch, call or return
<Instruction 7> ; I7 Cannot be stop, branch, call or return
<Instruction 8> ; I8 The address of this instruction is saved
; in the RPC field of the MSTF register.
; Upon return this value is loaded into MPC
; and fetching continues from this point.
<Instruction 9> ; I9
<Instruction 10> ; I10
....
....
_func:
<Destination 1> ; d1 Can be any instruction
<Destination 2> ; d2
<Destination 3> ; d3
<Destination 4> ; d4 Last instruction that can affect flags for
; the MRCNDD operation
<Destination 5> ; d5 Cannot be stop, branch, call or return
<Destination 6> ; d6 Cannot be stop, branch, call or return
<Destination 7> ; d7 Cannot be stop, branch, call or return
MRCNDD NEQ ; Return to <Instruction 8> if not equal to zero
; Three instructions after MRCNDD are always
; executed whether the return is taken or not
<Destination 8> ; d8 Cannot be stop, branch, call or return
<Destination 9> ; d9 Cannot be stop, branch, call or return
<Destination 10> ; d10 Cannot be stop, branch, call or return
<Destination 11> ; d11
<Destination 12> ; d12
....
....
MSTOP
....

```

- **d4**
  - d4 is the last instruction that can effect the CNDF flags for the MRCNDD instruction. The CNDF flags are tested in the D2 phase of the pipeline. That is, a decision is made whether to return or not when MRCNDD is in the D2 phase.
  - There are no restrictions on the type of instruction for d4.
- **d5, d6, and d7**
  - The three instructions proceeding MRCNDD can change MSTF flags but have no effect on whether the MRCNDD instruction makes the return or not. This is because the flag modification occurs after the D2 phase of the MRCNDD instruction.
  - These instructions must not be the following: MSTOP, MDEBUGSTOP, MBCNDD, MCCNDD, or MRCNDD.
- **d8, d9, and d10**
  - The three instructions following MRCNDD are always executed irrespective of whether the return is taken or not.

**MRCNDD {CNDF}** (continued)**Return Conditional Delayed**

- These instructions must not be the following: MSTOP, MDEBUGSTOP, MBCNDD, MCCNDD, or MRCNDD.

**Table 6-18. Pipeline Activity for MRCNDD, Return Not Taken**

Instruction	F1	F2	D1	D2	R1	R2	E	W
d4	d4	d3	d2	d1	l7	l6	l5	
d5	d5	d4	d3	d2	d1	l7	l6	
d6	d6	d5	d4	d3	d2	d1	i7	
d7	d7	d6	d5	d4	d3	d2	d1	
MRCNDD	MRCNDD	d7	d6	d5	d4	d3	d2	
d8	d8	MRCNDD	d7	d6	d5	d4	d3	
d9	d9	d8	MRCNDD	d7	d6	d5	d4	
d10	d10	d9	d8	MRCNDD	d7	d6	d5	
d11	d11	d10	d9	d8	-	d7	d6	
d12	d12	d11	d10	d9	d8	-	d7	
etc....	....	d12	d11	d10	d9	d8	-	
....	....	....	d12	d11	d10	d9	d8	
....	....	....	....	d12	d11	d10	d9	
					d12	d11	d10	
						d12	d11	
							d12	

**Table 6-19. Pipeline Activity for MRCNDD, Return Taken**

Instruction	F1	F2	D1	D2	R1	R2	E	W
d4	d4	d3	d2	d1	l7	l6	l5	
d5	d5	d4	d3	d2	d1	l7	l6	
d6	d6	d5	d4	d3	d2	d1	i7	
d7	d7	d6	d5	d4	d3	d2	d1	
MRCNDD	MRCNDD	d7	d6	d5	d4	d3	d2	
d8	d8	MRCNDD	d7	d6	d5	d4	d3	
d9	d9	d8	MRCNDD	d7	d6	d5	d4	
d10	d10	d9	d8	MRCNDD	d7	d6	d5	
l8	l8	d10	d9	d8	-	d7	d6	
l9	l9	l8	d10	d9	d8	-	d7	
l10	l10	l9	l8	d10	d9	d8	-	
etc....	....	l10	l9	l8	d10	d9	d8	
....	....		l10	l9	l8	d10	d9	
....	....			l10	l9	l8	d10	
					l10	l9	l8	
						l10	l9	
							l10	

**See also**

[MBCNDD #16BitDest, CNDF](#)  
[MCCNDD 16BitDest, CNDF](#)  
[MMOV32 mem32, MSTF](#)  
[MMOV32 MSTF, mem32](#)

## MSETFLG FLAG, VALUE

### Set or Clear Selected Floating-Point Status Flags

#### Operands

FLAG	8-bit mask indicating which floating-point status flags to change.
VALUE	8-bit mask indicating the flag value: 0 or 1.

#### Opcode

```
LSW: FFFF FFFF VVVV VVVV
MSW: 0111 1001 1100 0000
```

#### Description

The MSETFLG instruction is used to set or clear selected floating-point status flags in the MSTF register. The FLAG field is an 11-bit value that indicates which flags are changed. That is, if a FLAG bit is set to 1, that flag is changed; all other flags are not modified. The bit mapping of the FLAG field is:

9	8	7	6	5	4	3	2	1	0
RNDF 32	Reserved		TF	Reserved		ZF	NF	LUF	LVF

The VALUE field indicates the value the flag can be set to: 0 or 1.

#### Flags

This instruction modifies the following flags in the MSTF register:

Flag	TF	ZF	NF	LUF	LVF
Modified	Yes	Yes	Yes	Yes	Yes

Any flag can be modified by this instruction. The MEALLOW and RPC fields cannot be modified with this instruction.

#### Pipeline

This is a single-cycle instruction.

#### Example

To make it easier and legible, the assembler accepts a FLAG=VALUE syntax for the MSETFLG operation as:

```
MSETFLG RNDF32=0, TF=0, NF=1; FLAG = 11000100; VALUE = 00XXX1XX;
```

#### See also

[MMOV32 mem32, MSTF](#)  
[MMOV32 MSTF, mem32](#)

## MSTOP

### Stop Task

#### Operands

none	This instruction does not have any operands
------	---

#### Opcode

LSW: 0000 0000 0000 0000
MSW: 0111 1111 1000 0000

#### Description

The MSTOP instruction must be placed to indicate the end of each task. In addition, placing MSTOP in unused memory locations within the CLA program RAM can be useful for debugging and preventing run away CLA code. When MSTOP enters the D2 phase of the pipeline, the MIRUN flag for the task is cleared and the associated interrupt is flagged in the PIE vector table.

There are three special cases that can occur when single-stepping a task such that the MPC reaches the MSTOP instruction.

1. If you are single-stepping or halted in "task A" and "task B" comes in before the MPC reaches the MSTOP, then "task B" starts if you continue to step through the MSTOP instruction. Basically, if "task B" is pending before the MPC reaches MSTOP in "task A" then there is no issue in "task B" starting and no special action is required.
2. In this case, you have single-stepped or halted in "task A" and the MPC has reached the MSTOP with no tasks pending. If "task B" comes in at this point, "task B" is flagged in the MIFR register but "task B" can or cannot start if you continue to single-step through the MSTOP instruction of "task A". It depends on exactly when the new task comes in. To reliably start "task B", perform a soft reset and reconfigure the MIER bits. Once this is done, you can start single-stepping "task B".
3. Case 2 can be handled slightly differently if there is control over when "task B" comes in (for example using the IACK instruction to start the task). In this case you have single-stepped or halted in "task A" and the MPC has reached the MSTOP with no tasks pending. Before forcing "task B", run free to force the CLA out of the debug state. Once this is done you can force "task B" and continue debugging.

#### Restrictions

The MSTOP instruction cannot be placed 3 instructions before or after a [MBCNDD](#), [MCCNDD](#), or [MRCNDD](#) instruction.

#### Flags

This instruction does not modify flags in the MSTF register.

Flag	TF	ZF	NF	LUF	LVF
Modified	No	No	No	No	No

**MSTOP** (continued)

**Stop Task**
**Pipeline**

This is a single-cycle instruction. [Table 6-20](#) shows the pipeline behavior of the MSTOP instruction. The MSTOP instruction cannot be placed with 3 instructions of a [MBCNDD](#), [MCCNDD](#), or [MRCNDD](#) instruction.

**Table 6-20. Pipeline Activity for MSTOP**

Instruction	F1	F2	D1	D2	R1	R2	E	W
I1	I1							
I2	I2	I1						
I3	I3	I2	I1					
MSTOP	MSTOP	I3	I2	I1				
I4	I4	MSTOP	I3	I2	I1			
I5	I5	I4	MSTOP	I3	I2	I1		
I6	I6	I5	I4	MSTOP	I3	I2	I1	
New Task Arbitrated and Prioritized	-	-	-	-	-	I3	I2	
New Task Arbitrated and Prioritized	-	-	-	-	-	-	I3	
I1	I1	-	-	-	-	-	-	-
I2	I2	I1	-	-	-	-	-	-
I3	I3	I2	I1	-	-	-	-	-
I4	I4	I3	I2	I1	-	-	-	-
I5	I5	I4	I3	I2	I1	-	-	-
I6	I6	I5	I4	I3	I2	I1	-	-
I7	I7	I6	I5	I4	I3	I2	I1	-
....								

**Example**

```

; Given A = (int32)1
; B = (int32)2
; C = (int32)-7
;
; Calculate y2 = A - B - C
_Cla1Task3:
  MMOV32 MR0, @_A ; MR0 = 1 (0x00000001)
  MMOV32 MR1, @_B ; MR1 = 2 (0x00000002)
  MMOV32 MR2, @_C ; MR2 = -7 (0xFFFFFFFF9)
  MSUB32 MR3, MR0, MR1 ; A + B
  MSUB32 MR3, MR3, MR2 ; A + B + C = 6 (0x00000006)
  MMOV32 @_y2, MR3 ; Store y2
  MSTOP ; End of task

```

**See also**
[MDEBUGSTOP](#)

**MSUB32 MRa, MRb, MRc****32-Bit Integer Subtraction****Operands**

MRa	CLA floating-point destination register (MR0 to MR3)
MRb	CLA floating-point destination register (MR0 to MR3)
MRc	CLA floating-point destination register (MR0 to MR3)

**Opcode**

```
LSW: 0000 0000 00cc bbaa
MSW: 0111 1100 1110 0000
```

**Description**

32-bit integer addition of MRb and MRc.

```
MARa(31:0) = MARb(31:0) - MRC(31:0);
```

**Flags**

This instruction modifies the following flags in the MSTF register:

Flag	TF	ZF	NF	LUF	LVF
Modified	No	Yes	Yes	No	No

The MSTF register flags are modified as follows:

```
NF = MRa(31);
ZF = 0;
if(MRa(31:0) == 0) { ZF = 1; }
```

**Pipeline**

This is a single-cycle instruction.

**Example**

```
; Given A = (int32)1
;         B = (int32)2
;         C = (int32)-7
;
;
; Calculate Y2 = A - B - C
;
_Cla1Task3:
  MMOV32 MR0, @_A      ; MR0 = 1 (0x00000001)
  MMOV32 MR1, @_B      ; MR1 = 2 (0x00000002)
  MMOV32 MR2, @_C      ; MR2 = -7 (0xFFFFFFFF9)
  MSUB32 MR3, MR0, MR1 ; A + B
  MSUB32 MR3, MR3, MR2 ; A + B + C = 6 (0x00000006)
  MMOV32 @_y2, MR3     ; Store y2
  MSTOP                ; End of task
```

**See also**

[MADD32 MRa, MRb, MRc](#)  
[MAND32 MRa, MRb, MRc](#)  
[MASR32 MRa, #SHIFT](#)  
[MLSL32 MRa, #SHIFT](#)  
[MLSR32 MRa, #SHIFT](#)  
[MOR32 MRa, MRb, MRc](#)  
[MXOR32 MRa, MRb, MRc](#)



## MSUBF32 MRa, MRb, MRc

### 32-Bit Floating-Point Subtraction

#### Operands

MRa	CLA floating-point destination register (MR0 to R1)
MRb	CLA floating-point source register (MR0 to R1)
MRc	CLA floating-point source register (MR0 to R1)

#### Opcode

```
LSW: 0000 0000 00cc bbaa
MSW: 0111 1100 0100 0000
```

#### Description

Subtract the contents of two floating-point registers

```
MRa = MRb - MRc;
```

#### Flags

This instruction modifies the following flags in the MSTF register:

Flag	TF	ZF	NF	LUF	LVF
Modified	No	No	No	Yes	Yes

The MSTF register flags are modified as follows:

- LUF = 1 if MSUBF32 generates an underflow condition.
- LVF = 1 if MSUBF32 generates an overflow condition.

#### Pipeline

This is a single-cycle instruction.

#### Example

```
; Given A, B, and C are 32-bit floating-point numbers
; Calculate Y2 = A + B - C
;
;
_Cla1Task5:
  MMOV32  MR0, @_A      ; Load MR0 with A
  MMOV32  MR1, @_B      ; Load MR1 with B
  MADD32  MR0, MR1, MR0 ; Add A + B
  || MMOV32 MR1, @_C      ; and in parallel load C
  MSUBF32 MR0, MR0, MR1 ; Subtract C from (A + B)
  MMOV32  @Y, MR0      ; (A+B) - C
  MSTOP
```

#### See also

[MSUBF32 MRa, #16FHi, MRb](#)  
[MSUBF32 MRd, MRc, MRf || MMOV32 MRa, mem32](#)  
[MSUBF32 MRd, MRc, MRf || MMOV32 mem32, MRa](#)  
[MMPYF32 MRa, MRb, MRc || MSUBF32 MRd, MRc, MRf](#)

**MSUBF32 MRa, #16FHi, MRb****32-Bit Floating-Point Subtraction****Operands**

MRa	CLA floating-point destination register (MR0 to R1)
#16FHi	A 16-bit immediate value that represents the upper 16-bits of an IEEE 32-bit floating-point value. The lower 16-bits of the mantissa are assumed to be all 0.
MRb	CLA floating-point source register (MR0 to R1)

**Opcode**

```
LSW: IIII IIII IIII IIII
MSW: 0111 1000 0000 baaa
```

**Description**

Subtract MRb from the floating-point value represented by the immediate operand. Store the result of the addition in MRa.

#16FHi is a 16-bit immediate value that represents the upper 16-bits of an IEEE 32-bit floating-point value. The lower 16-bits of the mantissa are assumed to be all 0. #16FHi is most useful for representing constants where the lowest 16-bits of the mantissa are 0. Some examples are 2.0 (0x40000000), 4.0 (0x40800000), 0.5 (0x3F000000), and -1.5 (0xBFC00000). The assembler accepts either a hex or float as the immediate value. That is, the value -1.5 can be represented as #-1.5 or #0xBFC0.

```
MRa = #16FHi:0 - MRb;
```

**Flags**

This instruction modifies the following flags in the MSTF register:

Flag	TF	ZF	NF	LUF	LVF
Modified	No	No	No	Yes	Yes

The MSTF register flags are modified as follows:

- LUF = 1 if MSUBF32 generates an underflow condition.
- LVF = 1 if MSUBF32 generates an overflow condition.

**Pipeline**

This is a single-cycle instruction.

**MSUBF32 MRa, #16FHi, MRb** (continued)

**32-Bit Floating-Point Subtraction**
**Example**

```

; Y = sqrt(X)
; Ye = Estimate(1/sqrt(X));
; Ye = Ye*(1.5 - Ye*Ye*X*0.5)
; Ye = Ye*(1.5 - Ye*Ye*X*0.5)
; Y = X*Ye
;
_Cla1Task3:
  MMOV32      MR0, @_x          ; MR0 = X
  MEISQRTF32 MR1, MR0          ; MR1 = Ye = Estimate(1/sqrt(X))
  MMOV32      MR1, @_x, EQ     ; if(X == 0.0) Ye = 0.0
  MMPYF32     MR3, MR0, #0.5   ; MR3 = X*0.5
  MMPYF32     MR2, MR1, MR3    ; MR2 = Ye*X*0.5
  MMPYF32     MR2, MR1, MR2    ; MR2 = Ye*Ye*X*0.5
  MSUBF32     MR2, #1.5, MR2   ; MR2 = 1.5 - Ye*Ye*X*0.5
  MMPYF32     MR1, MR1, MR2    ; MR1 = Ye = Ye*(1.5 - Ye*Ye*X*0.5)
  MMPYF32     MR2, MR1, MR3    ; MR2 = Ye*X*0.5
  MMPYF32     MR2, MR1, MR2    ; MR2 = Ye*Ye*X*0.5
  MSUBF32     MR2, #1.5, MR2   ; MR2 = 1.5 - Ye*Ye*X*0.5
  MMPYF32     MR1, MR1, MR2    ; MR1 = Ye = Ye*(1.5 - Ye*Ye*X*0.5)
  MMPYF32     MR0, MR1, MR0    ; MR0 = Y = Ye*X
  MMOV32      @_y, MR0        ; Store Y = sqrt(X)
  MSTOP
; end of task

```

**See also**

[MSUBF32 MRa, MRb, MRc](#)  
[MSUBF32 MRd, MRe, MRf || MMOV32 MRa, mem32](#)  
[MSUBF32 MRd, MRe, MRf || MMOV32 mem32, MRa](#)  
[MMPYF32 MRa, MRb, MRc || MSUBF32 MRd, MRe, MRf](#)

**MSUBF32 MRd, MRe, MRf ||MMOV32 MRa, mem32**
**32-Bit Floating-Point Subtraction with Parallel Move**
**Operands**

MRd	CLA floating-point destination register (MR0 to MR3) for the MSUBF32 operation MRd cannot be the same register as MRa
MRe	CLA floating-point source register (MR0 to MR3) for the MSUBF32 operation
MRf	CLA floating-point source register (MR0 to MR3) for the MSUBF32 operation
MRa	CLA floating-point destination register (MR0 to MR3) for the MMOV32 operation MRa cannot be the same register as MRd
mem32	32-bit memory location accessed using one of the available addressing modes. Source for the MMOV32 operation.

**Opcode**

```
LSW: mmmm mmmm mmmm mmmm
MSW: 0010 ffee ddaa addr
```

**Description**

Subtract the contents of two floating-point registers and move from memory to a floating-point register.

```
MRd = MRe - MRf;
MRa = [mem32];
```

**Restrictions**

The destination register for the MSUBF32 and the MMOV32 must be unique. That is, MRa cannot be the same register as MRd.

**Flags**

This instruction modifies the following flags in the MSTF register:

Flag	TF	ZF	NF	LUF	LVF
Modified	No	Yes	Yes	Yes	Yes

The MSTF register flags are modified as follows:

- LUF = 1 if MSUBF32 generates an underflow condition.
- LVF = 1 if MSUBF32 generates an overflow condition.

The MMOV32 instruction sets the NF and ZF flags.

**Pipeline**

Both MSUBF32 and MMOV32 complete in a single cycle.

**Example**

```
NF = MRa(31);
ZF = 0;
if(MRa(30:23) == 0) { ZF = 1; NF = 0; }
```

**See also**

[MSUBF32 MRa, MRb, MRc](#)  
[MSUBF32 MRa, #16FHi, MRb](#)  
[MMPYF32 MRa, MRb, MRc || MSUBF32 MRd, MRe, MRf](#)

**MSUBF32 MRd, MRe, MRf ||MMOV32 mem32, MRa**
**32-Bit Floating-Point Subtraction with Parallel Move**
**Operands**

MRd	CLA floating-point destination register (MR0 to MR3) for the MSUBF32 operation
MRe	CLA floating-point source register (MR0 to MR3) for the MSUBF32 operation
MRf	CLA floating-point source register (MR0 to MR3) for the MSUBF32 operation
mem32	32-bit destination memory location for the MMOV32 operation
MRa	CLA floating-point source register (MR0 to MR3) for the MMOV32 operation

**Opcode**

```
LSW: mmmm mmmm mmmm mmmm
MSW: 0110 ffee ddaa addr
```

**Description**

Subtract the contents of two floating-point registers and move from a floating-point register to memory.

```
MRd = MRe - MRf;
[mem32] = MRa;
```

**Flags**

This instruction modifies the following flags in the MSTF register:

Flag	TF	ZF	NF	LUF	LVF
Modified	No	No	No	Yes	Yes

The MSTF register flags are modified as follows:

- LUF = 1 if MSUBF32 generates an underflow condition.
- LVF = 1 if MSUBF32 generates an overflow condition.

**Pipeline**

Both MSUBF32 and MMOV32 complete in a single cycle.

**See also**

[MSUBF32 MRa, MRb, MRc](#)  
[MSUBF32 MRa, #16FHi, MRb](#)  
[MSUBF32 MRd, MRe, MRf || MMOV32 MRa, mem32](#)  
[MMPYF32 MRa, MRb, MRc || MSUBF32 MRd, MRe, MRf](#)

**MSWAPF MRa, MRb {, CNDF}****Conditional Swap****Operands**

MRa	CLA floating-point register (MR0 to MR3)
MRb	CLA floating-point register (MR0 to MR3)
CNDF	Optional condition tested based on the MSTF flags

**Opcode**

```
LSW: 0000 0000 CNDF bbaa
MSW: 0111 1011 0000 0000
```

**Description**

Conditional swap of MRa and MRb.

```
if (CNDF == true) swap MRa and MRb;
```

CNDF is one of the following conditions:

Encode <sup>(1)</sup>	CNDF	Description	MSTF Flags Tested
0000	NEQ	Not equal to zero	ZF == 0
0001	EQ	Equal to zero	ZF == 1
0010	GT	Greater than zero	ZF == 0 AND NF == 0
0011	GEQ	Greater than or equal to zero	NF == 0
0100	LT	Less than zero	NF == 1
0101	LEQ	Less than or equal to zero	ZF == 1 OR NF == 1
1010	TF	Test flag set	TF == 1
1011	NTF	Test flag not set	TF == 0
1100	LU	Latched underflow	LUF == 1
1101	LV	Latched overflow	LVF == 1
1110	UNC	Unconditional	None
1111	UNCF <sup>(2)</sup>	Unconditional with flag modification	None

(1) Values not shown are reserved.

(2) This is the default operation, if no CNDF field is specified. This condition allows the ZF and NF flags to be modified when a conditional operation is executed. All other conditions do not modify these flags.

**Flags**

This instruction modifies the following flags in the MSTF register:

Flag	TF	ZF	NF	LUF	LVF
Modified	No	No	No	No	No

No flags affected

**Pipeline**

This is a single-cycle instruction.

**MSWAPF MRa, MRb {, CNDF}** (continued)

**Conditional Swap**
**Example**

```

; X is an array of 32-bit floating-point values
; and has length elements. Find the maximum value in
; the array and store the value in Result
;
; Note: MCMPPF32 and MSWAPF can be replaced by MMAXF32
;
_Cla1Task1:
  MMOV16    MAR1, #_X          ; Start address
  MUI16TOF32 MR0, @_len       ; Length of the array
  MNOP      ; delay for MAR1 load
  MNOP      ; delay for MAR1 load
  MMOV32    MR1, *MAR1[2]++   ; MR1 = X0
LOOP
  MMOV32    MR2, *MAR1[2]++   ; MR2 = next element
  MCMPPF32  MR2, MR1          ; Compare MR2 with MR1
  MSWAPF    MR1, MR2, GT      ; MR1 = MAX(MR1, MR2)
  MADD32    MR0, MR0, #-1.0   ; Decrement the counter
  MCMPPF32  MR0, #0.0         ; Set/clear flags for MBCNDD
  MNOP
  MNOP
  MNOP
  MBCNDD    LOOP, NEQ         ; Branch if not equal to zero
  MMOV32    @_Result, MR1     ; Always executed
  MNOP      ; Always executed
  MNOP      ; Always executed
  MSTOP
  ; End of task

```

**MTESTTF CNDF****Test MSTF Register Flag Condition****Operands**

CNDF	Condition to test based on MSTF flags
------	---------------------------------------

**Opcode**

LSW: 0000 0000 0000 cndf
MSW: 0111 1111 0100 0000

**Description**

Test the CLA floating-point condition and if true, set the MSTF[TF] flag. If the condition is false, clear the MSTF[TF] flag. This is useful for temporarily storing a condition for later use.

if (CNDF == true) TF = 1; else TF = 0;
---

CNDF is one of the following conditions:

Encode <sup>(1)</sup>	CNDF	Description	MSTF Flags Tested
0000	NEQ	Not equal to zero	ZF == 0
0001	EQ	Equal to zero	ZF == 1
0010	GT	Greater than zero	ZF == 0 AND NF == 0
0011	GEQ	Greater than or equal to zero	NF == 0
0100	LT	Less than zero	NF == 1
0101	LEQ	Less than or equal to zero	ZF == 1 OR NF == 1
1010	TF	Test flag set	TF == 1
1011	NTF	Test flag not set	TF == 0
1100	LU	Latched underflow	LUF == 1
1101	LV	Latched overflow	LVF == 1
1110	UNC	Unconditional	None
1111	UNCF <sup>(2)</sup>	Unconditional with flag modification	None

(1) Values not shown are reserved.

(2) This is the default operation, if no CNDF field is specified. This condition allows the ZF and NF flags to be modified when a conditional operation is executed. All other conditions do not modify these flags.

**Flags**

This instruction modifies the following flags in the MSTF register:

Flag	TF	ZF	NF	LUF	LVF
Modified	Yes	No	No	No	No

TF = 0; if (CNDF == true) TF = 1;
--------------------------------------

Note: If (CNDF == UNC or UNCF), the TF flag is set to 1.

**Pipeline**

This is a single-cycle instruction.



**MTESTTF CNDF** (continued)

**Test MSTF Register Flag Condition**
**Example**

```

; if (State == 0.1)
;   RampState = RampState || RAMPMASK
; else if (State == 0.01)
;   CoastState = CoastState || COASTMASK
; else
;   SteadyState = SteadyState || STEADYMASK
;
_Cla1Task2:
  MMOV32   MR0, @_State
  MCMPF32  MR0, #0.1           ; Affects flags for 1st MBCNDD (A)
  MCMPF32  MR0, #0.01         ; Check used by 2nd MBCNDD (B)
  MTESTTF  EQ                 ; Store EQ flag in TF for 2nd MBCNDD (B)
  MNOP
  MBCNDD   _Skip1, NEQ        ; (A) If State != 0.1, go to Skip1
  MMOV32   MR1, @_RampState   ; Always executed
  MMOVXI   MR2, #RAMPMASK     ; Always executed
  MOR32    MR1, MR2           ; Always executed
  MMOV32   @_RampState, MR1   ; Execute if (A) branch not taken
  MSTOP    ; end of task if (A) branch not taken
_Skip1:
  MMOV32   MR3, @_SteadyState
  MMOVXI   MR2, #STEADYMASK
  MOR32    MR3, MR2
  MBCNDD   _Skip2, NTF        ; (B) if State != .01, go to Skip2
  MMOV32   MR1, @_CoastState  ; Always executed
  MMOVXI   MR2, #COASTMASK    ; Always executed
  MOR32    MR1, MR2           ; Always executed
  MMOV32   @_CoastState, MR1  ; Execute if (B) branch not taken
  MSTOP    ; end of task if (B) branch not taken
_Skip2:
  MMOV32   @_SteadyState, MR3 ; Executed if (B) branch taken
  MSTOP

```

**MUI16TOF32 MRa, mem16****Convert Unsigned 16-Bit Integer to 32-Bit Floating-Point Value****Operands**

MRa	CLA floating-point destination register (MR0 to MR3)
mem16	16-bit source memory location

**Opcode**

```
LSW: mmmm mmmm mmmm mmmm
MSW: 0111 0101 01aa addr
```

**Description**

When converting F32 to I16/UI16 data format, the MF32TOI16/UI16 operation truncates to zero while the MF32TOI16R/UI16R operation rounds to the nearest (even) value.

```
MRa = UI16TOF32[mem16];
```

**Flags**

This instruction does not affect any flags:

Flag	TF	ZF	NF	LUF	LVF
Modified	No	No	No	No	No

**Pipeline**

This is a single-cycle instruction.

**See also**

[MF32TOI16 MRa, MRb](#)  
[MF32TOI16R MRa, MRb](#)  
[MF32TOUI16 MRa, MRb](#)  
[MF32TOUI16R MRa, MRb](#)  
[MI16TOF32 MRa, MRb](#)  
[MI16TOF32 MRa, mem16](#)  
[MUI16TOF32 MRa, MRb](#)

## MUI16TOF32 MRa, MRb

### Convert Unsigned 16-Bit Integer to 32-Bit Floating-Point Value

#### Operands

MRa	CLA floating-point destination register (MR0 to MR3)
MRb	CLA floating-point source register (MR0 to MR3)

#### Opcode

```
LSW: 0000 0000 0000 bbaa
MSW: 0111 1110 1110 0000
```

#### Description

Convert an unsigned 16-bit integer to a 32-bit floating-point value. When converting float32 to I16/UI16 data format, the MF32TOI16/UI16 operation truncates to zero while the MF32TOI16R/UI16R operation rounds to the nearest (even) value.

```
MRa = UI16TOF32[MRb];
```

#### Flags

This instruction does not affect any flags:

Flag	TF	ZF	NF	LUF	LVF
Modified	No	No	No	No	No

#### Pipeline

This is a single-cycle instruction.

#### Example

```
MMOVXI MR1, #0x800F ; MR1(15:0) = 32783 (0x800F)
MUI16TOF32 MR0, MR1 ; MR0 = UI16TOF32 (MR1(15:0))
; = 32783.0 (0x47000F00)
```

#### See also

[MF32TOI16 MRa, MRb](#)  
[MF32TOI16R MRa, MRb](#)  
[MF32TOUI16 MRa, MRb](#)  
[MF32TOUI16R MRa, MRb](#)  
[MI16TOF32 MRa, MRb](#)  
[MI16TOF32 MRa, mem16](#)  
[MUI16TOF32 MRa, mem16](#)

**MUI32TOF32 MRa, mem32****Convert Unsigned 32-Bit Integer to 32-Bit Floating-Point Value****Operands**

MRa	CLA floating-point destination register (MR0 to MR3)
mem32	32-bit memory location accessed using one of the available addressing modes

**Opcode**

```
LSW: mmmm mmmm mmmm mmmm
MSW: 0111 0100 10aa addr
```

**Description**

```
MRa = UI32TOF32[mem32];
```

**Flags**

This instruction does not affect any flags:

Flag	TF	ZF	NF	LUF	LVF
Modified	No	No	No	No	No

**Pipeline**

This is a single-cycle instruction.

**Example**

```
; Given x2, m2, and b2 are Uint32 numbers:
;
; x2 = Uint32(2) = 0x00000002
; m2 = Uint32(1) = 0x00000001
; b2 = Uint32(3) = 0x00000003
;
; Calculate y2 = x2 * m2 + b2
;
;_Cla1Task1:
  MUI32TOF32 MR0, @_m2      ; MR0 = 1.0 (0x3F800000)
  MUI32TOF32 MR1, @_x2      ; MR1 = 2.0 (0x40000000)
  MUI32TOF32 MR2, @_b2      ; MR2 = 3.0 (0x40400000)
  MMPYF32    MR3, MR0, MR1  ; M*X
  MADD32     MR3, MR2, MR3  ; Y=MX+B = 5.0 (0x40A00000)
  MF32TOUI32 MR3, MR3      ; Y = Uint32(5.0) = 0x00000005
  MMOV32    @_y2, MR3      ; store result
  MSTOP
```

**See also**

[MF32TOI32 MRa, MRb](#)  
[MF32TOUI32 MRa, MRb](#)  
[MI32TOF32 MRa, mem32](#)  
[MI32TOF32 MRa, MRb](#)  
[MUI32TOF32 MRa, MRb](#)

**MUI32TOF32 MRa, MRb**
**Convert Unsigned 32-Bit Integer to 32-Bit Floating-Point Value**
**Operands**

MRa	CLA floating-point destination register (MR0 to MR3)
MRb	CLA floating-point source register (MR0 to MR3)

**Opcode**

```
LSW: 0000 0000 0000 bbaa
MSW: 0111 1101 1100 0000
```

**Description**

```
MRa = UI32TOF32 [MRb];
```

**Flags**

This instruction does not affect any flags:

Flag	TF	ZF	NF	LUF	LVF
Modified	No	No	No	No	No

**Pipeline**

This is a single-cycle instruction.

**Example**

```
MMOVIZ    MR3, #0x8000 ; MR3(31:16) = 0x8000
MMOVXI    MR3, #0x1111 ; MR3(15:0) = 0x1111
           ; MR3 = 2147488017
MUI32TOF32 MR3, MR3   ; MR3 = MUI32TOF32 (MR3) = 2147488017.0 (0x4F000011)
```

**See also**

[MF32TOI32 MRa, MRb](#)  
[MF32TOUI32 MRa, MRb](#)  
[MI32TOF32 MRa, mem32](#)  
[MI32TOF32 MRa, MRb](#)  
[MUI32TOF32 MRa, mem32](#)

**MXOR32 MRa, MRb, MRc****Bitwise Exclusive Or****Operands**

MRa	CLA floating-point destination register (MR0 to MR3)
MRb	CLA floating-point source register (MR0 to MR3)
MRc	CLA floating-point source register (MR0 to MR3)

**Opcode**

```
LSW: 0000 0000 00cc bbaa
MSW: 0111 1100 1010 0000
```

**Description**

Bitwise XOR of MRb with MRc.

```
MARa(31:0) = MARb(31:0) XOR MRC(31:0);
```

**Flags**

This instruction modifies the following flags in the MSTF register:

Flag	TF	ZF	NF	LUF	LVF
Modified	No	Yes	Yes	No	No

The MSTF register flags are modified based on the integer results of the operation.

```
NF = MRa(31);
ZF = 0;
if(MRa(31:0) == 0) { ZF = 1; }
```

**Pipeline**

This is a single-cycle instruction.

**Example**

```
MMOVIZ MR0, #0x5555 ; MR0 = 0x5555AAAA
MMOVXI MR0, #0xAAAA
MMOVIZ MR1, #0x5432 ; MR1 = 0x5432FEDC
MMOVXI MR1, #0xFEDC
; 0101 XOR 0101 = 0000 (0)
; 0101 XOR 0100 = 0001 (1)
; 0101 XOR 0011 = 0110 (6)
; 0101 XOR 0010 = 0111 (7)
; 1010 XOR 1111 = 0101 (5)
; 1010 XOR 1110 = 0100 (4)
; 1010 XOR 1101 = 0111 (7)
; 1010 XOR 1100 = 0110 (6)
MXOR32 MR2, MR1, MR0 ; MR3 = 0x01675476
```

**See also**

[MAND32 MRa, MRb, MRc](#)  
[MOR32 MRa, MRb, MRc](#)

**6.8 CLA Registers**

This section describes the Control Law Accelerator registers.

## 6.8.1 CLA Base Addresses

**Table 6-21. CLA Base Address Table**

Device Register	Register Name	Start Address	End Address
Cla1Regs	CLA_REGS	0x0000_1400	0x0000_147F
Cla1SoftIntRegs <sup>(1)</sup>	CLA_SOFTINT_REGS	0x0000_0CE0	0x0000_0CFF

(1) This register is only accessible from the CLA.

## 6.8.2 CLA\_REGS Registers

Table 6-22 lists the memory-mapped registers for the CLA\_REGS registers. All register offset addresses not listed in Table 6-22 should be considered as reserved locations and the register contents should not be modified.

**Table 6-22. CLA\_REGS Registers**

Offset	Acronym	Register Name	Write Protection	Section
0h	MVECT1	Task Interrupt Vector	EALLOW	<a href="#">Go</a>
1h	MVECT2	Task Interrupt Vector	EALLOW	<a href="#">Go</a>
2h	MVECT3	Task Interrupt Vector	EALLOW	<a href="#">Go</a>
3h	MVECT4	Task Interrupt Vector	EALLOW	<a href="#">Go</a>
4h	MVECT5	Task Interrupt Vector	EALLOW	<a href="#">Go</a>
5h	MVECT6	Task Interrupt Vector	EALLOW	<a href="#">Go</a>
6h	MVECT7	Task Interrupt Vector	EALLOW	<a href="#">Go</a>
7h	MVECT8	Task Interrupt Vector	EALLOW	<a href="#">Go</a>
10h	MCTL	Control Register	EALLOW	<a href="#">Go</a>
20h	MIFR	Interrupt Flag Register	EALLOW	<a href="#">Go</a>
21h	MIOVF	Interrupt Overflow Flag Register	EALLOW	<a href="#">Go</a>
22h	MIFRC	Interrupt Force Register	EALLOW	<a href="#">Go</a>
23h	MICLR	Interrupt Flag Clear Register	EALLOW	<a href="#">Go</a>
24h	MICLROVF	Interrupt Overflow Flag Clear Register	EALLOW	<a href="#">Go</a>
25h	MIER	Interrupt Enable Register	EALLOW	<a href="#">Go</a>
26h	MIRUN	Interrupt Run Status Register	EALLOW	<a href="#">Go</a>
28h	_MPC	CLA Program Counter		<a href="#">Go</a>
2Ah	_MAR0	CLA Auxiliary Register 0		<a href="#">Go</a>
2Bh	_MAR1	CLA Auxiliary Register 1		<a href="#">Go</a>
2Eh	_MSTF	CLA Floating-Point Status Register		<a href="#">Go</a>
30h	_MR0	CLA Floating-Point Result Register 0		<a href="#">Go</a>
34h	_MR1	CLA Floating-Point Result Register 1		<a href="#">Go</a>
38h	_MR2	CLA Floating-Point Result Register 2		<a href="#">Go</a>
3Ch	_MR3	CLA Floating-Point Result Register 3		<a href="#">Go</a>

Complex bit access types are encoded to fit into small table cells. Table 6-23 shows the codes that are used for access types in this section.

**Table 6-23. CLA\_REGS Access Type Codes**

Access Type	Code	Description
Read Type		
R	R	Read
R-0	R-0	Read Returns 0s
Write Type		
W	W	Write
W1S	W1S	Write 1 to set
Reset or Default Value		
-n		Value after reset or the default value
Register Array Variables		



**Table 6-23. CLA\_REGS Access Type Codes (continued)**

Access Type	Code	Description
i,j,k,l,m,n		When these variables are used in a register name, an offset, or an address, they refer to the value of a register array where the register is part of a group of repeating registers. The register groups form a hierarchical structure and the array is represented with a formula.
y		When this variable is used in a register name, an offset, or an address it refers to the value of a register array.

### 6.8.2.1 MVECT1 Register (Offset = 0h) [Reset = 0000h]

MVECT1 is shown in [Figure 6-2](#) and described in [Table 6-24](#).

Return to the [Summary Table](#).

Each CLA interrupt has its own interrupt vector (MVECT1 to MVECT8). This interrupt vector points to the first instruction of the associated task. When a task begins, the CLA will start fetching instructions at the location indicated by the appropriate MVECT register .

**Figure 6-2. MVECT1 Register**

15	14	13	12	11	10	9	8
MVECT							
R/W-0h							
7	6	5	4	3	2	1	0
MVECT							
R/W-0h							

**Table 6-24. MVECT1 Register Field Descriptions**

Bit	Field	Type	Reset	Description
15-0	MVECT	R/W	0h	<p>MPC Start Address: These bits specify the start address for the given interrupt (task). The address range of the CLA with a 16-bit MVECT is 64Kx16 words or 32K CLA instructions.</p> <p>There is one MVECT register per interrupt (task). Interrupt 1 uses MVECT1, interrupt 2 uses MVECT2 and so forth.</p> <p>Note: While the CLA is running or executing a task, the CPU can change the MVECT values..</p> <p>Reset type: SYSRSn</p>

### 6.8.2.2 MVECT2 Register (Offset = 1h) [Reset = 0000h]

MVECT2 is shown in [Figure 6-3](#) and described in [Table 6-25](#).

Return to the [Summary Table](#).

Each CLA interrupt has its own interrupt vector (MVECT1 to MVECT8). This interrupt vector points to the first instruction of the associated task. When a task begins, the CLA will start fetching instructions at the location indicated by the appropriate MVECT register .

**Figure 6-3. MVECT2 Register**

15	14	13	12	11	10	9	8
MVECT							
R/W-0h							
7	6	5	4	3	2	1	0
MVECT							
R/W-0h							

**Table 6-25. MVECT2 Register Field Descriptions**

Bit	Field	Type	Reset	Description
15-0	MVECT	R/W	0h	<p>MPC Start Address: These bits specify the start address for the given interrupt (task). The address range of the CLA with a 16-bit MVECT is 64Kx16 words or 32K CLA instructions.</p> <p>There is one MVECT register per interrupt (task). Interrupt 1 uses MVECT1, interrupt 2 uses MVECT2 and so forth.</p> <p>Note: While the CLA is running or executing a task, the CPU can change the MVECT values..</p> <p>Reset type: SYSRSn</p>

### 6.8.2.3 MVECT3 Register (Offset = 2h) [Reset = 0000h]

MVECT3 is shown in [Figure 6-4](#) and described in [Table 6-26](#).

Return to the [Summary Table](#).

Each CLA interrupt has its own interrupt vector (MVECT1 to MVECT8). This interrupt vector points to the first instruction of the associated task. When a task begins, the CLA will start fetching instructions at the location indicated by the appropriate MVECT register .

**Figure 6-4. MVECT3 Register**

15	14	13	12	11	10	9	8
MVECT							
R/W-0h							
7	6	5	4	3	2	1	0
MVECT							
R/W-0h							

**Table 6-26. MVECT3 Register Field Descriptions**

Bit	Field	Type	Reset	Description
15-0	MVECT	R/W	0h	<p>MPC Start Address: These bits specify the start address for the given interrupt (task). The address range of the CLA with a 16-bit MVECT is 64Kx16 words or 32K CLA instructions.</p> <p>There is one MVECT register per interrupt (task). Interrupt 1 uses MVECT1, interrupt 2 uses MVECT2 and so forth.</p> <p>Note: While the CLA is running or executing a task, the CPU can change the MVECT values..</p> <p>Reset type: SYSRSn</p>

### 6.8.2.4 MVECT4 Register (Offset = 3h) [Reset = 0000h]

MVECT4 is shown in [Figure 6-5](#) and described in [Table 6-27](#).

Return to the [Summary Table](#).

Each CLA interrupt has its own interrupt vector (MVECT1 to MVECT8). This interrupt vector points to the first instruction of the associated task. When a task begins, the CLA will start fetching instructions at the location indicated by the appropriate MVECT register .

**Figure 6-5. MVECT4 Register**

15	14	13	12	11	10	9	8
MVECT							
R/W-0h							
7	6	5	4	3	2	1	0
MVECT							
R/W-0h							

**Table 6-27. MVECT4 Register Field Descriptions**

Bit	Field	Type	Reset	Description
15-0	MVECT	R/W	0h	<p>MPC Start Address: These bits specify the start address for the given interrupt (task). The address range of the CLA with a 16-bit MVECT is 64Kx16 words or 32K CLA instructions.</p> <p>There is one MVECT register per interrupt (task). Interrupt 1 uses MVECT1, interrupt 2 uses MVECT2 and so forth.</p> <p>Note: While the CLA is running or executing a task, the CPU can change the MVECT values..</p> <p>Reset type: SYSRSn</p>

### 6.8.2.5 MVECT5 Register (Offset = 4h) [Reset = 0000h]

MVECT5 is shown in [Figure 6-6](#) and described in [Table 6-28](#).

Return to the [Summary Table](#).

Each CLA interrupt has its own interrupt vector (MVECT1 to MVECT8). This interrupt vector points to the first instruction of the associated task. When a task begins, the CLA will start fetching instructions at the location indicated by the appropriate MVECT register .

**Figure 6-6. MVECT5 Register**

15	14	13	12	11	10	9	8
MVECT							
R/W-0h							
7	6	5	4	3	2	1	0
MVECT							
R/W-0h							

**Table 6-28. MVECT5 Register Field Descriptions**

Bit	Field	Type	Reset	Description
15-0	MVECT	R/W	0h	<p>MPC Start Address: These bits specify the start address for the given interrupt (task). The address range of the CLA with a 16-bit MVECT is 64Kx16 words or 32K CLA instructions.</p> <p>There is one MVECT register per interrupt (task). Interrupt 1 uses MVECT1, interrupt 2 uses MVECT2 and so forth.</p> <p>Note: While the CLA is running or executing a task, the CPU can change the MVECT values..</p> <p>Reset type: SYSRSn</p>

### 6.8.2.6 MVECT6 Register (Offset = 5h) [Reset = 0000h]

MVECT6 is shown in [Figure 6-7](#) and described in [Table 6-29](#).

Return to the [Summary Table](#).

Each CLA interrupt has its own interrupt vector (MVECT1 to MVECT8). This interrupt vector points to the first instruction of the associated task. When a task begins, the CLA will start fetching instructions at the location indicated by the appropriate MVECT register .

**Figure 6-7. MVECT6 Register**

15	14	13	12	11	10	9	8
MVECT							
R/W-0h							
7	6	5	4	3	2	1	0
MVECT							
R/W-0h							

**Table 6-29. MVECT6 Register Field Descriptions**

Bit	Field	Type	Reset	Description
15-0	MVECT	R/W	0h	<p>MPC Start Address: These bits specify the start address for the given interrupt (task). The address range of the CLA with a 16-bit MVECT is 64Kx16 words or 32K CLA instructions.</p> <p>There is one MVECT register per interrupt (task). Interrupt 1 uses MVECT1, interrupt 2 uses MVECT2 and so forth.</p> <p>Note: While the CLA is running or executing a task, the CPU can change the MVECT values..</p> <p>Reset type: SYSRSn</p>

### 6.8.2.7 MVECT7 Register (Offset = 6h) [Reset = 0000h]

MVECT7 is shown in [Figure 6-8](#) and described in [Table 6-30](#).

Return to the [Summary Table](#).

Each CLA interrupt has its own interrupt vector (MVECT1 to MVECT8). This interrupt vector points to the first instruction of the associated task. When a task begins, the CLA will start fetching instructions at the location indicated by the appropriate MVECT register .

**Figure 6-8. MVECT7 Register**

15	14	13	12	11	10	9	8
MVECT							
R/W-0h							
7	6	5	4	3	2	1	0
MVECT							
R/W-0h							

**Table 6-30. MVECT7 Register Field Descriptions**

Bit	Field	Type	Reset	Description
15-0	MVECT	R/W	0h	<p>MPC Start Address: These bits specify the start address for the given interrupt (task). The address range of the CLA with a 16-bit MVECT is 64Kx16 words or 32K CLA instructions.</p> <p>There is one MVECT register per interrupt (task). Interrupt 1 uses MVECT1, interrupt 2 uses MVECT2 and so forth.</p> <p>Note: While the CLA is running or executing a task, the CPU can change the MVECT values..</p> <p>Reset type: SYSRSn</p>



### 6.8.2.8 MVECT8 Register (Offset = 7h) [Reset = 0000h]

MVECT8 is shown in [Figure 6-9](#) and described in [Table 6-31](#).

Return to the [Summary Table](#).

Each CLA interrupt has its own interrupt vector (MVECT1 to MVECT8). This interrupt vector points to the first instruction of the associated task. When a task begins, the CLA will start fetching instructions at the location indicated by the appropriate MVECT register .

**Figure 6-9. MVECT8 Register**

15	14	13	12	11	10	9	8
MVECT							
R/W-0h							
7	6	5	4	3	2	1	0
MVECT							
R/W-0h							

**Table 6-31. MVECT8 Register Field Descriptions**

Bit	Field	Type	Reset	Description
15-0	MVECT	R/W	0h	<p>MPC Start Address: These bits specify the start address for the given interrupt (task). The address range of the CLA with a 16-bit MVECT is 64Kx16 words or 32K CLA instructions.</p> <p>There is one MVECT register per interrupt (task). Interrupt 1 uses MVECT1, interrupt 2 uses MVECT2 and so forth.</p> <p>Note: While the CLA is running or executing a task, the CPU can change the MVECT values..</p> <p>Reset type: SYSRSn</p>

### 6.8.2.9 MCTL Register (Offset = 10h) [Reset = 0000h]

MCTL is shown in [Figure 6-10](#) and described in [Table 6-32](#).

Return to the [Summary Table](#).

Control Register

**Figure 6-10. MCTL Register**

15	14	13	12	11	10	9	8
RESERVED							
R-0h							
7	6	5	4	3	2	1	0
RESERVED					IACKE	SOFTRESET	HARDRESET
R-0h					R/W-0h	R-0/W1S-0h	R-0/W1S-0h

**Table 6-32. MCTL Register Field Descriptions**

Bit	Field	Type	Reset	Description
15-3	RESERVED	R	0h	Reserved
2	IACKE	R/W	0h	<p>IACK Operation Enable Bit: Writing a '1' to this bit will enable the IACK operation for setting the MIFR bits in the same manner as the MIFRC register (write of '1' will set respective MIFR bit). At reset, this feature is disabled.</p> <p>This feature enables the C28 CPU to efficiently trigger a task.</p> <p>Note: IACK operation should ignore EALLOW status of C28 core when accessing the MIFRC register.</p> <p>Reset type: SYSRSn</p> <p>0h (R/W) = The CLA ignores the IACK instruction. (default)</p> <p>1h (R/W) = Enable the main CPU to use the IACK #16bit instruction to set MIFR bits in the same manner as writing to the MIFRC register. Each bit in the operand, #16bit, corresponds to a bit in the MIFRC register. Using IACK has the advantage of not having to first set the EALLOW bit. This allows the main CPU to efficiently trigger a CLA task through software.</p> <p>Examples IACK #0x0001 Write a 1 to MIFRC bit 0 to force task 1</p> <p>IACK #0x0003 Write a 1 to MIFRC bit 0 and 1 to force task 1 and task 2</p>
1	SOFTRESET	R-0/W1S	0h	<p>Soft Reset Bit: Writing a '1' to this bit will stop a current task, clear the RUN flag and also clear all bits in the MIER register. Writes of '0' are ignored and reads always return a '0'.</p> <p>Note: After issuing SOFTRESET command, user should wait at least 1 clock cycle before attempting to write to MIER register.</p> <p>Reset type: SYSRSn</p> <p>0h (R/W) = This bit always reads back 0 and writes of 0 are ignored.</p> <p>1h (R/W) = Writing a 1 will cause a soft reset of the CLA. This will stop the current task, clear the MIRUN flag and clear all bits in the MIER register. After a soft reset you must wait at least 1 SYSCLKOUT cycle before reconfiguring the MIER bits. If these two operations are done back-to-back then the MIER bits will not get set.</p>
0	HARDRESET	R-0/W1S	0h	<p>Hard Reset Bit: Writing a '1' to this bit will cause a HARD reset on the CLA. The behavior of a HARD reset is the same as a system reset SYSRSn on the CLA. Writes of '0' are ignored and reads always return a '0'.</p> <p>Reset type: SYSRSn</p> <p>0h (R/W) = This bit always reads back 0 and writes of 0 are ignored.</p> <p>1h (R/W) = Writing a 1 will cause a hard reset of the CLA. This will set all CLA registers to their default state.</p>

### 6.8.2.10 MIFR Register (Offset = 20h) [Reset = 0000h]

MIFR is shown in [Figure 6-11](#) and described in [Table 6-33](#).

Return to the [Summary Table](#).

Each bit in the interrupt flag register corresponds to a CLA task. The corresponding bit is automatically set when the task request is received from the peripheral interrupt. The bit can also be set by the main CPU writing to the MIFRC register or using the IACK instruction to start the task. To use the IACK instruction to begin a task first enable this feature in the MCTL register. If the bit is already set when a new peripheral interrupt is received, then the corresponding overflow bit will be set in the MIOVF register.

The corresponding MIFR bit is automatically cleared when the task begins execution. This will occur if the interrupt is enabled in the MIER register and no other higher priority task is pending. The bits can also be cleared manually by writing to the MICLR register. Writes to the MIFR register are ignored.

**Figure 6-11. MIFR Register**

15	14	13	12	11	10	9	8
RESERVED							
R-0h							
7	6	5	4	3	2	1	0
INT8	INT7	INT6	INT5	INT4	INT3	INT2	INT1
R-0h	R-0h	R-0h	R-0h	R-0h	R-0h	R-0h	R-0h

**Table 6-33. MIFR Register Field Descriptions**

Bit	Field	Type	Reset	Description
15-8	RESERVED	R	0h	Reserved
7	INT8	R	0h	<p>These bits, when set to '1', indicate a valid peripheral interrupt has been latched by the CLA. Writes to this register are ignored. The IFR flag bit is automatically cleared if the respective interrupt is enabled in the MIER register and the respective task starts running. If a new peripheral interrupt attempts to set the bit to '1' while on the same cycle the task tries to clear it, then the peripheral interrupt will have priority.</p> <p>The IFR flag bits can also be set and cleared by the MIFRC and MICLR registers.</p> <p>If the MIFRC register is trying to set the respective bit while a new task tries to clear it, then the MIFRC event has priority.</p> <p>If the MICLR register is trying to clear the respective bit and a peripheral interrupt occurs on the same cycle, then the peripheral interrupt has priority. The respective overflow flag in the MIOVF register will not be set under this condition.</p> <p>Reset type: SYSRSn            0h (R/W) = TASK_FLAG_DISABLE            Task 8 interrupt is currently not flagged (default)            1h (R/W) = TASK_FLAG_ENABLE            Task 8 interrupt has been received and is pending execution</p>

**Table 6-33. MIFR Register Field Descriptions (continued)**

Bit	Field	Type	Reset	Description
6	INT7	R	0h	<p>These bits, when set to '1', indicate a valid peripheral interrupt has been latched by the CLA. Writes to this register are ignored.</p> <p>The IFR flag bit is automatically cleared if the respective interrupt is enabled in the MIER register and the respective task starts running. If a new peripheral interrupt attempts to set the bit to '1' while on the same cycle the task tries to clear it, then the peripheral interrupt will have priority.</p> <p>The IFR flag bits can also be set and cleared by the MIFRC and MICLR registers.</p> <p>If the MIFRC register is trying to set the respective bit while a new task tries to clear it, then the MIFRC event has priority.</p> <p>If the MICLR register is trying to clear the respective bit and a peripheral interrupt occurs on the same cycle, then the peripheral interrupt has priority. The respective overflow flag in the MIOVF register will not be set under this condition.</p> <p>Reset type: SYSRSn            0h (R/W) = TASK_FLAG_DISABLE            Task 7 interrupt is currently not flagged (default)            1h (R/W) = TASK_FLAG_ENABLE            Task 7 interrupt has been received and is pending execution</p>
5	INT6	R	0h	<p>These bits, when set to '1', indicate a valid peripheral interrupt has been latched by the CLA. Writes to this register are ignored.</p> <p>The IFR flag bit is automatically cleared if the respective interrupt is enabled in the MIER register and the respective task starts running. If a new peripheral interrupt attempts to set the bit to '1' while on the same cycle the task tries to clear it, then the peripheral interrupt will have priority.</p> <p>The IFR flag bits can also be set and cleared by the MIFRC and MICLR registers.</p> <p>If the MIFRC register is trying to set the respective bit while a new task tries to clear it, then the MIFRC event has priority.</p> <p>If the MICLR register is trying to clear the respective bit and a peripheral interrupt occurs on the same cycle, then the peripheral interrupt has priority. The respective overflow flag in the MIOVF register will not be set under this condition.</p> <p>Reset type: SYSRSn            0h (R/W) = TASK_FLAG_DISABLE            Task 6 interrupt is currently not flagged (default)            1h (R/W) = TASK_FLAG_ENABLE            Task 6 interrupt has been received and is pending execution</p>
4	INT5	R	0h	<p>These bits, when set to '1', indicate a valid peripheral interrupt has been latched by the CLA. Writes to this register are ignored.</p> <p>The IFR flag bit is automatically cleared if the respective interrupt is enabled in the MIER register and the respective task starts running. If a new peripheral interrupt attempts to set the bit to '1' while on the same cycle the task tries to clear it, then the peripheral interrupt will have priority.</p> <p>The IFR flag bits can also be set and cleared by the MIFRC and MICLR registers.</p> <p>If the MIFRC register is trying to set the respective bit while a new task tries to clear it, then the MIFRC event has priority.</p> <p>If the MICLR register is trying to clear the respective bit and a peripheral interrupt occurs on the same cycle, then the peripheral interrupt has priority. The respective overflow flag in the MIOVF register will not be set under this condition.</p> <p>Reset type: SYSRSn            0h (R/W) = TASK_FLAG_DISABLE            Task 5 interrupt is currently not flagged (default)            1h (R/W) = TASK_FLAG_ENABLE            Task 5 interrupt has been received and is pending execution</p>

**Table 6-33. MIFR Register Field Descriptions (continued)**

Bit	Field	Type	Reset	Description
3	INT4	R	0h	<p>These bits, when set to '1', indicate a valid peripheral interrupt has been latched by the CLA. Writes to this register are ignored.</p> <p>The IFR flag bit is automatically cleared if the respective interrupt is enabled in the MIER register and the respective task starts running. If a new peripheral interrupt attempts to set the bit to '1' while on the same cycle the task tries to clear it, then the peripheral interrupt will have priority.</p> <p>The IFR flag bits can also be set and cleared by the MIFRC and MICLR registers.</p> <p>If the MIFRC register is trying to set the respective bit while a new task tries to clear it, then the MIFRC event has priority.</p> <p>If the MICLR register is trying to clear the respective bit and a peripheral interrupt occurs on the same cycle, then the peripheral interrupt has priority. The respective overflow flag in the MIOVF register will not be set under this condition.</p> <p>Reset type: SYSRSn            0h (R/W) = TASK_FLAG_DISABLE            Task 4 interrupt is currently not flagged (default)            1h (R/W) = TASK_FLAG_ENABLE            Task 4 interrupt has been received and is pending execution</p>
2	INT3	R	0h	<p>These bits, when set to '1', indicate a valid peripheral interrupt has been latched by the CLA. Writes to this register are ignored.</p> <p>The IFR flag bit is automatically cleared if the respective interrupt is enabled in the MIER register and the respective task starts running. If a new peripheral interrupt attempts to set the bit to '1' while on the same cycle the task tries to clear it, then the peripheral interrupt will have priority.</p> <p>The IFR flag bits can also be set and cleared by the MIFRC and MICLR registers.</p> <p>If the MIFRC register is trying to set the respective bit while a new task tries to clear it, then the MIFRC event has priority.</p> <p>If the MICLR register is trying to clear the respective bit and a peripheral interrupt occurs on the same cycle, then the peripheral interrupt has priority. The respective overflow flag in the MIOVF register will not be set under this condition.</p> <p>Reset type: SYSRSn            0h (R/W) = TASK_FLAG_DISABLE            Task 3 interrupt is currently not flagged (default)            1h (R/W) = TASK_FLAG_ENABLE            Task 3 interrupt has been received and is pending execution</p>
1	INT2	R	0h	<p>These bits, when set to '1', indicate a valid peripheral interrupt has been latched by the CLA. Writes to this register are ignored.</p> <p>The IFR flag bit is automatically cleared if the respective interrupt is enabled in the MIER register and the respective task starts running. If a new peripheral interrupt attempts to set the bit to '1' while on the same cycle the task tries to clear it, then the peripheral interrupt will have priority.</p> <p>The IFR flag bits can also be set and cleared by the MIFRC and MICLR registers.</p> <p>If the MIFRC register is trying to set the respective bit while a new task tries to clear it, then the MIFRC event has priority.</p> <p>If the MICLR register is trying to clear the respective bit and a peripheral interrupt occurs on the same cycle, then the peripheral interrupt has priority. The respective overflow flag in the MIOVF register will not be set under this condition.</p> <p>Reset type: SYSRSn            0h (R/W) = TASK_FLAG_DISABLE            Task 2 interrupt is currently not flagged (default)            1h (R/W) = TASK_FLAG_ENABLE            Task 2 interrupt has been received and is pending execution</p>

**Table 6-33. MIFR Register Field Descriptions (continued)**

Bit	Field	Type	Reset	Description
0	INT1	R	0h	<p>These bits, when set to '1', indicate a valid peripheral interrupt has been latched by the CLA. Writes to this register are ignored.</p> <p>The IFR flag bit is automatically cleared if the respective interrupt is enabled in the MIER register and the respective task starts running. If a new peripheral interrupt attempts to set the bit to '1' while on the same cycle the task tries to clear it, then the peripheral interrupt will have priority.</p> <p>The IFR flag bits can also be set and cleared by the MIFRC and MICLR registers.</p> <p>If the MIFRC register is trying to set the respective bit while a new task tries to clear it, then the MIFRC event has priority.</p> <p>If the MICLR register is trying to clear the respective bit and a peripheral interrupt occurs on the same cycle, then the peripheral interrupt has priority. The respective overflow flag in the MIOVF register will not be set under this condition.</p> <p>Reset type: SYSRSn            0h (R/W) = TASK_FLAG_DISABLE            Task 1 interrupt is currently not flagged (default)            1h (R/W) = TASK_FLAG_ENABLE            Task 1 interrupt has been received and is pending execution</p>

### 6.8.2.11 MIOVF Register (Offset = 21h) [Reset = 0000h]

MIOVF is shown in [Figure 6-12](#) and described in [Table 6-34](#).

Return to the [Summary Table](#).

Each bit in the overflow flag register corresponds to a CLA task. The bit is set when an interrupt overflow event has occurred for the specific task. An overflow event occurs when the MIFR register bit is already set when a new interrupt is received from a peripheral source. The MIOVF bits are only affected by peripheral interrupt events. They do not respond to a task request by the main CPU IACK instruction or by directly setting MIFR bits. The overflow flag will remain latched and can only be cleared by writing to the overflow flag clear (MICLROVF) register. Writes to the MIOVF register are ignored.

**Figure 6-12. MIOVF Register**

15	14	13	12	11	10	9	8
RESERVED							
R-0h							
7	6	5	4	3	2	1	0
INT8	INT7	INT6	INT5	INT4	INT3	INT2	INT1
R-0h	R-0h	R-0h	R-0h	R-0h	R-0h	R-0h	R-0h

**Table 6-34. MIOVF Register Field Descriptions**

Bit	Field	Type	Reset	Description
15-8	RESERVED	R	0h	Reserved
7	INT8	R	0h	<p>These bits, when set to '1', indicate an interrupt overflow event occurred. Such an event occurs when the IFR bit is already set. An overflow event remains latched and respective bits can only be cleared by writing to the MICLROVF register.</p> <p>If the MIFR bit is being cleared by a new task on the same cycle as a new peripheral interrupt occurs, the overflow flag will not be affected and the respective MIFR bit will be set.</p> <p>If the MIOVF bit is being cleared by the MICLROVF register on the same cycle as the overflow bit is being set by hardware, then the hardware will have priority.</p> <p>Notes: [1] The MIOVF bits are only affected by peripheral interrupt events. Forcing an interrupt using the MIFRC or IACK operation will not set the overflow flag even if the MIFR bit is set.</p> <p>Reset type: SYSRSn</p> <p>0h (R/W) = A task 8 interrupt overflow has not occurred (default)</p> <p>1h (R/W) = A task 8 interrupt overflow has occurred</p>
6	INT7	R	0h	<p>These bits, when set to '1', indicate an interrupt overflow event occurred. Such an event occurs when the IFR bit is already set. An overflow event remains latched and respective bits can only be cleared by writing to the MICLROVF register.</p> <p>If the MIFR bit is being cleared by a new task on the same cycle as a new peripheral interrupt occurs, the overflow flag will not be affected and the respective MIFR bit will be set.</p> <p>If the MIOVF bit is being cleared by the MICLROVF register on the same cycle as the overflow bit is being set by hardware, then the hardware will have priority.</p> <p>Notes: [1] The MIOVF bits are only affected by peripheral interrupt events. Forcing an interrupt using the MIFRC or IACK operation will not set the overflow flag even if the MIFR bit is set.</p> <p>Reset type: SYSRSn</p> <p>0h (R/W) = A task 7 interrupt overflow has not occurred (default)</p> <p>1h (R/W) = A task 7 interrupt overflow has occurred</p>

**Table 6-34. MIOVF Register Field Descriptions (continued)**

Bit	Field	Type	Reset	Description
5	INT6	R	0h	<p>These bits, when set to '1', indicate an interrupt overflow event occurred. Such an event occurs when the IFR bit is already set. An overflow event remains latched and respective bits can only be cleared by writing to the MIOVF register.</p> <p>If the MIFR bit is being cleared by a new task on the same cycle as a new peripheral interrupt occurs, the overflow flag will not be affected and the respective MIFR bit will be set.</p> <p>If the MIOVF bit is being cleared by the MIOVF register on the same cycle as the overflow bit is being set by hardware, then the hardware will have priority.</p> <p>Notes: [1] The MIOVF bits are only affected by peripheral interrupt events. Forcing an interrupt using the MIFRC or IACK operation will not set the overflow flag even if the MIFR bit is set.</p> <p>Reset type: SYSRSn            0h (R/W) = A task 6 interrupt overflow has not occurred (default)            1h (R/W) = A task 6 interrupt overflow has occurred</p>
4	INT5	R	0h	<p>These bits, when set to '1', indicate an interrupt overflow event occurred. Such an event occurs when the IFR bit is already set. An overflow event remains latched and respective bits can only be cleared by writing to the MIOVF register.</p> <p>If the MIFR bit is being cleared by a new task on the same cycle as a new peripheral interrupt occurs, the overflow flag will not be affected and the respective MIFR bit will be set.</p> <p>If the MIOVF bit is being cleared by the MIOVF register on the same cycle as the overflow bit is being set by hardware, then the hardware will have priority.</p> <p>Notes: [1] The MIOVF bits are only affected by peripheral interrupt events. Forcing an interrupt using the MIFRC or IACK operation will not set the overflow flag even if the MIFR bit is set.</p> <p>Reset type: SYSRSn            0h (R/W) = A task 5 interrupt overflow has not occurred (default)            1h (R/W) = A task 5 interrupt overflow has occurred</p>
3	INT4	R	0h	<p>These bits, when set to '1', indicate an interrupt overflow event occurred. Such an event occurs when the IFR bit is already set. An overflow event remains latched and respective bits can only be cleared by writing to the MIOVF register.</p> <p>If the MIFR bit is being cleared by a new task on the same cycle as a new peripheral interrupt occurs, the overflow flag will not be affected and the respective MIFR bit will be set.</p> <p>If the MIOVF bit is being cleared by the MIOVF register on the same cycle as the overflow bit is being set by hardware, then the hardware will have priority.</p> <p>Notes: [1] The MIOVF bits are only affected by peripheral interrupt events. Forcing an interrupt using the MIFRC or IACK operation will not set the overflow flag even if the MIFR bit is set.</p> <p>Reset type: SYSRSn            0h (R/W) = A task 4 interrupt overflow has not occurred (default)            1h (R/W) = A task 4 interrupt overflow has occurred</p>



**Table 6-34. MIOVF Register Field Descriptions (continued)**

Bit	Field	Type	Reset	Description
2	INT3	R	0h	<p>These bits, when set to '1', indicate an interrupt overflow event occurred. Such an event occurs when the IFR bit is already set. An overflow event remains latched and respective bits can only be cleared by writing to the MIOVF register.</p> <p>If the MIFR bit is being cleared by a new task on the same cycle as a new peripheral interrupt occurs, the overflow flag will not be affected and the respective MIFR bit will be set.</p> <p>If the MIOVF bit is being cleared by the MIOVF register on the same cycle as the overflow bit is being set by hardware, then the hardware will have priority.</p> <p>Notes: [1] The MIOVF bits are only affected by peripheral interrupt events. Forcing an interrupt using the MIFRC or IACK operation will not set the overflow flag even if the MIFR bit is set.</p> <p>Reset type: SYSRSn            0h (R/W) = A task 3 interrupt overflow has not occurred (default)            1h (R/W) = A task 3 interrupt overflow has occurred</p>
1	INT2	R	0h	<p>These bits, when set to '1', indicate an interrupt overflow event occurred. Such an event occurs when the IFR bit is already set. An overflow event remains latched and respective bits can only be cleared by writing to the MIOVF register.</p> <p>If the MIFR bit is being cleared by a new task on the same cycle as a new peripheral interrupt occurs, the overflow flag will not be affected and the respective MIFR bit will be set.</p> <p>If the MIOVF bit is being cleared by the MIOVF register on the same cycle as the overflow bit is being set by hardware, then the hardware will have priority.</p> <p>Notes: [1] The MIOVF bits are only affected by peripheral interrupt events. Forcing an interrupt using the MIFRC or IACK operation will not set the overflow flag even if the MIFR bit is set.</p> <p>Reset type: SYSRSn            0h (R/W) = A task 2 interrupt overflow has not occurred (default)            1h (R/W) = A task 2 interrupt overflow has occurred</p>
0	INT1	R	0h	<p>These bits, when set to '1', indicate an interrupt overflow event occurred. Such an event occurs when the IFR bit is already set. An overflow event remains latched and respective bits can only be cleared by writing to the MIOVF register.</p> <p>If the MIFR bit is being cleared by a new task on the same cycle as a new peripheral interrupt occurs, the overflow flag will not be affected and the respective MIFR bit will be set.</p> <p>If the MIOVF bit is being cleared by the MIOVF register on the same cycle as the overflow bit is being set by hardware, then the hardware will have priority.</p> <p>Notes: [1] The MIOVF bits are only affected by peripheral interrupt events. Forcing an interrupt using the MIFRC or IACK operation will not set the overflow flag even if the MIFR bit is set.</p> <p>Reset type: SYSRSn            0h (R/W) = A task 1 interrupt overflow has not occurred (default)            1h (R/W) = A task 1 interrupt overflow has occurred</p>

### 6.8.2.12 MIFRC Register (Offset = 22h) [Reset = 0000h]

MIFRC is shown in [Figure 6-13](#) and described in [Table 6-35](#).

Return to the [Summary Table](#).

The interrupt force register can be used by the main CPU to start tasks through software. Writing a 1 to a MIFRC bit will set the corresponding bit in the MIFR register. Writes of 0 are ignored and reads always return 0. The IACK #16bit operation can also be used to start tasks and has the same effect as the MIFRC register. To enable IACK to set MIFR bits you must first set the MCTL[IACKE] bit. Using IACK has the advantage of not having to first set the EALLOW bit. This allows the main CPU to efficiently trigger CLA tasks through software.

**Figure 6-13. MIFRC Register**

15	14	13	12	11	10	9	8
RESERVED							
R-0h							
7	6	5	4	3	2	1	0
INT8	INT7	INT6	INT5	INT4	INT3	INT2	INT1
R-0/W1S-0h	R-0/W1S-0h	R-0/W1S-0h	R-0/W1S-0h	R-0/W1S-0h	R-0/W1S-0h	R-0/W1S-0h	R-0/W1S-0h

**Table 6-35. MIFRC Register Field Descriptions**

Bit	Field	Type	Reset	Description
15-8	RESERVED	R	0h	Reserved
7	INT8	R-0/W1S	0h	Writing a '1' to any of the bits will set the corresponding MIFR bit. Writes of '0' are ignored. Reads always return 0. Notes: [1] Refer to MIFR register description for handling of boundary conditions. Reset type: SYSRSn 0h (R/W) = This bit always reads back 0 and writes of 0 have no effect 1h (R/W) = Write a 1 to force the task 8 interrupt
6	INT7	R-0/W1S	0h	Writing a '1' to any of the bits will set the corresponding MIFR bit. Writes of '0' are ignored. Reads always return 0. Notes: [1] Refer to MIFR register description for handling of boundary conditions. Reset type: SYSRSn 0h (R/W) = This bit always reads back 0 and writes of 0 have no effect 1h (R/W) = Write a 1 to force the task 7 interrupt
5	INT6	R-0/W1S	0h	Writing a '1' to any of the bits will set the corresponding MIFR bit. Writes of '0' are ignored. Reads always return 0. Notes: [1] Refer to MIFR register description for handling of boundary conditions. Reset type: SYSRSn 0h (R/W) = This bit always reads back 0 and writes of 0 have no effect 1h (R/W) = Write a 1 to force the task 6 interrupt
4	INT5	R-0/W1S	0h	Writing a '1' to any of the bits will set the corresponding MIFR bit. Writes of '0' are ignored. Reads always return 0. Notes: [1] Refer to MIFR register description for handling of boundary conditions. Reset type: SYSRSn 0h (R/W) = This bit always reads back 0 and writes of 0 have no effect 1h (R/W) = Write a 1 to force the task 5 interrupt

**Table 6-35. MIFRC Register Field Descriptions (continued)**

Bit	Field	Type	Reset	Description
3	INT4	R-0/W1S	0h	Writing a '1' to any of the bits will set the corresponding MIFR bit. Writes of '0' are ignored. Reads always return 0. Notes: [1] Refer to MIFR register description for handling of boundary conditions. Reset type: SYSRSn 0h (R/W) = This bit always reads back 0 and writes of 0 have no effect 1h (R/W) = Write a 1 to force the task 4 interrupt
2	INT3	R-0/W1S	0h	Writing a '1' to any of the bits will set the corresponding MIFR bit. Writes of '0' are ignored. Reads always return 0. Notes: [1] Refer to MIFR register description for handling of boundary conditions. Reset type: SYSRSn 0h (R/W) = This bit always reads back 0 and writes of 0 have no effect 1h (R/W) = Write a 1 to force the task 3 interrupt
1	INT2	R-0/W1S	0h	Writing a '1' to any of the bits will set the corresponding MIFR bit. Writes of '0' are ignored. Reads always return 0. Notes: [1] Refer to MIFR register description for handling of boundary conditions. Reset type: SYSRSn 0h (R/W) = This bit always reads back 0 and writes of 0 have no effect 1h (R/W) = Write a 1 to force the task 2 interrupt
0	INT1	R-0/W1S	0h	Writing a '1' to any of the bits will set the corresponding MIFR bit. Writes of '0' are ignored. Reads always return 0. Notes: [1] Refer to MIFR register description for handling of boundary conditions. Reset type: SYSRSn 0h (R/W) = This bit always reads back 0 and writes of 0 have no effect 1h (R/W) = Write a 1 to force the task 1 interrupt

### 6.8.2.13 MICLR Register (Offset = 23h) [Reset = 0000h]

MICLR is shown in [Figure 6-14](#) and described in [Table 6-36](#).

Return to the [Summary Table](#).

Normally bits in the MIFR register are automatically cleared when a task begins. The interrupt flag clear register can be used to instead manually clear bits in the interrupt flag (MIFR) register. Writing a 1 to a MICLR bit will clear the corresponding bit in the MIFR register. Writes of 0 are ignored and reads always return 0.

**Figure 6-14. MICLR Register**

15	14	13	12	11	10	9	8
RESERVED							
R-0h							
7	6	5	4	3	2	1	0
INT8	INT7	INT6	INT5	INT4	INT3	INT2	INT1
R-0/W1S-0h	R-0/W1S-0h	R-0/W1S-0h	R-0/W1S-0h	R-0/W1S-0h	R-0/W1S-0h	R-0/W1S-0h	R-0/W1S-0h

**Table 6-36. MICLR Register Field Descriptions**

Bit	Field	Type	Reset	Description
15-8	RESERVED	R	0h	Reserved
7	INT8	R-0/W1S	0h	Writing a '1' to any of the bits will clear the corresponding MIFR bit. Writes of '0' are ignored. Reads always return 0. Notes: [1] Refer to MIFR register description for handling of boundary conditions. Reset type: SYSRSn 0h (R/W) = This bit always reads back 0 and writes of 0 have no effect 1h (R/W) = Write a 1 to clear the task 8 interrupt flag
6	INT7	R-0/W1S	0h	Writing a '1' to any of the bits will clear the corresponding MIFR bit. Writes of '0' are ignored. Reads always return 0. Notes: [1] Refer to MIFR register description for handling of boundary conditions. Reset type: SYSRSn 0h (R/W) = This bit always reads back 0 and writes of 0 have no effect 1h (R/W) = Write a 1 to clear the task 7 interrupt flag
5	INT6	R-0/W1S	0h	Writing a '1' to any of the bits will clear the corresponding MIFR bit. Writes of '0' are ignored. Reads always return 0. Notes: [1] Refer to MIFR register description for handling of boundary conditions. Reset type: SYSRSn 0h (R/W) = This bit always reads back 0 and writes of 0 have no effect 1h (R/W) = Write a 1 to clear the task 6 interrupt flag
4	INT5	R-0/W1S	0h	Writing a '1' to any of the bits will clear the corresponding MIFR bit. Writes of '0' are ignored. Reads always return 0. Notes: [1] Refer to MIFR register description for handling of boundary conditions. Reset type: SYSRSn 0h (R/W) = This bit always reads back 0 and writes of 0 have no effect 1h (R/W) = Write a 1 to clear the task 5 interrupt flag

**Table 6-36. MICLR Register Field Descriptions (continued)**

Bit	Field	Type	Reset	Description
3	INT4	R-0/W1S	0h	Writing a '1' to any of the bits will clear the corresponding MIFR bit. Writes of '0' are ignored. Reads always return 0. Notes: [1] Refer to MIFR register description for handling of boundary conditions. Reset type: SYSRSn 0h (R/W) = This bit always reads back 0 and writes of 0 have no effect 1h (R/W) = Write a 1 to clear the task 4 interrupt flag
2	INT3	R-0/W1S	0h	Writing a '1' to any of the bits will clear the corresponding MIFR bit. Writes of '0' are ignored. Reads always return 0. Notes: [1] Refer to MIFR register description for handling of boundary conditions. Reset type: SYSRSn 0h (R/W) = This bit always reads back 0 and writes of 0 have no effect 1h (R/W) = Write a 1 to clear the task 3 interrupt flag
1	INT2	R-0/W1S	0h	Writing a '1' to any of the bits will clear the corresponding MIFR bit. Writes of '0' are ignored. Reads always return 0. Notes: [1] Refer to MIFR register description for handling of boundary conditions. Reset type: SYSRSn 0h (R/W) = This bit always reads back 0 and writes of 0 have no effect 1h (R/W) = Write a 1 to clear the task 2 interrupt flag
0	INT1	R-0/W1S	0h	Writing a '1' to any of the bits will clear the corresponding MIFR bit. Writes of '0' are ignored. Reads always return 0. Notes: [1] Refer to MIFR register description for handling of boundary conditions. Reset type: SYSRSn 0h (R/W) = This bit always reads back 0 and writes of 0 have no effect 1h (R/W) = Write a 1 to clear the task 1 interrupt flag

### 6.8.2.14 MICLROVF Register (Offset = 24h) [Reset = 0000h]

MICLROVF is shown in [Figure 6-15](#) and described in [Table 6-37](#).

Return to the [Summary Table](#).

Overflow flag bits in the MIOVF register are latched until manually cleared using the MICLROVF register. Writing a 1 to a MICLROVF bit will clear the corresponding bit in the MIOVF register. Writes of 0 are ignored and reads always return 0.

**Figure 6-15. MICLROVF Register**

15	14	13	12	11	10	9	8
RESERVED							
R-0h							
7	6	5	4	3	2	1	0
INT8	INT7	INT6	INT5	INT4	INT3	INT2	INT1
R-0/W1S-0h	R-0/W1S-0h	R-0/W1S-0h	R-0/W1S-0h	R-0/W1S-0h	R-0/W1S-0h	R-0/W1S-0h	R-0/W1S-0h

**Table 6-37. MICLROVF Register Field Descriptions**

Bit	Field	Type	Reset	Description
15-8	RESERVED	R	0h	Reserved
7	INT8	R-0/W1S	0h	Writing a '1' to any of the bits will clear the corresponding MIOVF bit. Writes of '0' are ignored. Reads always return 0. Notes: [1] Refer to MIOVF register description for handling of boundary conditions. Reset type: SYSRSn 0h (R/W) = This bit always reads back 0 and writes of 0 have no effect 1h (R/W) = Write a 1 to clear the task 8 interrupt overflow flag
6	INT7	R-0/W1S	0h	Writing a '1' to any of the bits will clear the corresponding MIOVF bit. Writes of '0' are ignored. Reads always return 0. Notes: [1] Refer to MIOVF register description for handling of boundary conditions. Reset type: SYSRSn 0h (R/W) = This bit always reads back 0 and writes of 0 have no effect 1h (R/W) = Write a 1 to clear the task 7 interrupt overflow flag
5	INT6	R-0/W1S	0h	Writing a '1' to any of the bits will clear the corresponding MIOVF bit. Writes of '0' are ignored. Reads always return 0. Notes: [1] Refer to MIOVF register description for handling of boundary conditions. Reset type: SYSRSn 0h (R/W) = This bit always reads back 0 and writes of 0 have no effect 1h (R/W) = Write a 1 to clear the task 6 interrupt overflow flag
4	INT5	R-0/W1S	0h	Writing a '1' to any of the bits will clear the corresponding MIOVF bit. Writes of '0' are ignored. Reads always return 0. Notes: [1] Refer to MIOVF register description for handling of boundary conditions. Reset type: SYSRSn 0h (R/W) = This bit always reads back 0 and writes of 0 have no effect 1h (R/W) = Write a 1 to clear the task 5 interrupt overflow flag

**Table 6-37. MIOVF Register Field Descriptions (continued)**

Bit	Field	Type	Reset	Description
3	INT4	R-0/W1S	0h	Writing a '1' to any of the bits will clear the corresponding MIOVF bit. Writes of '0' are ignored. Reads always return 0. Notes: [1] Refer to MIOVF register description for handling of boundary conditions. Reset type: SYSRSn 0h (R/W) = This bit always reads back 0 and writes of 0 have no effect 1h (R/W) = Write a 1 to clear the task 4 interrupt overflow flag
2	INT3	R-0/W1S	0h	Writing a '1' to any of the bits will clear the corresponding MIOVF bit. Writes of '0' are ignored. Reads always return 0. Notes: [1] Refer to MIOVF register description for handling of boundary conditions. Reset type: SYSRSn 0h (R/W) = This bit always reads back 0 and writes of 0 have no effect 1h (R/W) = Write a 1 to clear the task 3 interrupt overflow flag
1	INT2	R-0/W1S	0h	Writing a '1' to any of the bits will clear the corresponding MIOVF bit. Writes of '0' are ignored. Reads always return 0. Notes: [1] Refer to MIOVF register description for handling of boundary conditions. Reset type: SYSRSn 0h (R/W) = This bit always reads back 0 and writes of 0 have no effect 1h (R/W) = Write a 1 to clear the task 2 interrupt overflow flag
0	INT1	R-0/W1S	0h	Writing a '1' to any of the bits will clear the corresponding MIOVF bit. Writes of '0' are ignored. Reads always return 0. Notes: [1] Refer to MIOVF register description for handling of boundary conditions. Reset type: SYSRSn 0h (R/W) = This bit always reads back 0 and writes of 0 have no effect 1h (R/W) = Write a 1 to clear the task 1 interrupt overflow flag

### 6.8.2.15 MIER Register (Offset = 25h) [Reset = 0000h]

MIER is shown in [Figure 6-16](#) and described in [Table 6-38](#).

Return to the [Summary Table](#).

Setting the bits in the interrupt enable register (MIER) allow an incoming interrupt or main CPU software to start the corresponding CLA task. Writing a 0 will block the task, but the interrupt request will still be latched in the flag register (MIFLG). Setting the MIER register bit to 0 while the corresponding task is executing will have no effect on the task. The task will continue to run until it hits the MSTOP instruction. When a soft reset is issued, the MIER bits are cleared. There should always be at least a 1 SYSCLKOUT delay between issuing the soft reset and reconfiguring the MIER bits.

**Figure 6-16. MIER Register**

15	14	13	12	11	10	9	8
RESERVED							
R-0h							
7	6	5	4	3	2	1	0
INT8	INT7	INT6	INT5	INT4	INT3	INT2	INT1
R/W-0h	R/W-0h	R/W-0h	R/W-0h	R/W-0h	R/W-0h	R/W-0h	R/W-0h

**Table 6-38. MIER Register Field Descriptions**

Bit	Field	Type	Reset	Description
15-8	RESERVED	R	0h	Reserved
7	INT8	R/W	0h	Setting any of the bits to '1' enables the corresponding interrupt from triggering a corresponding CLA task. Writing a '0' blocks the interrupt, but the interrupt can still be latched by the MIFR register. When an interrupt is enabled and the corresponding MIFR bit is set to '1', the CLA will start executing the corresponding task and automatically clear the corresponding MIFR bit. Interrupts are be serviced in normal priority order. Notes: [1] If a task is currently executing and the corresponding MIER bit is cleared to '0', it will have no effect on the task. The task will run until it hits the STOP instruction. Reset type: SYSRSn 0h (R/W) = TASK_INT_DISABLE Task 8 interrupt is disabled (default) 1h (R/W) = TASK_INT_ENABLE Task 8 interrupt is enabled
6	INT7	R/W	0h	Setting any of the bits to '1' enables the corresponding interrupt from triggering a corresponding CLA task. Writing a '0' blocks the interrupt, but the interrupt can still be latched by the MIFR register. When an interrupt is enabled and the corresponding MIFR bit is set to '1', the CLA will start executing the corresponding task and automatically clear the corresponding MIFR bit. Interrupts are be serviced in normal priority order. Notes: [1] If a task is currently executing and the corresponding MIER bit is cleared to '0', it will have no effect on the task. The task will run until it hits the STOP instruction. Reset type: SYSRSn 0h (R/W) = TASK_INT_DISABLE Task 7 interrupt is disabled (default) 1h (R/W) = TASK_INT_ENABLE Task 7 interrupt is enabled



**Table 6-38. MIER Register Field Descriptions (continued)**

Bit	Field	Type	Reset	Description
5	INT6	R/W	0h	<p>Setting any of the bits to '1' enables the corresponding interrupt from triggering a corresponding CLA task. Writing a '0' blocks the interrupt, but the interrupt can still be latched by the MIFR register. When an interrupt is enabled and the corresponding MIFR bit is set to '1', the CLA will start executing the corresponding task and automatically clear the corresponding MIFR bit.</p> <p>Interrupts are be serviced in normal priority order.</p> <p>Notes: [1] If a task is currently executing and the corresponding MIER bit is cleared to '0', it will have no effect on the task. The task will run until it hits the STOP instruction.</p> <p>Reset type: SYSRSn            0h (R/W) = TASK_INT_DISABLE            Task 6 interrupt is disabled (default)            1h (R/W) = TASK_INT_ENABLE            Task 6 interrupt is enabled</p>
4	INT5	R/W	0h	<p>Setting any of the bits to '1' enables the corresponding interrupt from triggering a corresponding CLA task. Writing a '0' blocks the interrupt, but the interrupt can still be latched by the MIFR register. When an interrupt is enabled and the corresponding MIFR bit is set to '1', the CLA will start executing the corresponding task and automatically clear the corresponding MIFR bit.</p> <p>Interrupts are be serviced in normal priority order.</p> <p>Notes: [1] If a task is currently executing and the corresponding MIER bit is cleared to '0', it will have no effect on the task. The task will run until it hits the STOP instruction.</p> <p>Reset type: SYSRSn            0h (R/W) = TASK_INT_DISABLE            Task 5 interrupt is disabled (default)            1h (R/W) = TASK_INT_ENABLE            Task 5 interrupt is enabled</p>
3	INT4	R/W	0h	<p>Setting any of the bits to '1' enables the corresponding interrupt from triggering a corresponding CLA task. Writing a '0' blocks the interrupt, but the interrupt can still be latched by the MIFR register. When an interrupt is enabled and the corresponding MIFR bit is set to '1', the CLA will start executing the corresponding task and automatically clear the corresponding MIFR bit.</p> <p>Interrupts are be serviced in normal priority order.</p> <p>Notes: [1] If a task is currently executing and the corresponding MIER bit is cleared to '0', it will have no effect on the task. The task will run until it hits the STOP instruction.</p> <p>Reset type: SYSRSn            0h (R/W) = TASK_INT_DISABLE            Task 4 interrupt is disabled (default)            1h (R/W) = TASK_INT_ENABLE            Task 4 interrupt is enabled</p>
2	INT3	R/W	0h	<p>Setting any of the bits to '1' enables the corresponding interrupt from triggering a corresponding CLA task. Writing a '0' blocks the interrupt, but the interrupt can still be latched by the MIFR register. When an interrupt is enabled and the corresponding MIFR bit is set to '1', the CLA will start executing the corresponding task and automatically clear the corresponding MIFR bit.</p> <p>Interrupts are be serviced in normal priority order.</p> <p>Notes: [1] If a task is currently executing and the corresponding MIER bit is cleared to '0', it will have no effect on the task. The task will run until it hits the STOP instruction.</p> <p>Reset type: SYSRSn            0h (R/W) = TASK_INT_DISABLE            Task 3 interrupt is disabled (default)            1h (R/W) = TASK_INT_ENABLE            Task 3 interrupt is enabled</p>

**Table 6-38. MIER Register Field Descriptions (continued)**

Bit	Field	Type	Reset	Description
1	INT2	R/W	0h	<p>Setting any of the bits to '1' enables the corresponding interrupt from triggering a corresponding CLA task. Writing a '0' blocks the interrupt, but the interrupt can still be latched by the MIFR register. When an interrupt is enabled and the corresponding MIFR bit is set to '1', the CLA will start executing the corresponding task and automatically clear the corresponding MIFR bit.</p> <p>Interrupts are be serviced in normal priority order.</p> <p>Notes: [1] If a task is currently executing and the corresponding MIER bit is cleared to '0', it will have no effect on the task. The task will run until it hits the STOP instruction.</p> <p>Reset type: SYSRSn            0h (R/W) = TASK_INT_DISABLE            Task 2 interrupt is disabled (default)            1h (R/W) = TASK_INT_ENABLE            Task 2 interrupt is enabled</p>
0	INT1	R/W	0h	<p>Setting any of the bits to '1' enables the corresponding interrupt from triggering a corresponding CLA task. Writing a '0' blocks the interrupt, but the interrupt can still be latched by the MIFR register. When an interrupt is enabled and the corresponding MIFR bit is set to '1', the CLA will start executing the corresponding task and automatically clear the corresponding MIFR bit.</p> <p>Interrupts are be serviced in normal priority order.</p> <p>Notes: [1] If a task is currently executing and the corresponding MIER bit is cleared to '0', it will have no effect on the task. The task will run until it hits the STOP instruction.</p> <p>Reset type: SYSRSn            0h (R/W) = TASK_INT_DISABLE            Task 1 interrupt is disabled (default)            1h (R/W) = TASK_INT_ENABLE            Task 1 interrupt is enabled</p>

### 6.8.2.16 MIRUN Register (Offset = 26h) [Reset = 0000h]

MIRUN is shown in [Figure 6-17](#) and described in [Table 6-39](#).

Return to the [Summary Table](#).

The interrupt run status register (MIRUN) indicates which task is currently executing. Only one MIRUN bit will ever be set to a 1 at any given time. The bit is automatically cleared when the task completes and the respective interrupt is fed to the peripheral interrupt expansion (PIE) block of the device. This lets the main CPU know when a task has completed. The main CPU can stop a currently running task by writing to the MCTL[SOFTRESET] bit. This will clear the MIRUN flag and stop the task. In this case no interrupt will be generated to the PIE.

**Figure 6-17. MIRUN Register**

15	14	13	12	11	10	9	8
RESERVED							
R-0h							
7	6	5	4	3	2	1	0
INT8	INT7	INT6	INT5	INT4	INT3	INT2	INT1
R-0h	R-0h	R-0h	R-0h	R-0h	R-0h	R-0h	R-0h

**Table 6-39. MIRUN Register Field Descriptions**

Bit	Field	Type	Reset	Description
15-8	RESERVED	R	0h	Reserved
7	INT8	R	0h	These bits indicate which task is currently active. Only one bit can be set to '1' at any one time. The bit is automatically cleared to '0' when the task completes and the respective CLAINTxn line is toggled to indicate task completion. The CLAINTxn interrupt line can be fed to the PIE of the CPU so the CPU knows when a task has completed. A currently running task can be stopped by a SOFTRESET. The RUN flag is cleared, the task is stopped, but no CLAINTxn interrupt is generated. Reset type: SYSRSn 0h (R/W) = Task 8 is not executing (default) 1h (R/W) = Task 8 is executing
6	INT7	R	0h	These bits indicate which task is currently active. Only one bit can be set to '1' at any one time. The bit is automatically cleared to '0' when the task completes and the respective CLAINTxn line is toggled to indicate task completion. The CLAINTxn interrupt line can be fed to the PIE of the CPU so the CPU knows when a task has completed. A currently running task can be stopped by a SOFTRESET. The RUN flag is cleared, the task is stopped, but no CLAINTxn interrupt is generated. Reset type: SYSRSn 0h (R/W) = Task 7 is not executing (default) 1h (R/W) = Task 7 is executing
5	INT6	R	0h	These bits indicate which task is currently active. Only one bit can be set to '1' at any one time. The bit is automatically cleared to '0' when the task completes and the respective CLAINTxn line is toggled to indicate task completion. The CLAINTxn interrupt line can be fed to the PIE of the CPU so the CPU knows when a task has completed. A currently running task can be stopped by a SOFTRESET. The RUN flag is cleared, the task is stopped, but no CLAINTxn interrupt is generated. Reset type: SYSRSn 0h (R/W) = Task 6 is not executing (default) 1h (R/W) = Task 6 is executing

**Table 6-39. MIRUN Register Field Descriptions (continued)**

Bit	Field	Type	Reset	Description
4	INT5	R	0h	<p>These bits indicate which task is currently active. Only one bit can be set to '1' at any one time. The bit is automatically cleared to '0' when the task completes and the respective CLAINTxn line is toggled to indicate task completion. The CLAINTxn interrupt line can be fed to the PIE of the CPU so the CPU knows when a task has completed. A currently running task can be stopped by a SOFTRESET. The RUN flag is cleared, the task is stopped, but no CLAINTxn interrupt is generated.</p> <p>Reset type: SYSRSn            0h (R/W) = Task 5 is not executing (default)            1h (R/W) = Task 5 is executing</p>
3	INT4	R	0h	<p>These bits indicate which task is currently active. Only one bit can be set to '1' at any one time. The bit is automatically cleared to '0' when the task completes and the respective CLAINTxn line is toggled to indicate task completion. The CLAINTxn interrupt line can be fed to the PIE of the CPU so the CPU knows when a task has completed. A currently running task can be stopped by a SOFTRESET. The RUN flag is cleared, the task is stopped, but no CLAINTxn interrupt is generated.</p> <p>Reset type: SYSRSn            0h (R/W) = Task 4 is not executing (default)            1h (R/W) = Task 4 is executing</p>
2	INT3	R	0h	<p>These bits indicate which task is currently active. Only one bit can be set to '1' at any one time. The bit is automatically cleared to '0' when the task completes and the respective CLAINTxn line is toggled to indicate task completion. The CLAINTxn interrupt line can be fed to the PIE of the CPU so the CPU knows when a task has completed. A currently running task can be stopped by a SOFTRESET. The RUN flag is cleared, the task is stopped, but no CLAINTxn interrupt is generated.</p> <p>Reset type: SYSRSn            0h (R/W) = Task 3 is not executing (default)            1h (R/W) = Task 3 is executing</p>
1	INT2	R	0h	<p>These bits indicate which task is currently active. Only one bit can be set to '1' at any one time. The bit is automatically cleared to '0' when the task completes and the respective CLAINTxn line is toggled to indicate task completion. The CLAINTxn interrupt line can be fed to the PIE of the CPU so the CPU knows when a task has completed. A currently running task can be stopped by a SOFTRESET. The RUN flag is cleared, the task is stopped, but no CLAINTxn interrupt is generated.</p> <p>Reset type: SYSRSn            0h (R/W) = Task 2 is not executing (default)            1h (R/W) = Task 2 is executing</p>
0	INT1	R	0h	<p>These bits indicate which task is currently active. Only one bit can be set to '1' at any one time. The bit is automatically cleared to '0' when the task completes and the respective CLAINTxn line is toggled to indicate task completion. The CLAINTxn interrupt line can be fed to the PIE of the CPU so the CPU knows when a task has completed. A currently running task can be stopped by a SOFTRESET. The RUN flag is cleared, the task is stopped, but no CLAINTxn interrupt is generated.</p> <p>Reset type: SYSRSn            0h (R/W) = Task 1 is not executing (default)            1h (R/W) = Task 1 is executing</p>

### 6.8.2.17 \_MPC Register (Offset = 28h) [Reset = 0000h]

\_MPC is shown in [Figure 6-18](#) and described in [Table 6-40](#).

Return to the [Summary Table](#).

CLA Program Counter

**Figure 6-18. \_MPC Register**

15	14	13	12	11	10	9	8
_MPC							
R-0h							
7	6	5	4	3	2	1	0
_MPC							
R-0h							

**Table 6-40. \_MPC Register Field Descriptions**

Bit	Field	Type	Reset	Description
15-0	_MPC	R	0h	<p>Program Counter: The PC value is initialized by the appropriate MVECTx register when an interrupt (task) is serviced. The MPC register address 16-bits and not 32-bits. Hence the address range of the CLA with a 16-bit MPC is 64Kx16 words or 32K CLA instructions.</p> <p>Notes: [1] To be consistent with C28 core implementation, the PC value points to the instruction in D2 stage of pipeline. [2] After a STOP operation, and with no other task pending, the PC will remain pointing to the STOP operation.</p> <p>Reset type: SYSRSn</p>

### 6.8.2.18 \_MAR0 Register (Offset = 2Ah) [Reset = 0000h]

\_MAR0 is shown in [Figure 6-19](#) and described in [Table 6-41](#).

Return to the [Summary Table](#).

CLA Auxiliary Register 0

**Figure 6-19. \_MAR0 Register**

15	14	13	12	11	10	9	8
_MAR0							
R-0h							
7	6	5	4	3	2	1	0
_MAR0							
R-0h							

**Table 6-41. \_MAR0 Register Field Descriptions**

Bit	Field	Type	Reset	Description
15-0	_MAR0	R	0h	CLA Auxillary Register 0 Reset type: SYSRSn

### 6.8.2.19 \_MAR1 Register (Offset = 2Bh) [Reset = 0000h]

\_MAR1 is shown in [Figure 6-20](#) and described in [Table 6-42](#).

Return to the [Summary Table](#).

CLA Auxiliary Register 1

**Figure 6-20. \_MAR1 Register**

15	14	13	12	11	10	9	8
_MAR1							
R-0h							
7	6	5	4	3	2	1	0
_MAR1							
R-0h							

**Table 6-42. \_MAR1 Register Field Descriptions**

Bit	Field	Type	Reset	Description
15-0	_MAR1	R	0h	CLA Auxillary Register 1 Reset type: SYSRSn

### 6.8.2.20 \_MSTF Register (Offset = 2Eh) [Reset = 0000000h]

\_MSTF is shown in [Figure 6-21](#) and described in [Table 6-43](#).

Return to the [Summary Table](#).

The CLA status register (MSTF) reflects the results of different operations. These are the basic rules for the flags:

- Zero and negative flags are cleared or set based on:
- floating-point moves to registers
- the result of compare, minimum, maximum, negative and absolute value operations
- the integer result of operations such as MMOV16, MAND32, MOR32, MXOR32, MCMP32, MASR32, MLSR32
- Overflow and underflow flags are set by floating-point math instructions such as multiply, add, subtract and 1/x. These flags may also be connected to the peripheral interrupt expansion (PIE) block on your device. This can be useful for debugging underflow and overflow conditions within an application.

**Figure 6-21. \_MSTF Register**

31	30	29	28	27	26	25	24
RESERVED				_RPC			
R-0h				R-0h			
23	22	21	20	19	18	17	16
_RPC							
R-0h							
15	14	13	12	11	10	9	8
_RPC				MEALLOW	RESERVED	RNDF32	RESERVED
R-0h				R-0h	R-0h	R-0h	R-0h
7	6	5	4	3	2	1	0
RESERVED	TF	RESERVED		ZF	NF	LUF	LVF
R-0h	R-0h	R-0h		R-0h	R-0h	R-0h	R-0h

**Table 6-43. \_MSTF Register Field Descriptions**

Bit	Field	Type	Reset	Description
31-28	RESERVED	R	0h	Reserved
27-12	_RPC	R	0h	Return program counter The _RPC is used to save and restore the MPC address by the MCCNDD and MRCNDD operations Reset type: SYSRSn
11	MEALLOW	R	0h	MEALLOW Status This bit enables and disables CLA write access to EALLOW protected registers This is independent of the state of the EALLOW bit in the main CPU status register This status bit can be saved and restored by the MMOV32 STF, mem32 instruction Reset type: SYSRSn 0h (R/W) = The CLA cannot write to EALLOW protected registers. This bit is cleared by the CLA instruction, MEDIS. 1h (R/W) = The CLA is allowed to write to EALLOW protected registers. This bit is set by the CLA instruction, MEALLOW.
10	RESERVED	R	0h	Reserved



**Table 6-43. \_MSTF Register Field Descriptions (continued)**

Bit	Field	Type	Reset	Description
9	RNDF32	R	0h	<p>Round 32-bit Floating-Point Mode</p> <p>Use the MSETFLG and MMOV32 MSTF, mem32 instructions to change the rounding mode</p> <p>Reset type: SYSRSn</p> <p>0h (R/W) = If this bit is zero, the MMPYF32, MADDF32 and MSUBF32 instructions will round to zero (truncate).</p> <p>1h (R/W) = If this bit is one, the MMPYF32, MADDF32 and MSUBF32 instructions will round to the nearest even value.</p>
8-7	RESERVED	R	0h	Reserved
6	TF	R	0h	<p>Test Flag</p> <p>The MTESTTF instruction can modify this flag based on the condition tested The MSETFLG and MMOV32 MSTF, mem32 instructions can also be used to modify this flag</p> <p>Reset type: SYSRSn</p> <p>0h (R/W) = The condition tested with the MTESTTF instruction is false.</p> <p>1h (R/W) = The condition tested with the MTESTTF instruction is true.</p>
5-4	RESERVED	R	0h	Reserved
3	ZF	R	0h	<p>Zero Flag</p> <ul style="list-style-type: none"> <li>- Instructions that modify this flag based on the floating-point value stored in the destination register: MMOV32, MMOVD32, MABSF32, MNEGF32</li> <li>- Instructions that modify this flag based on the floating-point result of the operation: MCMPF32, MMAXF32, and MMINF32</li> <li>- Instructions that modify this flag based on the integer result of the operation: MMOV16, MAND32, MOR32, MXOR32, MCMP32, MASR32, MLSR32 and MLSL32</li> </ul> <p>The MSETFLG and MMOV32 MSTF, mem32 instructions can also be used to modify this flag</p> <p>Reset type: SYSRSn</p> <p>0h (R/W) = The value is not zero</p> <p>1h (R/W) = The value is zero</p>
2	NF	R	0h	<p>Negative Flag</p> <ul style="list-style-type: none"> <li>- Instructions that modify this flag based on the floating-point value stored in the destination register: MMOV32, MMOVD32, MABSF32, MNEGF32</li> <li>- Instructions that modify this flag based on the floating-point result of the operation: MCMPF32, MMAXF32, and MMINF32</li> <li>- Instructions that modify this flag based on the integer result of the operation: MMOV16, MAND32, MOR32, MXOR32, MCMP32, MASR32, MLSR32 and MLSL32</li> </ul> <p>The MSETFLG and MMOV32 MSTF, mem32 instructions can also be used to modify this flag</p> <p>Reset type: SYSRSn</p> <p>0h (R/W) = The value is not negative</p> <p>1h (R/W) = The value is negative</p>

**Table 6-43. \_MSTF Register Field Descriptions (continued)**

Bit	Field	Type	Reset	Description
1	LUF	R	0h	<p>Latched Underflow Flag</p> <p>The following instructions will set this flag to 1 if an underflow occurs: MMPYF32, MADD32, MSUBF32, MMACF32, MEINVF32, MEISQRTF32</p> <p>The MSETFLG and MMOV32 MSTF, mem32 instructions can also be used to modify this flag</p> <p>Reset type: SYSRSn</p> <p>0h (R/W) = An underflow condition has not been latched</p> <p>1h (R/W) = An underflow condition has been latched</p>
0	LVF	R	0h	<p>Latched Overflow Flag</p> <p>The following instructions will set this flag to 1 if an overflow occurs: MMPYF32, MADD32, MSUBF32, MMACF32, MEINVF32, MEISQRTF32</p> <p>The MSETFLG and MMOV32 MSTF, mem32 instructions can also be used to modify this flag</p> <p>Reset type: SYSRSn</p> <p>0h (R/W) = An overflow condition has not been latched</p> <p>1h (R/W) = An overflow condition has been latched</p>

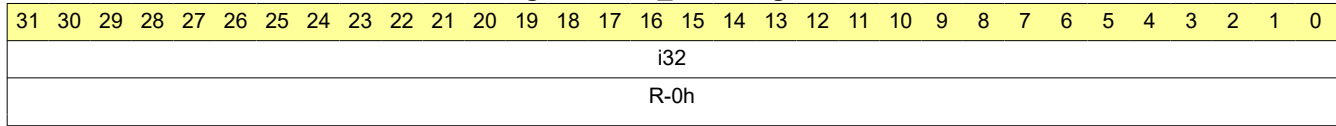
### 6.8.2.21 **\_MR0 Register (Offset = 30h) [Reset = 00000000h]**

\_MR0 is shown in [Figure 6-22](#) and described in [Table 6-44](#).

Return to the [Summary Table](#).

CLA Floating-Point Result Register 0

**Figure 6-22. \_MR0 Register**



**Table 6-44. \_MR0 Register Field Descriptions**

Bit	Field	Type	Reset	Description
31-0	i32	R	0h	CLA Result Register 0 Reset type: SYSRSn

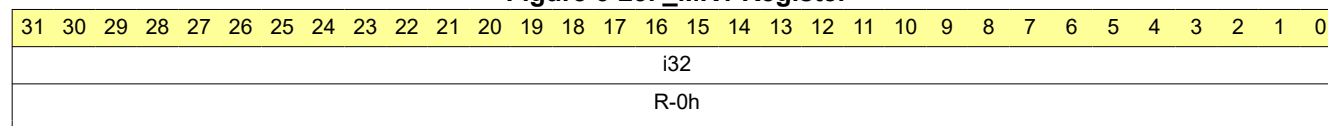
### 6.8.2.22 \_MR1 Register (Offset = 34h) [Reset = 00000000h]

\_MR1 is shown in [Figure 6-23](#) and described in [Table 6-45](#).

Return to the [Summary Table](#).

CLA Floating-Point Result Register 1

**Figure 6-23. \_MR1 Register**



**Table 6-45. \_MR1 Register Field Descriptions**

Bit	Field	Type	Reset	Description
31-0	i32	R	0h	CLA Result Register 1 Reset type: SYSRSn

### 6.8.2.23 \_MR2 Register (Offset = 38h) [Reset = 0000000h]

\_MR2 is shown in [Figure 6-24](#) and described in [Table 6-46](#).

Return to the [Summary Table](#).

CLA Floating-Point Result Register 2

**Figure 6-24. \_MR2 Register**

31	30	29	28	27	26	25	24	23	22	21	20	19	18	17	16	15	14	13	12	11	10	9	8	7	6	5	4	3	2	1	0
																	i32														
																	R-0h														

**Table 6-46. \_MR2 Register Field Descriptions**

Bit	Field	Type	Reset	Description
31-0	i32	R	0h	CLA Result Register 2 Reset type: SYSRSn

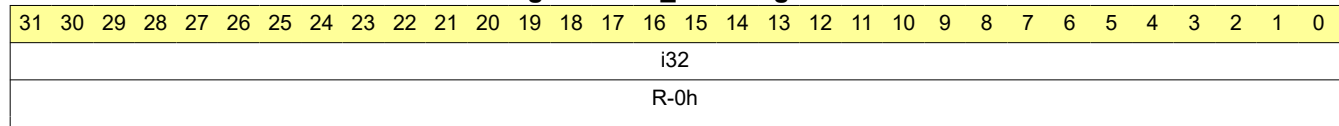
### 6.8.2.24 \_MR3 Register (Offset = 3Ch) [Reset = 0000000h]

\_MR3 is shown in [Figure 6-25](#) and described in [Table 6-47](#).

Return to the [Summary Table](#).

CLA Floating-Point Result Register 3

**Figure 6-25. \_MR3 Register**



**Table 6-47. \_MR3 Register Field Descriptions**

Bit	Field	Type	Reset	Description
31-0	i32	R	0h	CLA Result Register 3 Reset type: SYSRSn

### 6.8.3 CLA\_SOFTINT\_REGS Registers

Table 6-48 lists the memory-mapped registers for the CLA\_SOFTINT\_REGS registers. All register offset addresses not listed in Table 6-48 should be considered as reserved locations and the register contents should not be modified.

**Table 6-48. CLA\_SOFTINT\_REGS Registers**

Offset	Acronym	Register Name	Write Protection	Section
0h	SOFTINTEN	CLA Software Interrupt Enable Register		<a href="#">Go</a>
2h	SOFTINTFRC	CLA Software Interrupt Force Register		<a href="#">Go</a>

Complex bit access types are encoded to fit into small table cells. Table 6-49 shows the codes that are used for access types in this section.

**Table 6-49. CLA\_SOFTINT\_REGS Access Type Codes**

Access Type	Code	Description
Read Type		
R	R	Read
R-0	R-0	Read Returns 0s
Write Type		
W	W	Write
W1S	W1S	Write 1 to set
Reset or Default Value		
-n		Value after reset or the default value
Register Array Variables		
i,j,k,l,m,n		When these variables are used in a register name, an offset, or an address, they refer to the value of a register array where the register is part of a group of repeating registers. The register groups form a hierarchical structure and the array is represented with a formula.
y		When this variable is used in a register name, an offset, or an address it refers to the value of a register array.

### 6.8.3.1 SOFTINTEN Register (Offset = 0h) [Reset = 0000h]

SOFTINTEN is shown in [Figure 6-26](#) and described in [Table 6-50](#).

Return to the [Summary Table](#).

Enables the ability to generate CLA task interrupt from within the task, by writing to SOFTINTFRC register. SOFTINTFRC register can only be written from CLA.

**Figure 6-26. SOFTINTEN Register**

15		14		13		12		11		10		9		8	
RESERVED															
R/W-0h															
7		6		5		4		3		2		1		0	
TASK8		TASK7		TASK6		TASK5		TASK4		TASK3		TASK2		TASK1	
R/W-0h		R/W-0h		R/W-0h		R/W-0h		R/W-0h		R/W-0h		R/W-0h		R/W-0h	

**Table 6-50. SOFTINTEN Register Field Descriptions**

Bit	Field	Type	Reset	Description
15-8	RESERVED	R/W	0h	Reserved
7	TASK8	R/W	0h	0: End-Of-Task Interrupt is fired for the respective task 1: Enable Software Interrupt for the respective task. End-of-Task interrupt is not sent to CPU in this case. Note: SOFTINTEN register is read only in the CPU memory map. Reset type: SYSRSn
6	TASK7	R/W	0h	0: End-Of-Task Interrupt is fired for the respective task 1: Enable Software Interrupt for the respective task. End-of-Task interrupt is not sent to CPU in this case. Note: SOFTINTEN register is read only in the CPU memory map. Reset type: SYSRSn
5	TASK6	R/W	0h	0: End-Of-Task Interrupt is fired for the respective task 1: Enable Software Interrupt for the respective task. End-of-Task interrupt is not sent to CPU in this case. Note: SOFTINTEN register is read only in the CPU memory map. Reset type: SYSRSn
4	TASK5	R/W	0h	0: End-Of-Task Interrupt is fired for the respective task 1: Enable Software Interrupt for the respective task. End-of-Task interrupt is not sent to CPU in this case. Note: SOFTINTEN register is read only in the CPU memory map. Reset type: SYSRSn
3	TASK4	R/W	0h	0: End-Of-Task Interrupt is fired for the respective task 1: Enable Software Interrupt for the respective task. End-of-Task interrupt is not sent to CPU in this case. Note: SOFTINTEN register is read only in the CPU memory map. Reset type: SYSRSn
2	TASK3	R/W	0h	0: End-Of-Task Interrupt is fired for the respective task 1: Enable Software Interrupt for the respective task. End-of-Task interrupt is not sent to CPU in this case. Note: SOFTINTEN register is read only in the CPU memory map. Reset type: SYSRSn
1	TASK2	R/W	0h	0: End-Of-Task Interrupt is fired for the respective task 1: Enable Software Interrupt for the respective task. End-of-Task interrupt is not sent to CPU in this case. Note: SOFTINTEN register is read only in the CPU memory map. Reset type: SYSRSn



**Table 6-50. SOFTINTEN Register Field Descriptions (continued)**

Bit	Field	Type	Reset	Description
0	TASK1	R/W	0h	0: End-Of-Task Interrupt is fired for the respective task 1: Enable Software Interrupt for the respective task. End-of-Task interrupt is not sent to CPU in this case. Note: SOFTINTEN register is read only in the CPU memory map. Reset type: SYSRSn

### 6.8.3.2 SOFTINTFRC Register (Offset = 2h) [Reset = 0000h]

SOFTINTFRC is shown in [Figure 6-27](#) and described in [Table 6-51](#).

Return to the [Summary Table](#).

Writing a value of 1 in a bit will generate the corresponding task interrupt. This register is only accessible by the CLA (not the CPU).

**Figure 6-27. SOFTINTFRC Register**

15	14	13	12	11	10	9	8
RESERVED							
R/W-0h							
7	6	5	4	3	2	1	0
TASK8	TASK7	TASK6	TASK5	TASK4	TASK3	TASK2	TASK1
R-0/W1S-0h	R-0/W1S-0h	R-0/W1S-0h	R-0/W1S-0h	R-0/W1S-0h	R-0/W1S-0h	R-0/W1S-0h	R-0/W1S-0h

**Table 6-51. SOFTINTFRC Register Field Descriptions**

Bit	Field	Type	Reset	Description
15-8	RESERVED	R/W	0h	Reserved
7	TASK8	R-0/W1S	0h	Write of '1' will generate a CLA software interrupt to the CPU for the corresponding task. Write of '0' has no effect. Reset type: SYSRSn
6	TASK7	R-0/W1S	0h	Write of '1' will generate a CLA software interrupt to the CPU for the corresponding task. Write of '0' has no effect. Reset type: SYSRSn
5	TASK6	R-0/W1S	0h	Write of '1' will generate a CLA software interrupt to the CPU for the corresponding task. Write of '0' has no effect. Reset type: SYSRSn
4	TASK5	R-0/W1S	0h	Write of '1' will generate a CLA software interrupt to the CPU for the corresponding task. Write of '0' has no effect. Reset type: SYSRSn
3	TASK4	R-0/W1S	0h	Write of '1' will generate a CLA software interrupt to the CPU for the corresponding task. Write of '0' has no effect. Reset type: SYSRSn
2	TASK3	R-0/W1S	0h	Write of '1' will generate a CLA software interrupt to the CPU for the corresponding task. Write of '0' has no effect. Reset type: SYSRSn
1	TASK2	R-0/W1S	0h	Write of '1' will generate a CLA software interrupt to the CPU for the corresponding task. Write of '0' has no effect. Reset type: SYSRSn
0	TASK1	R-0/W1S	0h	Write of '1' will generate a CLA software interrupt to the CPU for the corresponding task. Write of '0' has no effect. Reset type: SYSRSn

## 6.8.4 CLA Registers to Driverlib Functions

**Table 6-52. CLA Registers to Driverlib Functions**

File	Driverlib Function
<b>MVECT1</b>	
cla.h	CLA_mapTaskVector
<b>MVECT2</b>	
-	See MVECT1
<b>MVECT3</b>	
-	See MVECT1
<b>MVECT4</b>	
-	See MVECT1
<b>MVECT5</b>	
-	See MVECT1
<b>MVECT6</b>	
-	See MVECT1
<b>MVECT7</b>	
-	See MVECT1
<b>MVECT8</b>	
-	See MVECT1
<b>MCTL</b>	
cla.h	CLA_performHardReset
cla.h	CLA_performSoftReset
cla.h	CLA_enableIACK
cla.h	CLA_disableIACK
<b>MIFR</b>	
cla.h	CLA_getPendingTaskFlag
cla.h	CLA_getAllPendingTaskFlags
cla.h	CLA_forceTasks
<b>MIOVF</b>	
cla.h	CLA_getTaskOverflowFlag
cla.h	CLA_getAllTaskOverflowFlags
<b>MIFRC</b>	
cla.h	CLA_forceTasks
<b>MICLR</b>	
cla.h	CLA_clearTaskFlags
<b>MICLROVF</b>	
-	
<b>MIER</b>	
cla.h	CLA_enableTasks
cla.h	CLA_disableTasks
<b>MIRUN</b>	
cla.h	CLA_getTaskRunStatus
cla.h	CLA_getAllTaskRunStatus
<b>MPC</b>	
-	
<b>MAR0</b>	

**Table 6-52. CLA Registers to Driverlib Functions (continued)**

File	Driverlib Function
-	
<b>MAR1</b>	
-	
<b>MSTF</b>	
-	
<b>MR0</b>	
-	
<b>MR1</b>	
-	
<b>MR2</b>	
-	
<b>MR3</b>	
-	
<b>SOFTINTEN</b>	
cla.h	CLA_enableSoftwareInterrupt
cla.h	CLA_disableSoftwareInterrupt
<b>SOFTINTFRC</b>	
cla.h	CLA_forceSoftwareInterrupt

Chapter 7

## General-Purpose Input/Output (GPIO)

---



The GPIO module controls the device's digital multiplexing, which uses shared pins to maximize application flexibility. The pins are named by their general-purpose I/O name (for example, GPIO0, GPIO25, GPIO58). These pins can be individually selected to operate as digital I/O (also called GPIO mode), or connected to one of several peripheral I/O signals. The input signals can be qualified to remove unwanted noise.

<b>7.1 Introduction</b> .....	<b>862</b>
<b>7.2 Configuration Overview</b> .....	<b>864</b>
<b>7.3 Digital General-Purpose I/O Control</b> .....	<b>865</b>
<b>7.4 Input Qualification</b> .....	<b>866</b>
<b>7.5 USB Signals</b> .....	<b>870</b>
<b>7.6 SPI Signals</b> .....	<b>870</b>
<b>7.7 GPIO and Peripheral Muxing</b> .....	<b>871</b>
<b>7.8 Internal Pullup Configuration Requirements</b> .....	<b>878</b>
<b>7.9 Software</b> .....	<b>879</b>
<b>7.10 GPIO Registers</b> .....	<b>880</b>

## 7.1 Introduction

Up to twelve independent peripheral signals are multiplexed on a single GPIO-enabled pin in addition to the CPU-controlled I/O capability. Each pin output can be controlled by either a peripheral or one of the two CPU masters.

- CPU1
- CPU1.CLA

There are up to 8 possible I/O ports:

- Port A consists of GPIO0-GPIO31
- Port B consists of GPIO32-GPIO63
- Port C consists of GPIO64-GPIO95
- Port D consists of GPIO96-GPIO127
- Port E consists of GPIO128-GPIO159
- Port F consists of GPIO160-GPIO191
- Port G consists of GPIO192-GPIO223
- Port H consists of GPIO224-GPIO255

---

### Note

Some GPIO and I/O ports can be unavailable on particular devices. See the *GPIO Registers* section for available GPIO and I/O ports.

---

[Figure 7-1](#) shows the GPIO logic for a single pin.

---

### Note

The USB PHY pin muxing is not shown in [Figure 7-1](#). For more details on USB pins, see [Section 7.5](#).

---

There are two key features to note in [Figure 7-1](#). The first is that the input and output paths are entirely separate, connecting only at the pin. The second is that peripheral muxing takes place far from the pin. As a result, it is always possible for both CPUs and CLAs to read the physical state of the pin independent of CPU mastering and peripheral muxing. Likewise, external interrupts can be generated from peripheral activity. All pin options such as input qualification and open-drain output are valid for all masters and peripherals. However, the peripheral muxing, CPU muxing, and pin options can only be configured by CPU1.

A separate configuration is required for the USB signals. See [Section 7.5](#) for details.

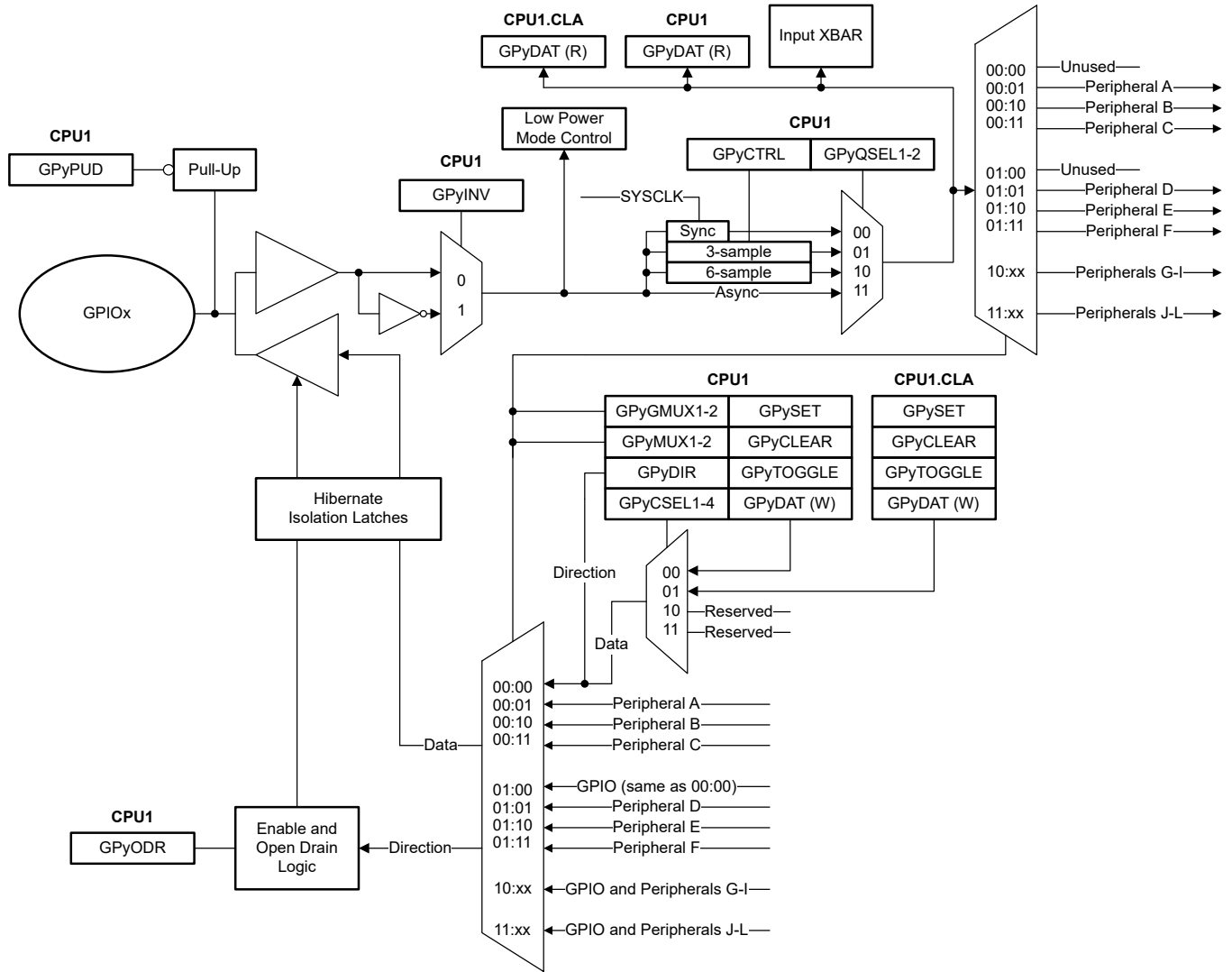


Figure 7-1. GPIO Logic for a Single Pin

### 7.1.1 GPIO Related Collateral

#### Foundational Materials

- [C2000 Academy - GPIO](#)

#### Getting Started Materials

- [How to Maximize GPIO Usage in C2000 Devices Application Report](#)
- [\[FAQ\] C2000 GPIO FAQ](#)

## 7.2 Configuration Overview

I/O pin configuration consists of several steps:

### 1. Plan the device pin-out

Make a list of all required peripherals for the application. Using the peripheral mux information in the device data sheet, choose which GPIOs to use for the peripheral signals. Decide which of the remaining GPIOs to use as inputs and outputs for each CPU and CLA.

Once the peripheral muxing has been chosen, implement the mux by writing the appropriate values to the GPyMUX1/2 and GPyGMUX1/2 registers. When changing the GPyGMUX value for a pin, always set the corresponding GPyMUX bits to zero first to avoid glitching in the muxes. By default, all pins are general-purpose I/Os, not peripheral signals.

### 2. (Optional) Enable internal pullup resistors

To enable or disable the pullup resistors, write to the appropriate bits in the GPIO pullup disable registers (GPyPUD). All pullups are disabled by default. Pullups can be used to keep input pins in a known state when there is no external signal driving them.

### 3. Select input qualification

If the pin is used as an input, specify the required input qualification, if any. The input qualification sampling period is selected in the GPyCTRL registers, while the type of qualification is selected in the GPyQSEL1 and GPyQSEL2 registers. By default, all qualification is synchronous with a sampling period equal to PLLSYSCLK. For an explanation of input qualification, see [Section 7.4](#).

### 4. Select the direction of any general-purpose I/O pins

For each pin configured as a GPIO, specify the direction of the pin as either input or output using the GPyDIR registers. By default, all GPIO pins are inputs. Before changing a pin to an output, load the output latch with the value to be driven by writing that value to the GPySET, GPyCLEAR, or GPyDAT registers. Once the latch is loaded, write to GPyDIR to change the pin direction. By default, all output latches are zero.

### 5. Select low-power mode wake-up sources

GPIOs 0-63 can be used to wake the system up from low power modes. To select one or more GPIOs for wake-up, write to the appropriate bits in the GPIOLPMSEL0 and GPIOLPMSEL1 registers. These registers are part of the CPU system register space. In Hibernate mode, GPIO 41 is the only wake-up pin. For more information on low-power modes and GPIO wake-up, see the Low-Power Modes section in the *System Control and Interrupts* chapter.

### 6. Select external interrupt sources

Configuring external interrupts is a two-step process. First, the interrupts themselves must be enabled and their polarity must be configured using the XINTnCR registers. Second, the XINT1-5 GPIO pins must be set by selecting the sources for Input X-BAR signals 4, 5, 6, 13, and 14, respectively. For more information on the Input X-BAR architecture, see the *Crossbar (X-BAR)* chapter.

---

#### Note

Configure the GPIO registers GPxMUX1, GPxMUX2, GPxINV, GPxGMUX1, and GPxGMUX2 as per [Section 7.7](#) before a peripheral starts using the respective GPIOs. The configuration is expected to be static during runtime.

---



## 7.3 Digital General-Purpose I/O Control

The values on the pins that are configured as GPIO can be changed by using the following registers.

- **GPyDAT Registers**

Each I/O port has one data register. Each bit in the data register corresponds to one GPIO pin. No matter how the pin is configured (GPIO or peripheral function), the corresponding bit in the data register reflects the current state of the pin after qualification. Writing to the GPyDAT register clears or sets the corresponding output latch and if the pin is enabled as a general-purpose output (GPIO output), the pin is also driven either low or high. If the pin is not configured as a GPIO output, then the value is latched but the pin is not driven. Only if the pin is later configured as a GPIO output is the latched value driven onto the pin.

When using the GPyDAT register to change the level of an output pin, be cautious to not accidentally change the level of another pin. For example, to change the output latch level of GPIOA1 by writing to the GPADAT register bit 0 using a read-modify-write instruction, a problem can occur if another I/O port A signal changes level between the read and the write stage of the instruction. Following is an analysis of why this happens:

The GPyDAT registers reflect the state of the pin, not the latch. This means the register reflects the actual pin value. However, there is a lag between when the register is written to when the new pin value is reflected back in the register. This can pose a problem when this register is used in subsequent program statements to alter the state of GPIO pins. An example is shown below where two program statements attempt to drive two different GPIO pins that are currently low to a high state.

If Read-Modify-Write operations are used on the GPyDAT registers, because of the delay between the output and the input of the first instruction (I1), the second instruction (I2) reads the old value and writes the value back.

```
GpioDataRegs.GPADAT.bit.GPIO1 = 1; //I1 performs read-modify-write of GPADAT
GpioDataRegs.GPADAT.bit.GPIO2 = 1; //I2 also a read-modify-write of GPADAT
//GPADAT gets the old value of GPIO1 due to the delay
```

The second instruction waits for the first to finish the write due to the write-followed-by-read protection on this peripheral frame. There is some lag, however, between the write of (I1) and the GPyDAT bit reflecting the new value (1) on the pin. During this lag, the second instruction reads the old value of GPIO1 (0) and writes the value back along with the new value of GPIO2 (1). Therefore, GPIO1 pin stays low.

One answer is to put some NOPs between instructions. A better answer is to use the GPySET/GPyCLEAR/GPyTOGGLE registers instead of the GPyDAT registers. These registers always read back a 0 and writes of 0 have no effect. Only bits that need to be changed can be specified without disturbing any other bits that are currently in the process of changing.

- **GPySET Registers**

The set registers are used to drive specified GPIO pins high without disturbing other pins. Each I/O port has one set register and each bit corresponds to one GPIO pin. The set registers always read back 0. If the corresponding pin is configured as an output, then writing a 1 to that bit in the set register sets the output latch high and the corresponding pin is driven high. If the pin is not configured as a GPIO output, then the value is latched but the pin is not driven. Only if the pin is later configured as a GPIO output is the latched value driven onto the pin. Writing a 0 to any bit in the set registers has no effect.

- **GPyCLEAR Registers**

The clear registers are used to drive specified GPIO pins low without disturbing other pins. Each I/O port has one clear register. The clear registers always read back 0. If the corresponding pin is configured as a general-purpose output, then writing a 1 to the corresponding bit in the clear register clears the output latch and the pin is driven low. If the pin is not configured as a GPIO output, then the value is latched but the pin is not driven. Only if the pin is later configured as a GPIO output is the latched value driven onto the pin. Writing a 0 to any bit in the clear registers has no effect.

- **GPyTOGGLE Registers**

The toggle registers are used to drive specified GPIO pins to the opposite level without disturbing other pins. Each I/O port has one toggle register. The toggle registers always read back 0. If the corresponding pin is configured as an output, then writing a 1 to that bit in the toggle register flips the output latch and pulls the corresponding pin in the opposite direction. That is, if the output pin is driven low, then writing a 1 to the corresponding bit in the toggle register pulls the pin high. Likewise, if the output pin is high, then writing a 1 to the corresponding bit in the toggle register pulls the pin low. If the pin is not configured as a GPIO output, then the value is latched but the pin is not driven. Only if the pin is later configured as a GPIO output is the latched value driven onto the pin. Writing a 0 to any bit in the toggle registers has no effect.

## 7.4 Input Qualification

The input qualification scheme has been designed to be very flexible. Select the type of input qualification for each GPIO pin by configuring the GPyQSEL1 and GPyQSEL2 registers. In the case of a GPIO input pin, the qualification can be specified as only synchronized to SYSCLKOUT or qualification by a sampling window. For pins that are configured as peripheral inputs, the input can also be asynchronous in addition to synchronized to SYSCLKOUT or qualified by a sampling window. The remainder of this section describes the options available.

### 7.4.1 No Synchronization (Asynchronous Input)

This mode is used for peripherals where input synchronization is not required or the peripheral itself performs the synchronization. Examples include communication ports McBSP, SCI, SPI, and I<sup>2</sup>C. In addition, the ePWM trip zone ( $\overline{TZn}$ ) signals can function independent of the presence of SYSCLKOUT.

---

#### Note

Using input synchronization when the peripheral itself performs the synchronization can cause unexpected results. The user must make sure that the GPIO pin is configured for asynchronous in this case.

---

### 7.4.2 Synchronization to SYSCLKOUT Only

This is the default qualification mode of all the pins at reset. In this mode, the input signal is only synchronized to the system clock (SYSCLKOUT). Because the incoming signal is asynchronous, a SYSCLKOUT period of delay is needed for the input to the device to be changed. No further qualification is performed on the signal.

### 7.4.3 Qualification Using a Sampling Window

In this mode, the signal is first synchronized to the system clock (SYSCLKOUT) and then qualified by a specified number of cycles before the input is allowed to change. Figure 7-2 and Figure 7-3 show how the input qualification is performed to eliminate unwanted noise. Two parameters are specified by the user for this type of qualification: 1) the sampling period, or how often the signal is sampled, and 2) the number of samples to be taken.

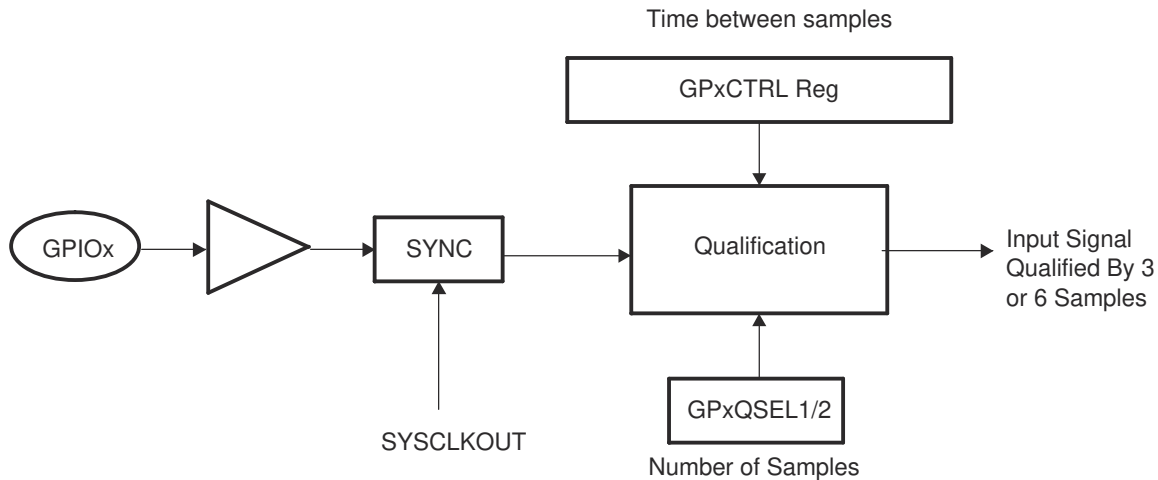


Figure 7-2. Input Qualification Using a Sampling Window

#### Time between samples (sampling period):

To qualify the signal, the input signal is sampled at a regular period. The sampling period is specified by the user and determines the time duration between samples, or how often the signal is sampled, relative to the CPU clock (SYSCLKOUT).

The sampling period is specified by the qualification period (QUALPRDn) bits in the GPxCTRL register. The sampling period is configurable in groups of 8 input signals. For example, GPIO0 to GPIO7 use GPxCTRL[QUALPRD0] setting and GPIO8 to GPIO15 use GPxCTRL[QUALPRD1]. Table 7-1 and Table 7-2 show the relationship between the sampling period or sampling frequency and the GPxCTRL[QUALPRDn] setting.

Table 7-1. Sampling Period

Sampling Period	
If GPxCTRL[QUALPRDn] = 0	$1 \times T_{\text{SYSCLKOUT}}$
If GPxCTRL[QUALPRDn] $\neq$ 0	$2 \times \text{GPxCTRL[QUALPRDn]} \times T_{\text{SYSCLKOUT}}$
Where $T_{\text{SYSCLKOUT}}$ is the period in time of SYSCLKOUT	

Table 7-2. Sampling Frequency

Sampling Frequency	
If GPxCTRL[QUALPRDn] = 0	$f_{\text{SYSCLKOUT}}$
If GPxCTRL[QUALPRDn] $\neq$ 0	$f_{\text{SYSCLKOUT}} \times 1 + (2 \times \text{GPxCTRL[QUALPRDn]})$
Where $f_{\text{SYSCLKOUT}}$ is the frequency of SYSCLKOUT	

From these equations, the minimum and maximum time between samples can be calculated for a given SYSCLKOUT frequency:

**Example: Maximum Sampling Frequency:**

If GPxCTRL[QUALPRDn] = 0

then the sampling frequency is  $f_{\text{SYSCLKOUT}}$

If, for example,  $f_{\text{SYSCLKOUT}} = 60 \text{ MHz}$

then the signal is sampled at 60 MHz or one sample every 16.67 ns.

**Example: Minimum Sampling Frequency:**

If GPxCTRL[QUALPRDn] = 0xFF (255)

then the sampling frequency is  $f_{\text{SYSCLKOUT}} \times 1 \div (2 \times \text{GPxCTRL[QUALPRDn]})$

If, for example,  $f_{\text{SYSCLKOUT}} = 60 \text{ MHz}$

then the signal is sampled at  $60 \text{ MHz} \times 1 \div (2 \times 255)$  (117.647 kHz) or one sample every 8.5  $\mu\text{s}$ .

**Number of samples:**

The number of times the signal is sampled is either three samples or six samples as specified in the qualification selection (GPAQSEL1, GPAQSEL2, GPBQSEL1, and GPBQSEL2) registers. When three or six consecutive cycles are the same, then the input change is passed through to the device.

**Total Sampling Window Width:**

The sampling window is the time during which the input signal is sampled as shown in [Figure 7-3](#). By using the equation for the sampling period, along with the number of samples to be taken, the total width of the window can be determined.

For the input qualifier to detect a change in the input, the level of the signal must be stable for the duration of the sampling window width or longer.

The number of sampling periods within the window is always one less than the number of samples taken. For a three-sample window, the sampling window width is two sampling periods wide where the sampling period is defined in [Table 7-1](#). Likewise, for a six-sample window, the sampling window width is five sampling periods wide. [Table 7-3](#) and [Case 2: Six-Sample Sampling Window Width](#) show the calculations used to determine the total sampling window width based on GPxCTRL[QUALPRDn] and the number of samples taken.

**Table 7-3. Case 1: Three-Sample Sampling Window Width**

Total Sampling Window Width	
If GPxCTRL[QUALPRDn] = 0	$2 \times T_{\text{SYSCLKOUT}}$
If GPxCTRL[QUALPRDn] $\neq$ 0	$2 \times 2 \times \text{GPxCTRL[QUALPRDn]} \times T_{\text{SYSCLKOUT}}$
Where $T_{\text{SYSCLKOUT}}$ is the period in time of SYSCLKOUT	

**Table 7-4. Case 2: Six-Sample Sampling Window Width**

Total Sampling Window Width	
If GPxCTRL[QUALPRDn] = 0	$5 \times T_{\text{SYSCLKOUT}}$
If GPxCTRL[QUALPRDn] $\neq$ 0	$5 \times 2 \times \text{GPxCTRL[QUALPRDn]} \times T_{\text{SYSCLKOUT}}$
Where $T_{\text{SYSCLKOUT}}$ is the period in time of SYSCLKOUT	

**Note**

The external signal change is asynchronous with respect to both the sampling period and SYSCLKOUT. Due to the asynchronous nature of the external signal, the input must be held stable for a time greater than the sampling window width to make sure the logic detects a change in the signal. The extra time required can be up to an additional sampling period + T<sub>SYSCLKOUT</sub>.

The required duration for an input signal to be stable for the qualification logic to detect a change is described in the data sheet.

**Example Qualification Window:**

For the example shown in Figure 7-3, the input qualification has been configured as follows:

- GPxQSEL1/2 = 1,0. This indicates a six-sample qualification.
- GPxCTRL[QUALPRDn] = 1. The sampling period is  $t_w(SP) = 2 \times GPxCTRL[QUALPRDn] \times T_{SYSCLKOUT} = 2 \times T_{SYSCLKOUT}$ .

This configuration results in the following:

- The width of the sampling window is:

$$t_w(IQSW) = 5 \times t_w(SP) = 5 \times 2 \times GPxCTRL[QUALPRDn] \times T_{SYSCLKOUT} = 5 \times 2 \times T_{SYSCLKOUT}$$

- If, for example, T<sub>SYSCLKOUT</sub> = 16.67 ns, then the duration of the sampling window is:

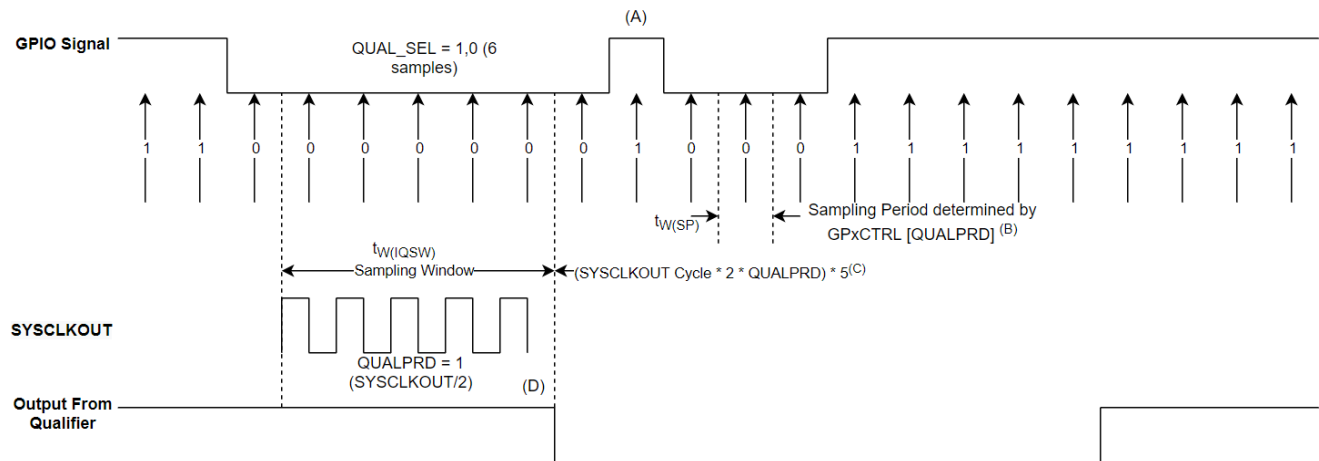
$$\text{Sampling period, } t_w(SP) = 2 \times T_{SYSCLKOUT} = 2 \times 16.67 \text{ ns} = 33.3 \text{ ns}$$

$$\text{Sampling window, } t_w(IQSW) = 5 \times t_w(SP) = 5 \times 33.3 \text{ ns} = 166.7 \text{ ns}$$

- To account for the asynchronous nature of the input relative to the sampling period and SYSCLKOUT, up to a single additional sampling period and SYSCLK period is required to detect a change in the input signal. For this example:

$$t_w(IQSW) + t_w(SP) + T_{SYSCLKOUT} = 166.7 \text{ ns} + 33.3 \text{ ns} + 16.67 \text{ ns} = 216.7 \text{ ns}$$

- In Figure 7-3, the glitch (A) is shorter than the qualification window and is ignored by the input qualifier.



A. This glitch will be ignored by the input qualifier. The QUALPRD bit field specifies the qualification sampling period. It can vary from 00 to 0xFF. If QUALPRD = 00, then the sampling period is 1 SYSCLKOUT cycle. For any other value "n", the qualification sampling period in 2n SYSCLKOUT cycles (i.e., at every 2n SYSCLKOUT cycles, the GPIO pin will be sampled).  
 B. The qualification period selected via the GPxCTRL register applies to groups of 8 GPIO pins.  
 C. The qualification block can take either three or six samples. The QUAL\_SEL Register selects which sample mode is used.  
 D. In the example shown, for the qualifier to detect the change, the input should be stable for 10 SYSCLKOUT cycles or greater. In other words, the inputs should be stable for (5 x QUALPRD x 2) SYSCLKOUT cycles. That would ensure 5 sampling periods for detection to occur. Since external signals are driven asynchronously, an 13-SYSCLKOUT-wide pulse ensures reliable recognition.

**Figure 7-3. Input Qualifier Clock Cycles**

## 7.5 USB Signals

The USB module on this device has an internal physical layer transceiver (PHY). The I/O signals are not normal digital signals, and as a result, the signals do not connect to the pins through the normal GPIO mux path. Instead, a special analog mux is used. To connect the USB signals to the device pins, set the GPyAMSEL bits appropriately as shown in [Table 7-5](#). Do not enable pullups or any other special pin option when using the USB signals.

**Table 7-5. USB I/O Signal Muxing**

Signal	GPIO	AMSEL
USBDM	42	GPBAMSEL[10]
USBDP	43	GPBAMSEL[11]

## 7.6 SPI Signals

The SPI module on this device has a high-speed mode that enables 40 Mbps communication. To achieve the highest possible speed, a special GPIO configuration is used on a single GPIO mux option for each SPI. These GPIOs can also be used by the SPI when not in high-speed mode (HS\_MODE = 0). [Table 7-6](#) shows which GPIOs have the special mux option to allow SPI high-speed mode.

To select these mux options, configure the GPyGMUX and GPyMUX registers as shown in [Table 7-6](#).

**Table 7-6. GPIO Configuration for High-Speed SPI**

GPIO	SPI Signal	Mux Configuration	
		GPBGMUX2	GPCMUX1
GPIO58	SPISIMOA	GPBGMUX2[21:20]=11	GPBMUX2[21:20]=11
GPIO59	SPISOMIA	GPBGMUX2[23:22]=11	GPBMUX2[23:22]=11
GPIO60	SPICLKA	GPBGMUX2[25:24]=11	GPBMUX2[25:24]=11
GPIO61	SPISTEA	GPBGMUX2[27:26]=11	GPBMUX2[27:26]=11
GPIO63	SPISIMOB	GPBGMUX2[31:30]=11	GPBMUX2[31:30]=11
GPIO64	SPISOMIB	GPCGMUX1[1:0]=11	GPCMUX1[1:0]=11
GPIO65	SPICLKB	GPCGMUX1[3:2]=11	GPCMUX1[3:2]=11
GPIO66	SPISTEB	GPCGMUX1[5:4]=11	GPCMUX1[5:4]=11
GPIO69	SPISIMOC	GPCGMUX1[11:10]=11	GPCMUX1[11:10]=11
GPIO70	SPISOMIC	GPCGMUX1[13:12]=11	GPCMUX1[13:12]=11
GPIO71	SPICLKC	GPCGMUX1[15:14]=11	GPCMUX1[15:14]=11
GPIO72	SPISTEC	GPCGMUX1[17:16]=11	GPCMUX1[17:16]=11

## 7.7 GPIO and Peripheral Muxing

### 7.7.1 GPIO Muxing

Up to twelve different peripheral functions are multiplexed to each pin along with a general-purpose input/output (GPIO) function. This allows you to choose the peripheral mix and pinout that works best for your particular application. Refer to [Table 7-7](#) for muxing combinations and definitions.

**Table 7-7. GPIO Muxed Pins**

GPIO Index	GPIO Mux Selection <sup>(1) (2)</sup>							
	0, 4, 8, 12	1	2	3	5	6	7	15
GPyGMUXn. GPIOz =	00b, 01b, 10b, 11b	00b			01b			11b
GPyMUXn. GPIOz =	00b	01b	10b	11b	01b	10b	11b	11b
GPIO0	GPIO0	EPWM1A (O)				SDAA (I/OD)		
GPIO1	GPIO1	EPWM1B (O)		MFSRB (I/O)		SCLA (I/OD)		
GPIO2	GPIO2	EPWM2A (O)			OUTPUTXBAR1 (O)	SDAB (I/OD)		
GPIO3	GPIO3	EPWM2B (O)	OUTPUTXBAR2 (O)	MCLKRB (I/O)	OUTPUTXBAR2 (O)	SCLB (I/OD)		
GPIO4	GPIO4	EPWM3A (O)			OUTPUTXBAR3 (O)	CANTXA (O)		
GPIO5	GPIO5	EPWM3B (O)	MFSRA (I/O)	OUTPUTXBAR3 (O)		CANRXA (I)		
GPIO6	GPIO6	EPWM4A (O)	OUTPUTXBAR4 (O)	EXTSYNCOU (O)	EQEP3A (I)	CANTXB (O)		
GPIO7	GPIO7	EPWM4B (O)	MCLKRA (I/O)	OUTPUTXBAR5 (O)	EQEP3B (I)	CANRXB (I)		
GPIO8	GPIO8	EPWM5A (O)	CANTXB (O)	ADCSOAO (O)	EQEP3S (I/O)	SCITXDA (O)		
GPIO9	GPIO9	EPWM5B (O)	SCITXDB (O)	OUTPUTXBAR6 (O)	EQEP3I (I/O)	SCIRXDA (I)		
GPIO10	GPIO10	EPWM6A (O)	CANRXB (I)	ADCSOBO (O)	EQEP1A (I)	SCITXDB (O)		UPP-WAIT (I/O)
GPIO11	GPIO11	EPWM6B (O)	SCIRXDB (I)	OUTPUTXBAR7 (O)	EQEP1B (I)	SCIRXDB (I)		UPP-START (I/O)
GPIO12	GPIO12	EPWM7A (O)	CANTXB (O)	MDXB (O)	EQEP1S (I/O)	SCITXDC (O)		UPP-ENA (I/O)
GPIO13	GPIO13	EPWM7B (O)	CANRXB (I)	MDRB (I)	EQEP1I (I/O)	SCIRXDC (I)		UPP-D7 (I/O)
GPIO14	GPIO14	EPWM8A (O)	SCITXDB (O)	MCLKXB (I/O)		OUTPUTXBAR3 (O)		UPP-D6 (I/O)
GPIO15	GPIO15	EPWM8B (O)	SCIRXDB (I)	MFSXB (I/O)		OUTPUTXBAR4 (O)		UPP-D5 (I/O)
GPIO16	GPIO16	SPISIMOA (I/O)	CANTXB (O)	OUTPUTXBAR7 (O)	EPWM9A (O)		SD1_D1 (I)	UPP-D4 (I/O)
GPIO17	GPIO17	SPISOMIA (I/O)	CANRXB (I)	OUTPUTXBAR8 (O)	EPWM9B (O)		SD1_C1 (I)	UPP-D3 (I/O)
GPIO18	GPIO18	SPICLKA (I/O)	SCITXDB (O)	CANRXA (I)	EPWM10A (O)		SD1_D2 (I)	UPP-D2 (I/O)
GPIO19	GPIO19	SPISTEA (I/O)	SCIRXDB (I)	CANTXA (O)	EPWM10B (O)		SD1_C2 (I)	UPP-D1 (I/O)
GPIO20	GPIO20	EQEP1A (I)	MDXA (O)	CANTXB (O)	EPWM11A (O)		SD1_D3 (I)	UPP-D0 (I/O)
GPIO21	GPIO21	EQEP1B (I)	MDRA (I)	CANRXB (I)	EPWM11B (O)		SD1_C3 (I)	UPP-CLK (I/O)
GPIO22	GPIO22	EQEP1S (I/O)	MCLKXA (I/O)	SCITXDB (O)	EPWM12A (O)	SPICLKB (I/O)	SD1_D4 (I)	
GPIO23	GPIO23	EQEP1I (I/O)	MFSXA (I/O)	SCIRXDB (I)	EPWM12B (O)	SPISTEB (I/O)	SD1_C4 (I)	
GPIO24	GPIO24	OUTPUTXBAR1 (O)	EQEP2A (I)	MDXB (O)		SPISIMOB (I/O)	SD2_D1 (I)	

**Table 7-7. GPIO Muxed Pins (continued)**

GPIO Index	GPIO Mux Selection <sup>(1) (2)</sup>							
	0, 4, 8, 12	1	2	3	5	6	7	15
GPyGMUXn. GPIOz =	00b, 01b, 10b, 11b	00b			01b			11b
GPyMUXn. GPIOz =	00b	01b	10b	11b	01b	10b	11b	11b
	GPIO25	OUTPUTXBAR2 (O)	EQEP2B (I)	MDRB (I)		SPISOMIB (I/O)	SD2_C1 (I)	
	GPIO26	OUTPUTXBAR3 (O)	EQEP2I (I/O)	MCLKXB (I/O)	OUTPUTXBAR3 (O)	SPICLKB (I/O)	SD2_D2 (I)	
	GPIO27	OUTPUTXBAR4 (O)	EQEP2S (I/O)	MFSXB (I/O)	OUTPUTXBAR4 (O)	SPISTEB (I/O)	SD2_C2 (I)	
	GPIO28	SCIRXDA (I)	EM1CS4 (O)		OUTPUTXBAR5 (O)	EQEP3A (I)	SD2_D3 (I)	
	GPIO29	SCITXDA (O)	EM1SDCKE (O)		OUTPUTXBAR6 (O)	EQEP3B (I)	SD2_C3 (I)	
	GPIO30	CANRXA (I)	EM1CLK (O)		OUTPUTXBAR7 (O)	EQEP3S (I/O)	SD2_D4 (I)	
	GPIO31	CANTXA (O)	EM1WE (O)		OUTPUTXBAR8 (O)	EQEP3I (I/O)	SD2_C4 (I)	
	GPIO32	SDAA (I/OD)	EM1CS0 (O)					
	GPIO33	SCLA (I/OD)	EM1RNW (O)					
	GPIO34	OUTPUTXBAR1 (O)	EM1CS2 (O)			SDAB (I/OD)		
	GPIO35	SCIRXDA (I)	EM1CS3 (O)			SCLB (I/OD)		
	GPIO36	SCITXDA (O)	EM1WAIT (I)			CANRXA (I)		
	GPIO37	OUTPUTXBAR2 (O)	EM1OE (O)			CANTXA (O)		
	GPIO38		EM1A0 (O)		SCITXDC (O)	CANTXB (O)		
	GPIO39		EM1A1 (O)		SCIRXDC (I)	CANRXB (I)		
	GPIO40		EM1A2 (O)			SDAB (I/OD)		
	GPIO41		EM1A3 (O)			SCLB (I/OD)		
	GPIO42					SDAA (I/OD)		SCITXDA (O)
	GPIO43					SCLA (I/OD)		SCIRXDA (I)
	GPIO44		EM1A4 (O)					
	GPIO45		EM1A5 (O)					
	GPIO46		EM1A6 (O)			SCIRXDD (I)		
	GPIO47		EM1A7 (O)			SCITXDD (O)		
	GPIO48	OUTPUTXBAR3 (O)	EM1A8 (O)			SCITXDA (O)	SD1_D1 (I)	
	GPIO49	OUTPUTXBAR4 (O)	EM1A9 (O)			SCIRXDA (I)	SD1_C1 (I)	
	GPIO50	EQEP1A (I)	EM1A10 (O)			SPISIMOC (I/O)	SD1_D2 (I)	
	GPIO51	EQEP1B (I)	EM1A11 (O)			SPISOMIC (I/O)	SD1_C2 (I)	
	GPIO52	EQEP1S (I/O)	EM1A12 (O)			SPICLKC (I/O)	SD1_D3 (I)	
	GPIO53	EQEP1I (I/O)	EM1D31 (I/O)	EM2D15 (I/O)		SPISTEC (I/O)	SD1_C3 (I)	
	GPIO54	SPISIMOA (I/O)	EM1D30 (I/O)	EM2D14 (I/O)	EQEP2A (I)	SCITXDB (O)	SD1_D4 (I)	
	GPIO55	SPISOMIA (I/O)	EM1D29 (I/O)	EM2D13 (I/O)	EQEP2B (I)	SCIRXDB (I)	SD1_C4 (I)	



**Table 7-7. GPIO Muxed Pins (continued)**

GPIO Index	GPIO Mux Selection <sup>(1) (2)</sup>							
	0, 4, 8, 12	1	2	3	5	6	7	15
GPyGMUXn. GPIOz =	00b, 01b, 10b, 11b	00b			01b			11b
GPyMUXn. GPIOz =	00b	01b	10b	11b	01b	10b	11b	11b
GPIO56	SPICLKA (I/O)	EM1D28 (I/O)	EM2D12 (I/O)	EM2D12 (I/O)	EQEP2S (I/O)	SCITXDC (O)	SD2_D1 (I)	
GPIO57	SPISTEA (I/O)	EM1D27 (I/O)	EM2D11 (I/O)	EM2D11 (I/O)	EQEP2I (I/O)	SCIRXDC (I)	SD2_C1 (I)	
GPIO58	MCLKRA (I/O)	EM1D26 (I/O)	EM2D10 (I/O)	EM2D10 (I/O)	OUTPUTXBAR1 (O)	SPICLKB (I/O)	SD2_D2 (I)	SPISIOA <sup>(3)</sup> (I/O)
GPIO59	MFSRA (I/O)	EM1D25 (I/O)	EM2D9 (I/O)	EM2D9 (I/O)	OUTPUTXBAR2 (O)	SPISTEB (I/O)	SD2_C2 (I)	SPISOMIA <sup>(3)</sup> (I/O)
GPIO60	MCLKRB (I/O)	EM1D24 (I/O)	EM2D8 (I/O)	EM2D8 (I/O)	OUTPUTXBAR3 (O)	SPISIMOB (I/O)	SD2_D3 (I)	SPICLKA <sup>(3)</sup> (I/O)
GPIO61	MFSRB (I/O)	EM1D23 (I/O)	EM2D7 (I/O)	EM2D7 (I/O)	OUTPUTXBAR4 (O)	SPISOMIB (I/O)	SD2_C3 (I)	SPISTEA <sup>(3)</sup> (I/O)
GPIO62	SCIRXDC (I)	EM1D22 (I/O)	EM2D6 (I/O)	EM2D6 (I/O)	EQEP3A (I)	CANRXA (I)	SD2_D4 (I)	
GPIO63	SCITXDC (O)	EM1D21 (I/O)	EM2D5 (I/O)	EM2D5 (I/O)	EQEP3B (I)	CANTXA (O)	SD2_C4 (I)	SPISIMOB <sup>(3)</sup> (I/O)
GPIO64		EM1D20 (I/O)	EM2D4 (I/O)	EM2D4 (I/O)	EQEP3S (I/O)	SCIRXDA (I)		SPISOMIB <sup>(3)</sup> (I/O)
GPIO65		EM1D19 (I/O)	EM2D3 (I/O)	EM2D3 (I/O)	EQEP3I (I/O)	SCITXDA (O)		SPICLKB <sup>(3)</sup> (I/O)
GPIO66		EM1D18 (I/O)	EM2D2 (I/O)	EM2D2 (I/O)		SDAB (I/OD)		SPISTEB <sup>(3)</sup> (I/O)
GPIO67		EM1D17 (I/O)	EM2D1 (I/O)	EM2D1 (I/O)				
GPIO68		EM1D16 (I/O)	EM2D0 (I/O)	EM2D0 (I/O)				
GPIO69		EM1D15 (I/O)				SCLB (I/OD)		SPISIMOC <sup>(3)</sup> (I/O)
GPIO70		EM1D14 (I/O)			CANRXA (I)	SCITXDB (O)		SPISOMIC <sup>(3)</sup> (I/O)
GPIO71		EM1D13 (I/O)			CANTXA (O)	SCIRXDB (I)		SPICLKC <sup>(3)</sup> (I/O)
GPIO72		EM1D12 (I/O)			CANTXB (O)	SCITXDC (O)		SPISTEC <sup>(3)</sup> (I/O)
GPIO73		EM1D11 (I/O)	XCLKOUT (O)		CANRXB (I)	SCIRXDC (I)		
GPIO74		EM1D10 (I/O)						
GPIO75		EM1D9 (I/O)						
GPIO76		EM1D8 (I/O)				SCITXDD (O)		
GPIO77		EM1D7 (I/O)				SCIRXDD (I)		
GPIO78		EM1D6 (I/O)				EQEP2A (I)		
GPIO79		EM1D5 (I/O)				EQEP2B (I)		
GPIO80		EM1D4 (I/O)				EQEP2S (I/O)		
GPIO81		EM1D3 (I/O)				EQEP2I (I/O)		
GPIO82		EM1D2 (I/O)						
GPIO83		EM1D1 (I/O)						
GPIO84					SCITXDA (O)	MDXB (O)		MDXA (O)
GPIO85		EM1D0 (I/O)			SCIRXDA (I)	MDRB (I)		MDRA (I)
GPIO86		EM1A13 (O)	EM1CAS (O)		SCITXDB (O)	MCLKXB (I/O)		MCLKXA (I/O)

**Table 7-7. GPIO Muxed Pins (continued)**

GPIO Index	GPIO Mux Selection <sup>(1) (2)</sup>							
	0, 4, 8, 12	1	2	3	5	6	7	15
GPyGMUXn. GPIOz =	00b, 01b, 10b, 11b	00b			01b			11b
GPyMUXn. GPIOz =	00b	01b	10b	11b	01b	10b	11b	11b
GPIO87			EM1A14 (O)	EM1RAS (O)	SCIRXDB (I)	MFSXB (I/O)		MFSXA (I/O)
GPIO88			EM1A15 (O)	EM1DQM0 (O)				
GPIO89			EM1A16 (O)	EM1DQM1 (O)		SCITXDC (O)		
GPIO90			EM1A17 (O)	EM1DQM2 (O)		SCIRXDC (I)		
GPIO91			EM1A18 (O)	EM1DQM3 (O)		SDAA (I/OD)		
GPIO92			EM1A19 (O)	EM1BA1 (O)		SCLA (I/OD)		
GPIO93				EM1BA0 (O)		SCITXDD (O)		
GPIO94						SCIRXDD (I)		
GPIO95								
GPIO96				EM2DQM1 (O)	EQEP1A (I)			
GPIO97				EM2DQM0 (O)	EQEP1B (I)			
GPIO98				EM2A0 (O)	EQEP1S (I/O)			
GPIO99				EM2A1 (O)	EQEP1I (I/O)			
GPIO100				EM2A2 (O)	EQEP2A (I)	SPISIMOC (I/O)		
GPIO101				EM2A3 (O)	EQEP2B (I)	SPISOMIC (I/O)		
GPIO102				EM2A4 (O)	EQEP2S (I/O)	SPICLK (I/O)		
GPIO103				EM2A5 (O)	EQEP2I (I/O)	SPISTEC (I/O)		
GPIO104		SDAA (I/OD)		EM2A6 (O)	EQEP3A (I)	SCITXDD (O)		
GPIO105		SCLA (I/OD)		EM2A7 (O)	EQEP3B (I)	SCIRXDD (I)		
GPIO106				EM2A8 (O)	EQEP3S (I/O)	SCITXDC (O)		
GPIO107				EM2A9 (O)	EQEP3I (I/O)	SCIRXDC (I)		
GPIO108				EM2A10 (O)				
GPIO109				EM2A11 (O)				
GPIO110				EM2WAIT (I)				
GPIO111				EM2BA0 (O)				
GPIO112				EM2BA1 (O)				
GPIO113				EM2CAS (O)				
GPIO114				EM2RAS (O)				
GPIO115				EM2CS0 (O)				
GPIO116				EM2CS2 (O)				
GPIO117				EM2SDCKE (O)				

**Table 7-7. GPIO Muxed Pins (continued)**

GPIO Index	GPIO Mux Selection <sup>(1)</sup> <sup>(2)</sup>							
	0, 4, 8, 12	1	2	3	5	6	7	15
GPyGMUXn. GPIOz =	00b, 01b, 10b, 11b	00b			01b			11b
GPyMUXn. GPIOz =	00b	01b	10b	11b	01b	10b	11b	11b
	GPIO118			EM2CLK (O)				
	GPIO119			EM2RNW (O)				
	GPIO120			EM2WE (O)				USB0PFLT
	GPIO121			EM2OE (O)				USB0EPEN
	GPIO122					SPISIMOC (I/O)	SD1_D1 (I)	
	GPIO123					SPISOMIC (I/O)	SD1_C1 (I)	
	GPIO124					SPICLK (I/O)	SD1_D2 (I)	
	GPIO125					SPISTEC (I/O)	SD1_C2 (I)	
	GPIO126						SD1_D3 (I)	
	GPIO127						SD1_C3 (I)	
	GPIO128						SD1_D4 (I)	
	GPIO129						SD1_C4 (I)	
	GPIO130						SD2_D1 (I)	
	GPIO131						SD2_C1 (I)	
	GPIO132						SD2_D2 (I)	
	GPIO133/ AUXCLKIN						SD2_C2 (I)	
	GPIO134						SD2_D3 (I)	
	GPIO135					SCITXDA (O)	SD2_C3 (I)	
	GPIO136					SCIRXDA (I)	SD2_D4 (I)	
	GPIO137					SCITXDB (O)	SD2_C4 (I)	
	GPIO138					SCIRXDB (I)		
	GPIO139					SCIRXDC (I)		
	GPIO140					SCITXDC (O)		
	GPIO141					SCIRXDD (I)		
	GPIO142					SCITXDD (O)		
	GPIO143							
	GPIO144							
	GPIO145	EPWM1A (O)						
	GPIO146	EPWM1B (O)						
	GPIO147	EPWM2A (O)						

**Table 7-7. GPIO Muxed Pins (continued)**

GPIO Index	GPIO Mux Selection <sup>(1) (2)</sup>							
	0, 4, 8, 12	1	2	3	5	6	7	15
GPyGMUXn. GPIOz =	00b, 01b, 10b, 11b	00b			01b			11b
GPyMUXn. GPIOz =	00b	01b	10b	11b	01b	10b	11b	11b
	GPIO148	EPWM2B (O)						
	GPIO149	EPWM3A (O)						
	GPIO150	EPWM3B (O)						
	GPIO151	EPWM4A (O)						
	GPIO152	EPWM4B (O)						
	GPIO153	EPWM5A (O)						
	GPIO154	EPWM5B (O)						
	GPIO155	EPWM6A (O)						
	GPIO156	EPWM6B (O)						
	GPIO157	EPWM7A (O)						
	GPIO158	EPWM7B (O)						
	GPIO159	EPWM8A (O)						
	GPIO160	EPWM8B (O)						
	GPIO161	EPWM9A (O)						
	GPIO162	EPWM9B (O)						
	GPIO163	EPWM10A (O)						
	GPIO164	EPWM10B (O)						
	GPIO165	EPWM11A (O)						
	GPIO166	EPWM11B (O)						
	GPIO167	EPWM12A (O)						
	GPIO168	EPWM12B (O)						

(1) (I) = Input, (O) = Output, (OD) = Open Drain

(2) GPIO Index settings of 9, 10, 11, 13, and 14 are reserved.

(3) High-Speed SPI-enabled GPIO mux option. This pin mux option is required when using the SPI in High-Speed Mode (HS\_MODE = 1 in SPICCR). This mux option is still available when not using the SPI in High-Speed Mode (HS\_MODE = 0 in SPICCR).

## 7.7.2 Peripheral Muxing

For example, multiplexing for the GPIO6 pin is controlled by writing to GPAGMUX[13:12] and GPAMUX[13:12]. By writing to these bits, GPIO6 is configured as either a general-purpose digital I/O or one of several different peripheral functions. An example of GPyGMUX and GPyMUX selection and options for a single GPIO are shown in [Table 7-8](#).

### Note

The following table is for example only. Refer to the device data sheet to check the availability of GPIO6 on this device. If GPIO6 is available, the functions mentioned in the table may not match the actual functions available. See [Section 7.7.1](#) for correct list of GPIOs and corresponding mux options for this device.

**Table 7-8. GPIO and Peripheral Muxing**

GPAGMUX1[13:12]	GPAMUX1[13:12]	Pin Functionality
00	00	GPIO6
00	01	Peripheral 1
00	10	Peripheral 2
00	11	Peripheral 3
01	00	GPIO6
01	01	Peripheral 4
01	10	Peripheral 5
01	11	
10	00	GPIO6
10	01	
10	10	Peripheral 6
10	11	Peripheral 7
11	00	GPIO6
11	01	Peripheral 8
11	10	Peripheral 9
11	11	Peripheral 10

The devices have different multiplexing schemes. If a peripheral is not available on a particular device, that mux selection is reserved on that device and must not be used.

### CAUTION

If a reserved GPIO mux configuration that is not mapped to either a peripheral or GPIO mode is selected, the state of the pin is undefined and the pin is driven. Unimplemented configurations are for future expansion and must not be selected. In the device mux table (see the data sheet), these options are indicated as Reserved or left blank.

Some peripherals can be assigned to more than one pin by way of the mux registers. For example, OUTPUTXBAR1 can be assigned to GPIOs p, q, or r (where p, q, and r are example GPIO numbers), depending on individual system requirements. An example of this is shown in [Table 7-9](#).

### Note

The following table is for example only. Bit ranges cannot correspond to OUTPUTXBAR1 on this device. See [Section 7.7.1](#) for correct list of GPIOs and corresponding mux options for this device.

If none or more than one of the GPIO pins is configured as peripheral input pins, then that GPIO is set to a hard-wired default value.

**Table 7-9. Peripheral Muxing (Multiple Pins Assigned)**

GMUX Configuration	MUX Configuration	
Choice 1: GPIOp	GPyGMUX1[5:4]=01	GPyMUX1[5:4]=01
or Choice 2: GPIOq	GPyGMUX2[17:16]=00	GPyMUX2[17:16]=01
or Choice 3: GPIOr	GPyGMUX1[7:6]=01	GPyMUX1[7:6]=01

## 7.8 Internal Pullup Configuration Requirements

On reset, GPIOs are in input mode and have the internal pullups disabled. An un-driven input can float to a mid-rail voltage and cause wasted shoot-through current on the input buffer. The user must always put each GPIO in one of these configurations:

- Input mode and driven on the board by another component to a level above  $V_{ih}$  or below  $V_{il}$
- Input mode with GPIO internal pullup enabled
- Output mode

On devices with lesser pin count packages, pull-ups on unbonded GPIOs are by default enabled to prevent floating inputs. The user must take care to avoid disabling these pullups in their application code.

On devices with larger pin count packages, the pullups for any internally unbonded GPIO must be enabled to prevent floating inputs. TI has provided functions in controlSUITE/C2000Ware that users can call to enable the pullup on any unbonded GPIO for the package they are using. This function, `GPIO_EnabledUnbondedIOPullups()`, resides in the `(Device)_Sysctrl.c` file and is called by default from `InitSysCtrl()`. The user must take care to avoid disabling these pullups in their application code.

## 7.9 Software

### 7.9.1 GPIO Examples

NOTE: These examples are located in the [C2000Ware](#) installation at the following location:  
C2000Ware\_VERSION#/driverlib/DEVICE\_GPN/examples/CORE\_IF\_MULTICORE/gpio

Cloud access to these examples is available at the following link: [dev.ti.com C2000Ware Examples](#).

#### 7.9.1.1 Device GPIO Setup

FILE: gpio\_ex1\_setup.c

Configures the device GPIO into two different configurations. This code is verbose to illustrate how the GPIO could be setup. In a real application, lines of code can be combined for improved code size and efficiency.

This example only sets-up the GPIO. Nothing is actually done with the pins after setup.

*In general:*

- All pullup resistors are enabled. For ePWMs this may not be desired.
- Input qual for communication ports (CAN, SPI, SCI, I2C) is asynchronous
- Input qual for Trip pins (TZ) is asynchronous
- Input qual for eCAP and eQEP signals is synch to SYSCLKOUT
- Input qual for some I/O's and \_\_interrupts may have a sampling window

#### 7.9.1.2 Device GPIO Toggle

FILE: gpio\_ex2\_toggle.c

Configures the device GPIO through the sysconfig file. The GPIO pin is toggled in the infinite loop. In order to migrate the project within syscfg to any device, click the switch button under the device view and select your corresponding device to migrate, saving the project will auto-migrate your project settings.

#### 7.9.1.3 Device GPIO Interrupt

FILE: gpio\_ex3\_interrupt.c

Configures the device GPIOs through the sysconfig file. One GPIO output pin, and one GPIO input pin is configured. The example then configures the GPIO input pin to be the source of an external interrupt which toggles the GPIO output pin.

### 7.9.2 LED Examples

NOTE: These examples are located in the [C2000Ware](#) installation at the following location:  
C2000Ware\_VERSION#/driverlib/DEVICE\_GPN/examples/CORE\_IF\_MULTICORE/led

Cloud access to these examples is available at the following link: [dev.ti.com C2000Ware Examples](#).

## 7.10 GPIO Registers

This section describes the General-Purpose Input/Output Registers.

**Table 7-10** provides both specific and generic terms for registers described in this section and throughout this chapter.

**Table 7-10. Specific versus Generic Terminology for Registers**

Specific Term	Generic Term Used in the Document
GPAQSEL1, GPAQSEL2, GPBQSEL1, GPBQSEL2, GPCQSEL1, GPCQSEL2, GPDQSEL1, GPDQSEL2, GPEQSEL1, GPEQSEL2, GPFQSEL1, GPFQSEL2	GPxQSEL
GPACTRL, GPBCTRL, GPCCTRL, GPDCTRL, GPECTRL, GPFCTRL	GPxCTRL
GPADIR, GPBDIR, GPCDIR, GPDDIR, GPEDIR, GPFDIR	GPxDIR
GPAPUD, GPBPUD, GPCPUD, GPDPU, GPEPUD, GPFPU	GPxPUD
GPAINV, GPBINV, GPCINV, GPDINV, GPEINV, GPFINV	GPxINV
GPAODR, GPBODR, GPCODR, GPDODR, GPEODR, GPFODR, GPxODR	GPxODR
GPALOCK, GPBLOCK, GPCLOCK, GPDLOCK, GPELOCK, GPFLOCK	GPxLOCK
GPACR, GPBCR, GPCCR, GPD CR, GPECR, GPF CR	GPxCR
GPAMUX1, GPAMUX2, GPBMUX1, GPBMUX2, GPCMUX1, GPCMUX2, GPDMUX1, GPDMUX2, GPEMUX1, GPEMUX2, GPFMUX1, GPFMUX2	GPxMUX
GPAGMUX1, GPAGMUX2, GPBGMUX1, GPBGMUX2, GPCGMUX1, GPCGMUX2, GPDGMUX1, GPDGMUX2, GPEGMUX1, GPEGMUX2, GPFGMUX1, GPFGMUX2	GPxGMUX
GPADAT, GPBDAT, GPCDAT, GPDDAT, GPEDAT, GPF DAT	GPxDAT

### 7.10.1 GPIO Base Addresses

**Table 7-11. GPIO Base Address Table**

Device Registers	Register Name	Start Address	End Address
GpioCtrlRegs <sup>(1)</sup>	GPIO_CTRL_REGS	0x0000_7C00	0x0000_7D7F
GpioDataRegs	GPIO_DATA_REGS	0x0000_7F00	0x0000_7F2F

(1) Only available on CPU1.



## 7.10.2 GPIO\_CTRL\_REGS Registers

Table 7-12 lists the memory-mapped registers for the GPIO\_CTRL\_REGS registers. All register offset addresses not listed in Table 7-12 should be considered as reserved locations and the register contents should not be modified.

**Table 7-12. GPIO\_CTRL\_REGS Registers**

Offset	Acronym	Register Name	Write Protection	Section
0h	GPACTRL	GPIO A Qualification Sampling Period Control (GPIO0 to 31)	EALLOW	<a href="#">Go</a>
2h	GPAQSEL1	GPIO A Qualifier Select 1 Register (GPIO0 to 15)	EALLOW	<a href="#">Go</a>
4h	GPAQSEL2	GPIO A Qualifier Select 2 Register (GPIO16 to 31)	EALLOW	<a href="#">Go</a>
6h	GPAMUX1	GPIO A Mux 1 Register (GPIO0 to 15)	EALLOW	<a href="#">Go</a>
8h	GPAMUX2	GPIO A Mux 2 Register (GPIO16 to 31)	EALLOW	<a href="#">Go</a>
Ah	GPADIR	GPIO A Direction Register (GPIO0 to 31)	EALLOW	<a href="#">Go</a>
Ch	GPAPUD	GPIO A Pull Up Disable Register (GPIO0 to 31)	EALLOW	<a href="#">Go</a>
10h	GPAINV	GPIO A Input Polarity Invert Registers (GPIO0 to 31)	EALLOW	<a href="#">Go</a>
12h	GPAODR	GPIO A Open Drain Output Register (GPIO0 to GPIO31)	EALLOW	<a href="#">Go</a>
20h	GPAGMUX1	GPIO A Peripheral Group Mux (GPIO0 to 15)	EALLOW	<a href="#">Go</a>
22h	GPAGMUX2	GPIO A Peripheral Group Mux (GPIO16 to 31)	EALLOW	<a href="#">Go</a>
28h	GPACSEL1	GPIO A Core Select Register (GPIO0 to 7)	EALLOW	<a href="#">Go</a>
2Ah	GPACSEL2	GPIO A Core Select Register (GPIO8 to 15)	EALLOW	<a href="#">Go</a>
2Ch	GPACSEL3	GPIO A Core Select Register (GPIO16 to 23)	EALLOW	<a href="#">Go</a>
2Eh	GPACSEL4	GPIO A Core Select Register (GPIO24 to 31)	EALLOW	<a href="#">Go</a>
3Ch	GPALOCK	GPIO A Lock Configuration Register (GPIO0 to 31)	EALLOW	<a href="#">Go</a>
3Eh	GPACR	GPIO A Lock Commit Register (GPIO0 to 31)	EALLOW	<a href="#">Go</a>
40h	GPBCTRL	GPIO B Qualification Sampling Period Control (GPIO32 to 63)	EALLOW	<a href="#">Go</a>
42h	GPBQSEL1	GPIO B Qualifier Select 1 Register (GPIO32 to 47)	EALLOW	<a href="#">Go</a>
44h	GPBQSEL2	GPIO B Qualifier Select 2 Register (GPIO48 to 63)	EALLOW	<a href="#">Go</a>
46h	GPBMUX1	GPIO B Mux 1 Register (GPIO32 to 47)	EALLOW	<a href="#">Go</a>
48h	GPBMUX2	GPIO B Mux 2 Register (GPIO48 to 63)	EALLOW	<a href="#">Go</a>
4Ah	GPBDIR	GPIO B Direction Register (GPIO32 to 63)	EALLOW	<a href="#">Go</a>
4Ch	GPBPUD	GPIO B Pull Up Disable Register (GPIO32 to 63)	EALLOW	<a href="#">Go</a>
50h	GPBINV	GPIO B Input Polarity Invert Registers (GPIO32 to 63)	EALLOW	<a href="#">Go</a>
52h	GPBODR	GPIO B Open Drain Output Register (GPIO32 to GPIO63)	EALLOW	<a href="#">Go</a>
54h	GPBAMSEL	GPIO B Analog Mode Select register (GPIO32 to GPIO63)	EALLOW	<a href="#">Go</a>
60h	GPBGMUX1	GPIO B Peripheral Group Mux (GPIO32 to 47)	EALLOW	<a href="#">Go</a>
62h	GPBGMUX2	GPIO B Peripheral Group Mux (GPIO48 to 63)	EALLOW	<a href="#">Go</a>
68h	GPBCSEL1	GPIO B Core Select Register (GPIO32 to 39)	EALLOW	<a href="#">Go</a>
6Ah	GPBCSEL2	GPIO B Core Select Register (GPIO40 to 47)	EALLOW	<a href="#">Go</a>
6Ch	GPBCSEL3	GPIO B Core Select Register (GPIO48 to 55)	EALLOW	<a href="#">Go</a>
6Eh	GPBCSEL4	GPIO B Core Select Register (GPIO56 to 63)	EALLOW	<a href="#">Go</a>

**Table 7-12. GPIO\_CTRL\_REGS Registers (continued)**

Offset	Acronym	Register Name	Write Protection	Section
7Ch	GPBLOCK	GPIO B Lock Configuration Register (GPIO32 to 63)	EALLOW	<a href="#">Go</a>
7Eh	GPBCR	GPIO B Lock Commit Register (GPIO32 to 63)	EALLOW	<a href="#">Go</a>
80h	GPCCTRL	GPIO C Qualification Sampling Period Control (GPIO64 to 95)	EALLOW	<a href="#">Go</a>
82h	GPCQSEL1	GPIO C Qualifier Select 1 Register (GPIO64 to 79)	EALLOW	<a href="#">Go</a>
84h	GPCQSEL2	GPIO C Qualifier Select 2 Register (GPIO80 to 95)	EALLOW	<a href="#">Go</a>
86h	GPCMUX1	GPIO C Mux 1 Register (GPIO64 to 79)	EALLOW	<a href="#">Go</a>
88h	GPCMUX2	GPIO C Mux 2 Register (GPIO80 to 95)	EALLOW	<a href="#">Go</a>
8Ah	GPCDIR	GPIO C Direction Register (GPIO64 to 95)	EALLOW	<a href="#">Go</a>
8Ch	GPCPUD	GPIO C Pull Up Disable Register (GPIO64 to 95)	EALLOW	<a href="#">Go</a>
90h	GPCINV	GPIO C Input Polarity Invert Registers (GPIO64 to 95)	EALLOW	<a href="#">Go</a>
92h	GPCODR	GPIO C Open Drain Output Register (GPIO64 to GPIO95)	EALLOW	<a href="#">Go</a>
A0h	GPCGMUX1	GPIO C Peripheral Group Mux (GPIO64 to 79)	EALLOW	<a href="#">Go</a>
A2h	GPCGMUX2	GPIO C Peripheral Group Mux (GPIO80 to 95)	EALLOW	<a href="#">Go</a>
A8h	GPCCSEL1	GPIO C Core Select Register (GPIO64 to 71)	EALLOW	<a href="#">Go</a>
AAh	GPCCSEL2	GPIO C Core Select Register (GPIO72 to 79)	EALLOW	<a href="#">Go</a>
ACh	GPCCSEL3	GPIO C Core Select Register (GPIO80 to 87)	EALLOW	<a href="#">Go</a>
A Eh	GPCCSEL4	GPIO C Core Select Register (GPIO88 to 95)	EALLOW	<a href="#">Go</a>
BCh	GPCLOCK	GPIO C Lock Configuration Register (GPIO64 to 95)	EALLOW	<a href="#">Go</a>
BEh	GPCCR	GPIO C Lock Commit Register (GPIO64 to 95)	EALLOW	<a href="#">Go</a>
C0h	GPDCTRL	GPIO D Qualification Sampling Period Control (GPIO96 to 127)	EALLOW	<a href="#">Go</a>
C2h	GPDQSEL1	GPIO D Qualifier Select 1 Register (GPIO96 to 111)	EALLOW	<a href="#">Go</a>
C4h	GPDQSEL2	GPIO D Qualifier Select 2 Register (GPIO112 to 127)	EALLOW	<a href="#">Go</a>
C6h	GPDMUX1	GPIO D Mux 1 Register (GPIO96 to 111)	EALLOW	<a href="#">Go</a>
C8h	GPDMUX2	GPIO D Mux 2 Register (GPIO112 to 127)	EALLOW	<a href="#">Go</a>
CAh	GPDDIR	GPIO D Direction Register (GPIO96 to 127)	EALLOW	<a href="#">Go</a>
CCh	GPDPUD	GPIO D Pull Up Disable Register (GPIO96 to 127)	EALLOW	<a href="#">Go</a>
D0h	GPDINV	GPIO D Input Polarity Invert Registers (GPIO96 to 127)	EALLOW	<a href="#">Go</a>
D2h	GPDODR	GPIO D Open Drain Output Register (GPIO96 to GPIO127)	EALLOW	<a href="#">Go</a>
E0h	GPDGMUX1	GPIO D Peripheral Group Mux (GPIO96 to 111)	EALLOW	<a href="#">Go</a>
E2h	GPDGMUX2	GPIO D Peripheral Group Mux (GPIO112 to 127)	EALLOW	<a href="#">Go</a>
E8h	GPDCSEL1	GPIO D Core Select Register (GPIO96 to 103)	EALLOW	<a href="#">Go</a>
E Ah	GPDCSEL2	GPIO D Core Select Register (GPIO104 to 111)	EALLOW	<a href="#">Go</a>
ECh	GPDCSEL3	GPIO D Core Select Register (GPIO112 to 119)	EALLOW	<a href="#">Go</a>
E Eh	GPDCSEL4	GPIO D Core Select Register (GPIO120 to 127)	EALLOW	<a href="#">Go</a>
FCh	GPDLOCK	GPIO D Lock Configuration Register (GPIO96 to 127)	EALLOW	<a href="#">Go</a>

**Table 7-12. GPIO\_CTRL\_REGS Registers (continued)**

Offset	Acronym	Register Name	Write Protection	Section
FEh	GPDCR	GPIO D Lock Commit Register (GPIO96 to 127)	EALLOW	<a href="#">Go</a>
100h	GPECTRL	GPIO E Qualification Sampling Period Control (GPIO128 to 159)	EALLOW	<a href="#">Go</a>
102h	GPEQSEL1	GPIO E Qualifier Select 1 Register (GPIO128 to 143)	EALLOW	<a href="#">Go</a>
104h	GPEQSEL2	GPIO E Qualifier Select 2 Register (GPIO144 to 159)	EALLOW	<a href="#">Go</a>
106h	GPEMUX1	GPIO E Mux 1 Register (GPIO128 to 143)	EALLOW	<a href="#">Go</a>
108h	GPEMUX2	GPIO E Mux 2 Register (GPIO144 to 159)	EALLOW	<a href="#">Go</a>
10Ah	GPEDIR	GPIO E Direction Register (GPIO128 to 159)	EALLOW	<a href="#">Go</a>
10Ch	GPEPUD	GPIO E Pull Up Disable Register (GPIO128 to 159)	EALLOW	<a href="#">Go</a>
110h	GPEINV	GPIO E Input Polarity Invert Registers (GPIO128 to 159)	EALLOW	<a href="#">Go</a>
112h	GPEODR	GPIO E Open Drain Output Register (GPIO128 to GPIO159)	EALLOW	<a href="#">Go</a>
120h	GPEGMUX1	GPIO E Peripheral Group Mux (GPIO128 to 143)	EALLOW	<a href="#">Go</a>
122h	GPEGMUX2	GPIO E Peripheral Group Mux (GPIO144 to 159)	EALLOW	<a href="#">Go</a>
128h	GPECSEL1	GPIO E Core Select Register (GPIO128 to 135)	EALLOW	<a href="#">Go</a>
12Ah	GPECSEL2	GPIO E Core Select Register (GPIO136 to 143)	EALLOW	<a href="#">Go</a>
12Ch	GPECSEL3	GPIO E Core Select Register (GPIO144 to 151)	EALLOW	<a href="#">Go</a>
12Eh	GPECSEL4	GPIO E Core Select Register (GPIO152 to 159)	EALLOW	<a href="#">Go</a>
13Ch	GPELOCK	GPIO E Lock Configuration Register (GPIO128 to 159)	EALLOW	<a href="#">Go</a>
13Eh	GPECR	GPIO E Lock Commit Register (GPIO128 to 159)	EALLOW	<a href="#">Go</a>
140h	GPFCTRL	GPIO F Qualification Sampling Period Control (GPIO160 to 168)	EALLOW	<a href="#">Go</a>
142h	GPFQSEL1	GPIO F Qualifier Select 1 Register (GPIO160 to 168)	EALLOW	<a href="#">Go</a>
146h	GPFMUX1	GPIO F Mux 1 Register (GPIO160 to 168)	EALLOW	<a href="#">Go</a>
14Ah	GPFDIR	GPIO F Direction Register (GPIO160 to 168)	EALLOW	<a href="#">Go</a>
14Ch	GPFPUD	GPIO F Pull Up Disable Register (GPIO160 to 168)	EALLOW	<a href="#">Go</a>
150h	GPFINV	GPIO F Input Polarity Invert Registers (GPIO160 to 168)	EALLOW	<a href="#">Go</a>
152h	GPFODR	GPIO F Open Drain Output Register (GPIO160 to GPIO168)	EALLOW	<a href="#">Go</a>
160h	GPFGMUX1	GPIO F Peripheral Group Mux (GPIO160 to 168)	EALLOW	<a href="#">Go</a>
168h	GPFCSEL1	GPIO F Core Select Register (GPIO160 to 167)	EALLOW	<a href="#">Go</a>
16Ah	GPFCSEL2	GPIO F Core Select Register (GPIO168)	EALLOW	<a href="#">Go</a>
17Ch	GPFLOCK	GPIO F Lock Configuration Register (GPIO160 to 168)	EALLOW	<a href="#">Go</a>
17Eh	GPFCR	GPIO F Lock Commit Register (GPIO160 to 168)	EALLOW	<a href="#">Go</a>

Complex bit access types are encoded to fit into small table cells. [Table 7-13](#) shows the codes that are used for access types in this section.

**Table 7-13. GPIO\_CTRL\_REGS Access Type Codes**

Access Type	Code	Description
Read Type		

**Table 7-13. GPIO\_CTRL\_REGS Access Type Codes (continued)**

Access Type	Code	Description
R	R	Read
Write Type		
W	W	Write
WOnce	W Once	Write Write once
Reset or Default Value		
-n		Value after reset or the default value
Register Array Variables		
i,j,k,l,m,n		When these variables are used in a register name, an offset, or an address, they refer to the value of a register array where the register is part of a group of repeating registers. The register groups form a hierarchical structure and the array is represented with a formula.
y		When this variable is used in a register name, an offset, or an address it refers to the value of a register array.

### 7.10.2.1 GPECTRL Register (Offset = 0h) [Reset = 00000000h]

GPECTRL is shown in [Figure 7-4](#) and described in [Table 7-14](#).

Return to the [Summary Table](#).

GPIO A Qualification Sampling Period Control (GPIO0 to 31)

**Figure 7-4. GPECTRL Register**

31	30	29	28	27	26	25	24	23	22	21	20	19	18	17	16	15	14	13	12	11	10	9	8	7	6	5	4	3	2	1	0
QUALPRD3								QUALPRD2								QUALPRD1								QUALPRD0							
R/W-0h								R/W-0h								R/W-0h								R/W-0h							

**Table 7-14. GPECTRL Register Field Descriptions**

Bit	Field	Type	Reset	Description
31-24	QUALPRD3	R/W	0h	Qualification sampling period for GPIO24 to GPIO31: 0x00,QUALPRDx = PLLSYSCLK 0x01,QUALPRDx = PLLSYSCLK/2 0x02,QUALPRDx = PLLSYSCLK/4 .... 0xFF,QUALPRDx = PLLSYSCLK/510 Reset type: SYSRSn
23-16	QUALPRD2	R/W	0h	Qualification sampling period for GPIO16 to GPIO23: 0x00,QUALPRDx = PLLSYSCLK 0x01,QUALPRDx = PLLSYSCLK/2 0x02,QUALPRDx = PLLSYSCLK/4 .... 0xFF,QUALPRDx = PLLSYSCLK/510 Reset type: SYSRSn
15-8	QUALPRD1	R/W	0h	Qualification sampling period for GPIO8 to GPIO15: 0x00,QUALPRDx = PLLSYSCLK 0x01,QUALPRDx = PLLSYSCLK/2 0x02,QUALPRDx = PLLSYSCLK/4 .... 0xFF,QUALPRDx = PLLSYSCLK/510 Reset type: SYSRSn
7-0	QUALPRD0	R/W	0h	Qualification sampling period for GPIO0 to GPIO7: 0x00,QUALPRDx = PLLSYSCLK 0x01,QUALPRDx = PLLSYSCLK/2 0x02,QUALPRDx = PLLSYSCLK/4 .... 0xFF,QUALPRDx = PLLSYSCLK/510 Reset type: SYSRSn

### 7.10.2.2 GPAQSEL1 Register (Offset = 2h) [Reset = 0000000h]

GPAQSEL1 is shown in [Figure 7-5](#) and described in [Table 7-15](#).

Return to the [Summary Table](#).

GPIO A Qualifier Select 1 Register (GPIO0 to 15)

Input qualification type:

0,0 Sync

0,1 Qualification (3 samples)

1,0 Qualification (6 samples)

1,1 Async (no Sync or Qualification)

**Figure 7-5. GPAQSEL1 Register**

31	30	29	28	27	26	25	24	23	22	21	20	19	18	17	16
GPIO15		GPIO14		GPIO13		GPIO12		GPIO11		GPIO10		GPIO9		GPIO8	
R/W-0h		R/W-0h		R/W-0h		R/W-0h		R/W-0h		R/W-0h		R/W-0h		R/W-0h	
15	14	13	12	11	10	9	8	7	6	5	4	3	2	1	0
GPIO7		GPIO6		GPIO5		GPIO4		GPIO3		GPIO2		GPIO1		GPIO0	
R/W-0h		R/W-0h		R/W-0h		R/W-0h		R/W-0h		R/W-0h		R/W-0h		R/W-0h	

**Table 7-15. GPAQSEL1 Register Field Descriptions**

Bit	Field	Type	Reset	Description
31-30	GPIO15	R/W	0h	Input qualification type Reset type: SYSRSn
29-28	GPIO14	R/W	0h	Input qualification type Reset type: SYSRSn
27-26	GPIO13	R/W	0h	Input qualification type Reset type: SYSRSn
25-24	GPIO12	R/W	0h	Input qualification type Reset type: SYSRSn
23-22	GPIO11	R/W	0h	Input qualification type Reset type: SYSRSn
21-20	GPIO10	R/W	0h	Input qualification type Reset type: SYSRSn
19-18	GPIO9	R/W	0h	Input qualification type Reset type: SYSRSn
17-16	GPIO8	R/W	0h	Input qualification type Reset type: SYSRSn
15-14	GPIO7	R/W	0h	Input qualification type Reset type: SYSRSn
13-12	GPIO6	R/W	0h	Input qualification type Reset type: SYSRSn
11-10	GPIO5	R/W	0h	Input qualification type Reset type: SYSRSn
9-8	GPIO4	R/W	0h	Input qualification type Reset type: SYSRSn
7-6	GPIO3	R/W	0h	Input qualification type Reset type: SYSRSn
5-4	GPIO2	R/W	0h	Input qualification type Reset type: SYSRSn
3-2	GPIO1	R/W	0h	Input qualification type Reset type: SYSRSn

**Table 7-15. GPAQSEL1 Register Field Descriptions (continued)**

Bit	Field	Type	Reset	Description
1-0	GPIO0	R/W	0h	Input qualification type Reset type: SYSRSn

### 7.10.2.3 GPAQSEL2 Register (Offset = 4h) [Reset = 0000000h]

GPAQSEL2 is shown in [Figure 7-6](#) and described in [Table 7-16](#).

Return to the [Summary Table](#).

GPIO A Qualifier Select 2 Register (GPIO16 to 31)

Input qualification type:

0,0 Sync

0,1 Qualification (3 samples)

1,0 Qualification (6 samples)

1,1 Async (no Sync or Qualification)

**Figure 7-6. GPAQSEL2 Register**

31	30	29	28	27	26	25	24	23	22	21	20	19	18	17	16
GPIO31		GPIO30		GPIO29		GPIO28		GPIO27		GPIO26		GPIO25		GPIO24	
R/W-0h		R/W-0h		R/W-0h		R/W-0h		R/W-0h		R/W-0h		R/W-0h		R/W-0h	
15	14	13	12	11	10	9	8	7	6	5	4	3	2	1	0
GPIO23		GPIO22		GPIO21		GPIO20		GPIO19		GPIO18		GPIO17		GPIO16	
R/W-0h		R/W-0h		R/W-0h		R/W-0h		R/W-0h		R/W-0h		R/W-0h		R/W-0h	

**Table 7-16. GPAQSEL2 Register Field Descriptions**

Bit	Field	Type	Reset	Description
31-30	GPIO31	R/W	0h	Input qualification type Reset type: SYSRSn
29-28	GPIO30	R/W	0h	Input qualification type Reset type: SYSRSn
27-26	GPIO29	R/W	0h	Input qualification type Reset type: SYSRSn
25-24	GPIO28	R/W	0h	Input qualification type Reset type: SYSRSn
23-22	GPIO27	R/W	0h	Input qualification type Reset type: SYSRSn
21-20	GPIO26	R/W	0h	Input qualification type Reset type: SYSRSn
19-18	GPIO25	R/W	0h	Input qualification type Reset type: SYSRSn
17-16	GPIO24	R/W	0h	Input qualification type Reset type: SYSRSn
15-14	GPIO23	R/W	0h	Input qualification type Reset type: SYSRSn
13-12	GPIO22	R/W	0h	Input qualification type Reset type: SYSRSn
11-10	GPIO21	R/W	0h	Input qualification type Reset type: SYSRSn
9-8	GPIO20	R/W	0h	Input qualification type Reset type: SYSRSn
7-6	GPIO19	R/W	0h	Input qualification type Reset type: SYSRSn
5-4	GPIO18	R/W	0h	Input qualification type Reset type: SYSRSn
3-2	GPIO17	R/W	0h	Input qualification type Reset type: SYSRSn



**Table 7-16. GPAQSEL2 Register Field Descriptions (continued)**

Bit	Field	Type	Reset	Description
1-0	GPIO16	R/W	0h	Input qualification type Reset type: SYSRSn

### 7.10.2.4 GPAMUX1 Register (Offset = 6h) [Reset = 0000000h]

GPAMUX1 is shown in [Figure 7-7](#) and described in [Table 7-17](#).

Return to the [Summary Table](#).

GPIO A Mux 1 Register (GPIO0 to 15)  
Defines pin-muxing selection for GPIO.

Notes:

The respective GPyGMUXn.GPIOz must be configured prior to this register to avoid intermediate peripheral selects being mapped to the GPIO.

**Figure 7-7. GPAMUX1 Register**

31	30	29	28	27	26	25	24	23	22	21	20	19	18	17	16
GPIO15		GPIO14		GPIO13		GPIO12		GPIO11		GPIO10		GPIO9		GPIO8	
R/W-0h		R/W-0h		R/W-0h		R/W-0h		R/W-0h		R/W-0h		R/W-0h		R/W-0h	
15	14	13	12	11	10	9	8	7	6	5	4	3	2	1	0
GPIO7		GPIO6		GPIO5		GPIO4		GPIO3		GPIO2		GPIO1		GPIO0	
R/W-0h		R/W-0h		R/W-0h		R/W-0h		R/W-0h		R/W-0h		R/W-0h		R/W-0h	

**Table 7-17. GPAMUX1 Register Field Descriptions**

Bit	Field	Type	Reset	Description
31-30	GPIO15	R/W	0h	Defines pin-muxing selection for GPIO Reset type: SYSRSn
29-28	GPIO14	R/W	0h	Defines pin-muxing selection for GPIO Reset type: SYSRSn
27-26	GPIO13	R/W	0h	Defines pin-muxing selection for GPIO Reset type: SYSRSn
25-24	GPIO12	R/W	0h	Defines pin-muxing selection for GPIO Reset type: SYSRSn
23-22	GPIO11	R/W	0h	Defines pin-muxing selection for GPIO Reset type: SYSRSn
21-20	GPIO10	R/W	0h	Defines pin-muxing selection for GPIO Reset type: SYSRSn
19-18	GPIO9	R/W	0h	Defines pin-muxing selection for GPIO Reset type: SYSRSn
17-16	GPIO8	R/W	0h	Defines pin-muxing selection for GPIO Reset type: SYSRSn
15-14	GPIO7	R/W	0h	Defines pin-muxing selection for GPIO Reset type: SYSRSn
13-12	GPIO6	R/W	0h	Defines pin-muxing selection for GPIO Reset type: SYSRSn
11-10	GPIO5	R/W	0h	Defines pin-muxing selection for GPIO Reset type: SYSRSn
9-8	GPIO4	R/W	0h	Defines pin-muxing selection for GPIO Reset type: SYSRSn
7-6	GPIO3	R/W	0h	Defines pin-muxing selection for GPIO Reset type: SYSRSn
5-4	GPIO2	R/W	0h	Defines pin-muxing selection for GPIO Reset type: SYSRSn
3-2	GPIO1	R/W	0h	Defines pin-muxing selection for GPIO Reset type: SYSRSn

**Table 7-17. GPAMUX1 Register Field Descriptions (continued)**

Bit	Field	Type	Reset	Description
1-0	GPIO0	R/W	0h	Defines pin-muxing selection for GPIO Reset type: SYSRSn

### 7.10.2.5 GPAMUX2 Register (Offset = 8h) [Reset = 0000000h]

GPAMUX2 is shown in [Figure 7-8](#) and described in [Table 7-18](#).

Return to the [Summary Table](#).

GPIO A Mux 2 Register (GPIO16 to 31)

Defines pin-muxing selection for GPIO.

Notes:

The respective GPyGMUXn.GPIOz must be configured prior to this register to avoid intermediate peripheral selects being mapped to the GPIO.

**Figure 7-8. GPAMUX2 Register**

31	30	29	28	27	26	25	24	23	22	21	20	19	18	17	16
GPIO31		GPIO30		GPIO29		GPIO28		GPIO27		GPIO26		GPIO25		GPIO24	
R/W-0h		R/W-0h		R/W-0h		R/W-0h		R/W-0h		R/W-0h		R/W-0h		R/W-0h	
15	14	13	12	11	10	9	8	7	6	5	4	3	2	1	0
GPIO23		GPIO22		GPIO21		GPIO20		GPIO19		GPIO18		GPIO17		GPIO16	
R/W-0h		R/W-0h		R/W-0h		R/W-0h		R/W-0h		R/W-0h		R/W-0h		R/W-0h	

**Table 7-18. GPAMUX2 Register Field Descriptions**

Bit	Field	Type	Reset	Description
31-30	GPIO31	R/W	0h	Defines pin-muxing selection for GPIO Reset type: SYSRSn
29-28	GPIO30	R/W	0h	Defines pin-muxing selection for GPIO Reset type: SYSRSn
27-26	GPIO29	R/W	0h	Defines pin-muxing selection for GPIO Reset type: SYSRSn
25-24	GPIO28	R/W	0h	Defines pin-muxing selection for GPIO Reset type: SYSRSn
23-22	GPIO27	R/W	0h	Defines pin-muxing selection for GPIO Reset type: SYSRSn
21-20	GPIO26	R/W	0h	Defines pin-muxing selection for GPIO Reset type: SYSRSn
19-18	GPIO25	R/W	0h	Defines pin-muxing selection for GPIO Reset type: SYSRSn
17-16	GPIO24	R/W	0h	Defines pin-muxing selection for GPIO Reset type: SYSRSn
15-14	GPIO23	R/W	0h	Defines pin-muxing selection for GPIO Reset type: SYSRSn
13-12	GPIO22	R/W	0h	Defines pin-muxing selection for GPIO Reset type: SYSRSn
11-10	GPIO21	R/W	0h	Defines pin-muxing selection for GPIO Reset type: SYSRSn
9-8	GPIO20	R/W	0h	Defines pin-muxing selection for GPIO Reset type: SYSRSn
7-6	GPIO19	R/W	0h	Defines pin-muxing selection for GPIO Reset type: SYSRSn
5-4	GPIO18	R/W	0h	Defines pin-muxing selection for GPIO Reset type: SYSRSn
3-2	GPIO17	R/W	0h	Defines pin-muxing selection for GPIO Reset type: SYSRSn

**Table 7-18. GPAMUX2 Register Field Descriptions (continued)**

Bit	Field	Type	Reset	Description
1-0	GPIO16	R/W	0h	Defines pin-muxing selection for GPIO Reset type: SYSRSn

### 7.10.2.6 GPADIR Register (Offset = Ah) [Reset = 0000000h]

GPADIR is shown in [Figure 7-9](#) and described in [Table 7-19](#).

Return to the [Summary Table](#).

GPIO A Direction Register (GPIO0 to 31)

Controls direction of GPIO pins when the specified pin is configured in GPIO mode.

0: Configures pin as input.

1: Configures pin as output.

Reading the register returns the current value of the register setting.

**Figure 7-9. GPADIR Register**

31	30	29	28	27	26	25	24
GPIO31	GPIO30	GPIO29	GPIO28	GPIO27	GPIO26	GPIO25	GPIO24
R/W-0h	R/W-0h	R/W-0h	R/W-0h	R/W-0h	R/W-0h	R/W-0h	R/W-0h
23	22	21	20	19	18	17	16
GPIO23	GPIO22	GPIO21	GPIO20	GPIO19	GPIO18	GPIO17	GPIO16
R/W-0h	R/W-0h	R/W-0h	R/W-0h	R/W-0h	R/W-0h	R/W-0h	R/W-0h
15	14	13	12	11	10	9	8
GPIO15	GPIO14	GPIO13	GPIO12	GPIO11	GPIO10	GPIO9	GPIO8
R/W-0h	R/W-0h	R/W-0h	R/W-0h	R/W-0h	R/W-0h	R/W-0h	R/W-0h
7	6	5	4	3	2	1	0
GPIO7	GPIO6	GPIO5	GPIO4	GPIO3	GPIO2	GPIO1	GPIO0
R/W-0h	R/W-0h	R/W-0h	R/W-0h	R/W-0h	R/W-0h	R/W-0h	R/W-0h

**Table 7-19. GPADIR Register Field Descriptions**

Bit	Field	Type	Reset	Description
31	GPIO31	R/W	0h	Defines direction for this pin in GPIO mode Reset type: SYSRSn
30	GPIO30	R/W	0h	Defines direction for this pin in GPIO mode Reset type: SYSRSn
29	GPIO29	R/W	0h	Defines direction for this pin in GPIO mode Reset type: SYSRSn
28	GPIO28	R/W	0h	Defines direction for this pin in GPIO mode Reset type: SYSRSn
27	GPIO27	R/W	0h	Defines direction for this pin in GPIO mode Reset type: SYSRSn
26	GPIO26	R/W	0h	Defines direction for this pin in GPIO mode Reset type: SYSRSn
25	GPIO25	R/W	0h	Defines direction for this pin in GPIO mode Reset type: SYSRSn
24	GPIO24	R/W	0h	Defines direction for this pin in GPIO mode Reset type: SYSRSn
23	GPIO23	R/W	0h	Defines direction for this pin in GPIO mode Reset type: SYSRSn
22	GPIO22	R/W	0h	Defines direction for this pin in GPIO mode Reset type: SYSRSn
21	GPIO21	R/W	0h	Defines direction for this pin in GPIO mode Reset type: SYSRSn

**Table 7-19. GPADIR Register Field Descriptions (continued)**

Bit	Field	Type	Reset	Description
20	GPIO20	R/W	0h	Defines direction for this pin in GPIO mode Reset type: SYSRSn
19	GPIO19	R/W	0h	Defines direction for this pin in GPIO mode Reset type: SYSRSn
18	GPIO18	R/W	0h	Defines direction for this pin in GPIO mode Reset type: SYSRSn
17	GPIO17	R/W	0h	Defines direction for this pin in GPIO mode Reset type: SYSRSn
16	GPIO16	R/W	0h	Defines direction for this pin in GPIO mode Reset type: SYSRSn
15	GPIO15	R/W	0h	Defines direction for this pin in GPIO mode Reset type: SYSRSn
14	GPIO14	R/W	0h	Defines direction for this pin in GPIO mode Reset type: SYSRSn
13	GPIO13	R/W	0h	Defines direction for this pin in GPIO mode Reset type: SYSRSn
12	GPIO12	R/W	0h	Defines direction for this pin in GPIO mode Reset type: SYSRSn
11	GPIO11	R/W	0h	Defines direction for this pin in GPIO mode Reset type: SYSRSn
10	GPIO10	R/W	0h	Defines direction for this pin in GPIO mode Reset type: SYSRSn
9	GPIO9	R/W	0h	Defines direction for this pin in GPIO mode Reset type: SYSRSn
8	GPIO8	R/W	0h	Defines direction for this pin in GPIO mode Reset type: SYSRSn
7	GPIO7	R/W	0h	Defines direction for this pin in GPIO mode Reset type: SYSRSn
6	GPIO6	R/W	0h	Defines direction for this pin in GPIO mode Reset type: SYSRSn
5	GPIO5	R/W	0h	Defines direction for this pin in GPIO mode Reset type: SYSRSn
4	GPIO4	R/W	0h	Defines direction for this pin in GPIO mode Reset type: SYSRSn
3	GPIO3	R/W	0h	Defines direction for this pin in GPIO mode Reset type: SYSRSn
2	GPIO2	R/W	0h	Defines direction for this pin in GPIO mode Reset type: SYSRSn
1	GPIO1	R/W	0h	Defines direction for this pin in GPIO mode Reset type: SYSRSn
0	GPIO0	R/W	0h	Defines direction for this pin in GPIO mode Reset type: SYSRSn

### 7.10.2.7 GPAPUD Register (Offset = Ch) [Reset = FFFFFFFFh]

GPAPUD is shown in [Figure 7-10](#) and described in [Table 7-20](#).

Return to the [Summary Table](#).

GPIO A Pull Up Disable Register (GPIO0 to 31)

Disables the Pull-Up on GPIO.

0: Enables the Pull-Up.

1: Disables the Pull-Up.

Reading the register returns the current value of the register setting.

**Figure 7-10. GPAPUD Register**

31	30	29	28	27	26	25	24
GPIO31	GPIO30	GPIO29	GPIO28	GPIO27	GPIO26	GPIO25	GPIO24
R/W-1h	R/W-1h	R/W-1h	R/W-1h	R/W-1h	R/W-1h	R/W-1h	R/W-1h
23	22	21	20	19	18	17	16
GPIO23	GPIO22	GPIO21	GPIO20	GPIO19	GPIO18	GPIO17	GPIO16
R/W-1h	R/W-1h	R/W-1h	R/W-1h	R/W-1h	R/W-1h	R/W-1h	R/W-1h
15	14	13	12	11	10	9	8
GPIO15	GPIO14	GPIO13	GPIO12	GPIO11	GPIO10	GPIO9	GPIO8
R/W-1h	R/W-1h	R/W-1h	R/W-1h	R/W-1h	R/W-1h	R/W-1h	R/W-1h
7	6	5	4	3	2	1	0
GPIO7	GPIO6	GPIO5	GPIO4	GPIO3	GPIO2	GPIO1	GPIO0
R/W-1h	R/W-1h	R/W-1h	R/W-1h	R/W-1h	R/W-1h	R/W-1h	R/W-1h

**Table 7-20. GPAPUD Register Field Descriptions**

Bit	Field	Type	Reset	Description
31	GPIO31	R/W	1h	Pull-Up Disable control for this pin Reset type: SYSRSn
30	GPIO30	R/W	1h	Pull-Up Disable control for this pin Reset type: SYSRSn
29	GPIO29	R/W	1h	Pull-Up Disable control for this pin Reset type: SYSRSn
28	GPIO28	R/W	1h	Pull-Up Disable control for this pin Reset type: SYSRSn
27	GPIO27	R/W	1h	Pull-Up Disable control for this pin Reset type: SYSRSn
26	GPIO26	R/W	1h	Pull-Up Disable control for this pin Reset type: SYSRSn
25	GPIO25	R/W	1h	Pull-Up Disable control for this pin Reset type: SYSRSn
24	GPIO24	R/W	1h	Pull-Up Disable control for this pin Reset type: SYSRSn
23	GPIO23	R/W	1h	Pull-Up Disable control for this pin Reset type: SYSRSn
22	GPIO22	R/W	1h	Pull-Up Disable control for this pin Reset type: SYSRSn
21	GPIO21	R/W	1h	Pull-Up Disable control for this pin Reset type: SYSRSn



**Table 7-20. GPAPUD Register Field Descriptions (continued)**

Bit	Field	Type	Reset	Description
20	GPIO20	R/W	1h	Pull-Up Disable control for this pin Reset type: SYSRSn
19	GPIO19	R/W	1h	Pull-Up Disable control for this pin Reset type: SYSRSn
18	GPIO18	R/W	1h	Pull-Up Disable control for this pin Reset type: SYSRSn
17	GPIO17	R/W	1h	Pull-Up Disable control for this pin Reset type: SYSRSn
16	GPIO16	R/W	1h	Pull-Up Disable control for this pin Reset type: SYSRSn
15	GPIO15	R/W	1h	Pull-Up Disable control for this pin Reset type: SYSRSn
14	GPIO14	R/W	1h	Pull-Up Disable control for this pin Reset type: SYSRSn
13	GPIO13	R/W	1h	Pull-Up Disable control for this pin Reset type: SYSRSn
12	GPIO12	R/W	1h	Pull-Up Disable control for this pin Reset type: SYSRSn
11	GPIO11	R/W	1h	Pull-Up Disable control for this pin Reset type: SYSRSn
10	GPIO10	R/W	1h	Pull-Up Disable control for this pin Reset type: SYSRSn
9	GPIO9	R/W	1h	Pull-Up Disable control for this pin Reset type: SYSRSn
8	GPIO8	R/W	1h	Pull-Up Disable control for this pin Reset type: SYSRSn
7	GPIO7	R/W	1h	Pull-Up Disable control for this pin Reset type: SYSRSn
6	GPIO6	R/W	1h	Pull-Up Disable control for this pin Reset type: SYSRSn
5	GPIO5	R/W	1h	Pull-Up Disable control for this pin Reset type: SYSRSn
4	GPIO4	R/W	1h	Pull-Up Disable control for this pin Reset type: SYSRSn
3	GPIO3	R/W	1h	Pull-Up Disable control for this pin Reset type: SYSRSn
2	GPIO2	R/W	1h	Pull-Up Disable control for this pin Reset type: SYSRSn
1	GPIO1	R/W	1h	Pull-Up Disable control for this pin Reset type: SYSRSn
0	GPIO0	R/W	1h	Pull-Up Disable control for this pin Reset type: SYSRSn

### 7.10.2.8 GPAINV Register (Offset = 10h) [Reset = 0000000h]

GPAINV is shown in [Figure 7-11](#) and described in [Table 7-21](#).

Return to the [Summary Table](#).

GPIO A Input Polarity Invert Registers (GPIO0 to 31)

Selects between non-inverted and inverted GPIO input to the device.

0: selects non-inverted GPIO input

1: selects inverted GPIO input

Reading the register returns the current value of the register setting.

**Figure 7-11. GPAINV Register**

31	30	29	28	27	26	25	24
GPIO31	GPIO30	GPIO29	GPIO28	GPIO27	GPIO26	GPIO25	GPIO24
R/W-0h	R/W-0h	R/W-0h	R/W-0h	R/W-0h	R/W-0h	R/W-0h	R/W-0h
23	22	21	20	19	18	17	16
GPIO23	GPIO22	GPIO21	GPIO20	GPIO19	GPIO18	GPIO17	GPIO16
R/W-0h	R/W-0h	R/W-0h	R/W-0h	R/W-0h	R/W-0h	R/W-0h	R/W-0h
15	14	13	12	11	10	9	8
GPIO15	GPIO14	GPIO13	GPIO12	GPIO11	GPIO10	GPIO9	GPIO8
R/W-0h	R/W-0h	R/W-0h	R/W-0h	R/W-0h	R/W-0h	R/W-0h	R/W-0h
7	6	5	4	3	2	1	0
GPIO7	GPIO6	GPIO5	GPIO4	GPIO3	GPIO2	GPIO1	GPIO0
R/W-0h	R/W-0h	R/W-0h	R/W-0h	R/W-0h	R/W-0h	R/W-0h	R/W-0h

**Table 7-21. GPAINV Register Field Descriptions**

Bit	Field	Type	Reset	Description
31	GPIO31	R/W	0h	Input inversion control for this pin Reset type: SYSRSn
30	GPIO30	R/W	0h	Input inversion control for this pin Reset type: SYSRSn
29	GPIO29	R/W	0h	Input inversion control for this pin Reset type: SYSRSn
28	GPIO28	R/W	0h	Input inversion control for this pin Reset type: SYSRSn
27	GPIO27	R/W	0h	Input inversion control for this pin Reset type: SYSRSn
26	GPIO26	R/W	0h	Input inversion control for this pin Reset type: SYSRSn
25	GPIO25	R/W	0h	Input inversion control for this pin Reset type: SYSRSn
24	GPIO24	R/W	0h	Input inversion control for this pin Reset type: SYSRSn
23	GPIO23	R/W	0h	Input inversion control for this pin Reset type: SYSRSn
22	GPIO22	R/W	0h	Input inversion control for this pin Reset type: SYSRSn
21	GPIO21	R/W	0h	Input inversion control for this pin Reset type: SYSRSn

**Table 7-21. GPAINV Register Field Descriptions (continued)**

Bit	Field	Type	Reset	Description
20	GPIO20	R/W	0h	Input inversion control for this pin Reset type: SYSRSn
19	GPIO19	R/W	0h	Input inversion control for this pin Reset type: SYSRSn
18	GPIO18	R/W	0h	Input inversion control for this pin Reset type: SYSRSn
17	GPIO17	R/W	0h	Input inversion control for this pin Reset type: SYSRSn
16	GPIO16	R/W	0h	Input inversion control for this pin Reset type: SYSRSn
15	GPIO15	R/W	0h	Input inversion control for this pin Reset type: SYSRSn
14	GPIO14	R/W	0h	Input inversion control for this pin Reset type: SYSRSn
13	GPIO13	R/W	0h	Input inversion control for this pin Reset type: SYSRSn
12	GPIO12	R/W	0h	Input inversion control for this pin Reset type: SYSRSn
11	GPIO11	R/W	0h	Input inversion control for this pin Reset type: SYSRSn
10	GPIO10	R/W	0h	Input inversion control for this pin Reset type: SYSRSn
9	GPIO9	R/W	0h	Input inversion control for this pin Reset type: SYSRSn
8	GPIO8	R/W	0h	Input inversion control for this pin Reset type: SYSRSn
7	GPIO7	R/W	0h	Input inversion control for this pin Reset type: SYSRSn
6	GPIO6	R/W	0h	Input inversion control for this pin Reset type: SYSRSn
5	GPIO5	R/W	0h	Input inversion control for this pin Reset type: SYSRSn
4	GPIO4	R/W	0h	Input inversion control for this pin Reset type: SYSRSn
3	GPIO3	R/W	0h	Input inversion control for this pin Reset type: SYSRSn
2	GPIO2	R/W	0h	Input inversion control for this pin Reset type: SYSRSn
1	GPIO1	R/W	0h	Input inversion control for this pin Reset type: SYSRSn
0	GPIO0	R/W	0h	Input inversion control for this pin Reset type: SYSRSn

### 7.10.2.9 GPAODR Register (Offset = 12h) [Reset = 0000000h]

GPAODR is shown in [Figure 7-12](#) and described in [Table 7-22](#).

Return to the [Summary Table](#).

GPIO A Open Drain Output Register (GPIO0 to GPIO31)

Selects between normal and open-drain output for the GPIO pin.

0: Normal Output

1: Open Drain Output

Reading the register returns the current value of the register setting.

Note:

[1] In the Open Drain output mode, if the buffer is configured for output mode, a 0 value to be driven out comes out on the on the PAD while a 1 value to be driven out tri-states the buffer.

**Figure 7-12. GPAODR Register**

31	30	29	28	27	26	25	24
GPIO31	GPIO30	GPIO29	GPIO28	GPIO27	GPIO26	GPIO25	GPIO24
R/W-0h	R/W-0h	R/W-0h	R/W-0h	R/W-0h	R/W-0h	R/W-0h	R/W-0h
23	22	21	20	19	18	17	16
GPIO23	GPIO22	GPIO21	GPIO20	GPIO19	GPIO18	GPIO17	GPIO16
R/W-0h	R/W-0h	R/W-0h	R/W-0h	R/W-0h	R/W-0h	R/W-0h	R/W-0h
15	14	13	12	11	10	9	8
GPIO15	GPIO14	GPIO13	GPIO12	GPIO11	GPIO10	GPIO9	GPIO8
R/W-0h	R/W-0h	R/W-0h	R/W-0h	R/W-0h	R/W-0h	R/W-0h	R/W-0h
7	6	5	4	3	2	1	0
GPIO7	GPIO6	GPIO5	GPIO4	GPIO3	GPIO2	GPIO1	GPIO0
R/W-0h	R/W-0h	R/W-0h	R/W-0h	R/W-0h	R/W-0h	R/W-0h	R/W-0h

**Table 7-22. GPAODR Register Field Descriptions**

Bit	Field	Type	Reset	Description
31	GPIO31	R/W	0h	Output Open-Drain control for this pin Reset type: SYSRSn
30	GPIO30	R/W	0h	Output Open-Drain control for this pin Reset type: SYSRSn
29	GPIO29	R/W	0h	Output Open-Drain control for this pin Reset type: SYSRSn
28	GPIO28	R/W	0h	Output Open-Drain control for this pin Reset type: SYSRSn
27	GPIO27	R/W	0h	Output Open-Drain control for this pin Reset type: SYSRSn
26	GPIO26	R/W	0h	Output Open-Drain control for this pin Reset type: SYSRSn
25	GPIO25	R/W	0h	Output Open-Drain control for this pin Reset type: SYSRSn
24	GPIO24	R/W	0h	Output Open-Drain control for this pin Reset type: SYSRSn
23	GPIO23	R/W	0h	Output Open-Drain control for this pin Reset type: SYSRSn
22	GPIO22	R/W	0h	Output Open-Drain control for this pin Reset type: SYSRSn

**Table 7-22. GPAODR Register Field Descriptions (continued)**

Bit	Field	Type	Reset	Description
21	GPIO21	R/W	0h	Output Open-Drain control for this pin Reset type: SYSRSn
20	GPIO20	R/W	0h	Output Open-Drain control for this pin Reset type: SYSRSn
19	GPIO19	R/W	0h	Output Open-Drain control for this pin Reset type: SYSRSn
18	GPIO18	R/W	0h	Output Open-Drain control for this pin Reset type: SYSRSn
17	GPIO17	R/W	0h	Output Open-Drain control for this pin Reset type: SYSRSn
16	GPIO16	R/W	0h	Output Open-Drain control for this pin Reset type: SYSRSn
15	GPIO15	R/W	0h	Output Open-Drain control for this pin Reset type: SYSRSn
14	GPIO14	R/W	0h	Output Open-Drain control for this pin Reset type: SYSRSn
13	GPIO13	R/W	0h	Output Open-Drain control for this pin Reset type: SYSRSn
12	GPIO12	R/W	0h	Output Open-Drain control for this pin Reset type: SYSRSn
11	GPIO11	R/W	0h	Output Open-Drain control for this pin Reset type: SYSRSn
10	GPIO10	R/W	0h	Output Open-Drain control for this pin Reset type: SYSRSn
9	GPIO9	R/W	0h	Output Open-Drain control for this pin Reset type: SYSRSn
8	GPIO8	R/W	0h	Output Open-Drain control for this pin Reset type: SYSRSn
7	GPIO7	R/W	0h	Output Open-Drain control for this pin Reset type: SYSRSn
6	GPIO6	R/W	0h	Output Open-Drain control for this pin Reset type: SYSRSn
5	GPIO5	R/W	0h	Output Open-Drain control for this pin Reset type: SYSRSn
4	GPIO4	R/W	0h	Output Open-Drain control for this pin Reset type: SYSRSn
3	GPIO3	R/W	0h	Output Open-Drain control for this pin Reset type: SYSRSn
2	GPIO2	R/W	0h	Output Open-Drain control for this pin Reset type: SYSRSn
1	GPIO1	R/W	0h	Output Open-Drain control for this pin Reset type: SYSRSn
0	GPIO0	R/W	0h	Output Open-Drain control for this pin Reset type: SYSRSn

### 7.10.2.10 GPAGMUX1 Register (Offset = 20h) [Reset = 0000000h]

GPAGMUX1 is shown in [Figure 7-13](#) and described in [Table 7-23](#).

Return to the [Summary Table](#).

GPIO A Peripheral Group Mux (GPIO0 to 15)

Defines pin-muxing selection for GPIO.

Note: For complete pin-mux selection on GPIOx, GPAMUXy.GPIOx configuration is also required.

**Figure 7-13. GPAGMUX1 Register**

31	30	29	28	27	26	25	24	23	22	21	20	19	18	17	16
GPIO15		GPIO14		GPIO13		GPIO12		GPIO11		GPIO10		GPIO9		GPIO8	
R/W-0h		R/W-0h		R/W-0h		R/W-0h		R/W-0h		R/W-0h		R/W-0h		R/W-0h	
15	14	13	12	11	10	9	8	7	6	5	4	3	2	1	0
GPIO7		GPIO6		GPIO5		GPIO4		GPIO3		GPIO2		GPIO1		GPIO0	
R/W-0h		R/W-0h		R/W-0h		R/W-0h		R/W-0h		R/W-0h		R/W-0h		R/W-0h	

**Table 7-23. GPAGMUX1 Register Field Descriptions**

Bit	Field	Type	Reset	Description
31-30	GPIO15	R/W	0h	Defines pin-muxing selection for GPIO Reset type: SYSRSn
29-28	GPIO14	R/W	0h	Defines pin-muxing selection for GPIO Reset type: SYSRSn
27-26	GPIO13	R/W	0h	Defines pin-muxing selection for GPIO Reset type: SYSRSn
25-24	GPIO12	R/W	0h	Defines pin-muxing selection for GPIO Reset type: SYSRSn
23-22	GPIO11	R/W	0h	Defines pin-muxing selection for GPIO Reset type: SYSRSn
21-20	GPIO10	R/W	0h	Defines pin-muxing selection for GPIO Reset type: SYSRSn
19-18	GPIO9	R/W	0h	Defines pin-muxing selection for GPIO Reset type: SYSRSn
17-16	GPIO8	R/W	0h	Defines pin-muxing selection for GPIO Reset type: SYSRSn
15-14	GPIO7	R/W	0h	Defines pin-muxing selection for GPIO Reset type: SYSRSn
13-12	GPIO6	R/W	0h	Defines pin-muxing selection for GPIO Reset type: SYSRSn
11-10	GPIO5	R/W	0h	Defines pin-muxing selection for GPIO Reset type: SYSRSn
9-8	GPIO4	R/W	0h	Defines pin-muxing selection for GPIO Reset type: SYSRSn
7-6	GPIO3	R/W	0h	Defines pin-muxing selection for GPIO Reset type: SYSRSn
5-4	GPIO2	R/W	0h	Defines pin-muxing selection for GPIO Reset type: SYSRSn
3-2	GPIO1	R/W	0h	Defines pin-muxing selection for GPIO Reset type: SYSRSn
1-0	GPIO0	R/W	0h	Defines pin-muxing selection for GPIO Reset type: SYSRSn

### 7.10.2.11 GPAGMUX2 Register (Offset = 22h) [Reset = 0000000h]

GPAGMUX2 is shown in [Figure 7-14](#) and described in [Table 7-24](#).

Return to the [Summary Table](#).

GPIO A Peripheral Group Mux (GPIO16 to 31)

Defines pin-muxing selection for GPIO.

Note: For complete pin-mux selection on GPIOx, GPAMUXy.GPIOx configuration is also required.

**Figure 7-14. GPAGMUX2 Register**

31	30	29	28	27	26	25	24	23	22	21	20	19	18	17	16
GPIO31		GPIO30		GPIO29		GPIO28		GPIO27		GPIO26		GPIO25		GPIO24	
R/W-0h		R/W-0h		R/W-0h		R/W-0h		R/W-0h		R/W-0h		R/W-0h		R/W-0h	
15	14	13	12	11	10	9	8	7	6	5	4	3	2	1	0
GPIO23		GPIO22		GPIO21		GPIO20		GPIO19		GPIO18		GPIO17		GPIO16	
R/W-0h		R/W-0h		R/W-0h		R/W-0h		R/W-0h		R/W-0h		R/W-0h		R/W-0h	

**Table 7-24. GPAGMUX2 Register Field Descriptions**

Bit	Field	Type	Reset	Description
31-30	GPIO31	R/W	0h	Defines pin-muxing selection for GPIO Reset type: SYSRSn
29-28	GPIO30	R/W	0h	Defines pin-muxing selection for GPIO Reset type: SYSRSn
27-26	GPIO29	R/W	0h	Defines pin-muxing selection for GPIO Reset type: SYSRSn
25-24	GPIO28	R/W	0h	Defines pin-muxing selection for GPIO Reset type: SYSRSn
23-22	GPIO27	R/W	0h	Defines pin-muxing selection for GPIO Reset type: SYSRSn
21-20	GPIO26	R/W	0h	Defines pin-muxing selection for GPIO Reset type: SYSRSn
19-18	GPIO25	R/W	0h	Defines pin-muxing selection for GPIO Reset type: SYSRSn
17-16	GPIO24	R/W	0h	Defines pin-muxing selection for GPIO Reset type: SYSRSn
15-14	GPIO23	R/W	0h	Defines pin-muxing selection for GPIO Reset type: SYSRSn
13-12	GPIO22	R/W	0h	Defines pin-muxing selection for GPIO Reset type: SYSRSn
11-10	GPIO21	R/W	0h	Defines pin-muxing selection for GPIO Reset type: SYSRSn
9-8	GPIO20	R/W	0h	Defines pin-muxing selection for GPIO Reset type: SYSRSn
7-6	GPIO19	R/W	0h	Defines pin-muxing selection for GPIO Reset type: SYSRSn
5-4	GPIO18	R/W	0h	Defines pin-muxing selection for GPIO Reset type: SYSRSn
3-2	GPIO17	R/W	0h	Defines pin-muxing selection for GPIO Reset type: SYSRSn
1-0	GPIO16	R/W	0h	Defines pin-muxing selection for GPIO Reset type: SYSRSn

### 7.10.2.12 GPACSEL1 Register (Offset = 28h) [Reset = 0000000h]

GPACSEL1 is shown in [Figure 7-15](#) and described in [Table 7-25](#).

Return to the [Summary Table](#).

GPIO A Core Select Register (GPIO0 to 7)

Selects which master's GPIODAT/SET/CLEAR/TOGGLE registers control this GPIO pin

xx00: CPU1 selected

xx01: CPU1.CLA1 selected

xx1x: Reserved

**Figure 7-15. GPACSEL1 Register**

31	30	29	28	27	26	25	24	23	22	21	20	19	18	17	16
GPIO7				GPIO6				GPIO5				GPIO4			
R/W-0h				R/W-0h				R/W-0h				R/W-0h			
15	14	13	12	11	10	9	8	7	6	5	4	3	2	1	0
GPIO3				GPIO2				GPIO1				GPIO0			
R/W-0h				R/W-0h				R/W-0h				R/W-0h			

**Table 7-25. GPACSEL1 Register Field Descriptions**

Bit	Field	Type	Reset	Description
31-28	GPIO7	R/W	0h	Selects which master's GPIODAT/SET/CLEAR/TOGGLE registers control this GPIO pin Reset type: SYSRSn
27-24	GPIO6	R/W	0h	Selects which master's GPIODAT/SET/CLEAR/TOGGLE registers control this GPIO pin Reset type: SYSRSn
23-20	GPIO5	R/W	0h	Selects which master's GPIODAT/SET/CLEAR/TOGGLE registers control this GPIO pin Reset type: SYSRSn
19-16	GPIO4	R/W	0h	Selects which master's GPIODAT/SET/CLEAR/TOGGLE registers control this GPIO pin Reset type: SYSRSn
15-12	GPIO3	R/W	0h	Selects which master's GPIODAT/SET/CLEAR/TOGGLE registers control this GPIO pin Reset type: SYSRSn
11-8	GPIO2	R/W	0h	Selects which master's GPIODAT/SET/CLEAR/TOGGLE registers control this GPIO pin Reset type: SYSRSn
7-4	GPIO1	R/W	0h	Selects which master's GPIODAT/SET/CLEAR/TOGGLE registers control this GPIO pin Reset type: SYSRSn
3-0	GPIO0	R/W	0h	Selects which master's GPIODAT/SET/CLEAR/TOGGLE registers control this GPIO pin Reset type: SYSRSn



### 7.10.2.13 GPACSEL2 Register (Offset = 2Ah) [Reset = 0000000h]

GPACSEL2 is shown in [Figure 7-16](#) and described in [Table 7-26](#).

Return to the [Summary Table](#).

GPIO A Core Select Register (GPIO8 to 15)

Selects which master's GPIODAT/SET/CLEAR/TOGGLE registers control this GPIO pin

xx00: CPU1 selected

xx01: CPU1.CLA1 selected

xx1x: Reserved

**Figure 7-16. GPACSEL2 Register**

31	30	29	28	27	26	25	24	23	22	21	20	19	18	17	16
GPIO15				GPIO14				GPIO13				GPIO12			
R/W-0h				R/W-0h				R/W-0h				R/W-0h			
15	14	13	12	11	10	9	8	7	6	5	4	3	2	1	0
GPIO11				GPIO10				GPIO9				GPIO8			
R/W-0h				R/W-0h				R/W-0h				R/W-0h			

**Table 7-26. GPACSEL2 Register Field Descriptions**

Bit	Field	Type	Reset	Description
31-28	GPIO15	R/W	0h	Selects which master's GPIODAT/SET/CLEAR/TOGGLE registers control this GPIO pin Reset type: SYSRSn
27-24	GPIO14	R/W	0h	Selects which master's GPIODAT/SET/CLEAR/TOGGLE registers control this GPIO pin Reset type: SYSRSn
23-20	GPIO13	R/W	0h	Selects which master's GPIODAT/SET/CLEAR/TOGGLE registers control this GPIO pin Reset type: SYSRSn
19-16	GPIO12	R/W	0h	Selects which master's GPIODAT/SET/CLEAR/TOGGLE registers control this GPIO pin Reset type: SYSRSn
15-12	GPIO11	R/W	0h	Selects which master's GPIODAT/SET/CLEAR/TOGGLE registers control this GPIO pin Reset type: SYSRSn
11-8	GPIO10	R/W	0h	Selects which master's GPIODAT/SET/CLEAR/TOGGLE registers control this GPIO pin Reset type: SYSRSn
7-4	GPIO9	R/W	0h	Selects which master's GPIODAT/SET/CLEAR/TOGGLE registers control this GPIO pin Reset type: SYSRSn
3-0	GPIO8	R/W	0h	Selects which master's GPIODAT/SET/CLEAR/TOGGLE registers control this GPIO pin Reset type: SYSRSn

### 7.10.2.14 GPACSEL3 Register (Offset = 2Ch) [Reset = 0000000h]

GPACSEL3 is shown in [Figure 7-17](#) and described in [Table 7-27](#).

Return to the [Summary Table](#).

GPIO A Core Select Register (GPIO16 to 23)

Selects which master's GPIODAT/SET/CLEAR/TOGGLE registers control this GPIO pin

xx00: CPU1 selected

xx01: CPU1.CLA1 selected

xx1x: Reserved

**Figure 7-17. GPACSEL3 Register**

31	30	29	28	27	26	25	24	23	22	21	20	19	18	17	16
GPIO23				GPIO22				GPIO21				GPIO20			
R/W-0h				R/W-0h				R/W-0h				R/W-0h			
15	14	13	12	11	10	9	8	7	6	5	4	3	2	1	0
GPIO19				GPIO18				GPIO17				GPIO16			
R/W-0h				R/W-0h				R/W-0h				R/W-0h			

**Table 7-27. GPACSEL3 Register Field Descriptions**

Bit	Field	Type	Reset	Description
31-28	GPIO23	R/W	0h	Selects which master's GPIODAT/SET/CLEAR/TOGGLE registers control this GPIO pin Reset type: SYSRSn
27-24	GPIO22	R/W	0h	Selects which master's GPIODAT/SET/CLEAR/TOGGLE registers control this GPIO pin Reset type: SYSRSn
23-20	GPIO21	R/W	0h	Selects which master's GPIODAT/SET/CLEAR/TOGGLE registers control this GPIO pin Reset type: SYSRSn
19-16	GPIO20	R/W	0h	Selects which master's GPIODAT/SET/CLEAR/TOGGLE registers control this GPIO pin Reset type: SYSRSn
15-12	GPIO19	R/W	0h	Selects which master's GPIODAT/SET/CLEAR/TOGGLE registers control this GPIO pin Reset type: SYSRSn
11-8	GPIO18	R/W	0h	Selects which master's GPIODAT/SET/CLEAR/TOGGLE registers control this GPIO pin Reset type: SYSRSn
7-4	GPIO17	R/W	0h	Selects which master's GPIODAT/SET/CLEAR/TOGGLE registers control this GPIO pin Reset type: SYSRSn
3-0	GPIO16	R/W	0h	Selects which master's GPIODAT/SET/CLEAR/TOGGLE registers control this GPIO pin Reset type: SYSRSn

### 7.10.2.15 GPACSEL4 Register (Offset = 2Eh) [Reset = 0000000h]

GPACSEL4 is shown in [Figure 7-18](#) and described in [Table 7-28](#).

Return to the [Summary Table](#).

GPIO A Core Select Register (GPIO24 to 31)

Selects which master's GPIODAT/SET/CLEAR/TOGGLE registers control this GPIO pin

xx00: CPU1 selected

xx01: CPU1.CLA1 selected

xx1x: Reserved

**Figure 7-18. GPACSEL4 Register**

31	30	29	28	27	26	25	24	23	22	21	20	19	18	17	16
GPIO31				GPIO30				GPIO29				GPIO28			
R/W-0h				R/W-0h				R/W-0h				R/W-0h			
15	14	13	12	11	10	9	8	7	6	5	4	3	2	1	0
GPIO27				GPIO26				GPIO25				GPIO24			
R/W-0h				R/W-0h				R/W-0h				R/W-0h			

**Table 7-28. GPACSEL4 Register Field Descriptions**

Bit	Field	Type	Reset	Description
31-28	GPIO31	R/W	0h	Selects which master's GPIODAT/SET/CLEAR/TOGGLE registers control this GPIO pin Reset type: SYSRSn
27-24	GPIO30	R/W	0h	Selects which master's GPIODAT/SET/CLEAR/TOGGLE registers control this GPIO pin Reset type: SYSRSn
23-20	GPIO29	R/W	0h	Selects which master's GPIODAT/SET/CLEAR/TOGGLE registers control this GPIO pin Reset type: SYSRSn
19-16	GPIO28	R/W	0h	Selects which master's GPIODAT/SET/CLEAR/TOGGLE registers control this GPIO pin Reset type: SYSRSn
15-12	GPIO27	R/W	0h	Selects which master's GPIODAT/SET/CLEAR/TOGGLE registers control this GPIO pin Reset type: SYSRSn
11-8	GPIO26	R/W	0h	Selects which master's GPIODAT/SET/CLEAR/TOGGLE registers control this GPIO pin Reset type: SYSRSn
7-4	GPIO25	R/W	0h	Selects which master's GPIODAT/SET/CLEAR/TOGGLE registers control this GPIO pin Reset type: SYSRSn
3-0	GPIO24	R/W	0h	Selects which master's GPIODAT/SET/CLEAR/TOGGLE registers control this GPIO pin Reset type: SYSRSn

### 7.10.2.16 GPALOCK Register (Offset = 3Ch) [Reset = 0000000h]

GPALOCK is shown in [Figure 7-19](#) and described in [Table 7-29](#).

Return to the [Summary Table](#).

GPIO A Lock Configuration Register (GPIO0 to 31)

GPIO Configuration Lock for GPIO.

0: Bits in GPyMUX1, GPyMUX2, GPyDIR, GPyINV, GPyODR, GPyAMSEL, GPyGMUX1, GPyGMUX2 and GPyCSELx register which control the same pin can be changed

1: Locks changes to the bits in GPyMUX1, GPyMUX2, GPyDIR, GPyINV, GPyODR, GPyAMSEL, GPyGMUX1, GPyGMUX2 and GPyCSELx registers which control the same pin

**Figure 7-19. GPALOCK Register**

31	30	29	28	27	26	25	24
GPIO31	GPIO30	GPIO29	GPIO28	GPIO27	GPIO26	GPIO25	GPIO24
R/W-0h	R/W-0h	R/W-0h	R/W-0h	R/W-0h	R/W-0h	R/W-0h	R/W-0h
23	22	21	20	19	18	17	16
GPIO23	GPIO22	GPIO21	GPIO20	GPIO19	GPIO18	GPIO17	GPIO16
R/W-0h	R/W-0h	R/W-0h	R/W-0h	R/W-0h	R/W-0h	R/W-0h	R/W-0h
15	14	13	12	11	10	9	8
GPIO15	GPIO14	GPIO13	GPIO12	GPIO11	GPIO10	GPIO9	GPIO8
R/W-0h	R/W-0h	R/W-0h	R/W-0h	R/W-0h	R/W-0h	R/W-0h	R/W-0h
7	6	5	4	3	2	1	0
GPIO7	GPIO6	GPIO5	GPIO4	GPIO3	GPIO2	GPIO1	GPIO0
R/W-0h	R/W-0h	R/W-0h	R/W-0h	R/W-0h	R/W-0h	R/W-0h	R/W-0h

**Table 7-29. GPALOCK Register Field Descriptions**

Bit	Field	Type	Reset	Description
31	GPIO31	R/W	0h	Configuration Lock bit for this pin Reset type: SYSRSn
30	GPIO30	R/W	0h	Configuration Lock bit for this pin Reset type: SYSRSn
29	GPIO29	R/W	0h	Configuration Lock bit for this pin Reset type: SYSRSn
28	GPIO28	R/W	0h	Configuration Lock bit for this pin Reset type: SYSRSn
27	GPIO27	R/W	0h	Configuration Lock bit for this pin Reset type: SYSRSn
26	GPIO26	R/W	0h	Configuration Lock bit for this pin Reset type: SYSRSn
25	GPIO25	R/W	0h	Configuration Lock bit for this pin Reset type: SYSRSn
24	GPIO24	R/W	0h	Configuration Lock bit for this pin Reset type: SYSRSn
23	GPIO23	R/W	0h	Configuration Lock bit for this pin Reset type: SYSRSn
22	GPIO22	R/W	0h	Configuration Lock bit for this pin Reset type: SYSRSn
21	GPIO21	R/W	0h	Configuration Lock bit for this pin Reset type: SYSRSn

**Table 7-29. GPALOCK Register Field Descriptions (continued)**

Bit	Field	Type	Reset	Description
20	GPIO20	R/W	0h	Configuration Lock bit for this pin Reset type: SYSRSn
19	GPIO19	R/W	0h	Configuration Lock bit for this pin Reset type: SYSRSn
18	GPIO18	R/W	0h	Configuration Lock bit for this pin Reset type: SYSRSn
17	GPIO17	R/W	0h	Configuration Lock bit for this pin Reset type: SYSRSn
16	GPIO16	R/W	0h	Configuration Lock bit for this pin Reset type: SYSRSn
15	GPIO15	R/W	0h	Configuration Lock bit for this pin Reset type: SYSRSn
14	GPIO14	R/W	0h	Configuration Lock bit for this pin Reset type: SYSRSn
13	GPIO13	R/W	0h	Configuration Lock bit for this pin Reset type: SYSRSn
12	GPIO12	R/W	0h	Configuration Lock bit for this pin Reset type: SYSRSn
11	GPIO11	R/W	0h	Configuration Lock bit for this pin Reset type: SYSRSn
10	GPIO10	R/W	0h	Configuration Lock bit for this pin Reset type: SYSRSn
9	GPIO9	R/W	0h	Configuration Lock bit for this pin Reset type: SYSRSn
8	GPIO8	R/W	0h	Configuration Lock bit for this pin Reset type: SYSRSn
7	GPIO7	R/W	0h	Configuration Lock bit for this pin Reset type: SYSRSn
6	GPIO6	R/W	0h	Configuration Lock bit for this pin Reset type: SYSRSn
5	GPIO5	R/W	0h	Configuration Lock bit for this pin Reset type: SYSRSn
4	GPIO4	R/W	0h	Configuration Lock bit for this pin Reset type: SYSRSn
3	GPIO3	R/W	0h	Configuration Lock bit for this pin Reset type: SYSRSn
2	GPIO2	R/W	0h	Configuration Lock bit for this pin Reset type: SYSRSn
1	GPIO1	R/W	0h	Configuration Lock bit for this pin Reset type: SYSRSn
0	GPIO0	R/W	0h	Configuration Lock bit for this pin Reset type: SYSRSn

**7.10.2.17 GPACR Register (Offset = 3Eh) [Reset = 0000000h]**

GPACR is shown in [Figure 7-20](#) and described in [Table 7-30](#).

Return to the [Summary Table](#).

GPIO A Lock Commit Register (GPIO0 to 31)

GPIO Configuration Lock Commit for GPIO:

1: Locks changes to the bit in GPyLOCK register which controls the same pin

0: Bit in the GPyLOCK register which controls the same pin can be changed

**Figure 7-20. GPACR Register**

31	30	29	28	27	26	25	24
GPIO31	GPIO30	GPIO29	GPIO28	GPIO27	GPIO26	GPIO25	GPIO24
R/WOnce-0h	R/WOnce-0h	R/WOnce-0h	R/WOnce-0h	R/WOnce-0h	R/WOnce-0h	R/WOnce-0h	R/WOnce-0h
23	22	21	20	19	18	17	16
GPIO23	GPIO22	GPIO21	GPIO20	GPIO19	GPIO18	GPIO17	GPIO16
R/WOnce-0h	R/WOnce-0h	R/WOnce-0h	R/WOnce-0h	R/WOnce-0h	R/WOnce-0h	R/WOnce-0h	R/WOnce-0h
15	14	13	12	11	10	9	8
GPIO15	GPIO14	GPIO13	GPIO12	GPIO11	GPIO10	GPIO9	GPIO8
R/WOnce-0h	R/WOnce-0h	R/WOnce-0h	R/WOnce-0h	R/WOnce-0h	R/WOnce-0h	R/WOnce-0h	R/WOnce-0h
7	6	5	4	3	2	1	0
GPIO7	GPIO6	GPIO5	GPIO4	GPIO3	GPIO2	GPIO1	GPIO0
R/WOnce-0h	R/WOnce-0h	R/WOnce-0h	R/WOnce-0h	R/WOnce-0h	R/WOnce-0h	R/WOnce-0h	R/WOnce-0h

**Table 7-30. GPACR Register Field Descriptions**

Bit	Field	Type	Reset	Description
31	GPIO31	R/WOnce	0h	Configuration lock commit bit for this pin Reset type: SYSRSn
30	GPIO30	R/WOnce	0h	Configuration lock commit bit for this pin Reset type: SYSRSn
29	GPIO29	R/WOnce	0h	Configuration lock commit bit for this pin Reset type: SYSRSn
28	GPIO28	R/WOnce	0h	Configuration lock commit bit for this pin Reset type: SYSRSn
27	GPIO27	R/WOnce	0h	Configuration lock commit bit for this pin Reset type: SYSRSn
26	GPIO26	R/WOnce	0h	Configuration lock commit bit for this pin Reset type: SYSRSn
25	GPIO25	R/WOnce	0h	Configuration lock commit bit for this pin Reset type: SYSRSn
24	GPIO24	R/WOnce	0h	Configuration lock commit bit for this pin Reset type: SYSRSn
23	GPIO23	R/WOnce	0h	Configuration lock commit bit for this pin Reset type: SYSRSn
22	GPIO22	R/WOnce	0h	Configuration lock commit bit for this pin Reset type: SYSRSn
21	GPIO21	R/WOnce	0h	Configuration lock commit bit for this pin Reset type: SYSRSn
20	GPIO20	R/WOnce	0h	Configuration lock commit bit for this pin Reset type: SYSRSn

**Table 7-30. GPACR Register Field Descriptions (continued)**

Bit	Field	Type	Reset	Description
19	GPIO19	R/WOnce	0h	Configuration lock commit bit for this pin Reset type: SYSRSn
18	GPIO18	R/WOnce	0h	Configuration lock commit bit for this pin Reset type: SYSRSn
17	GPIO17	R/WOnce	0h	Configuration lock commit bit for this pin Reset type: SYSRSn
16	GPIO16	R/WOnce	0h	Configuration lock commit bit for this pin Reset type: SYSRSn
15	GPIO15	R/WOnce	0h	Configuration lock commit bit for this pin Reset type: SYSRSn
14	GPIO14	R/WOnce	0h	Configuration lock commit bit for this pin Reset type: SYSRSn
13	GPIO13	R/WOnce	0h	Configuration lock commit bit for this pin Reset type: SYSRSn
12	GPIO12	R/WOnce	0h	Configuration lock commit bit for this pin Reset type: SYSRSn
11	GPIO11	R/WOnce	0h	Configuration lock commit bit for this pin Reset type: SYSRSn
10	GPIO10	R/WOnce	0h	Configuration lock commit bit for this pin Reset type: SYSRSn
9	GPIO9	R/WOnce	0h	Configuration lock commit bit for this pin Reset type: SYSRSn
8	GPIO8	R/WOnce	0h	Configuration lock commit bit for this pin Reset type: SYSRSn
7	GPIO7	R/WOnce	0h	Configuration lock commit bit for this pin Reset type: SYSRSn
6	GPIO6	R/WOnce	0h	Configuration lock commit bit for this pin Reset type: SYSRSn
5	GPIO5	R/WOnce	0h	Configuration lock commit bit for this pin Reset type: SYSRSn
4	GPIO4	R/WOnce	0h	Configuration lock commit bit for this pin Reset type: SYSRSn
3	GPIO3	R/WOnce	0h	Configuration lock commit bit for this pin Reset type: SYSRSn
2	GPIO2	R/WOnce	0h	Configuration lock commit bit for this pin Reset type: SYSRSn
1	GPIO1	R/WOnce	0h	Configuration lock commit bit for this pin Reset type: SYSRSn
0	GPIO0	R/WOnce	0h	Configuration lock commit bit for this pin Reset type: SYSRSn

**7.10.2.18 GPBCTRL Register (Offset = 40h) [Reset = 00000000h]**

GPBCTRL is shown in [Figure 7-21](#) and described in [Table 7-31](#).

Return to the [Summary Table](#).

GPIO B Qualification Sampling Period Control (GPIO32 to 63)

**Figure 7-21. GPBCTRL Register**

31	30	29	28	27	26	25	24	23	22	21	20	19	18	17	16	15	14	13	12	11	10	9	8	7	6	5	4	3	2	1	0
QUALPRD3								QUALPRD2								QUALPRD1								QUALPRD0							
R/W-0h								R/W-0h								R/W-0h								R/W-0h							

**Table 7-31. GPBCTRL Register Field Descriptions**

Bit	Field	Type	Reset	Description
31-24	QUALPRD3	R/W	0h	Qualification sampling period for GPIO56 to GPIO63: 0x00,QUALPRDx = PLLSYSCLK 0x01,QUALPRDx = PLLSYSCLK/2 0x02,QUALPRDx = PLLSYSCLK/4 .... 0xFF,QUALPRDx = PLLSYSCLK/510 Reset type: SYSRSn
23-16	QUALPRD2	R/W	0h	Qualification sampling period for GPIO48 to GPIO55: 0x00,QUALPRDx = PLLSYSCLK 0x01,QUALPRDx = PLLSYSCLK/2 0x02,QUALPRDx = PLLSYSCLK/4 .... 0xFF,QUALPRDx = PLLSYSCLK/510 Reset type: SYSRSn
15-8	QUALPRD1	R/W	0h	Qualification sampling period for GPIO40 to GPIO47: 0x00,QUALPRDx = PLLSYSCLK 0x01,QUALPRDx = PLLSYSCLK/2 0x02,QUALPRDx = PLLSYSCLK/4 .... 0xFF,QUALPRDx = PLLSYSCLK/510 Reset type: SYSRSn
7-0	QUALPRD0	R/W	0h	Qualification sampling period for GPIO32 to GPIO39: 0x00,QUALPRDx = PLLSYSCLK 0x01,QUALPRDx = PLLSYSCLK/2 0x02,QUALPRDx = PLLSYSCLK/4 .... 0xFF,QUALPRDx = PLLSYSCLK/510 Reset type: SYSRSn



### 7.10.2.19 GPBQSEL1 Register (Offset = 42h) [Reset = 0000000h]

GPBQSEL1 is shown in [Figure 7-22](#) and described in [Table 7-32](#).

Return to the [Summary Table](#).

GPIO B Qualifier Select 1 Register (GPIO32 to 47)

Input qualification type:

0,0 Sync

0,1 Qualification (3 samples)

1,0 Qualification (6 samples)

1,1 Async (no Sync or Qualification)

**Figure 7-22. GPBQSEL1 Register**

31	30	29	28	27	26	25	24	23	22	21	20	19	18	17	16
GPIO47		GPIO46		GPIO45		GPIO44		GPIO43		GPIO42		GPIO41		GPIO40	
R/W-0h		R/W-0h		R/W-0h		R/W-0h		R/W-0h		R/W-0h		R/W-0h		R/W-0h	
15	14	13	12	11	10	9	8	7	6	5	4	3	2	1	0
GPIO39		GPIO38		GPIO37		GPIO36		GPIO35		GPIO34		GPIO33		GPIO32	
R/W-0h		R/W-0h		R/W-0h		R/W-0h		R/W-0h		R/W-0h		R/W-0h		R/W-0h	

**Table 7-32. GPBQSEL1 Register Field Descriptions**

Bit	Field	Type	Reset	Description
31-30	GPIO47	R/W	0h	Input qualification type Reset type: SYSRSn
29-28	GPIO46	R/W	0h	Input qualification type Reset type: SYSRSn
27-26	GPIO45	R/W	0h	Input qualification type Reset type: SYSRSn
25-24	GPIO44	R/W	0h	Input qualification type Reset type: SYSRSn
23-22	GPIO43	R/W	0h	Input qualification type Reset type: SYSRSn
21-20	GPIO42	R/W	0h	Input qualification type Reset type: SYSRSn
19-18	GPIO41	R/W	0h	Input qualification type Reset type: SYSRSn
17-16	GPIO40	R/W	0h	Input qualification type Reset type: SYSRSn
15-14	GPIO39	R/W	0h	Input qualification type Reset type: SYSRSn
13-12	GPIO38	R/W	0h	Input qualification type Reset type: SYSRSn
11-10	GPIO37	R/W	0h	Input qualification type Reset type: SYSRSn
9-8	GPIO36	R/W	0h	Input qualification type Reset type: SYSRSn
7-6	GPIO35	R/W	0h	Input qualification type Reset type: SYSRSn
5-4	GPIO34	R/W	0h	Input qualification type Reset type: SYSRSn
3-2	GPIO33	R/W	0h	Input qualification type Reset type: SYSRSn

**Table 7-32. GPBQSEL1 Register Field Descriptions (continued)**

Bit	Field	Type	Reset	Description
1-0	GPIO32	R/W	0h	Input qualification type Reset type: SYSRSn

### 7.10.2.20 GPBQSEL2 Register (Offset = 44h) [Reset = 0000000h]

GPBQSEL2 is shown in [Figure 7-23](#) and described in [Table 7-33](#).

Return to the [Summary Table](#).

GPIO B Qualifier Select 2 Register (GPIO48 to 63)

Input qualification type:

0,0 Sync

0,1 Qualification (3 samples)

1,0 Qualification (6 samples)

1,1 Async (no Sync or Qualification)

**Figure 7-23. GPBQSEL2 Register**

31	30	29	28	27	26	25	24	23	22	21	20	19	18	17	16
GPIO63		GPIO62		GPIO61		GPIO60		GPIO59		GPIO58		GPIO57		GPIO56	
R/W-0h		R/W-0h		R/W-0h		R/W-0h		R/W-0h		R/W-0h		R/W-0h		R/W-0h	
15	14	13	12	11	10	9	8	7	6	5	4	3	2	1	0
GPIO55		GPIO54		GPIO53		GPIO52		GPIO51		GPIO50		GPIO49		GPIO48	
R/W-0h		R/W-0h		R/W-0h		R/W-0h		R/W-0h		R/W-0h		R/W-0h		R/W-0h	

**Table 7-33. GPBQSEL2 Register Field Descriptions**

Bit	Field	Type	Reset	Description
31-30	GPIO63	R/W	0h	Input qualification type Reset type: SYSRSn
29-28	GPIO62	R/W	0h	Input qualification type Reset type: SYSRSn
27-26	GPIO61	R/W	0h	Input qualification type Reset type: SYSRSn
25-24	GPIO60	R/W	0h	Input qualification type Reset type: SYSRSn
23-22	GPIO59	R/W	0h	Input qualification type Reset type: SYSRSn
21-20	GPIO58	R/W	0h	Input qualification type Reset type: SYSRSn
19-18	GPIO57	R/W	0h	Input qualification type Reset type: SYSRSn
17-16	GPIO56	R/W	0h	Input qualification type Reset type: SYSRSn
15-14	GPIO55	R/W	0h	Input qualification type Reset type: SYSRSn
13-12	GPIO54	R/W	0h	Input qualification type Reset type: SYSRSn
11-10	GPIO53	R/W	0h	Input qualification type Reset type: SYSRSn
9-8	GPIO52	R/W	0h	Input qualification type Reset type: SYSRSn
7-6	GPIO51	R/W	0h	Input qualification type Reset type: SYSRSn
5-4	GPIO50	R/W	0h	Input qualification type Reset type: SYSRSn
3-2	GPIO49	R/W	0h	Input qualification type Reset type: SYSRSn

**Table 7-33. GPBQSEL2 Register Field Descriptions (continued)**

Bit	Field	Type	Reset	Description
1-0	GPIO48	R/W	0h	Input qualification type Reset type: SYSRSn

### 7.10.2.21 GPBMUX1 Register (Offset = 46h) [Reset = 0000000h]

GPBMUX1 is shown in [Figure 7-24](#) and described in [Table 7-34](#).

Return to the [Summary Table](#).

GPIO B Mux 1 Register (GPIO32 to 47)

Defines pin-muxing selection for GPIO.

Notes:

The respective GPyGMUXn.GPIOz must be configured prior to this register to avoid intermediate peripheral selects being mapped to the GPIO.

**Figure 7-24. GPBMUX1 Register**

31	30	29	28	27	26	25	24	23	22	21	20	19	18	17	16
GPIO47		GPIO46		GPIO45		GPIO44		GPIO43		GPIO42		GPIO41		GPIO40	
R/W-0h		R/W-0h		R/W-0h		R/W-0h		R/W-0h		R/W-0h		R/W-0h		R/W-0h	
15	14	13	12	11	10	9	8	7	6	5	4	3	2	1	0
GPIO39		GPIO38		GPIO37		GPIO36		GPIO35		GPIO34		GPIO33		GPIO32	
R/W-0h		R/W-0h		R/W-0h		R/W-0h		R/W-0h		R/W-0h		R/W-0h		R/W-0h	

**Table 7-34. GPBMUX1 Register Field Descriptions**

Bit	Field	Type	Reset	Description
31-30	GPIO47	R/W	0h	Defines pin-muxing selection for GPIO Reset type: SYSRSn
29-28	GPIO46	R/W	0h	Defines pin-muxing selection for GPIO Reset type: SYSRSn
27-26	GPIO45	R/W	0h	Defines pin-muxing selection for GPIO Reset type: SYSRSn
25-24	GPIO44	R/W	0h	Defines pin-muxing selection for GPIO Reset type: SYSRSn
23-22	GPIO43	R/W	0h	Defines pin-muxing selection for GPIO Reset type: SYSRSn
21-20	GPIO42	R/W	0h	Defines pin-muxing selection for GPIO Reset type: SYSRSn
19-18	GPIO41	R/W	0h	Defines pin-muxing selection for GPIO Reset type: SYSRSn
17-16	GPIO40	R/W	0h	Defines pin-muxing selection for GPIO Reset type: SYSRSn
15-14	GPIO39	R/W	0h	Defines pin-muxing selection for GPIO Reset type: SYSRSn
13-12	GPIO38	R/W	0h	Defines pin-muxing selection for GPIO Reset type: SYSRSn
11-10	GPIO37	R/W	0h	Defines pin-muxing selection for GPIO Reset type: SYSRSn
9-8	GPIO36	R/W	0h	Defines pin-muxing selection for GPIO Reset type: SYSRSn
7-6	GPIO35	R/W	0h	Defines pin-muxing selection for GPIO Reset type: SYSRSn
5-4	GPIO34	R/W	0h	Defines pin-muxing selection for GPIO Reset type: SYSRSn
3-2	GPIO33	R/W	0h	Defines pin-muxing selection for GPIO Reset type: SYSRSn

**Table 7-34. GPBMUX1 Register Field Descriptions (continued)**

Bit	Field	Type	Reset	Description
1-0	GPIO32	R/W	0h	Defines pin-muxing selection for GPIO Reset type: SYSRSn

### 7.10.2.22 GPBMUX2 Register (Offset = 48h) [Reset = 0000000h]

GPBMUX2 is shown in [Figure 7-25](#) and described in [Table 7-35](#).

Return to the [Summary Table](#).

GPIO B Mux 2 Register (GPIO48 to 63)

Defines pin-muxing selection for GPIO.

Notes:

The respective GPyGMUXn.GPIOz must be configured prior to this register to avoid intermediate peripheral selects being mapped to the GPIO.

**Figure 7-25. GPBMUX2 Register**

31	30	29	28	27	26	25	24	23	22	21	20	19	18	17	16
GPIO63		GPIO62		GPIO61		GPIO60		GPIO59		GPIO58		GPIO57		GPIO56	
R/W-0h		R/W-0h		R/W-0h		R/W-0h		R/W-0h		R/W-0h		R/W-0h		R/W-0h	
15	14	13	12	11	10	9	8	7	6	5	4	3	2	1	0
GPIO55		GPIO54		GPIO53		GPIO52		GPIO51		GPIO50		GPIO49		GPIO48	
R/W-0h		R/W-0h		R/W-0h		R/W-0h		R/W-0h		R/W-0h		R/W-0h		R/W-0h	

**Table 7-35. GPBMUX2 Register Field Descriptions**

Bit	Field	Type	Reset	Description
31-30	GPIO63	R/W	0h	Defines pin-muxing selection for GPIO Reset type: SYSRSn
29-28	GPIO62	R/W	0h	Defines pin-muxing selection for GPIO Reset type: SYSRSn
27-26	GPIO61	R/W	0h	Defines pin-muxing selection for GPIO Reset type: SYSRSn
25-24	GPIO60	R/W	0h	Defines pin-muxing selection for GPIO Reset type: SYSRSn
23-22	GPIO59	R/W	0h	Defines pin-muxing selection for GPIO Reset type: SYSRSn
21-20	GPIO58	R/W	0h	Defines pin-muxing selection for GPIO Reset type: SYSRSn
19-18	GPIO57	R/W	0h	Defines pin-muxing selection for GPIO Reset type: SYSRSn
17-16	GPIO56	R/W	0h	Defines pin-muxing selection for GPIO Reset type: SYSRSn
15-14	GPIO55	R/W	0h	Defines pin-muxing selection for GPIO Reset type: SYSRSn
13-12	GPIO54	R/W	0h	Defines pin-muxing selection for GPIO Reset type: SYSRSn
11-10	GPIO53	R/W	0h	Defines pin-muxing selection for GPIO Reset type: SYSRSn
9-8	GPIO52	R/W	0h	Defines pin-muxing selection for GPIO Reset type: SYSRSn
7-6	GPIO51	R/W	0h	Defines pin-muxing selection for GPIO Reset type: SYSRSn
5-4	GPIO50	R/W	0h	Defines pin-muxing selection for GPIO Reset type: SYSRSn
3-2	GPIO49	R/W	0h	Defines pin-muxing selection for GPIO Reset type: SYSRSn

**Table 7-35. GPBMUX2 Register Field Descriptions (continued)**

Bit	Field	Type	Reset	Description
1-0	GPIO48	R/W	0h	Defines pin-muxing selection for GPIO Reset type: SYSRSn



### 7.10.2.23 GPBDIR Register (Offset = 4Ah) [Reset = 0000000h]

GPBDIR is shown in [Figure 7-26](#) and described in [Table 7-36](#).

Return to the [Summary Table](#).

GPIO B Direction Register (GPIO32 to 63)

Controls direction of GPIO pins when the specified pin is configured in GPIO mode.

0: Configures pin as input.

1: Configures pin as output.

Reading the register returns the current value of the register setting.

**Figure 7-26. GPBDIR Register**

31	30	29	28	27	26	25	24
GPIO63	GPIO62	GPIO61	GPIO60	GPIO59	GPIO58	GPIO57	GPIO56
R/W-0h	R/W-0h	R/W-0h	R/W-0h	R/W-0h	R/W-0h	R/W-0h	R/W-0h
23	22	21	20	19	18	17	16
GPIO55	GPIO54	GPIO53	GPIO52	GPIO51	GPIO50	GPIO49	GPIO48
R/W-0h	R/W-0h	R/W-0h	R/W-0h	R/W-0h	R/W-0h	R/W-0h	R/W-0h
15	14	13	12	11	10	9	8
GPIO47	GPIO46	GPIO45	GPIO44	GPIO43	GPIO42	GPIO41	GPIO40
R/W-0h	R/W-0h	R/W-0h	R/W-0h	R/W-0h	R/W-0h	R/W-0h	R/W-0h
7	6	5	4	3	2	1	0
GPIO39	GPIO38	GPIO37	GPIO36	GPIO35	GPIO34	GPIO33	GPIO32
R/W-0h	R/W-0h	R/W-0h	R/W-0h	R/W-0h	R/W-0h	R/W-0h	R/W-0h

**Table 7-36. GPBDIR Register Field Descriptions**

Bit	Field	Type	Reset	Description
31	GPIO63	R/W	0h	Defines direction for this pin in GPIO mode Reset type: SYSRSn
30	GPIO62	R/W	0h	Defines direction for this pin in GPIO mode Reset type: SYSRSn
29	GPIO61	R/W	0h	Defines direction for this pin in GPIO mode Reset type: SYSRSn
28	GPIO60	R/W	0h	Defines direction for this pin in GPIO mode Reset type: SYSRSn
27	GPIO59	R/W	0h	Defines direction for this pin in GPIO mode Reset type: SYSRSn
26	GPIO58	R/W	0h	Defines direction for this pin in GPIO mode Reset type: SYSRSn
25	GPIO57	R/W	0h	Defines direction for this pin in GPIO mode Reset type: SYSRSn
24	GPIO56	R/W	0h	Defines direction for this pin in GPIO mode Reset type: SYSRSn
23	GPIO55	R/W	0h	Defines direction for this pin in GPIO mode Reset type: SYSRSn
22	GPIO54	R/W	0h	Defines direction for this pin in GPIO mode Reset type: SYSRSn
21	GPIO53	R/W	0h	Defines direction for this pin in GPIO mode Reset type: SYSRSn

**Table 7-36. GPBDIR Register Field Descriptions (continued)**

Bit	Field	Type	Reset	Description
20	GPIO52	R/W	0h	Defines direction for this pin in GPIO mode Reset type: SYSRSn
19	GPIO51	R/W	0h	Defines direction for this pin in GPIO mode Reset type: SYSRSn
18	GPIO50	R/W	0h	Defines direction for this pin in GPIO mode Reset type: SYSRSn
17	GPIO49	R/W	0h	Defines direction for this pin in GPIO mode Reset type: SYSRSn
16	GPIO48	R/W	0h	Defines direction for this pin in GPIO mode Reset type: SYSRSn
15	GPIO47	R/W	0h	Defines direction for this pin in GPIO mode Reset type: SYSRSn
14	GPIO46	R/W	0h	Defines direction for this pin in GPIO mode Reset type: SYSRSn
13	GPIO45	R/W	0h	Defines direction for this pin in GPIO mode Reset type: SYSRSn
12	GPIO44	R/W	0h	Defines direction for this pin in GPIO mode Reset type: SYSRSn
11	GPIO43	R/W	0h	Defines direction for this pin in GPIO mode Reset type: SYSRSn
10	GPIO42	R/W	0h	Defines direction for this pin in GPIO mode Reset type: SYSRSn
9	GPIO41	R/W	0h	Defines direction for this pin in GPIO mode Reset type: SYSRSn
8	GPIO40	R/W	0h	Defines direction for this pin in GPIO mode Reset type: SYSRSn
7	GPIO39	R/W	0h	Defines direction for this pin in GPIO mode Reset type: SYSRSn
6	GPIO38	R/W	0h	Defines direction for this pin in GPIO mode Reset type: SYSRSn
5	GPIO37	R/W	0h	Defines direction for this pin in GPIO mode Reset type: SYSRSn
4	GPIO36	R/W	0h	Defines direction for this pin in GPIO mode Reset type: SYSRSn
3	GPIO35	R/W	0h	Defines direction for this pin in GPIO mode Reset type: SYSRSn
2	GPIO34	R/W	0h	Defines direction for this pin in GPIO mode Reset type: SYSRSn
1	GPIO33	R/W	0h	Defines direction for this pin in GPIO mode Reset type: SYSRSn
0	GPIO32	R/W	0h	Defines direction for this pin in GPIO mode Reset type: SYSRSn

### 7.10.2.24 GPBPUD Register (Offset = 4Ch) [Reset = FFFFFFFh]

GPBPUD is shown in [Figure 7-27](#) and described in [Table 7-37](#).

Return to the [Summary Table](#).

GPIO B Pull Up Disable Register (GPIO32 to 63)

Disables the Pull-Up on GPIO.

0: Enables the Pull-Up.

1: Disables the Pull-Up.

Reading the register returns the current value of the register setting.

**Figure 7-27. GPBPUD Register**

31	30	29	28	27	26	25	24
GPIO63	GPIO62	GPIO61	GPIO60	GPIO59	GPIO58	GPIO57	GPIO56
R/W-1h	R/W-1h	R/W-1h	R/W-1h	R/W-1h	R/W-1h	R/W-1h	R/W-1h
23	22	21	20	19	18	17	16
GPIO55	GPIO54	GPIO53	GPIO52	GPIO51	GPIO50	GPIO49	GPIO48
R/W-1h	R/W-1h	R/W-1h	R/W-1h	R/W-1h	R/W-1h	R/W-1h	R/W-1h
15	14	13	12	11	10	9	8
GPIO47	GPIO46	GPIO45	GPIO44	GPIO43	GPIO42	GPIO41	GPIO40
R/W-1h	R/W-1h	R/W-1h	R/W-1h	R/W-1h	R/W-1h	R/W-1h	R/W-1h
7	6	5	4	3	2	1	0
GPIO39	GPIO38	GPIO37	GPIO36	GPIO35	GPIO34	GPIO33	GPIO32
R/W-1h	R/W-1h	R/W-1h	R/W-1h	R/W-1h	R/W-1h	R/W-1h	R/W-1h

**Table 7-37. GPBPUD Register Field Descriptions**

Bit	Field	Type	Reset	Description
31	GPIO63	R/W	1h	Pull-Up Disable control for this pin Reset type: SYSRSn
30	GPIO62	R/W	1h	Pull-Up Disable control for this pin Reset type: SYSRSn
29	GPIO61	R/W	1h	Pull-Up Disable control for this pin Reset type: SYSRSn
28	GPIO60	R/W	1h	Pull-Up Disable control for this pin Reset type: SYSRSn
27	GPIO59	R/W	1h	Pull-Up Disable control for this pin Reset type: SYSRSn
26	GPIO58	R/W	1h	Pull-Up Disable control for this pin Reset type: SYSRSn
25	GPIO57	R/W	1h	Pull-Up Disable control for this pin Reset type: SYSRSn
24	GPIO56	R/W	1h	Pull-Up Disable control for this pin Reset type: SYSRSn
23	GPIO55	R/W	1h	Pull-Up Disable control for this pin Reset type: SYSRSn
22	GPIO54	R/W	1h	Pull-Up Disable control for this pin Reset type: SYSRSn
21	GPIO53	R/W	1h	Pull-Up Disable control for this pin Reset type: SYSRSn

**Table 7-37. GPBPUD Register Field Descriptions (continued)**

Bit	Field	Type	Reset	Description
20	GPIO52	R/W	1h	Pull-Up Disable control for this pin Reset type: SYSRSn
19	GPIO51	R/W	1h	Pull-Up Disable control for this pin Reset type: SYSRSn
18	GPIO50	R/W	1h	Pull-Up Disable control for this pin Reset type: SYSRSn
17	GPIO49	R/W	1h	Pull-Up Disable control for this pin Reset type: SYSRSn
16	GPIO48	R/W	1h	Pull-Up Disable control for this pin Reset type: SYSRSn
15	GPIO47	R/W	1h	Pull-Up Disable control for this pin Reset type: SYSRSn
14	GPIO46	R/W	1h	Pull-Up Disable control for this pin Reset type: SYSRSn
13	GPIO45	R/W	1h	Pull-Up Disable control for this pin Reset type: SYSRSn
12	GPIO44	R/W	1h	Pull-Up Disable control for this pin Reset type: SYSRSn
11	GPIO43	R/W	1h	Pull-Up Disable control for this pin Reset type: SYSRSn
10	GPIO42	R/W	1h	Pull-Up Disable control for this pin Reset type: SYSRSn
9	GPIO41	R/W	1h	Pull-Up Disable control for this pin Reset type: SYSRSn
8	GPIO40	R/W	1h	Pull-Up Disable control for this pin Reset type: SYSRSn
7	GPIO39	R/W	1h	Pull-Up Disable control for this pin Reset type: SYSRSn
6	GPIO38	R/W	1h	Pull-Up Disable control for this pin Reset type: SYSRSn
5	GPIO37	R/W	1h	Pull-Up Disable control for this pin Reset type: SYSRSn
4	GPIO36	R/W	1h	Pull-Up Disable control for this pin Reset type: SYSRSn
3	GPIO35	R/W	1h	Pull-Up Disable control for this pin Reset type: SYSRSn
2	GPIO34	R/W	1h	Pull-Up Disable control for this pin Reset type: SYSRSn
1	GPIO33	R/W	1h	Pull-Up Disable control for this pin Reset type: SYSRSn
0	GPIO32	R/W	1h	Pull-Up Disable control for this pin Reset type: SYSRSn

### 7.10.2.25 GPBINV Register (Offset = 50h) [Reset = 0000000h]

GPBINV is shown in [Figure 7-28](#) and described in [Table 7-38](#).

Return to the [Summary Table](#).

GPIO B Input Polarity Invert Registers (GPIO32 to 63)

Selects between non-inverted and inverted GPIO input to the device.

0: selects non-inverted GPIO input

1: selects inverted GPIO input

Reading the register returns the current value of the register setting.

**Figure 7-28. GPBINV Register**

31	30	29	28	27	26	25	24
GPIO63	GPIO62	GPIO61	GPIO60	GPIO59	GPIO58	GPIO57	GPIO56
R/W-0h	R/W-0h	R/W-0h	R/W-0h	R/W-0h	R/W-0h	R/W-0h	R/W-0h
23	22	21	20	19	18	17	16
GPIO55	GPIO54	GPIO53	GPIO52	GPIO51	GPIO50	GPIO49	GPIO48
R/W-0h	R/W-0h	R/W-0h	R/W-0h	R/W-0h	R/W-0h	R/W-0h	R/W-0h
15	14	13	12	11	10	9	8
GPIO47	GPIO46	GPIO45	GPIO44	GPIO43	GPIO42	GPIO41	GPIO40
R/W-0h	R/W-0h	R/W-0h	R/W-0h	R/W-0h	R/W-0h	R/W-0h	R/W-0h
7	6	5	4	3	2	1	0
GPIO39	GPIO38	GPIO37	GPIO36	GPIO35	GPIO34	GPIO33	GPIO32
R/W-0h	R/W-0h	R/W-0h	R/W-0h	R/W-0h	R/W-0h	R/W-0h	R/W-0h

**Table 7-38. GPBINV Register Field Descriptions**

Bit	Field	Type	Reset	Description
31	GPIO63	R/W	0h	Input inversion control for this pin Reset type: SYSRSn
30	GPIO62	R/W	0h	Input inversion control for this pin Reset type: SYSRSn
29	GPIO61	R/W	0h	Input inversion control for this pin Reset type: SYSRSn
28	GPIO60	R/W	0h	Input inversion control for this pin Reset type: SYSRSn
27	GPIO59	R/W	0h	Input inversion control for this pin Reset type: SYSRSn
26	GPIO58	R/W	0h	Input inversion control for this pin Reset type: SYSRSn
25	GPIO57	R/W	0h	Input inversion control for this pin Reset type: SYSRSn
24	GPIO56	R/W	0h	Input inversion control for this pin Reset type: SYSRSn
23	GPIO55	R/W	0h	Input inversion control for this pin Reset type: SYSRSn
22	GPIO54	R/W	0h	Input inversion control for this pin Reset type: SYSRSn
21	GPIO53	R/W	0h	Input inversion control for this pin Reset type: SYSRSn

**Table 7-38. GPBINV Register Field Descriptions (continued)**

Bit	Field	Type	Reset	Description
20	GPIO52	R/W	0h	Input inversion control for this pin Reset type: SYSRSn
19	GPIO51	R/W	0h	Input inversion control for this pin Reset type: SYSRSn
18	GPIO50	R/W	0h	Input inversion control for this pin Reset type: SYSRSn
17	GPIO49	R/W	0h	Input inversion control for this pin Reset type: SYSRSn
16	GPIO48	R/W	0h	Input inversion control for this pin Reset type: SYSRSn
15	GPIO47	R/W	0h	Input inversion control for this pin Reset type: SYSRSn
14	GPIO46	R/W	0h	Input inversion control for this pin Reset type: SYSRSn
13	GPIO45	R/W	0h	Input inversion control for this pin Reset type: SYSRSn
12	GPIO44	R/W	0h	Input inversion control for this pin Reset type: SYSRSn
11	GPIO43	R/W	0h	Input inversion control for this pin Reset type: SYSRSn
10	GPIO42	R/W	0h	Input inversion control for this pin Reset type: SYSRSn
9	GPIO41	R/W	0h	Input inversion control for this pin Reset type: SYSRSn
8	GPIO40	R/W	0h	Input inversion control for this pin Reset type: SYSRSn
7	GPIO39	R/W	0h	Input inversion control for this pin Reset type: SYSRSn
6	GPIO38	R/W	0h	Input inversion control for this pin Reset type: SYSRSn
5	GPIO37	R/W	0h	Input inversion control for this pin Reset type: SYSRSn
4	GPIO36	R/W	0h	Input inversion control for this pin Reset type: SYSRSn
3	GPIO35	R/W	0h	Input inversion control for this pin Reset type: SYSRSn
2	GPIO34	R/W	0h	Input inversion control for this pin Reset type: SYSRSn
1	GPIO33	R/W	0h	Input inversion control for this pin Reset type: SYSRSn
0	GPIO32	R/W	0h	Input inversion control for this pin Reset type: SYSRSn

### 7.10.2.26 GPBODR Register (Offset = 52h) [Reset = 0000000h]

GPBODR is shown in [Figure 7-29](#) and described in [Table 7-39](#).

Return to the [Summary Table](#).

GPIO B Open Drain Output Register (GPIO32 to GPIO63)

Selects between normal and open-drain output for the GPIO pin.

0: Normal Output

1: Open Drain Output

Reading the register returns the current value of the register setting.

Note:

[1] In the Open Drain output mode, if the buffer is configured for output mode, a 0 value to be driven out comes out on the on the PAD while a 1 value to be driven out tri-states the buffer.

**Figure 7-29. GPBODR Register**

31	30	29	28	27	26	25	24
GPIO63	GPIO62	GPIO61	GPIO60	GPIO59	GPIO58	GPIO57	GPIO56
R/W-0h	R/W-0h	R/W-0h	R/W-0h	R/W-0h	R/W-0h	R/W-0h	R/W-0h
23	22	21	20	19	18	17	16
GPIO55	GPIO54	GPIO53	GPIO52	GPIO51	GPIO50	GPIO49	GPIO48
R/W-0h	R/W-0h	R/W-0h	R/W-0h	R/W-0h	R/W-0h	R/W-0h	R/W-0h
15	14	13	12	11	10	9	8
GPIO47	GPIO46	GPIO45	GPIO44	GPIO43	GPIO42	GPIO41	GPIO40
R/W-0h	R/W-0h	R/W-0h	R/W-0h	R/W-0h	R/W-0h	R/W-0h	R/W-0h
7	6	5	4	3	2	1	0
GPIO39	GPIO38	GPIO37	GPIO36	GPIO35	GPIO34	GPIO33	GPIO32
R/W-0h	R/W-0h	R/W-0h	R/W-0h	R/W-0h	R/W-0h	R/W-0h	R/W-0h

**Table 7-39. GPBODR Register Field Descriptions**

Bit	Field	Type	Reset	Description
31	GPIO63	R/W	0h	Output Open-Drain control for this pin Reset type: SYSRSn
30	GPIO62	R/W	0h	Output Open-Drain control for this pin Reset type: SYSRSn
29	GPIO61	R/W	0h	Output Open-Drain control for this pin Reset type: SYSRSn
28	GPIO60	R/W	0h	Output Open-Drain control for this pin Reset type: SYSRSn
27	GPIO59	R/W	0h	Output Open-Drain control for this pin Reset type: SYSRSn
26	GPIO58	R/W	0h	Output Open-Drain control for this pin Reset type: SYSRSn
25	GPIO57	R/W	0h	Output Open-Drain control for this pin Reset type: SYSRSn
24	GPIO56	R/W	0h	Output Open-Drain control for this pin Reset type: SYSRSn
23	GPIO55	R/W	0h	Output Open-Drain control for this pin Reset type: SYSRSn
22	GPIO54	R/W	0h	Output Open-Drain control for this pin Reset type: SYSRSn

**Table 7-39. GPBODR Register Field Descriptions (continued)**

Bit	Field	Type	Reset	Description
21	GPIO53	R/W	0h	Output Open-Drain control for this pin Reset type: SYSRSn
20	GPIO52	R/W	0h	Output Open-Drain control for this pin Reset type: SYSRSn
19	GPIO51	R/W	0h	Output Open-Drain control for this pin Reset type: SYSRSn
18	GPIO50	R/W	0h	Output Open-Drain control for this pin Reset type: SYSRSn
17	GPIO49	R/W	0h	Output Open-Drain control for this pin Reset type: SYSRSn
16	GPIO48	R/W	0h	Output Open-Drain control for this pin Reset type: SYSRSn
15	GPIO47	R/W	0h	Output Open-Drain control for this pin Reset type: SYSRSn
14	GPIO46	R/W	0h	Output Open-Drain control for this pin Reset type: SYSRSn
13	GPIO45	R/W	0h	Output Open-Drain control for this pin Reset type: SYSRSn
12	GPIO44	R/W	0h	Output Open-Drain control for this pin Reset type: SYSRSn
11	GPIO43	R/W	0h	Output Open-Drain control for this pin Reset type: SYSRSn
10	GPIO42	R/W	0h	Output Open-Drain control for this pin Reset type: SYSRSn
9	GPIO41	R/W	0h	Output Open-Drain control for this pin Reset type: SYSRSn
8	GPIO40	R/W	0h	Output Open-Drain control for this pin Reset type: SYSRSn
7	GPIO39	R/W	0h	Output Open-Drain control for this pin Reset type: SYSRSn
6	GPIO38	R/W	0h	Output Open-Drain control for this pin Reset type: SYSRSn
5	GPIO37	R/W	0h	Output Open-Drain control for this pin Reset type: SYSRSn
4	GPIO36	R/W	0h	Output Open-Drain control for this pin Reset type: SYSRSn
3	GPIO35	R/W	0h	Output Open-Drain control for this pin Reset type: SYSRSn
2	GPIO34	R/W	0h	Output Open-Drain control for this pin Reset type: SYSRSn
1	GPIO33	R/W	0h	Output Open-Drain control for this pin Reset type: SYSRSn
0	GPIO32	R/W	0h	Output Open-Drain control for this pin Reset type: SYSRSn



### 7.10.2.27 GPBAMSEL Register (Offset = 54h) [Reset = 0000000h]

GPBAMSEL is shown in [Figure 7-30](#) and described in [Table 7-40](#).

Return to the [Summary Table](#).

GPIO B Analog Mode Select register

Selects between digital and analog functionality for GPIO pins.

0: The pin is configured to digital functions according to the other GPIO configuration registers

1: The analog function of the pin is enabled

**Figure 7-30. GPBAMSEL Register**

31	30	29	28	27	26	25	24
RESERVED	RESERVED	RESERVED	RESERVED	RESERVED	RESERVED	RESERVED	RESERVED
R/W-0h	R/W-0h	R/W-0h	R/W-0h	R/W-0h	R/W-0h	R/W-0h	R/W-0h
23	22	21	20	19	18	17	16
RESERVED	RESERVED	RESERVED	RESERVED	RESERVED	RESERVED	RESERVED	RESERVED
R/W-0h	R/W-0h	R/W-0h	R/W-0h	R/W-0h	R/W-0h	R/W-0h	R/W-0h
15	14	13	12	11	10	9	8
RESERVED	RESERVED	RESERVED	RESERVED	GPIO43	GPIO42	RESERVED	RESERVED
R/W-0h	R/W-0h	R/W-0h	R/W-0h	R/W-0h	R/W-0h	R/W-0h	R/W-0h
7	6	5	4	3	2	1	0
RESERVED	RESERVED	RESERVED	RESERVED	RESERVED	RESERVED	RESERVED	RESERVED
R/W-0h	R/W-0h	R/W-0h	R/W-0h	R/W-0h	R/W-0h	R/W-0h	R/W-0h

**Table 7-40. GPBAMSEL Register Field Descriptions**

Bit	Field	Type	Reset	Description
31	RESERVED	R/W	0h	Reserved
30	RESERVED	R/W	0h	Reserved
29	RESERVED	R/W	0h	Reserved
28	RESERVED	R/W	0h	Reserved
27	RESERVED	R/W	0h	Reserved
26	RESERVED	R/W	0h	Reserved
25	RESERVED	R/W	0h	Reserved
24	RESERVED	R/W	0h	Reserved
23	RESERVED	R/W	0h	Reserved
22	RESERVED	R/W	0h	Reserved
21	RESERVED	R/W	0h	Reserved
20	RESERVED	R/W	0h	Reserved
19	RESERVED	R/W	0h	Reserved
18	RESERVED	R/W	0h	Reserved
17	RESERVED	R/W	0h	Reserved
16	RESERVED	R/W	0h	Reserved
15	RESERVED	R/W	0h	Reserved
14	RESERVED	R/W	0h	Reserved
13	RESERVED	R/W	0h	Reserved
12	RESERVED	R/W	0h	Reserved
11	GPIO43	R/W	0h	Selects the USB0DP function Reset type: SYSRSn

**Table 7-40. GPBAMSEL Register Field Descriptions (continued)**

Bit	Field	Type	Reset	Description
10	GPIO42	R/W	0h	Selects the USB0DM function Reset type: SYSRSn
9	RESERVED	R/W	0h	Reserved
8	RESERVED	R/W	0h	Reserved
7	RESERVED	R/W	0h	Reserved
6	RESERVED	R/W	0h	Reserved
5	RESERVED	R/W	0h	Reserved
4	RESERVED	R/W	0h	Reserved
3	RESERVED	R/W	0h	Reserved
2	RESERVED	R/W	0h	Reserved
1	RESERVED	R/W	0h	Reserved
0	RESERVED	R/W	0h	Reserved

### 7.10.2.28 GPBGMUX1 Register (Offset = 60h) [Reset = 0000000h]

GPBGMUX1 is shown in [Figure 7-31](#) and described in [Table 7-41](#).

Return to the [Summary Table](#).

GPIO B Peripheral Group Mux (GPIO32 to 47)

Defines pin-muxing selection for GPIO.

Note: For complete pin-mux selection on GPIOx, GPAMUXy.GPIOx configuration is also required.

**Figure 7-31. GPBGMUX1 Register**

31	30	29	28	27	26	25	24	23	22	21	20	19	18	17	16
GPIO47		GPIO46		GPIO45		GPIO44		GPIO43		GPIO42		GPIO41		GPIO40	
R/W-0h		R/W-0h		R/W-0h		R/W-0h		R/W-0h		R/W-0h		R/W-0h		R/W-0h	
15	14	13	12	11	10	9	8	7	6	5	4	3	2	1	0
GPIO39		GPIO38		GPIO37		GPIO36		GPIO35		GPIO34		GPIO33		GPIO32	
R/W-0h		R/W-0h		R/W-0h		R/W-0h		R/W-0h		R/W-0h		R/W-0h		R/W-0h	

**Table 7-41. GPBGMUX1 Register Field Descriptions**

Bit	Field	Type	Reset	Description
31-30	GPIO47	R/W	0h	Defines pin-muxing selection for GPIO Reset type: SYSRSn
29-28	GPIO46	R/W	0h	Defines pin-muxing selection for GPIO Reset type: SYSRSn
27-26	GPIO45	R/W	0h	Defines pin-muxing selection for GPIO Reset type: SYSRSn
25-24	GPIO44	R/W	0h	Defines pin-muxing selection for GPIO Reset type: SYSRSn
23-22	GPIO43	R/W	0h	Defines pin-muxing selection for GPIO Reset type: SYSRSn
21-20	GPIO42	R/W	0h	Defines pin-muxing selection for GPIO Reset type: SYSRSn
19-18	GPIO41	R/W	0h	Defines pin-muxing selection for GPIO Reset type: SYSRSn
17-16	GPIO40	R/W	0h	Defines pin-muxing selection for GPIO Reset type: SYSRSn
15-14	GPIO39	R/W	0h	Defines pin-muxing selection for GPIO Reset type: SYSRSn
13-12	GPIO38	R/W	0h	Defines pin-muxing selection for GPIO Reset type: SYSRSn
11-10	GPIO37	R/W	0h	Defines pin-muxing selection for GPIO Reset type: SYSRSn
9-8	GPIO36	R/W	0h	Defines pin-muxing selection for GPIO Reset type: SYSRSn
7-6	GPIO35	R/W	0h	Defines pin-muxing selection for GPIO Reset type: SYSRSn
5-4	GPIO34	R/W	0h	Defines pin-muxing selection for GPIO Reset type: SYSRSn
3-2	GPIO33	R/W	0h	Defines pin-muxing selection for GPIO Reset type: SYSRSn
1-0	GPIO32	R/W	0h	Defines pin-muxing selection for GPIO Reset type: SYSRSn

### 7.10.2.29 GPBGMUX2 Register (Offset = 62h) [Reset = 0000000h]

GPBGMUX2 is shown in [Figure 7-32](#) and described in [Table 7-42](#).

Return to the [Summary Table](#).

GPIO B Peripheral Group Mux (GPIO48 to 63)

Defines pin-muxing selection for GPIO.

Note: For complete pin-mux selection on GPIOx, GPAMUXy.GPIOx configuration is also required.

**Figure 7-32. GPBGMUX2 Register**

31	30	29	28	27	26	25	24	23	22	21	20	19	18	17	16
GPIO63		GPIO62		GPIO61		GPIO60		GPIO59		GPIO58		GPIO57		GPIO56	
R/W-0h		R/W-0h		R/W-0h		R/W-0h		R/W-0h		R/W-0h		R/W-0h		R/W-0h	
15	14	13	12	11	10	9	8	7	6	5	4	3	2	1	0
GPIO55		GPIO54		GPIO53		GPIO52		GPIO51		GPIO50		GPIO49		GPIO48	
R/W-0h		R/W-0h		R/W-0h		R/W-0h		R/W-0h		R/W-0h		R/W-0h		R/W-0h	

**Table 7-42. GPBGMUX2 Register Field Descriptions**

Bit	Field	Type	Reset	Description
31-30	GPIO63	R/W	0h	Defines pin-muxing selection for GPIO Reset type: SYSRSn
29-28	GPIO62	R/W	0h	Defines pin-muxing selection for GPIO Reset type: SYSRSn
27-26	GPIO61	R/W	0h	Defines pin-muxing selection for GPIO Reset type: SYSRSn
25-24	GPIO60	R/W	0h	Defines pin-muxing selection for GPIO Reset type: SYSRSn
23-22	GPIO59	R/W	0h	Defines pin-muxing selection for GPIO Reset type: SYSRSn
21-20	GPIO58	R/W	0h	Defines pin-muxing selection for GPIO Reset type: SYSRSn
19-18	GPIO57	R/W	0h	Defines pin-muxing selection for GPIO Reset type: SYSRSn
17-16	GPIO56	R/W	0h	Defines pin-muxing selection for GPIO Reset type: SYSRSn
15-14	GPIO55	R/W	0h	Defines pin-muxing selection for GPIO Reset type: SYSRSn
13-12	GPIO54	R/W	0h	Defines pin-muxing selection for GPIO Reset type: SYSRSn
11-10	GPIO53	R/W	0h	Defines pin-muxing selection for GPIO Reset type: SYSRSn
9-8	GPIO52	R/W	0h	Defines pin-muxing selection for GPIO Reset type: SYSRSn
7-6	GPIO51	R/W	0h	Defines pin-muxing selection for GPIO Reset type: SYSRSn
5-4	GPIO50	R/W	0h	Defines pin-muxing selection for GPIO Reset type: SYSRSn
3-2	GPIO49	R/W	0h	Defines pin-muxing selection for GPIO Reset type: SYSRSn
1-0	GPIO48	R/W	0h	Defines pin-muxing selection for GPIO Reset type: SYSRSn

### 7.10.2.30 GPBCSEL1 Register (Offset = 68h) [Reset = 0000000h]

GPBCSEL1 is shown in [Figure 7-33](#) and described in [Table 7-43](#).

Return to the [Summary Table](#).

GPIO B Core Select Register (GPIO32 to 39)

Selects which master's GPIODAT/SET/CLEAR/TOGGLE registers control this GPIO pin

xx00: CPU1 selected

xx01: CPU1.CLA1 selected

xx1x: Reserved

**Figure 7-33. GPBCSEL1 Register**

31	30	29	28	27	26	25	24	23	22	21	20	19	18	17	16
GPIO39				GPIO38				GPIO37				GPIO36			
R/W-0h				R/W-0h				R/W-0h				R/W-0h			
15	14	13	12	11	10	9	8	7	6	5	4	3	2	1	0
GPIO35				GPIO34				GPIO33				GPIO32			
R/W-0h				R/W-0h				R/W-0h				R/W-0h			

**Table 7-43. GPBCSEL1 Register Field Descriptions**

Bit	Field	Type	Reset	Description
31-28	GPIO39	R/W	0h	Selects which master's GPIODAT/SET/CLEAR/TOGGLE registers control this GPIO pin Reset type: SYSRSn
27-24	GPIO38	R/W	0h	Selects which master's GPIODAT/SET/CLEAR/TOGGLE registers control this GPIO pin Reset type: SYSRSn
23-20	GPIO37	R/W	0h	Selects which master's GPIODAT/SET/CLEAR/TOGGLE registers control this GPIO pin Reset type: SYSRSn
19-16	GPIO36	R/W	0h	Selects which master's GPIODAT/SET/CLEAR/TOGGLE registers control this GPIO pin Reset type: SYSRSn
15-12	GPIO35	R/W	0h	Selects which master's GPIODAT/SET/CLEAR/TOGGLE registers control this GPIO pin Reset type: SYSRSn
11-8	GPIO34	R/W	0h	Selects which master's GPIODAT/SET/CLEAR/TOGGLE registers control this GPIO pin Reset type: SYSRSn
7-4	GPIO33	R/W	0h	Selects which master's GPIODAT/SET/CLEAR/TOGGLE registers control this GPIO pin Reset type: SYSRSn
3-0	GPIO32	R/W	0h	Selects which master's GPIODAT/SET/CLEAR/TOGGLE registers control this GPIO pin Reset type: SYSRSn

### 7.10.2.31 GPBCSEL2 Register (Offset = 6Ah) [Reset = 0000000h]

GPBCSEL2 is shown in [Figure 7-34](#) and described in [Table 7-44](#).

Return to the [Summary Table](#).

GPIO B Core Select Register (GPIO40 to 47)

Selects which master's GPIODAT/SET/CLEAR/TOGGLE registers control this GPIO pin

xx00: CPU1 selected

xx01: CPU1.CLA1 selected

xx1x: Reserved

**Figure 7-34. GPBCSEL2 Register**

31	30	29	28	27	26	25	24	23	22	21	20	19	18	17	16
GPIO47				GPIO46				GPIO45				GPIO44			
R/W-0h				R/W-0h				R/W-0h				R/W-0h			
15	14	13	12	11	10	9	8	7	6	5	4	3	2	1	0
GPIO43				GPIO42				GPIO41				GPIO40			
R/W-0h				R/W-0h				R/W-0h				R/W-0h			

**Table 7-44. GPBCSEL2 Register Field Descriptions**

Bit	Field	Type	Reset	Description
31-28	GPIO47	R/W	0h	Selects which master's GPIODAT/SET/CLEAR/TOGGLE registers control this GPIO pin Reset type: SYSRSn
27-24	GPIO46	R/W	0h	Selects which master's GPIODAT/SET/CLEAR/TOGGLE registers control this GPIO pin Reset type: SYSRSn
23-20	GPIO45	R/W	0h	Selects which master's GPIODAT/SET/CLEAR/TOGGLE registers control this GPIO pin Reset type: SYSRSn
19-16	GPIO44	R/W	0h	Selects which master's GPIODAT/SET/CLEAR/TOGGLE registers control this GPIO pin Reset type: SYSRSn
15-12	GPIO43	R/W	0h	Selects which master's GPIODAT/SET/CLEAR/TOGGLE registers control this GPIO pin Reset type: SYSRSn
11-8	GPIO42	R/W	0h	Selects which master's GPIODAT/SET/CLEAR/TOGGLE registers control this GPIO pin Reset type: SYSRSn
7-4	GPIO41	R/W	0h	Selects which master's GPIODAT/SET/CLEAR/TOGGLE registers control this GPIO pin Reset type: SYSRSn
3-0	GPIO40	R/W	0h	Selects which master's GPIODAT/SET/CLEAR/TOGGLE registers control this GPIO pin Reset type: SYSRSn

### 7.10.2.32 GPBCSEL3 Register (Offset = 6Ch) [Reset = 0000000h]

GPBCSEL3 is shown in [Figure 7-35](#) and described in [Table 7-45](#).

Return to the [Summary Table](#).

GPIO B Core Select Register (GPIO48 to 55)

Selects which master's GPIODAT/SET/CLEAR/TOGGLE registers control this GPIO pin

xx00: CPU1 selected

xx01: CPU1.CLA1 selected

xx1x: Reserved

**Figure 7-35. GPBCSEL3 Register**

31	30	29	28	27	26	25	24	23	22	21	20	19	18	17	16
GPIO55				GPIO54				GPIO53				GPIO52			
R/W-0h				R/W-0h				R/W-0h				R/W-0h			
15	14	13	12	11	10	9	8	7	6	5	4	3	2	1	0
GPIO51				GPIO50				GPIO49				GPIO48			
R/W-0h				R/W-0h				R/W-0h				R/W-0h			

**Table 7-45. GPBCSEL3 Register Field Descriptions**

Bit	Field	Type	Reset	Description
31-28	GPIO55	R/W	0h	Selects which master's GPIODAT/SET/CLEAR/TOGGLE registers control this GPIO pin Reset type: SYSRSn
27-24	GPIO54	R/W	0h	Selects which master's GPIODAT/SET/CLEAR/TOGGLE registers control this GPIO pin Reset type: SYSRSn
23-20	GPIO53	R/W	0h	Selects which master's GPIODAT/SET/CLEAR/TOGGLE registers control this GPIO pin Reset type: SYSRSn
19-16	GPIO52	R/W	0h	Selects which master's GPIODAT/SET/CLEAR/TOGGLE registers control this GPIO pin Reset type: SYSRSn
15-12	GPIO51	R/W	0h	Selects which master's GPIODAT/SET/CLEAR/TOGGLE registers control this GPIO pin Reset type: SYSRSn
11-8	GPIO50	R/W	0h	Selects which master's GPIODAT/SET/CLEAR/TOGGLE registers control this GPIO pin Reset type: SYSRSn
7-4	GPIO49	R/W	0h	Selects which master's GPIODAT/SET/CLEAR/TOGGLE registers control this GPIO pin Reset type: SYSRSn
3-0	GPIO48	R/W	0h	Selects which master's GPIODAT/SET/CLEAR/TOGGLE registers control this GPIO pin Reset type: SYSRSn

### 7.10.2.33 GPBCSEL4 Register (Offset = 6Eh) [Reset = 0000000h]

GPBCSEL4 is shown in [Figure 7-36](#) and described in [Table 7-46](#).

Return to the [Summary Table](#).

GPIO B Core Select Register (GPIO56 to 63)

Selects which master's GPIODAT/SET/CLEAR/TOGGLE registers control this GPIO pin

xx00: CPU1 selected

xx01: CPU1.CLA1 selected

xx1x: Reserved

**Figure 7-36. GPBCSEL4 Register**

31	30	29	28	27	26	25	24	23	22	21	20	19	18	17	16
GPIO63				GPIO62				GPIO61				GPIO60			
R/W-0h				R/W-0h				R/W-0h				R/W-0h			
15	14	13	12	11	10	9	8	7	6	5	4	3	2	1	0
GPIO59				GPIO58				GPIO57				GPIO56			
R/W-0h				R/W-0h				R/W-0h				R/W-0h			

**Table 7-46. GPBCSEL4 Register Field Descriptions**

Bit	Field	Type	Reset	Description
31-28	GPIO63	R/W	0h	Selects which master's GPIODAT/SET/CLEAR/TOGGLE registers control this GPIO pin Reset type: SYSRSn
27-24	GPIO62	R/W	0h	Selects which master's GPIODAT/SET/CLEAR/TOGGLE registers control this GPIO pin Reset type: SYSRSn
23-20	GPIO61	R/W	0h	Selects which master's GPIODAT/SET/CLEAR/TOGGLE registers control this GPIO pin Reset type: SYSRSn
19-16	GPIO60	R/W	0h	Selects which master's GPIODAT/SET/CLEAR/TOGGLE registers control this GPIO pin Reset type: SYSRSn
15-12	GPIO59	R/W	0h	Selects which master's GPIODAT/SET/CLEAR/TOGGLE registers control this GPIO pin Reset type: SYSRSn
11-8	GPIO58	R/W	0h	Selects which master's GPIODAT/SET/CLEAR/TOGGLE registers control this GPIO pin Reset type: SYSRSn
7-4	GPIO57	R/W	0h	Selects which master's GPIODAT/SET/CLEAR/TOGGLE registers control this GPIO pin Reset type: SYSRSn
3-0	GPIO56	R/W	0h	Selects which master's GPIODAT/SET/CLEAR/TOGGLE registers control this GPIO pin Reset type: SYSRSn



### 7.10.2.34 GPBLOCK Register (Offset = 7Ch) [Reset = 0000000h]

GPBLOCK is shown in [Figure 7-37](#) and described in [Table 7-47](#).

Return to the [Summary Table](#).

GPIO B Lock Configuration Register (GPIO32 to 63)

GPIO Configuration Lock for GPIO.

0: Bits in GPyMUX1, GPyMUX2, GPyDIR, GPyINV, GPyODR, GPyAMSEL, GPyGMUX1, GPyGMUX2 and GPyCSELx register which control the same pin can be changed

1: Locks changes to the bits in GPyMUX1, GPyMUX2, GPyDIR, GPyINV, GPyODR, GPyAMSEL, GPyGMUX1, GPyGMUX2 and GPyCSELx registers which control the same pin

**Figure 7-37. GPBLOCK Register**

31	30	29	28	27	26	25	24
GPIO63	GPIO62	GPIO61	GPIO60	GPIO59	GPIO58	GPIO57	GPIO56
R/W-0h	R/W-0h	R/W-0h	R/W-0h	R/W-0h	R/W-0h	R/W-0h	R/W-0h
23	22	21	20	19	18	17	16
GPIO55	GPIO54	GPIO53	GPIO52	GPIO51	GPIO50	GPIO49	GPIO48
R/W-0h	R/W-0h	R/W-0h	R/W-0h	R/W-0h	R/W-0h	R/W-0h	R/W-0h
15	14	13	12	11	10	9	8
GPIO47	GPIO46	GPIO45	GPIO44	GPIO43	GPIO42	GPIO41	GPIO40
R/W-0h	R/W-0h	R/W-0h	R/W-0h	R/W-0h	R/W-0h	R/W-0h	R/W-0h
7	6	5	4	3	2	1	0
GPIO39	GPIO38	GPIO37	GPIO36	GPIO35	GPIO34	GPIO33	GPIO32
R/W-0h	R/W-0h	R/W-0h	R/W-0h	R/W-0h	R/W-0h	R/W-0h	R/W-0h

**Table 7-47. GPBLOCK Register Field Descriptions**

Bit	Field	Type	Reset	Description
31	GPIO63	R/W	0h	Configuration Lock bit for this pin Reset type: SYSRSn
30	GPIO62	R/W	0h	Configuration Lock bit for this pin Reset type: SYSRSn
29	GPIO61	R/W	0h	Configuration Lock bit for this pin Reset type: SYSRSn
28	GPIO60	R/W	0h	Configuration Lock bit for this pin Reset type: SYSRSn
27	GPIO59	R/W	0h	Configuration Lock bit for this pin Reset type: SYSRSn
26	GPIO58	R/W	0h	Configuration Lock bit for this pin Reset type: SYSRSn
25	GPIO57	R/W	0h	Configuration Lock bit for this pin Reset type: SYSRSn
24	GPIO56	R/W	0h	Configuration Lock bit for this pin Reset type: SYSRSn
23	GPIO55	R/W	0h	Configuration Lock bit for this pin Reset type: SYSRSn
22	GPIO54	R/W	0h	Configuration Lock bit for this pin Reset type: SYSRSn
21	GPIO53	R/W	0h	Configuration Lock bit for this pin Reset type: SYSRSn

**Table 7-47. GPBLOCK Register Field Descriptions (continued)**

Bit	Field	Type	Reset	Description
20	GPIO52	R/W	0h	Configuration Lock bit for this pin Reset type: SYSRSn
19	GPIO51	R/W	0h	Configuration Lock bit for this pin Reset type: SYSRSn
18	GPIO50	R/W	0h	Configuration Lock bit for this pin Reset type: SYSRSn
17	GPIO49	R/W	0h	Configuration Lock bit for this pin Reset type: SYSRSn
16	GPIO48	R/W	0h	Configuration Lock bit for this pin Reset type: SYSRSn
15	GPIO47	R/W	0h	Configuration Lock bit for this pin Reset type: SYSRSn
14	GPIO46	R/W	0h	Configuration Lock bit for this pin Reset type: SYSRSn
13	GPIO45	R/W	0h	Configuration Lock bit for this pin Reset type: SYSRSn
12	GPIO44	R/W	0h	Configuration Lock bit for this pin Reset type: SYSRSn
11	GPIO43	R/W	0h	Configuration Lock bit for this pin Reset type: SYSRSn
10	GPIO42	R/W	0h	Configuration Lock bit for this pin Reset type: SYSRSn
9	GPIO41	R/W	0h	Configuration Lock bit for this pin Reset type: SYSRSn
8	GPIO40	R/W	0h	Configuration Lock bit for this pin Reset type: SYSRSn
7	GPIO39	R/W	0h	Configuration Lock bit for this pin Reset type: SYSRSn
6	GPIO38	R/W	0h	Configuration Lock bit for this pin Reset type: SYSRSn
5	GPIO37	R/W	0h	Configuration Lock bit for this pin Reset type: SYSRSn
4	GPIO36	R/W	0h	Configuration Lock bit for this pin Reset type: SYSRSn
3	GPIO35	R/W	0h	Configuration Lock bit for this pin Reset type: SYSRSn
2	GPIO34	R/W	0h	Configuration Lock bit for this pin Reset type: SYSRSn
1	GPIO33	R/W	0h	Configuration Lock bit for this pin Reset type: SYSRSn
0	GPIO32	R/W	0h	Configuration Lock bit for this pin Reset type: SYSRSn

### 7.10.2.35 GPBCR Register (Offset = 7Eh) [Reset = 0000000h]

GPBCR is shown in [Figure 7-38](#) and described in [Table 7-48](#).

Return to the [Summary Table](#).

GPIO B Lock Commit Register (GPIO32 to 63)

GPIO Configuration Lock Commit for GPIO:

1: Locks changes to the bit in GPyLOCK register which controls the same pin

0: Bit in the GPyLOCK register which controls the same pin can be changed

**Figure 7-38. GPBCR Register**

31	30	29	28	27	26	25	24
GPIO63	GPIO62	GPIO61	GPIO60	GPIO59	GPIO58	GPIO57	GPIO56
R/WOnce-0h	R/WOnce-0h	R/WOnce-0h	R/WOnce-0h	R/WOnce-0h	R/WOnce-0h	R/WOnce-0h	R/WOnce-0h
23	22	21	20	19	18	17	16
GPIO55	GPIO54	GPIO53	GPIO52	GPIO51	GPIO50	GPIO49	GPIO48
R/WOnce-0h	R/WOnce-0h	R/WOnce-0h	R/WOnce-0h	R/WOnce-0h	R/WOnce-0h	R/WOnce-0h	R/WOnce-0h
15	14	13	12	11	10	9	8
GPIO47	GPIO46	GPIO45	GPIO44	GPIO43	GPIO42	GPIO41	GPIO40
R/WOnce-0h	R/WOnce-0h	R/WOnce-0h	R/WOnce-0h	R/WOnce-0h	R/WOnce-0h	R/WOnce-0h	R/WOnce-0h
7	6	5	4	3	2	1	0
GPIO39	GPIO38	GPIO37	GPIO36	GPIO35	GPIO34	GPIO33	GPIO32
R/WOnce-0h	R/WOnce-0h	R/WOnce-0h	R/WOnce-0h	R/WOnce-0h	R/WOnce-0h	R/WOnce-0h	R/WOnce-0h

**Table 7-48. GPBCR Register Field Descriptions**

Bit	Field	Type	Reset	Description
31	GPIO63	R/WOnce	0h	Configuration lock commit bit for this pin Reset type: SYSRSn
30	GPIO62	R/WOnce	0h	Configuration lock commit bit for this pin Reset type: SYSRSn
29	GPIO61	R/WOnce	0h	Configuration lock commit bit for this pin Reset type: SYSRSn
28	GPIO60	R/WOnce	0h	Configuration lock commit bit for this pin Reset type: SYSRSn
27	GPIO59	R/WOnce	0h	Configuration lock commit bit for this pin Reset type: SYSRSn
26	GPIO58	R/WOnce	0h	Configuration lock commit bit for this pin Reset type: SYSRSn
25	GPIO57	R/WOnce	0h	Configuration lock commit bit for this pin Reset type: SYSRSn
24	GPIO56	R/WOnce	0h	Configuration lock commit bit for this pin Reset type: SYSRSn
23	GPIO55	R/WOnce	0h	Configuration lock commit bit for this pin Reset type: SYSRSn
22	GPIO54	R/WOnce	0h	Configuration lock commit bit for this pin Reset type: SYSRSn
21	GPIO53	R/WOnce	0h	Configuration lock commit bit for this pin Reset type: SYSRSn
20	GPIO52	R/WOnce	0h	Configuration lock commit bit for this pin Reset type: SYSRSn

**Table 7-48. GPBCR Register Field Descriptions (continued)**

Bit	Field	Type	Reset	Description
19	GPIO51	R/WOnce	0h	Configuration lock commit bit for this pin Reset type: SYSRSn
18	GPIO50	R/WOnce	0h	Configuration lock commit bit for this pin Reset type: SYSRSn
17	GPIO49	R/WOnce	0h	Configuration lock commit bit for this pin Reset type: SYSRSn
16	GPIO48	R/WOnce	0h	Configuration lock commit bit for this pin Reset type: SYSRSn
15	GPIO47	R/WOnce	0h	Configuration lock commit bit for this pin Reset type: SYSRSn
14	GPIO46	R/WOnce	0h	Configuration lock commit bit for this pin Reset type: SYSRSn
13	GPIO45	R/WOnce	0h	Configuration lock commit bit for this pin Reset type: SYSRSn
12	GPIO44	R/WOnce	0h	Configuration lock commit bit for this pin Reset type: SYSRSn
11	GPIO43	R/WOnce	0h	Configuration lock commit bit for this pin Reset type: SYSRSn
10	GPIO42	R/WOnce	0h	Configuration lock commit bit for this pin Reset type: SYSRSn
9	GPIO41	R/WOnce	0h	Configuration lock commit bit for this pin Reset type: SYSRSn
8	GPIO40	R/WOnce	0h	Configuration lock commit bit for this pin Reset type: SYSRSn
7	GPIO39	R/WOnce	0h	Configuration lock commit bit for this pin Reset type: SYSRSn
6	GPIO38	R/WOnce	0h	Configuration lock commit bit for this pin Reset type: SYSRSn
5	GPIO37	R/WOnce	0h	Configuration lock commit bit for this pin Reset type: SYSRSn
4	GPIO36	R/WOnce	0h	Configuration lock commit bit for this pin Reset type: SYSRSn
3	GPIO35	R/WOnce	0h	Configuration lock commit bit for this pin Reset type: SYSRSn
2	GPIO34	R/WOnce	0h	Configuration lock commit bit for this pin Reset type: SYSRSn
1	GPIO33	R/WOnce	0h	Configuration lock commit bit for this pin Reset type: SYSRSn
0	GPIO32	R/WOnce	0h	Configuration lock commit bit for this pin Reset type: SYSRSn

### 7.10.2.36 GPCCTRL Register (Offset = 80h) [Reset = 00000000h]

GPCCTRL is shown in [Figure 7-39](#) and described in [Table 7-49](#).

Return to the [Summary Table](#).

GPIO C Qualification Sampling Period Control (GPIO64 to 95)

**Figure 7-39. GPCCTRL Register**

31	30	29	28	27	26	25	24	23	22	21	20	19	18	17	16	15	14	13	12	11	10	9	8	7	6	5	4	3	2	1	0
QUALPRD3								QUALPRD2								QUALPRD1								QUALPRD0							
R/W-0h								R/W-0h								R/W-0h								R/W-0h							

**Table 7-49. GPCCTRL Register Field Descriptions**

Bit	Field	Type	Reset	Description
31-24	QUALPRD3	R/W	0h	Qualification sampling period for GPIO88 to GPIO95: 0x00,QUALPRDx = PLLSYSCLK 0x01,QUALPRDx = PLLSYSCLK/2 0x02,QUALPRDx = PLLSYSCLK/4 .... 0xFF,QUALPRDx = PLLSYSCLK/510 Reset type: SYSRSn
23-16	QUALPRD2	R/W	0h	Qualification sampling period for GPIO80 to GPIO87: 0x00,QUALPRDx = PLLSYSCLK 0x01,QUALPRDx = PLLSYSCLK/2 0x02,QUALPRDx = PLLSYSCLK/4 .... 0xFF,QUALPRDx = PLLSYSCLK/510 Reset type: SYSRSn
15-8	QUALPRD1	R/W	0h	Qualification sampling period for GPIO72 to GPIO79: 0x00,QUALPRDx = PLLSYSCLK 0x01,QUALPRDx = PLLSYSCLK/2 0x02,QUALPRDx = PLLSYSCLK/4 .... 0xFF,QUALPRDx = PLLSYSCLK/510 Reset type: SYSRSn
7-0	QUALPRD0	R/W	0h	Qualification sampling period for GPIO64 to GPIO71: 0x00,QUALPRDx = PLLSYSCLK 0x01,QUALPRDx = PLLSYSCLK/2 0x02,QUALPRDx = PLLSYSCLK/4 .... 0xFF,QUALPRDx = PLLSYSCLK/510 Reset type: SYSRSn

### 7.10.2.37 GPCQSEL1 Register (Offset = 82h) [Reset = 0000000h]

GPCQSEL1 is shown in [Figure 7-40](#) and described in [Table 7-50](#).

Return to the [Summary Table](#).

GPIO C Qualifier Select 1 Register (GPIO64 to 79)

Input qualification type:

0,0 Sync

0,1 Qualification (3 samples)

1,0 Qualification (6 samples)

1,1 Async (no Sync or Qualification)

**Figure 7-40. GPCQSEL1 Register**

31	30	29	28	27	26	25	24	23	22	21	20	19	18	17	16
GPIO79		GPIO78		GPIO77		GPIO76		GPIO75		GPIO74		GPIO73		GPIO72	
R/W-0h		R/W-0h		R/W-0h		R/W-0h		R/W-0h		R/W-0h		R/W-0h		R/W-0h	
15	14	13	12	11	10	9	8	7	6	5	4	3	2	1	0
GPIO71		GPIO70		GPIO69		GPIO68		GPIO67		GPIO66		GPIO65		GPIO64	
R/W-0h		R/W-0h		R/W-0h		R/W-0h		R/W-0h		R/W-0h		R/W-0h		R/W-0h	

**Table 7-50. GPCQSEL1 Register Field Descriptions**

Bit	Field	Type	Reset	Description
31-30	GPIO79	R/W	0h	Input qualification type Reset type: SYSRSn
29-28	GPIO78	R/W	0h	Input qualification type Reset type: SYSRSn
27-26	GPIO77	R/W	0h	Input qualification type Reset type: SYSRSn
25-24	GPIO76	R/W	0h	Input qualification type Reset type: SYSRSn
23-22	GPIO75	R/W	0h	Input qualification type Reset type: SYSRSn
21-20	GPIO74	R/W	0h	Input qualification type Reset type: SYSRSn
19-18	GPIO73	R/W	0h	Input qualification type Reset type: SYSRSn
17-16	GPIO72	R/W	0h	Input qualification type Reset type: SYSRSn
15-14	GPIO71	R/W	0h	Input qualification type Reset type: SYSRSn
13-12	GPIO70	R/W	0h	Input qualification type Reset type: SYSRSn
11-10	GPIO69	R/W	0h	Input qualification type Reset type: SYSRSn
9-8	GPIO68	R/W	0h	Input qualification type Reset type: SYSRSn
7-6	GPIO67	R/W	0h	Input qualification type Reset type: SYSRSn
5-4	GPIO66	R/W	0h	Input qualification type Reset type: SYSRSn
3-2	GPIO65	R/W	0h	Input qualification type Reset type: SYSRSn

**Table 7-50. GPCQSEL1 Register Field Descriptions (continued)**

Bit	Field	Type	Reset	Description
1-0	GPIO64	R/W	0h	Input qualification type Reset type: SYSRSn

**7.10.2.38 GPCQSEL2 Register (Offset = 84h) [Reset = 0000000h]**

 GPCQSEL2 is shown in [Figure 7-41](#) and described in [Table 7-51](#).

 Return to the [Summary Table](#).

GPIO C Qualifier Select 2 Register (GPIO80 to 95)

Input qualification type:

0,0 Sync

0,1 Qualification (3 samples)

1,0 Qualification (6 samples)

1,1 Async (no Sync or Qualification)

**Figure 7-41. GPCQSEL2 Register**

31	30	29	28	27	26	25	24	23	22	21	20	19	18	17	16
GPIO95		GPIO94		GPIO93		GPIO92		GPIO91		GPIO90		GPIO89		GPIO88	
R/W-0h		R/W-0h		R/W-0h		R/W-0h		R/W-0h		R/W-0h		R/W-0h		R/W-0h	
15	14	13	12	11	10	9	8	7	6	5	4	3	2	1	0
GPIO87		GPIO86		GPIO85		GPIO84		GPIO83		GPIO82		GPIO81		GPIO80	
R/W-0h		R/W-0h		R/W-0h		R/W-0h		R/W-0h		R/W-0h		R/W-0h		R/W-0h	

**Table 7-51. GPCQSEL2 Register Field Descriptions**

Bit	Field	Type	Reset	Description
31-30	GPIO95	R/W	0h	Input qualification type Reset type: SYSRSn
29-28	GPIO94	R/W	0h	Input qualification type Reset type: SYSRSn
27-26	GPIO93	R/W	0h	Input qualification type Reset type: SYSRSn
25-24	GPIO92	R/W	0h	Input qualification type Reset type: SYSRSn
23-22	GPIO91	R/W	0h	Input qualification type Reset type: SYSRSn
21-20	GPIO90	R/W	0h	Input qualification type Reset type: SYSRSn
19-18	GPIO89	R/W	0h	Input qualification type Reset type: SYSRSn
17-16	GPIO88	R/W	0h	Input qualification type Reset type: SYSRSn
15-14	GPIO87	R/W	0h	Input qualification type Reset type: SYSRSn
13-12	GPIO86	R/W	0h	Input qualification type Reset type: SYSRSn
11-10	GPIO85	R/W	0h	Input qualification type Reset type: SYSRSn
9-8	GPIO84	R/W	0h	Input qualification type Reset type: SYSRSn
7-6	GPIO83	R/W	0h	Input qualification type Reset type: SYSRSn
5-4	GPIO82	R/W	0h	Input qualification type Reset type: SYSRSn
3-2	GPIO81	R/W	0h	Input qualification type Reset type: SYSRSn



**Table 7-51. GPCQSEL2 Register Field Descriptions (continued)**

Bit	Field	Type	Reset	Description
1-0	GPIO80	R/W	0h	Input qualification type Reset type: SYSRSn

### 7.10.2.39 GPCMUX1 Register (Offset = 86h) [Reset = 0000000h]

GPCMUX1 is shown in [Figure 7-42](#) and described in [Table 7-52](#).

Return to the [Summary Table](#).

GPIO C Mux 1 Register (GPIO64 to 79)

Defines pin-muxing selection for GPIO.

Notes:

The respective GPyGMUXn.GPIOz must be configured prior to this register to avoid intermediate peripheral selects being mapped to the GPIO.

**Figure 7-42. GPCMUX1 Register**

31	30	29	28	27	26	25	24	23	22	21	20	19	18	17	16
GPIO79		GPIO78		GPIO77		GPIO76		GPIO75		GPIO74		GPIO73		GPIO72	
R/W-0h		R/W-0h		R/W-0h		R/W-0h		R/W-0h		R/W-0h		R/W-0h		R/W-0h	
15	14	13	12	11	10	9	8	7	6	5	4	3	2	1	0
GPIO71		GPIO70		GPIO69		GPIO68		GPIO67		GPIO66		GPIO65		GPIO64	
R/W-0h		R/W-0h		R/W-0h		R/W-0h		R/W-0h		R/W-0h		R/W-0h		R/W-0h	

**Table 7-52. GPCMUX1 Register Field Descriptions**

Bit	Field	Type	Reset	Description
31-30	GPIO79	R/W	0h	Defines pin-muxing selection for GPIO Reset type: SYSRSn
29-28	GPIO78	R/W	0h	Defines pin-muxing selection for GPIO Reset type: SYSRSn
27-26	GPIO77	R/W	0h	Defines pin-muxing selection for GPIO Reset type: SYSRSn
25-24	GPIO76	R/W	0h	Defines pin-muxing selection for GPIO Reset type: SYSRSn
23-22	GPIO75	R/W	0h	Defines pin-muxing selection for GPIO Reset type: SYSRSn
21-20	GPIO74	R/W	0h	Defines pin-muxing selection for GPIO Reset type: SYSRSn
19-18	GPIO73	R/W	0h	Defines pin-muxing selection for GPIO Reset type: SYSRSn
17-16	GPIO72	R/W	0h	Defines pin-muxing selection for GPIO Reset type: SYSRSn
15-14	GPIO71	R/W	0h	Defines pin-muxing selection for GPIO Reset type: SYSRSn
13-12	GPIO70	R/W	0h	Defines pin-muxing selection for GPIO Reset type: SYSRSn
11-10	GPIO69	R/W	0h	Defines pin-muxing selection for GPIO Reset type: SYSRSn
9-8	GPIO68	R/W	0h	Defines pin-muxing selection for GPIO Reset type: SYSRSn
7-6	GPIO67	R/W	0h	Defines pin-muxing selection for GPIO Reset type: SYSRSn
5-4	GPIO66	R/W	0h	Defines pin-muxing selection for GPIO Reset type: SYSRSn
3-2	GPIO65	R/W	0h	Defines pin-muxing selection for GPIO Reset type: SYSRSn

**Table 7-52. GPCMUX1 Register Field Descriptions (continued)**

Bit	Field	Type	Reset	Description
1-0	GPIO64	R/W	0h	Defines pin-muxing selection for GPIO Reset type: SYSRSn

### 7.10.2.40 GPCMUX2 Register (Offset = 88h) [Reset = 0000000h]

GPCMUX2 is shown in [Figure 7-43](#) and described in [Table 7-53](#).

Return to the [Summary Table](#).

GPIO C Mux 2 Register (GPIO80 to 95)

Defines pin-muxing selection for GPIO.

Notes:

The respective GPyGMUXn.GPIOz must be configured prior to this register to avoid intermediate peripheral selects being mapped to the GPIO.

**Figure 7-43. GPCMUX2 Register**

31	30	29	28	27	26	25	24	23	22	21	20	19	18	17	16
GPIO95		GPIO94		GPIO93		GPIO92		GPIO91		GPIO90		GPIO89		GPIO88	
R/W-0h		R/W-0h		R/W-0h		R/W-0h		R/W-0h		R/W-0h		R/W-0h		R/W-0h	
15	14	13	12	11	10	9	8	7	6	5	4	3	2	1	0
GPIO87		GPIO86		GPIO85		GPIO84		GPIO83		GPIO82		GPIO81		GPIO80	
R/W-0h		R/W-0h		R/W-0h		R/W-0h		R/W-0h		R/W-0h		R/W-0h		R/W-0h	

**Table 7-53. GPCMUX2 Register Field Descriptions**

Bit	Field	Type	Reset	Description
31-30	GPIO95	R/W	0h	Defines pin-muxing selection for GPIO Reset type: SYSRSn
29-28	GPIO94	R/W	0h	Defines pin-muxing selection for GPIO Reset type: SYSRSn
27-26	GPIO93	R/W	0h	Defines pin-muxing selection for GPIO Reset type: SYSRSn
25-24	GPIO92	R/W	0h	Defines pin-muxing selection for GPIO Reset type: SYSRSn
23-22	GPIO91	R/W	0h	Defines pin-muxing selection for GPIO Reset type: SYSRSn
21-20	GPIO90	R/W	0h	Defines pin-muxing selection for GPIO Reset type: SYSRSn
19-18	GPIO89	R/W	0h	Defines pin-muxing selection for GPIO Reset type: SYSRSn
17-16	GPIO88	R/W	0h	Defines pin-muxing selection for GPIO Reset type: SYSRSn
15-14	GPIO87	R/W	0h	Defines pin-muxing selection for GPIO Reset type: SYSRSn
13-12	GPIO86	R/W	0h	Defines pin-muxing selection for GPIO Reset type: SYSRSn
11-10	GPIO85	R/W	0h	Defines pin-muxing selection for GPIO Reset type: SYSRSn
9-8	GPIO84	R/W	0h	Defines pin-muxing selection for GPIO Reset type: SYSRSn
7-6	GPIO83	R/W	0h	Defines pin-muxing selection for GPIO Reset type: SYSRSn
5-4	GPIO82	R/W	0h	Defines pin-muxing selection for GPIO Reset type: SYSRSn
3-2	GPIO81	R/W	0h	Defines pin-muxing selection for GPIO Reset type: SYSRSn

**Table 7-53. GPCMUX2 Register Field Descriptions (continued)**

Bit	Field	Type	Reset	Description
1-0	GPIO80	R/W	0h	Defines pin-muxing selection for GPIO Reset type: SYSRSn

### 7.10.2.41 GPCDIR Register (Offset = 8Ah) [Reset = 0000000h]

GPCDIR is shown in [Figure 7-44](#) and described in [Table 7-54](#).

Return to the [Summary Table](#).

GPIO C Direction Register (GPIO64 to 95)

Controls direction of GPIO pins when the specified pin is configured in GPIO mode.

0: Configures pin as input.

1: Configures pin as output.

Reading the register returns the current value of the register setting.

**Figure 7-44. GPCDIR Register**

31	30	29	28	27	26	25	24
GPIO95	GPIO94	GPIO93	GPIO92	GPIO91	GPIO90	GPIO89	GPIO88
R/W-0h	R/W-0h	R/W-0h	R/W-0h	R/W-0h	R/W-0h	R/W-0h	R/W-0h
23	22	21	20	19	18	17	16
GPIO87	GPIO86	GPIO85	GPIO84	GPIO83	GPIO82	GPIO81	GPIO80
R/W-0h	R/W-0h	R/W-0h	R/W-0h	R/W-0h	R/W-0h	R/W-0h	R/W-0h
15	14	13	12	11	10	9	8
GPIO79	GPIO78	GPIO77	GPIO76	GPIO75	GPIO74	GPIO73	GPIO72
R/W-0h	R/W-0h	R/W-0h	R/W-0h	R/W-0h	R/W-0h	R/W-0h	R/W-0h
7	6	5	4	3	2	1	0
GPIO71	GPIO70	GPIO69	GPIO68	GPIO67	GPIO66	GPIO65	GPIO64
R/W-0h	R/W-0h	R/W-0h	R/W-0h	R/W-0h	R/W-0h	R/W-0h	R/W-0h

**Table 7-54. GPCDIR Register Field Descriptions**

Bit	Field	Type	Reset	Description
31	GPIO95	R/W	0h	Defines direction for this pin in GPIO mode Reset type: SYSRSn
30	GPIO94	R/W	0h	Defines direction for this pin in GPIO mode Reset type: SYSRSn
29	GPIO93	R/W	0h	Defines direction for this pin in GPIO mode Reset type: SYSRSn
28	GPIO92	R/W	0h	Defines direction for this pin in GPIO mode Reset type: SYSRSn
27	GPIO91	R/W	0h	Defines direction for this pin in GPIO mode Reset type: SYSRSn
26	GPIO90	R/W	0h	Defines direction for this pin in GPIO mode Reset type: SYSRSn
25	GPIO89	R/W	0h	Defines direction for this pin in GPIO mode Reset type: SYSRSn
24	GPIO88	R/W	0h	Defines direction for this pin in GPIO mode Reset type: SYSRSn
23	GPIO87	R/W	0h	Defines direction for this pin in GPIO mode Reset type: SYSRSn
22	GPIO86	R/W	0h	Defines direction for this pin in GPIO mode Reset type: SYSRSn
21	GPIO85	R/W	0h	Defines direction for this pin in GPIO mode Reset type: SYSRSn

**Table 7-54. GPCDIR Register Field Descriptions (continued)**

Bit	Field	Type	Reset	Description
20	GPIO84	R/W	0h	Defines direction for this pin in GPIO mode Reset type: SYSRSn
19	GPIO83	R/W	0h	Defines direction for this pin in GPIO mode Reset type: SYSRSn
18	GPIO82	R/W	0h	Defines direction for this pin in GPIO mode Reset type: SYSRSn
17	GPIO81	R/W	0h	Defines direction for this pin in GPIO mode Reset type: SYSRSn
16	GPIO80	R/W	0h	Defines direction for this pin in GPIO mode Reset type: SYSRSn
15	GPIO79	R/W	0h	Defines direction for this pin in GPIO mode Reset type: SYSRSn
14	GPIO78	R/W	0h	Defines direction for this pin in GPIO mode Reset type: SYSRSn
13	GPIO77	R/W	0h	Defines direction for this pin in GPIO mode Reset type: SYSRSn
12	GPIO76	R/W	0h	Defines direction for this pin in GPIO mode Reset type: SYSRSn
11	GPIO75	R/W	0h	Defines direction for this pin in GPIO mode Reset type: SYSRSn
10	GPIO74	R/W	0h	Defines direction for this pin in GPIO mode Reset type: SYSRSn
9	GPIO73	R/W	0h	Defines direction for this pin in GPIO mode Reset type: SYSRSn
8	GPIO72	R/W	0h	Defines direction for this pin in GPIO mode Reset type: SYSRSn
7	GPIO71	R/W	0h	Defines direction for this pin in GPIO mode Reset type: SYSRSn
6	GPIO70	R/W	0h	Defines direction for this pin in GPIO mode Reset type: SYSRSn
5	GPIO69	R/W	0h	Defines direction for this pin in GPIO mode Reset type: SYSRSn
4	GPIO68	R/W	0h	Defines direction for this pin in GPIO mode Reset type: SYSRSn
3	GPIO67	R/W	0h	Defines direction for this pin in GPIO mode Reset type: SYSRSn
2	GPIO66	R/W	0h	Defines direction for this pin in GPIO mode Reset type: SYSRSn
1	GPIO65	R/W	0h	Defines direction for this pin in GPIO mode Reset type: SYSRSn
0	GPIO64	R/W	0h	Defines direction for this pin in GPIO mode Reset type: SYSRSn

### 7.10.2.42 GPCPUD Register (Offset = 8Ch) [Reset = FFFFFFFFh]

GPCPUD is shown in [Figure 7-45](#) and described in [Table 7-55](#).

Return to the [Summary Table](#).

GPIO C Pull Up Disable Register (GPIO64 to 95)

Disables the Pull-Up on GPIO.

0: Enables the Pull-Up.

1: Disables the Pull-Up.

Reading the register returns the current value of the register setting.

**Figure 7-45. GPCPUD Register**

31	30	29	28	27	26	25	24
GPIO95	GPIO94	GPIO93	GPIO92	GPIO91	GPIO90	GPIO89	GPIO88
R/W-1h	R/W-1h	R/W-1h	R/W-1h	R/W-1h	R/W-1h	R/W-1h	R/W-1h
23	22	21	20	19	18	17	16
GPIO87	GPIO86	GPIO85	GPIO84	GPIO83	GPIO82	GPIO81	GPIO80
R/W-1h	R/W-1h	R/W-1h	R/W-1h	R/W-1h	R/W-1h	R/W-1h	R/W-1h
15	14	13	12	11	10	9	8
GPIO79	GPIO78	GPIO77	GPIO76	GPIO75	GPIO74	GPIO73	GPIO72
R/W-1h	R/W-1h	R/W-1h	R/W-1h	R/W-1h	R/W-1h	R/W-1h	R/W-1h
7	6	5	4	3	2	1	0
GPIO71	GPIO70	GPIO69	GPIO68	GPIO67	GPIO66	GPIO65	GPIO64
R/W-1h	R/W-1h	R/W-1h	R/W-1h	R/W-1h	R/W-1h	R/W-1h	R/W-1h

**Table 7-55. GPCPUD Register Field Descriptions**

Bit	Field	Type	Reset	Description
31	GPIO95	R/W	1h	Pull-Up Disable control for this pin Reset type: SYSRSn
30	GPIO94	R/W	1h	Pull-Up Disable control for this pin Reset type: SYSRSn
29	GPIO93	R/W	1h	Pull-Up Disable control for this pin Reset type: SYSRSn
28	GPIO92	R/W	1h	Pull-Up Disable control for this pin Reset type: SYSRSn
27	GPIO91	R/W	1h	Pull-Up Disable control for this pin Reset type: SYSRSn
26	GPIO90	R/W	1h	Pull-Up Disable control for this pin Reset type: SYSRSn
25	GPIO89	R/W	1h	Pull-Up Disable control for this pin Reset type: SYSRSn
24	GPIO88	R/W	1h	Pull-Up Disable control for this pin Reset type: SYSRSn
23	GPIO87	R/W	1h	Pull-Up Disable control for this pin Reset type: SYSRSn
22	GPIO86	R/W	1h	Pull-Up Disable control for this pin Reset type: SYSRSn
21	GPIO85	R/W	1h	Pull-Up Disable control for this pin Reset type: SYSRSn



**Table 7-55. GPCPUD Register Field Descriptions (continued)**

Bit	Field	Type	Reset	Description
20	GPIO84	R/W	1h	Pull-Up Disable control for this pin Reset type: SYSRSn
19	GPIO83	R/W	1h	Pull-Up Disable control for this pin Reset type: SYSRSn
18	GPIO82	R/W	1h	Pull-Up Disable control for this pin Reset type: SYSRSn
17	GPIO81	R/W	1h	Pull-Up Disable control for this pin Reset type: SYSRSn
16	GPIO80	R/W	1h	Pull-Up Disable control for this pin Reset type: SYSRSn
15	GPIO79	R/W	1h	Pull-Up Disable control for this pin Reset type: SYSRSn
14	GPIO78	R/W	1h	Pull-Up Disable control for this pin Reset type: SYSRSn
13	GPIO77	R/W	1h	Pull-Up Disable control for this pin Reset type: SYSRSn
12	GPIO76	R/W	1h	Pull-Up Disable control for this pin Reset type: SYSRSn
11	GPIO75	R/W	1h	Pull-Up Disable control for this pin Reset type: SYSRSn
10	GPIO74	R/W	1h	Pull-Up Disable control for this pin Reset type: SYSRSn
9	GPIO73	R/W	1h	Pull-Up Disable control for this pin Reset type: SYSRSn
8	GPIO72	R/W	1h	Pull-Up Disable control for this pin Reset type: SYSRSn
7	GPIO71	R/W	1h	Pull-Up Disable control for this pin Reset type: SYSRSn
6	GPIO70	R/W	1h	Pull-Up Disable control for this pin Reset type: SYSRSn
5	GPIO69	R/W	1h	Pull-Up Disable control for this pin Reset type: SYSRSn
4	GPIO68	R/W	1h	Pull-Up Disable control for this pin Reset type: SYSRSn
3	GPIO67	R/W	1h	Pull-Up Disable control for this pin Reset type: SYSRSn
2	GPIO66	R/W	1h	Pull-Up Disable control for this pin Reset type: SYSRSn
1	GPIO65	R/W	1h	Pull-Up Disable control for this pin Reset type: SYSRSn
0	GPIO64	R/W	1h	Pull-Up Disable control for this pin Reset type: SYSRSn

### 7.10.2.43 GPCINV Register (Offset = 90h) [Reset = 0000000h]

GPCINV is shown in [Figure 7-46](#) and described in [Table 7-56](#).

Return to the [Summary Table](#).

GPIO C Input Polarity Invert Registers (GPIO64 to 95)

Selects between non-inverted and inverted GPIO input to the device.

0: selects non-inverted GPIO input

1: selects inverted GPIO input

Reading the register returns the current value of the register setting.

**Figure 7-46. GPCINV Register**

31	30	29	28	27	26	25	24
GPIO95	GPIO94	GPIO93	GPIO92	GPIO91	GPIO90	GPIO89	GPIO88
R/W-0h	R/W-0h	R/W-0h	R/W-0h	R/W-0h	R/W-0h	R/W-0h	R/W-0h
23	22	21	20	19	18	17	16
GPIO87	GPIO86	GPIO85	GPIO84	GPIO83	GPIO82	GPIO81	GPIO80
R/W-0h	R/W-0h	R/W-0h	R/W-0h	R/W-0h	R/W-0h	R/W-0h	R/W-0h
15	14	13	12	11	10	9	8
GPIO79	GPIO78	GPIO77	GPIO76	GPIO75	GPIO74	GPIO73	GPIO72
R/W-0h	R/W-0h	R/W-0h	R/W-0h	R/W-0h	R/W-0h	R/W-0h	R/W-0h
7	6	5	4	3	2	1	0
GPIO71	GPIO70	GPIO69	GPIO68	GPIO67	GPIO66	GPIO65	GPIO64
R/W-0h	R/W-0h	R/W-0h	R/W-0h	R/W-0h	R/W-0h	R/W-0h	R/W-0h

**Table 7-56. GPCINV Register Field Descriptions**

Bit	Field	Type	Reset	Description
31	GPIO95	R/W	0h	Input inversion control for this pin Reset type: SYSRSn
30	GPIO94	R/W	0h	Input inversion control for this pin Reset type: SYSRSn
29	GPIO93	R/W	0h	Input inversion control for this pin Reset type: SYSRSn
28	GPIO92	R/W	0h	Input inversion control for this pin Reset type: SYSRSn
27	GPIO91	R/W	0h	Input inversion control for this pin Reset type: SYSRSn
26	GPIO90	R/W	0h	Input inversion control for this pin Reset type: SYSRSn
25	GPIO89	R/W	0h	Input inversion control for this pin Reset type: SYSRSn
24	GPIO88	R/W	0h	Input inversion control for this pin Reset type: SYSRSn
23	GPIO87	R/W	0h	Input inversion control for this pin Reset type: SYSRSn
22	GPIO86	R/W	0h	Input inversion control for this pin Reset type: SYSRSn
21	GPIO85	R/W	0h	Input inversion control for this pin Reset type: SYSRSn

**Table 7-56. GPCINV Register Field Descriptions (continued)**

Bit	Field	Type	Reset	Description
20	GPIO84	R/W	0h	Input inversion control for this pin Reset type: SYSRSn
19	GPIO83	R/W	0h	Input inversion control for this pin Reset type: SYSRSn
18	GPIO82	R/W	0h	Input inversion control for this pin Reset type: SYSRSn
17	GPIO81	R/W	0h	Input inversion control for this pin Reset type: SYSRSn
16	GPIO80	R/W	0h	Input inversion control for this pin Reset type: SYSRSn
15	GPIO79	R/W	0h	Input inversion control for this pin Reset type: SYSRSn
14	GPIO78	R/W	0h	Input inversion control for this pin Reset type: SYSRSn
13	GPIO77	R/W	0h	Input inversion control for this pin Reset type: SYSRSn
12	GPIO76	R/W	0h	Input inversion control for this pin Reset type: SYSRSn
11	GPIO75	R/W	0h	Input inversion control for this pin Reset type: SYSRSn
10	GPIO74	R/W	0h	Input inversion control for this pin Reset type: SYSRSn
9	GPIO73	R/W	0h	Input inversion control for this pin Reset type: SYSRSn
8	GPIO72	R/W	0h	Input inversion control for this pin Reset type: SYSRSn
7	GPIO71	R/W	0h	Input inversion control for this pin Reset type: SYSRSn
6	GPIO70	R/W	0h	Input inversion control for this pin Reset type: SYSRSn
5	GPIO69	R/W	0h	Input inversion control for this pin Reset type: SYSRSn
4	GPIO68	R/W	0h	Input inversion control for this pin Reset type: SYSRSn
3	GPIO67	R/W	0h	Input inversion control for this pin Reset type: SYSRSn
2	GPIO66	R/W	0h	Input inversion control for this pin Reset type: SYSRSn
1	GPIO65	R/W	0h	Input inversion control for this pin Reset type: SYSRSn
0	GPIO64	R/W	0h	Input inversion control for this pin Reset type: SYSRSn

### 7.10.2.44 GPCODR Register (Offset = 92h) [Reset = 0000000h]

GPCODR is shown in [Figure 7-47](#) and described in [Table 7-57](#).

Return to the [Summary Table](#).

GPIO C Open Drain Output Register (GPIO64 to GPIO95)

Selects between normal and open-drain output for the GPIO pin.

0: Normal Output

1: Open Drain Output

Reading the register returns the current value of the register setting.

Note:

[1] In the Open Drain output mode, if the buffer is configured for output mode, a 0 value to be driven out comes out on the on the PAD while a 1 value to be driven out tri-states the buffer.

**Figure 7-47. GPCODR Register**

31	30	29	28	27	26	25	24
GPIO95	GPIO94	GPIO93	GPIO92	GPIO91	GPIO90	GPIO89	GPIO88
R/W-0h	R/W-0h	R/W-0h	R/W-0h	R/W-0h	R/W-0h	R/W-0h	R/W-0h
23	22	21	20	19	18	17	16
GPIO87	GPIO86	GPIO85	GPIO84	GPIO83	GPIO82	GPIO81	GPIO80
R/W-0h	R/W-0h	R/W-0h	R/W-0h	R/W-0h	R/W-0h	R/W-0h	R/W-0h
15	14	13	12	11	10	9	8
GPIO79	GPIO78	GPIO77	GPIO76	GPIO75	GPIO74	GPIO73	GPIO72
R/W-0h	R/W-0h	R/W-0h	R/W-0h	R/W-0h	R/W-0h	R/W-0h	R/W-0h
7	6	5	4	3	2	1	0
GPIO71	GPIO70	GPIO69	GPIO68	GPIO67	GPIO66	GPIO65	GPIO64
R/W-0h	R/W-0h	R/W-0h	R/W-0h	R/W-0h	R/W-0h	R/W-0h	R/W-0h

**Table 7-57. GPCODR Register Field Descriptions**

Bit	Field	Type	Reset	Description
31	GPIO95	R/W	0h	Output Open-Drain control for this pin Reset type: SYSRSn
30	GPIO94	R/W	0h	Output Open-Drain control for this pin Reset type: SYSRSn
29	GPIO93	R/W	0h	Output Open-Drain control for this pin Reset type: SYSRSn
28	GPIO92	R/W	0h	Output Open-Drain control for this pin Reset type: SYSRSn
27	GPIO91	R/W	0h	Output Open-Drain control for this pin Reset type: SYSRSn
26	GPIO90	R/W	0h	Output Open-Drain control for this pin Reset type: SYSRSn
25	GPIO89	R/W	0h	Output Open-Drain control for this pin Reset type: SYSRSn
24	GPIO88	R/W	0h	Output Open-Drain control for this pin Reset type: SYSRSn
23	GPIO87	R/W	0h	Output Open-Drain control for this pin Reset type: SYSRSn
22	GPIO86	R/W	0h	Output Open-Drain control for this pin Reset type: SYSRSn

**Table 7-57. GPCODR Register Field Descriptions (continued)**

Bit	Field	Type	Reset	Description
21	GPIO85	R/W	0h	Output Open-Drain control for this pin Reset type: SYSRSn
20	GPIO84	R/W	0h	Output Open-Drain control for this pin Reset type: SYSRSn
19	GPIO83	R/W	0h	Output Open-Drain control for this pin Reset type: SYSRSn
18	GPIO82	R/W	0h	Output Open-Drain control for this pin Reset type: SYSRSn
17	GPIO81	R/W	0h	Output Open-Drain control for this pin Reset type: SYSRSn
16	GPIO80	R/W	0h	Output Open-Drain control for this pin Reset type: SYSRSn
15	GPIO79	R/W	0h	Output Open-Drain control for this pin Reset type: SYSRSn
14	GPIO78	R/W	0h	Output Open-Drain control for this pin Reset type: SYSRSn
13	GPIO77	R/W	0h	Output Open-Drain control for this pin Reset type: SYSRSn
12	GPIO76	R/W	0h	Output Open-Drain control for this pin Reset type: SYSRSn
11	GPIO75	R/W	0h	Output Open-Drain control for this pin Reset type: SYSRSn
10	GPIO74	R/W	0h	Output Open-Drain control for this pin Reset type: SYSRSn
9	GPIO73	R/W	0h	Output Open-Drain control for this pin Reset type: SYSRSn
8	GPIO72	R/W	0h	Output Open-Drain control for this pin Reset type: SYSRSn
7	GPIO71	R/W	0h	Output Open-Drain control for this pin Reset type: SYSRSn
6	GPIO70	R/W	0h	Output Open-Drain control for this pin Reset type: SYSRSn
5	GPIO69	R/W	0h	Output Open-Drain control for this pin Reset type: SYSRSn
4	GPIO68	R/W	0h	Output Open-Drain control for this pin Reset type: SYSRSn
3	GPIO67	R/W	0h	Output Open-Drain control for this pin Reset type: SYSRSn
2	GPIO66	R/W	0h	Output Open-Drain control for this pin Reset type: SYSRSn
1	GPIO65	R/W	0h	Output Open-Drain control for this pin Reset type: SYSRSn
0	GPIO64	R/W	0h	Output Open-Drain control for this pin Reset type: SYSRSn

### 7.10.2.45 GPCGMUX1 Register (Offset = A0h) [Reset = 0000000h]

GPCGMUX1 is shown in [Figure 7-48](#) and described in [Table 7-58](#).

Return to the [Summary Table](#).

GPIO C Peripheral Group Mux (GPIO64 to 79)

Defines pin-muxing selection for GPIO.

Note: For complete pin-mux selection on GPIOx, GPAMUXy.GPIOx configuration is also required.

**Figure 7-48. GPCGMUX1 Register**

31	30	29	28	27	26	25	24	23	22	21	20	19	18	17	16
GPIO79		GPIO78		GPIO77		GPIO76		GPIO75		GPIO74		GPIO73		GPIO72	
R/W-0h		R/W-0h		R/W-0h		R/W-0h		R/W-0h		R/W-0h		R/W-0h		R/W-0h	
15	14	13	12	11	10	9	8	7	6	5	4	3	2	1	0
GPIO71		GPIO70		GPIO69		GPIO68		GPIO67		GPIO66		GPIO65		GPIO64	
R/W-0h		R/W-0h		R/W-0h		R/W-0h		R/W-0h		R/W-0h		R/W-0h		R/W-0h	

**Table 7-58. GPCGMUX1 Register Field Descriptions**

Bit	Field	Type	Reset	Description
31-30	GPIO79	R/W	0h	Defines pin-muxing selection for GPIO Reset type: SYSRSn
29-28	GPIO78	R/W	0h	Defines pin-muxing selection for GPIO Reset type: SYSRSn
27-26	GPIO77	R/W	0h	Defines pin-muxing selection for GPIO Reset type: SYSRSn
25-24	GPIO76	R/W	0h	Defines pin-muxing selection for GPIO Reset type: SYSRSn
23-22	GPIO75	R/W	0h	Defines pin-muxing selection for GPIO Reset type: SYSRSn
21-20	GPIO74	R/W	0h	Defines pin-muxing selection for GPIO Reset type: SYSRSn
19-18	GPIO73	R/W	0h	Defines pin-muxing selection for GPIO Reset type: SYSRSn
17-16	GPIO72	R/W	0h	Defines pin-muxing selection for GPIO Reset type: SYSRSn
15-14	GPIO71	R/W	0h	Defines pin-muxing selection for GPIO Reset type: SYSRSn
13-12	GPIO70	R/W	0h	Defines pin-muxing selection for GPIO Reset type: SYSRSn
11-10	GPIO69	R/W	0h	Defines pin-muxing selection for GPIO Reset type: SYSRSn
9-8	GPIO68	R/W	0h	Defines pin-muxing selection for GPIO Reset type: SYSRSn
7-6	GPIO67	R/W	0h	Defines pin-muxing selection for GPIO Reset type: SYSRSn
5-4	GPIO66	R/W	0h	Defines pin-muxing selection for GPIO Reset type: SYSRSn
3-2	GPIO65	R/W	0h	Defines pin-muxing selection for GPIO Reset type: SYSRSn
1-0	GPIO64	R/W	0h	Defines pin-muxing selection for GPIO Reset type: SYSRSn

### 7.10.2.46 GPCGMUX2 Register (Offset = A2h) [Reset = 0000000h]

GPCGMUX2 is shown in [Figure 7-49](#) and described in [Table 7-59](#).

Return to the [Summary Table](#).

GPIO C Peripheral Group Mux (GPIO80 to 95)

Defines pin-muxing selection for GPIO.

Note: For complete pin-mux selection on GPIOx, GPAMUXy.GPIOx configuration is also required.

**Figure 7-49. GPCGMUX2 Register**

31	30	29	28	27	26	25	24	23	22	21	20	19	18	17	16
GPIO95		GPIO94		GPIO93		GPIO92		GPIO91		GPIO90		GPIO89		GPIO88	
R/W-0h		R/W-0h		R/W-0h		R/W-0h		R/W-0h		R/W-0h		R/W-0h		R/W-0h	
15	14	13	12	11	10	9	8	7	6	5	4	3	2	1	0
GPIO87		GPIO86		GPIO85		GPIO84		GPIO83		GPIO82		GPIO81		GPIO80	
R/W-0h		R/W-0h		R/W-0h		R/W-0h		R/W-0h		R/W-0h		R/W-0h		R/W-0h	

**Table 7-59. GPCGMUX2 Register Field Descriptions**

Bit	Field	Type	Reset	Description
31-30	GPIO95	R/W	0h	Defines pin-muxing selection for GPIO Reset type: SYSRSn
29-28	GPIO94	R/W	0h	Defines pin-muxing selection for GPIO Reset type: SYSRSn
27-26	GPIO93	R/W	0h	Defines pin-muxing selection for GPIO Reset type: SYSRSn
25-24	GPIO92	R/W	0h	Defines pin-muxing selection for GPIO Reset type: SYSRSn
23-22	GPIO91	R/W	0h	Defines pin-muxing selection for GPIO Reset type: SYSRSn
21-20	GPIO90	R/W	0h	Defines pin-muxing selection for GPIO Reset type: SYSRSn
19-18	GPIO89	R/W	0h	Defines pin-muxing selection for GPIO Reset type: SYSRSn
17-16	GPIO88	R/W	0h	Defines pin-muxing selection for GPIO Reset type: SYSRSn
15-14	GPIO87	R/W	0h	Defines pin-muxing selection for GPIO Reset type: SYSRSn
13-12	GPIO86	R/W	0h	Defines pin-muxing selection for GPIO Reset type: SYSRSn
11-10	GPIO85	R/W	0h	Defines pin-muxing selection for GPIO Reset type: SYSRSn
9-8	GPIO84	R/W	0h	Defines pin-muxing selection for GPIO Reset type: SYSRSn
7-6	GPIO83	R/W	0h	Defines pin-muxing selection for GPIO Reset type: SYSRSn
5-4	GPIO82	R/W	0h	Defines pin-muxing selection for GPIO Reset type: SYSRSn
3-2	GPIO81	R/W	0h	Defines pin-muxing selection for GPIO Reset type: SYSRSn
1-0	GPIO80	R/W	0h	Defines pin-muxing selection for GPIO Reset type: SYSRSn

**7.10.2.47 GPCSEL1 Register (Offset = A8h) [Reset = 0000000h]**

GPCSEL1 is shown in [Figure 7-50](#) and described in [Table 7-60](#).

Return to the [Summary Table](#).

GPIO C Core Select Register (GPIO64 to 71)

Selects which master's GPIODAT/SET/CLEAR/TOGGLE registers control this GPIO pin

xx00: CPU1 selected

xx01: CPU1.CLA1 selected

xx1x: Reserved

**Figure 7-50. GPCSEL1 Register**

31	30	29	28	27	26	25	24	23	22	21	20	19	18	17	16
GPIO71				GPIO70				GPIO69				GPIO68			
R/W-0h				R/W-0h				R/W-0h				R/W-0h			
15	14	13	12	11	10	9	8	7	6	5	4	3	2	1	0
GPIO67				GPIO66				GPIO65				GPIO64			
R/W-0h				R/W-0h				R/W-0h				R/W-0h			

**Table 7-60. GPCSEL1 Register Field Descriptions**

Bit	Field	Type	Reset	Description
31-28	GPIO71	R/W	0h	Selects which master's GPIODAT/SET/CLEAR/TOGGLE registers control this GPIO pin Reset type: SYSRSn
27-24	GPIO70	R/W	0h	Selects which master's GPIODAT/SET/CLEAR/TOGGLE registers control this GPIO pin Reset type: SYSRSn
23-20	GPIO69	R/W	0h	Selects which master's GPIODAT/SET/CLEAR/TOGGLE registers control this GPIO pin Reset type: SYSRSn
19-16	GPIO68	R/W	0h	Selects which master's GPIODAT/SET/CLEAR/TOGGLE registers control this GPIO pin Reset type: SYSRSn
15-12	GPIO67	R/W	0h	Selects which master's GPIODAT/SET/CLEAR/TOGGLE registers control this GPIO pin Reset type: SYSRSn
11-8	GPIO66	R/W	0h	Selects which master's GPIODAT/SET/CLEAR/TOGGLE registers control this GPIO pin Reset type: SYSRSn
7-4	GPIO65	R/W	0h	Selects which master's GPIODAT/SET/CLEAR/TOGGLE registers control this GPIO pin Reset type: SYSRSn
3-0	GPIO64	R/W	0h	Selects which master's GPIODAT/SET/CLEAR/TOGGLE registers control this GPIO pin Reset type: SYSRSn



### 7.10.2.48 GPCCSEL2 Register (Offset = AAh) [Reset = 0000000h]

GPCCSEL2 is shown in [Figure 7-51](#) and described in [Table 7-61](#).

Return to the [Summary Table](#).

GPIO C Core Select Register (GPIO72 to 79)

Selects which master's GPIODAT/SET/CLEAR/TOGGLE registers control this GPIO pin

xx00: CPU1 selected

xx01: CPU1.CLA1 selected

xx1x: Reserved

**Figure 7-51. GPCCSEL2 Register**

31	30	29	28	27	26	25	24	23	22	21	20	19	18	17	16
GPIO79				GPIO78				GPIO77				GPIO76			
R/W-0h				R/W-0h				R/W-0h				R/W-0h			
15	14	13	12	11	10	9	8	7	6	5	4	3	2	1	0
GPIO75				GPIO74				GPIO73				GPIO72			
R/W-0h				R/W-0h				R/W-0h				R/W-0h			

**Table 7-61. GPCCSEL2 Register Field Descriptions**

Bit	Field	Type	Reset	Description
31-28	GPIO79	R/W	0h	Selects which master's GPIODAT/SET/CLEAR/TOGGLE registers control this GPIO pin Reset type: SYSRSn
27-24	GPIO78	R/W	0h	Selects which master's GPIODAT/SET/CLEAR/TOGGLE registers control this GPIO pin Reset type: SYSRSn
23-20	GPIO77	R/W	0h	Selects which master's GPIODAT/SET/CLEAR/TOGGLE registers control this GPIO pin Reset type: SYSRSn
19-16	GPIO76	R/W	0h	Selects which master's GPIODAT/SET/CLEAR/TOGGLE registers control this GPIO pin Reset type: SYSRSn
15-12	GPIO75	R/W	0h	Selects which master's GPIODAT/SET/CLEAR/TOGGLE registers control this GPIO pin Reset type: SYSRSn
11-8	GPIO74	R/W	0h	Selects which master's GPIODAT/SET/CLEAR/TOGGLE registers control this GPIO pin Reset type: SYSRSn
7-4	GPIO73	R/W	0h	Selects which master's GPIODAT/SET/CLEAR/TOGGLE registers control this GPIO pin Reset type: SYSRSn
3-0	GPIO72	R/W	0h	Selects which master's GPIODAT/SET/CLEAR/TOGGLE registers control this GPIO pin Reset type: SYSRSn

**7.10.2.49 GPCSEL3 Register (Offset = ACh) [Reset = 0000000h]**

GPCSEL3 is shown in [Figure 7-52](#) and described in [Table 7-62](#).

Return to the [Summary Table](#).

GPIO C Core Select Register (GPIO80 to 87)

Selects which master's GPIODAT/SET/CLEAR/TOGGLE registers control this GPIO pin

xx00: CPU1 selected

xx01: CPU1.CLA1 selected

xx1x: Reserved

**Figure 7-52. GPCSEL3 Register**

31	30	29	28	27	26	25	24	23	22	21	20	19	18	17	16
GPIO87				GPIO86				GPIO85				GPIO84			
R/W-0h				R/W-0h				R/W-0h				R/W-0h			
15	14	13	12	11	10	9	8	7	6	5	4	3	2	1	0
GPIO83				GPIO82				GPIO81				GPIO80			
R/W-0h				R/W-0h				R/W-0h				R/W-0h			

**Table 7-62. GPCSEL3 Register Field Descriptions**

Bit	Field	Type	Reset	Description
31-28	GPIO87	R/W	0h	Selects which master's GPIODAT/SET/CLEAR/TOGGLE registers control this GPIO pin Reset type: SYSRSn
27-24	GPIO86	R/W	0h	Selects which master's GPIODAT/SET/CLEAR/TOGGLE registers control this GPIO pin Reset type: SYSRSn
23-20	GPIO85	R/W	0h	Selects which master's GPIODAT/SET/CLEAR/TOGGLE registers control this GPIO pin Reset type: SYSRSn
19-16	GPIO84	R/W	0h	Selects which master's GPIODAT/SET/CLEAR/TOGGLE registers control this GPIO pin Reset type: SYSRSn
15-12	GPIO83	R/W	0h	Selects which master's GPIODAT/SET/CLEAR/TOGGLE registers control this GPIO pin Reset type: SYSRSn
11-8	GPIO82	R/W	0h	Selects which master's GPIODAT/SET/CLEAR/TOGGLE registers control this GPIO pin Reset type: SYSRSn
7-4	GPIO81	R/W	0h	Selects which master's GPIODAT/SET/CLEAR/TOGGLE registers control this GPIO pin Reset type: SYSRSn
3-0	GPIO80	R/W	0h	Selects which master's GPIODAT/SET/CLEAR/TOGGLE registers control this GPIO pin Reset type: SYSRSn

### 7.10.2.50 GPCSEL4 Register (Offset = AEh) [Reset = 0000000h]

GPCSEL4 is shown in [Figure 7-53](#) and described in [Table 7-63](#).

Return to the [Summary Table](#).

GPIO C Core Select Register (GPIO88 to 95)

Selects which master's GPIODAT/SET/CLEAR/TOGGLE registers control this GPIO pin

xx00: CPU1 selected

xx01: CPU1.CLA1 selected

xx1x: Reserved

**Figure 7-53. GPCSEL4 Register**

31	30	29	28	27	26	25	24	23	22	21	20	19	18	17	16
GPIO95				GPIO94				GPIO93				GPIO92			
R/W-0h				R/W-0h				R/W-0h				R/W-0h			
15	14	13	12	11	10	9	8	7	6	5	4	3	2	1	0
GPIO91				GPIO90				GPIO89				GPIO88			
R/W-0h				R/W-0h				R/W-0h				R/W-0h			

**Table 7-63. GPCSEL4 Register Field Descriptions**

Bit	Field	Type	Reset	Description
31-28	GPIO95	R/W	0h	Selects which master's GPIODAT/SET/CLEAR/TOGGLE registers control this GPIO pin Reset type: SYSRSn
27-24	GPIO94	R/W	0h	Selects which master's GPIODAT/SET/CLEAR/TOGGLE registers control this GPIO pin Reset type: SYSRSn
23-20	GPIO93	R/W	0h	Selects which master's GPIODAT/SET/CLEAR/TOGGLE registers control this GPIO pin Reset type: SYSRSn
19-16	GPIO92	R/W	0h	Selects which master's GPIODAT/SET/CLEAR/TOGGLE registers control this GPIO pin Reset type: SYSRSn
15-12	GPIO91	R/W	0h	Selects which master's GPIODAT/SET/CLEAR/TOGGLE registers control this GPIO pin Reset type: SYSRSn
11-8	GPIO90	R/W	0h	Selects which master's GPIODAT/SET/CLEAR/TOGGLE registers control this GPIO pin Reset type: SYSRSn
7-4	GPIO89	R/W	0h	Selects which master's GPIODAT/SET/CLEAR/TOGGLE registers control this GPIO pin Reset type: SYSRSn
3-0	GPIO88	R/W	0h	Selects which master's GPIODAT/SET/CLEAR/TOGGLE registers control this GPIO pin Reset type: SYSRSn

### 7.10.2.51 GPCLOCK Register (Offset = BCh) [Reset = 0000000h]

GPCLOCK is shown in [Figure 7-54](#) and described in [Table 7-64](#).

Return to the [Summary Table](#).

GPIO C Lock Configuration Register (GPIO64 to 95)

GPIO Configuration Lock for GPIO.

0: Bits in GPyMUX1, GPyMUX2, GPyDIR, GPyINV, GPyODR, GPyAMSEL, GPyGMUX1, GPyGMUX2 and GPyCSELx register which control the same pin can be changed

1: Locks changes to the bits in GPyMUX1, GPyMUX2, GPyDIR, GPyINV, GPyODR, GPyAMSEL, GPyGMUX1, GPyGMUX2 and GPyCSELx registers which control the same pin

**Figure 7-54. GPCLOCK Register**

31	30	29	28	27	26	25	24
GPIO95	GPIO94	GPIO93	GPIO92	GPIO91	GPIO90	GPIO89	GPIO88
R/W-0h	R/W-0h	R/W-0h	R/W-0h	R/W-0h	R/W-0h	R/W-0h	R/W-0h
23	22	21	20	19	18	17	16
GPIO87	GPIO86	GPIO85	GPIO84	GPIO83	GPIO82	GPIO81	GPIO80
R/W-0h	R/W-0h	R/W-0h	R/W-0h	R/W-0h	R/W-0h	R/W-0h	R/W-0h
15	14	13	12	11	10	9	8
GPIO79	GPIO78	GPIO77	GPIO76	GPIO75	GPIO74	GPIO73	GPIO72
R/W-0h	R/W-0h	R/W-0h	R/W-0h	R/W-0h	R/W-0h	R/W-0h	R/W-0h
7	6	5	4	3	2	1	0
GPIO71	GPIO70	GPIO69	GPIO68	GPIO67	GPIO66	GPIO65	GPIO64
R/W-0h	R/W-0h	R/W-0h	R/W-0h	R/W-0h	R/W-0h	R/W-0h	R/W-0h

**Table 7-64. GPCLOCK Register Field Descriptions**

Bit	Field	Type	Reset	Description
31	GPIO95	R/W	0h	Configuration Lock bit for this pin Reset type: SYSRSn
30	GPIO94	R/W	0h	Configuration Lock bit for this pin Reset type: SYSRSn
29	GPIO93	R/W	0h	Configuration Lock bit for this pin Reset type: SYSRSn
28	GPIO92	R/W	0h	Configuration Lock bit for this pin Reset type: SYSRSn
27	GPIO91	R/W	0h	Configuration Lock bit for this pin Reset type: SYSRSn
26	GPIO90	R/W	0h	Configuration Lock bit for this pin Reset type: SYSRSn
25	GPIO89	R/W	0h	Configuration Lock bit for this pin Reset type: SYSRSn
24	GPIO88	R/W	0h	Configuration Lock bit for this pin Reset type: SYSRSn
23	GPIO87	R/W	0h	Configuration Lock bit for this pin Reset type: SYSRSn
22	GPIO86	R/W	0h	Configuration Lock bit for this pin Reset type: SYSRSn
21	GPIO85	R/W	0h	Configuration Lock bit for this pin Reset type: SYSRSn

**Table 7-64. GPCLOCK Register Field Descriptions (continued)**

Bit	Field	Type	Reset	Description
20	GPIO84	R/W	0h	Configuration Lock bit for this pin Reset type: SYSRSn
19	GPIO83	R/W	0h	Configuration Lock bit for this pin Reset type: SYSRSn
18	GPIO82	R/W	0h	Configuration Lock bit for this pin Reset type: SYSRSn
17	GPIO81	R/W	0h	Configuration Lock bit for this pin Reset type: SYSRSn
16	GPIO80	R/W	0h	Configuration Lock bit for this pin Reset type: SYSRSn
15	GPIO79	R/W	0h	Configuration Lock bit for this pin Reset type: SYSRSn
14	GPIO78	R/W	0h	Configuration Lock bit for this pin Reset type: SYSRSn
13	GPIO77	R/W	0h	Configuration Lock bit for this pin Reset type: SYSRSn
12	GPIO76	R/W	0h	Configuration Lock bit for this pin Reset type: SYSRSn
11	GPIO75	R/W	0h	Configuration Lock bit for this pin Reset type: SYSRSn
10	GPIO74	R/W	0h	Configuration Lock bit for this pin Reset type: SYSRSn
9	GPIO73	R/W	0h	Configuration Lock bit for this pin Reset type: SYSRSn
8	GPIO72	R/W	0h	Configuration Lock bit for this pin Reset type: SYSRSn
7	GPIO71	R/W	0h	Configuration Lock bit for this pin Reset type: SYSRSn
6	GPIO70	R/W	0h	Configuration Lock bit for this pin Reset type: SYSRSn
5	GPIO69	R/W	0h	Configuration Lock bit for this pin Reset type: SYSRSn
4	GPIO68	R/W	0h	Configuration Lock bit for this pin Reset type: SYSRSn
3	GPIO67	R/W	0h	Configuration Lock bit for this pin Reset type: SYSRSn
2	GPIO66	R/W	0h	Configuration Lock bit for this pin Reset type: SYSRSn
1	GPIO65	R/W	0h	Configuration Lock bit for this pin Reset type: SYSRSn
0	GPIO64	R/W	0h	Configuration Lock bit for this pin Reset type: SYSRSn

### 7.10.2.52 GPCCR Register (Offset = BEh) [Reset = 0000000h]

GPCCR is shown in [Figure 7-55](#) and described in [Table 7-65](#).

Return to the [Summary Table](#).

GPIO C Lock Commit Register (GPIO64 to 95)

GPIO Configuration Lock Commit for GPIO:

1: Locks changes to the bit in GPyLOCK register which controls the same pin

0: Bit in the GPyLOCK register which controls the same pin can be changed

**Figure 7-55. GPCCR Register**

31	30	29	28	27	26	25	24
GPIO95	GPIO94	GPIO93	GPIO92	GPIO91	GPIO90	GPIO89	GPIO88
R/WOnce-0h	R/WOnce-0h	R/WOnce-0h	R/WOnce-0h	R/WOnce-0h	R/WOnce-0h	R/WOnce-0h	R/WOnce-0h
23	22	21	20	19	18	17	16
GPIO87	GPIO86	GPIO85	GPIO84	GPIO83	GPIO82	GPIO81	GPIO80
R/WOnce-0h	R/WOnce-0h	R/WOnce-0h	R/WOnce-0h	R/WOnce-0h	R/WOnce-0h	R/WOnce-0h	R/WOnce-0h
15	14	13	12	11	10	9	8
GPIO79	GPIO78	GPIO77	GPIO76	GPIO75	GPIO74	GPIO73	GPIO72
R/WOnce-0h	R/WOnce-0h	R/WOnce-0h	R/WOnce-0h	R/WOnce-0h	R/WOnce-0h	R/WOnce-0h	R/WOnce-0h
7	6	5	4	3	2	1	0
GPIO71	GPIO70	GPIO69	GPIO68	GPIO67	GPIO66	GPIO65	GPIO64
R/WOnce-0h	R/WOnce-0h	R/WOnce-0h	R/WOnce-0h	R/WOnce-0h	R/WOnce-0h	R/WOnce-0h	R/WOnce-0h

**Table 7-65. GPCCR Register Field Descriptions**

Bit	Field	Type	Reset	Description
31	GPIO95	R/WOnce	0h	Configuration lock commit bit for this pin Reset type: SYSRSn
30	GPIO94	R/WOnce	0h	Configuration lock commit bit for this pin Reset type: SYSRSn
29	GPIO93	R/WOnce	0h	Configuration lock commit bit for this pin Reset type: SYSRSn
28	GPIO92	R/WOnce	0h	Configuration lock commit bit for this pin Reset type: SYSRSn
27	GPIO91	R/WOnce	0h	Configuration lock commit bit for this pin Reset type: SYSRSn
26	GPIO90	R/WOnce	0h	Configuration lock commit bit for this pin Reset type: SYSRSn
25	GPIO89	R/WOnce	0h	Configuration lock commit bit for this pin Reset type: SYSRSn
24	GPIO88	R/WOnce	0h	Configuration lock commit bit for this pin Reset type: SYSRSn
23	GPIO87	R/WOnce	0h	Configuration lock commit bit for this pin Reset type: SYSRSn
22	GPIO86	R/WOnce	0h	Configuration lock commit bit for this pin Reset type: SYSRSn
21	GPIO85	R/WOnce	0h	Configuration lock commit bit for this pin Reset type: SYSRSn
20	GPIO84	R/WOnce	0h	Configuration lock commit bit for this pin Reset type: SYSRSn

**Table 7-65. GPCCR Register Field Descriptions (continued)**

Bit	Field	Type	Reset	Description
19	GPIO83	R/WOnce	0h	Configuration lock commit bit for this pin Reset type: SYSRSn
18	GPIO82	R/WOnce	0h	Configuration lock commit bit for this pin Reset type: SYSRSn
17	GPIO81	R/WOnce	0h	Configuration lock commit bit for this pin Reset type: SYSRSn
16	GPIO80	R/WOnce	0h	Configuration lock commit bit for this pin Reset type: SYSRSn
15	GPIO79	R/WOnce	0h	Configuration lock commit bit for this pin Reset type: SYSRSn
14	GPIO78	R/WOnce	0h	Configuration lock commit bit for this pin Reset type: SYSRSn
13	GPIO77	R/WOnce	0h	Configuration lock commit bit for this pin Reset type: SYSRSn
12	GPIO76	R/WOnce	0h	Configuration lock commit bit for this pin Reset type: SYSRSn
11	GPIO75	R/WOnce	0h	Configuration lock commit bit for this pin Reset type: SYSRSn
10	GPIO74	R/WOnce	0h	Configuration lock commit bit for this pin Reset type: SYSRSn
9	GPIO73	R/WOnce	0h	Configuration lock commit bit for this pin Reset type: SYSRSn
8	GPIO72	R/WOnce	0h	Configuration lock commit bit for this pin Reset type: SYSRSn
7	GPIO71	R/WOnce	0h	Configuration lock commit bit for this pin Reset type: SYSRSn
6	GPIO70	R/WOnce	0h	Configuration lock commit bit for this pin Reset type: SYSRSn
5	GPIO69	R/WOnce	0h	Configuration lock commit bit for this pin Reset type: SYSRSn
4	GPIO68	R/WOnce	0h	Configuration lock commit bit for this pin Reset type: SYSRSn
3	GPIO67	R/WOnce	0h	Configuration lock commit bit for this pin Reset type: SYSRSn
2	GPIO66	R/WOnce	0h	Configuration lock commit bit for this pin Reset type: SYSRSn
1	GPIO65	R/WOnce	0h	Configuration lock commit bit for this pin Reset type: SYSRSn
0	GPIO64	R/WOnce	0h	Configuration lock commit bit for this pin Reset type: SYSRSn

### 7.10.2.53 GPDCTRL Register (Offset = C0h) [Reset = 0000000h]

GPDCTRL is shown in [Figure 7-56](#) and described in [Table 7-66](#).

Return to the [Summary Table](#).

GPIO D Qualification Sampling Period Control (GPIO96 to 127)

**Figure 7-56. GPDCTRL Register**

31	30	29	28	27	26	25	24	23	22	21	20	19	18	17	16	15	14	13	12	11	10	9	8	7	6	5	4	3	2	1	0
QUALPRD3								QUALPRD2								QUALPRD1								QUALPRD0							
R/W-0h								R/W-0h								R/W-0h								R/W-0h							

**Table 7-66. GPDCTRL Register Field Descriptions**

Bit	Field	Type	Reset	Description
31-24	QUALPRD3	R/W	0h	Qualification sampling period for GPIO120 to GPIO127: 0x00,QUALPRDx = PLLSYSCLK 0x01,QUALPRDx = PLLSYSCLK/2 0x02,QUALPRDx = PLLSYSCLK/4 .... 0xFF,QUALPRDx = PLLSYSCLK/510 Reset type: SYSRSn
23-16	QUALPRD2	R/W	0h	Qualification sampling period for GPIO112 to GPIO119: 0x00,QUALPRDx = PLLSYSCLK 0x01,QUALPRDx = PLLSYSCLK/2 0x02,QUALPRDx = PLLSYSCLK/4 .... 0xFF,QUALPRDx = PLLSYSCLK/510 Reset type: SYSRSn
15-8	QUALPRD1	R/W	0h	Qualification sampling period for GPIO104 to GPIO111: 0x00,QUALPRDx = PLLSYSCLK 0x01,QUALPRDx = PLLSYSCLK/2 0x02,QUALPRDx = PLLSYSCLK/4 .... 0xFF,QUALPRDx = PLLSYSCLK/510 Reset type: SYSRSn
7-0	QUALPRD0	R/W	0h	Qualification sampling period for GPIO96 to GPIO103: 0x00,QUALPRDx = PLLSYSCLK 0x01,QUALPRDx = PLLSYSCLK/2 0x02,QUALPRDx = PLLSYSCLK/4 .... 0xFF,QUALPRDx = PLLSYSCLK/510 Reset type: SYSRSn



### 7.10.2.54 GPDQSEL1 Register (Offset = C2h) [Reset = 0000000h]

GPDQSEL1 is shown in [Figure 7-57](#) and described in [Table 7-67](#).

Return to the [Summary Table](#).

GPIO D Qualifier Select 1 Register (GPIO96 to 111)

Input qualification type:

0,0 Sync

0,1 Qualification (3 samples)

1,0 Qualification (6 samples)

1,1 Async (no Sync or Qualification)

**Figure 7-57. GPDQSEL1 Register**

31	30	29	28	27	26	25	24
GPIO111		GPIO110		GPIO109		GPIO108	
R/W-0h		R/W-0h		R/W-0h		R/W-0h	
23	22	21	20	19	18	17	16
GPIO107		GPIO106		GPIO105		GPIO104	
R/W-0h		R/W-0h		R/W-0h		R/W-0h	
15	14	13	12	11	10	9	8
GPIO103		GPIO102		GPIO101		GPIO100	
R/W-0h		R/W-0h		R/W-0h		R/W-0h	
7	6	5	4	3	2	1	0
GPIO99		GPIO98		GPIO97		GPIO96	
R/W-0h		R/W-0h		R/W-0h		R/W-0h	

**Table 7-67. GPDQSEL1 Register Field Descriptions**

Bit	Field	Type	Reset	Description
31-30	GPIO111	R/W	0h	Input qualification type Reset type: SYSRSn
29-28	GPIO110	R/W	0h	Input qualification type Reset type: SYSRSn
27-26	GPIO109	R/W	0h	Input qualification type Reset type: SYSRSn
25-24	GPIO108	R/W	0h	Input qualification type Reset type: SYSRSn
23-22	GPIO107	R/W	0h	Input qualification type Reset type: SYSRSn
21-20	GPIO106	R/W	0h	Input qualification type Reset type: SYSRSn
19-18	GPIO105	R/W	0h	Input qualification type Reset type: SYSRSn
17-16	GPIO104	R/W	0h	Input qualification type Reset type: SYSRSn
15-14	GPIO103	R/W	0h	Input qualification type Reset type: SYSRSn
13-12	GPIO102	R/W	0h	Input qualification type Reset type: SYSRSn
11-10	GPIO101	R/W	0h	Input qualification type Reset type: SYSRSn

**Table 7-67. GPDQSEL1 Register Field Descriptions (continued)**

Bit	Field	Type	Reset	Description
9-8	GPIO100	R/W	0h	Input qualification type Reset type: SYSRSn
7-6	GPIO99	R/W	0h	Input qualification type Reset type: SYSRSn
5-4	GPIO98	R/W	0h	Input qualification type Reset type: SYSRSn
3-2	GPIO97	R/W	0h	Input qualification type Reset type: SYSRSn
1-0	GPIO96	R/W	0h	Input qualification type Reset type: SYSRSn

### 7.10.2.55 GPDQSEL2 Register (Offset = C4h) [Reset = 0000000h]

GPDQSEL2 is shown in [Figure 7-58](#) and described in [Table 7-68](#).

Return to the [Summary Table](#).

GPIO D Qualifier Select 2 Register (GPIO112 to 127)

Input qualification type:

0,0 Sync

0,1 Qualification (3 samples)

1,0 Qualification (6 samples)

1,1 Async (no Sync or Qualification)

**Figure 7-58. GPDQSEL2 Register**

31	30	29	28	27	26	25	24
GPIO127		GPIO126		GPIO125		GPIO124	
R/W-0h		R/W-0h		R/W-0h		R/W-0h	
23	22	21	20	19	18	17	16
GPIO123		GPIO122		GPIO121		GPIO120	
R/W-0h		R/W-0h		R/W-0h		R/W-0h	
15	14	13	12	11	10	9	8
GPIO119		GPIO118		GPIO117		GPIO116	
R/W-0h		R/W-0h		R/W-0h		R/W-0h	
7	6	5	4	3	2	1	0
GPIO115		GPIO114		GPIO113		GPIO112	
R/W-0h		R/W-0h		R/W-0h		R/W-0h	

**Table 7-68. GPDQSEL2 Register Field Descriptions**

Bit	Field	Type	Reset	Description
31-30	GPIO127	R/W	0h	Input qualification type Reset type: SYSRSn
29-28	GPIO126	R/W	0h	Input qualification type Reset type: SYSRSn
27-26	GPIO125	R/W	0h	Input qualification type Reset type: SYSRSn
25-24	GPIO124	R/W	0h	Input qualification type Reset type: SYSRSn
23-22	GPIO123	R/W	0h	Input qualification type Reset type: SYSRSn
21-20	GPIO122	R/W	0h	Input qualification type Reset type: SYSRSn
19-18	GPIO121	R/W	0h	Input qualification type Reset type: SYSRSn
17-16	GPIO120	R/W	0h	Input qualification type Reset type: SYSRSn
15-14	GPIO119	R/W	0h	Input qualification type Reset type: SYSRSn
13-12	GPIO118	R/W	0h	Input qualification type Reset type: SYSRSn
11-10	GPIO117	R/W	0h	Input qualification type Reset type: SYSRSn

**Table 7-68. GPDQSEL2 Register Field Descriptions (continued)**

Bit	Field	Type	Reset	Description
9-8	GPIO116	R/W	0h	Input qualification type Reset type: SYSRSn
7-6	GPIO115	R/W	0h	Input qualification type Reset type: SYSRSn
5-4	GPIO114	R/W	0h	Input qualification type Reset type: SYSRSn
3-2	GPIO113	R/W	0h	Input qualification type Reset type: SYSRSn
1-0	GPIO112	R/W	0h	Input qualification type Reset type: SYSRSn

### 7.10.2.56 GPDMUX1 Register (Offset = C6h) [Reset = 0000000h]

GPDMUX1 is shown in [Figure 7-59](#) and described in [Table 7-69](#).

Return to the [Summary Table](#).

GPIO D Mux 1 Register (GPIO96 to 111)

Defines pin-muxing selection for GPIO.

Notes:

The respective GPyGMUXn.GPIOz must be configured prior to this register to avoid intermediate peripheral selects being mapped to the GPIO.

**Figure 7-59. GPDMUX1 Register**

31	30	29	28	27	26	25	24
GPIO111		GPIO110		GPIO109		GPIO108	
R/W-0h		R/W-0h		R/W-0h		R/W-0h	
23	22	21	20	19	18	17	16
GPIO107		GPIO106		GPIO105		GPIO104	
R/W-0h		R/W-0h		R/W-0h		R/W-0h	
15	14	13	12	11	10	9	8
GPIO103		GPIO102		GPIO101		GPIO100	
R/W-0h		R/W-0h		R/W-0h		R/W-0h	
7	6	5	4	3	2	1	0
GPIO99		GPIO98		GPIO97		GPIO96	
R/W-0h		R/W-0h		R/W-0h		R/W-0h	

**Table 7-69. GPDMUX1 Register Field Descriptions**

Bit	Field	Type	Reset	Description
31-30	GPIO111	R/W	0h	Defines pin-muxing selection for GPIO Reset type: SYSRSn
29-28	GPIO110	R/W	0h	Defines pin-muxing selection for GPIO Reset type: SYSRSn
27-26	GPIO109	R/W	0h	Defines pin-muxing selection for GPIO Reset type: SYSRSn
25-24	GPIO108	R/W	0h	Defines pin-muxing selection for GPIO Reset type: SYSRSn
23-22	GPIO107	R/W	0h	Defines pin-muxing selection for GPIO Reset type: SYSRSn
21-20	GPIO106	R/W	0h	Defines pin-muxing selection for GPIO Reset type: SYSRSn
19-18	GPIO105	R/W	0h	Defines pin-muxing selection for GPIO Reset type: SYSRSn
17-16	GPIO104	R/W	0h	Defines pin-muxing selection for GPIO Reset type: SYSRSn
15-14	GPIO103	R/W	0h	Defines pin-muxing selection for GPIO Reset type: SYSRSn
13-12	GPIO102	R/W	0h	Defines pin-muxing selection for GPIO Reset type: SYSRSn
11-10	GPIO101	R/W	0h	Defines pin-muxing selection for GPIO Reset type: SYSRSn

**Table 7-69. GPDMUX1 Register Field Descriptions (continued)**

Bit	Field	Type	Reset	Description
9-8	GPIO100	R/W	0h	Defines pin-muxing selection for GPIO Reset type: SYSRSn
7-6	GPIO99	R/W	0h	Defines pin-muxing selection for GPIO Reset type: SYSRSn
5-4	GPIO98	R/W	0h	Defines pin-muxing selection for GPIO Reset type: SYSRSn
3-2	GPIO97	R/W	0h	Defines pin-muxing selection for GPIO Reset type: SYSRSn
1-0	GPIO96	R/W	0h	Defines pin-muxing selection for GPIO Reset type: SYSRSn

### 7.10.2.57 GPDMUX2 Register (Offset = C8h) [Reset = 0000000h]

GPDMUX2 is shown in [Figure 7-60](#) and described in [Table 7-70](#).

Return to the [Summary Table](#).

GPIO D Mux 2 Register (GPIO112 to 127)

Defines pin-muxing selection for GPIO.

Notes:

The respective GPyGMUXn.GPIOz must be configured prior to this register to avoid intermediate peripheral selects being mapped to the GPIO.

**Figure 7-60. GPDMUX2 Register**

31	30	29	28	27	26	25	24
GPIO127		GPIO126		GPIO125		GPIO124	
R/W-0h		R/W-0h		R/W-0h		R/W-0h	
23	22	21	20	19	18	17	16
GPIO123		GPIO122		GPIO121		GPIO120	
R/W-0h		R/W-0h		R/W-0h		R/W-0h	
15	14	13	12	11	10	9	8
GPIO119		GPIO118		GPIO117		GPIO116	
R/W-0h		R/W-0h		R/W-0h		R/W-0h	
7	6	5	4	3	2	1	0
GPIO115		GPIO114		GPIO113		GPIO112	
R/W-0h		R/W-0h		R/W-0h		R/W-0h	

**Table 7-70. GPDMUX2 Register Field Descriptions**

Bit	Field	Type	Reset	Description
31-30	GPIO127	R/W	0h	Defines pin-muxing selection for GPIO Reset type: SYSRSn
29-28	GPIO126	R/W	0h	Defines pin-muxing selection for GPIO Reset type: SYSRSn
27-26	GPIO125	R/W	0h	Defines pin-muxing selection for GPIO Reset type: SYSRSn
25-24	GPIO124	R/W	0h	Defines pin-muxing selection for GPIO Reset type: SYSRSn
23-22	GPIO123	R/W	0h	Defines pin-muxing selection for GPIO Reset type: SYSRSn
21-20	GPIO122	R/W	0h	Defines pin-muxing selection for GPIO Reset type: SYSRSn
19-18	GPIO121	R/W	0h	Defines pin-muxing selection for GPIO Reset type: SYSRSn
17-16	GPIO120	R/W	0h	Defines pin-muxing selection for GPIO Reset type: SYSRSn
15-14	GPIO119	R/W	0h	Defines pin-muxing selection for GPIO Reset type: SYSRSn
13-12	GPIO118	R/W	0h	Defines pin-muxing selection for GPIO Reset type: SYSRSn
11-10	GPIO117	R/W	0h	Defines pin-muxing selection for GPIO Reset type: SYSRSn

**Table 7-70. GPDMUX2 Register Field Descriptions (continued)**

Bit	Field	Type	Reset	Description
9-8	GPIO116	R/W	0h	Defines pin-muxing selection for GPIO Reset type: SYSRSn
7-6	GPIO115	R/W	0h	Defines pin-muxing selection for GPIO Reset type: SYSRSn
5-4	GPIO114	R/W	0h	Defines pin-muxing selection for GPIO Reset type: SYSRSn
3-2	GPIO113	R/W	0h	Defines pin-muxing selection for GPIO Reset type: SYSRSn
1-0	GPIO112	R/W	0h	Defines pin-muxing selection for GPIO Reset type: SYSRSn



### 7.10.2.58 GPDDIR Register (Offset = CAh) [Reset = 0000000h]

GPDDIR is shown in [Figure 7-61](#) and described in [Table 7-71](#).

Return to the [Summary Table](#).

GPIO D Direction Register (GPIO96 to 127)

Controls direction of GPIO pins when the specified pin is configured in GPIO mode.

0: Configures pin as input.

1: Configures pin as output.

Reading the register returns the current value of the register setting.

**Figure 7-61. GPDDIR Register**

31	30	29	28	27	26	25	24
GPIO127	GPIO126	GPIO125	GPIO124	GPIO123	GPIO122	GPIO121	GPIO120
R/W-0h	R/W-0h	R/W-0h	R/W-0h	R/W-0h	R/W-0h	R/W-0h	R/W-0h
23	22	21	20	19	18	17	16
GPIO119	GPIO118	GPIO117	GPIO116	GPIO115	GPIO114	GPIO113	GPIO112
R/W-0h	R/W-0h	R/W-0h	R/W-0h	R/W-0h	R/W-0h	R/W-0h	R/W-0h
15	14	13	12	11	10	9	8
GPIO111	GPIO110	GPIO109	GPIO108	GPIO107	GPIO106	GPIO105	GPIO104
R/W-0h	R/W-0h	R/W-0h	R/W-0h	R/W-0h	R/W-0h	R/W-0h	R/W-0h
7	6	5	4	3	2	1	0
GPIO103	GPIO102	GPIO101	GPIO100	GPIO99	GPIO98	GPIO97	GPIO96
R/W-0h	R/W-0h	R/W-0h	R/W-0h	R/W-0h	R/W-0h	R/W-0h	R/W-0h

**Table 7-71. GPDDIR Register Field Descriptions**

Bit	Field	Type	Reset	Description
31	GPIO127	R/W	0h	Defines direction for this pin in GPIO mode Reset type: SYSRSn
30	GPIO126	R/W	0h	Defines direction for this pin in GPIO mode Reset type: SYSRSn
29	GPIO125	R/W	0h	Defines direction for this pin in GPIO mode Reset type: SYSRSn
28	GPIO124	R/W	0h	Defines direction for this pin in GPIO mode Reset type: SYSRSn
27	GPIO123	R/W	0h	Defines direction for this pin in GPIO mode Reset type: SYSRSn
26	GPIO122	R/W	0h	Defines direction for this pin in GPIO mode Reset type: SYSRSn
25	GPIO121	R/W	0h	Defines direction for this pin in GPIO mode Reset type: SYSRSn
24	GPIO120	R/W	0h	Defines direction for this pin in GPIO mode Reset type: SYSRSn
23	GPIO119	R/W	0h	Defines direction for this pin in GPIO mode Reset type: SYSRSn
22	GPIO118	R/W	0h	Defines direction for this pin in GPIO mode Reset type: SYSRSn
21	GPIO117	R/W	0h	Defines direction for this pin in GPIO mode Reset type: SYSRSn

**Table 7-71. GPDIR Register Field Descriptions (continued)**

Bit	Field	Type	Reset	Description
20	GPIO116	R/W	0h	Defines direction for this pin in GPIO mode Reset type: SYSRSn
19	GPIO115	R/W	0h	Defines direction for this pin in GPIO mode Reset type: SYSRSn
18	GPIO114	R/W	0h	Defines direction for this pin in GPIO mode Reset type: SYSRSn
17	GPIO113	R/W	0h	Defines direction for this pin in GPIO mode Reset type: SYSRSn
16	GPIO112	R/W	0h	Defines direction for this pin in GPIO mode Reset type: SYSRSn
15	GPIO111	R/W	0h	Defines direction for this pin in GPIO mode Reset type: SYSRSn
14	GPIO110	R/W	0h	Defines direction for this pin in GPIO mode Reset type: SYSRSn
13	GPIO109	R/W	0h	Defines direction for this pin in GPIO mode Reset type: SYSRSn
12	GPIO108	R/W	0h	Defines direction for this pin in GPIO mode Reset type: SYSRSn
11	GPIO107	R/W	0h	Defines direction for this pin in GPIO mode Reset type: SYSRSn
10	GPIO106	R/W	0h	Defines direction for this pin in GPIO mode Reset type: SYSRSn
9	GPIO105	R/W	0h	Defines direction for this pin in GPIO mode Reset type: SYSRSn
8	GPIO104	R/W	0h	Defines direction for this pin in GPIO mode Reset type: SYSRSn
7	GPIO103	R/W	0h	Defines direction for this pin in GPIO mode Reset type: SYSRSn
6	GPIO102	R/W	0h	Defines direction for this pin in GPIO mode Reset type: SYSRSn
5	GPIO101	R/W	0h	Defines direction for this pin in GPIO mode Reset type: SYSRSn
4	GPIO100	R/W	0h	Defines direction for this pin in GPIO mode Reset type: SYSRSn
3	GPIO99	R/W	0h	Defines direction for this pin in GPIO mode Reset type: SYSRSn
2	GPIO98	R/W	0h	Defines direction for this pin in GPIO mode Reset type: SYSRSn
1	GPIO97	R/W	0h	Defines direction for this pin in GPIO mode Reset type: SYSRSn
0	GPIO96	R/W	0h	Defines direction for this pin in GPIO mode Reset type: SYSRSn

### 7.10.2.59 GPDPU Register (Offset = CCh) [Reset = FFFFFFFFh]

GPDPU is shown in [Figure 7-62](#) and described in [Table 7-72](#).

Return to the [Summary Table](#).

GPIO D Pull Up Disable Register (GPIO96 to 127)

Disables the Pull-Up on GPIO.

0: Enables the Pull-Up.

1: Disables the Pull-Up.

Reading the register returns the current value of the register setting.

**Figure 7-62. GPDPU Register**

31	30	29	28	27	26	25	24
GPIO127	GPIO126	GPIO125	GPIO124	GPIO123	GPIO122	GPIO121	GPIO120
R/W-1h	R/W-1h	R/W-1h	R/W-1h	R/W-1h	R/W-1h	R/W-1h	R/W-1h
23	22	21	20	19	18	17	16
GPIO119	GPIO118	GPIO117	GPIO116	GPIO115	GPIO114	GPIO113	GPIO112
R/W-1h	R/W-1h	R/W-1h	R/W-1h	R/W-1h	R/W-1h	R/W-1h	R/W-1h
15	14	13	12	11	10	9	8
GPIO111	GPIO110	GPIO109	GPIO108	GPIO107	GPIO106	GPIO105	GPIO104
R/W-1h	R/W-1h	R/W-1h	R/W-1h	R/W-1h	R/W-1h	R/W-1h	R/W-1h
7	6	5	4	3	2	1	0
GPIO103	GPIO102	GPIO101	GPIO100	GPIO99	GPIO98	GPIO97	GPIO96
R/W-1h	R/W-1h	R/W-1h	R/W-1h	R/W-1h	R/W-1h	R/W-1h	R/W-1h

**Table 7-72. GPDPU Register Field Descriptions**

Bit	Field	Type	Reset	Description
31	GPIO127	R/W	1h	Pull-Up Disable control for this pin Reset type: SYSRSn
30	GPIO126	R/W	1h	Pull-Up Disable control for this pin Reset type: SYSRSn
29	GPIO125	R/W	1h	Pull-Up Disable control for this pin Reset type: SYSRSn
28	GPIO124	R/W	1h	Pull-Up Disable control for this pin Reset type: SYSRSn
27	GPIO123	R/W	1h	Pull-Up Disable control for this pin Reset type: SYSRSn
26	GPIO122	R/W	1h	Pull-Up Disable control for this pin Reset type: SYSRSn
25	GPIO121	R/W	1h	Pull-Up Disable control for this pin Reset type: SYSRSn
24	GPIO120	R/W	1h	Pull-Up Disable control for this pin Reset type: SYSRSn
23	GPIO119	R/W	1h	Pull-Up Disable control for this pin Reset type: SYSRSn
22	GPIO118	R/W	1h	Pull-Up Disable control for this pin Reset type: SYSRSn
21	GPIO117	R/W	1h	Pull-Up Disable control for this pin Reset type: SYSRSn

**Table 7-72. GPDPUD Register Field Descriptions (continued)**

Bit	Field	Type	Reset	Description
20	GPIO116	R/W	1h	Pull-Up Disable control for this pin Reset type: SYSRSn
19	GPIO115	R/W	1h	Pull-Up Disable control for this pin Reset type: SYSRSn
18	GPIO114	R/W	1h	Pull-Up Disable control for this pin Reset type: SYSRSn
17	GPIO113	R/W	1h	Pull-Up Disable control for this pin Reset type: SYSRSn
16	GPIO112	R/W	1h	Pull-Up Disable control for this pin Reset type: SYSRSn
15	GPIO111	R/W	1h	Pull-Up Disable control for this pin Reset type: SYSRSn
14	GPIO110	R/W	1h	Pull-Up Disable control for this pin Reset type: SYSRSn
13	GPIO109	R/W	1h	Pull-Up Disable control for this pin Reset type: SYSRSn
12	GPIO108	R/W	1h	Pull-Up Disable control for this pin Reset type: SYSRSn
11	GPIO107	R/W	1h	Pull-Up Disable control for this pin Reset type: SYSRSn
10	GPIO106	R/W	1h	Pull-Up Disable control for this pin Reset type: SYSRSn
9	GPIO105	R/W	1h	Pull-Up Disable control for this pin Reset type: SYSRSn
8	GPIO104	R/W	1h	Pull-Up Disable control for this pin Reset type: SYSRSn
7	GPIO103	R/W	1h	Pull-Up Disable control for this pin Reset type: SYSRSn
6	GPIO102	R/W	1h	Pull-Up Disable control for this pin Reset type: SYSRSn
5	GPIO101	R/W	1h	Pull-Up Disable control for this pin Reset type: SYSRSn
4	GPIO100	R/W	1h	Pull-Up Disable control for this pin Reset type: SYSRSn
3	GPIO99	R/W	1h	Pull-Up Disable control for this pin Reset type: SYSRSn
2	GPIO98	R/W	1h	Pull-Up Disable control for this pin Reset type: SYSRSn
1	GPIO97	R/W	1h	Pull-Up Disable control for this pin Reset type: SYSRSn
0	GPIO96	R/W	1h	Pull-Up Disable control for this pin Reset type: SYSRSn

### 7.10.2.60 GPDINV Register (Offset = D0h) [Reset = 0000000h]

GPDINV is shown in [Figure 7-63](#) and described in [Table 7-73](#).

Return to the [Summary Table](#).

GPIO D Input Polarity Invert Registers (GPIO96 to 127)

Selects between non-inverted and inverted GPIO input to the device.

0: selects non-inverted GPIO input

1: selects inverted GPIO input

Reading the register returns the current value of the register setting.

**Figure 7-63. GPDINV Register**

31	30	29	28	27	26	25	24
GPIO127	GPIO126	GPIO125	GPIO124	GPIO123	GPIO122	GPIO121	GPIO120
R/W-0h	R/W-0h	R/W-0h	R/W-0h	R/W-0h	R/W-0h	R/W-0h	R/W-0h
23	22	21	20	19	18	17	16
GPIO119	GPIO118	GPIO117	GPIO116	GPIO115	GPIO114	GPIO113	GPIO112
R/W-0h	R/W-0h	R/W-0h	R/W-0h	R/W-0h	R/W-0h	R/W-0h	R/W-0h
15	14	13	12	11	10	9	8
GPIO111	GPIO110	GPIO109	GPIO108	GPIO107	GPIO106	GPIO105	GPIO104
R/W-0h	R/W-0h	R/W-0h	R/W-0h	R/W-0h	R/W-0h	R/W-0h	R/W-0h
7	6	5	4	3	2	1	0
GPIO103	GPIO102	GPIO101	GPIO100	GPIO99	GPIO98	GPIO97	GPIO96
R/W-0h	R/W-0h	R/W-0h	R/W-0h	R/W-0h	R/W-0h	R/W-0h	R/W-0h

**Table 7-73. GPDINV Register Field Descriptions**

Bit	Field	Type	Reset	Description
31	GPIO127	R/W	0h	Input inversion control for this pin Reset type: SYSRSn
30	GPIO126	R/W	0h	Input inversion control for this pin Reset type: SYSRSn
29	GPIO125	R/W	0h	Input inversion control for this pin Reset type: SYSRSn
28	GPIO124	R/W	0h	Input inversion control for this pin Reset type: SYSRSn
27	GPIO123	R/W	0h	Input inversion control for this pin Reset type: SYSRSn
26	GPIO122	R/W	0h	Input inversion control for this pin Reset type: SYSRSn
25	GPIO121	R/W	0h	Input inversion control for this pin Reset type: SYSRSn
24	GPIO120	R/W	0h	Input inversion control for this pin Reset type: SYSRSn
23	GPIO119	R/W	0h	Input inversion control for this pin Reset type: SYSRSn
22	GPIO118	R/W	0h	Input inversion control for this pin Reset type: SYSRSn
21	GPIO117	R/W	0h	Input inversion control for this pin Reset type: SYSRSn

**Table 7-73. GPDINV Register Field Descriptions (continued)**

Bit	Field	Type	Reset	Description
20	GPIO116	R/W	0h	Input inversion control for this pin Reset type: SYSRSn
19	GPIO115	R/W	0h	Input inversion control for this pin Reset type: SYSRSn
18	GPIO114	R/W	0h	Input inversion control for this pin Reset type: SYSRSn
17	GPIO113	R/W	0h	Input inversion control for this pin Reset type: SYSRSn
16	GPIO112	R/W	0h	Input inversion control for this pin Reset type: SYSRSn
15	GPIO111	R/W	0h	Input inversion control for this pin Reset type: SYSRSn
14	GPIO110	R/W	0h	Input inversion control for this pin Reset type: SYSRSn
13	GPIO109	R/W	0h	Input inversion control for this pin Reset type: SYSRSn
12	GPIO108	R/W	0h	Input inversion control for this pin Reset type: SYSRSn
11	GPIO107	R/W	0h	Input inversion control for this pin Reset type: SYSRSn
10	GPIO106	R/W	0h	Input inversion control for this pin Reset type: SYSRSn
9	GPIO105	R/W	0h	Input inversion control for this pin Reset type: SYSRSn
8	GPIO104	R/W	0h	Input inversion control for this pin Reset type: SYSRSn
7	GPIO103	R/W	0h	Input inversion control for this pin Reset type: SYSRSn
6	GPIO102	R/W	0h	Input inversion control for this pin Reset type: SYSRSn
5	GPIO101	R/W	0h	Input inversion control for this pin Reset type: SYSRSn
4	GPIO100	R/W	0h	Input inversion control for this pin Reset type: SYSRSn
3	GPIO99	R/W	0h	Input inversion control for this pin Reset type: SYSRSn
2	GPIO98	R/W	0h	Input inversion control for this pin Reset type: SYSRSn
1	GPIO97	R/W	0h	Input inversion control for this pin Reset type: SYSRSn
0	GPIO96	R/W	0h	Input inversion control for this pin Reset type: SYSRSn

### 7.10.2.61 GPDODR Register (Offset = D2h) [Reset = 0000000h]

GPDODR is shown in [Figure 7-64](#) and described in [Table 7-74](#).

Return to the [Summary Table](#).

GPIO D Open Drain Output Register (GPIO96 to GPIO127)

Selects between normal and open-drain output for the GPIO pin.

0: Normal Output

1: Open Drain Output

Reading the register returns the current value of the register setting.

Note:

[1] In the Open Drain output mode, if the buffer is configured for output mode, a 0 value to be driven out comes out on the on the PAD while a 1 value to be driven out tri-states the buffer.

**Figure 7-64. GPDODR Register**

31	30	29	28	27	26	25	24
GPIO127	GPIO126	GPIO125	GPIO124	GPIO123	GPIO122	GPIO121	GPIO120
R/W-0h	R/W-0h	R/W-0h	R/W-0h	R/W-0h	R/W-0h	R/W-0h	R/W-0h
23	22	21	20	19	18	17	16
GPIO119	GPIO118	GPIO117	GPIO116	GPIO115	GPIO114	GPIO113	GPIO112
R/W-0h	R/W-0h	R/W-0h	R/W-0h	R/W-0h	R/W-0h	R/W-0h	R/W-0h
15	14	13	12	11	10	9	8
GPIO111	GPIO110	GPIO109	GPIO108	GPIO107	GPIO106	GPIO105	GPIO104
R/W-0h	R/W-0h	R/W-0h	R/W-0h	R/W-0h	R/W-0h	R/W-0h	R/W-0h
7	6	5	4	3	2	1	0
GPIO103	GPIO102	GPIO101	GPIO100	GPIO99	GPIO98	GPIO97	GPIO96
R/W-0h	R/W-0h	R/W-0h	R/W-0h	R/W-0h	R/W-0h	R/W-0h	R/W-0h

**Table 7-74. GPDODR Register Field Descriptions**

Bit	Field	Type	Reset	Description
31	GPIO127	R/W	0h	Output Open-Drain control for this pin Reset type: SYSRSn
30	GPIO126	R/W	0h	Output Open-Drain control for this pin Reset type: SYSRSn
29	GPIO125	R/W	0h	Output Open-Drain control for this pin Reset type: SYSRSn
28	GPIO124	R/W	0h	Output Open-Drain control for this pin Reset type: SYSRSn
27	GPIO123	R/W	0h	Output Open-Drain control for this pin Reset type: SYSRSn
26	GPIO122	R/W	0h	Output Open-Drain control for this pin Reset type: SYSRSn
25	GPIO121	R/W	0h	Output Open-Drain control for this pin Reset type: SYSRSn
24	GPIO120	R/W	0h	Output Open-Drain control for this pin Reset type: SYSRSn
23	GPIO119	R/W	0h	Output Open-Drain control for this pin Reset type: SYSRSn
22	GPIO118	R/W	0h	Output Open-Drain control for this pin Reset type: SYSRSn

**Table 7-74. GPDODR Register Field Descriptions (continued)**

Bit	Field	Type	Reset	Description
21	GPIO117	R/W	0h	Output Open-Drain control for this pin Reset type: SYSRSn
20	GPIO116	R/W	0h	Output Open-Drain control for this pin Reset type: SYSRSn
19	GPIO115	R/W	0h	Output Open-Drain control for this pin Reset type: SYSRSn
18	GPIO114	R/W	0h	Output Open-Drain control for this pin Reset type: SYSRSn
17	GPIO113	R/W	0h	Output Open-Drain control for this pin Reset type: SYSRSn
16	GPIO112	R/W	0h	Output Open-Drain control for this pin Reset type: SYSRSn
15	GPIO111	R/W	0h	Output Open-Drain control for this pin Reset type: SYSRSn
14	GPIO110	R/W	0h	Output Open-Drain control for this pin Reset type: SYSRSn
13	GPIO109	R/W	0h	Output Open-Drain control for this pin Reset type: SYSRSn
12	GPIO108	R/W	0h	Output Open-Drain control for this pin Reset type: SYSRSn
11	GPIO107	R/W	0h	Output Open-Drain control for this pin Reset type: SYSRSn
10	GPIO106	R/W	0h	Output Open-Drain control for this pin Reset type: SYSRSn
9	GPIO105	R/W	0h	Output Open-Drain control for this pin Reset type: SYSRSn
8	GPIO104	R/W	0h	Output Open-Drain control for this pin Reset type: SYSRSn
7	GPIO103	R/W	0h	Output Open-Drain control for this pin Reset type: SYSRSn
6	GPIO102	R/W	0h	Output Open-Drain control for this pin Reset type: SYSRSn
5	GPIO101	R/W	0h	Output Open-Drain control for this pin Reset type: SYSRSn
4	GPIO100	R/W	0h	Output Open-Drain control for this pin Reset type: SYSRSn
3	GPIO99	R/W	0h	Output Open-Drain control for this pin Reset type: SYSRSn
2	GPIO98	R/W	0h	Output Open-Drain control for this pin Reset type: SYSRSn
1	GPIO97	R/W	0h	Output Open-Drain control for this pin Reset type: SYSRSn
0	GPIO96	R/W	0h	Output Open-Drain control for this pin Reset type: SYSRSn



### 7.10.2.62 GPDGMUX1 Register (Offset = E0h) [Reset = 0000000h]

GPDGMUX1 is shown in [Figure 7-65](#) and described in [Table 7-75](#).

Return to the [Summary Table](#).

GPIO D Peripheral Group Mux (GPIO96 to 111)

Defines pin-muxing selection for GPIO.

Note: For complete pin-mux selection on GPIOx, GPAMUXy.GPIOx configuration is also required.

**Figure 7-65. GPDGMUX1 Register**

31	30	29	28	27	26	25	24
GPIO111		GPIO110		GPIO109		GPIO108	
R/W-0h		R/W-0h		R/W-0h		R/W-0h	
23	22	21	20	19	18	17	16
GPIO107		GPIO106		GPIO105		GPIO104	
R/W-0h		R/W-0h		R/W-0h		R/W-0h	
15	14	13	12	11	10	9	8
GPIO103		GPIO102		GPIO101		GPIO100	
R/W-0h		R/W-0h		R/W-0h		R/W-0h	
7	6	5	4	3	2	1	0
GPIO99		GPIO98		GPIO97		GPIO96	
R/W-0h		R/W-0h		R/W-0h		R/W-0h	

**Table 7-75. GPDGMUX1 Register Field Descriptions**

Bit	Field	Type	Reset	Description
31-30	GPIO111	R/W	0h	Defines pin-muxing selection for GPIO Reset type: SYSRSn
29-28	GPIO110	R/W	0h	Defines pin-muxing selection for GPIO Reset type: SYSRSn
27-26	GPIO109	R/W	0h	Defines pin-muxing selection for GPIO Reset type: SYSRSn
25-24	GPIO108	R/W	0h	Defines pin-muxing selection for GPIO Reset type: SYSRSn
23-22	GPIO107	R/W	0h	Defines pin-muxing selection for GPIO Reset type: SYSRSn
21-20	GPIO106	R/W	0h	Defines pin-muxing selection for GPIO Reset type: SYSRSn
19-18	GPIO105	R/W	0h	Defines pin-muxing selection for GPIO Reset type: SYSRSn
17-16	GPIO104	R/W	0h	Defines pin-muxing selection for GPIO Reset type: SYSRSn
15-14	GPIO103	R/W	0h	Defines pin-muxing selection for GPIO Reset type: SYSRSn
13-12	GPIO102	R/W	0h	Defines pin-muxing selection for GPIO Reset type: SYSRSn
11-10	GPIO101	R/W	0h	Defines pin-muxing selection for GPIO Reset type: SYSRSn
9-8	GPIO100	R/W	0h	Defines pin-muxing selection for GPIO Reset type: SYSRSn

**Table 7-75. GPDGMUX1 Register Field Descriptions (continued)**

Bit	Field	Type	Reset	Description
7-6	GPIO99	R/W	0h	Defines pin-muxing selection for GPIO Reset type: SYSRSn
5-4	GPIO98	R/W	0h	Defines pin-muxing selection for GPIO Reset type: SYSRSn
3-2	GPIO97	R/W	0h	Defines pin-muxing selection for GPIO Reset type: SYSRSn
1-0	GPIO96	R/W	0h	Defines pin-muxing selection for GPIO Reset type: SYSRSn

### 7.10.2.63 GPDGMUX2 Register (Offset = E2h) [Reset = 0000000h]

GPDGMUX2 is shown in [Figure 7-66](#) and described in [Table 7-76](#).

Return to the [Summary Table](#).

GPIO D Peripheral Group Mux (GPIO112 to 127)

Defines pin-muxing selection for GPIO.

Note: For complete pin-mux selection on GPIOx, GPAMUXy.GPIOx configuration is also required.

**Figure 7-66. GPDGMUX2 Register**

31	30	29	28	27	26	25	24
GPIO127		GPIO126		GPIO125		GPIO124	
R/W-0h		R/W-0h		R/W-0h		R/W-0h	
23	22	21	20	19	18	17	16
GPIO123		GPIO122		GPIO121		GPIO120	
R/W-0h		R/W-0h		R/W-0h		R/W-0h	
15	14	13	12	11	10	9	8
GPIO119		GPIO118		GPIO117		GPIO116	
R/W-0h		R/W-0h		R/W-0h		R/W-0h	
7	6	5	4	3	2	1	0
GPIO115		GPIO114		GPIO113		GPIO112	
R/W-0h		R/W-0h		R/W-0h		R/W-0h	

**Table 7-76. GPDGMUX2 Register Field Descriptions**

Bit	Field	Type	Reset	Description
31-30	GPIO127	R/W	0h	Defines pin-muxing selection for GPIO Reset type: SYSRSn
29-28	GPIO126	R/W	0h	Defines pin-muxing selection for GPIO Reset type: SYSRSn
27-26	GPIO125	R/W	0h	Defines pin-muxing selection for GPIO Reset type: SYSRSn
25-24	GPIO124	R/W	0h	Defines pin-muxing selection for GPIO Reset type: SYSRSn
23-22	GPIO123	R/W	0h	Defines pin-muxing selection for GPIO Reset type: SYSRSn
21-20	GPIO122	R/W	0h	Defines pin-muxing selection for GPIO Reset type: SYSRSn
19-18	GPIO121	R/W	0h	Defines pin-muxing selection for GPIO Reset type: SYSRSn
17-16	GPIO120	R/W	0h	Defines pin-muxing selection for GPIO Reset type: SYSRSn
15-14	GPIO119	R/W	0h	Defines pin-muxing selection for GPIO Reset type: SYSRSn
13-12	GPIO118	R/W	0h	Defines pin-muxing selection for GPIO Reset type: SYSRSn
11-10	GPIO117	R/W	0h	Defines pin-muxing selection for GPIO Reset type: SYSRSn
9-8	GPIO116	R/W	0h	Defines pin-muxing selection for GPIO Reset type: SYSRSn

**Table 7-76. GPDGMUX2 Register Field Descriptions (continued)**

Bit	Field	Type	Reset	Description
7-6	GPIO115	R/W	0h	Defines pin-muxing selection for GPIO Reset type: SYSRSn
5-4	GPIO114	R/W	0h	Defines pin-muxing selection for GPIO Reset type: SYSRSn
3-2	GPIO113	R/W	0h	Defines pin-muxing selection for GPIO Reset type: SYSRSn
1-0	GPIO112	R/W	0h	Defines pin-muxing selection for GPIO Reset type: SYSRSn

### 7.10.2.64 GPDCSEL1 Register (Offset = E8h) [Reset = 0000000h]

GPDCSEL1 is shown in [Figure 7-67](#) and described in [Table 7-77](#).

Return to the [Summary Table](#).

GPIO D Core Select Register (GPIO96 to 103)

Selects which master's GPIODAT/SET/CLEAR/TOGGLE registers control this GPIO pin

xx00: CPU1 selected

xx01: CPU1.CLA1 selected

xx1x: Reserved

**Figure 7-67. GPDCSEL1 Register**

31	30	29	28	27	26	25	24	23	22	21	20	19	18	17	16
GPIO103				GPIO102				GPIO101				GPIO100			
R/W-0h				R/W-0h				R/W-0h				R/W-0h			
15	14	13	12	11	10	9	8	7	6	5	4	3	2	1	0
GPIO99				GPIO98				GPIO97				GPIO96			
R/W-0h				R/W-0h				R/W-0h				R/W-0h			

**Table 7-77. GPDCSEL1 Register Field Descriptions**

Bit	Field	Type	Reset	Description
31-28	GPIO103	R/W	0h	Selects which master's GPIODAT/SET/CLEAR/TOGGLE registers control this GPIO pin Reset type: SYSRSn
27-24	GPIO102	R/W	0h	Selects which master's GPIODAT/SET/CLEAR/TOGGLE registers control this GPIO pin Reset type: SYSRSn
23-20	GPIO101	R/W	0h	Selects which master's GPIODAT/SET/CLEAR/TOGGLE registers control this GPIO pin Reset type: SYSRSn
19-16	GPIO100	R/W	0h	Selects which master's GPIODAT/SET/CLEAR/TOGGLE registers control this GPIO pin Reset type: SYSRSn
15-12	GPIO99	R/W	0h	Selects which master's GPIODAT/SET/CLEAR/TOGGLE registers control this GPIO pin Reset type: SYSRSn
11-8	GPIO98	R/W	0h	Selects which master's GPIODAT/SET/CLEAR/TOGGLE registers control this GPIO pin Reset type: SYSRSn
7-4	GPIO97	R/W	0h	Selects which master's GPIODAT/SET/CLEAR/TOGGLE registers control this GPIO pin Reset type: SYSRSn
3-0	GPIO96	R/W	0h	Selects which master's GPIODAT/SET/CLEAR/TOGGLE registers control this GPIO pin Reset type: SYSRSn

### 7.10.2.65 GPDCSEL2 Register (Offset = EAh) [Reset = 0000000h]

GPDCSEL2 is shown in [Figure 7-68](#) and described in [Table 7-78](#).

Return to the [Summary Table](#).

GPIO D Core Select Register (GPIO104 to 111)

Selects which master's GPIODAT/SET/CLEAR/TOGGLE registers control this GPIO pin

xx00: CPU1 selected

xx01: CPU1.CLA1 selected

xx1x: Reserved

**Figure 7-68. GPDCSEL2 Register**

31	30	29	28	27	26	25	24	23	22	21	20	19	18	17	16
GPIO111				GPIO110				GPIO109				GPIO108			
R/W-0h				R/W-0h				R/W-0h				R/W-0h			
15	14	13	12	11	10	9	8	7	6	5	4	3	2	1	0
GPIO107				GPIO106				GPIO105				GPIO104			
R/W-0h				R/W-0h				R/W-0h				R/W-0h			

**Table 7-78. GPDCSEL2 Register Field Descriptions**

Bit	Field	Type	Reset	Description
31-28	GPIO111	R/W	0h	Selects which master's GPIODAT/SET/CLEAR/TOGGLE registers control this GPIO pin Reset type: SYSRSn
27-24	GPIO110	R/W	0h	Selects which master's GPIODAT/SET/CLEAR/TOGGLE registers control this GPIO pin Reset type: SYSRSn
23-20	GPIO109	R/W	0h	Selects which master's GPIODAT/SET/CLEAR/TOGGLE registers control this GPIO pin Reset type: SYSRSn
19-16	GPIO108	R/W	0h	Selects which master's GPIODAT/SET/CLEAR/TOGGLE registers control this GPIO pin Reset type: SYSRSn
15-12	GPIO107	R/W	0h	Selects which master's GPIODAT/SET/CLEAR/TOGGLE registers control this GPIO pin Reset type: SYSRSn
11-8	GPIO106	R/W	0h	Selects which master's GPIODAT/SET/CLEAR/TOGGLE registers control this GPIO pin Reset type: SYSRSn
7-4	GPIO105	R/W	0h	Selects which master's GPIODAT/SET/CLEAR/TOGGLE registers control this GPIO pin Reset type: SYSRSn
3-0	GPIO104	R/W	0h	Selects which master's GPIODAT/SET/CLEAR/TOGGLE registers control this GPIO pin Reset type: SYSRSn

### 7.10.2.66 GPDCSEL3 Register (Offset = ECh) [Reset = 0000000h]

GPDCSEL3 is shown in [Figure 7-69](#) and described in [Table 7-79](#).

Return to the [Summary Table](#).

GPIO D Core Select Register (GPIO112 to 119)

Selects which master's GPIODAT/SET/CLEAR/TOGGLE registers control this GPIO pin

xx00: CPU1 selected

xx01: CPU1.CLA1 selected

xx1x: Reserved

**Figure 7-69. GPDCSEL3 Register**

31	30	29	28	27	26	25	24	23	22	21	20	19	18	17	16
GPIO119				GPIO118				GPIO117				GPIO116			
R/W-0h				R/W-0h				R/W-0h				R/W-0h			
15	14	13	12	11	10	9	8	7	6	5	4	3	2	1	0
GPIO115				GPIO114				GPIO113				GPIO112			
R/W-0h				R/W-0h				R/W-0h				R/W-0h			

**Table 7-79. GPDCSEL3 Register Field Descriptions**

Bit	Field	Type	Reset	Description
31-28	GPIO119	R/W	0h	Selects which master's GPIODAT/SET/CLEAR/TOGGLE registers control this GPIO pin Reset type: SYSRSn
27-24	GPIO118	R/W	0h	Selects which master's GPIODAT/SET/CLEAR/TOGGLE registers control this GPIO pin Reset type: SYSRSn
23-20	GPIO117	R/W	0h	Selects which master's GPIODAT/SET/CLEAR/TOGGLE registers control this GPIO pin Reset type: SYSRSn
19-16	GPIO116	R/W	0h	Selects which master's GPIODAT/SET/CLEAR/TOGGLE registers control this GPIO pin Reset type: SYSRSn
15-12	GPIO115	R/W	0h	Selects which master's GPIODAT/SET/CLEAR/TOGGLE registers control this GPIO pin Reset type: SYSRSn
11-8	GPIO114	R/W	0h	Selects which master's GPIODAT/SET/CLEAR/TOGGLE registers control this GPIO pin Reset type: SYSRSn
7-4	GPIO113	R/W	0h	Selects which master's GPIODAT/SET/CLEAR/TOGGLE registers control this GPIO pin Reset type: SYSRSn
3-0	GPIO112	R/W	0h	Selects which master's GPIODAT/SET/CLEAR/TOGGLE registers control this GPIO pin Reset type: SYSRSn

### 7.10.2.67 GPCSEL4 Register (Offset = EEh) [Reset = 0000000h]

GPCSEL4 is shown in [Figure 7-70](#) and described in [Table 7-80](#).

Return to the [Summary Table](#).

GPIO D Core Select Register (GPIO120 to 127)

Selects which master's GPIODAT/SET/CLEAR/TOGGLE registers control this GPIO pin

xx00: CPU1 selected

xx01: CPU1.CLA1 selected

xx1x: Reserved

**Figure 7-70. GPCSEL4 Register**

31	30	29	28	27	26	25	24	23	22	21	20	19	18	17	16
GPIO127				GPIO126				GPIO125				GPIO124			
R/W-0h				R/W-0h				R/W-0h				R/W-0h			
15	14	13	12	11	10	9	8	7	6	5	4	3	2	1	0
GPIO123				GPIO122				GPIO121				GPIO120			
R/W-0h				R/W-0h				R/W-0h				R/W-0h			

**Table 7-80. GPCSEL4 Register Field Descriptions**

Bit	Field	Type	Reset	Description
31-28	GPIO127	R/W	0h	Selects which master's GPIODAT/SET/CLEAR/TOGGLE registers control this GPIO pin Reset type: SYSRSn
27-24	GPIO126	R/W	0h	Selects which master's GPIODAT/SET/CLEAR/TOGGLE registers control this GPIO pin Reset type: SYSRSn
23-20	GPIO125	R/W	0h	Selects which master's GPIODAT/SET/CLEAR/TOGGLE registers control this GPIO pin Reset type: SYSRSn
19-16	GPIO124	R/W	0h	Selects which master's GPIODAT/SET/CLEAR/TOGGLE registers control this GPIO pin Reset type: SYSRSn
15-12	GPIO123	R/W	0h	Selects which master's GPIODAT/SET/CLEAR/TOGGLE registers control this GPIO pin Reset type: SYSRSn
11-8	GPIO122	R/W	0h	Selects which master's GPIODAT/SET/CLEAR/TOGGLE registers control this GPIO pin Reset type: SYSRSn
7-4	GPIO121	R/W	0h	Selects which master's GPIODAT/SET/CLEAR/TOGGLE registers control this GPIO pin Reset type: SYSRSn
3-0	GPIO120	R/W	0h	Selects which master's GPIODAT/SET/CLEAR/TOGGLE registers control this GPIO pin Reset type: SYSRSn



### 7.10.2.68 GPDLOCK Register (Offset = FCh) [Reset = 0000000h]

GPDLOCK is shown in [Figure 7-71](#) and described in [Table 7-81](#).

Return to the [Summary Table](#).

GPIO D Lock Configuration Register (GPIO96 to 127)

GPIO Configuration Lock for GPIO.

0: Bits in GPyMUX1, GPyMUX2, GPyDIR, GPyINV, GPyODR, GPyAMSEL, GPyGMUX1, GPyGMUX2 and GPyCSELx register which control the same pin can be changed

1: Locks changes to the bits in GPyMUX1, GPyMUX2, GPyDIR, GPyINV, GPyODR, GPyAMSEL, GPyGMUX1, GPyGMUX2 and GPyCSELx registers which control the same pin

**Figure 7-71. GPDLOCK Register**

31	30	29	28	27	26	25	24
GPIO127	GPIO126	GPIO125	GPIO124	GPIO123	GPIO122	GPIO121	GPIO120
R/W-0h	R/W-0h	R/W-0h	R/W-0h	R/W-0h	R/W-0h	R/W-0h	R/W-0h
23	22	21	20	19	18	17	16
GPIO119	GPIO118	GPIO117	GPIO116	GPIO115	GPIO114	GPIO113	GPIO112
R/W-0h	R/W-0h	R/W-0h	R/W-0h	R/W-0h	R/W-0h	R/W-0h	R/W-0h
15	14	13	12	11	10	9	8
GPIO111	GPIO110	GPIO109	GPIO108	GPIO107	GPIO106	GPIO105	GPIO104
R/W-0h	R/W-0h	R/W-0h	R/W-0h	R/W-0h	R/W-0h	R/W-0h	R/W-0h
7	6	5	4	3	2	1	0
GPIO103	GPIO102	GPIO101	GPIO100	GPIO99	GPIO98	GPIO97	GPIO96
R/W-0h	R/W-0h	R/W-0h	R/W-0h	R/W-0h	R/W-0h	R/W-0h	R/W-0h

**Table 7-81. GPDLOCK Register Field Descriptions**

Bit	Field	Type	Reset	Description
31	GPIO127	R/W	0h	Configuration Lock bit for this pin Reset type: SYSRSn
30	GPIO126	R/W	0h	Configuration Lock bit for this pin Reset type: SYSRSn
29	GPIO125	R/W	0h	Configuration Lock bit for this pin Reset type: SYSRSn
28	GPIO124	R/W	0h	Configuration Lock bit for this pin Reset type: SYSRSn
27	GPIO123	R/W	0h	Configuration Lock bit for this pin Reset type: SYSRSn
26	GPIO122	R/W	0h	Configuration Lock bit for this pin Reset type: SYSRSn
25	GPIO121	R/W	0h	Configuration Lock bit for this pin Reset type: SYSRSn
24	GPIO120	R/W	0h	Configuration Lock bit for this pin Reset type: SYSRSn
23	GPIO119	R/W	0h	Configuration Lock bit for this pin Reset type: SYSRSn
22	GPIO118	R/W	0h	Configuration Lock bit for this pin Reset type: SYSRSn
21	GPIO117	R/W	0h	Configuration Lock bit for this pin Reset type: SYSRSn

**Table 7-81. GPDLOCK Register Field Descriptions (continued)**

Bit	Field	Type	Reset	Description
20	GPIO116	R/W	0h	Configuration Lock bit for this pin Reset type: SYSRSn
19	GPIO115	R/W	0h	Configuration Lock bit for this pin Reset type: SYSRSn
18	GPIO114	R/W	0h	Configuration Lock bit for this pin Reset type: SYSRSn
17	GPIO113	R/W	0h	Configuration Lock bit for this pin Reset type: SYSRSn
16	GPIO112	R/W	0h	Configuration Lock bit for this pin Reset type: SYSRSn
15	GPIO111	R/W	0h	Configuration Lock bit for this pin Reset type: SYSRSn
14	GPIO110	R/W	0h	Configuration Lock bit for this pin Reset type: SYSRSn
13	GPIO109	R/W	0h	Configuration Lock bit for this pin Reset type: SYSRSn
12	GPIO108	R/W	0h	Configuration Lock bit for this pin Reset type: SYSRSn
11	GPIO107	R/W	0h	Configuration Lock bit for this pin Reset type: SYSRSn
10	GPIO106	R/W	0h	Configuration Lock bit for this pin Reset type: SYSRSn
9	GPIO105	R/W	0h	Configuration Lock bit for this pin Reset type: SYSRSn
8	GPIO104	R/W	0h	Configuration Lock bit for this pin Reset type: SYSRSn
7	GPIO103	R/W	0h	Configuration Lock bit for this pin Reset type: SYSRSn
6	GPIO102	R/W	0h	Configuration Lock bit for this pin Reset type: SYSRSn
5	GPIO101	R/W	0h	Configuration Lock bit for this pin Reset type: SYSRSn
4	GPIO100	R/W	0h	Configuration Lock bit for this pin Reset type: SYSRSn
3	GPIO99	R/W	0h	Configuration Lock bit for this pin Reset type: SYSRSn
2	GPIO98	R/W	0h	Configuration Lock bit for this pin Reset type: SYSRSn
1	GPIO97	R/W	0h	Configuration Lock bit for this pin Reset type: SYSRSn
0	GPIO96	R/W	0h	Configuration Lock bit for this pin Reset type: SYSRSn

### 7.10.2.69 GPDCR Register (Offset = FEh) [Reset = 0000000h]

GPDCR is shown in [Figure 7-72](#) and described in [Table 7-82](#).

Return to the [Summary Table](#).

GPIO D Lock Commit Register (GPIO96 to 127)

GPIO Configuration Lock Commit for GPIO:

1: Locks changes to the bit in GPyLOCK register which controls the same pin

0: Bit in the GPyLOCK register which controls the same pin can be changed

**Figure 7-72. GPDCR Register**

31	30	29	28	27	26	25	24
GPIO127	GPIO126	GPIO125	GPIO124	GPIO123	GPIO122	GPIO121	GPIO120
R/WOnce-0h	R/WOnce-0h	R/WOnce-0h	R/WOnce-0h	R/WOnce-0h	R/WOnce-0h	R/WOnce-0h	R/WOnce-0h
23	22	21	20	19	18	17	16
GPIO119	GPIO118	GPIO117	GPIO116	GPIO115	GPIO114	GPIO113	GPIO112
R/WOnce-0h	R/WOnce-0h	R/WOnce-0h	R/WOnce-0h	R/WOnce-0h	R/WOnce-0h	R/WOnce-0h	R/WOnce-0h
15	14	13	12	11	10	9	8
GPIO111	GPIO110	GPIO109	GPIO108	GPIO107	GPIO106	GPIO105	GPIO104
R/WOnce-0h	R/WOnce-0h	R/WOnce-0h	R/WOnce-0h	R/WOnce-0h	R/WOnce-0h	R/WOnce-0h	R/WOnce-0h
7	6	5	4	3	2	1	0
GPIO103	GPIO102	GPIO101	GPIO100	GPIO99	GPIO98	GPIO97	GPIO96
R/WOnce-0h	R/WOnce-0h	R/WOnce-0h	R/WOnce-0h	R/WOnce-0h	R/WOnce-0h	R/WOnce-0h	R/WOnce-0h

**Table 7-82. GPDCR Register Field Descriptions**

Bit	Field	Type	Reset	Description
31	GPIO127	R/WOnce	0h	Configuration lock commit bit for this pin Reset type: SYSRSn
30	GPIO126	R/WOnce	0h	Configuration lock commit bit for this pin Reset type: SYSRSn
29	GPIO125	R/WOnce	0h	Configuration lock commit bit for this pin Reset type: SYSRSn
28	GPIO124	R/WOnce	0h	Configuration lock commit bit for this pin Reset type: SYSRSn
27	GPIO123	R/WOnce	0h	Configuration lock commit bit for this pin Reset type: SYSRSn
26	GPIO122	R/WOnce	0h	Configuration lock commit bit for this pin Reset type: SYSRSn
25	GPIO121	R/WOnce	0h	Configuration lock commit bit for this pin Reset type: SYSRSn
24	GPIO120	R/WOnce	0h	Configuration lock commit bit for this pin Reset type: SYSRSn
23	GPIO119	R/WOnce	0h	Configuration lock commit bit for this pin Reset type: SYSRSn
22	GPIO118	R/WOnce	0h	Configuration lock commit bit for this pin Reset type: SYSRSn
21	GPIO117	R/WOnce	0h	Configuration lock commit bit for this pin Reset type: SYSRSn
20	GPIO116	R/WOnce	0h	Configuration lock commit bit for this pin Reset type: SYSRSn

**Table 7-82. GPDCR Register Field Descriptions (continued)**

Bit	Field	Type	Reset	Description
19	GPIO115	R/WOnce	0h	Configuration lock commit bit for this pin Reset type: SYSRSn
18	GPIO114	R/WOnce	0h	Configuration lock commit bit for this pin Reset type: SYSRSn
17	GPIO113	R/WOnce	0h	Configuration lock commit bit for this pin Reset type: SYSRSn
16	GPIO112	R/WOnce	0h	Configuration lock commit bit for this pin Reset type: SYSRSn
15	GPIO111	R/WOnce	0h	Configuration lock commit bit for this pin Reset type: SYSRSn
14	GPIO110	R/WOnce	0h	Configuration lock commit bit for this pin Reset type: SYSRSn
13	GPIO109	R/WOnce	0h	Configuration lock commit bit for this pin Reset type: SYSRSn
12	GPIO108	R/WOnce	0h	Configuration lock commit bit for this pin Reset type: SYSRSn
11	GPIO107	R/WOnce	0h	Configuration lock commit bit for this pin Reset type: SYSRSn
10	GPIO106	R/WOnce	0h	Configuration lock commit bit for this pin Reset type: SYSRSn
9	GPIO105	R/WOnce	0h	Configuration lock commit bit for this pin Reset type: SYSRSn
8	GPIO104	R/WOnce	0h	Configuration lock commit bit for this pin Reset type: SYSRSn
7	GPIO103	R/WOnce	0h	Configuration lock commit bit for this pin Reset type: SYSRSn
6	GPIO102	R/WOnce	0h	Configuration lock commit bit for this pin Reset type: SYSRSn
5	GPIO101	R/WOnce	0h	Configuration lock commit bit for this pin Reset type: SYSRSn
4	GPIO100	R/WOnce	0h	Configuration lock commit bit for this pin Reset type: SYSRSn
3	GPIO99	R/WOnce	0h	Configuration lock commit bit for this pin Reset type: SYSRSn
2	GPIO98	R/WOnce	0h	Configuration lock commit bit for this pin Reset type: SYSRSn
1	GPIO97	R/WOnce	0h	Configuration lock commit bit for this pin Reset type: SYSRSn
0	GPIO96	R/WOnce	0h	Configuration lock commit bit for this pin Reset type: SYSRSn

### 7.10.2.70 GPECTRL Register (Offset = 100h) [Reset = 0000000h]

GPECTRL is shown in [Figure 7-73](#) and described in [Table 7-83](#).

Return to the [Summary Table](#).

GPIO E Qualification Sampling Period Control (GPIO128 to 159)

**Figure 7-73. GPECTRL Register**

31	30	29	28	27	26	25	24	23	22	21	20	19	18	17	16	15	14	13	12	11	10	9	8	7	6	5	4	3	2	1	0
QUALPRD3								QUALPRD2								QUALPRD1								QUALPRD0							
R/W-0h								R/W-0h								R/W-0h								R/W-0h							

**Table 7-83. GPECTRL Register Field Descriptions**

Bit	Field	Type	Reset	Description
31-24	QUALPRD3	R/W	0h	Qualification sampling period for GPIO152 to GPIO159: 0x00,QUALPRDx = PLLSYSCLK 0x01,QUALPRDx = PLLSYSCLK/2 0x02,QUALPRDx = PLLSYSCLK/4 .... 0xFF,QUALPRDx = PLLSYSCLK/510 Reset type: SYSRSn
23-16	QUALPRD2	R/W	0h	Qualification sampling period for GPIO144 to GPIO151: 0x00,QUALPRDx = PLLSYSCLK 0x01,QUALPRDx = PLLSYSCLK/2 0x02,QUALPRDx = PLLSYSCLK/4 .... 0xFF,QUALPRDx = PLLSYSCLK/510 Reset type: SYSRSn
15-8	QUALPRD1	R/W	0h	Qualification sampling period for GPIO136 to GPIO143: 0x00,QUALPRDx = PLLSYSCLK 0x01,QUALPRDx = PLLSYSCLK/2 0x02,QUALPRDx = PLLSYSCLK/4 .... 0xFF,QUALPRDx = PLLSYSCLK/510 Reset type: SYSRSn
7-0	QUALPRD0	R/W	0h	Qualification sampling period for GPIO128 to GPIO135: 0x00,QUALPRDx = PLLSYSCLK 0x01,QUALPRDx = PLLSYSCLK/2 0x02,QUALPRDx = PLLSYSCLK/4 .... 0xFF,QUALPRDx = PLLSYSCLK/510 Reset type: SYSRSn

### 7.10.2.71 GPEQSEL1 Register (Offset = 102h) [Reset = 0000000h]

GPEQSEL1 is shown in [Figure 7-74](#) and described in [Table 7-84](#).

Return to the [Summary Table](#).

GPIO E Qualifier Select 1 Register (GPIO128 to 143)

Input qualification type:

0,0 Sync

0,1 Qualification (3 samples)

1,0 Qualification (6 samples)

1,1 Async (no Sync or Qualification)

**Figure 7-74. GPEQSEL1 Register**

31	30	29	28	27	26	25	24
GPIO143		GPIO142		GPIO141		GPIO140	
R/W-0h		R/W-0h		R/W-0h		R/W-0h	
23	22	21	20	19	18	17	16
GPIO139		GPIO138		GPIO137		GPIO136	
R/W-0h		R/W-0h		R/W-0h		R/W-0h	
15	14	13	12	11	10	9	8
GPIO135		GPIO134		GPIO133		GPIO132	
R/W-0h		R/W-0h		R/W-0h		R/W-0h	
7	6	5	4	3	2	1	0
GPIO131		GPIO130		GPIO129		GPIO128	
R/W-0h		R/W-0h		R/W-0h		R/W-0h	

**Table 7-84. GPEQSEL1 Register Field Descriptions**

Bit	Field	Type	Reset	Description
31-30	GPIO143	R/W	0h	Input qualification type Reset type: SYSRSn
29-28	GPIO142	R/W	0h	Input qualification type Reset type: SYSRSn
27-26	GPIO141	R/W	0h	Input qualification type Reset type: SYSRSn
25-24	GPIO140	R/W	0h	Input qualification type Reset type: SYSRSn
23-22	GPIO139	R/W	0h	Input qualification type Reset type: SYSRSn
21-20	GPIO138	R/W	0h	Input qualification type Reset type: SYSRSn
19-18	GPIO137	R/W	0h	Input qualification type Reset type: SYSRSn
17-16	GPIO136	R/W	0h	Input qualification type Reset type: SYSRSn
15-14	GPIO135	R/W	0h	Input qualification type Reset type: SYSRSn
13-12	GPIO134	R/W	0h	Input qualification type Reset type: SYSRSn
11-10	GPIO133	R/W	0h	Input qualification type Reset type: SYSRSn

**Table 7-84. GPEQSEL1 Register Field Descriptions (continued)**

Bit	Field	Type	Reset	Description
9-8	GPIO132	R/W	0h	Input qualification type Reset type: SYSRSn
7-6	GPIO131	R/W	0h	Input qualification type Reset type: SYSRSn
5-4	GPIO130	R/W	0h	Input qualification type Reset type: SYSRSn
3-2	GPIO129	R/W	0h	Input qualification type Reset type: SYSRSn
1-0	GPIO128	R/W	0h	Input qualification type Reset type: SYSRSn

### 7.10.2.72 GPEQSEL2 Register (Offset = 104h) [Reset = 0000000h]

GPEQSEL2 is shown in [Figure 7-75](#) and described in [Table 7-85](#).

Return to the [Summary Table](#).

GPIO E Qualifier Select 2 Register (GPIO144 to 159)

Input qualification type:

0,0 Sync

0,1 Qualification (3 samples)

1,0 Qualification (6 samples)

1,1 Async (no Sync or Qualification)

**Figure 7-75. GPEQSEL2 Register**

31	30	29	28	27	26	25	24
GPIO159		GPIO158		GPIO157		GPIO156	
R/W-0h		R/W-0h		R/W-0h		R/W-0h	
23	22	21	20	19	18	17	16
GPIO155		GPIO154		GPIO153		GPIO152	
R/W-0h		R/W-0h		R/W-0h		R/W-0h	
15	14	13	12	11	10	9	8
GPIO151		GPIO150		GPIO149		GPIO148	
R/W-0h		R/W-0h		R/W-0h		R/W-0h	
7	6	5	4	3	2	1	0
GPIO147		GPIO146		GPIO145		GPIO144	
R/W-0h		R/W-0h		R/W-0h		R/W-0h	

**Table 7-85. GPEQSEL2 Register Field Descriptions**

Bit	Field	Type	Reset	Description
31-30	GPIO159	R/W	0h	Input qualification type Reset type: SYSRSn
29-28	GPIO158	R/W	0h	Input qualification type Reset type: SYSRSn
27-26	GPIO157	R/W	0h	Input qualification type Reset type: SYSRSn
25-24	GPIO156	R/W	0h	Input qualification type Reset type: SYSRSn
23-22	GPIO155	R/W	0h	Input qualification type Reset type: SYSRSn
21-20	GPIO154	R/W	0h	Input qualification type Reset type: SYSRSn
19-18	GPIO153	R/W	0h	Input qualification type Reset type: SYSRSn
17-16	GPIO152	R/W	0h	Input qualification type Reset type: SYSRSn
15-14	GPIO151	R/W	0h	Input qualification type Reset type: SYSRSn
13-12	GPIO150	R/W	0h	Input qualification type Reset type: SYSRSn
11-10	GPIO149	R/W	0h	Input qualification type Reset type: SYSRSn



**Table 7-85. GPEQSEL2 Register Field Descriptions (continued)**

Bit	Field	Type	Reset	Description
9-8	GPIO148	R/W	0h	Input qualification type Reset type: SYSRSn
7-6	GPIO147	R/W	0h	Input qualification type Reset type: SYSRSn
5-4	GPIO146	R/W	0h	Input qualification type Reset type: SYSRSn
3-2	GPIO145	R/W	0h	Input qualification type Reset type: SYSRSn
1-0	GPIO144	R/W	0h	Input qualification type Reset type: SYSRSn

### 7.10.2.73 GPEMUX1 Register (Offset = 106h) [Reset = 0000000h]

GPEMUX1 is shown in [Figure 7-76](#) and described in [Table 7-86](#).

Return to the [Summary Table](#).

GPIO E Mux 1 Register (GPIO128 to 143)

Defines pin-muxing selection for GPIO.

Notes:

The respective GPyGMUXn.GPIOz must be configured prior to this register to avoid intermediate peripheral selects being mapped to the GPIO.

**Figure 7-76. GPEMUX1 Register**

31	30	29	28	27	26	25	24
GPIO143		GPIO142		GPIO141		GPIO140	
R/W-0h		R/W-0h		R/W-0h		R/W-0h	
23	22	21	20	19	18	17	16
GPIO139		GPIO138		GPIO137		GPIO136	
R/W-0h		R/W-0h		R/W-0h		R/W-0h	
15	14	13	12	11	10	9	8
GPIO135		GPIO134		GPIO133		GPIO132	
R/W-0h		R/W-0h		R/W-0h		R/W-0h	
7	6	5	4	3	2	1	0
GPIO131		GPIO130		GPIO129		GPIO128	
R/W-0h		R/W-0h		R/W-0h		R/W-0h	

**Table 7-86. GPEMUX1 Register Field Descriptions**

Bit	Field	Type	Reset	Description
31-30	GPIO143	R/W	0h	Defines pin-muxing selection for GPIO Reset type: SYSRSn
29-28	GPIO142	R/W	0h	Defines pin-muxing selection for GPIO Reset type: SYSRSn
27-26	GPIO141	R/W	0h	Defines pin-muxing selection for GPIO Reset type: SYSRSn
25-24	GPIO140	R/W	0h	Defines pin-muxing selection for GPIO Reset type: SYSRSn
23-22	GPIO139	R/W	0h	Defines pin-muxing selection for GPIO Reset type: SYSRSn
21-20	GPIO138	R/W	0h	Defines pin-muxing selection for GPIO Reset type: SYSRSn
19-18	GPIO137	R/W	0h	Defines pin-muxing selection for GPIO Reset type: SYSRSn
17-16	GPIO136	R/W	0h	Defines pin-muxing selection for GPIO Reset type: SYSRSn
15-14	GPIO135	R/W	0h	Defines pin-muxing selection for GPIO Reset type: SYSRSn
13-12	GPIO134	R/W	0h	Defines pin-muxing selection for GPIO Reset type: SYSRSn
11-10	GPIO133	R/W	0h	Defines pin-muxing selection for GPIO Reset type: SYSRSn

**Table 7-86. GPOMUX1 Register Field Descriptions (continued)**

Bit	Field	Type	Reset	Description
9-8	GPIO132	R/W	0h	Defines pin-muxing selection for GPIO Reset type: SYSRSn
7-6	GPIO131	R/W	0h	Defines pin-muxing selection for GPIO Reset type: SYSRSn
5-4	GPIO130	R/W	0h	Defines pin-muxing selection for GPIO Reset type: SYSRSn
3-2	GPIO129	R/W	0h	Defines pin-muxing selection for GPIO Reset type: SYSRSn
1-0	GPIO128	R/W	0h	Defines pin-muxing selection for GPIO Reset type: SYSRSn

### 7.10.2.74 GPOMUX2 Register (Offset = 108h) [Reset = 0000000h]

GPOMUX2 is shown in [Figure 7-77](#) and described in [Table 7-87](#).

Return to the [Summary Table](#).

GPIO E Mux 2 Register (GPIO144 to 159)

Defines pin-muxing selection for GPIO.

Notes:

The respective GPyGMUXn.GPIOz must be configured prior to this register to avoid intermediate peripheral selects being mapped to the GPIO.

**Figure 7-77. GPOMUX2 Register**

31	30	29	28	27	26	25	24
GPIO159		GPIO158		GPIO157		GPIO156	
R/W-0h		R/W-0h		R/W-0h		R/W-0h	
23	22	21	20	19	18	17	16
GPIO155		GPIO154		GPIO153		GPIO152	
R/W-0h		R/W-0h		R/W-0h		R/W-0h	
15	14	13	12	11	10	9	8
GPIO151		GPIO150		GPIO149		GPIO148	
R/W-0h		R/W-0h		R/W-0h		R/W-0h	
7	6	5	4	3	2	1	0
GPIO147		GPIO146		GPIO145		GPIO144	
R/W-0h		R/W-0h		R/W-0h		R/W-0h	

**Table 7-87. GPOMUX2 Register Field Descriptions**

Bit	Field	Type	Reset	Description
31-30	GPIO159	R/W	0h	Defines pin-muxing selection for GPIO Reset type: SYSRSn
29-28	GPIO158	R/W	0h	Defines pin-muxing selection for GPIO Reset type: SYSRSn
27-26	GPIO157	R/W	0h	Defines pin-muxing selection for GPIO Reset type: SYSRSn
25-24	GPIO156	R/W	0h	Defines pin-muxing selection for GPIO Reset type: SYSRSn
23-22	GPIO155	R/W	0h	Defines pin-muxing selection for GPIO Reset type: SYSRSn
21-20	GPIO154	R/W	0h	Defines pin-muxing selection for GPIO Reset type: SYSRSn
19-18	GPIO153	R/W	0h	Defines pin-muxing selection for GPIO Reset type: SYSRSn
17-16	GPIO152	R/W	0h	Defines pin-muxing selection for GPIO Reset type: SYSRSn
15-14	GPIO151	R/W	0h	Defines pin-muxing selection for GPIO Reset type: SYSRSn
13-12	GPIO150	R/W	0h	Defines pin-muxing selection for GPIO Reset type: SYSRSn
11-10	GPIO149	R/W	0h	Defines pin-muxing selection for GPIO Reset type: SYSRSn

**Table 7-87. GPOMUX2 Register Field Descriptions (continued)**

Bit	Field	Type	Reset	Description
9-8	GPIO148	R/W	0h	Defines pin-muxing selection for GPIO Reset type: SYSRSn
7-6	GPIO147	R/W	0h	Defines pin-muxing selection for GPIO Reset type: SYSRSn
5-4	GPIO146	R/W	0h	Defines pin-muxing selection for GPIO Reset type: SYSRSn
3-2	GPIO145	R/W	0h	Defines pin-muxing selection for GPIO Reset type: SYSRSn
1-0	GPIO144	R/W	0h	Defines pin-muxing selection for GPIO Reset type: SYSRSn

### 7.10.2.75 GPEDIR Register (Offset = 10Ah) [Reset = 0000000h]

GPEDIR is shown in [Figure 7-78](#) and described in [Table 7-88](#).

Return to the [Summary Table](#).

GPIO E Direction Register (GPIO128 to 159)

Controls direction of GPIO pins when the specified pin is configured in GPIO mode.

0: Configures pin as input.

1: Configures pin as output.

Reading the register returns the current value of the register setting.

**Figure 7-78. GPEDIR Register**

31	30	29	28	27	26	25	24
GPIO159	GPIO158	GPIO157	GPIO156	GPIO155	GPIO154	GPIO153	GPIO152
R/W-0h	R/W-0h	R/W-0h	R/W-0h	R/W-0h	R/W-0h	R/W-0h	R/W-0h
23	22	21	20	19	18	17	16
GPIO151	GPIO150	GPIO149	GPIO148	GPIO147	GPIO146	GPIO145	GPIO144
R/W-0h	R/W-0h	R/W-0h	R/W-0h	R/W-0h	R/W-0h	R/W-0h	R/W-0h
15	14	13	12	11	10	9	8
GPIO143	GPIO142	GPIO141	GPIO140	GPIO139	GPIO138	GPIO137	GPIO136
R/W-0h	R/W-0h	R/W-0h	R/W-0h	R/W-0h	R/W-0h	R/W-0h	R/W-0h
7	6	5	4	3	2	1	0
GPIO135	GPIO134	GPIO133	GPIO132	GPIO131	GPIO130	GPIO129	GPIO128
R/W-0h	R/W-0h	R/W-0h	R/W-0h	R/W-0h	R/W-0h	R/W-0h	R/W-0h

**Table 7-88. GPEDIR Register Field Descriptions**

Bit	Field	Type	Reset	Description
31	GPIO159	R/W	0h	Defines direction for this pin in GPIO mode Reset type: SYSRSn
30	GPIO158	R/W	0h	Defines direction for this pin in GPIO mode Reset type: SYSRSn
29	GPIO157	R/W	0h	Defines direction for this pin in GPIO mode Reset type: SYSRSn
28	GPIO156	R/W	0h	Defines direction for this pin in GPIO mode Reset type: SYSRSn
27	GPIO155	R/W	0h	Defines direction for this pin in GPIO mode Reset type: SYSRSn
26	GPIO154	R/W	0h	Defines direction for this pin in GPIO mode Reset type: SYSRSn
25	GPIO153	R/W	0h	Defines direction for this pin in GPIO mode Reset type: SYSRSn
24	GPIO152	R/W	0h	Defines direction for this pin in GPIO mode Reset type: SYSRSn
23	GPIO151	R/W	0h	Defines direction for this pin in GPIO mode Reset type: SYSRSn
22	GPIO150	R/W	0h	Defines direction for this pin in GPIO mode Reset type: SYSRSn
21	GPIO149	R/W	0h	Defines direction for this pin in GPIO mode Reset type: SYSRSn

**Table 7-88. GPEDIR Register Field Descriptions (continued)**

Bit	Field	Type	Reset	Description
20	GPIO148	R/W	0h	Defines direction for this pin in GPIO mode Reset type: SYSRSn
19	GPIO147	R/W	0h	Defines direction for this pin in GPIO mode Reset type: SYSRSn
18	GPIO146	R/W	0h	Defines direction for this pin in GPIO mode Reset type: SYSRSn
17	GPIO145	R/W	0h	Defines direction for this pin in GPIO mode Reset type: SYSRSn
16	GPIO144	R/W	0h	Defines direction for this pin in GPIO mode Reset type: SYSRSn
15	GPIO143	R/W	0h	Defines direction for this pin in GPIO mode Reset type: SYSRSn
14	GPIO142	R/W	0h	Defines direction for this pin in GPIO mode Reset type: SYSRSn
13	GPIO141	R/W	0h	Defines direction for this pin in GPIO mode Reset type: SYSRSn
12	GPIO140	R/W	0h	Defines direction for this pin in GPIO mode Reset type: SYSRSn
11	GPIO139	R/W	0h	Defines direction for this pin in GPIO mode Reset type: SYSRSn
10	GPIO138	R/W	0h	Defines direction for this pin in GPIO mode Reset type: SYSRSn
9	GPIO137	R/W	0h	Defines direction for this pin in GPIO mode Reset type: SYSRSn
8	GPIO136	R/W	0h	Defines direction for this pin in GPIO mode Reset type: SYSRSn
7	GPIO135	R/W	0h	Defines direction for this pin in GPIO mode Reset type: SYSRSn
6	GPIO134	R/W	0h	Defines direction for this pin in GPIO mode Reset type: SYSRSn
5	GPIO133	R/W	0h	Defines direction for this pin in GPIO mode Reset type: SYSRSn
4	GPIO132	R/W	0h	Defines direction for this pin in GPIO mode Reset type: SYSRSn
3	GPIO131	R/W	0h	Defines direction for this pin in GPIO mode Reset type: SYSRSn
2	GPIO130	R/W	0h	Defines direction for this pin in GPIO mode Reset type: SYSRSn
1	GPIO129	R/W	0h	Defines direction for this pin in GPIO mode Reset type: SYSRSn
0	GPIO128	R/W	0h	Defines direction for this pin in GPIO mode Reset type: SYSRSn

### 7.10.2.76 GPEPUD Register (Offset = 10Ch) [Reset = FFFFFFFh]

GPEPUD is shown in [Figure 7-79](#) and described in [Table 7-89](#).

Return to the [Summary Table](#).

GPIO E Pull Up Disable Register (GPIO128 to 159)

Disables the Pull-Up on GPIO.

0: Enables the Pull-Up.

1: Disables the Pull-Up.

Reading the register returns the current value of the register setting.

**Figure 7-79. GPEPUD Register**

31	30	29	28	27	26	25	24
GPIO159	GPIO158	GPIO157	GPIO156	GPIO155	GPIO154	GPIO153	GPIO152
R/W-1h	R/W-1h	R/W-1h	R/W-1h	R/W-1h	R/W-1h	R/W-1h	R/W-1h
23	22	21	20	19	18	17	16
GPIO151	GPIO150	GPIO149	GPIO148	GPIO147	GPIO146	GPIO145	GPIO144
R/W-1h	R/W-1h	R/W-1h	R/W-1h	R/W-1h	R/W-1h	R/W-1h	R/W-1h
15	14	13	12	11	10	9	8
GPIO143	GPIO142	GPIO141	GPIO140	GPIO139	GPIO138	GPIO137	GPIO136
R/W-1h	R/W-1h	R/W-1h	R/W-1h	R/W-1h	R/W-1h	R/W-1h	R/W-1h
7	6	5	4	3	2	1	0
GPIO135	GPIO134	GPIO133	GPIO132	GPIO131	GPIO130	GPIO129	GPIO128
R/W-1h	R/W-1h	R/W-1h	R/W-1h	R/W-1h	R/W-1h	R/W-1h	R/W-1h

**Table 7-89. GPEPUD Register Field Descriptions**

Bit	Field	Type	Reset	Description
31	GPIO159	R/W	1h	Pull-Up Disable control for this pin Reset type: SYSRSn
30	GPIO158	R/W	1h	Pull-Up Disable control for this pin Reset type: SYSRSn
29	GPIO157	R/W	1h	Pull-Up Disable control for this pin Reset type: SYSRSn
28	GPIO156	R/W	1h	Pull-Up Disable control for this pin Reset type: SYSRSn
27	GPIO155	R/W	1h	Pull-Up Disable control for this pin Reset type: SYSRSn
26	GPIO154	R/W	1h	Pull-Up Disable control for this pin Reset type: SYSRSn
25	GPIO153	R/W	1h	Pull-Up Disable control for this pin Reset type: SYSRSn
24	GPIO152	R/W	1h	Pull-Up Disable control for this pin Reset type: SYSRSn
23	GPIO151	R/W	1h	Pull-Up Disable control for this pin Reset type: SYSRSn
22	GPIO150	R/W	1h	Pull-Up Disable control for this pin Reset type: SYSRSn
21	GPIO149	R/W	1h	Pull-Up Disable control for this pin Reset type: SYSRSn



**Table 7-89. GPEPUD Register Field Descriptions (continued)**

Bit	Field	Type	Reset	Description
20	GPIO148	R/W	1h	Pull-Up Disable control for this pin Reset type: SYSRSn
19	GPIO147	R/W	1h	Pull-Up Disable control for this pin Reset type: SYSRSn
18	GPIO146	R/W	1h	Pull-Up Disable control for this pin Reset type: SYSRSn
17	GPIO145	R/W	1h	Pull-Up Disable control for this pin Reset type: SYSRSn
16	GPIO144	R/W	1h	Pull-Up Disable control for this pin Reset type: SYSRSn
15	GPIO143	R/W	1h	Pull-Up Disable control for this pin Reset type: SYSRSn
14	GPIO142	R/W	1h	Pull-Up Disable control for this pin Reset type: SYSRSn
13	GPIO141	R/W	1h	Pull-Up Disable control for this pin Reset type: SYSRSn
12	GPIO140	R/W	1h	Pull-Up Disable control for this pin Reset type: SYSRSn
11	GPIO139	R/W	1h	Pull-Up Disable control for this pin Reset type: SYSRSn
10	GPIO138	R/W	1h	Pull-Up Disable control for this pin Reset type: SYSRSn
9	GPIO137	R/W	1h	Pull-Up Disable control for this pin Reset type: SYSRSn
8	GPIO136	R/W	1h	Pull-Up Disable control for this pin Reset type: SYSRSn
7	GPIO135	R/W	1h	Pull-Up Disable control for this pin Reset type: SYSRSn
6	GPIO134	R/W	1h	Pull-Up Disable control for this pin Reset type: SYSRSn
5	GPIO133	R/W	1h	Pull-Up Disable control for this pin Reset type: SYSRSn
4	GPIO132	R/W	1h	Pull-Up Disable control for this pin Reset type: SYSRSn
3	GPIO131	R/W	1h	Pull-Up Disable control for this pin Reset type: SYSRSn
2	GPIO130	R/W	1h	Pull-Up Disable control for this pin Reset type: SYSRSn
1	GPIO129	R/W	1h	Pull-Up Disable control for this pin Reset type: SYSRSn
0	GPIO128	R/W	1h	Pull-Up Disable control for this pin Reset type: SYSRSn

### 7.10.2.77 GPEINV Register (Offset = 110h) [Reset = 0000000h]

GPEINV is shown in [Figure 7-80](#) and described in [Table 7-90](#).

Return to the [Summary Table](#).

GPIO E Input Polarity Invert Registers (GPIO128 to 159)

Selects between non-inverted and inverted GPIO input to the device.

0: selects non-inverted GPIO input

1: selects inverted GPIO input

Reading the register returns the current value of the register setting.

**Figure 7-80. GPEINV Register**

31	30	29	28	27	26	25	24
GPIO159	GPIO158	GPIO157	GPIO156	GPIO155	GPIO154	GPIO153	GPIO152
R/W-0h	R/W-0h	R/W-0h	R/W-0h	R/W-0h	R/W-0h	R/W-0h	R/W-0h
23	22	21	20	19	18	17	16
GPIO151	GPIO150	GPIO149	GPIO148	GPIO147	GPIO146	GPIO145	GPIO144
R/W-0h	R/W-0h	R/W-0h	R/W-0h	R/W-0h	R/W-0h	R/W-0h	R/W-0h
15	14	13	12	11	10	9	8
GPIO143	GPIO142	GPIO141	GPIO140	GPIO139	GPIO138	GPIO137	GPIO136
R/W-0h	R/W-0h	R/W-0h	R/W-0h	R/W-0h	R/W-0h	R/W-0h	R/W-0h
7	6	5	4	3	2	1	0
GPIO135	GPIO134	GPIO133	GPIO132	GPIO131	GPIO130	GPIO129	GPIO128
R/W-0h	R/W-0h	R/W-0h	R/W-0h	R/W-0h	R/W-0h	R/W-0h	R/W-0h

**Table 7-90. GPEINV Register Field Descriptions**

Bit	Field	Type	Reset	Description
31	GPIO159	R/W	0h	Input inversion control for this pin Reset type: SYSRSn
30	GPIO158	R/W	0h	Input inversion control for this pin Reset type: SYSRSn
29	GPIO157	R/W	0h	Input inversion control for this pin Reset type: SYSRSn
28	GPIO156	R/W	0h	Input inversion control for this pin Reset type: SYSRSn
27	GPIO155	R/W	0h	Input inversion control for this pin Reset type: SYSRSn
26	GPIO154	R/W	0h	Input inversion control for this pin Reset type: SYSRSn
25	GPIO153	R/W	0h	Input inversion control for this pin Reset type: SYSRSn
24	GPIO152	R/W	0h	Input inversion control for this pin Reset type: SYSRSn
23	GPIO151	R/W	0h	Input inversion control for this pin Reset type: SYSRSn
22	GPIO150	R/W	0h	Input inversion control for this pin Reset type: SYSRSn
21	GPIO149	R/W	0h	Input inversion control for this pin Reset type: SYSRSn

**Table 7-90. GPEINV Register Field Descriptions (continued)**

Bit	Field	Type	Reset	Description
20	GPIO148	R/W	0h	Input inversion control for this pin Reset type: SYSRSn
19	GPIO147	R/W	0h	Input inversion control for this pin Reset type: SYSRSn
18	GPIO146	R/W	0h	Input inversion control for this pin Reset type: SYSRSn
17	GPIO145	R/W	0h	Input inversion control for this pin Reset type: SYSRSn
16	GPIO144	R/W	0h	Input inversion control for this pin Reset type: SYSRSn
15	GPIO143	R/W	0h	Input inversion control for this pin Reset type: SYSRSn
14	GPIO142	R/W	0h	Input inversion control for this pin Reset type: SYSRSn
13	GPIO141	R/W	0h	Input inversion control for this pin Reset type: SYSRSn
12	GPIO140	R/W	0h	Input inversion control for this pin Reset type: SYSRSn
11	GPIO139	R/W	0h	Input inversion control for this pin Reset type: SYSRSn
10	GPIO138	R/W	0h	Input inversion control for this pin Reset type: SYSRSn
9	GPIO137	R/W	0h	Input inversion control for this pin Reset type: SYSRSn
8	GPIO136	R/W	0h	Input inversion control for this pin Reset type: SYSRSn
7	GPIO135	R/W	0h	Input inversion control for this pin Reset type: SYSRSn
6	GPIO134	R/W	0h	Input inversion control for this pin Reset type: SYSRSn
5	GPIO133	R/W	0h	Input inversion control for this pin Reset type: SYSRSn
4	GPIO132	R/W	0h	Input inversion control for this pin Reset type: SYSRSn
3	GPIO131	R/W	0h	Input inversion control for this pin Reset type: SYSRSn
2	GPIO130	R/W	0h	Input inversion control for this pin Reset type: SYSRSn
1	GPIO129	R/W	0h	Input inversion control for this pin Reset type: SYSRSn
0	GPIO128	R/W	0h	Input inversion control for this pin Reset type: SYSRSn

### 7.10.2.78 GPEODR Register (Offset = 112h) [Reset = 0000000h]

GPEODR is shown in [Figure 7-81](#) and described in [Table 7-91](#).

Return to the [Summary Table](#).

GPIO E Open Drain Output Register (GPIO128 to GPIO159)

Selects between normal and open-drain output for the GPIO pin.

0: Normal Output

1: Open Drain Output

Reading the register returns the current value of the register setting.

Note:

[1] In the Open Drain output mode, if the buffer is configured for output mode, a 0 value to be driven out comes out on the on the PAD while a 1 value to be driven out tri-states the buffer.

**Figure 7-81. GPEODR Register**

31	30	29	28	27	26	25	24
GPIO159	GPIO158	GPIO157	GPIO156	GPIO155	GPIO154	GPIO153	GPIO152
R/W-0h	R/W-0h	R/W-0h	R/W-0h	R/W-0h	R/W-0h	R/W-0h	R/W-0h
23	22	21	20	19	18	17	16
GPIO151	GPIO150	GPIO149	GPIO148	GPIO147	GPIO146	GPIO145	GPIO144
R/W-0h	R/W-0h	R/W-0h	R/W-0h	R/W-0h	R/W-0h	R/W-0h	R/W-0h
15	14	13	12	11	10	9	8
GPIO143	GPIO142	GPIO141	GPIO140	GPIO139	GPIO138	GPIO137	GPIO136
R/W-0h	R/W-0h	R/W-0h	R/W-0h	R/W-0h	R/W-0h	R/W-0h	R/W-0h
7	6	5	4	3	2	1	0
GPIO135	GPIO134	GPIO133	GPIO132	GPIO131	GPIO130	GPIO129	GPIO128
R/W-0h	R/W-0h	R/W-0h	R/W-0h	R/W-0h	R/W-0h	R/W-0h	R/W-0h

**Table 7-91. GPEODR Register Field Descriptions**

Bit	Field	Type	Reset	Description
31	GPIO159	R/W	0h	Output Open-Drain control for this pin Reset type: SYSRSn
30	GPIO158	R/W	0h	Output Open-Drain control for this pin Reset type: SYSRSn
29	GPIO157	R/W	0h	Output Open-Drain control for this pin Reset type: SYSRSn
28	GPIO156	R/W	0h	Output Open-Drain control for this pin Reset type: SYSRSn
27	GPIO155	R/W	0h	Output Open-Drain control for this pin Reset type: SYSRSn
26	GPIO154	R/W	0h	Output Open-Drain control for this pin Reset type: SYSRSn
25	GPIO153	R/W	0h	Output Open-Drain control for this pin Reset type: SYSRSn
24	GPIO152	R/W	0h	Output Open-Drain control for this pin Reset type: SYSRSn
23	GPIO151	R/W	0h	Output Open-Drain control for this pin Reset type: SYSRSn
22	GPIO150	R/W	0h	Output Open-Drain control for this pin Reset type: SYSRSn

**Table 7-91. GPEODR Register Field Descriptions (continued)**

Bit	Field	Type	Reset	Description
21	GPIO149	R/W	0h	Output Open-Drain control for this pin Reset type: SYSRSn
20	GPIO148	R/W	0h	Output Open-Drain control for this pin Reset type: SYSRSn
19	GPIO147	R/W	0h	Output Open-Drain control for this pin Reset type: SYSRSn
18	GPIO146	R/W	0h	Output Open-Drain control for this pin Reset type: SYSRSn
17	GPIO145	R/W	0h	Output Open-Drain control for this pin Reset type: SYSRSn
16	GPIO144	R/W	0h	Output Open-Drain control for this pin Reset type: SYSRSn
15	GPIO143	R/W	0h	Output Open-Drain control for this pin Reset type: SYSRSn
14	GPIO142	R/W	0h	Output Open-Drain control for this pin Reset type: SYSRSn
13	GPIO141	R/W	0h	Output Open-Drain control for this pin Reset type: SYSRSn
12	GPIO140	R/W	0h	Output Open-Drain control for this pin Reset type: SYSRSn
11	GPIO139	R/W	0h	Output Open-Drain control for this pin Reset type: SYSRSn
10	GPIO138	R/W	0h	Output Open-Drain control for this pin Reset type: SYSRSn
9	GPIO137	R/W	0h	Output Open-Drain control for this pin Reset type: SYSRSn
8	GPIO136	R/W	0h	Output Open-Drain control for this pin Reset type: SYSRSn
7	GPIO135	R/W	0h	Output Open-Drain control for this pin Reset type: SYSRSn
6	GPIO134	R/W	0h	Output Open-Drain control for this pin Reset type: SYSRSn
5	GPIO133	R/W	0h	Output Open-Drain control for this pin Reset type: SYSRSn
4	GPIO132	R/W	0h	Output Open-Drain control for this pin Reset type: SYSRSn
3	GPIO131	R/W	0h	Output Open-Drain control for this pin Reset type: SYSRSn
2	GPIO130	R/W	0h	Output Open-Drain control for this pin Reset type: SYSRSn
1	GPIO129	R/W	0h	Output Open-Drain control for this pin Reset type: SYSRSn
0	GPIO128	R/W	0h	Output Open-Drain control for this pin Reset type: SYSRSn

### 7.10.2.79 GPEGMUX1 Register (Offset = 120h) [Reset = 0000000h]

GPEGMUX1 is shown in [Figure 7-82](#) and described in [Table 7-92](#).

Return to the [Summary Table](#).

GPIO E Peripheral Group Mux (GPIO128 to 143)

Defines pin-muxing selection for GPIO.

Note: For complete pin-mux selection on GPIOx, GPAMUXy.GPIOx configuration is also required.

**Figure 7-82. GPEGMUX1 Register**

31	30	29	28	27	26	25	24
GPIO143		GPIO142		GPIO141		GPIO140	
R/W-0h		R/W-0h		R/W-0h		R/W-0h	
23	22	21	20	19	18	17	16
GPIO139		GPIO138		GPIO137		GPIO136	
R/W-0h		R/W-0h		R/W-0h		R/W-0h	
15	14	13	12	11	10	9	8
GPIO135		GPIO134		GPIO133		GPIO132	
R/W-0h		R/W-0h		R/W-0h		R/W-0h	
7	6	5	4	3	2	1	0
GPIO131		GPIO130		GPIO129		GPIO128	
R/W-0h		R/W-0h		R/W-0h		R/W-0h	

**Table 7-92. GPEGMUX1 Register Field Descriptions**

Bit	Field	Type	Reset	Description
31-30	GPIO143	R/W	0h	Defines pin-muxing selection for GPIO Reset type: SYSRSn
29-28	GPIO142	R/W	0h	Defines pin-muxing selection for GPIO Reset type: SYSRSn
27-26	GPIO141	R/W	0h	Defines pin-muxing selection for GPIO Reset type: SYSRSn
25-24	GPIO140	R/W	0h	Defines pin-muxing selection for GPIO Reset type: SYSRSn
23-22	GPIO139	R/W	0h	Defines pin-muxing selection for GPIO Reset type: SYSRSn
21-20	GPIO138	R/W	0h	Defines pin-muxing selection for GPIO Reset type: SYSRSn
19-18	GPIO137	R/W	0h	Defines pin-muxing selection for GPIO Reset type: SYSRSn
17-16	GPIO136	R/W	0h	Defines pin-muxing selection for GPIO Reset type: SYSRSn
15-14	GPIO135	R/W	0h	Defines pin-muxing selection for GPIO Reset type: SYSRSn
13-12	GPIO134	R/W	0h	Defines pin-muxing selection for GPIO Reset type: SYSRSn
11-10	GPIO133	R/W	0h	Defines pin-muxing selection for GPIO Reset type: SYSRSn
9-8	GPIO132	R/W	0h	Defines pin-muxing selection for GPIO Reset type: SYSRSn

**Table 7-92. GPEGMUX1 Register Field Descriptions (continued)**

Bit	Field	Type	Reset	Description
7-6	GPIO131	R/W	0h	Defines pin-muxing selection for GPIO Reset type: SYSRSn
5-4	GPIO130	R/W	0h	Defines pin-muxing selection for GPIO Reset type: SYSRSn
3-2	GPIO129	R/W	0h	Defines pin-muxing selection for GPIO Reset type: SYSRSn
1-0	GPIO128	R/W	0h	Defines pin-muxing selection for GPIO Reset type: SYSRSn

### 7.10.2.80 GPEGMUX2 Register (Offset = 122h) [Reset = 0000000h]

GPEGMUX2 is shown in [Figure 7-83](#) and described in [Table 7-93](#).

Return to the [Summary Table](#).

GPIO E Peripheral Group Mux (GPIO144 to 159)

Defines pin-muxing selection for GPIO.

Note: For complete pin-mux selection on GPIOx, GPAMUXy.GPIOx configuration is also required.

**Figure 7-83. GPEGMUX2 Register**

31	30	29	28	27	26	25	24
GPIO159		GPIO158		GPIO157		GPIO156	
R/W-0h		R/W-0h		R/W-0h		R/W-0h	
23	22	21	20	19	18	17	16
GPIO155		GPIO154		GPIO153		GPIO152	
R/W-0h		R/W-0h		R/W-0h		R/W-0h	
15	14	13	12	11	10	9	8
GPIO151		GPIO150		GPIO149		GPIO148	
R/W-0h		R/W-0h		R/W-0h		R/W-0h	
7	6	5	4	3	2	1	0
GPIO147		GPIO146		GPIO145		GPIO144	
R/W-0h		R/W-0h		R/W-0h		R/W-0h	

**Table 7-93. GPEGMUX2 Register Field Descriptions**

Bit	Field	Type	Reset	Description
31-30	GPIO159	R/W	0h	Defines pin-muxing selection for GPIO Reset type: SYSRSn
29-28	GPIO158	R/W	0h	Defines pin-muxing selection for GPIO Reset type: SYSRSn
27-26	GPIO157	R/W	0h	Defines pin-muxing selection for GPIO Reset type: SYSRSn
25-24	GPIO156	R/W	0h	Defines pin-muxing selection for GPIO Reset type: SYSRSn
23-22	GPIO155	R/W	0h	Defines pin-muxing selection for GPIO Reset type: SYSRSn
21-20	GPIO154	R/W	0h	Defines pin-muxing selection for GPIO Reset type: SYSRSn
19-18	GPIO153	R/W	0h	Defines pin-muxing selection for GPIO Reset type: SYSRSn
17-16	GPIO152	R/W	0h	Defines pin-muxing selection for GPIO Reset type: SYSRSn
15-14	GPIO151	R/W	0h	Defines pin-muxing selection for GPIO Reset type: SYSRSn
13-12	GPIO150	R/W	0h	Defines pin-muxing selection for GPIO Reset type: SYSRSn
11-10	GPIO149	R/W	0h	Defines pin-muxing selection for GPIO Reset type: SYSRSn
9-8	GPIO148	R/W	0h	Defines pin-muxing selection for GPIO Reset type: SYSRSn



**Table 7-93. GPEGMUX2 Register Field Descriptions (continued)**

Bit	Field	Type	Reset	Description
7-6	GPIO147	R/W	0h	Defines pin-muxing selection for GPIO Reset type: SYSRSn
5-4	GPIO146	R/W	0h	Defines pin-muxing selection for GPIO Reset type: SYSRSn
3-2	GPIO145	R/W	0h	Defines pin-muxing selection for GPIO Reset type: SYSRSn
1-0	GPIO144	R/W	0h	Defines pin-muxing selection for GPIO Reset type: SYSRSn

### 7.10.2.81 GPECSEL1 Register (Offset = 128h) [Reset = 0000000h]

GPECSEL1 is shown in [Figure 7-84](#) and described in [Table 7-94](#).

Return to the [Summary Table](#).

GPIO E Core Select Register (GPIO128 to 135)

Selects which master's GPIODAT/SET/CLEAR/TOGGLE registers control this GPIO pin

xx00: CPU1 selected

xx01: CPU1.CLA1 selected

xx1x: Reserved

**Figure 7-84. GPECSEL1 Register**

31	30	29	28	27	26	25	24	23	22	21	20	19	18	17	16
GPIO135				GPIO134				GPIO133				GPIO132			
R/W-0h				R/W-0h				R/W-0h				R/W-0h			
15	14	13	12	11	10	9	8	7	6	5	4	3	2	1	0
GPIO131				GPIO130				GPIO129				GPIO128			
R/W-0h				R/W-0h				R/W-0h				R/W-0h			

**Table 7-94. GPECSEL1 Register Field Descriptions**

Bit	Field	Type	Reset	Description
31-28	GPIO135	R/W	0h	Selects which master's GPIODAT/SET/CLEAR/TOGGLE registers control this GPIO pin Reset type: SYSRSn
27-24	GPIO134	R/W	0h	Selects which master's GPIODAT/SET/CLEAR/TOGGLE registers control this GPIO pin Reset type: SYSRSn
23-20	GPIO133	R/W	0h	Selects which master's GPIODAT/SET/CLEAR/TOGGLE registers control this GPIO pin Reset type: SYSRSn
19-16	GPIO132	R/W	0h	Selects which master's GPIODAT/SET/CLEAR/TOGGLE registers control this GPIO pin Reset type: SYSRSn
15-12	GPIO131	R/W	0h	Selects which master's GPIODAT/SET/CLEAR/TOGGLE registers control this GPIO pin Reset type: SYSRSn
11-8	GPIO130	R/W	0h	Selects which master's GPIODAT/SET/CLEAR/TOGGLE registers control this GPIO pin Reset type: SYSRSn
7-4	GPIO129	R/W	0h	Selects which master's GPIODAT/SET/CLEAR/TOGGLE registers control this GPIO pin Reset type: SYSRSn
3-0	GPIO128	R/W	0h	Selects which master's GPIODAT/SET/CLEAR/TOGGLE registers control this GPIO pin Reset type: SYSRSn

### 7.10.2.82 GPECSEL2 Register (Offset = 12Ah) [Reset = 0000000h]

GPECSEL2 is shown in [Figure 7-85](#) and described in [Table 7-95](#).

Return to the [Summary Table](#).

GPIO E Core Select Register (GPIO136 to 143)

Selects which master's GPIODAT/SET/CLEAR/TOGGLE registers control this GPIO pin

xx00: CPU1 selected

xx01: CPU1.CLA1 selected

xx1x: Reserved

**Figure 7-85. GPECSEL2 Register**

31	30	29	28	27	26	25	24	23	22	21	20	19	18	17	16
GPIO143				GPIO142				GPIO141				GPIO140			
R/W-0h				R/W-0h				R/W-0h				R/W-0h			
15	14	13	12	11	10	9	8	7	6	5	4	3	2	1	0
GPIO139				GPIO138				GPIO137				GPIO136			
R/W-0h				R/W-0h				R/W-0h				R/W-0h			

**Table 7-95. GPECSEL2 Register Field Descriptions**

Bit	Field	Type	Reset	Description
31-28	GPIO143	R/W	0h	Selects which master's GPIODAT/SET/CLEAR/TOGGLE registers control this GPIO pin Reset type: SYSRSn
27-24	GPIO142	R/W	0h	Selects which master's GPIODAT/SET/CLEAR/TOGGLE registers control this GPIO pin Reset type: SYSRSn
23-20	GPIO141	R/W	0h	Selects which master's GPIODAT/SET/CLEAR/TOGGLE registers control this GPIO pin Reset type: SYSRSn
19-16	GPIO140	R/W	0h	Selects which master's GPIODAT/SET/CLEAR/TOGGLE registers control this GPIO pin Reset type: SYSRSn
15-12	GPIO139	R/W	0h	Selects which master's GPIODAT/SET/CLEAR/TOGGLE registers control this GPIO pin Reset type: SYSRSn
11-8	GPIO138	R/W	0h	Selects which master's GPIODAT/SET/CLEAR/TOGGLE registers control this GPIO pin Reset type: SYSRSn
7-4	GPIO137	R/W	0h	Selects which master's GPIODAT/SET/CLEAR/TOGGLE registers control this GPIO pin Reset type: SYSRSn
3-0	GPIO136	R/W	0h	Selects which master's GPIODAT/SET/CLEAR/TOGGLE registers control this GPIO pin Reset type: SYSRSn

### 7.10.2.83 GPECSEL3 Register (Offset = 12Ch) [Reset = 0000000h]

GPECSEL3 is shown in [Figure 7-86](#) and described in [Table 7-96](#).

Return to the [Summary Table](#).

GPIO E Core Select Register (GPIO144 to 151)

Selects which master's GPIODAT/SET/CLEAR/TOGGLE registers control this GPIO pin

xx00: CPU1 selected

xx01: CPU1.CLA1 selected

xx1x: Reserved

**Figure 7-86. GPECSEL3 Register**

31	30	29	28	27	26	25	24	23	22	21	20	19	18	17	16
GPIO151				GPIO150				GPIO149				GPIO148			
R/W-0h				R/W-0h				R/W-0h				R/W-0h			
15	14	13	12	11	10	9	8	7	6	5	4	3	2	1	0
GPIO147				GPIO146				GPIO145				GPIO144			
R/W-0h				R/W-0h				R/W-0h				R/W-0h			

**Table 7-96. GPECSEL3 Register Field Descriptions**

Bit	Field	Type	Reset	Description
31-28	GPIO151	R/W	0h	Selects which master's GPIODAT/SET/CLEAR/TOGGLE registers control this GPIO pin Reset type: SYSRSn
27-24	GPIO150	R/W	0h	Selects which master's GPIODAT/SET/CLEAR/TOGGLE registers control this GPIO pin Reset type: SYSRSn
23-20	GPIO149	R/W	0h	Selects which master's GPIODAT/SET/CLEAR/TOGGLE registers control this GPIO pin Reset type: SYSRSn
19-16	GPIO148	R/W	0h	Selects which master's GPIODAT/SET/CLEAR/TOGGLE registers control this GPIO pin Reset type: SYSRSn
15-12	GPIO147	R/W	0h	Selects which master's GPIODAT/SET/CLEAR/TOGGLE registers control this GPIO pin Reset type: SYSRSn
11-8	GPIO146	R/W	0h	Selects which master's GPIODAT/SET/CLEAR/TOGGLE registers control this GPIO pin Reset type: SYSRSn
7-4	GPIO145	R/W	0h	Selects which master's GPIODAT/SET/CLEAR/TOGGLE registers control this GPIO pin Reset type: SYSRSn
3-0	GPIO144	R/W	0h	Selects which master's GPIODAT/SET/CLEAR/TOGGLE registers control this GPIO pin Reset type: SYSRSn

### 7.10.2.84 GPECSEL4 Register (Offset = 12Eh) [Reset = 0000000h]

GPECSEL4 is shown in [Figure 7-87](#) and described in [Table 7-97](#).

Return to the [Summary Table](#).

GPIO E Core Select Register (GPIO152 to 159)

Selects which master's GPIODAT/SET/CLEAR/TOGGLE registers control this GPIO pin

xx00: CPU1 selected

xx01: CPU1.CLA1 selected

xx1x: Reserved

**Figure 7-87. GPECSEL4 Register**

31	30	29	28	27	26	25	24	23	22	21	20	19	18	17	16
GPIO159				GPIO158				GPIO157				GPIO156			
R/W-0h				R/W-0h				R/W-0h				R/W-0h			
15	14	13	12	11	10	9	8	7	6	5	4	3	2	1	0
GPIO155				GPIO154				GPIO153				GPIO152			
R/W-0h				R/W-0h				R/W-0h				R/W-0h			

**Table 7-97. GPECSEL4 Register Field Descriptions**

Bit	Field	Type	Reset	Description
31-28	GPIO159	R/W	0h	Selects which master's GPIODAT/SET/CLEAR/TOGGLE registers control this GPIO pin Reset type: SYSRSn
27-24	GPIO158	R/W	0h	Selects which master's GPIODAT/SET/CLEAR/TOGGLE registers control this GPIO pin Reset type: SYSRSn
23-20	GPIO157	R/W	0h	Selects which master's GPIODAT/SET/CLEAR/TOGGLE registers control this GPIO pin Reset type: SYSRSn
19-16	GPIO156	R/W	0h	Selects which master's GPIODAT/SET/CLEAR/TOGGLE registers control this GPIO pin Reset type: SYSRSn
15-12	GPIO155	R/W	0h	Selects which master's GPIODAT/SET/CLEAR/TOGGLE registers control this GPIO pin Reset type: SYSRSn
11-8	GPIO154	R/W	0h	Selects which master's GPIODAT/SET/CLEAR/TOGGLE registers control this GPIO pin Reset type: SYSRSn
7-4	GPIO153	R/W	0h	Selects which master's GPIODAT/SET/CLEAR/TOGGLE registers control this GPIO pin Reset type: SYSRSn
3-0	GPIO152	R/W	0h	Selects which master's GPIODAT/SET/CLEAR/TOGGLE registers control this GPIO pin Reset type: SYSRSn

### 7.10.2.85 GPELOCK Register (Offset = 13Ch) [Reset = 0000000h]

GPELOCK is shown in [Figure 7-88](#) and described in [Table 7-98](#).

Return to the [Summary Table](#).

GPIO E Lock Configuration Register (GPIO128 to 159)

GPIO Configuration Lock for GPIO.

0: Bits in GPyMUX1, GPyMUX2, GPyDIR, GPyINV, GPyODR, GPyAMSEL, GPyGMUX1, GPyGMUX2 and GPyCSELx register which control the same pin can be changed

1: Locks changes to the bits in GPyMUX1, GPyMUX2, GPyDIR, GPyINV, GPyODR, GPyAMSEL, GPyGMUX1, GPyGMUX2 and GPyCSELx registers which control the same pin

**Figure 7-88. GPELOCK Register**

31	30	29	28	27	26	25	24
GPIO159	GPIO158	GPIO157	GPIO156	GPIO155	GPIO154	GPIO153	GPIO152
R/W-0h	R/W-0h	R/W-0h	R/W-0h	R/W-0h	R/W-0h	R/W-0h	R/W-0h
23	22	21	20	19	18	17	16
GPIO151	GPIO150	GPIO149	GPIO148	GPIO147	GPIO146	GPIO145	GPIO144
R/W-0h	R/W-0h	R/W-0h	R/W-0h	R/W-0h	R/W-0h	R/W-0h	R/W-0h
15	14	13	12	11	10	9	8
GPIO143	GPIO142	GPIO141	GPIO140	GPIO139	GPIO138	GPIO137	GPIO136
R/W-0h	R/W-0h	R/W-0h	R/W-0h	R/W-0h	R/W-0h	R/W-0h	R/W-0h
7	6	5	4	3	2	1	0
GPIO135	GPIO134	GPIO133	GPIO132	GPIO131	GPIO130	GPIO129	GPIO128
R/W-0h	R/W-0h	R/W-0h	R/W-0h	R/W-0h	R/W-0h	R/W-0h	R/W-0h

**Table 7-98. GPELOCK Register Field Descriptions**

Bit	Field	Type	Reset	Description
31	GPIO159	R/W	0h	Configuration Lock bit for this pin Reset type: SYSRSn
30	GPIO158	R/W	0h	Configuration Lock bit for this pin Reset type: SYSRSn
29	GPIO157	R/W	0h	Configuration Lock bit for this pin Reset type: SYSRSn
28	GPIO156	R/W	0h	Configuration Lock bit for this pin Reset type: SYSRSn
27	GPIO155	R/W	0h	Configuration Lock bit for this pin Reset type: SYSRSn
26	GPIO154	R/W	0h	Configuration Lock bit for this pin Reset type: SYSRSn
25	GPIO153	R/W	0h	Configuration Lock bit for this pin Reset type: SYSRSn
24	GPIO152	R/W	0h	Configuration Lock bit for this pin Reset type: SYSRSn
23	GPIO151	R/W	0h	Configuration Lock bit for this pin Reset type: SYSRSn
22	GPIO150	R/W	0h	Configuration Lock bit for this pin Reset type: SYSRSn
21	GPIO149	R/W	0h	Configuration Lock bit for this pin Reset type: SYSRSn

**Table 7-98. GPELOCK Register Field Descriptions (continued)**

Bit	Field	Type	Reset	Description
20	GPIO148	R/W	0h	Configuration Lock bit for this pin Reset type: SYSRSn
19	GPIO147	R/W	0h	Configuration Lock bit for this pin Reset type: SYSRSn
18	GPIO146	R/W	0h	Configuration Lock bit for this pin Reset type: SYSRSn
17	GPIO145	R/W	0h	Configuration Lock bit for this pin Reset type: SYSRSn
16	GPIO144	R/W	0h	Configuration Lock bit for this pin Reset type: SYSRSn
15	GPIO143	R/W	0h	Configuration Lock bit for this pin Reset type: SYSRSn
14	GPIO142	R/W	0h	Configuration Lock bit for this pin Reset type: SYSRSn
13	GPIO141	R/W	0h	Configuration Lock bit for this pin Reset type: SYSRSn
12	GPIO140	R/W	0h	Configuration Lock bit for this pin Reset type: SYSRSn
11	GPIO139	R/W	0h	Configuration Lock bit for this pin Reset type: SYSRSn
10	GPIO138	R/W	0h	Configuration Lock bit for this pin Reset type: SYSRSn
9	GPIO137	R/W	0h	Configuration Lock bit for this pin Reset type: SYSRSn
8	GPIO136	R/W	0h	Configuration Lock bit for this pin Reset type: SYSRSn
7	GPIO135	R/W	0h	Configuration Lock bit for this pin Reset type: SYSRSn
6	GPIO134	R/W	0h	Configuration Lock bit for this pin Reset type: SYSRSn
5	GPIO133	R/W	0h	Configuration Lock bit for this pin Reset type: SYSRSn
4	GPIO132	R/W	0h	Configuration Lock bit for this pin Reset type: SYSRSn
3	GPIO131	R/W	0h	Configuration Lock bit for this pin Reset type: SYSRSn
2	GPIO130	R/W	0h	Configuration Lock bit for this pin Reset type: SYSRSn
1	GPIO129	R/W	0h	Configuration Lock bit for this pin Reset type: SYSRSn
0	GPIO128	R/W	0h	Configuration Lock bit for this pin Reset type: SYSRSn

### 7.10.2.86 GPECR Register (Offset = 13Eh) [Reset = 0000000h]

GPECR is shown in [Figure 7-89](#) and described in [Table 7-99](#).

Return to the [Summary Table](#).

GPIO E Lock Commit Register (GPIO128 to 159)

GPIO Configuration Lock Commit for GPIO:

1: Locks changes to the bit in GPyLOCK register which controls the same pin

0: Bit in the GPyLOCK register which controls the same pin can be changed

**Figure 7-89. GPECR Register**

31	30	29	28	27	26	25	24
GPIO159	GPIO158	GPIO157	GPIO156	GPIO155	GPIO154	GPIO153	GPIO152
R/WOnce-0h	R/WOnce-0h	R/WOnce-0h	R/WOnce-0h	R/WOnce-0h	R/WOnce-0h	R/WOnce-0h	R/WOnce-0h
23	22	21	20	19	18	17	16
GPIO151	GPIO150	GPIO149	GPIO148	GPIO147	GPIO146	GPIO145	GPIO144
R/WOnce-0h	R/WOnce-0h	R/WOnce-0h	R/WOnce-0h	R/WOnce-0h	R/WOnce-0h	R/WOnce-0h	R/WOnce-0h
15	14	13	12	11	10	9	8
GPIO143	GPIO142	GPIO141	GPIO140	GPIO139	GPIO138	GPIO137	GPIO136
R/WOnce-0h	R/WOnce-0h	R/WOnce-0h	R/WOnce-0h	R/WOnce-0h	R/WOnce-0h	R/WOnce-0h	R/WOnce-0h
7	6	5	4	3	2	1	0
GPIO135	GPIO134	GPIO133	GPIO132	GPIO131	GPIO130	GPIO129	GPIO128
R/WOnce-0h	R/WOnce-0h	R/WOnce-0h	R/WOnce-0h	R/WOnce-0h	R/WOnce-0h	R/WOnce-0h	R/WOnce-0h

**Table 7-99. GPECR Register Field Descriptions**

Bit	Field	Type	Reset	Description
31	GPIO159	R/WOnce	0h	Configuration lock commit bit for this pin Reset type: SYSRSn
30	GPIO158	R/WOnce	0h	Configuration lock commit bit for this pin Reset type: SYSRSn
29	GPIO157	R/WOnce	0h	Configuration lock commit bit for this pin Reset type: SYSRSn
28	GPIO156	R/WOnce	0h	Configuration lock commit bit for this pin Reset type: SYSRSn
27	GPIO155	R/WOnce	0h	Configuration lock commit bit for this pin Reset type: SYSRSn
26	GPIO154	R/WOnce	0h	Configuration lock commit bit for this pin Reset type: SYSRSn
25	GPIO153	R/WOnce	0h	Configuration lock commit bit for this pin Reset type: SYSRSn
24	GPIO152	R/WOnce	0h	Configuration lock commit bit for this pin Reset type: SYSRSn
23	GPIO151	R/WOnce	0h	Configuration lock commit bit for this pin Reset type: SYSRSn
22	GPIO150	R/WOnce	0h	Configuration lock commit bit for this pin Reset type: SYSRSn
21	GPIO149	R/WOnce	0h	Configuration lock commit bit for this pin Reset type: SYSRSn
20	GPIO148	R/WOnce	0h	Configuration lock commit bit for this pin Reset type: SYSRSn



**Table 7-99. GPECR Register Field Descriptions (continued)**

Bit	Field	Type	Reset	Description
19	GPIO147	R/WOnce	0h	Configuration lock commit bit for this pin Reset type: SYSRSn
18	GPIO146	R/WOnce	0h	Configuration lock commit bit for this pin Reset type: SYSRSn
17	GPIO145	R/WOnce	0h	Configuration lock commit bit for this pin Reset type: SYSRSn
16	GPIO144	R/WOnce	0h	Configuration lock commit bit for this pin Reset type: SYSRSn
15	GPIO143	R/WOnce	0h	Configuration lock commit bit for this pin Reset type: SYSRSn
14	GPIO142	R/WOnce	0h	Configuration lock commit bit for this pin Reset type: SYSRSn
13	GPIO141	R/WOnce	0h	Configuration lock commit bit for this pin Reset type: SYSRSn
12	GPIO140	R/WOnce	0h	Configuration lock commit bit for this pin Reset type: SYSRSn
11	GPIO139	R/WOnce	0h	Configuration lock commit bit for this pin Reset type: SYSRSn
10	GPIO138	R/WOnce	0h	Configuration lock commit bit for this pin Reset type: SYSRSn
9	GPIO137	R/WOnce	0h	Configuration lock commit bit for this pin Reset type: SYSRSn
8	GPIO136	R/WOnce	0h	Configuration lock commit bit for this pin Reset type: SYSRSn
7	GPIO135	R/WOnce	0h	Configuration lock commit bit for this pin Reset type: SYSRSn
6	GPIO134	R/WOnce	0h	Configuration lock commit bit for this pin Reset type: SYSRSn
5	GPIO133	R/WOnce	0h	Configuration lock commit bit for this pin Reset type: SYSRSn
4	GPIO132	R/WOnce	0h	Configuration lock commit bit for this pin Reset type: SYSRSn
3	GPIO131	R/WOnce	0h	Configuration lock commit bit for this pin Reset type: SYSRSn
2	GPIO130	R/WOnce	0h	Configuration lock commit bit for this pin Reset type: SYSRSn
1	GPIO129	R/WOnce	0h	Configuration lock commit bit for this pin Reset type: SYSRSn
0	GPIO128	R/WOnce	0h	Configuration lock commit bit for this pin Reset type: SYSRSn

### 7.10.2.87 GPFCTRL Register (Offset = 140h) [Reset = 0000000h]

GPFCTRL is shown in [Figure 7-90](#) and described in [Table 7-100](#).

Return to the [Summary Table](#).

GPIO F Qualification Sampling Period Control (GPIO160 to 168)

**Figure 7-90. GPFCTRL Register**

31	30	29	28	27	26	25	24	23	22	21	20	19	18	17	16	15	14	13	12	11	10	9	8	7	6	5	4	3	2	1	0
RESERVED								RESERVED								QUALPRD1				QUALPRD0											
R/W-0h								R/W-0h								R/W-0h				R/W-0h											

**Table 7-100. GPFCTRL Register Field Descriptions**

Bit	Field	Type	Reset	Description
31-24	RESERVED	R/W	0h	Reserved
23-16	RESERVED	R/W	0h	Reserved
15-8	QUALPRD1	R/W	0h	Qualification sampling period for GPIO168: 0x00,QUALPRDx = PLLSYSCLK 0x01,QUALPRDx = PLLSYSCLK/2 0x02,QUALPRDx = PLLSYSCLK/4 .... 0xFF,QUALPRDx = PLLSYSCLK/510 Reset type: SYSRSn
7-0	QUALPRD0	R/W	0h	Qualification sampling period for GPIO160 to GPIO167: 0x00,QUALPRDx = PLLSYSCLK 0x01,QUALPRDx = PLLSYSCLK/2 0x02,QUALPRDx = PLLSYSCLK/4 .... 0xFF,QUALPRDx = PLLSYSCLK/510 Reset type: SYSRSn

### 7.10.2.88 GPFQSEL1 Register (Offset = 142h) [Reset = 0000000h]

GPFQSEL1 is shown in [Figure 7-91](#) and described in [Table 7-101](#).

Return to the [Summary Table](#).

GPIO F Qualifier Select 1 Register (GPIO160 to 168)

Input qualification type:

0,0 Sync

0,1 Qualification (3 samples)

1,0 Qualification (6 samples)

1,1 Async (no Sync or Qualification)

**Figure 7-91. GPFQSEL1 Register**

31	30	29	28	27	26	25	24
RESERVED		RESERVED		RESERVED		RESERVED	
R/W-0h		R/W-0h		R/W-0h		R/W-0h	
23	22	21	20	19	18	17	16
RESERVED		RESERVED		RESERVED		GPIO168	
R/W-0h		R/W-0h		R/W-0h		R/W-0h	
15	14	13	12	11	10	9	8
GPIO167		GPIO166		GPIO165		GPIO164	
R/W-0h		R/W-0h		R/W-0h		R/W-0h	
7	6	5	4	3	2	1	0
GPIO163		GPIO162		GPIO161		GPIO160	
R/W-0h		R/W-0h		R/W-0h		R/W-0h	

**Table 7-101. GPFQSEL1 Register Field Descriptions**

Bit	Field	Type	Reset	Description
31-30	RESERVED	R/W	0h	Reserved
29-28	RESERVED	R/W	0h	Reserved
27-26	RESERVED	R/W	0h	Reserved
25-24	RESERVED	R/W	0h	Reserved
23-22	RESERVED	R/W	0h	Reserved
21-20	RESERVED	R/W	0h	Reserved
19-18	RESERVED	R/W	0h	Reserved
17-16	GPIO168	R/W	0h	Input qualification type Reset type: SYSRSn
15-14	GPIO167	R/W	0h	Input qualification type Reset type: SYSRSn
13-12	GPIO166	R/W	0h	Input qualification type Reset type: SYSRSn
11-10	GPIO165	R/W	0h	Input qualification type Reset type: SYSRSn
9-8	GPIO164	R/W	0h	Input qualification type Reset type: SYSRSn
7-6	GPIO163	R/W	0h	Input qualification type Reset type: SYSRSn
5-4	GPIO162	R/W	0h	Input qualification type Reset type: SYSRSn

**Table 7-101. GPFQSEL1 Register Field Descriptions (continued)**

Bit	Field	Type	Reset	Description
3-2	GPIO161	R/W	0h	Input qualification type Reset type: SYSRSn
1-0	GPIO160	R/W	0h	Input qualification type Reset type: SYSRSn

### 7.10.2.89 GPFMUX1 Register (Offset = 146h) [Reset = 0000000h]

GPFMUX1 is shown in [Figure 7-92](#) and described in [Table 7-102](#).

Return to the [Summary Table](#).

GPIO F Mux 1 Register (GPIO160 to 168)

Defines pin-muxing selection for GPIO.

Notes:

The respective GPyGMUXn.GPIOz must be configured prior to this register to avoid intermediate peripheral selects being mapped to the GPIO.

**Figure 7-92. GPFMUX1 Register**

31	30	29	28	27	26	25	24
RESERVED		RESERVED		RESERVED		RESERVED	
R/W-0h		R/W-0h		R/W-0h		R/W-0h	
23	22	21	20	19	18	17	16
RESERVED		RESERVED		RESERVED		GPIO168	
R/W-0h		R/W-0h		R/W-0h		R/W-0h	
15	14	13	12	11	10	9	8
GPIO167		GPIO166		GPIO165		GPIO164	
R/W-0h		R/W-0h		R/W-0h		R/W-0h	
7	6	5	4	3	2	1	0
GPIO163		GPIO162		GPIO161		GPIO160	
R/W-0h		R/W-0h		R/W-0h		R/W-0h	

**Table 7-102. GPFMUX1 Register Field Descriptions**

Bit	Field	Type	Reset	Description
31-30	RESERVED	R/W	0h	Reserved
29-28	RESERVED	R/W	0h	Reserved
27-26	RESERVED	R/W	0h	Reserved
25-24	RESERVED	R/W	0h	Reserved
23-22	RESERVED	R/W	0h	Reserved
21-20	RESERVED	R/W	0h	Reserved
19-18	RESERVED	R/W	0h	Reserved
17-16	GPIO168	R/W	0h	Defines pin-muxing selection for GPIO Reset type: SYSRSn
15-14	GPIO167	R/W	0h	Defines pin-muxing selection for GPIO Reset type: SYSRSn
13-12	GPIO166	R/W	0h	Defines pin-muxing selection for GPIO Reset type: SYSRSn
11-10	GPIO165	R/W	0h	Defines pin-muxing selection for GPIO Reset type: SYSRSn
9-8	GPIO164	R/W	0h	Defines pin-muxing selection for GPIO Reset type: SYSRSn
7-6	GPIO163	R/W	0h	Defines pin-muxing selection for GPIO Reset type: SYSRSn
5-4	GPIO162	R/W	0h	Defines pin-muxing selection for GPIO Reset type: SYSRSn
3-2	GPIO161	R/W	0h	Defines pin-muxing selection for GPIO Reset type: SYSRSn

**Table 7-102. GPFMUX1 Register Field Descriptions (continued)**

Bit	Field	Type	Reset	Description
1-0	GPIO160	R/W	0h	Defines pin-muxing selection for GPIO Reset type: SYSRSn

### 7.10.2.90 GPFDIR Register (Offset = 14Ah) [Reset = 0000000h]

GPFDIR is shown in [Figure 7-93](#) and described in [Table 7-103](#).

Return to the [Summary Table](#).

GPIO F Direction Register (GPIO160 to 168)

Controls direction of GPIO pins when the specified pin is configured in GPIO mode.

0: Configures pin as input.

1: Configures pin as output.

Reading the register returns the current value of the register setting.

**Figure 7-93. GPFDIR Register**

31	30	29	28	27	26	25	24
RESERVED	RESERVED	RESERVED	RESERVED	RESERVED	RESERVED	RESERVED	RESERVED
R/W-0h	R/W-0h	R/W-0h	R/W-0h	R/W-0h	R/W-0h	R/W-0h	R/W-0h
23	22	21	20	19	18	17	16
RESERVED	RESERVED	RESERVED	RESERVED	RESERVED	RESERVED	RESERVED	RESERVED
R/W-0h	R/W-0h	R/W-0h	R/W-0h	R/W-0h	R/W-0h	R/W-0h	R/W-0h
15	14	13	12	11	10	9	8
RESERVED	RESERVED	RESERVED	RESERVED	RESERVED	RESERVED	RESERVED	GPIO168
R/W-0h	R/W-0h	R/W-0h	R/W-0h	R/W-0h	R/W-0h	R/W-0h	R/W-0h
7	6	5	4	3	2	1	0
GPIO167	GPIO166	GPIO165	GPIO164	GPIO163	GPIO162	GPIO161	GPIO160
R/W-0h	R/W-0h	R/W-0h	R/W-0h	R/W-0h	R/W-0h	R/W-0h	R/W-0h

**Table 7-103. GPFDIR Register Field Descriptions**

Bit	Field	Type	Reset	Description
31	RESERVED	R/W	0h	Reserved
30	RESERVED	R/W	0h	Reserved
29	RESERVED	R/W	0h	Reserved
28	RESERVED	R/W	0h	Reserved
27	RESERVED	R/W	0h	Reserved
26	RESERVED	R/W	0h	Reserved
25	RESERVED	R/W	0h	Reserved
24	RESERVED	R/W	0h	Reserved
23	RESERVED	R/W	0h	Reserved
22	RESERVED	R/W	0h	Reserved
21	RESERVED	R/W	0h	Reserved
20	RESERVED	R/W	0h	Reserved
19	RESERVED	R/W	0h	Reserved
18	RESERVED	R/W	0h	Reserved
17	RESERVED	R/W	0h	Reserved
16	RESERVED	R/W	0h	Reserved
15	RESERVED	R/W	0h	Reserved
14	RESERVED	R/W	0h	Reserved
13	RESERVED	R/W	0h	Reserved
12	RESERVED	R/W	0h	Reserved
11	RESERVED	R/W	0h	Reserved
10	RESERVED	R/W	0h	Reserved

**Table 7-103. GPFDIR Register Field Descriptions (continued)**

Bit	Field	Type	Reset	Description
9	RESERVED	R/W	0h	Reserved
8	GPIO168	R/W	0h	Defines direction for this pin in GPIO mode Reset type: SYSRSn
7	GPIO167	R/W	0h	Defines direction for this pin in GPIO mode Reset type: SYSRSn
6	GPIO166	R/W	0h	Defines direction for this pin in GPIO mode Reset type: SYSRSn
5	GPIO165	R/W	0h	Defines direction for this pin in GPIO mode Reset type: SYSRSn
4	GPIO164	R/W	0h	Defines direction for this pin in GPIO mode Reset type: SYSRSn
3	GPIO163	R/W	0h	Defines direction for this pin in GPIO mode Reset type: SYSRSn
2	GPIO162	R/W	0h	Defines direction for this pin in GPIO mode Reset type: SYSRSn
1	GPIO161	R/W	0h	Defines direction for this pin in GPIO mode Reset type: SYSRSn
0	GPIO160	R/W	0h	Defines direction for this pin in GPIO mode Reset type: SYSRSn



### 7.10.2.91 GPFPU Register (Offset = 14Ch) [Reset = FFFFFFFFh]

GPFPU is shown in [Figure 7-94](#) and described in [Table 7-104](#).

Return to the [Summary Table](#).

GPIO F Pull Up Disable Register (GPIO160 to 168)

Disables the Pull-Up on GPIO.

0: Enables the Pull-Up.

1: Disables the Pull-Up.

Reading the register returns the current value of the register setting.

**Figure 7-94. GPFPU Register**

31	30	29	28	27	26	25	24
RESERVED	RESERVED	RESERVED	RESERVED	RESERVED	RESERVED	RESERVED	RESERVED
R/W-1h	R/W-1h	R/W-1h	R/W-1h	R/W-1h	R/W-1h	R/W-1h	R/W-1h
23	22	21	20	19	18	17	16
RESERVED	RESERVED	RESERVED	RESERVED	RESERVED	RESERVED	RESERVED	RESERVED
R/W-1h	R/W-1h	R/W-1h	R/W-1h	R/W-1h	R/W-1h	R/W-1h	R/W-1h
15	14	13	12	11	10	9	8
RESERVED	RESERVED	RESERVED	RESERVED	RESERVED	RESERVED	RESERVED	GPIO168
R/W-1h	R/W-1h	R/W-1h	R/W-1h	R/W-1h	R/W-1h	R/W-1h	R/W-1h
7	6	5	4	3	2	1	0
GPIO167	GPIO166	GPIO165	GPIO164	GPIO163	GPIO162	GPIO161	GPIO160
R/W-1h	R/W-1h	R/W-1h	R/W-1h	R/W-1h	R/W-1h	R/W-1h	R/W-1h

**Table 7-104. GPFPU Register Field Descriptions**

Bit	Field	Type	Reset	Description
31	RESERVED	R/W	1h	Reserved
30	RESERVED	R/W	1h	Reserved
29	RESERVED	R/W	1h	Reserved
28	RESERVED	R/W	1h	Reserved
27	RESERVED	R/W	1h	Reserved
26	RESERVED	R/W	1h	Reserved
25	RESERVED	R/W	1h	Reserved
24	RESERVED	R/W	1h	Reserved
23	RESERVED	R/W	1h	Reserved
22	RESERVED	R/W	1h	Reserved
21	RESERVED	R/W	1h	Reserved
20	RESERVED	R/W	1h	Reserved
19	RESERVED	R/W	1h	Reserved
18	RESERVED	R/W	1h	Reserved
17	RESERVED	R/W	1h	Reserved
16	RESERVED	R/W	1h	Reserved
15	RESERVED	R/W	1h	Reserved
14	RESERVED	R/W	1h	Reserved
13	RESERVED	R/W	1h	Reserved
12	RESERVED	R/W	1h	Reserved
11	RESERVED	R/W	1h	Reserved
10	RESERVED	R/W	1h	Reserved

**Table 7-104. GPFPU Register Field Descriptions (continued)**

Bit	Field	Type	Reset	Description
9	RESERVED	R/W	1h	Reserved
8	GPIO168	R/W	1h	Pull-Up Disable control for this pin Reset type: SYSRSn
7	GPIO167	R/W	1h	Pull-Up Disable control for this pin Reset type: SYSRSn
6	GPIO166	R/W	1h	Pull-Up Disable control for this pin Reset type: SYSRSn
5	GPIO165	R/W	1h	Pull-Up Disable control for this pin Reset type: SYSRSn
4	GPIO164	R/W	1h	Pull-Up Disable control for this pin Reset type: SYSRSn
3	GPIO163	R/W	1h	Pull-Up Disable control for this pin Reset type: SYSRSn
2	GPIO162	R/W	1h	Pull-Up Disable control for this pin Reset type: SYSRSn
1	GPIO161	R/W	1h	Pull-Up Disable control for this pin Reset type: SYSRSn
0	GPIO160	R/W	1h	Pull-Up Disable control for this pin Reset type: SYSRSn

### 7.10.2.92 GPFINV Register (Offset = 150h) [Reset = 0000000h]

GPFINV is shown in [Figure 7-95](#) and described in [Table 7-105](#).

Return to the [Summary Table](#).

GPIO F Input Polarity Invert Registers (GPIO160 to 168)

Selects between non-inverted and inverted GPIO input to the device.

0: selects non-inverted GPIO input

1: selects inverted GPIO input

Reading the register returns the current value of the register setting.

**Figure 7-95. GPFINV Register**

31	30	29	28	27	26	25	24
RESERVED	RESERVED	RESERVED	RESERVED	RESERVED	RESERVED	RESERVED	RESERVED
R/W-0h	R/W-0h	R/W-0h	R/W-0h	R/W-0h	R/W-0h	R/W-0h	R/W-0h
23	22	21	20	19	18	17	16
RESERVED	RESERVED	RESERVED	RESERVED	RESERVED	RESERVED	RESERVED	RESERVED
R/W-0h	R/W-0h	R/W-0h	R/W-0h	R/W-0h	R/W-0h	R/W-0h	R/W-0h
15	14	13	12	11	10	9	8
RESERVED	RESERVED	RESERVED	RESERVED	RESERVED	RESERVED	RESERVED	GPIO168
R/W-0h	R/W-0h	R/W-0h	R/W-0h	R/W-0h	R/W-0h	R/W-0h	R/W-0h
7	6	5	4	3	2	1	0
GPIO167	GPIO166	GPIO165	GPIO164	GPIO163	GPIO162	GPIO161	GPIO160
R/W-0h	R/W-0h	R/W-0h	R/W-0h	R/W-0h	R/W-0h	R/W-0h	R/W-0h

**Table 7-105. GPFINV Register Field Descriptions**

Bit	Field	Type	Reset	Description
31	RESERVED	R/W	0h	Reserved
30	RESERVED	R/W	0h	Reserved
29	RESERVED	R/W	0h	Reserved
28	RESERVED	R/W	0h	Reserved
27	RESERVED	R/W	0h	Reserved
26	RESERVED	R/W	0h	Reserved
25	RESERVED	R/W	0h	Reserved
24	RESERVED	R/W	0h	Reserved
23	RESERVED	R/W	0h	Reserved
22	RESERVED	R/W	0h	Reserved
21	RESERVED	R/W	0h	Reserved
20	RESERVED	R/W	0h	Reserved
19	RESERVED	R/W	0h	Reserved
18	RESERVED	R/W	0h	Reserved
17	RESERVED	R/W	0h	Reserved
16	RESERVED	R/W	0h	Reserved
15	RESERVED	R/W	0h	Reserved
14	RESERVED	R/W	0h	Reserved
13	RESERVED	R/W	0h	Reserved
12	RESERVED	R/W	0h	Reserved
11	RESERVED	R/W	0h	Reserved
10	RESERVED	R/W	0h	Reserved

**Table 7-105. GPFINV Register Field Descriptions (continued)**

Bit	Field	Type	Reset	Description
9	RESERVED	R/W	0h	Reserved
8	GPIO168	R/W	0h	Input inversion control for this pin Reset type: SYSRSn
7	GPIO167	R/W	0h	Input inversion control for this pin Reset type: SYSRSn
6	GPIO166	R/W	0h	Input inversion control for this pin Reset type: SYSRSn
5	GPIO165	R/W	0h	Input inversion control for this pin Reset type: SYSRSn
4	GPIO164	R/W	0h	Input inversion control for this pin Reset type: SYSRSn
3	GPIO163	R/W	0h	Input inversion control for this pin Reset type: SYSRSn
2	GPIO162	R/W	0h	Input inversion control for this pin Reset type: SYSRSn
1	GPIO161	R/W	0h	Input inversion control for this pin Reset type: SYSRSn
0	GPIO160	R/W	0h	Input inversion control for this pin Reset type: SYSRSn

### 7.10.2.93 GPFODR Register (Offset = 152h) [Reset = 0000000h]

GPFODR is shown in [Figure 7-96](#) and described in [Table 7-106](#).

Return to the [Summary Table](#).

GPIO F Open Drain Output Register (GPIO160 to GPIO168)

Selects between normal and open-drain output for the GPIO pin.

0: Normal Output

1: Open Drain Output

Reading the register returns the current value of the register setting.

Note:

[1] In the Open Drain output mode, if the buffer is configured for output mode, a 0 value to be driven out comes out on the on the PAD while a 1 value to be driven out tri-states the buffer.

**Figure 7-96. GPFODR Register**

31	30	29	28	27	26	25	24
RESERVED	RESERVED	RESERVED	RESERVED	RESERVED	RESERVED	RESERVED	RESERVED
R/W-0h	R/W-0h	R/W-0h	R/W-0h	R/W-0h	R/W-0h	R/W-0h	R/W-0h
23	22	21	20	19	18	17	16
RESERVED	RESERVED	RESERVED	RESERVED	RESERVED	RESERVED	RESERVED	RESERVED
R/W-0h	R/W-0h	R/W-0h	R/W-0h	R/W-0h	R/W-0h	R/W-0h	R/W-0h
15	14	13	12	11	10	9	8
RESERVED	RESERVED	RESERVED	RESERVED	RESERVED	RESERVED	RESERVED	GPIO168
R/W-0h	R/W-0h	R/W-0h	R/W-0h	R/W-0h	R/W-0h	R/W-0h	R/W-0h
7	6	5	4	3	2	1	0
GPIO167	GPIO166	GPIO165	GPIO164	GPIO163	GPIO162	GPIO161	GPIO160
R/W-0h	R/W-0h	R/W-0h	R/W-0h	R/W-0h	R/W-0h	R/W-0h	R/W-0h

**Table 7-106. GPFODR Register Field Descriptions**

Bit	Field	Type	Reset	Description
31	RESERVED	R/W	0h	Reserved
30	RESERVED	R/W	0h	Reserved
29	RESERVED	R/W	0h	Reserved
28	RESERVED	R/W	0h	Reserved
27	RESERVED	R/W	0h	Reserved
26	RESERVED	R/W	0h	Reserved
25	RESERVED	R/W	0h	Reserved
24	RESERVED	R/W	0h	Reserved
23	RESERVED	R/W	0h	Reserved
22	RESERVED	R/W	0h	Reserved
21	RESERVED	R/W	0h	Reserved
20	RESERVED	R/W	0h	Reserved
19	RESERVED	R/W	0h	Reserved
18	RESERVED	R/W	0h	Reserved
17	RESERVED	R/W	0h	Reserved
16	RESERVED	R/W	0h	Reserved
15	RESERVED	R/W	0h	Reserved
14	RESERVED	R/W	0h	Reserved
13	RESERVED	R/W	0h	Reserved

**Table 7-106. GPFODR Register Field Descriptions (continued)**

Bit	Field	Type	Reset	Description
12	RESERVED	R/W	0h	Reserved
11	RESERVED	R/W	0h	Reserved
10	RESERVED	R/W	0h	Reserved
9	RESERVED	R/W	0h	Reserved
8	GPIO168	R/W	0h	Output Open-Drain control for this pin Reset type: SYSRSn
7	GPIO167	R/W	0h	Output Open-Drain control for this pin Reset type: SYSRSn
6	GPIO166	R/W	0h	Output Open-Drain control for this pin Reset type: SYSRSn
5	GPIO165	R/W	0h	Output Open-Drain control for this pin Reset type: SYSRSn
4	GPIO164	R/W	0h	Output Open-Drain control for this pin Reset type: SYSRSn
3	GPIO163	R/W	0h	Output Open-Drain control for this pin Reset type: SYSRSn
2	GPIO162	R/W	0h	Output Open-Drain control for this pin Reset type: SYSRSn
1	GPIO161	R/W	0h	Output Open-Drain control for this pin Reset type: SYSRSn
0	GPIO160	R/W	0h	Output Open-Drain control for this pin Reset type: SYSRSn

### 7.10.2.94 GPFGMUX1 Register (Offset = 160h) [Reset = 0000000h]

GPFGMUX1 is shown in [Figure 7-97](#) and described in [Table 7-107](#).

Return to the [Summary Table](#).

GPIO F Peripheral Group Mux (GPIO160 to 168)

Defines pin-muxing selection for GPIO.

Note: For complete pin-mux selection on GPIOx, GPAMUXy.GPIOx configuration is also required.

**Figure 7-97. GPFGMUX1 Register**

31	30	29	28	27	26	25	24
RESERVED		RESERVED		RESERVED		RESERVED	
R/W-0h		R/W-0h		R/W-0h		R/W-0h	
23	22	21	20	19	18	17	16
RESERVED		RESERVED		RESERVED		GPIO168	
R/W-0h		R/W-0h		R/W-0h		R/W-0h	
15	14	13	12	11	10	9	8
GPIO167		GPIO166		GPIO165		GPIO164	
R/W-0h		R/W-0h		R/W-0h		R/W-0h	
7	6	5	4	3	2	1	0
GPIO163		GPIO162		GPIO161		GPIO160	
R/W-0h		R/W-0h		R/W-0h		R/W-0h	

**Table 7-107. GPFGMUX1 Register Field Descriptions**

Bit	Field	Type	Reset	Description
31-30	RESERVED	R/W	0h	Reserved
29-28	RESERVED	R/W	0h	Reserved
27-26	RESERVED	R/W	0h	Reserved
25-24	RESERVED	R/W	0h	Reserved
23-22	RESERVED	R/W	0h	Reserved
21-20	RESERVED	R/W	0h	Reserved
19-18	RESERVED	R/W	0h	Reserved
17-16	GPIO168	R/W	0h	Defines pin-muxing selection for GPIO Reset type: SYSRSn
15-14	GPIO167	R/W	0h	Defines pin-muxing selection for GPIO Reset type: SYSRSn
13-12	GPIO166	R/W	0h	Defines pin-muxing selection for GPIO Reset type: SYSRSn
11-10	GPIO165	R/W	0h	Defines pin-muxing selection for GPIO Reset type: SYSRSn
9-8	GPIO164	R/W	0h	Defines pin-muxing selection for GPIO Reset type: SYSRSn
7-6	GPIO163	R/W	0h	Defines pin-muxing selection for GPIO Reset type: SYSRSn
5-4	GPIO162	R/W	0h	Defines pin-muxing selection for GPIO Reset type: SYSRSn
3-2	GPIO161	R/W	0h	Defines pin-muxing selection for GPIO Reset type: SYSRSn

**Table 7-107. GPFGMUX1 Register Field Descriptions (continued)**

Bit	Field	Type	Reset	Description
1-0	GPIO160	R/W	0h	Defines pin-muxing selection for GPIO Reset type: SYSRSn



### 7.10.2.95 GPFCSSEL1 Register (Offset = 168h) [Reset = 00000000h]

GPFCSSEL1 is shown in [Figure 7-98](#) and described in [Table 7-108](#).

Return to the [Summary Table](#).

GPIO F Core Select Register (GPIO160 to 167)

Selects which master's GPIODAT/SET/CLEAR/TOGGLE registers control this GPIO pin

xx00: CPU1 selected

xx01: CPU1.CLA1 selected

xx1x: Reserved

**Figure 7-98. GPFCSSEL1 Register**

31	30	29	28	27	26	25	24	23	22	21	20	19	18	17	16
GPIO167				GPIO166				GPIO165				GPIO164			
R/W-0h				R/W-0h				R/W-0h				R/W-0h			
15	14	13	12	11	10	9	8	7	6	5	4	3	2	1	0
GPIO163				GPIO162				GPIO161				GPIO160			
R/W-0h				R/W-0h				R/W-0h				R/W-0h			

**Table 7-108. GPFCSSEL1 Register Field Descriptions**

Bit	Field	Type	Reset	Description
31-28	GPIO167	R/W	0h	Selects which master's GPIODAT/SET/CLEAR/TOGGLE registers control this GPIO pin Reset type: SYSRSn
27-24	GPIO166	R/W	0h	Selects which master's GPIODAT/SET/CLEAR/TOGGLE registers control this GPIO pin Reset type: SYSRSn
23-20	GPIO165	R/W	0h	Selects which master's GPIODAT/SET/CLEAR/TOGGLE registers control this GPIO pin Reset type: SYSRSn
19-16	GPIO164	R/W	0h	Selects which master's GPIODAT/SET/CLEAR/TOGGLE registers control this GPIO pin Reset type: SYSRSn
15-12	GPIO163	R/W	0h	Selects which master's GPIODAT/SET/CLEAR/TOGGLE registers control this GPIO pin Reset type: SYSRSn
11-8	GPIO162	R/W	0h	Selects which master's GPIODAT/SET/CLEAR/TOGGLE registers control this GPIO pin Reset type: SYSRSn
7-4	GPIO161	R/W	0h	Selects which master's GPIODAT/SET/CLEAR/TOGGLE registers control this GPIO pin Reset type: SYSRSn
3-0	GPIO160	R/W	0h	Selects which master's GPIODAT/SET/CLEAR/TOGGLE registers control this GPIO pin Reset type: SYSRSn

### 7.10.2.96 GPFSEL2 Register (Offset = 16Ah) [Reset = 0000000h]

GPFSEL2 is shown in [Figure 7-99](#) and described in [Table 7-109](#).

Return to the [Summary Table](#).

GPIO F Core Select Register (GPIO168)

Selects which master's GPIODAT/SET/CLEAR/TOGGLE registers control this GPIO pin

xx00: CPU1 selected

xx01: CPU1.CLA1 selected

xx1x: Reserved

**Figure 7-99. GPFSEL2 Register**

31	30	29	28	27	26	25	24	23	22	21	20	19	18	17	16
RESERVED				RESERVED				RESERVED				RESERVED			
R/W-0h				R/W-0h				R/W-0h				R/W-0h			
15	14	13	12	11	10	9	8	7	6	5	4	3	2	1	0
RESERVED				RESERVED				RESERVED				GPIO168			
R/W-0h				R/W-0h				R/W-0h				R/W-0h			

**Table 7-109. GPFSEL2 Register Field Descriptions**

Bit	Field	Type	Reset	Description
31-28	RESERVED	R/W	0h	Reserved
27-24	RESERVED	R/W	0h	Reserved
23-20	RESERVED	R/W	0h	Reserved
19-16	RESERVED	R/W	0h	Reserved
15-12	RESERVED	R/W	0h	Reserved
11-8	RESERVED	R/W	0h	Reserved
7-4	RESERVED	R/W	0h	Reserved
3-0	GPIO168	R/W	0h	Selects which master's GPIODAT/SET/CLEAR/TOGGLE registers control this GPIO pin Reset type: SYSRSn

### 7.10.2.97 GPFLOCK Register (Offset = 17Ch) [Reset = 0000000h]

GPFLOCK is shown in [Figure 7-100](#) and described in [Table 7-110](#).

Return to the [Summary Table](#).

GPIO F Lock Configuration Register (GPIO160 to 168)

GPIO Configuration Lock for GPIO.

0: Bits in GPyMUX1, GPyMUX2, GPyDIR, GPyINV, GPyODR, GPyAMSEL, GPyGMUX1, GPyGMUX2 and GPyCSELx register which control the same pin can be changed

1: Locks changes to the bits in GPyMUX1, GPyMUX2, GPyDIR, GPyINV, GPyODR, GPyAMSEL, GPyGMUX1, GPyGMUX2 and GPyCSELx registers which control the same pin

**Figure 7-100. GPFLOCK Register**

31	30	29	28	27	26	25	24
RESERVED	RESERVED	RESERVED	RESERVED	RESERVED	RESERVED	RESERVED	RESERVED
R/W-0h	R/W-0h	R/W-0h	R/W-0h	R/W-0h	R/W-0h	R/W-0h	R/W-0h
23	22	21	20	19	18	17	16
RESERVED	RESERVED	RESERVED	RESERVED	RESERVED	RESERVED	RESERVED	RESERVED
R/W-0h	R/W-0h	R/W-0h	R/W-0h	R/W-0h	R/W-0h	R/W-0h	R/W-0h
15	14	13	12	11	10	9	8
RESERVED	RESERVED	RESERVED	RESERVED	RESERVED	RESERVED	RESERVED	GPIO168
R/W-0h	R/W-0h	R/W-0h	R/W-0h	R/W-0h	R/W-0h	R/W-0h	R/W-0h
7	6	5	4	3	2	1	0
GPIO167	GPIO166	GPIO165	GPIO164	GPIO163	GPIO162	GPIO161	GPIO160
R/W-0h	R/W-0h	R/W-0h	R/W-0h	R/W-0h	R/W-0h	R/W-0h	R/W-0h

**Table 7-110. GPFLOCK Register Field Descriptions**

Bit	Field	Type	Reset	Description
31	RESERVED	R/W	0h	Reserved
30	RESERVED	R/W	0h	Reserved
29	RESERVED	R/W	0h	Reserved
28	RESERVED	R/W	0h	Reserved
27	RESERVED	R/W	0h	Reserved
26	RESERVED	R/W	0h	Reserved
25	RESERVED	R/W	0h	Reserved
24	RESERVED	R/W	0h	Reserved
23	RESERVED	R/W	0h	Reserved
22	RESERVED	R/W	0h	Reserved
21	RESERVED	R/W	0h	Reserved
20	RESERVED	R/W	0h	Reserved
19	RESERVED	R/W	0h	Reserved
18	RESERVED	R/W	0h	Reserved
17	RESERVED	R/W	0h	Reserved
16	RESERVED	R/W	0h	Reserved
15	RESERVED	R/W	0h	Reserved
14	RESERVED	R/W	0h	Reserved
13	RESERVED	R/W	0h	Reserved
12	RESERVED	R/W	0h	Reserved
11	RESERVED	R/W	0h	Reserved

**Table 7-110. GPFLOCK Register Field Descriptions (continued)**

Bit	Field	Type	Reset	Description
10	RESERVED	R/W	0h	Reserved
9	RESERVED	R/W	0h	Reserved
8	GPIO168	R/W	0h	Configuration Lock bit for this pin Reset type: SYSRSn
7	GPIO167	R/W	0h	Configuration Lock bit for this pin Reset type: SYSRSn
6	GPIO166	R/W	0h	Configuration Lock bit for this pin Reset type: SYSRSn
5	GPIO165	R/W	0h	Configuration Lock bit for this pin Reset type: SYSRSn
4	GPIO164	R/W	0h	Configuration Lock bit for this pin Reset type: SYSRSn
3	GPIO163	R/W	0h	Configuration Lock bit for this pin Reset type: SYSRSn
2	GPIO162	R/W	0h	Configuration Lock bit for this pin Reset type: SYSRSn
1	GPIO161	R/W	0h	Configuration Lock bit for this pin Reset type: SYSRSn
0	GPIO160	R/W	0h	Configuration Lock bit for this pin Reset type: SYSRSn

### 7.10.2.98 GPFCCR Register (Offset = 17Eh) [Reset = 0000000h]

GPFCCR is shown in [Figure 7-101](#) and described in [Table 7-111](#).

Return to the [Summary Table](#).

GPIO F Lock Commit Register (GPIO160 to 168)

GPIO Configuration Lock Commit for GPIO:

1: Locks changes to the bit in GPyLOCK register which controls the same pin

0: Bit in the GPyLOCK register which controls the same pin can be changed

**Figure 7-101. GPFCCR Register**

31	30	29	28	27	26	25	24
RESERVED	RESERVED	RESERVED	RESERVED	RESERVED	RESERVED	RESERVED	RESERVED
R/WOnce-0h	R/WOnce-0h	R/WOnce-0h	R/WOnce-0h	R/WOnce-0h	R/WOnce-0h	R/WOnce-0h	R/WOnce-0h
23	22	21	20	19	18	17	16
RESERVED	RESERVED	RESERVED	RESERVED	RESERVED	RESERVED	RESERVED	RESERVED
R/WOnce-0h	R/WOnce-0h	R/WOnce-0h	R/WOnce-0h	R/WOnce-0h	R/WOnce-0h	R/WOnce-0h	R/WOnce-0h
15	14	13	12	11	10	9	8
RESERVED	RESERVED	RESERVED	RESERVED	RESERVED	RESERVED	RESERVED	GPIO168
R/WOnce-0h	R/WOnce-0h	R/WOnce-0h	R/WOnce-0h	R/WOnce-0h	R/WOnce-0h	R/WOnce-0h	R/WOnce-0h
7	6	5	4	3	2	1	0
GPIO167	GPIO166	GPIO165	GPIO164	GPIO163	GPIO162	GPIO161	GPIO160
R/WOnce-0h	R/WOnce-0h	R/WOnce-0h	R/WOnce-0h	R/WOnce-0h	R/WOnce-0h	R/WOnce-0h	R/WOnce-0h

**Table 7-111. GPFCCR Register Field Descriptions**

Bit	Field	Type	Reset	Description
31	RESERVED	R/WOnce	0h	Reserved
30	RESERVED	R/WOnce	0h	Reserved
29	RESERVED	R/WOnce	0h	Reserved
28	RESERVED	R/WOnce	0h	Reserved
27	RESERVED	R/WOnce	0h	Reserved
26	RESERVED	R/WOnce	0h	Reserved
25	RESERVED	R/WOnce	0h	Reserved
24	RESERVED	R/WOnce	0h	Reserved
23	RESERVED	R/WOnce	0h	Reserved
22	RESERVED	R/WOnce	0h	Reserved
21	RESERVED	R/WOnce	0h	Reserved
20	RESERVED	R/WOnce	0h	Reserved
19	RESERVED	R/WOnce	0h	Reserved
18	RESERVED	R/WOnce	0h	Reserved
17	RESERVED	R/WOnce	0h	Reserved
16	RESERVED	R/WOnce	0h	Reserved
15	RESERVED	R/WOnce	0h	Reserved
14	RESERVED	R/WOnce	0h	Reserved
13	RESERVED	R/WOnce	0h	Reserved
12	RESERVED	R/WOnce	0h	Reserved
11	RESERVED	R/WOnce	0h	Reserved
10	RESERVED	R/WOnce	0h	Reserved
9	RESERVED	R/WOnce	0h	Reserved

**Table 7-111. GPFCR Register Field Descriptions (continued)**

Bit	Field	Type	Reset	Description
8	GPIO168	R/WOnce	0h	Configuration lock commit bit for this pin Reset type: SYSRSn
7	GPIO167	R/WOnce	0h	Configuration lock commit bit for this pin Reset type: SYSRSn
6	GPIO166	R/WOnce	0h	Configuration lock commit bit for this pin Reset type: SYSRSn
5	GPIO165	R/WOnce	0h	Configuration lock commit bit for this pin Reset type: SYSRSn
4	GPIO164	R/WOnce	0h	Configuration lock commit bit for this pin Reset type: SYSRSn
3	GPIO163	R/WOnce	0h	Configuration lock commit bit for this pin Reset type: SYSRSn
2	GPIO162	R/WOnce	0h	Configuration lock commit bit for this pin Reset type: SYSRSn
1	GPIO161	R/WOnce	0h	Configuration lock commit bit for this pin Reset type: SYSRSn
0	GPIO160	R/WOnce	0h	Configuration lock commit bit for this pin Reset type: SYSRSn

### 7.10.3 GPIO\_DATA\_REGS Registers

Table 7-112 lists the memory-mapped registers for the GPIO\_DATA\_REGS registers. All register offset addresses not listed in Table 7-112 should be considered as reserved locations and the register contents should not be modified.

**Table 7-112. GPIO\_DATA\_REGS Registers**

Offset	Acronym	Register Name	Write Protection	Section
0h	GPADAT	GPIO A Data Register (GPIO0 to 31)		<a href="#">Go</a>
2h	GPASET	GPIO A Data Set Register (GPIO0 to 31)		<a href="#">Go</a>
4h	GPACLEAR	GPIO A Data Clear Register (GPIO0 to 31)		<a href="#">Go</a>
6h	GPATOGGLE	GPIO A Data Toggle Register (GPIO0 to 31)		<a href="#">Go</a>
8h	GPBDAT	GPIO B Data Register (GPIO32 to 63)		<a href="#">Go</a>
Ah	GPBSET	GPIO B Data Set Register (GPIO32 to 63)		<a href="#">Go</a>
Ch	GPBCLEAR	GPIO B Data Clear Register (GPIO32 to 63)		<a href="#">Go</a>
Eh	GPBTOGGLE	GPIO B Data Toggle Register (GPIO32 to 63)		<a href="#">Go</a>
10h	GPCDAT	GPIO C Data Register (GPIO64 to 95)		<a href="#">Go</a>
12h	GPCSET	GPIO C Data Set Register (GPIO64 to 95)		<a href="#">Go</a>
14h	GPCCLEAR	GPIO C Data Clear Register (GPIO64 to 95)		<a href="#">Go</a>
16h	GPCTOGGLE	GPIO C Data Toggle Register (GPIO64 to 95)		<a href="#">Go</a>
18h	GPDDAT	GPIO D Data Register (GPIO96 to 127)		<a href="#">Go</a>
1Ah	GPDSET	GPIO D Data Set Register (GPIO96 to 127)		<a href="#">Go</a>
1Ch	GPDCLEAR	GPIO D Data Clear Register (GPIO96 to 127)		<a href="#">Go</a>
1Eh	GPDTOGGLE	GPIO D Data Toggle Register (GPIO96 to 127)		<a href="#">Go</a>
20h	GPEDAT	GPIO E Data Register (GPIO128 to 159)		<a href="#">Go</a>
22h	GPESET	GPIO E Data Set Register (GPIO128 to 159)		<a href="#">Go</a>
24h	GPECLEAR	GPIO E Data Clear Register (GPIO128 to 159)		<a href="#">Go</a>
26h	GPETOGGLE	GPIO E Data Toggle Register (GPIO128 to 159)		<a href="#">Go</a>
28h	GPFDAT	GPIO F Data Register (GPIO160 to 168)		<a href="#">Go</a>
2Ah	GPFSET	GPIO F Data Set Register (GPIO160 to 168)		<a href="#">Go</a>
2Ch	GPFCLEAR	GPIO F Data Clear Register (GPIO160 to 168)		<a href="#">Go</a>
2Eh	GPFTOGGLE	GPIO F Data Toggle Register (GPIO160 to 168)		<a href="#">Go</a>

Complex bit access types are encoded to fit into small table cells. Table 7-113 shows the codes that are used for access types in this section.

**Table 7-113. GPIO\_DATA\_REGS Access Type Codes**

Access Type	Code	Description
Read Type		
R	R	Read
Write Type		
W	W	Write
Reset or Default Value		
-n		Value after reset or the default value
Register Array Variables		
i,j,k,l,m,n		When these variables are used in a register name, an offset, or an address, they refer to the value of a register array where the register is part of a group of repeating registers. The register groups form a hierarchical structure and the array is represented with a formula.

**Table 7-113. GPIO\_DATA\_REGS Access Type Codes (continued)**

Access Type	Code	Description
y		When this variable is used in a register name, an offset, or an address it refers to the value of a register array.



### 7.10.3.1 GPADAT Register (Offset = 0h) [Reset = 0000000h]

GPADAT is shown in [Figure 7-102](#) and described in [Table 7-114](#).

Return to the [Summary Table](#).

#### GPIO A Data Register (GPIO0 to 31)

Reading this register reflects the current state of the GPIO pin regardless of which mode the GPIO is in. Writing to this register will set the GPIO pin high or low if the pin is enabled for GPIO output mode. If the GPIO is not in output mode the value written is latched but will not be reflected on the GPIO pin or reads of the GPxDAT register. The written value latched will become active when the GPIO is put into GPIO Output mode. A system reset will clear all bits and latched values to zero.

NOTE: Bit-wise read-modify-write operations should not be performed on this register. For bit-wise operations the GPxSET, GPxCLEAR, or GPxTOGGLE registers should be used instead. If direct writes to GPxDAT are necessary, the entire register should be written at one time.

**Figure 7-102. GPADAT Register**

31	30	29	28	27	26	25	24
GPIO31	GPIO30	GPIO29	GPIO28	GPIO27	GPIO26	GPIO25	GPIO24
R/W-0h	R/W-0h	R/W-0h	R/W-0h	R/W-0h	R/W-0h	R/W-0h	R/W-0h
23	22	21	20	19	18	17	16
GPIO23	GPIO22	GPIO21	GPIO20	GPIO19	GPIO18	GPIO17	GPIO16
R/W-0h	R/W-0h	R/W-0h	R/W-0h	R/W-0h	R/W-0h	R/W-0h	R/W-0h
15	14	13	12	11	10	9	8
GPIO15	GPIO14	GPIO13	GPIO12	GPIO11	GPIO10	GPIO9	GPIO8
R/W-0h	R/W-0h	R/W-0h	R/W-0h	R/W-0h	R/W-0h	R/W-0h	R/W-0h
7	6	5	4	3	2	1	0
GPIO7	GPIO6	GPIO5	GPIO4	GPIO3	GPIO2	GPIO1	GPIO0
R/W-0h	R/W-0h	R/W-0h	R/W-0h	R/W-0h	R/W-0h	R/W-0h	R/W-0h

**Table 7-114. GPADAT Register Field Descriptions**

Bit	Field	Type	Reset	Description
31	GPIO31	R/W	0h	Data Register for this pin Reset type: SYSRSn
30	GPIO30	R/W	0h	Data Register for this pin Reset type: SYSRSn
29	GPIO29	R/W	0h	Data Register for this pin Reset type: SYSRSn
28	GPIO28	R/W	0h	Data Register for this pin Reset type: SYSRSn
27	GPIO27	R/W	0h	Data Register for this pin Reset type: SYSRSn
26	GPIO26	R/W	0h	Data Register for this pin Reset type: SYSRSn
25	GPIO25	R/W	0h	Data Register for this pin Reset type: SYSRSn
24	GPIO24	R/W	0h	Data Register for this pin Reset type: SYSRSn
23	GPIO23	R/W	0h	Data Register for this pin Reset type: SYSRSn
22	GPIO22	R/W	0h	Data Register for this pin Reset type: SYSRSn

**Table 7-114. GPADAT Register Field Descriptions (continued)**

Bit	Field	Type	Reset	Description
21	GPIO21	R/W	0h	Data Register for this pin Reset type: SYSRSn
20	GPIO20	R/W	0h	Data Register for this pin Reset type: SYSRSn
19	GPIO19	R/W	0h	Data Register for this pin Reset type: SYSRSn
18	GPIO18	R/W	0h	Data Register for this pin Reset type: SYSRSn
17	GPIO17	R/W	0h	Data Register for this pin Reset type: SYSRSn
16	GPIO16	R/W	0h	Data Register for this pin Reset type: SYSRSn
15	GPIO15	R/W	0h	Data Register for this pin Reset type: SYSRSn
14	GPIO14	R/W	0h	Data Register for this pin Reset type: SYSRSn
13	GPIO13	R/W	0h	Data Register for this pin Reset type: SYSRSn
12	GPIO12	R/W	0h	Data Register for this pin Reset type: SYSRSn
11	GPIO11	R/W	0h	Data Register for this pin Reset type: SYSRSn
10	GPIO10	R/W	0h	Data Register for this pin Reset type: SYSRSn
9	GPIO9	R/W	0h	Data Register for this pin Reset type: SYSRSn
8	GPIO8	R/W	0h	Data Register for this pin Reset type: SYSRSn
7	GPIO7	R/W	0h	Data Register for this pin Reset type: SYSRSn
6	GPIO6	R/W	0h	Data Register for this pin Reset type: SYSRSn
5	GPIO5	R/W	0h	Data Register for this pin Reset type: SYSRSn
4	GPIO4	R/W	0h	Data Register for this pin Reset type: SYSRSn
3	GPIO3	R/W	0h	Data Register for this pin Reset type: SYSRSn
2	GPIO2	R/W	0h	Data Register for this pin Reset type: SYSRSn
1	GPIO1	R/W	0h	Data Register for this pin Reset type: SYSRSn
0	GPIO0	R/W	0h	Data Register for this pin Reset type: SYSRSn

### 7.10.3.2 GPASET Register (Offset = 2h) [Reset = 0000000h]

GPASET is shown in [Figure 7-103](#) and described in [Table 7-115](#).

Return to the [Summary Table](#).

GPIO A Data Set Register (GPIO0 to 31)

Writing a 1 will force GPIO output data latch to 1.

Writes of 0 are ignored.

Always reads back a 0.

**Figure 7-103. GPASET Register**

31	30	29	28	27	26	25	24
GPIO31	GPIO30	GPIO29	GPIO28	GPIO27	GPIO26	GPIO25	GPIO24
R/W-0h	R/W-0h	R/W-0h	R/W-0h	R/W-0h	R/W-0h	R/W-0h	R/W-0h
23	22	21	20	19	18	17	16
GPIO23	GPIO22	GPIO21	GPIO20	GPIO19	GPIO18	GPIO17	GPIO16
R/W-0h	R/W-0h	R/W-0h	R/W-0h	R/W-0h	R/W-0h	R/W-0h	R/W-0h
15	14	13	12	11	10	9	8
GPIO15	GPIO14	GPIO13	GPIO12	GPIO11	GPIO10	GPIO9	GPIO8
R/W-0h	R/W-0h	R/W-0h	R/W-0h	R/W-0h	R/W-0h	R/W-0h	R/W-0h
7	6	5	4	3	2	1	0
GPIO7	GPIO6	GPIO5	GPIO4	GPIO3	GPIO2	GPIO1	GPIO0
R/W-0h	R/W-0h	R/W-0h	R/W-0h	R/W-0h	R/W-0h	R/W-0h	R/W-0h

**Table 7-115. GPASET Register Field Descriptions**

Bit	Field	Type	Reset	Description
31	GPIO31	R/W	0h	Output Set bit for this pin Reset type: SYSRSn
30	GPIO30	R/W	0h	Output Set bit for this pin Reset type: SYSRSn
29	GPIO29	R/W	0h	Output Set bit for this pin Reset type: SYSRSn
28	GPIO28	R/W	0h	Output Set bit for this pin Reset type: SYSRSn
27	GPIO27	R/W	0h	Output Set bit for this pin Reset type: SYSRSn
26	GPIO26	R/W	0h	Output Set bit for this pin Reset type: SYSRSn
25	GPIO25	R/W	0h	Output Set bit for this pin Reset type: SYSRSn
24	GPIO24	R/W	0h	Output Set bit for this pin Reset type: SYSRSn
23	GPIO23	R/W	0h	Output Set bit for this pin Reset type: SYSRSn
22	GPIO22	R/W	0h	Output Set bit for this pin Reset type: SYSRSn
21	GPIO21	R/W	0h	Output Set bit for this pin Reset type: SYSRSn
20	GPIO20	R/W	0h	Output Set bit for this pin Reset type: SYSRSn

**Table 7-115. GPASET Register Field Descriptions (continued)**

Bit	Field	Type	Reset	Description
19	GPIO19	R/W	0h	Output Set bit for this pin Reset type: SYSRSn
18	GPIO18	R/W	0h	Output Set bit for this pin Reset type: SYSRSn
17	GPIO17	R/W	0h	Output Set bit for this pin Reset type: SYSRSn
16	GPIO16	R/W	0h	Output Set bit for this pin Reset type: SYSRSn
15	GPIO15	R/W	0h	Output Set bit for this pin Reset type: SYSRSn
14	GPIO14	R/W	0h	Output Set bit for this pin Reset type: SYSRSn
13	GPIO13	R/W	0h	Output Set bit for this pin Reset type: SYSRSn
12	GPIO12	R/W	0h	Output Set bit for this pin Reset type: SYSRSn
11	GPIO11	R/W	0h	Output Set bit for this pin Reset type: SYSRSn
10	GPIO10	R/W	0h	Output Set bit for this pin Reset type: SYSRSn
9	GPIO9	R/W	0h	Output Set bit for this pin Reset type: SYSRSn
8	GPIO8	R/W	0h	Output Set bit for this pin Reset type: SYSRSn
7	GPIO7	R/W	0h	Output Set bit for this pin Reset type: SYSRSn
6	GPIO6	R/W	0h	Output Set bit for this pin Reset type: SYSRSn
5	GPIO5	R/W	0h	Output Set bit for this pin Reset type: SYSRSn
4	GPIO4	R/W	0h	Output Set bit for this pin Reset type: SYSRSn
3	GPIO3	R/W	0h	Output Set bit for this pin Reset type: SYSRSn
2	GPIO2	R/W	0h	Output Set bit for this pin Reset type: SYSRSn
1	GPIO1	R/W	0h	Output Set bit for this pin Reset type: SYSRSn
0	GPIO0	R/W	0h	Output Set bit for this pin Reset type: SYSRSn

### 7.10.3.3 GPACLEAR Register (Offset = 4h) [Reset = 0000000h]

GPACLEAR is shown in [Figure 7-104](#) and described in [Table 7-116](#).

Return to the [Summary Table](#).

GPIO A Data Clear Register (GPIO0 to 31)

Writing a 1 will force GPIO0 output data latch to 0.

Writes of 0 are ignored.

Always reads back a 0.

**Figure 7-104. GPACLEAR Register**

31	30	29	28	27	26	25	24
GPIO31	GPIO30	GPIO29	GPIO28	GPIO27	GPIO26	GPIO25	GPIO24
R/W-0h	R/W-0h	R/W-0h	R/W-0h	R/W-0h	R/W-0h	R/W-0h	R/W-0h
23	22	21	20	19	18	17	16
GPIO23	GPIO22	GPIO21	GPIO20	GPIO19	GPIO18	GPIO17	GPIO16
R/W-0h	R/W-0h	R/W-0h	R/W-0h	R/W-0h	R/W-0h	R/W-0h	R/W-0h
15	14	13	12	11	10	9	8
GPIO15	GPIO14	GPIO13	GPIO12	GPIO11	GPIO10	GPIO9	GPIO8
R/W-0h	R/W-0h	R/W-0h	R/W-0h	R/W-0h	R/W-0h	R/W-0h	R/W-0h
7	6	5	4	3	2	1	0
GPIO7	GPIO6	GPIO5	GPIO4	GPIO3	GPIO2	GPIO1	GPIO0
R/W-0h	R/W-0h	R/W-0h	R/W-0h	R/W-0h	R/W-0h	R/W-0h	R/W-0h

**Table 7-116. GPACLEAR Register Field Descriptions**

Bit	Field	Type	Reset	Description
31	GPIO31	R/W	0h	Output Clear bit for this pin Reset type: SYSRSn
30	GPIO30	R/W	0h	Output Clear bit for this pin Reset type: SYSRSn
29	GPIO29	R/W	0h	Output Clear bit for this pin Reset type: SYSRSn
28	GPIO28	R/W	0h	Output Clear bit for this pin Reset type: SYSRSn
27	GPIO27	R/W	0h	Output Clear bit for this pin Reset type: SYSRSn
26	GPIO26	R/W	0h	Output Clear bit for this pin Reset type: SYSRSn
25	GPIO25	R/W	0h	Output Clear bit for this pin Reset type: SYSRSn
24	GPIO24	R/W	0h	Output Clear bit for this pin Reset type: SYSRSn
23	GPIO23	R/W	0h	Output Clear bit for this pin Reset type: SYSRSn
22	GPIO22	R/W	0h	Output Clear bit for this pin Reset type: SYSRSn
21	GPIO21	R/W	0h	Output Clear bit for this pin Reset type: SYSRSn
20	GPIO20	R/W	0h	Output Clear bit for this pin Reset type: SYSRSn

**Table 7-116. GPACLEAR Register Field Descriptions (continued)**

Bit	Field	Type	Reset	Description
19	GPIO19	R/W	0h	Output Clear bit for this pin Reset type: SYSRSn
18	GPIO18	R/W	0h	Output Clear bit for this pin Reset type: SYSRSn
17	GPIO17	R/W	0h	Output Clear bit for this pin Reset type: SYSRSn
16	GPIO16	R/W	0h	Output Clear bit for this pin Reset type: SYSRSn
15	GPIO15	R/W	0h	Output Clear bit for this pin Reset type: SYSRSn
14	GPIO14	R/W	0h	Output Clear bit for this pin Reset type: SYSRSn
13	GPIO13	R/W	0h	Output Clear bit for this pin Reset type: SYSRSn
12	GPIO12	R/W	0h	Output Clear bit for this pin Reset type: SYSRSn
11	GPIO11	R/W	0h	Output Clear bit for this pin Reset type: SYSRSn
10	GPIO10	R/W	0h	Output Clear bit for this pin Reset type: SYSRSn
9	GPIO9	R/W	0h	Output Clear bit for this pin Reset type: SYSRSn
8	GPIO8	R/W	0h	Output Clear bit for this pin Reset type: SYSRSn
7	GPIO7	R/W	0h	Output Clear bit for this pin Reset type: SYSRSn
6	GPIO6	R/W	0h	Output Clear bit for this pin Reset type: SYSRSn
5	GPIO5	R/W	0h	Output Clear bit for this pin Reset type: SYSRSn
4	GPIO4	R/W	0h	Output Clear bit for this pin Reset type: SYSRSn
3	GPIO3	R/W	0h	Output Clear bit for this pin Reset type: SYSRSn
2	GPIO2	R/W	0h	Output Clear bit for this pin Reset type: SYSRSn
1	GPIO1	R/W	0h	Output Clear bit for this pin Reset type: SYSRSn
0	GPIO0	R/W	0h	Output Clear bit for this pin Reset type: SYSRSn

### 7.10.3.4 GPATOGGLE Register (Offset = 6h) [Reset = 0000000h]

GPATOGGLE is shown in [Figure 7-105](#) and described in [Table 7-117](#).

Return to the [Summary Table](#).

GPIO A Data Toggle Register (GPIO0 to 31)

Writing a 1 will toggle GPIO0 output data latch 1 to 0 or 0 to 1.

Writes of 0 are ignored.

Always reads back a 0.

**Figure 7-105. GPATOGGLE Register**

31	30	29	28	27	26	25	24
GPIO31	GPIO30	GPIO29	GPIO28	GPIO27	GPIO26	GPIO25	GPIO24
R/W-0h	R/W-0h	R/W-0h	R/W-0h	R/W-0h	R/W-0h	R/W-0h	R/W-0h
23	22	21	20	19	18	17	16
GPIO23	GPIO22	GPIO21	GPIO20	GPIO19	GPIO18	GPIO17	GPIO16
R/W-0h	R/W-0h	R/W-0h	R/W-0h	R/W-0h	R/W-0h	R/W-0h	R/W-0h
15	14	13	12	11	10	9	8
GPIO15	GPIO14	GPIO13	GPIO12	GPIO11	GPIO10	GPIO9	GPIO8
R/W-0h	R/W-0h	R/W-0h	R/W-0h	R/W-0h	R/W-0h	R/W-0h	R/W-0h
7	6	5	4	3	2	1	0
GPIO7	GPIO6	GPIO5	GPIO4	GPIO3	GPIO2	GPIO1	GPIO0
R/W-0h	R/W-0h	R/W-0h	R/W-0h	R/W-0h	R/W-0h	R/W-0h	R/W-0h

**Table 7-117. GPATOGGLE Register Field Descriptions**

Bit	Field	Type	Reset	Description
31	GPIO31	R/W	0h	Output Toggle Register GPIO pin Reset type: SYSRSn
30	GPIO30	R/W	0h	Output Toggle Register GPIO pin Reset type: SYSRSn
29	GPIO29	R/W	0h	Output Toggle Register GPIO pin Reset type: SYSRSn
28	GPIO28	R/W	0h	Output Toggle Register GPIO pin Reset type: SYSRSn
27	GPIO27	R/W	0h	Output Toggle Register GPIO pin Reset type: SYSRSn
26	GPIO26	R/W	0h	Output Toggle Register GPIO pin Reset type: SYSRSn
25	GPIO25	R/W	0h	Output Toggle Register GPIO pin Reset type: SYSRSn
24	GPIO24	R/W	0h	Output Toggle Register GPIO pin Reset type: SYSRSn
23	GPIO23	R/W	0h	Output Toggle Register GPIO pin Reset type: SYSRSn
22	GPIO22	R/W	0h	Output Toggle Register GPIO pin Reset type: SYSRSn
21	GPIO21	R/W	0h	Output Toggle Register GPIO pin Reset type: SYSRSn
20	GPIO20	R/W	0h	Output Toggle Register GPIO pin Reset type: SYSRSn

**Table 7-117. GPATOGGLE Register Field Descriptions (continued)**

Bit	Field	Type	Reset	Description
19	GPIO19	R/W	0h	Output Toggle Register GPIO pin Reset type: SYSRSn
18	GPIO18	R/W	0h	Output Toggle Register GPIO pin Reset type: SYSRSn
17	GPIO17	R/W	0h	Output Toggle Register GPIO pin Reset type: SYSRSn
16	GPIO16	R/W	0h	Output Toggle Register GPIO pin Reset type: SYSRSn
15	GPIO15	R/W	0h	Output Toggle Register GPIO pin Reset type: SYSRSn
14	GPIO14	R/W	0h	Output Toggle Register GPIO pin Reset type: SYSRSn
13	GPIO13	R/W	0h	Output Toggle Register GPIO pin Reset type: SYSRSn
12	GPIO12	R/W	0h	Output Toggle Register GPIO pin Reset type: SYSRSn
11	GPIO11	R/W	0h	Output Toggle Register GPIO pin Reset type: SYSRSn
10	GPIO10	R/W	0h	Output Toggle Register GPIO pin Reset type: SYSRSn
9	GPIO9	R/W	0h	Output Toggle Register GPIO pin Reset type: SYSRSn
8	GPIO8	R/W	0h	Output Toggle Register GPIO pin Reset type: SYSRSn
7	GPIO7	R/W	0h	Output Toggle Register GPIO pin Reset type: SYSRSn
6	GPIO6	R/W	0h	Output Toggle Register GPIO pin Reset type: SYSRSn
5	GPIO5	R/W	0h	Output Toggle Register GPIO pin Reset type: SYSRSn
4	GPIO4	R/W	0h	Output Toggle Register GPIO pin Reset type: SYSRSn
3	GPIO3	R/W	0h	Output Toggle Register GPIO pin Reset type: SYSRSn
2	GPIO2	R/W	0h	Output Toggle Register GPIO pin Reset type: SYSRSn
1	GPIO1	R/W	0h	Output Toggle Register GPIO pin Reset type: SYSRSn
0	GPIO0	R/W	0h	Output Toggle Register GPIO pin Reset type: SYSRSn



### 7.10.3.5 GPBDAT Register (Offset = 8h) [Reset = 0000000h]

GPBDAT is shown in [Figure 7-106](#) and described in [Table 7-118](#).

Return to the [Summary Table](#).

GPIO B Data Register (GPIO32 to 63)

Reading this register reflects the current state of the GPIO pin regardless of which mode the GPIO is in. Writing to this register will set the GPIO pin high or low if the pin is enabled for GPIO output mode. If the GPIO is not in output mode the value written is latched but will not be reflected on the GPIO pin or reads of the GPxDAT register. The written value latched will become active when the GPIO is put into GPIO Output mode. A system reset will clear all bits and latched values to zero.

NOTE: Bit-wise read-modify-write operations should not be performed on this register. For bit-wise operations the GPxSET, GPxCLEAR, or GPxTOGGLE registers should be used instead. If direct writes to GPxDAT are necessary, the entire register should be written at one time.

**Figure 7-106. GPBDAT Register**

31	30	29	28	27	26	25	24
GPIO63	GPIO62	GPIO61	GPIO60	GPIO59	GPIO58	GPIO57	GPIO56
R/W-0h	R/W-0h	R/W-0h	R/W-0h	R/W-0h	R/W-0h	R/W-0h	R/W-0h
23	22	21	20	19	18	17	16
GPIO55	GPIO54	GPIO53	GPIO52	GPIO51	GPIO50	GPIO49	GPIO48
R/W-0h	R/W-0h	R/W-0h	R/W-0h	R/W-0h	R/W-0h	R/W-0h	R/W-0h
15	14	13	12	11	10	9	8
GPIO47	GPIO46	GPIO45	GPIO44	GPIO43	GPIO42	GPIO41	GPIO40
R/W-0h	R/W-0h	R/W-0h	R/W-0h	R/W-0h	R/W-0h	R/W-0h	R/W-0h
7	6	5	4	3	2	1	0
GPIO39	GPIO38	GPIO37	GPIO36	GPIO35	GPIO34	GPIO33	GPIO32
R/W-0h	R/W-0h	R/W-0h	R/W-0h	R/W-0h	R/W-0h	R/W-0h	R/W-0h

**Table 7-118. GPBDAT Register Field Descriptions**

Bit	Field	Type	Reset	Description
31	GPIO63	R/W	0h	Data Register for this pin Reset type: SYSRSn
30	GPIO62	R/W	0h	Data Register for this pin Reset type: SYSRSn
29	GPIO61	R/W	0h	Data Register for this pin Reset type: SYSRSn
28	GPIO60	R/W	0h	Data Register for this pin Reset type: SYSRSn
27	GPIO59	R/W	0h	Data Register for this pin Reset type: SYSRSn
26	GPIO58	R/W	0h	Data Register for this pin Reset type: SYSRSn
25	GPIO57	R/W	0h	Data Register for this pin Reset type: SYSRSn
24	GPIO56	R/W	0h	Data Register for this pin Reset type: SYSRSn
23	GPIO55	R/W	0h	Data Register for this pin Reset type: SYSRSn
22	GPIO54	R/W	0h	Data Register for this pin Reset type: SYSRSn

**Table 7-118. GPBDAT Register Field Descriptions (continued)**

Bit	Field	Type	Reset	Description
21	GPIO53	R/W	0h	Data Register for this pin Reset type: SYSRSn
20	GPIO52	R/W	0h	Data Register for this pin Reset type: SYSRSn
19	GPIO51	R/W	0h	Data Register for this pin Reset type: SYSRSn
18	GPIO50	R/W	0h	Data Register for this pin Reset type: SYSRSn
17	GPIO49	R/W	0h	Data Register for this pin Reset type: SYSRSn
16	GPIO48	R/W	0h	Data Register for this pin Reset type: SYSRSn
15	GPIO47	R/W	0h	Data Register for this pin Reset type: SYSRSn
14	GPIO46	R/W	0h	Data Register for this pin Reset type: SYSRSn
13	GPIO45	R/W	0h	Data Register for this pin Reset type: SYSRSn
12	GPIO44	R/W	0h	Data Register for this pin Reset type: SYSRSn
11	GPIO43	R/W	0h	Data Register for this pin Reset type: SYSRSn
10	GPIO42	R/W	0h	Data Register for this pin Reset type: SYSRSn
9	GPIO41	R/W	0h	Data Register for this pin Reset type: SYSRSn
8	GPIO40	R/W	0h	Data Register for this pin Reset type: SYSRSn
7	GPIO39	R/W	0h	Data Register for this pin Reset type: SYSRSn
6	GPIO38	R/W	0h	Data Register for this pin Reset type: SYSRSn
5	GPIO37	R/W	0h	Data Register for this pin Reset type: SYSRSn
4	GPIO36	R/W	0h	Data Register for this pin Reset type: SYSRSn
3	GPIO35	R/W	0h	Data Register for this pin Reset type: SYSRSn
2	GPIO34	R/W	0h	Data Register for this pin Reset type: SYSRSn
1	GPIO33	R/W	0h	Data Register for this pin Reset type: SYSRSn
0	GPIO32	R/W	0h	Data Register for this pin Reset type: SYSRSn

### 7.10.3.6 GPBSET Register (Offset = Ah) [Reset = 0000000h]

GPBSET is shown in [Figure 7-107](#) and described in [Table 7-119](#).

Return to the [Summary Table](#).

GPIO B Data Set Register (GPIO32 to 63)

Writing a 1 will force GPIO output data latch to 1.

Writes of 0 are ignored.

Always reads back a 0.

**Figure 7-107. GPBSET Register**

31	30	29	28	27	26	25	24
GPIO63	GPIO62	GPIO61	GPIO60	GPIO59	GPIO58	GPIO57	GPIO56
R/W-0h	R/W-0h	R/W-0h	R/W-0h	R/W-0h	R/W-0h	R/W-0h	R/W-0h
23	22	21	20	19	18	17	16
GPIO55	GPIO54	GPIO53	GPIO52	GPIO51	GPIO50	GPIO49	GPIO48
R/W-0h	R/W-0h	R/W-0h	R/W-0h	R/W-0h	R/W-0h	R/W-0h	R/W-0h
15	14	13	12	11	10	9	8
GPIO47	GPIO46	GPIO45	GPIO44	GPIO43	GPIO42	GPIO41	GPIO40
R/W-0h	R/W-0h	R/W-0h	R/W-0h	R/W-0h	R/W-0h	R/W-0h	R/W-0h
7	6	5	4	3	2	1	0
GPIO39	GPIO38	GPIO37	GPIO36	GPIO35	GPIO34	GPIO33	GPIO32
R/W-0h	R/W-0h	R/W-0h	R/W-0h	R/W-0h	R/W-0h	R/W-0h	R/W-0h

**Table 7-119. GPBSET Register Field Descriptions**

Bit	Field	Type	Reset	Description
31	GPIO63	R/W	0h	Output Set bit for this pin Reset type: SYSRSn
30	GPIO62	R/W	0h	Output Set bit for this pin Reset type: SYSRSn
29	GPIO61	R/W	0h	Output Set bit for this pin Reset type: SYSRSn
28	GPIO60	R/W	0h	Output Set bit for this pin Reset type: SYSRSn
27	GPIO59	R/W	0h	Output Set bit for this pin Reset type: SYSRSn
26	GPIO58	R/W	0h	Output Set bit for this pin Reset type: SYSRSn
25	GPIO57	R/W	0h	Output Set bit for this pin Reset type: SYSRSn
24	GPIO56	R/W	0h	Output Set bit for this pin Reset type: SYSRSn
23	GPIO55	R/W	0h	Output Set bit for this pin Reset type: SYSRSn
22	GPIO54	R/W	0h	Output Set bit for this pin Reset type: SYSRSn
21	GPIO53	R/W	0h	Output Set bit for this pin Reset type: SYSRSn
20	GPIO52	R/W	0h	Output Set bit for this pin Reset type: SYSRSn

**Table 7-119. GPBSET Register Field Descriptions (continued)**

Bit	Field	Type	Reset	Description
19	GPIO51	R/W	0h	Output Set bit for this pin Reset type: SYSRSn
18	GPIO50	R/W	0h	Output Set bit for this pin Reset type: SYSRSn
17	GPIO49	R/W	0h	Output Set bit for this pin Reset type: SYSRSn
16	GPIO48	R/W	0h	Output Set bit for this pin Reset type: SYSRSn
15	GPIO47	R/W	0h	Output Set bit for this pin Reset type: SYSRSn
14	GPIO46	R/W	0h	Output Set bit for this pin Reset type: SYSRSn
13	GPIO45	R/W	0h	Output Set bit for this pin Reset type: SYSRSn
12	GPIO44	R/W	0h	Output Set bit for this pin Reset type: SYSRSn
11	GPIO43	R/W	0h	Output Set bit for this pin Reset type: SYSRSn
10	GPIO42	R/W	0h	Output Set bit for this pin Reset type: SYSRSn
9	GPIO41	R/W	0h	Output Set bit for this pin Reset type: SYSRSn
8	GPIO40	R/W	0h	Output Set bit for this pin Reset type: SYSRSn
7	GPIO39	R/W	0h	Output Set bit for this pin Reset type: SYSRSn
6	GPIO38	R/W	0h	Output Set bit for this pin Reset type: SYSRSn
5	GPIO37	R/W	0h	Output Set bit for this pin Reset type: SYSRSn
4	GPIO36	R/W	0h	Output Set bit for this pin Reset type: SYSRSn
3	GPIO35	R/W	0h	Output Set bit for this pin Reset type: SYSRSn
2	GPIO34	R/W	0h	Output Set bit for this pin Reset type: SYSRSn
1	GPIO33	R/W	0h	Output Set bit for this pin Reset type: SYSRSn
0	GPIO32	R/W	0h	Output Set bit for this pin Reset type: SYSRSn

### 7.10.3.7 GPBCLEAR Register (Offset = Ch) [Reset = 0000000h]

GPBCLEAR is shown in [Figure 7-108](#) and described in [Table 7-120](#).

Return to the [Summary Table](#).

GPIO B Data Clear Register (GPIO32 to 63)

Writing a 1 will force GPIO0 output data latch to 0.

Writes of 0 are ignored.

Always reads back a 0.

**Figure 7-108. GPBCLEAR Register**

31	30	29	28	27	26	25	24
GPIO63	GPIO62	GPIO61	GPIO60	GPIO59	GPIO58	GPIO57	GPIO56
R/W-0h	R/W-0h	R/W-0h	R/W-0h	R/W-0h	R/W-0h	R/W-0h	R/W-0h
23	22	21	20	19	18	17	16
GPIO55	GPIO54	GPIO53	GPIO52	GPIO51	GPIO50	GPIO49	GPIO48
R/W-0h	R/W-0h	R/W-0h	R/W-0h	R/W-0h	R/W-0h	R/W-0h	R/W-0h
15	14	13	12	11	10	9	8
GPIO47	GPIO46	GPIO45	GPIO44	GPIO43	GPIO42	GPIO41	GPIO40
R/W-0h	R/W-0h	R/W-0h	R/W-0h	R/W-0h	R/W-0h	R/W-0h	R/W-0h
7	6	5	4	3	2	1	0
GPIO39	GPIO38	GPIO37	GPIO36	GPIO35	GPIO34	GPIO33	GPIO32
R/W-0h	R/W-0h	R/W-0h	R/W-0h	R/W-0h	R/W-0h	R/W-0h	R/W-0h

**Table 7-120. GPBCLEAR Register Field Descriptions**

Bit	Field	Type	Reset	Description
31	GPIO63	R/W	0h	Output Clear bit for this pin Reset type: SYSRSn
30	GPIO62	R/W	0h	Output Clear bit for this pin Reset type: SYSRSn
29	GPIO61	R/W	0h	Output Clear bit for this pin Reset type: SYSRSn
28	GPIO60	R/W	0h	Output Clear bit for this pin Reset type: SYSRSn
27	GPIO59	R/W	0h	Output Clear bit for this pin Reset type: SYSRSn
26	GPIO58	R/W	0h	Output Clear bit for this pin Reset type: SYSRSn
25	GPIO57	R/W	0h	Output Clear bit for this pin Reset type: SYSRSn
24	GPIO56	R/W	0h	Output Clear bit for this pin Reset type: SYSRSn
23	GPIO55	R/W	0h	Output Clear bit for this pin Reset type: SYSRSn
22	GPIO54	R/W	0h	Output Clear bit for this pin Reset type: SYSRSn
21	GPIO53	R/W	0h	Output Clear bit for this pin Reset type: SYSRSn
20	GPIO52	R/W	0h	Output Clear bit for this pin Reset type: SYSRSn

**Table 7-120. GPBCLEAR Register Field Descriptions (continued)**

Bit	Field	Type	Reset	Description
19	GPIO51	R/W	0h	Output Clear bit for this pin Reset type: SYSRSn
18	GPIO50	R/W	0h	Output Clear bit for this pin Reset type: SYSRSn
17	GPIO49	R/W	0h	Output Clear bit for this pin Reset type: SYSRSn
16	GPIO48	R/W	0h	Output Clear bit for this pin Reset type: SYSRSn
15	GPIO47	R/W	0h	Output Clear bit for this pin Reset type: SYSRSn
14	GPIO46	R/W	0h	Output Clear bit for this pin Reset type: SYSRSn
13	GPIO45	R/W	0h	Output Clear bit for this pin Reset type: SYSRSn
12	GPIO44	R/W	0h	Output Clear bit for this pin Reset type: SYSRSn
11	GPIO43	R/W	0h	Output Clear bit for this pin Reset type: SYSRSn
10	GPIO42	R/W	0h	Output Clear bit for this pin Reset type: SYSRSn
9	GPIO41	R/W	0h	Output Clear bit for this pin Reset type: SYSRSn
8	GPIO40	R/W	0h	Output Clear bit for this pin Reset type: SYSRSn
7	GPIO39	R/W	0h	Output Clear bit for this pin Reset type: SYSRSn
6	GPIO38	R/W	0h	Output Clear bit for this pin Reset type: SYSRSn
5	GPIO37	R/W	0h	Output Clear bit for this pin Reset type: SYSRSn
4	GPIO36	R/W	0h	Output Clear bit for this pin Reset type: SYSRSn
3	GPIO35	R/W	0h	Output Clear bit for this pin Reset type: SYSRSn
2	GPIO34	R/W	0h	Output Clear bit for this pin Reset type: SYSRSn
1	GPIO33	R/W	0h	Output Clear bit for this pin Reset type: SYSRSn
0	GPIO32	R/W	0h	Output Clear bit for this pin Reset type: SYSRSn

### 7.10.3.8 GPBTOGGLE Register (Offset = Eh) [Reset = 0000000h]

GPBTOGGLE is shown in [Figure 7-109](#) and described in [Table 7-121](#).

Return to the [Summary Table](#).

GPIO B Data Toggle Register (GPIO32 to 63)

Writing a 1 will toggle GPIO0 output data latch 1 to 0 or 0 to 1.

Writes of 0 are ignored.

Always reads back a 0.

**Figure 7-109. GPBTOGGLE Register**

31	30	29	28	27	26	25	24
GPIO63	GPIO62	GPIO61	GPIO60	GPIO59	GPIO58	GPIO57	GPIO56
R/W-0h	R/W-0h	R/W-0h	R/W-0h	R/W-0h	R/W-0h	R/W-0h	R/W-0h
23	22	21	20	19	18	17	16
GPIO55	GPIO54	GPIO53	GPIO52	GPIO51	GPIO50	GPIO49	GPIO48
R/W-0h	R/W-0h	R/W-0h	R/W-0h	R/W-0h	R/W-0h	R/W-0h	R/W-0h
15	14	13	12	11	10	9	8
GPIO47	GPIO46	GPIO45	GPIO44	GPIO43	GPIO42	GPIO41	GPIO40
R/W-0h	R/W-0h	R/W-0h	R/W-0h	R/W-0h	R/W-0h	R/W-0h	R/W-0h
7	6	5	4	3	2	1	0
GPIO39	GPIO38	GPIO37	GPIO36	GPIO35	GPIO34	GPIO33	GPIO32
R/W-0h	R/W-0h	R/W-0h	R/W-0h	R/W-0h	R/W-0h	R/W-0h	R/W-0h

**Table 7-121. GPBTOGGLE Register Field Descriptions**

Bit	Field	Type	Reset	Description
31	GPIO63	R/W	0h	Output Toggle Register GPIO pin Reset type: SYSRSn
30	GPIO62	R/W	0h	Output Toggle Register GPIO pin Reset type: SYSRSn
29	GPIO61	R/W	0h	Output Toggle Register GPIO pin Reset type: SYSRSn
28	GPIO60	R/W	0h	Output Toggle Register GPIO pin Reset type: SYSRSn
27	GPIO59	R/W	0h	Output Toggle Register GPIO pin Reset type: SYSRSn
26	GPIO58	R/W	0h	Output Toggle Register GPIO pin Reset type: SYSRSn
25	GPIO57	R/W	0h	Output Toggle Register GPIO pin Reset type: SYSRSn
24	GPIO56	R/W	0h	Output Toggle Register GPIO pin Reset type: SYSRSn
23	GPIO55	R/W	0h	Output Toggle Register GPIO pin Reset type: SYSRSn
22	GPIO54	R/W	0h	Output Toggle Register GPIO pin Reset type: SYSRSn
21	GPIO53	R/W	0h	Output Toggle Register GPIO pin Reset type: SYSRSn
20	GPIO52	R/W	0h	Output Toggle Register GPIO pin Reset type: SYSRSn

**Table 7-121. GPBTOGGLE Register Field Descriptions (continued)**

Bit	Field	Type	Reset	Description
19	GPIO51	R/W	0h	Output Toggle Register GPIO pin Reset type: SYSRSn
18	GPIO50	R/W	0h	Output Toggle Register GPIO pin Reset type: SYSRSn
17	GPIO49	R/W	0h	Output Toggle Register GPIO pin Reset type: SYSRSn
16	GPIO48	R/W	0h	Output Toggle Register GPIO pin Reset type: SYSRSn
15	GPIO47	R/W	0h	Output Toggle Register GPIO pin Reset type: SYSRSn
14	GPIO46	R/W	0h	Output Toggle Register GPIO pin Reset type: SYSRSn
13	GPIO45	R/W	0h	Output Toggle Register GPIO pin Reset type: SYSRSn
12	GPIO44	R/W	0h	Output Toggle Register GPIO pin Reset type: SYSRSn
11	GPIO43	R/W	0h	Output Toggle Register GPIO pin Reset type: SYSRSn
10	GPIO42	R/W	0h	Output Toggle Register GPIO pin Reset type: SYSRSn
9	GPIO41	R/W	0h	Output Toggle Register GPIO pin Reset type: SYSRSn
8	GPIO40	R/W	0h	Output Toggle Register GPIO pin Reset type: SYSRSn
7	GPIO39	R/W	0h	Output Toggle Register GPIO pin Reset type: SYSRSn
6	GPIO38	R/W	0h	Output Toggle Register GPIO pin Reset type: SYSRSn
5	GPIO37	R/W	0h	Output Toggle Register GPIO pin Reset type: SYSRSn
4	GPIO36	R/W	0h	Output Toggle Register GPIO pin Reset type: SYSRSn
3	GPIO35	R/W	0h	Output Toggle Register GPIO pin Reset type: SYSRSn
2	GPIO34	R/W	0h	Output Toggle Register GPIO pin Reset type: SYSRSn
1	GPIO33	R/W	0h	Output Toggle Register GPIO pin Reset type: SYSRSn
0	GPIO32	R/W	0h	Output Toggle Register GPIO pin Reset type: SYSRSn



### 7.10.3.9 GPCDAT Register (Offset = 10h) [Reset = 0000000h]

GPCDAT is shown in [Figure 7-110](#) and described in [Table 7-122](#).

Return to the [Summary Table](#).

GPIO C Data Register (GPIO64 to 95)

Reading this register reflects the current state of the GPIO pin regardless of which mode the GPIO is in. Writing to this register will set the GPIO pin high or low if the pin is enabled for GPIO output mode. If the GPIO is not in output mode the value written is latched but will not be reflected on the GPIO pin or reads of the GPxDAT register. The written value latched will become active when the GPIO is put into GPIO Output mode. A system reset will clear all bits and latched values to zero.

NOTE: Bit-wise read-modify-write operations should not be performed on this register. For bit-wise operations the GPxSET, GPxCLEAR, or GPxTOGGLE registers should be used instead. If direct writes to GPxDAT are necessary, the entire register should be written at one time.

**Figure 7-110. GPCDAT Register**

31	30	29	28	27	26	25	24
GPIO95	GPIO94	GPIO93	GPIO92	GPIO91	GPIO90	GPIO89	GPIO88
R/W-0h	R/W-0h	R/W-0h	R/W-0h	R/W-0h	R/W-0h	R/W-0h	R/W-0h
23	22	21	20	19	18	17	16
GPIO87	GPIO86	GPIO85	GPIO84	GPIO83	GPIO82	GPIO81	GPIO80
R/W-0h	R/W-0h	R/W-0h	R/W-0h	R/W-0h	R/W-0h	R/W-0h	R/W-0h
15	14	13	12	11	10	9	8
GPIO79	GPIO78	GPIO77	GPIO76	GPIO75	GPIO74	GPIO73	GPIO72
R/W-0h	R/W-0h	R/W-0h	R/W-0h	R/W-0h	R/W-0h	R/W-0h	R/W-0h
7	6	5	4	3	2	1	0
GPIO71	GPIO70	GPIO69	GPIO68	GPIO67	GPIO66	GPIO65	GPIO64
R/W-0h	R/W-0h	R/W-0h	R/W-0h	R/W-0h	R/W-0h	R/W-0h	R/W-0h

**Table 7-122. GPCDAT Register Field Descriptions**

Bit	Field	Type	Reset	Description
31	GPIO95	R/W	0h	Data Register for this pin Reset type: SYSRSn
30	GPIO94	R/W	0h	Data Register for this pin Reset type: SYSRSn
29	GPIO93	R/W	0h	Data Register for this pin Reset type: SYSRSn
28	GPIO92	R/W	0h	Data Register for this pin Reset type: SYSRSn
27	GPIO91	R/W	0h	Data Register for this pin Reset type: SYSRSn
26	GPIO90	R/W	0h	Data Register for this pin Reset type: SYSRSn
25	GPIO89	R/W	0h	Data Register for this pin Reset type: SYSRSn
24	GPIO88	R/W	0h	Data Register for this pin Reset type: SYSRSn
23	GPIO87	R/W	0h	Data Register for this pin Reset type: SYSRSn
22	GPIO86	R/W	0h	Data Register for this pin Reset type: SYSRSn

**Table 7-122. GPCDAT Register Field Descriptions (continued)**

Bit	Field	Type	Reset	Description
21	GPIO85	R/W	0h	Data Register for this pin Reset type: SYSRSn
20	GPIO84	R/W	0h	Data Register for this pin Reset type: SYSRSn
19	GPIO83	R/W	0h	Data Register for this pin Reset type: SYSRSn
18	GPIO82	R/W	0h	Data Register for this pin Reset type: SYSRSn
17	GPIO81	R/W	0h	Data Register for this pin Reset type: SYSRSn
16	GPIO80	R/W	0h	Data Register for this pin Reset type: SYSRSn
15	GPIO79	R/W	0h	Data Register for this pin Reset type: SYSRSn
14	GPIO78	R/W	0h	Data Register for this pin Reset type: SYSRSn
13	GPIO77	R/W	0h	Data Register for this pin Reset type: SYSRSn
12	GPIO76	R/W	0h	Data Register for this pin Reset type: SYSRSn
11	GPIO75	R/W	0h	Data Register for this pin Reset type: SYSRSn
10	GPIO74	R/W	0h	Data Register for this pin Reset type: SYSRSn
9	GPIO73	R/W	0h	Data Register for this pin Reset type: SYSRSn
8	GPIO72	R/W	0h	Data Register for this pin Reset type: SYSRSn
7	GPIO71	R/W	0h	Data Register for this pin Reset type: SYSRSn
6	GPIO70	R/W	0h	Data Register for this pin Reset type: SYSRSn
5	GPIO69	R/W	0h	Data Register for this pin Reset type: SYSRSn
4	GPIO68	R/W	0h	Data Register for this pin Reset type: SYSRSn
3	GPIO67	R/W	0h	Data Register for this pin Reset type: SYSRSn
2	GPIO66	R/W	0h	Data Register for this pin Reset type: SYSRSn
1	GPIO65	R/W	0h	Data Register for this pin Reset type: SYSRSn
0	GPIO64	R/W	0h	Data Register for this pin Reset type: SYSRSn

### 7.10.3.10 GPCSET Register (Offset = 12h) [Reset = 0000000h]

GPCSET is shown in [Figure 7-111](#) and described in [Table 7-123](#).

Return to the [Summary Table](#).

GPIO C Data Set Register (GPIO64 to 95)

Writing a 1 will force GPIO output data latch to 1.

Writes of 0 are ignored.

Always reads back a 0.

**Figure 7-111. GPCSET Register**

31	30	29	28	27	26	25	24
GPIO95	GPIO94	GPIO93	GPIO92	GPIO91	GPIO90	GPIO89	GPIO88
R/W-0h	R/W-0h	R/W-0h	R/W-0h	R/W-0h	R/W-0h	R/W-0h	R/W-0h
23	22	21	20	19	18	17	16
GPIO87	GPIO86	GPIO85	GPIO84	GPIO83	GPIO82	GPIO81	GPIO80
R/W-0h	R/W-0h	R/W-0h	R/W-0h	R/W-0h	R/W-0h	R/W-0h	R/W-0h
15	14	13	12	11	10	9	8
GPIO79	GPIO78	GPIO77	GPIO76	GPIO75	GPIO74	GPIO73	GPIO72
R/W-0h	R/W-0h	R/W-0h	R/W-0h	R/W-0h	R/W-0h	R/W-0h	R/W-0h
7	6	5	4	3	2	1	0
GPIO71	GPIO70	GPIO69	GPIO68	GPIO67	GPIO66	GPIO65	GPIO64
R/W-0h	R/W-0h	R/W-0h	R/W-0h	R/W-0h	R/W-0h	R/W-0h	R/W-0h

**Table 7-123. GPCSET Register Field Descriptions**

Bit	Field	Type	Reset	Description
31	GPIO95	R/W	0h	Output Set bit for this pin Reset type: SYSRSn
30	GPIO94	R/W	0h	Output Set bit for this pin Reset type: SYSRSn
29	GPIO93	R/W	0h	Output Set bit for this pin Reset type: SYSRSn
28	GPIO92	R/W	0h	Output Set bit for this pin Reset type: SYSRSn
27	GPIO91	R/W	0h	Output Set bit for this pin Reset type: SYSRSn
26	GPIO90	R/W	0h	Output Set bit for this pin Reset type: SYSRSn
25	GPIO89	R/W	0h	Output Set bit for this pin Reset type: SYSRSn
24	GPIO88	R/W	0h	Output Set bit for this pin Reset type: SYSRSn
23	GPIO87	R/W	0h	Output Set bit for this pin Reset type: SYSRSn
22	GPIO86	R/W	0h	Output Set bit for this pin Reset type: SYSRSn
21	GPIO85	R/W	0h	Output Set bit for this pin Reset type: SYSRSn
20	GPIO84	R/W	0h	Output Set bit for this pin Reset type: SYSRSn

**Table 7-123. GPCSET Register Field Descriptions (continued)**

Bit	Field	Type	Reset	Description
19	GPIO83	R/W	0h	Output Set bit for this pin Reset type: SYSRSn
18	GPIO82	R/W	0h	Output Set bit for this pin Reset type: SYSRSn
17	GPIO81	R/W	0h	Output Set bit for this pin Reset type: SYSRSn
16	GPIO80	R/W	0h	Output Set bit for this pin Reset type: SYSRSn
15	GPIO79	R/W	0h	Output Set bit for this pin Reset type: SYSRSn
14	GPIO78	R/W	0h	Output Set bit for this pin Reset type: SYSRSn
13	GPIO77	R/W	0h	Output Set bit for this pin Reset type: SYSRSn
12	GPIO76	R/W	0h	Output Set bit for this pin Reset type: SYSRSn
11	GPIO75	R/W	0h	Output Set bit for this pin Reset type: SYSRSn
10	GPIO74	R/W	0h	Output Set bit for this pin Reset type: SYSRSn
9	GPIO73	R/W	0h	Output Set bit for this pin Reset type: SYSRSn
8	GPIO72	R/W	0h	Output Set bit for this pin Reset type: SYSRSn
7	GPIO71	R/W	0h	Output Set bit for this pin Reset type: SYSRSn
6	GPIO70	R/W	0h	Output Set bit for this pin Reset type: SYSRSn
5	GPIO69	R/W	0h	Output Set bit for this pin Reset type: SYSRSn
4	GPIO68	R/W	0h	Output Set bit for this pin Reset type: SYSRSn
3	GPIO67	R/W	0h	Output Set bit for this pin Reset type: SYSRSn
2	GPIO66	R/W	0h	Output Set bit for this pin Reset type: SYSRSn
1	GPIO65	R/W	0h	Output Set bit for this pin Reset type: SYSRSn
0	GPIO64	R/W	0h	Output Set bit for this pin Reset type: SYSRSn

### 7.10.3.11 GPCCLEAR Register (Offset = 14h) [Reset = 0000000h]

GPCCLEAR is shown in [Figure 7-112](#) and described in [Table 7-124](#).

Return to the [Summary Table](#).

GPIO C Data Clear Register (GPIO64 to 95)

Writing a 1 will force GPIO0 output data latch to 0.

Writes of 0 are ignored.

Always reads back a 0.

**Figure 7-112. GPCCLEAR Register**

31	30	29	28	27	26	25	24
GPIO95	GPIO94	GPIO93	GPIO92	GPIO91	GPIO90	GPIO89	GPIO88
R/W-0h	R/W-0h	R/W-0h	R/W-0h	R/W-0h	R/W-0h	R/W-0h	R/W-0h
23	22	21	20	19	18	17	16
GPIO87	GPIO86	GPIO85	GPIO84	GPIO83	GPIO82	GPIO81	GPIO80
R/W-0h	R/W-0h	R/W-0h	R/W-0h	R/W-0h	R/W-0h	R/W-0h	R/W-0h
15	14	13	12	11	10	9	8
GPIO79	GPIO78	GPIO77	GPIO76	GPIO75	GPIO74	GPIO73	GPIO72
R/W-0h	R/W-0h	R/W-0h	R/W-0h	R/W-0h	R/W-0h	R/W-0h	R/W-0h
7	6	5	4	3	2	1	0
GPIO71	GPIO70	GPIO69	GPIO68	GPIO67	GPIO66	GPIO65	GPIO64
R/W-0h	R/W-0h	R/W-0h	R/W-0h	R/W-0h	R/W-0h	R/W-0h	R/W-0h

**Table 7-124. GPCCLEAR Register Field Descriptions**

Bit	Field	Type	Reset	Description
31	GPIO95	R/W	0h	Output Clear bit for this pin Reset type: SYSRSn
30	GPIO94	R/W	0h	Output Clear bit for this pin Reset type: SYSRSn
29	GPIO93	R/W	0h	Output Clear bit for this pin Reset type: SYSRSn
28	GPIO92	R/W	0h	Output Clear bit for this pin Reset type: SYSRSn
27	GPIO91	R/W	0h	Output Clear bit for this pin Reset type: SYSRSn
26	GPIO90	R/W	0h	Output Clear bit for this pin Reset type: SYSRSn
25	GPIO89	R/W	0h	Output Clear bit for this pin Reset type: SYSRSn
24	GPIO88	R/W	0h	Output Clear bit for this pin Reset type: SYSRSn
23	GPIO87	R/W	0h	Output Clear bit for this pin Reset type: SYSRSn
22	GPIO86	R/W	0h	Output Clear bit for this pin Reset type: SYSRSn
21	GPIO85	R/W	0h	Output Clear bit for this pin Reset type: SYSRSn
20	GPIO84	R/W	0h	Output Clear bit for this pin Reset type: SYSRSn

**Table 7-124. GPCCLEAR Register Field Descriptions (continued)**

Bit	Field	Type	Reset	Description
19	GPIO83	R/W	0h	Output Clear bit for this pin Reset type: SYSRSn
18	GPIO82	R/W	0h	Output Clear bit for this pin Reset type: SYSRSn
17	GPIO81	R/W	0h	Output Clear bit for this pin Reset type: SYSRSn
16	GPIO80	R/W	0h	Output Clear bit for this pin Reset type: SYSRSn
15	GPIO79	R/W	0h	Output Clear bit for this pin Reset type: SYSRSn
14	GPIO78	R/W	0h	Output Clear bit for this pin Reset type: SYSRSn
13	GPIO77	R/W	0h	Output Clear bit for this pin Reset type: SYSRSn
12	GPIO76	R/W	0h	Output Clear bit for this pin Reset type: SYSRSn
11	GPIO75	R/W	0h	Output Clear bit for this pin Reset type: SYSRSn
10	GPIO74	R/W	0h	Output Clear bit for this pin Reset type: SYSRSn
9	GPIO73	R/W	0h	Output Clear bit for this pin Reset type: SYSRSn
8	GPIO72	R/W	0h	Output Clear bit for this pin Reset type: SYSRSn
7	GPIO71	R/W	0h	Output Clear bit for this pin Reset type: SYSRSn
6	GPIO70	R/W	0h	Output Clear bit for this pin Reset type: SYSRSn
5	GPIO69	R/W	0h	Output Clear bit for this pin Reset type: SYSRSn
4	GPIO68	R/W	0h	Output Clear bit for this pin Reset type: SYSRSn
3	GPIO67	R/W	0h	Output Clear bit for this pin Reset type: SYSRSn
2	GPIO66	R/W	0h	Output Clear bit for this pin Reset type: SYSRSn
1	GPIO65	R/W	0h	Output Clear bit for this pin Reset type: SYSRSn
0	GPIO64	R/W	0h	Output Clear bit for this pin Reset type: SYSRSn

### 7.10.3.12 GPCTOGGLE Register (Offset = 16h) [Reset = 0000000h]

GPCTOGGLE is shown in [Figure 7-113](#) and described in [Table 7-125](#).

Return to the [Summary Table](#).

GPIO C Data Toggle Register (GPIO64 to 95)

Writing a 1 will toggle GPIO0 output data latch 1 to 0 or 0 to 1.

Writes of 0 are ignored.

Always reads back a 0.

**Figure 7-113. GPCTOGGLE Register**

31	30	29	28	27	26	25	24
GPIO95	GPIO94	GPIO93	GPIO92	GPIO91	GPIO90	GPIO89	GPIO88
R/W-0h	R/W-0h	R/W-0h	R/W-0h	R/W-0h	R/W-0h	R/W-0h	R/W-0h
23	22	21	20	19	18	17	16
GPIO87	GPIO86	GPIO85	GPIO84	GPIO83	GPIO82	GPIO81	GPIO80
R/W-0h	R/W-0h	R/W-0h	R/W-0h	R/W-0h	R/W-0h	R/W-0h	R/W-0h
15	14	13	12	11	10	9	8
GPIO79	GPIO78	GPIO77	GPIO76	GPIO75	GPIO74	GPIO73	GPIO72
R/W-0h	R/W-0h	R/W-0h	R/W-0h	R/W-0h	R/W-0h	R/W-0h	R/W-0h
7	6	5	4	3	2	1	0
GPIO71	GPIO70	GPIO69	GPIO68	GPIO67	GPIO66	GPIO65	GPIO64
R/W-0h	R/W-0h	R/W-0h	R/W-0h	R/W-0h	R/W-0h	R/W-0h	R/W-0h

**Table 7-125. GPCTOGGLE Register Field Descriptions**

Bit	Field	Type	Reset	Description
31	GPIO95	R/W	0h	Output Toggle Register GPIO pin Reset type: SYSRSn
30	GPIO94	R/W	0h	Output Toggle Register GPIO pin Reset type: SYSRSn
29	GPIO93	R/W	0h	Output Toggle Register GPIO pin Reset type: SYSRSn
28	GPIO92	R/W	0h	Output Toggle Register GPIO pin Reset type: SYSRSn
27	GPIO91	R/W	0h	Output Toggle Register GPIO pin Reset type: SYSRSn
26	GPIO90	R/W	0h	Output Toggle Register GPIO pin Reset type: SYSRSn
25	GPIO89	R/W	0h	Output Toggle Register GPIO pin Reset type: SYSRSn
24	GPIO88	R/W	0h	Output Toggle Register GPIO pin Reset type: SYSRSn
23	GPIO87	R/W	0h	Output Toggle Register GPIO pin Reset type: SYSRSn
22	GPIO86	R/W	0h	Output Toggle Register GPIO pin Reset type: SYSRSn
21	GPIO85	R/W	0h	Output Toggle Register GPIO pin Reset type: SYSRSn
20	GPIO84	R/W	0h	Output Toggle Register GPIO pin Reset type: SYSRSn

**Table 7-125. GPCTOGGLE Register Field Descriptions (continued)**

Bit	Field	Type	Reset	Description
19	GPIO83	R/W	0h	Output Toggle Register GPIO pin Reset type: SYSRSn
18	GPIO82	R/W	0h	Output Toggle Register GPIO pin Reset type: SYSRSn
17	GPIO81	R/W	0h	Output Toggle Register GPIO pin Reset type: SYSRSn
16	GPIO80	R/W	0h	Output Toggle Register GPIO pin Reset type: SYSRSn
15	GPIO79	R/W	0h	Output Toggle Register GPIO pin Reset type: SYSRSn
14	GPIO78	R/W	0h	Output Toggle Register GPIO pin Reset type: SYSRSn
13	GPIO77	R/W	0h	Output Toggle Register GPIO pin Reset type: SYSRSn
12	GPIO76	R/W	0h	Output Toggle Register GPIO pin Reset type: SYSRSn
11	GPIO75	R/W	0h	Output Toggle Register GPIO pin Reset type: SYSRSn
10	GPIO74	R/W	0h	Output Toggle Register GPIO pin Reset type: SYSRSn
9	GPIO73	R/W	0h	Output Toggle Register GPIO pin Reset type: SYSRSn
8	GPIO72	R/W	0h	Output Toggle Register GPIO pin Reset type: SYSRSn
7	GPIO71	R/W	0h	Output Toggle Register GPIO pin Reset type: SYSRSn
6	GPIO70	R/W	0h	Output Toggle Register GPIO pin Reset type: SYSRSn
5	GPIO69	R/W	0h	Output Toggle Register GPIO pin Reset type: SYSRSn
4	GPIO68	R/W	0h	Output Toggle Register GPIO pin Reset type: SYSRSn
3	GPIO67	R/W	0h	Output Toggle Register GPIO pin Reset type: SYSRSn
2	GPIO66	R/W	0h	Output Toggle Register GPIO pin Reset type: SYSRSn
1	GPIO65	R/W	0h	Output Toggle Register GPIO pin Reset type: SYSRSn
0	GPIO64	R/W	0h	Output Toggle Register GPIO pin Reset type: SYSRSn



### 7.10.3.13 GPDDAT Register (Offset = 18h) [Reset = 0000000h]

GPDDAT is shown in [Figure 7-114](#) and described in [Table 7-126](#).

Return to the [Summary Table](#).

#### GPIO D Data Register (GPIO96 to 127)

Reading this register reflects the current state of the GPIO pin regardless of which mode the GPIO is in. Writing to this register will set the GPIO pin high or low if the pin is enabled for GPIO output mode. If the GPIO is not in output mode the value written is latched but will not be reflected on the GPIO pin or reads of the GPxDAT register. The written value latched will become active when the GPIO is put into GPIO Output mode. A system reset will clear all bits and latched values to zero.

NOTE: Bit-wise read-modify-write operations should not be performed on this register. For bit-wise operations the GPxSET, GPxCLEAR, or GPxTOGGLE registers should be used instead. If direct writes to GPxDAT are necessary, the entire register should be written at one time.

**Figure 7-114. GPDDAT Register**

31	30	29	28	27	26	25	24
GPIO127	GPIO126	GPIO125	GPIO124	GPIO123	GPIO122	GPIO121	GPIO120
R/W-0h	R/W-0h	R/W-0h	R/W-0h	R/W-0h	R/W-0h	R/W-0h	R/W-0h
23	22	21	20	19	18	17	16
GPIO119	GPIO118	GPIO117	GPIO116	GPIO115	GPIO114	GPIO113	GPIO112
R/W-0h	R/W-0h	R/W-0h	R/W-0h	R/W-0h	R/W-0h	R/W-0h	R/W-0h
15	14	13	12	11	10	9	8
GPIO111	GPIO110	GPIO109	GPIO108	GPIO107	GPIO106	GPIO105	GPIO104
R/W-0h	R/W-0h	R/W-0h	R/W-0h	R/W-0h	R/W-0h	R/W-0h	R/W-0h
7	6	5	4	3	2	1	0
GPIO103	GPIO102	GPIO101	GPIO100	GPIO99	GPIO98	GPIO97	GPIO96
R/W-0h	R/W-0h	R/W-0h	R/W-0h	R/W-0h	R/W-0h	R/W-0h	R/W-0h

**Table 7-126. GPDDAT Register Field Descriptions**

Bit	Field	Type	Reset	Description
31	GPIO127	R/W	0h	Data Register for this pin Reset type: SYSRSn
30	GPIO126	R/W	0h	Data Register for this pin Reset type: SYSRSn
29	GPIO125	R/W	0h	Data Register for this pin Reset type: SYSRSn
28	GPIO124	R/W	0h	Data Register for this pin Reset type: SYSRSn
27	GPIO123	R/W	0h	Data Register for this pin Reset type: SYSRSn
26	GPIO122	R/W	0h	Data Register for this pin Reset type: SYSRSn
25	GPIO121	R/W	0h	Data Register for this pin Reset type: SYSRSn
24	GPIO120	R/W	0h	Data Register for this pin Reset type: SYSRSn
23	GPIO119	R/W	0h	Data Register for this pin Reset type: SYSRSn
22	GPIO118	R/W	0h	Data Register for this pin Reset type: SYSRSn

**Table 7-126. GPDDAT Register Field Descriptions (continued)**

Bit	Field	Type	Reset	Description
21	GPIO117	R/W	0h	Data Register for this pin Reset type: SYSRSn
20	GPIO116	R/W	0h	Data Register for this pin Reset type: SYSRSn
19	GPIO115	R/W	0h	Data Register for this pin Reset type: SYSRSn
18	GPIO114	R/W	0h	Data Register for this pin Reset type: SYSRSn
17	GPIO113	R/W	0h	Data Register for this pin Reset type: SYSRSn
16	GPIO112	R/W	0h	Data Register for this pin Reset type: SYSRSn
15	GPIO111	R/W	0h	Data Register for this pin Reset type: SYSRSn
14	GPIO110	R/W	0h	Data Register for this pin Reset type: SYSRSn
13	GPIO109	R/W	0h	Data Register for this pin Reset type: SYSRSn
12	GPIO108	R/W	0h	Data Register for this pin Reset type: SYSRSn
11	GPIO107	R/W	0h	Data Register for this pin Reset type: SYSRSn
10	GPIO106	R/W	0h	Data Register for this pin Reset type: SYSRSn
9	GPIO105	R/W	0h	Data Register for this pin Reset type: SYSRSn
8	GPIO104	R/W	0h	Data Register for this pin Reset type: SYSRSn
7	GPIO103	R/W	0h	Data Register for this pin Reset type: SYSRSn
6	GPIO102	R/W	0h	Data Register for this pin Reset type: SYSRSn
5	GPIO101	R/W	0h	Data Register for this pin Reset type: SYSRSn
4	GPIO100	R/W	0h	Data Register for this pin Reset type: SYSRSn
3	GPIO99	R/W	0h	Data Register for this pin Reset type: SYSRSn
2	GPIO98	R/W	0h	Data Register for this pin Reset type: SYSRSn
1	GPIO97	R/W	0h	Data Register for this pin Reset type: SYSRSn
0	GPIO96	R/W	0h	Data Register for this pin Reset type: SYSRSn

### 7.10.3.14 GPDSET Register (Offset = 1Ah) [Reset = 0000000h]

GPDSET is shown in [Figure 7-115](#) and described in [Table 7-127](#).

Return to the [Summary Table](#).

GPIO D Data Set Register (GPIO96 to 127)  
 Writing a 1 will force GPIO output data latch to 1.  
 Writes of 0 are ignored.  
 Always reads back a 0.

**Figure 7-115. GPDSET Register**

31	30	29	28	27	26	25	24
GPIO127	GPIO126	GPIO125	GPIO124	GPIO123	GPIO122	GPIO121	GPIO120
R/W-0h	R/W-0h	R/W-0h	R/W-0h	R/W-0h	R/W-0h	R/W-0h	R/W-0h
23	22	21	20	19	18	17	16
GPIO119	GPIO118	GPIO117	GPIO116	GPIO115	GPIO114	GPIO113	GPIO112
R/W-0h	R/W-0h	R/W-0h	R/W-0h	R/W-0h	R/W-0h	R/W-0h	R/W-0h
15	14	13	12	11	10	9	8
GPIO111	GPIO110	GPIO109	GPIO108	GPIO107	GPIO106	GPIO105	GPIO104
R/W-0h	R/W-0h	R/W-0h	R/W-0h	R/W-0h	R/W-0h	R/W-0h	R/W-0h
7	6	5	4	3	2	1	0
GPIO103	GPIO102	GPIO101	GPIO100	GPIO99	GPIO98	GPIO97	GPIO96
R/W-0h	R/W-0h	R/W-0h	R/W-0h	R/W-0h	R/W-0h	R/W-0h	R/W-0h

**Table 7-127. GPDSET Register Field Descriptions**

Bit	Field	Type	Reset	Description
31	GPIO127	R/W	0h	Output Set bit for this pin Reset type: SYSRSn
30	GPIO126	R/W	0h	Output Set bit for this pin Reset type: SYSRSn
29	GPIO125	R/W	0h	Output Set bit for this pin Reset type: SYSRSn
28	GPIO124	R/W	0h	Output Set bit for this pin Reset type: SYSRSn
27	GPIO123	R/W	0h	Output Set bit for this pin Reset type: SYSRSn
26	GPIO122	R/W	0h	Output Set bit for this pin Reset type: SYSRSn
25	GPIO121	R/W	0h	Output Set bit for this pin Reset type: SYSRSn
24	GPIO120	R/W	0h	Output Set bit for this pin Reset type: SYSRSn
23	GPIO119	R/W	0h	Output Set bit for this pin Reset type: SYSRSn
22	GPIO118	R/W	0h	Output Set bit for this pin Reset type: SYSRSn
21	GPIO117	R/W	0h	Output Set bit for this pin Reset type: SYSRSn
20	GPIO116	R/W	0h	Output Set bit for this pin Reset type: SYSRSn

**Table 7-127. GPDSET Register Field Descriptions (continued)**

Bit	Field	Type	Reset	Description
19	GPIO115	R/W	0h	Output Set bit for this pin Reset type: SYSRSn
18	GPIO114	R/W	0h	Output Set bit for this pin Reset type: SYSRSn
17	GPIO113	R/W	0h	Output Set bit for this pin Reset type: SYSRSn
16	GPIO112	R/W	0h	Output Set bit for this pin Reset type: SYSRSn
15	GPIO111	R/W	0h	Output Set bit for this pin Reset type: SYSRSn
14	GPIO110	R/W	0h	Output Set bit for this pin Reset type: SYSRSn
13	GPIO109	R/W	0h	Output Set bit for this pin Reset type: SYSRSn
12	GPIO108	R/W	0h	Output Set bit for this pin Reset type: SYSRSn
11	GPIO107	R/W	0h	Output Set bit for this pin Reset type: SYSRSn
10	GPIO106	R/W	0h	Output Set bit for this pin Reset type: SYSRSn
9	GPIO105	R/W	0h	Output Set bit for this pin Reset type: SYSRSn
8	GPIO104	R/W	0h	Output Set bit for this pin Reset type: SYSRSn
7	GPIO103	R/W	0h	Output Set bit for this pin Reset type: SYSRSn
6	GPIO102	R/W	0h	Output Set bit for this pin Reset type: SYSRSn
5	GPIO101	R/W	0h	Output Set bit for this pin Reset type: SYSRSn
4	GPIO100	R/W	0h	Output Set bit for this pin Reset type: SYSRSn
3	GPIO99	R/W	0h	Output Set bit for this pin Reset type: SYSRSn
2	GPIO98	R/W	0h	Output Set bit for this pin Reset type: SYSRSn
1	GPIO97	R/W	0h	Output Set bit for this pin Reset type: SYSRSn
0	GPIO96	R/W	0h	Output Set bit for this pin Reset type: SYSRSn

### 7.10.3.15 GPD CLEAR Register (Offset = 1Ch) [Reset = 0000000h]

GPD CLEAR is shown in [Figure 7-116](#) and described in [Table 7-128](#).

Return to the [Summary Table](#).

GPIO D Data Clear Register (GPIO96 to 127)

Writing a 1 will force GPIO0 output data latch to 0.

Writes of 0 are ignored.

Always reads back a 0.

**Figure 7-116. GPD CLEAR Register**

31	30	29	28	27	26	25	24
GPIO127	GPIO126	GPIO125	GPIO124	GPIO123	GPIO122	GPIO121	GPIO120
R/W-0h	R/W-0h	R/W-0h	R/W-0h	R/W-0h	R/W-0h	R/W-0h	R/W-0h
23	22	21	20	19	18	17	16
GPIO119	GPIO118	GPIO117	GPIO116	GPIO115	GPIO114	GPIO113	GPIO112
R/W-0h	R/W-0h	R/W-0h	R/W-0h	R/W-0h	R/W-0h	R/W-0h	R/W-0h
15	14	13	12	11	10	9	8
GPIO111	GPIO110	GPIO109	GPIO108	GPIO107	GPIO106	GPIO105	GPIO104
R/W-0h	R/W-0h	R/W-0h	R/W-0h	R/W-0h	R/W-0h	R/W-0h	R/W-0h
7	6	5	4	3	2	1	0
GPIO103	GPIO102	GPIO101	GPIO100	GPIO99	GPIO98	GPIO97	GPIO96
R/W-0h	R/W-0h	R/W-0h	R/W-0h	R/W-0h	R/W-0h	R/W-0h	R/W-0h

**Table 7-128. GPD CLEAR Register Field Descriptions**

Bit	Field	Type	Reset	Description
31	GPIO127	R/W	0h	Output Clear bit for this pin Reset type: SYSRSn
30	GPIO126	R/W	0h	Output Clear bit for this pin Reset type: SYSRSn
29	GPIO125	R/W	0h	Output Clear bit for this pin Reset type: SYSRSn
28	GPIO124	R/W	0h	Output Clear bit for this pin Reset type: SYSRSn
27	GPIO123	R/W	0h	Output Clear bit for this pin Reset type: SYSRSn
26	GPIO122	R/W	0h	Output Clear bit for this pin Reset type: SYSRSn
25	GPIO121	R/W	0h	Output Clear bit for this pin Reset type: SYSRSn
24	GPIO120	R/W	0h	Output Clear bit for this pin Reset type: SYSRSn
23	GPIO119	R/W	0h	Output Clear bit for this pin Reset type: SYSRSn
22	GPIO118	R/W	0h	Output Clear bit for this pin Reset type: SYSRSn
21	GPIO117	R/W	0h	Output Clear bit for this pin Reset type: SYSRSn
20	GPIO116	R/W	0h	Output Clear bit for this pin Reset type: SYSRSn

**Table 7-128. GPDCLEAR Register Field Descriptions (continued)**

Bit	Field	Type	Reset	Description
19	GPIO115	R/W	0h	Output Clear bit for this pin Reset type: SYSRSn
18	GPIO114	R/W	0h	Output Clear bit for this pin Reset type: SYSRSn
17	GPIO113	R/W	0h	Output Clear bit for this pin Reset type: SYSRSn
16	GPIO112	R/W	0h	Output Clear bit for this pin Reset type: SYSRSn
15	GPIO111	R/W	0h	Output Clear bit for this pin Reset type: SYSRSn
14	GPIO110	R/W	0h	Output Clear bit for this pin Reset type: SYSRSn
13	GPIO109	R/W	0h	Output Clear bit for this pin Reset type: SYSRSn
12	GPIO108	R/W	0h	Output Clear bit for this pin Reset type: SYSRSn
11	GPIO107	R/W	0h	Output Clear bit for this pin Reset type: SYSRSn
10	GPIO106	R/W	0h	Output Clear bit for this pin Reset type: SYSRSn
9	GPIO105	R/W	0h	Output Clear bit for this pin Reset type: SYSRSn
8	GPIO104	R/W	0h	Output Clear bit for this pin Reset type: SYSRSn
7	GPIO103	R/W	0h	Output Clear bit for this pin Reset type: SYSRSn
6	GPIO102	R/W	0h	Output Clear bit for this pin Reset type: SYSRSn
5	GPIO101	R/W	0h	Output Clear bit for this pin Reset type: SYSRSn
4	GPIO100	R/W	0h	Output Clear bit for this pin Reset type: SYSRSn
3	GPIO99	R/W	0h	Output Clear bit for this pin Reset type: SYSRSn
2	GPIO98	R/W	0h	Output Clear bit for this pin Reset type: SYSRSn
1	GPIO97	R/W	0h	Output Clear bit for this pin Reset type: SYSRSn
0	GPIO96	R/W	0h	Output Clear bit for this pin Reset type: SYSRSn

### 7.10.3.16 GPDTOGGLE Register (Offset = 1Eh) [Reset = 0000000h]

GPDTOGGLE is shown in [Figure 7-117](#) and described in [Table 7-129](#).

Return to the [Summary Table](#).

GPIO D Data Toggle Register (GPIO96 to 127)

Writing a 1 will toggle GPIO0 output data latch 1 to 0 or 0 to 1.

Writes of 0 are ignored.

Always reads back a 0.

**Figure 7-117. GPDTOGGLE Register**

31	30	29	28	27	26	25	24
GPIO127	GPIO126	GPIO125	GPIO124	GPIO123	GPIO122	GPIO121	GPIO120
R/W-0h	R/W-0h	R/W-0h	R/W-0h	R/W-0h	R/W-0h	R/W-0h	R/W-0h
23	22	21	20	19	18	17	16
GPIO119	GPIO118	GPIO117	GPIO116	GPIO115	GPIO114	GPIO113	GPIO112
R/W-0h	R/W-0h	R/W-0h	R/W-0h	R/W-0h	R/W-0h	R/W-0h	R/W-0h
15	14	13	12	11	10	9	8
GPIO111	GPIO110	GPIO109	GPIO108	GPIO107	GPIO106	GPIO105	GPIO104
R/W-0h	R/W-0h	R/W-0h	R/W-0h	R/W-0h	R/W-0h	R/W-0h	R/W-0h
7	6	5	4	3	2	1	0
GPIO103	GPIO102	GPIO101	GPIO100	GPIO99	GPIO98	GPIO97	GPIO96
R/W-0h	R/W-0h	R/W-0h	R/W-0h	R/W-0h	R/W-0h	R/W-0h	R/W-0h

**Table 7-129. GPDTOGGLE Register Field Descriptions**

Bit	Field	Type	Reset	Description
31	GPIO127	R/W	0h	Output Toggle Register GPIO pin Reset type: SYSRSn
30	GPIO126	R/W	0h	Output Toggle Register GPIO pin Reset type: SYSRSn
29	GPIO125	R/W	0h	Output Toggle Register GPIO pin Reset type: SYSRSn
28	GPIO124	R/W	0h	Output Toggle Register GPIO pin Reset type: SYSRSn
27	GPIO123	R/W	0h	Output Toggle Register GPIO pin Reset type: SYSRSn
26	GPIO122	R/W	0h	Output Toggle Register GPIO pin Reset type: SYSRSn
25	GPIO121	R/W	0h	Output Toggle Register GPIO pin Reset type: SYSRSn
24	GPIO120	R/W	0h	Output Toggle Register GPIO pin Reset type: SYSRSn
23	GPIO119	R/W	0h	Output Toggle Register GPIO pin Reset type: SYSRSn
22	GPIO118	R/W	0h	Output Toggle Register GPIO pin Reset type: SYSRSn
21	GPIO117	R/W	0h	Output Toggle Register GPIO pin Reset type: SYSRSn
20	GPIO116	R/W	0h	Output Toggle Register GPIO pin Reset type: SYSRSn

**Table 7-129. GPDTOGGLE Register Field Descriptions (continued)**

Bit	Field	Type	Reset	Description
19	GPIO115	R/W	0h	Output Toggle Register GPIO pin Reset type: SYSRSn
18	GPIO114	R/W	0h	Output Toggle Register GPIO pin Reset type: SYSRSn
17	GPIO113	R/W	0h	Output Toggle Register GPIO pin Reset type: SYSRSn
16	GPIO112	R/W	0h	Output Toggle Register GPIO pin Reset type: SYSRSn
15	GPIO111	R/W	0h	Output Toggle Register GPIO pin Reset type: SYSRSn
14	GPIO110	R/W	0h	Output Toggle Register GPIO pin Reset type: SYSRSn
13	GPIO109	R/W	0h	Output Toggle Register GPIO pin Reset type: SYSRSn
12	GPIO108	R/W	0h	Output Toggle Register GPIO pin Reset type: SYSRSn
11	GPIO107	R/W	0h	Output Toggle Register GPIO pin Reset type: SYSRSn
10	GPIO106	R/W	0h	Output Toggle Register GPIO pin Reset type: SYSRSn
9	GPIO105	R/W	0h	Output Toggle Register GPIO pin Reset type: SYSRSn
8	GPIO104	R/W	0h	Output Toggle Register GPIO pin Reset type: SYSRSn
7	GPIO103	R/W	0h	Output Toggle Register GPIO pin Reset type: SYSRSn
6	GPIO102	R/W	0h	Output Toggle Register GPIO pin Reset type: SYSRSn
5	GPIO101	R/W	0h	Output Toggle Register GPIO pin Reset type: SYSRSn
4	GPIO100	R/W	0h	Output Toggle Register GPIO pin Reset type: SYSRSn
3	GPIO99	R/W	0h	Output Toggle Register GPIO pin Reset type: SYSRSn
2	GPIO98	R/W	0h	Output Toggle Register GPIO pin Reset type: SYSRSn
1	GPIO97	R/W	0h	Output Toggle Register GPIO pin Reset type: SYSRSn
0	GPIO96	R/W	0h	Output Toggle Register GPIO pin Reset type: SYSRSn



### 7.10.3.17 GPEDAT Register (Offset = 20h) [Reset = 0000000h]

GPEDAT is shown in [Figure 7-118](#) and described in [Table 7-130](#).

Return to the [Summary Table](#).

GPIO E Data Register (GPIO128 to 159)

Reading this register reflects the current state of the GPIO pin regardless of which mode the GPIO is in. Writing to this register will set the GPIO pin high or low if the pin is enabled for GPIO output mode. If the GPIO is not in output mode the value written is latched but will not be reflected on the GPIO pin or reads of the GPxDAT register. The written value latched will become active when the GPIO is put into GPIO Output mode. A system reset will clear all bits and latched values to zero.

NOTE: Bit-wise read-modify-write operations should not be performed on this register. For bit-wise operations the GPxSET, GPxCLEAR, or GPxTOGGLE registers should be used instead. If direct writes to GPxDAT are necessary, the entire register should be written at one time.

**Figure 7-118. GPEDAT Register**

31	30	29	28	27	26	25	24
GPIO159	GPIO158	GPIO157	GPIO156	GPIO155	GPIO154	GPIO153	GPIO152
R/W-0h	R/W-0h	R/W-0h	R/W-0h	R/W-0h	R/W-0h	R/W-0h	R/W-0h
23	22	21	20	19	18	17	16
GPIO151	GPIO150	GPIO149	GPIO148	GPIO147	GPIO146	GPIO145	GPIO144
R/W-0h	R/W-0h	R/W-0h	R/W-0h	R/W-0h	R/W-0h	R/W-0h	R/W-0h
15	14	13	12	11	10	9	8
GPIO143	GPIO142	GPIO141	GPIO140	GPIO139	GPIO138	GPIO137	GPIO136
R/W-0h	R/W-0h	R/W-0h	R/W-0h	R/W-0h	R/W-0h	R/W-0h	R/W-0h
7	6	5	4	3	2	1	0
GPIO135	GPIO134	GPIO133	GPIO132	GPIO131	GPIO130	GPIO129	GPIO128
R/W-0h	R/W-0h	R/W-0h	R/W-0h	R/W-0h	R/W-0h	R/W-0h	R/W-0h

**Table 7-130. GPEDAT Register Field Descriptions**

Bit	Field	Type	Reset	Description
31	GPIO159	R/W	0h	Data Register for this pin Reset type: SYSRSn
30	GPIO158	R/W	0h	Data Register for this pin Reset type: SYSRSn
29	GPIO157	R/W	0h	Data Register for this pin Reset type: SYSRSn
28	GPIO156	R/W	0h	Data Register for this pin Reset type: SYSRSn
27	GPIO155	R/W	0h	Data Register for this pin Reset type: SYSRSn
26	GPIO154	R/W	0h	Data Register for this pin Reset type: SYSRSn
25	GPIO153	R/W	0h	Data Register for this pin Reset type: SYSRSn
24	GPIO152	R/W	0h	Data Register for this pin Reset type: SYSRSn
23	GPIO151	R/W	0h	Data Register for this pin Reset type: SYSRSn
22	GPIO150	R/W	0h	Data Register for this pin Reset type: SYSRSn

**Table 7-130. GPEDAT Register Field Descriptions (continued)**

Bit	Field	Type	Reset	Description
21	GPIO149	R/W	0h	Data Register for this pin Reset type: SYSRSn
20	GPIO148	R/W	0h	Data Register for this pin Reset type: SYSRSn
19	GPIO147	R/W	0h	Data Register for this pin Reset type: SYSRSn
18	GPIO146	R/W	0h	Data Register for this pin Reset type: SYSRSn
17	GPIO145	R/W	0h	Data Register for this pin Reset type: SYSRSn
16	GPIO144	R/W	0h	Data Register for this pin Reset type: SYSRSn
15	GPIO143	R/W	0h	Data Register for this pin Reset type: SYSRSn
14	GPIO142	R/W	0h	Data Register for this pin Reset type: SYSRSn
13	GPIO141	R/W	0h	Data Register for this pin Reset type: SYSRSn
12	GPIO140	R/W	0h	Data Register for this pin Reset type: SYSRSn
11	GPIO139	R/W	0h	Data Register for this pin Reset type: SYSRSn
10	GPIO138	R/W	0h	Data Register for this pin Reset type: SYSRSn
9	GPIO137	R/W	0h	Data Register for this pin Reset type: SYSRSn
8	GPIO136	R/W	0h	Data Register for this pin Reset type: SYSRSn
7	GPIO135	R/W	0h	Data Register for this pin Reset type: SYSRSn
6	GPIO134	R/W	0h	Data Register for this pin Reset type: SYSRSn
5	GPIO133	R/W	0h	Data Register for this pin Reset type: SYSRSn
4	GPIO132	R/W	0h	Data Register for this pin Reset type: SYSRSn
3	GPIO131	R/W	0h	Data Register for this pin Reset type: SYSRSn
2	GPIO130	R/W	0h	Data Register for this pin Reset type: SYSRSn
1	GPIO129	R/W	0h	Data Register for this pin Reset type: SYSRSn
0	GPIO128	R/W	0h	Data Register for this pin Reset type: SYSRSn

### 7.10.3.18 GPESET Register (Offset = 22h) [Reset = 0000000h]

GPESET is shown in [Figure 7-119](#) and described in [Table 7-131](#).

Return to the [Summary Table](#).

GPIO E Data Set Register (GPIO128 to 159)

Writing a 1 will force GPIO output data latch to 1.

Writes of 0 are ignored.

Always reads back a 0.

**Figure 7-119. GPESET Register**

31	30	29	28	27	26	25	24
GPIO159	GPIO158	GPIO157	GPIO156	GPIO155	GPIO154	GPIO153	GPIO152
R/W-0h	R/W-0h	R/W-0h	R/W-0h	R/W-0h	R/W-0h	R/W-0h	R/W-0h
23	22	21	20	19	18	17	16
GPIO151	GPIO150	GPIO149	GPIO148	GPIO147	GPIO146	GPIO145	GPIO144
R/W-0h	R/W-0h	R/W-0h	R/W-0h	R/W-0h	R/W-0h	R/W-0h	R/W-0h
15	14	13	12	11	10	9	8
GPIO143	GPIO142	GPIO141	GPIO140	GPIO139	GPIO138	GPIO137	GPIO136
R/W-0h	R/W-0h	R/W-0h	R/W-0h	R/W-0h	R/W-0h	R/W-0h	R/W-0h
7	6	5	4	3	2	1	0
GPIO135	GPIO134	GPIO133	GPIO132	GPIO131	GPIO130	GPIO129	GPIO128
R/W-0h	R/W-0h	R/W-0h	R/W-0h	R/W-0h	R/W-0h	R/W-0h	R/W-0h

**Table 7-131. GPESET Register Field Descriptions**

Bit	Field	Type	Reset	Description
31	GPIO159	R/W	0h	Output Set bit for this pin Reset type: SYSRSn
30	GPIO158	R/W	0h	Output Set bit for this pin Reset type: SYSRSn
29	GPIO157	R/W	0h	Output Set bit for this pin Reset type: SYSRSn
28	GPIO156	R/W	0h	Output Set bit for this pin Reset type: SYSRSn
27	GPIO155	R/W	0h	Output Set bit for this pin Reset type: SYSRSn
26	GPIO154	R/W	0h	Output Set bit for this pin Reset type: SYSRSn
25	GPIO153	R/W	0h	Output Set bit for this pin Reset type: SYSRSn
24	GPIO152	R/W	0h	Output Set bit for this pin Reset type: SYSRSn
23	GPIO151	R/W	0h	Output Set bit for this pin Reset type: SYSRSn
22	GPIO150	R/W	0h	Output Set bit for this pin Reset type: SYSRSn
21	GPIO149	R/W	0h	Output Set bit for this pin Reset type: SYSRSn
20	GPIO148	R/W	0h	Output Set bit for this pin Reset type: SYSRSn

**Table 7-131. GPESET Register Field Descriptions (continued)**

Bit	Field	Type	Reset	Description
19	GPIO147	R/W	0h	Output Set bit for this pin Reset type: SYSRSn
18	GPIO146	R/W	0h	Output Set bit for this pin Reset type: SYSRSn
17	GPIO145	R/W	0h	Output Set bit for this pin Reset type: SYSRSn
16	GPIO144	R/W	0h	Output Set bit for this pin Reset type: SYSRSn
15	GPIO143	R/W	0h	Output Set bit for this pin Reset type: SYSRSn
14	GPIO142	R/W	0h	Output Set bit for this pin Reset type: SYSRSn
13	GPIO141	R/W	0h	Output Set bit for this pin Reset type: SYSRSn
12	GPIO140	R/W	0h	Output Set bit for this pin Reset type: SYSRSn
11	GPIO139	R/W	0h	Output Set bit for this pin Reset type: SYSRSn
10	GPIO138	R/W	0h	Output Set bit for this pin Reset type: SYSRSn
9	GPIO137	R/W	0h	Output Set bit for this pin Reset type: SYSRSn
8	GPIO136	R/W	0h	Output Set bit for this pin Reset type: SYSRSn
7	GPIO135	R/W	0h	Output Set bit for this pin Reset type: SYSRSn
6	GPIO134	R/W	0h	Output Set bit for this pin Reset type: SYSRSn
5	GPIO133	R/W	0h	Output Set bit for this pin Reset type: SYSRSn
4	GPIO132	R/W	0h	Output Set bit for this pin Reset type: SYSRSn
3	GPIO131	R/W	0h	Output Set bit for this pin Reset type: SYSRSn
2	GPIO130	R/W	0h	Output Set bit for this pin Reset type: SYSRSn
1	GPIO129	R/W	0h	Output Set bit for this pin Reset type: SYSRSn
0	GPIO128	R/W	0h	Output Set bit for this pin Reset type: SYSRSn

### 7.10.3.19 GPECLEAR Register (Offset = 24h) [Reset = 0000000h]

GPECLEAR is shown in [Figure 7-120](#) and described in [Table 7-132](#).

Return to the [Summary Table](#).

GPIO E Data Clear Register (GPIO128 to 159)  
 Writing a 1 will force GPIO0 output data latch to 0.  
 Writes of 0 are ignored.  
 Always reads back a 0.

**Figure 7-120. GPECLEAR Register**

31	30	29	28	27	26	25	24
GPIO159	GPIO158	GPIO157	GPIO156	GPIO155	GPIO154	GPIO153	GPIO152
R/W-0h	R/W-0h	R/W-0h	R/W-0h	R/W-0h	R/W-0h	R/W-0h	R/W-0h
23	22	21	20	19	18	17	16
GPIO151	GPIO150	GPIO149	GPIO148	GPIO147	GPIO146	GPIO145	GPIO144
R/W-0h	R/W-0h	R/W-0h	R/W-0h	R/W-0h	R/W-0h	R/W-0h	R/W-0h
15	14	13	12	11	10	9	8
GPIO143	GPIO142	GPIO141	GPIO140	GPIO139	GPIO138	GPIO137	GPIO136
R/W-0h	R/W-0h	R/W-0h	R/W-0h	R/W-0h	R/W-0h	R/W-0h	R/W-0h
7	6	5	4	3	2	1	0
GPIO135	GPIO134	GPIO133	GPIO132	GPIO131	GPIO130	GPIO129	GPIO128
R/W-0h	R/W-0h	R/W-0h	R/W-0h	R/W-0h	R/W-0h	R/W-0h	R/W-0h

**Table 7-132. GPECLEAR Register Field Descriptions**

Bit	Field	Type	Reset	Description
31	GPIO159	R/W	0h	Output Clear bit for this pin Reset type: SYSRSn
30	GPIO158	R/W	0h	Output Clear bit for this pin Reset type: SYSRSn
29	GPIO157	R/W	0h	Output Clear bit for this pin Reset type: SYSRSn
28	GPIO156	R/W	0h	Output Clear bit for this pin Reset type: SYSRSn
27	GPIO155	R/W	0h	Output Clear bit for this pin Reset type: SYSRSn
26	GPIO154	R/W	0h	Output Clear bit for this pin Reset type: SYSRSn
25	GPIO153	R/W	0h	Output Clear bit for this pin Reset type: SYSRSn
24	GPIO152	R/W	0h	Output Clear bit for this pin Reset type: SYSRSn
23	GPIO151	R/W	0h	Output Clear bit for this pin Reset type: SYSRSn
22	GPIO150	R/W	0h	Output Clear bit for this pin Reset type: SYSRSn
21	GPIO149	R/W	0h	Output Clear bit for this pin Reset type: SYSRSn
20	GPIO148	R/W	0h	Output Clear bit for this pin Reset type: SYSRSn

**Table 7-132. GPECLEAR Register Field Descriptions (continued)**

Bit	Field	Type	Reset	Description
19	GPIO147	R/W	0h	Output Clear bit for this pin Reset type: SYSRSn
18	GPIO146	R/W	0h	Output Clear bit for this pin Reset type: SYSRSn
17	GPIO145	R/W	0h	Output Clear bit for this pin Reset type: SYSRSn
16	GPIO144	R/W	0h	Output Clear bit for this pin Reset type: SYSRSn
15	GPIO143	R/W	0h	Output Clear bit for this pin Reset type: SYSRSn
14	GPIO142	R/W	0h	Output Clear bit for this pin Reset type: SYSRSn
13	GPIO141	R/W	0h	Output Clear bit for this pin Reset type: SYSRSn
12	GPIO140	R/W	0h	Output Clear bit for this pin Reset type: SYSRSn
11	GPIO139	R/W	0h	Output Clear bit for this pin Reset type: SYSRSn
10	GPIO138	R/W	0h	Output Clear bit for this pin Reset type: SYSRSn
9	GPIO137	R/W	0h	Output Clear bit for this pin Reset type: SYSRSn
8	GPIO136	R/W	0h	Output Clear bit for this pin Reset type: SYSRSn
7	GPIO135	R/W	0h	Output Clear bit for this pin Reset type: SYSRSn
6	GPIO134	R/W	0h	Output Clear bit for this pin Reset type: SYSRSn
5	GPIO133	R/W	0h	Output Clear bit for this pin Reset type: SYSRSn
4	GPIO132	R/W	0h	Output Clear bit for this pin Reset type: SYSRSn
3	GPIO131	R/W	0h	Output Clear bit for this pin Reset type: SYSRSn
2	GPIO130	R/W	0h	Output Clear bit for this pin Reset type: SYSRSn
1	GPIO129	R/W	0h	Output Clear bit for this pin Reset type: SYSRSn
0	GPIO128	R/W	0h	Output Clear bit for this pin Reset type: SYSRSn

### 7.10.3.20 GPETOGGLE Register (Offset = 26h) [Reset = 0000000h]

GPETOGGLE is shown in [Figure 7-121](#) and described in [Table 7-133](#).

Return to the [Summary Table](#).

GPIO E Data Toggle Register (GPIO128 to 159)

Writing a 1 will toggle GPIO0 output data latch 1 to 0 or 0 to 1.

Writes of 0 are ignored.

Always reads back a 0.

**Figure 7-121. GPETOGGLE Register**

31	30	29	28	27	26	25	24
GPIO159	GPIO158	GPIO157	GPIO156	GPIO155	GPIO154	GPIO153	GPIO152
R/W-0h	R/W-0h	R/W-0h	R/W-0h	R/W-0h	R/W-0h	R/W-0h	R/W-0h
23	22	21	20	19	18	17	16
GPIO151	GPIO150	GPIO149	GPIO148	GPIO147	GPIO146	GPIO145	GPIO144
R/W-0h	R/W-0h	R/W-0h	R/W-0h	R/W-0h	R/W-0h	R/W-0h	R/W-0h
15	14	13	12	11	10	9	8
GPIO143	GPIO142	GPIO141	GPIO140	GPIO139	GPIO138	GPIO137	GPIO136
R/W-0h	R/W-0h	R/W-0h	R/W-0h	R/W-0h	R/W-0h	R/W-0h	R/W-0h
7	6	5	4	3	2	1	0
GPIO135	GPIO134	GPIO133	GPIO132	GPIO131	GPIO130	GPIO129	GPIO128
R/W-0h	R/W-0h	R/W-0h	R/W-0h	R/W-0h	R/W-0h	R/W-0h	R/W-0h

**Table 7-133. GPETOGGLE Register Field Descriptions**

Bit	Field	Type	Reset	Description
31	GPIO159	R/W	0h	Output Toggle Register GPIO pin Reset type: SYSRSn
30	GPIO158	R/W	0h	Output Toggle Register GPIO pin Reset type: SYSRSn
29	GPIO157	R/W	0h	Output Toggle Register GPIO pin Reset type: SYSRSn
28	GPIO156	R/W	0h	Output Toggle Register GPIO pin Reset type: SYSRSn
27	GPIO155	R/W	0h	Output Toggle Register GPIO pin Reset type: SYSRSn
26	GPIO154	R/W	0h	Output Toggle Register GPIO pin Reset type: SYSRSn
25	GPIO153	R/W	0h	Output Toggle Register GPIO pin Reset type: SYSRSn
24	GPIO152	R/W	0h	Output Toggle Register GPIO pin Reset type: SYSRSn
23	GPIO151	R/W	0h	Output Toggle Register GPIO pin Reset type: SYSRSn
22	GPIO150	R/W	0h	Output Toggle Register GPIO pin Reset type: SYSRSn
21	GPIO149	R/W	0h	Output Toggle Register GPIO pin Reset type: SYSRSn
20	GPIO148	R/W	0h	Output Toggle Register GPIO pin Reset type: SYSRSn

**Table 7-133. GPETOGGLE Register Field Descriptions (continued)**

Bit	Field	Type	Reset	Description
19	GPIO147	R/W	0h	Output Toggle Register GPIO pin Reset type: SYSRSn
18	GPIO146	R/W	0h	Output Toggle Register GPIO pin Reset type: SYSRSn
17	GPIO145	R/W	0h	Output Toggle Register GPIO pin Reset type: SYSRSn
16	GPIO144	R/W	0h	Output Toggle Register GPIO pin Reset type: SYSRSn
15	GPIO143	R/W	0h	Output Toggle Register GPIO pin Reset type: SYSRSn
14	GPIO142	R/W	0h	Output Toggle Register GPIO pin Reset type: SYSRSn
13	GPIO141	R/W	0h	Output Toggle Register GPIO pin Reset type: SYSRSn
12	GPIO140	R/W	0h	Output Toggle Register GPIO pin Reset type: SYSRSn
11	GPIO139	R/W	0h	Output Toggle Register GPIO pin Reset type: SYSRSn
10	GPIO138	R/W	0h	Output Toggle Register GPIO pin Reset type: SYSRSn
9	GPIO137	R/W	0h	Output Toggle Register GPIO pin Reset type: SYSRSn
8	GPIO136	R/W	0h	Output Toggle Register GPIO pin Reset type: SYSRSn
7	GPIO135	R/W	0h	Output Toggle Register GPIO pin Reset type: SYSRSn
6	GPIO134	R/W	0h	Output Toggle Register GPIO pin Reset type: SYSRSn
5	GPIO133	R/W	0h	Output Toggle Register GPIO pin Reset type: SYSRSn
4	GPIO132	R/W	0h	Output Toggle Register GPIO pin Reset type: SYSRSn
3	GPIO131	R/W	0h	Output Toggle Register GPIO pin Reset type: SYSRSn
2	GPIO130	R/W	0h	Output Toggle Register GPIO pin Reset type: SYSRSn
1	GPIO129	R/W	0h	Output Toggle Register GPIO pin Reset type: SYSRSn
0	GPIO128	R/W	0h	Output Toggle Register GPIO pin Reset type: SYSRSn



### 7.10.3.21 GPFDAT Register (Offset = 28h) [Reset = 00000000h]

GPFDAT is shown in [Figure 7-122](#) and described in [Table 7-134](#).

Return to the [Summary Table](#).

GPIO F Data Register (GPIO160 to 168)

Reading this register reflects the current state of the GPIO pin regardless of which mode the GPIO is in. Writing to this register will set the GPIO pin high or low if the pin is enabled for GPIO output mode. If the GPIO is not in output mode the value written is latched but will not be reflected on the GPIO pin or reads of the GPxDAT register. The written value latched will become active when the GPIO is put into GPIO Output mode. A system reset will clear all bits and latched values to zero.

NOTE: Bit-wise read-modify-write operations should not be performed on this register. For bit-wise operations the GPxSET, GPxCLEAR, or GPxTOGGLE registers should be used instead. If direct writes to GPxDAT are necessary, the entire register should be written at one time.

**Figure 7-122. GPFDAT Register**

31	30	29	28	27	26	25	24
RESERVED	RESERVED	RESERVED	RESERVED	RESERVED	RESERVED	RESERVED	RESERVED
R/W-0h	R/W-0h	R/W-0h	R/W-0h	R/W-0h	R/W-0h	R/W-0h	R/W-0h
23	22	21	20	19	18	17	16
RESERVED	RESERVED	RESERVED	RESERVED	RESERVED	RESERVED	RESERVED	RESERVED
R/W-0h	R/W-0h	R/W-0h	R/W-0h	R/W-0h	R/W-0h	R/W-0h	R/W-0h
15	14	13	12	11	10	9	8
RESERVED	RESERVED	RESERVED	RESERVED	RESERVED	RESERVED	RESERVED	GPIO168
R/W-0h	R/W-0h	R/W-0h	R/W-0h	R/W-0h	R/W-0h	R/W-0h	R/W-0h
7	6	5	4	3	2	1	0
GPIO167	GPIO166	GPIO165	GPIO164	GPIO163	GPIO162	GPIO161	GPIO160
R/W-0h	R/W-0h	R/W-0h	R/W-0h	R/W-0h	R/W-0h	R/W-0h	R/W-0h

**Table 7-134. GPFDAT Register Field Descriptions**

Bit	Field	Type	Reset	Description
31	RESERVED	R/W	0h	Reserved
30	RESERVED	R/W	0h	Reserved
29	RESERVED	R/W	0h	Reserved
28	RESERVED	R/W	0h	Reserved
27	RESERVED	R/W	0h	Reserved
26	RESERVED	R/W	0h	Reserved
25	RESERVED	R/W	0h	Reserved
24	RESERVED	R/W	0h	Reserved
23	RESERVED	R/W	0h	Reserved
22	RESERVED	R/W	0h	Reserved
21	RESERVED	R/W	0h	Reserved
20	RESERVED	R/W	0h	Reserved
19	RESERVED	R/W	0h	Reserved
18	RESERVED	R/W	0h	Reserved
17	RESERVED	R/W	0h	Reserved
16	RESERVED	R/W	0h	Reserved
15	RESERVED	R/W	0h	Reserved
14	RESERVED	R/W	0h	Reserved

**Table 7-134. GPFDAT Register Field Descriptions (continued)**

Bit	Field	Type	Reset	Description
13	RESERVED	R/W	0h	Reserved
12	RESERVED	R/W	0h	Reserved
11	RESERVED	R/W	0h	Reserved
10	RESERVED	R/W	0h	Reserved
9	RESERVED	R/W	0h	Reserved
8	GPIO168	R/W	0h	Data Register for this pin Reset type: SYSRSn
7	GPIO167	R/W	0h	Data Register for this pin Reset type: SYSRSn
6	GPIO166	R/W	0h	Data Register for this pin Reset type: SYSRSn
5	GPIO165	R/W	0h	Data Register for this pin Reset type: SYSRSn
4	GPIO164	R/W	0h	Data Register for this pin Reset type: SYSRSn
3	GPIO163	R/W	0h	Data Register for this pin Reset type: SYSRSn
2	GPIO162	R/W	0h	Data Register for this pin Reset type: SYSRSn
1	GPIO161	R/W	0h	Data Register for this pin Reset type: SYSRSn
0	GPIO160	R/W	0h	Data Register for this pin Reset type: SYSRSn

### 7.10.3.22 GPFSET Register (Offset = 2Ah) [Reset = 0000000h]

GPFSET is shown in [Figure 7-123](#) and described in [Table 7-135](#).

Return to the [Summary Table](#).

GPIO F Data Set Register (GPIO160 to 168)

Writing a 1 will force GPIO output data latch to 1.

Writes of 0 are ignored.

Always reads back a 0.

**Figure 7-123. GPFSET Register**

31	30	29	28	27	26	25	24
RESERVED	RESERVED	RESERVED	RESERVED	RESERVED	RESERVED	RESERVED	RESERVED
R/W-0h	R/W-0h	R/W-0h	R/W-0h	R/W-0h	R/W-0h	R/W-0h	R/W-0h
23	22	21	20	19	18	17	16
RESERVED	RESERVED	RESERVED	RESERVED	RESERVED	RESERVED	RESERVED	RESERVED
R/W-0h	R/W-0h	R/W-0h	R/W-0h	R/W-0h	R/W-0h	R/W-0h	R/W-0h
15	14	13	12	11	10	9	8
RESERVED	RESERVED	RESERVED	RESERVED	RESERVED	RESERVED	RESERVED	GPIO168
R/W-0h	R/W-0h	R/W-0h	R/W-0h	R/W-0h	R/W-0h	R/W-0h	R/W-0h
7	6	5	4	3	2	1	0
GPIO167	GPIO166	GPIO165	GPIO164	GPIO163	GPIO162	GPIO161	GPIO160
R/W-0h	R/W-0h	R/W-0h	R/W-0h	R/W-0h	R/W-0h	R/W-0h	R/W-0h

**Table 7-135. GPFSET Register Field Descriptions**

Bit	Field	Type	Reset	Description
31	RESERVED	R/W	0h	Reserved
30	RESERVED	R/W	0h	Reserved
29	RESERVED	R/W	0h	Reserved
28	RESERVED	R/W	0h	Reserved
27	RESERVED	R/W	0h	Reserved
26	RESERVED	R/W	0h	Reserved
25	RESERVED	R/W	0h	Reserved
24	RESERVED	R/W	0h	Reserved
23	RESERVED	R/W	0h	Reserved
22	RESERVED	R/W	0h	Reserved
21	RESERVED	R/W	0h	Reserved
20	RESERVED	R/W	0h	Reserved
19	RESERVED	R/W	0h	Reserved
18	RESERVED	R/W	0h	Reserved
17	RESERVED	R/W	0h	Reserved
16	RESERVED	R/W	0h	Reserved
15	RESERVED	R/W	0h	Reserved
14	RESERVED	R/W	0h	Reserved
13	RESERVED	R/W	0h	Reserved
12	RESERVED	R/W	0h	Reserved
11	RESERVED	R/W	0h	Reserved
10	RESERVED	R/W	0h	Reserved
9	RESERVED	R/W	0h	Reserved

**Table 7-135. GPFSET Register Field Descriptions (continued)**

Bit	Field	Type	Reset	Description
8	GPIO168	R/W	0h	Output Set bit for this pin Reset type: SYSRSn
7	GPIO167	R/W	0h	Output Set bit for this pin Reset type: SYSRSn
6	GPIO166	R/W	0h	Output Set bit for this pin Reset type: SYSRSn
5	GPIO165	R/W	0h	Output Set bit for this pin Reset type: SYSRSn
4	GPIO164	R/W	0h	Output Set bit for this pin Reset type: SYSRSn
3	GPIO163	R/W	0h	Output Set bit for this pin Reset type: SYSRSn
2	GPIO162	R/W	0h	Output Set bit for this pin Reset type: SYSRSn
1	GPIO161	R/W	0h	Output Set bit for this pin Reset type: SYSRSn
0	GPIO160	R/W	0h	Output Set bit for this pin Reset type: SYSRSn

### 7.10.3.23 GPF CLEAR Register (Offset = 2Ch) [Reset = 0000000h]

GPF CLEAR is shown in [Figure 7-124](#) and described in [Table 7-136](#).

Return to the [Summary Table](#).

GPIO F Data Clear Register (GPIO160 to 168)  
 Writing a 1 will force GPIO0 output data latch to 0.  
 Writes of 0 are ignored.  
 Always reads back a 0.

**Figure 7-124. GPF CLEAR Register**

31	30	29	28	27	26	25	24
RESERVED	RESERVED	RESERVED	RESERVED	RESERVED	RESERVED	RESERVED	RESERVED
R/W-0h	R/W-0h	R/W-0h	R/W-0h	R/W-0h	R/W-0h	R/W-0h	R/W-0h
23	22	21	20	19	18	17	16
RESERVED	RESERVED	RESERVED	RESERVED	RESERVED	RESERVED	RESERVED	RESERVED
R/W-0h	R/W-0h	R/W-0h	R/W-0h	R/W-0h	R/W-0h	R/W-0h	R/W-0h
15	14	13	12	11	10	9	8
RESERVED	RESERVED	RESERVED	RESERVED	RESERVED	RESERVED	RESERVED	GPIO168
R/W-0h	R/W-0h	R/W-0h	R/W-0h	R/W-0h	R/W-0h	R/W-0h	R/W-0h
7	6	5	4	3	2	1	0
GPIO167	GPIO166	GPIO165	GPIO164	GPIO163	GPIO162	GPIO161	GPIO160
R/W-0h	R/W-0h	R/W-0h	R/W-0h	R/W-0h	R/W-0h	R/W-0h	R/W-0h

**Table 7-136. GPF CLEAR Register Field Descriptions**

Bit	Field	Type	Reset	Description
31	RESERVED	R/W	0h	Reserved
30	RESERVED	R/W	0h	Reserved
29	RESERVED	R/W	0h	Reserved
28	RESERVED	R/W	0h	Reserved
27	RESERVED	R/W	0h	Reserved
26	RESERVED	R/W	0h	Reserved
25	RESERVED	R/W	0h	Reserved
24	RESERVED	R/W	0h	Reserved
23	RESERVED	R/W	0h	Reserved
22	RESERVED	R/W	0h	Reserved
21	RESERVED	R/W	0h	Reserved
20	RESERVED	R/W	0h	Reserved
19	RESERVED	R/W	0h	Reserved
18	RESERVED	R/W	0h	Reserved
17	RESERVED	R/W	0h	Reserved
16	RESERVED	R/W	0h	Reserved
15	RESERVED	R/W	0h	Reserved
14	RESERVED	R/W	0h	Reserved
13	RESERVED	R/W	0h	Reserved
12	RESERVED	R/W	0h	Reserved
11	RESERVED	R/W	0h	Reserved
10	RESERVED	R/W	0h	Reserved
9	RESERVED	R/W	0h	Reserved

**Table 7-136. GPF CLEAR Register Field Descriptions (continued)**

Bit	Field	Type	Reset	Description
8	GPIO168	R/W	0h	Output Clear bit for this pin Reset type: SYSRSn
7	GPIO167	R/W	0h	Output Clear bit for this pin Reset type: SYSRSn
6	GPIO166	R/W	0h	Output Clear bit for this pin Reset type: SYSRSn
5	GPIO165	R/W	0h	Output Clear bit for this pin Reset type: SYSRSn
4	GPIO164	R/W	0h	Output Clear bit for this pin Reset type: SYSRSn
3	GPIO163	R/W	0h	Output Clear bit for this pin Reset type: SYSRSn
2	GPIO162	R/W	0h	Output Clear bit for this pin Reset type: SYSRSn
1	GPIO161	R/W	0h	Output Clear bit for this pin Reset type: SYSRSn
0	GPIO160	R/W	0h	Output Clear bit for this pin Reset type: SYSRSn

### 7.10.3.24 GPFTOGGLE Register (Offset = 2Eh) [Reset = 0000000h]

GPFTOGGLE is shown in [Figure 7-125](#) and described in [Table 7-137](#).

Return to the [Summary Table](#).

GPIO F Data Toggle Register (GPIO160 to 168)

Writing a 1 will toggle GPIO0 output data latch 1 to 0 or 0 to 1.

Writes of 0 are ignored.

Always reads back a 0.

**Figure 7-125. GPFTOGGLE Register**

31	30	29	28	27	26	25	24
RESERVED	RESERVED	RESERVED	RESERVED	RESERVED	RESERVED	RESERVED	RESERVED
R/W-0h	R/W-0h	R/W-0h	R/W-0h	R/W-0h	R/W-0h	R/W-0h	R/W-0h
23	22	21	20	19	18	17	16
RESERVED	RESERVED	RESERVED	RESERVED	RESERVED	RESERVED	RESERVED	RESERVED
R/W-0h	R/W-0h	R/W-0h	R/W-0h	R/W-0h	R/W-0h	R/W-0h	R/W-0h
15	14	13	12	11	10	9	8
RESERVED	RESERVED	RESERVED	RESERVED	RESERVED	RESERVED	RESERVED	GPIO168
R/W-0h	R/W-0h	R/W-0h	R/W-0h	R/W-0h	R/W-0h	R/W-0h	R/W-0h
7	6	5	4	3	2	1	0
GPIO167	GPIO166	GPIO165	GPIO164	GPIO163	GPIO162	GPIO161	GPIO160
R/W-0h	R/W-0h	R/W-0h	R/W-0h	R/W-0h	R/W-0h	R/W-0h	R/W-0h

**Table 7-137. GPFTOGGLE Register Field Descriptions**

Bit	Field	Type	Reset	Description
31	RESERVED	R/W	0h	Reserved
30	RESERVED	R/W	0h	Reserved
29	RESERVED	R/W	0h	Reserved
28	RESERVED	R/W	0h	Reserved
27	RESERVED	R/W	0h	Reserved
26	RESERVED	R/W	0h	Reserved
25	RESERVED	R/W	0h	Reserved
24	RESERVED	R/W	0h	Reserved
23	RESERVED	R/W	0h	Reserved
22	RESERVED	R/W	0h	Reserved
21	RESERVED	R/W	0h	Reserved
20	RESERVED	R/W	0h	Reserved
19	RESERVED	R/W	0h	Reserved
18	RESERVED	R/W	0h	Reserved
17	RESERVED	R/W	0h	Reserved
16	RESERVED	R/W	0h	Reserved
15	RESERVED	R/W	0h	Reserved
14	RESERVED	R/W	0h	Reserved
13	RESERVED	R/W	0h	Reserved
12	RESERVED	R/W	0h	Reserved
11	RESERVED	R/W	0h	Reserved
10	RESERVED	R/W	0h	Reserved
9	RESERVED	R/W	0h	Reserved

**Table 7-137. GPFTOGGLE Register Field Descriptions (continued)**

Bit	Field	Type	Reset	Description
8	GPIO168	R/W	0h	Output Toggle Register GPIO pin Reset type: SYSRSn
7	GPIO167	R/W	0h	Output Toggle Register GPIO pin Reset type: SYSRSn
6	GPIO166	R/W	0h	Output Toggle Register GPIO pin Reset type: SYSRSn
5	GPIO165	R/W	0h	Output Toggle Register GPIO pin Reset type: SYSRSn
4	GPIO164	R/W	0h	Output Toggle Register GPIO pin Reset type: SYSRSn
3	GPIO163	R/W	0h	Output Toggle Register GPIO pin Reset type: SYSRSn
2	GPIO162	R/W	0h	Output Toggle Register GPIO pin Reset type: SYSRSn
1	GPIO161	R/W	0h	Output Toggle Register GPIO pin Reset type: SYSRSn
0	GPIO160	R/W	0h	Output Toggle Register GPIO pin Reset type: SYSRSn

#### 7.10.4 GPIO Registers to Driverlib Functions

**Table 7-138. GPIO Registers to Driverlib Functions**

File	Driverlib Function
<b>GPACTRL</b>	
gpio.c	GPIO_setQualificationPeriod
<b>GPAQSEL1</b>	
gpio.c	GPIO_setQualificationMode
gpio.c	GPIO_getQualificationMode
<b>GPAQSEL2</b>	
-	See GPAQSEL1
<b>GPAMUX1</b>	
gpio.c	GPIO_setPinConfig
<b>GPAMUX2</b>	
-	See GPAMUX1
<b>GPADIR</b>	
gpio.c	GPIO_setDirectionMode
gpio.c	GPIO_getDirectionMode
<b>GPAPUD</b>	
gpio.c	GPIO_setPadConfig
gpio.c	GPIO_getPadConfig
<b>GPAINV</b>	
gpio.c	GPIO_setPadConfig
gpio.c	GPIO_getPadConfig
<b>GPAODR</b>	
gpio.c	GPIO_setPadConfig
gpio.c	GPIO_getPadConfig
<b>GPAGMUX1</b>	



**Table 7-138. GPIO Registers to Driverlib Functions (continued)**

File	Driverlib Function
gpio.c	GPIO_setPinConfig
<b>GPAGMUX2</b>	
-	See GPAGMUX1
<b>GPACSEL1</b>	
gpio.c	GPIO_setControllerCore
<b>GPACSEL2</b>	
-	See GPACSEL1
<b>GPACSEL3</b>	
-	See GPACSEL1
<b>GPACSEL4</b>	
-	See GPACSEL1
<b>GPALOCK</b>	
gpio.h	GPIO_lockPortConfig
gpio.h	GPIO_unlockPortConfig
<b>GPACR</b>	
gpio.h	GPIO_commitPortConfig
<b>GPBCTRL</b>	
-	See GPACTRL
<b>GPBQSEL1</b>	
-	See GPAQSEL1
<b>GPBQSEL2</b>	
-	See GPAQSEL1
<b>GPBMUX1</b>	
-	See GPAMUX1
<b>GPBMUX2</b>	
-	See GPAMUX1
<b>GPBDIR</b>	
-	See GPADIR
<b>GPBPUD</b>	
-	See GPAPUD
<b>GPBINV</b>	
-	See GPAINV
<b>GPBODR</b>	
-	See GPAODR
<b>GPBAMSEL</b>	
gpio.c	GPIO_setAnalogMode
<b>GPBGMUX1</b>	
-	See GPAGMUX1
<b>GPBGMUX2</b>	
-	See GPAGMUX1
<b>GPBCSEL1</b>	
-	See GPACSEL1
<b>GPBCSEL2</b>	
-	See GPACSEL1
<b>GPBCSEL3</b>	

**Table 7-138. GPIO Registers to Driverlib Functions (continued)**

File	Driverlib Function
-	See GPACSEL1
<b>GPBCSEL4</b>	
-	See GPACSEL1
<b>GPBLOCK</b>	
-	See GPALOCK
<b>GPBCR</b>	
-	See GPACR
<b>GPCCTRL</b>	
-	See GPECTRL
<b>GPCQSEL1</b>	
-	See GPAQSEL1
<b>GPCQSEL2</b>	
-	See GPAQSEL1
<b>GPCMUX1</b>	
-	See GPAMUX1
<b>GPCMUX2</b>	
-	See GPAMUX1
<b>GPCDIR</b>	
-	See GPADIR
<b>GPCPUD</b>	
-	See GPAPUD
<b>GPCINV</b>	
-	See GPAINV
<b>GPCODR</b>	
-	See GPAODR
<b>GPCGMUX1</b>	
-	See GPAGMUX1
<b>GPCGMUX2</b>	
-	See GPAGMUX1
<b>GPCCSEL1</b>	
-	See GPACSEL1
<b>GPCCSEL2</b>	
-	See GPACSEL1
<b>GPCCSEL3</b>	
-	See GPACSEL1
<b>GPCCSEL4</b>	
-	See GPACSEL1
<b>GPCLOCK</b>	
-	See GPALOCK
<b>GPCCR</b>	
-	See GPACR
<b>GPDCTRL</b>	
-	See GPECTRL
<b>GPDQSEL1</b>	
-	See GPAQSEL1

**Table 7-138. GPIO Registers to Driverlib Functions (continued)**

File	Driverlib Function
<b>GPDQSEL2</b>	
-	See GPAQSEL1
<b>GPDMUX1</b>	
-	See GPAMUX1
<b>GPDMUX2</b>	
-	See GPAMUX1
<b>GPDDIR</b>	
-	See GPADIR
<b>GPDPUD</b>	
-	See GPAPUD
<b>GPDINV</b>	
-	See GPAINV
<b>GPDODR</b>	
-	See GPAODR
<b>GPDGMUX1</b>	
-	See GPAGMUX1
<b>GPDGMUX2</b>	
-	See GPAGMUX1
<b>GPDCSEL1</b>	
-	See GPACSEL1
<b>GPDCSEL2</b>	
-	See GPACSEL1
<b>GPDCSEL3</b>	
-	See GPACSEL1
<b>GPDCSEL4</b>	
-	See GPACSEL1
<b>GPDLCK</b>	
-	See GPALCK
<b>GPDCR</b>	
-	See GPACR
<b>GPECTRL</b>	
-	See GPECTRL
<b>GPEQSEL1</b>	
-	See GPAQSEL1
<b>GPEQSEL2</b>	
-	See GPAQSEL1
<b>GPEMUX1</b>	
-	See GPAMUX1
<b>GPEMUX2</b>	
-	See GPAMUX1
<b>GPEDIR</b>	
-	See GPADIR
<b>GPEPUD</b>	
-	See GPAPUD
<b>GPEINV</b>	

**Table 7-138. GPIO Registers to Driverlib Functions (continued)**

File	Driverlib Function
-	See GPAINV
<b>GPEODR</b>	
-	See GPAODR
<b>GPEGMUX1</b>	
-	See GPAGMUX1
<b>GPEGMUX2</b>	
-	See GPAGMUX1
<b>GPECSEL1</b>	
-	See GPACSEL1
<b>GPECSEL2</b>	
-	See GPACSEL1
<b>GPECSEL3</b>	
-	See GPACSEL1
<b>GPECSEL4</b>	
-	See GPACSEL1
<b>GPELOCK</b>	
-	See GPALOCK
<b>GPECR</b>	
-	See GPACR
<b>GPFCTRL</b>	
-	See GPACTRL
<b>GPFQSEL1</b>	
-	See GPAQSEL1
<b>GPFMUX1</b>	
-	See GPAMUX1
<b>GPFDIR</b>	
-	See GPADIR
<b>GPFPU</b>	
-	See GPAPUD
<b>GPFINV</b>	
-	See GPAINV
<b>GPFODR</b>	
-	See GPAODR
<b>GPFGMUX1</b>	
-	See GPAGMUX1
<b>GPFCSEL1</b>	
-	See GPACSEL1
<b>GPFCSEL2</b>	
-	See GPACSEL1
<b>GPFLOCK</b>	
-	See GPALOCK
<b>GPFCR</b>	
-	See GPACR
<b>GPADAT</b>	
gpio.h	GPIO_readPin

**Table 7-138. GPIO Registers to Driverlib Functions (continued)**

File	Driverlib Function
gpio.h	GPIO_readPortData
gpio.h	GPIO_writePortData
<b>GPASET</b>	
gpio.h	GPIO_writePin
gpio.h	GPIO_setPortPins
<b>GPACLEAR</b>	
gpio.h	GPIO_writePin
gpio.h	GPIO_clearPortPins
<b>GPATOGGLE</b>	
gpio.h	GPIO_togglePin
gpio.h	GPIO_togglePortPins
<b>GPBDAT</b>	
-	See GPADAT
<b>GPBSET</b>	
-	See GPASET
<b>GPBCLEAR</b>	
-	See GPACLEAR
<b>GPBTOGGLE</b>	
-	See GPATOGGLE
<b>GPCDAT</b>	
-	See GPADAT
<b>GPCSET</b>	
-	See GPASET
<b>GPCCLEAR</b>	
-	See GPACLEAR
<b>GPCTOGGLE</b>	
-	See GPATOGGLE
<b>GPDDAT</b>	
-	See GPADAT
<b>GPDSET</b>	
-	See GPASET
<b>GPDCLEAR</b>	
-	See GPACLEAR
<b>GPDTOGGLE</b>	
-	See GPATOGGLE
<b>GPEDAT</b>	
-	See GPADAT
<b>GPESET</b>	
-	See GPASET
<b>GPECLEAR</b>	
-	See GPACLEAR
<b>GPETOGGLE</b>	
-	See GPATOGGLE
<b>GPFDAT</b>	
-	See GPADAT

**Table 7-138. GPIO Registers to Driverlib Functions (continued)**

File	Driverlib Function
<b>GPASET</b>	
-	See GPASET
<b>GPFCLEAR</b>	
-	See GPACLEAR
<b>GPFTOGGLE</b>	
-	See GPATOGGLE



The crossbars (referred to as X-BAR throughout this chapter) provide flexibility to connect device inputs, outputs, and internal resources in a variety of configurations.

The device contains a total of four X-BARs:

- Input X-BAR
- Output X-BAR
- CLB X-BAR
- ePWM X-BAR

Each of the X-BARs is named according to where the X-BAR takes signals. For example, the Input X-BAR brings external signals “in” to the device. The Output X-BAR takes internal signals “out” of the device to a GPIO. The CLB X-BAR and ePWM X-BAR take signals to the CLB and ePWM modules, respectively.

<b>8.1 Input X-BAR</b> .....	<a href="#">1104</a>
<b>8.2 ePWM, CLB, and GPIO Output X-BAR</b> .....	<a href="#">1107</a>
<b>8.3 XBAR Registers</b> .....	<a href="#">1115</a>

## 8.1 Input X-BAR

On this device, the Input X-BAR is used to route signals from a GPIO to many different IP blocks such as the ADC, eCAP, ePWM, and external interrupts. The input of each Input X-BAR instance (INPUTx) can be any GPIO, while the output of each instance connects to various IP blocks in the device. The digital input of AIOs are also available as inputs to the Input X-BAR. This flexibility relieves some of the constraints on peripheral muxing by allowing the user to connect any GPIO to the specified outputs of each Input X-BAR instance. Note that the GPIO selected by the Input X-BAR can be configured as either an input or an output. The Input X-BAR simply connects the signal on the input buffer to the output of the selected Input X-BAR instance. Therefore, you can do things such as route the output of an ePWM to the eCAP module for a frequency test).

The Input X-BAR is configured by way of the INPUTxSELECT registers. The destinations for each INPUTx are shown in [Table 8-1](#). For additional details on how each Input X-BAR connects to other IP blocks throughout the device, look for references to Input X-BAR in the chapter associated with that IP. Note that the destinations of each INPUTx are fixed and are not user-configurable. For more information on configuring the Input X-BAR, see the INPUT\_XBAR\_REGS register definitions in the *XBAR Registers* section.



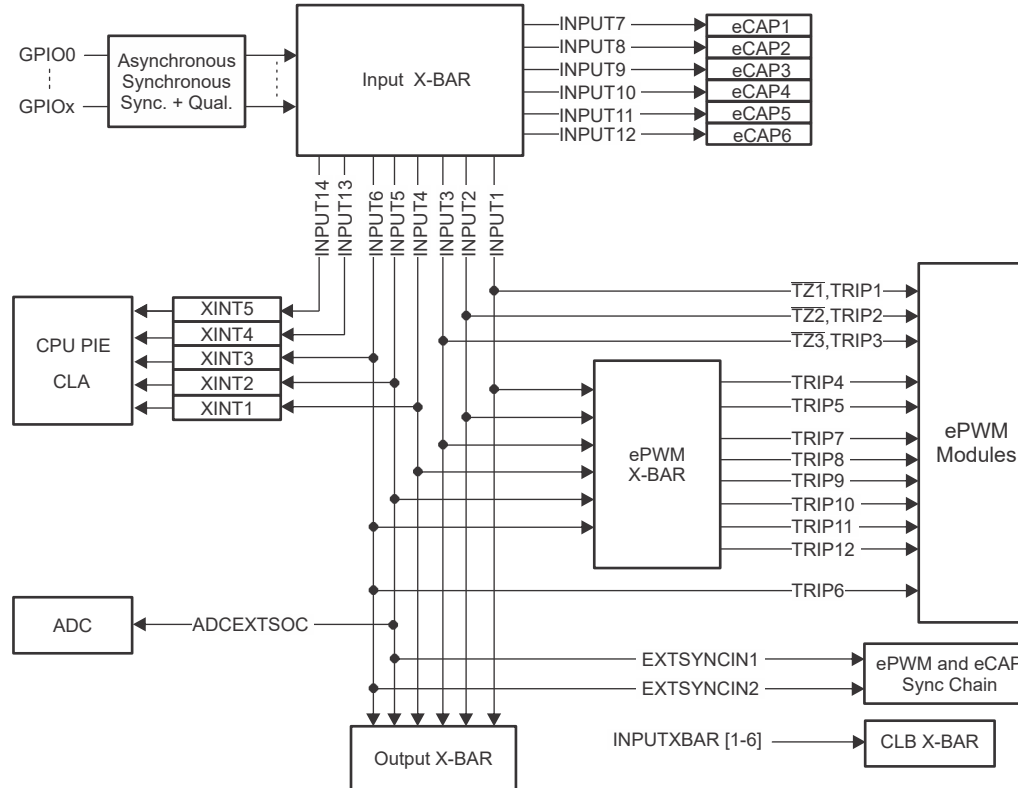


Figure 8-1. Input X-BAR

**Note**

INPUTXBARx, INPUTXBAR\_INPUTx, and INPUTx (when referenced in the context of Input X-BAR) are equivalent in all C2000 software and documentation.

**Table 8-1. Input X-BAR Destinations**

INPUT	ECAP / HRCAP	EPWM X-BAR	CLB X-BAR	OUTPUT X-BAR	CPU XINT	EPWM TRIP	ADC START OF CONVERSION	EPWM / ECAP SYNC
1	-	Yes	Yes	Yes	-	TZ1,TRIP1	-	-
2	-	Yes	Yes	Yes	-	TZ2,TRIP2	-	-
3	-	Yes	Yes	Yes	-	TZ3,TRIP3	-	-
4	-	Yes	Yes	Yes	XINT1	-	-	-
5	-	Yes	Yes	Yes	XINT2	-	ADCEXTSOC	EXTSYNCIN1
6	-	Yes	Yes	Yes	XINT3	TRIP6	-	EXTSYNCIN2
7	ECAP1	-	-	-	-	-	-	-
8	ECAP2	-	-	-	-	-	-	-
9	ECAP3	-	-	-	-	-	-	-
10	ECAP4	-	-	-	-	-	-	-
11	ECAP5	-	-	-	-	-	-	-
12	ECAP6	-	-	-	-	-	-	-
13	-	-	-	-	XINT4	-	-	-
14	-	-	-	-	XINT5	-	-	-

## 8.2 ePWM, CLB, and GPIO Output X-BAR

This section describes the ePWM, CLB, and GPIO Output X-BAR.

### 8.2.1 ePWM X-BAR

The ePWM X-BAR brings signals to the ePWM modules. Specifically, the ePWM X-BAR is connected to the Digital Compare (DC) submodule of each ePWM module for actions such as tripzones and syncing. Refer to the *Enhanced Pulse Width Modulator (ePWM)* chapter for more information on additional ways the DC submodule can be used. Figure 8-2 shows the architecture of the ePWM X-BAR. Note that the architecture of the ePWM X-BAR is identical to the architecture of the GPIO Output X-BAR (with the exception of the output latch).

#### 8.2.1.1 ePWM X-BAR Architecture

The ePWM X-BAR has eight outputs that are routed to each ePWM module. Figure 8-2 represents the architecture of a single output, but this output is identical to the architecture of all of the other outputs.

First, determine the signals that can be passed to the ePWM by referencing Table 8-2. Select up to one signal per mux for each TRIPx output. Select the inputs to ePWM X-BAR using the TRIPxMUX0TO15CFG and TRIPxMUX16TO31CFG registers. To pass any signal through to the ePWM, enable it via the TRIPxMUXENABLE register. All signals that are enabled are logically ORed before being passed on to the respective TRIPx signal on the ePWM. To optionally invert the signal, use the TRIPxOUTINV register.

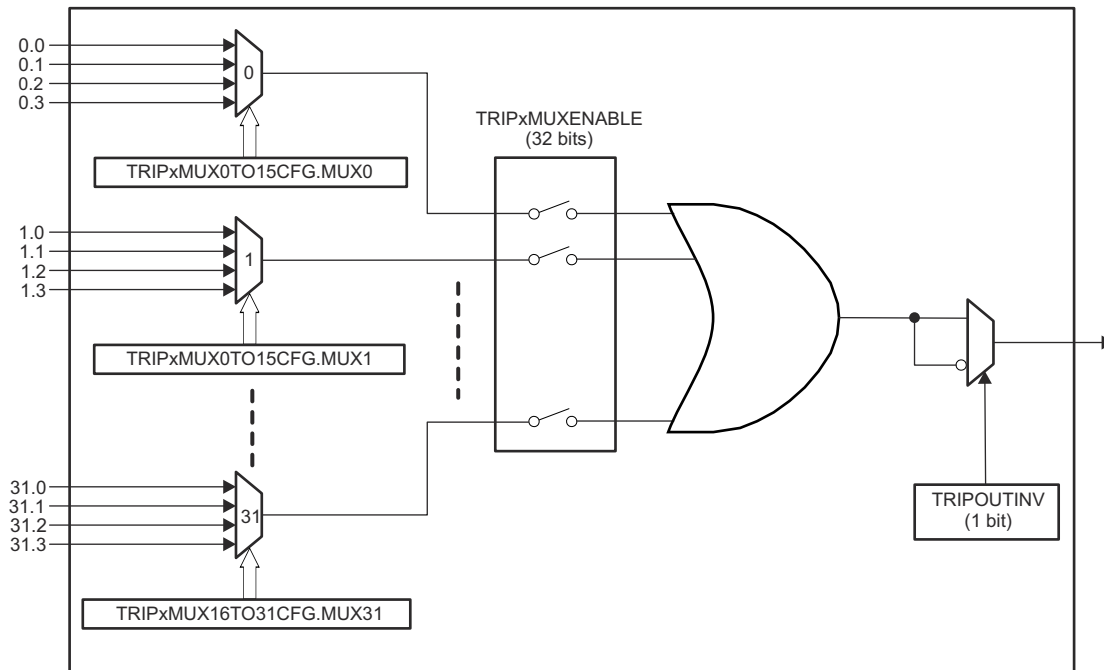


Figure 8-2. ePWM X-BAR Architecture - Single Output

**Note**

Do not use "Reserved" signals in your application.

**Table 8-2. EPWM X-BAR Mux Configuration Table**

Mux	0	1	2	3
G0	CMPSS1_CTRIPH	CMPSS1_CTRIPH_OR_CTRIPL	ADCAEVT1	ECAP1_OUT
G1	CMPSS1_CTRIPL	INPUTXBAR1	CLB1_OUT12	Reserved
G2	CMPSS2_CTRIPH	CMPSS2_CTRIPH_OR_CTRIPL	ADCAEVT2	ECAP2_OUT
G3	CMPSS2_CTRIPL	INPUTXBAR2	CLB1_OUT13	Reserved
G4	CMPSS3_CTRIPH	CMPSS3_CTRIPH_OR_CTRIPL	ADCAEVT3	ECAP3_OUT
G5	CMPSS3_CTRIPL	INPUTXBAR3	CLB2_OUT12	Reserved
G6	CMPSS4_CTRIPH	CMPSS4_CTRIPH_OR_CTRIPL	ADCAEVT4	ECAP4_OUT
G7	CMPSS4_CTRIPL	INPUTXBAR4	CLB2_OUT13	Reserved
G8	CMPSS5_CTRIPH	CMPSS5_CTRIPH_OR_CTRIPL	ADCBEVT1	ECAP5_OUT
G9	CMPSS5_CTRIPL	INPUTXBAR5	CLB3_OUT12	ADCDEVT1
G10	CMPSS6_CTRIPH	CMPSS6_CTRIPH_OR_CTRIPL	ADCBEVT2	ECAP6_OUT
G11	CMPSS6_CTRIPL	INPUTXBAR6	CLB3_OUT13	ADCDEVT2
G12	CMPSS7_CTRIPH	CMPSS7_CTRIPH_OR_CTRIPL	ADCBEVT3	Reserved
G13	CMPSS7_CTRIPL	ADCSOAO	CLB4_OUT12	ADCDEVT3
G14	CMPSS8_CTRIPH	CMPSS8_CTRIPH_OR_CTRIPL	ADCBEVT4	EXTSYNCOUT
G15	CMPSS8_CTRIPL	ADCSOCBO	CLB4_OUT13	ADCDEVT4
G16	SD1FLT1_COMPH	SD1FLT1_COMPH_OR_COMPL	Reserved	Reserved
G17	SD1FLT1_COMPL	Reserved	Reserved	Reserved
G18	SD1FLT2_COMPH	SD1FLT2_COMPH_OR_COMPL	Reserved	Reserved
G19	SD1FLT2_COMPL	Reserved	Reserved	Reserved
G20	SD1FLT3_COMPH	SD1FLT3_COMPH_OR_COMPL	Reserved	Reserved
G21	SD1FLT3_COMPL	Reserved	Reserved	Reserved
G22	SD1FLT4_COMPH	SD1FLT4_COMPH_OR_COMPL	Reserved	Reserved
G23	SD1FLT4_COMPL	Reserved	Reserved	Reserved
G24	SD2FLT1_COMPH	SD2FLT1_COMPH_OR_COMPL	Reserved	Reserved
G25	SD2FLT1_COMPL	Reserved	Reserved	Reserved
G26	SD2FLT2_COMPH	SD2FLT2_COMPH_OR_COMPL	Reserved	Reserved
G27	SD2FLT2_COMPL	Reserved	Reserved	Reserved
G28	SD2FLT3_COMPH	SD2FLT3_COMPH_OR_COMPL	Reserved	Reserved
G29	SD2FLT3_COMPL	Reserved	Reserved	Reserved
G30	SD2FLT4_COMPH	SD2FLT4_COMPH_OR_COMPL	Reserved	Reserved
G31	SD2FLT4_COMPL	Reserved	Reserved	Reserved

## 8.2.2 CLB X-BAR

The CLB X-BAR brings signals to the CLB modules. Figure 8-3 shows the architecture of the CLB X-BAR. Note that the architecture of the CLB X-BAR is identical to the architecture of the GPIO Output X-BAR (with the exception of the output latch).

### 8.2.2.1 CLB X-BAR Architecture

The CLB X-BAR has eight outputs that are routed to each CLB module. Figure 8-3 represents the architecture of a single output, but the output is identical to the architecture of all of the other outputs.

First, determine the signals that can be passed to the CLB by referencing Table 8-3. Select up to one signal per mux (31 total muxes) for each AUXSIGx output. Select the inputs to each mux using the AUXSIGxMUX0TO15CFG and AUXSIGxMUX16TO31CFG registers. To pass any signal through to the CLB, enable the mux in the AUXSIGxMUXENABLE register. All muxes that are enabled are logically ORed before being passed on to the respective AUXSIGx signal on the CLB. To optionally invert the signal, use the AUXSIGOUTINV register.

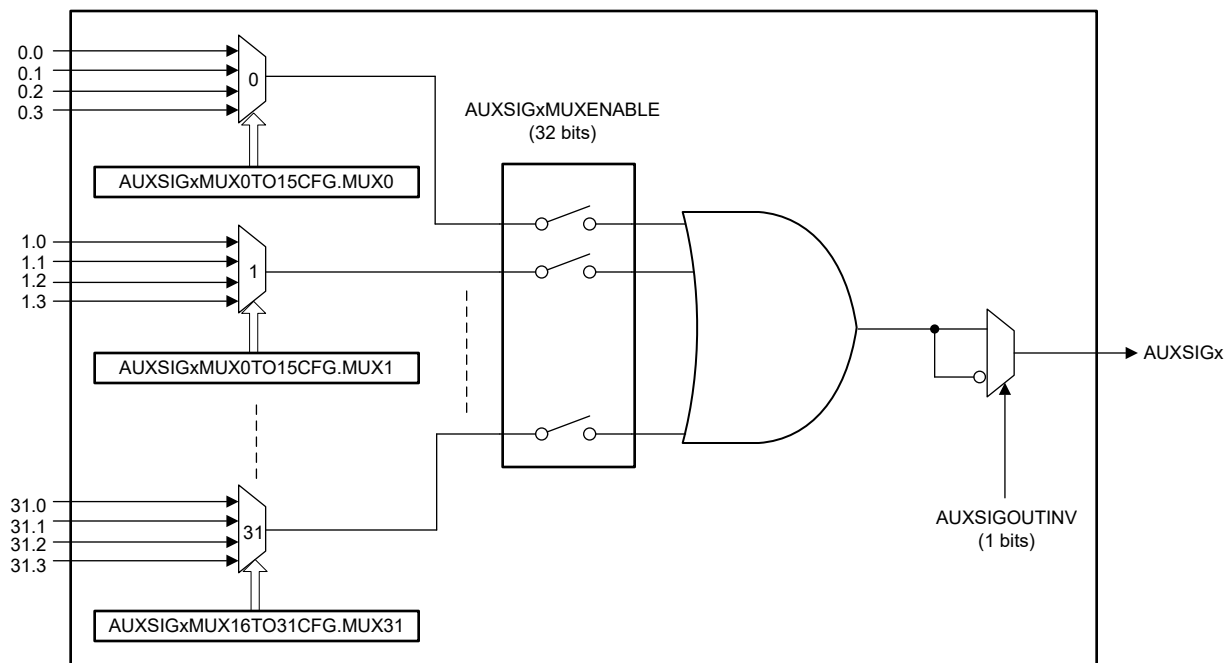


Figure 8-3. CLB X-BAR Architecture - Single Output

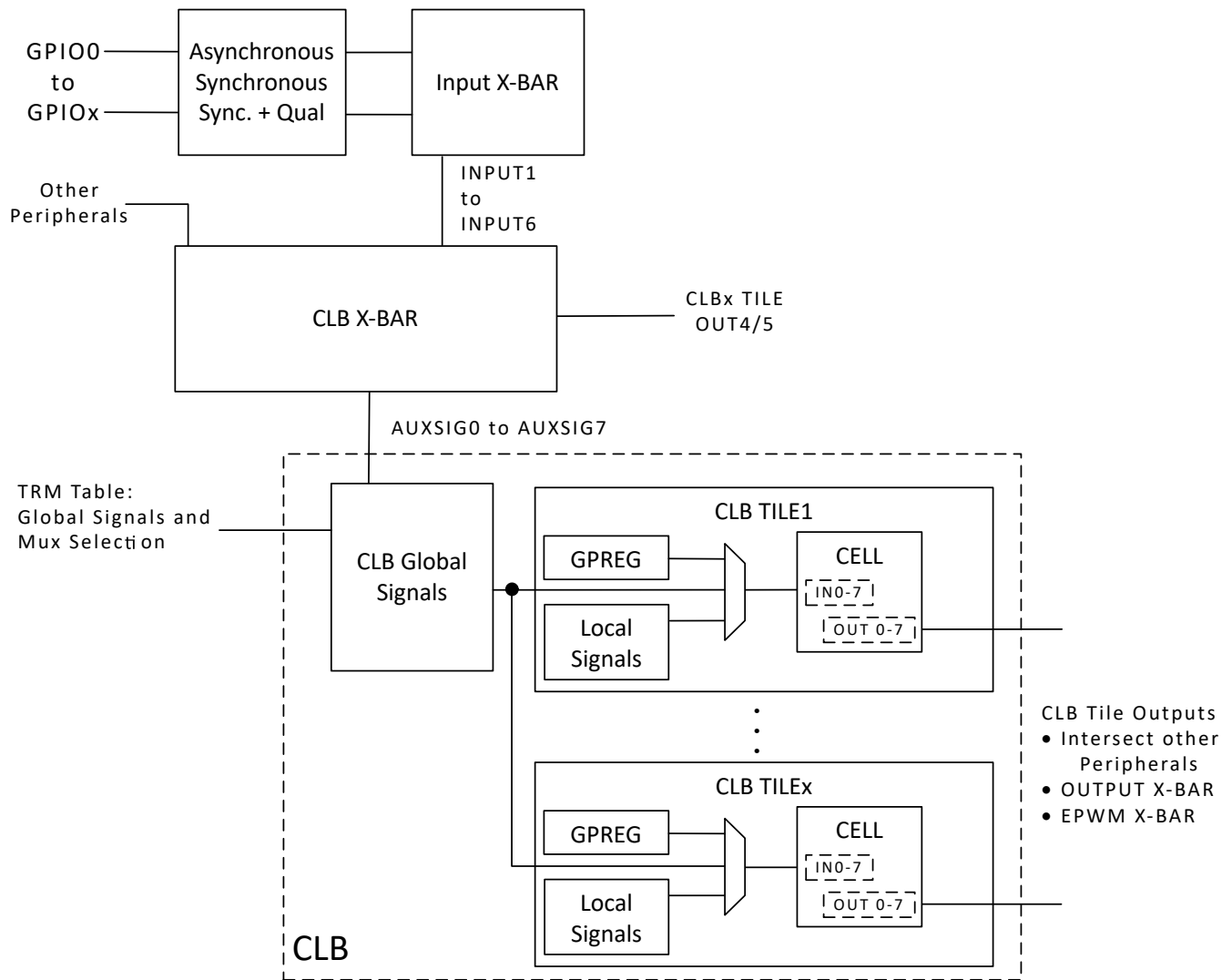


Figure 8-4. GPIO to CLB Tile Connections

**Table 8-3. CLB X-BAR Mux Configuration Table**

Mux	0	1	2	3
G0	CMPSS1_CTRIPH	CMPSS1_CTRIPH_OR_CTRIPL	ADCAEVT1	ECAP1_OUT
G1	CMPSS1_CTRIPL	INPUTXBAR1	CLB1_OUT12	Reserved
G2	CMPSS2_CTRIPH	CMPSS2_CTRIPH_OR_CTRIPL	ADCAEVT2	ECAP2_OUT
G3	CMPSS2_CTRIPL	INPUTXBAR2	CLB1_OUT13	Reserved
G4	CMPSS3_CTRIPH	CMPSS3_CTRIPH_OR_CTRIPL	ADCAEVT3	ECAP3_OUT
G5	CMPSS3_CTRIPL	INPUTXBAR3	CLB2_OUT12	Reserved
G6	CMPSS4_CTRIPH	CMPSS4_CTRIPH_OR_CTRIPL	ADCAEVT4	ECAP4_OUT
G7	CMPSS4_CTRIPL	INPUTXBAR4	CLB2_OUT13	Reserved
G8	CMPSS5_CTRIPH	CMPSS5_CTRIPH_OR_CTRIPL	ADCBEVT1	ECAP5_OUT
G9	CMPSS5_CTRIPL	INPUTXBAR5	CLB3_OUT12	ADCDEVT1
G10	CMPSS6_CTRIPH	CMPSS6_CTRIPH_OR_CTRIPL	ADCBEVT2	ECAP6_OUT
G11	CMPSS6_CTRIPL	INPUTXBAR6	CLB3_OUT13	ADCDEVT2
G12	CMPSS7_CTRIPH	CMPSS7_CTRIPH_OR_CTRIPL	ADCBEVT3	Reserved
G13	CMPSS7_CTRIPL	ADCSOCAO	CLB4_OUT12	ADCDEVT3
G14	CMPSS8_CTRIPH	CMPSS8_CTRIPH_OR_CTRIPL	ADCBEVT4	EXTSYNCOUT
G15	CMPSS8_CTRIPL	ADCSOCBO	CLB4_OUT13	ADCDEVT4
G16	SD1FLT1_COMPH	SD1FLT1_COMPH_OR_COMPL	Reserved	Reserved
G17	SD1FLT1_COMPL	Reserved	Reserved	Reserved
G18	SD1FLT2_COMPH	SD1FLT2_COMPH_OR_COMPL	Reserved	Reserved
G19	SD1FLT2_COMPL	Reserved	Reserved	Reserved
G20	SD1FLT3_COMPH	SD1FLT3_COMPH_OR_COMPL	Reserved	Reserved
G21	SD1FLT3_COMPL	Reserved	Reserved	Reserved
G22	SD1FLT4_COMPH	SD1FLT4_COMPH_OR_COMPL	Reserved	Reserved
G23	SD1FLT4_COMPL	Reserved	Reserved	Reserved
G24	SD2FLT1_COMPH	SD2FLT1_COMPH_OR_COMPL	Reserved	Reserved
G25	SD2FLT1_COMPL	Reserved	Reserved	Reserved
G26	SD2FLT2_COMPH	SD2FLT2_COMPH_OR_COMPL	Reserved	Reserved
G27	SD2FLT2_COMPL	Reserved	Reserved	Reserved
G28	SD2FLT3_COMPH	SD2FLT3_COMPH_OR_COMPL	Reserved	Reserved
G29	SD2FLT3_COMPL	Reserved	Reserved	Reserved
G30	SD2FLT4_COMPH	SD2FLT4_COMPH_OR_COMPL	Reserved	Reserved
G31	SD2FLT4_COMPL	Reserved	Reserved	Reserved

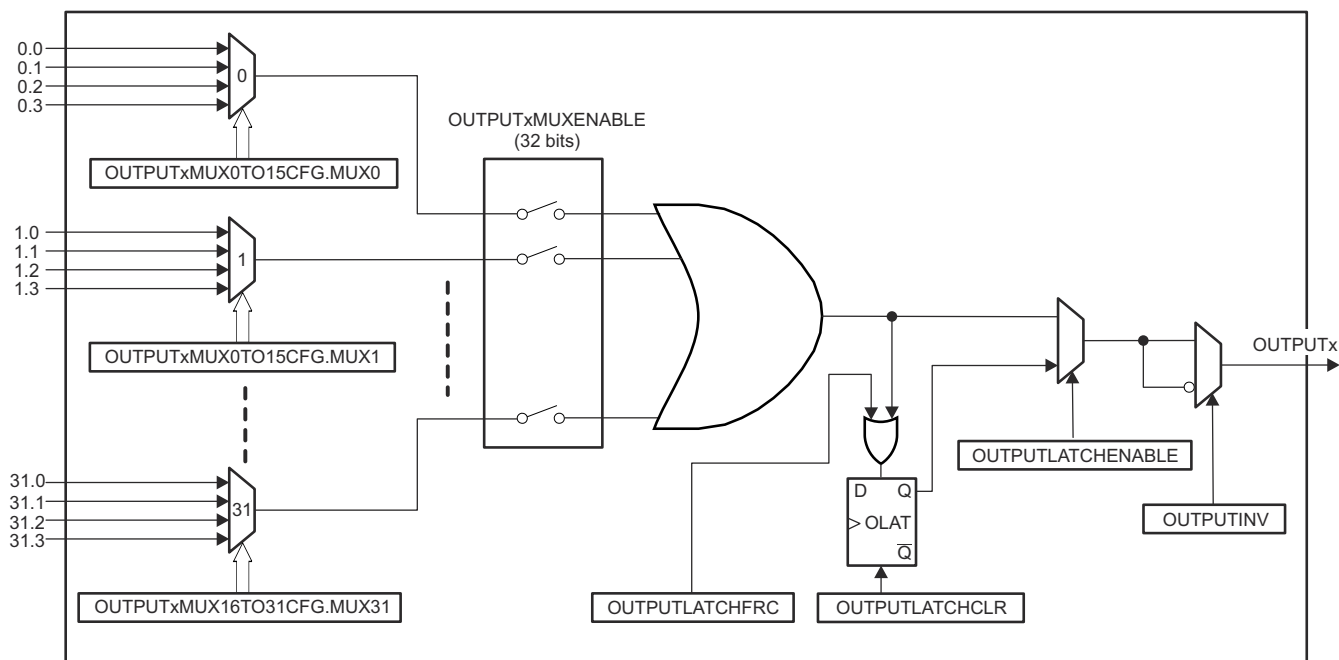
### 8.2.3 GPIO Output X-BAR

The GPIO Output X-BAR takes signals from inside the device and brings them out to a GPIO. Figure 8-5 shows the architecture of the GPIO Output X-BAR. The X-BAR contains eight outputs and each contains at least one position on the GPIO mux, denoted as OUTPUTXBARx. The X-BAR allows the selection of a single signal or a logical-OR of up to 32 signals.

#### 8.2.3.1 GPIO Output X-BAR Architecture

The GPIO Output X-BAR has eight outputs that are routed to the GPIO module. Figure 8-5 represents the architecture of a single output, but this output is identical to the architecture of all of the other outputs. Note that the architecture of the Output X-BAR (with the exception of the output latch) is similar to the architecture of the ePWM X-BAR.

First, determine the signals that can be passed to the GPIO by referencing Table 8-4. Select up to one signal per mux (32 total muxes) for each OUTPUTXBARx output. Select the inputs to each mux using the OUTPUTxMUX0TO15CFG and OUTPUTxMUX16TO31CFG registers. To pass any signal through to the GPIO, enable the mux in the OUTPUTxMUXENABLE register. All muxes that are enabled are logically ORed before being passed on to the respective OUTPUTx signal on the GPIO module. To optionally invert the signal, use the OUTPUTINV register. The signal is only recognized on the GPIO, if the proper OUTPUTx muxing options are selected using the GpioCtrlRegs.GPxMUX and GpioCtrlRegs.GPxGMUX registers.



**Figure 8-5. GPIO Output X-BAR Architecture**

#### Note

Do not use "Reserved" signals in your application.

The ADCSOCAO and ADCSOCBO signals are active-high when routed through the X-BAR. The signal can be inverted by the respective OUTPUTINV bit depending on the application.



**Table 8-4. Output X-BAR Mux Configuration Table**

Mux	0	1	2	3
G0	CMPSS1_CTRIPOUTH	CMPSS1_CTRIPOUTOUTH_OR_CTRIPOUTOUTL	ADCAEVT1	ECAP1_OUT
G1	CMPSS1_CTRIPOUTL	INPUTXBAR1	CLB1_OUT12	Reserved
G2	CMPSS2_CTRIPOUTH	CMPSS2_CTRIPOUTOUTH_OR_CTRIPOUTOUTL	ADCAEVT2	ECAP2_OUT
G3	CMPSS2_CTRIPOUTL	INPUTXBAR2	CLB1_OUT13	Reserved
G4	CMPSS3_CTRIPOUTH	CMPSS3_CTRIPOUTOUTH_OR_CTRIPOUTOUTL	ADCAEVT3	ECAP3_OUT
G5	CMPSS3_CTRIPOUTL	INPUTXBAR3	CLB2_OUT12	Reserved
G6	CMPSS4_CTRIPOUTH	CMPSS4_CTRIPOUTOUTH_OR_CTRIPOUTOUTL	ADCAEVT4	ECAP4_OUT
G7	CMPSS4_CTRIPOUTL	INPUTXBAR4	CLB2_OUT13	Reserved
G8	CMPSS5_CTRIPOUTH	CMPSS5_CTRIPOUTOUTH_OR_CTRIPOUTOUTL	ADCBEVT1	ECAP5_OUT
G9	CMPSS5_CTRIPOUTL	INPUTXBAR5	CLB3_OUT12	ADCDEVT1
G10	CMPSS6_CTRIPOUTH	CMPSS6_CTRIPOUTOUTH_OR_CTRIPOUTOUTL	ADCBEVT2	ECAP6_OUT
G11	CMPSS6_CTRIPOUTL	INPUTXBAR6	CLB3_OUT13	ADCDEVT2
G12	CMPSS7_CTRIPOUTH	CMPSS7_CTRIPOUTOUTH_OR_CTRIPOUTOUTL	ADCBEVT3	Reserved
G13	CMPSS7_CTRIPOUTL	ADCSOCAO	CLB4_OUT12	ADCDEVT3
G14	CMPSS8_CTRIPOUTH	CMPSS8_CTRIPOUTOUTH_OR_CTRIPOUTOUTL	ADCBEVT4	EXTSYNCOUT
G15	CMPSS8_CTRIPOUTL	ADCSOCBO	CLB4_OUT13	ADCDEVT4
G16	SD1FLT1_COMPH	SD1FLT1_COMPH_OR_COMPL	Reserved	Reserved
G17	SD1FLT1_COMPL	Reserved	Reserved	Reserved
G18	SD1FLT2_COMPH	SD1FLT2_COMPH_OR_COMPL	Reserved	Reserved
G19	SD1FLT2_COMPL	Reserved	Reserved	Reserved
G20	SD1FLT3_COMPH	SD1FLT3_COMPH_OR_COMPL	Reserved	Reserved
G21	SD1FLT3_COMPL	Reserved	Reserved	Reserved
G22	SD1FLT4_COMPH	SD1FLT4_COMPH_OR_COMPL	Reserved	Reserved
G23	SD1FLT4_COMPL	Reserved	Reserved	Reserved
G24	SD2FLT1_COMPH	SD2FLT1_COMPH_OR_COMPL	Reserved	Reserved
G25	SD2FLT1_COMPL	Reserved	Reserved	Reserved
G26	SD2FLT2_COMPH	SD2FLT2_COMPH_OR_COMPL	Reserved	Reserved
G27	SD2FLT2_COMPL	Reserved	Reserved	Reserved
G28	SD2FLT3_COMPH	SD2FLT3_COMPH_OR_COMPL	Reserved	Reserved
G29	SD2FLT3_COMPL	Reserved	Reserved	Reserved
G30	SD2FLT4_COMPH	SD2FLT4_COMPH_OR_COMPL	Reserved	Reserved
G31	SD2FLT4_COMPL	Reserved	Reserved	Reserved

### 8.2.4 X-BAR Flags

With the exception of the CMPSS signals, the ePWM X-BAR and the Output X-BAR have all of the same input signals. Due to the inputs being similar between the ePWM X-BAR, CLB X-BAR, and Output X-BAR, all X-BAR modules leverage a single set of input flags to indicate which input signals have been triggered. This allows software to check the input flags when an event occurs. See Figure 8-6 for more information. There is a bit allocated for each input signal in one of the XBARFLGx registers. The flag remains set until cleared through the appropriate XBARCLR<sub>x</sub> register.

**Note**

Not all input sources are routed to all X-BAR modules. Refer to the X-BAR specific configuration tables for exact connections.

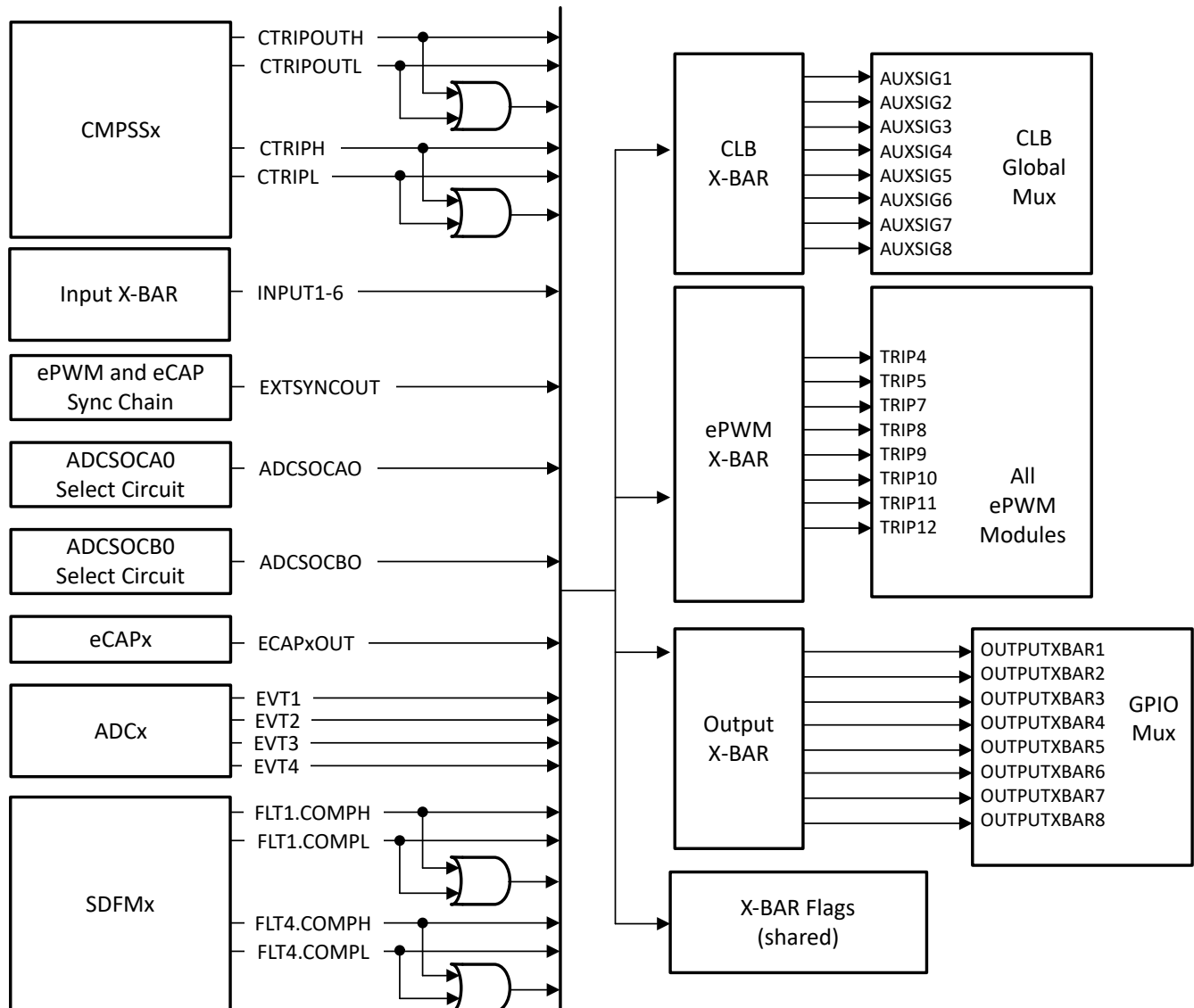


Figure 8-6. X-BAR Input Sources

## 8.3 XBAR Registers

This section describes the Crossbar registers.

### 8.3.1 XBAR Base Addresses

**Table 8-5. XBAR Base Address Table**

Device Registers	Register Name	Start Address	End Address
InputXbarRegs <sup>(1)</sup>	INPUT_XBAR_REGS	0x0000_7900	0x0000_791F
XbarRegs <sup>(1)</sup>	XBAR_REGS	0x0000_7920	0x0000_793F
EPwmXbarRegs <sup>(1)</sup>	ePWM_XBAR_REGS	0x0000_7A00	0x0000_7A3F
ClbXbarRegs <sup>(1)</sup>	CLB_XBAR_REGS	0x0000_7A40	0x0000_7A7F
OutputXbarRegs <sup>(1)</sup>	OUTPUT_XBAR_REGS	0x0000_7A80	0x0000_7ABF

(1) Only available on CPU1.

### 8.3.2 INPUT\_XBAR\_REGS Registers

Table 8-6 lists the memory-mapped registers for the INPUT\_XBAR\_REGS registers. All register offset addresses not listed in Table 8-6 should be considered as reserved locations and the register contents should not be modified.

**Table 8-6. INPUT\_XBAR\_REGS Registers**

Offset	Acronym	Register Name	Write Protection	Section
0h	INPUT1SELECT	INPUT1 Input Select Register (GPIO0 to x)	EALLOW	<a href="#">Go</a>
1h	INPUT2SELECT	INPUT2 Input Select Register (GPIO0 to x)	EALLOW	<a href="#">Go</a>
2h	INPUT3SELECT	INPUT3 Input Select Register (GPIO0 to x)	EALLOW	<a href="#">Go</a>
3h	INPUT4SELECT	INPUT4 Input Select Register (GPIO0 to x)	EALLOW	<a href="#">Go</a>
4h	INPUT5SELECT	INPUT5 Input Select Register (GPIO0 to x)	EALLOW	<a href="#">Go</a>
5h	INPUT6SELECT	INPUT6 Input Select Register (GPIO0 to x)	EALLOW	<a href="#">Go</a>
6h	INPUT7SELECT	INPUT7 Input Select Register (GPIO0 to x)	EALLOW	<a href="#">Go</a>
7h	INPUT8SELECT	INPUT8 Input Select Register (GPIO0 to x)	EALLOW	<a href="#">Go</a>
8h	INPUT9SELECT	INPUT9 Input Select Register (GPIO0 to x)	EALLOW	<a href="#">Go</a>
9h	INPUT10SELECT	INPUT10 Input Select Register (GPIO0 to x)	EALLOW	<a href="#">Go</a>
Ah	INPUT11SELECT	INPUT11 Input Select Register (GPIO0 to x)	EALLOW	<a href="#">Go</a>
Bh	INPUT12SELECT	INPUT12 Input Select Register (GPIO0 to x)	EALLOW	<a href="#">Go</a>
Ch	INPUT13SELECT	INPUT13 Input Select Register (GPIO0 to x)	EALLOW	<a href="#">Go</a>
Dh	INPUT14SELECT	INPUT14 Input Select Register (GPIO0 to x)	EALLOW	<a href="#">Go</a>
1Eh	INPUTSELECTLOCK	Input Select Lock Register	EALLOW	<a href="#">Go</a>

Complex bit access types are encoded to fit into small table cells. Table 8-7 shows the codes that are used for access types in this section.

**Table 8-7. INPUT\_XBAR\_REGS Access Type Codes**

Access Type	Code	Description
Read Type		
R	R	Read
R-0	R -0	Read Returns 0s
Write Type		
W	W	Write
WOnce	W Once	Write Set once
Reset or Default Value		
-n		Value after reset or the default value
Register Array Variables		
i,j,k,l,m,n		When these variables are used in a register name, an offset, or an address, they refer to the value of a register array where the register is part of a group of repeating registers. The register groups form a hierarchical structure and the array is represented with a formula.
y		When this variable is used in a register name, an offset, or an address it refers to the value of a register array.

### 8.3.2.1 INPUT1SELECT Register (Offset = 0h) [Reset = 0000h]

INPUT1SELECT is shown in [Figure 8-7](#) and described in [Table 8-8](#).

Return to the [Summary Table](#).

INPUT1 Input Select Register (GPIO0 to x)

**Figure 8-7. INPUT1SELECT Register**

15	14	13	12	11	10	9	8
SELECT							
R/W-0h							
7	6	5	4	3	2	1	0
SELECT							
R/W-0h							

**Table 8-8. INPUT1SELECT Register Field Descriptions**

Bit	Field	Type	Reset	Description
15-0	SELECT	R/W	0h	Select GPIO for INPUT1 signal: 0x0 : Select GPIO0 0x1 : Select GPIO1 0x2 : Select GPIO2 ... 0xn : Select GPIO n Reset type: CPU1.SYSRSn

### 8.3.2.2 INPUT2SELECT Register (Offset = 1h) [Reset = 0000h]

INPUT2SELECT is shown in [Figure 8-8](#) and described in [Table 8-9](#).

Return to the [Summary Table](#).

INPUT2 Input Select Register (GPIO0 to x)

**Figure 8-8. INPUT2SELECT Register**

15	14	13	12	11	10	9	8
SELECT							
R/W-0h							
7	6	5	4	3	2	1	0
SELECT							
R/W-0h							

**Table 8-9. INPUT2SELECT Register Field Descriptions**

Bit	Field	Type	Reset	Description
15-0	SELECT	R/W	0h	Select GPIO for INPUT2 signal: 0x0 : Select GPIO0 0x1 : Select GPIO1 0x2 : Select GPIO2 ... 0xn : Select GPIOx Reset type: CPU1.SYSRSn

### 8.3.2.3 INPUT3SELECT Register (Offset = 2h) [Reset = 0000h]

INPUT3SELECT is shown in [Figure 8-9](#) and described in [Table 8-10](#).

Return to the [Summary Table](#).

INPUT3 Input Select Register (GPIO0 to x)

**Figure 8-9. INPUT3SELECT Register**

15	14	13	12	11	10	9	8
SELECT							
R/W-0h							
7	6	5	4	3	2	1	0
SELECT							
R/W-0h							

**Table 8-10. INPUT3SELECT Register Field Descriptions**

Bit	Field	Type	Reset	Description
15-0	SELECT	R/W	0h	Select GPIO for INPUT3 signal: 0x0 : Select GPIO0 0x1 : Select GPIO1 0x2 : Select GPIO2 ... 0xn : Select GPIOx Reset type: CPU1.SYSRSn

### 8.3.2.4 INPUT4SELECT Register (Offset = 3h) [Reset = 0000h]

INPUT4SELECT is shown in [Figure 8-10](#) and described in [Table 8-11](#).

Return to the [Summary Table](#).

INPUT4 Input Select Register (GPIO0 to x)

**Figure 8-10. INPUT4SELECT Register**

15	14	13	12	11	10	9	8
SELECT							
R/W-0h							
7	6	5	4	3	2	1	0
SELECT							
R/W-0h							

**Table 8-11. INPUT4SELECT Register Field Descriptions**

Bit	Field	Type	Reset	Description
15-0	SELECT	R/W	0h	Select GPIO for INPUT4 signal: 0x0 : Select GPIO0 0x1 : Select GPIO1 0x2 : Select GPIO2 ... 0xn : Select GPIOx Reset type: CPU1.SYSRSn



### 8.3.2.5 INPUT5SELECT Register (Offset = 4h) [Reset = 0000h]

INPUT5SELECT is shown in [Figure 8-11](#) and described in [Table 8-12](#).

Return to the [Summary Table](#).

INPUT5 Input Select Register (GPIO0 to x)

**Figure 8-11. INPUT5SELECT Register**

15	14	13	12	11	10	9	8
SELECT							
R/W-0h							
7	6	5	4	3	2	1	0
SELECT							
R/W-0h							

**Table 8-12. INPUT5SELECT Register Field Descriptions**

Bit	Field	Type	Reset	Description
15-0	SELECT	R/W	0h	Select GPIO for INPUT5 signal: 0x0 : Select GPIO0 0x1 : Select GPIO1 0x2 : Select GPIO2 ... 0xn : Select GPIOx Reset type: CPU1.SYSRSn

### 8.3.2.6 INPUT6SELECT Register (Offset = 5h) [Reset = 0000h]

INPUT6SELECT is shown in [Figure 8-12](#) and described in [Table 8-13](#).

Return to the [Summary Table](#).

INPUT6 Input Select Register (GPIO0 to x)

**Figure 8-12. INPUT6SELECT Register**

15	14	13	12	11	10	9	8
SELECT							
R/W-0h							
7	6	5	4	3	2	1	0
SELECT							
R/W-0h							

**Table 8-13. INPUT6SELECT Register Field Descriptions**

Bit	Field	Type	Reset	Description
15-0	SELECT	R/W	0h	Select GPIO for INPUT6 signal: 0x0 : Select GPIO0 0x1 : Select GPIO1 0x2 : Select GPIO2 ... 0xn : Select GPIO n Reset type: CPU1.SYSRSn

### 8.3.2.7 INPUT7SELECT Register (Offset = 6h) [Reset = 0000h]

INPUT7SELECT is shown in [Figure 8-13](#) and described in [Table 8-14](#).

Return to the [Summary Table](#).

INPUT7 Input Select Register (GPIO0 to x)

**Figure 8-13. INPUT7SELECT Register**

15	14	13	12	11	10	9	8
SELECT							
R/W-0h							
7	6	5	4	3	2	1	0
SELECT							
R/W-0h							

**Table 8-14. INPUT7SELECT Register Field Descriptions**

Bit	Field	Type	Reset	Description
15-0	SELECT	R/W	0h	Select GPIO for INPUT7 signal: 0x0 : Select GPIO0 0x1 : Select GPIO1 0x2 : Select GPIO2 ... 0xn : Select GPIOx Reset type: CPU1.SYSRSn

### 8.3.2.8 INPUT8SELECT Register (Offset = 7h) [Reset = 0000h]

INPUT8SELECT is shown in [Figure 8-14](#) and described in [Table 8-15](#).

Return to the [Summary Table](#).

INPUT8 Input Select Register (GPIO0 to x)

**Figure 8-14. INPUT8SELECT Register**

15	14	13	12	11	10	9	8
SELECT							
R/W-0h							
7	6	5	4	3	2	1	0
SELECT							
R/W-0h							

**Table 8-15. INPUT8SELECT Register Field Descriptions**

Bit	Field	Type	Reset	Description
15-0	SELECT	R/W	0h	Select GPIO for INPUT8 signal: 0x0 : Select GPIO0 0x1 : Select GPIO1 0x2 : Select GPIO2 ... 0xn : Select GPIOx Reset type: CPU1.SYSRSn

### 8.3.2.9 INPUT9SELECT Register (Offset = 8h) [Reset = 0000h]

INPUT9SELECT is shown in [Figure 8-15](#) and described in [Table 8-16](#).

Return to the [Summary Table](#).

INPUT9 Input Select Register (GPIO0 to x)

**Figure 8-15. INPUT9SELECT Register**

15	14	13	12	11	10	9	8
SELECT							
R/W-0h							
7	6	5	4	3	2	1	0
SELECT							
R/W-0h							

**Table 8-16. INPUT9SELECT Register Field Descriptions**

Bit	Field	Type	Reset	Description
15-0	SELECT	R/W	0h	Select GPIO for INPUT9 signal: 0x0 : Select GPIO0 0x1 : Select GPIO1 0x2 : Select GPIO2 ... 0xn : Select GPIOx Reset type: CPU1.SYSRSn

### 8.3.2.10 INPUT10SELECT Register (Offset = 9h) [Reset = 0000h]

INPUT10SELECT is shown in [Figure 8-16](#) and described in [Table 8-17](#).

Return to the [Summary Table](#).

INPUT10 Input Select Register (GPIO0 to x)

**Figure 8-16. INPUT10SELECT Register**

15	14	13	12	11	10	9	8
SELECT							
R/W-0h							
7	6	5	4	3	2	1	0
SELECT							
R/W-0h							

**Table 8-17. INPUT10SELECT Register Field Descriptions**

Bit	Field	Type	Reset	Description
15-0	SELECT	R/W	0h	Select GPIO for INPUT10 signal: 0x0 : Select GPIO0 0x1 : Select GPIO1 0x2 : Select GPIO2 ... 0xn : Select GPIOx Reset type: CPU1.SYSRSn

### 8.3.2.11 INPUT11SELECT Register (Offset = Ah) [Reset = 0000h]

INPUT11SELECT is shown in [Figure 8-17](#) and described in [Table 8-18](#).

Return to the [Summary Table](#).

INPUT11 Input Select Register (GPIO0 to x)

**Figure 8-17. INPUT11SELECT Register**

15	14	13	12	11	10	9	8
SELECT							
R/W-0h							
7	6	5	4	3	2	1	0
SELECT							
R/W-0h							

**Table 8-18. INPUT11SELECT Register Field Descriptions**

Bit	Field	Type	Reset	Description
15-0	SELECT	R/W	0h	Select GPIO for INPUT11 signal: 0x0 : Select GPIO0 0x1 : Select GPIO1 0x2 : Select GPIO2 ... 0xn : Select GPIO <sub>n</sub> Reset type: CPU1.SYSRS <sub>n</sub>

### 8.3.2.12 INPUT12SELECT Register (Offset = Bh) [Reset = 0000h]

INPUT12SELECT is shown in [Figure 8-18](#) and described in [Table 8-19](#).

Return to the [Summary Table](#).

INPUT12 Input Select Register (GPIO0 to x)

**Figure 8-18. INPUT12SELECT Register**

15	14	13	12	11	10	9	8
SELECT							
R/W-0h							
7	6	5	4	3	2	1	0
SELECT							
R/W-0h							

**Table 8-19. INPUT12SELECT Register Field Descriptions**

Bit	Field	Type	Reset	Description
15-0	SELECT	R/W	0h	Select GPIO for INPUT12 signal: 0x0 : Select GPIO0 0x1 : Select GPIO1 0x2 : Select GPIO2 ... 0xn : Select GPIOx Reset type: CPU1.SYSRSn



### 8.3.2.13 INPUT13SELECT Register (Offset = Ch) [Reset = 0000h]

INPUT13SELECT is shown in [Figure 8-19](#) and described in [Table 8-20](#).

Return to the [Summary Table](#).

INPUT13 Input Select Register (GPIO0 to x)

**Figure 8-19. INPUT13SELECT Register**

15	14	13	12	11	10	9	8
SELECT							
R/W-0h							
7	6	5	4	3	2	1	0
SELECT							
R/W-0h							

**Table 8-20. INPUT13SELECT Register Field Descriptions**

Bit	Field	Type	Reset	Description
15-0	SELECT	R/W	0h	Select GPIO for INPUT13 signal: 0x0 : Select GPIO0 0x1 : Select GPIO1 0x2 : Select GPIO2 ... 0xn : Select GPIO n Reset type: CPU1.SYSRSn

### 8.3.2.14 INPUT14SELECT Register (Offset = Dh) [Reset = 0000h]

INPUT14SELECT is shown in [Figure 8-20](#) and described in [Table 8-21](#).

Return to the [Summary Table](#).

INPUT14 Input Select Register (GPIO0 to x)

**Figure 8-20. INPUT14SELECT Register**

15	14	13	12	11	10	9	8
SELECT							
R/W-0h							
7	6	5	4	3	2	1	0
SELECT							
R/W-0h							

**Table 8-21. INPUT14SELECT Register Field Descriptions**

Bit	Field	Type	Reset	Description
15-0	SELECT	R/W	0h	Select GPIO for INPUT14 signal: 0x0 : Select GPIO0 0x1 : Select GPIO1 0x2 : Select GPIO2 ... 0xn : Select GPIO <sub>n</sub> Reset type: CPU1.SYSRS <sub>n</sub>

### 8.3.2.15 INPUTSELECTLOCK Register (Offset = 1Eh) [Reset = 0000000h]

INPUTSELECTLOCK is shown in [Figure 8-21](#) and described in [Table 8-22](#).

Return to the [Summary Table](#).

Input Select Lock Register.

Any bit in this register, once set can only be cleared through SYSRSn. Write of 0 to any bit of this register has no effect. Reads to the registers which have LOCK protection are always allowed.

**Figure 8-21. INPUTSELECTLOCK Register**

31	30	29	28	27	26	25	24
RESERVED							
R-0-0h							
23	22	21	20	19	18	17	16
RESERVED							
R-0-0h							
15	14	13	12	11	10	9	8
INPUT16SELE CT	INPUT15SELE CT	INPUT14SELE CT	INPUT13SELE CT	INPUT12SELE CT	INPUT11SELE CT	INPUT10SELE CT	INPUT9SELEC T
R/WOnce-0h	R/WOnce-0h	R/WOnce-0h	R/WOnce-0h	R/WOnce-0h	R/WOnce-0h	R/WOnce-0h	R/WOnce-0h
7	6	5	4	3	2	1	0
INPUT8SELEC T	INPUT7SELEC T	INPUT6SELEC T	INPUT5SELEC T	INPUT4SELEC T	INPUT3SELEC T	INPUT2SELEC T	INPUT1SELEC T
R/WOnce-0h	R/WOnce-0h	R/WOnce-0h	R/WOnce-0h	R/WOnce-0h	R/WOnce-0h	R/WOnce-0h	R/WOnce-0h

**Table 8-22. INPUTSELECTLOCK Register Field Descriptions**

Bit	Field	Type	Reset	Description
31-16	RESERVED	R-0	0h	Reserved
15	INPUT16SELECT	R/WOnce	0h	Lock bit for INPUT16SELECT Register 0: Register is not locked 1: Register is locked Reset type: CPU1.SYSRSn
14	INPUT15SELECT	R/WOnce	0h	Lock bit for INPUT15SELECT Register 0: Register is not locked 1: Register is locked Reset type: CPU1.SYSRSn
13	INPUT14SELECT	R/WOnce	0h	Lock bit for INPUT14SELECT Register 0: Register is not locked 1: Register is locked Reset type: CPU1.SYSRSn
12	INPUT13SELECT	R/WOnce	0h	Lock bit for INPUT13SELECT Register 0: Register is not locked 1: Register is locked Reset type: CPU1.SYSRSn
11	INPUT12SELECT	R/WOnce	0h	Lock bit for INPUT12SELECT Register 0: Register is not locked 1: Register is locked Reset type: CPU1.SYSRSn
10	INPUT11SELECT	R/WOnce	0h	Lock bit for INPUT11SELECT Register 0: Register is not locked 1: Register is locked Reset type: CPU1.SYSRSn

**Table 8-22. INPUTSELECTLOCK Register Field Descriptions (continued)**

Bit	Field	Type	Reset	Description
9	INPUT10SELECT	R/WOnce	0h	Lock bit for INPUT10SELECT Register 0: Register is not locked 1: Register is locked Reset type: CPU1.SYSRSn
8	INPUT9SELECT	R/WOnce	0h	Lock bit for INPUT9SELECT Register 0: Register is not locked 1: Register is locked Reset type: CPU1.SYSRSn
7	INPUT8SELECT	R/WOnce	0h	Lock bit for INPUT8SELECT Register 0: Register is not locked 1: Register is locked Reset type: CPU1.SYSRSn
6	INPUT7SELECT	R/WOnce	0h	Lock bit for INPUT7SELECT Register 0: Register is not locked 1: Register is locked Reset type: CPU1.SYSRSn
5	INPUT6SELECT	R/WOnce	0h	Lock bit for INPUT6SELECT Register 0: Register is not locked 1: Register is locked Reset type: CPU1.SYSRSn
4	INPUT5SELECT	R/WOnce	0h	Lock bit for INPUT5SELECT Register 0: Register is not locked 1: Register is locked Reset type: CPU1.SYSRSn
3	INPUT4SELECT	R/WOnce	0h	Lock bit for INPUT4SELECT Register 0: Register is not locked 1: Register is locked Reset type: CPU1.SYSRSn
2	INPUT3SELECT	R/WOnce	0h	Lock bit for INPUT3SELECT Register 0: Register is not locked 1: Register is locked Reset type: CPU1.SYSRSn
1	INPUT2SELECT	R/WOnce	0h	Lock bit for INPUT2SELECT Register 0: Register is not locked 1: Register is locked Reset type: CPU1.SYSRSn
0	INPUT1SELECT	R/WOnce	0h	Lock bit for INPUT1SELECT Register 0: Register is not locked 1: Register is locked Reset type: CPU1.SYSRSn

### 8.3.3 XBAR\_REGS Registers

Table 8-23 lists the memory-mapped registers for the XBAR\_REGS registers. All register offset addresses not listed in Table 8-23 should be considered as reserved locations and the register contents should not be modified.

**Table 8-23. XBAR\_REGS Registers**

Offset	Acronym	Register Name	Write Protection	Section
0h	XBARFLG1	X-Bar Input Flag Register 1		<a href="#">Go</a>
2h	XBARFLG2	X-Bar Input Flag Register 2		<a href="#">Go</a>
4h	XBARFLG3	X-Bar Input Flag Register 3		<a href="#">Go</a>
8h	XBARCLR1	X-Bar Input Flag Clear Register 1		<a href="#">Go</a>
Ah	XBARCLR2	X-Bar Input Flag Clear Register 2		<a href="#">Go</a>
Ch	XBARCLR3	X-Bar Input Flag Clear Register 3		<a href="#">Go</a>

Complex bit access types are encoded to fit into small table cells. Table 8-24 shows the codes that are used for access types in this section.

**Table 8-24. XBAR\_REGS Access Type Codes**

Access Type	Code	Description
Read Type		
R	R	Read
R-0	R -0	Read Returns 0s
Write Type		
W1S	W 1S	Write 1 to set
Reset or Default Value		
-n		Value after reset or the default value
Register Array Variables		
i,j,k,l,m,n		When these variables are used in a register name, an offset, or an address, they refer to the value of a register array where the register is part of a group of repeating registers. The register groups form a hierarchical structure and the array is represented with a formula.
y		When this variable is used in a register name, an offset, or an address it refers to the value of a register array.

### 8.3.3.1 XBARFLG1 Register (Offset = 0h) [Reset = 0000000h]

XBARFLG1 is shown in [Figure 8-22](#) and described in [Table 8-25](#).

Return to the [Summary Table](#).

This register is used to flag the inputs of the X-Bars to provide software knowledge of the input sources which got triggered.

1: Corresponding Input was triggered

0: Corresponding Input was not triggered

**Figure 8-22. XBARFLG1 Register**

31	30	29	28	27	26	25	24
CMPSS8_CTRL POUTH	CMPSS8_CTRL POUTL	CMPSS7_CTRL POUTH	CMPSS7_CTRL POUTL	CMPSS6_CTRL POUTH	CMPSS6_CTRL POUTL	CMPSS5_CTRL POUTH	CMPSS5_CTRL POUTL
R-0h	R-0h	R-0h	R-0h	R-0h	R-0h	R-0h	R-0h
23	22	21	20	19	18	17	16
CMPSS4_CTRL POUTH	CMPSS4_CTRL POUTL	CMPSS3_CTRL POUTH	CMPSS3_CTRL POUTL	CMPSS2_CTRL POUTH	CMPSS2_CTRL POUTL	CMPSS1_CTRL POUTH	CMPSS1_CTRL POUTL
R-0h	R-0h	R-0h	R-0h	R-0h	R-0h	R-0h	R-0h
15	14	13	12	11	10	9	8
CMPSS8_CTRL PH	CMPSS8_CTRL PL	CMPSS7_CTRL PH	CMPSS7_CTRL PL	CMPSS6_CTRL PH	CMPSS6_CTRL PL	CMPSS5_CTRL PH	CMPSS5_CTRL PL
R-0h	R-0h	R-0h	R-0h	R-0h	R-0h	R-0h	R-0h
7	6	5	4	3	2	1	0
CMPSS4_CTRL PH	CMPSS4_CTRL PL	CMPSS3_CTRL PH	CMPSS3_CTRL PL	CMPSS2_CTRL PH	CMPSS2_CTRL PL	CMPSS1_CTRL PH	CMPSS1_CTRL PL
R-0h	R-0h	R-0h	R-0h	R-0h	R-0h	R-0h	R-0h

**Table 8-25. XBARFLG1 Register Field Descriptions**

Bit	Field	Type	Reset	Description
31	CMPSS8_CTRLIPOUTH	R	0h	CMPSS8_CTRLIPOUTH X-BAR Flag Reset type: CPU1.SYSRSn
30	CMPSS8_CTRLIPOUTL	R	0h	CMPSS8_CTRLIPOUTL X-BAR Flag Reset type: CPU1.SYSRSn
29	CMPSS7_CTRLIPOUTH	R	0h	CMPSS7_CTRLIPOUTH X-BAR Flag Reset type: CPU1.SYSRSn
28	CMPSS7_CTRLIPOUTL	R	0h	CMPSS7_CTRLIPOUTL X-BAR Flag Reset type: CPU1.SYSRSn
27	CMPSS6_CTRLIPOUTH	R	0h	CMPSS6_CTRLIPOUTH X-BAR Flag Reset type: CPU1.SYSRSn
26	CMPSS6_CTRLIPOUTL	R	0h	CMPSS6_CTRLIPOUTL X-BAR Flag Reset type: CPU1.SYSRSn
25	CMPSS5_CTRLIPOUTH	R	0h	CMPSS5_CTRLIPOUTH X-BAR Flag Reset type: CPU1.SYSRSn
24	CMPSS5_CTRLIPOUTL	R	0h	CMPSS5_CTRLIPOUTL X-BAR Flag Reset type: CPU1.SYSRSn
23	CMPSS4_CTRLIPOUTH	R	0h	CMPSS4_CTRLIPOUTH X-BAR Flag Reset type: CPU1.SYSRSn
22	CMPSS4_CTRLIPOUTL	R	0h	CMPSS4_CTRLIPOUTL X-BAR Flag Reset type: CPU1.SYSRSn

**Table 8-25. XBARFLG1 Register Field Descriptions (continued)**

Bit	Field	Type	Reset	Description
21	CMPSS3_CTRIPOUTH	R	0h	CMPSS3_CTRIPOUTH X-BAR Flag Reset type: CPU1.SYSRSn
20	CMPSS3_CTRIPOUTL	R	0h	CMPSS3_CTRIPOUTL X-BAR Flag Reset type: CPU1.SYSRSn
19	CMPSS2_CTRIPOUTH	R	0h	CMPSS2_CTRIPOUTH X-BAR Flag Reset type: CPU1.SYSRSn
18	CMPSS2_CTRIPOUTL	R	0h	CMPSS2_CTRIPOUTL X-BAR Flag Reset type: CPU1.SYSRSn
17	CMPSS1_CTRIPOUTH	R	0h	CMPSS1_CTRIPOUTH X-BAR Flag Reset type: CPU1.SYSRSn
16	CMPSS1_CTRIPOUTL	R	0h	CMPSS1_CTRIPOUTL X-BAR Flag Reset type: CPU1.SYSRSn
15	CMPSS8_CTRIPH	R	0h	CMPSS8_CTRIPH X-BAR Flag Reset type: CPU1.SYSRSn
14	CMPSS8_CTRIPL	R	0h	CMPSS8_CTRIPL X-BAR Flag Reset type: CPU1.SYSRSn
13	CMPSS7_CTRIPH	R	0h	CMPSS7_CTRIPH X-BAR Flag Reset type: CPU1.SYSRSn
12	CMPSS7_CTRIPL	R	0h	CMPSS7_CTRIPL X-BAR Flag Reset type: CPU1.SYSRSn
11	CMPSS6_CTRIPH	R	0h	CMPSS6_CTRIPH X-BAR Flag Reset type: CPU1.SYSRSn
10	CMPSS6_CTRIPL	R	0h	CMPSS6_CTRIPL X-BAR Flag Reset type: CPU1.SYSRSn
9	CMPSS5_CTRIPH	R	0h	CMPSS5_CTRIPH X-BAR Flag Reset type: CPU1.SYSRSn
8	CMPSS5_CTRIPL	R	0h	CMPSS5_CTRIPL X-BAR Flag Reset type: CPU1.SYSRSn
7	CMPSS4_CTRIPH	R	0h	CMPSS4_CTRIPH X-BAR Flag Reset type: CPU1.SYSRSn
6	CMPSS4_CTRIPL	R	0h	CMPSS4_CTRIPL X-BAR Flag Reset type: CPU1.SYSRSn
5	CMPSS3_CTRIPH	R	0h	CMPSS3_CTRIPH X-BAR Flag Reset type: CPU1.SYSRSn
4	CMPSS3_CTRIPL	R	0h	CMPSS3_CTRIPL X-BAR Flag Reset type: CPU1.SYSRSn
3	CMPSS2_CTRIPH	R	0h	CMPSS2_CTRIPH X-BAR Flag Reset type: CPU1.SYSRSn
2	CMPSS2_CTRIPL	R	0h	CMPSS2_CTRIPL X-BAR Flag Reset type: CPU1.SYSRSn
1	CMPSS1_CTRIPH	R	0h	CMPSS1_CTRIPH X-BAR Flag Reset type: CPU1.SYSRSn
0	CMPSS1_CTRIPL	R	0h	CMPSS1_CTRIPL X-BAR Flag Reset type: CPU1.SYSRSn

### 8.3.3.2 XBARFLG2 Register (Offset = 2h) [Reset = 0000000h]

XBARFLG2 is shown in [Figure 8-23](#) and described in [Table 8-26](#).

Return to the [Summary Table](#).

This register is used to flag the inputs of the X-Bars to provide software knowledge of the input sources which got triggered.

1: Corresponding Input was triggered

0: Corresponding Input was not triggered

**Figure 8-23. XBARFLG2 Register**

31	30	29	28	27	26	25	24
RESERVED	ADCB EVT4	ADCB EVT3	ADCB EVT2	ADCB EVT1	ADCAEVT4	ADCAEVT3	ADCAEVT2
R-0h	R-0h	R-0h	R-0h	R-0h	R-0h	R-0h	R-0h
23	22	21	20	19	18	17	16
ADCAEVT1	EXTSYNCOU T	ECAP6_OUT	ECAP5_OUT	ECAP4_OUT	ECAP3_OUT	ECAP2_OUT	ECAP1_OUT
R-0h	R-0h	R-0h	R-0h	R-0h	R-0h	R-0h	R-0h
15	14	13	12	11	10	9	8
CLB4_OUT5	CLB4_OUT4	CLB3_OUT5	CLB3_OUT4	CLB2_OUT5	CLB2_OUT4	CLB1_OUT5	CLB1_OUT4
R-0h	R-0h	R-0h	R-0h	R-0h	R-0h	R-0h	R-0h
7	6	5	4	3	2	1	0
ADCSOCBO	ADCSOCAO	INPUT6	INPUT5	INPUT4	INPUT3	INPUT2	INPUT1
R-0h	R-0h	R-0h	R-0h	R-0h	R-0h	R-0h	R-0h

**Table 8-26. XBARFLG2 Register Field Descriptions**

Bit	Field	Type	Reset	Description
31	RESERVED	R	0h	Reserved
30	ADCB EVT4	R	0h	ADCB EVT4 X-BAR Flag Reset type: CPU1.SYSRSn
29	ADCB EVT3	R	0h	ADCB EVT3 X-BAR Flag Reset type: CPU1.SYSRSn
28	ADCB EVT2	R	0h	ADCB EVT2 X-BAR Flag Reset type: CPU1.SYSRSn
27	ADCB EVT1	R	0h	ADCB EVT1 X-BAR Flag Reset type: CPU1.SYSRSn
26	ADCAEVT4	R	0h	ADCAEVT4 X-BAR Flag Reset type: CPU1.SYSRSn
25	ADCAEVT3	R	0h	ADCAEVT3 X-BAR Flag Reset type: CPU1.SYSRSn
24	ADCAEVT2	R	0h	ADCAEVT2 X-BAR Flag Reset type: CPU1.SYSRSn
23	ADCAEVT1	R	0h	ADCAEVT1 X-BAR Flag Reset type: CPU1.SYSRSn
22	EXTSYNCOU T	R	0h	EXTSYNCOU T X-BAR Flag Reset type: CPU1.SYSRSn
21	ECAP6_OUT	R	0h	ECAP6_OUT X-BAR Flag Reset type: CPU1.SYSRSn
20	ECAP5_OUT	R	0h	ECAP5_OUT X-BAR Flag Reset type: CPU1.SYSRSn



**Table 8-26. XBARFLG2 Register Field Descriptions (continued)**

Bit	Field	Type	Reset	Description
19	ECAP4_OUT	R	0h	ECAP4_OUT X-BAR Flag Reset type: CPU1.SYSRSn
18	ECAP3_OUT	R	0h	ECAP3_OUT X-BAR Flag Reset type: CPU1.SYSRSn
17	ECAP2_OUT	R	0h	ECAP2_OUT X-BAR Flag Reset type: CPU1.SYSRSn
16	ECAP1_OUT	R	0h	ECAP1_OUT X-BAR Flag Reset type: CPU1.SYSRSn
15	CLB4_OUT5	R	0h	CLB4_OUT5 X-BAR Flag Reset type: CPU1.SYSRSn
14	CLB4_OUT4	R	0h	CLB4_OUT4 X-BAR Flag Reset type: CPU1.SYSRSn
13	CLB3_OUT5	R	0h	CLB3_OUT5 X-BAR Flag Reset type: CPU1.SYSRSn
12	CLB3_OUT4	R	0h	CLB3_OUT4 X-BAR Flag Reset type: CPU1.SYSRSn
11	CLB2_OUT5	R	0h	CLB2_OUT5 X-BAR Flag Reset type: CPU1.SYSRSn
10	CLB2_OUT4	R	0h	CLB2_OUT4 X-BAR Flag Reset type: CPU1.SYSRSn
9	CLB1_OUT5	R	0h	CLB1_OUT5 X-BAR Flag Reset type: CPU1.SYSRSn
8	CLB1_OUT4	R	0h	CLB1_OUT4 X-BAR Flag Reset type: CPU1.SYSRSn
7	ADCSOCBO	R	0h	ADCSOCBO X-BAR Flag Reset type: CPU1.SYSRSn
6	ADCSOCAO	R	0h	ADCSOCAO X-BAR Flag Reset type: CPU1.SYSRSn
5	INPUT6	R	0h	INPUT6 X-BAR Flag Reset type: CPU1.SYSRSn
4	INPUT5	R	0h	INPUT5 X-BAR Flag Reset type: CPU1.SYSRSn
3	INPUT4	R	0h	INPUT4 X-BAR Flag Reset type: CPU1.SYSRSn
2	INPUT3	R	0h	INPUT3 X-BAR Flag Reset type: CPU1.SYSRSn
1	INPUT2	R	0h	INPUT2 X-BAR Flag Reset type: CPU1.SYSRSn
0	INPUT1	R	0h	INPUT1 X-BAR Flag Reset type: CPU1.SYSRSn

### 8.3.3.3 XBARFLG3 Register (Offset = 4h) [Reset = 0000000h]

XBARFLG3 is shown in [Figure 8-24](#) and described in [Table 8-27](#).

Return to the [Summary Table](#).

This register is used to flag the inputs of the X-Bars to provide software knowledge of the input sources which got triggered.

1: Corresponding Input was triggered

0: Corresponding Input was not triggered

**Figure 8-24. XBARFLG3 Register**

31	30	29	28	27	26	25	24
RESERVED							
R-0-0h							
23	22	21	20	19	18	17	16
RESERVED	SD2FLT4_COM PH	SD2FLT4_COM PL	SD2FLT3_COM PH	SD2FLT3_COM PL	SD2FLT2_COM PH	SD2FLT2_COM PL	SD2FLT1_COM PH
R-0-0h	R-0h	R-0h	R-0h	R-0h	R-0h	R-0h	R-0h
15	14	13	12	11	10	9	8
SD2FLT1_COM PL	SD1FLT4_COM PH	SD1FLT4_COM PL	SD1FLT3_COM PH	SD1FLT3_COM PL	SD1FLT2_COM PH	SD1FLT2_COM PL	SD1FLT1_COM PH
R-0h	R-0h	R-0h	R-0h	R-0h	R-0h	R-0h	R-0h
7	6	5	4	3	2	1	0
SD1FLT1_COM PL	ADCDEVT4	ADCDEVT3	ADCDEVT2	ADCDEVT1	RESERVED	RESERVED	RESERVED
R-0h	R-0h	R-0h	R-0h	R-0h	R-0h	R-0h	R-0h

**Table 8-27. XBARFLG3 Register Field Descriptions**

Bit	Field	Type	Reset	Description
31-23	RESERVED	R-0	0h	Reserved
22	SD2FLT4_COMPH	R	0h	SD2FLT4_COMPH X-BAR Flag Reset type: CPU1.SYSRSn
21	SD2FLT4_COMPL	R	0h	SD2FLT4_COMPL X-BAR Flag Reset type: CPU1.SYSRSn
20	SD2FLT3_COMPH	R	0h	SD2FLT3_COMPH X-BAR Flag Reset type: CPU1.SYSRSn
19	SD2FLT3_COMPL	R	0h	SD2FLT3_COMPL X-BAR Flag Reset type: CPU1.SYSRSn
18	SD2FLT2_COMPH	R	0h	SD2FLT2_COMPH X-BAR Flag Reset type: CPU1.SYSRSn
17	SD2FLT2_COMPL	R	0h	SD2FLT2_COMPL X-BAR Flag Reset type: CPU1.SYSRSn
16	SD2FLT1_COMPH	R	0h	SD2FLT1_COMPH X-BAR Flag Reset type: CPU1.SYSRSn
15	SD2FLT1_COMPL	R	0h	SD2FLT1_COMPL X-BAR Flag Reset type: CPU1.SYSRSn
14	SD1FLT4_COMPH	R	0h	SD1FLT4_COMPH X-BAR Flag Reset type: CPU1.SYSRSn
13	SD1FLT4_COMPL	R	0h	SD1FLT4_COMPL X-BAR Flag Reset type: CPU1.SYSRSn

**Table 8-27. XBARFLG3 Register Field Descriptions (continued)**

Bit	Field	Type	Reset	Description
12	SD1FLT3_COMPH	R	0h	SD1FLT3_COMPH X-BAR Flag Reset type: CPU1.SYSRSn
11	SD1FLT3_COMPL	R	0h	SD1FLT3_COMPL X-BAR Flag Reset type: CPU1.SYSRSn
10	SD1FLT2_COMPH	R	0h	SD1FLT2_COMPH X-BAR Flag Reset type: CPU1.SYSRSn
9	SD1FLT2_COMPL	R	0h	SD1FLT2_COMPL X-BAR Flag Reset type: CPU1.SYSRSn
8	SD1FLT1_COMPH	R	0h	SD1FLT1_COMPH X-BAR Flag Reset type: CPU1.SYSRSn
7	SD1FLT1_COMPL	R	0h	SD1FLT1_COMPL X-BAR Flag Reset type: CPU1.SYSRSn
6	ADCDEVT4	R	0h	ADCDEVT4 X-BAR Flag Reset type: CPU1.SYSRSn
5	ADCDEVT3	R	0h	ADCDEVT3 X-BAR Flag Reset type: CPU1.SYSRSn
4	ADCDEVT2	R	0h	ADCDEVT2 X-BAR Flag Reset type: CPU1.SYSRSn
3	ADCDEVT1	R	0h	ADCDEVT1 X-BAR Flag Reset type: CPU1.SYSRSn
2	RESERVED	R	0h	Reserved
1	RESERVED	R	0h	Reserved
0	RESERVED	R	0h	Reserved

### 8.3.3.4 XBARCLR1 Register (Offset = 8h) [Reset = 0000000h]

XBARCLR1 is shown in [Figure 8-25](#) and described in [Table 8-28](#).

Return to the [Summary Table](#).

This register is used to clear the flag(s) in the XBARFLG1 register.

1: Clears the corresponding bit in the XBARFLG1 register.

0: Writing 0 has no effect

**Figure 8-25. XBARCLR1 Register**

31	30	29	28	27	26	25	24
CMPSS8_CTRL POUTH	CMPSS8_CTRL POUTL	CMPSS7_CTRL POUTH	CMPSS7_CTRL POUTL	CMPSS6_CTRL POUTH	CMPSS6_CTRL POUTL	CMPSS5_CTRL POUTH	CMPSS5_CTRL POUTL
R-0/W1S-0h	R-0/W1S-0h	R-0/W1S-0h	R-0/W1S-0h	R-0/W1S-0h	R-0/W1S-0h	R-0/W1S-0h	R-0/W1S-0h
23	22	21	20	19	18	17	16
CMPSS4_CTRL POUTH	CMPSS4_CTRL POUTL	CMPSS3_CTRL POUTH	CMPSS3_CTRL POUTL	CMPSS2_CTRL POUTH	CMPSS2_CTRL POUTL	CMPSS1_CTRL POUTH	CMPSS1_CTRL POUTL
R-0/W1S-0h	R-0/W1S-0h	R-0/W1S-0h	R-0/W1S-0h	R-0/W1S-0h	R-0/W1S-0h	R-0/W1S-0h	R-0/W1S-0h
15	14	13	12	11	10	9	8
CMPSS8_CTRL PH	CMPSS8_CTRL PL	CMPSS7_CTRL PH	CMPSS7_CTRL PL	CMPSS6_CTRL PH	CMPSS6_CTRL PL	CMPSS5_CTRL PH	CMPSS5_CTRL PL
R-0/W1S-0h	R-0/W1S-0h	R-0/W1S-0h	R-0/W1S-0h	R-0/W1S-0h	R-0/W1S-0h	R-0/W1S-0h	R-0/W1S-0h
7	6	5	4	3	2	1	0
CMPSS4_CTRL PH	CMPSS4_CTRL PL	CMPSS3_CTRL PH	CMPSS3_CTRL PL	CMPSS2_CTRL PH	CMPSS2_CTRL PL	CMPSS1_CTRL PH	CMPSS1_CTRL PL
R-0/W1S-0h	R-0/W1S-0h	R-0/W1S-0h	R-0/W1S-0h	R-0/W1S-0h	R-0/W1S-0h	R-0/W1S-0h	R-0/W1S-0h

**Table 8-28. XBARCLR1 Register Field Descriptions**

Bit	Field	Type	Reset	Description
31	CMPSS8_CTRLIPOUTH	R-0/W1S	0h	CMPSS8_CTRLIPOUTH X-BAR Flag Clear Reset type: CPU1.SYSRSn
30	CMPSS8_CTRLIPOUTL	R-0/W1S	0h	CMPSS8_CTRLIPOUTL X-BAR Flag Clear Reset type: CPU1.SYSRSn
29	CMPSS7_CTRLIPOUTH	R-0/W1S	0h	CMPSS7_CTRLIPOUTH X-BAR Flag Clear Reset type: CPU1.SYSRSn
28	CMPSS7_CTRLIPOUTL	R-0/W1S	0h	CMPSS7_CTRLIPOUTL X-BAR Flag Clear Reset type: CPU1.SYSRSn
27	CMPSS6_CTRLIPOUTH	R-0/W1S	0h	CMPSS6_CTRLIPOUTH X-BAR Flag Clear Reset type: CPU1.SYSRSn
26	CMPSS6_CTRLIPOUTL	R-0/W1S	0h	CMPSS6_CTRLIPOUTL X-BAR Flag Clear Reset type: CPU1.SYSRSn
25	CMPSS5_CTRLIPOUTH	R-0/W1S	0h	CMPSS5_CTRLIPOUTH X-BAR Flag Clear Reset type: CPU1.SYSRSn
24	CMPSS5_CTRLIPOUTL	R-0/W1S	0h	CMPSS5_CTRLIPOUTL X-BAR Flag Clear Reset type: CPU1.SYSRSn
23	CMPSS4_CTRLIPOUTH	R-0/W1S	0h	CMPSS4_CTRLIPOUTH X-BAR Flag Clear Reset type: CPU1.SYSRSn
22	CMPSS4_CTRLIPOUTL	R-0/W1S	0h	CMPSS4_CTRLIPOUTL X-BAR Flag Clear Reset type: CPU1.SYSRSn
21	CMPSS3_CTRLIPOUTH	R-0/W1S	0h	CMPSS3_CTRLIPOUTH X-BAR Flag Clear Reset type: CPU1.SYSRSn

**Table 8-28. XBARCLR1 Register Field Descriptions (continued)**

Bit	Field	Type	Reset	Description
20	CMPSS3_CTRIPOUTL	R-0/W1S	0h	CMPSS3_CTRIPOUTL X-BAR Flag Clear Reset type: CPU1.SYSRSn
19	CMPSS2_CTRIPOUTH	R-0/W1S	0h	CMPSS2_CTRIPOUTH X-BAR Flag Clear Reset type: CPU1.SYSRSn
18	CMPSS2_CTRIPOUTL	R-0/W1S	0h	CMPSS2_CTRIPOUTL X-BAR Flag Clear Reset type: CPU1.SYSRSn
17	CMPSS1_CTRIPOUTH	R-0/W1S	0h	CMPSS1_CTRIPOUTH X-BAR Flag Clear Reset type: CPU1.SYSRSn
16	CMPSS1_CTRIPOUTL	R-0/W1S	0h	CMPSS1_CTRIPOUTL X-BAR Flag Clear Reset type: CPU1.SYSRSn
15	CMPSS8_CTRIPH	R-0/W1S	0h	CMPSS8_CTRIPH X-BAR Flag Clear Reset type: CPU1.SYSRSn
14	CMPSS8_CTRIPL	R-0/W1S	0h	CMPSS8_CTRIPL X-BAR Flag Clear Reset type: CPU1.SYSRSn
13	CMPSS7_CTRIPH	R-0/W1S	0h	CMPSS7_CTRIPH X-BAR Flag Clear Reset type: CPU1.SYSRSn
12	CMPSS7_CTRIPL	R-0/W1S	0h	CMPSS7_CTRIPL X-BAR Flag Clear Reset type: CPU1.SYSRSn
11	CMPSS6_CTRIPH	R-0/W1S	0h	CMPSS6_CTRIPH X-BAR Flag Clear Reset type: CPU1.SYSRSn
10	CMPSS6_CTRIPL	R-0/W1S	0h	CMPSS6_CTRIPL X-BAR Flag Clear Reset type: CPU1.SYSRSn
9	CMPSS5_CTRIPH	R-0/W1S	0h	CMPSS5_CTRIPH X-BAR Flag Clear Reset type: CPU1.SYSRSn
8	CMPSS5_CTRIPL	R-0/W1S	0h	CMPSS5_CTRIPL X-BAR Flag Clear Reset type: CPU1.SYSRSn
7	CMPSS4_CTRIPH	R-0/W1S	0h	CMPSS4_CTRIPH X-BAR Flag Clear Reset type: CPU1.SYSRSn
6	CMPSS4_CTRIPL	R-0/W1S	0h	CMPSS4_CTRIPL X-BAR Flag Clear Reset type: CPU1.SYSRSn
5	CMPSS3_CTRIPH	R-0/W1S	0h	CMPSS3_CTRIPH X-BAR Flag Clear Reset type: CPU1.SYSRSn
4	CMPSS3_CTRIPL	R-0/W1S	0h	CMPSS3_CTRIPL X-BAR Flag Clear Reset type: CPU1.SYSRSn
3	CMPSS2_CTRIPH	R-0/W1S	0h	CMPSS2_CTRIPH X-BAR Flag Clear Reset type: CPU1.SYSRSn
2	CMPSS2_CTRIPL	R-0/W1S	0h	CMPSS2_CTRIPL X-BAR Flag Clear Reset type: CPU1.SYSRSn
1	CMPSS1_CTRIPH	R-0/W1S	0h	CMPSS1_CTRIPH X-BAR Flag Clear Reset type: CPU1.SYSRSn
0	CMPSS1_CTRIPL	R-0/W1S	0h	CMPSS1_CTRIPL X-BAR Flag Clear Reset type: CPU1.SYSRSn

### 8.3.3.5 XBARCLR2 Register (Offset = Ah) [Reset = 0000000h]

XBARCLR2 is shown in [Figure 8-26](#) and described in [Table 8-29](#).

Return to the [Summary Table](#).

This register is used to clear the flag(s) in the XBARFLG2 register.

1: Clears the corresponding bit in the XBARFLG2 register.

0: Writing 0 has no effect

**Figure 8-26. XBARCLR2 Register**

31	30	29	28	27	26	25	24
ADCCEVT1	ADCBEVT4	ADCBEVT3	ADCBEVT2	ADCBEVT1	ADCAEVT4	ADCAEVT3	ADCAEVT2
R-0/W1S-0h	R-0/W1S-0h	R-0/W1S-0h	R-0/W1S-0h	R-0/W1S-0h	R-0/W1S-0h	R-0/W1S-0h	R-0/W1S-0h
23	22	21	20	19	18	17	16
ADCAEVT1	EXTSYNCOUT	ECAP6_OUT	ECAP5_OUT	ECAP4_OUT	ECAP3_OUT	ECAP2_OUT	ECAP1_OUT
R-0/W1S-0h	R-0/W1S-0h	R-0/W1S-0h	R-0/W1S-0h	R-0/W1S-0h	R-0/W1S-0h	R-0/W1S-0h	R-0/W1S-0h
15	14	13	12	11	10	9	8
CLB4_OUT5 RESERVED	CLB4_OUT4 RESERVED	CLB3_OUT5 RESERVED	CLB3_OUT4 RESERVED	CLB2_OUT5 RESERVED	CLB2_OUT4 RESERVED	CLB1_OUT5 RESERVED	CLB1_OUT4 RESERVED
R-0/W1S-0h R-0/W1S-0h	R-0/W1S-0h R-0/W1S-0h	R-0/W1S-0h R-0/W1S-0h	R-0/W1S-0h R-0/W1S-0h	R-0/W1S-0h R-0/W1S-0h	R-0/W1S-0h R-0/W1S-0h	R-0/W1S-0h R-0/W1S-0h	R-0/W1S-0h R-0/W1S-0h
7	6	5	4	3	2	1	0
ADCSOCBO	ADCSOCAO	INPUT6	INPUT5	INPUT4	INPUT3	INPUT2	INPUT1
R-0/W1S-0h	R-0/W1S-0h	R-0/W1S-0h	R-0/W1S-0h	R-0/W1S-0h	R-0/W1S-0h	R-0/W1S-0h	R-0/W1S-0h

**Table 8-29. XBARCLR2 Register Field Descriptions**

Bit	Field	Type	Reset	Description
31	ADCCEVT1	R-0/W1S	0h	ADCCEVT1 X-BAR Flag Clear Reset type: CPU1.SYSRSn
30	ADCBEVT4	R-0/W1S	0h	ADCBEVT4 X-BAR Flag Clear Reset type: CPU1.SYSRSn
29	ADCBEVT3	R-0/W1S	0h	ADCBEVT3 X-BAR Flag Clear Reset type: CPU1.SYSRSn
28	ADCBEVT2	R-0/W1S	0h	ADCBEVT2 X-BAR Flag Clear Reset type: CPU1.SYSRSn
27	ADCBEVT1	R-0/W1S	0h	ADCBEVT1 X-BAR Flag Clear Reset type: CPU1.SYSRSn
26	ADCAEVT4	R-0/W1S	0h	ADCAEVT4 X-BAR Flag Clear Reset type: CPU1.SYSRSn
25	ADCAEVT3	R-0/W1S	0h	ADCAEVT3 X-BAR Flag Clear Reset type: CPU1.SYSRSn
24	ADCAEVT2	R-0/W1S	0h	ADCAEVT2 X-BAR Flag Clear Reset type: CPU1.SYSRSn
23	ADCAEVT1	R-0/W1S	0h	ADCAEVT1 X-BAR Flag Clear Reset type: CPU1.SYSRSn
22	EXTSYNCOUT	R-0/W1S	0h	EXTSYNCOUT X-BAR Flag Clear Reset type: CPU1.SYSRSn
21	ECAP6_OUT	R-0/W1S	0h	ECAP6_OUT X-BAR Flag Clear Reset type: CPU1.SYSRSn
20	ECAP5_OUT	R-0/W1S	0h	ECAP5_OUT X-BAR Flag Clear Reset type: CPU1.SYSRSn

**Table 8-29. XBARCLR2 Register Field Descriptions (continued)**

Bit	Field	Type	Reset	Description
19	ECAP4_OUT	R-0/W1S	0h	ECAP4_OUT X-BAR Flag Clear Reset type: CPU1.SYSRSn
18	ECAP3_OUT	R-0/W1S	0h	ECAP3_OUT X-BAR Flag Clear Reset type: CPU1.SYSRSn
17	ECAP2_OUT	R-0/W1S	0h	ECAP2_OUT X-BAR Flag Clear Reset type: CPU1.SYSRSn
16	ECAP1_OUT	R-0/W1S	0h	ECAP1_OUT X-BAR Flag Clear Reset type: CPU1.SYSRSn
15	CLB4_OUT5	R-0/W1S	0h	CLB4_OUT5 X-BAR Flag Clear Reset type: CPU1.SYSRSn
15	RESERVED	R-0/W1S	0h	Reserved
14	CLB4_OUT4	R-0/W1S	0h	CLB4_OUT4 X-BAR Flag Clear Reset type: CPU1.SYSRSn
14	RESERVED	R-0/W1S	0h	Reserved
13	CLB3_OUT5	R-0/W1S	0h	CLB3_OUT5 X-BAR Flag Clear Reset type: CPU1.SYSRSn
13	RESERVED	R-0/W1S	0h	Reserved
12	CLB3_OUT4	R-0/W1S	0h	CLB3_OUT4 X-BAR Flag Clear Reset type: CPU1.SYSRSn
12	RESERVED	R-0/W1S	0h	Reserved
11	CLB2_OUT5	R-0/W1S	0h	CLB2_OUT5 X-BAR Flag Clear Reset type: CPU1.SYSRSn
11	RESERVED	R-0/W1S	0h	Reserved
10	CLB2_OUT4	R-0/W1S	0h	CLB2_OUT4 X-BAR Flag Clear Reset type: CPU1.SYSRSn
10	RESERVED	R-0/W1S	0h	Reserved
9	CLB1_OUT5	R-0/W1S	0h	CLB1_OUT5 X-BAR Flag Clear Reset type: CPU1.SYSRSn
9	RESERVED	R-0/W1S	0h	Reserved
8	CLB1_OUT4	R-0/W1S	0h	CLB1_OUT4 X-BAR Flag Clear Reset type: CPU1.SYSRSn
8	RESERVED	R-0/W1S	0h	Reserved
7	ADCSOCBO	R-0/W1S	0h	ADCSOCBO X-BAR Flag Clear Reset type: CPU1.SYSRSn
6	ADCSOCAO	R-0/W1S	0h	ADCSOCAO X-BAR Flag Clear Reset type: CPU1.SYSRSn
5	INPUT6	R-0/W1S	0h	INPUT6 X-BAR Flag Clear Reset type: CPU1.SYSRSn
4	INPUT5	R-0/W1S	0h	INPUT5 X-BAR Flag Clear Reset type: CPU1.SYSRSn
3	INPUT4	R-0/W1S	0h	INPUT4 X-BAR Flag Clear Reset type: CPU1.SYSRSn
2	INPUT3	R-0/W1S	0h	INPUT3 X-BAR Flag Clear Reset type: CPU1.SYSRSn
1	INPUT2	R-0/W1S	0h	INPUT2 X-BAR Flag Clear Reset type: CPU1.SYSRSn

**Table 8-29. XBARCLR2 Register Field Descriptions (continued)**

Bit	Field	Type	Reset	Description
0	INPUT1	R-0/W1S	0h	INPUT1 X-BAR Flag Clear Reset type: CPU1.SYSRSn



### 8.3.3.6 XBARCLR3 Register (Offset = Ch) [Reset = 0000000h]

XBARCLR3 is shown in [Figure 8-27](#) and described in [Table 8-30](#).

Return to the [Summary Table](#).

This register is used to clear the flag(s) in the XBARFLG3 register.

1: Clears the corresponding bit in the XBARFLG3 register.

0: Writing 0 has no effect

**Figure 8-27. XBARCLR3 Register**

31	30	29	28	27	26	25	24
RESERVED							
R-0-0h							
23	22	21	20	19	18	17	16
RESERVED	SD2FLT4_COM PH	SD2FLT4_COM PL	SD2FLT3_COM PH	SD2FLT3_COM PL	SD2FLT2_COM PH	SD2FLT2_COM PL	SD2FLT1_COM PH
R-0-0h	R-0/W1S-0h	R-0/W1S-0h	R-0/W1S-0h	R-0/W1S-0h	R-0/W1S-0h	R-0/W1S-0h	R-0/W1S-0h
15	14	13	12	11	10	9	8
SD2FLT1_COM PL	SD1FLT4_COM PH	SD1FLT4_COM PL	SD1FLT3_COM PH	SD1FLT3_COM PL	SD1FLT2_COM PH	SD1FLT2_COM PL	SD1FLT1_COM PH
R-0/W1S-0h	R-0/W1S-0h	R-0/W1S-0h	R-0/W1S-0h	R-0/W1S-0h	R-0/W1S-0h	R-0/W1S-0h	R-0/W1S-0h
7	6	5	4	3	2	1	0
SD1FLT1_COM PL	ADCDEVT4	ADCDEVT3	ADCDEVT2	ADCDEVT1	ADCCEVT4	ADCCEVT3	ADCCEVT2
R-0/W1S-0h	R-0/W1S-0h	R-0/W1S-0h	R-0/W1S-0h	R-0/W1S-0h	R-0/W1S-0h	R-0/W1S-0h	R-0/W1S-0h

**Table 8-30. XBARCLR3 Register Field Descriptions**

Bit	Field	Type	Reset	Description
31-23	RESERVED	R-0	0h	Reserved
22	SD2FLT4_COMPH	R-0/W1S	0h	SD2FLT4_COMPH X-BAR Flag Clear Reset type: CPU1.SYSRSn
21	SD2FLT4_COMPL	R-0/W1S	0h	SD2FLT4_COMPL X-BAR Flag Clear Reset type: CPU1.SYSRSn
20	SD2FLT3_COMPH	R-0/W1S	0h	SD2FLT3_COMPH X-BAR Flag Clear Reset type: CPU1.SYSRSn
19	SD2FLT3_COMPL	R-0/W1S	0h	SD2FLT3_COMPL X-BAR Flag Clear Reset type: CPU1.SYSRSn
18	SD2FLT2_COMPH	R-0/W1S	0h	SD2FLT2_COMPH X-BAR Flag Clear Reset type: CPU1.SYSRSn
17	SD2FLT2_COMPL	R-0/W1S	0h	SD2FLT2_COMPL X-BAR Flag Clear Reset type: CPU1.SYSRSn
16	SD2FLT1_COMPH	R-0/W1S	0h	SD2FLT1_COMPH X-BAR Flag Clear Reset type: CPU1.SYSRSn
15	SD2FLT1_COMPL	R-0/W1S	0h	SD2FLT1_COMPL X-BAR Flag Clear Reset type: CPU1.SYSRSn
14	SD1FLT4_COMPH	R-0/W1S	0h	SD1FLT4_COMPH X-BAR Flag Clear Reset type: CPU1.SYSRSn
13	SD1FLT4_COMPL	R-0/W1S	0h	SD1FLT4_COMPL X-BAR Flag Clear Reset type: CPU1.SYSRSn
12	SD1FLT3_COMPH	R-0/W1S	0h	SD1FLT3_COMPH X-BAR Flag Clear Reset type: CPU1.SYSRSn

**Table 8-30. XBARCLR3 Register Field Descriptions (continued)**

Bit	Field	Type	Reset	Description
11	SD1FLT3_COMPL	R-0/W1S	0h	SD1FLT3_COMPL X-BAR Flag Clear Reset type: CPU1.SYSRSn
10	SD1FLT2_COMPH	R-0/W1S	0h	SD1FLT2_COMPH X-BAR Flag Clear Reset type: CPU1.SYSRSn
9	SD1FLT2_COMPL	R-0/W1S	0h	SD1FLT2_COMPL X-BAR Flag Clear Reset type: CPU1.SYSRSn
8	SD1FLT1_COMPH	R-0/W1S	0h	SD1FLT1_COMPH X-BAR Flag Clear Reset type: CPU1.SYSRSn
7	SD1FLT1_COMPL	R-0/W1S	0h	SD1FLT1_COMPL X-BAR Flag Clear Reset type: CPU1.SYSRSn
6	ADCDEVT4	R-0/W1S	0h	ADCDEVT4 X-BAR Flag Clear Reset type: CPU1.SYSRSn
5	ADCDEVT3	R-0/W1S	0h	ADCDEVT3 X-BAR Flag Clear Reset type: CPU1.SYSRSn
4	ADCDEVT2	R-0/W1S	0h	ADCDEVT2 X-BAR Flag Clear Reset type: CPU1.SYSRSn
3	ADCDEVT1	R-0/W1S	0h	ADCDEVT1 X-BAR Flag Clear Reset type: CPU1.SYSRSn
2	ADCCEVT4	R-0/W1S	0h	ADCCEVT4 X-BAR Flag Clear Reset type: CPU1.SYSRSn
1	ADCCEVT3	R-0/W1S	0h	ADCCEVT3 X-BAR Flag Clear Reset type: CPU1.SYSRSn
0	ADCCEVT2	R-0/W1S	0h	ADCCEVT2 X-BAR Flag Clear Reset type: CPU1.SYSRSn

### 8.3.4 EPWM\_XBAR\_REGS Registers

Table 8-31 lists the memory-mapped registers for the EPWM\_XBAR\_REGS registers. All register offset addresses not listed in Table 8-31 should be considered as reserved locations and the register contents should not be modified.

**Table 8-31. EPWM\_XBAR\_REGS Registers**

Offset	Acronym	Register Name	Write Protection	Section
0h	TRIP4MUX0TO15CFG	ePWM XBAR Mux Configuration for TRIP4	EALLOW	<a href="#">Go</a>
2h	TRIP4MUX16TO31CFG	ePWM XBAR Mux Configuration for TRIP4	EALLOW	<a href="#">Go</a>
4h	TRIP5MUX0TO15CFG	ePWM XBAR Mux Configuration for TRIP5	EALLOW	<a href="#">Go</a>
6h	TRIP5MUX16TO31CFG	ePWM XBAR Mux Configuration for TRIP5	EALLOW	<a href="#">Go</a>
8h	TRIP7MUX0TO15CFG	ePWM XBAR Mux Configuration for TRIP7	EALLOW	<a href="#">Go</a>
Ah	TRIP7MUX16TO31CFG	ePWM XBAR Mux Configuration for TRIP7	EALLOW	<a href="#">Go</a>
Ch	TRIP8MUX0TO15CFG	ePWM XBAR Mux Configuration for TRIP8	EALLOW	<a href="#">Go</a>
Eh	TRIP8MUX16TO31CFG	ePWM XBAR Mux Configuration for TRIP8	EALLOW	<a href="#">Go</a>
10h	TRIP9MUX0TO15CFG	ePWM XBAR Mux Configuration for TRIP9	EALLOW	<a href="#">Go</a>
12h	TRIP9MUX16TO31CFG	ePWM XBAR Mux Configuration for TRIP9	EALLOW	<a href="#">Go</a>
14h	TRIP10MUX0TO15CFG	ePWM XBAR Mux Configuration for TRIP10	EALLOW	<a href="#">Go</a>
16h	TRIP10MUX16TO31CFG	ePWM XBAR Mux Configuration for TRIP10	EALLOW	<a href="#">Go</a>
18h	TRIP11MUX0TO15CFG	ePWM XBAR Mux Configuration for TRIP11	EALLOW	<a href="#">Go</a>
1Ah	TRIP11MUX16TO31CFG	ePWM XBAR Mux Configuration for TRIP11	EALLOW	<a href="#">Go</a>
1Ch	TRIP12MUX0TO15CFG	ePWM XBAR Mux Configuration for TRIP12	EALLOW	<a href="#">Go</a>
1Eh	TRIP12MUX16TO31CFG	ePWM XBAR Mux Configuration for TRIP12	EALLOW	<a href="#">Go</a>
20h	TRIP4MUXENABLE	ePWM XBAR Mux Enable for TRIP4	EALLOW	<a href="#">Go</a>
22h	TRIP5MUXENABLE	ePWM XBAR Mux Enable for TRIP5	EALLOW	<a href="#">Go</a>
24h	TRIP7MUXENABLE	ePWM XBAR Mux Enable for TRIP7	EALLOW	<a href="#">Go</a>
26h	TRIP8MUXENABLE	ePWM XBAR Mux Enable for TRIP8	EALLOW	<a href="#">Go</a>
28h	TRIP9MUXENABLE	ePWM XBAR Mux Enable for TRIP9	EALLOW	<a href="#">Go</a>
2Ah	TRIP10MUXENABLE	ePWM XBAR Mux Enable for TRIP10	EALLOW	<a href="#">Go</a>
2Ch	TRIP11MUXENABLE	ePWM XBAR Mux Enable for TRIP11	EALLOW	<a href="#">Go</a>
2Eh	TRIP12MUXENABLE	ePWM XBAR Mux Enable for TRIP12	EALLOW	<a href="#">Go</a>
38h	TRIPOUTINV	ePWM XBAR Output Inversion Register	EALLOW	<a href="#">Go</a>
3Eh	TRIPLOCK	ePWM XBAR Configuration Lock register	EALLOW	<a href="#">Go</a>

Complex bit access types are encoded to fit into small table cells. Table 8-32 shows the codes that are used for access types in this section.

**Table 8-32. EPWM\_XBAR\_REGS Access Type Codes**

Access Type	Code	Description
Read Type		
R	R	Read
R-0	R-0	Read Returns 0s
Write Type		
W	W	Write
WOnce	W Once	Write Set once
Reset or Default Value		
-n		Value after reset or the default value

**Table 8-32. EPWM\_XBAR\_REGS Access Type Codes (continued)**

Access Type	Code	Description
Register Array Variables		
i,j,k,l,m,n		When these variables are used in a register name, an offset, or an address, they refer to the value of a register array where the register is part of a group of repeating registers. The register groups form a hierarchical structure and the array is represented with a formula.
y		When this variable is used in a register name, an offset, or an address it refers to the value of a register array.

### 8.3.4.1 TRIP4MUX0TO15CFG Register (Offset = 0h) [Reset = 0000000h]

TRIP4MUX0TO15CFG is shown in [Figure 8-28](#) and described in [Table 8-33](#).

Return to the [Summary Table](#).

ePWM XBAR Mux Configuration for TRIP4

**Figure 8-28. TRIP4MUX0TO15CFG Register**

31	30	29	28	27	26	25	24	23	22	21	20	19	18	17	16
MUX15		MUX14		MUX13		MUX12		MUX11		MUX10		MUX9		MUX8	
R/W-0h		R/W-0h		R/W-0h		R/W-0h		R/W-0h		R/W-0h		R/W-0h		R/W-0h	
15	14	13	12	11	10	9	8	7	6	5	4	3	2	1	0
MUX7		MUX6		MUX5		MUX4		MUX3		MUX2		MUX1		MUX0	
R/W-0h		R/W-0h		R/W-0h		R/W-0h		R/W-0h		R/W-0h		R/W-0h		R/W-0h	

**Table 8-33. TRIP4MUX0TO15CFG Register Field Descriptions**

Bit	Field	Type	Reset	Description
31-30	MUX15	R/W	0h	Select Bits for EPWM-XBAR TRIP4 Mux15: 00 : Select .0 input for Mux15 01 : Select .1 input for Mux15 10 : Select .2 input for Mux15 11 : Select .3 input for Mux15 Refer to the EPWM X-BAR section of this chapter for more details. Reset type: CPU1.SYSRSn
29-28	MUX14	R/W	0h	Select Bits for EPWM-XBAR TRIP4 Mux14: 00 : Select .0 input for Mux14 01 : Select .1 input for Mux14 10 : Select .2 input for Mux14 11 : Select .3 input for Mux14 Refer to the EPWM X-BAR section of this chapter for more details. Reset type: CPU1.SYSRSn
27-26	MUX13	R/W	0h	Select Bits for EPWM-XBAR TRIP4 Mux13: 00 : Select .0 input for Mux13 01 : Select .1 input for Mux13 10 : Select .2 input for Mux13 11 : Select .3 input for Mux13 Refer to the EPWM X-BAR section of this chapter for more details. Reset type: CPU1.SYSRSn
25-24	MUX12	R/W	0h	Select Bits for EPWM-XBAR TRIP4 Mux12: 00 : Select .0 input for Mux12 01 : Select .1 input for Mux12 10 : Select .2 input for Mux12 11 : Select .3 input for Mux12 Refer to the EPWM X-BAR section of this chapter for more details. Reset type: CPU1.SYSRSn
23-22	MUX11	R/W	0h	Select Bits for EPWM-XBAR TRIP4 Mux11: 00 : Select .0 input for Mux11 01 : Select .1 input for Mux11 10 : Select .2 input for Mux11 11 : Select .3 input for Mux11 Refer to the EPWM X-BAR section of this chapter for more details. Reset type: CPU1.SYSRSn
21-20	MUX10	R/W	0h	Select Bits for EPWM-XBAR TRIP4 Mux10: 00 : Select .0 input for Mux10 01 : Select .1 input for Mux10 10 : Select .2 input for Mux10 11 : Select .3 input for Mux10 Refer to the EPWM X-BAR section of this chapter for more details. Reset type: CPU1.SYSRSn

**Table 8-33. TRIP4MUX0TO15CFG Register Field Descriptions (continued)**

Bit	Field	Type	Reset	Description
19-18	MUX9	R/W	0h	Select Bits for EPWM-XBAR TRIP4 Mux9: 00 : Select .0 input for Mux9 01 : Select .1 input for Mux9 10 : Select .2 input for Mux9 11 : Select .3 input for Mux9 Refer to the EPWM X-BAR section of this chapter for more details. Reset type: CPU1.SYSRSn
17-16	MUX8	R/W	0h	Select Bits for EPWM-XBAR TRIP4 Mux8: 00 : Select .0 input for Mux8 01 : Select .1 input for Mux8 10 : Select .2 input for Mux8 11 : Select .3 input for Mux8 Refer to the EPWM X-BAR section of this chapter for more details. Reset type: CPU1.SYSRSn
15-14	MUX7	R/W	0h	Select Bits for EPWM-XBAR TRIP4 Mux7: 00 : Select .0 input for Mux7 01 : Select .1 input for Mux7 10 : Select .2 input for Mux7 11 : Select .3 input for Mux7 Refer to the EPWM X-BAR section of this chapter for more details. Reset type: CPU1.SYSRSn
13-12	MUX6	R/W	0h	Select Bits for EPWM-XBAR TRIP4 Mux6: 00 : Select .0 input for Mux6 01 : Select .1 input for Mux6 10 : Select .2 input for Mux6 11 : Select .3 input for Mux6 Refer to the EPWM X-BAR section of this chapter for more details. Reset type: CPU1.SYSRSn
11-10	MUX5	R/W	0h	Select Bits for EPWM-XBAR TRIP4 Mux5: 00 : Select .0 input for Mux5 01 : Select .1 input for Mux5 10 : Select .2 input for Mux5 11 : Select .3 input for Mux5 Refer to the EPWM X-BAR section of this chapter for more details. Reset type: CPU1.SYSRSn
9-8	MUX4	R/W	0h	Select Bits for EPWM-XBAR TRIP4 Mux4: 00 : Select .0 input for Mux4 01 : Select .1 input for Mux4 10 : Select .2 input for Mux4 11 : Select .3 input for Mux4 Refer to the EPWM X-BAR section of this chapter for more details. Reset type: CPU1.SYSRSn
7-6	MUX3	R/W	0h	Select Bits for EPWM-XBAR TRIP4 Mux3: 00 : Select .0 input for Mux3 01 : Select .1 input for Mux3 10 : Select .2 input for Mux3 11 : Select .3 input for Mux3 Refer to the EPWM X-BAR section of this chapter for more details. Reset type: CPU1.SYSRSn
5-4	MUX2	R/W	0h	Select Bits for EPWM-XBAR TRIP4 Mux2: 00 : Select .0 input for Mux2 01 : Select .1 input for Mux2 10 : Select .2 input for Mux2 11 : Select .3 input for Mux2 Refer to the EPWM X-BAR section of this chapter for more details. Reset type: CPU1.SYSRSn

**Table 8-33. TRIP4MUX0TO15CFG Register Field Descriptions (continued)**

Bit	Field	Type	Reset	Description
3-2	MUX1	R/W	0h	Select Bits for EPWM-XBAR TRIP4 Mux1: 00 : Select .0 input for Mux1 01 : Select .1 input for Mux1 10 : Select .2 input for Mux1 11 : Select .3 input for Mux1 Refer to the EPWM X-BAR section of this chapter for more details. Reset type: CPU1.SYSRSn
1-0	MUX0	R/W	0h	Select Bits for EPWM-XBAR TRIP4 Mux0: 00 : Select .0 input for Mux0 01 : Select .1 input for Mux0 10 : Select .2 input for Mux0 11 : Select .3 input for Mux0 Refer to the EPWM X-BAR section of this chapter for more details. Reset type: CPU1.SYSRSn

### 8.3.4.2 TRIP4MUX16TO31CFG Register (Offset = 2h) [Reset = 0000000h]

TRIP4MUX16TO31CFG is shown in [Figure 8-29](#) and described in [Table 8-34](#).

Return to the [Summary Table](#).

ePWM XBAR Mux Configuration for TRIP4

**Figure 8-29. TRIP4MUX16TO31CFG Register**

31	30	29	28	27	26	25	24	23	22	21	20	19	18	17	16
MUX31		MUX30		MUX29		MUX28		MUX27		MUX26		MUX25		MUX24	
R/W-0h		R/W-0h		R/W-0h		R/W-0h		R/W-0h		R/W-0h		R/W-0h		R/W-0h	
15	14	13	12	11	10	9	8	7	6	5	4	3	2	1	0
MUX23		MUX22		MUX21		MUX20		MUX19		MUX18		MUX17		MUX16	
R/W-0h		R/W-0h		R/W-0h		R/W-0h		R/W-0h		R/W-0h		R/W-0h		R/W-0h	

**Table 8-34. TRIP4MUX16TO31CFG Register Field Descriptions**

Bit	Field	Type	Reset	Description
31-30	MUX31	R/W	0h	Select Bits for EPWM-XBAR TRIP4 Mux31: 00 : Select .0 input for Mux31 01 : Select .1 input for Mux31 10 : Select .2 input for Mux31 11 : Select .3 input for Mux31 Refer to the EPWM X-BAR section of this chapter for more details. Reset type: CPU1.SYSRSn
29-28	MUX30	R/W	0h	Select Bits for EPWM-XBAR TRIP4 Mux30: 00 : Select .0 input for Mux30 01 : Select .1 input for Mux30 10 : Select .2 input for Mux30 11 : Select .3 input for Mux30 Refer to the EPWM X-BAR section of this chapter for more details. Reset type: CPU1.SYSRSn
27-26	MUX29	R/W	0h	Select Bits for EPWM-XBAR TRIP4 Mux29: 00 : Select .0 input for Mux29 01 : Select .1 input for Mux29 10 : Select .2 input for Mux29 11 : Select .3 input for Mux29 Refer to the EPWM X-BAR section of this chapter for more details. Reset type: CPU1.SYSRSn
25-24	MUX28	R/W	0h	Select Bits for EPWM-XBAR TRIP4 Mux28: 00 : Select .0 input for Mux28 01 : Select .1 input for Mux28 10 : Select .2 input for Mux28 11 : Select .3 input for Mux28 Refer to the EPWM X-BAR section of this chapter for more details. Reset type: CPU1.SYSRSn
23-22	MUX27	R/W	0h	Select Bits for EPWM-XBAR TRIP4 Mux27: 00 : Select .0 input for Mux27 01 : Select .1 input for Mux27 10 : Select .2 input for Mux27 11 : Select .3 input for Mux27 Refer to the EPWM X-BAR section of this chapter for more details. Reset type: CPU1.SYSRSn
21-20	MUX26	R/W	0h	Select Bits for EPWM-XBAR TRIP4 Mux26: 00 : Select .0 input for Mux26 01 : Select .1 input for Mux26 10 : Select .2 input for Mux26 11 : Select .3 input for Mux26 Refer to the EPWM X-BAR section of this chapter for more details. Reset type: CPU1.SYSRSn



**Table 8-34. TRIP4MUX16TO31CFG Register Field Descriptions (continued)**

Bit	Field	Type	Reset	Description
19-18	MUX25	R/W	0h	Select Bits for EPWM-XBAR TRIP4 Mux25: 00 : Select .0 input for Mux25 01 : Select .1 input for Mux25 10 : Select .2 input for Mux25 11 : Select .3 input for Mux25 Refer to the EPWM X-BAR section of this chapter for more details. Reset type: CPU1.SYSRSn
17-16	MUX24	R/W	0h	Select Bits for EPWM-XBAR TRIP4 Mux24: 00 : Select .0 input for Mux24 01 : Select .1 input for Mux24 10 : Select .2 input for Mux24 11 : Select .3 input for Mux24 Refer to the EPWM X-BAR section of this chapter for more details. Reset type: CPU1.SYSRSn
15-14	MUX23	R/W	0h	Select Bits for EPWM-XBAR TRIP4 Mux23: 00 : Select .0 input for Mux23 01 : Select .1 input for Mux23 10 : Select .2 input for Mux23 11 : Select .3 input for Mux23 Refer to the EPWM X-BAR section of this chapter for more details. Reset type: CPU1.SYSRSn
13-12	MUX22	R/W	0h	Select Bits for EPWM-XBAR TRIP4 Mux22: 00 : Select .0 input for Mux22 01 : Select .1 input for Mux22 10 : Select .2 input for Mux22 11 : Select .3 input for Mux22 Refer to the EPWM X-BAR section of this chapter for more details. Reset type: CPU1.SYSRSn
11-10	MUX21	R/W	0h	Select Bits for EPWM-XBAR TRIP4 Mux21: 00 : Select .0 input for Mux21 01 : Select .1 input for Mux21 10 : Select .2 input for Mux21 11 : Select .3 input for Mux21 Refer to the EPWM X-BAR section of this chapter for more details. Reset type: CPU1.SYSRSn
9-8	MUX20	R/W	0h	Select Bits for EPWM-XBAR TRIP4 Mux20: 00 : Select .0 input for Mux20 01 : Select .1 input for Mux20 10 : Select .2 input for Mux20 11 : Select .3 input for Mux20 Refer to the EPWM X-BAR section of this chapter for more details. Reset type: CPU1.SYSRSn
7-6	MUX19	R/W	0h	Select Bits for EPWM-XBAR TRIP4 Mux19: 00 : Select .0 input for Mux19 01 : Select .1 input for Mux19 10 : Select .2 input for Mux19 11 : Select .3 input for Mux19 Refer to the EPWM X-BAR section of this chapter for more details. Reset type: CPU1.SYSRSn
5-4	MUX18	R/W	0h	Select Bits for EPWM-XBAR TRIP4 Mux18: 00 : Select .0 input for Mux18 01 : Select .1 input for Mux18 10 : Select .2 input for Mux18 11 : Select .3 input for Mux18 Refer to the EPWM X-BAR section of this chapter for more details. Reset type: CPU1.SYSRSn

**Table 8-34. TRIP4MUX16TO31CFG Register Field Descriptions (continued)**

Bit	Field	Type	Reset	Description
3-2	MUX17	R/W	0h	Select Bits for EPWM-XBAR TRIP4 Mux17: 00 : Select .0 input for Mux17 01 : Select .1 input for Mux17 10 : Select .2 input for Mux17 11 : Select .3 input for Mux17 Refer to the EPWM X-BAR section of this chapter for more details. Reset type: CPU1.SYSRSn
1-0	MUX16	R/W	0h	Select Bits for EPWM-XBAR TRIP4 Mux16: 00 : Select .0 input for Mux16 01 : Select .1 input for Mux16 10 : Select .2 input for Mux16 11 : Select .3 input for Mux16 Refer to the EPWM X-BAR section of this chapter for more details. Reset type: CPU1.SYSRSn

### 8.3.4.3 TRIP5MUX0TO15CFG Register (Offset = 4h) [Reset = 0000000h]

TRIP5MUX0TO15CFG is shown in [Figure 8-30](#) and described in [Table 8-35](#).

Return to the [Summary Table](#).

ePWM XBAR Mux Configuration for TRIP5

**Figure 8-30. TRIP5MUX0TO15CFG Register**

31	30	29	28	27	26	25	24	23	22	21	20	19	18	17	16
MUX15		MUX14		MUX13		MUX12		MUX11		MUX10		MUX9		MUX8	
R/W-0h		R/W-0h		R/W-0h		R/W-0h		R/W-0h		R/W-0h		R/W-0h		R/W-0h	
15	14	13	12	11	10	9	8	7	6	5	4	3	2	1	0
MUX7		MUX6		MUX5		MUX4		MUX3		MUX2		MUX1		MUX0	
R/W-0h		R/W-0h		R/W-0h		R/W-0h		R/W-0h		R/W-0h		R/W-0h		R/W-0h	

**Table 8-35. TRIP5MUX0TO15CFG Register Field Descriptions**

Bit	Field	Type	Reset	Description
31-30	MUX15	R/W	0h	Select Bits for EPWM-XBAR TRIP5 Mux15: 00 : Select .0 input for Mux15 01 : Select .1 input for Mux15 10 : Select .2 input for Mux15 11 : Select .3 input for Mux15 Refer to the EPWM X-BAR section of this chapter for more details. Reset type: CPU1.SYSRSn
29-28	MUX14	R/W	0h	Select Bits for EPWM-XBAR TRIP5 Mux14: 00 : Select .0 input for Mux14 01 : Select .1 input for Mux14 10 : Select .2 input for Mux14 11 : Select .3 input for Mux14 Refer to the EPWM X-BAR section of this chapter for more details. Reset type: CPU1.SYSRSn
27-26	MUX13	R/W	0h	Select Bits for EPWM-XBAR TRIP5 Mux13: 00 : Select .0 input for Mux13 01 : Select .1 input for Mux13 10 : Select .2 input for Mux13 11 : Select .3 input for Mux13 Refer to the EPWM X-BAR section of this chapter for more details. Reset type: CPU1.SYSRSn
25-24	MUX12	R/W	0h	Select Bits for EPWM-XBAR TRIP5 Mux12: 00 : Select .0 input for Mux12 01 : Select .1 input for Mux12 10 : Select .2 input for Mux12 11 : Select .3 input for Mux12 Refer to the EPWM X-BAR section of this chapter for more details. Reset type: CPU1.SYSRSn
23-22	MUX11	R/W	0h	Select Bits for EPWM-XBAR TRIP5 Mux11: 00 : Select .0 input for Mux11 01 : Select .1 input for Mux11 10 : Select .2 input for Mux11 11 : Select .3 input for Mux11 Refer to the EPWM X-BAR section of this chapter for more details. Reset type: CPU1.SYSRSn
21-20	MUX10	R/W	0h	Select Bits for EPWM-XBAR TRIP5 Mux10: 00 : Select .0 input for Mux10 01 : Select .1 input for Mux10 10 : Select .2 input for Mux10 11 : Select .3 input for Mux10 Refer to the EPWM X-BAR section of this chapter for more details. Reset type: CPU1.SYSRSn

**Table 8-35. TRIP5MUX0TO15CFG Register Field Descriptions (continued)**

Bit	Field	Type	Reset	Description
19-18	MUX9	R/W	0h	Select Bits for EPWM-XBAR TRIP5 Mux9: 00 : Select .0 input for Mux9 01 : Select .1 input for Mux9 10 : Select .2 input for Mux9 11 : Select .3 input for Mux9 Refer to the EPWM X-BAR section of this chapter for more details. Reset type: CPU1.SYSRSn
17-16	MUX8	R/W	0h	Select Bits for EPWM-XBAR TRIP5 Mux8: 00 : Select .0 input for Mux8 01 : Select .1 input for Mux8 10 : Select .2 input for Mux8 11 : Select .3 input for Mux8 Refer to the EPWM X-BAR section of this chapter for more details. Reset type: CPU1.SYSRSn
15-14	MUX7	R/W	0h	Select Bits for EPWM-XBAR TRIP5 Mux7: 00 : Select .0 input for Mux7 01 : Select .1 input for Mux7 10 : Select .2 input for Mux7 11 : Select .3 input for Mux7 Refer to the EPWM X-BAR section of this chapter for more details. Reset type: CPU1.SYSRSn
13-12	MUX6	R/W	0h	Select Bits for EPWM-XBAR TRIP5 Mux6: 00 : Select .0 input for Mux6 01 : Select .1 input for Mux6 10 : Select .2 input for Mux6 11 : Select .3 input for Mux6 Refer to the EPWM X-BAR section of this chapter for more details. Reset type: CPU1.SYSRSn
11-10	MUX5	R/W	0h	Select Bits for EPWM-XBAR TRIP5 Mux5: 00 : Select .0 input for Mux5 01 : Select .1 input for Mux5 10 : Select .2 input for Mux5 11 : Select .3 input for Mux5 Refer to the EPWM X-BAR section of this chapter for more details. Reset type: CPU1.SYSRSn
9-8	MUX4	R/W	0h	Select Bits for EPWM-XBAR TRIP5 Mux4: 00 : Select .0 input for Mux4 01 : Select .1 input for Mux4 10 : Select .2 input for Mux4 11 : Select .3 input for Mux4 Refer to the EPWM X-BAR section of this chapter for more details. Reset type: CPU1.SYSRSn
7-6	MUX3	R/W	0h	Select Bits for EPWM-XBAR TRIP5 Mux3: 00 : Select .0 input for Mux3 01 : Select .1 input for Mux3 10 : Select .2 input for Mux3 11 : Select .3 input for Mux3 Refer to the EPWM X-BAR section of this chapter for more details. Reset type: CPU1.SYSRSn
5-4	MUX2	R/W	0h	Select Bits for EPWM-XBAR TRIP5 Mux2: 00 : Select .0 input for Mux2 01 : Select .1 input for Mux2 10 : Select .2 input for Mux2 11 : Select .3 input for Mux2 Refer to the EPWM X-BAR section of this chapter for more details. Reset type: CPU1.SYSRSn

**Table 8-35. TRIP5MUX0TO15CFG Register Field Descriptions (continued)**

Bit	Field	Type	Reset	Description
3-2	MUX1	R/W	0h	Select Bits for EPWM-XBAR TRIP5 Mux1: 00 : Select .0 input for Mux1 01 : Select .1 input for Mux1 10 : Select .2 input for Mux1 11 : Select .3 input for Mux1 Refer to the EPWM X-BAR section of this chapter for more details. Reset type: CPU1.SYSRSn
1-0	MUX0	R/W	0h	Select Bits for EPWM-XBAR TRIP5 Mux0: 00 : Select .0 input for Mux0 01 : Select .1 input for Mux0 10 : Select .2 input for Mux0 11 : Select .3 input for Mux0 Refer to the EPWM X-BAR section of this chapter for more details. Reset type: CPU1.SYSRSn

### 8.3.4.4 TRIP5MUX16TO31CFG Register (Offset = 6h) [Reset = 0000000h]

TRIP5MUX16TO31CFG is shown in [Figure 8-31](#) and described in [Table 8-36](#).

Return to the [Summary Table](#).

ePWM XBAR Mux Configuration for TRIP5

**Figure 8-31. TRIP5MUX16TO31CFG Register**

31	30	29	28	27	26	25	24	23	22	21	20	19	18	17	16
MUX31		MUX30		MUX29		MUX28		MUX27		MUX26		MUX25		MUX24	
R/W-0h		R/W-0h		R/W-0h		R/W-0h		R/W-0h		R/W-0h		R/W-0h		R/W-0h	
15	14	13	12	11	10	9	8	7	6	5	4	3	2	1	0
MUX23		MUX22		MUX21		MUX20		MUX19		MUX18		MUX17		MUX16	
R/W-0h		R/W-0h		R/W-0h		R/W-0h		R/W-0h		R/W-0h		R/W-0h		R/W-0h	

**Table 8-36. TRIP5MUX16TO31CFG Register Field Descriptions**

Bit	Field	Type	Reset	Description
31-30	MUX31	R/W	0h	Select Bits for EPWM-XBAR TRIP5 Mux31: 00 : Select .0 input for Mux31 01 : Select .1 input for Mux31 10 : Select .2 input for Mux31 11 : Select .3 input for Mux31 Refer to the EPWM X-BAR section of this chapter for more details. Reset type: CPU1.SYSRSn
29-28	MUX30	R/W	0h	Select Bits for EPWM-XBAR TRIP5 Mux30: 00 : Select .0 input for Mux30 01 : Select .1 input for Mux30 10 : Select .2 input for Mux30 11 : Select .3 input for Mux30 Refer to the EPWM X-BAR section of this chapter for more details. Reset type: CPU1.SYSRSn
27-26	MUX29	R/W	0h	Select Bits for EPWM-XBAR TRIP5 Mux29: 00 : Select .0 input for Mux29 01 : Select .1 input for Mux29 10 : Select .2 input for Mux29 11 : Select .3 input for Mux29 Refer to the EPWM X-BAR section of this chapter for more details. Reset type: CPU1.SYSRSn
25-24	MUX28	R/W	0h	Select Bits for EPWM-XBAR TRIP5 Mux28: 00 : Select .0 input for Mux28 01 : Select .1 input for Mux28 10 : Select .2 input for Mux28 11 : Select .3 input for Mux28 Refer to the EPWM X-BAR section of this chapter for more details. Reset type: CPU1.SYSRSn
23-22	MUX27	R/W	0h	Select Bits for EPWM-XBAR TRIP5 Mux27: 00 : Select .0 input for Mux27 01 : Select .1 input for Mux27 10 : Select .2 input for Mux27 11 : Select .3 input for Mux27 Refer to the EPWM X-BAR section of this chapter for more details. Reset type: CPU1.SYSRSn
21-20	MUX26	R/W	0h	Select Bits for EPWM-XBAR TRIP5 Mux26: 00 : Select .0 input for Mux26 01 : Select .1 input for Mux26 10 : Select .2 input for Mux26 11 : Select .3 input for Mux26 Refer to the EPWM X-BAR section of this chapter for more details. Reset type: CPU1.SYSRSn

**Table 8-36. TRIP5MUX16TO31CFG Register Field Descriptions (continued)**

Bit	Field	Type	Reset	Description
19-18	MUX25	R/W	0h	Select Bits for EPWM-XBAR TRIP5 Mux25: 00 : Select .0 input for Mux25 01 : Select .1 input for Mux25 10 : Select .2 input for Mux25 11 : Select .3 input for Mux25 Refer to the EPWM X-BAR section of this chapter for more details. Reset type: CPU1.SYSRSn
17-16	MUX24	R/W	0h	Select Bits for EPWM-XBAR TRIP5 Mux24: 00 : Select .0 input for Mux24 01 : Select .1 input for Mux24 10 : Select .2 input for Mux24 11 : Select .3 input for Mux24 Refer to the EPWM X-BAR section of this chapter for more details. Reset type: CPU1.SYSRSn
15-14	MUX23	R/W	0h	Select Bits for EPWM-XBAR TRIP5 Mux23: 00 : Select .0 input for Mux23 01 : Select .1 input for Mux23 10 : Select .2 input for Mux23 11 : Select .3 input for Mux23 Refer to the EPWM X-BAR section of this chapter for more details. Reset type: CPU1.SYSRSn
13-12	MUX22	R/W	0h	Select Bits for EPWM-XBAR TRIP5 Mux22: 00 : Select .0 input for Mux22 01 : Select .1 input for Mux22 10 : Select .2 input for Mux22 11 : Select .3 input for Mux22 Refer to the EPWM X-BAR section of this chapter for more details. Reset type: CPU1.SYSRSn
11-10	MUX21	R/W	0h	Select Bits for EPWM-XBAR TRIP5 Mux21: 00 : Select .0 input for Mux21 01 : Select .1 input for Mux21 10 : Select .2 input for Mux21 11 : Select .3 input for Mux21 Refer to the EPWM X-BAR section of this chapter for more details. Reset type: CPU1.SYSRSn
9-8	MUX20	R/W	0h	Select Bits for EPWM-XBAR TRIP5 Mux20: 00 : Select .0 input for Mux20 01 : Select .1 input for Mux20 10 : Select .2 input for Mux20 11 : Select .3 input for Mux20 Refer to the EPWM X-BAR section of this chapter for more details. Reset type: CPU1.SYSRSn
7-6	MUX19	R/W	0h	Select Bits for EPWM-XBAR TRIP5 Mux19: 00 : Select .0 input for Mux19 01 : Select .1 input for Mux19 10 : Select .2 input for Mux19 11 : Select .3 input for Mux19 Refer to the EPWM X-BAR section of this chapter for more details. Reset type: CPU1.SYSRSn
5-4	MUX18	R/W	0h	Select Bits for EPWM-XBAR TRIP5 Mux18: 00 : Select .0 input for Mux18 01 : Select .1 input for Mux18 10 : Select .2 input for Mux18 11 : Select .3 input for Mux18 Refer to the EPWM X-BAR section of this chapter for more details. Reset type: CPU1.SYSRSn

**Table 8-36. TRIP5MUX16TO31CFG Register Field Descriptions (continued)**

Bit	Field	Type	Reset	Description
3-2	MUX17	R/W	0h	Select Bits for EPWM-XBAR TRIP5 Mux17: 00 : Select .0 input for Mux17 01 : Select .1 input for Mux17 10 : Select .2 input for Mux17 11 : Select .3 input for Mux17 Refer to the EPWM X-BAR section of this chapter for more details. Reset type: CPU1.SYSRSn
1-0	MUX16	R/W	0h	Select Bits for EPWM-XBAR TRIP5 Mux16: 00 : Select .0 input for Mux16 01 : Select .1 input for Mux16 10 : Select .2 input for Mux16 11 : Select .3 input for Mux16 Refer to the EPWM X-BAR section of this chapter for more details. Reset type: CPU1.SYSRSn



### 8.3.4.5 TRIP7MUX0TO15CFG Register (Offset = 8h) [Reset = 0000000h]

TRIP7MUX0TO15CFG is shown in [Figure 8-32](#) and described in [Table 8-37](#).

Return to the [Summary Table](#).

ePWM XBAR Mux Configuration for TRIP7

**Figure 8-32. TRIP7MUX0TO15CFG Register**

31	30	29	28	27	26	25	24	23	22	21	20	19	18	17	16
MUX15		MUX14		MUX13		MUX12		MUX11		MUX10		MUX9		MUX8	
R/W-0h		R/W-0h		R/W-0h		R/W-0h		R/W-0h		R/W-0h		R/W-0h		R/W-0h	
15	14	13	12	11	10	9	8	7	6	5	4	3	2	1	0
MUX7		MUX6		MUX5		MUX4		MUX3		MUX2		MUX1		MUX0	
R/W-0h		R/W-0h		R/W-0h		R/W-0h		R/W-0h		R/W-0h		R/W-0h		R/W-0h	

**Table 8-37. TRIP7MUX0TO15CFG Register Field Descriptions**

Bit	Field	Type	Reset	Description
31-30	MUX15	R/W	0h	Select Bits for EPWM-XBAR TRIP7 Mux15: 00 : Select .0 input for Mux15 01 : Select .1 input for Mux15 10 : Select .2 input for Mux15 11 : Select .3 input for Mux15 Refer to the EPWM X-BAR section of this chapter for more details. Reset type: CPU1.SYSRSn
29-28	MUX14	R/W	0h	Select Bits for EPWM-XBAR TRIP7 Mux14: 00 : Select .0 input for Mux14 01 : Select .1 input for Mux14 10 : Select .2 input for Mux14 11 : Select .3 input for Mux14 Refer to the EPWM X-BAR section of this chapter for more details. Reset type: CPU1.SYSRSn
27-26	MUX13	R/W	0h	Select Bits for EPWM-XBAR TRIP7 Mux13: 00 : Select .0 input for Mux13 01 : Select .1 input for Mux13 10 : Select .2 input for Mux13 11 : Select .3 input for Mux13 Refer to the EPWM X-BAR section of this chapter for more details. Reset type: CPU1.SYSRSn
25-24	MUX12	R/W	0h	Select Bits for EPWM-XBAR TRIP7 Mux12: 00 : Select .0 input for Mux12 01 : Select .1 input for Mux12 10 : Select .2 input for Mux12 11 : Select .3 input for Mux12 Refer to the EPWM X-BAR section of this chapter for more details. Reset type: CPU1.SYSRSn
23-22	MUX11	R/W	0h	Select Bits for EPWM-XBAR TRIP7 Mux11: 00 : Select .0 input for Mux11 01 : Select .1 input for Mux11 10 : Select .2 input for Mux11 11 : Select .3 input for Mux11 Refer to the EPWM X-BAR section of this chapter for more details. Reset type: CPU1.SYSRSn
21-20	MUX10	R/W	0h	Select Bits for EPWM-XBAR TRIP7 Mux10: 00 : Select .0 input for Mux10 01 : Select .1 input for Mux10 10 : Select .2 input for Mux10 11 : Select .3 input for Mux10 Refer to the EPWM X-BAR section of this chapter for more details. Reset type: CPU1.SYSRSn

**Table 8-37. TRIP7MUX0TO15CFG Register Field Descriptions (continued)**

Bit	Field	Type	Reset	Description
19-18	MUX9	R/W	0h	Select Bits for EPWM-XBAR TRIP7 Mux9: 00 : Select .0 input for Mux9 01 : Select .1 input for Mux9 10 : Select .2 input for Mux9 11 : Select .3 input for Mux9 Refer to the EPWM X-BAR section of this chapter for more details. Reset type: CPU1.SYSRSn
17-16	MUX8	R/W	0h	Select Bits for EPWM-XBAR TRIP7 Mux8: 00 : Select .0 input for Mux8 01 : Select .1 input for Mux8 10 : Select .2 input for Mux8 11 : Select .3 input for Mux8 Refer to the EPWM X-BAR section of this chapter for more details. Reset type: CPU1.SYSRSn
15-14	MUX7	R/W	0h	Select Bits for EPWM-XBAR TRIP7 Mux7: 00 : Select .0 input for Mux7 01 : Select .1 input for Mux7 10 : Select .2 input for Mux7 11 : Select .3 input for Mux7 Refer to the EPWM X-BAR section of this chapter for more details. Reset type: CPU1.SYSRSn
13-12	MUX6	R/W	0h	Select Bits for EPWM-XBAR TRIP7 Mux6: 00 : Select .0 input for Mux6 01 : Select .1 input for Mux6 10 : Select .2 input for Mux6 11 : Select .3 input for Mux6 Refer to the EPWM X-BAR section of this chapter for more details. Reset type: CPU1.SYSRSn
11-10	MUX5	R/W	0h	Select Bits for EPWM-XBAR TRIP7 Mux5: 00 : Select .0 input for Mux5 01 : Select .1 input for Mux5 10 : Select .2 input for Mux5 11 : Select .3 input for Mux5 Refer to the EPWM X-BAR section of this chapter for more details. Reset type: CPU1.SYSRSn
9-8	MUX4	R/W	0h	Select Bits for EPWM-XBAR TRIP7 Mux4: 00 : Select .0 input for Mux4 01 : Select .1 input for Mux4 10 : Select .2 input for Mux4 11 : Select .3 input for Mux4 Refer to the EPWM X-BAR section of this chapter for more details. Reset type: CPU1.SYSRSn
7-6	MUX3	R/W	0h	Select Bits for EPWM-XBAR TRIP7 Mux3: 00 : Select .0 input for Mux3 01 : Select .1 input for Mux3 10 : Select .2 input for Mux3 11 : Select .3 input for Mux3 Refer to the EPWM X-BAR section of this chapter for more details. Reset type: CPU1.SYSRSn
5-4	MUX2	R/W	0h	Select Bits for EPWM-XBAR TRIP7 Mux2: 00 : Select .0 input for Mux2 01 : Select .1 input for Mux2 10 : Select .2 input for Mux2 11 : Select .3 input for Mux2 Refer to the EPWM X-BAR section of this chapter for more details. Reset type: CPU1.SYSRSn

**Table 8-37. TRIP7MUX0TO15CFG Register Field Descriptions (continued)**

Bit	Field	Type	Reset	Description
3-2	MUX1	R/W	0h	Select Bits for EPWM-XBAR TRIP7 Mux1: 00 : Select .0 input for Mux1 01 : Select .1 input for Mux1 10 : Select .2 input for Mux1 11 : Select .3 input for Mux1 Refer to the EPWM X-BAR section of this chapter for more details. Reset type: CPU1.SYSRSn
1-0	MUX0	R/W	0h	Select Bits for EPWM-XBAR TRIP7 Mux0: 00 : Select .0 input for Mux0 01 : Select .1 input for Mux0 10 : Select .2 input for Mux0 11 : Select .3 input for Mux0 Refer to the EPWM X-BAR section of this chapter for more details. Reset type: CPU1.SYSRSn

### 8.3.4.6 TRIP7MUX16TO31CFG Register (Offset = Ah) [Reset = 0000000h]

TRIP7MUX16TO31CFG is shown in [Figure 8-33](#) and described in [Table 8-38](#).

Return to the [Summary Table](#).

ePWM XBAR Mux Configuration for TRIP7

**Figure 8-33. TRIP7MUX16TO31CFG Register**

31	30	29	28	27	26	25	24	23	22	21	20	19	18	17	16
MUX31		MUX30		MUX29		MUX28		MUX27		MUX26		MUX25		MUX24	
R/W-0h		R/W-0h		R/W-0h		R/W-0h		R/W-0h		R/W-0h		R/W-0h		R/W-0h	
15	14	13	12	11	10	9	8	7	6	5	4	3	2	1	0
MUX23		MUX22		MUX21		MUX20		MUX19		MUX18		MUX17		MUX16	
R/W-0h		R/W-0h		R/W-0h		R/W-0h		R/W-0h		R/W-0h		R/W-0h		R/W-0h	

**Table 8-38. TRIP7MUX16TO31CFG Register Field Descriptions**

Bit	Field	Type	Reset	Description
31-30	MUX31	R/W	0h	Select Bits for EPWM-XBAR TRIP7 Mux31: 00 : Select .0 input for Mux31 01 : Select .1 input for Mux31 10 : Select .2 input for Mux31 11 : Select .3 input for Mux31 Refer to the EPWM X-BAR section of this chapter for more details. Reset type: CPU1.SYSRSn
29-28	MUX30	R/W	0h	Select Bits for EPWM-XBAR TRIP7 Mux30: 00 : Select .0 input for Mux30 01 : Select .1 input for Mux30 10 : Select .2 input for Mux30 11 : Select .3 input for Mux30 Refer to the EPWM X-BAR section of this chapter for more details. Reset type: CPU1.SYSRSn
27-26	MUX29	R/W	0h	Select Bits for EPWM-XBAR TRIP7 Mux29: 00 : Select .0 input for Mux29 01 : Select .1 input for Mux29 10 : Select .2 input for Mux29 11 : Select .3 input for Mux29 Refer to the EPWM X-BAR section of this chapter for more details. Reset type: CPU1.SYSRSn
25-24	MUX28	R/W	0h	Select Bits for EPWM-XBAR TRIP7 Mux28: 00 : Select .0 input for Mux28 01 : Select .1 input for Mux28 10 : Select .2 input for Mux28 11 : Select .3 input for Mux28 Refer to the EPWM X-BAR section of this chapter for more details. Reset type: CPU1.SYSRSn
23-22	MUX27	R/W	0h	Select Bits for EPWM-XBAR TRIP7 Mux27: 00 : Select .0 input for Mux27 01 : Select .1 input for Mux27 10 : Select .2 input for Mux27 11 : Select .3 input for Mux27 Refer to the EPWM X-BAR section of this chapter for more details. Reset type: CPU1.SYSRSn
21-20	MUX26	R/W	0h	Select Bits for EPWM-XBAR TRIP7 Mux26: 00 : Select .0 input for Mux26 01 : Select .1 input for Mux26 10 : Select .2 input for Mux26 11 : Select .3 input for Mux26 Refer to the EPWM X-BAR section of this chapter for more details. Reset type: CPU1.SYSRSn

**Table 8-38. TRIP7MUX16TO31CFG Register Field Descriptions (continued)**

Bit	Field	Type	Reset	Description
19-18	MUX25	R/W	0h	Select Bits for EPWM-XBAR TRIP7 Mux25: 00 : Select .0 input for Mux25 01 : Select .1 input for Mux25 10 : Select .2 input for Mux25 11 : Select .3 input for Mux25 Refer to the EPWM X-BAR section of this chapter for more details. Reset type: CPU1.SYSRSn
17-16	MUX24	R/W	0h	Select Bits for EPWM-XBAR TRIP7 Mux24: 00 : Select .0 input for Mux24 01 : Select .1 input for Mux24 10 : Select .2 input for Mux24 11 : Select .3 input for Mux24 Refer to the EPWM X-BAR section of this chapter for more details. Reset type: CPU1.SYSRSn
15-14	MUX23	R/W	0h	Select Bits for EPWM-XBAR TRIP7 Mux23: 00 : Select .0 input for Mux23 01 : Select .1 input for Mux23 10 : Select .2 input for Mux23 11 : Select .3 input for Mux23 Refer to the EPWM X-BAR section of this chapter for more details. Reset type: CPU1.SYSRSn
13-12	MUX22	R/W	0h	Select Bits for EPWM-XBAR TRIP7 Mux22: 00 : Select .0 input for Mux22 01 : Select .1 input for Mux22 10 : Select .2 input for Mux22 11 : Select .3 input for Mux22 Refer to the EPWM X-BAR section of this chapter for more details. Reset type: CPU1.SYSRSn
11-10	MUX21	R/W	0h	Select Bits for EPWM-XBAR TRIP7 Mux21: 00 : Select .0 input for Mux21 01 : Select .1 input for Mux21 10 : Select .2 input for Mux21 11 : Select .3 input for Mux21 Refer to the EPWM X-BAR section of this chapter for more details. Reset type: CPU1.SYSRSn
9-8	MUX20	R/W	0h	Select Bits for EPWM-XBAR TRIP7 Mux20: 00 : Select .0 input for Mux20 01 : Select .1 input for Mux20 10 : Select .2 input for Mux20 11 : Select .3 input for Mux20 Refer to the EPWM X-BAR section of this chapter for more details. Reset type: CPU1.SYSRSn
7-6	MUX19	R/W	0h	Select Bits for EPWM-XBAR TRIP7 Mux19: 00 : Select .0 input for Mux19 01 : Select .1 input for Mux19 10 : Select .2 input for Mux19 11 : Select .3 input for Mux19 Refer to the EPWM X-BAR section of this chapter for more details. Reset type: CPU1.SYSRSn
5-4	MUX18	R/W	0h	Select Bits for EPWM-XBAR TRIP7 Mux18: 00 : Select .0 input for Mux18 01 : Select .1 input for Mux18 10 : Select .2 input for Mux18 11 : Select .3 input for Mux18 Refer to the EPWM X-BAR section of this chapter for more details. Reset type: CPU1.SYSRSn

**Table 8-38. TRIP7MUX16TO31CFG Register Field Descriptions (continued)**

Bit	Field	Type	Reset	Description
3-2	MUX17	R/W	0h	Select Bits for EPWM-XBAR TRIP7 Mux17: 00 : Select .0 input for Mux17 01 : Select .1 input for Mux17 10 : Select .2 input for Mux17 11 : Select .3 input for Mux17 Refer to the EPWM X-BAR section of this chapter for more details. Reset type: CPU1.SYSRSn
1-0	MUX16	R/W	0h	Select Bits for EPWM-XBAR TRIP7 Mux16: 00 : Select .0 input for Mux16 01 : Select .1 input for Mux16 10 : Select .2 input for Mux16 11 : Select .3 input for Mux16 Refer to the EPWM X-BAR section of this chapter for more details. Reset type: CPU1.SYSRSn

### 8.3.4.7 TRIP8MUX0TO15CFG Register (Offset = Ch) [Reset = 0000000h]

TRIP8MUX0TO15CFG is shown in [Figure 8-34](#) and described in [Table 8-39](#).

Return to the [Summary Table](#).

ePWM XBAR Mux Configuration for TRIP8

**Figure 8-34. TRIP8MUX0TO15CFG Register**

31	30	29	28	27	26	25	24	23	22	21	20	19	18	17	16
MUX15		MUX14		MUX13		MUX12		MUX11		MUX10		MUX9		MUX8	
R/W-0h		R/W-0h		R/W-0h		R/W-0h		R/W-0h		R/W-0h		R/W-0h		R/W-0h	
15	14	13	12	11	10	9	8	7	6	5	4	3	2	1	0
MUX7		MUX6		MUX5		MUX4		MUX3		MUX2		MUX1		MUX0	
R/W-0h		R/W-0h		R/W-0h		R/W-0h		R/W-0h		R/W-0h		R/W-0h		R/W-0h	

**Table 8-39. TRIP8MUX0TO15CFG Register Field Descriptions**

Bit	Field	Type	Reset	Description
31-30	MUX15	R/W	0h	Select Bits for EPWM-XBAR TRIP8 Mux15: 00 : Select .0 input for Mux15 01 : Select .1 input for Mux15 10 : Select .2 input for Mux15 11 : Select .3 input for Mux15 Refer to the EPWM X-BAR section of this chapter for more details. Reset type: CPU1.SYSRSn
29-28	MUX14	R/W	0h	Select Bits for EPWM-XBAR TRIP8 Mux14: 00 : Select .0 input for Mux14 01 : Select .1 input for Mux14 10 : Select .2 input for Mux14 11 : Select .3 input for Mux14 Refer to the EPWM X-BAR section of this chapter for more details. Reset type: CPU1.SYSRSn
27-26	MUX13	R/W	0h	Select Bits for EPWM-XBAR TRIP8 Mux13: 00 : Select .0 input for Mux13 01 : Select .1 input for Mux13 10 : Select .2 input for Mux13 11 : Select .3 input for Mux13 Refer to the EPWM X-BAR section of this chapter for more details. Reset type: CPU1.SYSRSn
25-24	MUX12	R/W	0h	Select Bits for EPWM-XBAR TRIP8 Mux12: 00 : Select .0 input for Mux12 01 : Select .1 input for Mux12 10 : Select .2 input for Mux12 11 : Select .3 input for Mux12 Refer to the EPWM X-BAR section of this chapter for more details. Reset type: CPU1.SYSRSn
23-22	MUX11	R/W	0h	Select Bits for EPWM-XBAR TRIP8 Mux11: 00 : Select .0 input for Mux11 01 : Select .1 input for Mux11 10 : Select .2 input for Mux11 11 : Select .3 input for Mux11 Refer to the EPWM X-BAR section of this chapter for more details. Reset type: CPU1.SYSRSn
21-20	MUX10	R/W	0h	Select Bits for EPWM-XBAR TRIP8 Mux10: 00 : Select .0 input for Mux10 01 : Select .1 input for Mux10 10 : Select .2 input for Mux10 11 : Select .3 input for Mux10 Refer to the EPWM X-BAR section of this chapter for more details. Reset type: CPU1.SYSRSn

**Table 8-39. TRIP8MUX0TO15CFG Register Field Descriptions (continued)**

Bit	Field	Type	Reset	Description
19-18	MUX9	R/W	0h	Select Bits for EPWM-XBAR TRIP8 Mux9: 00 : Select .0 input for Mux9 01 : Select .1 input for Mux9 10 : Select .2 input for Mux9 11 : Select .3 input for Mux9 Refer to the EPWM X-BAR section of this chapter for more details. Reset type: CPU1.SYSRSn
17-16	MUX8	R/W	0h	Select Bits for EPWM-XBAR TRIP8 Mux8: 00 : Select .0 input for Mux8 01 : Select .1 input for Mux8 10 : Select .2 input for Mux8 11 : Select .3 input for Mux8 Refer to the EPWM X-BAR section of this chapter for more details. Reset type: CPU1.SYSRSn
15-14	MUX7	R/W	0h	Select Bits for EPWM-XBAR TRIP8 Mux7: 00 : Select .0 input for Mux7 01 : Select .1 input for Mux7 10 : Select .2 input for Mux7 11 : Select .3 input for Mux7 Refer to the EPWM X-BAR section of this chapter for more details. Reset type: CPU1.SYSRSn
13-12	MUX6	R/W	0h	Select Bits for EPWM-XBAR TRIP8 Mux6: 00 : Select .0 input for Mux6 01 : Select .1 input for Mux6 10 : Select .2 input for Mux6 11 : Select .3 input for Mux6 Refer to the EPWM X-BAR section of this chapter for more details. Reset type: CPU1.SYSRSn
11-10	MUX5	R/W	0h	Select Bits for EPWM-XBAR TRIP8 Mux5: 00 : Select .0 input for Mux5 01 : Select .1 input for Mux5 10 : Select .2 input for Mux5 11 : Select .3 input for Mux5 Refer to the EPWM X-BAR section of this chapter for more details. Reset type: CPU1.SYSRSn
9-8	MUX4	R/W	0h	Select Bits for EPWM-XBAR TRIP8 Mux4: 00 : Select .0 input for Mux4 01 : Select .1 input for Mux4 10 : Select .2 input for Mux4 11 : Select .3 input for Mux4 Refer to the EPWM X-BAR section of this chapter for more details. Reset type: CPU1.SYSRSn
7-6	MUX3	R/W	0h	Select Bits for EPWM-XBAR TRIP8 Mux3: 00 : Select .0 input for Mux3 01 : Select .1 input for Mux3 10 : Select .2 input for Mux3 11 : Select .3 input for Mux3 Refer to the EPWM X-BAR section of this chapter for more details. Reset type: CPU1.SYSRSn
5-4	MUX2	R/W	0h	Select Bits for EPWM-XBAR TRIP8 Mux2: 00 : Select .0 input for Mux2 01 : Select .1 input for Mux2 10 : Select .2 input for Mux2 11 : Select .3 input for Mux2 Refer to the EPWM X-BAR section of this chapter for more details. Reset type: CPU1.SYSRSn



**Table 8-39. TRIP8MUX0TO15CFG Register Field Descriptions (continued)**

Bit	Field	Type	Reset	Description
3-2	MUX1	R/W	0h	Select Bits for EPWM-XBAR TRIP8 Mux1: 00 : Select .0 input for Mux1 01 : Select .1 input for Mux1 10 : Select .2 input for Mux1 11 : Select .3 input for Mux1 Refer to the EPWM X-BAR section of this chapter for more details. Reset type: CPU1.SYSRSn
1-0	MUX0	R/W	0h	Select Bits for EPWM-XBAR TRIP8 Mux0: 00 : Select .0 input for Mux0 01 : Select .1 input for Mux0 10 : Select .2 input for Mux0 11 : Select .3 input for Mux0 Refer to the EPWM X-BAR section of this chapter for more details. Reset type: CPU1.SYSRSn

### 8.3.4.8 TRIP8MUX16TO31CFG Register (Offset = Eh) [Reset = 0000000h]

TRIP8MUX16TO31CFG is shown in [Figure 8-35](#) and described in [Table 8-40](#).

Return to the [Summary Table](#).

ePWM XBAR Mux Configuration for TRIP8

**Figure 8-35. TRIP8MUX16TO31CFG Register**

31	30	29	28	27	26	25	24	23	22	21	20	19	18	17	16
MUX31		MUX30		MUX29		MUX28		MUX27		MUX26		MUX25		MUX24	
R/W-0h		R/W-0h		R/W-0h		R/W-0h		R/W-0h		R/W-0h		R/W-0h		R/W-0h	
15	14	13	12	11	10	9	8	7	6	5	4	3	2	1	0
MUX23		MUX22		MUX21		MUX20		MUX19		MUX18		MUX17		MUX16	
R/W-0h		R/W-0h		R/W-0h		R/W-0h		R/W-0h		R/W-0h		R/W-0h		R/W-0h	

**Table 8-40. TRIP8MUX16TO31CFG Register Field Descriptions**

Bit	Field	Type	Reset	Description
31-30	MUX31	R/W	0h	Select Bits for EPWM-XBAR TRIP8 Mux31: 00 : Select .0 input for Mux31 01 : Select .1 input for Mux31 10 : Select .2 input for Mux31 11 : Select .3 input for Mux31 Refer to the EPWM X-BAR section of this chapter for more details. Reset type: CPU1.SYSRSn
29-28	MUX30	R/W	0h	Select Bits for EPWM-XBAR TRIP8 Mux30: 00 : Select .0 input for Mux30 01 : Select .1 input for Mux30 10 : Select .2 input for Mux30 11 : Select .3 input for Mux30 Refer to the EPWM X-BAR section of this chapter for more details. Reset type: CPU1.SYSRSn
27-26	MUX29	R/W	0h	Select Bits for EPWM-XBAR TRIP8 Mux29: 00 : Select .0 input for Mux29 01 : Select .1 input for Mux29 10 : Select .2 input for Mux29 11 : Select .3 input for Mux29 Refer to the EPWM X-BAR section of this chapter for more details. Reset type: CPU1.SYSRSn
25-24	MUX28	R/W	0h	Select Bits for EPWM-XBAR TRIP8 Mux28: 00 : Select .0 input for Mux28 01 : Select .1 input for Mux28 10 : Select .2 input for Mux28 11 : Select .3 input for Mux28 Refer to the EPWM X-BAR section of this chapter for more details. Reset type: CPU1.SYSRSn
23-22	MUX27	R/W	0h	Select Bits for EPWM-XBAR TRIP8 Mux27: 00 : Select .0 input for Mux27 01 : Select .1 input for Mux27 10 : Select .2 input for Mux27 11 : Select .3 input for Mux27 Refer to the EPWM X-BAR section of this chapter for more details. Reset type: CPU1.SYSRSn
21-20	MUX26	R/W	0h	Select Bits for EPWM-XBAR TRIP8 Mux26: 00 : Select .0 input for Mux26 01 : Select .1 input for Mux26 10 : Select .2 input for Mux26 11 : Select .3 input for Mux26 Refer to the EPWM X-BAR section of this chapter for more details. Reset type: CPU1.SYSRSn

**Table 8-40. TRIP8MUX16TO31CFG Register Field Descriptions (continued)**

Bit	Field	Type	Reset	Description
19-18	MUX25	R/W	0h	Select Bits for EPWM-XBAR TRIP8 Mux25: 00 : Select .0 input for Mux25 01 : Select .1 input for Mux25 10 : Select .2 input for Mux25 11 : Select .3 input for Mux25 Refer to the EPWM X-BAR section of this chapter for more details. Reset type: CPU1.SYSRSn
17-16	MUX24	R/W	0h	Select Bits for EPWM-XBAR TRIP8 Mux24: 00 : Select .0 input for Mux24 01 : Select .1 input for Mux24 10 : Select .2 input for Mux24 11 : Select .3 input for Mux24 Refer to the EPWM X-BAR section of this chapter for more details. Reset type: CPU1.SYSRSn
15-14	MUX23	R/W	0h	Select Bits for EPWM-XBAR TRIP8 Mux23: 00 : Select .0 input for Mux23 01 : Select .1 input for Mux23 10 : Select .2 input for Mux23 11 : Select .3 input for Mux23 Refer to the EPWM X-BAR section of this chapter for more details. Reset type: CPU1.SYSRSn
13-12	MUX22	R/W	0h	Select Bits for EPWM-XBAR TRIP8 Mux22: 00 : Select .0 input for Mux22 01 : Select .1 input for Mux22 10 : Select .2 input for Mux22 11 : Select .3 input for Mux22 Refer to the EPWM X-BAR section of this chapter for more details. Reset type: CPU1.SYSRSn
11-10	MUX21	R/W	0h	Select Bits for EPWM-XBAR TRIP8 Mux21: 00 : Select .0 input for Mux21 01 : Select .1 input for Mux21 10 : Select .2 input for Mux21 11 : Select .3 input for Mux21 Refer to the EPWM X-BAR section of this chapter for more details. Reset type: CPU1.SYSRSn
9-8	MUX20	R/W	0h	Select Bits for EPWM-XBAR TRIP8 Mux20: 00 : Select .0 input for Mux20 01 : Select .1 input for Mux20 10 : Select .2 input for Mux20 11 : Select .3 input for Mux20 Refer to the EPWM X-BAR section of this chapter for more details. Reset type: CPU1.SYSRSn
7-6	MUX19	R/W	0h	Select Bits for EPWM-XBAR TRIP8 Mux19: 00 : Select .0 input for Mux19 01 : Select .1 input for Mux19 10 : Select .2 input for Mux19 11 : Select .3 input for Mux19 Refer to the EPWM X-BAR section of this chapter for more details. Reset type: CPU1.SYSRSn
5-4	MUX18	R/W	0h	Select Bits for EPWM-XBAR TRIP8 Mux18: 00 : Select .0 input for Mux18 01 : Select .1 input for Mux18 10 : Select .2 input for Mux18 11 : Select .3 input for Mux18 Refer to the EPWM X-BAR section of this chapter for more details. Reset type: CPU1.SYSRSn

**Table 8-40. TRIP8MUX16TO31CFG Register Field Descriptions (continued)**

Bit	Field	Type	Reset	Description
3-2	MUX17	R/W	0h	Select Bits for EPWM-XBAR TRIP8 Mux17: 00 : Select .0 input for Mux17 01 : Select .1 input for Mux17 10 : Select .2 input for Mux17 11 : Select .3 input for Mux17 Refer to the EPWM X-BAR section of this chapter for more details. Reset type: CPU1.SYSRSn
1-0	MUX16	R/W	0h	Select Bits for EPWM-XBAR TRIP8 Mux16: 00 : Select .0 input for Mux16 01 : Select .1 input for Mux16 10 : Select .2 input for Mux16 11 : Select .3 input for Mux16 Refer to the EPWM X-BAR section of this chapter for more details. Reset type: CPU1.SYSRSn

### 8.3.4.9 TRIP9MUX0TO15CFG Register (Offset = 10h) [Reset = 0000000h]

TRIP9MUX0TO15CFG is shown in [Figure 8-36](#) and described in [Table 8-41](#).

Return to the [Summary Table](#).

ePWM XBAR Mux Configuration for TRIP9

**Figure 8-36. TRIP9MUX0TO15CFG Register**

31	30	29	28	27	26	25	24	23	22	21	20	19	18	17	16
MUX15		MUX14		MUX13		MUX12		MUX11		MUX10		MUX9		MUX8	
R/W-0h		R/W-0h		R/W-0h		R/W-0h		R/W-0h		R/W-0h		R/W-0h		R/W-0h	
15	14	13	12	11	10	9	8	7	6	5	4	3	2	1	0
MUX7		MUX6		MUX5		MUX4		MUX3		MUX2		MUX1		MUX0	
R/W-0h		R/W-0h		R/W-0h		R/W-0h		R/W-0h		R/W-0h		R/W-0h		R/W-0h	

**Table 8-41. TRIP9MUX0TO15CFG Register Field Descriptions**

Bit	Field	Type	Reset	Description
31-30	MUX15	R/W	0h	Select Bits for EPWM-XBAR TRIP9 Mux15: 00 : Select .0 input for Mux15 01 : Select .1 input for Mux15 10 : Select .2 input for Mux15 11 : Select .3 input for Mux15 Refer to the EPWM X-BAR section of this chapter for more details. Reset type: CPU1.SYSRSn
29-28	MUX14	R/W	0h	Select Bits for EPWM-XBAR TRIP9 Mux14: 00 : Select .0 input for Mux14 01 : Select .1 input for Mux14 10 : Select .2 input for Mux14 11 : Select .3 input for Mux14 Refer to the EPWM X-BAR section of this chapter for more details. Reset type: CPU1.SYSRSn
27-26	MUX13	R/W	0h	Select Bits for EPWM-XBAR TRIP9 Mux13: 00 : Select .0 input for Mux13 01 : Select .1 input for Mux13 10 : Select .2 input for Mux13 11 : Select .3 input for Mux13 Refer to the EPWM X-BAR section of this chapter for more details. Reset type: CPU1.SYSRSn
25-24	MUX12	R/W	0h	Select Bits for EPWM-XBAR TRIP9 Mux12: 00 : Select .0 input for Mux12 01 : Select .1 input for Mux12 10 : Select .2 input for Mux12 11 : Select .3 input for Mux12 Refer to the EPWM X-BAR section of this chapter for more details. Reset type: CPU1.SYSRSn
23-22	MUX11	R/W	0h	Select Bits for EPWM-XBAR TRIP9 Mux11: 00 : Select .0 input for Mux11 01 : Select .1 input for Mux11 10 : Select .2 input for Mux11 11 : Select .3 input for Mux11 Refer to the EPWM X-BAR section of this chapter for more details. Reset type: CPU1.SYSRSn
21-20	MUX10	R/W	0h	Select Bits for EPWM-XBAR TRIP9 Mux10: 00 : Select .0 input for Mux10 01 : Select .1 input for Mux10 10 : Select .2 input for Mux10 11 : Select .3 input for Mux10 Refer to the EPWM X-BAR section of this chapter for more details. Reset type: CPU1.SYSRSn

**Table 8-41. TRIP9MUX0TO15CFG Register Field Descriptions (continued)**

Bit	Field	Type	Reset	Description
19-18	MUX9	R/W	0h	Select Bits for EPWM-XBAR TRIP9 Mux9: 00 : Select .0 input for Mux9 01 : Select .1 input for Mux9 10 : Select .2 input for Mux9 11 : Select .3 input for Mux9 Refer to the EPWM X-BAR section of this chapter for more details. Reset type: CPU1.SYSRSn
17-16	MUX8	R/W	0h	Select Bits for EPWM-XBAR TRIP9 Mux8: 00 : Select .0 input for Mux8 01 : Select .1 input for Mux8 10 : Select .2 input for Mux8 11 : Select .3 input for Mux8 Refer to the EPWM X-BAR section of this chapter for more details. Reset type: CPU1.SYSRSn
15-14	MUX7	R/W	0h	Select Bits for EPWM-XBAR TRIP9 Mux7: 00 : Select .0 input for Mux7 01 : Select .1 input for Mux7 10 : Select .2 input for Mux7 11 : Select .3 input for Mux7 Refer to the EPWM X-BAR section of this chapter for more details. Reset type: CPU1.SYSRSn
13-12	MUX6	R/W	0h	Select Bits for EPWM-XBAR TRIP9 Mux6: 00 : Select .0 input for Mux6 01 : Select .1 input for Mux6 10 : Select .2 input for Mux6 11 : Select .3 input for Mux6 Refer to the EPWM X-BAR section of this chapter for more details. Reset type: CPU1.SYSRSn
11-10	MUX5	R/W	0h	Select Bits for EPWM-XBAR TRIP9 Mux5: 00 : Select .0 input for Mux5 01 : Select .1 input for Mux5 10 : Select .2 input for Mux5 11 : Select .3 input for Mux5 Refer to the EPWM X-BAR section of this chapter for more details. Reset type: CPU1.SYSRSn
9-8	MUX4	R/W	0h	Select Bits for EPWM-XBAR TRIP9 Mux4: 00 : Select .0 input for Mux4 01 : Select .1 input for Mux4 10 : Select .2 input for Mux4 11 : Select .3 input for Mux4 Refer to the EPWM X-BAR section of this chapter for more details. Reset type: CPU1.SYSRSn
7-6	MUX3	R/W	0h	Select Bits for EPWM-XBAR TRIP9 Mux3: 00 : Select .0 input for Mux3 01 : Select .1 input for Mux3 10 : Select .2 input for Mux3 11 : Select .3 input for Mux3 Refer to the EPWM X-BAR section of this chapter for more details. Reset type: CPU1.SYSRSn
5-4	MUX2	R/W	0h	Select Bits for EPWM-XBAR TRIP9 Mux2: 00 : Select .0 input for Mux2 01 : Select .1 input for Mux2 10 : Select .2 input for Mux2 11 : Select .3 input for Mux2 Refer to the EPWM X-BAR section of this chapter for more details. Reset type: CPU1.SYSRSn

**Table 8-41. TRIP9MUX0TO15CFG Register Field Descriptions (continued)**

Bit	Field	Type	Reset	Description
3-2	MUX1	R/W	0h	Select Bits for EPWM-XBAR TRIP9 Mux1: 00 : Select .0 input for Mux1 01 : Select .1 input for Mux1 10 : Select .2 input for Mux1 11 : Select .3 input for Mux1 Refer to the EPWM X-BAR section of this chapter for more details. Reset type: CPU1.SYSRSn
1-0	MUX0	R/W	0h	Select Bits for EPWM-XBAR TRIP9 Mux0: 00 : Select .0 input for Mux0 01 : Select .1 input for Mux0 10 : Select .2 input for Mux0 11 : Select .3 input for Mux0 Refer to the EPWM X-BAR section of this chapter for more details. Reset type: CPU1.SYSRSn

### 8.3.4.10 TRIP9MUX16TO31CFG Register (Offset = 12h) [Reset = 0000000h]

TRIP9MUX16TO31CFG is shown in [Figure 8-37](#) and described in [Table 8-42](#).

Return to the [Summary Table](#).

ePWM XBAR Mux Configuration for TRIP9

**Figure 8-37. TRIP9MUX16TO31CFG Register**

31	30	29	28	27	26	25	24	23	22	21	20	19	18	17	16
MUX31		MUX30		MUX29		MUX28		MUX27		MUX26		MUX25		MUX24	
R/W-0h		R/W-0h		R/W-0h		R/W-0h		R/W-0h		R/W-0h		R/W-0h		R/W-0h	
15	14	13	12	11	10	9	8	7	6	5	4	3	2	1	0
MUX23		MUX22		MUX21		MUX20		MUX19		MUX18		MUX17		MUX16	
R/W-0h		R/W-0h		R/W-0h		R/W-0h		R/W-0h		R/W-0h		R/W-0h		R/W-0h	

**Table 8-42. TRIP9MUX16TO31CFG Register Field Descriptions**

Bit	Field	Type	Reset	Description
31-30	MUX31	R/W	0h	Select Bits for EPWM-XBAR TRIP9 Mux31: 00 : Select .0 input for Mux31 01 : Select .1 input for Mux31 10 : Select .2 input for Mux31 11 : Select .3 input for Mux31 Refer to the EPWM X-BAR section of this chapter for more details. Reset type: CPU1.SYSRSn
29-28	MUX30	R/W	0h	Select Bits for EPWM-XBAR TRIP9 Mux30: 00 : Select .0 input for Mux30 01 : Select .1 input for Mux30 10 : Select .2 input for Mux30 11 : Select .3 input for Mux30 Refer to the EPWM X-BAR section of this chapter for more details. Reset type: CPU1.SYSRSn
27-26	MUX29	R/W	0h	Select Bits for EPWM-XBAR TRIP9 Mux29: 00 : Select .0 input for Mux29 01 : Select .1 input for Mux29 10 : Select .2 input for Mux29 11 : Select .3 input for Mux29 Refer to the EPWM X-BAR section of this chapter for more details. Reset type: CPU1.SYSRSn
25-24	MUX28	R/W	0h	Select Bits for EPWM-XBAR TRIP9 Mux28: 00 : Select .0 input for Mux28 01 : Select .1 input for Mux28 10 : Select .2 input for Mux28 11 : Select .3 input for Mux28 Refer to the EPWM X-BAR section of this chapter for more details. Reset type: CPU1.SYSRSn
23-22	MUX27	R/W	0h	Select Bits for EPWM-XBAR TRIP9 Mux27: 00 : Select .0 input for Mux27 01 : Select .1 input for Mux27 10 : Select .2 input for Mux27 11 : Select .3 input for Mux27 Refer to the EPWM X-BAR section of this chapter for more details. Reset type: CPU1.SYSRSn
21-20	MUX26	R/W	0h	Select Bits for EPWM-XBAR TRIP9 Mux26: 00 : Select .0 input for Mux26 01 : Select .1 input for Mux26 10 : Select .2 input for Mux26 11 : Select .3 input for Mux26 Refer to the EPWM X-BAR section of this chapter for more details. Reset type: CPU1.SYSRSn



**Table 8-42. TRIP9MUX16TO31CFG Register Field Descriptions (continued)**

Bit	Field	Type	Reset	Description
19-18	MUX25	R/W	0h	Select Bits for EPWM-XBAR TRIP9 Mux25: 00 : Select .0 input for Mux25 01 : Select .1 input for Mux25 10 : Select .2 input for Mux25 11 : Select .3 input for Mux25 Refer to the EPWM X-BAR section of this chapter for more details. Reset type: CPU1.SYSRSn
17-16	MUX24	R/W	0h	Select Bits for EPWM-XBAR TRIP9 Mux24: 00 : Select .0 input for Mux24 01 : Select .1 input for Mux24 10 : Select .2 input for Mux24 11 : Select .3 input for Mux24 Refer to the EPWM X-BAR section of this chapter for more details. Reset type: CPU1.SYSRSn
15-14	MUX23	R/W	0h	Select Bits for EPWM-XBAR TRIP9 Mux23: 00 : Select .0 input for Mux23 01 : Select .1 input for Mux23 10 : Select .2 input for Mux23 11 : Select .3 input for Mux23 Refer to the EPWM X-BAR section of this chapter for more details. Reset type: CPU1.SYSRSn
13-12	MUX22	R/W	0h	Select Bits for EPWM-XBAR TRIP9 Mux22: 00 : Select .0 input for Mux22 01 : Select .1 input for Mux22 10 : Select .2 input for Mux22 11 : Select .3 input for Mux22 Refer to the EPWM X-BAR section of this chapter for more details. Reset type: CPU1.SYSRSn
11-10	MUX21	R/W	0h	Select Bits for EPWM-XBAR TRIP9 Mux21: 00 : Select .0 input for Mux21 01 : Select .1 input for Mux21 10 : Select .2 input for Mux21 11 : Select .3 input for Mux21 Refer to the EPWM X-BAR section of this chapter for more details. Reset type: CPU1.SYSRSn
9-8	MUX20	R/W	0h	Select Bits for EPWM-XBAR TRIP9 Mux20: 00 : Select .0 input for Mux20 01 : Select .1 input for Mux20 10 : Select .2 input for Mux20 11 : Select .3 input for Mux20 Refer to the EPWM X-BAR section of this chapter for more details. Reset type: CPU1.SYSRSn
7-6	MUX19	R/W	0h	Select Bits for EPWM-XBAR TRIP9 Mux19: 00 : Select .0 input for Mux19 01 : Select .1 input for Mux19 10 : Select .2 input for Mux19 11 : Select .3 input for Mux19 Refer to the EPWM X-BAR section of this chapter for more details. Reset type: CPU1.SYSRSn
5-4	MUX18	R/W	0h	Select Bits for EPWM-XBAR TRIP9 Mux18: 00 : Select .0 input for Mux18 01 : Select .1 input for Mux18 10 : Select .2 input for Mux18 11 : Select .3 input for Mux18 Refer to the EPWM X-BAR section of this chapter for more details. Reset type: CPU1.SYSRSn

**Table 8-42. TRIP9MUX16TO31CFG Register Field Descriptions (continued)**

Bit	Field	Type	Reset	Description
3-2	MUX17	R/W	0h	Select Bits for EPWM-XBAR TRIP9 Mux17: 00 : Select .0 input for Mux17 01 : Select .1 input for Mux17 10 : Select .2 input for Mux17 11 : Select .3 input for Mux17 Refer to the EPWM X-BAR section of this chapter for more details. Reset type: CPU1.SYSRSn
1-0	MUX16	R/W	0h	Select Bits for EPWM-XBAR TRIP9 Mux16: 00 : Select .0 input for Mux16 01 : Select .1 input for Mux16 10 : Select .2 input for Mux16 11 : Select .3 input for Mux16 Refer to the EPWM X-BAR section of this chapter for more details. Reset type: CPU1.SYSRSn

### 8.3.4.11 TRIP10MUX0TO15CFG Register (Offset = 14h) [Reset = 0000000h]

TRIP10MUX0TO15CFG is shown in [Figure 8-38](#) and described in [Table 8-43](#).

Return to the [Summary Table](#).

ePWM XBAR Mux Configuration for TRIP10

**Figure 8-38. TRIP10MUX0TO15CFG Register**

31	30	29	28	27	26	25	24	23	22	21	20	19	18	17	16
MUX15		MUX14		MUX13		MUX12		MUX11		MUX10		MUX9		MUX8	
R/W-0h		R/W-0h		R/W-0h		R/W-0h		R/W-0h		R/W-0h		R/W-0h		R/W-0h	
15	14	13	12	11	10	9	8	7	6	5	4	3	2	1	0
MUX7		MUX6		MUX5		MUX4		MUX3		MUX2		MUX1		MUX0	
R/W-0h		R/W-0h		R/W-0h		R/W-0h		R/W-0h		R/W-0h		R/W-0h		R/W-0h	

**Table 8-43. TRIP10MUX0TO15CFG Register Field Descriptions**

Bit	Field	Type	Reset	Description
31-30	MUX15	R/W	0h	Select Bits for EPWM-XBAR TRIP10 Mux15: 00 : Select .0 input for Mux15 01 : Select .1 input for Mux15 10 : Select .2 input for Mux15 11 : Select .3 input for Mux15 Refer to the EPWM X-BAR section of this chapter for more details. Reset type: CPU1.SYSRSn
29-28	MUX14	R/W	0h	Select Bits for EPWM-XBAR TRIP10 Mux14: 00 : Select .0 input for Mux14 01 : Select .1 input for Mux14 10 : Select .2 input for Mux14 11 : Select .3 input for Mux14 Refer to the EPWM X-BAR section of this chapter for more details. Reset type: CPU1.SYSRSn
27-26	MUX13	R/W	0h	Select Bits for EPWM-XBAR TRIP10 Mux13: 00 : Select .0 input for Mux13 01 : Select .1 input for Mux13 10 : Select .2 input for Mux13 11 : Select .3 input for Mux13 Refer to the EPWM X-BAR section of this chapter for more details. Reset type: CPU1.SYSRSn
25-24	MUX12	R/W	0h	Select Bits for EPWM-XBAR TRIP10 Mux12: 00 : Select .0 input for Mux12 01 : Select .1 input for Mux12 10 : Select .2 input for Mux12 11 : Select .3 input for Mux12 Refer to the EPWM X-BAR section of this chapter for more details. Reset type: CPU1.SYSRSn
23-22	MUX11	R/W	0h	Select Bits for EPWM-XBAR TRIP10 Mux11: 00 : Select .0 input for Mux11 01 : Select .1 input for Mux11 10 : Select .2 input for Mux11 11 : Select .3 input for Mux11 Refer to the EPWM X-BAR section of this chapter for more details. Reset type: CPU1.SYSRSn
21-20	MUX10	R/W	0h	Select Bits for EPWM-XBAR TRIP10 Mux10: 00 : Select .0 input for Mux10 01 : Select .1 input for Mux10 10 : Select .2 input for Mux10 11 : Select .3 input for Mux10 Refer to the EPWM X-BAR section of this chapter for more details. Reset type: CPU1.SYSRSn

**Table 8-43. TRIP10MUX0TO15CFG Register Field Descriptions (continued)**

Bit	Field	Type	Reset	Description
19-18	MUX9	R/W	0h	Select Bits for EPWM-XBAR TRIP10 Mux9: 00 : Select .0 input for Mux9 01 : Select .1 input for Mux9 10 : Select .2 input for Mux9 11 : Select .3 input for Mux9 Refer to the EPWM X-BAR section of this chapter for more details. Reset type: CPU1.SYSRSn
17-16	MUX8	R/W	0h	Select Bits for EPWM-XBAR TRIP10 Mux8: 00 : Select .0 input for Mux8 01 : Select .1 input for Mux8 10 : Select .2 input for Mux8 11 : Select .3 input for Mux8 Refer to the EPWM X-BAR section of this chapter for more details. Reset type: CPU1.SYSRSn
15-14	MUX7	R/W	0h	Select Bits for EPWM-XBAR TRIP10 Mux7: 00 : Select .0 input for Mux7 01 : Select .1 input for Mux7 10 : Select .2 input for Mux7 11 : Select .3 input for Mux7 Refer to the EPWM X-BAR section of this chapter for more details. Reset type: CPU1.SYSRSn
13-12	MUX6	R/W	0h	Select Bits for EPWM-XBAR TRIP10 Mux6: 00 : Select .0 input for Mux6 01 : Select .1 input for Mux6 10 : Select .2 input for Mux6 11 : Select .3 input for Mux6 Refer to the EPWM X-BAR section of this chapter for more details. Reset type: CPU1.SYSRSn
11-10	MUX5	R/W	0h	Select Bits for EPWM-XBAR TRIP10 Mux5: 00 : Select .0 input for Mux5 01 : Select .1 input for Mux5 10 : Select .2 input for Mux5 11 : Select .3 input for Mux5 Refer to the EPWM X-BAR section of this chapter for more details. Reset type: CPU1.SYSRSn
9-8	MUX4	R/W	0h	Select Bits for EPWM-XBAR TRIP10 Mux4: 00 : Select .0 input for Mux4 01 : Select .1 input for Mux4 10 : Select .2 input for Mux4 11 : Select .3 input for Mux4 Refer to the EPWM X-BAR section of this chapter for more details. Reset type: CPU1.SYSRSn
7-6	MUX3	R/W	0h	Select Bits for EPWM-XBAR TRIP10 Mux3: 00 : Select .0 input for Mux3 01 : Select .1 input for Mux3 10 : Select .2 input for Mux3 11 : Select .3 input for Mux3 Refer to the EPWM X-BAR section of this chapter for more details. Reset type: CPU1.SYSRSn
5-4	MUX2	R/W	0h	Select Bits for EPWM-XBAR TRIP10 Mux2: 00 : Select .0 input for Mux2 01 : Select .1 input for Mux2 10 : Select .2 input for Mux2 11 : Select .3 input for Mux2 Refer to the EPWM X-BAR section of this chapter for more details. Reset type: CPU1.SYSRSn

**Table 8-43. TRIP10MUX0TO15CFG Register Field Descriptions (continued)**

Bit	Field	Type	Reset	Description
3-2	MUX1	R/W	0h	Select Bits for EPWM-XBAR TRIP10 Mux1: 00 : Select .0 input for Mux1 01 : Select .1 input for Mux1 10 : Select .2 input for Mux1 11 : Select .3 input for Mux1 Refer to the EPWM X-BAR section of this chapter for more details. Reset type: CPU1.SYSRSn
1-0	MUX0	R/W	0h	Select Bits for EPWM-XBAR TRIP10 Mux0: 00 : Select .0 input for Mux0 01 : Select .1 input for Mux0 10 : Select .2 input for Mux0 11 : Select .3 input for Mux0 Refer to the EPWM X-BAR section of this chapter for more details. Reset type: CPU1.SYSRSn

### 8.3.4.12 TRIP10MUX16TO31CFG Register (Offset = 16h) [Reset = 0000000h]

TRIP10MUX16TO31CFG is shown in [Figure 8-39](#) and described in [Table 8-44](#).

Return to the [Summary Table](#).

ePWM XBAR Mux Configuration for TRIP10

**Figure 8-39. TRIP10MUX16TO31CFG Register**

31	30	29	28	27	26	25	24	23	22	21	20	19	18	17	16
MUX31		MUX30		MUX29		MUX28		MUX27		MUX26		MUX25		MUX24	
R/W-0h		R/W-0h		R/W-0h		R/W-0h		R/W-0h		R/W-0h		R/W-0h		R/W-0h	
15	14	13	12	11	10	9	8	7	6	5	4	3	2	1	0
MUX23		MUX22		MUX21		MUX20		MUX19		MUX18		MUX17		MUX16	
R/W-0h		R/W-0h		R/W-0h		R/W-0h		R/W-0h		R/W-0h		R/W-0h		R/W-0h	

**Table 8-44. TRIP10MUX16TO31CFG Register Field Descriptions**

Bit	Field	Type	Reset	Description
31-30	MUX31	R/W	0h	Select Bits for EPWM-XBAR TRIP10 Mux31: 00 : Select .0 input for Mux31 01 : Select .1 input for Mux31 10 : Select .2 input for Mux31 11 : Select .3 input for Mux31 Refer to the EPWM X-BAR section of this chapter for more details. Reset type: CPU1.SYSRSn
29-28	MUX30	R/W	0h	Select Bits for EPWM-XBAR TRIP10 Mux30: 00 : Select .0 input for Mux30 01 : Select .1 input for Mux30 10 : Select .2 input for Mux30 11 : Select .3 input for Mux30 Refer to the EPWM X-BAR section of this chapter for more details. Reset type: CPU1.SYSRSn
27-26	MUX29	R/W	0h	Select Bits for EPWM-XBAR TRIP10 Mux29: 00 : Select .0 input for Mux29 01 : Select .1 input for Mux29 10 : Select .2 input for Mux29 11 : Select .3 input for Mux29 Refer to the EPWM X-BAR section of this chapter for more details. Reset type: CPU1.SYSRSn
25-24	MUX28	R/W	0h	Select Bits for EPWM-XBAR TRIP10 Mux28: 00 : Select .0 input for Mux28 01 : Select .1 input for Mux28 10 : Select .2 input for Mux28 11 : Select .3 input for Mux28 Refer to the EPWM X-BAR section of this chapter for more details. Reset type: CPU1.SYSRSn
23-22	MUX27	R/W	0h	Select Bits for EPWM-XBAR TRIP10 Mux27: 00 : Select .0 input for Mux27 01 : Select .1 input for Mux27 10 : Select .2 input for Mux27 11 : Select .3 input for Mux27 Refer to the EPWM X-BAR section of this chapter for more details. Reset type: CPU1.SYSRSn
21-20	MUX26	R/W	0h	Select Bits for EPWM-XBAR TRIP10 Mux26: 00 : Select .0 input for Mux26 01 : Select .1 input for Mux26 10 : Select .2 input for Mux26 11 : Select .3 input for Mux26 Refer to the EPWM X-BAR section of this chapter for more details. Reset type: CPU1.SYSRSn

**Table 8-44. TRIP10MUX16TO31CFG Register Field Descriptions (continued)**

Bit	Field	Type	Reset	Description
19-18	MUX25	R/W	0h	Select Bits for EPWM-XBAR TRIP10 Mux25: 00 : Select .0 input for Mux25 01 : Select .1 input for Mux25 10 : Select .2 input for Mux25 11 : Select .3 input for Mux25 Refer to the EPWM X-BAR section of this chapter for more details. Reset type: CPU1.SYSRSn
17-16	MUX24	R/W	0h	Select Bits for EPWM-XBAR TRIP10 Mux24: 00 : Select .0 input for Mux24 01 : Select .1 input for Mux24 10 : Select .2 input for Mux24 11 : Select .3 input for Mux24 Refer to the EPWM X-BAR section of this chapter for more details. Reset type: CPU1.SYSRSn
15-14	MUX23	R/W	0h	Select Bits for EPWM-XBAR TRIP10 Mux23: 00 : Select .0 input for Mux23 01 : Select .1 input for Mux23 10 : Select .2 input for Mux23 11 : Select .3 input for Mux23 Refer to the EPWM X-BAR section of this chapter for more details. Reset type: CPU1.SYSRSn
13-12	MUX22	R/W	0h	Select Bits for EPWM-XBAR TRIP10 Mux22: 00 : Select .0 input for Mux22 01 : Select .1 input for Mux22 10 : Select .2 input for Mux22 11 : Select .3 input for Mux22 Refer to the EPWM X-BAR section of this chapter for more details. Reset type: CPU1.SYSRSn
11-10	MUX21	R/W	0h	Select Bits for EPWM-XBAR TRIP10 Mux21: 00 : Select .0 input for Mux21 01 : Select .1 input for Mux21 10 : Select .2 input for Mux21 11 : Select .3 input for Mux21 Refer to the EPWM X-BAR section of this chapter for more details. Reset type: CPU1.SYSRSn
9-8	MUX20	R/W	0h	Select Bits for EPWM-XBAR TRIP10 Mux20: 00 : Select .0 input for Mux20 01 : Select .1 input for Mux20 10 : Select .2 input for Mux20 11 : Select .3 input for Mux20 Refer to the EPWM X-BAR section of this chapter for more details. Reset type: CPU1.SYSRSn
7-6	MUX19	R/W	0h	Select Bits for EPWM-XBAR TRIP10 Mux19: 00 : Select .0 input for Mux19 01 : Select .1 input for Mux19 10 : Select .2 input for Mux19 11 : Select .3 input for Mux19 Refer to the EPWM X-BAR section of this chapter for more details. Reset type: CPU1.SYSRSn
5-4	MUX18	R/W	0h	Select Bits for EPWM-XBAR TRIP10 Mux18: 00 : Select .0 input for Mux18 01 : Select .1 input for Mux18 10 : Select .2 input for Mux18 11 : Select .3 input for Mux18 Refer to the EPWM X-BAR section of this chapter for more details. Reset type: CPU1.SYSRSn

**Table 8-44. TRIP10MUX16TO31CFG Register Field Descriptions (continued)**

Bit	Field	Type	Reset	Description
3-2	MUX17	R/W	0h	Select Bits for EPWM-XBAR TRIP10 Mux17: 00 : Select .0 input for Mux17 01 : Select .1 input for Mux17 10 : Select .2 input for Mux17 11 : Select .3 input for Mux17 Refer to the EPWM X-BAR section of this chapter for more details. Reset type: CPU1.SYSRSn
1-0	MUX16	R/W	0h	Select Bits for EPWM-XBAR TRIP10 Mux16: 00 : Select .0 input for Mux16 01 : Select .1 input for Mux16 10 : Select .2 input for Mux16 11 : Select .3 input for Mux16 Refer to the EPWM X-BAR section of this chapter for more details. Reset type: CPU1.SYSRSn



### 8.3.4.13 TRIP11MUX0TO15CFG Register (Offset = 18h) [Reset = 0000000h]

TRIP11MUX0TO15CFG is shown in [Figure 8-40](#) and described in [Table 8-45](#).

Return to the [Summary Table](#).

ePWM XBAR Mux Configuration for TRIP11

**Figure 8-40. TRIP11MUX0TO15CFG Register**

31	30	29	28	27	26	25	24	23	22	21	20	19	18	17	16
MUX15		MUX14		MUX13		MUX12		MUX11		MUX10		MUX9		MUX8	
R/W-0h		R/W-0h		R/W-0h		R/W-0h		R/W-0h		R/W-0h		R/W-0h		R/W-0h	
15	14	13	12	11	10	9	8	7	6	5	4	3	2	1	0
MUX7		MUX6		MUX5		MUX4		MUX3		MUX2		MUX1		MUX0	
R/W-0h		R/W-0h		R/W-0h		R/W-0h		R/W-0h		R/W-0h		R/W-0h		R/W-0h	

**Table 8-45. TRIP11MUX0TO15CFG Register Field Descriptions**

Bit	Field	Type	Reset	Description
31-30	MUX15	R/W	0h	Select Bits for EPWM-XBAR TRIP11 Mux15: 00 : Select .0 input for Mux15 01 : Select .1 input for Mux15 10 : Select .2 input for Mux15 11 : Select .3 input for Mux15 Refer to the EPWM X-BAR section of this chapter for more details. Reset type: CPU1.SYSRSn
29-28	MUX14	R/W	0h	Select Bits for EPWM-XBAR TRIP11 Mux14: 00 : Select .0 input for Mux14 01 : Select .1 input for Mux14 10 : Select .2 input for Mux14 11 : Select .3 input for Mux14 Refer to the EPWM X-BAR section of this chapter for more details. Reset type: CPU1.SYSRSn
27-26	MUX13	R/W	0h	Select Bits for EPWM-XBAR TRIP11 Mux13: 00 : Select .0 input for Mux13 01 : Select .1 input for Mux13 10 : Select .2 input for Mux13 11 : Select .3 input for Mux13 Refer to the EPWM X-BAR section of this chapter for more details. Reset type: CPU1.SYSRSn
25-24	MUX12	R/W	0h	Select Bits for EPWM-XBAR TRIP11 Mux12: 00 : Select .0 input for Mux12 01 : Select .1 input for Mux12 10 : Select .2 input for Mux12 11 : Select .3 input for Mux12 Refer to the EPWM X-BAR section of this chapter for more details. Reset type: CPU1.SYSRSn
23-22	MUX11	R/W	0h	Select Bits for EPWM-XBAR TRIP11 Mux11: 00 : Select .0 input for Mux11 01 : Select .1 input for Mux11 10 : Select .2 input for Mux11 11 : Select .3 input for Mux11 Refer to the EPWM X-BAR section of this chapter for more details. Reset type: CPU1.SYSRSn
21-20	MUX10	R/W	0h	Select Bits for EPWM-XBAR TRIP11 Mux10: 00 : Select .0 input for Mux10 01 : Select .1 input for Mux10 10 : Select .2 input for Mux10 11 : Select .3 input for Mux10 Refer to the EPWM X-BAR section of this chapter for more details. Reset type: CPU1.SYSRSn

**Table 8-45. TRIP11MUX0TO15CFG Register Field Descriptions (continued)**

Bit	Field	Type	Reset	Description
19-18	MUX9	R/W	0h	Select Bits for EPWM-XBAR TRIP11 Mux9: 00 : Select .0 input for Mux9 01 : Select .1 input for Mux9 10 : Select .2 input for Mux9 11 : Select .3 input for Mux9 Refer to the EPWM X-BAR section of this chapter for more details. Reset type: CPU1.SYSRSn
17-16	MUX8	R/W	0h	Select Bits for EPWM-XBAR TRIP11 Mux8: 00 : Select .0 input for Mux8 01 : Select .1 input for Mux8 10 : Select .2 input for Mux8 11 : Select .3 input for Mux8 Refer to the EPWM X-BAR section of this chapter for more details. Reset type: CPU1.SYSRSn
15-14	MUX7	R/W	0h	Select Bits for EPWM-XBAR TRIP11 Mux7: 00 : Select .0 input for Mux7 01 : Select .1 input for Mux7 10 : Select .2 input for Mux7 11 : Select .3 input for Mux7 Refer to the EPWM X-BAR section of this chapter for more details. Reset type: CPU1.SYSRSn
13-12	MUX6	R/W	0h	Select Bits for EPWM-XBAR TRIP11 Mux6: 00 : Select .0 input for Mux6 01 : Select .1 input for Mux6 10 : Select .2 input for Mux6 11 : Select .3 input for Mux6 Refer to the EPWM X-BAR section of this chapter for more details. Reset type: CPU1.SYSRSn
11-10	MUX5	R/W	0h	Select Bits for EPWM-XBAR TRIP11 Mux5: 00 : Select .0 input for Mux5 01 : Select .1 input for Mux5 10 : Select .2 input for Mux5 11 : Select .3 input for Mux5 Refer to the EPWM X-BAR section of this chapter for more details. Reset type: CPU1.SYSRSn
9-8	MUX4	R/W	0h	Select Bits for EPWM-XBAR TRIP11 Mux4: 00 : Select .0 input for Mux4 01 : Select .1 input for Mux4 10 : Select .2 input for Mux4 11 : Select .3 input for Mux4 Refer to the EPWM X-BAR section of this chapter for more details. Reset type: CPU1.SYSRSn
7-6	MUX3	R/W	0h	Select Bits for EPWM-XBAR TRIP11 Mux3: 00 : Select .0 input for Mux3 01 : Select .1 input for Mux3 10 : Select .2 input for Mux3 11 : Select .3 input for Mux3 Refer to the EPWM X-BAR section of this chapter for more details. Reset type: CPU1.SYSRSn
5-4	MUX2	R/W	0h	Select Bits for EPWM-XBAR TRIP11 Mux2: 00 : Select .0 input for Mux2 01 : Select .1 input for Mux2 10 : Select .2 input for Mux2 11 : Select .3 input for Mux2 Refer to the EPWM X-BAR section of this chapter for more details. Reset type: CPU1.SYSRSn

**Table 8-45. TRIP11MUX0TO15CFG Register Field Descriptions (continued)**

Bit	Field	Type	Reset	Description
3-2	MUX1	R/W	0h	Select Bits for EPWM-XBAR TRIP11 Mux1: 00 : Select .0 input for Mux1 01 : Select .1 input for Mux1 10 : Select .2 input for Mux1 11 : Select .3 input for Mux1 Refer to the EPWM X-BAR section of this chapter for more details. Reset type: CPU1.SYSRSn
1-0	MUX0	R/W	0h	Select Bits for EPWM-XBAR TRIP11 Mux0: 00 : Select .0 input for Mux0 01 : Select .1 input for Mux0 10 : Select .2 input for Mux0 11 : Select .3 input for Mux0 Refer to the EPWM X-BAR section of this chapter for more details. Reset type: CPU1.SYSRSn

### 8.3.4.14 TRIP11MUX16TO31CFG Register (Offset = 1Ah) [Reset = 0000000h]

TRIP11MUX16TO31CFG is shown in [Figure 8-41](#) and described in [Table 8-46](#).

Return to the [Summary Table](#).

ePWM XBAR Mux Configuration for TRIP11

**Figure 8-41. TRIP11MUX16TO31CFG Register**

31	30	29	28	27	26	25	24	23	22	21	20	19	18	17	16
MUX31		MUX30		MUX29		MUX28		MUX27		MUX26		MUX25		MUX24	
R/W-0h		R/W-0h		R/W-0h		R/W-0h		R/W-0h		R/W-0h		R/W-0h		R/W-0h	
15	14	13	12	11	10	9	8	7	6	5	4	3	2	1	0
MUX23		MUX22		MUX21		MUX20		MUX19		MUX18		MUX17		MUX16	
R/W-0h		R/W-0h		R/W-0h		R/W-0h		R/W-0h		R/W-0h		R/W-0h		R/W-0h	

**Table 8-46. TRIP11MUX16TO31CFG Register Field Descriptions**

Bit	Field	Type	Reset	Description
31-30	MUX31	R/W	0h	Select Bits for EPWM-XBAR TRIP11 Mux31: 00 : Select .0 input for Mux31 01 : Select .1 input for Mux31 10 : Select .2 input for Mux31 11 : Select .3 input for Mux31 Refer to the EPWM X-BAR section of this chapter for more details. Reset type: CPU1.SYSRSn
29-28	MUX30	R/W	0h	Select Bits for EPWM-XBAR TRIP11 Mux30: 00 : Select .0 input for Mux30 01 : Select .1 input for Mux30 10 : Select .2 input for Mux30 11 : Select .3 input for Mux30 Refer to the EPWM X-BAR section of this chapter for more details. Reset type: CPU1.SYSRSn
27-26	MUX29	R/W	0h	Select Bits for EPWM-XBAR TRIP11 Mux29: 00 : Select .0 input for Mux29 01 : Select .1 input for Mux29 10 : Select .2 input for Mux29 11 : Select .3 input for Mux29 Refer to the EPWM X-BAR section of this chapter for more details. Reset type: CPU1.SYSRSn
25-24	MUX28	R/W	0h	Select Bits for EPWM-XBAR TRIP11 Mux28: 00 : Select .0 input for Mux28 01 : Select .1 input for Mux28 10 : Select .2 input for Mux28 11 : Select .3 input for Mux28 Refer to the EPWM X-BAR section of this chapter for more details. Reset type: CPU1.SYSRSn
23-22	MUX27	R/W	0h	Select Bits for EPWM-XBAR TRIP11 Mux27: 00 : Select .0 input for Mux27 01 : Select .1 input for Mux27 10 : Select .2 input for Mux27 11 : Select .3 input for Mux27 Refer to the EPWM X-BAR section of this chapter for more details. Reset type: CPU1.SYSRSn
21-20	MUX26	R/W	0h	Select Bits for EPWM-XBAR TRIP11 Mux26: 00 : Select .0 input for Mux26 01 : Select .1 input for Mux26 10 : Select .2 input for Mux26 11 : Select .3 input for Mux26 Refer to the EPWM X-BAR section of this chapter for more details. Reset type: CPU1.SYSRSn

**Table 8-46. TRIP11MUX16TO31CFG Register Field Descriptions (continued)**

Bit	Field	Type	Reset	Description
19-18	MUX25	R/W	0h	Select Bits for EPWM-XBAR TRIP11 Mux25: 00 : Select .0 input for Mux25 01 : Select .1 input for Mux25 10 : Select .2 input for Mux25 11 : Select .3 input for Mux25 Refer to the EPWM X-BAR section of this chapter for more details. Reset type: CPU1.SYSRSn
17-16	MUX24	R/W	0h	Select Bits for EPWM-XBAR TRIP11 Mux24: 00 : Select .0 input for Mux24 01 : Select .1 input for Mux24 10 : Select .2 input for Mux24 11 : Select .3 input for Mux24 Refer to the EPWM X-BAR section of this chapter for more details. Reset type: CPU1.SYSRSn
15-14	MUX23	R/W	0h	Select Bits for EPWM-XBAR TRIP11 Mux23: 00 : Select .0 input for Mux23 01 : Select .1 input for Mux23 10 : Select .2 input for Mux23 11 : Select .3 input for Mux23 Refer to the EPWM X-BAR section of this chapter for more details. Reset type: CPU1.SYSRSn
13-12	MUX22	R/W	0h	Select Bits for EPWM-XBAR TRIP11 Mux22: 00 : Select .0 input for Mux22 01 : Select .1 input for Mux22 10 : Select .2 input for Mux22 11 : Select .3 input for Mux22 Refer to the EPWM X-BAR section of this chapter for more details. Reset type: CPU1.SYSRSn
11-10	MUX21	R/W	0h	Select Bits for EPWM-XBAR TRIP11 Mux21: 00 : Select .0 input for Mux21 01 : Select .1 input for Mux21 10 : Select .2 input for Mux21 11 : Select .3 input for Mux21 Refer to the EPWM X-BAR section of this chapter for more details. Reset type: CPU1.SYSRSn
9-8	MUX20	R/W	0h	Select Bits for EPWM-XBAR TRIP11 Mux20: 00 : Select .0 input for Mux20 01 : Select .1 input for Mux20 10 : Select .2 input for Mux20 11 : Select .3 input for Mux20 Refer to the EPWM X-BAR section of this chapter for more details. Reset type: CPU1.SYSRSn
7-6	MUX19	R/W	0h	Select Bits for EPWM-XBAR TRIP11 Mux19: 00 : Select .0 input for Mux19 01 : Select .1 input for Mux19 10 : Select .2 input for Mux19 11 : Select .3 input for Mux19 Refer to the EPWM X-BAR section of this chapter for more details. Reset type: CPU1.SYSRSn
5-4	MUX18	R/W	0h	Select Bits for EPWM-XBAR TRIP11 Mux18: 00 : Select .0 input for Mux18 01 : Select .1 input for Mux18 10 : Select .2 input for Mux18 11 : Select .3 input for Mux18 Refer to the EPWM X-BAR section of this chapter for more details. Reset type: CPU1.SYSRSn

**Table 8-46. TRIP11MUX16TO31CFG Register Field Descriptions (continued)**

Bit	Field	Type	Reset	Description
3-2	MUX17	R/W	0h	Select Bits for EPWM-XBAR TRIP11 Mux17: 00 : Select .0 input for Mux17 01 : Select .1 input for Mux17 10 : Select .2 input for Mux17 11 : Select .3 input for Mux17 Refer to the EPWM X-BAR section of this chapter for more details. Reset type: CPU1.SYSRSn
1-0	MUX16	R/W	0h	Select Bits for EPWM-XBAR TRIP11 Mux16: 00 : Select .0 input for Mux16 01 : Select .1 input for Mux16 10 : Select .2 input for Mux16 11 : Select .3 input for Mux16 Refer to the EPWM X-BAR section of this chapter for more details. Reset type: CPU1.SYSRSn

### 8.3.4.15 TRIP12MUX0TO15CFG Register (Offset = 1Ch) [Reset = 0000000h]

TRIP12MUX0TO15CFG is shown in [Figure 8-42](#) and described in [Table 8-47](#).

Return to the [Summary Table](#).

ePWM XBAR Mux Configuration for TRIP12

**Figure 8-42. TRIP12MUX0TO15CFG Register**

31	30	29	28	27	26	25	24	23	22	21	20	19	18	17	16
MUX15		MUX14		MUX13		MUX12		MUX11		MUX10		MUX9		MUX8	
R/W-0h		R/W-0h		R/W-0h		R/W-0h		R/W-0h		R/W-0h		R/W-0h		R/W-0h	
15	14	13	12	11	10	9	8	7	6	5	4	3	2	1	0
MUX7		MUX6		MUX5		MUX4		MUX3		MUX2		MUX1		MUX0	
R/W-0h		R/W-0h		R/W-0h		R/W-0h		R/W-0h		R/W-0h		R/W-0h		R/W-0h	

**Table 8-47. TRIP12MUX0TO15CFG Register Field Descriptions**

Bit	Field	Type	Reset	Description
31-30	MUX15	R/W	0h	Select Bits for EPWM-XBAR TRIP12 Mux15: 00 : Select .0 input for Mux15 01 : Select .1 input for Mux15 10 : Select .2 input for Mux15 11 : Select .3 input for Mux15 Refer to the EPWM X-BAR section of this chapter for more details. Reset type: CPU1.SYSRSn
29-28	MUX14	R/W	0h	Select Bits for EPWM-XBAR TRIP12 Mux14: 00 : Select .0 input for Mux14 01 : Select .1 input for Mux14 10 : Select .2 input for Mux14 11 : Select .3 input for Mux14 Refer to the EPWM X-BAR section of this chapter for more details. Reset type: CPU1.SYSRSn
27-26	MUX13	R/W	0h	Select Bits for EPWM-XBAR TRIP12 Mux13: 00 : Select .0 input for Mux13 01 : Select .1 input for Mux13 10 : Select .2 input for Mux13 11 : Select .3 input for Mux13 Refer to the EPWM X-BAR section of this chapter for more details. Reset type: CPU1.SYSRSn
25-24	MUX12	R/W	0h	Select Bits for EPWM-XBAR TRIP12 Mux12: 00 : Select .0 input for Mux12 01 : Select .1 input for Mux12 10 : Select .2 input for Mux12 11 : Select .3 input for Mux12 Refer to the EPWM X-BAR section of this chapter for more details. Reset type: CPU1.SYSRSn
23-22	MUX11	R/W	0h	Select Bits for EPWM-XBAR TRIP12 Mux11: 00 : Select .0 input for Mux11 01 : Select .1 input for Mux11 10 : Select .2 input for Mux11 11 : Select .3 input for Mux11 Refer to the EPWM X-BAR section of this chapter for more details. Reset type: CPU1.SYSRSn
21-20	MUX10	R/W	0h	Select Bits for EPWM-XBAR TRIP12 Mux10: 00 : Select .0 input for Mux10 01 : Select .1 input for Mux10 10 : Select .2 input for Mux10 11 : Select .3 input for Mux10 Refer to the EPWM X-BAR section of this chapter for more details. Reset type: CPU1.SYSRSn

**Table 8-47. TRIP12MUX0TO15CFG Register Field Descriptions (continued)**

Bit	Field	Type	Reset	Description
19-18	MUX9	R/W	0h	Select Bits for EPWM-XBAR TRIP12 Mux9: 00 : Select .0 input for Mux9 01 : Select .1 input for Mux9 10 : Select .2 input for Mux9 11 : Select .3 input for Mux9 Refer to the EPWM X-BAR section of this chapter for more details. Reset type: CPU1.SYSRSn
17-16	MUX8	R/W	0h	Select Bits for EPWM-XBAR TRIP12 Mux8: 00 : Select .0 input for Mux8 01 : Select .1 input for Mux8 10 : Select .2 input for Mux8 11 : Select .3 input for Mux8 Refer to the EPWM X-BAR section of this chapter for more details. Reset type: CPU1.SYSRSn
15-14	MUX7	R/W	0h	Select Bits for EPWM-XBAR TRIP12 Mux7: 00 : Select .0 input for Mux7 01 : Select .1 input for Mux7 10 : Select .2 input for Mux7 11 : Select .3 input for Mux7 Refer to the EPWM X-BAR section of this chapter for more details. Reset type: CPU1.SYSRSn
13-12	MUX6	R/W	0h	Select Bits for EPWM-XBAR TRIP12 Mux6: 00 : Select .0 input for Mux6 01 : Select .1 input for Mux6 10 : Select .2 input for Mux6 11 : Select .3 input for Mux6 Refer to the EPWM X-BAR section of this chapter for more details. Reset type: CPU1.SYSRSn
11-10	MUX5	R/W	0h	Select Bits for EPWM-XBAR TRIP12 Mux5: 00 : Select .0 input for Mux5 01 : Select .1 input for Mux5 10 : Select .2 input for Mux5 11 : Select .3 input for Mux5 Refer to the EPWM X-BAR section of this chapter for more details. Reset type: CPU1.SYSRSn
9-8	MUX4	R/W	0h	Select Bits for EPWM-XBAR TRIP12 Mux4: 00 : Select .0 input for Mux4 01 : Select .1 input for Mux4 10 : Select .2 input for Mux4 11 : Select .3 input for Mux4 Refer to the EPWM X-BAR section of this chapter for more details. Reset type: CPU1.SYSRSn
7-6	MUX3	R/W	0h	Select Bits for EPWM-XBAR TRIP12 Mux3: 00 : Select .0 input for Mux3 01 : Select .1 input for Mux3 10 : Select .2 input for Mux3 11 : Select .3 input for Mux3 Refer to the EPWM X-BAR section of this chapter for more details. Reset type: CPU1.SYSRSn
5-4	MUX2	R/W	0h	Select Bits for EPWM-XBAR TRIP12 Mux2: 00 : Select .0 input for Mux2 01 : Select .1 input for Mux2 10 : Select .2 input for Mux2 11 : Select .3 input for Mux2 Refer to the EPWM X-BAR section of this chapter for more details. Reset type: CPU1.SYSRSn



**Table 8-47. TRIP12MUX0TO15CFG Register Field Descriptions (continued)**

Bit	Field	Type	Reset	Description
3-2	MUX1	R/W	0h	Select Bits for EPWM-XBAR TRIP12 Mux1: 00 : Select .0 input for Mux1 01 : Select .1 input for Mux1 10 : Select .2 input for Mux1 11 : Select .3 input for Mux1 Refer to the EPWM X-BAR section of this chapter for more details. Reset type: CPU1.SYSRSn
1-0	MUX0	R/W	0h	Select Bits for EPWM-XBAR TRIP12 Mux0: 00 : Select .0 input for Mux0 01 : Select .1 input for Mux0 10 : Select .2 input for Mux0 11 : Select .3 input for Mux0 Refer to the EPWM X-BAR section of this chapter for more details. Reset type: CPU1.SYSRSn

### 8.3.4.16 TRIP12MUX16TO31CFG Register (Offset = 1Eh) [Reset = 0000000h]

TRIP12MUX16TO31CFG is shown in [Figure 8-43](#) and described in [Table 8-48](#).

Return to the [Summary Table](#).

ePWM XBAR Mux Configuration for TRIP12

**Figure 8-43. TRIP12MUX16TO31CFG Register**

31	30	29	28	27	26	25	24	23	22	21	20	19	18	17	16
MUX31		MUX30		MUX29		MUX28		MUX27		MUX26		MUX25		MUX24	
R/W-0h		R/W-0h		R/W-0h		R/W-0h		R/W-0h		R/W-0h		R/W-0h		R/W-0h	
15	14	13	12	11	10	9	8	7	6	5	4	3	2	1	0
MUX23		MUX22		MUX21		MUX20		MUX19		MUX18		MUX17		MUX16	
R/W-0h		R/W-0h		R/W-0h		R/W-0h		R/W-0h		R/W-0h		R/W-0h		R/W-0h	

**Table 8-48. TRIP12MUX16TO31CFG Register Field Descriptions**

Bit	Field	Type	Reset	Description
31-30	MUX31	R/W	0h	Select Bits for EPWM-XBAR TRIP12 Mux31: 00 : Select .0 input for Mux31 01 : Select .1 input for Mux31 10 : Select .2 input for Mux31 11 : Select .3 input for Mux31 Refer to the EPWM X-BAR section of this chapter for more details. Reset type: CPU1.SYSRSn
29-28	MUX30	R/W	0h	Select Bits for EPWM-XBAR TRIP12 Mux30: 00 : Select .0 input for Mux30 01 : Select .1 input for Mux30 10 : Select .2 input for Mux30 11 : Select .3 input for Mux30 Refer to the EPWM X-BAR section of this chapter for more details. Reset type: CPU1.SYSRSn
27-26	MUX29	R/W	0h	Select Bits for EPWM-XBAR TRIP12 Mux29: 00 : Select .0 input for Mux29 01 : Select .1 input for Mux29 10 : Select .2 input for Mux29 11 : Select .3 input for Mux29 Refer to the EPWM X-BAR section of this chapter for more details. Reset type: CPU1.SYSRSn
25-24	MUX28	R/W	0h	Select Bits for EPWM-XBAR TRIP12 Mux28: 00 : Select .0 input for Mux28 01 : Select .1 input for Mux28 10 : Select .2 input for Mux28 11 : Select .3 input for Mux28 Refer to the EPWM X-BAR section of this chapter for more details. Reset type: CPU1.SYSRSn
23-22	MUX27	R/W	0h	Select Bits for EPWM-XBAR TRIP12 Mux27: 00 : Select .0 input for Mux27 01 : Select .1 input for Mux27 10 : Select .2 input for Mux27 11 : Select .3 input for Mux27 Refer to the EPWM X-BAR section of this chapter for more details. Reset type: CPU1.SYSRSn
21-20	MUX26	R/W	0h	Select Bits for EPWM-XBAR TRIP12 Mux26: 00 : Select .0 input for Mux26 01 : Select .1 input for Mux26 10 : Select .2 input for Mux26 11 : Select .3 input for Mux26 Refer to the EPWM X-BAR section of this chapter for more details. Reset type: CPU1.SYSRSn

**Table 8-48. TRIP12MUX16TO31CFG Register Field Descriptions (continued)**

Bit	Field	Type	Reset	Description
19-18	MUX25	R/W	0h	Select Bits for EPWM-XBAR TRIP12 Mux25: 00 : Select .0 input for Mux25 01 : Select .1 input for Mux25 10 : Select .2 input for Mux25 11 : Select .3 input for Mux25 Refer to the EPWM X-BAR section of this chapter for more details. Reset type: CPU1.SYSRSn
17-16	MUX24	R/W	0h	Select Bits for EPWM-XBAR TRIP12 Mux24: 00 : Select .0 input for Mux24 01 : Select .1 input for Mux24 10 : Select .2 input for Mux24 11 : Select .3 input for Mux24 Refer to the EPWM X-BAR section of this chapter for more details. Reset type: CPU1.SYSRSn
15-14	MUX23	R/W	0h	Select Bits for EPWM-XBAR TRIP12 Mux23: 00 : Select .0 input for Mux23 01 : Select .1 input for Mux23 10 : Select .2 input for Mux23 11 : Select .3 input for Mux23 Refer to the EPWM X-BAR section of this chapter for more details. Reset type: CPU1.SYSRSn
13-12	MUX22	R/W	0h	Select Bits for EPWM-XBAR TRIP12 Mux22: 00 : Select .0 input for Mux22 01 : Select .1 input for Mux22 10 : Select .2 input for Mux22 11 : Select .3 input for Mux22 Refer to the EPWM X-BAR section of this chapter for more details. Reset type: CPU1.SYSRSn
11-10	MUX21	R/W	0h	Select Bits for EPWM-XBAR TRIP12 Mux21: 00 : Select .0 input for Mux21 01 : Select .1 input for Mux21 10 : Select .2 input for Mux21 11 : Select .3 input for Mux21 Refer to the EPWM X-BAR section of this chapter for more details. Reset type: CPU1.SYSRSn
9-8	MUX20	R/W	0h	Select Bits for EPWM-XBAR TRIP12 Mux20: 00 : Select .0 input for Mux20 01 : Select .1 input for Mux20 10 : Select .2 input for Mux20 11 : Select .3 input for Mux20 Refer to the EPWM X-BAR section of this chapter for more details. Reset type: CPU1.SYSRSn
7-6	MUX19	R/W	0h	Select Bits for EPWM-XBAR TRIP12 Mux19: 00 : Select .0 input for Mux19 01 : Select .1 input for Mux19 10 : Select .2 input for Mux19 11 : Select .3 input for Mux19 Refer to the EPWM X-BAR section of this chapter for more details. Reset type: CPU1.SYSRSn
5-4	MUX18	R/W	0h	Select Bits for EPWM-XBAR TRIP12 Mux18: 00 : Select .0 input for Mux18 01 : Select .1 input for Mux18 10 : Select .2 input for Mux18 11 : Select .3 input for Mux18 Refer to the EPWM X-BAR section of this chapter for more details. Reset type: CPU1.SYSRSn

**Table 8-48. TRIP12MUX16TO31CFG Register Field Descriptions (continued)**

Bit	Field	Type	Reset	Description
3-2	MUX17	R/W	0h	Select Bits for EPWM-XBAR TRIP12 Mux17: 00 : Select .0 input for Mux17 01 : Select .1 input for Mux17 10 : Select .2 input for Mux17 11 : Select .3 input for Mux17 Refer to the EPWM X-BAR section of this chapter for more details. Reset type: CPU1.SYSRSn
1-0	MUX16	R/W	0h	Select Bits for EPWM-XBAR TRIP12 Mux16: 00 : Select .0 input for Mux16 01 : Select .1 input for Mux16 10 : Select .2 input for Mux16 11 : Select .3 input for Mux16 Refer to the EPWM X-BAR section of this chapter for more details. Reset type: CPU1.SYSRSn

### 8.3.4.17 TRIP4MUXENABLE Register (Offset = 20h) [Reset = 0000000h]

TRIP4MUXENABLE is shown in [Figure 8-44](#) and described in [Table 8-49](#).

Return to the [Summary Table](#).

ePWM XBAR Mux Enable for TRIP4

**Figure 8-44. TRIP4MUXENABLE Register**

31	30	29	28	27	26	25	24
MUX31	MUX30	MUX29	MUX28	MUX27	MUX26	MUX25	MUX24
R/W-0h	R/W-0h	R/W-0h	R/W-0h	R/W-0h	R/W-0h	R/W-0h	R/W-0h
23	22	21	20	19	18	17	16
MUX23	MUX22	MUX21	MUX20	MUX19	MUX18	MUX17	MUX16
R/W-0h	R/W-0h	R/W-0h	R/W-0h	R/W-0h	R/W-0h	R/W-0h	R/W-0h
15	14	13	12	11	10	9	8
MUX15	MUX14	MUX13	MUX12	MUX11	MUX10	MUX9	MUX8
R/W-0h	R/W-0h	R/W-0h	R/W-0h	R/W-0h	R/W-0h	R/W-0h	R/W-0h
7	6	5	4	3	2	1	0
MUX7	MUX6	MUX5	MUX4	MUX3	MUX2	MUX1	MUX0
R/W-0h	R/W-0h	R/W-0h	R/W-0h	R/W-0h	R/W-0h	R/W-0h	R/W-0h

**Table 8-49. TRIP4MUXENABLE Register Field Descriptions**

Bit	Field	Type	Reset	Description
31	MUX31	R/W	0h	Selects the output of Mux31 to drive TRIP4 of EPWM-XBAR 0: Respective output of Mux31 is disabled to drive the TRIP4 of EPWM-XBAR 1: Respective output of Mux31 is enabled to drive the TRIP4 of EPWM-XBAR Refer to the EPWM X-BAR section of this chapter for more details. Reset type: CPU1.SYSRSn
30	MUX30	R/W	0h	Selects the output of Mux30 to drive TRIP4 of EPWM-XBAR 0: Respective output of Mux30 is disabled to drive the TRIP4 of EPWM-XBAR 1: Respective output of Mux30 is enabled to drive the TRIP4 of EPWM-XBAR Refer to the EPWM X-BAR section of this chapter for more details. Reset type: CPU1.SYSRSn
29	MUX29	R/W	0h	Selects the output of Mux29 to drive TRIP4 of EPWM-XBAR 0: Respective output of Mux29 is disabled to drive the TRIP4 of EPWM-XBAR 1: Respective output of Mux29 is enabled to drive the TRIP4 of EPWM-XBAR Refer to the EPWM X-BAR section of this chapter for more details. Reset type: CPU1.SYSRSn
28	MUX28	R/W	0h	Selects the output of Mux28 to drive TRIP4 of EPWM-XBAR 0: Respective output of Mux28 is disabled to drive the TRIP4 of EPWM-XBAR 1: Respective output of Mux28 is enabled to drive the TRIP4 of EPWM-XBAR Refer to the EPWM X-BAR section of this chapter for more details. Reset type: CPU1.SYSRSn

**Table 8-49. TRIP4MUXENABLE Register Field Descriptions (continued)**

Bit	Field	Type	Reset	Description
27	MUX27	R/W	0h	Selects the output of Mux27 to drive TRIP4 of EPWM-XBAR 0: Respective output of Mux27 is disabled to drive the TRIP4 of EPWM-XBAR 1: Respective output of Mux27 is enabled to drive the TRIP4 of EPWM-XBAR Refer to the EPWM X-BAR section of this chapter for more details. Reset type: CPU1.SYSRSn
26	MUX26	R/W	0h	Selects the output of Mux26 to drive TRIP4 of EPWM-XBAR 0: Respective output of Mux26 is disabled to drive the TRIP4 of EPWM-XBAR 1: Respective output of Mux26 is enabled to drive the TRIP4 of EPWM-XBAR Refer to the EPWM X-BAR section of this chapter for more details. Reset type: CPU1.SYSRSn
25	MUX25	R/W	0h	Selects the output of Mux25 to drive TRIP4 of EPWM-XBAR 0: Respective output of Mux25 is disabled to drive the TRIP4 of EPWM-XBAR 1: Respective output of Mux25 is enabled to drive the TRIP4 of EPWM-XBAR Refer to the EPWM X-BAR section of this chapter for more details. Reset type: CPU1.SYSRSn
24	MUX24	R/W	0h	Selects the output of Mux24 to drive TRIP4 of EPWM-XBAR 0: Respective output of Mux24 is disabled to drive the TRIP4 of EPWM-XBAR 1: Respective output of Mux24 is enabled to drive the TRIP4 of EPWM-XBAR Refer to the EPWM X-BAR section of this chapter for more details. Reset type: CPU1.SYSRSn
23	MUX23	R/W	0h	Selects the output of Mux23 to drive TRIP4 of EPWM-XBAR 0: Respective output of Mux23 is disabled to drive the TRIP4 of EPWM-XBAR 1: Respective output of Mux23 is enabled to drive the TRIP4 of EPWM-XBAR Refer to the EPWM X-BAR section of this chapter for more details. Reset type: CPU1.SYSRSn
22	MUX22	R/W	0h	Selects the output of Mux22 to drive TRIP4 of EPWM-XBAR 0: Respective output of Mux22 is disabled to drive the TRIP4 of EPWM-XBAR 1: Respective output of Mux22 is enabled to drive the TRIP4 of EPWM-XBAR Refer to the EPWM X-BAR section of this chapter for more details. Reset type: CPU1.SYSRSn
21	MUX21	R/W	0h	Selects the output of Mux21 to drive TRIP4 of EPWM-XBAR 0: Respective output of Mux21 is disabled to drive the TRIP4 of EPWM-XBAR 1: Respective output of Mux21 is enabled to drive the TRIP4 of EPWM-XBAR Refer to the EPWM X-BAR section of this chapter for more details. Reset type: CPU1.SYSRSn
20	MUX20	R/W	0h	Selects the output of Mux20 to drive TRIP4 of EPWM-XBAR 0: Respective output of Mux20 is disabled to drive the TRIP4 of EPWM-XBAR 1: Respective output of Mux20 is enabled to drive the TRIP4 of EPWM-XBAR Refer to the EPWM X-BAR section of this chapter for more details. Reset type: CPU1.SYSRSn

**Table 8-49. TRIP4MUXENABLE Register Field Descriptions (continued)**

Bit	Field	Type	Reset	Description
19	MUX19	R/W	0h	Selects the output of Mux19 to drive TRIP4 of EPWM-XBAR 0: Respective output of Mux19 is disabled to drive the TRIP4 of EPWM-XBAR 1: Respective output of Mux19 is enabled to drive the TRIP4 of EPWM-XBAR Refer to the EPWM X-BAR section of this chapter for more details. Reset type: CPU1.SYSRSn
18	MUX18	R/W	0h	Selects the output of Mux18 to drive TRIP4 of EPWM-XBAR 0: Respective output of Mux18 is disabled to drive the TRIP4 of EPWM-XBAR 1: Respective output of Mux18 is enabled to drive the TRIP4 of EPWM-XBAR Refer to the EPWM X-BAR section of this chapter for more details. Reset type: CPU1.SYSRSn
17	MUX17	R/W	0h	Selects the output of Mux17 to drive TRIP4 of EPWM-XBAR 0: Respective output of Mux17 is disabled to drive the TRIP4 of EPWM-XBAR 1: Respective output of Mux17 is enabled to drive the TRIP4 of EPWM-XBAR Refer to the EPWM X-BAR section of this chapter for more details. Reset type: CPU1.SYSRSn
16	MUX16	R/W	0h	Selects the output of Mux16 to drive TRIP4 of EPWM-XBAR 0: Respective output of Mux16 is disabled to drive the TRIP4 of EPWM-XBAR 1: Respective output of Mux16 is enabled to drive the TRIP4 of EPWM-XBAR Refer to the EPWM X-BAR section of this chapter for more details. Reset type: CPU1.SYSRSn
15	MUX15	R/W	0h	Selects the output of Mux15 to drive TRIP4 of EPWM-XBAR 0: Respective output of Mux15 is disabled to drive the TRIP4 of EPWM-XBAR 1: Respective output of Mux15 is enabled to drive the TRIP4 of EPWM-XBAR Refer to the EPWM X-BAR section of this chapter for more details. Reset type: CPU1.SYSRSn
14	MUX14	R/W	0h	Selects the output of Mux14 to drive TRIP4 of EPWM-XBAR 0: Respective output of Mux14 is disabled to drive the TRIP4 of EPWM-XBAR 1: Respective output of Mux14 is enabled to drive the TRIP4 of EPWM-XBAR Refer to the EPWM X-BAR section of this chapter for more details. Reset type: CPU1.SYSRSn
13	MUX13	R/W	0h	Selects the output of Mux13 to drive TRIP4 of EPWM-XBAR 0: Respective output of Mux13 is disabled to drive the TRIP4 of EPWM-XBAR 1: Respective output of Mux13 is enabled to drive the TRIP4 of EPWM-XBAR Refer to the EPWM X-BAR section of this chapter for more details. Reset type: CPU1.SYSRSn
12	MUX12	R/W	0h	Selects the output of Mux12 to drive TRIP4 of EPWM-XBAR 0: Respective output of Mux12 is disabled to drive the TRIP4 of EPWM-XBAR 1: Respective output of Mux12 is enabled to drive the TRIP4 of EPWM-XBAR Refer to the EPWM X-BAR section of this chapter for more details. Reset type: CPU1.SYSRSn

**Table 8-49. TRIP4MUXENABLE Register Field Descriptions (continued)**

Bit	Field	Type	Reset	Description
11	MUX11	R/W	0h	Selects the output of Mux11 to drive TRIP4 of EPWM-XBAR 0: Respective output of Mux11 is disabled to drive the TRIP4 of EPWM-XBAR 1: Respective output of Mux11 is enabled to drive the TRIP4 of EPWM-XBAR Refer to the EPWM X-BAR section of this chapter for more details. Reset type: CPU1.SYSRSn
10	MUX10	R/W	0h	Selects the output of Mux10 to drive TRIP4 of EPWM-XBAR 0: Respective output of Mux10 is disabled to drive the TRIP4 of EPWM-XBAR 1: Respective output of Mux10 is enabled to drive the TRIP4 of EPWM-XBAR Refer to the EPWM X-BAR section of this chapter for more details. Reset type: CPU1.SYSRSn
9	MUX9	R/W	0h	Selects the output of Mux9 to drive TRIP4 of EPWM-XBAR 0: Respective output of Mux9 is disabled to drive the TRIP4 of EPWM-XBAR 1: Respective output of Mux9 is enabled to drive the TRIP4 of EPWM-XBAR Refer to the EPWM X-BAR section of this chapter for more details. Reset type: CPU1.SYSRSn
8	MUX8	R/W	0h	Selects the output of Mux8 to drive TRIP4 of EPWM-XBAR 0: Respective output of Mux8 is disabled to drive the TRIP4 of EPWM-XBAR 1: Respective output of Mux8 is enabled to drive the TRIP4 of EPWM-XBAR Refer to the EPWM X-BAR section of this chapter for more details. Reset type: CPU1.SYSRSn
7	MUX7	R/W	0h	Selects the output of Mux7 to drive TRIP4 of EPWM-XBAR 0: Respective output of Mux7 is disabled to drive the TRIP4 of EPWM-XBAR 1: Respective output of Mux7 is enabled to drive the TRIP4 of EPWM-XBAR Refer to the EPWM X-BAR section of this chapter for more details. Reset type: CPU1.SYSRSn
6	MUX6	R/W	0h	Selects the output of Mux6 to drive TRIP4 of EPWM-XBAR 0: Respective output of Mux6 is disabled to drive the TRIP4 of EPWM-XBAR 1: Respective output of Mux6 is enabled to drive the TRIP4 of EPWM-XBAR Refer to the EPWM X-BAR section of this chapter for more details. Reset type: CPU1.SYSRSn
5	MUX5	R/W	0h	Selects the output of Mux5 to drive TRIP4 of EPWM-XBAR 0: Respective output of Mux5 is disabled to drive the TRIP4 of EPWM-XBAR 1: Respective output of Mux5 is enabled to drive the TRIP4 of EPWM-XBAR Refer to the EPWM X-BAR section of this chapter for more details. Reset type: CPU1.SYSRSn
4	MUX4	R/W	0h	Selects the output of Mux4 to drive TRIP4 of EPWM-XBAR 0: Respective output of Mux4 is disabled to drive the TRIP4 of EPWM-XBAR 1: Respective output of Mux4 is enabled to drive the TRIP4 of EPWM-XBAR Refer to the EPWM X-BAR section of this chapter for more details. Reset type: CPU1.SYSRSn



**Table 8-49. TRIP4MUXENABLE Register Field Descriptions (continued)**

Bit	Field	Type	Reset	Description
3	MUX3	R/W	0h	Selects the output of Mux3 to drive TRIP4 of EPWM-XBAR 0: Respective output of Mux3 is disabled to drive the TRIP4 of EPWM-XBAR 1: Respective output of Mux3 is enabled to drive the TRIP4 of EPWM-XBAR Refer to the EPWM X-BAR section of this chapter for more details. Reset type: CPU1.SYSRSn
2	MUX2	R/W	0h	Selects the output of Mux2 to drive TRIP4 of EPWM-XBAR 0: Respective output of Mux2 is disabled to drive the TRIP4 of EPWM-XBAR 1: Respective output of Mux2 is enabled to drive the TRIP4 of EPWM-XBAR Refer to the EPWM X-BAR section of this chapter for more details. Reset type: CPU1.SYSRSn
1	MUX1	R/W	0h	Selects the output of Mux1 to drive TRIP4 of EPWM-XBAR 0: Respective output of Mux1 is disabled to drive the TRIP4 of EPWM-XBAR 1: Respective output of Mux1 is enabled to drive the TRIP4 of EPWM-XBAR Refer to the EPWM X-BAR section of this chapter for more details. Reset type: CPU1.SYSRSn
0	MUX0	R/W	0h	Selects the output of Mux0 to drive TRIP4 of EPWM-XBAR 0: Respective output of Mux0 is disabled to drive the TRIP4 of EPWM-XBAR 1: Respective output of Mux0 is enabled to drive the TRIP4 of EPWM-XBAR Refer to the EPWM X-BAR section of this chapter for more details. Reset type: CPU1.SYSRSn

### 8.3.4.18 TRIP5MUXENABLE Register (Offset = 22h) [Reset = 0000000h]

TRIP5MUXENABLE is shown in [Figure 8-45](#) and described in [Table 8-50](#).

Return to the [Summary Table](#).

ePWM XBAR Mux Enable for TRIP5

**Figure 8-45. TRIP5MUXENABLE Register**

31	30	29	28	27	26	25	24
MUX31	MUX30	MUX29	MUX28	MUX27	MUX26	MUX25	MUX24
R/W-0h	R/W-0h	R/W-0h	R/W-0h	R/W-0h	R/W-0h	R/W-0h	R/W-0h
23	22	21	20	19	18	17	16
MUX23	MUX22	MUX21	MUX20	MUX19	MUX18	MUX17	MUX16
R/W-0h	R/W-0h	R/W-0h	R/W-0h	R/W-0h	R/W-0h	R/W-0h	R/W-0h
15	14	13	12	11	10	9	8
MUX15	MUX14	MUX13	MUX12	MUX11	MUX10	MUX9	MUX8
R/W-0h	R/W-0h	R/W-0h	R/W-0h	R/W-0h	R/W-0h	R/W-0h	R/W-0h
7	6	5	4	3	2	1	0
MUX7	MUX6	MUX5	MUX4	MUX3	MUX2	MUX1	MUX0
R/W-0h	R/W-0h	R/W-0h	R/W-0h	R/W-0h	R/W-0h	R/W-0h	R/W-0h

**Table 8-50. TRIP5MUXENABLE Register Field Descriptions**

Bit	Field	Type	Reset	Description
31	MUX31	R/W	0h	Selects the output of Mux31 to drive TRIP5 of EPWM-XBAR 0: Respective output of Mux31 is disabled to drive the TRIP5 of EPWM-XBAR 1: Respective output of Mux31 is enabled to drive the TRIP5 of EPWM-XBAR Refer to the EPWM X-BAR section of this chapter for more details. Reset type: CPU1.SYSRSn
30	MUX30	R/W	0h	Selects the output of Mux30 to drive TRIP5 of EPWM-XBAR 0: Respective output of Mux30 is disabled to drive the TRIP5 of EPWM-XBAR 1: Respective output of Mux30 is enabled to drive the TRIP5 of EPWM-XBAR Refer to the EPWM X-BAR section of this chapter for more details. Reset type: CPU1.SYSRSn
29	MUX29	R/W	0h	Selects the output of Mux29 to drive TRIP5 of EPWM-XBAR 0: Respective output of Mux29 is disabled to drive the TRIP5 of EPWM-XBAR 1: Respective output of Mux29 is enabled to drive the TRIP5 of EPWM-XBAR Refer to the EPWM X-BAR section of this chapter for more details. Reset type: CPU1.SYSRSn
28	MUX28	R/W	0h	Selects the output of Mux28 to drive TRIP5 of EPWM-XBAR 0: Respective output of Mux28 is disabled to drive the TRIP5 of EPWM-XBAR 1: Respective output of Mux28 is enabled to drive the TRIP5 of EPWM-XBAR Refer to the EPWM X-BAR section of this chapter for more details. Reset type: CPU1.SYSRSn

**Table 8-50. TRIP5MUXENABLE Register Field Descriptions (continued)**

Bit	Field	Type	Reset	Description
27	MUX27	R/W	0h	Selects the output of Mux27 to drive TRIP5 of EPWM-XBAR 0: Respective output of Mux27 is disabled to drive the TRIP5 of EPWM-XBAR 1: Respective output of Mux27 is enabled to drive the TRIP5 of EPWM-XBAR Refer to the EPWM X-BAR section of this chapter for more details. Reset type: CPU1.SYSRSn
26	MUX26	R/W	0h	Selects the output of Mux26 to drive TRIP5 of EPWM-XBAR 0: Respective output of Mux26 is disabled to drive the TRIP5 of EPWM-XBAR 1: Respective output of Mux26 is enabled to drive the TRIP5 of EPWM-XBAR Refer to the EPWM X-BAR section of this chapter for more details. Reset type: CPU1.SYSRSn
25	MUX25	R/W	0h	Selects the output of Mux25 to drive TRIP5 of EPWM-XBAR 0: Respective output of Mux25 is disabled to drive the TRIP5 of EPWM-XBAR 1: Respective output of Mux25 is enabled to drive the TRIP5 of EPWM-XBAR Refer to the EPWM X-BAR section of this chapter for more details. Reset type: CPU1.SYSRSn
24	MUX24	R/W	0h	Selects the output of Mux24 to drive TRIP5 of EPWM-XBAR 0: Respective output of Mux24 is disabled to drive the TRIP5 of EPWM-XBAR 1: Respective output of Mux24 is enabled to drive the TRIP5 of EPWM-XBAR Refer to the EPWM X-BAR section of this chapter for more details. Reset type: CPU1.SYSRSn
23	MUX23	R/W	0h	Selects the output of Mux23 to drive TRIP5 of EPWM-XBAR 0: Respective output of Mux23 is disabled to drive the TRIP5 of EPWM-XBAR 1: Respective output of Mux23 is enabled to drive the TRIP5 of EPWM-XBAR Refer to the EPWM X-BAR section of this chapter for more details. Reset type: CPU1.SYSRSn
22	MUX22	R/W	0h	Selects the output of Mux22 to drive TRIP5 of EPWM-XBAR 0: Respective output of Mux22 is disabled to drive the TRIP5 of EPWM-XBAR 1: Respective output of Mux22 is enabled to drive the TRIP5 of EPWM-XBAR Refer to the EPWM X-BAR section of this chapter for more details. Reset type: CPU1.SYSRSn
21	MUX21	R/W	0h	Selects the output of Mux21 to drive TRIP5 of EPWM-XBAR 0: Respective output of Mux21 is disabled to drive the TRIP5 of EPWM-XBAR 1: Respective output of Mux21 is enabled to drive the TRIP5 of EPWM-XBAR Refer to the EPWM X-BAR section of this chapter for more details. Reset type: CPU1.SYSRSn
20	MUX20	R/W	0h	Selects the output of Mux20 to drive TRIP5 of EPWM-XBAR 0: Respective output of Mux20 is disabled to drive the TRIP5 of EPWM-XBAR 1: Respective output of Mux20 is enabled to drive the TRIP5 of EPWM-XBAR Refer to the EPWM X-BAR section of this chapter for more details. Reset type: CPU1.SYSRSn

**Table 8-50. TRIP5MUXENABLE Register Field Descriptions (continued)**

Bit	Field	Type	Reset	Description
19	MUX19	R/W	0h	Selects the output of Mux19 to drive TRIP5 of EPWM-XBAR 0: Respective output of Mux19 is disabled to drive the TRIP5 of EPWM-XBAR 1: Respective output of Mux19 is enabled to drive the TRIP5 of EPWM-XBAR Refer to the EPWM X-BAR section of this chapter for more details. Reset type: CPU1.SYSRSn
18	MUX18	R/W	0h	Selects the output of Mux18 to drive TRIP5 of EPWM-XBAR 0: Respective output of Mux18 is disabled to drive the TRIP5 of EPWM-XBAR 1: Respective output of Mux18 is enabled to drive the TRIP5 of EPWM-XBAR Refer to the EPWM X-BAR section of this chapter for more details. Reset type: CPU1.SYSRSn
17	MUX17	R/W	0h	Selects the output of Mux17 to drive TRIP5 of EPWM-XBAR 0: Respective output of Mux17 is disabled to drive the TRIP5 of EPWM-XBAR 1: Respective output of Mux17 is enabled to drive the TRIP5 of EPWM-XBAR Refer to the EPWM X-BAR section of this chapter for more details. Reset type: CPU1.SYSRSn
16	MUX16	R/W	0h	Selects the output of Mux16 to drive TRIP5 of EPWM-XBAR 0: Respective output of Mux16 is disabled to drive the TRIP5 of EPWM-XBAR 1: Respective output of Mux16 is enabled to drive the TRIP5 of EPWM-XBAR Refer to the EPWM X-BAR section of this chapter for more details. Reset type: CPU1.SYSRSn
15	MUX15	R/W	0h	Selects the output of Mux15 to drive TRIP5 of EPWM-XBAR 0: Respective output of Mux15 is disabled to drive the TRIP5 of EPWM-XBAR 1: Respective output of Mux15 is enabled to drive the TRIP5 of EPWM-XBAR Refer to the EPWM X-BAR section of this chapter for more details. Reset type: CPU1.SYSRSn
14	MUX14	R/W	0h	Selects the output of Mux14 to drive TRIP5 of EPWM-XBAR 0: Respective output of Mux14 is disabled to drive the TRIP5 of EPWM-XBAR 1: Respective output of Mux14 is enabled to drive the TRIP5 of EPWM-XBAR Refer to the EPWM X-BAR section of this chapter for more details. Reset type: CPU1.SYSRSn
13	MUX13	R/W	0h	Selects the output of Mux13 to drive TRIP5 of EPWM-XBAR 0: Respective output of Mux13 is disabled to drive the TRIP5 of EPWM-XBAR 1: Respective output of Mux13 is enabled to drive the TRIP5 of EPWM-XBAR Refer to the EPWM X-BAR section of this chapter for more details. Reset type: CPU1.SYSRSn
12	MUX12	R/W	0h	Selects the output of Mux12 to drive TRIP5 of EPWM-XBAR 0: Respective output of Mux12 is disabled to drive the TRIP5 of EPWM-XBAR 1: Respective output of Mux12 is enabled to drive the TRIP5 of EPWM-XBAR Refer to the EPWM X-BAR section of this chapter for more details. Reset type: CPU1.SYSRSn

**Table 8-50. TRIP5MUXENABLE Register Field Descriptions (continued)**

Bit	Field	Type	Reset	Description
11	MUX11	R/W	0h	Selects the output of Mux11 to drive TRIP5 of EPWM-XBAR 0: Respective output of Mux11 is disabled to drive the TRIP5 of EPWM-XBAR 1: Respective output of Mux11 is enabled to drive the TRIP5 of EPWM-XBAR Refer to the EPWM X-BAR section of this chapter for more details. Reset type: CPU1.SYSRSn
10	MUX10	R/W	0h	Selects the output of Mux10 to drive TRIP5 of EPWM-XBAR 0: Respective output of Mux10 is disabled to drive the TRIP5 of EPWM-XBAR 1: Respective output of Mux10 is enabled to drive the TRIP5 of EPWM-XBAR Refer to the EPWM X-BAR section of this chapter for more details. Reset type: CPU1.SYSRSn
9	MUX9	R/W	0h	Selects the output of Mux9 to drive TRIP5 of EPWM-XBAR 0: Respective output of Mux9 is disabled to drive the TRIP5 of EPWM-XBAR 1: Respective output of Mux9 is enabled to drive the TRIP5 of EPWM-XBAR Refer to the EPWM X-BAR section of this chapter for more details. Reset type: CPU1.SYSRSn
8	MUX8	R/W	0h	Selects the output of Mux8 to drive TRIP5 of EPWM-XBAR 0: Respective output of Mux8 is disabled to drive the TRIP5 of EPWM-XBAR 1: Respective output of Mux8 is enabled to drive the TRIP5 of EPWM-XBAR Refer to the EPWM X-BAR section of this chapter for more details. Reset type: CPU1.SYSRSn
7	MUX7	R/W	0h	Selects the output of Mux7 to drive TRIP5 of EPWM-XBAR 0: Respective output of Mux7 is disabled to drive the TRIP5 of EPWM-XBAR 1: Respective output of Mux7 is enabled to drive the TRIP5 of EPWM-XBAR Refer to the EPWM X-BAR section of this chapter for more details. Reset type: CPU1.SYSRSn
6	MUX6	R/W	0h	Selects the output of Mux6 to drive TRIP5 of EPWM-XBAR 0: Respective output of Mux6 is disabled to drive the TRIP5 of EPWM-XBAR 1: Respective output of Mux6 is enabled to drive the TRIP5 of EPWM-XBAR Refer to the EPWM X-BAR section of this chapter for more details. Reset type: CPU1.SYSRSn
5	MUX5	R/W	0h	Selects the output of Mux5 to drive TRIP5 of EPWM-XBAR 0: Respective output of Mux5 is disabled to drive the TRIP5 of EPWM-XBAR 1: Respective output of Mux5 is enabled to drive the TRIP5 of EPWM-XBAR Refer to the EPWM X-BAR section of this chapter for more details. Reset type: CPU1.SYSRSn
4	MUX4	R/W	0h	Selects the output of Mux4 to drive TRIP5 of EPWM-XBAR 0: Respective output of Mux4 is disabled to drive the TRIP5 of EPWM-XBAR 1: Respective output of Mux4 is enabled to drive the TRIP5 of EPWM-XBAR Refer to the EPWM X-BAR section of this chapter for more details. Reset type: CPU1.SYSRSn

**Table 8-50. TRIP5MUXENABLE Register Field Descriptions (continued)**

Bit	Field	Type	Reset	Description
3	MUX3	R/W	0h	Selects the output of Mux3 to drive TRIP5 of EPWM-XBAR 0: Respective output of Mux3 is disabled to drive the TRIP5 of EPWM-XBAR 1: Respective output of Mux3 is enabled to drive the TRIP5 of EPWM-XBAR Refer to the EPWM X-BAR section of this chapter for more details. Reset type: CPU1.SYSRSn
2	MUX2	R/W	0h	Selects the output of Mux2 to drive TRIP5 of EPWM-XBAR 0: Respective output of Mux2 is disabled to drive the TRIP5 of EPWM-XBAR 1: Respective output of Mux2 is enabled to drive the TRIP5 of EPWM-XBAR Refer to the EPWM X-BAR section of this chapter for more details. Reset type: CPU1.SYSRSn
1	MUX1	R/W	0h	Selects the output of Mux1 to drive TRIP5 of EPWM-XBAR 0: Respective output of Mux1 is disabled to drive the TRIP5 of EPWM-XBAR 1: Respective output of Mux1 is enabled to drive the TRIP5 of EPWM-XBAR Refer to the EPWM X-BAR section of this chapter for more details. Reset type: CPU1.SYSRSn
0	MUX0	R/W	0h	Selects the output of mux0 to drive TRIP5 of EPWM-XBAR 0: Respective output of Mux0 is disabled to drive the TRIP5 of EPWM-XBAR 1: Respective output of Mux0 is enabled to drive the TRIP5 of EPWM-XBAR Refer to the EPWM X-BAR section of this chapter for more details. Reset type: CPU1.SYSRSn

### 8.3.4.19 TRIP7MUXENABLE Register (Offset = 24h) [Reset = 0000000h]

TRIP7MUXENABLE is shown in [Figure 8-46](#) and described in [Table 8-51](#).

Return to the [Summary Table](#).

ePWM XBAR Mux Enable for TRIP7

**Figure 8-46. TRIP7MUXENABLE Register**

31	30	29	28	27	26	25	24
MUX31	MUX30	MUX29	MUX28	MUX27	MUX26	MUX25	MUX24
R/W-0h	R/W-0h	R/W-0h	R/W-0h	R/W-0h	R/W-0h	R/W-0h	R/W-0h
23	22	21	20	19	18	17	16
MUX23	MUX22	MUX21	MUX20	MUX19	MUX18	MUX17	MUX16
R/W-0h	R/W-0h	R/W-0h	R/W-0h	R/W-0h	R/W-0h	R/W-0h	R/W-0h
15	14	13	12	11	10	9	8
MUX15	MUX14	MUX13	MUX12	MUX11	MUX10	MUX9	MUX8
R/W-0h	R/W-0h	R/W-0h	R/W-0h	R/W-0h	R/W-0h	R/W-0h	R/W-0h
7	6	5	4	3	2	1	0
MUX7	MUX6	MUX5	MUX4	MUX3	MUX2	MUX1	MUX0
R/W-0h	R/W-0h	R/W-0h	R/W-0h	R/W-0h	R/W-0h	R/W-0h	R/W-0h

**Table 8-51. TRIP7MUXENABLE Register Field Descriptions**

Bit	Field	Type	Reset	Description
31	MUX31	R/W	0h	Selects the output of Mux31 to drive TRIP7 of EPWM-XBAR 0: Respective output of Mux31 is disabled to drive the TRIP7 of EPWM-XBAR 1: Respective output of Mux31 is enabled to drive the TRIP7 of EPWM-XBAR Refer to the EPWM X-BAR section of this chapter for more details. Reset type: CPU1.SYSRSn
30	MUX30	R/W	0h	Selects the output of Mux30 to drive TRIP7 of EPWM-XBAR 0: Respective output of Mux30 is disabled to drive the TRIP7 of EPWM-XBAR 1: Respective output of Mux30 is enabled to drive the TRIP7 of EPWM-XBAR Refer to the EPWM X-BAR section of this chapter for more details. Reset type: CPU1.SYSRSn
29	MUX29	R/W	0h	Selects the output of Mux29 to drive TRIP7 of EPWM-XBAR 0: Respective output of Mux29 is disabled to drive the TRIP7 of EPWM-XBAR 1: Respective output of Mux29 is enabled to drive the TRIP7 of EPWM-XBAR Refer to the EPWM X-BAR section of this chapter for more details. Reset type: CPU1.SYSRSn
28	MUX28	R/W	0h	Selects the output of Mux28 to drive TRIP7 of EPWM-XBAR 0: Respective output of Mux28 is disabled to drive the TRIP7 of EPWM-XBAR 1: Respective output of Mux28 is enabled to drive the TRIP7 of EPWM-XBAR Refer to the EPWM X-BAR section of this chapter for more details. Reset type: CPU1.SYSRSn

**Table 8-51. TRIP7MUXENABLE Register Field Descriptions (continued)**

Bit	Field	Type	Reset	Description
27	MUX27	R/W	0h	Selects the output of Mux27 to drive TRIP7 of EPWM-XBAR 0: Respective output of Mux27 is disabled to drive the TRIP7 of EPWM-XBAR 1: Respective output of Mux27 is enabled to drive the TRIP7 of EPWM-XBAR Refer to the EPWM X-BAR section of this chapter for more details. Reset type: CPU1.SYSRSn
26	MUX26	R/W	0h	Selects the output of Mux26 to drive TRIP7 of EPWM-XBAR 0: Respective output of Mux26 is disabled to drive the TRIP7 of EPWM-XBAR 1: Respective output of Mux26 is enabled to drive the TRIP7 of EPWM-XBAR Refer to the EPWM X-BAR section of this chapter for more details. Reset type: CPU1.SYSRSn
25	MUX25	R/W	0h	Selects the output of Mux25 to drive TRIP7 of EPWM-XBAR 0: Respective output of Mux25 is disabled to drive the TRIP7 of EPWM-XBAR 1: Respective output of Mux25 is enabled to drive the TRIP7 of EPWM-XBAR Refer to the EPWM X-BAR section of this chapter for more details. Reset type: CPU1.SYSRSn
24	MUX24	R/W	0h	Selects the output of Mux24 to drive TRIP7 of EPWM-XBAR 0: Respective output of Mux24 is disabled to drive the TRIP7 of EPWM-XBAR 1: Respective output of Mux24 is enabled to drive the TRIP7 of EPWM-XBAR Refer to the EPWM X-BAR section of this chapter for more details. Reset type: CPU1.SYSRSn
23	MUX23	R/W	0h	Selects the output of Mux23 to drive TRIP7 of EPWM-XBAR 0: Respective output of Mux23 is disabled to drive the TRIP7 of EPWM-XBAR 1: Respective output of Mux23 is enabled to drive the TRIP7 of EPWM-XBAR Refer to the EPWM X-BAR section of this chapter for more details. Reset type: CPU1.SYSRSn
22	MUX22	R/W	0h	Selects the output of Mux22 to drive TRIP7 of EPWM-XBAR 0: Respective output of Mux22 is disabled to drive the TRIP7 of EPWM-XBAR 1: Respective output of Mux22 is enabled to drive the TRIP7 of EPWM-XBAR Refer to the EPWM X-BAR section of this chapter for more details. Reset type: CPU1.SYSRSn
21	MUX21	R/W	0h	Selects the output of Mux21 to drive TRIP7 of EPWM-XBAR 0: Respective output of Mux21 is disabled to drive the TRIP7 of EPWM-XBAR 1: Respective output of Mux21 is enabled to drive the TRIP7 of EPWM-XBAR Refer to the EPWM X-BAR section of this chapter for more details. Reset type: CPU1.SYSRSn
20	MUX20	R/W	0h	Selects the output of Mux20 to drive TRIP7 of EPWM-XBAR 0: Respective output of Mux20 is disabled to drive the TRIP7 of EPWM-XBAR 1: Respective output of Mux20 is enabled to drive the TRIP7 of EPWM-XBAR Refer to the EPWM X-BAR section of this chapter for more details. Reset type: CPU1.SYSRSn



**Table 8-51. TRIP7MUXENABLE Register Field Descriptions (continued)**

Bit	Field	Type	Reset	Description
19	MUX19	R/W	0h	Selects the output of Mux19 to drive TRIP7 of EPWM-XBAR 0: Respective output of Mux19 is disabled to drive the TRIP7 of EPWM-XBAR 1: Respective output of Mux19 is enabled to drive the TRIP7 of EPWM-XBAR Refer to the EPWM X-BAR section of this chapter for more details. Reset type: CPU1.SYSRSn
18	MUX18	R/W	0h	Selects the output of Mux18 to drive TRIP7 of EPWM-XBAR 0: Respective output of Mux18 is disabled to drive the TRIP7 of EPWM-XBAR 1: Respective output of Mux18 is enabled to drive the TRIP7 of EPWM-XBAR Refer to the EPWM X-BAR section of this chapter for more details. Reset type: CPU1.SYSRSn
17	MUX17	R/W	0h	Selects the output of Mux17 to drive TRIP7 of EPWM-XBAR 0: Respective output of Mux17 is disabled to drive the TRIP7 of EPWM-XBAR 1: Respective output of Mux17 is enabled to drive the TRIP7 of EPWM-XBAR Refer to the EPWM X-BAR section of this chapter for more details. Reset type: CPU1.SYSRSn
16	MUX16	R/W	0h	Selects the output of Mux16 to drive TRIP7 of EPWM-XBAR 0: Respective output of Mux16 is disabled to drive the TRIP7 of EPWM-XBAR 1: Respective output of Mux16 is enabled to drive the TRIP7 of EPWM-XBAR Refer to the EPWM X-BAR section of this chapter for more details. Reset type: CPU1.SYSRSn
15	MUX15	R/W	0h	Selects the output of Mux15 to drive TRIP7 of EPWM-XBAR 0: Respective output of Mux15 is disabled to drive the TRIP7 of EPWM-XBAR 1: Respective output of Mux15 is enabled to drive the TRIP7 of EPWM-XBAR Refer to the EPWM X-BAR section of this chapter for more details. Reset type: CPU1.SYSRSn
14	MUX14	R/W	0h	Selects the output of Mux14 to drive TRIP7 of EPWM-XBAR 0: Respective output of Mux14 is disabled to drive the TRIP7 of EPWM-XBAR 1: Respective output of Mux14 is enabled to drive the TRIP7 of EPWM-XBAR Refer to the EPWM X-BAR section of this chapter for more details. Reset type: CPU1.SYSRSn
13	MUX13	R/W	0h	Selects the output of Mux13 to drive TRIP7 of EPWM-XBAR 0: Respective output of Mux13 is disabled to drive the TRIP7 of EPWM-XBAR 1: Respective output of Mux13 is enabled to drive the TRIP7 of EPWM-XBAR Refer to the EPWM X-BAR section of this chapter for more details. Reset type: CPU1.SYSRSn
12	MUX12	R/W	0h	Selects the output of Mux12 to drive TRIP7 of EPWM-XBAR 0: Respective output of Mux12 is disabled to drive the TRIP7 of EPWM-XBAR 1: Respective output of Mux12 is enabled to drive the TRIP7 of EPWM-XBAR Refer to the EPWM X-BAR section of this chapter for more details. Reset type: CPU1.SYSRSn

**Table 8-51. TRIP7MUXENABLE Register Field Descriptions (continued)**

Bit	Field	Type	Reset	Description
11	MUX11	R/W	0h	Selects the output of Mux11 to drive TRIP7 of EPWM-XBAR 0: Respective output of Mux11 is disabled to drive the TRIP7 of EPWM-XBAR 1: Respective output of Mux11 is enabled to drive the TRIP7 of EPWM-XBAR Refer to the EPWM X-BAR section of this chapter for more details. Reset type: CPU1.SYSRSn
10	MUX10	R/W	0h	Selects the output of Mux10 to drive TRIP7 of EPWM-XBAR 0: Respective output of Mux10 is disabled to drive the TRIP7 of EPWM-XBAR 1: Respective output of Mux10 is enabled to drive the TRIP7 of EPWM-XBAR Refer to the EPWM X-BAR section of this chapter for more details. Reset type: CPU1.SYSRSn
9	MUX9	R/W	0h	Selects the output of Mux9 to drive TRIP7 of EPWM-XBAR 0: Respective output of Mux9 is disabled to drive the TRIP7 of EPWM-XBAR 1: Respective output of Mux9 is enabled to drive the TRIP7 of EPWM-XBAR Refer to the EPWM X-BAR section of this chapter for more details. Reset type: CPU1.SYSRSn
8	MUX8	R/W	0h	Selects the output of Mux8 to drive TRIP7 of EPWM-XBAR 0: Respective output of Mux8 is disabled to drive the TRIP7 of EPWM-XBAR 1: Respective output of Mux8 is enabled to drive the TRIP7 of EPWM-XBAR Refer to the EPWM X-BAR section of this chapter for more details. Reset type: CPU1.SYSRSn
7	MUX7	R/W	0h	Selects the output of Mux7 to drive TRIP7 of EPWM-XBAR 0: Respective output of Mux7 is disabled to drive the TRIP7 of EPWM-XBAR 1: Respective output of Mux7 is enabled to drive the TRIP7 of EPWM-XBAR Refer to the EPWM X-BAR section of this chapter for more details. Reset type: CPU1.SYSRSn
6	MUX6	R/W	0h	Selects the output of Mux6 to drive TRIP7 of EPWM-XBAR 0: Respective output of Mux6 is disabled to drive the TRIP7 of EPWM-XBAR 1: Respective output of Mux6 is enabled to drive the TRIP7 of EPWM-XBAR Refer to the EPWM X-BAR section of this chapter for more details. Reset type: CPU1.SYSRSn
5	MUX5	R/W	0h	Selects the output of Mux5 to drive TRIP7 of EPWM-XBAR 0: Respective output of Mux5 is disabled to drive the TRIP7 of EPWM-XBAR 1: Respective output of Mux5 is enabled to drive the TRIP7 of EPWM-XBAR Refer to the EPWM X-BAR section of this chapter for more details. Reset type: CPU1.SYSRSn
4	MUX4	R/W	0h	Selects the output of Mux4 to drive TRIP7 of EPWM-XBAR 0: Respective output of Mux4 is disabled to drive the TRIP7 of EPWM-XBAR 1: Respective output of Mux4 is enabled to drive the TRIP7 of EPWM-XBAR Refer to the EPWM X-BAR section of this chapter for more details. Reset type: CPU1.SYSRSn

**Table 8-51. TRIP7MUXENABLE Register Field Descriptions (continued)**

Bit	Field	Type	Reset	Description
3	MUX3	R/W	0h	Selects the output of Mux3 to drive TRIP7 of EPWM-XBAR 0: Respective output of Mux3 is disabled to drive the TRIP7 of EPWM-XBAR 1: Respective output of Mux3 is enabled to drive the TRIP7 of EPWM-XBAR Refer to the EPWM X-BAR section of this chapter for more details. Reset type: CPU1.SYSRSn
2	MUX2	R/W	0h	Selects the output of Mux2 to drive TRIP7 of EPWM-XBAR 0: Respective output of Mux2 is disabled to drive the TRIP7 of EPWM-XBAR 1: Respective output of Mux2 is enabled to drive the TRIP7 of EPWM-XBAR Refer to the EPWM X-BAR section of this chapter for more details. Reset type: CPU1.SYSRSn
1	MUX1	R/W	0h	Selects the output of Mux1 to drive TRIP7 of EPWM-XBAR 0: Respective output of Mux1 is disabled to drive the TRIP7 of EPWM-XBAR 1: Respective output of Mux1 is enabled to drive the TRIP7 of EPWM-XBAR Refer to the EPWM X-BAR section of this chapter for more details. Reset type: CPU1.SYSRSn
0	MUX0	R/W	0h	Selects the output of mux0 to drive TRIP7 of EPWM-XBAR 0: Respective output of Mux0 is disabled to drive the TRIP7 of EPWM-XBAR 1: Respective output of Mux0 is enabled to drive the TRIP7 of EPWM-XBAR Refer to the EPWM X-BAR section of this chapter for more details. Reset type: CPU1.SYSRSn

### 8.3.4.20 TRIP8MUXENABLE Register (Offset = 26h) [Reset = 0000000h]

TRIP8MUXENABLE is shown in [Figure 8-47](#) and described in [Table 8-52](#).

Return to the [Summary Table](#).

ePWM XBAR Mux Enable for TRIP8

**Figure 8-47. TRIP8MUXENABLE Register**

31	30	29	28	27	26	25	24
MUX31	MUX30	MUX29	MUX28	MUX27	MUX26	MUX25	MUX24
R/W-0h	R/W-0h	R/W-0h	R/W-0h	R/W-0h	R/W-0h	R/W-0h	R/W-0h
23	22	21	20	19	18	17	16
MUX23	MUX22	MUX21	MUX20	MUX19	MUX18	MUX17	MUX16
R/W-0h	R/W-0h	R/W-0h	R/W-0h	R/W-0h	R/W-0h	R/W-0h	R/W-0h
15	14	13	12	11	10	9	8
MUX15	MUX14	MUX13	MUX12	MUX11	MUX10	MUX9	MUX8
R/W-0h	R/W-0h	R/W-0h	R/W-0h	R/W-0h	R/W-0h	R/W-0h	R/W-0h
7	6	5	4	3	2	1	0
MUX7	MUX6	MUX5	MUX4	MUX3	MUX2	MUX1	MUX0
R/W-0h	R/W-0h	R/W-0h	R/W-0h	R/W-0h	R/W-0h	R/W-0h	R/W-0h

**Table 8-52. TRIP8MUXENABLE Register Field Descriptions**

Bit	Field	Type	Reset	Description
31	MUX31	R/W	0h	Selects the output of Mux31 to drive TRIP8 of EPWM-XBAR 0: Respective output of Mux31 is disabled to drive the TRIP8 of EPWM-XBAR 1: Respective output of Mux31 is enabled to drive the TRIP8 of EPWM-XBAR Refer to the EPWM X-BAR section of this chapter for more details. Reset type: CPU1.SYSRSn
30	MUX30	R/W	0h	Selects the output of Mux30 to drive TRIP8 of EPWM-XBAR 0: Respective output of Mux30 is disabled to drive the TRIP8 of EPWM-XBAR 1: Respective output of Mux30 is enabled to drive the TRIP8 of EPWM-XBAR Refer to the EPWM X-BAR section of this chapter for more details. Reset type: CPU1.SYSRSn
29	MUX29	R/W	0h	Selects the output of Mux29 to drive TRIP8 of EPWM-XBAR 0: Respective output of Mux29 is disabled to drive the TRIP8 of EPWM-XBAR 1: Respective output of Mux29 is enabled to drive the TRIP8 of EPWM-XBAR Refer to the EPWM X-BAR section of this chapter for more details. Reset type: CPU1.SYSRSn
28	MUX28	R/W	0h	Selects the output of Mux28 to drive TRIP8 of EPWM-XBAR 0: Respective output of Mux28 is disabled to drive the TRIP8 of EPWM-XBAR 1: Respective output of Mux28 is enabled to drive the TRIP8 of EPWM-XBAR Refer to the EPWM X-BAR section of this chapter for more details. Reset type: CPU1.SYSRSn

**Table 8-52. TRIP8MUXENABLE Register Field Descriptions (continued)**

Bit	Field	Type	Reset	Description
27	MUX27	R/W	0h	Selects the output of Mux27 to drive TRIP8 of EPWM-XBAR 0: Respective output of Mux27 is disabled to drive the TRIP8 of EPWM-XBAR 1: Respective output of Mux27 is enabled to drive the TRIP8 of EPWM-XBAR Refer to the EPWM X-BAR section of this chapter for more details. Reset type: CPU1.SYSRSn
26	MUX26	R/W	0h	Selects the output of Mux26 to drive TRIP8 of EPWM-XBAR 0: Respective output of Mux26 is disabled to drive the TRIP8 of EPWM-XBAR 1: Respective output of Mux26 is enabled to drive the TRIP8 of EPWM-XBAR Refer to the EPWM X-BAR section of this chapter for more details. Reset type: CPU1.SYSRSn
25	MUX25	R/W	0h	Selects the output of Mux25 to drive TRIP8 of EPWM-XBAR 0: Respective output of Mux25 is disabled to drive the TRIP8 of EPWM-XBAR 1: Respective output of Mux25 is enabled to drive the TRIP8 of EPWM-XBAR Refer to the EPWM X-BAR section of this chapter for more details. Reset type: CPU1.SYSRSn
24	MUX24	R/W	0h	Selects the output of Mux24 to drive TRIP8 of EPWM-XBAR 0: Respective output of Mux24 is disabled to drive the TRIP8 of EPWM-XBAR 1: Respective output of Mux24 is enabled to drive the TRIP8 of EPWM-XBAR Refer to the EPWM X-BAR section of this chapter for more details. Reset type: CPU1.SYSRSn
23	MUX23	R/W	0h	Selects the output of Mux23 to drive TRIP8 of EPWM-XBAR 0: Respective output of Mux23 is disabled to drive the TRIP8 of EPWM-XBAR 1: Respective output of Mux23 is enabled to drive the TRIP8 of EPWM-XBAR Refer to the EPWM X-BAR section of this chapter for more details. Reset type: CPU1.SYSRSn
22	MUX22	R/W	0h	Selects the output of Mux22 to drive TRIP8 of EPWM-XBAR 0: Respective output of Mux22 is disabled to drive the TRIP8 of EPWM-XBAR 1: Respective output of Mux22 is enabled to drive the TRIP8 of EPWM-XBAR Refer to the EPWM X-BAR section of this chapter for more details. Reset type: CPU1.SYSRSn
21	MUX21	R/W	0h	Selects the output of Mux21 to drive TRIP8 of EPWM-XBAR 0: Respective output of Mux21 is disabled to drive the TRIP8 of EPWM-XBAR 1: Respective output of Mux21 is enabled to drive the TRIP8 of EPWM-XBAR Refer to the EPWM X-BAR section of this chapter for more details. Reset type: CPU1.SYSRSn
20	MUX20	R/W	0h	Selects the output of Mux20 to drive TRIP8 of EPWM-XBAR 0: Respective output of Mux20 is disabled to drive the TRIP8 of EPWM-XBAR 1: Respective output of Mux20 is enabled to drive the TRIP8 of EPWM-XBAR Refer to the EPWM X-BAR section of this chapter for more details. Reset type: CPU1.SYSRSn

**Table 8-52. TRIP8MUXENABLE Register Field Descriptions (continued)**

Bit	Field	Type	Reset	Description
19	MUX19	R/W	0h	Selects the output of Mux19 to drive TRIP8 of EPWM-XBAR 0: Respective output of Mux19 is disabled to drive the TRIP8 of EPWM-XBAR 1: Respective output of Mux19 is enabled to drive the TRIP8 of EPWM-XBAR Refer to the EPWM X-BAR section of this chapter for more details. Reset type: CPU1.SYSRSn
18	MUX18	R/W	0h	Selects the output of Mux18 to drive TRIP8 of EPWM-XBAR 0: Respective output of Mux18 is disabled to drive the TRIP8 of EPWM-XBAR 1: Respective output of Mux18 is enabled to drive the TRIP8 of EPWM-XBAR Refer to the EPWM X-BAR section of this chapter for more details. Reset type: CPU1.SYSRSn
17	MUX17	R/W	0h	Selects the output of Mux17 to drive TRIP8 of EPWM-XBAR 0: Respective output of Mux17 is disabled to drive the TRIP8 of EPWM-XBAR 1: Respective output of Mux17 is enabled to drive the TRIP8 of EPWM-XBAR Refer to the EPWM X-BAR section of this chapter for more details. Reset type: CPU1.SYSRSn
16	MUX16	R/W	0h	Selects the output of Mux16 to drive TRIP8 of EPWM-XBAR 0: Respective output of Mux16 is disabled to drive the TRIP8 of EPWM-XBAR 1: Respective output of Mux16 is enabled to drive the TRIP8 of EPWM-XBAR Refer to the EPWM X-BAR section of this chapter for more details. Reset type: CPU1.SYSRSn
15	MUX15	R/W	0h	Selects the output of Mux15 to drive TRIP8 of EPWM-XBAR 0: Respective output of Mux15 is disabled to drive the TRIP8 of EPWM-XBAR 1: Respective output of Mux15 is enabled to drive the TRIP8 of EPWM-XBAR Refer to the EPWM X-BAR section of this chapter for more details. Reset type: CPU1.SYSRSn
14	MUX14	R/W	0h	Selects the output of Mux14 to drive TRIP8 of EPWM-XBAR 0: Respective output of Mux14 is disabled to drive the TRIP8 of EPWM-XBAR 1: Respective output of Mux14 is enabled to drive the TRIP8 of EPWM-XBAR Refer to the EPWM X-BAR section of this chapter for more details. Reset type: CPU1.SYSRSn
13	MUX13	R/W	0h	Selects the output of Mux13 to drive TRIP8 of EPWM-XBAR 0: Respective output of Mux13 is disabled to drive the TRIP8 of EPWM-XBAR 1: Respective output of Mux13 is enabled to drive the TRIP8 of EPWM-XBAR Refer to the EPWM X-BAR section of this chapter for more details. Reset type: CPU1.SYSRSn
12	MUX12	R/W	0h	Selects the output of Mux12 to drive TRIP8 of EPWM-XBAR 0: Respective output of Mux12 is disabled to drive the TRIP8 of EPWM-XBAR 1: Respective output of Mux12 is enabled to drive the TRIP8 of EPWM-XBAR Refer to the EPWM X-BAR section of this chapter for more details. Reset type: CPU1.SYSRSn

**Table 8-52. TRIP8MUXENABLE Register Field Descriptions (continued)**

Bit	Field	Type	Reset	Description
11	MUX11	R/W	0h	Selects the output of Mux11 to drive TRIP8 of EPWM-XBAR 0: Respective output of Mux11 is disabled to drive the TRIP8 of EPWM-XBAR 1: Respective output of Mux11 is enabled to drive the TRIP8 of EPWM-XBAR Refer to the EPWM X-BAR section of this chapter for more details. Reset type: CPU1.SYSRSn
10	MUX10	R/W	0h	Selects the output of Mux10 to drive TRIP8 of EPWM-XBAR 0: Respective output of Mux10 is disabled to drive the TRIP8 of EPWM-XBAR 1: Respective output of Mux10 is enabled to drive the TRIP8 of EPWM-XBAR Refer to the EPWM X-BAR section of this chapter for more details. Reset type: CPU1.SYSRSn
9	MUX9	R/W	0h	Selects the output of Mux9 to drive TRIP8 of EPWM-XBAR 0: Respective output of Mux9 is disabled to drive the TRIP8 of EPWM-XBAR 1: Respective output of Mux9 is enabled to drive the TRIP8 of EPWM-XBAR Refer to the EPWM X-BAR section of this chapter for more details. Reset type: CPU1.SYSRSn
8	MUX8	R/W	0h	Selects the output of Mux8 to drive TRIP8 of EPWM-XBAR 0: Respective output of Mux8 is disabled to drive the TRIP8 of EPWM-XBAR 1: Respective output of Mux8 is enabled to drive the TRIP8 of EPWM-XBAR Refer to the EPWM X-BAR section of this chapter for more details. Reset type: CPU1.SYSRSn
7	MUX7	R/W	0h	Selects the output of Mux7 to drive TRIP8 of EPWM-XBAR 0: Respective output of Mux7 is disabled to drive the TRIP8 of EPWM-XBAR 1: Respective output of Mux7 is enabled to drive the TRIP8 of EPWM-XBAR Refer to the EPWM X-BAR section of this chapter for more details. Reset type: CPU1.SYSRSn
6	MUX6	R/W	0h	Selects the output of Mux6 to drive TRIP8 of EPWM-XBAR 0: Respective output of Mux6 is disabled to drive the TRIP8 of EPWM-XBAR 1: Respective output of Mux6 is enabled to drive the TRIP8 of EPWM-XBAR Refer to the EPWM X-BAR section of this chapter for more details. Reset type: CPU1.SYSRSn
5	MUX5	R/W	0h	Selects the output of Mux5 to drive TRIP8 of EPWM-XBAR 0: Respective output of Mux5 is disabled to drive the TRIP8 of EPWM-XBAR 1: Respective output of Mux5 is enabled to drive the TRIP8 of EPWM-XBAR Refer to the EPWM X-BAR section of this chapter for more details. Reset type: CPU1.SYSRSn
4	MUX4	R/W	0h	Selects the output of Mux4 to drive TRIP8 of EPWM-XBAR 0: Respective output of Mux4 is disabled to drive the TRIP8 of EPWM-XBAR 1: Respective output of Mux4 is enabled to drive the TRIP8 of EPWM-XBAR Refer to the EPWM X-BAR section of this chapter for more details. Reset type: CPU1.SYSRSn

**Table 8-52. TRIP8MUXENABLE Register Field Descriptions (continued)**

Bit	Field	Type	Reset	Description
3	MUX3	R/W	0h	Selects the output of Mux3 to drive TRIP8 of EPWM-XBAR 0: Respective output of Mux3 is disabled to drive the TRIP8 of EPWM-XBAR 1: Respective output of Mux3 is enabled to drive the TRIP8 of EPWM-XBAR Refer to the EPWM X-BAR section of this chapter for more details. Reset type: CPU1.SYSRSn
2	MUX2	R/W	0h	Selects the output of Mux2 to drive TRIP8 of EPWM-XBAR 0: Respective output of Mux2 is disabled to drive the TRIP8 of EPWM-XBAR 1: Respective output of Mux2 is enabled to drive the TRIP8 of EPWM-XBAR Refer to the EPWM X-BAR section of this chapter for more details. Reset type: CPU1.SYSRSn
1	MUX1	R/W	0h	Selects the output of Mux1 to drive TRIP8 of EPWM-XBAR 0: Respective output of Mux1 is disabled to drive the TRIP8 of EPWM-XBAR 1: Respective output of Mux1 is enabled to drive the TRIP8 of EPWM-XBAR Refer to the EPWM X-BAR section of this chapter for more details. Reset type: CPU1.SYSRSn
0	MUX0	R/W	0h	Selects the output of mux0 to drive TRIP8 of EPWM-XBAR 0: Respective output of Mux0 is disabled to drive the TRIP8 of EPWM-XBAR 1: Respective output of Mux0 is enabled to drive the TRIP8 of EPWM-XBAR Refer to the EPWM X-BAR section of this chapter for more details. Reset type: CPU1.SYSRSn



### 8.3.4.21 TRIP9MUXENABLE Register (Offset = 28h) [Reset = 0000000h]

TRIP9MUXENABLE is shown in [Figure 8-48](#) and described in [Table 8-53](#).

Return to the [Summary Table](#).

ePWM XBAR Mux Enable for TRIP9

**Figure 8-48. TRIP9MUXENABLE Register**

31	30	29	28	27	26	25	24
MUX31	MUX30	MUX29	MUX28	MUX27	MUX26	MUX25	MUX24
R/W-0h	R/W-0h	R/W-0h	R/W-0h	R/W-0h	R/W-0h	R/W-0h	R/W-0h
23	22	21	20	19	18	17	16
MUX23	MUX22	MUX21	MUX20	MUX19	MUX18	MUX17	MUX16
R/W-0h	R/W-0h	R/W-0h	R/W-0h	R/W-0h	R/W-0h	R/W-0h	R/W-0h
15	14	13	12	11	10	9	8
MUX15	MUX14	MUX13	MUX12	MUX11	MUX10	MUX9	MUX8
R/W-0h	R/W-0h	R/W-0h	R/W-0h	R/W-0h	R/W-0h	R/W-0h	R/W-0h
7	6	5	4	3	2	1	0
MUX7	MUX6	MUX5	MUX4	MUX3	MUX2	MUX1	MUX0
R/W-0h	R/W-0h	R/W-0h	R/W-0h	R/W-0h	R/W-0h	R/W-0h	R/W-0h

**Table 8-53. TRIP9MUXENABLE Register Field Descriptions**

Bit	Field	Type	Reset	Description
31	MUX31	R/W	0h	Selects the output of Mux31 to drive TRIP9 of EPWM-XBAR 0: Respective output of Mux31 is disabled to drive the TRIP9 of EPWM-XBAR 1: Respective output of Mux31 is enabled to drive the TRIP9 of EPWM-XBAR Refer to the EPWM X-BAR section of this chapter for more details. Reset type: CPU1.SYSRSn
30	MUX30	R/W	0h	Selects the output of Mux30 to drive TRIP9 of EPWM-XBAR 0: Respective output of Mux30 is disabled to drive the TRIP9 of EPWM-XBAR 1: Respective output of Mux30 is enabled to drive the TRIP9 of EPWM-XBAR Refer to the EPWM X-BAR section of this chapter for more details. Reset type: CPU1.SYSRSn
29	MUX29	R/W	0h	Selects the output of Mux29 to drive TRIP9 of EPWM-XBAR 0: Respective output of Mux29 is disabled to drive the TRIP9 of EPWM-XBAR 1: Respective output of Mux29 is enabled to drive the TRIP9 of EPWM-XBAR Refer to the EPWM X-BAR section of this chapter for more details. Reset type: CPU1.SYSRSn
28	MUX28	R/W	0h	Selects the output of Mux28 to drive TRIP9 of EPWM-XBAR 0: Respective output of Mux28 is disabled to drive the TRIP9 of EPWM-XBAR 1: Respective output of Mux28 is enabled to drive the TRIP9 of EPWM-XBAR Refer to the EPWM X-BAR section of this chapter for more details. Reset type: CPU1.SYSRSn

**Table 8-53. TRIP9MUXENABLE Register Field Descriptions (continued)**

Bit	Field	Type	Reset	Description
27	MUX27	R/W	0h	Selects the output of Mux27 to drive TRIP9 of EPWM-XBAR 0: Respective output of Mux27 is disabled to drive the TRIP9 of EPWM-XBAR 1: Respective output of Mux27 is enabled to drive the TRIP9 of EPWM-XBAR Refer to the EPWM X-BAR section of this chapter for more details. Reset type: CPU1.SYSRSn
26	MUX26	R/W	0h	Selects the output of Mux26 to drive TRIP9 of EPWM-XBAR 0: Respective output of Mux26 is disabled to drive the TRIP9 of EPWM-XBAR 1: Respective output of Mux26 is enabled to drive the TRIP9 of EPWM-XBAR Refer to the EPWM X-BAR section of this chapter for more details. Reset type: CPU1.SYSRSn
25	MUX25	R/W	0h	Selects the output of Mux25 to drive TRIP9 of EPWM-XBAR 0: Respective output of Mux25 is disabled to drive the TRIP9 of EPWM-XBAR 1: Respective output of Mux25 is enabled to drive the TRIP9 of EPWM-XBAR Refer to the EPWM X-BAR section of this chapter for more details. Reset type: CPU1.SYSRSn
24	MUX24	R/W	0h	Selects the output of Mux24 to drive TRIP9 of EPWM-XBAR 0: Respective output of Mux24 is disabled to drive the TRIP9 of EPWM-XBAR 1: Respective output of Mux24 is enabled to drive the TRIP9 of EPWM-XBAR Refer to the EPWM X-BAR section of this chapter for more details. Reset type: CPU1.SYSRSn
23	MUX23	R/W	0h	Selects the output of Mux23 to drive TRIP9 of EPWM-XBAR 0: Respective output of Mux23 is disabled to drive the TRIP9 of EPWM-XBAR 1: Respective output of Mux23 is enabled to drive the TRIP9 of EPWM-XBAR Refer to the EPWM X-BAR section of this chapter for more details. Reset type: CPU1.SYSRSn
22	MUX22	R/W	0h	Selects the output of Mux22 to drive TRIP9 of EPWM-XBAR 0: Respective output of Mux22 is disabled to drive the TRIP9 of EPWM-XBAR 1: Respective output of Mux22 is enabled to drive the TRIP9 of EPWM-XBAR Refer to the EPWM X-BAR section of this chapter for more details. Reset type: CPU1.SYSRSn
21	MUX21	R/W	0h	Selects the output of Mux21 to drive TRIP9 of EPWM-XBAR 0: Respective output of Mux21 is disabled to drive the TRIP9 of EPWM-XBAR 1: Respective output of Mux21 is enabled to drive the TRIP9 of EPWM-XBAR Refer to the EPWM X-BAR section of this chapter for more details. Reset type: CPU1.SYSRSn
20	MUX20	R/W	0h	Selects the output of Mux20 to drive TRIP9 of EPWM-XBAR 0: Respective output of Mux20 is disabled to drive the TRIP9 of EPWM-XBAR 1: Respective output of Mux20 is enabled to drive the TRIP9 of EPWM-XBAR Refer to the EPWM X-BAR section of this chapter for more details. Reset type: CPU1.SYSRSn

**Table 8-53. TRIP9MUXENABLE Register Field Descriptions (continued)**

Bit	Field	Type	Reset	Description
19	MUX19	R/W	0h	Selects the output of Mux19 to drive TRIP9 of EPWM-XBAR 0: Respective output of Mux19 is disabled to drive the TRIP9 of EPWM-XBAR 1: Respective output of Mux19 is enabled to drive the TRIP9 of EPWM-XBAR Refer to the EPWM X-BAR section of this chapter for more details. Reset type: CPU1.SYSRSn
18	MUX18	R/W	0h	Selects the output of Mux18 to drive TRIP9 of EPWM-XBAR 0: Respective output of Mux18 is disabled to drive the TRIP9 of EPWM-XBAR 1: Respective output of Mux18 is enabled to drive the TRIP9 of EPWM-XBAR Refer to the EPWM X-BAR section of this chapter for more details. Reset type: CPU1.SYSRSn
17	MUX17	R/W	0h	Selects the output of Mux17 to drive TRIP9 of EPWM-XBAR 0: Respective output of Mux17 is disabled to drive the TRIP9 of EPWM-XBAR 1: Respective output of Mux17 is enabled to drive the TRIP9 of EPWM-XBAR Refer to the EPWM X-BAR section of this chapter for more details. Reset type: CPU1.SYSRSn
16	MUX16	R/W	0h	Selects the output of Mux16 to drive TRIP9 of EPWM-XBAR 0: Respective output of Mux16 is disabled to drive the TRIP9 of EPWM-XBAR 1: Respective output of Mux16 is enabled to drive the TRIP9 of EPWM-XBAR Refer to the EPWM X-BAR section of this chapter for more details. Reset type: CPU1.SYSRSn
15	MUX15	R/W	0h	Selects the output of Mux15 to drive TRIP9 of EPWM-XBAR 0: Respective output of Mux15 is disabled to drive the TRIP9 of EPWM-XBAR 1: Respective output of Mux15 is enabled to drive the TRIP9 of EPWM-XBAR Refer to the EPWM X-BAR section of this chapter for more details. Reset type: CPU1.SYSRSn
14	MUX14	R/W	0h	Selects the output of Mux14 to drive TRIP9 of EPWM-XBAR 0: Respective output of Mux14 is disabled to drive the TRIP9 of EPWM-XBAR 1: Respective output of Mux14 is enabled to drive the TRIP9 of EPWM-XBAR Refer to the EPWM X-BAR section of this chapter for more details. Reset type: CPU1.SYSRSn
13	MUX13	R/W	0h	Selects the output of Mux13 to drive TRIP9 of EPWM-XBAR 0: Respective output of Mux13 is disabled to drive the TRIP9 of EPWM-XBAR 1: Respective output of Mux13 is enabled to drive the TRIP9 of EPWM-XBAR Refer to the EPWM X-BAR section of this chapter for more details. Reset type: CPU1.SYSRSn
12	MUX12	R/W	0h	Selects the output of Mux12 to drive TRIP9 of EPWM-XBAR 0: Respective output of Mux12 is disabled to drive the TRIP9 of EPWM-XBAR 1: Respective output of Mux12 is enabled to drive the TRIP9 of EPWM-XBAR Refer to the EPWM X-BAR section of this chapter for more details. Reset type: CPU1.SYSRSn

**Table 8-53. TRIP9MUXENABLE Register Field Descriptions (continued)**

Bit	Field	Type	Reset	Description
11	MUX11	R/W	0h	Selects the output of Mux11 to drive TRIP9 of EPWM-XBAR 0: Respective output of Mux11 is disabled to drive the TRIP9 of EPWM-XBAR 1: Respective output of Mux11 is enabled to drive the TRIP9 of EPWM-XBAR Refer to the EPWM X-BAR section of this chapter for more details. Reset type: CPU1.SYSRSn
10	MUX10	R/W	0h	Selects the output of Mux10 to drive TRIP9 of EPWM-XBAR 0: Respective output of Mux10 is disabled to drive the TRIP9 of EPWM-XBAR 1: Respective output of Mux10 is enabled to drive the TRIP9 of EPWM-XBAR Refer to the EPWM X-BAR section of this chapter for more details. Reset type: CPU1.SYSRSn
9	MUX9	R/W	0h	Selects the output of Mux9 to drive TRIP9 of EPWM-XBAR 0: Respective output of Mux9 is disabled to drive the TRIP9 of EPWM-XBAR 1: Respective output of Mux9 is enabled to drive the TRIP9 of EPWM-XBAR Refer to the EPWM X-BAR section of this chapter for more details. Reset type: CPU1.SYSRSn
8	MUX8	R/W	0h	Selects the output of Mux8 to drive TRIP9 of EPWM-XBAR 0: Respective output of Mux8 is disabled to drive the TRIP9 of EPWM-XBAR 1: Respective output of Mux8 is enabled to drive the TRIP9 of EPWM-XBAR Refer to the EPWM X-BAR section of this chapter for more details. Reset type: CPU1.SYSRSn
7	MUX7	R/W	0h	Selects the output of Mux7 to drive TRIP9 of EPWM-XBAR 0: Respective output of Mux7 is disabled to drive the TRIP9 of EPWM-XBAR 1: Respective output of Mux7 is enabled to drive the TRIP9 of EPWM-XBAR Refer to the EPWM X-BAR section of this chapter for more details. Reset type: CPU1.SYSRSn
6	MUX6	R/W	0h	Selects the output of Mux6 to drive TRIP9 of EPWM-XBAR 0: Respective output of Mux6 is disabled to drive the TRIP9 of EPWM-XBAR 1: Respective output of Mux6 is enabled to drive the TRIP9 of EPWM-XBAR Refer to the EPWM X-BAR section of this chapter for more details. Reset type: CPU1.SYSRSn
5	MUX5	R/W	0h	Selects the output of Mux5 to drive TRIP9 of EPWM-XBAR 0: Respective output of Mux5 is disabled to drive the TRIP9 of EPWM-XBAR 1: Respective output of Mux5 is enabled to drive the TRIP9 of EPWM-XBAR Refer to the EPWM X-BAR section of this chapter for more details. Reset type: CPU1.SYSRSn
4	MUX4	R/W	0h	Selects the output of Mux4 to drive TRIP9 of EPWM-XBAR 0: Respective output of Mux4 is disabled to drive the TRIP9 of EPWM-XBAR 1: Respective output of Mux4 is enabled to drive the TRIP9 of EPWM-XBAR Refer to the EPWM X-BAR section of this chapter for more details. Reset type: CPU1.SYSRSn

**Table 8-53. TRIP9MUXENABLE Register Field Descriptions (continued)**

Bit	Field	Type	Reset	Description
3	MUX3	R/W	0h	Selects the output of Mux3 to drive TRIP9 of EPWM-XBAR 0: Respective output of Mux3 is disabled to drive the TRIP9 of EPWM-XBAR 1: Respective output of Mux3 is enabled to drive the TRIP9 of EPWM-XBAR Refer to the EPWM X-BAR section of this chapter for more details. Reset type: CPU1.SYSRSn
2	MUX2	R/W	0h	Selects the output of Mux2 to drive TRIP9 of EPWM-XBAR 0: Respective output of Mux2 is disabled to drive the TRIP9 of EPWM-XBAR 1: Respective output of Mux2 is enabled to drive the TRIP9 of EPWM-XBAR Refer to the EPWM X-BAR section of this chapter for more details. Reset type: CPU1.SYSRSn
1	MUX1	R/W	0h	Selects the output of Mux1 to drive TRIP9 of EPWM-XBAR 0: Respective output of Mux1 is disabled to drive the TRIP9 of EPWM-XBAR 1: Respective output of Mux1 is enabled to drive the TRIP9 of EPWM-XBAR Refer to the EPWM X-BAR section of this chapter for more details. Reset type: CPU1.SYSRSn
0	MUX0	R/W	0h	Selects the output of mux0 to drive TRIP9 of EPWM-XBAR 0: Respective output of Mux0 is disabled to drive the TRIP9 of EPWM-XBAR 1: Respective output of Mux0 is enabled to drive the TRIP9 of EPWM-XBAR Refer to the EPWM X-BAR section of this chapter for more details. Reset type: CPU1.SYSRSn

### 8.3.4.22 TRIP10MUXENABLE Register (Offset = 2Ah) [Reset = 0000000h]

TRIP10MUXENABLE is shown in [Figure 8-49](#) and described in [Table 8-54](#).

Return to the [Summary Table](#).

ePWM XBAR Mux Enable for TRIP10

**Figure 8-49. TRIP10MUXENABLE Register**

31	30	29	28	27	26	25	24
MUX31	MUX30	MUX29	MUX28	MUX27	MUX26	MUX25	MUX24
R/W-0h	R/W-0h	R/W-0h	R/W-0h	R/W-0h	R/W-0h	R/W-0h	R/W-0h
23	22	21	20	19	18	17	16
MUX23	MUX22	MUX21	MUX20	MUX19	MUX18	MUX17	MUX16
R/W-0h	R/W-0h	R/W-0h	R/W-0h	R/W-0h	R/W-0h	R/W-0h	R/W-0h
15	14	13	12	11	10	9	8
MUX15	MUX14	MUX13	MUX12	MUX11	MUX10	MUX9	MUX8
R/W-0h	R/W-0h	R/W-0h	R/W-0h	R/W-0h	R/W-0h	R/W-0h	R/W-0h
7	6	5	4	3	2	1	0
MUX7	MUX6	MUX5	MUX4	MUX3	MUX2	MUX1	MUX0
R/W-0h	R/W-0h	R/W-0h	R/W-0h	R/W-0h	R/W-0h	R/W-0h	R/W-0h

**Table 8-54. TRIP10MUXENABLE Register Field Descriptions**

Bit	Field	Type	Reset	Description
31	MUX31	R/W	0h	Selects the output of Mux31 to drive TRIP10 of EPWM-XBAR 0: Respective output of Mux31 is disabled to drive the TRIP10 of EPWM-XBAR 1: Respective output of Mux31 is enabled to drive the TRIP10 of EPWM-XBAR Refer to the EPWM X-BAR section of this chapter for more details. Reset type: CPU1.SYSRSn
30	MUX30	R/W	0h	Selects the output of Mux30 to drive TRIP10 of EPWM-XBAR 0: Respective output of Mux30 is disabled to drive the TRIP10 of EPWM-XBAR 1: Respective output of Mux30 is enabled to drive the TRIP10 of EPWM-XBAR Refer to the EPWM X-BAR section of this chapter for more details. Reset type: CPU1.SYSRSn
29	MUX29	R/W	0h	Selects the output of Mux29 to drive TRIP10 of EPWM-XBAR 0: Respective output of Mux29 is disabled to drive the TRIP10 of EPWM-XBAR 1: Respective output of Mux29 is enabled to drive the TRIP10 of EPWM-XBAR Refer to the EPWM X-BAR section of this chapter for more details. Reset type: CPU1.SYSRSn
28	MUX28	R/W	0h	Selects the output of Mux28 to drive TRIP10 of EPWM-XBAR 0: Respective output of Mux28 is disabled to drive the TRIP10 of EPWM-XBAR 1: Respective output of Mux28 is enabled to drive the TRIP10 of EPWM-XBAR Refer to the EPWM X-BAR section of this chapter for more details. Reset type: CPU1.SYSRSn

**Table 8-54. TRIP10MUXENABLE Register Field Descriptions (continued)**

Bit	Field	Type	Reset	Description
27	MUX27	R/W	0h	Selects the output of Mux27 to drive TRIP10 of EPWM-XBAR 0: Respective output of Mux27 is disabled to drive the TRIP10 of EPWM-XBAR 1: Respective output of Mux27 is enabled to drive the TRIP10 of EPWM-XBAR Refer to the EPWM X-BAR section of this chapter for more details. Reset type: CPU1.SYSRSn
26	MUX26	R/W	0h	Selects the output of Mux26 to drive TRIP10 of EPWM-XBAR 0: Respective output of Mux26 is disabled to drive the TRIP10 of EPWM-XBAR 1: Respective output of Mux26 is enabled to drive the TRIP10 of EPWM-XBAR Refer to the EPWM X-BAR section of this chapter for more details. Reset type: CPU1.SYSRSn
25	MUX25	R/W	0h	Selects the output of Mux25 to drive TRIP10 of EPWM-XBAR 0: Respective output of Mux25 is disabled to drive the TRIP10 of EPWM-XBAR 1: Respective output of Mux25 is enabled to drive the TRIP10 of EPWM-XBAR Refer to the EPWM X-BAR section of this chapter for more details. Reset type: CPU1.SYSRSn
24	MUX24	R/W	0h	Selects the output of Mux24 to drive TRIP10 of EPWM-XBAR 0: Respective output of Mux24 is disabled to drive the TRIP10 of EPWM-XBAR 1: Respective output of Mux24 is enabled to drive the TRIP10 of EPWM-XBAR Refer to the EPWM X-BAR section of this chapter for more details. Reset type: CPU1.SYSRSn
23	MUX23	R/W	0h	Selects the output of Mux23 to drive TRIP10 of EPWM-XBAR 0: Respective output of Mux23 is disabled to drive the TRIP10 of EPWM-XBAR 1: Respective output of Mux23 is enabled to drive the TRIP10 of EPWM-XBAR Refer to the EPWM X-BAR section of this chapter for more details. Reset type: CPU1.SYSRSn
22	MUX22	R/W	0h	Selects the output of Mux22 to drive TRIP10 of EPWM-XBAR 0: Respective output of Mux22 is disabled to drive the TRIP10 of EPWM-XBAR 1: Respective output of Mux22 is enabled to drive the TRIP10 of EPWM-XBAR Refer to the EPWM X-BAR section of this chapter for more details. Reset type: CPU1.SYSRSn
21	MUX21	R/W	0h	Selects the output of Mux21 to drive TRIP10 of EPWM-XBAR 0: Respective output of Mux21 is disabled to drive the TRIP10 of EPWM-XBAR 1: Respective output of Mux21 is enabled to drive the TRIP10 of EPWM-XBAR Refer to the EPWM X-BAR section of this chapter for more details. Reset type: CPU1.SYSRSn
20	MUX20	R/W	0h	Selects the output of Mux20 to drive TRIP10 of EPWM-XBAR 0: Respective output of Mux20 is disabled to drive the TRIP10 of EPWM-XBAR 1: Respective output of Mux20 is enabled to drive the TRIP10 of EPWM-XBAR Refer to the EPWM X-BAR section of this chapter for more details. Reset type: CPU1.SYSRSn

**Table 8-54. TRIP10MUXENABLE Register Field Descriptions (continued)**

Bit	Field	Type	Reset	Description
19	MUX19	R/W	0h	Selects the output of Mux19 to drive TRIP10 of EPWM-XBAR 0: Respective output of Mux19 is disabled to drive the TRIP10 of EPWM-XBAR 1: Respective output of Mux19 is enabled to drive the TRIP10 of EPWM-XBAR Refer to the EPWM X-BAR section of this chapter for more details. Reset type: CPU1.SYSRSn
18	MUX18	R/W	0h	Selects the output of Mux18 to drive TRIP10 of EPWM-XBAR 0: Respective output of Mux18 is disabled to drive the TRIP10 of EPWM-XBAR 1: Respective output of Mux18 is enabled to drive the TRIP10 of EPWM-XBAR Refer to the EPWM X-BAR section of this chapter for more details. Reset type: CPU1.SYSRSn
17	MUX17	R/W	0h	Selects the output of Mux17 to drive TRIP10 of EPWM-XBAR 0: Respective output of Mux17 is disabled to drive the TRIP10 of EPWM-XBAR 1: Respective output of Mux17 is enabled to drive the TRIP10 of EPWM-XBAR Refer to the EPWM X-BAR section of this chapter for more details. Reset type: CPU1.SYSRSn
16	MUX16	R/W	0h	Selects the output of Mux16 to drive TRIP10 of EPWM-XBAR 0: Respective output of Mux16 is disabled to drive the TRIP10 of EPWM-XBAR 1: Respective output of Mux16 is enabled to drive the TRIP10 of EPWM-XBAR Refer to the EPWM X-BAR section of this chapter for more details. Reset type: CPU1.SYSRSn
15	MUX15	R/W	0h	Selects the output of Mux15 to drive TRIP10 of EPWM-XBAR 0: Respective output of Mux15 is disabled to drive the TRIP10 of EPWM-XBAR 1: Respective output of Mux15 is enabled to drive the TRIP10 of EPWM-XBAR Refer to the EPWM X-BAR section of this chapter for more details. Reset type: CPU1.SYSRSn
14	MUX14	R/W	0h	Selects the output of Mux14 to drive TRIP10 of EPWM-XBAR 0: Respective output of Mux14 is disabled to drive the TRIP10 of EPWM-XBAR 1: Respective output of Mux14 is enabled to drive the TRIP10 of EPWM-XBAR Refer to the EPWM X-BAR section of this chapter for more details. Reset type: CPU1.SYSRSn
13	MUX13	R/W	0h	Selects the output of Mux13 to drive TRIP10 of EPWM-XBAR 0: Respective output of Mux13 is disabled to drive the TRIP10 of EPWM-XBAR 1: Respective output of Mux13 is enabled to drive the TRIP10 of EPWM-XBAR Refer to the EPWM X-BAR section of this chapter for more details. Reset type: CPU1.SYSRSn
12	MUX12	R/W	0h	Selects the output of Mux12 to drive TRIP10 of EPWM-XBAR 0: Respective output of Mux12 is disabled to drive the TRIP10 of EPWM-XBAR 1: Respective output of Mux12 is enabled to drive the TRIP10 of EPWM-XBAR Refer to the EPWM X-BAR section of this chapter for more details. Reset type: CPU1.SYSRSn



**Table 8-54. TRIP10MUXENABLE Register Field Descriptions (continued)**

Bit	Field	Type	Reset	Description
11	MUX11	R/W	0h	Selects the output of Mux11 to drive TRIP10 of EPWM-XBAR 0: Respective output of Mux11 is disabled to drive the TRIP10 of EPWM-XBAR 1: Respective output of Mux11 is enabled to drive the TRIP10 of EPWM-XBAR Refer to the EPWM X-BAR section of this chapter for more details. Reset type: CPU1.SYSRSn
10	MUX10	R/W	0h	Selects the output of Mux10 to drive TRIP10 of EPWM-XBAR 0: Respective output of Mux10 is disabled to drive the TRIP10 of EPWM-XBAR 1: Respective output of Mux10 is enabled to drive the TRIP10 of EPWM-XBAR Refer to the EPWM X-BAR section of this chapter for more details. Reset type: CPU1.SYSRSn
9	MUX9	R/W	0h	Selects the output of Mux9 to drive TRIP10 of EPWM-XBAR 0: Respective output of Mux9 is disabled to drive the TRIP10 of EPWM-XBAR 1: Respective output of Mux9 is enabled to drive the TRIP10 of EPWM-XBAR Refer to the EPWM X-BAR section of this chapter for more details. Reset type: CPU1.SYSRSn
8	MUX8	R/W	0h	Selects the output of Mux8 to drive TRIP10 of EPWM-XBAR 0: Respective output of Mux8 is disabled to drive the TRIP10 of EPWM-XBAR 1: Respective output of Mux8 is enabled to drive the TRIP10 of EPWM-XBAR Refer to the EPWM X-BAR section of this chapter for more details. Reset type: CPU1.SYSRSn
7	MUX7	R/W	0h	Selects the output of Mux7 to drive TRIP10 of EPWM-XBAR 0: Respective output of Mux7 is disabled to drive the TRIP10 of EPWM-XBAR 1: Respective output of Mux7 is enabled to drive the TRIP10 of EPWM-XBAR Refer to the EPWM X-BAR section of this chapter for more details. Reset type: CPU1.SYSRSn
6	MUX6	R/W	0h	Selects the output of Mux6 to drive TRIP10 of EPWM-XBAR 0: Respective output of Mux6 is disabled to drive the TRIP10 of EPWM-XBAR 1: Respective output of Mux6 is enabled to drive the TRIP10 of EPWM-XBAR Refer to the EPWM X-BAR section of this chapter for more details. Reset type: CPU1.SYSRSn
5	MUX5	R/W	0h	Selects the output of Mux5 to drive TRIP10 of EPWM-XBAR 0: Respective output of Mux5 is disabled to drive the TRIP10 of EPWM-XBAR 1: Respective output of Mux5 is enabled to drive the TRIP10 of EPWM-XBAR Refer to the EPWM X-BAR section of this chapter for more details. Reset type: CPU1.SYSRSn
4	MUX4	R/W	0h	Selects the output of Mux4 to drive TRIP10 of EPWM-XBAR 0: Respective output of Mux4 is disabled to drive the TRIP10 of EPWM-XBAR 1: Respective output of Mux4 is enabled to drive the TRIP10 of EPWM-XBAR Refer to the EPWM X-BAR section of this chapter for more details. Reset type: CPU1.SYSRSn

**Table 8-54. TRIP10MUXENABLE Register Field Descriptions (continued)**

Bit	Field	Type	Reset	Description
3	MUX3	R/W	0h	Selects the output of Mux3 to drive TRIP10 of EPWM-XBAR 0: Respective output of Mux3 is disabled to drive the TRIP10 of EPWM-XBAR 1: Respective output of Mux3 is enabled to drive the TRIP10 of EPWM-XBAR Refer to the EPWM X-BAR section of this chapter for more details. Reset type: CPU1.SYSRSn
2	MUX2	R/W	0h	Selects the output of Mux2 to drive TRIP10 of EPWM-XBAR 0: Respective output of Mux2 is disabled to drive the TRIP10 of EPWM-XBAR 1: Respective output of Mux2 is enabled to drive the TRIP10 of EPWM-XBAR Refer to the EPWM X-BAR section of this chapter for more details. Reset type: CPU1.SYSRSn
1	MUX1	R/W	0h	Selects the output of Mux1 to drive TRIP10 of EPWM-XBAR 0: Respective output of Mux1 is disabled to drive the TRIP10 of EPWM-XBAR 1: Respective output of Mux1 is enabled to drive the TRIP10 of EPWM-XBAR Refer to the EPWM X-BAR section of this chapter for more details. Reset type: CPU1.SYSRSn
0	MUX0	R/W	0h	Selects the output of mux0 to drive TRIP10 of EPWM-XBAR 0: Respective output of Mux0 is disabled to drive the TRIP10 of EPWM-XBAR 1: Respective output of Mux0 is enabled to drive the TRIP10 of EPWM-XBAR Refer to the EPWM X-BAR section of this chapter for more details. Reset type: CPU1.SYSRSn

### 8.3.4.23 TRIP11MUXENABLE Register (Offset = 2Ch) [Reset = 0000000h]

TRIP11MUXENABLE is shown in [Figure 8-50](#) and described in [Table 8-55](#).

Return to the [Summary Table](#).

ePWM XBAR Mux Enable for TRIP11

**Figure 8-50. TRIP11MUXENABLE Register**

31	30	29	28	27	26	25	24
MUX31	MUX30	MUX29	MUX28	MUX27	MUX26	MUX25	MUX24
R/W-0h	R/W-0h	R/W-0h	R/W-0h	R/W-0h	R/W-0h	R/W-0h	R/W-0h
23	22	21	20	19	18	17	16
MUX23	MUX22	MUX21	MUX20	MUX19	MUX18	MUX17	MUX16
R/W-0h	R/W-0h	R/W-0h	R/W-0h	R/W-0h	R/W-0h	R/W-0h	R/W-0h
15	14	13	12	11	10	9	8
MUX15	MUX14	MUX13	MUX12	MUX11	MUX10	MUX9	MUX8
R/W-0h	R/W-0h	R/W-0h	R/W-0h	R/W-0h	R/W-0h	R/W-0h	R/W-0h
7	6	5	4	3	2	1	0
MUX7	MUX6	MUX5	MUX4	MUX3	MUX2	MUX1	MUX0
R/W-0h	R/W-0h	R/W-0h	R/W-0h	R/W-0h	R/W-0h	R/W-0h	R/W-0h

**Table 8-55. TRIP11MUXENABLE Register Field Descriptions**

Bit	Field	Type	Reset	Description
31	MUX31	R/W	0h	Selects the output of Mux31 to drive TRIP11 of EPWM-XBAR 0: Respective output of Mux31 is disabled to drive the TRIP11 of EPWM-XBAR 1: Respective output of Mux31 is enabled to drive the TRIP11 of EPWM-XBAR Refer to the EPWM X-BAR section of this chapter for more details. Reset type: CPU1.SYSRSn
30	MUX30	R/W	0h	Selects the output of Mux30 to drive TRIP11 of EPWM-XBAR 0: Respective output of Mux30 is disabled to drive the TRIP11 of EPWM-XBAR 1: Respective output of Mux30 is enabled to drive the TRIP11 of EPWM-XBAR Refer to the EPWM X-BAR section of this chapter for more details. Reset type: CPU1.SYSRSn
29	MUX29	R/W	0h	Selects the output of Mux29 to drive TRIP11 of EPWM-XBAR 0: Respective output of Mux29 is disabled to drive the TRIP11 of EPWM-XBAR 1: Respective output of Mux29 is enabled to drive the TRIP11 of EPWM-XBAR Refer to the EPWM X-BAR section of this chapter for more details. Reset type: CPU1.SYSRSn
28	MUX28	R/W	0h	Selects the output of Mux28 to drive TRIP11 of EPWM-XBAR 0: Respective output of Mux28 is disabled to drive the TRIP11 of EPWM-XBAR 1: Respective output of Mux28 is enabled to drive the TRIP11 of EPWM-XBAR Refer to the EPWM X-BAR section of this chapter for more details. Reset type: CPU1.SYSRSn

**Table 8-55. TRIP11MUXENABLE Register Field Descriptions (continued)**

Bit	Field	Type	Reset	Description
27	MUX27	R/W	0h	Selects the output of Mux27 to drive TRIP11 of EPWM-XBAR 0: Respective output of Mux27 is disabled to drive the TRIP11 of EPWM-XBAR 1: Respective output of Mux27 is enabled to drive the TRIP11 of EPWM-XBAR Refer to the EPWM X-BAR section of this chapter for more details. Reset type: CPU1.SYSRSn
26	MUX26	R/W	0h	Selects the output of Mux26 to drive TRIP11 of EPWM-XBAR 0: Respective output of Mux26 is disabled to drive the TRIP11 of EPWM-XBAR 1: Respective output of Mux26 is enabled to drive the TRIP11 of EPWM-XBAR Refer to the EPWM X-BAR section of this chapter for more details. Reset type: CPU1.SYSRSn
25	MUX25	R/W	0h	Selects the output of Mux25 to drive TRIP11 of EPWM-XBAR 0: Respective output of Mux25 is disabled to drive the TRIP11 of EPWM-XBAR 1: Respective output of Mux25 is enabled to drive the TRIP11 of EPWM-XBAR Refer to the EPWM X-BAR section of this chapter for more details. Reset type: CPU1.SYSRSn
24	MUX24	R/W	0h	Selects the output of Mux24 to drive TRIP11 of EPWM-XBAR 0: Respective output of Mux24 is disabled to drive the TRIP11 of EPWM-XBAR 1: Respective output of Mux24 is enabled to drive the TRIP11 of EPWM-XBAR Refer to the EPWM X-BAR section of this chapter for more details. Reset type: CPU1.SYSRSn
23	MUX23	R/W	0h	Selects the output of Mux23 to drive TRIP11 of EPWM-XBAR 0: Respective output of Mux23 is disabled to drive the TRIP11 of EPWM-XBAR 1: Respective output of Mux23 is enabled to drive the TRIP11 of EPWM-XBAR Refer to the EPWM X-BAR section of this chapter for more details. Reset type: CPU1.SYSRSn
22	MUX22	R/W	0h	Selects the output of Mux22 to drive TRIP11 of EPWM-XBAR 0: Respective output of Mux22 is disabled to drive the TRIP11 of EPWM-XBAR 1: Respective output of Mux22 is enabled to drive the TRIP11 of EPWM-XBAR Refer to the EPWM X-BAR section of this chapter for more details. Reset type: CPU1.SYSRSn
21	MUX21	R/W	0h	Selects the output of Mux21 to drive TRIP11 of EPWM-XBAR 0: Respective output of Mux21 is disabled to drive the TRIP11 of EPWM-XBAR 1: Respective output of Mux21 is enabled to drive the TRIP11 of EPWM-XBAR Refer to the EPWM X-BAR section of this chapter for more details. Reset type: CPU1.SYSRSn
20	MUX20	R/W	0h	Selects the output of Mux20 to drive TRIP11 of EPWM-XBAR 0: Respective output of Mux20 is disabled to drive the TRIP11 of EPWM-XBAR 1: Respective output of Mux20 is enabled to drive the TRIP11 of EPWM-XBAR Refer to the EPWM X-BAR section of this chapter for more details. Reset type: CPU1.SYSRSn

**Table 8-55. TRIP11MUXENABLE Register Field Descriptions (continued)**

Bit	Field	Type	Reset	Description
19	MUX19	R/W	0h	Selects the output of Mux19 to drive TRIP11 of EPWM-XBAR 0: Respective output of Mux19 is disabled to drive the TRIP11 of EPWM-XBAR 1: Respective output of Mux19 is enabled to drive the TRIP11 of EPWM-XBAR Refer to the EPWM X-BAR section of this chapter for more details. Reset type: CPU1.SYSRSn
18	MUX18	R/W	0h	Selects the output of Mux18 to drive TRIP11 of EPWM-XBAR 0: Respective output of Mux18 is disabled to drive the TRIP11 of EPWM-XBAR 1: Respective output of Mux18 is enabled to drive the TRIP11 of EPWM-XBAR Refer to the EPWM X-BAR section of this chapter for more details. Reset type: CPU1.SYSRSn
17	MUX17	R/W	0h	Selects the output of Mux17 to drive TRIP11 of EPWM-XBAR 0: Respective output of Mux17 is disabled to drive the TRIP11 of EPWM-XBAR 1: Respective output of Mux17 is enabled to drive the TRIP11 of EPWM-XBAR Refer to the EPWM X-BAR section of this chapter for more details. Reset type: CPU1.SYSRSn
16	MUX16	R/W	0h	Selects the output of Mux16 to drive TRIP11 of EPWM-XBAR 0: Respective output of Mux16 is disabled to drive the TRIP11 of EPWM-XBAR 1: Respective output of Mux16 is enabled to drive the TRIP11 of EPWM-XBAR Refer to the EPWM X-BAR section of this chapter for more details. Reset type: CPU1.SYSRSn
15	MUX15	R/W	0h	Selects the output of Mux15 to drive TRIP11 of EPWM-XBAR 0: Respective output of Mux15 is disabled to drive the TRIP11 of EPWM-XBAR 1: Respective output of Mux15 is enabled to drive the TRIP11 of EPWM-XBAR Refer to the EPWM X-BAR section of this chapter for more details. Reset type: CPU1.SYSRSn
14	MUX14	R/W	0h	Selects the output of Mux14 to drive TRIP11 of EPWM-XBAR 0: Respective output of Mux14 is disabled to drive the TRIP11 of EPWM-XBAR 1: Respective output of Mux14 is enabled to drive the TRIP11 of EPWM-XBAR Refer to the EPWM X-BAR section of this chapter for more details. Reset type: CPU1.SYSRSn
13	MUX13	R/W	0h	Selects the output of Mux13 to drive TRIP11 of EPWM-XBAR 0: Respective output of Mux13 is disabled to drive the TRIP11 of EPWM-XBAR 1: Respective output of Mux13 is enabled to drive the TRIP11 of EPWM-XBAR Refer to the EPWM X-BAR section of this chapter for more details. Reset type: CPU1.SYSRSn
12	MUX12	R/W	0h	Selects the output of Mux12 to drive TRIP11 of EPWM-XBAR 0: Respective output of Mux12 is disabled to drive the TRIP11 of EPWM-XBAR 1: Respective output of Mux12 is enabled to drive the TRIP11 of EPWM-XBAR Refer to the EPWM X-BAR section of this chapter for more details. Reset type: CPU1.SYSRSn

**Table 8-55. TRIP11MUXENABLE Register Field Descriptions (continued)**

Bit	Field	Type	Reset	Description
11	MUX11	R/W	0h	Selects the output of Mux11 to drive TRIP11 of EPWM-XBAR 0: Respective output of Mux11 is disabled to drive the TRIP11 of EPWM-XBAR 1: Respective output of Mux11 is enabled to drive the TRIP11 of EPWM-XBAR Refer to the EPWM X-BAR section of this chapter for more details. Reset type: CPU1.SYSRSn
10	MUX10	R/W	0h	Selects the output of Mux10 to drive TRIP11 of EPWM-XBAR 0: Respective output of Mux10 is disabled to drive the TRIP11 of EPWM-XBAR 1: Respective output of Mux10 is enabled to drive the TRIP11 of EPWM-XBAR Refer to the EPWM X-BAR section of this chapter for more details. Reset type: CPU1.SYSRSn
9	MUX9	R/W	0h	Selects the output of Mux9 to drive TRIP11 of EPWM-XBAR 0: Respective output of Mux9 is disabled to drive the TRIP11 of EPWM-XBAR 1: Respective output of Mux9 is enabled to drive the TRIP11 of EPWM-XBAR Refer to the EPWM X-BAR section of this chapter for more details. Reset type: CPU1.SYSRSn
8	MUX8	R/W	0h	Selects the output of Mux8 to drive TRIP11 of EPWM-XBAR 0: Respective output of Mux8 is disabled to drive the TRIP11 of EPWM-XBAR 1: Respective output of Mux8 is enabled to drive the TRIP11 of EPWM-XBAR Refer to the EPWM X-BAR section of this chapter for more details. Reset type: CPU1.SYSRSn
7	MUX7	R/W	0h	Selects the output of Mux7 to drive TRIP11 of EPWM-XBAR 0: Respective output of Mux7 is disabled to drive the TRIP11 of EPWM-XBAR 1: Respective output of Mux7 is enabled to drive the TRIP11 of EPWM-XBAR Refer to the EPWM X-BAR section of this chapter for more details. Reset type: CPU1.SYSRSn
6	MUX6	R/W	0h	Selects the output of Mux6 to drive TRIP11 of EPWM-XBAR 0: Respective output of Mux6 is disabled to drive the TRIP11 of EPWM-XBAR 1: Respective output of Mux6 is enabled to drive the TRIP11 of EPWM-XBAR Refer to the EPWM X-BAR section of this chapter for more details. Reset type: CPU1.SYSRSn
5	MUX5	R/W	0h	Selects the output of Mux5 to drive TRIP11 of EPWM-XBAR 0: Respective output of Mux5 is disabled to drive the TRIP11 of EPWM-XBAR 1: Respective output of Mux5 is enabled to drive the TRIP11 of EPWM-XBAR Refer to the EPWM X-BAR section of this chapter for more details. Reset type: CPU1.SYSRSn
4	MUX4	R/W	0h	Selects the output of Mux4 to drive TRIP11 of EPWM-XBAR 0: Respective output of Mux4 is disabled to drive the TRIP11 of EPWM-XBAR 1: Respective output of Mux4 is enabled to drive the TRIP11 of EPWM-XBAR Refer to the EPWM X-BAR section of this chapter for more details. Reset type: CPU1.SYSRSn

**Table 8-55. TRIP11MUXENABLE Register Field Descriptions (continued)**

Bit	Field	Type	Reset	Description
3	MUX3	R/W	0h	Selects the output of Mux3 to drive TRIP11 of EPWM-XBAR 0: Respective output of Mux3 is disabled to drive the TRIP11 of EPWM-XBAR 1: Respective output of Mux3 is enabled to drive the TRIP11 of EPWM-XBAR Refer to the EPWM X-BAR section of this chapter for more details. Reset type: CPU1.SYSRSn
2	MUX2	R/W	0h	Selects the output of Mux2 to drive TRIP11 of EPWM-XBAR 0: Respective output of Mux2 is disabled to drive the TRIP11 of EPWM-XBAR 1: Respective output of Mux2 is enabled to drive the TRIP11 of EPWM-XBAR Refer to the EPWM X-BAR section of this chapter for more details. Reset type: CPU1.SYSRSn
1	MUX1	R/W	0h	Selects the output of Mux1 to drive TRIP11 of EPWM-XBAR 0: Respective output of Mux1 is disabled to drive the TRIP11 of EPWM-XBAR 1: Respective output of Mux1 is enabled to drive the TRIP11 of EPWM-XBAR Refer to the EPWM X-BAR section of this chapter for more details. Reset type: CPU1.SYSRSn
0	MUX0	R/W	0h	Selects the output of mux0 to drive TRIP11 of EPWM-XBAR 0: Respective output of Mux0 is disabled to drive the TRIP11 of EPWM-XBAR 1: Respective output of Mux0 is enabled to drive the TRIP11 of EPWM-XBAR Refer to the EPWM X-BAR section of this chapter for more details. Reset type: CPU1.SYSRSn

### 8.3.4.24 TRIP12MUXENABLE Register (Offset = 2Eh) [Reset = 0000000h]

TRIP12MUXENABLE is shown in [Figure 8-51](#) and described in [Table 8-56](#).

Return to the [Summary Table](#).

ePWM XBAR Mux Enable for TRIP12

**Figure 8-51. TRIP12MUXENABLE Register**

31	30	29	28	27	26	25	24
MUX31	MUX30	MUX29	MUX28	MUX27	MUX26	MUX25	MUX24
R/W-0h	R/W-0h	R/W-0h	R/W-0h	R/W-0h	R/W-0h	R/W-0h	R/W-0h
23	22	21	20	19	18	17	16
MUX23	MUX22	MUX21	MUX20	MUX19	MUX18	MUX17	MUX16
R/W-0h	R/W-0h	R/W-0h	R/W-0h	R/W-0h	R/W-0h	R/W-0h	R/W-0h
15	14	13	12	11	10	9	8
MUX15	MUX14	MUX13	MUX12	MUX11	MUX10	MUX9	MUX8
R/W-0h	R/W-0h	R/W-0h	R/W-0h	R/W-0h	R/W-0h	R/W-0h	R/W-0h
7	6	5	4	3	2	1	0
MUX7	MUX6	MUX5	MUX4	MUX3	MUX2	MUX1	MUX0
R/W-0h	R/W-0h	R/W-0h	R/W-0h	R/W-0h	R/W-0h	R/W-0h	R/W-0h

**Table 8-56. TRIP12MUXENABLE Register Field Descriptions**

Bit	Field	Type	Reset	Description
31	MUX31	R/W	0h	Selects the output of Mux31 to drive TRIP12 of EPWM-XBAR 0: Respective output of Mux31 is disabled to drive the TRIP12 of EPWM-XBAR 1: Respective output of Mux31 is enabled to drive the TRIP12 of EPWM-XBAR Refer to the EPWM X-BAR section of this chapter for more details. Reset type: CPU1.SYSRSn
30	MUX30	R/W	0h	Selects the output of Mux30 to drive TRIP12 of EPWM-XBAR 0: Respective output of Mux30 is disabled to drive the TRIP12 of EPWM-XBAR 1: Respective output of Mux30 is enabled to drive the TRIP12 of EPWM-XBAR Refer to the EPWM X-BAR section of this chapter for more details. Reset type: CPU1.SYSRSn
29	MUX29	R/W	0h	Selects the output of Mux29 to drive TRIP12 of EPWM-XBAR 0: Respective output of Mux29 is disabled to drive the TRIP12 of EPWM-XBAR 1: Respective output of Mux29 is enabled to drive the TRIP12 of EPWM-XBAR Refer to the EPWM X-BAR section of this chapter for more details. Reset type: CPU1.SYSRSn
28	MUX28	R/W	0h	Selects the output of Mux28 to drive TRIP12 of EPWM-XBAR 0: Respective output of Mux28 is disabled to drive the TRIP12 of EPWM-XBAR 1: Respective output of Mux28 is enabled to drive the TRIP12 of EPWM-XBAR Refer to the EPWM X-BAR section of this chapter for more details. Reset type: CPU1.SYSRSn



**Table 8-56. TRIP12MUXENABLE Register Field Descriptions (continued)**

Bit	Field	Type	Reset	Description
27	MUX27	R/W	0h	Selects the output of Mux27 to drive TRIP12 of EPWM-XBAR 0: Respective output of Mux27 is disabled to drive the TRIP12 of EPWM-XBAR 1: Respective output of Mux27 is enabled to drive the TRIP12 of EPWM-XBAR Refer to the EPWM X-BAR section of this chapter for more details. Reset type: CPU1.SYSRSn
26	MUX26	R/W	0h	Selects the output of Mux26 to drive TRIP12 of EPWM-XBAR 0: Respective output of Mux26 is disabled to drive the TRIP12 of EPWM-XBAR 1: Respective output of Mux26 is enabled to drive the TRIP12 of EPWM-XBAR Refer to the EPWM X-BAR section of this chapter for more details. Reset type: CPU1.SYSRSn
25	MUX25	R/W	0h	Selects the output of Mux25 to drive TRIP12 of EPWM-XBAR 0: Respective output of Mux25 is disabled to drive the TRIP12 of EPWM-XBAR 1: Respective output of Mux25 is enabled to drive the TRIP12 of EPWM-XBAR Refer to the EPWM X-BAR section of this chapter for more details. Reset type: CPU1.SYSRSn
24	MUX24	R/W	0h	Selects the output of Mux24 to drive TRIP12 of EPWM-XBAR 0: Respective output of Mux24 is disabled to drive the TRIP12 of EPWM-XBAR 1: Respective output of Mux24 is enabled to drive the TRIP12 of EPWM-XBAR Refer to the EPWM X-BAR section of this chapter for more details. Reset type: CPU1.SYSRSn
23	MUX23	R/W	0h	Selects the output of Mux23 to drive TRIP12 of EPWM-XBAR 0: Respective output of Mux23 is disabled to drive the TRIP12 of EPWM-XBAR 1: Respective output of Mux23 is enabled to drive the TRIP12 of EPWM-XBAR Refer to the EPWM X-BAR section of this chapter for more details. Reset type: CPU1.SYSRSn
22	MUX22	R/W	0h	Selects the output of Mux22 to drive TRIP12 of EPWM-XBAR 0: Respective output of Mux22 is disabled to drive the TRIP12 of EPWM-XBAR 1: Respective output of Mux22 is enabled to drive the TRIP12 of EPWM-XBAR Refer to the EPWM X-BAR section of this chapter for more details. Reset type: CPU1.SYSRSn
21	MUX21	R/W	0h	Selects the output of Mux21 to drive TRIP12 of EPWM-XBAR 0: Respective output of Mux21 is disabled to drive the TRIP12 of EPWM-XBAR 1: Respective output of Mux21 is enabled to drive the TRIP12 of EPWM-XBAR Refer to the EPWM X-BAR section of this chapter for more details. Reset type: CPU1.SYSRSn
20	MUX20	R/W	0h	Selects the output of Mux20 to drive TRIP12 of EPWM-XBAR 0: Respective output of Mux20 is disabled to drive the TRIP12 of EPWM-XBAR 1: Respective output of Mux20 is enabled to drive the TRIP12 of EPWM-XBAR Refer to the EPWM X-BAR section of this chapter for more details. Reset type: CPU1.SYSRSn

**Table 8-56. TRIP12MUXENABLE Register Field Descriptions (continued)**

Bit	Field	Type	Reset	Description
19	MUX19	R/W	0h	Selects the output of Mux19 to drive TRIP12 of EPWM-XBAR 0: Respective output of Mux19 is disabled to drive the TRIP12 of EPWM-XBAR 1: Respective output of Mux19 is enabled to drive the TRIP12 of EPWM-XBAR Refer to the EPWM X-BAR section of this chapter for more details. Reset type: CPU1.SYSRSn
18	MUX18	R/W	0h	Selects the output of Mux18 to drive TRIP12 of EPWM-XBAR 0: Respective output of Mux18 is disabled to drive the TRIP12 of EPWM-XBAR 1: Respective output of Mux18 is enabled to drive the TRIP12 of EPWM-XBAR Refer to the EPWM X-BAR section of this chapter for more details. Reset type: CPU1.SYSRSn
17	MUX17	R/W	0h	Selects the output of Mux17 to drive TRIP12 of EPWM-XBAR 0: Respective output of Mux17 is disabled to drive the TRIP12 of EPWM-XBAR 1: Respective output of Mux17 is enabled to drive the TRIP12 of EPWM-XBAR Refer to the EPWM X-BAR section of this chapter for more details. Reset type: CPU1.SYSRSn
16	MUX16	R/W	0h	Selects the output of Mux16 to drive TRIP12 of EPWM-XBAR 0: Respective output of Mux16 is disabled to drive the TRIP12 of EPWM-XBAR 1: Respective output of Mux16 is enabled to drive the TRIP12 of EPWM-XBAR Refer to the EPWM X-BAR section of this chapter for more details. Reset type: CPU1.SYSRSn
15	MUX15	R/W	0h	Selects the output of Mux15 to drive TRIP12 of EPWM-XBAR 0: Respective output of Mux15 is disabled to drive the TRIP12 of EPWM-XBAR 1: Respective output of Mux15 is enabled to drive the TRIP12 of EPWM-XBAR Refer to the EPWM X-BAR section of this chapter for more details. Reset type: CPU1.SYSRSn
14	MUX14	R/W	0h	Selects the output of Mux14 to drive TRIP12 of EPWM-XBAR 0: Respective output of Mux14 is disabled to drive the TRIP12 of EPWM-XBAR 1: Respective output of Mux14 is enabled to drive the TRIP12 of EPWM-XBAR Refer to the EPWM X-BAR section of this chapter for more details. Reset type: CPU1.SYSRSn
13	MUX13	R/W	0h	Selects the output of Mux13 to drive TRIP12 of EPWM-XBAR 0: Respective output of Mux13 is disabled to drive the TRIP12 of EPWM-XBAR 1: Respective output of Mux13 is enabled to drive the TRIP12 of EPWM-XBAR Refer to the EPWM X-BAR section of this chapter for more details. Reset type: CPU1.SYSRSn
12	MUX12	R/W	0h	Selects the output of Mux12 to drive TRIP12 of EPWM-XBAR 0: Respective output of Mux12 is disabled to drive the TRIP12 of EPWM-XBAR 1: Respective output of Mux12 is enabled to drive the TRIP12 of EPWM-XBAR Refer to the EPWM X-BAR section of this chapter for more details. Reset type: CPU1.SYSRSn

**Table 8-56. TRIP12MUXENABLE Register Field Descriptions (continued)**

Bit	Field	Type	Reset	Description
11	MUX11	R/W	0h	Selects the output of Mux11 to drive TRIP12 of EPWM-XBAR 0: Respective output of Mux11 is disabled to drive the TRIP12 of EPWM-XBAR 1: Respective output of Mux11 is enabled to drive the TRIP12 of EPWM-XBAR Refer to the EPWM X-BAR section of this chapter for more details. Reset type: CPU1.SYSRSn
10	MUX10	R/W	0h	Selects the output of Mux10 to drive TRIP12 of EPWM-XBAR 0: Respective output of Mux10 is disabled to drive the TRIP12 of EPWM-XBAR 1: Respective output of Mux10 is enabled to drive the TRIP12 of EPWM-XBAR Refer to the EPWM X-BAR section of this chapter for more details. Reset type: CPU1.SYSRSn
9	MUX9	R/W	0h	Selects the output of Mux9 to drive TRIP12 of EPWM-XBAR 0: Respective output of Mux9 is disabled to drive the TRIP12 of EPWM-XBAR 1: Respective output of Mux9 is enabled to drive the TRIP12 of EPWM-XBAR Refer to the EPWM X-BAR section of this chapter for more details. Reset type: CPU1.SYSRSn
8	MUX8	R/W	0h	Selects the output of Mux8 to drive TRIP12 of EPWM-XBAR 0: Respective output of Mux8 is disabled to drive the TRIP12 of EPWM-XBAR 1: Respective output of Mux8 is enabled to drive the TRIP12 of EPWM-XBAR Refer to the EPWM X-BAR section of this chapter for more details. Reset type: CPU1.SYSRSn
7	MUX7	R/W	0h	Selects the output of Mux7 to drive TRIP12 of EPWM-XBAR 0: Respective output of Mux7 is disabled to drive the TRIP12 of EPWM-XBAR 1: Respective output of Mux7 is enabled to drive the TRIP12 of EPWM-XBAR Refer to the EPWM X-BAR section of this chapter for more details. Reset type: CPU1.SYSRSn
6	MUX6	R/W	0h	Selects the output of Mux6 to drive TRIP12 of EPWM-XBAR 0: Respective output of Mux6 is disabled to drive the TRIP12 of EPWM-XBAR 1: Respective output of Mux6 is enabled to drive the TRIP12 of EPWM-XBAR Refer to the EPWM X-BAR section of this chapter for more details. Reset type: CPU1.SYSRSn
5	MUX5	R/W	0h	Selects the output of Mux5 to drive TRIP12 of EPWM-XBAR 0: Respective output of Mux5 is disabled to drive the TRIP12 of EPWM-XBAR 1: Respective output of Mux5 is enabled to drive the TRIP12 of EPWM-XBAR Refer to the EPWM X-BAR section of this chapter for more details. Reset type: CPU1.SYSRSn
4	MUX4	R/W	0h	Selects the output of Mux4 to drive TRIP12 of EPWM-XBAR 0: Respective output of Mux4 is disabled to drive the TRIP12 of EPWM-XBAR 1: Respective output of Mux4 is enabled to drive the TRIP12 of EPWM-XBAR Refer to the EPWM X-BAR section of this chapter for more details. Reset type: CPU1.SYSRSn

**Table 8-56. TRIP12MUXENABLE Register Field Descriptions (continued)**

Bit	Field	Type	Reset	Description
3	MUX3	R/W	0h	Selects the output of Mux3 to drive TRIP12 of EPWM-XBAR 0: Respective output of Mux3 is disabled to drive the TRIP12 of EPWM-XBAR 1: Respective output of Mux3 is enabled to drive the TRIP12 of EPWM-XBAR Refer to the EPWM X-BAR section of this chapter for more details. Reset type: CPU1.SYSRSn
2	MUX2	R/W	0h	Selects the output of Mux2 to drive TRIP12 of EPWM-XBAR 0: Respective output of Mux2 is disabled to drive the TRIP12 of EPWM-XBAR 1: Respective output of Mux2 is enabled to drive the TRIP12 of EPWM-XBAR Refer to the EPWM X-BAR section of this chapter for more details. Reset type: CPU1.SYSRSn
1	MUX1	R/W	0h	Selects the output of Mux1 to drive TRIP12 of EPWM-XBAR 0: Respective output of Mux1 is disabled to drive the TRIP12 of EPWM-XBAR 1: Respective output of Mux1 is enabled to drive the TRIP12 of EPWM-XBAR Refer to the EPWM X-BAR section of this chapter for more details. Reset type: CPU1.SYSRSn
0	MUX0	R/W	0h	Selects the output of mux0 to drive TRIP12 of EPWM-XBAR 0: Respective output of Mux0 is disabled to drive the TRIP12 of EPWM-XBAR 1: Respective output of Mux0 is enabled to drive the TRIP12 of EPWM-XBAR Refer to the EPWM X-BAR section of this chapter for more details. Reset type: CPU1.SYSRSn

### 8.3.4.25 TRIPOUTINV Register (Offset = 38h) [Reset = 0000000h]

TRIP0UTINV is shown in [Figure 8-52](#) and described in [Table 8-57](#).

Return to the [Summary Table](#).

ePWM XBAR Output Inversion Register

**Figure 8-52. TRIPOUTINV Register**

31	30	29	28	27	26	25	24
RESERVED							
R-0-0h							
23	22	21	20	19	18	17	16
RESERVED							
R-0-0h							
15	14	13	12	11	10	9	8
RESERVED							
R-0-0h							
7	6	5	4	3	2	1	0
TRIP12	TRIP11	TRIP10	TRIP9	TRIP8	TRIP7	TRIP5	TRIP4
R/W-0h	R/W-0h	R/W-0h	R/W-0h	R/W-0h	R/W-0h	R/W-0h	R/W-0h

**Table 8-57. TRIPOUTINV Register Field Descriptions**

Bit	Field	Type	Reset	Description
31-16	RESERVED	R-0	0h	Reserved
15-8	RESERVED	R-0	0h	Reserved
7	TRIP12	R/W	0h	Selects polarity for TRIP12 of EPWM-XBAR 0: drives active high output 1: drives active-low output Refer to the EPWM X-BAR section of this chapter for more details. Reset type: CPU1.SYSRSn
6	TRIP11	R/W	0h	Selects polarity for TRIP11 of EPWM-XBAR 0: drives active high output 1: drives active-low output Refer to the EPWM X-BAR section of this chapter for more details. Reset type: CPU1.SYSRSn
5	TRIP10	R/W	0h	Selects polarity for TRIP10 of EPWM-XBAR 0: drives active high output 1: drives active-low output Refer to the EPWM X-BAR section of this chapter for more details. Reset type: CPU1.SYSRSn
4	TRIP9	R/W	0h	Selects polarity for TRIP9 of EPWM-XBAR 0: drives active high output 1: drives active-low output Refer to the EPWM X-BAR section of this chapter for more details. Reset type: CPU1.SYSRSn
3	TRIP8	R/W	0h	Selects polarity for TRIP8 of EPWM-XBAR 0: drives active high output 1: drives active-low output Refer to the EPWM X-BAR section of this chapter for more details. Reset type: CPU1.SYSRSn
2	TRIP7	R/W	0h	Selects polarity for TRIP7 of EPWM-XBAR 0: drives active high output 1: drives active-low output Refer to the EPWM X-BAR section of this chapter for more details. Reset type: CPU1.SYSRSn

**Table 8-57. TRIPOUTINV Register Field Descriptions (continued)**

Bit	Field	Type	Reset	Description
1	TRIP5	R/W	0h	Selects polarity for TRIP5 of EPWM-XBAR 0: drives active high output 1: drives active-low output Refer to the EPWM X-BAR section of this chapter for more details. Reset type: CPU1.SYSRSn
0	TRIP4	R/W	0h	Selects polarity for TRIP4 of EPWM-XBAR 0: drives active high output 1: drives active-low output Refer to the EPWM X-BAR section of this chapter for more details. Reset type: CPU1.SYSRSn

### 8.3.4.26 TRIPLOCK Register (Offset = 3Eh) [Reset = 0000000h]

TRIPLOCK is shown in [Figure 8-53](#) and described in [Table 8-58](#).

Return to the [Summary Table](#).

ePWM XBAR Configuration Lock register

**Figure 8-53. TRIPLOCK Register**

31	30	29	28	27	26	25	24
KEY							
R-0/W-0h							
23	22	21	20	19	18	17	16
KEY							
R-0/W-0h							
15	14	13	12	11	10	9	8
RESERVED							
R-0-0h							
7	6	5	4	3	2	1	0
RESERVED							LOCK
R-0-0h							R/WOnce-0h

**Table 8-58. TRIPLOCK Register Field Descriptions**

Bit	Field	Type	Reset	Description
31-16	KEY	R-0/W	0h	Bit-0 of this register can be set only if KEY= 0x5a5a Reset type: CPU1.SYSRSn
15-1	RESERVED	R-0	0h	Reserved
0	LOCK	R/WOnce	0h	Locks the configuration for EPWM-XBAR. Once the configuration is locked, writes to the below registers for EPWM-XBAR is blocked. Registers Affected by the LOCK mechanism: EPWM-XBAROUTyMUX0TO15CFG EPWM-XBAROUTyMUX16TO31CFG EPWM-XBAROUTyMUXENABLE EPWM-XBAROUTLATEN EPWM-XBAROUTINV 0: Writes to the above registers are allowed 1: Writes to the above registers are blocked Note: [1] LOCK mechanism only applies to writes. Reads are never blocked. Reset type: CPU1.SYSRSn

### 8.3.5 CLB\_XBAR\_REGS Registers

Table 8-59 lists the memory-mapped registers for the CLB\_XBAR\_REGS registers. All register offset addresses not listed in Table 8-59 should be considered as reserved locations and the register contents should not be modified.

**Table 8-59. CLB\_XBAR\_REGS Registers**

Offset	Acronym	Register Name	Write Protection	Section
0h	AUXSIG0MUX0TO15CFG	CLB XBAR Mux Configuration for Output-0	EALLOW	<a href="#">Go</a>
2h	AUXSIG0MUX16TO31CFG	CLB XBAR Mux Configuration for Output-0	EALLOW	<a href="#">Go</a>
4h	AUXSIG1MUX0TO15CFG	CLB XBAR Mux Configuration for Output-1	EALLOW	<a href="#">Go</a>
6h	AUXSIG1MUX16TO31CFG	CLB XBAR Mux Configuration for Output-1	EALLOW	<a href="#">Go</a>
8h	AUXSIG2MUX0TO15CFG	CLB XBAR Mux Configuration for Output-2	EALLOW	<a href="#">Go</a>
Ah	AUXSIG2MUX16TO31CFG	CLB XBAR Mux Configuration for Output-2	EALLOW	<a href="#">Go</a>
Ch	AUXSIG3MUX0TO15CFG	CLB XBAR Mux Configuration for Output-3	EALLOW	<a href="#">Go</a>
Eh	AUXSIG3MUX16TO31CFG	CLB XBAR Mux Configuration for Output-3	EALLOW	<a href="#">Go</a>
10h	AUXSIG4MUX0TO15CFG	CLB XBAR Mux Configuration for Output-4	EALLOW	<a href="#">Go</a>
12h	AUXSIG4MUX16TO31CFG	CLB XBAR Mux Configuration for Output-4	EALLOW	<a href="#">Go</a>
14h	AUXSIG5MUX0TO15CFG	CLB XBAR Mux Configuration for Output-5	EALLOW	<a href="#">Go</a>
16h	AUXSIG5MUX16TO31CFG	CLB XBAR Mux Configuration for Output-5	EALLOW	<a href="#">Go</a>
18h	AUXSIG6MUX0TO15CFG	CLB XBAR Mux Configuration for Output-6	EALLOW	<a href="#">Go</a>
1Ah	AUXSIG6MUX16TO31CFG	CLB XBAR Mux Configuration for Output-6	EALLOW	<a href="#">Go</a>
1Ch	AUXSIG7MUX0TO15CFG	CLB XBAR Mux Configuration for Output-7	EALLOW	<a href="#">Go</a>
1Eh	AUXSIG7MUX16TO31CFG	CLB XBAR Mux Configuration for Output-7	EALLOW	<a href="#">Go</a>
20h	AUXSIG0MUXENABLE	CLB XBAR Mux Enable Register for Output-0	EALLOW	<a href="#">Go</a>
22h	AUXSIG1MUXENABLE	CLB XBAR Mux Enable Register for Output-1	EALLOW	<a href="#">Go</a>
24h	AUXSIG2MUXENABLE	CLB XBAR Mux Enable Register for Output-2	EALLOW	<a href="#">Go</a>
26h	AUXSIG3MUXENABLE	CLB XBAR Mux Enable Register for Output-3	EALLOW	<a href="#">Go</a>
28h	AUXSIG4MUXENABLE	CLB XBAR Mux Enable Register for Output-4	EALLOW	<a href="#">Go</a>
2Ah	AUXSIG5MUXENABLE	CLB XBAR Mux Enable Register for Output-5	EALLOW	<a href="#">Go</a>
2Ch	AUXSIG6MUXENABLE	CLB XBAR Mux Enable Register for Output-6	EALLOW	<a href="#">Go</a>
2Eh	AUXSIG7MUXENABLE	CLB XBAR Mux Enable Register for Output-7	EALLOW	<a href="#">Go</a>
38h	AUXSIGOUTINV	CLB XBAR Output Inversion Register	EALLOW	<a href="#">Go</a>
3Eh	AUXSIGLOCK	ClbXbar Configuration Lock register	EALLOW	<a href="#">Go</a>

Complex bit access types are encoded to fit into small table cells. Table 8-60 shows the codes that are used for access types in this section.

**Table 8-60. CLB\_XBAR\_REGS Access Type Codes**

Access Type	Code	Description
Read Type		
R	R	Read
R-0	R-0	Read Returns 0s
Write Type		
W	W	Write
WOnce	W Once	Write Set once
Reset or Default Value		
-n		Value after reset or the default value



**Table 8-60. CLB\_XBAR\_REGS Access Type Codes (continued)**

Access Type	Code	Description
Register Array Variables		
i,j,k,l,m,n		When these variables are used in a register name, an offset, or an address, they refer to the value of a register array where the register is part of a group of repeating registers. The register groups form a hierarchical structure and the array is represented with a formula.
y		When this variable is used in a register name, an offset, or an address it refers to the value of a register array.

### 8.3.5.1 AUXSIG0MUX0TO15CFG Register (Offset = 0h) [Reset = 0000000h]

AUXSIG0MUX0TO15CFG is shown in [Figure 8-54](#) and described in [Table 8-61](#).

Return to the [Summary Table](#).

CLB XBAR Mux Configuration for Output-0

**Figure 8-54. AUXSIG0MUX0TO15CFG Register**

31	30	29	28	27	26	25	24	23	22	21	20	19	18	17	16
MUX15		MUX14		MUX13		MUX12		MUX11		MUX10		MUX9		MUX8	
R/W-0h		R/W-0h		R/W-0h		R/W-0h		R/W-0h		R/W-0h		R/W-0h		R/W-0h	
15	14	13	12	11	10	9	8	7	6	5	4	3	2	1	0
MUX7		MUX6		MUX5		MUX4		MUX3		MUX2		MUX1		MUX0	
R/W-0h		R/W-0h		R/W-0h		R/W-0h		R/W-0h		R/W-0h		R/W-0h		R/W-0h	

**Table 8-61. AUXSIG0MUX0TO15CFG Register Field Descriptions**

Bit	Field	Type	Reset	Description
31-30	MUX15	R/W	0h	Group Select Bits for MUX15: Selects 4X1 group output for AUXSIG0 of CLB-XBAR 00 : Select .0 input for MUX15 01 : Select .1 input for MUX15 10 : Select .2 input for MUX15 11 : Select .3 input for MUX15 Refer to the CLB X-BAR section of this chapter for more details. Reset type: CPU1.SYSRSn
29-28	MUX14	R/W	0h	Group Select Bits for MUX14: Selects 4X1 group output for AUXSIG0 of CLB-XBAR 00 : Select .0 input for MUX14 01 : Select .1 input for MUX14 10 : Select .2 input for MUX14 11 : Select .3 input for MUX14 Refer to the CLB X-BAR section of this chapter for more details. Reset type: CPU1.SYSRSn
27-26	MUX13	R/W	0h	Group Select Bits for MUX13: Selects 4X1 group output for AUXSIG0 of CLB-XBAR 00 : Select .0 input for MUX13 01 : Select .1 input for MUX13 10 : Select .2 input for MUX13 11 : Select .3 input for MUX13 Refer to the CLB X-BAR section of this chapter for more details. Reset type: CPU1.SYSRSn
25-24	MUX12	R/W	0h	Group Select Bits for MUX12: Selects 4X1 group output for AUXSIG0 of CLB-XBAR 00 : Select .0 input for MUX12 01 : Select .1 input for MUX12 10 : Select .2 input for MUX12 11 : Select .3 input for MUX12 Refer to the CLB X-BAR section of this chapter for more details. Reset type: CPU1.SYSRSn
23-22	MUX11	R/W	0h	Group Select Bits for MUX11: Selects 4X1 group output for AUXSIG0 of CLB-XBAR 00 : Select .0 input for MUX11 01 : Select .1 input for MUX11 10 : Select .2 input for MUX11 11 : Select .3 input for MUX11 Refer to the CLB X-BAR section of this chapter for more details. Reset type: CPU1.SYSRSn

**Table 8-61. AUXSIG0MUX0TO15CFG Register Field Descriptions (continued)**

Bit	Field	Type	Reset	Description
21-20	MUX10	R/W	0h	Group Select Bits for MUX10: Selects 4X1 group output for AUXSIG0 of CLB-XBAR 00 : Select .0 input for MUX10 01 : Select .1 input for MUX10 10 : Select .2 input for MUX10 11 : Select .3 input for MUX10 Refer to the CLB X-BAR section of this chapter for more details. Reset type: CPU1.SYSRSn
19-18	MUX9	R/W	0h	Group Select Bits for MUX9: Selects 4X1 group output for AUXSIG0 of CLB-XBAR 00 : Select .0 input for MUX9 01 : Select .1 input for MUX9 10 : Select .2 input for MUX9 11 : Select .3 input for MUX9 Refer to the CLB X-BAR section of this chapter for more details. Reset type: CPU1.SYSRSn
17-16	MUX8	R/W	0h	Group Select Bits for MUX8: Selects 4X1 group output for AUXSIG0 of CLB-XBAR 00 : Select .0 input for MUX8 01 : Select .1 input for MUX8 10 : Select .2 input for MUX8 11 : Select .3 input for MUX8 Refer to the CLB X-BAR section of this chapter for more details. Reset type: CPU1.SYSRSn
15-14	MUX7	R/W	0h	Group Select Bits for MUX7: Selects 4X1 group output for AUXSIG0 of CLB-XBAR 00 : Select .0 input for MUX7 01 : Select .1 input for MUX7 10 : Select .2 input for MUX7 11 : Select .3 input for MUX7 Refer to the CLB X-BAR section of this chapter for more details. Reset type: CPU1.SYSRSn
13-12	MUX6	R/W	0h	Group Select Bits for MUX6: Selects 4X1 group output for AUXSIG0 of CLB-XBAR 00 : Select .0 input for MUX6 01 : Select .1 input for MUX6 10 : Select .2 input for MUX6 11 : Select .3 input for MUX6 Refer to the CLB X-BAR section of this chapter for more details. Reset type: CPU1.SYSRSn
11-10	MUX5	R/W	0h	Group Select Bits for MUX5: Selects 4X1 group output for AUXSIG0 of CLB-XBAR 00 : Select .0 input for MUX5 01 : Select .1 input for MUX5 10 : Select .2 input for MUX5 11 : Select .3 input for MUX5 Refer to the CLB X-BAR section of this chapter for more details. Reset type: CPU1.SYSRSn
9-8	MUX4	R/W	0h	Group Select Bits for MUX4: Selects 4X1 group output for AUXSIG0 of CLB-XBAR 00 : Select .0 input for MUX4 01 : Select .1 input for MUX4 10 : Select .2 input for MUX4 11 : Select .3 input for MUX4 Refer to the CLB X-BAR section of this chapter for more details. Reset type: CPU1.SYSRSn

**Table 8-61. AUXSIG0MUX0TO15CFG Register Field Descriptions (continued)**

Bit	Field	Type	Reset	Description
7-6	MUX3	R/W	0h	Group Select Bits for MUX3: Selects 4X1 group output for AUXSIG0 of CLB-XBAR 00 : Select .0 input for MUX3 01 : Select .1 input for MUX3 10 : Select .2 input for MUX3 11 : Select .3 input for MUX3 Refer to the CLB X-BAR section of this chapter for more details. Reset type: CPU1.SYSRSn
5-4	MUX2	R/W	0h	Group Select Bits for MUX2: Selects 4X1 group output for AUXSIG0 of CLB-XBAR 00 : Select .0 input for MUX2 01 : Select .1 input for MUX2 10 : Select .2 input for MUX2 11 : Select .3 input for MUX2 Refer to the CLB X-BAR section of this chapter for more details. Reset type: CPU1.SYSRSn
3-2	MUX1	R/W	0h	Group Select Bits for MUX1: Selects 4X1 group output for AUXSIG0 of CLB-XBAR 00 : Select .0 input for MUX1 01 : Select .1 input for MUX1 10 : Select .2 input for MUX1 11 : Select .3 input for MUX1 Refer to the CLB X-BAR section of this chapter for more details. Reset type: CPU1.SYSRSn
1-0	MUX0	R/W	0h	Group Select Bits for MUX0: Selects 4X1 group output for AUXSIG0 of CLB-XBAR 00 : Select .0 input for MUX0 01 : Select .1 input for MUX0 10 : Select .2 input for MUX0 11 : Select .3 input for MUX0 Refer to the CLB X-BAR section of this chapter for more details. Reset type: CPU1.SYSRSn

### 8.3.5.2 AUXSIG0MUX16TO31CFG Register (Offset = 2h) [Reset = 0000000h]

AUXSIG0MUX16TO31CFG is shown in [Figure 8-55](#) and described in [Table 8-62](#).

Return to the [Summary Table](#).

CLB XBAR Mux Configuration for Output-0

**Figure 8-55. AUXSIG0MUX16TO31CFG Register**

31	30	29	28	27	26	25	24	23	22	21	20	19	18	17	16
MUX31		MUX30		MUX29		MUX28		MUX27		MUX26		MUX25		MUX24	
R/W-0h		R/W-0h		R/W-0h		R/W-0h		R/W-0h		R/W-0h		R/W-0h		R/W-0h	
15	14	13	12	11	10	9	8	7	6	5	4	3	2	1	0
MUX23		MUX22		MUX21		MUX20		MUX19		MUX18		MUX17		MUX16	
R/W-0h		R/W-0h		R/W-0h		R/W-0h		R/W-0h		R/W-0h		R/W-0h		R/W-0h	

**Table 8-62. AUXSIG0MUX16TO31CFG Register Field Descriptions**

Bit	Field	Type	Reset	Description
31-30	MUX31	R/W	0h	Group Select Bits for MUX31: Selects 4X1 group output for AUXSIG0 of CLB-XBAR 00 : Select .0 input for MUX31 01 : Select .1 input for MUX31 10 : Select .2 input for MUX31 11 : Select .3 input for MUX31 Refer to the CLB X-BAR section of this chapter for more details. Reset type: CPU1.SYSRSn
29-28	MUX30	R/W	0h	Group Select Bits for MUX30: Selects 4X1 group output for AUXSIG0 of CLB-XBAR 00 : Select .0 input for MUX30 01 : Select .1 input for MUX30 10 : Select .2 input for MUX30 11 : Select .3 input for MUX30 Refer to the CLB X-BAR section of this chapter for more details. Reset type: CPU1.SYSRSn
27-26	MUX29	R/W	0h	Group Select Bits for MUX29: Selects 4X1 group output for AUXSIG0 of CLB-XBAR 00 : Select .0 input for MUX29 01 : Select .1 input for MUX29 10 : Select .2 input for MUX29 11 : Select .3 input for MUX29 Refer to the CLB X-BAR section of this chapter for more details. Reset type: CPU1.SYSRSn
25-24	MUX28	R/W	0h	Group Select Bits for MUX28: Selects 4X1 group output for AUXSIG0 of CLB-XBAR 00 : Select .0 input for MUX28 01 : Select .1 input for MUX28 10 : Select .2 input for MUX28 11 : Select .3 input for MUX28 Refer to the CLB X-BAR section of this chapter for more details. Reset type: CPU1.SYSRSn
23-22	MUX27	R/W	0h	Group Select Bits for MUX27: Selects 4X1 group output for AUXSIG0 of CLB-XBAR 00 : Select .0 input for MUX27 01 : Select .1 input for MUX27 10 : Select .2 input for MUX27 11 : Select .3 input for MUX27 Refer to the CLB X-BAR section of this chapter for more details. Reset type: CPU1.SYSRSn

**Table 8-62. AUXSIG0MUX16TO31CFG Register Field Descriptions (continued)**

Bit	Field	Type	Reset	Description
21-20	MUX26	R/W	0h	Group Select Bits for MUX26: Selects 4X1 group output for AUXSIG0 of CLB-XBAR 00 : Select .0 input for MUX26 01 : Select .1 input for MUX26 10 : Select .2 input for MUX26 11 : Select .3 input for MUX26 Refer to the CLB X-BAR section of this chapter for more details. Reset type: CPU1.SYSRSn
19-18	MUX25	R/W	0h	Group Select Bits for MUX25: Selects 4X1 group output for AUXSIG0 of CLB-XBAR 00 : Select .0 input for MUX25 01 : Select .1 input for MUX25 10 : Select .2 input for MUX25 11 : Select .3 input for MUX25 Refer to the CLB X-BAR section of this chapter for more details. Reset type: CPU1.SYSRSn
17-16	MUX24	R/W	0h	Group Select Bits for MUX24: Selects 4X1 group output for AUXSIG0 of CLB-XBAR 00 : Select .0 input for MUX24 01 : Select .1 input for MUX24 10 : Select .2 input for MUX24 11 : Select .3 input for MUX24 Refer to the CLB X-BAR section of this chapter for more details. Reset type: CPU1.SYSRSn
15-14	MUX23	R/W	0h	Group Select Bits for MUX23: Selects 4X1 group output for AUXSIG0 of CLB-XBAR 00 : Select .0 input for MUX23 01 : Select .1 input for MUX23 10 : Select .2 input for MUX23 11 : Select .3 input for MUX23 Refer to the CLB X-BAR section of this chapter for more details. Reset type: CPU1.SYSRSn
13-12	MUX22	R/W	0h	Group Select Bits for MUX22: Selects 4X1 group output for AUXSIG0 of CLB-XBAR 00 : Select .0 input for MUX22 01 : Select .1 input for MUX22 10 : Select .2 input for MUX22 11 : Select .3 input for MUX22 Refer to the CLB X-BAR section of this chapter for more details. Reset type: CPU1.SYSRSn
11-10	MUX21	R/W	0h	Group Select Bits for MUX21: Selects 4X1 group output for AUXSIG0 of CLB-XBAR 00 : Select .0 input for MUX21 01 : Select .1 input for MUX21 10 : Select .2 input for MUX21 11 : Select .3 input for MUX21 Refer to the CLB X-BAR section of this chapter for more details. Reset type: CPU1.SYSRSn
9-8	MUX20	R/W	0h	Group Select Bits for MUX20: Selects 4X1 group output for AUXSIG0 of CLB-XBAR 00 : Select .0 input for MUX20 01 : Select .1 input for MUX20 10 : Select .2 input for MUX20 11 : Select .3 input for MUX20 Refer to the CLB X-BAR section of this chapter for more details. Reset type: CPU1.SYSRSn

**Table 8-62. AUXSIG0MUX16TO31CFG Register Field Descriptions (continued)**

Bit	Field	Type	Reset	Description
7-6	MUX19	R/W	0h	Group Select Bits for MUX19: Selects 4X1 group output for AUXSIG0 of CLB-XBAR 00 : Select .0 input for MUX19 01 : Select .1 input for MUX19 10 : Select .2 input for MUX19 11 : Select .3 input for MUX19 Refer to the CLB X-BAR section of this chapter for more details. Reset type: CPU1.SYSRSn
5-4	MUX18	R/W	0h	Group Select Bits for MUX18: Selects 4X1 group output for AUXSIG0 of CLB-XBAR 00 : Select .0 input for MUX18 01 : Select .1 input for MUX18 10 : Select .2 input for MUX18 11 : Select .3 input for MUX18 Refer to the CLB X-BAR section of this chapter for more details. Reset type: CPU1.SYSRSn
3-2	MUX17	R/W	0h	Group Select Bits for MUX17: Selects 4X1 group output for AUXSIG0 of CLB-XBAR 00 : Select .0 input for MUX17 01 : Select .1 input for MUX17 10 : Select .2 input for MUX17 11 : Select .3 input for MUX17 Refer to the CLB X-BAR section of this chapter for more details. Reset type: CPU1.SYSRSn
1-0	MUX16	R/W	0h	Group Select Bits for MUX16: Selects 4X1 group output for AUXSIG0 of CLB-XBAR 00 : Select .0 input for MUX16 01 : Select .1 input for MUX16 10 : Select .2 input for MUX16 11 : Select .3 input for MUX16 Refer to the CLB X-BAR section of this chapter for more details. Reset type: CPU1.SYSRSn

### 8.3.5.3 AUXSIG1MUX0TO15CFG Register (Offset = 4h) [Reset = 0000000h]

AUXSIG1MUX0TO15CFG is shown in [Figure 8-56](#) and described in [Table 8-63](#).

Return to the [Summary Table](#).

CLB XBAR Mux Configuration for Output-1

**Figure 8-56. AUXSIG1MUX0TO15CFG Register**

31	30	29	28	27	26	25	24	23	22	21	20	19	18	17	16
MUX15		MUX14		MUX13		MUX12		MUX11		MUX10		MUX9		MUX8	
R/W-0h		R/W-0h		R/W-0h		R/W-0h		R/W-0h		R/W-0h		R/W-0h		R/W-0h	
15	14	13	12	11	10	9	8	7	6	5	4	3	2	1	0
MUX7		MUX6		MUX5		MUX4		MUX3		MUX2		MUX1		MUX0	
R/W-0h		R/W-0h		R/W-0h		R/W-0h		R/W-0h		R/W-0h		R/W-0h		R/W-0h	

**Table 8-63. AUXSIG1MUX0TO15CFG Register Field Descriptions**

Bit	Field	Type	Reset	Description
31-30	MUX15	R/W	0h	Group Select Bits for MUX15: Selects 4X1 group output for AUXSIG1 of CLB-XBAR 00 : Select .0 input for MUX15 01 : Select .1 input for MUX15 10 : Select .2 input for MUX15 11 : Select .3 input for MUX15 Refer to the CLB X-BAR section of this chapter for more details. Reset type: CPU1.SYSRSn
29-28	MUX14	R/W	0h	Group Select Bits for MUX14: Selects 4X1 group output for AUXSIG1 of CLB-XBAR 00 : Select .0 input for MUX14 01 : Select .1 input for MUX14 10 : Select .2 input for MUX14 11 : Select .3 input for MUX14 Refer to the CLB X-BAR section of this chapter for more details. Reset type: CPU1.SYSRSn
27-26	MUX13	R/W	0h	Group Select Bits for MUX13: Selects 4X1 group output for AUXSIG1 of CLB-XBAR 00 : Select .0 input for MUX13 01 : Select .1 input for MUX13 10 : Select .2 input for MUX13 11 : Select .3 input for MUX13 Refer to the CLB X-BAR section of this chapter for more details. Reset type: CPU1.SYSRSn
25-24	MUX12	R/W	0h	Group Select Bits for MUX12: Selects 4X1 group output for AUXSIG1 of CLB-XBAR 00 : Select .0 input for MUX12 01 : Select .1 input for MUX12 10 : Select .2 input for MUX12 11 : Select .3 input for MUX12 Refer to the CLB X-BAR section of this chapter for more details. Reset type: CPU1.SYSRSn
23-22	MUX11	R/W	0h	Group Select Bits for MUX11: Selects 4X1 group output for AUXSIG1 of CLB-XBAR 00 : Select .0 input for MUX11 01 : Select .1 input for MUX11 10 : Select .2 input for MUX11 11 : Select .3 input for MUX11 Refer to the CLB X-BAR section of this chapter for more details. Reset type: CPU1.SYSRSn



**Table 8-63. AUXSIG1MUX0TO15CFG Register Field Descriptions (continued)**

Bit	Field	Type	Reset	Description
21-20	MUX10	R/W	0h	Group Select Bits for MUX10: Selects 4X1 group output for AUXSIG1 of CLB-XBAR 00 : Select .0 input for MUX10 01 : Select .1 input for MUX10 10 : Select .2 input for MUX10 11 : Select .3 input for MUX10 Refer to the CLB X-BAR section of this chapter for more details. Reset type: CPU1.SYSRSn
19-18	MUX9	R/W	0h	Group Select Bits for MUX9: Selects 4X1 group output for AUXSIG1 of CLB-XBAR 00 : Select .0 input for MUX9 01 : Select .1 input for MUX9 10 : Select .2 input for MUX9 11 : Select .3 input for MUX9 Refer to the CLB X-BAR section of this chapter for more details. Reset type: CPU1.SYSRSn
17-16	MUX8	R/W	0h	Group Select Bits for MUX8: Selects 4X1 group output for AUXSIG1 of CLB-XBAR 00 : Select .0 input for MUX8 01 : Select .1 input for MUX8 10 : Select .2 input for MUX8 11 : Select .3 input for MUX8 Refer to the CLB X-BAR section of this chapter for more details. Reset type: CPU1.SYSRSn
15-14	MUX7	R/W	0h	Group Select Bits for MUX7: Selects 4X1 group output for AUXSIG1 of CLB-XBAR 00 : Select .0 input for MUX7 01 : Select .1 input for MUX7 10 : Select .2 input for MUX7 11 : Select .3 input for MUX7 Refer to the CLB X-BAR section of this chapter for more details. Reset type: CPU1.SYSRSn
13-12	MUX6	R/W	0h	Group Select Bits for MUX6: Selects 4X1 group output for AUXSIG1 of CLB-XBAR 00 : Select .0 input for MUX6 01 : Select .1 input for MUX6 10 : Select .2 input for MUX6 11 : Select .3 input for MUX6 Refer to the CLB X-BAR section of this chapter for more details. Reset type: CPU1.SYSRSn
11-10	MUX5	R/W	0h	Group Select Bits for MUX5: Selects 4X1 group output for AUXSIG1 of CLB-XBAR 00 : Select .0 input for MUX5 01 : Select .1 input for MUX5 10 : Select .2 input for MUX5 11 : Select .3 input for MUX5 Refer to the CLB X-BAR section of this chapter for more details. Reset type: CPU1.SYSRSn
9-8	MUX4	R/W	0h	Group Select Bits for MUX4: Selects 4X1 group output for AUXSIG1 of CLB-XBAR 00 : Select .0 input for MUX4 01 : Select .1 input for MUX4 10 : Select .2 input for MUX4 11 : Select .3 input for MUX4 Refer to the CLB X-BAR section of this chapter for more details. Reset type: CPU1.SYSRSn

**Table 8-63. AUXSIG1MUX0TO15CFG Register Field Descriptions (continued)**

Bit	Field	Type	Reset	Description
7-6	MUX3	R/W	0h	Group Select Bits for MUX3: Selects 4X1 group output for AUXSIG1 of CLB-XBAR 00 : Select .0 input for MUX3 01 : Select .1 input for MUX3 10 : Select .2 input for MUX3 11 : Select .3 input for MUX3 Refer to the CLB X-BAR section of this chapter for more details. Reset type: CPU1.SYSRSn
5-4	MUX2	R/W	0h	Group Select Bits for MUX2: Selects 4X1 group output for AUXSIG1 of CLB-XBAR 00 : Select .0 input for MUX2 01 : Select .1 input for MUX2 10 : Select .2 input for MUX2 11 : Select .3 input for MUX2 Refer to the CLB X-BAR section of this chapter for more details. Reset type: CPU1.SYSRSn
3-2	MUX1	R/W	0h	Group Select Bits for MUX1: Selects 4X1 group output for AUXSIG1 of CLB-XBAR 00 : Select .0 input for MUX1 01 : Select .1 input for MUX1 10 : Select .2 input for MUX1 11 : Select .3 input for MUX1 Refer to the CLB X-BAR section of this chapter for more details. Reset type: CPU1.SYSRSn
1-0	MUX0	R/W	0h	Group Select Bits for MUX0: Selects 4X1 group output for AUXSIG1 of CLB-XBAR 00 : Select .0 input for MUX0 01 : Select .1 input for MUX0 10 : Select .2 input for MUX0 11 : Select .3 input for MUX0 Refer to the CLB X-BAR section of this chapter for more details. Reset type: CPU1.SYSRSn

### 8.3.5.4 AUXSIG1MUX16TO31CFG Register (Offset = 6h) [Reset = 0000000h]

AUXSIG1MUX16TO31CFG is shown in [Figure 8-57](#) and described in [Table 8-64](#).

Return to the [Summary Table](#).

CLB XBAR Mux Configuration for Output-1

**Figure 8-57. AUXSIG1MUX16TO31CFG Register**

31	30	29	28	27	26	25	24	23	22	21	20	19	18	17	16
MUX31		MUX30		MUX29		MUX28		MUX27		MUX26		MUX25		MUX24	
R/W-0h		R/W-0h		R/W-0h		R/W-0h		R/W-0h		R/W-0h		R/W-0h		R/W-0h	
15	14	13	12	11	10	9	8	7	6	5	4	3	2	1	0
MUX23		MUX22		MUX21		MUX20		MUX19		MUX18		MUX17		MUX16	
R/W-0h		R/W-0h		R/W-0h		R/W-0h		R/W-0h		R/W-0h		R/W-0h		R/W-0h	

**Table 8-64. AUXSIG1MUX16TO31CFG Register Field Descriptions**

Bit	Field	Type	Reset	Description
31-30	MUX31	R/W	0h	Group Select Bits for MUX31: Selects 4X1 group output for AUXSIG1 of CLB-XBAR 00 : Select .0 input for MUX31 01 : Select .1 input for MUX31 10 : Select .2 input for MUX31 11 : Select .3 input for MUX31 Refer to the CLB X-BAR section of this chapter for more details. Reset type: CPU1.SYSRSn
29-28	MUX30	R/W	0h	Group Select Bits for MUX30: Selects 4X1 group output for AUXSIG1 of CLB-XBAR 00 : Select .0 input for MUX30 01 : Select .1 input for MUX30 10 : Select .2 input for MUX30 11 : Select .3 input for MUX30 Refer to the CLB X-BAR section of this chapter for more details. Reset type: CPU1.SYSRSn
27-26	MUX29	R/W	0h	Group Select Bits for MUX29: Selects 4X1 group output for AUXSIG1 of CLB-XBAR 00 : Select .0 input for MUX29 01 : Select .1 input for MUX29 10 : Select .2 input for MUX29 11 : Select .3 input for MUX29 Refer to the CLB X-BAR section of this chapter for more details. Reset type: CPU1.SYSRSn
25-24	MUX28	R/W	0h	Group Select Bits for MUX28: Selects 4X1 group output for AUXSIG1 of CLB-XBAR 00 : Select .0 input for MUX28 01 : Select .1 input for MUX28 10 : Select .2 input for MUX28 11 : Select .3 input for MUX28 Refer to the CLB X-BAR section of this chapter for more details. Reset type: CPU1.SYSRSn
23-22	MUX27	R/W	0h	Group Select Bits for MUX27: Selects 4X1 group output for AUXSIG1 of CLB-XBAR 00 : Select .0 input for MUX27 01 : Select .1 input for MUX27 10 : Select .2 input for MUX27 11 : Select .3 input for MUX27 Refer to the CLB X-BAR section of this chapter for more details. Reset type: CPU1.SYSRSn

**Table 8-64. AUXSIG1MUX16TO31CFG Register Field Descriptions (continued)**

Bit	Field	Type	Reset	Description
21-20	MUX26	R/W	0h	Group Select Bits for MUX26: Selects 4X1 group output for AUXSIG1 of CLB-XBAR 00 : Select .0 input for MUX26 01 : Select .1 input for MUX26 10 : Select .2 input for MUX26 11 : Select .3 input for MUX26 Refer to the CLB X-BAR section of this chapter for more details. Reset type: CPU1.SYSRSn
19-18	MUX25	R/W	0h	Group Select Bits for MUX25: Selects 4X1 group output for AUXSIG1 of CLB-XBAR 00 : Select .0 input for MUX25 01 : Select .1 input for MUX25 10 : Select .2 input for MUX25 11 : Select .3 input for MUX25 Refer to the CLB X-BAR section of this chapter for more details. Reset type: CPU1.SYSRSn
17-16	MUX24	R/W	0h	Group Select Bits for MUX24: Selects 4X1 group output for AUXSIG1 of CLB-XBAR 00 : Select .0 input for MUX24 01 : Select .1 input for MUX24 10 : Select .2 input for MUX24 11 : Select .3 input for MUX24 Refer to the CLB X-BAR section of this chapter for more details. Reset type: CPU1.SYSRSn
15-14	MUX23	R/W	0h	Group Select Bits for MUX23: Selects 4X1 group output for AUXSIG1 of CLB-XBAR 00 : Select .0 input for MUX23 01 : Select .1 input for MUX23 10 : Select .2 input for MUX23 11 : Select .3 input for MUX23 Refer to the CLB X-BAR section of this chapter for more details. Reset type: CPU1.SYSRSn
13-12	MUX22	R/W	0h	Group Select Bits for MUX22: Selects 4X1 group output for AUXSIG1 of CLB-XBAR 00 : Select .0 input for MUX22 01 : Select .1 input for MUX22 10 : Select .2 input for MUX22 11 : Select .3 input for MUX22 Refer to the CLB X-BAR section of this chapter for more details. Reset type: CPU1.SYSRSn
11-10	MUX21	R/W	0h	Group Select Bits for MUX21: Selects 4X1 group output for AUXSIG1 of CLB-XBAR 00 : Select .0 input for MUX21 01 : Select .1 input for MUX21 10 : Select .2 input for MUX21 11 : Select .3 input for MUX21 Refer to the CLB X-BAR section of this chapter for more details. Reset type: CPU1.SYSRSn
9-8	MUX20	R/W	0h	Group Select Bits for MUX20: Selects 4X1 group output for AUXSIG1 of CLB-XBAR 00 : Select .0 input for MUX20 01 : Select .1 input for MUX20 10 : Select .2 input for MUX20 11 : Select .3 input for MUX20 Refer to the CLB X-BAR section of this chapter for more details. Reset type: CPU1.SYSRSn

**Table 8-64. AUXSIG1MUX16TO31CFG Register Field Descriptions (continued)**

Bit	Field	Type	Reset	Description
7-6	MUX19	R/W	0h	Group Select Bits for MUX19: Selects 4X1 group output for AUXSIG1 of CLB-XBAR 00 : Select .0 input for MUX19 01 : Select .1 input for MUX19 10 : Select .2 input for MUX19 11 : Select .3 input for MUX19 Refer to the CLB X-BAR section of this chapter for more details. Reset type: CPU1.SYSRSn
5-4	MUX18	R/W	0h	Group Select Bits for MUX18: Selects 4X1 group output for AUXSIG1 of CLB-XBAR 00 : Select .0 input for MUX18 01 : Select .1 input for MUX18 10 : Select .2 input for MUX18 11 : Select .3 input for MUX18 Refer to the CLB X-BAR section of this chapter for more details. Reset type: CPU1.SYSRSn
3-2	MUX17	R/W	0h	Group Select Bits for MUX17: Selects 4X1 group output for AUXSIG1 of CLB-XBAR 00 : Select .0 input for MUX17 01 : Select .1 input for MUX17 10 : Select .2 input for MUX17 11 : Select .3 input for MUX17 Refer to the CLB X-BAR section of this chapter for more details. Reset type: CPU1.SYSRSn
1-0	MUX16	R/W	0h	Group Select Bits for MUX16: Selects 4X1 group output for AUXSIG1 of CLB-XBAR 00 : Select .0 input for MUX16 01 : Select .1 input for MUX16 10 : Select .2 input for MUX16 11 : Select .3 input for MUX16 Refer to the CLB X-BAR section of this chapter for more details. Reset type: CPU1.SYSRSn

### 8.3.5.5 AUXSIG2MUX0TO15CFG Register (Offset = 8h) [Reset = 0000000h]

AUXSIG2MUX0TO15CFG is shown in [Figure 8-58](#) and described in [Table 8-65](#).

Return to the [Summary Table](#).

CLB XBAR Mux Configuration for Output-2

**Figure 8-58. AUXSIG2MUX0TO15CFG Register**

31	30	29	28	27	26	25	24	23	22	21	20	19	18	17	16
MUX15		MUX14		MUX13		MUX12		MUX11		MUX10		MUX9		MUX8	
R/W-0h		R/W-0h		R/W-0h		R/W-0h		R/W-0h		R/W-0h		R/W-0h		R/W-0h	
15	14	13	12	11	10	9	8	7	6	5	4	3	2	1	0
MUX7		MUX6		MUX5		MUX4		MUX3		MUX2		MUX1		MUX0	
R/W-0h		R/W-0h		R/W-0h		R/W-0h		R/W-0h		R/W-0h		R/W-0h		R/W-0h	

**Table 8-65. AUXSIG2MUX0TO15CFG Register Field Descriptions**

Bit	Field	Type	Reset	Description
31-30	MUX15	R/W	0h	Group Select Bits for MUX15: Selects 4X1 group output for AUXSIG2 of CLB-XBAR 00 : Select .0 input for MUX15 01 : Select .1 input for MUX15 10 : Select .2 input for MUX15 11 : Select .3 input for MUX15 Refer to the CLB X-BAR section of this chapter for more details. Reset type: CPU1.SYSRSn
29-28	MUX14	R/W	0h	Group Select Bits for MUX14: Selects 4X1 group output for AUXSIG2 of CLB-XBAR 00 : Select .0 input for MUX14 01 : Select .1 input for MUX14 10 : Select .2 input for MUX14 11 : Select .3 input for MUX14 Refer to the CLB X-BAR section of this chapter for more details. Reset type: CPU1.SYSRSn
27-26	MUX13	R/W	0h	Group Select Bits for MUX13: Selects 4X1 group output for AUXSIG2 of CLB-XBAR 00 : Select .0 input for MUX13 01 : Select .1 input for MUX13 10 : Select .2 input for MUX13 11 : Select .3 input for MUX13 Refer to the CLB X-BAR section of this chapter for more details. Reset type: CPU1.SYSRSn
25-24	MUX12	R/W	0h	Group Select Bits for MUX12: Selects 4X1 group output for AUXSIG2 of CLB-XBAR 00 : Select .0 input for MUX12 01 : Select .1 input for MUX12 10 : Select .2 input for MUX12 11 : Select .3 input for MUX12 Refer to the CLB X-BAR section of this chapter for more details. Reset type: CPU1.SYSRSn
23-22	MUX11	R/W	0h	Group Select Bits for MUX11: Selects 4X1 group output for AUXSIG2 of CLB-XBAR 00 : Select .0 input for MUX11 01 : Select .1 input for MUX11 10 : Select .2 input for MUX11 11 : Select .3 input for MUX11 Refer to the CLB X-BAR section of this chapter for more details. Reset type: CPU1.SYSRSn

**Table 8-65. AUXSIG2MUX0TO15CFG Register Field Descriptions (continued)**

Bit	Field	Type	Reset	Description
21-20	MUX10	R/W	0h	Group Select Bits for MUX10: Selects 4X1 group output for AUXSIG2 of CLB-XBAR 00 : Select .0 input for MUX10 01 : Select .1 input for MUX10 10 : Select .2 input for MUX10 11 : Select .3 input for MUX10 Refer to the CLB X-BAR section of this chapter for more details. Reset type: CPU1.SYSRSn
19-18	MUX9	R/W	0h	Group Select Bits for MUX9: Selects 4X1 group output for AUXSIG2 of CLB-XBAR 00 : Select .0 input for MUX9 01 : Select .1 input for MUX9 10 : Select .2 input for MUX9 11 : Select .3 input for MUX9 Refer to the CLB X-BAR section of this chapter for more details. Reset type: CPU1.SYSRSn
17-16	MUX8	R/W	0h	Group Select Bits for MUX8: Selects 4X1 group output for AUXSIG2 of CLB-XBAR 00 : Select .0 input for MUX8 01 : Select .1 input for MUX8 10 : Select .2 input for MUX8 11 : Select .3 input for MUX8 Refer to the CLB X-BAR section of this chapter for more details. Reset type: CPU1.SYSRSn
15-14	MUX7	R/W	0h	Group Select Bits for MUX7: Selects 4X1 group output for AUXSIG2 of CLB-XBAR 00 : Select .0 input for MUX7 01 : Select .1 input for MUX7 10 : Select .2 input for MUX7 11 : Select .3 input for MUX7 Refer to the CLB X-BAR section of this chapter for more details. Reset type: CPU1.SYSRSn
13-12	MUX6	R/W	0h	Group Select Bits for MUX6: Selects 4X1 group output for AUXSIG2 of CLB-XBAR 00 : Select .0 input for MUX6 01 : Select .1 input for MUX6 10 : Select .2 input for MUX6 11 : Select .3 input for MUX6 Refer to the CLB X-BAR section of this chapter for more details. Reset type: CPU1.SYSRSn
11-10	MUX5	R/W	0h	Group Select Bits for MUX5: Selects 4X1 group output for AUXSIG2 of CLB-XBAR 00 : Select .0 input for MUX5 01 : Select .1 input for MUX5 10 : Select .2 input for MUX5 11 : Select .3 input for MUX5 Refer to the CLB X-BAR section of this chapter for more details. Reset type: CPU1.SYSRSn
9-8	MUX4	R/W	0h	Group Select Bits for MUX4: Selects 4X1 group output for AUXSIG2 of CLB-XBAR 00 : Select .0 input for MUX4 01 : Select .1 input for MUX4 10 : Select .2 input for MUX4 11 : Select .3 input for MUX4 Refer to the CLB X-BAR section of this chapter for more details. Reset type: CPU1.SYSRSn

**Table 8-65. AUXSIG2MUX0TO15CFG Register Field Descriptions (continued)**

Bit	Field	Type	Reset	Description
7-6	MUX3	R/W	0h	Group Select Bits for MUX3: Selects 4X1 group output for AUXSIG2 of CLB-XBAR 00 : Select .0 input for MUX3 01 : Select .1 input for MUX3 10 : Select .2 input for MUX3 11 : Select .3 input for MUX3 Refer to the CLB X-BAR section of this chapter for more details. Reset type: CPU1.SYSRSn
5-4	MUX2	R/W	0h	Group Select Bits for MUX2: Selects 4X1 group output for AUXSIG2 of CLB-XBAR 00 : Select .0 input for MUX2 01 : Select .1 input for MUX2 10 : Select .2 input for MUX2 11 : Select .3 input for MUX2 Refer to the CLB X-BAR section of this chapter for more details. Reset type: CPU1.SYSRSn
3-2	MUX1	R/W	0h	Group Select Bits for MUX1: Selects 4X1 group output for AUXSIG2 of CLB-XBAR 00 : Select .0 input for MUX1 01 : Select .1 input for MUX1 10 : Select .2 input for MUX1 11 : Select .3 input for MUX1 Refer to the CLB X-BAR section of this chapter for more details. Reset type: CPU1.SYSRSn
1-0	MUX0	R/W	0h	Group Select Bits for MUX0: Selects 4X1 group output for AUXSIG2 of CLB-XBAR 00 : Select .0 input for MUX0 01 : Select .1 input for MUX0 10 : Select .2 input for MUX0 11 : Select .3 input for MUX0 Refer to the CLB X-BAR section of this chapter for more details. Reset type: CPU1.SYSRSn



### 8.3.5.6 AUXSIG2MUX16TO31CFG Register (Offset = Ah) [Reset = 0000000h]

AUXSIG2MUX16TO31CFG is shown in [Figure 8-59](#) and described in [Table 8-66](#).

Return to the [Summary Table](#).

CLB XBAR Mux Configuration for Output-2

**Figure 8-59. AUXSIG2MUX16TO31CFG Register**

31	30	29	28	27	26	25	24	23	22	21	20	19	18	17	16
MUX31		MUX30		MUX29		MUX28		MUX27		MUX26		MUX25		MUX24	
R/W-0h		R/W-0h		R/W-0h		R/W-0h		R/W-0h		R/W-0h		R/W-0h		R/W-0h	
15	14	13	12	11	10	9	8	7	6	5	4	3	2	1	0
MUX23		MUX22		MUX21		MUX20		MUX19		MUX18		MUX17		MUX16	
R/W-0h		R/W-0h		R/W-0h		R/W-0h		R/W-0h		R/W-0h		R/W-0h		R/W-0h	

**Table 8-66. AUXSIG2MUX16TO31CFG Register Field Descriptions**

Bit	Field	Type	Reset	Description
31-30	MUX31	R/W	0h	Group Select Bits for MUX31: Selects 4X1 group output for AUXSIG2 of CLB-XBAR 00 : Select .0 input for MUX31 01 : Select .1 input for MUX31 10 : Select .2 input for MUX31 11 : Select .3 input for MUX31 Refer to the CLB X-BAR section of this chapter for more details. Reset type: CPU1.SYSRSn
29-28	MUX30	R/W	0h	Group Select Bits for MUX30: Selects 4X1 group output for AUXSIG2 of CLB-XBAR 00 : Select .0 input for MUX30 01 : Select .1 input for MUX30 10 : Select .2 input for MUX30 11 : Select .3 input for MUX30 Refer to the CLB X-BAR section of this chapter for more details. Reset type: CPU1.SYSRSn
27-26	MUX29	R/W	0h	Group Select Bits for MUX29: Selects 4X1 group output for AUXSIG2 of CLB-XBAR 00 : Select .0 input for MUX29 01 : Select .1 input for MUX29 10 : Select .2 input for MUX29 11 : Select .3 input for MUX29 Refer to the CLB X-BAR section of this chapter for more details. Reset type: CPU1.SYSRSn
25-24	MUX28	R/W	0h	Group Select Bits for MUX28: Selects 4X1 group output for AUXSIG2 of CLB-XBAR 00 : Select .0 input for MUX28 01 : Select .1 input for MUX28 10 : Select .2 input for MUX28 11 : Select .3 input for MUX28 Refer to the CLB X-BAR section of this chapter for more details. Reset type: CPU1.SYSRSn
23-22	MUX27	R/W	0h	Group Select Bits for MUX27: Selects 4X1 group output for AUXSIG2 of CLB-XBAR 00 : Select .0 input for MUX27 01 : Select .1 input for MUX27 10 : Select .2 input for MUX27 11 : Select .3 input for MUX27 Refer to the CLB X-BAR section of this chapter for more details. Reset type: CPU1.SYSRSn

**Table 8-66. AUXSIG2MUX16TO31CFG Register Field Descriptions (continued)**

Bit	Field	Type	Reset	Description
21-20	MUX26	R/W	0h	Group Select Bits for MUX26: Selects 4X1 group output for AUXSIG2 of CLB-XBAR 00 : Select .0 input for MUX26 01 : Select .1 input for MUX26 10 : Select .2 input for MUX26 11 : Select .3 input for MUX26 Refer to the CLB X-BAR section of this chapter for more details. Reset type: CPU1.SYSRSn
19-18	MUX25	R/W	0h	Group Select Bits for MUX25: Selects 4X1 group output for AUXSIG2 of CLB-XBAR 00 : Select .0 input for MUX25 01 : Select .1 input for MUX25 10 : Select .2 input for MUX25 11 : Select .3 input for MUX25 Refer to the CLB X-BAR section of this chapter for more details. Reset type: CPU1.SYSRSn
17-16	MUX24	R/W	0h	Group Select Bits for MUX24: Selects 4X1 group output for AUXSIG2 of CLB-XBAR 00 : Select .0 input for MUX24 01 : Select .1 input for MUX24 10 : Select .2 input for MUX24 11 : Select .3 input for MUX24 Refer to the CLB X-BAR section of this chapter for more details. Reset type: CPU1.SYSRSn
15-14	MUX23	R/W	0h	Group Select Bits for MUX23: Selects 4X1 group output for AUXSIG2 of CLB-XBAR 00 : Select .0 input for MUX23 01 : Select .1 input for MUX23 10 : Select .2 input for MUX23 11 : Select .3 input for MUX23 Refer to the CLB X-BAR section of this chapter for more details. Reset type: CPU1.SYSRSn
13-12	MUX22	R/W	0h	Group Select Bits for MUX22: Selects 4X1 group output for AUXSIG2 of CLB-XBAR 00 : Select .0 input for MUX22 01 : Select .1 input for MUX22 10 : Select .2 input for MUX22 11 : Select .3 input for MUX22 Refer to the CLB X-BAR section of this chapter for more details. Reset type: CPU1.SYSRSn
11-10	MUX21	R/W	0h	Group Select Bits for MUX21: Selects 4X1 group output for AUXSIG2 of CLB-XBAR 00 : Select .0 input for MUX21 01 : Select .1 input for MUX21 10 : Select .2 input for MUX21 11 : Select .3 input for MUX21 Refer to the CLB X-BAR section of this chapter for more details. Reset type: CPU1.SYSRSn
9-8	MUX20	R/W	0h	Group Select Bits for MUX20: Selects 4X1 group output for AUXSIG2 of CLB-XBAR 00 : Select .0 input for MUX20 01 : Select .1 input for MUX20 10 : Select .2 input for MUX20 11 : Select .3 input for MUX20 Refer to the CLB X-BAR section of this chapter for more details. Reset type: CPU1.SYSRSn

**Table 8-66. AUXSIG2MUX16TO31CFG Register Field Descriptions (continued)**

Bit	Field	Type	Reset	Description
7-6	MUX19	R/W	0h	Group Select Bits for MUX19: Selects 4X1 group output for AUXSIG2 of CLB-XBAR 00 : Select .0 input for MUX19 01 : Select .1 input for MUX19 10 : Select .2 input for MUX19 11 : Select .3 input for MUX19 Refer to the CLB X-BAR section of this chapter for more details. Reset type: CPU1.SYSRSn
5-4	MUX18	R/W	0h	Group Select Bits for MUX18: Selects 4X1 group output for AUXSIG2 of CLB-XBAR 00 : Select .0 input for MUX18 01 : Select .1 input for MUX18 10 : Select .2 input for MUX18 11 : Select .3 input for MUX18 Refer to the CLB X-BAR section of this chapter for more details. Reset type: CPU1.SYSRSn
3-2	MUX17	R/W	0h	Group Select Bits for MUX17: Selects 4X1 group output for AUXSIG2 of CLB-XBAR 00 : Select .0 input for MUX17 01 : Select .1 input for MUX17 10 : Select .2 input for MUX17 11 : Select .3 input for MUX17 Refer to the CLB X-BAR section of this chapter for more details. Reset type: CPU1.SYSRSn
1-0	MUX16	R/W	0h	Group Select Bits for MUX16: Selects 4X1 group output for AUXSIG2 of CLB-XBAR 00 : Select .0 input for MUX16 01 : Select .1 input for MUX16 10 : Select .2 input for MUX16 11 : Select .3 input for MUX16 Refer to the CLB X-BAR section of this chapter for more details. Reset type: CPU1.SYSRSn

### 8.3.5.7 AUXSIG3MUX0TO15CFG Register (Offset = Ch) [Reset = 0000000h]

AUXSIG3MUX0TO15CFG is shown in [Figure 8-60](#) and described in [Table 8-67](#).

Return to the [Summary Table](#).

CLB XBAR Mux Configuration for Output-3

**Figure 8-60. AUXSIG3MUX0TO15CFG Register**

31	30	29	28	27	26	25	24	23	22	21	20	19	18	17	16
MUX15		MUX14		MUX13		MUX12		MUX11		MUX10		MUX9		MUX8	
R/W-0h		R/W-0h		R/W-0h		R/W-0h		R/W-0h		R/W-0h		R/W-0h		R/W-0h	
15	14	13	12	11	10	9	8	7	6	5	4	3	2	1	0
MUX7		MUX6		MUX5		MUX4		MUX3		MUX2		MUX1		MUX0	
R/W-0h		R/W-0h		R/W-0h		R/W-0h		R/W-0h		R/W-0h		R/W-0h		R/W-0h	

**Table 8-67. AUXSIG3MUX0TO15CFG Register Field Descriptions**

Bit	Field	Type	Reset	Description
31-30	MUX15	R/W	0h	Group Select Bits for MUX15: Selects 4X1 group output for AUXSIG3 of CLB-XBAR 00 : Select .0 input for MUX15 01 : Select .1 input for MUX15 10 : Select .2 input for MUX15 11 : Select .3 input for MUX15 Refer to the CLB X-BAR section of this chapter for more details. Reset type: CPU1.SYSRSn
29-28	MUX14	R/W	0h	Group Select Bits for MUX14: Selects 4X1 group output for AUXSIG3 of CLB-XBAR 00 : Select .0 input for MUX14 01 : Select .1 input for MUX14 10 : Select .2 input for MUX14 11 : Select .3 input for MUX14 Refer to the CLB X-BAR section of this chapter for more details. Reset type: CPU1.SYSRSn
27-26	MUX13	R/W	0h	Group Select Bits for MUX13: Selects 4X1 group output for AUXSIG3 of CLB-XBAR 00 : Select .0 input for MUX13 01 : Select .1 input for MUX13 10 : Select .2 input for MUX13 11 : Select .3 input for MUX13 Refer to the CLB X-BAR section of this chapter for more details. Reset type: CPU1.SYSRSn
25-24	MUX12	R/W	0h	Group Select Bits for MUX12: Selects 4X1 group output for AUXSIG3 of CLB-XBAR 00 : Select .0 input for MUX12 01 : Select .1 input for MUX12 10 : Select .2 input for MUX12 11 : Select .3 input for MUX12 Refer to the CLB X-BAR section of this chapter for more details. Reset type: CPU1.SYSRSn
23-22	MUX11	R/W	0h	Group Select Bits for MUX11: Selects 4X1 group output for AUXSIG3 of CLB-XBAR 00 : Select .0 input for MUX11 01 : Select .1 input for MUX11 10 : Select .2 input for MUX11 11 : Select .3 input for MUX11 Refer to the CLB X-BAR section of this chapter for more details. Reset type: CPU1.SYSRSn

**Table 8-67. AUXSIG3MUX0TO15CFG Register Field Descriptions (continued)**

Bit	Field	Type	Reset	Description
21-20	MUX10	R/W	0h	Group Select Bits for MUX10: Selects 4X1 group output for AUXSIG3 of CLB-XBAR 00 : Select .0 input for MUX10 01 : Select .1 input for MUX10 10 : Select .2 input for MUX10 11 : Select .3 input for MUX10 Refer to the CLB X-BAR section of this chapter for more details. Reset type: CPU1.SYSRSn
19-18	MUX9	R/W	0h	Group Select Bits for MUX9: Selects 4X1 group output for AUXSIG3 of CLB-XBAR 00 : Select .0 input for MUX9 01 : Select .1 input for MUX9 10 : Select .2 input for MUX9 11 : Select .3 input for MUX9 Refer to the CLB X-BAR section of this chapter for more details. Reset type: CPU1.SYSRSn
17-16	MUX8	R/W	0h	Group Select Bits for MUX8: Selects 4X1 group output for AUXSIG3 of CLB-XBAR 00 : Select .0 input for MUX8 01 : Select .1 input for MUX8 10 : Select .2 input for MUX8 11 : Select .3 input for MUX8 Refer to the CLB X-BAR section of this chapter for more details. Reset type: CPU1.SYSRSn
15-14	MUX7	R/W	0h	Group Select Bits for MUX7: Selects 4X1 group output for AUXSIG3 of CLB-XBAR 00 : Select .0 input for MUX7 01 : Select .1 input for MUX7 10 : Select .2 input for MUX7 11 : Select .3 input for MUX7 Refer to the CLB X-BAR section of this chapter for more details. Reset type: CPU1.SYSRSn
13-12	MUX6	R/W	0h	Group Select Bits for MUX6: Selects 4X1 group output for AUXSIG3 of CLB-XBAR 00 : Select .0 input for MUX6 01 : Select .1 input for MUX6 10 : Select .2 input for MUX6 11 : Select .3 input for MUX6 Refer to the CLB X-BAR section of this chapter for more details. Reset type: CPU1.SYSRSn
11-10	MUX5	R/W	0h	Group Select Bits for MUX5: Selects 4X1 group output for AUXSIG3 of CLB-XBAR 00 : Select .0 input for MUX5 01 : Select .1 input for MUX5 10 : Select .2 input for MUX5 11 : Select .3 input for MUX5 Refer to the CLB X-BAR section of this chapter for more details. Reset type: CPU1.SYSRSn
9-8	MUX4	R/W	0h	Group Select Bits for MUX4: Selects 4X1 group output for AUXSIG3 of CLB-XBAR 00 : Select .0 input for MUX4 01 : Select .1 input for MUX4 10 : Select .2 input for MUX4 11 : Select .3 input for MUX4 Refer to the CLB X-BAR section of this chapter for more details. Reset type: CPU1.SYSRSn

**Table 8-67. AUXSIG3MUX0TO15CFG Register Field Descriptions (continued)**

Bit	Field	Type	Reset	Description
7-6	MUX3	R/W	0h	Group Select Bits for MUX3: Selects 4X1 group output for AUXSIG3 of CLB-XBAR 00 : Select .0 input for MUX3 01 : Select .1 input for MUX3 10 : Select .2 input for MUX3 11 : Select .3 input for MUX3 Refer to the CLB X-BAR section of this chapter for more details. Reset type: CPU1.SYSRSn
5-4	MUX2	R/W	0h	Group Select Bits for MUX2: Selects 4X1 group output for AUXSIG3 of CLB-XBAR 00 : Select .0 input for MUX2 01 : Select .1 input for MUX2 10 : Select .2 input for MUX2 11 : Select .3 input for MUX2 Refer to the CLB X-BAR section of this chapter for more details. Reset type: CPU1.SYSRSn
3-2	MUX1	R/W	0h	Group Select Bits for MUX1: Selects 4X1 group output for AUXSIG3 of CLB-XBAR 00 : Select .0 input for MUX1 01 : Select .1 input for MUX1 10 : Select .2 input for MUX1 11 : Select .3 input for MUX1 Refer to the CLB X-BAR section of this chapter for more details. Reset type: CPU1.SYSRSn
1-0	MUX0	R/W	0h	Group Select Bits for MUX0: Selects 4X1 group output for AUXSIG3 of CLB-XBAR 00 : Select .0 input for MUX0 01 : Select .1 input for MUX0 10 : Select .2 input for MUX0 11 : Select .3 input for MUX0 Refer to the CLB X-BAR section of this chapter for more details. Reset type: CPU1.SYSRSn

### 8.3.5.8 AUXSIG3MUX16TO31CFG Register (Offset = Eh) [Reset = 0000000h]

AUXSIG3MUX16TO31CFG is shown in [Figure 8-61](#) and described in [Table 8-68](#).

Return to the [Summary Table](#).

CLB XBAR Mux Configuration for Output-3

**Figure 8-61. AUXSIG3MUX16TO31CFG Register**

31	30	29	28	27	26	25	24	23	22	21	20	19	18	17	16
MUX31		MUX30		MUX29		MUX28		MUX27		MUX26		MUX25		MUX24	
R/W-0h		R/W-0h		R/W-0h		R/W-0h		R/W-0h		R/W-0h		R/W-0h		R/W-0h	
15	14	13	12	11	10	9	8	7	6	5	4	3	2	1	0
MUX23		MUX22		MUX21		MUX20		MUX19		MUX18		MUX17		MUX16	
R/W-0h		R/W-0h		R/W-0h		R/W-0h		R/W-0h		R/W-0h		R/W-0h		R/W-0h	

**Table 8-68. AUXSIG3MUX16TO31CFG Register Field Descriptions**

Bit	Field	Type	Reset	Description
31-30	MUX31	R/W	0h	Group Select Bits for MUX31: Selects 4X1 group output for AUXSIG3 of CLB-XBAR 00 : Select .0 input for MUX31 01 : Select .1 input for MUX31 10 : Select .2 input for MUX31 11 : Select .3 input for MUX31 Refer to the CLB X-BAR section of this chapter for more details. Reset type: CPU1.SYSRSn
29-28	MUX30	R/W	0h	Group Select Bits for MUX30: Selects 4X1 group output for AUXSIG3 of CLB-XBAR 00 : Select .0 input for MUX30 01 : Select .1 input for MUX30 10 : Select .2 input for MUX30 11 : Select .3 input for MUX30 Refer to the CLB X-BAR section of this chapter for more details. Reset type: CPU1.SYSRSn
27-26	MUX29	R/W	0h	Group Select Bits for MUX29: Selects 4X1 group output for AUXSIG3 of CLB-XBAR 00 : Select .0 input for MUX29 01 : Select .1 input for MUX29 10 : Select .2 input for MUX29 11 : Select .3 input for MUX29 Refer to the CLB X-BAR section of this chapter for more details. Reset type: CPU1.SYSRSn
25-24	MUX28	R/W	0h	Group Select Bits for MUX28: Selects 4X1 group output for AUXSIG3 of CLB-XBAR 00 : Select .0 input for MUX28 01 : Select .1 input for MUX28 10 : Select .2 input for MUX28 11 : Select .3 input for MUX28 Refer to the CLB X-BAR section of this chapter for more details. Reset type: CPU1.SYSRSn
23-22	MUX27	R/W	0h	Group Select Bits for MUX27: Selects 4X1 group output for AUXSIG3 of CLB-XBAR 00 : Select .0 input for MUX27 01 : Select .1 input for MUX27 10 : Select .2 input for MUX27 11 : Select .3 input for MUX27 Refer to the CLB X-BAR section of this chapter for more details. Reset type: CPU1.SYSRSn

**Table 8-68. AUXSIG3MUX16TO31CFG Register Field Descriptions (continued)**

Bit	Field	Type	Reset	Description
21-20	MUX26	R/W	0h	Group Select Bits for MUX26: Selects 4X1 group output for AUXSIG3 of CLB-XBAR 00 : Select .0 input for MUX26 01 : Select .1 input for MUX26 10 : Select .2 input for MUX26 11 : Select .3 input for MUX26 Refer to the CLB X-BAR section of this chapter for more details. Reset type: CPU1.SYSRSn
19-18	MUX25	R/W	0h	Group Select Bits for MUX25: Selects 4X1 group output for AUXSIG3 of CLB-XBAR 00 : Select .0 input for MUX25 01 : Select .1 input for MUX25 10 : Select .2 input for MUX25 11 : Select .3 input for MUX25 Refer to the CLB X-BAR section of this chapter for more details. Reset type: CPU1.SYSRSn
17-16	MUX24	R/W	0h	Group Select Bits for MUX24: Selects 4X1 group output for AUXSIG3 of CLB-XBAR 00 : Select .0 input for MUX24 01 : Select .1 input for MUX24 10 : Select .2 input for MUX24 11 : Select .3 input for MUX24 Refer to the CLB X-BAR section of this chapter for more details. Reset type: CPU1.SYSRSn
15-14	MUX23	R/W	0h	Group Select Bits for MUX23: Selects 4X1 group output for AUXSIG3 of CLB-XBAR 00 : Select .0 input for MUX23 01 : Select .1 input for MUX23 10 : Select .2 input for MUX23 11 : Select .3 input for MUX23 Refer to the CLB X-BAR section of this chapter for more details. Reset type: CPU1.SYSRSn
13-12	MUX22	R/W	0h	Group Select Bits for MUX22: Selects 4X1 group output for AUXSIG3 of CLB-XBAR 00 : Select .0 input for MUX22 01 : Select .1 input for MUX22 10 : Select .2 input for MUX22 11 : Select .3 input for MUX22 Refer to the CLB X-BAR section of this chapter for more details. Reset type: CPU1.SYSRSn
11-10	MUX21	R/W	0h	Group Select Bits for MUX21: Selects 4X1 group output for AUXSIG3 of CLB-XBAR 00 : Select .0 input for MUX21 01 : Select .1 input for MUX21 10 : Select .2 input for MUX21 11 : Select .3 input for MUX21 Refer to the CLB X-BAR section of this chapter for more details. Reset type: CPU1.SYSRSn
9-8	MUX20	R/W	0h	Group Select Bits for MUX20: Selects 4X1 group output for AUXSIG3 of CLB-XBAR 00 : Select .0 input for MUX20 01 : Select .1 input for MUX20 10 : Select .2 input for MUX20 11 : Select .3 input for MUX20 Refer to the CLB X-BAR section of this chapter for more details. Reset type: CPU1.SYSRSn



**Table 8-68. AUXSIG3MUX16TO31CFG Register Field Descriptions (continued)**

Bit	Field	Type	Reset	Description
7-6	MUX19	R/W	0h	Group Select Bits for MUX19: Selects 4X1 group output for AUXSIG3 of CLB-XBAR 00 : Select .0 input for MUX19 01 : Select .1 input for MUX19 10 : Select .2 input for MUX19 11 : Select .3 input for MUX19 Refer to the CLB X-BAR section of this chapter for more details. Reset type: CPU1.SYSRSn
5-4	MUX18	R/W	0h	Group Select Bits for MUX18: Selects 4X1 group output for AUXSIG3 of CLB-XBAR 00 : Select .0 input for MUX18 01 : Select .1 input for MUX18 10 : Select .2 input for MUX18 11 : Select .3 input for MUX18 Refer to the CLB X-BAR section of this chapter for more details. Reset type: CPU1.SYSRSn
3-2	MUX17	R/W	0h	Group Select Bits for MUX17: Selects 4X1 group output for AUXSIG3 of CLB-XBAR 00 : Select .0 input for MUX17 01 : Select .1 input for MUX17 10 : Select .2 input for MUX17 11 : Select .3 input for MUX17 Refer to the CLB X-BAR section of this chapter for more details. Reset type: CPU1.SYSRSn
1-0	MUX16	R/W	0h	Group Select Bits for MUX16: Selects 4X1 group output for AUXSIG3 of CLB-XBAR 00 : Select .0 input for MUX16 01 : Select .1 input for MUX16 10 : Select .2 input for MUX16 11 : Select .3 input for MUX16 Refer to the CLB X-BAR section of this chapter for more details. Reset type: CPU1.SYSRSn

### 8.3.5.9 AUXSIG4MUX0TO15CFG Register (Offset = 10h) [Reset = 0000000h]

AUXSIG4MUX0TO15CFG is shown in [Figure 8-62](#) and described in [Table 8-69](#).

Return to the [Summary Table](#).

CLB XBAR Mux Configuration for Output-4

**Figure 8-62. AUXSIG4MUX0TO15CFG Register**

31	30	29	28	27	26	25	24	23	22	21	20	19	18	17	16
MUX15		MUX14		MUX13		MUX12		MUX11		MUX10		MUX9		MUX8	
R/W-0h		R/W-0h		R/W-0h		R/W-0h		R/W-0h		R/W-0h		R/W-0h		R/W-0h	
15	14	13	12	11	10	9	8	7	6	5	4	3	2	1	0
MUX7		MUX6		MUX5		MUX4		MUX3		MUX2		MUX1		MUX0	
R/W-0h		R/W-0h		R/W-0h		R/W-0h		R/W-0h		R/W-0h		R/W-0h		R/W-0h	

**Table 8-69. AUXSIG4MUX0TO15CFG Register Field Descriptions**

Bit	Field	Type	Reset	Description
31-30	MUX15	R/W	0h	Group Select Bits for MUX15: Selects 4X1 group output for AUXSIG4 of CLB-XBAR 00 : Select .0 input for MUX15 01 : Select .1 input for MUX15 10 : Select .2 input for MUX15 11 : Select .3 input for MUX15 Refer to the CLB X-BAR section of this chapter for more details. Reset type: CPU1.SYSRSn
29-28	MUX14	R/W	0h	Group Select Bits for MUX14: Selects 4X1 group output for AUXSIG4 of CLB-XBAR 00 : Select .0 input for MUX14 01 : Select .1 input for MUX14 10 : Select .2 input for MUX14 11 : Select .3 input for MUX14 Refer to the CLB X-BAR section of this chapter for more details. Reset type: CPU1.SYSRSn
27-26	MUX13	R/W	0h	Group Select Bits for MUX13: Selects 4X1 group output for AUXSIG4 of CLB-XBAR 00 : Select .0 input for MUX13 01 : Select .1 input for MUX13 10 : Select .2 input for MUX13 11 : Select .3 input for MUX13 Refer to the CLB X-BAR section of this chapter for more details. Reset type: CPU1.SYSRSn
25-24	MUX12	R/W	0h	Group Select Bits for MUX12: Selects 4X1 group output for AUXSIG4 of CLB-XBAR 00 : Select .0 input for MUX12 01 : Select .1 input for MUX12 10 : Select .2 input for MUX12 11 : Select .3 input for MUX12 Refer to the CLB X-BAR section of this chapter for more details. Reset type: CPU1.SYSRSn
23-22	MUX11	R/W	0h	Group Select Bits for MUX11: Selects 4X1 group output for AUXSIG4 of CLB-XBAR 00 : Select .0 input for MUX11 01 : Select .1 input for MUX11 10 : Select .2 input for MUX11 11 : Select .3 input for MUX11 Refer to the CLB X-BAR section of this chapter for more details. Reset type: CPU1.SYSRSn

**Table 8-69. AUXSIG4MUX0TO15CFG Register Field Descriptions (continued)**

Bit	Field	Type	Reset	Description
21-20	MUX10	R/W	0h	Group Select Bits for MUX10: Selects 4X1 group output for AUXSIG4 of CLB-XBAR 00 : Select .0 input for MUX10 01 : Select .1 input for MUX10 10 : Select .2 input for MUX10 11 : Select .3 input for MUX10 Refer to the CLB X-BAR section of this chapter for more details. Reset type: CPU1.SYSRSn
19-18	MUX9	R/W	0h	Group Select Bits for MUX9: Selects 4X1 group output for AUXSIG4 of CLB-XBAR 00 : Select .0 input for MUX9 01 : Select .1 input for MUX9 10 : Select .2 input for MUX9 11 : Select .3 input for MUX9 Refer to the CLB X-BAR section of this chapter for more details. Reset type: CPU1.SYSRSn
17-16	MUX8	R/W	0h	Group Select Bits for MUX8: Selects 4X1 group output for AUXSIG4 of CLB-XBAR 00 : Select .0 input for MUX8 01 : Select .1 input for MUX8 10 : Select .2 input for MUX8 11 : Select .3 input for MUX8 Refer to the CLB X-BAR section of this chapter for more details. Reset type: CPU1.SYSRSn
15-14	MUX7	R/W	0h	Group Select Bits for MUX7: Selects 4X1 group output for AUXSIG4 of CLB-XBAR 00 : Select .0 input for MUX7 01 : Select .1 input for MUX7 10 : Select .2 input for MUX7 11 : Select .3 input for MUX7 Refer to the CLB X-BAR section of this chapter for more details. Reset type: CPU1.SYSRSn
13-12	MUX6	R/W	0h	Group Select Bits for MUX6: Selects 4X1 group output for AUXSIG4 of CLB-XBAR 00 : Select .0 input for MUX6 01 : Select .1 input for MUX6 10 : Select .2 input for MUX6 11 : Select .3 input for MUX6 Refer to the CLB X-BAR section of this chapter for more details. Reset type: CPU1.SYSRSn
11-10	MUX5	R/W	0h	Group Select Bits for MUX5: Selects 4X1 group output for AUXSIG4 of CLB-XBAR 00 : Select .0 input for MUX5 01 : Select .1 input for MUX5 10 : Select .2 input for MUX5 11 : Select .3 input for MUX5 Refer to the CLB X-BAR section of this chapter for more details. Reset type: CPU1.SYSRSn
9-8	MUX4	R/W	0h	Group Select Bits for MUX4: Selects 4X1 group output for AUXSIG4 of CLB-XBAR 00 : Select .0 input for MUX4 01 : Select .1 input for MUX4 10 : Select .2 input for MUX4 11 : Select .3 input for MUX4 Refer to the CLB X-BAR section of this chapter for more details. Reset type: CPU1.SYSRSn

**Table 8-69. AUXSIG4MUX0TO15CFG Register Field Descriptions (continued)**

Bit	Field	Type	Reset	Description
7-6	MUX3	R/W	0h	Group Select Bits for MUX3: Selects 4X1 group output for AUXSIG4 of CLB-XBAR 00 : Select .0 input for MUX3 01 : Select .1 input for MUX3 10 : Select .2 input for MUX3 11 : Select .3 input for MUX3 Refer to the CLB X-BAR section of this chapter for more details. Reset type: CPU1.SYSRSn
5-4	MUX2	R/W	0h	Group Select Bits for MUX2: Selects 4X1 group output for AUXSIG4 of CLB-XBAR 00 : Select .0 input for MUX2 01 : Select .1 input for MUX2 10 : Select .2 input for MUX2 11 : Select .3 input for MUX2 Refer to the CLB X-BAR section of this chapter for more details. Reset type: CPU1.SYSRSn
3-2	MUX1	R/W	0h	Group Select Bits for MUX1: Selects 4X1 group output for AUXSIG4 of CLB-XBAR 00 : Select .0 input for MUX1 01 : Select .1 input for MUX1 10 : Select .2 input for MUX1 11 : Select .3 input for MUX1 Refer to the CLB X-BAR section of this chapter for more details. Reset type: CPU1.SYSRSn
1-0	MUX0	R/W	0h	Group Select Bits for MUX0: Selects 4X1 group output for AUXSIG4 of CLB-XBAR 00 : Select .0 input for MUX0 01 : Select .1 input for MUX0 10 : Select .2 input for MUX0 11 : Select .3 input for MUX0 Refer to the CLB X-BAR section of this chapter for more details. Reset type: CPU1.SYSRSn

### 8.3.5.10 AUXSIG4MUX16TO31CFG Register (Offset = 12h) [Reset = 0000000h]

AUXSIG4MUX16TO31CFG is shown in [Figure 8-63](#) and described in [Table 8-70](#).

Return to the [Summary Table](#).

CLB XBAR Mux Configuration for Output-4

**Figure 8-63. AUXSIG4MUX16TO31CFG Register**

31	30	29	28	27	26	25	24	23	22	21	20	19	18	17	16
MUX31		MUX30		MUX29		MUX28		MUX27		MUX26		MUX25		MUX24	
R/W-0h		R/W-0h		R/W-0h		R/W-0h		R/W-0h		R/W-0h		R/W-0h		R/W-0h	
15	14	13	12	11	10	9	8	7	6	5	4	3	2	1	0
MUX23		MUX22		MUX21		MUX20		MUX19		MUX18		MUX17		MUX16	
R/W-0h		R/W-0h		R/W-0h		R/W-0h		R/W-0h		R/W-0h		R/W-0h		R/W-0h	

**Table 8-70. AUXSIG4MUX16TO31CFG Register Field Descriptions**

Bit	Field	Type	Reset	Description
31-30	MUX31	R/W	0h	Group Select Bits for MUX31: Selects 4X1 group output for AUXSIG4 of CLB-XBAR 00 : Select .0 input for MUX31 01 : Select .1 input for MUX31 10 : Select .2 input for MUX31 11 : Select .3 input for MUX31 Refer to the CLB X-BAR section of this chapter for more details. Reset type: CPU1.SYSRSn
29-28	MUX30	R/W	0h	Group Select Bits for MUX30: Selects 4X1 group output for AUXSIG4 of CLB-XBAR 00 : Select .0 input for MUX30 01 : Select .1 input for MUX30 10 : Select .2 input for MUX30 11 : Select .3 input for MUX30 Refer to the CLB X-BAR section of this chapter for more details. Reset type: CPU1.SYSRSn
27-26	MUX29	R/W	0h	Group Select Bits for MUX29: Selects 4X1 group output for AUXSIG4 of CLB-XBAR 00 : Select .0 input for MUX29 01 : Select .1 input for MUX29 10 : Select .2 input for MUX29 11 : Select .3 input for MUX29 Refer to the CLB X-BAR section of this chapter for more details. Reset type: CPU1.SYSRSn
25-24	MUX28	R/W	0h	Group Select Bits for MUX28: Selects 4X1 group output for AUXSIG4 of CLB-XBAR 00 : Select .0 input for MUX28 01 : Select .1 input for MUX28 10 : Select .2 input for MUX28 11 : Select .3 input for MUX28 Refer to the CLB X-BAR section of this chapter for more details. Reset type: CPU1.SYSRSn
23-22	MUX27	R/W	0h	Group Select Bits for MUX27: Selects 4X1 group output for AUXSIG4 of CLB-XBAR 00 : Select .0 input for MUX27 01 : Select .1 input for MUX27 10 : Select .2 input for MUX27 11 : Select .3 input for MUX27 Refer to the CLB X-BAR section of this chapter for more details. Reset type: CPU1.SYSRSn

**Table 8-70. AUXSIG4MUX16TO31CFG Register Field Descriptions (continued)**

Bit	Field	Type	Reset	Description
21-20	MUX26	R/W	0h	Group Select Bits for MUX26: Selects 4X1 group output for AUXSIG4 of CLB-XBAR 00 : Select .0 input for MUX26 01 : Select .1 input for MUX26 10 : Select .2 input for MUX26 11 : Select .3 input for MUX26 Refer to the CLB X-BAR section of this chapter for more details. Reset type: CPU1.SYSRSn
19-18	MUX25	R/W	0h	Group Select Bits for MUX25: Selects 4X1 group output for AUXSIG4 of CLB-XBAR 00 : Select .0 input for MUX25 01 : Select .1 input for MUX25 10 : Select .2 input for MUX25 11 : Select .3 input for MUX25 Refer to the CLB X-BAR section of this chapter for more details. Reset type: CPU1.SYSRSn
17-16	MUX24	R/W	0h	Group Select Bits for MUX24: Selects 4X1 group output for AUXSIG4 of CLB-XBAR 00 : Select .0 input for MUX24 01 : Select .1 input for MUX24 10 : Select .2 input for MUX24 11 : Select .3 input for MUX24 Refer to the CLB X-BAR section of this chapter for more details. Reset type: CPU1.SYSRSn
15-14	MUX23	R/W	0h	Group Select Bits for MUX23: Selects 4X1 group output for AUXSIG4 of CLB-XBAR 00 : Select .0 input for MUX23 01 : Select .1 input for MUX23 10 : Select .2 input for MUX23 11 : Select .3 input for MUX23 Refer to the CLB X-BAR section of this chapter for more details. Reset type: CPU1.SYSRSn
13-12	MUX22	R/W	0h	Group Select Bits for MUX22: Selects 4X1 group output for AUXSIG4 of CLB-XBAR 00 : Select .0 input for MUX22 01 : Select .1 input for MUX22 10 : Select .2 input for MUX22 11 : Select .3 input for MUX22 Refer to the CLB X-BAR section of this chapter for more details. Reset type: CPU1.SYSRSn
11-10	MUX21	R/W	0h	Group Select Bits for MUX21: Selects 4X1 group output for AUXSIG4 of CLB-XBAR 00 : Select .0 input for MUX21 01 : Select .1 input for MUX21 10 : Select .2 input for MUX21 11 : Select .3 input for MUX21 Refer to the CLB X-BAR section of this chapter for more details. Reset type: CPU1.SYSRSn
9-8	MUX20	R/W	0h	Group Select Bits for MUX20: Selects 4X1 group output for AUXSIG4 of CLB-XBAR 00 : Select .0 input for MUX20 01 : Select .1 input for MUX20 10 : Select .2 input for MUX20 11 : Select .3 input for MUX20 Refer to the CLB X-BAR section of this chapter for more details. Reset type: CPU1.SYSRSn

**Table 8-70. AUXSIG4MUX16TO31CFG Register Field Descriptions (continued)**

Bit	Field	Type	Reset	Description
7-6	MUX19	R/W	0h	Group Select Bits for MUX19: Selects 4X1 group output for AUXSIG4 of CLB-XBAR 00 : Select .0 input for MUX19 01 : Select .1 input for MUX19 10 : Select .2 input for MUX19 11 : Select .3 input for MUX19 Refer to the CLB X-BAR section of this chapter for more details. Reset type: CPU1.SYSRSn
5-4	MUX18	R/W	0h	Group Select Bits for MUX18: Selects 4X1 group output for AUXSIG4 of CLB-XBAR 00 : Select .0 input for MUX18 01 : Select .1 input for MUX18 10 : Select .2 input for MUX18 11 : Select .3 input for MUX18 Refer to the CLB X-BAR section of this chapter for more details. Reset type: CPU1.SYSRSn
3-2	MUX17	R/W	0h	Group Select Bits for MUX17: Selects 4X1 group output for AUXSIG4 of CLB-XBAR 00 : Select .0 input for MUX17 01 : Select .1 input for MUX17 10 : Select .2 input for MUX17 11 : Select .3 input for MUX17 Refer to the CLB X-BAR section of this chapter for more details. Reset type: CPU1.SYSRSn
1-0	MUX16	R/W	0h	Group Select Bits for MUX16: Selects 4X1 group output for AUXSIG4 of CLB-XBAR 00 : Select .0 input for MUX16 01 : Select .1 input for MUX16 10 : Select .2 input for MUX16 11 : Select .3 input for MUX16 Refer to the CLB X-BAR section of this chapter for more details. Reset type: CPU1.SYSRSn

### 8.3.5.11 AUXSIG5MUX0TO15CFG Register (Offset = 14h) [Reset = 0000000h]

AUXSIG5MUX0TO15CFG is shown in [Figure 8-64](#) and described in [Table 8-71](#).

Return to the [Summary Table](#).

CLB XBAR Mux Configuration for Output-5

**Figure 8-64. AUXSIG5MUX0TO15CFG Register**

31	30	29	28	27	26	25	24	23	22	21	20	19	18	17	16
MUX15		MUX14		MUX13		MUX12		MUX11		MUX10		MUX9		MUX8	
R/W-0h		R/W-0h		R/W-0h		R/W-0h		R/W-0h		R/W-0h		R/W-0h		R/W-0h	
15	14	13	12	11	10	9	8	7	6	5	4	3	2	1	0
MUX7		MUX6		MUX5		MUX4		MUX3		MUX2		MUX1		MUX0	
R/W-0h		R/W-0h		R/W-0h		R/W-0h		R/W-0h		R/W-0h		R/W-0h		R/W-0h	

**Table 8-71. AUXSIG5MUX0TO15CFG Register Field Descriptions**

Bit	Field	Type	Reset	Description
31-30	MUX15	R/W	0h	Group Select Bits for MUX15: Selects 4X1 group output for AUXSIG5 of CLB-XBAR 00 : Select .0 input for MUX15 01 : Select .1 input for MUX15 10 : Select .2 input for MUX15 11 : Select .3 input for MUX15 Refer to the CLB X-BAR section of this chapter for more details. Reset type: CPU1.SYSRSn
29-28	MUX14	R/W	0h	Group Select Bits for MUX14: Selects 4X1 group output for AUXSIG5 of CLB-XBAR 00 : Select .0 input for MUX14 01 : Select .1 input for MUX14 10 : Select .2 input for MUX14 11 : Select .3 input for MUX14 Refer to the CLB X-BAR section of this chapter for more details. Reset type: CPU1.SYSRSn
27-26	MUX13	R/W	0h	Group Select Bits for MUX13: Selects 4X1 group output for AUXSIG5 of CLB-XBAR 00 : Select .0 input for MUX13 01 : Select .1 input for MUX13 10 : Select .2 input for MUX13 11 : Select .3 input for MUX13 Refer to the CLB X-BAR section of this chapter for more details. Reset type: CPU1.SYSRSn
25-24	MUX12	R/W	0h	Group Select Bits for MUX12: Selects 4X1 group output for AUXSIG5 of CLB-XBAR 00 : Select .0 input for MUX12 01 : Select .1 input for MUX12 10 : Select .2 input for MUX12 11 : Select .3 input for MUX12 Refer to the CLB X-BAR section of this chapter for more details. Reset type: CPU1.SYSRSn
23-22	MUX11	R/W	0h	Group Select Bits for MUX11: Selects 4X1 group output for AUXSIG5 of CLB-XBAR 00 : Select .0 input for MUX11 01 : Select .1 input for MUX11 10 : Select .2 input for MUX11 11 : Select .3 input for MUX11 Refer to the CLB X-BAR section of this chapter for more details. Reset type: CPU1.SYSRSn



**Table 8-71. AUXSIG5MUX0TO15CFG Register Field Descriptions (continued)**

Bit	Field	Type	Reset	Description
21-20	MUX10	R/W	0h	Group Select Bits for MUX10: Selects 4X1 group output for AUXSIG5 of CLB-XBAR 00 : Select .0 input for MUX10 01 : Select .1 input for MUX10 10 : Select .2 input for MUX10 11 : Select .3 input for MUX10 Refer to the CLB X-BAR section of this chapter for more details. Reset type: CPU1.SYSRSn
19-18	MUX9	R/W	0h	Group Select Bits for MUX9: Selects 4X1 group output for AUXSIG5 of CLB-XBAR 00 : Select .0 input for MUX9 01 : Select .1 input for MUX9 10 : Select .2 input for MUX9 11 : Select .3 input for MUX9 Refer to the CLB X-BAR section of this chapter for more details. Reset type: CPU1.SYSRSn
17-16	MUX8	R/W	0h	Group Select Bits for MUX8: Selects 4X1 group output for AUXSIG5 of CLB-XBAR 00 : Select .0 input for MUX8 01 : Select .1 input for MUX8 10 : Select .2 input for MUX8 11 : Select .3 input for MUX8 Refer to the CLB X-BAR section of this chapter for more details. Reset type: CPU1.SYSRSn
15-14	MUX7	R/W	0h	Group Select Bits for MUX7: Selects 4X1 group output for AUXSIG5 of CLB-XBAR 00 : Select .0 input for MUX7 01 : Select .1 input for MUX7 10 : Select .2 input for MUX7 11 : Select .3 input for MUX7 Refer to the CLB X-BAR section of this chapter for more details. Reset type: CPU1.SYSRSn
13-12	MUX6	R/W	0h	Group Select Bits for MUX6: Selects 4X1 group output for AUXSIG5 of CLB-XBAR 00 : Select .0 input for MUX6 01 : Select .1 input for MUX6 10 : Select .2 input for MUX6 11 : Select .3 input for MUX6 Refer to the CLB X-BAR section of this chapter for more details. Reset type: CPU1.SYSRSn
11-10	MUX5	R/W	0h	Group Select Bits for MUX5: Selects 4X1 group output for AUXSIG5 of CLB-XBAR 00 : Select .0 input for MUX5 01 : Select .1 input for MUX5 10 : Select .2 input for MUX5 11 : Select .3 input for MUX5 Refer to the CLB X-BAR section of this chapter for more details. Reset type: CPU1.SYSRSn
9-8	MUX4	R/W	0h	Group Select Bits for MUX4: Selects 4X1 group output for AUXSIG5 of CLB-XBAR 00 : Select .0 input for MUX4 01 : Select .1 input for MUX4 10 : Select .2 input for MUX4 11 : Select .3 input for MUX4 Refer to the CLB X-BAR section of this chapter for more details. Reset type: CPU1.SYSRSn

**Table 8-71. AUXSIG5MUX0TO15CFG Register Field Descriptions (continued)**

Bit	Field	Type	Reset	Description
7-6	MUX3	R/W	0h	Group Select Bits for MUX3: Selects 4X1 group output for AUXSIG5 of CLB-XBAR 00 : Select .0 input for MUX3 01 : Select .1 input for MUX3 10 : Select .2 input for MUX3 11 : Select .3 input for MUX3 Refer to the CLB X-BAR section of this chapter for more details. Reset type: CPU1.SYSRSn
5-4	MUX2	R/W	0h	Group Select Bits for MUX2: Selects 4X1 group output for AUXSIG5 of CLB-XBAR 00 : Select .0 input for MUX2 01 : Select .1 input for MUX2 10 : Select .2 input for MUX2 11 : Select .3 input for MUX2 Refer to the CLB X-BAR section of this chapter for more details. Reset type: CPU1.SYSRSn
3-2	MUX1	R/W	0h	Group Select Bits for MUX1: Selects 4X1 group output for AUXSIG5 of CLB-XBAR 00 : Select .0 input for MUX1 01 : Select .1 input for MUX1 10 : Select .2 input for MUX1 11 : Select .3 input for MUX1 Refer to the CLB X-BAR section of this chapter for more details. Reset type: CPU1.SYSRSn
1-0	MUX0	R/W	0h	Group Select Bits for MUX0: Selects 4X1 group output for AUXSIG5 of CLB-XBAR 00 : Select .0 input for MUX0 01 : Select .1 input for MUX0 10 : Select .2 input for MUX0 11 : Select .3 input for MUX0 Refer to the CLB X-BAR section of this chapter for more details. Reset type: CPU1.SYSRSn

### 8.3.5.12 AUXSIG5MUX16TO31CFG Register (Offset = 16h) [Reset = 0000000h]

AUXSIG5MUX16TO31CFG is shown in [Figure 8-65](#) and described in [Table 8-72](#).

Return to the [Summary Table](#).

CLB XBAR Mux Configuration for Output-5

**Figure 8-65. AUXSIG5MUX16TO31CFG Register**

31	30	29	28	27	26	25	24	23	22	21	20	19	18	17	16
MUX31		MUX30		MUX29		MUX28		MUX27		MUX26		MUX25		MUX24	
R/W-0h		R/W-0h		R/W-0h		R/W-0h		R/W-0h		R/W-0h		R/W-0h		R/W-0h	
15	14	13	12	11	10	9	8	7	6	5	4	3	2	1	0
MUX23		MUX22		MUX21		MUX20		MUX19		MUX18		MUX17		MUX16	
R/W-0h		R/W-0h		R/W-0h		R/W-0h		R/W-0h		R/W-0h		R/W-0h		R/W-0h	

**Table 8-72. AUXSIG5MUX16TO31CFG Register Field Descriptions**

Bit	Field	Type	Reset	Description
31-30	MUX31	R/W	0h	Group Select Bits for MUX31: Selects 4X1 group output for AUXSIG5 of CLB-XBAR 00 : Select .0 input for MUX31 01 : Select .1 input for MUX31 10 : Select .2 input for MUX31 11 : Select .3 input for MUX31 Refer to the CLB X-BAR section of this chapter for more details. Reset type: CPU1.SYSRSn
29-28	MUX30	R/W	0h	Group Select Bits for MUX30: Selects 4X1 group output for AUXSIG5 of CLB-XBAR 00 : Select .0 input for MUX30 01 : Select .1 input for MUX30 10 : Select .2 input for MUX30 11 : Select .3 input for MUX30 Refer to the CLB X-BAR section of this chapter for more details. Reset type: CPU1.SYSRSn
27-26	MUX29	R/W	0h	Group Select Bits for MUX29: Selects 4X1 group output for AUXSIG5 of CLB-XBAR 00 : Select .0 input for MUX29 01 : Select .1 input for MUX29 10 : Select .2 input for MUX29 11 : Select .3 input for MUX29 Refer to the CLB X-BAR section of this chapter for more details. Reset type: CPU1.SYSRSn
25-24	MUX28	R/W	0h	Group Select Bits for MUX28: Selects 4X1 group output for AUXSIG5 of CLB-XBAR 00 : Select .0 input for MUX28 01 : Select .1 input for MUX28 10 : Select .2 input for MUX28 11 : Select .3 input for MUX28 Refer to the CLB X-BAR section of this chapter for more details. Reset type: CPU1.SYSRSn
23-22	MUX27	R/W	0h	Group Select Bits for MUX27: Selects 4X1 group output for AUXSIG5 of CLB-XBAR 00 : Select .0 input for MUX27 01 : Select .1 input for MUX27 10 : Select .2 input for MUX27 11 : Select .3 input for MUX27 Refer to the CLB X-BAR section of this chapter for more details. Reset type: CPU1.SYSRSn

**Table 8-72. AUXSIG5MUX16TO31CFG Register Field Descriptions (continued)**

Bit	Field	Type	Reset	Description
21-20	MUX26	R/W	0h	Group Select Bits for MUX26: Selects 4X1 group output for AUXSIG5 of CLB-XBAR 00 : Select .0 input for MUX26 01 : Select .1 input for MUX26 10 : Select .2 input for MUX26 11 : Select .3 input for MUX26 Refer to the CLB X-BAR section of this chapter for more details. Reset type: CPU1.SYSRSn
19-18	MUX25	R/W	0h	Group Select Bits for MUX25: Selects 4X1 group output for AUXSIG5 of CLB-XBAR 00 : Select .0 input for MUX25 01 : Select .1 input for MUX25 10 : Select .2 input for MUX25 11 : Select .3 input for MUX25 Refer to the CLB X-BAR section of this chapter for more details. Reset type: CPU1.SYSRSn
17-16	MUX24	R/W	0h	Group Select Bits for MUX24: Selects 4X1 group output for AUXSIG5 of CLB-XBAR 00 : Select .0 input for MUX24 01 : Select .1 input for MUX24 10 : Select .2 input for MUX24 11 : Select .3 input for MUX24 Refer to the CLB X-BAR section of this chapter for more details. Reset type: CPU1.SYSRSn
15-14	MUX23	R/W	0h	Group Select Bits for MUX23: Selects 4X1 group output for AUXSIG5 of CLB-XBAR 00 : Select .0 input for MUX23 01 : Select .1 input for MUX23 10 : Select .2 input for MUX23 11 : Select .3 input for MUX23 Refer to the CLB X-BAR section of this chapter for more details. Reset type: CPU1.SYSRSn
13-12	MUX22	R/W	0h	Group Select Bits for MUX22: Selects 4X1 group output for AUXSIG5 of CLB-XBAR 00 : Select .0 input for MUX22 01 : Select .1 input for MUX22 10 : Select .2 input for MUX22 11 : Select .3 input for MUX22 Refer to the CLB X-BAR section of this chapter for more details. Reset type: CPU1.SYSRSn
11-10	MUX21	R/W	0h	Group Select Bits for MUX21: Selects 4X1 group output for AUXSIG5 of CLB-XBAR 00 : Select .0 input for MUX21 01 : Select .1 input for MUX21 10 : Select .2 input for MUX21 11 : Select .3 input for MUX21 Refer to the CLB X-BAR section of this chapter for more details. Reset type: CPU1.SYSRSn
9-8	MUX20	R/W	0h	Group Select Bits for MUX20: Selects 4X1 group output for AUXSIG5 of CLB-XBAR 00 : Select .0 input for MUX20 01 : Select .1 input for MUX20 10 : Select .2 input for MUX20 11 : Select .3 input for MUX20 Refer to the CLB X-BAR section of this chapter for more details. Reset type: CPU1.SYSRSn

**Table 8-72. AUXSIG5MUX16TO31CFG Register Field Descriptions (continued)**

Bit	Field	Type	Reset	Description
7-6	MUX19	R/W	0h	Group Select Bits for MUX19: Selects 4X1 group output for AUXSIG5 of CLB-XBAR 00 : Select .0 input for MUX19 01 : Select .1 input for MUX19 10 : Select .2 input for MUX19 11 : Select .3 input for MUX19 Refer to the CLB X-BAR section of this chapter for more details. Reset type: CPU1.SYSRSn
5-4	MUX18	R/W	0h	Group Select Bits for MUX18: Selects 4X1 group output for AUXSIG5 of CLB-XBAR 00 : Select .0 input for MUX18 01 : Select .1 input for MUX18 10 : Select .2 input for MUX18 11 : Select .3 input for MUX18 Refer to the CLB X-BAR section of this chapter for more details. Reset type: CPU1.SYSRSn
3-2	MUX17	R/W	0h	Group Select Bits for MUX17: Selects 4X1 group output for AUXSIG5 of CLB-XBAR 00 : Select .0 input for MUX17 01 : Select .1 input for MUX17 10 : Select .2 input for MUX17 11 : Select .3 input for MUX17 Refer to the CLB X-BAR section of this chapter for more details. Reset type: CPU1.SYSRSn
1-0	MUX16	R/W	0h	Group Select Bits for MUX16: Selects 4X1 group output for AUXSIG5 of CLB-XBAR 00 : Select .0 input for MUX16 01 : Select .1 input for MUX16 10 : Select .2 input for MUX16 11 : Select .3 input for MUX16 Refer to the CLB X-BAR section of this chapter for more details. Reset type: CPU1.SYSRSn

### 8.3.5.13 AUXSIG6MUX0TO15CFG Register (Offset = 18h) [Reset = 0000000h]

AUXSIG6MUX0TO15CFG is shown in [Figure 8-66](#) and described in [Table 8-73](#).

Return to the [Summary Table](#).

CLB XBAR Mux Configuration for Output-6

**Figure 8-66. AUXSIG6MUX0TO15CFG Register**

31	30	29	28	27	26	25	24	23	22	21	20	19	18	17	16
MUX15		MUX14		MUX13		MUX12		MUX11		MUX10		MUX9		MUX8	
R/W-0h		R/W-0h		R/W-0h		R/W-0h		R/W-0h		R/W-0h		R/W-0h		R/W-0h	
15	14	13	12	11	10	9	8	7	6	5	4	3	2	1	0
MUX7		MUX6		MUX5		MUX4		MUX3		MUX2		MUX1		MUX0	
R/W-0h		R/W-0h		R/W-0h		R/W-0h		R/W-0h		R/W-0h		R/W-0h		R/W-0h	

**Table 8-73. AUXSIG6MUX0TO15CFG Register Field Descriptions**

Bit	Field	Type	Reset	Description
31-30	MUX15	R/W	0h	Group Select Bits for MUX15: Selects 4X1 group output for AUXSIG6 of CLB-XBAR 00 : Select .0 input for MUX15 01 : Select .1 input for MUX15 10 : Select .2 input for MUX15 11 : Select .3 input for MUX15 Refer to the CLB X-BAR section of this chapter for more details. Reset type: CPU1.SYSRSn
29-28	MUX14	R/W	0h	Group Select Bits for MUX14: Selects 4X1 group output for AUXSIG6 of CLB-XBAR 00 : Select .0 input for MUX14 01 : Select .1 input for MUX14 10 : Select .2 input for MUX14 11 : Select .3 input for MUX14 Refer to the CLB X-BAR section of this chapter for more details. Reset type: CPU1.SYSRSn
27-26	MUX13	R/W	0h	Group Select Bits for MUX13: Selects 4X1 group output for AUXSIG6 of CLB-XBAR 00 : Select .0 input for MUX13 01 : Select .1 input for MUX13 10 : Select .2 input for MUX13 11 : Select .3 input for MUX13 Refer to the CLB X-BAR section of this chapter for more details. Reset type: CPU1.SYSRSn
25-24	MUX12	R/W	0h	Group Select Bits for MUX12: Selects 4X1 group output for AUXSIG6 of CLB-XBAR 00 : Select .0 input for MUX12 01 : Select .1 input for MUX12 10 : Select .2 input for MUX12 11 : Select .3 input for MUX12 Refer to the CLB X-BAR section of this chapter for more details. Reset type: CPU1.SYSRSn
23-22	MUX11	R/W	0h	Group Select Bits for MUX11: Selects 4X1 group output for AUXSIG6 of CLB-XBAR 00 : Select .0 input for MUX11 01 : Select .1 input for MUX11 10 : Select .2 input for MUX11 11 : Select .3 input for MUX11 Refer to the CLB X-BAR section of this chapter for more details. Reset type: CPU1.SYSRSn

**Table 8-73. AUXSIG6MUX0TO15CFG Register Field Descriptions (continued)**

Bit	Field	Type	Reset	Description
21-20	MUX10	R/W	0h	Group Select Bits for MUX10: Selects 4X1 group output for AUXSIG6 of CLB-XBAR 00 : Select .0 input for MUX10 01 : Select .1 input for MUX10 10 : Select .2 input for MUX10 11 : Select .3 input for MUX10 Refer to the CLB X-BAR section of this chapter for more details. Reset type: CPU1.SYSRSn
19-18	MUX9	R/W	0h	Group Select Bits for MUX9: Selects 4X1 group output for AUXSIG6 of CLB-XBAR 00 : Select .0 input for MUX9 01 : Select .1 input for MUX9 10 : Select .2 input for MUX9 11 : Select .3 input for MUX9 Refer to the CLB X-BAR section of this chapter for more details. Reset type: CPU1.SYSRSn
17-16	MUX8	R/W	0h	Group Select Bits for MUX8: Selects 4X1 group output for AUXSIG6 of CLB-XBAR 00 : Select .0 input for MUX8 01 : Select .1 input for MUX8 10 : Select .2 input for MUX8 11 : Select .3 input for MUX8 Refer to the CLB X-BAR section of this chapter for more details. Reset type: CPU1.SYSRSn
15-14	MUX7	R/W	0h	Group Select Bits for MUX7: Selects 4X1 group output for AUXSIG6 of CLB-XBAR 00 : Select .0 input for MUX7 01 : Select .1 input for MUX7 10 : Select .2 input for MUX7 11 : Select .3 input for MUX7 Refer to the CLB X-BAR section of this chapter for more details. Reset type: CPU1.SYSRSn
13-12	MUX6	R/W	0h	Group Select Bits for MUX6: Selects 4X1 group output for AUXSIG6 of CLB-XBAR 00 : Select .0 input for MUX6 01 : Select .1 input for MUX6 10 : Select .2 input for MUX6 11 : Select .3 input for MUX6 Refer to the CLB X-BAR section of this chapter for more details. Reset type: CPU1.SYSRSn
11-10	MUX5	R/W	0h	Group Select Bits for MUX5: Selects 4X1 group output for AUXSIG6 of CLB-XBAR 00 : Select .0 input for MUX5 01 : Select .1 input for MUX5 10 : Select .2 input for MUX5 11 : Select .3 input for MUX5 Refer to the CLB X-BAR section of this chapter for more details. Reset type: CPU1.SYSRSn
9-8	MUX4	R/W	0h	Group Select Bits for MUX4: Selects 4X1 group output for AUXSIG6 of CLB-XBAR 00 : Select .0 input for MUX4 01 : Select .1 input for MUX4 10 : Select .2 input for MUX4 11 : Select .3 input for MUX4 Refer to the CLB X-BAR section of this chapter for more details. Reset type: CPU1.SYSRSn

**Table 8-73. AUXSIG6MUX0TO15CFG Register Field Descriptions (continued)**

Bit	Field	Type	Reset	Description
7-6	MUX3	R/W	0h	Group Select Bits for MUX3: Selects 4X1 group output for AUXSIG6 of CLB-XBAR 00 : Select .0 input for MUX3 01 : Select .1 input for MUX3 10 : Select .2 input for MUX3 11 : Select .3 input for MUX3 Refer to the CLB X-BAR section of this chapter for more details. Reset type: CPU1.SYSRSn
5-4	MUX2	R/W	0h	Group Select Bits for MUX2: Selects 4X1 group output for AUXSIG6 of CLB-XBAR 00 : Select .0 input for MUX2 01 : Select .1 input for MUX2 10 : Select .2 input for MUX2 11 : Select .3 input for MUX2 Refer to the CLB X-BAR section of this chapter for more details. Reset type: CPU1.SYSRSn
3-2	MUX1	R/W	0h	Group Select Bits for MUX1: Selects 4X1 group output for AUXSIG6 of CLB-XBAR 00 : Select .0 input for MUX1 01 : Select .1 input for MUX1 10 : Select .2 input for MUX1 11 : Select .3 input for MUX1 Refer to the CLB X-BAR section of this chapter for more details. Reset type: CPU1.SYSRSn
1-0	MUX0	R/W	0h	Group Select Bits for MUX0: Selects 4X1 group output for AUXSIG6 of CLB-XBAR 00 : Select .0 input for MUX0 01 : Select .1 input for MUX0 10 : Select .2 input for MUX0 11 : Select .3 input for MUX0 Refer to the CLB X-BAR section of this chapter for more details. Reset type: CPU1.SYSRSn



### 8.3.5.14 AUXSIG6MUX16TO31CFG Register (Offset = 1Ah) [Reset = 0000000h]

AUXSIG6MUX16TO31CFG is shown in [Figure 8-67](#) and described in [Table 8-74](#).

Return to the [Summary Table](#).

CLB XBAR Mux Configuration for Output-6

**Figure 8-67. AUXSIG6MUX16TO31CFG Register**

31	30	29	28	27	26	25	24	23	22	21	20	19	18	17	16
MUX31		MUX30		MUX29		MUX28		MUX27		MUX26		MUX25		MUX24	
R/W-0h		R/W-0h		R/W-0h		R/W-0h		R/W-0h		R/W-0h		R/W-0h		R/W-0h	
15	14	13	12	11	10	9	8	7	6	5	4	3	2	1	0
MUX23		MUX22		MUX21		MUX20		MUX19		MUX18		MUX17		MUX16	
R/W-0h		R/W-0h		R/W-0h		R/W-0h		R/W-0h		R/W-0h		R/W-0h		R/W-0h	

**Table 8-74. AUXSIG6MUX16TO31CFG Register Field Descriptions**

Bit	Field	Type	Reset	Description
31-30	MUX31	R/W	0h	Group Select Bits for MUX31: Selects 4X1 group output for AUXSIG6 of CLB-XBAR 00 : Select .0 input for MUX31 01 : Select .1 input for MUX31 10 : Select .2 input for MUX31 11 : Select .3 input for MUX31 Refer to the CLB X-BAR section of this chapter for more details. Reset type: CPU1.SYSRSn
29-28	MUX30	R/W	0h	Group Select Bits for MUX30: Selects 4X1 group output for AUXSIG6 of CLB-XBAR 00 : Select .0 input for MUX30 01 : Select .1 input for MUX30 10 : Select .2 input for MUX30 11 : Select .3 input for MUX30 Refer to the CLB X-BAR section of this chapter for more details. Reset type: CPU1.SYSRSn
27-26	MUX29	R/W	0h	Group Select Bits for MUX29: Selects 4X1 group output for AUXSIG6 of CLB-XBAR 00 : Select .0 input for MUX29 01 : Select .1 input for MUX29 10 : Select .2 input for MUX29 11 : Select .3 input for MUX29 Refer to the CLB X-BAR section of this chapter for more details. Reset type: CPU1.SYSRSn
25-24	MUX28	R/W	0h	Group Select Bits for MUX28: Selects 4X1 group output for AUXSIG6 of CLB-XBAR 00 : Select .0 input for MUX28 01 : Select .1 input for MUX28 10 : Select .2 input for MUX28 11 : Select .3 input for MUX28 Refer to the CLB X-BAR section of this chapter for more details. Reset type: CPU1.SYSRSn
23-22	MUX27	R/W	0h	Group Select Bits for MUX27: Selects 4X1 group output for AUXSIG6 of CLB-XBAR 00 : Select .0 input for MUX27 01 : Select .1 input for MUX27 10 : Select .2 input for MUX27 11 : Select .3 input for MUX27 Refer to the CLB X-BAR section of this chapter for more details. Reset type: CPU1.SYSRSn

**Table 8-74. AUXSIG6MUX16TO31CFG Register Field Descriptions (continued)**

Bit	Field	Type	Reset	Description
21-20	MUX26	R/W	0h	Group Select Bits for MUX26: Selects 4X1 group output for AUXSIG6 of CLB-XBAR 00 : Select .0 input for MUX26 01 : Select .1 input for MUX26 10 : Select .2 input for MUX26 11 : Select .3 input for MUX26 Refer to the CLB X-BAR section of this chapter for more details. Reset type: CPU1.SYSRSn
19-18	MUX25	R/W	0h	Group Select Bits for MUX25: Selects 4X1 group output for AUXSIG6 of CLB-XBAR 00 : Select .0 input for MUX25 01 : Select .1 input for MUX25 10 : Select .2 input for MUX25 11 : Select .3 input for MUX25 Refer to the CLB X-BAR section of this chapter for more details. Reset type: CPU1.SYSRSn
17-16	MUX24	R/W	0h	Group Select Bits for MUX24: Selects 4X1 group output for AUXSIG6 of CLB-XBAR 00 : Select .0 input for MUX24 01 : Select .1 input for MUX24 10 : Select .2 input for MUX24 11 : Select .3 input for MUX24 Refer to the CLB X-BAR section of this chapter for more details. Reset type: CPU1.SYSRSn
15-14	MUX23	R/W	0h	Group Select Bits for MUX23: Selects 4X1 group output for AUXSIG6 of CLB-XBAR 00 : Select .0 input for MUX23 01 : Select .1 input for MUX23 10 : Select .2 input for MUX23 11 : Select .3 input for MUX23 Refer to the CLB X-BAR section of this chapter for more details. Reset type: CPU1.SYSRSn
13-12	MUX22	R/W	0h	Group Select Bits for MUX22: Selects 4X1 group output for AUXSIG6 of CLB-XBAR 00 : Select .0 input for MUX22 01 : Select .1 input for MUX22 10 : Select .2 input for MUX22 11 : Select .3 input for MUX22 Refer to the CLB X-BAR section of this chapter for more details. Reset type: CPU1.SYSRSn
11-10	MUX21	R/W	0h	Group Select Bits for MUX21: Selects 4X1 group output for AUXSIG6 of CLB-XBAR 00 : Select .0 input for MUX21 01 : Select .1 input for MUX21 10 : Select .2 input for MUX21 11 : Select .3 input for MUX21 Refer to the CLB X-BAR section of this chapter for more details. Reset type: CPU1.SYSRSn
9-8	MUX20	R/W	0h	Group Select Bits for MUX20: Selects 4X1 group output for AUXSIG6 of CLB-XBAR 00 : Select .0 input for MUX20 01 : Select .1 input for MUX20 10 : Select .2 input for MUX20 11 : Select .3 input for MUX20 Refer to the CLB X-BAR section of this chapter for more details. Reset type: CPU1.SYSRSn

**Table 8-74. AUXSIG6MUX16TO31CFG Register Field Descriptions (continued)**

Bit	Field	Type	Reset	Description
7-6	MUX19	R/W	0h	Group Select Bits for MUX19: Selects 4X1 group output for AUXSIG6 of CLB-XBAR 00 : Select .0 input for MUX19 01 : Select .1 input for MUX19 10 : Select .2 input for MUX19 11 : Select .3 input for MUX19 Refer to the CLB X-BAR section of this chapter for more details. Reset type: CPU1.SYSRSn
5-4	MUX18	R/W	0h	Group Select Bits for MUX18: Selects 4X1 group output for AUXSIG6 of CLB-XBAR 00 : Select .0 input for MUX18 01 : Select .1 input for MUX18 10 : Select .2 input for MUX18 11 : Select .3 input for MUX18 Refer to the CLB X-BAR section of this chapter for more details. Reset type: CPU1.SYSRSn
3-2	MUX17	R/W	0h	Group Select Bits for MUX17: Selects 4X1 group output for AUXSIG6 of CLB-XBAR 00 : Select .0 input for MUX17 01 : Select .1 input for MUX17 10 : Select .2 input for MUX17 11 : Select .3 input for MUX17 Refer to the CLB X-BAR section of this chapter for more details. Reset type: CPU1.SYSRSn
1-0	MUX16	R/W	0h	Group Select Bits for MUX16: Selects 4X1 group output for AUXSIG6 of CLB-XBAR 00 : Select .0 input for MUX16 01 : Select .1 input for MUX16 10 : Select .2 input for MUX16 11 : Select .3 input for MUX16 Refer to the CLB X-BAR section of this chapter for more details. Reset type: CPU1.SYSRSn

### 8.3.5.15 AUXSIG7MUX0TO15CFG Register (Offset = 1Ch) [Reset = 0000000h]

AUXSIG7MUX0TO15CFG is shown in [Figure 8-68](#) and described in [Table 8-75](#).

Return to the [Summary Table](#).

CLB XBAR Mux Configuration for Output-7

**Figure 8-68. AUXSIG7MUX0TO15CFG Register**

31	30	29	28	27	26	25	24	23	22	21	20	19	18	17	16
MUX15		MUX14		MUX13		MUX12		MUX11		MUX10		MUX9		MUX8	
R/W-0h		R/W-0h		R/W-0h		R/W-0h		R/W-0h		R/W-0h		R/W-0h		R/W-0h	
15	14	13	12	11	10	9	8	7	6	5	4	3	2	1	0
MUX7		MUX6		MUX5		MUX4		MUX3		MUX2		MUX1		MUX0	
R/W-0h		R/W-0h		R/W-0h		R/W-0h		R/W-0h		R/W-0h		R/W-0h		R/W-0h	

**Table 8-75. AUXSIG7MUX0TO15CFG Register Field Descriptions**

Bit	Field	Type	Reset	Description
31-30	MUX15	R/W	0h	Group Select Bits for MUX15: Selects 4X1 group output for AUXSIG7 of CLB-XBAR 00 : Select .0 input for MUX15 01 : Select .1 input for MUX15 10 : Select .2 input for MUX15 11 : Select .3 input for MUX15 Refer to the CLB X-BAR section of this chapter for more details. Reset type: CPU1.SYSRSn
29-28	MUX14	R/W	0h	Group Select Bits for MUX14: Selects 4X1 group output for AUXSIG7 of CLB-XBAR 00 : Select .0 input for MUX14 01 : Select .1 input for MUX14 10 : Select .2 input for MUX14 11 : Select .3 input for MUX14 Refer to the CLB X-BAR section of this chapter for more details. Reset type: CPU1.SYSRSn
27-26	MUX13	R/W	0h	Group Select Bits for MUX13: Selects 4X1 group output for AUXSIG7 of CLB-XBAR 00 : Select .0 input for MUX13 01 : Select .1 input for MUX13 10 : Select .2 input for MUX13 11 : Select .3 input for MUX13 Refer to the CLB X-BAR section of this chapter for more details. Reset type: CPU1.SYSRSn
25-24	MUX12	R/W	0h	Group Select Bits for MUX12: Selects 4X1 group output for AUXSIG7 of CLB-XBAR 00 : Select .0 input for MUX12 01 : Select .1 input for MUX12 10 : Select .2 input for MUX12 11 : Select .3 input for MUX12 Refer to the CLB X-BAR section of this chapter for more details. Reset type: CPU1.SYSRSn
23-22	MUX11	R/W	0h	Group Select Bits for MUX11: Selects 4X1 group output for AUXSIG7 of CLB-XBAR 00 : Select .0 input for MUX11 01 : Select .1 input for MUX11 10 : Select .2 input for MUX11 11 : Select .3 input for MUX11 Refer to the CLB X-BAR section of this chapter for more details. Reset type: CPU1.SYSRSn

**Table 8-75. AUXSIG7MUX0TO15CFG Register Field Descriptions (continued)**

Bit	Field	Type	Reset	Description
21-20	MUX10	R/W	0h	Group Select Bits for MUX10: Selects 4X1 group output for AUXSIG7 of CLB-XBAR 00 : Select .0 input for MUX10 01 : Select .1 input for MUX10 10 : Select .2 input for MUX10 11 : Select .3 input for MUX10 Refer to the CLB X-BAR section of this chapter for more details. Reset type: CPU1.SYSRSn
19-18	MUX9	R/W	0h	Group Select Bits for MUX9: Selects 4X1 group output for AUXSIG7 of CLB-XBAR 00 : Select .0 input for MUX9 01 : Select .1 input for MUX9 10 : Select .2 input for MUX9 11 : Select .3 input for MUX9 Refer to the CLB X-BAR section of this chapter for more details. Reset type: CPU1.SYSRSn
17-16	MUX8	R/W	0h	Group Select Bits for MUX8: Selects 4X1 group output for AUXSIG7 of CLB-XBAR 00 : Select .0 input for MUX8 01 : Select .1 input for MUX8 10 : Select .2 input for MUX8 11 : Select .3 input for MUX8 Refer to the CLB X-BAR section of this chapter for more details. Reset type: CPU1.SYSRSn
15-14	MUX7	R/W	0h	Group Select Bits for MUX7: Selects 4X1 group output for AUXSIG7 of CLB-XBAR 00 : Select .0 input for MUX7 01 : Select .1 input for MUX7 10 : Select .2 input for MUX7 11 : Select .3 input for MUX7 Refer to the CLB X-BAR section of this chapter for more details. Reset type: CPU1.SYSRSn
13-12	MUX6	R/W	0h	Group Select Bits for MUX6: Selects 4X1 group output for AUXSIG7 of CLB-XBAR 00 : Select .0 input for MUX6 01 : Select .1 input for MUX6 10 : Select .2 input for MUX6 11 : Select .3 input for MUX6 Refer to the CLB X-BAR section of this chapter for more details. Reset type: CPU1.SYSRSn
11-10	MUX5	R/W	0h	Group Select Bits for MUX5: Selects 4X1 group output for AUXSIG7 of CLB-XBAR 00 : Select .0 input for MUX5 01 : Select .1 input for MUX5 10 : Select .2 input for MUX5 11 : Select .3 input for MUX5 Refer to the CLB X-BAR section of this chapter for more details. Reset type: CPU1.SYSRSn
9-8	MUX4	R/W	0h	Group Select Bits for MUX4: Selects 4X1 group output for AUXSIG7 of CLB-XBAR 00 : Select .0 input for MUX4 01 : Select .1 input for MUX4 10 : Select .2 input for MUX4 11 : Select .3 input for MUX4 Refer to the CLB X-BAR section of this chapter for more details. Reset type: CPU1.SYSRSn

**Table 8-75. AUXSIG7MUX0TO15CFG Register Field Descriptions (continued)**

Bit	Field	Type	Reset	Description
7-6	MUX3	R/W	0h	Group Select Bits for MUX3: Selects 4X1 group output for AUXSIG7 of CLB-XBAR 00 : Select .0 input for MUX3 01 : Select .1 input for MUX3 10 : Select .2 input for MUX3 11 : Select .3 input for MUX3 Refer to the CLB X-BAR section of this chapter for more details. Reset type: CPU1.SYSRSn
5-4	MUX2	R/W	0h	Group Select Bits for MUX2: Selects 4X1 group output for AUXSIG7 of CLB-XBAR 00 : Select .0 input for MUX2 01 : Select .1 input for MUX2 10 : Select .2 input for MUX2 11 : Select .3 input for MUX2 Refer to the CLB X-BAR section of this chapter for more details. Reset type: CPU1.SYSRSn
3-2	MUX1	R/W	0h	Group Select Bits for MUX1: Selects 4X1 group output for AUXSIG7 of CLB-XBAR 00 : Select .0 input for MUX1 01 : Select .1 input for MUX1 10 : Select .2 input for MUX1 11 : Select .3 input for MUX1 Refer to the CLB X-BAR section of this chapter for more details. Reset type: CPU1.SYSRSn
1-0	MUX0	R/W	0h	Group Select Bits for MUX0: Selects 4X1 group output for AUXSIG7 of CLB-XBAR 00 : Select .0 input for MUX0 01 : Select .1 input for MUX0 10 : Select .2 input for MUX0 11 : Select .3 input for MUX0 Refer to the CLB X-BAR section of this chapter for more details. Reset type: CPU1.SYSRSn

### 8.3.5.16 AUXSIG7MUX16TO31CFG Register (Offset = 1Eh) [Reset = 0000000h]

AUXSIG7MUX16TO31CFG is shown in [Figure 8-69](#) and described in [Table 8-76](#).

Return to the [Summary Table](#).

CLB XBAR Mux Configuration for Output-7

**Figure 8-69. AUXSIG7MUX16TO31CFG Register**

31	30	29	28	27	26	25	24	23	22	21	20	19	18	17	16
MUX31		MUX30		MUX29		MUX28		MUX27		MUX26		MUX25		MUX24	
R/W-0h		R/W-0h		R/W-0h		R/W-0h		R/W-0h		R/W-0h		R/W-0h		R/W-0h	
15	14	13	12	11	10	9	8	7	6	5	4	3	2	1	0
MUX23		MUX22		MUX21		MUX20		MUX19		MUX18		MUX17		MUX16	
R/W-0h		R/W-0h		R/W-0h		R/W-0h		R/W-0h		R/W-0h		R/W-0h		R/W-0h	

**Table 8-76. AUXSIG7MUX16TO31CFG Register Field Descriptions**

Bit	Field	Type	Reset	Description
31-30	MUX31	R/W	0h	Group Select Bits for MUX31: Selects 4X1 group output for AUXSIG7 of CLB-XBAR 00 : Select .0 input for MUX31 01 : Select .1 input for MUX31 10 : Select .2 input for MUX31 11 : Select .3 input for MUX31 Refer to the CLB X-BAR section of this chapter for more details. Reset type: CPU1.SYSRSn
29-28	MUX30	R/W	0h	Group Select Bits for MUX30: Selects 4X1 group output for AUXSIG7 of CLB-XBAR 00 : Select .0 input for MUX30 01 : Select .1 input for MUX30 10 : Select .2 input for MUX30 11 : Select .3 input for MUX30 Refer to the CLB X-BAR section of this chapter for more details. Reset type: CPU1.SYSRSn
27-26	MUX29	R/W	0h	Group Select Bits for MUX29: Selects 4X1 group output for AUXSIG7 of CLB-XBAR 00 : Select .0 input for MUX29 01 : Select .1 input for MUX29 10 : Select .2 input for MUX29 11 : Select .3 input for MUX29 Refer to the CLB X-BAR section of this chapter for more details. Reset type: CPU1.SYSRSn
25-24	MUX28	R/W	0h	Group Select Bits for MUX28: Selects 4X1 group output for AUXSIG7 of CLB-XBAR 00 : Select .0 input for MUX28 01 : Select .1 input for MUX28 10 : Select .2 input for MUX28 11 : Select .3 input for MUX28 Refer to the CLB X-BAR section of this chapter for more details. Reset type: CPU1.SYSRSn
23-22	MUX27	R/W	0h	Group Select Bits for MUX27: Selects 4X1 group output for AUXSIG7 of CLB-XBAR 00 : Select .0 input for MUX27 01 : Select .1 input for MUX27 10 : Select .2 input for MUX27 11 : Select .3 input for MUX27 Refer to the CLB X-BAR section of this chapter for more details. Reset type: CPU1.SYSRSn

**Table 8-76. AUXSIG7MUX16TO31CFG Register Field Descriptions (continued)**

Bit	Field	Type	Reset	Description
21-20	MUX26	R/W	0h	Group Select Bits for MUX26: Selects 4X1 group output for AUXSIG7 of CLB-XBAR 00 : Select .0 input for MUX26 01 : Select .1 input for MUX26 10 : Select .2 input for MUX26 11 : Select .3 input for MUX26 Refer to the CLB X-BAR section of this chapter for more details. Reset type: CPU1.SYSRSn
19-18	MUX25	R/W	0h	Group Select Bits for MUX25: Selects 4X1 group output for AUXSIG7 of CLB-XBAR 00 : Select .0 input for MUX25 01 : Select .1 input for MUX25 10 : Select .2 input for MUX25 11 : Select .3 input for MUX25 Refer to the CLB X-BAR section of this chapter for more details. Reset type: CPU1.SYSRSn
17-16	MUX24	R/W	0h	Group Select Bits for MUX24: Selects 4X1 group output for AUXSIG7 of CLB-XBAR 00 : Select .0 input for MUX24 01 : Select .1 input for MUX24 10 : Select .2 input for MUX24 11 : Select .3 input for MUX24 Refer to the CLB X-BAR section of this chapter for more details. Reset type: CPU1.SYSRSn
15-14	MUX23	R/W	0h	Group Select Bits for MUX23: Selects 4X1 group output for AUXSIG7 of CLB-XBAR 00 : Select .0 input for MUX23 01 : Select .1 input for MUX23 10 : Select .2 input for MUX23 11 : Select .3 input for MUX23 Refer to the CLB X-BAR section of this chapter for more details. Reset type: CPU1.SYSRSn
13-12	MUX22	R/W	0h	Group Select Bits for MUX22: Selects 4X1 group output for AUXSIG7 of CLB-XBAR 00 : Select .0 input for MUX22 01 : Select .1 input for MUX22 10 : Select .2 input for MUX22 11 : Select .3 input for MUX22 Refer to the CLB X-BAR section of this chapter for more details. Reset type: CPU1.SYSRSn
11-10	MUX21	R/W	0h	Group Select Bits for MUX21: Selects 4X1 group output for AUXSIG7 of CLB-XBAR 00 : Select .0 input for MUX21 01 : Select .1 input for MUX21 10 : Select .2 input for MUX21 11 : Select .3 input for MUX21 Refer to the CLB X-BAR section of this chapter for more details. Reset type: CPU1.SYSRSn
9-8	MUX20	R/W	0h	Group Select Bits for MUX20: Selects 4X1 group output for AUXSIG7 of CLB-XBAR 00 : Select .0 input for MUX20 01 : Select .1 input for MUX20 10 : Select .2 input for MUX20 11 : Select .3 input for MUX20 Refer to the CLB X-BAR section of this chapter for more details. Reset type: CPU1.SYSRSn



**Table 8-76. AUXSIG7MUX16TO31CFG Register Field Descriptions (continued)**

Bit	Field	Type	Reset	Description
7-6	MUX19	R/W	0h	Group Select Bits for MUX19: Selects 4X1 group output for AUXSIG7 of CLB-XBAR 00 : Select .0 input for MUX19 01 : Select .1 input for MUX19 10 : Select .2 input for MUX19 11 : Select .3 input for MUX19 Refer to the CLB X-BAR section of this chapter for more details. Reset type: CPU1.SYSRSn
5-4	MUX18	R/W	0h	Group Select Bits for MUX18: Selects 4X1 group output for AUXSIG7 of CLB-XBAR 00 : Select .0 input for MUX18 01 : Select .1 input for MUX18 10 : Select .2 input for MUX18 11 : Select .3 input for MUX18 Refer to the CLB X-BAR section of this chapter for more details. Reset type: CPU1.SYSRSn
3-2	MUX17	R/W	0h	Group Select Bits for MUX17: Selects 4X1 group output for AUXSIG7 of CLB-XBAR 00 : Select .0 input for MUX17 01 : Select .1 input for MUX17 10 : Select .2 input for MUX17 11 : Select .3 input for MUX17 Refer to the CLB X-BAR section of this chapter for more details. Reset type: CPU1.SYSRSn
1-0	MUX16	R/W	0h	Group Select Bits for MUX16: Selects 4X1 group output for AUXSIG7 of CLB-XBAR 00 : Select .0 input for MUX16 01 : Select .1 input for MUX16 10 : Select .2 input for MUX16 11 : Select .3 input for MUX16 Refer to the CLB X-BAR section of this chapter for more details. Reset type: CPU1.SYSRSn

### 8.3.5.17 AUXSIG0MUXENABLE Register (Offset = 20h) [Reset = 0000000h]

AUXSIG0MUXENABLE is shown in [Figure 8-70](#) and described in [Table 8-77](#).

Return to the [Summary Table](#).

CLB XBAR Mux Enable Register for Output-0

**Figure 8-70. AUXSIG0MUXENABLE Register**

31	30	29	28	27	26	25	24
MUX31	MUX30	MUX29	MUX28	MUX27	MUX26	MUX25	MUX24
R/W-0h	R/W-0h	R/W-0h	R/W-0h	R/W-0h	R/W-0h	R/W-0h	R/W-0h
23	22	21	20	19	18	17	16
MUX23	MUX22	MUX21	MUX20	MUX19	MUX18	MUX17	MUX16
R/W-0h	R/W-0h	R/W-0h	R/W-0h	R/W-0h	R/W-0h	R/W-0h	R/W-0h
15	14	13	12	11	10	9	8
MUX15	MUX14	MUX13	MUX12	MUX11	MUX10	MUX9	MUX8
R/W-0h	R/W-0h	R/W-0h	R/W-0h	R/W-0h	R/W-0h	R/W-0h	R/W-0h
7	6	5	4	3	2	1	0
MUX7	MUX6	MUX5	MUX4	MUX3	MUX2	MUX1	MUX0
R/W-0h	R/W-0h	R/W-0h	R/W-0h	R/W-0h	R/W-0h	R/W-0h	R/W-0h

**Table 8-77. AUXSIG0MUXENABLE Register Field Descriptions**

Bit	Field	Type	Reset	Description
31	MUX31	R/W	0h	Selects the output of MUX31 to drive AUXSIG0 of CLB-XBAR 0: Respective output of MUX31 is disabled to drive the AUXSIG0 of CLB-XBAR 1: Respective output of MUX31 is enabled to drive the AUXSIG0 of CLB-XBAR Refer to the CLB X-BAR section of this chapter for more details. Reset type: CPU1.SYSRSn
30	MUX30	R/W	0h	Selects the output of MUX30 to drive AUXSIG0 of CLB-XBAR 0: Respective output of MUX30 is disabled to drive the AUXSIG0 of CLB-XBAR 1: Respective output of MUX30 is enabled to drive the AUXSIG0 of CLB-XBAR Refer to the CLB X-BAR section of this chapter for more details. Reset type: CPU1.SYSRSn
29	MUX29	R/W	0h	Selects the output of MUX29 to drive AUXSIG0 of CLB-XBAR 0: Respective output of MUX29 is disabled to drive the AUXSIG0 of CLB-XBAR 1: Respective output of MUX29 is enabled to drive the AUXSIG0 of CLB-XBAR Refer to the CLB X-BAR section of this chapter for more details. Reset type: CPU1.SYSRSn
28	MUX28	R/W	0h	Selects the output of MUX28 to drive AUXSIG0 of CLB-XBAR 0: Respective output of MUX28 is disabled to drive the AUXSIG0 of CLB-XBAR 1: Respective output of MUX28 is enabled to drive the AUXSIG0 of CLB-XBAR Refer to the CLB X-BAR section of this chapter for more details. Reset type: CPU1.SYSRSn

**Table 8-77. AUXSIG0MUXENABLE Register Field Descriptions (continued)**

Bit	Field	Type	Reset	Description
27	MUX27	R/W	0h	Selects the output of MUX27 to drive AUXSIG0 of CLB-XBAR 0: Respective output of MUX27 is disabled to drive the AUXSIG0 of CLB-XBAR 1: Respective output of MUX27 is enabled to drive the AUXSIG0 of CLB-XBAR Refer to the CLB X-BAR section of this chapter for more details. Reset type: CPU1.SYSRSn
26	MUX26	R/W	0h	Selects the output of MUX26 to drive AUXSIG0 of CLB-XBAR 0: Respective output of MUX26 is disabled to drive the AUXSIG0 of CLB-XBAR 1: Respective output of MUX26 is enabled to drive the AUXSIG0 of CLB-XBAR Refer to the CLB X-BAR section of this chapter for more details. Reset type: CPU1.SYSRSn
25	MUX25	R/W	0h	Selects the output of MUX25 to drive AUXSIG0 of CLB-XBAR 0: Respective output of MUX25 is disabled to drive the AUXSIG0 of CLB-XBAR 1: Respective output of MUX25 is enabled to drive the AUXSIG0 of CLB-XBAR Refer to the CLB X-BAR section of this chapter for more details. Reset type: CPU1.SYSRSn
24	MUX24	R/W	0h	Selects the output of MUX24 to drive AUXSIG0 of CLB-XBAR 0: Respective output of MUX24 is disabled to drive the AUXSIG0 of CLB-XBAR 1: Respective output of MUX24 is enabled to drive the AUXSIG0 of CLB-XBAR Refer to the CLB X-BAR section of this chapter for more details. Reset type: CPU1.SYSRSn
23	MUX23	R/W	0h	Selects the output of MUX23 to drive AUXSIG0 of CLB-XBAR 0: Respective output of MUX23 is disabled to drive the AUXSIG0 of CLB-XBAR 1: Respective output of MUX23 is enabled to drive the AUXSIG0 of CLB-XBAR Refer to the CLB X-BAR section of this chapter for more details. Reset type: CPU1.SYSRSn
22	MUX22	R/W	0h	Selects the output of MUX22 to drive AUXSIG0 of CLB-XBAR 0: Respective output of MUX22 is disabled to drive the AUXSIG0 of CLB-XBAR 1: Respective output of MUX22 is enabled to drive the AUXSIG0 of CLB-XBAR Refer to the CLB X-BAR section of this chapter for more details. Reset type: CPU1.SYSRSn
21	MUX21	R/W	0h	Selects the output of MUX21 to drive AUXSIG0 of CLB-XBAR 0: Respective output of MUX21 is disabled to drive the AUXSIG0 of CLB-XBAR 1: Respective output of MUX21 is enabled to drive the AUXSIG0 of CLB-XBAR Refer to the CLB X-BAR section of this chapter for more details. Reset type: CPU1.SYSRSn
20	MUX20	R/W	0h	Selects the output of MUX20 to drive AUXSIG0 of CLB-XBAR 0: Respective output of MUX20 is disabled to drive the AUXSIG0 of CLB-XBAR 1: Respective output of MUX20 is enabled to drive the AUXSIG0 of CLB-XBAR Refer to the CLB X-BAR section of this chapter for more details. Reset type: CPU1.SYSRSn

**Table 8-77. AUXSIG0MUXENABLE Register Field Descriptions (continued)**

Bit	Field	Type	Reset	Description
19	MUX19	R/W	0h	Selects the output of MUX19 to drive AUXSIG0 of CLB-XBAR 0: Respective output of MUX19 is disabled to drive the AUXSIG0 of CLB-XBAR 1: Respective output of MUX19 is enabled to drive the AUXSIG0 of CLB-XBAR Refer to the CLB X-BAR section of this chapter for more details. Reset type: CPU1.SYSRSn
18	MUX18	R/W	0h	Selects the output of MUX18 to drive AUXSIG0 of CLB-XBAR 0: Respective output of MUX18 is disabled to drive the AUXSIG0 of CLB-XBAR 1: Respective output of MUX18 is enabled to drive the AUXSIG0 of CLB-XBAR Refer to the CLB X-BAR section of this chapter for more details. Reset type: CPU1.SYSRSn
17	MUX17	R/W	0h	Selects the output of MUX17 to drive AUXSIG0 of CLB-XBAR 0: Respective output of MUX17 is disabled to drive the AUXSIG0 of CLB-XBAR 1: Respective output of MUX17 is enabled to drive the AUXSIG0 of CLB-XBAR Refer to the CLB X-BAR section of this chapter for more details. Reset type: CPU1.SYSRSn
16	MUX16	R/W	0h	Selects the output of MUX16 to drive AUXSIG0 of CLB-XBAR 0: Respective output of MUX16 is disabled to drive the AUXSIG0 of CLB-XBAR 1: Respective output of MUX16 is enabled to drive the AUXSIG0 of CLB-XBAR Refer to the CLB X-BAR section of this chapter for more details. Reset type: CPU1.SYSRSn
15	MUX15	R/W	0h	Selects the output of MUX15 to drive AUXSIG0 of CLB-XBAR 0: Respective output of MUX15 is disabled to drive the AUXSIG0 of CLB-XBAR 1: Respective output of MUX15 is enabled to drive the AUXSIG0 of CLB-XBAR Refer to the CLB X-BAR section of this chapter for more details. Reset type: CPU1.SYSRSn
14	MUX14	R/W	0h	Selects the output of MUX14 to drive AUXSIG0 of CLB-XBAR 0: Respective output of MUX14 is disabled to drive the AUXSIG0 of CLB-XBAR 1: Respective output of MUX14 is enabled to drive the AUXSIG0 of CLB-XBAR Refer to the CLB X-BAR section of this chapter for more details. Reset type: CPU1.SYSRSn
13	MUX13	R/W	0h	Selects the output of MUX13 to drive AUXSIG0 of CLB-XBAR 0: Respective output of MUX13 is disabled to drive the AUXSIG0 of CLB-XBAR 1: Respective output of MUX13 is enabled to drive the AUXSIG0 of CLB-XBAR Refer to the CLB X-BAR section of this chapter for more details. Reset type: CPU1.SYSRSn
12	MUX12	R/W	0h	Selects the output of MUX12 to drive AUXSIG0 of CLB-XBAR 0: Respective output of MUX12 is disabled to drive the AUXSIG0 of CLB-XBAR 1: Respective output of MUX12 is enabled to drive the AUXSIG0 of CLB-XBAR Refer to the CLB X-BAR section of this chapter for more details. Reset type: CPU1.SYSRSn

**Table 8-77. AUXSIG0MUXENABLE Register Field Descriptions (continued)**

Bit	Field	Type	Reset	Description
11	MUX11	R/W	0h	Selects the output of MUX11 to drive AUXSIG0 of CLB-XBAR 0: Respective output of MUX11 is disabled to drive the AUXSIG0 of CLB-XBAR 1: Respective output of MUX11 is enabled to drive the AUXSIG0 of CLB-XBAR Refer to the CLB X-BAR section of this chapter for more details. Reset type: CPU1.SYSRSn
10	MUX10	R/W	0h	Selects the output of MUX10 to drive AUXSIG0 of CLB-XBAR 0: Respective output of MUX10 is disabled to drive the AUXSIG0 of CLB-XBAR 1: Respective output of MUX10 is enabled to drive the AUXSIG0 of CLB-XBAR Refer to the CLB X-BAR section of this chapter for more details. Reset type: CPU1.SYSRSn
9	MUX9	R/W	0h	Selects the output of MUX9 to drive AUXSIG0 of CLB-XBAR 0: Respective output of MUX9 is disabled to drive the AUXSIG0 of CLB-XBAR 1: Respective output of MUX9 is enabled to drive the AUXSIG0 of CLB-XBAR Refer to the CLB X-BAR section of this chapter for more details. Reset type: CPU1.SYSRSn
8	MUX8	R/W	0h	Selects the output of MUX8 to drive AUXSIG0 of CLB-XBAR 0: Respective output of MUX8 is disabled to drive the AUXSIG0 of CLB-XBAR 1: Respective output of MUX8 is enabled to drive the AUXSIG0 of CLB-XBAR Refer to the CLB X-BAR section of this chapter for more details. Reset type: CPU1.SYSRSn
7	MUX7	R/W	0h	Selects the output of MUX7 to drive AUXSIG0 of CLB-XBAR 0: Respective output of MUX7 is disabled to drive the AUXSIG0 of CLB-XBAR 1: Respective output of MUX7 is enabled to drive the AUXSIG0 of CLB-XBAR Refer to the CLB X-BAR section of this chapter for more details. Reset type: CPU1.SYSRSn
6	MUX6	R/W	0h	Selects the output of MUX6 to drive AUXSIG0 of CLB-XBAR 0: Respective output of MUX6 is disabled to drive the AUXSIG0 of CLB-XBAR 1: Respective output of MUX6 is enabled to drive the AUXSIG0 of CLB-XBAR Refer to the CLB X-BAR section of this chapter for more details. Reset type: CPU1.SYSRSn
5	MUX5	R/W	0h	Selects the output of MUX5 to drive AUXSIG0 of CLB-XBAR 0: Respective output of MUX5 is disabled to drive the AUXSIG0 of CLB-XBAR 1: Respective output of MUX5 is enabled to drive the AUXSIG0 of CLB-XBAR Refer to the CLB X-BAR section of this chapter for more details. Reset type: CPU1.SYSRSn
4	MUX4	R/W	0h	Selects the output of MUX4 to drive AUXSIG0 of CLB-XBAR 0: Respective output of MUX4 is disabled to drive the AUXSIG0 of CLB-XBAR 1: Respective output of MUX4 is enabled to drive the AUXSIG0 of CLB-XBAR Refer to the CLB X-BAR section of this chapter for more details. Reset type: CPU1.SYSRSn

**Table 8-77. AUXSIG0MUXENABLE Register Field Descriptions (continued)**

Bit	Field	Type	Reset	Description
3	MUX3	R/W	0h	Selects the output of MUX3 to drive AUXSIG0 of CLB-XBAR 0: Respective output of MUX3 is disabled to drive the AUXSIG0 of CLB-XBAR 1: Respective output of MUX3 is enabled to drive the AUXSIG0 of CLB-XBAR Refer to the CLB X-BAR section of this chapter for more details. Reset type: CPU1.SYSRSn
2	MUX2	R/W	0h	Selects the output of MUX2 to drive AUXSIG0 of CLB-XBAR 0: Respective output of MUX2 is disabled to drive the AUXSIG0 of CLB-XBAR 1: Respective output of MUX2 is enabled to drive the AUXSIG0 of CLB-XBAR Refer to the CLB X-BAR section of this chapter for more details. Reset type: CPU1.SYSRSn
1	MUX1	R/W	0h	Selects the output of MUX1 to drive AUXSIG0 of CLB-XBAR 0: Respective output of MUX1 is disabled to drive the AUXSIG0 of CLB-XBAR 1: Respective output of MUX1 is enabled to drive the AUXSIG0 of CLB-XBAR Refer to the CLB X-BAR section of this chapter for more details. Reset type: CPU1.SYSRSn
0	MUX0	R/W	0h	Selects the output of mux0 to drive AUXSIG0 of CLB-XBAR 0: Respective output of MUX0 is disabled to drive the AUXSIG0 of CLB-XBAR 1: Respective output of MUX0 is enabled to drive the AUXSIG0 of CLB-XBAR Refer to the CLB X-BAR section of this chapter for more details. Reset type: CPU1.SYSRSn

### 8.3.5.18 AUXSIG1MUXENABLE Register (Offset = 22h) [Reset = 0000000h]

AUXSIG1MUXENABLE is shown in [Figure 8-71](#) and described in [Table 8-78](#).

Return to the [Summary Table](#).

CLB XBAR Mux Enable Register for Output-1

**Figure 8-71. AUXSIG1MUXENABLE Register**

31	30	29	28	27	26	25	24
MUX31	MUX30	MUX29	MUX28	MUX27	MUX26	MUX25	MUX24
R/W-0h	R/W-0h	R/W-0h	R/W-0h	R/W-0h	R/W-0h	R/W-0h	R/W-0h
23	22	21	20	19	18	17	16
MUX23	MUX22	MUX21	MUX20	MUX19	MUX18	MUX17	MUX16
R/W-0h	R/W-0h	R/W-0h	R/W-0h	R/W-0h	R/W-0h	R/W-0h	R/W-0h
15	14	13	12	11	10	9	8
MUX15	MUX14	MUX13	MUX12	MUX11	MUX10	MUX9	MUX8
R/W-0h	R/W-0h	R/W-0h	R/W-0h	R/W-0h	R/W-0h	R/W-0h	R/W-0h
7	6	5	4	3	2	1	0
MUX7	MUX6	MUX5	MUX4	MUX3	MUX2	MUX1	MUX0
R/W-0h	R/W-0h	R/W-0h	R/W-0h	R/W-0h	R/W-0h	R/W-0h	R/W-0h

**Table 8-78. AUXSIG1MUXENABLE Register Field Descriptions**

Bit	Field	Type	Reset	Description
31	MUX31	R/W	0h	Selects the output of MUX31 to drive AUXSIG1 of CLB-XBAR 0: Respective output of MUX31 is disabled to drive the AUXSIG1 of CLB-XBAR 1: Respective output of MUX31 is enabled to drive the AUXSIG1 of CLB-XBAR Refer to the CLB X-BAR section of this chapter for more details. Reset type: CPU1.SYSRSn
30	MUX30	R/W	0h	Selects the output of MUX30 to drive AUXSIG1 of CLB-XBAR 0: Respective output of MUX30 is disabled to drive the AUXSIG1 of CLB-XBAR 1: Respective output of MUX30 is enabled to drive the AUXSIG1 of CLB-XBAR Refer to the CLB X-BAR section of this chapter for more details. Reset type: CPU1.SYSRSn
29	MUX29	R/W	0h	Selects the output of MUX29 to drive AUXSIG1 of CLB-XBAR 0: Respective output of MUX29 is disabled to drive the AUXSIG1 of CLB-XBAR 1: Respective output of MUX29 is enabled to drive the AUXSIG1 of CLB-XBAR Refer to the CLB X-BAR section of this chapter for more details. Reset type: CPU1.SYSRSn
28	MUX28	R/W	0h	Selects the output of MUX28 to drive AUXSIG1 of CLB-XBAR 0: Respective output of MUX28 is disabled to drive the AUXSIG1 of CLB-XBAR 1: Respective output of MUX28 is enabled to drive the AUXSIG1 of CLB-XBAR Refer to the CLB X-BAR section of this chapter for more details. Reset type: CPU1.SYSRSn

**Table 8-78. AUXSIG1MUXENABLE Register Field Descriptions (continued)**

Bit	Field	Type	Reset	Description
27	MUX27	R/W	0h	Selects the output of MUX27 to drive AUXSIG1 of CLB-XBAR 0: Respective output of MUX27 is disabled to drive the AUXSIG1 of CLB-XBAR 1: Respective output of MUX27 is enabled to drive the AUXSIG1 of CLB-XBAR Refer to the CLB X-BAR section of this chapter for more details. Reset type: CPU1.SYSRSn
26	MUX26	R/W	0h	Selects the output of MUX26 to drive AUXSIG1 of CLB-XBAR 0: Respective output of MUX26 is disabled to drive the AUXSIG1 of CLB-XBAR 1: Respective output of MUX26 is enabled to drive the AUXSIG1 of CLB-XBAR Refer to the CLB X-BAR section of this chapter for more details. Reset type: CPU1.SYSRSn
25	MUX25	R/W	0h	Selects the output of MUX25 to drive AUXSIG1 of CLB-XBAR 0: Respective output of MUX25 is disabled to drive the AUXSIG1 of CLB-XBAR 1: Respective output of MUX25 is enabled to drive the AUXSIG1 of CLB-XBAR Refer to the CLB X-BAR section of this chapter for more details. Reset type: CPU1.SYSRSn
24	MUX24	R/W	0h	Selects the output of MUX24 to drive AUXSIG1 of CLB-XBAR 0: Respective output of MUX24 is disabled to drive the AUXSIG1 of CLB-XBAR 1: Respective output of MUX24 is enabled to drive the AUXSIG1 of CLB-XBAR Refer to the CLB X-BAR section of this chapter for more details. Reset type: CPU1.SYSRSn
23	MUX23	R/W	0h	Selects the output of MUX23 to drive AUXSIG1 of CLB-XBAR 0: Respective output of MUX23 is disabled to drive the AUXSIG1 of CLB-XBAR 1: Respective output of MUX23 is enabled to drive the AUXSIG1 of CLB-XBAR Refer to the CLB X-BAR section of this chapter for more details. Reset type: CPU1.SYSRSn
22	MUX22	R/W	0h	Selects the output of MUX22 to drive AUXSIG1 of CLB-XBAR 0: Respective output of MUX22 is disabled to drive the AUXSIG1 of CLB-XBAR 1: Respective output of MUX22 is enabled to drive the AUXSIG1 of CLB-XBAR Refer to the CLB X-BAR section of this chapter for more details. Reset type: CPU1.SYSRSn
21	MUX21	R/W	0h	Selects the output of MUX21 to drive AUXSIG1 of CLB-XBAR 0: Respective output of MUX21 is disabled to drive the AUXSIG1 of CLB-XBAR 1: Respective output of MUX21 is enabled to drive the AUXSIG1 of CLB-XBAR Refer to the CLB X-BAR section of this chapter for more details. Reset type: CPU1.SYSRSn
20	MUX20	R/W	0h	Selects the output of MUX20 to drive AUXSIG1 of CLB-XBAR 0: Respective output of MUX20 is disabled to drive the AUXSIG1 of CLB-XBAR 1: Respective output of MUX20 is enabled to drive the AUXSIG1 of CLB-XBAR Refer to the CLB X-BAR section of this chapter for more details. Reset type: CPU1.SYSRSn



**Table 8-78. AUXSIG1MUXENABLE Register Field Descriptions (continued)**

Bit	Field	Type	Reset	Description
19	MUX19	R/W	0h	Selects the output of MUX19 to drive AUXSIG1 of CLB-XBAR 0: Respective output of MUX19 is disabled to drive the AUXSIG1 of CLB-XBAR 1: Respective output of MUX19 is enabled to drive the AUXSIG1 of CLB-XBAR Refer to the CLB X-BAR section of this chapter for more details. Reset type: CPU1.SYSRSn
18	MUX18	R/W	0h	Selects the output of MUX18 to drive AUXSIG1 of CLB-XBAR 0: Respective output of MUX18 is disabled to drive the AUXSIG1 of CLB-XBAR 1: Respective output of MUX18 is enabled to drive the AUXSIG1 of CLB-XBAR Refer to the CLB X-BAR section of this chapter for more details. Reset type: CPU1.SYSRSn
17	MUX17	R/W	0h	Selects the output of MUX17 to drive AUXSIG1 of CLB-XBAR 0: Respective output of MUX17 is disabled to drive the AUXSIG1 of CLB-XBAR 1: Respective output of MUX17 is enabled to drive the AUXSIG1 of CLB-XBAR Refer to the CLB X-BAR section of this chapter for more details. Reset type: CPU1.SYSRSn
16	MUX16	R/W	0h	Selects the output of MUX16 to drive AUXSIG1 of CLB-XBAR 0: Respective output of MUX16 is disabled to drive the AUXSIG1 of CLB-XBAR 1: Respective output of MUX16 is enabled to drive the AUXSIG1 of CLB-XBAR Refer to the CLB X-BAR section of this chapter for more details. Reset type: CPU1.SYSRSn
15	MUX15	R/W	0h	Selects the output of MUX15 to drive AUXSIG1 of CLB-XBAR 0: Respective output of MUX15 is disabled to drive the AUXSIG1 of CLB-XBAR 1: Respective output of MUX15 is enabled to drive the AUXSIG1 of CLB-XBAR Refer to the CLB X-BAR section of this chapter for more details. Reset type: CPU1.SYSRSn
14	MUX14	R/W	0h	Selects the output of MUX14 to drive AUXSIG1 of CLB-XBAR 0: Respective output of MUX14 is disabled to drive the AUXSIG1 of CLB-XBAR 1: Respective output of MUX14 is enabled to drive the AUXSIG1 of CLB-XBAR Refer to the CLB X-BAR section of this chapter for more details. Reset type: CPU1.SYSRSn
13	MUX13	R/W	0h	Selects the output of MUX13 to drive AUXSIG1 of CLB-XBAR 0: Respective output of MUX13 is disabled to drive the AUXSIG1 of CLB-XBAR 1: Respective output of MUX13 is enabled to drive the AUXSIG1 of CLB-XBAR Refer to the CLB X-BAR section of this chapter for more details. Reset type: CPU1.SYSRSn
12	MUX12	R/W	0h	Selects the output of MUX12 to drive AUXSIG1 of CLB-XBAR 0: Respective output of MUX12 is disabled to drive the AUXSIG1 of CLB-XBAR 1: Respective output of MUX12 is enabled to drive the AUXSIG1 of CLB-XBAR Refer to the CLB X-BAR section of this chapter for more details. Reset type: CPU1.SYSRSn

**Table 8-78. AUXSIG1MUXENABLE Register Field Descriptions (continued)**

Bit	Field	Type	Reset	Description
11	MUX11	R/W	0h	Selects the output of MUX11 to drive AUXSIG1 of CLB-XBAR 0: Respective output of MUX11 is disabled to drive the AUXSIG1 of CLB-XBAR 1: Respective output of MUX11 is enabled to drive the AUXSIG1 of CLB-XBAR Refer to the CLB X-BAR section of this chapter for more details. Reset type: CPU1.SYSRSn
10	MUX10	R/W	0h	Selects the output of MUX10 to drive AUXSIG1 of CLB-XBAR 0: Respective output of MUX10 is disabled to drive the AUXSIG1 of CLB-XBAR 1: Respective output of MUX10 is enabled to drive the AUXSIG1 of CLB-XBAR Refer to the CLB X-BAR section of this chapter for more details. Reset type: CPU1.SYSRSn
9	MUX9	R/W	0h	Selects the output of MUX9 to drive AUXSIG1 of CLB-XBAR 0: Respective output of MUX9 is disabled to drive the AUXSIG1 of CLB-XBAR 1: Respective output of MUX9 is enabled to drive the AUXSIG1 of CLB-XBAR Refer to the CLB X-BAR section of this chapter for more details. Reset type: CPU1.SYSRSn
8	MUX8	R/W	0h	Selects the output of MUX8 to drive AUXSIG1 of CLB-XBAR 0: Respective output of MUX8 is disabled to drive the AUXSIG1 of CLB-XBAR 1: Respective output of MUX8 is enabled to drive the AUXSIG1 of CLB-XBAR Refer to the CLB X-BAR section of this chapter for more details. Reset type: CPU1.SYSRSn
7	MUX7	R/W	0h	Selects the output of MUX7 to drive AUXSIG1 of CLB-XBAR 0: Respective output of MUX7 is disabled to drive the AUXSIG1 of CLB-XBAR 1: Respective output of MUX7 is enabled to drive the AUXSIG1 of CLB-XBAR Refer to the CLB X-BAR section of this chapter for more details. Reset type: CPU1.SYSRSn
6	MUX6	R/W	0h	Selects the output of MUX6 to drive AUXSIG1 of CLB-XBAR 0: Respective output of MUX6 is disabled to drive the AUXSIG1 of CLB-XBAR 1: Respective output of MUX6 is enabled to drive the AUXSIG1 of CLB-XBAR Refer to the CLB X-BAR section of this chapter for more details. Reset type: CPU1.SYSRSn
5	MUX5	R/W	0h	Selects the output of MUX5 to drive AUXSIG1 of CLB-XBAR 0: Respective output of MUX5 is disabled to drive the AUXSIG1 of CLB-XBAR 1: Respective output of MUX5 is enabled to drive the AUXSIG1 of CLB-XBAR Refer to the CLB X-BAR section of this chapter for more details. Reset type: CPU1.SYSRSn
4	MUX4	R/W	0h	Selects the output of MUX4 to drive AUXSIG1 of CLB-XBAR 0: Respective output of MUX4 is disabled to drive the AUXSIG1 of CLB-XBAR 1: Respective output of MUX4 is enabled to drive the AUXSIG1 of CLB-XBAR Refer to the CLB X-BAR section of this chapter for more details. Reset type: CPU1.SYSRSn

**Table 8-78. AUXSIG1MUXENABLE Register Field Descriptions (continued)**

Bit	Field	Type	Reset	Description
3	MUX3	R/W	0h	Selects the output of MUX3 to drive AUXSIG1 of CLB-XBAR 0: Respective output of MUX3 is disabled to drive the AUXSIG1 of CLB-XBAR 1: Respective output of MUX3 is enabled to drive the AUXSIG1 of CLB-XBAR Refer to the CLB X-BAR section of this chapter for more details. Reset type: CPU1.SYSRSn
2	MUX2	R/W	0h	Selects the output of MUX2 to drive AUXSIG1 of CLB-XBAR 0: Respective output of MUX2 is disabled to drive the AUXSIG1 of CLB-XBAR 1: Respective output of MUX2 is enabled to drive the AUXSIG1 of CLB-XBAR Refer to the CLB X-BAR section of this chapter for more details. Reset type: CPU1.SYSRSn
1	MUX1	R/W	0h	Selects the output of MUX1 to drive AUXSIG1 of CLB-XBAR 0: Respective output of MUX1 is disabled to drive the AUXSIG1 of CLB-XBAR 1: Respective output of MUX1 is enabled to drive the AUXSIG1 of CLB-XBAR Refer to the CLB X-BAR section of this chapter for more details. Reset type: CPU1.SYSRSn
0	MUX0	R/W	0h	Selects the output of mux0 to drive AUXSIG1 of CLB-XBAR 0: Respective output of MUX0 is disabled to drive the AUXSIG1 of CLB-XBAR 1: Respective output of MUX0 is enabled to drive the AUXSIG1 of CLB-XBAR Refer to the CLB X-BAR section of this chapter for more details. Reset type: CPU1.SYSRSn

### 8.3.5.19 AUXSIG2MUXENABLE Register (Offset = 24h) [Reset = 0000000h]

AUXSIG2MUXENABLE is shown in [Figure 8-72](#) and described in [Table 8-79](#).

Return to the [Summary Table](#).

CLB XBAR Mux Enable Register for Output-2

**Figure 8-72. AUXSIG2MUXENABLE Register**

31	30	29	28	27	26	25	24
MUX31	MUX30	MUX29	MUX28	MUX27	MUX26	MUX25	MUX24
R/W-0h	R/W-0h	R/W-0h	R/W-0h	R/W-0h	R/W-0h	R/W-0h	R/W-0h
23	22	21	20	19	18	17	16
MUX23	MUX22	MUX21	MUX20	MUX19	MUX18	MUX17	MUX16
R/W-0h	R/W-0h	R/W-0h	R/W-0h	R/W-0h	R/W-0h	R/W-0h	R/W-0h
15	14	13	12	11	10	9	8
MUX15	MUX14	MUX13	MUX12	MUX11	MUX10	MUX9	MUX8
R/W-0h	R/W-0h	R/W-0h	R/W-0h	R/W-0h	R/W-0h	R/W-0h	R/W-0h
7	6	5	4	3	2	1	0
MUX7	MUX6	MUX5	MUX4	MUX3	MUX2	MUX1	MUX0
R/W-0h	R/W-0h	R/W-0h	R/W-0h	R/W-0h	R/W-0h	R/W-0h	R/W-0h

**Table 8-79. AUXSIG2MUXENABLE Register Field Descriptions**

Bit	Field	Type	Reset	Description
31	MUX31	R/W	0h	Selects the output of MUX31 to drive AUXSIG2 of CLB-XBAR 0: Respective output of MUX31 is disabled to drive the AUXSIG2 of CLB-XBAR 1: Respective output of MUX31 is enabled to drive the AUXSIG2 of CLB-XBAR Refer to the CLB X-BAR section of this chapter for more details. Reset type: CPU1.SYSRSn
30	MUX30	R/W	0h	Selects the output of MUX30 to drive AUXSIG2 of CLB-XBAR 0: Respective output of MUX30 is disabled to drive the AUXSIG2 of CLB-XBAR 1: Respective output of MUX30 is enabled to drive the AUXSIG2 of CLB-XBAR Refer to the CLB X-BAR section of this chapter for more details. Reset type: CPU1.SYSRSn
29	MUX29	R/W	0h	Selects the output of MUX29 to drive AUXSIG2 of CLB-XBAR 0: Respective output of MUX29 is disabled to drive the AUXSIG2 of CLB-XBAR 1: Respective output of MUX29 is enabled to drive the AUXSIG2 of CLB-XBAR Refer to the CLB X-BAR section of this chapter for more details. Reset type: CPU1.SYSRSn
28	MUX28	R/W	0h	Selects the output of MUX28 to drive AUXSIG2 of CLB-XBAR 0: Respective output of MUX28 is disabled to drive the AUXSIG2 of CLB-XBAR 1: Respective output of MUX28 is enabled to drive the AUXSIG2 of CLB-XBAR Refer to the CLB X-BAR section of this chapter for more details. Reset type: CPU1.SYSRSn

**Table 8-79. AUXSIG2MUXENABLE Register Field Descriptions (continued)**

Bit	Field	Type	Reset	Description
27	MUX27	R/W	0h	Selects the output of MUX27 to drive AUXSIG2 of CLB-XBAR 0: Respective output of MUX27 is disabled to drive the AUXSIG2 of CLB-XBAR 1: Respective output of MUX27 is enabled to drive the AUXSIG2 of CLB-XBAR Refer to the CLB X-BAR section of this chapter for more details. Reset type: CPU1.SYSRSn
26	MUX26	R/W	0h	Selects the output of MUX26 to drive AUXSIG2 of CLB-XBAR 0: Respective output of MUX26 is disabled to drive the AUXSIG2 of CLB-XBAR 1: Respective output of MUX26 is enabled to drive the AUXSIG2 of CLB-XBAR Refer to the CLB X-BAR section of this chapter for more details. Reset type: CPU1.SYSRSn
25	MUX25	R/W	0h	Selects the output of MUX25 to drive AUXSIG2 of CLB-XBAR 0: Respective output of MUX25 is disabled to drive the AUXSIG2 of CLB-XBAR 1: Respective output of MUX25 is enabled to drive the AUXSIG2 of CLB-XBAR Refer to the CLB X-BAR section of this chapter for more details. Reset type: CPU1.SYSRSn
24	MUX24	R/W	0h	Selects the output of MUX24 to drive AUXSIG2 of CLB-XBAR 0: Respective output of MUX24 is disabled to drive the AUXSIG2 of CLB-XBAR 1: Respective output of MUX24 is enabled to drive the AUXSIG2 of CLB-XBAR Refer to the CLB X-BAR section of this chapter for more details. Reset type: CPU1.SYSRSn
23	MUX23	R/W	0h	Selects the output of MUX23 to drive AUXSIG2 of CLB-XBAR 0: Respective output of MUX23 is disabled to drive the AUXSIG2 of CLB-XBAR 1: Respective output of MUX23 is enabled to drive the AUXSIG2 of CLB-XBAR Refer to the CLB X-BAR section of this chapter for more details. Reset type: CPU1.SYSRSn
22	MUX22	R/W	0h	Selects the output of MUX22 to drive AUXSIG2 of CLB-XBAR 0: Respective output of MUX22 is disabled to drive the AUXSIG2 of CLB-XBAR 1: Respective output of MUX22 is enabled to drive the AUXSIG2 of CLB-XBAR Refer to the CLB X-BAR section of this chapter for more details. Reset type: CPU1.SYSRSn
21	MUX21	R/W	0h	Selects the output of MUX21 to drive AUXSIG2 of CLB-XBAR 0: Respective output of MUX21 is disabled to drive the AUXSIG2 of CLB-XBAR 1: Respective output of MUX21 is enabled to drive the AUXSIG2 of CLB-XBAR Refer to the CLB X-BAR section of this chapter for more details. Reset type: CPU1.SYSRSn
20	MUX20	R/W	0h	Selects the output of MUX20 to drive AUXSIG2 of CLB-XBAR 0: Respective output of MUX20 is disabled to drive the AUXSIG2 of CLB-XBAR 1: Respective output of MUX20 is enabled to drive the AUXSIG2 of CLB-XBAR Refer to the CLB X-BAR section of this chapter for more details. Reset type: CPU1.SYSRSn

**Table 8-79. AUXSIG2MUXENABLE Register Field Descriptions (continued)**

Bit	Field	Type	Reset	Description
19	MUX19	R/W	0h	Selects the output of MUX19 to drive AUXSIG2 of CLB-XBAR 0: Respective output of MUX19 is disabled to drive the AUXSIG2 of CLB-XBAR 1: Respective output of MUX19 is enabled to drive the AUXSIG2 of CLB-XBAR Refer to the CLB X-BAR section of this chapter for more details. Reset type: CPU1.SYSRSn
18	MUX18	R/W	0h	Selects the output of MUX18 to drive AUXSIG2 of CLB-XBAR 0: Respective output of MUX18 is disabled to drive the AUXSIG2 of CLB-XBAR 1: Respective output of MUX18 is enabled to drive the AUXSIG2 of CLB-XBAR Refer to the CLB X-BAR section of this chapter for more details. Reset type: CPU1.SYSRSn
17	MUX17	R/W	0h	Selects the output of MUX17 to drive AUXSIG2 of CLB-XBAR 0: Respective output of MUX17 is disabled to drive the AUXSIG2 of CLB-XBAR 1: Respective output of MUX17 is enabled to drive the AUXSIG2 of CLB-XBAR Refer to the CLB X-BAR section of this chapter for more details. Reset type: CPU1.SYSRSn
16	MUX16	R/W	0h	Selects the output of MUX16 to drive AUXSIG2 of CLB-XBAR 0: Respective output of MUX16 is disabled to drive the AUXSIG2 of CLB-XBAR 1: Respective output of MUX16 is enabled to drive the AUXSIG2 of CLB-XBAR Refer to the CLB X-BAR section of this chapter for more details. Reset type: CPU1.SYSRSn
15	MUX15	R/W	0h	Selects the output of MUX15 to drive AUXSIG2 of CLB-XBAR 0: Respective output of MUX15 is disabled to drive the AUXSIG2 of CLB-XBAR 1: Respective output of MUX15 is enabled to drive the AUXSIG2 of CLB-XBAR Refer to the CLB X-BAR section of this chapter for more details. Reset type: CPU1.SYSRSn
14	MUX14	R/W	0h	Selects the output of MUX14 to drive AUXSIG2 of CLB-XBAR 0: Respective output of MUX14 is disabled to drive the AUXSIG2 of CLB-XBAR 1: Respective output of MUX14 is enabled to drive the AUXSIG2 of CLB-XBAR Refer to the CLB X-BAR section of this chapter for more details. Reset type: CPU1.SYSRSn
13	MUX13	R/W	0h	Selects the output of MUX13 to drive AUXSIG2 of CLB-XBAR 0: Respective output of MUX13 is disabled to drive the AUXSIG2 of CLB-XBAR 1: Respective output of MUX13 is enabled to drive the AUXSIG2 of CLB-XBAR Refer to the CLB X-BAR section of this chapter for more details. Reset type: CPU1.SYSRSn
12	MUX12	R/W	0h	Selects the output of MUX12 to drive AUXSIG2 of CLB-XBAR 0: Respective output of MUX12 is disabled to drive the AUXSIG2 of CLB-XBAR 1: Respective output of MUX12 is enabled to drive the AUXSIG2 of CLB-XBAR Refer to the CLB X-BAR section of this chapter for more details. Reset type: CPU1.SYSRSn

**Table 8-79. AUXSIG2MUXENABLE Register Field Descriptions (continued)**

Bit	Field	Type	Reset	Description
11	MUX11	R/W	0h	Selects the output of MUX11 to drive AUXSIG2 of CLB-XBAR 0: Respective output of MUX11 is disabled to drive the AUXSIG2 of CLB-XBAR 1: Respective output of MUX11 is enabled to drive the AUXSIG2 of CLB-XBAR Refer to the CLB X-BAR section of this chapter for more details. Reset type: CPU1.SYSRSn
10	MUX10	R/W	0h	Selects the output of MUX10 to drive AUXSIG2 of CLB-XBAR 0: Respective output of MUX10 is disabled to drive the AUXSIG2 of CLB-XBAR 1: Respective output of MUX10 is enabled to drive the AUXSIG2 of CLB-XBAR Refer to the CLB X-BAR section of this chapter for more details. Reset type: CPU1.SYSRSn
9	MUX9	R/W	0h	Selects the output of MUX9 to drive AUXSIG2 of CLB-XBAR 0: Respective output of MUX9 is disabled to drive the AUXSIG2 of CLB-XBAR 1: Respective output of MUX9 is enabled to drive the AUXSIG2 of CLB-XBAR Refer to the CLB X-BAR section of this chapter for more details. Reset type: CPU1.SYSRSn
8	MUX8	R/W	0h	Selects the output of MUX8 to drive AUXSIG2 of CLB-XBAR 0: Respective output of MUX8 is disabled to drive the AUXSIG2 of CLB-XBAR 1: Respective output of MUX8 is enabled to drive the AUXSIG2 of CLB-XBAR Refer to the CLB X-BAR section of this chapter for more details. Reset type: CPU1.SYSRSn
7	MUX7	R/W	0h	Selects the output of MUX7 to drive AUXSIG2 of CLB-XBAR 0: Respective output of MUX7 is disabled to drive the AUXSIG2 of CLB-XBAR 1: Respective output of MUX7 is enabled to drive the AUXSIG2 of CLB-XBAR Refer to the CLB X-BAR section of this chapter for more details. Reset type: CPU1.SYSRSn
6	MUX6	R/W	0h	Selects the output of MUX6 to drive AUXSIG2 of CLB-XBAR 0: Respective output of MUX6 is disabled to drive the AUXSIG2 of CLB-XBAR 1: Respective output of MUX6 is enabled to drive the AUXSIG2 of CLB-XBAR Refer to the CLB X-BAR section of this chapter for more details. Reset type: CPU1.SYSRSn
5	MUX5	R/W	0h	Selects the output of MUX5 to drive AUXSIG2 of CLB-XBAR 0: Respective output of MUX5 is disabled to drive the AUXSIG2 of CLB-XBAR 1: Respective output of MUX5 is enabled to drive the AUXSIG2 of CLB-XBAR Refer to the CLB X-BAR section of this chapter for more details. Reset type: CPU1.SYSRSn
4	MUX4	R/W	0h	Selects the output of MUX4 to drive AUXSIG2 of CLB-XBAR 0: Respective output of MUX4 is disabled to drive the AUXSIG2 of CLB-XBAR 1: Respective output of MUX4 is enabled to drive the AUXSIG2 of CLB-XBAR Refer to the CLB X-BAR section of this chapter for more details. Reset type: CPU1.SYSRSn

**Table 8-79. AUXSIG2MUXENABLE Register Field Descriptions (continued)**

Bit	Field	Type	Reset	Description
3	MUX3	R/W	0h	Selects the output of MUX3 to drive AUXSIG2 of CLB-XBAR 0: Respective output of MUX3 is disabled to drive the AUXSIG2 of CLB-XBAR 1: Respective output of MUX3 is enabled to drive the AUXSIG2 of CLB-XBAR Refer to the CLB X-BAR section of this chapter for more details. Reset type: CPU1.SYSRSn
2	MUX2	R/W	0h	Selects the output of MUX2 to drive AUXSIG2 of CLB-XBAR 0: Respective output of MUX2 is disabled to drive the AUXSIG2 of CLB-XBAR 1: Respective output of MUX2 is enabled to drive the AUXSIG2 of CLB-XBAR Refer to the CLB X-BAR section of this chapter for more details. Reset type: CPU1.SYSRSn
1	MUX1	R/W	0h	Selects the output of MUX1 to drive AUXSIG2 of CLB-XBAR 0: Respective output of MUX1 is disabled to drive the AUXSIG2 of CLB-XBAR 1: Respective output of MUX1 is enabled to drive the AUXSIG2 of CLB-XBAR Refer to the CLB X-BAR section of this chapter for more details. Reset type: CPU1.SYSRSn
0	MUX0	R/W	0h	Selects the output of mux0 to drive AUXSIG2 of CLB-XBAR 0: Respective output of MUX0 is disabled to drive the AUXSIG2 of CLB-XBAR 1: Respective output of MUX0 is enabled to drive the AUXSIG2 of CLB-XBAR Refer to the CLB X-BAR section of this chapter for more details. Reset type: CPU1.SYSRSn



### 8.3.5.20 AUXSIG3MUXENABLE Register (Offset = 26h) [Reset = 0000000h]

AUXSIG3MUXENABLE is shown in [Figure 8-73](#) and described in [Table 8-80](#).

Return to the [Summary Table](#).

CLB XBAR Mux Enable Register for Output-3

**Figure 8-73. AUXSIG3MUXENABLE Register**

31	30	29	28	27	26	25	24
MUX31	MUX30	MUX29	MUX28	MUX27	MUX26	MUX25	MUX24
R/W-0h	R/W-0h	R/W-0h	R/W-0h	R/W-0h	R/W-0h	R/W-0h	R/W-0h
23	22	21	20	19	18	17	16
MUX23	MUX22	MUX21	MUX20	MUX19	MUX18	MUX17	MUX16
R/W-0h	R/W-0h	R/W-0h	R/W-0h	R/W-0h	R/W-0h	R/W-0h	R/W-0h
15	14	13	12	11	10	9	8
MUX15	MUX14	MUX13	MUX12	MUX11	MUX10	MUX9	MUX8
R/W-0h	R/W-0h	R/W-0h	R/W-0h	R/W-0h	R/W-0h	R/W-0h	R/W-0h
7	6	5	4	3	2	1	0
MUX7	MUX6	MUX5	MUX4	MUX3	MUX2	MUX1	MUX0
R/W-0h	R/W-0h	R/W-0h	R/W-0h	R/W-0h	R/W-0h	R/W-0h	R/W-0h

**Table 8-80. AUXSIG3MUXENABLE Register Field Descriptions**

Bit	Field	Type	Reset	Description
31	MUX31	R/W	0h	Selects the output of MUX31 to drive AUXSIG3 of CLB-XBAR 0: Respective output of MUX31 is disabled to drive the AUXSIG3 of CLB-XBAR 1: Respective output of MUX31 is enabled to drive the AUXSIG3 of CLB-XBAR Refer to the CLB X-BAR section of this chapter for more details. Reset type: CPU1.SYSRSn
30	MUX30	R/W	0h	Selects the output of MUX30 to drive AUXSIG3 of CLB-XBAR 0: Respective output of MUX30 is disabled to drive the AUXSIG3 of CLB-XBAR 1: Respective output of MUX30 is enabled to drive the AUXSIG3 of CLB-XBAR Refer to the CLB X-BAR section of this chapter for more details. Reset type: CPU1.SYSRSn
29	MUX29	R/W	0h	Selects the output of MUX29 to drive AUXSIG3 of CLB-XBAR 0: Respective output of MUX29 is disabled to drive the AUXSIG3 of CLB-XBAR 1: Respective output of MUX29 is enabled to drive the AUXSIG3 of CLB-XBAR Refer to the CLB X-BAR section of this chapter for more details. Reset type: CPU1.SYSRSn
28	MUX28	R/W	0h	Selects the output of MUX28 to drive AUXSIG3 of CLB-XBAR 0: Respective output of MUX28 is disabled to drive the AUXSIG3 of CLB-XBAR 1: Respective output of MUX28 is enabled to drive the AUXSIG3 of CLB-XBAR Refer to the CLB X-BAR section of this chapter for more details. Reset type: CPU1.SYSRSn

**Table 8-80. AUXSIG3MUXENABLE Register Field Descriptions (continued)**

Bit	Field	Type	Reset	Description
27	MUX27	R/W	0h	Selects the output of MUX27 to drive AUXSIG3 of CLB-XBAR 0: Respective output of MUX27 is disabled to drive the AUXSIG3 of CLB-XBAR 1: Respective output of MUX27 is enabled to drive the AUXSIG3 of CLB-XBAR Refer to the CLB X-BAR section of this chapter for more details. Reset type: CPU1.SYSRSn
26	MUX26	R/W	0h	Selects the output of MUX26 to drive AUXSIG3 of CLB-XBAR 0: Respective output of MUX26 is disabled to drive the AUXSIG3 of CLB-XBAR 1: Respective output of MUX26 is enabled to drive the AUXSIG3 of CLB-XBAR Refer to the CLB X-BAR section of this chapter for more details. Reset type: CPU1.SYSRSn
25	MUX25	R/W	0h	Selects the output of MUX25 to drive AUXSIG3 of CLB-XBAR 0: Respective output of MUX25 is disabled to drive the AUXSIG3 of CLB-XBAR 1: Respective output of MUX25 is enabled to drive the AUXSIG3 of CLB-XBAR Refer to the CLB X-BAR section of this chapter for more details. Reset type: CPU1.SYSRSn
24	MUX24	R/W	0h	Selects the output of MUX24 to drive AUXSIG3 of CLB-XBAR 0: Respective output of MUX24 is disabled to drive the AUXSIG3 of CLB-XBAR 1: Respective output of MUX24 is enabled to drive the AUXSIG3 of CLB-XBAR Refer to the CLB X-BAR section of this chapter for more details. Reset type: CPU1.SYSRSn
23	MUX23	R/W	0h	Selects the output of MUX23 to drive AUXSIG3 of CLB-XBAR 0: Respective output of MUX23 is disabled to drive the AUXSIG3 of CLB-XBAR 1: Respective output of MUX23 is enabled to drive the AUXSIG3 of CLB-XBAR Refer to the CLB X-BAR section of this chapter for more details. Reset type: CPU1.SYSRSn
22	MUX22	R/W	0h	Selects the output of MUX22 to drive AUXSIG3 of CLB-XBAR 0: Respective output of MUX22 is disabled to drive the AUXSIG3 of CLB-XBAR 1: Respective output of MUX22 is enabled to drive the AUXSIG3 of CLB-XBAR Refer to the CLB X-BAR section of this chapter for more details. Reset type: CPU1.SYSRSn
21	MUX21	R/W	0h	Selects the output of MUX21 to drive AUXSIG3 of CLB-XBAR 0: Respective output of MUX21 is disabled to drive the AUXSIG3 of CLB-XBAR 1: Respective output of MUX21 is enabled to drive the AUXSIG3 of CLB-XBAR Refer to the CLB X-BAR section of this chapter for more details. Reset type: CPU1.SYSRSn
20	MUX20	R/W	0h	Selects the output of MUX20 to drive AUXSIG3 of CLB-XBAR 0: Respective output of MUX20 is disabled to drive the AUXSIG3 of CLB-XBAR 1: Respective output of MUX20 is enabled to drive the AUXSIG3 of CLB-XBAR Refer to the CLB X-BAR section of this chapter for more details. Reset type: CPU1.SYSRSn

**Table 8-80. AUXSIG3MUXENABLE Register Field Descriptions (continued)**

Bit	Field	Type	Reset	Description
19	MUX19	R/W	0h	Selects the output of MUX19 to drive AUXSIG3 of CLB-XBAR 0: Respective output of MUX19 is disabled to drive the AUXSIG3 of CLB-XBAR 1: Respective output of MUX19 is enabled to drive the AUXSIG3 of CLB-XBAR Refer to the CLB X-BAR section of this chapter for more details. Reset type: CPU1.SYSRSn
18	MUX18	R/W	0h	Selects the output of MUX18 to drive AUXSIG3 of CLB-XBAR 0: Respective output of MUX18 is disabled to drive the AUXSIG3 of CLB-XBAR 1: Respective output of MUX18 is enabled to drive the AUXSIG3 of CLB-XBAR Refer to the CLB X-BAR section of this chapter for more details. Reset type: CPU1.SYSRSn
17	MUX17	R/W	0h	Selects the output of MUX17 to drive AUXSIG3 of CLB-XBAR 0: Respective output of MUX17 is disabled to drive the AUXSIG3 of CLB-XBAR 1: Respective output of MUX17 is enabled to drive the AUXSIG3 of CLB-XBAR Refer to the CLB X-BAR section of this chapter for more details. Reset type: CPU1.SYSRSn
16	MUX16	R/W	0h	Selects the output of MUX16 to drive AUXSIG3 of CLB-XBAR 0: Respective output of MUX16 is disabled to drive the AUXSIG3 of CLB-XBAR 1: Respective output of MUX16 is enabled to drive the AUXSIG3 of CLB-XBAR Refer to the CLB X-BAR section of this chapter for more details. Reset type: CPU1.SYSRSn
15	MUX15	R/W	0h	Selects the output of MUX15 to drive AUXSIG3 of CLB-XBAR 0: Respective output of MUX15 is disabled to drive the AUXSIG3 of CLB-XBAR 1: Respective output of MUX15 is enabled to drive the AUXSIG3 of CLB-XBAR Refer to the CLB X-BAR section of this chapter for more details. Reset type: CPU1.SYSRSn
14	MUX14	R/W	0h	Selects the output of MUX14 to drive AUXSIG3 of CLB-XBAR 0: Respective output of MUX14 is disabled to drive the AUXSIG3 of CLB-XBAR 1: Respective output of MUX14 is enabled to drive the AUXSIG3 of CLB-XBAR Refer to the CLB X-BAR section of this chapter for more details. Reset type: CPU1.SYSRSn
13	MUX13	R/W	0h	Selects the output of MUX13 to drive AUXSIG3 of CLB-XBAR 0: Respective output of MUX13 is disabled to drive the AUXSIG3 of CLB-XBAR 1: Respective output of MUX13 is enabled to drive the AUXSIG3 of CLB-XBAR Refer to the CLB X-BAR section of this chapter for more details. Reset type: CPU1.SYSRSn
12	MUX12	R/W	0h	Selects the output of MUX12 to drive AUXSIG3 of CLB-XBAR 0: Respective output of MUX12 is disabled to drive the AUXSIG3 of CLB-XBAR 1: Respective output of MUX12 is enabled to drive the AUXSIG3 of CLB-XBAR Refer to the CLB X-BAR section of this chapter for more details. Reset type: CPU1.SYSRSn

**Table 8-80. AUXSIG3MUXENABLE Register Field Descriptions (continued)**

Bit	Field	Type	Reset	Description
11	MUX11	R/W	0h	Selects the output of MUX11 to drive AUXSIG3 of CLB-XBAR 0: Respective output of MUX11 is disabled to drive the AUXSIG3 of CLB-XBAR 1: Respective output of MUX11 is enabled to drive the AUXSIG3 of CLB-XBAR Refer to the CLB X-BAR section of this chapter for more details. Reset type: CPU1.SYSRSn
10	MUX10	R/W	0h	Selects the output of MUX10 to drive AUXSIG3 of CLB-XBAR 0: Respective output of MUX10 is disabled to drive the AUXSIG3 of CLB-XBAR 1: Respective output of MUX10 is enabled to drive the AUXSIG3 of CLB-XBAR Refer to the CLB X-BAR section of this chapter for more details. Reset type: CPU1.SYSRSn
9	MUX9	R/W	0h	Selects the output of MUX9 to drive AUXSIG3 of CLB-XBAR 0: Respective output of MUX9 is disabled to drive the AUXSIG3 of CLB-XBAR 1: Respective output of MUX9 is enabled to drive the AUXSIG3 of CLB-XBAR Refer to the CLB X-BAR section of this chapter for more details. Reset type: CPU1.SYSRSn
8	MUX8	R/W	0h	Selects the output of MUX8 to drive AUXSIG3 of CLB-XBAR 0: Respective output of MUX8 is disabled to drive the AUXSIG3 of CLB-XBAR 1: Respective output of MUX8 is enabled to drive the AUXSIG3 of CLB-XBAR Refer to the CLB X-BAR section of this chapter for more details. Reset type: CPU1.SYSRSn
7	MUX7	R/W	0h	Selects the output of MUX7 to drive AUXSIG3 of CLB-XBAR 0: Respective output of MUX7 is disabled to drive the AUXSIG3 of CLB-XBAR 1: Respective output of MUX7 is enabled to drive the AUXSIG3 of CLB-XBAR Refer to the CLB X-BAR section of this chapter for more details. Reset type: CPU1.SYSRSn
6	MUX6	R/W	0h	Selects the output of MUX6 to drive AUXSIG3 of CLB-XBAR 0: Respective output of MUX6 is disabled to drive the AUXSIG3 of CLB-XBAR 1: Respective output of MUX6 is enabled to drive the AUXSIG3 of CLB-XBAR Refer to the CLB X-BAR section of this chapter for more details. Reset type: CPU1.SYSRSn
5	MUX5	R/W	0h	Selects the output of MUX5 to drive AUXSIG3 of CLB-XBAR 0: Respective output of MUX5 is disabled to drive the AUXSIG3 of CLB-XBAR 1: Respective output of MUX5 is enabled to drive the AUXSIG3 of CLB-XBAR Refer to the CLB X-BAR section of this chapter for more details. Reset type: CPU1.SYSRSn
4	MUX4	R/W	0h	Selects the output of MUX4 to drive AUXSIG3 of CLB-XBAR 0: Respective output of MUX4 is disabled to drive the AUXSIG3 of CLB-XBAR 1: Respective output of MUX4 is enabled to drive the AUXSIG3 of CLB-XBAR Refer to the CLB X-BAR section of this chapter for more details. Reset type: CPU1.SYSRSn

**Table 8-80. AUXSIG3MUXENABLE Register Field Descriptions (continued)**

Bit	Field	Type	Reset	Description
3	MUX3	R/W	0h	Selects the output of MUX3 to drive AUXSIG3 of CLB-XBAR 0: Respective output of MUX3 is disabled to drive the AUXSIG3 of CLB-XBAR 1: Respective output of MUX3 is enabled to drive the AUXSIG3 of CLB-XBAR Refer to the CLB X-BAR section of this chapter for more details. Reset type: CPU1.SYSRSn
2	MUX2	R/W	0h	Selects the output of MUX2 to drive AUXSIG3 of CLB-XBAR 0: Respective output of MUX2 is disabled to drive the AUXSIG3 of CLB-XBAR 1: Respective output of MUX2 is enabled to drive the AUXSIG3 of CLB-XBAR Refer to the CLB X-BAR section of this chapter for more details. Reset type: CPU1.SYSRSn
1	MUX1	R/W	0h	Selects the output of MUX1 to drive AUXSIG3 of CLB-XBAR 0: Respective output of MUX1 is disabled to drive the AUXSIG3 of CLB-XBAR 1: Respective output of MUX1 is enabled to drive the AUXSIG3 of CLB-XBAR Refer to the CLB X-BAR section of this chapter for more details. Reset type: CPU1.SYSRSn
0	MUX0	R/W	0h	Selects the output of mux0 to drive AUXSIG3 of CLB-XBAR 0: Respective output of MUX0 is disabled to drive the AUXSIG3 of CLB-XBAR 1: Respective output of MUX0 is enabled to drive the AUXSIG3 of CLB-XBAR Refer to the CLB X-BAR section of this chapter for more details. Reset type: CPU1.SYSRSn

### 8.3.5.21 AUXSIG4MUXENABLE Register (Offset = 28h) [Reset = 0000000h]

AUXSIG4MUXENABLE is shown in [Figure 8-74](#) and described in [Table 8-81](#).

Return to the [Summary Table](#).

CLB XBAR Mux Enable Register for Output-4

**Figure 8-74. AUXSIG4MUXENABLE Register**

31	30	29	28	27	26	25	24
MUX31	MUX30	MUX29	MUX28	MUX27	MUX26	MUX25	MUX24
R/W-0h	R/W-0h	R/W-0h	R/W-0h	R/W-0h	R/W-0h	R/W-0h	R/W-0h
23	22	21	20	19	18	17	16
MUX23	MUX22	MUX21	MUX20	MUX19	MUX18	MUX17	MUX16
R/W-0h	R/W-0h	R/W-0h	R/W-0h	R/W-0h	R/W-0h	R/W-0h	R/W-0h
15	14	13	12	11	10	9	8
MUX15	MUX14	MUX13	MUX12	MUX11	MUX10	MUX9	MUX8
R/W-0h	R/W-0h	R/W-0h	R/W-0h	R/W-0h	R/W-0h	R/W-0h	R/W-0h
7	6	5	4	3	2	1	0
MUX7	MUX6	MUX5	MUX4	MUX3	MUX2	MUX1	MUX0
R/W-0h	R/W-0h	R/W-0h	R/W-0h	R/W-0h	R/W-0h	R/W-0h	R/W-0h

**Table 8-81. AUXSIG4MUXENABLE Register Field Descriptions**

Bit	Field	Type	Reset	Description
31	MUX31	R/W	0h	Selects the output of MUX31 to drive AUXSIG4 of CLB-XBAR 0: Respective output of MUX31 is disabled to drive the AUXSIG4 of CLB-XBAR 1: Respective output of MUX31 is enabled to drive the AUXSIG4 of CLB-XBAR Refer to the CLB X-BAR section of this chapter for more details. Reset type: CPU1.SYSRSn
30	MUX30	R/W	0h	Selects the output of MUX30 to drive AUXSIG4 of CLB-XBAR 0: Respective output of MUX30 is disabled to drive the AUXSIG4 of CLB-XBAR 1: Respective output of MUX30 is enabled to drive the AUXSIG4 of CLB-XBAR Refer to the CLB X-BAR section of this chapter for more details. Reset type: CPU1.SYSRSn
29	MUX29	R/W	0h	Selects the output of MUX29 to drive AUXSIG4 of CLB-XBAR 0: Respective output of MUX29 is disabled to drive the AUXSIG4 of CLB-XBAR 1: Respective output of MUX29 is enabled to drive the AUXSIG4 of CLB-XBAR Refer to the CLB X-BAR section of this chapter for more details. Reset type: CPU1.SYSRSn
28	MUX28	R/W	0h	Selects the output of MUX28 to drive AUXSIG4 of CLB-XBAR 0: Respective output of MUX28 is disabled to drive the AUXSIG4 of CLB-XBAR 1: Respective output of MUX28 is enabled to drive the AUXSIG4 of CLB-XBAR Refer to the CLB X-BAR section of this chapter for more details. Reset type: CPU1.SYSRSn

**Table 8-81. AUXSIG4MUXENABLE Register Field Descriptions (continued)**

Bit	Field	Type	Reset	Description
27	MUX27	R/W	0h	Selects the output of MUX27 to drive AUXSIG4 of CLB-XBAR 0: Respective output of MUX27 is disabled to drive the AUXSIG4 of CLB-XBAR 1: Respective output of MUX27 is enabled to drive the AUXSIG4 of CLB-XBAR Refer to the CLB X-BAR section of this chapter for more details. Reset type: CPU1.SYSRSn
26	MUX26	R/W	0h	Selects the output of MUX26 to drive AUXSIG4 of CLB-XBAR 0: Respective output of MUX26 is disabled to drive the AUXSIG4 of CLB-XBAR 1: Respective output of MUX26 is enabled to drive the AUXSIG4 of CLB-XBAR Refer to the CLB X-BAR section of this chapter for more details. Reset type: CPU1.SYSRSn
25	MUX25	R/W	0h	Selects the output of MUX25 to drive AUXSIG4 of CLB-XBAR 0: Respective output of MUX25 is disabled to drive the AUXSIG4 of CLB-XBAR 1: Respective output of MUX25 is enabled to drive the AUXSIG4 of CLB-XBAR Refer to the CLB X-BAR section of this chapter for more details. Reset type: CPU1.SYSRSn
24	MUX24	R/W	0h	Selects the output of MUX24 to drive AUXSIG4 of CLB-XBAR 0: Respective output of MUX24 is disabled to drive the AUXSIG4 of CLB-XBAR 1: Respective output of MUX24 is enabled to drive the AUXSIG4 of CLB-XBAR Refer to the CLB X-BAR section of this chapter for more details. Reset type: CPU1.SYSRSn
23	MUX23	R/W	0h	Selects the output of MUX23 to drive AUXSIG4 of CLB-XBAR 0: Respective output of MUX23 is disabled to drive the AUXSIG4 of CLB-XBAR 1: Respective output of MUX23 is enabled to drive the AUXSIG4 of CLB-XBAR Refer to the CLB X-BAR section of this chapter for more details. Reset type: CPU1.SYSRSn
22	MUX22	R/W	0h	Selects the output of MUX22 to drive AUXSIG4 of CLB-XBAR 0: Respective output of MUX22 is disabled to drive the AUXSIG4 of CLB-XBAR 1: Respective output of MUX22 is enabled to drive the AUXSIG4 of CLB-XBAR Refer to the CLB X-BAR section of this chapter for more details. Reset type: CPU1.SYSRSn
21	MUX21	R/W	0h	Selects the output of MUX21 to drive AUXSIG4 of CLB-XBAR 0: Respective output of MUX21 is disabled to drive the AUXSIG4 of CLB-XBAR 1: Respective output of MUX21 is enabled to drive the AUXSIG4 of CLB-XBAR Refer to the CLB X-BAR section of this chapter for more details. Reset type: CPU1.SYSRSn
20	MUX20	R/W	0h	Selects the output of MUX20 to drive AUXSIG4 of CLB-XBAR 0: Respective output of MUX20 is disabled to drive the AUXSIG4 of CLB-XBAR 1: Respective output of MUX20 is enabled to drive the AUXSIG4 of CLB-XBAR Refer to the CLB X-BAR section of this chapter for more details. Reset type: CPU1.SYSRSn

**Table 8-81. AUXSIG4MUXENABLE Register Field Descriptions (continued)**

Bit	Field	Type	Reset	Description
19	MUX19	R/W	0h	Selects the output of MUX19 to drive AUXSIG4 of CLB-XBAR 0: Respective output of MUX19 is disabled to drive the AUXSIG4 of CLB-XBAR 1: Respective output of MUX19 is enabled to drive the AUXSIG4 of CLB-XBAR Refer to the CLB X-BAR section of this chapter for more details. Reset type: CPU1.SYSRSn
18	MUX18	R/W	0h	Selects the output of MUX18 to drive AUXSIG4 of CLB-XBAR 0: Respective output of MUX18 is disabled to drive the AUXSIG4 of CLB-XBAR 1: Respective output of MUX18 is enabled to drive the AUXSIG4 of CLB-XBAR Refer to the CLB X-BAR section of this chapter for more details. Reset type: CPU1.SYSRSn
17	MUX17	R/W	0h	Selects the output of MUX17 to drive AUXSIG4 of CLB-XBAR 0: Respective output of MUX17 is disabled to drive the AUXSIG4 of CLB-XBAR 1: Respective output of MUX17 is enabled to drive the AUXSIG4 of CLB-XBAR Refer to the CLB X-BAR section of this chapter for more details. Reset type: CPU1.SYSRSn
16	MUX16	R/W	0h	Selects the output of MUX16 to drive AUXSIG4 of CLB-XBAR 0: Respective output of MUX16 is disabled to drive the AUXSIG4 of CLB-XBAR 1: Respective output of MUX16 is enabled to drive the AUXSIG4 of CLB-XBAR Refer to the CLB X-BAR section of this chapter for more details. Reset type: CPU1.SYSRSn
15	MUX15	R/W	0h	Selects the output of MUX15 to drive AUXSIG4 of CLB-XBAR 0: Respective output of MUX15 is disabled to drive the AUXSIG4 of CLB-XBAR 1: Respective output of MUX15 is enabled to drive the AUXSIG4 of CLB-XBAR Refer to the CLB X-BAR section of this chapter for more details. Reset type: CPU1.SYSRSn
14	MUX14	R/W	0h	Selects the output of MUX14 to drive AUXSIG4 of CLB-XBAR 0: Respective output of MUX14 is disabled to drive the AUXSIG4 of CLB-XBAR 1: Respective output of MUX14 is enabled to drive the AUXSIG4 of CLB-XBAR Refer to the CLB X-BAR section of this chapter for more details. Reset type: CPU1.SYSRSn
13	MUX13	R/W	0h	Selects the output of MUX13 to drive AUXSIG4 of CLB-XBAR 0: Respective output of MUX13 is disabled to drive the AUXSIG4 of CLB-XBAR 1: Respective output of MUX13 is enabled to drive the AUXSIG4 of CLB-XBAR Refer to the CLB X-BAR section of this chapter for more details. Reset type: CPU1.SYSRSn
12	MUX12	R/W	0h	Selects the output of MUX12 to drive AUXSIG4 of CLB-XBAR 0: Respective output of MUX12 is disabled to drive the AUXSIG4 of CLB-XBAR 1: Respective output of MUX12 is enabled to drive the AUXSIG4 of CLB-XBAR Refer to the CLB X-BAR section of this chapter for more details. Reset type: CPU1.SYSRSn



**Table 8-81. AUXSIG4MUXENABLE Register Field Descriptions (continued)**

Bit	Field	Type	Reset	Description
11	MUX11	R/W	0h	Selects the output of MUX11 to drive AUXSIG4 of CLB-XBAR 0: Respective output of MUX11 is disabled to drive the AUXSIG4 of CLB-XBAR 1: Respective output of MUX11 is enabled to drive the AUXSIG4 of CLB-XBAR Refer to the CLB X-BAR section of this chapter for more details. Reset type: CPU1.SYSRSn
10	MUX10	R/W	0h	Selects the output of MUX10 to drive AUXSIG4 of CLB-XBAR 0: Respective output of MUX10 is disabled to drive the AUXSIG4 of CLB-XBAR 1: Respective output of MUX10 is enabled to drive the AUXSIG4 of CLB-XBAR Refer to the CLB X-BAR section of this chapter for more details. Reset type: CPU1.SYSRSn
9	MUX9	R/W	0h	Selects the output of MUX9 to drive AUXSIG4 of CLB-XBAR 0: Respective output of MUX9 is disabled to drive the AUXSIG4 of CLB-XBAR 1: Respective output of MUX9 is enabled to drive the AUXSIG4 of CLB-XBAR Refer to the CLB X-BAR section of this chapter for more details. Reset type: CPU1.SYSRSn
8	MUX8	R/W	0h	Selects the output of MUX8 to drive AUXSIG4 of CLB-XBAR 0: Respective output of MUX8 is disabled to drive the AUXSIG4 of CLB-XBAR 1: Respective output of MUX8 is enabled to drive the AUXSIG4 of CLB-XBAR Refer to the CLB X-BAR section of this chapter for more details. Reset type: CPU1.SYSRSn
7	MUX7	R/W	0h	Selects the output of MUX7 to drive AUXSIG4 of CLB-XBAR 0: Respective output of MUX7 is disabled to drive the AUXSIG4 of CLB-XBAR 1: Respective output of MUX7 is enabled to drive the AUXSIG4 of CLB-XBAR Refer to the CLB X-BAR section of this chapter for more details. Reset type: CPU1.SYSRSn
6	MUX6	R/W	0h	Selects the output of MUX6 to drive AUXSIG4 of CLB-XBAR 0: Respective output of MUX6 is disabled to drive the AUXSIG4 of CLB-XBAR 1: Respective output of MUX6 is enabled to drive the AUXSIG4 of CLB-XBAR Refer to the CLB X-BAR section of this chapter for more details. Reset type: CPU1.SYSRSn
5	MUX5	R/W	0h	Selects the output of MUX5 to drive AUXSIG4 of CLB-XBAR 0: Respective output of MUX5 is disabled to drive the AUXSIG4 of CLB-XBAR 1: Respective output of MUX5 is enabled to drive the AUXSIG4 of CLB-XBAR Refer to the CLB X-BAR section of this chapter for more details. Reset type: CPU1.SYSRSn
4	MUX4	R/W	0h	Selects the output of MUX4 to drive AUXSIG4 of CLB-XBAR 0: Respective output of MUX4 is disabled to drive the AUXSIG4 of CLB-XBAR 1: Respective output of MUX4 is enabled to drive the AUXSIG4 of CLB-XBAR Refer to the CLB X-BAR section of this chapter for more details. Reset type: CPU1.SYSRSn

**Table 8-81. AUXSIG4MUXENABLE Register Field Descriptions (continued)**

Bit	Field	Type	Reset	Description
3	MUX3	R/W	0h	Selects the output of MUX3 to drive AUXSIG4 of CLB-XBAR 0: Respective output of MUX3 is disabled to drive the AUXSIG4 of CLB-XBAR 1: Respective output of MUX3 is enabled to drive the AUXSIG4 of CLB-XBAR Refer to the CLB X-BAR section of this chapter for more details. Reset type: CPU1.SYSRSn
2	MUX2	R/W	0h	Selects the output of MUX2 to drive AUXSIG4 of CLB-XBAR 0: Respective output of MUX2 is disabled to drive the AUXSIG4 of CLB-XBAR 1: Respective output of MUX2 is enabled to drive the AUXSIG4 of CLB-XBAR Refer to the CLB X-BAR section of this chapter for more details. Reset type: CPU1.SYSRSn
1	MUX1	R/W	0h	Selects the output of MUX1 to drive AUXSIG4 of CLB-XBAR 0: Respective output of MUX1 is disabled to drive the AUXSIG4 of CLB-XBAR 1: Respective output of MUX1 is enabled to drive the AUXSIG4 of CLB-XBAR Refer to the CLB X-BAR section of this chapter for more details. Reset type: CPU1.SYSRSn
0	MUX0	R/W	0h	Selects the output of mux0 to drive AUXSIG4 of CLB-XBAR 0: Respective output of MUX0 is disabled to drive the AUXSIG4 of CLB-XBAR 1: Respective output of MUX0 is enabled to drive the AUXSIG4 of CLB-XBAR Refer to the CLB X-BAR section of this chapter for more details. Reset type: CPU1.SYSRSn

### 8.3.5.22 AUXSIG5MUXENABLE Register (Offset = 2Ah) [Reset = 0000000h]

AUXSIG5MUXENABLE is shown in [Figure 8-75](#) and described in [Table 8-82](#).

Return to the [Summary Table](#).

CLB XBAR Mux Enable Register for Output-5

**Figure 8-75. AUXSIG5MUXENABLE Register**

31	30	29	28	27	26	25	24
MUX31	MUX30	MUX29	MUX28	MUX27	MUX26	MUX25	MUX24
R/W-0h	R/W-0h	R/W-0h	R/W-0h	R/W-0h	R/W-0h	R/W-0h	R/W-0h
23	22	21	20	19	18	17	16
MUX23	MUX22	MUX21	MUX20	MUX19	MUX18	MUX17	MUX16
R/W-0h	R/W-0h	R/W-0h	R/W-0h	R/W-0h	R/W-0h	R/W-0h	R/W-0h
15	14	13	12	11	10	9	8
MUX15	MUX14	MUX13	MUX12	MUX11	MUX10	MUX9	MUX8
R/W-0h	R/W-0h	R/W-0h	R/W-0h	R/W-0h	R/W-0h	R/W-0h	R/W-0h
7	6	5	4	3	2	1	0
MUX7	MUX6	MUX5	MUX4	MUX3	MUX2	MUX1	MUX0
R/W-0h	R/W-0h	R/W-0h	R/W-0h	R/W-0h	R/W-0h	R/W-0h	R/W-0h

**Table 8-82. AUXSIG5MUXENABLE Register Field Descriptions**

Bit	Field	Type	Reset	Description
31	MUX31	R/W	0h	Selects the output of MUX31 to drive AUXSIG5 of CLB-XBAR 0: Respective output of MUX31 is disabled to drive the AUXSIG5 of CLB-XBAR 1: Respective output of MUX31 is enabled to drive the AUXSIG5 of CLB-XBAR Refer to the CLB X-BAR section of this chapter for more details. Reset type: CPU1.SYSRSn
30	MUX30	R/W	0h	Selects the output of MUX30 to drive AUXSIG5 of CLB-XBAR 0: Respective output of MUX30 is disabled to drive the AUXSIG5 of CLB-XBAR 1: Respective output of MUX30 is enabled to drive the AUXSIG5 of CLB-XBAR Refer to the CLB X-BAR section of this chapter for more details. Reset type: CPU1.SYSRSn
29	MUX29	R/W	0h	Selects the output of MUX29 to drive AUXSIG5 of CLB-XBAR 0: Respective output of MUX29 is disabled to drive the AUXSIG5 of CLB-XBAR 1: Respective output of MUX29 is enabled to drive the AUXSIG5 of CLB-XBAR Refer to the CLB X-BAR section of this chapter for more details. Reset type: CPU1.SYSRSn
28	MUX28	R/W	0h	Selects the output of MUX28 to drive AUXSIG5 of CLB-XBAR 0: Respective output of MUX28 is disabled to drive the AUXSIG5 of CLB-XBAR 1: Respective output of MUX28 is enabled to drive the AUXSIG5 of CLB-XBAR Refer to the CLB X-BAR section of this chapter for more details. Reset type: CPU1.SYSRSn

**Table 8-82. AUXSIG5MUXENABLE Register Field Descriptions (continued)**

Bit	Field	Type	Reset	Description
27	MUX27	R/W	0h	Selects the output of MUX27 to drive AUXSIG5 of CLB-XBAR 0: Respective output of MUX27 is disabled to drive the AUXSIG5 of CLB-XBAR 1: Respective output of MUX27 is enabled to drive the AUXSIG5 of CLB-XBAR Refer to the CLB X-BAR section of this chapter for more details. Reset type: CPU1.SYSRSn
26	MUX26	R/W	0h	Selects the output of MUX26 to drive AUXSIG5 of CLB-XBAR 0: Respective output of MUX26 is disabled to drive the AUXSIG5 of CLB-XBAR 1: Respective output of MUX26 is enabled to drive the AUXSIG5 of CLB-XBAR Refer to the CLB X-BAR section of this chapter for more details. Reset type: CPU1.SYSRSn
25	MUX25	R/W	0h	Selects the output of MUX25 to drive AUXSIG5 of CLB-XBAR 0: Respective output of MUX25 is disabled to drive the AUXSIG5 of CLB-XBAR 1: Respective output of MUX25 is enabled to drive the AUXSIG5 of CLB-XBAR Refer to the CLB X-BAR section of this chapter for more details. Reset type: CPU1.SYSRSn
24	MUX24	R/W	0h	Selects the output of MUX24 to drive AUXSIG5 of CLB-XBAR 0: Respective output of MUX24 is disabled to drive the AUXSIG5 of CLB-XBAR 1: Respective output of MUX24 is enabled to drive the AUXSIG5 of CLB-XBAR Refer to the CLB X-BAR section of this chapter for more details. Reset type: CPU1.SYSRSn
23	MUX23	R/W	0h	Selects the output of MUX23 to drive AUXSIG5 of CLB-XBAR 0: Respective output of MUX23 is disabled to drive the AUXSIG5 of CLB-XBAR 1: Respective output of MUX23 is enabled to drive the AUXSIG5 of CLB-XBAR Refer to the CLB X-BAR section of this chapter for more details. Reset type: CPU1.SYSRSn
22	MUX22	R/W	0h	Selects the output of MUX22 to drive AUXSIG5 of CLB-XBAR 0: Respective output of MUX22 is disabled to drive the AUXSIG5 of CLB-XBAR 1: Respective output of MUX22 is enabled to drive the AUXSIG5 of CLB-XBAR Refer to the CLB X-BAR section of this chapter for more details. Reset type: CPU1.SYSRSn
21	MUX21	R/W	0h	Selects the output of MUX21 to drive AUXSIG5 of CLB-XBAR 0: Respective output of MUX21 is disabled to drive the AUXSIG5 of CLB-XBAR 1: Respective output of MUX21 is enabled to drive the AUXSIG5 of CLB-XBAR Refer to the CLB X-BAR section of this chapter for more details. Reset type: CPU1.SYSRSn
20	MUX20	R/W	0h	Selects the output of MUX20 to drive AUXSIG5 of CLB-XBAR 0: Respective output of MUX20 is disabled to drive the AUXSIG5 of CLB-XBAR 1: Respective output of MUX20 is enabled to drive the AUXSIG5 of CLB-XBAR Refer to the CLB X-BAR section of this chapter for more details. Reset type: CPU1.SYSRSn

**Table 8-82. AUXSIG5MUXENABLE Register Field Descriptions (continued)**

Bit	Field	Type	Reset	Description
19	MUX19	R/W	0h	Selects the output of MUX19 to drive AUXSIG5 of CLB-XBAR 0: Respective output of MUX19 is disabled to drive the AUXSIG5 of CLB-XBAR 1: Respective output of MUX19 is enabled to drive the AUXSIG5 of CLB-XBAR Refer to the CLB X-BAR section of this chapter for more details. Reset type: CPU1.SYSRSn
18	MUX18	R/W	0h	Selects the output of MUX18 to drive AUXSIG5 of CLB-XBAR 0: Respective output of MUX18 is disabled to drive the AUXSIG5 of CLB-XBAR 1: Respective output of MUX18 is enabled to drive the AUXSIG5 of CLB-XBAR Refer to the CLB X-BAR section of this chapter for more details. Reset type: CPU1.SYSRSn
17	MUX17	R/W	0h	Selects the output of MUX17 to drive AUXSIG5 of CLB-XBAR 0: Respective output of MUX17 is disabled to drive the AUXSIG5 of CLB-XBAR 1: Respective output of MUX17 is enabled to drive the AUXSIG5 of CLB-XBAR Refer to the CLB X-BAR section of this chapter for more details. Reset type: CPU1.SYSRSn
16	MUX16	R/W	0h	Selects the output of MUX16 to drive AUXSIG5 of CLB-XBAR 0: Respective output of MUX16 is disabled to drive the AUXSIG5 of CLB-XBAR 1: Respective output of MUX16 is enabled to drive the AUXSIG5 of CLB-XBAR Refer to the CLB X-BAR section of this chapter for more details. Reset type: CPU1.SYSRSn
15	MUX15	R/W	0h	Selects the output of MUX15 to drive AUXSIG5 of CLB-XBAR 0: Respective output of MUX15 is disabled to drive the AUXSIG5 of CLB-XBAR 1: Respective output of MUX15 is enabled to drive the AUXSIG5 of CLB-XBAR Refer to the CLB X-BAR section of this chapter for more details. Reset type: CPU1.SYSRSn
14	MUX14	R/W	0h	Selects the output of MUX14 to drive AUXSIG5 of CLB-XBAR 0: Respective output of MUX14 is disabled to drive the AUXSIG5 of CLB-XBAR 1: Respective output of MUX14 is enabled to drive the AUXSIG5 of CLB-XBAR Refer to the CLB X-BAR section of this chapter for more details. Reset type: CPU1.SYSRSn
13	MUX13	R/W	0h	Selects the output of MUX13 to drive AUXSIG5 of CLB-XBAR 0: Respective output of MUX13 is disabled to drive the AUXSIG5 of CLB-XBAR 1: Respective output of MUX13 is enabled to drive the AUXSIG5 of CLB-XBAR Refer to the CLB X-BAR section of this chapter for more details. Reset type: CPU1.SYSRSn
12	MUX12	R/W	0h	Selects the output of MUX12 to drive AUXSIG5 of CLB-XBAR 0: Respective output of MUX12 is disabled to drive the AUXSIG5 of CLB-XBAR 1: Respective output of MUX12 is enabled to drive the AUXSIG5 of CLB-XBAR Refer to the CLB X-BAR section of this chapter for more details. Reset type: CPU1.SYSRSn

**Table 8-82. AUXSIG5MUXENABLE Register Field Descriptions (continued)**

Bit	Field	Type	Reset	Description
11	MUX11	R/W	0h	Selects the output of MUX11 to drive AUXSIG5 of CLB-XBAR 0: Respective output of MUX11 is disabled to drive the AUXSIG5 of CLB-XBAR 1: Respective output of MUX11 is enabled to drive the AUXSIG5 of CLB-XBAR Refer to the CLB X-BAR section of this chapter for more details. Reset type: CPU1.SYSRSn
10	MUX10	R/W	0h	Selects the output of MUX10 to drive AUXSIG5 of CLB-XBAR 0: Respective output of MUX10 is disabled to drive the AUXSIG5 of CLB-XBAR 1: Respective output of MUX10 is enabled to drive the AUXSIG5 of CLB-XBAR Refer to the CLB X-BAR section of this chapter for more details. Reset type: CPU1.SYSRSn
9	MUX9	R/W	0h	Selects the output of MUX9 to drive AUXSIG5 of CLB-XBAR 0: Respective output of MUX9 is disabled to drive the AUXSIG5 of CLB-XBAR 1: Respective output of MUX9 is enabled to drive the AUXSIG5 of CLB-XBAR Refer to the CLB X-BAR section of this chapter for more details. Reset type: CPU1.SYSRSn
8	MUX8	R/W	0h	Selects the output of MUX8 to drive AUXSIG5 of CLB-XBAR 0: Respective output of MUX8 is disabled to drive the AUXSIG5 of CLB-XBAR 1: Respective output of MUX8 is enabled to drive the AUXSIG5 of CLB-XBAR Refer to the CLB X-BAR section of this chapter for more details. Reset type: CPU1.SYSRSn
7	MUX7	R/W	0h	Selects the output of MUX7 to drive AUXSIG5 of CLB-XBAR 0: Respective output of MUX7 is disabled to drive the AUXSIG5 of CLB-XBAR 1: Respective output of MUX7 is enabled to drive the AUXSIG5 of CLB-XBAR Refer to the CLB X-BAR section of this chapter for more details. Reset type: CPU1.SYSRSn
6	MUX6	R/W	0h	Selects the output of MUX6 to drive AUXSIG5 of CLB-XBAR 0: Respective output of MUX6 is disabled to drive the AUXSIG5 of CLB-XBAR 1: Respective output of MUX6 is enabled to drive the AUXSIG5 of CLB-XBAR Refer to the CLB X-BAR section of this chapter for more details. Reset type: CPU1.SYSRSn
5	MUX5	R/W	0h	Selects the output of MUX5 to drive AUXSIG5 of CLB-XBAR 0: Respective output of MUX5 is disabled to drive the AUXSIG5 of CLB-XBAR 1: Respective output of MUX5 is enabled to drive the AUXSIG5 of CLB-XBAR Refer to the CLB X-BAR section of this chapter for more details. Reset type: CPU1.SYSRSn
4	MUX4	R/W	0h	Selects the output of MUX4 to drive AUXSIG5 of CLB-XBAR 0: Respective output of MUX4 is disabled to drive the AUXSIG5 of CLB-XBAR 1: Respective output of MUX4 is enabled to drive the AUXSIG5 of CLB-XBAR Refer to the CLB X-BAR section of this chapter for more details. Reset type: CPU1.SYSRSn

**Table 8-82. AUXSIG5MUXENABLE Register Field Descriptions (continued)**

Bit	Field	Type	Reset	Description
3	MUX3	R/W	0h	Selects the output of MUX3 to drive AUXSIG5 of CLB-XBAR 0: Respective output of MUX3 is disabled to drive the AUXSIG5 of CLB-XBAR 1: Respective output of MUX3 is enabled to drive the AUXSIG5 of CLB-XBAR Refer to the CLB X-BAR section of this chapter for more details. Reset type: CPU1.SYSRSn
2	MUX2	R/W	0h	Selects the output of MUX2 to drive AUXSIG5 of CLB-XBAR 0: Respective output of MUX2 is disabled to drive the AUXSIG5 of CLB-XBAR 1: Respective output of MUX2 is enabled to drive the AUXSIG5 of CLB-XBAR Refer to the CLB X-BAR section of this chapter for more details. Reset type: CPU1.SYSRSn
1	MUX1	R/W	0h	Selects the output of MUX1 to drive AUXSIG5 of CLB-XBAR 0: Respective output of MUX1 is disabled to drive the AUXSIG5 of CLB-XBAR 1: Respective output of MUX1 is enabled to drive the AUXSIG5 of CLB-XBAR Refer to the CLB X-BAR section of this chapter for more details. Reset type: CPU1.SYSRSn
0	MUX0	R/W	0h	Selects the output of mux0 to drive AUXSIG5 of CLB-XBAR 0: Respective output of MUX0 is disabled to drive the AUXSIG5 of CLB-XBAR 1: Respective output of MUX0 is enabled to drive the AUXSIG5 of CLB-XBAR Refer to the CLB X-BAR section of this chapter for more details. Reset type: CPU1.SYSRSn

### 8.3.5.23 AUXSIG6MUXENABLE Register (Offset = 2Ch) [Reset = 0000000h]

AUXSIG6MUXENABLE is shown in [Figure 8-76](#) and described in [Table 8-83](#).

Return to the [Summary Table](#).

CLB XBAR Mux Enable Register for Output-6

**Figure 8-76. AUXSIG6MUXENABLE Register**

31	30	29	28	27	26	25	24
MUX31	MUX30	MUX29	MUX28	MUX27	MUX26	MUX25	MUX24
R/W-0h	R/W-0h	R/W-0h	R/W-0h	R/W-0h	R/W-0h	R/W-0h	R/W-0h
23	22	21	20	19	18	17	16
MUX23	MUX22	MUX21	MUX20	MUX19	MUX18	MUX17	MUX16
R/W-0h	R/W-0h	R/W-0h	R/W-0h	R/W-0h	R/W-0h	R/W-0h	R/W-0h
15	14	13	12	11	10	9	8
MUX15	MUX14	MUX13	MUX12	MUX11	MUX10	MUX9	MUX8
R/W-0h	R/W-0h	R/W-0h	R/W-0h	R/W-0h	R/W-0h	R/W-0h	R/W-0h
7	6	5	4	3	2	1	0
MUX7	MUX6	MUX5	MUX4	MUX3	MUX2	MUX1	MUX0
R/W-0h	R/W-0h	R/W-0h	R/W-0h	R/W-0h	R/W-0h	R/W-0h	R/W-0h

**Table 8-83. AUXSIG6MUXENABLE Register Field Descriptions**

Bit	Field	Type	Reset	Description
31	MUX31	R/W	0h	Selects the output of MUX31 to drive AUXSIG6 of CLB-XBAR 0: Respective output of MUX31 is disabled to drive the AUXSIG6 of CLB-XBAR 1: Respective output of MUX31 is enabled to drive the AUXSIG6 of CLB-XBAR Refer to the CLB X-BAR section of this chapter for more details. Reset type: CPU1.SYSRSn
30	MUX30	R/W	0h	Selects the output of MUX30 to drive AUXSIG6 of CLB-XBAR 0: Respective output of MUX30 is disabled to drive the AUXSIG6 of CLB-XBAR 1: Respective output of MUX30 is enabled to drive the AUXSIG6 of CLB-XBAR Refer to the CLB X-BAR section of this chapter for more details. Reset type: CPU1.SYSRSn
29	MUX29	R/W	0h	Selects the output of MUX29 to drive AUXSIG6 of CLB-XBAR 0: Respective output of MUX29 is disabled to drive the AUXSIG6 of CLB-XBAR 1: Respective output of MUX29 is enabled to drive the AUXSIG6 of CLB-XBAR Refer to the CLB X-BAR section of this chapter for more details. Reset type: CPU1.SYSRSn
28	MUX28	R/W	0h	Selects the output of MUX28 to drive AUXSIG6 of CLB-XBAR 0: Respective output of MUX28 is disabled to drive the AUXSIG6 of CLB-XBAR 1: Respective output of MUX28 is enabled to drive the AUXSIG6 of CLB-XBAR Refer to the CLB X-BAR section of this chapter for more details. Reset type: CPU1.SYSRSn



**Table 8-83. AUXSIG6MUXENABLE Register Field Descriptions (continued)**

Bit	Field	Type	Reset	Description
27	MUX27	R/W	0h	Selects the output of MUX27 to drive AUXSIG6 of CLB-XBAR 0: Respective output of MUX27 is disabled to drive the AUXSIG6 of CLB-XBAR 1: Respective output of MUX27 is enabled to drive the AUXSIG6 of CLB-XBAR Refer to the CLB X-BAR section of this chapter for more details. Reset type: CPU1.SYSRSn
26	MUX26	R/W	0h	Selects the output of MUX26 to drive AUXSIG6 of CLB-XBAR 0: Respective output of MUX26 is disabled to drive the AUXSIG6 of CLB-XBAR 1: Respective output of MUX26 is enabled to drive the AUXSIG6 of CLB-XBAR Refer to the CLB X-BAR section of this chapter for more details. Reset type: CPU1.SYSRSn
25	MUX25	R/W	0h	Selects the output of MUX25 to drive AUXSIG6 of CLB-XBAR 0: Respective output of MUX25 is disabled to drive the AUXSIG6 of CLB-XBAR 1: Respective output of MUX25 is enabled to drive the AUXSIG6 of CLB-XBAR Refer to the CLB X-BAR section of this chapter for more details. Reset type: CPU1.SYSRSn
24	MUX24	R/W	0h	Selects the output of MUX24 to drive AUXSIG6 of CLB-XBAR 0: Respective output of MUX24 is disabled to drive the AUXSIG6 of CLB-XBAR 1: Respective output of MUX24 is enabled to drive the AUXSIG6 of CLB-XBAR Refer to the CLB X-BAR section of this chapter for more details. Reset type: CPU1.SYSRSn
23	MUX23	R/W	0h	Selects the output of MUX23 to drive AUXSIG6 of CLB-XBAR 0: Respective output of MUX23 is disabled to drive the AUXSIG6 of CLB-XBAR 1: Respective output of MUX23 is enabled to drive the AUXSIG6 of CLB-XBAR Refer to the CLB X-BAR section of this chapter for more details. Reset type: CPU1.SYSRSn
22	MUX22	R/W	0h	Selects the output of MUX22 to drive AUXSIG6 of CLB-XBAR 0: Respective output of MUX22 is disabled to drive the AUXSIG6 of CLB-XBAR 1: Respective output of MUX22 is enabled to drive the AUXSIG6 of CLB-XBAR Refer to the CLB X-BAR section of this chapter for more details. Reset type: CPU1.SYSRSn
21	MUX21	R/W	0h	Selects the output of MUX21 to drive AUXSIG6 of CLB-XBAR 0: Respective output of MUX21 is disabled to drive the AUXSIG6 of CLB-XBAR 1: Respective output of MUX21 is enabled to drive the AUXSIG6 of CLB-XBAR Refer to the CLB X-BAR section of this chapter for more details. Reset type: CPU1.SYSRSn
20	MUX20	R/W	0h	Selects the output of MUX20 to drive AUXSIG6 of CLB-XBAR 0: Respective output of MUX20 is disabled to drive the AUXSIG6 of CLB-XBAR 1: Respective output of MUX20 is enabled to drive the AUXSIG6 of CLB-XBAR Refer to the CLB X-BAR section of this chapter for more details. Reset type: CPU1.SYSRSn

**Table 8-83. AUXSIG6MUXENABLE Register Field Descriptions (continued)**

Bit	Field	Type	Reset	Description
19	MUX19	R/W	0h	Selects the output of MUX19 to drive AUXSIG6 of CLB-XBAR 0: Respective output of MUX19 is disabled to drive the AUXSIG6 of CLB-XBAR 1: Respective output of MUX19 is enabled to drive the AUXSIG6 of CLB-XBAR Refer to the CLB X-BAR section of this chapter for more details. Reset type: CPU1.SYSRSn
18	MUX18	R/W	0h	Selects the output of MUX18 to drive AUXSIG6 of CLB-XBAR 0: Respective output of MUX18 is disabled to drive the AUXSIG6 of CLB-XBAR 1: Respective output of MUX18 is enabled to drive the AUXSIG6 of CLB-XBAR Refer to the CLB X-BAR section of this chapter for more details. Reset type: CPU1.SYSRSn
17	MUX17	R/W	0h	Selects the output of MUX17 to drive AUXSIG6 of CLB-XBAR 0: Respective output of MUX17 is disabled to drive the AUXSIG6 of CLB-XBAR 1: Respective output of MUX17 is enabled to drive the AUXSIG6 of CLB-XBAR Refer to the CLB X-BAR section of this chapter for more details. Reset type: CPU1.SYSRSn
16	MUX16	R/W	0h	Selects the output of MUX16 to drive AUXSIG6 of CLB-XBAR 0: Respective output of MUX16 is disabled to drive the AUXSIG6 of CLB-XBAR 1: Respective output of MUX16 is enabled to drive the AUXSIG6 of CLB-XBAR Refer to the CLB X-BAR section of this chapter for more details. Reset type: CPU1.SYSRSn
15	MUX15	R/W	0h	Selects the output of MUX15 to drive AUXSIG6 of CLB-XBAR 0: Respective output of MUX15 is disabled to drive the AUXSIG6 of CLB-XBAR 1: Respective output of MUX15 is enabled to drive the AUXSIG6 of CLB-XBAR Refer to the CLB X-BAR section of this chapter for more details. Reset type: CPU1.SYSRSn
14	MUX14	R/W	0h	Selects the output of MUX14 to drive AUXSIG6 of CLB-XBAR 0: Respective output of MUX14 is disabled to drive the AUXSIG6 of CLB-XBAR 1: Respective output of MUX14 is enabled to drive the AUXSIG6 of CLB-XBAR Refer to the CLB X-BAR section of this chapter for more details. Reset type: CPU1.SYSRSn
13	MUX13	R/W	0h	Selects the output of MUX13 to drive AUXSIG6 of CLB-XBAR 0: Respective output of MUX13 is disabled to drive the AUXSIG6 of CLB-XBAR 1: Respective output of MUX13 is enabled to drive the AUXSIG6 of CLB-XBAR Refer to the CLB X-BAR section of this chapter for more details. Reset type: CPU1.SYSRSn
12	MUX12	R/W	0h	Selects the output of MUX12 to drive AUXSIG6 of CLB-XBAR 0: Respective output of MUX12 is disabled to drive the AUXSIG6 of CLB-XBAR 1: Respective output of MUX12 is enabled to drive the AUXSIG6 of CLB-XBAR Refer to the CLB X-BAR section of this chapter for more details. Reset type: CPU1.SYSRSn

**Table 8-83. AUXSIG6MUXENABLE Register Field Descriptions (continued)**

Bit	Field	Type	Reset	Description
11	MUX11	R/W	0h	Selects the output of MUX11 to drive AUXSIG6 of CLB-XBAR 0: Respective output of MUX11 is disabled to drive the AUXSIG6 of CLB-XBAR 1: Respective output of MUX11 is enabled to drive the AUXSIG6 of CLB-XBAR Refer to the CLB X-BAR section of this chapter for more details. Reset type: CPU1.SYSRSn
10	MUX10	R/W	0h	Selects the output of MUX10 to drive AUXSIG6 of CLB-XBAR 0: Respective output of MUX10 is disabled to drive the AUXSIG6 of CLB-XBAR 1: Respective output of MUX10 is enabled to drive the AUXSIG6 of CLB-XBAR Refer to the CLB X-BAR section of this chapter for more details. Reset type: CPU1.SYSRSn
9	MUX9	R/W	0h	Selects the output of MUX9 to drive AUXSIG6 of CLB-XBAR 0: Respective output of MUX9 is disabled to drive the AUXSIG6 of CLB-XBAR 1: Respective output of MUX9 is enabled to drive the AUXSIG6 of CLB-XBAR Refer to the CLB X-BAR section of this chapter for more details. Reset type: CPU1.SYSRSn
8	MUX8	R/W	0h	Selects the output of MUX8 to drive AUXSIG6 of CLB-XBAR 0: Respective output of MUX8 is disabled to drive the AUXSIG6 of CLB-XBAR 1: Respective output of MUX8 is enabled to drive the AUXSIG6 of CLB-XBAR Refer to the CLB X-BAR section of this chapter for more details. Reset type: CPU1.SYSRSn
7	MUX7	R/W	0h	Selects the output of MUX7 to drive AUXSIG6 of CLB-XBAR 0: Respective output of MUX7 is disabled to drive the AUXSIG6 of CLB-XBAR 1: Respective output of MUX7 is enabled to drive the AUXSIG6 of CLB-XBAR Refer to the CLB X-BAR section of this chapter for more details. Reset type: CPU1.SYSRSn
6	MUX6	R/W	0h	Selects the output of MUX6 to drive AUXSIG6 of CLB-XBAR 0: Respective output of MUX6 is disabled to drive the AUXSIG6 of CLB-XBAR 1: Respective output of MUX6 is enabled to drive the AUXSIG6 of CLB-XBAR Refer to the CLB X-BAR section of this chapter for more details. Reset type: CPU1.SYSRSn
5	MUX5	R/W	0h	Selects the output of MUX5 to drive AUXSIG6 of CLB-XBAR 0: Respective output of MUX5 is disabled to drive the AUXSIG6 of CLB-XBAR 1: Respective output of MUX5 is enabled to drive the AUXSIG6 of CLB-XBAR Refer to the CLB X-BAR section of this chapter for more details. Reset type: CPU1.SYSRSn
4	MUX4	R/W	0h	Selects the output of MUX4 to drive AUXSIG6 of CLB-XBAR 0: Respective output of MUX4 is disabled to drive the AUXSIG6 of CLB-XBAR 1: Respective output of MUX4 is enabled to drive the AUXSIG6 of CLB-XBAR Refer to the CLB X-BAR section of this chapter for more details. Reset type: CPU1.SYSRSn

**Table 8-83. AUXSIG6MUXENABLE Register Field Descriptions (continued)**

Bit	Field	Type	Reset	Description
3	MUX3	R/W	0h	Selects the output of MUX3 to drive AUXSIG6 of CLB-XBAR 0: Respective output of MUX3 is disabled to drive the AUXSIG6 of CLB-XBAR 1: Respective output of MUX3 is enabled to drive the AUXSIG6 of CLB-XBAR Refer to the CLB X-BAR section of this chapter for more details. Reset type: CPU1.SYSRSn
2	MUX2	R/W	0h	Selects the output of MUX2 to drive AUXSIG6 of CLB-XBAR 0: Respective output of MUX2 is disabled to drive the AUXSIG6 of CLB-XBAR 1: Respective output of MUX2 is enabled to drive the AUXSIG6 of CLB-XBAR Refer to the CLB X-BAR section of this chapter for more details. Reset type: CPU1.SYSRSn
1	MUX1	R/W	0h	Selects the output of MUX1 to drive AUXSIG6 of CLB-XBAR 0: Respective output of MUX1 is disabled to drive the AUXSIG6 of CLB-XBAR 1: Respective output of MUX1 is enabled to drive the AUXSIG6 of CLB-XBAR Refer to the CLB X-BAR section of this chapter for more details. Reset type: CPU1.SYSRSn
0	MUX0	R/W	0h	Selects the output of mux0 to drive AUXSIG6 of CLB-XBAR 0: Respective output of MUX0 is disabled to drive the AUXSIG6 of CLB-XBAR 1: Respective output of MUX0 is enabled to drive the AUXSIG6 of CLB-XBAR Refer to the CLB X-BAR section of this chapter for more details. Reset type: CPU1.SYSRSn

### 8.3.5.24 AUXSIG7MUXENABLE Register (Offset = 2Eh) [Reset = 0000000h]

AUXSIG7MUXENABLE is shown in [Figure 8-77](#) and described in [Table 8-84](#).

Return to the [Summary Table](#).

CLB XBAR Mux Enable Register for Output-7

**Figure 8-77. AUXSIG7MUXENABLE Register**

31	30	29	28	27	26	25	24
MUX31	MUX30	MUX29	MUX28	MUX27	MUX26	MUX25	MUX24
R/W-0h	R/W-0h	R/W-0h	R/W-0h	R/W-0h	R/W-0h	R/W-0h	R/W-0h
23	22	21	20	19	18	17	16
MUX23	MUX22	MUX21	MUX20	MUX19	MUX18	MUX17	MUX16
R/W-0h	R/W-0h	R/W-0h	R/W-0h	R/W-0h	R/W-0h	R/W-0h	R/W-0h
15	14	13	12	11	10	9	8
MUX15	MUX14	MUX13	MUX12	MUX11	MUX10	MUX9	MUX8
R/W-0h	R/W-0h	R/W-0h	R/W-0h	R/W-0h	R/W-0h	R/W-0h	R/W-0h
7	6	5	4	3	2	1	0
MUX7	MUX6	MUX5	MUX4	MUX3	MUX2	MUX1	MUX0
R/W-0h	R/W-0h	R/W-0h	R/W-0h	R/W-0h	R/W-0h	R/W-0h	R/W-0h

**Table 8-84. AUXSIG7MUXENABLE Register Field Descriptions**

Bit	Field	Type	Reset	Description
31	MUX31	R/W	0h	Selects the output of MUX31 to drive AUXSIG7 of CLB-XBAR 0: Respective output of MUX31 is disabled to drive the AUXSIG7 of CLB-XBAR 1: Respective output of MUX31 is enabled to drive the AUXSIG7 of CLB-XBAR Refer to the CLB X-BAR section of this chapter for more details. Reset type: CPU1.SYSRSn
30	MUX30	R/W	0h	Selects the output of MUX30 to drive AUXSIG7 of CLB-XBAR 0: Respective output of MUX30 is disabled to drive the AUXSIG7 of CLB-XBAR 1: Respective output of MUX30 is enabled to drive the AUXSIG7 of CLB-XBAR Refer to the CLB X-BAR section of this chapter for more details. Reset type: CPU1.SYSRSn
29	MUX29	R/W	0h	Selects the output of MUX29 to drive AUXSIG7 of CLB-XBAR 0: Respective output of MUX29 is disabled to drive the AUXSIG7 of CLB-XBAR 1: Respective output of MUX29 is enabled to drive the AUXSIG7 of CLB-XBAR Refer to the CLB X-BAR section of this chapter for more details. Reset type: CPU1.SYSRSn
28	MUX28	R/W	0h	Selects the output of MUX28 to drive AUXSIG7 of CLB-XBAR 0: Respective output of MUX28 is disabled to drive the AUXSIG7 of CLB-XBAR 1: Respective output of MUX28 is enabled to drive the AUXSIG7 of CLB-XBAR Refer to the CLB X-BAR section of this chapter for more details. Reset type: CPU1.SYSRSn

**Table 8-84. AUXSIG7MUXENABLE Register Field Descriptions (continued)**

Bit	Field	Type	Reset	Description
27	MUX27	R/W	0h	Selects the output of MUX27 to drive AUXSIG7 of CLB-XBAR 0: Respective output of MUX27 is disabled to drive the AUXSIG7 of CLB-XBAR 1: Respective output of MUX27 is enabled to drive the AUXSIG7 of CLB-XBAR Refer to the CLB X-BAR section of this chapter for more details. Reset type: CPU1.SYSRSn
26	MUX26	R/W	0h	Selects the output of MUX26 to drive AUXSIG7 of CLB-XBAR 0: Respective output of MUX26 is disabled to drive the AUXSIG7 of CLB-XBAR 1: Respective output of MUX26 is enabled to drive the AUXSIG7 of CLB-XBAR Refer to the CLB X-BAR section of this chapter for more details. Reset type: CPU1.SYSRSn
25	MUX25	R/W	0h	Selects the output of MUX25 to drive AUXSIG7 of CLB-XBAR 0: Respective output of MUX25 is disabled to drive the AUXSIG7 of CLB-XBAR 1: Respective output of MUX25 is enabled to drive the AUXSIG7 of CLB-XBAR Refer to the CLB X-BAR section of this chapter for more details. Reset type: CPU1.SYSRSn
24	MUX24	R/W	0h	Selects the output of MUX24 to drive AUXSIG7 of CLB-XBAR 0: Respective output of MUX24 is disabled to drive the AUXSIG7 of CLB-XBAR 1: Respective output of MUX24 is enabled to drive the AUXSIG7 of CLB-XBAR Refer to the CLB X-BAR section of this chapter for more details. Reset type: CPU1.SYSRSn
23	MUX23	R/W	0h	Selects the output of MUX23 to drive AUXSIG7 of CLB-XBAR 0: Respective output of MUX23 is disabled to drive the AUXSIG7 of CLB-XBAR 1: Respective output of MUX23 is enabled to drive the AUXSIG7 of CLB-XBAR Refer to the CLB X-BAR section of this chapter for more details. Reset type: CPU1.SYSRSn
22	MUX22	R/W	0h	Selects the output of MUX22 to drive AUXSIG7 of CLB-XBAR 0: Respective output of MUX22 is disabled to drive the AUXSIG7 of CLB-XBAR 1: Respective output of MUX22 is enabled to drive the AUXSIG7 of CLB-XBAR Refer to the CLB X-BAR section of this chapter for more details. Reset type: CPU1.SYSRSn
21	MUX21	R/W	0h	Selects the output of MUX21 to drive AUXSIG7 of CLB-XBAR 0: Respective output of MUX21 is disabled to drive the AUXSIG7 of CLB-XBAR 1: Respective output of MUX21 is enabled to drive the AUXSIG7 of CLB-XBAR Refer to the CLB X-BAR section of this chapter for more details. Reset type: CPU1.SYSRSn
20	MUX20	R/W	0h	Selects the output of MUX20 to drive AUXSIG7 of CLB-XBAR 0: Respective output of MUX20 is disabled to drive the AUXSIG7 of CLB-XBAR 1: Respective output of MUX20 is enabled to drive the AUXSIG7 of CLB-XBAR Refer to the CLB X-BAR section of this chapter for more details. Reset type: CPU1.SYSRSn

**Table 8-84. AUXSIG7MUXENABLE Register Field Descriptions (continued)**

Bit	Field	Type	Reset	Description
19	MUX19	R/W	0h	Selects the output of MUX19 to drive AUXSIG7 of CLB-XBAR 0: Respective output of MUX19 is disabled to drive the AUXSIG7 of CLB-XBAR 1: Respective output of MUX19 is enabled to drive the AUXSIG7 of CLB-XBAR Refer to the CLB X-BAR section of this chapter for more details. Reset type: CPU1.SYSRSn
18	MUX18	R/W	0h	Selects the output of MUX18 to drive AUXSIG7 of CLB-XBAR 0: Respective output of MUX18 is disabled to drive the AUXSIG7 of CLB-XBAR 1: Respective output of MUX18 is enabled to drive the AUXSIG7 of CLB-XBAR Refer to the CLB X-BAR section of this chapter for more details. Reset type: CPU1.SYSRSn
17	MUX17	R/W	0h	Selects the output of MUX17 to drive AUXSIG7 of CLB-XBAR 0: Respective output of MUX17 is disabled to drive the AUXSIG7 of CLB-XBAR 1: Respective output of MUX17 is enabled to drive the AUXSIG7 of CLB-XBAR Refer to the CLB X-BAR section of this chapter for more details. Reset type: CPU1.SYSRSn
16	MUX16	R/W	0h	Selects the output of MUX16 to drive AUXSIG7 of CLB-XBAR 0: Respective output of MUX16 is disabled to drive the AUXSIG7 of CLB-XBAR 1: Respective output of MUX16 is enabled to drive the AUXSIG7 of CLB-XBAR Refer to the CLB X-BAR section of this chapter for more details. Reset type: CPU1.SYSRSn
15	MUX15	R/W	0h	Selects the output of MUX15 to drive AUXSIG7 of CLB-XBAR 0: Respective output of MUX15 is disabled to drive the AUXSIG7 of CLB-XBAR 1: Respective output of MUX15 is enabled to drive the AUXSIG7 of CLB-XBAR Refer to the CLB X-BAR section of this chapter for more details. Reset type: CPU1.SYSRSn
14	MUX14	R/W	0h	Selects the output of MUX14 to drive AUXSIG7 of CLB-XBAR 0: Respective output of MUX14 is disabled to drive the AUXSIG7 of CLB-XBAR 1: Respective output of MUX14 is enabled to drive the AUXSIG7 of CLB-XBAR Refer to the CLB X-BAR section of this chapter for more details. Reset type: CPU1.SYSRSn
13	MUX13	R/W	0h	Selects the output of MUX13 to drive AUXSIG7 of CLB-XBAR 0: Respective output of MUX13 is disabled to drive the AUXSIG7 of CLB-XBAR 1: Respective output of MUX13 is enabled to drive the AUXSIG7 of CLB-XBAR Refer to the CLB X-BAR section of this chapter for more details. Reset type: CPU1.SYSRSn
12	MUX12	R/W	0h	Selects the output of MUX12 to drive AUXSIG7 of CLB-XBAR 0: Respective output of MUX12 is disabled to drive the AUXSIG7 of CLB-XBAR 1: Respective output of MUX12 is enabled to drive the AUXSIG7 of CLB-XBAR Refer to the CLB X-BAR section of this chapter for more details. Reset type: CPU1.SYSRSn

**Table 8-84. AUXSIG7MUXENABLE Register Field Descriptions (continued)**

Bit	Field	Type	Reset	Description
11	MUX11	R/W	0h	Selects the output of MUX11 to drive AUXSIG7 of CLB-XBAR 0: Respective output of MUX11 is disabled to drive the AUXSIG7 of CLB-XBAR 1: Respective output of MUX11 is enabled to drive the AUXSIG7 of CLB-XBAR Refer to the CLB X-BAR section of this chapter for more details. Reset type: CPU1.SYSRSn
10	MUX10	R/W	0h	Selects the output of MUX10 to drive AUXSIG7 of CLB-XBAR 0: Respective output of MUX10 is disabled to drive the AUXSIG7 of CLB-XBAR 1: Respective output of MUX10 is enabled to drive the AUXSIG7 of CLB-XBAR Refer to the CLB X-BAR section of this chapter for more details. Reset type: CPU1.SYSRSn
9	MUX9	R/W	0h	Selects the output of MUX9 to drive AUXSIG7 of CLB-XBAR 0: Respective output of MUX9 is disabled to drive the AUXSIG7 of CLB-XBAR 1: Respective output of MUX9 is enabled to drive the AUXSIG7 of CLB-XBAR Refer to the CLB X-BAR section of this chapter for more details. Reset type: CPU1.SYSRSn
8	MUX8	R/W	0h	Selects the output of MUX8 to drive AUXSIG7 of CLB-XBAR 0: Respective output of MUX8 is disabled to drive the AUXSIG7 of CLB-XBAR 1: Respective output of MUX8 is enabled to drive the AUXSIG7 of CLB-XBAR Refer to the CLB X-BAR section of this chapter for more details. Reset type: CPU1.SYSRSn
7	MUX7	R/W	0h	Selects the output of MUX7 to drive AUXSIG7 of CLB-XBAR 0: Respective output of MUX7 is disabled to drive the AUXSIG7 of CLB-XBAR 1: Respective output of MUX7 is enabled to drive the AUXSIG7 of CLB-XBAR Refer to the CLB X-BAR section of this chapter for more details. Reset type: CPU1.SYSRSn
6	MUX6	R/W	0h	Selects the output of MUX6 to drive AUXSIG7 of CLB-XBAR 0: Respective output of MUX6 is disabled to drive the AUXSIG7 of CLB-XBAR 1: Respective output of MUX6 is enabled to drive the AUXSIG7 of CLB-XBAR Refer to the CLB X-BAR section of this chapter for more details. Reset type: CPU1.SYSRSn
5	MUX5	R/W	0h	Selects the output of MUX5 to drive AUXSIG7 of CLB-XBAR 0: Respective output of MUX5 is disabled to drive the AUXSIG7 of CLB-XBAR 1: Respective output of MUX5 is enabled to drive the AUXSIG7 of CLB-XBAR Refer to the CLB X-BAR section of this chapter for more details. Reset type: CPU1.SYSRSn
4	MUX4	R/W	0h	Selects the output of MUX4 to drive AUXSIG7 of CLB-XBAR 0: Respective output of MUX4 is disabled to drive the AUXSIG7 of CLB-XBAR 1: Respective output of MUX4 is enabled to drive the AUXSIG7 of CLB-XBAR Refer to the CLB X-BAR section of this chapter for more details. Reset type: CPU1.SYSRSn



**Table 8-84. AUXSIG7MUXENABLE Register Field Descriptions (continued)**

Bit	Field	Type	Reset	Description
3	MUX3	R/W	0h	Selects the output of MUX3 to drive AUXSIG7 of CLB-XBAR 0: Respective output of MUX3 is disabled to drive the AUXSIG7 of CLB-XBAR 1: Respective output of MUX3 is enabled to drive the AUXSIG7 of CLB-XBAR Refer to the CLB X-BAR section of this chapter for more details. Reset type: CPU1.SYSRSn
2	MUX2	R/W	0h	Selects the output of MUX2 to drive AUXSIG7 of CLB-XBAR 0: Respective output of MUX2 is disabled to drive the AUXSIG7 of CLB-XBAR 1: Respective output of MUX2 is enabled to drive the AUXSIG7 of CLB-XBAR Refer to the CLB X-BAR section of this chapter for more details. Reset type: CPU1.SYSRSn
1	MUX1	R/W	0h	Selects the output of MUX1 to drive AUXSIG7 of CLB-XBAR 0: Respective output of MUX1 is disabled to drive the AUXSIG7 of CLB-XBAR 1: Respective output of MUX1 is enabled to drive the AUXSIG7 of CLB-XBAR Refer to the CLB X-BAR section of this chapter for more details. Reset type: CPU1.SYSRSn
0	MUX0	R/W	0h	Selects the output of mux0 to drive AUXSIG7 of CLB-XBAR 0: Respective output of MUX0 is disabled to drive the AUXSIG7 of CLB-XBAR 1: Respective output of MUX0 is enabled to drive the AUXSIG7 of CLB-XBAR Refer to the CLB X-BAR section of this chapter for more details. Reset type: CPU1.SYSRSn

### 8.3.5.25 AUXSIGOUTINV Register (Offset = 38h) [Reset = 0000000h]

AUXSIGOUTINV is shown in [Figure 8-78](#) and described in [Table 8-85](#).

Return to the [Summary Table](#).

CLB XBAR Output Inversion Register

**Figure 8-78. AUXSIGOUTINV Register**

31	30	29	28	27	26	25	24
RESERVED							
R-0-0h							
23	22	21	20	19	18	17	16
RESERVED							
R-0-0h							
15	14	13	12	11	10	9	8
RESERVED							
R-0-0h							
7	6	5	4	3	2	1	0
OUT7	OUT6	OUT5	OUT4	OUT3	OUT2	OUT1	OUT0
R/W-0h	R/W-0h	R/W-0h	R/W-0h	R/W-0h	R/W-0h	R/W-0h	R/W-0h

**Table 8-85. AUXSIGOUTINV Register Field Descriptions**

Bit	Field	Type	Reset	Description
31-16	RESERVED	R-0	0h	Reserved
15-8	RESERVED	R-0	0h	Reserved
7	OUT7	R/W	0h	Selects polarity for AUXSIG7 of CLB-XBAR 0: drives active high output 1: drives active-low output Refer to the CLB X-BAR section of this chapter for more details. Reset type: CPU1.SYSRSn
6	OUT6	R/W	0h	Selects polarity for AUXSIG6 of CLB-XBAR 0: drives active high output 1: drives active-low output Refer to the CLB X-BAR section of this chapter for more details. Reset type: CPU1.SYSRSn
5	OUT5	R/W	0h	Selects polarity for AUXSIG5 of CLB-XBAR 0: drives active high output 1: drives active-low output Refer to the CLB X-BAR section of this chapter for more details. Reset type: CPU1.SYSRSn
4	OUT4	R/W	0h	Selects polarity for AUXSIG4 of CLB-XBAR 0: drives active high output 1: drives active-low output Refer to the CLB X-BAR section of this chapter for more details. Reset type: CPU1.SYSRSn
3	OUT3	R/W	0h	Selects polarity for AUXSIG3 of CLB-XBAR 0: drives active high output 1: drives active-low output Refer to the CLB X-BAR section of this chapter for more details. Reset type: CPU1.SYSRSn
2	OUT2	R/W	0h	Selects polarity for AUXSIG2 of CLB-XBAR 0: drives active high output 1: drives active-low output Refer to the CLB X-BAR section of this chapter for more details. Reset type: CPU1.SYSRSn

**Table 8-85. AUXSIGOUTINV Register Field Descriptions (continued)**

Bit	Field	Type	Reset	Description
1	OUT1	R/W	0h	Selects polarity for AUXSIG1 of CLB-XBAR 0: drives active high output 1: drives active-low output Refer to the CLB X-BAR section of this chapter for more details. Reset type: CPU1.SYSRSn
0	OUT0	R/W	0h	Selects polarity for AUXSIG0 of CLB-XBAR 0: drives active high output 1: drives active-low output Refer to the CLB X-BAR section of this chapter for more details. Reset type: CPU1.SYSRSn

### 8.3.5.26 AUXSIGLOCK Register (Offset = 3Eh) [Reset = 0000000h]

AUXSIGLOCK is shown in [Figure 8-79](#) and described in [Table 8-86](#).

Return to the [Summary Table](#).

ClbXbar Configuration Lock register

**Figure 8-79. AUXSIGLOCK Register**

31	30	29	28	27	26	25	24
KEY							
R-0/W-0h							
23	22	21	20	19	18	17	16
KEY							
R-0/W-0h							
15	14	13	12	11	10	9	8
RESERVED							
R-0-0h							
7	6	5	4	3	2	1	0
RESERVED							LOCK
R-0-0h							R/WOnce-0h

**Table 8-86. AUXSIGLOCK Register Field Descriptions**

Bit	Field	Type	Reset	Description
31-16	KEY	R-0/W	0h	Bit-0 of this register can be set only if KEY= 0x5a5a Reset type: CPU1.SYSRSn
15-1	RESERVED	R-0	0h	Reserved
0	LOCK	R/WOnce	0h	Locks the configuration for CLB-XBAR. Once the configuration is locked, writes to the below registers for CLB-XBAR is blocked. Registers Affected by the LOCK mechanism: CLB-XBAROUTyMUX0TO15CFG CLB-XBAROUTyMUX16TO31CFG CLB-XBAROUTyMUXENABLE CLB-XBAROUTLATEN CLB-XBAROUTINV 0: Writes to the above registers are allowed 1: Writes to the above registers are blocked Note: [1] LOCK mechanism only applies to writes. Reads are never blocked. Reset type: CPU1.SYSRSn

### 8.3.6 OUTPUT\_XBAR\_REGS Registers

Table 8-87 lists the memory-mapped registers for the OUTPUT\_XBAR\_REGS registers. All register offset addresses not listed in Table 8-87 should be considered as reserved locations and the register contents should not be modified.

**Table 8-87. OUTPUT\_XBAR\_REGS Registers**

Offset	Acronym	Register Name	Write Protection	Section
0h	OUTPUT1MUX0TO15CFG	Output X-BAR Mux Configuration for Output 1	EALLOW	<a href="#">Go</a>
2h	OUTPUT1MUX16TO31CFG	Output X-BAR Mux Configuration for Output 1	EALLOW	<a href="#">Go</a>
4h	OUTPUT2MUX0TO15CFG	Output X-BAR Mux Configuration for Output 2	EALLOW	<a href="#">Go</a>
6h	OUTPUT2MUX16TO31CFG	Output X-BAR Mux Configuration for Output 2	EALLOW	<a href="#">Go</a>
8h	OUTPUT3MUX0TO15CFG	Output X-BAR Mux Configuration for Output 3	EALLOW	<a href="#">Go</a>
Ah	OUTPUT3MUX16TO31CFG	Output X-BAR Mux Configuration for Output 3	EALLOW	<a href="#">Go</a>
Ch	OUTPUT4MUX0TO15CFG	Output X-BAR Mux Configuration for Output 4	EALLOW	<a href="#">Go</a>
Eh	OUTPUT4MUX16TO31CFG	Output X-BAR Mux Configuration for Output 4	EALLOW	<a href="#">Go</a>
10h	OUTPUT5MUX0TO15CFG	Output X-BAR Mux Configuration for Output 5	EALLOW	<a href="#">Go</a>
12h	OUTPUT5MUX16TO31CFG	Output X-BAR Mux Configuration for Output 5	EALLOW	<a href="#">Go</a>
14h	OUTPUT6MUX0TO15CFG	Output X-BAR Mux Configuration for Output 6	EALLOW	<a href="#">Go</a>
16h	OUTPUT6MUX16TO31CFG	Output X-BAR Mux Configuration for Output 6	EALLOW	<a href="#">Go</a>
18h	OUTPUT7MUX0TO15CFG	Output X-BAR Mux Configuration for Output 7	EALLOW	<a href="#">Go</a>
1Ah	OUTPUT7MUX16TO31CFG	Output X-BAR Mux Configuration for Output 7	EALLOW	<a href="#">Go</a>
1Ch	OUTPUT8MUX0TO15CFG	Output X-BAR Mux Configuration for Output 8	EALLOW	<a href="#">Go</a>
1Eh	OUTPUT8MUX16TO31CFG	Output X-BAR Mux Configuration for Output 8	EALLOW	<a href="#">Go</a>
20h	OUTPUT1MUXENABLE	Output X-BAR Mux Enable for Output 1	EALLOW	<a href="#">Go</a>
22h	OUTPUT2MUXENABLE	Output X-BAR Mux Enable for Output 2	EALLOW	<a href="#">Go</a>
24h	OUTPUT3MUXENABLE	Output X-BAR Mux Enable for Output 3	EALLOW	<a href="#">Go</a>
26h	OUTPUT4MUXENABLE	Output X-BAR Mux Enable for Output 4	EALLOW	<a href="#">Go</a>
28h	OUTPUT5MUXENABLE	Output X-BAR Mux Enable for Output 5	EALLOW	<a href="#">Go</a>
2Ah	OUTPUT6MUXENABLE	Output X-BAR Mux Enable for Output 6	EALLOW	<a href="#">Go</a>
2Ch	OUTPUT7MUXENABLE	Output X-BAR Mux Enable for Output 7	EALLOW	<a href="#">Go</a>
2Eh	OUTPUT8MUXENABLE	Output X-BAR Mux Enable for Output 8	EALLOW	<a href="#">Go</a>
30h	OUTPUTLATCH	Output X-BAR Output Latch		<a href="#">Go</a>
32h	OUTPUTLATCHCLR	Output X-BAR Output Latch Clear		<a href="#">Go</a>
34h	OUTPUTLATCHFRC	Output X-BAR Output Latch Clear		<a href="#">Go</a>
36h	OUTPUTLATCHENABLE	Output X-BAR Output Latch Enable	EALLOW	<a href="#">Go</a>
38h	OUTPUTINV	Output X-BAR Output Inversion	EALLOW	<a href="#">Go</a>
3Eh	OUTPUTLOCK	Output X-BAR Configuration Lock register	EALLOW	<a href="#">Go</a>

Complex bit access types are encoded to fit into small table cells. Table 8-88 shows the codes that are used for access types in this section.

**Table 8-88. OUTPUT\_XBAR\_REGS Access Type Codes**

Access Type	Code	Description
Read Type		
R	R	Read
R-0	R -0	Read Returns 0s
Write Type		
W	W	Write

**Table 8-88. OUTPUT\_XBAR\_REGS Access Type Codes (continued)**

Access Type	Code	Description
W1S	W 1S	Write 1 to set
WSonce	W Sonce	Write Set once
Reset or Default Value		
-n		Value after reset or the default value
Register Array Variables		
i,j,k,l,m,n		When these variables are used in a register name, an offset, or an address, they refer to the value of a register array where the register is part of a group of repeating registers. The register groups form a hierarchical structure and the array is represented with a formula.
y		When this variable is used in a register name, an offset, or an address it refers to the value of a register array.

### 8.3.6.1 OUTPUT1MUX0TO15CFG Register (Offset = 0h) [Reset = 0000000h]

OUTPUT1MUX0TO15CFG is shown in [Figure 8-80](#) and described in [Table 8-89](#).

Return to the [Summary Table](#).

Output X-BAR Mux Configuration for Output 1

**Figure 8-80. OUTPUT1MUX0TO15CFG Register**

31	30	29	28	27	26	25	24	23	22	21	20	19	18	17	16
MUX15		MUX14		MUX13		MUX12		MUX11		MUX10		MUX9		MUX8	
R/W-0h		R/W-0h		R/W-0h		R/W-0h		R/W-0h		R/W-0h		R/W-0h		R/W-0h	
15	14	13	12	11	10	9	8	7	6	5	4	3	2	1	0
MUX7		MUX6		MUX5		MUX4		MUX3		MUX2		MUX1		MUX0	
R/W-0h		R/W-0h		R/W-0h		R/W-0h		R/W-0h		R/W-0h		R/W-0h		R/W-0h	

**Table 8-89. OUTPUT1MUX0TO15CFG Register Field Descriptions**

Bit	Field	Type	Reset	Description
31-30	MUX15	R/W	0h	Select Bits for OUTPUT1 Mux15: 00 : Select .0 input for Mux15 01 : Select .1 input for Mux15 10 : Select .2 input for Mux15 11 : Select .3 input for Mux15 Refer to the Output X-BAR section of this chapter for more details. Reset type: CPU1.SYSRSn
29-28	MUX14	R/W	0h	Select Bits for OUTPUT1 Mux14: 00 : Select .0 input for Mux14 01 : Select .1 input for Mux14 10 : Select .2 input for Mux14 11 : Select .3 input for Mux14 Refer to the Output X-BAR section of this chapter for more details. Reset type: CPU1.SYSRSn
27-26	MUX13	R/W	0h	Select Bits for OUTPUT1 Mux13: 00 : Select .0 input for Mux13 01 : Select .1 input for Mux13 10 : Select .2 input for Mux13 11 : Select .3 input for Mux13 Refer to the Output X-BAR section of this chapter for more details. Reset type: CPU1.SYSRSn
25-24	MUX12	R/W	0h	Select Bits for OUTPUT1 Mux12: 00 : Select .0 input for Mux12 01 : Select .1 input for Mux12 10 : Select .2 input for Mux12 11 : Select .3 input for Mux12 Refer to the Output X-BAR section of this chapter for more details. Reset type: CPU1.SYSRSn
23-22	MUX11	R/W	0h	Select Bits for OUTPUT1 Mux11: 00 : Select .0 input for Mux11 01 : Select .1 input for Mux11 10 : Select .2 input for Mux11 11 : Select .3 input for Mux11 Refer to the Output X-BAR section of this chapter for more details. Reset type: CPU1.SYSRSn
21-20	MUX10	R/W	0h	Select Bits for OUTPUT1 Mux10: 00 : Select .0 input for Mux10 01 : Select .1 input for Mux10 10 : Select .2 input for Mux10 11 : Select .3 input for Mux10 Refer to the Output X-BAR section of this chapter for more details. Reset type: CPU1.SYSRSn

**Table 8-89. OUTPUT1MUX0TO15CFG Register Field Descriptions (continued)**

Bit	Field	Type	Reset	Description
19-18	MUX9	R/W	0h	Select Bits for OUTPUT1 Mux9: 00 : Select .0 input for Mux9 01 : Select .1 input for Mux9 10 : Select .2 input for Mux9 11 : Select .3 input for Mux9 Refer to the Output X-BAR section of this chapter for more details. Reset type: CPU1.SYSRSn
17-16	MUX8	R/W	0h	Select Bits for OUTPUT1 Mux8: 00 : Select .0 input for Mux8 01 : Select .1 input for Mux8 10 : Select .2 input for Mux8 11 : Select .3 input for Mux8 Refer to the Output X-BAR section of this chapter for more details. Reset type: CPU1.SYSRSn
15-14	MUX7	R/W	0h	Select Bits for OUTPUT1 Mux7: 00 : Select .0 input for Mux7 01 : Select .1 input for Mux7 10 : Select .2 input for Mux7 11 : Select .3 input for Mux7 Refer to the Output X-BAR section of this chapter for more details. Reset type: CPU1.SYSRSn
13-12	MUX6	R/W	0h	Select Bits for OUTPUT1 Mux6: 00 : Select .0 input for Mux6 01 : Select .1 input for Mux6 10 : Select .2 input for Mux6 11 : Select .3 input for Mux6 Refer to the Output X-BAR section of this chapter for more details. Reset type: CPU1.SYSRSn
11-10	MUX5	R/W	0h	Select Bits for OUTPUT1 Mux5: 00 : Select .0 input for Mux5 01 : Select .1 input for Mux5 10 : Select .2 input for Mux5 11 : Select .3 input for Mux5 Refer to the Output X-BAR section of this chapter for more details. Reset type: CPU1.SYSRSn
9-8	MUX4	R/W	0h	Select Bits for OUTPUT1 Mux4: 00 : Select .0 input for Mux4 01 : Select .1 input for Mux4 10 : Select .2 input for Mux4 11 : Select .3 input for Mux4 Refer to the Output X-BAR section of this chapter for more details. Reset type: CPU1.SYSRSn
7-6	MUX3	R/W	0h	Select Bits for OUTPUT1 Mux3: 00 : Select .0 input for Mux3 01 : Select .1 input for Mux3 10 : Select .2 input for Mux3 11 : Select .3 input for Mux3 Refer to the Output X-BAR section of this chapter for more details. Reset type: CPU1.SYSRSn
5-4	MUX2	R/W	0h	Select Bits for OUTPUT1 Mux2: 00 : Select .0 input for Mux2 01 : Select .1 input for Mux2 10 : Select .2 input for Mux2 11 : Select .3 input for Mux2 Refer to the Output X-BAR section of this chapter for more details. Reset type: CPU1.SYSRSn



**Table 8-89. OUTPUT1MUX0TO15CFG Register Field Descriptions (continued)**

Bit	Field	Type	Reset	Description
3-2	MUX1	R/W	0h	Select Bits for OUTPUT1 Mux1: 00 : Select .0 input for Mux1 01 : Select .1 input for Mux1 10 : Select .2 input for Mux1 11 : Select .3 input for Mux1 Refer to the Output X-BAR section of this chapter for more details. Reset type: CPU1.SYSRSn
1-0	MUX0	R/W	0h	Select Bits for OUTPUT1 Mux0: 00 : Select .0 input for Mux0 01 : Select .1 input for Mux0 10 : Select .2 input for Mux0 11 : Select .3 input for Mux0 Refer to the Output X-BAR section of this chapter for more details. Reset type: CPU1.SYSRSn

### 8.3.6.2 OUTPUT1MUX16TO31CFG Register (Offset = 2h) [Reset = 0000000h]

OUTPUT1MUX16TO31CFG is shown in [Figure 8-81](#) and described in [Table 8-90](#).

Return to the [Summary Table](#).

Output X-BAR Mux Configuration for Output 1

**Figure 8-81. OUTPUT1MUX16TO31CFG Register**

31	30	29	28	27	26	25	24	23	22	21	20	19	18	17	16
MUX31		MUX30		MUX29		MUX28		MUX27		MUX26		MUX25		MUX24	
R/W-0h		R/W-0h		R/W-0h		R/W-0h		R/W-0h		R/W-0h		R/W-0h		R/W-0h	
15	14	13	12	11	10	9	8	7	6	5	4	3	2	1	0
MUX23		MUX22		MUX21		MUX20		MUX19		MUX18		MUX17		MUX16	
R/W-0h		R/W-0h		R/W-0h		R/W-0h		R/W-0h		R/W-0h		R/W-0h		R/W-0h	

**Table 8-90. OUTPUT1MUX16TO31CFG Register Field Descriptions**

Bit	Field	Type	Reset	Description
31-30	MUX31	R/W	0h	Select Bits for OUTPUT1 Mux31: 00 : Select .0 input for Mux31 01 : Select .1 input for Mux31 10 : Select .2 input for Mux31 11 : Select .3 input for Mux31 Refer to the Output X-BAR section of this chapter for more details. Reset type: CPU1.SYSRSn
29-28	MUX30	R/W	0h	Select Bits for OUTPUT1 Mux30: 00 : Select .0 input for Mux30 01 : Select .1 input for Mux30 10 : Select .2 input for Mux30 11 : Select .3 input for Mux30 Refer to the Output X-BAR section of this chapter for more details. Reset type: CPU1.SYSRSn
27-26	MUX29	R/W	0h	Select Bits for OUTPUT1 Mux29: 00 : Select .0 input for Mux29 01 : Select .1 input for Mux29 10 : Select .2 input for Mux29 11 : Select .3 input for Mux29 Refer to the Output X-BAR section of this chapter for more details. Reset type: CPU1.SYSRSn
25-24	MUX28	R/W	0h	Select Bits for OUTPUT1 Mux28: 00 : Select .0 input for Mux28 01 : Select .1 input for Mux28 10 : Select .2 input for Mux28 11 : Select .3 input for Mux28 Refer to the Output X-BAR section of this chapter for more details. Reset type: CPU1.SYSRSn
23-22	MUX27	R/W	0h	Select Bits for OUTPUT1 Mux27: 00 : Select .0 input for Mux27 01 : Select .1 input for Mux27 10 : Select .2 input for Mux27 11 : Select .3 input for Mux27 Refer to the Output X-BAR section of this chapter for more details. Reset type: CPU1.SYSRSn
21-20	MUX26	R/W	0h	Select Bits for OUTPUT1 Mux26: 00 : Select .0 input for Mux26 01 : Select .1 input for Mux26 10 : Select .2 input for Mux26 11 : Select .3 input for Mux26 Refer to the Output X-BAR section of this chapter for more details. Reset type: CPU1.SYSRSn

**Table 8-90. OUTPUT1MUX16TO31CFG Register Field Descriptions (continued)**

Bit	Field	Type	Reset	Description
19-18	MUX25	R/W	0h	Select Bits for OUTPUT1 Mux25: 00 : Select .0 input for Mux25 01 : Select .1 input for Mux25 10 : Select .2 input for Mux25 11 : Select .3 input for Mux25 Refer to the Output X-BAR section of this chapter for more details. Reset type: CPU1.SYSRSn
17-16	MUX24	R/W	0h	Select Bits for OUTPUT1 Mux24: 00 : Select .0 input for Mux24 01 : Select .1 input for Mux24 10 : Select .2 input for Mux24 11 : Select .3 input for Mux24 Refer to the Output X-BAR section of this chapter for more details. Reset type: CPU1.SYSRSn
15-14	MUX23	R/W	0h	Select Bits for OUTPUT1 Mux23: 00 : Select .0 input for Mux23 01 : Select .1 input for Mux23 10 : Select .2 input for Mux23 11 : Select .3 input for Mux23 Refer to the Output X-BAR section of this chapter for more details. Reset type: CPU1.SYSRSn
13-12	MUX22	R/W	0h	Select Bits for OUTPUT1 Mux22: 00 : Select .0 input for Mux22 01 : Select .1 input for Mux22 10 : Select .2 input for Mux22 11 : Select .3 input for Mux22 Refer to the Output X-BAR section of this chapter for more details. Reset type: CPU1.SYSRSn
11-10	MUX21	R/W	0h	Select Bits for OUTPUT1 Mux21: 00 : Select .0 input for Mux21 01 : Select .1 input for Mux21 10 : Select .2 input for Mux21 11 : Select .3 input for Mux21 Refer to the Output X-BAR section of this chapter for more details. Reset type: CPU1.SYSRSn
9-8	MUX20	R/W	0h	Select Bits for OUTPUT1 Mux20: 00 : Select .0 input for Mux20 01 : Select .1 input for Mux20 10 : Select .2 input for Mux20 11 : Select .3 input for Mux20 Refer to the Output X-BAR section of this chapter for more details. Reset type: CPU1.SYSRSn
7-6	MUX19	R/W	0h	Select Bits for OUTPUT1 Mux19: 00 : Select .0 input for Mux19 01 : Select .1 input for Mux19 10 : Select .2 input for Mux19 11 : Select .3 input for Mux19 Refer to the Output X-BAR section of this chapter for more details. Reset type: CPU1.SYSRSn
5-4	MUX18	R/W	0h	Select Bits for OUTPUT1 Mux18: 00 : Select .0 input for Mux18 01 : Select .1 input for Mux18 10 : Select .2 input for Mux18 11 : Select .3 input for Mux18 Refer to the Output X-BAR section of this chapter for more details. Reset type: CPU1.SYSRSn

**Table 8-90. OUTPUT1MUX16TO31CFG Register Field Descriptions (continued)**

Bit	Field	Type	Reset	Description
3-2	MUX17	R/W	0h	Select Bits for OUTPUT1 Mux17: 00 : Select .0 input for Mux17 01 : Select .1 input for Mux17 10 : Select .2 input for Mux17 11 : Select .3 input for Mux17 Refer to the Output X-BAR section of this chapter for more details. Reset type: CPU1.SYSRSn
1-0	MUX16	R/W	0h	Select Bits for OUTPUT1 Mux16: 00 : Select .0 input for Mux16 01 : Select .1 input for Mux16 10 : Select .2 input for Mux16 11 : Select .3 input for Mux16 Refer to the Output X-BAR section of this chapter for more details. Reset type: CPU1.SYSRSn

### 8.3.6.3 OUTPUT2MUX0TO15CFG Register (Offset = 4h) [Reset = 0000000h]

OUTPUT2MUX0TO15CFG is shown in [Figure 8-82](#) and described in [Table 8-91](#).

Return to the [Summary Table](#).

Output X-BAR Mux Configuration for Output 2

**Figure 8-82. OUTPUT2MUX0TO15CFG Register**

31	30	29	28	27	26	25	24	23	22	21	20	19	18	17	16
MUX15		MUX14		MUX13		MUX12		MUX11		MUX10		MUX9		MUX8	
R/W-0h		R/W-0h		R/W-0h		R/W-0h		R/W-0h		R/W-0h		R/W-0h		R/W-0h	
15	14	13	12	11	10	9	8	7	6	5	4	3	2	1	0
MUX7		MUX6		MUX5		MUX4		MUX3		MUX2		MUX1		MUX0	
R/W-0h		R/W-0h		R/W-0h		R/W-0h		R/W-0h		R/W-0h		R/W-0h		R/W-0h	

**Table 8-91. OUTPUT2MUX0TO15CFG Register Field Descriptions**

Bit	Field	Type	Reset	Description
31-30	MUX15	R/W	0h	Select Bits for OUTPUT2 Mux15: 00 : Select .0 input for Mux15 01 : Select .1 input for Mux15 10 : Select .2 input for Mux15 11 : Select .3 input for Mux15 Refer to the Output X-BAR section of this chapter for more details. Reset type: CPU1.SYSRSn
29-28	MUX14	R/W	0h	Select Bits for OUTPUT2 Mux14: 00 : Select .0 input for Mux14 01 : Select .1 input for Mux14 10 : Select .2 input for Mux14 11 : Select .3 input for Mux14 Refer to the Output X-BAR section of this chapter for more details. Reset type: CPU1.SYSRSn
27-26	MUX13	R/W	0h	Select Bits for OUTPUT2 Mux13: 00 : Select .0 input for Mux13 01 : Select .1 input for Mux13 10 : Select .2 input for Mux13 11 : Select .3 input for Mux13 Refer to the Output X-BAR section of this chapter for more details. Reset type: CPU1.SYSRSn
25-24	MUX12	R/W	0h	Select Bits for OUTPUT2 Mux12: 00 : Select .0 input for Mux12 01 : Select .1 input for Mux12 10 : Select .2 input for Mux12 11 : Select .3 input for Mux12 Refer to the Output X-BAR section of this chapter for more details. Reset type: CPU1.SYSRSn
23-22	MUX11	R/W	0h	Select Bits for OUTPUT2 Mux11: 00 : Select .0 input for Mux11 01 : Select .1 input for Mux11 10 : Select .2 input for Mux11 11 : Select .3 input for Mux11 Refer to the Output X-BAR section of this chapter for more details. Reset type: CPU1.SYSRSn
21-20	MUX10	R/W	0h	Select Bits for OUTPUT2 Mux10: 00 : Select .0 input for Mux10 01 : Select .1 input for Mux10 10 : Select .2 input for Mux10 11 : Select .3 input for Mux10 Refer to the Output X-BAR section of this chapter for more details. Reset type: CPU1.SYSRSn

**Table 8-91. OUTPUT2MUX0TO15CFG Register Field Descriptions (continued)**

Bit	Field	Type	Reset	Description
19-18	MUX9	R/W	0h	Select Bits for OUTPUT2 Mux9: 00 : Select .0 input for Mux9 01 : Select .1 input for Mux9 10 : Select .2 input for Mux9 11 : Select .3 input for Mux9 Refer to the Output X-BAR section of this chapter for more details. Reset type: CPU1.SYSRSn
17-16	MUX8	R/W	0h	Select Bits for OUTPUT2 Mux8: 00 : Select .0 input for Mux8 01 : Select .1 input for Mux8 10 : Select .2 input for Mux8 11 : Select .3 input for Mux8 Refer to the Output X-BAR section of this chapter for more details. Reset type: CPU1.SYSRSn
15-14	MUX7	R/W	0h	Select Bits for OUTPUT2 Mux7: 00 : Select .0 input for Mux7 01 : Select .1 input for Mux7 10 : Select .2 input for Mux7 11 : Select .3 input for Mux7 Refer to the Output X-BAR section of this chapter for more details. Reset type: CPU1.SYSRSn
13-12	MUX6	R/W	0h	Select Bits for OUTPUT2 Mux6: 00 : Select .0 input for Mux6 01 : Select .1 input for Mux6 10 : Select .2 input for Mux6 11 : Select .3 input for Mux6 Refer to the Output X-BAR section of this chapter for more details. Reset type: CPU1.SYSRSn
11-10	MUX5	R/W	0h	Select Bits for OUTPUT2 Mux5: 00 : Select .0 input for Mux5 01 : Select .1 input for Mux5 10 : Select .2 input for Mux5 11 : Select .3 input for Mux5 Refer to the Output X-BAR section of this chapter for more details. Reset type: CPU1.SYSRSn
9-8	MUX4	R/W	0h	Select Bits for OUTPUT2 Mux4: 00 : Select .0 input for Mux4 01 : Select .1 input for Mux4 10 : Select .2 input for Mux4 11 : Select .3 input for Mux4 Refer to the Output X-BAR section of this chapter for more details. Reset type: CPU1.SYSRSn
7-6	MUX3	R/W	0h	Select Bits for OUTPUT2 Mux3: 00 : Select .0 input for Mux3 01 : Select .1 input for Mux3 10 : Select .2 input for Mux3 11 : Select .3 input for Mux3 Refer to the Output X-BAR section of this chapter for more details. Reset type: CPU1.SYSRSn
5-4	MUX2	R/W	0h	Select Bits for OUTPUT2 Mux2: 00 : Select .0 input for Mux2 01 : Select .1 input for Mux2 10 : Select .2 input for Mux2 11 : Select .3 input for Mux2 Refer to the Output X-BAR section of this chapter for more details. Reset type: CPU1.SYSRSn

**Table 8-91. OUTPUT2MUX0TO15CFG Register Field Descriptions (continued)**

Bit	Field	Type	Reset	Description
3-2	MUX1	R/W	0h	Select Bits for OUTPUT2 Mux1: 00 : Select .0 input for Mux1 01 : Select .1 input for Mux1 10 : Select .2 input for Mux1 11 : Select .3 input for Mux1 Refer to the Output X-BAR section of this chapter for more details. Reset type: CPU1.SYSRSn
1-0	MUX0	R/W	0h	Select Bits for OUTPUT2 Mux0: 00 : Select .0 input for Mux0 01 : Select .1 input for Mux0 10 : Select .2 input for Mux0 11 : Select .3 input for Mux0 Refer to the Output X-BAR section of this chapter for more details. Reset type: CPU1.SYSRSn

### 8.3.6.4 OUTPUT2MUX16TO31CFG Register (Offset = 6h) [Reset = 0000000h]

OUTPUT2MUX16TO31CFG is shown in [Figure 8-83](#) and described in [Table 8-92](#).

Return to the [Summary Table](#).

Output X-BAR Mux Configuration for Output 2

**Figure 8-83. OUTPUT2MUX16TO31CFG Register**

31	30	29	28	27	26	25	24	23	22	21	20	19	18	17	16
MUX31		MUX30		MUX29		MUX28		MUX27		MUX26		MUX25		MUX24	
R/W-0h		R/W-0h		R/W-0h		R/W-0h		R/W-0h		R/W-0h		R/W-0h		R/W-0h	
15	14	13	12	11	10	9	8	7	6	5	4	3	2	1	0
MUX23		MUX22		MUX21		MUX20		MUX19		MUX18		MUX17		MUX16	
R/W-0h		R/W-0h		R/W-0h		R/W-0h		R/W-0h		R/W-0h		R/W-0h		R/W-0h	

**Table 8-92. OUTPUT2MUX16TO31CFG Register Field Descriptions**

Bit	Field	Type	Reset	Description
31-30	MUX31	R/W	0h	Select Bits for OUTPUT2 Mux31: 00 : Select .0 input for Mux31 01 : Select .1 input for Mux31 10 : Select .2 input for Mux31 11 : Select .3 input for Mux31 Refer to the Output X-BAR section of this chapter for more details. Reset type: CPU1.SYSRSn
29-28	MUX30	R/W	0h	Select Bits for OUTPUT2 Mux30: 00 : Select .0 input for Mux30 01 : Select .1 input for Mux30 10 : Select .2 input for Mux30 11 : Select .3 input for Mux30 Refer to the Output X-BAR section of this chapter for more details. Reset type: CPU1.SYSRSn
27-26	MUX29	R/W	0h	Select Bits for OUTPUT2 Mux29: 00 : Select .0 input for Mux29 01 : Select .1 input for Mux29 10 : Select .2 input for Mux29 11 : Select .3 input for Mux29 Refer to the Output X-BAR section of this chapter for more details. Reset type: CPU1.SYSRSn
25-24	MUX28	R/W	0h	Select Bits for OUTPUT2 Mux28: 00 : Select .0 input for Mux28 01 : Select .1 input for Mux28 10 : Select .2 input for Mux28 11 : Select .3 input for Mux28 Refer to the Output X-BAR section of this chapter for more details. Reset type: CPU1.SYSRSn
23-22	MUX27	R/W	0h	Select Bits for OUTPUT2 Mux27: 00 : Select .0 input for Mux27 01 : Select .1 input for Mux27 10 : Select .2 input for Mux27 11 : Select .3 input for Mux27 Refer to the Output X-BAR section of this chapter for more details. Reset type: CPU1.SYSRSn
21-20	MUX26	R/W	0h	Select Bits for OUTPUT2 Mux26: 00 : Select .0 input for Mux26 01 : Select .1 input for Mux26 10 : Select .2 input for Mux26 11 : Select .3 input for Mux26 Refer to the Output X-BAR section of this chapter for more details. Reset type: CPU1.SYSRSn



**Table 8-92. OUTPUT2MUX16TO31CFG Register Field Descriptions (continued)**

Bit	Field	Type	Reset	Description
19-18	MUX25	R/W	0h	Select Bits for OUTPUT2 Mux25: 00 : Select .0 input for Mux25 01 : Select .1 input for Mux25 10 : Select .2 input for Mux25 11 : Select .3 input for Mux25 Refer to the Output X-BAR section of this chapter for more details. Reset type: CPU1.SYSRSn
17-16	MUX24	R/W	0h	Select Bits for OUTPUT2 Mux24: 00 : Select .0 input for Mux24 01 : Select .1 input for Mux24 10 : Select .2 input for Mux24 11 : Select .3 input for Mux24 Refer to the Output X-BAR section of this chapter for more details. Reset type: CPU1.SYSRSn
15-14	MUX23	R/W	0h	Select Bits for OUTPUT2 Mux23: 00 : Select .0 input for Mux23 01 : Select .1 input for Mux23 10 : Select .2 input for Mux23 11 : Select .3 input for Mux23 Refer to the Output X-BAR section of this chapter for more details. Reset type: CPU1.SYSRSn
13-12	MUX22	R/W	0h	Select Bits for OUTPUT2 Mux22: 00 : Select .0 input for Mux22 01 : Select .1 input for Mux22 10 : Select .2 input for Mux22 11 : Select .3 input for Mux22 Refer to the Output X-BAR section of this chapter for more details. Reset type: CPU1.SYSRSn
11-10	MUX21	R/W	0h	Select Bits for OUTPUT2 Mux21: 00 : Select .0 input for Mux21 01 : Select .1 input for Mux21 10 : Select .2 input for Mux21 11 : Select .3 input for Mux21 Refer to the Output X-BAR section of this chapter for more details. Reset type: CPU1.SYSRSn
9-8	MUX20	R/W	0h	Select Bits for OUTPUT2 Mux20: 00 : Select .0 input for Mux20 01 : Select .1 input for Mux20 10 : Select .2 input for Mux20 11 : Select .3 input for Mux20 Refer to the Output X-BAR section of this chapter for more details. Reset type: CPU1.SYSRSn
7-6	MUX19	R/W	0h	Select Bits for OUTPUT2 Mux19: 00 : Select .0 input for Mux19 01 : Select .1 input for Mux19 10 : Select .2 input for Mux19 11 : Select .3 input for Mux19 Refer to the Output X-BAR section of this chapter for more details. Reset type: CPU1.SYSRSn
5-4	MUX18	R/W	0h	Select Bits for OUTPUT2 Mux18: 00 : Select .0 input for Mux18 01 : Select .1 input for Mux18 10 : Select .2 input for Mux18 11 : Select .3 input for Mux18 Refer to the Output X-BAR section of this chapter for more details. Reset type: CPU1.SYSRSn

**Table 8-92. OUTPUT2MUX16TO31CFG Register Field Descriptions (continued)**

Bit	Field	Type	Reset	Description
3-2	MUX17	R/W	0h	Select Bits for OUTPUT2 Mux17: 00 : Select .0 input for Mux17 01 : Select .1 input for Mux17 10 : Select .2 input for Mux17 11 : Select .3 input for Mux17 Refer to the Output X-BAR section of this chapter for more details. Reset type: CPU1.SYSRSn
1-0	MUX16	R/W	0h	Select Bits for OUTPUT2 Mux16: 00 : Select .0 input for Mux16 01 : Select .1 input for Mux16 10 : Select .2 input for Mux16 11 : Select .3 input for Mux16 Refer to the Output X-BAR section of this chapter for more details. Reset type: CPU1.SYSRSn

### 8.3.6.5 OUTPUT3MUX0TO15CFG Register (Offset = 8h) [Reset = 0000000h]

OUTPUT3MUX0TO15CFG is shown in [Figure 8-84](#) and described in [Table 8-93](#).

Return to the [Summary Table](#).

Output X-BAR Mux Configuration for Output 3

**Figure 8-84. OUTPUT3MUX0TO15CFG Register**

31	30	29	28	27	26	25	24	23	22	21	20	19	18	17	16
MUX15		MUX14		MUX13		MUX12		MUX11		MUX10		MUX9		MUX8	
R/W-0h		R/W-0h		R/W-0h		R/W-0h		R/W-0h		R/W-0h		R/W-0h		R/W-0h	
15	14	13	12	11	10	9	8	7	6	5	4	3	2	1	0
MUX7		MUX6		MUX5		MUX4		MUX3		MUX2		MUX1		MUX0	
R/W-0h		R/W-0h		R/W-0h		R/W-0h		R/W-0h		R/W-0h		R/W-0h		R/W-0h	

**Table 8-93. OUTPUT3MUX0TO15CFG Register Field Descriptions**

Bit	Field	Type	Reset	Description
31-30	MUX15	R/W	0h	Select Bits for OUTPUT3 Mux15: 00 : Select .0 input for Mux15 01 : Select .1 input for Mux15 10 : Select .2 input for Mux15 11 : Select .3 input for Mux15 Refer to the Output X-BAR section of this chapter for more details. Reset type: CPU1.SYSRSn
29-28	MUX14	R/W	0h	Select Bits for OUTPUT3 Mux14: 00 : Select .0 input for Mux14 01 : Select .1 input for Mux14 10 : Select .2 input for Mux14 11 : Select .3 input for Mux14 Refer to the Output X-BAR section of this chapter for more details. Reset type: CPU1.SYSRSn
27-26	MUX13	R/W	0h	Select Bits for OUTPUT3 Mux13: 00 : Select .0 input for Mux13 01 : Select .1 input for Mux13 10 : Select .2 input for Mux13 11 : Select .3 input for Mux13 Refer to the Output X-BAR section of this chapter for more details. Reset type: CPU1.SYSRSn
25-24	MUX12	R/W	0h	Select Bits for OUTPUT3 Mux12: 00 : Select .0 input for Mux12 01 : Select .1 input for Mux12 10 : Select .2 input for Mux12 11 : Select .3 input for Mux12 Refer to the Output X-BAR section of this chapter for more details. Reset type: CPU1.SYSRSn
23-22	MUX11	R/W	0h	Select Bits for OUTPUT3 Mux11: 00 : Select .0 input for Mux11 01 : Select .1 input for Mux11 10 : Select .2 input for Mux11 11 : Select .3 input for Mux11 Refer to the Output X-BAR section of this chapter for more details. Reset type: CPU1.SYSRSn
21-20	MUX10	R/W	0h	Select Bits for OUTPUT3 Mux10: 00 : Select .0 input for Mux10 01 : Select .1 input for Mux10 10 : Select .2 input for Mux10 11 : Select .3 input for Mux10 Refer to the Output X-BAR section of this chapter for more details. Reset type: CPU1.SYSRSn

**Table 8-93. OUTPUT3MUX0TO15CFG Register Field Descriptions (continued)**

Bit	Field	Type	Reset	Description
19-18	MUX9	R/W	0h	Select Bits for OUTPUT3 Mux9: 00 : Select .0 input for Mux9 01 : Select .1 input for Mux9 10 : Select .2 input for Mux9 11 : Select .3 input for Mux9 Refer to the Output X-BAR section of this chapter for more details. Reset type: CPU1.SYSRSn
17-16	MUX8	R/W	0h	Select Bits for OUTPUT3 Mux8: 00 : Select .0 input for Mux8 01 : Select .1 input for Mux8 10 : Select .2 input for Mux8 11 : Select .3 input for Mux8 Refer to the Output X-BAR section of this chapter for more details. Reset type: CPU1.SYSRSn
15-14	MUX7	R/W	0h	Select Bits for OUTPUT3 Mux7: 00 : Select .0 input for Mux7 01 : Select .1 input for Mux7 10 : Select .2 input for Mux7 11 : Select .3 input for Mux7 Refer to the Output X-BAR section of this chapter for more details. Reset type: CPU1.SYSRSn
13-12	MUX6	R/W	0h	Select Bits for OUTPUT3 Mux6: 00 : Select .0 input for Mux6 01 : Select .1 input for Mux6 10 : Select .2 input for Mux6 11 : Select .3 input for Mux6 Refer to the Output X-BAR section of this chapter for more details. Reset type: CPU1.SYSRSn
11-10	MUX5	R/W	0h	Select Bits for OUTPUT3 Mux5: 00 : Select .0 input for Mux5 01 : Select .1 input for Mux5 10 : Select .2 input for Mux5 11 : Select .3 input for Mux5 Refer to the Output X-BAR section of this chapter for more details. Reset type: CPU1.SYSRSn
9-8	MUX4	R/W	0h	Select Bits for OUTPUT3 Mux4: 00 : Select .0 input for Mux4 01 : Select .1 input for Mux4 10 : Select .2 input for Mux4 11 : Select .3 input for Mux4 Refer to the Output X-BAR section of this chapter for more details. Reset type: CPU1.SYSRSn
7-6	MUX3	R/W	0h	Select Bits for OUTPUT3 Mux3: 00 : Select .0 input for Mux3 01 : Select .1 input for Mux3 10 : Select .2 input for Mux3 11 : Select .3 input for Mux3 Refer to the Output X-BAR section of this chapter for more details. Reset type: CPU1.SYSRSn
5-4	MUX2	R/W	0h	Select Bits for OUTPUT3 Mux2: 00 : Select .0 input for Mux2 01 : Select .1 input for Mux2 10 : Select .2 input for Mux2 11 : Select .3 input for Mux2 Refer to the Output X-BAR section of this chapter for more details. Reset type: CPU1.SYSRSn

**Table 8-93. OUTPUT3MUX0TO15CFG Register Field Descriptions (continued)**

Bit	Field	Type	Reset	Description
3-2	MUX1	R/W	0h	Select Bits for OUTPUT3 Mux1: 00 : Select .0 input for Mux1 01 : Select .1 input for Mux1 10 : Select .2 input for Mux1 11 : Select .3 input for Mux1 Refer to the Output X-BAR section of this chapter for more details. Reset type: CPU1.SYSRSn
1-0	MUX0	R/W	0h	Select Bits for OUTPUT3 Mux0: 00 : Select .0 input for Mux0 01 : Select .1 input for Mux0 10 : Select .2 input for Mux0 11 : Select .3 input for Mux0 Refer to the Output X-BAR section of this chapter for more details. Reset type: CPU1.SYSRSn

### 8.3.6.6 OUTPUT3MUX16TO31CFG Register (Offset = Ah) [Reset = 0000000h]

OUTPUT3MUX16TO31CFG is shown in [Figure 8-85](#) and described in [Table 8-94](#).

Return to the [Summary Table](#).

Output X-BAR Mux Configuration for Output 3

**Figure 8-85. OUTPUT3MUX16TO31CFG Register**

31	30	29	28	27	26	25	24	23	22	21	20	19	18	17	16
MUX31		MUX30		MUX29		MUX28		MUX27		MUX26		MUX25		MUX24	
R/W-0h		R/W-0h		R/W-0h		R/W-0h		R/W-0h		R/W-0h		R/W-0h		R/W-0h	
15	14	13	12	11	10	9	8	7	6	5	4	3	2	1	0
MUX23		MUX22		MUX21		MUX20		MUX19		MUX18		MUX17		MUX16	
R/W-0h		R/W-0h		R/W-0h		R/W-0h		R/W-0h		R/W-0h		R/W-0h		R/W-0h	

**Table 8-94. OUTPUT3MUX16TO31CFG Register Field Descriptions**

Bit	Field	Type	Reset	Description
31-30	MUX31	R/W	0h	Select Bits for OUTPUT3 Mux31: 00 : Select .0 input for Mux31 01 : Select .1 input for Mux31 10 : Select .2 input for Mux31 11 : Select .3 input for Mux31 Refer to the Output X-BAR section of this chapter for more details. Reset type: CPU1.SYSRSn
29-28	MUX30	R/W	0h	Select Bits for OUTPUT3 Mux30: 00 : Select .0 input for Mux30 01 : Select .1 input for Mux30 10 : Select .2 input for Mux30 11 : Select .3 input for Mux30 Refer to the Output X-BAR section of this chapter for more details. Reset type: CPU1.SYSRSn
27-26	MUX29	R/W	0h	Select Bits for OUTPUT3 Mux29: 00 : Select .0 input for Mux29 01 : Select .1 input for Mux29 10 : Select .2 input for Mux29 11 : Select .3 input for Mux29 Refer to the Output X-BAR section of this chapter for more details. Reset type: CPU1.SYSRSn
25-24	MUX28	R/W	0h	Select Bits for OUTPUT3 Mux28: 00 : Select .0 input for Mux28 01 : Select .1 input for Mux28 10 : Select .2 input for Mux28 11 : Select .3 input for Mux28 Refer to the Output X-BAR section of this chapter for more details. Reset type: CPU1.SYSRSn
23-22	MUX27	R/W	0h	Select Bits for OUTPUT3 Mux27: 00 : Select .0 input for Mux27 01 : Select .1 input for Mux27 10 : Select .2 input for Mux27 11 : Select .3 input for Mux27 Refer to the Output X-BAR section of this chapter for more details. Reset type: CPU1.SYSRSn
21-20	MUX26	R/W	0h	Select Bits for OUTPUT3 Mux26: 00 : Select .0 input for Mux26 01 : Select .1 input for Mux26 10 : Select .2 input for Mux26 11 : Select .3 input for Mux26 Refer to the Output X-BAR section of this chapter for more details. Reset type: CPU1.SYSRSn

**Table 8-94. OUTPUT3MUX16TO31CFG Register Field Descriptions (continued)**

Bit	Field	Type	Reset	Description
19-18	MUX25	R/W	0h	Select Bits for OUTPUT3 Mux25: 00 : Select .0 input for Mux25 01 : Select .1 input for Mux25 10 : Select .2 input for Mux25 11 : Select .3 input for Mux25 Refer to the Output X-BAR section of this chapter for more details. Reset type: CPU1.SYSRSn
17-16	MUX24	R/W	0h	Select Bits for OUTPUT3 Mux24: 00 : Select .0 input for Mux24 01 : Select .1 input for Mux24 10 : Select .2 input for Mux24 11 : Select .3 input for Mux24 Refer to the Output X-BAR section of this chapter for more details. Reset type: CPU1.SYSRSn
15-14	MUX23	R/W	0h	Select Bits for OUTPUT3 Mux23: 00 : Select .0 input for Mux23 01 : Select .1 input for Mux23 10 : Select .2 input for Mux23 11 : Select .3 input for Mux23 Refer to the Output X-BAR section of this chapter for more details. Reset type: CPU1.SYSRSn
13-12	MUX22	R/W	0h	Select Bits for OUTPUT3 Mux22: 00 : Select .0 input for Mux22 01 : Select .1 input for Mux22 10 : Select .2 input for Mux22 11 : Select .3 input for Mux22 Refer to the Output X-BAR section of this chapter for more details. Reset type: CPU1.SYSRSn
11-10	MUX21	R/W	0h	Select Bits for OUTPUT3 Mux21: 00 : Select .0 input for Mux21 01 : Select .1 input for Mux21 10 : Select .2 input for Mux21 11 : Select .3 input for Mux21 Refer to the Output X-BAR section of this chapter for more details. Reset type: CPU1.SYSRSn
9-8	MUX20	R/W	0h	Select Bits for OUTPUT3 Mux20: 00 : Select .0 input for Mux20 01 : Select .1 input for Mux20 10 : Select .2 input for Mux20 11 : Select .3 input for Mux20 Refer to the Output X-BAR section of this chapter for more details. Reset type: CPU1.SYSRSn
7-6	MUX19	R/W	0h	Select Bits for OUTPUT3 Mux19: 00 : Select .0 input for Mux19 01 : Select .1 input for Mux19 10 : Select .2 input for Mux19 11 : Select .3 input for Mux19 Refer to the Output X-BAR section of this chapter for more details. Reset type: CPU1.SYSRSn
5-4	MUX18	R/W	0h	Select Bits for OUTPUT3 Mux18: 00 : Select .0 input for Mux18 01 : Select .1 input for Mux18 10 : Select .2 input for Mux18 11 : Select .3 input for Mux18 Refer to the Output X-BAR section of this chapter for more details. Reset type: CPU1.SYSRSn

**Table 8-94. OUTPUT3MUX16TO31CFG Register Field Descriptions (continued)**

Bit	Field	Type	Reset	Description
3-2	MUX17	R/W	0h	Select Bits for OUTPUT3 Mux17: 00 : Select .0 input for Mux17 01 : Select .1 input for Mux17 10 : Select .2 input for Mux17 11 : Select .3 input for Mux17 Refer to the Output X-BAR section of this chapter for more details. Reset type: CPU1.SYSRSn
1-0	MUX16	R/W	0h	Select Bits for OUTPUT3 Mux16: 00 : Select .0 input for Mux16 01 : Select .1 input for Mux16 10 : Select .2 input for Mux16 11 : Select .3 input for Mux16 Refer to the Output X-BAR section of this chapter for more details. Reset type: CPU1.SYSRSn



### 8.3.6.7 OUTPUT4MUX0TO15CFG Register (Offset = Ch) [Reset = 0000000h]

OUTPUT4MUX0TO15CFG is shown in [Figure 8-86](#) and described in [Table 8-95](#).

Return to the [Summary Table](#).

Output X-BAR Mux Configuration for Output 4

**Figure 8-86. OUTPUT4MUX0TO15CFG Register**

31	30	29	28	27	26	25	24	23	22	21	20	19	18	17	16
MUX15		MUX14		MUX13		MUX12		MUX11		MUX10		MUX9		MUX8	
R/W-0h		R/W-0h		R/W-0h		R/W-0h		R/W-0h		R/W-0h		R/W-0h		R/W-0h	
15	14	13	12	11	10	9	8	7	6	5	4	3	2	1	0
MUX7		MUX6		MUX5		MUX4		MUX3		MUX2		MUX1		MUX0	
R/W-0h		R/W-0h		R/W-0h		R/W-0h		R/W-0h		R/W-0h		R/W-0h		R/W-0h	

**Table 8-95. OUTPUT4MUX0TO15CFG Register Field Descriptions**

Bit	Field	Type	Reset	Description
31-30	MUX15	R/W	0h	Select Bits for OUTPUT4 Mux15: 00 : Select .0 input for Mux15 01 : Select .1 input for Mux15 10 : Select .2 input for Mux15 11 : Select .3 input for Mux15 Refer to the Output X-BAR section of this chapter for more details. Reset type: CPU1.SYSRSn
29-28	MUX14	R/W	0h	Select Bits for OUTPUT4 Mux14: 00 : Select .0 input for Mux14 01 : Select .1 input for Mux14 10 : Select .2 input for Mux14 11 : Select .3 input for Mux14 Refer to the Output X-BAR section of this chapter for more details. Reset type: CPU1.SYSRSn
27-26	MUX13	R/W	0h	Select Bits for OUTPUT4 Mux13: 00 : Select .0 input for Mux13 01 : Select .1 input for Mux13 10 : Select .2 input for Mux13 11 : Select .3 input for Mux13 Refer to the Output X-BAR section of this chapter for more details. Reset type: CPU1.SYSRSn
25-24	MUX12	R/W	0h	Select Bits for OUTPUT4 Mux12: 00 : Select .0 input for Mux12 01 : Select .1 input for Mux12 10 : Select .2 input for Mux12 11 : Select .3 input for Mux12 Refer to the Output X-BAR section of this chapter for more details. Reset type: CPU1.SYSRSn
23-22	MUX11	R/W	0h	Select Bits for OUTPUT4 Mux11: 00 : Select .0 input for Mux11 01 : Select .1 input for Mux11 10 : Select .2 input for Mux11 11 : Select .3 input for Mux11 Refer to the Output X-BAR section of this chapter for more details. Reset type: CPU1.SYSRSn
21-20	MUX10	R/W	0h	Select Bits for OUTPUT4 Mux10: 00 : Select .0 input for Mux10 01 : Select .1 input for Mux10 10 : Select .2 input for Mux10 11 : Select .3 input for Mux10 Refer to the Output X-BAR section of this chapter for more details. Reset type: CPU1.SYSRSn

**Table 8-95. OUTPUT4MUX0TO15CFG Register Field Descriptions (continued)**

Bit	Field	Type	Reset	Description
19-18	MUX9	R/W	0h	Select Bits for OUTPUT4 Mux9: 00 : Select .0 input for Mux9 01 : Select .1 input for Mux9 10 : Select .2 input for Mux9 11 : Select .3 input for Mux9 Refer to the Output X-BAR section of this chapter for more details. Reset type: CPU1.SYSRSn
17-16	MUX8	R/W	0h	Select Bits for OUTPUT4 Mux8: 00 : Select .0 input for Mux8 01 : Select .1 input for Mux8 10 : Select .2 input for Mux8 11 : Select .3 input for Mux8 Refer to the Output X-BAR section of this chapter for more details. Reset type: CPU1.SYSRSn
15-14	MUX7	R/W	0h	Select Bits for OUTPUT4 Mux7: 00 : Select .0 input for Mux7 01 : Select .1 input for Mux7 10 : Select .2 input for Mux7 11 : Select .3 input for Mux7 Refer to the Output X-BAR section of this chapter for more details. Reset type: CPU1.SYSRSn
13-12	MUX6	R/W	0h	Select Bits for OUTPUT4 Mux6: 00 : Select .0 input for Mux6 01 : Select .1 input for Mux6 10 : Select .2 input for Mux6 11 : Select .3 input for Mux6 Refer to the Output X-BAR section of this chapter for more details. Reset type: CPU1.SYSRSn
11-10	MUX5	R/W	0h	Select Bits for OUTPUT4 Mux5: 00 : Select .0 input for Mux5 01 : Select .1 input for Mux5 10 : Select .2 input for Mux5 11 : Select .3 input for Mux5 Refer to the Output X-BAR section of this chapter for more details. Reset type: CPU1.SYSRSn
9-8	MUX4	R/W	0h	Select Bits for OUTPUT4 Mux4: 00 : Select .0 input for Mux4 01 : Select .1 input for Mux4 10 : Select .2 input for Mux4 11 : Select .3 input for Mux4 Refer to the Output X-BAR section of this chapter for more details. Reset type: CPU1.SYSRSn
7-6	MUX3	R/W	0h	Select Bits for OUTPUT4 Mux3: 00 : Select .0 input for Mux3 01 : Select .1 input for Mux3 10 : Select .2 input for Mux3 11 : Select .3 input for Mux3 Refer to the Output X-BAR section of this chapter for more details. Reset type: CPU1.SYSRSn
5-4	MUX2	R/W	0h	Select Bits for OUTPUT4 Mux2: 00 : Select .0 input for Mux2 01 : Select .1 input for Mux2 10 : Select .2 input for Mux2 11 : Select .3 input for Mux2 Refer to the Output X-BAR section of this chapter for more details. Reset type: CPU1.SYSRSn

**Table 8-95. OUTPUT4MUX0TO15CFG Register Field Descriptions (continued)**

Bit	Field	Type	Reset	Description
3-2	MUX1	R/W	0h	Select Bits for OUTPUT4 Mux1: 00 : Select .0 input for Mux1 01 : Select .1 input for Mux1 10 : Select .2 input for Mux1 11 : Select .3 input for Mux1 Refer to the Output X-BAR section of this chapter for more details. Reset type: CPU1.SYSRSn
1-0	MUX0	R/W	0h	Select Bits for OUTPUT4 Mux0: 00 : Select .0 input for Mux0 01 : Select .1 input for Mux0 10 : Select .2 input for Mux0 11 : Select .3 input for Mux0 Refer to the Output X-BAR section of this chapter for more details. Reset type: CPU1.SYSRSn

### 8.3.6.8 OUTPUT4MUX16TO31CFG Register (Offset = Eh) [Reset = 0000000h]

OUTPUT4MUX16TO31CFG is shown in [Figure 8-87](#) and described in [Table 8-96](#).

Return to the [Summary Table](#).

Output X-BAR Mux Configuration for Output 4

**Figure 8-87. OUTPUT4MUX16TO31CFG Register**

31	30	29	28	27	26	25	24	23	22	21	20	19	18	17	16
MUX31		MUX30		MUX29		MUX28		MUX27		MUX26		MUX25		MUX24	
R/W-0h		R/W-0h		R/W-0h		R/W-0h		R/W-0h		R/W-0h		R/W-0h		R/W-0h	
15	14	13	12	11	10	9	8	7	6	5	4	3	2	1	0
MUX23		MUX22		MUX21		MUX20		MUX19		MUX18		MUX17		MUX16	
R/W-0h		R/W-0h		R/W-0h		R/W-0h		R/W-0h		R/W-0h		R/W-0h		R/W-0h	

**Table 8-96. OUTPUT4MUX16TO31CFG Register Field Descriptions**

Bit	Field	Type	Reset	Description
31-30	MUX31	R/W	0h	Select Bits for OUTPUT4 Mux31: 00 : Select .0 input for Mux31 01 : Select .1 input for Mux31 10 : Select .2 input for Mux31 11 : Select .3 input for Mux31 Refer to the Output X-BAR section of this chapter for more details. Reset type: CPU1.SYSRSn
29-28	MUX30	R/W	0h	Select Bits for OUTPUT4 Mux30: 00 : Select .0 input for Mux30 01 : Select .1 input for Mux30 10 : Select .2 input for Mux30 11 : Select .3 input for Mux30 Refer to the Output X-BAR section of this chapter for more details. Reset type: CPU1.SYSRSn
27-26	MUX29	R/W	0h	Select Bits for OUTPUT4 Mux29: 00 : Select .0 input for Mux29 01 : Select .1 input for Mux29 10 : Select .2 input for Mux29 11 : Select .3 input for Mux29 Refer to the Output X-BAR section of this chapter for more details. Reset type: CPU1.SYSRSn
25-24	MUX28	R/W	0h	Select Bits for OUTPUT4 Mux28: 00 : Select .0 input for Mux28 01 : Select .1 input for Mux28 10 : Select .2 input for Mux28 11 : Select .3 input for Mux28 Refer to the Output X-BAR section of this chapter for more details. Reset type: CPU1.SYSRSn
23-22	MUX27	R/W	0h	Select Bits for OUTPUT4 Mux27: 00 : Select .0 input for Mux27 01 : Select .1 input for Mux27 10 : Select .2 input for Mux27 11 : Select .3 input for Mux27 Refer to the Output X-BAR section of this chapter for more details. Reset type: CPU1.SYSRSn
21-20	MUX26	R/W	0h	Select Bits for OUTPUT4 Mux26: 00 : Select .0 input for Mux26 01 : Select .1 input for Mux26 10 : Select .2 input for Mux26 11 : Select .3 input for Mux26 Refer to the Output X-BAR section of this chapter for more details. Reset type: CPU1.SYSRSn

**Table 8-96. OUTPUT4MUX16TO31CFG Register Field Descriptions (continued)**

Bit	Field	Type	Reset	Description
19-18	MUX25	R/W	0h	Select Bits for OUTPUT4 Mux25: 00 : Select .0 input for Mux25 01 : Select .1 input for Mux25 10 : Select .2 input for Mux25 11 : Select .3 input for Mux25 Refer to the Output X-BAR section of this chapter for more details. Reset type: CPU1.SYSRSn
17-16	MUX24	R/W	0h	Select Bits for OUTPUT4 Mux24: 00 : Select .0 input for Mux24 01 : Select .1 input for Mux24 10 : Select .2 input for Mux24 11 : Select .3 input for Mux24 Refer to the Output X-BAR section of this chapter for more details. Reset type: CPU1.SYSRSn
15-14	MUX23	R/W	0h	Select Bits for OUTPUT4 Mux23: 00 : Select .0 input for Mux23 01 : Select .1 input for Mux23 10 : Select .2 input for Mux23 11 : Select .3 input for Mux23 Refer to the Output X-BAR section of this chapter for more details. Reset type: CPU1.SYSRSn
13-12	MUX22	R/W	0h	Select Bits for OUTPUT4 Mux22: 00 : Select .0 input for Mux22 01 : Select .1 input for Mux22 10 : Select .2 input for Mux22 11 : Select .3 input for Mux22 Refer to the Output X-BAR section of this chapter for more details. Reset type: CPU1.SYSRSn
11-10	MUX21	R/W	0h	Select Bits for OUTPUT4 Mux21: 00 : Select .0 input for Mux21 01 : Select .1 input for Mux21 10 : Select .2 input for Mux21 11 : Select .3 input for Mux21 Refer to the Output X-BAR section of this chapter for more details. Reset type: CPU1.SYSRSn
9-8	MUX20	R/W	0h	Select Bits for OUTPUT4 Mux20: 00 : Select .0 input for Mux20 01 : Select .1 input for Mux20 10 : Select .2 input for Mux20 11 : Select .3 input for Mux20 Refer to the Output X-BAR section of this chapter for more details. Reset type: CPU1.SYSRSn
7-6	MUX19	R/W	0h	Select Bits for OUTPUT4 Mux19: 00 : Select .0 input for Mux19 01 : Select .1 input for Mux19 10 : Select .2 input for Mux19 11 : Select .3 input for Mux19 Refer to the Output X-BAR section of this chapter for more details. Reset type: CPU1.SYSRSn
5-4	MUX18	R/W	0h	Select Bits for OUTPUT4 Mux18: 00 : Select .0 input for Mux18 01 : Select .1 input for Mux18 10 : Select .2 input for Mux18 11 : Select .3 input for Mux18 Refer to the Output X-BAR section of this chapter for more details. Reset type: CPU1.SYSRSn

**Table 8-96. OUTPUT4MUX16TO31CFG Register Field Descriptions (continued)**

Bit	Field	Type	Reset	Description
3-2	MUX17	R/W	0h	Select Bits for OUTPUT4 Mux17: 00 : Select .0 input for Mux17 01 : Select .1 input for Mux17 10 : Select .2 input for Mux17 11 : Select .3 input for Mux17 Refer to the Output X-BAR section of this chapter for more details. Reset type: CPU1.SYSRSn
1-0	MUX16	R/W	0h	Select Bits for OUTPUT4 Mux16: 00 : Select .0 input for Mux16 01 : Select .1 input for Mux16 10 : Select .2 input for Mux16 11 : Select .3 input for Mux16 Refer to the Output X-BAR section of this chapter for more details. Reset type: CPU1.SYSRSn

### 8.3.6.9 OUTPUT5MUX0TO15CFG Register (Offset = 10h) [Reset = 0000000h]

OUTPUT5MUX0TO15CFG is shown in [Figure 8-88](#) and described in [Table 8-97](#).

Return to the [Summary Table](#).

Output X-BAR Mux Configuration for Output 5

**Figure 8-88. OUTPUT5MUX0TO15CFG Register**

31	30	29	28	27	26	25	24	23	22	21	20	19	18	17	16
MUX15		MUX14		MUX13		MUX12		MUX11		MUX10		MUX9		MUX8	
R/W-0h		R/W-0h		R/W-0h		R/W-0h		R/W-0h		R/W-0h		R/W-0h		R/W-0h	
15	14	13	12	11	10	9	8	7	6	5	4	3	2	1	0
MUX7		MUX6		MUX5		MUX4		MUX3		MUX2		MUX1		MUX0	
R/W-0h		R/W-0h		R/W-0h		R/W-0h		R/W-0h		R/W-0h		R/W-0h		R/W-0h	

**Table 8-97. OUTPUT5MUX0TO15CFG Register Field Descriptions**

Bit	Field	Type	Reset	Description
31-30	MUX15	R/W	0h	Select Bits for OUTPUT5 Mux15: 00 : Select .0 input for Mux15 01 : Select .1 input for Mux15 10 : Select .2 input for Mux15 11 : Select .3 input for Mux15 Refer to the Output X-BAR section of this chapter for more details. Reset type: CPU1.SYSRSn
29-28	MUX14	R/W	0h	Select Bits for OUTPUT5 Mux14: 00 : Select .0 input for Mux14 01 : Select .1 input for Mux14 10 : Select .2 input for Mux14 11 : Select .3 input for Mux14 Refer to the Output X-BAR section of this chapter for more details. Reset type: CPU1.SYSRSn
27-26	MUX13	R/W	0h	Select Bits for OUTPUT5 Mux13: 00 : Select .0 input for Mux13 01 : Select .1 input for Mux13 10 : Select .2 input for Mux13 11 : Select .3 input for Mux13 Refer to the Output X-BAR section of this chapter for more details. Reset type: CPU1.SYSRSn
25-24	MUX12	R/W	0h	Select Bits for OUTPUT5 Mux12: 00 : Select .0 input for Mux12 01 : Select .1 input for Mux12 10 : Select .2 input for Mux12 11 : Select .3 input for Mux12 Refer to the Output X-BAR section of this chapter for more details. Reset type: CPU1.SYSRSn
23-22	MUX11	R/W	0h	Select Bits for OUTPUT5 Mux11: 00 : Select .0 input for Mux11 01 : Select .1 input for Mux11 10 : Select .2 input for Mux11 11 : Select .3 input for Mux11 Refer to the Output X-BAR section of this chapter for more details. Reset type: CPU1.SYSRSn
21-20	MUX10	R/W	0h	Select Bits for OUTPUT5 Mux10: 00 : Select .0 input for Mux10 01 : Select .1 input for Mux10 10 : Select .2 input for Mux10 11 : Select .3 input for Mux10 Refer to the Output X-BAR section of this chapter for more details. Reset type: CPU1.SYSRSn

**Table 8-97. OUTPUT5MUX0TO15CFG Register Field Descriptions (continued)**

Bit	Field	Type	Reset	Description
19-18	MUX9	R/W	0h	Select Bits for OUTPUT5 Mux9: 00 : Select .0 input for Mux9 01 : Select .1 input for Mux9 10 : Select .2 input for Mux9 11 : Select .3 input for Mux9 Refer to the Output X-BAR section of this chapter for more details. Reset type: CPU1.SYSRSn
17-16	MUX8	R/W	0h	Select Bits for OUTPUT5 Mux8: 00 : Select .0 input for Mux8 01 : Select .1 input for Mux8 10 : Select .2 input for Mux8 11 : Select .3 input for Mux8 Refer to the Output X-BAR section of this chapter for more details. Reset type: CPU1.SYSRSn
15-14	MUX7	R/W	0h	Select Bits for OUTPUT5 Mux7: 00 : Select .0 input for Mux7 01 : Select .1 input for Mux7 10 : Select .2 input for Mux7 11 : Select .3 input for Mux7 Refer to the Output X-BAR section of this chapter for more details. Reset type: CPU1.SYSRSn
13-12	MUX6	R/W	0h	Select Bits for OUTPUT5 Mux6: 00 : Select .0 input for Mux6 01 : Select .1 input for Mux6 10 : Select .2 input for Mux6 11 : Select .3 input for Mux6 Refer to the Output X-BAR section of this chapter for more details. Reset type: CPU1.SYSRSn
11-10	MUX5	R/W	0h	Select Bits for OUTPUT5 Mux5: 00 : Select .0 input for Mux5 01 : Select .1 input for Mux5 10 : Select .2 input for Mux5 11 : Select .3 input for Mux5 Refer to the Output X-BAR section of this chapter for more details. Reset type: CPU1.SYSRSn
9-8	MUX4	R/W	0h	Select Bits for OUTPUT5 Mux4: 00 : Select .0 input for Mux4 01 : Select .1 input for Mux4 10 : Select .2 input for Mux4 11 : Select .3 input for Mux4 Refer to the Output X-BAR section of this chapter for more details. Reset type: CPU1.SYSRSn
7-6	MUX3	R/W	0h	Select Bits for OUTPUT5 Mux3: 00 : Select .0 input for Mux3 01 : Select .1 input for Mux3 10 : Select .2 input for Mux3 11 : Select .3 input for Mux3 Refer to the Output X-BAR section of this chapter for more details. Reset type: CPU1.SYSRSn
5-4	MUX2	R/W	0h	Select Bits for OUTPUT5 Mux2: 00 : Select .0 input for Mux2 01 : Select .1 input for Mux2 10 : Select .2 input for Mux2 11 : Select .3 input for Mux2 Refer to the Output X-BAR section of this chapter for more details. Reset type: CPU1.SYSRSn



**Table 8-97. OUTPUT5MUX0TO15CFG Register Field Descriptions (continued)**

Bit	Field	Type	Reset	Description
3-2	MUX1	R/W	0h	Select Bits for OUTPUT5 Mux1: 00 : Select .0 input for Mux1 01 : Select .1 input for Mux1 10 : Select .2 input for Mux1 11 : Select .3 input for Mux1 Refer to the Output X-BAR section of this chapter for more details. Reset type: CPU1.SYSRSn
1-0	MUX0	R/W	0h	Select Bits for OUTPUT5 Mux0: 00 : Select .0 input for Mux0 01 : Select .1 input for Mux0 10 : Select .2 input for Mux0 11 : Select .3 input for Mux0 Refer to the Output X-BAR section of this chapter for more details. Reset type: CPU1.SYSRSn

### 8.3.6.10 OUTPUT5MUX16TO31CFG Register (Offset = 12h) [Reset = 00000000h]

OUTPUT5MUX16TO31CFG is shown in [Figure 8-89](#) and described in [Table 8-98](#).

Return to the [Summary Table](#).

Output X-BAR Mux Configuration for Output 5

**Figure 8-89. OUTPUT5MUX16TO31CFG Register**

31	30	29	28	27	26	25	24	23	22	21	20	19	18	17	16
MUX31		MUX30		MUX29		MUX28		MUX27		MUX26		MUX25		MUX24	
R/W-0h		R/W-0h		R/W-0h		R/W-0h		R/W-0h		R/W-0h		R/W-0h		R/W-0h	
15	14	13	12	11	10	9	8	7	6	5	4	3	2	1	0
MUX23		MUX22		MUX21		MUX20		MUX19		MUX18		MUX17		MUX16	
R/W-0h		R/W-0h		R/W-0h		R/W-0h		R/W-0h		R/W-0h		R/W-0h		R/W-0h	

**Table 8-98. OUTPUT5MUX16TO31CFG Register Field Descriptions**

Bit	Field	Type	Reset	Description
31-30	MUX31	R/W	0h	Select Bits for OUTPUT5 Mux31: 00 : Select .0 input for Mux31 01 : Select .1 input for Mux31 10 : Select .2 input for Mux31 11 : Select .3 input for Mux31 Refer to the Output X-BAR section of this chapter for more details. Reset type: CPU1.SYSRSn
29-28	MUX30	R/W	0h	Select Bits for OUTPUT5 Mux30: 00 : Select .0 input for Mux30 01 : Select .1 input for Mux30 10 : Select .2 input for Mux30 11 : Select .3 input for Mux30 Refer to the Output X-BAR section of this chapter for more details. Reset type: CPU1.SYSRSn
27-26	MUX29	R/W	0h	Select Bits for OUTPUT5 Mux29: 00 : Select .0 input for Mux29 01 : Select .1 input for Mux29 10 : Select .2 input for Mux29 11 : Select .3 input for Mux29 Refer to the Output X-BAR section of this chapter for more details. Reset type: CPU1.SYSRSn
25-24	MUX28	R/W	0h	Select Bits for OUTPUT5 Mux28: 00 : Select .0 input for Mux28 01 : Select .1 input for Mux28 10 : Select .2 input for Mux28 11 : Select .3 input for Mux28 Refer to the Output X-BAR section of this chapter for more details. Reset type: CPU1.SYSRSn
23-22	MUX27	R/W	0h	Select Bits for OUTPUT5 Mux27: 00 : Select .0 input for Mux27 01 : Select .1 input for Mux27 10 : Select .2 input for Mux27 11 : Select .3 input for Mux27 Refer to the Output X-BAR section of this chapter for more details. Reset type: CPU1.SYSRSn
21-20	MUX26	R/W	0h	Select Bits for OUTPUT5 Mux26: 00 : Select .0 input for Mux26 01 : Select .1 input for Mux26 10 : Select .2 input for Mux26 11 : Select .3 input for Mux26 Refer to the Output X-BAR section of this chapter for more details. Reset type: CPU1.SYSRSn

**Table 8-98. OUTPUT5MUX16TO31CFG Register Field Descriptions (continued)**

Bit	Field	Type	Reset	Description
19-18	MUX25	R/W	0h	Select Bits for OUTPUT5 Mux25: 00 : Select .0 input for Mux25 01 : Select .1 input for Mux25 10 : Select .2 input for Mux25 11 : Select .3 input for Mux25 Refer to the Output X-BAR section of this chapter for more details. Reset type: CPU1.SYSRSn
17-16	MUX24	R/W	0h	Select Bits for OUTPUT5 Mux24: 00 : Select .0 input for Mux24 01 : Select .1 input for Mux24 10 : Select .2 input for Mux24 11 : Select .3 input for Mux24 Refer to the Output X-BAR section of this chapter for more details. Reset type: CPU1.SYSRSn
15-14	MUX23	R/W	0h	Select Bits for OUTPUT5 Mux23: 00 : Select .0 input for Mux23 01 : Select .1 input for Mux23 10 : Select .2 input for Mux23 11 : Select .3 input for Mux23 Refer to the Output X-BAR section of this chapter for more details. Reset type: CPU1.SYSRSn
13-12	MUX22	R/W	0h	Select Bits for OUTPUT5 Mux22: 00 : Select .0 input for Mux22 01 : Select .1 input for Mux22 10 : Select .2 input for Mux22 11 : Select .3 input for Mux22 Refer to the Output X-BAR section of this chapter for more details. Reset type: CPU1.SYSRSn
11-10	MUX21	R/W	0h	Select Bits for OUTPUT5 Mux21: 00 : Select .0 input for Mux21 01 : Select .1 input for Mux21 10 : Select .2 input for Mux21 11 : Select .3 input for Mux21 Refer to the Output X-BAR section of this chapter for more details. Reset type: CPU1.SYSRSn
9-8	MUX20	R/W	0h	Select Bits for OUTPUT5 Mux20: 00 : Select .0 input for Mux20 01 : Select .1 input for Mux20 10 : Select .2 input for Mux20 11 : Select .3 input for Mux20 Refer to the Output X-BAR section of this chapter for more details. Reset type: CPU1.SYSRSn
7-6	MUX19	R/W	0h	Select Bits for OUTPUT5 Mux19: 00 : Select .0 input for Mux19 01 : Select .1 input for Mux19 10 : Select .2 input for Mux19 11 : Select .3 input for Mux19 Refer to the Output X-BAR section of this chapter for more details. Reset type: CPU1.SYSRSn
5-4	MUX18	R/W	0h	Select Bits for OUTPUT5 Mux18: 00 : Select .0 input for Mux18 01 : Select .1 input for Mux18 10 : Select .2 input for Mux18 11 : Select .3 input for Mux18 Refer to the Output X-BAR section of this chapter for more details. Reset type: CPU1.SYSRSn

**Table 8-98. OUTPUT5MUX16TO31CFG Register Field Descriptions (continued)**

Bit	Field	Type	Reset	Description
3-2	MUX17	R/W	0h	Select Bits for OUTPUT5 Mux17: 00 : Select .0 input for Mux17 01 : Select .1 input for Mux17 10 : Select .2 input for Mux17 11 : Select .3 input for Mux17 Refer to the Output X-BAR section of this chapter for more details. Reset type: CPU1.SYSRSn
1-0	MUX16	R/W	0h	Select Bits for OUTPUT5 Mux16: 00 : Select .0 input for Mux16 01 : Select .1 input for Mux16 10 : Select .2 input for Mux16 11 : Select .3 input for Mux16 Refer to the Output X-BAR section of this chapter for more details. Reset type: CPU1.SYSRSn

### 8.3.6.11 OUTPUT6MUX0TO15CFG Register (Offset = 14h) [Reset = 0000000h]

OUTPUT6MUX0TO15CFG is shown in [Figure 8-90](#) and described in [Table 8-99](#).

Return to the [Summary Table](#).

Output X-BAR Mux Configuration for Output 6

**Figure 8-90. OUTPUT6MUX0TO15CFG Register**

31	30	29	28	27	26	25	24	23	22	21	20	19	18	17	16
MUX15		MUX14		MUX13		MUX12		MUX11		MUX10		MUX9		MUX8	
R/W-0h		R/W-0h		R/W-0h		R/W-0h		R/W-0h		R/W-0h		R/W-0h		R/W-0h	
15	14	13	12	11	10	9	8	7	6	5	4	3	2	1	0
MUX7		MUX6		MUX5		MUX4		MUX3		MUX2		MUX1		MUX0	
R/W-0h		R/W-0h		R/W-0h		R/W-0h		R/W-0h		R/W-0h		R/W-0h		R/W-0h	

**Table 8-99. OUTPUT6MUX0TO15CFG Register Field Descriptions**

Bit	Field	Type	Reset	Description
31-30	MUX15	R/W	0h	Select Bits for OUTPUT6 Mux15: 00 : Select .0 input for Mux15 01 : Select .1 input for Mux15 10 : Select .2 input for Mux15 11 : Select .3 input for Mux15 Refer to the Output X-BAR section of this chapter for more details. Reset type: CPU1.SYSRSn
29-28	MUX14	R/W	0h	Select Bits for OUTPUT6 Mux14: 00 : Select .0 input for Mux14 01 : Select .1 input for Mux14 10 : Select .2 input for Mux14 11 : Select .3 input for Mux14 Refer to the Output X-BAR section of this chapter for more details. Reset type: CPU1.SYSRSn
27-26	MUX13	R/W	0h	Select Bits for OUTPUT6 Mux13: 00 : Select .0 input for Mux13 01 : Select .1 input for Mux13 10 : Select .2 input for Mux13 11 : Select .3 input for Mux13 Refer to the Output X-BAR section of this chapter for more details. Reset type: CPU1.SYSRSn
25-24	MUX12	R/W	0h	Select Bits for OUTPUT6 Mux12: 00 : Select .0 input for Mux12 01 : Select .1 input for Mux12 10 : Select .2 input for Mux12 11 : Select .3 input for Mux12 Refer to the Output X-BAR section of this chapter for more details. Reset type: CPU1.SYSRSn
23-22	MUX11	R/W	0h	Select Bits for OUTPUT6 Mux11: 00 : Select .0 input for Mux11 01 : Select .1 input for Mux11 10 : Select .2 input for Mux11 11 : Select .3 input for Mux11 Refer to the Output X-BAR section of this chapter for more details. Reset type: CPU1.SYSRSn
21-20	MUX10	R/W	0h	Select Bits for OUTPUT6 Mux10: 00 : Select .0 input for Mux10 01 : Select .1 input for Mux10 10 : Select .2 input for Mux10 11 : Select .3 input for Mux10 Refer to the Output X-BAR section of this chapter for more details. Reset type: CPU1.SYSRSn

**Table 8-99. OUTPUT6MUX0TO15CFG Register Field Descriptions (continued)**

Bit	Field	Type	Reset	Description
19-18	MUX9	R/W	0h	Select Bits for OUTPUT6 Mux9: 00 : Select .0 input for Mux9 01 : Select .1 input for Mux9 10 : Select .2 input for Mux9 11 : Select .3 input for Mux9 Refer to the Output X-BAR section of this chapter for more details. Reset type: CPU1.SYSRSn
17-16	MUX8	R/W	0h	Select Bits for OUTPUT6 Mux8: 00 : Select .0 input for Mux8 01 : Select .1 input for Mux8 10 : Select .2 input for Mux8 11 : Select .3 input for Mux8 Refer to the Output X-BAR section of this chapter for more details. Reset type: CPU1.SYSRSn
15-14	MUX7	R/W	0h	Select Bits for OUTPUT6 Mux7: 00 : Select .0 input for Mux7 01 : Select .1 input for Mux7 10 : Select .2 input for Mux7 11 : Select .3 input for Mux7 Refer to the Output X-BAR section of this chapter for more details. Reset type: CPU1.SYSRSn
13-12	MUX6	R/W	0h	Select Bits for OUTPUT6 Mux6: 00 : Select .0 input for Mux6 01 : Select .1 input for Mux6 10 : Select .2 input for Mux6 11 : Select .3 input for Mux6 Refer to the Output X-BAR section of this chapter for more details. Reset type: CPU1.SYSRSn
11-10	MUX5	R/W	0h	Select Bits for OUTPUT6 Mux5: 00 : Select .0 input for Mux5 01 : Select .1 input for Mux5 10 : Select .2 input for Mux5 11 : Select .3 input for Mux5 Refer to the Output X-BAR section of this chapter for more details. Reset type: CPU1.SYSRSn
9-8	MUX4	R/W	0h	Select Bits for OUTPUT6 Mux4: 00 : Select .0 input for Mux4 01 : Select .1 input for Mux4 10 : Select .2 input for Mux4 11 : Select .3 input for Mux4 Refer to the Output X-BAR section of this chapter for more details. Reset type: CPU1.SYSRSn
7-6	MUX3	R/W	0h	Select Bits for OUTPUT6 Mux3: 00 : Select .0 input for Mux3 01 : Select .1 input for Mux3 10 : Select .2 input for Mux3 11 : Select .3 input for Mux3 Refer to the Output X-BAR section of this chapter for more details. Reset type: CPU1.SYSRSn
5-4	MUX2	R/W	0h	Select Bits for OUTPUT6 Mux2: 00 : Select .0 input for Mux2 01 : Select .1 input for Mux2 10 : Select .2 input for Mux2 11 : Select .3 input for Mux2 Refer to the Output X-BAR section of this chapter for more details. Reset type: CPU1.SYSRSn

**Table 8-99. OUTPUT6MUX0TO15CFG Register Field Descriptions (continued)**

Bit	Field	Type	Reset	Description
3-2	MUX1	R/W	0h	Select Bits for OUTPUT6 Mux1: 00 : Select .0 input for Mux1 01 : Select .1 input for Mux1 10 : Select .2 input for Mux1 11 : Select .3 input for Mux1 Refer to the Output X-BAR section of this chapter for more details. Reset type: CPU1.SYSRSn
1-0	MUX0	R/W	0h	Select Bits for OUTPUT6 Mux0: 00 : Select .0 input for Mux0 01 : Select .1 input for Mux0 10 : Select .2 input for Mux0 11 : Select .3 input for Mux0 Refer to the Output X-BAR section of this chapter for more details. Reset type: CPU1.SYSRSn

### 8.3.6.12 OUTPUT6MUX16TO31CFG Register (Offset = 16h) [Reset = 0000000h]

OUTPUT6MUX16TO31CFG is shown in [Figure 8-91](#) and described in [Table 8-100](#).

Return to the [Summary Table](#).

Output X-BAR Mux Configuration for Output 6

**Figure 8-91. OUTPUT6MUX16TO31CFG Register**

31	30	29	28	27	26	25	24	23	22	21	20	19	18	17	16
MUX31		MUX30		MUX29		MUX28		MUX27		MUX26		MUX25		MUX24	
R/W-0h		R/W-0h		R/W-0h		R/W-0h		R/W-0h		R/W-0h		R/W-0h		R/W-0h	
15	14	13	12	11	10	9	8	7	6	5	4	3	2	1	0
MUX23		MUX22		MUX21		MUX20		MUX19		MUX18		MUX17		MUX16	
R/W-0h		R/W-0h		R/W-0h		R/W-0h		R/W-0h		R/W-0h		R/W-0h		R/W-0h	

**Table 8-100. OUTPUT6MUX16TO31CFG Register Field Descriptions**

Bit	Field	Type	Reset	Description
31-30	MUX31	R/W	0h	Select Bits for OUTPUT6 Mux31: 00 : Select .0 input for Mux31 01 : Select .1 input for Mux31 10 : Select .2 input for Mux31 11 : Select .3 input for Mux31 Refer to the Output X-BAR section of this chapter for more details. Reset type: CPU1.SYSRSn
29-28	MUX30	R/W	0h	Select Bits for OUTPUT6 Mux30: 00 : Select .0 input for Mux30 01 : Select .1 input for Mux30 10 : Select .2 input for Mux30 11 : Select .3 input for Mux30 Refer to the Output X-BAR section of this chapter for more details. Reset type: CPU1.SYSRSn
27-26	MUX29	R/W	0h	Select Bits for OUTPUT6 Mux29: 00 : Select .0 input for Mux29 01 : Select .1 input for Mux29 10 : Select .2 input for Mux29 11 : Select .3 input for Mux29 Refer to the Output X-BAR section of this chapter for more details. Reset type: CPU1.SYSRSn
25-24	MUX28	R/W	0h	Select Bits for OUTPUT6 Mux28: 00 : Select .0 input for Mux28 01 : Select .1 input for Mux28 10 : Select .2 input for Mux28 11 : Select .3 input for Mux28 Refer to the Output X-BAR section of this chapter for more details. Reset type: CPU1.SYSRSn
23-22	MUX27	R/W	0h	Select Bits for OUTPUT6 Mux27: 00 : Select .0 input for Mux27 01 : Select .1 input for Mux27 10 : Select .2 input for Mux27 11 : Select .3 input for Mux27 Refer to the Output X-BAR section of this chapter for more details. Reset type: CPU1.SYSRSn
21-20	MUX26	R/W	0h	Select Bits for OUTPUT6 Mux26: 00 : Select .0 input for Mux26 01 : Select .1 input for Mux26 10 : Select .2 input for Mux26 11 : Select .3 input for Mux26 Refer to the Output X-BAR section of this chapter for more details. Reset type: CPU1.SYSRSn



**Table 8-100. OUTPUT6MUX16TO31CFG Register Field Descriptions (continued)**

Bit	Field	Type	Reset	Description
19-18	MUX25	R/W	0h	Select Bits for OUTPUT6 Mux25: 00 : Select .0 input for Mux25 01 : Select .1 input for Mux25 10 : Select .2 input for Mux25 11 : Select .3 input for Mux25 Refer to the Output X-BAR section of this chapter for more details. Reset type: CPU1.SYSRSn
17-16	MUX24	R/W	0h	Select Bits for OUTPUT6 Mux24: 00 : Select .0 input for Mux24 01 : Select .1 input for Mux24 10 : Select .2 input for Mux24 11 : Select .3 input for Mux24 Refer to the Output X-BAR section of this chapter for more details. Reset type: CPU1.SYSRSn
15-14	MUX23	R/W	0h	Select Bits for OUTPUT6 Mux23: 00 : Select .0 input for Mux23 01 : Select .1 input for Mux23 10 : Select .2 input for Mux23 11 : Select .3 input for Mux23 Refer to the Output X-BAR section of this chapter for more details. Reset type: CPU1.SYSRSn
13-12	MUX22	R/W	0h	Select Bits for OUTPUT6 Mux22: 00 : Select .0 input for Mux22 01 : Select .1 input for Mux22 10 : Select .2 input for Mux22 11 : Select .3 input for Mux22 Refer to the Output X-BAR section of this chapter for more details. Reset type: CPU1.SYSRSn
11-10	MUX21	R/W	0h	Select Bits for OUTPUT6 Mux21: 00 : Select .0 input for Mux21 01 : Select .1 input for Mux21 10 : Select .2 input for Mux21 11 : Select .3 input for Mux21 Refer to the Output X-BAR section of this chapter for more details. Reset type: CPU1.SYSRSn
9-8	MUX20	R/W	0h	Select Bits for OUTPUT6 Mux20: 00 : Select .0 input for Mux20 01 : Select .1 input for Mux20 10 : Select .2 input for Mux20 11 : Select .3 input for Mux20 Refer to the Output X-BAR section of this chapter for more details. Reset type: CPU1.SYSRSn
7-6	MUX19	R/W	0h	Select Bits for OUTPUT6 Mux19: 00 : Select .0 input for Mux19 01 : Select .1 input for Mux19 10 : Select .2 input for Mux19 11 : Select .3 input for Mux19 Refer to the Output X-BAR section of this chapter for more details. Reset type: CPU1.SYSRSn
5-4	MUX18	R/W	0h	Select Bits for OUTPUT6 Mux18: 00 : Select .0 input for Mux18 01 : Select .1 input for Mux18 10 : Select .2 input for Mux18 11 : Select .3 input for Mux18 Refer to the Output X-BAR section of this chapter for more details. Reset type: CPU1.SYSRSn

**Table 8-100. OUTPUT6MUX16TO31CFG Register Field Descriptions (continued)**

Bit	Field	Type	Reset	Description
3-2	MUX17	R/W	0h	Select Bits for OUTPUT6 Mux17: 00 : Select .0 input for Mux17 01 : Select .1 input for Mux17 10 : Select .2 input for Mux17 11 : Select .3 input for Mux17 Refer to the Output X-BAR section of this chapter for more details. Reset type: CPU1.SYSRSn
1-0	MUX16	R/W	0h	Select Bits for OUTPUT6 Mux16: 00 : Select .0 input for Mux16 01 : Select .1 input for Mux16 10 : Select .2 input for Mux16 11 : Select .3 input for Mux16 Refer to the Output X-BAR section of this chapter for more details. Reset type: CPU1.SYSRSn

### 8.3.6.13 OUTPUT7MUX0TO15CFG Register (Offset = 18h) [Reset = 0000000h]

OUTPUT7MUX0TO15CFG is shown in [Figure 8-92](#) and described in [Table 8-101](#).

Return to the [Summary Table](#).

Output X-BAR Mux Configuration for Output 7

**Figure 8-92. OUTPUT7MUX0TO15CFG Register**

31	30	29	28	27	26	25	24	23	22	21	20	19	18	17	16
MUX15		MUX14		MUX13		MUX12		MUX11		MUX10		MUX9		MUX8	
R/W-0h		R/W-0h		R/W-0h		R/W-0h		R/W-0h		R/W-0h		R/W-0h		R/W-0h	
15	14	13	12	11	10	9	8	7	6	5	4	3	2	1	0
MUX7		MUX6		MUX5		MUX4		MUX3		MUX2		MUX1		MUX0	
R/W-0h		R/W-0h		R/W-0h		R/W-0h		R/W-0h		R/W-0h		R/W-0h		R/W-0h	

**Table 8-101. OUTPUT7MUX0TO15CFG Register Field Descriptions**

Bit	Field	Type	Reset	Description
31-30	MUX15	R/W	0h	Select Bits for OUTPUT7 Mux15: 00 : Select .0 input for Mux15 01 : Select .1 input for Mux15 10 : Select .2 input for Mux15 11 : Select .3 input for Mux15 Refer to the Output X-BAR section of this chapter for more details. Reset type: CPU1.SYSRSn
29-28	MUX14	R/W	0h	Select Bits for OUTPUT7 Mux14: 00 : Select .0 input for Mux14 01 : Select .1 input for Mux14 10 : Select .2 input for Mux14 11 : Select .3 input for Mux14 Refer to the Output X-BAR section of this chapter for more details. Reset type: CPU1.SYSRSn
27-26	MUX13	R/W	0h	Select Bits for OUTPUT7 Mux13: 00 : Select .0 input for Mux13 01 : Select .1 input for Mux13 10 : Select .2 input for Mux13 11 : Select .3 input for Mux13 Refer to the Output X-BAR section of this chapter for more details. Reset type: CPU1.SYSRSn
25-24	MUX12	R/W	0h	Select Bits for OUTPUT7 Mux12: 00 : Select .0 input for Mux12 01 : Select .1 input for Mux12 10 : Select .2 input for Mux12 11 : Select .3 input for Mux12 Refer to the Output X-BAR section of this chapter for more details. Reset type: CPU1.SYSRSn
23-22	MUX11	R/W	0h	Select Bits for OUTPUT7 Mux11: 00 : Select .0 input for Mux11 01 : Select .1 input for Mux11 10 : Select .2 input for Mux11 11 : Select .3 input for Mux11 Refer to the Output X-BAR section of this chapter for more details. Reset type: CPU1.SYSRSn
21-20	MUX10	R/W	0h	Select Bits for OUTPUT7 Mux10: 00 : Select .0 input for Mux10 01 : Select .1 input for Mux10 10 : Select .2 input for Mux10 11 : Select .3 input for Mux10 Refer to the Output X-BAR section of this chapter for more details. Reset type: CPU1.SYSRSn

**Table 8-101. OUTPUT7MUX0TO15CFG Register Field Descriptions (continued)**

Bit	Field	Type	Reset	Description
19-18	MUX9	R/W	0h	Select Bits for OUTPUT7 Mux9: 00 : Select .0 input for Mux9 01 : Select .1 input for Mux9 10 : Select .2 input for Mux9 11 : Select .3 input for Mux9 Refer to the Output X-BAR section of this chapter for more details. Reset type: CPU1.SYSRSn
17-16	MUX8	R/W	0h	Select Bits for OUTPUT7 Mux8: 00 : Select .0 input for Mux8 01 : Select .1 input for Mux8 10 : Select .2 input for Mux8 11 : Select .3 input for Mux8 Refer to the Output X-BAR section of this chapter for more details. Reset type: CPU1.SYSRSn
15-14	MUX7	R/W	0h	Select Bits for OUTPUT7 Mux7: 00 : Select .0 input for Mux7 01 : Select .1 input for Mux7 10 : Select .2 input for Mux7 11 : Select .3 input for Mux7 Refer to the Output X-BAR section of this chapter for more details. Reset type: CPU1.SYSRSn
13-12	MUX6	R/W	0h	Select Bits for OUTPUT7 Mux6: 00 : Select .0 input for Mux6 01 : Select .1 input for Mux6 10 : Select .2 input for Mux6 11 : Select .3 input for Mux6 Refer to the Output X-BAR section of this chapter for more details. Reset type: CPU1.SYSRSn
11-10	MUX5	R/W	0h	Select Bits for OUTPUT7 Mux5: 00 : Select .0 input for Mux5 01 : Select .1 input for Mux5 10 : Select .2 input for Mux5 11 : Select .3 input for Mux5 Refer to the Output X-BAR section of this chapter for more details. Reset type: CPU1.SYSRSn
9-8	MUX4	R/W	0h	Select Bits for OUTPUT7 Mux4: 00 : Select .0 input for Mux4 01 : Select .1 input for Mux4 10 : Select .2 input for Mux4 11 : Select .3 input for Mux4 Refer to the Output X-BAR section of this chapter for more details. Reset type: CPU1.SYSRSn
7-6	MUX3	R/W	0h	Select Bits for OUTPUT7 Mux3: 00 : Select .0 input for Mux3 01 : Select .1 input for Mux3 10 : Select .2 input for Mux3 11 : Select .3 input for Mux3 Refer to the Output X-BAR section of this chapter for more details. Reset type: CPU1.SYSRSn
5-4	MUX2	R/W	0h	Select Bits for OUTPUT7 Mux2: 00 : Select .0 input for Mux2 01 : Select .1 input for Mux2 10 : Select .2 input for Mux2 11 : Select .3 input for Mux2 Refer to the Output X-BAR section of this chapter for more details. Reset type: CPU1.SYSRSn

**Table 8-101. OUTPUT7MUX0TO15CFG Register Field Descriptions (continued)**

Bit	Field	Type	Reset	Description
3-2	MUX1	R/W	0h	Select Bits for OUTPUT7 Mux1: 00 : Select .0 input for Mux1 01 : Select .1 input for Mux1 10 : Select .2 input for Mux1 11 : Select .3 input for Mux1 Refer to the Output X-BAR section of this chapter for more details. Reset type: CPU1.SYSRSn
1-0	MUX0	R/W	0h	Select Bits for OUTPUT7 Mux0: 00 : Select .0 input for Mux0 01 : Select .1 input for Mux0 10 : Select .2 input for Mux0 11 : Select .3 input for Mux0 Refer to the Output X-BAR section of this chapter for more details. Reset type: CPU1.SYSRSn

### 8.3.6.14 OUTPUT7MUX16TO31CFG Register (Offset = 1Ah) [Reset = 0000000h]

OUTPUT7MUX16TO31CFG is shown in [Figure 8-93](#) and described in [Table 8-102](#).

Return to the [Summary Table](#).

Output X-BAR Mux Configuration for Output 7

**Figure 8-93. OUTPUT7MUX16TO31CFG Register**

31	30	29	28	27	26	25	24	23	22	21	20	19	18	17	16
MUX31		MUX30		MUX29		MUX28		MUX27		MUX26		MUX25		MUX24	
R/W-0h		R/W-0h		R/W-0h		R/W-0h		R/W-0h		R/W-0h		R/W-0h		R/W-0h	
15	14	13	12	11	10	9	8	7	6	5	4	3	2	1	0
MUX23		MUX22		MUX21		MUX20		MUX19		MUX18		MUX17		MUX16	
R/W-0h		R/W-0h		R/W-0h		R/W-0h		R/W-0h		R/W-0h		R/W-0h		R/W-0h	

**Table 8-102. OUTPUT7MUX16TO31CFG Register Field Descriptions**

Bit	Field	Type	Reset	Description
31-30	MUX31	R/W	0h	Select Bits for OUTPUT7 Mux31: 00 : Select .0 input for Mux31 01 : Select .1 input for Mux31 10 : Select .2 input for Mux31 11 : Select .3 input for Mux31 Refer to the Output X-BAR section of this chapter for more details. Reset type: CPU1.SYSRSn
29-28	MUX30	R/W	0h	Select Bits for OUTPUT7 Mux30: 00 : Select .0 input for Mux30 01 : Select .1 input for Mux30 10 : Select .2 input for Mux30 11 : Select .3 input for Mux30 Refer to the Output X-BAR section of this chapter for more details. Reset type: CPU1.SYSRSn
27-26	MUX29	R/W	0h	Select Bits for OUTPUT7 Mux29: 00 : Select .0 input for Mux29 01 : Select .1 input for Mux29 10 : Select .2 input for Mux29 11 : Select .3 input for Mux29 Refer to the Output X-BAR section of this chapter for more details. Reset type: CPU1.SYSRSn
25-24	MUX28	R/W	0h	Select Bits for OUTPUT7 Mux28: 00 : Select .0 input for Mux28 01 : Select .1 input for Mux28 10 : Select .2 input for Mux28 11 : Select .3 input for Mux28 Refer to the Output X-BAR section of this chapter for more details. Reset type: CPU1.SYSRSn
23-22	MUX27	R/W	0h	Select Bits for OUTPUT7 Mux27: 00 : Select .0 input for Mux27 01 : Select .1 input for Mux27 10 : Select .2 input for Mux27 11 : Select .3 input for Mux27 Refer to the Output X-BAR section of this chapter for more details. Reset type: CPU1.SYSRSn
21-20	MUX26	R/W	0h	Select Bits for OUTPUT7 Mux26: 00 : Select .0 input for Mux26 01 : Select .1 input for Mux26 10 : Select .2 input for Mux26 11 : Select .3 input for Mux26 Refer to the Output X-BAR section of this chapter for more details. Reset type: CPU1.SYSRSn

**Table 8-102. OUTPUT7MUX16TO31CFG Register Field Descriptions (continued)**

Bit	Field	Type	Reset	Description
19-18	MUX25	R/W	0h	Select Bits for OUTPUT7 Mux25: 00 : Select .0 input for Mux25 01 : Select .1 input for Mux25 10 : Select .2 input for Mux25 11 : Select .3 input for Mux25 Refer to the Output X-BAR section of this chapter for more details. Reset type: CPU1.SYSRSn
17-16	MUX24	R/W	0h	Select Bits for OUTPUT7 Mux24: 00 : Select .0 input for Mux24 01 : Select .1 input for Mux24 10 : Select .2 input for Mux24 11 : Select .3 input for Mux24 Refer to the Output X-BAR section of this chapter for more details. Reset type: CPU1.SYSRSn
15-14	MUX23	R/W	0h	Select Bits for OUTPUT7 Mux23: 00 : Select .0 input for Mux23 01 : Select .1 input for Mux23 10 : Select .2 input for Mux23 11 : Select .3 input for Mux23 Refer to the Output X-BAR section of this chapter for more details. Reset type: CPU1.SYSRSn
13-12	MUX22	R/W	0h	Select Bits for OUTPUT7 Mux22: 00 : Select .0 input for Mux22 01 : Select .1 input for Mux22 10 : Select .2 input for Mux22 11 : Select .3 input for Mux22 Refer to the Output X-BAR section of this chapter for more details. Reset type: CPU1.SYSRSn
11-10	MUX21	R/W	0h	Select Bits for OUTPUT7 Mux21: 00 : Select .0 input for Mux21 01 : Select .1 input for Mux21 10 : Select .2 input for Mux21 11 : Select .3 input for Mux21 Refer to the Output X-BAR section of this chapter for more details. Reset type: CPU1.SYSRSn
9-8	MUX20	R/W	0h	Select Bits for OUTPUT7 Mux20: 00 : Select .0 input for Mux20 01 : Select .1 input for Mux20 10 : Select .2 input for Mux20 11 : Select .3 input for Mux20 Refer to the Output X-BAR section of this chapter for more details. Reset type: CPU1.SYSRSn
7-6	MUX19	R/W	0h	Select Bits for OUTPUT7 Mux19: 00 : Select .0 input for Mux19 01 : Select .1 input for Mux19 10 : Select .2 input for Mux19 11 : Select .3 input for Mux19 Refer to the Output X-BAR section of this chapter for more details. Reset type: CPU1.SYSRSn
5-4	MUX18	R/W	0h	Select Bits for OUTPUT7 Mux18: 00 : Select .0 input for Mux18 01 : Select .1 input for Mux18 10 : Select .2 input for Mux18 11 : Select .3 input for Mux18 Refer to the Output X-BAR section of this chapter for more details. Reset type: CPU1.SYSRSn

**Table 8-102. OUTPUT7MUX16TO31CFG Register Field Descriptions (continued)**

Bit	Field	Type	Reset	Description
3-2	MUX17	R/W	0h	Select Bits for OUTPUT7 Mux17: 00 : Select .0 input for Mux17 01 : Select .1 input for Mux17 10 : Select .2 input for Mux17 11 : Select .3 input for Mux17 Refer to the Output X-BAR section of this chapter for more details. Reset type: CPU1.SYSRSn
1-0	MUX16	R/W	0h	Select Bits for OUTPUT7 Mux16: 00 : Select .0 input for Mux16 01 : Select .1 input for Mux16 10 : Select .2 input for Mux16 11 : Select .3 input for Mux16 Refer to the Output X-BAR section of this chapter for more details. Reset type: CPU1.SYSRSn



### 8.3.6.15 OUTPUT8MUX0TO15CFG Register (Offset = 1Ch) [Reset = 0000000h]

OUTPUT8MUX0TO15CFG is shown in [Figure 8-94](#) and described in [Table 8-103](#).

Return to the [Summary Table](#).

Output X-BAR Mux Configuration for Output 8

**Figure 8-94. OUTPUT8MUX0TO15CFG Register**

31	30	29	28	27	26	25	24	23	22	21	20	19	18	17	16
MUX15		MUX14		MUX13		MUX12		MUX11		MUX10		MUX9		MUX8	
R/W-0h		R/W-0h		R/W-0h		R/W-0h		R/W-0h		R/W-0h		R/W-0h		R/W-0h	
15	14	13	12	11	10	9	8	7	6	5	4	3	2	1	0
MUX7		MUX6		MUX5		MUX4		MUX3		MUX2		MUX1		MUX0	
R/W-0h		R/W-0h		R/W-0h		R/W-0h		R/W-0h		R/W-0h		R/W-0h		R/W-0h	

**Table 8-103. OUTPUT8MUX0TO15CFG Register Field Descriptions**

Bit	Field	Type	Reset	Description
31-30	MUX15	R/W	0h	Select Bits for OUTPUT8 Mux15: 00 : Select .0 input for Mux15 01 : Select .1 input for Mux15 10 : Select .2 input for Mux15 11 : Select .3 input for Mux15 Refer to the Output X-BAR section of this chapter for more details. Reset type: CPU1.SYSRSn
29-28	MUX14	R/W	0h	Select Bits for OUTPUT8 Mux14: 00 : Select .0 input for Mux14 01 : Select .1 input for Mux14 10 : Select .2 input for Mux14 11 : Select .3 input for Mux14 Refer to the Output X-BAR section of this chapter for more details. Reset type: CPU1.SYSRSn
27-26	MUX13	R/W	0h	Select Bits for OUTPUT8 Mux13: 00 : Select .0 input for Mux13 01 : Select .1 input for Mux13 10 : Select .2 input for Mux13 11 : Select .3 input for Mux13 Refer to the Output X-BAR section of this chapter for more details. Reset type: CPU1.SYSRSn
25-24	MUX12	R/W	0h	Select Bits for OUTPUT8 Mux12: 00 : Select .0 input for Mux12 01 : Select .1 input for Mux12 10 : Select .2 input for Mux12 11 : Select .3 input for Mux12 Refer to the Output X-BAR section of this chapter for more details. Reset type: CPU1.SYSRSn
23-22	MUX11	R/W	0h	Select Bits for OUTPUT8 Mux11: 00 : Select .0 input for Mux11 01 : Select .1 input for Mux11 10 : Select .2 input for Mux11 11 : Select .3 input for Mux11 Refer to the Output X-BAR section of this chapter for more details. Reset type: CPU1.SYSRSn
21-20	MUX10	R/W	0h	Select Bits for OUTPUT8 Mux10: 00 : Select .0 input for Mux10 01 : Select .1 input for Mux10 10 : Select .2 input for Mux10 11 : Select .3 input for Mux10 Refer to the Output X-BAR section of this chapter for more details. Reset type: CPU1.SYSRSn

**Table 8-103. OUTPUT8MUX0TO15CFG Register Field Descriptions (continued)**

Bit	Field	Type	Reset	Description
19-18	MUX9	R/W	0h	Select Bits for OUTPUT8 Mux9: 00 : Select .0 input for Mux9 01 : Select .1 input for Mux9 10 : Select .2 input for Mux9 11 : Select .3 input for Mux9 Refer to the Output X-BAR section of this chapter for more details. Reset type: CPU1.SYSRSn
17-16	MUX8	R/W	0h	Select Bits for OUTPUT8 Mux8: 00 : Select .0 input for Mux8 01 : Select .1 input for Mux8 10 : Select .2 input for Mux8 11 : Select .3 input for Mux8 Refer to the Output X-BAR section of this chapter for more details. Reset type: CPU1.SYSRSn
15-14	MUX7	R/W	0h	Select Bits for OUTPUT8 Mux7: 00 : Select .0 input for Mux7 01 : Select .1 input for Mux7 10 : Select .2 input for Mux7 11 : Select .3 input for Mux7 Refer to the Output X-BAR section of this chapter for more details. Reset type: CPU1.SYSRSn
13-12	MUX6	R/W	0h	Select Bits for OUTPUT8 Mux6: 00 : Select .0 input for Mux6 01 : Select .1 input for Mux6 10 : Select .2 input for Mux6 11 : Select .3 input for Mux6 Refer to the Output X-BAR section of this chapter for more details. Reset type: CPU1.SYSRSn
11-10	MUX5	R/W	0h	Select Bits for OUTPUT8 Mux5: 00 : Select .0 input for Mux5 01 : Select .1 input for Mux5 10 : Select .2 input for Mux5 11 : Select .3 input for Mux5 Refer to the Output X-BAR section of this chapter for more details. Reset type: CPU1.SYSRSn
9-8	MUX4	R/W	0h	Select Bits for OUTPUT8 Mux4: 00 : Select .0 input for Mux4 01 : Select .1 input for Mux4 10 : Select .2 input for Mux4 11 : Select .3 input for Mux4 Refer to the Output X-BAR section of this chapter for more details. Reset type: CPU1.SYSRSn
7-6	MUX3	R/W	0h	Select Bits for OUTPUT8 Mux3: 00 : Select .0 input for Mux3 01 : Select .1 input for Mux3 10 : Select .2 input for Mux3 11 : Select .3 input for Mux3 Refer to the Output X-BAR section of this chapter for more details. Reset type: CPU1.SYSRSn
5-4	MUX2	R/W	0h	Select Bits for OUTPUT8 Mux2: 00 : Select .0 input for Mux2 01 : Select .1 input for Mux2 10 : Select .2 input for Mux2 11 : Select .3 input for Mux2 Refer to the Output X-BAR section of this chapter for more details. Reset type: CPU1.SYSRSn

**Table 8-103. OUTPUT8MUX0TO15CFG Register Field Descriptions (continued)**

Bit	Field	Type	Reset	Description
3-2	MUX1	R/W	0h	Select Bits for OUTPUT8 Mux1: 00 : Select .0 input for Mux1 01 : Select .1 input for Mux1 10 : Select .2 input for Mux1 11 : Select .3 input for Mux1 Refer to the Output X-BAR section of this chapter for more details. Reset type: CPU1.SYSRSn
1-0	MUX0	R/W	0h	Select Bits for OUTPUT8 Mux0: 00 : Select .0 input for Mux0 01 : Select .1 input for Mux0 10 : Select .2 input for Mux0 11 : Select .3 input for Mux0 Refer to the Output X-BAR section of this chapter for more details. Reset type: CPU1.SYSRSn

### 8.3.6.16 OUTPUT8MUX16TO31CFG Register (Offset = 1Eh) [Reset = 0000000h]

OUTPUT8MUX16TO31CFG is shown in [Figure 8-95](#) and described in [Table 8-104](#).

Return to the [Summary Table](#).

Output X-BAR Mux Configuration for Output 8

**Figure 8-95. OUTPUT8MUX16TO31CFG Register**

31	30	29	28	27	26	25	24	23	22	21	20	19	18	17	16
MUX31		MUX30		MUX29		MUX28		MUX27		MUX26		MUX25		MUX24	
R/W-0h		R/W-0h		R/W-0h		R/W-0h		R/W-0h		R/W-0h		R/W-0h		R/W-0h	
15	14	13	12	11	10	9	8	7	6	5	4	3	2	1	0
MUX23		MUX22		MUX21		MUX20		MUX19		MUX18		MUX17		MUX16	
R/W-0h		R/W-0h		R/W-0h		R/W-0h		R/W-0h		R/W-0h		R/W-0h		R/W-0h	

**Table 8-104. OUTPUT8MUX16TO31CFG Register Field Descriptions**

Bit	Field	Type	Reset	Description
31-30	MUX31	R/W	0h	Select Bits for OUTPUT8 Mux31: 00 : Select .0 input for Mux31 01 : Select .1 input for Mux31 10 : Select .2 input for Mux31 11 : Select .3 input for Mux31 Refer to the Output X-BAR section of this chapter for more details. Reset type: CPU1.SYSRSn
29-28	MUX30	R/W	0h	Select Bits for OUTPUT8 Mux30: 00 : Select .0 input for Mux30 01 : Select .1 input for Mux30 10 : Select .2 input for Mux30 11 : Select .3 input for Mux30 Refer to the Output X-BAR section of this chapter for more details. Reset type: CPU1.SYSRSn
27-26	MUX29	R/W	0h	Select Bits for OUTPUT8 Mux29: 00 : Select .0 input for Mux29 01 : Select .1 input for Mux29 10 : Select .2 input for Mux29 11 : Select .3 input for Mux29 Refer to the Output X-BAR section of this chapter for more details. Reset type: CPU1.SYSRSn
25-24	MUX28	R/W	0h	Select Bits for OUTPUT8 Mux28: 00 : Select .0 input for Mux28 01 : Select .1 input for Mux28 10 : Select .2 input for Mux28 11 : Select .3 input for Mux28 Refer to the Output X-BAR section of this chapter for more details. Reset type: CPU1.SYSRSn
23-22	MUX27	R/W	0h	Select Bits for OUTPUT8 Mux27: 00 : Select .0 input for Mux27 01 : Select .1 input for Mux27 10 : Select .2 input for Mux27 11 : Select .3 input for Mux27 Refer to the Output X-BAR section of this chapter for more details. Reset type: CPU1.SYSRSn
21-20	MUX26	R/W	0h	Select Bits for OUTPUT8 Mux26: 00 : Select .0 input for Mux26 01 : Select .1 input for Mux26 10 : Select .2 input for Mux26 11 : Select .3 input for Mux26 Refer to the Output X-BAR section of this chapter for more details. Reset type: CPU1.SYSRSn

**Table 8-104. OUTPUT8MUX16TO31CFG Register Field Descriptions (continued)**

Bit	Field	Type	Reset	Description
19-18	MUX25	R/W	0h	Select Bits for OUTPUT8 Mux25: 00 : Select .0 input for Mux25 01 : Select .1 input for Mux25 10 : Select .2 input for Mux25 11 : Select .3 input for Mux25 Refer to the Output X-BAR section of this chapter for more details. Reset type: CPU1.SYSRSn
17-16	MUX24	R/W	0h	Select Bits for OUTPUT8 Mux24: 00 : Select .0 input for Mux24 01 : Select .1 input for Mux24 10 : Select .2 input for Mux24 11 : Select .3 input for Mux24 Refer to the Output X-BAR section of this chapter for more details. Reset type: CPU1.SYSRSn
15-14	MUX23	R/W	0h	Select Bits for OUTPUT8 Mux23: 00 : Select .0 input for Mux23 01 : Select .1 input for Mux23 10 : Select .2 input for Mux23 11 : Select .3 input for Mux23 Refer to the Output X-BAR section of this chapter for more details. Reset type: CPU1.SYSRSn
13-12	MUX22	R/W	0h	Select Bits for OUTPUT8 Mux22: 00 : Select .0 input for Mux22 01 : Select .1 input for Mux22 10 : Select .2 input for Mux22 11 : Select .3 input for Mux22 Refer to the Output X-BAR section of this chapter for more details. Reset type: CPU1.SYSRSn
11-10	MUX21	R/W	0h	Select Bits for OUTPUT8 Mux21: 00 : Select .0 input for Mux21 01 : Select .1 input for Mux21 10 : Select .2 input for Mux21 11 : Select .3 input for Mux21 Refer to the Output X-BAR section of this chapter for more details. Reset type: CPU1.SYSRSn
9-8	MUX20	R/W	0h	Select Bits for OUTPUT8 Mux20: 00 : Select .0 input for Mux20 01 : Select .1 input for Mux20 10 : Select .2 input for Mux20 11 : Select .3 input for Mux20 Refer to the Output X-BAR section of this chapter for more details. Reset type: CPU1.SYSRSn
7-6	MUX19	R/W	0h	Select Bits for OUTPUT8 Mux19: 00 : Select .0 input for Mux19 01 : Select .1 input for Mux19 10 : Select .2 input for Mux19 11 : Select .3 input for Mux19 Refer to the Output X-BAR section of this chapter for more details. Reset type: CPU1.SYSRSn
5-4	MUX18	R/W	0h	Select Bits for OUTPUT8 Mux18: 00 : Select .0 input for Mux18 01 : Select .1 input for Mux18 10 : Select .2 input for Mux18 11 : Select .3 input for Mux18 Refer to the Output X-BAR section of this chapter for more details. Reset type: CPU1.SYSRSn

**Table 8-104. OUTPUT8MUX16TO31CFG Register Field Descriptions (continued)**

Bit	Field	Type	Reset	Description
3-2	MUX17	R/W	0h	Select Bits for OUTPUT8 Mux17: 00 : Select .0 input for Mux17 01 : Select .1 input for Mux17 10 : Select .2 input for Mux17 11 : Select .3 input for Mux17 Refer to the Output X-BAR section of this chapter for more details. Reset type: CPU1.SYSRSn
1-0	MUX16	R/W	0h	Select Bits for OUTPUT8 Mux16: 00 : Select .0 input for Mux16 01 : Select .1 input for Mux16 10 : Select .2 input for Mux16 11 : Select .3 input for Mux16 Refer to the Output X-BAR section of this chapter for more details. Reset type: CPU1.SYSRSn

### 8.3.6.17 OUTPUT1MUXENABLE Register (Offset = 20h) [Reset = 0000000h]

OUTPUT1MUXENABLE is shown in [Figure 8-96](#) and described in [Table 8-105](#).

Return to the [Summary Table](#).

Output X-BAR Mux Enable for Output 1

**Figure 8-96. OUTPUT1MUXENABLE Register**

31	30	29	28	27	26	25	24
MUX31	MUX30	MUX29	MUX28	MUX27	MUX26	MUX25	MUX24
R/W-0h	R/W-0h	R/W-0h	R/W-0h	R/W-0h	R/W-0h	R/W-0h	R/W-0h
23	22	21	20	19	18	17	16
MUX23	MUX22	MUX21	MUX20	MUX19	MUX18	MUX17	MUX16
R/W-0h	R/W-0h	R/W-0h	R/W-0h	R/W-0h	R/W-0h	R/W-0h	R/W-0h
15	14	13	12	11	10	9	8
MUX15	MUX14	MUX13	MUX12	MUX11	MUX10	MUX9	MUX8
R/W-0h	R/W-0h	R/W-0h	R/W-0h	R/W-0h	R/W-0h	R/W-0h	R/W-0h
7	6	5	4	3	2	1	0
MUX7	MUX6	MUX5	MUX4	MUX3	MUX2	MUX1	MUX0
R/W-0h	R/W-0h	R/W-0h	R/W-0h	R/W-0h	R/W-0h	R/W-0h	R/W-0h

**Table 8-105. OUTPUT1MUXENABLE Register Field Descriptions**

Bit	Field	Type	Reset	Description
31	MUX31	R/W	0h	Selects the output of Mux31 to drive OUTPUT1 of OUTPUT-XBAR 0: Respective output of Mux31 is disabled to drive the OUTPUT1 of OUTPUT-XBAR 1: Respective output of Mux31 is enabled to drive the OUTPUT1 of OUTPUT-XBAR Refer to the Output X-BAR section of this chapter for more details. Reset type: CPU1.SYSRSn
30	MUX30	R/W	0h	Selects the output of Mux30 to drive OUTPUT1 of OUTPUT-XBAR 0: Respective output of Mux30 is disabled to drive the OUTPUT1 of OUTPUT-XBAR 1: Respective output of Mux30 is enabled to drive the OUTPUT1 of OUTPUT-XBAR Refer to the Output X-BAR section of this chapter for more details. Reset type: CPU1.SYSRSn
29	MUX29	R/W	0h	Selects the output of Mux29 to drive OUTPUT1 of OUTPUT-XBAR 0: Respective output of Mux29 is disabled to drive the OUTPUT1 of OUTPUT-XBAR 1: Respective output of Mux29 is enabled to drive the OUTPUT1 of OUTPUT-XBAR Refer to the Output X-BAR section of this chapter for more details. Reset type: CPU1.SYSRSn
28	MUX28	R/W	0h	Selects the output of Mux28 to drive OUTPUT1 of OUTPUT-XBAR 0: Respective output of Mux28 is disabled to drive the OUTPUT1 of OUTPUT-XBAR 1: Respective output of Mux28 is enabled to drive the OUTPUT1 of OUTPUT-XBAR Refer to the Output X-BAR section of this chapter for more details. Reset type: CPU1.SYSRSn

**Table 8-105. OUTPUT1MUXENABLE Register Field Descriptions (continued)**

Bit	Field	Type	Reset	Description
27	MUX27	R/W	0h	Selects the output of Mux27 to drive OUTPUT1 of OUTPUT-XBAR 0: Respective output of Mux27 is disabled to drive the OUTPUT1 of OUTPUT-XBAR 1: Respective output of Mux27 is enabled to drive the OUTPUT1 of OUTPUT-XBAR Refer to the Output X-BAR section of this chapter for more details. Reset type: CPU1.SYSRSn
26	MUX26	R/W	0h	Selects the output of Mux26 to drive OUTPUT1 of OUTPUT-XBAR 0: Respective output of Mux26 is disabled to drive the OUTPUT1 of OUTPUT-XBAR 1: Respective output of Mux26 is enabled to drive the OUTPUT1 of OUTPUT-XBAR Refer to the Output X-BAR section of this chapter for more details. Reset type: CPU1.SYSRSn
25	MUX25	R/W	0h	Selects the output of Mux25 to drive OUTPUT1 of OUTPUT-XBAR 0: Respective output of Mux25 is disabled to drive the OUTPUT1 of OUTPUT-XBAR 1: Respective output of Mux25 is enabled to drive the OUTPUT1 of OUTPUT-XBAR Refer to the Output X-BAR section of this chapter for more details. Reset type: CPU1.SYSRSn
24	MUX24	R/W	0h	Selects the output of Mux24 to drive OUTPUT1 of OUTPUT-XBAR 0: Respective output of Mux24 is disabled to drive the OUTPUT1 of OUTPUT-XBAR 1: Respective output of Mux24 is enabled to drive the OUTPUT1 of OUTPUT-XBAR Refer to the Output X-BAR section of this chapter for more details. Reset type: CPU1.SYSRSn
23	MUX23	R/W	0h	Selects the output of Mux23 to drive OUTPUT1 of OUTPUT-XBAR 0: Respective output of Mux23 is disabled to drive the OUTPUT1 of OUTPUT-XBAR 1: Respective output of Mux23 is enabled to drive the OUTPUT1 of OUTPUT-XBAR Refer to the Output X-BAR section of this chapter for more details. Reset type: CPU1.SYSRSn
22	MUX22	R/W	0h	Selects the output of Mux22 to drive OUTPUT1 of OUTPUT-XBAR 0: Respective output of Mux22 is disabled to drive the OUTPUT1 of OUTPUT-XBAR 1: Respective output of Mux22 is enabled to drive the OUTPUT1 of OUTPUT-XBAR Refer to the Output X-BAR section of this chapter for more details. Reset type: CPU1.SYSRSn
21	MUX21	R/W	0h	Selects the output of Mux21 to drive OUTPUT1 of OUTPUT-XBAR 0: Respective output of Mux21 is disabled to drive the OUTPUT1 of OUTPUT-XBAR 1: Respective output of Mux21 is enabled to drive the OUTPUT1 of OUTPUT-XBAR Refer to the Output X-BAR section of this chapter for more details. Reset type: CPU1.SYSRSn
20	MUX20	R/W	0h	Selects the output of Mux20 to drive OUTPUT1 of OUTPUT-XBAR 0: Respective output of Mux20 is disabled to drive the OUTPUT1 of OUTPUT-XBAR 1: Respective output of Mux20 is enabled to drive the OUTPUT1 of OUTPUT-XBAR Refer to the Output X-BAR section of this chapter for more details. Reset type: CPU1.SYSRSn



**Table 8-105. OUTPUT1MUXENABLE Register Field Descriptions (continued)**

Bit	Field	Type	Reset	Description
19	MUX19	R/W	0h	Selects the output of Mux19 to drive OUTPUT1 of OUTPUT-XBAR 0: Respective output of Mux19 is disabled to drive the OUTPUT1 of OUTPUT-XBAR 1: Respective output of Mux19 is enabled to drive the OUTPUT1 of OUTPUT-XBAR Refer to the Output X-BAR section of this chapter for more details. Reset type: CPU1.SYSRSn
18	MUX18	R/W	0h	Selects the output of Mux18 to drive OUTPUT1 of OUTPUT-XBAR 0: Respective output of Mux18 is disabled to drive the OUTPUT1 of OUTPUT-XBAR 1: Respective output of Mux18 is enabled to drive the OUTPUT1 of OUTPUT-XBAR Refer to the Output X-BAR section of this chapter for more details. Reset type: CPU1.SYSRSn
17	MUX17	R/W	0h	Selects the output of Mux17 to drive OUTPUT1 of OUTPUT-XBAR 0: Respective output of Mux17 is disabled to drive the OUTPUT1 of OUTPUT-XBAR 1: Respective output of Mux17 is enabled to drive the OUTPUT1 of OUTPUT-XBAR Refer to the Output X-BAR section of this chapter for more details. Reset type: CPU1.SYSRSn
16	MUX16	R/W	0h	Selects the output of Mux16 to drive OUTPUT1 of OUTPUT-XBAR 0: Respective output of Mux16 is disabled to drive the OUTPUT1 of OUTPUT-XBAR 1: Respective output of Mux16 is enabled to drive the OUTPUT1 of OUTPUT-XBAR Refer to the Output X-BAR section of this chapter for more details. Reset type: CPU1.SYSRSn
15	MUX15	R/W	0h	Selects the output of Mux15 to drive OUTPUT1 of OUTPUT-XBAR 0: Respective output of Mux15 is disabled to drive the OUTPUT1 of OUTPUT-XBAR 1: Respective output of Mux15 is enabled to drive the OUTPUT1 of OUTPUT-XBAR Refer to the Output X-BAR section of this chapter for more details. Reset type: CPU1.SYSRSn
14	MUX14	R/W	0h	Selects the output of Mux14 to drive OUTPUT1 of OUTPUT-XBAR 0: Respective output of Mux14 is disabled to drive the OUTPUT1 of OUTPUT-XBAR 1: Respective output of Mux14 is enabled to drive the OUTPUT1 of OUTPUT-XBAR Refer to the Output X-BAR section of this chapter for more details. Reset type: CPU1.SYSRSn
13	MUX13	R/W	0h	Selects the output of Mux13 to drive OUTPUT1 of OUTPUT-XBAR 0: Respective output of Mux13 is disabled to drive the OUTPUT1 of OUTPUT-XBAR 1: Respective output of Mux13 is enabled to drive the OUTPUT1 of OUTPUT-XBAR Refer to the Output X-BAR section of this chapter for more details. Reset type: CPU1.SYSRSn
12	MUX12	R/W	0h	Selects the output of Mux12 to drive OUTPUT1 of OUTPUT-XBAR 0: Respective output of Mux12 is disabled to drive the OUTPUT1 of OUTPUT-XBAR 1: Respective output of Mux12 is enabled to drive the OUTPUT1 of OUTPUT-XBAR Refer to the Output X-BAR section of this chapter for more details. Reset type: CPU1.SYSRSn

**Table 8-105. OUTPUT1MUXENABLE Register Field Descriptions (continued)**

Bit	Field	Type	Reset	Description
11	MUX11	R/W	0h	Selects the output of Mux11 to drive OUTPUT1 of OUTPUT-XBAR 0: Respective output of Mux11 is disabled to drive the OUTPUT1 of OUTPUT-XBAR 1: Respective output of Mux11 is enabled to drive the OUTPUT1 of OUTPUT-XBAR Refer to the Output X-BAR section of this chapter for more details. Reset type: CPU1.SYSRSn
10	MUX10	R/W	0h	Selects the output of Mux10 to drive OUTPUT1 of OUTPUT-XBAR 0: Respective output of Mux10 is disabled to drive the OUTPUT1 of OUTPUT-XBAR 1: Respective output of Mux10 is enabled to drive the OUTPUT1 of OUTPUT-XBAR Refer to the Output X-BAR section of this chapter for more details. Reset type: CPU1.SYSRSn
9	MUX9	R/W	0h	Selects the output of Mux9 to drive OUTPUT1 of OUTPUT-XBAR 0: Respective output of Mux9 is disabled to drive the OUTPUT1 of OUTPUT-XBAR 1: Respective output of Mux9 is enabled to drive the OUTPUT1 of OUTPUT-XBAR Refer to the Output X-BAR section of this chapter for more details. Reset type: CPU1.SYSRSn
8	MUX8	R/W	0h	Selects the output of Mux8 to drive OUTPUT1 of OUTPUT-XBAR 0: Respective output of Mux8 is disabled to drive the OUTPUT1 of OUTPUT-XBAR 1: Respective output of Mux8 is enabled to drive the OUTPUT1 of OUTPUT-XBAR Refer to the Output X-BAR section of this chapter for more details. Reset type: CPU1.SYSRSn
7	MUX7	R/W	0h	Selects the output of Mux7 to drive OUTPUT1 of OUTPUT-XBAR 0: Respective output of Mux7 is disabled to drive the OUTPUT1 of OUTPUT-XBAR 1: Respective output of Mux7 is enabled to drive the OUTPUT1 of OUTPUT-XBAR Refer to the Output X-BAR section of this chapter for more details. Reset type: CPU1.SYSRSn
6	MUX6	R/W	0h	Selects the output of Mux6 to drive OUTPUT1 of OUTPUT-XBAR 0: Respective output of Mux6 is disabled to drive the OUTPUT1 of OUTPUT-XBAR 1: Respective output of Mux6 is enabled to drive the OUTPUT1 of OUTPUT-XBAR Refer to the Output X-BAR section of this chapter for more details. Reset type: CPU1.SYSRSn
5	MUX5	R/W	0h	Selects the output of Mux5 to drive OUTPUT1 of OUTPUT-XBAR 0: Respective output of Mux5 is disabled to drive the OUTPUT1 of OUTPUT-XBAR 1: Respective output of Mux5 is enabled to drive the OUTPUT1 of OUTPUT-XBAR Refer to the Output X-BAR section of this chapter for more details. Reset type: CPU1.SYSRSn
4	MUX4	R/W	0h	Selects the output of Mux4 to drive OUTPUT1 of OUTPUT-XBAR 0: Respective output of Mux4 is disabled to drive the OUTPUT1 of OUTPUT-XBAR 1: Respective output of Mux4 is enabled to drive the OUTPUT1 of OUTPUT-XBAR Refer to the Output X-BAR section of this chapter for more details. Reset type: CPU1.SYSRSn

**Table 8-105. OUTPUT1MUXENABLE Register Field Descriptions (continued)**

Bit	Field	Type	Reset	Description
3	MUX3	R/W	0h	Selects the output of Mux3 to drive OUTPUT1 of OUTPUT-XBAR 0: Respective output of Mux3 is disabled to drive the OUTPUT1 of OUTPUT-XBAR 1: Respective output of Mux3 is enabled to drive the OUTPUT1 of OUTPUT-XBAR Refer to the Output X-BAR section of this chapter for more details. Reset type: CPU1.SYSRSn
2	MUX2	R/W	0h	Selects the output of Mux2 to drive OUTPUT1 of OUTPUT-XBAR 0: Respective output of Mux2 is disabled to drive the OUTPUT1 of OUTPUT-XBAR 1: Respective output of Mux2 is enabled to drive the OUTPUT1 of OUTPUT-XBAR Refer to the Output X-BAR section of this chapter for more details. Reset type: CPU1.SYSRSn
1	MUX1	R/W	0h	Selects the output of Mux1 to drive OUTPUT1 of OUTPUT-XBAR 0: Respective output of Mux1 is disabled to drive the OUTPUT1 of OUTPUT-XBAR 1: Respective output of Mux1 is enabled to drive the OUTPUT1 of OUTPUT-XBAR Refer to the Output X-BAR section of this chapter for more details. Reset type: CPU1.SYSRSn
0	MUX0	R/W	0h	Selects the output of mux0 to drive OUTPUT1 of OUTPUT-XBAR 0: Respective output of Mux0 is disabled to drive the OUTPUT1 of OUTPUT-XBAR 1: Respective output of Mux0 is enabled to drive the OUTPUT1 of OUTPUT-XBAR Refer to the Output X-BAR section of this chapter for more details. Reset type: CPU1.SYSRSn

### 8.3.6.18 OUTPUT2MUXENABLE Register (Offset = 22h) [Reset = 0000000h]

OUTPUT2MUXENABLE is shown in [Figure 8-97](#) and described in [Table 8-106](#).

Return to the [Summary Table](#).

Output X-BAR Mux Enable for Output 2

**Figure 8-97. OUTPUT2MUXENABLE Register**

31	30	29	28	27	26	25	24
MUX31	MUX30	MUX29	MUX28	MUX27	MUX26	MUX25	MUX24
R/W-0h	R/W-0h	R/W-0h	R/W-0h	R/W-0h	R/W-0h	R/W-0h	R/W-0h
23	22	21	20	19	18	17	16
MUX23	MUX22	MUX21	MUX20	MUX19	MUX18	MUX17	MUX16
R/W-0h	R/W-0h	R/W-0h	R/W-0h	R/W-0h	R/W-0h	R/W-0h	R/W-0h
15	14	13	12	11	10	9	8
MUX15	MUX14	MUX13	MUX12	MUX11	MUX10	MUX9	MUX8
R/W-0h	R/W-0h	R/W-0h	R/W-0h	R/W-0h	R/W-0h	R/W-0h	R/W-0h
7	6	5	4	3	2	1	0
MUX7	MUX6	MUX5	MUX4	MUX3	MUX2	MUX1	MUX0
R/W-0h	R/W-0h	R/W-0h	R/W-0h	R/W-0h	R/W-0h	R/W-0h	R/W-0h

**Table 8-106. OUTPUT2MUXENABLE Register Field Descriptions**

Bit	Field	Type	Reset	Description
31	MUX31	R/W	0h	Selects the output of Mux31 to drive OUTPUT2 of OUTPUT-XBAR 0: Respective output of Mux31 is disabled to drive the OUTPUT2 of OUTPUT-XBAR 1: Respective output of Mux31 is enabled to drive the OUTPUT2 of OUTPUT-XBAR Refer to the Output X-BAR section of this chapter for more details. Reset type: CPU1.SYSRSn
30	MUX30	R/W	0h	Selects the output of Mux30 to drive OUTPUT2 of OUTPUT-XBAR 0: Respective output of Mux30 is disabled to drive the OUTPUT2 of OUTPUT-XBAR 1: Respective output of Mux30 is enabled to drive the OUTPUT2 of OUTPUT-XBAR Refer to the Output X-BAR section of this chapter for more details. Reset type: CPU1.SYSRSn
29	MUX29	R/W	0h	Selects the output of Mux29 to drive OUTPUT2 of OUTPUT-XBAR 0: Respective output of Mux29 is disabled to drive the OUTPUT2 of OUTPUT-XBAR 1: Respective output of Mux29 is enabled to drive the OUTPUT2 of OUTPUT-XBAR Refer to the Output X-BAR section of this chapter for more details. Reset type: CPU1.SYSRSn
28	MUX28	R/W	0h	Selects the output of Mux28 to drive OUTPUT2 of OUTPUT-XBAR 0: Respective output of Mux28 is disabled to drive the OUTPUT2 of OUTPUT-XBAR 1: Respective output of Mux28 is enabled to drive the OUTPUT2 of OUTPUT-XBAR Refer to the Output X-BAR section of this chapter for more details. Reset type: CPU1.SYSRSn

**Table 8-106. OUTPUT2MUXENABLE Register Field Descriptions (continued)**

Bit	Field	Type	Reset	Description
27	MUX27	R/W	0h	Selects the output of Mux27 to drive OUTPUT2 of OUTPUT-XBAR 0: Respective output of Mux27 is disabled to drive the OUTPUT2 of OUTPUT-XBAR 1: Respective output of Mux27 is enabled to drive the OUTPUT2 of OUTPUT-XBAR Refer to the Output X-BAR section of this chapter for more details. Reset type: CPU1.SYSRSn
26	MUX26	R/W	0h	Selects the output of Mux26 to drive OUTPUT2 of OUTPUT-XBAR 0: Respective output of Mux26 is disabled to drive the OUTPUT2 of OUTPUT-XBAR 1: Respective output of Mux26 is enabled to drive the OUTPUT2 of OUTPUT-XBAR Refer to the Output X-BAR section of this chapter for more details. Reset type: CPU1.SYSRSn
25	MUX25	R/W	0h	Selects the output of Mux25 to drive OUTPUT2 of OUTPUT-XBAR 0: Respective output of Mux25 is disabled to drive the OUTPUT2 of OUTPUT-XBAR 1: Respective output of Mux25 is enabled to drive the OUTPUT2 of OUTPUT-XBAR Refer to the Output X-BAR section of this chapter for more details. Reset type: CPU1.SYSRSn
24	MUX24	R/W	0h	Selects the output of Mux24 to drive OUTPUT2 of OUTPUT-XBAR 0: Respective output of Mux24 is disabled to drive the OUTPUT2 of OUTPUT-XBAR 1: Respective output of Mux24 is enabled to drive the OUTPUT2 of OUTPUT-XBAR Refer to the Output X-BAR section of this chapter for more details. Reset type: CPU1.SYSRSn
23	MUX23	R/W	0h	Selects the output of Mux23 to drive OUTPUT2 of OUTPUT-XBAR 0: Respective output of Mux23 is disabled to drive the OUTPUT2 of OUTPUT-XBAR 1: Respective output of Mux23 is enabled to drive the OUTPUT2 of OUTPUT-XBAR Refer to the Output X-BAR section of this chapter for more details. Reset type: CPU1.SYSRSn
22	MUX22	R/W	0h	Selects the output of Mux22 to drive OUTPUT2 of OUTPUT-XBAR 0: Respective output of Mux22 is disabled to drive the OUTPUT2 of OUTPUT-XBAR 1: Respective output of Mux22 is enabled to drive the OUTPUT2 of OUTPUT-XBAR Refer to the Output X-BAR section of this chapter for more details. Reset type: CPU1.SYSRSn
21	MUX21	R/W	0h	Selects the output of Mux21 to drive OUTPUT2 of OUTPUT-XBAR 0: Respective output of Mux21 is disabled to drive the OUTPUT2 of OUTPUT-XBAR 1: Respective output of Mux21 is enabled to drive the OUTPUT2 of OUTPUT-XBAR Refer to the Output X-BAR section of this chapter for more details. Reset type: CPU1.SYSRSn
20	MUX20	R/W	0h	Selects the output of Mux20 to drive OUTPUT2 of OUTPUT-XBAR 0: Respective output of Mux20 is disabled to drive the OUTPUT2 of OUTPUT-XBAR 1: Respective output of Mux20 is enabled to drive the OUTPUT2 of OUTPUT-XBAR Refer to the Output X-BAR section of this chapter for more details. Reset type: CPU1.SYSRSn

**Table 8-106. OUTPUT2MUXENABLE Register Field Descriptions (continued)**

Bit	Field	Type	Reset	Description
19	MUX19	R/W	0h	Selects the output of Mux19 to drive OUTPUT2 of OUTPUT-XBAR 0: Respective output of Mux19 is disabled to drive the OUTPUT2 of OUTPUT-XBAR 1: Respective output of Mux19 is enabled to drive the OUTPUT2 of OUTPUT-XBAR Refer to the Output X-BAR section of this chapter for more details. Reset type: CPU1.SYSRSn
18	MUX18	R/W	0h	Selects the output of Mux18 to drive OUTPUT2 of OUTPUT-XBAR 0: Respective output of Mux18 is disabled to drive the OUTPUT2 of OUTPUT-XBAR 1: Respective output of Mux18 is enabled to drive the OUTPUT2 of OUTPUT-XBAR Refer to the Output X-BAR section of this chapter for more details. Reset type: CPU1.SYSRSn
17	MUX17	R/W	0h	Selects the output of Mux17 to drive OUTPUT2 of OUTPUT-XBAR 0: Respective output of Mux17 is disabled to drive the OUTPUT2 of OUTPUT-XBAR 1: Respective output of Mux17 is enabled to drive the OUTPUT2 of OUTPUT-XBAR Refer to the Output X-BAR section of this chapter for more details. Reset type: CPU1.SYSRSn
16	MUX16	R/W	0h	Selects the output of Mux16 to drive OUTPUT2 of OUTPUT-XBAR 0: Respective output of Mux16 is disabled to drive the OUTPUT2 of OUTPUT-XBAR 1: Respective output of Mux16 is enabled to drive the OUTPUT2 of OUTPUT-XBAR Refer to the Output X-BAR section of this chapter for more details. Reset type: CPU1.SYSRSn
15	MUX15	R/W	0h	Selects the output of Mux15 to drive OUTPUT2 of OUTPUT-XBAR 0: Respective output of Mux15 is disabled to drive the OUTPUT2 of OUTPUT-XBAR 1: Respective output of Mux15 is enabled to drive the OUTPUT2 of OUTPUT-XBAR Refer to the Output X-BAR section of this chapter for more details. Reset type: CPU1.SYSRSn
14	MUX14	R/W	0h	Selects the output of Mux14 to drive OUTPUT2 of OUTPUT-XBAR 0: Respective output of Mux14 is disabled to drive the OUTPUT2 of OUTPUT-XBAR 1: Respective output of Mux14 is enabled to drive the OUTPUT2 of OUTPUT-XBAR Refer to the Output X-BAR section of this chapter for more details. Reset type: CPU1.SYSRSn
13	MUX13	R/W	0h	Selects the output of Mux13 to drive OUTPUT2 of OUTPUT-XBAR 0: Respective output of Mux13 is disabled to drive the OUTPUT2 of OUTPUT-XBAR 1: Respective output of Mux13 is enabled to drive the OUTPUT2 of OUTPUT-XBAR Refer to the Output X-BAR section of this chapter for more details. Reset type: CPU1.SYSRSn
12	MUX12	R/W	0h	Selects the output of Mux12 to drive OUTPUT2 of OUTPUT-XBAR 0: Respective output of Mux12 is disabled to drive the OUTPUT2 of OUTPUT-XBAR 1: Respective output of Mux12 is enabled to drive the OUTPUT2 of OUTPUT-XBAR Refer to the Output X-BAR section of this chapter for more details. Reset type: CPU1.SYSRSn

**Table 8-106. OUTPUT2MUXENABLE Register Field Descriptions (continued)**

Bit	Field	Type	Reset	Description
11	MUX11	R/W	0h	Selects the output of Mux11 to drive OUTPUT2 of OUTPUT-XBAR 0: Respective output of Mux11 is disabled to drive the OUTPUT2 of OUTPUT-XBAR 1: Respective output of Mux11 is enabled to drive the OUTPUT2 of OUTPUT-XBAR Refer to the Output X-BAR section of this chapter for more details. Reset type: CPU1.SYSRSn
10	MUX10	R/W	0h	Selects the output of Mux10 to drive OUTPUT2 of OUTPUT-XBAR 0: Respective output of Mux10 is disabled to drive the OUTPUT2 of OUTPUT-XBAR 1: Respective output of Mux10 is enabled to drive the OUTPUT2 of OUTPUT-XBAR Refer to the Output X-BAR section of this chapter for more details. Reset type: CPU1.SYSRSn
9	MUX9	R/W	0h	Selects the output of Mux9 to drive OUTPUT2 of OUTPUT-XBAR 0: Respective output of Mux9 is disabled to drive the OUTPUT2 of OUTPUT-XBAR 1: Respective output of Mux9 is enabled to drive the OUTPUT2 of OUTPUT-XBAR Refer to the Output X-BAR section of this chapter for more details. Reset type: CPU1.SYSRSn
8	MUX8	R/W	0h	Selects the output of Mux8 to drive OUTPUT2 of OUTPUT-XBAR 0: Respective output of Mux8 is disabled to drive the OUTPUT2 of OUTPUT-XBAR 1: Respective output of Mux8 is enabled to drive the OUTPUT2 of OUTPUT-XBAR Refer to the Output X-BAR section of this chapter for more details. Reset type: CPU1.SYSRSn
7	MUX7	R/W	0h	Selects the output of Mux7 to drive OUTPUT2 of OUTPUT-XBAR 0: Respective output of Mux7 is disabled to drive the OUTPUT2 of OUTPUT-XBAR 1: Respective output of Mux7 is enabled to drive the OUTPUT2 of OUTPUT-XBAR Refer to the Output X-BAR section of this chapter for more details. Reset type: CPU1.SYSRSn
6	MUX6	R/W	0h	Selects the output of Mux6 to drive OUTPUT2 of OUTPUT-XBAR 0: Respective output of Mux6 is disabled to drive the OUTPUT2 of OUTPUT-XBAR 1: Respective output of Mux6 is enabled to drive the OUTPUT2 of OUTPUT-XBAR Refer to the Output X-BAR section of this chapter for more details. Reset type: CPU1.SYSRSn
5	MUX5	R/W	0h	Selects the output of Mux5 to drive OUTPUT2 of OUTPUT-XBAR 0: Respective output of Mux5 is disabled to drive the OUTPUT2 of OUTPUT-XBAR 1: Respective output of Mux5 is enabled to drive the OUTPUT2 of OUTPUT-XBAR Refer to the Output X-BAR section of this chapter for more details. Reset type: CPU1.SYSRSn
4	MUX4	R/W	0h	Selects the output of Mux4 to drive OUTPUT2 of OUTPUT-XBAR 0: Respective output of Mux4 is disabled to drive the OUTPUT2 of OUTPUT-XBAR 1: Respective output of Mux4 is enabled to drive the OUTPUT2 of OUTPUT-XBAR Refer to the Output X-BAR section of this chapter for more details. Reset type: CPU1.SYSRSn

**Table 8-106. OUTPUT2MUXENABLE Register Field Descriptions (continued)**

Bit	Field	Type	Reset	Description
3	MUX3	R/W	0h	Selects the output of Mux3 to drive OUTPUT2 of OUTPUT-XBAR 0: Respective output of Mux3 is disabled to drive the OUTPUT2 of OUTPUT-XBAR 1: Respective output of Mux3 is enabled to drive the OUTPUT2 of OUTPUT-XBAR Refer to the Output X-BAR section of this chapter for more details. Reset type: CPU1.SYSRSn
2	MUX2	R/W	0h	Selects the output of Mux2 to drive OUTPUT2 of OUTPUT-XBAR 0: Respective output of Mux2 is disabled to drive the OUTPUT2 of OUTPUT-XBAR 1: Respective output of Mux2 is enabled to drive the OUTPUT2 of OUTPUT-XBAR Refer to the Output X-BAR section of this chapter for more details. Reset type: CPU1.SYSRSn
1	MUX1	R/W	0h	Selects the output of Mux1 to drive OUTPUT2 of OUTPUT-XBAR 0: Respective output of Mux1 is disabled to drive the OUTPUT2 of OUTPUT-XBAR 1: Respective output of Mux1 is enabled to drive the OUTPUT2 of OUTPUT-XBAR Refer to the Output X-BAR section of this chapter for more details. Reset type: CPU1.SYSRSn
0	MUX0	R/W	0h	Selects the output of mux0 to drive OUTPUT2 of OUTPUT-XBAR 0: Respective output of Mux0 is disabled to drive the OUTPUT2 of OUTPUT-XBAR 1: Respective output of Mux0 is enabled to drive the OUTPUT2 of OUTPUT-XBAR Refer to the Output X-BAR section of this chapter for more details. Reset type: CPU1.SYSRSn



### 8.3.6.19 OUTPUT3MUXENABLE Register (Offset = 24h) [Reset = 0000000h]

OUTPUT3MUXENABLE is shown in [Figure 8-98](#) and described in [Table 8-107](#).

Return to the [Summary Table](#).

Output X-BAR Mux Enable for Output 3

**Figure 8-98. OUTPUT3MUXENABLE Register**

31	30	29	28	27	26	25	24
MUX31	MUX30	MUX29	MUX28	MUX27	MUX26	MUX25	MUX24
R/W-0h	R/W-0h	R/W-0h	R/W-0h	R/W-0h	R/W-0h	R/W-0h	R/W-0h
23	22	21	20	19	18	17	16
MUX23	MUX22	MUX21	MUX20	MUX19	MUX18	MUX17	MUX16
R/W-0h	R/W-0h	R/W-0h	R/W-0h	R/W-0h	R/W-0h	R/W-0h	R/W-0h
15	14	13	12	11	10	9	8
MUX15	MUX14	MUX13	MUX12	MUX11	MUX10	MUX9	MUX8
R/W-0h	R/W-0h	R/W-0h	R/W-0h	R/W-0h	R/W-0h	R/W-0h	R/W-0h
7	6	5	4	3	2	1	0
MUX7	MUX6	MUX5	MUX4	MUX3	MUX2	MUX1	MUX0
R/W-0h	R/W-0h	R/W-0h	R/W-0h	R/W-0h	R/W-0h	R/W-0h	R/W-0h

**Table 8-107. OUTPUT3MUXENABLE Register Field Descriptions**

Bit	Field	Type	Reset	Description
31	MUX31	R/W	0h	Selects the output of Mux31 to drive OUTPUT3 of OUTPUT-XBAR 0: Respective output of Mux31 is disabled to drive the OUTPUT3 of OUTPUT-XBAR 1: Respective output of Mux31 is enabled to drive the OUTPUT3 of OUTPUT-XBAR Refer to the Output X-BAR section of this chapter for more details. Reset type: CPU1.SYSRSn
30	MUX30	R/W	0h	Selects the output of Mux30 to drive OUTPUT3 of OUTPUT-XBAR 0: Respective output of Mux30 is disabled to drive the OUTPUT3 of OUTPUT-XBAR 1: Respective output of Mux30 is enabled to drive the OUTPUT3 of OUTPUT-XBAR Refer to the Output X-BAR section of this chapter for more details. Reset type: CPU1.SYSRSn
29	MUX29	R/W	0h	Selects the output of Mux29 to drive OUTPUT3 of OUTPUT-XBAR 0: Respective output of Mux29 is disabled to drive the OUTPUT3 of OUTPUT-XBAR 1: Respective output of Mux29 is enabled to drive the OUTPUT3 of OUTPUT-XBAR Refer to the Output X-BAR section of this chapter for more details. Reset type: CPU1.SYSRSn
28	MUX28	R/W	0h	Selects the output of Mux28 to drive OUTPUT3 of OUTPUT-XBAR 0: Respective output of Mux28 is disabled to drive the OUTPUT3 of OUTPUT-XBAR 1: Respective output of Mux28 is enabled to drive the OUTPUT3 of OUTPUT-XBAR Refer to the Output X-BAR section of this chapter for more details. Reset type: CPU1.SYSRSn

**Table 8-107. OUTPUT3MUXENABLE Register Field Descriptions (continued)**

Bit	Field	Type	Reset	Description
27	MUX27	R/W	0h	Selects the output of Mux27 to drive OUTPUT3 of OUTPUT-XBAR 0: Respective output of Mux27 is disabled to drive the OUTPUT3 of OUTPUT-XBAR 1: Respective output of Mux27 is enabled to drive the OUTPUT3 of OUTPUT-XBAR Refer to the Output X-BAR section of this chapter for more details. Reset type: CPU1.SYSRSn
26	MUX26	R/W	0h	Selects the output of Mux26 to drive OUTPUT3 of OUTPUT-XBAR 0: Respective output of Mux26 is disabled to drive the OUTPUT3 of OUTPUT-XBAR 1: Respective output of Mux26 is enabled to drive the OUTPUT3 of OUTPUT-XBAR Refer to the Output X-BAR section of this chapter for more details. Reset type: CPU1.SYSRSn
25	MUX25	R/W	0h	Selects the output of Mux25 to drive OUTPUT3 of OUTPUT-XBAR 0: Respective output of Mux25 is disabled to drive the OUTPUT3 of OUTPUT-XBAR 1: Respective output of Mux25 is enabled to drive the OUTPUT3 of OUTPUT-XBAR Refer to the Output X-BAR section of this chapter for more details. Reset type: CPU1.SYSRSn
24	MUX24	R/W	0h	Selects the output of Mux24 to drive OUTPUT3 of OUTPUT-XBAR 0: Respective output of Mux24 is disabled to drive the OUTPUT3 of OUTPUT-XBAR 1: Respective output of Mux24 is enabled to drive the OUTPUT3 of OUTPUT-XBAR Refer to the Output X-BAR section of this chapter for more details. Reset type: CPU1.SYSRSn
23	MUX23	R/W	0h	Selects the output of Mux23 to drive OUTPUT3 of OUTPUT-XBAR 0: Respective output of Mux23 is disabled to drive the OUTPUT3 of OUTPUT-XBAR 1: Respective output of Mux23 is enabled to drive the OUTPUT3 of OUTPUT-XBAR Refer to the Output X-BAR section of this chapter for more details. Reset type: CPU1.SYSRSn
22	MUX22	R/W	0h	Selects the output of Mux22 to drive OUTPUT3 of OUTPUT-XBAR 0: Respective output of Mux22 is disabled to drive the OUTPUT3 of OUTPUT-XBAR 1: Respective output of Mux22 is enabled to drive the OUTPUT3 of OUTPUT-XBAR Refer to the Output X-BAR section of this chapter for more details. Reset type: CPU1.SYSRSn
21	MUX21	R/W	0h	Selects the output of Mux21 to drive OUTPUT3 of OUTPUT-XBAR 0: Respective output of Mux21 is disabled to drive the OUTPUT3 of OUTPUT-XBAR 1: Respective output of Mux21 is enabled to drive the OUTPUT3 of OUTPUT-XBAR Refer to the Output X-BAR section of this chapter for more details. Reset type: CPU1.SYSRSn
20	MUX20	R/W	0h	Selects the output of Mux20 to drive OUTPUT3 of OUTPUT-XBAR 0: Respective output of Mux20 is disabled to drive the OUTPUT3 of OUTPUT-XBAR 1: Respective output of Mux20 is enabled to drive the OUTPUT3 of OUTPUT-XBAR Refer to the Output X-BAR section of this chapter for more details. Reset type: CPU1.SYSRSn

**Table 8-107. OUTPUT3MUXENABLE Register Field Descriptions (continued)**

Bit	Field	Type	Reset	Description
19	MUX19	R/W	0h	Selects the output of Mux19 to drive OUTPUT3 of OUTPUT-XBAR 0: Respective output of Mux19 is disabled to drive the OUTPUT3 of OUTPUT-XBAR 1: Respective output of Mux19 is enabled to drive the OUTPUT3 of OUTPUT-XBAR Refer to the Output X-BAR section of this chapter for more details. Reset type: CPU1.SYSRSn
18	MUX18	R/W	0h	Selects the output of Mux18 to drive OUTPUT3 of OUTPUT-XBAR 0: Respective output of Mux18 is disabled to drive the OUTPUT3 of OUTPUT-XBAR 1: Respective output of Mux18 is enabled to drive the OUTPUT3 of OUTPUT-XBAR Refer to the Output X-BAR section of this chapter for more details. Reset type: CPU1.SYSRSn
17	MUX17	R/W	0h	Selects the output of Mux17 to drive OUTPUT3 of OUTPUT-XBAR 0: Respective output of Mux17 is disabled to drive the OUTPUT3 of OUTPUT-XBAR 1: Respective output of Mux17 is enabled to drive the OUTPUT3 of OUTPUT-XBAR Refer to the Output X-BAR section of this chapter for more details. Reset type: CPU1.SYSRSn
16	MUX16	R/W	0h	Selects the output of Mux16 to drive OUTPUT3 of OUTPUT-XBAR 0: Respective output of Mux16 is disabled to drive the OUTPUT3 of OUTPUT-XBAR 1: Respective output of Mux16 is enabled to drive the OUTPUT3 of OUTPUT-XBAR Refer to the Output X-BAR section of this chapter for more details. Reset type: CPU1.SYSRSn
15	MUX15	R/W	0h	Selects the output of Mux15 to drive OUTPUT3 of OUTPUT-XBAR 0: Respective output of Mux15 is disabled to drive the OUTPUT3 of OUTPUT-XBAR 1: Respective output of Mux15 is enabled to drive the OUTPUT3 of OUTPUT-XBAR Refer to the Output X-BAR section of this chapter for more details. Reset type: CPU1.SYSRSn
14	MUX14	R/W	0h	Selects the output of Mux14 to drive OUTPUT3 of OUTPUT-XBAR 0: Respective output of Mux14 is disabled to drive the OUTPUT3 of OUTPUT-XBAR 1: Respective output of Mux14 is enabled to drive the OUTPUT3 of OUTPUT-XBAR Refer to the Output X-BAR section of this chapter for more details. Reset type: CPU1.SYSRSn
13	MUX13	R/W	0h	Selects the output of Mux13 to drive OUTPUT3 of OUTPUT-XBAR 0: Respective output of Mux13 is disabled to drive the OUTPUT3 of OUTPUT-XBAR 1: Respective output of Mux13 is enabled to drive the OUTPUT3 of OUTPUT-XBAR Refer to the Output X-BAR section of this chapter for more details. Reset type: CPU1.SYSRSn
12	MUX12	R/W	0h	Selects the output of Mux12 to drive OUTPUT3 of OUTPUT-XBAR 0: Respective output of Mux12 is disabled to drive the OUTPUT3 of OUTPUT-XBAR 1: Respective output of Mux12 is enabled to drive the OUTPUT3 of OUTPUT-XBAR Refer to the Output X-BAR section of this chapter for more details. Reset type: CPU1.SYSRSn

**Table 8-107. OUTPUT3MUXENABLE Register Field Descriptions (continued)**

Bit	Field	Type	Reset	Description
11	MUX11	R/W	0h	Selects the output of Mux11 to drive OUTPUT3 of OUTPUT-XBAR 0: Respective output of Mux11 is disabled to drive the OUTPUT3 of OUTPUT-XBAR 1: Respective output of Mux11 is enabled to drive the OUTPUT3 of OUTPUT-XBAR Refer to the Output X-BAR section of this chapter for more details. Reset type: CPU1.SYSRSn
10	MUX10	R/W	0h	Selects the output of Mux10 to drive OUTPUT3 of OUTPUT-XBAR 0: Respective output of Mux10 is disabled to drive the OUTPUT3 of OUTPUT-XBAR 1: Respective output of Mux10 is enabled to drive the OUTPUT3 of OUTPUT-XBAR Refer to the Output X-BAR section of this chapter for more details. Reset type: CPU1.SYSRSn
9	MUX9	R/W	0h	Selects the output of Mux9 to drive OUTPUT3 of OUTPUT-XBAR 0: Respective output of Mux9 is disabled to drive the OUTPUT3 of OUTPUT-XBAR 1: Respective output of Mux9 is enabled to drive the OUTPUT3 of OUTPUT-XBAR Refer to the Output X-BAR section of this chapter for more details. Reset type: CPU1.SYSRSn
8	MUX8	R/W	0h	Selects the output of Mux8 to drive OUTPUT3 of OUTPUT-XBAR 0: Respective output of Mux8 is disabled to drive the OUTPUT3 of OUTPUT-XBAR 1: Respective output of Mux8 is enabled to drive the OUTPUT3 of OUTPUT-XBAR Refer to the Output X-BAR section of this chapter for more details. Reset type: CPU1.SYSRSn
7	MUX7	R/W	0h	Selects the output of Mux7 to drive OUTPUT3 of OUTPUT-XBAR 0: Respective output of Mux7 is disabled to drive the OUTPUT3 of OUTPUT-XBAR 1: Respective output of Mux7 is enabled to drive the OUTPUT3 of OUTPUT-XBAR Refer to the Output X-BAR section of this chapter for more details. Reset type: CPU1.SYSRSn
6	MUX6	R/W	0h	Selects the output of Mux6 to drive OUTPUT3 of OUTPUT-XBAR 0: Respective output of Mux6 is disabled to drive the OUTPUT3 of OUTPUT-XBAR 1: Respective output of Mux6 is enabled to drive the OUTPUT3 of OUTPUT-XBAR Refer to the Output X-BAR section of this chapter for more details. Reset type: CPU1.SYSRSn
5	MUX5	R/W	0h	Selects the output of Mux5 to drive OUTPUT3 of OUTPUT-XBAR 0: Respective output of Mux5 is disabled to drive the OUTPUT3 of OUTPUT-XBAR 1: Respective output of Mux5 is enabled to drive the OUTPUT3 of OUTPUT-XBAR Refer to the Output X-BAR section of this chapter for more details. Reset type: CPU1.SYSRSn
4	MUX4	R/W	0h	Selects the output of Mux4 to drive OUTPUT3 of OUTPUT-XBAR 0: Respective output of Mux4 is disabled to drive the OUTPUT3 of OUTPUT-XBAR 1: Respective output of Mux4 is enabled to drive the OUTPUT3 of OUTPUT-XBAR Refer to the Output X-BAR section of this chapter for more details. Reset type: CPU1.SYSRSn

**Table 8-107. OUTPUT3MUXENABLE Register Field Descriptions (continued)**

Bit	Field	Type	Reset	Description
3	MUX3	R/W	0h	Selects the output of Mux3 to drive OUTPUT3 of OUTPUT-XBAR 0: Respective output of Mux3 is disabled to drive the OUTPUT3 of OUTPUT-XBAR 1: Respective output of Mux3 is enabled to drive the OUTPUT3 of OUTPUT-XBAR Refer to the Output X-BAR section of this chapter for more details. Reset type: CPU1.SYSRSn
2	MUX2	R/W	0h	Selects the output of Mux2 to drive OUTPUT3 of OUTPUT-XBAR 0: Respective output of Mux2 is disabled to drive the OUTPUT3 of OUTPUT-XBAR 1: Respective output of Mux2 is enabled to drive the OUTPUT3 of OUTPUT-XBAR Refer to the Output X-BAR section of this chapter for more details. Reset type: CPU1.SYSRSn
1	MUX1	R/W	0h	Selects the output of Mux1 to drive OUTPUT3 of OUTPUT-XBAR 0: Respective output of Mux1 is disabled to drive the OUTPUT3 of OUTPUT-XBAR 1: Respective output of Mux1 is enabled to drive the OUTPUT3 of OUTPUT-XBAR Refer to the Output X-BAR section of this chapter for more details. Reset type: CPU1.SYSRSn
0	MUX0	R/W	0h	Selects the output of mux0 to drive OUTPUT3 of OUTPUT-XBAR 0: Respective output of Mux0 is disabled to drive the OUTPUT3 of OUTPUT-XBAR 1: Respective output of Mux0 is enabled to drive the OUTPUT3 of OUTPUT-XBAR Refer to the Output X-BAR section of this chapter for more details. Reset type: CPU1.SYSRSn

### 8.3.6.20 OUTPUT4MUXENABLE Register (Offset = 26h) [Reset = 0000000h]

OUTPUT4MUXENABLE is shown in [Figure 8-99](#) and described in [Table 8-108](#).

Return to the [Summary Table](#).

Output X-BAR Mux Enable for Output 4

**Figure 8-99. OUTPUT4MUXENABLE Register**

31	30	29	28	27	26	25	24
MUX31	MUX30	MUX29	MUX28	MUX27	MUX26	MUX25	MUX24
R/W-0h	R/W-0h	R/W-0h	R/W-0h	R/W-0h	R/W-0h	R/W-0h	R/W-0h
23	22	21	20	19	18	17	16
MUX23	MUX22	MUX21	MUX20	MUX19	MUX18	MUX17	MUX16
R/W-0h	R/W-0h	R/W-0h	R/W-0h	R/W-0h	R/W-0h	R/W-0h	R/W-0h
15	14	13	12	11	10	9	8
MUX15	MUX14	MUX13	MUX12	MUX11	MUX10	MUX9	MUX8
R/W-0h	R/W-0h	R/W-0h	R/W-0h	R/W-0h	R/W-0h	R/W-0h	R/W-0h
7	6	5	4	3	2	1	0
MUX7	MUX6	MUX5	MUX4	MUX3	MUX2	MUX1	MUX0
R/W-0h	R/W-0h	R/W-0h	R/W-0h	R/W-0h	R/W-0h	R/W-0h	R/W-0h

**Table 8-108. OUTPUT4MUXENABLE Register Field Descriptions**

Bit	Field	Type	Reset	Description
31	MUX31	R/W	0h	Selects the output of Mux31 to drive OUTPUT4 of OUTPUT-XBAR 0: Respective output of Mux31 is disabled to drive the OUTPUT4 of OUTPUT-XBAR 1: Respective output of Mux31 is enabled to drive the OUTPUT4 of OUTPUT-XBAR Refer to the Output X-BAR section of this chapter for more details. Reset type: CPU1.SYSRSn
30	MUX30	R/W	0h	Selects the output of Mux30 to drive OUTPUT4 of OUTPUT-XBAR 0: Respective output of Mux30 is disabled to drive the OUTPUT4 of OUTPUT-XBAR 1: Respective output of Mux30 is enabled to drive the OUTPUT4 of OUTPUT-XBAR Refer to the Output X-BAR section of this chapter for more details. Reset type: CPU1.SYSRSn
29	MUX29	R/W	0h	Selects the output of Mux29 to drive OUTPUT4 of OUTPUT-XBAR 0: Respective output of Mux29 is disabled to drive the OUTPUT4 of OUTPUT-XBAR 1: Respective output of Mux29 is enabled to drive the OUTPUT4 of OUTPUT-XBAR Refer to the Output X-BAR section of this chapter for more details. Reset type: CPU1.SYSRSn
28	MUX28	R/W	0h	Selects the output of Mux28 to drive OUTPUT4 of OUTPUT-XBAR 0: Respective output of Mux28 is disabled to drive the OUTPUT4 of OUTPUT-XBAR 1: Respective output of Mux28 is enabled to drive the OUTPUT4 of OUTPUT-XBAR Refer to the Output X-BAR section of this chapter for more details. Reset type: CPU1.SYSRSn

**Table 8-108. OUTPUT4MUXENABLE Register Field Descriptions (continued)**

Bit	Field	Type	Reset	Description
27	MUX27	R/W	0h	Selects the output of Mux27 to drive OUTPUT4 of OUTPUT-XBAR 0: Respective output of Mux27 is disabled to drive the OUTPUT4 of OUTPUT-XBAR 1: Respective output of Mux27 is enabled to drive the OUTPUT4 of OUTPUT-XBAR Refer to the Output X-BAR section of this chapter for more details. Reset type: CPU1.SYSRSn
26	MUX26	R/W	0h	Selects the output of Mux26 to drive OUTPUT4 of OUTPUT-XBAR 0: Respective output of Mux26 is disabled to drive the OUTPUT4 of OUTPUT-XBAR 1: Respective output of Mux26 is enabled to drive the OUTPUT4 of OUTPUT-XBAR Refer to the Output X-BAR section of this chapter for more details. Reset type: CPU1.SYSRSn
25	MUX25	R/W	0h	Selects the output of Mux25 to drive OUTPUT4 of OUTPUT-XBAR 0: Respective output of Mux25 is disabled to drive the OUTPUT4 of OUTPUT-XBAR 1: Respective output of Mux25 is enabled to drive the OUTPUT4 of OUTPUT-XBAR Refer to the Output X-BAR section of this chapter for more details. Reset type: CPU1.SYSRSn
24	MUX24	R/W	0h	Selects the output of Mux24 to drive OUTPUT4 of OUTPUT-XBAR 0: Respective output of Mux24 is disabled to drive the OUTPUT4 of OUTPUT-XBAR 1: Respective output of Mux24 is enabled to drive the OUTPUT4 of OUTPUT-XBAR Refer to the Output X-BAR section of this chapter for more details. Reset type: CPU1.SYSRSn
23	MUX23	R/W	0h	Selects the output of Mux23 to drive OUTPUT4 of OUTPUT-XBAR 0: Respective output of Mux23 is disabled to drive the OUTPUT4 of OUTPUT-XBAR 1: Respective output of Mux23 is enabled to drive the OUTPUT4 of OUTPUT-XBAR Refer to the Output X-BAR section of this chapter for more details. Reset type: CPU1.SYSRSn
22	MUX22	R/W	0h	Selects the output of Mux22 to drive OUTPUT4 of OUTPUT-XBAR 0: Respective output of Mux22 is disabled to drive the OUTPUT4 of OUTPUT-XBAR 1: Respective output of Mux22 is enabled to drive the OUTPUT4 of OUTPUT-XBAR Refer to the Output X-BAR section of this chapter for more details. Reset type: CPU1.SYSRSn
21	MUX21	R/W	0h	Selects the output of Mux21 to drive OUTPUT4 of OUTPUT-XBAR 0: Respective output of Mux21 is disabled to drive the OUTPUT4 of OUTPUT-XBAR 1: Respective output of Mux21 is enabled to drive the OUTPUT4 of OUTPUT-XBAR Refer to the Output X-BAR section of this chapter for more details. Reset type: CPU1.SYSRSn
20	MUX20	R/W	0h	Selects the output of Mux20 to drive OUTPUT4 of OUTPUT-XBAR 0: Respective output of Mux20 is disabled to drive the OUTPUT4 of OUTPUT-XBAR 1: Respective output of Mux20 is enabled to drive the OUTPUT4 of OUTPUT-XBAR Refer to the Output X-BAR section of this chapter for more details. Reset type: CPU1.SYSRSn

**Table 8-108. OUTPUT4MUXENABLE Register Field Descriptions (continued)**

Bit	Field	Type	Reset	Description
19	MUX19	R/W	0h	Selects the output of Mux19 to drive OUTPUT4 of OUTPUT-XBAR 0: Respective output of Mux19 is disabled to drive the OUTPUT4 of OUTPUT-XBAR 1: Respective output of Mux19 is enabled to drive the OUTPUT4 of OUTPUT-XBAR Refer to the Output X-BAR section of this chapter for more details. Reset type: CPU1.SYSRSn
18	MUX18	R/W	0h	Selects the output of Mux18 to drive OUTPUT4 of OUTPUT-XBAR 0: Respective output of Mux18 is disabled to drive the OUTPUT4 of OUTPUT-XBAR 1: Respective output of Mux18 is enabled to drive the OUTPUT4 of OUTPUT-XBAR Refer to the Output X-BAR section of this chapter for more details. Reset type: CPU1.SYSRSn
17	MUX17	R/W	0h	Selects the output of Mux17 to drive OUTPUT4 of OUTPUT-XBAR 0: Respective output of Mux17 is disabled to drive the OUTPUT4 of OUTPUT-XBAR 1: Respective output of Mux17 is enabled to drive the OUTPUT4 of OUTPUT-XBAR Refer to the Output X-BAR section of this chapter for more details. Reset type: CPU1.SYSRSn
16	MUX16	R/W	0h	Selects the output of Mux16 to drive OUTPUT4 of OUTPUT-XBAR 0: Respective output of Mux16 is disabled to drive the OUTPUT4 of OUTPUT-XBAR 1: Respective output of Mux16 is enabled to drive the OUTPUT4 of OUTPUT-XBAR Refer to the Output X-BAR section of this chapter for more details. Reset type: CPU1.SYSRSn
15	MUX15	R/W	0h	Selects the output of Mux15 to drive OUTPUT4 of OUTPUT-XBAR 0: Respective output of Mux15 is disabled to drive the OUTPUT4 of OUTPUT-XBAR 1: Respective output of Mux15 is enabled to drive the OUTPUT4 of OUTPUT-XBAR Refer to the Output X-BAR section of this chapter for more details. Reset type: CPU1.SYSRSn
14	MUX14	R/W	0h	Selects the output of Mux14 to drive OUTPUT4 of OUTPUT-XBAR 0: Respective output of Mux14 is disabled to drive the OUTPUT4 of OUTPUT-XBAR 1: Respective output of Mux14 is enabled to drive the OUTPUT4 of OUTPUT-XBAR Refer to the Output X-BAR section of this chapter for more details. Reset type: CPU1.SYSRSn
13	MUX13	R/W	0h	Selects the output of Mux13 to drive OUTPUT4 of OUTPUT-XBAR 0: Respective output of Mux13 is disabled to drive the OUTPUT4 of OUTPUT-XBAR 1: Respective output of Mux13 is enabled to drive the OUTPUT4 of OUTPUT-XBAR Refer to the Output X-BAR section of this chapter for more details. Reset type: CPU1.SYSRSn
12	MUX12	R/W	0h	Selects the output of Mux12 to drive OUTPUT4 of OUTPUT-XBAR 0: Respective output of Mux12 is disabled to drive the OUTPUT4 of OUTPUT-XBAR 1: Respective output of Mux12 is enabled to drive the OUTPUT4 of OUTPUT-XBAR Refer to the Output X-BAR section of this chapter for more details. Reset type: CPU1.SYSRSn



**Table 8-108. OUTPUT4MUXENABLE Register Field Descriptions (continued)**

Bit	Field	Type	Reset	Description
11	MUX11	R/W	0h	Selects the output of Mux11 to drive OUTPUT4 of OUTPUT-XBAR 0: Respective output of Mux11 is disabled to drive the OUTPUT4 of OUTPUT-XBAR 1: Respective output of Mux11 is enabled to drive the OUTPUT4 of OUTPUT-XBAR Refer to the Output X-BAR section of this chapter for more details. Reset type: CPU1.SYSRSn
10	MUX10	R/W	0h	Selects the output of Mux10 to drive OUTPUT4 of OUTPUT-XBAR 0: Respective output of Mux10 is disabled to drive the OUTPUT4 of OUTPUT-XBAR 1: Respective output of Mux10 is enabled to drive the OUTPUT4 of OUTPUT-XBAR Refer to the Output X-BAR section of this chapter for more details. Reset type: CPU1.SYSRSn
9	MUX9	R/W	0h	Selects the output of Mux9 to drive OUTPUT4 of OUTPUT-XBAR 0: Respective output of Mux9 is disabled to drive the OUTPUT4 of OUTPUT-XBAR 1: Respective output of Mux9 is enabled to drive the OUTPUT4 of OUTPUT-XBAR Refer to the Output X-BAR section of this chapter for more details. Reset type: CPU1.SYSRSn
8	MUX8	R/W	0h	Selects the output of Mux8 to drive OUTPUT4 of OUTPUT-XBAR 0: Respective output of Mux8 is disabled to drive the OUTPUT4 of OUTPUT-XBAR 1: Respective output of Mux8 is enabled to drive the OUTPUT4 of OUTPUT-XBAR Refer to the Output X-BAR section of this chapter for more details. Reset type: CPU1.SYSRSn
7	MUX7	R/W	0h	Selects the output of Mux7 to drive OUTPUT4 of OUTPUT-XBAR 0: Respective output of Mux7 is disabled to drive the OUTPUT4 of OUTPUT-XBAR 1: Respective output of Mux7 is enabled to drive the OUTPUT4 of OUTPUT-XBAR Refer to the Output X-BAR section of this chapter for more details. Reset type: CPU1.SYSRSn
6	MUX6	R/W	0h	Selects the output of Mux6 to drive OUTPUT4 of OUTPUT-XBAR 0: Respective output of Mux6 is disabled to drive the OUTPUT4 of OUTPUT-XBAR 1: Respective output of Mux6 is enabled to drive the OUTPUT4 of OUTPUT-XBAR Refer to the Output X-BAR section of this chapter for more details. Reset type: CPU1.SYSRSn
5	MUX5	R/W	0h	Selects the output of Mux5 to drive OUTPUT4 of OUTPUT-XBAR 0: Respective output of Mux5 is disabled to drive the OUTPUT4 of OUTPUT-XBAR 1: Respective output of Mux5 is enabled to drive the OUTPUT4 of OUTPUT-XBAR Refer to the Output X-BAR section of this chapter for more details. Reset type: CPU1.SYSRSn
4	MUX4	R/W	0h	Selects the output of Mux4 to drive OUTPUT4 of OUTPUT-XBAR 0: Respective output of Mux4 is disabled to drive the OUTPUT4 of OUTPUT-XBAR 1: Respective output of Mux4 is enabled to drive the OUTPUT4 of OUTPUT-XBAR Refer to the Output X-BAR section of this chapter for more details. Reset type: CPU1.SYSRSn

**Table 8-108. OUTPUT4MUXENABLE Register Field Descriptions (continued)**

Bit	Field	Type	Reset	Description
3	MUX3	R/W	0h	Selects the output of Mux3 to drive OUTPUT4 of OUTPUT-XBAR 0: Respective output of Mux3 is disabled to drive the OUTPUT4 of OUTPUT-XBAR 1: Respective output of Mux3 is enabled to drive the OUTPUT4 of OUTPUT-XBAR Refer to the Output X-BAR section of this chapter for more details. Reset type: CPU1.SYSRSn
2	MUX2	R/W	0h	Selects the output of Mux2 to drive OUTPUT4 of OUTPUT-XBAR 0: Respective output of Mux2 is disabled to drive the OUTPUT4 of OUTPUT-XBAR 1: Respective output of Mux2 is enabled to drive the OUTPUT4 of OUTPUT-XBAR Refer to the Output X-BAR section of this chapter for more details. Reset type: CPU1.SYSRSn
1	MUX1	R/W	0h	Selects the output of Mux1 to drive OUTPUT4 of OUTPUT-XBAR 0: Respective output of Mux1 is disabled to drive the OUTPUT4 of OUTPUT-XBAR 1: Respective output of Mux1 is enabled to drive the OUTPUT4 of OUTPUT-XBAR Refer to the Output X-BAR section of this chapter for more details. Reset type: CPU1.SYSRSn
0	MUX0	R/W	0h	Selects the output of mux0 to drive OUTPUT4 of OUTPUT-XBAR 0: Respective output of Mux0 is disabled to drive the OUTPUT4 of OUTPUT-XBAR 1: Respective output of Mux0 is enabled to drive the OUTPUT4 of OUTPUT-XBAR Refer to the Output X-BAR section of this chapter for more details. Reset type: CPU1.SYSRSn

### 8.3.6.21 OUTPUT5MUXENABLE Register (Offset = 28h) [Reset = 0000000h]

OUTPUT5MUXENABLE is shown in [Figure 8-100](#) and described in [Table 8-109](#).

Return to the [Summary Table](#).

Output X-BAR Mux Enable for Output 5

**Figure 8-100. OUTPUT5MUXENABLE Register**

31	30	29	28	27	26	25	24
MUX31	MUX30	MUX29	MUX28	MUX27	MUX26	MUX25	MUX24
R/W-0h	R/W-0h	R/W-0h	R/W-0h	R/W-0h	R/W-0h	R/W-0h	R/W-0h
23	22	21	20	19	18	17	16
MUX23	MUX22	MUX21	MUX20	MUX19	MUX18	MUX17	MUX16
R/W-0h	R/W-0h	R/W-0h	R/W-0h	R/W-0h	R/W-0h	R/W-0h	R/W-0h
15	14	13	12	11	10	9	8
MUX15	MUX14	MUX13	MUX12	MUX11	MUX10	MUX9	MUX8
R/W-0h	R/W-0h	R/W-0h	R/W-0h	R/W-0h	R/W-0h	R/W-0h	R/W-0h
7	6	5	4	3	2	1	0
MUX7	MUX6	MUX5	MUX4	MUX3	MUX2	MUX1	MUX0
R/W-0h	R/W-0h	R/W-0h	R/W-0h	R/W-0h	R/W-0h	R/W-0h	R/W-0h

**Table 8-109. OUTPUT5MUXENABLE Register Field Descriptions**

Bit	Field	Type	Reset	Description
31	MUX31	R/W	0h	Selects the output of Mux31 to drive OUTPUT5 of OUTPUT-XBAR 0: Respective output of Mux31 is disabled to drive the OUTPUT5 of OUTPUT-XBAR 1: Respective output of Mux31 is enabled to drive the OUTPUT5 of OUTPUT-XBAR Refer to the Output X-BAR section of this chapter for more details. Reset type: CPU1.SYSRSn
30	MUX30	R/W	0h	Selects the output of Mux30 to drive OUTPUT5 of OUTPUT-XBAR 0: Respective output of Mux30 is disabled to drive the OUTPUT5 of OUTPUT-XBAR 1: Respective output of Mux30 is enabled to drive the OUTPUT5 of OUTPUT-XBAR Refer to the Output X-BAR section of this chapter for more details. Reset type: CPU1.SYSRSn
29	MUX29	R/W	0h	Selects the output of Mux29 to drive OUTPUT5 of OUTPUT-XBAR 0: Respective output of Mux29 is disabled to drive the OUTPUT5 of OUTPUT-XBAR 1: Respective output of Mux29 is enabled to drive the OUTPUT5 of OUTPUT-XBAR Refer to the Output X-BAR section of this chapter for more details. Reset type: CPU1.SYSRSn
28	MUX28	R/W	0h	Selects the output of Mux28 to drive OUTPUT5 of OUTPUT-XBAR 0: Respective output of Mux28 is disabled to drive the OUTPUT5 of OUTPUT-XBAR 1: Respective output of Mux28 is enabled to drive the OUTPUT5 of OUTPUT-XBAR Refer to the Output X-BAR section of this chapter for more details. Reset type: CPU1.SYSRSn

**Table 8-109. OUTPUT5MUXENABLE Register Field Descriptions (continued)**

Bit	Field	Type	Reset	Description
27	MUX27	R/W	0h	Selects the output of Mux27 to drive OUTPUT5 of OUTPUT-XBAR 0: Respective output of Mux27 is disabled to drive the OUTPUT5 of OUTPUT-XBAR 1: Respective output of Mux27 is enabled to drive the OUTPUT5 of OUTPUT-XBAR Refer to the Output X-BAR section of this chapter for more details. Reset type: CPU1.SYSRSn
26	MUX26	R/W	0h	Selects the output of Mux26 to drive OUTPUT5 of OUTPUT-XBAR 0: Respective output of Mux26 is disabled to drive the OUTPUT5 of OUTPUT-XBAR 1: Respective output of Mux26 is enabled to drive the OUTPUT5 of OUTPUT-XBAR Refer to the Output X-BAR section of this chapter for more details. Reset type: CPU1.SYSRSn
25	MUX25	R/W	0h	Selects the output of Mux25 to drive OUTPUT5 of OUTPUT-XBAR 0: Respective output of Mux25 is disabled to drive the OUTPUT5 of OUTPUT-XBAR 1: Respective output of Mux25 is enabled to drive the OUTPUT5 of OUTPUT-XBAR Refer to the Output X-BAR section of this chapter for more details. Reset type: CPU1.SYSRSn
24	MUX24	R/W	0h	Selects the output of Mux24 to drive OUTPUT5 of OUTPUT-XBAR 0: Respective output of Mux24 is disabled to drive the OUTPUT5 of OUTPUT-XBAR 1: Respective output of Mux24 is enabled to drive the OUTPUT5 of OUTPUT-XBAR Refer to the Output X-BAR section of this chapter for more details. Reset type: CPU1.SYSRSn
23	MUX23	R/W	0h	Selects the output of Mux23 to drive OUTPUT5 of OUTPUT-XBAR 0: Respective output of Mux23 is disabled to drive the OUTPUT5 of OUTPUT-XBAR 1: Respective output of Mux23 is enabled to drive the OUTPUT5 of OUTPUT-XBAR Refer to the Output X-BAR section of this chapter for more details. Reset type: CPU1.SYSRSn
22	MUX22	R/W	0h	Selects the output of Mux22 to drive OUTPUT5 of OUTPUT-XBAR 0: Respective output of Mux22 is disabled to drive the OUTPUT5 of OUTPUT-XBAR 1: Respective output of Mux22 is enabled to drive the OUTPUT5 of OUTPUT-XBAR Refer to the Output X-BAR section of this chapter for more details. Reset type: CPU1.SYSRSn
21	MUX21	R/W	0h	Selects the output of Mux21 to drive OUTPUT5 of OUTPUT-XBAR 0: Respective output of Mux21 is disabled to drive the OUTPUT5 of OUTPUT-XBAR 1: Respective output of Mux21 is enabled to drive the OUTPUT5 of OUTPUT-XBAR Refer to the Output X-BAR section of this chapter for more details. Reset type: CPU1.SYSRSn
20	MUX20	R/W	0h	Selects the output of Mux20 to drive OUTPUT5 of OUTPUT-XBAR 0: Respective output of Mux20 is disabled to drive the OUTPUT5 of OUTPUT-XBAR 1: Respective output of Mux20 is enabled to drive the OUTPUT5 of OUTPUT-XBAR Refer to the Output X-BAR section of this chapter for more details. Reset type: CPU1.SYSRSn

**Table 8-109. OUTPUT5MUXENABLE Register Field Descriptions (continued)**

Bit	Field	Type	Reset	Description
19	MUX19	R/W	0h	Selects the output of Mux19 to drive OUTPUT5 of OUTPUT-XBAR 0: Respective output of Mux19 is disabled to drive the OUTPUT5 of OUTPUT-XBAR 1: Respective output of Mux19 is enabled to drive the OUTPUT5 of OUTPUT-XBAR Refer to the Output X-BAR section of this chapter for more details. Reset type: CPU1.SYSRSn
18	MUX18	R/W	0h	Selects the output of Mux18 to drive OUTPUT5 of OUTPUT-XBAR 0: Respective output of Mux18 is disabled to drive the OUTPUT5 of OUTPUT-XBAR 1: Respective output of Mux18 is enabled to drive the OUTPUT5 of OUTPUT-XBAR Refer to the Output X-BAR section of this chapter for more details. Reset type: CPU1.SYSRSn
17	MUX17	R/W	0h	Selects the output of Mux17 to drive OUTPUT5 of OUTPUT-XBAR 0: Respective output of Mux17 is disabled to drive the OUTPUT5 of OUTPUT-XBAR 1: Respective output of Mux17 is enabled to drive the OUTPUT5 of OUTPUT-XBAR Refer to the Output X-BAR section of this chapter for more details. Reset type: CPU1.SYSRSn
16	MUX16	R/W	0h	Selects the output of Mux16 to drive OUTPUT5 of OUTPUT-XBAR 0: Respective output of Mux16 is disabled to drive the OUTPUT5 of OUTPUT-XBAR 1: Respective output of Mux16 is enabled to drive the OUTPUT5 of OUTPUT-XBAR Refer to the Output X-BAR section of this chapter for more details. Reset type: CPU1.SYSRSn
15	MUX15	R/W	0h	Selects the output of Mux15 to drive OUTPUT5 of OUTPUT-XBAR 0: Respective output of Mux15 is disabled to drive the OUTPUT5 of OUTPUT-XBAR 1: Respective output of Mux15 is enabled to drive the OUTPUT5 of OUTPUT-XBAR Refer to the Output X-BAR section of this chapter for more details. Reset type: CPU1.SYSRSn
14	MUX14	R/W	0h	Selects the output of Mux14 to drive OUTPUT5 of OUTPUT-XBAR 0: Respective output of Mux14 is disabled to drive the OUTPUT5 of OUTPUT-XBAR 1: Respective output of Mux14 is enabled to drive the OUTPUT5 of OUTPUT-XBAR Refer to the Output X-BAR section of this chapter for more details. Reset type: CPU1.SYSRSn
13	MUX13	R/W	0h	Selects the output of Mux13 to drive OUTPUT5 of OUTPUT-XBAR 0: Respective output of Mux13 is disabled to drive the OUTPUT5 of OUTPUT-XBAR 1: Respective output of Mux13 is enabled to drive the OUTPUT5 of OUTPUT-XBAR Refer to the Output X-BAR section of this chapter for more details. Reset type: CPU1.SYSRSn
12	MUX12	R/W	0h	Selects the output of Mux12 to drive OUTPUT5 of OUTPUT-XBAR 0: Respective output of Mux12 is disabled to drive the OUTPUT5 of OUTPUT-XBAR 1: Respective output of Mux12 is enabled to drive the OUTPUT5 of OUTPUT-XBAR Refer to the Output X-BAR section of this chapter for more details. Reset type: CPU1.SYSRSn

**Table 8-109. OUTPUT5MUXENABLE Register Field Descriptions (continued)**

Bit	Field	Type	Reset	Description
11	MUX11	R/W	0h	Selects the output of Mux11 to drive OUTPUT5 of OUTPUT-XBAR 0: Respective output of Mux11 is disabled to drive the OUTPUT5 of OUTPUT-XBAR 1: Respective output of Mux11 is enabled to drive the OUTPUT5 of OUTPUT-XBAR Refer to the Output X-BAR section of this chapter for more details. Reset type: CPU1.SYSRSn
10	MUX10	R/W	0h	Selects the output of Mux10 to drive OUTPUT5 of OUTPUT-XBAR 0: Respective output of Mux10 is disabled to drive the OUTPUT5 of OUTPUT-XBAR 1: Respective output of Mux10 is enabled to drive the OUTPUT5 of OUTPUT-XBAR Refer to the Output X-BAR section of this chapter for more details. Reset type: CPU1.SYSRSn
9	MUX9	R/W	0h	Selects the output of Mux9 to drive OUTPUT5 of OUTPUT-XBAR 0: Respective output of Mux9 is disabled to drive the OUTPUT5 of OUTPUT-XBAR 1: Respective output of Mux9 is enabled to drive the OUTPUT5 of OUTPUT-XBAR Refer to the Output X-BAR section of this chapter for more details. Reset type: CPU1.SYSRSn
8	MUX8	R/W	0h	Selects the output of Mux8 to drive OUTPUT5 of OUTPUT-XBAR 0: Respective output of Mux8 is disabled to drive the OUTPUT5 of OUTPUT-XBAR 1: Respective output of Mux8 is enabled to drive the OUTPUT5 of OUTPUT-XBAR Refer to the Output X-BAR section of this chapter for more details. Reset type: CPU1.SYSRSn
7	MUX7	R/W	0h	Selects the output of Mux7 to drive OUTPUT5 of OUTPUT-XBAR 0: Respective output of Mux7 is disabled to drive the OUTPUT5 of OUTPUT-XBAR 1: Respective output of Mux7 is enabled to drive the OUTPUT5 of OUTPUT-XBAR Refer to the Output X-BAR section of this chapter for more details. Reset type: CPU1.SYSRSn
6	MUX6	R/W	0h	Selects the output of Mux6 to drive OUTPUT5 of OUTPUT-XBAR 0: Respective output of Mux6 is disabled to drive the OUTPUT5 of OUTPUT-XBAR 1: Respective output of Mux6 is enabled to drive the OUTPUT5 of OUTPUT-XBAR Refer to the Output X-BAR section of this chapter for more details. Reset type: CPU1.SYSRSn
5	MUX5	R/W	0h	Selects the output of Mux5 to drive OUTPUT5 of OUTPUT-XBAR 0: Respective output of Mux5 is disabled to drive the OUTPUT5 of OUTPUT-XBAR 1: Respective output of Mux5 is enabled to drive the OUTPUT5 of OUTPUT-XBAR Refer to the Output X-BAR section of this chapter for more details. Reset type: CPU1.SYSRSn
4	MUX4	R/W	0h	Selects the output of Mux4 to drive OUTPUT5 of OUTPUT-XBAR 0: Respective output of Mux4 is disabled to drive the OUTPUT5 of OUTPUT-XBAR 1: Respective output of Mux4 is enabled to drive the OUTPUT5 of OUTPUT-XBAR Refer to the Output X-BAR section of this chapter for more details. Reset type: CPU1.SYSRSn

**Table 8-109. OUTPUT5MUXENABLE Register Field Descriptions (continued)**

Bit	Field	Type	Reset	Description
3	MUX3	R/W	0h	Selects the output of Mux3 to drive OUTPUT5 of OUTPUT-XBAR 0: Respective output of Mux3 is disabled to drive the OUTPUT5 of OUTPUT-XBAR 1: Respective output of Mux3 is enabled to drive the OUTPUT5 of OUTPUT-XBAR Refer to the Output X-BAR section of this chapter for more details. Reset type: CPU1.SYSRSn
2	MUX2	R/W	0h	Selects the output of Mux2 to drive OUTPUT5 of OUTPUT-XBAR 0: Respective output of Mux2 is disabled to drive the OUTPUT5 of OUTPUT-XBAR 1: Respective output of Mux2 is enabled to drive the OUTPUT5 of OUTPUT-XBAR Refer to the Output X-BAR section of this chapter for more details. Reset type: CPU1.SYSRSn
1	MUX1	R/W	0h	Selects the output of Mux1 to drive OUTPUT5 of OUTPUT-XBAR 0: Respective output of Mux1 is disabled to drive the OUTPUT5 of OUTPUT-XBAR 1: Respective output of Mux1 is enabled to drive the OUTPUT5 of OUTPUT-XBAR Refer to the Output X-BAR section of this chapter for more details. Reset type: CPU1.SYSRSn
0	MUX0	R/W	0h	Selects the output of mux0 to drive OUTPUT5 of OUTPUT-XBAR 0: Respective output of Mux0 is disabled to drive the OUTPUT5 of OUTPUT-XBAR 1: Respective output of Mux0 is enabled to drive the OUTPUT5 of OUTPUT-XBAR Refer to the Output X-BAR section of this chapter for more details. Reset type: CPU1.SYSRSn

### 8.3.6.22 OUTPUT6MUXENABLE Register (Offset = 2Ah) [Reset = 0000000h]

OUTPUT6MUXENABLE is shown in [Figure 8-101](#) and described in [Table 8-110](#).

Return to the [Summary Table](#).

Output X-BAR Mux Enable for Output 6

**Figure 8-101. OUTPUT6MUXENABLE Register**

31	30	29	28	27	26	25	24
MUX31	MUX30	MUX29	MUX28	MUX27	MUX26	MUX25	MUX24
R/W-0h	R/W-0h	R/W-0h	R/W-0h	R/W-0h	R/W-0h	R/W-0h	R/W-0h
23	22	21	20	19	18	17	16
MUX23	MUX22	MUX21	MUX20	MUX19	MUX18	MUX17	MUX16
R/W-0h	R/W-0h	R/W-0h	R/W-0h	R/W-0h	R/W-0h	R/W-0h	R/W-0h
15	14	13	12	11	10	9	8
MUX15	MUX14	MUX13	MUX12	MUX11	MUX10	MUX9	MUX8
R/W-0h	R/W-0h	R/W-0h	R/W-0h	R/W-0h	R/W-0h	R/W-0h	R/W-0h
7	6	5	4	3	2	1	0
MUX7	MUX6	MUX5	MUX4	MUX3	MUX2	MUX1	MUX0
R/W-0h	R/W-0h	R/W-0h	R/W-0h	R/W-0h	R/W-0h	R/W-0h	R/W-0h

**Table 8-110. OUTPUT6MUXENABLE Register Field Descriptions**

Bit	Field	Type	Reset	Description
31	MUX31	R/W	0h	Selects the output of Mux31 to drive OUTPUT6 of OUTPUT-XBAR 0: Respective output of Mux31 is disabled to drive the OUTPUT6 of OUTPUT-XBAR 1: Respective output of Mux31 is enabled to drive the OUTPUT6 of OUTPUT-XBAR Refer to the Output X-BAR section of this chapter for more details. Reset type: CPU1.SYSRSn
30	MUX30	R/W	0h	Selects the output of Mux30 to drive OUTPUT6 of OUTPUT-XBAR 0: Respective output of Mux30 is disabled to drive the OUTPUT6 of OUTPUT-XBAR 1: Respective output of Mux30 is enabled to drive the OUTPUT6 of OUTPUT-XBAR Refer to the Output X-BAR section of this chapter for more details. Reset type: CPU1.SYSRSn
29	MUX29	R/W	0h	Selects the output of Mux29 to drive OUTPUT6 of OUTPUT-XBAR 0: Respective output of Mux29 is disabled to drive the OUTPUT6 of OUTPUT-XBAR 1: Respective output of Mux29 is enabled to drive the OUTPUT6 of OUTPUT-XBAR Refer to the Output X-BAR section of this chapter for more details. Reset type: CPU1.SYSRSn
28	MUX28	R/W	0h	Selects the output of Mux28 to drive OUTPUT6 of OUTPUT-XBAR 0: Respective output of Mux28 is disabled to drive the OUTPUT6 of OUTPUT-XBAR 1: Respective output of Mux28 is enabled to drive the OUTPUT6 of OUTPUT-XBAR Refer to the Output X-BAR section of this chapter for more details. Reset type: CPU1.SYSRSn



**Table 8-110. OUTPUT6MUXENABLE Register Field Descriptions (continued)**

Bit	Field	Type	Reset	Description
27	MUX27	R/W	0h	Selects the output of Mux27 to drive OUTPUT6 of OUTPUT-XBAR 0: Respective output of Mux27 is disabled to drive the OUTPUT6 of OUTPUT-XBAR 1: Respective output of Mux27 is enabled to drive the OUTPUT6 of OUTPUT-XBAR Refer to the Output X-BAR section of this chapter for more details. Reset type: CPU1.SYSRSn
26	MUX26	R/W	0h	Selects the output of Mux26 to drive OUTPUT6 of OUTPUT-XBAR 0: Respective output of Mux26 is disabled to drive the OUTPUT6 of OUTPUT-XBAR 1: Respective output of Mux26 is enabled to drive the OUTPUT6 of OUTPUT-XBAR Refer to the Output X-BAR section of this chapter for more details. Reset type: CPU1.SYSRSn
25	MUX25	R/W	0h	Selects the output of Mux25 to drive OUTPUT6 of OUTPUT-XBAR 0: Respective output of Mux25 is disabled to drive the OUTPUT6 of OUTPUT-XBAR 1: Respective output of Mux25 is enabled to drive the OUTPUT6 of OUTPUT-XBAR Refer to the Output X-BAR section of this chapter for more details. Reset type: CPU1.SYSRSn
24	MUX24	R/W	0h	Selects the output of Mux24 to drive OUTPUT6 of OUTPUT-XBAR 0: Respective output of Mux24 is disabled to drive the OUTPUT6 of OUTPUT-XBAR 1: Respective output of Mux24 is enabled to drive the OUTPUT6 of OUTPUT-XBAR Refer to the Output X-BAR section of this chapter for more details. Reset type: CPU1.SYSRSn
23	MUX23	R/W	0h	Selects the output of Mux23 to drive OUTPUT6 of OUTPUT-XBAR 0: Respective output of Mux23 is disabled to drive the OUTPUT6 of OUTPUT-XBAR 1: Respective output of Mux23 is enabled to drive the OUTPUT6 of OUTPUT-XBAR Refer to the Output X-BAR section of this chapter for more details. Reset type: CPU1.SYSRSn
22	MUX22	R/W	0h	Selects the output of Mux22 to drive OUTPUT6 of OUTPUT-XBAR 0: Respective output of Mux22 is disabled to drive the OUTPUT6 of OUTPUT-XBAR 1: Respective output of Mux22 is enabled to drive the OUTPUT6 of OUTPUT-XBAR Refer to the Output X-BAR section of this chapter for more details. Reset type: CPU1.SYSRSn
21	MUX21	R/W	0h	Selects the output of Mux21 to drive OUTPUT6 of OUTPUT-XBAR 0: Respective output of Mux21 is disabled to drive the OUTPUT6 of OUTPUT-XBAR 1: Respective output of Mux21 is enabled to drive the OUTPUT6 of OUTPUT-XBAR Refer to the Output X-BAR section of this chapter for more details. Reset type: CPU1.SYSRSn
20	MUX20	R/W	0h	Selects the output of Mux20 to drive OUTPUT6 of OUTPUT-XBAR 0: Respective output of Mux20 is disabled to drive the OUTPUT6 of OUTPUT-XBAR 1: Respective output of Mux20 is enabled to drive the OUTPUT6 of OUTPUT-XBAR Refer to the Output X-BAR section of this chapter for more details. Reset type: CPU1.SYSRSn

**Table 8-110. OUTPUT6MUXENABLE Register Field Descriptions (continued)**

Bit	Field	Type	Reset	Description
19	MUX19	R/W	0h	Selects the output of Mux19 to drive OUTPUT6 of OUTPUT-XBAR 0: Respective output of Mux19 is disabled to drive the OUTPUT6 of OUTPUT-XBAR 1: Respective output of Mux19 is enabled to drive the OUTPUT6 of OUTPUT-XBAR Refer to the Output X-BAR section of this chapter for more details. Reset type: CPU1.SYSRSn
18	MUX18	R/W	0h	Selects the output of Mux18 to drive OUTPUT6 of OUTPUT-XBAR 0: Respective output of Mux18 is disabled to drive the OUTPUT6 of OUTPUT-XBAR 1: Respective output of Mux18 is enabled to drive the OUTPUT6 of OUTPUT-XBAR Refer to the Output X-BAR section of this chapter for more details. Reset type: CPU1.SYSRSn
17	MUX17	R/W	0h	Selects the output of Mux17 to drive OUTPUT6 of OUTPUT-XBAR 0: Respective output of Mux17 is disabled to drive the OUTPUT6 of OUTPUT-XBAR 1: Respective output of Mux17 is enabled to drive the OUTPUT6 of OUTPUT-XBAR Refer to the Output X-BAR section of this chapter for more details. Reset type: CPU1.SYSRSn
16	MUX16	R/W	0h	Selects the output of Mux16 to drive OUTPUT6 of OUTPUT-XBAR 0: Respective output of Mux16 is disabled to drive the OUTPUT6 of OUTPUT-XBAR 1: Respective output of Mux16 is enabled to drive the OUTPUT6 of OUTPUT-XBAR Refer to the Output X-BAR section of this chapter for more details. Reset type: CPU1.SYSRSn
15	MUX15	R/W	0h	Selects the output of Mux15 to drive OUTPUT6 of OUTPUT-XBAR 0: Respective output of Mux15 is disabled to drive the OUTPUT6 of OUTPUT-XBAR 1: Respective output of Mux15 is enabled to drive the OUTPUT6 of OUTPUT-XBAR Refer to the Output X-BAR section of this chapter for more details. Reset type: CPU1.SYSRSn
14	MUX14	R/W	0h	Selects the output of Mux14 to drive OUTPUT6 of OUTPUT-XBAR 0: Respective output of Mux14 is disabled to drive the OUTPUT6 of OUTPUT-XBAR 1: Respective output of Mux14 is enabled to drive the OUTPUT6 of OUTPUT-XBAR Refer to the Output X-BAR section of this chapter for more details. Reset type: CPU1.SYSRSn
13	MUX13	R/W	0h	Selects the output of Mux13 to drive OUTPUT6 of OUTPUT-XBAR 0: Respective output of Mux13 is disabled to drive the OUTPUT6 of OUTPUT-XBAR 1: Respective output of Mux13 is enabled to drive the OUTPUT6 of OUTPUT-XBAR Refer to the Output X-BAR section of this chapter for more details. Reset type: CPU1.SYSRSn
12	MUX12	R/W	0h	Selects the output of Mux12 to drive OUTPUT6 of OUTPUT-XBAR 0: Respective output of Mux12 is disabled to drive the OUTPUT6 of OUTPUT-XBAR 1: Respective output of Mux12 is enabled to drive the OUTPUT6 of OUTPUT-XBAR Refer to the Output X-BAR section of this chapter for more details. Reset type: CPU1.SYSRSn

**Table 8-110. OUTPUT6MUXENABLE Register Field Descriptions (continued)**

Bit	Field	Type	Reset	Description
11	MUX11	R/W	0h	Selects the output of Mux11 to drive OUTPUT6 of OUTPUT-XBAR 0: Respective output of Mux11 is disabled to drive the OUTPUT6 of OUTPUT-XBAR 1: Respective output of Mux11 is enabled to drive the OUTPUT6 of OUTPUT-XBAR Refer to the Output X-BAR section of this chapter for more details. Reset type: CPU1.SYSRSn
10	MUX10	R/W	0h	Selects the output of Mux10 to drive OUTPUT6 of OUTPUT-XBAR 0: Respective output of Mux10 is disabled to drive the OUTPUT6 of OUTPUT-XBAR 1: Respective output of Mux10 is enabled to drive the OUTPUT6 of OUTPUT-XBAR Refer to the Output X-BAR section of this chapter for more details. Reset type: CPU1.SYSRSn
9	MUX9	R/W	0h	Selects the output of Mux9 to drive OUTPUT6 of OUTPUT-XBAR 0: Respective output of Mux9 is disabled to drive the OUTPUT6 of OUTPUT-XBAR 1: Respective output of Mux9 is enabled to drive the OUTPUT6 of OUTPUT-XBAR Refer to the Output X-BAR section of this chapter for more details. Reset type: CPU1.SYSRSn
8	MUX8	R/W	0h	Selects the output of Mux8 to drive OUTPUT6 of OUTPUT-XBAR 0: Respective output of Mux8 is disabled to drive the OUTPUT6 of OUTPUT-XBAR 1: Respective output of Mux8 is enabled to drive the OUTPUT6 of OUTPUT-XBAR Refer to the Output X-BAR section of this chapter for more details. Reset type: CPU1.SYSRSn
7	MUX7	R/W	0h	Selects the output of Mux7 to drive OUTPUT6 of OUTPUT-XBAR 0: Respective output of Mux7 is disabled to drive the OUTPUT6 of OUTPUT-XBAR 1: Respective output of Mux7 is enabled to drive the OUTPUT6 of OUTPUT-XBAR Refer to the Output X-BAR section of this chapter for more details. Reset type: CPU1.SYSRSn
6	MUX6	R/W	0h	Selects the output of Mux6 to drive OUTPUT6 of OUTPUT-XBAR 0: Respective output of Mux6 is disabled to drive the OUTPUT6 of OUTPUT-XBAR 1: Respective output of Mux6 is enabled to drive the OUTPUT6 of OUTPUT-XBAR Refer to the Output X-BAR section of this chapter for more details. Reset type: CPU1.SYSRSn
5	MUX5	R/W	0h	Selects the output of Mux5 to drive OUTPUT6 of OUTPUT-XBAR 0: Respective output of Mux5 is disabled to drive the OUTPUT6 of OUTPUT-XBAR 1: Respective output of Mux5 is enabled to drive the OUTPUT6 of OUTPUT-XBAR Refer to the Output X-BAR section of this chapter for more details. Reset type: CPU1.SYSRSn
4	MUX4	R/W	0h	Selects the output of Mux4 to drive OUTPUT6 of OUTPUT-XBAR 0: Respective output of Mux4 is disabled to drive the OUTPUT6 of OUTPUT-XBAR 1: Respective output of Mux4 is enabled to drive the OUTPUT6 of OUTPUT-XBAR Refer to the Output X-BAR section of this chapter for more details. Reset type: CPU1.SYSRSn

**Table 8-110. OUTPUT6MUXENABLE Register Field Descriptions (continued)**

Bit	Field	Type	Reset	Description
3	MUX3	R/W	0h	Selects the output of Mux3 to drive OUTPUT6 of OUTPUT-XBAR 0: Respective output of Mux3 is disabled to drive the OUTPUT6 of OUTPUT-XBAR 1: Respective output of Mux3 is enabled to drive the OUTPUT6 of OUTPUT-XBAR Refer to the Output X-BAR section of this chapter for more details. Reset type: CPU1.SYSRSn
2	MUX2	R/W	0h	Selects the output of Mux2 to drive OUTPUT6 of OUTPUT-XBAR 0: Respective output of Mux2 is disabled to drive the OUTPUT6 of OUTPUT-XBAR 1: Respective output of Mux2 is enabled to drive the OUTPUT6 of OUTPUT-XBAR Refer to the Output X-BAR section of this chapter for more details. Reset type: CPU1.SYSRSn
1	MUX1	R/W	0h	Selects the output of Mux1 to drive OUTPUT6 of OUTPUT-XBAR 0: Respective output of Mux1 is disabled to drive the OUTPUT6 of OUTPUT-XBAR 1: Respective output of Mux1 is enabled to drive the OUTPUT6 of OUTPUT-XBAR Refer to the Output X-BAR section of this chapter for more details. Reset type: CPU1.SYSRSn
0	MUX0	R/W	0h	Selects the output of mux0 to drive OUTPUT6 of OUTPUT-XBAR 0: Respective output of Mux0 is disabled to drive the OUTPUT6 of OUTPUT-XBAR 1: Respective output of Mux0 is enabled to drive the OUTPUT6 of OUTPUT-XBAR Refer to the Output X-BAR section of this chapter for more details. Reset type: CPU1.SYSRSn

### 8.3.6.23 OUTPUT7MUXENABLE Register (Offset = 2Ch) [Reset = 0000000h]

OUTPUT7MUXENABLE is shown in [Figure 8-102](#) and described in [Table 8-111](#).

Return to the [Summary Table](#).

Output X-BAR Mux Enable for Output 7

**Figure 8-102. OUTPUT7MUXENABLE Register**

31	30	29	28	27	26	25	24
MUX31	MUX30	MUX29	MUX28	MUX27	MUX26	MUX25	MUX24
R/W-0h	R/W-0h	R/W-0h	R/W-0h	R/W-0h	R/W-0h	R/W-0h	R/W-0h
23	22	21	20	19	18	17	16
MUX23	MUX22	MUX21	MUX20	MUX19	MUX18	MUX17	MUX16
R/W-0h	R/W-0h	R/W-0h	R/W-0h	R/W-0h	R/W-0h	R/W-0h	R/W-0h
15	14	13	12	11	10	9	8
MUX15	MUX14	MUX13	MUX12	MUX11	MUX10	MUX9	MUX8
R/W-0h	R/W-0h	R/W-0h	R/W-0h	R/W-0h	R/W-0h	R/W-0h	R/W-0h
7	6	5	4	3	2	1	0
MUX7	MUX6	MUX5	MUX4	MUX3	MUX2	MUX1	MUX0
R/W-0h	R/W-0h	R/W-0h	R/W-0h	R/W-0h	R/W-0h	R/W-0h	R/W-0h

**Table 8-111. OUTPUT7MUXENABLE Register Field Descriptions**

Bit	Field	Type	Reset	Description
31	MUX31	R/W	0h	Selects the output of Mux31 to drive OUTPUT7 of OUTPUT-XBAR 0: Respective output of Mux31 is disabled to drive the OUTPUT7 of OUTPUT-XBAR 1: Respective output of Mux31 is enabled to drive the OUTPUT7 of OUTPUT-XBAR Refer to the Output X-BAR section of this chapter for more details. Reset type: CPU1.SYSRSn
30	MUX30	R/W	0h	Selects the output of Mux30 to drive OUTPUT7 of OUTPUT-XBAR 0: Respective output of Mux30 is disabled to drive the OUTPUT7 of OUTPUT-XBAR 1: Respective output of Mux30 is enabled to drive the OUTPUT7 of OUTPUT-XBAR Refer to the Output X-BAR section of this chapter for more details. Reset type: CPU1.SYSRSn
29	MUX29	R/W	0h	Selects the output of Mux29 to drive OUTPUT7 of OUTPUT-XBAR 0: Respective output of Mux29 is disabled to drive the OUTPUT7 of OUTPUT-XBAR 1: Respective output of Mux29 is enabled to drive the OUTPUT7 of OUTPUT-XBAR Refer to the Output X-BAR section of this chapter for more details. Reset type: CPU1.SYSRSn
28	MUX28	R/W	0h	Selects the output of Mux28 to drive OUTPUT7 of OUTPUT-XBAR 0: Respective output of Mux28 is disabled to drive the OUTPUT7 of OUTPUT-XBAR 1: Respective output of Mux28 is enabled to drive the OUTPUT7 of OUTPUT-XBAR Refer to the Output X-BAR section of this chapter for more details. Reset type: CPU1.SYSRSn

**Table 8-111. OUTPUT7MUXENABLE Register Field Descriptions (continued)**

Bit	Field	Type	Reset	Description
27	MUX27	R/W	0h	Selects the output of Mux27 to drive OUTPUT7 of OUTPUT-XBAR 0: Respective output of Mux27 is disabled to drive the OUTPUT7 of OUTPUT-XBAR 1: Respective output of Mux27 is enabled to drive the OUTPUT7 of OUTPUT-XBAR Refer to the Output X-BAR section of this chapter for more details. Reset type: CPU1.SYSRSn
26	MUX26	R/W	0h	Selects the output of Mux26 to drive OUTPUT7 of OUTPUT-XBAR 0: Respective output of Mux26 is disabled to drive the OUTPUT7 of OUTPUT-XBAR 1: Respective output of Mux26 is enabled to drive the OUTPUT7 of OUTPUT-XBAR Refer to the Output X-BAR section of this chapter for more details. Reset type: CPU1.SYSRSn
25	MUX25	R/W	0h	Selects the output of Mux25 to drive OUTPUT7 of OUTPUT-XBAR 0: Respective output of Mux25 is disabled to drive the OUTPUT7 of OUTPUT-XBAR 1: Respective output of Mux25 is enabled to drive the OUTPUT7 of OUTPUT-XBAR Refer to the Output X-BAR section of this chapter for more details. Reset type: CPU1.SYSRSn
24	MUX24	R/W	0h	Selects the output of Mux24 to drive OUTPUT7 of OUTPUT-XBAR 0: Respective output of Mux24 is disabled to drive the OUTPUT7 of OUTPUT-XBAR 1: Respective output of Mux24 is enabled to drive the OUTPUT7 of OUTPUT-XBAR Refer to the Output X-BAR section of this chapter for more details. Reset type: CPU1.SYSRSn
23	MUX23	R/W	0h	Selects the output of Mux23 to drive OUTPUT7 of OUTPUT-XBAR 0: Respective output of Mux23 is disabled to drive the OUTPUT7 of OUTPUT-XBAR 1: Respective output of Mux23 is enabled to drive the OUTPUT7 of OUTPUT-XBAR Refer to the Output X-BAR section of this chapter for more details. Reset type: CPU1.SYSRSn
22	MUX22	R/W	0h	Selects the output of Mux22 to drive OUTPUT7 of OUTPUT-XBAR 0: Respective output of Mux22 is disabled to drive the OUTPUT7 of OUTPUT-XBAR 1: Respective output of Mux22 is enabled to drive the OUTPUT7 of OUTPUT-XBAR Refer to the Output X-BAR section of this chapter for more details. Reset type: CPU1.SYSRSn
21	MUX21	R/W	0h	Selects the output of Mux21 to drive OUTPUT7 of OUTPUT-XBAR 0: Respective output of Mux21 is disabled to drive the OUTPUT7 of OUTPUT-XBAR 1: Respective output of Mux21 is enabled to drive the OUTPUT7 of OUTPUT-XBAR Refer to the Output X-BAR section of this chapter for more details. Reset type: CPU1.SYSRSn
20	MUX20	R/W	0h	Selects the output of Mux20 to drive OUTPUT7 of OUTPUT-XBAR 0: Respective output of Mux20 is disabled to drive the OUTPUT7 of OUTPUT-XBAR 1: Respective output of Mux20 is enabled to drive the OUTPUT7 of OUTPUT-XBAR Refer to the Output X-BAR section of this chapter for more details. Reset type: CPU1.SYSRSn

**Table 8-111. OUTPUT7MUXENABLE Register Field Descriptions (continued)**

Bit	Field	Type	Reset	Description
19	MUX19	R/W	0h	Selects the output of Mux19 to drive OUTPUT7 of OUTPUT-XBAR 0: Respective output of Mux19 is disabled to drive the OUTPUT7 of OUTPUT-XBAR 1: Respective output of Mux19 is enabled to drive the OUTPUT7 of OUTPUT-XBAR Refer to the Output X-BAR section of this chapter for more details. Reset type: CPU1.SYSRSn
18	MUX18	R/W	0h	Selects the output of Mux18 to drive OUTPUT7 of OUTPUT-XBAR 0: Respective output of Mux18 is disabled to drive the OUTPUT7 of OUTPUT-XBAR 1: Respective output of Mux18 is enabled to drive the OUTPUT7 of OUTPUT-XBAR Refer to the Output X-BAR section of this chapter for more details. Reset type: CPU1.SYSRSn
17	MUX17	R/W	0h	Selects the output of Mux17 to drive OUTPUT7 of OUTPUT-XBAR 0: Respective output of Mux17 is disabled to drive the OUTPUT7 of OUTPUT-XBAR 1: Respective output of Mux17 is enabled to drive the OUTPUT7 of OUTPUT-XBAR Refer to the Output X-BAR section of this chapter for more details. Reset type: CPU1.SYSRSn
16	MUX16	R/W	0h	Selects the output of Mux16 to drive OUTPUT7 of OUTPUT-XBAR 0: Respective output of Mux16 is disabled to drive the OUTPUT7 of OUTPUT-XBAR 1: Respective output of Mux16 is enabled to drive the OUTPUT7 of OUTPUT-XBAR Refer to the Output X-BAR section of this chapter for more details. Reset type: CPU1.SYSRSn
15	MUX15	R/W	0h	Selects the output of Mux15 to drive OUTPUT7 of OUTPUT-XBAR 0: Respective output of Mux15 is disabled to drive the OUTPUT7 of OUTPUT-XBAR 1: Respective output of Mux15 is enabled to drive the OUTPUT7 of OUTPUT-XBAR Refer to the Output X-BAR section of this chapter for more details. Reset type: CPU1.SYSRSn
14	MUX14	R/W	0h	Selects the output of Mux14 to drive OUTPUT7 of OUTPUT-XBAR 0: Respective output of Mux14 is disabled to drive the OUTPUT7 of OUTPUT-XBAR 1: Respective output of Mux14 is enabled to drive the OUTPUT7 of OUTPUT-XBAR Refer to the Output X-BAR section of this chapter for more details. Reset type: CPU1.SYSRSn
13	MUX13	R/W	0h	Selects the output of Mux13 to drive OUTPUT7 of OUTPUT-XBAR 0: Respective output of Mux13 is disabled to drive the OUTPUT7 of OUTPUT-XBAR 1: Respective output of Mux13 is enabled to drive the OUTPUT7 of OUTPUT-XBAR Refer to the Output X-BAR section of this chapter for more details. Reset type: CPU1.SYSRSn
12	MUX12	R/W	0h	Selects the output of Mux12 to drive OUTPUT7 of OUTPUT-XBAR 0: Respective output of Mux12 is disabled to drive the OUTPUT7 of OUTPUT-XBAR 1: Respective output of Mux12 is enabled to drive the OUTPUT7 of OUTPUT-XBAR Refer to the Output X-BAR section of this chapter for more details. Reset type: CPU1.SYSRSn

**Table 8-111. OUTPUT7MUXENABLE Register Field Descriptions (continued)**

Bit	Field	Type	Reset	Description
11	MUX11	R/W	0h	Selects the output of Mux11 to drive OUTPUT7 of OUTPUT-XBAR 0: Respective output of Mux11 is disabled to drive the OUTPUT7 of OUTPUT-XBAR 1: Respective output of Mux11 is enabled to drive the OUTPUT7 of OUTPUT-XBAR Refer to the Output X-BAR section of this chapter for more details. Reset type: CPU1.SYSRSn
10	MUX10	R/W	0h	Selects the output of Mux10 to drive OUTPUT7 of OUTPUT-XBAR 0: Respective output of Mux10 is disabled to drive the OUTPUT7 of OUTPUT-XBAR 1: Respective output of Mux10 is enabled to drive the OUTPUT7 of OUTPUT-XBAR Refer to the Output X-BAR section of this chapter for more details. Reset type: CPU1.SYSRSn
9	MUX9	R/W	0h	Selects the output of Mux9 to drive OUTPUT7 of OUTPUT-XBAR 0: Respective output of Mux9 is disabled to drive the OUTPUT7 of OUTPUT-XBAR 1: Respective output of Mux9 is enabled to drive the OUTPUT7 of OUTPUT-XBAR Refer to the Output X-BAR section of this chapter for more details. Reset type: CPU1.SYSRSn
8	MUX8	R/W	0h	Selects the output of Mux8 to drive OUTPUT7 of OUTPUT-XBAR 0: Respective output of Mux8 is disabled to drive the OUTPUT7 of OUTPUT-XBAR 1: Respective output of Mux8 is enabled to drive the OUTPUT7 of OUTPUT-XBAR Refer to the Output X-BAR section of this chapter for more details. Reset type: CPU1.SYSRSn
7	MUX7	R/W	0h	Selects the output of Mux7 to drive OUTPUT7 of OUTPUT-XBAR 0: Respective output of Mux7 is disabled to drive the OUTPUT7 of OUTPUT-XBAR 1: Respective output of Mux7 is enabled to drive the OUTPUT7 of OUTPUT-XBAR Refer to the Output X-BAR section of this chapter for more details. Reset type: CPU1.SYSRSn
6	MUX6	R/W	0h	Selects the output of Mux6 to drive OUTPUT7 of OUTPUT-XBAR 0: Respective output of Mux6 is disabled to drive the OUTPUT7 of OUTPUT-XBAR 1: Respective output of Mux6 is enabled to drive the OUTPUT7 of OUTPUT-XBAR Refer to the Output X-BAR section of this chapter for more details. Reset type: CPU1.SYSRSn
5	MUX5	R/W	0h	Selects the output of Mux5 to drive OUTPUT7 of OUTPUT-XBAR 0: Respective output of Mux5 is disabled to drive the OUTPUT7 of OUTPUT-XBAR 1: Respective output of Mux5 is enabled to drive the OUTPUT7 of OUTPUT-XBAR Refer to the Output X-BAR section of this chapter for more details. Reset type: CPU1.SYSRSn
4	MUX4	R/W	0h	Selects the output of Mux4 to drive OUTPUT7 of OUTPUT-XBAR 0: Respective output of Mux4 is disabled to drive the OUTPUT7 of OUTPUT-XBAR 1: Respective output of Mux4 is enabled to drive the OUTPUT7 of OUTPUT-XBAR Refer to the Output X-BAR section of this chapter for more details. Reset type: CPU1.SYSRSn



**Table 8-111. OUTPUT7MUXENABLE Register Field Descriptions (continued)**

Bit	Field	Type	Reset	Description
3	MUX3	R/W	0h	Selects the output of Mux3 to drive OUTPUT7 of OUTPUT-XBAR 0: Respective output of Mux3 is disabled to drive the OUTPUT7 of OUTPUT-XBAR 1: Respective output of Mux3 is enabled to drive the OUTPUT7 of OUTPUT-XBAR Refer to the Output X-BAR section of this chapter for more details. Reset type: CPU1.SYSRSn
2	MUX2	R/W	0h	Selects the output of Mux2 to drive OUTPUT7 of OUTPUT-XBAR 0: Respective output of Mux2 is disabled to drive the OUTPUT7 of OUTPUT-XBAR 1: Respective output of Mux2 is enabled to drive the OUTPUT7 of OUTPUT-XBAR Refer to the Output X-BAR section of this chapter for more details. Reset type: CPU1.SYSRSn
1	MUX1	R/W	0h	Selects the output of Mux1 to drive OUTPUT7 of OUTPUT-XBAR 0: Respective output of Mux1 is disabled to drive the OUTPUT7 of OUTPUT-XBAR 1: Respective output of Mux1 is enabled to drive the OUTPUT7 of OUTPUT-XBAR Refer to the Output X-BAR section of this chapter for more details. Reset type: CPU1.SYSRSn
0	MUX0	R/W	0h	Selects the output of mux0 to drive OUTPUT7 of OUTPUT-XBAR 0: Respective output of Mux0 is disabled to drive the OUTPUT7 of OUTPUT-XBAR 1: Respective output of Mux0 is enabled to drive the OUTPUT7 of OUTPUT-XBAR Refer to the Output X-BAR section of this chapter for more details. Reset type: CPU1.SYSRSn

### 8.3.6.24 OUTPUT8MUXENABLE Register (Offset = 2Eh) [Reset = 0000000h]

OUTPUT8MUXENABLE is shown in [Figure 8-103](#) and described in [Table 8-112](#).

Return to the [Summary Table](#).

Output X-BAR Mux Enable for Output 8

**Figure 8-103. OUTPUT8MUXENABLE Register**

31	30	29	28	27	26	25	24
MUX31	MUX30	MUX29	MUX28	MUX27	MUX26	MUX25	MUX24
R/W-0h	R/W-0h	R/W-0h	R/W-0h	R/W-0h	R/W-0h	R/W-0h	R/W-0h
23	22	21	20	19	18	17	16
MUX23	MUX22	MUX21	MUX20	MUX19	MUX18	MUX17	MUX16
R/W-0h	R/W-0h	R/W-0h	R/W-0h	R/W-0h	R/W-0h	R/W-0h	R/W-0h
15	14	13	12	11	10	9	8
MUX15	MUX14	MUX13	MUX12	MUX11	MUX10	MUX9	MUX8
R/W-0h	R/W-0h	R/W-0h	R/W-0h	R/W-0h	R/W-0h	R/W-0h	R/W-0h
7	6	5	4	3	2	1	0
MUX7	MUX6	MUX5	MUX4	MUX3	MUX2	MUX1	MUX0
R/W-0h	R/W-0h	R/W-0h	R/W-0h	R/W-0h	R/W-0h	R/W-0h	R/W-0h

**Table 8-112. OUTPUT8MUXENABLE Register Field Descriptions**

Bit	Field	Type	Reset	Description
31	MUX31	R/W	0h	Selects the output of Mux31 to drive OUTPUT8 of OUTPUT-XBAR 0: Respective output of Mux31 is disabled to drive the OUTPUT8 of OUTPUT-XBAR 1: Respective output of Mux31 is enabled to drive the OUTPUT8 of OUTPUT-XBAR Refer to the Output X-BAR section of this chapter for more details. Reset type: CPU1.SYSRSn
30	MUX30	R/W	0h	Selects the output of Mux30 to drive OUTPUT8 of OUTPUT-XBAR 0: Respective output of Mux30 is disabled to drive the OUTPUT8 of OUTPUT-XBAR 1: Respective output of Mux30 is enabled to drive the OUTPUT8 of OUTPUT-XBAR Refer to the Output X-BAR section of this chapter for more details. Reset type: CPU1.SYSRSn
29	MUX29	R/W	0h	Selects the output of Mux29 to drive OUTPUT8 of OUTPUT-XBAR 0: Respective output of Mux29 is disabled to drive the OUTPUT8 of OUTPUT-XBAR 1: Respective output of Mux29 is enabled to drive the OUTPUT8 of OUTPUT-XBAR Refer to the Output X-BAR section of this chapter for more details. Reset type: CPU1.SYSRSn
28	MUX28	R/W	0h	Selects the output of Mux28 to drive OUTPUT8 of OUTPUT-XBAR 0: Respective output of Mux28 is disabled to drive the OUTPUT8 of OUTPUT-XBAR 1: Respective output of Mux28 is enabled to drive the OUTPUT8 of OUTPUT-XBAR Refer to the Output X-BAR section of this chapter for more details. Reset type: CPU1.SYSRSn

**Table 8-112. OUTPUT8MUXENABLE Register Field Descriptions (continued)**

Bit	Field	Type	Reset	Description
27	MUX27	R/W	0h	Selects the output of Mux27 to drive OUTPUT8 of OUTPUT-XBAR 0: Respective output of Mux27 is disabled to drive the OUTPUT8 of OUTPUT-XBAR 1: Respective output of Mux27 is enabled to drive the OUTPUT8 of OUTPUT-XBAR Refer to the Output X-BAR section of this chapter for more details. Reset type: CPU1.SYSRSn
26	MUX26	R/W	0h	Selects the output of Mux26 to drive OUTPUT8 of OUTPUT-XBAR 0: Respective output of Mux26 is disabled to drive the OUTPUT8 of OUTPUT-XBAR 1: Respective output of Mux26 is enabled to drive the OUTPUT8 of OUTPUT-XBAR Refer to the Output X-BAR section of this chapter for more details. Reset type: CPU1.SYSRSn
25	MUX25	R/W	0h	Selects the output of Mux25 to drive OUTPUT8 of OUTPUT-XBAR 0: Respective output of Mux25 is disabled to drive the OUTPUT8 of OUTPUT-XBAR 1: Respective output of Mux25 is enabled to drive the OUTPUT8 of OUTPUT-XBAR Refer to the Output X-BAR section of this chapter for more details. Reset type: CPU1.SYSRSn
24	MUX24	R/W	0h	Selects the output of Mux24 to drive OUTPUT8 of OUTPUT-XBAR 0: Respective output of Mux24 is disabled to drive the OUTPUT8 of OUTPUT-XBAR 1: Respective output of Mux24 is enabled to drive the OUTPUT8 of OUTPUT-XBAR Refer to the Output X-BAR section of this chapter for more details. Reset type: CPU1.SYSRSn
23	MUX23	R/W	0h	Selects the output of Mux23 to drive OUTPUT8 of OUTPUT-XBAR 0: Respective output of Mux23 is disabled to drive the OUTPUT8 of OUTPUT-XBAR 1: Respective output of Mux23 is enabled to drive the OUTPUT8 of OUTPUT-XBAR Refer to the Output X-BAR section of this chapter for more details. Reset type: CPU1.SYSRSn
22	MUX22	R/W	0h	Selects the output of Mux22 to drive OUTPUT8 of OUTPUT-XBAR 0: Respective output of Mux22 is disabled to drive the OUTPUT8 of OUTPUT-XBAR 1: Respective output of Mux22 is enabled to drive the OUTPUT8 of OUTPUT-XBAR Refer to the Output X-BAR section of this chapter for more details. Reset type: CPU1.SYSRSn
21	MUX21	R/W	0h	Selects the output of Mux21 to drive OUTPUT8 of OUTPUT-XBAR 0: Respective output of Mux21 is disabled to drive the OUTPUT8 of OUTPUT-XBAR 1: Respective output of Mux21 is enabled to drive the OUTPUT8 of OUTPUT-XBAR Refer to the Output X-BAR section of this chapter for more details. Reset type: CPU1.SYSRSn
20	MUX20	R/W	0h	Selects the output of Mux20 to drive OUTPUT8 of OUTPUT-XBAR 0: Respective output of Mux20 is disabled to drive the OUTPUT8 of OUTPUT-XBAR 1: Respective output of Mux20 is enabled to drive the OUTPUT8 of OUTPUT-XBAR Refer to the Output X-BAR section of this chapter for more details. Reset type: CPU1.SYSRSn

**Table 8-112. OUTPUT8MUXENABLE Register Field Descriptions (continued)**

Bit	Field	Type	Reset	Description
19	MUX19	R/W	0h	Selects the output of Mux19 to drive OUTPUT8 of OUTPUT-XBAR 0: Respective output of Mux19 is disabled to drive the OUTPUT8 of OUTPUT-XBAR 1: Respective output of Mux19 is enabled to drive the OUTPUT8 of OUTPUT-XBAR Refer to the Output X-BAR section of this chapter for more details. Reset type: CPU1.SYSRSn
18	MUX18	R/W	0h	Selects the output of Mux18 to drive OUTPUT8 of OUTPUT-XBAR 0: Respective output of Mux18 is disabled to drive the OUTPUT8 of OUTPUT-XBAR 1: Respective output of Mux18 is enabled to drive the OUTPUT8 of OUTPUT-XBAR Refer to the Output X-BAR section of this chapter for more details. Reset type: CPU1.SYSRSn
17	MUX17	R/W	0h	Selects the output of Mux17 to drive OUTPUT8 of OUTPUT-XBAR 0: Respective output of Mux17 is disabled to drive the OUTPUT8 of OUTPUT-XBAR 1: Respective output of Mux17 is enabled to drive the OUTPUT8 of OUTPUT-XBAR Refer to the Output X-BAR section of this chapter for more details. Reset type: CPU1.SYSRSn
16	MUX16	R/W	0h	Selects the output of Mux16 to drive OUTPUT8 of OUTPUT-XBAR 0: Respective output of Mux16 is disabled to drive the OUTPUT8 of OUTPUT-XBAR 1: Respective output of Mux16 is enabled to drive the OUTPUT8 of OUTPUT-XBAR Refer to the Output X-BAR section of this chapter for more details. Reset type: CPU1.SYSRSn
15	MUX15	R/W	0h	Selects the output of Mux15 to drive OUTPUT8 of OUTPUT-XBAR 0: Respective output of Mux15 is disabled to drive the OUTPUT8 of OUTPUT-XBAR 1: Respective output of Mux15 is enabled to drive the OUTPUT8 of OUTPUT-XBAR Refer to the Output X-BAR section of this chapter for more details. Reset type: CPU1.SYSRSn
14	MUX14	R/W	0h	Selects the output of Mux14 to drive OUTPUT8 of OUTPUT-XBAR 0: Respective output of Mux14 is disabled to drive the OUTPUT8 of OUTPUT-XBAR 1: Respective output of Mux14 is enabled to drive the OUTPUT8 of OUTPUT-XBAR Refer to the Output X-BAR section of this chapter for more details. Reset type: CPU1.SYSRSn
13	MUX13	R/W	0h	Selects the output of Mux13 to drive OUTPUT8 of OUTPUT-XBAR 0: Respective output of Mux13 is disabled to drive the OUTPUT8 of OUTPUT-XBAR 1: Respective output of Mux13 is enabled to drive the OUTPUT8 of OUTPUT-XBAR Refer to the Output X-BAR section of this chapter for more details. Reset type: CPU1.SYSRSn
12	MUX12	R/W	0h	Selects the output of Mux12 to drive OUTPUT8 of OUTPUT-XBAR 0: Respective output of Mux12 is disabled to drive the OUTPUT8 of OUTPUT-XBAR 1: Respective output of Mux12 is enabled to drive the OUTPUT8 of OUTPUT-XBAR Refer to the Output X-BAR section of this chapter for more details. Reset type: CPU1.SYSRSn

**Table 8-112. OUTPUT8MUXENABLE Register Field Descriptions (continued)**

Bit	Field	Type	Reset	Description
11	MUX11	R/W	0h	Selects the output of Mux11 to drive OUTPUT8 of OUTPUT-XBAR 0: Respective output of Mux11 is disabled to drive the OUTPUT8 of OUTPUT-XBAR 1: Respective output of Mux11 is enabled to drive the OUTPUT8 of OUTPUT-XBAR Refer to the Output X-BAR section of this chapter for more details. Reset type: CPU1.SYSRSn
10	MUX10	R/W	0h	Selects the output of Mux10 to drive OUTPUT8 of OUTPUT-XBAR 0: Respective output of Mux10 is disabled to drive the OUTPUT8 of OUTPUT-XBAR 1: Respective output of Mux10 is enabled to drive the OUTPUT8 of OUTPUT-XBAR Refer to the Output X-BAR section of this chapter for more details. Reset type: CPU1.SYSRSn
9	MUX9	R/W	0h	Selects the output of Mux9 to drive OUTPUT8 of OUTPUT-XBAR 0: Respective output of Mux9 is disabled to drive the OUTPUT8 of OUTPUT-XBAR 1: Respective output of Mux9 is enabled to drive the OUTPUT8 of OUTPUT-XBAR Refer to the Output X-BAR section of this chapter for more details. Reset type: CPU1.SYSRSn
8	MUX8	R/W	0h	Selects the output of Mux8 to drive OUTPUT8 of OUTPUT-XBAR 0: Respective output of Mux8 is disabled to drive the OUTPUT8 of OUTPUT-XBAR 1: Respective output of Mux8 is enabled to drive the OUTPUT8 of OUTPUT-XBAR Refer to the Output X-BAR section of this chapter for more details. Reset type: CPU1.SYSRSn
7	MUX7	R/W	0h	Selects the output of Mux7 to drive OUTPUT8 of OUTPUT-XBAR 0: Respective output of Mux7 is disabled to drive the OUTPUT8 of OUTPUT-XBAR 1: Respective output of Mux7 is enabled to drive the OUTPUT8 of OUTPUT-XBAR Refer to the Output X-BAR section of this chapter for more details. Reset type: CPU1.SYSRSn
6	MUX6	R/W	0h	Selects the output of Mux6 to drive OUTPUT8 of OUTPUT-XBAR 0: Respective output of Mux6 is disabled to drive the OUTPUT8 of OUTPUT-XBAR 1: Respective output of Mux6 is enabled to drive the OUTPUT8 of OUTPUT-XBAR Refer to the Output X-BAR section of this chapter for more details. Reset type: CPU1.SYSRSn
5	MUX5	R/W	0h	Selects the output of Mux5 to drive OUTPUT8 of OUTPUT-XBAR 0: Respective output of Mux5 is disabled to drive the OUTPUT8 of OUTPUT-XBAR 1: Respective output of Mux5 is enabled to drive the OUTPUT8 of OUTPUT-XBAR Refer to the Output X-BAR section of this chapter for more details. Reset type: CPU1.SYSRSn
4	MUX4	R/W	0h	Selects the output of Mux4 to drive OUTPUT8 of OUTPUT-XBAR 0: Respective output of Mux4 is disabled to drive the OUTPUT8 of OUTPUT-XBAR 1: Respective output of Mux4 is enabled to drive the OUTPUT8 of OUTPUT-XBAR Refer to the Output X-BAR section of this chapter for more details. Reset type: CPU1.SYSRSn

**Table 8-112. OUTPUT8MUXENABLE Register Field Descriptions (continued)**

Bit	Field	Type	Reset	Description
3	MUX3	R/W	0h	Selects the output of Mux3 to drive OUTPUT8 of OUTPUT-XBAR 0: Respective output of Mux3 is disabled to drive the OUTPUT8 of OUTPUT-XBAR 1: Respective output of Mux3 is enabled to drive the OUTPUT8 of OUTPUT-XBAR Refer to the Output X-BAR section of this chapter for more details. Reset type: CPU1.SYSRSn
2	MUX2	R/W	0h	Selects the output of Mux2 to drive OUTPUT8 of OUTPUT-XBAR 0: Respective output of Mux2 is disabled to drive the OUTPUT8 of OUTPUT-XBAR 1: Respective output of Mux2 is enabled to drive the OUTPUT8 of OUTPUT-XBAR Refer to the Output X-BAR section of this chapter for more details. Reset type: CPU1.SYSRSn
1	MUX1	R/W	0h	Selects the output of Mux1 to drive OUTPUT8 of OUTPUT-XBAR 0: Respective output of Mux1 is disabled to drive the OUTPUT8 of OUTPUT-XBAR 1: Respective output of Mux1 is enabled to drive the OUTPUT8 of OUTPUT-XBAR Refer to the Output X-BAR section of this chapter for more details. Reset type: CPU1.SYSRSn
0	MUX0	R/W	0h	Selects the output of mux0 to drive OUTPUT8 of OUTPUT-XBAR 0: Respective output of Mux0 is disabled to drive the OUTPUT8 of OUTPUT-XBAR 1: Respective output of Mux0 is enabled to drive the OUTPUT8 of OUTPUT-XBAR Refer to the Output X-BAR section of this chapter for more details. Reset type: CPU1.SYSRSn

### 8.3.6.25 OUTPUTLATCH Register (Offset = 30h) [Reset = 0000000h]

OUTPUTLATCH is shown in [Figure 8-104](#) and described in [Table 8-113](#).

Return to the [Summary Table](#).

Output X-BAR Output Latch

**Figure 8-104. OUTPUTLATCH Register**

31	30	29	28	27	26	25	24
RESERVED							
R-0-0h							
23	22	21	20	19	18	17	16
RESERVED							
R-0-0h							
15	14	13	12	11	10	9	8
RESERVED							
R-0-0h							
7	6	5	4	3	2	1	0
OUTPUT8	OUTPUT7	OUTPUT6	OUTPUT5	OUTPUT4	OUTPUT3	OUTPUT2	OUTPUT1
R-0h	R-0h	R-0h	R-0h	R-0h	R-0h	R-0h	R-0h

**Table 8-113. OUTPUTLATCH Register Field Descriptions**

Bit	Field	Type	Reset	Description
31-16	RESERVED	R-0	0h	Reserved
15-8	RESERVED	R-0	0h	Reserved
7	OUTPUT8	R	0h	Records the OUTPUT8 of OUTPUT-XBAR. 0: Respective output has not been triggered 1: Respective output is triggered Refer to the Output X-BAR section of this chapter for more details. Note: [1] setting of this bit has priority over clear by software Reset type: CPU1.SYSRSn
6	OUTPUT7	R	0h	Records the OUTPUT7 of OUTPUT-XBAR. 0: Respective output has not been triggered 1: Respective output is triggered Refer to the Output X-BAR section of this chapter for more details. Note: [1] setting of this bit has priority over clear by software Reset type: CPU1.SYSRSn
5	OUTPUT6	R	0h	Records the OUTPUT6 of OUTPUT-XBAR. 0: Respective output has not been triggered 1: Respective output is triggered Refer to the Output X-BAR section of this chapter for more details. Note: [1] setting of this bit has priority over clear by software Reset type: CPU1.SYSRSn
4	OUTPUT5	R	0h	Records the OUTPUT5 of OUTPUT-XBAR. 0: Respective output has not been triggered 1: Respective output is triggered Refer to the Output X-BAR section of this chapter for more details. Note: [1] setting of this bit has priority over clear by software Reset type: CPU1.SYSRSn

**Table 8-113. OUTPUTLATCH Register Field Descriptions (continued)**

Bit	Field	Type	Reset	Description
3	OUTPUT4	R	0h	Records the OUTPUT4 of OUTPUT-XBAR. 0: Respective output has not been triggered 1: Respective output is triggered Refer to the Output X-BAR section of this chapter for more details. Note: [1] setting of this bit has priority over clear by software Reset type: CPU1.SYSRSn
2	OUTPUT3	R	0h	Records the OUTPUT3 of OUTPUT-XBAR. 0: Respective output has not been triggered 1: Respective output is triggered Refer to the Output X-BAR section of this chapter for more details. Note: [1] setting of this bit has priority over clear by software Reset type: CPU1.SYSRSn
1	OUTPUT2	R	0h	Records the OUTPUT2 of OUTPUT-XBAR. 0: Respective output has not been triggered 1: Respective output is triggered Refer to the Output X-BAR section of this chapter for more details. Note: [1] setting of this bit has priority over clear by software Reset type: CPU1.SYSRSn
0	OUTPUT1	R	0h	Records the OUTPUT1 of OUTPUT-XBAR. 0: Respective output has not been triggered 1: Respective output is triggered Refer to the Output X-BAR section of this chapter for more details. Note: [1] setting of this bit has priority over clear by software Reset type: CPU1.SYSRSn



### 8.3.6.26 OUTPUTLATCHCLR Register (Offset = 32h) [Reset = 0000000h]

OUTPUTLATCHCLR is shown in [Figure 8-105](#) and described in [Table 8-114](#).

Return to the [Summary Table](#).

Output X-BAR Output Latch Clear

**Figure 8-105. OUTPUTLATCHCLR Register**

31	30	29	28	27	26	25	24
RESERVED							
R-0-0h							
23	22	21	20	19	18	17	16
RESERVED							
R-0-0h							
15	14	13	12	11	10	9	8
RESERVED							
R-0-0h							
7	6	5	4	3	2	1	0
OUTPUT8	OUTPUT7	OUTPUT6	OUTPUT5	OUTPUT4	OUTPUT3	OUTPUT2	OUTPUT1
R-0/W1S-0h	R-0/W1S-0h	R-0/W1S-0h	R-0/W1S-0h	R-0/W1S-0h	R-0/W1S-0h	R-0/W1S-0h	R-0/W1S-0h

**Table 8-114. OUTPUTLATCHCLR Register Field Descriptions**

Bit	Field	Type	Reset	Description
31-16	RESERVED	R-0	0h	Reserved
15-8	RESERVED	R-0	0h	Reserved
7	OUTPUT8	R-0/W1S	0h	Clears the Output-Latch for OUTPUT8 of OUTPUT-XBAR Writing 1 clears the corresponding output latch bit in the OUTPUTLATCH register Write of 0 has no effect Refer to the Output X-BAR section of this chapter for more details. Reset type: CPU1.SYSRSn
6	OUTPUT7	R-0/W1S	0h	Clears the Output-Latch for OUTPUT7 of OUTPUT-XBAR Writing 1 clears the corresponding output latch bit in the OUTPUTLATCH register Write of 0 has no effect Refer to the Output X-BAR section of this chapter for more details. Reset type: CPU1.SYSRSn
5	OUTPUT6	R-0/W1S	0h	Clears the Output-Latch for OUTPUT6 of OUTPUT-XBAR Writing 1 clears the corresponding output latch bit in the OUTPUTLATCH register Write of 0 has no effect Refer to the Output X-BAR section of this chapter for more details. Reset type: CPU1.SYSRSn
4	OUTPUT5	R-0/W1S	0h	Clears the Output-Latch for OUTPUT5 of OUTPUT-XBAR Writing 1 clears the corresponding output latch bit in the OUTPUTLATCH register Write of 0 has no effect Refer to the Output X-BAR section of this chapter for more details. Reset type: CPU1.SYSRSn
3	OUTPUT4	R-0/W1S	0h	Clears the Output-Latch for OUTPUT4 of OUTPUT-XBAR Writing 1 clears the corresponding output latch bit in the OUTPUTLATCH register Write of 0 has no effect Refer to the Output X-BAR section of this chapter for more details. Reset type: CPU1.SYSRSn

**Table 8-114. OUTPUTLATCHCLR Register Field Descriptions (continued)**

Bit	Field	Type	Reset	Description
2	OUTPUT3	R-0/W1S	0h	Clears the Output-Latch for OUTPUT3 of OUTPUT-XBAR Writing 1 clears the corresponding output latch bit in the OUTPUTLATCH register Write of 0 has no effect Refer to the Output X-BAR section of this chapter for more details. Reset type: CPU1.SYSRSn
1	OUTPUT2	R-0/W1S	0h	Clears the Output-Latch for OUTPUT2 of OUTPUT-XBAR Writing 1 clears the corresponding output latch bit in the OUTPUTLATCH register Write of 0 has no effect Refer to the Output X-BAR section of this chapter for more details. Reset type: CPU1.SYSRSn
0	OUTPUT1	R-0/W1S	0h	Clears the Output-Latch for OUTPUT1 of OUTPUT-XBAR Writing 1 clears the corresponding output latch bit in the OUTPUTLATCH register Write of 0 has no effect Refer to the Output X-BAR section of this chapter for more details. Reset type: CPU1.SYSRSn

### 8.3.6.27 OUTPUTLATCHFRC Register (Offset = 34h) [Reset = 0000000h]

OUTPUTLATCHFRC is shown in [Figure 8-106](#) and described in [Table 8-115](#).

Return to the [Summary Table](#).

Output X-BAR Output Latch Clear

**Figure 8-106. OUTPUTLATCHFRC Register**

31	30	29	28	27	26	25	24
RESERVED							
R-0-0h							
23	22	21	20	19	18	17	16
RESERVED							
R-0-0h							
15	14	13	12	11	10	9	8
RESERVED							
R-0-0h							
7	6	5	4	3	2	1	0
OUTPUT8	OUTPUT7	OUTPUT6	OUTPUT5	OUTPUT4	OUTPUT3	OUTPUT2	OUTPUT1
R-0/W1S-0h	R-0/W1S-0h	R-0/W1S-0h	R-0/W1S-0h	R-0/W1S-0h	R-0/W1S-0h	R-0/W1S-0h	R-0/W1S-0h

**Table 8-115. OUTPUTLATCHFRC Register Field Descriptions**

Bit	Field	Type	Reset	Description
31-16	RESERVED	R-0	0h	Reserved
15-8	RESERVED	R-0	0h	Reserved
7	OUTPUT8	R-0/W1S	0h	Sets the Output-Latch for OUTPUT8 of OUTPUT-XBAR Writing 1 sets the corresponding output latch bit in the OUTPUTLATCH register Write of 0 has no effect Refer to the Output X-BAR section of this chapter for more details. Reset type: CPU1.SYSRSn
6	OUTPUT7	R-0/W1S	0h	Sets the Output-Latch for OUTPUT7 of OUTPUT-XBAR Writing 1 sets the corresponding output latch bit in the OUTPUTLATCH register Write of 0 has no effect Refer to the Output X-BAR section of this chapter for more details. Reset type: CPU1.SYSRSn
5	OUTPUT6	R-0/W1S	0h	Sets the Output-Latch for OUTPUT6 of OUTPUT-XBAR Writing 1 sets the corresponding output latch bit in the OUTPUTLATCH register Write of 0 has no effect Refer to the Output X-BAR section of this chapter for more details. Reset type: CPU1.SYSRSn
4	OUTPUT5	R-0/W1S	0h	Sets the Output-Latch for OUTPUT5 of OUTPUT-XBAR Writing 1 sets the corresponding output latch bit in the OUTPUTLATCH register Write of 0 has no effect Refer to the Output X-BAR section of this chapter for more details. Reset type: CPU1.SYSRSn
3	OUTPUT4	R-0/W1S	0h	Sets the Output-Latch for OUTPUT4 of OUTPUT-XBAR Writing 1 sets the corresponding output latch bit in the OUTPUTLATCH register Write of 0 has no effect Refer to the Output X-BAR section of this chapter for more details. Reset type: CPU1.SYSRSn

**Table 8-115. OUTPUTLATCHFRC Register Field Descriptions (continued)**

Bit	Field	Type	Reset	Description
2	OUTPUT3	R-0/W1S	0h	Sets the Output-Latch for OUTPUT3 of OUTPUT-XBAR Writing 1 sets the corresponding output latch bit in the OUTPUTLATCH register Write of 0 has no effect Refer to the Output X-BAR section of this chapter for more details. Reset type: CPU1.SYSRSn
1	OUTPUT2	R-0/W1S	0h	Sets the Output-Latch for OUTPUT2 of OUTPUT-XBAR Writing 1 sets the corresponding output latch bit in the OUTPUTLATCH register Write of 0 has no effect Refer to the Output X-BAR section of this chapter for more details. Reset type: CPU1.SYSRSn
0	OUTPUT1	R-0/W1S	0h	Sets the Output-Latch for OUTPUT1 of OUTPUT-XBAR Writing 1 sets the corresponding output latch bit in the OUTPUTLATCH register Write of 0 has no effect Refer to the Output X-BAR section of this chapter for more details. Reset type: CPU1.SYSRSn

### 8.3.6.28 OUTPUTLATCHENABLE Register (Offset = 36h) [Reset = 0000000h]

OUTPUTLATCHENABLE is shown in [Figure 8-107](#) and described in [Table 8-116](#).

Return to the [Summary Table](#).

Output X-BAR Output Latch Enable

**Figure 8-107. OUTPUTLATCHENABLE Register**

31	30	29	28	27	26	25	24
RESERVED							
R-0-0h							
23	22	21	20	19	18	17	16
RESERVED							
R-0-0h							
15	14	13	12	11	10	9	8
RESERVED							
R-0-0h							
7	6	5	4	3	2	1	0
OUTPUT8	OUTPUT7	OUTPUT6	OUTPUT5	OUTPUT4	OUTPUT3	OUTPUT2	OUTPUT1
R/W-0h	R/W-0h	R/W-0h	R/W-0h	R/W-0h	R/W-0h	R/W-0h	R/W-0h

**Table 8-116. OUTPUTLATCHENABLE Register Field Descriptions**

Bit	Field	Type	Reset	Description
31-16	RESERVED	R-0	0h	Reserved
15-8	RESERVED	R-0	0h	Reserved
7	OUTPUT8	R/W	0h	Selects the output latch to drive OUTPUT8 for OUTPUT-XBAR 0: Output Latch is not selected to driven the respective output 1: Output Latch is selected to drive the respective output Refer to the Output X-BAR section of this chapter for more details. Reset type: CPU1.SYSRSn
6	OUTPUT7	R/W	0h	Selects the output latch to drive OUTPUT7 for OUTPUT-XBAR 0: Output Latch is not selected to driven the respective output 1: Output Latch is selected to drive the respective output Refer to the Output X-BAR section of this chapter for more details. Reset type: CPU1.SYSRSn
5	OUTPUT6	R/W	0h	Selects the output latch to drive OUTPUT6 for OUTPUT-XBAR 0: Output Latch is not selected to driven the respective output 1: Output Latch is selected to drive the respective output Refer to the Output X-BAR section of this chapter for more details. Reset type: CPU1.SYSRSn
4	OUTPUT5	R/W	0h	Selects the output latch to drive OUTPUT5 for OUTPUT-XBAR 0: Output Latch is not selected to driven the respective output 1: Output Latch is selected to drive the respective output Refer to the Output X-BAR section of this chapter for more details. Reset type: CPU1.SYSRSn
3	OUTPUT4	R/W	0h	Selects the output latch to drive OUTPUT4 for OUTPUT-XBAR 0: Output Latch is not selected to driven the respective output 1: Output Latch is selected to drive the respective output Refer to the Output X-BAR section of this chapter for more details. Reset type: CPU1.SYSRSn
2	OUTPUT3	R/W	0h	Selects the output latch to drive OUTPUT3 for OUTPUT-XBAR 0: Output Latch is not selected to driven the respective output 1: Output Latch is selected to drive the respective output Refer to the Output X-BAR section of this chapter for more details. Reset type: CPU1.SYSRSn

**Table 8-116. OUTPUTLATCHENABLE Register Field Descriptions (continued)**

Bit	Field	Type	Reset	Description
1	OUTPUT2	R/W	0h	Selects the output latch to drive OUTPUT2 for OUTPUT-XBAR 0: Output Latch is not selected to driven the respective output 1: Output Latch is selected to drive the respective output Refer to the Output X-BAR section of this chapter for more details. Reset type: CPU1.SYSRSn
0	OUTPUT1	R/W	0h	Selects the output latch to drive OUTPUT1 for OUTPUT-XBAR 0: Output Latch is not selected to driven the respective output 1: Output Latch is selected to drive the respective output Refer to the Output X-BAR section of this chapter for more details. Reset type: CPU1.SYSRSn

### 8.3.6.29 OUTPUTINV Register (Offset = 38h) [Reset = 0000000h]

OUTPUTINV is shown in [Figure 8-108](#) and described in [Table 8-117](#).

Return to the [Summary Table](#).

Output X-BAR Output Inversion

**Figure 8-108. OUTPUTINV Register**

31	30	29	28	27	26	25	24
RESERVED							
R-0-0h							
23	22	21	20	19	18	17	16
RESERVED							
R-0-0h							
15	14	13	12	11	10	9	8
RESERVED							
R-0-0h							
7	6	5	4	3	2	1	0
OUTPUT8	OUTPUT7	OUTPUT6	OUTPUT5	OUTPUT4	OUTPUT3	OUTPUT2	OUTPUT1
R/W-0h	R/W-0h	R/W-0h	R/W-0h	R/W-0h	R/W-0h	R/W-0h	R/W-0h

**Table 8-117. OUTPUTINV Register Field Descriptions**

Bit	Field	Type	Reset	Description
31-16	RESERVED	R-0	0h	Reserved
15-8	RESERVED	R-0	0h	Reserved
7	OUTPUT8	R/W	0h	Selects polarity for OUTPUT8 of OUTPUT-XBAR 0: drives active high output 1: drives active-low output Refer to the Output X-BAR section of this chapter for more details. Reset type: CPU1.SYSRSn
6	OUTPUT7	R/W	0h	Selects polarity for OUTPUT7 of OUTPUT-XBAR 0: drives active high output 1: drives active-low output Refer to the Output X-BAR section of this chapter for more details. Reset type: CPU1.SYSRSn
5	OUTPUT6	R/W	0h	Selects polarity for OUTPUT6 of OUTPUT-XBAR 0: drives active high output 1: drives active-low output Refer to the Output X-BAR section of this chapter for more details. Reset type: CPU1.SYSRSn
4	OUTPUT5	R/W	0h	Selects polarity for OUTPUT5 of OUTPUT-XBAR 0: drives active high output 1: drives active-low output Refer to the Output X-BAR section of this chapter for more details. Reset type: CPU1.SYSRSn
3	OUTPUT4	R/W	0h	Selects polarity for OUTPUT4 of OUTPUT-XBAR 0: drives active high output 1: drives active-low output Refer to the Output X-BAR section of this chapter for more details. Reset type: CPU1.SYSRSn
2	OUTPUT3	R/W	0h	Selects polarity for OUTPUT3 of OUTPUT-XBAR 0: drives active high output 1: drives active-low output Refer to the Output X-BAR section of this chapter for more details. Reset type: CPU1.SYSRSn

**Table 8-117. OUTPUTINV Register Field Descriptions (continued)**

Bit	Field	Type	Reset	Description
1	OUTPUT2	R/W	0h	Selects polarity for OUTPUT2 of OUTPUT-XBAR 0: drives active high output 1: drives active-low output Refer to the Output X-BAR section of this chapter for more details. Reset type: CPU1.SYSRSn
0	OUTPUT1	R/W	0h	Selects polarity for OUTPUT1 of OUTPUT-XBAR 0: drives active high output 1: drives active-low output Refer to the Output X-BAR section of this chapter for more details. Reset type: CPU1.SYSRSn



### 8.3.6.30 OUTPUTLOCK Register (Offset = 3Eh) [Reset = 0000000h]

OUTPUTLOCK is shown in [Figure 8-109](#) and described in [Table 8-118](#).

Return to the [Summary Table](#).

Output X-BAR Configuration Lock register

**Figure 8-109. OUTPUTLOCK Register**

31	30	29	28	27	26	25	24
KEY							
R-0/W1S-0h							
23	22	21	20	19	18	17	16
KEY							
R-0/W1S-0h							
15	14	13	12	11	10	9	8
RESERVED							
R-0-0h							
7	6	5	4	3	2	1	0
RESERVED							LOCK
R-0-0h							R/WOnce-0h

**Table 8-118. OUTPUTLOCK Register Field Descriptions**

Bit	Field	Type	Reset	Description
31-16	KEY	R-0/W1S	0h	Bit-0 of this register can be set only if KEY= 0x5a5a Reset type: CPU1.SYSRSn
15-1	RESERVED	R-0	0h	Reserved
0	LOCK	R/WOnce	0h	Locks the configuration for OUTPUT-XBAR. Once the configuration is locked, writes to the below registers for OUTPUT-XBAR is blocked. Registers Affected by the LOCK mechanism: OUTPUT-XBAROUTyMUX0TO15CFG OUTPUT-XBAROUTyMUX16TO31CFG OUTPUT-XBAROUTyMUXENABLE OUTPUT-XBAROUTLATENABLE OUTPUT-XBAROUTINV 0: Writes to the above registers are allowed 1: Writes to the above registers are blocked Note: [1] LOCK mechanism only applies to writes. Reads are never blocked. Reset type: CPU1.SYSRSn

### 8.3.7 Register to Driverlib Function Mapping

#### 8.3.7.1 INPUTXBAR Registers to Driverlib Functions

**Table 8-119. INPUTXBAR Registers to Driverlib Functions**

File	Driverlib Function
<b>INPUT1SELECT</b>	
xbar.h	XBAR_setInputPin
<b>INPUT2SELECT</b>	
-	See INPUT1SELECT
<b>INPUT3SELECT</b>	
-	See INPUT1SELECT
<b>INPUT4SELECT</b>	
-	See INPUT1SELECT
<b>INPUT5SELECT</b>	
-	See INPUT1SELECT
<b>INPUT6SELECT</b>	
-	See INPUT1SELECT
<b>INPUT7SELECT</b>	
-	See INPUT1SELECT
<b>INPUT8SELECT</b>	
-	See INPUT1SELECT
<b>INPUT9SELECT</b>	
-	See INPUT1SELECT
<b>INPUT10SELECT</b>	
-	See INPUT1SELECT
<b>INPUT11SELECT</b>	
-	See INPUT1SELECT
<b>INPUT12SELECT</b>	
-	See INPUT1SELECT
<b>INPUT13SELECT</b>	
-	See INPUT1SELECT
<b>INPUT14SELECT</b>	
-	See INPUT1SELECT
<b>INPUTSELECTLOCK</b>	
xbar.h	XBAR_lockInput

#### 8.3.7.2 XBAR Registers to Driverlib Functions

**Table 8-120. XBAR Registers to Driverlib Functions**

File	Driverlib Function
<b>FLG1</b>	
xbar.c	XBAR_getInputFlagStatus
<b>FLG2</b>	
xbar.c	XBAR_getInputFlagStatus
<b>FLG3</b>	
xbar.c	XBAR_getInputFlagStatus
<b>CLR1</b>	
xbar.c	XBAR_clearInputFlag

**Table 8-120. XBAR Registers to Driverlib Functions (continued)**

File	Driverlib Function
<b>CLR2</b>	
xbar.c	XBAR_clearInputFlag
<b>CLR3</b>	
xbar.c	XBAR_clearInputFlag

**8.3.7.3 EPWMXBAR Registers to Driverlib Functions****Table 8-121. EPWMXBAR Registers to Driverlib Functions**

File	Driverlib Function
<b>TRIP4MUX0TO15CFG</b>	
xbar.c	XBAR_setEPWMMuxConfig
<b>TRIP4MUX16TO31CFG</b>	
xbar.c	XBAR_setEPWMMuxConfig
<b>TRIP5MUX0TO15CFG</b>	
-	See TRIP4MUX0TO15CFG
<b>TRIP5MUX16TO31CFG</b>	
-	See TRIP4MUX0TO15CFG
<b>TRIP7MUX0TO15CFG</b>	
-	See TRIP4MUX0TO15CFG
<b>TRIP7MUX16TO31CFG</b>	
-	See TRIP4MUX0TO15CFG
<b>TRIP8MUX0TO15CFG</b>	
-	See TRIP4MUX0TO15CFG
<b>TRIP8MUX16TO31CFG</b>	
-	See TRIP4MUX0TO15CFG
<b>TRIP9MUX0TO15CFG</b>	
-	See TRIP4MUX0TO15CFG
<b>TRIP9MUX16TO31CFG</b>	
-	See TRIP4MUX0TO15CFG
<b>TRIP10MUX0TO15CFG</b>	
-	See TRIP4MUX0TO15CFG
<b>TRIP10MUX16TO31CFG</b>	
-	See TRIP4MUX0TO15CFG
<b>TRIP11MUX0TO15CFG</b>	
-	See TRIP4MUX0TO15CFG
<b>TRIP11MUX16TO31CFG</b>	
-	See TRIP4MUX0TO15CFG
<b>TRIP12MUX0TO15CFG</b>	
-	See TRIP4MUX0TO15CFG
<b>TRIP12MUX16TO31CFG</b>	
-	See TRIP4MUX0TO15CFG
<b>TRIP4MUXENABLE</b>	
xbar.h	XBAR_enableEPWMMux
xbar.h	XBAR_disableEPWMMux
<b>TRIP5MUXENABLE</b>	
-	See TRIP4MUXENABLE

**Table 8-121. EPWMXBAR Registers to Driverlib Functions (continued)**

File	Driverlib Function
<b>TRIP7MUXENABLE</b>	
-	See TRIP4MUXENABLE
<b>TRIP8MUXENABLE</b>	
-	See TRIP4MUXENABLE
<b>TRIP9MUXENABLE</b>	
-	See TRIP4MUXENABLE
<b>TRIP10MUXENABLE</b>	
-	See TRIP4MUXENABLE
<b>TRIP11MUXENABLE</b>	
-	See TRIP4MUXENABLE
<b>TRIP12MUXENABLE</b>	
-	See TRIP4MUXENABLE
<b>TRIPOUTINV</b>	
xbar.h	XBAR_invertEPWMSignal
<b>TRIPLOCK</b>	
xbar.h	XBAR_lockEPWM

### 8.3.7.4 CLBxBAR Registers to Driverlib Functions

**Table 8-122. CLBxBAR Registers to Driverlib Functions**

File	Driverlib Function
<b>AUXSIG0MUX0TO15CFG</b>	
xbar.c	XBAR_setCLBMuxConfig
<b>AUXSIG0MUX16TO31CFG</b>	
xbar.c	XBAR_setCLBMuxConfig
<b>AUXSIG1MUX0TO15CFG</b>	
-	See AUXSIG0MUX0TO15CFG
<b>AUXSIG1MUX16TO31CFG</b>	
-	See AUXSIG0MUX0TO15CFG
<b>AUXSIG2MUX0TO15CFG</b>	
-	See AUXSIG0MUX0TO15CFG
<b>AUXSIG2MUX16TO31CFG</b>	
-	See AUXSIG0MUX0TO15CFG
<b>AUXSIG3MUX0TO15CFG</b>	
-	See AUXSIG0MUX0TO15CFG
<b>AUXSIG3MUX16TO31CFG</b>	
-	See AUXSIG0MUX0TO15CFG
<b>AUXSIG4MUX0TO15CFG</b>	
-	See AUXSIG0MUX0TO15CFG
<b>AUXSIG4MUX16TO31CFG</b>	
-	See AUXSIG0MUX0TO15CFG
<b>AUXSIG5MUX0TO15CFG</b>	
-	See AUXSIG0MUX0TO15CFG
<b>AUXSIG5MUX16TO31CFG</b>	
-	See AUXSIG0MUX0TO15CFG
<b>AUXSIG6MUX0TO15CFG</b>	

**Table 8-122. CLBXBAR Registers to Driverlib Functions (continued)**

File	Driverlib Function
-	See AUXSIG0MUX0TO15CFG
<b>AUXSIG6MUX16TO31CFG</b>	
-	See AUXSIG0MUX0TO15CFG
<b>AUXSIG7MUX0TO15CFG</b>	
-	See AUXSIG0MUX0TO15CFG
<b>AUXSIG7MUX16TO31CFG</b>	
-	See AUXSIG0MUX0TO15CFG
<b>AUXSIG0MUXENABLE</b>	
xbar.h	XBAR_enableCLBMux
xbar.h	XBAR_disableCLBMux
<b>AUXSIG1MUXENABLE</b>	
-	See AUXSIG0MUXENABLE
<b>AUXSIG2MUXENABLE</b>	
-	See AUXSIG0MUXENABLE
<b>AUXSIG3MUXENABLE</b>	
-	See AUXSIG0MUXENABLE
<b>AUXSIG4MUXENABLE</b>	
-	See AUXSIG0MUXENABLE
<b>AUXSIG5MUXENABLE</b>	
-	See AUXSIG0MUXENABLE
<b>AUXSIG6MUXENABLE</b>	
-	See AUXSIG0MUXENABLE
<b>AUXSIG7MUXENABLE</b>	
-	See AUXSIG0MUXENABLE
<b>AUXSIGOUTINV</b>	
xbar.h	XBAR_invertCLBSignal
<b>AUXSIGLOCK</b>	
-	

### 8.3.7.5 OUTPUTXBAR Registers to Driverlib Functions

**Table 8-123. OUTPUTXBAR Registers to Driverlib Functions**

File	Driverlib Function
<b>OUTPUT1MUX0TO15CFG</b>	
xbar.c	XBAR_setOutputMuxConfig
<b>OUTPUT1MUX16TO31CFG</b>	
xbar.c	XBAR_setOutputMuxConfig
<b>OUTPUT2MUX0TO15CFG</b>	
-	See OUTPUT1MUX0TO15CFG
<b>OUTPUT2MUX16TO31CFG</b>	
-	See OUTPUT1MUX0TO15CFG
<b>OUTPUT3MUX0TO15CFG</b>	
-	See OUTPUT1MUX0TO15CFG
<b>OUTPUT3MUX16TO31CFG</b>	
-	See OUTPUT1MUX0TO15CFG
<b>OUTPUT4MUX0TO15CFG</b>	

**Table 8-123. OUTPUTXBAR Registers to Driverlib Functions (continued)**

File	Driverlib Function
-	See OUTPUT1MUX0TO15CFG
<b>OUTPUT4MUX16TO31CFG</b>	
-	See OUTPUT1MUX0TO15CFG
<b>OUTPUT5MUX0TO15CFG</b>	
-	See OUTPUT1MUX0TO15CFG
<b>OUTPUT5MUX16TO31CFG</b>	
-	See OUTPUT1MUX0TO15CFG
<b>OUTPUT6MUX0TO15CFG</b>	
-	See OUTPUT1MUX0TO15CFG
<b>OUTPUT6MUX16TO31CFG</b>	
-	See OUTPUT1MUX0TO15CFG
<b>OUTPUT7MUX0TO15CFG</b>	
-	See OUTPUT1MUX0TO15CFG
<b>OUTPUT7MUX16TO31CFG</b>	
-	See OUTPUT1MUX0TO15CFG
<b>OUTPUT8MUX0TO15CFG</b>	
-	See OUTPUT1MUX0TO15CFG
<b>OUTPUT8MUX16TO31CFG</b>	
-	See OUTPUT1MUX0TO15CFG
<b>OUTPUT1MUXENABLE</b>	
xbar.h	XBAR_enableOutputMux
xbar.h	XBAR_disableOutputMux
<b>OUTPUT2MUXENABLE</b>	
-	See OUTPUT1MUXENABLE
<b>OUTPUT3MUXENABLE</b>	
-	See OUTPUT1MUXENABLE
<b>OUTPUT4MUXENABLE</b>	
-	See OUTPUT1MUXENABLE
<b>OUTPUT5MUXENABLE</b>	
-	See OUTPUT1MUXENABLE
<b>OUTPUT6MUXENABLE</b>	
-	See OUTPUT1MUXENABLE
<b>OUTPUT7MUXENABLE</b>	
-	See OUTPUT1MUXENABLE
<b>OUTPUT8MUXENABLE</b>	
-	See OUTPUT1MUXENABLE
<b>OUTPUTLATCH</b>	
xbar.h	XBAR_setOutputLatchMode
xbar.h	XBAR_getOutputLatchStatus
xbar.h	XBAR_clearOutputLatch
xbar.h	XBAR_forceOutputLatch
<b>OUTPUTLATCHCLR</b>	
xbar.h	XBAR_clearOutputLatch
<b>OUTPUTLATCHFRC</b>	
xbar.h	XBAR_forceOutputLatch

**Table 8-123. OUTPUTXBAR Registers to Driverlib Functions (continued)**

File	Driverlib Function
<b>OUTPUTLATCHENABLE</b>	
xbar.h	XBAR_setOutputLatchMode
<b>OUTPUTINV</b>	
xbar.h	XBAR_invertOutputSignal
<b>OUTPUTLOCK</b>	
xbar.h	XBAR_lockOutput

This page intentionally left blank.



Chapter 9  
**Analog Subsystem**

---



The analog subsystem module is described in this chapter.

<b>9.1 Introduction</b> .....	<a href="#">1442</a>
<b>9.2 Optimizing Power-Up Time</b> .....	<a href="#">1445</a>
<b>9.3 Analog Subsystem Registers</b> .....	<a href="#">1445</a>

## 9.1 Introduction

The analog modules on this device include the Analog-to-Digital Converter (ADC), Temperature Sensor, Buffered Digital-to-Analog Converter (DAC), and Comparator Subsystem (CMPSS).

### 9.1.1 Features

The analog subsystem has the following features:

- Flexible voltage references
  - The ADCs are referenced to VREFH1x and VREFLOx pins
    - VREFH1x pin voltage must be driven in externally
- The buffered DACs are referenced to VREFH1x and VSSA
  - Alternately, these DACs can be referenced to the VDAC pin and VSSA
- The comparator DACs are referenced to VDDA and VSSA
  - Alternately, these DACs can be referenced to the VDAC pin and VSSA
- Flexible pin usage
  - Buffered DAC and comparator subsystem functions multiplexed with ADC inputs
- Internal connection to VREFLO on all ADCs for offset self-calibration

### 9.1.2 Block Diagram

The following analog subsystem block diagrams show the connections between the different integrated analog modules to the device pins. These pins fall into two categories: analog module inputs/outputs and reference pins.

The reference pins, VREFH1A to VREFH1D and VREFLOA to VREFLOD, can be used to externally supply the reference to the ADC. VREFH1A can also be used to supply the reference voltage to DAC A and DAC B and VREFH1B can be used to supply the reference to DAC C.

The analog module input and outputs are all ADC inputs by default. The pins that connect to CMPSS inputs can be used for the CMPSS without further action and without preventing use as an ADC input simultaneously. DAC outputs must be enabled; this prevents the channel from simultaneously being used as an ADC input (but the ADC can be used to sample the DAC output voltage, if desired).

The VDAC reference pin can be used to set an alternate range for DAC A, DAC B, and DAC C and for the DACs inside the CMPSS modules (the CMPSS DACs are referenced to VDDA and VSSA by default). Using this pin as a reference prevents the channel from being used as an ADC input (but the ADC can be used to sample the VDAC voltage, if desired). The choice of reference is configurable per-module for each CMPSS or buffered DAC, and the selection is made using the module's configuration registers.

The following notes apply to all packages:

- Not all analog pins are available on all devices. See the device data sheet to determine which pins are available.
- See the device data sheet to determine the allowable voltage range for VREFH1 and VREFLO.
- An external capacitor is required on the VREFH1 pins. See the device data sheet for the specific value required.
- For buffered DAC modules, VSSA is the low reference whether VREFH1x or VDAC is selected as the high reference.
- For CMPSS modules, VSSA is the low reference whether VDAC or VDDA is selected as the high reference.

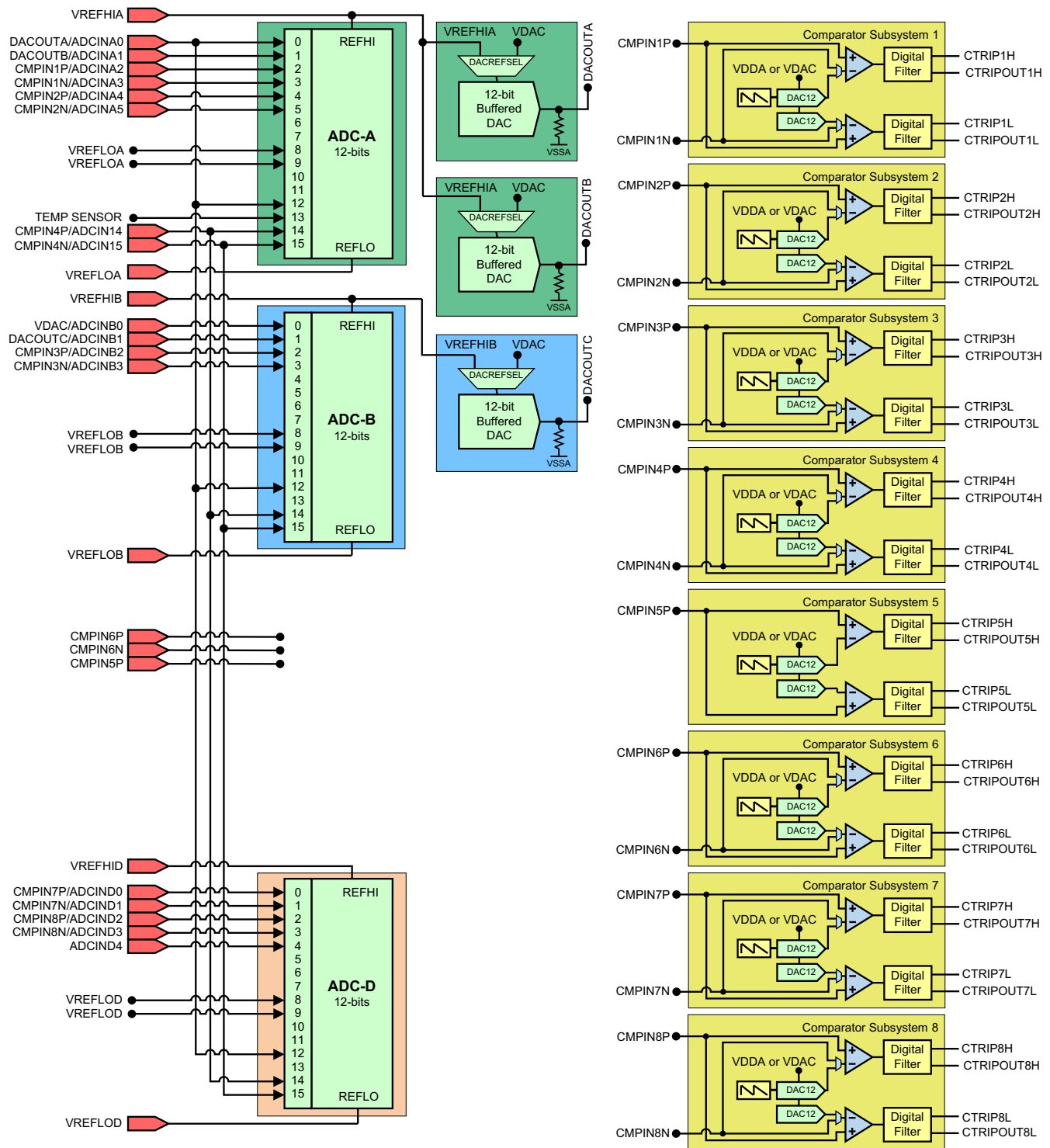


Figure 9-1. Analog Subsystem Block Diagram (176-Pin PTP)

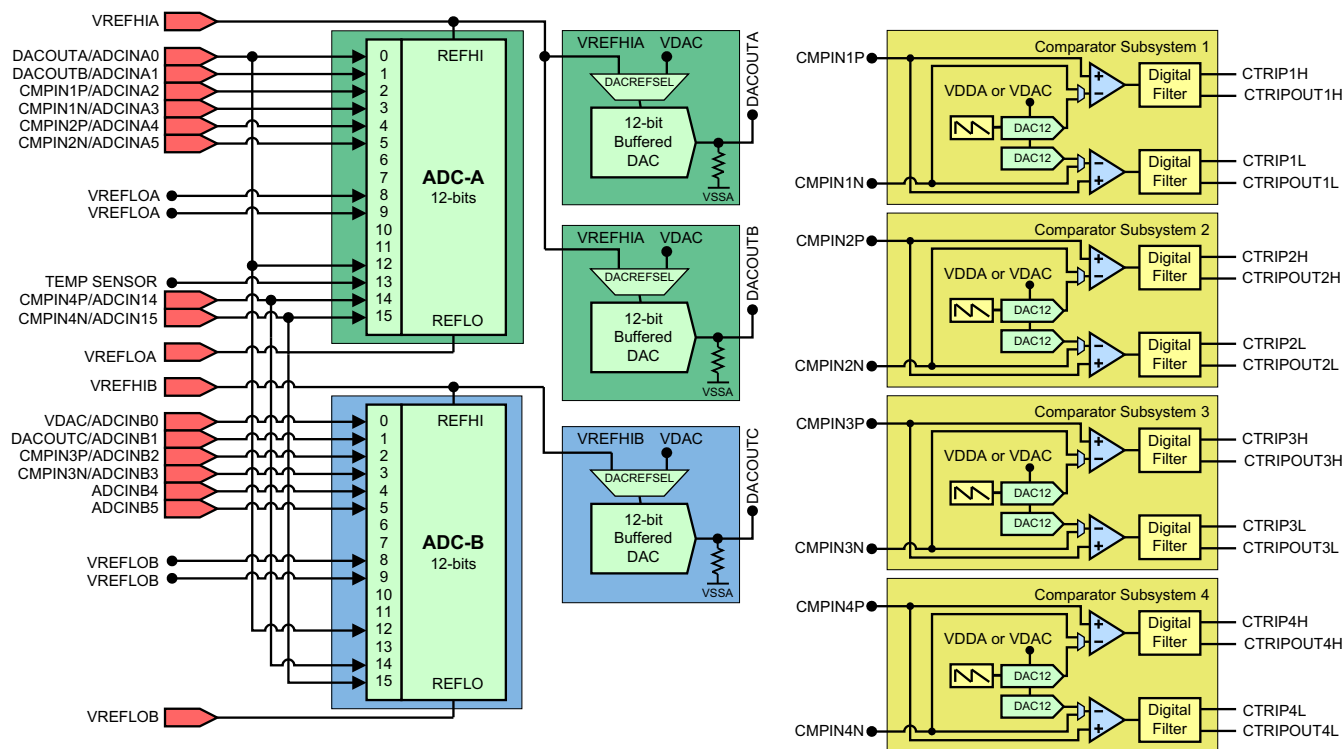


Figure 9-2. Analog Subsystem Block Diagram (100-Pin PZP)

Table 9-1. Analog Signal Descriptions

Signal Name	Description
ADCINAx	ADC A Input
ADCINBx	ADC B Input
ADCINDx	ADC D Input
CMPINxP	Comparator subsystem positive input
CMPINxN	Comparator subsystem negative input
DACOUTx	Buffered DAC Output
TEMP SENSOR	Internal temperature sensor
VDAC	Optional external reference voltage for on-chip DACs. There is a 100-pF capacitor to VSSA on this pin whether used for ADC input or DAC reference that cannot be disabled. If this pin is being used as a reference for the on-chip DACs, place at least a 1-μF capacitor on this pin.

**Table 9-2. Reference Summary**

Module	Reference Option	Configured Where?	Register	Driverlib Function	Notes
ADC	External or Internal	Not Configurable	N/A	N/A	VREFHI must always be driven externally on this device.
Buffered DAC	VREFHI or VDAC	DAC Module	DacxRegs. DACCTL.bit.DACR EFSEL	DAC_CTL_DACREFSEL	
	External or Internal	Not Configurable	N/A	N/A	VREFHI must always be driven externally on this device.
CMPSS DACs	VDDA or VDAC	CMPSS Module	CmpssxRegs. COMPDACCTL.bit. SELREF	CMPSS_COMPDACCTL_ SELREF	

## 9.2 Optimizing Power-Up Time

The analog-to-digital converters (ADC) and buffered digital-to-analog converters (DAC) share a common reference circuit. If needed, an application using one or more of these modules can optimize power-up time by taking advantage of the shared reference. Once one of the modules using the shared reference has been initialized in internal reference mode, the power-up time for subsequent modules can be optimized by subtracting the reference power-up time from the minimum power-up time requirement.

For instance, if ADCA requires  $t_{ADCPUIINT}$  to power up in internal reference mode, and  $t_{ADCPUEXT}$  to power up in external reference mode, the application does not need to wait  $t_{ADCPUIINT}$  to power up a second ADC instance such as ADCC in internal reference mode. In this case, the application can simply wait for  $t_{ADCPUEXT}$  after powering up ADCC, even though both ADCs are used in internal reference mode. In the same scenario, if the application wished to use DACA in internal reference mode, the required wait time after power-up is  $t_{DACPUEXT}$ , not the longer  $t_{DACPUIINT}$ .

There is also a wait time associated with power-up in internal reference mode when switching between 2.5-V and 3.3-V range. See the device data sheet for wait time values.

## 9.3 Analog Subsystem Registers

This section describes the Analog Subsystem Registers.

### 9.3.1 Analog Subsystem Base Addresses

**Table 9-3. Analog Subsystem Base Address Table**

Device Registers	Register Name	Start Address	End Address
AnalogSubsysRegs	ANALOG_SUBSYS_REGS	0x0005_D180	0x0005_D1FF

### 9.3.2 ANALOG\_SUBSYS\_REGS Registers

Table 9-4 lists the memory-mapped registers for the ANALOG\_SUBSYS\_REGS registers. All register offset addresses not listed in Table 9-4 should be considered as reserved locations and the register contents should not be modified.

**Table 9-4. ANALOG\_SUBSYS\_REGS Registers**

Offset	Acronym	Register Name	Write Protection	Section
20h	INTOSC1TRIM	Internal Oscillator 1 Trim Register	EALLOW	<a href="#">Go</a>
22h	INTOSC2TRIM	Internal Oscillator 2 Trim Register	EALLOW	<a href="#">Go</a>
26h	TSNSCTL	Temperature Sensor Control Register	EALLOW	<a href="#">Go</a>
2Eh	LOCK	Lock Register	EALLOW	<a href="#">Go</a>
36h	ANAREFTRIMA	Analog Reference Trim A Register	EALLOW	<a href="#">Go</a>
38h	ANAREFTRIMB	Analog Reference Trim B Register	EALLOW	<a href="#">Go</a>
3Ch	ANAREFTRIMD	Analog Reference Trim D Register	EALLOW	<a href="#">Go</a>

Complex bit access types are encoded to fit into small table cells. Table 9-5 shows the codes that are used for access types in this section.

**Table 9-5. ANALOG\_SUBSYS\_REGS Access Type Codes**

Access Type	Code	Description
Read Type		
R	R	Read
R-0	R-0	Read Returns 0s
Write Type		
W	W	Write
WOnce	W Once	Write Write once
Reset or Default Value		
-n		Value after reset or the default value
Register Array Variables		
i,j,k,l,m,n		When these variables are used in a register name, an offset, or an address, they refer to the value of a register array where the register is part of a group of repeating registers. The register groups form a hierarchical structure and the array is represented with a formula.
y		When this variable is used in a register name, an offset, or an address it refers to the value of a register array.

### 9.3.2.1 INTOSC1TRIM Register (Offset = 20h) [Reset = 0000000h]

INTOSC1TRIM is shown in [Figure 9-3](#) and described in [Table 9-6](#).

Return to the [Summary Table](#).

Internal Oscillator 1 Trim Register

**Figure 9-3. INTOSC1TRIM Register**

31	30	29	28	27	26	25	24	23	22	21	20	19	18	17	16
RESERVED								RESERVED							
R-0h								R/W-0h							
15	14	13	12	11	10	9	8	7	6	5	4	3	2	1	0
RESERVED				VALFINETRIM											
R-0h				R/W-0h											

**Table 9-6. INTOSC1TRIM Register Field Descriptions**

Bit	Field	Type	Reset	Description
31-24	RESERVED	R	0h	Reserved
23-16	RESERVED	R/W	0h	Reserved
15-12	RESERVED	R	0h	Reserved
11-0	VALFINETRIM	R/W	0h	Oscillator Value Fine Trim Bits. This register should not be modified unless specifically indicated by TI Errata or other documentation. Modifying the contents of this register could cause this module to operate outside of datasheet specifications. Reset type: XRSn

### 9.3.2.2 INTOSC2TRIM Register (Offset = 22h) [Reset = 00000000h]

INTOSC2TRIM is shown in [Figure 9-4](#) and described in [Table 9-7](#).

Return to the [Summary Table](#).

Internal Oscillator 2 Trim Register

**Figure 9-4. INTOSC2TRIM Register**

31	30	29	28	27	26	25	24	23	22	21	20	19	18	17	16
RESERVED								RESERVED							
R-0h								R/W-0h							
15	14	13	12	11	10	9	8	7	6	5	4	3	2	1	0
RESERVED				VALFINETRIM											
R-0h				R/W-0h											

**Table 9-7. INTOSC2TRIM Register Field Descriptions**

Bit	Field	Type	Reset	Description
31-24	RESERVED	R	0h	Reserved
23-16	RESERVED	R/W	0h	Reserved
15-12	RESERVED	R	0h	Reserved
11-0	VALFINETRIM	R/W	0h	Oscillator Value Fine Trim Bits. This register should not be modified unless specifically indicated by TI Errata or other documentation. Modifying the contents of this register could cause this module to operate outside of datasheet specifications. Reset type: XRSn



### 9.3.2.3 TSNSCTL Register (Offset = 26h) [Reset = 0000h]

TSNSCTL is shown in [Figure 9-5](#) and described in [Table 9-8](#).

Return to the [Summary Table](#).

Temperature Sensor Control Register

**Figure 9-5. TSNSCTL Register**

15	14	13	12	11	10	9	8
RESERVED							
R-0h							
7	6	5	4	3	2	1	0
RESERVED							ENABLE
R-0h							R/W-0h

**Table 9-8. TSNSCTL Register Field Descriptions**

Bit	Field	Type	Reset	Description
15-1	RESERVED	R	0h	Reserved
0	ENABLE	R/W	0h	Temperature Sensor Enable. This bit enables the temperature sensor output to the ADC. 0 Disabled 1 Enabled Reset type: CPU1.SYSRSn

### 9.3.2.4 LOCK Register (Offset = 2Eh) [Reset = 0000000h]

LOCK is shown in [Figure 9-6](#) and described in [Table 9-9](#).

Return to the [Summary Table](#).

Lock Register

**Figure 9-6. LOCK Register**

31	30	29	28	27	26	25	24
RESERVED	RESERVED	RESERVED	RESERVED	RESERVED	ANAREFTRIMD	ANAREFTRIMC	ANAREFTRIMB
R-0h	R/WOnce-0h	R/WOnce-0h	R/WOnce-0h	R/WOnce-0h	R/WOnce-0h	R/WOnce-0h	R/WOnce-0h
23	22	21	20	19	18	17	16
ANAREFTRIMA	RESERVED	RESERVED	RESERVED	RESERVED	RESERVED		
R/WOnce-0h	R/WOnce-0h	R/WOnce-0h	R/WOnce-0h	R/WOnce-0h	R-0h		
15	14	13	12	11	10	9	8
RESERVED							
R-0h							
7	6	5	4	3	2	1	0
RESERVED	RESERVED	RESERVED	RESERVED	TSNSCTL	RESERVED	RESERVED	RESERVED
R-0h	R/WOnce-0h	R/WOnce-0h	R/WOnce-0h	R/WOnce-0h	R/WOnce-0h	R/WOnce-0h	R/WOnce-0h

**Table 9-9. LOCK Register Field Descriptions**

Bit	Field	Type	Reset	Description
31	RESERVED	R	0h	Reserved
30	RESERVED	R/WOnce	0h	Reserved
29	RESERVED	R/WOnce	0h	Reserved
28	RESERVED	R/WOnce	0h	Reserved
27	RESERVED	R/WOnce	0h	Reserved
26	ANAREFTRIMD	R/WOnce	0h	Analog Reference D Trim Register Lock. Setting this bit will disable any future write to the respective register. This bit can only be cleared by a reset. Reset type: CPU1.SYSRSn
25	ANAREFTRIMC	R/WOnce	0h	Analog Reference C Trim Register Lock. Setting this bit will disable any future write to the respective register. This bit can only be cleared by a reset. Reset type: CPU1.SYSRSn
24	ANAREFTRIMB	R/WOnce	0h	Analog Reference B Trim Register Lock. Setting this bit will disable any future write to the respective register. This bit can only be cleared by a reset. Reset type: CPU1.SYSRSn
23	ANAREFTRIMA	R/WOnce	0h	Analog Reference A Trim Register Lock. Setting this bit will disable any future write to the respective register. This bit can only be cleared by a reset. Reset type: CPU1.SYSRSn
22	RESERVED	R/WOnce	0h	Reserved
21	RESERVED	R/WOnce	0h	Reserved
20	RESERVED	R/WOnce	0h	Reserved
19	RESERVED	R/WOnce	0h	Reserved
18-7	RESERVED	R	0h	Reserved
6	RESERVED	R/WOnce	0h	Reserved
5	RESERVED	R/WOnce	0h	Reserved

**Table 9-9. LOCK Register Field Descriptions (continued)**

Bit	Field	Type	Reset	Description
4	RESERVED	R/WOnce	0h	Reserved
3	TSNSCTL	R/WOnce	0h	Temperature Sensor Control Register Lock. Setting this bit will disable any future write to the respective register. This bit can only be cleared by a reset. Reset type: CPU1.SYSRSn
2	RESERVED	R/WOnce	0h	Reserved
1	RESERVED	R/WOnce	0h	Reserved
0	RESERVED	R/WOnce	0h	Reserved

### 9.3.2.5 ANAREFTRIMA Register (Offset = 36h) [Reset = 0000000h]

ANAREFTRIMA is shown in [Figure 9-7](#) and described in [Table 9-10](#).

Return to the [Summary Table](#).

Analog Reference Trim A Register

**Figure 9-7. ANAREFTRIMA Register**

31	30	29	28	27	26	25	24	23	22	21	20	19	18	17	16
RESERVED								RESERVED							
R-0h								R/W-0h							
15	14	13	12	11	10	9	8	7	6	5	4	3	2	1	0
IREFTRIM				BGSLOPETRIM				BGVALTRIM							
R/W-0h				R/W-0h				R/W-0h							

**Table 9-10. ANAREFTRIMA Register Field Descriptions**

Bit	Field	Type	Reset	Description
31-24	RESERVED	R	0h	Reserved
23-16	RESERVED	R/W	0h	Reserved
15-11	IREFTRIM	R/W	0h	Reference Current Trim. This bit field defines the reference current trim value. 0x0 - Untrimmed all other values - Trimmed Reset type: XRSn
10-6	BGSLOPETRIM	R/W	0h	Bandgap Slope Trim. This bit field defines the bandgap slope trim value. 0x0 - Untrimmed all other values - Trimmed Reset type: XRSn
5-0	BGVALTRIM	R/W	0h	Bandgap Value Trim. This bit field defines the bandgap voltage offset trim value. 0x0 - Untrimmed all other values - Trimmed Reset type: XRSn

### 9.3.2.6 ANAREFTRIMB Register (Offset = 38h) [Reset = 0000000h]

ANAREFTRIMB is shown in [Figure 9-8](#) and described in [Table 9-11](#).

Return to the [Summary Table](#).

Analog Reference Trim B Register

**Figure 9-8. ANAREFTRIMB Register**

31	30	29	28	27	26	25	24	23	22	21	20	19	18	17	16
RESERVED								RESERVED							
R-0h								R/W-0h							
15	14	13	12	11	10	9	8	7	6	5	4	3	2	1	0
IREFTRIM					BGSLOPETRIM					BGVALTRIM					
R/W-0h					R/W-0h					R/W-0h					

**Table 9-11. ANAREFTRIMB Register Field Descriptions**

Bit	Field	Type	Reset	Description
31-24	RESERVED	R	0h	Reserved
23-16	RESERVED	R/W	0h	Reserved
15-11	IREFTRIM	R/W	0h	Reference Current Trim. This bit field defines the reference current trim value. 0x0 - Untrimmed all other values - Trimmed Reset type: XRSn
10-6	BGSLOPETRIM	R/W	0h	Bandgap Slope Trim. This bit field defines the bandgap slope trim value. 0x0 - Untrimmed all other values - Trimmed Reset type: XRSn
5-0	BGVALTRIM	R/W	0h	Bandgap Value Trim. This bit field defines the bandgap voltage offset trim value. 0x0 - Untrimmed all other values - Trimmed Reset type: XRSn

### 9.3.2.7 ANAREFTRIMD Register (Offset = 3Ch) [Reset = 0000000h]

ANAREFTRIMD is shown in [Figure 9-9](#) and described in [Table 9-12](#).

Return to the [Summary Table](#).

Analog Reference Trim D Register

**Figure 9-9. ANAREFTRIMD Register**

31	30	29	28	27	26	25	24	23	22	21	20	19	18	17	16
RESERVED								RESERVED							
R-0h								R/W-0h							
15	14	13	12	11	10	9	8	7	6	5	4	3	2	1	0
IREFTRIM				BGSLOPETRIM				BGVALTRIM							
R/W-0h				R/W-0h				R/W-0h							

**Table 9-12. ANAREFTRIMD Register Field Descriptions**

Bit	Field	Type	Reset	Description
31-24	RESERVED	R	0h	Reserved
23-16	RESERVED	R/W	0h	Reserved
15-11	IREFTRIM	R/W	0h	Reference Current Trim. This bit field defines the reference current trim value. 0x0 - Untrimmed all other values - Trimmed Reset type: XRSn
10-6	BGSLOPETRIM	R/W	0h	Bandgap Slope Trim. This bit field defines the bandgap slope trim value. 0x0 - Untrimmed all other values - Trimmed Reset type: XRSn
5-0	BGVALTRIM	R/W	0h	Bandgap Value Trim. This bit field defines the bandgap voltage offset trim value. 0x0 - Untrimmed all other values - Trimmed Reset type: XRSn

Chapter 10  
**Analog-to-Digital Converter (ADC)**

---



The analog-to-digital converter (ADC) module described in this chapter is a Type 4 ADC. See the [C2000 Real-Time Control Peripheral Reference Guide](#) for a list of all devices with modules of the same type, to determine the differences between the types, and for a list of device-specific differences within a type.

<b>10.1 Introduction</b> .....	1456
<b>10.2 ADC Configurability</b> .....	1459
<b>10.3 SOC Principle of Operation</b> .....	1461
<b>10.4 SOC Configuration Examples</b> .....	1465
<b>10.5 ADC Conversion Priority</b> .....	1467
<b>10.6 Burst Mode</b> .....	1470
<b>10.7 EOC and Interrupt Operation</b> .....	1472
<b>10.8 Post-Processing Blocks</b> .....	1474
<b>10.9 Opens/Shorts Detection Circuit (OSDETECT)</b> .....	1478
<b>10.10 Power-Up Sequence</b> .....	1480
<b>10.11 ADC Calibration</b> .....	1480
<b>10.12 ADC Timings</b> .....	1482
<b>10.13 Additional Information</b> .....	1486
<b>10.14 Software</b> .....	1494
<b>10.15 ADC Registers</b> .....	1498

## 10.1 Introduction

The ADC module is a 12-bit successive approximation (SAR) style ADC. The ADC is composed of a core and a wrapper. The core is composed of the analog circuits which include the channel select MUX, the sample-and-hold (S/H) circuit, the successive approximation circuits, voltage reference circuits, and other analog support circuits. The wrapper is composed of the digital circuits that configure and control the ADC. These circuits include the logic for programmable conversions, result registers, interfaces to analog circuits, interfaces to the peripheral buses, post-processing circuits, and interfaces to other on-chip modules.

Each ADC module consists of a single sample-and-hold (S/H) circuit. The ADC module is designed to be duplicated multiple times on the same chip, allowing simultaneous sampling or independent operation of multiple ADCs. The ADC wrapper is start-of-conversion (SOC) based (see [Section 10.3](#)).

### 10.1.1 ADC Related Collateral

#### Foundational Materials

- [ADC Input Circuit Evaluation for C2000 MCUs \(TINA-TI\) Application Report](#)
- [C2000 Academy - ADC](#)
- [PSpice for TI design and simulation tool](#)
- [Real-Time Control Reference Guide](#)
  - Refer to the ADC section
- [TI Precision Labs - ADCs](#)
- [TI Precision Labs: Driving the reference input on a SAR ADC \(Video\)](#)
- [TI Precision Labs: Introduction to analog-to-digital converters \(ADCs\) \(Video\)](#)
- [TI Precision Labs: SAR ADC input driver design \(Video\)](#)
- [TI e2e: Connecting VDDA to VREFHI](#)
- [TI e2e: Topologies for ADC Input Protection](#)
- [TI e2e: Why does the ADC Input Voltage drop with sampling?](#)
  - Sampling a high impedance voltage divider with ADC
- [Understanding Data Converters Application Report](#)

#### Getting Started Materials

- [ADC-PWM Synchronization Using ADC Interrupt](#)
  - NOTE: This is a non-TI (third party) site.
- [Analog-to-Digital Converter \(ADC\) Training for C2000 MCUs \(Video\)](#)
- [Hardware Design Guide for F2800x C2000 Real-Time MCU Series](#)

#### Expert Materials

- [Analog Engineer's Calculator](#)
- [Analog Engineer's Pocket Reference](#)
- [Charge-Sharing Driving Circuits for C2000 ADCs \(using PSPICE-FOR-TI\) Application Report](#)
- [Charge-Sharing Driving Circuits for C2000 ADCs \(using TINA-TI\) Application Report](#)
- [Debugging an integrated ADC in a microcontroller using an oscilloscope](#)
- [Methods for Mitigating ADC Memory Cross-Talk Application Report](#)
- [TI Precision Labs: ADC AC specifications \(Video\)](#)
- [TI Precision Labs: ADC Error sources \(Video\)](#)
- [TI Precision Labs: ADC Noise \(Video\)](#)
- [TI Precision Labs: Analog-to-digital converter \(ADC\) drive topologies \(Video\)](#)
- [TI Precision Labs: Electrical overstress on data converters \(Video\)](#)
- [TI Precision Labs: High-speed ADC fundamentals \(Video\)](#)
- [TI Precision Labs: SAR & Delta-Sigma: Understanding the Difference \(Video\)](#)
- [TI e2e: ADC Bandwidth Clarification](#)
- [TI e2e: ADC Calibration and Total Unadjusted Error](#)
- [TI e2e: ADC Reference Driver Options](#)



- [TI e2e: ADC Resolution with Oversampling](#)
- [TI e2e: ADC configuration for interleaved mode](#)
- [TI e2e: Simultaneous Sampling with Single ADC](#)

### 10.1.2 Features

Each ADC has the following features:

- 12-bit resolution
- Ratiometric external reference set by VREFHI and VREFLO pins
- Single-ended signal conversions
- Input multiplexer with up to 16 channels
- 16 configurable SOCs
- 16 individually addressable result registers
- Multiple trigger sources
  - S/W - software immediate start
  - All ePWMs - ADCSOC A or B
  - GPIO XINT2
  - CPU Timers 0/1/2
  - ADCINT1/2
- Four flexible PIE interrupts
- Burst mode
- Four post-processing blocks, each with:
  - Saturating offset calibration
  - Error from set-point calculation
  - High, low, and zero-crossing compare, with interrupt and ePWM trip capability
  - Trigger-to-sample delay capture

---

#### Note

Not every channel is pinned out from all ADCs. Check the device data sheet to determine which channels are available.

---

### 10.1.3 Block Diagram

Figure 10-1 shows the block diagram for the ADC core and ADC wrapper.

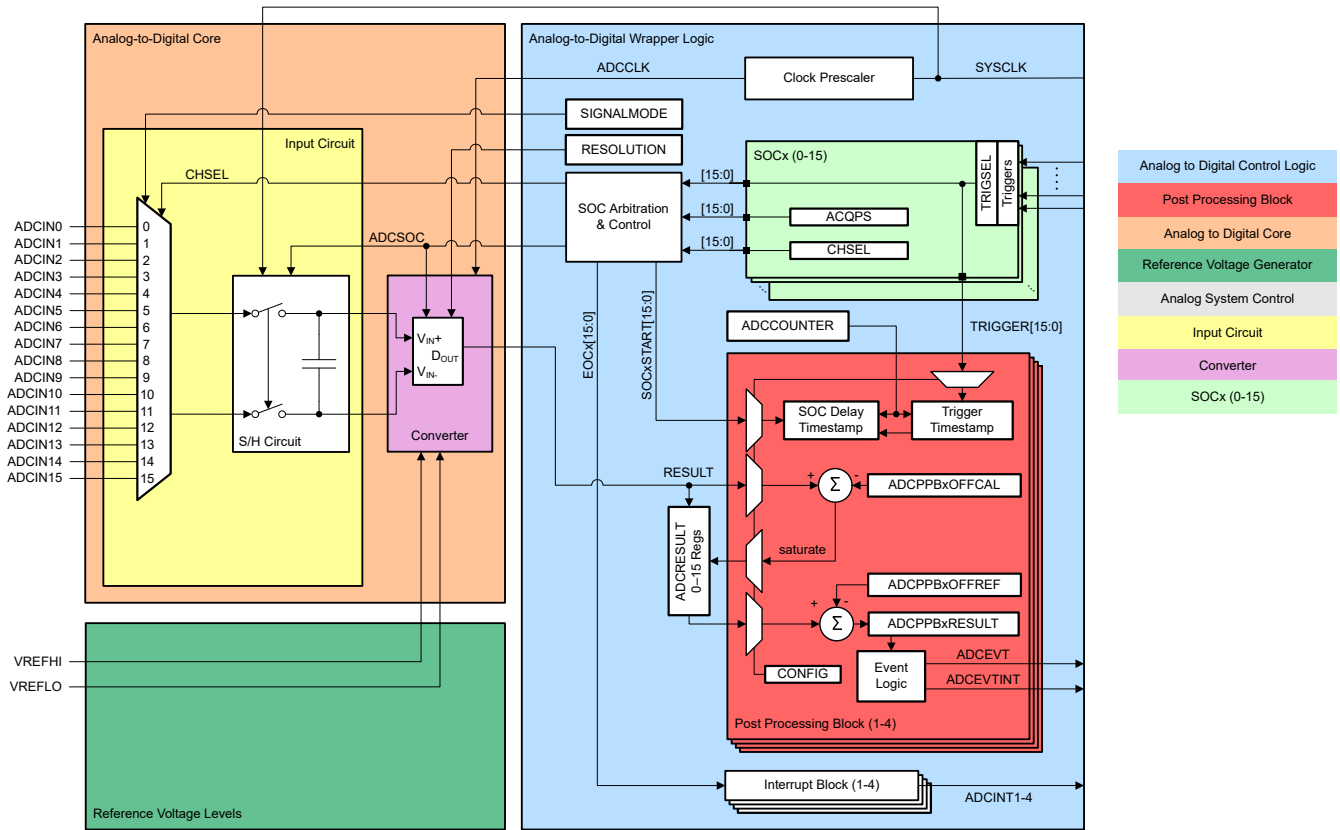


Figure 10-1. ADC Module Block Diagram

#### Note

The ADC block diagram reflects the number of ADC channels internally configurable on the device. The actual number of available external ADC inputs varies depending on part and package.

## 10.2 ADC Configurability

Some ADC configurations are individually controlled by the SOCs, while others are globally controlled per ADC module. [Table 10-1](#) summarizes the basic ADC options and their level of configurability. The subsequent sections discuss these configurations.

**Table 10-1. ADC Options and Configuration Levels**

Options	Configurability
Clock	Per module <sup>(1)</sup>
Resolution	Not configurable (12-bit only)
Signal mode	Not configurable (single-ended only)
Reference voltage source	Not configurable (external reference only)
Trigger source	Per SOC <sup>(1)</sup>
Converted channel	Per SOC
Acquisition window duration	Per SOC <sup>(1)</sup>
EOC location	Per module (early or late)
Burst Mode	Per module <sup>(1)</sup>

(1) Writing these values differently to different ADC modules can cause the ADCs to operate asynchronously. See [Section 10.13.1](#) for guidance on when the ADCs are operating synchronously or asynchronously.

### 10.2.1 Clock Configuration

The base ADC clock is provided directly by the system clock (SYSCLK). SYSCLK is used to generate the ADC acquisition window. The register ADCCTL2 has a PRESCALE field that determines the ADCCLK. ADCCLK is used to clock the converter, and is only active during the conversion phase. At all other times, including during the sample-and-hold window, the ADCCLK signal is gated off.

The core requires approximately 10.5 ADCCLK cycles to process a voltage into a conversion result. The user must determine the required duration of the acquisition window, see [Section 10.13.2](#).

#### Note

To determine an appropriate value for ADCCTL2.PRESCALE, see the device data sheet to determine the maximum SYSCLK and ADCCLK frequency.

### 10.2.2 Resolution

The resolution of the ADC determines how finely the analog range is quantized into digital values. This ADC supports a resolution of 12 bits.

The resolution must be configured by using either the `AdcSetMode()` or `ADC_setMode()` functions, depending on the header files used, provided in C2000ware in `F2807x_Adc.c`. These functions make sure that the correct trim is loaded into the ADC trim registers, and must be called at least once after a device reset. Do not configure the resolution by directly writing to the ADCCTL2 register.

### 10.2.3 Voltage Reference

#### 10.2.3.1 External Reference Mode

Each ADC has a VREFHI input and a VREFLO input. In external reference mode, these pins are used as a ratiometric reference to determine the ADC conversion input range.

See [Section 10.13.6](#) for information on how to supply the reference voltage.

#### Note

- On devices with no external VREFLO pin, VREFLO is internally connected to the device analog ground, VSSA.
- See the device data sheet to determine the allowable voltage range for VREFHI and VREFLO.
- The external reference mode requires an external capacitor on the VREFHI pin. See the device data sheet for the specific value required.

### 10.2.4 Signal Mode

The ADC supports single-ended signaling.

In single-ended mode, the input voltage to the converter is sampled through a single pin (ADCIN<sub>x</sub>), referenced to VREFLO.

The signal mode must be configured by using either the ADC\_setMode() or AdcSetMode() functions, depending on the header files used, provided in C2000ware in F2807x\_Adc.c. These functions make sure that the correct trim is loaded into the ADC trim registers. These functions must be called at least once after a device reset. The signal mode must not be configured by writing to the ADCCTL2 register directly.

### 10.2.5 Expected Conversion Results

Based on a given analog input voltage, the expected digital conversion is given in [Table 10-2](#). Fractional values are truncated.

**Table 10-2. Analog to 12-bit Digital Formulas**

Analog Input	Digital Result
when ADCIN <sub>y</sub> ≤ VREFLO	ADCRESULT <sub>x</sub> = 0
when VREFLO < ADCIN <sub>y</sub> < VREFHI	ADCRESULT <sub>x</sub> = 4096 $\left( \frac{\text{ADCIN}_y - \text{VREFLO}}{\text{VREFHI} - \text{VREFLO}} \right)$
when ADCIN <sub>y</sub> ≥ VREFHI	ADCRESULT <sub>x</sub> = 4095

### 10.2.6 Interpreting Conversion Results

Based on a given ADC conversion result, the corresponding analog input is given in [Table 10-3](#). This corresponds to the center of the possible range of analog voltages that can produce this conversion result.

**Table 10-3. 12-Bit Digital-to-Analog Formulas**

Digital Value	Analog Equivalent
when ADCRESULT <sub>y</sub> = 0	ADCIN <sub>x</sub> ≤ VREFLO
when 0 < ADCRESULT <sub>y</sub> < 4095	ADCIN <sub>x</sub> = (VREFHI – VREFLO) $\left( \frac{\text{ADCRESULT}_y}{4096} \right)$ + VREFLO
when ADCRESULT <sub>y</sub> = 4095	ADCIN <sub>x</sub> ≥ VREFHI

### 10.3 SOC Principle of Operation

The ADC triggering and conversion sequencing is accomplished through configurable start-of-conversions (SOCs). Each SOC is a configuration set defining the single conversion of a single channel. In that set, there are three configurations: the trigger source that starts the conversion, the channel to convert, and the acquisition (sample) window duration. Upon receiving the trigger configured for a SOC, the wrapper makes sure that the specified channel is captured using the specified acquisition window duration.

Multiple SOCs can be configured for the same trigger, channel, and acquisition window as desired. Configuring multiple SOCs to use the same trigger allows the trigger to generate a sequence of conversions. Configuring multiple SOCs to use the same trigger and channel allows for oversampling.

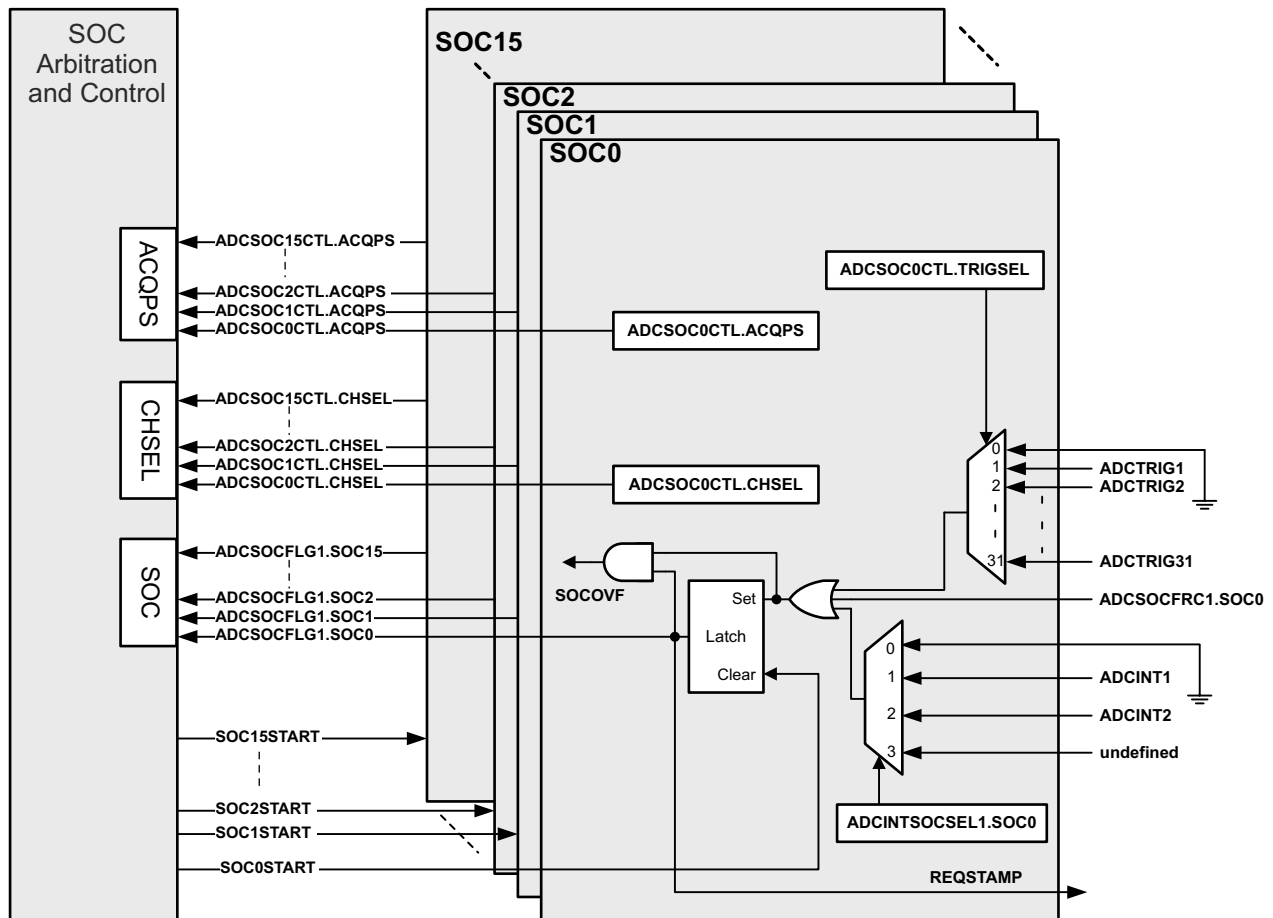


Figure 10-2. SOC Block Diagram

### 10.3.1 SOC Configuration

Each SOC has its own configuration register, ADCSOCxCTL. Within this register, SOCx can be configured for trigger source, channel to convert, and acquisition (sample) window duration.

### 10.3.2 Trigger Operation

Each SOC can be configured to start on one of many input triggers. The primary trigger select for SOCx is in the ADCSOCxCTL.TRIGSEL register, which can select between:

- Disabled (software only)
- CPU Timers 0/1/2
- GPIO: Input X-Bar INPUT5
- ADCSOCA or ADCSOCB from each ePWM module

In addition, each SOC can also be triggered when the ADCINT1 flag or ADCINT2 flag is set. This is achieved by configuring the ADCINTSOCSEL1 register (for SOC0 to SOC7) or the ADCINTSOCSEL2 register (for SOC8 to SOC15). This is useful for creating continuous conversions.

### 10.3.3 ADC Acquisition (Sample and Hold) Window

External signal sources vary in their ability to drive an analog signal quickly and effectively. To achieve rated resolution, the signal source needs to charge the sampling capacitor in the ADC core to within 0.5 LSBs of the signal voltage. The acquisition window is the amount of time the sampling capacitor is allowed to charge and is configurable for SOCx by the ADCSOCxCTL.ACQPS register.

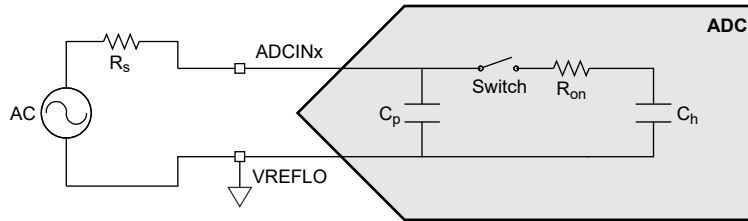
ACQPS is a 9-bit register that can be set to a value between 0 and 511, resulting in an acquisition window duration of:

Acquisition window = (ACQPS + 1) · (System Clock (SYSCLK) cycle time)

- The acquisition window duration is based on the System Clock (SYSCLK), not the ADC clock (ADCCLK).
- The selected acquisition window duration must be at least as long as one ADCCLK cycle.
- The data sheet specifies a minimum acquisition window duration (in nanoseconds). The user is responsible for selecting an acquisition window duration that meets this requirement.

### 10.3.4 ADC Input Models

For single-ended operation, the ADC input characteristics for values in the single-ended input model (see [Figure 10-3](#)) can be found in the device data sheet.



**Figure 10-3. Single-Ended Input Model**

These input models must be used along with actual signal source impedance to determine the acquisition window duration. See [Section 10.13.2](#) for more information.

### 10.3.5 Channel Selection

Each SOC can be configured to convert any of the ADC channels. This behavior is selected for SOCx by the ADCSOCxCTL.CHSEL register. This is summarized in [Table 10-4](#).

**Table 10-4. Channel Selection of Input Pins**

Input Mode	CHSEL	Input
Single-Ended	0	ADCIN0
	1	ADCIN1
	2	ADCIN2
	3	ADCIN3
	4	ADCIN4
	5	ADCIN5
	6	ADCIN6
	7	ADCIN7
	8	ADCIN8
	9	ADCIN9
	10	ADCIN10
	11	ADCIN11
	12	ADCIN12
	13	ADCIN13
	14	ADCIN14
	15	ADCIN15



## 10.4 SOC Configuration Examples

The following sections provide some specific examples of how to configure the SOCs to produce some conversions.

### 10.4.1 Single Conversion from ePWM Trigger

SOC5 is chosen arbitrarily. Any of the 16 SOCs can be used.

Assuming a 100 ns sample window is desired with a SYSCLK frequency of 120 MHz, then the acquisition window duration must be  $100 \text{ ns} / 8.333 \text{ ns} = 12$  cycles. The ACQPS field must therefore be set to  $12 - 1 = 11$ .

```
AdcaRegs.ADCSOC5CTL.bit.CHSEL = 1;      //SOC5 converts ADCINA1
AdcaRegs.ADCSOC5CTL.bit.ACQPS = 11;     //SOC5 uses a sample duration of 12 SYSCLK cycles
AdcaRegs.ADCSOC5CTL.bit.TRIGSEL = 10;   //SOC5 begins conversion on ePWM3 SOCB
```

As configured, when ePWM3 matches the period and generates the SOCB signal, the ADC begins sampling channel ADCINA1 (SOC5) immediately if the ADC is idle. If the ADC is busy, ADCINA1 begins sampling when SOC5 gains priority (see [Section 10.5](#)). The ADC control logic samples ADCINA1 with the specified acquisition window width of 100 ns. Immediately after the acquisition is complete, the ADC begins converting the sampled voltage to a digital value. When the ADC conversion is complete, the results are available in the ADCRESULT5 register (see [Section 10.12](#) for exact sample, conversion, and result latch timings).

### 10.4.2 Oversampled Conversion from ePWM Trigger

To configure the ADC to oversample ADCINA1 4 times, we use the same configurations as the previous example, but apply them to SOC5, SOC6, SOC7, and SOC8.

```
AdcaRegs.ADCSOC5CTL.bit.CHSEL = 1;      //SOC5 converts ADCINA1
AdcaRegs.ADCSOC5CTL.bit.ACQPS = 11;     //SOC5 uses a sample duration of 12 SYSCLK cycles
AdcaRegs.ADCSOC5CTL.bit.TRIGSEL = 10;   //SOC5 begins conversion on ePWM3 SOCB
AdcaRegs.ADCSOC6CTL.bit.CHSEL = 1;      //SOC6 converts ADCINA1
AdcaRegs.ADCSOC6CTL.bit.ACQPS = 11;     //SOC6 uses a sample duration of 12 SYSCLK cycles
AdcaRegs.ADCSOC6CTL.bit.TRIGSEL = 10;   //SOC6 begins conversion on ePWM3 SOCB
AdcaRegs.ADCSOC7CTL.bit.CHSEL = 1;      //SOC7 converts ADCINA1
AdcaRegs.ADCSOC7CTL.bit.ACQPS = 11;     //SOC7 uses a sample duration of 12 SYSCLK cycles
AdcaRegs.ADCSOC7CTL.bit.TRIGSEL = 10;   //SOC7 begins conversion on ePWM3 SOCB
AdcaRegs.ADCSOC8CTL.bit.CHSEL = 1;      //SOC8 converts ADCINA1
AdcaRegs.ADCSOC8CTL.bit.ACQPS = 11;     //SOC8 uses a sample duration of 12 SYSCLK cycles
AdcaRegs.ADCSOC8CTL.bit.TRIGSEL = 10;   //SOC8 begins conversion on ePWM3 SOCB
```

As configured, when ePWM3 matches the period and generates the SOCB signal, the ADC begins sampling channel ADCINA1 (SOC5) immediately if the ADC is idle. If the ADC is busy, ADCINA1 begins sampling when SOC5 gains priority (see [Section 10.5](#)). Once the conversion is complete for SOC5, SOC6 begins converting ADCINA1 and the results for SOC5 are placed in the ADCRESULT5 register. All four conversions eventually are completed sequentially, with the results in ADCRESULT5, ADCRESULT6, ADCRESULT7, and ADCRESULT8 for SOC5, SOC6, SOC7, and SOC8, respectively.

#### Note

It is possible, but unlikely, that the ADC can begin converting SOC6, SOC7, or SOC8 before SOC5 depending on the position of the round-robin pointer when the ePWM trigger is received. See [Section 10.5](#) to understand how the next SOC to be converted is chosen.

### 10.4.3 Multiple Conversions from CPU Timer Trigger

This example shows how to sample multiple signals with different acquisition window requirements. CPU1 Timer 2 is used to generate the trigger. To see how to configure the CPU timer, see the *System Control and Interrupts* chapter.

A good first step when designing a sampling scheme with many signals is to list out the signals and their required acquisition window. From this, calculate the necessary number of SYSCLK cycles for each signal, then the ACQPS register setting. This is shown in [Table 10-5](#), where a SYCLK of 120 MHz is assumed (8.333 ns cycle time).

**Table 10-5. Example Requirements for Multiple Signal Sampling**

Signal Name	Acquisition Window Requirement	Acquisition Window (SYSCLK Cycles)	ACQPS Register Value
Signal 1	>200 ns	200 ns/8.333 ns = 24	24 – 1 = 23
Signal 2	>740 ns	740 ns/8.333 ns = 89 (round up)	89 – 1 = 88
Signal 3	>183.33 ns	183.333 ns/8.333 ns = 22	22 – 1 = 21
Signal 4	>485 ns	485 ns/8.333 ns = 59 (round up)	59 – 1 = 58

Next decide which ADC pins to connect to each signal. This is highly dependent on the application board layout. Once the pins are selected, determining the value of CHSEL is straightforward (see [Table 10-6](#)).

**Table 10-6. Example Connections for Multiple Signal Sampling**

Signal Name	ADC Pin	CHSEL Register Value
Signal 1	ADCINA5	5
Signal 2	ADCINA0	0
Signal 3	ADCINA3	3
Signal 4	ADCINA2	2

With the information tabulated, generate the SOC configurations:

```

AdcaRegs.ADCSOC0CTL.bit.CHSEL = 5;           //SOC0 converts ADCINA5
AdcaRegs.ADCSOC0CTL.bit.ACQPS = 23;         //SOC0 uses a sample duration of 24 SYSCLK cycles
AdcaRegs.ADCSOC0CTL.bit.TRIGSEL = 3;        //SOC0 begins conversion on CPU1 Timer 2
AdcaRegs.ADCSOC1CTL.bit.CHSEL = 0;         //SOC1 converts ADCINA0
AdcaRegs.ADCSOC1CTL.bit.ACQPS = 88;        //SOC1 uses a sample duration of 89 SYSCLK cycles
AdcaRegs.ADCSOC1CTL.bit.TRIGSEL = 3;        //SOC1 begins conversion on CPU1 Timer 2
AdcaRegs.ADCSOC2CTL.bit.CHSEL = 3;         //SOC2 converts ADCINA3
AdcaRegs.ADCSOC2CTL.bit.ACQPS = 21;        //SOC2 uses a sample duration of 22 SYSCLK cycles
AdcaRegs.ADCSOC2CTL.bit.TRIGSEL = 3;        //SOC2 begins conversion on CPU1 Timer 2
AdcaRegs.ADCSOC3CTL.bit.CHSEL = 2;         //SOC3 converts ADCINA2
AdcaRegs.ADCSOC3CTL.bit.ACQPS = 58;        //SOC3 uses a sample duration of 59 SYSCLK cycles
AdcaRegs.ADCSOC3CTL.bit.TRIGSEL = 3;        //SOC3 begins conversion on CPU1 Timer 2
    
```

As configured, when CPU1 Timer 2 generates an event, SOC0, SOC1, SOC2, and SOC3 eventually is sampled and converted, in that order. The conversion results for ACINA5 (Signal 1) are in ADCRESULT0. Similarly, The results for ADCINA0 (Signal 2), ADCINA3 (Signal 3), and ADCINA2 (Signal 4) are in ADCRESULT1, ADCRESULT2, and ADCRESULT3, respectively.

### Note

It is possible, but unlikely, that the ADC can begin converting SOC1, SOC2, or SOC3 before SOC0 depending on the position of the round-robin pointer when the CPU Timer trigger is received. See [Section 10.5](#) to understand how the next SOC to be converted is chosen.

#### 10.4.4 Software Triggering of SOCs

At any point, whether or not the SOCs have been configured to accept a specific trigger, a software trigger can set the SOCs to be converted. This is accomplished by writing bits in the ADCSOCFRC1 register.

Software triggering of the previous example without waiting for the CPU1 Timer 2 to generate the trigger can be accomplished by the statement:

```
AdcaRegs.ADCSOCFRC1.all = 0x000F;           //set SOC flags for SOC0 to SOC3
```

#### 10.5 ADC Conversion Priority

When multiple SOC flags are set at the same time, one of two forms of priority determines the converted order. The default priority method is round-robin. In this scheme, no SOC has an inherent higher priority than another. Priority depends on the round-robin pointer (RRPOINTER). The RRPOINTER reflected in the ADCSOCPRIORITYCTL register points to the last SOC converted. The highest priority SOC is given to the next value greater than the RRPOINTER value, wrapping around back to SOC0 after SOC15. At reset the value is 16 since 0 indicates a conversion has already occurred. When RRPOINTER equals 16 the highest priority is given to SOC0. The RRPOINTER is reset when the ADC module is reset or when the reset value is written to the SOCPRIORITY register. The ADC module is reset by writing and clearing the SOFTPRES bit corresponding to the ADC instance.

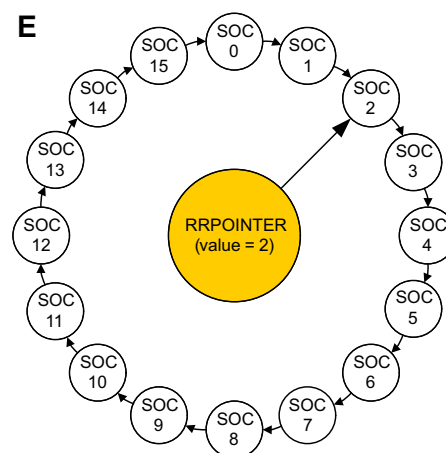
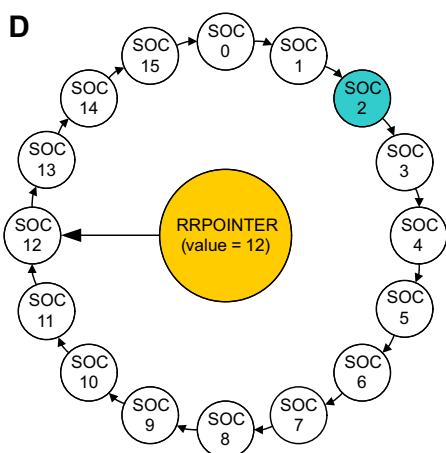
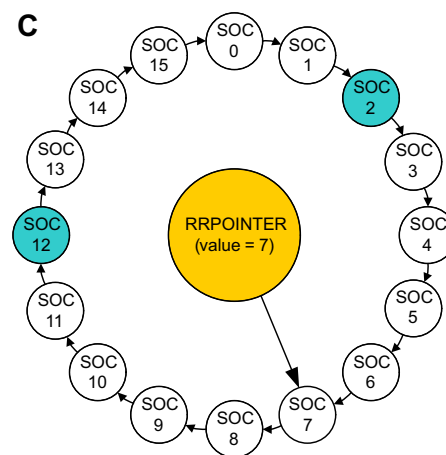
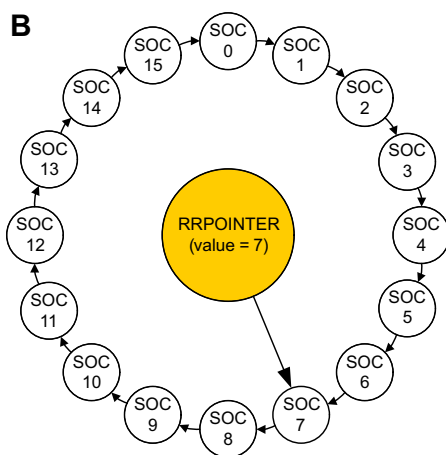
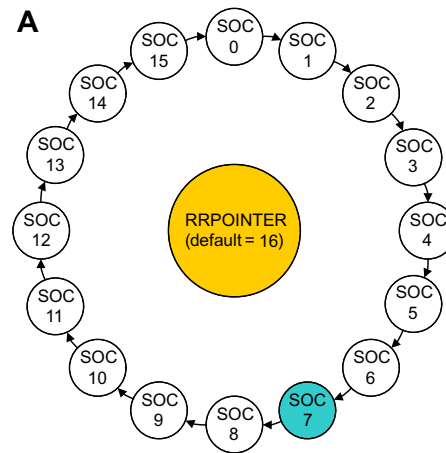
An example of the round-robin priority method is given in [Figure 10-4](#).

The SOCPRIORITY field in the ADCSOCPRIORITYCTL register can be used to assign high priority from a single to all of the SOCs. When configured as high priority, an SOC interrupts the round-robin wheel after any current conversion completes and inserts in as the next conversion. After the conversion completes, the round-robin wheel continues where the conversion was interrupted. If two high priority SOCs are triggered at the same time, the SOC with the lower number takes precedence.

High priority mode is assigned first to SOC0, then in increasing numerical order. The value written in the SOCPRIORITY field defines the first SOC that is not high priority. In other words, if a value of 4 is written into SOCPRIORITY, then SOC0, SOC1, SOC2, and SOC3 are defined as high priority, with SOC0 the highest.

An example using high priority SOC's is given in [Figure 10-5](#).

- A** After reset, SOC0 is highest priority SOC ; SOC7 receives trigger ; SOC7 configured channel is converted immediately .
- B** RRPOINTER changes to point to SOC 7 ; SOC8 is now highest priority SOC .
- C** SOC2 & SOC12 triggers rcvd . simultaneously ; SOC12 is first on round robin wheel ; SOC12 configured channel is converted while SOC2 stays pending .
- D** RRPOINTER changes to point to SOC 12 ; SOC2 configured channel is now converted .
- E** RRPOINTER changes to point to SOC 2 ; SOC3 is now highest priority SOC .


**Figure 10-4. Round Robin Priority Example**

Example when SOC PRIORITY = 4

- A** After reset, SOC4 is 1<sup>st</sup> on round robin wheel ; SOC7 receives trigger ; SOC7 configured channel is converted immediately .
- B** RRPOINTER changes to point to SOC 7 ; SOC8 is now 1<sup>st</sup> on round robin wheel .
- C** SOC2 & SOC12 triggers rcvd. simultaneously ; SOC2 interrupts round robin wheel and SOC 2 configured channel is converted while SOC 12 stays pending .
- D** RRPOINTER stays pointing to 7 ; SOC12 configured channel is now converted .
- E** RRPOINTER changes to point to SOC 12 ; SOC13 is now 1<sup>st</sup> on round robin wheel .

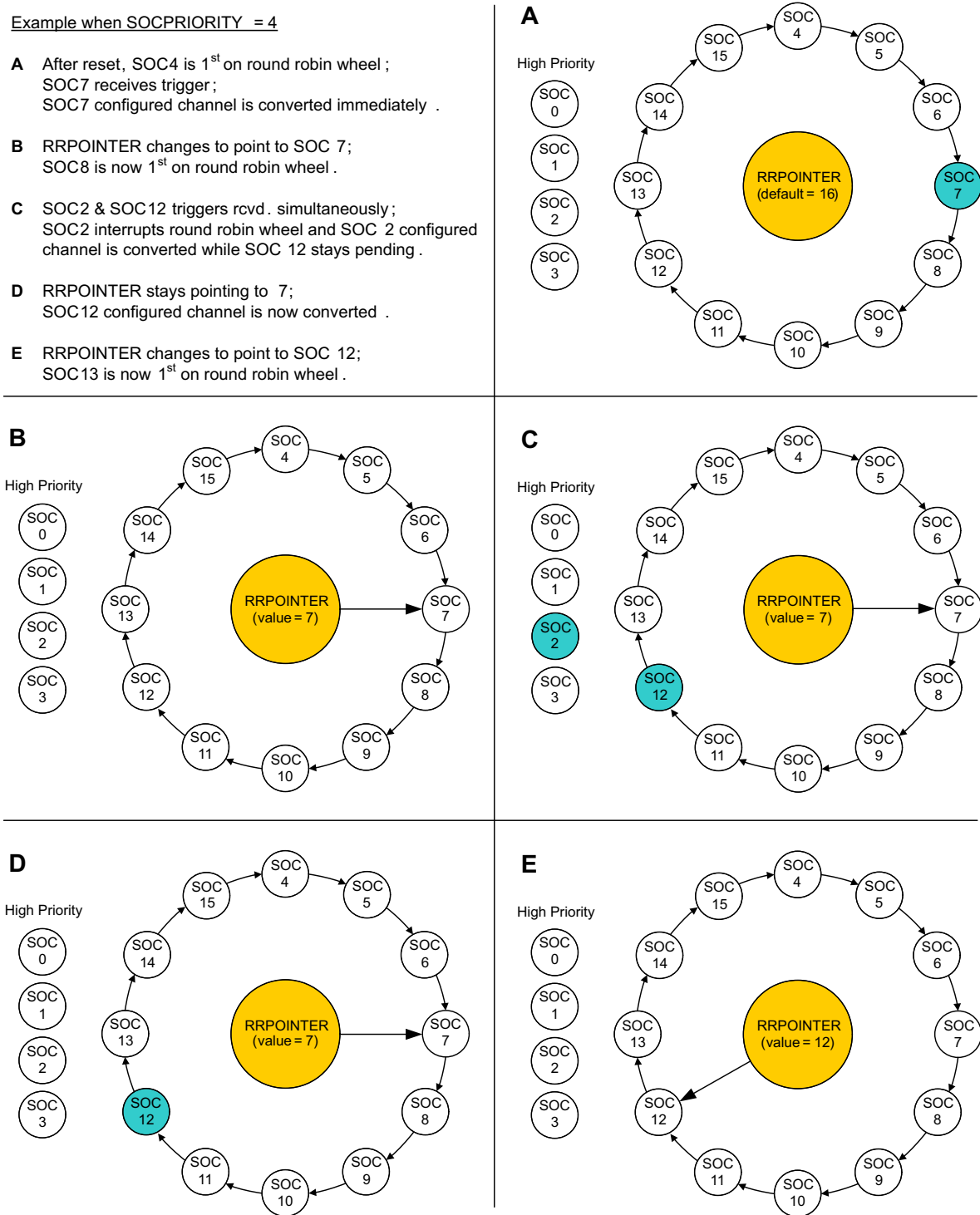


Figure 10-5. High Priority Example

## 10.6 Burst Mode

Burst mode allows a single trigger to walk through the round-robin SOCs one or more at a time. Setting the bit BURSTEN in the ADCBURSTCTL register configures the ADC wrapper for burst mode. This causes the TRIGSEL field to be ignored, but only for SOCs that are configured for round-robin operation (not high priority). Instead of the TRIGSEL field, all round-robin SOCs are triggered based on the BURSTTRIG field in the ADCBURSTCTL register. Upon reception of the burst trigger, the ADC wrapper does not set all round-robin SOCs to be converted, but only (ADCBURSTCTL.BURSTSIZE + 1) SOCs. The first SOC to be set is the SOC with the highest priority based on the round-robin pointer, and subsequent SOCs are set until BURSTSIZE SOCs have been set.

### Note

When configuring the ADC for burst mode, the user is responsible for ensuring that each burst of conversions is allowed to complete before the next burst trigger is received. The value of (ADCBURSTCTL.BURSTSIZE + 1) must be less than or equal to the number of SOCs configured for round-robin priority.

For example, if SOCPRIORITY = 12, that is, SOC12, SOC13, SOC14, and SOC15 are in round-robin, ADCBURSTCTL.BURSTSIZE setting must be  $\leq 3$  for burst mode to operate correctly.

### 10.6.1 Burst Mode Example

Burst mode can be used to sample a different set of signals on every other trigger. In the following example, ADCIN7 and ADCIN5 are converted on the first trigger from CPU1 Timer 2 and every other trigger thereafter. ADCIN2 and ACIN3 are converted on the second trigger from CPU1 Timer 2 and every other trigger thereafter. All signals are converted with 20 SYSCLK cycle wide acquisition windows, but different durations can be configured for each SOC as desired.

```

AdcaRegs.BURSTCTL.BURSTEN = 1;           //Enable ADC burst mode
AdcaRegs.BURSTCTL.BURSTTRIG = 3;         //CPU1 Timer 2 will trigger burst of conversions
AdcaRegs.BURSTCTL.BURSTSIZE = 1;         //conversion bursts are 1 + 1 = 2 conversions long
AdcaRegs.SOCPRICL.bit.SOCPRIORITY = 12; //SOC0 to SOC11 are high priority
AdcaRegs.ADCSOC12CTL.bit.CHSEL = 7;      //SOC12 will convert ADCINA7
AdcaRegs.ADCSOC12CTL.bit.ACQPS = 19;     //SOC12 will use sample duration of 20 SYSCLK cycles
AdcaRegs.ADCSOC13CTL.bit.CHSEL = 5;      //SOC13 will convert ADCINA5
AdcaRegs.ADCSOC13CTL.bit.ACQPS = 19;     //SOC13 will use sample duration of 20 SYSCLK cycles
AdcaRegs.ADCSOC14CTL.bit.CHSEL = 2;      //SOC14 will convert ADCINA2
AdcaRegs.ADCSOC14CTL.bit.ACQPS = 19;     //SOC14 will use sample duration of 20 SYSCLK cycles
AdcaRegs.ADCSOC15CTL.bit.CHSEL = 3;      //SOC15 will convert ADCINA3
AdcaRegs.ADCSOC15CTL.bit.ACQPS = 19;     //SOC15 will use sample duration of 20 SYSCLK cycles

```

When the first CPU1 Timer 2 trigger is received, SOC12 and SOC13 are converted immediately if the ADC is idle. If the ADC is busy, SOC12 and SOC13 are converted once their SOCs gain priority. The results for SOC12 and SOC13 are in ADCRESULT12 and ADCRESULT13, respectively. After SOC13 completes, the round-robin pointer gives the highest priority to SOC14. Because of this, when the next CPU1 Timer 2 trigger is received, SOC14 and SOC15 is set as pending and eventually converted. The results for SOC14 and SOC15 are in ADCRESULT14 and ADCRESULT15, respectively. Subsequent triggers continue to toggle between converting SOC12 and SOC13, and converting SOC14 and SOC15.

While the above example toggles between two sets of conversions, three or more different sets of conversions can be achieved using a similar approach.

### 10.6.2 Burst Mode Priority Example

An example of priority resolution using burst mode and high-priority SOC's is presented in Figure 10-6.

Example when SOC PRIORITY = 4, BURSTEN = 1, and BURSTSIZE = 1

- A After reset, SOC4 is 1<sup>st</sup> on round robin wheel; BURSTTRIG trigger is received; SOC4 & SOC5 are set and configured channels converted immediately.
- B RRPOINTER changes to point to SOC5; SOC6 is now 1<sup>st</sup> on round robin wheel.
- C BURSTTRIG & SOC1 triggers rcvd. simultaneously; SOC1, SOC6, and SOC7 are set; SOC1 interrupts round robin wheel and SOC1 configured channel is converted while SOC6 and SOC7 stay pending.
- D RRPOINTER stays pointing to 5; SOC6/SOC7 configured channels are now converted.
- E RRPOINTER changes to point to SOC7; SOC8 is now 1<sup>st</sup> on round robin wheel, waiting for BURSTTRIG.

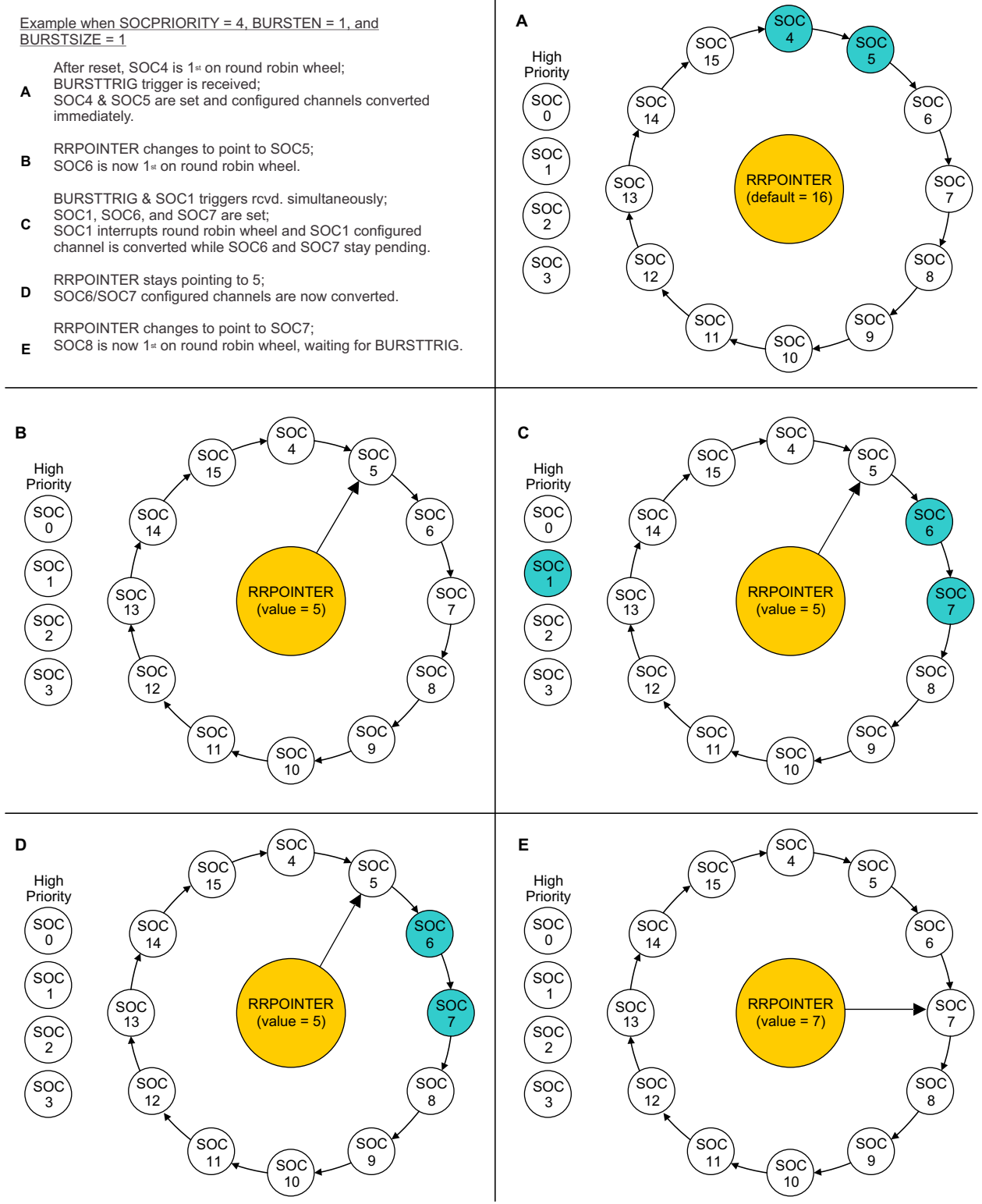


Figure 10-6. Burst Priority Example

### 10.7 EOC and Interrupt Operation

Each SOC has a corresponding end-of-conversion (EOC) signal. This EOC signal can be used to trigger an ADC interrupt. The ADC can be configured to generate the EOC pulse at either the end of the acquisition window or at the end of the voltage conversion. This is configured using the bit INTPULSEPOS in the ADCCTL1 register. See [Section 10.12](#) for exact EOC pulse location.

The flag bit for each ADCINT can be read directly to determine if the associated SOC is complete or the interrupt can be passed on to the PIE.

**Note**

The ADCCTL1.ADCBSY bit being clear does not indicate that all conversions in a set of SOC's have completed, only that the ADC is ready to process the next conversion. To determine if a sequence of SOC's is complete, link an ADCINT flag to the last SOC in the sequence and monitor that ADCINT flag.

Figure 10-7 shows a block diagram of the ADC interrupt structure.

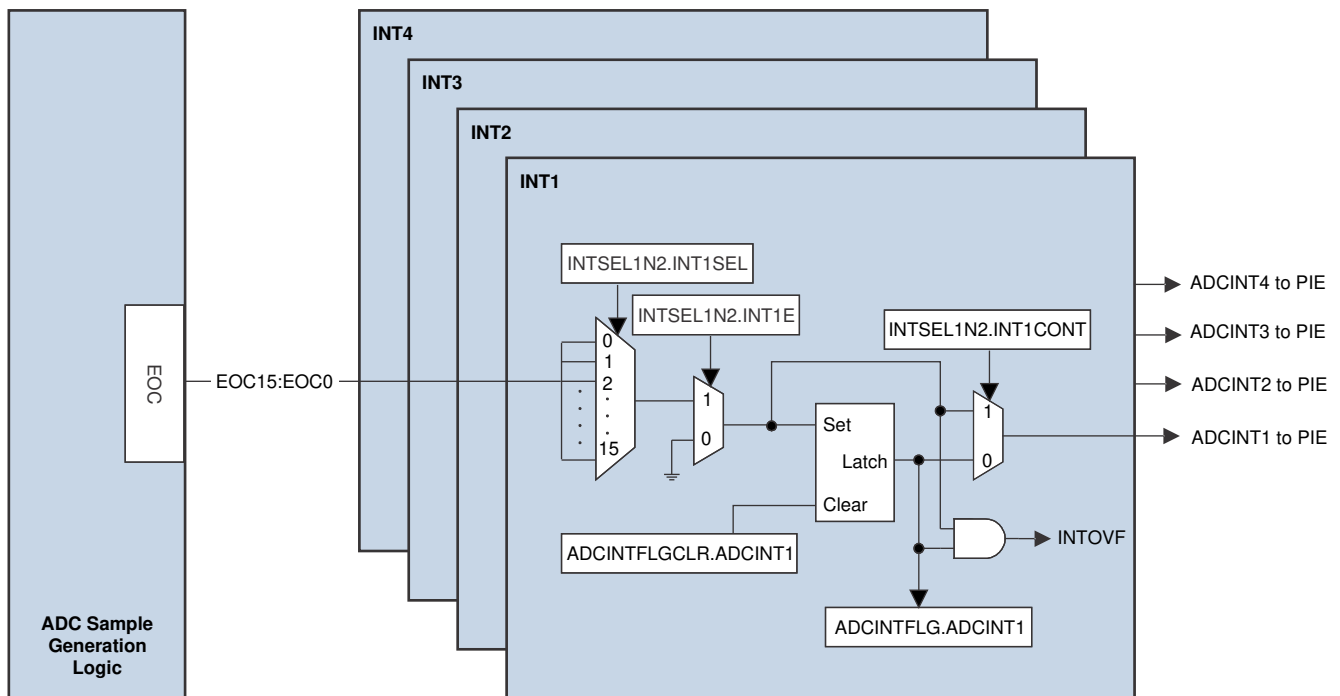


Figure 10-7. ADC EOC Interrupts



### 10.7.1 Interrupt Overflow

If the EOC signal sets a flag in the ADCINTFLG register, but that flag is already set, an interrupt overflow occurs. By default, overflow interrupts are not passed on to the PIE module. When an overflow occurs on a given flag in the ADCINTFLG register, the corresponding flag in the ADCINOVF register is set. This overflow flag is only used to detect that an overflow has occurred; the flag does not block further interrupts from propagating to the PIE module.

When an ADC interrupt overflow occurs, the application must check the appropriate ADCINTOVF flag inside the ISR or in the background loop and take appropriate action when an overflow is detected. The following code snippets demonstrate how to check the ADCINOVF flag inside the ISR after attempting to clear the ADCINT flag.

```
// Clear the interrupt flag
AdcaRegs.ADCINTFLGCLR.bit.ADCINT1 = 1;    //clear INT1 flag for ADC-A

// check if an overflow has occurred
if(1 == AdcaRegs.ADCINTOVF.bit.ADCINT1)    //ADCINT overflow occurred
{
    AdcaRegs.ADCINTOVFCLR.bit.ADCINT1 = 1  //Clear overflow flag
    AdcaRegs.ADCINTFLGCLR.bit.ADCINT1 = 1  //Re-clear ADCINT flag
}
```

```
//
// Clear the interrupt flag
//
ADC_clearInterruptStatus(ADCA_BASE, ADC_INT_NUMBER1);

//
// check if an overflow has occurred
//
if(true == ADC_getInterruptOverflowStatus(ADCA_BASE, ADC_INT_NUMBER1))
{
    ADC_clearInterruptOverflowStatus(ADCA_BASE, ADC_INT_NUMBER1);
    ADC_clearInterruptStatus(ADCA_BASE, ADC_INT_NUMBER1);
}
```

### 10.7.2 Continue to Interrupt Mode

The INTxCONT bits in the ADCINTSEL1N2 and ADCINTSEL3N4 registers configure how interrupts are handled when an ADCINTFLG has not yet been cleared from a prior interrupt. This mode is disabled by default and additional overlapping interrupts are not issued to the PIE. By activating this mode, ADC interrupts always reach the PIE. If interrupts occur while ADCINTFLG is set, the ADCINTOVF register remains set regardless of the configuration of the INTxCONT bits.

### 10.7.3 Early Interrupt Configuration Mode

Enabling early interrupt mode can allow the application to enter the ADC interrupt service routine before the ADC results are ready. This allows the application to do any necessary pre-work so that the application can act on the ADC results immediately when the ADC results become available. If the timing of the early interrupt is too early, then the application needs to waste time until the updated ADC results become available. To prevent this situation, the time the ADC interrupt is entered in early interrupt mode is configurable by way of the DELAY field in the ADCINTCYCLE register.

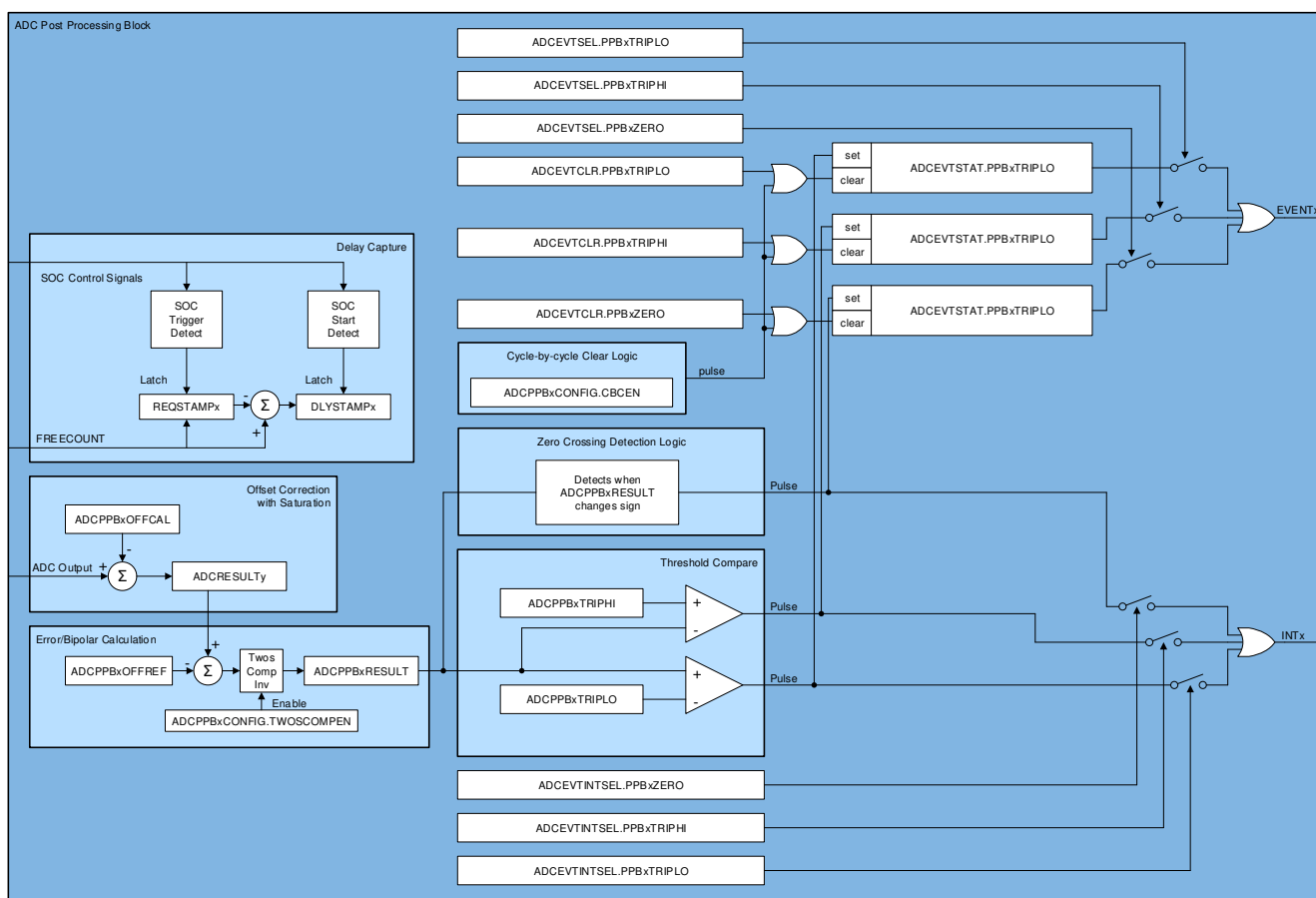
- To use the configurable interrupt time, the ADC must be in early interrupt mode. To achieve this, clear the bit INTPULSEPOS to 0 in ADCCTL1.
- The DELAY value in the ADCINTCYCLE register sets the number of additional SYSCLK cycles after the falling edge of the SOC pulse before the ADCINT flag is set.
- If the value of DELAY goes beyond EOC, the ADC interrupt is generated along with EOC.
- Writing values to DELAY when INTPULSEPOS is set to 1 does not have any effect on the interrupt generation.

## 10.8 Post-Processing Blocks

Each ADC module contains four post-processing blocks (PPB). These blocks can be associated with any of the RESULT registers using the ADCPPBxCONFIG.CONFIG bit field. The post-processing blocks have the ability to:

- Remove an offset associated with the ADCIN channel
- Subtract out a reference value
- Flag a zero-crossing point, with the option to trip a PWM and generate an interrupt
- Flag a high or low compare limit, with the option to trip a PWM and generate an interrupt
- Record the delay between the associated SOC trigger and when sampling actually begins

Figure 10-8 presents the structure of each PPB. Subsequent sections explain the use of each submodule.



**Figure 10-8. ADC PPB Block Diagram**

### 10.8.1 PPB Offset Correction

In many applications, external sensors and signal sources produce an offset. A global trimming of the ADC offset is not enough to compensate for these offsets, which vary from channel to channel. The post-processing block can remove these offsets with zero overhead, saving numerous cycles in tight control loops.

Offset correction is accomplished by first pointing the ADCPPBxCONFIG.CONFIG to the desired SOC, then writing an offset correction value to the ADCPPBxOFFCAL.OFFCAL register. The post-processing block automatically adds or subtracts the value in the OFFCAL register from the raw conversion result and stores the value in the ADCRESULT register. This addition/subtraction saturates at 0 on the low end and 4095 on the high end.

---

#### Note

- Writing a 0 to the OFFCAL register effectively disables the offset correction feature, passing the raw result unchanged to the ADCRESULT register.
  - It is possible to point multiple PPBs to the same SOC. In this case, the OFFCAL value that is actually applied comes from the PPB with the highest number.
  - In particular, care needs to be taken when using the PPB on SOC0, as all PPBs point to this SOC by default. This can cause unintentional overwriting of offset correction of a lower numbered PPB by a higher numbered PPB.
- 

### 10.8.2 PPB Error Calculation

In many applications, an error from a set point or expected value must be computed from the digital output of an ADC conversion. In other cases, a bipolar signal is necessary or convenient for control calculations. The PPB can perform these functions automatically, reducing the sample to output latency and reducing software overhead.

Error calculation is accomplished by first pointing the ADCPPBxCONFIG.CONFIG to the desired SOC, then writing a value to the ADCPPBxOFFCAL.OFFREF register. The post-processing block automatically subtracts the value in the OFFREF register from the ADCRESULT value and stores the value in the ADCPPBxRESULT register. This subtraction produces a sign-extended 32-bit result. It is also possible to selectively invert the calculated value before storing in the ADCPPBxRESULT register by setting the TWOSCOMPEN bit in the ADCPPBxCONFIG register.

---

#### Note

- Do not write a value larger than 12 bits to the ADCPPBxOFFREF register.
  - Since the ADCPPBxRESULT register is unique for each PPB, it is possible to point multiple PPBs to the same SOC and get different results for each PPB.
  - Writing a 0 to the ADCPPBxOFFREF register effectively disables the error calculation feature, passing the ADCRESULT value unchanged to the ADCPPBxRESULT register.
  - Writing a new value to ADCPPBxOFFREF causes an immediate update to the ADCPPBxRESULT register. However, the flags coming out of the PPB do not change until the next end-of-conversion (EOC). For instance, if changing the ADCPPBxOFFREF register causes ADCPPBxRESULT to change signs, but the next conversion brings the result back to the same sign as before the OFFREF change, no ADCPPBxZERO flag is set.
- 

### 10.8.3 PPB Limit Detection and Zero-Crossing Detection

Many applications perform a limit check against the ADC conversion results. The PPB can automatically perform a check against high and low limits, or whenever ADCPPBxRESULT changes sign. Based on these comparisons, the PPB can generate a trip to the PWM and an interrupt automatically, lowering the sample to

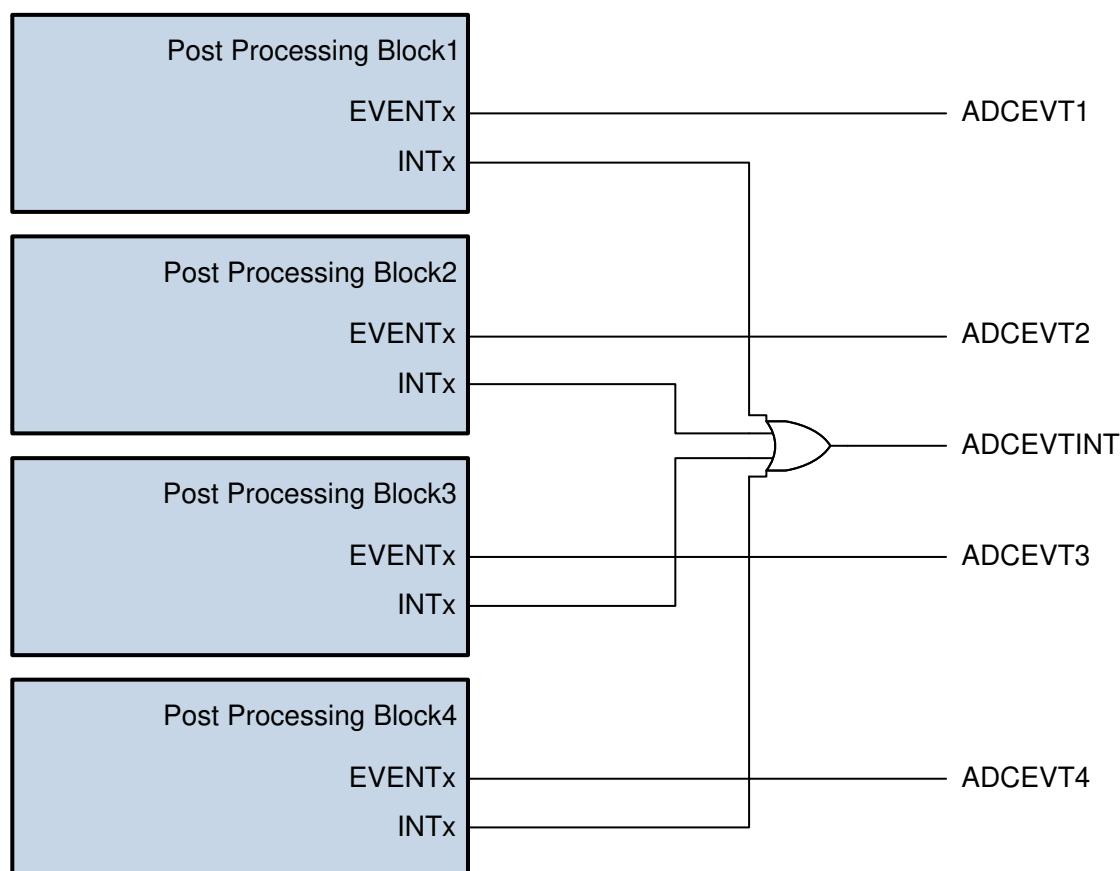
ePWM latency and reducing software overhead. This functionality also enables safety-conscious applications to trip the ePWM based on an out-of-range ADC conversion without any CPU intervention.

To enable this functionality, first point the ADCPPBxCONFIG.CONFIG to the desired SOC, then write a value to one or both of the registers ADCPPBxTRIPHI.LIMITHI and ADCPPBxTRIPLO.LIMITLO (zero-crossing detection does not require further configuration). Whenever these limits are exceeded, the PPBxTRIPHI bit or PPBxTRIPLO bit is set in the ADCEVTSTAT register. Note that the PPBxZERO bit in the ADCEVTSTAT register is gated by end-of-conversion (EOC), not by the sign change in the ADCPPBxRESULT register. The ADCEVTCLR register has corresponding bits to clear these event flags. The ADCEVTSEL register has corresponding bits which allow the events to propagate through to the PWM. The ADCEVTINTSEL register has corresponding bits that allow the events to propagate through to the PIE.

One PIE interrupt is shared between all the PPBs for a given ADC module as shown in [Figure 10-9](#).

#### Note

- Zero-crossing and limit compare reference the ADCPPBxRESULT register. This includes any correction applied by the OFFCAL and OFFREF registers. TRIPHI and TRIPLO do not perform a signed comparison. It is recommended to leave OFFREF as 0 when using limit compare functionality.
- If different actions need to be taken for different PPB events from the same ADC module, then the ADCEVTINT ISR has to read the PPB event flags in the ADCEVTSTAT register to determine which event caused the interrupt.
- If different ePWM trips need to be generated separately for high compare, low compare, and zero-crossing, this can be achieved by pointing multiple PPBs to the same SOC.
- The zero-crossing detect circuit considers a result of zero to be positive.



**Figure 10-9. ADC PPB Interrupt Event**

#### 10.8.4 PPB Sample Delay Capture

When multiple control loops are running asynchronously on the same ADC, there is a chance that an ADC request from two or more loops collide, causing one of the samples to be delayed. This shows up as a measurement error in the system. By knowing when this delay occurs and the amount of delay that has occurred, software can employ extrapolation techniques to reduce the error.

To this effect, each PPB has the field DLYSTAMP in the ADCPPBxSTAMP register. This field contains the number of SYSCLK cycles between when the associate SOC was triggered and when the SOC began converting.

This is achieved by having a global 12-bit free running counter based off of SYSCLK, which is in the field FREECOUNT in the ADCCOUNTER register. When the trigger for the associated SOC arrives, the value of this counter is loaded into the bit field ADCPPBxTRIPLO.REQSTAMP. When the actual sample window for that SOC begins, the value in REQSTAMP is subtracted from the current FREECOUNT value and stored in DLYSTAMP.

---

#### Note

If more than 4096 SYSCLK cycles elapse between the SOC trigger and the actual start of the SOC acquisition, the FREECOUNT register can overflow more than once, leading to incorrect DLYSTAMP value. Be cautious when using very slow conversions to prevent this from happening.

The sample delay capture does not function, if the associated SOC is triggered using software. The sample delay capture, however, correctly records the delay, if the software triggering of a different SOC causes the SOC associated with the PPB to be delayed

---

## 10.9 Opens/Shorts Detection Circuit (OSDETECT)

The opens/shorts detection circuit (OSDETECT) can be used to detect pin faults in the system. The circuit connects to the ADC input after the channel select multiplexer but before the S+H circuit as shown in Figure 10-10.

### Note

- The divider resistance tolerances can vary widely; hence, this feature must not be used to check for conversion accuracy.
- See the data sheet for implementation and availability of analog input channels.
- Due to high drive impedance, a S+H duration much longer than the ADC minimum is needed.

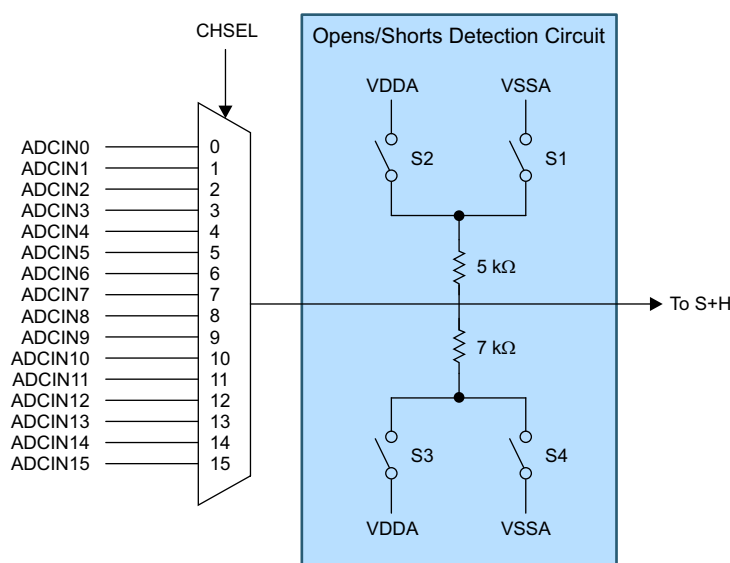


Figure 10-10. Opens/Shorts Detection Circuit

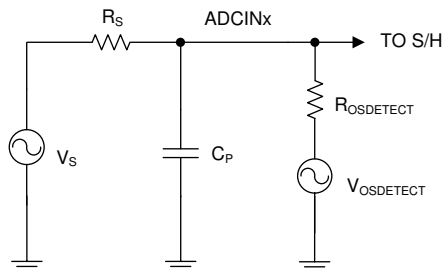
The circuit can be operated by writing a value to the DETECTCFG field in the ADCOSDETECT register. This causes the circuit to source a voltage onto the input during the S+H phase of any conversion. The voltage and drive strength of the OSDETECT circuit for different DETECTCFG settings is given in Table 10-7.

Table 10-7. DETECTCFG Settings

ADCOSDETECT. DETECTCFG	Source Voltage	S4	S3	S2	S1	Drive Impedance
0	Off	Open	Open	Open	Open	Open
1	Zero Scale	Closed	Open	Open	Closed	5K    7K
2	Full Scale	Open	Closed	Closed	Open	5K    7K
3	5/12 VDDA	Open	Closed	Open	Closed	5K    7K
4	7/12 VDDA	Closed	Open	Closed	Open	5K    7K
5	Zero Scale	Open	Open	Open	Closed	5K
6	Full Scale	Open	Open	Closed	Open	5K
7	Zero Scale	Closed	Open	Open	Open	7K

### 10.9.1 Implementation

A representative circuit with the OSDETECT implementation consists of the signal source with series resistance  $R_S$ , shunt capacitor  $C_P$ , the equivalent OSDETECT resistance  $R_{OSDETECT}$  and voltage  $V_{OSDETECT}$  is shown in [Figure 10-11](#) and can be used as a basis to calculate the signal level going in to the sampling capacitor.  $R_{OSDETECT}$  and  $V_{OSDETECT}$  are the equivalent input resistance and voltage source contributed by the OSDETECT circuit with values shown in [Table 10-7](#) for the different configuration settings. Refer to [Figure 10-11](#) when deriving the input signal to S/H if signal source  $V_S$  is driving while the OSDETECT feature is enabled.



**Figure 10-11. Input Circuit Equivalent with OSDETECT Enabled**

The input impedance  $R_S$  and  $C_P$  are integral parts of the signal source or can have been implemented in the design to precondition the signal or to control signal settling time to meet S/H requirements. The input path has to be considered when using the OSDETECT feature, as this affects the conversion results. For instance, driving an input signal when this feature is enabled connects signal  $V_S$  to the OSDETECT circuit through  $R_S$  and affects the ADC results. Larger  $C_P$  values (in the order greater than hundreds of pF) require using higher ACQPS to make sure the signal at the input has settled prior to conversion.

To enable the circuit:

1. Configure the ADC for conversion (for example, channel, SOC, ACQPS, prescaler, trigger, and so on).
2. Set up the ADCOSDETECT register for the desired voltage divider connection as shown in [Table 10-7](#).
3. Initiate a conversion and inspect the conversion result.

Interpret the results based on what is driving on the input side and what are the values of  $R_S$  and  $C_P$ . If the  $V_S$  signal can be disconnected from the input pin, the circuit can be used to detect open and shorted input pins as described in the following sections.

#### 10.9.2 Detecting an Open Input Pin

By cycling through the various OSDETECT settings, the input signal is pulled towards the sourced voltages. An input with good drive strength (pin not open) is minimally affected. However, if the pin is open, the sampled voltages is close to the source voltages specified in [Table 10-7](#).

#### 10.9.3 Detecting a Shorted Input Pin

By cycling through the various OSDETECT settings, the input signal is pulled towards the sourced voltages. An input with finite drive strength (pin not shorted) is pulled toward each sourced voltage. However, if the pin is shorted, the signal remains at the same voltage.

## 10.10 Power-Up Sequence

Upon device power-up or system level reset, the ADC is powered down and disabled. When powering up the ADC, use the following sequence:

1. Set the bit to enable the desired ADC clock in the PCLKCR13 register.
2. Set the desired ADC clock divider in the PRESCALE field of ADCCTL2.
3. Power up the ADC by setting the ADCPWDNZ bit in ADCCTL1.
4. Allow a delay before sampling. See the data sheet for the necessary time.

If multiple ADCs are powered up simultaneously, steps 1 and step 3 can each be done for all ADCs in one write instruction. Also, only one delay is necessary as long as the delay occurs after all the ADCs have begun powering up.

## 10.11 ADC Calibration

During the fabrication and test process, Texas Instruments calibrates the gain, offset, and linearity of the ADCs and the offset of the buffered DACs. These trim settings are embedded into TI reserved OTP memory and can be loaded using C-callable functions.

- The `Device_cal()` function copies the trim values for ADC and DAC offset from OTP memory to their respective trim registers.
- The `CalAdcINL()` function copies the trim values for linearity from OTP memory to the respective trim registers for the specified ADC.
- A different offset trim is required for each possible combination of resolution and signal mode. The `GetAdcOffsetTrimOTP(Uint16)` function takes an input value corresponding to the ADC, resolution, and signal mode and returns the corresponding offset trim value from OTP memory, which the user then moves into the ADC offset trim register.

Until the appropriate factory trim is loaded, the ADC and other analog modules are not specified to operate within the data sheet specifications. Similarly, if trim values other than the factory settings are placed into the trim registers, the ADC (and other modules) is not specified to operate within the data sheet specifications.

The boot ROM calls the calibration functions so trim values must be initially populated without user intervention. However, if the trims are cleared due to a module reset or modified for some other reason, then the user can call the calibration functions (defined in the header files).



### 10.11.1 ADC Zero Offset Calibration

ADC offset error is determined and calibrated during factory testing however users still have the option to perform offset calibration if the end application specifically requires this. This section describes how to perform offset calibration using internal VREFLO connection for single-ended operation.

Zero offset error is defined as the difference from 0 that occurs when converting a voltage at VREFLO. The zero offset error can be positive or negative. To correct this error, an adjustment of equal magnitude and opposite polarity is written into the ADCOFFTRIM register. The value contained in this register is applied before the results are available in the ADC result registers. This operation is fully contained within the ADC core, so the timing of the results is not affected and the full dynamic range of the ADC is maintained for any trim value.

Using the `GetAdcOffsetTrimOTP(Uint16)` function, the ADCOFFTRIM register can be loaded with the factory calibrated offset error correction. The user can modify the ADCOFFTRIM register to compensate for additional offset error induced by the application environment if desired, but this is not typically necessary to achieve data manual specified performance.

---

#### Note

Regardless of the converter resolution, the size of each ADCOFFTRIM step is  $(VREFHI-VREFLO)/65536$ .

---

Use the following procedure to re-calibrate the ADC offset in 12-bit single-ended mode:

1. Set ADCOFFTRIM to +112 steps (0x70). This adds an artificial offset to account for negative offset that can reside in the ADC core.
2. Perform some multiple of 16 conversions on VREFLO (internal connection), accumulating the results (for example,  $32 \times 16$  conversions = 512 conversions). Use the maximum value of ACQPS to ensure longer settling time to account for parasitic impedance of internal VREFLO connections.
3. Divide the accumulated result by the multiple of 16 (for example, for 512 conversions, divide by 32).
4. Set ADCOFFTRIM to  $112 - \text{result from step 3}$ .

## 10.12 ADC Timings

The process of converting an analog voltage to a digital value is broken down into an S+H phase and a conversion phase. The ADC sample and hold circuits (S+H) are clocked by SYSCLK while the ADC conversion process is clocked by ADCCLK. ADCCLK is generated by dividing down SYSCLK based on the PRESCALE field in the ADCCTL2 register.

The S+H duration is the value of the ACQPS field of the SOC being converted, plus one, times the SYSCLK period. The user must make sure that this duration exceeds both 1 ADCCLK period and the minimum S+H duration specified in the data sheet. The conversion time is approximately 10.5 ADCCLK cycles. The exact conversion time is always a whole number of SYSCLK cycles. See the timing diagrams and tables in [Section 10.12.1](#) for exact timings.

### 10.12.1 ADC Timing Diagrams

The following diagrams show the ADC conversion timings for two SOC's given the following assumptions:

- SOC0 and SOC1 are configured to use the same trigger.
- No other SOC's are converting or pending when the trigger occurs.
- The round robin pointer is in a state that causes SOC0 to convert first.
- ADCINTSEL is configured to set an ADCINT flag upon end of conversion for SOC0 (whether this flag propagates through to the CPU to cause an interrupt is determined by the configurations in the PIE module).

[Table 10-8](#) describes the parameters in the following timing diagrams. [Table 10-9](#) lists the ADC timings.

**Table 10-8. ADC Timing Parameter Descriptions**

Parameter	Description
$t_{SH}$	<p>The duration of the S+H window.</p> <p>At the end of this window, the value on the S+H capacitor becomes the voltage to be converted into a digital value. The duration is given by <math>(ACQPS + 1)</math> SYSCLK cycles. ACQPS can be configured individually for each SOC, so <math>t_{SH}</math> is not necessarily the same for different SOC's.</p> <p><b>Note:</b> The value on the S+H capacitor is captured approximately 5 ns before the end of the S+H window regardless of device clock settings.</p>
$t_{LAT}$	<p>The time from the end of the S+H window until the ADC results latch in the ADCRESULTx register.</p> <p>If the ADCRESULTx register is read before this time, the previous conversion results are returned.</p>
$t_{EOC}$	<p>The time from the end of the S+H window until the S+H window for the next ADC conversion can begin. The subsequent sample can start before the conversion results are latched.</p>
$t_{INT}$	<p>The time from the end of the S+H window until an ADCINT flag is set (if configured).</p> <p>If the INTPULSEPOS bit in the ADCCTL1 register is set, <math>t_{INT}</math> coincides with the end of conversion (EOC) signal.</p> <p>If the INTPULSEPOS bit is 0, and the OFFSET field in the ADCINTCYCLE register is not 0, then there is a delay of OFFSET SYSCLK cycles before the ADCINT flag is set. This delay can be used to enter the ISR exactly when the sample is ready.</p> <p>If the INTPULSEPOS bit is 0, <math>t_{INT}</math> coincides with the end of the S+H window. If <math>t_{INT}</math> triggers a read of the ADC result register (directly through DMA or indirectly by triggering an ISR that reads the result), care must be taken to make sure the read occurs after the results latch (otherwise, the previous results are read).</p>

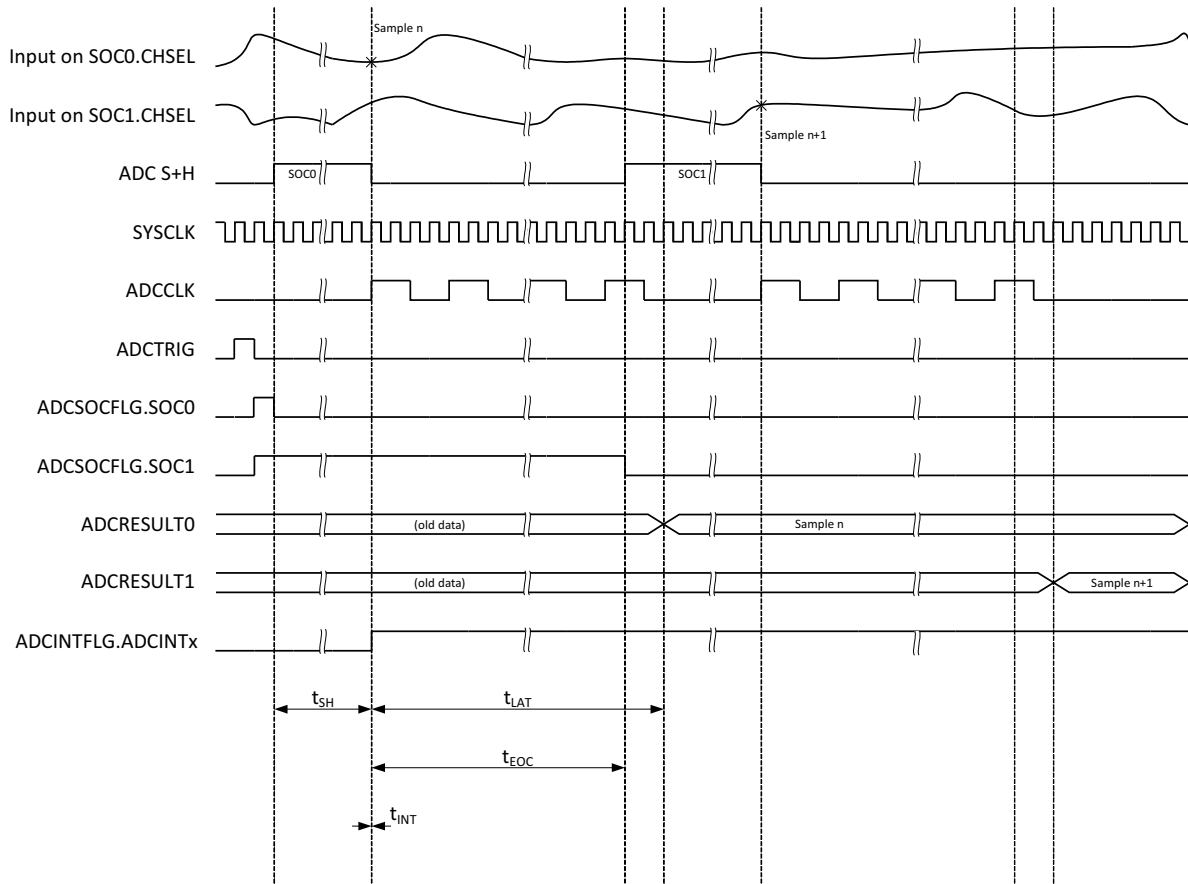
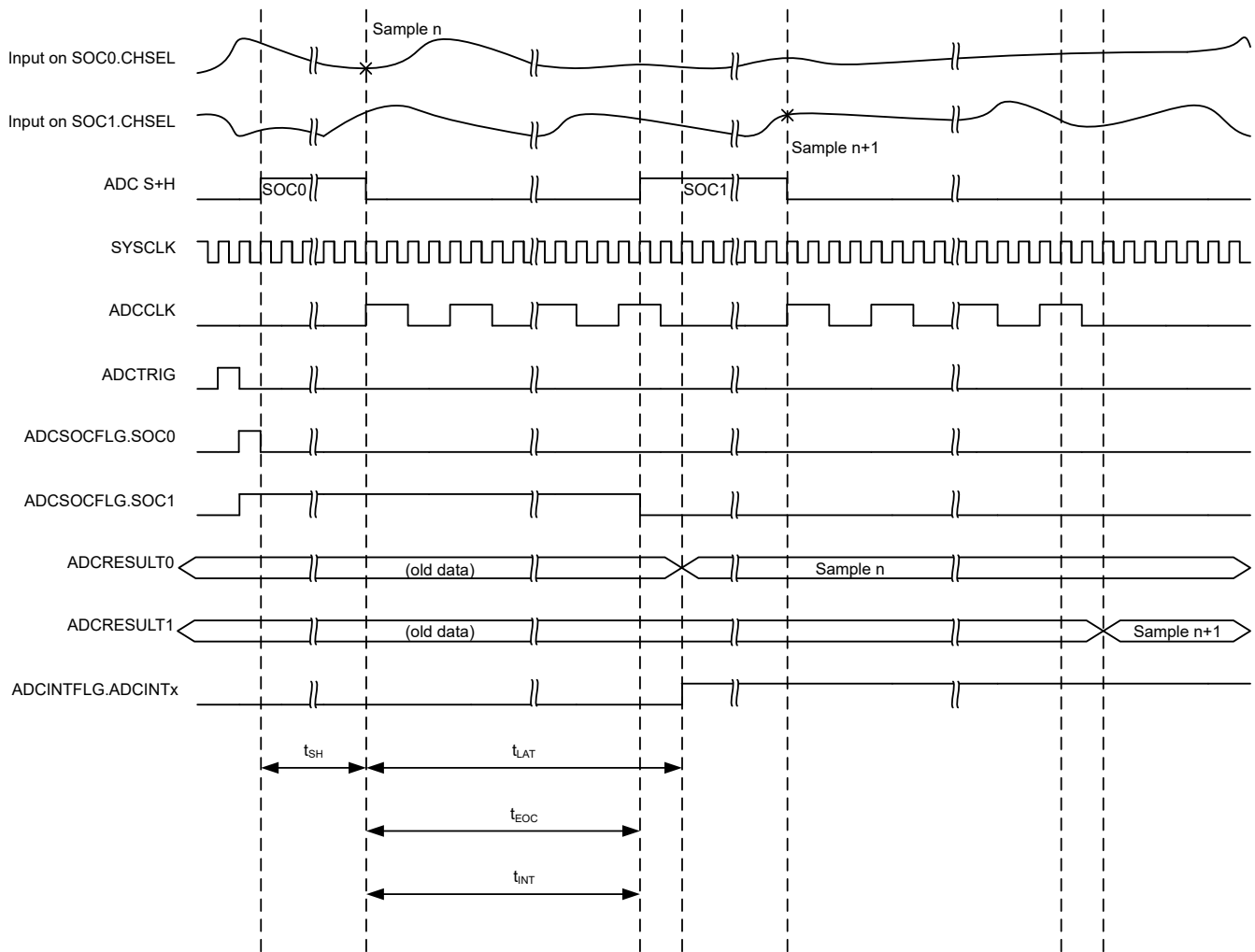


Figure 10-12. ADC Timings for 12-bit Mode in Early Interrupt Mode



**Figure 10-13. ADC Timings for 12-bit Mode in Late Interrupt Mode**

**Table 10-9. ADC Timings in 12-bit Mode**

ADCCLK Prescale		SYSCLK Cycles			
ADCCTL2. PRESCALE	Prescale Ratio	$t_{EOC}$	$t_{LAT}^{(1)}$	$t_{INT}$ (Early) <sup>(2)</sup>	$t_{INT}$ (Late)
0	1	11	13	0	11
2	2	21	23	0	21
3	2.5	26	28	0	26
4	3	31	34	0	31
5	3.5	36	39	0	36
6	4	41	44	0	41
7	4.5	46	49	0	46
8	5	51	55	0	51
9	5.5	56	60	0	56
10	6	61	65	0	61
11	6.5	66	70	0	66
12	7	71	76	0	71
13	7.5	76	81	0	76
14	8	81	86	0	81
15	8.5	86	91	0	86

- (1) Refer to the "ADC: DMA Read of Stale Result" advisory in the [TMS320F2807x MCUs Silicon Errata](#).  
(2) By default,  $t_{INT}$  occurs one SYSCLK cycle after the S+H window if INTPULSEPOS is 0.

## 10.13 Additional Information

The following sections contain additional practical information.

### 10.13.1 Ensuring Synchronous Operation

For best performance, all ADCs on the device must be operated synchronously. The device data sheet specifies the performance in both synchronous and asynchronous mode for those parameters which differ between the modes of operation.

To make sure synchronous operation, all ADCs on the device must operate in lockstep. This is accomplished by writing configurations to all ADCs that cause the sampling and conversion phases of all ADCs to be exactly aligned. The easiest way to accomplish this is to write identical values to the SOC configurations for each ADC for trigger select and ACQPS (S+H duration). In addition, synchronous ADCs must also configure identical values for the SOC priority control, burst mode, burst trigger, and burst size.

#### 10.13.1.1 Basic Synchronous Operation

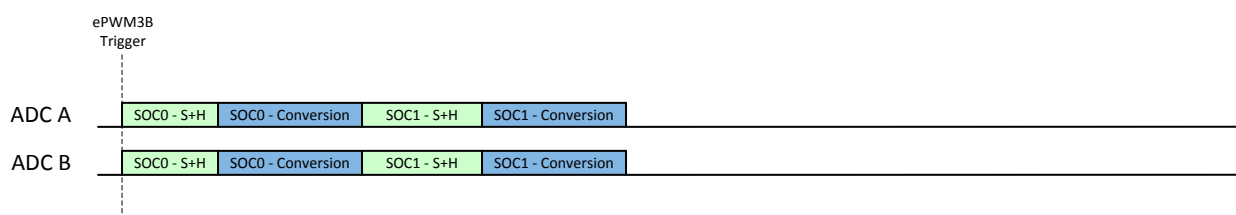
The following example configures two SOC's each on ADCA and ADCB with identical trigger select and ACQPS values. This results in synchronous operation between ADCA and ADCB. For devices with more than two ADCs, the same principles can be used to synchronize all the ADCs.

##### Example: Basic Synchronous Operation

```

AdcaRegs.ADCSOC0CTL.bit.CHSEL = 4; //SOC0 will convert ADCINA4
AdcaRegs.ADCSOC0CTL.bit.ACQPS = 19; //SOC0 will use sample duration of 20 SYSCLK cycles
AdcaRegs.ADCSOC0CTL.bit.TRIGSEL = 10; //SOC0 will begin conversion on ePWM3 SOCB
AdcbRegs.ADCSOC0CTL.bit.CHSEL = 0; //SOC0 will convert ADCINB0
AdcbRegs.ADCSOC0CTL.bit.ACQPS = 19; //SOC0 will use sample duration of 20 SYSCLK cycles
AdcbRegs.ADCSOC0CTL.bit.TRIGSEL = 10; //SOC0 will begin conversion on ePWM3 SOCB

AdcaRegs.ADCSOC1CTL.bit.CHSEL = 4; //SOC1 will convert ADCINA4
AdcaRegs.ADCSOC1CTL.bit.ACQPS = 30; //SOC1 will use sample duration of 31 SYSCLK cycles
AdcaRegs.ADCSOC1CTL.bit.TRIGSEL = 10; //SOC1 will begin conversion on ePWM3 SOCB
AdcbRegs.ADCSOC1CTL.bit.CHSEL = 1; //SOC1 will convert ADCINB1
AdcbRegs.ADCSOC1CTL.bit.ACQPS = 30; //SOC1 will use sample duration of 31 SYSCLK cycles
AdcbRegs.ADCSOC1CTL.bit.TRIGSEL = 10; //SOC1 will begin conversion on ePWM3 SOCB
    
```



**Figure 10-14. Example: Basic Synchronous Operation**

Several things can be noted from [Figure 10-14](#). First, while the ACQPS values must be the same for SOC's with the same number, different ACQPS values can be used for SOC's with different numbers. Because of this, synchronous operation does not require a single global S+H time, but instead only channels sampled simultaneously require identical S+H durations. Another important point from this example is that any channel select value can be used for any SOC. Finally, this example assumes round-robin operation. If high-priority SOC's are to be used, the priority must be configured the same on all ADCs.

### 10.13.1.2 Synchronous Operation with Multiple Trigger Sources

As long as each set of SOC's has identical trigger select and ACQPS settings, multiple trigger sources can be used while still achieving synchronous operation.

The following example demonstrates synchronous operation between ADCA and ADCB while using three SOC's and two trigger sources. Figure 10-15 demonstrates that any combination of relative trigger timings still results in synchronous operation.

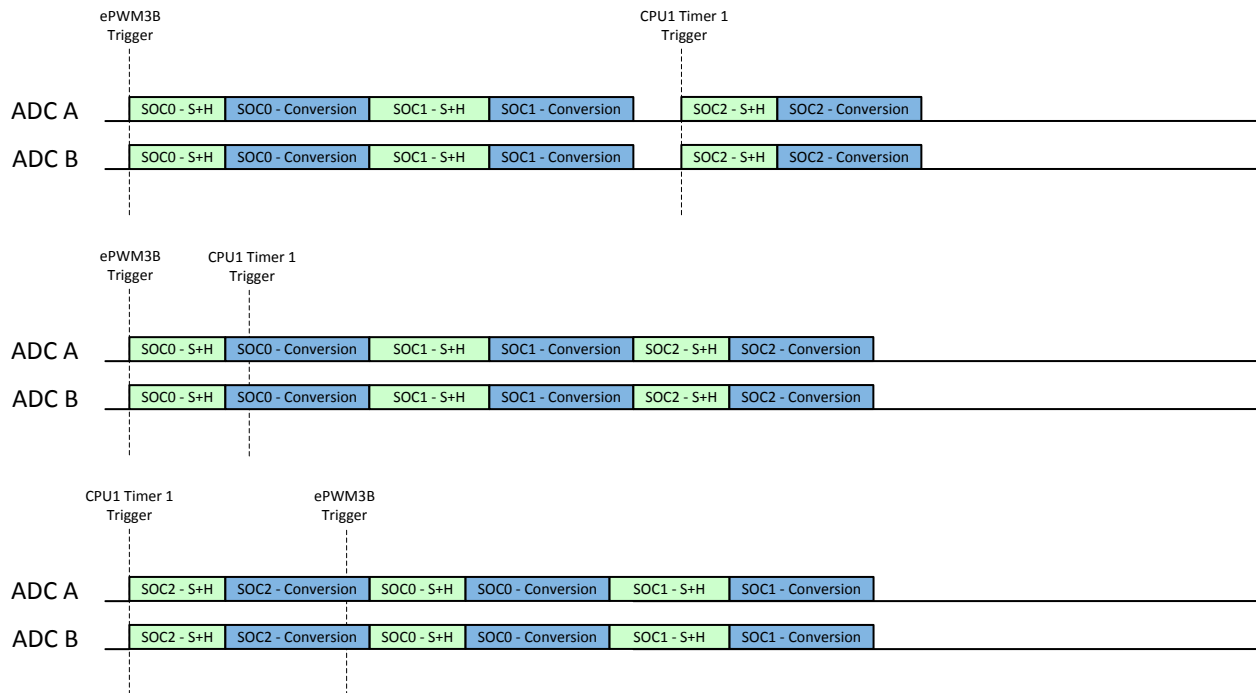
**Example: Synchronous Operation with Multiple Trigger Sources**

```

AdcaRegs.ADCSOC0CTL.bit.CHSEL = 4; //SOC0 will convert ADCINA4
AdcaRegs.ADCSOC0CTL.bit.ACQPS = 19; //SOC0 will use sample duration of 20 SYSCLK cycles
AdcaRegs.ADCSOC0CTL.bit.TRIGSEL = 10; //SOC0 will begin conversion on ePWM3 SOCB
AdcbRegs.ADCSOC0CTL.bit.CHSEL = 0; //SOC0 will convert ADCINB0
AdcbRegs.ADCSOC0CTL.bit.ACQPS = 19; //SOC0 will use sample duration of 20 SYSCLK cycles
AdcbRegs.ADCSOC0CTL.bit.TRIGSEL = 10; //SOC0 will begin conversion on ePWM3 SOCB

AdcaRegs.ADCSOC1CTL.bit.CHSEL = 4; //SOC1 will convert ADCINA4
AdcaRegs.ADCSOC1CTL.bit.ACQPS = 30; //SOC1 will use sample duration of 31 SYSCLK cycles
AdcaRegs.ADCSOC1CTL.bit.TRIGSEL = 10; //SOC1 will begin conversion on ePWM3 SOCB
AdcbRegs.ADCSOC1CTL.bit.CHSEL = 1; //SOC1 will convert ADCINB1
AdcbRegs.ADCSOC1CTL.bit.ACQPS = 30; //SOC1 will use sample duration of 31 SYSCLK cycles
AdcbRegs.ADCSOC1CTL.bit.TRIGSEL = 10; //SOC1 will begin conversion on ePWM3 SOCB

AdcaRegs.ADCSOC2CTL.bit.CHSEL = 0; //SOC2 will convert ADCINA0
AdcaRegs.ADCSOC2CTL.bit.ACQPS = 19; //SOC2 will use sample duration of 20 SYSCLK cycles
AdcaRegs.ADCSOC2CTL.bit.TRIGSEL = 2; //SOC2 will begin conversion on CPU Timer1
AdcbRegs.ADCSOC2CTL.bit.CHSEL = 2; //SOC2 will convert ADCINB2
AdcbRegs.ADCSOC2CTL.bit.ACQPS = 19; //SOC2 will use sample duration of 20 SYSCLK cycles
AdcbRegs.ADCSOC2CTL.bit.TRIGSEL = 2; //SOC2 will begin conversion on CPU Timer1
    
```



**Figure 10-15. Example: Synchronous Operation with Multiple Trigger Sources**

Note that any trigger source that can be selected in the TRIGSEL field can be used except for software triggering. There is no way to issue the software triggers for all ADCs simultaneously, so likely results in asynchronous operation. ADCINT1 or ADCINT2 can also be used as a trigger as long as the ADCINTSOCSEL1 and ADCINTSOCSEL2 registers are configured identically for all ADCs and software triggering is not used to start the chain of conversions.

### 10.13.1.3 Synchronous Operation with Uneven SOC Numbers

If only one trigger source is used, one ADC can use more SOC's than the other ADCs while still operating synchronously.

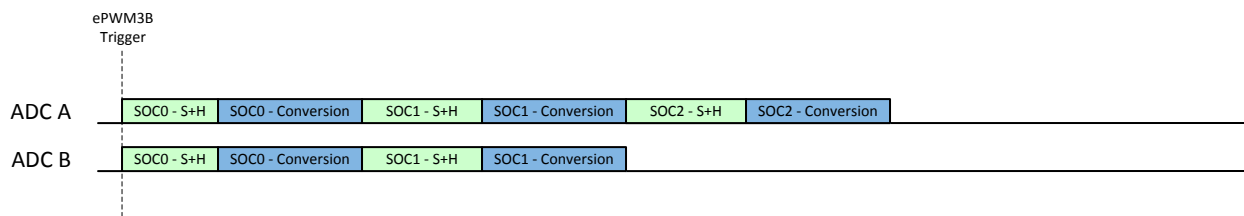
**Example: Synchronous Operation With Uneven SOC Numbers**

```

AdcaRegs.ADCSOC0CTL.bit.CHSEL = 4; //SOC0 will convert ADCINA4
AdcaRegs.ADCSOC0CTL.bit.ACQPS = 19; //SOC0 will use sample duration of 20 SYSCLK cycles
AdcaRegs.ADCSOC0CTL.bit.TRIGSEL = 10; //SOC0 will begin conversion on ePWM3 SOCB
AdcbRegs.ADCSOC0CTL.bit.CHSEL = 0; //SOC0 will convert ADCINB0
AdcbRegs.ADCSOC0CTL.bit.ACQPS = 19; //SOC0 will use sample duration of 20 SYSCLK cycles
AdcbRegs.ADCSOC0CTL.bit.TRIGSEL = 10; //SOC0 will begin conversion on ePWM3 SOCB

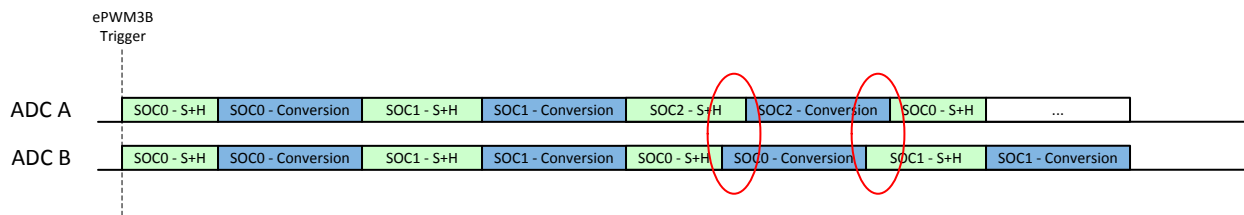
AdcaRegs.ADCSOC1CTL.bit.CHSEL = 4; //SOC1 will convert ADCINA4
AdcaRegs.ADCSOC1CTL.bit.ACQPS = 30; //SOC1 will use sample duration of 31 SYSCLK cycles
AdcaRegs.ADCSOC1CTL.bit.TRIGSEL = 10; //SOC1 will begin conversion on ePWM3 SOCB
AdcbRegs.ADCSOC1CTL.bit.CHSEL = 1; //SOC1 will convert ADCINB1
AdcbRegs.ADCSOC1CTL.bit.ACQPS = 30; //SOC1 will use sample duration of 31 SYSCLK cycles
AdcbRegs.ADCSOC1CTL.bit.TRIGSEL = 10; //SOC1 will begin conversion on ePWM3 SOCB

AdcaRegs.ADCSOC2CTL.bit.CHSEL = 0; //SOC2 will convert ADCINA0
AdcaRegs.ADCSOC2CTL.bit.ACQPS = 19; //SOC2 will use sample duration of 20 SYSCLK cycles
AdcaRegs.ADCSOC2CTL.bit.TRIGSEL = 10; //SOC2 will begin conversion on ePWM3 SOCB
    
```



**Figure 10-16. Example: Synchronous Operation with Uneven SOC Numbers**

Note that if the trigger comes again before all SOC's have completed their conversions, ADCB begins converting immediately on SOC0 while ADCA does not start converting SOC0 again until SOC2 is complete. This results in asynchronous operation, so care must be taken to not overflow the trigger.



**Figure 10-17. Example: Asynchronous Operation with Uneven SOC Numbers – Trigger Overflow**



### 10.13.1.4 Non-overlapping Conversions

If conversion timings can be made sure to not overlap by the user, then it is not necessary to configure all SOC0s identically on all ADCs to achieve performance equivalent to synchronous operation. For example, if the two ADC triggers in a system come from two ePWM sources that are always 180-degrees out-of-phase, then SOC0 can be used for both ADCA and ADCB with different trigger sources and different ACQPS values.

**Example: Operation with Non-overlapping Conversions**

```
//ePWM3 SOCA and SOCB are 180 degrees out of phase
AdcaRegs.ADCSOC0CTL.bit.CHSEL = 4; //SOC0 will convert ADCINA4
AdcaRegs.ADCSOC0CTL.bit.ACQPS = 19; //SOC0 will use sample duration of 20 SYSCLK cycles
AdcaRegs.ADCSOC0CTL.bit.TRIGSEL = 10; //SOC0 will begin conversion on ePWM3 SOCB
AdcbRegs.ADCSOC0CTL.bit.CHSEL = 0; //SOC0 will convert ADCINB0
AdcbRegs.ADCSOC0CTL.bit.ACQPS = 19; //SOC0 will use sample duration of 20 SYSCLK cycles
AdcbRegs.ADCSOC0CTL.bit.TRIGSEL = 9; //SOC0 will begin conversion on ePWM3 SOCA
```

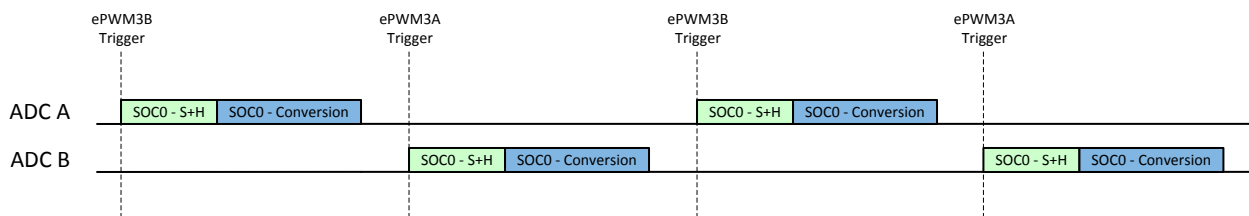


Figure 10-18. Example: Synchronous Equivalent Operation with Non-Overlapping Conversions

### 10.13.2 Choosing an Acquisition Window Duration

For correct operation, the input signal to the ADC must be allowed adequate time to charge the sample and hold capacitor, Ch. Typically, the S+H duration is chosen such that the sampling capacitor is charged to within 1/2 LSB or 1/4 LSB of the final value, depending on the tolerable settling error.

The best methodology to determine the required settling time is to simulate the ADC and ADC driving circuits to make sure adequate settling performance. See [ADC Input Circuit Evaluation for C2000 MCUs](#) and [Charge-Sharing Driving Circuits for C2000 ADCs](#) for additional guidance on ADC signal conditioning circuit design and evaluation.

An approximation of the required settling time can also be determined using an RC settling model. The time constant for the model is given by the equation:

$$\tau = (R_S + R_{on}) \times C_h + R_S \times (C_S + C_p) \tag{1}$$

And the number of time constants needed is given by the equation:

$$k = \ln\left(\frac{2^n}{\text{settling error}}\right) - \ln\left(\frac{C_S + C_P}{C_H}\right) \tag{2}$$

So the total S+H time must be set to at least:

$$t = k \cdot \tau \tag{3}$$

Where the following parameters are provided by the ADC input model in the device data sheet:

- $n$  = ADC resolution (in bits)
- $R_{ON}$  = ADC sampling switch resistance (provided in  $\Omega$ )
- $C_H$  = ADC sampling capacitor (provided in pF)
- $C_p$  = ADC channel parasitic input capacitance (provided in pF)

And the following parameters are dependent on the application design:

- settling error = tolerable settling error (in LSBs)
- $R_s$  = ADC driving circuit source impedance (typically in  $\Omega$  or  $k\Omega$ )
- $C_s$  = capacitance on ADC input pin (typically in pF or nF)

For example, assuming the following parameters:

- $n$  = 12-bits
- $R_{ON}$  = 500  $\Omega$
- $C_H$  = 12.5 pF
- $C_p$  = 12.7 pF
- settling error =  $\frac{1}{4}$  LSB
- $R_s$  = 180  $\Omega$
- $C_s$  = 150 pF

The time constant is calculated as:

$$\tau = (180\Omega + 500\Omega) \times 12.5pF + 180\Omega \times (150pF + 12.7pF) = 37.8ns \quad (4)$$

And the number of required time constants is:

$$k = \ln\left(\frac{2^{12}}{0.25}\right) - \ln\left(\frac{150pF + 12.7pF}{12.5pF}\right) = 9.70 - 2.57 = 7.13 \quad (5)$$

So the S+H time must be set to at least:  $37.8 \text{ ns} \times 7.13 = 270 \text{ ns}$

If SYSCLK = 120 MHz, then each SYSCLK cycle is 8.33 ns. S+H duration is  $270 \text{ ns} / 8.33 \text{ ns} = 32.4$  SYSCLK cycles, so ACQPS for this input is set to at least  $\text{CEILING}(32.4) - 1 = 31$ .

While this gives a rough estimate of the required acquisition window, a better method is to setup a circuit with the ADC input model, a model of the source impedance/capacitance, and any board parasitics in SPICE (or similar software) and simulate to verify that the sampling capacitor settles to the desired accuracy.

---

#### Note

The device data sheet specifies a minimum ADC S+H window duration. Do not use an ACQPS value that gives a duration less than this specification.

---

### 10.13.3 Achieving Simultaneous Sampling

While each ADC does not have dual S+H circuits, it is easy to achieve simultaneous sampling. This is accomplished by setting the SOC triggers on two or more ADC modules to use the same trigger source. The following example demonstrates simultaneous sampling on 3 ADCs based on an ePWM3 event. ADCINA3, ADCINB5, and ADCIND2 are sampled. An acquisition window of 20 SYSCLK cycles is used, but different durations are possible.

```

AdcaRegs.ADCSOC0CTL.bit.CHSEL = 3;           //SOC0 will convert ADCINA3
AdcaRegs.ADCSOC0CTL.bit.ACQPS = 19;          //SOC0 will use sample duration of 20 SYSCLK cycles
AdcaRegs.ADCSOC0CTL.bit.TRIGSEL = 10;        //SOC0 will begin conversion on ePWM3 SOCB
AdcbRegs.ADCSOC0CTL.bit.CHSEL = 5;           //SOC0 will convert ADCINB5
AdcbRegs.ADCSOC0CTL.bit.ACQPS = 19;          //SOC0 will use sample duration of 20 SYSCLK cycles
AdcbRegs.ADCSOC0CTL.bit.TRIGSEL = 10;        //SOC0 will begin conversion on ePWM3 SOCB
AdcdRegs.ADCSOC0CTL.bit.CHSEL = 2;           //SOC0 will convert ADCIND2
AdcdRegs.ADCSOC0CTL.bit.ACQPS = 19;          //SOC0 will use sample duration of 20 SYSCLK cycles
AdcdRegs.ADCSOC0CTL.bit.TRIGSEL = 10;        //SOC0 will begin conversion on ePWM3 SOCB

```

When the ePWM3 trigger is received, all three ADCs begin converting in parallel immediately. All results are stored in the ADCRESULT0 register for each ADC. Note that this assumes that all ADCs are idle when the trigger is received. If one or more ADCs is busy, the samples do not happen at exactly the same time.

### 10.13.4 Result Register Mapping

The ADC results and the ADC PPB results are duplicated for each memory bus controller in the system. Bus controllers include all CPUs, DMAs, and CLAs present on the specific part family and part number. For each bus controller, no access configuration is needed to allow read access to the result registers and no contention occurs in cases where multiple bus controllers try to read the ADC results simultaneously.

### 10.13.5 Internal Temperature Sensor

The internal temperature sensor measures the junction temperature of the device. The output of the sensor can be sampled with the ADC through an internal connection. This can be enabled on channel ADCIN13 on ADCA by setting the ENABLE bit in the TSNSCTL register.

To convert the temperature sensor reading into a temperature, pass the temperature sensor reading to the GetTemperatureC() function in F2807x\_TempSensorConv.c.

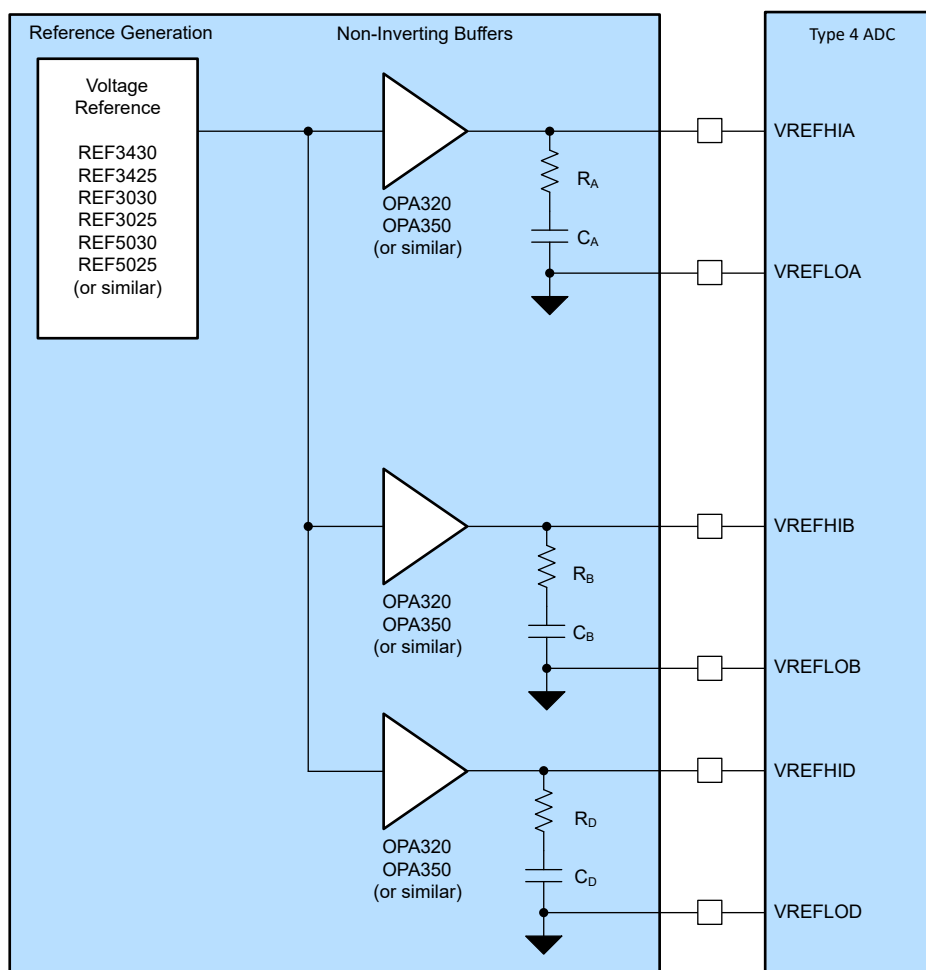
Note that this function assumes that the temperature reading is taken with VREFHI = 2.5V. If a different reference voltage is used, the sample can be scaled appropriately before passing the sample to the function by using the following formula:

adjusted sensor reading = raw sensor reading \* (VREFHI / 2.5V)

### 10.13.6 Designing an External Reference Circuit

Figure 10-19 shows the basic organization of the external voltage reference generation circuitry. A single reference voltage generation source must be shared by all ADC modules. This minimizes reference voltage mismatch between ADC modules. The reference voltage must then be buffered by a precision op-amp with good bandwidth and low output impedance before being driven into the reference pin. A capacitor between the high and low reference pins must be placed on the PCB as close to the pins as practical to help absorb high-frequency currents. A series resistor (typically  $<1\Omega$ ) in series with this capacitor can be necessary to make sure op-amp stability.

It is also possible to share two reference pins between one op-amp driver. This organization is shown in Figure 10-20. This gives slightly reduced performance compared to the case where each reference pin has a dedicated op-amp buffer, but it can still be possible to achieve all ADC specifications in the data sheet.



**Figure 10-19. ADC Reference System**

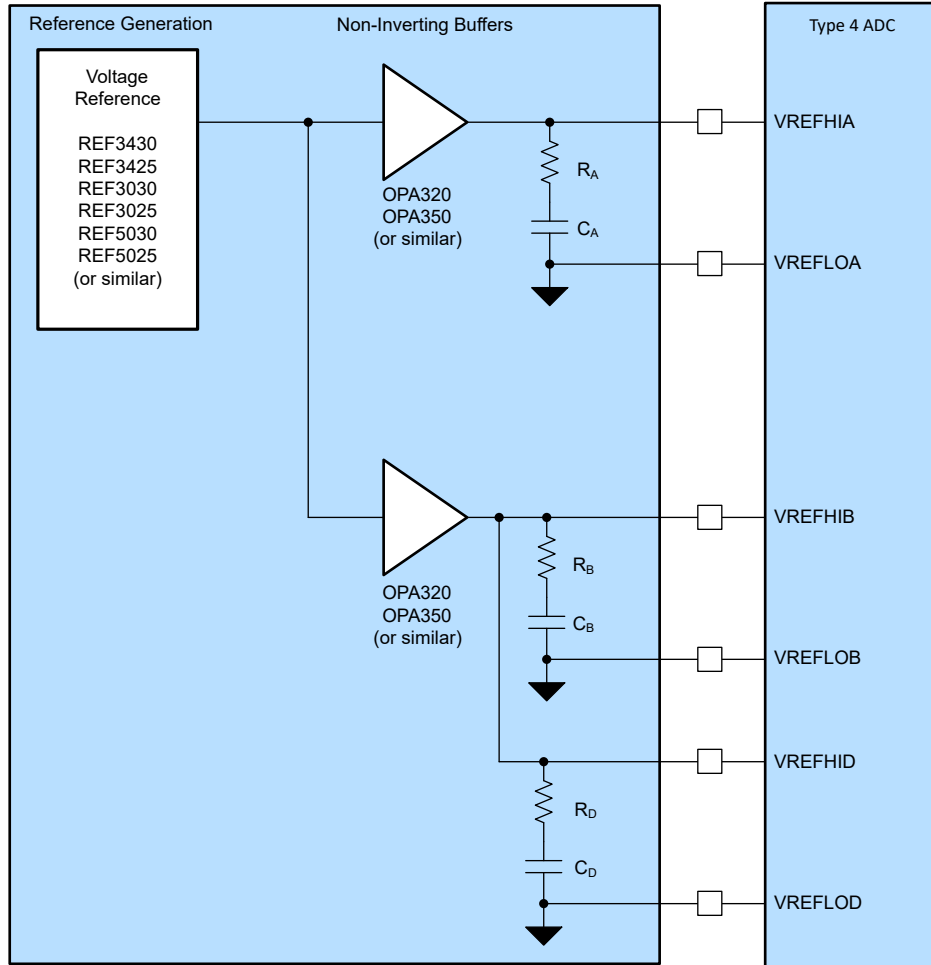


Figure 10-20. ADC Shared Reference System

## 10.14 Software

### 10.14.1 ADC Examples

NOTE: These examples are located in the [C2000Ware](#) installation at the following location:  
C2000Ware\_VERSION#/driverlib/DEVICE\_GPN/examples/CORE\_IF\_MULTICORE/adc

Cloud access to these examples is available at the following link: [dev.ti.com](http://dev.ti.com) [C2000Ware Examples](#).

#### 10.14.1.1 ADC Software Triggering

FILE: adc\_ex1\_soc\_software.c

This example converts some voltages on ADCA and ADCC based on a software trigger.

The ADCC will not convert until ADCA is complete, so the ADCs will not run asynchronously. However, this is much less efficient than allowing the ADCs to convert synchronously in parallel (for example, by using an ePWM trigger).

##### External Connections

- A0, A1, C2, and C3 should be connected to signals to convert

##### Watch Variables

- *myADC0Result0* - Digital representation of the voltage on pin A0
- *myADC0Result1* - Digital representation of the voltage on pin A1
- *myADC1Result0* - Digital representation of the voltage on pin C2
- *myADC1Result1* - Digital representation of the voltage on pin C3

#### 10.14.1.2 ADC ePWM Triggering

FILE: adc\_ex2\_soc\_epwm.c

This example sets up ePWM1 to periodically trigger a conversion on ADCA.

##### External Connections

- A0 should be connected to a signal to convert

##### Watch Variables

- *myADC0Results* - A sequence of analog-to-digital conversion samples from pin A0. The time between samples is determined based on the period of the ePWM timer.

#### 10.14.1.3 ADC Temperature Sensor Conversion

FILE: adc\_ex3\_temp\_sensor.c

This example sets up the ePWM to periodically trigger the ADC. The ADC converts the internal connection to the temperature sensor, which is then interpreted as a temperature by calling the `ADC_getTemperatureC()` function.

##### Watch Variables

- *sensorSample* - The raw reading from the temperature sensor
- *sensorTemp* - The interpretation of the sensor sample as a temperature in degrees Celsius.

#### 10.14.1.4 ADC Synchronous SOC Software Force (*adc\_soc\_software\_sync*)

FILE: adc\_ex4\_soc\_software\_sync.c

This example converts some voltages on ADCA and ADCC using input 5 of the input X-BAR as a software force. Input 5 is triggered by toggling GPIO0, but any spare GPIO could be used. This method will ensure that both ADCs start converting at exactly the same time.

##### External Connections

- A2, A3, C2, C3 pins should be connected to signals to convert

##### Watch Variables

- *myADC0Result0* : a digital representation of the voltage on pin A2
- *myADC0Result1* : a digital representation of the voltage on pin A3
- *myADC1Result0* : a digital representation of the voltage on pin C2
- *myADC1Result1* : a digital representation of the voltage on pin C3

#### 10.14.1.5 ADC Continuous Triggering (*adc\_soc\_continuous*)

FILE: *adc\_ex5\_soc\_continuous.c*

This example sets up the ADC to convert continuously, achieving maximum sampling rate.

##### External Connections

- A0 pin should be connected to signal to convert

##### Watch Variables

- *adcAResults* - A sequence of analog-to-digital conversion samples from pin A0. The time between samples is the minimum possible based on the ADC speed.

#### 10.14.1.6 ADC PPB Offset (*adc\_ppb\_offset*)

FILE: *adc\_ex7\_ppb\_offset.c*

This example software triggers the ADC. Some SOCs have automatic offset adjustment applied by the post-processing block. After the program runs, the memory will contain ADC & post-processing block(PPB) results.

##### External Connections

- A2, C2 pins should be connected to signals to convert

##### Watch Variables

- *myADC0Result* : a digital representation of the voltage on pin A2
- *myADC0PPBResult* : a digital representation of the voltage on pin A2, minus 100 LSBs of automatically added offset
- *myADC1Result* : a digital representation of the voltage on pin C2
- *myADC1PPBResult* : a digital representation of the voltage on pin C2 plus 100 LSBs of automatically added offset

#### 10.14.1.7 ADC PPB Limits (*adc\_ppb\_limits*)

FILE: *adc\_ex8\_ppb\_limits.c*

This example sets up the ePWM to periodically trigger the ADC. If the results are outside of the defined range, the post-processing block will generate an interrupt.

The default limits are 1000LSBs and 3000LSBs. With VREFHI set to 3.3V, the PPB will generate an interrupt if the input voltage goes above about 2.4V or below about 0.8V.

##### External Connections

- A0 should be connected to a signal to convert

##### Watch Variables

- None

#### 10.14.1.8 ADC PPB Delay Capture (*adc\_ppb\_delay*)

FILE: *adc\_ex9\_ppb\_delay.c*

This example demonstrates delay capture using the post-processing block.

Two asynchronous ADC triggers are setup:

- ePWM1, with period 2048, triggering SOC0 to convert on pin A0
  - ePWM2, with period 9999, triggering SOC1 to convert on pin A2
- Each conversion generates an ISR at the end of the conversion. In the ISR for SOC0, a conversion counter is incremented and the PPB is checked to determine if the sample was delayed.

After the program runs, the memory will contain:

*conversion* : the sequence of conversions using SOC0 that were delayed

- *delay* : the corresponding delay of each of the delayed conversions

#### **10.14.1.9 ADC ePWM Triggering Multiple SOC**

FILE: adc\_ex10\_multiple\_soc\_epwm.c

This example sets up ePWM1 to periodically trigger a set of conversions on ADCA and ADCC. This example demonstrates multiple ADCs working together to process a batch of conversions using the available parallelism across multiple ADCs.

ADCA Interrupt ISRs are used to read results of both ADCA and ADCC.

##### *External Connections*

- A0, A1, A2 and C2, C3, C4 pins should be connected to signals to be converted.

##### *Watch Variables*

- *adcAResult0* - Digital representation of the voltage on pin A0
- *adcAResult1* - Digital representation of the voltage on pin A1
- *adcAResult2* - Digital representation of the voltage on pin A2
- *adcCResult0* - Digital representation of the voltage on pin C2
- *adcCResult1* - Digital representation of the voltage on pin C3
- *adcCResult2* - Digital representation of the voltage on pin C4

#### **10.14.1.10 ADC Burst Mode**

FILE: adc\_ex11\_burst\_mode\_epwm.c

This example sets up ePWM1 to periodically trigger ADCA using burst mode. This allows for different channels to be sampled with each burst.

Each burst triggers 3 conversions. A0 and A1 are part of every burst while the third conversion rotates between A2, A3, and A4. This allows high importance signals to be sampled at high speed while lower priority signals can be sampled at a lower rate.

ADCA Interrupt ISRs are used to read results for ADCA.

##### *External Connections*

- A0, A1, A2, A3, A4

##### *Watch Variables*

- *adcAResult0* - Digital representation of the voltage on pin A0
- *adcAResult1* - Digital representation of the voltage on pin A1
- *adcAResult2* - Digital representation of the voltage on pin A2
- *adcAResult3* - Digital representation of the voltage on pin A3
- *adcAResult4* - Digital representation of the voltage on pin A4

#### **10.14.1.11 ADC Burst Mode Oversampling**

FILE: adc\_ex12\_burst\_mode\_oversampling.c

This example is an ADC oversampling example implemented with software. The ADC SOCs are configured in burst mode, triggered by the ePWM SOC A event trigger.

##### *External Connection*

- A2

##### *Watch Variables*

- *Iv\_results* - Array of digital values measured on pin A2 (oversampling is configured by `Oversampling_Amount`)



#### **10.14.1.12 ADC SOC Oversampling**

FILE: adc\_ex13\_soc\_oversampling.c

This example sets up ePWM1 to periodically trigger a set of conversions on ADCA including multiple SOCs that all convert A2 to achieve oversampling on A2.

ADCA Interrupt ISRs are used to read results of ADCA.

##### *External Connections*

- A0, A1, A2 should be connected to signals to be converted.

##### *Watch Variables*

- *adcAResult0* - Digital representation of the voltage on pin A0
- *adcAResult1* - Digital representation of the voltage on pin A1
- *adcAResult2* - Digital representation of the voltage on pin A2

#### **10.14.1.13 ADC PPB PWM trip (adc\_ppb\_pwm\_trip)**

FILE: adc\_ex14\_ppb\_pwm\_trip.c

This example demonstrates EPWM tripping through ADC limit detection PPB block. ADCAINT1 is configured to periodically trigger the ADCA channel 2 post initial software forced trigger. The limit detection post-processing block(PPB) is configured and if the ADC results are outside of the defined range, the post-processing block will generate an ADCxEVTy event. This event is configured as EPWM trip source through configuring EPWM XBAR and corresponding EPWM's trip zone and digital compare sub-modules. The example showcases

- one-shot
- and direct tripping of PWMs through ADCAEVT1 source via Digital compare submodule.

The default limits are 0LSBs and 3600LSBs. With VREFHI set to 3.3V, the PPB will generate a trip event if the input voltage goes above about 2.9V.

##### *External Connections*

- A2 should be connected to a signal to convert
- Observe the following signals on an oscilloscope
  - ePWM1(GPIO0 - GPIO1)
  - ePWM2(GPIO2 - GPIO3)
  - ePWM3(GPIO4 - GPIO5)
- 

##### *Watch Variables*

- *adcA2Results* - digital representation of the voltage on pin A2

## 10.15 ADC Registers

This section describes the Analog-to-Digital Converter Registers.

### 10.15.1 ADC Base Addresses

**Table 10-10. ADC Base Address Table**

Device Registers	Register Name	Start Address	End Address
AdcaResultRegs	ADC_RESULT_REGS	0x0000_0B00	0x0000_0B1F
AdcbResultRegs	ADC_RESULT_REGS	0x0000_0B20	0x0000_0B3F
AdcdResultRegs	ADC_RESULT_REGS	0x0000_0B60	0x0000_0B7F
AdcaRegs	ADC_REGS	0x0000_7400	0x0000_747F
AdcbRegs	ADC_REGS	0x0000_7480	0x0000_74FF
AdcdRegs	ADC_REGS	0x0000_7580	0x0000_75FF

### 10.15.2 ADC\_RESULT\_REGS Registers

Table 10-11 lists the memory-mapped registers for the ADC\_RESULT\_REGS registers. All register offset addresses not listed in Table 10-11 should be considered as reserved locations and the register contents should not be modified.

**Table 10-11. ADC\_RESULT\_REGS Registers**

Offset	Acronym	Register Name	Write Protection	Section
0h	ADCRESULT0	ADC Result 0 Register		<a href="#">Go</a>
1h	ADCRESULT1	ADC Result 1 Register		<a href="#">Go</a>
2h	ADCRESULT2	ADC Result 2 Register		<a href="#">Go</a>
3h	ADCRESULT3	ADC Result 3 Register		<a href="#">Go</a>
4h	ADCRESULT4	ADC Result 4 Register		<a href="#">Go</a>
5h	ADCRESULT5	ADC Result 5 Register		<a href="#">Go</a>
6h	ADCRESULT6	ADC Result 6 Register		<a href="#">Go</a>
7h	ADCRESULT7	ADC Result 7 Register		<a href="#">Go</a>
8h	ADCRESULT8	ADC Result 8 Register		<a href="#">Go</a>
9h	ADCRESULT9	ADC Result 9 Register		<a href="#">Go</a>
Ah	ADCRESULT10	ADC Result 10 Register		<a href="#">Go</a>
Bh	ADCRESULT11	ADC Result 11 Register		<a href="#">Go</a>
Ch	ADCRESULT12	ADC Result 12 Register		<a href="#">Go</a>
Dh	ADCRESULT13	ADC Result 13 Register		<a href="#">Go</a>
Eh	ADCRESULT14	ADC Result 14 Register		<a href="#">Go</a>
Fh	ADCRESULT15	ADC Result 15 Register		<a href="#">Go</a>
10h	ADCPPB1RESULT	ADC Post Processing Block 1 Result Register		<a href="#">Go</a>
12h	ADCPPB2RESULT	ADC Post Processing Block 2 Result Register		<a href="#">Go</a>
14h	ADCPPB3RESULT	ADC Post Processing Block 3 Result Register		<a href="#">Go</a>
16h	ADCPPB4RESULT	ADC Post Processing Block 4 Result Register		<a href="#">Go</a>

Complex bit access types are encoded to fit into small table cells. Table 10-12 shows the codes that are used for access types in this section.

**Table 10-12. ADC\_RESULT\_REGS Access Type Codes**

Access Type	Code	Description
Read Type		
R	R	Read
Reset or Default Value		
-n		Value after reset or the default value
Register Array Variables		
i,j,k,l,m,n		When these variables are used in a register name, an offset, or an address, they refer to the value of a register array where the register is part of a group of repeating registers. The register groups form a hierarchical structure and the array is represented with a formula.
y		When this variable is used in a register name, an offset, or an address it refers to the value of a register array.

### 10.15.2.1 ADCRESULT0 Register (Offset = 0h) [Reset = 0000h]

ADCRESULT0 is shown in [Figure 10-21](#) and described in [Table 10-13](#).

Return to the [Summary Table](#).

ADC Result 0 Register

**Figure 10-21. ADCRESULT0 Register**

15	14	13	12	11	10	9	8
RESULT							
R-0h							
7	6	5	4	3	2	1	0
RESULT							
R-0h							

**Table 10-13. ADCRESULT0 Register Field Descriptions**

Bit	Field	Type	Reset	Description
15-0	RESULT	R	0h	ADC Result 0 16-bit ADC result. After the ADC completes a conversion of SOC0, the digital result is placed in this bit field. Reset type: SYSRSn

### 10.15.2.2 ADCRESULT1 Register (Offset = 1h) [Reset = 0000h]

ADCRESULT1 is shown in [Figure 10-22](#) and described in [Table 10-14](#).

Return to the [Summary Table](#).

ADC Result 1 Register

**Figure 10-22. ADCRESULT1 Register**

15	14	13	12	11	10	9	8
RESULT							
R-0h							
7	6	5	4	3	2	1	0
RESULT							
R-0h							

**Table 10-14. ADCRESULT1 Register Field Descriptions**

Bit	Field	Type	Reset	Description
15-0	RESULT	R	0h	ADC Result 1 16-bit ADC result. After the ADC completes a conversion of SOC1, the digital result is placed in this bit field. Reset type: SYSRSn

### 10.15.2.3 ADCRESULT2 Register (Offset = 2h) [Reset = 0000h]

ADCRESULT2 is shown in [Figure 10-23](#) and described in [Table 10-15](#).

Return to the [Summary Table](#).

ADC Result 2 Register

**Figure 10-23. ADCRESULT2 Register**

15	14	13	12	11	10	9	8
RESULT							
R-0h							
7	6	5	4	3	2	1	0
RESULT							
R-0h							

**Table 10-15. ADCRESULT2 Register Field Descriptions**

Bit	Field	Type	Reset	Description
15-0	RESULT	R	0h	ADC Result 2 16-bit ADC result. After the ADC completes a conversion of SOC2, the digital result is placed in this bit field. Reset type: SYSRSn

### 10.15.2.4 ADCRESULT3 Register (Offset = 3h) [Reset = 0000h]

ADCRESULT3 is shown in [Figure 10-24](#) and described in [Table 10-16](#).

Return to the [Summary Table](#).

ADC Result 3 Register

**Figure 10-24. ADCRESULT3 Register**

15	14	13	12	11	10	9	8
RESULT							
R-0h							
7	6	5	4	3	2	1	0
RESULT							
R-0h							

**Table 10-16. ADCRESULT3 Register Field Descriptions**

Bit	Field	Type	Reset	Description
15-0	RESULT	R	0h	ADC Result 3 16-bit ADC result. After the ADC completes a conversion of SOC3, the digital result is placed in this bit field. Reset type: SYSRSn

### 10.15.2.5 ADCRESULT4 Register (Offset = 4h) [Reset = 0000h]

ADCRESULT4 is shown in [Figure 10-25](#) and described in [Table 10-17](#).

Return to the [Summary Table](#).

ADC Result 4 Register

**Figure 10-25. ADCRESULT4 Register**

15	14	13	12	11	10	9	8
RESULT							
R-0h							
7	6	5	4	3	2	1	0
RESULT							
R-0h							

**Table 10-17. ADCRESULT4 Register Field Descriptions**

Bit	Field	Type	Reset	Description
15-0	RESULT	R	0h	ADC Result 4 16-bit ADC result. After the ADC completes a conversion of SOC4, the digital result is placed in this bit field. Reset type: SYSRSn



### 10.15.2.6 ADCRESULT5 Register (Offset = 5h) [Reset = 0000h]

ADCRESULT5 is shown in [Figure 10-26](#) and described in [Table 10-18](#).

Return to the [Summary Table](#).

ADC Result 5 Register

**Figure 10-26. ADCRESULT5 Register**

15	14	13	12	11	10	9	8
RESULT							
R-0h							
7	6	5	4	3	2	1	0
RESULT							
R-0h							

**Table 10-18. ADCRESULT5 Register Field Descriptions**

Bit	Field	Type	Reset	Description
15-0	RESULT	R	0h	ADC Result 5 16-bit ADC result. After the ADC completes a conversion of SOC5, the digital result is placed in this bit field. Reset type: SYSRSn

### 10.15.2.7 ADCRESULT6 Register (Offset = 6h) [Reset = 0000h]

ADCRESULT6 is shown in [Figure 10-27](#) and described in [Table 10-19](#).

Return to the [Summary Table](#).

ADC Result 6 Register

**Figure 10-27. ADCRESULT6 Register**

15	14	13	12	11	10	9	8
RESULT							
R-0h							
7	6	5	4	3	2	1	0
RESULT							
R-0h							

**Table 10-19. ADCRESULT6 Register Field Descriptions**

Bit	Field	Type	Reset	Description
15-0	RESULT	R	0h	ADC Result 6 16-bit ADC result. After the ADC completes a conversion of SOC6, the digital result is placed in this bit field. Reset type: SYSRSn

### 10.15.2.8 ADCRESULT7 Register (Offset = 7h) [Reset = 0000h]

ADCRESULT7 is shown in [Figure 10-28](#) and described in [Table 10-20](#).

Return to the [Summary Table](#).

ADC Result 7 Register

**Figure 10-28. ADCRESULT7 Register**

15	14	13	12	11	10	9	8
RESULT							
R-0h							
7	6	5	4	3	2	1	0
RESULT							
R-0h							

**Table 10-20. ADCRESULT7 Register Field Descriptions**

Bit	Field	Type	Reset	Description
15-0	RESULT	R	0h	ADC Result 7 16-bit ADC result. After the ADC completes a conversion of SOC7, the digital result is placed in this bit field. Reset type: SYSRSn

### 10.15.2.9 ADCRESULT8 Register (Offset = 8h) [Reset = 0000h]

ADCRESULT8 is shown in [Figure 10-29](#) and described in [Table 10-21](#).

Return to the [Summary Table](#).

ADC Result 8 Register

**Figure 10-29. ADCRESULT8 Register**

15	14	13	12	11	10	9	8
RESULT							
R-0h							
7	6	5	4	3	2	1	0
RESULT							
R-0h							

**Table 10-21. ADCRESULT8 Register Field Descriptions**

Bit	Field	Type	Reset	Description
15-0	RESULT	R	0h	ADC Result 8 16-bit ADC result. After the ADC completes a conversion of SOC8, the digital result is placed in this bit field. Reset type: SYSRSn

**10.15.2.10 ADCRESULT9 Register (Offset = 9h) [Reset = 0000h]**

ADCRESULT9 is shown in [Figure 10-30](#) and described in [Table 10-22](#).

Return to the [Summary Table](#).

ADC Result 9 Register

**Figure 10-30. ADCRESULT9 Register**

15	14	13	12	11	10	9	8
RESULT							
R-0h							
7	6	5	4	3	2	1	0
RESULT							
R-0h							

**Table 10-22. ADCRESULT9 Register Field Descriptions**

Bit	Field	Type	Reset	Description
15-0	RESULT	R	0h	ADC Result 9 16-bit ADC result. After the ADC completes a conversion of SOC9, the digital result is placed in this bit field. Reset type: SYSRSn

### 10.15.2.11 ADCRESULT10 Register (Offset = Ah) [Reset = 0000h]

ADCRESULT10 is shown in [Figure 10-31](#) and described in [Table 10-23](#).

Return to the [Summary Table](#).

ADC Result 10 Register

**Figure 10-31. ADCRESULT10 Register**

15	14	13	12	11	10	9	8
RESULT							
R-0h							
7	6	5	4	3	2	1	0
RESULT							
R-0h							

**Table 10-23. ADCRESULT10 Register Field Descriptions**

Bit	Field	Type	Reset	Description
15-0	RESULT	R	0h	ADC Result 10 16-bit ADC result. After the ADC completes a conversion of SOC10, the digital result is placed in this bit field. Reset type: SYSRSn

**10.15.2.12 ADCRESULT11 Register (Offset = Bh) [Reset = 0000h]**

ADCRESULT11 is shown in [Figure 10-32](#) and described in [Table 10-24](#).

Return to the [Summary Table](#).

ADC Result 11 Register

**Figure 10-32. ADCRESULT11 Register**

15	14	13	12	11	10	9	8
RESULT							
R-0h							
7	6	5	4	3	2	1	0
RESULT							
R-0h							

**Table 10-24. ADCRESULT11 Register Field Descriptions**

Bit	Field	Type	Reset	Description
15-0	RESULT	R	0h	ADC Result 11 16-bit ADC result. After the ADC completes a conversion of SOC11, the digital result is placed in this bit field. Reset type: SYSRSn

### 10.15.2.13 ADCRESULT12 Register (Offset = Ch) [Reset = 0000h]

ADCRESULT12 is shown in [Figure 10-33](#) and described in [Table 10-25](#).

Return to the [Summary Table](#).

ADC Result 12 Register

**Figure 10-33. ADCRESULT12 Register**

15	14	13	12	11	10	9	8
RESULT							
R-0h							
7	6	5	4	3	2	1	0
RESULT							
R-0h							

**Table 10-25. ADCRESULT12 Register Field Descriptions**

Bit	Field	Type	Reset	Description
15-0	RESULT	R	0h	ADC Result 12 16-bit ADC result. After the ADC completes a conversion of SOC12, the digital result is placed in this bit field. Reset type: SYSRSn



### 10.15.2.14 ADCRESULT13 Register (Offset = Dh) [Reset = 0000h]

ADCRESULT13 is shown in [Figure 10-34](#) and described in [Table 10-26](#).

Return to the [Summary Table](#).

ADC Result 13 Register

**Figure 10-34. ADCRESULT13 Register**

15	14	13	12	11	10	9	8
RESULT							
R-0h							
7	6	5	4	3	2	1	0
RESULT							
R-0h							

**Table 10-26. ADCRESULT13 Register Field Descriptions**

Bit	Field	Type	Reset	Description
15-0	RESULT	R	0h	ADC Result 13 16-bit ADC result. After the ADC completes a conversion of SOC13, the digital result is placed in this bit field. Reset type: SYSRSn

### 10.15.2.15 ADCRESULT14 Register (Offset = Eh) [Reset = 0000h]

ADCRESULT14 is shown in [Figure 10-35](#) and described in [Table 10-27](#).

Return to the [Summary Table](#).

ADC Result 14 Register

**Figure 10-35. ADCRESULT14 Register**

15	14	13	12	11	10	9	8
RESULT							
R-0h							
7	6	5	4	3	2	1	0
RESULT							
R-0h							

**Table 10-27. ADCRESULT14 Register Field Descriptions**

Bit	Field	Type	Reset	Description
15-0	RESULT	R	0h	ADC Result 14 16-bit ADC result. After the ADC completes a conversion of SOC14, the digital result is placed in this bit field. Reset type: SYSRSn

### 10.15.2.16 ADCRESULT15 Register (Offset = Fh) [Reset = 0000h]

ADCRESULT15 is shown in [Figure 10-36](#) and described in [Table 10-28](#).

Return to the [Summary Table](#).

ADC Result 15 Register

**Figure 10-36. ADCRESULT15 Register**

15	14	13	12	11	10	9	8
RESULT							
R-0h							
7	6	5	4	3	2	1	0
RESULT							
R-0h							

**Table 10-28. ADCRESULT15 Register Field Descriptions**

Bit	Field	Type	Reset	Description
15-0	RESULT	R	0h	ADC Result 15 16-bit ADC result. After the ADC completes a conversion of SOC15, the digital result is placed in this bit field. Reset type: SYSRSn

### 10.15.2.17 ADCPPB1RESULT Register (Offset = 10h) [Reset = 0000000h]

ADCPPB1RESULT is shown in [Figure 10-37](#) and described in [Table 10-29](#).

Return to the [Summary Table](#).

ADC Post Processing Block 1 Result Register

**Figure 10-37. ADCPPB1RESULT Register**

31	30	29	28	27	26	25	24	23	22	21	20	19	18	17	16	15	14	13	12	11	10	9	8	7	6	5	4	3	2	1	0
SIGN																PPBRESULT															
R-0h																R-0h															

**Table 10-29. ADCPPB1RESULT Register Field Descriptions**

Bit	Field	Type	Reset	Description
31-16	SIGN	R	0h	Sign Extended Bits. These bits reflect the same value as bit 16. NOTE: If the conversion associated with this Post Processing Block is a 12-bit conversion, the SIGN bits extend down to bit 12, and all reflect the same value as bit 12. Reset type: SYSRSn
15-0	PPBRESULT	R	0h	ADC Post Processing Block Result 1 The result of the offset/reference subtraction post conversion processing is stored in this register. This result is available 1 SYSCLK cycle after the associated ADCRESULT is available. If ADCINTFLG is polled to determine when to read the PPBRESULT, it may be necessary to add a NOP instruction to ensure that the updated post conversion processing result has posted to the register. NOTE: If the conversion associated with this Post Processing Block is a 12-bit conversion, the PPBRESULT bits are limited to bits 12:0. Reset type: SYSRSn

### 10.15.2.18 ADCPPB2RESULT Register (Offset = 12h) [Reset = 0000000h]

ADCPPB2RESULT is shown in [Figure 10-38](#) and described in [Table 10-30](#).

Return to the [Summary Table](#).

ADC Post Processing Block 2 Result Register

**Figure 10-38. ADCPPB2RESULT Register**

31	30	29	28	27	26	25	24	23	22	21	20	19	18	17	16	15	14	13	12	11	10	9	8	7	6	5	4	3	2	1	0
SIGN																PPBRESULT															
R-0h																R-0h															

**Table 10-30. ADCPPB2RESULT Register Field Descriptions**

Bit	Field	Type	Reset	Description
31-16	SIGN	R	0h	Sign Extended Bits. These bits reflect the same value as bit 16. NOTE: If the conversion associated with this Post Processing Block is a 12-bit conversion, the SIGN bits extend down to bit 12, and all reflect the same value as bit 12. Reset type: SYSRSn
15-0	PPBRESULT	R	0h	ADC Post Processing Block Result 2 The result of the offset/reference subtraction post conversion processing is stored in this register. This result is available 1 SYSClk cycle after the associated ADCRESULT is available. If ADCINTFLG is polled to determine when to read the PPBRESULT, it may be necessary to add a NOP instruction to ensure that the updated post conversion processing result has posted to the register. NOTE: If the conversion associated with this Post Processing Block is a 12-bit conversion, the PPBRESULT bits are limited to bits 12:0. Reset type: SYSRSn

### 10.15.2.19 ADCPPB3RESULT Register (Offset = 14h) [Reset = 0000000h]

ADCPPB3RESULT is shown in [Figure 10-39](#) and described in [Table 10-31](#).

Return to the [Summary Table](#).

ADC Post Processing Block 3 Result Register

**Figure 10-39. ADCPPB3RESULT Register**

31	30	29	28	27	26	25	24	23	22	21	20	19	18	17	16	15	14	13	12	11	10	9	8	7	6	5	4	3	2	1	0
SIGN																PPBRESULT															
R-0h																R-0h															

**Table 10-31. ADCPPB3RESULT Register Field Descriptions**

Bit	Field	Type	Reset	Description
31-16	SIGN	R	0h	Sign Extended Bits. These bits reflect the same value as bit 16. NOTE: If the conversion associated with this Post Processing Block is a 12-bit conversion, the SIGN bits extend down to bit 12, and all reflect the same value as bit 12. Reset type: SYSRSn
15-0	PPBRESULT	R	0h	ADC Post Processing Block Result 3 The result of the offset/reference subtraction post conversion processing is stored in this register. This result is available 1 SYCLK cycle after the associated ADCRESULT is available. If ADCINTFLG is polled to determine when to read the PPBRESULT, it may be necessary to add a NOP instruction to ensure that the updated post conversion processing result has posted to the register. NOTE: If the conversion associated with this Post Processing Block is a 12-bit conversion, the PPBRESULT bits are limited to bits 12:0. Reset type: SYSRSn

### 10.15.2.20 ADCPPB4RESULT Register (Offset = 16h) [Reset = 0000000h]

ADCPPB4RESULT is shown in [Figure 10-40](#) and described in [Table 10-32](#).

Return to the [Summary Table](#).

ADC Post Processing Block 4 Result Register

**Figure 10-40. ADCPPB4RESULT Register**

31	30	29	28	27	26	25	24	23	22	21	20	19	18	17	16	15	14	13	12	11	10	9	8	7	6	5	4	3	2	1	0
SIGN																PPBRESULT															
R-0h																R-0h															

**Table 10-32. ADCPPB4RESULT Register Field Descriptions**

Bit	Field	Type	Reset	Description
31-16	SIGN	R	0h	Sign Extended Bits. These bits reflect the same value as bit 16. NOTE: If the conversion associated with this Post Processing Block is a 12-bit conversion, the SIGN bits extend down to bit 12, and all reflect the same value as bit 12. Reset type: SYSRSn
15-0	PPBRESULT	R	0h	ADC Post Processing Block Result 4 The result of the offset/reference subtraction post conversion processing is stored in this register. This result is available 1 SYCLK cycle after the associated ADCRESULT is available. If ADCINTFLG is polled to determine when to read the PPBRESULT, it may be necessary to add a NOP instruction to ensure that the updated post conversion processing result has posted to the register. NOTE: If the conversion associated with this Post Processing Block is a 12-bit conversion, the PPBRESULT bits are limited to bits 12:0. Reset type: SYSRSn

### 10.15.3 ADC\_REGS Registers

Table 10-33 lists the memory-mapped registers for the ADC\_REGS registers. All register offset addresses not listed in Table 10-33 should be considered as reserved locations and the register contents should not be modified.

**Table 10-33. ADC\_REGS Registers**

Offset	Acronym	Register Name	Write Protection	Section
0h	ADCCTL1	ADC Control 1 Register	EALLOW	<a href="#">Go</a>
1h	ADCCTL2	ADC Control 2 Register	EALLOW	<a href="#">Go</a>
2h	ADCBURSTCTL	ADC Burst Control Register	EALLOW	<a href="#">Go</a>
3h	ADCINTFLG	ADC Interrupt Flag Register		<a href="#">Go</a>
4h	ADCINTFLGCLR	ADC Interrupt Flag Clear Register		<a href="#">Go</a>
5h	ADCINTOVF	ADC Interrupt Overflow Register		<a href="#">Go</a>
6h	ADCINTOVFCLR	ADC Interrupt Overflow Clear Register		<a href="#">Go</a>
7h	ADCINTSEL1N2	ADC Interrupt 1 and 2 Selection Register	EALLOW	<a href="#">Go</a>
8h	ADCINTSEL3N4	ADC Interrupt 3 and 4 Selection Register	EALLOW	<a href="#">Go</a>
9h	ADCSOCPRICTL	ADC SOC Priority Control Register	EALLOW	<a href="#">Go</a>
Ah	ADCINTSOCSEL1	ADC Interrupt SOC Selection 1 Register	EALLOW	<a href="#">Go</a>
Bh	ADCINTSOCSEL2	ADC Interrupt SOC Selection 2 Register	EALLOW	<a href="#">Go</a>
Ch	ADCSOCFLG1	ADC SOC Flag 1 Register		<a href="#">Go</a>
Dh	ADCSOCFRC1	ADC SOC Force 1 Register		<a href="#">Go</a>
Eh	ADCSOCOVF1	ADC SOC Overflow 1 Register		<a href="#">Go</a>
Fh	ADCSOCOVFCLR1	ADC SOC Overflow Clear 1 Register		<a href="#">Go</a>
10h	ADCSOC0CTL	ADC SOC0 Control Register	EALLOW	<a href="#">Go</a>
12h	ADCSOC1CTL	ADC SOC1 Control Register	EALLOW	<a href="#">Go</a>
14h	ADCSOC2CTL	ADC SOC2 Control Register	EALLOW	<a href="#">Go</a>
16h	ADCSOC3CTL	ADC SOC3 Control Register	EALLOW	<a href="#">Go</a>
18h	ADCSOC4CTL	ADC SOC4 Control Register	EALLOW	<a href="#">Go</a>
1Ah	ADCSOC5CTL	ADC SOC5 Control Register	EALLOW	<a href="#">Go</a>
1Ch	ADCSOC6CTL	ADC SOC6 Control Register	EALLOW	<a href="#">Go</a>
1Eh	ADCSOC7CTL	ADC SOC7 Control Register	EALLOW	<a href="#">Go</a>
20h	ADCSOC8CTL	ADC SOC8 Control Register	EALLOW	<a href="#">Go</a>
22h	ADCSOC9CTL	ADC SOC9 Control Register	EALLOW	<a href="#">Go</a>
24h	ADCSOC10CTL	ADC SOC10 Control Register	EALLOW	<a href="#">Go</a>
26h	ADCSOC11CTL	ADC SOC11 Control Register	EALLOW	<a href="#">Go</a>
28h	ADCSOC12CTL	ADC SOC12 Control Register	EALLOW	<a href="#">Go</a>
2Ah	ADCSOC13CTL	ADC SOC13 Control Register	EALLOW	<a href="#">Go</a>
2Ch	ADCSOC14CTL	ADC SOC14 Control Register	EALLOW	<a href="#">Go</a>
2Eh	ADCSOC15CTL	ADC SOC15 Control Register	EALLOW	<a href="#">Go</a>
30h	ADCEVTSTAT	ADC Event Status Register		<a href="#">Go</a>
32h	ADCEVTCLR	ADC Event Clear Register		<a href="#">Go</a>
34h	ADCEVTSEL	ADC Event Selection Register	EALLOW	<a href="#">Go</a>
36h	ADCEVTINTSEL	ADC Event Interrupt Selection Register	EALLOW	<a href="#">Go</a>
38h	ADCOSDETECT	ADC Open and Shorts Detect Register	EALLOW	<a href="#">Go</a>
39h	ADCCOUNTER	ADC Counter Register		<a href="#">Go</a>
3Ah	ADCREV	ADC Revision Register		<a href="#">Go</a>
3Bh	ADCOFFTRIM	ADC Offset Trim Register	EALLOW	<a href="#">Go</a>



**Table 10-33. ADC\_REGS Registers (continued)**

Offset	Acronym	Register Name	Write Protection	Section
40h	ADCPPB1CONFIG	ADC PPB1 Config Register	EALLOW	<a href="#">Go</a>
41h	ADCPPB1STAMP	ADC PPB1 Sample Delay Time Stamp Register		<a href="#">Go</a>
42h	ADCPPB1OFFCAL	ADC PPB1 Offset Calibration Register	EALLOW	<a href="#">Go</a>
43h	ADCPPB1OFFREF	ADC PPB1 Offset Reference Register		<a href="#">Go</a>
44h	ADCPPB1TRIPHI	ADC PPB1 Trip High Register	EALLOW	<a href="#">Go</a>
46h	ADCPPB1TRIPLO	ADC PPB1 Trip Low/Trigger Time Stamp Register	EALLOW	<a href="#">Go</a>
48h	ADCPPB2CONFIG	ADC PPB2 Config Register	EALLOW	<a href="#">Go</a>
49h	ADCPPB2STAMP	ADC PPB2 Sample Delay Time Stamp Register		<a href="#">Go</a>
4Ah	ADCPPB2OFFCAL	ADC PPB2 Offset Calibration Register	EALLOW	<a href="#">Go</a>
4Bh	ADCPPB2OFFREF	ADC PPB2 Offset Reference Register		<a href="#">Go</a>
4Ch	ADCPPB2TRIPHI	ADC PPB2 Trip High Register	EALLOW	<a href="#">Go</a>
4Eh	ADCPPB2TRIPLO	ADC PPB2 Trip Low/Trigger Time Stamp Register	EALLOW	<a href="#">Go</a>
50h	ADCPPB3CONFIG	ADC PPB3 Config Register	EALLOW	<a href="#">Go</a>
51h	ADCPPB3STAMP	ADC PPB3 Sample Delay Time Stamp Register		<a href="#">Go</a>
52h	ADCPPB3OFFCAL	ADC PPB3 Offset Calibration Register	EALLOW	<a href="#">Go</a>
53h	ADCPPB3OFFREF	ADC PPB3 Offset Reference Register		<a href="#">Go</a>
54h	ADCPPB3TRIPHI	ADC PPB3 Trip High Register	EALLOW	<a href="#">Go</a>
56h	ADCPPB3TRIPLO	ADC PPB3 Trip Low/Trigger Time Stamp Register	EALLOW	<a href="#">Go</a>
58h	ADCPPB4CONFIG	ADC PPB4 Config Register	EALLOW	<a href="#">Go</a>
59h	ADCPPB4STAMP	ADC PPB4 Sample Delay Time Stamp Register		<a href="#">Go</a>
5Ah	ADCPPB4OFFCAL	ADC PPB4 Offset Calibration Register	EALLOW	<a href="#">Go</a>
5Bh	ADCPPB4OFFREF	ADC PPB4 Offset Reference Register		<a href="#">Go</a>
5Ch	ADCPPB4TRIPHI	ADC PPB4 Trip High Register	EALLOW	<a href="#">Go</a>
5Eh	ADCPPB4TRIPLO	ADC PPB4 Trip Low/Trigger Time Stamp Register	EALLOW	<a href="#">Go</a>
70h	ADCINLTRIM1	ADC Linearity Trim 1 Register	EALLOW	<a href="#">Go</a>
72h	ADCINLTRIM2	ADC Linearity Trim 2 Register	EALLOW	<a href="#">Go</a>
74h	ADCINLTRIM3	ADC Linearity Trim 3 Register	EALLOW	<a href="#">Go</a>
76h	ADCINLTRIM4	ADC Linearity Trim 4 Register	EALLOW	<a href="#">Go</a>
78h	ADCINLTRIM5	ADC Linearity Trim 5 Register	EALLOW	<a href="#">Go</a>
7Ah	ADCINLTRIM6	ADC Linearity Trim 6 Register	EALLOW	<a href="#">Go</a>

Complex bit access types are encoded to fit into small table cells. [Table 10-34](#) shows the codes that are used for access types in this section.

**Table 10-34. ADC\_REGS Access Type Codes**

Access Type	Code	Description
Read Type		
R	R	Read
R-0	R -0	Read Returns 0s
Write Type		
W	W	Write
W1C	W 1C	Write 1 to clear
W1S	W 1S	Write 1 to set
Reset or Default Value		

**Table 10-34. ADC\_REGS Access Type Codes (continued)**

Access Type	Code	Description
$-n$		Value after reset or the default value
Register Array Variables		
$i,j,k,l,m,n$		When these variables are used in a register name, an offset, or an address, they refer to the value of a register array where the register is part of a group of repeating registers. The register groups form a hierarchical structure and the array is represented with a formula.
$y$		When this variable is used in a register name, an offset, or an address it refers to the value of a register array.

### 10.15.3.1 ADCCTL1 Register (Offset = 0h) [Reset = 0000h]

ADCCTL1 is shown in [Figure 10-41](#) and described in [Table 10-35](#).

Return to the [Summary Table](#).

ADC Control 1 Register

**Figure 10-41. ADCCTL1 Register**

15	14	13	12	11	10	9	8
RESERVED		ADCBSY	RESERVED	ADCBSYCHN			
R-0h		R-0h	R-0h	R-0h			
7	6	5	4	3	2	1	0
ADCPWDNZ	RESERVED			INTPULSEPOS	RESERVED		
R/W-0h	R-0h			R/W-0h	R-0h		

**Table 10-35. ADCCTL1 Register Field Descriptions**

Bit	Field	Type	Reset	Description
15-14	RESERVED	R	0h	Reserved
13	ADCBSY	R	0h	ADC Busy. Set when ADC SOC is generated, cleared by hardware four ADC clocks after negative edge of S/H pulse. Used by the ADC state machine to determine if ADC is available to sample. 0 ADC is available to sample next channel 1 ADC is busy and cannot sample another channel Reset type: SYSRSn
12	RESERVED	R	0h	Reserved
11-8	ADCBSYCHN	R	0h	ADC Busy Channel. Set when an ADC Start of Conversion (SOC) is generated. When ADCBSY=0: holds the value of the last converted SOC When ADCBSY=1: reflects the SOC currently being processed 0h SOC0 is currently processing or was last SOC converted 1h SOC1 is currently processing or was last SOC converted 2h SOC2 is currently processing or was last SOC converted 3h SOC3 is currently processing or was last SOC converted 4h SOC4 is currently processing or was last SOC converted 5h SOC5 is currently processing or was last SOC converted 6h SOC6 is currently processing or was last SOC converted 7h SOC7 is currently processing or was last SOC converted 8h SOC8 is currently processing or was last SOC converted 9h SOC9 is currently processing or was last SOC converted Ah SOC10 is currently processing or was last SOC converted Bh SOC11 is currently processing or was last SOC converted Ch SOC12 is currently processing or was last SOC converted Dh SOC13 is currently processing or was last SOC converted Eh SOC14 is currently processing or was last SOC converted Fh SOC15 is currently processing or was last SOC converted Reset type: SYSRSn
7	ADCPWDNZ	R/W	0h	ADC Power Down (active low). This bit controls the power up and power down of all the analog circuitry inside the analog core. 0 All analog circuitry inside the core is powered down 1 All analog circuitry inside the core is powered up Reset type: SYSRSn
6-3	RESERVED	R	0h	Reserved
2	INTPULSEPOS	R/W	0h	ADC Interrupt Pulse Position. 0 Interrupt pulse generation occurs at the end of the acquisition window 1 Interrupt pulse generation occurs at the end of the conversion. Results will latch 1 or more cycles later. Refer to the ADC timing diagrams for exact timings for the specific configurations being used. Reset type: SYSRSn

**Table 10-35. ADCCTL1 Register Field Descriptions (continued)**

Bit	Field	Type	Reset	Description
1-0	RESERVED	R	0h	Reserved

### 10.15.3.2 ADCCTL2 Register (Offset = 1h) [Reset = 0000h]

ADCCTL2 is shown in [Figure 10-42](#) and described in [Table 10-36](#).

Return to the [Summary Table](#).

ADC Control 2 Register

**Figure 10-42. ADCCTL2 Register**

15	14	13	12	11	10	9	8
RESERVED				RESERVED			
R-0h				R-0h			
7	6	5	4	3	2	1	0
RESERVED	RESERVED	RESERVED		PRESCALE			
R-0h	R-0h	R-0h		R/W-0h			

**Table 10-36. ADCCTL2 Register Field Descriptions**

Bit	Field	Type	Reset	Description
15-13	RESERVED	R	0h	Reserved
12-8	RESERVED	R	0h	Reserved
7	RESERVED	R	0h	Reserved
6	RESERVED	R	0h	Reserved
5-4	RESERVED	R	0h	Reserved
3-0	PRESCALE	R/W	0h	ADC Clock Prescaler. 0000 ADCCLK = Input Clock / 1.0 0001 Invalid 0010 ADCCLK = Input Clock / 2.0 0011 ADCCLK = Input Clock / 2.5 0100 ADCCLK = Input Clock / 3.0 0101 ADCCLK = Input Clock / 3.5 0110 ADCCLK = Input Clock / 4.0 0111 ADCCLK = Input Clock / 4.5 1000 ADCCLK = Input Clock / 5.0 1001 ADCCLK = Input Clock / 5.5 1010 ADCCLK = Input Clock / 6.0 1011 ADCCLK = Input Clock / 6.5 1100 ADCCLK = Input Clock / 7.0 1101 ADCCLK = Input Clock / 7.5 1110 ADCCLK = Input Clock / 8.0 1111 ADCCLK = Input Clock / 8.5 Reset type: SYSRSn

### 10.15.3.3 ADCBURSTCTL Register (Offset = 2h) [Reset = 0000h]

ADCBURSTCTL is shown in [Figure 10-43](#) and described in [Table 10-37](#).

Return to the [Summary Table](#).

ADC Burst Control Register

**Figure 10-43. ADCBURSTCTL Register**

15	14	13	12	11	10	9	8
BURSTEN		RESERVED			BURSTSIZE		
R/W-0h		R-0h			R/W-0h		
7	6	5	4	3	2	1	0
RESERVED		BURSTTRIGSEL					
R-0h		R/W-0h					

**Table 10-37. ADCBURSTCTL Register Field Descriptions**

Bit	Field	Type	Reset	Description
15	BURSTEN	R/W	0h	SOC Burst Mode Enable. This bit enables the SOC Burst Mode of operation. 0 Burst mode is disabled. 1 Burst mode is enabled. Reset type: SYSRSn
14-12	RESERVED	R	0h	Reserved
11-8	BURSTSIZE	R/W	0h	SOC Burst Size Select. This bit field determines how many SOCs are converted when a burst conversion sequence is started. The first SOC converted is defined by the round robin pointer, which is advanced as each SOC is converted. 0h 1 SOC converted 1h 2 SOCs converted 2h 3 SOCs converted 3h 4 SOCs converted 4h 5 SOCs converted 5h 6 SOCs converted 6h 7 SOCs converted 7h 8 SOCs converted 8h 9 SOCs converted 9h 10 SOCs converted Ah 11 SOCs converted Bh 12 SOCs converted Ch 13 SOCs converted Dh 14 SOCs converted Eh 15 SOCs converted Fh 16 SOCs converted Reset type: SYSRSn
7-6	RESERVED	R	0h	Reserved

**Table 10-37. ADCBURSTCTL Register Field Descriptions (continued)**

Bit	Field	Type	Reset	Description
5-0	BURSTTRIGSEL	R/W	0h	<p>SOC Burst Trigger Source Select. Configures which trigger will start a burst conversion sequence.</p> <p>00h BURSTTRIG0 - Software only            01h BURSTTRIG1 - CPU1 Timer 0, TINT0n            02h BURSTTRIG2 - CPU1 Timer 1, TINT1n            03h BURSTTRIG3 - CPU1 Timer 2, TINT2n            04h BURSTTRIG4 - GPIO, Input X-Bar INPUT5            05h BURSTTRIG5 - ePWM1, ADCSOCA            06h BURSTTRIG6 - ePWM1, ADCSOCA            07h BURSTTRIG7 - ePWM2, ADCSOCA            08h BURSTTRIG8 - ePWM2, ADCSOCA            09h BURSTTRIG9 - ePWM3, ADCSOCA            0Ah BURSTTRIG10 - ePWM3, ADCSOCA            0Bh BURSTTRIG11 - ePWM4, ADCSOCA            0Ch BURSTTRIG12 - ePWM4, ADCSOCA            0Dh BURSTTRIG13 - ePWM5, ADCSOCA            0Eh BURSTTRIG14 - ePWM5, ADCSOCA            0Fh BURSTTRIG15 - ePWM6, ADCSOCA            10h BURSTTRIG16 - ePWM6, ADCSOCA            11h BURSTTRIG17 - ePWM7, ADCSOCA            12h BURSTTRIG18 - ePWM7, ADCSOCA            13h BURSTTRIG19 - ePWM8, ADCSOCA            14h BURSTTRIG20 - ePWM8, ADCSOCA            15h BURSTTRIG21 - ePWM9, ADCSOCA            16h BURSTTRIG22 - ePWM9, ADCSOCA            17h BURSTTRIG23 - ePWM10, ADCSOCA            18h BURSTTRIG24 - ePWM10, ADCSOCA            19h BURSTTRIG25 - ePWM11, ADCSOCA            1Ah BURSTTRIG26 - ePWM11, ADCSOCA            1Bh BURSTTRIG27 - ePWM12, ADCSOCA            1Ch BURSTTRIG28 - ePWM12, ADCSOCA            1Dh - 3Fh - Reserved</p> <p>Reset type: SYSRSn</p>

### 10.15.3.4 ADCINTFLG Register (Offset = 3h) [Reset = 0000h]

ADCINTFLG is shown in [Figure 10-44](#) and described in [Table 10-38](#).

Return to the [Summary Table](#).

ADC Interrupt Flag Register

**Figure 10-44. ADCINTFLG Register**

15	14	13	12	11	10	9	8
RESERVED							
R-0h							
7	6	5	4	3	2	1	0
RESERVED				ADCINT4	ADCINT3	ADCINT2	ADCINT1
R-0h				R-0h	R-0h	R-0h	R-0h

**Table 10-38. ADCINTFLG Register Field Descriptions**

Bit	Field	Type	Reset	Description
15-4	RESERVED	R	0h	Reserved
3	ADCINT4	R	0h	ADC Interrupt 4 Flag. Reading these flags indicates if the associated ADCINT pulse was generated since the last clear. 0 No ADC interrupt pulse generated 1 ADC interrupt pulse generated If the ADC interrupt is placed in continue to interrupt mode (INTSELxNy register) then further interrupt pulses are generated whenever a selected EOC event occurs even if the flag bit is set. If the continuous mode is not enabled, then no further interrupt pulses are generated until the user clears this flag bit using the ADCINTFLGCLR register. Rather, an ADC interrupt overflow event occurs in the ADCINTOVF register. Reset type: SYSRSn
2	ADCINT3	R	0h	ADC Interrupt 3 Flag. Reading these flags indicates if the associated ADCINT pulse was generated since the last clear. 0 No ADC interrupt pulse generated 1 ADC interrupt pulse generated If the ADC interrupt is placed in continue to interrupt mode (INTSELxNy register) then further interrupt pulses are generated whenever a selected EOC event occurs even if the flag bit is set. If the continuous mode is not enabled, then no further interrupt pulses are generated until the user clears this flag bit using the ADCINTFLGCLR register. Rather, an ADC interrupt overflow event occurs in the ADCINTOVF register. Reset type: SYSRSn
1	ADCINT2	R	0h	ADC Interrupt 2 Flag. Reading these flags indicates if the associated ADCINT pulse was generated since the last clear. 0 No ADC interrupt pulse generated 1 ADC interrupt pulse generated If the ADC interrupt is placed in continue to interrupt mode (INTSELxNy register) then further interrupt pulses are generated whenever a selected EOC event occurs even if the flag bit is set. If the continuous mode is not enabled, then no further interrupt pulses are generated until the user clears this flag bit using the ADCINTFLGCLR register. Rather, an ADC interrupt overflow event occurs in the ADCINTOVF register. Reset type: SYSRSn



**Table 10-38. ADCINTFLG Register Field Descriptions (continued)**

Bit	Field	Type	Reset	Description
0	ADCINT1	R	0h	<p>ADC Interrupt 1 Flag. Reading these flags indicates if the associated ADCINT pulse was generated since the last clear.</p> <p>0 No ADC interrupt pulse generated 1 ADC interrupt pulse generated</p> <p>If the ADC interrupt is placed in continue to interrupt mode (INTSELxNy register) then further interrupt pulses are generated whenever a selected EOC event occurs even if the flag bit is set. If the continuous mode is not enabled, then no further interrupt pulses are generated until the user clears this flag bit using the ADCINTFLGCLR register. Rather, an ADC interrupt overflow event occurs in the ADCINTOVF register.</p> <p>Reset type: SYSRSn</p>

### 10.15.3.5 ADCINTFLGCLR Register (Offset = 4h) [Reset = 0000h]

ADCINTFLGCLR is shown in [Figure 10-45](#) and described in [Table 10-39](#).

Return to the [Summary Table](#).

ADC Interrupt Flag Clear Register

**Figure 10-45. ADCINTFLGCLR Register**

15	14	13	12	11	10	9	8
RESERVED							
R-0h							
7	6	5	4	3	2	1	0
RESERVED				ADCINT4	ADCINT3	ADCINT2	ADCINT1
R-0h				R-0/W1C-0h	R-0/W1C-0h	R-0/W1C-0h	R-0/W1C-0h

**Table 10-39. ADCINTFLGCLR Register Field Descriptions**

Bit	Field	Type	Reset	Description
15-4	RESERVED	R	0h	Reserved
3	ADCINT4	R-0/W1C	0h	ADC Interrupt 4 Flag Clear. Reads return 0. 0 No action 1 Clears respective flag bit in the ADCINTFLG register. If software sets the clear bit on the same cycle that hardware is trying to set the flag bit, then hardware has priority and the overflow bit will not be set Reset type: SYSRSn
2	ADCINT3	R-0/W1C	0h	ADC Interrupt 3 Flag Clear. Reads return 0. 0 No action 1 Clears respective flag bit in the ADCINTFLG register. If software sets the clear bit on the same cycle that hardware is trying to set the flag bit, then hardware has priority and the overflow bit will not be set Reset type: SYSRSn
1	ADCINT2	R-0/W1C	0h	ADC Interrupt 2 Flag Clear. Reads return 0. 0 No action 1 Clears respective flag bit in the ADCINTFLG register. If software sets the clear bit on the same cycle that hardware is trying to set the flag bit, then hardware has priority and the overflow bit will not be set Reset type: SYSRSn
0	ADCINT1	R-0/W1C	0h	ADC Interrupt 1 Flag Clear. Reads return 0. 0 No action 1 Clears respective flag bit in the ADCINTFLG register. If software sets the clear bit on the same cycle that hardware is trying to set the flag bit, then hardware has priority and the overflow bit will not be set Reset type: SYSRSn

### 10.15.3.6 ADCINTOVF Register (Offset = 5h) [Reset = 0000h]

ADCINTOVF is shown in [Figure 10-46](#) and described in [Table 10-40](#).

Return to the [Summary Table](#).

ADC Interrupt Overflow Register

**Figure 10-46. ADCINTOVF Register**

15	14	13	12	11	10	9	8
RESERVED							
R-0h							
7	6	5	4	3	2	1	0
RESERVED				ADCINT4	ADCINT3	ADCINT2	ADCINT1
R-0h				R-0h	R-0h	R-0h	R-0h

**Table 10-40. ADCINTOVF Register Field Descriptions**

Bit	Field	Type	Reset	Description
15-4	RESERVED	R	0h	Reserved
3	ADCINT4	R	0h	<p>ADC Interrupt 4 Overflow Flags</p> <p>Indicates if an overflow occurred when generating ADCINT pulses. If the respective ADCINTFLG bit is set and a selected additional EOC trigger is generated, then an overflow condition occurs.</p> <p>0 No ADC interrupt overflow event detected.</p> <p>1 ADC Interrupt overflow event detected.</p> <p>The overflow bit does not care about the continuous mode bit state. An overflow condition is generated irrespective of this mode selection.</p> <p>Reset type: SYSRSn</p>
2	ADCINT3	R	0h	<p>ADC Interrupt 3 Overflow Flags</p> <p>Indicates if an overflow occurred when generating ADCINT pulses. If the respective ADCINTFLG bit is set and a selected additional EOC trigger is generated, then an overflow condition occurs.</p> <p>0 No ADC interrupt overflow event detected.</p> <p>1 ADC Interrupt overflow event detected.</p> <p>The overflow bit does not care about the continuous mode bit state. An overflow condition is generated irrespective of this mode selection.</p> <p>Reset type: SYSRSn</p>
1	ADCINT2	R	0h	<p>ADC Interrupt 2 Overflow Flags</p> <p>Indicates if an overflow occurred when generating ADCINT pulses. If the respective ADCINTFLG bit is set and a selected additional EOC trigger is generated, then an overflow condition occurs.</p> <p>0 No ADC interrupt overflow event detected.</p> <p>1 ADC Interrupt overflow event detected.</p> <p>The overflow bit does not care about the continuous mode bit state. An overflow condition is generated irrespective of this mode selection.</p> <p>Reset type: SYSRSn</p>
0	ADCINT1	R	0h	<p>ADC Interrupt 1 Overflow Flags</p> <p>Indicates if an overflow occurred when generating ADCINT pulses. If the respective ADCINTFLG bit is set and a selected additional EOC trigger is generated, then an overflow condition occurs.</p> <p>0 No ADC interrupt overflow event detected.</p> <p>1 ADC Interrupt overflow event detected.</p> <p>The overflow bit does not care about the continuous mode bit state. An overflow condition is generated irrespective of this mode selection.</p> <p>Reset type: SYSRSn</p>

### 10.15.3.7 ADCINTOVFCLR Register (Offset = 6h) [Reset = 0000h]

ADCINTOVFCLR is shown in [Figure 10-47](#) and described in [Table 10-41](#).

Return to the [Summary Table](#).

ADC Interrupt Overflow Clear Register

**Figure 10-47. ADCINTOVFCLR Register**

15	14	13	12	11	10	9	8
RESERVED							
R-0h							
7	6	5	4	3	2	1	0
RESERVED				ADCINT4	ADCINT3	ADCINT2	ADCINT1
R-0h				R-0/W1C-0h	R-0/W1C-0h	R-0/W1C-0h	R-0/W1C-0h

**Table 10-41. ADCINTOVFCLR Register Field Descriptions**

Bit	Field	Type	Reset	Description
15-4	RESERVED	R	0h	Reserved
3	ADCINT4	R-0/W1C	0h	ADC Interrupt 4 Overflow Clear Bits 0 No action. 1 Clears the respective overflow bit in the ADCINTOVF register. If software tries to set this bit on the same clock cycle that hardware tries to set the overflow bit in the ADCINTOVF register, then hardware has priority and the ADCINTOVF bit will be set. Reset type: SYSRSn
2	ADCINT3	R-0/W1C	0h	ADC Interrupt 3 Overflow Clear Bits 0 No action. 1 Clears the respective overflow bit in the ADCINTOVF register. If software tries to set this bit on the same clock cycle that hardware tries to set the overflow bit in the ADCINTOVF register, then hardware has priority and the ADCINTOVF bit will be set. Reset type: SYSRSn
1	ADCINT2	R-0/W1C	0h	ADC Interrupt 2 Overflow Clear Bits 0 No action. 1 Clears the respective overflow bit in the ADCINTOVF register. If software tries to set this bit on the same clock cycle that hardware tries to set the overflow bit in the ADCINTOVF register, then hardware has priority and the ADCINTOVF bit will be set. Reset type: SYSRSn
0	ADCINT1	R-0/W1C	0h	ADC Interrupt 1 Overflow Clear Bits 0 No action. 1 Clears the respective overflow bit in the ADCINTOVF register. If software tries to set this bit on the same clock cycle that hardware tries to set the overflow bit in the ADCINTOVF register, then hardware has priority and the ADCINTOVF bit will be set. Reset type: SYSRSn

### 10.15.3.8 ADCINTSEL1N2 Register (Offset = 7h) [Reset = 0000h]

ADCINTSEL1N2 is shown in [Figure 10-48](#) and described in [Table 10-42](#).

Return to the [Summary Table](#).

ADC Interrupt 1 and 2 Selection Register

**Figure 10-48. ADCINTSEL1N2 Register**

15	14	13	12	11	10	9	8
RESERVED	INT2CONT	INT2E	RESERVED	INT2SEL			
R-0h	R/W-0h	R/W-0h	R-0h	R/W-0h			
7	6	5	4	3	2	1	0
RESERVED	INT1CONT	INT1E	RESERVED	INT1SEL			
R-0h	R/W-0h	R/W-0h	R-0h	R/W-0h			

**Table 10-42. ADCINTSEL1N2 Register Field Descriptions**

Bit	Field	Type	Reset	Description
15	RESERVED	R	0h	Reserved
14	INT2CONT	R/W	0h	ADCINT2 Continue to Interrupt Mode 0 No further ADCINT2 pulses are generated until ADCINT2 flag (in ADCINTFLG register) is cleared by user. 1 ADCINT2 pulses are generated whenever an EOC pulse is generated irrespective of whether the flag bit is cleared or not. Reset type: SYSRSn
13	INT2E	R/W	0h	ADCINT2 Interrupt Enable 0 ADCINT2 is disabled 1 ADCINT2 is enabled Reset type: SYSRSn
12	RESERVED	R	0h	Reserved
11-8	INT2SEL	R/W	0h	ADCINT2 EOC Source Select 0h EOC0 is trigger for ADCINT2 1h EOC1 is trigger for ADCINT2 2h EOC2 is trigger for ADCINT2 3h EOC3 is trigger for ADCINT2 4h EOC4 is trigger for ADCINT2 5h EOC5 is trigger for ADCINT2 6h EOC6 is trigger for ADCINT2 7h EOC7 is trigger for ADCINT2 8h EOC8 is trigger for ADCINT2 9h EOC9 is trigger for ADCINT2 Ah EOC10 is trigger for ADCINT2 Bh EOC11 is trigger for ADCINT2 Ch EOC12 is trigger for ADCINT2 Dh EOC13 is trigger for ADCINT2 Eh EOC14 is trigger for ADCINT2 Fh EOC15 is trigger for ADCINT2 Reset type: SYSRSn
7	RESERVED	R	0h	Reserved
6	INT1CONT	R/W	0h	ADCINT1 Continue to Interrupt Mode 0 No further ADCINT1 pulses are generated until ADCINT1 flag (in ADCINTFLG register) is cleared by user. 1 ADCINT1 pulses are generated whenever an EOC pulse is generated irrespective of whether the flag bit is cleared or not. Reset type: SYSRSn
5	INT1E	R/W	0h	ADCINT1 Interrupt Enable 0 ADCINT1 is disabled 1 ADCINT1 is enabled Reset type: SYSRSn

**Table 10-42. ADCINTSEL1N2 Register Field Descriptions (continued)**

Bit	Field	Type	Reset	Description
4	RESERVED	R	0h	Reserved
3-0	INT1SEL	R/W	0h	ADCINT1 EOC Source Select 0h EOC0 is trigger for ADCINT1 1h EOC1 is trigger for ADCINT1 2h EOC2 is trigger for ADCINT1 3h EOC3 is trigger for ADCINT1 4h EOC4 is trigger for ADCINT1 5h EOC5 is trigger for ADCINT1 6h EOC6 is trigger for ADCINT1 7h EOC7 is trigger for ADCINT1 8h EOC8 is trigger for ADCINT1 9h EOC9 is trigger for ADCINT1 Ah EOC10 is trigger for ADCINT1 Bh EOC11 is trigger for ADCINT1 Ch EOC12 is trigger for ADCINT1 Dh EOC13 is trigger for ADCINT1 Eh EOC14 is trigger for ADCINT1 Fh EOC15 is trigger for ADCINT1 Reset type: SYSRStn

### 10.15.3.9 ADCINTSEL3N4 Register (Offset = 8h) [Reset = 0000h]

ADCINTSEL3N4 is shown in [Figure 10-49](#) and described in [Table 10-43](#).

Return to the [Summary Table](#).

ADC Interrupt 3 and 4 Selection Register

**Figure 10-49. ADCINTSEL3N4 Register**

15	14	13	12	11	10	9	8
RESERVED	INT4CONT	INT4E	RESERVED	INT4SEL			
R-0h	R/W-0h	R/W-0h	R-0h	R/W-0h			
7	6	5	4	3	2	1	0
RESERVED	INT3CONT	INT3E	RESERVED	INT3SEL			
R-0h	R/W-0h	R/W-0h	R-0h	R/W-0h			

**Table 10-43. ADCINTSEL3N4 Register Field Descriptions**

Bit	Field	Type	Reset	Description
15	RESERVED	R	0h	Reserved
14	INT4CONT	R/W	0h	ADCINT4 Continue to Interrupt Mode 0 No further ADCINT4 pulses are generated until ADCINT4 flag (in ADCINTFLG register) is cleared by user. 1 ADCINT4 pulses are generated whenever an EOC pulse is generated irrespective of whether the flag bit is cleared or not. Reset type: SYSRSn
13	INT4E	R/W	0h	ADCINT4 Interrupt Enable 0 ADCINT4 is disabled 1 ADCINT4 is enabled Reset type: SYSRSn
12	RESERVED	R	0h	Reserved
11-8	INT4SEL	R/W	0h	ADCINT4 EOC Source Select 0h EOC0 is trigger for ADCINT4 1h EOC1 is trigger for ADCINT4 2h EOC2 is trigger for ADCINT4 3h EOC3 is trigger for ADCINT4 4h EOC4 is trigger for ADCINT4 5h EOC5 is trigger for ADCINT4 6h EOC6 is trigger for ADCINT4 7h EOC7 is trigger for ADCINT4 8h EOC8 is trigger for ADCINT4 9h EOC9 is trigger for ADCINT4 Ah EOC10 is trigger for ADCINT4 Bh EOC11 is trigger for ADCINT4 Ch EOC12 is trigger for ADCINT4 Dh EOC13 is trigger for ADCINT4 Eh EOC14 is trigger for ADCINT4 Fh EOC15 is trigger for ADCINT4 Reset type: SYSRSn
7	RESERVED	R	0h	Reserved
6	INT3CONT	R/W	0h	ADCINT3 Continue to Interrupt Mode 0 No further ADCINT3 pulses are generated until ADCINT3 flag (in ADCINTFLG register) is cleared by user. 1 ADCINT3 pulses are generated whenever an EOC pulse is generated irrespective of whether the flag bit is cleared or not. Reset type: SYSRSn
5	INT3E	R/W	0h	ADCINT3 Interrupt Enable 0 ADCINT3 is disabled 1 ADCINT3 is enabled Reset type: SYSRSn

**Table 10-43. ADCINTSEL3N4 Register Field Descriptions (continued)**

Bit	Field	Type	Reset	Description
4	RESERVED	R	0h	Reserved
3-0	INT3SEL	R/W	0h	ADCINT3 EOC Source Select 0h EOC0 is trigger for ADCINT3 1h EOC1 is trigger for ADCINT3 2h EOC2 is trigger for ADCINT3 3h EOC3 is trigger for ADCINT3 4h EOC4 is trigger for ADCINT3 5h EOC5 is trigger for ADCINT3 6h EOC6 is trigger for ADCINT3 7h EOC7 is trigger for ADCINT3 8h EOC8 is trigger for ADCINT3 9h EOC9 is trigger for ADCINT3 Ah EOC10 is trigger for ADCINT3 Bh EOC11 is trigger for ADCINT3 Ch EOC12 is trigger for ADCINT3 Dh EOC13 is trigger for ADCINT3 Eh EOC14 is trigger for ADCINT3 Fh EOC15 is trigger for ADCINT3 Reset type: SYSRStn



### 10.15.3.10 ADCSOCPRICTL Register (Offset = 9h) [Reset = 0200h]

ADCSOCPRICTL is shown in [Figure 10-50](#) and described in [Table 10-44](#).

Return to the [Summary Table](#).

ADC SOC Priority Control Register

**Figure 10-50. ADCSOCPRICTL Register**

15	14	13	12	11	10	9	8
RESERVED						RRPOINTER	
R-0h						R-10h	
7	6	5	4	3	2	1	0
RRPOINTER				SOCPRIORITY			
R-10h				R/W-0h			

**Table 10-44. ADCSOCPRICTL Register Field Descriptions**

Bit	Field	Type	Reset	Description
15-10	RESERVED	R	0h	Reserved
9-5	RRPOINTER	R	10h	Round Robin Pointer. Holds the value of the last converted round robin SOCx to be used by the round robin scheme to determine order of conversions. 00h SOC0 was last round robin SOC to convert, SOC1 is highest round robin priority. 01h SOC1 was last round robin SOC to convert, SOC2 is highest round robin priority. 02h SOC2 was last round robin SOC to convert, SOC3 is highest round robin priority. 03h SOC3 was last round robin SOC to convert, SOC4 is highest round robin priority. 04h SOC4 was last round robin SOC to convert, SOC5 is highest round robin priority. 05h SOC5 was last round robin SOC to convert, SOC6 is highest round robin priority. 06h SOC6 was last round robin SOC to convert, SOC7 is highest round robin priority. 07h SOC7 was last round robin SOC to convert, SOC8 is highest round robin priority. 08h SOC8 was last round robin SOC to convert, SOC9 is highest round robin priority. 09h SOC9 was last round robin SOC to convert, SOC10 is highest round robin priority. 0Ah SOC10 was last round robin SOC to convert, SOC11 is highest round robin priority. 0Bh SOC11 was last round robin SOC to convert, SOC12 is highest round robin priority. 0Ch SOC12 was last round robin SOC to convert, SOC13 is highest round robin priority. 0Dh SOC13 was last round robin SOC to convert, SOC14 is highest round robin priority. 0Eh SOC14 was last round robin SOC to convert, SOC15 is highest round robin priority. 0Fh SOC15 was last round robin SOC to convert, SOC0 is highest round robin priority. 10h Reset value to indicate no SOC has been converted. SOC0 is highest round robin priority. Set to this value when the ADC module is reset by SOFTPRES or when the ADCSOCPRICTL register is written. In the latter case, if a conversion is currently in progress, it will complete and then the new priority will take effect. Others Invalid value. Reset type: SYSRSn

**Table 10-44. ADCSOCPRCTL Register Field Descriptions (continued)**

Bit	Field	Type	Reset	Description
4-0	SOC PRIORITY	R/W	0h	SOC Priority Determines the cutoff point for priority mode and round robin arbitration for SOCx 00h SOC priority is handled in round robin mode for all channels. 01h SOC0 is high priority, rest of channels are in round robin mode. 02h SOC0-SOC1 are high priority, SOC2-SOC15 are in round robin mode. 03h SOC0-SOC2 are high priority, SOC3-SOC15 are in round robin mode. 04h SOC0-SOC3 are high priority, SOC4-SOC15 are in round robin mode. 05h SOC0-SOC4 are high priority, SOC5-SOC15 are in round robin mode. 06h SOC0-SOC5 are high priority, SOC6-SOC15 are in round robin mode. 07h SOC0-SOC6 are high priority, SOC7-SOC15 are in round robin mode. 08h SOC0-SOC7 are high priority, SOC8-SOC15 are in round robin mode. 09h SOC0-SOC8 are high priority, SOC9-SOC15 are in round robin mode. 0Ah SOC0-SOC9 are high priority, SOC10-SOC15 are in round robin mode. 0Bh SOC0-SOC10 are high priority, SOC11-SOC15 are in round robin mode. 0Ch SOC0-SOC11 are high priority, SOC12-SOC15 are in round robin mode. 0Dh SOC0-SOC12 are high priority, SOC13-SOC15 are in round robin mode. 0Eh SOC0-SOC13 are high priority, SOC14-SOC15 are in round robin mode. 0Fh SOC0-SOC14 are high priority, SOC15 is in round robin mode. 10h All SOCx are in high priority mode, arbitrated by SOC number. Others Invalid selection. Reset type: SYSRSn

### 10.15.3.11 ADCINTSOCSEL1 Register (Offset = Ah) [Reset = 0000h]

ADCINTSOCSEL1 is shown in [Figure 10-51](#) and described in [Table 10-45](#).

Return to the [Summary Table](#).

ADC Interrupt SOC Selection 1 Register

**Figure 10-51. ADCINTSOCSEL1 Register**

15	14	13	12	11	10	9	8
SOC7		SOC6		SOC5		SOC4	
R/W-0h		R/W-0h		R/W-0h		R/W-0h	
7	6	5	4	3	2	1	0
SOC3		SOC2		SOC1		SOC0	
R/W-0h		R/W-0h		R/W-0h		R/W-0h	

**Table 10-45. ADCINTSOCSEL1 Register Field Descriptions**

Bit	Field	Type	Reset	Description
15-14	SOC7	R/W	0h	SOC7 ADC Interrupt Trigger Select. Selects which, if any, ADCINT triggers SOC7. The trigger selected in this field is in addition to the TRIGSEL field in the ADCSOCxCTL register. 00 No ADCINT will trigger SOC7. TRIGSEL field alone determines SOC0 trigger. 01 ADCINT1 will trigger SOC7. 10 ADCINT2 will trigger SOC7. 11 Invalid selection. Reset type: SYSRSn
13-12	SOC6	R/W	0h	SOC6 ADC Interrupt Trigger Select. Selects which, if any, ADCINT triggers SOC6. The trigger selected in this field is in addition to the TRIGSEL field in the ADCSOCxCTL register. 00 No ADCINT will trigger SOC6. TRIGSEL field alone determines SOC0 trigger. 01 ADCINT1 will trigger SOC6. 10 ADCINT2 will trigger SOC6. 11 Invalid selection. Reset type: SYSRSn
11-10	SOC5	R/W	0h	SOC5 ADC Interrupt Trigger Select. Selects which, if any, ADCINT triggers SOC5. The trigger selected in this field is in addition to the TRIGSEL field in the ADCSOCxCTL register. 00 No ADCINT will trigger SOC5. TRIGSEL field alone determines SOC0 trigger. 01 ADCINT1 will trigger SOC5. 10 ADCINT2 will trigger SOC5. 11 Invalid selection. Reset type: SYSRSn
9-8	SOC4	R/W	0h	SOC4 ADC Interrupt Trigger Select. Selects which, if any, ADCINT triggers SOC4. The trigger selected in this field is in addition to the TRIGSEL field in the ADCSOCxCTL register. 00 No ADCINT will trigger SOC4. TRIGSEL field alone determines SOC0 trigger. 01 ADCINT1 will trigger SOC4. 10 ADCINT2 will trigger SOC4. 11 Invalid selection. Reset type: SYSRSn

**Table 10-45. ADCINTSOCSEL1 Register Field Descriptions (continued)**

Bit	Field	Type	Reset	Description
7-6	SOC3	R/W	0h	SOC3 ADC Interrupt Trigger Select. Selects which, if any, ADCINT triggers SOC3. The trigger selected in this field is in addition to the TRIGSEL field in the ADCSOCxCTL register. 00 No ADCINT will trigger SOC3. TRIGSEL field alone determines SOC0 trigger. 01 ADCINT1 will trigger SOC3. 10 ADCINT2 will trigger SOC3. 11 Invalid selection. Reset type: SYSRSn
5-4	SOC2	R/W	0h	SOC2 ADC Interrupt Trigger Select. Selects which, if any, ADCINT triggers SOC2. The trigger selected in this field is in addition to the TRIGSEL field in the ADCSOCxCTL register. 00 No ADCINT will trigger SOC2. TRIGSEL field alone determines SOC0 trigger. 01 ADCINT1 will trigger SOC2. 10 ADCINT2 will trigger SOC2. 11 Invalid selection. Reset type: SYSRSn
3-2	SOC1	R/W	0h	SOC1 ADC Interrupt Trigger Select. Selects which, if any, ADCINT triggers SOC1. The trigger selected in this field is in addition to the TRIGSEL field in the ADCSOCxCTL register. 00 No ADCINT will trigger SOC1. TRIGSEL field alone determines SOC0 trigger. 01 ADCINT1 will trigger SOC1. 10 ADCINT2 will trigger SOC1. 11 Invalid selection. Reset type: SYSRSn
1-0	SOC0	R/W	0h	SOC0 ADC Interrupt Trigger Select. Selects which, if any, ADCINT triggers SOC0. The trigger selected in this field is in addition to the TRIGSEL field in the ADCSOCxCTL register. 00 No ADCINT will trigger SOC0. TRIGSEL field alone determines SOC0 trigger. 01 ADCINT1 will trigger SOC0. 10 ADCINT2 will trigger SOC0. 11 Invalid selection. Reset type: SYSRSn

### 10.15.3.12 ADCINTSOCSEL2 Register (Offset = Bh) [Reset = 0000h]

ADCINTSOCSEL2 is shown in [Figure 10-52](#) and described in [Table 10-46](#).

Return to the [Summary Table](#).

ADC Interrupt SOC Selection 2 Register

**Figure 10-52. ADCINTSOCSEL2 Register**

15	14	13	12	11	10	9	8
SOC15		SOC14		SOC13		SOC12	
R/W-0h		R/W-0h		R/W-0h		R/W-0h	
7	6	5	4	3	2	1	0
SOC11		SOC10		SOC9		SOC8	
R/W-0h		R/W-0h		R/W-0h		R/W-0h	

**Table 10-46. ADCINTSOCSEL2 Register Field Descriptions**

Bit	Field	Type	Reset	Description
15-14	SOC15	R/W	0h	SOC15 ADC Interrupt Trigger Select. Selects which, if any, ADCINT triggers SOC15. The trigger selected in this field is in addition to the TRIGSEL field in the ADCSOCxCTL register. 00 No ADCINT will trigger SOC15. TRIGSEL field alone determines SOC0 trigger. 01 ADCINT1 will trigger SOC15. 10 ADCINT2 will trigger SOC15. 11 Invalid selection. Reset type: SYSRSn
13-12	SOC14	R/W	0h	SOC14 ADC Interrupt Trigger Select. Selects which, if any, ADCINT triggers SOC14. The trigger selected in this field is in addition to the TRIGSEL field in the ADCSOCxCTL register. 00 No ADCINT will trigger SOC14. TRIGSEL field alone determines SOC0 trigger. 01 ADCINT1 will trigger SOC14. 10 ADCINT2 will trigger SOC14. 11 Invalid selection. Reset type: SYSRSn
11-10	SOC13	R/W	0h	SOC13 ADC Interrupt Trigger Select. Selects which, if any, ADCINT triggers SOC13. The trigger selected in this field is in addition to the TRIGSEL field in the ADCSOCxCTL register. 00 No ADCINT will trigger SOC13. TRIGSEL field alone determines SOC0 trigger. 01 ADCINT1 will trigger SOC13. 10 ADCINT2 will trigger SOC13. 11 Invalid selection. Reset type: SYSRSn
9-8	SOC12	R/W	0h	SOC12 ADC Interrupt Trigger Select. Selects which, if any, ADCINT triggers SOC12. The trigger selected in this field is in addition to the TRIGSEL field in the ADCSOCxCTL register. 00 No ADCINT will trigger SOC12. TRIGSEL field alone determines SOC0 trigger. 01 ADCINT1 will trigger SOC12. 10 ADCINT2 will trigger SOC12. 11 Invalid selection. Reset type: SYSRSn

**Table 10-46. ADCINTSOCSEL2 Register Field Descriptions (continued)**

Bit	Field	Type	Reset	Description
7-6	SOC11	R/W	0h	SOC11 ADC Interrupt Trigger Select. Selects which, if any, ADCINT triggers SOC11. The trigger selected in this field is in addition to the TRIGSEL field in the ADCSOCxCTL register. 00 No ADCINT will trigger SOC11. TRIGSEL field alone determines SOC0 trigger. 01 ADCINT1 will trigger SOC11. 10 ADCINT2 will trigger SOC11. 11 Invalid selection. Reset type: SYSRSn
5-4	SOC10	R/W	0h	SOC10 ADC Interrupt Trigger Select. Selects which, if any, ADCINT triggers SOC10. The trigger selected in this field is in addition to the TRIGSEL field in the ADCSOCxCTL register. 00 No ADCINT will trigger SOC10. TRIGSEL field alone determines SOC0 trigger. 01 ADCINT1 will trigger SOC10. 10 ADCINT2 will trigger SOC10. 11 Invalid selection. Reset type: SYSRSn
3-2	SOC9	R/W	0h	SOC9 ADC Interrupt Trigger Select. Selects which, if any, ADCINT triggers SOC9. The trigger selected in this field is in addition to the TRIGSEL field in the ADCSOCxCTL register. 00 No ADCINT will trigger SOC9. TRIGSEL field alone determines SOC0 trigger. 01 ADCINT1 will trigger SOC9. 10 ADCINT2 will trigger SOC9. 11 Invalid selection. Reset type: SYSRSn
1-0	SOC8	R/W	0h	SOC8 ADC Interrupt Trigger Select. Selects which, if any, ADCINT triggers SOC8. The trigger selected in this field is in addition to the TRIGSEL field in the ADCSOCxCTL register. 00 No ADCINT will trigger SOC8. TRIGSEL field alone determines SOC0 trigger. 01 ADCINT1 will trigger SOC8. 10 ADCINT2 will trigger SOC8. 11 Invalid selection. Reset type: SYSRSn

### 10.15.3.13 ADCSOCFLG1 Register (Offset = Ch) [Reset = 0000h]

ADCSOCFLG1 is shown in [Figure 10-53](#) and described in [Table 10-47](#).

Return to the [Summary Table](#).

ADC SOC Flag 1 Register

**Figure 10-53. ADCSOCFLG1 Register**

15	14	13	12	11	10	9	8
SOC15	SOC14	SOC13	SOC12	SOC11	SOC10	SOC9	SOC8
R-0h	R-0h	R-0h	R-0h	R-0h	R-0h	R-0h	R-0h
7	6	5	4	3	2	1	0
SOC7	SOC6	SOC5	SOC4	SOC3	SOC2	SOC1	SOC0
R-0h	R-0h	R-0h	R-0h	R-0h	R-0h	R-0h	R-0h

**Table 10-47. ADCSOCFLG1 Register Field Descriptions**

Bit	Field	Type	Reset	Description
15	SOC15	R	0h	<p>SOC15 Start of Conversion Flag. Indicates the state of SOC15 conversions.</p> <p>0 No sample pending for SOC15.</p> <p>1 Trigger has been received and sample is pending for SOC15.</p> <p>This bit will be automatically cleared when the SOC15 conversion is started. If contention exists where this bit receives both a request to set and a request to clear on the same cycle, regardless of the source of either, this bit will be set and the request to clear will be ignored. In this case the overflow bit in the ADCSOCOVF1 register will not be affected regardless of whether this bit was previously set or not.</p> <p>Reset type: SYSRSn</p>
14	SOC14	R	0h	<p>SOC14 Start of Conversion Flag. Indicates the state of SOC14 conversions.</p> <p>0 No sample pending for SOC14.</p> <p>1 Trigger has been received and sample is pending for SOC14.</p> <p>This bit will be automatically cleared when the SOC14 conversion is started. If contention exists where this bit receives both a request to set and a request to clear on the same cycle, regardless of the source of either, this bit will be set and the request to clear will be ignored. In this case the overflow bit in the ADCSOCOVF1 register will not be affected regardless of whether this bit was previously set or not.</p> <p>Reset type: SYSRSn</p>
13	SOC13	R	0h	<p>SOC13 Start of Conversion Flag. Indicates the state of SOC13 conversions.</p> <p>0 No sample pending for SOC13.</p> <p>1 Trigger has been received and sample is pending for SOC13.</p> <p>This bit will be automatically cleared when the SOC13 conversion is started. If contention exists where this bit receives both a request to set and a request to clear on the same cycle, regardless of the source of either, this bit will be set and the request to clear will be ignored. In this case the overflow bit in the ADCSOCOVF1 register will not be affected regardless of whether this bit was previously set or not.</p> <p>Reset type: SYSRSn</p>

**Table 10-47. ADCSOCFLG1 Register Field Descriptions (continued)**

Bit	Field	Type	Reset	Description
12	SOC12	R	0h	<p>SOC12 Start of Conversion Flag. Indicates the state of SOC12 conversions.</p> <p>0 No sample pending for SOC12. 1 Trigger has been received and sample is pending for SOC12.</p> <p>This bit will be automatically cleared when the SOC12 conversion is started. If contention exists where this bit receives both a request to set and a request to clear on the same cycle, regardless of the source of either, this bit will be set and the request to clear will be ignored. In this case the overflow bit in the ADCSOCOVF1 register will not be affected regardless of whether this bit was previously set or not.</p> <p>Reset type: SYSRSn</p>
11	SOC11	R	0h	<p>SOC11 Start of Conversion Flag. Indicates the state of SOC11 conversions.</p> <p>0 No sample pending for SOC11. 1 Trigger has been received and sample is pending for SOC11.</p> <p>This bit will be automatically cleared when the SOC11 conversion is started. If contention exists where this bit receives both a request to set and a request to clear on the same cycle, regardless of the source of either, this bit will be set and the request to clear will be ignored. In this case the overflow bit in the ADCSOCOVF1 register will not be affected regardless of whether this bit was previously set or not.</p> <p>Reset type: SYSRSn</p>
10	SOC10	R	0h	<p>SOC10 Start of Conversion Flag. Indicates the state of SOC10 conversions.</p> <p>0 No sample pending for SOC10. 1 Trigger has been received and sample is pending for SOC10.</p> <p>This bit will be automatically cleared when the SOC10 conversion is started. If contention exists where this bit receives both a request to set and a request to clear on the same cycle, regardless of the source of either, this bit will be set and the request to clear will be ignored. In this case the overflow bit in the ADCSOCOVF1 register will not be affected regardless of whether this bit was previously set or not.</p> <p>Reset type: SYSRSn</p>
9	SOC9	R	0h	<p>SOC9 Start of Conversion Flag. Indicates the state of SOC9 conversions.</p> <p>0 No sample pending for SOC9. 1 Trigger has been received and sample is pending for SOC9.</p> <p>This bit will be automatically cleared when the SOC9 conversion is started. If contention exists where this bit receives both a request to set and a request to clear on the same cycle, regardless of the source of either, this bit will be set and the request to clear will be ignored. In this case the overflow bit in the ADCSOCOVF1 register will not be affected regardless of whether this bit was previously set or not.</p> <p>Reset type: SYSRSn</p>
8	SOC8	R	0h	<p>SOC8 Start of Conversion Flag. Indicates the state of SOC8 conversions.</p> <p>0 No sample pending for SOC8. 1 Trigger has been received and sample is pending for SOC8.</p> <p>This bit will be automatically cleared when the SOC8 conversion is started. If contention exists where this bit receives both a request to set and a request to clear on the same cycle, regardless of the source of either, this bit will be set and the request to clear will be ignored. In this case the overflow bit in the ADCSOCOVF1 register will not be affected regardless of whether this bit was previously set or not.</p> <p>Reset type: SYSRSn</p>



**Table 10-47. ADCSOCFLG1 Register Field Descriptions (continued)**

Bit	Field	Type	Reset	Description
7	SOC7	R	0h	<p>SOC7 Start of Conversion Flag. Indicates the state of SOC7 conversions.</p> <p>0 No sample pending for SOC7. 1 Trigger has been received and sample is pending for SOC7.</p> <p>This bit will be automatically cleared when the SOC7 conversion is started. If contention exists where this bit receives both a request to set and a request to clear on the same cycle, regardless of the source of either, this bit will be set and the request to clear will be ignored. In this case the overflow bit in the ADCSOCOVF1 register will not be affected regardless of whether this bit was previously set or not.</p> <p>Reset type: SYSRSn</p>
6	SOC6	R	0h	<p>SOC6 Start of Conversion Flag. Indicates the state of SOC6 conversions.</p> <p>0 No sample pending for SOC6. 1 Trigger has been received and sample is pending for SOC6.</p> <p>This bit will be automatically cleared when the SOC6 conversion is started. If contention exists where this bit receives both a request to set and a request to clear on the same cycle, regardless of the source of either, this bit will be set and the request to clear will be ignored. In this case the overflow bit in the ADCSOCOVF1 register will not be affected regardless of whether this bit was previously set or not.</p> <p>Reset type: SYSRSn</p>
5	SOC5	R	0h	<p>SOC5 Start of Conversion Flag. Indicates the state of SOC5 conversions.</p> <p>0 No sample pending for SOC5. 1 Trigger has been received and sample is pending for SOC5.</p> <p>This bit will be automatically cleared when the SOC5 conversion is started. If contention exists where this bit receives both a request to set and a request to clear on the same cycle, regardless of the source of either, this bit will be set and the request to clear will be ignored. In this case the overflow bit in the ADCSOCOVF1 register will not be affected regardless of whether this bit was previously set or not.</p> <p>Reset type: SYSRSn</p>
4	SOC4	R	0h	<p>SOC4 Start of Conversion Flag. Indicates the state of SOC4 conversions.</p> <p>0 No sample pending for SOC4. 1 Trigger has been received and sample is pending for SOC4.</p> <p>This bit will be automatically cleared when the SOC4 conversion is started. If contention exists where this bit receives both a request to set and a request to clear on the same cycle, regardless of the source of either, this bit will be set and the request to clear will be ignored. In this case the overflow bit in the ADCSOCOVF1 register will not be affected regardless of whether this bit was previously set or not.</p> <p>Reset type: SYSRSn</p>
3	SOC3	R	0h	<p>SOC3 Start of Conversion Flag. Indicates the state of SOC3 conversions.</p> <p>0 No sample pending for SOC3. 1 Trigger has been received and sample is pending for SOC3.</p> <p>This bit will be automatically cleared when the SOC3 conversion is started. If contention exists where this bit receives both a request to set and a request to clear on the same cycle, regardless of the source of either, this bit will be set and the request to clear will be ignored. In this case the overflow bit in the ADCSOCOVF1 register will not be affected regardless of whether this bit was previously set or not.</p> <p>Reset type: SYSRSn</p>

**Table 10-47. ADCSOCFLG1 Register Field Descriptions (continued)**

Bit	Field	Type	Reset	Description
2	SOC2	R	0h	<p>SOC2 Start of Conversion Flag. Indicates the state of SOC2 conversions.</p> <p>0 No sample pending for SOC2. 1 Trigger has been received and sample is pending for SOC2.</p> <p>This bit will be automatically cleared when the SOC2 conversion is started. If contention exists where this bit receives both a request to set and a request to clear on the same cycle, regardless of the source of either, this bit will be set and the request to clear will be ignored. In this case the overflow bit in the ADCSOCOVF1 register will not be affected regardless of whether this bit was previously set or not.</p> <p>Reset type: SYSRSn</p>
1	SOC1	R	0h	<p>SOC1 Start of Conversion Flag. Indicates the state of SOC1 conversions.</p> <p>0 No sample pending for SOC1. 1 Trigger has been received and sample is pending for SOC1.</p> <p>This bit will be automatically cleared when the SOC1 conversion is started. If contention exists where this bit receives both a request to set and a request to clear on the same cycle, regardless of the source of either, this bit will be set and the request to clear will be ignored. In this case the overflow bit in the ADCSOCOVF1 register will not be affected regardless of whether this bit was previously set or not.</p> <p>Reset type: SYSRSn</p>
0	SOC0	R	0h	<p>SOC0 Start of Conversion Flag. Indicates the state of SOC0 conversions.</p> <p>0 No sample pending for SOC0. 1 Trigger has been received and sample is pending for SOC0.</p> <p>This bit will be automatically cleared when the SOC0 conversion is started. If contention exists where this bit receives both a request to set and a request to clear on the same cycle, regardless of the source of either, this bit will be set and the request to clear will be ignored. In this case the overflow bit in the ADCSOCOVF1 register will not be affected regardless of whether this bit was previously set or not.</p> <p>Reset type: SYSRSn</p>

### 10.15.3.14 ADCSOCFRC1 Register (Offset = Dh) [Reset = 0000h]

ADCSOCFRC1 is shown in [Figure 10-54](#) and described in [Table 10-48](#).

Return to the [Summary Table](#).

ADC SOC Force 1 Register

**Figure 10-54. ADCSOCFRC1 Register**

15	14	13	12	11	10	9	8
SOC15	SOC14	SOC13	SOC12	SOC11	SOC10	SOC9	SOC8
R-0/W1S-0h	R-0/W1S-0h	R-0/W1S-0h	R-0/W1S-0h	R-0/W1S-0h	R-0/W1S-0h	R-0/W1S-0h	R-0/W1S-0h
7	6	5	4	3	2	1	0
SOC7	SOC6	SOC5	SOC4	SOC3	SOC2	SOC1	SOC0
R-0/W1S-0h	R-0/W1S-0h	R-0/W1S-0h	R-0/W1S-0h	R-0/W1S-0h	R-0/W1S-0h	R-0/W1S-0h	R-0/W1S-0h

**Table 10-48. ADCSOCFRC1 Register Field Descriptions**

Bit	Field	Type	Reset	Description
15	SOC15	R-0/W1S	0h	<p>SOC15 Force Start of Conversion Bit. Writing a 1 will force to 1 the SOC15 flag in the ADCSOCFLG1 register. This can be used to initiate a software initiated conversion. Writes of 0 are ignored. This bit will always read as a 0.</p> <p>0 No action.</p> <p>1 Force SOC15 flag bit to 1. This will cause a conversion to start once priority is given to SOC15.</p> <p>If software tries to set this bit on the same clock cycle that hardware tries to clear the SOC15 bit in the ADCSOCFLG1 register, then software has priority and the ADCSOCFLG1 bit will be set. In this case the overflow bit in the ADCSOCOVF1 register will not be affected regardless of whether the ADCSOCFLG1 bit was previously set or not.</p> <p>Reset type: SYSRSn</p>
14	SOC14	R-0/W1S	0h	<p>SOC14 Force Start of Conversion Bit. Writing a 1 will force to 1 the SOC14 flag in the ADCSOCFLG1 register. This can be used to initiate a software initiated conversion. Writes of 0 are ignored. This bit will always read as a 0.</p> <p>0 No action.</p> <p>1 Force SOC14 flag bit to 1. This will cause a conversion to start once priority is given to SOC14.</p> <p>If software tries to set this bit on the same clock cycle that hardware tries to clear the SOC14 bit in the ADCSOCFLG1 register, then software has priority and the ADCSOCFLG1 bit will be set. In this case the overflow bit in the ADCSOCOVF1 register will not be affected regardless of whether the ADCSOCFLG1 bit was previously set or not.</p> <p>Reset type: SYSRSn</p>
13	SOC13	R-0/W1S	0h	<p>SOC13 Force Start of Conversion Bit. Writing a 1 will force to 1 the SOC13 flag in the ADCSOCFLG1 register. This can be used to initiate a software initiated conversion. Writes of 0 are ignored. This bit will always read as a 0.</p> <p>0 No action.</p> <p>1 Force SOC13 flag bit to 1. This will cause a conversion to start once priority is given to SOC13.</p> <p>If software tries to set this bit on the same clock cycle that hardware tries to clear the SOC13 bit in the ADCSOCFLG1 register, then software has priority and the ADCSOCFLG1 bit will be set. In this case the overflow bit in the ADCSOCOVF1 register will not be affected regardless of whether the ADCSOCFLG1 bit was previously set or not.</p> <p>Reset type: SYSRSn</p>

**Table 10-48. ADCSOCFRC1 Register Field Descriptions (continued)**

Bit	Field	Type	Reset	Description
12	SOC12	R-0/W1S	0h	<p>SOC12 Force Start of Conversion Bit. Writing a 1 will force to 1 the SOC12 flag in the ADCSOCFLG1 register. This can be used to initiate a software initiated conversion. Writes of 0 are ignored. This bit will always read as a 0.</p> <p>0 No action.</p> <p>1 Force SOC12 flag bit to 1. This will cause a conversion to start once priority is given to SOC12.</p> <p>If software tries to set this bit on the same clock cycle that hardware tries to clear the SOC12 bit in the ADCSOCFLG1 register, then software has priority and the ADCSOCFLG1 bit will be set. In this case the overflow bit in the ADCSOCOVF1 register will not be affected regardless of whether the ADCSOCFLG1 bit was previously set or not.</p> <p>Reset type: SYSRSn</p>
11	SOC11	R-0/W1S	0h	<p>SOC11 Force Start of Conversion Bit. Writing a 1 will force to 1 the SOC11 flag in the ADCSOCFLG1 register. This can be used to initiate a software initiated conversion. Writes of 0 are ignored. This bit will always read as a 0.</p> <p>0 No action.</p> <p>1 Force SOC11 flag bit to 1. This will cause a conversion to start once priority is given to SOC11.</p> <p>If software tries to set this bit on the same clock cycle that hardware tries to clear the SOC11 bit in the ADCSOCFLG1 register, then software has priority and the ADCSOCFLG1 bit will be set. In this case the overflow bit in the ADCSOCOVF1 register will not be affected regardless of whether the ADCSOCFLG1 bit was previously set or not.</p> <p>Reset type: SYSRSn</p>
10	SOC10	R-0/W1S	0h	<p>SOC10 Force Start of Conversion Bit. Writing a 1 will force to 1 the SOC10 flag in the ADCSOCFLG1 register. This can be used to initiate a software initiated conversion. Writes of 0 are ignored. This bit will always read as a 0.</p> <p>0 No action.</p> <p>1 Force SOC10 flag bit to 1. This will cause a conversion to start once priority is given to SOC10.</p> <p>If software tries to set this bit on the same clock cycle that hardware tries to clear the SOC10 bit in the ADCSOCFLG1 register, then software has priority and the ADCSOCFLG1 bit will be set. In this case the overflow bit in the ADCSOCOVF1 register will not be affected regardless of whether the ADCSOCFLG1 bit was previously set or not.</p> <p>Reset type: SYSRSn</p>
9	SOC9	R-0/W1S	0h	<p>SOC9 Force Start of Conversion Bit. Writing a 1 will force to 1 the SOC9 flag in the ADCSOCFLG1 register. This can be used to initiate a software initiated conversion. Writes of 0 are ignored. This bit will always read as a 0.</p> <p>0 No action.</p> <p>1 Force SOC9 flag bit to 1. This will cause a conversion to start once priority is given to SOC9.</p> <p>If software tries to set this bit on the same clock cycle that hardware tries to clear the SOC9 bit in the ADCSOCFLG1 register, then software has priority and the ADCSOCFLG1 bit will be set. In this case the overflow bit in the ADCSOCOVF1 register will not be affected regardless of whether the ADCSOCFLG1 bit was previously set or not.</p> <p>Reset type: SYSRSn</p>

**Table 10-48. ADCSOCFRC1 Register Field Descriptions (continued)**

Bit	Field	Type	Reset	Description
8	SOC8	R-0/W1S	0h	<p>SOC8 Force Start of Conversion Bit. Writing a 1 will force to 1 the SOC8 flag in the ADCSOCFLG1 register. This can be used to initiate a software initiated conversion. Writes of 0 are ignored. This bit will always read as a 0.</p> <p>0 No action.</p> <p>1 Force SOC8 flag bit to 1. This will cause a conversion to start once priority is given to SOC8.</p> <p>If software tries to set this bit on the same clock cycle that hardware tries to clear the SOC8 bit in the ADCSOCFLG1 register, then software has priority and the ADCSOCFLG1 bit will be set. In this case the overflow bit in the ADCSOCOVF1 register will not be affected regardless of whether the ADCSOCFLG1 bit was previously set or not.</p> <p>Reset type: SYSRSn</p>
7	SOC7	R-0/W1S	0h	<p>SOC7 Force Start of Conversion Bit. Writing a 1 will force to 1 the SOC7 flag in the ADCSOCFLG1 register. This can be used to initiate a software initiated conversion. Writes of 0 are ignored. This bit will always read as a 0.</p> <p>0 No action.</p> <p>1 Force SOC7 flag bit to 1. This will cause a conversion to start once priority is given to SOC7.</p> <p>If software tries to set this bit on the same clock cycle that hardware tries to clear the SOC7 bit in the ADCSOCFLG1 register, then software has priority and the ADCSOCFLG1 bit will be set. In this case the overflow bit in the ADCSOCOVF1 register will not be affected regardless of whether the ADCSOCFLG1 bit was previously set or not.</p> <p>Reset type: SYSRSn</p>
6	SOC6	R-0/W1S	0h	<p>SOC6 Force Start of Conversion Bit. Writing a 1 will force to 1 the SOC6 flag in the ADCSOCFLG1 register. This can be used to initiate a software initiated conversion. Writes of 0 are ignored. This bit will always read as a 0.</p> <p>0 No action.</p> <p>1 Force SOC6 flag bit to 1. This will cause a conversion to start once priority is given to SOC6.</p> <p>If software tries to set this bit on the same clock cycle that hardware tries to clear the SOC6 bit in the ADCSOCFLG1 register, then software has priority and the ADCSOCFLG1 bit will be set. In this case the overflow bit in the ADCSOCOVF1 register will not be affected regardless of whether the ADCSOCFLG1 bit was previously set or not.</p> <p>Reset type: SYSRSn</p>
5	SOC5	R-0/W1S	0h	<p>SOC5 Force Start of Conversion Bit. Writing a 1 will force to 1 the SOC5 flag in the ADCSOCFLG1 register. This can be used to initiate a software initiated conversion. Writes of 0 are ignored. This bit will always read as a 0.</p> <p>0 No action.</p> <p>1 Force SOC5 flag bit to 1. This will cause a conversion to start once priority is given to SOC5.</p> <p>If software tries to set this bit on the same clock cycle that hardware tries to clear the SOC5 bit in the ADCSOCFLG1 register, then software has priority and the ADCSOCFLG1 bit will be set. In this case the overflow bit in the ADCSOCOVF1 register will not be affected regardless of whether the ADCSOCFLG1 bit was previously set or not.</p> <p>Reset type: SYSRSn</p>

**Table 10-48. ADCSOCFRC1 Register Field Descriptions (continued)**

Bit	Field	Type	Reset	Description
4	SOC4	R-0/W1S	0h	<p>SOC4 Force Start of Conversion Bit. Writing a 1 will force to 1 the SOC4 flag in the ADCSOCFLG1 register. This can be used to initiate a software initiated conversion. Writes of 0 are ignored. This bit will always read as a 0.</p> <p>0 No action.</p> <p>1 Force SOC4 flag bit to 1. This will cause a conversion to start once priority is given to SOC4.</p> <p>If software tries to set this bit on the same clock cycle that hardware tries to clear the SOC4 bit in the ADCSOCFLG1 register, then software has priority and the ADCSOCFLG1 bit will be set. In this case the overflow bit in the ADCSOCOVF1 register will not be affected regardless of whether the ADCSOCFLG1 bit was previously set or not.</p> <p>Reset type: SYSRSn</p>
3	SOC3	R-0/W1S	0h	<p>SOC3 Force Start of Conversion Bit. Writing a 1 will force to 1 the SOC3 flag in the ADCSOCFLG1 register. This can be used to initiate a software initiated conversion. Writes of 0 are ignored. This bit will always read as a 0.</p> <p>0 No action.</p> <p>1 Force SOC3 flag bit to 1. This will cause a conversion to start once priority is given to SOC3.</p> <p>If software tries to set this bit on the same clock cycle that hardware tries to clear the SOC3 bit in the ADCSOCFLG1 register, then software has priority and the ADCSOCFLG1 bit will be set. In this case the overflow bit in the ADCSOCOVF1 register will not be affected regardless of whether the ADCSOCFLG1 bit was previously set or not.</p> <p>Reset type: SYSRSn</p>
2	SOC2	R-0/W1S	0h	<p>SOC2 Force Start of Conversion Bit. Writing a 1 will force to 1 the SOC2 flag in the ADCSOCFLG1 register. This can be used to initiate a software initiated conversion. Writes of 0 are ignored. This bit will always read as a 0.</p> <p>0 No action.</p> <p>1 Force SOC2 flag bit to 1. This will cause a conversion to start once priority is given to SOC2.</p> <p>If software tries to set this bit on the same clock cycle that hardware tries to clear the SOC2 bit in the ADCSOCFLG1 register, then software has priority and the ADCSOCFLG1 bit will be set. In this case the overflow bit in the ADCSOCOVF1 register will not be affected regardless of whether the ADCSOCFLG1 bit was previously set or not.</p> <p>Reset type: SYSRSn</p>
1	SOC1	R-0/W1S	0h	<p>SOC1 Force Start of Conversion Bit. Writing a 1 will force to 1 the SOC1 flag in the ADCSOCFLG1 register. This can be used to initiate a software initiated conversion. Writes of 0 are ignored. This bit will always read as a 0.</p> <p>0 No action.</p> <p>1 Force SOC1 flag bit to 1. This will cause a conversion to start once priority is given to SOC1.</p> <p>If software tries to set this bit on the same clock cycle that hardware tries to clear the SOC1 bit in the ADCSOCFLG1 register, then software has priority and the ADCSOCFLG1 bit will be set. In this case the overflow bit in the ADCSOCOVF1 register will not be affected regardless of whether the ADCSOCFLG1 bit was previously set or not.</p> <p>Reset type: SYSRSn</p>

**Table 10-48. ADCSOCFRC1 Register Field Descriptions (continued)**

Bit	Field	Type	Reset	Description
0	SOC0	R-0/W1S	0h	<p>SOC0 Force Start of Conversion Bit. Writing a 1 will force to 1 the SOC0 flag in the ADCSOCFLG1 register. This can be used to initiate a software initiated conversion. Writes of 0 are ignored. This bit will always read as a 0.</p> <p>0 No action.</p> <p>1 Force SOC0 flag bit to 1. This will cause a conversion to start once priority is given to SOC0.</p> <p>If software tries to set this bit on the same clock cycle that hardware tries to clear the SOC0 bit in the ADCSOCFLG1 register, then software has priority and the ADCSOCFLG1 bit will be set. In this case the overflow bit in the ADCSOCOVF1 register will not be affected regardless of whether the ADCSOCFLG1 bit was previously set or not.</p> <p>Reset type: SYSRSn</p>

### 10.15.3.15 ADCSOCOVF1 Register (Offset = Eh) [Reset = 0000h]

ADCSOCOVF1 is shown in [Figure 10-55](#) and described in [Table 10-49](#).

Return to the [Summary Table](#).

ADC SOC Overflow 1 Register

**Figure 10-55. ADCSOCOVF1 Register**

15	14	13	12	11	10	9	8
SOC15	SOC14	SOC13	SOC12	SOC11	SOC10	SOC9	SOC8
R-0h	R-0h	R-0h	R-0h	R-0h	R-0h	R-0h	R-0h
7	6	5	4	3	2	1	0
SOC7	SOC6	SOC5	SOC4	SOC3	SOC2	SOC1	SOC0
R-0h	R-0h	R-0h	R-0h	R-0h	R-0h	R-0h	R-0h

**Table 10-49. ADCSOCOVF1 Register Field Descriptions**

Bit	Field	Type	Reset	Description
15	SOC15	R	0h	SOC15 Start of Conversion Overflow Flag. Indicates an SOC15 event was generated in hardware while an existing SOC15 event was already pending. 0 No SOC15 event overflow. 1 SOC15 event overflow. An overflow condition does not stop SOC15 events from being processed. It simply is an indication that a hardware trigger was missed. A write to the ADCSOCFRC1 register does not affect this bit. Reset type: SYSRSn
14	SOC14	R	0h	SOC14 Start of Conversion Overflow Flag. Indicates an SOC14 event was generated in hardware while an existing SOC14 event was already pending. 0 No SOC14 event overflow. 1 SOC14 event overflow. An overflow condition does not stop SOC14 events from being processed. It simply is an indication that a hardware trigger was missed. A write to the ADCSOCFRC1 register does not affect this bit. Reset type: SYSRSn
13	SOC13	R	0h	SOC13 Start of Conversion Overflow Flag. Indicates an SOC13 event was generated in hardware while an existing SOC13 event was already pending. 0 No SOC13 event overflow. 1 SOC13 event overflow. An overflow condition does not stop SOC13 events from being processed. It simply is an indication that a hardware trigger was missed. A write to the ADCSOCFRC1 register does not affect this bit. Reset type: SYSRSn
12	SOC12	R	0h	SOC12 Start of Conversion Overflow Flag. Indicates an SOC12 event was generated in hardware while an existing SOC12 event was already pending. 0 No SOC12 event overflow. 1 SOC12 event overflow. An overflow condition does not stop SOC12 events from being processed. It simply is an indication that a hardware trigger was missed. A write to the ADCSOCFRC1 register does not affect this bit. Reset type: SYSRSn



**Table 10-49. ADCSOCOVF1 Register Field Descriptions (continued)**

Bit	Field	Type	Reset	Description
11	SOC11	R	0h	<p>SOC11 Start of Conversion Overflow Flag. Indicates an SOC11 event was generated in hardware while an existing SOC11 event was already pending.</p> <p>0 No SOC11 event overflow. 1 SOC11 event overflow.</p> <p>An overflow condition does not stop SOC11 events from being processed. It simply is an indication that a hardware trigger was missed. A write to the ADCSOCFRC1 register does not affect this bit.</p> <p>Reset type: SYSRSn</p>
10	SOC10	R	0h	<p>SOC10 Start of Conversion Overflow Flag. Indicates an SOC10 event was generated in hardware while an existing SOC10 event was already pending.</p> <p>0 No SOC10 event overflow. 1 SOC10 event overflow.</p> <p>An overflow condition does not stop SOC10 events from being processed. It simply is an indication that a hardware trigger was missed. A write to the ADCSOCFRC1 register does not affect this bit.</p> <p>Reset type: SYSRSn</p>
9	SOC9	R	0h	<p>SOC9 Start of Conversion Overflow Flag. Indicates an SOC9 event was generated in hardware while an existing SOC9 event was already pending.</p> <p>0 No SOC9 event overflow. 1 SOC9 event overflow.</p> <p>An overflow condition does not stop SOC9 events from being processed. It simply is an indication that a hardware trigger was missed. A write to the ADCSOCFRC1 register does not affect this bit.</p> <p>Reset type: SYSRSn</p>
8	SOC8	R	0h	<p>SOC8 Start of Conversion Overflow Flag. Indicates an SOC8 event was generated in hardware while an existing SOC8 event was already pending.</p> <p>0 No SOC8 event overflow. 1 SOC8 event overflow.</p> <p>An overflow condition does not stop SOC8 events from being processed. It simply is an indication that a hardware trigger was missed. A write to the ADCSOCFRC1 register does not affect this bit.</p> <p>Reset type: SYSRSn</p>
7	SOC7	R	0h	<p>SOC7 Start of Conversion Overflow Flag. Indicates an SOC7 event was generated in hardware while an existing SOC7 event was already pending.</p> <p>0 No SOC7 event overflow. 1 SOC7 event overflow.</p> <p>An overflow condition does not stop SOC7 events from being processed. It simply is an indication that a hardware trigger was missed. A write to the ADCSOCFRC1 register does not affect this bit.</p> <p>Reset type: SYSRSn</p>
6	SOC6	R	0h	<p>SOC6 Start of Conversion Overflow Flag. Indicates an SOC6 event was generated in hardware while an existing SOC6 event was already pending.</p> <p>0 No SOC6 event overflow. 1 SOC6 event overflow.</p> <p>An overflow condition does not stop SOC6 events from being processed. It simply is an indication that a hardware trigger was missed. A write to the ADCSOCFRC1 register does not affect this bit.</p> <p>Reset type: SYSRSn</p>

**Table 10-49. ADCSOCOVF1 Register Field Descriptions (continued)**

Bit	Field	Type	Reset	Description
5	SOC5	R	0h	<p>SOC5 Start of Conversion Overflow Flag. Indicates an SOC5 event was generated in hardware while an existing SOC5 event was already pending.</p> <p>0 No SOC5 event overflow. 1 SOC5 event overflow.</p> <p>An overflow condition does not stop SOC5 events from being processed. It simply is an indication that a hardware trigger was missed. A write to the ADCSOCFRC1 register does not affect this bit.</p> <p>Reset type: SYSRSn</p>
4	SOC4	R	0h	<p>SOC4 Start of Conversion Overflow Flag. Indicates an SOC4 event was generated in hardware while an existing SOC4 event was already pending.</p> <p>0 No SOC4 event overflow. 1 SOC4 event overflow.</p> <p>An overflow condition does not stop SOC4 events from being processed. It simply is an indication that a hardware trigger was missed. A write to the ADCSOCFRC1 register does not affect this bit.</p> <p>Reset type: SYSRSn</p>
3	SOC3	R	0h	<p>SOC3 Start of Conversion Overflow Flag. Indicates an SOC3 event was generated in hardware while an existing SOC3 event was already pending.</p> <p>0 No SOC3 event overflow. 1 SOC3 event overflow.</p> <p>An overflow condition does not stop SOC3 events from being processed. It simply is an indication that a hardware trigger was missed. A write to the ADCSOCFRC1 register does not affect this bit.</p> <p>Reset type: SYSRSn</p>
2	SOC2	R	0h	<p>SOC2 Start of Conversion Overflow Flag. Indicates an SOC2 event was generated in hardware while an existing SOC2 event was already pending.</p> <p>0 No SOC2 event overflow. 1 SOC2 event overflow.</p> <p>An overflow condition does not stop SOC2 events from being processed. It simply is an indication that a hardware trigger was missed. A write to the ADCSOCFRC1 register does not affect this bit.</p> <p>Reset type: SYSRSn</p>
1	SOC1	R	0h	<p>SOC1 Start of Conversion Overflow Flag. Indicates an SOC1 event was generated in hardware while an existing SOC1 event was already pending.</p> <p>0 No SOC1 event overflow. 1 SOC1 event overflow.</p> <p>An overflow condition does not stop SOC1 events from being processed. It simply is an indication that a hardware trigger was missed. A write to the ADCSOCFRC1 register does not affect this bit.</p> <p>Reset type: SYSRSn</p>
0	SOC0	R	0h	<p>SOC0 Start of Conversion Overflow Flag. Indicates an SOC0 event was generated in hardware while an existing SOC0 event was already pending.</p> <p>0 No SOC0 event overflow. 1 SOC0 event overflow.</p> <p>An overflow condition does not stop SOC0 events from being processed. It simply is an indication that a hardware trigger was missed. A write to the ADCSOCFRC1 register does not affect this bit.</p> <p>Reset type: SYSRSn</p>

### 10.15.3.16 ADCSOCOVFCLR1 Register (Offset = Fh) [Reset = 0000h]

ADCSOCOVFCLR1 is shown in [Figure 10-56](#) and described in [Table 10-50](#).

Return to the [Summary Table](#).

ADC SOC Overflow Clear 1 Register

**Figure 10-56. ADCSOCOVFCLR1 Register**

15	14	13	12	11	10	9	8
SOC15	SOC14	SOC13	SOC12	SOC11	SOC10	SOC9	SOC8
R-0/W1S-0h	R-0/W1S-0h	R-0/W1S-0h	R-0/W1S-0h	R-0/W1S-0h	R-0/W1S-0h	R-0/W1S-0h	R-0/W1S-0h
7	6	5	4	3	2	1	0
SOC7	SOC6	SOC5	SOC4	SOC3	SOC2	SOC1	SOC0
R-0/W1S-0h	R-0/W1S-0h	R-0/W1S-0h	R-0/W1S-0h	R-0/W1S-0h	R-0/W1S-0h	R-0/W1S-0h	R-0/W1S-0h

**Table 10-50. ADCSOCOVFCLR1 Register Field Descriptions**

Bit	Field	Type	Reset	Description
15	SOC15	R-0/W1S	0h	SOC15 Clear Start of Conversion Overflow Bit. Writing a 1 will clear the SOC15 overflow flag in the ADCSOCOVF1 register. Writes of 0 are ignored. Reads will always return a 0. 0 No action. 1 Clear SOC15 overflow flag. If software tries to set this bit on the same clock cycle that hardware tries to set the overflow bit in the ADCSOCOVF1 register, then hardware has priority and the ADCSOCOVF1 bit will be set.. Reset type: SYSRSn
14	SOC14	R-0/W1S	0h	SOC14 Clear Start of Conversion Overflow Bit. Writing a 1 will clear the SOC14 overflow flag in the ADCSOCOVF1 register. Writes of 0 are ignored. Reads will always return a 0. 0 No action. 1 Clear SOC14 overflow flag. If software tries to set this bit on the same clock cycle that hardware tries to set the overflow bit in the ADCSOCOVF1 register, then hardware has priority and the ADCSOCOVF1 bit will be set.. Reset type: SYSRSn
13	SOC13	R-0/W1S	0h	SOC13 Clear Start of Conversion Overflow Bit. Writing a 1 will clear the SOC13 overflow flag in the ADCSOCOVF1 register. Writes of 0 are ignored. Reads will always return a 0. 0 No action. 1 Clear SOC13 overflow flag. If software tries to set this bit on the same clock cycle that hardware tries to set the overflow bit in the ADCSOCOVF1 register, then hardware has priority and the ADCSOCOVF1 bit will be set.. Reset type: SYSRSn
12	SOC12	R-0/W1S	0h	SOC12 Clear Start of Conversion Overflow Bit. Writing a 1 will clear the SOC12 overflow flag in the ADCSOCOVF1 register. Writes of 0 are ignored. Reads will always return a 0. 0 No action. 1 Clear SOC12 overflow flag. If software tries to set this bit on the same clock cycle that hardware tries to set the overflow bit in the ADCSOCOVF1 register, then hardware has priority and the ADCSOCOVF1 bit will be set.. Reset type: SYSRSn

**Table 10-50. ADCSOCOVFCLR1 Register Field Descriptions (continued)**

Bit	Field	Type	Reset	Description
11	SOC11	R-0/W1S	0h	<p>SOC11 Clear Start of Conversion Overflow Bit. Writing a 1 will clear the SOC11 overflow flag in the ADCSOCOVF1 register. Writes of 0 are ignored. Reads will always return a 0.</p> <p>0 No action. 1 Clear SOC11 overflow flag.</p> <p>If software tries to set this bit on the same clock cycle that hardware tries to set the overflow bit in the ADCSOCOVF1 register, then hardware has priority and the ADCSOCOVF1 bit will be set..</p> <p>Reset type: SYSRSn</p>
10	SOC10	R-0/W1S	0h	<p>SOC10 Clear Start of Conversion Overflow Bit. Writing a 1 will clear the SOC10 overflow flag in the ADCSOCOVF1 register. Writes of 0 are ignored. Reads will always return a 0.</p> <p>0 No action. 1 Clear SOC10 overflow flag.</p> <p>If software tries to set this bit on the same clock cycle that hardware tries to set the overflow bit in the ADCSOCOVF1 register, then hardware has priority and the ADCSOCOVF1 bit will be set..</p> <p>Reset type: SYSRSn</p>
9	SOC9	R-0/W1S	0h	<p>SOC9 Clear Start of Conversion Overflow Bit. Writing a 1 will clear the SOC9 overflow flag in the ADCSOCOVF1 register. Writes of 0 are ignored. Reads will always return a 0.</p> <p>0 No action. 1 Clear SOC9 overflow flag.</p> <p>If software tries to set this bit on the same clock cycle that hardware tries to set the overflow bit in the ADCSOCOVF1 register, then hardware has priority and the ADCSOCOVF1 bit will be set..</p> <p>Reset type: SYSRSn</p>
8	SOC8	R-0/W1S	0h	<p>SOC8 Clear Start of Conversion Overflow Bit. Writing a 1 will clear the SOC8 overflow flag in the ADCSOCOVF1 register. Writes of 0 are ignored. Reads will always return a 0.</p> <p>0 No action. 1 Clear SOC8 overflow flag.</p> <p>If software tries to set this bit on the same clock cycle that hardware tries to set the overflow bit in the ADCSOCOVF1 register, then hardware has priority and the ADCSOCOVF1 bit will be set..</p> <p>Reset type: SYSRSn</p>
7	SOC7	R-0/W1S	0h	<p>SOC7 Clear Start of Conversion Overflow Bit. Writing a 1 will clear the SOC7 overflow flag in the ADCSOCOVF1 register. Writes of 0 are ignored. Reads will always return a 0.</p> <p>0 No action. 1 Clear SOC7 overflow flag.</p> <p>If software tries to set this bit on the same clock cycle that hardware tries to set the overflow bit in the ADCSOCOVF1 register, then hardware has priority and the ADCSOCOVF1 bit will be set..</p> <p>Reset type: SYSRSn</p>
6	SOC6	R-0/W1S	0h	<p>SOC6 Clear Start of Conversion Overflow Bit. Writing a 1 will clear the SOC6 overflow flag in the ADCSOCOVF1 register. Writes of 0 are ignored. Reads will always return a 0.</p> <p>0 No action. 1 Clear SOC6 overflow flag.</p> <p>If software tries to set this bit on the same clock cycle that hardware tries to set the overflow bit in the ADCSOCOVF1 register, then hardware has priority and the ADCSOCOVF1 bit will be set..</p> <p>Reset type: SYSRSn</p>

**Table 10-50. ADCSOCOVFCLR1 Register Field Descriptions (continued)**

Bit	Field	Type	Reset	Description
5	SOC5	R-0/W1S	0h	<p>SOC5 Clear Start of Conversion Overflow Bit. Writing a 1 will clear the SOC5 overflow flag in the ADCSOCOVF1 register. Writes of 0 are ignored. Reads will always return a 0.</p> <p>0 No action. 1 Clear SOC5 overflow flag.</p> <p>If software tries to set this bit on the same clock cycle that hardware tries to set the overflow bit in the ADCSOCOVF1 register, then hardware has priority and the ADCSOCOVF1 bit will be set..</p> <p>Reset type: SYSRSn</p>
4	SOC4	R-0/W1S	0h	<p>SOC4 Clear Start of Conversion Overflow Bit. Writing a 1 will clear the SOC4 overflow flag in the ADCSOCOVF1 register. Writes of 0 are ignored. Reads will always return a 0.</p> <p>0 No action. 1 Clear SOC4 overflow flag.</p> <p>If software tries to set this bit on the same clock cycle that hardware tries to set the overflow bit in the ADCSOCOVF1 register, then hardware has priority and the ADCSOCOVF1 bit will be set..</p> <p>Reset type: SYSRSn</p>
3	SOC3	R-0/W1S	0h	<p>SOC3 Clear Start of Conversion Overflow Bit. Writing a 1 will clear the SOC3 overflow flag in the ADCSOCOVF1 register. Writes of 0 are ignored. Reads will always return a 0.</p> <p>0 No action. 1 Clear SOC3 overflow flag.</p> <p>If software tries to set this bit on the same clock cycle that hardware tries to set the overflow bit in the ADCSOCOVF1 register, then hardware has priority and the ADCSOCOVF1 bit will be set..</p> <p>Reset type: SYSRSn</p>
2	SOC2	R-0/W1S	0h	<p>SOC2 Clear Start of Conversion Overflow Bit. Writing a 1 will clear the SOC2 overflow flag in the ADCSOCOVF1 register. Writes of 0 are ignored. Reads will always return a 0.</p> <p>0 No action. 1 Clear SOC2 overflow flag.</p> <p>If software tries to set this bit on the same clock cycle that hardware tries to set the overflow bit in the ADCSOCOVF1 register, then hardware has priority and the ADCSOCOVF1 bit will be set..</p> <p>Reset type: SYSRSn</p>
1	SOC1	R-0/W1S	0h	<p>SOC1 Clear Start of Conversion Overflow Bit. Writing a 1 will clear the SOC1 overflow flag in the ADCSOCOVF1 register. Writes of 0 are ignored. Reads will always return a 0.</p> <p>0 No action. 1 Clear SOC1 overflow flag.</p> <p>If software tries to set this bit on the same clock cycle that hardware tries to set the overflow bit in the ADCSOCOVF1 register, then hardware has priority and the ADCSOCOVF1 bit will be set..</p> <p>Reset type: SYSRSn</p>
0	SOC0	R-0/W1S	0h	<p>SOC0 Clear Start of Conversion Overflow Bit. Writing a 1 will clear the SOC0 overflow flag in the ADCSOCOVF1 register. Writes of 0 are ignored. Reads will always return a 0.</p> <p>0 No action. 1 Clear SOC0 overflow flag.</p> <p>If software tries to set this bit on the same clock cycle that hardware tries to set the overflow bit in the ADCSOCOVF1 register, then hardware has priority and the ADCSOCOVF1 bit will be set..</p> <p>Reset type: SYSRSn</p>

### 10.15.3.17 ADCSOC0CTL Register (Offset = 10h) [Reset = 0000000h]

ADCSOC0CTL is shown in [Figure 10-57](#) and described in [Table 10-51](#).

Return to the [Summary Table](#).

ADC SOC0 Control Register

**Figure 10-57. ADCSOC0CTL Register**

31	30	29	28	27	26	25	24
RESERVED							TRIGSEL
R-0h							R/W-0h
23	22	21	20	19	18	17	16
TRIGSEL				RESERVED	CHSEL		
R/W-0h				R-0h	R/W-0h		
15	14	13	12	11	10	9	8
CHSEL	RESERVED						ACQPS
R/W-0h				R-0h		R/W-0h	
7	6	5	4	3	2	1	0
ACQPS							
R/W-0h							

**Table 10-51. ADCSOC0CTL Register Field Descriptions**

Bit	Field	Type	Reset	Description
31-25	RESERVED	R	0h	Reserved
24-20	TRIGSEL	R/W	0h	SOC0 Trigger Source Select. Along with the SOC0 field in the ADCINTSOCSEL1 register, this bit field configures which trigger will set the SOC0 flag in the ADCSOCFLG1 register to initiate a conversion to start once priority is given to it. 00h ADCTRIG0 - Software only 01h ADCTRIG1 - CPU1 Timer 0, TINT0n 02h ADCTRIG2 - CPU1 Timer 1, TINT1n 03h ADCTRIG3 - CPU1 Timer 2, TINT2n 04h ADCTRIG4 - GPIO, ADCEXTSOC 05h ADCTRIG5 - ePWM1, ADCSOCA 06h ADCTRIG6 - ePWM1, ADCSOCA 07h ADCTRIG7 - ePWM2, ADCSOCA 08h ADCTRIG8 - ePWM2, ADCSOCA 09h ADCTRIG9 - ePWM3, ADCSOCA 0Ah ADCTRIG10 - ePWM3, ADCSOCA 0Bh ADCTRIG11 - ePWM4, ADCSOCA 0Ch ADCTRIG12 - ePWM4, ADCSOCA 0Dh ADCTRIG13 - ePWM5, ADCSOCA 0Eh ADCTRIG14 - ePWM5, ADCSOCA 0Fh ADCTRIG15 - ePWM6, ADCSOCA 10h ADCTRIG16 - ePWM6, ADCSOCA 11h ADCTRIG17 - ePWM7, ADCSOCA 12h ADCTRIG18 - ePWM7, ADCSOCA 13h ADCTRIG19 - ePWM8, ADCSOCA 14h ADCTRIG20 - ePWM8, ADCSOCA 15h ADCTRIG21 - ePWM9, ADCSOCA 16h ADCTRIG22 - ePWM9, ADCSOCA 17h ADCTRIG23 - ePWM10, ADCSOCA 18h ADCTRIG24 - ePWM10, ADCSOCA 19h ADCTRIG25 - ePWM11, ADCSOCA 1Ah ADCTRIG26 - ePWM11, ADCSOCA 1Bh ADCTRIG27 - ePWM12, ADCSOCA 1Ch ADCTRIG28 - ePWM12, ADCSOCA 1Dh - 1Fh - Reserved Reset type: SYSRSn

**Table 10-51. ADCSOC0CTL Register Field Descriptions (continued)**

Bit	Field	Type	Reset	Description
19	RESERVED	R	0h	Reserved
18-15	CHSEL	R/W	0h	<p>SOC0 Channel Select. Selects the channel to be converted when SOC0 is received by the ADC.</p> <p>Single-ended Signaling Mode (SIGNALMODE = 0):</p> <p>0h ADCIN0 1h ADCIN1 2h ADCIN2 3h ADCIN3 4h ADCIN4 5h ADCIN5 6h ADCIN6 7h ADCIN7 8h ADCIN8 9h ADCIN9 Ah ADCIN10 Bh ADCIN11 Ch ADCIN12 Dh ADCIN13 Eh ADCIN14 Fh ADCIN15</p> <p>Differential Signaling Mode (SIGNALMODE = 1):</p> <p>0h ADCIN0 (non-inverting) and ADCIN1 (inverting) 1h ADCIN0 (non-inverting) and ADCIN1 (inverting) 2h ADCIN2 (non-inverting) and ADCIN3 (inverting) 3h ADCIN2 (non-inverting) and ADCIN3 (inverting) 4h ADCIN4 (non-inverting) and ADCIN5 (inverting) 5h ADCIN4 (non-inverting) and ADCIN5 (inverting) 6h ADCIN6 (non-inverting) and ADCIN7 (inverting) 7h ADCIN6 (non-inverting) and ADCIN7 (inverting) 8h ADCIN8 (non-inverting) and ADCIN9 (inverting) 9h ADCIN8 (non-inverting) and ADCIN9 (inverting) Ah ADCIN10 (non-inverting) and ADCIN11 (inverting) Bh ADCIN10 (non-inverting) and ADCIN11 (inverting) Ch ADCIN12 (non-inverting) and ADCIN13 (inverting) Dh ADCIN12 (non-inverting) and ADCIN13 (inverting) Eh ADCIN14 (non-inverting) and ADCIN15 (inverting) Fh ADCIN14 (non-inverting) and ADCIN15 (inverting)</p> <p>Reset type: SYSRSn</p>
14-9	RESERVED	R	0h	Reserved
8-0	ACQPS	R/W	0h	<p>SOC0 Acquisition Prescale. Controls the sample and hold window for this SOC. The configured acquisition time must be at least as long as one ADCCLK cycle for correct ADC operation. The device datasheet will also specify a minimum sample and hold window duration.</p> <p>000h Sample window is 1 system clock cycle wide 001h Sample window is 2 system clock cycles wide 002h Sample window is 3 system clock cycles wide ... 1FFh Sample window is 512 system clock cycles wide</p> <p>Reset type: SYSRSn</p>

**10.15.3.18 ADCSOC1CTL Register (Offset = 12h) [Reset = 0000000h]**

 ADCSOC1CTL is shown in [Figure 10-58](#) and described in [Table 10-52](#).

 Return to the [Summary Table](#).

ADC SOC1 Control Register

**Figure 10-58. ADCSOC1CTL Register**

31	30	29	28	27	26	25	24
RESERVED							TRIGSEL
R-0h							R/W-0h
23	22	21	20	19	18	17	16
TRIGSEL				RESERVED	CHSEL		
R/W-0h				R-0h	R/W-0h		
15	14	13	12	11	10	9	8
CHSEL	RESERVED						ACQPS
R/W-0h	R-0h						R/W-0h
7	6	5	4	3	2	1	0
ACQPS							
R/W-0h							

**Table 10-52. ADCSOC1CTL Register Field Descriptions**

Bit	Field	Type	Reset	Description
31-25	RESERVED	R	0h	Reserved
24-20	TRIGSEL	R/W	0h	SOC1 Trigger Source Select. Along with the SOC1 field in the ADCINTSOCSEL1 register, this bit field configures which trigger will set the SOC1 flag in the ADCSOCFLG1 register to initiate a conversion to start once priority is given to it. 00h ADCTRIG0 - Software only 01h ADCTRIG1 - CPU1 Timer 0, TINT0n 02h ADCTRIG2 - CPU1 Timer 1, TINT1n 03h ADCTRIG3 - CPU1 Timer 2, TINT2n 04h ADCTRIG4 - GPIO, ADCEXTSOC 05h ADCTRIG5 - ePWM1, ADCSOCA 06h ADCTRIG6 - ePWM1, ADCSOCA 07h ADCTRIG7 - ePWM2, ADCSOCA 08h ADCTRIG8 - ePWM2, ADCSOCA 09h ADCTRIG9 - ePWM3, ADCSOCA 0Ah ADCTRIG10 - ePWM3, ADCSOCA 0Bh ADCTRIG11 - ePWM4, ADCSOCA 0Ch ADCTRIG12 - ePWM4, ADCSOCA 0Dh ADCTRIG13 - ePWM5, ADCSOCA 0Eh ADCTRIG14 - ePWM5, ADCSOCA 0Fh ADCTRIG15 - ePWM6, ADCSOCA 10h ADCTRIG16 - ePWM6, ADCSOCA 11h ADCTRIG17 - ePWM7, ADCSOCA 12h ADCTRIG18 - ePWM7, ADCSOCA 13h ADCTRIG19 - ePWM8, ADCSOCA 14h ADCTRIG20 - ePWM8, ADCSOCA 15h ADCTRIG21 - ePWM9, ADCSOCA 16h ADCTRIG22 - ePWM9, ADCSOCA 17h ADCTRIG23 - ePWM10, ADCSOCA 18h ADCTRIG24 - ePWM10, ADCSOCA 19h ADCTRIG25 - ePWM11, ADCSOCA 1Ah ADCTRIG26 - ePWM11, ADCSOCA 1Bh ADCTRIG27 - ePWM12, ADCSOCA 1Ch ADCTRIG28 - ePWM12, ADCSOCA 1Dh - 1Fh - Reserved Reset type: SYSRSn



**Table 10-52. ADCSOC1CTL Register Field Descriptions (continued)**

Bit	Field	Type	Reset	Description
19	RESERVED	R	0h	Reserved
18-15	CHSEL	R/W	0h	<p>SOC1 Channel Select. Selects the channel to be converted when SOC1 is received by the ADC.</p> <p>Single-ended Signaling Mode (SIGNALMODE = 0):</p> <p>0h ADCIN0 1h ADCIN1 2h ADCIN2 3h ADCIN3 4h ADCIN4 5h ADCIN5 6h ADCIN6 7h ADCIN7 8h ADCIN8 9h ADCIN9 Ah ADCIN10 Bh ADCIN11 Ch ADCIN12 Dh ADCIN13 Eh ADCIN14 Fh ADCIN15</p> <p>Differential Signaling Mode (SIGNALMODE = 1):</p> <p>0h ADCIN0 (non-inverting) and ADCIN1 (inverting) 1h ADCIN0 (non-inverting) and ADCIN1 (inverting) 2h ADCIN2 (non-inverting) and ADCIN3 (inverting) 3h ADCIN2 (non-inverting) and ADCIN3 (inverting) 4h ADCIN4 (non-inverting) and ADCIN5 (inverting) 5h ADCIN4 (non-inverting) and ADCIN5 (inverting) 6h ADCIN6 (non-inverting) and ADCIN7 (inverting) 7h ADCIN6 (non-inverting) and ADCIN7 (inverting) 8h ADCIN8 (non-inverting) and ADCIN9 (inverting) 9h ADCIN8 (non-inverting) and ADCIN9 (inverting) Ah ADCIN10 (non-inverting) and ADCIN11 (inverting) Bh ADCIN10 (non-inverting) and ADCIN11 (inverting) Ch ADCIN12 (non-inverting) and ADCIN13 (inverting) Dh ADCIN12 (non-inverting) and ADCIN13 (inverting) Eh ADCIN14 (non-inverting) and ADCIN15 (inverting) Fh ADCIN14 (non-inverting) and ADCIN15 (inverting)</p> <p>Reset type: SYSRSn</p>
14-9	RESERVED	R	0h	Reserved
8-0	ACQPS	R/W	0h	<p>SOC1 Acquisition Prescale. Controls the sample and hold window for this SOC. The configured acquisition time must be at least as long as one ADCCLK cycle for correct ADC operation. The device datasheet will also specify a minimum sample and hold window duration.</p> <p>000h Sample window is 1 system clock cycle wide 001h Sample window is 2 system clock cycles wide 002h Sample window is 3 system clock cycles wide ... 1FFh Sample window is 512 system clock cycles wide</p> <p>Reset type: SYSRSn</p>

### 10.15.3.19 ADCSOC2CTL Register (Offset = 14h) [Reset = 0000000h]

ADCSOC2CTL is shown in [Figure 10-59](#) and described in [Table 10-53](#).

Return to the [Summary Table](#).

ADC SOC2 Control Register

**Figure 10-59. ADCSOC2CTL Register**

31	30	29	28	27	26	25	24
RESERVED							TRIGSEL
R-0h							R/W-0h
23	22	21	20	19	18	17	16
TRIGSEL				RESERVED	CHSEL		
R/W-0h				R-0h	R/W-0h		
15	14	13	12	11	10	9	8
CHSEL	RESERVED						ACQPS
R/W-0h	R-0h						R/W-0h
7	6	5	4	3	2	1	0
ACQPS							
R/W-0h							

**Table 10-53. ADCSOC2CTL Register Field Descriptions**

Bit	Field	Type	Reset	Description
31-25	RESERVED	R	0h	Reserved
24-20	TRIGSEL	R/W	0h	SOC2 Trigger Source Select. Along with the SOC2 field in the ADCINTSOCSEL1 register, this bit field configures which trigger will set the SOC2 flag in the ADCSOCFLG1 register to initiate a conversion to start once priority is given to it. 00h ADCTRIG0 - Software only 01h ADCTRIG1 - CPU1 Timer 0, TINT0n 02h ADCTRIG2 - CPU1 Timer 1, TINT1n 03h ADCTRIG3 - CPU1 Timer 2, TINT2n 04h ADCTRIG4 - GPIO, ADCEXTSOC 05h ADCTRIG5 - ePWM1, ADCSOCA 06h ADCTRIG6 - ePWM1, ADCSOCA 07h ADCTRIG7 - ePWM2, ADCSOCA 08h ADCTRIG8 - ePWM2, ADCSOCA 09h ADCTRIG9 - ePWM3, ADCSOCA 0Ah ADCTRIG10 - ePWM3, ADCSOCA 0Bh ADCTRIG11 - ePWM4, ADCSOCA 0Ch ADCTRIG12 - ePWM4, ADCSOCA 0Dh ADCTRIG13 - ePWM5, ADCSOCA 0Eh ADCTRIG14 - ePWM5, ADCSOCA 0Fh ADCTRIG15 - ePWM6, ADCSOCA 10h ADCTRIG16 - ePWM6, ADCSOCA 11h ADCTRIG17 - ePWM7, ADCSOCA 12h ADCTRIG18 - ePWM7, ADCSOCA 13h ADCTRIG19 - ePWM8, ADCSOCA 14h ADCTRIG20 - ePWM8, ADCSOCA 15h ADCTRIG21 - ePWM9, ADCSOCA 16h ADCTRIG22 - ePWM9, ADCSOCA 17h ADCTRIG23 - ePWM10, ADCSOCA 18h ADCTRIG24 - ePWM10, ADCSOCA 19h ADCTRIG25 - ePWM11, ADCSOCA 1Ah ADCTRIG26 - ePWM11, ADCSOCA 1Bh ADCTRIG27 - ePWM12, ADCSOCA 1Ch ADCTRIG28 - ePWM12, ADCSOCA 1Dh - 1Fh - Reserved Reset type: SYSRSn

**Table 10-53. ADCSOC2CTL Register Field Descriptions (continued)**

Bit	Field	Type	Reset	Description
19	RESERVED	R	0h	Reserved
18-15	CHSEL	R/W	0h	<p>SOC2 Channel Select. Selects the channel to be converted when SOC2 is received by the ADC.</p> <p>Single-ended Signaling Mode (SIGNALMODE = 0):</p> <p>0h ADCIN0 1h ADCIN1 2h ADCIN2 3h ADCIN3 4h ADCIN4 5h ADCIN5 6h ADCIN6 7h ADCIN7 8h ADCIN8 9h ADCIN9 Ah ADCIN10 Bh ADCIN11 Ch ADCIN12 Dh ADCIN13 Eh ADCIN14 Fh ADCIN15</p> <p>Differential Signaling Mode (SIGNALMODE = 1):</p> <p>0h ADCIN0 (non-inverting) and ADCIN1 (inverting) 1h ADCIN0 (non-inverting) and ADCIN1 (inverting) 2h ADCIN2 (non-inverting) and ADCIN3 (inverting) 3h ADCIN2 (non-inverting) and ADCIN3 (inverting) 4h ADCIN4 (non-inverting) and ADCIN5 (inverting) 5h ADCIN4 (non-inverting) and ADCIN5 (inverting) 6h ADCIN6 (non-inverting) and ADCIN7 (inverting) 7h ADCIN6 (non-inverting) and ADCIN7 (inverting) 8h ADCIN8 (non-inverting) and ADCIN9 (inverting) 9h ADCIN8 (non-inverting) and ADCIN9 (inverting) Ah ADCIN10 (non-inverting) and ADCIN11 (inverting) Bh ADCIN10 (non-inverting) and ADCIN11 (inverting) Ch ADCIN12 (non-inverting) and ADCIN13 (inverting) Dh ADCIN12 (non-inverting) and ADCIN13 (inverting) Eh ADCIN14 (non-inverting) and ADCIN15 (inverting) Fh ADCIN14 (non-inverting) and ADCIN15 (inverting)</p> <p>Reset type: SYSRSn</p>
14-9	RESERVED	R	0h	Reserved
8-0	ACQPS	R/W	0h	<p>SOC2 Acquisition Prescale. Controls the sample and hold window for this SOC. The configured acquisition time must be at least as long as one ADCCLK cycle for correct ADC operation. The device datasheet will also specify a minimum sample and hold window duration.</p> <p>000h Sample window is 1 system clock cycle wide 001h Sample window is 2 system clock cycles wide 002h Sample window is 3 system clock cycles wide ... 1FFh Sample window is 512 system clock cycles wide</p> <p>Reset type: SYSRSn</p>

### 10.15.3.20 ADCSOC3CTL Register (Offset = 16h) [Reset = 0000000h]

ADCSOC3CTL is shown in [Figure 10-60](#) and described in [Table 10-54](#).

Return to the [Summary Table](#).

ADC SOC3 Control Register

**Figure 10-60. ADCSOC3CTL Register**

31	30	29	28	27	26	25	24
RESERVED							TRIGSEL
R-0h							R/W-0h
23	22	21	20	19	18	17	16
TRIGSEL				RESERVED	CHSEL		
R/W-0h				R-0h	R/W-0h		
15	14	13	12	11	10	9	8
CHSEL	RESERVED						ACQPS
R/W-0h	R-0h						R/W-0h
7	6	5	4	3	2	1	0
ACQPS							
R/W-0h							

**Table 10-54. ADCSOC3CTL Register Field Descriptions**

Bit	Field	Type	Reset	Description
31-25	RESERVED	R	0h	Reserved
24-20	TRIGSEL	R/W	0h	SOC3 Trigger Source Select. Along with the SOC3 field in the ADCINTSOCSEL1 register, this bit field configures which trigger will set the SOC3 flag in the ADCSOCFLG1 register to initiate a conversion to start once priority is given to it. 00h ADCTRIG0 - Software only 01h ADCTRIG1 - CPU1 Timer 0, TINT0n 02h ADCTRIG2 - CPU1 Timer 1, TINT1n 03h ADCTRIG3 - CPU1 Timer 2, TINT2n 04h ADCTRIG4 - GPIO, ADCEXTSOC 05h ADCTRIG5 - ePWM1, ADCSOCA 06h ADCTRIG6 - ePWM1, ADCSOCA 07h ADCTRIG7 - ePWM2, ADCSOCA 08h ADCTRIG8 - ePWM2, ADCSOCA 09h ADCTRIG9 - ePWM3, ADCSOCA 0Ah ADCTRIG10 - ePWM3, ADCSOCA 0Bh ADCTRIG11 - ePWM4, ADCSOCA 0Ch ADCTRIG12 - ePWM4, ADCSOCA 0Dh ADCTRIG13 - ePWM5, ADCSOCA 0Eh ADCTRIG14 - ePWM5, ADCSOCA 0Fh ADCTRIG15 - ePWM6, ADCSOCA 10h ADCTRIG16 - ePWM6, ADCSOCA 11h ADCTRIG17 - ePWM7, ADCSOCA 12h ADCTRIG18 - ePWM7, ADCSOCA 13h ADCTRIG19 - ePWM8, ADCSOCA 14h ADCTRIG20 - ePWM8, ADCSOCA 15h ADCTRIG21 - ePWM9, ADCSOCA 16h ADCTRIG22 - ePWM9, ADCSOCA 17h ADCTRIG23 - ePWM10, ADCSOCA 18h ADCTRIG24 - ePWM10, ADCSOCA 19h ADCTRIG25 - ePWM11, ADCSOCA 1Ah ADCTRIG26 - ePWM11, ADCSOCA 1Bh ADCTRIG27 - ePWM12, ADCSOCA 1Ch ADCTRIG28 - ePWM12, ADCSOCA 1Dh - 1Fh - Reserved Reset type: SYSRSn

**Table 10-54. ADCSOC3CTL Register Field Descriptions (continued)**

Bit	Field	Type	Reset	Description
19	RESERVED	R	0h	Reserved
18-15	CHSEL	R/W	0h	<p>SOC3 Channel Select. Selects the channel to be converted when SOC3 is received by the ADC.</p> <p>Single-ended Signaling Mode (SIGNALMODE = 0):</p> <p>0h ADCIN0 1h ADCIN1 2h ADCIN2 3h ADCIN3 4h ADCIN4 5h ADCIN5 6h ADCIN6 7h ADCIN7 8h ADCIN8 9h ADCIN9 Ah ADCIN10 Bh ADCIN11 Ch ADCIN12 Dh ADCIN13 Eh ADCIN14 Fh ADCIN15</p> <p>Differential Signaling Mode (SIGNALMODE = 1):</p> <p>0h ADCIN0 (non-inverting) and ADCIN1 (inverting) 1h ADCIN0 (non-inverting) and ADCIN1 (inverting) 2h ADCIN2 (non-inverting) and ADCIN3 (inverting) 3h ADCIN2 (non-inverting) and ADCIN3 (inverting) 4h ADCIN4 (non-inverting) and ADCIN5 (inverting) 5h ADCIN4 (non-inverting) and ADCIN5 (inverting) 6h ADCIN6 (non-inverting) and ADCIN7 (inverting) 7h ADCIN6 (non-inverting) and ADCIN7 (inverting) 8h ADCIN8 (non-inverting) and ADCIN9 (inverting) 9h ADCIN8 (non-inverting) and ADCIN9 (inverting) Ah ADCIN10 (non-inverting) and ADCIN11 (inverting) Bh ADCIN10 (non-inverting) and ADCIN11 (inverting) Ch ADCIN12 (non-inverting) and ADCIN13 (inverting) Dh ADCIN12 (non-inverting) and ADCIN13 (inverting) Eh ADCIN14 (non-inverting) and ADCIN15 (inverting) Fh ADCIN14 (non-inverting) and ADCIN15 (inverting)</p> <p>Reset type: SYSRSn</p>
14-9	RESERVED	R	0h	Reserved
8-0	ACQPS	R/W	0h	<p>SOC3 Acquisition Prescale. Controls the sample and hold window for this SOC. The configured acquisition time must be at least as long as one ADCCLK cycle for correct ADC operation. The device datasheet will also specify a minimum sample and hold window duration.</p> <p>000h Sample window is 1 system clock cycle wide 001h Sample window is 2 system clock cycles wide 002h Sample window is 3 system clock cycles wide ... 1FFh Sample window is 512 system clock cycles wide</p> <p>Reset type: SYSRSn</p>

### 10.15.3.21 ADCSOC4CTL Register (Offset = 18h) [Reset = 0000000h]

ADCSOC4CTL is shown in [Figure 10-61](#) and described in [Table 10-55](#).

Return to the [Summary Table](#).

ADC SOC4 Control Register

**Figure 10-61. ADCSOC4CTL Register**

31	30	29	28	27	26	25	24
RESERVED							TRIGSEL
R-0h							R/W-0h
23	22	21	20	19	18	17	16
TRIGSEL				RESERVED	CHSEL		
R/W-0h				R-0h	R/W-0h		
15	14	13	12	11	10	9	8
CHSEL	RESERVED						ACQPS
R/W-0h	R-0h						R/W-0h
7	6	5	4	3	2	1	0
ACQPS							
R/W-0h							

**Table 10-55. ADCSOC4CTL Register Field Descriptions**

Bit	Field	Type	Reset	Description
31-25	RESERVED	R	0h	Reserved
24-20	TRIGSEL	R/W	0h	SOC4 Trigger Source Select. Along with the SOC4 field in the ADCINTSOCSEL1 register, this bit field configures which trigger will set the SOC4 flag in the ADCSOCFLG1 register to initiate a conversion to start once priority is given to it. 00h ADCTRIG0 - Software only 01h ADCTRIG1 - CPU1 Timer 0, TINT0n 02h ADCTRIG2 - CPU1 Timer 1, TINT1n 03h ADCTRIG3 - CPU1 Timer 2, TINT2n 04h ADCTRIG4 - GPIO, ADCEXTSOC 05h ADCTRIG5 - ePWM1, ADCSOCA 06h ADCTRIG6 - ePWM1, ADCSOCA 07h ADCTRIG7 - ePWM2, ADCSOCA 08h ADCTRIG8 - ePWM2, ADCSOCA 09h ADCTRIG9 - ePWM3, ADCSOCA 0Ah ADCTRIG10 - ePWM3, ADCSOCA 0Bh ADCTRIG11 - ePWM4, ADCSOCA 0Ch ADCTRIG12 - ePWM4, ADCSOCA 0Dh ADCTRIG13 - ePWM5, ADCSOCA 0Eh ADCTRIG14 - ePWM5, ADCSOCA 0Fh ADCTRIG15 - ePWM6, ADCSOCA 10h ADCTRIG16 - ePWM6, ADCSOCA 11h ADCTRIG17 - ePWM7, ADCSOCA 12h ADCTRIG18 - ePWM7, ADCSOCA 13h ADCTRIG19 - ePWM8, ADCSOCA 14h ADCTRIG20 - ePWM8, ADCSOCA 15h ADCTRIG21 - ePWM9, ADCSOCA 16h ADCTRIG22 - ePWM9, ADCSOCA 17h ADCTRIG23 - ePWM10, ADCSOCA 18h ADCTRIG24 - ePWM10, ADCSOCA 19h ADCTRIG25 - ePWM11, ADCSOCA 1Ah ADCTRIG26 - ePWM11, ADCSOCA 1Bh ADCTRIG27 - ePWM12, ADCSOCA 1Ch ADCTRIG28 - ePWM12, ADCSOCA 1Dh - 1Fh - Reserved Reset type: SYSRSn

**Table 10-55. ADCSOC4CTL Register Field Descriptions (continued)**

Bit	Field	Type	Reset	Description
19	RESERVED	R	0h	Reserved
18-15	CHSEL	R/W	0h	<p>SOC4 Channel Select. Selects the channel to be converted when SOC4 is received by the ADC.</p> <p>Single-ended Signaling Mode (SIGNALMODE = 0):</p> <p>0h ADCIN0 1h ADCIN1 2h ADCIN2 3h ADCIN3 4h ADCIN4 5h ADCIN5 6h ADCIN6 7h ADCIN7 8h ADCIN8 9h ADCIN9 Ah ADCIN10 Bh ADCIN11 Ch ADCIN12 Dh ADCIN13 Eh ADCIN14 Fh ADCIN15</p> <p>Differential Signaling Mode (SIGNALMODE = 1):</p> <p>0h ADCIN0 (non-inverting) and ADCIN1 (inverting) 1h ADCIN0 (non-inverting) and ADCIN1 (inverting) 2h ADCIN2 (non-inverting) and ADCIN3 (inverting) 3h ADCIN2 (non-inverting) and ADCIN3 (inverting) 4h ADCIN4 (non-inverting) and ADCIN5 (inverting) 5h ADCIN4 (non-inverting) and ADCIN5 (inverting) 6h ADCIN6 (non-inverting) and ADCIN7 (inverting) 7h ADCIN6 (non-inverting) and ADCIN7 (inverting) 8h ADCIN8 (non-inverting) and ADCIN9 (inverting) 9h ADCIN8 (non-inverting) and ADCIN9 (inverting) Ah ADCIN10 (non-inverting) and ADCIN11 (inverting) Bh ADCIN10 (non-inverting) and ADCIN11 (inverting) Ch ADCIN12 (non-inverting) and ADCIN13 (inverting) Dh ADCIN12 (non-inverting) and ADCIN13 (inverting) Eh ADCIN14 (non-inverting) and ADCIN15 (inverting) Fh ADCIN14 (non-inverting) and ADCIN15 (inverting)</p> <p>Reset type: SYSRSn</p>
14-9	RESERVED	R	0h	Reserved
8-0	ACQPS	R/W	0h	<p>SOC4 Acquisition Prescale. Controls the sample and hold window for this SOC. The configured acquisition time must be at least as long as one ADCCLK cycle for correct ADC operation. The device datasheet will also specify a minimum sample and hold window duration.</p> <p>000h Sample window is 1 system clock cycle wide 001h Sample window is 2 system clock cycles wide 002h Sample window is 3 system clock cycles wide ... 1FFh Sample window is 512 system clock cycles wide</p> <p>Reset type: SYSRSn</p>

### 10.15.3.22 ADCSOC5CTL Register (Offset = 1Ah) [Reset = 0000000h]

ADCSOC5CTL is shown in [Figure 10-62](#) and described in [Table 10-56](#).

Return to the [Summary Table](#).

ADC SOC5 Control Register

**Figure 10-62. ADCSOC5CTL Register**

31	30	29	28	27	26	25	24
RESERVED							TRIGSEL
R-0h							R/W-0h
23	22	21	20	19	18	17	16
TRIGSEL				RESERVED	CHSEL		
R/W-0h				R-0h	R/W-0h		
15	14	13	12	11	10	9	8
CHSEL	RESERVED						ACQPS
R/W-0h	R-0h						R/W-0h
7	6	5	4	3	2	1	0
ACQPS							
R/W-0h							

**Table 10-56. ADCSOC5CTL Register Field Descriptions**

Bit	Field	Type	Reset	Description
31-25	RESERVED	R	0h	Reserved
24-20	TRIGSEL	R/W	0h	SOC5 Trigger Source Select. Along with the SOC5 field in the ADCINTSOCSEL1 register, this bit field configures which trigger will set the SOC5 flag in the ADCSOCFLG1 register to initiate a conversion to start once priority is given to it. 00h ADCTRIG0 - Software only 01h ADCTRIG1 - CPU1 Timer 0, TINT0n 02h ADCTRIG2 - CPU1 Timer 1, TINT1n 03h ADCTRIG3 - CPU1 Timer 2, TINT2n 04h ADCTRIG4 - GPIO, ADCEXTSOC 05h ADCTRIG5 - ePWM1, ADCSOCA 06h ADCTRIG6 - ePWM1, ADCSOCA 07h ADCTRIG7 - ePWM2, ADCSOCA 08h ADCTRIG8 - ePWM2, ADCSOCA 09h ADCTRIG9 - ePWM3, ADCSOCA 0Ah ADCTRIG10 - ePWM3, ADCSOCA 0Bh ADCTRIG11 - ePWM4, ADCSOCA 0Ch ADCTRIG12 - ePWM4, ADCSOCA 0Dh ADCTRIG13 - ePWM5, ADCSOCA 0Eh ADCTRIG14 - ePWM5, ADCSOCA 0Fh ADCTRIG15 - ePWM6, ADCSOCA 10h ADCTRIG16 - ePWM6, ADCSOCA 11h ADCTRIG17 - ePWM7, ADCSOCA 12h ADCTRIG18 - ePWM7, ADCSOCA 13h ADCTRIG19 - ePWM8, ADCSOCA 14h ADCTRIG20 - ePWM8, ADCSOCA 15h ADCTRIG21 - ePWM9, ADCSOCA 16h ADCTRIG22 - ePWM9, ADCSOCA 17h ADCTRIG23 - ePWM10, ADCSOCA 18h ADCTRIG24 - ePWM10, ADCSOCA 19h ADCTRIG25 - ePWM11, ADCSOCA 1Ah ADCTRIG26 - ePWM11, ADCSOCA 1Bh ADCTRIG27 - ePWM12, ADCSOCA 1Ch ADCTRIG28 - ePWM12, ADCSOCA 1Dh - 1Fh - Reserved Reset type: SYSRSn



**Table 10-56. ADCSOC5CTL Register Field Descriptions (continued)**

Bit	Field	Type	Reset	Description
19	RESERVED	R	0h	Reserved
18-15	CHSEL	R/W	0h	<p>SOC5 Channel Select. Selects the channel to be converted when SOC5 is received by the ADC.</p> <p>Single-ended Signaling Mode (SIGNALMODE = 0):</p> <p>0h ADCIN0 1h ADCIN1 2h ADCIN2 3h ADCIN3 4h ADCIN4 5h ADCIN5 6h ADCIN6 7h ADCIN7 8h ADCIN8 9h ADCIN9 Ah ADCIN10 Bh ADCIN11 Ch ADCIN12 Dh ADCIN13 Eh ADCIN14 Fh ADCIN15</p> <p>Differential Signaling Mode (SIGNALMODE = 1):</p> <p>0h ADCIN0 (non-inverting) and ADCIN1 (inverting) 1h ADCIN0 (non-inverting) and ADCIN1 (inverting) 2h ADCIN2 (non-inverting) and ADCIN3 (inverting) 3h ADCIN2 (non-inverting) and ADCIN3 (inverting) 4h ADCIN4 (non-inverting) and ADCIN5 (inverting) 5h ADCIN4 (non-inverting) and ADCIN5 (inverting) 6h ADCIN6 (non-inverting) and ADCIN7 (inverting) 7h ADCIN6 (non-inverting) and ADCIN7 (inverting) 8h ADCIN8 (non-inverting) and ADCIN9 (inverting) 9h ADCIN8 (non-inverting) and ADCIN9 (inverting) Ah ADCIN10 (non-inverting) and ADCIN11 (inverting) Bh ADCIN10 (non-inverting) and ADCIN11 (inverting) Ch ADCIN12 (non-inverting) and ADCIN13 (inverting) Dh ADCIN12 (non-inverting) and ADCIN13 (inverting) Eh ADCIN14 (non-inverting) and ADCIN15 (inverting) Fh ADCIN14 (non-inverting) and ADCIN15 (inverting)</p> <p>Reset type: SYSRSn</p>
14-9	RESERVED	R	0h	Reserved
8-0	ACQPS	R/W	0h	<p>SOC5 Acquisition Prescale. Controls the sample and hold window for this SOC. The configured acquisition time must be at least as long as one ADCCLK cycle for correct ADC operation. The device datasheet will also specify a minimum sample and hold window duration.</p> <p>000h Sample window is 1 system clock cycle wide 001h Sample window is 2 system clock cycles wide 002h Sample window is 3 system clock cycles wide ... 1FFh Sample window is 512 system clock cycles wide</p> <p>Reset type: SYSRSn</p>

### 10.15.3.23 ADCSOC6CTL Register (Offset = 1Ch) [Reset = 0000000h]

ADCSOC6CTL is shown in [Figure 10-63](#) and described in [Table 10-57](#).

Return to the [Summary Table](#).

ADC SOC6 Control Register

**Figure 10-63. ADCSOC6CTL Register**

31	30	29	28	27	26	25	24
RESERVED							TRIGSEL
R-0h							R/W-0h
23	22	21	20	19	18	17	16
TRIGSEL				RESERVED	CHSEL		
R/W-0h				R-0h	R/W-0h		
15	14	13	12	11	10	9	8
CHSEL	RESERVED						ACQPS
R/W-0h	R-0h						R/W-0h
7	6	5	4	3	2	1	0
ACQPS							
R/W-0h							

**Table 10-57. ADCSOC6CTL Register Field Descriptions**

Bit	Field	Type	Reset	Description
31-25	RESERVED	R	0h	Reserved
24-20	TRIGSEL	R/W	0h	SOC6 Trigger Source Select. Along with the SOC6 field in the ADCINTSOCSEL1 register, this bit field configures which trigger will set the SOC6 flag in the ADCSOCFLG1 register to initiate a conversion to start once priority is given to it. 00h ADCTRIG0 - Software only 01h ADCTRIG1 - CPU1 Timer 0, TINT0n 02h ADCTRIG2 - CPU1 Timer 1, TINT1n 03h ADCTRIG3 - CPU1 Timer 2, TINT2n 04h ADCTRIG4 - GPIO, ADCEXTSOC 05h ADCTRIG5 - ePWM1, ADCSOCA 06h ADCTRIG6 - ePWM1, ADCSOCA 07h ADCTRIG7 - ePWM2, ADCSOCA 08h ADCTRIG8 - ePWM2, ADCSOCA 09h ADCTRIG9 - ePWM3, ADCSOCA 0Ah ADCTRIG10 - ePWM3, ADCSOCA 0Bh ADCTRIG11 - ePWM4, ADCSOCA 0Ch ADCTRIG12 - ePWM4, ADCSOCA 0Dh ADCTRIG13 - ePWM5, ADCSOCA 0Eh ADCTRIG14 - ePWM5, ADCSOCA 0Fh ADCTRIG15 - ePWM6, ADCSOCA 10h ADCTRIG16 - ePWM6, ADCSOCA 11h ADCTRIG17 - ePWM7, ADCSOCA 12h ADCTRIG18 - ePWM7, ADCSOCA 13h ADCTRIG19 - ePWM8, ADCSOCA 14h ADCTRIG20 - ePWM8, ADCSOCA 15h ADCTRIG21 - ePWM9, ADCSOCA 16h ADCTRIG22 - ePWM9, ADCSOCA 17h ADCTRIG23 - ePWM10, ADCSOCA 18h ADCTRIG24 - ePWM10, ADCSOCA 19h ADCTRIG25 - ePWM11, ADCSOCA 1Ah ADCTRIG26 - ePWM11, ADCSOCA 1Bh ADCTRIG27 - ePWM12, ADCSOCA 1Ch ADCTRIG28 - ePWM12, ADCSOCA 1Dh - 1Fh - Reserved Reset type: SYSRSn

**Table 10-57. ADCSOC6CTL Register Field Descriptions (continued)**

Bit	Field	Type	Reset	Description
19	RESERVED	R	0h	Reserved
18-15	CHSEL	R/W	0h	<p>SOC6 Channel Select. Selects the channel to be converted when SOC6 is received by the ADC.</p> <p>Single-ended Signaling Mode (SIGNALMODE = 0):</p> <p>0h ADCIN0 1h ADCIN1 2h ADCIN2 3h ADCIN3 4h ADCIN4 5h ADCIN5 6h ADCIN6 7h ADCIN7 8h ADCIN8 9h ADCIN9 Ah ADCIN10 Bh ADCIN11 Ch ADCIN12 Dh ADCIN13 Eh ADCIN14 Fh ADCIN15</p> <p>Differential Signaling Mode (SIGNALMODE = 1):</p> <p>0h ADCIN0 (non-inverting) and ADCIN1 (inverting) 1h ADCIN0 (non-inverting) and ADCIN1 (inverting) 2h ADCIN2 (non-inverting) and ADCIN3 (inverting) 3h ADCIN2 (non-inverting) and ADCIN3 (inverting) 4h ADCIN4 (non-inverting) and ADCIN5 (inverting) 5h ADCIN4 (non-inverting) and ADCIN5 (inverting) 6h ADCIN6 (non-inverting) and ADCIN7 (inverting) 7h ADCIN6 (non-inverting) and ADCIN7 (inverting) 8h ADCIN8 (non-inverting) and ADCIN9 (inverting) 9h ADCIN8 (non-inverting) and ADCIN9 (inverting) Ah ADCIN10 (non-inverting) and ADCIN11 (inverting) Bh ADCIN10 (non-inverting) and ADCIN11 (inverting) Ch ADCIN12 (non-inverting) and ADCIN13 (inverting) Dh ADCIN12 (non-inverting) and ADCIN13 (inverting) Eh ADCIN14 (non-inverting) and ADCIN15 (inverting) Fh ADCIN14 (non-inverting) and ADCIN15 (inverting)</p> <p>Reset type: SYSRSn</p>
14-9	RESERVED	R	0h	Reserved
8-0	ACQPS	R/W	0h	<p>SOC6 Acquisition Prescale. Controls the sample and hold window for this SOC. The configured acquisition time must be at least as long as one ADCCLK cycle for correct ADC operation. The device datasheet will also specify a minimum sample and hold window duration.</p> <p>000h Sample window is 1 system clock cycle wide 001h Sample window is 2 system clock cycles wide 002h Sample window is 3 system clock cycles wide ... 1FFh Sample window is 512 system clock cycles wide</p> <p>Reset type: SYSRSn</p>

### 10.15.3.24 ADCSOC7CTL Register (Offset = 1Eh) [Reset = 0000000h]

ADCSOC7CTL is shown in [Figure 10-64](#) and described in [Table 10-58](#).

Return to the [Summary Table](#).

ADC SOC7 Control Register

**Figure 10-64. ADCSOC7CTL Register**

31	30	29	28	27	26	25	24
RESERVED							TRIGSEL
R-0h							R/W-0h
23	22	21	20	19	18	17	16
TRIGSEL				RESERVED	CHSEL		
R/W-0h				R-0h	R/W-0h		
15	14	13	12	11	10	9	8
CHSEL	RESERVED						ACQPS
R/W-0h	R-0h						R/W-0h
7	6	5	4	3	2	1	0
ACQPS							
R/W-0h							

**Table 10-58. ADCSOC7CTL Register Field Descriptions**

Bit	Field	Type	Reset	Description
31-25	RESERVED	R	0h	Reserved
24-20	TRIGSEL	R/W	0h	SOC7 Trigger Source Select. Along with the SOC7 field in the ADCINTSOCSEL1 register, this bit field configures which trigger will set the SOC7 flag in the ADCSOCFLG1 register to initiate a conversion to start once priority is given to it. 00h ADCTRIG0 - Software only 01h ADCTRIG1 - CPU1 Timer 0, TINT0n 02h ADCTRIG2 - CPU1 Timer 1, TINT1n 03h ADCTRIG3 - CPU1 Timer 2, TINT2n 04h ADCTRIG4 - GPIO, ADCEXTSOC 05h ADCTRIG5 - ePWM1, ADCSOCA 06h ADCTRIG6 - ePWM1, ADCSOCA 07h ADCTRIG7 - ePWM2, ADCSOCA 08h ADCTRIG8 - ePWM2, ADCSOCA 09h ADCTRIG9 - ePWM3, ADCSOCA 0Ah ADCTRIG10 - ePWM3, ADCSOCA 0Bh ADCTRIG11 - ePWM4, ADCSOCA 0Ch ADCTRIG12 - ePWM4, ADCSOCA 0Dh ADCTRIG13 - ePWM5, ADCSOCA 0Eh ADCTRIG14 - ePWM5, ADCSOCA 0Fh ADCTRIG15 - ePWM6, ADCSOCA 10h ADCTRIG16 - ePWM6, ADCSOCA 11h ADCTRIG17 - ePWM7, ADCSOCA 12h ADCTRIG18 - ePWM7, ADCSOCA 13h ADCTRIG19 - ePWM8, ADCSOCA 14h ADCTRIG20 - ePWM8, ADCSOCA 15h ADCTRIG21 - ePWM9, ADCSOCA 16h ADCTRIG22 - ePWM9, ADCSOCA 17h ADCTRIG23 - ePWM10, ADCSOCA 18h ADCTRIG24 - ePWM10, ADCSOCA 19h ADCTRIG25 - ePWM11, ADCSOCA 1Ah ADCTRIG26 - ePWM11, ADCSOCA 1Bh ADCTRIG27 - ePWM12, ADCSOCA 1Ch ADCTRIG28 - ePWM12, ADCSOCA 1Dh - 1Fh - Reserved Reset type: SYSRSn

**Table 10-58. ADCSOC7CTL Register Field Descriptions (continued)**

Bit	Field	Type	Reset	Description
19	RESERVED	R	0h	Reserved
18-15	CHSEL	R/W	0h	<p>SOC7 Channel Select. Selects the channel to be converted when SOC7 is received by the ADC.</p> <p>Single-ended Signaling Mode (SIGNALMODE = 0):</p> <p>0h ADCIN0 1h ADCIN1 2h ADCIN2 3h ADCIN3 4h ADCIN4 5h ADCIN5 6h ADCIN6 7h ADCIN7 8h ADCIN8 9h ADCIN9 Ah ADCIN10 Bh ADCIN11 Ch ADCIN12 Dh ADCIN13 Eh ADCIN14 Fh ADCIN15</p> <p>Differential Signaling Mode (SIGNALMODE = 1):</p> <p>0h ADCIN0 (non-inverting) and ADCIN1 (inverting) 1h ADCIN0 (non-inverting) and ADCIN1 (inverting) 2h ADCIN2 (non-inverting) and ADCIN3 (inverting) 3h ADCIN2 (non-inverting) and ADCIN3 (inverting) 4h ADCIN4 (non-inverting) and ADCIN5 (inverting) 5h ADCIN4 (non-inverting) and ADCIN5 (inverting) 6h ADCIN6 (non-inverting) and ADCIN7 (inverting) 7h ADCIN6 (non-inverting) and ADCIN7 (inverting) 8h ADCIN8 (non-inverting) and ADCIN9 (inverting) 9h ADCIN8 (non-inverting) and ADCIN9 (inverting) Ah ADCIN10 (non-inverting) and ADCIN11 (inverting) Bh ADCIN10 (non-inverting) and ADCIN11 (inverting) Ch ADCIN12 (non-inverting) and ADCIN13 (inverting) Dh ADCIN12 (non-inverting) and ADCIN13 (inverting) Eh ADCIN14 (non-inverting) and ADCIN15 (inverting) Fh ADCIN14 (non-inverting) and ADCIN15 (inverting)</p> <p>Reset type: SYSRSn</p>
14-9	RESERVED	R	0h	Reserved
8-0	ACQPS	R/W	0h	<p>SOC7 Acquisition Prescale. Controls the sample and hold window for this SOC. The configured acquisition time must be at least as long as one ADCCLK cycle for correct ADC operation. The device datasheet will also specify a minimum sample and hold window duration.</p> <p>000h Sample window is 1 system clock cycle wide 001h Sample window is 2 system clock cycles wide 002h Sample window is 3 system clock cycles wide ... 1FFh Sample window is 512 system clock cycles wide</p> <p>Reset type: SYSRSn</p>

### 10.15.3.25 ADCSOC8CTL Register (Offset = 20h) [Reset = 0000000h]

ADCSOC8CTL is shown in [Figure 10-65](#) and described in [Table 10-59](#).

Return to the [Summary Table](#).

ADC SOC8 Control Register

**Figure 10-65. ADCSOC8CTL Register**

31	30	29	28	27	26	25	24
RESERVED							TRIGSEL
R-0h							R/W-0h
23	22	21	20	19	18	17	16
TRIGSEL				RESERVED	CHSEL		
R/W-0h				R-0h	R/W-0h		
15	14	13	12	11	10	9	8
CHSEL	RESERVED						ACQPS
R/W-0h	R-0h						R/W-0h
7	6	5	4	3	2	1	0
ACQPS							
R/W-0h							

**Table 10-59. ADCSOC8CTL Register Field Descriptions**

Bit	Field	Type	Reset	Description
31-25	RESERVED	R	0h	Reserved
24-20	TRIGSEL	R/W	0h	SOC8 Trigger Source Select. Along with the SOC8 field in the ADCINTSOCSEL1 register, this bit field configures which trigger will set the SOC8 flag in the ADCSOCFLG1 register to initiate a conversion to start once priority is given to it. 00h ADCTRIG0 - Software only 01h ADCTRIG1 - CPU1 Timer 0, TINT0n 02h ADCTRIG2 - CPU1 Timer 1, TINT1n 03h ADCTRIG3 - CPU1 Timer 2, TINT2n 04h ADCTRIG4 - GPIO, ADCEXTSOC 05h ADCTRIG5 - ePWM1, ADCSOCA 06h ADCTRIG6 - ePWM1, ADCSOCA 07h ADCTRIG7 - ePWM2, ADCSOCA 08h ADCTRIG8 - ePWM2, ADCSOCA 09h ADCTRIG9 - ePWM3, ADCSOCA 0Ah ADCTRIG10 - ePWM3, ADCSOCA 0Bh ADCTRIG11 - ePWM4, ADCSOCA 0Ch ADCTRIG12 - ePWM4, ADCSOCA 0Dh ADCTRIG13 - ePWM5, ADCSOCA 0Eh ADCTRIG14 - ePWM5, ADCSOCA 0Fh ADCTRIG15 - ePWM6, ADCSOCA 10h ADCTRIG16 - ePWM6, ADCSOCA 11h ADCTRIG17 - ePWM7, ADCSOCA 12h ADCTRIG18 - ePWM7, ADCSOCA 13h ADCTRIG19 - ePWM8, ADCSOCA 14h ADCTRIG20 - ePWM8, ADCSOCA 15h ADCTRIG21 - ePWM9, ADCSOCA 16h ADCTRIG22 - ePWM9, ADCSOCA 17h ADCTRIG23 - ePWM10, ADCSOCA 18h ADCTRIG24 - ePWM10, ADCSOCA 19h ADCTRIG25 - ePWM11, ADCSOCA 1Ah ADCTRIG26 - ePWM11, ADCSOCA 1Bh ADCTRIG27 - ePWM12, ADCSOCA 1Ch ADCTRIG28 - ePWM12, ADCSOCA 1Dh - 1Fh - Reserved Reset type: SYSRSn

**Table 10-59. ADCSOC8CTL Register Field Descriptions (continued)**

Bit	Field	Type	Reset	Description
19	RESERVED	R	0h	Reserved
18-15	CHSEL	R/W	0h	<p>SOC8 Channel Select. Selects the channel to be converted when SOC8 is received by the ADC.</p> <p>Single-ended Signaling Mode (SIGNALMODE = 0):</p> <p>0h ADCIN0  1h ADCIN1  2h ADCIN2  3h ADCIN3  4h ADCIN4  5h ADCIN5  6h ADCIN6  7h ADCIN7  8h ADCIN8  9h ADCIN9  Ah ADCIN10  Bh ADCIN11  Ch ADCIN12  Dh ADCIN13  Eh ADCIN14  Fh ADCIN15</p> <p>Differential Signaling Mode (SIGNALMODE = 1):</p> <p>0h ADCIN0 (non-inverting) and ADCIN1 (inverting)  1h ADCIN0 (non-inverting) and ADCIN1 (inverting)  2h ADCIN2 (non-inverting) and ADCIN3 (inverting)  3h ADCIN2 (non-inverting) and ADCIN3 (inverting)  4h ADCIN4 (non-inverting) and ADCIN5 (inverting)  5h ADCIN4 (non-inverting) and ADCIN5 (inverting)  6h ADCIN6 (non-inverting) and ADCIN7 (inverting)  7h ADCIN6 (non-inverting) and ADCIN7 (inverting)  8h ADCIN8 (non-inverting) and ADCIN9 (inverting)  9h ADCIN8 (non-inverting) and ADCIN9 (inverting)  Ah ADCIN10 (non-inverting) and ADCIN11 (inverting)  Bh ADCIN10 (non-inverting) and ADCIN11 (inverting)  Ch ADCIN12 (non-inverting) and ADCIN13 (inverting)  Dh ADCIN12 (non-inverting) and ADCIN13 (inverting)  Eh ADCIN14 (non-inverting) and ADCIN15 (inverting)  Fh ADCIN14 (non-inverting) and ADCIN15 (inverting)</p> <p>Reset type: SYSRSn</p>
14-9	RESERVED	R	0h	Reserved
8-0	ACQPS	R/W	0h	<p>SOC8 Acquisition Prescale. Controls the sample and hold window for this SOC. The configured acquisition time must be at least as long as one ADCCLK cycle for correct ADC operation. The device datasheet will also specify a minimum sample and hold window duration.</p> <p>000h Sample window is 1 system clock cycle wide  001h Sample window is 2 system clock cycles wide  002h Sample window is 3 system clock cycles wide  ...  1FFh Sample window is 512 system clock cycles wide</p> <p>Reset type: SYSRSn</p>

### 10.15.3.26 ADCSOC9CTL Register (Offset = 22h) [Reset = 0000000h]

ADCSOC9CTL is shown in [Figure 10-66](#) and described in [Table 10-60](#).

Return to the [Summary Table](#).

ADC SOC9 Control Register

**Figure 10-66. ADCSOC9CTL Register**

31	30	29	28	27	26	25	24
RESERVED							TRIGSEL
R-0h							R/W-0h
23	22	21	20	19	18	17	16
TRIGSEL				RESERVED	CHSEL		
R/W-0h				R-0h	R/W-0h		
15	14	13	12	11	10	9	8
CHSEL	RESERVED						ACQPS
R/W-0h				R-0h		R/W-0h	
7	6	5	4	3	2	1	0
ACQPS							
R/W-0h							

**Table 10-60. ADCSOC9CTL Register Field Descriptions**

Bit	Field	Type	Reset	Description
31-25	RESERVED	R	0h	Reserved
24-20	TRIGSEL	R/W	0h	SOC9 Trigger Source Select. Along with the SOC9 field in the ADCINTSOCSEL1 register, this bit field configures which trigger will set the SOC9 flag in the ADCSOCFLG1 register to initiate a conversion to start once priority is given to it. 00h ADCTRIG0 - Software only 01h ADCTRIG1 - CPU1 Timer 0, TINT0n 02h ADCTRIG2 - CPU1 Timer 1, TINT1n 03h ADCTRIG3 - CPU1 Timer 2, TINT2n 04h ADCTRIG4 - GPIO, ADCEXTSOC 05h ADCTRIG5 - ePWM1, ADCSOCA 06h ADCTRIG6 - ePWM1, ADCSOCA 07h ADCTRIG7 - ePWM2, ADCSOCA 08h ADCTRIG8 - ePWM2, ADCSOCA 09h ADCTRIG9 - ePWM3, ADCSOCA 0Ah ADCTRIG10 - ePWM3, ADCSOCA 0Bh ADCTRIG11 - ePWM4, ADCSOCA 0Ch ADCTRIG12 - ePWM4, ADCSOCA 0Dh ADCTRIG13 - ePWM5, ADCSOCA 0Eh ADCTRIG14 - ePWM5, ADCSOCA 0Fh ADCTRIG15 - ePWM6, ADCSOCA 10h ADCTRIG16 - ePWM6, ADCSOCA 11h ADCTRIG17 - ePWM7, ADCSOCA 12h ADCTRIG18 - ePWM7, ADCSOCA 13h ADCTRIG19 - ePWM8, ADCSOCA 14h ADCTRIG20 - ePWM8, ADCSOCA 15h ADCTRIG21 - ePWM9, ADCSOCA 16h ADCTRIG22 - ePWM9, ADCSOCA 17h ADCTRIG23 - ePWM10, ADCSOCA 18h ADCTRIG24 - ePWM10, ADCSOCA 19h ADCTRIG25 - ePWM11, ADCSOCA 1Ah ADCTRIG26 - ePWM11, ADCSOCA 1Bh ADCTRIG27 - ePWM12, ADCSOCA 1Ch ADCTRIG28 - ePWM12, ADCSOCA 1Dh - 1Fh - Reserved Reset type: SYSRSn



**Table 10-60. ADCSOC9CTL Register Field Descriptions (continued)**

Bit	Field	Type	Reset	Description
19	RESERVED	R	0h	Reserved
18-15	CHSEL	R/W	0h	<p>SOC9 Channel Select. Selects the channel to be converted when SOC9 is received by the ADC.</p> <p>Single-ended Signaling Mode (SIGNALMODE = 0):</p> <p>0h ADCIN0 1h ADCIN1 2h ADCIN2 3h ADCIN3 4h ADCIN4 5h ADCIN5 6h ADCIN6 7h ADCIN7 8h ADCIN8 9h ADCIN9 Ah ADCIN10 Bh ADCIN11 Ch ADCIN12 Dh ADCIN13 Eh ADCIN14 Fh ADCIN15</p> <p>Differential Signaling Mode (SIGNALMODE = 1):</p> <p>0h ADCIN0 (non-inverting) and ADCIN1 (inverting) 1h ADCIN0 (non-inverting) and ADCIN1 (inverting) 2h ADCIN2 (non-inverting) and ADCIN3 (inverting) 3h ADCIN2 (non-inverting) and ADCIN3 (inverting) 4h ADCIN4 (non-inverting) and ADCIN5 (inverting) 5h ADCIN4 (non-inverting) and ADCIN5 (inverting) 6h ADCIN6 (non-inverting) and ADCIN7 (inverting) 7h ADCIN6 (non-inverting) and ADCIN7 (inverting) 8h ADCIN8 (non-inverting) and ADCIN9 (inverting) 9h ADCIN8 (non-inverting) and ADCIN9 (inverting) Ah ADCIN10 (non-inverting) and ADCIN11 (inverting) Bh ADCIN10 (non-inverting) and ADCIN11 (inverting) Ch ADCIN12 (non-inverting) and ADCIN13 (inverting) Dh ADCIN12 (non-inverting) and ADCIN13 (inverting) Eh ADCIN14 (non-inverting) and ADCIN15 (inverting) Fh ADCIN14 (non-inverting) and ADCIN15 (inverting)</p> <p>Reset type: SYSRSn</p>
14-9	RESERVED	R	0h	Reserved
8-0	ACQPS	R/W	0h	<p>SOC9 Acquisition Prescale. Controls the sample and hold window for this SOC. The configured acquisition time must be at least as long as one ADCCLK cycle for correct ADC operation. The device datasheet will also specify a minimum sample and hold window duration.</p> <p>000h Sample window is 1 system clock cycle wide 001h Sample window is 2 system clock cycles wide 002h Sample window is 3 system clock cycles wide ... 1FFh Sample window is 512 system clock cycles wide</p> <p>Reset type: SYSRSn</p>

### 10.15.3.27 ADCSOC10CTL Register (Offset = 24h) [Reset = 0000000h]

ADCSOC10CTL is shown in [Figure 10-67](#) and described in [Table 10-61](#).

Return to the [Summary Table](#).

ADC SOC10 Control Register

**Figure 10-67. ADCSOC10CTL Register**

31	30	29	28	27	26	25	24
RESERVED							TRIGSEL
R-0h							R/W-0h
23	22	21	20	19	18	17	16
TRIGSEL				RESERVED	CHSEL		
R/W-0h				R-0h	R/W-0h		
15	14	13	12	11	10	9	8
CHSEL	RESERVED						ACQPS
R/W-0h	R-0h						R/W-0h
7	6	5	4	3	2	1	0
ACQPS							
R/W-0h							

**Table 10-61. ADCSOC10CTL Register Field Descriptions**

Bit	Field	Type	Reset	Description
31-25	RESERVED	R	0h	Reserved
24-20	TRIGSEL	R/W	0h	SOC10 Trigger Source Select. Along with the SOC10 field in the ADCINTSOCSEL1 register, this bit field configures which trigger will set the SOC10 flag in the ADCSOCFLG1 register to initiate a conversion to start once priority is given to it. 00h ADCTRIG0 - Software only 01h ADCTRIG1 - CPU1 Timer 0, TINT0n 02h ADCTRIG2 - CPU1 Timer 1, TINT1n 03h ADCTRIG3 - CPU1 Timer 2, TINT2n 04h ADCTRIG4 - GPIO, ADCEXTSOC 05h ADCTRIG5 - ePWM1, ADCSOCA 06h ADCTRIG6 - ePWM1, ADCSOCA 07h ADCTRIG7 - ePWM2, ADCSOCA 08h ADCTRIG8 - ePWM2, ADCSOCA 09h ADCTRIG9 - ePWM3, ADCSOCA 0Ah ADCTRIG10 - ePWM3, ADCSOCA 0Bh ADCTRIG11 - ePWM4, ADCSOCA 0Ch ADCTRIG12 - ePWM4, ADCSOCA 0Dh ADCTRIG13 - ePWM5, ADCSOCA 0Eh ADCTRIG14 - ePWM5, ADCSOCA 0Fh ADCTRIG15 - ePWM6, ADCSOCA 10h ADCTRIG16 - ePWM6, ADCSOCA 11h ADCTRIG17 - ePWM7, ADCSOCA 12h ADCTRIG18 - ePWM7, ADCSOCA 13h ADCTRIG19 - ePWM8, ADCSOCA 14h ADCTRIG20 - ePWM8, ADCSOCA 15h ADCTRIG21 - ePWM9, ADCSOCA 16h ADCTRIG22 - ePWM9, ADCSOCA 17h ADCTRIG23 - ePWM10, ADCSOCA 18h ADCTRIG24 - ePWM10, ADCSOCA 19h ADCTRIG25 - ePWM11, ADCSOCA 1Ah ADCTRIG26 - ePWM11, ADCSOCA 1Bh ADCTRIG27 - ePWM12, ADCSOCA 1Ch ADCTRIG28 - ePWM12, ADCSOCA 1Dh - 1Fh - Reserved Reset type: SYSRSn

**Table 10-61. ADCSOC10CTL Register Field Descriptions (continued)**

Bit	Field	Type	Reset	Description
19	RESERVED	R	0h	Reserved
18-15	CHSEL	R/W	0h	<p>SOC10 Channel Select. Selects the channel to be converted when SOC10 is received by the ADC.</p> <p>Single-ended Signaling Mode (SIGNALMODE = 0):</p> <p>0h ADCIN0 1h ADCIN1 2h ADCIN2 3h ADCIN3 4h ADCIN4 5h ADCIN5 6h ADCIN6 7h ADCIN7 8h ADCIN8 9h ADCIN9 Ah ADCIN10 Bh ADCIN11 Ch ADCIN12 Dh ADCIN13 Eh ADCIN14 Fh ADCIN15</p> <p>Differential Signaling Mode (SIGNALMODE = 1):</p> <p>0h ADCIN0 (non-inverting) and ADCIN1 (inverting) 1h ADCIN0 (non-inverting) and ADCIN1 (inverting) 2h ADCIN2 (non-inverting) and ADCIN3 (inverting) 3h ADCIN2 (non-inverting) and ADCIN3 (inverting) 4h ADCIN4 (non-inverting) and ADCIN5 (inverting) 5h ADCIN4 (non-inverting) and ADCIN5 (inverting) 6h ADCIN6 (non-inverting) and ADCIN7 (inverting) 7h ADCIN6 (non-inverting) and ADCIN7 (inverting) 8h ADCIN8 (non-inverting) and ADCIN9 (inverting) 9h ADCIN8 (non-inverting) and ADCIN9 (inverting) Ah ADCIN10 (non-inverting) and ADCIN11 (inverting) Bh ADCIN10 (non-inverting) and ADCIN11 (inverting) Ch ADCIN12 (non-inverting) and ADCIN13 (inverting) Dh ADCIN12 (non-inverting) and ADCIN13 (inverting) Eh ADCIN14 (non-inverting) and ADCIN15 (inverting) Fh ADCIN14 (non-inverting) and ADCIN15 (inverting)</p> <p>Reset type: SYSRSn</p>
14-9	RESERVED	R	0h	Reserved
8-0	ACQPS	R/W	0h	<p>SOC10 Acquisition Prescale. Controls the sample and hold window for this SOC. The configured acquisition time must be at least as long as one ADCCLK cycle for correct ADC operation. The device datasheet will also specify a minimum sample and hold window duration.</p> <p>000h Sample window is 1 system clock cycle wide 001h Sample window is 2 system clock cycles wide 002h Sample window is 3 system clock cycles wide ... 1FFh Sample window is 512 system clock cycles wide</p> <p>Reset type: SYSRSn</p>

### 10.15.3.28 ADCSOC11CTL Register (Offset = 26h) [Reset = 0000000h]

ADCSOC11CTL is shown in [Figure 10-68](#) and described in [Table 10-62](#).

Return to the [Summary Table](#).

ADC SOC11 Control Register

**Figure 10-68. ADCSOC11CTL Register**

31	30	29	28	27	26	25	24
RESERVED							TRIGSEL
R-0h							R/W-0h
23	22	21	20	19	18	17	16
TRIGSEL				RESERVED	CHSEL		
R/W-0h				R-0h	R/W-0h		
15	14	13	12	11	10	9	8
CHSEL	RESERVED						ACQPS
R/W-0h	R-0h						R/W-0h
7	6	5	4	3	2	1	0
ACQPS							
R/W-0h							

**Table 10-62. ADCSOC11CTL Register Field Descriptions**

Bit	Field	Type	Reset	Description
31-25	RESERVED	R	0h	Reserved
24-20	TRIGSEL	R/W	0h	SOC11 Trigger Source Select. Along with the SOC11 field in the ADCINTSOCSEL1 register, this bit field configures which trigger will set the SOC11 flag in the ADCSOCFLG1 register to initiate a conversion to start once priority is given to it. 00h ADCTRIG0 - Software only 01h ADCTRIG1 - CPU1 Timer 0, TINT0n 02h ADCTRIG2 - CPU1 Timer 1, TINT1n 03h ADCTRIG3 - CPU1 Timer 2, TINT2n 04h ADCTRIG4 - GPIO, ADCEXTSOC 05h ADCTRIG5 - ePWM1, ADCSOCA 06h ADCTRIG6 - ePWM1, ADCSOCA 07h ADCTRIG7 - ePWM2, ADCSOCA 08h ADCTRIG8 - ePWM2, ADCSOCA 09h ADCTRIG9 - ePWM3, ADCSOCA 0Ah ADCTRIG10 - ePWM3, ADCSOCA 0Bh ADCTRIG11 - ePWM4, ADCSOCA 0Ch ADCTRIG12 - ePWM4, ADCSOCA 0Dh ADCTRIG13 - ePWM5, ADCSOCA 0Eh ADCTRIG14 - ePWM5, ADCSOCA 0Fh ADCTRIG15 - ePWM6, ADCSOCA 10h ADCTRIG16 - ePWM6, ADCSOCA 11h ADCTRIG17 - ePWM7, ADCSOCA 12h ADCTRIG18 - ePWM7, ADCSOCA 13h ADCTRIG19 - ePWM8, ADCSOCA 14h ADCTRIG20 - ePWM8, ADCSOCA 15h ADCTRIG21 - ePWM9, ADCSOCA 16h ADCTRIG22 - ePWM9, ADCSOCA 17h ADCTRIG23 - ePWM10, ADCSOCA 18h ADCTRIG24 - ePWM10, ADCSOCA 19h ADCTRIG25 - ePWM11, ADCSOCA 1Ah ADCTRIG26 - ePWM11, ADCSOCA 1Bh ADCTRIG27 - ePWM12, ADCSOCA 1Ch ADCTRIG28 - ePWM12, ADCSOCA 1Dh - 1Fh - Reserved Reset type: SYSRSn

**Table 10-62. ADCSOC11CTL Register Field Descriptions (continued)**

Bit	Field	Type	Reset	Description
19	RESERVED	R	0h	Reserved
18-15	CHSEL	R/W	0h	<p>SOC11 Channel Select. Selects the channel to be converted when SOC11 is received by the ADC.</p> <p>Single-ended Signaling Mode (SIGNALMODE = 0):</p> <p>0h ADCIN0 1h ADCIN1 2h ADCIN2 3h ADCIN3 4h ADCIN4 5h ADCIN5 6h ADCIN6 7h ADCIN7 8h ADCIN8 9h ADCIN9 Ah ADCIN10 Bh ADCIN11 Ch ADCIN12 Dh ADCIN13 Eh ADCIN14 Fh ADCIN15</p> <p>Differential Signaling Mode (SIGNALMODE = 1):</p> <p>0h ADCIN0 (non-inverting) and ADCIN1 (inverting) 1h ADCIN0 (non-inverting) and ADCIN1 (inverting) 2h ADCIN2 (non-inverting) and ADCIN3 (inverting) 3h ADCIN2 (non-inverting) and ADCIN3 (inverting) 4h ADCIN4 (non-inverting) and ADCIN5 (inverting) 5h ADCIN4 (non-inverting) and ADCIN5 (inverting) 6h ADCIN6 (non-inverting) and ADCIN7 (inverting) 7h ADCIN6 (non-inverting) and ADCIN7 (inverting) 8h ADCIN8 (non-inverting) and ADCIN9 (inverting) 9h ADCIN8 (non-inverting) and ADCIN9 (inverting) Ah ADCIN10 (non-inverting) and ADCIN11 (inverting) Bh ADCIN10 (non-inverting) and ADCIN11 (inverting) Ch ADCIN12 (non-inverting) and ADCIN13 (inverting) Dh ADCIN12 (non-inverting) and ADCIN13 (inverting) Eh ADCIN14 (non-inverting) and ADCIN15 (inverting) Fh ADCIN14 (non-inverting) and ADCIN15 (inverting)</p> <p>Reset type: SYSRSn</p>
14-9	RESERVED	R	0h	Reserved
8-0	ACQPS	R/W	0h	<p>SOC11 Acquisition Prescale. Controls the sample and hold window for this SOC. The configured acquisition time must be at least as long as one ADCCLK cycle for correct ADC operation. The device datasheet will also specify a minimum sample and hold window duration.</p> <p>000h Sample window is 1 system clock cycle wide 001h Sample window is 2 system clock cycles wide 002h Sample window is 3 system clock cycles wide ... 1FFh Sample window is 512 system clock cycles wide</p> <p>Reset type: SYSRSn</p>

### 10.15.3.29 ADCSOC12CTL Register (Offset = 28h) [Reset = 0000000h]

ADCSOC12CTL is shown in [Figure 10-69](#) and described in [Table 10-63](#).

Return to the [Summary Table](#).

ADC SOC12 Control Register

**Figure 10-69. ADCSOC12CTL Register**

31	30	29	28	27	26	25	24
RESERVED							TRIGSEL
R-0h							R/W-0h
23	22	21	20	19	18	17	16
TRIGSEL				RESERVED	CHSEL		
R/W-0h				R-0h	R/W-0h		
15	14	13	12	11	10	9	8
CHSEL	RESERVED						ACQPS
R/W-0h	R-0h						R/W-0h
7	6	5	4	3	2	1	0
ACQPS							
R/W-0h							

**Table 10-63. ADCSOC12CTL Register Field Descriptions**

Bit	Field	Type	Reset	Description
31-25	RESERVED	R	0h	Reserved
24-20	TRIGSEL	R/W	0h	SOC12 Trigger Source Select. Along with the SOC12 field in the ADCINTSOCSEL1 register, this bit field configures which trigger will set the SOC12 flag in the ADCSOCFLG1 register to initiate a conversion to start once priority is given to it. 00h ADCTRIG0 - Software only 01h ADCTRIG1 - CPU1 Timer 0, TINT0n 02h ADCTRIG2 - CPU1 Timer 1, TINT1n 03h ADCTRIG3 - CPU1 Timer 2, TINT2n 04h ADCTRIG4 - GPIO, ADCEXTSOC 05h ADCTRIG5 - ePWM1, ADCSOCA 06h ADCTRIG6 - ePWM1, ADCSOCA 07h ADCTRIG7 - ePWM2, ADCSOCA 08h ADCTRIG8 - ePWM2, ADCSOCA 09h ADCTRIG9 - ePWM3, ADCSOCA 0Ah ADCTRIG10 - ePWM3, ADCSOCA 0Bh ADCTRIG11 - ePWM4, ADCSOCA 0Ch ADCTRIG12 - ePWM4, ADCSOCA 0Dh ADCTRIG13 - ePWM5, ADCSOCA 0Eh ADCTRIG14 - ePWM5, ADCSOCA 0Fh ADCTRIG15 - ePWM6, ADCSOCA 10h ADCTRIG16 - ePWM6, ADCSOCA 11h ADCTRIG17 - ePWM7, ADCSOCA 12h ADCTRIG18 - ePWM7, ADCSOCA 13h ADCTRIG19 - ePWM8, ADCSOCA 14h ADCTRIG20 - ePWM8, ADCSOCA 15h ADCTRIG21 - ePWM9, ADCSOCA 16h ADCTRIG22 - ePWM9, ADCSOCA 17h ADCTRIG23 - ePWM10, ADCSOCA 18h ADCTRIG24 - ePWM10, ADCSOCA 19h ADCTRIG25 - ePWM11, ADCSOCA 1Ah ADCTRIG26 - ePWM11, ADCSOCA 1Bh ADCTRIG27 - ePWM12, ADCSOCA 1Ch ADCTRIG28 - ePWM12, ADCSOCA 1Dh - 1Fh - Reserved Reset type: SYSRSn

**Table 10-63. ADCSOC12CTL Register Field Descriptions (continued)**

Bit	Field	Type	Reset	Description
19	RESERVED	R	0h	Reserved
18-15	CHSEL	R/W	0h	<p>SOC12 Channel Select. Selects the channel to be converted when SOC12 is received by the ADC.</p> <p>Single-ended Signaling Mode (SIGNALMODE = 0):</p> <p>0h ADCIN0 1h ADCIN1 2h ADCIN2 3h ADCIN3 4h ADCIN4 5h ADCIN5 6h ADCIN6 7h ADCIN7 8h ADCIN8 9h ADCIN9 Ah ADCIN10 Bh ADCIN11 Ch ADCIN12 Dh ADCIN13 Eh ADCIN14 Fh ADCIN15</p> <p>Differential Signaling Mode (SIGNALMODE = 1):</p> <p>0h ADCIN0 (non-inverting) and ADCIN1 (inverting) 1h ADCIN0 (non-inverting) and ADCIN1 (inverting) 2h ADCIN2 (non-inverting) and ADCIN3 (inverting) 3h ADCIN2 (non-inverting) and ADCIN3 (inverting) 4h ADCIN4 (non-inverting) and ADCIN5 (inverting) 5h ADCIN4 (non-inverting) and ADCIN5 (inverting) 6h ADCIN6 (non-inverting) and ADCIN7 (inverting) 7h ADCIN6 (non-inverting) and ADCIN7 (inverting) 8h ADCIN8 (non-inverting) and ADCIN9 (inverting) 9h ADCIN8 (non-inverting) and ADCIN9 (inverting) Ah ADCIN10 (non-inverting) and ADCIN11 (inverting) Bh ADCIN10 (non-inverting) and ADCIN11 (inverting) Ch ADCIN12 (non-inverting) and ADCIN13 (inverting) Dh ADCIN12 (non-inverting) and ADCIN13 (inverting) Eh ADCIN14 (non-inverting) and ADCIN15 (inverting) Fh ADCIN14 (non-inverting) and ADCIN15 (inverting)</p> <p>Reset type: SYSRSn</p>
14-9	RESERVED	R	0h	Reserved
8-0	ACQPS	R/W	0h	<p>SOC12 Acquisition Prescale. Controls the sample and hold window for this SOC. The configured acquisition time must be at least as long as one ADCCLK cycle for correct ADC operation. The device datasheet will also specify a minimum sample and hold window duration.</p> <p>000h Sample window is 1 system clock cycle wide 001h Sample window is 2 system clock cycles wide 002h Sample window is 3 system clock cycles wide ... 1FFh Sample window is 512 system clock cycles wide</p> <p>Reset type: SYSRSn</p>

### 10.15.3.30 ADCSOC13CTL Register (Offset = 2Ah) [Reset = 0000000h]

ADCSOC13CTL is shown in [Figure 10-70](#) and described in [Table 10-64](#).

Return to the [Summary Table](#).

ADC SOC13 Control Register

**Figure 10-70. ADCSOC13CTL Register**

31	30	29	28	27	26	25	24
RESERVED							TRIGSEL
R-0h							R/W-0h
23	22	21	20	19	18	17	16
TRIGSEL				RESERVED	CHSEL		
R/W-0h				R-0h	R/W-0h		
15	14	13	12	11	10	9	8
CHSEL	RESERVED						ACQPS
R/W-0h	R-0h						R/W-0h
7	6	5	4	3	2	1	0
ACQPS							
R/W-0h							

**Table 10-64. ADCSOC13CTL Register Field Descriptions**

Bit	Field	Type	Reset	Description
31-25	RESERVED	R	0h	Reserved
24-20	TRIGSEL	R/W	0h	SOC13 Trigger Source Select. Along with the SOC13 field in the ADCINTSOCSEL1 register, this bit field configures which trigger will set the SOC13 flag in the ADCSOCFLG1 register to initiate a conversion to start once priority is given to it. 00h ADCTRIG0 - Software only 01h ADCTRIG1 - CPU1 Timer 0, TINT0n 02h ADCTRIG2 - CPU1 Timer 1, TINT1n 03h ADCTRIG3 - CPU1 Timer 2, TINT2n 04h ADCTRIG4 - GPIO, ADCEXTSOC 05h ADCTRIG5 - ePWM1, ADCSOCA 06h ADCTRIG6 - ePWM1, ADCSOCA 07h ADCTRIG7 - ePWM2, ADCSOCA 08h ADCTRIG8 - ePWM2, ADCSOCA 09h ADCTRIG9 - ePWM3, ADCSOCA 0Ah ADCTRIG10 - ePWM3, ADCSOCA 0Bh ADCTRIG11 - ePWM4, ADCSOCA 0Ch ADCTRIG12 - ePWM4, ADCSOCA 0Dh ADCTRIG13 - ePWM5, ADCSOCA 0Eh ADCTRIG14 - ePWM5, ADCSOCA 0Fh ADCTRIG15 - ePWM6, ADCSOCA 10h ADCTRIG16 - ePWM6, ADCSOCA 11h ADCTRIG17 - ePWM7, ADCSOCA 12h ADCTRIG18 - ePWM7, ADCSOCA 13h ADCTRIG19 - ePWM8, ADCSOCA 14h ADCTRIG20 - ePWM8, ADCSOCA 15h ADCTRIG21 - ePWM9, ADCSOCA 16h ADCTRIG22 - ePWM9, ADCSOCA 17h ADCTRIG23 - ePWM10, ADCSOCA 18h ADCTRIG24 - ePWM10, ADCSOCA 19h ADCTRIG25 - ePWM11, ADCSOCA 1Ah ADCTRIG26 - ePWM11, ADCSOCA 1Bh ADCTRIG27 - ePWM12, ADCSOCA 1Ch ADCTRIG28 - ePWM12, ADCSOCA 1Dh - 1Fh - Reserved Reset type: SYSRSn



**Table 10-64. ADCSOC13CTL Register Field Descriptions (continued)**

Bit	Field	Type	Reset	Description
19	RESERVED	R	0h	Reserved
18-15	CHSEL	R/W	0h	<p>SOC13 Channel Select. Selects the channel to be converted when SOC13 is received by the ADC.</p> <p>Single-ended Signaling Mode (SIGNALMODE = 0):</p> <p>0h ADCIN0 1h ADCIN1 2h ADCIN2 3h ADCIN3 4h ADCIN4 5h ADCIN5 6h ADCIN6 7h ADCIN7 8h ADCIN8 9h ADCIN9 Ah ADCIN10 Bh ADCIN11 Ch ADCIN12 Dh ADCIN13 Eh ADCIN14 Fh ADCIN15</p> <p>Differential Signaling Mode (SIGNALMODE = 1):</p> <p>0h ADCIN0 (non-inverting) and ADCIN1 (inverting) 1h ADCIN0 (non-inverting) and ADCIN1 (inverting) 2h ADCIN2 (non-inverting) and ADCIN3 (inverting) 3h ADCIN2 (non-inverting) and ADCIN3 (inverting) 4h ADCIN4 (non-inverting) and ADCIN5 (inverting) 5h ADCIN4 (non-inverting) and ADCIN5 (inverting) 6h ADCIN6 (non-inverting) and ADCIN7 (inverting) 7h ADCIN6 (non-inverting) and ADCIN7 (inverting) 8h ADCIN8 (non-inverting) and ADCIN9 (inverting) 9h ADCIN8 (non-inverting) and ADCIN9 (inverting) Ah ADCIN10 (non-inverting) and ADCIN11 (inverting) Bh ADCIN10 (non-inverting) and ADCIN11 (inverting) Ch ADCIN12 (non-inverting) and ADCIN13 (inverting) Dh ADCIN12 (non-inverting) and ADCIN13 (inverting) Eh ADCIN14 (non-inverting) and ADCIN15 (inverting) Fh ADCIN14 (non-inverting) and ADCIN15 (inverting)</p> <p>Reset type: SYSRSn</p>
14-9	RESERVED	R	0h	Reserved
8-0	ACQPS	R/W	0h	<p>SOC13 Acquisition Prescale. Controls the sample and hold window for this SOC. The configured acquisition time must be at least as long as one ADCCLK cycle for correct ADC operation. The device datasheet will also specify a minimum sample and hold window duration.</p> <p>000h Sample window is 1 system clock cycle wide 001h Sample window is 2 system clock cycles wide 002h Sample window is 3 system clock cycles wide ... 1FFh Sample window is 512 system clock cycles wide</p> <p>Reset type: SYSRSn</p>

### 10.15.3.31 ADCSOC14CTL Register (Offset = 2Ch) [Reset = 0000000h]

ADCSOC14CTL is shown in [Figure 10-71](#) and described in [Table 10-65](#).

Return to the [Summary Table](#).

ADC SOC14 Control Register

**Figure 10-71. ADCSOC14CTL Register**

31	30	29	28	27	26	25	24
RESERVED							TRIGSEL
R-0h							R/W-0h
23	22	21	20	19	18	17	16
TRIGSEL				RESERVED	CHSEL		
R/W-0h				R-0h	R/W-0h		
15	14	13	12	11	10	9	8
CHSEL	RESERVED						ACQPS
R/W-0h	R-0h						R/W-0h
7	6	5	4	3	2	1	0
ACQPS							
R/W-0h							

**Table 10-65. ADCSOC14CTL Register Field Descriptions**

Bit	Field	Type	Reset	Description
31-25	RESERVED	R	0h	Reserved
24-20	TRIGSEL	R/W	0h	SOC14 Trigger Source Select. Along with the SOC14 field in the ADCINTSOCSEL1 register, this bit field configures which trigger will set the SOC14 flag in the ADCSOCFLG1 register to initiate a conversion to start once priority is given to it. 00h ADCTRIG0 - Software only 01h ADCTRIG1 - CPU1 Timer 0, TINT0n 02h ADCTRIG2 - CPU1 Timer 1, TINT1n 03h ADCTRIG3 - CPU1 Timer 2, TINT2n 04h ADCTRIG4 - GPIO, ADCEXTSOC 05h ADCTRIG5 - ePWM1, ADCSOCA 06h ADCTRIG6 - ePWM1, ADCSOCA 07h ADCTRIG7 - ePWM2, ADCSOCA 08h ADCTRIG8 - ePWM2, ADCSOCA 09h ADCTRIG9 - ePWM3, ADCSOCA 0Ah ADCTRIG10 - ePWM3, ADCSOCA 0Bh ADCTRIG11 - ePWM4, ADCSOCA 0Ch ADCTRIG12 - ePWM4, ADCSOCA 0Dh ADCTRIG13 - ePWM5, ADCSOCA 0Eh ADCTRIG14 - ePWM5, ADCSOCA 0Fh ADCTRIG15 - ePWM6, ADCSOCA 10h ADCTRIG16 - ePWM6, ADCSOCA 11h ADCTRIG17 - ePWM7, ADCSOCA 12h ADCTRIG18 - ePWM7, ADCSOCA 13h ADCTRIG19 - ePWM8, ADCSOCA 14h ADCTRIG20 - ePWM8, ADCSOCA 15h ADCTRIG21 - ePWM9, ADCSOCA 16h ADCTRIG22 - ePWM9, ADCSOCA 17h ADCTRIG23 - ePWM10, ADCSOCA 18h ADCTRIG24 - ePWM10, ADCSOCA 19h ADCTRIG25 - ePWM11, ADCSOCA 1Ah ADCTRIG26 - ePWM11, ADCSOCA 1Bh ADCTRIG27 - ePWM12, ADCSOCA 1Ch ADCTRIG28 - ePWM12, ADCSOCA 1Dh - 1Fh - Reserved Reset type: SYSRSn

**Table 10-65. ADCSOC14CTL Register Field Descriptions (continued)**

Bit	Field	Type	Reset	Description
19	RESERVED	R	0h	Reserved
18-15	CHSEL	R/W	0h	<p>SOC14 Channel Select. Selects the channel to be converted when SOC14 is received by the ADC.</p> <p>Single-ended Signaling Mode (SIGNALMODE = 0):</p> <p>0h ADCIN0 1h ADCIN1 2h ADCIN2 3h ADCIN3 4h ADCIN4 5h ADCIN5 6h ADCIN6 7h ADCIN7 8h ADCIN8 9h ADCIN9 Ah ADCIN10 Bh ADCIN11 Ch ADCIN12 Dh ADCIN13 Eh ADCIN14 Fh ADCIN15</p> <p>Differential Signaling Mode (SIGNALMODE = 1):</p> <p>0h ADCIN0 (non-inverting) and ADCIN1 (inverting) 1h ADCIN0 (non-inverting) and ADCIN1 (inverting) 2h ADCIN2 (non-inverting) and ADCIN3 (inverting) 3h ADCIN2 (non-inverting) and ADCIN3 (inverting) 4h ADCIN4 (non-inverting) and ADCIN5 (inverting) 5h ADCIN4 (non-inverting) and ADCIN5 (inverting) 6h ADCIN6 (non-inverting) and ADCIN7 (inverting) 7h ADCIN6 (non-inverting) and ADCIN7 (inverting) 8h ADCIN8 (non-inverting) and ADCIN9 (inverting) 9h ADCIN8 (non-inverting) and ADCIN9 (inverting) Ah ADCIN10 (non-inverting) and ADCIN11 (inverting) Bh ADCIN10 (non-inverting) and ADCIN11 (inverting) Ch ADCIN12 (non-inverting) and ADCIN13 (inverting) Dh ADCIN12 (non-inverting) and ADCIN13 (inverting) Eh ADCIN14 (non-inverting) and ADCIN15 (inverting) Fh ADCIN14 (non-inverting) and ADCIN15 (inverting)</p> <p>Reset type: SYSRSn</p>
14-9	RESERVED	R	0h	Reserved
8-0	ACQPS	R/W	0h	<p>SOC14 Acquisition Prescale. Controls the sample and hold window for this SOC. The configured acquisition time must be at least as long as one ADCCLK cycle for correct ADC operation. The device datasheet will also specify a minimum sample and hold window duration.</p> <p>000h Sample window is 1 system clock cycle wide 001h Sample window is 2 system clock cycles wide 002h Sample window is 3 system clock cycles wide ... 1FFh Sample window is 512 system clock cycles wide</p> <p>Reset type: SYSRSn</p>

### 10.15.3.32 ADCSOC15CTL Register (Offset = 2Eh) [Reset = 0000000h]

ADCSOC15CTL is shown in [Figure 10-72](#) and described in [Table 10-66](#).

Return to the [Summary Table](#).

ADC SOC15 Control Register

**Figure 10-72. ADCSOC15CTL Register**

31	30	29	28	27	26	25	24
RESERVED							TRIGSEL
R-0h							R/W-0h
23	22	21	20	19	18	17	16
TRIGSEL				RESERVED	CHSEL		
R/W-0h				R-0h	R/W-0h		
15	14	13	12	11	10	9	8
CHSEL	RESERVED						ACQPS
R/W-0h	R-0h						R/W-0h
7	6	5	4	3	2	1	0
ACQPS							
R/W-0h							

**Table 10-66. ADCSOC15CTL Register Field Descriptions**

Bit	Field	Type	Reset	Description
31-25	RESERVED	R	0h	Reserved
24-20	TRIGSEL	R/W	0h	SOC15 Trigger Source Select. Along with the SOC15 field in the ADCINTSOCSEL1 register, this bit field configures which trigger will set the SOC15 flag in the ADCSOCFLG1 register to initiate a conversion to start once priority is given to it. 00h ADCTRIG0 - Software only 01h ADCTRIG1 - CPU1 Timer 0, TINT0n 02h ADCTRIG2 - CPU1 Timer 1, TINT1n 03h ADCTRIG3 - CPU1 Timer 2, TINT2n 04h ADCTRIG4 - GPIO, ADCEXTSOC 05h ADCTRIG5 - ePWM1, ADCSOCA 06h ADCTRIG6 - ePWM1, ADCSOCA 07h ADCTRIG7 - ePWM2, ADCSOCA 08h ADCTRIG8 - ePWM2, ADCSOCA 09h ADCTRIG9 - ePWM3, ADCSOCA 0Ah ADCTRIG10 - ePWM3, ADCSOCA 0Bh ADCTRIG11 - ePWM4, ADCSOCA 0Ch ADCTRIG12 - ePWM4, ADCSOCA 0Dh ADCTRIG13 - ePWM5, ADCSOCA 0Eh ADCTRIG14 - ePWM5, ADCSOCA 0Fh ADCTRIG15 - ePWM6, ADCSOCA 10h ADCTRIG16 - ePWM6, ADCSOCA 11h ADCTRIG17 - ePWM7, ADCSOCA 12h ADCTRIG18 - ePWM7, ADCSOCA 13h ADCTRIG19 - ePWM8, ADCSOCA 14h ADCTRIG20 - ePWM8, ADCSOCA 15h ADCTRIG21 - ePWM9, ADCSOCA 16h ADCTRIG22 - ePWM9, ADCSOCA 17h ADCTRIG23 - ePWM10, ADCSOCA 18h ADCTRIG24 - ePWM10, ADCSOCA 19h ADCTRIG25 - ePWM11, ADCSOCA 1Ah ADCTRIG26 - ePWM11, ADCSOCA 1Bh ADCTRIG27 - ePWM12, ADCSOCA 1Ch ADCTRIG28 - ePWM12, ADCSOCA 1Dh - 1Fh - Reserved Reset type: SYSRSn

**Table 10-66. ADCSOC15CTL Register Field Descriptions (continued)**

Bit	Field	Type	Reset	Description
19	RESERVED	R	0h	Reserved
18-15	CHSEL	R/W	0h	<p>SOC15 Channel Select. Selects the channel to be converted when SOC15 is received by the ADC.</p> <p>Single-ended Signaling Mode (SIGNALMODE = 0):</p> <p>0h ADCIN0 1h ADCIN1 2h ADCIN2 3h ADCIN3 4h ADCIN4 5h ADCIN5 6h ADCIN6 7h ADCIN7 8h ADCIN8 9h ADCIN9 Ah ADCIN10 Bh ADCIN11 Ch ADCIN12 Dh ADCIN13 Eh ADCIN14 Fh ADCIN15</p> <p>Differential Signaling Mode (SIGNALMODE = 1):</p> <p>0h ADCIN0 (non-inverting) and ADCIN1 (inverting) 1h ADCIN0 (non-inverting) and ADCIN1 (inverting) 2h ADCIN2 (non-inverting) and ADCIN3 (inverting) 3h ADCIN2 (non-inverting) and ADCIN3 (inverting) 4h ADCIN4 (non-inverting) and ADCIN5 (inverting) 5h ADCIN4 (non-inverting) and ADCIN5 (inverting) 6h ADCIN6 (non-inverting) and ADCIN7 (inverting) 7h ADCIN6 (non-inverting) and ADCIN7 (inverting) 8h ADCIN8 (non-inverting) and ADCIN9 (inverting) 9h ADCIN8 (non-inverting) and ADCIN9 (inverting) Ah ADCIN10 (non-inverting) and ADCIN11 (inverting) Bh ADCIN10 (non-inverting) and ADCIN11 (inverting) Ch ADCIN12 (non-inverting) and ADCIN13 (inverting) Dh ADCIN12 (non-inverting) and ADCIN13 (inverting) Eh ADCIN14 (non-inverting) and ADCIN15 (inverting) Fh ADCIN14 (non-inverting) and ADCIN15 (inverting)</p> <p>Reset type: SYSRSn</p>
14-9	RESERVED	R	0h	Reserved
8-0	ACQPS	R/W	0h	<p>SOC15 Acquisition Prescale. Controls the sample and hold window for this SOC. The configured acquisition time must be at least as long as one ADCCLK cycle for correct ADC operation. The device datasheet will also specify a minimum sample and hold window duration.</p> <p>000h Sample window is 1 system clock cycle wide 001h Sample window is 2 system clock cycles wide 002h Sample window is 3 system clock cycles wide ... 1FFh Sample window is 512 system clock cycles wide</p> <p>Reset type: SYSRSn</p>

### 10.15.3.33 ADCEVTSTAT Register (Offset = 30h) [Reset = 0000h]

ADCEVTSTAT is shown in [Figure 10-73](#) and described in [Table 10-67](#).

Return to the [Summary Table](#).

ADC Event Status Register

**Figure 10-73. ADCEVTSTAT Register**

15	14	13	12	11	10	9	8
RESERVED	PPB4ZERO	PPB4TRIPLO	PPB4TRIPHI	RESERVED	PPB3ZERO	PPB3TRIPLO	PPB3TRIPHI
R-0h	R-0h	R-0h	R-0h	R-0h	R-0h	R-0h	R-0h
7	6	5	4	3	2	1	0
RESERVED	PPB2ZERO	PPB2TRIPLO	PPB2TRIPHI	RESERVED	PPB1ZERO	PPB1TRIPLO	PPB1TRIPHI
R-0h	R-0h	R-0h	R-0h	R-0h	R-0h	R-0h	R-0h

**Table 10-67. ADCEVTSTAT Register Field Descriptions**

Bit	Field	Type	Reset	Description
15	RESERVED	R	0h	Reserved
14	PPB4ZERO	R	0h	Post Processing Block 4 Zero Crossing Flag. When set indicates the ADCPPB4RESULT register has changed sign. This bit is gated by EOC signal. Note: these bits are set even when the corresponding enable in ADCEVTINTSEL is not set. Because of this, an ISR may need to examine both the ADCEVTSTAT and ADCEVTINTSEL registers to determine the source of the interrupt. Note: If software sets the clear bit on the same cycle that hardware is trying to set the flag bit, then hardware has priority Reset type: SYSRSn
13	PPB4TRIPLO	R	0h	Post Processing Block 4 Trip Low Flag. When set indicates a digital compare trip low event has occurred. Note: these bits are set even when the corresponding enable in ADCEVTINTSEL is not set. Because of this, an ISR may need to examine both the ADCEVTSTAT and ADCEVTINTSEL registers to determine the source of the interrupt. Note: If software sets the clear bit on the same cycle that hardware is trying to set the flag bit, then hardware has priority Reset type: SYSRSn
12	PPB4TRIPHI	R	0h	Post Processing Block 4 Trip High Flag. When set indicates a digital compare trip high event has occurred. Note: these bits are set even when the corresponding enable in ADCEVTINTSEL is not set. Because of this, an ISR may need to examine both the ADCEVTSTAT and ADCEVTINTSEL registers to determine the source of the interrupt. Note: If software sets the clear bit on the same cycle that hardware is trying to set the flag bit, then hardware has priority Reset type: SYSRSn
11	RESERVED	R	0h	Reserved
10	PPB3ZERO	R	0h	Post Processing Block 3 Zero Crossing Flag. When set indicates the ADCPPB3RESULT register has changed sign. This bit is gated by EOC signal. Note: these bits are set even when the corresponding enable in ADCEVTINTSEL is not set. Because of this, an ISR may need to examine both the ADCEVTSTAT and ADCEVTINTSEL registers to determine the source of the interrupt. Note: If software sets the clear bit on the same cycle that hardware is trying to set the flag bit, then hardware has priority Reset type: SYSRSn

**Table 10-67. ADCEVTSTAT Register Field Descriptions (continued)**

Bit	Field	Type	Reset	Description
9	PPB3TRIPLO	R	0h	<p>Post Processing Block 3 Trip Low Flag. When set indicates a digital compare trip low event has occurred.</p> <p>Note: these bits are set even when the corresponding enable in ADCEVTINTSEL is not set. Because of this, an ISR may need to examine both the ADCEVTSTAT and ADCEVTINTSEL registers to determine the source of the interrupt.</p> <p>Note: If software sets the clear bit on the same cycle that hardware is trying to set the flag bit, then hardware has priority</p> <p>Reset type: SYSRSn</p>
8	PPB3TRIPHI	R	0h	<p>Post Processing Block 3 Trip High Flag. When set indicates a digital compare trip high event has occurred.</p> <p>Note: these bits are set even when the corresponding enable in ADCEVTINTSEL is not set. Because of this, an ISR may need to examine both the ADCEVTSTAT and ADCEVTINTSEL registers to determine the source of the interrupt.</p> <p>Note: If software sets the clear bit on the same cycle that hardware is trying to set the flag bit, then hardware has priority</p> <p>Reset type: SYSRSn</p>
7	RESERVED	R	0h	Reserved
6	PPB2ZERO	R	0h	<p>Post Processing Block 2 Zero Crossing Flag. When set indicates the ADCPPB2RESULT register has changed sign. This bit is gated by EOC signal.</p> <p>Note: these bits are set even when the corresponding enable in ADCEVTINTSEL is not set. Because of this, an ISR may need to examine both the ADCEVTSTAT and ADCEVTINTSEL registers to determine the source of the interrupt.</p> <p>Note: If software sets the clear bit on the same cycle that hardware is trying to set the flag bit, then hardware has priority</p> <p>Reset type: SYSRSn</p>
5	PPB2TRIPLO	R	0h	<p>Post Processing Block 2 Trip Low Flag. When set indicates a digital compare trip low event has occurred.</p> <p>Note: these bits are set even when the corresponding enable in ADCEVTINTSEL is not set. Because of this, an ISR may need to examine both the ADCEVTSTAT and ADCEVTINTSEL registers to determine the source of the interrupt.</p> <p>Note: If software sets the clear bit on the same cycle that hardware is trying to set the flag bit, then hardware has priority</p> <p>Reset type: SYSRSn</p>
4	PPB2TRIPHI	R	0h	<p>Post Processing Block 2 Trip High Flag. When set indicates a digital compare trip high event has occurred.</p> <p>Note: these bits are set even when the corresponding enable in ADCEVTINTSEL is not set. Because of this, an ISR may need to examine both the ADCEVTSTAT and ADCEVTINTSEL registers to determine the source of the interrupt.</p> <p>Note: If software sets the clear bit on the same cycle that hardware is trying to set the flag bit, then hardware has priority</p> <p>Reset type: SYSRSn</p>
3	RESERVED	R	0h	Reserved
2	PPB1ZERO	R	0h	<p>Post Processing Block 1 Zero Crossing Flag. When set indicates the ADCPPB1RESULT register has changed sign. This bit is gated by EOC signal.</p> <p>Note: these bits are set even when the corresponding enable in ADCEVTINTSEL is not set. Because of this, an ISR may need to examine both the ADCEVTSTAT and ADCEVTINTSEL registers to determine the source of the interrupt.</p> <p>Note: If software sets the clear bit on the same cycle that hardware is trying to set the flag bit, then hardware has priority</p> <p>Reset type: SYSRSn</p>

**Table 10-67. ADCEVTSTAT Register Field Descriptions (continued)**

Bit	Field	Type	Reset	Description
1	PPB1TRIPLO	R	0h	Post Processing Block 1 Trip Low Flag. When set indicates a digital compare trip low event has occurred. Note: these bits are set even when the corresponding enable in ADCEVTINTSEL is not set. Because of this, an ISR may need to examine both the ADCEVTSTAT and ADCEVTINTSEL registers to determine the source of the interrupt. Note: If software sets the clear bit on the same cycle that hardware is trying to set the flag bit, then hardware has priority Reset type: SYSRSn
0	PPB1TRIPHI	R	0h	Post Processing Block 1 Trip High Flag. When set indicates a digital compare trip high event has occurred. Note: these bits are set even when the corresponding enable in ADCEVTINTSEL is not set. Because of this, an ISR may need to examine both the ADCEVTSTAT and ADCEVTINTSEL registers to determine the source of the interrupt. Note: If software sets the clear bit on the same cycle that hardware is trying to set the flag bit, then hardware has priority Reset type: SYSRSn



### 10.15.3.34 ADCEVTCLR Register (Offset = 32h) [Reset = 0000h]

ADCEVTCLR is shown in [Figure 10-74](#) and described in [Table 10-68](#).

Return to the [Summary Table](#).

ADC Event Clear Register

**Figure 10-74. ADCEVTCLR Register**

15	14	13	12	11	10	9	8
RESERVED	PPB4ZERO	PPB4TRIPLO	PPB4TRIPHI	RESERVED	PPB3ZERO	PPB3TRIPLO	PPB3TRIPHI
R-0h	R-0/W1S-0h	R-0/W1S-0h	R-0/W1S-0h	R-0h	R-0/W1S-0h	R-0/W1S-0h	R-0/W1S-0h
7	6	5	4	3	2	1	0
RESERVED	PPB2ZERO	PPB2TRIPLO	PPB2TRIPHI	RESERVED	PPB1ZERO	PPB1TRIPLO	PPB1TRIPHI
R-0h	R-0/W1S-0h	R-0/W1S-0h	R-0/W1S-0h	R-0h	R-0/W1S-0h	R-0/W1S-0h	R-0/W1S-0h

**Table 10-68. ADCEVTCLR Register Field Descriptions**

Bit	Field	Type	Reset	Description
15	RESERVED	R	0h	Reserved
14	PPB4ZERO	R-0/W1S	0h	Post Processing Block 4 Zero Crossing Clear. Clears the corresponding zero crossing flag in the ADCEVTSTAT register. Note: If software sets the clear bit on the same cycle that hardware is trying to set the flag bit, then hardware has priority Reset type: SYSRSn
13	PPB4TRIPLO	R-0/W1S	0h	Post Processing Block 4 Trip Low Clear. Clears the corresponding trip low flag in the ADCEVTSTAT register. Note: If software sets the clear bit on the same cycle that hardware is trying to set the flag bit, then hardware has priority Reset type: SYSRSn
12	PPB4TRIPHI	R-0/W1S	0h	Post Processing Block 4 Trip High Clear. Clears the corresponding trip high flag in the ADCEVTSTAT register. Note: If software sets the clear bit on the same cycle that hardware is trying to set the flag bit, then hardware has priority Reset type: SYSRSn
11	RESERVED	R	0h	Reserved
10	PPB3ZERO	R-0/W1S	0h	Post Processing Block 3 Zero Crossing Clear. Clears the corresponding zero crossing flag in the ADCEVTSTAT register. Note: If software sets the clear bit on the same cycle that hardware is trying to set the flag bit, then hardware has priority Reset type: SYSRSn
9	PPB3TRIPLO	R-0/W1S	0h	Post Processing Block 3 Trip Low Clear. Clears the corresponding trip low flag in the ADCEVTSTAT register. Note: If software sets the clear bit on the same cycle that hardware is trying to set the flag bit, then hardware has priority Reset type: SYSRSn
8	PPB3TRIPHI	R-0/W1S	0h	Post Processing Block 3 Trip High Clear. Clears the corresponding trip high flag in the ADCEVTSTAT register. Note: If software sets the clear bit on the same cycle that hardware is trying to set the flag bit, then hardware has priority Reset type: SYSRSn
7	RESERVED	R	0h	Reserved
6	PPB2ZERO	R-0/W1S	0h	Post Processing Block 2 Zero Crossing Clear. Clears the corresponding zero crossing flag in the ADCEVTSTAT register. Note: If software sets the clear bit on the same cycle that hardware is trying to set the flag bit, then hardware has priority Reset type: SYSRSn

**Table 10-68. ADCEVTCLR Register Field Descriptions (continued)**

Bit	Field	Type	Reset	Description
5	PPB2TRIPLO	R-0/W1S	0h	Post Processing Block 2 Trip Low Clear. Clears the corresponding trip low flag in the ADCEVTSTAT register. Note: If software sets the clear bit on the same cycle that hardware is trying to set the flag bit, then hardware has priority Reset type: SYSRSn
4	PPB2TRIPHI	R-0/W1S	0h	Post Processing Block 2 Trip High Clear. Clears the corresponding trip high flag in the ADCEVTSTAT register. Note: If software sets the clear bit on the same cycle that hardware is trying to set the flag bit, then hardware has priority Reset type: SYSRSn
3	RESERVED	R	0h	Reserved
2	PPB1ZERO	R-0/W1S	0h	Post Processing Block 1 Zero Crossing Clear. Clears the corresponding zero crossing flag in the ADCEVTSTAT register. Note: If software sets the clear bit on the same cycle that hardware is trying to set the flag bit, then hardware has priority Reset type: SYSRSn
1	PPB1TRIPLO	R-0/W1S	0h	Post Processing Block 1 Trip Low Clear. Clears the corresponding trip low flag in the ADCEVTSTAT register. Note: If software sets the clear bit on the same cycle that hardware is trying to set the flag bit, then hardware has priority Reset type: SYSRSn
0	PPB1TRIPHI	R-0/W1S	0h	Post Processing Block 1 Trip High Clear. Clears the corresponding trip high flag in the ADCEVTSTAT register. Note: If software sets the clear bit on the same cycle that hardware is trying to set the flag bit, then hardware has priority Reset type: SYSRSn

### 10.15.3.35 ADCEVTSEL Register (Offset = 34h) [Reset = 0000h]

ADCEVTSEL is shown in [Figure 10-75](#) and described in [Table 10-69](#).

Return to the [Summary Table](#).

ADC Event Selection Register

**Figure 10-75. ADCEVTSEL Register**

15	14	13	12	11	10	9	8
RESERVED	PPB4ZERO	PPB4TRIPLO	PPB4TRIPHI	RESERVED	PPB3ZERO	PPB3TRIPLO	PPB3TRIPHI
R-0h	R/W-0h	R/W-0h	R/W-0h	R-0h	R/W-0h	R/W-0h	R/W-0h
7	6	5	4	3	2	1	0
RESERVED	PPB2ZERO	PPB2TRIPLO	PPB2TRIPHI	RESERVED	PPB1ZERO	PPB1TRIPLO	PPB1TRIPHI
R-0h	R/W-0h	R/W-0h	R/W-0h	R-0h	R/W-0h	R/W-0h	R/W-0h

**Table 10-69. ADCEVTSEL Register Field Descriptions**

Bit	Field	Type	Reset	Description
15	RESERVED	R	0h	Reserved
14	PPB4ZERO	R/W	0h	Post Processing Block 4 Zero Crossing Event Enable. Setting this bit allows the corresponding rising zero crossing flag to activate the event signal to the PWM blocks. The flag must be cleared before it can produce additional events to the PWM blocks. Reset type: SYSRSn
13	PPB4TRIPLO	R/W	0h	Post Processing Block 4 Trip Low Event Enable. Setting this bit allows the corresponding rising trip low flag to activate the event signal to the PWM blocks. The flag must be cleared before it can produce additional events to the PWM blocks. Reset type: SYSRSn
12	PPB4TRIPHI	R/W	0h	Post Processing Block 4 Trip High Event Enable. Setting this bit allows the corresponding rising trip high flag to activate the event signal to the PWM blocks. The flag must be cleared before it can produce additional events to the PWM blocks. Reset type: SYSRSn
11	RESERVED	R	0h	Reserved
10	PPB3ZERO	R/W	0h	Post Processing Block 3 Zero Crossing Event Enable. Setting this bit allows the corresponding rising zero crossing flag to activate the event signal to the PWM blocks. The flag must be cleared before it can produce additional events to the PWM blocks. Reset type: SYSRSn
9	PPB3TRIPLO	R/W	0h	Post Processing Block 3 Trip Low Event Enable. Setting this bit allows the corresponding rising trip low flag to activate the event signal to the PWM blocks. The flag must be cleared before it can produce additional events to the PWM blocks. Reset type: SYSRSn
8	PPB3TRIPHI	R/W	0h	Post Processing Block 3 Trip High Event Enable. Setting this bit allows the corresponding rising trip high flag to activate the event signal to the PWM blocks. The flag must be cleared before it can produce additional events to the PWM blocks. Reset type: SYSRSn
7	RESERVED	R	0h	Reserved
6	PPB2ZERO	R/W	0h	Post Processing Block 2 Zero Crossing Event Enable. Setting this bit allows the corresponding rising zero crossing flag to activate the event signal to the PWM blocks. The flag must be cleared before it can produce additional events to the PWM blocks. Reset type: SYSRSn

**Table 10-69. ADCEVTSEL Register Field Descriptions (continued)**

Bit	Field	Type	Reset	Description
5	PPB2TRIPLO	R/W	0h	Post Processing Block 2 Trip Low Event Enable. Setting this bit allows the corresponding rising trip low flag to activate the event signal to the PWM blocks. The flag must be cleared before it can produce additional events to the PWM blocks. Reset type: SYSRSn
4	PPB2TRIPHI	R/W	0h	Post Processing Block 2 Trip High Event Enable. Setting this bit allows the corresponding rising trip high flag to activate the event signal to the PWM blocks. The flag must be cleared before it can produce additional events to the PWM blocks. Reset type: SYSRSn
3	RESERVED	R	0h	Reserved
2	PPB1ZERO	R/W	0h	Post Processing Block 1 Zero Crossing Event Enable. Setting this bit allows the corresponding rising zero crossing flag to activate the event signal to the PWM blocks. The flag must be cleared before it can produce additional events to the PWM blocks. Reset type: SYSRSn
1	PPB1TRIPLO	R/W	0h	Post Processing Block 1 Trip Low Event Enable. Setting this bit allows the corresponding rising trip low flag to activate the event signal to the PWM blocks. The flag must be cleared before it can produce additional events to the PWM blocks. Reset type: SYSRSn
0	PPB1TRIPHI	R/W	0h	Post Processing Block 1 Trip High Event Enable. Setting this bit allows the corresponding rising trip high flag to activate the event signal to the PWM blocks. The flag must be cleared before it can produce additional events to the PWM blocks. Reset type: SYSRSn

### 10.15.3.36 ADCEVTINTSEL Register (Offset = 36h) [Reset = 0000h]

ADCEVTINTSEL is shown in [Figure 10-76](#) and described in [Table 10-70](#).

Return to the [Summary Table](#).

ADC Event Interrupt Selection Register

**Figure 10-76. ADCEVTINTSEL Register**

15	14	13	12	11	10	9	8
RESERVED	PPB4ZERO	PPB4TRIPLO	PPB4TRIPHI	RESERVED	PPB3ZERO	PPB3TRIPLO	PPB3TRIPHI
R-0h	R/W-0h	R/W-0h	R/W-0h	R-0h	R/W-0h	R/W-0h	R/W-0h
7	6	5	4	3	2	1	0
RESERVED	PPB2ZERO	PPB2TRIPLO	PPB2TRIPHI	RESERVED	PPB1ZERO	PPB1TRIPLO	PPB1TRIPHI
R-0h	R/W-0h	R/W-0h	R/W-0h	R-0h	R/W-0h	R/W-0h	R/W-0h

**Table 10-70. ADCEVTINTSEL Register Field Descriptions**

Bit	Field	Type	Reset	Description
15	RESERVED	R	0h	Reserved
14	PPB4ZERO	R/W	0h	Post Processing Block 4 Zero Crossing Interrupt Enable. Setting this bit allows the corresponding rising zero crossing flag to activate the event interrupt signal to the PIE. The flag must be cleared before it can produce additional interrupts to the PIE. Reset type: SYSRSn
13	PPB4TRIPLO	R/W	0h	Post Processing Block 4 Trip Low Interrupt Enable. Setting this bit allows the corresponding rising trip low flag to activate the event interrupt signal to the PIE. The flag must be cleared before it can produce additional interrupts to the PIE. Reset type: SYSRSn
12	PPB4TRIPHI	R/W	0h	Post Processing Block 4 Trip High Interrupt Enable. Setting this bit allows the corresponding rising trip high flag to activate the event interrupt signal to the PIE. The flag must be cleared before it can produce additional interrupts to the PIE. Reset type: SYSRSn
11	RESERVED	R	0h	Reserved
10	PPB3ZERO	R/W	0h	Post Processing Block 3 Zero Crossing Interrupt Enable. Setting this bit allows the corresponding rising zero crossing flag to activate the event interrupt signal to the PIE. The flag must be cleared before it can produce additional interrupts to the PIE. Reset type: SYSRSn
9	PPB3TRIPLO	R/W	0h	Post Processing Block 3 Trip Low Interrupt Enable. Setting this bit allows the corresponding rising trip low flag to activate the event interrupt signal to the PIE. The flag must be cleared before it can produce additional interrupts to the PIE. Reset type: SYSRSn
8	PPB3TRIPHI	R/W	0h	Post Processing Block 3 Trip High Interrupt Enable. Setting this bit allows the corresponding rising trip high flag to activate the event interrupt signal to the PIE. The flag must be cleared before it can produce additional interrupts to the PIE. Reset type: SYSRSn
7	RESERVED	R	0h	Reserved
6	PPB2ZERO	R/W	0h	Post Processing Block 2 Zero Crossing Interrupt Enable. Setting this bit allows the corresponding rising zero crossing flag to activate the event interrupt signal to the PIE. The flag must be cleared before it can produce additional interrupts to the PIE. Reset type: SYSRSn

**Table 10-70. ADCEVTINTSEL Register Field Descriptions (continued)**

Bit	Field	Type	Reset	Description
5	PPB2TRIPLO	R/W	0h	Post Processing Block 2 Trip Low Interrupt Enable. Setting this bit allows the corresponding rising trip low flag to activate the event interrupt signal to the PIE. The flag must be cleared before it can produce additional interrupts to the PIE. Reset type: SYSRSn
4	PPB2TRIPHI	R/W	0h	Post Processing Block 2 Trip High Interrupt Enable. Setting this bit allows the corresponding rising trip high flag to activate the event interrupt signal to the PIE. The flag must be cleared before it can produce additional interrupts to the PIE. Reset type: SYSRSn
3	RESERVED	R	0h	Reserved
2	PPB1ZERO	R/W	0h	Post Processing Block 1 Zero Crossing Interrupt Enable. Setting this bit allows the corresponding rising zero crossing flag to activate the event interrupt signal to the PIE. The flag must be cleared before it can produce additional interrupts to the PIE. Reset type: SYSRSn
1	PPB1TRIPLO	R/W	0h	Post Processing Block 1 Trip Low Interrupt Enable. Setting this bit allows the corresponding rising trip low flag to activate the event interrupt signal to the PIE. The flag must be cleared before it can produce additional interrupts to the PIE. Reset type: SYSRSn
0	PPB1TRIPHI	R/W	0h	Post Processing Block 1 Trip High Interrupt Enable. Setting this bit allows the corresponding rising trip high flag to activate the event interrupt signal to the PIE. The flag must be cleared before it can produce additional interrupts to the PIE. Reset type: SYSRSn

### 10.15.3.37 ADCOSDETECT Register (Offset = 38h) [Reset = 0000h]

ADCOSDETECT is shown in [Figure 10-77](#) and described in [Table 10-71](#).

Return to the [Summary Table](#).

ADC Open and Shorts Detect Register

**Figure 10-77. ADCOSDETECT Register**

15	14	13	12	11	10	9	8
RESERVED							
R-0h							
7	6	5	4	3	2	1	0
RESERVED					DETECTCFG		
R-0h					R/W-0h		

**Table 10-71. ADCOSDETECT Register Field Descriptions**

Bit	Field	Type	Reset	Description
15-3	RESERVED	R	0h	Reserved
2-0	DETECTCFG	R/W	0h	<p>ADC Opens and Shorts Detect Configuration. This bit field defines the open/shorts detection circuit state.</p> <p>0h Open/Shorts detection circuit is disabled.</p> <p>1h Open/Shorts detection circuit is enabled at zero scale.</p> <p>2h Open/Shorts detection circuit is enabled at full scale.</p> <p>3h Open/Shorts detection circuit is enabled at (nominal) 5/12 scale.</p> <p>4h Open/Shorts detection circuit is enabled at (nominal) 7/12 scale.</p> <p>5h Open/Shorts detection circuit is enabled with a (nominal) 5K pulldown to VSSA.</p> <p>6h Open/Shorts detection circuit is enabled with a (nominal) 5K pullup to VDDA.</p> <p>7h Open/Shorts detection circuit is enabled with a (nominal) 7K pulldown to VSSA.</p> <p>Reset type: SYSRStn</p>

### 10.15.3.38 ADCCOUNTER Register (Offset = 39h) [Reset = 0000h]

ADCCOUNTER is shown in [Figure 10-78](#) and described in [Table 10-72](#).

Return to the [Summary Table](#).

ADC Counter Register

**Figure 10-78. ADCCOUNTER Register**

15	14	13	12	11	10	9	8
RESERVED				FREECOUNT			
R-0h				R-0h			
7	6	5	4	3	2	1	0
FREECOUNT							
R-0h							

**Table 10-72. ADCCOUNTER Register Field Descriptions**

Bit	Field	Type	Reset	Description
15-12	RESERVED	R	0h	Reserved
11-0	FREECOUNT	R	0h	ADC Free Running Counter Value. This bit field reflects the status of the free running ADC counter. Reset type: SYSRSn



### 10.15.3.39 ADCREV Register (Offset = 3Ah) [Reset = 0004h]

ADCREV is shown in [Figure 10-79](#) and described in [Table 10-73](#).

Return to the [Summary Table](#).

ADC Revision Register

**Figure 10-79. ADCREV Register**

15	14	13	12	11	10	9	8
REV							
R-0h							
7	6	5	4	3	2	1	0
TYPE							
R-4h							

**Table 10-73. ADCREV Register Field Descriptions**

Bit	Field	Type	Reset	Description
15-8	REV	R	0h	ADC Revision. To allow documentation of differences between revisions. First version is labeled as 00h. Reset type: SYSRSn
7-0	TYPE	R	4h	ADC Type. Always set to 4 for this ADC. Reset type: SYSRSn

### 10.15.3.40 ADCOFFTRIM Register (Offset = 3Bh) [Reset = 0000h]

ADCOFFTRIM is shown in [Figure 10-80](#) and described in [Table 10-74](#).

Return to the [Summary Table](#).

ADC Offset Trim Register

**Figure 10-80. ADCOFFTRIM Register**

15	14	13	12	11	10	9	8
RESERVED				RESERVED			
R-0h				R/W-0h			
7	6	5	4	3	2	1	0
OFFTRIM							
R/W-0h							

**Table 10-74. ADCOFFTRIM Register Field Descriptions**

Bit	Field	Type	Reset	Description
15-12	RESERVED	R	0h	Reserved
11-8	RESERVED	R/W	0h	Reserved
7-0	OFFTRIM	R/W	0h	ADC Offset Trim. Adjusts the conversion results of the converter up or down to account for offset error in the ADC. A different offset trim is required for each combination of resolution and signal mode. Using the AdcSetMode function to set the resolution and signal mode will ensure that the correct offset trim is loaded. Range is +127 steps to -128 steps (2's compliment format). Regardless of the converter resolution, the size of each trim step is (VREFHI-VREFLO)/65536. Reset type: SYSRSn

### 10.15.3.41 ADCPPB1CONFIG Register (Offset = 40h) [Reset = 0000h]

ADCPPB1CONFIG is shown in [Figure 10-81](#) and described in [Table 10-75](#).

Return to the [Summary Table](#).

ADC PPB1 Config Register

**Figure 10-81. ADCPPB1CONFIG Register**

15	14	13	12	11	10	9	8
RESERVED							
R-0h							
7	6	5	4	3	2	1	0
RESERVED			TWOSCOMPE N	CONFIG			
R-0h			R/W-0h	R/W-0h			

**Table 10-75. ADCPPB1CONFIG Register Field Descriptions**

Bit	Field	Type	Reset	Description
15-5	RESERVED	R	0h	Reserved
4	TWOSCOMPEN	R/W	0h	ADC Post Processing Block 1 Two's Complement Enable. When set this bit enables the post conversion hardware processing circuit that performs a two's complement on the output of the offset/reference subtraction unit before storing the result in the ADCPPB1RESULT register. 0 ADCPPB1RESULT = ADCRESULT <sub>x</sub> - ADCPPB1OFFREF 1 ADCPPB1RESULT = ADCPPB1OFFREF - ADCRESULT <sub>x</sub> Reset type: SYSRSn

**Table 10-75. ADCPPB1CONFIG Register Field Descriptions (continued)**

Bit	Field	Type	Reset	Description
3-0	CONFIG	R/W	0h	ADC Post Processing Block 1 Configuration. This bit field defines which SOC/EOC/RESULT is associated with this post processing block. 0000 SOC0/EOC0/RESULT0 is associated with post processing block 1 0001 SOC1/EOC1/RESULT1 is associated with post processing block 1 0010 SOC2/EOC2/RESULT2 is associated with post processing block 1 0011 SOC3/EOC3/RESULT3 is associated with post processing block 1 0100 SOC4/EOC4/RESULT4 is associated with post processing block 1 0101 SOC5/EOC5/RESULT5 is associated with post processing block 1 0110 SOC6/EOC6/RESULT6 is associated with post processing block 1 0111 SOC7/EOC7/RESULT7 is associated with post processing block 1 1000 SOC8/EOC8/RESULT8 is associated with post processing block 1 1001 SOC9/EOC9/RESULT9 is associated with post processing block 1 1010 SOC10/EOC10/RESULT10 is associated with post processing block 1 1011 SOC11/EOC11/RESULT11 is associated with post processing block 1 1100 SOC12/EOC12/RESULT12 is associated with post processing block 1 1101 SOC13/EOC13/RESULT13 is associated with post processing block 1 1110 SOC14/EOC14/RESULT14 is associated with post processing block 1 1111 SOC15/EOC15/RESULT15 is associated with post processing block 1 Reset type: SYSRSn

### 10.15.3.42 ADCPPB1STAMP Register (Offset = 41h) [Reset = 0000h]

ADCPPB1STAMP is shown in [Figure 10-82](#) and described in [Table 10-76](#).

Return to the [Summary Table](#).

ADC PPB1 Sample Delay Time Stamp Register

**Figure 10-82. ADCPPB1STAMP Register**

15	14	13	12	11	10	9	8
RESERVED				DLYSTAMP			
R-0h				R-0h			
7	6	5	4	3	2	1	0
DLYSTAMP							
R-0h							

**Table 10-76. ADCPPB1STAMP Register Field Descriptions**

Bit	Field	Type	Reset	Description
15-12	RESERVED	R	0h	Reserved
11-0	DLYSTAMP	R	0h	ADC Post Processing Block 1 Delay Time Stamp. When an SOC starts sampling the value contained in REQSTAMP is subtracted from the value in ADCCOUNTER.FREECOUNT and loaded into this bit field, thereby giving the number of system clock cycles delay between the SOC trigger and the actual start of the sample. Reset type: SYSRSn

### 10.15.3.43 ADCPPB1OFFCAL Register (Offset = 42h) [Reset = 0000h]

ADCPPB1OFFCAL is shown in [Figure 10-83](#) and described in [Table 10-77](#).

Return to the [Summary Table](#).

ADC PPB1 Offset Calibration Register

**Figure 10-83. ADCPPB1OFFCAL Register**

15	14	13	12	11	10	9	8
RESERVED						OFFCAL	
R-0h						R/W-0h	
7	6	5	4	3	2	1	0
OFFCAL							
R/W-0h							

**Table 10-77. ADCPPB1OFFCAL Register Field Descriptions**

Bit	Field	Type	Reset	Description
15-10	RESERVED	R	0h	Reserved
9-0	OFFCAL	R/W	0h	ADC Post Processing Block 1 Offset Correction. This bit field can be used to digitally remove any system level offset inherent in the ADCIN circuit. This 10-bit signed value is subtracted from the ADC output before being stored in the ADCRESULT register. 000h No change. The ADC output is stored directly into ADCRESULT. 001h ADC output - 1 is stored into ADCRESULT. 002h ADC output - 2 is stored into ADCRESULT. ... 200h ADC output + 512 is stored into ADCRESULT. ... 3FFh ADC output + 1 is stored into ADCRESULT. NOTE: In 16-bit mode, the subtraction will saturate at 0000h and FFFFh before being stored into the ADCRESULT register. In 12-bit mode, the subtraction will saturate at 0000h and 0FFFh before being stored into the ADCRESULT register. Note: in the case that multiple PPBs point to the same SOC, only the OFFCAL of the highest numbered PPB will be applied. Reset type: SYSRSn

### 10.15.3.44 ADCPPB1OFFREF Register (Offset = 43h) [Reset = 0000h]

ADCPPB1OFFREF is shown in [Figure 10-84](#) and described in [Table 10-78](#).

Return to the [Summary Table](#).

ADC PPB1 Offset Reference Register

**Figure 10-84. ADCPPB1OFFREF Register**

15	14	13	12	11	10	9	8
OFFREF							
R/W-0h							
7	6	5	4	3	2	1	0
OFFREF							
R/W-0h							

**Table 10-78. ADCPPB1OFFREF Register Field Descriptions**

Bit	Field	Type	Reset	Description
15-0	OFFREF	R/W	0h	<p>ADC Post Processing Block 1 Offset Correction. This bit field can be used to either calculate the feedback error or convert a unipolar signal to bipolar by subtracting a reference value. This 16-bit unsigned value is subtracted from the ADCRESULT register before being passed through an optional two's complement function and stored in the ADCPPB1RESULT register. This subtraction is not saturated.</p> <p>0000h No change. The ADCRESULT value is passed on.            0001h ADCRESULT - 1 is passed on.            0002h ADCRESULT - 2 is passed on.            ...            8000h ADCRESULT - 32,768 is passed on.            ...            FFFFh ADCRESULT - 65,535 is passed on.</p> <p>NOTE: In 12-bit mode the size of this register does not change from 16-bits. It is the user's responsibility to ensure that only a 12-bit value is written to this register when in 12-bit mode.            Reset type: SYSRSn</p>

### 10.15.3.45 ADCPPB1TRIPHI Register (Offset = 44h) [Reset = 0000000h]

ADCPPB1TRIPHI is shown in [Figure 10-85](#) and described in [Table 10-79](#).

Return to the [Summary Table](#).

ADC PPB1 Trip High Register

**Figure 10-85. ADCPPB1TRIPHI Register**

31	30	29	28	27	26	25	24
RESERVED							
R-0h							
23	22	21	20	19	18	17	16
RESERVED							HSIGN
R-0h							R/W-0h
15	14	13	12	11	10	9	8
LIMITHI							
R/W-0h							
7	6	5	4	3	2	1	0
LIMITHI							
R/W-0h							

**Table 10-79. ADCPPB1TRIPHI Register Field Descriptions**

Bit	Field	Type	Reset	Description
31-17	RESERVED	R	0h	Reserved
16	HSIGN	R/W	0h	High Limit Sign Bit. This is the sign bit (17th bit) to the LIMITHI bit field when in 16-bit ADC mode. Reset type: SYSRSn
15-0	LIMITHI	R/W	0h	ADC Post Processing Block 1 Trip High Limit. This value sets the digital comparator trip high limit. In 16-bit mode all 17 bits will be compared against the 17 bits of the PPBRESULT bit field of the ADCPPB1RESULT register. In 12-bit mode bits 12:0 will be compared against bits 12:0 of the PPBRESULT bit field of the ADCPPB1RESULT register. Reset type: SYSRSn



### 10.15.3.46 ADCPPB1TRIPLO Register (Offset = 46h) [Reset = 0000000h]

ADCPPB1TRIPLO is shown in [Figure 10-86](#) and described in [Table 10-80](#).

Return to the [Summary Table](#).

ADC PPB1 Trip Low/Trigger Time Stamp Register

**Figure 10-86. ADCPPB1TRIPLO Register**

31	30	29	28	27	26	25	24
REQSTAMP							
R-0h							
23	22	21	20	19	18	17	16
REQSTAMP				RESERVED			LSIGN
R-0h				R-0h			R/W-0h
15	14	13	12	11	10	9	8
LIMITLO							
R/W-0h							
7	6	5	4	3	2	1	0
LIMITLO							
R/W-0h							

**Table 10-80. ADCPPB1TRIPLO Register Field Descriptions**

Bit	Field	Type	Reset	Description
31-20	REQSTAMP	R	0h	ADC Post Processing Block 1 Request Time Stamp. When a trigger sets the associated SOC flag in the ADCSOCFLG1 register the value of ADCCOUNTER.FREECOUNT is loaded into this bit field. Reset type: SYSRSn
19-17	RESERVED	R	0h	Reserved
16	LSIGN	R/W	0h	Low Limit Sign Bit. This is the sign bit (17th bit) to the LIMITLO bit field when in 16-bit ADC mode. Reset type: SYSRSn
15-0	LIMITLO	R/W	0h	ADC Post Processing Block 1 Trip Low Limit. This value sets the digital comparator trip low limit. In 16-bit mode all 17 bits will be compared against the 17 bits of the PPBRESULT bit field of the ADCPPB1RESULT register. In 12-bit mode bits 12:0 will be compared against bits 12:0 of the PPBRSULT bit field of the ADCPPB1RESULT register. Reset type: SYSRSn

### 10.15.3.47 ADCPPB2CONFIG Register (Offset = 48h) [Reset = 0000h]

ADCPPB2CONFIG is shown in [Figure 10-87](#) and described in [Table 10-81](#).

Return to the [Summary Table](#).

ADC PPB2 Config Register

**Figure 10-87. ADCPPB2CONFIG Register**

15	14	13	12	11	10	9	8
RESERVED							
R-0h							
7	6	5	4	3	2	1	0
RESERVED			TWOSCOMPE N	CONFIG			
R-0h			R/W-0h	R/W-0h			

**Table 10-81. ADCPPB2CONFIG Register Field Descriptions**

Bit	Field	Type	Reset	Description
15-5	RESERVED	R	0h	Reserved
4	TWOSCOMPEN	R/W	0h	ADC Post Processing Block 2 Two's Complement Enable. When set this bit enables the post conversion hardware processing circuit that performs a two's complement on the output of the offset/reference subtraction unit before storing the result in the ADCPPB2RESULT register. 0 ADCPPB2RESULT = ADCRESULT <sub>x</sub> - ADCPPB2OFFREF 1 ADCPPB2RESULT = ADCPPB2OFFREF - ADCRESULT <sub>x</sub> Reset type: SYSRSn

**Table 10-81. ADCPPB2CONFIG Register Field Descriptions (continued)**

Bit	Field	Type	Reset	Description
3-0	CONFIG	R/W	0h	<p>ADC Post Processing Block 2 Configuration. This bit field defines which SOC/EOC/RESULT is associated with this post processing block.</p> <p>0000 SOC0/EOC0/RESULT0 is associated with post processing block 2</p> <p>0001 SOC1/EOC1/RESULT1 is associated with post processing block 2</p> <p>0010 SOC2/EOC2/RESULT2 is associated with post processing block 2</p> <p>0011 SOC3/EOC3/RESULT3 is associated with post processing block 2</p> <p>0100 SOC4/EOC4/RESULT4 is associated with post processing block 2</p> <p>0101 SOC5/EOC5/RESULT5 is associated with post processing block 2</p> <p>0110 SOC6/EOC6/RESULT6 is associated with post processing block 2</p> <p>0111 SOC7/EOC7/RESULT7 is associated with post processing block 2</p> <p>1000 SOC8/EOC8/RESULT8 is associated with post processing block 2</p> <p>1001 SOC9/EOC9/RESULT9 is associated with post processing block 2</p> <p>1010 SOC10/EOC10/RESULT10 is associated with post processing block 2</p> <p>1011 SOC11/EOC11/RESULT11 is associated with post processing block 2</p> <p>1100 SOC12/EOC12/RESULT12 is associated with post processing block 2</p> <p>1101 SOC13/EOC13/RESULT13 is associated with post processing block 2</p> <p>1110 SOC14/EOC14/RESULT14 is associated with post processing block 2</p> <p>1111 SOC15/EOC15/RESULT15 is associated with post processing block 2</p> <p>Reset type: SYSRSn</p>

### 10.15.3.48 ADCPPB2STAMP Register (Offset = 49h) [Reset = 0000h]

ADCPPB2STAMP is shown in [Figure 10-88](#) and described in [Table 10-82](#).

Return to the [Summary Table](#).

ADC PPB2 Sample Delay Time Stamp Register

**Figure 10-88. ADCPPB2STAMP Register**

15	14	13	12	11	10	9	8
RESERVED				DLYSTAMP			
R-0h				R-0h			
7	6	5	4	3	2	1	0
DLYSTAMP							
R-0h							

**Table 10-82. ADCPPB2STAMP Register Field Descriptions**

Bit	Field	Type	Reset	Description
15-12	RESERVED	R	0h	Reserved
11-0	DLYSTAMP	R	0h	ADC Post Processing Block 2 Delay Time Stamp. When an SOC starts sampling the value contained in REQSTAMP is subtracted from the value in ADCCOUNTER.FREECOUNT and loaded into this bit field, thereby giving the number of system clock cycles delay between the SOC trigger and the actual start of the sample. Reset type: SYSRSn

### 10.15.3.49 ADCPPB2OFFCAL Register (Offset = 4Ah) [Reset = 0000h]

ADCPPB2OFFCAL is shown in [Figure 10-89](#) and described in [Table 10-83](#).

Return to the [Summary Table](#).

ADC PPB2 Offset Calibration Register

**Figure 10-89. ADCPPB2OFFCAL Register**

15	14	13	12	11	10	9	8
RESERVED						OFFCAL	
R-0h						R/W-0h	
7	6	5	4	3	2	1	0
OFFCAL							
R/W-0h							

**Table 10-83. ADCPPB2OFFCAL Register Field Descriptions**

Bit	Field	Type	Reset	Description
15-10	RESERVED	R	0h	Reserved
9-0	OFFCAL	R/W	0h	<p>ADC Post Processing Block 2 Offset Correction. This bit field can be used to digitally remove any system level offset inherent in the ADCIN circuit. This 10-bit signed value is subtracted from the ADC output before being stored in the ADCRESULT register.</p> <p>000h No change. The ADC output is stored directly into ADCRESULT.</p> <p>001h ADC output - 1 is stored into ADCRESULT.</p> <p>002h ADC output - 2 is stored into ADCRESULT.</p> <p>...</p> <p>200h ADC output + 512 is stored into ADCRESULT.</p> <p>...</p> <p>3FFh ADC output + 1 is stored into ADCRESULT.</p> <p>NOTE: In 16-bit mode, the subtraction will saturate at 0000h and FFFFh before being stored into the ADCRESULT register. In 12-bit mode, the subtraction will saturate at 0000h and 0FFFh before being stored into the ADCRESULT register.</p> <p>Note: in the case that multiple PPBs point to the same SOC, only the OFFCAL of the highest numbered PPB will be applied.</p> <p>Reset type: SYSRSn</p>

### 10.15.3.50 ADCPPB2OFFREF Register (Offset = 4Bh) [Reset = 0000h]

ADCPPB2OFFREF is shown in [Figure 10-90](#) and described in [Table 10-84](#).

Return to the [Summary Table](#).

ADC PPB2 Offset Reference Register

**Figure 10-90. ADCPPB2OFFREF Register**

15	14	13	12	11	10	9	8
OFFREF							
R/W-0h							
7	6	5	4	3	2	1	0
OFFREF							
R/W-0h							

**Table 10-84. ADCPPB2OFFREF Register Field Descriptions**

Bit	Field	Type	Reset	Description
15-0	OFFREF	R/W	0h	ADC Post Processing Block 2 Offset Correction. This bit field can be used to either calculate the feedback error or convert a unipolar signal to bipolar by subtracting a reference value. This 16-bit unsigned value is subtracted from the ADCRESULT register before being passed through an optional two's complement function and stored in the ADCPPB2RESULT register. This subtraction is not saturated. 0000h No change. The ADCRESULT value is passed on. 0001h ADCRESULT - 1 is passed on. 0002h ADCRESULT - 2 is passed on. ... 8000h ADCRESULT - 32,768 is passed on. ... FFFFh ADCRESULT - 65,535 is passed on. NOTE: In 12-bit mode the size of this register does not change from 16-bits. It is the user's responsibility to ensure that only a 12-bit value is written to this register when in 12-bit mode. Reset type: SYSRSn

### 10.15.3.51 ADCPPB2TRIPHI Register (Offset = 4Ch) [Reset = 0000000h]

ADCPPB2TRIPHI is shown in [Figure 10-91](#) and described in [Table 10-85](#).

Return to the [Summary Table](#).

ADC PPB2 Trip High Register

**Figure 10-91. ADCPPB2TRIPHI Register**

31	30	29	28	27	26	25	24
RESERVED							
R-0h							
23	22	21	20	19	18	17	16
RESERVED							HSIGN
R-0h							R/W-0h
15	14	13	12	11	10	9	8
LIMITHI							
R/W-0h							
7	6	5	4	3	2	1	0
LIMITHI							
R/W-0h							

**Table 10-85. ADCPPB2TRIPHI Register Field Descriptions**

Bit	Field	Type	Reset	Description
31-17	RESERVED	R	0h	Reserved
16	HSIGN	R/W	0h	High Limit Sign Bit. This is the sign bit (17th bit) to the LIMITHI bit field when in 16-bit ADC mode. Reset type: SYSRSn
15-0	LIMITHI	R/W	0h	ADC Post Processing Block 2 Trip High Limit. This value sets the digital comparator trip high limit. In 16-bit mode all 17 bits will be compared against the 17 bits of the PPBRESULT bit field of the ADCPPB2RESULT register. In 12-bit mode bits 12:0 will be compared against bits 12:0 of the PPBRESULT bit field of the ADCPPB2RESULT register. Reset type: SYSRSn

### 10.15.3.52 ADCPPB2TRIPLO Register (Offset = 4Eh) [Reset = 0000000h]

ADCPPB2TRIPLO is shown in [Figure 10-92](#) and described in [Table 10-86](#).

Return to the [Summary Table](#).

ADC PPB2 Trip Low/Trigger Time Stamp Register

**Figure 10-92. ADCPPB2TRIPLO Register**

31	30	29	28	27	26	25	24
REQSTAMP							
R-0h							
23	22	21	20	19	18	17	16
REQSTAMP				RESERVED			LSIGN
R-0h				R-0h			R/W-0h
15	14	13	12	11	10	9	8
LIMITLO							
R/W-0h							
7	6	5	4	3	2	1	0
LIMITLO							
R/W-0h							

**Table 10-86. ADCPPB2TRIPLO Register Field Descriptions**

Bit	Field	Type	Reset	Description
31-20	REQSTAMP	R	0h	ADC Post Processing Block 2 Request Time Stamp. When a trigger sets the associated SOC flag in the ADCSOCFLG1 register the value of ADCCOUNTER.FREECOUNT is loaded into this bit field. Reset type: SYSRSn
19-17	RESERVED	R	0h	Reserved
16	LSIGN	R/W	0h	Low Limit Sign Bit. This is the sign bit (17th bit) to the LIMITLO bit field when in 16-bit ADC mode. Reset type: SYSRSn
15-0	LIMITLO	R/W	0h	ADC Post Processing Block 2 Trip Low Limit. This value sets the digital comparator trip low limit. In 16-bit mode all 17 bits will be compared against the 17 bits of the PPBRESULT bit field of the ADCPPB2RESULT register. In 12-bit mode bits 12:0 will be compared against bits 12:0 of the PPBRSULT bit field of the ADCPPB2RESULT register. Reset type: SYSRSn



### 10.15.3.53 ADCPPB3CONFIG Register (Offset = 50h) [Reset = 0000h]

ADCPPB3CONFIG is shown in [Figure 10-93](#) and described in [Table 10-87](#).

Return to the [Summary Table](#).

ADC PPB3 Config Register

**Figure 10-93. ADCPPB3CONFIG Register**

15	14	13	12	11	10	9	8
RESERVED							
R-0h							
7	6	5	4	3	2	1	0
RESERVED			TWOSCOMPE N	CONFIG			
R-0h			R/W-0h	R/W-0h			

**Table 10-87. ADCPPB3CONFIG Register Field Descriptions**

Bit	Field	Type	Reset	Description
15-5	RESERVED	R	0h	Reserved
4	TWOSCOMPEN	R/W	0h	ADC Post Processing Block 3 Two's Complement Enable. When set this bit enables the post conversion hardware processing circuit that performs a two's complement on the output of the offset/reference subtraction unit before storing the result in the ADCPPB3RESULT register. 0 ADCPPB3RESULT = ADCRESULTx - ADCPPB3OFFREF 1 ADCPPB3RESULT = ADCPPB3OFFREF - ADCRESULTx Reset type: SYSRSn

**Table 10-87. ADCPPB3CONFIG Register Field Descriptions (continued)**

Bit	Field	Type	Reset	Description
3-0	CONFIG	R/W	0h	ADC Post Processing Block 3 Configuration. This bit field defines which SOC/EOC/RESULT is associated with this post processing block. 0000 SOC0/EOC0/RESULT0 is associated with post processing block 3 0001 SOC1/EOC1/RESULT1 is associated with post processing block 3 0010 SOC2/EOC2/RESULT2 is associated with post processing block 3 0011 SOC3/EOC3/RESULT3 is associated with post processing block 3 0100 SOC4/EOC4/RESULT4 is associated with post processing block 3 0101 SOC5/EOC5/RESULT5 is associated with post processing block 3 0110 SOC6/EOC6/RESULT6 is associated with post processing block 3 0111 SOC7/EOC7/RESULT7 is associated with post processing block 3 1000 SOC8/EOC8/RESULT8 is associated with post processing block 3 1001 SOC9/EOC9/RESULT9 is associated with post processing block 3 1010 SOC10/EOC10/RESULT10 is associated with post processing block 3 1011 SOC11/EOC11/RESULT11 is associated with post processing block 3 1100 SOC12/EOC12/RESULT12 is associated with post processing block 3 1101 SOC13/EOC13/RESULT13 is associated with post processing block 3 1110 SOC14/EOC14/RESULT14 is associated with post processing block 3 1111 SOC15/EOC15/RESULT15 is associated with post processing block 3 Reset type: SYSRSn

### 10.15.3.54 ADCPPB3STAMP Register (Offset = 51h) [Reset = 0000h]

ADCPPB3STAMP is shown in [Figure 10-94](#) and described in [Table 10-88](#).

Return to the [Summary Table](#).

ADC PPB3 Sample Delay Time Stamp Register

**Figure 10-94. ADCPPB3STAMP Register**

15	14	13	12	11	10	9	8
RESERVED				DLYSTAMP			
R-0h				R-0h			
7	6	5	4	3	2	1	0
DLYSTAMP							
R-0h							

**Table 10-88. ADCPPB3STAMP Register Field Descriptions**

Bit	Field	Type	Reset	Description
15-12	RESERVED	R	0h	Reserved
11-0	DLYSTAMP	R	0h	ADC Post Processing Block 3 Delay Time Stamp. When an SOC starts sampling the value contained in REQSTAMP is subtracted from the value in ADCCOUNTER.FREECOUNT and loaded into this bit field, thereby giving the number of system clock cycles delay between the SOC trigger and the actual start of the sample. Reset type: SYSRSn

### 10.15.3.55 ADCPPB3OFFCAL Register (Offset = 52h) [Reset = 0000h]

ADCPPB3OFFCAL is shown in [Figure 10-95](#) and described in [Table 10-89](#).

Return to the [Summary Table](#).

ADC PPB3 Offset Calibration Register

**Figure 10-95. ADCPPB3OFFCAL Register**

15	14	13	12	11	10	9	8
RESERVED						OFFCAL	
R-0h						R/W-0h	
7	6	5	4	3	2	1	0
OFFCAL							
R/W-0h							

**Table 10-89. ADCPPB3OFFCAL Register Field Descriptions**

Bit	Field	Type	Reset	Description
15-10	RESERVED	R	0h	Reserved
9-0	OFFCAL	R/W	0h	ADC Post Processing Block 3 Offset Correction. This bit field can be used to digitally remove any system level offset inherent in the ADCIN circuit. This 10-bit signed value is subtracted from the ADC output before being stored in the ADCRESULT register. 000h No change. The ADC output is stored directly into ADCRESULT. 001h ADC output - 1 is stored into ADCRESULT. 002h ADC output - 2 is stored into ADCRESULT. ... 200h ADC output + 512 is stored into ADCRESULT. ... 3FFh ADC output + 1 is stored into ADCRESULT. NOTE: In 16-bit mode, the subtraction will saturate at 0000h and FFFFh before being stored into the ADCRESULT register. In 12-bit mode, the subtraction will saturate at 0000h and 0FFFh before being stored into the ADCRESULT register. Note: in the case that multiple PPBs point to the same SOC, only the OFFCAL of the highest numbered PPB will be applied. Reset type: SYSRSn

### 10.15.3.56 ADCPPB3OFFREF Register (Offset = 53h) [Reset = 0000h]

ADCPPB3OFFREF is shown in [Figure 10-96](#) and described in [Table 10-90](#).

Return to the [Summary Table](#).

ADC PPB3 Offset Reference Register

**Figure 10-96. ADCPPB3OFFREF Register**

15	14	13	12	11	10	9	8
OFFREF							
R/W-0h							
7	6	5	4	3	2	1	0
OFFREF							
R/W-0h							

**Table 10-90. ADCPPB3OFFREF Register Field Descriptions**

Bit	Field	Type	Reset	Description
15-0	OFFREF	R/W	0h	<p>ADC Post Processing Block 3 Offset Correction. This bit field can be used to either calculate the feedback error or convert a unipolar signal to bipolar by subtracting a reference value. This 16-bit unsigned value is subtracted from the ADCRESULT register before being passed through an optional two's complement function and stored in the ADCPPB3RESULT register. This subtraction is not saturated.</p> <p>0000h No change. The ADCRESULT value is passed on.            0001h ADCRESULT - 1 is passed on.            0002h ADCRESULT - 2 is passed on.            ...            8000h ADCRESULT - 32,768 is passed on.            ...            FFFFh ADCRESULT - 65,535 is passed on.</p> <p>NOTE: In 12-bit mode the size of this register does not change from 16-bits. It is the user's responsibility to ensure that only a 12-bit value is written to this register when in 12-bit mode.            Reset type: SYSRSn</p>

### 10.15.3.57 ADCPPB3TRIPHI Register (Offset = 54h) [Reset = 0000000h]

ADCPPB3TRIPHI is shown in [Figure 10-97](#) and described in [Table 10-91](#).

Return to the [Summary Table](#).

ADC PPB3 Trip High Register

**Figure 10-97. ADCPPB3TRIPHI Register**

31	30	29	28	27	26	25	24
RESERVED							
R-0h							
23	22	21	20	19	18	17	16
RESERVED							HSIGN
R-0h							R/W-0h
15	14	13	12	11	10	9	8
LIMITHI							
R/W-0h							
7	6	5	4	3	2	1	0
LIMITHI							
R/W-0h							

**Table 10-91. ADCPPB3TRIPHI Register Field Descriptions**

Bit	Field	Type	Reset	Description
31-17	RESERVED	R	0h	Reserved
16	HSIGN	R/W	0h	High Limit Sign Bit. This is the sign bit (17th bit) to the LIMITHI bit field when in 16-bit ADC mode. Reset type: SYSRSn
15-0	LIMITHI	R/W	0h	ADC Post Processing Block 3 Trip High Limit. This value sets the digital comparator trip high limit. In 16-bit mode all 17 bits will be compared against the 17 bits of the PPBRESULT bit field of the ADCPPB3RESULT register. In 12-bit mode bits 12:0 will be compared against bits 12:0 of the PPBRESULT bit field of the ADCPPB3RESULT register. Reset type: SYSRSn

### 10.15.3.58 ADCPPB3TRIPLO Register (Offset = 56h) [Reset = 0000000h]

ADCPPB3TRIPLO is shown in [Figure 10-98](#) and described in [Table 10-92](#).

Return to the [Summary Table](#).

ADC PPB3 Trip Low/Trigger Time Stamp Register

**Figure 10-98. ADCPPB3TRIPLO Register**

31	30	29	28	27	26	25	24
REQSTAMP							
R-0h							
23	22	21	20	19	18	17	16
REQSTAMP				RESERVED			LSIGN
R-0h				R-0h			R/W-0h
15	14	13	12	11	10	9	8
LIMITLO							
R/W-0h							
7	6	5	4	3	2	1	0
LIMITLO							
R/W-0h							

**Table 10-92. ADCPPB3TRIPLO Register Field Descriptions**

Bit	Field	Type	Reset	Description
31-20	REQSTAMP	R	0h	ADC Post Processing Block 3 Request Time Stamp. When a trigger sets the associated SOC flag in the ADCSOCFLG1 register the value of ADCCOUNTER.FREECOUNT is loaded into this bit field. Reset type: SYSRSn
19-17	RESERVED	R	0h	Reserved
16	LSIGN	R/W	0h	Low Limit Sign Bit. This is the sign bit (17th bit) to the LIMITLO bit field when in 16-bit ADC mode. Reset type: SYSRSn
15-0	LIMITLO	R/W	0h	ADC Post Processing Block 3 Trip Low Limit. This value sets the digital comparator trip low limit. In 16-bit mode all 17 bits will be compared against the 17 bits of the PPBRESULT bit field of the ADCPPB3RESULT register. In 12-bit mode bits 12:0 will be compared against bits 12:0 of the PPBRSULT bit field of the ADCPPB3RESULT register. Reset type: SYSRSn

### 10.15.3.59 ADCPPB4CONFIG Register (Offset = 58h) [Reset = 0000h]

ADCPPB4CONFIG is shown in [Figure 10-99](#) and described in [Table 10-93](#).

Return to the [Summary Table](#).

ADC PPB4 Config Register

**Figure 10-99. ADCPPB4CONFIG Register**

15	14	13	12	11	10	9	8
RESERVED							
R-0h							
7	6	5	4	3	2	1	0
RESERVED			TWOSCOMPE N	CONFIG			
R-0h			R/W-0h	R/W-0h			

**Table 10-93. ADCPPB4CONFIG Register Field Descriptions**

Bit	Field	Type	Reset	Description
15-5	RESERVED	R	0h	Reserved
4	TWOSCOMPEN	R/W	0h	ADC Post Processing Block 4 Two's Complement Enable. When set this bit enables the post conversion hardware processing circuit that performs a two's complement on the output of the offset/reference subtraction unit before storing the result in the ADCPPB4RESULT register. 0 ADCPPB4RESULT = ADCRESULTx - ADCPPB4OFFREF 1 ADCPPB4RESULT = ADCPPB4OFFREF - ADCRESULTx Reset type: SYSRSn



**Table 10-93. ADCPPB4CONFIG Register Field Descriptions (continued)**

Bit	Field	Type	Reset	Description
3-0	CONFIG	R/W	0h	<p>ADC Post Processing Block 4 Configuration. This bit field defines which SOC/EOC/RESULT is associated with this post processing block.</p> <p>0000 SOC0/EOC0/RESULT0 is associated with post processing block 4</p> <p>0001 SOC1/EOC1/RESULT1 is associated with post processing block 4</p> <p>0010 SOC2/EOC2/RESULT2 is associated with post processing block 4</p> <p>0011 SOC3/EOC3/RESULT3 is associated with post processing block 4</p> <p>0100 SOC4/EOC4/RESULT4 is associated with post processing block 4</p> <p>0101 SOC5/EOC5/RESULT5 is associated with post processing block 4</p> <p>0110 SOC6/EOC6/RESULT6 is associated with post processing block 4</p> <p>0111 SOC7/EOC7/RESULT7 is associated with post processing block 4</p> <p>1000 SOC8/EOC8/RESULT8 is associated with post processing block 4</p> <p>1001 SOC9/EOC9/RESULT9 is associated with post processing block 4</p> <p>1010 SOC10/EOC10/RESULT10 is associated with post processing block 4</p> <p>1011 SOC11/EOC11/RESULT11 is associated with post processing block 4</p> <p>1100 SOC12/EOC12/RESULT12 is associated with post processing block 4</p> <p>1101 SOC13/EOC13/RESULT13 is associated with post processing block 4</p> <p>1110 SOC14/EOC14/RESULT14 is associated with post processing block 4</p> <p>1111 SOC15/EOC15/RESULT15 is associated with post processing block 4</p> <p>Reset type: SYSRSn</p>

### 10.15.3.60 ADCPPB4STAMP Register (Offset = 59h) [Reset = 0000h]

ADCPPB4STAMP is shown in [Figure 10-100](#) and described in [Table 10-94](#).

Return to the [Summary Table](#).

ADC PPB4 Sample Delay Time Stamp Register

**Figure 10-100. ADCPPB4STAMP Register**

15	14	13	12	11	10	9	8
RESERVED				DLYSTAMP			
R-0h				R-0h			
7	6	5	4	3	2	1	0
DLYSTAMP							
R-0h							

**Table 10-94. ADCPPB4STAMP Register Field Descriptions**

Bit	Field	Type	Reset	Description
15-12	RESERVED	R	0h	Reserved
11-0	DLYSTAMP	R	0h	ADC Post Processing Block 4 Delay Time Stamp. When an SOC starts sampling the value contained in REQSTAMP is subtracted from the value in ADCCOUNTER.FREECOUNT and loaded into this bit field, thereby giving the number of system clock cycles delay between the SOC trigger and the actual start of the sample. Reset type: SYSRSn

### 10.15.3.61 ADCPPB4OFFCAL Register (Offset = 5Ah) [Reset = 0000h]

ADCPPB4OFFCAL is shown in [Figure 10-101](#) and described in [Table 10-95](#).

Return to the [Summary Table](#).

ADC PPB4 Offset Calibration Register

**Figure 10-101. ADCPPB4OFFCAL Register**

15	14	13	12	11	10	9	8
RESERVED						OFFCAL	
R-0h						R/W-0h	
7	6	5	4	3	2	1	0
OFFCAL							
R/W-0h							

**Table 10-95. ADCPPB4OFFCAL Register Field Descriptions**

Bit	Field	Type	Reset	Description
15-10	RESERVED	R	0h	Reserved
9-0	OFFCAL	R/W	0h	<p>ADC Post Processing Block 4 Offset Correction. This bit field can be used to digitally remove any system level offset inherent in the ADCIN circuit. This 10-bit signed value is subtracted from the ADC output before being stored in the ADCRESULT register.</p> <p>000h No change. The ADC output is stored directly into ADCRESULT.</p> <p>001h ADC output - 1 is stored into ADCRESULT.</p> <p>002h ADC output - 2 is stored into ADCRESULT.</p> <p>...</p> <p>200h ADC output + 512 is stored into ADCRESULT.</p> <p>...</p> <p>3FFh ADC output + 1 is stored into ADCRESULT.</p> <p>NOTE: In 16-bit mode, the subtraction will saturate at 0000h and FFFFh before being stored into the ADCRESULT register. In 12-bit mode, the subtraction will saturate at 0000h and 0FFFh before being stored into the ADCRESULT register.</p> <p>Note: in the case that multiple PPBs point to the same SOC, only the OFFCAL of the highest numbered PPB will be applied.</p> <p>Reset type: SYSRSn</p>

### 10.15.3.62 ADCPPB4OFFREF Register (Offset = 5Bh) [Reset = 0000h]

ADCPPB4OFFREF is shown in [Figure 10-102](#) and described in [Table 10-96](#).

Return to the [Summary Table](#).

ADC PPB4 Offset Reference Register

**Figure 10-102. ADCPPB4OFFREF Register**

15	14	13	12	11	10	9	8
OFFREF							
R/W-0h							
7	6	5	4	3	2	1	0
OFFREF							
R/W-0h							

**Table 10-96. ADCPPB4OFFREF Register Field Descriptions**

Bit	Field	Type	Reset	Description
15-0	OFFREF	R/W	0h	ADC Post Processing Block 4 Offset Correction. This bit field can be used to either calculate the feedback error or convert a unipolar signal to bipolar by subtracting a reference value. This 16-bit unsigned value is subtracted from the ADCRESULT register before being passed through an optional two's complement function and stored in the ADCPPB4RESULT register. This subtraction is not saturated. 0000h No change. The ADCRESULT value is passed on. 0001h ADCRESULT - 1 is passed on. 0002h ADCRESULT - 2 is passed on. ... 8000h ADCRESULT - 32,768 is passed on. ... FFFFh ADCRESULT - 65,535 is passed on. NOTE: In 12-bit mode the size of this register does not change from 16-bits. It is the user's responsibility to ensure that only a 12-bit value is written to this register when in 12-bit mode. Reset type: SYSRSn

### 10.15.3.63 ADCPPB4TRIPHI Register (Offset = 5Ch) [Reset = 0000000h]

ADCPPB4TRIPHI is shown in [Figure 10-103](#) and described in [Table 10-97](#).

Return to the [Summary Table](#).

ADC PPB4 Trip High Register

**Figure 10-103. ADCPPB4TRIPHI Register**

31	30	29	28	27	26	25	24
RESERVED							
R-0h							
23	22	21	20	19	18	17	16
RESERVED							HSIGN
R-0h							R/W-0h
15	14	13	12	11	10	9	8
LIMITHI							
R/W-0h							
7	6	5	4	3	2	1	0
LIMITHI							
R/W-0h							

**Table 10-97. ADCPPB4TRIPHI Register Field Descriptions**

Bit	Field	Type	Reset	Description
31-17	RESERVED	R	0h	Reserved
16	HSIGN	R/W	0h	High Limit Sign Bit. This is the sign bit (17th bit) to the LIMITHI bit field when in 16-bit ADC mode. Reset type: SYSRSn
15-0	LIMITHI	R/W	0h	ADC Post Processing Block 4 Trip High Limit. This value sets the digital comparator trip high limit. In 16-bit mode all 17 bits will be compared against the 17 bits of the PPBRESULT bit field of the ADCPPB4RESULT register. In 12-bit mode bits 12:0 will be compared against bits 12:0 of the PPBRESULT bit field of the ADCPPB4RESULT register. Reset type: SYSRSn

### 10.15.3.64 ADCPPB4TRIPLO Register (Offset = 5Eh) [Reset = 0000000h]

ADCPPB4TRIPLO is shown in [Figure 10-104](#) and described in [Table 10-98](#).

Return to the [Summary Table](#).

ADC PPB4 Trip Low/Trigger Time Stamp Register

**Figure 10-104. ADCPPB4TRIPLO Register**

31	30	29	28	27	26	25	24
REQSTAMP							
R-0h							
23	22	21	20	19	18	17	16
REQSTAMP				RESERVED			LSIGN
R-0h				R-0h			R/W-0h
15	14	13	12	11	10	9	8
LIMITLO							
R/W-0h							
7	6	5	4	3	2	1	0
LIMITLO							
R/W-0h							

**Table 10-98. ADCPPB4TRIPLO Register Field Descriptions**

Bit	Field	Type	Reset	Description
31-20	REQSTAMP	R	0h	ADC Post Processing Block 4 Request Time Stamp. When a trigger sets the associated SOC flag in the ADCSOCFLG1 register the value of ADCCOUNTER.FREECOUNT is loaded into this bit field. Reset type: SYSRSn
19-17	RESERVED	R	0h	Reserved
16	LSIGN	R/W	0h	Low Limit Sign Bit. This is the sign bit (17th bit) to the LIMITLO bit field when in 16-bit ADC mode. Reset type: SYSRSn
15-0	LIMITLO	R/W	0h	ADC Post Processing Block 4 Trip Low Limit. This value sets the digital comparator trip low limit. In 16-bit mode all 17 bits will be compared against the 17 bits of the PPBRESULT bit field of the ADCPPB4RESULT register. In 12-bit mode bits 12:0 will be compared against bits 12:0 of the PPBRESULT bit field of the ADCPPB4RESULT register. Reset type: SYSRSn

### 10.15.3.65 ADCINLTRIM1 Register (Offset = 70h) [Reset = 0000000h]

ADCINLTRIM1 is shown in [Figure 10-105](#) and described in [Table 10-99](#).

Return to the [Summary Table](#).

ADC Linearity Trim 1 Register

**Figure 10-105. ADCINLTRIM1 Register**

31	30	29	28	27	26	25	24	23	22	21	20	19	18	17	16	15	14	13	12	11	10	9	8	7	6	5	4	3	2	1	0
INLTRIM31TO0																															
R/W-0h																															

**Table 10-99. ADCINLTRIM1 Register Field Descriptions**

Bit	Field	Type	Reset	Description
31-0	INLTRIM31TO0	R/W	0h	ADC Linearity Trim Bits 31-0. This register should not be modified unless specifically indicated by TI Errata or other documentation. Modifying the contents of this register could cause this module to operate outside of datasheet specifications. Reset type: SYSRSn

### 10.15.3.66 ADCINLTRIM2 Register (Offset = 72h) [Reset = 0000000h]

ADCINLTRIM2 is shown in [Figure 10-106](#) and described in [Table 10-100](#).

Return to the [Summary Table](#).

ADC Linearity Trim 2 Register

**Figure 10-106. ADCINLTRIM2 Register**

31	30	29	28	27	26	25	24	23	22	21	20	19	18	17	16	15	14	13	12	11	10	9	8	7	6	5	4	3	2	1	0
INLTRIM63TO32																															
R/W-0h																															

**Table 10-100. ADCINLTRIM2 Register Field Descriptions**

Bit	Field	Type	Reset	Description
31-0	INLTRIM63TO32	R/W	0h	ADC Linearity Trim Bits 63-32. This register should not be modified unless specifically indicated by TI Errata or other documentation. Modifying the contents of this register could cause this module to operate outside of datasheet specifications. Reset type: SYSRSn



### 10.15.3.67 ADCINLTRIM3 Register (Offset = 74h) [Reset = 0000000h]

ADCINLTRIM3 is shown in [Figure 10-107](#) and described in [Table 10-101](#).

Return to the [Summary Table](#).

ADC Linearity Trim 3 Register

**Figure 10-107. ADCINLTRIM3 Register**

31	30	29	28	27	26	25	24	23	22	21	20	19	18	17	16	15	14	13	12	11	10	9	8	7	6	5	4	3	2	1	0
INLTRIM95TO64																															
R/W-0h																															

**Table 10-101. ADCINLTRIM3 Register Field Descriptions**

Bit	Field	Type	Reset	Description
31-0	INLTRIM95TO64	R/W	0h	ADC Linearity Trim Bits 95-64. This register should not be modified unless specifically indicated by TI Errata or other documentation. Modifying the contents of this register could cause this module to operate outside of datasheet specifications. Reset type: SYSRSn

### 10.15.3.68 ADCINLTRIM4 Register (Offset = 76h) [Reset = 0000000h]

ADCINLTRIM4 is shown in [Figure 10-108](#) and described in [Table 10-102](#).

Return to the [Summary Table](#).

ADC Linearity Trim 4 Register

**Figure 10-108. ADCINLTRIM4 Register**

31	30	29	28	27	26	25	24	23	22	21	20	19	18	17	16	15	14	13	12	11	10	9	8	7	6	5	4	3	2	1	0
INLTRIM127TO96																															
R/W-0h																															

**Table 10-102. ADCINLTRIM4 Register Field Descriptions**

Bit	Field	Type	Reset	Description
31-0	INLTRIM127TO96	R/W	0h	ADC Linearity Trim Bits 127-96. This register should not be modified unless specifically indicated by TI Errata or other documentation. Modifying the contents of this register could cause this module to operate outside of datasheet specifications. Reset type: SYSRSn

### 10.15.3.69 ADCINLTRIM5 Register (Offset = 78h) [Reset = 0000000h]

ADCINLTRIM5 is shown in [Figure 10-109](#) and described in [Table 10-103](#).

Return to the [Summary Table](#).

ADC Linearity Trim 5 Register

**Figure 10-109. ADCINLTRIM5 Register**

31	30	29	28	27	26	25	24	23	22	21	20	19	18	17	16	15	14	13	12	11	10	9	8	7	6	5	4	3	2	1	0
INLTRIM159TO128																															
R/W-0h																															

**Table 10-103. ADCINLTRIM5 Register Field Descriptions**

Bit	Field	Type	Reset	Description
31-0	INLTRIM159TO128	R/W	0h	ADC Linearity Trim Bits 159-128. This register should not be modified unless specifically indicated by TI Errata or other documentation. Modifying the contents of this register could cause this module to operate outside of datasheet specifications. Reset type: SYSRSn

### 10.15.3.70 ADCINLTRIM6 Register (Offset = 7Ah) [Reset = 0000000h]

ADCINLTRIM6 is shown in [Figure 10-110](#) and described in [Table 10-104](#).

Return to the [Summary Table](#).

ADC Linearity Trim 6 Register

**Figure 10-110. ADCINLTRIM6 Register**

31	30	29	28	27	26	25	24	23	22	21	20	19	18	17	16	15	14	13	12	11	10	9	8	7	6	5	4	3	2	1	0
INLTRIM191TO160																															
R/W-0h																															

**Table 10-104. ADCINLTRIM6 Register Field Descriptions**

Bit	Field	Type	Reset	Description
31-0	INLTRIM191TO160	R/W	0h	ADC Linearity Trim Bits 191-160. This register should not be modified unless specifically indicated by TI Errata or other documentation. Modifying the contents of this register could cause this module to operate outside of datasheet specifications. Reset type: SYSRSn

### 10.15.4 ADC Registers to Driverlib Functions

**Table 10-105. ADC Registers to Driverlib Functions**

File	Driverlib Function
<b>ADCCTL1</b>	
adc.h	ADC_setInterruptPulseMode
adc.h	ADC_enableConverter
adc.h	ADC_disableConverter
adc.h	ADC_isBusy
<b>ADCCTL2</b>	
adc.h	ADC_setPrescaler
<b>ADCBURSTCTL</b>	
adc.h	ADC_setBurstModeConfig
adc.h	ADC_enableBurstMode
adc.h	ADC_disableBurstMode
<b>ADCINTFLG</b>	
adc.h	ADC_getInterruptStatus
adc.h	ADC_clearInterruptStatus
<b>ADCINTFLGCLR</b>	
adc.h	ADC_clearInterruptStatus
<b>ADCINTOVF</b>	
adc.h	ADC_getInterruptOverflowStatus
adc.h	ADC_clearInterruptOverflowStatus
<b>ADCINTOVFCLR</b>	
adc.h	ADC_clearInterruptOverflowStatus
<b>ADCINTSEL1N2</b>	
adc.h	ADC_enableInterrupt
adc.h	ADC_disableInterrupt
adc.h	ADC_setInterruptSource
adc.h	ADC_enableContinuousMode

**Table 10-105. ADC Registers to Driverlib Functions (continued)**

File	Driverlib Function
adc.h	ADC_disableContinuousMode
<b>ADCINTSEL3N4</b>	
-	See INTSEL1N2
<b>ADCSOCPRCTL</b>	
adc.h	ADC_setSOCPriority
<b>ADCINTSOCSEL1</b>	
adc.h	ADC_setInterruptSOCTrigger
<b>ADCINTSOCSEL2</b>	
-	See INTSOCSEL1
<b>ADCSOCFLG1</b>	
-	
<b>ADCSOCFRC1</b>	
adc.h	ADC_forceSOC
adc.h	ADC_forceMultipleSOC
<b>ADCSOCOVF1</b>	
-	
<b>ADCSOCOVFCLR1</b>	
-	
<b>ADCSOC0CTL</b>	
adc.h	ADC_setupSOC
<b>ADCSOC1CTL</b>	
-	See SOC0CTL
<b>ADCSOC2CTL</b>	
-	See SOC0CTL
<b>ADCSOC3CTL</b>	
-	See SOC0CTL
<b>ADCSOC4CTL</b>	
-	See SOC0CTL
<b>ADCSOC5CTL</b>	
-	See SOC0CTL
<b>ADCSOC6CTL</b>	
-	See SOC0CTL
<b>ADCSOC7CTL</b>	
-	See SOC0CTL
<b>ADCSOC8CTL</b>	
-	See SOC0CTL
<b>ADCSOC9CTL</b>	
-	See SOC0CTL
<b>ADCSOC10CTL</b>	
-	See SOC0CTL
<b>ADCSOC11CTL</b>	
-	See SOC0CTL
<b>ADCSOC12CTL</b>	
-	See SOC0CTL
<b>ADCSOC13CTL</b>	

**Table 10-105. ADC Registers to Driverlib Functions (continued)**

File	Driverlib Function
-	See SOC0CTL
<b>ADCSOC14CTL</b>	
-	See SOC0CTL
<b>ADCSOC15CTL</b>	
-	See SOC0CTL
<b>ADCEVTSTAT</b>	
adc.h	ADC_getPPBEventStatus
<b>ADCEVTCLR</b>	
adc.h	ADC_clearPPBEventStatus
<b>ADCEVTSEL</b>	
adc.h	ADC_enablePPBEvent
adc.h	ADC_disablePPBEvent
<b>ADCEVTINTSEL</b>	
adc.h	ADC_enablePPBEventInterrupt
adc.h	ADC_disablePPBEventInterrupt
<b>ADCOSDETECT</b>	
adc.h	ADC_configOSDetectMode
<b>ADCCOUNTER</b>	
-	
<b>ADCREV</b>	
-	
<b>ADCOFFTRIM</b>	
-	
<b>ADCPPB1CONFIG</b>	
adc.h	ADC_setupPPB
adc.h	ADC_enablePPBTwosComplement
adc.h	ADC_disablePPBTwosComplement
<b>ADCPPB1STAMP</b>	
adc.h	ADC_getPPBDelayTimeStamp
<b>ADCPPB1OFFCAL</b>	
adc.h	ADC_setPPBCalibrationOffset
<b>ADCPPB1OFFREF</b>	
adc.h	ADC_setPPBReferenceOffset
<b>ADCPPB1TRIPHI</b>	
adc.c	ADC_setPPBTripLimits
<b>ADCPPB1TRIPLO</b>	
adc.c	ADC_setPPBTripLimits
<b>ADCPPB2CONFIG</b>	
-	See PPB1CONFIG
<b>ADCPPB2STAMP</b>	
-	See PPB1STAMP
<b>ADCPPB2OFFCAL</b>	
-	See PPB1OFFCAL
<b>ADCPPB2OFFREF</b>	
-	See PPB1OFFREF

**Table 10-105. ADC Registers to Driverlib Functions (continued)**

File	Driverlib Function
<b>ADCPPB2TRIPHI</b>	
-	See PPB1TRIPHI
<b>ADCPPB2TRIPLO</b>	
-	See PPB1TRIPLO
<b>ADCPPB3CONFIG</b>	
-	See PPB1CONFIG
<b>ADCPPB3STAMP</b>	
-	See PPB1STAMP
<b>ADCPPB3OFFCAL</b>	
-	See PPB1OFFCAL
<b>ADCPPB3OFFREF</b>	
-	See PPB1OFFREF
<b>ADCPPB3TRIPHI</b>	
-	See PPB1TRIPHI
<b>ADCPPB3TRIPLO</b>	
-	See PPB1TRIPLO
<b>ADCPPB4CONFIG</b>	
-	See PPB1CONFIG
<b>ADCPPB4STAMP</b>	
-	See PPB1STAMP
<b>ADCPPB4OFFCAL</b>	
-	See PPB1OFFCAL
<b>ADCPPB4OFFREF</b>	
-	See PPB1OFFREF
<b>ADCPPB4TRIPHI</b>	
-	See PPB1TRIPHI
<b>ADCPPB4TRIPLO</b>	
-	See PPB1TRIPLO
<b>ADCINLTRIM1</b>	
-	
<b>ADCINLTRIM2</b>	
-	
<b>ADCINLTRIM3</b>	
-	
<b>ADCINLTRIM4</b>	
-	
<b>ADCINLTRIM5</b>	
-	
<b>ADCINLTRIM6</b>	
-	
<b>ADCRESULT0</b>	
adc.h	ADC_readResult
<b>ADCRESULT1</b>	
-	See RESULT0
<b>ADCRESULT2</b>	

**Table 10-105. ADC Registers to Driverlib Functions (continued)**

File	Driverlib Function
-	See RESULT0
<b>ADCRESULT3</b>	
-	See RESULT0
<b>ADCRESULT4</b>	
-	See RESULT0
<b>ADCRESULT5</b>	
-	See RESULT0
<b>ADCRESULT6</b>	
-	See RESULT0
<b>ADCRESULT7</b>	
-	See RESULT0
<b>ADCRESULT8</b>	
-	See RESULT0
<b>ADCRESULT9</b>	
-	See RESULT0
<b>ADCRESULT10</b>	
-	See RESULT0
<b>ADCRESULT11</b>	
-	See RESULT0
<b>ADCRESULT12</b>	
-	See RESULT0
<b>ADCRESULT13</b>	
-	See RESULT0
<b>ADCRESULT14</b>	
-	See RESULT0
<b>ADCRESULT15</b>	
-	See RESULT0
<b>ADCPPB1RESULT</b>	
adc.h	ADC_readPPBResult
<b>ADCPPB2RESULT</b>	
-	See PPB1RESULT
<b>ADCPPB3RESULT</b>	
-	See PPB1RESULT
<b>ADCPPB4RESULT</b>	
-	See PPB1RESULT



Chapter 11

## **Buffered Digital-to-Analog Converter (DAC)**

---



The buffered digital-to-analog converter (DAC) is an analog module that can output a programmable, arbitrary reference voltage.

<b>11.1 Introduction</b> .....	<b>1642</b>
<b>11.2 Using the DAC</b> .....	<b>1643</b>
<b>11.3 Lock Registers</b> .....	<b>1644</b>
<b>11.4 Software</b> .....	<b>1645</b>
<b>11.5 DAC Registers</b> .....	<b>1645</b>

## 11.1 Introduction

The buffered DAC module consists of an internal 12-bit DAC and an analog output buffer that is capable of driving an external load. An integrated pull-down resistor on the DAC output helps to provide a known pin voltage when the output buffer is disabled. This pull-down resistor cannot be disabled and remains as a passive component on the pin, even for other shared pinmux functions. The buffered DAC is a general-purpose DAC that can be used to generate a DC voltage in addition to AC waveforms such as sine waves, square waves, triangle waves and so forth. Software writes to the DAC value register can take effect immediately or can be synchronized with EPWMSYNCPER events.

### 11.1.1 DAC Related Collateral

#### Foundational Materials

- [C2000 Academy - DAC](#)
- [High Speed, Digital to Analog Converters Basics Application Report](#)
- [Real-Time Control Reference Guide](#)
  - Refer to the DAC section
- [Understanding Data Converters Application Report](#)

#### Getting Started Materials

- [MathWorks F2807x/F2837xD/F2837xS/F28004x/F2838x DAC](#)
  - NOTE: This is a non-TI (third party) site.

### 11.1.2 Features

Each buffered DAC has the following features:

- 12-bit programmable internal DAC
- Selectable reference voltage source
- Pull-down resistor on output
- Ability to synchronize with EPWMSYNCPER

### 11.1.3 Block Diagram

The block diagram for the buffered DAC is shown in [Figure 11-1](#).

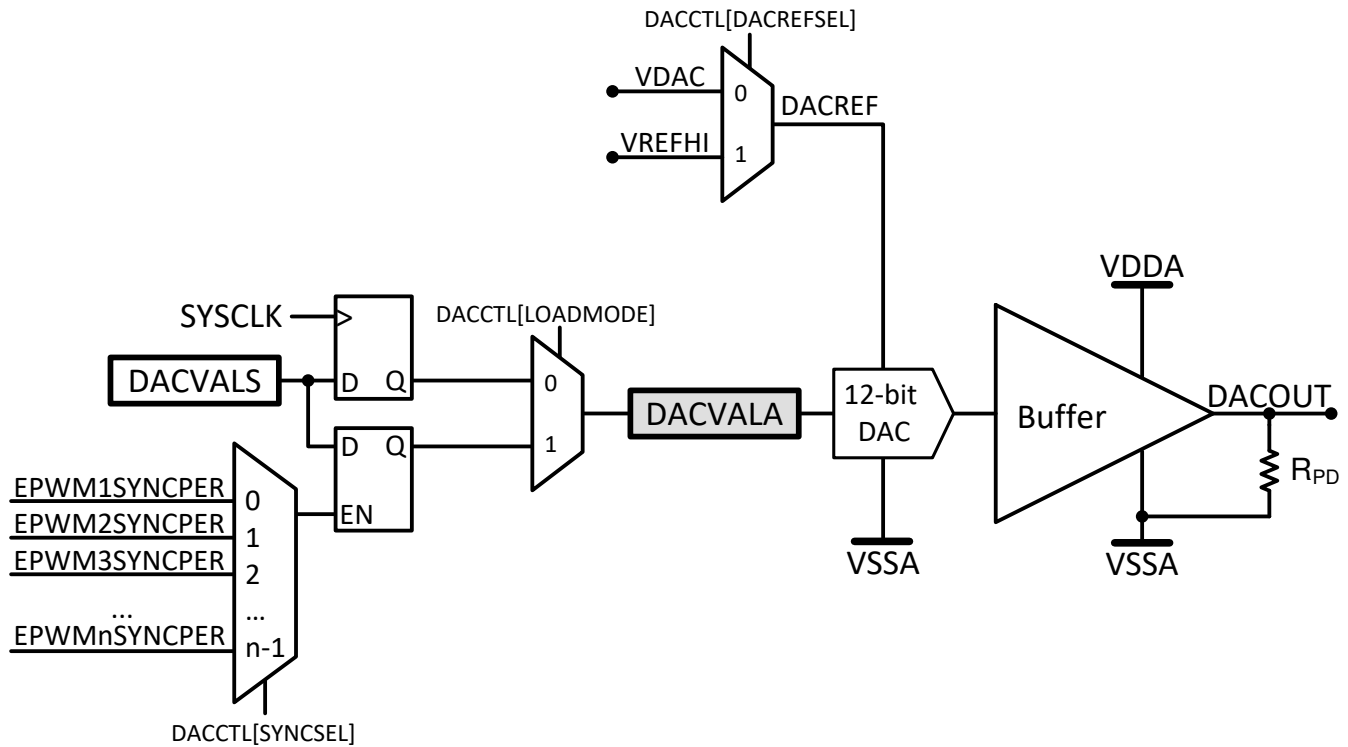


Figure 11-1. DAC Module Block Diagram

## 11.2 Using the DAC

The internal DAC's reference voltage source, DACREF, is selectable between VDAC and VREFHI.

Two sets of DACVAL registers, DACVALA and DACVALS, are present in the buffered DAC module. DACVALA is a read-only register that actively controls the buffered DAC value. DACVALS is a writable shadow register that loads into DACVALA either immediately or synchronized with the next EPWMSYNCPER event. If the clock to the buffered DAC is disabled while the buffered DAC is outputting a voltage, the output voltage remains unaffected, but DACVALA and DACVALS is no longer updated with register writes. Enabling the clock to the buffered DAC restores the DAC to the state before the clock was disabled.

The output of the internal DAC is calculated with the following equation:

$$DACOUT = \frac{DACVALA * DACREF}{4096} \quad (6)$$

The output buffer of the buffered DAC can exhibit non-linear behavior near the supply rails (VDDA/VSSA). To determine the linear range of the buffered DAC, see the device-specific data sheet.

### 11.2.1 Initialization Sequence

1. Enable the buffered DAC clock.
2. Set DACREF with DACREFSEL.
3. Power up the buffered DAC with DACOUTEN.
4. Wait for the power-up time to elapse before outputting a voltage. To determine the power-up time of the buffered DAC, see the device data sheet.
5. For predictable behavior of the buffered DAC, consecutive writes to DACVALS must be spaced apart according to the settling time of the buffered DAC. To determine the settling time of the buffered DAC, see the device data sheet.

### 11.2.2 DAC Offset Adjustment

Zero offset error is defined as the difference between the voltage at midcode (2048) and 1.25V (for 2.5-V reference voltage). DAC offset error is calibrated at 2.5-V reference voltage and loaded into the DAC offset trim register as part of the `Device_cal()` function. If the DAC is used at any reference voltage other than 2.5V, the offset trim must be adjusted to make sure the offset error performance stays within the device-specific data sheet limits. The DAC offset register is a 16-bit register that contains the 8-bit signed offset trim in the lower half of the register. Use the function call `DAC_tuneOffsetTrim()` found in `C2000Ware` to adjust the offset.

### 11.2.3 EPWMSYNCPER Signal

EPWMSYNCPER comes from the Time-Base submodule of the EPWM. For a detailed description of how this signal is generated, refer to the *Time-Base Submodule* section of the *Enhanced Pulse Width Modulator (ePWM)* chapter.

The EPWMSYNCPER signal that loads DACVALA when DACCTL [LOADMODE] = 1 is a level trigger load. If TBCTR and TBPRD of the EPWM are both 0, EPWMSYNCPER is held at a high level and DACVALA is immediately loaded from DACVALS irrespective of the value of DACCTL [LOADMODE]. Due to this, configure the EPWM first before setting DACCTL [LOADMODE] to 1.

---

#### Note

The name of the sync signal that the GPDAC receives from the EPWM has been updated from PWMSYNC to EPWMSYNCPER (SYNCPER/PWMSYNCPER/EPWMxSYNCPER) to avoid confusion with the other EPWM sync signals EPWMSYNCI and EPWMSYNCO. For a description of these signals, see the *Enhanced Pulse Width Modulator (ePWM)* chapter.

---

### 11.3 Lock Registers

A DACLOCK register is provided to prevent spurious writes from modifying the DACCTL, DACVALS, and DACOUTEN registers. Once a register is protected through DACLOCK, write access are locked out until the device is reset.

## 11.4 Software

### 11.4.1 DAC Examples

NOTE: These examples are located in the [C2000Ware](#) installation at the following location:  
C2000Ware\_VERSION#/driverlib/DEVICE\_GPN/examples/CORE\_IF\_MULTICORE/dac

Cloud access to these examples is available at the following link: [dev.ti.com](http://dev.ti.com) [C2000Ware Examples](#).

#### 11.4.1.1 Buffered DAC Enable

FILE: buffdac\_ex1\_enable.c

This example generates a voltage on the buffered DAC output, DACOUTA/ADCINA0 and uses the default DAC reference setting of VDAC.

##### ExternalConnections

- When the DAC reference is set to VDAC, an external reference voltage must be applied to the VDAC pin. This can be accomplished by connecting a jumper wire from 3.3V to ADCINB0.

#### 11.4.1.2 Buffered DAC Random

FILE: buffdac\_ex2\_random.c

This example generates random voltages on the buffered DAC output, DACOUTA/ADCINA0 and uses the default DAC reference setting of VDAC.

##### ExternalConnections

- When the DAC reference is set to VDAC, an external reference voltage must be applied to the VDAC pin. This can be accomplished by connecting a jumper wire from 3.3V to ADCINB0.

#### 11.4.1.3 Buffered DAC Sine (buffdac\_sine)

FILE: buffdac\_ex3\_waveform.c

This example generates a sine wave on the buffered DAC output, DACOUTA/ADCINA0 (HSEC Pin 9) and uses the default DAC reference setting of VDAC.

When the DAC reference is set to VDAC, an external reference voltage must be applied to the VDAC pin. This can be accomplished by connecting a jumper wire from 3.3V to ADCINB0.

## 11.5 DAC Registers

This section describes the Buffered Digital to Analog Converter registers.

### 11.5.1 DAC Base Addresses

**Table 11-1. DAC Base Address Table**

Device Registers	Register Name	Start Address	End Address
DacaRegs	DAC_REGS	0x0000_5C00	0x0000_5C0F
DacbRegs	DAC_REGS	0x0000_5C10	0x0000_5C1F
DaccRegs	DAC_REGS	0x0000_5C20	0x0000_5C2F

## 11.5.2 DAC\_REGS Registers

Table 11-2 lists the memory-mapped registers for the DAC\_REGS registers. All register offset addresses not listed in Table 11-2 should be considered as reserved locations and the register contents should not be modified.

**Table 11-2. DAC\_REGS Registers**

Offset	Acronym	Register Name	Write Protection	Section
0h	DACREV	DAC Revision Register		<a href="#">Go</a>
1h	DACCTL	DAC Control Register	EALLOW	<a href="#">Go</a>
2h	DACVALA	DAC Value Register - Active		<a href="#">Go</a>
3h	DACVALS	DAC Value Register - Shadow		<a href="#">Go</a>
4h	DACOUTEN	DAC Output Enable Register	EALLOW	<a href="#">Go</a>
5h	DACLOCK	DAC Lock Register	EALLOW	<a href="#">Go</a>
6h	DACTRIM	DAC Trim Register	EALLOW	<a href="#">Go</a>

Complex bit access types are encoded to fit into small table cells. Table 11-3 shows the codes that are used for access types in this section.

**Table 11-3. DAC\_REGS Access Type Codes**

Access Type	Code	Description
Read Type		
R	R	Read
R-0	R -0	Read Returns 0s
Write Type		
W	W	Write
WSonce	W Sonce	Write Set once
Reset or Default Value		
-n		Value after reset or the default value

### 11.5.2.1 DACREV Register (Offset = 0h) [Reset = 0000h]

DACREV is shown in [Figure 11-2](#) and described in [Table 11-4](#).

Return to the [Summary Table](#).

DAC Revision Register

**Figure 11-2. DACREV Register**

15	14	13	12	11	10	9	8
RESERVED							
R-0h							
7	6	5	4	3	2	1	0
REV							
R-0h							

**Table 11-4. DACREV Register Field Descriptions**

Bit	Field	Type	Reset	Description
15-8	RESERVED	R	0h	Reserved
7-0	REV	R	0h	DAC Revision Reset type: SYSRSn

### 11.5.2.2 DACCTL Register (Offset = 1h) [Reset = 0000h]

DACCTL is shown in [Figure 11-3](#) and described in [Table 11-5](#).

Return to the [Summary Table](#).

DAC Control Register

**Figure 11-3. DACCTL Register**

15	14	13	12	11	10	9	8
RESERVED							
R-0h							
7	6	5	4	3	2	1	0
SYNCSEL				RESERVED	LOADMODE	RESERVED	DACREFSEL
R/W-0h				R-0h	R/W-0h	R-0h	R/W-0h

**Table 11-5. DACCTL Register Field Descriptions**

Bit	Field	Type	Reset	Description
15-8	RESERVED	R	0h	Reserved
7-4	SYNCSEL	R/W	0h	DAC EPWMSYNCPER select. Determines which EPWMSYNCPER signal will update the DACVALA register. Where n represents the maximum number of EPWMSYNCPER signals available on the device: 0 EPWM1SYNCPER 1 EPWM2SYNCPER 2 EPWM3SYNCPER ... n-1 EPWMnSYNCPER Reset type: SYSRSn
3	RESERVED	R	0h	Reserved
2	LOADMODE	R/W	0h	DACVALA load mode. Determines when the DACVALA register is updated with the value from DACVALS. 0 Load on next SYSCLK 1 Load on next EPWMSYNCPER specified by SYNCSEL Reset type: SYSRSn
1	RESERVED	R	0h	Reserved
0	DACREFSEL	R/W	0h	DAC reference select. Selects which voltage references are used by the DAC. 0 VDAC/VSSA are the reference voltages 1 ADC VREFHI/VSSA are the reference voltages Reset type: SYSRSn



### 11.5.2.3 DACVALA Register (Offset = 2h) [Reset = 0000h]

DACVALA is shown in [Figure 11-4](#) and described in [Table 11-6](#).

Return to the [Summary Table](#).

DAC Value Register - Active

**Figure 11-4. DACVALA Register**

15	14	13	12	11	10	9	8
RESERVED				DACVALA			
R-0h				R-0h			
7	6	5	4	3	2	1	0
DACVALA							
R-0h							

**Table 11-6. DACVALA Register Field Descriptions**

Bit	Field	Type	Reset	Description
15-12	RESERVED	R	0h	Reserved
11-0	DACVALA	R	0h	Active output code currently driven by the DAC Reset type: SYSRSn

### 11.5.2.4 DACVALS Register (Offset = 3h) [Reset = 0000h]

DACVALS is shown in [Figure 11-5](#) and described in [Table 11-7](#).

Return to the [Summary Table](#).

DAC Value Register - Shadow

**Figure 11-5. DACVALS Register**

15	14	13	12	11	10	9	8
RESERVED				DACVALS			
R-0h				R/W-0h			
7	6	5	4	3	2	1	0
DACVALS							
R/W-0h							

**Table 11-7. DACVALS Register Field Descriptions**

Bit	Field	Type	Reset	Description
15-12	RESERVED	R	0h	Reserved
11-0	DACVALS	R/W	0h	Shadow output code to be loaded into DACVALA Reset type: SYSRSn

### 11.5.2.5 DACOUTEN Register (Offset = 4h) [Reset = 0000h]

DACOUTEN is shown in [Figure 11-6](#) and described in [Table 11-8](#).

Return to the [Summary Table](#).

DAC Output Enable Register

**Figure 11-6. DACOUTEN Register**

15	14	13	12	11	10	9	8
RESERVED							
R-0h							
7	6	5	4	3	2	1	0
RESERVED							DACOUTEN
R-0h							R/W-0h

**Table 11-8. DACOUTEN Register Field Descriptions**

Bit	Field	Type	Reset	Description
15-1	RESERVED	R	0h	Reserved
0	DACOUTEN	R/W	0h	DAC output enable 0 DAC output is disabled 1 DAC output is enabled Reset type: SYSRSn

### 11.5.2.6 DACLOCK Register (Offset = 5h) [Reset = 0000h]

DACLOCK is shown in [Figure 11-7](#) and described in [Table 11-9](#).

Return to the [Summary Table](#).

DAC Lock Register

**Figure 11-7. DACLOCK Register**

15	14	13	12	11	10	9	8
KEY				RESERVED			
R-0/W-0h				R-0h			
7	6	5	4	3	2	1	0
RESERVED					DACOUTEN	DACVAL	DACCTL
R-0h					R/WOnce-0h	R/WOnce-0h	R/WOnce-0h

**Table 11-9. DACLOCK Register Field Descriptions**

Bit	Field	Type	Reset	Description
15-12	KEY	R-0/W	0h	Writes to this register succeed only if this field is written with a value of 0xA. Only 16-bit writes will succeed (provided the KEY matches). Read-modify-writes to individual bits in this register will be ignored. Reset type: SYSRSn
11-3	RESERVED	R	0h	Reserved
2	DACOUTEN	R/WOnce	0h	Lock write-access to the DACOUTEN register. 0 DACOUTEN register is not locked. Write 0 to this bit has no effect. 1 DACOUTEN register is locked. Only a system reset can clear this bit. Reset type: SYSRSn
1	DACVAL	R/WOnce	0h	Lock write-access to the DACVALS register. 0 DACVALS register is not locked. Write 0 to this bit has no effect. 1 DACVALS register is locked. Only a system reset can clear this bit. Reset type: SYSRSn
0	DACCTL	R/WOnce	0h	Lock write-access to the DACCTL register. 0 DACCTL register is not locked. Write 0 to this bit has no effect. 1 DACCTL register is locked. Only a system reset can clear this bit. Reset type: SYSRSn

### 11.5.2.7 DACTRIM Register (Offset = 6h) [Reset = 0000h]

DACTRIM is shown in [Figure 11-8](#) and described in [Table 11-10](#).

Return to the [Summary Table](#).

DAC Trim Register

**Figure 11-8. DACTRIM Register**

15	14	13	12	11	10	9	8
RESERVED				RESERVED			
R-0h				R/W-0h			
7	6	5	4	3	2	1	0
OFFSET_TRIM							
R/W-0h							

**Table 11-10. DACTRIM Register Field Descriptions**

Bit	Field	Type	Reset	Description
15-12	RESERVED	R	0h	Reserved
11-8	RESERVED	R/W	0h	Reserved
7-0	OFFSET_TRIM	R/W	0h	DAC Offset Trim. This register should not be modified unless specifically indicated by TI Errata or other documentation. Modifying the contents of this register could cause this module to operate outside of datasheet specifications. Reset type: SYSRSn

### 11.5.3 DAC Registers to Driverlib Functions

**Table 11-11. DAC Registers to Driverlib Functions**

File	Driverlib Function
<b>DACREV</b>	
dac.h	DAC_getRevision
<b>DACCTL</b>	
dac.h	DAC_setReferenceVoltage
dac.h	DAC_setLoadMode
dac.h	DAC_setPWMSyncSignal
<b>DACVALA</b>	
dac.h	DAC_getActiveValue
<b>DACVALS</b>	
dac.h	DAC_setShadowValue
dac.h	DAC_getShadowValue
<b>DACOUTEN</b>	
dac.h	DAC_enableOutput
dac.h	DAC_disableOutput
<b>DACLOCK</b>	
dac.h	DAC_lockRegister
dac.h	DAC_isRegisterLocked
<b>DACTRIM</b>	
dac.c	DAC_tuneOffsetTrim
dac.h	DAC_setOffsetTrim

**Table 11-11. DAC Registers to Driverlib Functions (continued)**

File	Driverlib Function
dac.h	DAC_getOffsetTrim

## Chapter 12 Comparator Subsystem (CMPSS)

---



The Comparator Subsystem (CMPSS) consists of analog comparators and supporting circuits that are useful for power applications such as peak current mode control, switched-mode power, power factor correction, voltage trip monitoring, and so forth.

See the [C2000 Real-Time Control Peripheral Reference Guide](#) for a list of all devices with modules of the same type, to determine the differences between the types, and for a list of device-specific differences within a type.

<b>12.1 Introduction</b> .....	<b>1656</b>
<b>12.2 Comparator</b> .....	<b>1657</b>
<b>12.3 Reference DAC</b> .....	<b>1658</b>
<b>12.4 Ramp Generator</b> .....	<b>1659</b>
<b>12.5 Digital Filter</b> .....	<b>1662</b>
<b>12.6 Using the CMPSS</b> .....	<b>1663</b>
<b>12.7 Software</b> .....	<b>1665</b>
<b>12.8 CMPSS Registers</b> .....	<b>1666</b>

## 12.1 Introduction

The comparator subsystem is built around a number of modules. Each subsystem contains two comparators, two reference 12-bit DACs, and two digital filters. The subsystem also includes one ramp generator. The ramp generator ramps down only. Comparators are denoted "H" or "L" within each module where "H" and "L" represent high and low, respectively. Each comparator generates a digital output which indicates whether the voltage on the positive input is greater than the voltage on the negative input. The positive input of the comparator is driven from an external pin. The negative input can be driven by an external pin or by the programmable reference 12-bit DAC. Each comparator output passes through a programmable digital filter that can remove spurious trip signals. An unfiltered output is also available if filtering is not required.

A ramp generator circuit is optionally available to control the reference 12-bit DAC value for the high comparator in the subsystem.

### 12.1.1 CMPSS Related Collateral

#### Foundational Materials

- [C2000 Academy - CMPSS](#)
- [Real-Time Control Reference Guide](#)
  - Refer to the Comparator section

#### Expert Materials

- [Peak Current Control Realization for Boost Circuit Based On C2000™ MCU Application Report](#)
- [Peak Current Mode Controlled PSFB Converter Reference Design Using C2000™ Real-time MCU](#)
- [Understanding and Applying Current-Mode Control Theory Application Report](#)

### 12.1.2 Features

Each CMPSS includes:

- Two analog comparators
- Two programmable reference 12-bit DACs
- One decrementing ramp generator
- Two digital filters, max filter clock prescale =  $2^{10}$
- Ability to synchronize submodules with EPWMSYNCPER
- Ability to synchronize output with SYSCLK
- Ability to latch output
- Ability to invert output
- Option to use hysteresis on the input
- Option for negative input of comparator to be driven by an external signal or by the reference DAC
- The DAC reference voltage can be set to VDDA or VDAC



### 12.1.3 Block Diagram

The block diagram for the CMPSS is shown in Figure 12-1.

- CTRIPx(x= "H" or "L") signals are connected to the ePWM X-BAR for ePWM trip response. See the *Enhanced Pulse Width Modulator (ePWM)* chapter for more details on the ePWM X-BAR mux configuration.
- CTRIPxOUTx(x= "H" or "L") signals are connected to the Output X-BAR for external signaling. See the *General-Purpose Input/Output (GPIO)* chapter for more details on the Output X-BAR mux configuration.

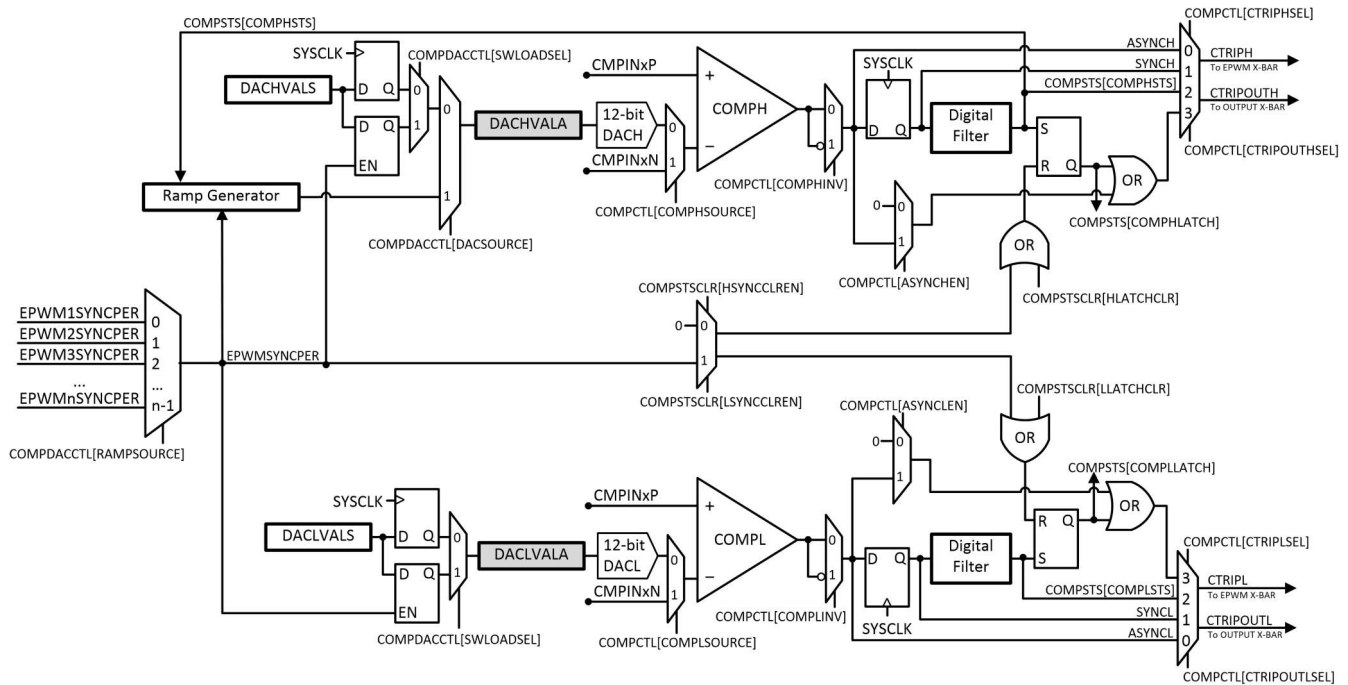


Figure 12-1. CMPSS Module Block Diagram

### 12.2 Comparator

The comparator generates a high digital output when the voltage on the positive input is greater than the voltage on the negative input, and a low digital output when the voltage on the positive input is less than the voltage on the negative input. The comparator is illustrated in Figure 12-2.

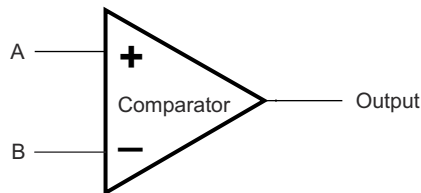


Figure 12-2. Comparator Block Diagram

Voltages	Output
Voltage A > Voltage B	1
Voltage A < Voltage B	0

## 12.3 Reference DAC

Each reference 12-bit DAC can be configured to drive a reference voltage into the negative input of the respective comparator. The reference 12-bit DAC output is internal only and cannot be observed externally.

Two sets of DACxVAL registers, DACxVALA and DACxVALS, are present for each reference 12-bit DAC. DACxVALA is a read-only register that actively controls the reference 12-bit DAC value. DACxVALS is a writable shadow register that loads into DACxVALA either immediately or synchronized with the next EPWMSYNCPER event. The high and low reference 12-bit DAC (DACx) can optionally source the register DACxVALA value from the ramp generator instead of the register DACxVALS.

The operating range of the reference 12-bit DAC is bounded by DACREF and VSSA. The high-voltage reference is VDDA by default, but the high voltage reference can be configured to be VDAC using the COMPDACCTL register. The reference 12-bit DAC is illustrated in Figure 12-3.

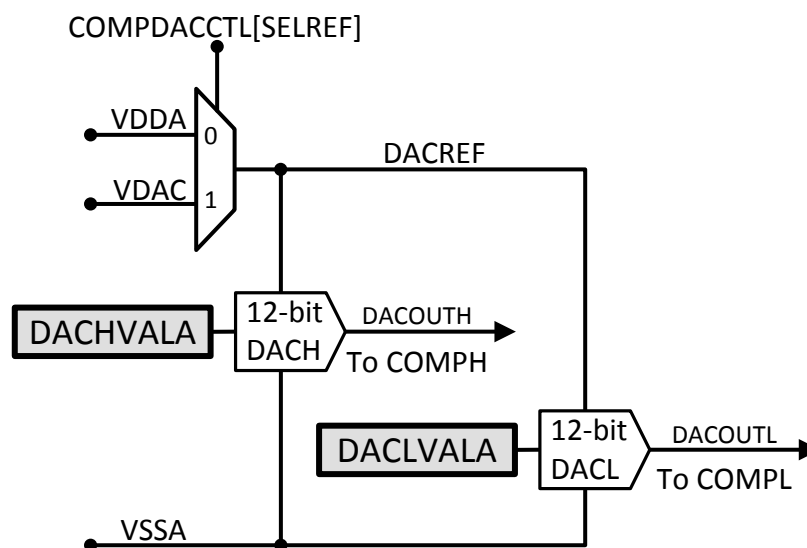


Figure 12-3. Reference DAC Block Diagram

The output of the reference 12-bit DAC can be calculated as:

$$DACOUT = \frac{(1 + DACVALA) * DACREF}{4096} \quad (7)$$

### Note

- In the situations where both the DACH and DACL are driving the high and low comparators, a trip on one comparator can temporarily disturb the DAC output of the other comparator. The amount and length of time of this disturbance is specified in the device data sheet as “CMPSS DAC output disturbance” and “CMPSS DAC disturbance time”, respectively.

Users must design their system carefully so that if the input signal crosses either DACH or DACL and trips the associated comparator, the input signal stays more than a “CMPSS DAC output disturbance” away from the other comparator trip point for “CMPSS DAC disturbance time”.

- The DACH setting must always be higher than the DACL setting. If the user is not using the DACL, the DACLVALS register must be set to 0 to avoid the comparator COMPL from tripping and affecting the DACH. In this case, there is no limitation on the DACHVALS setting. Accordingly, when not using the DACH, the user must set the DACHVALS register to the maximum.
- The CMPSS instance can be enabled before programming the reference DAC values.

## 12.4 Ramp Generator

This section discusses the characteristics and behavior of the ramp generator.

### 12.4.1 Ramp Generator Overview

The ramp generator produces a falling ramp input for the high-reference 12-bit DAC when selected. In this mode, the reference 12-bit DAC uses the most-significant 12 bits of the RAMPSTS countdown register as the input. The low 4 bits of the RAMPSTS countdown register effectively act as a prescale for the falling ramp rate configurable with RAMPDECVALA.

The ramp generator is enabled by setting DACSOURCE = 1. When DACSOURCE = 1 is selected, the value of RAMPSTS is loaded from RAMPMAXREFS and the register remains static until the selected EPWMSYNCPER signal is received. After receiving the selected EPWMSYNCPER signal, the value of RAMPDECVALA is subtracted from RAMPSTS on every subsequent SYSCLK cycle.

To prevent the subtraction from commencing a SYSCLK cycle after a EPWMSYNCPER event, the RAMPDLYA register that serves as a delay counter can be used to hold off the RAMPSTS subtraction. On receiving a EPWMSYNCPER event, the value of RAMPDLYA is decremented by one on every SYSCLK cycle until the register reaches zero. So, the RAMPSTS subtraction only begins when RAMPDLYA is zero.

## 12.4.2 Ramp Generator Behavior

The ramp generator makes state changes on every rising edge of DACSOURCE, EPWMSYNCPER, and COMPSTS.

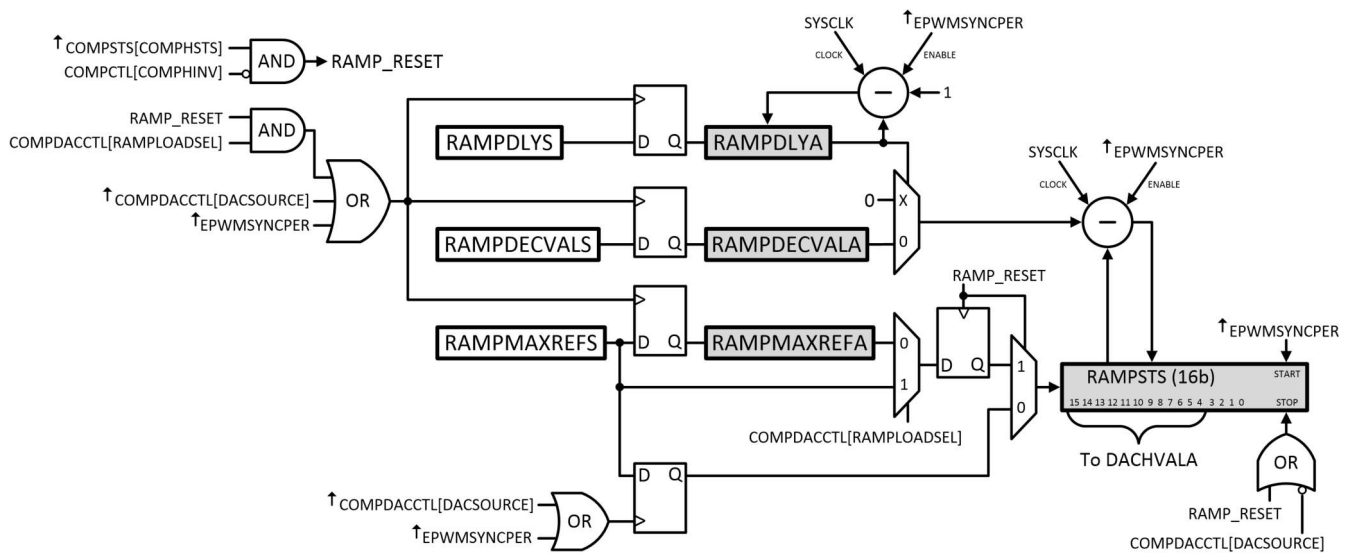
On the rising edge of DACSOURCE: RAMPMAXREFA, RAMPDECVALA, and RAMPDLYA are loaded with their shadow registers. RAMPSTS is loaded with RAMPMAXREFS.

On the rising edge of the selected EPWMSYNCPER: RAMPMAXREFA, RAMPDECVALA, and RAMPDLYA are loaded with their shadow registers. RAMPSTS is loaded with RAMPMAXREFS and starts decrementing when RAMPDLYA counter reaches zero.

On the rising edge of COMPSTS with RAMPLOADSEL = 1: RAMPMAXREFA, RAMPDECVALA, and RAMPDLYA are loaded with their shadow registers. RAMPSTS is loaded with RAMPMAXREFS and stops decrementing.

On the rising edge of COMPSTS with RAMPLOADSEL = 0: RAMPSTS is loaded with RAMPMAXREFA and stops decrementing.

Additionally, if the value of RAMPSTS reaches zero, the RAMPSTS register remains static at zero until the next EPWMSYNCPER is received. These state changes are illustrated in the ramp generator block diagram in [Figure 12-4](#).



**Figure 12-4. Ramp Generator Block Diagram**

### 12.4.3 Ramp Generator Behavior at Corner Cases

Since the ramp generator makes state changes on every rising edge of EPWMSYNCPER and COMPSTS, the following behavior can be expected on instances when these two events occur simultaneously or very close together.

Case 1: COMPSTS rising edge occurs one or more cycles before EPWMSYNCPER rising edge. RAMPSTS stops decrementing on COMPSTS rising edge event. RAMPSTS starts decrementing on EPWMSYNCPER rising edge event when RAMPDLYA reaches 0.

Case 2: COMPSTS rising edge occurs simultaneously as EPWMSYNCPER rising edge. EPWMSYNCPER rising edge event takes precedence and RAMPSTS starts decrementing when RAMPDLYA reaches 0. COMPSTS rising edge event is ignored and does not halt RAMPSTS.

Case 2: COMPSTS rising edge occurs simultaneously as EPWMSYNCPER rising edge. COMPSTS rising edge event takes precedence and RAMPSTS stops decrementing. EPWMSYNCPER rising edge event is ignored and does not start decrementing RAMPSTS when RAMPDLYA reaches 0.

Case 3: COMPSTS rising edge occurs one or more cycles after EPWMSYNCPER rising edge but before RAMPDLYA reaches 0. RAMPSTS does not decrement when RAMPDLYA reaches 0.

Case 4: COMPSTS rising edge occurs simultaneously as RAMPDLYA reaches 0 from EPWMSYNCPER rising edge. RAMPSTS does not decrement.

This behavior is also illustrated in [Figure 12-5](#).

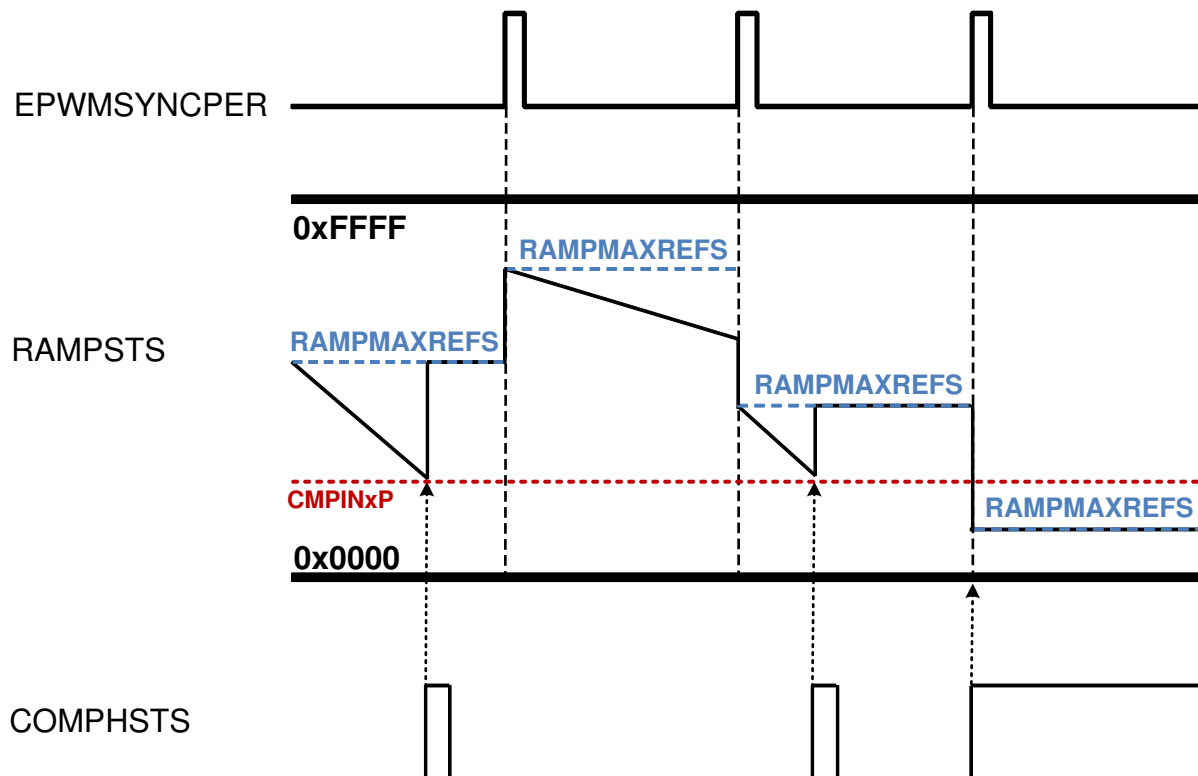


Figure 12-5. Ramp Generator Behavior

## 12.5 Digital Filter

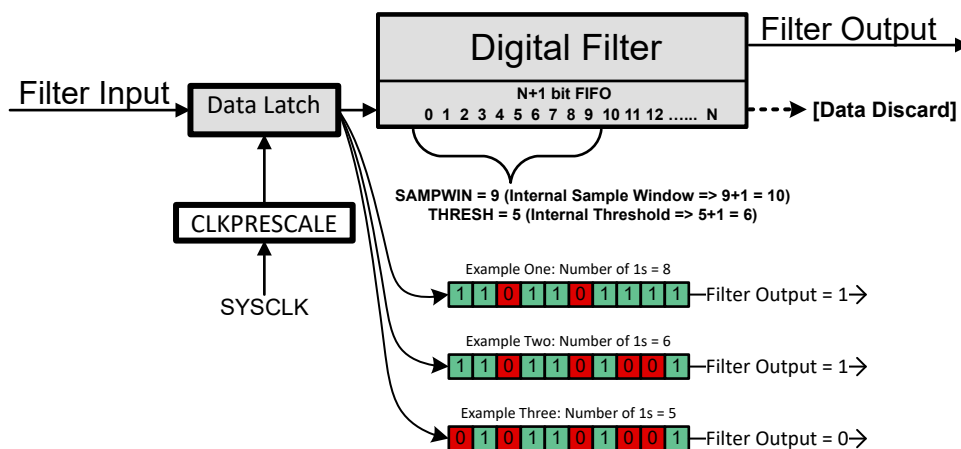
The digital filter works on a window of FIFO samples (SAMPWIN) taken from the input. The filter output resolves to the majority value of the sample window, where majority is defined by the threshold (THRESH) value. If the majority threshold is not satisfied, the filter output remains unchanged.

For proper operation, the value of THRESH must be greater than  $SAMPWIN / 2$  and less than or equal to SAMPWIN.

A prescale function (CLKPRESCALE) determines the filter sampling rate, where the filter FIFO captures one sample every prescale system clocks. Old data from the FIFO is discarded.

Note that for SAMPWIN, THRESH and CLKPRESCALE, the internal number used by the digital filter is + 1 in all cases. In essence, samples = SAMPWIN + 1, threshold = THRESH + 1 and prescale = CLKPRESCALE + 1.

A conceptual model of the digital filter is shown in Figure 12-6.



**Figure 12-6. Digital Filter Behavior**

Equivalent C code of the filter implementation is:

```

if (FILTER_OUTPUT == 0) {
    if (Num_1s_in_SAMPWIN >= THRESH) {
        FILTER_OUTPUT = 1;
    }
}
else {
    if (Num_0s_in_SAMPWIN >= THRESH) {
        FILTER_OUTPUT = 0;
    }
}
    
```

### 12.5.1 Filter Initialization Sequence

For proper operation of the digital filter, the following initialization sequence is recommended:

1. Configure and enable the comparator for operation.
2. Configure the digital filter parameters for operation:
  - Set SAMPWIN for the number of samples to monitor in the FIFO window.
  - Set THRESH for the threshold required for majority qualification.
  - Set CLKPRESCALE for the digital filter clock prescale value.
3. Initialize the sample values in the digital FIFO window by setting FILINIT.
4. Clear COMPSTS latch using COMPSTSCLR, if the latched path is desired.
5. Configure the CTRIP and CTRIPOUT signal paths.
6. If desired, configure the destination module, for example, ePWM, GPIO, and so on to accept the filtered signals.

## 12.6 Using the CMPSS

### 12.6.1 LATCHCLR and EPWMSYNCPER Signals

The LATCHCLR signal holds the latch output in reset (0) after the required delays. The LATCHCLR signal is activated in software using xLATCHCLR (x = H or L). The LATCHCLR signal can also be activated by EPWMSYNCPER when xSYNCCLREN (x = H or L) is set.

EPWMSYNCPER comes from the Time-Base submodule of the EPWM. For a detailed description of how this signal is generated, refer to the Time-Base submodule section in the *Enhanced Pulse Width Modulator (ePWM)* chapter.

The EPWMSYNCPER signal that loads DACxVALA when COMPDACCTL[SWLOADSEL] = 1 is a level trigger load. If TBCTR and TBPRD of the EPWM are both 0, EPWMSYNCPER is held at level high and DACxVALA is loaded immediately from DACxVALS irrespective of the value of COMPDACCTL[SWLOADSEL]. Due to this, configure the EPWM first before setting COMPDACCTL[SWLOADSEL] to 1.

---

#### Note

The name of the sync signal that the CMPSS receives from the EPWM has been updated from PWMSYNC to EPWMSYNCPER (SYNCPER/PWMSYNCPER/EPWMxSYNCPER) to avoid confusion with the other EPWM sync signals EPWMSYNCL and EPWMSYNCO. For a description of what are these signals, see the *Enhanced Pulse Width Modulator (ePWM)* chapter.

---

### 12.6.2 Synchronizer, Digital Filter, and Latch Delays

The synchronization block adds a delay of 1-2 sysclks. If the digital filter is bypassed (all filter settings are 0), the digital filter adds a delay of 2 sysclks. The latch adds 1 sysclk delay.

### 12.6.3 Calibrating the CMPSS

The CMPSS has two sources of offset errors: comparator offset error and compdac offset error. In the data sheet the comparator offset error is referred to as **Input referred offset error** and compdac offset error is referred to as **Static offset error**. See the device data sheet for their values.

If both inputs of the comparator are driven from a pin, only the comparator offset error applies. However if the inverting input of the comparator is driven from the compdac, then only the compdac offset error applies. This is because the compdac offset error includes comparator offset error.

Due to the offset errors, the CMPSS must be calibrated to make sure trips happen at the expected levels. The following flow outlines how the calibration can be performed if the inverting input of the comparator is driven from the compdac.

Notes before calibration:

1. A static DC signal is required on the non-inverting input of the comparator.
2. Hysteresis can be disabled for calibration and can be re-enabled after calibration is complete.
3. A noisy input can make calibration difficult, so use the latch with non-zero filter settings depending on how noisy is the signal on the non-inverting input.

This approach sweeps down the compdac:

1. Set the starting compdac value to max, 0xFFFF.
  - Optional: Instead of setting the starting compdac value to maximum, set to **Vtarget + Static offset error + Margin**. Where **Vtarget** is the approximate DC voltage on the non-inverting input, **Static offset error** is the compdac offset error specification and **Margin** is some amount of guard band. This can lead to a faster calibration but only works if **Vtarget** is known. Alternatively, if **Vtarget** is unknown, the ADC can be used to convert **Vtarget**.
2. Decrement compdac value by 1.
3. Wait for compdac to settle.
4. Clear latch.
5. Wait for possible latch set.
6. If latch is set, trip code is found exit.
  - Optional: The trip code can be double checked by:
    - a. Increasing compdac value by 1.
    - b. Clear latch.
    - c. Wait for possible latch set.
    - d. Latch can be unset.
7. If latch is unset, go back to step 2 and repeat.

It is also possible to calibrate the CMPSS, if both inputs of the comparator are driven from a pin. For this case, the flow stays the same but the voltage on the inverting pin of the comparator is swept externally.

### 12.6.4 Enabling and Disabling the CMPSS Clock

If the clock to the CMPSS module is disabled while the comparator is active, the following behavior can be expected:

- The comparator remains unaffected and continues to trip from voltages on the inputs.
- If the reference 12-bit DAC is driving the negative input of the comparator, the voltage on the negative input remains static and unaffected but DACVALA can no longer be updated from the ramp generator or DACVALS.
- The ramp generator, synchronize block and digital filter freeze on their current states.

Enabling the clock to the CMPSS restores the clock to the state before the clock was disabled.



## 12.7 Software

### 12.7.1 CMPSS Examples

NOTE: These examples are located in the [C2000Ware](#) installation at the following location:  
C2000Ware\_VERSION#/driverlib/DEVICE\_GPN/examples/CORE\_IF\_MULTICORE/cmpss

Cloud access to these examples is available at the following link: [dev.ti.com C2000Ware Examples](#).

#### 12.7.1.1 CMPSS Asynchronous Trip

FILE: cmpss\_ex1\_asynch.c

This example enables the CMPSS1 COMPH comparator and feeds the asynchronous CTRIPOUTH signal to the GPIO14/OUTPUTXBAR3 pin and CTRIPH to GPIO15/EPWM8B.

CMPSS is configured to generate trip signals to trip the EPWM signals. CMPIN1P is used to give positive input and internal DAC is configured to provide the negative input. Internal DAC is configured to provide a signal at VDD/2. An EPWM signal is generated at GPIO15 and is configured to be tripped by CTRIPOUTH.

When a low input(VSS) is provided to CMPIN1P,

- Trip signal(GPIO14) output is low
- PWM8B(GPIO15) gives a PWM signal

When a high input(higher than VDD/2) is provided to CMPIN1P,

- Trip signal(GPIO14) output turns high
- PWM8B(GPIO15) gets tripped and outputs as high

#### *External Connections*

- Outputs can be observed on GPIO14 and GPIO15
- Comparator input pin is on ADCINA2

#### *Watch Variables*

- None

#### 12.7.1.2 CMPSS Digital Filter Configuration

FILE: cmpss\_ex2\_digital\_filter.c

This example enables the CMPSS1 COMPH comparator and feeds the output through the digital filter to the GPIO14/OUTPUTXBAR3 pin.

CMPIN1P is used to give positive input and internal DAC is configured to provide the negative input. Internal DAC is configured to provide a signal at VDD/2.

When a low input(VSS) is provided to CMPIN1P,

- GPIO14 output is low

When a high input(higher than VDD/2) is provided to CMPIN1P,

- GPIO14 output turns high

## 12.8 CMPSS Registers

This section describes the CMPSS Registers.

### 12.8.1 CMPSS Base Addresses

**Table 12-1. CMPSS Base Address Table**

Device Registers	Register Name	Start Address	End Address
Cmpss1Regs	CMPSS_REGS	0x0000_5C80	0x0000_5C9F
Cmpss2Regs	CMPSS_REGS	0x0000_5CA0	0x0000_5CBF
Cmpss3Regs	CMPSS_REGS	0x0000_5CC0	0x0000_5CDF
Cmpss4Regs	CMPSS_REGS	0x0000_5CE0	0x0000_5CFF
Cmpss5Regs	CMPSS_REGS	0x0000_5D00	0x0000_5D1F
Cmpss6Regs	CMPSS_REGS	0x0000_5D20	0x0000_5D3F
Cmpss7Regs	CMPSS_REGS	0x0000_5D40	0x0000_5D5F
Cmpss8Regs	CMPSS_REGS	0x0000_5D60	0x0000_5D7F

## 12.8.2 CMPSS\_REGS Registers

Table 12-2 lists the memory-mapped registers for the CMPSS\_REGS registers. All register offset addresses not listed in Table 12-2 should be considered as reserved locations and the register contents should not be modified.

**Table 12-2. CMPSS\_REGS Registers**

Offset	Acronym	Register Name	Write Protection	Section
0h	COMPCTL	CMPSS Comparator Control Register	EALLOW	<a href="#">Go</a>
1h	COMPHYSTL	CMPSS Comparator Hysteresis Control Register	EALLOW	<a href="#">Go</a>
2h	COMPSTS	CMPSS Comparator Status Register		<a href="#">Go</a>
3h	COMPSTSLR	CMPSS Comparator Status Clear Register	EALLOW	<a href="#">Go</a>
4h	COMPDACCTL	CMPSS DAC Control Register	EALLOW	<a href="#">Go</a>
6h	DACHVALS	CMPSS High DAC Value Shadow Register		<a href="#">Go</a>
7h	DACHVALA	CMPSS High DAC Value Active Register		<a href="#">Go</a>
8h	RAMPMAXREFA	CMPSS Ramp Max Reference Active Register		<a href="#">Go</a>
Ah	RAMPMAXREFS	CMPSS Ramp Max Reference Shadow Register		<a href="#">Go</a>
Ch	RAMPDECVALA	CMPSS Ramp Decrement Value Active Register		<a href="#">Go</a>
Eh	RAMPDECVALS	CMPSS Ramp Decrement Value Shadow Register		<a href="#">Go</a>
10h	RAMPSTS	CMPSS Ramp Status Register		<a href="#">Go</a>
12h	DACLVALS	CMPSS Low DAC Value Shadow Register		<a href="#">Go</a>
13h	DACLVALA	CMPSS Low DAC Value Active Register		<a href="#">Go</a>
14h	RAMPDLYA	CMPSS Ramp Delay Active Register		<a href="#">Go</a>
15h	RAMPDLYS	CMPSS Ramp Delay Shadow Register		<a href="#">Go</a>
16h	CTRIPLFILCTL	CTRIPL Filter Control Register	EALLOW	<a href="#">Go</a>
17h	CTRIPLFILCLKCTL	CTRIPL Filter Clock Control Register	EALLOW	<a href="#">Go</a>
18h	CTRIPHFILCTL	CTRIPH Filter Control Register	EALLOW	<a href="#">Go</a>
19h	CTRIPHFILCLKCTL	CTRIPH Filter Clock Control Register	EALLOW	<a href="#">Go</a>
1Ah	COMPLOCK	CMPSS Lock Register	EALLOW	<a href="#">Go</a>

Complex bit access types are encoded to fit into small table cells. Table 12-3 shows the codes that are used for access types in this section.

**Table 12-3. CMPSS\_REGS Access Type Codes**

Access Type	Code	Description
Read Type		
R	R	Read
R-0	R-0	Read Returns 0s
Write Type		
W	W	Write
W1S	W1S	Write 1 to set
WOnce	WOnce	Write Set once
Reset or Default Value		
-n		Value after reset or the default value
Register Array Variables		

**Table 12-3. CMPSS\_REGS Access Type Codes (continued)**

Access Type	Code	Description
i,j,k,l,m,n		When these variables are used in a register name, an offset, or an address, they refer to the value of a register array where the register is part of a group of repeating registers. The register groups form a hierarchical structure and the array is represented with a formula.
y		When this variable is used in a register name, an offset, or an address it refers to the value of a register array.

### 12.8.2.1 COMPCTL Register (Offset = 0h) [Reset = 0000h]

COMPCTL is shown in [Figure 12-7](#) and described in [Table 12-4](#).

Return to the [Summary Table](#).

CMPSS Comparator Control Register

**Figure 12-7. COMPCTL Register**

15	14	13	12	11	10	9	8
COMPDACE	ASYNCLN	CTRIPOUTLSEL		CTRIPLSEL		COMPLINV	COMPLSOURCE
R/W-0h	R/W-0h	R/W-0h		R/W-0h		R/W-0h	R/W-0h
7	6	5	4	3	2	1	0
RESERVED	ASYNCHEN	CTRIPOUTHSEL		CTRIPHSEL		COMPHINV	COMPHSOURCE
R-0h	R/W-0h	R/W-0h		R/W-0h		R/W-0h	R/W-0h

**Table 12-4. COMPCTL Register Field Descriptions**

Bit	Field	Type	Reset	Description
15	COMPDACE	R/W	0h	Comparator/DAC enable. 0 Comparator/DAC disabled 1 Comparator/DAC enabled Reset type: SYSRSn
14	ASYNCLN	R/W	0h	Low comparator asynchronous path enable. Allows asynchronous comparator output to feed into OR gate with latched digital filter signal when CTRIPLSEL=3 or CTRIPOUTLSEL=3. 0 Asynchronous comparator output does not feed into OR gate with latched digital filter output 1 Asynchronous comparator output feeds into OR gate with latched digital filter output Reset type: SYSRSn
13-12	CTRIPOUTLSEL	R/W	0h	Low comparator CTRIPOUTL source select. 0 Asynchronous comparator output drives CTRIPOUTL 1 Synchronous comparator output drives CTRIPOUTL 2 Output of digital filter drives CTRIPOUTL 3 Latched output of digital filter drives CTRIPOUTL Reset type: SYSRSn
11-10	CTRIPLSEL	R/W	0h	Low comparator CTRIPL source select. 0 Asynchronous comparator output drives CTRIPL 1 Synchronous comparator output drives CTRIPL 2 Output of digital filter drives CTRIPL 3 Latched output of digital filter drives CTRIPL Reset type: SYSRSn
9	COMPLINV	R/W	0h	Low comparator output invert. 0 Output of comparator is not inverted 1 Output of comparator is inverted Reset type: SYSRSn
8	COMPLSOURCE	R/W	0h	Low comparator input source. 0 Inverting input of comparator driven by internal DAC 1 Inverting input of comparator driven through external pin Reset type: SYSRSn
7	RESERVED	R	0h	Reserved

**Table 12-4. COMPCTL Register Field Descriptions (continued)**

Bit	Field	Type	Reset	Description
6	ASYNCHEN	R/W	0h	High comparator asynchronous path enable. Allows asynchronous comparator output to feed into OR gate with latched digital filter signal when CTRIPHSEL=3 or CTRIPOUTHSEL=3. 0 Asynchronous comparator output does not feed into OR gate with latched digital filter output 1 Asynchronous comparator output feeds into OR gate with latched digital filter output Reset type: SYSRSn
5-4	CTRIPOUTHSEL	R/W	0h	High comparator CTRIPOUTH source select. 0 Asynchronous comparator output drives CTRIPOUTH 1 Synchronous comparator output drives CTRIPOUTH 2 Output of digital filter drives CTRIPOUTH 3 Latched output of digital filter drives CTRIPOUTH Reset type: SYSRSn
3-2	CTRIPHSEL	R/W	0h	High comparator CTRIPH source select. 0 Asynchronous comparator output drives CTRIPH 1 Synchronous comparator output drives CTRIPH 2 Output of digital filter drives CTRIPH 3 Latched output of digital filter drives CTRIPH Reset type: SYSRSn
1	COMPHINV	R/W	0h	High comparator output invert. 0 Output of comparator is not inverted 1 Output of comparator is inverted Reset type: SYSRSn
0	COMPHSOURCE	R/W	0h	High comparator input source. 0 Inverting input of comparator driven by internal DAC 1 Inverting input of comparator driven through external pin Reset type: SYSRSn

### 12.8.2.2 COMPHYSCTL Register (Offset = 1h) [Reset = 0000h]

COMPHYSCTL is shown in [Figure 12-8](#) and described in [Table 12-5](#).

Return to the [Summary Table](#).

CMPSS Comparator Hysteresis Control Register

**Figure 12-8. COMPHYSCTL Register**

15	14	13	12	11	10	9	8
RESERVED							
R-0h							
7	6	5	4	3	2	1	0
RESERVED					COMPHYS		
R-0h					R/W-0h		

**Table 12-5. COMPHYSCTL Register Field Descriptions**

Bit	Field	Type	Reset	Description
15-3	RESERVED	R	0h	Reserved
2-0	COMPHYS	R/W	0h	Comparator hysteresis. Sets the amount of hysteresis on the comparator inputs. 0 None 1 Set to typical hysteresis 2 Set to 2x of typical hysteresis 3 Set to 3x of typical hysteresis 4 Set to 4x of typical hysteresis others : undefined Reset type: SYSRSn

### 12.8.2.3 COMPSTS Register (Offset = 2h) [Reset = 0000h]

COMPSTS is shown in [Figure 12-9](#) and described in [Table 12-6](#).

Return to the [Summary Table](#).

CMPSS Comparator Status Register

**Figure 12-9. COMPSTS Register**

15	14	13	12	11	10	9	8
RESERVED						COMPLLATCH	COMPLSTS
R-0h						R-0h	R-0h
7	6	5	4	3	2	1	0
RESERVED						COMPHLATCH	COMPHSTS
R-0h						R-0h	R-0h

**Table 12-6. COMPSTS Register Field Descriptions**

Bit	Field	Type	Reset	Description
15-10	RESERVED	R	0h	Reserved
9	COMPLLATCH	R	0h	Latched value of low comparator digital filter output Reset type: SYSRSn
8	COMPLSTS	R	0h	Low comparator digital filter output Reset type: SYSRSn
7-2	RESERVED	R	0h	Reserved
1	COMPHLATCH	R	0h	Latched value of high comparator digital filter output Reset type: SYSRSn
0	COMPHSTS	R	0h	High comparator digital filter output Reset type: SYSRSn



### 12.8.2.4 COMPSTSCLR Register (Offset = 3h) [Reset = 0000h]

COMPSTSCLR is shown in [Figure 12-10](#) and described in [Table 12-7](#).

Return to the [Summary Table](#).

CMPSS Comparator Status Clear Register

**Figure 12-10. COMPSTSCLR Register**

15	14	13	12	11	10	9	8
RESERVED					LSYNCCLREN	LLATCHCLR	RESERVED
R-0h					R/W-0h	R-0/W1S-0h	R-0h
7	6	5	4	3	2	1	0
RESERVED					HSYNCCLREN	HLATCHCLR	RESERVED
R-0h					R/W-0h	R-0/W1S-0h	R-0h

**Table 12-7. COMPSTSCLR Register Field Descriptions**

Bit	Field	Type	Reset	Description
15-11	RESERVED	R	0h	Reserved
10	LSYNCCLREN	R/W	0h	Low comparator latch EPWMSYNCPER clear. Enable EPWMSYNCPER reset of low comparator digital filter output latch COMPSTS[COMPLLATCH]. 0 EPWMSYNCPER will not reset latch 1 EPWMSYNCPER will reset latch Reset type: SYSRSn
9	LLATCHCLR	R-0/W1S	0h	Low comparator latch software clear. Perform software reset of low comparator digital filter output latch COMPSTS[COMPLLATCH]. Reads always return 0. 0 No effect 1 Generate a single pulse of latch reset signal for COMPSTS[COMPLLATCH] Reset type: SYSRSn
8-3	RESERVED	R	0h	Reserved
2	HSYNCCLREN	R/W	0h	High comparator latch EPWMSYNCPER clear. Enable EPWMSYNCPER reset of high comparator digital filter output latch COMPSTS[COMPHLATCH]. 0 EPWMSYNCPER will not reset latch 1 EPWMSYNCPER will reset latch Reset type: SYSRSn
1	HLATCHCLR	R-0/W1S	0h	High comparator latch software clear. Perform software reset of high comparator digital filter output latch COMPSTS[COMPHLATCH]. Reads always return 0. 0 No effect 1 Generate a single pulse of latch reset signal for COMPSTS[COMPHLATCH] Reset type: SYSRSn
0	RESERVED	R	0h	Reserved

### 12.8.2.5 COMPDACCTL Register (Offset = 4h) [Reset = 0000h]

COMPDACCTL is shown in [Figure 12-11](#) and described in [Table 12-8](#).

Return to the [Summary Table](#).

CMPSS DAC Control Register

**Figure 12-11. COMPDACCTL Register**

15	14	13	12	11	10	9	8
FREESOFT			RESERVED				
R/W-0h			R-0h				
7	6	5	4	3	2	1	0
SWLOADSEL	RAMPLOADSEL	SELREF	RAMPSOURCE			DACSOURCE	
R/W-0h	R/W-0h	R/W-0h	R/W-0h			R/W-0h	

**Table 12-8. COMPDACCTL Register Field Descriptions**

Bit	Field	Type	Reset	Description
15-14	FREESOFT	R/W	0h	Free-run or software-run emulation behavior. Behavior of the ramp generator during emulation suspend. 00b Ramp generator stops immediately during emulation suspend 01b Ramp generator completes current ramp and stops at next EPWMSYNCPER during emulation suspend 1Xb Ramp generator runs freely Reset type: SYSRSn
13-8	RESERVED	R	0h	Reserved
7	SWLOADSEL	R/W	0h	Software load select. Determines whether DACxVALA is updated from DACxVALS on SYSCLK or EPWMSYNCPER. 0 DACxVALA is updated from DACxVALS on SYSCLK 1 DACxVALA is updated from DACxVALS on EPWMSYNCPER Reset type: SYSRSn
6	RAMPLOADSEL	R/W	0h	Ramp load select. Determines whether RAMPSTS is updated from RAMPMAXREFA or RAMPMAXREFS when COMPSTS[COMPSTST] is triggered. 0 RAMPSTS is loaded from RAMPMAXREFA 1 RAMPSTS is loaded from RAMPMAXREFS Reset type: SYSRSn
5	SELREF	R/W	0h	DAC reference select. Determines which voltage supply is used as the reference for the internal comparator DACs. 0 VDDA is the voltage reference for the DAC 1 VDAC is the voltage reference for the DAC Reset type: SYSRSn
4-1	RAMPSOURCE	R/W	0h	Ramp generator source select. Determines which EPWMSYNCPER signal is used within the CMPSS module. Where n represents the maximum number of EPWMSYNCPER signals available on the device: 0 EPWM1SYNCPER 1 EPWM2SYNCPER 2 EPWM3SYNCPER ... n-1 EPWMnSYNCPER Reset type: SYSRSn
0	DACSOURCE	R/W	0h	DAC source select. Determines whether DACHVALA is updated from DACHVALS or from the ramp generator. 0 DACHVALA is updated from DACHVALS 1 DACHVALA is updated from the ramp generator Reset type: SYSRSn

### 12.8.2.6 DACHVALS Register (Offset = 6h) [Reset = 0000h]

DACHVALS is shown in [Figure 12-12](#) and described in [Table 12-9](#).

Return to the [Summary Table](#).

CMPSS High DAC Value Shadow Register

**Figure 12-12. DACHVALS Register**

15	14	13	12	11	10	9	8
RESERVED				DACVAL			
R-0h				R/W-0h			
7	6	5	4	3	2	1	0
DACVAL							
R/W-0h							

**Table 12-9. DACHVALS Register Field Descriptions**

Bit	Field	Type	Reset	Description
15-12	RESERVED	R	0h	Reserved
11-0	DACVAL	R/W	0h	High DAC shadow value. When COMPDACCTL[DACSOURCE]=0, the value of DACHVALS is loaded into DACHVALA on the trigger signal selected by COMPDACCTL[SWLOADSEL]. Reset type: SYSRSn

### 12.8.2.7 DACHVALA Register (Offset = 7h) [Reset = 0000h]

DACHVALA is shown in [Figure 12-13](#) and described in [Table 12-10](#).

Return to the [Summary Table](#).

CMPSS High DAC Value Active Register

**Figure 12-13. DACHVALA Register**

15	14	13	12	11	10	9	8
RESERVED				DACVAL			
R-0h				R-0h			
7	6	5	4	3	2	1	0
DACVAL							
R-0h							

**Table 12-10. DACHVALA Register Field Descriptions**

Bit	Field	Type	Reset	Description
15-12	RESERVED	R	0h	Reserved
11-0	DACVAL	R	0h	High DAC active value. Value that is actively driven by the high DAC. Reset type: SYSRSn

### 12.8.2.8 RAMPMAXREFA Register (Offset = 8h) [Reset = 0000h]

RAMPMAXREFA is shown in [Figure 12-14](#) and described in [Table 12-11](#).

Return to the [Summary Table](#).

CMPSS Ramp Max Reference Active Register

**Figure 12-14. RAMPMAXREFA Register**

15	14	13	12	11	10	9	8
RAMPMAXREF							
R-0h							
7	6	5	4	3	2	1	0
RAMPMAXREF							
R-0h							

**Table 12-11. RAMPMAXREFA Register Field Descriptions**

Bit	Field	Type	Reset	Description
15-0	RAMPMAXREF	R	0h	Ramp maximum reference active value. Latched value to be loaded into ramp generator RAMPSTS. Reset type: SYSRSn

### 12.8.2.9 RAMPMAXREFS Register (Offset = Ah) [Reset = 0000h]

RAMPMAXREFS is shown in [Figure 12-15](#) and described in [Table 12-12](#).

Return to the [Summary Table](#).

CMPSS Ramp Max Reference Shadow Register

**Figure 12-15. RAMPMAXREFS Register**

15	14	13	12	11	10	9	8
RAMPMAXREF							
R/W-0h							
7	6	5	4	3	2	1	0
RAMPMAXREF							
R/W-0h							

**Table 12-12. RAMPMAXREFS Register Field Descriptions**

Bit	Field	Type	Reset	Description
15-0	RAMPMAXREF	R/W	0h	Ramp maximum reference shadow. Unlatched value to be loaded into ramp generator RAMPSTS. Reset type: SYSRSn

### 12.8.2.10 RAMPDECVALA Register (Offset = Ch) [Reset = 0000h]

RAMPDECVALA is shown in [Figure 12-16](#) and described in [Table 12-13](#).

Return to the [Summary Table](#).

CMPSS Ramp Decrement Value Active Register

**Figure 12-16. RAMPDECVALA Register**

15	14	13	12	11	10	9	8
RAMPDECVAL							
R-0h							
7	6	5	4	3	2	1	0
RAMPDECVAL							
R-0h							

**Table 12-13. RAMPDECVALA Register Field Descriptions**

Bit	Field	Type	Reset	Description
15-0	RAMPDECVAL	R	0h	Ramp decrement value active. Latched value that will be subtracted from RAMPSTS. Reset type: SYSRSn

### 12.8.2.11 RAMPDECVALS Register (Offset = Eh) [Reset = 0000h]

RAMPDECVALS is shown in [Figure 12-17](#) and described in [Table 12-14](#).

Return to the [Summary Table](#).

CMPSS Ramp Decrement Value Shadow Register

**Figure 12-17. RAMPDECVALS Register**

15	14	13	12	11	10	9	8
RAMPDECVAL							
R/W-0h							
7	6	5	4	3	2	1	0
RAMPDECVAL							
R/W-0h							

**Table 12-14. RAMPDECVALS Register Field Descriptions**

Bit	Field	Type	Reset	Description
15-0	RAMPDECVAL	R/W	0h	Ramp decrement value shadow. Unlatched value to be loaded into RAMPDECVALA. Reset type: SYSRSn



### 12.8.2.12 RAMPSTS Register (Offset = 10h) [Reset = 0000h]

RAMPSTS is shown in [Figure 12-18](#) and described in [Table 12-15](#).

Return to the [Summary Table](#).

CMPSS Ramp Status Register

**Figure 12-18. RAMPSTS Register**

15	14	13	12	11	10	9	8
RAMPVALUE							
R-0h							
7	6	5	4	3	2	1	0
RAMPVALUE							
R-0h							

**Table 12-15. RAMPSTS Register Field Descriptions**

Bit	Field	Type	Reset	Description
15-0	RAMPVALUE	R	0h	Ramp value. Present value of ramp generator. Reset type: SYSRSn

### 12.8.2.13 DACLVALS Register (Offset = 12h) [Reset = 0000h]

DACLVALS is shown in [Figure 12-19](#) and described in [Table 12-16](#).

Return to the [Summary Table](#).

CMPSS Low DAC Value Shadow Register

**Figure 12-19. DACLVALS Register**

15	14	13	12	11	10	9	8
RESERVED				DACVAL			
R-0h				R/W-0h			
7	6	5	4	3	2	1	0
DACVAL							
R/W-0h							

**Table 12-16. DACLVALS Register Field Descriptions**

Bit	Field	Type	Reset	Description
15-12	RESERVED	R	0h	Reserved
11-0	DACVAL	R/W	0h	Low DAC shadow value. value to be loaded into DACVALA on the trigger signal selected by COMPDACCTL[SWLOADSEL]. Reset type: SYSRSn

### 12.8.2.14 DACLVALA Register (Offset = 13h) [Reset = 0000h]

DACLVALA is shown in [Figure 12-20](#) and described in [Table 12-17](#).

Return to the [Summary Table](#).

CMPSS Low DAC Value Active Register

**Figure 12-20. DACLVALA Register**

15	14	13	12	11	10	9	8
RESERVED				DACVAL			
R-0h				R-0h			
7	6	5	4	3	2	1	0
DACVAL							
R-0h							

**Table 12-17. DACLVALA Register Field Descriptions**

Bit	Field	Type	Reset	Description
15-12	RESERVED	R	0h	Reserved
11-0	DACVAL	R	0h	Low DAC active value. Value that is actively driven by the low DAC. Reset type: SYSRSn

### 12.8.2.15 RAMPDLYA Register (Offset = 14h) [Reset = 0000h]

RAMPDLYA is shown in [Figure 12-21](#) and described in [Table 12-18](#).

Return to the [Summary Table](#).

CMPSS Ramp Delay Active Register

**Figure 12-21. RAMPDLYA Register**

15	14	13	12	11	10	9	8
RESERVED				DELAY			
R-0h				R-0h			
7	6	5	4	3	2	1	0
DELAY							
R-0h							

**Table 12-18. RAMPDLYA Register Field Descriptions**

Bit	Field	Type	Reset	Description
15-13	RESERVED	R	0h	Reserved
12-0	DELAY	R	0h	Ramp delay active value. Latched value of the number of cycles to delay the start of the ramp generator decrementer after a EPWMSYNCPER is received. Reset type: SYSRSn

### 12.8.2.16 RAMPDLYS Register (Offset = 15h) [Reset = 0000h]

RAMPDLYS is shown in [Figure 12-22](#) and described in [Table 12-19](#).

Return to the [Summary Table](#).

CMPSS Ramp Delay Shadow Register

**Figure 12-22. RAMPDLYS Register**

15	14	13	12	11	10	9	8
RESERVED				DELAY			
R-0h				R/W-0h			
7	6	5	4	3	2	1	0
				DELAY			
				R/W-0h			

**Table 12-19. RAMPDLYS Register Field Descriptions**

Bit	Field	Type	Reset	Description
15-13	RESERVED	R	0h	Reserved
12-0	DELAY	R/W	0h	Ramp delay shadow value. Unlatched value to be loaded into RAMPDLYA. Reset type: SYSRSn

### 12.8.2.17 CTRIPLFILCTL Register (Offset = 16h) [Reset = 0000h]

CTRIPLFILCTL is shown in [Figure 12-23](#) and described in [Table 12-20](#).

Return to the [Summary Table](#).

CTRIPL Filter Control Register

**Figure 12-23. CTRIPLFILCTL Register**

15	14	13	12	11	10	9	8
FILINIT	RESERVED	THRESH				SAMPWIN	
R-0/W1S-0h	R-0h	R/W-0h				R/W-0h	
7	6	5	4	3	2	1	0
SAMPWIN				RESERVED			
R/W-0h				R-0h			

**Table 12-20. CTRIPLFILCTL Register Field Descriptions**

Bit	Field	Type	Reset	Description
15	FILINIT	R-0/W1S	0h	Low filter initialization. 0 No effect 1 Initialize all samples to the filter input value Reset type: SYSRSn
14	RESERVED	R	0h	Reserved
13-9	THRESH	R/W	0h	Low filter majority voting threshold. At least THRESH samples of the opposite state must appear within the sample window in order for the output to change state. Threshold used is THRESH+1. Reset type: SYSRSn
8-4	SAMPWIN	R/W	0h	Low filter sample window size. Number of samples to monitor is SAMPWIN+1. Reset type: SYSRSn
3-0	RESERVED	R	0h	Reserved

### 12.8.2.18 CTRIPLFILCLKCTL Register (Offset = 17h) [Reset = 0000h]

CTRIPLFILCLKCTL is shown in [Figure 12-24](#) and described in [Table 12-21](#).

Return to the [Summary Table](#).

CTRIPL Filter Clock Control Register

**Figure 12-24. CTRIPLFILCLKCTL Register**

15	14	13	12	11	10	9	8
RESERVED						CLKPRESCALE	
R-0h						R/W-0h	
7	6	5	4	3	2	1	0
CLKPRESCALE							
R/W-0h							

**Table 12-21. CTRIPLFILCLKCTL Register Field Descriptions**

Bit	Field	Type	Reset	Description
15-10	RESERVED	R	0h	Reserved
9-0	CLKPRESCALE	R/W	0h	Low filter sample clock prescale. Number of system clocks between samples is CLKPRESCALE+1. Reset type: SYSRSn

### 12.8.2.19 CTRIPHFILCTL Register (Offset = 18h) [Reset = 0000h]

CTRIPHFILCTL is shown in [Figure 12-25](#) and described in [Table 12-22](#).

Return to the [Summary Table](#).

CTRIPH Filter Control Register

**Figure 12-25. CTRIPHFILCTL Register**

15	14	13	12	11	10	9	8
FILINIT	RESERVED	THRESH				SAMPWIN	
R-0/W1S-0h	R-0h	R/W-0h				R/W-0h	
7	6	5	4	3	2	1	0
SAMPWIN				RESERVED			
R/W-0h				R-0h			

**Table 12-22. CTRIPHFILCTL Register Field Descriptions**

Bit	Field	Type	Reset	Description
15	FILINIT	R-0/W1S	0h	High filter initialization. 0 No effect 1 Initialize all samples to the filter input value Reset type: SYSRSn
14	RESERVED	R	0h	Reserved
13-9	THRESH	R/W	0h	High filter majority voting threshold. At least THRESH samples of the opposite state must appear within the sample window in order for the output to change state. Threshold used is THRESH+1. Reset type: SYSRSn
8-4	SAMPWIN	R/W	0h	High filter sample window size. Number of samples to monitor is SAMPWIN+1. Reset type: SYSRSn
3-0	RESERVED	R	0h	Reserved



### 12.8.2.20 CTRIPHFILCLKCTL Register (Offset = 19h) [Reset = 0000h]

CTRIPHFILCLKCTL is shown in [Figure 12-26](#) and described in [Table 12-23](#).

Return to the [Summary Table](#).

CTRIPH Filter Clock Control Register

**Figure 12-26. CTRIPHFILCLKCTL Register**

15	14	13	12	11	10	9	8
RESERVED						CLKPRESCALE	
R-0h						R/W-0h	
7	6	5	4	3	2	1	0
CLKPRESCALE							
R/W-0h							

**Table 12-23. CTRIPHFILCLKCTL Register Field Descriptions**

Bit	Field	Type	Reset	Description
15-10	RESERVED	R	0h	Reserved
9-0	CLKPRESCALE	R/W	0h	High filter sample clock prescale. Number of system clocks between samples is CLKPRESCALE+1. Reset type: SYSRSn

### 12.8.2.21 COMPLOCK Register (Offset = 1Ah) [Reset = 0000h]

COMPLOCK is shown in [Figure 12-27](#) and described in [Table 12-24](#).

Return to the [Summary Table](#).

CMPSS Lock Register

**Figure 12-27. COMPLOCK Register**

15	14	13	12	11	10	9	8
RESERVED							
R-0h							
7	6	5	4	3	2	1	0
RESERVED			RESERVED	CTRIIP	DACCTL	COMPHYSTL	COMPCTL
R-0h			R/WOnce-0h	R/WOnce-0h	R/WOnce-0h	R/WOnce-0h	R/WOnce-0h

**Table 12-24. COMPLOCK Register Field Descriptions**

Bit	Field	Type	Reset	Description
15-5	RESERVED	R	0h	Reserved
4	RESERVED	R/WOnce	0h	Reserved
3	CTRIIP	R/WOnce	0h	Lock write-access to the CTRIPxFILCTL and CTRIPxFILCLKCTL* registers. 0 CTRIPxFILCTL and CTRIPxFILCLKCTL* registers are not locked. Write 0 to this bit has no effect. 1 CTRIPxFILCTL and CTRIPxFILCLKCTL* registers are locked. Only a system reset can clear this bit. Reset type: SYSRSn
2	DACCTL	R/WOnce	0h	Lock write-access to the COMPDAC*CTL* register(s). 0 COMPDAC*CTL* register(s) not locked. Write 0 to this bit has no effect. 1 COMPDAC*CTL* register(s) locked. Only a system reset can clear this bit. Reset type: SYSRSn
1	COMPHYSTL	R/WOnce	0h	Lock write-access to the COMPHYSTL register. 0 COMPHYSTL register is not locked. Write 0 to this bit has no effect. 1 COMPHYSTL register is locked. Only a system reset can clear this bit. Reset type: SYSRSn
0	COMPCTL	R/WOnce	0h	Lock write-access to the COMPCTL register. 0 COMPCTL register is not locked. Write 0 to this bit has no effect. 1 COMPCTL register is locked. Only a system reset can clear this bit. Reset type: SYSRSn

### 12.8.3 CMPSS Registers to Driverlib Functions

**Table 12-25. CMPSS Registers to Driverlib Functions**

File	Driverlib Function
<b>COMPCTL</b>	
cmpss.h	CMPSS_enableModule
cmpss.h	CMPSS_disableModule
cmpss.h	CMPSS_configHighComparator
cmpss.h	CMPSS_configLowComparator
cmpss.h	CMPSS_configOutputsHigh
cmpss.h	CMPSS_configOutputsLow

**Table 12-25. CMPSS Registers to Driverlib Functions (continued)**

File	Driverlib Function
<b>COMPHYSCTL</b>	
cmpss.h	CMPSS_setHysteresis
<b>COMPSTS</b>	
cmpss.c	CMPSS_configLatchOnPWMSYNC
cmpss.h	CMPSS_getStatus
cmpss.h	CMPSS_clearFilterLatchHigh
cmpss.h	CMPSS_clearFilterLatchLow
cmpss.h	CMPSS_enableLatchResetOnPWMSYNCHigh
cmpss.h	CMPSS_disableLatchResetOnPWMSYNCHigh
cmpss.h	CMPSS_enableLatchResetOnPWMSYNCLow
cmpss.h	CMPSS_disableLatchResetOnPWMSYNCLow
<b>COMPSTCLR</b>	
cmpss.c	CMPSS_configLatchOnPWMSYNC
cmpss.h	CMPSS_clearFilterLatchHigh
cmpss.h	CMPSS_clearFilterLatchLow
cmpss.h	CMPSS_enableLatchResetOnPWMSYNCHigh
cmpss.h	CMPSS_disableLatchResetOnPWMSYNCHigh
cmpss.h	CMPSS_enableLatchResetOnPWMSYNCLow
cmpss.h	CMPSS_disableLatchResetOnPWMSYNCLow
<b>COMPDACCTL</b>	
cmpss.c	CMPSS_configRamp
cmpss.h	CMPSS_configDAC
cmpss.h	CMPSS_configureSyncSource
<b>DACHVALS</b>	
cmpss.h	CMPSS_setDACValueHigh
<b>DACHVALA</b>	
cmpss.h	CMPSS_getDACValueHigh
<b>RAMPMAXREFA</b>	
cmpss.h	CMPSS_getMaxRampValue
<b>RAMPMAXREFS</b>	
cmpss.c	CMPSS_configRamp
cmpss.h	CMPSS_setMaxRampValue
<b>RAMPDECVALA</b>	
cmpss.h	CMPSS_getRampDecValue
<b>RAMPDECVALS</b>	
cmpss.c	CMPSS_configRamp
cmpss.h	CMPSS_setRampDecValue
<b>RAMPSTS</b>	
-	
<b>DACLVALS</b>	
cmpss.h	CMPSS_setDACValueLow
<b>DACLVALA</b>	
cmpss.h	CMPSS_getDACValueLow
<b>RAMPDLYA</b>	
cmpss.h	CMPSS_getRampDelayValue

**Table 12-25. CMPSS Registers to Driverlib Functions (continued)**

File	Driverlib Function
<b>RAMPDLYS</b>	
cmpss.c	CMPSS_configRamp
cmpss.h	CMPSS_setRampDelayValue
<b>CTRIPLFILCTL</b>	
cmpss.c	CMPSS_configFilterLow
cmpss.h	CMPSS_initFilterLow
<b>CTRIPLFILCLKCTL</b>	
cmpss.c	CMPSS_configFilterLow
<b>CTRIPHFILCTL</b>	
cmpss.c	CMPSS_configFilterHigh
cmpss.h	CMPSS_initFilterHigh
<b>CTRIPHFILCLKCTL</b>	
cmpss.c	CMPSS_configFilterHigh
<b>COMPLOCK</b>	
-	

Chapter 13  
**Sigma Delta Filter Module (SDFM)**

---



The sigma delta filter module (SDFM) is a four-channel digital filter designed specifically for current measurement and resolver position decoding in motor control applications. Each input channel can receive an independent delta-sigma ( $\Delta\Sigma$ ) modulator bit stream. The bit streams are processed by four individually-programmable digital decimation filters. The filter set includes a fast comparator (secondary filter) for immediate digital threshold comparisons for over-current and under-current monitoring, and zeros crossing detection.

<b>13.1 Introduction</b> .....	<b>1694</b>
<b>13.2 Configuring Device Pins</b> .....	<b>1698</b>
<b>13.3 Input Control Unit</b> .....	<b>1699</b>
<b>13.4 Sinc Filter</b> .....	<b>1700</b>
<b>13.5 Data (Primary) Filter Unit</b> .....	<b>1703</b>
<b>13.6 Comparator (Secondary) Filter Unit</b> .....	<b>1706</b>
<b>13.7 Theoretical SDFM Filter Output</b> .....	<b>1708</b>
<b>13.8 Interrupt Unit</b> .....	<b>1710</b>
<b>13.9 Register Descriptions</b> .....	<b>1712</b>
<b>13.10 Software</b> .....	<b>1714</b>
<b>13.11 SDFM Registers</b> .....	<b>1714</b>

## 13.1 Introduction

Figure 13-1 shows the SDFM CPU Interface.

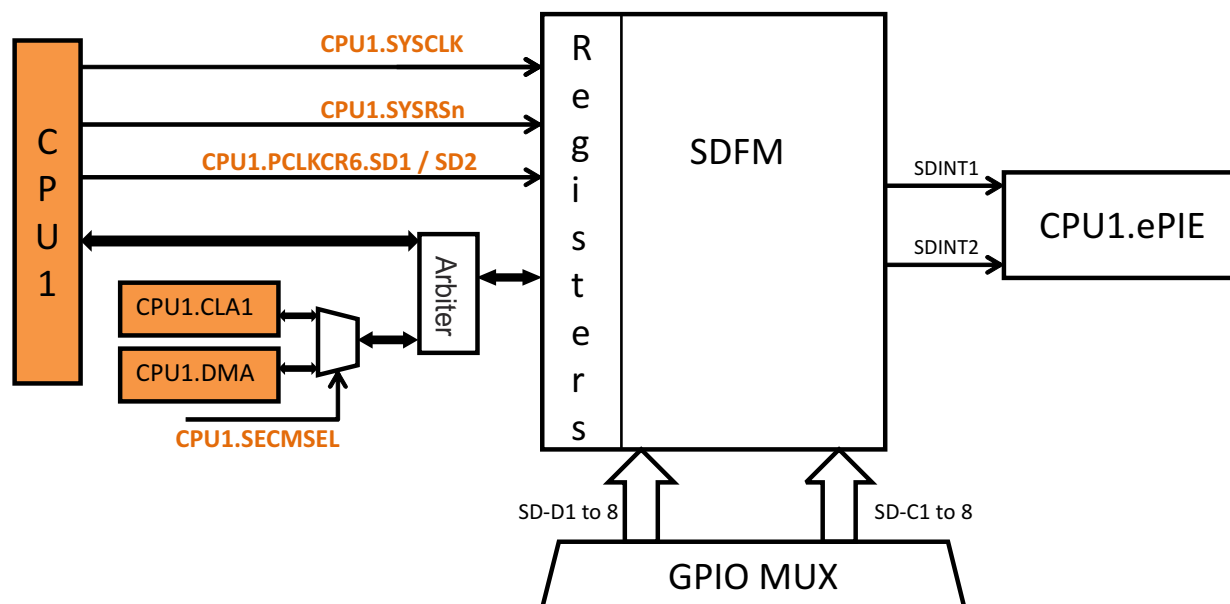


Figure 13-1. Sigma Delta Filter Module (SDFM) CPU Interface

### 13.1.1 SDFM Related Collateral

#### Foundational Materials

- [C2000 Academy - SDFM](#)
- [How delta-sigma ADCs work, Part 1 Application Report](#)
- [How delta-sigma ADCs work, Part 2 Application Report](#)
- [Nuts and Bolts of the Delta-Sigma Converter \(Video\)](#)
- [Sigma Delta Filter Module \(SDFM\) Training for C2000™ MCUs \(Video\)](#)

#### Getting Started Materials

- [Achieving Better Signal Integrity With Isolated Delta-Sigma Modulators in Motor Drives Application Report](#)
  - Critical information for a hardware designer
- [Using Sigma Delta Filter Module \(SDFM\) to Measure the Analog Input Signal](#)
  - NOTE: This is a non-TI (third party) site.

#### Expert Materials

- [Diagnosing Delta-Sigma Modulator Bitstream Using C2000™ Configurable Logic Block Application Report](#)
- [Isolated Current Shunt and Voltage Measurement Kit Application Report](#)
- [Isolated, Shunt-Based Current Sensing Reference Design](#)
- [Quick Response Control of PMSM Using Fast Current Loop Application Report](#)
- [Single-Phase Inverter Reference Design With Voltage Source and Grid Connected Modes](#)
- [The case for isolated delta-sigma modulators: Is my system fast enough for short-circuit detection?](#)
- [Vienna Rectifier-Based Three Phase Power Factor Correction Reference Design Using C2000 MCU](#)

### 13.1.2 Features

SDFM features include:

- Eight external pins per SDFM module
  - Four sigma-delta data input pins per SDFM module (SD-Dx, where x = 1 to 4)
  - Four sigma-delta clock input pins per SDFM module (SD-Cx, where x = 1 to 4)
- Different configurable modulator clock modes supported:
  - Mode 0: Modulator clock rate equals the modulator data rate.
  - Mode 1: Modulator clock rate running at half the modulator data rate.
  - Mode 2: Modulator data is Manchester-encoded. Modulator clock is not required.
  - Mode 3: Modulator clock rate is double that of the modulator data rate
- Four independent, configurable secondary filter (comparator) units per SDFM module:
  - Four different filter type selection (Sinc1/Sinc2/SincFast/Sinc3) options available
  - Ability to detect over-value condition, under-value condition, and Threshold-crossing conditions
  - OSR value for comparator filter unit (COSR) programmable from 1 to 32
- Four independent configurable primary filter (data filter) units per SDFM module:
  - Four different filter type selection (Sinc1/Sinc2/SincFast/Sinc3) options available
  - OSR value for data filter unit (DOSR) programmable from 1 to 256
  - Ability to enable or disable (or both) individual filter module
  - Ability to synchronize all four independent filters of an SDFM module by using the Master Filter Enable (MFE) bit or by using PWM signals
- Data filter output can be represented in either 16 bits or 32 bits.
- PWMs can be used to generate a modulator clock for sigma-delta modulators.

### 13.1.3 Block Diagram

Each SDFM module has four independent filter modules. These filter modules are identical and can be configured independently. Each individual filter module has the following units:

- Input control unit
- Primary filter (data filter) unit
- Secondary filter (comparator filter) unit with 4 independent comparators

Figure 13-2 shows the SDFM module block diagram. The SDFM port operation is configured and controlled by the registers listed in Section 13.11.

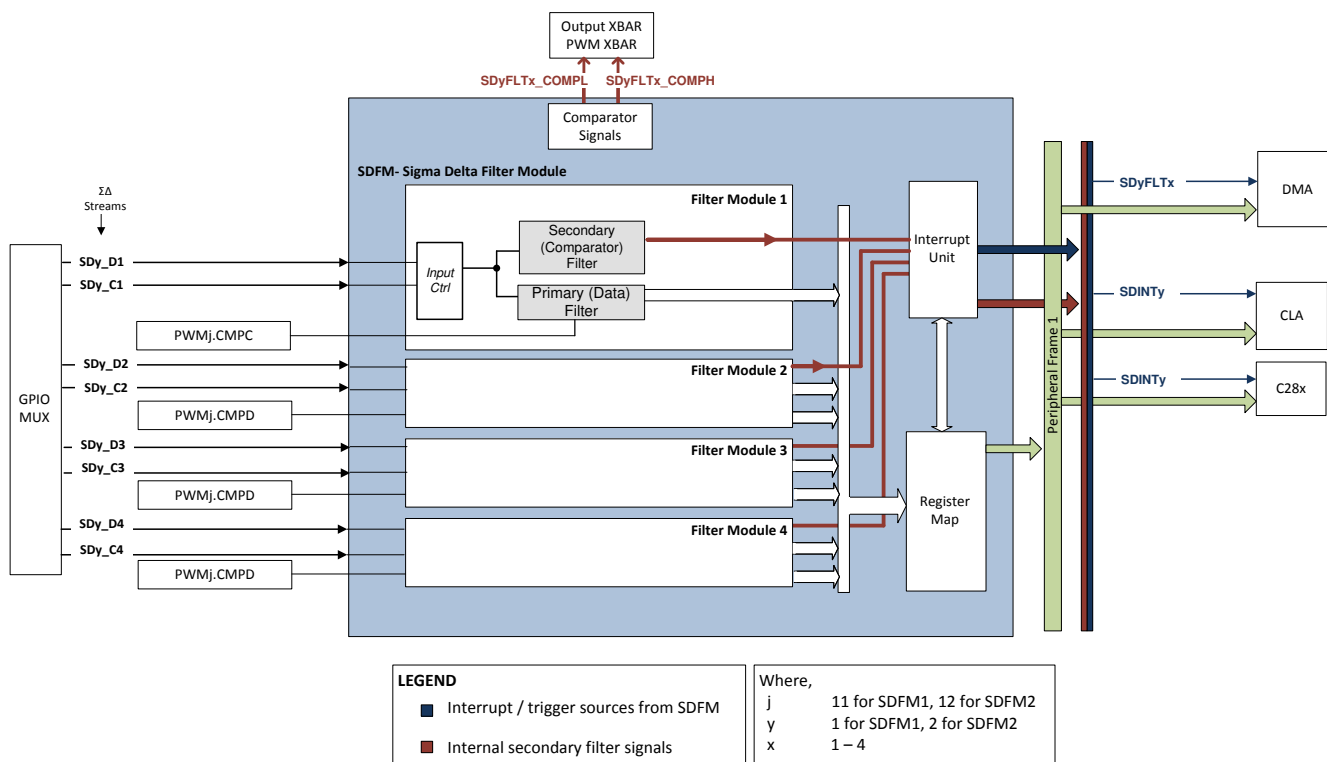


Figure 13-2. Sigma Delta Filter Module (SDFM) Block Diagram

#### Note

When using PWM11 or PWM12 for SDFM data filter synchronization, you must make sure that only one CMPC or CMPD event is generated per PWM timer period. Using PWM in up-count or down-count mode automatically makes sure that you get only one PWMC or PWMD event. But, if you want to use up-down count mode, then you need to make sure that only one CMPC or CMPD event per PWM cycle is generated; otherwise, the filter synchronizer corrupts the SDFM timing by providing two pulses per PWM cycle.

Each filter module shown in Figure 13-3 has a primary (data) filter and a secondary (comparator) filter pair that receives the same bit stream. Except for the input bit stream, both the primary and secondary filter are completely independent of each other. Each of these filter modules can be independently configured. So, in a SDFM module, there is a total of four primary filters and four secondary filters.



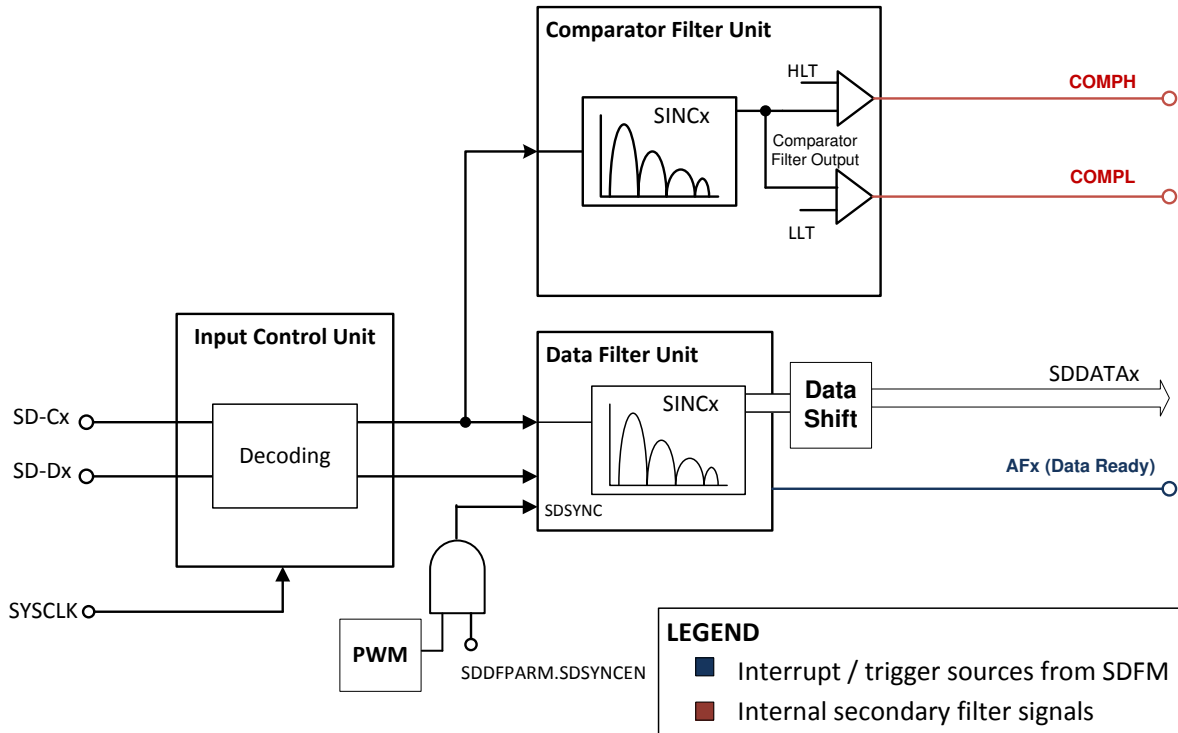


Figure 13-3. Block Diagram of One Filter Module

## 13.2 Configuring Device Pins

The GPIO mux registers must be configured to connect this peripheral to the device pins. To avoid glitches on the pins, the GPyGMUX bits must be configured first (while keeping the corresponding GPyMUX bits at the default of zero), followed by writing the GPyMUX register to the desired value.

For proper SDFM operation, use the following GPIO input qualification. Other GPIO qualifications are not supported.

- **Recommended option:** GPIO Input qualification = 3-sample GPIO Input Qualification. This option provide additional hardware protection against occasional random noise glitches. When GPIO Input qualification is 3-sample window, make sure to check the SDFM Electrical Data and Timing (Using 3-Sample GPIO Input Qualification) and be aware of the following caution message and note.
- If GPIO Input qualification is ASYNC, make sure to check the SDFM Electrical Data and Timing (Using ASYNC) requirement is met and be aware that this option is susceptible to random noise glitches.

### CAUTION

The SDFM clock inputs (SDx\_Cy pins) directly clock the SDFM module. Any glitches or ringing noise on these inputs can corrupt the SDFM module operation. Special precautions must be taken on these signals to make sure of a clean and noise-free signal that meets SDFM timing requirements. Precautions such as series termination for ringing due to any impedance mismatch of the clock driver and spacing of traces from other noisy signals are recommended.

### Note

The SDFM module expects SD-Dx to change on the falling edge of SD-Cx and strobes for SD-Dx on the rising edge. But some SD-modulators in the market change SD-Dx on the rising edge and expect SDFM to strobe for data on the falling edge. In such cases, the GPIO inversion feature (GPxINV) is used on SD-Cx pin to change polarity and make it compatible with the SDFM.

The SDFM Qualified GPIO (3-sample) option provides protection against SDFM module corruption due to occasional random noise glitches on the SDx\_Cy pin that can result in a false comparator trip and filter output.

The SDFM Qualified GPIO (3-sample) option does not provide protection against persistent violations of the above timing requirements. Timing violations results in data corruption proportional to the number of bits that violate the requirements.

See the *General-Purpose Input/Output (GPIO)* chapter for more details on GPIO mux and settings.

### 13.3 Input Control Unit

The input control unit receives sigma delta modulated data and a sigma delta modulated clock. The modulated data received is captured and passed on to the data filter unit and comparator unit. This unit can be configured to receive the modulated data in four different modes. [Table 13-1](#) and [Figure 13-4](#) show how SDCTLPARMx.MOD bits can be configured in these four different modes.

**Table 13-1. Modulator Clock Modes**

Modulator Mode [MOD]	Description
0	The modulator clock is running with the modulator data rate. The modulator data is strobed at every rising edge of the modulator clock.
1	The modulator clock is running with half of the modulator data rate. The modulator data is strobed at every edge of the modulator clock.
2	The modulator clock is off and the modulator data is Manchester-encoded.
3	The modulator clock is running with double the modulator data rate. The modulator data is strobed at every other positive modulator clock edge.

#### Note

To achieve the maximum value, the sigma-delta modulator has to be operated at absolute maximum positive or negative full scale, which is outside of the recommended full scale range of 80% of most sigma-delta modulators.

When MOD=2, data and modulated clock signals are encoded into modulated data as shown in Mode 2 of [Figure 13-4](#). In this mode, the clock input SD-Cx pin can be left floating. The input control unit performs continuous automatic calibration to achieve optimum decoding performance.

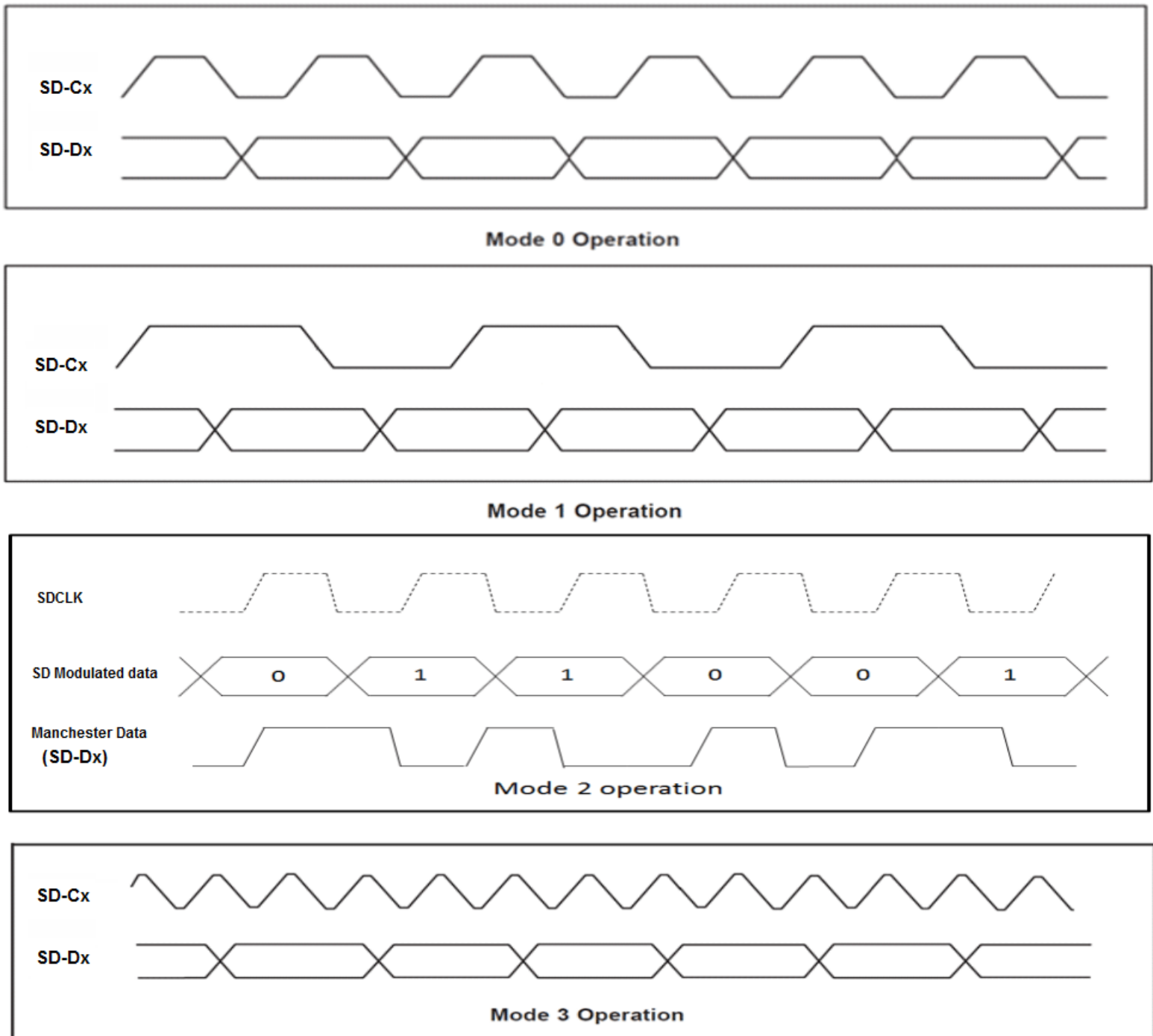


Figure 13-4. Different Modulator Modes Supported

### 13.4 Sinc Filter

Both the comparator filter and data filter available in SDFM have the Sinc<sup>N</sup> filter as the core. The Sinc<sup>N</sup> filter is essentially a low-pass filter that converts the input bit stream into digital data by digital filtering and decimation. This filtered digital data represents analog input given to the sigma delta modulator. Simplified Sinc<sup>N</sup> architecture

consists of cascaded integrators and differentiators separated by a down-sampler as shown in Figure 13-5. The Z-transfer function of the Sinc filter of order N is shown in Figure 13-6.

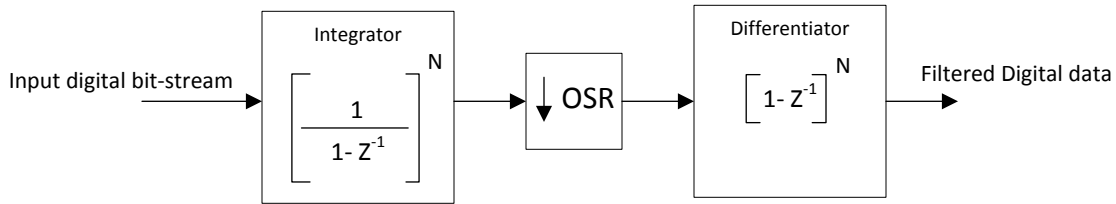


Figure 13-5. Simplified Sinc Filter Architecture

$$H(Z) = \left[ \frac{1 - Z^{-OSR}}{1 - Z^{-1}} \right]^N$$

N = Order of Sinc filter  
OSR = Over Sampling Ratio

Figure 13-6. Z-Transform of Sinc Filter of Order N

Effective resolution of the Sinc filter (ENOB) depends upon filter type, OSR and sigma-delta modulator frequency. Typically, higher resolution or ENOB can be achieved by higher OSR for a given filter type; however, the tradeoff is increased filter delay. It is important to choose the right sigma delta modulator by studying the optimal speed versus resolution tradeoff. Refer to the corresponding sigma delta modulator data sheet to determine the effective resolution for a given Sinc filter configuration. Figure 13-7 shows the frequency response of different filter structures when OSR = 32 and when the sigma delta modulator frequency is 10 MHz.

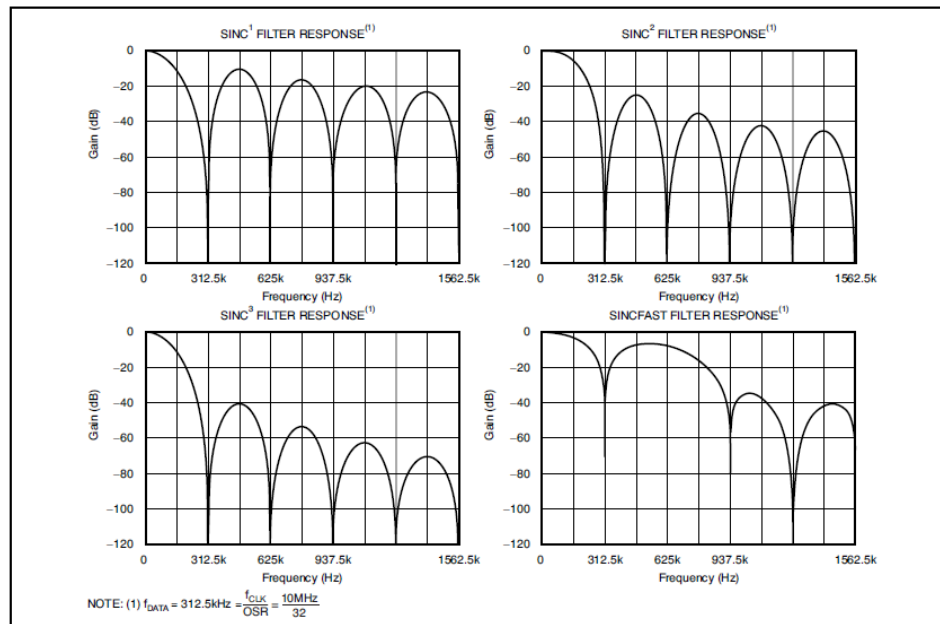


Figure 13-7. Frequency Response of Different Sinc Filters

The order of different sinc filter is shown in [Table 13-2](#).

**Table 13-2. Order of Sinc Filter**

Filter Type	Order of Sinc Filter
Sinc1	1
Sinc2	2
Sinc3	3
SincFast	3

### 13.4.1 Data Rate and Latency of the Sinc Filter

The data rate of the sinc filter (filter throughput) represented in samples/sec is calculated by the following formula:

$$\text{Data rate of Sinc filter} = \frac{\text{Modulator data rate}}{\text{OSR}} \quad (8)$$

The latency of the sinc filter represented in secs is defined as the amount of time taken by a sinc filter type to deliver the correct filtered output upon initiation. For a given filter type, latency is calculated by the following formula:

$$\text{Latency of Sinc filter} = \frac{\text{Order of Sinc filter}}{\text{Data rate of Sinc filter}} \quad (9)$$

#### **Example configuration:**

Sinc filter type	= sinc3
Modulator data rate	= 10 MHz
OSR	= 256
Data rate of Sinc Filter	= 10 MHz / 256 = 39.1 K samples / sec
Sinc filter latency	= 76.8 $\mu$ s
Sinc filter type	= sinc2
Modulator data rate	= 10 MHz
OSR	= 256
Data rate of Sinc Filter	= 10 MHz / 256 = 39.1 K samples / sec
Sinc filter latency	=51.2 $\mu$ s

### 13.5 Data (Primary) Filter Unit

The data filter is a configurable Sinc filter which supports the following filter types: Sinc1, Sinc2, Sinc3, and SincFast. The data filter OSR (DOSR) settings can be configured from 1 to 256 and is independent of the comparator filter. Effective resolution of the data filter (ENOB) depends upon Data filter type, DOSR, and sigma-delta modulator frequency. By default, the data filter is disabled and setting of SDDFPARMx.FEN = 1 enables the data filter. The data filter output is represented in 25-bit signed integer in two's complement format. This filter unit translates a low input signal as '-1' and a high input signal as '1'. The resulting calculation gives both positive and negative values for the output of the data filter. [Table 13-3](#) shows the different full scale values that the data filter can store using different OSRs.

See [Section 13.4.1](#) to understand how to calculate data rate and latency of data filter.

**Table 13-3. Peak Data Values for Different DOSR/Filter Combinations**

DOSR	Sinc1	Sinc2	Sinc3	SincFast
x	x	$x^2$	$x^3$	$2x^2$
4	-4 to 4	-16 to 16	-64 to 64	-32 to 32
8	-8 to 8	-64 to 64	-512 to 512	-128 to 128
16	-16 to 16	-256 to 256	-4096 to 4096	-512 to 512
32	-32 to 32	-1024 to 1024	-32,768 to 32,768	-2048 to 2048
64	-64 to 64	-4096 to 4096	-262,144 to 262,144	-8192 to 8192
128	-128 to 128	-16,384 to 16,384	-2,097,152 to 2,097,152	-32,768 to 32,768
256	-256 to 256	-65,536 to 65,536	-16,777,216 to 16,777,216	-131,072 to 131,072

### 13.5.1 32-bit or 16-bit Data Filter Output Representation

The data filter output can be represented in either 32-bit or 16-bit format.

#### 32-bit data filter representation:

- When SDDPARMx.DR = 1, data filter output is represented in 32-bit format. Writes to shift control bits do not have any bearing on the output of the data filter in this configuration.

#### 16-bit data filter representation:

- By default, data filter output is represented in 16-bit format
- When SDDPARMx.DR = 0, data filter output is represented in 16-bit format. But it is the responsibility of the user to configure the corresponding shift control bits in the SDDPARMx register to control which 16-bit part of the 32-bit word is sent to the register map.

For example, for the data filter configuration below:

- Filter type = Sinc3
- OSR = 128
- SDDPARMx.DR = 0

The data filter with a 25-bit signed output value can be in the range of  $-16,777,216$  to  $16,777,216$ . But, 16-bit signed output supports values only from  $-32,768$  to  $32,767$ . Therefore, it is required to configure shift control bits (SDDPARMx.SH) to 7 to represent the data filter output correctly in 16-bit format. [Table 13-4](#) shows the configuration settings of shift control bits for different OSR and filter types.

**Table 13-4. Shift Control Bit Configuration Settings**

OSR	Sinc1	Sinc2	SincFast	Sinc3
1 to 31	0	0	0	0
32 to 40	0	0	0	1
41 to 50	0	0	0	2
51 to 63	0	0	0	3
64 to 80	0	0	0	4
81 to 101	0	0	0	5
102 to 127	0	0	0	6
128 to 161	0	0	1	7
162 to 181	0	0	1	8
182 to 203	0	1	2	8
204 to 255	0	1	2	9
256	0	2	3	9

#### CAUTION

Configuring shift control bits incorrectly results in getting an incorrect 16-bit data filter output.



### 13.5.2 SDSYNC Event

Primary (data) filters can be synchronized with respect to the PWM event (called SDSYNC event). The SDSYNC signal from the PWM module is used to reset the DOSR counter. This feature is by default disabled and can be enabled by setting `SDDFPARMx.SDSYNCEN = 1`. Figure 13-8 shows how the PWM signals are connected to the sigma delta module. In this device, PWM11 can be used to reset SDFM1 filter modules and PWM12 can be used to reset SDFM2 modules.

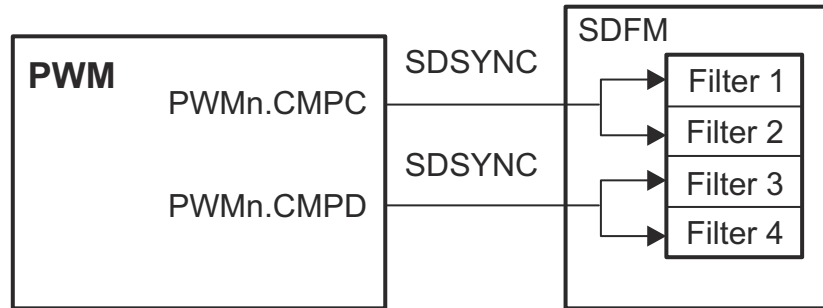


Figure 13-8. SDSYNC Event

**Note**

Make sure that only one SDSYNC event is generated per PWM timer period. Using PWM in up-count or down-count mode can automatically make sure that only SDSYNC events are generated. But, if up-down count mode is used, then make sure that only one SDSYNC event per PWM cycle is generated; otherwise, the filter synchronizer corrupts SDFM timing by providing two pulses per PWM cycle.

Because of the inherent architecture of the Sinc filter (Sinc1, Sinc2, Sinc3, SincFast), the first few samples, depending upon filter type, are incorrect. Table 13-5 shows the number of incorrect samples on the following conditions:

- When Sinc filter is enabled and configured for first time.
- When Sinc filter is disabled and re-enabled or reconfigured in the middle of operation.
- When data filter receives SDSYNC event from PWM.

Table 13-5. Number of Incorrect Samples Tabulated

Filter Type	Number of Incorrect Samples After the Filter is Enabled and Configured
Sinc1	No incorrect sample.
Sinc2	The first sample of the Sinc2 filter is incorrect.
SincFast	The first two samples of the SincFast filter are incorrect.
Sinc3	The first two samples of the Sinc3 filter are incorrect.

**CAUTION**

SDFM comparator interrupts can be enabled only after providing sufficient settling time to make sure the comparator filter does not trip on these incorrect samples. Therefore, SDFM comparator interrupts (IELx and IEHx) can be enabled only after a sufficient delay is provided after the comparator filter is configured. This sufficient delay is calculated by adding the latency of the comparator filter and 5 SD-Cx clock cycles.

## 13.6 Comparator (Secondary) Filter Unit

Most control systems require protection of the system by tripping the PWM in case the current or voltage goes out of bounds. The primary purpose of the secondary (comparator) filter is to allow the user to monitor input conditions with a fast settling time. This allows the user to trip PWMs to protect the system from potential damage.

### Note

The secondary (comparator) filter cannot be synchronized with respect to the PWM event (SDSYNC event).

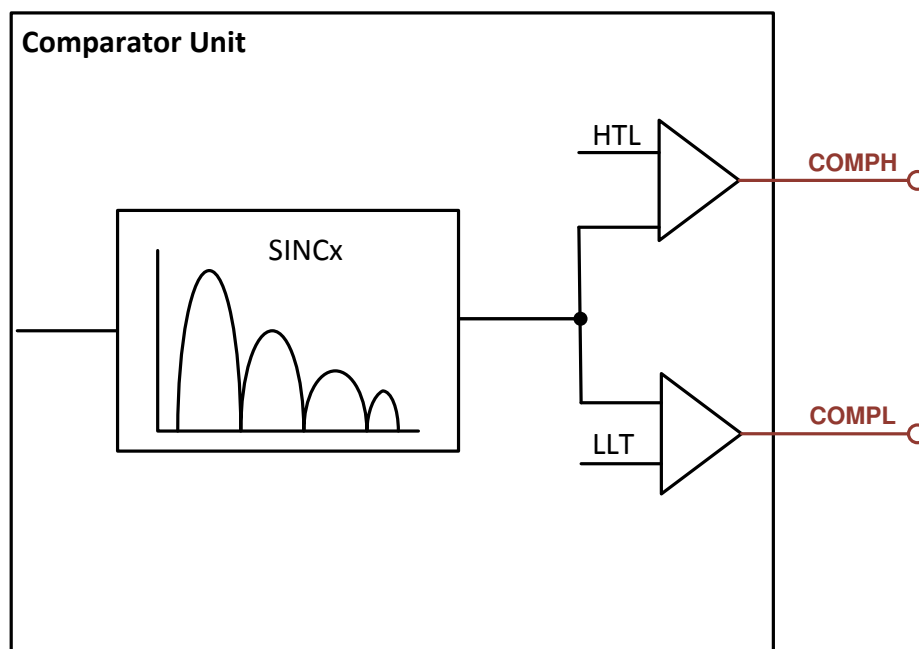
The comparator filter is a configurable Sinc filter that supports the following filter types: Sinc1, Sinc2, Sinc3, and SincFast. The comparator OSR (COSR) settings can be configured from 1 to 32 and is independent of the data filter. Effective resolution of the comparator filter (ENOB) depends upon the comparator filter type, COSR, and sigma-delta modulator frequency. By default, the comparator filter is enabled. The comparator filter output is represented in 16-bit unsigned format. This filter unit translates a low input signal as 0 and a high input signal as 1. The resulting calculations give only positive values for the output of the comparator filter. Table 13-6 shows the different full-scale values that the comparator filter can store using different OSRs.

**Table 13-6. Peak Data Values for Different OSR/Filter Combinations**

OSR	Sinc1	Sinc2	Sinc3	SincFast
x	0 to x	0 to x <sup>2</sup>	0 to x <sup>3</sup>	0 to 2x <sup>2</sup>
4	0 to 4	0 to 16	0 to 64	0 to 32
8	0 to 8	0 to 64	0 to 512	0 to 128
16	0 to 16	0 to 256	0 to 4096	0 to 512
32	0 to 32	0 to 1024	0 to 32,768	0 to 2048

See Section 13.4.1 to understand how to calculate data rate and latency of comparator filter.

The output of the comparator filter is not memory-mapped; instead the output is connected to digital comparators explained below.



**Figure 13-9. Comparator Unit Structure**

### 13.6.1 Higher Threshold (HLT) Comparator

- High threshold comparator can be used to detect over-value condition.
- When comparator data  $\geq$  higher threshold register, a high threshold event is generated.
- Higher threshold comparator events can be configured to trigger following events: CPU interrupt, CLA task, PWM trip.
- This device has one high threshold comparator:
  - **Higher Threshold (HLT) Comparator:** When  $SDCTL.MIE = 1$  and  $SDCPARMx.IEH = 1$ , the high threshold event triggers an SDFM interrupt (SDINT) and sets the SDIFLG.IEHx flag showing the over-value condition is triggered. This SDIFLG.IEHx flag can be reset if the corresponding bit in the SDIFLGCLR register is set and if the interrupt source is no longer active.

### 13.6.2 Lower Threshold (LLT) Comparator

- The low threshold comparator can be used to detect under-value condition.
- When comparator data  $\leq$  Lower Threshold register, a low threshold event is generated.
- Lower threshold comparator events can be configured to trigger following events: CPU interrupt, CLA task, PWM trip.
- This device has one low threshold comparator..
  - **Lower Threshold (LLT) Comparator :** When  $SDCTL.MIE = 1$  and  $SDCPARMx.IEL = 1$ , the low threshold event triggers an SDFM interrupt (SDINT) and sets the SDIFLG.IELx flag showing an under-value condition is triggered. This SDIFLG.IELx flag can be reset, if the corresponding bit in the SDIFLGCLR register is set and if the interrupt source is no longer active.

### 13.7 Theoretical SDFM Filter Output

The following equations can be used to derive a theoretical filter output of an SDFM filter output for both a comparator filter and a data filter.

$$\text{Density of ones in bitstream} = \frac{\text{Input Voltage} + V_{\text{clipping}}}{2 \times V_{\text{clipping}}} \quad (10)$$

Where:

- $V_{\text{clipping}}$  = maximum differential voltage input range of modulator
- Input voltage = Differential input voltage applied to the modulator

$$\begin{aligned} \text{Comparator Filter Output (Theoretical)} = \\ \text{Density of ones in bitstream} \times \text{Maximum Filter Output (FilterType, COSR)} \end{aligned} \quad (11)$$

$$\text{FilterOutput} = \left\{ \frac{\text{absolute}(\text{Input voltage})}{V_{\text{clipping}}} \right\} \times \text{Maximum Filter Output (FilterType, DOSR)} \quad (12)$$

$$\text{Data Filter Output}_{32\text{bit}}(\text{Theoretical}) = \begin{cases} \text{FilterOutput} & \text{if Input Voltage is +ve voltage} \\ 2\text{'s complement} & \text{if input voltage is -ve voltage} \\ \text{of FilterOutput} & \end{cases} \quad (13)$$

$$\begin{aligned} \text{Data Filter Output}_{16\text{bit}}(\text{Theoretical}) = \\ \text{Data Filter Output}_{32\text{bit}}(\text{Theoretical}) \gg \text{Shift value}(\text{FilterType, OSR}) \end{aligned} \quad (14)$$

For example, when using the AMC1306x25 modulator:

AMC1306x25	Vclipping = Input voltage (AINP - AINN) =	320 mV 100 mV
SDFM filter settings	Filter type = Comparator OSR (COSR) = Data filter OSR (DOSR) =	3 32 100

Density of ones in bitstream	Using <a href="#">Equation 10</a>	0.65625
Comparator filter output Filter type = Sinc3 COSR = 32	Using <a href="#">Equation 11</a>	21504
Data filter output (32-bit) Filter type = Sinc3 DOSR = 100	Using <a href="#">Equation 12</a> and <a href="#">Equation 13</a>	312500
Data filter output (32-bit) Filter type = Sinc3 DOSR = 100 (Right shift by 5)	Using <a href="#">Equation 14</a>	9765

### 13.8 Interrupt Unit

Each SDFM can generate one CPU interrupt (SDINT).

#### 13.8.1 SDFM (SDINT) Interrupt Sources

Figure 13-10 shows the structure of the interrupt unit. Each SDFM module can generate a CPU interrupt. An SDFM interrupt can be triggered by any of these 16 events.

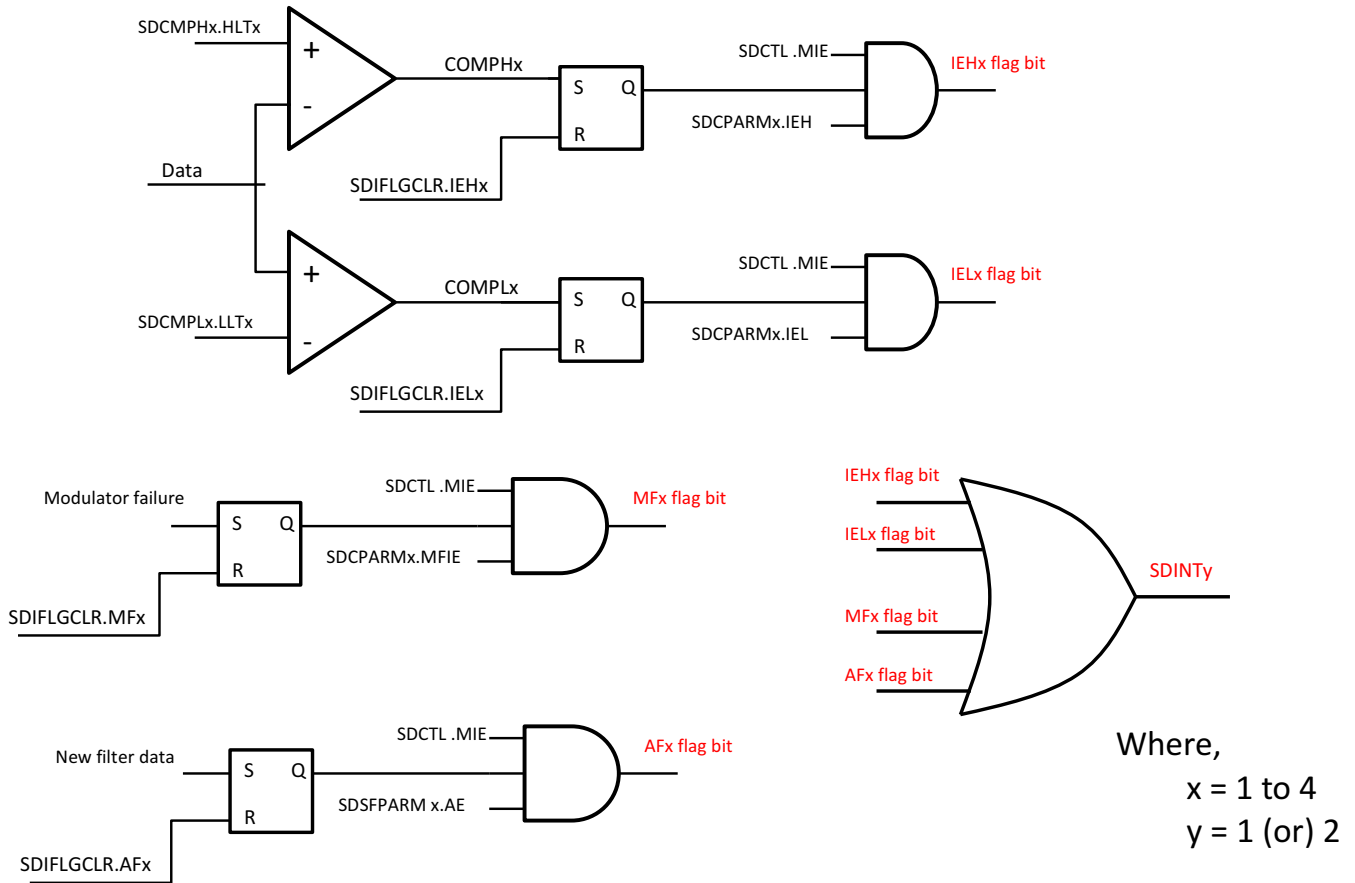


Figure 13-10. SDFM Error (SD\_ERR) Interrupt Sources

### 1. Comparator Lower Threshold events (COMPLx)

COMPL events from any of the four comparator filter module can trigger CPU interrupt. This event can be configured to trigger SDINT interrupt only if below configurations are made:

- Enable Main interrupt enable (SDCTL.MIE = 1)
- Enable comparator filter lower threshold interrupt (SDCPARMx.IEL = 1)

On a COMPL event, SDIFLG.IELx flag bit is set. This flag bit can only be reset if the corresponding bit in SDIFLGCLR register is set and if the interrupt source is no longer active.

### 2. Comparator High Threshold events (COMPx)

COMPx events from any of the four comparator filter module can trigger CPU interrupt. This event can be configured to trigger SDINT interrupt only if below configurations are made:

- Enable Main interrupt enable (SDCTL.MIE = 1)
- Enable comparator filter lower threshold interrupt (SDCPARMx.IEH = 1)

On a COMPx event, SDIFLG.IELx flag bit is set. This flag bit can only be reset if the corresponding bit in SDIFLGCLR register is set and if the interrupt source is no longer active.

### 3. Modulator Failure (MFx) event

Modulator failures (MFx) are generated when SD-Cx goes missing. The modulator clock is considered missing if SD-Cx does not toggle for 64-SYSCLKs. MFx events from any of the four filter modules can trigger CPU interrupt. This event can be configured to trigger SDINT interrupt only if below configurations are made:

- Enable Main Interrupt Enable (SDCTL.MIE = 1)
- Enable modulator clock failure interrupt source (SDCPARMx.MFIE = 1)

On a MFx event, SDIFLG.MFx flag bit is set. This flag bit can only be reset if the corresponding bit in SDIFLGCLR register is set and if the interrupt source is no longer active.

### 4. New Filter Data Ready (AFx) event

When the primary filter is ready with a new filter data, the AFx event is generated. AFx events from any of the four primary filter modules can be configured to trigger a CPU interrupt. This event can be configured to trigger SDINT interrupt only if below configurations are made:

- Enable Main interrupt enable (SDCTL.MIE = 1)
- Enable data filter acknowledge (SDDFPARMx.AE = 1)

On an AFx event, the SDIFLG.AFx flag bit is set. This flag bit can only be reset if the corresponding bit in SDIFLGCLR register is set and if the interrupt source is no longer active.

## 13.9 Register Descriptions

The register descriptions are shown in the following table and subsections.

**Table 13-7. General Registers**

Name	SDFM1 address	SDFM2 address	Size (x16)	Description	EALLOW?
SDIFLG	0x5E00	0x5E80	2	Interrupt Flag Register	
SDIFLGCLR	0x5E02	0x5E82	2	Interrupt Flag Clear Register	
SDCTL	0x5E04	0x5E84	1	SD Control Register	YES
SDFILEN	0x5E06	0x5E86	1	SD Master Filter Enable	YES
Reserved	0x5E07	0x5E87	1	Reserved	

**Table 13-8. Filter 1 Registers**

Name	SDFM1 address	SDFM2 address	Size (x16)	Description	EALLOW?
SDCTLPARM1	0x5E10	0x5E90	1	Control Parameter Register for Ch1	YES
SDDFPARM1	0x5E11	0x5E91	1	Data Filter Parameter Register for Ch1	YES
SDDPARAM1	0x5E12	0x5E92	1	Integer Parameter Register for Ch1	YES
SDCMPH1	0x5E13	0x5E93	1	High-level Threshold Register for Ch1	YES
SDCMPL1	0x5E14	0x5E94	1	Low-level Threshold Register for Ch1	YES
SDCPARM1	0x5E15	0x5E95	1	Comparator Parameter Register for Ch1	YES
SDDATA1	0x5E16	0x5E96	2	Filter Data Register (16- or 32-bit) for Ch1	

**Table 13-9. Filter 2 Registers**

Name	SDFM1 address	SDFM2 address	Size (x16)	Description	EALLOW?
SDCTLPARM2	0x5E20	0x5EA0	1	Control Parameter Register for Ch2	YES
SDDFPARM2	0x5E21	0x5EA1	1	Data Filter Parameter Register for Ch2	YES
SDDPARAM2	0x5E22	0x5EA2	1	Integer Parameter Register for Ch2	YES
SDCMPH2	0x5E23	0x5EA3	1	High-level Threshold Register for Ch2	YES
SDCMPL2	0x5E24	0x5EA4	1	Low-level Threshold Register for Ch2	YES
SDCPARM2	0x5E25	0x5EA5	1	Comparator Parameter Register for Ch2	YES
SDDATA2	0x5E26	0x5EA6	2	Filter Data Register (16- or 32-bit) for Ch2	



**Table 13-10. Filter 3 Registers**

Name	SDFM1 address	SDFM2 address	Size (x16)	Description	EALLOW?
SDCTLPARM3	0x5E30	0x5EB0	1	Control Parameter Register for Ch3	YES
SDDFPARM3	0x5E31	0x5EB1	1	Data Filter Parameter Register for Ch3	YES
SDDPARM3	0x5E32	0x5EB2	1	Integer Parameter Register for Ch3	YES
SDCMPH3	0x5E33	0x5EB3	1	High-level Threshold Register for Ch3	YES
SDCMPL3	0x5E34	0x5EB4	1	Low-level Threshold Register for Ch3	YES
SDCPARM3	0x5E35	0x5EB5	1	Comparator Parameter Register for Ch3	YES
SDDATA3	0x5E36	0x5EB6	2	Filter Data Register (16- or 32-bit) for Ch3	

**Table 13-11. Filter 4 Registers**

Name	SDFM1 address	SDFM2 address	Size (x16)	Description	EALLOW?
SDCTLPARM4	0x5E40	0x5EC0	1	Control Parameter Register for Ch4	YES
SDDFPARM4	0x5E41	0x5EC1	1	Data Filter Parameter Register for Ch4	YES
SDDPARM4	0x5E42	0x5EC2	1	Integer Parameter Register for Ch4	YES
SDCMPH4	0x5E43	0x5EC3	1	High-level Threshold Register for Ch4	YES
SDCMPL4	0x5E44	0x5EC4	1	Low-level Threshold Register for Ch4	YES
SDCPARM4	0x5E45	0x5EC5	1	Comparator Parameter Register for Ch4	YES
SDDATA4	0x5E46	0x5EC6	2	Filter Data Register (16- or 32-bit) for Ch4	

## 13.10 Software

### 13.10.1 SDFM Examples

NOTE: These examples are located in the [C2000Ware](#) installation at the following location:  
 C2000Ware\_VERSION#/driverlib/DEVICE\_GPN/examples/CORE\_IF\_MULTICORE/sdfm

Cloud access to these examples is available at the following link: [dev.ti.com](http://dev.ti.com) [C2000Ware Examples](#).

## 13.11 SDFM Registers

This section describes the Sigma Delta Filter Module registers.

### 13.11.1 SDFM Base Addresses

**Table 13-12. SDFM Base Address Table**

Device Registers	Register Name	Start Address	End Address
Sdfm1Regs	SDFM_REGS	0x0000_5E00	0x0000_5E7F
Sdfm2Regs	SDFM_REGS	0x0000_5E80	0x0000_5EFF

### 13.11.2 SDFM\_REGS Registers

Table 13-13 lists the memory-mapped registers for the SDFM\_REGS registers. All register offset addresses not listed in Table 13-13 should be considered as reserved locations and the register contents should not be modified.

**Table 13-13. SDFM\_REGS Registers**

Offset	Acronym	Register Name	Write Protection	Section
0h	SDIFLG	Interrupt Flag Register		<a href="#">Go</a>
2h	SDIFLGCLR	Interrupt Flag Clear Register		<a href="#">Go</a>
4h	SDCTL	SD Control Register	EALLOW	<a href="#">Go</a>
6h	SDMFILEN	SD Master Filter Enable	EALLOW	<a href="#">Go</a>
10h	SDCTLPARM1	Control Parameter Register for Ch1	EALLOW	<a href="#">Go</a>
11h	SDDFPARM1	Data Filter Parameter Register for Ch1	EALLOW	<a href="#">Go</a>
12h	SDDPARM1	Integer Parameter Register for Ch1	EALLOW	<a href="#">Go</a>
13h	SDCMPH1	High-level Threshold Register for Ch1	EALLOW	<a href="#">Go</a>
14h	SDCMPL1	Low-level Threshold Register for Ch1	EALLOW	<a href="#">Go</a>
15h	SDCPARM1	Comparator Parameter Register for Ch1	EALLOW	<a href="#">Go</a>
16h	SDDATA1	Filter Data Register (16 or 32bit) for Ch1		<a href="#">Go</a>
20h	SDCTLPARM2	Control Parameter Register for Ch2	EALLOW	<a href="#">Go</a>
21h	SDDFPARM2	Data Filter Parameter Register for Ch2	EALLOW	<a href="#">Go</a>
22h	SDDPARM2	Integer Parameter Register for Ch2	EALLOW	<a href="#">Go</a>
23h	SDCMPH2	High-level Threshold Register for Ch2	EALLOW	<a href="#">Go</a>
24h	SDCMPL2	Low-level Threshold Register for Ch2	EALLOW	<a href="#">Go</a>
25h	SDCPARM2	Comparator Parameter Register for Ch2	EALLOW	<a href="#">Go</a>
26h	SDDATA2	Filter Data Register (16 or 32bit) for Ch2		<a href="#">Go</a>
30h	SDCTLPARM3	Control Parameter Register for Ch3	EALLOW	<a href="#">Go</a>
31h	SDDFPARM3	Data Filter Parameter Register for Ch3	EALLOW	<a href="#">Go</a>
32h	SDDPARM3	Integer Parameter Register for Ch3	EALLOW	<a href="#">Go</a>
33h	SDCMPH3	High-level Threshold Register for Ch3	EALLOW	<a href="#">Go</a>
34h	SDCMPL3	Low-level Threshold Register for Ch3	EALLOW	<a href="#">Go</a>
35h	SDCPARM3	Comparator Parameter Register for Ch3	EALLOW	<a href="#">Go</a>
36h	SDDATA3	Filter Data Register (16 or 32bit) for Ch3		<a href="#">Go</a>
40h	SDCTLPARM4	Control Parameter Register for Ch4	EALLOW	<a href="#">Go</a>
41h	SDDFPARM4	Data Filter Parameter Register for Ch4	EALLOW	<a href="#">Go</a>
42h	SDDPARM4	Integer Parameter Register for Ch4	EALLOW	<a href="#">Go</a>
43h	SDCMPH4	High-level Threshold Register for Ch4	EALLOW	<a href="#">Go</a>
44h	SDCMPL4	Low-level Threshold Register for Ch4	EALLOW	<a href="#">Go</a>
45h	SDCPARM4	Comparator Parameter Register for Ch4	EALLOW	<a href="#">Go</a>
46h	SDDATA4	Filter Data Register (16 or 32bit) for Ch4		<a href="#">Go</a>

Complex bit access types are encoded to fit into small table cells. Table 13-14 shows the codes that are used for access types in this section.

**Table 13-14. SDFM\_REGS Access Type Codes**

Access Type	Code	Description
Read Type		
R	R	Read
R-0	R-0	Read Returns 0s

**Table 13-14. SDFM\_REGS Access Type Codes (continued)**

Access Type	Code	Description
Write Type		
W	W	Write
W1S	W 1S	Write 1 to set
Reset or Default Value		
-n		Value after reset or the default value
Register Array Variables		
i,j,k,l,m,n		When these variables are used in a register name, an offset, or an address, they refer to the value of a register array where the register is part of a group of repeating registers. The register groups form a hierarchical structure and the array is represented with a formula.
y		When this variable is used in a register name, an offset, or an address it refers to the value of a register array.

### 13.11.2.1 SDIFLG Register (Offset = 0h) [Reset = 0000000h]

SDIFLG is shown in [Figure 13-11](#) and described in [Table 13-15](#).

Return to the [Summary Table](#).

Interrupt Flag Register

**Figure 13-11. SDIFLG Register**

31	30	29	28	27	26	25	24
MIF	RESERVED						
R-0h							
23	22	21	20	19	18	17	16
RESERVED							
R-0-0h							
15	14	13	12	11	10	9	8
AF4	AF3	AF2	AF1	MF4	MF3	MF2	MF1
R-0h	R-0h	R-0h	R-0h	R-0h	R-0h	R-0h	R-0h
7	6	5	4	3	2	1	0
IFL4	IFH4	IFL3	IFH3	IFL2	IFH2	IFL1	IFH1
R-0h	R-0h	R-0h	R-0h	R-0h	R-0h	R-0h	R-0h

**Table 13-15. SDIFLG Register Field Descriptions**

Bit	Field	Type	Reset	Description
31	MIF	R	0h	Set whenever any interrupt (ACK1-4, MF1-4, IFL1-4, IFH1-4) is active Reset type: SYSRSn
30-16	RESERVED	R-0	0h	Reserved
15	AF4	R	0h	0: No new data available from Filter 4 1: New data available from Filter 4 Reset type: SYSRSn
14	AF3	R	0h	0: No new data available from Filter 3 1: New data available from Filter 3 Reset type: SYSRSn
13	AF2	R	0h	0: No new data available from Filter 2 1: New data available from Filter 2 Reset type: SYSRSn
12	AF1	R	0h	0: No new data available from Filter 1 1: New data available from Filter 1 Reset type: SYSRSn
11	MF4	R	0h	0: Modulator is operating normally for Filter 4 1: Modulator failure for Filter 4 Reset type: SYSRSn
10	MF3	R	0h	0: Modulator is operating normally for Filter 3 1: Modulator failure for Filter 3 Reset type: SYSRSn
9	MF2	R	0h	0: Modulator is operating normally for Filter 2 1: Modulator failure for Filter 2 Reset type: SYSRSn
8	MF1	R	0h	0: Modulator is operating normally for Filter 1 1: Modulator failure for Filter 1 Reset type: SYSRSn

**Table 13-15. SDIFLG Register Field Descriptions (continued)**

Bit	Field	Type	Reset	Description
7	IFL4	R	0h	0: Comparator Filter 4 output is above the low limit threshold 1: Comparator Filter 4 output is equal to or below the low level threshold, if enabled Reset type: SYSRSn
6	IFH4	R	0h	0: Comparator Filter 4 output is below the high limit threshold 1: Comparator Filter 4 output is equal to or above the high level threshold, if enabled Reset type: SYSRSn
5	IFL3	R	0h	0: Comparator Filter 3 output is above the low limit threshold 1: Comparator Filter 3 output is equal to or below the low level threshold, if enabled Reset type: SYSRSn
4	IFH3	R	0h	0: Comparator Filter 3 output is below the high limit threshold 1: Comparator Filter 3 output is equal to or above the high level threshold, if enabled Reset type: SYSRSn
3	IFL2	R	0h	0: Comparator Filter 2 output is above the low limit threshold 1: Comparator Filter 2 output is equal to or below the low level threshold, if enabled Reset type: SYSRSn
2	IFH2	R	0h	0: Comparator Filter 2 output is below the high limit threshold 1: Comparator Filter 2 output is equal to or above the high level threshold, if enabled Reset type: SYSRSn
1	IFL1	R	0h	0: Comparator Filter 1 output is above the low limit threshold 1: Comparator Filter 1 output is equal to or below the low level threshold, if enabled Reset type: SYSRSn
0	IFH1	R	0h	0: Comparator Filter 1 output is below the high limit threshold 1: Comparator Filter 1 output is equal to or above the high level threshold, if enabled Reset type: SYSRSn

### 13.11.2.2 SDIFLGCLR Register (Offset = 2h) [Reset = 0000000h]

SDIFLGCLR is shown in [Figure 13-12](#) and described in [Table 13-16](#).

Return to the [Summary Table](#).

Interrupt Flag Clear Register

**Figure 13-12. SDIFLGCLR Register**

31	30	29	28	27	26	25	24
MIF	RESERVED						
R-0/W1S-0h				R-0-0h			
23	22	21	20	19	18	17	16
RESERVED							
R-0-0h							
15	14	13	12	11	10	9	8
AF4	AF3	AF2	AF1	MF4	MF3	MF2	MF1
R-0/W1S-0h	R-0/W1S-0h	R-0/W1S-0h	R-0/W1S-0h	R-0/W1S-0h	R-0/W1S-0h	R-0/W1S-0h	R-0/W1S-0h
7	6	5	4	3	2	1	0
IFL4	IFH4	IFL3	IFH3	IFL2	IFH2	IFL1	IFH1
R-0/W1S-0h	R-0/W1S-0h	R-0/W1S-0h	R-0/W1S-0h	R-0/W1S-0h	R-0/W1S-0h	R-0/W1S-0h	R-0/W1S-0h

**Table 13-16. SDIFLGCLR Register Field Descriptions**

Bit	Field	Type	Reset	Description
31	MIF	R-0/W1S	0h	Flag-clear bit for SDFM Master Interrupt flag. Write 1 to clear MIF. Writes of '0' are ignored. Note: If the MIF flag is cleared and other Interrupts are still pending, MIF will again be set to 1 on the following SysClk cycle, and the INT output will be reasserted (pulsed low) Reset type: SYSRSn
30-16	RESERVED	R-0	0h	Reserved
15	AF4	R-0/W1S	0h	SD Module Interrupt Flag Clear Bits: Writing a '1' will clear the respective flag bit in the SDINTFLG register. Writes of '0' are ignored. Note: If user writes a '1' to clear a bit on the same cycle that the hardware is trying to set the bit to '1', then hardware has priority and the bit will not be cleared. Flag-clear bit for Acknowledge flag for Filter 4 Reset type: SYSRSn
14	AF3	R-0/W1S	0h	Flag-clear bit for Acknowledge flag for Filter 3 Reset type: SYSRSn
13	AF2	R-0/W1S	0h	Flag-clear bit for Acknowledge flag for Filter 2 Reset type: SYSRSn
12	AF1	R-0/W1S	0h	Flag-clear bit for Acknowledge flag for Filter 1 Reset type: SYSRSn
11	MF4	R-0/W1S	0h	Flag-clear bit for Modulator Failure for Filter 4 Reset type: SYSRSn
10	MF3	R-0/W1S	0h	Flag-clear bit for Modulator Failure for Filter 3 Reset type: SYSRSn
9	MF2	R-0/W1S	0h	Flag-clear bit for Modulator Failure for Filter 2 Reset type: SYSRSn
8	MF1	R-0/W1S	0h	Flag-clear bit for Modulator Failure for Filter 1 Reset type: SYSRSn

**Table 13-16. SDIFLGCLR Register Field Descriptions (continued)**

Bit	Field	Type	Reset	Description
7	IFL4	R-0/W1S	0h	Flag-clear bit for Low-Level Interrupt flag Filter 4 Reset type: SYSRSn
6	IFH4	R-0/W1S	0h	Flag-clear bit for High-level Interrupt flag Filter 4 Reset type: SYSRSn
5	IFL3	R-0/W1S	0h	Flag-clear bit for Low-Level Interrupt flag Filter 3 Reset type: SYSRSn
4	IFH3	R-0/W1S	0h	Flag-clear bit for High-level Interrupt flag Filter 3 Reset type: SYSRSn
3	IFL2	R-0/W1S	0h	Flag-clear bit for Low-Level Interrupt flag Filter 2 Reset type: SYSRSn
2	IFH2	R-0/W1S	0h	Flag-clear bit for High-level Interrupt flag Filter 2 Reset type: SYSRSn
1	IFL1	R-0/W1S	0h	Flag-clear bit for Low-Level Interrupt flag Filter 1 Reset type: SYSRSn
0	IFH1	R-0/W1S	0h	Flag-clear bit for High-level Interrupt flag Filter 1 Reset type: SYSRSn



### 13.11.2.3 SDCTL Register (Offset = 4h) [Reset = 0000h]

SDCTL is shown in [Figure 13-13](#) and described in [Table 13-17](#).

Return to the [Summary Table](#).

SD Control Register

**Figure 13-13. SDCTL Register**

15	14	13	12	11	10	9	8
RESERVED	RESERVED	MIE	RESERVED				
R-0-0h	R-0-0h	R/W-0h	R-0-0h				
7	6	5	4	3	2	1	0
RESERVED							
R-0-0h							

**Table 13-17. SDCTL Register Field Descriptions**

Bit	Field	Type	Reset	Description
15	RESERVED	R-0	0h	Reserved
14	RESERVED	R-0	0h	Reserved
13	MIE	R/W	0h	Master interrupt enable. 0: Interrupt pin and interrupt flags are blocked (interrupt pin INT always inactive). 1: Interrupt pin and interrupt flags are not blocked and can be set and reset (if individually enabled). Reset type: SYSRSn
12-0	RESERVED	R-0	0h	Reserved

### 13.11.2.4 SDMFILEN Register (Offset = 6h) [Reset = 0000h]

SDMFILEN is shown in [Figure 13-14](#) and described in [Table 13-18](#).

Return to the [Summary Table](#).

SD Master Filter Enable

**Figure 13-14. SDMFILEN Register**

15	14	13	12	11	10	9	8
RESERVED			RESERVED	MFE	RESERVED	RESERVED	RESERVED
R-0-0h			R-0-0h	R/W-0h	R-0-0h	R-0-0h	R-0-0h
7	6	5	4	3	2	1	0
RESERVED	RESERVED			RESERVED			
R-0-0h		R-0-0h			R-0-0h		

**Table 13-18. SDMFILEN Register Field Descriptions**

Bit	Field	Type	Reset	Description
15-13	RESERVED	R-0	0h	Reserved
12	RESERVED	R-0	0h	Reserved
11	MFE	R/W	0h	Master Filter Enable. Functionally AND'ed with bit FEN in the Data Filter Parameter Register 0: Data filter units of all filter modules are disabled. 1: Data filter units can be enabled if bit FEN is '1'. Reset type: SYSRSn
10	RESERVED	R-0	0h	Reserved
9	RESERVED	R-0	0h	Reserved
8-7	RESERVED	R-0	0h	Reserved
6-4	RESERVED	R-0	0h	Reserved
3-0	RESERVED	R-0	0h	Reserved

### 13.11.2.5 SDCTLPARM1 Register (Offset = 10h) [Reset = 0000h]

SDCTLPARM1 is shown in [Figure 13-15](#) and described in [Table 13-19](#).

Return to the [Summary Table](#).

Control Parameter Register for Ch1

**Figure 13-15. SDCTLPARM1 Register**

15	14	13	12	11	10	9	8
RESERVED							
R-0h							
7	6	5	4	3	2	1	0
RESERVED			RESERVED	RESERVED	RESERVED	MOD	
R-0h			R-0-0h	R-0-0h	R-0-0h	R/W-0h	

**Table 13-19. SDCTLPARM1 Register Field Descriptions**

Bit	Field	Type	Reset	Description
15-5	RESERVED	R	0h	Reserved
4	RESERVED	R-0	0h	Reserved
3	RESERVED	R-0	0h	Reserved
2	RESERVED	R-0	0h	Reserved
1-0	MOD	R/W	0h	Delta-Sigma Modulator mode 00: The clock speed is equal to the data rate from the modulator 01: The clock rate is half of the data rate from the modulator 10: The data from the modulator is Manchester decoded 11: The clock rate is twice the data rate of the modulator Reset type: SYSRSn

### 13.11.2.6 SDDFPARM1 Register (Offset = 11h) [Reset = 0000h]

SDDFPARM1 is shown in [Figure 13-16](#) and described in [Table 13-20](#).

Return to the [Summary Table](#).

Data Filter Parameter Register for Ch1

**Figure 13-16. SDDFPARM1 Register**

15	14	13	12	11	10	9	8
RESERVED			SDSYNCEN	SST		AE	FEN
R-0h			R/W-0h	R/W-0h		R/W-0h	R/W-0h
7	6	5	4	3	2	1	0
DOSR							
R/W-0h							

**Table 13-20. SDDFPARM1 Register Field Descriptions**

Bit	Field	Type	Reset	Description
15-13	RESERVED	R	0h	Reserved
12	SDSYNCEN	R/W	0h	Data Filter Reset enable for External Reset typ from PWM Compare output. 0: Data filter cannot be reset by external PWM compare output 1: Data filter can be reset by external PWM compare output Reset type: SYSRSn
11-10	SST	R/W	0h	Data filter structure. 00: Data filter runs with a Sincfast structure 01: Data filter runs with a Sinc1 structure 10: Data filter runs with a Sinc2 structure 11: Data filter runs with a Sinc3 structure Reset type: SYSRSn
9	AE	R/W	0h	Acknowledge enable. 0: Acknowledge flag is disabled for the particular filter 1: Acknowledge flag is enabled for the particular filter Reset type: SYSRSn
8	FEN	R/W	0h	Filter enable. 0: The filter is disabled and no data is produced 1: The filter is enabled and data are produced in the Data filter Reset type: SYSRSn
7-0	DOSR	R/W	0h	Oversampling ratio. The actual rate is DOSR + 1. These bits set the oversampling ratio of the filter. 0x0FF represents an oversampling ratio of 256. Reset type: SYSRSn

### 13.11.2.7 SDDPARM1 Register (Offset = 12h) [Reset = 0000h]

SDDPARM1 is shown in [Figure 13-17](#) and described in [Table 13-21](#).

Return to the [Summary Table](#).

Integer Parameter Register for Ch1

**Figure 13-17. SDDPARM1 Register**

15	14	13	12	11	10	9	8
SH				DR	RESERVED	RESERVED	
R/W-0h				R/W-0h	R/W-0h	R/W-0h	
7	6	5	4	3	2	1	0
RESERVED		RESERVED					
R-0-0h				R/W-0h			

**Table 13-21. SDDPARM1 Register Field Descriptions**

Bit	Field	Type	Reset	Description
15-11	SH	R/W	0h	Shift Control These bits indicate by how many bits the 16-bit window is shifted up when 16-bit data representation is chosen. Reset type: SYSRSn
10	DR	R/W	0h	Data representation 0: Data stored in 16b 2's complement 1: Data stored in 32b 2's complement Reset type: SYSRSn
9	RESERVED	R/W	0h	Reserved
8	RESERVED	R/W	0h	Reserved
7	RESERVED	R-0	0h	Reserved
6-0	RESERVED	R/W	0h	Reserved

### 13.11.2.8 SDCMPH1 Register (Offset = 13h) [Reset = 0000h]

SDCMPH1 is shown in [Figure 13-18](#) and described in [Table 13-22](#).

Return to the [Summary Table](#).

High-level Threshold Register for Ch1

**Figure 13-18. SDCMPH1 Register**

15	14	13	12	11	10	9	8
RESERVED	HLT						
R-0-0h				R/W-0h			
7	6	5	4	3	2	1	0
HLT							
R/W-0h							

**Table 13-22. SDCMPH1 Register Field Descriptions**

Bit	Field	Type	Reset	Description
15	RESERVED	R-0	0h	Reserved
14-0	HLT	R/W	0h	Unsigned high-level threshold for the comparator filter output. Reset type: SYSRSn

### 13.11.2.9 SDCMPL1 Register (Offset = 14h) [Reset = 0000h]

SDCMPL1 is shown in [Figure 13-19](#) and described in [Table 13-23](#).

Return to the [Summary Table](#).

Low-level Threshold Register for Ch1

**Figure 13-19. SDCMPL1 Register**

15	14	13	12	11	10	9	8
RESERVED	LLT						
R-0-0h				R/W-0h			
7	6	5	4	3	2	1	0
LLT							
R/W-0h							

**Table 13-23. SDCMPL1 Register Field Descriptions**

Bit	Field	Type	Reset	Description
15	RESERVED	R-0	0h	Reserved
14-0	LLT	R/W	0h	Unsigned low-level threshold for the comparator filter output. Reset type: SYSRSn

### 13.11.2.10 SDCPARAM1 Register (Offset = 15h) [Reset = 0000h]

SDCPARM1 is shown in [Figure 13-20](#) and described in [Table 13-24](#).

Return to the [Summary Table](#).

Comparator Parameter Register for Ch1

**Figure 13-20. SDCPARAM1 Register**

15	14	13	12	11	10	9	8	
RESERVED						MFIE	CS1_CS0	
R-0-0h						R/W-0h	R/W-0h	
7	6	5	4	3	2	1	0	
CS1_CS0	IEL	IEH	COSR					
R/W-0h	R/W-0h	R/W-0h	R/W-0h					

**Table 13-24. SDCPARAM1 Register Field Descriptions**

Bit	Field	Type	Reset	Description
15-10	RESERVED	R-0	0h	Reserved
9	MFIE	R/W	0h	0: The modulator failure flag as well as the output INT is disabled for this particular flag 1: The modulator failure flag is enabled Reset type: SYSRSn
8-7	CS1_CS0	R/W	0h	Comparator filter structure. 00: Comparator filter runs with a sincfast structure 01: Comparator filter runs with a Sinc1 structure 10: Comparator filter runs with a Sinc2 structure 11: Comparator filter runs with a Sinc3 structure Reset type: SYSRSn
6	IEL	R/W	0h	Low-level interrupt enable. 0: The low-level interrupt flag as well as the output INT is disabled for this particular flag 1: The low-level interrupt flag is enabled Reset type: SYSRSn
5	IEH	R/W	0h	High-level interrupt enable. 0: The high-level interrupt flag as well as the output INT is disabled for this particular flag 1: The high-level interrupt flag is enabled Reset type: SYSRSn
4-0	COSR	R/W	0h	Oversampling ratio. The actual rate is COSR + 1. These bits set the oversampling ratio of the filter. 0x1F represents an oversampling ratio of 31. Reset type: SYSRSn



### 13.11.2.11 SDDATA1 Register (Offset = 16h) [Reset = 0000000h]

SDDATA1 is shown in [Figure 13-21](#) and described in [Table 13-25](#).

Return to the [Summary Table](#).

Filter Data Register (16 or 32bit) for Ch1

**Figure 13-21. SDDATA1 Register**

31	30	29	28	27	26	25	24	23	22	21	20	19	18	17	16	15	14	13	12	11	10	9	8	7	6	5	4	3	2	1	0
DATA32HI																DATA16															
R-0h																R-0h															

**Table 13-25. SDDATA1 Register Field Descriptions**

Bit	Field	Type	Reset	Description
31-16	DATA32HI	R	0h	Hi-order 16b in 32b mode, 16-bit Data in 16b mode Reset type: SYSRSn
15-0	DATA16	R	0h	Lo-order 16b in 32b mode Reset type: SYSRSn

### 13.11.2.12 SDCTLPARM2 Register (Offset = 20h) [Reset = 0000h]

SDCTLPARM2 is shown in [Figure 13-22](#) and described in [Table 13-26](#).

Return to the [Summary Table](#).

Control Parameter Register for Ch2

**Figure 13-22. SDCTLPARM2 Register**

15	14	13	12	11	10	9	8
RESERVED							
R-0h							
7	6	5	4	3	2	1	0
RESERVED		RESERVED	RESERVED	RESERVED	MOD		
R-0h		R-0-0h	R-0-0h	R-0-0h	R-0-0h	R/W-0h	

**Table 13-26. SDCTLPARM2 Register Field Descriptions**

Bit	Field	Type	Reset	Description
15-5	RESERVED	R	0h	Reserved
4	RESERVED	R-0	0h	Reserved
3	RESERVED	R-0	0h	Reserved
2	RESERVED	R-0	0h	Reserved
1-0	MOD	R/W	0h	Delta-Sigma Modulator mode 00: The clock speed is equal to the data rate from the modulator 01: The clock rate is half of the data rate from the modulator 10: The data from the modulator is Manchester decoded 11: The clock rate is twice the data rate of the modulator Reset type: SYSRSn

### 13.11.2.13 SDDFPARM2 Register (Offset = 21h) [Reset = 0000h]

SDDFPARM2 is shown in [Figure 13-23](#) and described in [Table 13-27](#).

Return to the [Summary Table](#).

Data Filter Parameter Register for Ch2

**Figure 13-23. SDDFPARM2 Register**

15	14	13	12	11	10	9	8
RESERVED			SDSYNCEN	SST		AE	FEN
R-0h			R/W-0h	R/W-0h		R/W-0h	R/W-0h
7	6	5	4	3	2	1	0
DOSR							
R/W-0h							

**Table 13-27. SDDFPARM2 Register Field Descriptions**

Bit	Field	Type	Reset	Description
15-13	RESERVED	R	0h	Reserved
12	SDSYNCEN	R/W	0h	Data Filter Reset enable for External Reset typ from PWM Compare output. 0: Data filter cannot be reset by external PWM compare output 1: Data filter can be reset by external PWM compare output Reset type: SYSRSn
11-10	SST	R/W	0h	Data filter structure. 00: Data filter runs with a Sincfast structure 01: Data filter runs with a Sinc1 structure 10: Data filter runs with a Sinc2 structure 11: Data filter runs with a Sinc3 structure Reset type: SYSRSn
9	AE	R/W	0h	Acknowledge enable. 0: Acknowledge flag is disabled for the particular filter 1: Acknowledge flag is enabled for the particular filter Reset type: SYSRSn
8	FEN	R/W	0h	Filter enable. 0: The filter is disabled and no data is produced 1: The filter is enabled and data are produced in the Data filter Reset type: SYSRSn
7-0	DOSR	R/W	0h	Oversampling ratio. The actual rate is DOSR + 1. These bits set the oversampling ratio of the filter. 0x0FF represents an oversampling ratio of 256. Reset type: SYSRSn

### 13.11.2.14 SDDPARM2 Register (Offset = 22h) [Reset = 0000h]

SDDPARM2 is shown in [Figure 13-24](#) and described in [Table 13-28](#).

Return to the [Summary Table](#).

Integer Parameter Register for Ch2

**Figure 13-24. SDDPARM2 Register**

15	14	13	12	11	10	9	8
SH				DR		RESERVED	RESERVED
R/W-0h				R/W-0h		R/W-0h	R/W-0h
7	6	5	4	3	2	1	0
RESERVED		RESERVED					
R-0-0h				R/W-0h			

**Table 13-28. SDDPARM2 Register Field Descriptions**

Bit	Field	Type	Reset	Description
15-11	SH	R/W	0h	Shift Control These bits indicate by how many bits the 16-bit window is shifted up when 16-bit data representation is chosen. Reset type: SYSRSn
10	DR	R/W	0h	Data representation 0: Data stored in 16b 2's complement 1: Data stored in 32b 2's complement Reset type: SYSRSn
9	RESERVED	R/W	0h	Reserved
8	RESERVED	R/W	0h	Reserved
7	RESERVED	R-0	0h	Reserved
6-0	RESERVED	R/W	0h	Reserved

### 13.11.2.15 SDCMPH2 Register (Offset = 23h) [Reset = 0000h]

SDCMPH2 is shown in [Figure 13-25](#) and described in [Table 13-29](#).

Return to the [Summary Table](#).

High-level Threshold Register for Ch2

**Figure 13-25. SDCMPH2 Register**

15	14	13	12	11	10	9	8
RESERVED	HLT						
R-0-0h				R/W-0h			
7	6	5	4	3	2	1	0
HLT							
R/W-0h							

**Table 13-29. SDCMPH2 Register Field Descriptions**

Bit	Field	Type	Reset	Description
15	RESERVED	R-0	0h	Reserved
14-0	HLT	R/W	0h	Unsigned high-level threshold for the comparator filter output. Reset type: SYSRSn

### 13.11.2.16 SDCMPL2 Register (Offset = 24h) [Reset = 0000h]

SDCMPL2 is shown in [Figure 13-26](#) and described in [Table 13-30](#).

Return to the [Summary Table](#).

Low-level Threshold Register for Ch2

**Figure 13-26. SDCMPL2 Register**

15	14	13	12	11	10	9	8
RESERVED		LLT					
R-0-0h		R/W-0h					
7	6	5	4	3	2	1	0
LLT							
R/W-0h							

**Table 13-30. SDCMPL2 Register Field Descriptions**

Bit	Field	Type	Reset	Description
15	RESERVED	R-0	0h	Reserved
14-0	LLT	R/W	0h	Unsigned low-level threshold for the comparator filter output. Reset type: SYSRSn

### 13.11.2.17 SDCPARAM2 Register (Offset = 25h) [Reset = 0000h]

SDCPARM2 is shown in [Figure 13-27](#) and described in [Table 13-31](#).

Return to the [Summary Table](#).

Comparator Parameter Register for Ch2

**Figure 13-27. SDCPARAM2 Register**

15	14	13	12	11	10	9	8	
RESERVED						MFIE	CS1_CS0	
R-0-0h						R/W-0h	R/W-0h	
7	6	5	4	3	2	1	0	
CS1_CS0	IEL	IEH	COSR					
R/W-0h	R/W-0h	R/W-0h	R/W-0h					

**Table 13-31. SDCPARAM2 Register Field Descriptions**

Bit	Field	Type	Reset	Description
15-10	RESERVED	R-0	0h	Reserved
9	MFIE	R/W	0h	0: The modulator failure flag as well as the output INT is disabled for this particular flag 1: The modulator failure flag is enabled Reset type: SYSRSn
8-7	CS1_CS0	R/W	0h	Comparator filter structure. 00: Comparator filter runs with a sincfast structure 01: Comparator filter runs with a Sinc1 structure 10: Comparator filter runs with a Sinc2 structure 11: Comparator filter runs with a Sinc3 structure Reset type: SYSRSn
6	IEL	R/W	0h	Low-level interrupt enable. 0: The low-level interrupt flag as well as the output INT is disabled for this particular flag 1: The low-level interrupt flag is enabled Reset type: SYSRSn
5	IEH	R/W	0h	High-level interrupt enable. 0: The high-level interrupt flag as well as the output INT is disabled for this particular flag 1: The high-level interrupt flag is enabled Reset type: SYSRSn
4-0	COSR	R/W	0h	Oversampling ratio. The actual rate is COSR + 1. These bits set the oversampling ratio of the filter. 0x1F represents an oversampling ratio of 31. Reset type: SYSRSn

### 13.11.2.18 SDDATA2 Register (Offset = 26h) [Reset = 0000000h]

SDDATA2 is shown in [Figure 13-28](#) and described in [Table 13-32](#).

Return to the [Summary Table](#).

Filter Data Register (16 or 32bit) for Ch2

**Figure 13-28. SDDATA2 Register**

31	30	29	28	27	26	25	24	23	22	21	20	19	18	17	16	15	14	13	12	11	10	9	8	7	6	5	4	3	2	1	0
DATA32HI																DATA16															
R-0h																R-0h															

**Table 13-32. SDDATA2 Register Field Descriptions**

Bit	Field	Type	Reset	Description
31-16	DATA32HI	R	0h	Hi-order 16b in 32b mode, 16-bit Data in 16b mode Reset type: SYSRSn
15-0	DATA16	R	0h	Lo-order 16b in 32b mode Reset type: SYSRSn



### 13.11.2.19 SDCTLPARM3 Register (Offset = 30h) [Reset = 0000h]

SDCTLPARM3 is shown in [Figure 13-29](#) and described in [Table 13-33](#).

Return to the [Summary Table](#).

Control Parameter Register for Ch3

**Figure 13-29. SDCTLPARM3 Register**

15	14	13	12	11	10	9	8
RESERVED							
R-0h							
7	6	5	4	3	2	1	0
RESERVED			RESERVED	RESERVED	RESERVED	MOD	
R-0h			R-0-0h	R-0-0h	R-0-0h	R/W-0h	

**Table 13-33. SDCTLPARM3 Register Field Descriptions**

Bit	Field	Type	Reset	Description
15-5	RESERVED	R	0h	Reserved
4	RESERVED	R-0	0h	Reserved
3	RESERVED	R-0	0h	Reserved
2	RESERVED	R-0	0h	Reserved
1-0	MOD	R/W	0h	Delta-Sigma Modulator mode 00: The clock speed is equal to the data rate from the modulator 01: The clock rate is half of the data rate from the modulator 10: The data from the modulator is Manchester decoded 11: The clock rate is twice the data rate of the modulator Reset type: SYSRSn

### 13.11.2.20 SDDFPARM3 Register (Offset = 31h) [Reset = 0000h]

SDDFPARM3 is shown in [Figure 13-30](#) and described in [Table 13-34](#).

Return to the [Summary Table](#).

Data Filter Parameter Register for Ch3

**Figure 13-30. SDDFPARM3 Register**

15	14	13	12	11	10	9	8
RESERVED			SDSYNCEN	SST		AE	FEN
R-0h			R/W-0h	R/W-0h		R/W-0h	R/W-0h
7	6	5	4	3	2	1	0
DOSR							
R/W-0h							

**Table 13-34. SDDFPARM3 Register Field Descriptions**

Bit	Field	Type	Reset	Description
15-13	RESERVED	R	0h	Reserved
12	SDSYNCEN	R/W	0h	Data Filter Reset enable for External Reset typ from PWM Compare output. 0: Data filter cannot be reset by external PWM compare output 1: Data filter can be reset by external PWM compare output Reset type: SYSRSn
11-10	SST	R/W	0h	Data filter structure. 00: Data filter runs with a Sincfast structure 01: Data filter runs with a Sinc1 structure 10: Data filter runs with a Sinc2 structure 11: Data filter runs with a Sinc3 structure Reset type: SYSRSn
9	AE	R/W	0h	Acknowledge enable. 0: Acknowledge flag is disabled for the particular filter 1: Acknowledge flag is enabled for the particular filter Reset type: SYSRSn
8	FEN	R/W	0h	Filter enable. 0: The filter is disabled and no data is produced 1: The filter is enabled and data are produced in the data filter Reset type: SYSRSn
7-0	DOSR	R/W	0h	Oversampling ratio. The actual rate is DOSR + 1. These bits set the oversampling ratio of the filter. 0x0FF represents an oversampling ratio of 256. Reset type: SYSRSn

### 13.11.2.21 SDDPARM3 Register (Offset = 32h) [Reset = 0000h]

SDDPARM3 is shown in [Figure 13-31](#) and described in [Table 13-35](#).

Return to the [Summary Table](#).

Integer Parameter Register for Ch3

**Figure 13-31. SDDPARM3 Register**

15	14	13	12	11	10	9	8
SH				DR	RESERVED	RESERVED	
R/W-0h				R/W-0h	R/W-0h	R/W-0h	
7	6	5	4	3	2	1	0
RESERVED		RESERVED					
R-0-0h				R/W-0h			

**Table 13-35. SDDPARM3 Register Field Descriptions**

Bit	Field	Type	Reset	Description
15-11	SH	R/W	0h	Shift Control These bits indicate by how many bits the 16-bit window is shifted up when 16-bit data representation is chosen. Reset type: SYSRSn
10	DR	R/W	0h	Data representation 0: Data stored in 16b 2's complement 1: Data stored in 32b 2's complement Reset type: SYSRSn
9	RESERVED	R/W	0h	Reserved
8	RESERVED	R/W	0h	Reserved
7	RESERVED	R-0	0h	Reserved
6-0	RESERVED	R/W	0h	Reserved

### 13.11.2.22 SDCMPH3 Register (Offset = 33h) [Reset = 0000h]

SDCMPH3 is shown in [Figure 13-32](#) and described in [Table 13-36](#).

Return to the [Summary Table](#).

High-level Threshold Register for Ch3

**Figure 13-32. SDCMPH3 Register**

15	14	13	12	11	10	9	8
RESERVED				HLT			
R-0-0h				R/W-0h			
7	6	5	4	3	2	1	0
				HLT			
				R/W-0h			

**Table 13-36. SDCMPH3 Register Field Descriptions**

Bit	Field	Type	Reset	Description
15	RESERVED	R-0	0h	Reserved
14-0	HLT	R/W	0h	Unsigned high-level threshold for the comparator filter output. Reset type: SYSRSn

### 13.11.2.23 SDCMPL3 Register (Offset = 34h) [Reset = 0000h]

SDCMPL3 is shown in [Figure 13-33](#) and described in [Table 13-37](#).

Return to the [Summary Table](#).

Low-level Threshold Register for Ch3

**Figure 13-33. SDCMPL3 Register**

15	14	13	12	11	10	9	8
RESERVED		LLT					
R-0-0h		R/W-0h					
7	6	5	4	3	2	1	0
LLT							
R/W-0h							

**Table 13-37. SDCMPL3 Register Field Descriptions**

Bit	Field	Type	Reset	Description
15	RESERVED	R-0	0h	Reserved
14-0	LLT	R/W	0h	Unsigned low-level threshold for the comparator filter output. Reset type: SYSRSn

### 13.11.2.24 SDCPARM3 Register (Offset = 35h) [Reset = 0000h]

SDCPARM3 is shown in [Figure 13-34](#) and described in [Table 13-38](#).

Return to the [Summary Table](#).

Comparator Parameter Register for Ch3

**Figure 13-34. SDCPARM3 Register**

15	14	13	12	11	10	9	8	
RESERVED						MFIE	CS1_CS0	
R-0-0h						R/W-0h	R/W-0h	
7	6	5	4	3	2	1	0	
CS1_CS0	IEL	IEH	COSR					
R/W-0h	R/W-0h	R/W-0h	R/W-0h					

**Table 13-38. SDCPARM3 Register Field Descriptions**

Bit	Field	Type	Reset	Description
15-10	RESERVED	R-0	0h	Reserved
9	MFIE	R/W	0h	0: The modulator failure flag as well as the output INT is disabled for this particular flag 1: The modulator failure flag is enabled Reset type: SYSRSn
8-7	CS1_CS0	R/W	0h	Comparator filter structure. 00: Comparator filter runs with a sincfast structure 01: Comparator filter runs with a Sinc1 structure 10: Comparator filter runs with a Sinc2 structure 11: Comparator filter runs with a Sinc3 structure Reset type: SYSRSn
6	IEL	R/W	0h	Low-level interrupt enable. 0: The low-level interrupt flag as well as the output INT is disabled for this particular flag 1: The low-level interrupt flag is enabled Reset type: SYSRSn
5	IEH	R/W	0h	High-level interrupt enable. 0: The high-level interrupt flag as well as the output INT is disabled for this particular flag 1: The high-level interrupt flag is enabled Reset type: SYSRSn
4-0	COSR	R/W	0h	Oversampling ratio. The actual rate is COSR + 1. These bits set the oversampling ratio of the filter. 0x1F represents an oversampling ratio of 31. Reset type: SYSRSn

### 13.11.2.25 SDDATA3 Register (Offset = 36h) [Reset = 00000000h]

SDDATA3 is shown in [Figure 13-35](#) and described in [Table 13-39](#).

Return to the [Summary Table](#).

Filter Data Register (16 or 32bit) for Ch3

**Figure 13-35. SDDATA3 Register**

31	30	29	28	27	26	25	24	23	22	21	20	19	18	17	16	15	14	13	12	11	10	9	8	7	6	5	4	3	2	1	0
DATA32HI																DATA16															
R-0h																R-0h															

**Table 13-39. SDDATA3 Register Field Descriptions**

Bit	Field	Type	Reset	Description
31-16	DATA32HI	R	0h	Hi-order 16b in 32b mode, 16-bit Data in 16b mode Reset type: SYSRSn
15-0	DATA16	R	0h	Lo-order 16b in 32b mode Reset type: SYSRSn

### 13.11.2.26 SDCTLPARM4 Register (Offset = 40h) [Reset = 0000h]

SDCTLPARM4 is shown in [Figure 13-36](#) and described in [Table 13-40](#).

Return to the [Summary Table](#).

Control Parameter Register for Ch4

**Figure 13-36. SDCTLPARM4 Register**

15	14	13	12	11	10	9	8
RESERVED							
R-0h							
7	6	5	4	3	2	1	0
RESERVED			RESERVED	RESERVED	RESERVED	MOD	
R-0h			R-0-0h	R-0-0h	R-0-0h	R/W-0h	

**Table 13-40. SDCTLPARM4 Register Field Descriptions**

Bit	Field	Type	Reset	Description
15-5	RESERVED	R	0h	Reserved
4	RESERVED	R-0	0h	Reserved
3	RESERVED	R-0	0h	Reserved
2	RESERVED	R-0	0h	Reserved
1-0	MOD	R/W	0h	Delta-Sigma Modulator mode 00: The clock speed is equal to the data rate from the modulator 01: The clock rate is half of the data rate from the modulator 10: The data from the modulator is Manchester decoded 11: The clock rate is twice the data rate of the modulator Reset type: SYSRSn



### 13.11.2.27 SDDFPARM4 Register (Offset = 41h) [Reset = 0000h]

SDDFPARM4 is shown in [Figure 13-37](#) and described in [Table 13-41](#).

Return to the [Summary Table](#).

Data Filter Parameter Register for Ch4

**Figure 13-37. SDDFPARM4 Register**

15	14	13	12	11	10	9	8
RESERVED			SDSYNCEN	SST		AE	FEN
R-0h			R/W-0h	R/W-0h		R/W-0h	R/W-0h
7	6	5	4	3	2	1	0
DOSR							
R/W-0h							

**Table 13-41. SDDFPARM4 Register Field Descriptions**

Bit	Field	Type	Reset	Description
15-13	RESERVED	R	0h	Reserved
12	SDSYNCEN	R/W	0h	Data Filter Reset enable for External Reset typ from PWM Compare output. 0: Data filter cannot be reset by external PWM compare output 1: Data filter can be reset by external PWM compare output Reset type: SYSRSn
11-10	SST	R/W	0h	Data filter structure. 00: Data filter runs with a Sincfast structure 01: Data filter runs with a Sinc1 structure 10: Data filter runs with a Sinc2 structure 11: Data filter runs with a Sinc3 structure Reset type: SYSRSn
9	AE	R/W	0h	Acknowledge enable. 0: Acknowledge flag is disabled for the particular filter 1: Acknowledge flag is enabled for the particular filter Reset type: SYSRSn
8	FEN	R/W	0h	Filter enable. 0: The filter is disabled and no data is produced 1: The filter is enabled and data are produced in the sinc filter Reset type: SYSRSn
7-0	DOSR	R/W	0h	Oversampling ratio. The actual rate is DOSR + 1. These bits set the oversampling ratio of the filter. 0x0FF represents an oversampling ratio of 256. Reset type: SYSRSn

### 13.11.2.28 SDDPARM4 Register (Offset = 42h) [Reset = 0000h]

SDDPARM4 is shown in [Figure 13-38](#) and described in [Table 13-42](#).

Return to the [Summary Table](#).

Integer Parameter Register for Ch4

**Figure 13-38. SDDPARM4 Register**

15	14	13	12	11	10	9	8
SH				DR		RESERVED	RESERVED
R/W-0h				R/W-0h		R/W-0h	R/W-0h
7	6	5	4	3	2	1	0
RESERVED		RESERVED					
R-0-0h				R/W-0h			

**Table 13-42. SDDPARM4 Register Field Descriptions**

Bit	Field	Type	Reset	Description
15-11	SH	R/W	0h	Shift Control These bits indicate by how many bits the 16-bit window is shifted up when 16-bit data representation is chosen. Reset type: SYSRSn
10	DR	R/W	0h	Data representation 0: Data stored in 16b 2's complement 1: Data stored in 32b 2's complement Reset type: SYSRSn
9	RESERVED	R/W	0h	Reserved
8	RESERVED	R/W	0h	Reserved
7	RESERVED	R-0	0h	Reserved
6-0	RESERVED	R/W	0h	Reserved

### 13.11.2.29 SDCMPH4 Register (Offset = 43h) [Reset = 0000h]

SDCMPH4 is shown in [Figure 13-39](#) and described in [Table 13-43](#).

Return to the [Summary Table](#).

High-level Threshold Register for Ch4

**Figure 13-39. SDCMPH4 Register**

15	14	13	12	11	10	9	8
RESERVED	HLT						
R-0-0h				R/W-0h			
7	6	5	4	3	2	1	0
HLT							
R/W-0h							

**Table 13-43. SDCMPH4 Register Field Descriptions**

Bit	Field	Type	Reset	Description
15	RESERVED	R-0	0h	Reserved
14-0	HLT	R/W	0h	Unsigned high-level threshold for the comparator filter output. Reset type: SYSRSn

### 13.11.2.30 SDCMPL4 Register (Offset = 44h) [Reset = 0000h]

SDCMPL4 is shown in [Figure 13-40](#) and described in [Table 13-44](#).

Return to the [Summary Table](#).

Low-level Threshold Register for Ch4

**Figure 13-40. SDCMPL4 Register**

15	14	13	12	11	10	9	8
RESERVED				LLT			
R-0-0h				R/W-0h			
7	6	5	4	3	2	1	0
LLT							
R/W-0h							

**Table 13-44. SDCMPL4 Register Field Descriptions**

Bit	Field	Type	Reset	Description
15	RESERVED	R-0	0h	Reserved
14-0	LLT	R/W	0h	Unsigned low-level threshold for the comparator filter output. Reset type: SYSRSn

### 13.11.2.31 SDCPARM4 Register (Offset = 45h) [Reset = 0000h]

SDCPARM4 is shown in [Figure 13-41](#) and described in [Table 13-45](#).

Return to the [Summary Table](#).

Comparator Parameter Register for Ch4

**Figure 13-41. SDCPARM4 Register**

15	14	13	12	11	10	9	8	
RESERVED						MFIE	CS1_CS0	
R-0-0h						R/W-0h	R/W-0h	
7	6	5	4	3	2	1	0	
CS1_CS0	IEL	IEH	COSR					
R/W-0h	R/W-0h	R/W-0h	R/W-0h					

**Table 13-45. SDCPARM4 Register Field Descriptions**

Bit	Field	Type	Reset	Description
15-10	RESERVED	R-0	0h	Reserved
9	MFIE	R/W	0h	0: The modulator failure flag as well as the output INT is disabled for this particular flag 1: The modulator failure flag is enabled Reset type: SYSRSn
8-7	CS1_CS0	R/W	0h	Comparator filter structure. 00: Comparator filter runs with a sincfast structure 01: Comparator filter runs with a Sinc1 structure 10: Comparator filter runs with a Sinc2 structure 11: Comparator filter runs with a Sinc3 structure Reset type: SYSRSn
6	IEL	R/W	0h	Low-level interrupt enable. 0: The low-level interrupt flag as well as the output INT is disabled for this particular flag 1: The low-level interrupt flag is enabled Reset type: SYSRSn
5	IEH	R/W	0h	High-level interrupt enable. 0: The high-level interrupt flag as well as the output INT is disabled for this particular flag 1: The high-level interrupt flag is enabled Reset type: SYSRSn
4-0	COSR	R/W	0h	Oversampling ratio. The actual rate is COSR + 1. These bits set the oversampling ratio of the filter. 0x1F represents an oversampling ratio of 31. Reset type: SYSRSn

### 13.11.2.32 SDDATA4 Register (Offset = 46h) [Reset = 0000000h]

SDDATA4 is shown in [Figure 13-42](#) and described in [Table 13-46](#).

Return to the [Summary Table](#).

Filter Data Register (16 or 32bit) for Ch4

**Figure 13-42. SDDATA4 Register**

31	30	29	28	27	26	25	24	23	22	21	20	19	18	17	16	15	14	13	12	11	10	9	8	7	6	5	4	3	2	1	0
DATA32HI																DATA16															
R-0h																R-0h															

**Table 13-46. SDDATA4 Register Field Descriptions**

Bit	Field	Type	Reset	Description
31-16	DATA32HI	R	0h	Hi-order 16b in 32b mode, 16-bit Data in 16b mode Reset type: SYSRSn
15-0	DATA16	R	0h	Lo-order 16b in 32b mode Reset type: SYSRSn

### 13.11.3 SDFM Registers to Driverlib Functions

**Table 13-47. SDFM Registers to Driverlib Functions**

File	Driverlib Function
<b>SDIFLG</b>	
sdm.h	SDFM_getThresholdStatus
sdm.h	SDFM_getModulatorStatus
sdm.h	SDFM_getNewFilterDataStatus
sdm.h	SDFM_getIsrStatus
sdm.h	SDFM_clearInterruptFlag
<b>SDIFLGCLR</b>	
sdm.h	SDFM_clearInterruptFlag
<b>SDCTL</b>	
sdm.h	SDFM_setupModulatorClock
sdm.h	SDFM_enableMainInterrupt
sdm.h	SDFM_disableMainInterrupt
<b>SDMFILEN</b>	
sdm.h	SDFM_enableMainFilter
sdm.h	SDFM_disableMainFilter
<b>SDCTLPARM1</b>	
sdm.h	SDFM_setupModulatorClock
<b>SDDFPARM1</b>	
sdm.h	SDFM_enableExternalReset
sdm.h	SDFM_disableExternalReset
sdm.h	SDFM_enableFilter
sdm.h	SDFM_disableFilter
sdm.h	SDFM_setFilterType
sdm.h	SDFM_setFilterOverSamplingRatio
sdm.h	SDFM_enableInterrupt
sdm.h	SDFM_disableInterrupt
<b>SDDPARAM1</b>	
sdm.h	SDFM_setOutputDataFormat
sdm.h	SDFM_setDataShiftValue
<b>SDCMPH1</b>	
sdm.h	SDFM_setCompFilterHighThreshold
<b>SDCMPL1</b>	
sdm.h	SDFM_setCompFilterLowThreshold
<b>SDCPARM1</b>	
sdm.h	SDFM_enableInterrupt
sdm.h	SDFM_disableInterrupt
sdm.h	SDFM_setComparatorFilterType
sdm.h	SDFM_setCompFilterOverSamplingRatio
<b>SDDATA1</b>	
sdm.h	SDFM_getFilterData
<b>SDCTLPARM2</b>	
-	See SDCTLPARM1
<b>SDDFPARM2</b>	

**Table 13-47. SDFM Registers to Driverlib Functions (continued)**

File	Driverlib Function
-	See SDDFPARM1
<b>SDDPARAM2</b>	
-	See SDDPARAM1
<b>SDCMPH2</b>	
-	See SDCMPH1
<b>SDCMPL2</b>	
-	See SDCMPL1
<b>SDCPARM2</b>	
-	See SDCPARAM1
<b>SDDATA2</b>	
-	See SDDATA1
<b>SDCTLPARM3</b>	
-	See SDCTLPARM1
<b>SDDFPARM3</b>	
-	See SDDFPARM1
<b>SDDPARAM3</b>	
-	See SDDPARAM1
<b>SDCMPH3</b>	
-	See SDCMPH1
<b>SDCMPL3</b>	
-	See SDCMPL1
<b>SDCPARM3</b>	
-	See SDCPARAM1
<b>SDDATA3</b>	
-	See SDDATA1
<b>SDCTLPARM4</b>	
-	See SDCTLPARM1
<b>SDDFPARM4</b>	
-	See SDDFPARM1
<b>SDDPARAM4</b>	
-	See SDDPARAM1
<b>SDCMPH4</b>	
-	See SDCMPH1
<b>SDCMPL4</b>	
-	See SDCMPL1
<b>SDCPARM4</b>	
-	See SDCPARAM1
<b>SDDATA4</b>	
-	See SDDATA1



## Chapter 14 Enhanced Pulse Width Modulator (ePWM)



The enhanced pulse width modulator (ePWM) peripheral is a key element in controlling many of the power electronic systems found in both commercial and industrial equipment. These systems include digital motor control, switch mode power supply control, uninterruptible power supplies (UPS), and other forms of power conversion. The ePWM peripheral can also perform a digital-to-analog (DAC) function, where the duty cycle is equivalent to a DAC analog value; it is sometimes referred to as a power DAC.

This chapter is applicable for ePWM type 4 with added register protection capability. See the [C2000 Real-Time Control Peripheral Reference Guide](#) for a list of all devices with an ePWM module of the same type, to determine the differences between the types, and for a list of device-specific differences within a type.

Further information can be found in the [Flexible PWMs Enable Multi-Axis Drives, Multi-Level Inverters Technical Brief](#).

<b>14.1 Introduction</b> .....	1754
<b>14.2 Configuring Device Pins</b> .....	1761
<b>14.3 ePWM Modules Overview</b> .....	1761
<b>14.4 Time-Base (TB) Submodule</b> .....	1763
<b>14.5 Counter-Compare (CC) Submodule</b> .....	1776
<b>14.6 Action-Qualifier (AQ) Submodule</b> .....	1782
<b>14.7 Dead-Band Generator (DB) Submodule</b> .....	1795
<b>14.8 PWM Chopper (PC) Submodule</b> .....	1802
<b>14.9 Trip-Zone (TZ) Submodule</b> .....	1806
<b>14.10 Event-Trigger (ET) Submodule</b> .....	1812
<b>14.11 Digital Compare (DC) Submodule</b> .....	1817
<b>14.12 ePWM Crossbar (X-BAR)</b> .....	1827
<b>14.13 Applications to Power Topologies</b> .....	1828
<b>14.14 High-Resolution Pulse Width Modulator (HRPWM)</b> .....	1846
<b>14.15 ePWM Registers</b> .....	1872

## 14.1 Introduction

This chapter includes an overview and information about each submodule:

- [Time Base \(TB\) Submodule](#)
- [Counter Compare \(CC\) Submodule](#)
- [Action Qualifier \(AQ\) Submodule](#)
- [Dead-Band Generator \(DB\) Submodule](#)
- [PWM Chopper \(PC\) Submodule](#)
- [Trip Zone \(TZ\) Submodule](#)
- [Event Trigger \(ET\) Submodule](#)
- [Digital Compare \(DC\) Submodule](#)

The ePWM Type 4 is functionally compatible to Type 2 (a Type 3 does not exist). Type 4 has the following enhancements in addition to the Type 2 features:

- **Register Address Map:** Additional registers are required for new features on ePWM Type 4. The ePWM register address space has been remapped for better alignment and easy usage.
- **Delayed Trip Functionality:** Changes have been added to achieve deadband insertion capabilities to support, for example, delayed trip functionality needed for peak current mode control type application scenarios. This has been accomplished by allowing comparator events to go into the Action Qualifier as a trigger event (Events T1 and T2). If comparator T1 / T2 events are used to edit the PWM, changes to the PWM waveform do not take place immediately. Instead, the waveform synchronizes to the next TBCLK.
- **Dead-Band Generator Submodule Enhancements:** Shadowing of the DBCTL register to allow dynamic configuration changes.
- **One Shot and Global Load of Registers:** The ePWM Type 4 allows one shot and global load capability from shadow to active registers to avoid partial loads in, for example, multiphase applications. ePWM Type 4 also allows a programmable prescale of shadow to active load events. ePWM Type 4 Global Load can simplify ePWM software by removing interrupts and ensuring that all registers are loaded at the same time.
- **Trip-Zone Submodule Enhancements:** Independent flags have been added to reflect the trip status for each of the TZ sources. Changes have been made to the trip-zone submodule to support certain power converter switching techniques like valley switching.
- **Digital Compare Submodule Enhancements:** Blanking window filter register width has been increased from 8 to 16 bits. DCCAP functionality has been enhanced to provide more programmability.
- **PWM SYNC Related Enhancements:** The ePWM Type 4 allows PWM SYNCOUT generation based on CMPC and CMPD events. These events can also be used for PWMSYNC pulse selection.

The ePWM Type 2 is fully compatible to Type 1. Type 2 has the following enhancements in addition to the Type 1 features:

- **High-Resolution Dead-Band Capability:** High-resolution capability is added to dead-band RED and FED in half-cycle clocking mode.
- **Dead-Band Generator Submodule Enhancements:** The ePWM Type 2 has features to enable both RED and FED on either PWM outputs. Provides increased dead band with 14-bit counters and dead-band / dead-band high-resolution registers are shadowed
- **High-Resolution Extension available on ePWMxB outputs:** Provides the ability to enable high-resolution period and duty cycle control on ePWMxB outputs. This is discussed in more detail in [Section 14.14](#).
- **Counter Compare Submodule Enhancements:** The ePWM Type 2 allows interrupts and SOC events to be generated by additional counter compares CMPC and CMPD.
- **Event Trigger Submodule Enhancements:** Prescaling logic to issue interrupt requests and ADC start of conversion expanded up to every 15 events. It allows software initialization of event counters on SYNC event.
- **Digital Compare Submodule Enhancements:** Digital Compare Trip Select logic [DCTRIPSEL] has up to 12 external trip sources selected by the Input X-BAR logic in addition to an ability to OR all of them (up to 14 [external and internal sources]) to create the respective DCxEVTs.
- **Simultaneous Writes to TBPRD and CMPx Registers:** This feature allows writes to TBPRD, CMPA:CMPAHR, CMPB:CMPBHR, CMPC and CMPD of any ePWM module to be tied to any other ePWM module, and also allows all ePWM modules to be tied to a particular ePWM module if desired.

- **Shadow to Active Load on SYNC of TBPRD and CMP Registers:** This feature supports simultaneous writes of TBPRD and CMPA/B/C/D registers.

An effective PWM peripheral must be able to generate complex pulse width waveforms with minimal CPU overhead or intervention and must be highly programmable and very flexible while being easy to understand and use. The ePWM unit described here addresses these requirements by allocating all needed timing and control resources on a per PWM channel basis. Cross coupling or sharing of resources has been avoided; instead, the ePWM is built up from smaller single channel submodules with separate resources that can operate together as required to form a system. This modular approach results in an orthogonal architecture and provides a more transparent view of the peripheral structure, helping users to understand the operation quickly.

In this document, the letter x within a signal or submodule name is used to indicate a generic ePWM instance on a device. For example, output signals EPWMxA and EPWMxB refer to the output signals from the ePWMx instance. Thus, EPWM1A and EPWM1B belong to ePWM1 and likewise EPWM4A and EPWM4B belong to ePWM4.

### Type0 to Type1 Enhancements

- **Increased Dead-Band Resolution:** Dead-band clocking has been enhanced to allow half-cycle clocking to double resolution.
- **Enhanced Interrupt and SOC Generation:** Interrupts and ADC start-of-conversion can now be generated on both the TBCTR == zero and TBCTR == period events. This feature enables dual edge PWM control. Additionally, the ADC start-of-conversion can be generated from an event defined in the digital compare submodule.
- **High-Resolution Period Capability:** Provides the ability to enable high-resolution period. This is discussed in more detail in [Section 14.14](#).
- **Digital Compare Submodule:** The digital compare submodule enhances the event triggering and trip zone submodules by providing filtering, blanking and improved trip functionality to digital compare signals. Such features are essential for peak current mode control and for support of analog comparators.

---

#### Note

The name of the sync signal that goes to the CMPSS and GPDAC has been updated from PWMSYNC to EPWMSYNCPER (SYNCPER/PWMSYNCPER/EPWMxSYNCPER) to avoid confusion with the other EPWM sync signals EPWMSYNCl and EPWMSYNCO. For a description of these signals, see [Table 14-2](#).

---

### 14.1.1 EPWM Related Collateral

#### Foundational Materials

- [C2000 Academy - EPWM](#)
- [Real-Time Control Reference Guide](#)
  - Refer to the EPWM section

#### Getting Started Materials

- [C2000 ePWM Developer's Guide Application Report](#)
- [Enhanced Pulse Width Modulator \(ePWM\) Training for C2000 MCUs \(Video\)](#)
- [Flexible PWMs Enable Multi-Axis Drives, Multi-Level Inverters Application Report](#)
- [Getting Started with the C2000 ePWM Module \(Video\)](#)
- [Using PWM Output as a Digital-to-Analog Converter on a TMS320F280x Digital Signal Control Application Report](#)
  - Chapters 1 to 6 are Fundamental material, derivations, and explanations that are useful for learning about how PWM can be used to implement a DAC. Subsequent chapters are Getting Started and Expert material for implementing in a system.
- [Using the Enhanced Pulse Width Modulator \(ePWM\) Module Application Report](#)

## Expert Materials

- [C2000 real-time microcontrollers - Reference designs](#)
  - See TI designs related to specific end applications used.
- [CRM/ZVS PFC Implementation Based on C2000 Type-4 PWM Module Application Report](#)
- [Leverage New Type ePWM Features for Multiple Phase Control Application Report](#)

### 14.1.2 Submodule Overview

The ePWM module represents one complete PWM channel composed of two PWM outputs: EPWMxA and EPWMxB. Multiple ePWM modules are instanced within a device as shown in [Figure 14-1](#). Each ePWM instance is identical with one exception. Some instances include a hardware extension that allows more precise control of the PWM outputs. This extension is the high-resolution pulse width modulator (HRPWM) and is described in [Section 14.14](#). See the device data sheet to determine which ePWM instances include this feature. Each ePWM module is indicated by a numerical value starting with 1. For example, ePWM1 is the first instance and ePWM3 is the third instance in the system and ePWMx indicates any instance.

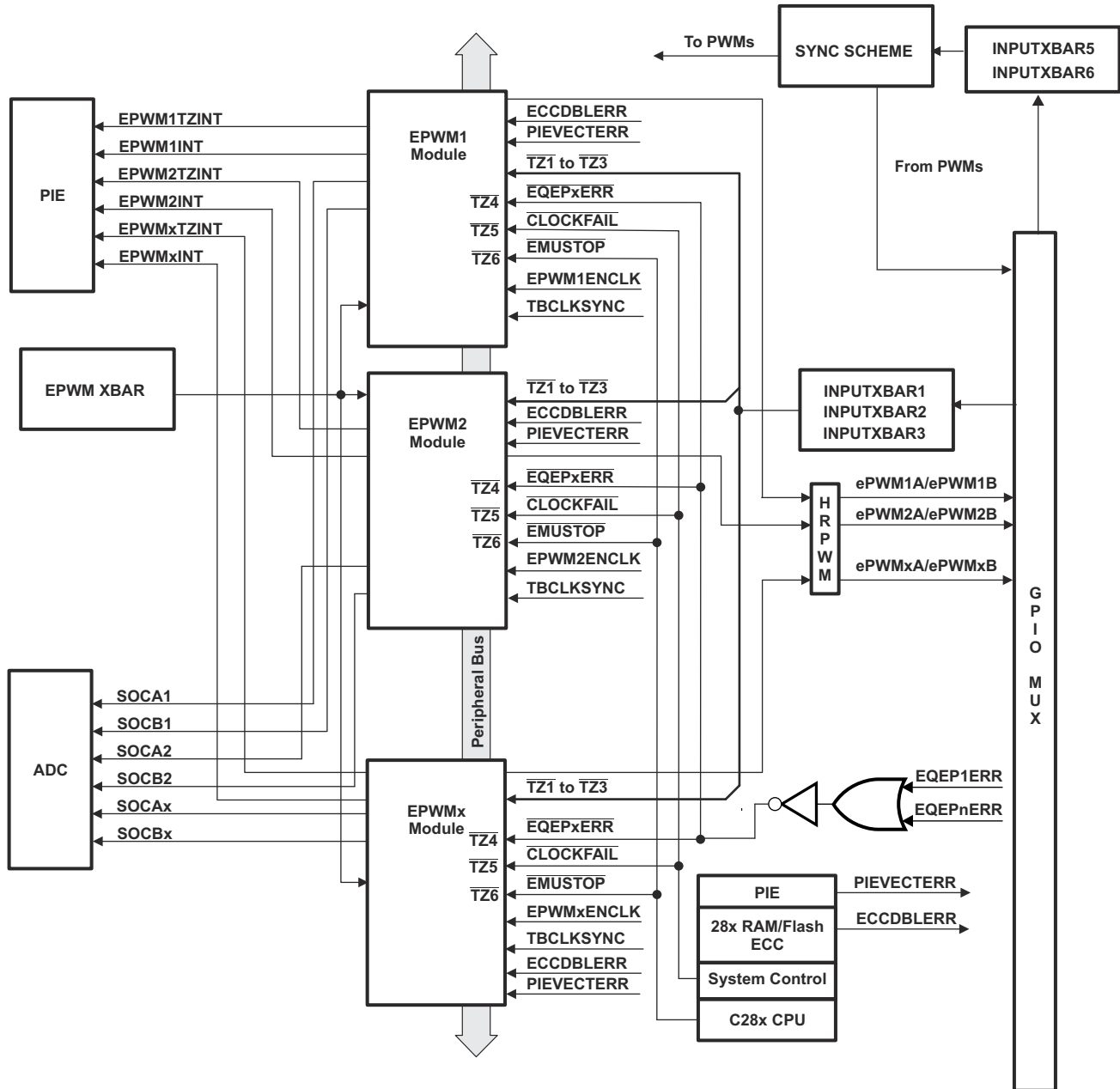
The ePWM modules are chained together by way of a clock synchronization scheme that allows them to operate as a single system when required. Additionally, this synchronization scheme can be extended to the capture peripheral submodules (eCAP). The number of submodules is device-dependent and based on target application needs. Submodules can also operate standalone.

Each ePWM module supports the following features:

- Dedicated 16-bit time-base counter with period and frequency control
- Two PWM outputs (EPWMxA and EPWMxB) that can be used in the following configurations:
  - Two independent PWM outputs with single-edge operation
  - Two independent PWM outputs with dual-edge symmetric operation
  - One independent PWM output with dual-edge asymmetric operation
- Asynchronous override control of PWM signals through software.
- Programmable phase-control support for lag or lead operation relative to other ePWM modules.
- Hardware-locked (synchronized) phase relationship on a cycle-by-cycle basis.
- Dead-band generation with independent rising and falling edge delay control.
- Programmable trip zone allocation of both cycle-by-cycle trip and one-shot trip on fault conditions.
- A trip condition can force either high, low, or high-impedance state logic levels at PWM outputs.
- All events can trigger both CPU interrupts and ADC start of conversion (SOC)
- Programmable event prescaling minimizes CPU overhead on interrupts.
- PWM chopping by high-frequency carrier signal, useful for pulse transformer gate drives.

Each ePWM module is connected to the input/output signals shown in [Figure 14-1](#). The signals are described in detail in subsequent sections.

The order in which the ePWM modules are connected can differ from what is shown in [Figure 14-1](#). See [Section 14.4.3.3](#) for the synchronization scheme for a particular device. Each ePWM module consists of eight submodules and is connected within a system by way of the signals shown in [Figure 14-2](#).



A. This signal exists only on devices with an eQEP submodule.

Figure 14-1. Multiple ePWM Modules

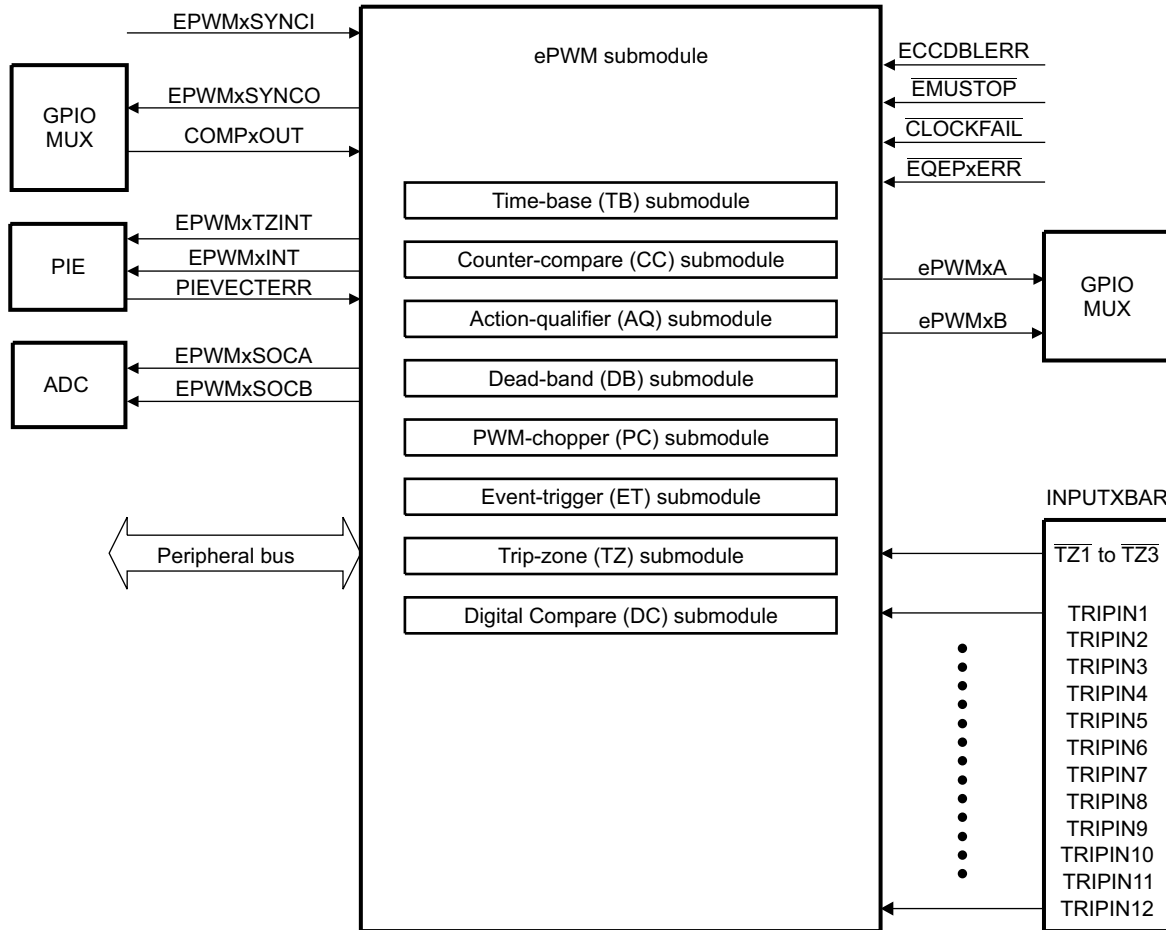


Figure 14-2. Submodules and Signal Connections for an ePWM Module

Figure 14-3 shows more internal details of a single ePWM module. The main signals used by the ePWM module are:

- **PWM output signals (EPWMxA and EPWMxB)**

The PWM output signals are made available external to the device.

- **Trip-zone signals ( $\overline{TZ1}$  to  $\overline{TZ6}$ )**

These input signals alert the ePWM module of fault conditions external to the ePWM module. Each submodule on a device can be configured to either use or ignore any of the trip-zone signals. The  $\overline{TZ1}$  to  $\overline{TZ3}$  trip-zone signals can be configured as asynchronous inputs through the GPIO peripheral using the Input X-BAR logic, refer to Figure 14-50.  $\overline{TZ4}$  is connected to an inverted EQEPx error signal (EQEPxERR), which can be generated from any one of the EQEP submodule (for those devices with an EQEP module).  $\overline{TZ5}$  is connected to the system clock fail logic, and  $\overline{TZ6}$  is connected to the EMUSTOP output from the CPU. This allows configuring a trip action when the clock fails or the CPU halts.

- **Time-base synchronization input (EPWMxSYNCl), output (EPWMxSYNCO), and peripheral (EPWMxSYNCPER) signals**

The synchronization signals daisy chain the ePWM modules together. Each module can be configured to either use or ignore the synchronization input. The clock synchronization input and output signal are brought out to pins only for ePWM1 (ePWM module #1). The ePWM modules are separated into groups of three for syncing purposes. An external sync signal (EXTSYNClN1 or EXTSYNClN2) can be used to issue a sync signal to the first ePWM module in each chain. These same modules can also send their EPWMxSYNCO signal to a GPIO. For more information, see Section 14.4.3.3.

Each ePWM module also generates another PWMSYNC signal called EPWMxSYNCPER. EPWMxSYNCPER goes to the GPDAC and CMPSS for synchronization purposes. Functionality is configured using the HRPCTL register, but has no relation with the HRPWM. For more information on how EPWMxSYNCPER is used by the GPDAC and CMPSS, see their respective chapters.

- **ADC start-of-conversion signals (EPWMxSOCA and EPWMxSOCB)**

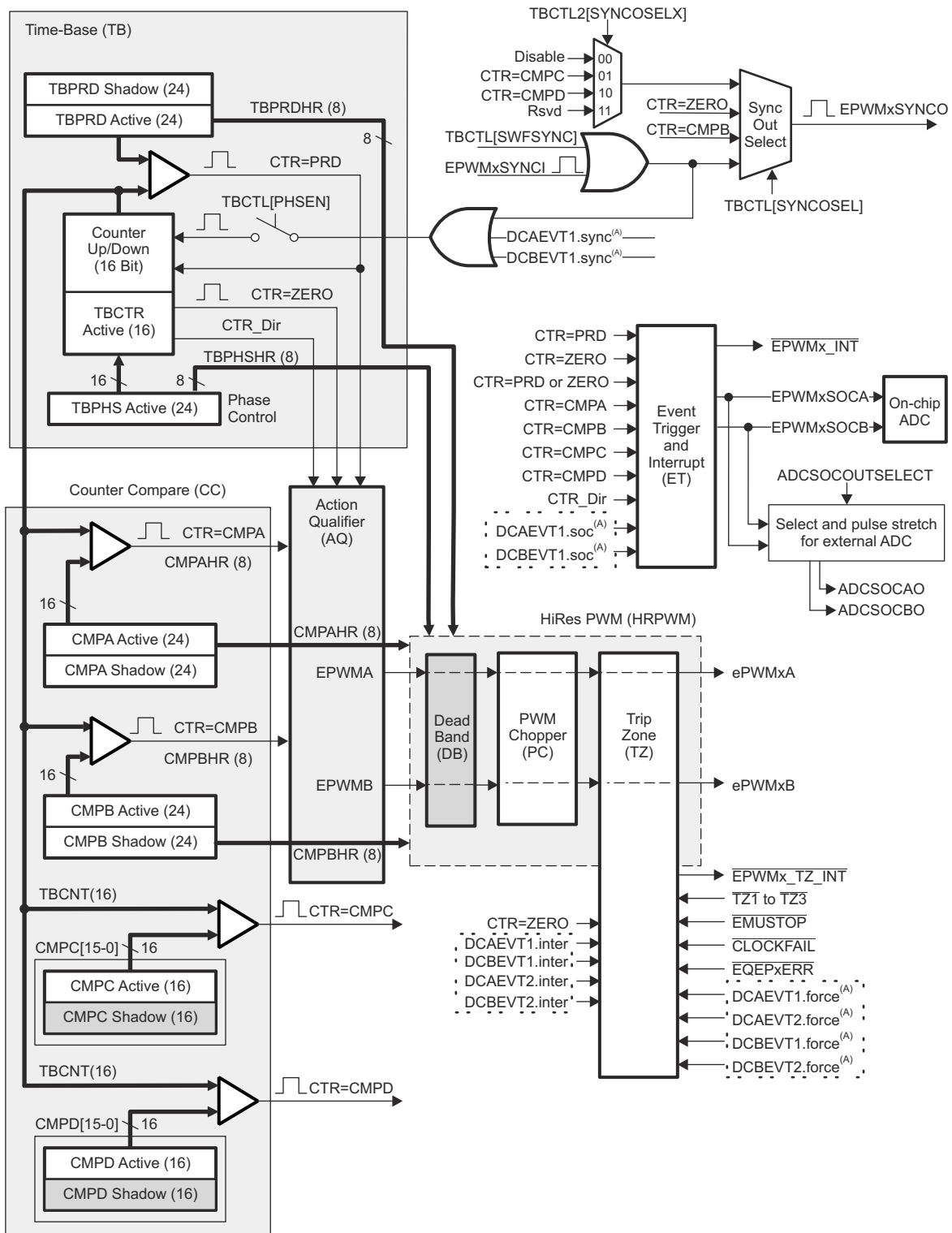
Each ePWM module has two ADC start of conversion signals. Any ePWM module can trigger a start of conversion. Whichever event triggers the start of conversion is configured in the event-trigger submodule of the ePWM.

- **Comparator output signals (COMPxOUT)**

Output signals from the comparator module can be fed through the Input X-BAR and EPWM X-BAR to one or all of the 12 trip inputs [TRIPIN1 - TRIPIN12] and in conjunction with the trip zone signals can generate digital compare events.

- **Peripheral bus**

The peripheral bus is 32-bits wide and allows both 16-bit and 32-bit writes to the ePWM register file.



Copyright © 2017, Texas Instruments Incorporated

A. These events are generated by the ePWM Digital Compare (DC) submodule based on the levels of the TRIPIN inputs.

**Figure 14-3. ePWM Modules and Critical Internal Signal Interconnects**



## 14.2 Configuring Device Pins

To connect the device input pins to the module, the Input X-BAR and EPWM X-BAR must be used. Some examples of when an external signal can be needed are TZx, TRIPx, and EXTSYNCIN. Any GPIO on the device can be configured as an input. The GPIO input qualification can be set to asynchronous mode by setting the appropriate GPxQSEL register bits to 11b. The internal pullups can be configured in the GPyPUD register. Since the GPIO mode is used, the GPyINV register can invert the signals. Additionally, some TRIPx (TRIP4-12 excluding TRIP6) signals must be routed through the ePWM X-Bar in addition to the Input X-Bar.

The GPIO mux registers must be configured for this peripheral. To avoid glitches on the pins, the GPyGMUX bits must be configured first (while keeping the corresponding GPyMUX bits at the default of zero), followed by writing the GPyMUX register to the desired value.

See the *General-Purpose Input/Output (GPIO)* chapter for more details on GPIO mux, GPIO settings, and XBAR configuration.

## 14.3 ePWM Modules Overview

Eight submodules are included in every ePWM peripheral. Each of these submodules performs specific tasks that can be configured by software.

[Table 14-1](#) lists the key submodules together with a list of their main configuration parameters. For example, if you need to adjust or control the duty cycle of a PWM waveform, see the counter-compare submodule in [Section 14.5](#) for relevant details.

**Table 14-1. Submodule Configuration Parameters**

Submodule	Configuration Parameter or Option
<a href="#">Time Base (TB)</a>	<ul style="list-style-type: none"> <li>• Scale the time-base clock (TBCLK) relative to the ePWM clock (EPWMCLK).</li> <li>• Configure the PWM time-base counter (TBCTR) frequency or period.</li> <li>• Set the mode for the time-base counter:               <ul style="list-style-type: none"> <li>– count-up mode: used for asymmetric PWM</li> <li>– count-down mode: used for asymmetric PWM</li> <li>– count-up-and-down mode: used for symmetric PWM</li> </ul> </li> <li>• Configure the time-base phase relative to another ePWM module.</li> <li>• Synchronize the time-base counter between modules through hardware or software.</li> <li>• Configure the direction (up or down) of the time-base counter after a synchronization event.</li> <li>• Simultaneous writes to the TBPRD registers on all PWM's corresponding to the configuration on EPWMXLINK.</li> <li>• Configure how the time-base counter behaves when the device is halted by an emulator.</li> <li>• Specify the source for the synchronization output of the ePWM module               <ul style="list-style-type: none"> <li>– Synchronization input signal</li> <li>– Time-base counter equal to zero</li> <li>– Time-base counter equal to counter-compare B (CMPB)</li> <li>– No output synchronization signal generated.</li> </ul> </li> <li>• Configure one shot and global load of registers in this module.</li> </ul>
<a href="#">Counter Compare (CC)</a>	<ul style="list-style-type: none"> <li>• Specify the PWM duty cycle for output EPWMxA and output EPWMxB</li> <li>• Specify the time at which switching events occur on the EPWMxA or EPWMxB output</li> <li>• Specify the programmable delay for interrupt and SOC generation with additional comparators</li> <li>• Simultaneous writes to the CMPA, CMPB, CMPC, CMPD registers on all PWM's corresponding to the configuration on EPWMXLINK.</li> <li>• Configure one shot and global load of registers in this module.</li> </ul>

**Table 14-1. Submodule Configuration Parameters (continued)**

Submodule	Configuration Parameter or Option
Action Qualifier (AQ)	<ul style="list-style-type: none"> <li>• Specify the type of action taken when a time-base counter-compare, trip-zone submodule, or comparator event occurs:               <ul style="list-style-type: none"> <li>– No action taken</li> <li>– Output EPWMxA and EPWMxB switched high</li> <li>– Output EPWMxA and EPWMxB switched low</li> <li>– Output EPWMxA and EPWMxB toggled</li> </ul> </li> <li>• Force the PWM output state through software control</li> <li>• Configure and control the PWM dead band through software</li> <li>• Configure one shot and global load of registers in this module.</li> </ul>
Dead-Band Generator (DB)	<ul style="list-style-type: none"> <li>• Control of traditional complementary dead-band relationship between upper and lower switches</li> <li>• Specify the output rising-edge-delay value</li> <li>• Specify the output falling-edge delay value</li> <li>• Bypass the dead-band module entirely. In this case the PWM waveform is passed through without modification.</li> <li>• Option to enable half-cycle clocking for double resolution.</li> <li>• Allow ePWMxB phase shifting with respect to the ePWMxA output.</li> <li>• Configure one shot and global load of registers in this module.</li> </ul>
PWM Chopper (PC)	<ul style="list-style-type: none"> <li>• Create a chopping (carrier) frequency.</li> <li>• Pulse width of the first pulse in the chopped pulse train.</li> <li>• Duty cycle of the second and subsequent pulses.</li> <li>• Bypass the PWM chopper module entirely. In this case the PWM waveform is passed through without modification.</li> </ul>
Trip Zone (TZ)	<ul style="list-style-type: none"> <li>• Configure the ePWM module to react to one, all, or none of the trip-zone signals or digital compare events.</li> <li>• Specify the trip action taken when a fault occurs:               <ul style="list-style-type: none"> <li>– Force EPWMxA and EPWMxB high</li> <li>– Force EPWMxA and EPWMxB low</li> <li>– Force EPWMxA and EPWMxB to a high-impedance state</li> <li>– Configure EPWMxA and EPWMxB to ignore any trip condition.</li> </ul> </li> <li>• Configure how often the ePWM reacts to each trip-zone signal:               <ul style="list-style-type: none"> <li>– One-shot</li> <li>– Cycle-by-cycle</li> </ul> </li> <li>• Enable the trip-zone to initiate an interrupt.</li> <li>• Bypass the trip-zone module entirely.</li> <li>• Programmable option for cycle-by-cycle trip clear</li> <li>• If desired, independently configure trip actions taken when time-base counter is counting down.</li> </ul>
Event Trigger (ET)	<ul style="list-style-type: none"> <li>• Enable the ePWM events that trigger an interrupt.</li> <li>• Enable ePWM events that trigger an ADC start-of-conversion event.</li> <li>• Specify the rate at which events cause triggers (every occurrence or every 2nd or up to 15th occurrence)</li> <li>• Poll, set, or clear event flags</li> </ul>
Digital Compare (DC)	<ul style="list-style-type: none"> <li>• Enables comparator (COMP) module outputs and trip zone signals which are configured using the Input X-BAR to create events and filtered events</li> <li>• Specify event-filtering options to capture TBCTR counter, generate blanking window, or insert delay in PWM output or time-base counter based on captured value.</li> </ul>

### 14.4 Time-Base (TB) Submodule

Each ePWM module has their own time-base submodule that determines all of the event timing for the ePWM module. Built-in synchronization logic allows the time-base of multiple ePWM modules to work together as a single system.

Figure 14-4 illustrates the time-base submodule within the ePWM.

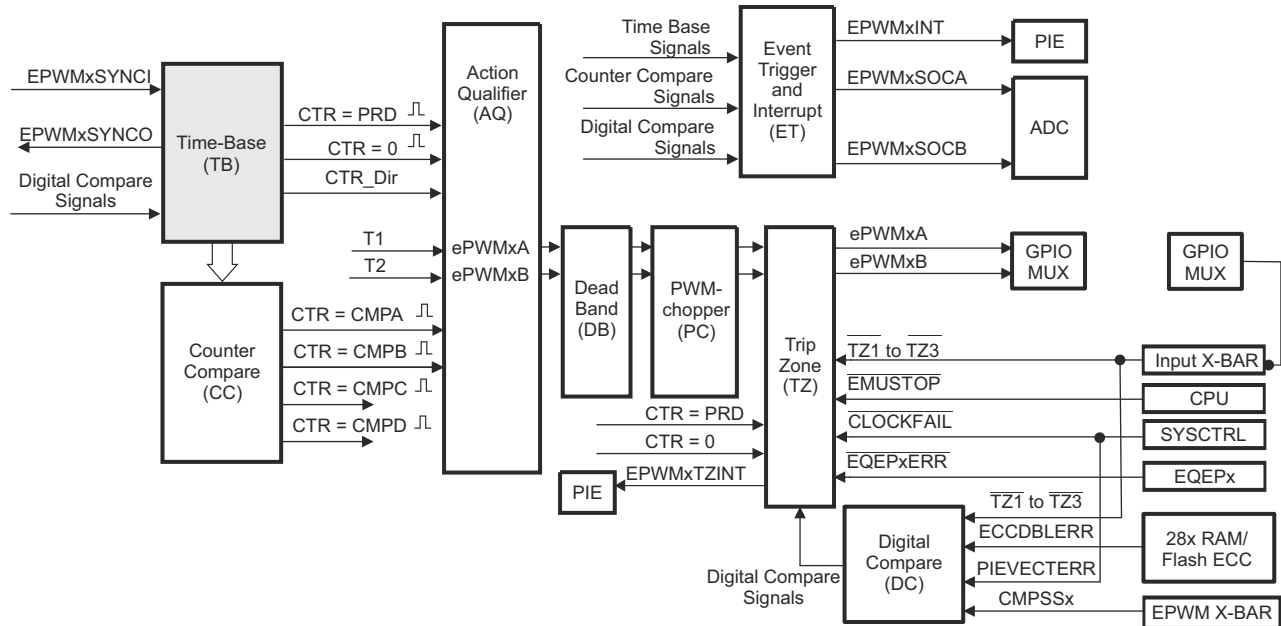


Figure 14-4. Time-Base Submodule

#### 14.4.1 Purpose of the Time-Base Submodule

The time-base submodule can be configured for the following:

- Specify the ePWM time-base counter (TBCTR) frequency or period to control how often events occur.
- Manage time-base synchronization with other ePWM modules.
- Maintain a phase relationship with other ePWM modules.
- Set the time-base counter to count-up, count-down, or count-up-and-down mode.
- Generate the following events:
  - CTR = PRD: Time-base counter equal to the specified period (TBCTR = TBPRD).
  - CTR = Zero: Time-base counter equal to zero (TBCTR = 0x00).
- Configure the rate of the time-base clock; a prescaled version of the ePWM clock (EPWMCLK). This allows the time-base counter to increment/decrement at a slower rate.

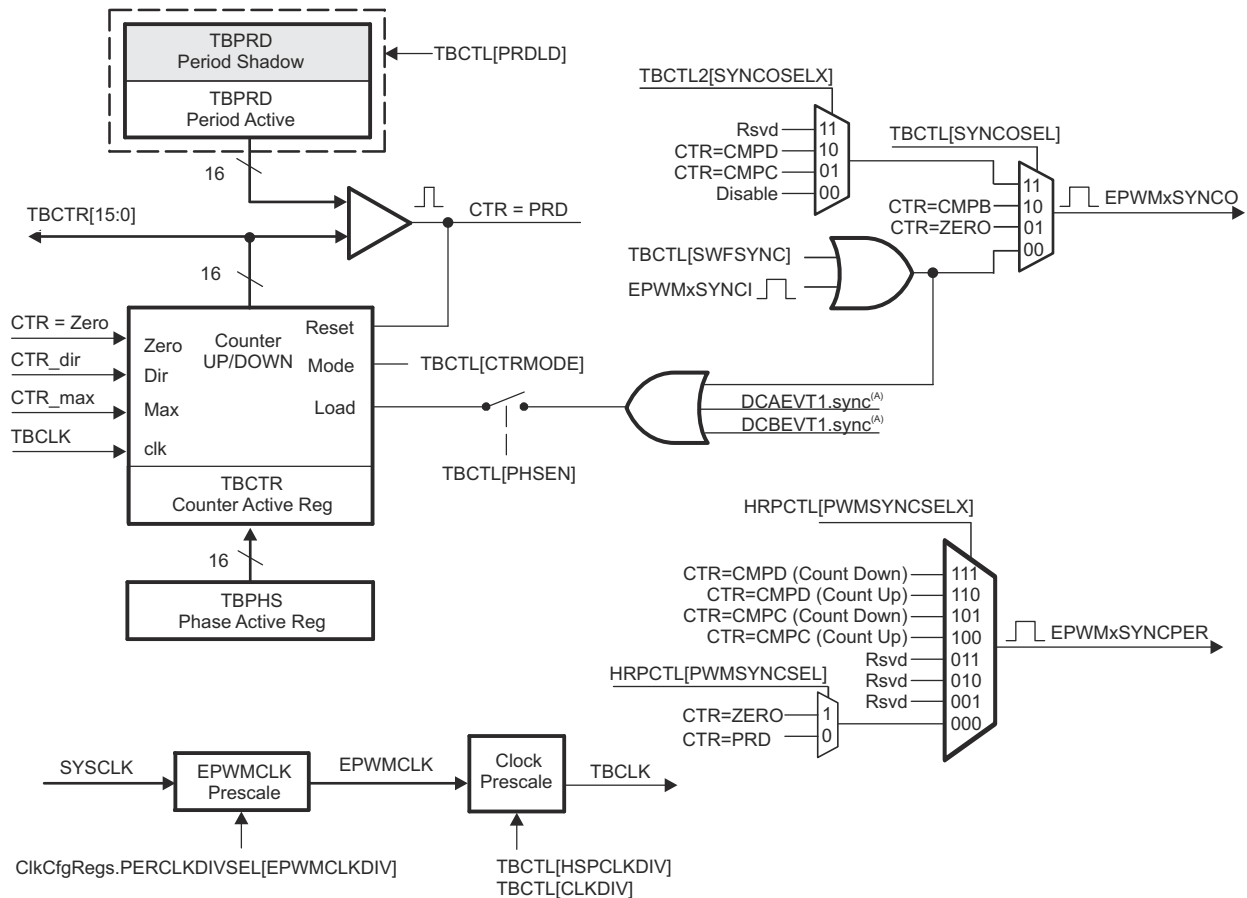
#### Note

The Type 4 ePWM clocking varies from previous ePWM types. Prior to the Type 4 ePWM, the time-base submodule is clocked directly by the system clock (SYSCLKOUT). On this version of the ePWM, there is a divider (EPWMCLKDIV) of the system clock that defaults to EPWMCLK = SYSCLKOUT/2.

If required by the application code to update the TBCTR value through software while the TBCTR is counting, note that the time-base module needs at least 1 TBCLK cycle for the time-base related events to be realized. Hence, the TBCTR can be written with TBCTR = PRD-1 instead of TBCTR = PRD (in case the counter is counting up) and can be written as TBCTR = 1 instead of TBCTR = 0 (in case the counter is counting down) for the events to be realized.

### 14.4.2 Controlling and Monitoring the Time-Base Submodule

The block diagram in Figure 14-5 shows the critical signals and registers of the time-base submodule. Table 14-2 provides descriptions of the key signals associated with the time-base submodule.



A. These signals are generated by the digital compare (DC) submodule.

**Figure 14-5. Time-Base Submodule Signals and Registers**

**Table 14-2. Key Time-Base Signals**

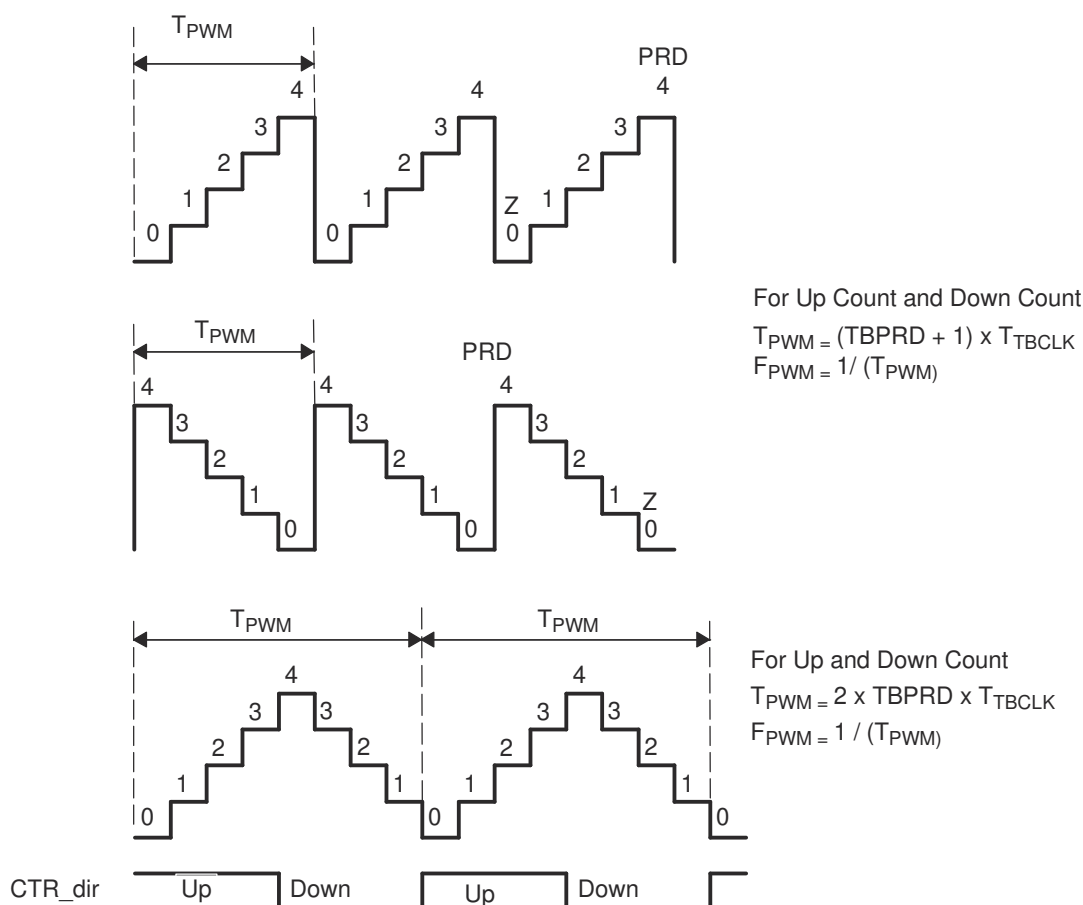
Signal	Description
EPWMxSYNCI	<p>Time-base synchronization input.</p> <p>Input pulse used to synchronize the time-base counter with the counter of ePWM module earlier in the synchronization chain. An ePWM peripheral can be configured to use or ignore this signal. For the first ePWM module in each synchronization chain, this signal can come from a device pin using INPUT5 or INPUT6 of the Input X-BAR or from a previous ePWM module. For subsequent ePWM modules in each chain, this signal is passed from another ePWM peripheral. For example, EPWM2SYNCI is generated by the ePWM1 peripheral, EPWM3SYNCI is generated by ePWM2 and so forth. For information on the synchronization order of a particular device, see <a href="#">Section 14.4.3.3</a>.</p>
EPWMxSYNCO	<p>Time-base synchronization output.</p> <p>This output pulse is used to synchronize the counter of an ePWM module later in the synchronization chain. The ePWM module generates this signal from one of three event sources:</p> <ol style="list-style-type: none"> <li>1. EPWMxSYNCI (Synchronization input pulse)</li> <li>2. CTR = Zero: The time-base counter equal to zero (TBCTR = 0x00).</li> <li>3. CTR = CMPB: The time-base counter equal to the counter-compare B (TBCTR = CMPB) register.</li> </ol>
EPWMxSYNCPER	<p>Time-base peripheral synchronization output.</p> <p>This output signal is used to synchronize the GPDAC and CMPSS to the EPWM. The output signal can be configured using the HRPCTL register. Note that this signal has no relation with the HRPWM.</p>
CTR = PRD	<p>Time-base counter equal to the specified period.</p> <p>This signal is generated whenever the counter value is equal to the active period register value. That is when TBCTR = TBPRD.</p>
CTR = Zero	<p>Time-base counter equal to zero</p> <p>This signal is generated whenever the counter value is zero. That is when TBCTR equals 0x00.</p>
CTR = CMPB	<p>Time-base counter equal to active counter-compare B register (TBCTR = CMPB).</p> <p>This event is generated by the counter-compare submodule and used by the synchronization out logic</p>
CTR_dir	<p>Time-base counter direction.</p> <p>Indicates the current direction of the ePWM's time-base counter. The signal is high when the counter is increasing and the signal is low when the counter is decreasing.</p>
CTR_max	<p>Time-base counter equal max value. (TBCTR = 0xFFFF)</p> <p>Generated event when the TBCTR value reaches the maximum value. This signal is only used only as a status bit</p>
TBCLK	<p>Time-base clock.</p> <p>This is a prescaled version of the ePWM clock (EPWMCLK) and is used by all submodules within the ePWM. This clock determines the rate at which time-base counter increments or decrements.</p>

### 14.4.3 Calculating PWM Period and Frequency

The frequency of PWM events is controlled by the time-base period (TBPRD) register and the mode of the time-base counter. Figure 14-6 shows the period ( $T_{PWM}$ ) and frequency ( $F_{PWM}$ ) relationships for the up-count, down-count, and up-down-count time-base counter modes when the period is set to 4 (TBPRD = 4). The time increment for each step is defined by the time-base clock (TBCLK) which is a prescaled version of the ePWM clock (EPWMCLK).

The time-base counter has three modes of operation selected by the time-base control register (TBCTL):

- **Up-Down Count Mode:** In up-down count mode, the time-base counter starts from zero and increments until the period (TBPRD) value is reached. When the period value is reached, the time-base counter then decrements until the counter reaches zero. At this point, the counter repeats the pattern and begins to increment.
- **Up-Count Mode:** In up-count mode, the time-base counter starts from zero and increments until the counter reaches the value in the period register (TBPRD). When the period value is reached, the time-base counter resets to zero and begins to increment once again.
- **Down-Count Mode:** In down-count mode, the time-base counter starts from the period (TBPRD) value and decrements until the counter reaches zero. When the counter reaches zero, the time-base counter is reset to the period value and begins to decrement once again.



**Figure 14-6. Time-Base Frequency and Period**

#### 14.4.3.1 Time-Base Period Shadow Register

The time-base period register (TBPRD) has a shadow register. Shadowing allows the register update to be synchronized with the hardware. The following definitions are used to describe all shadow registers in the ePWM module:

- **Active Register:** The active register controls the hardware and is responsible for actions that the hardware causes or invokes.
- **Shadow Register:** The shadow register buffers provide a temporary holding location for the active register and have no direct effect on any control hardware. At a strategic point in time, the shadow register content is transferred to the active register. This prevents corruption or spurious operation due to the register being asynchronously modified by software.

The memory address of the shadow period register is the same as the active register. Which register is written to or read from is determined by the TBCTL[PRDL] bit. This bit enables and disables the TBPRD shadow register as follows:

- **Time-Base Period Shadow Mode:** The TBPRD shadow register is enabled when TBCTL[PRDL] = 0. Reads from and writes to the TBPRD memory address go to the shadow register. The shadow register contents are transferred to the active register (TBPRD (Active) ← TBPRD (shadow)) when the time-base counter equals zero (TBCTR = 0x00) and/or a sync event as determined by the TBCTL2[PRDLDSYNC] bit. The PRDLDSYNC bit is valid only if TBCTL[PRDL] = 0. By default the TBPRD shadow register is enabled. The sources for the SYNC input is explained in [Section 14.4.3.3](#).

The global load control mechanism can also be used with the time-base period register by configuring the appropriate bits in the global load configuration register (GLDCFG). When global load mode is selected the transfer of contents from shadow register to active register, for all registers that have this mode enabled, occurs at the same event as defined by the configuration bits in Global Shadow to Active Load Control Register (GLDCTL). Global load control mechanism is explained in [Section 14.4.7](#).

- **Time-Base Period Immediate Load Mode:** If immediate load mode is selected (TBCTL[PRDL] = 1), then a read from or a write to the TBPRD memory address goes directly to the active register.

#### 14.4.3.2 Time-Base Clock Synchronization

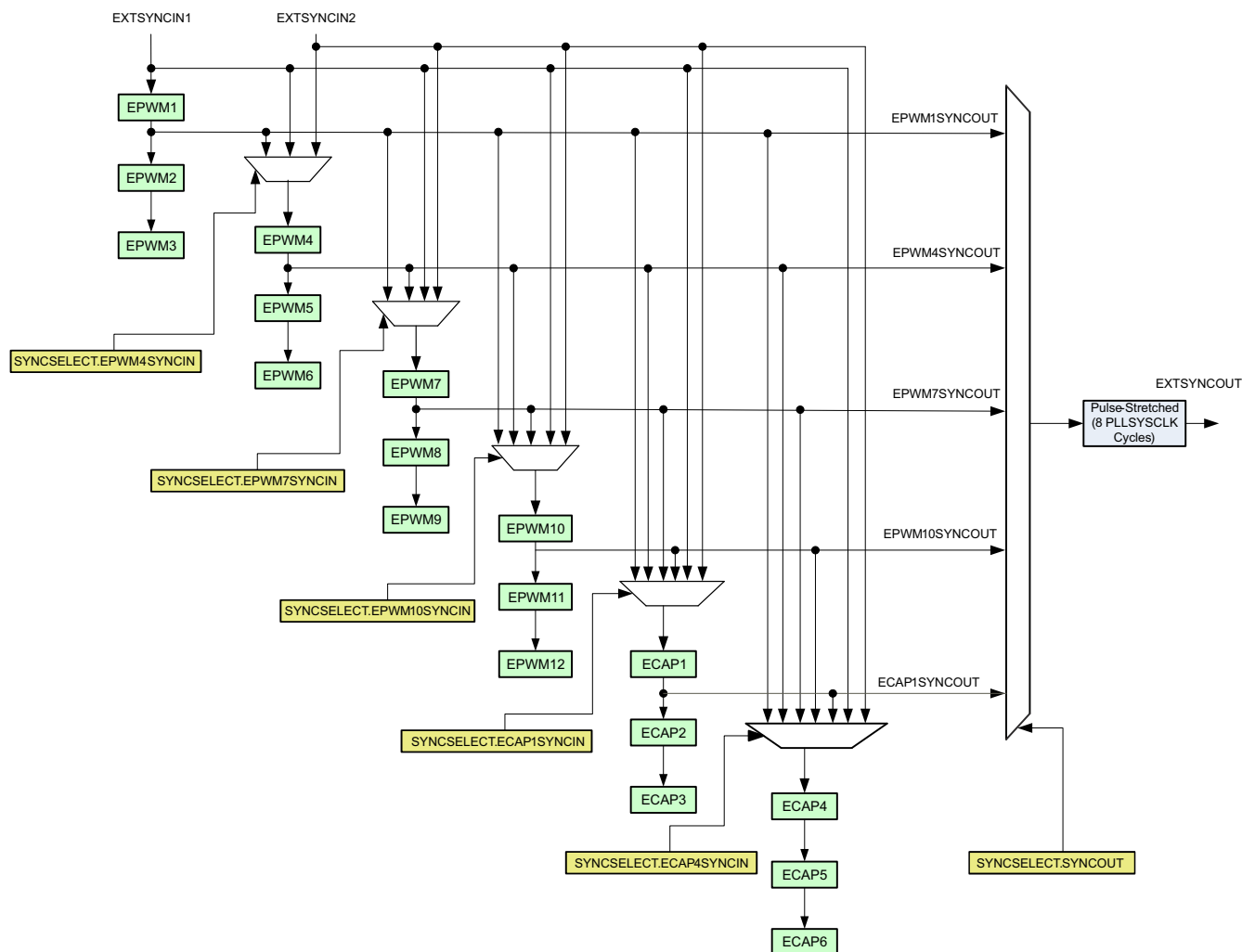
The TBCLKSYNC bit in the peripheral clock enable registers allows all users to globally synchronize all enabled ePWM modules to the time-base clock (TBCLK). When set, all enabled ePWM module clocks are started with the first rising edge of TBCLK aligned. For perfectly synchronized TBCLKs, the prescalers for each ePWM module must be set identically.

The proper procedure for enabling ePWM clocks is as follows:

1. Enable ePWM module clocks in the PCLKCRx register
2. Set TBCLKSYNC= 0
3. Configure ePWM modules
4. Set TBCLKSYNC= 1

### 14.4.3.3 Time-Base Counter Synchronization

The ePWM synchronization scheme allows for increased flexibility of synchronization of the ePWM modules. Each ePWM module has a synchronization input (SYNCl), a synchronization output (SYNCO) and a peripheral synchronization output (SYNCPER). In Figure 14-7, EXTSYNClN1 is sourced from INPUTXBAR5 and EXTSYNClN2 is sourced from INPUTXBAR6, which can be configured to select any GPIO as the synchronization input. When configuring the sync chain propagation path using the SYNCSEL registers, make sure that the longest path does not exceed four ePWM/eCAP modules.



**Figure 14-7. Time-Base Counter Synchronization Scheme**

#### Note

See the data sheet for the number of ePWM and eCAP modules available on your specific device.

Each ePWM module can be configured to use or ignore the synchronization input. If the TBCTL[PHSEN] bit is set, then the time-base counter (TBCTR) of the ePWM module is automatically loaded with the phase register (TBPHS) contents when one of the following conditions occur:

- **EPWMxSYNCl: Synchronization Input Pulse:** The value of the phase register is loaded into the counter register when an input synchronization pulse is detected (TBPHS → TBCTR). This operation occurs on the next valid time-base clock (TBCLK) edge.

The delay from internal control module to target modules is given by:



- if ( TBCLK = EPWMCLK): 2 x EPWMCLK
- if ( TBCLK < EPWMCLK): 1 x TBCLK
- **Software Forced Synchronization Pulse:** Writing a 1 to the TBCTL[SWFSYNC] control bit invokes a software forced synchronization. This pulse is ORed with the synchronization input signal, and therefore has the same effect as a pulse on EPWMxSYNCl.
- **Digital Compare Event Synchronization Pulse:** DCAEVT1 and DCBEVT1 digital compare events can be configured to generate synchronization pulses which have the same affect as EPWMxSYNCl.

---

#### Note

If the EPWMxSYNCl signal is held high, the sync does not continuously occur. The EPWMxSYNCl is rising edge activated.

---

This feature enables the ePWM module to be automatically synchronized to the time base of another ePWM module. Lead or lag phase control can be added to the waveforms generated by different ePWM modules to synchronize them. In up-down-count mode, the TBCTL[PHSDIR] bit configures the direction of the time-base counter immediately after a synchronization event. The new direction is independent of the direction prior to the synchronization event. The PHSDIR bit is ignored in count-up or count-down modes. See [Figure 14-8](#) through [Figure 14-11](#) for examples.

Clearing the TBCTL[PHSEN] bit configures the ePWM to ignore the synchronization input pulse. The synchronization pulse can still be allowed to flow-through to the EPWMxSYNCO and be used to synchronize other ePWM modules. In this way, a controller time-base (for example, ePWM1) can be set up and downstream modules (ePWM2 - ePWMx) can run in synchronization with the controller. See [Section 14.13](#) for more details on synchronization strategies.

#### 14.4.4 Phase Locking the Time-Base Clocks of Multiple ePWM Modules

The TBCLKSYNC bit can be used to globally synchronize the time-base clocks of all enabled ePWM modules on a device. This bit is part of the device's clock enable registers and is described in the *System Control and Interrupts* section of this manual. When TBCLKSYNC = 0, the time-base clock of all ePWM modules is stopped (default). When TBCLKSYNC = 1, all ePWM time-base clocks are started with the rising edge of TBCLK aligned. For perfectly synchronized TBCLKs, the prescaler bits in the TBCTL register of each ePWM module must be set identically. The proper procedure for enabling the ePWM clocks is:

1. Enable the individual ePWM module clocks. This is described in the *System Control and Interrupts* chapter.
2. Set TBCLKSYNC= 0. This stops the time-base clock within any enabled ePWM module.
3. Configure the prescaler values and desired ePWM modes.
4. Set TBCLKSYNC = 1.

#### 14.4.5 Simultaneous Writes to TBPRD and CMPx Registers Between ePWM Modules

For variable frequency applications, there is a need for simultaneous writes of TBPRD and CMPx registers between ePWM modules. This prevents situations where a CTR = 0 or CTR = PRD pulse forces a shadow to active load of these registers before all registers are updated between ePWM modules (resulting in some registers being loaded from new shadow values while others are loaded from old shadow values). To support this, an ePWM register linking scheme for TBPRD:TBPRDHR, CMPA:CMPAHR, CMPB:CMPBHR, CMPC, and CMPD registers between PWM modules has been added.

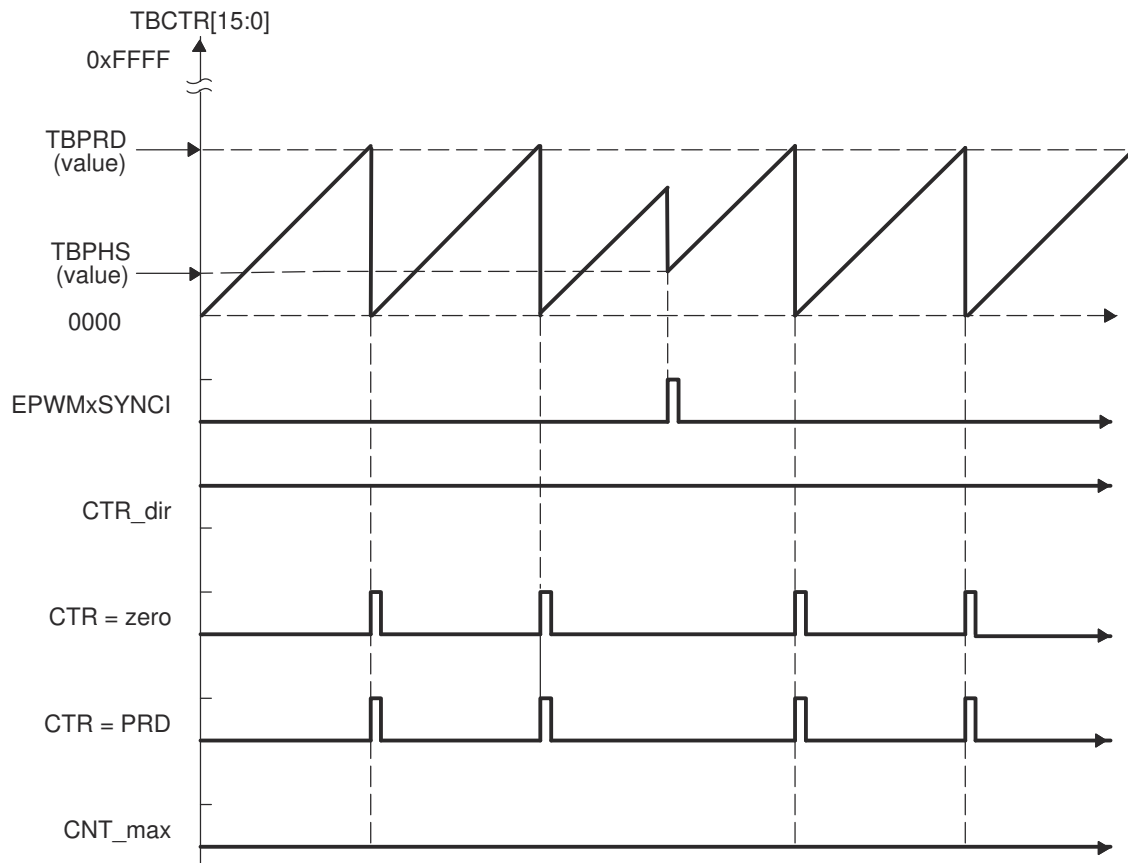
Refer to the register description for EPWMXLINK to see the linked register bit-field values for corresponding ePWM. An example of using the EPWMXLINK is linking ePWM2 CMPA with CMPA of ePWM1 through ePWM2's EPWMXLINK[CMPPALINK] register bit-field. In this case, a write to CMPA of ePWM1 also changes the CMPA value for ePWM2.

### 14.4.6 Time-Base Counter Modes and Timing Waveforms

The time-base counter operates in one of four modes:

- Up-count mode that is asymmetrical
- Down-count mode that is asymmetrical
- Up-down-count that is symmetrical
- Frozen where the time-base counter is held constant at the current value

To illustrate the operation of the first three modes, the following timing diagrams show when events are generated and how the time-base responds to an EPWMxSYNCl signal.



**Figure 14-8. Time-Base Up-Count Mode Waveforms**

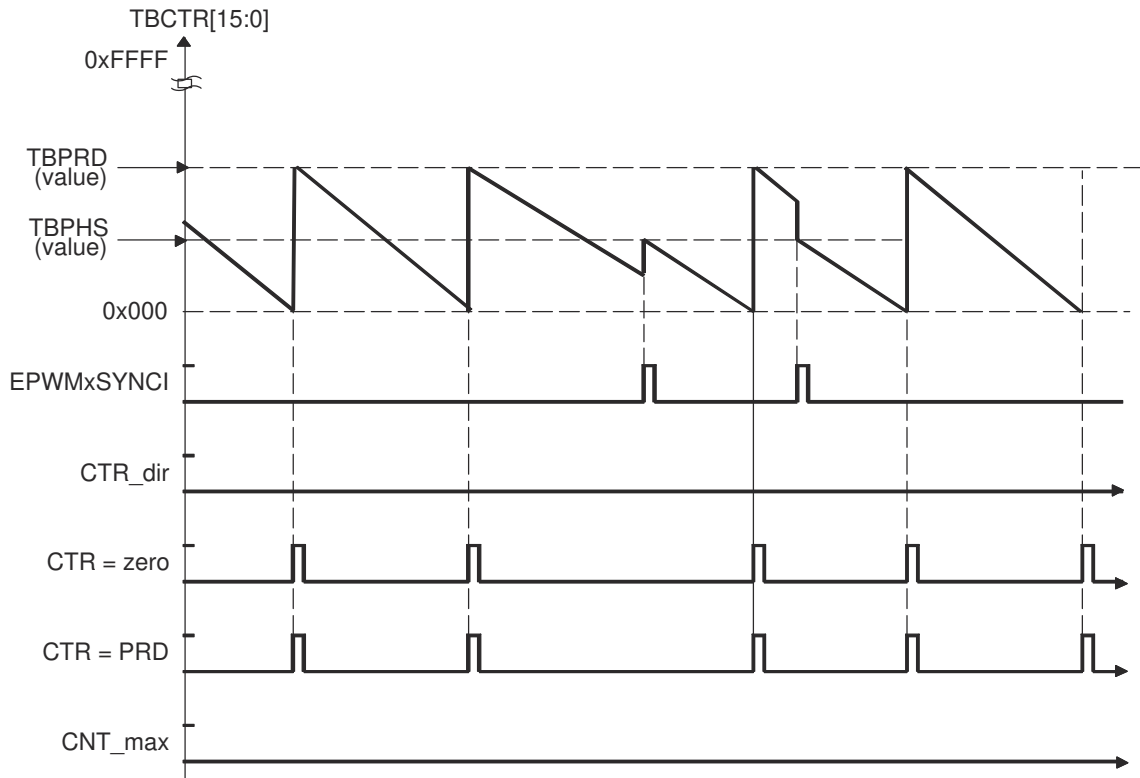
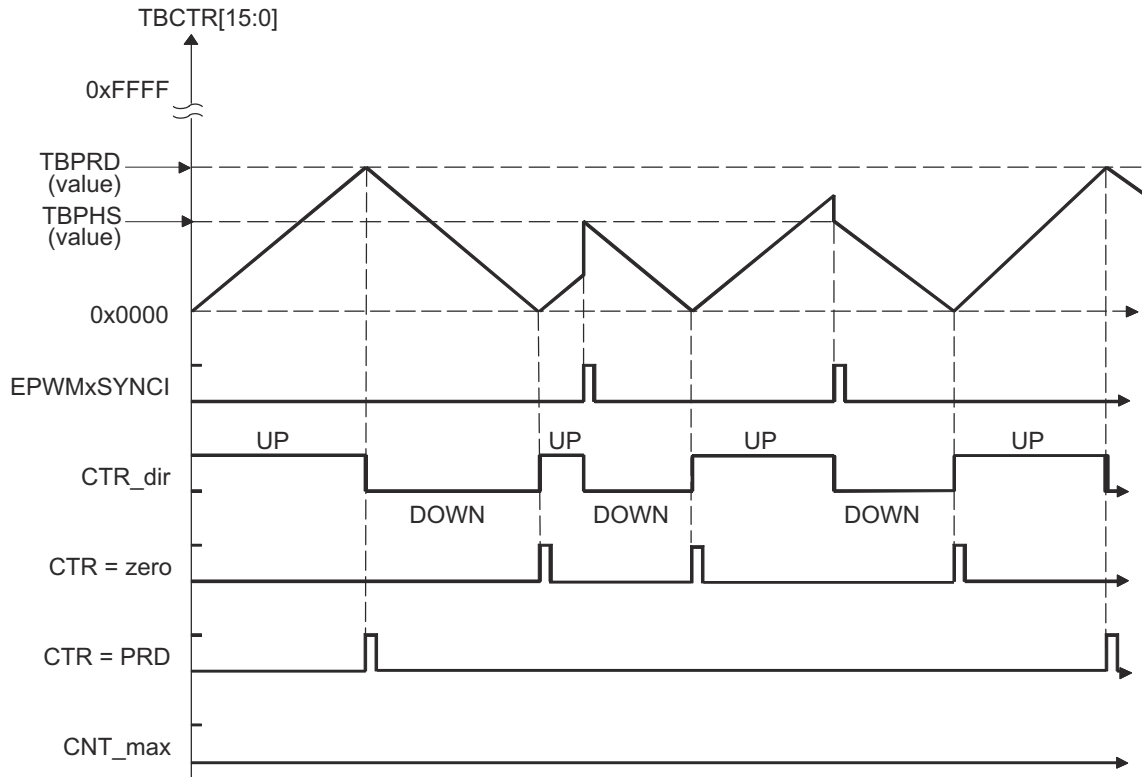


Figure 14-9. Time-Base Down-Count Mode Waveforms



**Figure 14-10. Time-Base Up-Down-Count Waveforms, TBCTL[PHSDIR = 0] Count Down On Synchronization Event**

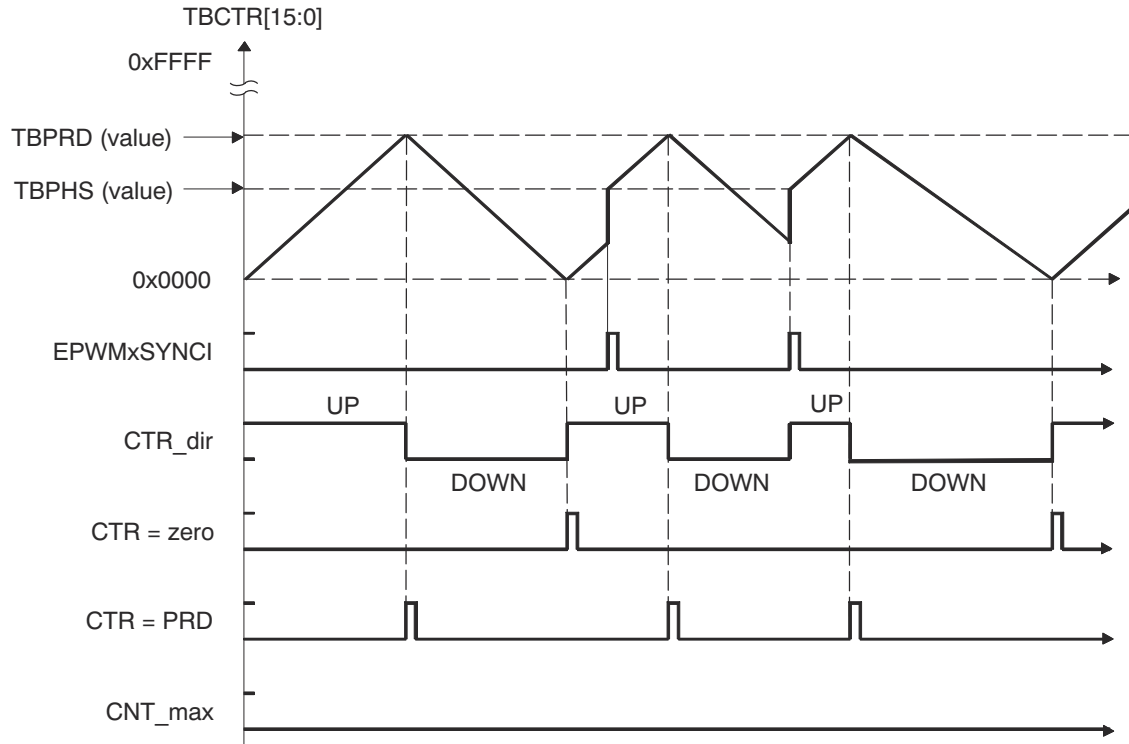


Figure 14-11. Time-Base Up-Down Count Waveforms, TBCTL[PHSDIR = 1] Count Up On Synchronization Event

### 14.4.7 Global Load

Figure 14-12 shows the signals and registers associated with the global load feature.

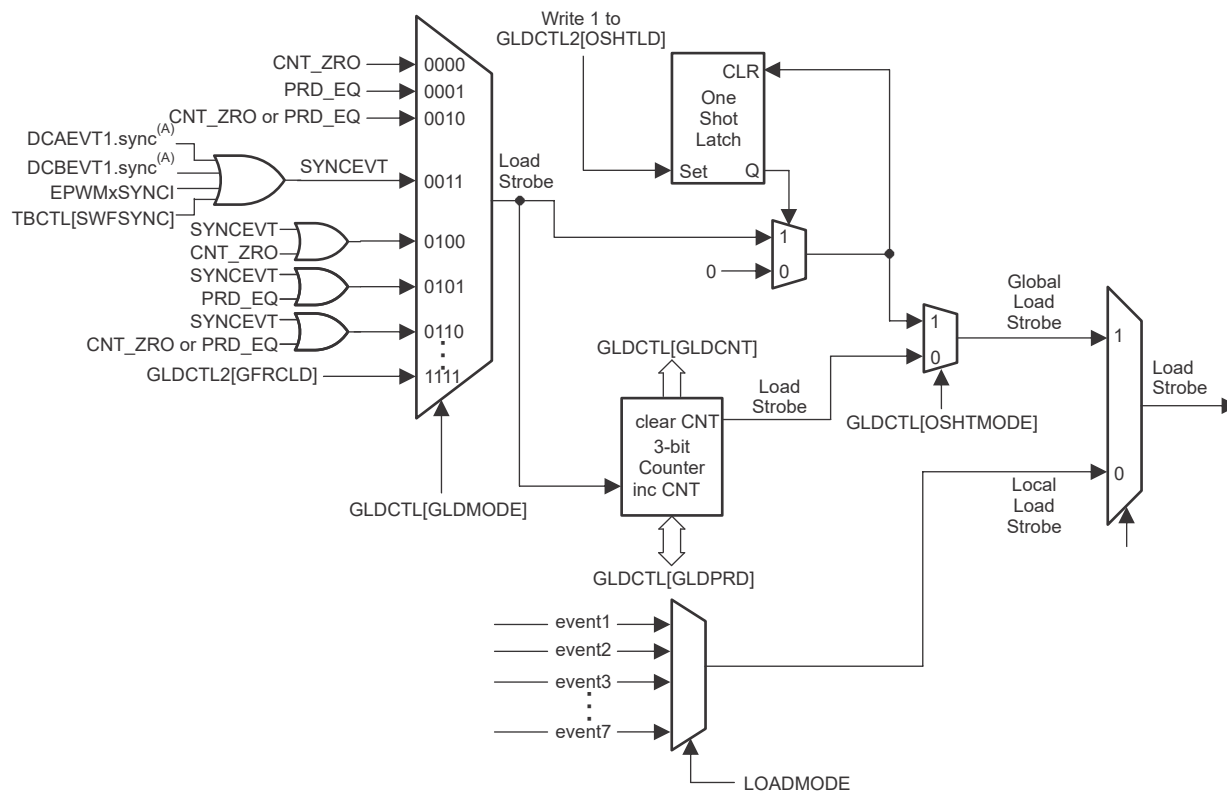


Figure 14-12. Global Load: Signals and Registers

**Note**

The SYNCEVT signal is only propagated through when PHSEN is SET.

When this feature is enabled, the transfer of contents from the shadow register to the active register, for all registers that have this mode enabled, occurs at the same event as defined by the configuration bits in Global Shadow to Active Load Control Register (GLDCTL[GLDMODE]). When GLDCTL[GLD] = 1, shadow to active load event selection bits for individual shadowed registers are ignored and global load mode takes effect for the corresponding registers enabled by GLDCFG[REGx].

When GLDCTL[GLD] = 1 and GLDCFG[REGx] = 0, global load mode does not affect the corresponding register (REGx). Shadow to active load event selection bits for individual shadowed registers decide how the transfer of contents from shadow register to active register takes place.

#### 14.4.7.1 Global Load Pulse Pre-Scalar

This feature provides the capability to choose shadow to active transfers to happen once in 'N' occurrences of selected global load pulse (GLDCTL[GLDMODE]). This pre-scale functionality is not available for registers that cannot or are not configured to use the global load mechanism (that is, GLDCTL[GLD] = 0 or GLDCFG[REGx] = 0).

### 14.4.7.2 One-Shot Load Mode

This feature allows users to cause the shadow register to active register transfers to occur once. When  $GLDCTL2[OSHTLD] = 1$  the shadow to active register transfer, for registers that are configured to use the global load mechanism, takes place on the event selected by  $GLDCTL[GLDMODE]$ .

Software force loading of contents from shadow register to active register is possible by using  $GLDCTL2[GFRCLD]$ . The  $GLDCTL2$  register can also be linked across multiple PWM modules by using  $EPWMXLINK[GLDCTL2LINK]$ . This, along with the one-shot load mode feature discussed above, provides a method to correctly update multiple PWM registers in one or more PWM modules at certain PWM events or, if desired, in the same clock cycle. This is very useful in variable frequency applications and/or multi-phase interleaved applications.

#### Note

One-shot load mode must not be used when high-resolution mode is enabled.

### 14.4.7.3 One-Shot Sync Mode

To enable the one-shot sync mode to generate a SYNCOUT pulse, configure the  $TBCTL2[OSHTSYNCMODE]$  bit and set the  $TBCTL2[OSHTSYNC]$  bit as shown in Figure 14-13.

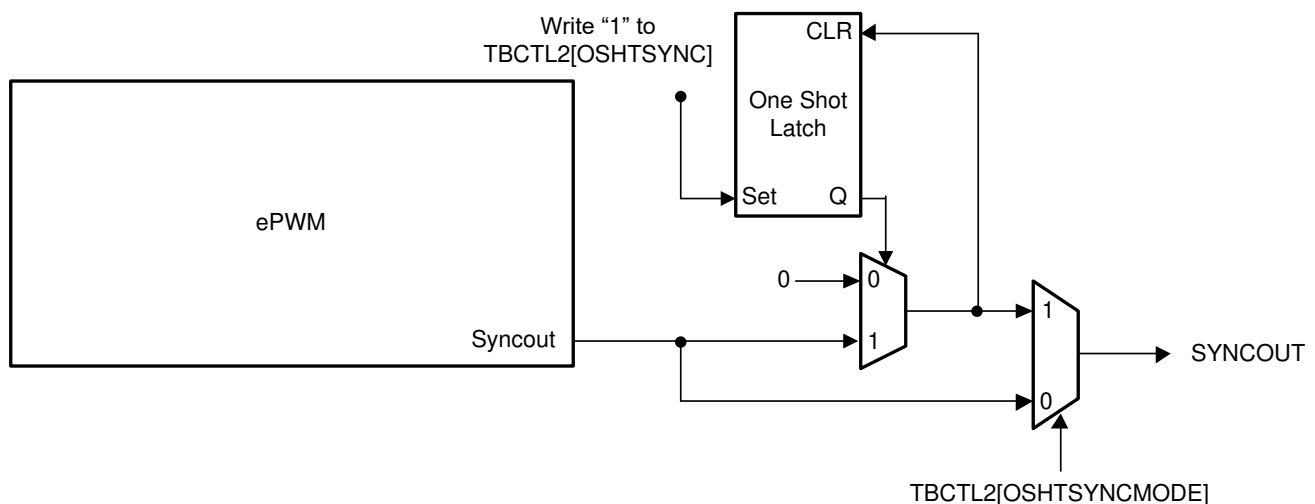
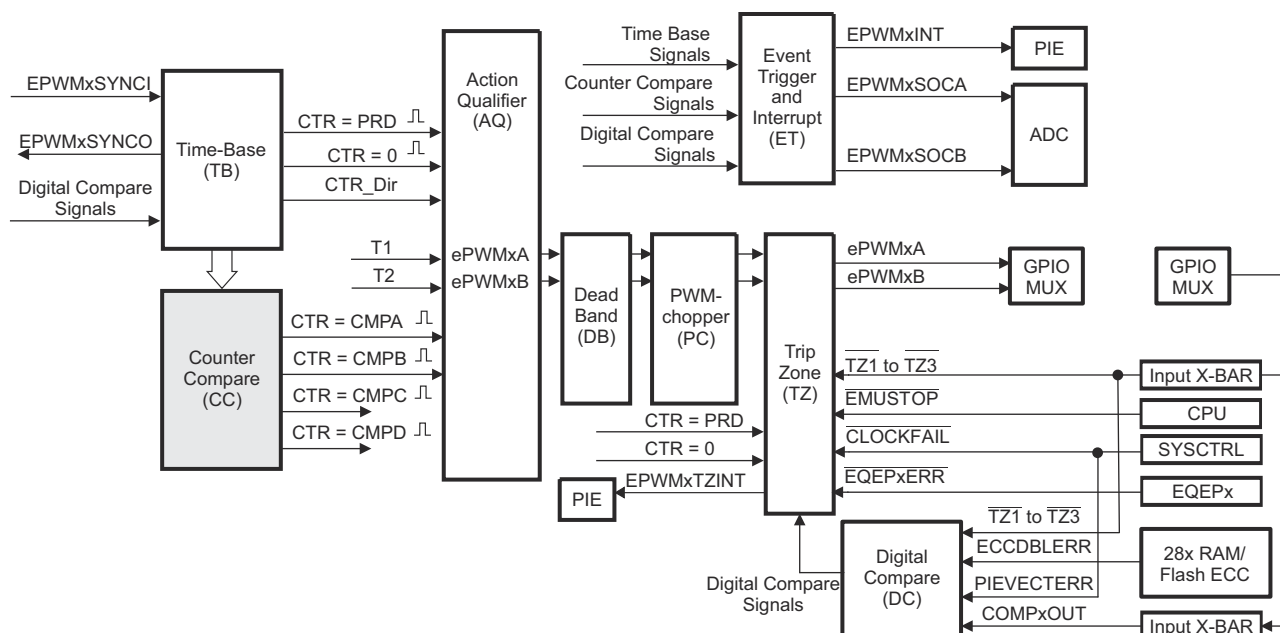


Figure 14-13. One-Shot Sync Mode

## 14.5 Counter-Compare (CC) Submodule

Figure 14-14 illustrates the counter-compare submodule within the ePWM.



**Figure 14-14. Counter-Compare Submodule**

### 14.5.1 Purpose of the Counter-Compare Submodule

The counter-compare submodule takes as input the time-base counter value. This value is continuously compared to the counter-compare A (CMPA), counter-compare B (CMPB), counter-compare C (CMPC), and counter-compare D (CMPD) registers. When the time-base counter is equal to one of the compare registers, the counter-compare unit generates an appropriate event.

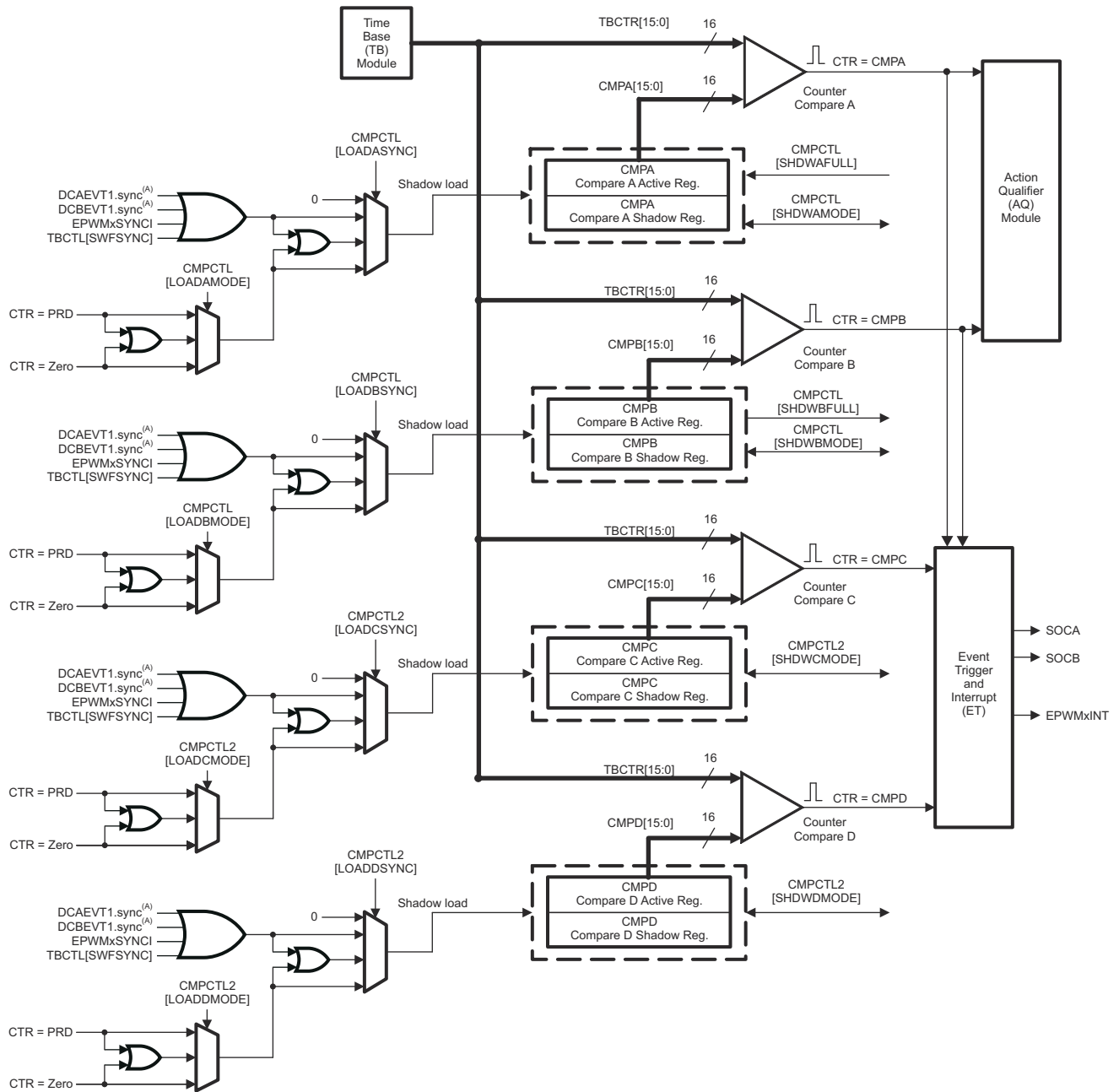
The counter-compare:

- Generates events based on programmable time stamps using the CMPA, CMPB, CMPC, and CMPD registers:
  - CTR = CMPA: Time-base counter equals counter-compare A register (TBCTR = CMPA)
  - CTR = CMPB: Time-base counter equals counter-compare B register (TBCTR = CMPB)
  - CTR = CMPC: Time-base counter equals counter-compare C register (TBCTR = CMPC)
  - CTR = CMPD: Time-base counter equals counter-compare D register (TBCTR = CMPD)
- Controls the PWM duty cycle, if the action-qualifier submodule is configured appropriately using counter-compare A (CMPA) and counter-compare B (CMPB)
- Shadows new compare values to prevent corruption or glitches during the active PWM cycle



### 14.5.2 Controlling and Monitoring the Counter-Compare Submodule

The counter-compare submodule operation is shown in Figure 14-15.



- A. These events are generated by the ePWM digital compare (DC) submodule based on the levels of the TRIPIN inputs (for example, CMPSSx and TZ signals).

**Figure 14-15. Detailed View of the Counter-Compare Submodule**

### 14.5.3 Operational Highlights for the Counter-Compare Submodule

The counter-compare submodule is responsible for generating events that can be used in the action-qualifier and event-trigger submodules. There are four independent compare events:

1. CTR = CMPA: Time-base counter equal to counter-compare A register (TBCTR = CMPA).
2. CTR = CMPB: Time-base counter equal to counter-compare B register (TBCTR = CMPB).
3. CTR = CMPC: Time-base counter equal to counter-compare C register (TBCTR = CMPC). This event can be used to generate an event in the event trigger submodule only.
4. CTR = CMPD: Time-base counter equal to counter-compare D register (TBCTR = CMPD). This event can be used to generate an event in the event trigger submodule only.

For up-count or down-count mode, each event occurs only once per cycle. For up-down count mode, each event occurs twice per cycle if the compare value is between 0x00-TBPRD; and once per cycle if the compare value is equal to 0x00 or equal to TBPRD. These events are applied to the action-qualifier submodule where the events are qualified by the counter direction and converted into actions if enabled. Refer to [Section 14.6.1](#) for more details.

The counter-compare registers CMPA and CMPB each have an associated shadow register. Shadowing provides a way to keep updates to the registers synchronized with the hardware. When shadowing is used, updates to the active registers only occur at strategic points. This prevents corruption or spurious operation due to the register being asynchronously modified by software. The memory address of the active register and the shadow register is identical. The register that is written to or read from is determined by the CMPCTL[SHDWAMODE] and CMPCTL[SHDWBMODE] bits. These bits enable and disable the CMPC shadow register and CMPD shadow register, respectively. The behavior of the two load modes is:

#### Shadow Mode:

The shadow mode for the CMPA is enabled by clearing the CMPCTL[SHDWAMODE] bit and the shadow register for CMPB is enabled by clearing the CMPCTL[SHDWBMODE] bit. Shadow mode is enabled by default for both CMPA and CMPB.

If the shadow register is enabled then the content of the shadow register is transferred to the active register on one of the following events as specified by the CMPCTL[LOADAMODE], CMPCTL[LOADBMODE], CMPCTL[LOADASYNC], and CMPCTL[LOADBSYNC] register bits:

- CTR = PRD: Time-base counter equal to the period (TBCTR = TBPRD).
- CTR = Zero: Time-base counter equal to zero (TBCTR = 0x00)
- Both CTR = PRD and CTR = Zero
- SYNC event caused by DCAEVT1 or DCBEVT1 or EPWMxSYNCl or TBCTL[SWFSYNC]
- Both SYNC event or a selection made by LOADAMODE/LOADBMODE

Only the active register contents are used by the counter-compare submodule to generate events to be sent to the action-qualifier.

---

#### Note

Refer to [Section 14.6.5](#) for valid configurations of CMPA/CMPB and LOADAMODE/LOADBMODE.

---

#### Immediate Load Mode:

If the immediate load mode is selected (that is, CMPCTL[SHDWAMODE] = 1 or CMPCTL[SHDWBMODE] = 1), then a read from or a write to the register goes directly to the active register.

## Additional Comparators

The counter-compare submodule on ePWMs type 2 and later are responsible for generating two additional independent compare events based on two compare registers, which is fed to Event Trigger submodule:

1. CTR = CMPC: Time-base counter equal to counter-compare C register (TBCTR = CMPC).
2. CTR = CMPD: Time-base counter equal to counter-compare D register (TBCTR = CMPD).

The counter-compare registers CMPC and CMPD each have an associated shadow register. By default this register is shadowed. The memory address of the active register and the shadow register is identical. The value in the active CMPC and CMPD register is compared to the time-base counter (TBCTR). When the values are equal, the counter compare module generates a “time-base counter equal to counter compare C or counter compare D” event respectively. Shadowing of this register is enabled and disabled by the CMPCTL2[SHDWCMODE] and CMPCTL2[SHDWDMODE] bit. These bits enable and disable the CMPC shadow register and CMPD shadow register respectively. The behavior of the two load modes is described below:

### Shadow Mode:

The shadow mode for the CMPC is enabled by clearing the CMPCTL2[SHDWCMODE] bit and the shadow register for CMPD is enabled by clearing the CMPCTL2[SHDWDMODE] bit. Shadow mode is enabled by default for both CMPC and CMPD.

If the shadow register is enabled then the content of the shadow register is transferred to the active register on one of the following events as specified by the CMPCTL2[LOADCMODE], CMPCTL2[LOADDMODE], CMPCTL2[LOADCSYNC], and CMPCTL2[LOADDSYNC] register bits:

- CTR = PRD: Time-base counter equal to the period (TBCTR = TBPRD).
- CTR = Zero: Time-base counter equal to zero (TBCTR = 0x00)
- Both CTR = PRD and CTR = Zero
- SYNC event caused by DCAEVT1 or DCBEVT1 or EPWMxSYNCl or TBCTL[SWFSYNC]
- Both SYNC event or a selection made by LOADCMODE/LOADDMODE

Only the active register contents are used by the counter-compare submodule to generate events to be sent to the action-qualifier.

### Immediate Load Mode:

If the immediate load mode is selected (that is, CMPCTL2[SHDWCMODE] = 1 or CMPCTL2[SHDWDMODE] = 1), then a read from or a write to the register goes directly to the active register.

### Global Load Support

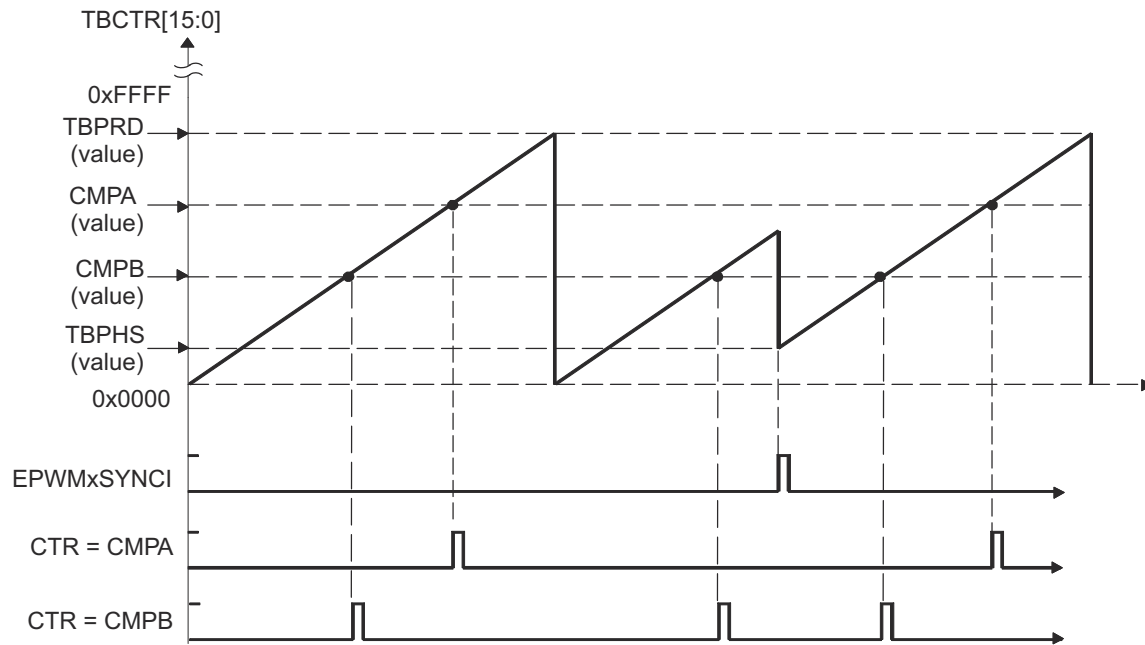
The global load control mechanism can also be used for all counter-compare registers by configuring the appropriate bits in the global load configuration register (GLDCFG). When the global load mode is selected the transfer of contents from shadow register to active register, for all registers that have this mode enabled, occurs at the same event as defined by the configuration bits in the Global Shadow to Active Load Control Register (GLDCTL). The global load control mechanism is explained in [Section 14.4.7](#).

### 14.5.4 Count Mode Timing Waveforms

The counter-compare module can generate compare events in all three count modes:

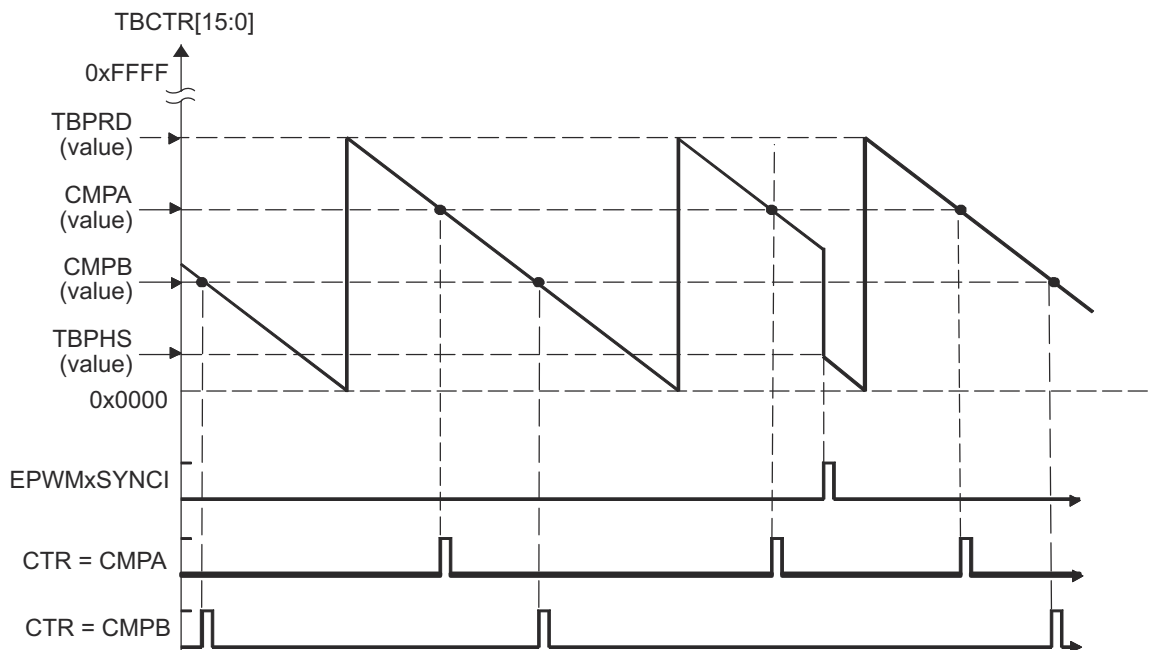
- Up-count mode: used to generate an asymmetrical PWM waveform.
- Down-count mode: used to generate an asymmetrical PWM waveform.
- Up-down-count mode: used to generate a symmetrical PWM waveform.

To best illustrate the operation of the first three modes, the timing diagrams in [Figure 14-16](#) through [Figure 14-19](#) show when events are generated and how the EPWMxSYNCl signal interacts.

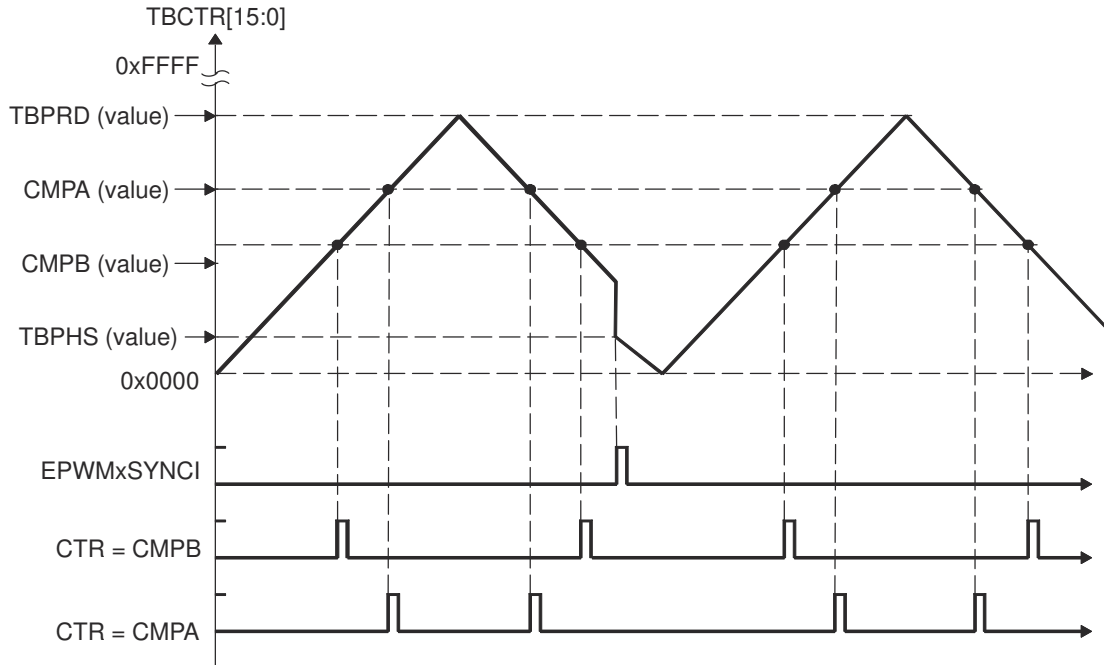


An EPWMxSYNCl external synchronization event can cause a discontinuity in the TBCTR count sequence. This can lead to a compare event being skipped. This skipping is considered normal operation and must be taken into account.

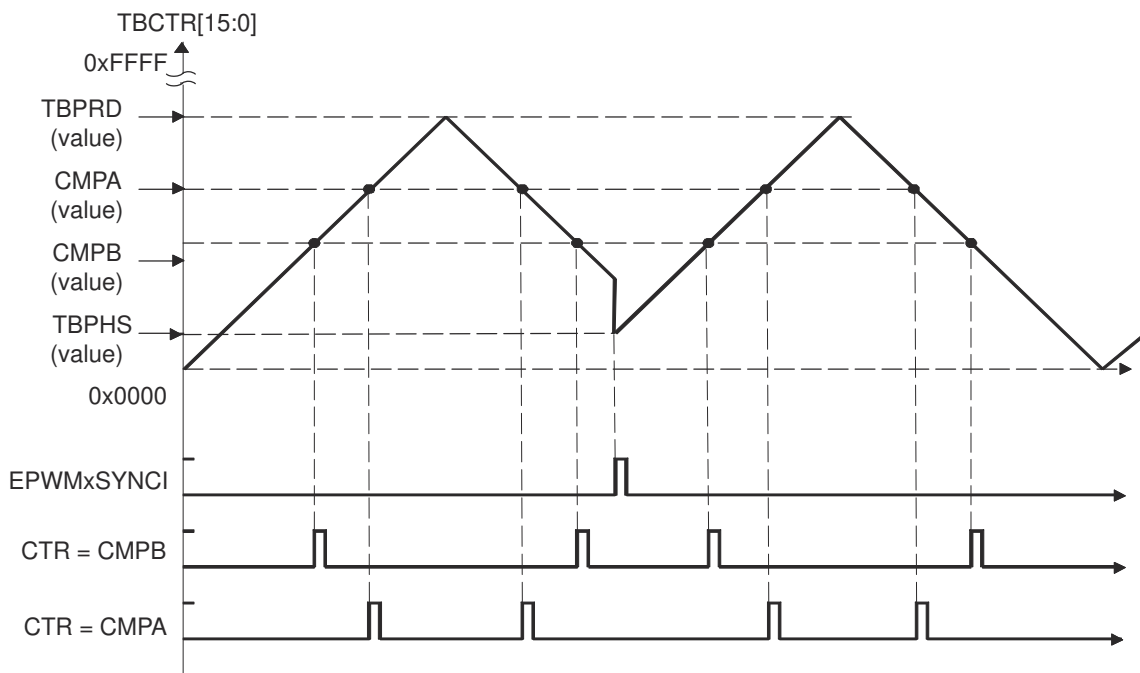
**Figure 14-16. Counter-Compare Event Waveforms in Up-Count Mode**



**Figure 14-17. Counter-Compare Events in Down-Count Mode**



**Figure 14-18. Counter-Compare Events In Up-Down-Count Mode, TBCTL[PHSDIR = 0] Count Down On Synchronization Event**

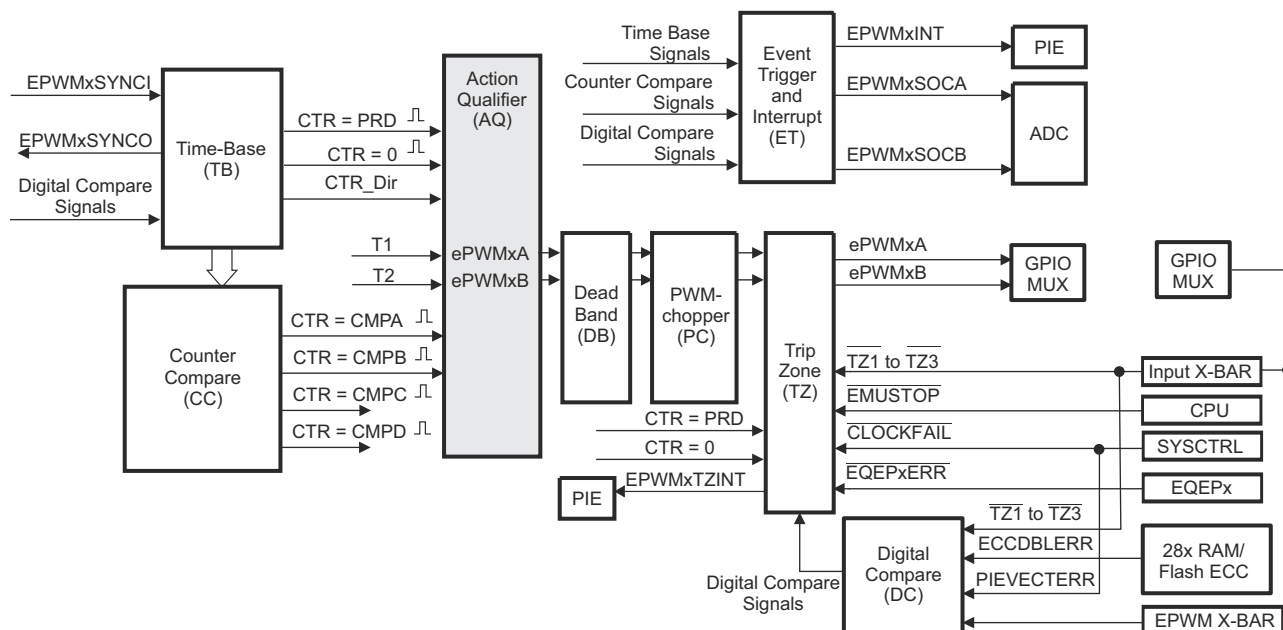


**Figure 14-19. Counter-Compare Events In Up-Down-Count Mode, TBCTL[PHSDIR = 1] Count Up On Synchronization Event**

## 14.6 Action-Qualifier (AQ) Submodule

The action-qualifier submodule has the most important role in waveform construction and PWM generation. The action-qualifier submodule decides which events are converted into various action types, thereby, producing the required switched waveforms at the EPWMxA and EPWMxB outputs.

Figure 14-20 illustrates the action-qualifier submodule within the ePWM.



**Figure 14-20. Action-Qualifier Submodule**

### 14.6.1 Purpose of the Action-Qualifier Submodule

The action-qualifier submodule is responsible for the following:

- Qualifying and generating actions (set, clear, toggle) based on the following events:
  - CTR = PRD: Time-base counter equal to the period (TBCTR = TBPRD).
  - CTR = Zero: Time-base counter equal to zero (TBCTR = 0x00)
  - CTR = CMPA: Time-base counter equal to the counter-compare A register (TBCTR = CMPA)
  - CTR = CMPB: Time-base counter equal to the counter-compare B register (TBCTR = CMPB)
- T1, T2 events: Trigger events based on comparator, trip or syncin events
- Managing priority when these events occur concurrently
- Providing independent control of events when the time-base counter is increasing and when it is decreasing

### 14.6.2 Action-Qualifier Submodule Control and Status Register Definitions

The action-qualifier submodule operation is shown in Figure 14-21 and monitored by way of the registers in Section 14.15.

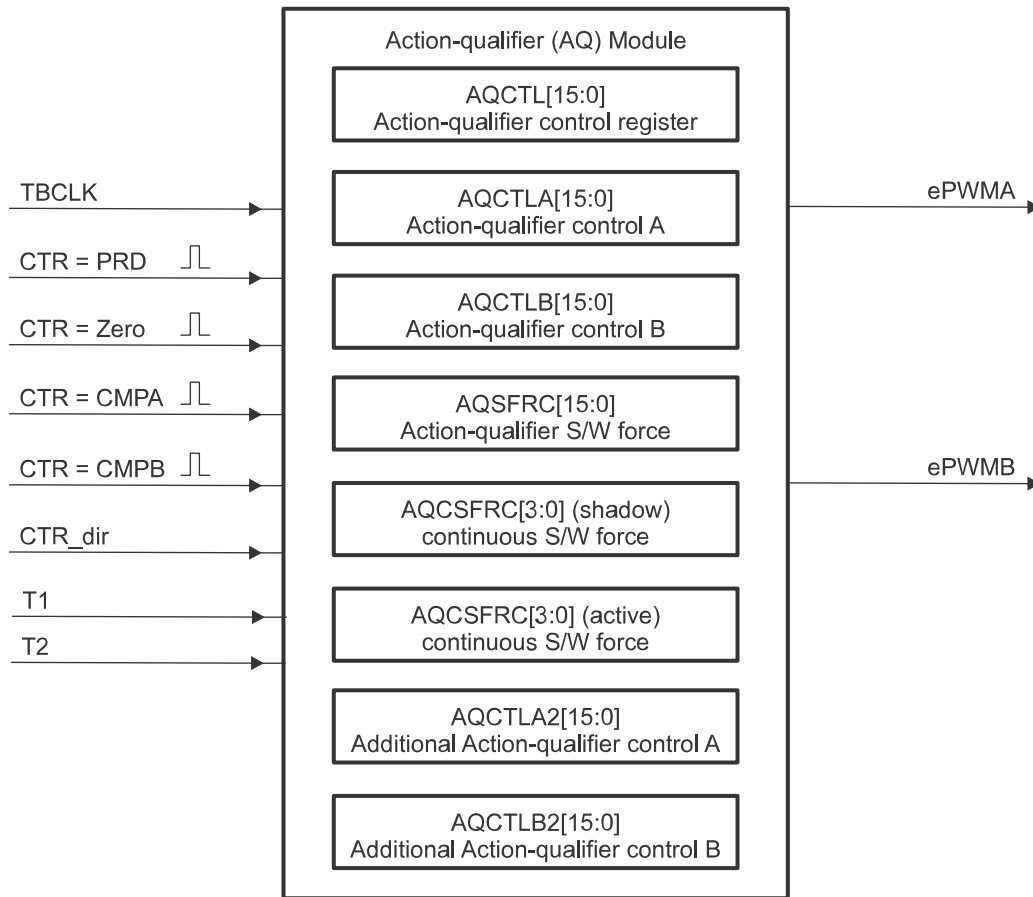


Figure 14-21. Action-Qualifier Submodule Inputs and Outputs

For convenience, the possible input events are summarized again in Table 14-3.

Table 14-3. Action-Qualifier Submodule Possible Input Events

Signal	Description	Registers Compared
CTR = PRD	Time-base counter equal to the period value	TBCTR = TBPRD
CTR = Zero	Time-base counter equal to 0	TBCTR = 0x00
CTR = CMPA	Time-base counter equal to the counter-compare A	TBCTR = CMPA
CTR = CMPB	Time-base counter equal to the counter-compare B	TBCTR = CMPB
T1 event	Based on comparator, trip, or syncin events	None
T2 event	Based on comparator, trip, or syncin events	None
Software forced event	Asynchronous event initiated by software	

The software forced action is a useful asynchronous event. This control is handled by the AQSFRC and AQCSFRC registers.

**Note**

If the CSFA is not used in shadow mode, the RLDCSF bit must be configured to disable shadow mode.


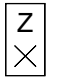









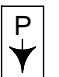





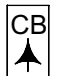
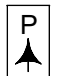


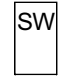
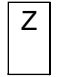
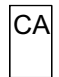
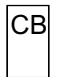
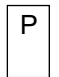


The action-qualifier submodule controls how the two outputs EPWMxA and EPWMxB behave when a particular event occurs. The event inputs to the action-qualifier submodule are further qualified by the counter direction (up or down). This allows for independent action on outputs on both the count-up and count-down phases.

The possible actions imposed on outputs EPWMxA and EPWMxB are:

- **Set High:** Set output EPWMxA or EPWMxB to a high level.
- **Clear Low:** Set output EPWMxA or EPWMxB to a low level.
- **Toggle:** If EPWMxA or EPWMxB is currently pulled high, then pull the output low. If EPWMxA or EPWMxB is currently pulled low, then pull the output high.
- **Do Nothing:** Keep outputs EPWMxA and EPWMxB at same level as currently set. Although the "Do Nothing" option prevents an event from causing an action on the EPWMxA and EPWMxB outputs, this event can still trigger interrupts and ADC start of conversion. See the description in [Section 14.10](#) for details.

Actions are specified independently for either output (EPWMxA or EPWMxB). Any or all events can be configured to generate actions on a given output. For example, both CTR = CMPA and CTR = CMPB can operate on output EPWMxA. All qualifier actions are configured using the control registers found in the *ePWM Registers* section.

For clarity, the illustrations in this chapter use a set of symbolic actions. These symbols are summarized in [Figure 14-22](#). Each symbol represents an action as a marker in time. Some actions are fixed in time (zero and period) while the CMPA and CMPB actions are moveable and their time positions are programmed by way of the counter-compare A and B registers, respectively. To turn off or disable an action, use the "Do Nothing option"(the default at reset).

SW force	TB Counter equals			Trigger Events			Actions
	Zero	Comp A	Comp B	Period	T1	T2	
							Do Nothing
							Clear Lo
							Set Hi
							Toggle

**Figure 14-22. Possible Action-Qualifier Actions for EPWMxA and EPWMxB Outputs**

The Action Qualifier Trigger Event Source Selection register (AQTSRCSEL) is used to select the source for T1 and T2 events. T1/T2 selection and configuration of a trip/digital-compare event in Action Qualifier submodule is independent of the configuration of that event in the Trip-Zone submodule. A particular trip event can or cannot



be configured to cause trip action in the Trip Zone submodule, but the same event can be used by the Action Qualifier to generate T1/T2 for controlling PWM generation.

### 14.6.3 Action-Qualifier Event Priority

It is possible for the ePWM action qualifier to receive more than one event at the same time. In this case, events are assigned a priority by the hardware. The general rule is events occurring later in time have a higher priority and software forced events always have the highest priority. The event priority levels for up-down count mode are shown in [Table 14-4](#). A priority level of 1 is the highest priority and level 10 is the lowest. The priority changes slightly depending on the direction of TBCTR.

**Table 14-4. Action-Qualifier Event Priority for Up-Down-Count Mode**

Priority Level	Event If TBCTR is Incrementing TBCTR = Zero up to TBCTR = TBPRD	Event If TBCTR is Decrementing TBCTR = TBPRD down to TBCTR = 1
1 (Highest)	Software forced event	Software forced event
2	T1 on up-count (T1U)	T1 on down-count (T1D)
3	T2 on up-count (T2U)	T2 on down-count (T2D)
4	Counter equals CMPB on up-count (CBU)	Counter equals CMPB on down-count (CBD)
5	Counter equals CMPA on up-count (CAU)	Counter equals CMPA on down-count (CAD)
6	Counter equals zero	Counter equals period (TBPRD)
7	T1 on down-count (T1D)	T1 on up-count (T1U)
8 (Lowest)	T2 on down-count (T2D)	T2 on up-count (T2U)

[Table 14-5](#) shows the action-qualifier priority for up-count mode. In this case, the counter direction is always defined as up; therefore, down-count events never are taken.

**Table 14-5. Action-Qualifier Event Priority for Up-Count Mode**

Priority Level	Event
1 (Highest)	Software forced event
2	Counter equal to period (TBPRD)
3	T1 on up-count (T1U)
4	T2 on up-count (T2U)
5	Counter equal to CMPB on up-count (CBU)
6	Counter equal to CMPA on up-count (CAU)
7 (Lowest)	Counter equal to Zero

[Table 14-6](#) shows the action-qualifier priority for down-count mode. In this case, the counter direction is always defined as down; therefore, up-count events never are taken.

**Table 14-6. Action-Qualifier Event Priority for Down-Count Mode**

Priority Level	Event
1 (Highest)	Software forced event
2	Counter equal to Zero
3	T1 on down-count (T1D)
4	T2 on down-count (T2D)
5	Counter equal to CMPB on down-count (CBD)
6	Counter equal to CMPA on down-count (CAD)
7 (Lowest)	Counter equal to period (TBPRD)

It is possible to set the compare value greater than the period. In this case, the action takes place as shown in [Table 14-7](#).

**Table 14-7. Behavior if CMPA/CMPB is Greater than the Period**

Counter Mode	Compare on Up-Count Event CAD/CBD	Compare on Down-Count Event CAD/CBD
Up-Count Mode	If $CMPA/CMPB \leq TBPRD$ period, then the event occurs on a compare match ( $TBCTR=CMPA$ or $CMPB$ ). If $CMPA/CMPB > TBPRD$ , then the event does not occur.	Never occurs.
Down-Count Mode	Never occurs.	If $CMPA/CMPB < TBPRD$ , the event occurs on a compare match ( $TBCTR=CMPA$ or $CMPB$ ). If $CMPA/CMPB \geq TBPRD$ , the event occurs on a period match ( $TBCTR=TBPRD$ ).
Up-Down Count Mode	If $CMPA/CMPB < TBPRD$ and the counter is incrementing, the event occurs on a compare match ( $TBCTR=CMPA$ or $CMPB$ ). If $CMPA/CMPB \geq TBPRD$ , the event occurs on a period match ( $TBCTR = TBPRD$ ).	If $CMPA/CMPB < TBPRD$ and the counter is decrementing, the event occurs on a compare match ( $TBCTR=CMPA$ or $CMPB$ ). If $CMPA/CMPB \geq TBPRD$ , the event occurs on a period match ( $TBCTR=TBPRD$ ).

#### 14.6.4 AQCTLA and AQCTLB Shadow Mode Operations

To enable Action Qualifier mode changes which must occur at the end of a period even when the phase changes, shadowing of the AQCTLA and AQCTLB registers has been added on ePWMs type 2 and later. Additionally, shadow to active load on SYNC of these registers is supported as well. Shadowing of this register is enabled and disabled by the AQCTL[SHDWAQAMODE] and AQCTL[SHDWAQBMODE] bits. These bits enable and disable the AQCTLA shadow register and AQCTLB shadow register, respectively. The behavior of the two load modes is:

##### Shadow Mode:

The shadow mode for the AQCTLA is enabled by setting the AQCTL[SHDWAQAMODE] bit, and the shadow register for AQCTLB is enabled by setting the AQCTL[SHDWAQBMODE] bit. Shadow mode is disabled by default for both AQCTLA and AQCTLB

If the shadow register is enabled, then the content of the shadow register is transferred to the active register on one of the following events as specified by the AQCTL[LDAQAMODE], AQCTL[LDAQBMODE], AQCTL[LDAQASYNC], and AQCTL[LDAQBSYNC] register bits:

- CTR = PRD: Time-base counter equal to the period ( $TBCTR = TBPRD$ ).
- CTR = Zero: Time-base counter equal to zero ( $TBCTR = 0x00$ )
- Both CTR = PRD and CTR = Zero
- SYNC event caused by DCAEVT1 or DCBEVT1 or EPWMxSYNCl or  $TBCTL[SWFSYNC]$
- Both SYNC event or a selection made by LDAQAMODE/LDAQBMODE

##### Global Load Support

Global load control mechanism can also be used for AQCTLA:AQCTLA2, AQCTLB:AQCTLB2, and AQCSFRC registers by configuring the appropriate bits in the global load configuration register (GLDCFG). When global load mode is selected, the transfer of contents from shadow register to active register for all registers that have this mode enabled, occurs at the same event as defined by the configuration bits in the Global Shadow to Active Load Control Register (GLDCTL). The global load control mechanism is explained in [Section 14.4.7](#).

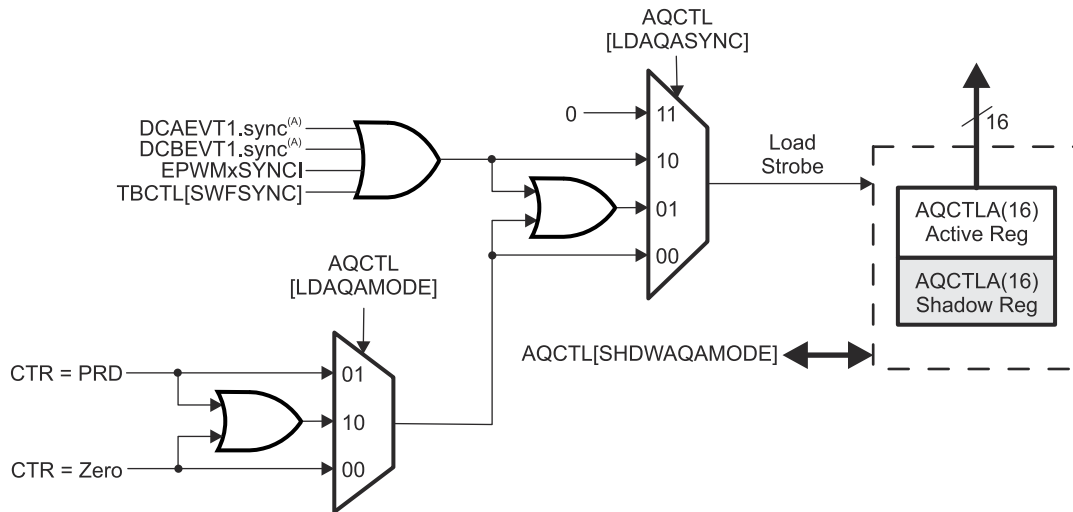
##### Immediate Load Mode:

If the immediate load mode is selected (that is,  $AQCTL[SHDWAQAMODE] = 0$  or  $AQCTL[SHDWAQBMODE] = 0$ ), then a read from or a write to the register goes directly to the active register. See [Figure 14-23](#) and [Figure 14-24](#).

**Note**

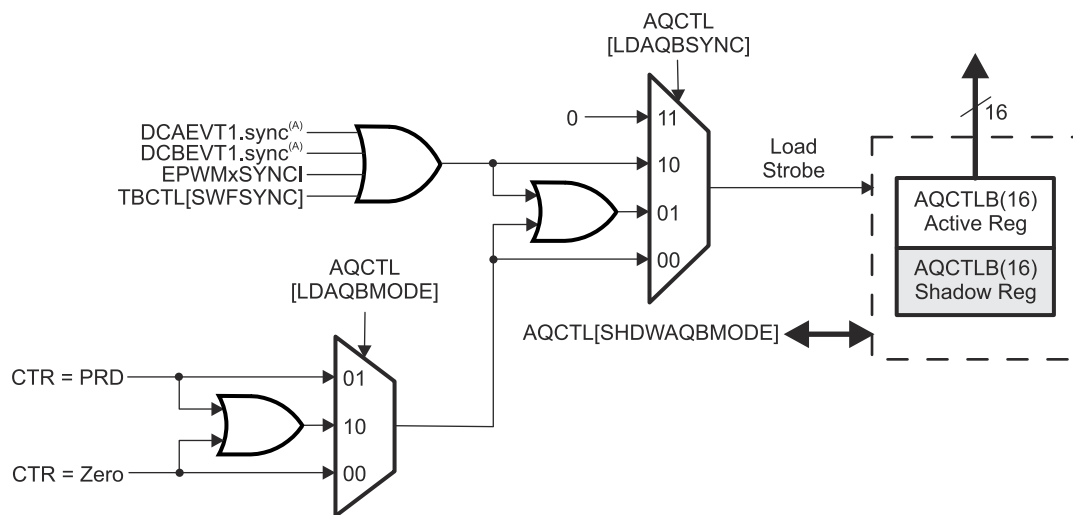
Shadow to Active Load of Action Qualifier Output A/B Control Register [AQCTLA and AQCTLB] on CMPA = 0 or CMPB = 0 boundary

If the Counter-Compare A Register (CMPA) or Counter-Compare B Register (CMPB) is set to a value of 0 and the action qualifier action on AQCTLA and AQCTLB is configured to occur in the same instant as a shadow to active load (that is, CMPA=0 and AQCTLA shadow to active load on TBCTR=0 using AQCTL register LDAQAMODE and LDAQAMODE bits), then both events enter contention. It is recommended to use a Non-Zero Counter-Compare when using Shadow to Active Load of Action Qualifier Output A/B Control Register on TBCTR = 0 boundary.



- A. These events are generated by the ePWM digital compare (DC) submodule based on the levels of the TRIPIN inputs (for example, CMPSSx and T<sub>Z</sub> signals).

**Figure 14-23. AQCTL[SHDWAQAMODE]**



- A. These events are generated by the ePWM digital compare (DC) submodule based on the levels of the TRIPIN inputs (for example, CMPSSx and T<sub>Z</sub> signals).

**Figure 14-24. AQCTL[SHDWAQBMODE]**

## 14.6.5 Configuration Requirements for Common Waveforms

### Note

The waveforms in this chapter show the behavior of the ePWMs for a static compare register value. In a running system, the active compare registers (CMPA and CMPB) are typically updated from their respective shadow registers once every period. Specify when the update takes place: either when the time-base counter reaches zero or when the time-base counter reaches the period. There are some cases when the action based on the new value can be delayed by one period or the action based on the old value can take effect for an extra period. Some PWM configurations avoid this situation. These include, but are not limited to, the following:

#### Use up-down count mode to generate a symmetric PWM:

- If loading CMPA/CMPB on zero, then use CMPA/CMPB values greater than or equal to 1.
- If loading CMPA/CMPB on period, then use CMPA/CMPB values less than or equal to TBPRD-1.

This means there is always a pulse of at least one TBCLK cycle in a PWM period which, when very short, tend to be ignored by the system.

#### Use up-down count mode to generate an asymmetric PWM:

- To achieve 50%-0% asymmetric PWM use the following configuration: Load CMPA/CMPB on period and use the period action to clear the PWM and a compare-up action to set the PWM. Modulate the compare value from 0 to TBPRD to achieve 50%-0% PWM duty.

#### When using up-count mode to generate an asymmetric PWM:

- To achieve 0-100% asymmetric PWM, you **must** load CMPA/CMPB on TBPRD. When CMPA/CMPB is not loaded on TBCTR=PRD, boundary conditions can occur depending on the timing of the write and the value written to CMPA/CMPB. Use the Zero action to set the PWM and a compare-up action to clear the PWM. Modulate the compare value from 0 to TBPRD+1 to achieve 0-100% PWM duty.

#### When using up-count mode to generate an asymmetric PWM with deadband enabled:

- To achieve 0%-100% PWM use the following configuration: When the CMPA value is too close to 0 or PRD such that the following conditions are met ( $CMPX < \text{Deadband}$ ) or ( $CMPX > \text{PRD} - \text{Deadband}$ ), the actions specified by the AQCTL register for CMPX do not take effect. To avoid this, the AQCTL settings must be altered under these conditions only to generate either high or low pulses for both CAU or CAD events (both set or both clear). Make sure that this software update is occurring synchronous to the PWM carrier cycle, and shadow mode is enabled.

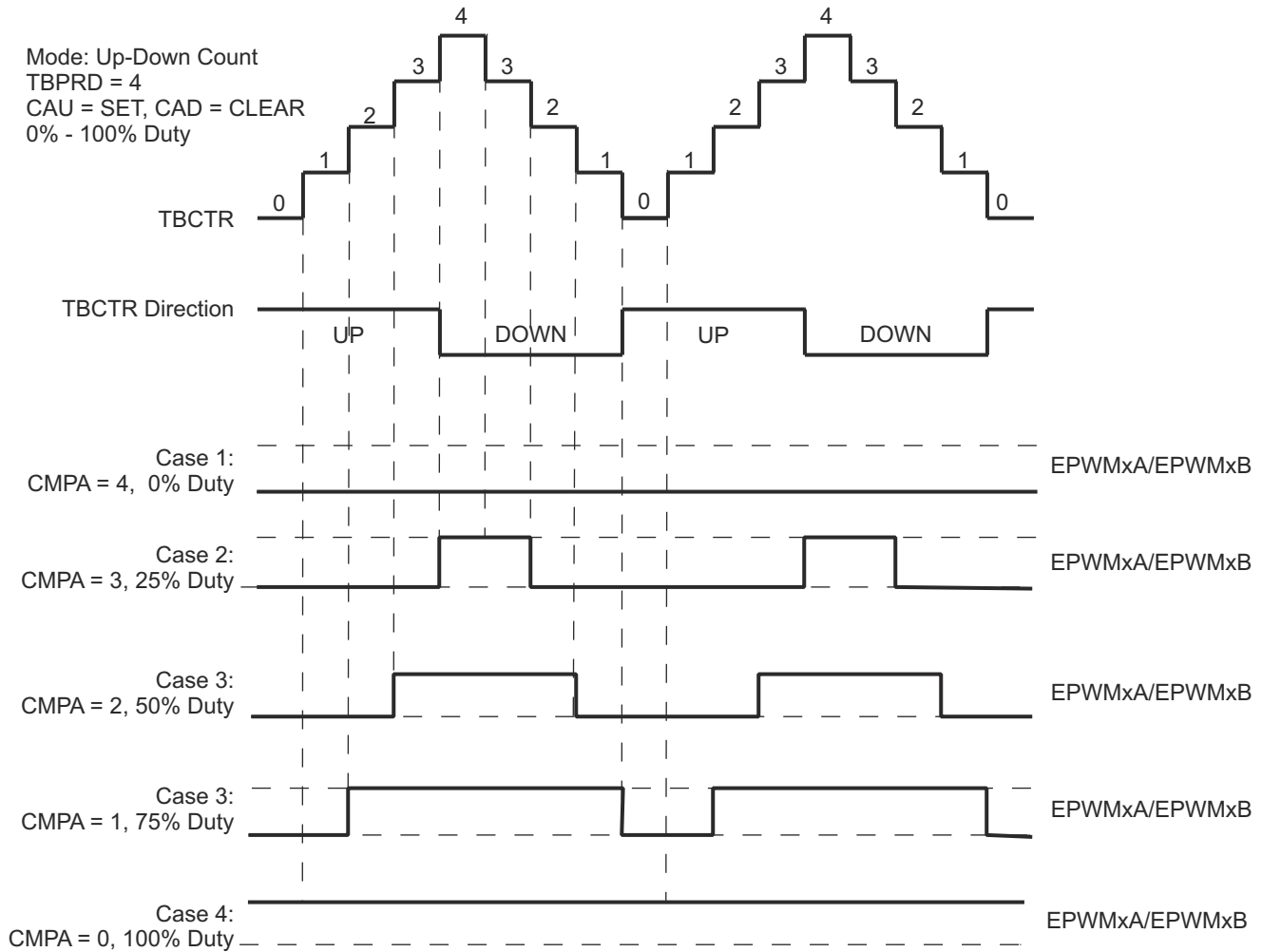
#### When using up-down count mode to generate an asymmetric PWM with deadband enabled:

- To achieve 0%-100% PWM use the following configuration: When the CMPA value is too close to 0 or PRD such that the following conditions are met ( $CMPX < \text{Deadband}/2$ ) or ( $CMPX > \text{PRD} - (\text{Deadband})/2$ ), the actions specified by the AQCTL register for CMPX do not take effect. To avoid this, the AQCTL settings must be altered under these conditions only to generate either high or low pulses for both CAU or CAD events (both set or both clear). Make sure that this software update is occurring synchronous to the PWM carrier cycle, and shadow mode is enabled.

See [Using Enhanced Pulse Width Modulator \(ePWM\) Module for 0-100% Duty Cycle Control](#).

Figure 14-25 shows how a symmetric PWM waveform can be generated using the up-down-count mode of the TBCTR. In this mode, 0%-100% DC modulation is achieved by using equal compare matches on the up count and down count portions of the waveform. In the example shown, CMPA is used to make the comparison. When the counter is incrementing, the CMPA match pulls the PWM output high. Likewise when the counter is decrementing, the compare match pulls the PWM signal low. When  $CMPA = 0$ , the PWM signal is high for the entire period giving a 100% duty waveform. When  $CMPA = TBPRD$ , the PWM signal is low achieving 0% duty.

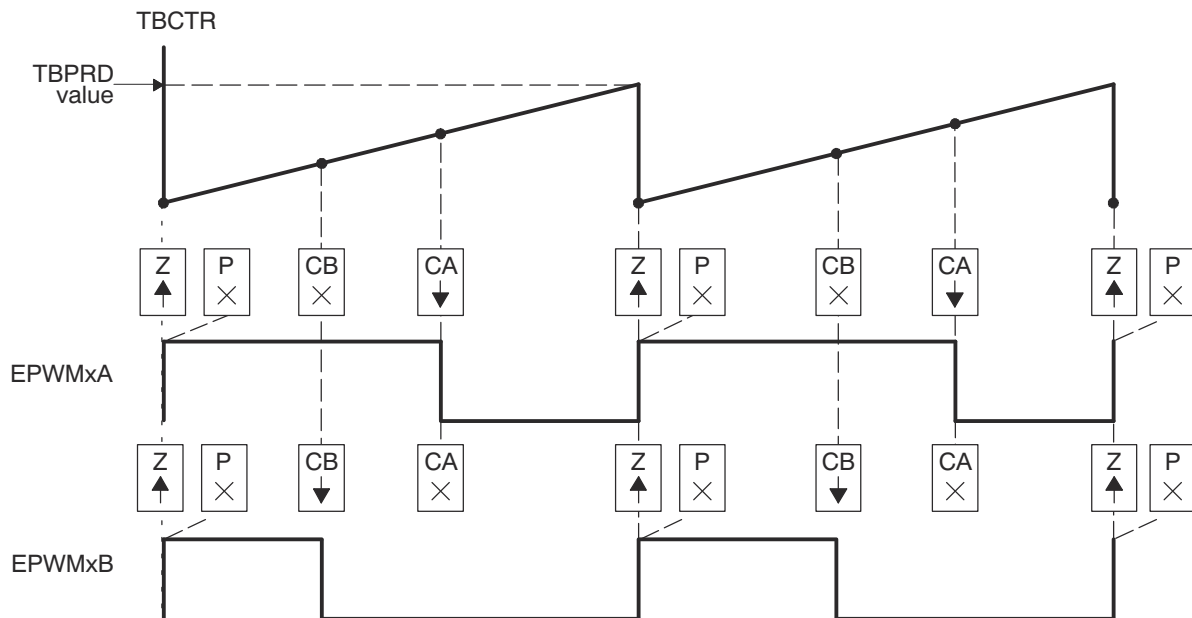
When using this configuration in practice, if loading CMPA/CMPB on zero, then use CMPA/CMPB values greater than or equal to 1. If loading CMPA/CMPB on period, then use CMPA/CMPB values less than or equal to TBPRD-1. This means there is always a pulse of at least one TBCLK cycle in a PWM period which, when very short, tend to be ignored by the system.



**Figure 14-25. Up-Down Count Mode Symmetrical Waveform**

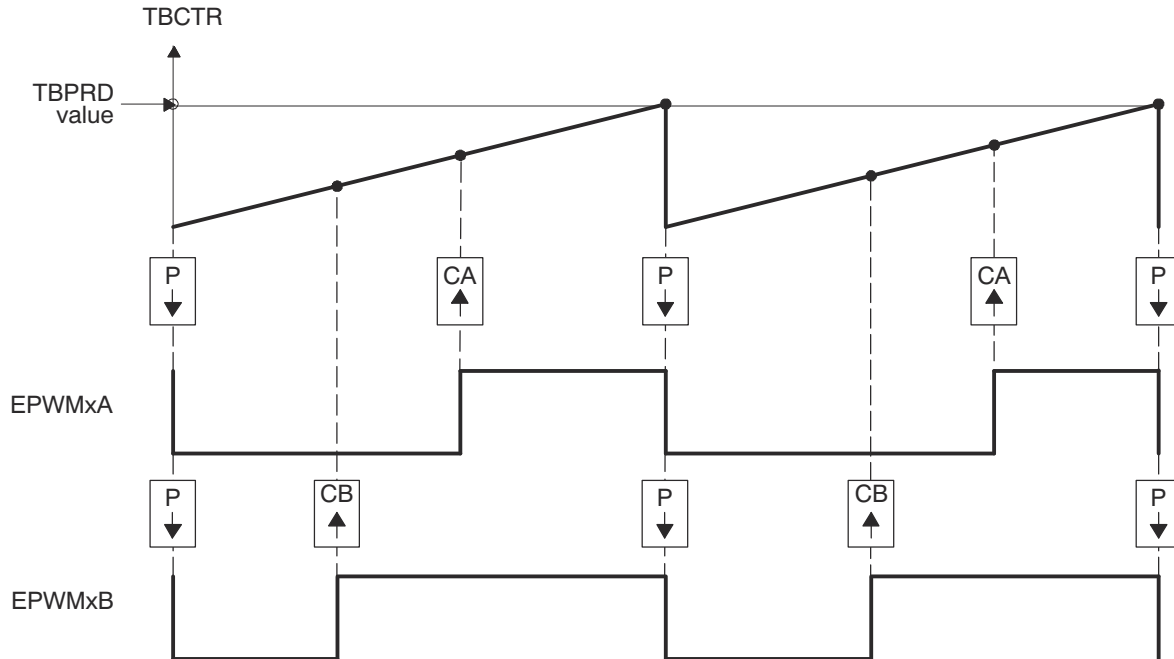
The PWM waveforms in [Figure 14-26](#) through [Figure 14-31](#) show some common action-qualifier configurations. Some conventions used in the figures and examples are as follows:

- TBPRD, CMPA, and CMPB refer to the value written in their respective registers. The active register, not the shadow register, is used by the hardware.
- CMPx, refers to either CMPA or CMPB.
- EPWMxA and EPWMxB refer to the output signals from ePWMx
- Up-Down means count-up-and count-down mode, Up means up-count mode and Down means down-count mode
- Sym = Symmetric, Asym = Asymmetric



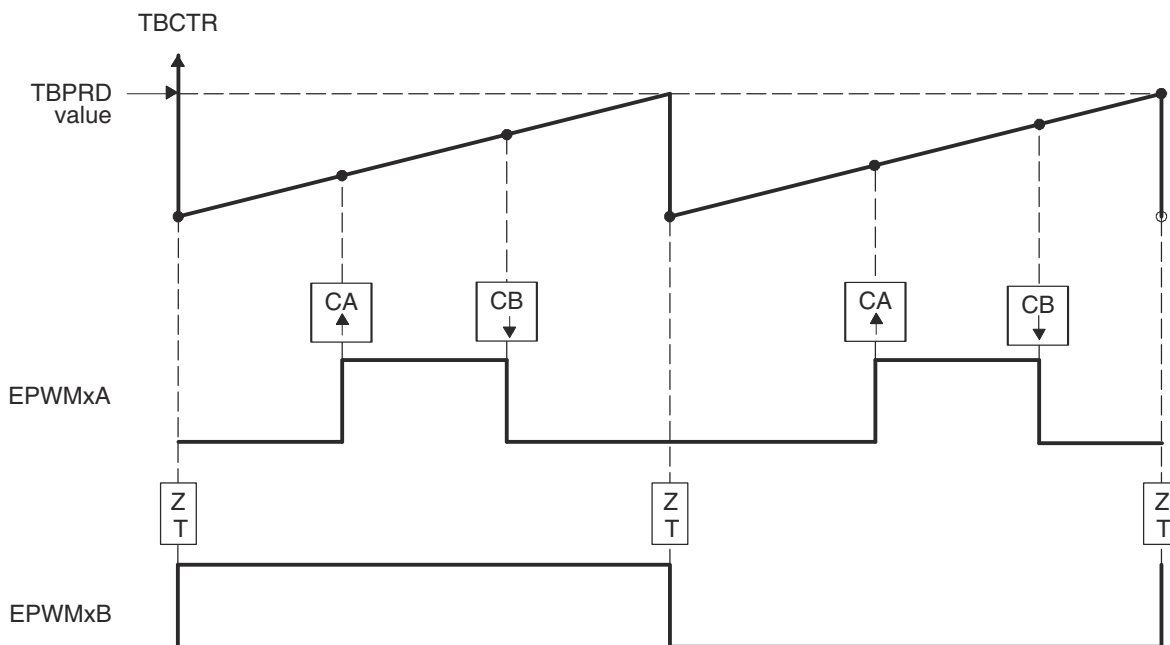
- PWM period =  $(TBPRD + 1) \times T_{TBCLK}$
- Duty modulation for EPWMxA is set by CMPA, and is active high (that is, high time duty proportional to CMPA).
- Duty modulation for EPWMxB is set by CMPB and is active high (that is, high time duty proportional to CMPB).
- The "Do Nothing" actions (X) are shown for completeness, but are not shown on subsequent diagrams.
- Actions at zero and period, although appearing to occur concurrently, are actually separated by one TBCLK period. TBCTR wraps from period to 0000.

**Figure 14-26. Up, Single Edge Asymmetric Waveform, with Independent Modulation on EPWMxA and EPWMxB—Active High**



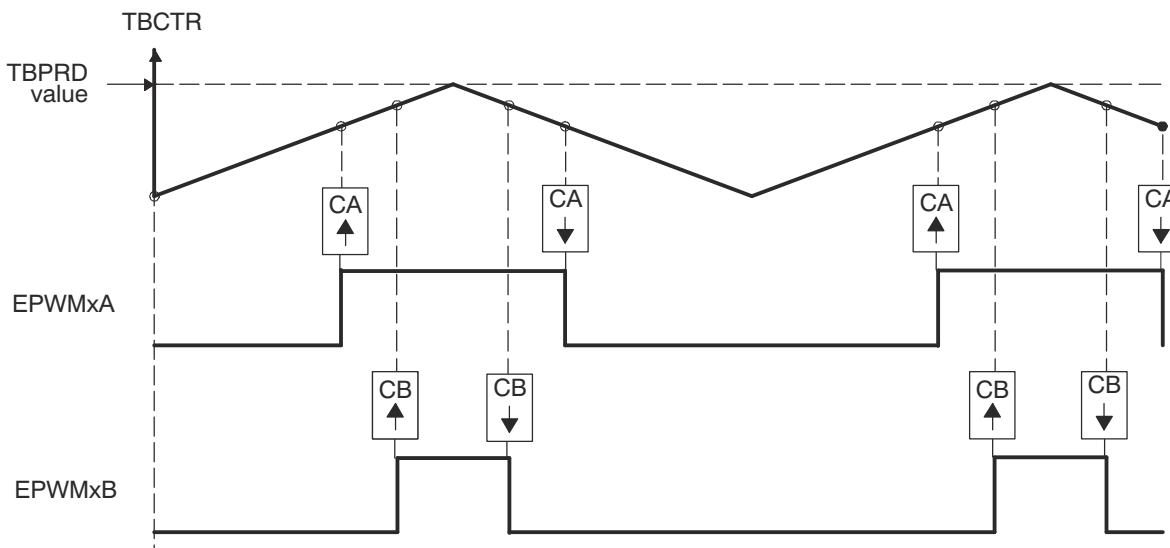
- A.  $PWM\ period = (TBPRD + 1) \times T_{TBCLK}$
- B. Duty modulation for EPWMxA is set by CMPA, and is active low (that is, the low time duty is proportional to CMPA).
- C. Duty modulation for EPWMxB is set by CMPB and is active low (that is, the low time duty is proportional to CMPB).
- D. Actions at zero and period, although appearing to occur concurrently, are actually separated by one TBCLK period. TBCTR wraps from period to 0000.

**Figure 14-27. Up, Single Edge Asymmetric Waveform with Independent Modulation on EPWMxA and EPWMxB—Active Low**



- A.  $\text{PWM frequency} = 1 / ((\text{TBPRD} + 1) \times T_{\text{TBCLK}})$
- B. Pulse can be placed anywhere within the PWM cycle (0000 - TBPRD)
- C. High time duty proportional to (CMPB - CMPA)

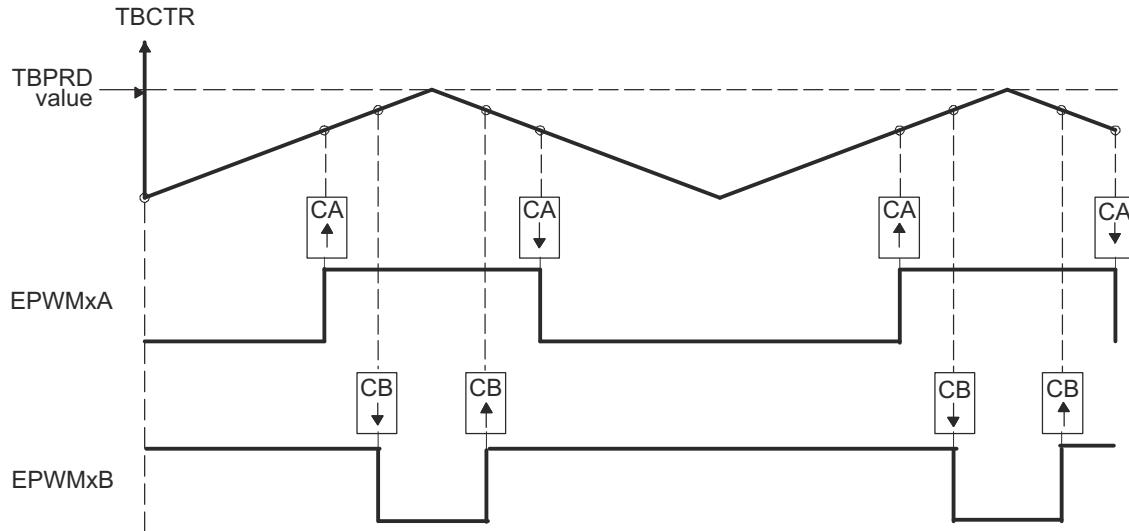
**Figure 14-28. Up-Count, Pulse Placement Asymmetric Waveform With Independent Modulation on EPWMxA**



- A.  $\text{PWM period} = 2 \times \text{TBPRD} \times T_{\text{TBCLK}}$
- B. Duty modulation for EPWMxA is set by CMPA, and is active low (that is, the low time duty is proportional to CMPA).
- C. Duty modulation for EPWMxB is set by CMPB and is active low (that is, the low time duty is proportional to CMPB).
- D. Outputs EPWMxA and EPWMxB can drive independent power switches.

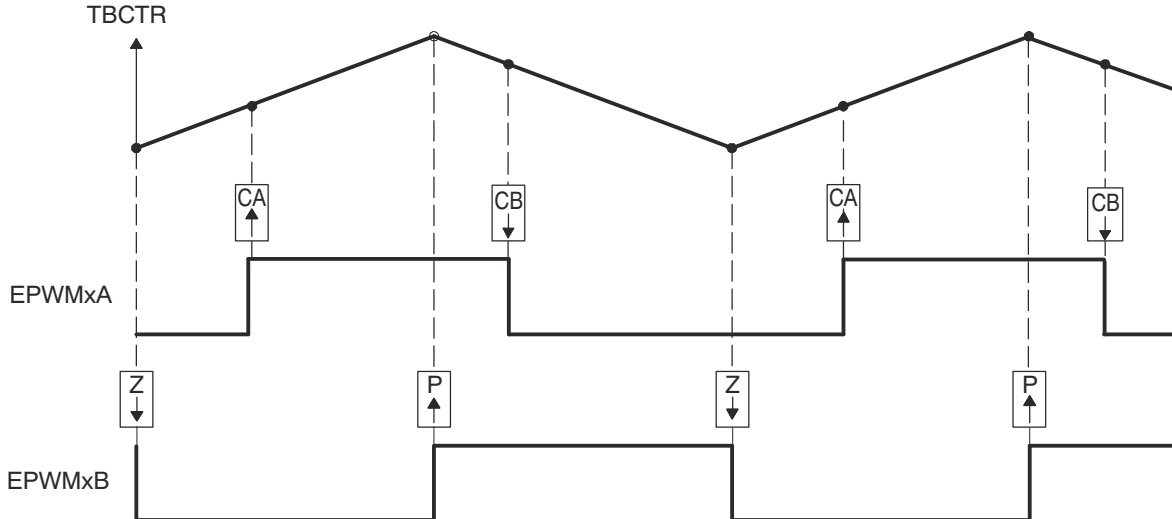
**Figure 14-29. Up-Down Count, Dual-Edge Symmetric Waveform, with Independent Modulation on EPWMxA and EPWMxB — Active Low**





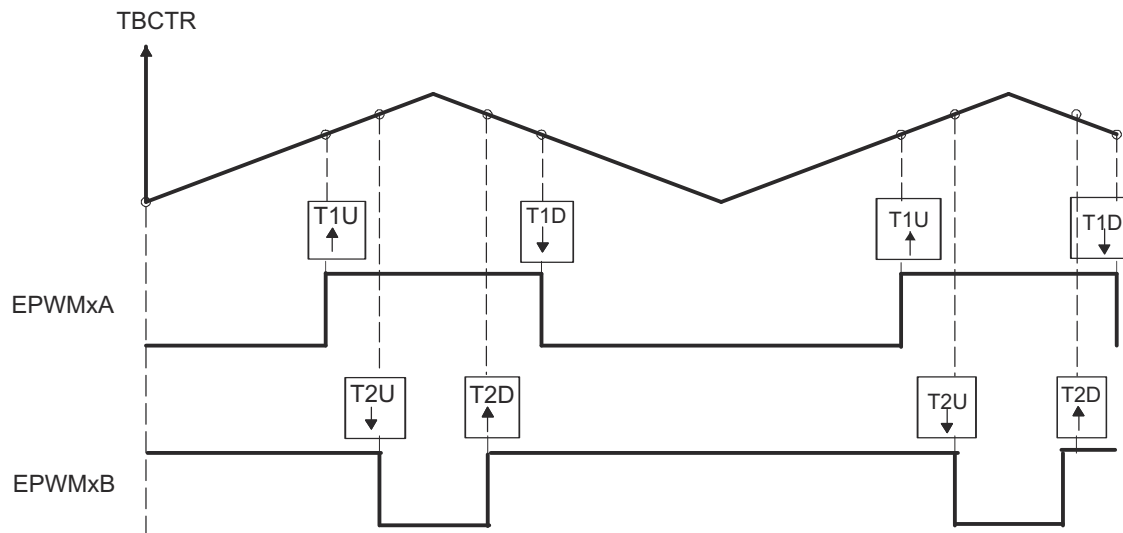
- A. PWM period =  $2 \times TBPRD \times T_{TBCLK}$
- B. Duty modulation for EPWMxA is set by CMPA, and is active low, that is, low time duty proportional to CMPA.
- C. Duty modulation for EPWMxB is set by CMPB and is active high, that is, high time duty proportional to CMPB.
- D. Outputs EPWMx can drive upper/lower (complementary) power switches.
- E. Dead-band = CMPB - CMPA (fully programmable edge placement by software). Note the dead-band module is also available if the more classical edge delay method is required.

**Figure 14-30. Up-Down Count, Dual-Edge Symmetric Waveform, with Independent Modulation on EPWMxA and EPWMxB — Complementary**



- A. PWM period =  $2 \times TBPRD \times TBCLK$
- B. Rising edge and falling edge can be asymmetrically positioned within a PWM cycle. This allows for pulse placement techniques.
- C. Duty modulation for EPWMxA is set by CMPA and CMPB.
- D. Low time duty for EPWMxA is proportional to  $(CMPA + CMPB)$ .
- E. To change this example to active high, CMPA and CMPB actions need to be inverted (that is, Clear on CMPA, Set on CMPB).
- F. Duty modulation for EPWMxB is fixed at 50% (utilizes spare action resources for EPWMxB).

**Figure 14-31. Up-Down Count, Dual-Edge Asymmetric Waveform, with Independent Modulation on EPWMxA—Active Low**



- A.  $\text{PWM period} = 2 \times \text{TBPRD} \times \text{TTBCLK}$
- B. Independent T1 event actions when counter is counting up and when the counter is counting down are used to generate EPWMA output.
- C. Independent T2 event actions when counter is counting up and when the counter is counting down are used to generate EPWMB output.
- D. TZ1 is selected as the source for T1.
- E. TZ2 is selected as the source for T2.

**Figure 14-32. Up-Down Count, PWM Waveform Generation Utilizing T1 and T2 Events**

## 14.7 Dead-Band Generator (DB) Submodule

Figure 14-33 illustrates the dead-band submodule within the ePWM.

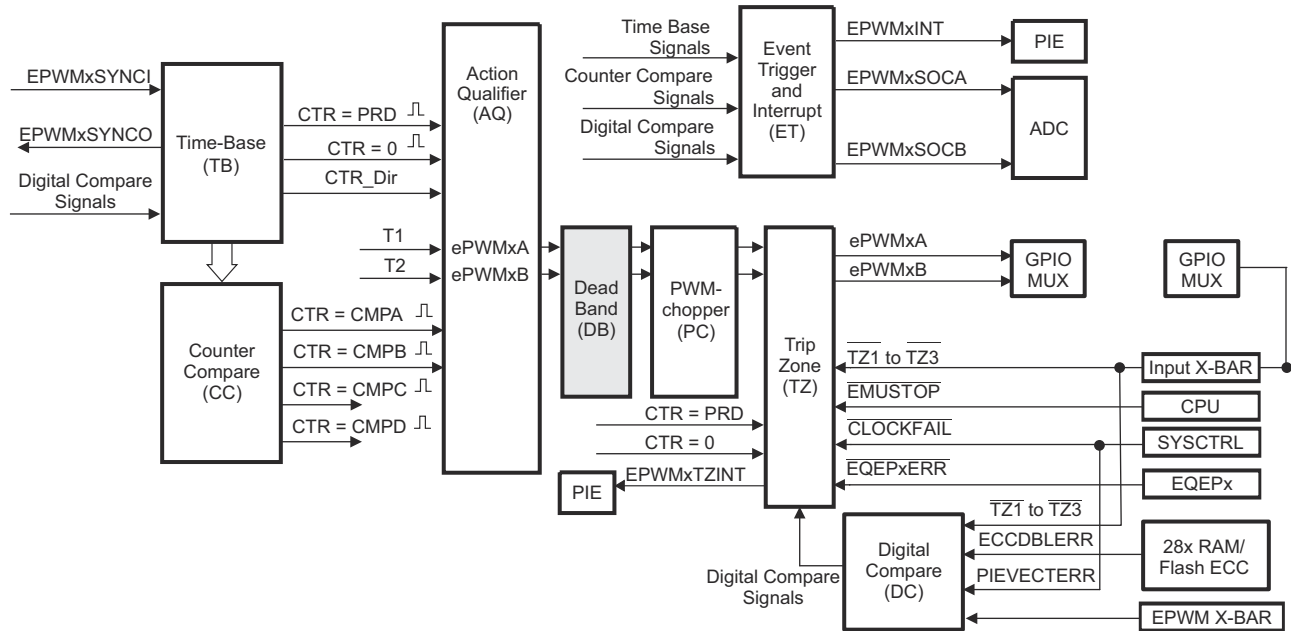


Figure 14-33. Dead\_Band Submodule

### 14.7.1 Purpose of the Dead-Band Submodule

The action-qualifier (AQ) module section discussed how the AQ module is possible to generate the required dead band by having full control over edge placement using both the CMPA and CMPB resources of the ePWM module. However, if the more classical edge delay-based dead band with polarity control is required, then the dead-band submodule described here must be used.

The key functions of the dead-band module are:

- Generating appropriate signal pairs (EPWMxA and EPWMxB) with dead-band relationship from a single EPWMxA input
- Programming signal pairs for:
  - Active high (AH)
  - Active low (AL)
  - Active high complementary (AHC)
  - Active low complementary (ALC)
- Adding programmable delay to rising edges (RED)
- Adding programmable delay to falling edges (FED)
- Can be totally bypassed from the signal path (note dotted lines in diagram)

### 14.7.2 Dead-band Submodule Additional Operating Modes

On type 1 ePWM RED can appear on one channel output and FED can appear on the other channel output.

The following list shows the distinct difference between type 1 and type 4 modules with respect to dead-band operating modes:

- By adding S6, S7, and S8 in [Figure 14-34](#), RED and FED can appear on both the A-channel and B-channel outputs. Additionally, both RED and FED together can be applied to either the A-channel or B-channel outputs to allow B-channel phase shifting with respect to the A-channel.

---

#### Note

Phase shifting B-channel with respect to the A-channel using the dead-band submodule additional operating modes has limitations with respect to the choice of RED and FED delay with respect to the operating duty cycle of the ePWMxA and ePWMxB outputs.

---

- The dead-band counters have also been increased to 14 bits
- Deadband and deadband high-resolution registers are now shadowed
- High-resolution deadband RED and FED have been enabled using the DBREDHR and DBFEDHR registers

---

#### Note

The PWM chopper is not enabled when high-resolution deadband is enabled.

High-resolution deadband RED and FED requires half-cycle clocking mode (DBCTL[HALFCYCLE] = 1).

Cannot have both RED and FED together applied to both ePWMxA and ePWMxB. RED and FED together can be applied only to either OutA OR OutB.

Phase shifting B-channel with respect to the A-channel: When PWMxB is derived from PWMxA using the DEDB\_MODE bit and by delaying rising edge and falling edge by the phase shift amount. When the duty cycle value on PWMxA is less than this phase shift amount, PWMxA's falling edge has precedence over the delayed rising edge for PWMxB. Make sure the duty cycle value of the current waveform applied to the dead-band module is greater than the required phase shift amount.

The Type 4 action qualifier and dead-band outputs of the ePWM module are delayed by one TBCLK cycle in comparison to the Type 2 ePWM module, although the Type 4 behavior is the same as the Type 3 PWM. Both PWMA and PWMB signals are delayed under all circumstances.

---

### Shadow Mode:

The shadow mode for the DBRED is enabled by setting the DBCTL[SHDWDBREDDMODE] bit and the shadow register for DBFED is enabled by setting the DBCTL [SHDWDBFEDMODE] bit. Shadow mode is disabled by default for both DBRED and DBFED

If the shadow register is enabled, then the content of the shadow register is transferred to the active register on one of the following events as specified by the DBCTL [LOADREDDMODE] and DBCTL [LOADFEDMODE] register bits:

- CTR = PRD: Time-base counter equal to the period (TBCTR = TBPRD).
- CTR = Zero: Time-base counter equal to zero (TBCTR = 0x00)
- Both CTR = PRD and CTR = Zero

The DBCTL register can be shadowed. The shadow mode for DBCTL is enabled by setting the DBCTL2[SHDWDBCTLMODE] bit. If the shadow register is enabled then the content of the shadow register is transferred to the active register on one of the following events as specified by the DBCTL2[LOADDBCTLMODE] register bit:

- CTR = PRD: Time-base counter equal to the period (TBCTR = TBPRD)
- CTR = Zero: Time-base counter equal to zero (TBCTR = 0x00)
- Both CTR = PRD and CTR = Zero

---

#### Note

The application software must enable shadow load mode in the DBCTL[SHDWDBREDDMODE] and DBCTL[SHDWDBFEDMODE] **before** programming values for the DBRED and DBFED registers. If the shadow register is enabled **after** programming the DBRED and DBFED registers, the DBRED and DBFED registers are loaded with a value of 0.

---

### Global Load Support

Global load control mechanism can also be used for DBRED:DBREDHR, DBFED:DBFEDHR, and DBCTL registers by configuring the appropriate bits in the global load configuration register (GLDCFG). When global load mode is selected the transfer of contents from shadow register to active register, for all registers that have this mode enabled, occurs at the same event as defined by the configuration bits in the Global Shadow to Active Load Control Register (GLDCTL). The Global load control mechanism is explained in [Section 14.4.7](#).

---

#### Note

When DBRED/DBFED active is loaded with a new shadow value while DB counters are counting, the new DBRED/DBFED value only affects the NEXT PWMx edge and not the current edge.

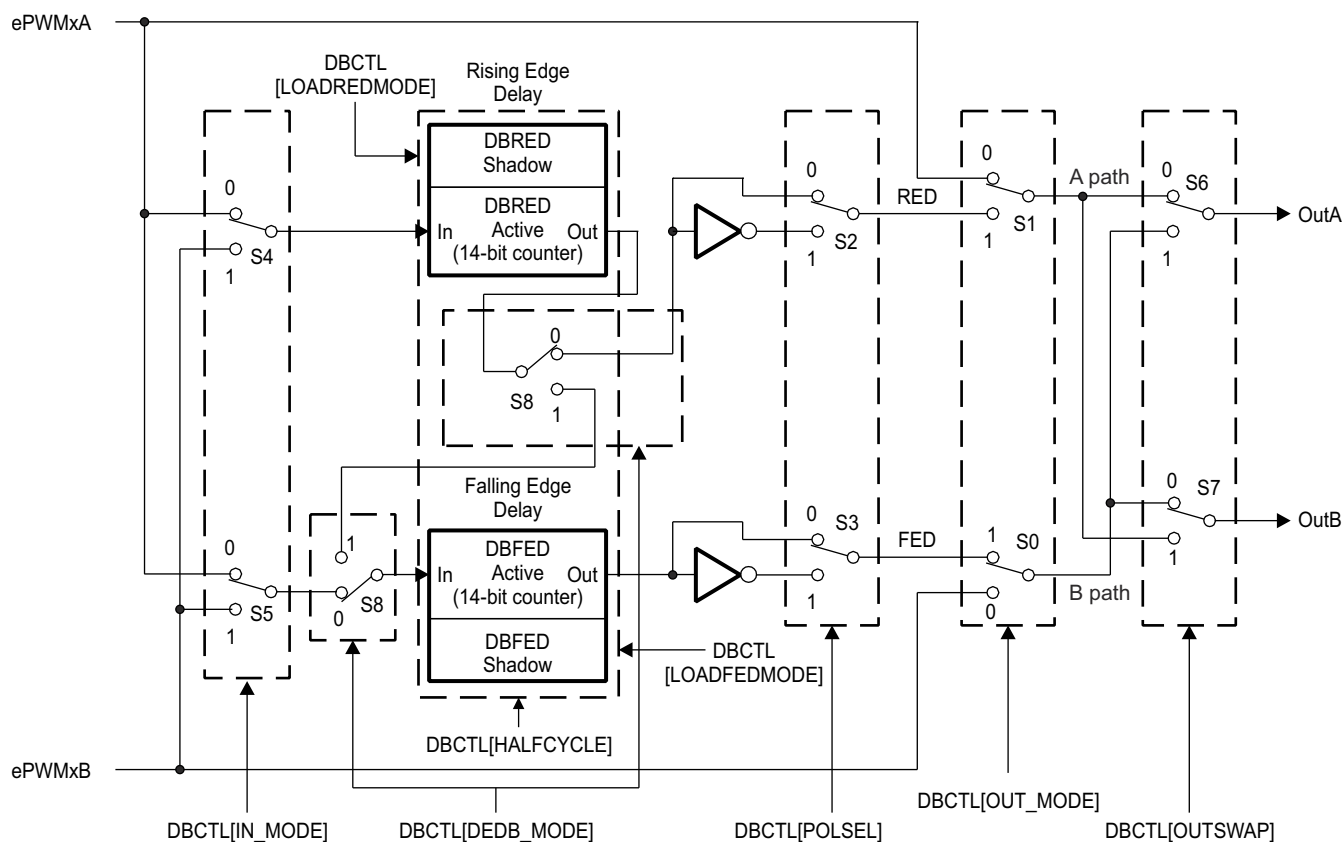
A Deadband value of zero cannot be used when the Global Shadow to Active Load is set to occur at CTR=ZERO. Similarly, a Deadband value of PRD cannot be used when the Global Shadow to Active Load is set to occur at CTR=PRD.

TBPRDHR cannot be used with Global load. If high-resolution period must be changed in the application, users must write to the individual period registers from an ePWM ISR (The ISR must be synchronous with the PWM switching period), where the Global Load One-Shot bit is also written to.

---

### 14.7.3 Operational Highlights for the Dead-Band Submodule

The configuration options for the dead-band submodule are shown in [Figure 14-34](#).



**Figure 14-34. Configuration Options for the Dead-Band Submodule**

Although all combinations are supported, not all are typical usage modes. [Table 14-8](#) documents some classical dead-band configurations. These modes assume that the `DBCTL[IN_MODE]` is configured such that EPWMxA In is the source for both falling-edge and rising-edge delay. Enhanced, or non-traditional modes can be achieved by changing the input signal source. The modes shown in [Table 14-8](#) fall into the following categories:

- **Mode 1: Bypass both falling-edge delay (FED) and rising-edge delay (RED):** Allows the user to fully disable the dead-band submodule from the PWM signal path.
- **Mode 2-5: Classical Dead-Band Polarity Settings:** These represent typical polarity configurations that can address all the active-high and active-low modes required by available industry power switch gate drivers. The waveforms for these typical cases are shown in [Figure 14-35](#). Note that to generate equivalent waveforms to [Figure 14-35](#), configure the action-qualifier submodule to generate the signal as shown for EPWMxA.
- **Mode 6: Bypass rising-edge-delay and Mode 7: Bypass falling-edge-delay:** Finally the last two entries in [Table 14-8](#) show combinations where either the falling-edge-delay (FED) or rising-edge-delay (RED) blocks are bypassed.

[Figure 14-35](#) shows waveforms for typical cases where  $0\% < \text{duty} < 100\%$ .

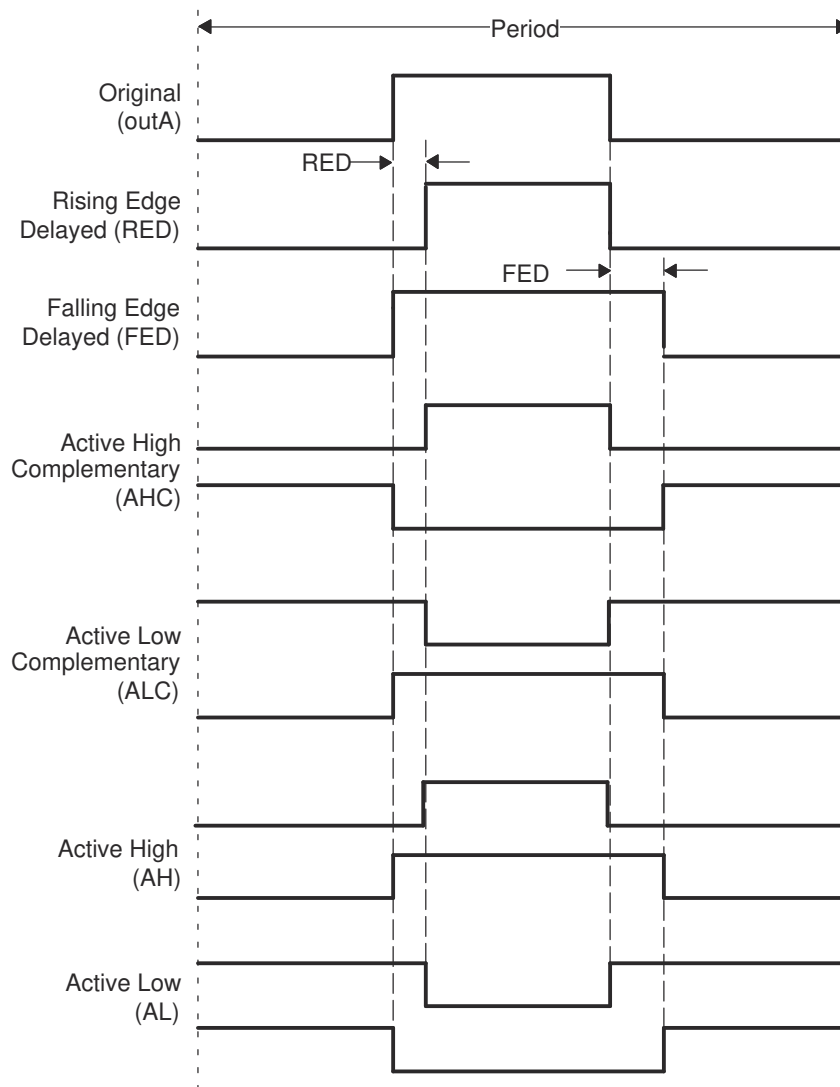
**Table 14-8. Classical Dead-Band Operating Modes**

Mode	Mode Description	DBCTL[POLSEL]		DBCTL[OUT_MODE]	
		S3	S2	S1	S0
1	EPWMxA and EPWMxB Passed Through (No Delay)	X	X	0	0
2	Active High Complementary (AHC)	1	0	1	1
3	Active Low Complementary (ALC)	0	1	1	1
4	Active High (AH)	0	0	1	1
5	Active Low (AL)	1	1	1	1
6	EPWMxA Out = EPWMxA In (No Delay)	0 or 1	0 or 1	0	1
	EPWMxB Out = EPWMxA In with Falling Edge Delay				
7	EPWMxA Out = EPWMxA In with Rising Edge Delay	0 or 1	0 or 1	1	0
	EPWMxB Out = EPWMxB In with No Delay				

**Table 14-9. Additional Dead-Band Operating Modes**

Mode Description	DBCTL[DEDB-MODE]	DBCTL[OUTSWAP]	
	S8	S6	S7
EPWMxA and EPWMxB signals are as defined by OUT-MODE bits.	0	0	0
EPWMxA = A-path as defined by OUT-MODE bits.	0	0	1
EPWMxB = A-path as defined by OUT-MODE bits (rising edge delay or delay-bypassed A-signal path)			
EPWMxA = B-path as defined by OUT-MODE bits (falling edge delay or delay-bypassed B-signal path)	0	1	0
EPWMxB = B-path as defined by OUT-MODE bits			
EPWMxA = B-path as defined by OUT-MODE bits (falling edge delay or delay-bypassed B-signal path)	0	1	1
EPWMxB = A-path as defined by OUT-MODE bits (rising edge delay or delay-bypassed A-signal path)			
Rising edge delay applied to EPWMxA / EPWMxB as selected by S4 switch (IN-MODE bits) on A signal path only.	0	X	X
Falling edge delay applied to EPWMxA / EPWMxB as selected by S5 switch (IN-MODE bits) on B signal path only.			
Rising edge delay and falling edge delay applied to source selected by S4 switch (IN-MODE bits) and output to B signal path only. <sup>(1)</sup>	1	X	X

- (1) When this bit is set to 1, the user can always either set OUT\_MODE bits such that Apath = InA or set OUTSWAP bits such that EPWMxA=Bpath. Otherwise, EPWMxA is invalid.



**Figure 14-35. Dead-Band Waveforms for Typical Cases (0% < Duty < 100%)**

The dead-band submodule supports independent values for rising-edge (RED) and falling-edge (FED) delays. The amount of delay is programmed using the DBRED and DBFED registers. These are 10-bit registers and their value represents the number of time-base clock, TBCLK, periods by which a signal edge is delayed. For example, the formula to calculate falling-edge-delay and rising-edge-delay is:

$$\text{FED} = \text{DBFED} \times T_{\text{TBCLK}}$$

$$\text{RED} = \text{DBRED} \times T_{\text{TBCLK}}$$

Where  $T_{\text{TBCLK}}$  is the period of TBCLK, the prescaled version of EPWMCLK.



For convenience, delay values for various TBCLK options are shown in [Table 14-10](#). The ePWM input clock frequency that these delay values been computed by is 100 MHz.

**Table 14-10. Dead-Band Delay Values in  $\mu\text{S}$  as a Function of DBFED and DBRED**

Dead-Band Value		Dead-Band Delay in $\mu\text{S}$		
DBFED, DBRED	TBCLK = EPWMCLK/1	TBCLK = EPWMCLK /2	TBCLK = EPWMCLK/4	
1	0.01 $\mu\text{S}$	0.02 $\mu\text{S}$	0.04 $\mu\text{S}$	
5	0.05 $\mu\text{S}$	0.10 $\mu\text{S}$	0.20 $\mu\text{S}$	
10	0.10 $\mu\text{S}$	0.20 $\mu\text{S}$	0.40 $\mu\text{S}$	
100	1.00 $\mu\text{S}$	2.00 $\mu\text{S}$	4.00 $\mu\text{S}$	
200	2.00 $\mu\text{S}$	4.00 $\mu\text{S}$	8.00 $\mu\text{S}$	
400	4.00 $\mu\text{S}$	8.00 $\mu\text{S}$	16.00 $\mu\text{S}$	
500	5.00 $\mu\text{S}$	10.00 $\mu\text{S}$	20.00 $\mu\text{S}$	
600	6.00 $\mu\text{S}$	12.00 $\mu\text{S}$	24.00 $\mu\text{S}$	
700	7.00 $\mu\text{S}$	14.00 $\mu\text{S}$	28.00 $\mu\text{S}$	
800	8.00 $\mu\text{S}$	16.00 $\mu\text{S}$	32.00 $\mu\text{S}$	
900	9.00 $\mu\text{S}$	18.00 $\mu\text{S}$	36.00 $\mu\text{S}$	
1000	10.00 $\mu\text{S}$	20.00 $\mu\text{S}$	40.00 $\mu\text{S}$	

When half-cycle clocking is enabled, the formula to calculate the falling-edge-delay and rising-edge-delay becomes:

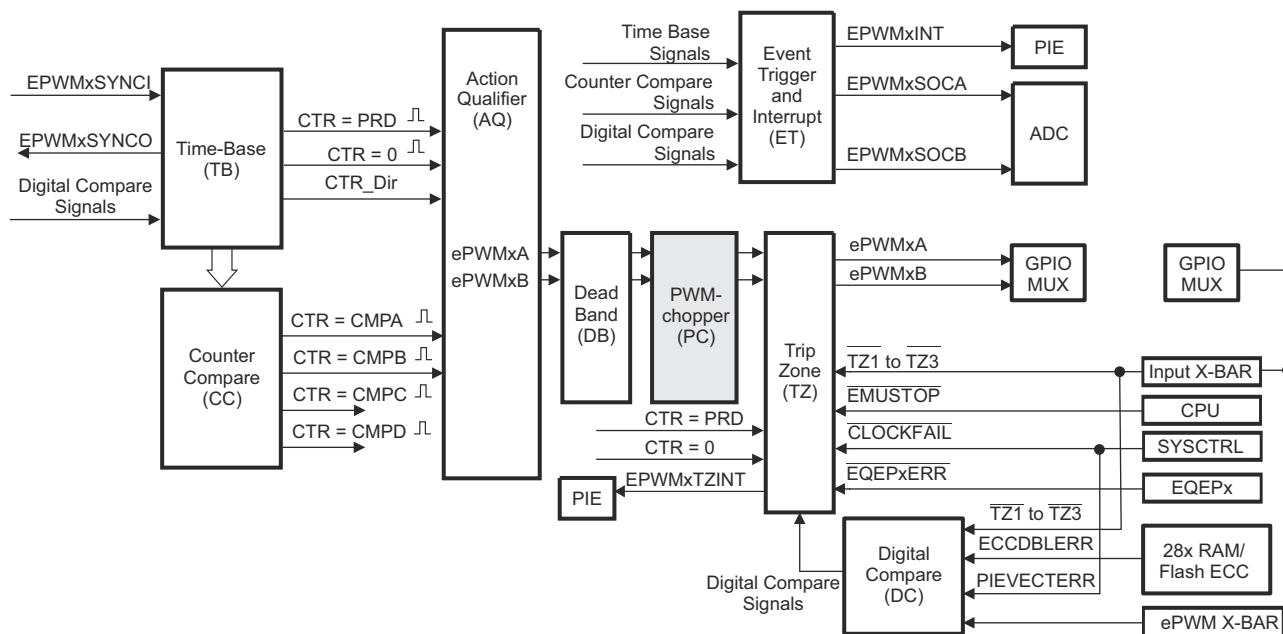
$$\text{FED} = \text{DBFED} \times T_{\text{TBCLK}}/2$$

$$\text{RED} = \text{DBRED} \times T_{\text{TBCLK}}/2$$

## 14.8 PWM Chopper (PC) Submodule

The PWM chopper submodule allows a high-frequency carrier signal to modulate the PWM waveform generated by the action-qualifier and dead-band submodules. This capability is important if pulse transformer-based gate drivers to control the power switching elements are needed.

Figure 14-36 illustrates the PWM chopper submodule within the ePWM.



**Figure 14-36. PWM Chopper Submodule**

### 14.8.1 Purpose of the PWM Chopper Submodule

The key functions of the PWM chopper submodule are:

- Programmable chopping (carrier) frequency
- Programmable pulse width of first pulse
- Programmable duty cycle of second and subsequent pulses
- Can be fully bypassed if not required

### 14.8.2 Operational Highlights for the PWM Chopper Submodule

Figure 14-37 shows the operational details of the PWM chopper submodule. The carrier clock is derived from EPWMCLK. The clock frequency and duty cycle are controlled using the CHPFREQ and CHPDUTY bits in the PCCTL register. The one-shot block is a feature that provides a high energy first pulse to make sure hard and fast power switch turn on, while the subsequent pulses sustain pulses, making sure the power switch remains on. The one-shot width is programmed using the OSHTWTH bits. The PWM chopper submodule can be fully disabled (bypassed) using the CHPEN bit.

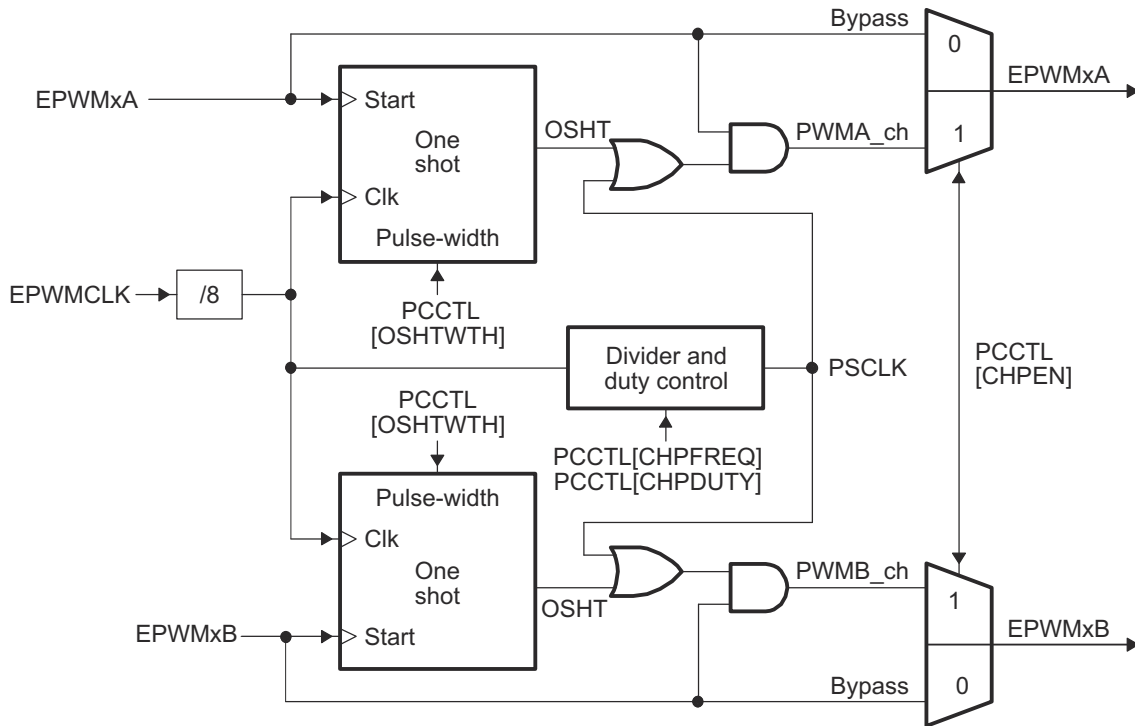


Figure 14-37. PWM Chopper Submodule Operational Details

### 14.8.3 Waveforms

Figure 14-38 shows simplified waveforms of the chopping action only; one-shot and duty-cycle control are not shown. Details of the one-shot and duty-cycle control are discussed in the following sections.

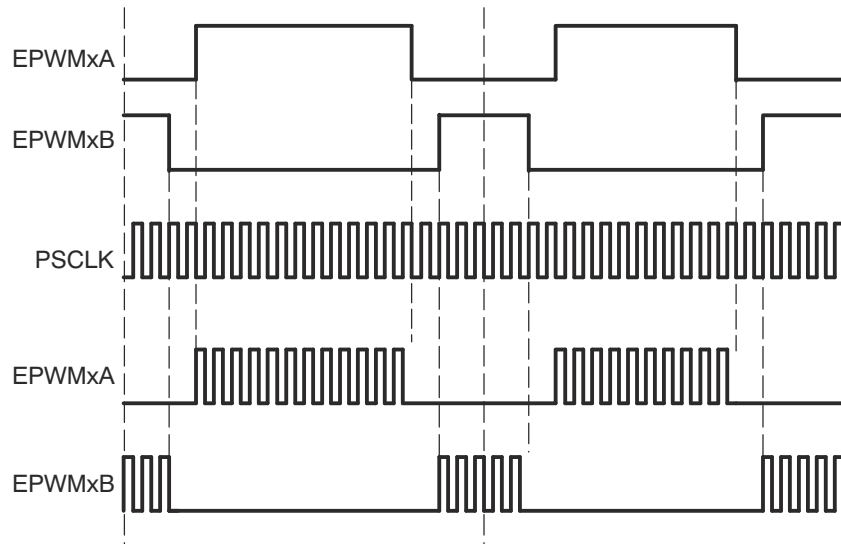


Figure 14-38. Simple PWM Chopper Submodule Waveforms Showing Chopping Action Only

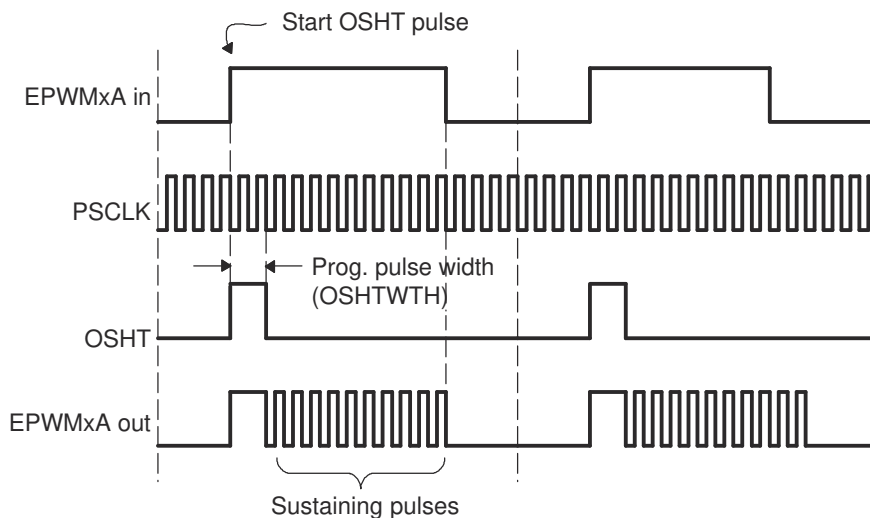
### 14.8.3.1 One-Shot Pulse

The width of the first pulse can be programmed to any of 16 possible pulse width values. The width or period of the first pulse is given by:

$$T_{1\text{stpulse}} = T_{\text{EPWMCLK}} \times 8 \times \text{OSHTWTH}$$

Where  $T_{\text{EPWMCLK}}$  is the period of the system clock (EPWMCLK) and OSHTWTH is the four control bits (value from 1 to 16)

Figure 14-39 shows the first and subsequent sustaining pulses and Table 14-11 gives the possible pulse width values for a EPWMCLK = 80 MHz.



**Figure 14-39. PWM Chopper Submodule Waveforms Showing the First Pulse and Subsequent Sustaining Pulses**

**Table 14-11. Possible Pulse Width Values for EPWMCLK = 80 MHz**

OSHTWTH (hex)	Pulse Width (nS)
0	100
1	200
2	300
3	400
4	500
5	600
6	700
7	800
8	900
9	1000
A	1100
B	1200
C	1300
D	1400
E	1500
F	1600

### 14.8.3.2 Duty Cycle Control

Pulse transformer-based gate drive designs need to comprehend the magnetic properties or characteristics of the transformer and associated circuitry. Saturation is one such consideration. To assist the gate drive designer, the duty cycles of the second and subsequent pulses have been made programmable. These sustaining pulses make sure the correct drive strength and polarity is maintained on the power switch gate during the on period, and hence a programmable duty cycle allows a design to be tuned or optimized using software control.

Figure 14-40 shows the duty cycle control that is possible by programming the CHPDUTY bits. One of seven possible duty ratios can be selected ranging from 12.5% to 87.5%.

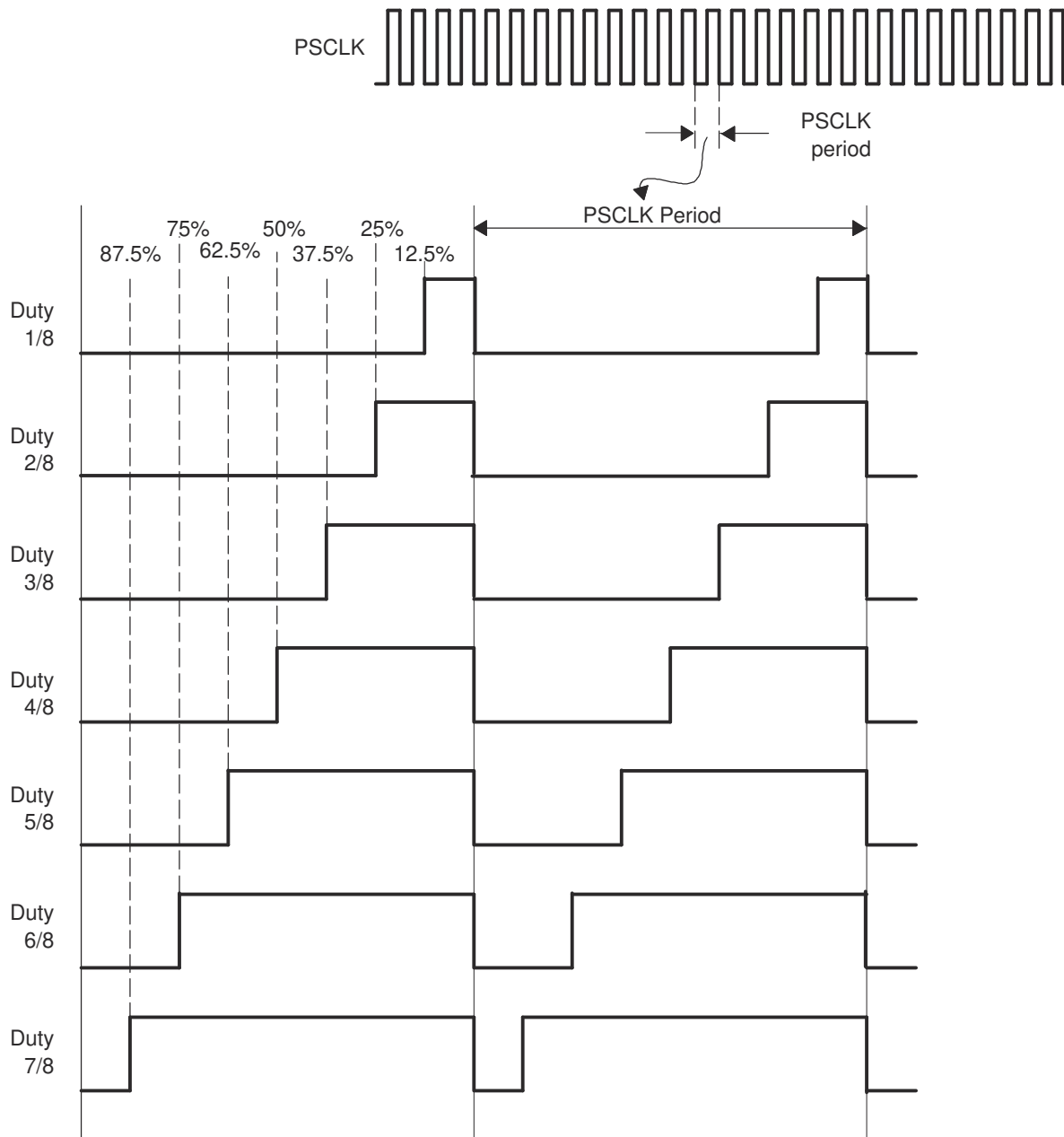
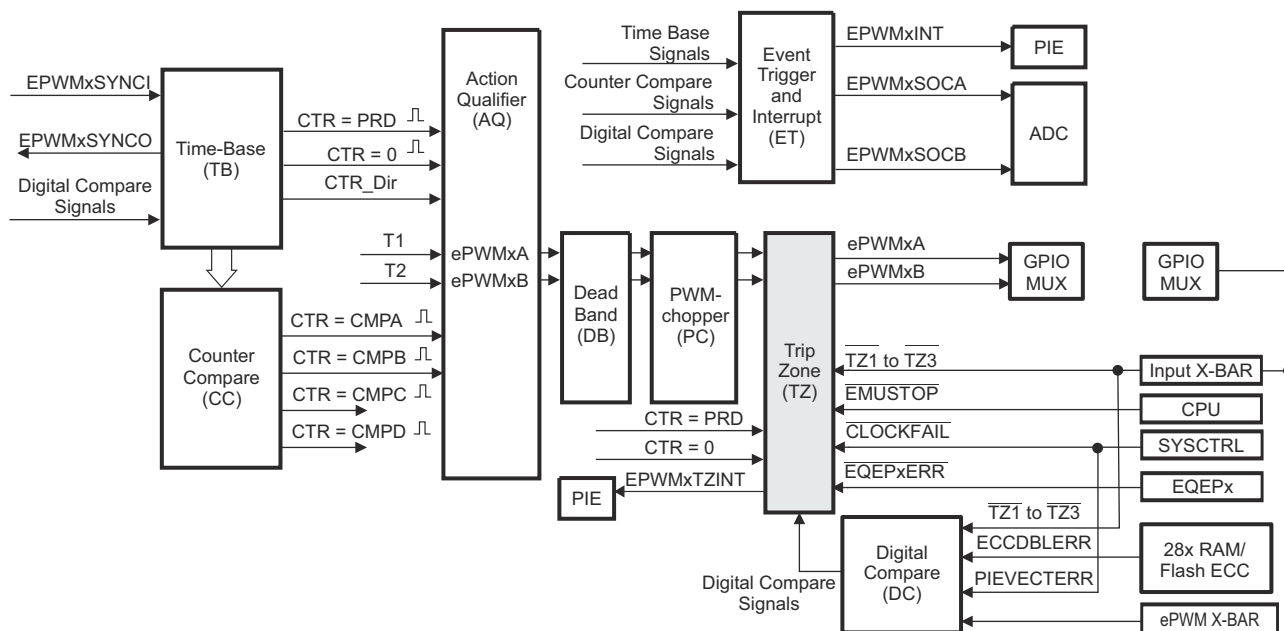


Figure 14-40. PWM Chopper Submodule Waveforms Showing the Pulse Width (Duty Cycle) Control of Sustaining Pulses

## 14.9 Trip-Zone (TZ) Submodule

Each ePWM module is connected to six  $\overline{TZn}$  signals ( $\overline{TZ1}$  to  $\overline{TZ6}$ ).  $\overline{TZ1}$  to  $\overline{TZ3}$  are sourced from the GPIO mux.  $\overline{TZ4}$  is sourced from an inverted EQEPxERR signal on those devices with an EQEP module.  $\overline{TZ5}$  is connected to the system clock fail logic, and  $\overline{TZ6}$  is sourced from the EMUSTOP output from the CPU. These signals indicate external fault or trip conditions, and the ePWM outputs can be programmed to respond accordingly when faults occur.

Figure 14-41 illustrates the trip-zone submodule within the ePWM.



**Figure 14-41. Trip-Zone Submodule**

### 14.9.1 Purpose of the Trip-Zone Submodule

The key functions of the trip-zone submodule are:

- Trip inputs  $\overline{TZ1}$  to  $\overline{TZ6}$  can be flexibly mapped to any ePWM module.
- Upon a fault condition, outputs EPWMxA and EPWMxB can be forced to one of the following:
  - High
  - Low
  - High-impedance
  - No action taken
- Support for one-shot trip (OSHT) for major short circuits or over-current conditions.
- Support for cycle-by-cycle tripping (CBC) for current limiting operation.
- Support for digital compare tripping (DC) based on state of on-chip analog comparator module outputs and  $\overline{TZ1}$  to  $\overline{TZ3}$  signals.
- Each trip-zone input and digital compare (DC) submodule DCAEVT1/2 or DCBEVT1/2 force event can be allocated to either one-shot or cycle-by-cycle operation.
- Interrupt generation is possible on any trip-zone input.
- Software-forced tripping is also supported.
- The trip-zone submodule can be fully bypassed if the submodule is not required.

## 14.9.2 Operational Highlights for the Trip-Zone Submodule

The following sections describe the operational highlights and configuration options for the trip-zone submodule.

The trip-zone signals  $\overline{TZ1}$  to  $\overline{TZ6}$  (also collectively referred to as  $\overline{TZn}$ ) are active-low input signals. When one of these signals goes low, or when a DCAEVT1/2 or DCBEVT1/2 force happens based on the TZDSEL register event selection, the indication is that a trip event has occurred. Each ePWM module can be individually configured to ignore or use each of the trip-zone signals or DC events. Which trip-zone signals or DC events are used by a particular ePWM module is determined by the TZSEL register for that specific ePWM module. The trip-zone signals can or cannot be synchronized to the ePWMclock (EPWMCLK) and digitally filtered within the GPIO MUX block. A minimum of  $3 \cdot TBCLK$  low pulse width on  $\overline{TZn}$  inputs is sufficient to trigger a fault condition on the ePWM module. If the pulse width is less than this, the trip condition cannot be latched by CBC or OST latches. The asynchronous trip makes sure that if clocks are missing for any reason, the outputs can still be tripped by a valid event present on  $\overline{TZn}$  inputs. The GPIOs or peripherals must be appropriately configured. For more information, see the *System Control and Interrupts* chapter.

Each  $\overline{TZn}$  input can be individually configured to provide either a cycle-by-cycle or one-shot trip event for an ePWM module. DCAEVT1 and DCBEVT1 events can be configured to directly trip an ePWM module or provide a one-shot trip event to the module. Likewise, DCAEVT2 and DCBEVT2 events can also be configured to directly trip an ePWM module or provide a cycle-by-cycle trip event to the module. This configuration is determined by the TZSEL[DCAEVT1/2], TZSEL[DCBEVT1/2], TZSEL[CBCn], and TZSEL[OSHTn] control bits (where n corresponds to the trip input), respectively.

- **Cycle-by-Cycle (CBC):**

When a cycle-by-cycle trip event occurs, the action specified in the TZCTL[TZA] and TZCTL[TZB] bits is carried out immediately on the EPWMxA and EPWMxB outputs. [Table 14-12](#) lists some of the possible actions. Independent actions can be specified based on the occurrence of the event while the counter is counting up or while the counter is counting down by appropriately configuring bits in the TZCTL2 register. Actions specified in the TZCTL2 register take effect only when the ETZE bit in TZCTL2 is set.

Additionally, when a cycle-by-cycle trip event occurs, the cycle-by-cycle trip event flag (TZFLG[CBC]) is set and a EPWMx\_TZINT interrupt is generated when enabled in the TZEINT register and interrupt controller. A corresponding flag for the event that caused the CBC event is also set in register TZCBCFLG.

If the CBC interrupt is enabled using the TZEINT register and DCAEVT2 or DCBEVT2 are selected as CBC trip sources using the TZSEL register, it is not necessary to also enable the DCAEVT2 or DCBEVT2 interrupts in the TZEINT register, as the DC events trigger interrupts through the CBC mechanism.

The specified condition on the inputs is automatically cleared based on the selection made with TZCLR[CBCPULSE] if the trip event is no longer present. Therefore, in this mode, the trip event is cleared or reset every PWM cycle. The TZFLG[CBC] and TZCBCFLG flag bits remain set until the flag bits are manually cleared by writing to the TZCLR[CBC] and TZCBCCLR flag bits. If the cycle-by-cycle trip event is still present when the TZFLG[CBC] and TZCBCFLG register bits are cleared, then these bits are again immediately set.

- **One-Shot (OSHT):**

When a one-shot trip event occurs, the action specified in the TZCTL[TZA] and TZCTL[TZB] bits is carried out immediately on the EPWMxA and EPWMxB output. [Table 14-12](#) lists some of the possible actions. Independent actions can be specified based on the occurrence of the event while the counter is counting up and while the counter is counting down by appropriately configuring bits in TZCTL2 register. Actions specified in TZCTL2 register take effect only when ETZE bit in TZCTL2 is set.

Additionally, when a one-shot trip event occurs, the one-shot trip event flag (TZFLG[OST]) is set and a EPWMx\_TZINT interrupt is generated when enabled in the TZEINT register and interrupt controller. A corresponding flag for the event that caused the OST event is also set in register TZOSTFLG. The one-shot trip condition must be cleared manually by writing to the TZCLR[OST] bit. If desired, the TZOSTFLG register bit can be cleared by manually writing to the corresponding bit in the TZOSTCLR register.

If the one-shot interrupt is enabled using the TZEINT register and DCAEVT1 or DCBEVT1 are selected as OSH trip sources using the TZSEL register, it is not necessary to also enable the DCAEVT1 or DCBEVT1 interrupts in the TZEINT register, as the DC events trigger interrupts through the OSH mechanism.

---

#### Note

Clear the TZFLG and TZOSTFLG flags after making sure that the TRIPIN source of the OST has become inactive. Otherwise, if interrupts are enabled, depending on when the flags are cleared, an OST interrupt can occur and the OST flags are zero.

---

- **Digital Compare Events (DCAEVT1/2 and DCBEVT1/2):**

A digital compare DCAEVT1/2 or DCBEVT1/2 event is generated based on a combination of the DCAH/DCAL and DCBH/DCBL signals as selected by the TZDCSEL register. The signals which source the DCAH/DCAL and DCBH/DCBL signals are selected using the DCTRISEL register and can be either trip zone input pins or analog comparator CMPSSx signals. For more information on the digital compare submodule signals, see [Section 14.11](#).

When a digital compare event occurs, the action specified in the TZCTL[DCAEVT1/2] and TZCTL[DCBEVT1/2] bits is carried out immediately on the EPWMxA and EPWMxB output. [Table 14-12](#) lists the possible actions. Independent actions can be specified based on the occurrence of the event while the counter is counting up and while the counter is counting down by appropriately configuring bits in TZCTLDCA and TZCTLDCB register. Actions specified in TZCTLDCA and TZCTLDCB registers take effect only when ETZE bit in TZCTL2 is set.

In addition, the relevant DC trip event flag (TZFLG[DCAEVT1/2] / TZFLG[DCBEVT1/2]) is set and a EPWMx\_TZINT interrupt is generated when enabled in the TZEINT register and interrupt controller.

The specified condition on the pins is automatically cleared when the DC trip event is no longer present. The TZFLG[DCAEVT1/2] or TZFLG[DCBEVT1/2] flag bit remains set until the flag is manually cleared by writing to the TZCLR[DCAEVT1/2] or TZCLR[DCBEVT1/2] bit. If the DC trip event is still present when the TZFLG[DCAEVT1/2] or TZFLG[DCBEVT1/2] flag is cleared, then the flag is again immediately set.

The action taken when a trip event occurs can be configured individually for each of the ePWM output pins by way of the TZCTL, TZCTL2, TZCTLDCA, and TZCTLDCB register bit fields. Some of the possible actions, shown in [Table 14-12](#), can be taken on a trip event.

**Table 14-12. Possible Actions On a Trip Event**

TZCTL Register Bitfield Settings	EPWMxA and EPWMxB	Comment
0,0	High-Impedance	Tripped
0,1	Force to High State	Tripped
1,0	Force to Low State	Tripped
1,1	No Change	Do Nothing. No change is made to the output.



### Example 14-1. Trip-Zone Configurations

#### Scenario A:

A one-shot trip event on  $\overline{TZ1}$  pulls both EPWM1A, EPWM1B low and also forces EPWM2A and EPWM2B high.

- Configure the ePWM1 registers as follows:
  - TZSEL[OSHT1] = 1: enables  $\overline{TZ1}$  as a one-shot event source for ePWM1
  - TZCTL[TZA] = 2: EPWM1A is forced low on a trip event.
  - TZCTL[TZB] = 2: EPWM1B is forced low on a trip event.
- Configure the ePWM2 registers as follows:
  - TZSEL[OSHT1] = 1: enables  $\overline{TZ1}$  as a one-shot event source for ePWM2
  - TZCTL[TZA] = 1: EPWM2A is forced high on a trip event.
  - TZCTL[TZB] = 1: EPWM2B is forced high on a trip event.

#### Scenario B:

A cycle-by-cycle event on  $\overline{TZ5}$  pulls both EPWM1A, EPWM1B low.

A one-shot event on  $\overline{TZ1}$  or  $\overline{TZ6}$  puts EPWM2A into a high impedance state.

- Configure the ePWM1 registers as follows:
  - TZSEL[CBC5] = 1: enables  $\overline{TZ5}$  as a cycle-by-cycle event source for ePWM1
  - TZCTL[TZA] = 2: EPWM1A is forced low on a trip event.
  - TZCTL[TZB] = 2: EPWM1B is forced low on a trip event.
- Configure the ePWM2 registers as follows:
  - TZSEL[OSHT1] = 1: enables  $\overline{TZ1}$  as a one-shot event source for ePWM2
  - TZSEL[OSHT6] = 1: enables  $\overline{TZ6}$  as a one-shot event source for ePWM2
  - TZCTL[TZA] = 0: EPWM2A is put into a high-impedance state on a trip event.
  - TZCTL[TZB] = 3: EPWM2B ignores the trip event.

#### Note

When configuring the GPIOs and INPUT X-BAR/EPWM X-BAR options, be aware that a change in the X-BAR input selections can cause an unwanted event. Therefore, set up the GPIO and X-BAR input configurations before enabling the ePWM Trip-Zone. If a requirement is to change the GPIO/X-BAR configurations while the ePWM Trip-Zone is enabled, the user can turn off the TRIPs by clearing the TZSEL register and reconfiguring the TRIP selection (TZSEL) after the INPUT XBAR selection is changed.

### 14.9.3 Generating Trip Event Interrupts

Figure 14-42 and Figure 14-43 illustrate the trip-zone submodule control and interrupt logic, respectively. DCAEVT1/2 and DCBEVT1/2 signals are described in further detail in Section 14.11.

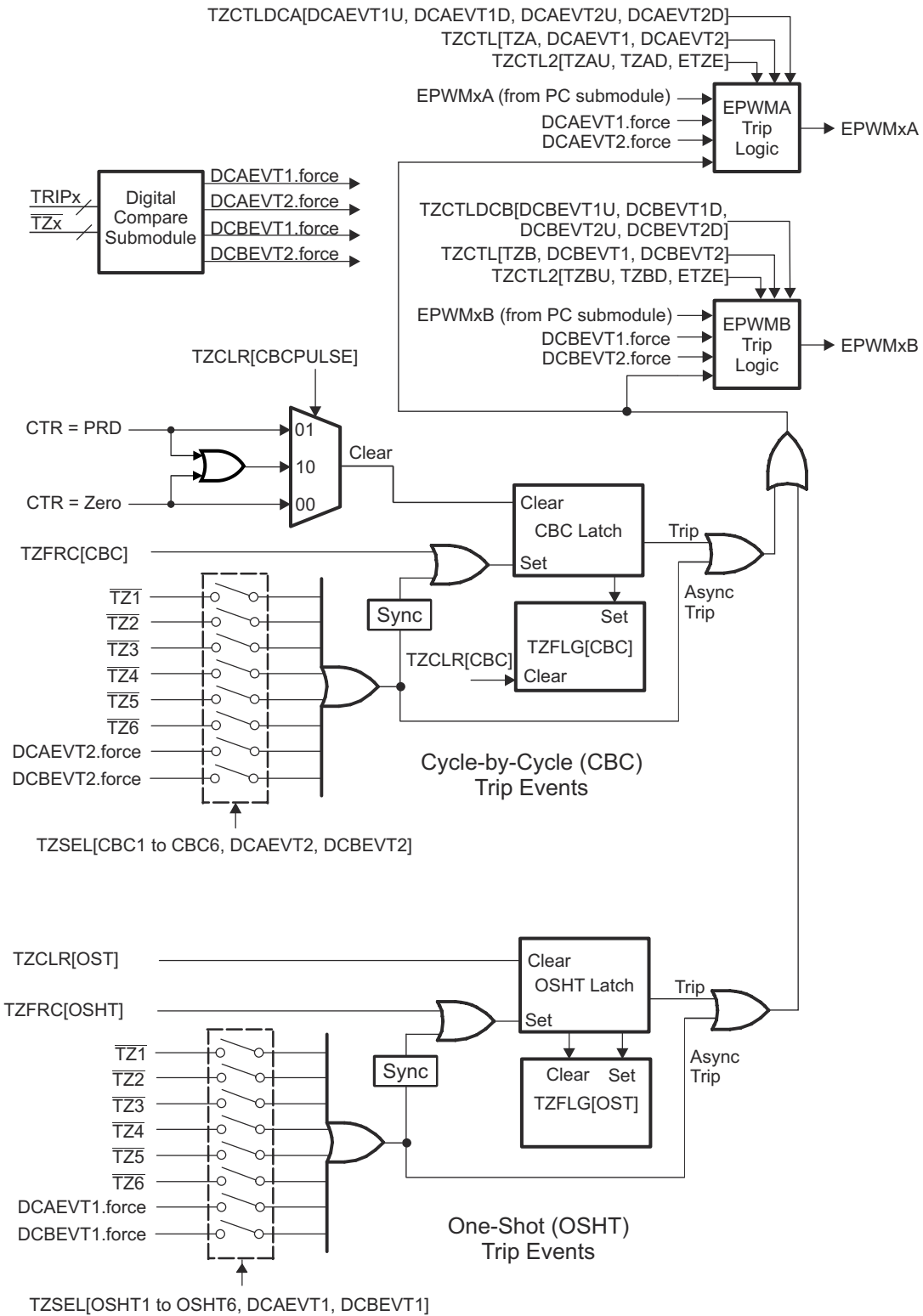


Figure 14-42. Trip-Zone Submodule Mode Control Logic

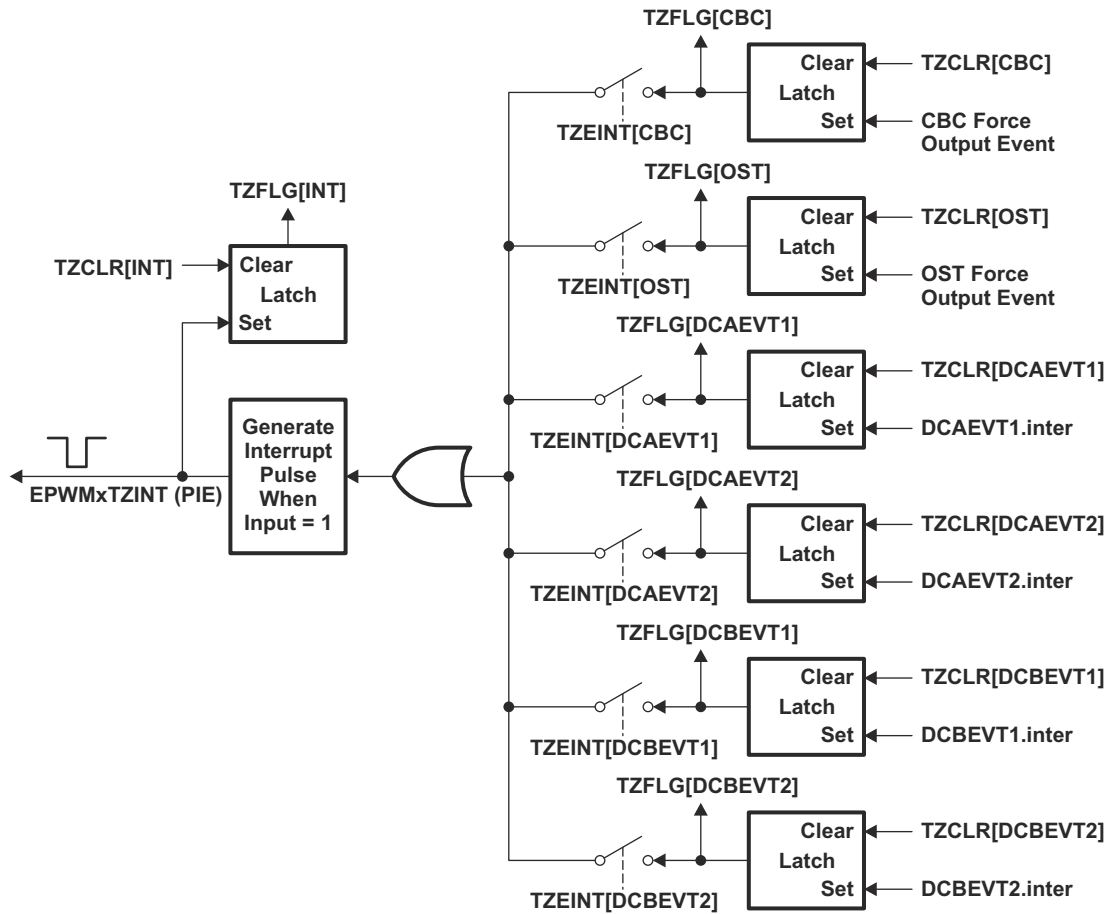


Figure 14-43. Trip-Zone Submodule Interrupt Logic

These individual flags for the CBC, OST and DCxEVTy can be used to detect the source of the EPWMxTZINT Interrupt. When multiple sources are used to generate the EPWMxTZINT interrupt, reading and clearing the flags takes different actions based on the specific event.

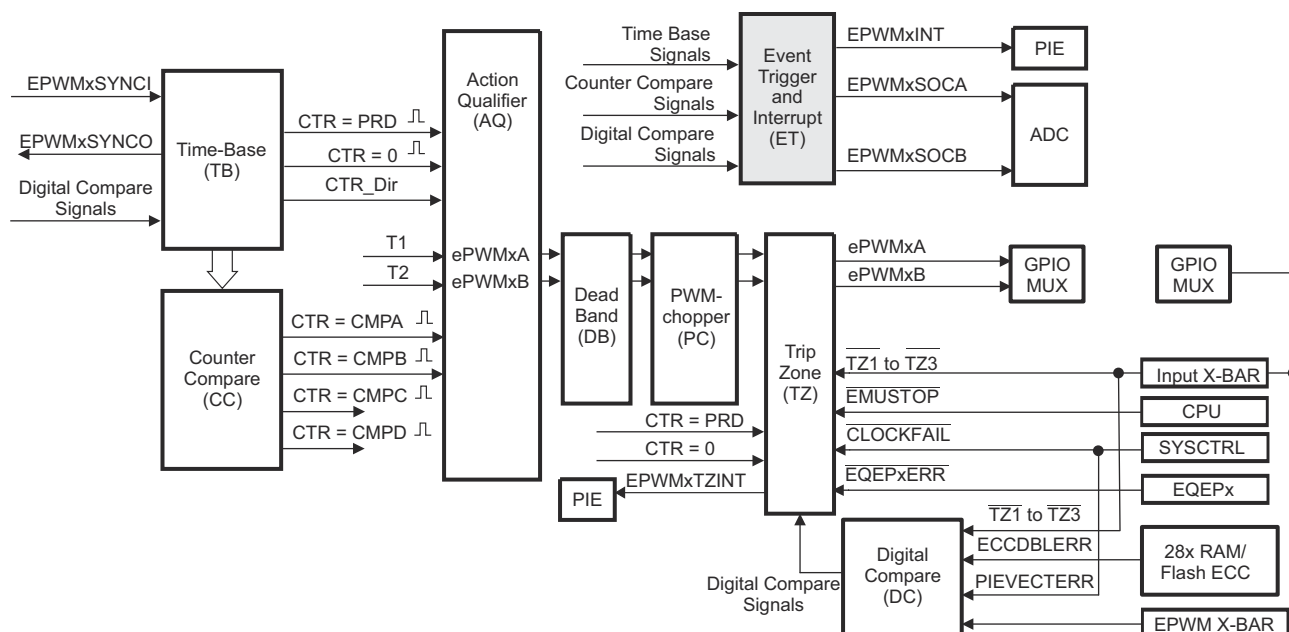
## 14.10 Event-Trigger (ET) Submodule

The key functions of the event-trigger submodule are:

- Receives event inputs generated by the time-base, counter-compare, and digital-compare submodules
- Uses the time-base direction information for up/down event qualification
- Uses prescaling logic to issue interrupt requests and ADC start of conversion at:
  - Every event
  - Every second event
  - Up to every fifteenth event
- Provides full visibility of event generation using event counters and flags
- Allows software forcing of Interrupts and ADC start of conversion

The event-trigger submodule manages the events generated by the time-base submodule, the counter-compare submodule, and the digital-compare submodule to generate an interrupt to the CPU and a start of conversion pulse to the ADC when a selected event occurs.

Figure 14-44 illustrates the event-trigger submodule within the ePWM.

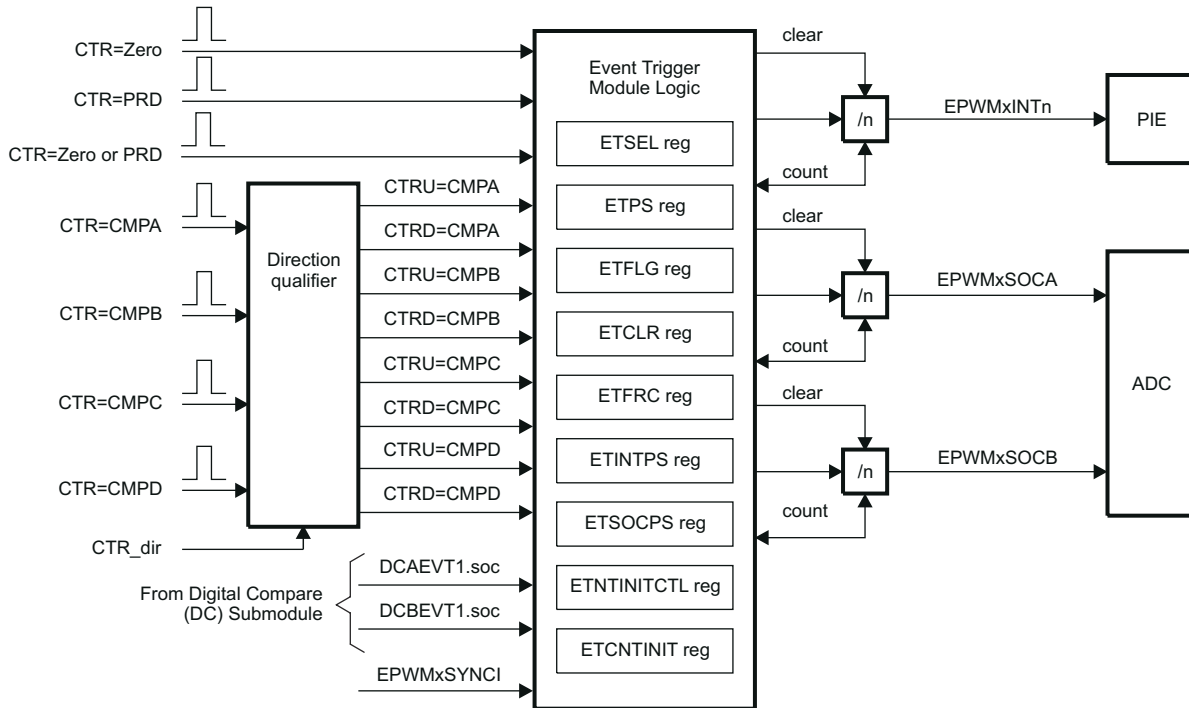


**Figure 14-44. Event-Trigger Submodule**

### 14.10.1 Operational Overview of the ePWM Event-Trigger Submodule

The event-trigger submodule monitors various event conditions (shown as inputs on the left side of Figure 14-45) and can be configured to prescale these events before issuing an Interrupt request or an ADC start of conversion. The event-trigger prescaling logic can issue Interrupt requests and ADC start of conversion at:

- Every event
- Every second event
- Up to every fifteenth event



**Figure 14-45. Event-Trigger Submodule Showing Event Inputs and Prescaled Outputs**

- ETSEL - This selects which of the possible events trigger an interrupt or start an ADC conversion.
- ETPS - This programs the event prescaling options mentioned above.
- ETFLG - These are flag bits indicating status of the selected and prescaled events.
- ETCLR - These bits allow clearing the flag bits in the ETFLG register using software.
- ETFRC - These bits allow software forcing of an event. Useful for debugging or software intervention.
- ETINTPS - This programs the interrupt event prescaling options, supporting count and period up to 15 events.
- ETSOCPS - This programs the SOC event prescaling options, supporting count and period up to 15 events.
- ETCNTINITCTL - These bits enable ETCNTINIT initialization using SYNC event or using software force.
- ETCNTINIT - These bits allow initializing INT/SOCA/SOCB counters on SYNC events (or software force) with user programmed value.

A more detailed look at how the various register bits interact with the Interrupt and ADC start of conversion logic are shown in Figure 14-46, Figure 14-47, and Figure 14-48.

Figure 14-46 shows the event-trigger's interrupt generation logic. The interrupt-period (ETPS[INTPRD]) bits specify the number of events required to cause an interrupt pulse to be generated. The choices available are:

- Do not generate an interrupt.
- Generate an interrupt on every event.
- Generate an interrupt on every second event.
- Generate an interrupt on every third event.

The selection made on ETPS[INTPSEL] bit determines whether ETINTPS register, INTCNT2 and INTPRD2 bit fields determine frequency of events (interrupt once every 0-15 events).

The event that can cause an interrupt is configured by the interrupt selection (ETSEL[INTSEL]) and (ETSEL[INTSELCMP]) bits. The event can be one of the following:

- Time-base counter equal to zero (TBCTR = 0x00).
- Time-base counter equal to period (TBCTR = TBPRD).
- Time-base counter equal to zero or period (TBCTR = 0x00 || TBCTR = TBPRD).
- Time-base counter equal to the compare A register (CMPA) when the timer is incrementing.
- Time-base counter equal to the compare A register (CMPA) when the timer is decrementing.
- Time-base counter equal to the compare B register (CMPB) when the timer is incrementing.
- Time-base counter equal to the compare B register (CMPB) when the timer is decrementing.
- Time-base counter equal to the compare C register (CMPC) when the timer is incrementing.
- Time-base counter equal to the compare C register (CMPC) when the timer is decrementing.
- Time-base counter equal to the compare D register (CMPD) when the timer is incrementing.
- Time-base counter equal to the compare D register (CMPD) when the timer is decrementing.

The number of events that have occurred can be read from the interrupt event counter ETPS[INTCNT] or ETINTPS[INTCNT2] register bits based off of the selection made using ETPS[INTPSEL]. That is, when the specified event occurs the ETPS[INTCNT] or ETINTPS[INTCNT2] bits are incremented until the bits reach the value specified by ETPS[INTPRD] or ETINTPS[INTPRD2] determined again by the selection made in ETPS[INTPSEL]. When ETPS[INTCNT] = ETPS[INTPRD], the counter stops counting and the counter output is set. The counter is only cleared when an interrupt is sent to the interrupt controller.

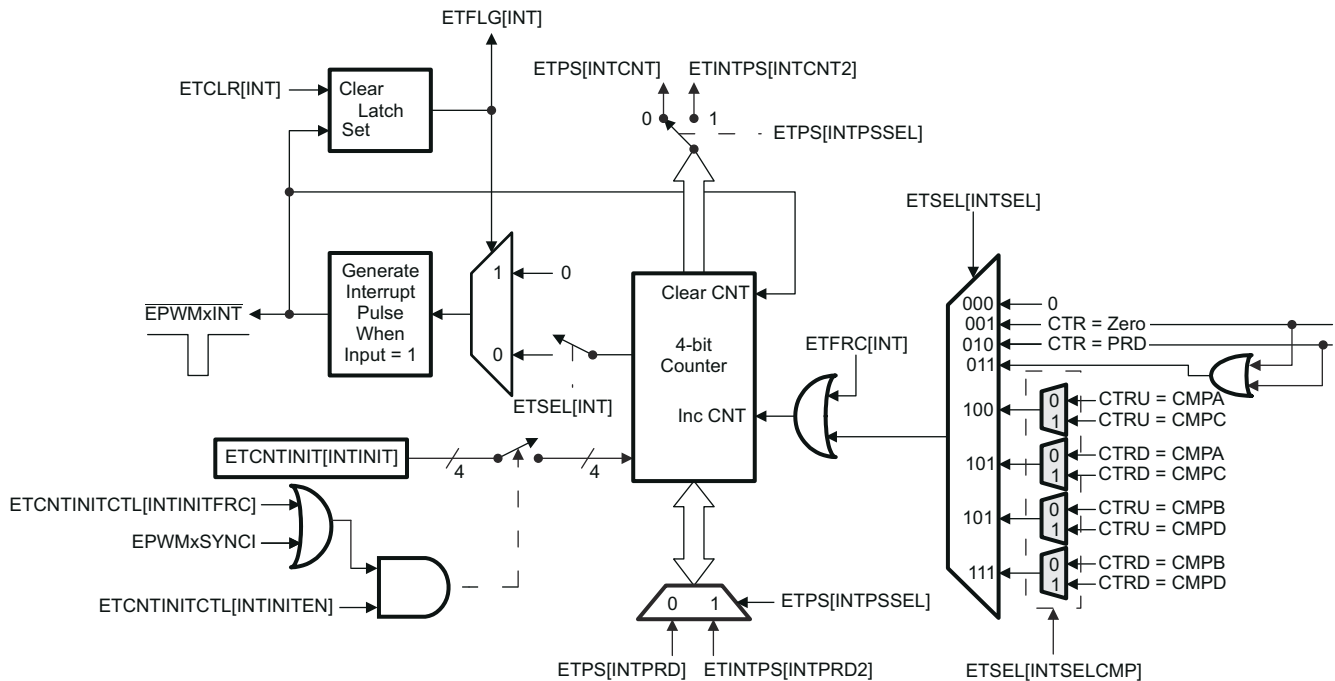
When ETPS[INTCNT] reaches ETPS[INTPRD], the following behavior occurs. [The following behavior is also applicable to ETINTPS[INTCNT2] and ETINTPS[INTPRD2]:

- If interrupts are enabled, ETSEL[INTEN] = 1 and the interrupt flag is clear, ETFLG[INT] = 0, then an interrupt pulse is generated and the interrupt flag is set, ETFLG[INT] = 1, and the event counter is cleared ETPS[INTCNT] = 0. The counter begins counting events again.
- If interrupts are disabled, ETSEL[INTEN] = 0, or the interrupt flag is set, ETFLG[INT] = 1, the counter stops counting events when the counter reaches the period value ETPS[INTCNT] = ETPS[INTPRD].
- If interrupts are enabled, but the interrupt flag is already set, then the counter holds the output high until the ENTFLG[INT] flag is cleared. This allows for one interrupt to be pending while one is serviced.

Writing a 0 to the INTPRD bits automatically clears the counter (INTCNT = 0) and the counter output resets (so no interrupts are generated). For all other writes to INTPRD, INTCNT retains the previous value. INTCNT resets when INTCNT overflows. Writing a 1 to the ETFRC[INT] bit increments the event counter INTCNT. The counter behaves as previously described when INTCNT = INTPRD. When INTPRD = 0, the counter is disabled and hence no events are detected and the ETFRC[INT] bit is also ignored. The same applies to ETINTPS[INTCNT2] and ETINTPS[INTPRD2].

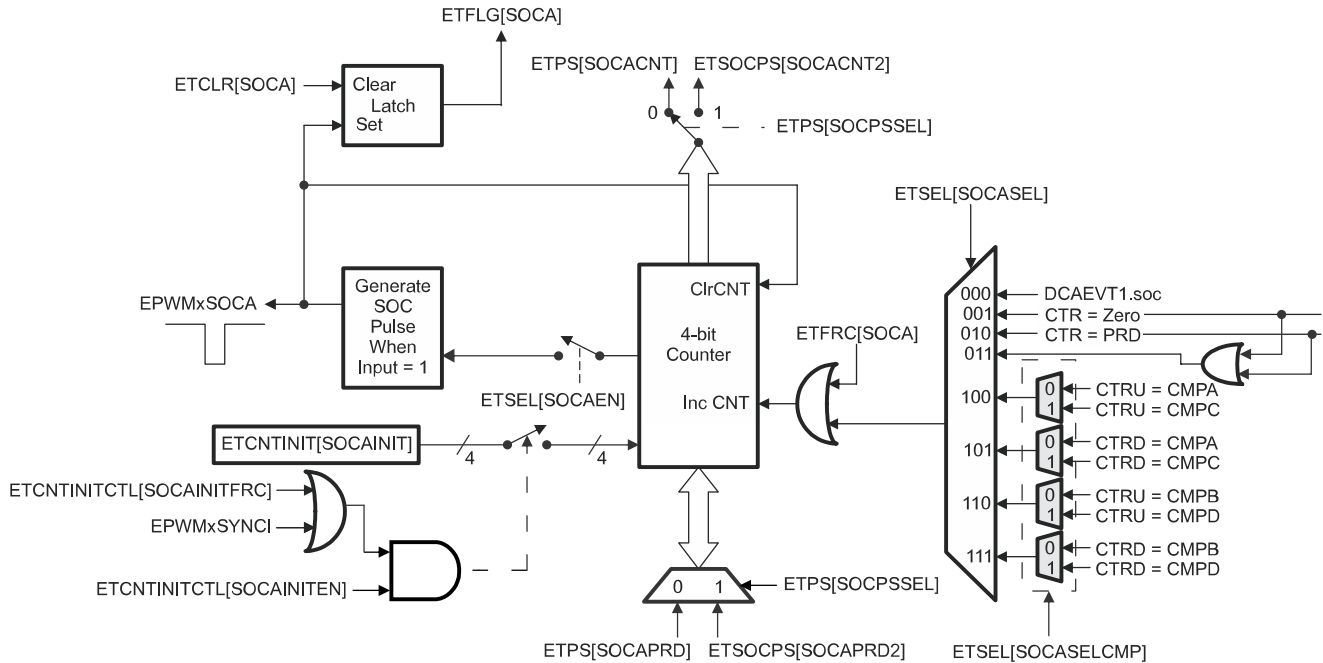
The previous definition means that an interrupt on every event, on every second event, or on every third event if using the INTCNT and INTPRD can be generated. An interrupt on every event up to 15 events if using the INTCNT2 and INTPRD2 can be generated.

The INTCNT2 value can be initialized with the value from ETCNTINIT[INTINIT] based on the selection made in ETCNTINITCTL[INTINITEN]. When ETCNTINITCTL[INTINITEN] is set, then initialization of INTCNT2 counter with contents of ETCNTINIT[INTINIT] on a SYNC event or software force is determined by ETCNTINITCTL[INTINITFRC].



**Figure 14-46. Event-Trigger Interrupt Generator**

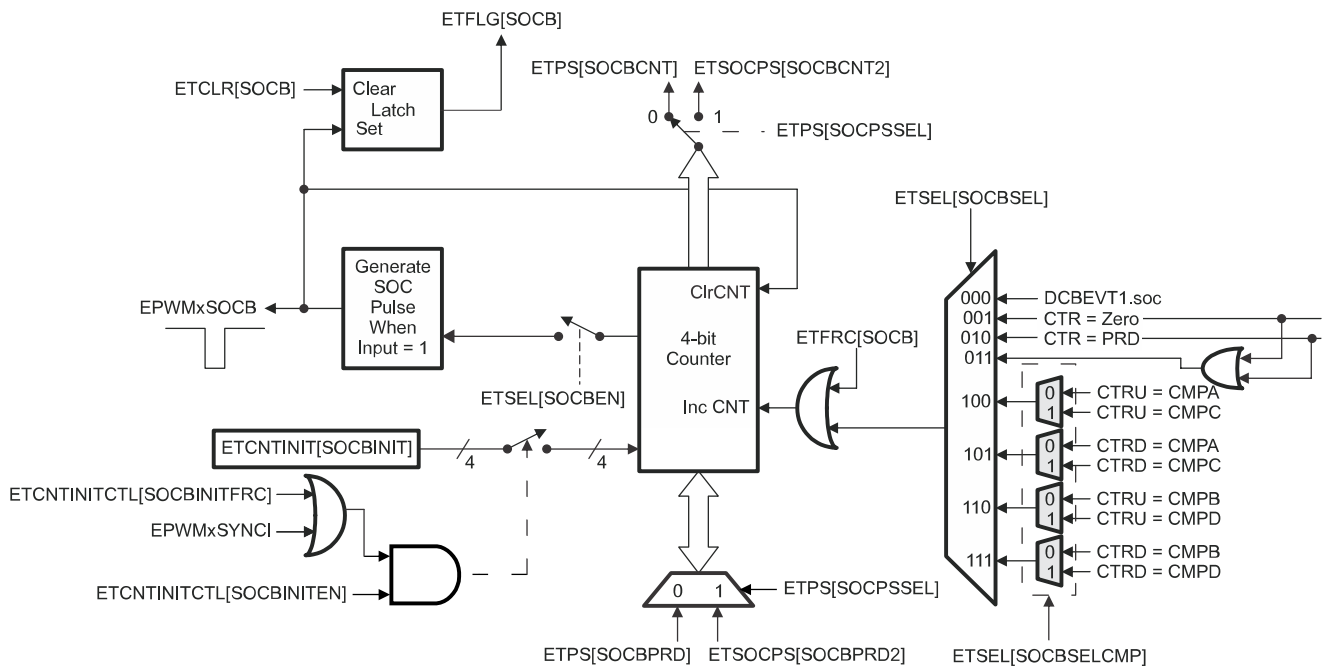
Figure 14-47 shows the operation of the event-trigger's start-of-conversion-A (SOCA) pulse generator. The enhancements include SOCASELCMP and SOCBSELCMP bit fields defined in the ETSEL register enable CMPC and CMPD events respectively to cause a start of conversion. The ETTPS[SOCPSSEL] bit field determines whether SOCACNT2 and SOCAPRD2 take control or not. The ETTPS[SOCACNT] counter and ETTPS[SOCAPRD] period values behave similarly to the interrupt generator except that the pulses are continuously generated. That is, the pulse flag ETFLG[SOCA] is latched when a pulse is generated, but the interrupt generator does not stop further pulse generation. The enable and disable bit ETSEL[SOCAEN] stops pulse generation, but input events can still be counted until the period value is reached as with the interrupt generation logic. The event that triggers an SOCA and SOCB pulse can be configured separately in the ETSEL[SOCASEL] and ETSEL[SOCSSEL] bits. The possible events are the same events that can be specified for the interrupt generation logic with the addition of the DCAEVT1.soc and DCBEVT1.soc event signals from the digital compare (DC) submodule. The SOCACNT2 initialization scheme is very similar to the interrupt generator with respective enable, value initialize and SYNC or software force options.



NOTE: The DCAEVT1.soc signals are generated by the Digital Compare (DC) submodule in [Section 14.11](#).

**Figure 14-47. Event-Trigger SOCA Pulse Generator**

Figure 14-48 shows the operation of the event-trigger's start-of-conversion-B (SOCB) pulse generator. The event-trigger's SOCB pulse generator operates the same way as the SOCA.



NOTE: The DCBEVT1.soc signals are generated by the Digital Compare (DC) submodule in [Section 14.11](#).

**Figure 14-48. Event-Trigger SOCB Pulse Generator**



### 14.11 Digital Compare (DC) Submodule

Figure 14-49 illustrates where the digital compare (DC) submodule signals interface to other submodules in the ePWM system.

The eCAP input signals are sourced from the Input X-BAR signals as shown in Figure 14-50.

On this device, any of the GPIO pins can be flexibly mapped to be the trip-zone input and trip inputs to the trip-zone submodule and digital compare submodule. The Input X-BAR Input Select (INPUTxSELECT) register defines which GPIO pins gets assigned to be the trip-zone inputs / trip inputs.

The digital compare (DC) submodule compares signals external to the ePWM module (for instance, CMPSSx signals from the analog comparators) to directly generate PWM events/actions which then feed to the event-trigger, trip-zone, and time-base submodules. Additionally, blanking window functionality is supported to filter noise or unwanted pulses from the DC event signals.

#### Note

The user is responsible for driving the correct state on the selected pin before enabling the clock and configuring the trip input for the respective ePWM peripheral to avoid spurious latch of the TRIP signal.

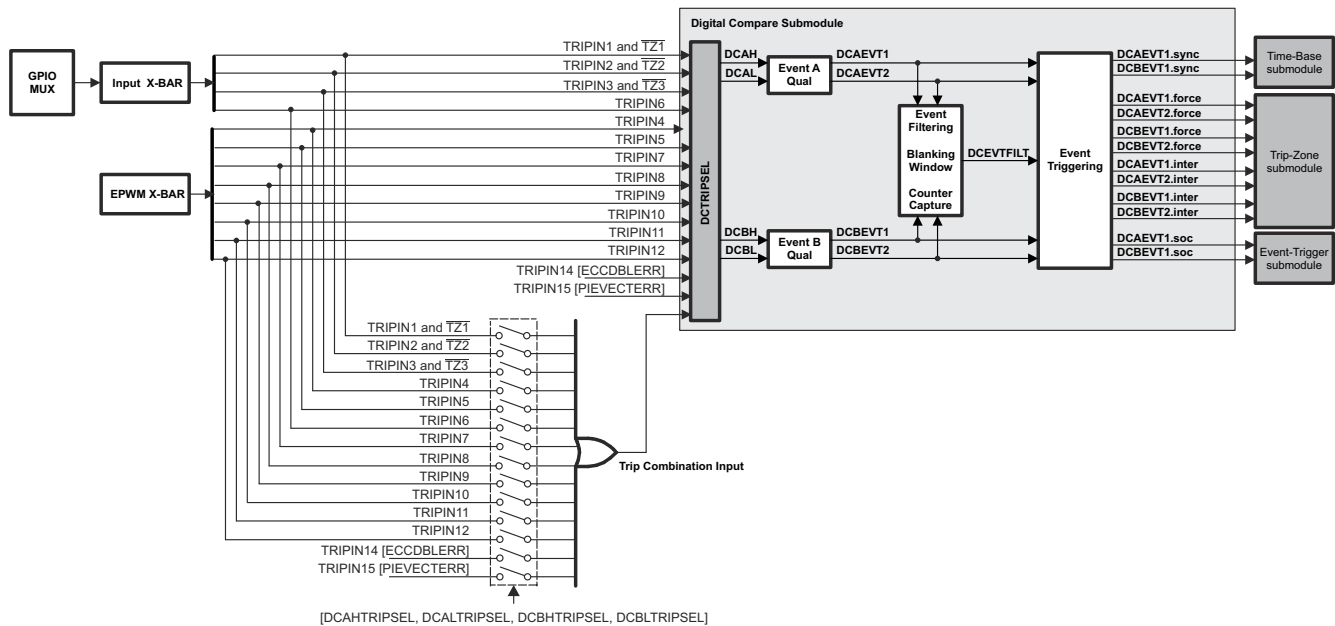


Figure 14-49. Digital-Compare Submodule High-Level Block Diagram

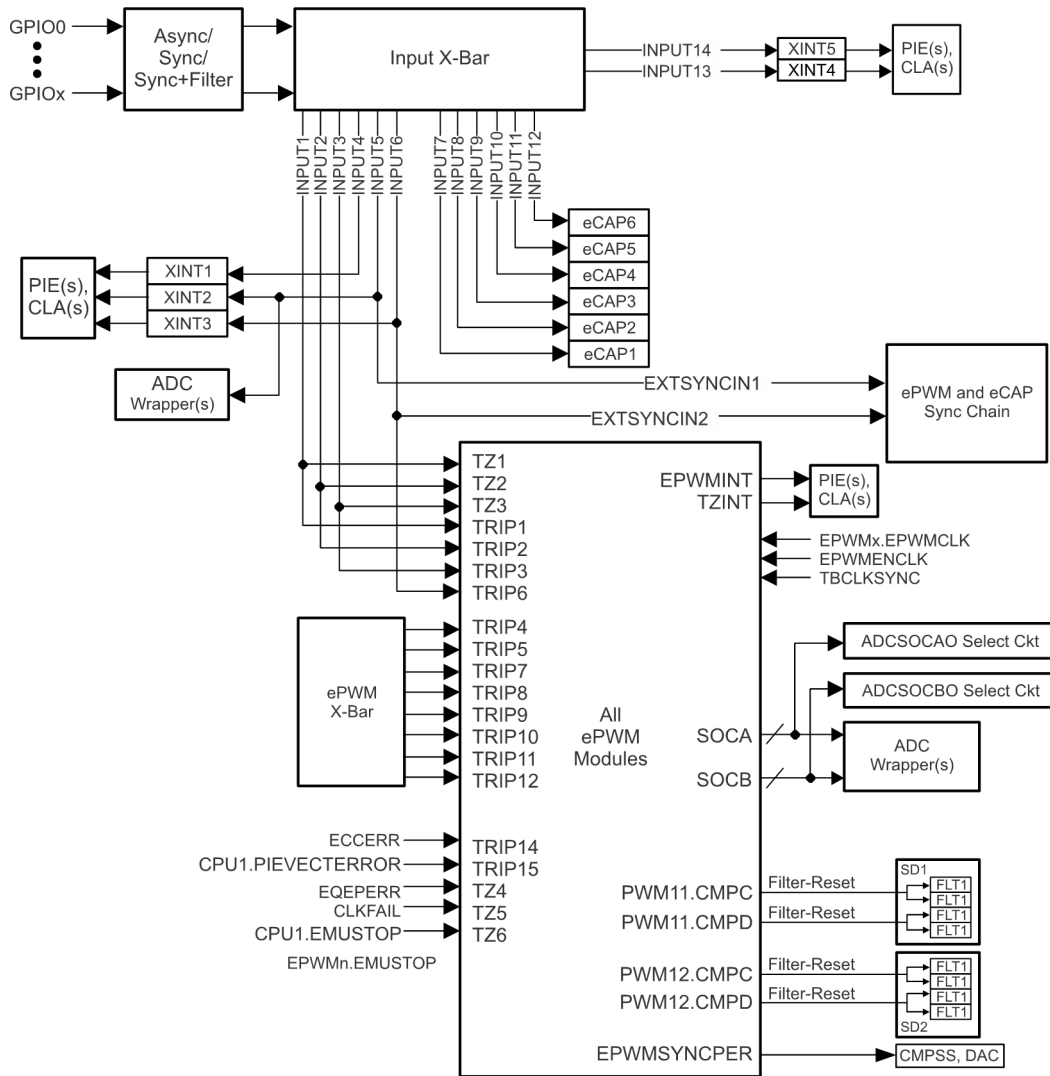


Figure 14-50. GPIO MUX-to-Trip Input Connectivity

### 14.11.1 Purpose of the Digital Compare Submodule

The key functions of the digital compare submodule are:

- Analog comparator (COMP) module outputs fed through the Input X-BAR, EPWM X-BAR, externally using the GPIO peripheral, interrupt controller signals, ECC error signals, TZ1,  $\overline{TZ2}$ , and  $\overline{TZ3}$  inputs generate Digital Compare A High/Low (DCAH, DCAL) and Digital Compare B High/Low (DCBH, DCBL) signals.
- DCAH/L and DCBH/L signals trigger events that can then either be filtered or applied directly to the trip-zone, event-trigger, and time-base submodules to:
  - generate a trip zone interrupt
  - generate an ADC start of conversion
  - force an event
  - generate a synchronization event for synchronizing the ePWM module TBCTR.
- Event filtering (blanking window logic) can optionally blank the input signal to remove noise.

### 14.11.2 Enhanced Trip Action Using CMPSS

To allow multiple CMPSS at a time to affect DCA/BEVTx events and trip actions, there is a OR logic to bring together ALL trip inputs (up to 15) from sources external to the ePWM module and feed into DCAH, DCAL, DCBH, and DCBL as a “combinational input” using the DCTRIPSEL register. This is configured by selecting “Trip combination input” (value of 0xF) in the DCTRIPSEL register.

There is a discrete choice of which trip inputs to put through the combinational logic for generating the DCAH, DCAL, DCBH, and DCBL signals. This is achieved using the DCAHTRIPSEL, DCALTRIPSEL, DCBHTRIPSEL, and DCBLTRIPSEL register selections. Inputs selected for combinational input are passed through to the DCTRIPSEL register.

### 14.11.3 Using CMPSS to Trip the ePWM on a Cycle-by-Cycle Basis

When using the CMPSS to trip the ePWM on a cycle-by-cycle basis, steps can be taken to prevent an asserted comparator trip state in one PWM cycle from extending into the following cycle. The CMPSS can be used to signal a trip condition to the downstream ePWM modules. For applications like peak current mode control, only one trip event per PWM cycle is expected. Under certain conditions, it is possible for a sustained or late trip event (arriving near the end of a PWM cycle) to carry over into the next PWM cycle if precautions are not taken. If either the CMPSS Digital Filter or the ePWM Digital Compare (DC) submodule is configured to qualify the comparator trip signal, “N” number of clock cycles of qualification are introduced before the ePWM trip logic can respond to logic changes of the trip signal. Once an ePWM trip condition is qualified, the trip condition remains active for N clock cycles after the comparator trip signal has de-asserted. If a qualified comparator trip signal remains asserted within N clock cycles prior to the end of a PWM cycle, the trip condition is not cleared until after the following PWM cycle has started. Thus, the new PWM cycle detects a trip condition as soon as the cycle begins.

To avoid this undesired trip condition, the application can take steps to make sure that the qualified trip signal seen by the ePWM trip logic is deasserted prior to the end of each PWM cycle. This can be accomplished through various methods:

- Design the system such that a comparator trip is not asserted within N clock cycles prior to the end of the PWM cycle.
- Activate blanking of the comparator trip signal using the ePWM event filter at least two clock cycles prior to the PWMSYNCPER signal and continue blanking for at least N clock cycles into the next PWM cycle.
- If the CMPSS COMPxLATCH path is used, clear the COMPxLATCH at least N clock cycles prior to the end of the PWM cycle. The latch can be cleared by software (using COMPSTSCLR) or by generating an early PWMSYNCPER signal. The ePWM modules on this device include the ability to generate PWMSYNCPER upon a CMPC or CMPD match (using HRPCTL) for arbitrary PWMSYNCPER placement within the PWM cycle.

### 14.11.4 Operation Highlights of the Digital Compare Submodule

The following sections describe the operational highlights and configuration options for the digital compare submodule.

#### 14.11.4.1 Digital Compare Events

As described in [Section 14.11.1](#), trip zone inputs ( $\overline{TZ1}$ ,  $\overline{TZ2}$ , and  $\overline{TZ3}$ ) and CMPSSx signals from the analog comparator (COMP) module can be selected using the DCTRIPSEL bits to generate the Digital Compare A High and Low (DCAH/L) and Digital Compare B High and Low (DCBH/L) signals. Then, the configuration of the TZDCSEL register qualifies the actions on the selected DCAH/L and DCBH/L signals, which generate the DCAEVT1/2 and DCBEVT1/2 events (Event Qualification A and B).

---

#### Note

The  $\overline{TZn}$  signals, when used as a DCEVT tripping functions, are treated as a normal input signal and can be defined to be active-high or active-low inputs. ePWM outputs are asynchronously tripped when either the  $\overline{TZn}$ , DCAEVTx.force, or DCBEVTx.force signals are active. For the condition to remain latched, a minimum of  $3 \times \text{TBCLK}$  sync pulse width is required. If pulse width is  $< 3 \times \text{TBCLK}$  sync pulse width, the trip condition can or can not get latched by CBC or OST latches.

---

The DCAEVT1/2 and DCBEVT1/2 events can then be filtered to provide a filtered version of the event signals (DCEVTFILT) or the filtering can be bypassed. Filtering is discussed further in Event Filtering. Either the DCAEVT1/2 and DCBEVT1/2 event signals or the filtered DCEVTFILT event signals can generate a force to the trip zone module, a TZ interrupt, an ADC SOC, or a PWM sync signal.

- **force signal:** DCAEVT1/2.force signals force trip zone conditions which either directly influence the output on the EPWMxA pin (using TZCTL, TZCTLDCA, TZCTLDCB register configurations) or, if the DCAEVT1/2 signals are selected as one-shot or cycle-by-cycle trip sources (using the TZSEL register), the DCAEVT1/2.force signals can effect the trip action using the TZCTL or TZCTL2 register configurations. The DCBEVT1/2.force signals behaves similarly, but affect the EPWMxB output pin instead of the EPWMxA output pin.

The priority of conflicting actions on the TZCTL, TZCTL2, TZCTLDCA and TZCTLDCB registers is as follows (highest priority overrides lower priority):

Output EPWMxA:

- TZA (highest) -> DCAEVT1 -> DCAEVT2 (lowest)
- TZAU (highest) -> DCAEVT1U -> DCAEVT2U (lowest)
- TZAD (highest) -> DCAEVT1D -> DCAEVT2D (lowest)

Output EPWMxB:

- TZB (highest) -> DCBEVT1 -> DCBEVT2 (lowest)
- TZBU (highest) -> DCBEVT1U -> DCBEVT2U (lowest)
- TZBD (highest) -> DCBEVT1D -> DCBEVT2D (lowest)

- **interrupt signal:** DCAEVT1/2.interrupt signals generate trip zone interrupts to the interrupt controller. To enable the interrupt, set the DCAEVT1, DCAEVT2, DCBEVT1, or DCBEVT2 bits in the TZEINT register. Once one of these events occurs, an EPWMxTZINT interrupt is triggered, and the corresponding bit in the TZCLR register must be set to clear the interrupt.
- **soc signal:** The DCAEVT1.soc signal interfaces with the event-trigger submodule and can be selected as an event which generates an ADC start-of-conversion-A (SOCA) pulse using the ETSEL[SOCASEL] bit. Likewise, the DCBEVT1.soc signal can be selected as an event which generates an ADC start-of-conversion-B (SOCB) pulse using the ETSEL[SOCBSEL] bit.
- **sync signal:** The DCAEVT1.sync and DCBEVT1.sync events are ORed with the EPWMxSYNCl input signal and the TBCTL[SWFSYNC] signal to generate a synchronization pulse to the time-base counter.

Figure 14-51 and Figure 14-52 show how the DCAEVT1, DCAEVT2, or DCEVTFLT signals are processed to generate the digital compare A event force, interrupt, soc, and sync signals.

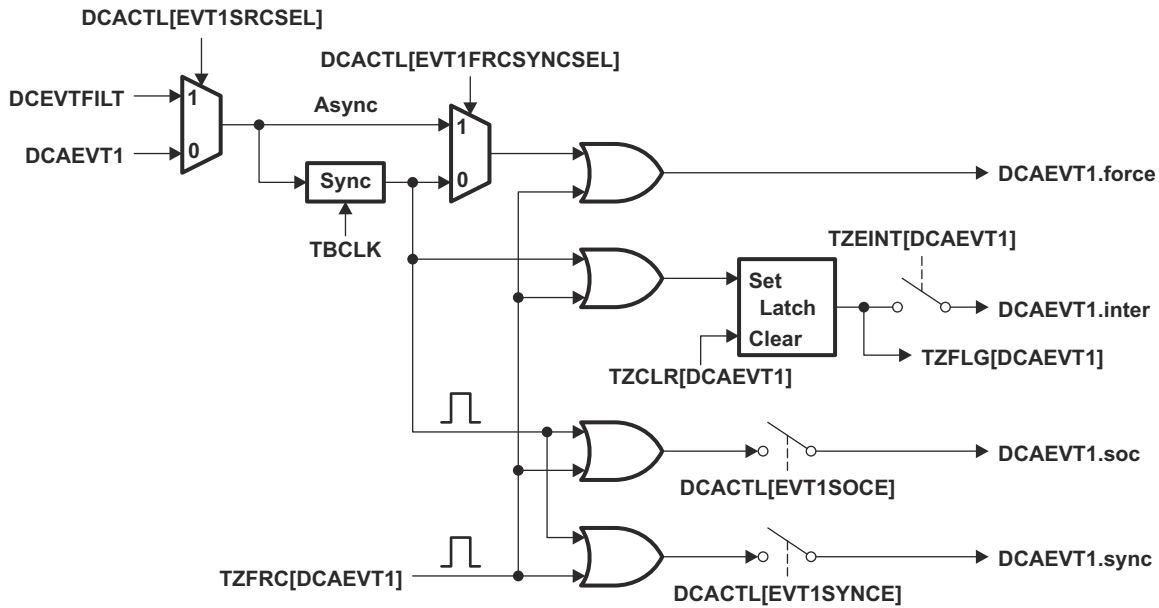


Figure 14-51. DCAEVT1 Event Triggering

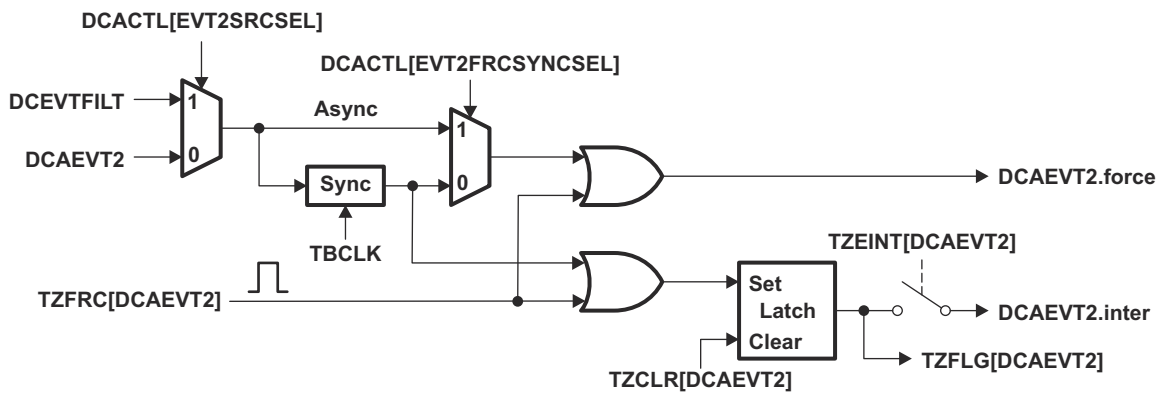


Figure 14-52. DCAEVT2 Event Triggering

Figure 14-53 and Figure 14-54 show how the DCBEVT1, DCBEVT2, or DCEVTFLT signals are processed to generate the digital compare B event force, interrupt, soc, and sync signals.

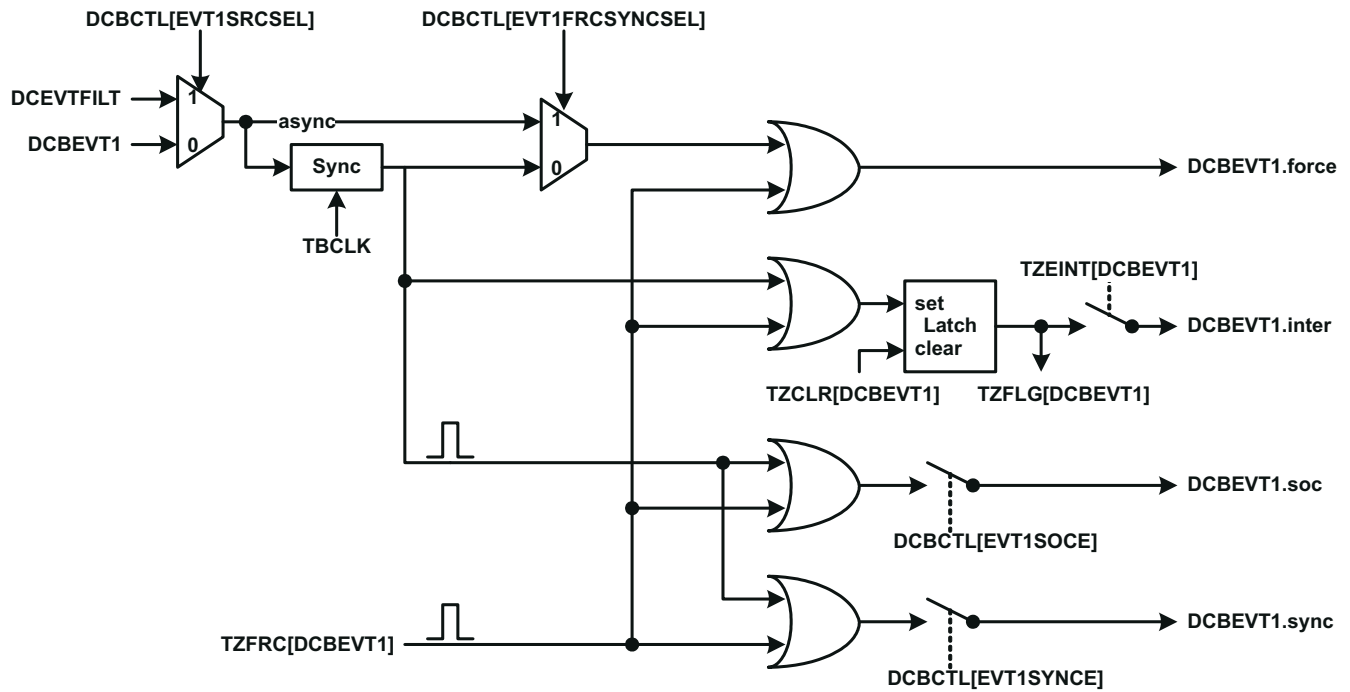


Figure 14-53. DCBEVT1 Event Triggering

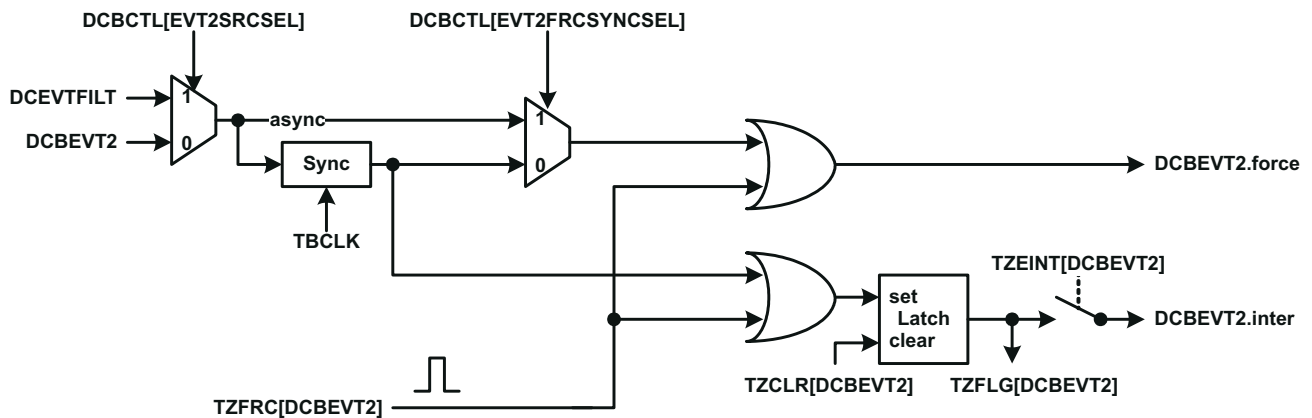
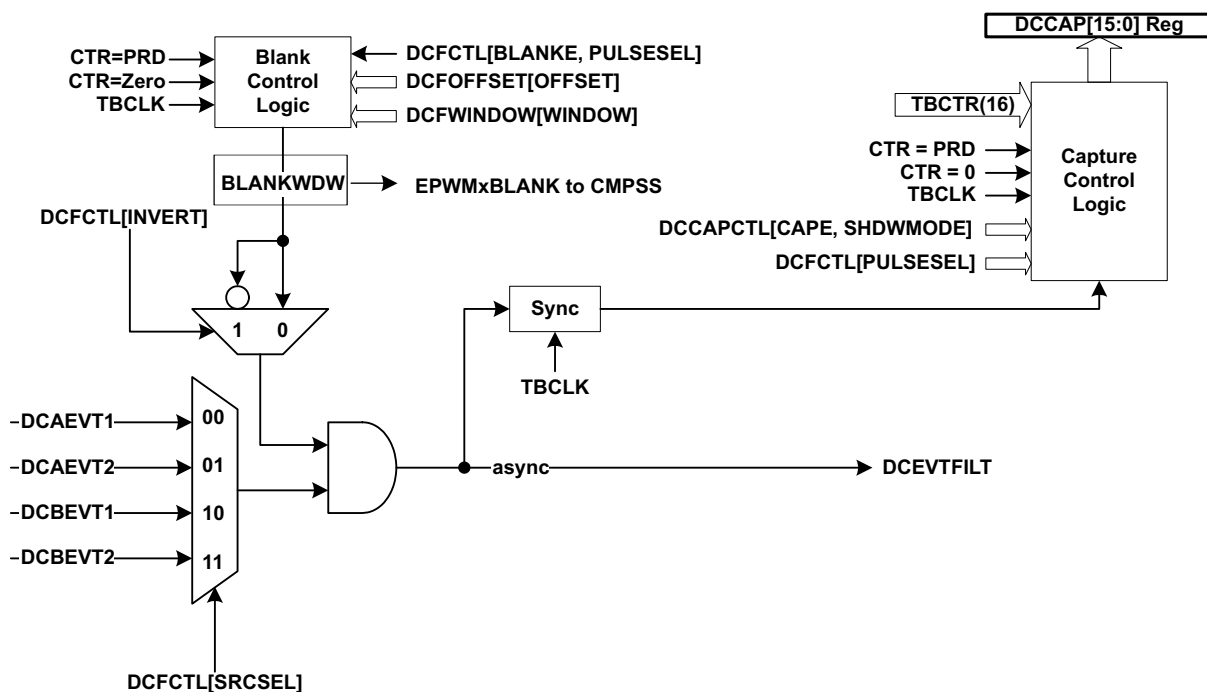


Figure 14-54. DCBEVT2 Event Triggering

### 14.11.4.2 Event Filtering

**Blank Control Logic:** The DCAEVT1/2 and DCBEVT1/2 events can be filtered using event filtering logic to remove noise by optionally blanking events for a certain period of time. This is useful for cases where the analog comparator outputs can be selected to trigger DCAEVT1/2 and DCBEVT1/2 events, and the blank control logic is used to filter out potential noise on the signal prior to tripping the PWM outputs or generating an interrupt or ADC start-of-conversion. Blank control logic is used to define a blanking window, which ignores all event occurrences on the signal while the window is active. The blanking window is configured in the DCFCTL, DCFOFFSET, and DCFWINDOW registers. The DCFCTL register enables the blanking window and aligns the blanking window to either a CTR = PRD pulse or a CTR = 0 pulse or both CTR = PRD and CTR = 0 as specified by DCFCTL[PULSESEL]. DCFCTL[SRCSEL] selects the DCxEV<sub>Ty</sub> event source for the DCEVTFILT signal. An offset value in TBCLK counts is programmed into the DCFOFFSET register, which determines at what point after the CTR = PRD or CTR = 0 pulse the blanking window starts. The duration of the blanking window, in number of TBCLK counts after the offset counter expires, is written to the DCFWINDOW register. Before and after the blanking window ends, events can generate soc, sync, interrupt, and force signals as before.

Figure 14-55 shows the details of the event filtering logic.



A. On the F2837x/F2807x family of devices, EPWMxBLANK does not go to the CMPSS

**Figure 14-55. Event Filtering**

**Capture Control Logic:** The event filtering can also capture the TBCTR value of the selected DCxEV<sub>Ty</sub> event as configured in the DCCAPCTL register. When capture control logic is enabled, the selected DCxEV<sub>Ty</sub> event triggers capture of the TBCTR to the active register. The CPU reads directly from the active register unless shadow mode is enabled by DCCAPCTL[SHDWMODE]. When shadow mode is enabled, the active register information is copied to shadow register on the event specified by DCFCTL[PULSESEL], and the CPU reads from the shadow register. After the selected DCxEV<sub>Ty</sub> event, no further capture events occur until the event specified by DCCAPCTL[CAPMODE]. The CAPMODE can be configured two ways: (1) no further capture events occur until the event defined by DCFCTL[PULSESEL] or (2) no further capture events occur until the compare-event flag at DCCAPCTL[CAPSTS] is cleared by DCCAPCTL[CAPCLR].

Figure 14-56 illustrates several timing conditions for the offset and blanking window within an ePWM period. Notice that if the blanking window crosses the CTR = 0 or CTR = PRD boundary, the next window still starts at the same offset value after the CTR = 0 or CTR = PRD pulse.

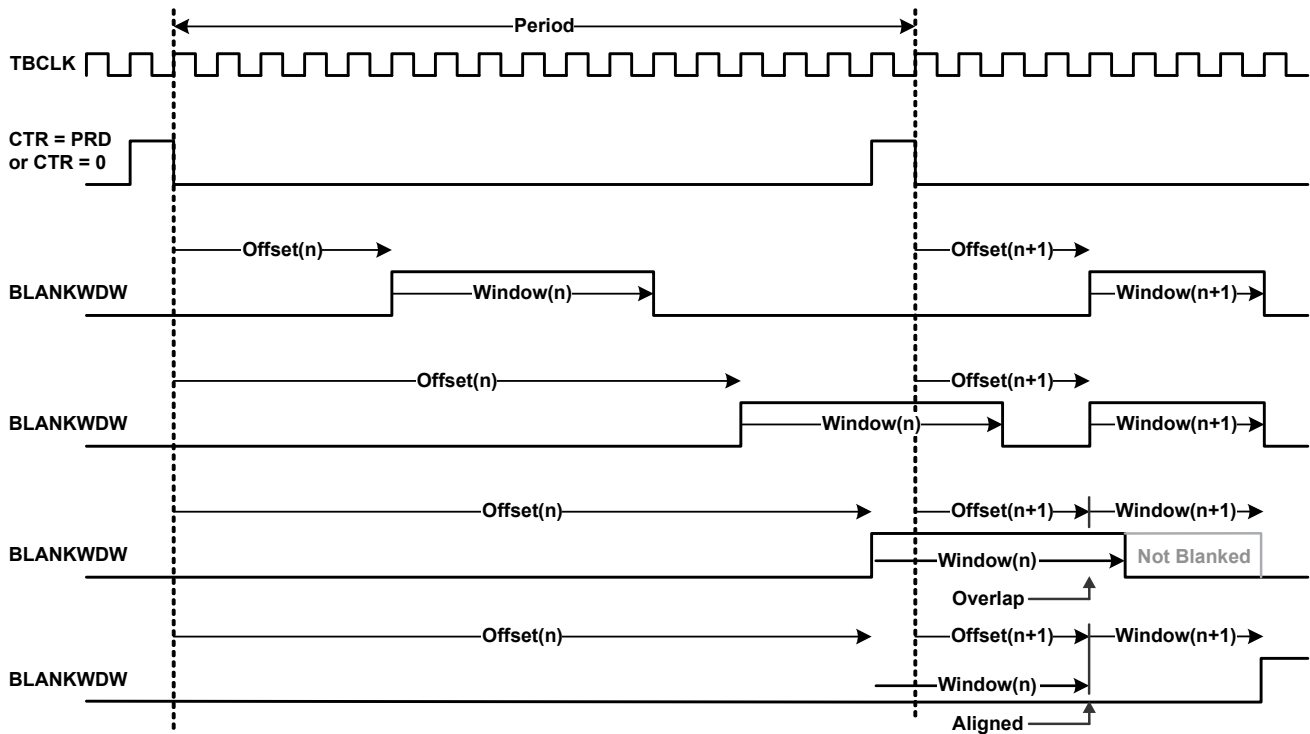


Figure 14-56. Blanking Window Timing Diagram



### 14.11.4.3 Valley Switching

Event filtering depicts the valley switching function along with the event filtering logic described in Event Filtering. This function can be used to achieve programmable valley switching without any additional external circuitry. This module provides an on-chip hardware mechanism that can:

- Capture the oscillation period
- Accurately delay the PWM switching instant
- Allow a programmable number of edges before the delay takes effect
- Provide multiple choices of triggers and events
- Allow easy adaptability for optimum performance under changing system/operating conditions

The DCxEV<sub>Ty</sub> signal needs further processing to support valley switching. Here is a brief description of how valley switching function is enabled:

1. Select one of the DCxEV<sub>Ty</sub> events as input to the valley switching block (DCFCTL[SRSEL]) with an option to add the blanking window (Blank Control Logic). This is where the comparator output (or external input) above is selected as an input to the valley switching block.
2. Configure the edge filter to capture 'n' rising, falling or both edges through the edge selection logic (DCFCTL[EDGEMODE, EDGECOUNT]).
3. Select the correct event to reset and restart the edge filter (VCAPCTL[TRIGSEL]). Edge capturing event is triggered or armed by this selected edge.
4. Enable valley capture logic (VCAPCTL[VCAPE]).
5. Select the start edge that indicates the start of capture for oscillation period measurement (VCNTCFG[STARTEDGE]). This is where the 16-bit counter starts counting.
6. Select the stop edge (VCNTCFG[STOPEDGE]) that indicates the edge at which the 16-bit counter stops counting. The captured counter value (CNTVAL) provides oscillation period information.
  - The STOPEDGE value must always be greater than STARTEDGE value.
7. Configure and apply the captured delay (CNTVAL) to the edge filtered DCxEV<sub>Ty</sub> signal. The CNTVAL value can be applied as is or applied in conjunction with a software programmed value (useful for offset adjustment) (SWVDELVAL) or only a fraction of the delay can be applied with or without SWVDELVAL. This is useful to correctly apply a delay corresponding to the valley point. (VCAPCTL[VDELAYDIV])
8. Configure VCAPCTL[EDGEFILTDLYSEL] to apply hardware delay based on the captured value above.

Once the counter is stopped, counter value is copied into CNTVAL register and counter is reset to zero. No further captures are done until the logic is triggered again by occurrence of event selected by VCAPCTL[TRIGSEL]. In this implementation, the software trigger is used as the source for VCAPCTL[TRIGSEL]. Upon occurrence of the trigger event, irrespective of the current status of the counter, the counter is reset and starts counting from zero upon occurrence of the STARTEDGE. Similarly, upon occurrence of the trigger event, the edge filter is reset and starts counting from zero upon occurrence of the STARTEDGE.

Output from the valley switching block (DCEVTFILT) is then used to synchronize the PWM time-base. The process is shown in [Figure 14-57](#).

---

#### Note

A specific application example showcasing the usage of valley switching hardware and software is available in C2000Ware.

---

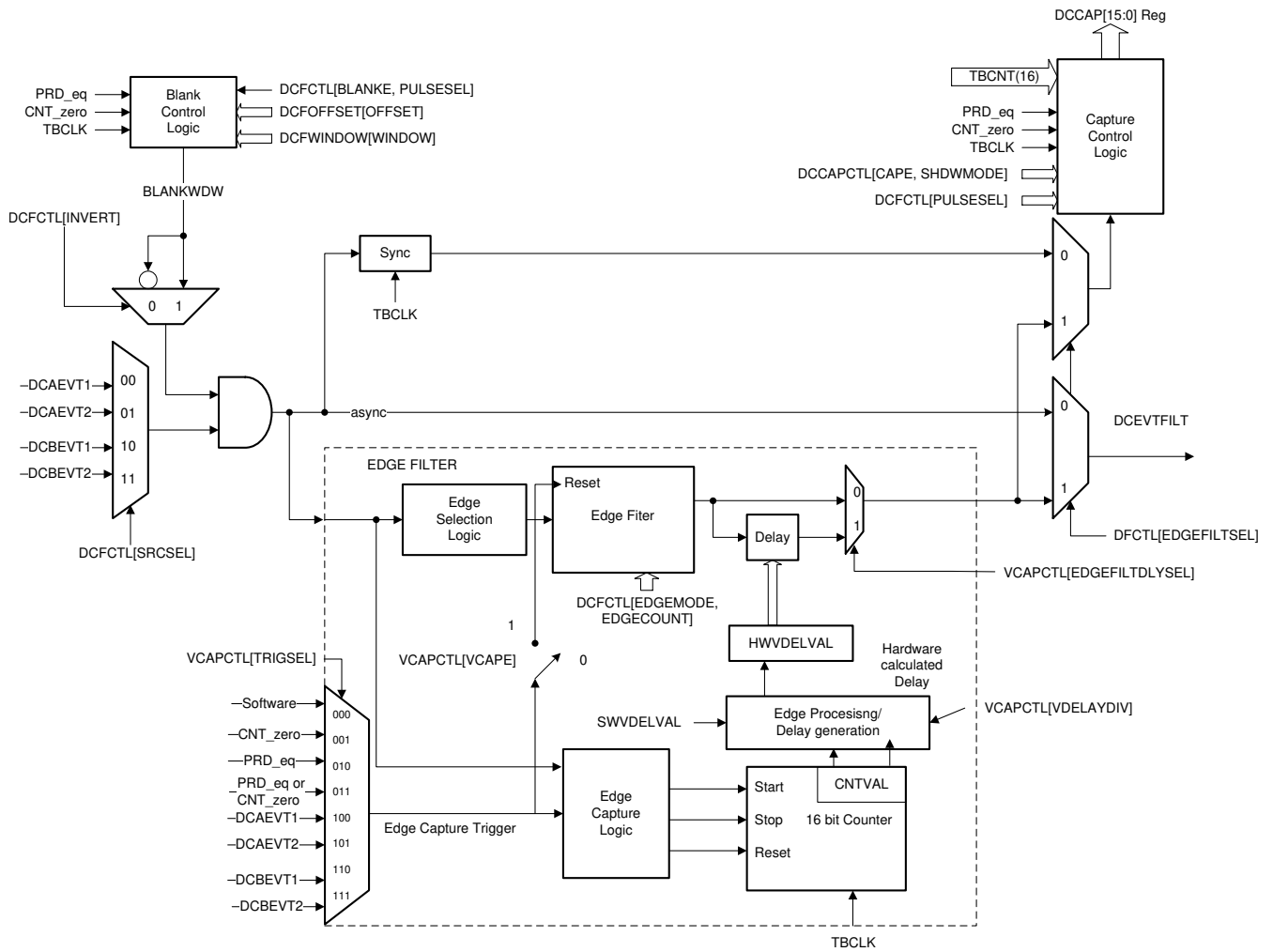


Figure 14-57. Valley Switching

### 14.12 ePWM Crossbar (X-BAR)

Figure 14-58 shows the architecture of the ePWM Crossbar (X-BAR). This module enables selection of various trigger sources into any of the eight dedicated EPWM trips inputs, namely the TRIP4, TRIP5, TRIP7, TRIP8, TRIP9, TRIP10, TRIP11, and TRIP12.

**Note**

Refer to the *Crossbar (X-BAR)* chapter for more information on the X-BAR modules, including X-BAR flags.

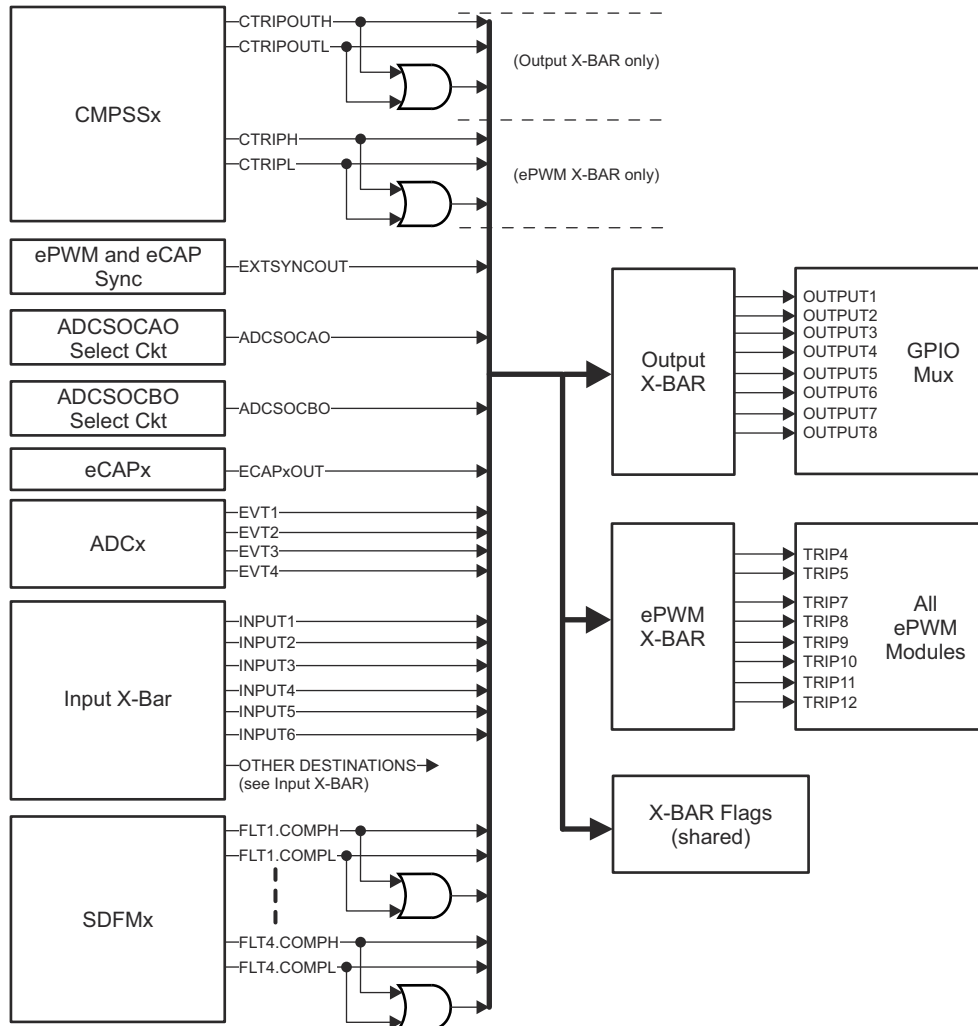


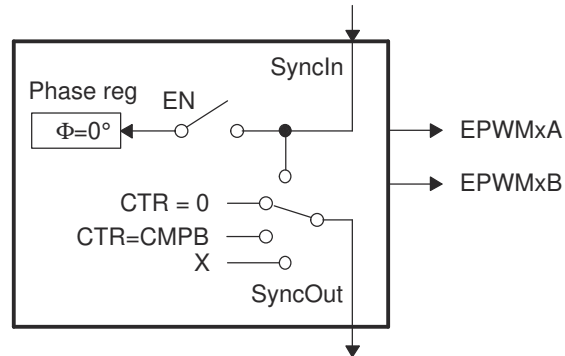
Figure 14-58. ePWM X-BAR

## 14.13 Applications to Power Topologies

An ePWM module has all the local resources necessary to operate completely as a standalone module or to operate in synchronization with other identical ePWM modules.

### 14.13.1 Overview of Multiple Modules

Previously in this chapter, all discussions have described the operation of a single module. To facilitate the understanding of multiple modules working together in a system, the ePWM module described in reference is represented by the more simplified block diagram shown in Figure 14-59. This simplified ePWM block shows only the key resources needed to explain how a multiswitch power topology is controlled with multiple ePWM modules working together.



**Figure 14-59. Simplified ePWM Module**

### 14.13.2 Key Configuration Capabilities

The key configuration choices available to each module are as follows:

- Options for SyncIn
  - Load own counter with phase register on an incoming sync strobe—enable (EN) switch closed
  - Do nothing or ignore incoming sync strobe—enable switch open
  - Sync flow-through - SyncOut connected to SyncIn
  - Master mode, provides a sync at PWM boundaries—SyncOut connected to CTR = PRD
  - Master mode, provides a sync at any programmable point in time—SyncOut connected to CTR = CMPB
  - Module is in standalone mode and provides no sync to other modules—SyncOut connected to X (disabled)
- Options for SyncOut
  - Sync flow-through - SyncOut connected to SyncIn
  - Master mode, provides a sync at PWM boundaries—SyncOut connected to CTR = PRD
  - Master mode, provides a sync at any programmable point in time—SyncOut connected to CTR = CMPB
  - Module is in standalone mode and provides no sync to other modules—SyncOut connected to X (disabled)

For each choice of SyncOut, a module can also choose to load its own counter with a new phase value on a SyncIn strobe input or choose to ignore the value (that is, by the enable switch). Although various combinations are possible, the two most common—Master module and Slave module modes—are shown in Figure 14-60.

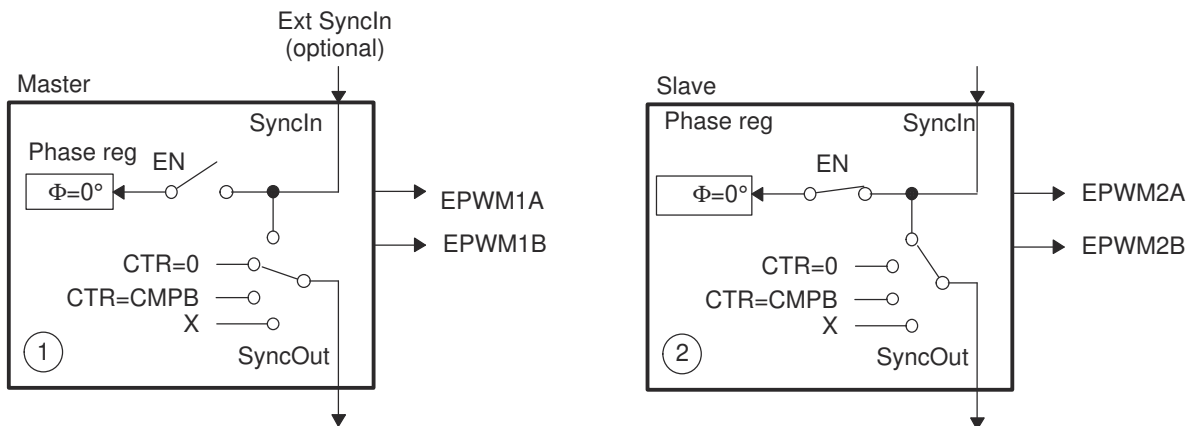
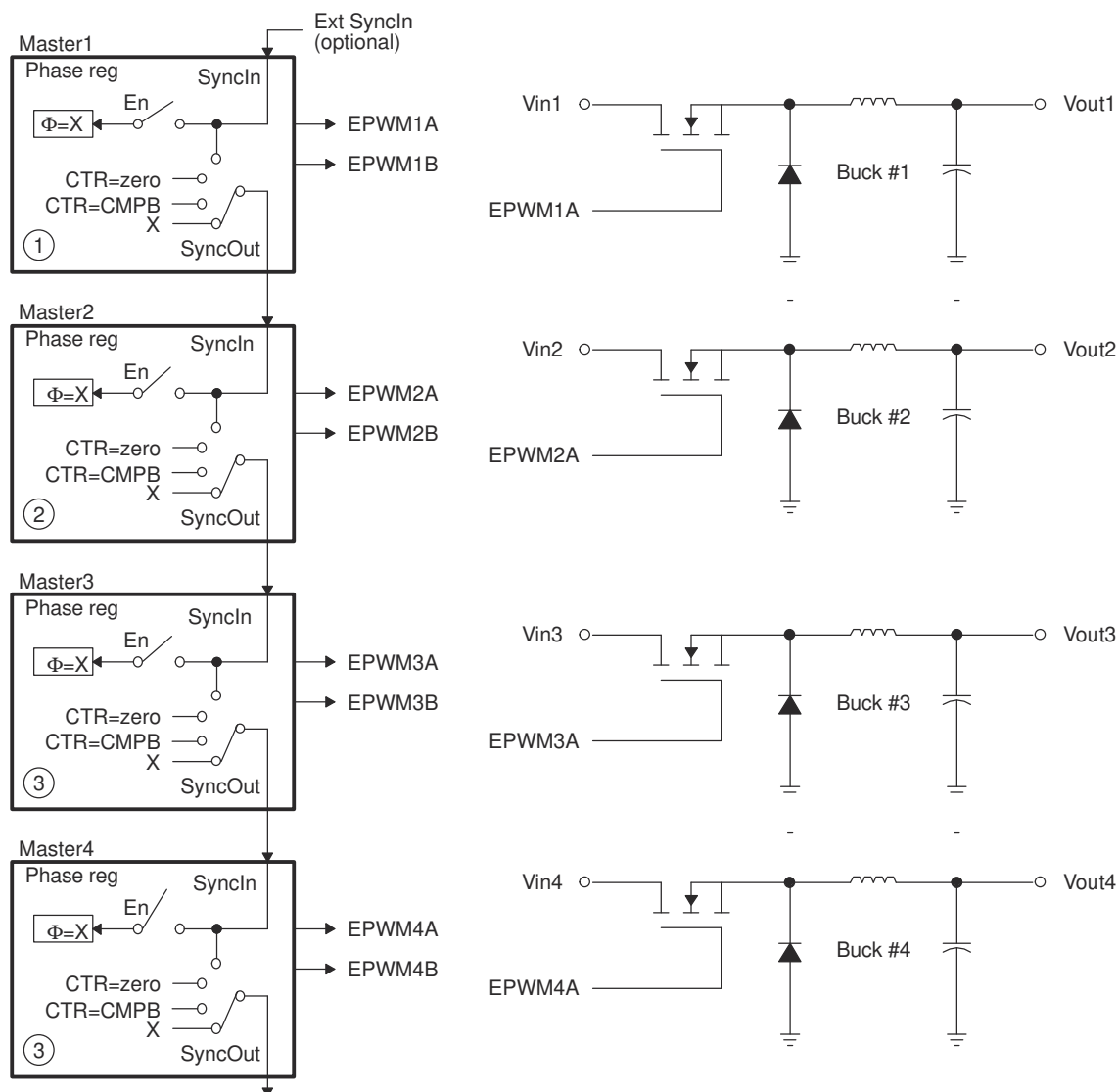


Figure 14-60. EPWM1 Configured as a Typical Master, EPWM2 Configured as a Slave

### 14.13.3 Controlling Multiple Buck Converters With Independent Frequencies

One of the simplest power converter topologies is the buck. A single ePWM module configured as a master can control two buck stages with the same PWM frequency. If independent frequency control is required for each buck converter, then one ePWM module must be allocated for each converter stage. Figure 14-61 shows four buck stages, each running at independent frequencies. In this case, all four ePWM modules are configured as Masters and no synchronization is used. Figure 14-62 shows the waveforms generated by the setup shown in Figure 14-61; note that only three waveforms are shown, although there are four stages.



A.  $\phi = X$  indicates value in phase register is a "don't care"

**Figure 14-61. Control of Four Buck Stages. Here  $F_{PWM1} \neq F_{PWM2} \neq F_{PWM3} \neq F_{PWM4}$**

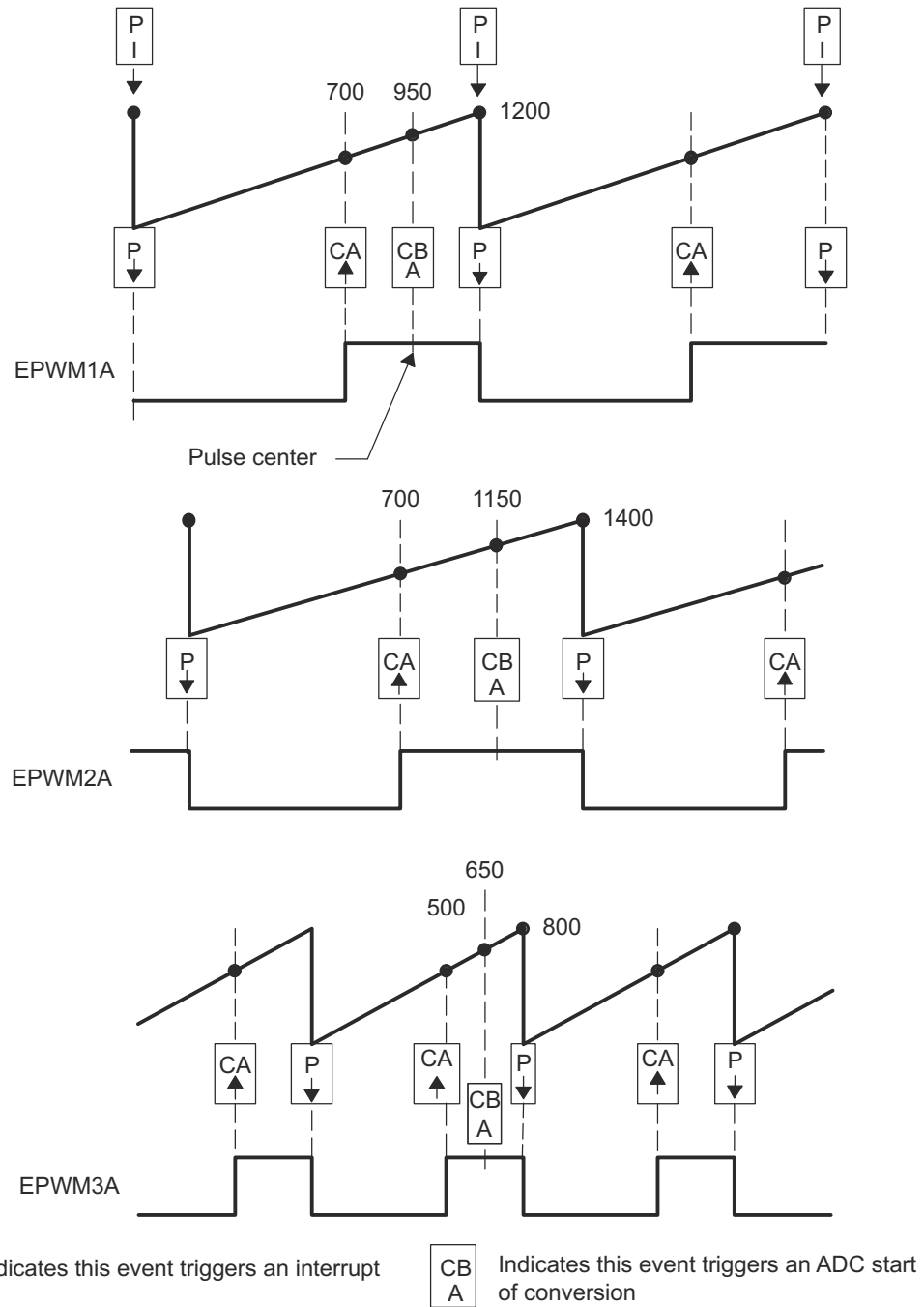
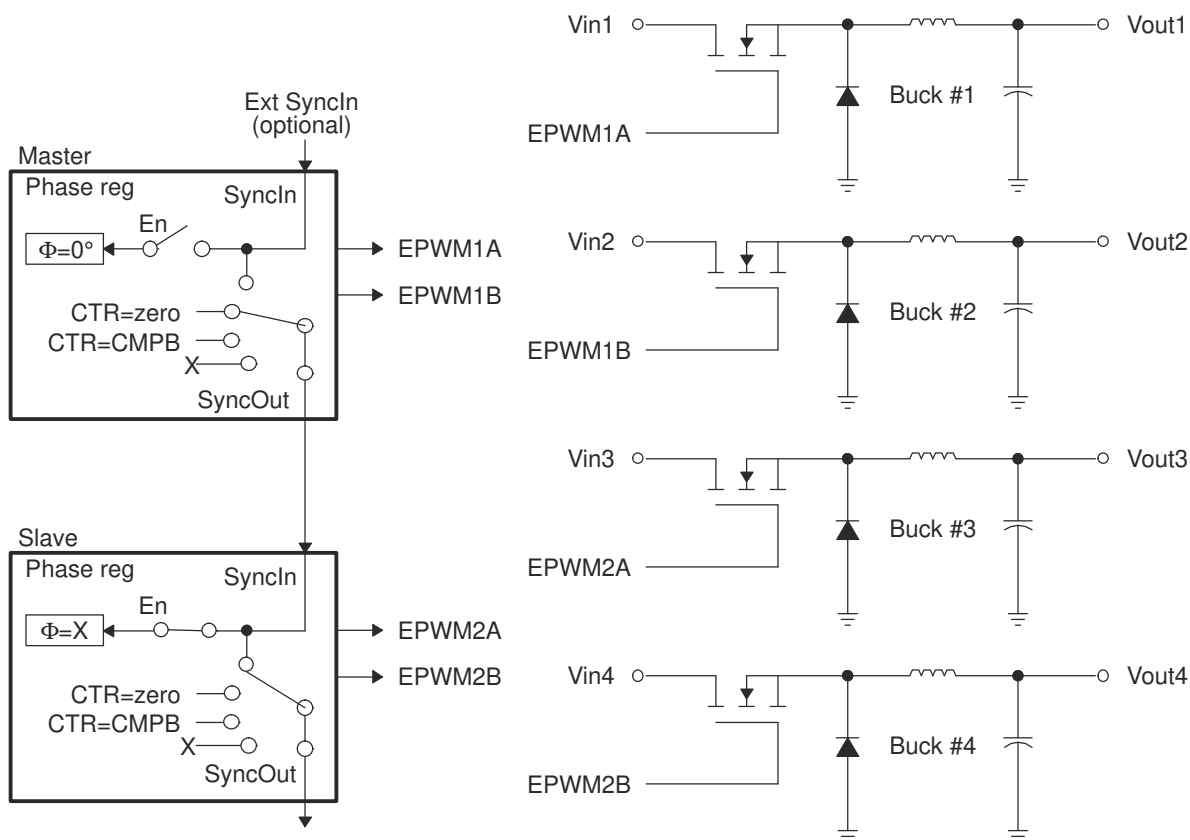


Figure 14-62. Buck Waveforms for Control of Four Buck Stages (Note: Only three bucks shown here)

### 14.13.4 Controlling Multiple Buck Converters With Same Frequencies

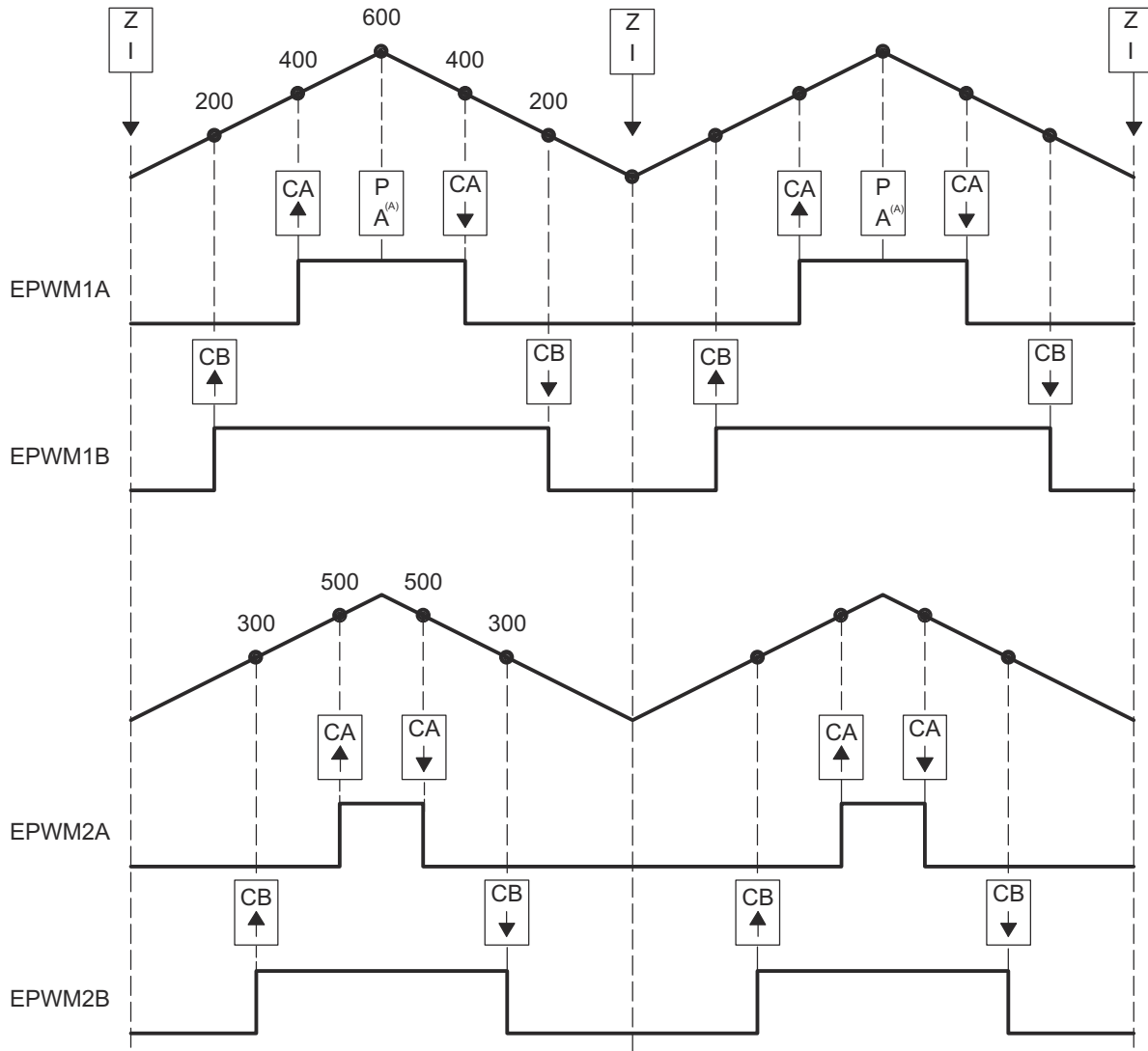
If synchronization is a requirement, ePWM module 2 is configured as a slave and operates at integer multiple (N) frequencies of module 1. The sync signal from master to slave makes sure these modules remain locked. Figure 14-63 shows such a configuration; Figure 14-64 shows the waveforms generated by the configuration.



A.  $\phi = X$  indicates value in phase register is a "don't care"

**Figure 14-63. Control of Four Buck Stages. (Note:  $F_{PWM2} = N \times F_{PWM1}$ )**





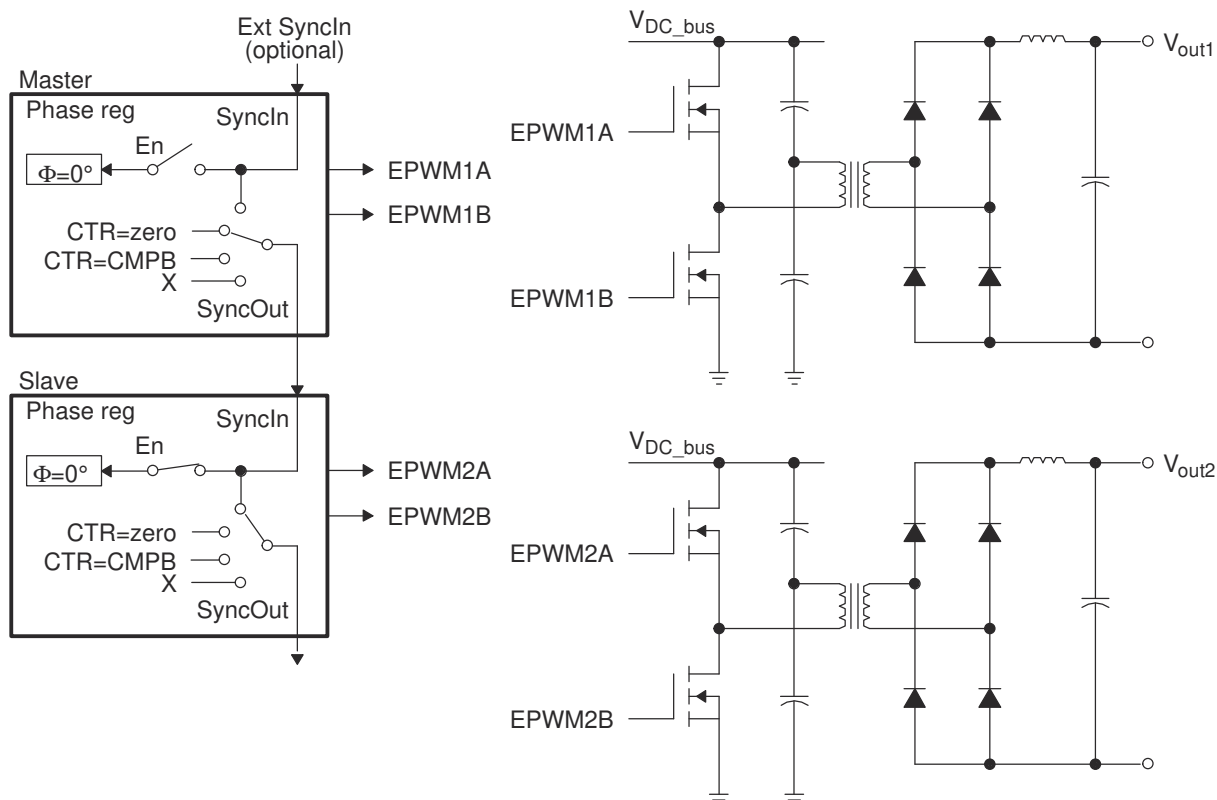
A. Starts ADC conversion.

**Figure 14-64. Buck Waveforms for Control of Four Buck Stages (Note:  $F_{PWM2} = F_{PWM1}$ )**

### 14.13.5 Controlling Multiple Half H-Bridge (HHB) Converters

Topologies that require control of multiple switching elements can also be addressed with these same ePWM modules. It is possible to control a Half-H bridge stage with a single ePWM module. This control can be extended to multiple stages. Figure 14-65 shows control of two synchronized Half-H bridge stages where stage 2 can operate at integer multiple (N) frequencies of stage 1. Figure 14-66 shows the waveforms generated by the configuration shown in Figure 14-65.

ePWM module 2 (slave) is configured for Sync flow-through; if required, this configuration allows for a third Half-H bridge to be controlled by ePWM module 3 and also, most importantly, to remain in synchronization with master ePWM module 1.



**Figure 14-65. Control of Two Half-H Bridge Stages ( $F_{PWM2} = N \times F_{PWM1}$ )**

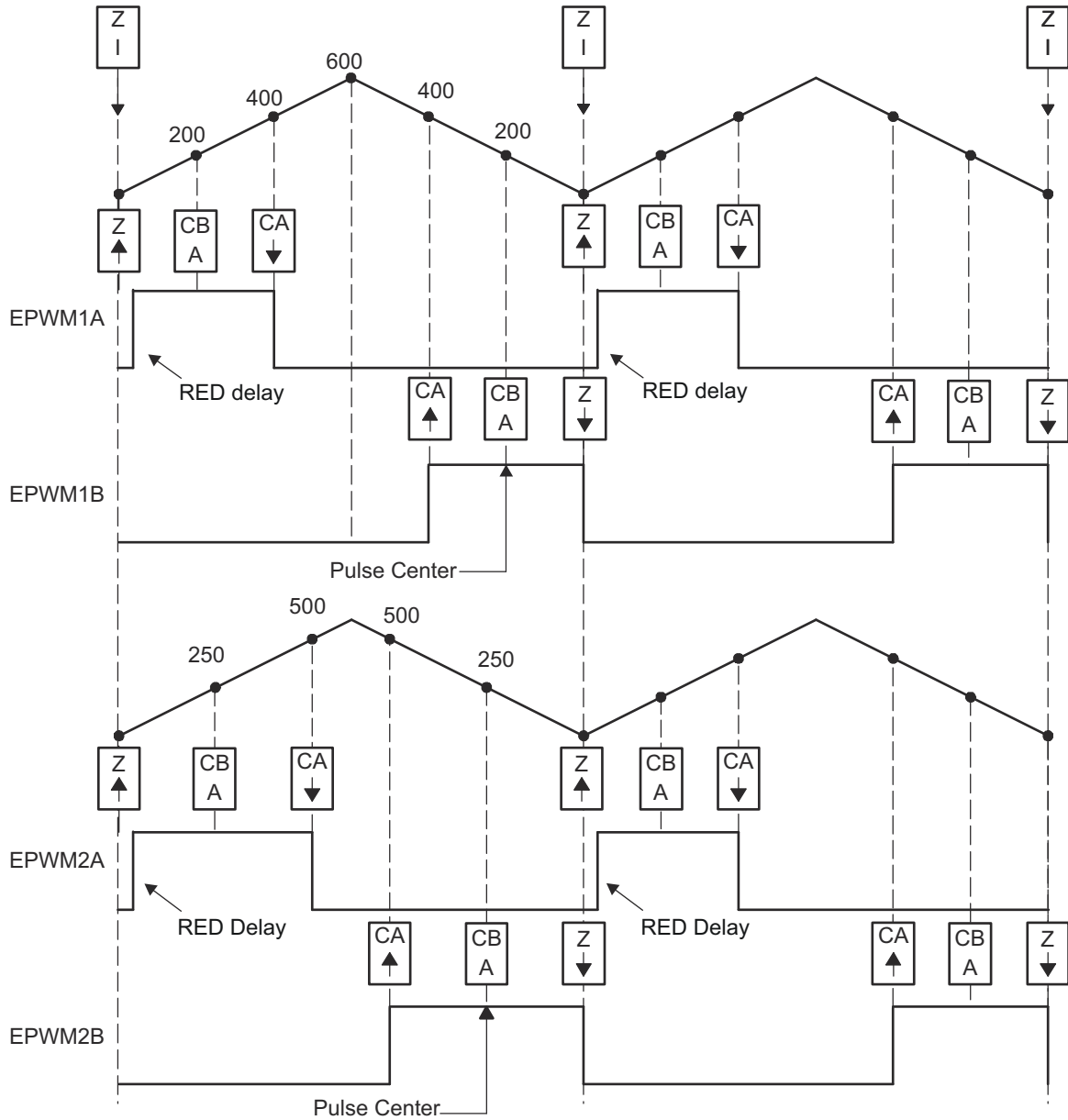
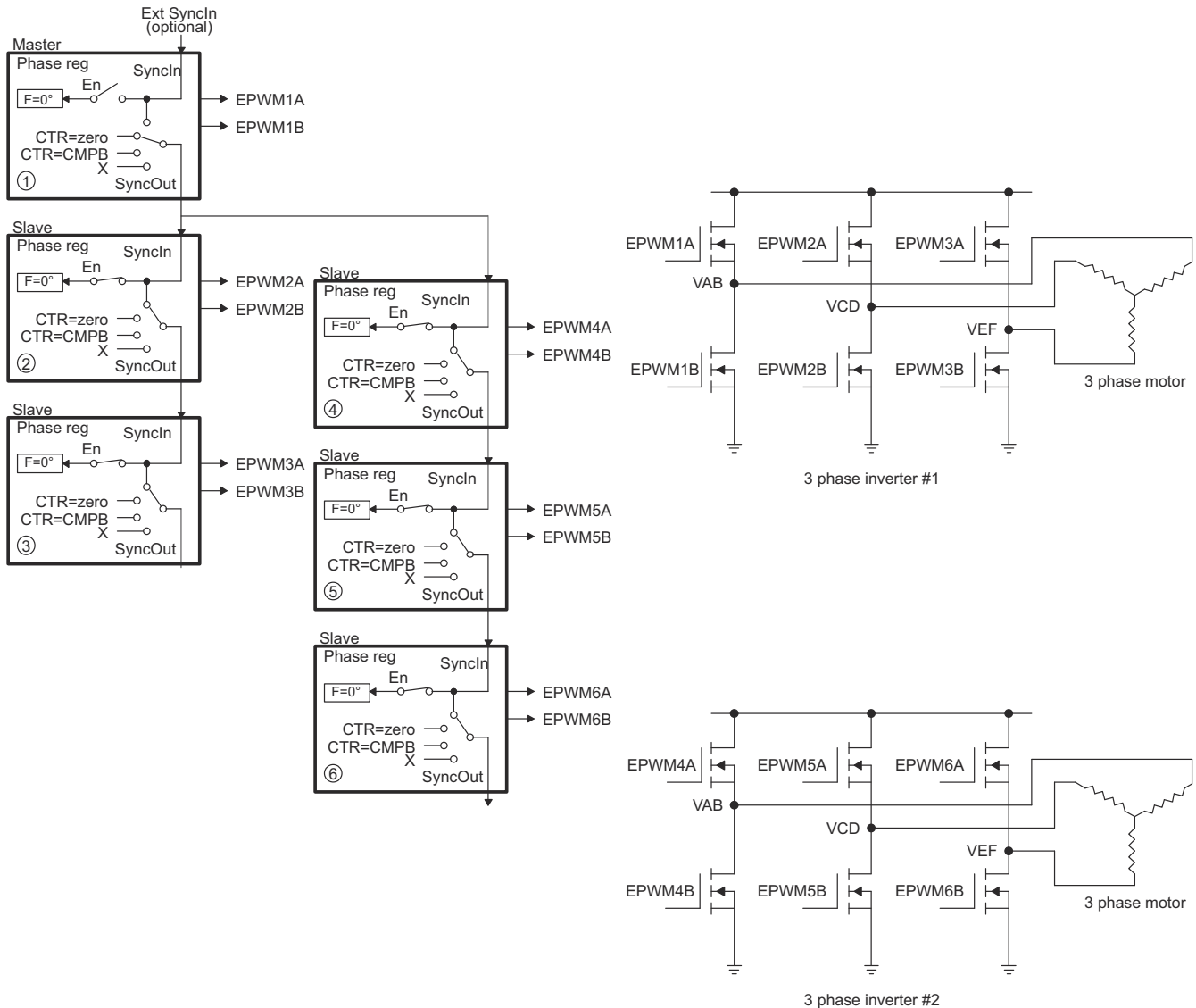


Figure 14-66. Half-H Bridge Waveforms for Control of Two Half-H Bridge Stages (Note: Here  $F_{PWM2} = F_{PWM1}$ )

### 14.13.6 Controlling Dual 3-Phase Inverters for Motors (ACI and PMSM)

The idea of multiple modules controlling a single power stage can be extended to the 3-phase inverter case. In such a case, six switching elements are controlled using three PWM modules, one for each leg of the inverter. Each leg must switch at the same frequency and all legs must be synchronized. A master slaves configuration easily addresses this requirement. Figure 14-67 shows how six PWM modules control two independent 3-phase inverters; each running a motor.

As in the cases shown in the previous sections, we have a choice of running each inverter at a different frequency (module 1 and module 4 are masters as in Figure 14-67), or both inverters can be synchronized by using one master (module 1) and five slaves. In this case, the frequency of modules 4, 5, and 6 (all equal) can be integer multiples of the frequency for modules 1, 2, and 3 (also all equal).



**Figure 14-67. Control of Dual 3-Phase Inverter Stages as Is Commonly Used in Motor Control**

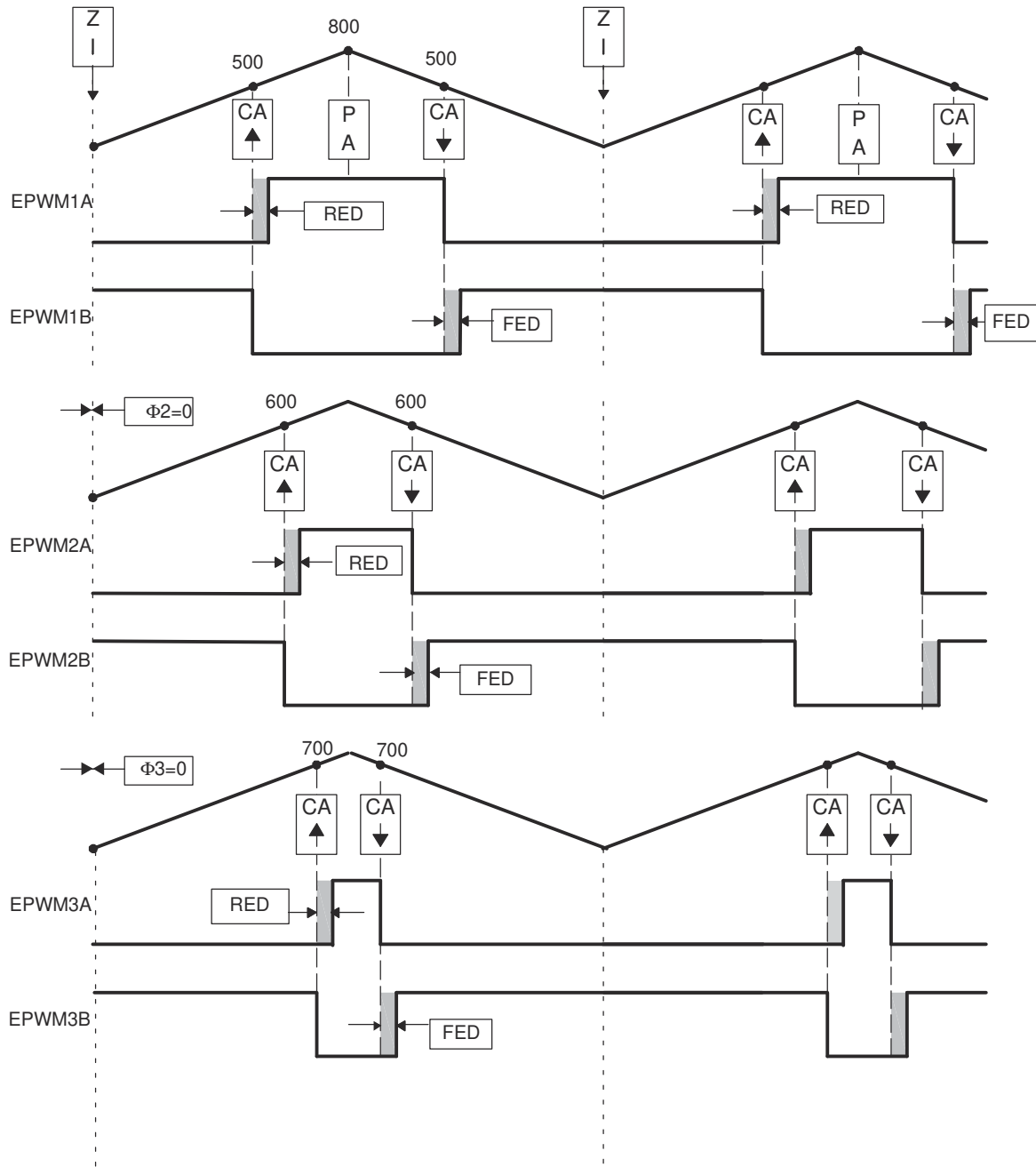
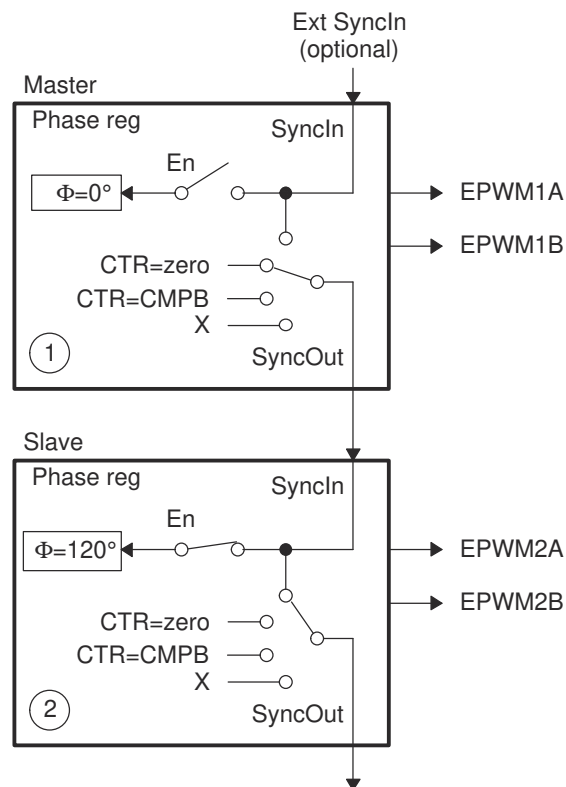


Figure 14-68. 3-Phase Inverter Waveforms for Control of Dual 3-Phase Inverter Stages (Only One Inverter Shown)

### 14.13.7 Practical Applications Using Phase Control Between PWM Modules

So far, none of the examples have made use of the phase register (TBPHS). It has either been set to zero or the value has been a don't care. However, by programming appropriate values into TBPHS, multiple PWM modules can address another class of power topologies that rely on phase relationship between legs (or stages) for correct operation. As described in the time-base submodule section, a PWM module can be configured to allow a SyncIn pulse to cause the TBPHS register to be loaded into the TBCTR register. To illustrate this concept, [Figure 14-69](#) shows a master and slave module with a phase relationship of 120° (that is, the slave leads the master).



**Figure 14-69. Configuring Two PWM Modules for Phase Control**

[Figure 14-70](#) shows the associated timing waveforms for this configuration. Here, TBPRD = 600 for both master and slave. For the slave, TBPHS = 200 (that is,  $200/600 \times 360^\circ = 120^\circ$ ). Whenever the master generates a SyncIn pulse (CTR = PRD), the value of TBPHS = 200 is loaded into the slave TBCTR register so the slave time-base is always leading the master time-base by 120°.

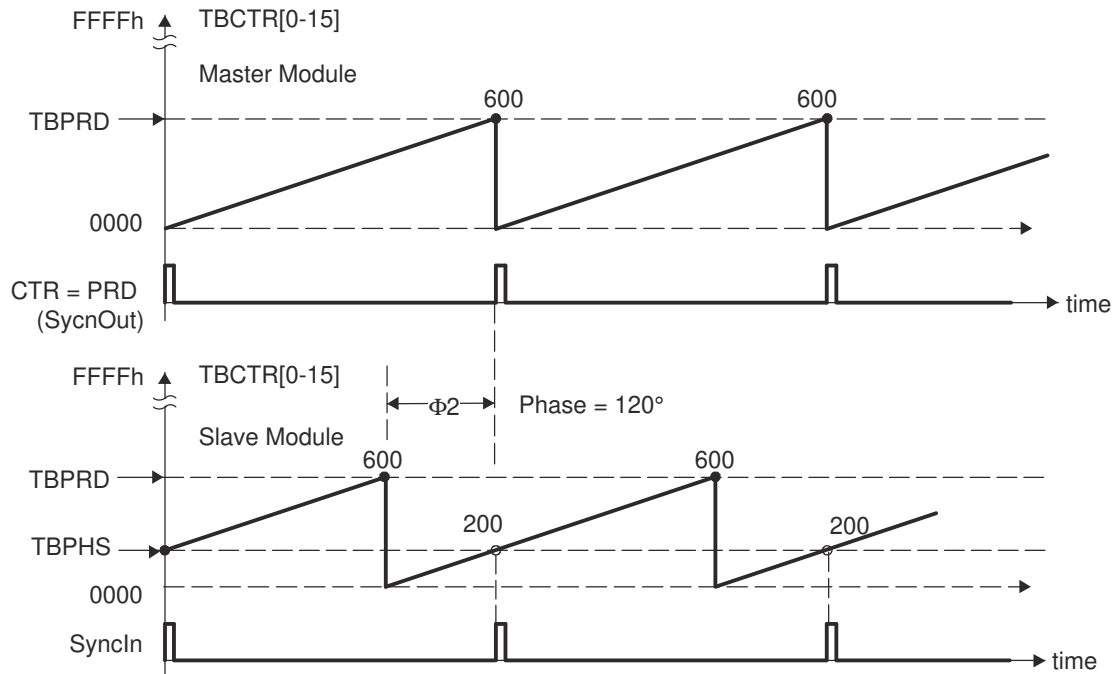


Figure 14-70. Timing Waveforms Associated with Phase Control Between Two Modules

#### 14.13.8 Controlling a 3-Phase Interleaved DC/DC Converter

A popular power topology that makes use of phase-offset between modules is shown in [Figure 14-71](#). This system uses three PWM modules, with module 1 configured as the master. To work, the phase relationship between adjacent modules must be  $F = 120^\circ$ . This is achieved by setting the slave TBPHS registers 2 and 3 with values of 1/3 and 2/3 of the period value, respectively. For example, if the period register is loaded with a value of 600 counts, then TBPHS (slave 2) = 200 and TBPHS (slave 3) = 400. Both slave modules are synchronized to the master module 1.

This concept can be extended to four or more phases, by setting the TBPHS values appropriately. The following formula gives the TBPHS values for N phases:

$$TBPHS(N,M) = (TBPRD/N) \times (M-1)$$

Where:

N = number of phases

M = PWM module number

For example, for the 3-phase case (N=3), TBPRD = 600,

TBPHS(3,2) = (600/3) x (2-1) = 200 (that is, Phase value for Slave module 2)

TBPHS(3,3) = 400 (that is, Phase value for Slave module 3)

[Figure 14-72](#) shows the waveforms for the configuration in [Figure 14-71](#).

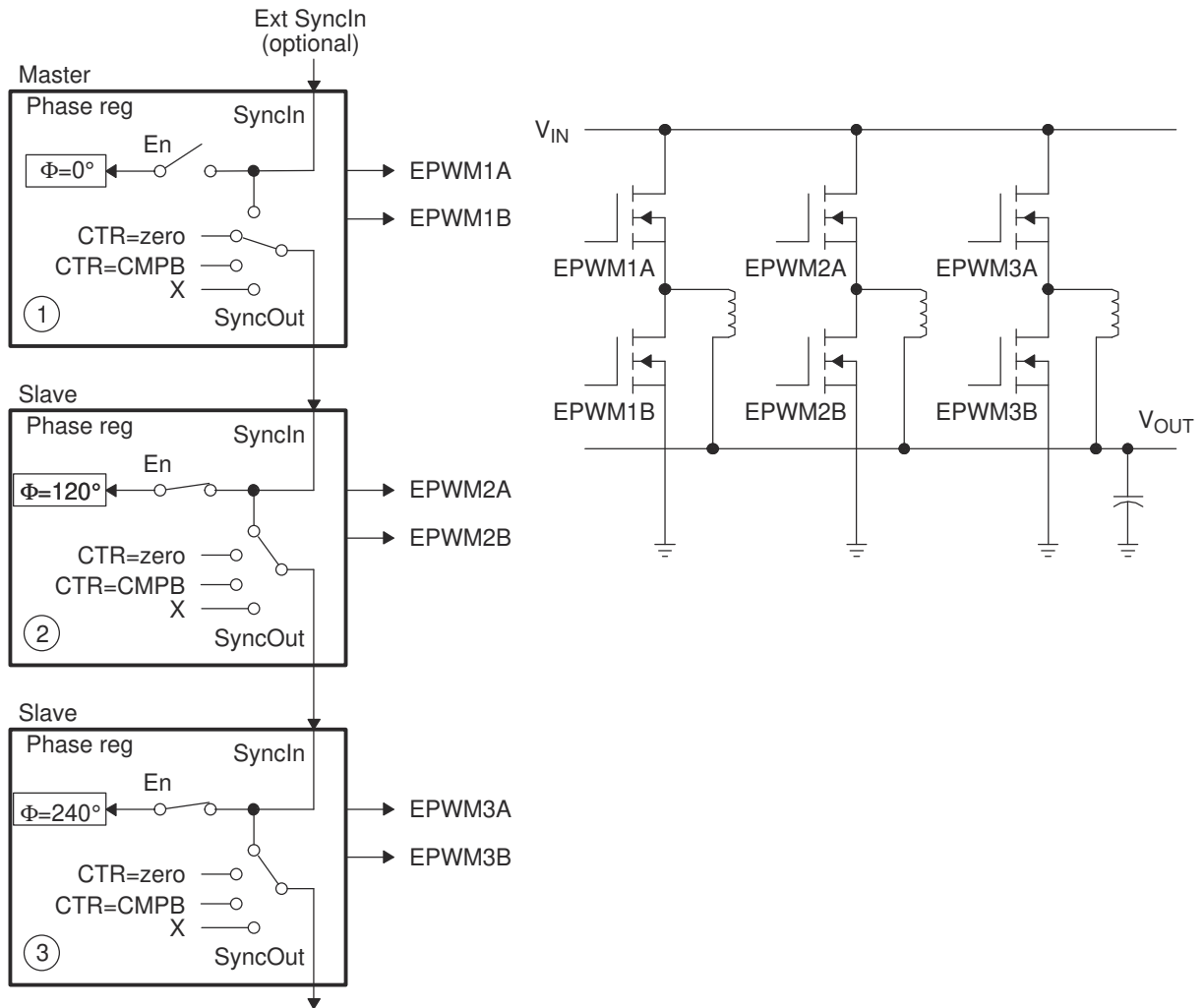


Figure 14-71. Control of 3-Phase Interleaved DC/DC Converter



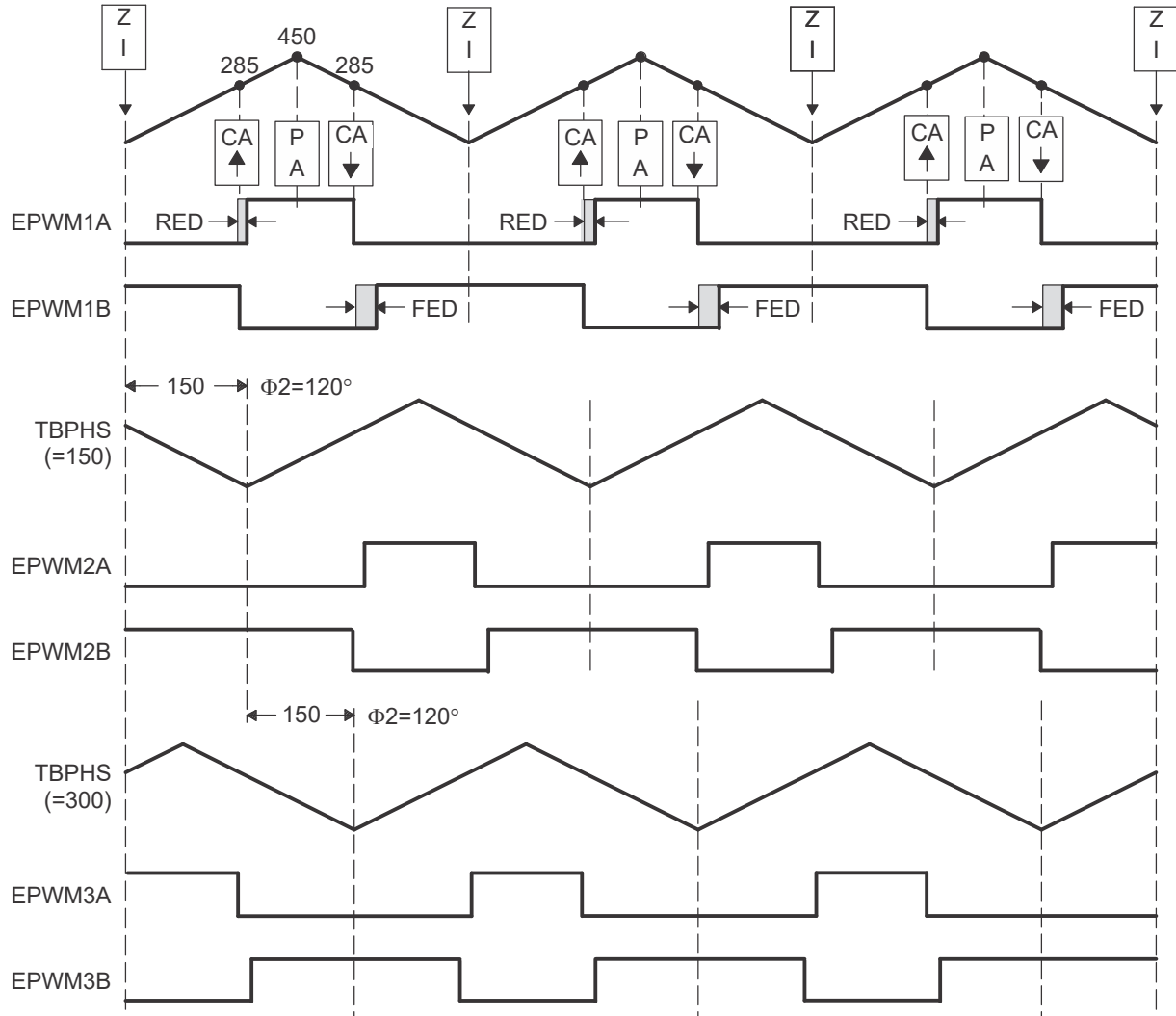
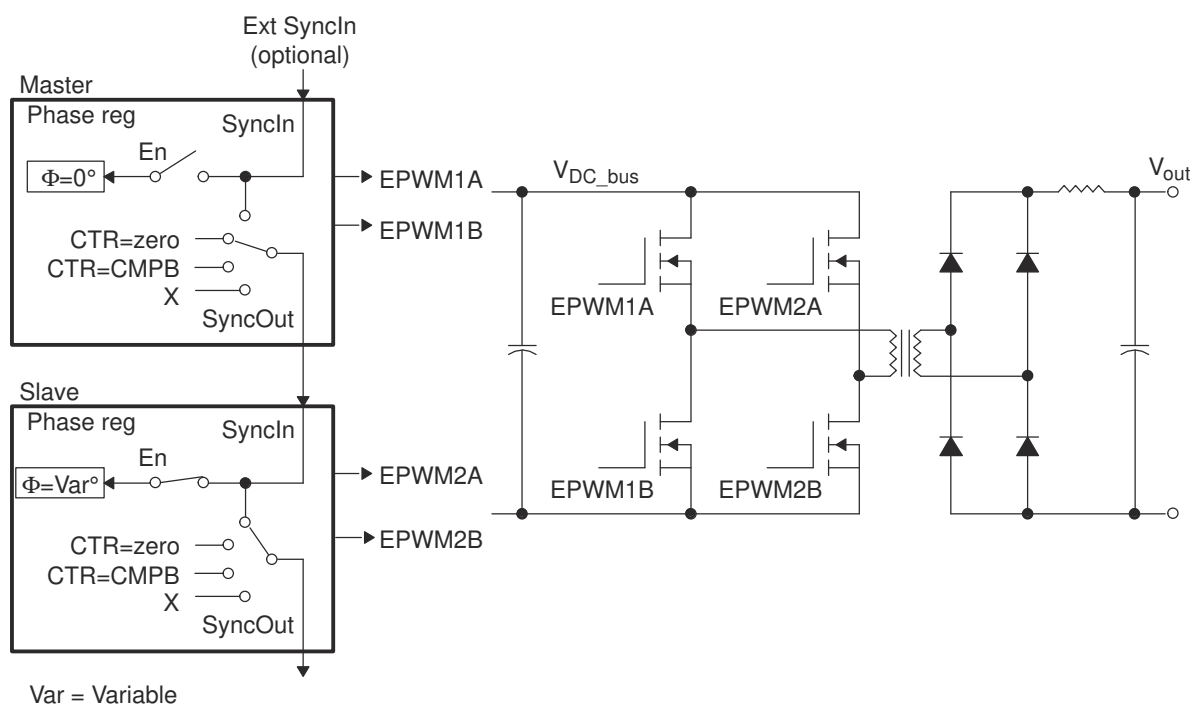


Figure 14-72. 3-Phase Interleaved DC/DC Converter Waveforms for Control of 3-Phase Interleaved DC/DC Converter

### 14.13.9 Controlling Zero Voltage Switched Full Bridge (ZVSFB) Converter

The example given in [Figure 14-73](#) assumes a static or constant phase relationship between legs (modules). In such a case, control is achieved by modulating the duty cycle. It is also possible to dynamically change the phase value on a cycle-by-cycle basis. This feature lends itself to controlling a class of power topologies known as *phase-shifted full bridge*, or *zero voltage switched full bridge*. Here the controlled parameter is not duty cycle (this is kept constant at approximately 50 percent); instead it is the phase relationship between legs. Such a system can be implemented by allocating the resources of two PWM modules to control a single power stage, which in turn requires control of four switching elements. [Figure 14-74](#) shows a master and slave module combination synchronized together to control a full H-bridge. In this case, both master and slave modules are required to switch at the same PWM frequency. The phase is controlled by using the slave phase register (TBPHS). The master phase register is not used and therefore can be initialized to zero.



**Figure 14-73. Control of Full-H Bridge Stage ( $F_{PWM2} = F_{PWM1}$ )**

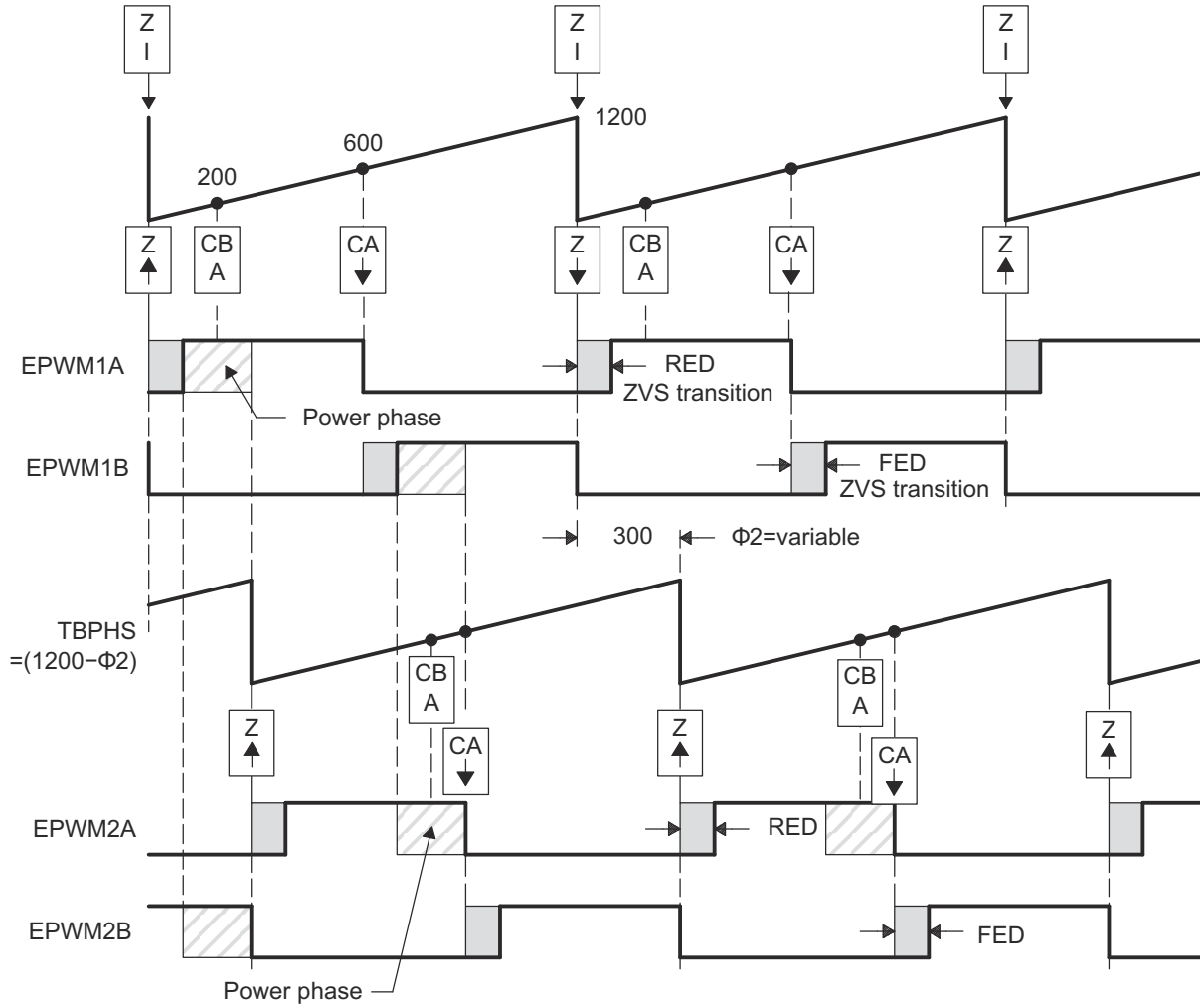


Figure 14-74. ZVS Full-H Bridge Waveforms

### 14.13.10 Controlling a Peak Current Mode Controlled Buck Module

Peak current control techniques offer a number of benefits like automatic over current limiting, fast correction for input voltage variations and reducing magnetic saturation. Figure 14-75 shows the use of ePWM1A along with the on-chip analog comparator for buck converter topology. The output current is sensed through a current sense resistor and fed to the positive terminal of the on-chip comparator. The internal programmable 12-bit DAC can be used to provide a reference peak current at the negative terminal of the comparator. Alternatively, an external reference can be connected at this input. The comparator output is an input to the Digital compare sub-module. The ePWM module is configured in such a way so as to trip the ePWM1A output as soon as the sensed current reaches the peak reference value. A cycle-by-cycle trip mechanism is used. Figure 14-76 shows the waveforms generated by the configuration.

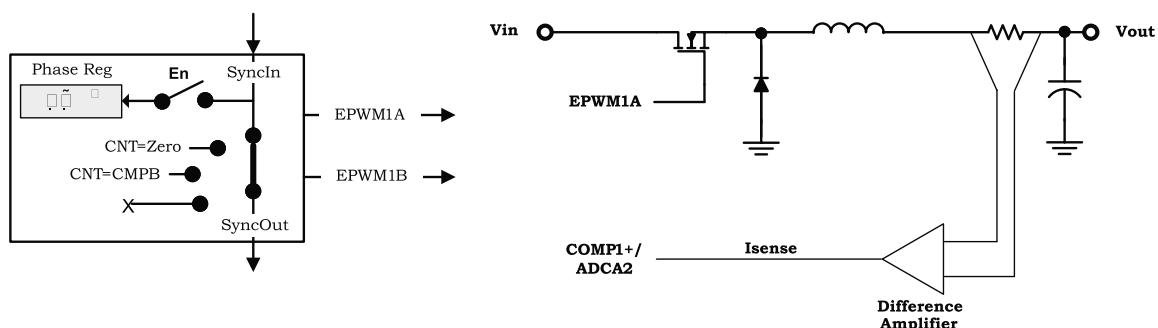


Figure 14-75. Peak Current Mode Control of Buck Converter

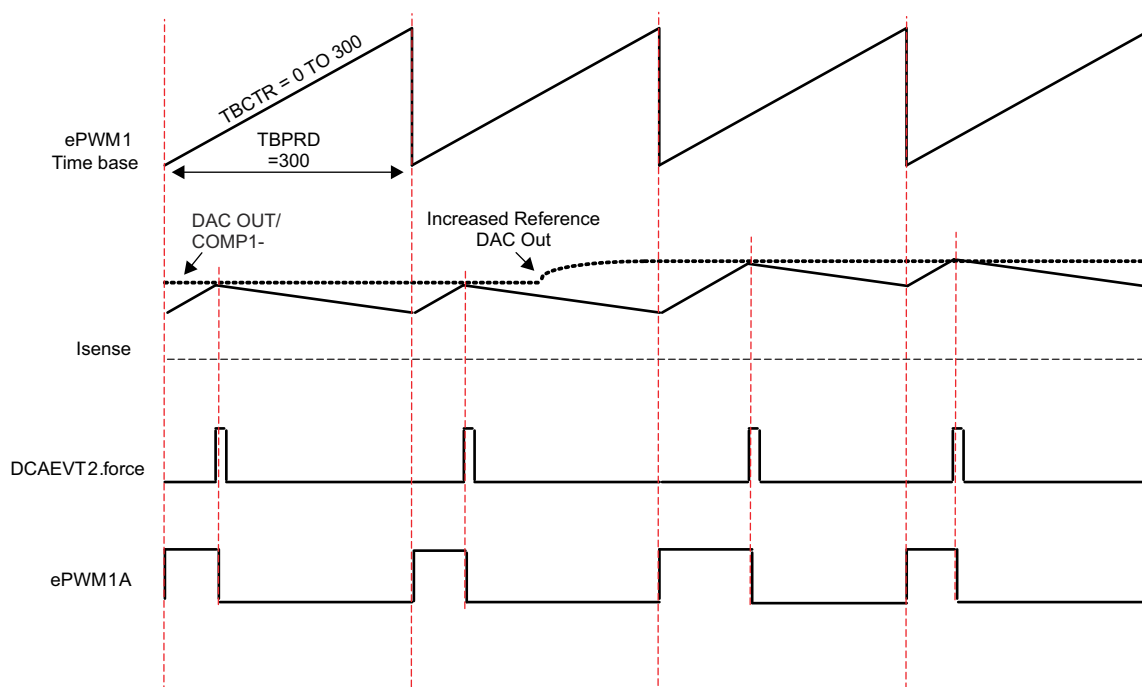
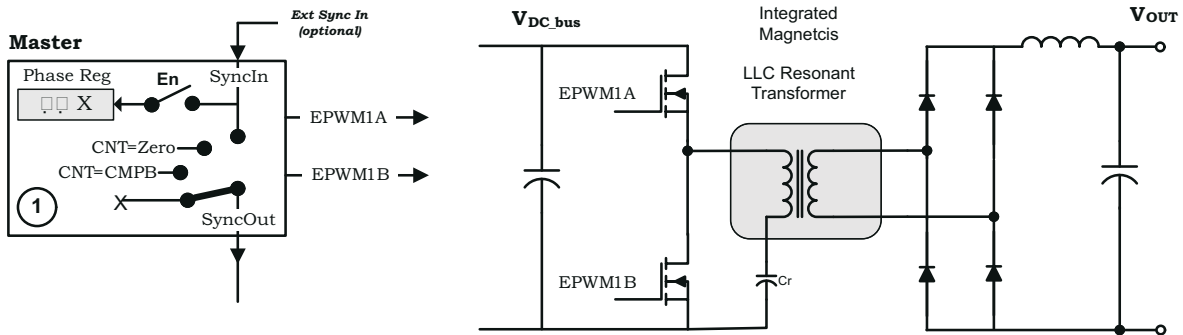


Figure 14-76. Peak Current Mode Control Waveforms for Control of Buck Converter

### 14.13.11 Controlling H-Bridge LLC Resonant Converter

Various topologies of resonant converters are well-known in the field of power electronics for many years. In addition to these, H-bridge LLC resonant converter topology has recently gained popularity in many consumer electronics applications where high efficiency and power density are required. In this example, single channel configuration of ePWM1 is detailed, yet the configuration can easily be extended to multichannel. Here the controlled parameter is not duty cycle (this is kept constant at approximately 50 percent); instead the parameter is frequency. Although the deadband is not controlled and kept constant as 300 ns (that is, 30 at 100 MHz TBCLK), the user can update the deadband in real time to enhance the efficiency by adjusting enough time delay for soft switching.



NOTE:  $\Theta = X$  indicates value in phase register is 'don't care'

Figure 14-77. Control of Two Resonant Converter Stages

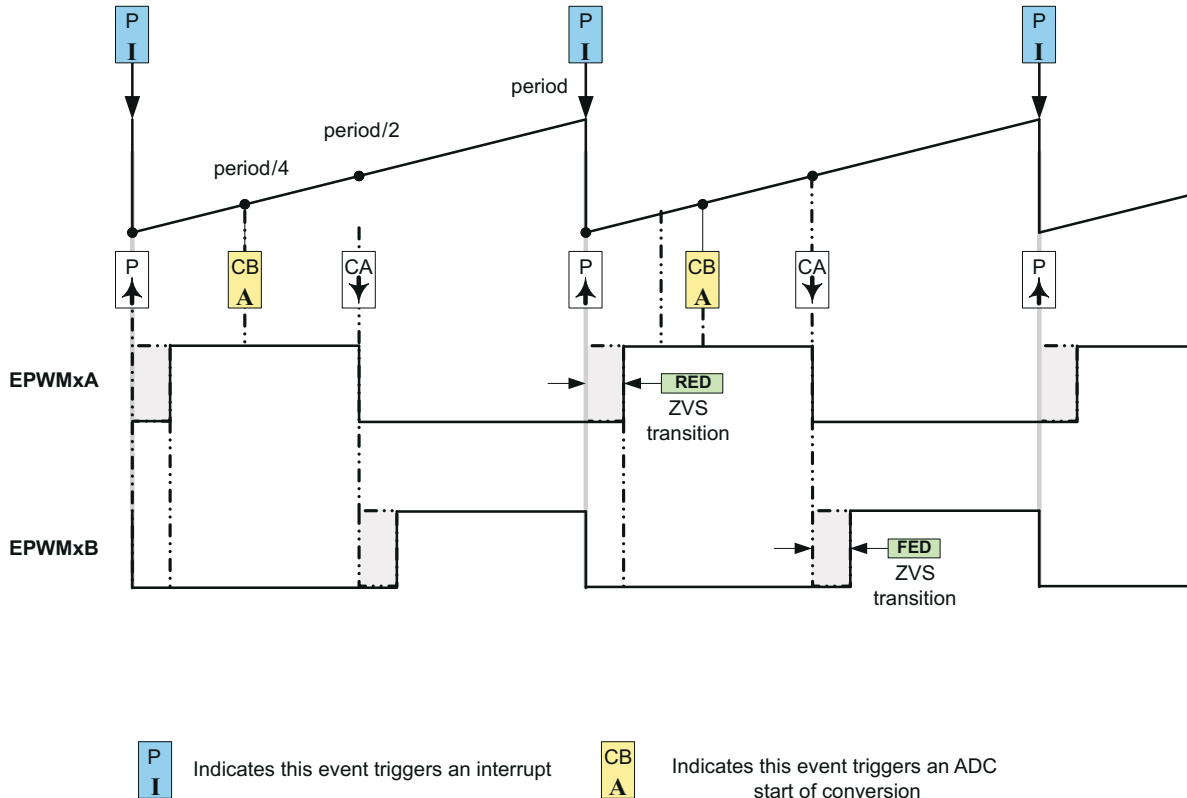


Figure 14-78. H-Bridge LLC Resonant Converter PWM Waveforms

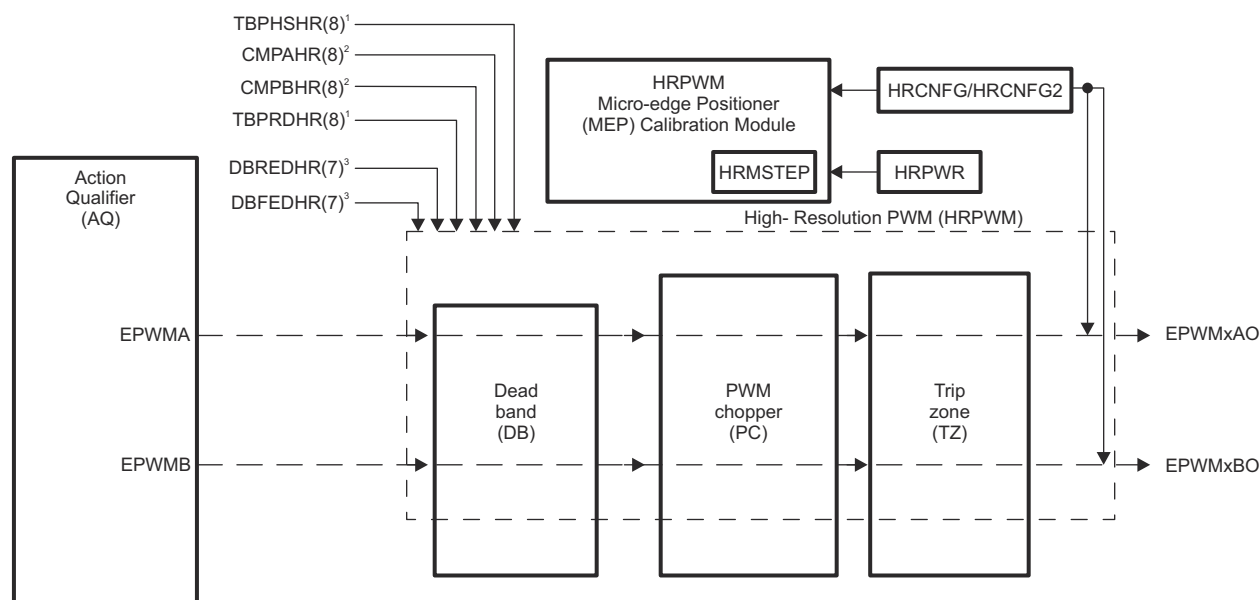
## 14.14 High-Resolution Pulse Width Modulator (HRPWM)

Figure 14-79 shows a block diagram of the HRPWM. This module extends the time resolution capabilities of the conventionally derived digital pulse width modulator (PWM). HRPWM is typically used when PWM resolution falls below approximately 9-10 bits. The key features of HRPWM are:

- Extended time resolution capability
- Used in both duty cycle and phase-shift control methods
- Finer time granularity control or edge positioning using extensions to the Compare A, Compare B and Phase registers
- Implemented using the A and B signal path of PWM, that is, on the EPWMxA and EPWMxB output
- Dead band high-resolution control for falling and rising edge delay in half cycle clocking operation
- Self-check diagnostics software mode to check if the micro edge positioner (MEP) logic is running how designed
- Enables high-resolution output swapping on the EPWMxA and EPWMxB output
- Enables high-resolution output on EPWMxB signal output using inversion of EPWMxA signal output
- Enables high-resolution period, duty and phase control on the EPWMxA and EPWMxB output on devices with an ePWM module

### Note

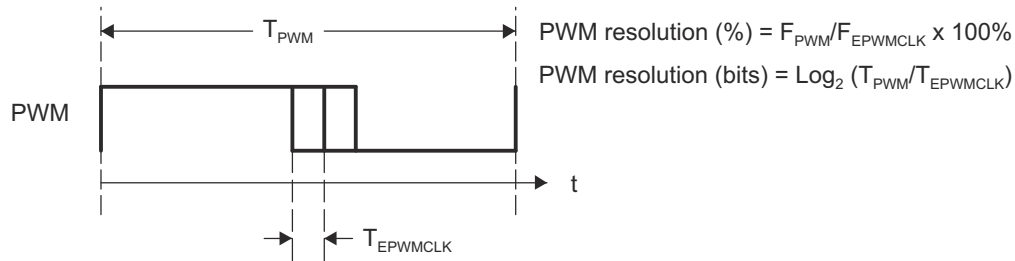
See the device data sheet to determine if your device has an ePWM module with high-resolution period support.



- A. From ePWM Time-base (TB) submodule  
 B. From ePWM counter-compare (CC) submodule  
 C. From ePWM Deadband (DB) submodule

**Figure 14-79. HRPWM Block Diagram**

The ePWM peripheral is used to perform a function mathematically equivalent to a digital-to-analog converter (DAC). As shown in Figure 14-80, the effective resolution for conventionally generated PWM is a function of PWM frequency (or period) and system clock frequency.



**Figure 14-80. Resolution Calculations for Conventionally Generated PWM**

If the required PWM operating frequency does not offer sufficient resolution in PWM mode, consider using HRPWM. As an example of improved performance offered by HRPWM, Table 14-13 shows resolution in bits for various PWM frequencies. These values assume a MEP step size of 180 ps. See the device data sheet for typical and maximum performance specifications for the MEP.

**Table 14-13. Resolution for PWM and HRPWM**

PWM Frequency (kHz)	Regular Resolution (PWM) 100 MHz EPWMCLK		High Resolution (HRPWM)	
	Bits	%	Bits	%
20	12.3	0.02	18.1	0.000
50	11	0.05	16.8	0.001
100	10	0.1	15.8	0.002
150	9.4	0.15	15.2	0.003
200	9	0.2	14.8	0.004
250	8.6	0.25	14.4	0.005
500	7.6	0.5	13.4	0.009
1000	6.6	1	12.4	0.018
1500	6.1	1.5	11.9	0.027
2000	5.6	2	11.4	0.036

Although each application can differ, typical low-frequency PWM operation (below 250 kHz) does not require HRPWM. HRPWM capability is most useful for high-frequency PWM requirements of power conversion topologies such as:

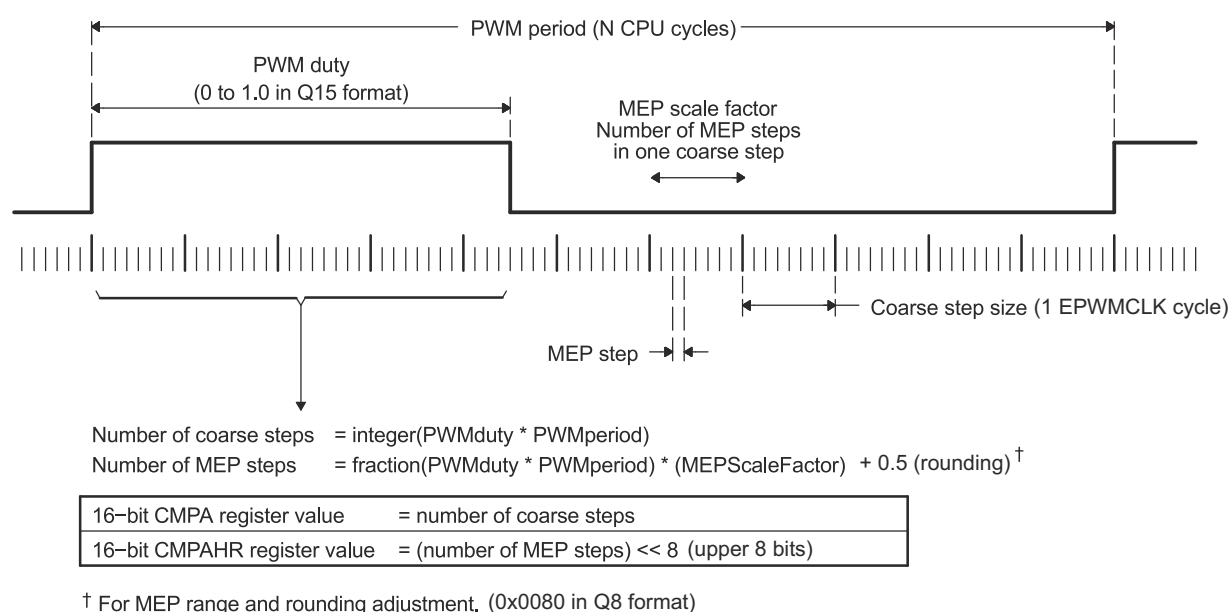
- Single-phase buck, boost, and flyback
- Multiphase buck, boost, and flyback
- Phase-shifted full bridge
- Direct modulation of D-Class power amplifiers

### 14.14.1 Operational Description of HRPWM

The HRPWM is based on micro-edge positioner (MEP) technology. MEP logic is capable of positioning an edge very finely by sub-dividing one coarse system clock of a conventional PWM generator. The time step accuracy is on the order of 150 ps. See the device data sheet for the typical MEP step size on a particular device. The HRPWM also has a self-check software diagnostics mode to check if the MEP logic is running as designed under all operating conditions. Details on software diagnostics and functions are in [Section 14.14.1.7](#).

[Figure 14-81](#) shows the relationship between one coarse system clock and edge position in terms of MEP steps, which are controlled using an 8-bit field in the Compare A extension register (CMPAHR). The same operating logic applies to CMPBHR as well.

To generate an HRPWM waveform, configure the ePWM registers to generate a conventional PWM of a given frequency and polarity. The HRPWM works together with the ePWM registers to extend edge resolution. Although many programming combinations are possible, only a few are needed and practical. These methods are described in [Section 14.14.1.8](#).



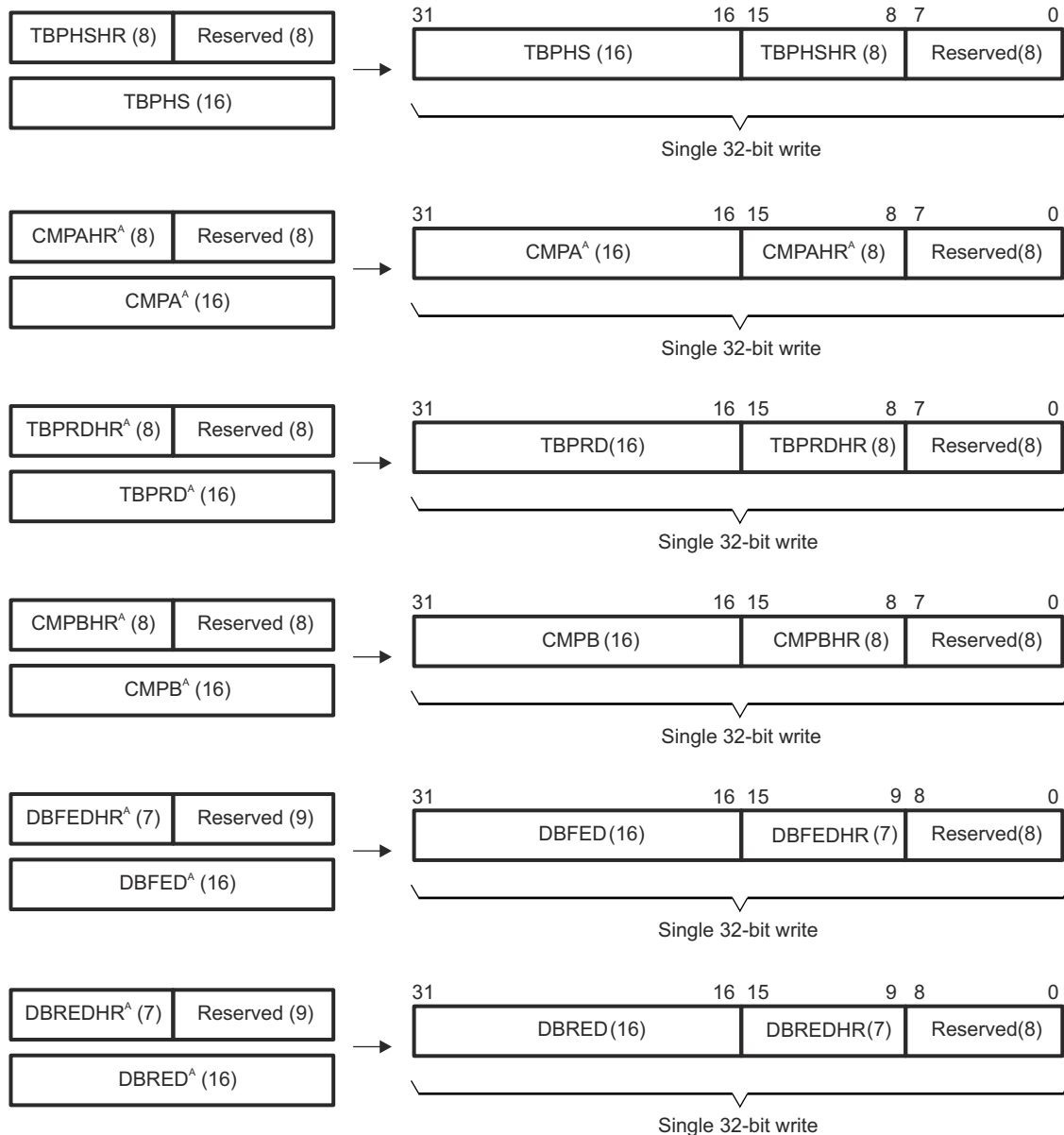
**Figure 14-81. Operating Logic Using MEP**

#### 14.14.1.1 Controlling the HRPWM Capabilities

The MEP of the HRPWM is controlled by six extension registers. These HRPWM registers are concatenated with the 16-bit TBPHS, TBPRD, CMPA, CMPBM, DBREDM, and DBFEDM registers used to control PWM operation.

- TBPHSHR - Time Base Phase High Resolution Register
- CMPAHR - Counter Compare A High Resolution Register; CMPAHR is for use with the AQ output of Channel A, and is not related to CMPA
- TBPRDHR - Time Base Period High Resolution Register. (available on some devices)
- CMPBHR - Counter Compare B High Resolution Register; CMPBHR is for use with the AQ output of Channel B, and is not related to CMPB
- DBREDHR - Dead-band Generator Rising Edge Delay High Resolution Register
- DBFEDHR - Dead-band Generator Falling Edge Delay High Resolution Register





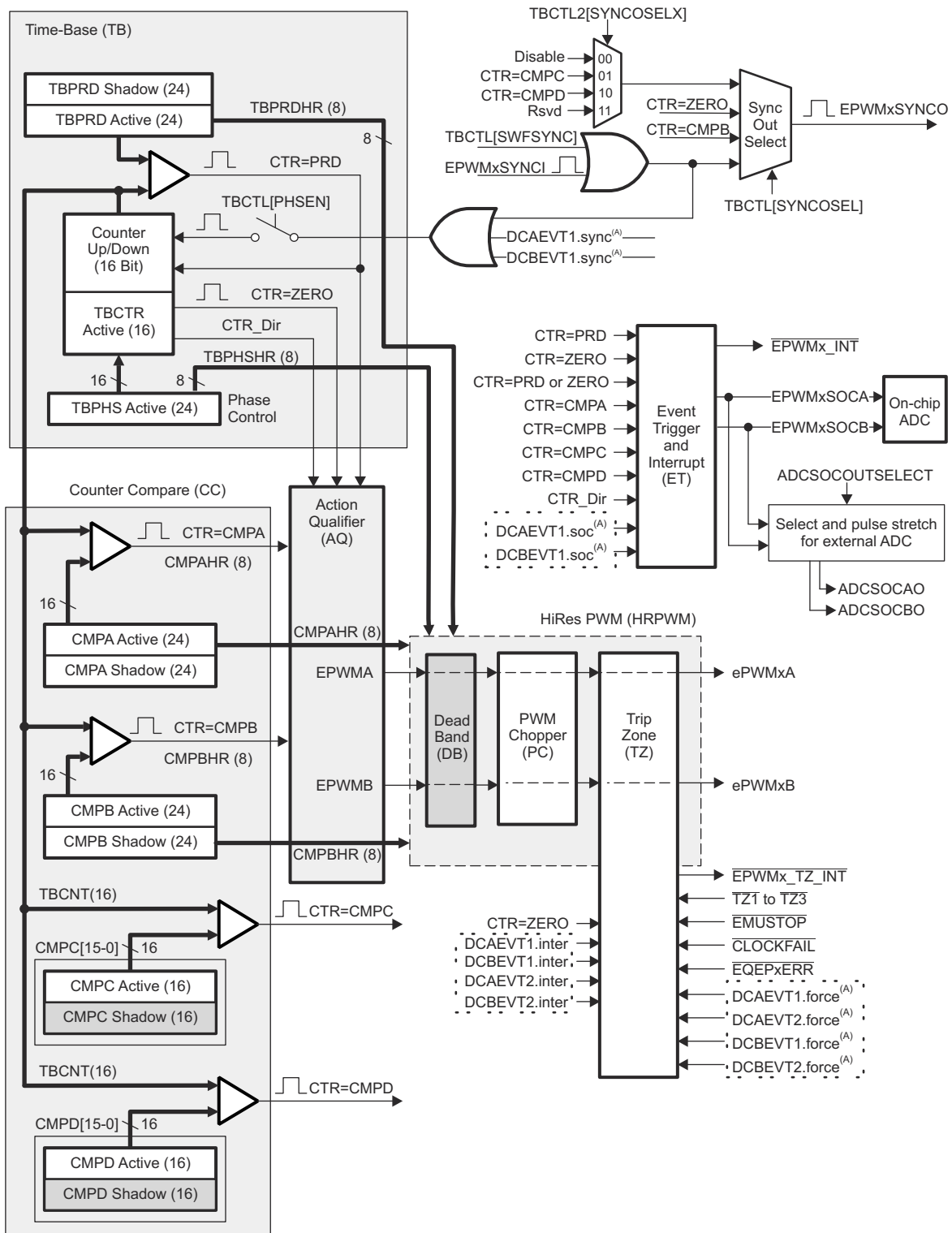
A. Dependent upon your device, these registers can be mirrored and can be written to at two different memory locations.

**Figure 14-82. HRPWM Extension Registers and Memory Configuration**

**Note**

HRPWM capabilities on Deadband Rising Edge Delay and Falling Edge Delay is applicable only during dead band half cycle clocking Operation. The number of MEP steps is half in size [bits 15:9] than duty and phase high-resolution registers for the same reason.

HRPWM capabilities are controlled using the Channel A and B PWM signal path. HRPWM support on the Dead band signal path is available by properly configuring the HRCNFG2 register. [Figure 14-83](#) shows how the HRPWM interfaces with the 8-bit extension registers.



Copyright © 2017, Texas Instruments Incorporated

A. These events are generated by the ePWM Digital Compare (DC) submodule based on the levels of the TRIPIN inputs.

**Figure 14-83. HRPWM System Interface**

### 14.14.1.2 HRPWM Source Clock

The HRPWM module and HRCAL module are clocked from the EPWM1CLK. Therefore, EPWM1CLK must be enabled for the HRCAL or any of the HRPWM modules to be enabled. Figure 14-84 shows the HRCAL and HRPWM modules sourced from the ePWM1 clock source.

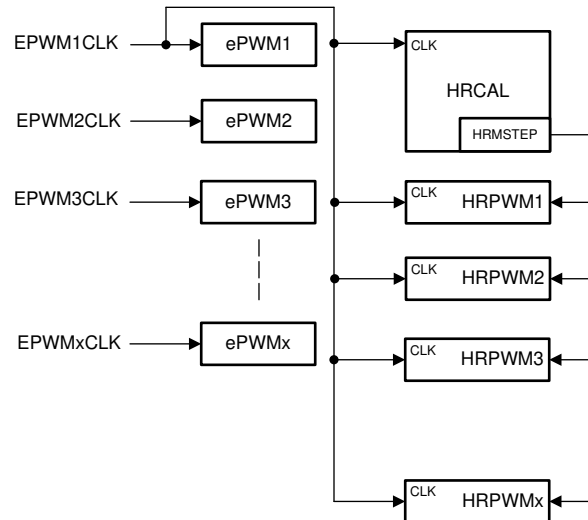


Figure 14-84. HRPWM and HRCAL Source Clock

### 14.14.1.3 Configuring the HRPWM

Once the ePWM has been configured to provide conventional PWM of a given frequency and polarity, the HRPWM is configured by programming the HRCNFG register in that particular ePWM module's register space. This register provides the following configuration options:

- Edge Mode** The MEP can be programmed to provide precise position control on the rising edge (RE), falling edge (FE) or both edges (BE) at the same time. FE and RE are used for power topologies requiring duty cycle control (CMPA or CMPB high-resolution control), while BE is used for topologies requiring phase shifting, for example, phase shifted full bridge (TBPHS or TBPRD high-resolution control).
- Control Mode** The MEP is programmed to be controlled either from the CMPAHR/CMPBHR register in case of duty cycle control or the TBPHSHR register (phase control). RE or FE control mode can be used with the CMPAHR or CMPBHR register. BE control mode can be used with the TBPHSHR register. When the MEP is controlled from the TBPRDHR register (period control), the duty cycle and phase can also be controlled using their respective high-resolution registers.
- Shadow Mode** This mode provides the same shadowing (double buffering) option as in regular PWM mode. This option is valid only when operating from the CMPAHR, CMPBHR, and TBPRDHR registers and can be chosen to be the same as the regular load option for the CMPA/CMPB register. If TBPHSHR is used, then this option has no effect.
- High-Resolution B Signal Control** The B signal path of an ePWM channel can generate a high-resolution output by outputting an inverted version of the high-resolution ePWMxA signal on the ePWMxB pin. A Type 2 or Type 4 HRPWM module can also enable high-resolution features on the B signal path independently of the A signal path as well.
- Swap ePWMxA and ePWMxB Outputs** This mode enables the swapping of the high-resolution A and B outputs. The mode selection allows either A and B Outputs Unchanged or A Output Comes Out On B and B Output Comes Out On A.

**Auto-  
conversion  
Mode**

This mode is used in conjunction with the scale factor optimization (SFO) software only. For a type 4 HRPWM module, below is a description of the Auto-conversion Mode taking CMPAHR as an example. If auto-conversion is enabled,  $CMPAHR = \text{fraction}(PWMduty * PWMperiod) \ll 8$ . The scale factor optimization software calculates the MEP scale factor in the background code and automatically updates the HRMSTEP register with the calculated number of MEP steps per coarse step. The MEP Calibration Module then uses the values in the HRMSTEP and CMPAHR registers to automatically calculate the appropriate number of MEP steps represented by the fractional duty cycle and moves the high-resolution ePWM signal edge accordingly. If auto-conversion is disabled, the CMPAHR register behaves like a type 0 HRPWM module and  $CMPAHR = (\text{fraction}(PWMduty * PWMperiod) * MEP \text{ Scale Factor} + 0.5) \ll 8$ . All calculations need to be performed by your code in this mode, and the HRMSTEP register is ignored. Auto-conversion for high-resolution period has the same behavior as auto-conversion for high-resolution duty cycle. Auto-conversion must always be enabled for high-resolution period mode.

---

**Note**

If the HRPWM module is configured in UP-DOWN counter mode, the shadow mode for the HRPWM registers must be set to load on both ZERO AND PERIOD. New values from the user are loaded to the shadow registers only at CTR=ZERO, but the shadow mode of for the registers must be set to both ZERO AND PERIOD. The CTR=PRD event is used for specific internal logic inside the HRPWM module.

Auto-conversion Mode performs the calculation for CMPBHR, DBREDHR, and DBFEDHR. The scale factor optimization software calculates the MEP scale factor in the background code and automatically updates the HRMSTEP register with the calculated number of MEP steps per coarse step. The MEP Calibration Module then uses the values in the HRMSTEP and CMPBHR or DBREDHR/DBFEDHR register to automatically calculate the appropriate number of MEP steps represented by the fractional components and moves the high-resolution ePWM signal edge accordingly. If auto-conversion is disabled, CMPBHR behaves the same as CMPAHR.  $CMPBHR = (\text{fraction}(PWMduty * PWMperiod) * MEP \text{ Scale Factor} + 0.5) \ll 8$ .

---

#### 14.14.1.4 Configuring High-Resolution in Deadband Rising-Edge and Falling-Edge Delay

Once the ePWM has been configured to provide conventional PWM of a given frequency, polarity, and dead band enabled in half-cycle clocking mode, the high-resolution operation on dead band RED and FED lines are enabled by programming the HRCNFG2 register in that particular ePWM module register space. This register provides the following configuration options:

**Edge Mode** The MEP can be programmed to provide precise position control on the dead band rising edge (RED), dead band falling edge (FED), or both edges (rising edge of DBRED signal and falling edge of DBFED signal) at the same time.

**Control Mode** Selects the time event that loads the shadow value in the active register for DBRED and DBFED in high-resolution mode. Select the pulse to match the selection in the ePWM DBCTL[LOADREDMODE] and DBCTL[LOADFEDMODE] bits.

#### 14.14.1.5 Principle of Operation

The MEP logic is capable of placing an edge in one of 255 (8 bits) discrete time steps (see the device data sheet for typical MEP step size). The MEP works with the TBM and CCM registers to be certain that time steps are applied and that edge placement accuracy is maintained over a wide range of PWM frequencies, system clock frequencies, and other operating conditions. Table 14-14 shows the typical range of operating frequencies supported by the HRPWM.

**Table 14-14. Relationship Between MEP Steps, PWM Frequency, and Resolution**

System (MHz)	MEP Steps Per EPWMCLK <sup>(1) (2) (3)</sup>	PWM Minimum (Hz) <sup>(4)</sup>	PWM Maximum (MHz)	Resolution at Maximum (Bits) <sup>(5)</sup>
60.0	93	916	3.00	10.9
70.0	79	1068	3.50	10.6
80.0	69	1221	4.00	10.4
90.0	62	1373	4.50	10.3
100.0	56	1526	5.00	10.1

(1) TBCLK = EPWMCLK.

(2) Table data based on a MEP time resolution of 180 ps (this is an example value. See the device data sheet for MEP limits)

(3) MEP steps applied =  $T_{EPWMCLK}/180$  ps in this example.

(4) PWM minimum frequency is based on a maximum period value, (TBPRD = 65535). PWM mode is asymmetrical up-count.

(5) Resolution in bits is given for the maximum PWM frequency stated.

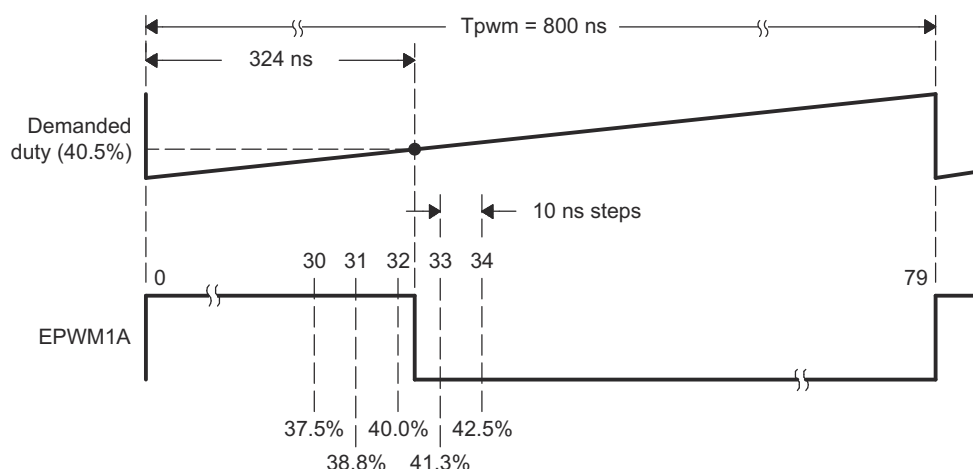
### 14.14.1.5.1 Edge Positioning

#### Note

The following example is presented using the [CMPA:CMPAHR] register combination. The theory of operation and equations are the same, if intending to use the [CMPBM:CMPBHRM] for duty cycle control.

In a typical power control loop, a digital controller issues a duty command, usually expressed in a per unit or percentage terms. Assume that for a particular operating point, the demanded duty cycle is 0.405 or 40.5% on time and the required converter PWM frequency is 1.25 MHz. In conventional PWM generation with a system clock of 100 MHz, the duty cycle choices are in the vicinity of 40.5%. As shown in Figure 14-85, a compare value of 32 counts (duty = 40%) is the closest to 40.5% that can be attained. This is equivalent to an edge position of 320 ns instead of the desired 324 ns. This data is shown in Table 14-15.

By utilizing the MEP, an edge position much closer to the desired point of 324 ns can be achieved. Table 14-15 shows that in addition to the CMPA value, 22 steps of the MEP (CMPAHR register) positions the edge at 323.96 ns, resulting in almost zero error. In this example, it is assumed that the MEP has a step resolution of 180 ps.



**Figure 14-85. Required PWM Waveform for a Requested Duty = 40.5%**

**Table 14-15. CMPA versus Duty (left), and [CMPA:CMPAHR] versus Duty (right)**

CMPA (count) <sup>(1) (2) (3)</sup>	Duty (%)	High Time (ns)	CMPA (count)	CMPAHR (count)	Duty (%)	High Time (ns)
28	<b>35.0</b>	280	32	18	<b>40.405</b>	323.24
29	<b>36.3</b>	290	32	19	<b>40.428</b>	323.42
30	<b>37.5</b>	300	32	20	<b>40.450</b>	323.60
31	<b>38.8</b>	310	32	21	<b>40.473</b>	323.78
32	<b>40.0</b>	320	32	22	<b>40.495</b>	323.96
33	<b>41.3</b>	330	32	23	<b>40.518</b>	324.14
34	<b>42.5</b>	340	32	24	<b>40.540</b>	324.32
			32	25	<b>40.563</b>	324.50
Required			32	26	<b>40.585</b>	324.68
32.40	<b>40.5</b>	324	32	27	<b>40.608</b>	324.86

(1) Assumed MEP step size for the above example = 180 ps. See the device-specific data sheet for typical and maximum MEP values.

(2) TBCLK = 100 MHz, 10 ns

(3) For a PWM Period register value of 80 counts, PWM Period = 80 × 10 ns = 800 ns, PWM frequency = 1/800 ns = 1.25 MHz

#### 14.14.1.5.2 Scaling Considerations

The mechanics of how to position an edge precisely in time has been demonstrated using the resources of the standard CMPA and MEP (CMPAHR) registers. In a practical application, however, it is necessary to seamlessly provide the CPU a mapping function from a per-unit (fractional) duty cycle to a final integer (non-fractional) representation that is written to the [CMPA:CMPAHR] register combination.

To do this, first examine the scaling or mapping steps involved. It is common in control software to express duty cycle in a per-unit or percentage basis. This has the advantage of performing all needed math calculations without concern for the final absolute duty cycle, expressed in clock counts or high time in nanoseconds (ns). Furthermore, it makes the code more transportable across multiple converter types running different PWM frequencies.

To implement the mapping scheme, a two-step scaling procedure is required.

#### Assumptions for this example:

TBCLK	= 10 ns (100 MHz)
PWM frequency	= 1.25 MHz (1/800 ns)
Required PWM duty cycle, <b>PWMDuty</b>	= 0.405 (40.5%)
PWM period in terms of coarse steps, <b>PWMPeriod</b> (800 ns/10 ns)	= 80
Number of MEP steps per coarse step at 180 ps (10 n/180 ps), <b>MEP_ScaleFactor</b>	= 55
Value to keep CMPAHR within the range of 1-255 and fractional rounding constant (default value)	= 0.5 (0080h in Q8 format)

#### Step 1: Percentage Integer Duty value conversion for CMPA register

CMPA register value	= $\text{int}(\text{PWMDuty} * \text{PWMPeriod})$ ; int means integer part
	= $\text{int}(0.405 * 80)$
	= $\text{int}(32.4)$
CMPA register value	= 32 (20h)

#### Step 2: Fractional value conversion for CMPAHR register

CMPAHR	= $(\text{frac}(\text{PWMDuty} * \text{PWMPeriod}) * \text{MEP\_ScaleFactor} + 0.5) \ll 8$ ; frac means fractional part
	= $(\text{frac}(32.4) * 55 + 0.5) \ll 8$ ; Shifting is to move the value to the high byte of CMPAHR.
	= $(0.4 * 55 + 0.5) \ll 8$
	= $(22 + 0.5) \ll 8$
	= $22.5 * 256$ ; Shifting left by 8 is the same as multiplying by 256.
	= 5760 (1680h)
CMPAHR	= 1680h CMPAHR value = 1600h (lower 8 bits are ignored by hardware).

---

**Note**

If the AUTOCONV bit (HRCNFG.6) is set and the MEP\_ScaleFactor is in the HRMSTEP register, then CMPAHR / CMPBHR register value =  $\text{frac}(\text{PWMDuty} * \text{PWMperiod} < < 8)$ . The rest of the conversion calculations are performed automatically in hardware, and the correct MEP-scaled signal edge appears on the ePWM channel output. If AUTOCONV is not set, the above calculations must be performed by software.

The MEP scale factor (MEP\_ScaleFactor) varies with the system clock and DSP operating conditions. TI provides an MEP scale factor optimizing (SFO) software C function, which uses the built in diagnostics in each HRPWM and returns the best scale factor for a given operating point.

The scale factor varies slowly over a limited range so the optimizing C function can be run very slowly in a background loop.

The CMPA, CMPB, CMPAHR and CMPBHR registers are configured in memory so that the 32-bit data capability of the CPU can write this as a single concatenated value, that is, [CMPA:CMPAHR], [CMPB:CMPBHR], and so on.

The mapping scheme has been implemented in both C and assembly, as shown in [Section 14.14.1.8](#). The actual implementation takes advantage of the 32-bit CPU architecture and is somewhat different from the steps shown in [Section 14.14.1.5.2](#).

For time-critical control loops where every cycle counts, the assembly version is recommended. This is a cycle optimized function (11 EPWMCLK cycles) that takes a Q15 duty value as input and writes a single [CMPA:CMPAHR] value.

---

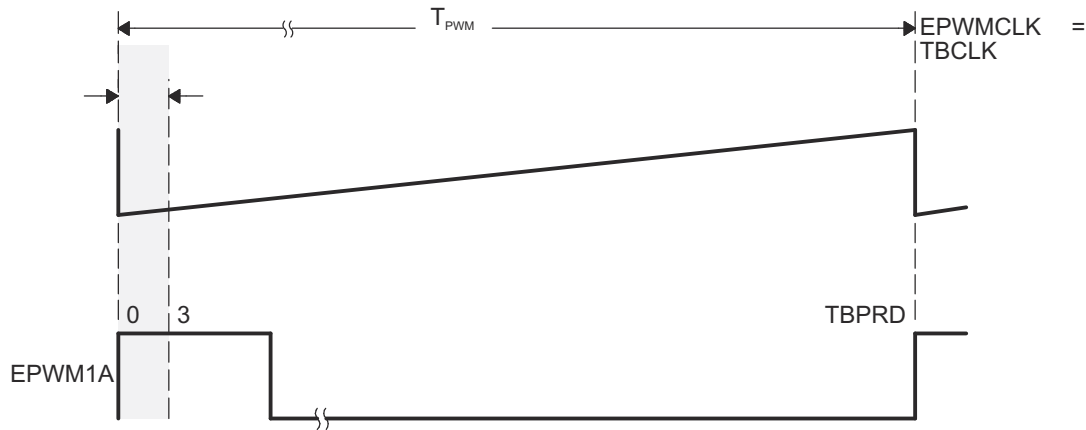
#### 14.14.1.5.3 Duty Cycle Range Limitation

In high-resolution mode, the MEP is not active for 100% of the PWM period and becomes operational:

- Three EPWMCLK cycles after the period starts when high-resolution period (TBPRDHR) control is not enabled.
- When high-resolution period (TBPRDHR) control is enabled using the HRPCTL register:
  - In up-count mode: three EPWMCLK cycles after the period starts until three EPWMCLK cycles before the period ends.
  - In up-down count mode: when counting up, three cycles after CTR = 0 until three cycles before CTR = PRD, and when counting down, three cycles after CTR = PRD until three cycles before CTR = 0.
- When using DBREDHR or DBFEDHR, DBRED or DBFED (the register corresponding to the edge with high-resolution displacement) must be greater than or equal to 7.

Duty cycle range limitations are illustrated in [Figure 14-86](#) to [Figure 14-89](#). This limitation imposes a duty cycle limit on the MEP. For example, precision edge control is not available all the way down to 0% duty cycle. When high-resolution period control is disabled, regular PWM duty control is fully operational down to 0% duty cycle despite the unavailability of HRPWM features in the first three cycles. In most applications, this cannot be an issue as the controller regulation point is usually not designed to be close to 0% duty cycle. To better understand the useable duty cycle range, see [Table 14-16](#). When high-resolution period control is enabled (HRPCTL[HRPE]=1), the duty cycle must not fall within the restricted range; otherwise, there can be undefined behavior on the ePWMxA output.





**Figure 14-86. Low % Duty Cycle Range Limitation Example (HRPCTL[HRPE] = 0)**

**Table 14-16. Duty Cycle Range Limitation for Three EPWMCLK/TBCLK Cycles**

PWM Frequency <sup>(1)</sup> (kHz)	3 Cycles Minimum Duty	3 Cycles Maximum Duty <sup>(2)</sup>
200	0.6%	99.4%
400	1.2%	98.8%
600	1.8%	98.2%
800	2.4%	97.6%
1000	3%	97%
1200	3.6%	96.4%
1400	4.2%	95.8%
1600	4.8%	95.2%
1800	5.4%	94.6%
2000	6%	94%

(1) EPWMCLK = TBCLK = 100 MHz

(2) This limitation applies only if high-resolution period (TBPRDHR) control is enabled.

If the application demands HRPWM operation below the minimum duty cycle limitation, then the HRPWM can be configured to operate in count-down mode with the rising edge position (REP) controlled by the MEP when high-resolution period is disabled (HRPCTL[HRPE] = 0). This is illustrated in [Figure 14-87](#). In this configuration, the minimum duty cycle limitation is no longer an issue. However, there is a maximum duty limitation with same percent numbers as given in [Table 14-16](#).

**CAUTION**

If the application has enabled high-resolution period control (HRPCTL[HRPE]=1), the duty cycle must not fall within the restricted range; otherwise, there can be undefined behavior on the ePWM output.

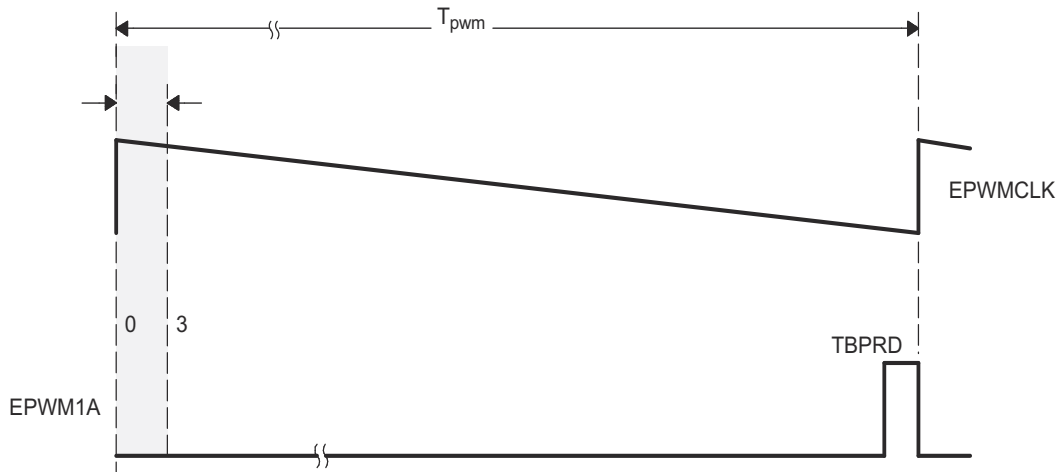


Figure 14-87. High % Duty Cycle Range Limitation Example (HRPCTL[HRPE] = 0)

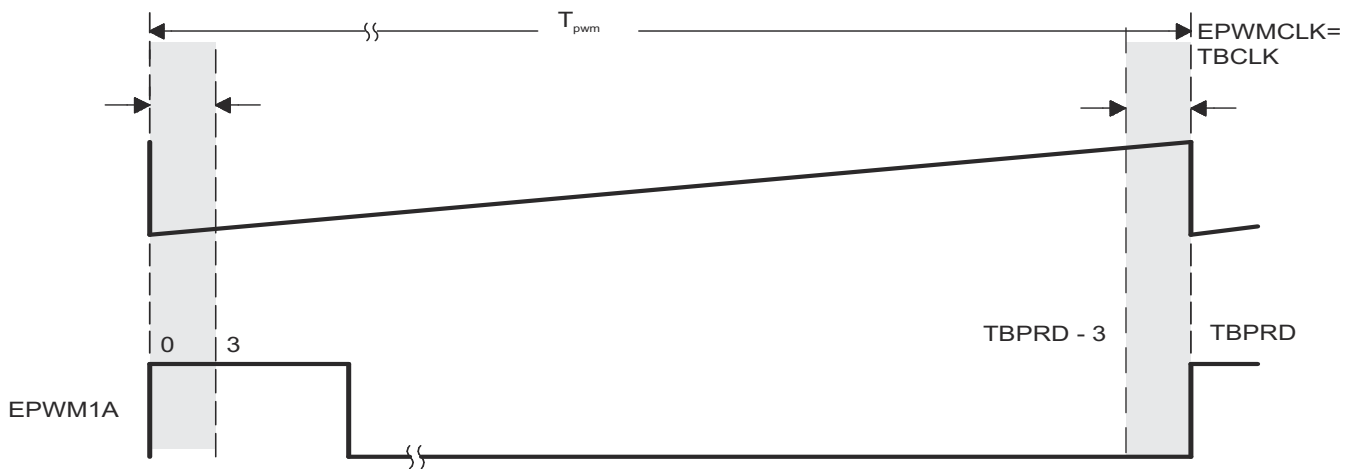


Figure 14-88. Up-Count Duty Cycle Range Limitation Example (HRPCTL[HRPE]=1)

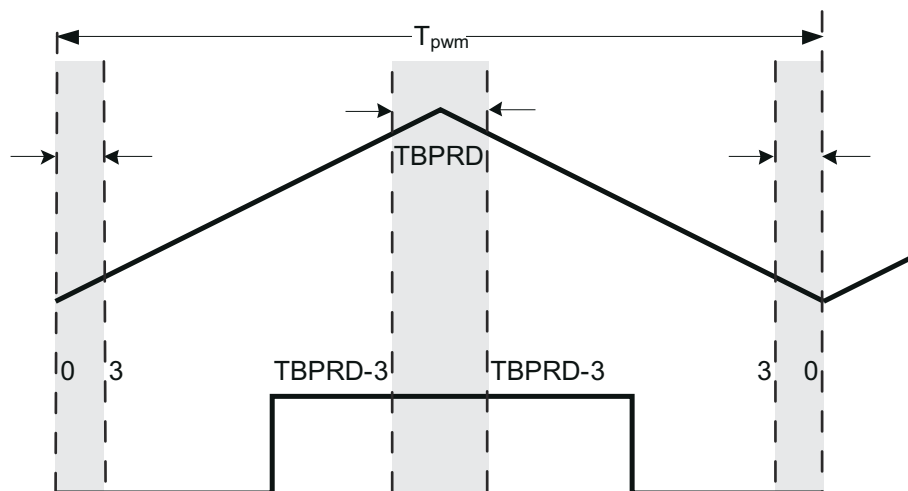


Figure 14-89. Up-Down Count Duty Cycle Range Limitation Example (HRPCTL[HRPE]=1)

#### 14.14.1.5.4 High-Resolution Period

High-resolution period control using the MEP logic is supported on devices with a Type 1 ePWM module or greater.

---

#### Note

When high-resolution period control is enabled, on ePWMxA only, and not ePWMxB output and conversely, the non high-resolution output has  $\pm 1$  TBCLK cycle jitter in up-count mode and  $\pm 2$  TBCLK cycle jitter in up-down count mode.

---

The scaling procedure described for duty cycle in [Section 14.14.1.5.2](#) applies for high-resolution period as well:

#### Assumptions for this example:

TBCLK	= 10 ns (100 MHz)
Required PWM frequency	= 175 kHz (period of 571.428)
Number of MEP steps per coarse step at 180 ps (MEP_ScaleFactor)	= 55 (10 ns / 180 ps)
Value to keep TBPRDHR within range of 1-255 and fractional rounding constant (default value)	= 0.5 (0080h in Q8 format)

#### Problem:

In up-count mode:

- If TBPRD = 571, then PWM frequency = 174.82 kHz (period =  $(571+1) * T_{TBCLK}$ ).
- If TBPRD = 570, then PWM frequency = 175.13 kHz (period =  $(570+1) * T_{TBCLK}$ ).

In up-down count mode:

- If TBPRD = 286, then PWM frequency = 174.82 kHz (period =  $(286*2) * T_{TBCLK}$ ).
- If TBPRD = 285, then PWM frequency = 175.44 kHz (period =  $(285*2) * T_{TBCLK}$ ).

#### Solution:

With 55 MEP steps per coarse step at 180 ps each:

#### Step 1: Percentage Integer Period value conversion for TBPRD register

Integer period value	= $571 * T_{TBCLK}$
	= $\text{int}(571.428) * T_{TBCLK}$
	= $\text{int}(\text{PWMperiod}) * T_{TBCLK}$

In up-count mode:

TBPRD	= 570 (TBPRD = period value - 1)
	= 023Ah

In up-down count mode:

TBPRD	= 285 (TBPRD = period value / 2)
	= 011Dh

**Step 2: Fractional value conversion for TBPRDHR register**

In up-count mode:

TBPRDHR register value =  $(\text{frac}(\text{PWMperiod}) * \text{MEP\_ScaleFactor} + 0.5)$

If auto-conversion enabled and HRMSTEP =

MEP\_ScaleFactor value (55): =  $\text{frac}(\text{PWMperiod}) \ll 8$  (Shifting is to move the value to the high byte of TBPRDHR)

TBPRDHR register value =  $\text{frac}(571.428) \ll 8$

=  $0.428 \times 256$

= 6D00h

The auto-conversion then automatically performs the calculation, such that TBPRDHR MEP delay is scaled by hardware to:

=  $((\text{TBPRDHR}(15:0) \gg 8) \times \text{HRMSTEP} + 80\text{h}) \ll 8$

=  $(006\text{Dh} \times 55 + 80\text{h}) \gg 8$

=  $(17\text{EBh}) \gg 8$

Period MEP delay

= 0017h MEP Steps

In up-down count mode:

TBPRDHR register value =  $(\text{frac}(\text{PWMperiod}) * \text{MEP\_ScaleFactor} + 0.5)$

If auto-conversion enabled and HRMSTEP =

MEP\_ScaleFactor value (55): =  $\text{frac}(\text{PWMperiod} / 2) \ll 8$  (Shifting is to move the value to the high byte of TBPRDHR)

TBPRDHR register value =  $\text{frac}(285.714) \ll 8$

=  $0.714 \times 256$

= B600h

The auto-conversion then automatically performs the calculation, such that TBPRDHR MEP delay is scaled by hardware to:

=  $((\text{TBPRDHR}(15:0) \gg 8) \times \text{HRMSTEP} + 80\text{h}) \ll 8$

=  $(00\text{B6h} \times 55 + 80\text{h}) \gg 8$

=  $(279\text{Ah}) \gg 8$

Period MEP delay

= 0027h MEP Steps

#### 14.14.1.5.4.1 High-Resolution Period Configuration

To use high-resolution period, the ePWMx module must be initialized in the exact order presented.

The following steps use CMPA with shadow registers and the corresponding HRCNFG bits for high-resolution operation on EPWMxA. For high-resolution operation on EPWMxB, make the appropriate substitutions with the B channel fields.

1. Enable ePWMx clock
2. Enable HRPWM clock
3. Disable TBCLKSYNC
4. Configure ePWMx registers - AQ, TBPRD, CC, and so on.
  - ePWMx can only be configured for up-count or up-down count modes. High-resolution period is not compatible with down-count mode.
  - TBPRD and CC registers must be configured for shadow loads.
  - CMPCTL[LOADAMODE]
    - In up-count mode: CMPCTL[LOADAMODE] = 1 (load on CTR = PRD)
    - In up-down count mode: CMPCTL[LOADAMODE] = 2 (load on CTR=0 or CTR=PRD)
5. Configure the HRCNFG register such that:
  - HRCNFG[HRLOAD] = 2 (load on either CTR = 0 or CTR = PRD)
  - HRCNFG[AUTOCONV] = 1 (Enable auto-conversion)
  - HRCNFG[EDGMODE] = 3 (MEP control on both edges)
6. For TBPHS:TBPHSHR synchronization with high-resolution period, set both HRPCTL[TBPSHRLOADE] = 1 and TBCTL[PHSEN] = 1. In up-down count mode these bits must be set to 1 regardless of the contents of TBPHSHR.
7. Enable high-resolution period control (HRPCTL[HRPE] = 1)
8. Enable TBCLKSYNC
9. TBCTL[SWFSYNC] = 1
10. HRMSTEP must contain an accurate MEP scale factor (# of MEP steps per EPWMCLK coarse step) because auto-conversion is enabled. The MEP scale factor can be acquired using the SFO() function described in [Section 14.14.2](#).
11. To control high-resolution period, write to the TBPRDHR(M) registers.

---

#### Note

When high-resolution period mode is enabled, an EPWMxSYNC pulse introduces  $\pm 1$ -2 cycle jitter to the PWM ( $\pm 1$  cycle in up-count mode and  $\pm 2$  cycle in up-down count mode). For this reason, TBCTL[SYNCOSEL] cannot be set to 1 (CTR = 0 is EPWMxSYNCO source) or 2 (CTR = CMPB is EPWMxSYNCO source). Otherwise, the jitter occurs on every PWM cycle with the synchronization pulse.

When TBCTL[SYNCOSEL] = 0 (EPWMxSYNCO is EPWMxSYNCO source), a software synchronization pulse can be issued only once during high-resolution period initialization. If a software sync pulse is applied while the PWM is running, the jitter appears on the PWM output at the time of the sync pulse.

---

### 14.14.1.6 Deadband High-Resolution Operation

#### Note

In up-count mode, the dead-band module is not available when any high-resolution mode is enabled.

#### Assumptions for this example:

System clock	= 10 ns (100 MHz)
Deadband enabled in half-cycle mode, TBCLK = EPWMCLK	
Required PWM frequency	1.33 MHz (1 / 750 ns)
Required PWM duty cycle	0.5 (50%)
Required Deadband Rising Edge Delay	5% over duty
Required Deadband Rising Edge Delay in ns	(0.05 * 375 ns) = 18.75 ns

#### Note

Similar to the duty cycle restrictions when using HRPWM, the DBRED and DBFED values must be greater than 3 to use high-resolution deadband.

#### Deadband delay values as a function of DBFED and DBRED:

When half-cycle clocking is enabled, the formula to calculate the falling-edge-delay and rising-edge-delay becomes:

$$FED = DBFED * TBCLK / 2$$

$$RED = DBRED * TBCLK / 2$$

#### DBRED and DBFED calculated values:

Required Dead band Rising Edge Delay in ns = 18.75 ns

$$DBRED = RED / (TBCLK / 2)$$

$$DBRED = 18.75 \text{ ns} / 5 \text{ ns}$$

$$DBRED \text{ Required} = 3.75 \text{ ns}$$

With 55 MEP steps per coarse step at 180 ps each:

### Step 1: Integer Deadband value conversion for DBREDM register

$$\begin{aligned} \text{Integer DBRED value} &= \text{int}(\text{RED} / (\text{TBCLK} / 2)) \\ &= \text{int}(3.75) \\ \text{DBRED} &= 3 \end{aligned}$$

### Step 2: Fractional value conversion for Deadband high-resolution register DBREDHR

$$\begin{aligned} \text{DBREDHR register value} &= (\text{frac}(\text{DBRED Required}) * \text{MEP\_ScaleFactor} + 0.5) \\ &<< 8 \text{ (Shifting is to move the value to the high byte of DBREDHR)} \\ &= (\text{frac}(3.75) * 55 + 0.5) << 8 \\ &= (0.75 * 55 + 0.5) << 8 \\ &= (41.75) * 256 \text{ Shifting left by 8 is the same as multiplying by 256.} \\ \text{DBREDHR value} &= 29C0h \text{ MEP Steps} \\ &\text{Hardware ignores lower 9 bits in the above calculated DBREDHR value} \end{aligned}$$

---

#### Note

If the AUTOCONV bit (HRCNFG.6) is set and the MEP\_ScaleFactor is in the HRMSTEP register, then DBREDHR:DBRED = frac((required DB value) < <8). The rest of the conversion calculations are performed automatically in hardware, and the correct MEP-scaled signal edge appears on the ePWM channel output. If AUTOCONV is not set, the above calculations must be performed by software.

---

#### 14.14.1.7 Scale Factor Optimizing Software (SFO)

The micro edge positioner (MEP) logic is capable of placing an edge in one of 255 discrete time steps. As previously mentioned, the size of these steps is on the order of 150 ps (see the device data sheet for typical MEP step size on your device). The MEP step size varies based on worst-case process parameters, operating temperature, and voltage. MEP step size increases with decreasing voltage and increasing temperature and decreases with increasing voltage and decreasing temperature. Applications that use the HRPWM feature can use the TI-supplied MEP scale factor optimization (SFO) software function. The SFO function helps to dynamically determine the number of MEP steps per EPWMCLK period while the HRPWM is in operation.

To utilize the MEP capabilities effectively, the correct value for the MEP scaling factor needs to be known by the software. To accomplish this, the HRPWM module has built in self-check and diagnostic capabilities that can be used to determine the optimum MEP scale factor value for any operating condition. TI provides a C-callable library containing one SFO function that utilizes this hardware and determines the optimum MEP scale factor. As such, MEP control and diagnostics registers are reserved for TI use.

A detailed description of the SFO library - SFO\_TI\_Build\_V8.lib software can be found in SFO Library Software - SFO TI\_Build\_V8.lib.

### 14.14.1.8 HRPWM Examples Using Optimized Assembly Code

The best way to understand how to use the HRPWM capabilities is through two real examples:

1. Simple buck converter using asymmetrical PWM (count-up) with active high polarity.
2. DAC function using simple R+C reconstruction filter.

The following examples all have initialization and configuration code written in C. To make these easier to understand, the #defines shown below are used.

[Example 14-2](#) assumes MEP step size of 150 ps and does not use the SFO library.

#### Example 14-2. #Defines for HRPWM Header Files

```
// HRPWM (High Resolution PWM) //
=====
// HRCNFG
#define HR_Disable 0x0
#define HR_REP 0x1          // Rising Edge position
#define HR_FEP 0x2          // Falling Edge position
#define HR_BEP 0x3          // Both Edge position #define HR_CMP 0x0 // CMPAHR controlled
#define HR_PHS 0x1          // TBPHSHR controlled #define HR_CTR_ZERO 0x0 // CTR = Zero event
#define HR_CTR_PRD 0x1      // CTR = Period event
#define HR_CTR_ZERO_PRD 0x2 // CTR = ZERO or Period event
#define HR_NORM_B 0x0       // Normal ePWMxB output
#define HR_INVERT_B 0x1     // ePWMxB is inverted ePWMxA output
```



#### 14.14.1.8.1 Implementing a Simple Buck Converter

In this example, the PWM requirements are:

- PWM frequency = 1 MHz (that is, TBPRD = 100)
- PWM mode = asymmetrical, up-count
- Resolution = 12.7 bits (with a MEP step size of 150 ps)

Figure 14-90 and Figure 14-91 show the required PWM waveform. As explained previously, configuration for the ePWM1 module is almost identical to the normal case except that the appropriate MEP options need to be enabled/selected.

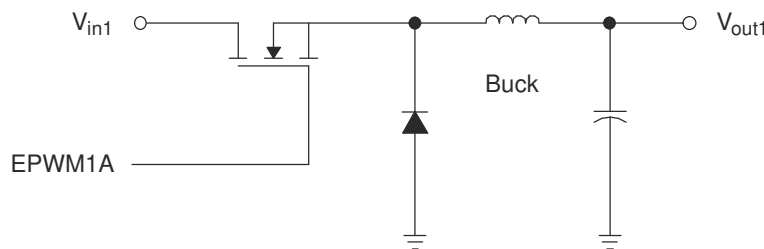


Figure 14-90. Simple Buck Controlled Converter Using a Single PWM

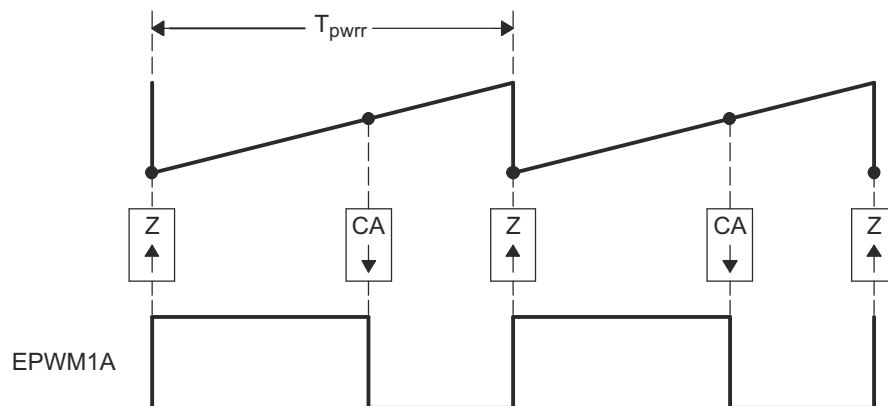


Figure 14-91. PWM Waveform Generated for Simple Buck Controlled Converter

The example code shown consists of two main parts:

- Initialization code (executed once)
- Run time code (typically executed within an ISR)

Example 14-3 shows the Initialization code. The first part is configured for conventional PWM. The second part sets up the HRPWM resources.

This example assumes MEP step size of 150 ps and does not use the SFO library.

Example 14-4 shows an assembly example of run-time code for the HRPWM buck converter.

**Example 14-3. HRPWM Buck Converter Initialization Code**

```

void HrBuckDrvCnf(void)
{
// Config for conventional PWM first
EPwm1Regs.TBCTL.bit.PRDL = TB_IMMEDIATE;           // set Immediate load
EPwm1Regs.TBPRD = 100;                             // Period set for 1000 kHz PWM
hrbuck_period = 200;                                // used for Q15 to Q0 scaling
EPwm1Regs.TBCTL.bit.CTRMODE = TB_COUNT_UP;
EPwm1Regs.TBCTL.bit.PHSEN = TB_DISABLE;           // EPWM1 is the Master
EPwm1Regs.TBCTL.bit.SYNCOSSEL = TB_SYNC_DISABLE;
EPwm1Regs.TBCTL.bit.HSPCLKDIV = TB_DIV1;
EPwm1Regs.TBCTL.bit.CLKDIV = TB_DIV1;
// Note: ChB is initialized here only for comparison purposes, it is not required

EPwm1Regs.CMPCTL.bit.LOADAMODE = CC_CTR_ZERO;
EPwm1Regs.CMPCTL.bit.SHDWAMODE = CC_SHADOW;
EPwm1Regs.CMPCTL.bit.LOADBMODE = CC_CTR_ZERO;      // optional
EPwm1Regs.CMPCTL.bit.SHDWBMODE = CC_SHADOW;       // optional
EPwm1Regs.AQCTLA.bit.ZRO = AQ_SET;
EPwm1Regs.AQCTLA.bit.CAU = AQ_CLEAR;
EPwm1Regs.AQCTLB.bit.ZRO = AQ_SET;                // optional
EPwm1Regs.AQCTLB.bit.CBU = AQ_CLEAR;              // optional
// Now configure the HRPWM resources
EALLOW;                                           // Note these registers are protected
                                                    // and act only on ChA
EPwm1Regs.HRCNFG.all = 0x0;                       // clear all bits first
EPwm1Regs.HRCNFG.bit.EDGMODE = HR_FEP;           // Control Falling Edge Position
EPwm1Regs.HRCNFG.bit.CTLMODE = HR_CMP;           // CMPAHR controls the MEP
EPwm1Regs.HRCNFG.bit.HRLOAD = HR_CTR_ZERO;       // Shadow load on CTR=Zero
EDIS;
MEP_ScaleFactor = 66*256;                          // Start with typical Scale Factor
                                                    // value for 100 MHz
                                                    // Note: Use SFO functions to update
                                                    // MEP_ScaleFactor dynamically
}
    
```

**Example 14-4. HRPWM Buck Converter Run-Time Code**

```

EPWM1_BASE .set 0x6800
CMPAHR1 .set EPWM1_BASE+0x8
;=====
HRBUCK_DRV; (can execute within an ISR or loop)
;=====
    MOVW DP, #_HRBUCK_In
    MOVL XAR2,@_HRBUCK_In        ; Pointer to Input Q15 Duty (XAR2)
    MOVL XAR3,#CMPAHR1          ; Pointer to HRPWM CMPA reg (XAR3)

; Output for EPWM1A (HRPWM)
    MOV T,*XAR2 ; T <= Duty
    MPYU ACC,T,@_hrbuck_period  ; Q15 to Q0 scaling based on Period
    MOV T,@_MEP_ScaleFactor     ; MEP scale factor (from optimizer s/w)
    MPYU P,T,@AL                ; P <= T * AL, Optimizer scaling
    MOVH @AL,P                  ; AL <= P, move result back to ACC
    ADD ACC, #0x080             ; MEP range and rounding adjustment
    MOVL *XAR3,ACC              ; CMPA: CMPAHR(31:8) <= ACC

; Output for EPWM1B (Regular Res) Optional - for comparison purpose only
    MOV *+XAR3[2],AH            ; Store ACCH to regular CMPB
    
```

#### 14.14.1.8.2 Implementing a DAC Function Using an R+C Reconstruction Filter

In this example, the PWM requirements are:

- PWM frequency = 400 kHz (that is, TBPRD = 250)
- PWM mode = Asymmetrical, Up-count
- Resolution = 14 bits (MEP step size = 150 ps)

Figure 14-92 and Figure 14-93 show the DAC function and the required PWM waveform. As explained previously, configuration for the ePWM1 module is almost identical to the normal case except that the appropriate MEP options need to be enabled/selected.

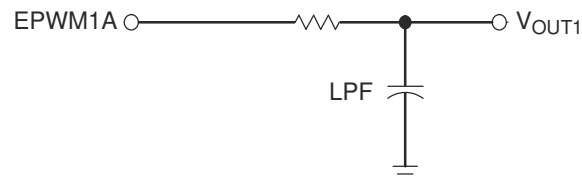


Figure 14-92. Simple Reconstruction Filter for a PWM-based DAC

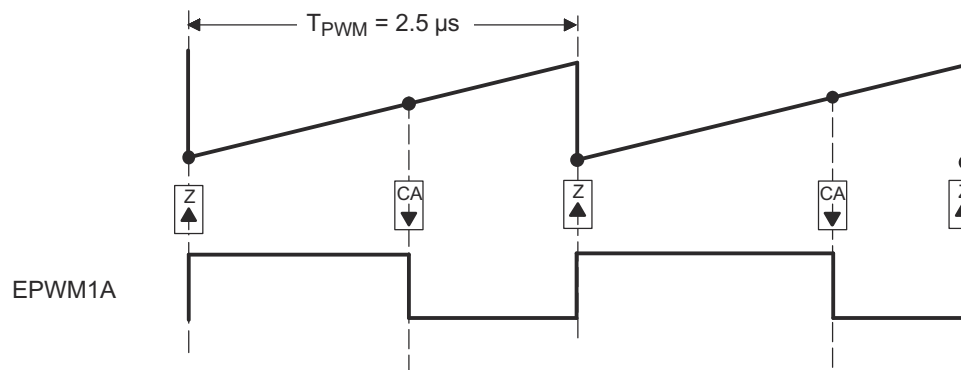


Figure 14-93. PWM Waveform Generated for the PWM DAC Function

The example code shown consists of two main parts:

- Initialization code (executed once)
- Run time code (typically executed within an ISR)

This example assumes a typical MEP\_SP and does not use the SFO library.

Example 14-5 shows the Initialization code. The first part is configured for conventional PWM. The second part sets up the HRPWM resources.

Example 14-6 shows an assembly example of run-time code that can execute in a high-speed ISR loop.

**Example 14-5. PWM DAC Function Initialization Code**

```

void HrPwmDacDrvCnf(void)
{
// Config for conventional PWM first
EPwm1Regs.TBCTL.bit.PRDL = TB_IMMEDIATE;           // Set Immediate load
EPwm1Regs.TBPRD = 250;                             // Period set for 400 kHz PWM
hrDAC_period = 250;                                 // Used for Q15 to Q0 scaling
EPwm1Regs.TBCTL.bit.CTRMODE = TB_COUNT_UP;
EPwm1Regs.TBCTL.bit.PHSEN = TB_DISABLE;           // EPWM1 is the Master
EPwm1Regs.TBCTL.bit.SYNCSEL = TB_SYNC_DISABLE;
EPwm1Regs.TBCTL.bit.HSPCLKDIV = TB_DIV1;
EPwm1Regs.TBCTL.bit.CLKDIV = TB_DIV1;
// Note: ChB is initialized here only for comparison purposes, it is not required

EPwm1Regs.CMPCTL.bit.LOADAMODE = CC_CTR_ZERO;
EPwm1Regs.CMPCTL.bit.SHDWAMODE = CC_SHADOW;
EPwm1Regs.CMPCTL.bit.LOADBMODE = CC_CTR_ZERO;     // optional
EPwm1Regs.CMPCTL.bit.SHDWBMODE = CC_SHADOW;       // optional

EPwm1Regs.AQCTLA.bit.ZRO = AQ_SET;
EPwm1Regs.AQCTLA.bit.CAU = AQ_CLEAR;
EPwm1Regs.AQCTLB.bit.ZRO = AQ_SET;               // optional
EPwm1Regs.AQCTLB.bit.CBU = AQ_CLEAR;             // optional
// Now configure the HRPWM resources
EALLOW;                                           // Note these registers are protected
                                                    // and act only on ChA.
EPwm1Regs.HRCNFG.all = 0x0;                       // Clear all bits first
EPwm1Regs.HRCNFG.bit.EDGMODE = HR_FEP;           // Control falling edge position
EPwm1Regs.HRCNFG.bit.CTLMODE = HR_CMP;           // CMPAHR controls the MEP.
EPwm1Regs.HRCNFG.bit.HRLOAD = HR_CTR_ZERO;       // Shadow load on CTR=Zero.
EDIS;
MEP_ScaleFactor = 66*256;                         // Start with typical Scale Factor
                                                    // value for 100 MHz.
                                                    // Use SFO functions to update MEP_ScaleFactor
                                                    // dynamically.
}
    
```

**Example 14-6. PWM DAC Function Run-Time Code**

```

EPWM1_BASE .set 0x6800
CMPAHR1 .set EPWM1_BASE+0x8
;=====
HRPWM_DAC_DRV; (can execute within an ISR or loop)
;=====
    MOVW DP, #_HRDAC_In
    MOVL XAR2,@_HRDAC_In           ; Pointer to input Q15 duty (XAR2)
    MOVL XAR3,#CMPAHR1             ; Pointer to HRPWM CMPA reg (XAR3)

; Output for EPWM1A (HRPWM
    MOV T,*XAR2                    ; T <= duty
    MPY ACC,T,@_hrDAC_period        ; Q15 to Q0 scaling based on period
    ADD ACC,@_hrDAC_period<<15     ; Offset for bipolar operation
    MOV T,@_MEP_ScaleFactor         ; MEP scale factor (from optimizer s/w)
    MPYU P,T,@AL                   ; P <= T * AL, optimizer scaling
    MOVH @AL,P                     ; AL <= P, move result back to ACC
    ADD ACC,#0x080                 ; MEP range and rounding adjustment
    MOVL *XAR3,ACC                 ; CMPA: CMPAHR(31:8) <= ACC

; Output for EPWM1B (Regular Res) Optional - for comparison purpose only
    MOV *+XAR3[2],AH               ; Store ACCH to regular CMPB
    
```

### 14.14.2 SFO Library Software - SFO\_TI\_Build\_V8.lib

Table 14-17 lists several features of the SFO\_TI\_Build\_V8.lib library.

**Table 14-17. SFO Library Features**

	SFO_TI_Build_V8.lib	Unit
Completion-checking?	Yes	Function return value
Typical cycles required for SFO() to update MEP_ScaleFactor if called repetitively without interrupts	130,000	EPWMCLK cycles

#### 14.14.2.1 Scale Factor Optimizer Function - int SFO()

This routine drives the micro-edge positioner (MEP) calibration module to run SFO diagnostics and determine the appropriate MEP scale factor (number of MEP steps per coarse EPWMCLK step) for a device at any given time.

If EPWMCLK = TBCLK = 100 MHz and assuming the MEP step size is 150 ps, the typical scale factor value at 100 MHz = 66 MEP steps per TBCLK unit (10 ns)

The function returns a MEP scale factor value:

MEP\_ScaleFactor = Number of MEP steps per EPWMCLK

#### Constraints when using this function:

- SFO() can be used with a minimum EPWMCLK = TBCLK = 50 MHz. MEP diagnostics logic uses EPWMCLK and not TBCLK, so the EPWMCLK restriction is an important constraint. Below 50 MHz with device process variation, the MEP step size can decrease under cold temperature and high core voltage conditions to such a point that 255 MEP steps do not span an entire EPWMCLK cycle.
- At any time, SFO() can be called to run SFO diagnostics on the MEP calibration module.

#### Usage:

- SFO() can be called at any time in the background while the ePWM channels are running in HRPWM mode. The scale factor result obtained can be applied to all ePWM channels running in HRPWM mode because the function makes use of the diagnostics logic in the MEP calibration module (which runs independently of ePWM channels).
- This routine returns a 1 when calibration is finished and a new scale factor has been calculated or returns a 0 if calibration is still running. The routine returns a 2 if there is an error, and the MEP\_ScaleFactor is greater than the maximum 255 fine steps per coarse EPWMCLK cycle. In this case, the HRMSTEP register maintains the last MEP scale factor value less than 256 for auto conversion.
- All ePWM modules operating in HRPWM incur only a 3 EPWMCLK cycle minimum duty cycle limitation when high-resolution period control is not used. If high-resolution period control is enabled, there is an additional duty cycle limitation 3-EPWMCLK cycles before the end of the PWM period (see [Section 14.14.1.5.3](#)).
- The SFO() function also updates the HRMSTEP register with the scale factor result. If the HRCNFG[AUTOCONV] bit is set, the application software is responsible only for setting  $CMPAHR = \text{fraction}(\text{PWMduty} * \text{PWMperiod}) \ll 8$  or  $CMPBHR = \text{fraction}(\text{PWMduty} * \text{PWMperiod}) \ll 8$  or  $TBPRDHR = \text{fraction}(\text{PWMperiod})$  while running SFO() in the background. The MEP Calibration Module then uses the values in the HRMSTEP and CMPAHR/CMPBHR/TBPRDHR register to automatically calculate the appropriate number of MEP steps represented by the fractional duty cycle or period and move the high-resolution ePWM signal edge accordingly.
- If the HRCNFG[AUTOCONV] bit is clear, the HRMSTEP register is ignored. The application software needs to perform the necessary calculations manually so that:
  - $CMPAHR = (\text{fraction}(\text{PWMduty} * \text{PWMperiod}) * \text{MEP Scale Factor}) \ll 8 + 0x080$ .
  - Similar behavior applies for TBPHSHR, CMPBHR, DBREDHR, and DBFEDHR. Auto-conversion must be enabled when using TBPRDHR.

The following code snippet shows how to use the HRPWM DUTY using driverlib functions.

```
float32_t dutyFine = 85.62;
float32_t count = (dutyFine * (float32_t)(EPWM_TIMER_TBPRD << 8))/100;
uint32_t compCount = (count);
HRPWM_setCounterCompareValue(EPWM1_BASE, HRPWM_COUNTER_COMPARE_A, compCount);
HRPWM_setCounterCompareValue(EPWM1_BASE, HRPWM_COUNTER_COMPARE_B, compCount);
```

The routine can be run as a background task in a slow loop requiring negligible CPU cycles. The repetition rate at which an SFO function needs to be executed depends on the application's operating environment. As with all digital CMOS devices, temperature and supply voltage variations have an effect on MEP operation. However, in most applications these parameters vary slowly and therefore is often sufficient to execute the SFO function once every 5 to 10 seconds. If more rapid variations are expected, then execution can be performed more frequently to match the application. Note there is no high limit restriction on the SFO function repetition rate; hence, the SFO function can execute as quickly as the background loop is capable.

While using the HRPWM feature, HRPWM logic is not active for the first 3 EPWMCLK cycles of the PWM period (and the last 3 EPWMCLK cycles of the PWM period if TBPRDHR is used). While running the application in this configuration, if high-resolution period control is disabled (HRPCTL[HRPE=0]) and the CMPA/CMPB register value is less than three cycles, then the CMPAHR/CMPBHR register must be cleared to zero. If high-resolution period control is enabled (HRPCTL[HRPE=1]), the CMPA register value must not fall below 3 or above TBPRD-3. This can avoid any unexpected transitions on the PWM signal.

#### 14.14.2.2 Software Usage

The software library function SFO(), calculates the MEP scale factor for the HRPWM-supported ePWM modules. The scale factor is an integer value in the range 1-255, and represents the number of micro step edge positions available for a system clock period. The scale factor value is returned in an integer variable called MEP\_ScaleFactor. For example, see [Table 14-18](#).

**Table 14-18. Factor Values**

Software Function call	Functional Description	Updated Variables
SFO()	Returns MEP scale factor in the HRMSTEP register	MEP_ScaleFactor and HRMSTEP register.

To use the HRPWM feature of the ePWMs, it is recommended that the SFO function be used as described here.

#### Step 1. Add "Include" Files

The SFO\_V8.h file needs to be included as follows. This include file is mandatory while using the SFO library function. For the SFO() to operate, the appropriate (Device)\_Device.h and (Device)\_Epwm\_defines.h must be included in the project. These include files are optional if customized header files are used in the end applications.

#### Example 14-7. A Sample of How to Add "Include" Files

```
#include "F28x7x_Device.h" // F28x7x Headerfile
#include "F28x7x_EPwm_defines.h" // init defines
#include "SFO_V8.h" // SFO lib functions (needed for HRPWM)
```

## Step 2. Element Declaration

Declare an integer variable for the scale factor value as shown below.

### Example 14-8. Declaring an Element

```
int MEP_ScaleFactor = 0; //scale factor value
volatile struct EPWM_REGS *ePWM[] = {0, &EPwm1Regs, &EPwm2Regs, &EPwm3Regs,
&EPwm4Regs};
```

## Step 3. MEP\_ScaleFactor Initialization

The SFO() function does not require a starting scale factor value in MEP\_ScaleFactor. Prior to using the MEP\_ScaleFactor variable in application code, SFO() can be called to drive the MEP calibration module to calculate an MEP\_ScaleFactor value.

As part of the one-time initialization code prior to using MEP\_ScaleFactor, include the following:

### Example 14-9. Initializing With a Scale Factor Value

```
MEP_ScaleFactor initialized using function SFO ()
while (SFO() == 0) {} // MEP_ScaleFactor calculated by MEP Cal Module
```

## Step 4. Application Code

While the application is running, fluctuations in both device temperature and supply voltage can be expected. To be sure that good Scale Factors are used for each ePWM module, the SFO function can be re-run periodically as part of a slower back-ground loop. Some examples of this are shown here.

### Note

See the HRPWM\_SFO example in the device-specific C/C++ header files and peripheral examples available from the TI website.

### Example 14-10. SFO Function Calls

```
main ()
{
    int status;
    // User code
    // ePWM1, 2, 3, 4 are running in HRPWM mode
    // The status variable returns 1 once a new MEP_ScaleFactor has been
    // calculated by the MEP Calibration Module running SFO
    // diagnostics.
    status = SFO();
    if(status==2) {ESTOP0;} // The function returns a 2 if MEP_ScaleFactor is greater
    // than the maximum 255 allowed (error condition)
}
```

## 14.15 ePWM Registers

This section describes the Enhanced Pulse Width Modulator registers.

### 14.15.1 ePWM Base Addresses

**Table 14-19. ePWM Base Address Table**

Device Register	Register Name	Start Address	End Address
EPwm1Regs	EPWM_REGS	0x0000_4000	0x0000_40FF
EPwm2Regs	EPWM_REGS	0x0000_4100	0x0000_41FF
EPwm3Regs	EPWM_REGS	0x0000_4200	0x0000_42FF
EPwm4Regs	EPWM_REGS	0x0000_4300	0x0000_43FF
EPwm5Regs	EPWM_REGS	0x0000_4400	0x0000_44FF
EPwm6Regs	EPWM_REGS	0x0000_4500	0x0000_45FF
EPwm7Regs	EPWM_REGS	0x0000_4600	0x0000_46FF
EPwm8Regs	EPWM_REGS	0x0000_4700	0x0000_47FF
EPwm9Regs	EPWM_REGS	0x0000_4800	0x0000_48FF
EPwm10Regs	EPWM_REGS	0x0000_4900	0x0000_49FF
EPwm11Regs	EPWM_REGS	0x0000_4A00	0x0000_4AFF
EPwm12Regs	EPWM_REGS	0x0000_4B00	0x0000_4BFF
EPwmXbarRegs <sup>(1)</sup>	EPWM_XBAR_REGS	0x0000_7A00	0x0000_7A3F

(1) Only available on CPU1.



### 14.15.2 EPWM\_REGS Registers

Table 14-20 lists the memory-mapped registers for the EPWM\_REGS registers. All register offset addresses not listed in Table 14-20 should be considered as reserved locations and the register contents should not be modified.

**Table 14-20. EPWM\_REGS Registers**

Offset	Acronym	Register Name	Write Protection	Section
0h	TBCTL	Time Base Control Register		<a href="#">Go</a>
1h	TBCTL2	Time Base Control Register 2		<a href="#">Go</a>
4h	TBCTR	Time Base Counter Register		<a href="#">Go</a>
5h	TBSTS	Time Base Status Register		<a href="#">Go</a>
8h	CMPCTL	Counter Compare Control Register		<a href="#">Go</a>
9h	CMPCTL2	Counter Compare Control Register 2		<a href="#">Go</a>
Ch	DBCTL	Dead-Band Generator Control Register		<a href="#">Go</a>
Dh	DBCTL2	Dead-Band Generator Control Register 2		<a href="#">Go</a>
10h	AQCTL	Action Qualifier Control Register		<a href="#">Go</a>
11h	AQTSRCSEL	Action Qualifier Trigger Event Source Select Register		<a href="#">Go</a>
14h	PCCTL	PWM Chopper Control Register		<a href="#">Go</a>
18h	VCAPCTL	Valley Capture Control Register		<a href="#">Go</a>
19h	VCNTCFG	Valley Counter Config Register		<a href="#">Go</a>
20h	HRCNFG	HRPWM Configuration Register	EALLOW	<a href="#">Go</a>
21h	HRPWR	HRPWM Power Register	EALLOW	<a href="#">Go</a>
26h	HRMSTEP	HRPWM MEP Step Register	EALLOW	<a href="#">Go</a>
27h	HRCNFG2	HRPWM Configuration 2 Register	EALLOW	<a href="#">Go</a>
2Dh	HRPCTL	High Resolution Period Control Register	EALLOW	<a href="#">Go</a>
2Eh	TRREM	HRPWM High Resolution Remainder Register	EALLOW	<a href="#">Go</a>
34h	GLDCTL	Global PWM Load Control Register	EALLOW	<a href="#">Go</a>
35h	GLDCFG	Global PWM Load Config Register	EALLOW	<a href="#">Go</a>
38h	EPWMXLINK	EPWMx Link Register		<a href="#">Go</a>
40h	AQCTLA	Action Qualifier Control Register For Output A		<a href="#">Go</a>
41h	AQCTLA2	Additional Action Qualifier Control Register For Output A		<a href="#">Go</a>
42h	AQCTLB	Action Qualifier Control Register For Output B		<a href="#">Go</a>
43h	AQCTLB2	Additional Action Qualifier Control Register For Output B		<a href="#">Go</a>
47h	AQSFR	Action Qualifier Software Force Register		<a href="#">Go</a>
49h	AQCSFR	Action Qualifier Continuous S/W Force Register		<a href="#">Go</a>
50h	DBREDHR	Dead-Band Generator Rising Edge Delay High Resolution Register		<a href="#">Go</a>
51h	DBRED	Dead-Band Generator Rising Edge Delay Count Register		<a href="#">Go</a>
52h	DBFEDHR	Dead-Band Generator Falling Edge Delay High Resolution Register		<a href="#">Go</a>
53h	DBFED	Dead-Band Generator Falling Edge Delay Count Register		<a href="#">Go</a>
60h	TBPHS	Time Base Phase Register		<a href="#">Go</a>
62h	TBPRDHR	Time Base Period High Resolution Register		<a href="#">Go</a>
63h	TBPRD	Time Base Period Register		<a href="#">Go</a>
6Ah	CMAPA	Counter Compare A Register		<a href="#">Go</a>

**Table 14-20. EPWM\_REGS Registers (continued)**

Offset	Acronym	Register Name	Write Protection	Section
6Ch	CMPB	Compare B Register		<a href="#">Go</a>
6Fh	CMPC	Counter Compare C Register		<a href="#">Go</a>
71h	CMPD	Counter Compare D Register		<a href="#">Go</a>
74h	GLDCTL2	Global PWM Load Control Register 2	EALLOW	<a href="#">Go</a>
77h	SWVDELVAL	Software Valley Mode Delay Register		<a href="#">Go</a>
80h	TZSEL	Trip Zone Select Register	EALLOW	<a href="#">Go</a>
82h	TZDCSEL	Trip Zone Digital Comparator Select Register	EALLOW	<a href="#">Go</a>
84h	TZCTL	Trip Zone Control Register	EALLOW	<a href="#">Go</a>
85h	TZCTL2	Additional Trip Zone Control Register	EALLOW	<a href="#">Go</a>
86h	TZCTLDCA	Trip Zone Control Register Digital Compare A	EALLOW	<a href="#">Go</a>
87h	TZCTLDCB	Trip Zone Control Register Digital Compare B	EALLOW	<a href="#">Go</a>
8Dh	TZEINT	Trip Zone Enable Interrupt Register	EALLOW	<a href="#">Go</a>
93h	TZFLG	Trip Zone Flag Register		<a href="#">Go</a>
94h	TZCBCFLG	Trip Zone CBC Flag Register		<a href="#">Go</a>
95h	TZOSTFLG	Trip Zone OST Flag Register		<a href="#">Go</a>
97h	TZCLR	Trip Zone Clear Register	EALLOW	<a href="#">Go</a>
98h	TZCBCCLR	Trip Zone CBC Clear Register	EALLOW	<a href="#">Go</a>
99h	TZOSTCLR	Trip Zone OST Clear Register	EALLOW	<a href="#">Go</a>
9Bh	TZFRC	Trip Zone Force Register	EALLOW	<a href="#">Go</a>
A4h	ETSEL	Event Trigger Selection Register		<a href="#">Go</a>
A6h	ETPS	Event Trigger Pre-Scale Register		<a href="#">Go</a>
A8h	ETFLG	Event Trigger Flag Register		<a href="#">Go</a>
AAh	ETCLR	Event Trigger Clear Register		<a href="#">Go</a>
ACh	ETFRC	Event Trigger Force Register		<a href="#">Go</a>
A Eh	ETINTPS	Event-Trigger Interrupt Pre-Scale Register		<a href="#">Go</a>
B0h	ETSOCP	Event-Trigger SOC Pre-Scale Register		<a href="#">Go</a>
B2h	ETCNTINITCTL	Event-Trigger Counter Initialization Control Register		<a href="#">Go</a>
B4h	ETCNTINIT	Event-Trigger Counter Initialization Register		<a href="#">Go</a>
C0h	DCTRISEL	Digital Compare Trip Select Register	EALLOW	<a href="#">Go</a>
C3h	DCACTL	Digital Compare A Control Register	EALLOW	<a href="#">Go</a>
C4h	DCBCTL	Digital Compare B Control Register	EALLOW	<a href="#">Go</a>
C7h	DCFCTL	Digital Compare Filter Control Register	EALLOW	<a href="#">Go</a>
C8h	DCCAPCTL	Digital Compare Capture Control Register	EALLOW	<a href="#">Go</a>
C9h	DCFOFFSET	Digital Compare Filter Offset Register		<a href="#">Go</a>
CAh	DCFOFFSETCNT	Digital Compare Filter Offset Counter Register		<a href="#">Go</a>
CBh	DCFWINDOW	Digital Compare Filter Window Register		<a href="#">Go</a>
CCh	DCFWINDOWCNT	Digital Compare Filter Window Counter Register		<a href="#">Go</a>
CFh	DCCAP	Digital Compare Counter Capture Register		<a href="#">Go</a>
D2h	DAHTRIPSEL	Digital Compare AH Trip Select	EALLOW	<a href="#">Go</a>
D3h	DALTRIPSEL	Digital Compare AL Trip Select	EALLOW	<a href="#">Go</a>
D4h	DCBTRIPSEL	Digital Compare BH Trip Select	EALLOW	<a href="#">Go</a>
D5h	DCBLTRIPSEL	Digital Compare BL Trip Select	EALLOW	<a href="#">Go</a>
FDh	HWVDELVAL	Hardware Valley Mode Delay Register		<a href="#">Go</a>
FEh	VCNTVAL	Hardware Valley Counter Register		<a href="#">Go</a>

Complex bit access types are encoded to fit into small table cells. [Table 14-21](#) shows the codes that are used for access types in this section.

**Table 14-21. EPWM\_REGS Access Type Codes**

Access Type	Code	Description
Read Type		
R	R	Read
R-0	R-0	Read Returns 0s
Write Type		
W	W	Write
W1C	W 1C	Write 1 to clear
W1S	W 1S	Write 1 to set
Reset or Default Value		
-n		Value after reset or the default value
Register Array Variables		
i,j,k,l,m,n		When these variables are used in a register name, an offset, or an address, they refer to the value of a register array where the register is part of a group of repeating registers. The register groups form a hierarchical structure and the array is represented with a formula.
y		When this variable is used in a register name, an offset, or an address it refers to the value of a register array.

### 14.15.2.1 TBCTL Register (Offset = 0h) [Reset = 0083h]

TBCTL is shown in [Figure 14-94](#) and described in [Table 14-22](#).

Return to the [Summary Table](#).

Time Base Control Register

**Figure 14-94. TBCTL Register**

15		14		13		12		11		10		9		8	
FREE_SOFT				PHSDIR		CLKDIV				HSPCLKDIV					
R/W-0h				R/W-0h		R/W-0h				R/W-1h					
7		6		5		4		3		2		1		0	
HSPCLKDIV		SWFSYNC		SYNCOSEL				PRDL		PHSEN		CTRMODE			
R/W-1h		R-0/W1S-0h		R/W-0h				R/W-0h		R/W-0h		R/W-3h			

**Table 14-22. TBCTL Register Field Descriptions**

Bit	Field	Type	Reset	Description
15-14	FREE_SOFT	R/W	0h	Emulation Mode Bits. These bits select the behavior of the ePWM time-base counter during emulation events 00: Stop after the next time-base counter increment or decrement 01: Stop when counter completes a whole cycle: - Up-count mode: stop when the time-base counter = period (TBCTR = TBPRD) - Down-count mode: stop when the time-base counter = 0x00 (TBCTR = 0x00) - Up-down-count mode: stop when the time-base counter = 0x00 (TBCTR = 0x00) 1x: Free run Reset type: SYSRSn
13	PHSDIR	R/W	0h	Phase Direction Bit This bit is only used when the time-base counter is configured in the up-down-count mode. The PHSDIR bit indicates the direction the time-base counter (TBCTR) will count after a synchronization event occurs and a new phase value is loaded from the phase (TBPHS) register. This is irrespective of the direction of the counter before the synchronization event. In the up-count and down-count modes this bit is ignored. 0: Count down after the synchronization event. 1: Count up after the synchronization event. Reset type: SYSRSn
12-10	CLKDIV	R/W	0h	Time Base Clock Pre-Scale Bits These bits select the time base clock pre-scale value (TBCLK = EPWMCLK/(HSPCLKDIV * CLKDIV): 000: /1 (default on reset) 001: /2 010: /4 011: /8 100: /16 101: /32 110: /64 111: /128 Reset type: SYSRSn

**Table 14-22. TBCTL Register Field Descriptions (continued)**

Bit	Field	Type	Reset	Description
9-7	HSPCLKDIV	R/W	1h	<p>High Speed Time Base Clock Pre-Scale Bits</p> <p>These bits determine part of the time-base clock prescale value. <math>TBCLK = EPWMCLK / (HSPCLKDIV \times CLKDIV)</math>. This divisor emulates the HSPCLK in the TMS320x281x system as used on the Event Manager (EV) peripheral.</p> <p>000: /1            001: /2 (default on reset)            010: /4            011: /6            100: /8            101: /10            110: /12            111: /14</p> <p>Reset type: SYSRSn</p>
6	SWFSYNC	R-0/W1S	0h	<p>Software Forced Sync Pulse</p> <p>0: Writing a 0 has no effect and reads always return a 0.            1: Writing a 1 forces a one-time synchronization pulse to be generated.</p> <p>SWFSYNC affects EPWMxSYNCO only when SYNCOSSEL = 00.</p> <p>Reset type: SYSRSn</p>
5-4	SYNCOSSEL	R/W	0h	<p>Sync Output Select</p> <p>00: EPWMxSYNCl / SWFSYNC            01: CTR = zero: Time-base counter equal to zero (TBCTR = 0x00)            10: CTR = CMPB : Time-base counter equal to counter-compare B (TBCTR = CMPB)            11: EPWMxSYNCO is defined by TBCTL2[SYNCOSSELX]</p> <p>Reset type: SYSRSn</p>
3	PRDL D	R/W	0h	<p>Active Period Reg Load from Shadow Select</p> <p>0: The period register (TBPRD) is loaded from its shadow register when the time-base counter, TBCTR, is equal to zero and/or a sync event as determined by the TBCTL2[PRDLDSYNCl] bit.            A write/read to the TBPRD register accesses the shadow register.            1: Immediate Mode (Shadow register bypassed): A write or read to the TBPRD register accesses the active register.</p> <p>Reset type: SYSRSn</p>
2	PHSEN	R/W	0h	<p>Counter Reg Load from Phase Reg Enable</p> <p>0: Do not load the time-base counter (TBCTR) from the time-base phase register (TBPHS).            1: Allow Counter to be loaded from the Phase register (TBPHS) and shadow to active load events when an EPWMxSYNCl input signal occurs or a software-forced sync signal, see bit 6.</p> <p>Reset type: SYSRSn</p>
1-0	CTRM ODE	R/W	3h	<p>Counter Mode</p> <p>The time-base counter mode is normally configured once and not changed during normal operation. If you change the mode of the counter, the change will take effect at the next TBCLK edge and the current counter value shall increment or decrement from the value before the mode change. These bits set the time-base counter mode of operation as follows:</p> <p>00: Up-count mode            01: Down-count mode            10: Up-down count mode            11: Freeze counter operation (default on reset)</p> <p>Reset type: SYSRSn</p>

### 14.15.2.2 TBCTL2 Register (Offset = 1h) [Reset = 0000h]

TBCTL2 is shown in [Figure 14-95](#) and described in [Table 14-23](#).

Return to the [Summary Table](#).

Time Base Control Register 2

**Figure 14-95. TBCTL2 Register**

15	14	13	12	11	10	9	8
PRDLDSYNC		SYNCOSELX		RESERVED			
R/W-0h		R/W-0h		R-0-0h			
7	6	5	4	3	2	1	0
OSHTSYNC	OSHTSYNCMODE	RESERVED	RESERVED				
R-0/W1S-0h	R/W-0h	R/W-0h	R-0-0h				

**Table 14-23. TBCTL2 Register Field Descriptions**

Bit	Field	Type	Reset	Description
15-14	PRDLDSYNC	R/W	0h	Shadow to Active Period Register Load on SYNC event 00: Shadow to Active Load of TBPRD occurs only when TBCTR = 0 (same as legacy). 01: Shadow to Active Load of TBPRD occurs both when TBCTR = 0 and when SYNC occurs. 10: Shadow to Active Load of TBPRD occurs only when a SYNC is received. 11: Reserved Note: This bit selection is valid only if TBCTL[PRDLD]=0. Reset type: SYSRSn
13-12	SYNCOSELX	R/W	0h	Extended selection bits for SYNCOUT 00: Disabled EPWMxSYNCO sync signal 01: EPWMxSYNCO = CMPC 10: EPWMxSYNCO = CMPD 11: Reserved Reset type: SYSRSn
11-8	RESERVED	R-0	0h	Reserved
7	OSHTSYNC	R-0/W1S	0h	Oneshot sync bit 0: Writing a '0' has no effect. 1: Allow one sync pulse to propagate. Reset type: SYSRSn
6	OSHTSYNCMODE	R/W	0h	Oneshot sync enable bit 0: Oneshot sync mode disabled 1: Oneshot sync mode enabled Reset type: SYSRSn
5	RESERVED	R/W	0h	Reserved
4-0	RESERVED	R-0	0h	Reserved

### 14.15.2.3 TBCTR Register (Offset = 4h) [Reset = 0000h]

TBCTR is shown in [Figure 14-96](#) and described in [Table 14-24](#).

Return to the [Summary Table](#).

Time Base Counter Register

**Figure 14-96. TBCTR Register**

15	14	13	12	11	10	9	8
TBCTR							
R/W-0h							
7	6	5	4	3	2	1	0
TBCTR							
R/W-0h							

**Table 14-24. TBCTR Register Field Descriptions**

Bit	Field	Type	Reset	Description
15-0	TBCTR	R/W	0h	Time Base Counter Register Reset type: SYSRSn

#### 14.15.2.4 TBSTS Register (Offset = 5h) [Reset = 0001h]

TBSTS is shown in [Figure 14-97](#) and described in [Table 14-25](#).

Return to the [Summary Table](#).

Time Base Status Register

**Figure 14-97. TBSTS Register**

15	14	13	12	11	10	9	8
RESERVED							
R-0-0h							
7	6	5	4	3	2	1	0
RESERVED					CTRMAX	SYNCI	CTRDIR
R-0-0h					R/W1C-0h	R/W1C-0h	R-1h

**Table 14-25. TBSTS Register Field Descriptions**

Bit	Field	Type	Reset	Description
15-3	RESERVED	R-0	0h	Reserved
2	CTRMAX	R/W1C	0h	Time-Base Counter Max Latched Status Bit 0: Reading a 0 indicates the time-base counter never reached its maximum value. Writing a 0 will have no effect. 1: Reading a 1 on this bit indicates that the time-base counter reached the max value 0xFFFF. Writing a 1 to this bit will clear the latched event. Reset type: SYSRSn
1	SYNCI	R/W1C	0h	Input Synchronization Latched Status Bit 0: Writing a 0 will have no effect. Reading a 0 indicates no external synchronization event has occurred. 1: Reading a 1 on this bit indicates that an external synchronization event has occurred (EPWMxSYNCI). Writing a 1 to this bit will clear the latched event. Reset type: SYSRSn
0	CTRDIR	R	1h	Time Base Counter Direction Status Bit 0: Time-Base Counter is currently counting down. 1: Time-Base Counter is currently counting up. Note: This bit is only valid when the counter is not frozen. Reset type: SYSRSn



### 14.15.2.5 CMPCTL Register (Offset = 8h) [Reset = 0000h]

CMPCTL is shown in [Figure 14-98](#) and described in [Table 14-26](#).

Return to the [Summary Table](#).

Counter Compare Control Register

**Figure 14-98. CMPCTL Register**

15	14	13	12	11	10	9	8
RESERVED		LOADBSYNC		LOADASYNC		SHDWBFULL	SHDWAFULL
R-0-0h		R/W-0h		R/W-0h		R-0h	R-0h
7	6	5	4	3	2	1	0
RESERVED	SHDWBMODE	RESERVED	SHDWAMODE	LOADBMODE		LOADAMODE	
R-0-0h	R/W-0h	R-0-0h	R/W-0h	R/W-0h		R/W-0h	

**Table 14-26. CMPCTL Register Field Descriptions**

Bit	Field	Type	Reset	Description
15-14	RESERVED	R-0	0h	Reserved
13-12	LOADBSYNC	R/W	0h	Shadow to Active CMPB Register Load on SYNC event 00: Shadow to Active Load of CMPB:CMPBHR occurs according to LOADBMODE (bits 1,0) (same as legacy) 01: Shadow to Active Load of CMPB:CMPBHR occurs both according to LOADBMODE bits and when SYNC occurs 10: Shadow to Active Load of CMPB:CMPBHR occurs only when a SYNC is received 11: Reserved Note: This bit is valid only if CMPCTL[SHDWBMODE] = 0. Reset type: SYSRSn
11-10	LOADASYNC	R/W	0h	Shadow to Active CMPA Register Load on SYNC event 00: Shadow to Active Load of CMPA:CMPAHR occurs according to LOADAMODE (bits 1,0) (same as legacy) 01: Shadow to Active Load of CMPA:CMPAHR occurs both according to LOADAMODE bits and when SYNC occurs 10: Shadow to Active Load of CMPA:CMPAHR occurs only when a SYNC is received 11: Reserved Note: This bit is valid only if CMPCTL[SHDWAMODE] = 0. Reset type: SYSRSn
9	SHDWBFULL	R	0h	Counter-compare B (CMPB) Shadow Register Full Status Flag This bit self clears once a loadstrobe occurs. 0: CMPB shadow register not full yet 1: Indicates the CMPB shadow register is full a CPU write will overwrite current shadow value Reset type: SYSRSn
8	SHDWAFULL	R	0h	Counter-compare A (CMPA) Shadow Register Full Status Flag The flag bit is set when a 32-bit write to CMPA:CMPAHR register or a 16-bit write to CMPA register is made. A 16-bit write to CMPAHR register will not affect the flag. This bit self clears once a load-strobe occurs. 0: CMPA shadow register not full yet 1: Indicates the CMPA shadow register is full, a CPU write will overwrite the current shadow value Reset type: SYSRSn
7	RESERVED	R-0	0h	Reserved

**Table 14-26. CMPCTL Register Field Descriptions (continued)**

Bit	Field	Type	Reset	Description
6	SHDWBMODE	R/W	0h	Counter-compare B (CMPB) Register Operating Mode 0: Shadow mode. Operates as a double buffer. All writes via the CPU access the shadow register 1: Immediate mode. Only the active compare B register is used. All writes and reads directly access the active register for immediate compare action Reset type: SYSRSn
5	RESERVED	R-0	0h	Reserved
4	SHDWAMODE	R/W	0h	Counter-compare A (CMPA) Register Operating Mode 0: Shadow mode. Operates as a double buffer. All writes via the CPU access the shadow register 1: Immediate mode. Only the active compare register is used. All writes and reads directly access the active register for immediate compare action Reset type: SYSRSn
3-2	LOADBMODE	R/W	0h	Active Counter-Compare B (CMPB) Load From Shadow Select Mode This bit has no effect in immediate mode (CMPCTL[SHDWBMODE] = 1). 00: Load on CTR = Zero: Time-base counter equal to zero (TBCTR = 0x0000) 01: Load on CTR = PRD: Time-base counter equal to period (TBCTR = TBPRD) 10: Load on either CTR = Zero or CTR = PRD 11: Freeze (no loads possible) Reset type: SYSRSn
1-0	LOADAMODE	R/W	0h	Active Counter-Compare A (CMPA) Load From Shadow Select Mode This bit has no effect in immediate mode (CMPCTL[SHDWAMODE] = 1). 00: Load on CTR = Zero: Time-base counter equal to zero (TBCTR = 0x0000) 01: Load on CTR = PRD: Time-base counter equal to period (TBCTR = TBPRD) 10: Load on either CTR = Zero or CTR = PRD 11: Freeze (no loads possible) Reset type: SYSRSn

### 14.15.2.6 CMPCTL2 Register (Offset = 9h) [Reset = 0000h]

CMPCTL2 is shown in [Figure 14-99](#) and described in [Table 14-27](#).

Return to the [Summary Table](#).

Counter Compare Control Register 2

**Figure 14-99. CMPCTL2 Register**

15	14	13	12	11	10	9	8
RESERVED		LOADDSYNC		LOADCSYNC		RESERVED	
R-0-0h		R/W-0h		R/W-0h		R-0-0h	
7	6	5	4	3	2	1	0
RESERVED	SHDWDMODE	RESERVED	SHDWCMODE	LOADDMODE		LOADCMODE	
R-0-0h	R/W-0h	R-0-0h	R/W-0h	R/W-0h		R/W-0h	

**Table 14-27. CMPCTL2 Register Field Descriptions**

Bit	Field	Type	Reset	Description
15-14	RESERVED	R-0	0h	Reserved
13-12	LOADDSYNC	R/W	0h	Shadow to Active CMPD Register Load on SYNC event 00: Shadow to Active Load of CMPD occurs according to LOADDMODE 01: Shadow to Active Load of CMPD occurs both according to LOADDMODE bits and when SYNC occurs 10: Shadow to Active Load of CMPD occurs only when a SYNC is received 11: Reserved Note: This bit is valid only if CMPCTL2[SHDWDMODE] = 0. Reset type: SYSRSn
11-10	LOADCSYNC	R/W	0h	Shadow to Active CMPC Register Load on SYNC event 00: Shadow to Active Load of CMPC occurs according to LOADCMODE 01: Shadow to Active Load of CMPC occurs both according to LOADCMODE bits and when SYNC occurs 10: Shadow to Active Load of CMPC occurs only when a SYNC is received 11: Reserved Note: This bit is valid only if CMPCTL2[SHDWCMODE] = 0. Reset type: SYSRSn
9-7	RESERVED	R-0	0h	Reserved
6	SHDWDMODE	R/W	0h	Counter-Compare D Register Operating Mode 0: Shadow mode - operates as a double buffer. All writes via the CPU access Shadow register. 1: Immediate mode - only the Active compare register is used. All writes/reads via the CPU directly access the Active register for immediate Compare action. Reset type: SYSRSn
5	RESERVED	R-0	0h	Reserved
4	SHDWCMODE	R/W	0h	Counter-Compare C Register Operating Mode 0: Shadow mode - operates as a double buffer. All writes via the CPU access Shadow register. 1: Immediate mode - only the Active compare register is used. All writes/reads via the CPU directly access the Active register for immediate Compare action. Reset type: SYSRSn

**Table 14-27. CMPCTL2 Register Field Descriptions (continued)**

Bit	Field	Type	Reset	Description
3-2	LOADDMODE	R/W	0h	Active Counter-Compare D (CMPD) Load from Shadow Select Mode 00: Load on CTR = Zero: Time-base counter equal to zero (TBCTR = 0x0000) 01: Load on CTR = PRD: Time-base counter equal to period (TBCTR = TBPRD) 10: Load on either CTR = Zero or CTR = PRD 11: Freeze (no loads possible) Note: Has no effect in Immediate mode. Reset type: SYSRSn
1-0	LOADCMODE	R/W	0h	Active Counter-Compare C (CMPC) Load from Shadow Select Mode 00: Load on CTR = Zero: Time-base counter equal to zero (TBCTR = 0x0000) 01: Load on CTR = PRD: Time-base counter equal to period (TBCTR = TBPRD) 10: Load on either CTR = Zero or CTR = PRD 11: Freeze (no loads possible) Note: Has no effect in Immediate mode. Reset type: SYSRSn

### 14.15.2.7 DBCTL Register (Offset = Ch) [Reset = 0000h]

DBCTL is shown in [Figure 14-100](#) and described in [Table 14-28](#).

Return to the [Summary Table](#).

Dead-Band Generator Control Register

**Figure 14-100. DBCTL Register**

15	14	13	12	11	10	9	8
HALFCYCLE	DEDB_MODE	OUTSWAP		SHDWDBFED MODE	SHDWDBRED MODE	LOADFEDMODE	
R/W-0h	R/W-0h	R/W-0h		R/W-0h	R/W-0h	R/W-0h	
7	6	5	4	3	2	1	0
LOADREDMODE		IN_MODE		POLSEL		OUT_MODE	
R/W-0h		R/W-0h		R/W-0h		R/W-0h	

**Table 14-28. DBCTL Register Field Descriptions**

Bit	Field	Type	Reset	Description
15	HALFCYCLE	R/W	0h	Half Cycle Clocking Enable Bit 0: Full cycle clocking enabled. The dead-band counters are clocked at the TBCLK rate. 1: Half cycle clocking enabled. The dead-band counters are clocked at TBCLK*2. Reset type: SYSRSn
14	DEDB_MODE	R/W	0h	Dead Band Dual-Edge B Mode Control (S8 switch) 0: Rising edge delay applied to InA/InB as selected by S4 switch (IN-MODE bits) on A signal path only. Falling edge delay applied to InA/InB as selected by S5 switch (INMODE bits) on B signal path only. 1: Rising edge delay and falling edge delay applied to source selected by S4 switch (INMODE bits) and output to B signal path only. Note: When this bit is set to 1, user should always either set OUT_MODE bits such that Apath = InA OR OUTSWAP bits such that OutA=Bpath otherwise, OutA will be invalid. Reset type: SYSRSn
13-12	OUTSWAP	R/W	0h	Dead Band Output Swap Control Bit 13 controls the S6 switch and bit 12 controls the S7 switch. 00: OutA and OutB signals are as defined by OUT-MODE bits. 01: OutA = A-path as defined by OUT-MODE bits. OutB = A-path as defined by OUT-MODE bits (rising edge delay or delay-bypassed A signal path). 10: OutA = B-path as defined by OUT-MODE bits (falling edge delay or delay-bypassed B signal path). OutB = B-path as defined by OUT-MODE bits. 11: OutA = B-path as defined by OUT-MODE bits (falling edge delay or delay-bypassed B signal path). OutB = A-path as defined by OUT-MODE bits (rising edge delay or delay-bypassed A signal path). Reset type: SYSRSn
11	SHDWDBFEDMODE	R/W	0h	FED Dead-Band Load Mode 0: Immediate mode. Only the active DBFED register is used. All writes/reads via the CPU directly access the active register for immediate 'FED dead-band action.' 1: Shadow mode. Operates as a double buffer. All writes via the CPU access Shadow register. Default at Reset is Immediate mode (for compatibility with legacy). Reset type: SYSRSn

**Table 14-28. DBCTL Register Field Descriptions (continued)**

Bit	Field	Type	Reset	Description
10	SHDWDBREDMODE	R/W	0h	RED Dead-Band Load Mode 0: Immediate mode. Only the active DBRED register is used. All writes/reads via the CPU directly access the active register for immediate 'RED dead-band action.' 1: Shadow mode. Operates as a double buffer. All writes via the CPU access Shadow register. Default at Reset is Immediate mode (for compatibility with legacy). Reset type: SYSRSn
9-8	LOADFEDMODE	R/W	0h	Active DBFED Load from Shadow Select Mode 00: Load on Counter = 0 (CNT_eq) 01: Load on Counter = Period (PRD_eq) 10: Load on either Counter = 0, or Counter = Period 11: Freeze (no loads possible) Note: has no effect in Immediate mode. Reset type: SYSRSn
7-6	LOADREDMODE	R/W	0h	Active DBRED Load from Shadow Select Mode 00: Load on Counter = 0 (CNT_eq) 01: Load on Counter = Period (PRD_eq) 10: Load on either Counter = 0, or Counter = Period 11: Freeze (no loads possible) Note: has no effect in Immediate mode. Reset type: SYSRSn
5-4	IN_MODE	R/W	0h	Dead-Band Input Mode Control Bit 5 controls the S5 switch and bit 4 controls the S4 switch shown. This allows you to select the input source to the falling-edge and rising-edge delay. To produce classical dead-band waveforms the default is EPWMxA In is the source for both falling and rising-edge delays. 00: EPWMxA In (from the action-qualifier) is the source for both falling-edge and rising-edge delay. 01: EPWMxB In (from the action-qualifier) is the source for rising-edge delayed signal. EPWMxA In (from the action-qualifier) is the source for falling-edge delayed signal. 10: EPWMxA In (from the action-qualifier) is the source for rising-edge delayed signal. EPWMxB In (from the action-qualifier) is the source for falling-edge delayed signal. 11: EPWMxB In (from the action-qualifier) is the source for both rising-edge delay and falling-edge delayed signal. Reset type: SYSRSn
3-2	POLSEL	R/W	0h	Polarity Select Control Bit 3 controls the S3 switch and bit 2 controls the S2 switch. This allows you to selectively invert one of the delayed signals before it is sent out of the dead-band submodule. The following descriptions correspond to classical upper/lower switch control as found in one leg of a digital motor control inverter. These assume that DBCTL[OUT_MODE] = 1,1 and DBCTL[IN_MODE] = 0x0. Other enhanced modes are also possible, but not regarded as typical usage modes. 00: Active high (AH) mode. Neither EPWMxA nor EPWMxB is inverted (default). 01: Active low complementary (ALC) mode. EPWMxA is inverted. 10: Active high complementary (AHC). EPWMxB is inverted. 11: Active low (AL) mode. Both EPWMxA and EPWMxB are inverted. Reset type: SYSRSn

**Table 14-28. DBCTL Register Field Descriptions (continued)**

Bit	Field	Type	Reset	Description
1-0	OUT_MODE	R/W	0h	Dead-Band Output Mode Control Bit 1 controls the S1 switch and bit 0 controls the S0 switch. 00: DBM is fully disabled or by-passed. In this mode the POLSEL and IN-MODE bits have no effect. 01: Apath = InA (delay is by-passed for A signal path) Bpath = FED (Falling Edge Delay in B signal path) 10: Apath = RED (Rising Edge Delay in A signal path) Bpath = InB (delay is by-passed for B signal path) 11: DBM is fully enabled (i.e. both RED and FED active) Reset type: SYSRSn

### 14.15.2.8 DBCTL2 Register (Offset = Dh) [Reset = 0000h]

DBCTL2 is shown in [Figure 14-101](#) and described in [Table 14-29](#).

Return to the [Summary Table](#).

Dead-Band Generator Control Register 2

**Figure 14-101. DBCTL2 Register**

15	14	13	12	11	10	9	8
RESERVED							
R-0-0h							
7	6	5	4	3	2	1	0
RESERVED					SHDWDBCTLM ODE	LOADDBCTLMODE	
R-0-0h					R/W-0h	R/W-0h	

**Table 14-29. DBCTL2 Register Field Descriptions**

Bit	Field	Type	Reset	Description
15-3	RESERVED	R-0	0h	Reserved
2	SHDWDBCTLMODE	R/W	0h	DBCTL Load Mode 0: Immediate mode - only the Active DBCTL register is used. All writes/reads via the CPU directly access the Active register. 1: Shadow mode - All writes and reads to bits [5:0] of the DBCTL register are shadowed. All other bits still access the active register. Reset type: SYSRSn
1-0	LOADDBCTLMODE	R/W	0h	Active DBCTL Load from Shadow Select Mode 00: Load on Counter = 0 (CNT_eq) 01: Load on Counter = Period (PRD_eq) 10: Load on either Counter = 0, or Counter = Period 11: Freeze (no loads possible) Note: has no effect in Immediate mode Reset type: SYSRSn



### 14.15.2.9 AQCTL Register (Offset = 10h) [Reset = 0000h]

AQCTL is shown in [Figure 14-102](#) and described in [Table 14-30](#).

Return to the [Summary Table](#).

Action Qualifier Control Register

**Figure 14-102. AQCTL Register**

15				14				13				12				11				10				9				8			
RESERVED												LDAQBSYNC				LDAQASYNC															
R-0-0h												R/W-0h				R/W-0h															
7				6				5				4				3				2				1				0			
RESERVED				SHDWAQBMODE				RESERVED				SHDWAQAMODE				LDAQBMODE				LDAQAMODE											
R-0-0h				R/W-0h				R-0-0h				R/W-0h				R/W-0h				R/W-0h											

**Table 14-30. AQCTL Register Field Descriptions**

Bit	Field	Type	Reset	Description
15-12	RESERVED	R-0	0h	Reserved
11-10	LDAQBSYNC	R/W	0h	Shadow to Active AQCTLB Register Load on SYNC event 00: Shadow to Active Load of AQCTLB occurs according to LDAQBMODE 01: Shadow to Active Load of AQCTLB occurs both according to LDAQBMODE bits and when SYNC occurs. 10: Shadow to Active Load of AQCTLB occurs only when a SYNC is received. 11: Reserved Note: This bit is valid only if AQCTL[SHDWAQBMODE] = 1. Reset type: SYSRSn
9-8	LDAQASYNC	R/W	0h	Shadow to Active AQCTLA Register Load on SYNC event 00: Shadow to Active Load of AQCTLA occurs according to LDAQAMODE 01: Shadow to Active Load of AQCTLA occurs both according to LDAQAMODE bits and when SYNC occurs. 10: Shadow to Active Load of AQCTLA occurs only when a SYNC is received. 11: Reserved Note: This bit is valid only if AQCTL[SHDWAQAMODE] = 1. Reset type: SYSRSn
7	RESERVED	R-0	0h	Reserved
6	SHDWAQBMODE	R/W	0h	Action Qualifier B Register operating mode 1: Shadow mode - operates as a double buffer. All writes via the CPU access Shadow register. 0: Immediate mode - only the Active action qualifier register is used. All writes/reads via the CPU directly access the Active register. Reset type: SYSRSn
5	RESERVED	R-0	0h	Reserved
4	SHDWAQAMODE	R/W	0h	Action Qualifier A Register operating mode 1: Shadow mode - operates as a double buffer. All writes via the CPU access Shadow register. 0: Immediate mode - only the Active action qualifier register is used. All writes/reads via the CPU directly access the Active register. Reset type: SYSRSn

**Table 14-30. AQCTL Register Field Descriptions (continued)**

Bit	Field	Type	Reset	Description
3-2	LDAQBMODE	R/W	0h	Active Action Qualifier B Load from Shadow Select Mode 00: Load on CTR = Zero: Time-base counter equal to zero (TBCTR = 0x0000) 01: Load on CTR = PRD: Time-base counter equal to period (TBCTR = TBPRD) 10: Load on either CTR = Zero or CTR = PRD 11: Freeze (no loads possible) Note: has no effect in Immediate mode. Reset type: SYSRSn
1-0	LDAQAMODE	R/W	0h	Active Action Qualifier A Load from Shadow Select Mode 00: Load on CTR = Zero: Time-base counter equal to zero (TBCTR = 0x0000) 01: Load on CTR = PRD: Time-base counter equal to period (TBCTR = TBPRD) 10: Load on either CTR = Zero or CTR = PRD 11: Freeze (no loads possible) Note: has no effect in Immediate mode. Reset type: SYSRSn

**14.15.2.10 AQTSRCSEL Register (Offset = 11h) [Reset = 0000h]**

 AQTSRCSEL is shown in [Figure 14-103](#) and described in [Table 14-31](#).

 Return to the [Summary Table](#).

Action Qualifier Trigger Event Source Select Register

**Figure 14-103. AQTSRCSEL Register**

15	14	13	12	11	10	9	8
RESERVED							
R-0-0h							
7	6	5	4	3	2	1	0
T2SEL				T1SEL			
R/W-0h				R/W-0h			

**Table 14-31. AQTSRCSEL Register Field Descriptions**

Bit	Field	Type	Reset	Description
15-8	RESERVED	R-0	0h	Reserved
7-4	T2SEL	R/W	0h	T2 Event Source Select Bits 0000: DCAEVT1 0001: DCAEVT2 0010: DCBEVT1 0011: DCBEVT2 0100: TZ1 0101: TZ2 0110: TZ3 0111: EPWMxSYNCl 1xxx: Reserved Reset type: SYSRSn
3-0	T1SEL	R/W	0h	T1 Event Source Select Bits 0000: DCAEVT1 0001: DCAEVT2 0010: DCBEVT1 0011: DCBEVT2 0100: TZ1 0101: TZ2 0110: TZ3 0111: EPWMxSYNCl 1xxx: Reserved Reset type: SYSRSn

### 14.15.2.11 PCCTL Register (Offset = 14h) [Reset = 0000h]

PCCTL is shown in [Figure 14-104](#) and described in [Table 14-32](#).

Return to the [Summary Table](#).

PWM Chopper Control Register

**Figure 14-104. PCCTL Register**

15	14	13	12	11	10	9	8
RESERVED						CHPDUTY	
R-0-0h						R/W-0h	
7	6	5	4	3	2	1	0
CHPFREQ			OSHTWTH			CHPEN	
R/W-0h			R/W-0h			R/W-0h	

**Table 14-32. PCCTL Register Field Descriptions**

Bit	Field	Type	Reset	Description
15-11	RESERVED	R-0	0h	Reserved
10-8	CHPDUTY	R/W	0h	Chopping Clock Duty Cycle 000: Duty = 1/8 (12.5%) 001: Duty = 2/8 (25.0%) 010: Duty = 3/8 (37.5%) 011: Duty = 4/8 (50.0%) 100: Duty = 5/8 (62.5%) 101: Duty = 6/8 (75.0%) 110: Duty = 7/8 (87.5%) 111: Reserved Reset type: SYSRSn
7-5	CHPFREQ	R/W	0h	Chopping Clock Frequency 000: Divide by 1 (no prescale, = 12.5 MHz at 100 MHz TBCLK) 001: Divide by 2 (6.25 MHz at 100 MHz TBCLK) 010: Divide by 3 (4.16 MHz at 100 MHz TBCLK) 011: Divide by 4 (3.12 MHz at 100 MHz TBCLK) 100: Divide by 5 (2.50 MHz at 100 MHz TBCLK) 101: Divide by 6 (2.08 MHz at 100 MHz TBCLK) 110: Divide by 7 (1.78 MHz at 100 MHz TBCLK) 111: Divide by 8 (1.56 MHz at 100 MHz TBCLK) Reset type: SYSRSn
4-1	OSHTWTH	R/W	0h	One-Shot Pulse Width 0000: 1 x EPWMCLK / 8 wide (= 80 ns at 100 MHz EPWMCLK) 0001: 2 x EPWMCLK / 8 wide (= 160 ns at 100 MHz EPWMCLK) 0010: 3 x EPWMCLK / 8 wide (= 240 ns at 100 MHz EPWMCLK) 0011: 4 x EPWMCLK / 8 wide (= 320 ns at 100 MHz EPWMCLK) 0100: 5 x EPWMCLK / 8 wide (= 400 ns at 100 MHz EPWMCLK) 0101: 6 x EPWMCLK / 8 wide (= 480 ns at 100 MHz EPWMCLK) 0110: 7 x EPWMCLK / 8 wide (= 560 ns at 100 MHz EPWMCLK) 0111: 8 x EPWMCLK / 8 wide (= 640 ns at 100 MHz EPWMCLK) 1000: 9 x EPWMCLK / 8 wide (= 720 ns at 100 MHz EPWMCLK) 1001: 10 x EPWMCLK / 8 wide (= 800 ns at 100 MHz EPWMCLK) 1010: 11 x EPWMCLK / 8 wide (= 880 ns at 100 MHz EPWMCLK) 1011: 12 x EPWMCLK / 8 wide (= 960 ns at 100 MHz EPWMCLK) 1100: 13 x EPWMCLK / 8 wide (= 1040 ns at 100 MHz EPWMCLK) 1101: 14 x EPWMCLK / 8 wide (= 1120 ns at 100 MHz EPWMCLK) 1110: 15 x EPWMCLK / 8 wide (= 1200 ns at 100 MHz EPWMCLK) 1111: 16 x EPWMCLK / 8 wide (= 1280 ns at 100 MHz EPWMCLK) Reset type: SYSRSn

**Table 14-32. PCCTL Register Field Descriptions (continued)**

Bit	Field	Type	Reset	Description
0	CHPEN	R/W	0h	PWM-Chopping Enable 0: Disable (bypass) PWM chopping function 1: Enable chopping function Reset type: SYSRSn

### 14.15.2.12 VCAPCTL Register (Offset = 18h) [Reset = 0000h]

VCAPCTL is shown in [Figure 14-105](#) and described in [Table 14-33](#).

Return to the [Summary Table](#).

Valley Capture Control Register

**Figure 14-105. VCAPCTL Register**

15	14	13	12	11	10	9	8
RESERVED					EDGEFILTDLY SEL	VDELAYDIV	
R-0-0h					R/W-0h	R/W-0h	
7	6	5	4	3	2	1	0
VDELAYDIV	RESERVED		TRIGSEL			VCAPSTART	VCAPE
R/W-0h	R-0-0h		R/W-0h			R-0/W1S-0h	R/W-0h

**Table 14-33. VCAPCTL Register Field Descriptions**

Bit	Field	Type	Reset	Description
15-11	RESERVED	R-0	0h	Reserved
10	EDGEFILTDLYSEL	R/W	0h	Valley Switching Mode Delay Selection 0: No delay applied to the edge filter output 1: HWDELAYVAL delay applied to the edge filter output Reset type: SYSRSn
9-7	VDELAYDIV	R/W	0h	Valley Delay Mode Divide Enable 000: HWVDELVAL = SWVDELVAL 001: HWVDELVAL = VCNTVAL+SWVDELVAL 010: HWVDELVAL = VCNTVAL>>1+SWVDELVAL 011: HWVDELVAL = VCNTVAL>>2+SWVDELVAL 100: HWVDELVAL = VCNTVAL>>4+SWVDELVAL Note: Delay value between the consecutive edge captures can optionally be divided by using these bits. Reset type: SYSRSn
6-5	RESERVED	R-0	0h	Reserved
4-2	TRIGSEL	R/W	0h	Status of Numbered of Captured Events 000: Capture sequence is triggered by software via writes to VCAPCTL[VCAPSTART]. 001: Capture sequence is triggered by CNT_zero event. 010: Capture sequence is triggered by PRD_eq event. 011: Capture sequence is triggered by CNT_zero or PRD_eq event. 100: Capture sequence is triggered by DCAEVT1 event. 101: Capture sequence is triggered by DCAEVT2 event. 110: Capture sequence is triggered by DCBEVT1 event. 111: Capture sequence is triggered by DCBEVT2 event. Note: Valley capture sequence triggered by the selected event in this register field. Once the chosen event occurs the capture sequence is armed. Event captures occur based of the event chosen in DCFCTL[SRCSSEL] register. Note: Same event may not be chosen in both DCFCTL[SRCSSEL] and VCAPCTL[TRIGSEL] registers. Note: Once the chosen event in VCAPCTL[TRIGSEL] occurs, irrespective of the current capture status, capture sequence is retriggered. Reset type: SYSRSn

**Table 14-33. VCAPCTL Register Field Descriptions (continued)**

Bit	Field	Type	Reset	Description
1	VCAPSTART	R-0/W1S	0h	Valley Capture Start 0: Writing a 0 has no effect 1: Trigger the capture sequence once if VCAPCTL[TRIGSEL]=0x0 Note: This bit is used to start valley capture sequence through software. VCAPCTL[TRIGSEL] has to be chosen for software trigger for this bit to have any effect. Writing of 1 will result in one capture sequence trigger. Reset type: SYSRSn
0	VCAPE	R/W	0h	Valley Capture Enable/Disable 0: Disabled 1: Enabled Reset type: SYSRSn

### 14.15.2.13 VCNTCFG Register (Offset = 19h) [Reset = 0000h]

VCNTCFG is shown in [Figure 14-106](#) and described in [Table 14-34](#).

Return to the [Summary Table](#).

Valley Counter Config Register

**Figure 14-106. VCNTCFG Register**

15	14	13	12	11	10	9	8
STOPEDGESTS	RESERVED			STOPEDGE			
R-0h	R-0-0h			R/W-0h			
7	6	5	4	3	2	1	0
STARTEDGESTS	RESERVED			STARTEDGE			
R-0h	R-0-0h			R/W-0h			

**Table 14-34. VCNTCFG Register Field Descriptions**

Bit	Field	Type	Reset	Description
15	STOPEDGESTS	R	0h	Stop Edge Status Bit 0: Stop edge has not occurred 1: Stop edge occurred Note: This bit is set only after the trigger sequence is armed (upon occurrence of trigger pulse selected through VCAPCTL[TRIGSEL]) and STOPEDGE occurs. Note: This bit is reset by the occurrence of the trigger pulse selected through VCAPCTL[TRIGSEL] Reset type: SYSRSn
14-12	RESERVED	R-0	0h	Reserved
11-8	STOPEDGE	R/W	0h	Counter Stop Edge Selection Once the counter operation is armed, upon occurrence of trigger pulse selected through VCAPCTL[TRIGSEL] pulse - valley counter would stop counting upon the occurrence of chosen number of events through this bit field. Stop counting on occurrence of: 0000: Do not stop 0001 1st edge 0010: 2nd edge 0011: 3rd edge ... 1,1,1,1: 15th edge Reset type: SYSRSn
7	STARTEDGESTS	R	0h	Start Edge Status Bit 0: Start edge has not occurred 1: Start edge occurred Note: This bit is set only after the trigger sequence is armed (upon occurrence of trigger pulse selected through VCAPCTL[TRIGSEL]) and STARTEDGE occurs. Note: This bit is reset by the occurrence of the trigger pulse selected through VCAPCTL[TRIGSEL] Reset type: SYSRSn
6-4	RESERVED	R-0	0h	Reserved



**Table 14-34. VCNTCFG Register Field Descriptions (continued)**

Bit	Field	Type	Reset	Description
3-0	STARTEDGE	R/W	0h	Counter Start Edge Selection Once the counter operation is armed, upon occurrence of trigger pulse selected through VCAPCTL[TRIGSEL] pulse - valley counter would start counting upon the occurrence of chosen number of events through this bit field. Start counting on occurrence of 0000: Do not start 0001: 1st edge 0010: 2nd edge 0011: 3rd edge ... 1111: 15th edge Reset type: SYSRSn

### 14.15.2.14 HRCNFG Register (Offset = 20h) [Reset = 0000h]

HRCNFG is shown in [Figure 14-107](#) and described in [Table 14-35](#).

Return to the [Summary Table](#).

HRPWM Configuration Register

This register is only accessible on EPWM modules with HRPWM capabilities.

**Figure 14-107. HRCNFG Register**

15	14	13	12	11	10	9	8
RESERVED		RESERVED	HRLOADB		CTLMODEB	EDGMODEB	
R/W-0h		R-0-0h	R/W-0h		R/W-0h	R/W-0h	
7	6	5	4	3	2	1	0
SWAPAB	AUTOCONV	SELOUTB	HRLOAD		CTLMODE	EDGMODE	
R/W-0h	R/W-0h	R/W-0h	R/W-0h		R/W-0h	R/W-0h	

**Table 14-35. HRCNFG Register Field Descriptions**

Bit	Field	Type	Reset	Description
15-14	RESERVED	R/W	0h	Reserved
13	RESERVED	R-0	0h	Reserved
12-11	HRLOADB	R/W	0h	Shadow Mode Bit Selects the time event that loads the CMPBHR shadow value into the active register. 00: Load on CTR = Zero: Time-base counter equal to zero (TBCTR = 0x0000) 01: Load on CTR = PRD: Time-base counter equal to period (TBCTR = TBPRD) 10: Load on either CTR = Zero or CTR = PRD 11: Reserved Reset type: SYSRSn
10	CTLMODEB	R/W	0h	Control Mode Bits Selects the register (CMP/TBPRD or TBPHS) that controls the MEP: 0: CMPBHR(8) or TBPRDHR(8) Register controls the edge position (i.e., this is duty or period control mode). (Default on Reset) 1: TBPHSHR(8) Register controls the edge position (i.e., this is phase control mode). Reset type: SYSRSn
9-8	EDGMODEB	R/W	0h	Edge Mode Bits Selects the edge of the PWM that is controlled by the micro-edge position (MEP) logic: 00: HRPWM capability is disabled (default on reset) 01: MEP control of rising edge (CMPBHR) 10: MEP control of falling edge (CMPBHR) 11: MEP control of both edges (TBPHSHR or TBPRDHR) Reset type: SYSRSn
7	SWAPAB	R/W	0h	Swap ePWM A & B Output Signals This bit enables the swapping of the A & B signal outputs. The selection is as follows: 0: ePWMxA and ePWMxB outputs are unchanged. 1: ePWMxA signal appears on ePWMxB output and ePWMxB signal appears on ePWMxA output. Reset type: SYSRSn

**Table 14-35. HRCNFG Register Field Descriptions (continued)**

Bit	Field	Type	Reset	Description
6	AUTOCONV	R/W	0h	<p>Auto Convert Delay Line Value</p> <p>Selects whether the fractional duty cycle/period/phase in the CMPAHR/TBPRDHR/TBPHSHR register is automatically scaled by the MEP scale factor in the HRMSTEP register or manually scaled by calculations in application software. The SFO library function automatically updates the HRMSTEP register with the appropriate MEP scale factor.</p> <p>0: Automatic HRMSTEP scaling is disabled. 1: Automatic HRMSTEP scaling is enabled.</p> <p>If application software is manually scaling the fractional duty cycle, or phase (i.e. software sets CMPAHR = (fraction(PWMduty * PWMperiod) * MEP Scale Factor) &lt;&lt; 8 + 0x080 for duty cycle), then this mode must be disabled.</p> <p>Reset type: SYSRSn</p>
5	SELOUTB	R/W	0h	<p>EPWMxB Output Select Bit</p> <p>This bit selects which signal is output on the ePWMxB channel output.</p> <p>The inversion will take the high resolution mode into account and the inverted signal will contain any high resolution modification. The inversion takes place as the last step in modifying the ePWMxB signal.</p> <p>0: ePWMxB output is normal. 1: ePWMxB output is inverted version of ePWMxA signal.</p> <p>Reset type: SYSRSn</p>
4-3	HRLOAD	R/W	0h	<p>Shadow Mode Bit</p> <p>Selects the time event that loads the CMPAHR shadow value into the active register.</p> <p>00: Load on CTR = Zero: Time-base counter equal to zero (TBCTR = 0x0000) 01: Load on CTR = PRD: Time-base counter equal to period (TBCTR = TBPRD) 10: Load on either CTR = Zero or CTR = PRD 11: Reserved</p> <p>Reset type: SYSRSn</p>
2	CTLMODE	R/W	0h	<p>Control Mode Bits</p> <p>Selects the register (CMP/TBPRD or TBPHS) that controls the MEP:</p> <p>0: CMPAHR(8) or TBPRDHR(8) Register controls the edge position (i.e., this is duty or period control mode). (Default on Reset) 1: TBPHSHR(8) Register controls the edge position (i.e., this is phase control mode).</p> <p>Reset type: SYSRSn</p>
1-0	EDGMODE	R/W	0h	<p>Edge Mode Bits</p> <p>Selects the edge of the PWM that is controlled by the micro-edge position (MEP) logic:</p> <p>00: HRPWM capability is disabled (default on reset) 01: MEP control of rising edge (CMPAHR) 10: MEP control of falling edge (CMPAHR) 11: MEP control of both edges (TBPHSHR or TBPRDHR)</p> <p>Reset type: SYSRSn</p>

### 14.15.2.15 HRPWR Register (Offset = 21h) [Reset = 0000h]

HRPWR is shown in [Figure 14-108](#) and described in [Table 14-36](#).

Return to the [Summary Table](#).

HRPWM Power Register

This register is only accessible on EPWM modules with HRPWM capabilities.

**Figure 14-108. HRPWR Register**

15	14	13	12	11	10	9	8
CALPWRON	RESERVED					RESERVED	
R/W-0h	R-0-0h					R/W-0h	
7	6	5	4	3	2	1	0
RESERVED		RESERVED	RESERVED	RESERVED	RESERVED	RESERVED	
R/W-0h		R/W-0h	R-0h	R/W-0h	R/W-0h	R/W-0h	

**Table 14-36. HRPWR Register Field Descriptions**

Bit	Field	Type	Reset	Description
15	CALPWRON	R/W	0h	MEP Calibration Power Bits (only available on ePWM1) 0: Disables MEP calibration logic in the HRPWM and reduces power consumption. 1: Enables MEP calibration logic Reset type: SYSRSn
14-10	RESERVED	R-0	0h	Reserved
9-6	RESERVED	R/W	0h	Reserved
5	RESERVED	R/W	0h	Reserved
4	RESERVED	R	0h	Reserved
3	RESERVED	R/W	0h	Reserved
2	RESERVED	R/W	0h	Reserved
1-0	RESERVED	R/W	0h	Reserved

### 14.15.2.16 HRMSTEP Register (Offset = 26h) [Reset = 0000h]

HRMSTEP is shown in [Figure 14-109](#) and described in [Table 14-37](#).

Return to the [Summary Table](#).

#### HRPWM MEP Step Register

This register is only accessible on EPWM modules with HRPWM capabilities. Only 16 bit accesses are allowed for this register. Debugger access in 32 bit mode may display incorrect values.

**Figure 14-109. HRMSTEP Register**

15	14	13	12	11	10	9	8
RESERVED							
R-0-0h							
7	6	5	4	3	2	1	0
HRMSTEP							
R/W-0h							

**Table 14-37. HRMSTEP Register Field Descriptions**

Bit	Field	Type	Reset	Description
15-8	RESERVED	R-0	0h	Reserved
7-0	HRMSTEP	R/W	0h	High Resolution MEP Step When auto-conversion is enabled (HRCNFG[AUTOCONV] = 1), This 8-bit field contains the MEP_ScaleFactor (number of MEP steps per coarse steps) used by the hardware to automatically convert the value in the CMPAHR, CMPBHR, DBFEDHR, DBREDHR, TBPHSHR, or TBPRDHR register to a scaled micro-edge delay on the high-resolution ePWM output. The value in this register is written by the SFO calibration software at the end of each calibration run. Reset type: SYSRSn

### 14.15.2.17 HRCNFG2 Register (Offset = 27h) [Reset = 0000h]

HRCNFG2 is shown in [Figure 14-110](#) and described in [Table 14-38](#).

Return to the [Summary Table](#).

#### HRPWM Configuration 2 Register

This register is only accessible on EPWM modules with HRPWM capabilities. Only 16 bit accesses are allowed for this register. Debugger access in 32 bit mode may display incorrect values.

**Figure 14-110. HRCNFG2 Register**

15	14	13	12	11	10	9	8
RESERVED	RESERVED	RESERVED					
R/W-0h	R-0/W1S-0h	R-0-0h					
7	6	5	4	3	2	1	0
RESERVED		CTLMODEDBFED		CTLMODEDBRED		EDGMODEDB	
R-0-0h		R/W-0h		R/W-0h		R/W-0h	

**Table 14-38. HRCNFG2 Register Field Descriptions**

Bit	Field	Type	Reset	Description
15	RESERVED	R/W	0h	Reserved
14	RESERVED	R-0/W1S	0h	Reserved
13-6	RESERVED	R-0	0h	Reserved
5-4	CTLMODEDBFED	R/W	0h	Shadow Mode Bit - selection should match DBCTL[LOADFEDMODE] Selects the time event that loads the DBFEDHR shadow value into the active register. 00 Load on CTR = Zero: Time-base counter equal to zero (TBCTR = 0x0000) 01 Load on CTR = PRD: Time-base counter equal to period (TBCTR = TBPRD) 10 Load on either CTR = Zero or CTR = PRD 11 Reserved Reset type: SYSRSn
3-2	CTLMODEDBRED	R/W	0h	Shadow Mode Bit - selection should match DBCTL[LOADREDMODE] Selects the time event that loads the DBREDHR shadow value into the active register. 00 Load on CTR = Zero: Time-base counter equal to zero (TBCTR = 0x0000) 01 Load on CTR = PRD: Time-base counter equal to period (TBCTR = TBPRD) 10 Load on either CTR = Zero or CTR = PRD 11 Reserved Reset type: SYSRSn
1-0	EDGMODEDB	R/W	0h	Edge Mode Bits Selects the edge of the PWM that is controlled by the micro-edge position (MEP) logic: 00 HRPWM capability is disabled (default on reset) 01 MEP control of rising edge (DBREDHR) 10 MEP control of falling edge (DBFEDHR) 11 MEP control of both edges (rising edge of DBREDHR or falling edge of DBFEDHR ) Reset type: SYSRSn

### 14.15.2.18 HRPCTL Register (Offset = 2Dh) [Reset = 0000h]

HRPCTL is shown in [Figure 14-111](#) and described in [Table 14-39](#).

Return to the [Summary Table](#).

High Resolution Period Control Register

This register is only accessible on EPWM modules with HRPWM capabilities.

**Figure 14-111. HRPCTL Register**

15	14	13	12	11	10	9	8
RESERVED							
R-0-0h							
7	6	5	4	3	2	1	0
RESERVED	PWMSYNCSELX			RESERVED	TBPHSHRLOA DE	PWMSYNCSEL	HRPE
R-0-0h	R/W-0h			R/W-0h	R/W-0h	R/W-0h	R/W-0h

**Table 14-39. HRPCTL Register Field Descriptions**

Bit	Field	Type	Reset	Description
15-7	RESERVED	R-0	0h	Reserved
6-4	PWMSYNCSELX	R/W	0h	Extended selection bits for EPWMSYNCPER 000: EPWMSYNCPER is defined by PWMSYNCSEL - > default condition (compatible with previous EPWM versions) 001: Reserved 010: Reserved 011: Reserved 100: CTR = CMPC, Count direction Up 101: CTR = CMPC, Count direction Down 110: CTR = CMPD, Count direction Up 111: CTR = CMPD, Count direction Down Reset type: SYSRSn
3	RESERVED	R/W	0h	Reserved
2	TBPHSHRLOADE	R/W	0h	TBPHSHR Load Enable This bit allows you to synchronize ePWM modules with a high-resolution phase on a SYNCIN, TBCTL[SWFSYNC] or digital compare event. This allows for multiple ePWM modules operating at the same frequency to be phase aligned with high-resolution. 0: Disables synchronization of high-resolution phase on a SYNCIN, TBCTL[SWFSYNC] or digital compare event: 1: Synchronize the high-resolution phase on a SYNCIN, TBCTL[SWFSYNC] or digital comparator synchronization event. The phase is synchronized using the contents of the high-resolution phase TBPHSHR register. The TBCTL[PHESEN] bit which enables the loading of the TBCTR register with TBPHS register value on a SYNCIN or TBCTL[SWFSYNC] event works independently. However, users need to enable this bit also if they want to control phase in conjunction with the high-resolution period feature. This bit and the TBCTL[PHESEN] bit must be set to 1 when high-resolution period is enabled for up-down count mode even if TBPHSHR = 0x0000. This bit does not need to be set when only high-resolution duty is enabled. Reset type: SYSRSn
1	PWMSYNCSEL	R/W	0h	PWMSYNC Source Select Bit: This bit selects the source for the EPWMSYNCPER signal that goes to the CMPSS and GPDAC: 0 CTR = PRD: Time-base counter equal to period (TBCTR = TBPRD) 1 CTR = zero: Time-base counter equal to zero (TBCTR = 0x00) Reset type: SYSRSn

**Table 14-39. HRPCTL Register Field Descriptions (continued)**

Bit	Field	Type	Reset	Description
0	HRPE	R/W	0h	High Resolution Period Enable Bit 0: High resolution period feature disabled. In this mode the ePWM behaves as a Type 4 ePWM. 1: High resolution period enabled. In this mode the HRPWM module can control high-resolution of both the duty and frequency. When high-resolution period is enabled, TBCTL[CTRMODE] = 0,1 (down-count mode) is not supported. Reset type: SYSRSn



### 14.15.2.19 TRREM Register (Offset = 2Eh) [Reset = 0000h]

TRREM is shown in [Figure 14-112](#) and described in [Table 14-40](#).

Return to the [Summary Table](#).

HRPWM High Resolution Remainder Register

This register is only accessible on EPWM modules with HRPWM capabilities.

**Figure 14-112. TRREM Register**

15	14	13	12	11	10	9	8
RESERVED						TRREM	
R-0-0h						R/W-0h	
7	6	5	4	3	2	1	0
TRREM							
R/W-0h							

**Table 14-40. TRREM Register Field Descriptions**

Bit	Field	Type	Reset	Description
15-11	RESERVED	R-0	0h	Reserved
10-0	TRREM	R/W	0h	<p>HRPWM Remainder Bits: This 11-bit value keeps track of the remainder portion of the HRPWM algorithm calculations. This value keeps track of the remainder portion of the HRPWM hardware calculations.</p> <p>Notes:</p> <ol style="list-style-type: none"> <li>The lower 8-bits of the TRREM register can be automatically initialized with the TBPHSHR value on a SYNCIN or TBCTL[SWFSYNC] event or DC event (if enabled). The user can also write a value with the CPU.</li> <li>Priority of TRREM register updates: Sync (software or hardware) TBPHSHR copied to TRREM : Highest Priority HRPWM Hardware (updates TRREM register): Next priority CPU Write To TRREM Register: Lowest Priority</li> <li>Bit 10 of TRREM register is not used in asymmetrical mode. This bit can be forced to zero. TRREM will be initialized to 0x0 and 0x100 in Up and Up-down modes respectively. Asymmetrical Mode: TRREM[7:0] = TBPHSHR[15:8] TRREM[10,9,8] = 0,0,0 Symmetrical Mode: TRREM[7:0] = TBPHSHR[15:8] TRREM[10,9,8] = 0,0,1 Reset type: SYSRSn</li> </ol>

### 14.15.2.20 GLDCTL Register (Offset = 34h) [Reset = 0000h]

GLDCTL is shown in [Figure 14-113](#) and described in [Table 14-41](#).

Return to the [Summary Table](#).

Global PWM Load Control Register

**Figure 14-113. GLDCTL Register**

15	14	13	12	11	10	9	8
RESERVED			GLDCNT			GLDPRD	
R-0-0h			R-0h			R/W-0h	
7	6	5	4	3	2	1	0
GLDPRD	RESERVED	OSHTMODE	GLDMODE			GLD	
R/W-0h	R-0-0h	R/W-0h	R/W-0h			R/W-0h	

**Table 14-41. GLDCTL Register Field Descriptions**

Bit	Field	Type	Reset	Description
15-13	RESERVED	R-0	0h	Reserved
12-10	GLDCNT	R	0h	Global Load Strobe Counter Register These bits indicate how many selected events have occurred: 000: No events 001: 1 event 010: 2 events 011: 3 events 100: 4 events 101: 5 events 110: 6 events 111: 7 events Reset type: SYSRSn
9-7	GLDPRD	R/W	0h	Global Load Strobe Period Select Register These bits select how many selected events need to occur before a load strobe is generated 000: Disable counter 001: Generate strobe on GLDCNT = 001 (1st event) 010: Generate strobe on GLDCNT = 010 (2nd event) 011: Generate strobe on GLDCNT = 011 (3rd event) 100: Generate strobe on GLDCNT = 011 (4th event) 101: Generate strobe on GLDCNT = 001 (5th event) 110: Generate strobe on GLDCNT = 010 (6th event) 111: Generate strobe on GLDCNT = 011 (7th event) Reset type: SYSRSn
6	RESERVED	R-0	0h	Reserved
5	OSHTMODE	R/W	0h	One Shot Load Mode Control Bit 0: One shot load mode is disabled and shadow to active loading happens continuously on all the chosen load strobes. 1: One shot mode is active. All load strobes are blocked until GLDCTL2[OSHTLD] is written with 1. Note: One Shot mode can only be used with global shadow to active load mode enabled (GLDCTL[GLD]=1) Reset type: SYSRSn

**Table 14-41. GLDCTL Register Field Descriptions (continued)**

Bit	Field	Type	Reset	Description
4-1	GLDMODE	R/W	0h	<p>Global Load Pulse selection for Shadow to Active Mode Reloads</p> <p>0000: Load on Counter = 0 (CNT_ZRO)</p> <p>0001: Load on Counter = Period (PRD_EQ)</p> <p>0010: Load on either Counter = 0, or Counter = Period</p> <p>0011: Load on SYNCEVT - this is logical OR of DCAEVT1.sync, DCBEVT1.sync, EPWMxSYNCl and TBCTL[SWFSYNC]</p> <p>0100: Load on SYNCEVT or CNT_ZRO</p> <p>0101: Load on SYNCEVT or PRD_EQ</p> <p>0110: Load on SYNCEVT or CNT_ZRO or PRD_EQ</p> <p>1000: Reserved</p> <p>...</p> <p>1110: Reserved</p> <p>1111: Load on GLDCTL2[GFRCLD] write</p> <p>Reset type: SYSRSn</p>
0	GLD	R/W	0h	<p>Global Shadow to Active Load Event Control</p> <p>0: Shadow to active reload for all shadowed registers happens as per the individual reload control bits specified (Compatible with previous EPWM versions).</p> <p>1: When set, all the shadow to active reload events are defined by GLDMODE bits in GLDCTL register. All the shadow registers use same reload pulse from shadow to active reloading. Individual LOADMODE bits are ignored.</p> <p>Reset type: SYSRSn</p>

### 14.15.2.21 GLDCFG Register (Offset = 35h) [Reset = 0000h]

GLDCFG is shown in [Figure 14-114](#) and described in [Table 14-42](#).

Return to the [Summary Table](#).

Global PWM Load Config Register

**Figure 14-114. GLDCFG Register**

15	14	13	12	11	10	9	8
RESERVED					AQCSFRC	AQCTLB_AQC TLB2	AQCTLA_AQC TLA2
R-0-0h					R/W-0h	R/W-0h	R/W-0h
7	6	5	4	3	2	1	0
DBCTL	DBFED_DBFE DHR	DBRED_DBRE DHR	CMPD	CMPC	CMPB_CMPBH R	CMPA_CMPAH R	TBPRD_TBPR DHR
R/W-0h	R/W-0h	R/W-0h	R/W-0h	R/W-0h	R/W-0h	R/W-0h	R/W-0h

**Table 14-42. GLDCFG Register Field Descriptions**

Bit	Field	Type	Reset	Description
15-11	RESERVED	R-0	0h	Reserved
10	AQCSFRC	R/W	0h	Global load event configuration for AQCSFRC 0: Registers use local reload configuration even if GLDCTL(GLD)=1 (reload is compatible with previous EPWMs) 1: Registers use global load configuration if this bit is set and GLDCTL(GLD)=1 Reset type: SYSRSn
9	AQCTLB_AQCTLB2	R/W	0h	Global load event configuration for AQCTLB_AQCTLB2 0: Registers use local reload configuration even if GLDCTL(GLD)=1 (reload is compatible with previous EPWMs) 1: Registers use global load configuration if this bit is set and GLDCTL(GLD)=1 Reset type: SYSRSn
8	AQCTLA_AQCTLA2	R/W	0h	Global load event configuration for AQCTLA_AQCTLA2 0: Registers use local reload configuration even if GLDCTL(GLD)=1 (reload is compatible with previous EPWMs) 1: Registers use global load configuration if this bit is set and GLDCTL(GLD)=1 Reset type: SYSRSn
7	DBCTL	R/W	0h	Global load event configuration for DBCTL 0: Registers use local reload configuration even if GLDCTL(GLD)=1 (reload is compatible with previous EPWMs) 1: Registers use global load configuration if this bit is set and GLDCTL(GLD)=1 Reset type: SYSRSn
6	DBFED_DBFEDHR	R/W	0h	Global load event configuration for DBFED_DBFEDHR 0: Registers use local reload configuration even if GLDCTL(GLD)=1 (reload is compatible with previous EPWMs) 1: Registers use global load configuration if this bit is set and GLDCTL(GLD)=1 Reset type: SYSRSn
5	DBRED_DBREDHR	R/W	0h	Global load event configuration for DBRED_DBREDHR 0: Registers use local reload configuration even if GLDCTL(GLD)=1 (reload is compatible with previous EPWMs) 1: Registers use global load configuration if this bit is set and GLDCTL(GLD)=1 Reset type: SYSRSn

**Table 14-42. GLDCFG Register Field Descriptions (continued)**

Bit	Field	Type	Reset	Description
4	CMPD	R/W	0h	Global load event configuration for CMPD 0: Registers use local reload configuration even if GLDCTL(GLD)=1 (reload is compatible with previous EPWMs) 1: Registers use global load configuration if this bit is set and GLDCTL(GLD)=1 Reset type: SYSRSn
3	CMPC	R/W	0h	Global load event configuration for CMPC 0: Registers use local reload configuration even if GLDCTL(GLD)=1 (reload is compatible with previous EPWMs) 1: Registers use global load configuration if this bit is set and GLDCTL(GLD)=1 Reset type: SYSRSn
2	CMPB_CMPBHR	R/W	0h	Global load event configuration for CMPB_CMPBHR 0: Registers use local reload configuration even if GLDCTL(GLD)=1 (reload is compatible with previous EPWMs) 1: Registers use global load configuration if this bit is set and GLDCTL(GLD)=1 Reset type: SYSRSn
1	CMPA_CMPAHR	R/W	0h	Global load event configuration for CMPA_CMPAHR 0: Registers use local reload configuration even if GLDCTL(GLD)=1 (reload is compatible with previous EPWMs) 1: Registers use global load configuration if this bit is set and GLDCTL(GLD)=1 Reset type: SYSRSn
0	TBPRD_TBPRDHR	R/W	0h	Global load event configuration for TBPRD_TBPRDHR 0: Registers use local reload configuration even if GLDCTL(GLD)=1 (reload is compatible with previous EPWMs) 1: Registers use global load configuration if this bit is set and GLDCTL(GLD)=1 Reset type: SYSRSn

### 14.15.2.22 EPWMXLINK Register (Offset = 38h) [Reset = 000XXXXh]

EPWMXLINK is shown in [Figure 14-115](#) and described in [Table 14-43](#).

Return to the [Summary Table](#).

#### EPWMx Link Register

This register controls which EPWMs are linked to other EPWM modules. The default reset value will vary for each module. The reset value will link each EPWM module to itself to prevent unintentional linking of modules.

**Figure 14-115. EPWMXLINK Register**

31	30	29	28	27	26	25	24	23	22	21	20	19	18	17	16
GLDCTL2LINK				RESERVED								CMPDLINK			
R/W-0h				R-0-0h								R/W-X			
15	14	13	12	11	10	9	8	7	6	5	4	3	2	1	0
CMPCLINK				CMPBLINK				CMPALINK				TBPRDLINK			
R/W-X				R/W-X				R/W-X				R/W-X			

**Table 14-43. EPWMXLINK Register Field Descriptions**

Bit	Field	Type	Reset	Description
31-28	GLDCTL2LINK	R/W	0h	GLDCTL2 Link Bits Writes to the GLDCTL2 registers in the ePWM module selected by the following bit selections results in a simultaneous write to the current ePWM module's GLDCTL2 registers. 0000: ePWM1 0001: ePWM2 ... Up to the last instance of ePWM. All others are reserved. Reset type: SYSRSn
27-20	RESERVED	R-0	0h	Reserved
19-16	CMPDLINK	R/W	X	CMPD Link Bits Writes to the CMPD registers in the ePWM module selected by the following bit selections results in a simultaneous write to the current ePWM module's CMPD registers. 0000: ePWM1 0001: ePWM2 ... Up to the last instance of ePWM. All others are reserved. Reset type: SYSRSn
15-12	CMPCLINK	R/W	X	CMPC Link Bits Writes to the CMPC registers in the ePWM module selected by the following bit selections results in a simultaneous write to the current ePWM module's CMPC registers. 0000: ePWM1 0001: ePWM2 ... Up to the last instance of ePWM. All others are reserved. Reset type: SYSRSn
11-8	CMPBLINK	R/W	X	CMPB_CMPBHR Link Bits Writes to the CMPB_CMPBHR registers in the ePWM module selected by the following bit selections results in a simultaneous write to the current ePWM module's CMPB_CMPBHR registers. 0000: ePWM1 0001: ePWM2 ... Up to the last instance of ePWM. All others are reserved. Reset type: SYSRSn

**Table 14-43. EPWMXLINK Register Field Descriptions (continued)**

Bit	Field	Type	Reset	Description
7-4	CMPALINK	R/W	X	CMPA_CMPAHR Link Bits Writes to the CMPA_CMPAHR registers in the ePWM module selected by the following bit selections results in a simultaneous write to the current ePWM module's CMPA_CMPAHR registers. 0000: ePWM1 0001: ePWM2 ... Up to the last instance of ePWM. All others are reserved. Reset type: SYSRSn
3-0	TBPRDLINK	R/W	X	TBPRD_TBPRDHR Link Bits Writes to the TBPRD:TBPRDHR registers in the ePWM module selected by the following bit selections results in a simultaneous write to the current ePWM module's TBPRD_TBPRDHR registers. 0000: ePWM1 0001: ePWM2 ... Up to the last instance of ePWM. All others are reserved. Reset type: SYSRSn

### 14.15.2.23 AQCTLA Register (Offset = 40h) [Reset = 0000h]

AQCTLA is shown in [Figure 14-116](#) and described in [Table 14-44](#).

Return to the [Summary Table](#).

Action Qualifier Control Register For Output A

**Figure 14-116. AQCTLA Register**

15	14	13	12	11	10	9	8
RESERVED				CBD		CBU	
R-0-0h				R/W-0h		R/W-0h	
7	6	5	4	3	2	1	0
CAD		CAU		PRD		ZRO	
R/W-0h		R/W-0h		R/W-0h		R/W-0h	

**Table 14-44. AQCTLA Register Field Descriptions**

Bit	Field	Type	Reset	Description
15-12	RESERVED	R-0	0h	Reserved
11-10	CBD	R/W	0h	Action When TBCTR = CMPB on Down Count Note: By definition, in count up-down mode when the counter equals 0 the direction is defined as 1 or counting up. 00: Do nothing (action disabled) 01: Clear: force EPWMxA output low. 10: Set: force EPWMxA output high. 11: Toggle EPWMxA output: low output signal will be forced high, and a high signal will be forced low. Reset type: SYSRSn
9-8	CBU	R/W	0h	Action When TBCTR = CMPB on Up Count Note: By definition, in count up-down mode when the counter equals 0 the direction is defined as 1 or counting up. 00: Do nothing (action disabled) 01: Clear: force EPWMxA output low. 10: Set: force EPWMxA output high. 11: Toggle EPWMxA output: low output signal will be forced high, and a high signal will be forced low. Reset type: SYSRSn
7-6	CAD	R/W	0h	Action When TBCTR = CMPA on Down Count Note: By definition, in count up-down mode when the counter equals 0 the direction is defined as 1 or counting up. 00: Do nothing (action disabled) 01: Clear: force EPWMxA output low. 10: Set: force EPWMxA output high. 11: Toggle EPWMxA output: low output signal will be forced high, and a high signal will be forced low. Reset type: SYSRSn
5-4	CAU	R/W	0h	Action When TBCTR = CMPA on Up Count Note: By definition, in count up-down mode when the counter equals 0 the direction is defined as 1 or counting up. 00: Do nothing (action disabled) 01: Clear: force EPWMxA output low. 10: Set: force EPWMxA output high. 11: Toggle EPWMxA output: low output signal will be forced high, and a high signal will be forced low. Reset type: SYSRSn



**Table 14-44. AQCTLA Register Field Descriptions (continued)**

Bit	Field	Type	Reset	Description
3-2	PRD	R/W	0h	<p>Action When TBCTR = TBPRD</p> <p>Note: By definition, in count up-down mode when the counter equals 0 the direction is defined as 1 or counting up.</p> <p>00: Do nothing (action disabled)</p> <p>01: Clear: force EPWMxA output low.</p> <p>10: Set: force EPWMxA output high.</p> <p>11: Toggle EPWMxA output: low output signal will be forced high, and a high signal will be forced low.</p> <p>Reset type: SYSRSn</p>
1-0	ZRO	R/W	0h	<p>Action When TBCTR = 0</p> <p>Note: By definition, in count up-down mode when the counter equals 0 the direction is defined as 1 or counting up.</p> <p>00: Do nothing (action disabled)</p> <p>01: Clear: force EPWMxA output low.</p> <p>10: Set: force EPWMxA output high.</p> <p>11: Toggle EPWMxA output: low output signal will be forced high, and a high signal will be forced low.</p> <p>Reset type: SYSRSn</p>

### 14.15.2.24 AQCTLA2 Register (Offset = 41h) [Reset = 0000h]

AQCTLA2 is shown in [Figure 14-117](#) and described in [Table 14-45](#).

Return to the [Summary Table](#).

Additional Action Qualifier Control Register For Output A

**Figure 14-117. AQCTLA2 Register**

15	14	13	12	11	10	9	8
RESERVED							
R-0-0h							
7	6	5	4	3	2	1	0
T2D		T2U		T1D		T1U	
R/W-0h		R/W-0h		R/W-0h		R/W-0h	

**Table 14-45. AQCTLA2 Register Field Descriptions**

Bit	Field	Type	Reset	Description
15-8	RESERVED	R-0	0h	Reserved
7-6	T2D	R/W	0h	Action when event occurs on T2 in DOWN-Count Note: By definition, in count up-down mode when the counter equals 0 the direction is defined as 1 or counting up. 00: Do nothing (action disabled) 01: Clear: force EPWMxA output low. 10: Set: force EPWMxA output high. 11: Toggle EPWMxA output: low output signal will be forced high, and a high signal will be forced low. Reset type: SYSRSn
5-4	T2U	R/W	0h	Action when event occurs on T2 in UP-Count Note: By definition, in count up-down mode when the counter equals 0 the direction is defined as 1 or counting up. 00: Do nothing (action disabled) 01: Clear: force EPWMxA output low. 10: Set: force EPWMxA output high. 11: Toggle EPWMxA output: low output signal will be forced high, and a high signal will be forced low. Reset type: SYSRSn
3-2	T1D	R/W	0h	Action when event occurs on T1 in DOWN-Count Note: By definition, in count up-down mode when the counter equals 0 the direction is defined as 1 or counting up. 00: Do nothing (action disabled) 01: Clear: force EPWMxA output low. 10: Set: force EPWMxA output high. 11: Toggle EPWMxA output: low output signal will be forced high, and a high signal will be forced low. Reset type: SYSRSn
1-0	T1U	R/W	0h	Action when event occurs on T1 in UP-Count Note: By definition, in count up-down mode when the counter equals 0 the direction is defined as 1 or counting up. 00: Do nothing (action disabled) 01: Clear: force EPWMxA output low. 10: Set: force EPWMxA output high. 11: Toggle EPWMxA output: low output signal will be forced high, and a high signal will be forced low. Reset type: SYSRSn

### 14.15.2.25 AQCTLB Register (Offset = 42h) [Reset = 0000h]

AQCTLB is shown in [Figure 14-118](#) and described in [Table 14-46](#).

Return to the [Summary Table](#).

Action Qualifier Control Register For Output B

**Figure 14-118. AQCTLB Register**

15	14	13	12	11	10	9	8
RESERVED				CBD		CBU	
R-0-0h				R/W-0h		R/W-0h	
7	6	5	4	3	2	1	0
CAD		CAU		PRD		ZRO	
R/W-0h		R/W-0h		R/W-0h		R/W-0h	

**Table 14-46. AQCTLB Register Field Descriptions**

Bit	Field	Type	Reset	Description
15-12	RESERVED	R-0	0h	Reserved
11-10	CBD	R/W	0h	Action When TBCTR = CMPB on Down Count Note: By definition, in count up-down mode when the counter equals 0 the direction is defined as 1 or counting up. 00: Do nothing (action disabled) 01: Clear: force EPWMxB output low. 10: Set: force EPWMxB output high. 11: Toggle EPWMxB output: low output signal will be forced high, and a high signal will be forced low. Reset type: SYSRSn
9-8	CBU	R/W	0h	Action When TBCTR = CMPB on Up Count Note: By definition, in count up-down mode when the counter equals 0 the direction is defined as 1 or counting up. 00: Do nothing (action disabled) 01: Clear: force EPWMxB output low. 10: Set: force EPWMxB output high. 11: Toggle EPWMxB output: low output signal will be forced high, and a high signal will be forced low. Reset type: SYSRSn
7-6	CAD	R/W	0h	Action When TBCTR = CMPA on Down Count Note: By definition, in count up-down mode when the counter equals 0 the direction is defined as 1 or counting up. 00: Do nothing (action disabled) 01: Clear: force EPWMxB output low. 10: Set: force EPWMxB output high. 11: Toggle EPWMxB output: low output signal will be forced high, and a high signal will be forced low. Reset type: SYSRSn
5-4	CAU	R/W	0h	Action When TBCTR = CMPA on Up Count Note: By definition, in count up-down mode when the counter equals 0 the direction is defined as 1 or counting up. 00: Do nothing (action disabled) 01: Clear: force EPWMxB output low. 10: Set: force EPWMxB output high. 11: Toggle EPWMxB output: low output signal will be forced high, and a high signal will be forced low. Reset type: SYSRSn

**Table 14-46. AQCTLB Register Field Descriptions (continued)**

Bit	Field	Type	Reset	Description
3-2	PRD	R/W	0h	Action When TBCTR = TBPRD Note: By definition, in count up-down mode when the counter equals 0 the direction is defined as 1 or counting up. 00: Do nothing (action disabled) 01: Clear: force EPWMxB output low. 10: Set: force EPWMxB output high. 11: Toggle EPWMxB output: low output signal will be forced high, and a high signal will be forced low. Reset type: SYSRSn
1-0	ZRO	R/W	0h	Action When TBCTR = 0 Note: By definition, in count up-down mode when the counter equals 0 the direction is defined as 1 or counting up. 00: Do nothing (action disabled) 01: Clear: force EPWMxB output low. 10: Set: force EPWMxB output high. 11: Toggle EPWMxB output: low output signal will be forced high, and a high signal will be forced low. Reset type: SYSRSn

### 14.15.2.26 AQCTLB2 Register (Offset = 43h) [Reset = 0000h]

AQCTLB2 is shown in [Figure 14-119](#) and described in [Table 14-47](#).

Return to the [Summary Table](#).

Additional Action Qualifier Control Register For Output B

**Figure 14-119. AQCTLB2 Register**

15	14	13	12	11	10	9	8
RESERVED							
R-0-0h							
7	6	5	4	3	2	1	0
T2D		T2U		T1D		T1U	
R/W-0h		R/W-0h		R/W-0h		R/W-0h	

**Table 14-47. AQCTLB2 Register Field Descriptions**

Bit	Field	Type	Reset	Description
15-8	RESERVED	R-0	0h	Reserved
7-6	T2D	R/W	0h	Action when event occurs on T2 in DOWN-Count Note: By definition, in count up-down mode when the counter equals 0 the direction is defined as 1 or counting up. 00: Do nothing (action disabled) 01: Clear: force EPWMxB output low. 10: Set: force EPWMxB output high. 11: Toggle EPWMxB output: low output signal will be forced high, and a high signal will be forced low. Reset type: SYSRSn
5-4	T2U	R/W	0h	Action when event occurs on T2 in UP-Count Note: By definition, in count up-down mode when the counter equals 0 the direction is defined as 1 or counting up. 00: Do nothing (action disabled) 01: Clear: force EPWMxB output low. 10: Set: force EPWMxB output high. 11: Toggle EPWMxB output: low output signal will be forced high, and a high signal will be forced low. Reset type: SYSRSn
3-2	T1D	R/W	0h	Action when event occurs on T1 in DOWN-Count Note: By definition, in count up-down mode when the counter equals 0 the direction is defined as 1 or counting up. 00: Do nothing (action disabled) 01: Clear: force EPWMxB output low. 10: Set: force EPWMxB output high. 11: Toggle EPWMxB output: low output signal will be forced high, and a high signal will be forced low. Reset type: SYSRSn
1-0	T1U	R/W	0h	Action when event occurs on T1 in UP-Count Note: By definition, in count up-down mode when the counter equals 0 the direction is defined as 1 or counting up. 00: Do nothing (action disabled) 01: Clear: force EPWMxB output low. 10: Set: force EPWMxB output high. 11: Toggle EPWMxB output: low output signal will be forced high, and a high signal will be forced low. Reset type: SYSRSn

### 14.15.2.27 AQSFRFC Register (Offset = 47h) [Reset = 0000h]

AQSFRFC is shown in [Figure 14-120](#) and described in [Table 14-48](#).

Return to the [Summary Table](#).

Action Qualifier Software Force Register

**Figure 14-120. AQSFRFC Register**

15	14	13	12	11	10	9	8
RESERVED							
R-0-0h							
7	6	5	4	3	2	1	0
RLDCSF		OTSFB		ACTSFB		OTSFA	ACTSFA
R/W-0h		R-0/W1S-0h		R/W-0h		R-0/W1S-0h	R/W-0h

**Table 14-48. AQSFRFC Register Field Descriptions**

Bit	Field	Type	Reset	Description
15-8	RESERVED	R-0	0h	Reserved
7-6	RLDCSF	R/W	0h	AQSFRFC Active Register Reload From Shadow Options 00: Load on time-base counter equals zero 01: Load on time-base counter equals period 10: Load on time-base counter equals zero or counter equals period 11: Load immediately (the active register is directly accessed by the CPU and is not loaded from the shadow register). Reset type: SYSRSn
5	OTSFB	R-0/W1S	0h	One-Time Software Forced Event on Output B 0: Writing a 0 (zero) has no effect. Always reads back a 0. This bit is auto cleared once a write to this register is complete (i.e., a forced event is initiated.). This is a one-shot forced event. It can be overridden by another subsequent event on output B. 1: Initiates a single software forced event Reset type: SYSRSn
4-3	ACTSFB	R/W	0h	Action When One-Time Software Force B is Invoked 00: Does nothing (action disabled) 01: Clear (low) 10: Set (high) 11: Toggle (Low -> High, High -> Low) Note: This action is not qualified by counter direction (CNT_dir) Reset type: SYSRSn
2	OTSFA	R-0/W1S	0h	One-Time Software Forced Event on Output A 0: Writing a 0 (zero) has no effect. Always reads back a 0. This bit is auto cleared once a write to this register is complete ( i.e., a forced event is initiated). This is a one-shot forced event. It can be overridden by another subsequent event on output A. 1: Initiates a single software forced event Reset type: SYSRSn
1-0	ACTSFA	R/W	0h	Action When One-Time Software Force A Is Invoked 00: Does nothing (action disabled) 01: Clear (low) 10: Set (high) 11: Toggle (Low -> High, High -> Low) Note: This action is not qualified by counter direction (CNT_dir) Reset type: SYSRSn

**14.15.2.28 AQCSFRC Register (Offset = 49h) [Reset = 0000h]**

AQCSFRC is shown in [Figure 14-121](#) and described in [Table 14-49](#).

Return to the [Summary Table](#).

Action Qualifier Continuous S/W Force Register

**Figure 14-121. AQCSFRC Register**

15	14	13	12	11	10	9	8
RESERVED							
R-0-0h							
7	6	5	4	3	2	1	0
RESERVED				CSFB		CSFA	
R-0-0h				R/W-0h		R/W-0h	

**Table 14-49. AQCSFRC Register Field Descriptions**

Bit	Field	Type	Reset	Description
15-4	RESERVED	R-0	0h	Reserved
3-2	CSFB	R/W	0h	Continuous Software Force on Output B In immediate mode, a continuous force takes effect on the next TBCLK edge. In shadow mode, a continuous force takes effect on the next TBCLK edge after a shadow load into the active register. To configure shadow mode, use AQSFRC[RLDCSF]. 00: Software forcing is disabled and has no effect 01: Forces a continuous low on output B 10: Forces a continuous high on output B 11: Software forcing is disabled and has no effect Reset type: SYSRSn
1-0	CSFA	R/W	0h	Continuous Software Force on Output A In immediate mode, a continuous force takes effect on the next TBCLK edge. In shadow mode, a continuous force takes effect on the next TBCLK edge after a shadow load into the active register. 00: Software forcing is disabled and has no effect 01: Forces a continuous low on output A 10: Forces a continuous high on output A 11: Software forcing is disabled and has no effect Reset type: SYSRSn

### 14.15.2.29 DBREDHR Register (Offset = 50h) [Reset = 0000h]

DBREDHR is shown in [Figure 14-122](#) and described in [Table 14-50](#).

Return to the [Summary Table](#).

Dead-Band Generator Rising Edge Delay High Resolution Register

**Figure 14-122. DBREDHR Register**

15	14	13	12	11	10	9	8
DBREDHR							RESERVED
R/W-0h							R-0h
7	6	5	4	3	2	1	0
RESERVED							RESERVED
R-0h							R-0h

**Table 14-50. DBREDHR Register Field Descriptions**

Bit	Field	Type	Reset	Description
15-9	DBREDHR	R/W	0h	Dead Band Rising Edge Delay High Resolution Bits Reset type: SYSRSn
8	RESERVED	R	0h	Reserved
7-1	RESERVED	R	0h	Reserved
0	RESERVED	R	0h	Reserved



### 14.15.2.30 DBRED Register (Offset = 51h) [Reset = 0000h]

DBRED is shown in [Figure 14-123](#) and described in [Table 14-51](#).

Return to the [Summary Table](#).

Dead-Band Generator Rising Edge Delay Count Register

**Figure 14-123. DBRED Register**

15	14	13	12	11	10	9	8
RESERVED				DBRED			
R-0h				R/W-0h			
7	6	5	4	3	2	1	0
DBRED							
R/W-0h							

**Table 14-51. DBRED Register Field Descriptions**

Bit	Field	Type	Reset	Description
15-14	RESERVED	R	0h	Reserved
13-0	DBRED	R/W	0h	Rising edge delay value Reset type: SYSRSn

### 14.15.2.31 DBFEDHR Register (Offset = 52h) [Reset = 0000h]

DBFEDHR is shown in [Figure 14-124](#) and described in [Table 14-52](#).

Return to the [Summary Table](#).

Dead-Band Generator Falling Edge Delay High Resolution Register

**Figure 14-124. DBFEDHR Register**

15	14	13	12	11	10	9	8
DBFEDHR							RESERVED
R/W-0h							R-0h
7	6	5	4	3	2	1	0
RESERVED							RESERVED
R-0h							R-0h

**Table 14-52. DBFEDHR Register Field Descriptions**

Bit	Field	Type	Reset	Description
15-9	DBFEDHR	R/W	0h	Dead Band Falling Edge Delay High Resolution Bits Reset type: SYSRSn
8	RESERVED	R	0h	Reserved
7-1	RESERVED	R	0h	Reserved
0	RESERVED	R	0h	Reserved

### 14.15.2.32 DBFED Register (Offset = 53h) [Reset = 0000h]

DBFED is shown in [Figure 14-125](#) and described in [Table 14-53](#).

Return to the [Summary Table](#).

Dead-Band Generator Falling Edge Delay Count Register

**Figure 14-125. DBFED Register**

15	14	13	12	11	10	9	8
RESERVED				DBFED			
R-0h				R/W-0h			
7	6	5	4	3	2	1	0
DBFED							
R/W-0h							

**Table 14-53. DBFED Register Field Descriptions**

Bit	Field	Type	Reset	Description
15-14	RESERVED	R	0h	Reserved
13-0	DBFED	R/W	0h	Falling Edge Delay Count 14-bit counter Reset type: SYSRSn

### 14.15.2.33 TBPHS Register (Offset = 60h) [Reset = 0000000h]

TBPHS is shown in [Figure 14-126](#) and described in [Table 14-54](#).

Return to the [Summary Table](#).

Time Base Phase Register

**Figure 14-126. TBPHS Register**

31	30	29	28	27	26	25	24	23	22	21	20	19	18	17	16	15	14	13	12	11	10	9	8	7	6	5	4	3	2	1	0
TBPHS																TBPHSHR															
R/W-0h																R/W-0h															

**Table 14-54. TBPHS Register Field Descriptions**

Bit	Field	Type	Reset	Description
31-16	TBPHS	R/W	0h	Phase Offset Register These bits set time-base counter phase of the selected ePWM relative to the time-base that is supplying the synchronization input signal. - If TBCTL[PHSEN] = 0, then the synchronization event is ignored and the time-base counter is not loaded with the phase. - If TBCTL[PHSEN] = 1, then the time-base counter (TBCTR) will be loaded with the phase (TBPHS) when a synchronization event occurs. The synchronization event can be initiated by the input synchronization signal (EPWMxSYNCI) or by a software forced synchronization. Reset type: SYSRSn
15-0	TBPHSHR	R/W	0h	Phase Offset (High Resolution) Register. TBPHSHR must not be used. Instead TRREM (HRPWM remainder register) must be used to mimic the functionality of TBPHSHR. The lower 8 bits in this register are ignored - writes are ignored and reads return zero Reset type: SYSRSn

#### 14.15.2.34 TBPRDHR Register (Offset = 62h) [Reset = 0000h]

TBPRDHR is shown in [Figure 14-127](#) and described in [Table 14-55](#).

Return to the [Summary Table](#).

Time Base Period High Resolution Register

**Figure 14-127. TBPRDHR Register**

15	14	13	12	11	10	9	8
TBPRDHR							
R/W-0h							
7	6	5	4	3	2	1	0
TBPRDHR							
R/W-0h							

**Table 14-55. TBPRDHR Register Field Descriptions**

Bit	Field	Type	Reset	Description
15-0	TBPRDHR	R/W	0h	Period High Resolution Bits The upper 8-bits contain the high-resolution portion of the period value. The TBPRDHR register is not affected by the TBCTL[PRDL] bit. Reads from this register always reflect the shadow register. Likewise writes are also to the shadow register. The TBPRDHR register is only used when the high resolution period feature is enabled. This register is only available with ePWM modules which support high-resolution period control. The lower 8 bits in this register are ignored - writes are ignored and reads return zero Reset type: SYSRSn

### 14.15.2.35 TBPRD Register (Offset = 63h) [Reset = 0000h]

TBPRD is shown in [Figure 14-128](#) and described in [Table 14-56](#).

Return to the [Summary Table](#).

Time Base Period Register

**Figure 14-128. TBPRD Register**

15	14	13	12	11	10	9	8
TBPRD							
R/W-0h							
7	6	5	4	3	2	1	0
TBPRD							
R/W-0h							

**Table 14-56. TBPRD Register Field Descriptions**

Bit	Field	Type	Reset	Description
15-0	TBPRD	R/W	0h	Time Base Period Register These bits determine the period of the time-base counter. This sets the PWM frequency. Shadowing of this register is enabled and disabled by the TBCTL[PRDL] bit. By default this register is shadowed. - If TBCTL[PRDL] = 0, then the shadow is enabled and any write or read will automatically go to the shadow register. In this case, the active register will be loaded from the shadow register when the time-base counter equals zero. - If TBCTL[PRDL] = 1, then the shadow is disabled and any write or read will go directly to the active register, that is the register actively controlling the hardware. - The active and shadow registers share the same memory map address. Reset type: SYSRSn

### 14.15.2.36 CMPA Register (Offset = 6Ah) [Reset = 0000000h]

CMPA is shown in [Figure 14-129](#) and described in [Table 14-57](#).

Return to the [Summary Table](#).

Counter Compare A Register

**Figure 14-129. CMPA Register**

31	30	29	28	27	26	25	24	23	22	21	20	19	18	17	16	15	14	13	12	11	10	9	8	7	6	5	4	3	2	1	0
CMPA																CMPAHR															
R/W-0h																R/W-0h															

**Table 14-57. CMPA Register Field Descriptions**

Bit	Field	Type	Reset	Description
31-16	CMPA	R/W	0h	<p>Compare A Register</p> <p>The value in the active CMPA register is continuously compared to the time-base counter (TBCTR). When the values are equal, the counter-compare module generates a 'time-base counter equal to counter compare A' event. This event is sent to the action-qualifier where it is qualified and converted it into one or more actions. These actions can be applied to either the EPWMxA or the EPWMxB output depending on the configuration of the AQCTLA and AQCTLB registers. The actions that can be defined in the AQCTLA and AQCTLB registers include:</p> <ul style="list-style-type: none"> <li>- Do nothing</li> <li>- Clear: Pull the EPWMxA and/or EPWMxB signal low</li> <li>- Set: Pull the EPWMxA and/or EPWMxB signal high</li> <li>- Toggle the EPWMxA and/or EPWMxB signal</li> </ul> <p>Shadowing of this register is enabled and disabled by the CMPCTL[SHDWAMODE] bit. By default this register is shadowed.</p> <ul style="list-style-type: none"> <li>- If CMPCTL[SHDWAMODE] = 0, then the shadow is enabled and any write or read will automatically go to the shadow register. In this case, the CMPCTL[LOADAMODE] bit field determines which event will load the active register from the shadow register.</li> <li>- Before a write, the CMPCTL[SHDWFULL] bit can be read to determine if the shadow register is currently full.</li> <li>- If CMPCTL[SHDWAMODE] = 1, then the shadow register is disabled and any write or read will go directly to the active register, that is the register actively controlling the hardware.</li> <li>- In either mode, the active and shadow registers share the same memory map address.</li> </ul> <p>Reset type: SYSRSn</p>
15-0	CMPAHR	R/W	0h	<p>Compare A HRPWM Extension Register</p> <p>The UPPER 8-bits contain the high-resolution portion (most significant 8-bits) of the counter-compare A value. CMPA:CMPAHR can be accessed in a single 32-bit read/write. Shadowing is enabled and disabled by the CMPCTL[SHDWAMODE] bit as described for the CMPA register.</p> <p>The lower 8 bits in this register are ignored</p> <p>Reset type: SYSRSn</p>

### 14.15.2.37 CMPB Register (Offset = 6Ch) [Reset = 0000000h]

CMPB is shown in [Figure 14-130](#) and described in [Table 14-58](#).

Return to the [Summary Table](#).

Compare B Register

**Figure 14-130. CMPB Register**

31	30	29	28	27	26	25	24	23	22	21	20	19	18	17	16	15	14	13	12	11	10	9	8	7	6	5	4	3	2	1	0
CMPB																CMPBHR															
R/W-0h																R/W-0h															

**Table 14-58. CMPB Register Field Descriptions**

Bit	Field	Type	Reset	Description
31-16	CMPB	R/W	0h	<p>Compare B Register</p> <p>The value in the active CMPB register is continuously compared to the time-base counter (TBCTR). When the values are equal, the counter-compare module generates a 'time-base counter equal to counter compare B' event. This event is sent to the action-qualifier where it is qualified and converted it into one or more actions. These actions can be applied to either the EPWMxA or the EPWMxB output depending on the configuration of the AQCTLA and AQCTLB registers. The actions that can be defined in the AQCTLA and AQCTLB registers include:</p> <ul style="list-style-type: none"> <li>- Do nothing</li> <li>- Clear: Pull the EPWMxA and/or EPWMxB signal low</li> <li>- Set: Pull the EPWMxA and/or EPWMxB signal high</li> <li>- Toggle the EPWMxA and/or EPWMxB signal</li> </ul> <p>Shadowing of this register is enabled and disabled by the CMPCTL[SHDWBMODE] bit. By default this register is shadowed.</p> <ul style="list-style-type: none"> <li>- If CMPCTL[SHDWBMODE] = 0, then the shadow is enabled and any write or read will automatically go to the shadow register. In this case, the CMPCTL[LOADBMODE] bit field determines which event will load the active register from the shadow register.</li> <li>- Before a write, the CMPCTL[SHDWBFULL] bit can be read to determine if the shadow register is currently full.</li> <li>- If CMPCTL[SHDWBMODE] = 1, then the shadow register is disabled and any write or read will go directly to the active register, that is the register actively controlling the hardware.</li> <li>- In either mode, the active and shadow registers share the same memory map address.</li> </ul> <p>Reset type: SYSRSn</p>
15-0	CMPBHR	R/W	0h	<p>Compare B High Resolution Bits</p> <p>The lower 8 bits in this register are ignored</p> <p>Reset type: SYSRSn</p>



### 14.15.2.38 CMPC Register (Offset = 6Fh) [Reset = 0000h]

CMPC is shown in [Figure 14-131](#) and described in [Table 14-59](#).

Return to the [Summary Table](#).

Counter Compare C Register

LINK feature access should always be 16-bit

**Figure 14-131. CMPC Register**

15	14	13	12	11	10	9	8
CMPC							
R/W-0h							
7	6	5	4	3	2	1	0
CMPC							
R/W-0h							

**Table 14-59. CMPC Register Field Descriptions**

Bit	Field	Type	Reset	Description
15-0	CMPC	R/W	0h	<p>Compare C Register</p> <p>The value in the active CMPC register is continuously compared to the time-base counter (TBCTR). When the values are equal, the counter-compare module generates a 'time-base counter equal to counter compare C' event.</p> <p>Shadowing of this register is enabled and disabled by the CMPCTL2[SHDWCMODE] bit. By default this register is shadowed.</p> <ul style="list-style-type: none"> <li>- If CMPCTL2[SHDWCMODE] = 0, then the shadow is enabled and any write or read will automatically go to the shadow register. In this case, the CMPCTL2[LOADCMODE] bit field determines which event will load the active register from the shadow register:</li> <li>- If CMPCTL2[SHDWCMODE] = 1, then the shadow register is disabled and any write or read will go directly to the active register that is, the register actively controlling the hardware.</li> <li>- In either mode, the active and shadow registers share the same memory map address.</li> </ul> <p>Reset type: SYSRSn</p>

### 14.15.2.39 CMPD Register (Offset = 71h) [Reset = 0000h]

CMPD is shown in [Figure 14-132](#) and described in [Table 14-60](#).

Return to the [Summary Table](#).

Counter Compare D Register

LINK feature access should always be 16-bit

**Figure 14-132. CMPD Register**

15	14	13	12	11	10	9	8
CMPD							
R/W-0h							
7	6	5	4	3	2	1	0
CMPD							
R/W-0h							

**Table 14-60. CMPD Register Field Descriptions**

Bit	Field	Type	Reset	Description
15-0	CMPD	R/W	0h	<p>Compare D Register</p> <p>The value in the active CMPD register is continuously compared to the time-base counter (TBCTR). When the values are equal, the counter-compare module generates a 'time-base counter equal to counter compare D' event.</p> <p>Shadowing of this register is enabled and disabled by the CMPCTL2[SHDWDMODE] bit. By default this register is shadowed.</p> <ul style="list-style-type: none"> <li>- If CMPCTL2[SHDWDMODE] = 0, then the shadow is enabled and any write or read will automatically go to the shadow register. In this case, the CMPCTL2[LOADDMODE] bit field determines which event will load the active register from the shadow register:</li> <li>- If CMPCTL2[SHDWDMODE] = 1, then the shadow register is disabled and any write or read will go directly to the active register that is, the register actively controlling the hardware.</li> <li>- In either mode, the active and shadow registers share the same memory map address.</li> </ul> <p>Reset type: SYSRSn</p>

#### 14.15.2.40 GLDCTL2 Register (Offset = 74h) [Reset = 0000h]

GLDCTL2 is shown in [Figure 14-133](#) and described in [Table 14-61](#).

Return to the [Summary Table](#).

Global PWM Load Control Register 2

**Figure 14-133. GLDCTL2 Register**

15	14	13	12	11	10	9	8
RESERVED							
R-0-0h							
7	6	5	4	3	2	1	0
RESERVED						GFRCLD	OSHTLD
R-0-0h						R-0/W1S-0h	R-0/W1S-0h

**Table 14-61. GLDCTL2 Register Field Descriptions**

Bit	Field	Type	Reset	Description
15-2	RESERVED	R-0	0h	Reserved
1	GFRCLD	R-0/W1S	0h	Force Load Event in One Shot Mode 0: Writing of 0 will be ignored. Always reads back a 0. 1: Force one load event at the input of the event pre-scale counter. This bit is intended to be used for testing and/or software force loading of the events in global load mode. Reset type: SYSRSn
0	OSHTLD	R-0/W1S	0h	Enable Reload Event in One Shot Mode 0: Writing of 0 will be ignored. Always reads back a 0. 1: Turns the one shot latch condition ON. Upon occurrence of a chosen load strobe, one shadow to active reload occurs and the latch will be cleared. Hence writing 1 to this bit would allow one load strobe event to pass through and block further strobe events. Reset type: SYSRSn

#### 14.15.2.41 SWVDELVAL Register (Offset = 77h) [Reset = 0000h]

SWVDELVAL is shown in [Figure 14-134](#) and described in [Table 14-62](#).

Return to the [Summary Table](#).

Software Valley Mode Delay Register

**Figure 14-134. SWVDELVAL Register**

15	14	13	12	11	10	9	8
SWVDELVAL							
R/W-0h							
7	6	5	4	3	2	1	0
SWVDELVAL							
R/W-0h							

**Table 14-62. SWVDELVAL Register Field Descriptions**

Bit	Field	Type	Reset	Description
15-0	SWVDELVAL	R/W	0h	Software Valley Delay Value Register This register can be optionally used define offset value for the hardware calculated delay HWDELAYVAL as defined in VCAPCTL[VDELAYDIV] bits. Reset type: SYSRSn

#### 14.15.2.42 TZSEL Register (Offset = 80h) [Reset = 0000h]

TZSEL is shown in [Figure 14-135](#) and described in [Table 14-63](#).

Return to the [Summary Table](#).

Trip Zone Select Register

**Figure 14-135. TZSEL Register**

15	14	13	12	11	10	9	8
DCBEVT1	DCAEVT1	OSHT6	OSHT5	OSHT4	OSHT3	OSHT2	OSHT1
R/W-0h	R/W-0h	R/W-0h	R/W-0h	R/W-0h	R/W-0h	R/W-0h	R/W-0h
7	6	5	4	3	2	1	0
DCBEVT2	DCAEVT2	CBC6	CBC5	CBC4	CBC3	CBC2	CBC1
R/W-0h	R/W-0h	R/W-0h	R/W-0h	R/W-0h	R/W-0h	R/W-0h	R/W-0h

**Table 14-63. TZSEL Register Field Descriptions**

Bit	Field	Type	Reset	Description
15	DCBEVT1	R/W	0h	Digital Compare Output B Event 1 Select 0: Disable DCBEVT1 as one-shot-trip source for this ePWM module. 1: Enable DCBEVT1 as one-shot-trip source for this ePWM module. Reset type: SYSRSn
14	DCAEVT1	R/W	0h	Digital Compare Output A Event 1 Select 0: Disable DCAEVT1 as one-shot-trip source for this ePWM module. 1: Enable DCAEVT1 as one-shot-trip source for this ePWM module. Reset type: SYSRSn
13	OSHT6	R/W	0h	Trip-zone 6 (TZ6) Select 0: Disable TZ6 as a one-shot trip source for this ePWM module 1: Enable TZ6 as a one-shot trip source for this ePWM module Reset type: SYSRSn
12	OSHT5	R/W	0h	Trip-zone 5 (TZ5) Select 0: Disable TZ5 as a one-shot trip source for this ePWM module 1: Enable TZ5 as a one-shot trip source for this ePWM module Reset type: SYSRSn
11	OSHT4	R/W	0h	Trip-zone 4 (TZ4) Select 0: Disable TZ4 as a one-shot trip source for this ePWM module 1: Enable TZ4 as a one-shot trip source for this ePWM module Reset type: SYSRSn
10	OSHT3	R/W	0h	Trip-zone 3 (TZ3) Select 0: Disable TZ3 as a one-shot trip source for this ePWM module 1: Enable TZ3 as a one-shot trip source for this ePWM module Reset type: SYSRSn
9	OSHT2	R/W	0h	Trip-zone 2 (TZ2) Select 0: Disable TZ2 as a one-shot trip source for this ePWM module 1: Enable TZ2 as a one-shot trip source for this ePWM module Reset type: SYSRSn
8	OSHT1	R/W	0h	Trip-zone 1 (TZ1) Select 0: Disable TZ1 as a one-shot trip source for this ePWM module 1: Enable TZ1 as a one-shot trip source for this ePWM module Reset type: SYSRSn
7	DCBEVT2	R/W	0h	Digital Compare Output B Event 2 Select 0: Disable DCBEVT2 as a CBC trip source for this ePWM module 1: Enable DCBEVT2 as a CBC trip source for this ePWM module Reset type: SYSRSn

**Table 14-63. TZSEL Register Field Descriptions (continued)**

Bit	Field	Type	Reset	Description
6	DCAEVT2	R/W	0h	Digital Compare Output A Event 2 Select 0: Disable DCAEVT2 as a CBC trip source for this ePWM module 1: Enable DCAEVT2 as a CBC trip source for this ePWM module Reset type: SYSRSn
5	CBC6	R/W	0h	Trip-zone 6 (TZ6) Select 0: Disable TZ6 as a CBC trip source for this ePWM module 1: Enable TZ6 as a CBC trip source for this ePWM module Reset type: SYSRSn
4	CBC5	R/W	0h	Trip-zone 5 (TZ5) Select 0: Disable TZ5 as a CBC trip source for this ePWM module 1: Enable TZ5 as a CBC trip source for this ePWM module Reset type: SYSRSn
3	CBC4	R/W	0h	Trip-zone 4 (TZ4) Select 0: Disable TZ4 as a CBC trip source for this ePWM module 1: Enable TZ4 as a CBC trip source for this ePWM module Reset type: SYSRSn
2	CBC3	R/W	0h	Trip-zone 3 (TZ3) Select 0: Disable TZ3 as a CBC trip source for this ePWM module 1: Enable TZ3 as a CBC trip source for this ePWM module Reset type: SYSRSn
1	CBC2	R/W	0h	Trip-zone 2 (TZ2) Select 0: Disable TZ2 as a CBC trip source for this ePWM module 1: Enable TZ2 as a CBC trip source for this ePWM module Reset type: SYSRSn
0	CBC1	R/W	0h	Trip-zone 1 (TZ1) Select 0: Disable TZ1 as a CBC trip source for this ePWM module 1: Enable TZ1 as a CBC trip source for this ePWM module Reset type: SYSRSn

### 14.15.2.43 TZDCSEL Register (Offset = 82h) [Reset = 0000h]

TZDCSEL is shown in [Figure 14-136](#) and described in [Table 14-64](#).

Return to the [Summary Table](#).

Trip Zone Digital Comparator Select Register

**Figure 14-136. TZDCSEL Register**

15	14	13	12	11	10	9	8
RESERVED				DCBEVT2			DCBEVT1
R-0-0h				R/W-0h			R/W-0h
7	6	5	4	3	2	1	0
DCBEVT1		DCAEVT2			DCAEVT1		
R/W-0h		R/W-0h			R/W-0h		

**Table 14-64. TZDCSEL Register Field Descriptions**

Bit	Field	Type	Reset	Description
15-12	RESERVED	R-0	0h	Reserved
11-9	DCBEVT2	R/W	0h	Digital Compare Output B Event 2 Selection 000: Event disabled 001: DCBH = low, DCBL = don't care 010: DCBH = high, DCBL = don't care 011: DCBL = low, DCBH = don't care 100: DCBL = high, DCBH = don't care 101: DCBL = high, DCBH = low 110: Reserved 111: Reserved Reset type: SYSRSn
8-6	DCBEVT1	R/W	0h	Digital Compare Output B Event 1 Selection 000: Event disabled 001: DCBH = low, DCBL = don't care 010: DCBH = high, DCBL = don't care 011: DCBL = low, DCBH = don't care 100: DCBL = high, DCBH = don't care 101: DCBL = high, DCBH = low 110: Reserved 111: Reserved Reset type: SYSRSn
5-3	DCAEVT2	R/W	0h	Digital Compare Output A Event 2 Selection 000: Event disabled 001: DCAH = low, DCAL = don't care 010: DCAH = high, DCAL = don't care 011: DCAL = low, DCAH = don't care 100: DCAL = high, DCAH = don't care 101: DCAL = high, DCAH = low 110: Reserved 111: Reserved Reset type: SYSRSn
2-0	DCAEVT1	R/W	0h	Digital Compare Output A Event 1 Selection 000: Event disabled 001: DCAH = low, DCAL = don't care 010: DCAH = high, DCAL = don't care 011: DCAL = low, DCAH = don't care 100: DCAL = high, DCAH = don't care 101: DCAL = high, DCAH = low 110: Reserved 111: Reserved Reset type: SYSRSn

#### 14.15.2.44 TZCTL Register (Offset = 84h) [Reset = 0000h]

TZCTL is shown in [Figure 14-137](#) and described in [Table 14-65](#).

Return to the [Summary Table](#).

Trip Zone Control Register

**Figure 14-137. TZCTL Register**

15	14	13	12	11	10	9	8
RESERVED				DCBEVT2		DCBEVT1	
R-0-0h				R/W-0h		R/W-0h	
7	6	5	4	3	2	1	0
DCAEVT2		DCAEVT1		TZB		TZA	
R/W-0h		R/W-0h		R/W-0h		R/W-0h	

**Table 14-65. TZCTL Register Field Descriptions**

Bit	Field	Type	Reset	Description
15-12	RESERVED	R-0	0h	Reserved
11-10	DCBEVT2	R/W	0h	Digital Compare Output B Event 2 Action On EPWMxB 00: High-impedance (EPWMxB = High-impedance state) 01: Force EPWMxB to a high state. 10: Force EPWMxB to a low state. 11: Do Nothing, trip action is disabled Reset type: SYSRSn
9-8	DCBEVT1	R/W	0h	Digital Compare Output B Event 1 Action On EPWMxB 00: High-impedance (EPWMxB = High-impedance state) 01: Force EPWMxB to a high state. 10: Force EPWMxB to a low state. 11: Do Nothing, trip action is disabled Reset type: SYSRSn
7-6	DCAEVT2	R/W	0h	Digital Compare Output A Event 2 Action On EPWMxA 00: High-impedance (EPWMxA = High-impedance state) 01: Force EPWMxA to a high state. 10: Force EPWMxA to a low state. 11: Do Nothing, trip action is disabled Reset type: SYSRSn
5-4	DCAEVT1	R/W	0h	Digital Compare Output A Event 1 Action On EPWMxA 00: High-impedance (EPWMxA = High-impedance state) 01: Force EPWMxA to a high state. 10: Force EPWMxA to a low state. 11: Do Nothing, trip action is disabled Reset type: SYSRSn
3-2	TZB	R/W	0h	TZ1 to TZ6, DCAEVT1/2, DCBEVT1/2 Trip Action On EPWMxB When a trip event occurs the following action is taken on output EPWMxB. Which trip-zone pins can cause an event is defined in the TZSEL register. 00: High-impedance (EPWMxB = High-impedance state) 01: Force EPWMxB to a high state 10: Force EPWMxB to a low state 11: Do nothing, no action is taken on EPWMxB. Reset type: SYSRSn



**Table 14-65. TZCTL Register Field Descriptions (continued)**

Bit	Field	Type	Reset	Description
1-0	TZA	R/W	0h	TZ1 to TZ6, DCAEVT1/2, DCBEVT1/2 Trip Action On EPWMxA When a trip event occurs the following action is taken on output EPWMxA. Which trip-zone pins can cause an event is defined in the TZSEL register. 00: High-impedance (EPWMxA = High-impedance state) 01: Force EPWMxA to a high state 10: Force EPWMxA to a low state 11: Do nothing, no action is taken on EPWMxA. Reset type: SYSRSn

### 14.15.2.45 TZCTL2 Register (Offset = 85h) [Reset = 0000h]

TZCTL2 is shown in [Figure 14-138](#) and described in [Table 14-66](#).

Return to the [Summary Table](#).

Additional Trip Zone Control Register

**Figure 14-138. TZCTL2 Register**

15	14	13	12	11	10	9	8
ETZE	RESERVED			TZBD			TZBU
R/W-0h	R-0-0h			R/W-0h			R/W-0h
7	6	5	4	3	2	1	0
TZBU		TZAD			TZAU		
R/W-0h		R/W-0h			R/W-0h		

**Table 14-66. TZCTL2 Register Field Descriptions**

Bit	Field	Type	Reset	Description
15	ETZE	R/W	0h	TZCTL2 Enable 0: Use trip action from TZCTL (legacy EPWM compatibility) 1: Use trip action defined in TZCTL2, TZCTLDCA and TZCTLDCB. Settings in TZCTL are ignored Reset type: SYSRSn
14-12	RESERVED	R-0	0h	Reserved
11-9	TZBD	R/W	0h	TZ1 to TZ6 Trip Action On EPWMxB while Count direction is DOWN 000: HiZ (EPWMxB = HiZ state) 001: Forced Hi (EPWMxB = High state) 010: Forced Lo (EPWMxB = Lo state) 011: Toggle (Low -> High, High -> Low) 100: Reserved 101: Reserved 110: Reserved 111: Do Nothing, trip action is disabled Reset type: SYSRSn
8-6	TZBU	R/W	0h	TZ1 to TZ6, DCAEVT1/2, DCBEVT1/2 Trip Action On EPWMxB while Count direction is UP 000: HiZ (EPWMxB = HiZ state) 001: Forced Hi (EPWMxB = High state) 010: Forced Lo (EPWMxB = Lo state) 011: Toggle (Low -> High, High -> Low) 100: Reserved 101: Reserved 110: Reserved 111: Do Nothing, trip action is disabled Reset type: SYSRSn
5-3	TZAD	R/W	0h	TZ1 to TZ6, DCAEVT1/2, DCBEVT1/2 Trip Action On EPWMxA while Count direction is DOWN 000: HiZ (EPWMxA = HiZ state) 001: Forced Hi (EPWMxA = High state) 010: Forced Lo (EPWMxA = Lo state) 011: Toggle (Low -> High, High -> Low) 100: Reserved 101: Reserved 110: Reserved 111: Do Nothing, trip action is disabled Reset type: SYSRSn

**Table 14-66. TZCTL2 Register Field Descriptions (continued)**

Bit	Field	Type	Reset	Description
2-0	TZAU	R/W	0h	TZ1 to TZ6, DCAEVT1/2, DCBEVT1/2 Trip Action On EPWMxA while Count direction is UP 000: HiZ (EPWMxA = HiZ state) 001: Forced Hi (EPWMxA = High state) 010: Forced Lo (EPWMxA = Lo state) 011: Toggle (Low -> High, High -> Low) 100: Reserved 101: Reserved 110: Reserved 111: Do Nothing, trip action is disabled Reset type: SYSRSn

### 14.15.2.46 TZCTLDCA Register (Offset = 86h) [Reset = 0000h]

TZCTLDCA is shown in [Figure 14-139](#) and described in [Table 14-67](#).

Return to the [Summary Table](#).

Trip Zone Control Register Digital Compare A

**Figure 14-139. TZCTLDCA Register**

15	14	13	12	11	10	9	8
RESERVED				DCAEVT2D			DCAEVT2U
R-0-0h				R/W-0h			R/W-0h
7	6	5	4	3	2	1	0
DCAEVT2U		DCAEVT1D			DCAEVT1U		
R/W-0h		R/W-0h			R/W-0h		

**Table 14-67. TZCTLDCA Register Field Descriptions**

Bit	Field	Type	Reset	Description
15-12	RESERVED	R-0	0h	Reserved
11-9	DCAEVT2D	R/W	0h	Digital Compare Output A Event 2 Action On EPWMxA while Count direction is DOWN 000: HiZ (EPWMxA = HiZ state) 001: Forced Hi (EPWMxA = High state) 010: Forced Lo (EPWMxA = Lo state) 011: Toggle (Low -> High, High -> Low) 100: Reserved 101: Reserved 110: Reserved 111: Do Nothing, trip action is disabled Reset type: SYSRSn
8-6	DCAEVT2U	R/W	0h	Digital Compare Output A Event 2 Action On EPWMxA while Count direction is UP 000: HiZ (EPWMxA = HiZ state) 001: Forced Hi (EPWMxA = High state) 010: Forced Lo (EPWMxA = Lo state) 011: Toggle (Low -> High, High -> Low) 100: Reserved 101: Reserved 110: Reserved 111: Do Nothing, trip action is disabled Reset type: SYSRSn
5-3	DCAEVT1D	R/W	0h	Digital Compare Output A Event 1 Action On EPWMxA while Count direction is DOWN 000: HiZ (EPWMxA = HiZ state) 001: Forced Hi (EPWMxA = High state) 010: Forced Lo (EPWMxA = Lo state) 011: Toggle (Low -> High, High -> Low) 100: Reserved 101: Reserved 110: Reserved 111: Do Nothing, trip action is disabled Reset type: SYSRSn

**Table 14-67. TZCTLDCA Register Field Descriptions (continued)**

Bit	Field	Type	Reset	Description
2-0	DCAEVT1U	R/W	0h	Digital Compare Output A Event 1 Action On EPWMxA while Count direction is UP 000: HiZ (EPWMxA = HiZ state) 001: Forced Hi (EPWMxA = High state) 010: Forced Lo (EPWMxA = Lo state) 011: Toggle (Low -> High, High -> Low) 100: Reserved 101: Reserved 110: Reserved 111: Do Nothing, trip action is disabled Reset type: SYSRSn

#### 14.15.2.47 TZCTLDCB Register (Offset = 87h) [Reset = 0000h]

TZCTLDCB is shown in [Figure 14-140](#) and described in [Table 14-68](#).

Return to the [Summary Table](#).

Trip Zone Control Register Digital Compare B

**Figure 14-140. TZCTLDCB Register**

15	14	13	12	11	10	9	8
RESERVED				DCBEVT2D			DCBEVT2U
R-0-0h				R/W-0h			R/W-0h
7	6	5	4	3	2	1	0
DCBEVT2U		DCBEVT1D			DCBEVT1U		
R/W-0h		R/W-0h			R/W-0h		

**Table 14-68. TZCTLDCB Register Field Descriptions**

Bit	Field	Type	Reset	Description
15-12	RESERVED	R-0	0h	Reserved
11-9	DCBEVT2D	R/W	0h	Digital Compare Output B Event 2 Action On EPWMxB while Count direction is DOWN 000: HiZ (EPWMxB = HiZ state) 001: Forced Hi (EPWMxB = High state) 010: Forced Lo (EPWMxB = Lo state) 011: Toggle (Low -> High, High -> Low) 100: Reserved 101: Reserved 110: Reserved 111: Do Nothing, trip action is disabled Reset type: SYSRSn
8-6	DCBEVT2U	R/W	0h	Digital Compare Output B Event 2 Action On EPWMxB while Count direction is UP 000: HiZ (EPWMxB = HiZ state) 001: Forced Hi (EPWMxB = High state) 010: Forced Lo (EPWMxB = Lo state) 011: Toggle (Low -> High, High -> Low) 100: Reserved 101: Reserved 110: Reserved 111: Do Nothing, trip action is disabled Reset type: SYSRSn
5-3	DCBEVT1D	R/W	0h	Digital Compare Output B Event 1 Action On EPWMxB while Count direction is DOWN 000: HiZ (EPWMxB = HiZ state) 001: Forced Hi (EPWMxB = High state) 010: Forced Lo (EPWMxB = Lo state) 011: Toggle (Low -> High, High -> Low) 100: Reserved 101: Reserved 110: Reserved 111: Do Nothing, trip action is disabled Reset type: SYSRSn

**Table 14-68. TZCTLDCB Register Field Descriptions (continued)**

Bit	Field	Type	Reset	Description
2-0	DCBEVT1U	R/W	0h	Digital Compare Output B Event 1 Action On EPWMxB while Count direction is UP 000: HiZ (EPWMxB = HiZ state) 001: Forced Hi (EPWMxB = High state) 010: Forced Lo (EPWMxB = Lo state) 011: Toggle (Low -> High, High -> Low) 100: Reserved 101: Reserved 110: Reserved 111: Do Nothing, trip action is disabled Reset type: SYSRSn

### 14.15.2.48 TZEINT Register (Offset = 8Dh) [Reset = 0000h]

TZEINT is shown in [Figure 14-141](#) and described in [Table 14-69](#).

Return to the [Summary Table](#).

Trip Zone Enable Interrupt Register

**Figure 14-141. TZEINT Register**

15								14								13								12								11								10								9								8							
RESERVED																																																															
R-0-0h																																																															
7								6								5								4								3								2								1								0							
RESERVED								DCBEVT2								DCBEVT1								DCAEVT2								DCAEVT1								OST								CBC								RESERVED							
R-0-0h								R/W-0h								R/W-0h								R/W-0h								R/W-0h								R/W-0h								R/W-0h								R-0-0h							

**Table 14-69. TZEINT Register Field Descriptions**

Bit	Field	Type	Reset	Description
15-7	RESERVED	R-0	0h	Reserved
6	DCBEVT2	R/W	0h	Digital Compare Output B Event 2 Interrupt Enable 0: Disabled 1: Enabled Reset type: SYSRSn
5	DCBEVT1	R/W	0h	Digital Compare Output B Event 1 Interrupt Enable 0: Disabled 1: Enabled Reset type: SYSRSn
4	DCAEVT2	R/W	0h	Digital Compare Output A Event 2 Interrupt Enable 0: Disabled 1: Enabled Reset type: SYSRSn
3	DCAEVT1	R/W	0h	Digital Compare Output A Event 1 Interrupt Enable 0: Disabled 1: Enabled Reset type: SYSRSn
2	OST	R/W	0h	Trip-zone One-Shot Interrupt Enable 0: Disable one-shot interrupt generation 1: Enable Interrupt generation a one-shot trip event will cause a EPWMx_TZINT PIE interrupt. Reset type: SYSRSn
1	CBC	R/W	0h	Trip-zone Cycle-by-Cycle Interrupt Enable 0: Disable cycle-by-cycle interrupt generation. 1: Enable interrupt generation a cycle-by-cycle trip event will cause an EPWMx_TZINT PIE interrupt. Reset type: SYSRSn
0	RESERVED	R-0	0h	Reserved



### 14.15.2.49 TZFLG Register (Offset = 93h) [Reset = 0000h]

TZFLG is shown in [Figure 14-142](#) and described in [Table 14-70](#).

Return to the [Summary Table](#).

Trip Zone Flag Register

**Figure 14-142. TZFLG Register**

15	14	13	12	11	10	9	8
RESERVED							
R-0-0h							
7	6	5	4	3	2	1	0
RESERVED	DCBEVT2	DCBEVT1	DCAEVT2	DCAEVT1	OST	CBC	INT
R-0-0h	R-0h	R-0h	R-0h	R-0h	R-0h	R-0h	R-0h

**Table 14-70. TZFLG Register Field Descriptions**

Bit	Field	Type	Reset	Description
15-7	RESERVED	R-0	0h	Reserved
6	DCBEVT2	R	0h	Latched Status Flag for Digital Compare Output B Event 2 0: Indicates no trip event has occurred on DCBEVT2 1: Indicates a trip event has occurred for the event defined for DCBEVT2 Reset type: SYSRSn
5	DCBEVT1	R	0h	Latched Status Flag for Digital Compare Output B Event 1 0: Indicates no trip event has occurred on DCBEVT1 1: Indicates a trip event has occurred for the event defined for DCBEVT1 Reset type: SYSRSn
4	DCAEVT2	R	0h	Latched Status Flag for Digital Compare Output A Event 2 0: Indicates no trip event has occurred on DCAEVT2 1: Indicates a trip event has occurred for the event defined for DCAEVT2 Reset type: SYSRSn
3	DCAEVT1	R	0h	Latched Status Flag for Digital Compare Output A Event 1 0: Indicates no trip event has occurred on DCAEVT1 1: Indicates a trip event has occurred for the event defined for DCAEVT1 Reset type: SYSRSn
2	OST	R	0h	Latched Status Flag for A One-Shot Trip Event 0: No one-shot trip event has occurred. 1: Indicates a trip event has occurred on a pin selected as a one-shot trip source. This bit is cleared by writing the appropriate value to the TZCLR register. Reset type: SYSRSn

**Table 14-70. TZFLG Register Field Descriptions (continued)**

Bit	Field	Type	Reset	Description
1	CBC	R	0h	Latched Status Flag for Cycle-By-Cycle Trip Event 0: No cycle-by-cycle trip event has occurred. 1: Indicates a trip event has occurred on a signal selected as a cycle-by-cycle trip source. The TZFLG[CBC] bit will remain set until it is manually cleared by the user. If the cycle-by-cycle trip event is still present when the CBC bit is cleared, then CBC will be immediately set again. The specified condition on the signal is automatically cleared when the ePWM time-base counter reaches zero (TBCTR = 0x00) if the trip condition is no longer present. The condition on the signal is only cleared when the TBCTR = 0x00 no matter where in the cycle the CBC flag is cleared. This bit is cleared by writing the appropriate value to the TZCLR register. Reset type: SYSRSn
0	INT	R	0h	Latched Trip Interrupt Status Flag 0: Indicates no interrupt has been generated. 1: Indicates an EPWMx_TZINT PIE interrupt was generated because of a trip condition. No further EPWMx_TZINT PIE interrupts will be generated until this flag is cleared. If the interrupt flag is cleared when either CBC or OST is set, then another interrupt pulse will be generated. Clearing all flag bits will prevent further interrupts. This bit is cleared by writing the appropriate value to the TZCLR register. Reset type: SYSRSn

### 14.15.2.50 TZCBCFLG Register (Offset = 94h) [Reset = 0000h]

TZCBCFLG is shown in [Figure 14-143](#) and described in [Table 14-71](#).

Return to the [Summary Table](#).

Trip Zone CBC Flag Register

**Figure 14-143. TZCBCFLG Register**

15		14		13		12		11		10		9		8	
RESERVED															
R-0-0h															
7		6		5		4		3		2		1		0	
DCBEVT2		DCAEVT2		CBC6		CBC5		CBC4		CBC3		CBC2		CBC1	
R-0h		R-0h		R-0h		R-0h		R-0h		R-0h		R-0h		R-0h	

**Table 14-71. TZCBCFLG Register Field Descriptions**

Bit	Field	Type	Reset	Description
15-8	RESERVED	R-0	0h	Reserved
7	DCBEVT2	R	0h	Latched Status Flag for Digital Compare B Output Event 2 Trip Latch 0: Reading a 0 indicates that no trip has occurred on DCBEVT2. 1: Reading a 1 indicates a trip has occurred on the DCBEVT2 selected event. Reset type: SYSRSn
6	DCAEVT2	R	0h	Latched Status Flag for Digital Compare A Output Event 2 Trip Latch 0: Reading a 0 indicates that no trip has occurred on DCAEVT2. 1: Reading a 1 indicates a trip has occurred on the DCAEVT2 selected event. Reset type: SYSRSn
5	CBC6	R	0h	Latched Status Flag for CBC6 Trip Latch 0: Reading a 0 indicates that no trip has occurred on CBC6. 1: Reading a 1 indicates a trip has occurred on the CBC6 selected event. Reset type: SYSRSn
4	CBC5	R	0h	Latched Status Flag for CBC5 Trip Latch 0: Reading a 0 indicates that no trip has occurred on CBC5. 1: Reading a 1 indicates a trip has occurred on the CBC5 selected event. Reset type: SYSRSn
3	CBC4	R	0h	Latched Status Flag for CBC4 Trip Latch 0: Reading a 0 indicates that no trip has occurred on CBC4. 1: Reading a 1 indicates a trip has occurred on the CBC4 selected event. Reset type: SYSRSn
2	CBC3	R	0h	Latched Status Flag for CBC3 Trip Latch 0: Reading a 0 indicates that no trip has occurred on CBC3. 1: Reading a 1 indicates a trip has occurred on the CBC3 selected event. Reset type: SYSRSn
1	CBC2	R	0h	Latched Status Flag for CBC2 Trip Latch 0: Reading a 0 indicates that no trip has occurred on CBC2. 1: Reading a 1 indicates a trip has occurred on the CBC2 selected event. Reset type: SYSRSn

**Table 14-71. TZCBCFLG Register Field Descriptions (continued)**

Bit	Field	Type	Reset	Description
0	CBC1	R	0h	Latched Status Flag for CBC1 Trip Latch 0: Reading a 0 indicates that no trip has occurred on CBC1. 1: Reading a 1 indicates a trip has occurred on the CBC1 selected event. Reset type: SYSRSn

### 14.15.2.51 TZOSTFLG Register (Offset = 95h) [Reset = 0000h]

TZOSTFLG is shown in [Figure 14-144](#) and described in [Table 14-72](#).

Return to the [Summary Table](#).

Trip Zone OST Flag Register

**Figure 14-144. TZOSTFLG Register**

15	14	13	12	11	10	9	8
RESERVED							
R-0-0h							
7	6	5	4	3	2	1	0
DCBEVT1	DCAEVT1	OST6	OST5	OST4	OST3	OST2	OST1
R-0h	R-0h	R-0h	R-0h	R-0h	R-0h	R-0h	R-0h

**Table 14-72. TZOSTFLG Register Field Descriptions**

Bit	Field	Type	Reset	Description
15-8	RESERVED	R-0	0h	Reserved
7	DCBEVT1	R	0h	Latched Status Flag for Digital Compare B Output Event 1 Trip Latch 0: Reading a 0 indicates that no trip has occurred on DCBEVT1. 1: Reading a 1 indicates a trip has occurred on the DCBEVT1 selected event. Reset type: SYSRSn
6	DCAEVT1	R	0h	Latched Status Flag for Digital Compare A Output Event 1 Trip Latch 0: Reading a 0 indicates that no trip has occurred on DCAEVT1. 1: Reading a 1 indicates a trip has occurred on the DCAEVT1 selected event. Reset type: SYSRSn
5	OST6	R	0h	Latched Status Flag for OST6 Trip Latch 0: Reading a 0 indicates that no trip has occurred on OST6. 1: Reading a 1 indicates a trip has occurred on the OST6 selected event. Reset type: SYSRSn
4	OST5	R	0h	Latched Status Flag for OST5 Trip Latch 0: Reading a 0 indicates that no trip has occurred on OST5. 1: Reading a 1 indicates a trip has occurred on the OST5 selected event. Reset type: SYSRSn
3	OST4	R	0h	Latched Status Flag for OST4 Trip Latch 0: Reading a 0 indicates that no trip has occurred on OST4. 1: Reading a 1 indicates a trip has occurred on the OST4 selected event. Reset type: SYSRSn
2	OST3	R	0h	Latched Status Flag for OST3 Trip Latch 0: Reading a 0 indicates that no trip has occurred on OST3. 1: Reading a 1 indicates a trip has occurred on the OST3 selected event. Reset type: SYSRSn
1	OST2	R	0h	Latched Status Flag for OST2 Trip Latch 0: Reading a 0 indicates that no trip has occurred on OST2. 1: Reading a 1 indicates a trip has occurred on the OST2 selected event. Reset type: SYSRSn

**Table 14-72. TZOSTFLG Register Field Descriptions (continued)**

Bit	Field	Type	Reset	Description
0	OST1	R	0h	Latched Status Flag for OST1 Trip Latch 0: Reading a 0 indicates that no trip has occurred on OST1. 1: Reading a 1 indicates a trip has occurred on the OST1 selected event. Reset type: SYSRSn

### 14.15.2.52 TZCLR Register (Offset = 97h) [Reset = 0000h]

TZCLR is shown in [Figure 14-145](#) and described in [Table 14-73](#).

Return to the [Summary Table](#).

Trip Zone Clear Register

**Figure 14-145. TZCLR Register**

15	14	13	12	11	10	9	8
CBCPULSE		RESERVED					
R/W-0h		R-0-0h					
7	6	5	4	3	2	1	0
RESERVED	DCBEVT2	DCBEVT1	DCAEVT2	DCAEVT1	OST	CBC	INT
R-0-0h	R-0/W1S-0h	R-0/W1S-0h	R-0/W1S-0h	R-0/W1S-0h	R-0/W1S-0h	R-0/W1S-0h	R-0/W1S-0h

**Table 14-73. TZCLR Register Field Descriptions**

Bit	Field	Type	Reset	Description
15-14	CBCPULSE	R/W	0h	Clear Pulse for Cycle-By-Cycle (CBC) Trip Latch This bit field determines which pulse clears the CBC trip latch. 00: CTR = zero pulse clears CBC trip latch. (Same as legacy designs.) 01: CTR = PRD pulse clears CBC trip latch. 10: CTR = zero or CTR = PRD pulse clears CBC trip latch. 11: CBC trip latch is not cleared Reset type: SYSRSn
13-7	RESERVED	R-0	0h	Reserved
6	DCBEVT2	R-0/W1S	0h	Clear Flag for Digital Compare Output B Event 2 0: Writing 0 has no effect. This bit always reads back 0. 1: Writing 1 clears the DCBEVT2 event trip condition. Reset type: SYSRSn
5	DCBEVT1	R-0/W1S	0h	Clear Flag for Digital Compare Output B Event 1 0: Writing 0 has no effect. This bit always reads back 0. 1: Writing 1 clears the DCBEVT1 event trip condition. Reset type: SYSRSn
4	DCAEVT2	R-0/W1S	0h	Clear Flag for Digital Compare Output A Event 2 0: Writing 0 has no effect. This bit always reads back 0. 1: Writing 1 clears the DCAEVT2 event trip condition. Reset type: SYSRSn
3	DCAEVT1	R-0/W1S	0h	Clear Flag for Digital Compare Output A Event 1 0: Writing 0 has no effect. This bit always reads back 0. 1: Writing 1 clears the DCAEVT1 event trip condition. Reset type: SYSRSn
2	OST	R-0/W1S	0h	Clear Flag for One-Shot Trip (OST) Latch 0: Has no effect. Always reads back a 0. 1: Clears this Trip (set) condition. Reset type: SYSRSn
1	CBC	R-0/W1S	0h	Clear Flag for Cycle-By-Cycle (CBC) Trip Latch 0: Has no effect. Always reads back a 0. 1: Clears this Trip (set) condition. Reset type: SYSRSn

**Table 14-73. TZCLR Register Field Descriptions (continued)**

Bit	Field	Type	Reset	Description
0	INT	R-0/W1S	0h	Global Interrupt Clear Flag 0: Has no effect. Always reads back a 0. 1: Clears the trip-interrupt flag for this ePWM module (TZFLG[INT]). NOTE: No further EPWMx_TZINT PIE interrupts will be generated until the flag is cleared. If the TZFLG[INT] bit is cleared and any of the other flag bits are set, then another interrupt pulse will be generated. Clearing all flag bits will prevent further interrupts. Reset type: SYSRSn



### 14.15.2.53 TZCBCCLR Register (Offset = 98h) [Reset = 0000h]

TZCBCCLR is shown in [Figure 14-146](#) and described in [Table 14-74](#).

Return to the [Summary Table](#).

Trip Zone CBC Clear Register

**Figure 14-146. TZCBCCLR Register**

15	14	13	12	11	10	9	8
RESERVED							
R-0-0h							
7	6	5	4	3	2	1	0
DCBEVT2	DCAEVT2	CBC6	CBC5	CBC4	CBC3	CBC2	CBC1
R-0/W1S-0h	R-0/W1S-0h	R-0/W1S-0h	R-0/W1S-0h	R-0/W1S-0h	R-0/W1S-0h	R-0/W1S-0h	R-0/W1S-0h

**Table 14-74. TZCBCCLR Register Field Descriptions**

Bit	Field	Type	Reset	Description
15-8	RESERVED	R-0	0h	Reserved
7	DCBEVT2	R-0/W1S	0h	Clear Flag for Digital Compare Output B Event 2 selected for CBC 0: Writing a 0 has no effect. 1: Writing a 1 will clear the TZCBCFLG[DCBEVT2] bit. Reset type: SYSRSn
6	DCAEVT2	R-0/W1S	0h	Clear Flag for Digital Compare Output A Event 2 selected for CBC 0: Writing a 0 has no effect. 1: Writing a 1 will clear the TZCBCFLG[DCAEVT2] bit. Reset type: SYSRSn
5	CBC6	R-0/W1S	0h	Clear Flag for Cycle-By-Cycle (CBC6) Trip Latch 0: Writing a 0 has no effect. 1: Writing a 1 will clear the TZCBCFLG[CBC6] bit. Reset type: SYSRSn
4	CBC5	R-0/W1S	0h	Clear Flag for Cycle-By-Cycle (CBC5) Trip Latch 0: Writing a 0 has no effect. 1: Writing a 1 will clear the TZCBCFLG[CBC5] bit. Reset type: SYSRSn
3	CBC4	R-0/W1S	0h	Clear Flag for Cycle-By-Cycle (CBC4) Trip Latch 0: Writing a 0 has no effect. 1: Writing a 1 will clear the TZCBCFLG[CBC4] bit. Reset type: SYSRSn
2	CBC3	R-0/W1S	0h	Clear Flag for Cycle-By-Cycle (CBC3) Trip Latch 0: Writing a 0 has no effect. 1: Writing a 1 will clear the TZCBCFLG[CBC3] bit. Reset type: SYSRSn
1	CBC2	R-0/W1S	0h	Clear Flag for Cycle-By-Cycle (CBC2) Trip Latch 0: Writing a 0 has no effect. 1: Writing a 1 will clear the TZCBCFLG[CBC2] bit. Reset type: SYSRSn
0	CBC1	R-0/W1S	0h	Clear Flag for Cycle-By-Cycle (CBC1) Trip Latch 0: Writing a 0 has no effect. 1: Writing a 1 will clear the TZCBCFLG[CBC1] bit. Reset type: SYSRSn

**14.15.2.54 TZOSTCLR Register (Offset = 99h) [Reset = 0000h]**

 TZOSTCLR is shown in [Figure 14-147](#) and described in [Table 14-75](#).

 Return to the [Summary Table](#).

Trip Zone OST Clear Register

**Figure 14-147. TZOSTCLR Register**

15	14	13	12	11	10	9	8
RESERVED							
R-0-0h							
7	6	5	4	3	2	1	0
DCBEVT1	DCAEVT1	OST6	OST5	OST4	OST3	OST2	OST1
R-0/W1S-0h	R-0/W1S-0h	R-0/W1S-0h	R-0/W1S-0h	R-0/W1S-0h	R-0/W1S-0h	R-0/W1S-0h	R-0/W1S-0h

**Table 14-75. TZOSTCLR Register Field Descriptions**

Bit	Field	Type	Reset	Description
15-8	RESERVED	R-0	0h	Reserved
7	DCBEVT1	R-0/W1S	0h	Clear Flag for Digital Compare Output B Event 1 selected for OST 0: Writing a 0 has no effect. 1: Writing a 1 will clear the TZOSTFLG[DCBEVT1] bit. Reset type: SYSRSn
6	DCAEVT1	R-0/W1S	0h	Clear Flag for Digital Compare Output A Event 1 selected for OST 0: Writing a 0 has no effect. 1: Writing a 1 will clear the TZOSTFLG[DCAEVT1] bit. Reset type: SYSRSn
5	OST6	R-0/W1S	0h	Clear Flag for Oneshot (OST6) Trip Latch 0: Writing a 0 has no effect. 1: Writing a 1 will clear the TZOSTFLG[OST6] bit. Reset type: SYSRSn
4	OST5	R-0/W1S	0h	Clear Flag for Oneshot (OST5) Trip Latch 0: Writing a 0 has no effect. 1: Writing a 1 will clear the TZOSTFLG[OST5] bit. Reset type: SYSRSn
3	OST4	R-0/W1S	0h	Clear Flag for Oneshot (OST4) Trip Latch 0: Writing a 0 has no effect. 1: Writing a 1 will clear the TZOSTFLG[OST4] bit. Reset type: SYSRSn
2	OST3	R-0/W1S	0h	Clear Flag for Oneshot (OST3) Trip Latch 0: Writing a 0 has no effect. 1: Writing a 1 will clear the TZOSTFLG[OST3] bit. Reset type: SYSRSn
1	OST2	R-0/W1S	0h	Clear Flag for Oneshot (OST2) Trip Latch 0: Writing a 0 has no effect. 1: Writing a 1 will clear the TZOSTFLG[OST2] bit. Reset type: SYSRSn
0	OST1	R-0/W1S	0h	Clear Flag for Oneshot (OST1) Trip Latch 0: Writing a 0 has no effect. 1: Writing a 1 will clear the TZOSTFLG[OST1] bit. Reset type: SYSRSn

### 14.15.2.55 TZFRC Register (Offset = 9Bh) [Reset = 0000h]

TZFRC is shown in [Figure 14-148](#) and described in [Table 14-76](#).

Return to the [Summary Table](#).

Trip Zone Force Register

**Figure 14-148. TZFRC Register**

15	14	13	12	11	10	9	8
RESERVED							
R-0-0h							
7	6	5	4	3	2	1	0
RESERVED	DCBEVT2	DCBEVT1	DCAEVT2	DCAEVT1	OST	CBC	RESERVED
R-0-0h	R-0/W1S-0h	R-0/W1S-0h	R-0/W1S-0h	R-0/W1S-0h	R-0/W1S-0h	R-0/W1S-0h	R-0-0h

**Table 14-76. TZFRC Register Field Descriptions**

Bit	Field	Type	Reset	Description
15-7	RESERVED	R-0	0h	Reserved
6	DCBEVT2	R-0/W1S	0h	Force Flag for Digital Compare Output B Event 2 0: Writing 0 has no effect. This bit always reads back 0. 1: Writing 1 forces the DCBEVT2 event trip condition and sets the TZFLG[DCBEVT2] bit. Reset type: SYSRSn
5	DCBEVT1	R-0/W1S	0h	Force Flag for Digital Compare Output B Event 1 0: Writing 0 has no effect. This bit always reads back 0. 1: Writing 1 forces the DCBEVT1 event trip condition and sets the TZFLG[DCBEVT1] bit. Reset type: SYSRSn
4	DCAEVT2	R-0/W1S	0h	Force Flag for Digital Compare Output A Event 2 0: Writing 0 has no effect. This bit always reads back 0. 1: Writing 1 forces the DCAEVT2 event trip condition and sets the TZFLG[DCAEVT2] bit. Reset type: SYSRSn
3	DCAEVT1	R-0/W1S	0h	Force Flag for Digital Compare Output A Event 1 0: Writing 0 has no effect. This bit always reads back 0 1: Writing 1 forces the DCAEVT1 event trip condition and sets the TZFLG[DCAEVT1] bit. Reset type: SYSRSn
2	OST	R-0/W1S	0h	Force a One-Shot Trip Event via Software 0: Writing of 0 is ignored. Always reads back a 0. 1: Forces a one-shot trip event and sets the TZFLG[OST] bit. Reset type: SYSRSn
1	CBC	R-0/W1S	0h	Force a Cycle-by-Cycle Trip Event via Software 0: Writing of 0 is ignored. Always reads back a 0. 1: Forces a cycle-by-cycle trip event and sets the TZFLG[CBC] bit. Reset type: SYSRSn
0	RESERVED	R-0	0h	Reserved

### 14.15.2.56 ETSEL Register (Offset = A4h) [Reset = 0000h]

ETSEL is shown in [Figure 14-149](#) and described in [Table 14-77](#).

Return to the [Summary Table](#).

Event Trigger Selection Register

**Figure 14-149. ETSEL Register**

15	14	13	12	11	10	9	8
SOCBEN	SOCBSEL			SOCAEN	SOCASEL		
R/W-0h	R/W-0h			R/W-0h	R/W-0h		
7	6	5	4	3	2	1	0
RESERVED	INTSELCMP	SOCBSELCMP	SOCASELCMP	INTEN	INTSEL		
R-0-0h	R/W-0h	R/W-0h	R/W-0h	R/W-0h	R/W-0h		

**Table 14-77. ETSEL Register Field Descriptions**

Bit	Field	Type	Reset	Description
15	SOCBEN	R/W	0h	Enable the ADC Start of Conversion B (EPWMxSOCB) Pulse 0: Disable EPWMxSOCB. 1: Enable EPWMxSOCB pulse. Reset type: SYSRSn
14-12	SOCBSEL	R/W	0h	EPWMxSOCB Selection Options These bits determine when a EPWMxSOCB pulse will be generated. 000: Enable DCBEVT1.soc event 001: Enable event time-base counter equal to zero. (TBCTR = 0x00) 010: Enable event time-base counter equal to period (TBCTR = TBPRD) 011: Enable event time-base counter equal to zero or period (TBCTR = 0x00 or TBCTR = TBPRD). This mode is useful in up-down count mode. 100: Enable event time-base counter equal to CMPA when the timer is incrementing or CMPC when the timer is incrementing 101: Enable event time-base counter equal to CMPA when the timer is decrementing or CMPC when the timer is decrementing 110: Enable event: time-base counter equal to CMPB when the timer is incrementing or CMPD when the timer is incrementing 111: Enable event: time-base counter equal to CMPB when the timer is decrementing or CMPD when the timer is decrementing (*) Event selected is determined by SOCBSELCMP bit. Reset type: SYSRSn
11	SOCAEN	R/W	0h	Enable the ADC Start of Conversion A (EPWMxSOCA) Pulse 0: Disable EPWMxSOCA. 1: Enable EPWMxSOCA pulse. Reset type: SYSRSn

**Table 14-77. ETSEL Register Field Descriptions (continued)**

Bit	Field	Type	Reset	Description
10-8	SOCASEL	R/W	0h	<p>EPWMxSOCA Selection Options</p> <p>These bits determine when a EPWMxSOCA pulse will be generated.</p> <p>000: Enable DCAEVT1.soc event</p> <p>001: Enable event time-base counter equal to zero. (TBCTR = 0x00)</p> <p>010: Enable event time-base counter equal to period (TBCTR = TBPRD)</p> <p>011: Enable event time-base counter equal to zero or period (TBCTR = 0x00 or TBCTR = TBPRD). This mode is useful in up-down count mode.</p> <p>100: Enable event time-base counter equal to CMPA when the timer is incrementing or CMPC when the timer is incrementing</p> <p>101: Enable event time-base counter equal to CMPA when the timer is decrementing or CMPC when the timer is decrementing</p> <p>110: Enable event: time-base counter equal to CMPB when the timer is incrementing or CMPD when the timer is incrementing</p> <p>111: Enable event: time-base counter equal to CMPB when the timer is decrementing or CMPD when the timer is decrementing (*) Event selected is determined by SOCASELCMP bit.</p> <p>Reset type: SYSRSn</p>
7	RESERVED	R-0	0h	Reserved
6	INTSELCMP	R/W	0h	<p>EPWMxINT Compare Register Selection Options</p> <p>0: Enable event time-base counter equal to CMPA when the timer is incrementing / Enable event time-base counter equal to CMPA when the timer is decrementing / Enable event: time-base counter equal to CMPB when the timer is incrementing / Enable event: time-base counter equal to CMPB when the timer is decrementing to INTSEL selection mux.</p> <p>1: Enable event time-base counter equal to CMPC when the timer is incrementing / Enable event time-base counter equal to CMPC when the timer is decrementing / Enable event: time-base counter equal to CMPD when the timer is incrementing / Enable event: time-base counter equal to CMPD when the timer is decrementing to INTSEL selection mux.</p> <p>Reset type: SYSRSn</p>
5	SOCBSELCMP	R/W	0h	<p>EPWMxSOCA Compare Register Selection Options</p> <p>0: Enable event time-base counter equal to CMPA when the timer is incrementing / Enable event time-base counter equal to CMPA when the timer is decrementing / Enable event: time-base counter equal to CMPB when the timer is incrementing / Enable event: time-base counter equal to CMPB when the timer is decrementing to SOCBSEL selection mux.</p> <p>1: Enable event time-base counter equal to CMPC when the timer is incrementing / Enable event time-base counter equal to CMPC when the timer is decrementing / Enable event: time-base counter equal to CMPD when the timer is incrementing / Enable event: time-base counter equal to CMPD when the timer is decrementing to SOCBSEL selection mux.</p> <p>Reset type: SYSRSn</p>
4	SOCASELCMP	R/W	0h	<p>EPWMxSOCA Compare Register Selection Options</p> <p>0: Enable event time-base counter equal to CMPA when the timer is incrementing / Enable event time-base counter equal to CMPA when the timer is decrementing / Enable event: time-base counter equal to CMPB when the timer is incrementing / Enable event: time-base counter equal to CMPB when the timer is decrementing to SOCASEL selection mux.</p> <p>1: Enable event time-base counter equal to CMPC when the timer is incrementing / Enable event time-base counter equal to CMPC when the timer is decrementing / Enable event: time-base counter equal to CMPD when the timer is incrementing / Enable event: time-base counter equal to CMPD when the timer is decrementing to SOCASEL selection mux.</p> <p>Reset type: SYSRSn</p>

**Table 14-77. ETSEL Register Field Descriptions (continued)**

Bit	Field	Type	Reset	Description
3	INTEN	R/W	0h	Enable ePWM Interrupt (EPWMx_INT) Generation 0: Disable EPWMx_INT generation 1: Enable EPWMx_INT generation Reset type: SYSRSn
2-0	INTSEL	R/W	0h	ePWM Interrupt (EPWMx_INT) Selection Options 000: Reserved 001: Enable event time-base counter equal to zero. (TBCTR = 0x00) 010: Enable event time-base counter equal to period (TBCTR = TBPRD) 011: Enable event time-base counter equal to zero or period (TBCTR = 0x00 or TBCTR = TBPRD). This mode is useful in up-down count mode. 100: Enable event time-base counter equal to CMPA when the timer is incrementing or CMPC when the timer is incrementing 101: Enable event time-base counter equal to CMPA when the timer is decrementing or CMPC when the timer is decrementing 110: Enable event: time-base counter equal to CMPB when the timer is incrementing or CMPD when the timer is incrementing 111: Enable event: time-base counter equal to CMPB when the timer is decrementing or CMPD when the timer is decrementing (*) Event selected is determined by INTSELCMP bit. Reset type: SYSRSn

### 14.15.2.57 ETPS Register (Offset = A6h) [Reset = 0000h]

ETPS is shown in [Figure 14-150](#) and described in [Table 14-78](#).

Return to the [Summary Table](#).

Event Trigger Pre-Scale Register

**Figure 14-150. ETPS Register**

15	14	13	12	11	10	9	8
SOCBCNT		SOCBPRD		SOCACNT		SOCAPRD	
R-0h		R/W-0h		R-0h		R/W-0h	
7	6	5	4	3	2	1	0
RESERVED		SOCPSSEL	INTPSSEL	INTCNT		INTPRD	
R-0-0h		R/W-0h	R/W-0h	R-0h		R/W-0h	

**Table 14-78. ETPS Register Field Descriptions**

Bit	Field	Type	Reset	Description
15-14	SOCBCNT	R	0h	ePWM ADC Start-of-Conversion B Event (EPWMxSOCB) Counter Register These bits indicate how many selected ETSEL[SOCBSEL] events have occurred: 00: No events have occurred. 01: 1 event has occurred. 10: 2 events have occurred. 11: 3 events have occurred. Reset type: SYSRSn
13-12	SOCBPRD	R/W	0h	ePWM ADC Start-of-Conversion B Event (EPWMxSOCB) Period Select These bits determine how many selected ETSEL[SOCBSEL] events need to occur before an EPWMxSOCB pulse is generated. To be generated, the pulse must be enabled (ETSEL[SOCBEN] = 1). The SOCB pulse will be generated even if the status flag is set from a previous start of conversion (ETFLG[SOCB] = 1). Once the SOCB pulse is generated, the ETPS[SOCBCNT] bits will automatically be cleared. 00: Disable the SOCB event counter. No EPWMxSOCB pulse will be generated 01: Generate the EPWMxSOCB pulse on the first event: ETPS[SOCBCNT] = 0,1 10: Generate the EPWMxSOCB pulse on the second event: ETPS[SOCBCNT] = 1,0 11: Generate the EPWMxSOCB pulse on the third event: ETPS[SOCBCNT] = 1,1 Reset type: SYSRSn
11-10	SOCACNT	R	0h	ePWM ADC Start-of-Conversion A Event (EPWMxSOCA) Counter Register These bits indicate how many selected ETSEL[SOCASEL] events have occurred: 00: No events have occurred. 01: 1 event has occurred. 10: 2 events have occurred. 11: 3 events have occurred. Reset type: SYSRSn

**Table 14-78. ETPS Register Field Descriptions (continued)**

Bit	Field	Type	Reset	Description
9-8	SOCAPRD	R/W	0h	<p>ePWM ADC Start-of-Conversion A Event (EPWMxSOCA) Period Select</p> <p>These bits determine how many selected ETSEL[SOCASEL] events need to occur before an EPWMxSOCA pulse is generated. To be generated, the pulse must be enabled (ETSEL[SOCAEN] = 1). The SOCA pulse will be generated even if the status flag is set from a previous start of conversion (ETFLG[SOCA] = 1). Once the SOCA pulse is generated, the ETPS[SOCACNT] bits will automatically be cleared.</p> <p>00: Disable the SOCA event counter. No EPWMxSOCA pulse will be generated</p> <p>01: Generate the EPWMxSOCA pulse on the first event: ETPS[SOCACNT] = 0,1</p> <p>10: Generate the EPWMxSOCA pulse on the second event: ETPS[SOCACNT] = 1,0</p> <p>11: Generate the EPWMxSOCA pulse on the third event: ETPS[SOCACNT] = 1,1</p> <p>Reset type: SYSRSn</p>
7-6	RESERVED	R-0	0h	Reserved
5	SOCPSSEL	R/W	0h	<p>EPWMxSOC A/B Pre-Scale Selection Bits</p> <p>0: Selects ETPS [SOCACNT/SOCBCNT] and [SOCAPRD/SOCBPRD] registers to determine frequency of events (SOC pulse once every 0-3 events).</p> <p>1: Selects ETSOCPS [SOCACNT2/SOCBCNT2] and [SOCAPRD2/SOCBPRD2] registers to determine frequency of events (SOC pulse once every 0-15 events).</p> <p>Reset type: SYSRSn</p>
4	INTPSEL	R/W	0h	<p>EPWMxINTn Pre-Scale Selection Bits</p> <p>0: Selects ETPS [INTCNT, and INTPRD] registers to determine frequency of events (interrupt once every 0-3 events).</p> <p>1: Selects ETINTPS [ INTCNT2, and INTPRD2 ] registers to determine frequency of events (interrupt once every 0-15 events).</p> <p>Reset type: SYSRSn</p>
3-2	INTCNT	R	0h	<p>ePWM Interrupt Event (EPWMx_INT) Counter Register</p> <p>These bits indicate how many selected ETSEL[INTSEL] events have occurred. These bits are automatically cleared when an interrupt pulse is generated. If interrupts are disabled, ETSEL[INT] = 0 or the interrupt flag is set, ETFLG[INT] = 1, the counter will stop counting events when it reaches the period value ETPS[INTCNT] = ETPS[INTPRD].</p> <p>00: No events have occurred.</p> <p>01: 1 event has occurred.</p> <p>10: 2 events have occurred.</p> <p>11: 3 events have occurred.</p> <p>Reset type: SYSRSn</p>



**Table 14-78. ETPS Register Field Descriptions (continued)**

Bit	Field	Type	Reset	Description
1-0	INTPRD	R/W	0h	<p>ePWM Interrupt (EPWMx_INT) Period Select</p> <p>These bits determine how many selected ETSEL[INTSEL] events need to occur before an interrupt is generated. To be generated, the interrupt must be enabled (ETSEL[INT] = 1). If the interrupt status flag is set from a previous interrupt (ETFLG[INT] = 1) then no interrupt will be generated until the flag is cleared via the ETCLR[INT] bit. This allows for one interrupt to be pending while another is still being serviced. Once the interrupt is generated, the ETPS[INTCNT] bits will automatically be cleared.</p> <p>Writing a INTPRD value that is the same as the current counter value will trigger an interrupt if it is enabled and the status flag is clear.</p> <p>Writing a INTPRD value that is less than the current counter value will result in an undefined state. If a counter event occurs at the same instant as a new zero or non-zero INTPRD value is written, the counter is incremented.</p> <p>00: Disable the interrupt event counter. No interrupt will be generated and ETFRC[INT] is ignored.</p> <p>01: Generate an interrupt on the first event INTCNT = 01 (first event)</p> <p>10: Generate interrupt on ETPS[INTCNT] = 1,0 (second event)</p> <p>11: Generate interrupt on ETPS[INTCNT] = 1,1 (third event)</p> <p>Reset type: SYSRSn</p>

### 14.15.2.58 ETFLG Register (Offset = A8h) [Reset = 0000h]

ETFLG is shown in [Figure 14-151](#) and described in [Table 14-79](#).

Return to the [Summary Table](#).

Event Trigger Flag Register

**Figure 14-151. ETFLG Register**

15	14	13	12	11	10	9	8
RESERVED							
R-0-0h							
7	6	5	4	3	2	1	0
RESERVED				SOCB	SOCA	RESERVED	INT
R-0-0h				R-0h	R-0h	R-0-0h	R-0h

**Table 14-79. ETFLG Register Field Descriptions**

Bit	Field	Type	Reset	Description
15-4	RESERVED	R-0	0h	Reserved
3	SOCB	R	0h	Latched ePWM ADC Start-of-Conversion A (EPWMxSOCB) Status Flag Unlike the ETFLG[INT] flag, the EPWMxSOCB output will continue to pulse even if the flag bit is set. 0: Indicates no event occurred 1: Indicates that a start of conversion pulse was generated on EPWMxSOCB. The EPWMxSOCB output will continue to be generated even if the flag bit is set. Reset type: SYSRSn
2	SOCA	R	0h	Latched ePWM ADC Start-of-Conversion A (EPWMxSOCA) Status Flag Unlike the ETFLG[INT] flag, the EPWMxSOCA output will continue to pulse even if the flag bit is set. 0: Indicates no event occurred 1: Indicates that a start of conversion pulse was generated on EPWMxSOCA. The EPWMxSOCA output will continue to be generated even if the flag bit is set. Reset type: SYSRSn
1	RESERVED	R-0	0h	Reserved
0	INT	R	0h	Latched ePWM Interrupt (EPWMx_INT) Status Flag 0: Indicates no event occurred 1: Indicates that an ePWMx interrupt (EPWMx_INT) was generated. No further interrupts will be generated until the flag bit is cleared. Up to one interrupt can be pending while the ETFLG[INT] bit is still set. If an interrupt is pending, it will not be generated until after the ETFLG[INT] bit is cleared. Reset type: SYSRSn

### 14.15.2.59 ETCLR Register (Offset = AAh) [Reset = 0000h]

ETCLR is shown in [Figure 14-152](#) and described in [Table 14-80](#).

Return to the [Summary Table](#).

Event Trigger Clear Register

**Figure 14-152. ETCLR Register**

15	14	13	12	11	10	9	8
RESERVED							
R-0-0h							
7	6	5	4	3	2	1	0
RESERVED				SOCB	SOCA	RESERVED	INT
R-0-0h				R-0/W1S-0h	R-0/W1S-0h	R-0-0h	R-0/W1S-0h

**Table 14-80. ETCLR Register Field Descriptions**

Bit	Field	Type	Reset	Description
15-4	RESERVED	R-0	0h	Reserved
3	SOCB	R-0/W1S	0h	ePWM ADC Start-of-Conversion A (EPWMxSOCB) Flag Clear Bit 0: Writing a 0 has no effect. Always reads back a 0 1: Clears the ETFLG[SOCB] flag bit Reset type: SYSRSn
2	SOCA	R-0/W1S	0h	ePWM ADC Start-of-Conversion A (EPWMxSOCA) Flag Clear Bit 0: Writing a 0 has no effect. Always reads back a 0 1: Clears the ETFLG[SOCA] flag bit Reset type: SYSRSn
1	RESERVED	R-0	0h	Reserved
0	INT	R-0/W1S	0h	ePWM Interrupt (EPWMx_INT) Flag Clear Bit 0: Writing a 0 has no effect. Always reads back a 0 1: Clears the ETFLG[INT] flag bit and enable further interrupts pulses to be generated Reset type: SYSRSn

### 14.15.2.60 ETFRC Register (Offset = ACh) [Reset = 0000h]

ETFRC is shown in [Figure 14-153](#) and described in [Table 14-81](#).

Return to the [Summary Table](#).

Event Trigger Force Register

**Figure 14-153. ETFRC Register**

15	14	13	12	11	10	9	8
RESERVED							
R-0-0h							
7	6	5	4	3	2	1	0
RESERVED				SOCB	SOCA	RESERVED	INT
R-0-0h				R-0/W1S-0h	R-0/W1S-0h	R-0-0h	R-0/W1S-0h

**Table 14-81. ETFRC Register Field Descriptions**

Bit	Field	Type	Reset	Description
15-4	RESERVED	R-0	0h	Reserved
3	SOCB	R-0/W1S	0h	SOCB Force Bit The SOCB pulse will only be generated if the event is enabled in the ETSEL register. The ETFLG[SOCB] flag bit will be set regardless. 0: Writing 0 to this bit will be ignored. Always reads back a 0. 1: Generates a pulse on EPWMxSOCB and set the SOCBFLG bit. This bit is used for test purposes. Reset type: SYSRSn
2	SOCA	R-0/W1S	0h	SOCA Force Bit The SOCA pulse will only be generated if the event is enabled in the ETSEL register. The ETFLG[SOCA] flag bit will be set regardless. 0: Writing 0 to this bit will be ignored. Always reads back a 0. 1: Generates a pulse on EPWMxSOCA and set the SOCAFLG bit. This bit is used for test purposes. Reset type: SYSRSn
1	RESERVED	R-0	0h	Reserved
0	INT	R-0/W1S	0h	INT Force Bit The interrupt will only be generated if the event is enabled in the ETSEL register. The INT flag bit will be set regardless. 0: Writing 0 to this bit will be ignored. Always reads back a 0. 1: Generates an interrupt on EPWMxINT and set the INT flag bit. This bit is used for test purposes. Reset type: SYSRSn

### 14.15.2.61 ETINTPS Register (Offset = AEh) [Reset = 0000h]

ETINTPS is shown in [Figure 14-154](#) and described in [Table 14-82](#).

Return to the [Summary Table](#).

Event-Trigger Interrupt Pre-Scale Register

**Figure 14-154. ETINTPS Register**

15	14	13	12	11	10	9	8
RESERVED							
R-0-0h							
7	6	5	4	3	2	1	0
INTCNT2				INTPRD2			
R-0h				R/W-0h			

**Table 14-82. ETINTPS Register Field Descriptions**

Bit	Field	Type	Reset	Description
15-8	RESERVED	R-0	0h	Reserved
7-4	INTCNT2	R	0h	EPWMxINT Counter 2 When ETPS[INTPSSEL]=1, these bits indicate how many selected events have occurred: 0000: No events 0001: 1 event 0010: 2 events 0011: 3 events 0100: 4 events ... 1111: 15 events Reset type: SYSRSn
3-0	INTPRD2	R/W	0h	EPWMxINT Period 2 Select When ETPS[INTPSSEL] = 1, these bits select how many selected events need to occur before an interrupt is generated: 0000: Disable counter 0001: Generate interrupt on INTCNT = 1 (first event) 0010: Generate interrupt on INTCNT = 2 (second event) 0011: Generate interrupt on INTCNT = 3 (third event) 0100: Generate interrupt on INTCNT = 4 (fourth event) ... 1111: Generate interrupt on INTCNT = 15 (fifteenth event) Reset type: SYSRSn

### 14.15.2.62 ETSOCPS Register (Offset = B0h) [Reset = 0000h]

ETSOCPS is shown in [Figure 14-155](#) and described in [Table 14-83](#).

Return to the [Summary Table](#).

Event-Trigger SOC Pre-Scale Register

**Figure 14-155. ETSOCPS Register**

15	14	13	12	11	10	9	8
SOCBCNT2				SOCBPRD2			
R-0h				R/W-0h			
7	6	5	4	3	2	1	0
SOCACNT2				SOCAPRD2			
R-0h				R/W-0h			

**Table 14-83. ETSOCPS Register Field Descriptions**

Bit	Field	Type	Reset	Description
15-12	SOCBCNT2	R	0h	EPWMxSOCB Counter 2 When ETPS[SOCPSSEL] = 1, these bits indicate how many selected events have occurred: 0000: No events 0001: 1 event 0010: 2 events 0011: 3 events 0100: 4 events ... 1111: 15 events Reset type: SYSRSn
11-8	SOCBPRD2	R/W	0h	EPWMxSOCB Period 2 Select When ETPS[SOCPSSEL] = 1, these bits select how many selected event need to occur before an SOCB pulse is generated: 0000: Disable counter 0001: Generate SOC pulse on SOCBCNT2 = 1 (first event) 0010: Generate SOC pulse on SOCBCNT2 = 2 (second event) 0011: Generate SOC pulse on SOCBCNT2 = 3 (third event) 0100: Generate SOC pulse on SOCBCNT2 = 4 (fourth event) ... 1111: Generate SOC pulse on SOCBCNT2 = 15 (fifteenth event) Reset type: SYSRSn
7-4	SOCACNT2	R	0h	EPWMxSOCA Counter 2 When ETPS[SOCPSSEL] = 1, these bits indicate how many selected events have occurred: 0000: No events 0001: 1 event 0010: 2 events 0011: 3 events 0100: 4 events ... 1111: 15 events Reset type: SYSRSn

**Table 14-83. ETSOCPS Register Field Descriptions (continued)**

Bit	Field	Type	Reset	Description
3-0	SOCAPRD2	R/W	0h	EPWMxSOCA Period 2 Select When ETPS[SOCPSSEL] = 1, these bits select how many selected event need to occur before an SOCA pulse is generated: 0000: Disable counter 0001: Generate SOC pulse on SOCACNT2 = 1 (first event) 0010: Generate SOC pulse on SOCACNT2 = 2 (second event) 0011: Generate SOC pulse on SOCACNT2 = 3 (third event) 0100: Generate SOC pulse on SOCACNT2 = 4 (fourth event) ... 1111: Generate SOC pulse on SOCACNT2 = 15 (fifteenth event) Reset type: SYSRSn

### 14.15.2.63 ETCNTINITCTL Register (Offset = B2h) [Reset = 0000h]

ETCNTINITCTL is shown in [Figure 14-156](#) and described in [Table 14-84](#).

Return to the [Summary Table](#).

Event-Trigger Counter Initialization Control Register

**Figure 14-156. ETCNTINITCTL Register**

15		14		13		12		11		10		9		8	
SOCBINITEN		SOCAINITEN		INTINITEN		SOCBINITFRC		SOCAINITFRC		INTINITFRC		RESERVED			
R/W-0h		R/W-0h		R/W-0h		R-0/W1S-0h		R-0/W1S-0h		R-0/W1S-0h		R-0-0h			
7		6		5		4		3		2		1		0	
RESERVED															
R-0-0h															

**Table 14-84. ETCNTINITCTL Register Field Descriptions**

Bit	Field	Type	Reset	Description
15	SOCBINITEN	R/W	0h	EPWMxSOCB Counter 2 Initialization Enable 0: Has no effect. 1: Enable initialization of EPWMxSOCB counter with contents of ETCNTINIT[SOCBINIT] on a SYNC event or software force. Reset type: SYSRSn
14	SOCAINITEN	R/W	0h	EPWMxSOCA Counter 2 Initialization Enable 0: Has no effect. 1: Enable initialization of EPWMxSOCA counter with contents of ETCNTINIT[SOCAINIT] on a SYNC event or software force. Reset type: SYSRSn
13	INTINITEN	R/W	0h	EPWMxINT Counter 2 Initialization Enable 0: Has no effect. 1: Enable initialization of EPWMxINT counter 2 with contents of ETCNTINIT[INTINIT] on a SYNC event or software force. Reset type: SYSRSn
12	SOCBINITFRC	R-0/W1S	0h	EPWMxSOCB Counter 2 Initialization Force 0: Has no effect. 1: This bit forces the ET EPWMxSOCB counter to be initialized with the contents of ETCNTINIT[SOCBINIT]. Reset type: SYSRSn
11	SOCAINITFRC	R-0/W1S	0h	EPWMxSOCA Counter 2 Initialization Force 0: Has no effect. 1: This bit forces the ET EPWMxSOCA counter to be initialized with the contents of ETCNTINIT[SOCAINIT]. Reset type: SYSRSn
10	INTINITFRC	R-0/W1S	0h	EPWMxINT Counter 2 Initialization Force 0: Has no effect. 1: This bit forces the ET EPWMxINT counter to be initialized with the contents of ETCNTINIT[INTINIT]. Reset type: SYSRSn
9-0	RESERVED	R-0	0h	Reserved



#### 14.15.2.64 ETCNTINIT Register (Offset = B4h) [Reset = 0000h]

ETCNTINIT is shown in [Figure 14-157](#) and described in [Table 14-85](#).

Return to the [Summary Table](#).

Event-Trigger Counter Initialization Register

**Figure 14-157. ETCNTINIT Register**

15	14	13	12	11	10	9	8
RESERVED				SOCBINIT			
R-0h				R/W-0h			
7	6	5	4	3	2	1	0
SOCAINIT				INTINIT			
R/W-0h				R/W-0h			

**Table 14-85. ETCNTINIT Register Field Descriptions**

Bit	Field	Type	Reset	Description
15-12	RESERVED	R	0h	Reserved
11-8	SOCBINIT	R/W	0h	EPWMxSOCB Counter 2 Initialization Bits The ET EPWMxSOCB counter is initialized with the contents of this register on an ePWM SYNC event or a software force. Reset type: SYSRSn
7-4	SOCAINIT	R/W	0h	EPWMxSOCA Counter 2 Initialization Bits The ET EPWMxSOCA counter is initialized with the contents of this register on an ePWM SYNC event or a software force. Reset type: SYSRSn
3-0	INTINIT	R/W	0h	EPWMxINT Counter 2 Initialization Bits The ET EPWMxINT counter is initialized with the contents of this register on an ePWM SYNC event or a software force. Reset type: SYSRSn

### 14.15.2.65 DCTRIPSEL Register (Offset = C0h) [Reset = 0000h]

DCTRIPSEL is shown in [Figure 14-158](#) and described in [Table 14-86](#).

Return to the [Summary Table](#).

Digital Compare Trip Select Register

**Figure 14-158. DCTRIPSEL Register**

15	14	13	12	11	10	9	8
DCBLCOMPSEL				DCBHCOMPSEL			
R/W-0h				R/W-0h			
7	6	5	4	3	2	1	0
DCALCOMPSEL				DCAHCOMPSEL			
R/W-0h				R/W-0h			

**Table 14-86. DCTRIPSEL Register Field Descriptions**

Bit	Field	Type	Reset	Description
15-12	DCBLCOMPSEL	R/W	0h	Digital Compare B Low Input Select Bits 0000: TRIPIN1 0001: TRIPIN2 0010: TRIPIN3 0011: TRIPIN4 ... 1011: TRIPIN12 1100: Reserved 1101: TRIPIN14 1110: TRIPIN15 1111: Trip combination input (all trip inputs selected by DCBLTRIPSEL register ORed together) Reset type: SYSRSn
11-8	DCBHCOMPSEL	R/W	0h	Digital Compare B High Input Select Bits 0000: TRIPIN1 0001: TRIPIN2 0010: TRIPIN3 0011: TRIPIN4 ... 1011: TRIPIN12 1100: Reserved 1101: TRIPIN14 1110: TRIPIN15 1111: Trip combination input (all trip inputs selected by DCBHTRIPSEL register ORed together) Reset type: SYSRSn
7-4	DCALCOMPSEL	R/W	0h	Digital Compare A Low Input Select Bits 0000: TRIPIN1 0001: TRIPIN2 0010: TRIPIN3 0011: TRIPIN4 ... 1011: TRIPIN12 1100: Reserved 1101: TRIPIN14 1110: TRIPIN15 1111: Trip combination input (all trip inputs selected by DCALTRIPSEL register ORed together) Reset type: SYSRSn

**Table 14-86. DCTRIPSEL Register Field Descriptions (continued)**

Bit	Field	Type	Reset	Description
3-0	DCAHCOMPSEL	R/W	0h	Digital Compare A High Input Select Bits 0000: TRIPIN1 0001: TRIPIN2 0010: TRIPIN3 0011: TRIPIN4 ... 1011: TRIPIN12 1100: Reserved 1101: TRIPIN14 1110: TRIPIN15 1111: Trip combination input (all trip inputs selected by DCAHTRIPSEL register ORed together) Reset type: SYSRSn

**14.15.2.66 DCACTL Register (Offset = C3h) [Reset = 0000h]**

 DCACTL is shown in [Figure 14-159](#) and described in [Table 14-87](#).

 Return to the [Summary Table](#).

Digital Compare A Control Register

**Figure 14-159. DCACTL Register**

15	14	13	12	11	10	9	8
RESERVED						EVT2FRCSYN CSEL	EVT2SRCSEL
R-0-0h						R/W-0h	R/W-0h
7	6	5	4	3	2	1	0
RESERVED				EVT1SYNCE	EVT1SOCE	EVT1FRCSYN CSEL	EVT1SRCSEL
R-0-0h				R/W-0h	R/W-0h	R/W-0h	R/W-0h

**Table 14-87. DCACTL Register Field Descriptions**

Bit	Field	Type	Reset	Description
15-10	RESERVED	R-0	0h	Reserved
9	EVT2FRCSYNCSSEL	R/W	0h	DCAEVT2 Force Synchronization Signal Select 0: Source is synchronized with EPWMCLK 1: Source is passed through asynchronously Reset type: SYSRSn
8	EVT2SRCSEL	R/W	0h	DCAEVT2 Source Signal Select 0: Source Is DCAEVT2 Signal 1: Source Is DCEVTFILT Signal Reset type: SYSRSn
7-4	RESERVED	R-0	0h	Reserved
3	EVT1SYNCE	R/W	0h	DCAEVT1 SYNC, Enable/Disable 0: SYNC Generation Disabled 1: SYNC Generation Enabled Reset type: SYSRSn
2	EVT1SOCE	R/W	0h	DCAEVT1 SOC, Enable/Disable 0: SOC Generation Disabled 1: SOC Generation Enabled Reset type: SYSRSn
1	EVT1FRCSYNCSSEL	R/W	0h	DCAEVT1 Force Synchronization Signal Select 0: Source is synchronized with EPWMCLK 1: Source is passed through asynchronously Reset type: SYSRSn
0	EVT1SRCSEL	R/W	0h	DCAEVT1 Source Signal Select 0: Source Is DCAEVT1 Signal 1: Source Is DCEVTFILT Signal Reset type: SYSRSn

### 14.15.2.67 DCBCTL Register (Offset = C4h) [Reset = 0000h]

DCBCTL is shown in [Figure 14-160](#) and described in [Table 14-88](#).

Return to the [Summary Table](#).

Digital Compare B Control Register

**Figure 14-160. DCBCTL Register**

15	14	13	12	11	10	9	8
RESERVED						EVT2FRCSYN CSEL	EVT2SRCSEL
R-0-0h						R/W-0h	R/W-0h
7	6	5	4	3	2	1	0
RESERVED				EVT1SYNCE	EVT1SOCE	EVT1FRCSYN CSEL	EVT1SRCSEL
R-0-0h				R/W-0h	R/W-0h	R/W-0h	R/W-0h

**Table 14-88. DCBCTL Register Field Descriptions**

Bit	Field	Type	Reset	Description
15-10	RESERVED	R-0	0h	Reserved
9	EVT2FRCSYNCSSEL	R/W	0h	DCBEVT2 Force Synchronization Signal Select 0: Source is synchronized with EPWMCLK 1: Source is passed through asynchronously Reset type: SYSRSn
8	EVT2SRCSEL	R/W	0h	DCBEVT2 Source Signal Select 0: Source Is DCBEVT2 Signal 1: Source Is DCEVTFILT Signal Reset type: SYSRSn
7-4	RESERVED	R-0	0h	Reserved
3	EVT1SYNCE	R/W	0h	DCBEVT1 SYNC, Enable/Disable 0: SYNC Generation Disabled 1: SYNC Generation Enabled Reset type: SYSRSn
2	EVT1SOCE	R/W	0h	DCBEVT1 SOC, Enable/Disable 0: SOC Generation Disabled 1: SOC Generation Enabled Reset type: SYSRSn
1	EVT1FRCSYNCSSEL	R/W	0h	DCBEVT1 Force Synchronization Signal Select 0: Source is synchronized with EPWMCLK 1: Source is passed through asynchronously Reset type: SYSRSn
0	EVT1SRCSEL	R/W	0h	DCBEVT1 Source Signal Select 0: Source Is DCBEVT1 Signal 1: Source Is DCEVTFILT Signal Reset type: SYSRSn

### 14.15.2.68 DCFCTL Register (Offset = C7h) [Reset = 0000h]

DCFCTL is shown in [Figure 14-161](#) and described in [Table 14-89](#).

Return to the [Summary Table](#).

Digital Compare Filter Control Register

**Figure 14-161. DCFCTL Register**

15	14	13	12	11	10	9	8
EDGESTATUS			EDGECOUNT			EDGEMODE	
R-0h			R/W-0h			R/W-0h	
7	6	5	4	3	2	1	0
RESERVED	EDGEFILTSEL	PULSESEL		BLANKINV	BLANKE	SRCSEL	
R-0-0h	R/W-0h	R/W-0h		R/W-0h	R/W-0h	R/W-0h	

**Table 14-89. DCFCTL Register Field Descriptions**

Bit	Field	Type	Reset	Description
15-13	EDGESTATUS	R	0h	Edge Status: These bits reflect the total number of edges currently captured. When the value matches the EDGECOUNT, the status bits are set to zero, and a TBCLK wide pulse is generated which can then be output on the DCEVTFILT signal. The edge counter can be reset by writing 000 to the EDGECOUNT value: Reset type: SYSRSn
12-10	EDGECOUNT	R/W	0h	Edge Count: These bits select how many edges to count before generating a TBCLK wide pulse on the DCEVTFILT signal: 000: no edges, reset current EDGESTATUS bits to 0,0,0 001: 1 edge 010: 2 edges 011: 3 edges 100: 4 edges 101: 5 edges 110: 6 edges 111: 7 edges Reset type: SYSRSn
9-8	EDGEMODE	R/W	0h	Edge Mode Select: 00: Low To High Edge 01: High To Low Edge 10: Both Edges 11: Reserved Reset type: SYSRSn
7	RESERVED	R-0	0h	Reserved
6	EDGEFILTSEL	R/W	0h	Edge Filter Select: 0: Edge Filter Not Selected 1: Edge Filter Selected Reset type: SYSRSn
5-4	PULSESEL	R/W	0h	Pulse Select For Blanking & Capture Alignment 00: Time-base counter equal to period (TBCTR = TBPRD) 01: Time-base counter equal to zero (TBCTR = 0x00) 10: Time-base counter equal to zero (TBCTR = 0x00) or period (TBCTR = TBPRD) 11: Reserved Reset type: SYSRSn
3	BLANKINV	R/W	0h	Blanking Window Inversion 0: Blanking window not inverted 1: Blanking window inverted Reset type: SYSRSn

**Table 14-89. DCFCTL Register Field Descriptions (continued)**

Bit	Field	Type	Reset	Description
2	BLANKE	R/W	0h	Blanking Window Enable/Disable 0: Blanking window is disabled 1: Blanking window is enabled Reset type: SYSRSn
1-0	SRCSEL	R/W	0h	Filter Block Signal Source Select 00: Source Is DCAEVT1 Signal 01: Source Is DCAEVT2 Signal 10: Source Is DCBEVT1 Signal 11: Source Is DCBEVT2 Signal Reset type: SYSRSn

### 14.15.2.69 DCCAPCTL Register (Offset = C8h) [Reset = 0000h]

DCCAPCTL is shown in [Figure 14-162](#) and described in [Table 14-90](#).

Return to the [Summary Table](#).

Digital Compare Capture Control Register

**Figure 14-162. DCCAPCTL Register**

15		14		13		12		11		10		9		8	
CAPMODE		CAPCLR		CAPSTS		RESERVED									
R/W-0h		R-0/W1S-0h		R-0h		R-0-0h									
7		6		5		4		3		2		1		0	
RESERVED												SHDWMODE		CAPE	
R-0-0h												R/W-0h		R/W-0h	

**Table 14-90. DCCAPCTL Register Field Descriptions**

Bit	Field	Type	Reset	Description
15	CAPMODE	R/W	0h	<p>Counter Capture Mode</p> <p>0: When a DCEVTFILT occurs and the counter capture is enabled, then the current TBCNT value is captured in the active register. When the respective trip event occurs, further trip (capture) events are ignored until the next PRD_eq or CNT_zero event (as selected by the PULSESEL bit in the DCFCTL register) re-triggers the capture mechanism.</p> <p>If active mode is enabled, via SHDWMODE bit in DCCAPCTL register, CPU reads of this register will return the active register value.</p> <p>If shadow mode is enabled, via SHDWMODE bit in DCCAPCTL register, the active register is copied to the shadow register on the PRD_eq or CNT_zero event (whichever is selected by PULSESEL bit in DCFCTL register). CPU reads of this register will return the shadow register value.</p> <p>1: When a DCEVTFILT occurs and the counter capture is enabled, then the current TBCNT value is captured in the active register. When the respective trip event occurs - it will set the CAPSTS flag and further trip (capture) events are ignored until this bit is cleared. CAPSTS can be cleared by writing to CAPCLR bit in DCCAPCTL register and it re-triggers the capture mechanism.</p> <p>If active mode is enabled, via SHDWMODE bit in DCCAPCTL register, CPU reads of this register will return the active register value.</p> <p>If shadow mode is enabled, via SHDWMODE bit in DCCAPCTL register, the active register is copied to the shadow register on the PRD_eq or CNT_zero event (whichever is selected by PULSESEL bit in DCFCTL register). CPU reads of this register will return the shadow register value.</p> <p>Reset type: SYSRSn</p>
14	CAPCLR	R-0/W1S	0h	<p>DC Capture Latched Status Clear Flag</p> <p>0: Writing a 0 has no effect.</p> <p>1: Writing a 1 will clear this CAPSTS (set) condition.</p> <p>Reset type: SYSRSn</p>
13	CAPSTS	R	0h	<p>Latched Status Flag for Capture Event</p> <p>0: No DC capture event occurred.</p> <p>1: A DC capture event has occurred.</p> <p>Reset type: SYSRSn</p>
12-2	RESERVED	R-0	0h	Reserved



**Table 14-90. DCCAPCTL Register Field Descriptions (continued)**

Bit	Field	Type	Reset	Description
1	SHDWMODE	R/W	0h	TBCTR Counter Capture Shadow Select Mode 0: Enable shadow mode. The DCCAP active register is copied to shadow register on a TBCTR = TBPRD or TBCTR = zero event as defined by the DCFCTL[PULSESEL] bit. CPU reads of the DCCAP register will return the shadow register contents. 1: Active Mode. In this mode the shadow register is disabled. CPU reads from the DCCAP register will always return the active register contents. Reset type: SYSRSn
0	CAPE	R/W	0h	TBCTR Counter Capture Enable/Disable 0: Disable the time-base counter capture. 1: Enable the time-base counter capture. Reset type: SYSRSn

### 14.15.2.70 DCFOFFSET Register (Offset = C9h) [Reset = 0000h]

DCFOFFSET is shown in [Figure 14-163](#) and described in [Table 14-91](#).

Return to the [Summary Table](#).

Digital Compare Filter Offset Register

**Figure 14-163. DCFOFFSET Register**

15	14	13	12	11	10	9	8
DCFOFFSET							
R/W-0h							
7	6	5	4	3	2	1	0
DCFOFFSET							
R/W-0h							

**Table 14-91. DCFOFFSET Register Field Descriptions**

Bit	Field	Type	Reset	Description
15-0	DCFOFFSET	R/W	0h	Blanking Window Offset These 16-bits specify the number of TBCLK cycles from the blanking window reference to the point when the blanking window is applied. The blanking window reference is either period or zero as defined by the DCFCTL[PULSESEL] bit. This offset register is shadowed and the active register is loaded at the reference point defined by DCFCTL[PULSESEL]. The offset counter is also initialized and begins to count down when the active register is loaded. When the counter expires, the blanking window is applied. If the blanking window is currently active, then the blanking window counter is restarted. Reset type: SYSRSn

### 14.15.2.71 DCFOFFSETCNT Register (Offset = CAh) [Reset = 0000h]

DCFOFFSETCNT is shown in [Figure 14-164](#) and described in [Table 14-92](#).

Return to the [Summary Table](#).

Digital Compare Filter Offset Counter Register

**Figure 14-164. DCFOFFSETCNT Register**

15	14	13	12	11	10	9	8
DCFOFFSETCNT							
R-0h							
7	6	5	4	3	2	1	0
DCFOFFSETCNT							
R-0h							

**Table 14-92. DCFOFFSETCNT Register Field Descriptions**

Bit	Field	Type	Reset	Description
15-0	DCFOFFSETCNT	R	0h	<p>Blanking Offset Counter</p> <p>These 16-bits are read only and indicate the current value of the offset counter. The counter counts down to zero and then stops until it is re-loaded on the next period or zero event as defined by the DCCTL[PULSESEL] bit. The offset counter is not affected by the free/soft emulation bits. That is, it will always continue to count down if the device is halted by an emulation stop.</p> <p>Reset type: SYSRSn</p>

### 14.15.2.72 DCFWINDOW Register (Offset = CBh) [Reset = 0000h]

DCFWINDOW is shown in [Figure 14-165](#) and described in [Table 14-93](#).

Return to the [Summary Table](#).

Digital Compare Filter Window Register

**Figure 14-165. DCFWINDOW Register**

15	14	13	12	11	10	9	8
DCFWINDOW							
R/W-0h							
7	6	5	4	3	2	1	0
DCFWINDOW							
R/W-0h							

**Table 14-93. DCFWINDOW Register Field Descriptions**

Bit	Field	Type	Reset	Description
15-0	DCFWINDOW	R/W	0h	Blanking Window Width 00h: No blanking window is generated. 01-FFFFh: Specifies the width of the blanking window in TBCLK cycles. The blanking window begins when the offset counter expires. When this occurs, the window counter is loaded and begins to count down. If the blanking window is currently active and the offset counter expires, the blanking window counter is not restarted and the blanking window is cut short prematurely. Care should be taken to avoid this situation. The blanking window can cross a PWM period boundary. Reset type: SYSRSn

### 14.15.2.73 DCFWINDOWCNT Register (Offset = CCh) [Reset = 0000h]

DCFWINDOWCNT is shown in [Figure 14-166](#) and described in [Table 14-94](#).

Return to the [Summary Table](#).

Digital Compare Filter Window Counter Register

**Figure 14-166. DCFWINDOWCNT Register**

15	14	13	12	11	10	9	8
DCFWINDOWCNT							
R-0h							
7	6	5	4	3	2	1	0
DCFWINDOWCNT							
R-0h							

**Table 14-94. DCFWINDOWCNT Register Field Descriptions**

Bit	Field	Type	Reset	Description
15-0	DCFWINDOWCNT	R	0h	Blanking Window Counter These 16 bits are read only and indicate the current value of the window counter. The counter counts down to zero and then stops until it is re-loaded when the offset counter reaches zero again. Reset type: SYSRSn

### 14.15.2.74 DCCAP Register (Offset = CFh) [Reset = 0000h]

DCCAP is shown in [Figure 14-167](#) and described in [Table 14-95](#).

Return to the [Summary Table](#).

Digital Compare Counter Capture Register

**Figure 14-167. DCCAP Register**

15	14	13	12	11	10	9	8
DCCAP							
R-0h							
7	6	5	4	3	2	1	0
DCCAP							
R-0h							

**Table 14-95. DCCAP Register Field Descriptions**

Bit	Field	Type	Reset	Description
15-0	DCCAP	R	0h	Digital Compare Time-Base Counter Capture To enable time-base counter capture, set the DCCAPCLT[CAPE] bit to 1. If enabled, reflects the value of the time-base counter (TBCTR) on the low to high edge transition of a filtered (DCEVTFLT) event. Further capture events are ignored until the next period or zero as selected by the DCFCTL[PULSESEL] bit. Shadowing of DCCAP is enabled and disabled by the DCCAPCTL[SHDWMODE] bit. By default this register is shadowed. - If DCCAPCTL[SHDWMODE] = 0, then the shadow is enabled. In this mode, the active register is copied to the shadow register on the TBCTR = TBPRD or TBCTR = zero as defined by the DCFCTL[PULSESEL] bit. CPU reads of this register will return the shadow register value. - If DCCAPCTL[SHDWMODE] = 1, then the shadow register is disabled. In this mode, CPU reads will return the active register value. The active and shadow registers share the same memory map address. Reset type: SYSRSn

### 14.15.2.75 DCAHTRIPSEL Register (Offset = D2h) [Reset = 0000h]

DCAHTRIPSEL is shown in [Figure 14-168](#) and described in [Table 14-96](#).

Return to the [Summary Table](#).

Digital Compare AH Trip Select

**Figure 14-168. DCAHTRIPSEL Register**

15	14	13	12	11	10	9	8
RESERVED	TRIPINPUT15	TRIPINPUT14	RESERVED	TRIPINPUT12	TRIPINPUT11	TRIPINPUT10	TRIPINPUT9
R-0h	R/W-0h	R/W-0h	R/W-0h	R/W-0h	R/W-0h	R/W-0h	R/W-0h
7	6	5	4	3	2	1	0
TRIPINPUT8	TRIPINPUT7	TRIPINPUT6	TRIPINPUT5	TRIPINPUT4	TRIPINPUT3	TRIPINPUT2	TRIPINPUT1
R/W-0h	R/W-0h	R/W-0h	R/W-0h	R/W-0h	R/W-0h	R/W-0h	R/W-0h

**Table 14-96. DCAHTRIPSEL Register Field Descriptions**

Bit	Field	Type	Reset	Description
15	RESERVED	R	0h	Reserved
14	TRIPINPUT15	R/W	0h	TRIP Input 15 0: Trip Input 15 not selected as combinational ORed input 1: Trip Input 15 selected as combinational ORed input to DCAH mux Reset type: SYSRSn
13	TRIPINPUT14	R/W	0h	TRIP Input 14 0: Trip Input 14 not selected as combinational ORed input 1: Trip Input 14 selected as combinational ORed input to DCAH mux Reset type: SYSRSn
12	RESERVED	R/W	0h	Reserved
11	TRIPINPUT12	R/W	0h	TRIP Input 12 0: Trip Input 12 not selected as combinational ORed input 1: Trip Input 12 selected as combinational ORed input to DCAH mux Reset type: SYSRSn
10	TRIPINPUT11	R/W	0h	TRIP Input 11 0: Trip Input 11 not selected as combinational ORed input 1: Trip Input 11 selected as combinational ORed input to DCAH mux Reset type: SYSRSn
9	TRIPINPUT10	R/W	0h	TRIP Input 10 0: Trip Input 10 not selected as combinational ORed input 1: Trip Input 10 selected as combinational ORed input to DCAH mux Reset type: SYSRSn
8	TRIPINPUT9	R/W	0h	TRIP Input 9 0: Trip Input 9 not selected as combinational ORed input 1: Trip Input 9 selected as combinational ORed input to DCAH mux Reset type: SYSRSn
7	TRIPINPUT8	R/W	0h	TRIP Input 8 0: Trip Input 8 not selected as combinational ORed input 1: Trip Input 8 selected as combinational ORed input to DCAH mux Reset type: SYSRSn
6	TRIPINPUT7	R/W	0h	TRIP Input 7 0: Trip Input 7 not selected as combinational ORed input 1: Trip Input 7 selected as combinational ORed input to DCAH mux Reset type: SYSRSn
5	TRIPINPUT6	R/W	0h	TRIP Input 6 0: Trip Input 6 not selected as combinational ORed input 1: Trip Input 6 selected as combinational ORed input to DCAH mux Reset type: SYSRSn

**Table 14-96. DCAHTRIPSEL Register Field Descriptions (continued)**

Bit	Field	Type	Reset	Description
4	TRIPINPUT5	R/W	0h	TRIP Input 5 0: Trip Input 5 not selected as combinational ORed input 1: Trip Input 5 selected as combinational ORed input to DCAH mux Reset type: SYSRSn
3	TRIPINPUT4	R/W	0h	TRIP Input 4 0: Trip Input 4 not selected as combinational ORed input 1: Trip Input 4 selected as combinational ORed input to DCAH mux Reset type: SYSRSn
2	TRIPINPUT3	R/W	0h	TRIP Input 3 0: Trip Input 3 not selected as combinational ORed input 1: Trip Input 3 selected as combinational ORed input to DCAH mux Reset type: SYSRSn
1	TRIPINPUT2	R/W	0h	TRIP Input 2 0: Trip Input 2 not selected as combinational ORed input 1: Trip Input 2 selected as combinational ORed input to DCAH mux Reset type: SYSRSn
0	TRIPINPUT1	R/W	0h	TRIP Input 1 0: Trip Input 1 not selected as combinational ORed input 1: Trip Input 1 selected as combinational ORed input to DCAH mux Reset type: SYSRSn



### 14.15.2.76 DCALTRIPSEL Register (Offset = D3h) [Reset = 0000h]

DCALTRIPSEL is shown in [Figure 14-169](#) and described in [Table 14-97](#).

Return to the [Summary Table](#).

Digital Compare AL Trip Select

**Figure 14-169. DCALTRIPSEL Register**

15	14	13	12	11	10	9	8
RESERVED	TRIPINPUT15	TRIPINPUT14	RESERVED	TRIPINPUT12	TRIPINPUT11	TRIPINPUT10	TRIPINPUT9
R-0h	R/W-0h	R/W-0h	R/W-0h	R/W-0h	R/W-0h	R/W-0h	R/W-0h
7	6	5	4	3	2	1	0
TRIPINPUT8	TRIPINPUT7	TRIPINPUT6	TRIPINPUT5	TRIPINPUT4	TRIPINPUT3	TRIPINPUT2	TRIPINPUT1
R/W-0h	R/W-0h	R/W-0h	R/W-0h	R/W-0h	R/W-0h	R/W-0h	R/W-0h

**Table 14-97. DCALTRIPSEL Register Field Descriptions**

Bit	Field	Type	Reset	Description
15	RESERVED	R	0h	Reserved
14	TRIPINPUT15	R/W	0h	TRIP Input 15 0: Trip Input 15 not selected as combinational ORed input 1: Trip Input 15 selected as combinational ORed input to DCAL mux Reset type: SYSRSn
13	TRIPINPUT14	R/W	0h	TRIP Input 14 0: Trip Input 14 not selected as combinational ORed input 1: Trip Input 14 selected as combinational ORed input to DCAL mux Reset type: SYSRSn
12	RESERVED	R/W	0h	Reserved
11	TRIPINPUT12	R/W	0h	TRIP Input 12 0: Trip Input 12 not selected as combinational ORed input 1: Trip Input 12 selected as combinational ORed input to DCAL mux Reset type: SYSRSn
10	TRIPINPUT11	R/W	0h	TRIP Input 11 0: Trip Input 11 not selected as combinational ORed input 1: Trip Input 11 selected as combinational ORed input to DCAL mux Reset type: SYSRSn
9	TRIPINPUT10	R/W	0h	TRIP Input 10 0: Trip Input 10 not selected as combinational ORed input 1: Trip Input 10 selected as combinational ORed input to DCAL mux Reset type: SYSRSn
8	TRIPINPUT9	R/W	0h	TRIP Input 9 0: Trip Input 9 not selected as combinational ORed input 1: Trip Input 9 selected as combinational ORed input to DCAL mux Reset type: SYSRSn
7	TRIPINPUT8	R/W	0h	TRIP Input 8 0: Trip Input 8 not selected as combinational ORed input 1: Trip Input 8 selected as combinational ORed input to DCAL mux Reset type: SYSRSn
6	TRIPINPUT7	R/W	0h	TRIP Input 7 0: Trip Input 7 not selected as combinational ORed input 1: Trip Input 7 selected as combinational ORed input to DCAL mux Reset type: SYSRSn
5	TRIPINPUT6	R/W	0h	TRIP Input 6 0: Trip Input 6 not selected as combinational ORed input 1: Trip Input 6 selected as combinational ORed input to DCAL mux Reset type: SYSRSn

**Table 14-97. DCALTRIPSEL Register Field Descriptions (continued)**

Bit	Field	Type	Reset	Description
4	TRIPINPUT5	R/W	0h	TRIP Input 5 0: Trip Input 5 not selected as combinational ORed input 1: Trip Input 5 selected as combinational ORed input to DCAL mux Reset type: SYSRSn
3	TRIPINPUT4	R/W	0h	TRIP Input 4 0: Trip Input 4 not selected as combinational ORed input 1: Trip Input 4 selected as combinational ORed input to DCAL mux Reset type: SYSRSn
2	TRIPINPUT3	R/W	0h	TRIP Input 3 0: Trip Input 3 not selected as combinational ORed input 1: Trip Input 3 selected as combinational ORed input to DCAL mux Reset type: SYSRSn
1	TRIPINPUT2	R/W	0h	TRIP Input 2 0: Trip Input 2 not selected as combinational ORed input 1: Trip Input 2 selected as combinational ORed input to DCAL mux Reset type: SYSRSn
0	TRIPINPUT1	R/W	0h	TRIP Input 1 0: Trip Input 1 not selected as combinational ORed input 1: Trip Input 1 selected as combinational ORed input to DCAL mux Reset type: SYSRSn

### 14.15.2.77 DCBHTRIPSEL Register (Offset = D4h) [Reset = 0000h]

DCBHTRIPSEL is shown in [Figure 14-170](#) and described in [Table 14-98](#).

Return to the [Summary Table](#).

Digital Compare BH Trip Select

**Figure 14-170. DCBHTRIPSEL Register**

15	14	13	12	11	10	9	8
RESERVED	TRIPINPUT15	TRIPINPUT14	RESERVED	TRIPINPUT12	TRIPINPUT11	TRIPINPUT10	TRIPINPUT9
R-0h	R/W-0h	R/W-0h	R/W-0h	R/W-0h	R/W-0h	R/W-0h	R/W-0h
7	6	5	4	3	2	1	0
TRIPINPUT8	TRIPINPUT7	TRIPINPUT6	TRIPINPUT5	TRIPINPUT4	TRIPINPUT3	TRIPINPUT2	TRIPINPUT1
R/W-0h	R/W-0h	R/W-0h	R/W-0h	R/W-0h	R/W-0h	R/W-0h	R/W-0h

**Table 14-98. DCBHTRIPSEL Register Field Descriptions**

Bit	Field	Type	Reset	Description
15	RESERVED	R	0h	Reserved
14	TRIPINPUT15	R/W	0h	TRIP Input 15 0: Trip Input 15 not selected as combinational ORed input 1: Trip Input 15 selected as combinational ORed input to DCBH mux Reset type: SYSRSn
13	TRIPINPUT14	R/W	0h	TRIP Input 14 0: Trip Input 14 not selected as combinational ORed input 1: Trip Input 14 selected as combinational ORed input to DCBH mux Reset type: SYSRSn
12	RESERVED	R/W	0h	Reserved
11	TRIPINPUT12	R/W	0h	TRIP Input 12 0: Trip Input 12 not selected as combinational ORed input 1: Trip Input 12 selected as combinational ORed input to DCBH mux Reset type: SYSRSn
10	TRIPINPUT11	R/W	0h	TRIP Input 11 0: Trip Input 11 not selected as combinational ORed input 1: Trip Input 11 selected as combinational ORed input to DCBH mux Reset type: SYSRSn
9	TRIPINPUT10	R/W	0h	TRIP Input 10 0: Trip Input 10 not selected as combinational ORed input 1: Trip Input 10 selected as combinational ORed input to DCBH mux Reset type: SYSRSn
8	TRIPINPUT9	R/W	0h	TRIP Input 9 0: Trip Input 9 not selected as combinational ORed input 1: Trip Input 9 selected as combinational ORed input to DCBH mux Reset type: SYSRSn
7	TRIPINPUT8	R/W	0h	TRIP Input 8 0: Trip Input 8 not selected as combinational ORed input 1: Trip Input 8 selected as combinational ORed input to DCBH mux Reset type: SYSRSn
6	TRIPINPUT7	R/W	0h	TRIP Input 7 0: Trip Input 7 not selected as combinational ORed input 1: Trip Input 7 selected as combinational ORed input to DCBH mux Reset type: SYSRSn
5	TRIPINPUT6	R/W	0h	TRIP Input 6 0: Trip Input 6 not selected as combinational ORed input 1: Trip Input 6 selected as combinational ORed input to DCBH mux Reset type: SYSRSn

**Table 14-98. DCBHTRIPSEL Register Field Descriptions (continued)**

Bit	Field	Type	Reset	Description
4	TRIPINPUT5	R/W	0h	TRIP Input 5 0: Trip Input 5 not selected as combinational ORed input 1: Trip Input 5 selected as combinational ORed input to DCBH mux Reset type: SYSRSn
3	TRIPINPUT4	R/W	0h	TRIP Input 4 0: Trip Input 4 not selected as combinational ORed input 1: Trip Input 4 selected as combinational ORed input to DCBH mux Reset type: SYSRSn
2	TRIPINPUT3	R/W	0h	TRIP Input 3 0: Trip Input 3 not selected as combinational ORed input 1: Trip Input 3 selected as combinational ORed input to DCBH mux Reset type: SYSRSn
1	TRIPINPUT2	R/W	0h	TRIP Input 2 0: Trip Input 2 not selected as combinational ORed input 1: Trip Input 2 selected as combinational ORed input to DCBH mux Reset type: SYSRSn
0	TRIPINPUT1	R/W	0h	TRIP Input 1 0: Trip Input 1 not selected as combinational ORed input 1: Trip Input 1 selected as combinational ORed input to DCBH mux Reset type: SYSRSn

### 14.15.2.78 DCBLTRIPSEL Register (Offset = D5h) [Reset = 0000h]

DCBLTRIPSEL is shown in [Figure 14-171](#) and described in [Table 14-99](#).

Return to the [Summary Table](#).

Digital Compare BL Trip Select

**Figure 14-171. DCBLTRIPSEL Register**

15	14	13	12	11	10	9	8
RESERVED	TRIPINPUT15	TRIPINPUT14	RESERVED	TRIPINPUT12	TRIPINPUT11	TRIPINPUT10	TRIPINPUT9
R-0h	R/W-0h	R/W-0h	R/W-0h	R/W-0h	R/W-0h	R/W-0h	R/W-0h
7	6	5	4	3	2	1	0
TRIPINPUT8	TRIPINPUT7	TRIPINPUT6	TRIPINPUT5	TRIPINPUT4	TRIPINPUT3	TRIPINPUT2	TRIPINPUT1
R/W-0h	R/W-0h	R/W-0h	R/W-0h	R/W-0h	R/W-0h	R/W-0h	R/W-0h

**Table 14-99. DCBLTRIPSEL Register Field Descriptions**

Bit	Field	Type	Reset	Description
15	RESERVED	R	0h	Reserved
14	TRIPINPUT15	R/W	0h	TRIP Input 15 0: Trip Input 15 not selected as combinational ORed input 1: Trip Input 15 selected as combinational ORed input to DCAL mux Reset type: SYSRSn
13	TRIPINPUT14	R/W	0h	TRIP Input 14 0: Trip Input 14 not selected as combinational ORed input 1: Trip Input 14 selected as combinational ORed input to DCAL mux Reset type: SYSRSn
12	RESERVED	R/W	0h	Reserved
11	TRIPINPUT12	R/W	0h	TRIP Input 12 0: Trip Input 12 not selected as combinational ORed input 1: Trip Input 12 selected as combinational ORed input to DCAL mux Reset type: SYSRSn
10	TRIPINPUT11	R/W	0h	TRIP Input 11 0: Trip Input 11 not selected as combinational ORed input 1: Trip Input 11 selected as combinational ORed input to DCAL mux Reset type: SYSRSn
9	TRIPINPUT10	R/W	0h	TRIP Input 10 0: Trip Input 10 not selected as combinational ORed input 1: Trip Input 10 selected as combinational ORed input to DCAL mux Reset type: SYSRSn
8	TRIPINPUT9	R/W	0h	TRIP Input 9 0: Trip Input 9 not selected as combinational ORed input 1: Trip Input 9 selected as combinational ORed input to DCAL mux Reset type: SYSRSn
7	TRIPINPUT8	R/W	0h	TRIP Input 8 0: Trip Input 8 not selected as combinational ORed input 1: Trip Input 8 selected as combinational ORed input to DCAL mux Reset type: SYSRSn
6	TRIPINPUT7	R/W	0h	TRIP Input 7 0: Trip Input 7 not selected as combinational ORed input 1: Trip Input 7 selected as combinational ORed input to DCAL mux Reset type: SYSRSn
5	TRIPINPUT6	R/W	0h	TRIP Input 6 0: Trip Input 6 not selected as combinational ORed input 1: Trip Input 6 selected as combinational ORed input to DCAL mux Reset type: SYSRSn

**Table 14-99. DCBLTRIPSEL Register Field Descriptions (continued)**

Bit	Field	Type	Reset	Description
4	TRIPINPUT5	R/W	0h	TRIP Input 5 0: Trip Input 5 not selected as combinational ORed input 1: Trip Input 5 selected as combinational ORed input to DCAL mux Reset type: SYSRSn
3	TRIPINPUT4	R/W	0h	TRIP Input 4 0: Trip Input 4 not selected as combinational ORed input 1: Trip Input 4 selected as combinational ORed input to DCAL mux Reset type: SYSRSn
2	TRIPINPUT3	R/W	0h	TRIP Input 3 0: Trip Input 3 not selected as combinational ORed input 1: Trip Input 3 selected as combinational ORed input to DCAL mux Reset type: SYSRSn
1	TRIPINPUT2	R/W	0h	TRIP Input 2 0: Trip Input 2 not selected as combinational ORed input 1: Trip Input 2 selected as combinational ORed input to DCAL mux Reset type: SYSRSn
0	TRIPINPUT1	R/W	0h	TRIP Input 1 0: Trip Input 1 not selected as combinational ORed input 1: Trip Input 1 selected as combinational ORed input to DCAL mux Reset type: SYSRSn

### 14.15.2.79 HWVDELVAL Register (Offset = FDh) [Reset = 0000h]

HWVDELVAL is shown in [Figure 14-172](#) and described in [Table 14-100](#).

Return to the [Summary Table](#).

Hardware Valley Mode Delay Register

**Figure 14-172. HWVDELVAL Register**

15	14	13	12	11	10	9	8
HWVDELVAL							
R-0h							
7	6	5	4	3	2	1	0
HWVDELVAL							
R-0h							

**Table 14-100. HWVDELVAL Register Field Descriptions**

Bit	Field	Type	Reset	Description
15-0	HWVDELVAL	R	0h	<p>Hardware Valley Delay Value Register</p> <p>This read only register reflects the hardware delay value calculated by the equations defined in VCAPCTL[VDELAYDIV]. This reflects the latest value from the hardware calculations and can change every time valley capture sequence is triggered and VCAP1 and VCAP2 values are updated.</p> <p>Reset type: SYSRSn</p>

### 14.15.2.80 VCNTVAL Register (Offset = FEh) [Reset = 0000h]

VCNTVAL is shown in [Figure 14-173](#) and described in [Table 14-101](#).

Return to the [Summary Table](#).

Hardware Valley Counter Register

**Figure 14-173. VCNTVAL Register**

15	14	13	12	11	10	9	8
VCNTVAL							
R-0h							
7	6	5	4	3	2	1	0
VCNTVAL							
R-0h							

**Table 14-101. VCNTVAL Register Field Descriptions**

Bit	Field	Type	Reset	Description
15-0	VCNTVAL	R	0h	Valley Time Base Counter Register This register reflects the captured VCNT value upon occurrence of STOPENGE selected in VCNTCFG register. Reset type: SYSRSn



### 14.15.3 Register to Driverlib Function Mapping

#### 14.15.3.1 EPWM Registers to Driverlib Functions

**Table 14-102. EPWM Registers to Driverlib Functions**

File	Driverlib Function
<b>TBCTL</b>	
epwm.c	EPWM_setEmulationMode
epwm.h	EPWM_setCountModeAfterSync
epwm.h	EPWM_setClockPrescaler
epwm.h	EPWM_forceSyncPulse
epwm.h	EPWM_setSyncOutPulseMode
epwm.h	EPWM_setPeriodLoadMode
epwm.h	EPWM_enablePhaseShiftLoad
epwm.h	EPWM_disablePhaseShiftLoad
epwm.h	EPWM_setTimeBaseCounterMode
epwm.h	EPWM_selectPeriodLoadEvent
epwm.h	EPWM_enableOneShotSync
epwm.h	EPWM_disableOneShotSync
epwm.h	EPWM_startOneShotSync
<b>TBCTL2</b>	
epwm.h	EPWM_setSyncOutPulseMode
epwm.h	EPWM_selectPeriodLoadEvent
epwm.h	EPWM_enableOneShotSync
epwm.h	EPWM_disableOneShotSync
epwm.h	EPWM_startOneShotSync
<b>TBCTR</b>	
epwm.h	EPWM_setTimeBaseCounter
epwm.h	EPWM_getTimeBaseCounterValue
<b>TBSTS</b>	
epwm.h	EPWM_getTimeBaseCounterOverflowStatus
epwm.h	EPWM_clearTimeBaseCounterOverflowEvent
epwm.h	EPWM_getSyncStatus
epwm.h	EPWM_clearSyncEvent
epwm.h	EPWM_getTimeBaseCounterDirection
<b>CMPCTL</b>	
epwm.h	EPWM_setCounterCompareShadowLoadMode
epwm.h	EPWM_disableCounterCompareShadowLoadMode
epwm.h	EPWM_getCounterCompareShadowStatus
<b>CMPCTL2</b>	
epwm.h	EPWM_setCounterCompareShadowLoadMode
epwm.h	EPWM_disableCounterCompareShadowLoadMode
<b>DBCTL</b>	
epwm.h	EPWM_setDeadBandOutputSwapMode
epwm.h	EPWM_setDeadBandDelayMode
epwm.h	EPWM_setDeadBandDelayPolarity
epwm.h	EPWM_setRisingEdgeDeadBandDelayInput
epwm.h	EPWM_setFallingEdgeDeadBandDelayInput

**Table 14-102. EPWM Registers to Driverlib Functions (continued)**

File	Driverlib Function
epwm.h	EPWM_setDeadBandControlShadowLoadMode
epwm.h	EPWM_disableDeadBandControlShadowLoadMode
epwm.h	EPWM_setRisingEdgeDelayCountShadowLoadMode
epwm.h	EPWM_disableRisingEdgeDelayCountShadowLoadMode
epwm.h	EPWM_setFallingEdgeDelayCountShadowLoadMode
epwm.h	EPWM_disableFallingEdgeDelayCountShadowLoadMode
epwm.h	EPWM_setDeadBandCounterClock
<b>DBCTL2</b>	
epwm.h	EPWM_setDeadBandControlShadowLoadMode
epwm.h	EPWM_disableDeadBandControlShadowLoadMode
<b>AQCTL</b>	
epwm.h	EPWM_setActionQualifierShadowLoadMode
epwm.h	EPWM_disableActionQualifierShadowLoadMode
epwm.h	EPWM_setActionQualifierAction
epwm.h	EPWM_setActionQualifierActionComplete
epwm.h	EPWM_setAdditionalActionQualifierActionComplete
<b>AQTSRCSEL</b>	
epwm.h	EPWM_setActionQualifierT1TriggerSource
epwm.h	EPWM_setActionQualifierT2TriggerSource
<b>PCCTL</b>	
epwm.h	EPWM_enableChopper
epwm.h	EPWM_disableChopper
epwm.h	EPWM_setChopperDutyCycle
epwm.h	EPWM_setChopperFreq
epwm.h	EPWM_setChopperFirstPulseWidth
<b>VCAPCTL</b>	
epwm.h	EPWM_enableValleyCapture
epwm.h	EPWM_disableValleyCapture
epwm.h	EPWM_startValleyCapture
epwm.h	EPWM_setValleyTriggerSource
epwm.h	EPWM_enableValleyHWDelay
epwm.h	EPWM_disableValleyHWDelay
epwm.h	EPWM_setValleyDelayDivider
<b>VCNTCFG</b>	
epwm.h	EPWM_setValleyTriggerEdgeCounts
epwm.h	EPWM_getValleyEdgeStatus
<b>HRCNFG</b>	
-	
<b>HRPWR</b>	
-	
<b>HRMSTEP</b>	
-	
<b>HRCNFG2</b>	
-	
<b>HRPCTL</b>	

**Table 14-102. EPWM Registers to Driverlib Functions (continued)**

File	Driverlib Function
-	
<b>TRREM</b>	
-	
<b>GLDCTL</b>	
epwm.h	EPWM_enableGlobalLoad
epwm.h	EPWM_disableGlobalLoad
epwm.h	EPWM_setGlobalLoadTrigger
epwm.h	EPWM_setGlobalLoadEventPrescale
epwm.h	EPWM_getGlobalLoadEventCount
epwm.h	EPWM_disableGlobalLoadOneShotMode
epwm.h	EPWM_enableGlobalLoadOneShotMode
epwm.h	EPWM_setGlobalLoadOneShotLatch
epwm.h	EPWM_forceGlobalLoadOneShotEvent
<b>GLDCFG</b>	
epwm.h	EPWM_enableGlobalLoadRegisters
epwm.h	EPWM_disableGlobalLoadRegisters
<b>XLINK</b>	
epwm.h	EPWM_setupEPWMLinks
<b>AQCTLA</b>	
epwm.h	EPWM_setActionQualifierAction
epwm.h	EPWM_setActionQualifierActionComplete
epwm.h	EPWM_setAdditionalActionQualifierActionComplete
<b>AQCTLA2</b>	
epwm.h	EPWM_setActionQualifierAction
epwm.h	EPWM_setAdditionalActionQualifierActionComplete
<b>AQCTLB</b>	
-	See AQCTLA
<b>AQCTLB2</b>	
-	See AQCTLA2
<b>AQSFRC</b>	
epwm.h	EPWM_setActionQualifierContSWForceShadowMode
epwm.h	EPWM_setActionQualifierSWAction
epwm.h	EPWM_forceActionQualifierSWAction
<b>AQCSFRC</b>	
epwm.h	EPWM_setActionQualifierContSWForceAction
<b>DBREDHR</b>	
-	
<b>DBRED</b>	
epwm.h	EPWM_setRisingEdgeDelayCount
<b>DBFEDHR</b>	
-	
<b>DBFED</b>	
epwm.h	EPWM_setFallingEdgeDelayCount
<b>TBPHS</b>	
epwm.h	EPWM_setPhaseShift

**Table 14-102. EPWM Registers to Driverlib Functions (continued)**

File	Driverlib Function
<b>TBPRDHR</b>	
-	
<b>TBPRD</b>	
epwm.h	EPWM_setTimeBasePeriod
epwm.h	EPWM_getTimeBasePeriod
<b>CMPA</b>	
epwm.h	EPWM_setCounterCompareValue
epwm.h	EPWM_getCounterCompareValue
<b>CMPB</b>	
-	See CMPA
<b>CMPC</b>	
epwm.h	EPWM_setCounterCompareShadowLoadMode
epwm.h	EPWM_disableCounterCompareShadowLoadMode
epwm.h	EPWM_getCounterCompareShadowStatus
<b>CPD</b>	
-	See CMPC
<b>GLDCTL2</b>	
epwm.h	EPWM_setGlobalLoadOneShotLatch
epwm.h	EPWM_forceGlobalLoadOneShotEvent
<b>SWVDELVAL</b>	
epwm.h	EPWM_setValleySWDelayValue
<b>TZSEL</b>	
epwm.h	EPWM_enableTripZoneSignals
epwm.h	EPWM_disableTripZoneSignals
<b>TZDCSEL</b>	
epwm.h	EPWM_setTripZoneDigitalCompareEventCondition
<b>TZCTL</b>	
epwm.h	EPWM_enableTripZoneAdvAction
epwm.h	EPWM_disableTripZoneAdvAction
epwm.h	EPWM_setTripZoneAction
epwm.h	EPWM_setTripZoneAdvAction
epwm.h	EPWM_setTripZoneAdvDigitalCompareActionA
epwm.h	EPWM_setTripZoneAdvDigitalCompareActionB
<b>TZCTL2</b>	
epwm.h	EPWM_enableTripZoneAdvAction
epwm.h	EPWM_disableTripZoneAdvAction
epwm.h	EPWM_setTripZoneAdvAction
epwm.h	EPWM_setTripZoneAdvDigitalCompareActionA
epwm.h	EPWM_setTripZoneAdvDigitalCompareActionB
<b>TZCTLDCA</b>	
epwm.h	EPWM_setTripZoneAdvDigitalCompareActionA
<b>TZCTLDCB</b>	
epwm.h	EPWM_setTripZoneAdvDigitalCompareActionB
<b>TZEINT</b>	
epwm.h	EPWM_enableTripZoneInterrupt

**Table 14-102. EPWM Registers to Driverlib Functions (continued)**

File	Driverlib Function
epwm.h	EPWM_disableTripZoneInterrupt
<b>TZFLG</b>	
epwm.h	EPWM_getTripZoneFlagStatus
<b>TZCBCFLG</b>	
epwm.h	EPWM_getCycleByCycleTripZoneFlagStatus
<b>TZOSTFLG</b>	
epwm.h	EPWM_getOneShotTripZoneFlagStatus
<b>TZCLR</b>	
epwm.h	EPWM_selectCycleByCycleTripZoneClearEvent
epwm.h	EPWM_clearTripZoneFlag
<b>TZCBCCLR</b>	
epwm.h	EPWM_clearCycleByCycleTripZoneFlag
<b>TZOSTCLR</b>	
epwm.h	EPWM_clearOneShotTripZoneFlag
<b>TZFRC</b>	
epwm.h	EPWM_forceTripZoneEvent
<b>ETSEL</b>	
epwm.h	EPWM_enableInterrupt
epwm.h	EPWM_disableInterrupt
epwm.h	EPWM_setInterruptSource
epwm.h	EPWM_enableADCTrigger
epwm.h	EPWM_disableADCTrigger
epwm.h	EPWM_setADCTriggerSource
<b>ETPS</b>	
epwm.h	EPWM_setInterruptEventCount
epwm.h	EPWM_setADCTriggerEventPrescale
<b>ETFLG</b>	
epwm.h	EPWM_getEventTriggerInterruptStatus
epwm.h	EPWM_getADCTriggerFlagStatus
<b>ETCLR</b>	
epwm.h	EPWM_clearEventTriggerInterruptFlag
epwm.h	EPWM_clearADCTriggerFlag
<b>ETFRC</b>	
epwm.h	EPWM_forceEventTriggerInterrupt
epwm.h	EPWM_forceADCTrigger
<b>ETINTPS</b>	
epwm.h	EPWM_setInterruptEventCount
epwm.h	EPWM_getInterruptEventCount
<b>ETSOCP</b>	
epwm.h	EPWM_setADCTriggerEventPrescale
epwm.h	EPWM_getADCTriggerEventCount
<b>ETCNTINITCTL</b>	
epwm.h	EPWM_enableInterruptEventCountInit
epwm.h	EPWM_disableInterruptEventCountInit
epwm.h	EPWM_forceInterruptEventCountInit

**Table 14-102. EPWM Registers to Driverlib Functions (continued)**

File	Driverlib Function
epwm.h	EPWM_enableADCTriggerEventCountInit
epwm.h	EPWM_disableADCTriggerEventCountInit
epwm.h	EPWM_forceADCTriggerEventCountInit
<b>ETCNTINIT</b>	
epwm.h	EPWM_enableInterruptEventCountInit
epwm.h	EPWM_disableInterruptEventCountInit
epwm.h	EPWM_forceInterruptEventCountInit
epwm.h	EPWM_setInterruptEventCountInitValue
epwm.h	EPWM_enableADCTriggerEventCountInit
epwm.h	EPWM_disableADCTriggerEventCountInit
epwm.h	EPWM_forceADCTriggerEventCountInit
epwm.h	EPWM_setADCTriggerEventCountInitValue
<b>DCTRIPSEL</b>	
epwm.h	EPWM_selectDigitalCompareTripInput
epwm.h	EPWM_enableDigitalCompareTripCombinationInput
<b>DCACTL</b>	
epwm.h	EPWM_setDigitalCompareEventSource
epwm.h	EPWM_setDigitalCompareEventSyncMode
epwm.h	EPWM_enableDigitalCompareADCTrigger
epwm.h	EPWM_disableDigitalCompareADCTrigger
epwm.h	EPWM_enableDigitalCompareSyncEvent
epwm.h	EPWM_disableDigitalCompareSyncEvent
<b>DCBCTL</b>	
-	See DCACTL
<b>DCFCTL</b>	
epwm.h	EPWM_enableDigitalCompareBlankingWindow
epwm.h	EPWM_disableDigitalCompareBlankingWindow
epwm.h	EPWM_enableDigitalCompareWindowInverseMode
epwm.h	EPWM_disableDigitalCompareWindowInverseMode
epwm.h	EPWM_setDigitalCompareBlankingEvent
epwm.h	EPWM_setDigitalCompareFilterInput
epwm.h	EPWM_enableDigitalCompareEdgeFilter
epwm.h	EPWM_disableDigitalCompareEdgeFilter
epwm.h	EPWM_setDigitalCompareEdgeFilterMode
epwm.h	EPWM_setDigitalCompareEdgeFilterEdgeCount
epwm.h	EPWM_getDigitalCompareEdgeFilterEdgeCount
epwm.h	EPWM_getDigitalCompareEdgeFilterEdgeStatus
<b>DCCAPCTL</b>	
epwm.h	EPWM_enableDigitalCompareCounterCapture
epwm.h	EPWM_disableDigitalCompareCounterCapture
epwm.h	EPWM_setDigitalCompareCounterShadowMode
epwm.h	EPWM_getDigitalCompareCaptureStatus
epwm.h	EPWM_clearDigitalCompareCaptureStatusFlag
epwm.h	EPWM_configureDigitalCompareCounterCaptureMode
<b>DCFOFFSET</b>	

**Table 14-102. EPWM Registers to Driverlib Functions (continued)**

File	Driverlib Function
epwm.h	EPWM_setDigitalCompareWindowOffset
epwm.h	EPWM_getDigitalCompareBlankingWindowOffsetCount
<b>DCFOFFSETCNT</b>	
epwm.h	EPWM_getDigitalCompareBlankingWindowOffsetCount
<b>DCFWINDOW</b>	
epwm.h	EPWM_setDigitalCompareWindowLength
epwm.h	EPWM_getDigitalCompareBlankingWindowLengthCount
<b>DCFWINDOWCNT</b>	
epwm.h	EPWM_getDigitalCompareBlankingWindowLengthCount
<b>DCCAP</b>	
epwm.h	EPWM_enableDigitalCompareCounterCapture
epwm.h	EPWM_disableDigitalCompareCounterCapture
epwm.h	EPWM_setDigitalCompareCounterShadowMode
epwm.h	EPWM_getDigitalCompareCaptureStatus
epwm.h	EPWM_clearDigitalCompareCaptureStatusFlag
epwm.h	EPWM_configureDigitalCompareCounterCaptureMode
epwm.h	EPWM_getDigitalCompareCaptureCount
<b>DCAHTRIPSEL</b>	
epwm.h	EPWM_enableDigitalCompareTripCombinationInput
epwm.h	EPWM_disableDigitalCompareTripCombinationInput
<b>DCALTRIPSEL</b>	
-	See DCAHTRIPSEL
<b>DCBHTRIPSEL</b>	
-	See DCAHTRIPSEL
<b>DCBLTRIPSEL</b>	
-	See DCAHTRIPSEL
<b>HWVDELVAL</b>	
epwm.h	EPWM_getValleyHWDelay
<b>VCNTVAL</b>	
epwm.h	EPWM_getValleyCount

### 14.15.3.2 HRPWM Registers to Driverlib Functions

**Table 14-103. HRPWM Registers to Driverlib Functions**

File	Driverlib Function
<b>TBCTL</b>	
-	
<b>TBCTL2</b>	
-	
<b>TBCTR</b>	
-	
<b>TBSTS</b>	
-	
<b>CMPCTL</b>	
-	
<b>CMPCTL2</b>	

**Table 14-103. HRPWM Registers to Driverlib Functions (continued)**

File	Driverlib Function
-	
<b>DBCTL</b>	
-	
<b>DBCTL2</b>	
-	
<b>AQCTL</b>	
-	
<b>AQTSRCSEL</b>	
-	
<b>PCCTL</b>	
-	
<b>VCAPCTL</b>	
-	
<b>VCNTCFG</b>	
-	
<b>HRCNFG</b>	
hrpwm.h	HRPWM_setMEPEdgeSelect
hrpwm.h	HRPWM_setMEPControlMode
hrpwm.h	HRPWM_setCounterCompareShadowLoadEvent
hrpwm.h	HRPWM_setOutputSwapMode
hrpwm.h	HRPWM_setChannelBOutputPath
hrpwm.h	HRPWM_enableAutoConversion
hrpwm.h	HRPWM_disableAutoConversion
hrpwm.h	HRPWM_setDeadbandMEPEdgeSelect
hrpwm.h	HRPWM_setRisingEdgeDelayLoadMode
hrpwm.h	HRPWM_setFallingEdgeDelayLoadMode
<b>HRPWR</b>	
-	
<b>HRMSTEP</b>	
hrpwm.h	HRPWM_setMEPStep
<b>HRCNFG2</b>	
hrpwm.h	HRPWM_setDeadbandMEPEdgeSelect
hrpwm.h	HRPWM_setRisingEdgeDelayLoadMode
hrpwm.h	HRPWM_setFallingEdgeDelayLoadMode
<b>HRPCTL</b>	
hrpwm.h	HRPWM_enablePeriodControl
hrpwm.h	HRPWM_disablePeriodControl
hrpwm.h	HRPWM_enablePhaseShiftLoad
hrpwm.h	HRPWM_disablePhaseShiftLoad
hrpwm.h	HRPWM_setSyncPulseSource
<b>TRREM</b>	
hrpwm.h	HRPWM_setTranslatorRemainder
<b>GLDCTL</b>	
-	
<b>GLDCFG</b>	



**Table 14-103. HRPWM Registers to Driverlib Functions (continued)**

File	Driverlib Function
-	
<b>EPWMXLINK</b>	
-	
<b>AQCTLA</b>	
-	
<b>AQCTLA2</b>	
-	
<b>AQCTLB</b>	
-	
<b>AQCTLB2</b>	
-	
<b>AQSFRC</b>	
-	
<b>AQCSFRC</b>	
-	
<b>DBREDHR</b>	
hrpwm.h	HRPWM_setRisingEdgeDelay
hrpwm.h	HRPWM_setHiResRisingEdgeDelayOnly
<b>DBRED</b>	
hrpwm.h	HRPWM_setRisingEdgeDelay
hrpwm.h	HRPWM_setHiResRisingEdgeDelayOnly
<b>DBFEDHR</b>	
hrpwm.h	HRPWM_setFallingEdgeDelay
hrpwm.h	HRPWM_setHiResFallingEdgeDelayOnly
<b>DBFED</b>	
hrpwm.h	HRPWM_setFallingEdgeDelay
hrpwm.h	HRPWM_setHiResFallingEdgeDelayOnly
<b>TBPHS</b>	
hrpwm.h	HRPWM_setPhaseShift
hrpwm.h	HRPWM_setHiResPhaseShiftOnly
<b>TBPRDHR</b>	
hrpwm.h	HRPWM_setTimeBasePeriod
hrpwm.h	HRPWM_setHiResTimeBasePeriodOnly
hrpwm.h	HRPWM_getTimeBasePeriod
hrpwm.h	HRPWM_getHiResTimeBasePeriodOnly
<b>TBPRD</b>	
hrpwm.h	HRPWM_setTimeBasePeriod
hrpwm.h	HRPWM_setHiResTimeBasePeriodOnly
hrpwm.h	HRPWM_getTimeBasePeriod
hrpwm.h	HRPWM_getHiResTimeBasePeriodOnly
<b>CMPA</b>	
hrpwm.h	HRPWM_setCounterCompareValue
hrpwm.h	HRPWM_setHiResCounterCompareValueOnly
hrpwm.h	HRPWM_getCounterCompareValue
hrpwm.h	HRPWM_getHiResCounterCompareValueOnly

**Table 14-103. HRPWM Registers to Driverlib Functions (continued)**

File	Driverlib Function
<b>CMPB</b>	
hrpwm.h	HRPWM_setCounterCompareValue
hrpwm.h	HRPWM_setHiResCounterCompareValueOnly
hrpwm.h	HRPWM_getCounterCompareValue
hrpwm.h	HRPWM_getHiResCounterCompareValueOnly
<b>CMPC</b>	
-	
<b>CMPD</b>	
-	
<b>GLDCTL2</b>	
-	
<b>SWVDELVAL</b>	
-	
<b>TZSEL</b>	
-	
<b>TZDCSEL</b>	
-	
<b>TZCTL</b>	
-	
<b>TZCTL2</b>	
-	
<b>TZCTLDCA</b>	
-	
<b>TZCTLDCB</b>	
-	
<b>TZEINT</b>	
-	
<b>TZFLG</b>	
-	
<b>TZCBCFLG</b>	
-	
<b>TZOSTFLG</b>	
-	
<b>TZCLR</b>	
-	
<b>TZCBCCLR</b>	
-	
<b>TZOSTCLR</b>	
-	
<b>TZFRC</b>	
-	
<b>ETSEL</b>	
-	
<b>ETPS</b>	
-	

**Table 14-103. HRPWM Registers to Driverlib Functions (continued)**

File	Driverlib Function
<b>ETFLG</b>	
-	
<b>ETCLR</b>	
-	
<b>ETFRC</b>	
-	
<b>ETINTPS</b>	
-	
<b>ETSOCP</b>	
-	
<b>ETCNTINITCTL</b>	
-	
<b>ETCNTINIT</b>	
-	
<b>DCTRIPSEL</b>	
-	
<b>DCACTL</b>	
-	
<b>DCBCTL</b>	
-	
<b>DCFCTL</b>	
-	
<b>DCCAPCTL</b>	
-	
<b>DCFOFFSET</b>	
-	
<b>DCFOFFSETCNT</b>	
-	
<b>DCFWINDOW</b>	
-	
<b>DCFWINDOWCNT</b>	
-	
<b>DCCAP</b>	
-	
<b>DCAHTRIPSEL</b>	
-	
<b>DCALTRIPSEL</b>	
-	
<b>DCBHTRIPSEL</b>	
-	
<b>DCBLTRIPSEL</b>	
-	
<b>HWVDELVAL</b>	
-	
<b>VCNTVAL</b>	

**Table 14-103. HRPWM Registers to Driverlib Functions (continued)**

File	Driverlib Function
-	

## Chapter 15 Enhanced Capture (eCAP)

---



This chapter describes the enhanced capture (eCAP) module, which is used in systems where accurate timing of external events is important.

The enhanced capture (eCAP) module is a Type 0 eCAP. See the [C2000 Real-Time Control Peripheral Reference Guide](#) for a list of all devices with an eCAP module of the same type, to determine the differences between the types, and for a list of device-specific differences within a type.

<b>15.1 Introduction</b> .....	<b>2006</b>
<b>15.2 Description</b> .....	<b>2006</b>
<b>15.3 Configuring Device Pins for the eCAP</b> .....	<b>2007</b>
<b>15.4 Capture and APWM Operating Mode</b> .....	<b>2008</b>
<b>15.5 Capture Mode Description</b> .....	<b>2010</b>
<b>15.6 Application of the eCAP Module</b> .....	<b>2019</b>
<b>15.7 Application of the APWM Mode</b> .....	<b>2023</b>
<b>15.8 Software</b> .....	<b>2024</b>
<b>15.9 eCAP Registers</b> .....	<b>2025</b>

## 15.1 Introduction

### 15.1.1 Features

The features of the eCAP module include:

- Speed measurements of rotating machinery (for example, toothed sprockets sensed by way of Hall sensors)
- Elapsed time measurements between position sensor pulses
- Period and duty cycle measurements of pulse train signals
- Decoding current or voltage amplitude derived from duty cycle encoded current/voltage sensors

The eCAP module features described in this chapter include:

- 4-event time-stamp registers (each 32 bits)
- Edge polarity selection for up to four sequenced time-stamp capture events
- Interrupt on either of the four events
- Single-shot capture of up to four event time-stamps
- Continuous mode capture of time stamps in a four-deep circular buffer
- Absolute time-stamp capture
- Difference (Delta) mode time-stamp capture
- All above resources are dedicated to a single input pin
- When not used in capture mode, the eCAP module can be configured as a single-channel PWM output

### 15.1.2 ECAP Related Collateral

#### Foundational Materials

- [C2000 Academy - ECAP](#)

#### Getting Started Materials

- [Leveraging High Resolution Capture \(HRCAP\) for Single Wire Data Transfer Application Report](#)

## 15.2 Description

The eCAP module represents one complete capture channel that can be instantiated multiple times, depending on the target device. In the context of this guide, one eCAP channel has the following independent key resources:

- Dedicated input capture pin
- Output X-BAR is used to configure output in APWM mode
- 32-bit time base (counter)
- 4 x 32-bit time-stamp capture registers (CAP1-CAP4)
- Four-stage sequencer (modulo4 counter) that is synchronized to external events, eCAP pin rising/falling edges.
- Independent edge polarity (rising/falling edge) selection for all four events
- Input capture signal prescaling (from 2-62 or bypass)
- One-shot compare register (two bits) to freeze captures after 1-4 time-stamp events
- Control for continuous time-stamp captures using a four-deep circular buffer (CAP1-CAP4) scheme
- Interrupt capabilities on any of the four capture events

### 15.3 Configuring Device Pins for the eCAP

The Input X-BAR connects the device pins to the module as input. Any GPIO on the device can be configured as an input. The GPIO input qualification can be set to synchronous or asynchronous mode by setting the GPxQSELn register bits. Using synchronized inputs can help with noise immunity but affects the eCAP accuracy by  $\pm 2$  cycles. The internal pull-ups can be configured in the GPyPUD register. Since the GPIO mode is used, the GPyINV register can invert the signals.

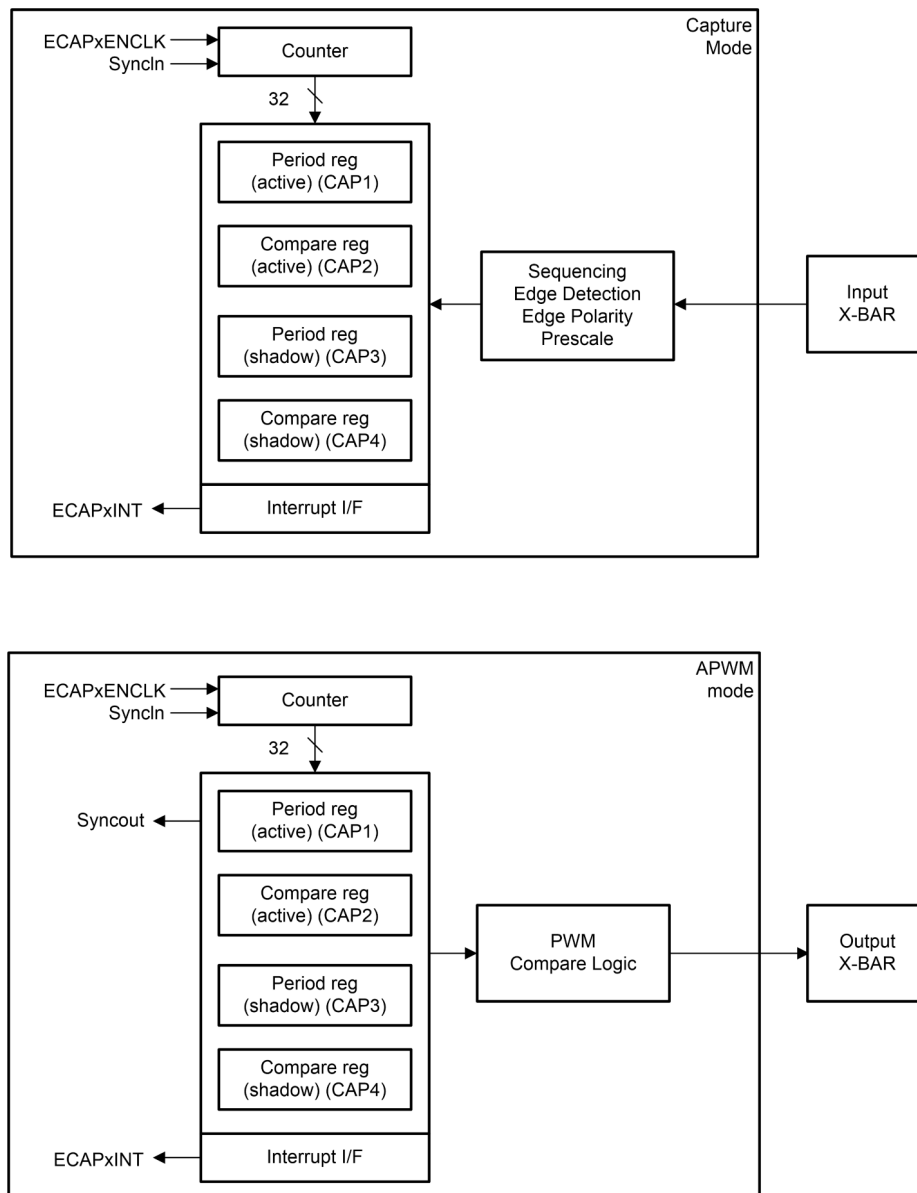
The Output X-BAR must be used to connect output signals to the OUTPUTXBARx output locations. The GPIO mux must then be configured to connect the OUTPUTXBARx lines to any of several IO pins with the GPIO mux. To avoid glitches on the pins, the GPyGMUX bits must be configured first (while keeping the corresponding GPyMUX bits at the default of zero), followed by writing the GPyMUX register to the desired value.

See the *General-Purpose Input/Output (GPIO)* chapter for more details on GPIO mux, GPIO settings, and XBAR configuration.

## 15.4 Capture and APWM Operating Mode

Use the eCAP module resources to implement a single-channel PWM generator (with 32-bit capabilities) when the eCAP module is not being used for input captures. The counter operates in count-up mode, providing a time-base for asymmetrical pulse width modulation (PWM) waveforms. The CAP1 and CAP2 registers become the active period and compare registers, respectively, while CAP3 and CAP4 registers become the period and compare shadow registers, respectively. Figure 15-1 is a high-level view of both the capture and auxiliary pulse-width modulator (APWM) modes of operation.

Figure 15-2 further describes the output of the eCAP in APWM mode based on the CMP and PRD values.



- A single pin is shared between CAP and APWM functions. In capture mode, the pin is an input; in APWM mode, the pin is an output.
- In APWM mode, writing any value to CAP1/CAP2 active registers also writes the same value to the corresponding shadow registers CAP3/CAP4. This emulates immediate mode. Writing to the shadow registers CAP3/CAP4 invokes the shadow mode.

**Figure 15-1. Capture and APWM Modes of Operation**



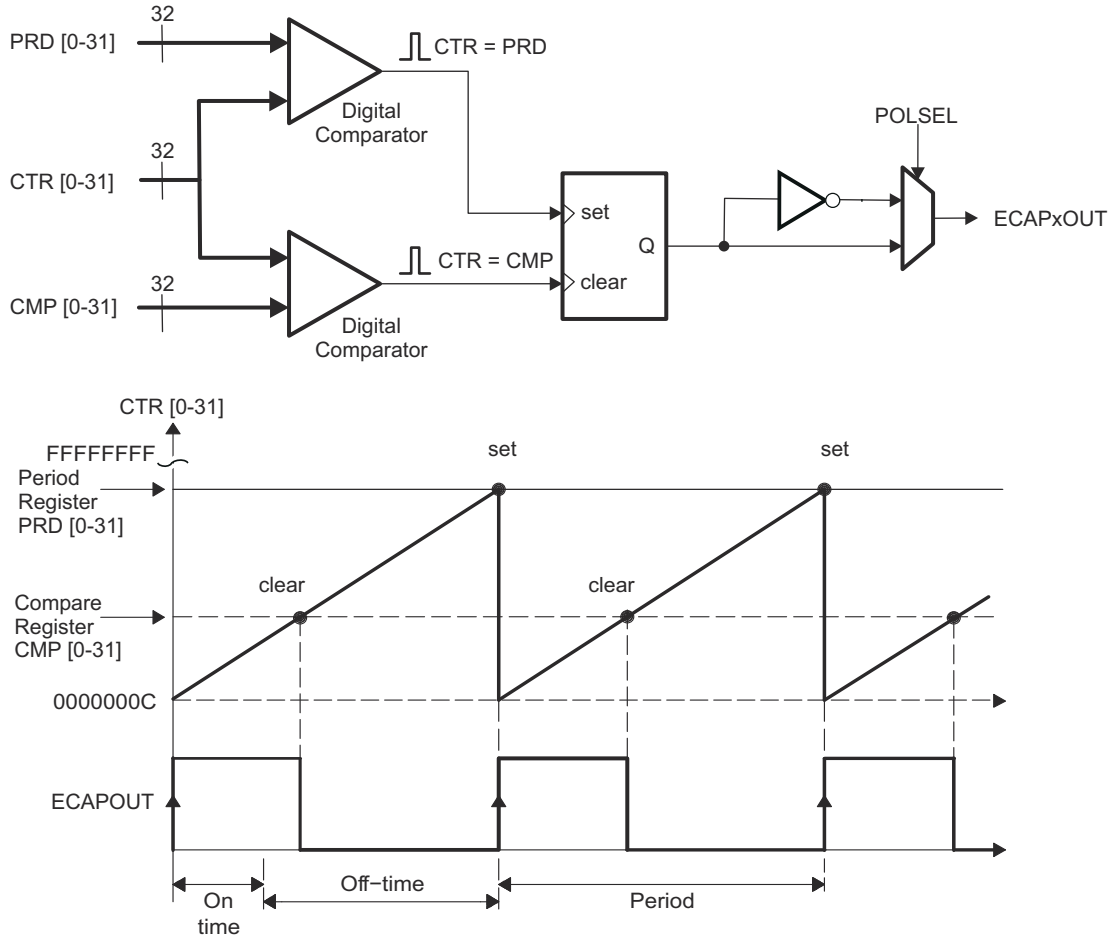


Figure 15-2. Counter Compare and PRD Effects on the eCAP Output in APWM Mode

### 15.5 Capture Mode Description

Figure 15-3 shows the various components that implement the capture function.

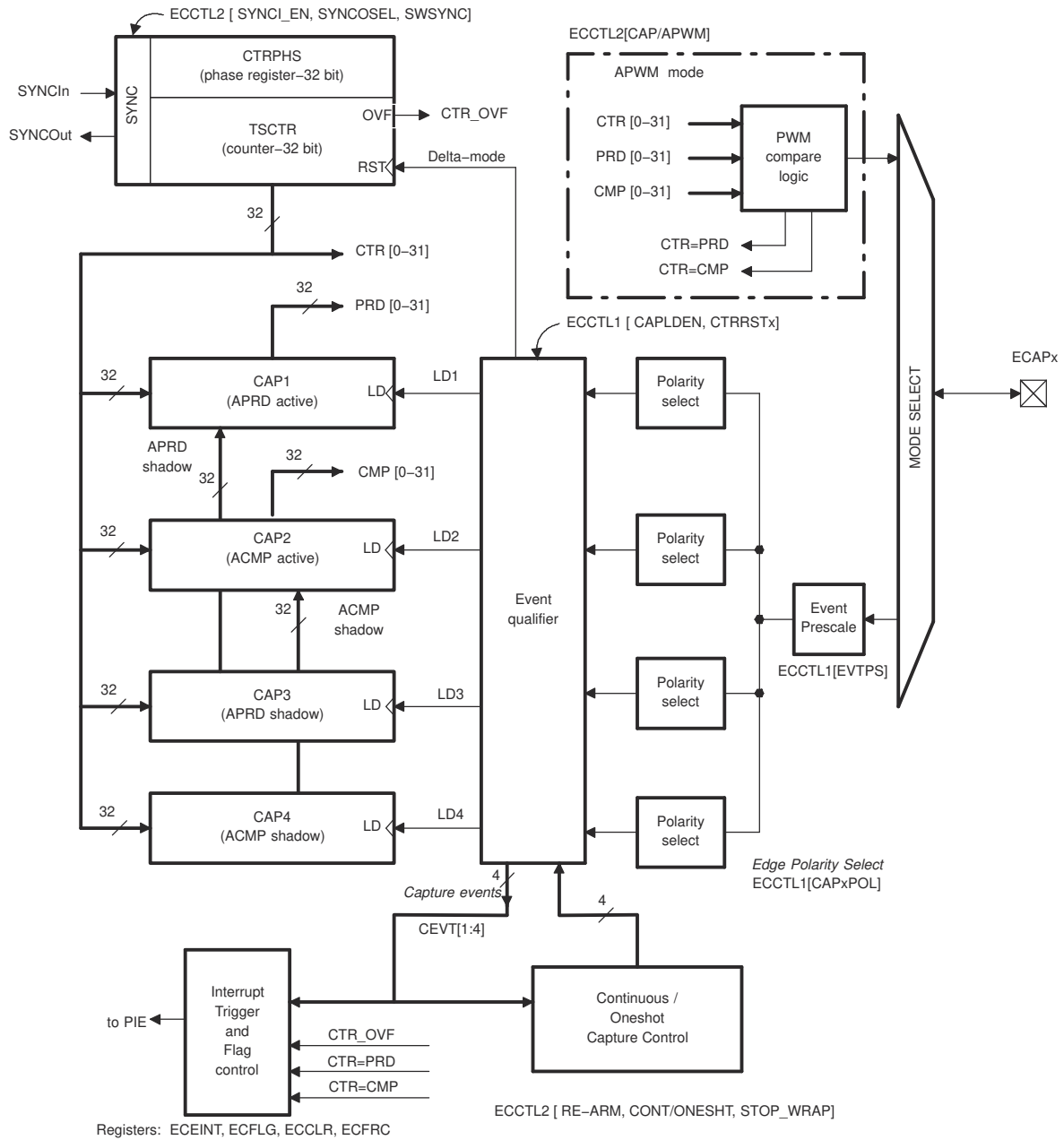
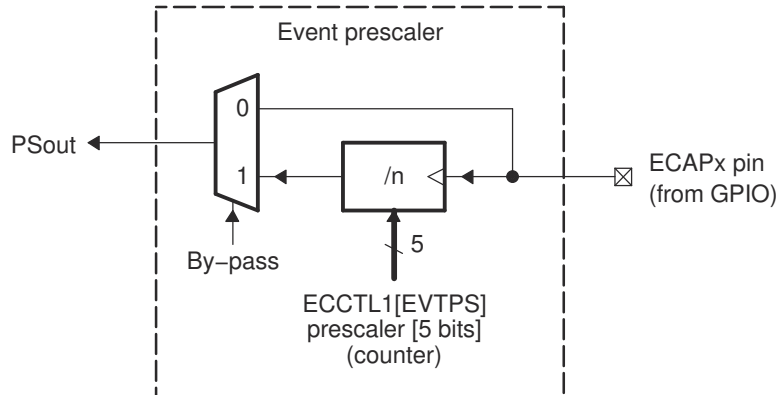


Figure 15-3. eCAP Block Diagram

### 15.5.1 Event Prescaler

An input capture signal (pulse train) can be prescaled by  $N = 2-62$  (in multiples of 2) or can bypass the prescaler. This is useful when very high frequency signals are used as inputs. Figure 15-4 shows a functional diagram and Figure 15-5 shows the operation of the prescale function.



- A. When a prescale value of 1 is chosen (ECCTL1[13:9] = 0,0,0,0,0), the input capture signal bypasses the prescale logic completely.
- B. The first Rise edge after Prescale configuration change is not passed to Capture logic, prescaler value takes into effect on the second rising edge after the configuration.

Figure 15-4. Event Prescale Control

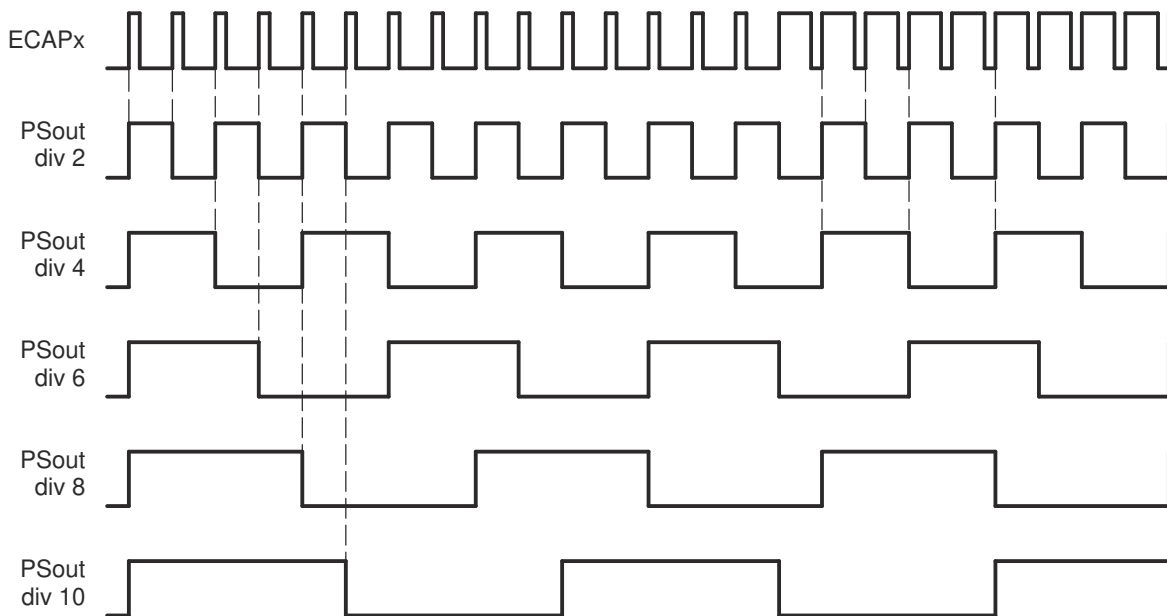


Figure 15-5. Prescale Function Waveforms

### 15.5.2 Edge Polarity Select and Qualifier

Functionality and features include:

- Four independent edge polarity (rising edge/falling edge) selection muxes are used, one for each capture event.
- Each edge (up to 4) is event qualified by the Modulo4 sequencer.

- The edge event is gated to the respective CAPx register by the Mod4 counter. The CAPx register is loaded on the falling edge.

### 15.5.3 Continuous/One-Shot Control

Operation of eCAP in Continuous/One-Shot mode:

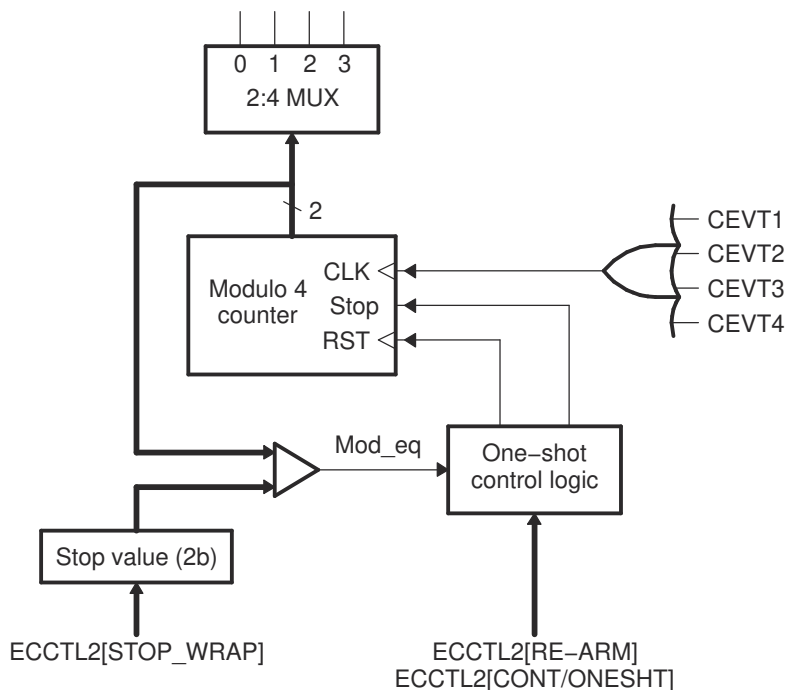
- The Mod4 (2-bit) counter is incremented using edge qualified events (CEVT1-CEVT4).
- The Mod4 counter continues counting (0->1->2->3->0) and wraps around unless stopped.
- During one-shot operation, a 2-bit stop register (STOP\_WRAP) is used to compare the Mod4 counter output, and when equal, stops the Mod4 counter and inhibits further loads of the CAP1-CAP4 registers. In this mode, if TSCCTR counter is configured to reset on capture event (CEVTx) by configuring ECCTL1.CTRRSTx bit, the operation still keeps resetting the TSCCTR counter on capture event (CEVTx) after the STOP\_WRAP value is reached and re-arm (REARM) has not occurred.

The continuous/one-shot block controls the start, stop and reset (zero) functions of the Mod4 counter, using a mono-shot type of action that can be triggered by the stop-value comparator and re-armed using software control.

Once armed, the eCAP module waits for 1-4 (defined by stop-value) capture events before freezing both the Mod4 counter and contents of CAP1-4 registers (time stamps).

Re-arming prepares the eCAP module for another capture sequence. Also, re-arming clears (to zero) the Mod4 counter and permits loading of CAP1-4 registers again, providing the CAPLDEN bit is set.

In continuous mode, the Mod4 counter continues to run (0->1->2->3->0, the one-shot action is ignored, and capture values continue to be written to CAP1-4 in a circular buffer sequence.



**Figure 15-6. Details of the Continuous/One-shot Block**

### 15.5.4 32-Bit Counter and Phase Control

This counter provides the time-base for event captures, and is clocked using the system clock.

A phase register is provided to achieve synchronization with other counters using a hardware and software forced sync. This is useful in APWM mode when a phase offset between modules is needed.

On any of the four event loads, an option to reset the 32-bit counter is given. This is useful for time difference capture. The 32-bit counter value is captured first, then the counter value is reset to 0 by any of the LD1-LD4 signals.

### 15.5.5 CAP1-CAP4 Registers

These 32-bit registers are supplied by the 32-bit counter timer bus, CTR[0-31], and are loaded (capture a time-stamp) when their respective LD inputs are strobed.

Control bit CAPLDEN can inhibit loading of the capture registers. During one-shot operation, this bit is cleared (loading is inhibited) automatically when a stop condition occurs, StopValue = Mod4.

CAP1 and CAP2 registers become the active period and compare registers, respectively, in APWM mode.

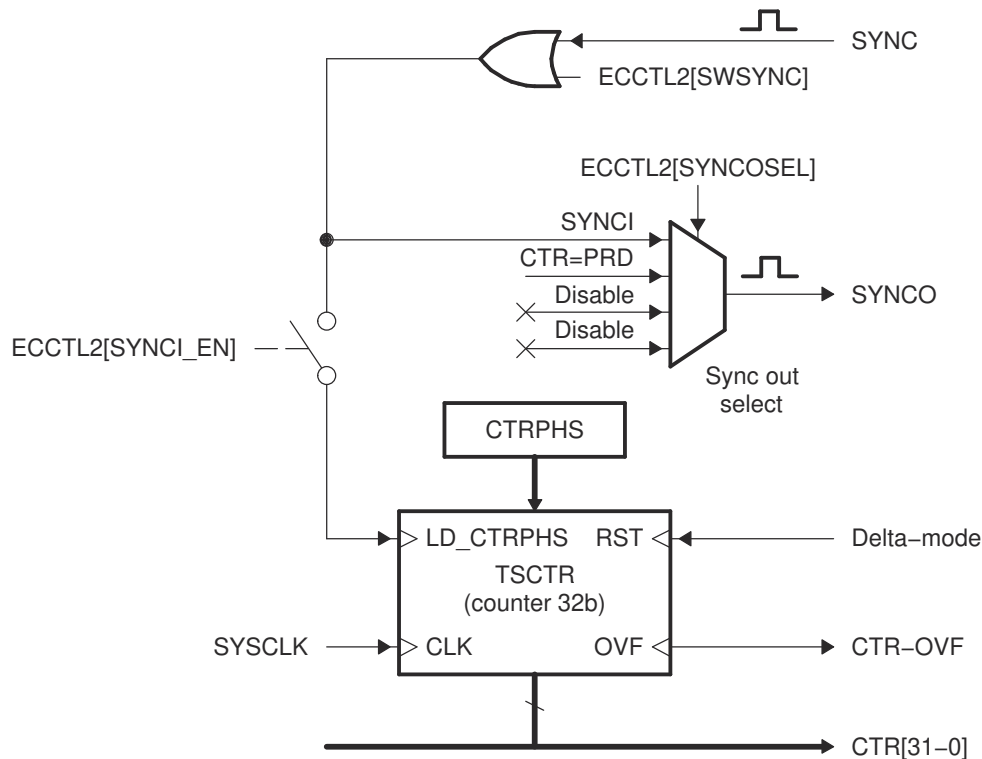
CAP3 and CAP4 registers become the respective shadow registers (APRD and ACMP) for CAP1 and CAP2 during APWM operation.

### 15.5.6 eCAP Synchronization

eCAP modules can be synchronized with each other by selecting a common SYNCIN source. SYNCIN source for eCAP can be either software sync-in or external sync-in. The external sync-in signal can come from EPWM, eCAP, or X-Bar. The SWSYNC of the eCAP module is logical ORed with the SYNC signal as shown in Figure 15-7. The SYNC signal is defined by the selection of SYNCSELECT[ECAPxSYNCIN] as shown in Figure 15-8.

#### Note

If SWSYNC is forced from ECAPx, then the Sync pulse is delayed by one clock cycle for sync pulse receiving ECAPs. This cycle delay/lag for the sync pulse receiving ECAPs can be corrected with the CTRPHS register. If there is an external SYNC signal, then all ECAPs see the signal at the same time.



**Figure 15-7. Details of the Counter and Synchronization Block**

#### 15.5.6.1 Example 1 - Using SWSYNC with ECAP Module

Implement the following steps to use SWSYNC with ECAP1 and ECAP3.

- Configure ECAP[1..3].ECCTL2.SYNCO\_SEL = 0x0, to allow the sync-in event to be the sync-out signal pass through.
- Configure ECAP[2..3].ECCTL2.SWSYNC = 0x0, to disable software synchronization for eCAP2 through eCAP3.
- The default sync signal comes from ePWM1, if TBCTL[SYNCOSSEL] is not correctly configured this can cause undesired resets of the time-stamp register (TSCTR). Select an unused GPIO in InputXbarRegs.INPUT5SELECT. Configure this GPIO in output mode and write 0 to the GPIO DAT register. By default, this is programmed to GPIO0 so any activity on this pin can cause problems with the SWSYNC.
- Program SYNCSEL[ECAP1SYNCIN] = 0x5. This takes ECAPx.EXTSYNCIN to an inactive state.
- Configure ECAP1.ECCTL2.SWSYNC=0x1, this forces Software Synchronization of TSCTR counter

To use SWSYNC with other eCAP modules, make sure that the previous eCAP chain is not generating a SYNCOUT signal that interferes with the software synchronization.

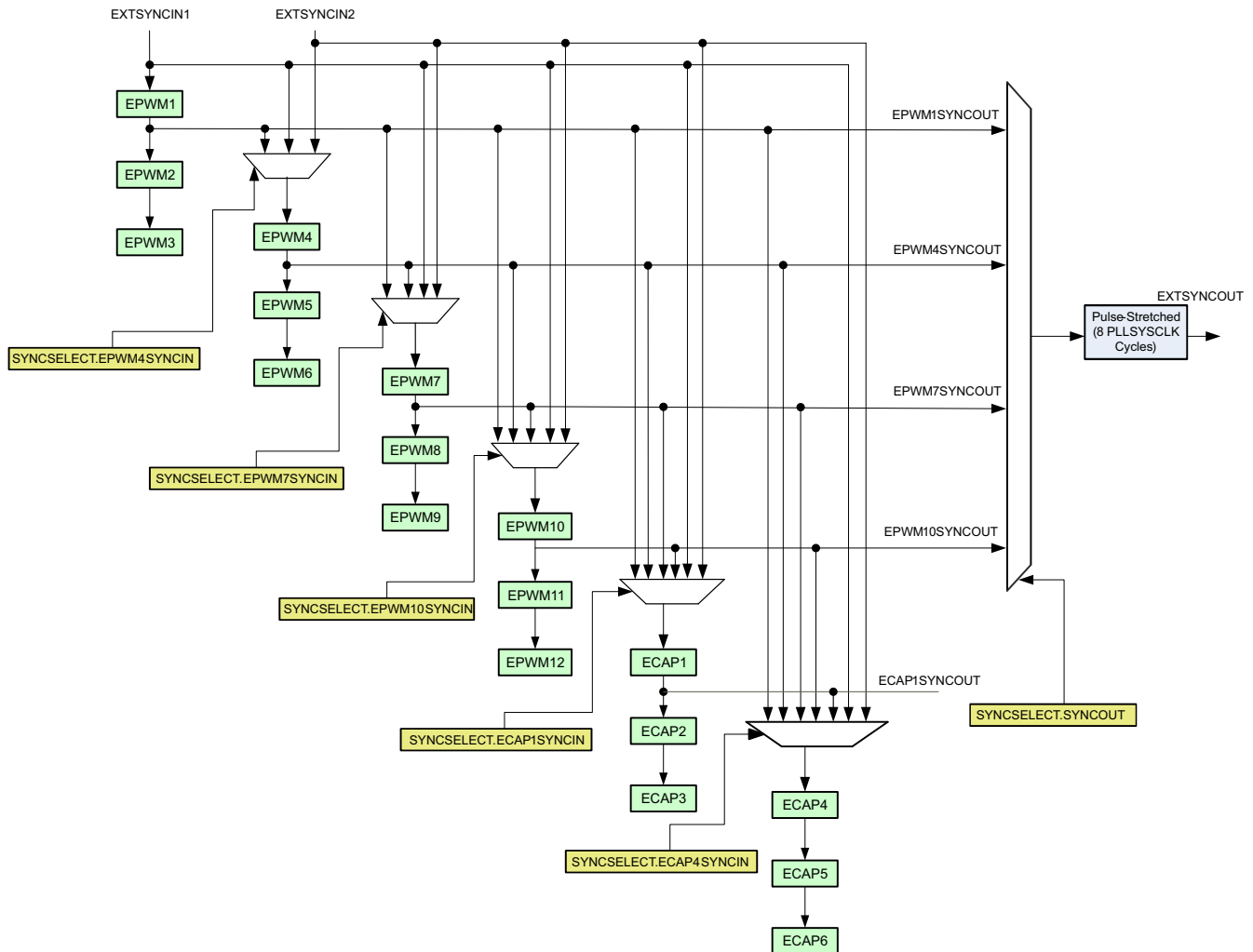


Figure 15-8. Time-Base Counter Synchronization Scheme

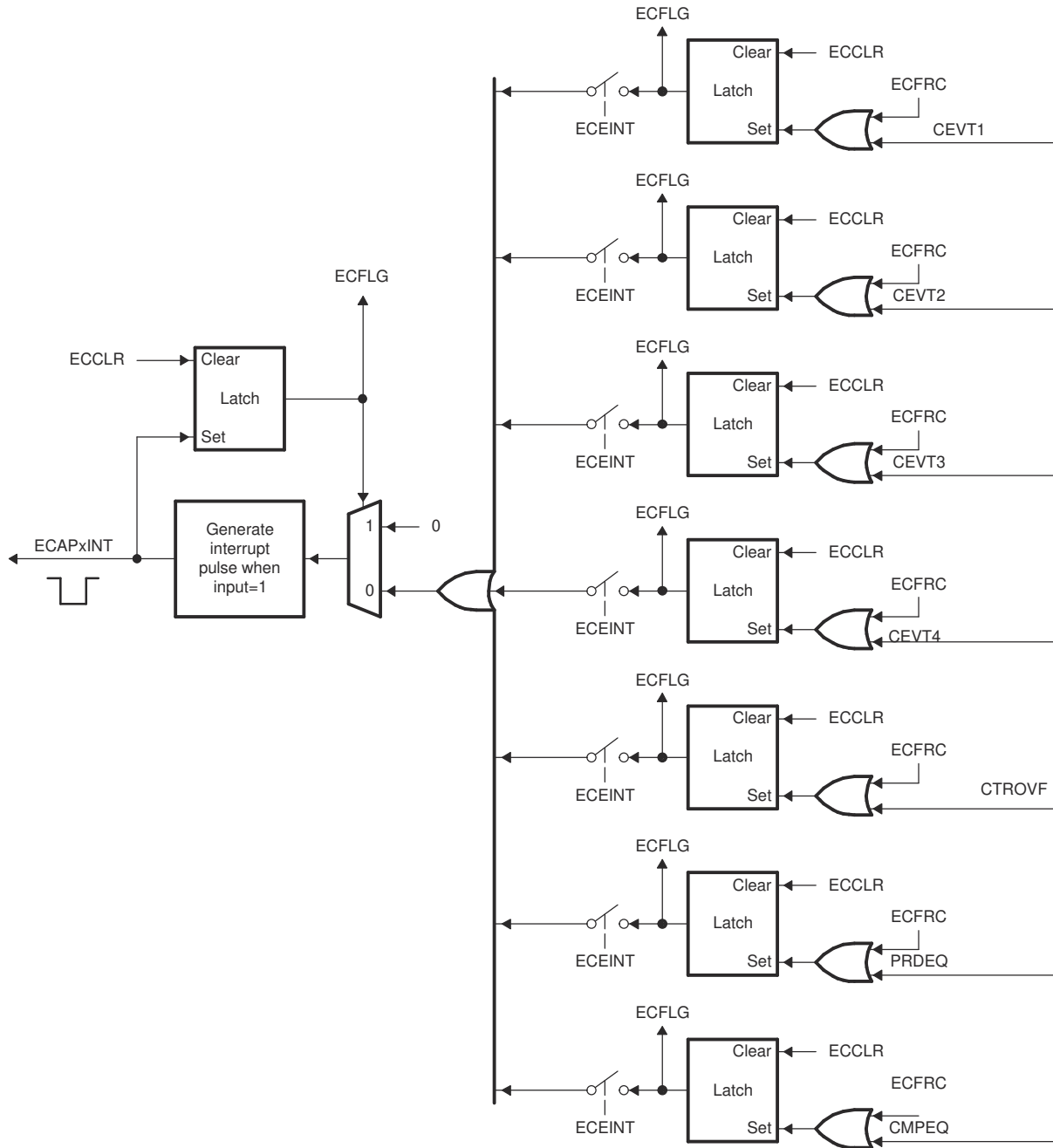
### 15.5.7 Interrupt Control

Operation and features of the eCAP interrupt control include (see Figure 15-9):

- An interrupt can be generated on capture events (CEVT1-CEVT4, CTROVF) or APWM events (CTR = PRD, CTR = CMP).
- A counter overflow event (FFFFFFFF->00000000) is also provided as an interrupt source (CTROVF).
- The capture events are edge and sequencer-qualified (ordered in time) by the polarity select and Mod4 gating, respectively.
- One of these events can be selected as the interrupt source (from the eCAPx module) going to the PIE and CLA.
- Seven interrupt events (CEVT1, CEVT2, CEVT3, CEVT4, CNTOVF, CTR=PRD, CTR=CMF) can be generated.
- The interrupt enable register (ECEINT) is used to enable/disable individual interrupt event sources. The interrupt flag register (ECFLG) indicates if any interrupt event has been latched and contains the global interrupt flag bit (INT). An interrupt pulse is generated to the PIE only if any of the interrupt events are enabled, the flag bit is 1, and the INT flag bit is 0. The interrupt service routine must clear the global interrupt flag bit and the serviced event using the interrupt clear register (ECCLR) before any other interrupt pulses are generated. To force an interrupt event, use the interrupt force register (ECFRC). This is useful for test purposes.

**Note**

The CEVT1, CEVT2, CEVT3, CEVT4 flags are only active in capture mode (ECCTL2[CAP/APWM == 0]). The CTR=PRD, CTR=CMP flags are only valid in APWM mode (ECCTL2[CAP/APWM == 1]). CNTOVF flag is valid in both modes.



**Figure 15-9. Interrupts in eCAP Module**



### 15.5.8 DMA Interrupt

On Type 0 eCAP modules, the CPU was required to begin data transfers using DMA. New to the Type 1 eCAP, a separate DMA Trigger (ECAP\_DMA\_INT) enables continuous transfer of capture data from eCAP registers to on-chip memory using DMA. Any one of the four available interrupt events ( ) can be selected as the trigger source for ECAP\_DMA\_INT using ECCTL2 [DMAEVTSEL].

### 15.5.9 Shadow Load and Lockout Control

In capture mode, this logic inhibits (locks out) any shadow loading of CAP1 or CAP2 from APRD and ACMP registers, respectively.

In APWM mode, shadow loading is active and two choices are permitted:

- Immediate - APRD or ACMP are transferred to CAP1 or CAP2 immediately upon writing a new value.
- On period equal,  $CTR[31:0] = PRD[31:0]$ .

### 15.5.10 APWM Mode Operation

Main operating highlights of the APWM section:

- The time-stamp counter bus is made available for comparison by way of 2 digital (32-bit) comparators.
- When CAP1/2 registers are not used in capture mode, their contents can be used as Period and Compare values in APWM mode.
- Double buffering is achieved using shadow registers APRD and ACMP (CAP3/4). The shadow register contents are transferred over to CAP1/2 registers, either immediately upon a write, or on a  $CTR = PRD$  trigger.
- In APWM mode, writing to CAP1/CAP2 active registers also writes the same value to the corresponding shadow registers CAP3/CAP4. This emulates immediate mode. Writing to the shadow registers CAP3/CAP4 invokes the shadow mode.
- During initialization, write to the active registers for both period and compare. This automatically copies the initial values into the shadow values. For subsequent compare updates during run-time, use the shadow registers.

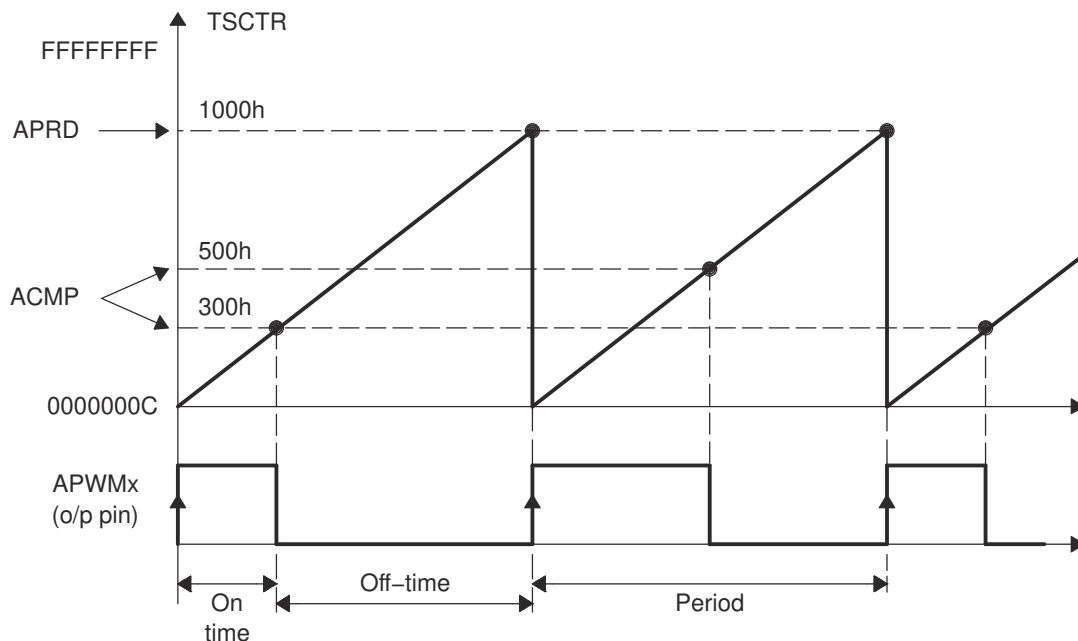


Figure 15-10. PWM Waveform Details Of APWM Mode Operation

The behavior of APWM active high mode (APWMPOL == 0) is as follows:

CMP = 0x00000000, output low for duration of period (0% duty)

CMP = 0x00000001, output high 1 cycle

CMP = 0x00000002, output high 2 cycles

CMP = PERIOD, output high except for 1 cycle (<100% duty)

CMP = PERIOD+1, output high for complete period (100% duty)

CMP > PERIOD+1, output high for complete period

The behavior of APWM active low mode (APWMPOL == 1) is as follows:

CMP = 0x00000000, output high for duration of period (0% duty)

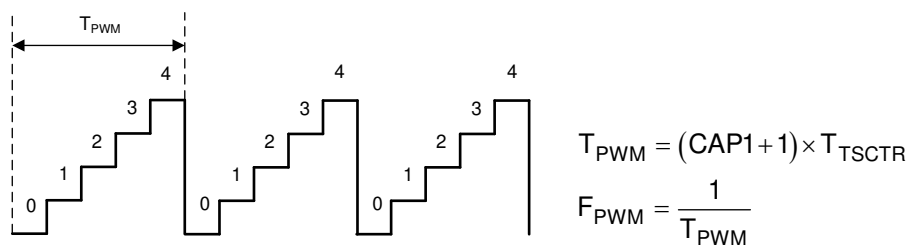
CMP = 0x00000001, output low 1 cycle

CMP = 0x00000002, output low 2 cycles

CMP = PERIOD, output low except for 1 cycle (<100% duty)

CMP = PERIOD+1, output low for complete period (100% duty)

CMP > PERIOD+1, output low for complete period



**Figure 15-11. Time-Base Frequency and Period Calculation**

## 15.6 Application of the eCAP Module

The following sections provide applications examples to show how to operate the eCAP module.

### 15.6.1 Example 1 - Absolute Time-Stamp Operation Rising-Edge Trigger

Figure 15-12 shows an example of continuous capture operation (Mod4 counter wraps around). In this figure, TSCTR counts-up without resetting and capture events are qualified on the rising edge only, this gives period (and frequency) information.

On an event, the TSCTR contents (time-stamp) is first captured, then Mod4 counter is incremented to the next state. When the TSCTR reaches FFFFFFFF (maximum value), the Mod4 counter wraps around to 00000000 (not shown in Figure 15-12), if this occurs, the CTROVF (counter overflow) flag is set, and an interrupt (if enabled) occurs. Captured Time-stamps are valid at the point indicated by the diagram (after the fourth event); hence, event CEVT4 can conveniently be used to trigger an interrupt and the CPU can read data from the CAPx registers.

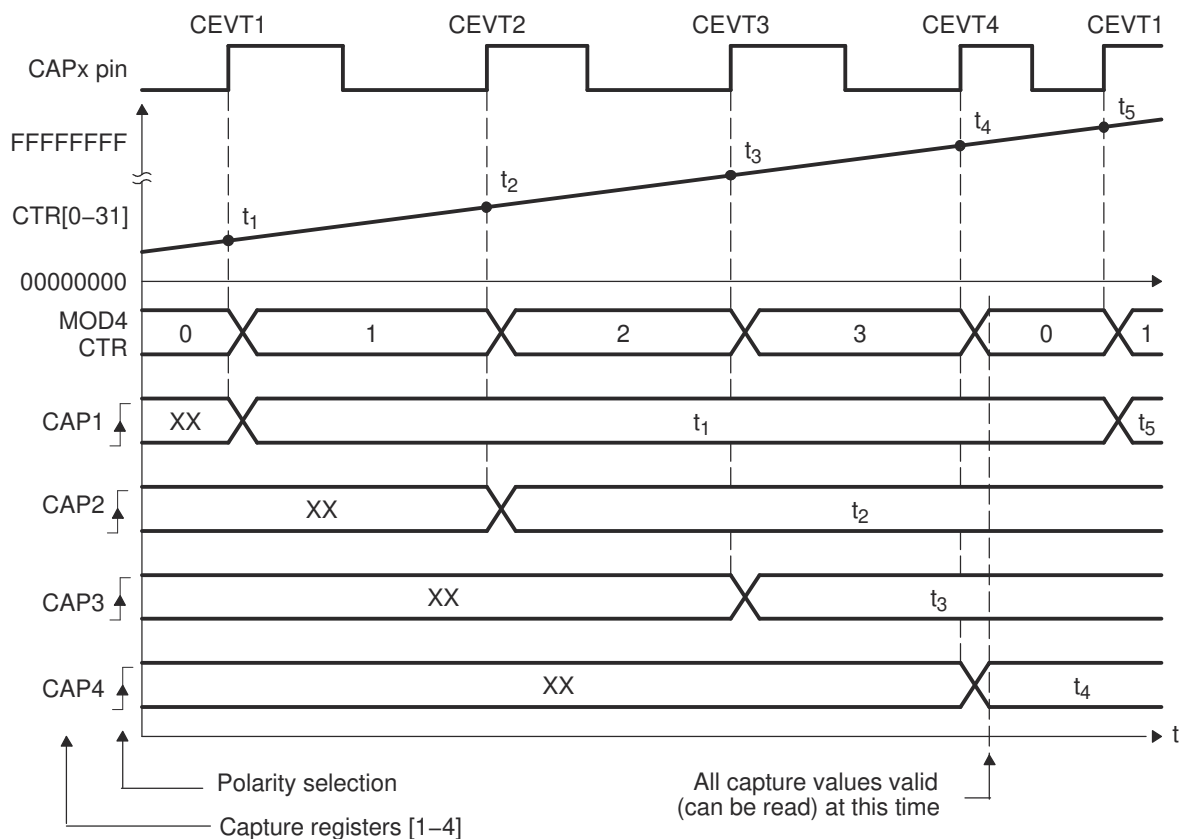
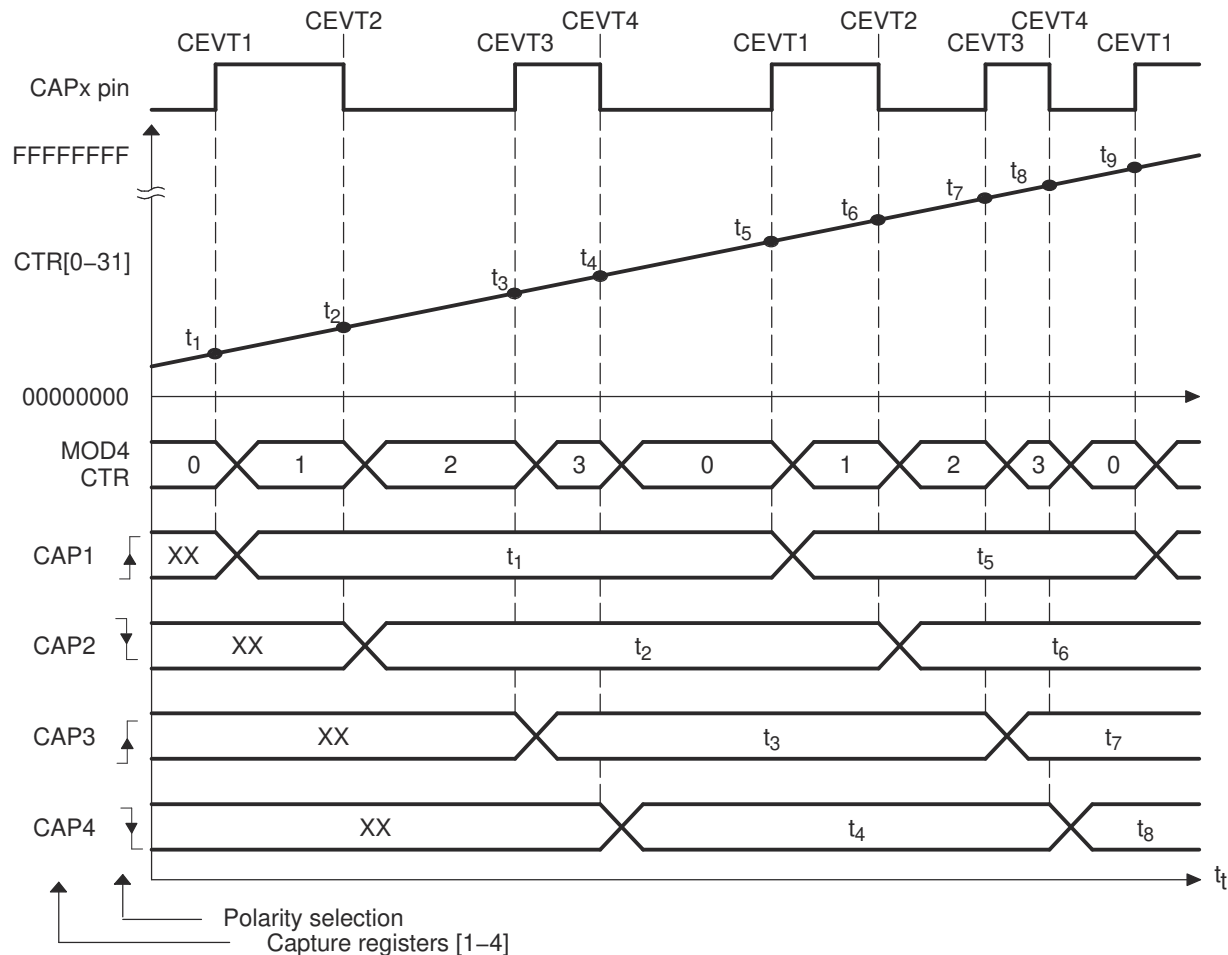


Figure 15-12. Capture Sequence for Absolute Time-stamp and Rising-Edge Detect

### 15.6.2 Example 2 - Absolute Time-Stamp Operation Rising- and Falling-Edge Trigger

In Figure 15-13, the eCAP operating mode is almost the same as in the previous section except capture events are qualified as either rising or falling edge, this now gives both period and duty cycle information, that is: Period1 =  $t_3 - t_1$ , Period2 =  $t_5 - t_3$ , ...and so on. Duty Cycle1 (on-time %) =  $(t_2 - t_1) / \text{Period1} \times 100\%$ , and so on. Duty Cycle1 (off-time %) =  $(t_3 - t_2) / \text{Period1} \times 100\%$ , and so on.



**Figure 15-13. Capture Sequence for Absolute Time-stamp with Rising- and Falling-Edge Detect**

### 15.6.3 Example 3 - Time Difference (Delta) Operation Rising-Edge Trigger

Figure 15-14 shows how the eCAP module can be used to collect delta timing data from pulse train waveforms. Here Continuous Capture mode (TSCTR counts-up without resetting, and Mod4 counter wraps around) is used. In Delta-time mode, TSCTR is reset back to zero on every valid event. Here capture events are qualified as rising edge only. On an event, TSCTR contents (Time-Stamp) is captured first, and then TSCTR is reset to zero. The Mod4 counter then increments to the next state. If TSCTR reaches FFFFFFFF (maximum value), before the next event, the Mod4 counter wraps around to 00000000 and continues, a CNTOVF (counter overflow) flag is set, and an interrupt (if enabled) occurs. The advantage of Delta-time mode is that the CAPx contents directly give timing data without the need for CPU calculations, that is, Period1 =  $T_1$ , Period2 =  $T_2$ , and so on. As shown in Figure 15-14, the CEVT1 event is a good trigger point to read the timing data,  $T_1$ ,  $T_2$ ,  $T_3$ ,  $T_4$  are all valid here.

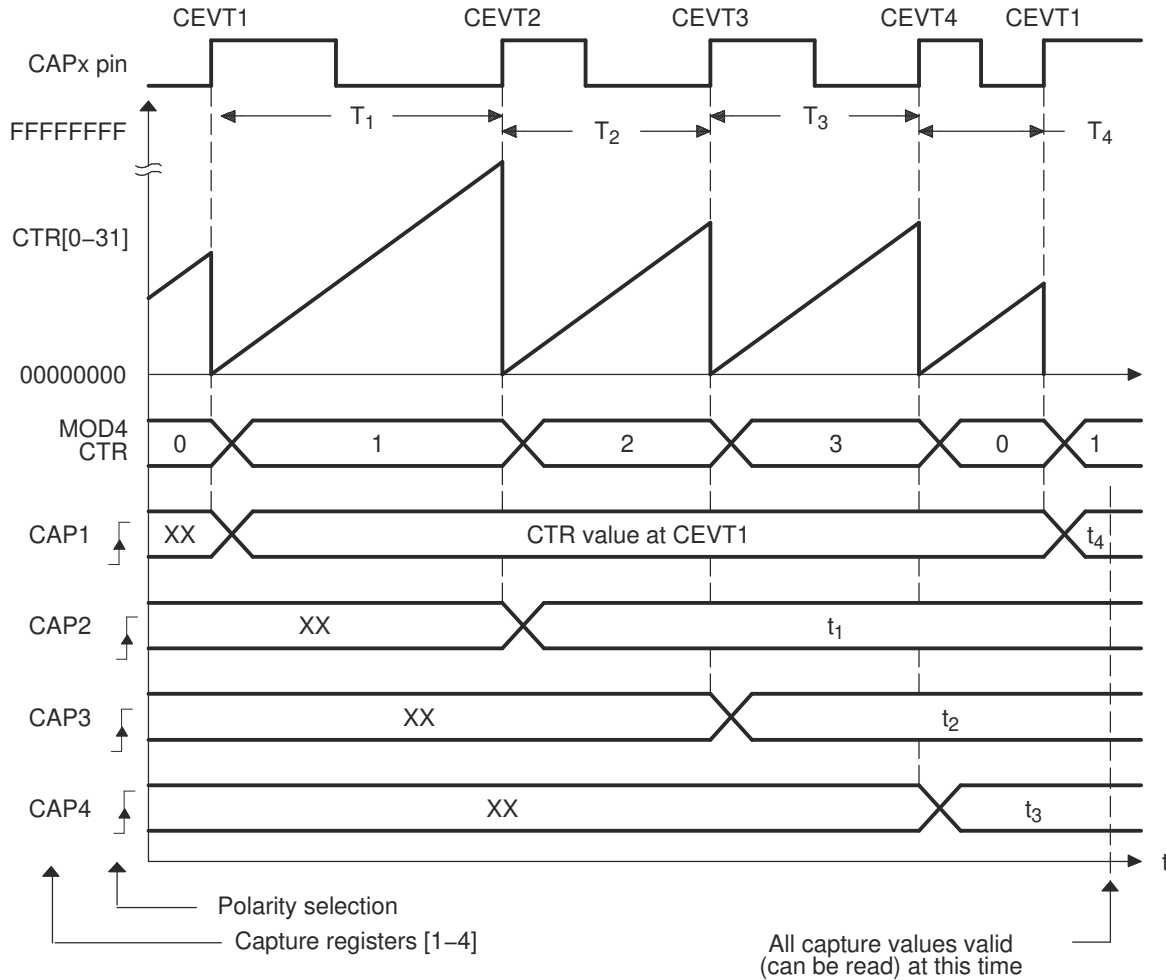
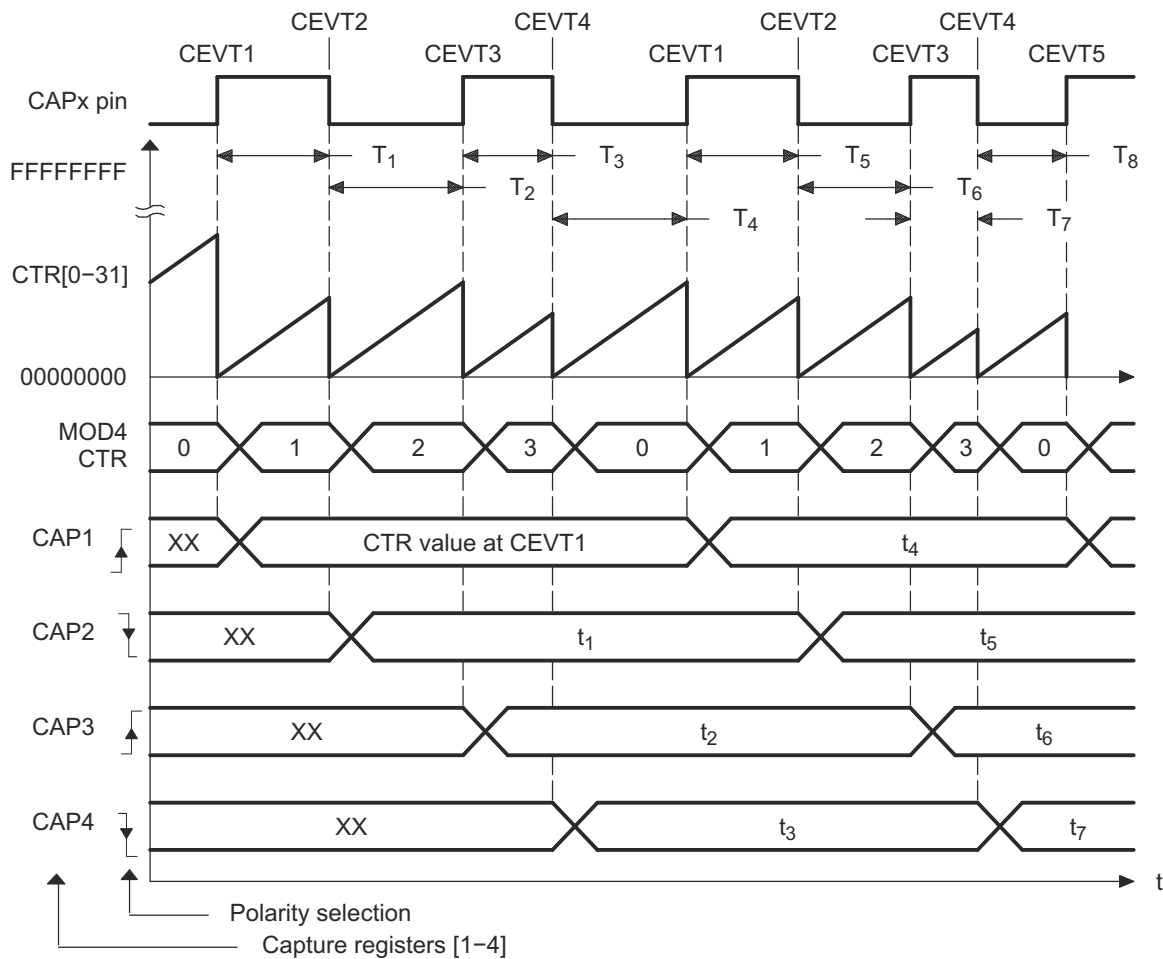


Figure 15-14. Capture Sequence for Delta Mode Time-stamp and Rising Edge Detect

### 15.6.4 Example 4 - Time Difference (Delta) Operation Rising- and Falling-Edge Trigger

In Figure 15-15, the eCAP operating mode is almost the same as in previous section except capture events are qualified as either rising or falling edge, this now gives both period and duty cycle information, that is: Period1 =  $T_1 + T_2$ , Period2 =  $T_3 + T_4$ , and so on. Duty Cycle1 (on-time %) =  $T_1 / \text{Period1} \times 100\%$ , Duty Cycle1 (off-time %) =  $T_2 / \text{Period1} \times 100\%$ , and so on.

During initialization, write to the active registers for both period and compare. This action automatically copies the init values into the shadow values. For subsequent compare updates during run-time, the shadow registers must be used.



**Figure 15-15. Capture Sequence for Delta Mode Time-stamp with Rising- and Falling-Edge Detect**

### 15.7 Application of the APWM Mode

In this example, the eCAP module is configured to operate as a PWM generator. Here, a very simple single-channel PWM waveform is generated from the APWMx output pin. The PWM polarity is active high, which means that the compare value (CAP2 reg is now a compare register) represents the on-time (high level) of the period. Alternatively, if the APWMPOL bit is configured for active low, then the compare value represents the off-time.

#### 15.7.1 Example 1 - Simple PWM Generation (Independent Channels)

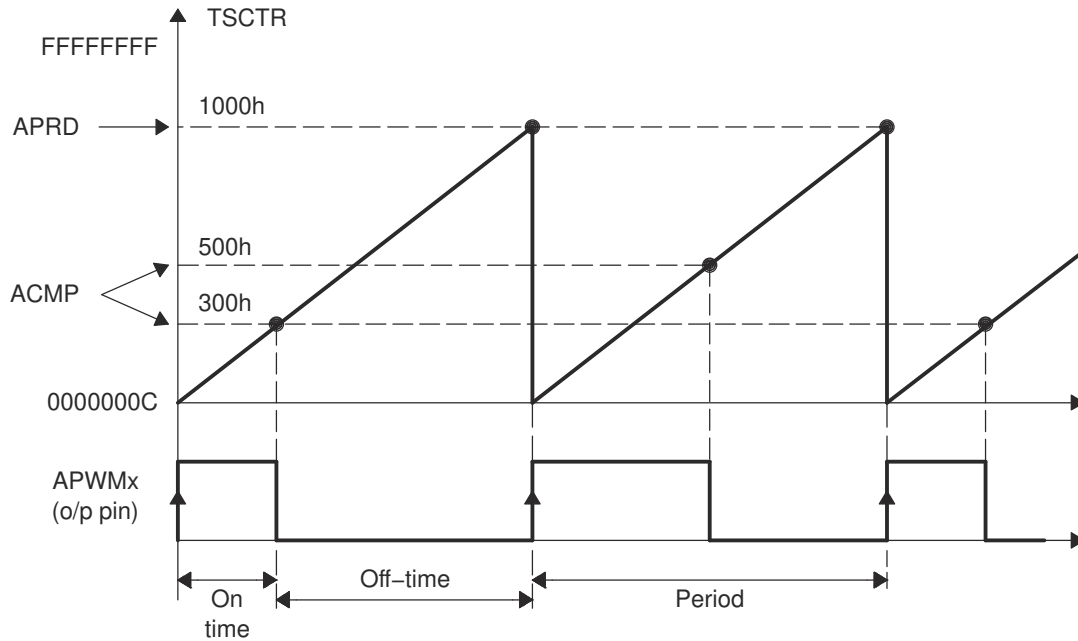


Figure 15-16. PWM Waveform Details of APWM Mode Operation

## 15.8 Software

### 15.8.1 ECAP Examples

NOTE: These examples are located in the [C2000Ware](#) installation at the following location:  
C2000Ware\_VERSION#/driverlib/DEVICE\_GPN/examples/CORE\_IF\_MULTICORE/ecap

Cloud access to these examples is available at the following link: [dev.ti.com](http://dev.ti.com) [C2000Ware Examples](#).

#### 15.8.1.1 eCAP APWM Example

FILE: `ecap_ex1_apwm.c`

This program sets up the eCAP module in APWM mode. The PWM waveform will come out on GPIO5. The frequency of PWM is configured to vary between 5Hz and 10Hz using the shadow registers to load the next period/compare values.

#### 15.8.1.2 eCAP Capture PWM Example

FILE: `ecap_ex2_capture_pwm.c`

This example configures ePWM3A for:

- Up count mode
- Period starts at 500 and goes up to 8000
- Toggle output on PRD

eCAP1 is configured to capture the time between rising and falling edge of the ePWM3A output.

#### External Connections

- eCAP1 is on GPIO16
- ePWM3A is on GPIO4
- Connect GPIO4 to GPIO16.

#### Watch Variables

- `ecap1PassCount` - Successful captures.
- `ecap1IntCount` - Interrupt counts.

#### 15.8.1.3 eCAP APWM Phase-shift Example

FILE: `ecap_ex3_apwm_phase_shift.c`

This program sets up the eCAP1 and eCAP2 modules in APWM mode to generate the two phase-shifted PWM outputs of same duty and frequency value. The frequency, duty and phase values can be programmed of choice by updating the defined macros. By default 10 Khz frequency, 50% duty and 30% phase shift values are used. eCAP2 output leads the eCAP1 output by 30%. GPIO5 and GPIO6 are used as eCAP1/2 outputs and can be probed using analyzer/CRO to observe the waveforms.

#### 15.8.1.4 eCAP Software Sync Example

FILE: `ecap_ex4_sw_sync.c`

This example configures ePWM3A for:

- Up count mode
- Period starts at 500 and goes up to 8000
- Toggle output on PRD

eCAP1, eCAP2 and eCAP3 are configured to capture the time between rising and falling edge of the ePWM3A output.

#### External Connections

- eCAP1, eCAP2, eCAP3 are on GPIO16
- ePWM3A is on GPIO4



- Connect GPIO4 to GPIO16.

#### Watch Variables

- *ecapPassCount* - Successful captures.
- *ecap3IntCount* - Interrupt counts.

## 15.9 eCAP Registers

This section describes the Enhanced Capture Registers.

### 15.9.1 eCAP Base Addresses

**Table 15-1. eCAP Base Address Table**

Device Register	Register Name	Start Address	End Address
ECap1Regs	ECAP_REGS	0x0000_5000	0x0000_501F
ECap2Regs	ECAP_REGS	0x0000_5020	0x0000_503F
ECap3Regs	ECAP_REGS	0x0000_5040	0x0000_505F
ECap4Regs	ECAP_REGS	0x0000_5060	0x0000_507F
ECap5Regs	ECAP_REGS	0x0000_5080	0x0000_509F
ECap6Regs	ECAP_REGS	0x0000_50A0	0x0000_50BF

## 15.9.2 ECAP\_REGS Registers

Table 15-2 lists the memory-mapped registers for the ECAP\_REGS registers. All register offset addresses not listed in Table 15-2 should be considered as reserved locations and the register contents should not be modified.

**Table 15-2. ECAP\_REGS Registers**

Offset	Acronym	Register Name	Write Protection	Section
0h	TSCTR	Time-Stamp Counter		<a href="#">Go</a>
2h	CTRPHS	Counter Phase Offset Value Register		<a href="#">Go</a>
4h	CAP1	Capture 1 Register		<a href="#">Go</a>
6h	CAP2	Capture 2 Register		<a href="#">Go</a>
8h	CAP3	Capture 3 Register		<a href="#">Go</a>
Ah	CAP4	Capture 4 Register		<a href="#">Go</a>
14h	ECCTL1	Capture Control Register 1		<a href="#">Go</a>
15h	ECCTL2	Capture Control Register 2		<a href="#">Go</a>
16h	ECEINT	Capture Interrupt Enable Register		<a href="#">Go</a>
17h	ECFLG	Capture Interrupt Flag Register		<a href="#">Go</a>
18h	ECCLR	Capture Interrupt Clear Register		<a href="#">Go</a>
19h	ECFRC	Capture Interrupt Force Register		<a href="#">Go</a>

Complex bit access types are encoded to fit into small table cells. Table 15-3 shows the codes that are used for access types in this section.

**Table 15-3. ECAP\_REGS Access Type Codes**

Access Type	Code	Description
Read Type		
R	R	Read
R-0	R-0	Read Returns 0s
Write Type		
W	W	Write
W1C	W1C	Write 1 to clear
W1S	W1S	Write 1 to set
Reset or Default Value		
-n		Value after reset or the default value
Register Array Variables		
i,j,k,l,m,n		When these variables are used in a register name, an offset, or an address, they refer to the value of a register array where the register is part of a group of repeating registers. The register groups form a hierarchical structure and the array is represented with a formula.
y		When this variable is used in a register name, an offset, or an address it refers to the value of a register array.

### 15.9.2.1 TSCTR Register (Offset = 0h) [Reset = 00000000h]

TSCTR is shown in [Figure 15-17](#) and described in [Table 15-4](#).

Return to the [Summary Table](#).

Time-Stamp Counter

**Figure 15-17. TSCTR Register**

31	30	29	28	27	26	25	24	23	22	21	20	19	18	17	16	15	14	13	12	11	10	9	8	7	6	5	4	3	2	1	0
TSCTR																															
R/W-0h																															

**Table 15-4. TSCTR Register Field Descriptions**

Bit	Field	Type	Reset	Description
31-0	TSCTR	R/W	0h	Active 32-bit counter register that is used as the capture time-base Reset type: SYSRSn

### 15.9.2.2 CTRPHS Register (Offset = 2h) [Reset = 0000000h]

CTRPHS is shown in [Figure 15-18](#) and described in [Table 15-5](#).

Return to the [Summary Table](#).

Counter Phase Offset Value Register

**Figure 15-18. CTRPHS Register**

31	30	29	28	27	26	25	24	23	22	21	20	19	18	17	16	15	14	13	12	11	10	9	8	7	6	5	4	3	2	1	0
CTRPHS																															
R/W-0h																															

**Table 15-5. CTRPHS Register Field Descriptions**

Bit	Field	Type	Reset	Description
31-0	CTRPHS	R/W	0h	Counter phase value register that can be programmed for phase lag/lead. This register CTRPHS is loaded into TSCTR upon either a SYNCI event or S/W force via a control bit. Used to achieve phase control synchronization with respect to other eCAP and EPWM timebases. Reset type: SYSRSn

### 15.9.2.3 CAP1 Register (Offset = 4h) [Reset = 00000000h]

CAP1 is shown in [Figure 15-19](#) and described in [Table 15-6](#).

Return to the [Summary Table](#).

Capture 1 Register

**Figure 15-19. CAP1 Register**

31	30	29	28	27	26	25	24	23	22	21	20	19	18	17	16	15	14	13	12	11	10	9	8	7	6	5	4	3	2	1	0
CAP1																															
R/W-0h																															

**Table 15-6. CAP1 Register Field Descriptions**

Bit	Field	Type	Reset	Description
31-0	CAP1	R/W	0h	This register can be loaded (written) by: <ul style="list-style-type: none"> <li>- Time-Stamp counter value (TSCTR) during a capture event</li> <li>- Software - may be useful for test purposes or initialization</li> <li>- ARPD shadow register (CAP3) when used in APWM mode</li> </ul> Reset type: SYSRSn

#### 15.9.2.4 CAP2 Register (Offset = 6h) [Reset = 00000000h]

CAP2 is shown in [Figure 15-20](#) and described in [Table 15-7](#).

Return to the [Summary Table](#).

Capture 2 Register

**Figure 15-20. CAP2 Register**

31	30	29	28	27	26	25	24	23	22	21	20	19	18	17	16	15	14	13	12	11	10	9	8	7	6	5	4	3	2	1	0
CAP2																															
R/W-0h																															

**Table 15-7. CAP2 Register Field Descriptions**

Bit	Field	Type	Reset	Description
31-0	CAP2	R/W	0h	This register can be loaded (written) by: <ul style="list-style-type: none"> <li>- Time-Stamp ( counter value) during a capture event</li> <li>- Software - may be useful for test purposes</li> <li>- ACMP shadow register (CAP4) when used in APWM mode</li> </ul> Reset type: SYSRSn

### 15.9.2.5 CAP3 Register (Offset = 8h) [Reset = 0000000h]

CAP3 is shown in [Figure 15-21](#) and described in [Table 15-8](#).

Return to the [Summary Table](#).

Capture 3 Register

**Figure 15-21. CAP3 Register**

31	30	29	28	27	26	25	24	23	22	21	20	19	18	17	16	15	14	13	12	11	10	9	8	7	6	5	4	3	2	1	0
CAP3																															
R/W-0h																															

**Table 15-8. CAP3 Register Field Descriptions**

Bit	Field	Type	Reset	Description
31-0	CAP3	R/W	0h	In CMP mode, this is a time-stamp capture register. In APWM mode, this is the period shadow (APRD) register. You can update the PWM period value through this register. CAP3 (APRD) shadows CAP1 in this mode. Reset type: SYSRSn

### 15.9.2.6 CAP4 Register (Offset = Ah) [Reset = 0000000h]

CAP4 is shown in [Figure 15-22](#) and described in [Table 15-9](#).

Return to the [Summary Table](#).

Capture 4 Register

**Figure 15-22. CAP4 Register**

31	30	29	28	27	26	25	24	23	22	21	20	19	18	17	16	15	14	13	12	11	10	9	8	7	6	5	4	3	2	1	0
CAP4																															
R/W-0h																															

**Table 15-9. CAP4 Register Field Descriptions**

Bit	Field	Type	Reset	Description
31-0	CAP4	R/W	0h	In CMP mode, this is a time-stamp capture register. In APWM mode, this is the compare shadow (ACMP) register. You can update the PWM compare value via this register. CAP4 (ACMP) shadows CAP2 in this mode. Reset type: SYSRSn



### 15.9.2.7 ECCTL1 Register (Offset = 14h) [Reset = 0000h]

ECCTL1 is shown in [Figure 15-23](#) and described in [Table 15-10](#).

Return to the [Summary Table](#).

Capture Control Register 1

**Figure 15-23. ECCTL1 Register**

15		14		13		12		11		10		9		8	
FREE_SOFT				PRESCALE								CAPLDEN			
R/W-0h				R/W-0h								R/W-0h			
7		6		5		4		3		2		1		0	
CTRRST4		CAP4POL		CTRRST3		CAP3POL		CTRRST2		CAP2POL		CTRRST1		CAP1POL	
R/W-0h		R/W-0h		R/W-0h		R/W-0h		R/W-0h		R/W-0h		R/W-0h		R/W-0h	

**Table 15-10. ECCTL1 Register Field Descriptions**

Bit	Field	Type	Reset	Description
15-14	FREE_SOFT	R/W	0h	Emulation Control Reset type: SYSRSn 0h (R/W) = TSCTR counter stops immediately on emulation suspend 1h (R/W) = TSCTR counter runs until = 0 2h (R/W) = TSCTR counter is unaffected by emulation suspend (Run Free) 3h (R/W) = TSCTR counter is unaffected by emulation suspend (Run Free)
13-9	PRESCALE	R/W	0h	Event Filter prescale select Reset type: SYSRSn 0h (R/W) = Divide by 1 (i.e., no prescale, by-pass the prescaler) 1h (R/W) = Divide by 2 2h (R/W) = Divide by 4 3h (R/W) = Divide by 6 4h (R/W) = Divide by 8 5h (R/W) = Divide by 10 1Eh (R/W) = Divide by 60 1Fh (R/W) = Divide by 62
8	CAPLDEN	R/W	0h	Enable Loading of CAP1-4 registers on a capture event. Note that this bit does not disable CEVTn events from being generated. Reset type: SYSRSn 0h (R/W) = Disable CAP1-4 register loads at capture event time. 1h (R/W) = Enable CAP1-4 register loads at capture event time.
7	CTRRST4	R/W	0h	Counter Reset on Capture Event 4 Reset type: SYSRSn 0h (R/W) = Do not reset counter on Capture Event 4 (absolute time stamp operation) 1h (R/W) = Reset counter after Capture Event 4 time-stamp has been captured (used in difference mode operation)
6	CAP4POL	R/W	0h	Capture Event 4 Polarity select Reset type: SYSRSn 0h (R/W) = Capture Event 4 triggered on a rising edge (RE) 1h (R/W) = Capture Event 4 triggered on a falling edge (FE)
5	CTRRST3	R/W	0h	Counter Reset on Capture Event 3 Reset type: SYSRSn 0h (R/W) = Do not reset counter on Capture Event 3 (absolute time stamp) 1h (R/W) = Reset counter after Event 3 time-stamp has been captured (used in difference mode operation)

**Table 15-10. ECCTL1 Register Field Descriptions (continued)**

Bit	Field	Type	Reset	Description
4	CAP3POL	R/W	0h	Capture Event 3 Polarity select Reset type: SYSRSn 0h (R/W) = Capture Event 3 triggered on a rising edge (RE) 1h (R/W) = Capture Event 3 triggered on a falling edge (FE)
3	CTRRST2	R/W	0h	Counter Reset on Capture Event 2 Reset type: SYSRSn 0h (R/W) = Do not reset counter on Capture Event 2 (absolute time stamp) 1h (R/W) = Reset counter after Event 2 time-stamp has been captured (used in difference mode operation)
2	CAP2POL	R/W	0h	Capture Event 2 Polarity select Reset type: SYSRSn 0h (R/W) = Capture Event 2 triggered on a rising edge (RE) 1h (R/W) = Capture Event 2 triggered on a falling edge (FE)
1	CTRRST1	R/W	0h	Counter Reset on Capture Event 1 Reset type: SYSRSn 0h (R/W) = Do not reset counter on Capture Event 1 (absolute time stamp) 1h (R/W) = Reset counter after Event 1 time-stamp has been captured (used in difference mode operation)
0	CAP1POL	R/W	0h	Capture Event 1 Polarity select Reset type: SYSRSn 0h (R/W) = Capture Event 1 triggered on a rising edge (RE) 1h (R/W) = Capture Event 1 triggered on a falling edge (FE)

### 15.9.2.8 ECCTL2 Register (Offset = 15h) [Reset = 0006h]

ECCTL2 is shown in [Figure 15-24](#) and described in [Table 15-11](#).

Return to the [Summary Table](#).

Capture Control Register 2

**Figure 15-24. ECCTL2 Register**

15	14	13	12	11	10	9	8
RESERVED					APWMPOL	CAP_APWM	SWSYNC
R-0h					R/W-0h	R/W-0h	R-0/W1S-0h
7	6	5	4	3	2	1	0
SYNCO_SEL	SYNCL_EN	TSCTRSTOP	REARM	STOP_WRAP		CONT_ONESH T	
R/W-0h	R/W-0h	R/W-0h	R-0/W1S-0h	R/W-3h		R/W-0h	

**Table 15-11. ECCTL2 Register Field Descriptions**

Bit	Field	Type	Reset	Description
15-11	RESERVED	R	0h	Reserved
10	APWMPOL	R/W	0h	APWM output polarity select. This is applicable only in APWM operating mode. Reset type: SYSRSn 0h (R/W) = Output is active high (Compare value defines high time) 1h (R/W) = Output is active low (Compare value defines low time)
9	CAP_APWM	R/W	0h	CAP/APWM operating mode select Reset type: SYSRSn 0h (R/W) = ECAP module operates in capture mode. This mode forces the following configuration: - Inhibits TSCTR resets via CTR = PRD event - Inhibits shadow loads on CAP1 and 2 registers - Permits user to enable CAP1-4 register load - CAPx/APWMx pin operates as a capture input 1h (R/W) = ECAP module operates in APWM mode. This mode forces the following configuration: - Resets TSCTR on CTR = PRD event (period boundary) - Permits shadow loading on CAP1 and 2 registers - Disables loading of time-stamps into CAP1-4 registers - CAPx/APWMx pin operates as a APWM output
8	SWSYNC	R-0/W1S	0h	Software-forced Counter (TSCTR) Synchronizer. This provides the user a method to generate a synchronization pulse through software. In APWM mode, the synchronization pulse can also be sourced from the CTR = PRD event. Reset type: SYSRSn 0h (R/W) = Writing a zero has no effect. Reading always returns a zero 1h (R/W) = Writing a one forces a TSCTR shadow load of current ECAP module and any ECAP modules down-stream providing the SYNCO_SEL bits are 0,0. After writing a 1, this bit returns to a zero.
7-6	SYNCO_SEL	R/W	0h	Sync-Out Select Reset type: SYSRSn 0h (R/W) = Select sync-in event to be the sync-out signal (pass through) 1h (R/W) = Select CTR = PRD event to be the sync-out signal. Note: Selection CTR = PRD is meaningful only in APWM mode 2h (R/W) = Disable sync out signal 3h (R/W) = Disable sync out signal

**Table 15-11. ECCTL2 Register Field Descriptions (continued)**

Bit	Field	Type	Reset	Description
5	SYNCl_EN	R/W	0h	Counter (TSCTR) Sync-In select mode Reset type: SYSRSn 0h (R/W) = Disable sync-in option 1h (R/W) = Enable counter (TSCTR) to be loaded from CTRPHS register upon either a SYNCl signal or a S/W force event.
4	TSCTRSTOP	R/W	0h	Time Stamp (TSCTR) Counter Stop (freeze) Control Reset type: SYSRSn 0h (R/W) = TSCTR stopped 1h (R/W) = TSCTR free-running
3	REARM	R-0/W1S	0h	Re-Arming Control. Note: The re-arm function is valid in one shot or continuous mode. Reset type: SYSRSn 0h (R/W) = Has no effect (reading always returns a 0) 1h (R/W) = Arms the one-shot sequence as follows: 1) Resets the Mod4 counter to zero 2) Unfreezes the Mod4 counter 3) Enables capture register loads
2-1	STOP_WRAP	R/W	3h	Stop value for one-shot mode. This is the number (between 1-4) of captures allowed to occur before the CAP(1-4) registers are frozen, that is, capture sequence is stopped. Wrap value for continuous mode. This is the number (between 1-4) of the capture register in which the circular buffer wraps around and starts again. Notes: STOP_WRAP is compared to Mod4 counter and, when equal, 2 actions occur: - Mod4 counter is stopped (frozen) - Capture register loads are inhibited In one-shot mode, further interrupt events are blocked until re-armed. Reset type: SYSRSn 0h (R/W) = Stop after Capture Event 1 in one-shot mode Wrap after Capture Event 1 in continuous mode. 1h (R/W) = Stop after Capture Event 2 in one-shot mode Wrap after Capture Event 2 in continuous mode. 2h (R/W) = Stop after Capture Event 3 in one-shot mode Wrap after Capture Event 3 in continuous mode. 3h (R/W) = Stop after Capture Event 4 in one-shot mode Wrap after Capture Event 4 in continuous mode.
0	CONT_ONESHT	R/W	0h	Continuous or one-shot mode control (applicable only in capture mode) Reset type: SYSRSn 0h (R/W) = Operate in continuous mode 1h (R/W) = Operate in one-Shot mode

### 15.9.2.9 ECEINT Register (Offset = 16h) [Reset = 0000h]

ECEINT is shown in [Figure 15-25](#) and described in [Table 15-12](#).

Return to the [Summary Table](#).

The interrupt enable bits (CEVT1, ...) block any of the selected events from generating an interrupt. Events will still be latched into the flag bit (ECFLG register) and can be forced/cleared via the ECFRC/ECCLR registers. The proper procedure for configuring peripheral modes and interrupts is as follows:

- Disable global interrupts
- Stop eCAP counter
- Disable eCAP interrupts
- Configure peripheral registers
- Clear spurious eCAP interrupt flags
- Enable eCAP interrupts
- Start eCAP counter
- Enable global interrupts

**Figure 15-25. ECEINT Register**

15	14	13	12	11	10	9	8
RESERVED							
R-0h							
7	6	5	4	3	2	1	0
CTR_EQ_CMP	CTR_EQ_PRD	CTROVF	CEVT4	CEVT3	CEVT2	CEVT1	RESERVED
R/W-0h	R/W-0h	R/W-0h	R/W-0h	R/W-0h	R/W-0h	R/W-0h	R-0h

**Table 15-12. ECEINT Register Field Descriptions**

Bit	Field	Type	Reset	Description
15-8	RESERVED	R	0h	Reserved
7	CTR_EQ_CMP	R/W	0h	Counter Equal Compare Interrupt Enable Reset type: SYSRSn 0h (R/W) = Disable Compare Equal as an Interrupt source 1h (R/W) = Enable Compare Equal as an Interrupt source
6	CTR_EQ_PRD	R/W	0h	Counter Equal Period Interrupt Enable Reset type: SYSRSn 0h (R/W) = Disable Period Equal as an Interrupt source 1h (R/W) = Enable Period Equal as an Interrupt source
5	CTROVF	R/W	0h	Counter Overflow Interrupt Enable Reset type: SYSRSn 0h (R/W) = Disabled counter Overflow as an Interrupt source 1h (R/W) = Enable counter Overflow as an Interrupt source
4	CEVT4	R/W	0h	Capture Event 4 Interrupt Enable Reset type: SYSRSn 0h (R/W) = Disable Capture Event 4 as an Interrupt source 1h (R/W) = Capture Event 4 Interrupt Enable
3	CEVT3	R/W	0h	Capture Event 3 Interrupt Enable Reset type: SYSRSn 0h (R/W) = Disable Capture Event 3 as an Interrupt source 1h (R/W) = Enable Capture Event 3 as an Interrupt source
2	CEVT2	R/W	0h	Capture Event 2 Interrupt Enable Reset type: SYSRSn 0h (R/W) = Disable Capture Event 2 as an Interrupt source 1h (R/W) = Enable Capture Event 2 as an Interrupt source

**Table 15-12. ECEINT Register Field Descriptions (continued)**

Bit	Field	Type	Reset	Description
1	CEVT1	R/W	0h	Capture Event 1 Interrupt Enable Reset type: SYSRSn 0h (R/W) = Disable Capture Event 1 as an Interrupt source 1h (R/W) = Enable Capture Event 1 as an Interrupt source
0	RESERVED	R	0h	Reserved

### 15.9.2.10 ECFLG Register (Offset = 17h) [Reset = 0000h]

ECFLG is shown in [Figure 15-26](#) and described in [Table 15-13](#).

Return to the [Summary Table](#).

Capture Interrupt Flag Register

**Figure 15-26. ECFLG Register**

15		14		13		12		11		10		9		8	
RESERVED															
R-0h															
7		6		5		4		3		2		1		0	
CTR_CMP		CTR_PRD		CTROVF		CEVT4		CEVT3		CEVT2		CEVT1		INT	
R-0h		R-0h		R-0h		R-0h		R-0h		R-0h		R-0h		R-0h	

**Table 15-13. ECFLG Register Field Descriptions**

Bit	Field	Type	Reset	Description
15-8	RESERVED	R	0h	Reserved
7	CTR_CMP	R	0h	Compare Equal Compare Status Flag. This flag is active only in APWM mode. Reset type: SYSRSn 0h (R/W) = Indicates no event occurred 1h (R/W) = Indicates the counter (TSCTR) reached the compare register value (ACMP)
6	CTR_PRD	R	0h	Counter Equal Period Status Flag. This flag is only active in APWM mode. Reset type: SYSRSn 0h (R/W) = Indicates no event occurred 1h (R/W) = Indicates the counter (TSCTR) reached the period register value (APRD) and was reset.
5	CTROVF	R	0h	Counter Overflow Status Flag. This flag is active in CAP and APWM mode. Reset type: SYSRSn 0h (R/W) = Indicates no event occurred 1h (R/W) = Indicates the counter (TSCTR) has made the transition from FFFFFFFF ' 00000000
4	CEVT4	R	0h	Capture Event 4 Status Flag This flag is only active in CAP mode. Reset type: SYSRSn 0h (R/W) = Indicates no event occurred 1h (R/W) = Indicates the fourth event occurred at ECAPx pin
3	CEVT3	R	0h	Capture Event 3 Status Flag. This flag is active only in CAP mode. Reset type: SYSRSn 0h (R/W) = Indicates no event occurred 1h (R/W) = Indicates the third event occurred at ECAPx pin.
2	CEVT2	R	0h	Capture Event 2 Status Flag. This flag is only active in CAP mode. Reset type: SYSRSn 0h (R/W) = Indicates no event occurred 1h (R/W) = Indicates the second event occurred at ECAPx pin.
1	CEVT1	R	0h	Capture Event 1 Status Flag. This flag is only active in CAP mode. Reset type: SYSRSn 0h (R/W) = Indicates no event occurred 1h (R/W) = Indicates the first event occurred at ECAPx pin.
0	INT	R	0h	Global Interrupt Status Flag Reset type: SYSRSn 0h (R/W) = Indicates no event occurred 1h (R/W) = Indicates that an interrupt was generated.

### 15.9.2.11 ECCLR Register (Offset = 18h) [Reset = 0000h]

ECCLR is shown in [Figure 15-27](#) and described in [Table 15-14](#).

Return to the [Summary Table](#).

Capture Interrupt Clear Register

**Figure 15-27. ECCLR Register**

15	14	13	12	11	10	9	8
RESERVED							
R-0h							
7	6	5	4	3	2	1	0
CTR_CMP	CTR_PRD	CTROVF	CEVT4	CEVT3	CEVT2	CEVT1	INT
R-0/W1C-0h	R-0/W1C-0h	R-0/W1C-0h	R-0/W1C-0h	R-0/W1C-0h	R-0/W1C-0h	R-0/W1C-0h	R-0/W1C-0h

**Table 15-14. ECCLR Register Field Descriptions**

Bit	Field	Type	Reset	Description
15-8	RESERVED	R	0h	Reserved
7	CTR_CMP	R-0/W1C	0h	Counter Equal Compare Status Clear Reset type: SYSRSn 0h (R/W) = Writing a 0 has no effect. Always reads back a 0 1h (R/W) = Writing a 1 clears the CTR=COMP flag.
6	CTR_PRD	R-0/W1C	0h	Counter Equal Period Status Clear Reset type: SYSRSn 0h (R/W) = Writing a 0 has no effect. Always reads back a 0 1h (R/W) = Writing a 1 clears the CTR=PRD flag.
5	CTROVF	R-0/W1C	0h	Counter Overflow Status Clear Reset type: SYSRSn 0h (R/W) = Writing a 0 has no effect. Always reads back a 0 1h (R/W) = Writing a 1 clears the CTROVF flag.
4	CEVT4	R-0/W1C	0h	Capture Event 4 Status Clear Reset type: SYSRSn 0h (R/W) = Writing a 0 has no effect. Always reads back a 0 1h (R/W) = Writing a 1 clears the CEVT4 flag.
3	CEVT3	R-0/W1C	0h	Capture Event 3 Status Clear Reset type: SYSRSn 0h (R/W) = Writing a 0 has no effect. Always reads back a 0 1h (R/W) = Writing a 1 clears the CEVT3 flag.
2	CEVT2	R-0/W1C	0h	Capture Event 2 Status Clear Reset type: SYSRSn 0h (R/W) = Writing a 0 has no effect. Always reads back a 0 1h (R/W) = Writing a 1 clears the CEVT2 flag.
1	CEVT1	R-0/W1C	0h	Capture Event 1 Status Clear Reset type: SYSRSn 0h (R/W) = Writing a 0 has no effect. Always reads back a 0 1h (R/W) = Writing a 1 clears the CEVT1 flag.
0	INT	R-0/W1C	0h	ECAP Global Interrupt Status Clear Reset type: SYSRSn 0h (R/W) = Writing a 0 has no effect. Always reads back a 0 1h (R/W) = Writing a 1 clears the INT flag and enable further interrupts to be generated if any of the event flags are set to 1



### 15.9.2.12 ECFRC Register (Offset = 19h) [Reset = 0000h]

ECFRC is shown in [Figure 15-28](#) and described in [Table 15-15](#).

Return to the [Summary Table](#).

Capture Interrupt Force Register

**Figure 15-28. ECFRC Register**

15								14								13								12								11								10								9								8							
RESERVED																																																															
R-0h																																																															
7								6								5								4								3								2								1								0							
CTR_CMP								CTR_PRD								CTROVF								CEVT4								CEVT3								CEVT2								CEVT1								RESERVED							
R-0/W1S-0h								R-0/W1S-0h								R-0/W1S-0h								R-0/W1S-0h								R-0/W1S-0h								R-0/W1S-0h								R-0/W1S-0h								R-0h							

**Table 15-15. ECFRC Register Field Descriptions**

Bit	Field	Type	Reset	Description
15-8	RESERVED	R	0h	Reserved
7	CTR_CMP	R-0/W1S	0h	Force Counter Equal Compare Interrupt. This event is only active in APWM mode. Reset type: SYSRSn 0h (R/W) = No effect. Always reads back a 0. 1h (R/W) = Writing a 1 sets the CTR=CMP flag.
6	CTR_PRD	R-0/W1S	0h	Force Counter Equal Period Interrupt. This event is only active in APWM mode. Reset type: SYSRSn 0h (R/W) = No effect. Always reads back a 0. 1h (R/W) = Writing a 1 sets the CTR=PRD flag.
5	CTROVF	R-0/W1S	0h	Force Counter Overflow. Reset type: SYSRSn 0h (R/W) = No effect. Always reads back a 0. 1h (R/W) = Writing a 1 to this bit sets the CTROVF flag.
4	CEVT4	R-0/W1S	0h	Force Capture Event 4. This event is only active in CAP mode. Reset type: SYSRSn 0h (R/W) = No effect. Always reads back a 0. 1h (R/W) = Writing a 1 sets the CEVT4 flag.
3	CEVT3	R-0/W1S	0h	Force Capture Event 3. This event is only active in CAP mode. Reset type: SYSRSn 0h (R/W) = No effect. Always reads back a 0. 1h (R/W) = Writing a 1 sets the CEVT3 flag.
2	CEVT2	R-0/W1S	0h	Force Capture Event 2. This event is only active in CAP mode. Reset type: SYSRSn 0h (R/W) = No effect. Always reads back a 0. 1h (R/W) = Writing a 1 sets the CEVT2 flag.
1	CEVT1	R-0/W1S	0h	Force Capture Event 1. This event is only active in CAP mode. Reset type: SYSRSn 0h (R/W) = No effect. Always reads back a 0. 1h (R/W) = Sets the CEVT1 flag.
0	RESERVED	R	0h	Reserved

### 15.9.3 ECAP Registers to Driverlib Functions

**Table 15-16. ECAP Registers to Driverlib Functions**

File	Driverlib Function
<b>TSCTR</b>	
ecap.h	ECAP_getTimeBaseCounter

**Table 15-16. ECAP Registers to Driverlib Functions (continued)**

File	Driverlib Function
<b>CTRPHS</b>	
ecap.h	ECAP_setPhaseShiftCount
<b>CAP1</b>	
ecap.h	ECAP_setAPWMPeriod
ecap.h	ECAP_getEventTimeStamp
<b>CAP2</b>	
ecap.h	ECAP_setAPWMCompare
ecap.h	ECAP_getEventTimeStamp
<b>CAP3</b>	
ecap.h	ECAP_setAPWMShadowPeriod
ecap.h	ECAP_getEventTimeStamp
<b>CAP4</b>	
ecap.h	ECAP_setAPWMShadowCompare
ecap.h	ECAP_getEventTimeStamp
<b>ECCTL1</b>	
ecap.c	ECAP_setEmulationMode
ecap.h	ECAP_setEventPrescaler
ecap.h	ECAP_setEventPolarity
ecap.h	ECAP_enableCounterResetOnEvent
ecap.h	ECAP_disableCounterResetOnEvent
ecap.h	ECAP_enableTimeStampCapture
ecap.h	ECAP_disableTimeStampCapture
<b>ECCTL2</b>	
ecap.h	ECAP_setCaptureMode
ecap.h	ECAP_reArm
ecap.h	ECAP_enableCaptureMode
ecap.h	ECAP_enableAPWMMode
ecap.h	ECAP_enableLoadCounter
ecap.h	ECAP_disableLoadCounter
ecap.h	ECAP_loadCounter
ecap.h	ECAP_setSyncOutMode
ecap.h	ECAP_stopCounter
ecap.h	ECAP_startCounter
ecap.h	ECAP_setAPWMPolarity
<b>ECEINT</b>	
ecap.h	ECAP_enableInterrupt
ecap.h	ECAP_disableInterrupt
<b>ECFLG</b>	
ecap.h	ECAP_getInterruptSource
ecap.h	ECAP_getGlobalInterruptStatus
<b>ECCLR</b>	
ecap.h	ECAP_clearInterrupt
ecap.h	ECAP_clearGlobalInterrupt
<b>ECFRC</b>	

**Table 15-16. ECAP Registers to Driverlib Functions (continued)**

File	Driverlib Function
ecap.h	ECAP_forceInterrupt

This page intentionally left blank.

Chapter 16

## Enhanced Quadrature Encoder Pulse (eQEP)

---



The enhanced Quadrature Encoder Pulse (eQEP) module described here is a Type 0 eQEP. See the [C2000 Real-Time Control Peripheral Reference Guide](#) for a list of all devices with a module of the same type to determine the differences between types and for a list of device-specific differences within a type.

The enhanced quadrature encoder pulse (eQEP) module is used for direct interface with a linear or rotary incremental encoder to get position, direction, and speed information from a rotating machine for use in a high-performance motion and position-control system.

<b>16.1 Introduction</b> .....	<b>2046</b>
<b>16.2 Configuring Device Pins</b> .....	<b>2048</b>
<b>16.3 Description</b> .....	<b>2049</b>
<b>16.4 Quadrature Decoder Unit (QDU)</b> .....	<b>2052</b>
<b>16.5 Position Counter and Control Unit (PCCU)</b> .....	<b>2055</b>
<b>16.6 eQEP Edge Capture Unit</b> .....	<b>2063</b>
<b>16.7 eQEP Watchdog</b> .....	<b>2067</b>
<b>16.8 eQEP Unit Timer Base</b> .....	<b>2067</b>
<b>16.9 eQEP Interrupt Structure</b> .....	<b>2068</b>
<b>16.10 eQEP Registers</b> .....	<b>2068</b>

## 16.1 Introduction

An incremental encoder disk is patterned with a track of slots along the periphery, as shown in Figure 16-1. These slots create an alternating pattern of dark and light lines. The disk count is defined as the number of dark and light line pairs that occur per revolution (lines per revolution). As a rule, a second track is added to generate a signal that occurs once per revolution (index signal: QEPI), which can be used to indicate an absolute position. Encoder manufacturers identify the index pulse using different terms such as index, marker, home position, and zero reference

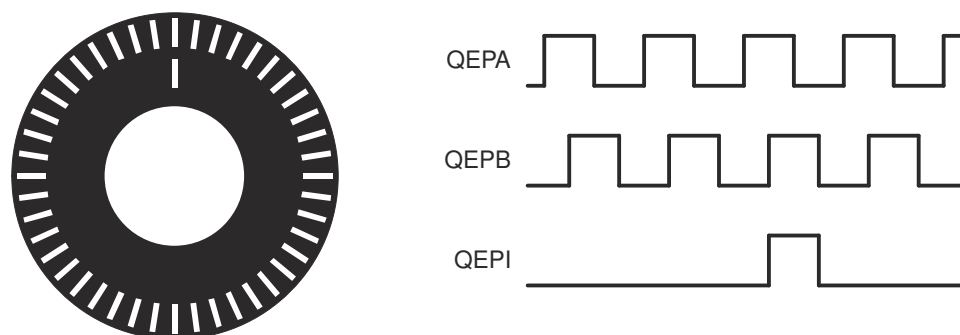


Figure 16-1. Optical Encoder Disk

To derive direction information, the lines on the disk are read out by two different photo-elements that "look" at the disk pattern with a mechanical shift of 1/4 the pitch of a line pair between them. This shift is detected with a reticle or mask that restricts the view of the photo-element to the desired part of the disk lines. As the disk rotates, the two photo-elements generate signals that are shifted 90° out of phase from each other. These are commonly called the quadrature QEPA and QEPB signals. The clockwise direction for most encoders is defined as the QEPA channel going positive before the QEPB channel and conversely, as shown in Figure 16-2.

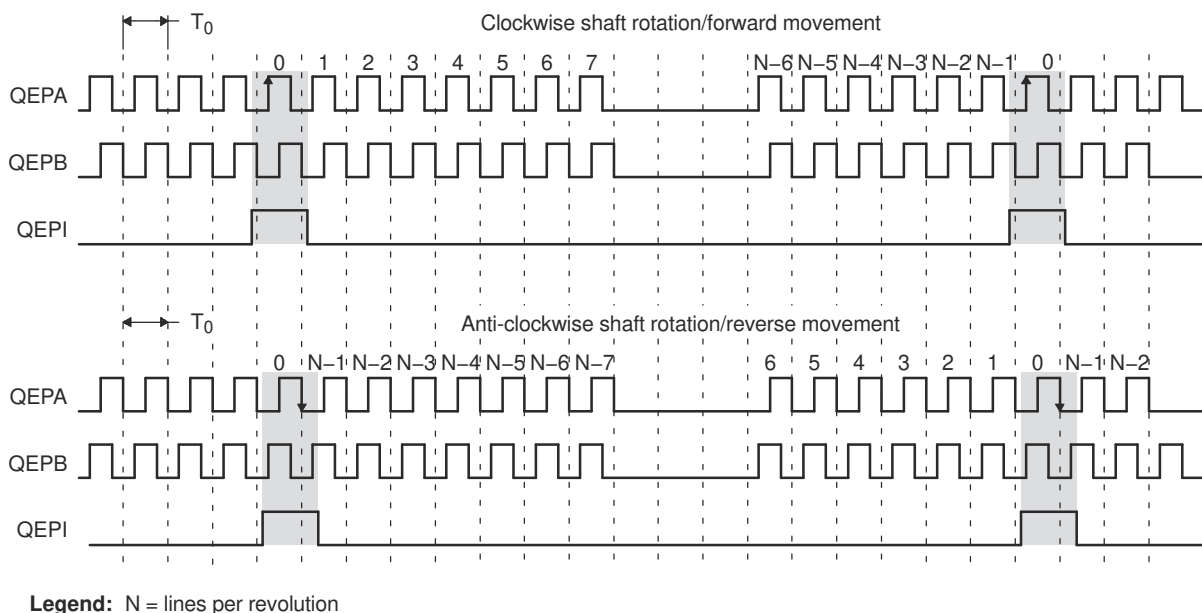
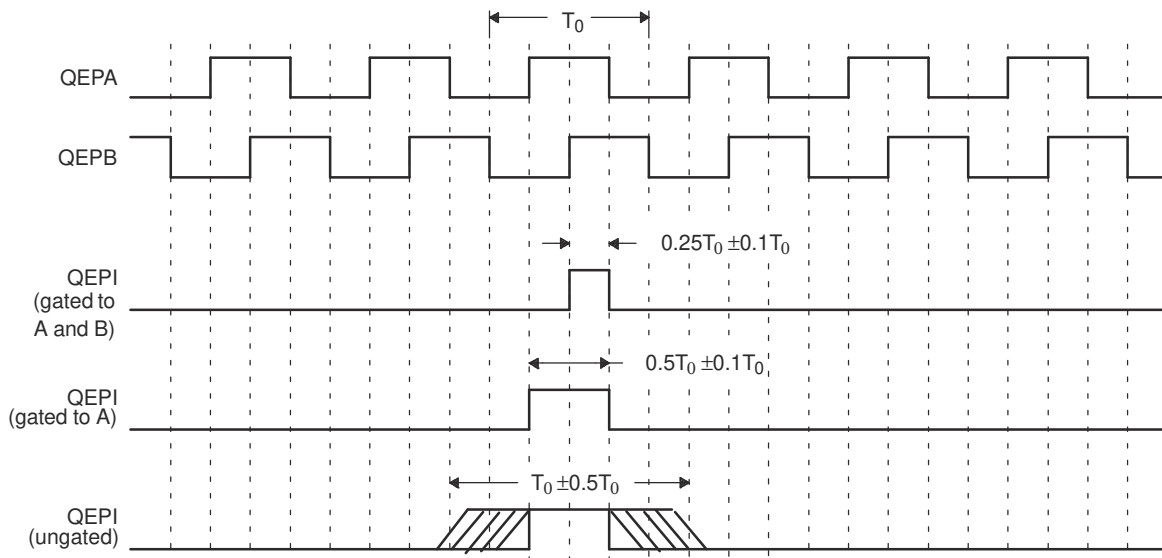


Figure 16-2. QEP Encoder Output Signal for Forward/Reverse Movement

The encoder wheel typically makes one revolution for every revolution of the motor, or the wheel can be at a geared rotation ratio with respect to the motor. Therefore, the frequency of the digital signal coming from the QEPA and QEPB outputs varies proportionally with the velocity of the motor. For example, a 2000-line encoder

directly coupled to a motor running at 5000 revolutions-per-minute (rpm) results in a frequency of 166.6 kHz, so by measuring the frequency of either the QEPA or QEPB output, the processor can determine the velocity of the motor.

Quadrature encoders from different manufacturers come with two forms of index pulse (gated index pulse or ungated index pulse) as shown in Figure 16-3. A nonstandard form of index pulse is ungated. In the ungated configuration, the index edges are not necessarily coincident with A and B signals. The gated index pulse is aligned to any of the four quadrature edges and width of the index pulse and can be equal to a quarter, half, or full period of the quadrature signal.



**Figure 16-3. Index Pulse Example**

Some typical applications of shaft encoders include robotics and computer input in the form of a mouse. Inside your mouse you can see where the mouse ball spins a pair of axles (a left/right, and an up/down axle). These axles are connected to optical shaft encoders that effectively tell the computer how fast and in what direction the mouse is moving.

**General Issues:** Estimating velocity from a digital position sensor is a cost-effective strategy in motor control. Two different first order approximations for velocity can be written as:

$$v(k) \approx \frac{x(k) - x(k - 1)}{T} = \frac{\Delta X}{T} \quad (15)$$

$$v(k) \approx \frac{X}{t(k) - t(k - 1)} = \frac{X}{\Delta T} \quad (16)$$

where:

- $v(k)$  = Velocity at time instant  $k$
- $x(k)$  = Position at time instant  $k$
- $x(k-1)$  = Position at time instant  $k-1$
- $T$  = Fixed unit time or inverse of velocity calculation rate
- $\Delta X$  = Incremental position movement in unit time
- $t(k)$  = Time instant " $k$ "
- $t(k-1)$  = Time instant " $k-1$ "
- $X$  = Fixed unit position
- $\Delta T$  = Incremental time elapsed for unit position movement

[Equation 15](#) is the conventional approach to velocity estimation and requires a time base to provide a unit time event for velocity calculation. Unit time is basically the inverse of the velocity calculation rate.

The encoder count (position) is read once during each unit time event. The quantity  $[x(k) - x(k-1)]$  is formed by subtracting the previous reading from the current reading. Then the velocity estimate is computed by multiplying by the known constant  $1/T$  (where  $T$  is the constant time between unit time events and is known in advance).

Estimation based on [Equation 15](#) has an inherent accuracy limit directly related to the resolution of the position sensor and the unit time period  $T$ . For example, consider a 500 line-per-revolution quadrature encoder with a velocity calculation rate of 400 Hz. When used for position, the quadrature encoder gives a four-fold increase in resolution; in this case, 2000 counts-per-revolution. The minimum rotation that can be detected is, therefore, 0.0005 revolutions, which gives a velocity resolution of 12 rpm when sampled at 400 Hz. While this resolution can be satisfactory at moderate or high speeds, for example 1% error at 1200 rpm, this resolution clearly proves inadequate at low speeds. In fact, at speeds below 12 rpm, the speed estimate is erroneously zero much of the time.

At low speed, [Equation 16](#) provides a more accurate approach. It requires a position sensor that outputs a fixed interval pulse train, such as the aforementioned quadrature encoder. The width of each pulse is defined by motor speed for a given sensor resolution. [Equation 16](#) can be used to calculate motor speed by measuring the elapsed time between successive quadrature pulse edges. However, this method suffers from the opposite limitation, as does [Equation 15](#). A combination of relatively large motor speeds and high sensor resolution makes the time interval  $\Delta T$  small, and thus more greatly influenced by the timer resolution. This can introduce considerable error into high-speed estimates.

For systems with a large speed range (that is, speed estimation is needed at both low and high speeds), one approach is to use [Equation 16](#) at low speed and have the DSP software switch over to [Equation 15](#) when the motor speed rises above some specified threshold.

### 16.1.1 EQEP Related Collateral

#### Foundational Materials

- [C2000 Academy - EQEP](#)
- [Interfacing with Quadrature Encoders](#) (Video)
- [Real-Time Control Reference Guide](#)
  - Refer to the Encoders section

#### Getting Started Materials

- [C2000™ Position Manager PTO API Reference Guide Application Report](#)

#### Expert Materials

- [CW/CCW Support on the C2000 eQEP Module Application Report](#)

## 16.2 Configuring Device Pins

The GPIO mux registers must be configured to connect this peripheral to the device pins. To avoid glitches on the pins, the GPyGMUX bits must be configured first (while keeping the corresponding GPyMUX bits at the default of zero), followed by writing the GPyMUX register to the desired value.

For proper operation of the eQEP module, input GPIO pins must be configured using the GPxQSELn registers for synchronous input mode (with or without qualification). The asynchronous mode cannot be used for eQEP input pins. The internal pullups can be configured in the GPYPUD register.

See the *General-Purpose Input/Output (GPIO)* chapter for more details on GPIO mux and settings.



## 16.3 Description

This section provides the eQEP inputs, memory map, and functional description.

### 16.3.1 EQEP Inputs

The eQEP inputs include two pins for quadrature-clock mode or direction-count mode, an index (or 0 marker), and a strobe input. The eQEP module requires that the QEPA, QEPB, and QEPI inputs are synchronized to SYSCLK prior to entering the module. The application code can enable the synchronous GPIO input feature on any eQEP-enabled GPIO pins (see the *General-Purpose Input/Output (GPIO)* chapter for more details).

- **QEPA/XCLK and QEPB/XDIR**

These two pins can be used in quadrature-clock mode or direction-count mode.

- Quadrature-clock Mode

The eQEP encoders provide two square wave signals (A and B) 90 electrical degrees out of phase.

This phase relationship is used to determine the direction of rotation of the input shaft and number of eQEP pulses from the index position to derive the relative position information. For forward or clockwise rotation, QEPA signal leads QEPB signal and conversely. The quadrature decoder uses these two inputs to generate quadrature-clock and direction signals.

- Direction-count Mode

In direction-count mode, direction and clock signals are provided directly from the external source. Some position encoders have this type of output instead of quadrature output. The QEPA pin provides the clock input and the QEPB pin provides the direction input.

- **QEPI: Index or Zero Marker**

The eQEP encoder uses an index signal to assign an absolute start position from which position information is incrementally encoded using quadrature pulses. This pin is connected to the index output of the eQEP encoder to optionally reset the position counter for each revolution. This signal can be used to initialize or latch the position counter on the occurrence of a desired event on the index pin.

- **QEPS: Strobe Input**

This general-purpose strobe signal can initialize or latch the position counter on the occurrence of a desired event on the strobe pin. This signal is typically connected to a sensor or limit switch to notify that the motor has reached a defined position.

### 16.3.2 Functional Description

The eQEP peripheral contains the following major functional units (as shown in Figure 16-4):

- Programmable input qualification for each pin (part of the GPIO MUX)
- Quadrature decoder unit (QDU)
- Position counter and control unit for position measurement (PCCU)
- Quadrature edge-capture unit for low-speed measurement (QCAP)
- Unit time base for speed/frequency measurement (UTIME)
- Watchdog timer for detecting stalls (QWDOG)

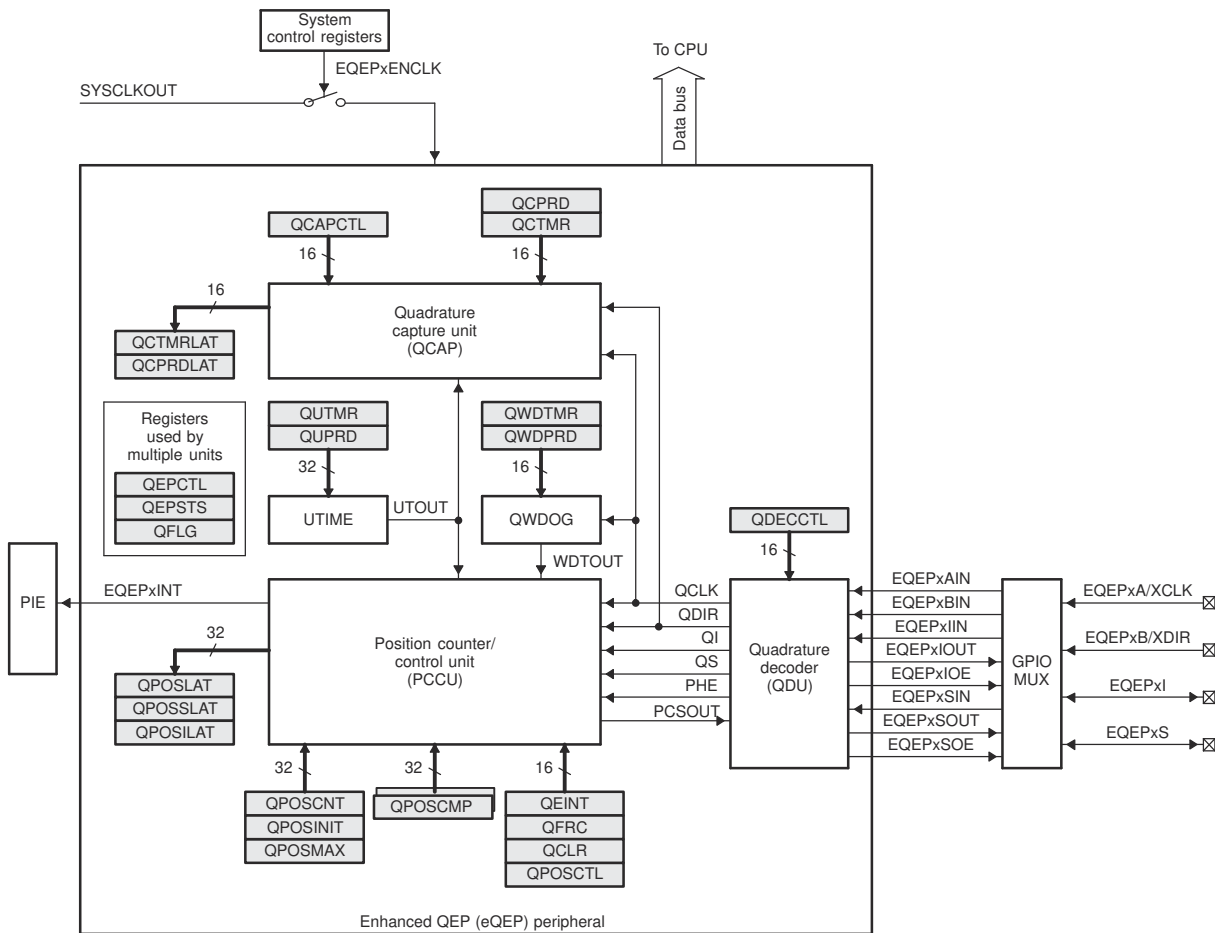


Figure 16-4. Functional Block Diagram of the eQEP Peripheral

### 16.3.3 eQEP Memory Map

Table 16-1 lists the registers with their memory locations, sizes, and reset values.

**Table 16-1. EQEP Memory Map**

Name	Offset	Size(x16)/ #shadow	Reset	Register Description
QPOSCNT	0x00	2/0	0x00000000	eQEP Position Counter
QPOSINIT	0x02	2/0	0x00000000	eQEP Initialization Position Count
QPOSMAX	0x04	2/0	0x00000000	eQEP Maximum Position Count
QPOSCMP	0x06	2/1	0x00000000	eQEP Position-compare
QPOSILAT	0x08	2/0	0x00000000	eQEP Index Position Latch
QPOSSLAT	0x0A	2/0	0x00000000	eQEP Strobe Position Latch
QPOSLAT	0x0C	2/0	0x00000000	eQEP Position Latch
QUTMR	0x0E	2/0	0x00000000	QEP Unit Timer
QUPRD	0x10	2/0	0x00000000	eQEP Unit Period Register
QWDTMR	0x12	1/0	0x0000	eQEP Watchdog Timer
QWDPRD	0x13	1/0	0x0000	eQEP Watchdog Period Register
QDECCTL	0x14	1/0	0x0000	eQEP Decoder Control Register
QEPCTL	0x15	1/0	0x0000	eQEP Control Register
QCAPCTL	0x16	1/0	0x0000	eQEP Capture Control Register
QPOSCTL	0x17	1/0	0x000000	eQEP Position-compare Control Register
QEINT	0x18	1/0	0x0000	eQEP Interrupt Enable Register
QFLG	0x19	1/0	0x0000	eQEP Interrupt Flag Register
QCLR	0x1A	1/0	0x0000	eQEP Interrupt Clear Register
QFRC	0x1B	1/0	0x0000	eQEP Interrupt Force Register
QEPSTS	0x1C	1/0	0x0000	eQEP Status Register
QCTMR	0x1D	1/0	0x0000	eQEP Capture Timer
QCPRD	0x1E	1/0	0x0000	eQEP Capture Period Register
QCTMRLAT	0x1F	1/0	0x0000	eQEP Capture Timer Latch
QCPRDLAT	0x20	1/0	0x0000	eQEP Capture Period Latch
reserved	0x21 to 0x3F	31/0		

### 16.4 Quadrature Decoder Unit (QDU)

Figure 16-5 shows a functional block diagram of the QDU.

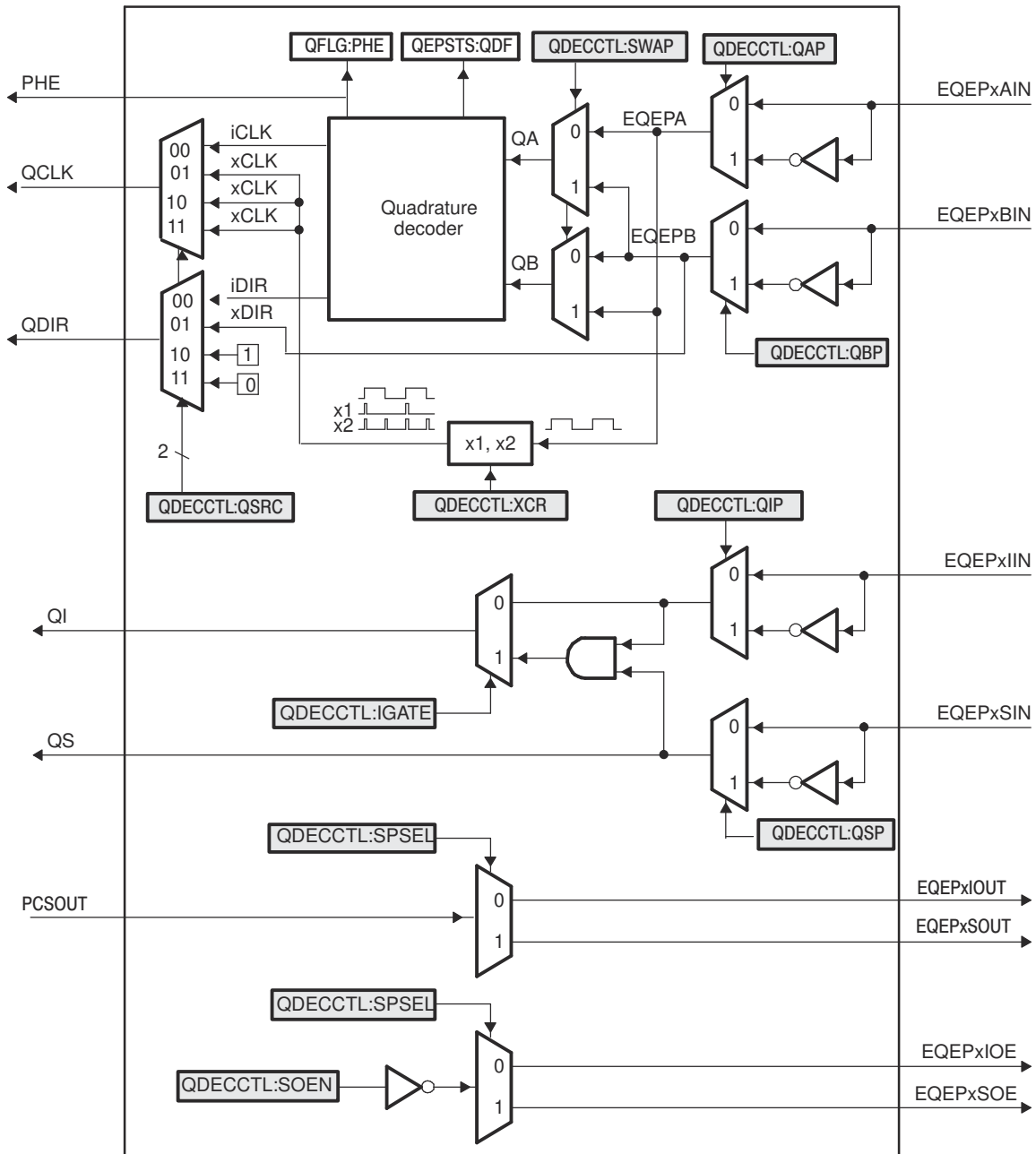


Figure 16-5. Functional Block Diagram of Decoder Unit

#### 16.4.1 Position Counter Input Modes

Clock and direction input to the position counter is selected using QDECCTL[QSRC] bits, based on interface input requirement as follows:

- Quadrature-count mode
- Direction-count mode
- UP-count mode
- DOWN-count mode

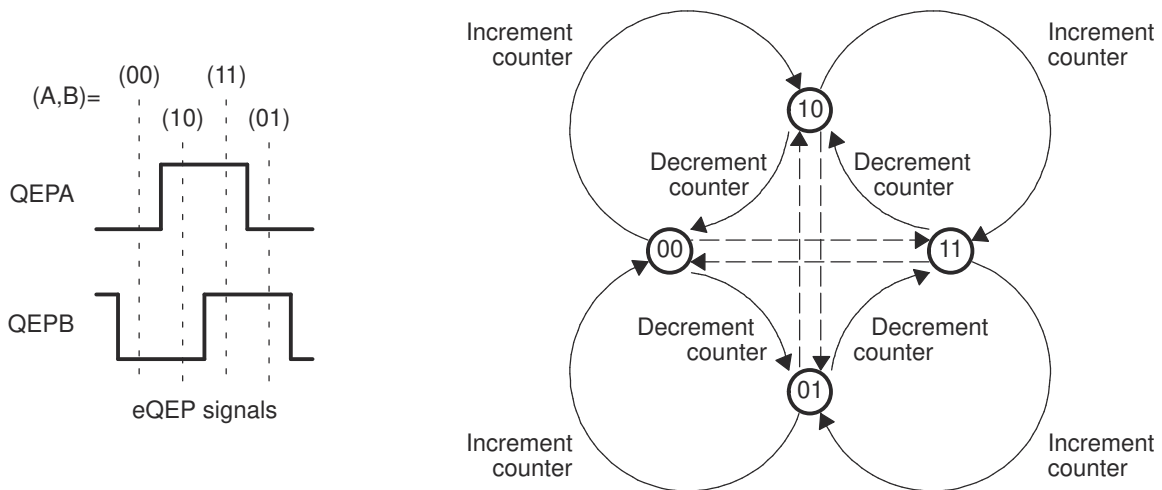
### 16.4.1.1 Quadrature Count Mode

The quadrature decoder generates the direction and clock to the position counter in quadrature count mode.

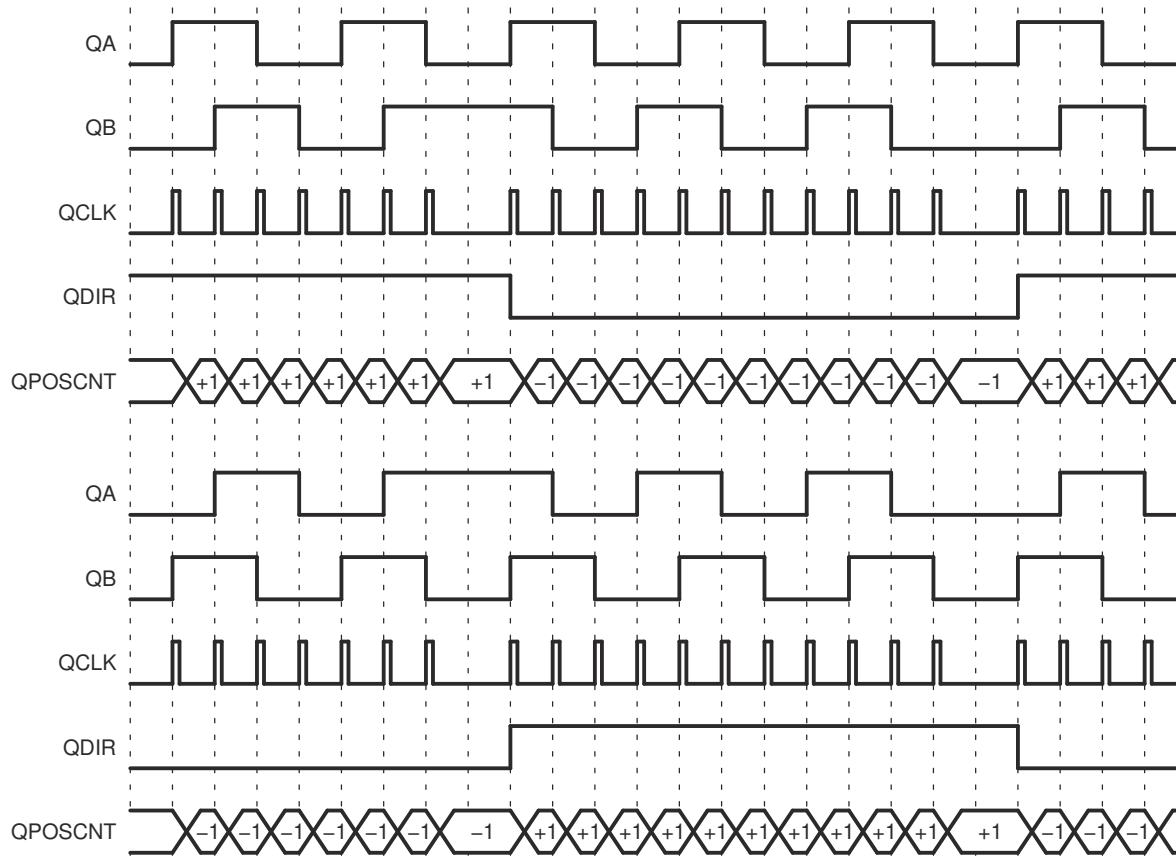
**Direction Decoding** The direction decoding logic of the eQEP circuit determines which one of the sequences (QEPA, QEPB) is the leading sequence and accordingly updates the direction information in the QEPSTS[QDF] bit. Table 16-2 and Figure 16-6 show the direction decoding logic in truth table and state machine form. Both edges of the QEPA and QEPB signals are sensed to generate count pulses for the position counter. Therefore, the frequency of the clock generated by the eQEP logic is four times that of each input sequence. Figure 16-7 shows the direction decoding and clock generation from the eQEP input signals.

**Table 16-2. Quadrature Decoder Truth Table**

Previous Edge	Present Edge	QDIR	QPOSCNT
QA↑	QB↑	UP	Increment
	QB↓	DOWN	Decrement
	QA↓	TOGGLE	Increment or Decrement
QA↓	QB↓	UP	Increment
	QB↑	DOWN	Decrement
	QA↑	TOGGLE	Increment or Decrement
QB↑	QA↑	DOWN	Decrement
	QA↓	UP	Increment
	QB↓	TOGGLE	Increment or Decrement
QB↓	QA↓	DOWN	Decrement
	QA↑	UP	Increment
	QB↑	TOGGLE	Increment or Decrement



**Figure 16-6. Quadrature Decoder State Machine**


**Figure 16-7. Quadrature-clock and Direction Decoding**

**Phase Error Flag** In normal operating conditions, quadrature inputs QEPA and QEPB is 90 degrees out of phase. The phase error flag (PHE) is set in the QFLG register and the QPOSCNT value can be incorrect and offset by multiples of 1 or 3. That is, when edge transition is detected simultaneously on the QEPA and QEPB signals to optionally generate interrupts. State transitions marked by dashed lines in [Figure 16-6](#) are invalid transitions that generate a phase error.

**Count Multiplication** The eQEP position counter provides 4x times the resolution of an input clock by generating a quadrature-clock (QCLK) on the rising/falling edges of both eQEP input clocks (QEPA and QEPB) as shown in [Figure 16-7](#).

**Reverse Count** In normal quadrature count operation, QEPA input is applied to the QA input of the quadrature decoder and the QEPB input is applied to the QB input of the quadrature decoder. Reverse counting is enabled by setting the SWAP bit in the QDECCTL register. This swaps the input to the quadrature decoder; thereby, reversing the counting direction.

#### 16.4.1.2 Direction-Count Mode

Some position encoders provide direction and clock outputs, instead of quadrature outputs. In such cases, direction-count mode can be used. The QEPA input provides the clock for the position counter and the QEPB input has the direction information. The position counter is incremented on every rising edge of a QEPA input when the direction input is high, and decremented when the direction input is low.

### 16.4.1.3 Up-Count Mode

The counter direction signal is hard-wired for up-count and the position counter is used to measure the frequency of the QEPA input. Clearing the QDECCTL[XCR] bit enables clock generation to the position counter on both edges of the QEPA input; thereby, increasing the measurement resolution by a factor of 2x. In up-count mode, we recommend that the application not configure QEPB as a GPIO mux option, or make sure that a signal edge is not generated on the QEPB input.

### 16.4.1.4 Down-Count Mode

The counter direction signal is hardwired for a down-count and the position counter is used to measure the frequency of the QEPA input. Clearing the QDECCTL[XCR] bit enables clock generation to the position counter on both edges of a QEPA input, thereby increasing the measurement resolution by a factor of 2x. In down-count mode, the application must not configure QEPB as a GPIO mux option or make sure that a signal edge is not generated on the QEPB input.

### 16.4.2 eQEP Input Polarity Selection

Each eQEP input can be inverted using QDECCTL[8:5] control bits. As an example, setting the QDECCTL[QIP] bit inverts the index input.

### 16.4.3 Position-Compare Sync Output

The enhanced eQEP peripheral includes a position-compare unit that is used to generate the position-compare sync signal on compare match between the position-counter register (QPOSCNT) and the position-compare register (QPOSCMP). This sync signal can be output using an index pin or strobe pin of the EQEP peripheral.

Setting the QDECCTL[SOEN] bit enables the position-compare sync output and the QDECCTL[SPSEL] bit selects either an eQEP index pin or an eQEP strobe pin.

## 16.5 Position Counter and Control Unit (PCCU)

The position-counter and control unit provides two configuration registers (QEPCTL and QPOSCTL) for setting up position-counter operational modes, position-counter initialization/latch modes and position-compare logic for sync signal generation.

### 16.5.1 Position Counter Operating Modes

Position-counter data can be captured in different manners. In some systems, the position counter is accumulated continuously for multiple revolutions and the position-counter value provides the position information with respect to the known reference. An example of this is the quadrature encoder mounted on the motor controlling the print head in the printer. Here the position counter is reset by moving the print head to the home position and then the position counter provides absolute position information with respect to home position.

In other systems, the position counter is reset on every revolution using index pulse, and the position counter provides a rotor angle with respect to the index pulse position.

The position counter can be configured to operate in following four modes

- Position-Counter Reset on Index Event
- Position-Counter Reset on Maximum Position
- Position-Counter Reset on the first Index Event
- Position-Counter Reset on Unit Time Out Event (Frequency Measurement)

In all the above operating modes, the position counter is reset to 0 on overflow and to the QPOSMAX register value on underflow. Overflow occurs when the position counter counts up after the QPOSMAX value. Underflow occurs when the position counter counts down after 0. The Interrupt flag is set to indicate overflow/underflow in QFLG register.

### 16.5.1.1 Position Counter Reset on Index Event (QEPCTL[PCRM]=00)

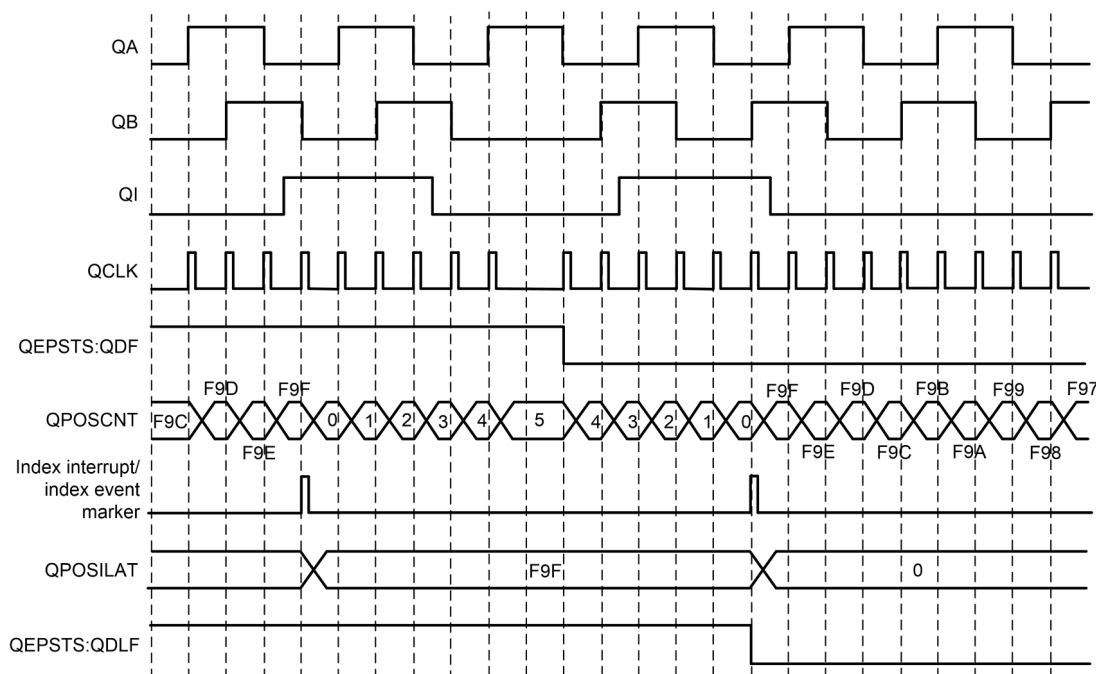
If the index event occurs during the forward movement, then the position counter is reset to 0 on the next eQEP clock. If the index event occurs during the reverse movement, then the position counter is reset to the value in the QPOS MAX register on the next eQEP clock.

The first index marker is defined as the quadrature edge following the first index edge. The eQEP peripheral records the occurrence of the first index marker (QEPSTS[FIMF]) and direction on the first index event marker (QEPSTS[FIDF]) in QEPSTS registers, the eQEP peripheral also remembers the quadrature edge on the first index marker so that same relative quadrature transition is used for index event reset operation.

For example, if the first reset operation occurs on the falling edge of QEPB during the forward direction, then all the subsequent reset must be aligned with the falling edge of QEPB for the forward rotation and on the rising edge of QEPB for the reverse rotation as shown in Figure 16-8.

The position-counter value is latched to the QPOSILAT register and direction information is recorded in the QEPSTS[QDLF] bit on every index event marker. The position-counter error flag (QEPSTS[PCEF]) and error interrupt flag (QFLG[PCE]) are set if the latched value is not equal to 0 or QPOS MAX. The position-counter error flag (QEPSTS[PCEF]) is updated on every index event marker and an interrupt flag (QFLG[PCE]) is set on error that can be cleared only through software.

The index event latch configuration QEPCTL[IEL] must be configured to 00 or 11 when pcr=0 and the position counter error flag/interrupt flag are generated only in index event reset mode. The position counter value is latched into the IPOS LAT register on every index marker.



**Figure 16-8. Position Counter Reset by Index Pulse for 1000-Line Encoder (QPOS MAX = 3999 or 0x9F9F)**

#### Note

In case of a boundary condition where the time period between the Index Event and the previous QCLK edge is less than SYSCLK period, then QPOSCNT gets reset to zero or QPOS MAX in the same SYSCLK cycle and does not wait for the next QCLK edge to occur.



### 16.5.1.2 Position Counter Reset on Maximum Position (QEPCTL[PCRM]=01)

If the position counter is equal to QPOSMAX, then the position counter is reset to 0 on the next eQEP clock for forward movement and position counter overflow flag is set. If the position counter is equal to ZERO, then the position counter is reset to QPOSMAX on the next QEP clock for reverse movement and position-counter underflow flag is set. Figure 16-9 shows the position-counter reset operation in this mode.

The first index marker fields (QEPSTS[FIDF] and QEPSTS[FIMF]) are not applicable in this mode.

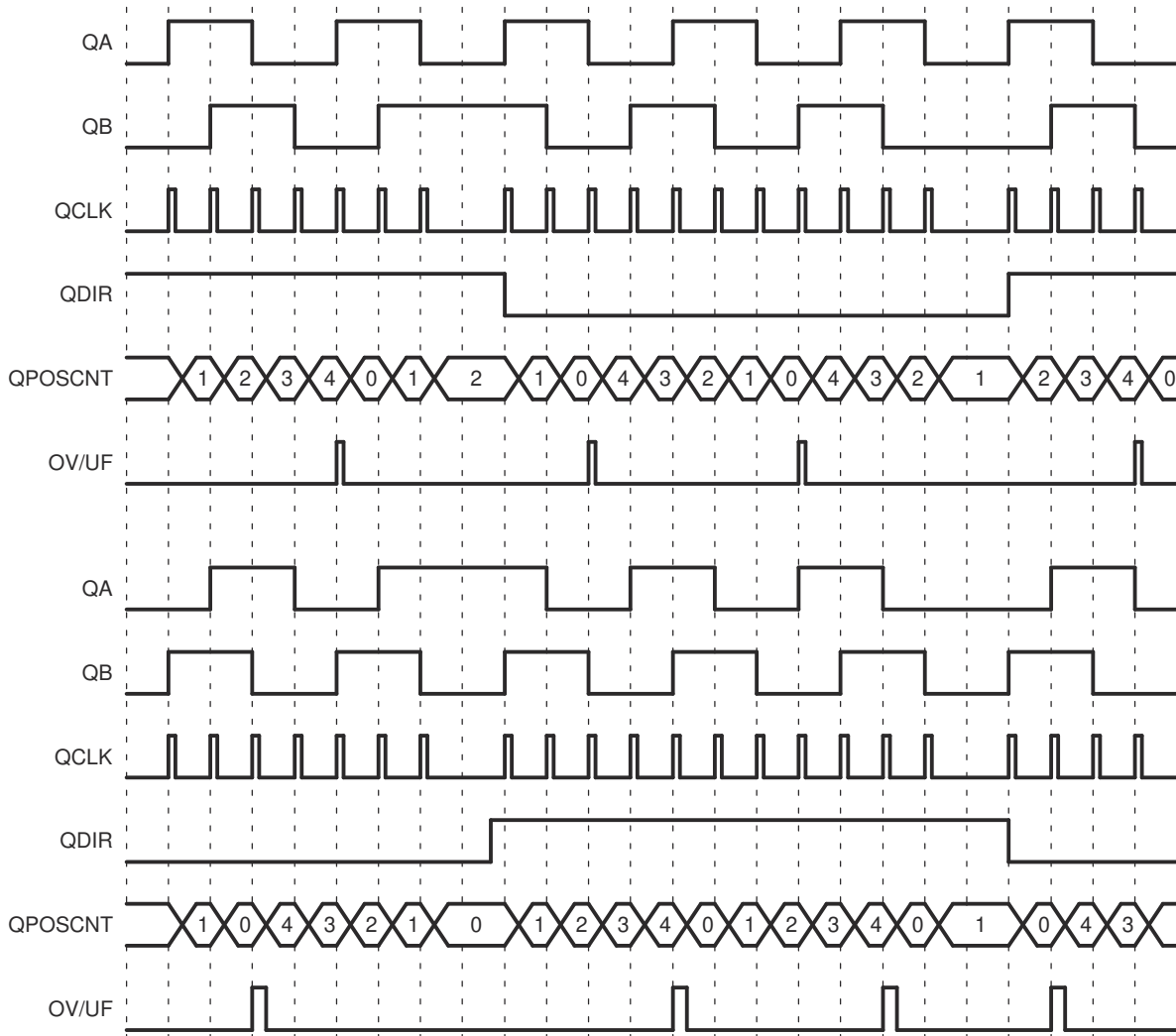


Figure 16-9. Position Counter Underflow/Overflow (QPOSMAX = 4)

### 16.5.1.3 Position Counter Reset on the First Index Event (QEPCTL[PCRM] = 10)

If the index event occurs during forward movement, then the position counter is reset to 0 on the next eQEP clock. If the index event occurs during the reverse movement, then the position counter is reset to the value in the QPOSMAX register on the next eQEP clock. Note that this is done only on the first occurrence and subsequently the position-counter value is not reset on an index event; rather, the position-counter value is reset based on the maximum position as described in Section 16.5.1.2.

The first index marker fields (QEPSTS[FIDF] and QEPSTS[FIMF]) are not applicable in this mode.

#### 16.5.1.4 Position Counter Reset on Unit Time-out Event (QEPCTL[PCRM] = 11)

In this mode, QPOSCNT is set to 0 or QPOMAX, depending on the direction mode selected by QDECCTL[QSRC] bits on a unit time event. This is useful for frequency measurement.

#### 16.5.2 Position Counter Latch

The eQEP index and strobe input can be configured to latch the position counter (QPOSCNT) into QPOSILAT and QPOSSLAT, respectively, on occurrence of a definite event on these pins.

##### 16.5.2.1 Index Event Latch

In some applications, it is not desirable to reset the position counter on every index event and instead it can be required to operate the position counter in full 32-bit mode (QEPCTL[PCRM] = 01 and QEPCTL[PCRM] = 10 modes).

In such cases, the eQEP position counter can be configured to latch on the following events and direction information is recorded in the QEPSTS[QDLF] bit on every index event marker.

- Latch on Rising edge (QEPCTL[IEL]=01)
- Latch on Falling edge (QEPCTL[IEL]=10)
- Latch on Index Event Marker (QEPCTL[IEL]=11)

This is particularly useful as an error checking mechanism to check if the position counter accumulated the correct number of counts between index events. As an example, the 1000-line encoder must count 4000 times when moving in the same direction between the index events.

The index event latch interrupt flag (QFLG[IEL]) is set when the position counter is latched to the QPOSILAT register. The index event latch configuration bits (QEPCTL[IEL]) are ignored when QEPCTL[PCRM] = 00.

<b>Latch on Rising Edge (QEPCTL[IEL]=01)</b>	The position-counter value (QPOSCNT) is latched to the QPOSILAT register on every rising edge of an index input.
<b>Latch on Falling Edge (QEPCTL[IEL] = 10)</b>	The position-counter value (QPOSCNT) is latched to the QPOSILAT register on every falling edge of index input.
<b>Latch on Index Event Marker/Software Index Marker (QEPCTL[IEL] = 11)</b>	The first index marker is defined as the quadrature edge following the first index edge. The eQEP peripheral records the occurrence of the first index marker (QEPSTS[FIMF]) and the direction on the first index event marker (QEPSTS[FIDF]) in the QEPSTS registers. The eQEP peripheral also remembers the quadrature edge on the first index marker so that the same relative quadrature transition is used for latching the position counter (QEPCTL[IEL]=11).

Figure 16-10 shows the position counter latch using an index event marker.

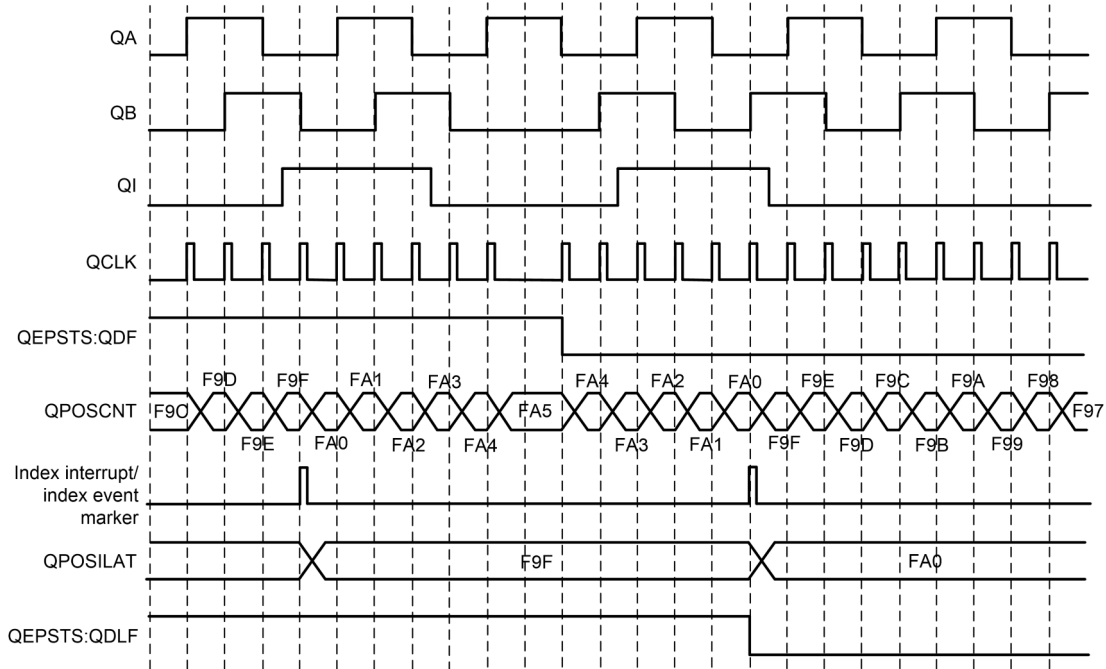


Figure 16-10. Software Index Marker for 1000-line Encoder (QEPCTL[IEL] = 1)

### 16.5.2.2 Strobe Event Latch

The position-counter value is latched to the QPOSSLAT register on the rising edge of the strobe input by clearing the QEPCTL[SEL] bit.

If the QEPCTL[SEL] bit is set, then the position-counter value is latched to the QPOSSLAT register on the rising edge of the strobe input for forward direction, and on the falling edge of the strobe input for reverse direction as shown in Figure 16-11.

The strobe event latch interrupt flag (QFLG[SEL]) is set when the position counter is latched to the QPOSSLAT register.

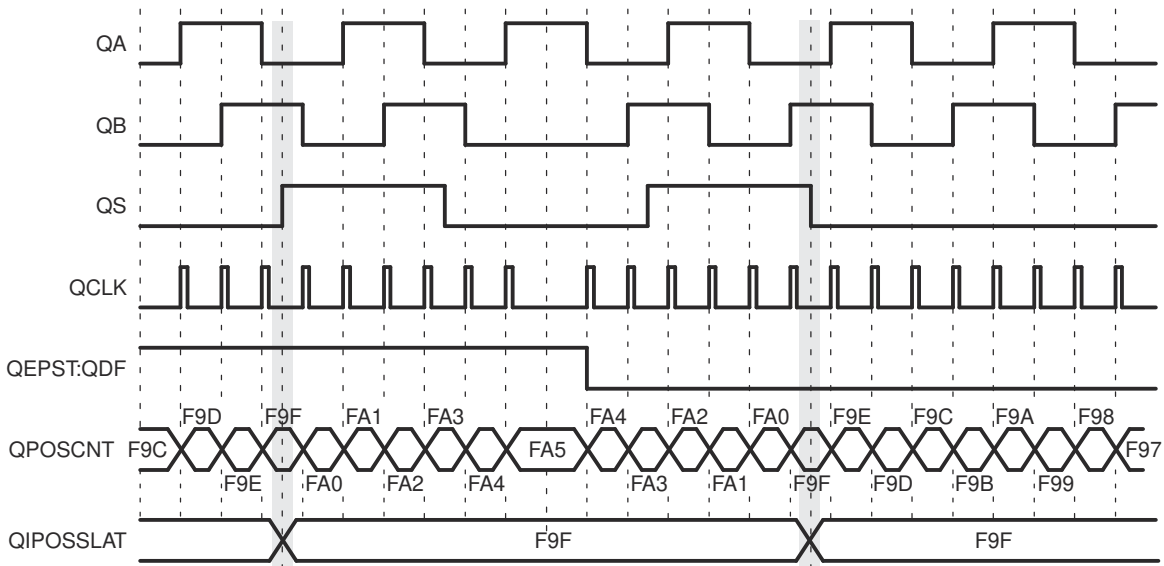


Figure 16-11. Strobe Event Latch (QEPCTL[SEL] = 1)

### 16.5.3 Position Counter Initialization

The position counter can be initialized using the following events:

- Index event
- Strobe event
- Software initialization

<b>Index Event Initialization (IEI)</b>	The QEPI index input can be used to trigger the initialization of the position counter at the rising or falling edge of the index input. If the QEPCTL[IEI] bits are 10, then the position counter (QPOSCNT) is initialized with a value in the QPOSINIT register on the rising edge of index input. Conversely, if the QEPCTL[IEI] bits are 11, initialization is on the falling edge of the index input.
<b>Strobe Event Initialization (SEI)</b>	<p>If the QEPCTL[SEI] bits are 10, then the position counter is initialized with a value in the QPOSINIT register on the rising edge of strobe input.</p> <p>If QEPCTL[SEL] bits are 11, then the position counter is initialized with a value in the QPOSINIT register on the rising edge of strobe input for forward direction and on the falling edge of strobe input for reverse direction.</p>
<b>Software Initialization (SWI)</b>	The position counter can be initialized in software by writing a 1 to the QEPCTL[SWI] bit. This bit is not automatically cleared. While the bit is still set, if a 1 is written to the bit again, the position counter is re-initialized.

### 16.5.4 eQEP Position-compare Unit

The eQEP peripheral includes a position-compare unit that is used to generate a sync output and interrupt on a position-compare match. Figure 16-12 shows a diagram. The position-compare (QPOSCMP) register is shadowed and shadow mode can be enabled or disabled using the QPOSCTL[PSSHDW] bit. If the shadow mode is not enabled, the CPU writes directly to the active position compare register.

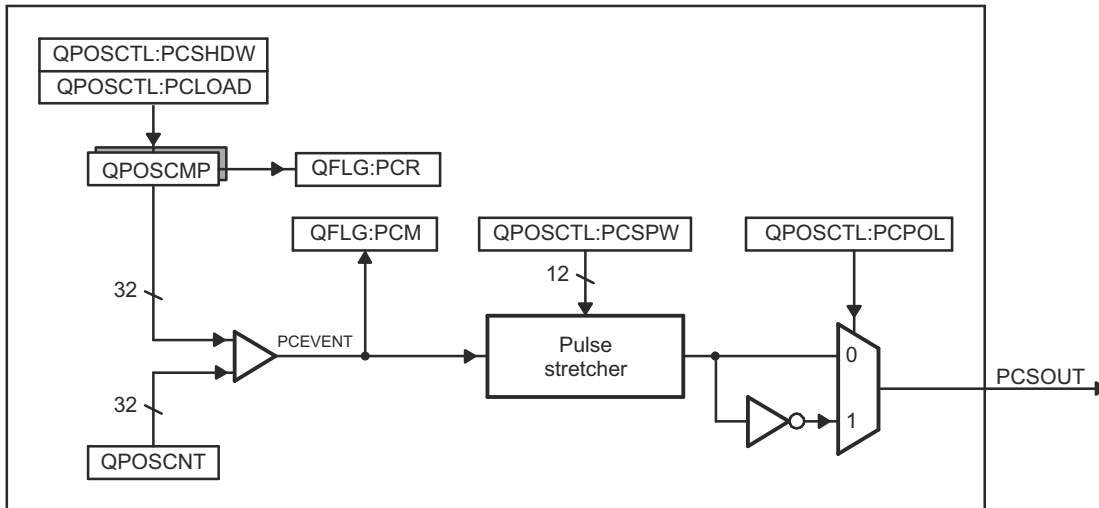


Figure 16-12. eQEP Position-compare Unit

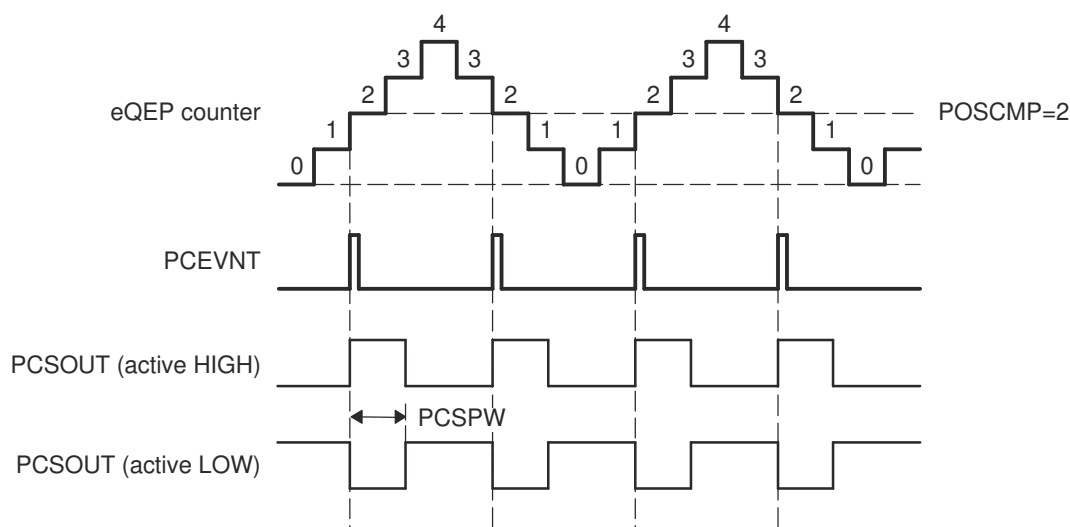
In shadow mode, you can configure the position-compare unit (QPOSCTL[PCLOAD]) to load the shadow register value into the active register on the following events, and to generate the position-compare ready (QFLG[PCR]) interrupt after loading.

- Load on compare match
- Load on position-counter zero event

The position-compare match (QFLG[PCM]) is set when the position-counter value (QPOSCNT) matches with the active position-compare register (QPOSCMP) and the position-compare sync output of the programmable pulse width is generated on compare-match to trigger an external device.

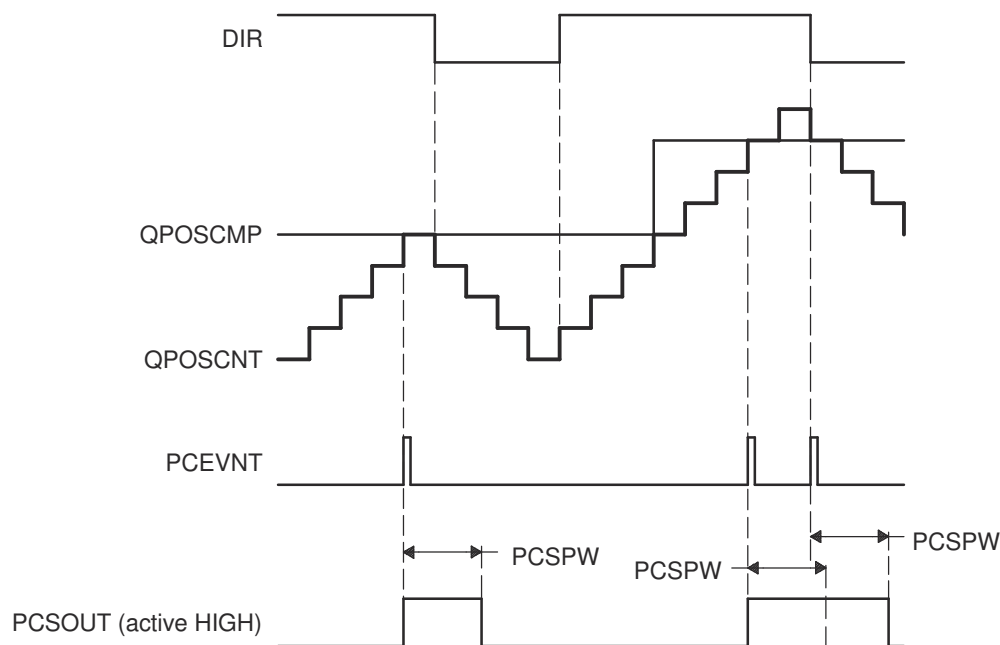
For example, if QPOSCMP = 2, the position-compare unit generates a position-compare event on 1 to 2 transitions of the eQEP position counter for forward counting direction and on 3 to 2 transitions of the eQEP position counter for reverse counting direction (see Figure 16-13).

See the register section for the layout of the eQEP Position-Compare Control Register (QPOSCTL) and description of the QPOSCTL bit fields.



**Figure 16-13. eQEP Position-compare Event Generation Points**

The pulse stretcher logic in the position-compare unit generates a programmable position-compare sync pulse output on the position-compare match. In the event of a new position-compare match while a previous position-compare pulse is still active, then the pulse stretcher generates a pulse of specified duration from the new position-compare event as shown in [Figure 16-14](#).



**Figure 16-14. eQEP Position-compare Sync Output Pulse Stretcher**

## 16.6 eQEP Edge Capture Unit

The eQEP peripheral includes an integrated edge capture unit to measure the elapsed time between the unit position events as shown in [Figure 16-15](#). This feature is typically used for low-speed measurement using the following formula:

$$v(k) = \frac{X}{t(k) - t(k - 1)} = \frac{X}{\Delta T} \quad (17)$$

where:

- X = Unit position is defined by integer multiple of quadrature edges (see [Figure 16-16](#))
- ΔT = Elapsed time between unit position events
- v(k) = Velocity at time instant "k"

The eQEP capture timer (QCTMR) runs from prescaled SYSCLKOUT and the prescaler is programmed by the QCAPCTL[CCPS] bits. The capture timer (QCTMR) value is latched into the capture period register (QCPRD) on every unit position event and then the capture timer is reset, a flag is set in QEPSTS:UPEVNT to indicate that new value is latched into the QCPRD register. Software can check this status flag before reading the period register for low speed measurement, and clear the flag by writing 1.

Time measurement (ΔT) between unit position events is correct if the following conditions are met:

- No more than 65,535 counts have occurred between unit position events.
- No direction change between unit position events.

If the QEP capture timer overflows between unit position events, then the timer sets the QEP capture overflow flag (QEPSTS[COEF]) in the status register and the QCPRDLAT register is set to 0xFFFF. If direction change occurs between the unit position events, then the error flag is set in the status register (QEPSTS[CDEF]) and the QCPRDLAT register is set to 0xFFFF.

The Capture Timer (QCTMR) and Capture Period register (QCPRD) can be configured to latch on the following events:

- CPU read of QPOSCNT register
- Unit time-out event

If the QEPCTL[QCLM] bit is cleared, then the capture timer and capture period values are latched into the QCTMRLAT and QCPRDLAT registers, respectively, when the CPU reads the position counter (QPOSCNT).

If the QEPCTL[QCLM] bit is set, then the position counter, capture timer, and capture period values are latched into the QPOSLAT, QCTMRLAT and QCPRDLAT registers, respectively, on unit time out.

[Figure 16-17](#) shows the capture unit operation along with the position counter.

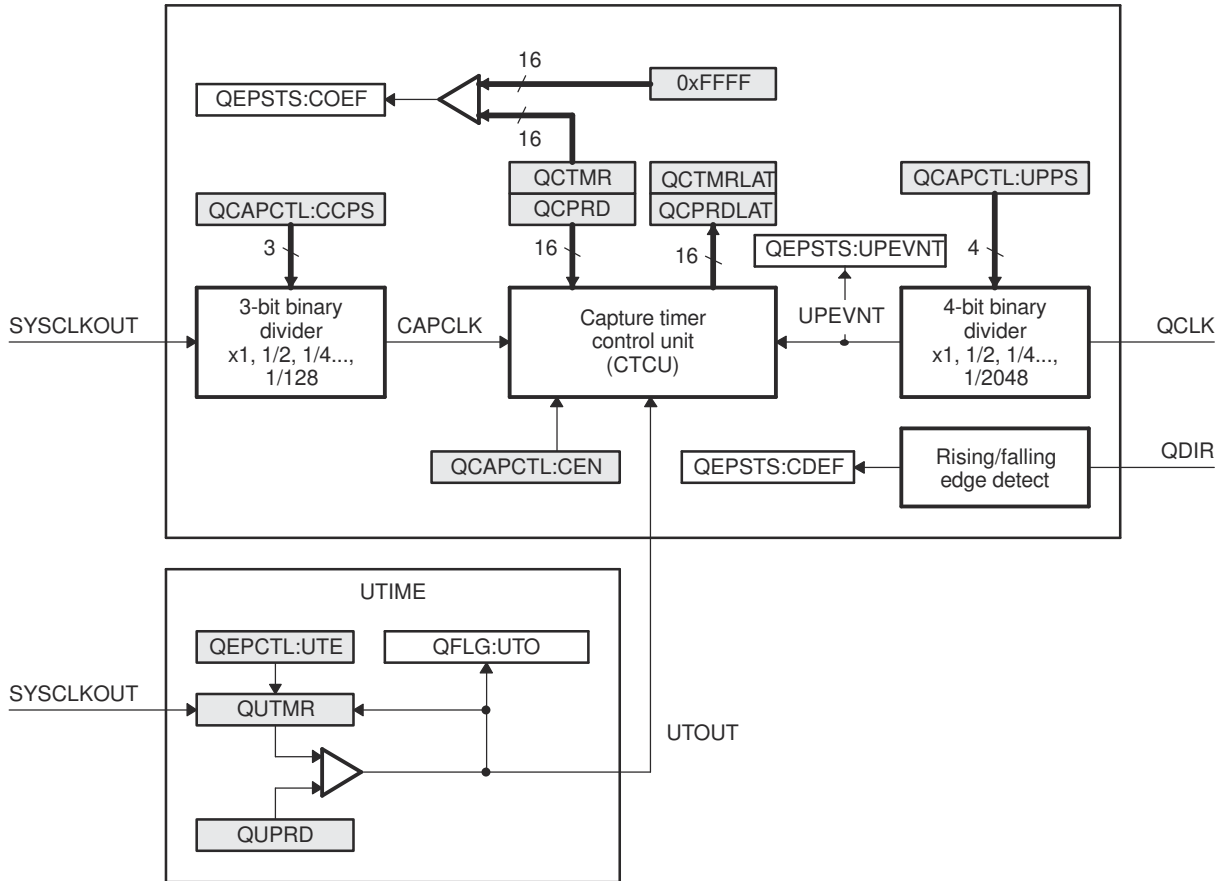
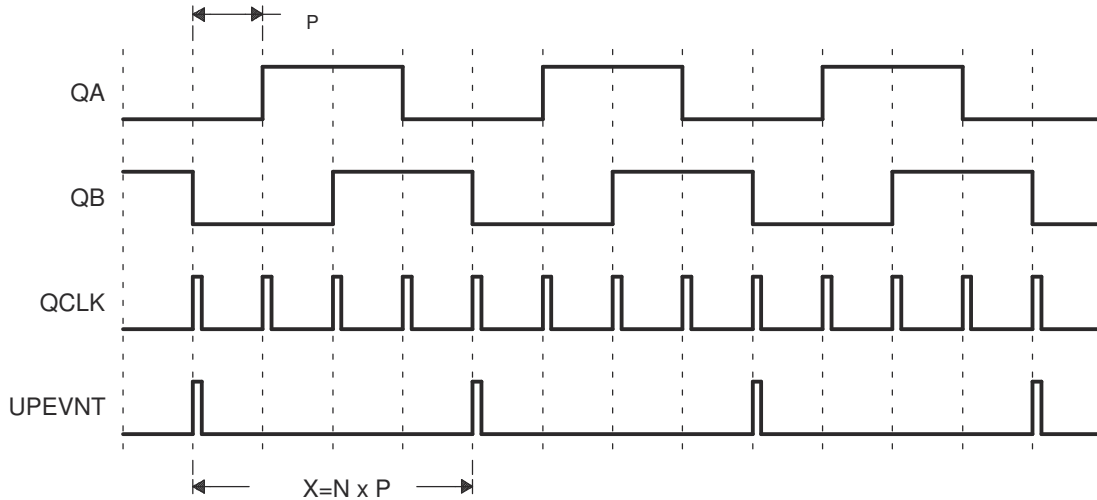


Figure 16-15. eQEP Edge Capture Unit

**CAUTION**

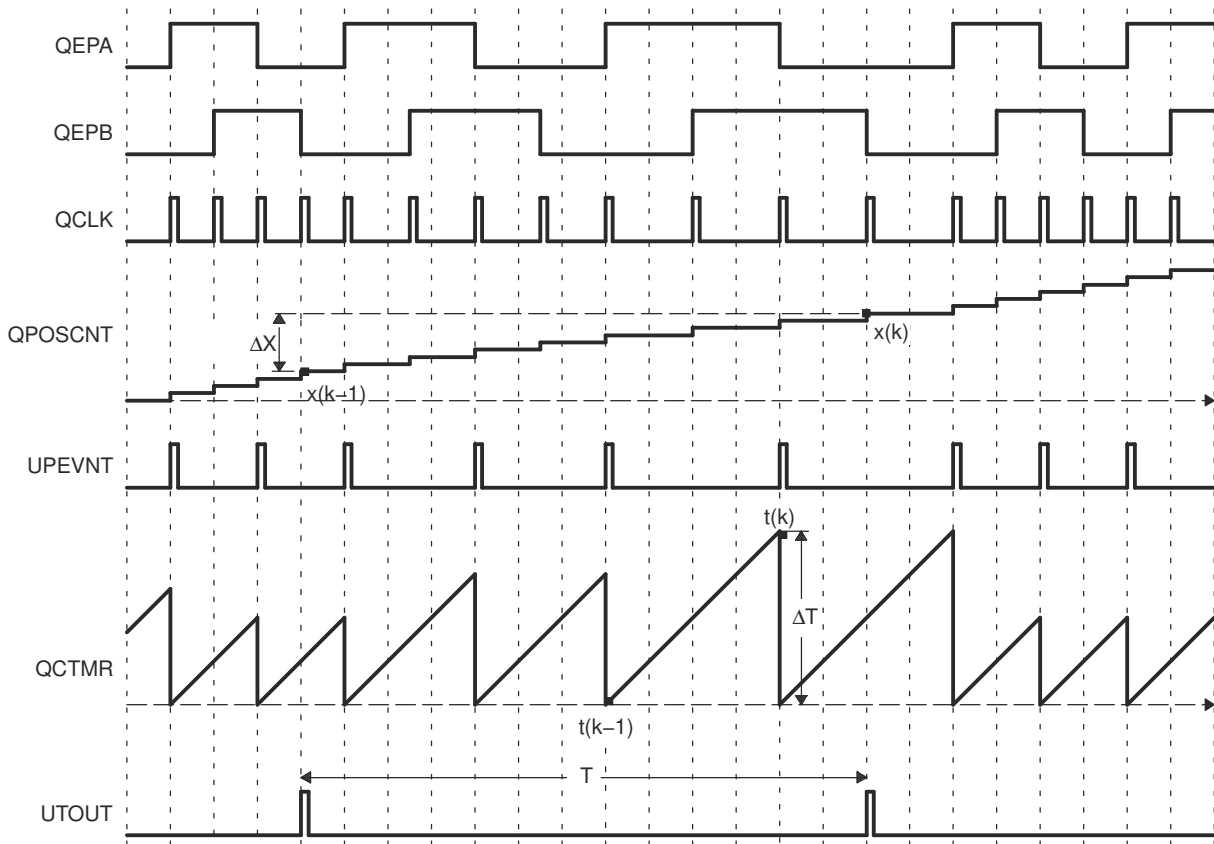
The QCAPCTL[UPPS] prescaler cannot be modified dynamically (such as switching the unit event prescaler from QCLK/4 to QCLK/8). Doing so can result in undefined behavior. The QCAPCTL[CCPS] prescaler can be modified dynamically (such as switching CAPCLK prescaling mode from SYSCLK/4 to SYSCLK/8) only after the capture unit is disabled.





N = Number of quadrature periods selected using QCAPCTL[UPPS] bits

**Figure 16-16. Unit Position Event for Low Speed Measurement (QCAPCTL[UPPS] = 0010)**



**Figure 16-17. eQEP Edge Capture Unit - Timing Details**

Velocity calculation equation:

$$v(k) = \frac{x(k) - x(k - 1)}{T} = \frac{\Delta X}{T} \quad (18)$$

where:

- $v(k)$  = Velocity at time instant  $k$
- $x(k)$  = Position at time instant  $k$
- $x(k-1)$  = Position at time instant  $k-1$
- $T$  = Fixed unit time or inverse of velocity calculation rate
- $\Delta X$  = Incremental position movement in unit time
- $X$  = Fixed unit position
- $\Delta T$  = Incremental time elapsed for unit position movement
- $t(k)$  = Time instant " $k$ "
- $t(k-1)$  = Time instant " $k-1$ "

Unit time ( $T$ ) and unit period ( $X$ ) are configured using the QUPRD and QCAPCTL[UPPS] registers. Incremental position output and incremental time output is available in the QOSLAT and QCPRDLAT registers.

Parameter	Relevant Register to Configure or Read the Information
$T$	Unit Period Register (QUPRD)
$\Delta X$	Incremental Position = QOSLAT( $k$ ) - QOSLAT( $k-1$ )
$X$	Fixed-unit position defined by sensor resolution and QCAPCTL[UPPS] bits
$\Delta T$	Capture Period Latch (QCPRDLAT)

### 16.7 eQEP Watchdog

The eQEP peripheral contains a 16-bit watchdog timer (Figure 16-18) that monitors the quadrature clock to indicate proper operation of the motion-control system. The eQEP watchdog timer is clocked from SYSCLKOUT/64 and the quadrature clock event (pulse) resets the watchdog timer. If no quadrature clock event is detected until a period match (QWDPRD = QWDTMR), then the watchdog timer times out and the watchdog interrupt flag is set (QFLG[WTO]). The time-out value is programmable through the watchdog period register (QWDPRD).

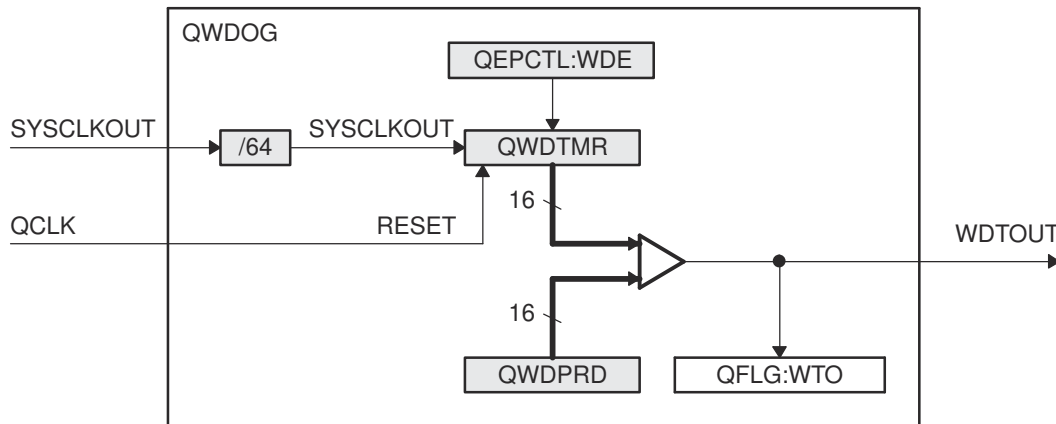


Figure 16-18. eQEP Watchdog Timer

### 16.8 eQEP Unit Timer Base

The eQEP peripheral includes a 32-bit timer (QUTMR) that is clocked by SYSCLKOUT to generate periodic interrupts for velocity calculations, see Figure 16-19. Whenever the unit timer (QUTMR) matches the unit period register (QUPRD), the eQEP peripheral resets the unit timer (QUTMR) and also generates the unit time out interrupt flag (QFLG[UTO]). The unit timer gets reset whenever timer value equals to configured period value.

The eQEP peripheral can be configured to latch the position counter, capture timer, and capture period values on a unit time out event so that latched values are used for velocity calculation as described in Section 16.6.

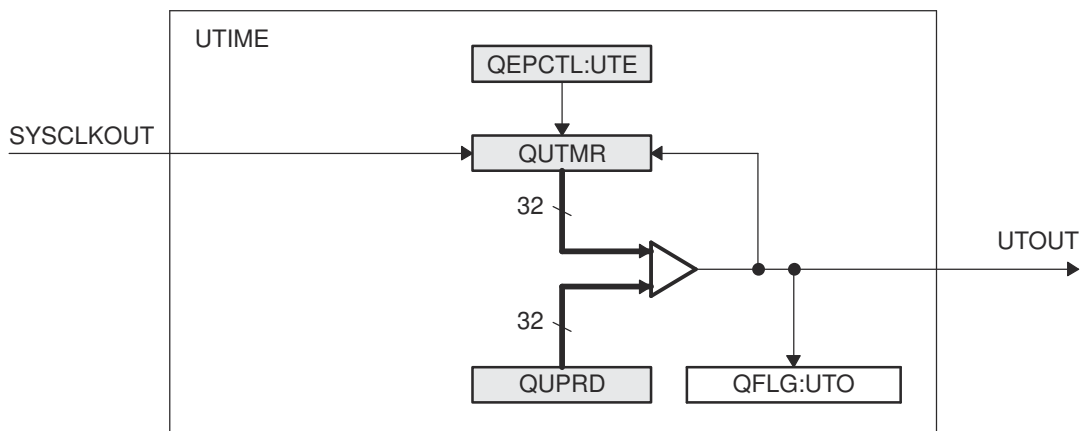


Figure 16-19. eQEP Unit Timer Base

## 16.9 eQEP Interrupt Structure

Figure 16-20 shows how the interrupt mechanism works in the eQEP module.

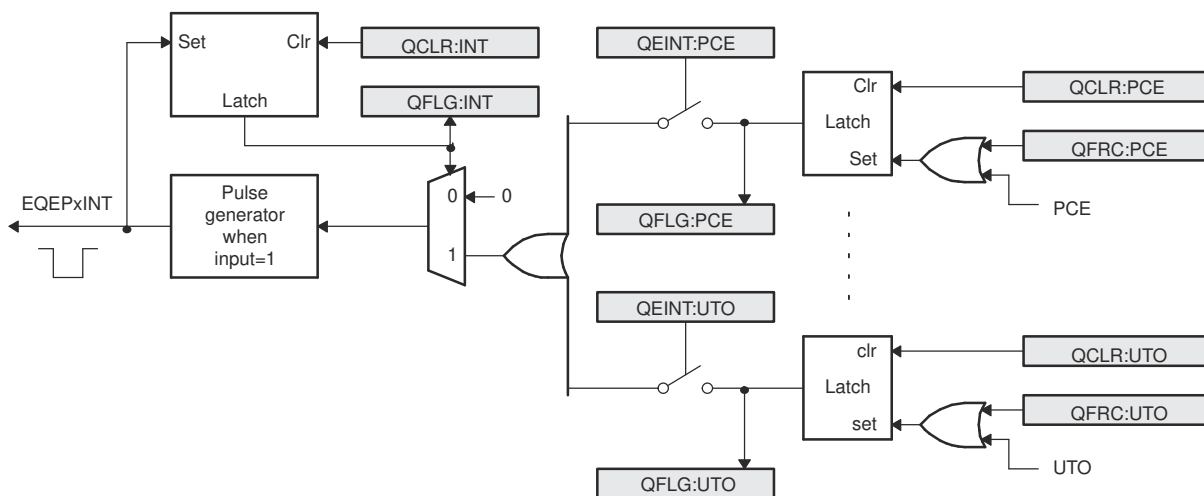


Figure 16-20. eQEP Interrupt Generation

Eleven interrupt events (PCE, PHE, QDC, WTO, PCU, PCO, PCR, PCM, SEL, IEL and UTO) can be generated. The interrupt control register (QEINT) is used to enable/disable individual interrupt event sources. The interrupt flag register (QFLG) indicates if any interrupt event has been latched and contains the global interrupt flag bit (INT).

An interrupt pulse is generated to when:

1. Interrupt is enabled for eQEP event inside QEINT register
2. Interrupt flag for eQEP event inside QFLG register is set, and
3. Global interrupt status flag bit QFLG[INT] had been cleared for previously generated interrupt event. The interrupt service routine needs to clear the global interrupt flag bit and the serviced event, by way of the interrupt clear register (QCLR), before any other interrupt pulses are generated. If either flags inside the QFLG register are not cleared, further interrupt events do not generate an interrupt to . You can force an interrupt event by way of the interrupt force register (QFRC), which is useful for test purposes.

## 16.10 eQEP Registers

This section describes the Enhanced Quadrature Encoder Pulse Registers.

### 16.10.1 eQEP Base Addresses

Table 16-3. eQEP Base Address Table

Device Registers	Register Name	Start Address	End Address
EQep1Regs	EQEP_REGS	0x0000_5100	0x0000_513F
EQep2Regs	EQEP_REGS	0x0000_5140	0x0000_517F
EQep3Regs	EQEP_REGS	0x0000_5180	0x0000_51BF

### 16.10.2 EQEP\_REGS Registers

Table 16-4 lists the memory-mapped registers for the EQEP\_REGS registers. All register offset addresses not listed in Table 16-4 should be considered as reserved locations and the register contents should not be modified.

**Table 16-4. EQEP\_REGS Registers**

Offset	Acronym	Register Name	Write Protection	Section
0h	QPOSCNT	Position Counter		<a href="#">Go</a>
2h	QPOSINIT	Position Counter Init		<a href="#">Go</a>
4h	QPOSMAX	Maximum Position Count		<a href="#">Go</a>
6h	QPOSCMP	Position Compare		<a href="#">Go</a>
8h	QPOSILAT	Index Position Latch		<a href="#">Go</a>
Ah	QPOSSLAT	Strobe Position Latch		<a href="#">Go</a>
Ch	QPOSLAT	Position Latch		<a href="#">Go</a>
Eh	QUTMR	QEP Unit Timer		<a href="#">Go</a>
10h	QUPRD	QEP Unit Period		<a href="#">Go</a>
12h	QWDTMR	QEP Watchdog Timer		<a href="#">Go</a>
13h	QWDPRD	QEP Watchdog Period		<a href="#">Go</a>
14h	QDECCTL	Quadrature Decoder Control		<a href="#">Go</a>
15h	QEPCTL	QEP Control		<a href="#">Go</a>
16h	QCAPCTL	Quadrature Capture Control		<a href="#">Go</a>
17h	QPOSCTL	Position Compare Control		<a href="#">Go</a>
18h	QEINT	QEP Interrupt Control		<a href="#">Go</a>
19h	QFLG	QEP Interrupt Flag		<a href="#">Go</a>
1Ah	QCLR	QEP Interrupt Clear		<a href="#">Go</a>
1Bh	QFRC	QEP Interrupt Force		<a href="#">Go</a>
1Ch	QEPSTS	QEP Status		<a href="#">Go</a>
1Dh	QCTMR	QEP Capture Timer		<a href="#">Go</a>
1Eh	QCPRD	QEP Capture Period		<a href="#">Go</a>
1Fh	QCTMLAT	QEP Capture Latch		<a href="#">Go</a>
20h	QCPRDLAT	QEP Capture Period Latch		<a href="#">Go</a>

Complex bit access types are encoded to fit into small table cells. Table 16-5 shows the codes that are used for access types in this section.

**Table 16-5. EQEP\_REGS Access Type Codes**

Access Type	Code	Description
Read Type		
R	R	Read
R-0	R-0	Read Returns 0s
Write Type		
W	W	Write
W1S	W1S	Write 1 to set
Reset or Default Value		
-n		Value after reset or the default value

### 16.10.2.1 QPOSCNT Register (Offset = 0h) [Reset = 00000000h]

QPOSCNT is shown in [Figure 16-21](#) and described in [Table 16-6](#).

Return to the [Summary Table](#).

Position Counter

**Figure 16-21. QPOSCNT Register**

31	30	29	28	27	26	25	24	23	22	21	20	19	18	17	16	15	14	13	12	11	10	9	8	7	6	5	4	3	2	1	0
QPOSCNT																															
R/W-0h																															

**Table 16-6. QPOSCNT Register Field Descriptions**

Bit	Field	Type	Reset	Description
31-0	QPOSCNT	R/W	0h	Position Counter This 32-bit position counter register counts up/down on every eQEP pulse based on direction input. This counter acts as a position integrator whose count value is proportional to position from a give reference point. This Register acts as a Read ONLY register while counter is counting up/down. Note: It is recommended to only write to the position counter register (QPOSCNT) during initialization, i.e. when the eQEP position counter is disabled (QPEN bit of QEPCNTL is zero). Once the position counter is enabled (QPEN bit is one), writing to the eQEP position counter register (QPOSCNT) may cause unexpected results. Reset type: SYSRSn

### 16.10.2.2 QPOSINIT Register (Offset = 2h) [Reset = 0000000h]

QPOSINIT is shown in [Figure 16-22](#) and described in [Table 16-7](#).

Return to the [Summary Table](#).

Position Counter Init

**Figure 16-22. QPOSINIT Register**

31	30	29	28	27	26	25	24	23	22	21	20	19	18	17	16	15	14	13	12	11	10	9	8	7	6	5	4	3	2	1	0
QPOSINIT																															
R/W-0h																															

**Table 16-7. QPOSINIT Register Field Descriptions**

Bit	Field	Type	Reset	Description
31-0	QPOSINIT	R/W	0h	Position Counter Init This register contains the position value that is used to initialize the position counter based on external strobe or index event. The position counter can be initialized through software. Writes to this register should always be full 32-bit writes. Reset type: SYSRSn

### 16.10.2.3 QPOSMAX Register (Offset = 4h) [Reset = 00000000h]

QPOSMAX is shown in [Figure 16-23](#) and described in [Table 16-8](#).

Return to the [Summary Table](#).

Maximum Position Count

**Figure 16-23. QPOSMAX Register**

31	30	29	28	27	26	25	24	23	22	21	20	19	18	17	16	15	14	13	12	11	10	9	8	7	6	5	4	3	2	1	0
QPOSMAX																															
R/W-0h																															

**Table 16-8. QPOSMAX Register Field Descriptions**

Bit	Field	Type	Reset	Description
31-0	QPOSMAX	R/W	0h	Maximum Position Count This register contains the maximum position counter value. Writes to this register should always be full 32-bit writes. Reset type: SYSRSn



### 16.10.2.4 QPOSCMP Register (Offset = 6h) [Reset = 00000000h]

QPOSCMP is shown in [Figure 16-24](#) and described in [Table 16-9](#).

Return to the [Summary Table](#).

Position Compare

**Figure 16-24. QPOSCMP Register**

31	30	29	28	27	26	25	24	23	22	21	20	19	18	17	16	15	14	13	12	11	10	9	8	7	6	5	4	3	2	1	0
QPOSCMP																															
R/W-0h																															

**Table 16-9. QPOSCMP Register Field Descriptions**

Bit	Field	Type	Reset	Description
31-0	QPOSCMP	R/W	0h	Position Compare The position-compare value in this register is compared with the position counter (QPOSCNT) to generate sync output and/or interrupt on compare match. Writes to this register should always be full 32-bit writes. Reset type: SYSRSn

### 16.10.2.5 QPOSILAT Register (Offset = 8h) [Reset = 00000000h]

QPOSILAT is shown in [Figure 16-25](#) and described in [Table 16-10](#).

Return to the [Summary Table](#).

Index Position Latch

**Figure 16-25. QPOSILAT Register**

31	30	29	28	27	26	25	24	23	22	21	20	19	18	17	16	15	14	13	12	11	10	9	8	7	6	5	4	3	2	1	0
QPOSILAT																															
R-0h																															

**Table 16-10. QPOSILAT Register Field Descriptions**

Bit	Field	Type	Reset	Description
31-0	QPOSILAT	R	0h	Index Position Latch The position-counter value is latched into this register on an index event as defined by the QEPCTL[IEL] bits. Reset type: SYSRSn

### 16.10.2.6 QPOSSLAT Register (Offset = Ah) [Reset = 0000000h]

QPOSSLAT is shown in [Figure 16-26](#) and described in [Table 16-11](#).

Return to the [Summary Table](#).

Strobe Position Latch

**Figure 16-26. QPOSSLAT Register**

31	30	29	28	27	26	25	24	23	22	21	20	19	18	17	16	15	14	13	12	11	10	9	8	7	6	5	4	3	2	1	0
QPOSSLAT																															
R-0h																															

**Table 16-11. QPOSSLAT Register Field Descriptions**

Bit	Field	Type	Reset	Description
31-0	QPOSSLAT	R	0h	Strobe Position Latch The position-counter value is latched into this register on a strobe event as defined by the QEPCTL[SEL] bits. Reset type: SYSRSn

### 16.10.2.7 QPOSLAT Register (Offset = Ch) [Reset = 0000000h]

QPOSLAT is shown in [Figure 16-27](#) and described in [Table 16-12](#).

Return to the [Summary Table](#).

Position Latch

**Figure 16-27. QPOSLAT Register**

31	30	29	28	27	26	25	24	23	22	21	20	19	18	17	16	15	14	13	12	11	10	9	8	7	6	5	4	3	2	1	0
QPOSLAT																															
R-0h																															

**Table 16-12. QPOSLAT Register Field Descriptions**

Bit	Field	Type	Reset	Description
31-0	QPOSLAT	R	0h	Position Latch The position-counter value is latched into this register on a unit time out event. Reset type: SYSRSn

### 16.10.2.8 QUTMR Register (Offset = Eh) [Reset = 0000000h]

QUTMR is shown in [Figure 16-28](#) and described in [Table 16-13](#).

Return to the [Summary Table](#).

QEP Unit Timer

**Figure 16-28. QUTMR Register**

31	30	29	28	27	26	25	24	23	22	21	20	19	18	17	16	15	14	13	12	11	10	9	8	7	6	5	4	3	2	1	0
QUTMR																															
R/W-0h																															

**Table 16-13. QUTMR Register Field Descriptions**

Bit	Field	Type	Reset	Description
31-0	QUTMR	R/W	0h	QEP Unit Timer This register acts as time base for unit time event generation. When this timer value matches the unit time period value a unit time event is generated. Writes to this register should always be full 32-bit writes. Reset type: SYSRSn

### 16.10.2.9 QUPRD Register (Offset = 10h) [Reset = 0000000h]

QUPRD is shown in [Figure 16-29](#) and described in [Table 16-14](#).

Return to the [Summary Table](#).

QEP Unit Period

**Figure 16-29. QUPRD Register**

31	30	29	28	27	26	25	24	23	22	21	20	19	18	17	16	15	14	13	12	11	10	9	8	7	6	5	4	3	2	1	0
QUPRD																															
R/W-0h																															

**Table 16-14. QUPRD Register Field Descriptions**

Bit	Field	Type	Reset	Description
31-0	QUPRD	R/W	0h	QEP Unit Period This register contains the period count for the unit timer to generate periodic unit time events. These events latch the eQEP position information at periodic intervals and optionally generate an interrupt. Writes to this register should always be full 32-bit writes. Reset type: SYSRSn

**16.10.2.10 QWDTMR Register (Offset = 12h) [Reset = 0000h]**

QWDTMR is shown in [Figure 16-30](#) and described in [Table 16-15](#).

Return to the [Summary Table](#).

QEP Watchdog Timer

**Figure 16-30. QWDTMR Register**

15	14	13	12	11	10	9	8
QWDTMR							
R/W-0h							
7	6	5	4	3	2	1	0
QWDTMR							
R/W-0h							

**Table 16-15. QWDTMR Register Field Descriptions**

Bit	Field	Type	Reset	Description
15-0	QWDTMR	R/W	0h	QEP Watchdog Timer This register acts as time base for the watchdog to detect motor stalls. When this timer value matches with the watchdog's period value a watchdog timeout interrupt is generated. This register is reset upon edge transition in quadrature-clock indicating the motion. Reset type: SYSRSn

### 16.10.2.11 QWDPRD Register (Offset = 13h) [Reset = 0000h]

QWDPRD is shown in [Figure 16-31](#) and described in [Table 16-16](#).

Return to the [Summary Table](#).

QEP Watchdog Period

**Figure 16-31. QWDPRD Register**

15	14	13	12	11	10	9	8
QWDPRD							
R/W-0h							
7	6	5	4	3	2	1	0
QWDPRD							
R/W-0h							

**Table 16-16. QWDPRD Register Field Descriptions**

Bit	Field	Type	Reset	Description
15-0	QWDPRD	R/W	0h	QEP Watchdog Period This register contains the time-out count for the eQEP peripheral watch dog timer. When the watchdog timer value matches the watchdog period value, a watchdog timeout interrupt is generated. Reset type: SYSRSn



### 16.10.2.12 QDECCTL Register (Offset = 14h) [Reset = 0000h]

QDECCTL is shown in [Figure 16-32](#) and described in [Table 16-17](#).

Return to the [Summary Table](#).

Quadrature Decoder Control

**Figure 16-32. QDECCTL Register**

15	14	13	12	11	10	9	8
QSRC		SOEN	SPSEL	XCR	SWAP	IGATE	QAP
R/W-0h		R/W-0h	R/W-0h	R/W-0h	R/W-0h	R/W-0h	R/W-0h
7	6	5	4	3	2	1	0
QBP	QIP	QSP	RESERVED				
R/W-0h	R/W-0h	R/W-0h	R-0h				

**Table 16-17. QDECCTL Register Field Descriptions**

Bit	Field	Type	Reset	Description
15-14	QSRC	R/W	0h	Position-counter source selection Reset type: SYSRSn 0h (R/W) = Quadrature count mode (QCLK = iCLK, QDIR = iDIR) 1h (R/W) = Direction-count mode (QCLK = xCLK, QDIR = xDIR) 2h (R/W) = UP count mode for frequency measurement (QCLK = xCLK, QDIR = 1) 3h (R/W) = DOWN count mode for frequency measurement (QCLK = xCLK, QDIR = 0)
13	SOEN	R/W	0h	Sync output-enable Reset type: SYSRSn 0h (R/W) = Disable position-compare sync output 1h (R/W) = Enable position-compare sync output
12	SPSEL	R/W	0h	Sync output pin selection Reset type: SYSRSn 0h (R/W) = Index pin is used for sync output 1h (R/W) = Strobe pin is used for sync output
11	XCR	R/W	0h	External Clock Rate Reset type: SYSRSn 0h (R/W) = 2x resolution: Count the rising/falling edge 1h (R/W) = 1x resolution: Count the rising edge only
10	SWAP	R/W	0h	CLK/DIR Signal Source for Position Counter Reset type: SYSRSn 0h (R/W) = Quadrature-clock inputs are not swapped 1h (R/W) = Quadrature-clock inputs are swapped
9	IGATE	R/W	0h	Index pulse gating option Reset type: SYSRSn 0h (R/W) = Disable gating of Index pulse 1h (R/W) = Gate the index pin with strobe
8	QAP	R/W	0h	QEPA input polarity Reset type: SYSRSn 0h (R/W) = No effect 1h (R/W) = Negates QEPA input
7	QBP	R/W	0h	QEPB input polarity Reset type: SYSRSn 0h (R/W) = No effect 1h (R/W) = Negates QEPB input
6	QIP	R/W	0h	QEPI input polarity Reset type: SYSRSn 0h (R/W) = No effect 1h (R/W) = Negates QEPI input

**Table 16-17. QDECCTL Register Field Descriptions (continued)**

Bit	Field	Type	Reset	Description
5	QSP	R/W	0h	QEPS input polarity Reset type: SYSRSn 0h (R/W) = No effect 1h (R/W) = Negates QEPS input
4-0	RESERVED	R	0h	Reserved

### 16.10.2.13 QEPCNTL Register (Offset = 15h) [Reset = 0000h]

QEPCNTL is shown in Figure 16-33 and described in Table 16-18.

Return to the [Summary Table](#).

QEP Control

**Figure 16-33. QEPCNTL Register**

15	14	13	12	11	10	9	8
FREE_SOFT		PCRM		SEI		IEI	
R/W-0h		R/W-0h		R/W-0h		R/W-0h	
7	6	5	4	3	2	1	0
SWI	SEL	IEL		QPEN	QCLM	UTE	WDE
R/W-0h	R/W-0h	R/W-0h		R/W-0h	R/W-0h	R/W-0h	R/W-0h

**Table 16-18. QEPCNTL Register Field Descriptions**

Bit	Field	Type	Reset	Description
15-14	FREE_SOFT	R/W	0h	Emulation mode Reset type: SYSRSn 0h (R/W) = QPOSCNT behavior Position counter stops immediately on emulation suspend 0h (R/W) = QWDTMR behavior Watchdog counter stops immediately 0h (R/W) = QUTMR behavior Unit timer stops immediately 0h (R/W) = QCTMR behavior Capture Timer stops immediately 1h (R/W) = QPOSCNT behavior Position counter continues to count until the rollover 1h (R/W) = QWDTMR behavior Watchdog counter counts until WD period match roll over 1h (R/W) = QUTMR behavior Unit timer counts until period rollover 1h (R/W) = QCTMR behavior Capture Timer counts until next unit period event 2h (R/W) = QPOSCNT behavior Position counter is unaffected by emulation suspend 2h (R/W) = QWDTMR behavior Watchdog counter is unaffected by emulation suspend 2h (R/W) = QUTMR behavior Unit timer is unaffected by emulation suspend 2h (R/W) = QCTMR behavior Capture Timer is unaffected by emulation suspend 3h (R/W) = Same as FREE_SOFT_2
13-12	PCRM	R/W	0h	Position counter reset Reset type: SYSRSn 0h (R/W) = Position counter reset on an index event 1h (R/W) = Position counter reset on the maximum position 2h (R/W) = Position counter reset on the first index event 3h (R/W) = Position counter reset on a unit time event
11-10	SEI	R/W	0h	Strobe event initialization of position counter Reset type: SYSRSn 0h (R/W) = Does nothing (action disabled) 1h (R/W) = Does nothing (action disabled) 2h (R/W) = Initializes the position counter on rising edge of the QEPS signal 3h (R/W) = Clockwise Direction: Initializes the position counter on the rising edge of QEPS strobe Counter Clockwise Direction: Initializes the position counter on the falling edge of QEPS strobe

**Table 16-18. QEPCTL Register Field Descriptions (continued)**

Bit	Field	Type	Reset	Description
9-8	IEI	R/W	0h	Index event init of position count Reset type: SYSRSn 0h (R/W) = Do nothing (action disabled) 1h (R/W) = Do nothing (action disabled) 2h (R/W) = Initializes the position counter on the rising edge of the QEPI signal (QPOSCNT = QPOSINIT) 3h (R/W) = Initializes the position counter on the falling edge of QEPI signal (QPOSCNT = QPOSINIT)
7	SWI	R/W	0h	Software init position counter Reset type: SYSRSn 0h (R/W) = Do nothing (action disabled) 1h (R/W) = Initialize position counter (QPOSCNT=QPOSINIT). This bit is not cleared automatically
6	SEL	R/W	0h	Strobe event latch of position counter Reset type: SYSRSn 0h (R/W) = The position counter is latched on the rising edge of QEPS strobe (QPOSSLAT = POSCCNT). Latching on the falling edge can be done by inverting the strobe input using the QSP bit in the QDECCTL register 1h (R/W) = Clockwise Direction: Position counter is latched on rising edge of QEPS strobe Counter Clockwise Direction: Position counter is latched on falling edge of QEPS strobe
5-4	IEL	R/W	0h	Index event latch of position counter (software index marker) Reset type: SYSRSn 0h (R/W) = Reserved 1h (R/W) = Latches position counter on rising edge of the index signal 2h (R/W) = Latches position counter on falling edge of the index signal 3h (R/W) = Software index marker. Latches the position counter and quadrature direction flag on index event marker. The position counter is latched to the QPOSILAT register and the direction flag is latched in the QEPSTS[QDLF] bit. This mode is useful for software index marking.
3	QPEN	R/W	0h	Quadrature position counter enable/software reset Reset type: SYSRSn 0h (R/W) = Reset the eQEP peripheral internal operating flags/read-only registers. Control/configuration registers are not disturbed by a software reset. When QPEN is disabled, some flags in the QFLG register do not get reset or cleared and show the actual state of that flag. 1h (R/W) = eQEP position counter is enabled
2	QCLM	R/W	0h	QEP capture latch mode Reset type: SYSRSn 0h (R/W) = Latch on position counter read by CPU. Capture timer and capture period values are latched into QCTMRLAT and QCPRDLAT registers when CPU reads the QPOSCNT register. 1h (R/W) = Latch on unit time out. Position counter, capture timer and capture period values are latched into QPOSILAT, QCTMRLAT and QCPRDLAT registers on unit time out.
1	UTE	R/W	0h	QEP unit timer enable Reset type: SYSRSn 0h (R/W) = Disable eQEP unit timer 1h (R/W) = Enable unit timer
0	WDE	R/W	0h	QEP watchdog enable Reset type: SYSRSn 0h (R/W) = Disable the eQEP watchdog timer 1h (R/W) = Enable the eQEP watchdog timer

### 16.10.2.14 QCAPCTL Register (Offset = 16h) [Reset = 0000h]

QCAPCTL is shown in [Figure 16-34](#) and described in [Table 16-19](#).

Return to the [Summary Table](#).

Quadrature Capture Control

**Figure 16-34. QCAPCTL Register**

15	14	13	12	11	10	9	8
CEN	RESERVED						
R/W-0h				R-0h			
7	6	5	4	3	2	1	0
RESERVED	CCPS			UPPS			
R-0h		R/W-0h			R/W-0h		

**Table 16-19. QCAPCTL Register Field Descriptions**

Bit	Field	Type	Reset	Description
15	CEN	R/W	0h	Enable eQEP capture Reset type: SYSRSn 0h (R/W) = eQEP capture unit is disabled 1h (R/W) = eQEP capture unit is enabled
14-7	RESERVED	R	0h	Reserved
6-4	CCPS	R/W	0h	eQEP capture timer clock prescaler Reset type: SYSRSn 0h (R/W) = CAPCLK = SYSCLKOUT/1 1h (R/W) = CAPCLK = SYSCLKOUT/2 2h (R/W) = CAPCLK = SYSCLKOUT/4 3h (R/W) = CAPCLK = SYSCLKOUT/8 4h (R/W) = CAPCLK = SYSCLKOUT/16 5h (R/W) = CAPCLK = SYSCLKOUT/32 6h (R/W) = CAPCLK = SYSCLKOUT/64 7h (R/W) = CAPCLK = SYSCLKOUT/128
3-0	UPPS	R/W	0h	Unit position event prescaler Reset type: SYSRSn 0h (R/W) = UPEVNT = QCLK/1 1h (R/W) = UPEVNT = QCLK/2 2h (R/W) = UPEVNT = QCLK/4 3h (R/W) = UPEVNT = QCLK/8 4h (R/W) = UPEVNT = QCLK/16 5h (R/W) = UPEVNT = QCLK/32 6h (R/W) = UPEVNT = QCLK/64 7h (R/W) = UPEVNT = QCLK/128 8h (R/W) = UPEVNT = QCLK/256 9h (R/W) = UPEVNT = QCLK/512 Ah (R/W) = UPEVNT = QCLK/1024 Bh (R/W) = UPEVNT = QCLK/2048 Ch (R/W) = Reserved Dh (R/W) = Reserved Eh (R/W) = Reserved Fh (R/W) = Reserved

### 16.10.2.15 QPOSCTL Register (Offset = 17h) [Reset = 0000h]

QPOSCTL is shown in [Figure 16-35](#) and described in [Table 16-20](#).

Return to the [Summary Table](#).

Position Compare Control

**Figure 16-35. QPOSCTL Register**

15	14	13	12	11	10	9	8
PCSHDW	PCLOAD	PCPOL	PCE	PCSPW			
R/W-0h	R/W-0h	R/W-0h	R/W-0h	R/W-0h			
7	6	5	4	3	2	1	0
PCSPW							
R/W-0h							

**Table 16-20. QPOSCTL Register Field Descriptions**

Bit	Field	Type	Reset	Description
15	PCSHDW	R/W	0h	Position compare of shadow enable Reset type: SYSRSn 0h (R/W) = Shadow disabled, load Immediate 1h (R/W) = Shadow enabled
14	PCLOAD	R/W	0h	Position compare of shadow load Reset type: SYSRSn 0h (R/W) = Load on QPOSCNT = 0 1h (R/W) = Load when QPOSCNT = QPOSCMP
13	PCPOL	R/W	0h	Polarity of sync output Reset type: SYSRSn 0h (R/W) = Active HIGH pulse output 1h (R/W) = Active LOW pulse output
12	PCE	R/W	0h	Position compare enable/disable Reset type: SYSRSn 0h (R/W) = Disable position compare unit 1h (R/W) = Enable position compare unit
11-0	PCSPW	R/W	0h	Select-position-compare sync output pulse width Reset type: SYSRSn 0h (R/W) = 1 * 4 * SYSCLKOUT cycles 1h (R/W) = 2 * 4 * SYSCLKOUT cycles FFFh (R/W) = 4096 * 4 * SYSCLKOUT cycles

### 16.10.2.16 QEINT Register (Offset = 18h) [Reset = 0000h]

QEINT is shown in [Figure 16-36](#) and described in [Table 16-21](#).

Return to the [Summary Table](#).

QEP Interrupt Control

**Figure 16-36. QEINT Register**

15	14	13	12	11	10	9	8
RESERVED				UTO	IEL	SEL	PCM
R-0h				R/W-0h	R/W-0h	R/W-0h	R/W-0h
7	6	5	4	3	2	1	0
PCR	PCO	PCU	WTO	QDC	QPE	PCE	RESERVED
R/W-0h	R/W-0h	R/W-0h	R/W-0h	R/W-0h	R/W-0h	R/W-0h	R-0h

**Table 16-21. QEINT Register Field Descriptions**

Bit	Field	Type	Reset	Description
15-12	RESERVED	R	0h	Reserved
11	UTO	R/W	0h	Unit time out interrupt enable Reset type: SYSRSn 0h (R/W) = Interrupt is disabled 1h (R/W) = Interrupt is enabled
10	IEL	R/W	0h	Index event latch interrupt enable Reset type: SYSRSn 0h (R/W) = Interrupt is disabled 1h (R/W) = Interrupt is enabled
9	SEL	R/W	0h	Strobe event latch interrupt enable Reset type: SYSRSn 0h (R/W) = Interrupt is disabled 1h (R/W) = Interrupt is enabled
8	PCM	R/W	0h	Position-compare match interrupt enable Reset type: SYSRSn 0h (R/W) = Interrupt is disabled 1h (R/W) = Interrupt is enabled
7	PCR	R/W	0h	Position-compare ready interrupt enable Reset type: SYSRSn 0h (R/W) = Interrupt is disabled 1h (R/W) = Interrupt is enabled
6	PCO	R/W	0h	Position counter overflow interrupt enable Reset type: SYSRSn 0h (R/W) = Interrupt is disabled 1h (R/W) = Interrupt is enabled
5	PCU	R/W	0h	Position counter underflow interrupt enable Reset type: SYSRSn 0h (R/W) = Interrupt is disabled 1h (R/W) = Interrupt is enabled
4	WTO	R/W	0h	Watchdog time out interrupt enable Reset type: SYSRSn 0h (R/W) = Interrupt is disabled 1h (R/W) = Interrupt is enabled
3	QDC	R/W	0h	Quadrature direction change interrupt enable Reset type: SYSRSn 0h (R/W) = Interrupt is disabled 1h (R/W) = Interrupt is enabled

**Table 16-21. QEINT Register Field Descriptions (continued)**

Bit	Field	Type	Reset	Description
2	QPE	R/W	0h	Quadrature phase error interrupt enable Reset type: SYSRSn 0h (R/W) = Interrupt is disabled 1h (R/W) = Interrupt is enabled
1	PCE	R/W	0h	Position counter error interrupt enable Reset type: SYSRSn 0h (R/W) = Interrupt is disabled 1h (R/W) = Interrupt is enabled
0	RESERVED	R	0h	Reserved



### 16.10.2.17 QFLG Register (Offset = 19h) [Reset = 0000h]

QFLG is shown in [Figure 16-37](#) and described in [Table 16-22](#).

Return to the [Summary Table](#).

QEP Interrupt Flag

**Figure 16-37. QFLG Register**

15	14	13	12	11	10	9	8
RESERVED				UTO	IEL	SEL	PCM
R-0h				R-0h	R-0h	R-0h	R-0h
7	6	5	4	3	2	1	0
PCR	PCO	PCU	WTO	QDC	PHE	PCE	INT
R-0h	R-0h	R-0h	R-0h	R-0h	R-0h	R-0h	R-0h

**Table 16-22. QFLG Register Field Descriptions**

Bit	Field	Type	Reset	Description
15-12	RESERVED	R	0h	Reserved
11	UTO	R	0h	Unit time out interrupt flag Reset type: SYSRSn 0h (R/W) = No interrupt generated 1h (R/W) = Interrupt was generated
10	IEL	R	0h	Index event latch interrupt flag Reset type: SYSRSn 0h (R/W) = No interrupt generated 1h (R/W) = Interrupt was generated
9	SEL	R	0h	Strobe event latch interrupt flag Reset type: SYSRSn 0h (R/W) = No interrupt generated 1h (R/W) = Interrupt was generated
8	PCM	R	0h	eQEP compare match event interrupt flag Reset type: SYSRSn 0h (R/W) = No interrupt generated 1h (R/W) = Interrupt was generated
7	PCR	R	0h	Position-compare ready interrupt flag Reset type: SYSRSn 0h (R/W) = No interrupt generated 1h (R/W) = Interrupt was generated
6	PCO	R	0h	Position counter overflow interrupt flag Reset type: SYSRSn 0h (R/W) = No interrupt generated 1h (R/W) = Interrupt was generated
5	PCU	R	0h	Position counter underflow interrupt flag Reset type: SYSRSn 0h (R/W) = No interrupt generated 1h (R/W) = Interrupt was generated
4	WTO	R	0h	Watchdog timeout interrupt flag Reset type: SYSRSn 0h (R/W) = No interrupt generated 1h (R/W) = Interrupt was generated
3	QDC	R	0h	Quadrature direction change interrupt flag Reset type: SYSRSn 0h (R/W) = No interrupt generated 1h (R/W) = Interrupt was generated

**Table 16-22. QFLG Register Field Descriptions (continued)**

Bit	Field	Type	Reset	Description
2	PHE	R	0h	Quadrature phase error interrupt flag Reset type: SYSRSn 0h (R/W) = No interrupt generated 1h (R/W) = Interrupt was generated
1	PCE	R	0h	Position counter error interrupt flag Reset type: SYSRSn 0h (R/W) = No interrupt generated 1h (R/W) = Interrupt was generated
0	INT	R	0h	Global interrupt status flag Reset type: SYSRSn 0h (R/W) = No interrupt generated 1h (R/W) = Interrupt was generated

### 16.10.2.18 QCLR Register (Offset = 1Ah) [Reset = 0000h]

QCLR is shown in [Figure 16-38](#) and described in [Table 16-23](#).

Return to the [Summary Table](#).

QEP Interrupt Clear

**Figure 16-38. QCLR Register**

15	14	13	12	11	10	9	8
RESERVED				UTO	IEL	SEL	PCM
R-0h				R-0/W1S-0h	R-0/W1S-0h	R-0/W1S-0h	R-0/W1S-0h
7	6	5	4	3	2	1	0
PCR	PCO	PCU	WTO	QDC	PHE	PCE	INT
R-0/W1S-0h	R-0/W1S-0h	R-0/W1S-0h	R-0/W1S-0h	R-0/W1S-0h	R-0/W1S-0h	R-0/W1S-0h	R-0/W1S-0h

**Table 16-23. QCLR Register Field Descriptions**

Bit	Field	Type	Reset	Description
15-12	RESERVED	R	0h	Reserved
11	UTO	R-0/W1S	0h	Clear unit time out interrupt flag Reset type: SYSRSn 0h (R/W) = No effect 1h (R/W) = Clears the interrupt flag
10	IEL	R-0/W1S	0h	Clear index event latch interrupt flag Reset type: SYSRSn 0h (R/W) = No effect 1h (R/W) = Clears the interrupt flag
9	SEL	R-0/W1S	0h	Clear strobe event latch interrupt flag Reset type: SYSRSn 0h (R/W) = No effect 1h (R/W) = Clears the interrupt flag
8	PCM	R-0/W1S	0h	Clear eQEP compare match event interrupt flag Reset type: SYSRSn 0h (R/W) = No effect 1h (R/W) = Clears the interrupt flag
7	PCR	R-0/W1S	0h	Clear position-compare ready interrupt flag Reset type: SYSRSn 0h (R/W) = No effect 1h (R/W) = Clears the interrupt flag
6	PCO	R-0/W1S	0h	Clear position counter overflow interrupt flag Reset type: SYSRSn 0h (R/W) = No effect 1h (R/W) = Clears the interrupt flag
5	PCU	R-0/W1S	0h	Clear position counter underflow interrupt flag Reset type: SYSRSn 0h (R/W) = No effect 1h (R/W) = Clears the interrupt flag
4	WTO	R-0/W1S	0h	Clear watchdog timeout interrupt flag Reset type: SYSRSn 0h (R/W) = No effect 1h (R/W) = Clears the interrupt flag
3	QDC	R-0/W1S	0h	Clear quadrature direction change interrupt flag Reset type: SYSRSn 0h (R/W) = No effect 1h (R/W) = Clears the interrupt flag

**Table 16-23. QCLR Register Field Descriptions (continued)**

Bit	Field	Type	Reset	Description
2	PHE	R-0/W1S	0h	Clear quadrature phase error interrupt flag Reset type: SYSRSn 0h (R/W) = No effect 1h (R/W) = Clears the interrupt flag
1	PCE	R-0/W1S	0h	Clear position counter error interrupt flag Reset type: SYSRSn 0h (R/W) = No effect 1h (R/W) = Clears the interrupt flag
0	INT	R-0/W1S	0h	Global interrupt clear flag Reset type: SYSRSn 0h (R/W) = No effect 1h (R/W) = Clears the interrupt flag

### 16.10.2.19 QFRC Register (Offset = 1Bh) [Reset = 0000h]

QFRC is shown in [Figure 16-39](#) and described in [Table 16-24](#).

Return to the [Summary Table](#).

QEP Interrupt Force

**Figure 16-39. QFRC Register**

15	14	13	12	11	10	9	8
RESERVED				UTO	IEL	SEL	PCM
R-0h				R/W-0h	R/W-0h	R/W-0h	R/W-0h
7	6	5	4	3	2	1	0
PCR	PCO	PCU	WTO	QDC	PHE	PCE	RESERVED
R/W-0h	R/W-0h	R/W-0h	R/W-0h	R/W-0h	R/W-0h	R/W-0h	R-0h

**Table 16-24. QFRC Register Field Descriptions**

Bit	Field	Type	Reset	Description
15-12	RESERVED	R	0h	Reserved
11	UTO	R/W	0h	Force unit time out interrupt Reset type: SYSRSn 0h (R/W) = No effect 1h (R/W) = Force the interrupt
10	IEL	R/W	0h	Force index event latch interrupt Reset type: SYSRSn 0h (R/W) = No effect 1h (R/W) = Force the interrupt
9	SEL	R/W	0h	Force strobe event latch interrupt Reset type: SYSRSn 0h (R/W) = No effect 1h (R/W) = Force the interrupt
8	PCM	R/W	0h	Force position-compare match interrupt Reset type: SYSRSn 0h (R/W) = No effect 1h (R/W) = Force the interrupt
7	PCR	R/W	0h	Force position-compare ready interrupt Reset type: SYSRSn 0h (R/W) = No effect 1h (R/W) = Force the interrupt
6	PCO	R/W	0h	Force position counter overflow interrupt Reset type: SYSRSn 0h (R/W) = No effect 1h (R/W) = Force the interrupt
5	PCU	R/W	0h	Force position counter underflow interrupt Reset type: SYSRSn 0h (R/W) = No effect 1h (R/W) = Force the interrupt
4	WTO	R/W	0h	Force watchdog time out interrupt Reset type: SYSRSn 0h (R/W) = No effect 1h (R/W) = Force the interrupt
3	QDC	R/W	0h	Force quadrature direction change interrupt Reset type: SYSRSn 0h (R/W) = No effect 1h (R/W) = Force the interrupt

**Table 16-24. QFRC Register Field Descriptions (continued)**

Bit	Field	Type	Reset	Description
2	PHE	R/W	0h	Force quadrature phase error interrupt Reset type: SYSRSn 0h (R/W) = No effect 1h (R/W) = Force the interrupt
1	PCE	R/W	0h	Force position counter error interrupt Reset type: SYSRSn 0h (R/W) = No effect 1h (R/W) = Force the interrupt
0	RESERVED	R	0h	Reserved

### 16.10.2.20 QEPSTS Register (Offset = 1Ch) [Reset = 0000h]

QEPSTS is shown in [Figure 16-40](#) and described in [Table 16-25](#).

Return to the [Summary Table](#).

QEP Status

**Figure 16-40. QEPSTS Register**

15	14	13	12	11	10	9	8
RESERVED							
R-0h							
7	6	5	4	3	2	1	0
UPEVNT	FIDF	QDF	QDLF	COEF	CDEF	FIMF	PCEF
R/W-0h	R-0h	R-0h	R-0h	R/W-0h	R/W-0h	R/W-0h	R-0h

**Table 16-25. QEPSTS Register Field Descriptions**

Bit	Field	Type	Reset	Description
15-8	RESERVED	R	0h	Reserved
7	UPEVNT	R/W	0h	Unit position event flag Reset type: SYSRSn 0h (R/W) = No unit position event detected 1h (R/W) = Unit position event detected. Write 1 to clear
6	FIDF	R	0h	Direction on the first index marker Status of the direction is latched on the first index event marker. Reset type: SYSRSn 0h (R/W) = Counter-clockwise rotation (or reverse movement) on the first index event 1h (R/W) = Clockwise rotation (or forward movement) on the first index event
5	QDF	R	0h	Quadrature direction flag Reset type: SYSRSn 0h (R/W) = Counter-clockwise rotation (or reverse movement) 1h (R/W) = Clockwise rotation (or forward movement)
4	QDLF	R	0h	eQEP direction latch flag Reset type: SYSRSn 0h (R/W) = Counter-clockwise rotation (or reverse movement) on index event marker 1h (R/W) = Clockwise rotation (or forward movement) on index event marker
3	COEF	R/W	0h	Capture overflow error flag Reset type: SYSRSn 0h (R/W) = Overflow has not occurred. 1h (R/W) = Overflow occurred in eQEP Capture timer (QEPCTMR). This bit is cleared by writing a '1'.
2	CDEF	R/W	0h	Capture direction error flag Reset type: SYSRSn 0h (R/W) = Capture direction error has not occurred. 1h (R/W) = Direction change occurred between the capture position event. This bit is cleared by writing a '1'.
1	FIMF	R/W	0h	First index marker flag Note: Once this flag has been set, if the flag is cleared the flag will not be set again until the module is reset by a peripheral or system reset. Reset type: SYSRSn 0h (R/W) = First index pulse has not occurred. 1h (R/W) = Set by first occurrence of index pulse. This bit is cleared by writing a '1'.

**Table 16-25. QEPSTS Register Field Descriptions (continued)**

Bit	Field	Type	Reset	Description
0	PCEF	R	0h	Position counter error flag. This bit is not sticky and it is updated for every index event. Reset type: SYSRSn 0h (R/W) = No error occurred during the last index transition 1h (R/W) = Position counter error



### 16.10.2.21 QCTMR Register (Offset = 1Dh) [Reset = 0000h]

QCTMR is shown in [Figure 16-41](#) and described in [Table 16-26](#).

Return to the [Summary Table](#).

QEP Capture Timer

**Figure 16-41. QCTMR Register**

15	14	13	12	11	10	9	8
QCTMR							
R/W-0h							
7	6	5	4	3	2	1	0
QCTMR							
R/W-0h							

**Table 16-26. QCTMR Register Field Descriptions**

Bit	Field	Type	Reset	Description
15-0	QCTMR	R/W	0h	This register provides time base for edge capture unit. Reset type: SYSRSn

### 16.10.2.22 QCPRD Register (Offset = 1Eh) [Reset = 0000h]

QCPRD is shown in [Figure 16-42](#) and described in [Table 16-27](#).

Return to the [Summary Table](#).

QEP Capture Period

**Figure 16-42. QCPRD Register**

15	14	13	12	11	10	9	8
QCPRD							
R/W-0h							
7	6	5	4	3	2	1	0
QCPRD							
R/W-0h							

**Table 16-27. QCPRD Register Field Descriptions**

Bit	Field	Type	Reset	Description
15-0	QCPRD	R/W	0h	This register holds the period count value between the last successive eQEP position events Reset type: SYSRSn

**16.10.2.23 QCTMRLAT Register (Offset = 1Fh) [Reset = 0000h]**

QCTMRLAT is shown in [Figure 16-43](#) and described in [Table 16-28](#).

Return to the [Summary Table](#).

QEP Capture Latch

**Figure 16-43. QCTMRLAT Register**

15	14	13	12	11	10	9	8
QCTMRLAT							
R-0h							
7	6	5	4	3	2	1	0
QCTMRLAT							
R-0h							

**Table 16-28. QCTMRLAT Register Field Descriptions**

Bit	Field	Type	Reset	Description
15-0	QCTMRLAT	R	0h	The eQEP capture timer value can be latched into this register on two events viz., unit timeout event, reading the eQEP position counter. Reset type: SYSRSn

### 16.10.2.24 QCPRDLAT Register (Offset = 20h) [Reset = 0000h]

QCPRDLAT is shown in [Figure 16-44](#) and described in [Table 16-29](#).

Return to the [Summary Table](#).

QEP Capture Period Latch

**Figure 16-44. QCPRDLAT Register**

15	14	13	12	11	10	9	8
QCPRDLAT							
R-0h							
7	6	5	4	3	2	1	0
QCPRDLAT							
R-0h							

**Table 16-29. QCPRDLAT Register Field Descriptions**

Bit	Field	Type	Reset	Description
15-0	QCPRDLAT	R	0h	eQEP capture period value can be latched into this register on two events viz., unit timeout event, reading the eQEP position counter. Reset type: SYSRSn

### 16.10.3 EQEP Registers to Driverlib Functions

**Table 16-30. EQEP Registers to Driverlib Functions**

File	Driverlib Function
<b>QPOSCNT</b>	
eqep.h	EQEP_getPosition
eqep.h	EQEP_setPosition
<b>QPOSINIT</b>	
eqep.h	EQEP_setInitialPosition
<b>QPOSMAX</b>	
eqep.h	EQEP_setPositionCounterConfig
<b>QPOSCMP</b>	
eqep.c	EQEP_setCompareConfig
<b>QPOSILAT</b>	
eqep.h	EQEP_getIndexPositionLatch
<b>QPOSSLAT</b>	
eqep.h	EQEP_getStrobePositionLatch
<b>QOSLAT</b>	
eqep.h	EQEP_getPositionLatch
<b>QUTMR</b>	
-	
<b>QUPRD</b>	
eqep.h	EQEP_loadUnitTimer
eqep.h	EQEP_enableUnitTimer
<b>QWDTMR</b>	
eqep.h	EQEP_setWatchdogTimerValue
eqep.h	EQEP_getWatchdogTimerValue
<b>QWDPRD</b>	
eqep.h	EQEP_enableWatchdog

**Table 16-30. EQEP Registers to Driverlib Functions (continued)**

File	Driverlib Function
<b>QDECCTL</b>	
eqep.c	EQEP_setCompareConfig
eqep.c	EQEP_setInputPolarity
eqep.h	EQEP_setDecoderConfig
<b>QEPCTL</b>	
eqep.h	EQEP_enableModule
eqep.h	EQEP_disableModule
eqep.h	EQEP_setPositionCounterConfig
eqep.h	EQEP_enableUnitTimer
eqep.h	EQEP_disableUnitTimer
eqep.h	EQEP_enableWatchdog
eqep.h	EQEP_disableWatchdog
eqep.h	EQEP_setPositionInitMode
eqep.h	EQEP_setSWPositionInit
eqep.h	EQEP_setLatchMode
eqep.h	EQEP_setEmulationMode
<b>QCAPCTL</b>	
eqep.h	EQEP_setCaptureConfig
eqep.h	EQEP_enableCapture
eqep.h	EQEP_disableCapture
<b>QPOSCTL</b>	
eqep.c	EQEP_setCompareConfig
eqep.h	EQEP_enableCompare
eqep.h	EQEP_disableCompare
eqep.h	EQEP_setComparePulseWidth
<b>QEINT</b>	
eqep.h	EQEP_enableInterrupt
eqep.h	EQEP_disableInterrupt
<b>QFLG</b>	
eqep.h	EQEP_getInterruptStatus
eqep.h	EQEP_getError
<b>QCLR</b>	
eqep.h	EQEP_clearInterruptStatus
<b>QFRC</b>	
eqep.h	EQEP_forceInterrupt
<b>QEPSTS</b>	
eqep.h	EQEP_getDirection
eqep.h	EQEP_getStatus
eqep.h	EQEP_clearStatus
<b>QCTMR</b>	
eqep.h	EQEP_getCaptureTimer
eqep.h	EQEP_getCaptureTimerLatch
<b>QCPRD</b>	
eqep.h	EQEP_getCapturePeriod
eqep.h	EQEP_getCapturePeriodLatch

**Table 16-30. EQEP Registers to Driverlib Functions (continued)**

File	Driverlib Function
<b>QCTMRLAT</b>	
eqep.h	EQEP_getCaptureTimerLatch
<b>QCPRDLAT</b>	
eqep.h	EQEP_getCapturePeriodLatch

## Chapter 17

# Serial Peripheral Interface (SPI)

---



This chapter describes the serial peripheral interface (SPI) which is a high-speed synchronous serial input and output (I/O) port that allows a serial bit stream of programmed length (one to 16 bits) to be shifted into and out of the device at a programmed bit-transfer rate. The SPI is normally used for communications between the MCU controller and external peripherals or another controller. Typical applications include external I/O or peripheral expansion using devices such as shift registers, display drivers, and analog-to-digital converters (ADCs). Multi-device communications are supported by the master or slave operation of the SPI. The port supports a 16-level, receive and transmit FIFO for reducing CPU servicing overhead.

<b>17.1 Introduction</b> .....	<b>2104</b>
<b>17.2 System-Level Integration</b> .....	<b>2106</b>
<b>17.3 SPI Operation</b> .....	<b>2110</b>
<b>17.4 Programming Procedure</b> .....	<b>2121</b>
<b>17.5 Software</b> .....	<b>2127</b>
<b>17.6 SPI Registers</b> .....	<b>2129</b>

## 17.1 Introduction

### 17.1.1 Features

The SPI module features include:

- SPISOMI: SPI slave-output/master-input pin
- SPISIMO: SPI slave-input/master-output pin
- $\overline{\text{SPISTE}}$ : SPI slave transmit-enable pin
- SPICLK: SPI serial-clock pin

---

#### Note

All four pins can be used as GPIO if the SPI module is not used.

---

- Two operational modes: Master and Slave
- Baud rate: 125 different programmable rates. The maximum baud rate that can be employed is limited by the maximum speed of the I/O buffers used on the SPI pins. See the device data sheet for more details.
- Data word length: 1 to 16 data bits
- Four clocking schemes (controlled by clock polarity and clock phase bits) include:
  - Falling edge without phase delay: SPICLK active-high. SPI transmits data on the falling edge of the SPICLK signal and receives data on the rising edge of the SPICLK signal.
  - Falling edge with phase delay: SPICLK active-high. SPI transmits data one half-cycle ahead of the falling edge of the SPICLK signal and receives data on the falling edge of the SPICLK signal.
  - Rising edge without phase delay: SPICLK inactive-low. SPI transmits data on the rising edge of the SPICLK signal and receives data on the falling edge of the SPICLK signal.
  - Rising edge with phase delay: SPICLK inactive-low. SPI transmits data one half-cycle ahead of the rising edge of the SPICLK signal and receives data on the rising edge of the SPICLK signal.
- Simultaneous receive and transmit operation (transmit function can be disabled in software)
- Transmitter and receiver operations are accomplished through either interrupt- driven or polled algorithm
- 16-level transmit/receive FIFO
- DMA support
- High-speed mode
- Delayed transmit control
- 3-wire SPI mode
- $\overline{\text{SPISTE}}$  inversion for digital audio interface receive mode on devices with two SPI modules

### 17.1.2 SPI Related Collateral

#### Foundational Materials

- [C2000 Academy - SPI](#)
- [KeyStone Architecture Serial Peripheral Interface \(SPI\)](#)

#### Getting Started Materials

- [SPI: Microcontroller overview](#) (Video)



### 17.1.3 Block Diagram

Figure 17-1 shows the SPI CPU interfaces.

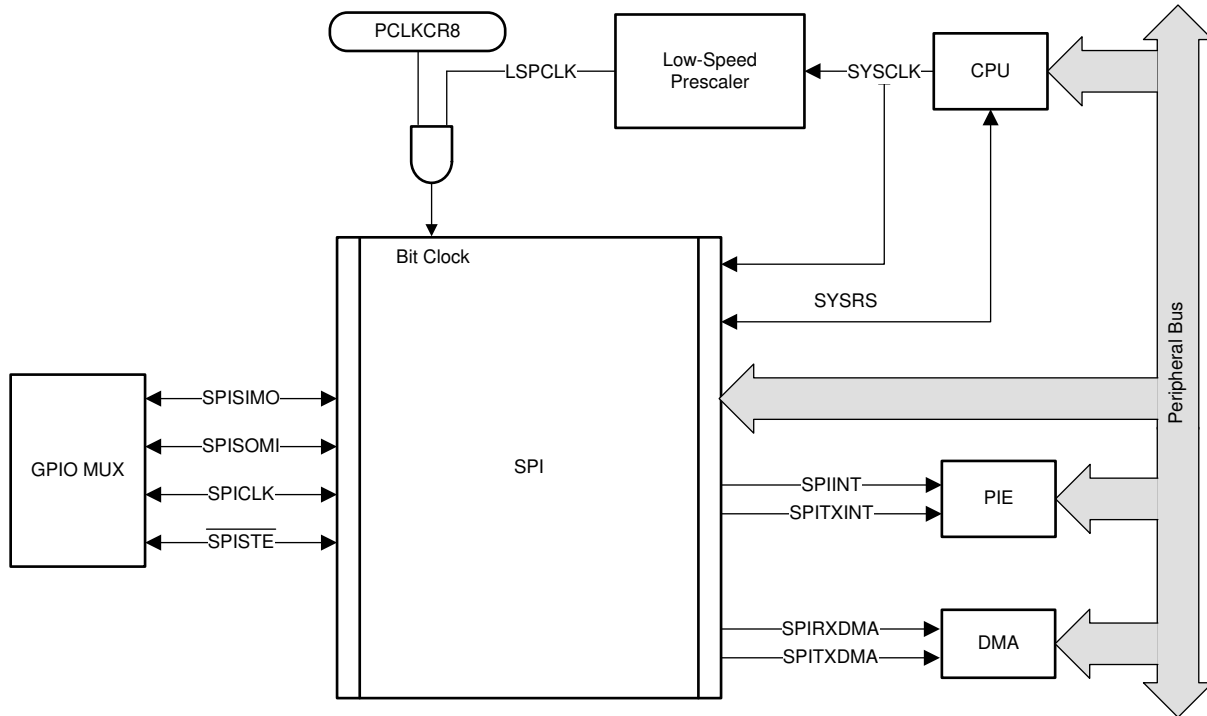


Figure 17-1. SPI CPU Interface

## 17.2 System-Level Integration

This section describes the various functionality that is applicable to the device integration. These features require configuration of other modules in the device that are not within the scope of this chapter.

### 17.2.1 SPI Module Signals

[Table 17-1](#) classifies and provides a summary of the SPI module signals.

**Table 17-1. SPI Module Signal Summary**

Signal Name	Description
<b>External Signals</b>	
SPICLK	SPI clock
SPISIMO	SPI slave in, master out
SPISOMI	SPI slave out, master in
$\overline{\text{SPISTE}}$	SPI slave transmit enable
<b>Control</b>	
SPI Clock Rate	LSPCLK
<b>Interrupt Signals</b>	
SPIINT/SPIRXINT	Transmit interrupt/ Receive Interrupt in non FIFO mode (referred to as SPIINT) Receive interrupt in FIFO mode
SPITXINT	Transmit interrupt in FIFO mode
<b>DMA Triggers</b>	
SPITXDMA	Transmit request to DMA
SPIRXDMA	Receive request to DMA

### Special Considerations

The  $\overline{\text{SPISTE}}$  signal provides the ability to gate any spurious clock and data pulses when the SPI is in slave mode. A HIGH logic signal on  $\overline{\text{SPISTE}}$  does not allow the slave to receive data. This prevents the SPI slave from losing synchronization with the master. TI does not recommend that the  $\overline{\text{SPISTE}}$  always be tied to the active state.

If the SPI slave does ever lose synchronization with the master, toggling SPISWRESET resets the internal bit counter as well as the various status flags in the module. By resetting the bit counter, the SPI interprets the next clock transition as the first bit of a new transmission. The register bit fields that are reset by SPISWRESET are found in [Section 17.6](#).

### Configuring a GPIO to Emulate $\overline{\text{SPISTE}}$

In many systems, a SPI master can be connected to multiple SPI slaves using multiple instances of  $\overline{\text{SPISTE}}$ . Though this SPI module does not natively support multiple  $\overline{\text{SPISTE}}$  signals, it is possible to emulate this behavior in software using GPIOs. In this configuration, the SPI must be configured as the master. Rather than using the GPIO Mux to select  $\overline{\text{SPISTE}}$ , the application can configure pins to be GPIO outputs, one GPIO per SPI slave. Before transmitting any data, the application can drive the desired GPIO to the active state. Immediately after the transmission has been completed, the GPIO chip select can be driven to the inactive state. This process can be repeated for many slaves that share the SPICLK, SPISIMO, and SPISOMI lines.

## 17.2.2 Configuring Device Pins

The GPIO mux registers must be configured to connect this peripheral to the device pins. To avoid glitches on the pins, the GPyGMUX bits must be configured first (while keeping the corresponding GPyMUX bits at the default of zero), followed by writing the GPyMUX register to the desired value.

Some IO functionality is defined by GPIO register settings independent of this peripheral. For input signals, the GPIO input qualification must be set to asynchronous mode by setting the appropriate GPxQSELn register bits to 11b. The internal pullups can be configured in the GPyPUD register.

See the *General-Purpose Input/Output (GPIO)* chapter for more details on GPIO mux and settings.

### 17.2.2.1 GPIOs Required for High-Speed Mode

The high-speed mode of the SPI is available on the specified GPIO mux options in the device data sheet. To enable the high-speed enhancements, set SPICCR.HS\_MODE to 1. Make sure that the capacitive loading on the pin does not exceed the value stated in the device data sheet.

When not operating in high-speed mode or if the capacitive loading on the pins exceed the value stated in the device data sheet, SPICCR.HS\_MODE can be set to 0.

## 17.2.3 SPI Interrupts

This section includes information on the available interrupts present in the SPI module. The SPI module contains two interrupt lines: SPIINT/SPIRXINT and SPITXINT. When the SPI is operating in non-FIFO mode, all available interrupts are routed together to generate the single SPIINT interrupt. When FIFO mode is used, both SPIRXINT and SPITXINT can be generated.

### SPIINT/SPIRXINT

When the SPI is operating in non-FIFO mode, the interrupt generated is called SPIINT. If FIFO enhancements are enabled, the interrupt is called SPIRXINT. These interrupts share the same interrupt vector in the Peripheral Interrupt Expansion (PIE) block.

In non-FIFO mode, two conditions can trigger an interrupt: a transmission is complete (INT\_FLAG), or there is overrun in the receiver (OVERRUN\_FLAG). Both of these conditions share the same interrupt vector: SPIINT.

The transmission complete flag (INT\_FLAG) indicates that the SPI has completed sending or receiving the last bit and is ready to be serviced. At the same time this bit is set, the received character is placed in the receiver buffer (SPIRXBUF). The INT\_FLAG generates an interrupt on the SPIINT vector if the SPIINTENA bit is set.

The receiver overrun flag (OVERRUN\_FLAG) indicates that a transmit or receive operation has completed before the previous character has been read from the buffer. The OVERRUN\_FLAG generates an interrupt on the SPIINT vector if the OVERRUNINTENA bit is set and OVERRUN\_FLAG was previously cleared.

In FIFO mode, the SPI can interrupt the CPU upon a match condition between the current receive FIFO status (RXFFST) and the receive FIFO interrupt level (RXFFIL). If RXFFST is greater than or equal to RXFFIL, the receive FIFO interrupt flag (RXFFINT) is set. SPIRXINT is triggered in the PIE block, if RXFFINT is set and the receive FIFO interrupt is enabled (RXFFIENA = 1).

### SPITXINT

The SPITXINT interrupt is not available when the SPI is operating in non-FIFO mode.

In FIFO mode, the SPITXINT behavior is similar to the SPIRXINT. SPITXINT is generated upon a match condition between the current transmit FIFO status (TXFFST) and the transmit FIFO interrupt level (TXFFIL). If TXFFST is less than or equal to TXFFIL, the transmit FIFO interrupt flag (TXFFINT) is set. SPITXINT is triggered in the PIE block, if TXFFINT is set and the transmit FIFO interrupt is enabled in the SPI module (TXFFIENA = 1).

[Figure 17-2](#) and [Table 17-2](#) show how these control bits influence the SPI interrupt generation.

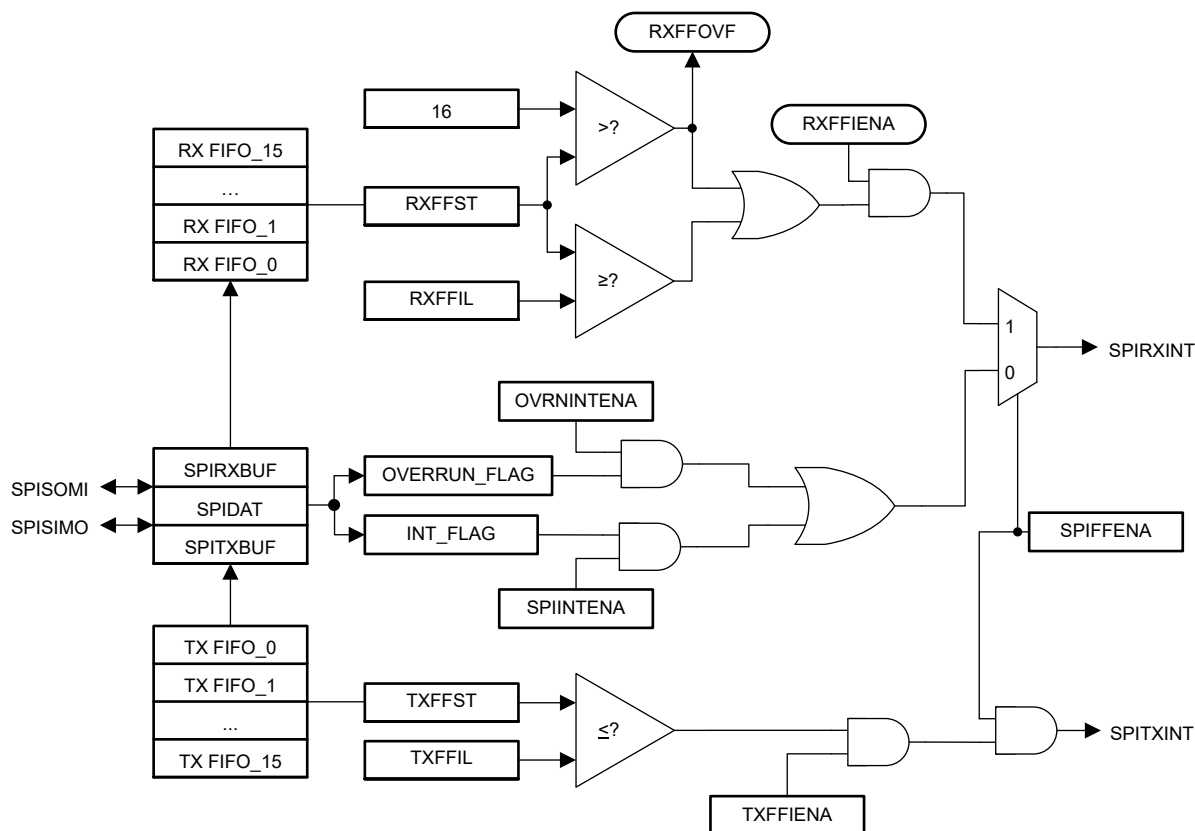


Figure 17-2. SPI Interrupt Flags and Enable Logic Generation

Table 17-2. SPI Interrupt Flag Modes

FIFO Options	SPI Interrupt Source	Interrupt Flags	Interrupt Enables	FIFO Enable (SPIFFENA)	Interrupt Line <sup>(1)</sup>
SPI without FIFO	Receive overrun	RXOVRN	OVRNINTENA	0	SPIRXINT
	Data receive	SPIINT	SPIINTENA	0	SPIRXINT
	Transmit empty	SPIINT	SPIINTENA	0	SPIRXINT
SPI FIFO mode	FIFO receive	RXFFIL	RXFFIENA	1	SPIRXINT
	Transmit empty	TXFFIL	TXFFIENA	1	SPITXINT

(1) In non-FIFO mode, SPIRXINT is the same name as the SPIINT interrupt in C28x devices.

### 17.2.4 DMA Support

Both the CPU and DMA have access to the SPI data registers using the internal peripheral bus. This access is limited to 16-bit register reads and writes. Each SPI module can generate two DMA events, SPITXDMA and SPIRXDMA. The DMA events are controlled by configuring the SPIFFTX.TXFFIL and SPIFFRX.RXFFIL appropriately. SPITXDMA activates when TXFFST is less than the interrupt level (TXFFIL). SPIRXDMA activates when RXFFST is greater than or equal to the interrupt level (RXFFIL).

The SPI must have FIFO enhancements enabled for the DMA triggers to be generated.

For more information on configuring the SPI for DMA transfers, refer to [Section 17.3.8](#).

Figure 17-3 is a block diagram showing the DMA trigger generation from the SPI module.

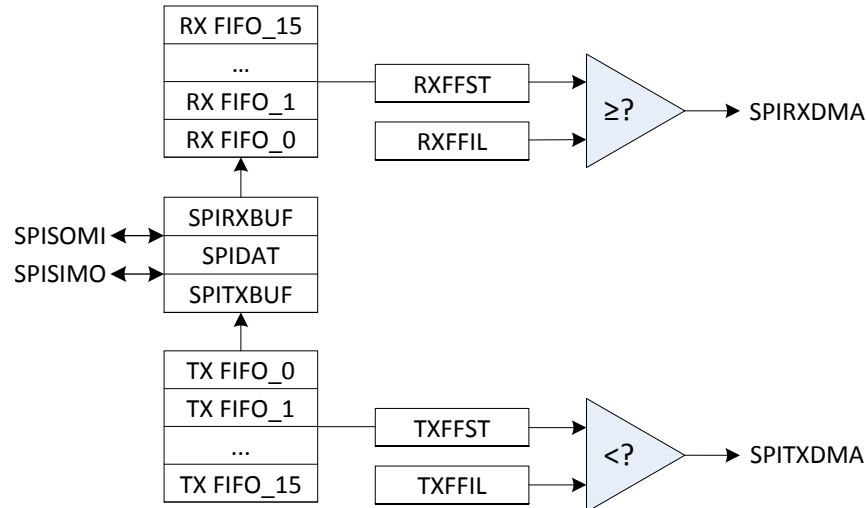


Figure 17-3. SPI DMA Trigger Diagram

## 17.3 SPI Operation

This section describes the various modes of operation of the SPI. Included are explanations of the operational modes, interrupts, data format, clock sources, and initialization. Typical timing diagrams for data transfers are given.

### 17.3.1 Introduction to Operation

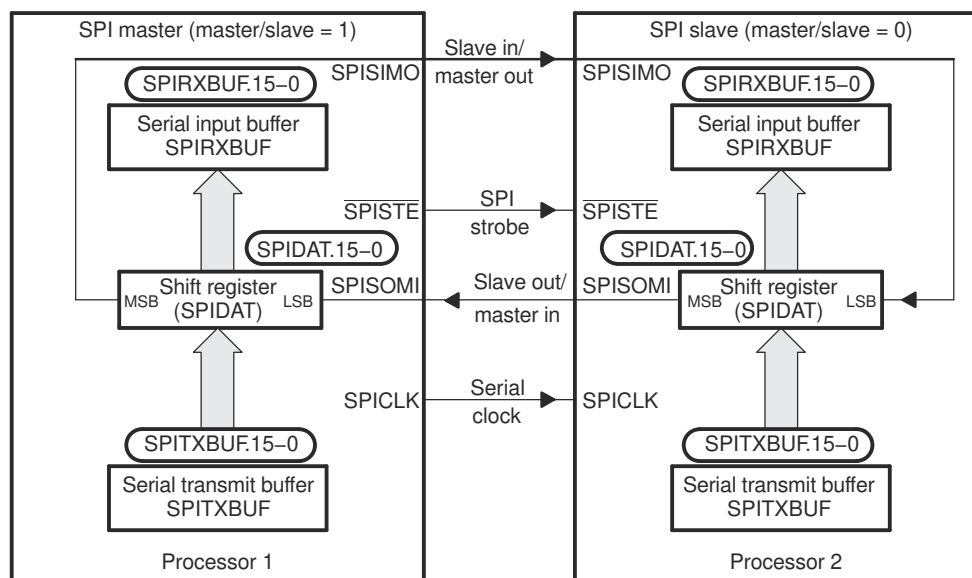
Figure 17-4 shows typical connections of the SPI for communications between two controllers: a master and a slave.

The master transfers data by sending the SPICLK signal. For both the slave and the master, data is shifted out of the shift registers on one edge of the SPICLK and latched into the shift register on the opposite SPICLK clock edge. If the CLK\_PHASE bit is high, data is transmitted and received a half-cycle before the SPICLK transition. As a result, both controllers send and receive data simultaneously. The application software determines whether the data is meaningful or dummy data. There are three possible methods for data transmission:

- Master sends data; slave sends dummy data.
- Master sends data; slave sends data.
- Master sends dummy data; slave sends data.

The master can initiate data transfer at any time because the master controls the SPICLK signal. The software, however, determines how the master detects when the slave is ready to broadcast data.

The SPI operates in master or slave mode. The MASTER\_SLAVE bit selects the operating mode and the source of the SPICLK signal.



**Figure 17-4. SPI Master/Slave Connection**

### 17.3.2 Master Mode

In master mode (MASTER\_SLAVE = 1), the SPI provides the serial clock on the SPICLK pin for the entire serial communications network. Data is output on the SPISIMO pin and latched from the SPISOMI pin.

The SPIBRR register determines both the transmit and receive bit transfer rate for the network. SPIBRR can select 125 different data transfer rates.

Data written to SPIDAT or SPITXBUF initiates data transmission on the SPISIMO pin, MSB (most-significant bit) first. Simultaneously, received data is shifted through the SPISOMI pin into the LSB (least-significant bit) of SPIDAT. When the selected number of bits has been transmitted, the received data is transferred to the SPIRXBUF (buffered receiver) for the CPU to read. Data is stored right-justified in SPIRXBUF.

When the specified number of data bits has been shifted through SPIDAT, the following events occur:

- SPIDAT contents are transferred to SPIRXBUF.
- INT\_FLAG bit is set to 1.
- If there is valid data in the transmit buffer SPITXBUF, as indicated by the transmit buffer full flag (BUFFULL\_FLAG), this data is transferred to SPIDAT and is transmitted; otherwise, SPICLK stops after all bits have been shifted out of SPIDAT.
- If the SPIINTENA bit is set to 1, an interrupt is asserted.

In a typical application, the  $\overline{\text{SPISTE}}$  pin serves as a chip-enable pin for a SPI slave device. This pin is driven low by the master before transmitting data to the slave and is taken high after the transmission is complete.

[Figure 17-5](#) is a block diagram of the SPI in master mode. The block diagram shows the basic control blocks available in SPI master mode.

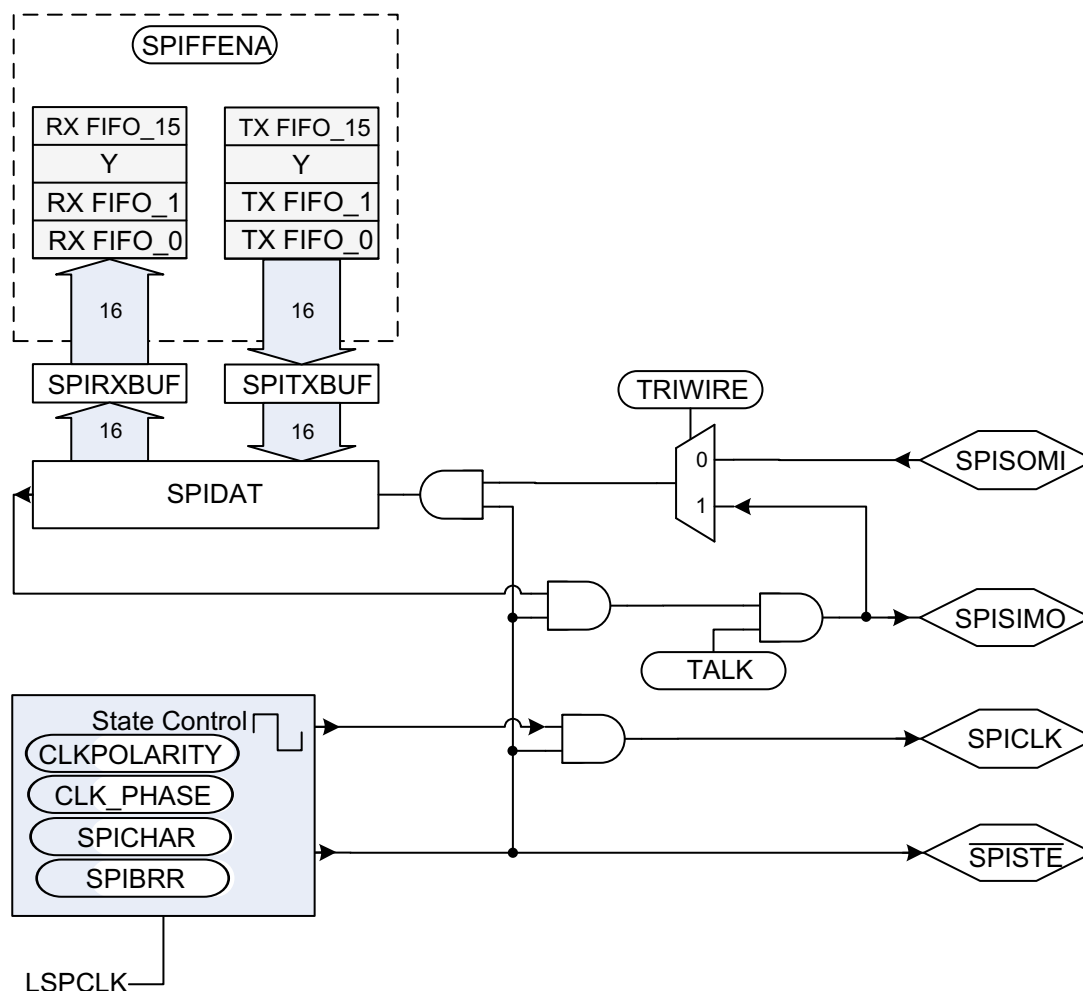


Figure 17-5. SPI Module Master Configuration

### 17.3.3 Slave Mode

In slave mode (MASTER\_SLAVE = 0), data shifts out on the SPISOMI pin and in on the SPISIMO pin. The SPICLK pin is used as the input for the serial shift clock, which is supplied from the external network master. The transfer rate is defined by this clock. The SPICLK input frequency can be no greater than the LSPCLK frequency divided by 4.

Data written to SPIDAT or SPITXBUF is transmitted to the network when appropriate edges of the SPICLK signal are received from the network master. A character written to the SPITXBUF register is copied to the SPIDAT register when all bits of the current character in SPIDAT have been shifted out. If no character was previously copied to SPIDAT, then any character written to SPITXBUF is immediately copied to SPIDAT. If a character was previously copied to SPIDAT, any data written to SPITXBUF is not copied to SPIDAT until the current character in SPIDAT has been shifted out. To receive data, the SPI waits for the network master to send the SPICLK signal and then shifts the data on the SPISIMO pin into SPIDAT. If data is to be transmitted by the slave simultaneously, and SPIDAT has not been previously loaded, the character must be written to SPITXBUF before the beginning of the SPICLK signal.

When the TALK bit is cleared, data transmission is disabled, and the output line (SPISOMI) is put into the high-impedance state. If this occurs while a transmission is active, the current character is completely transmitted even though SPISOMI is forced into the high-impedance state. This makes sure that the SPI is still able to



receive incoming data correctly. This TALK bit allows many slave devices to be tied together on the network, but only one slave at a time is allowed to drive the SPISOMI line.

The  $\overline{\text{SPISTE}}$  pin operates as the slave-select pin. An active-low signal on the  $\overline{\text{SPISTE}}$  pin allows the slave SPI to transfer data to the serial data line; an inactive-high signal causes the slave SPI serial shift register to stop and the serial output pin to be put into the high-impedance state. This allows many slave devices to be tied together on the network, although only one slave device is selected at a time.

Figure 17-6 is a block diagram of the SPI in slave mode. The block diagram shows the basic control blocks available in SPI slave mode.

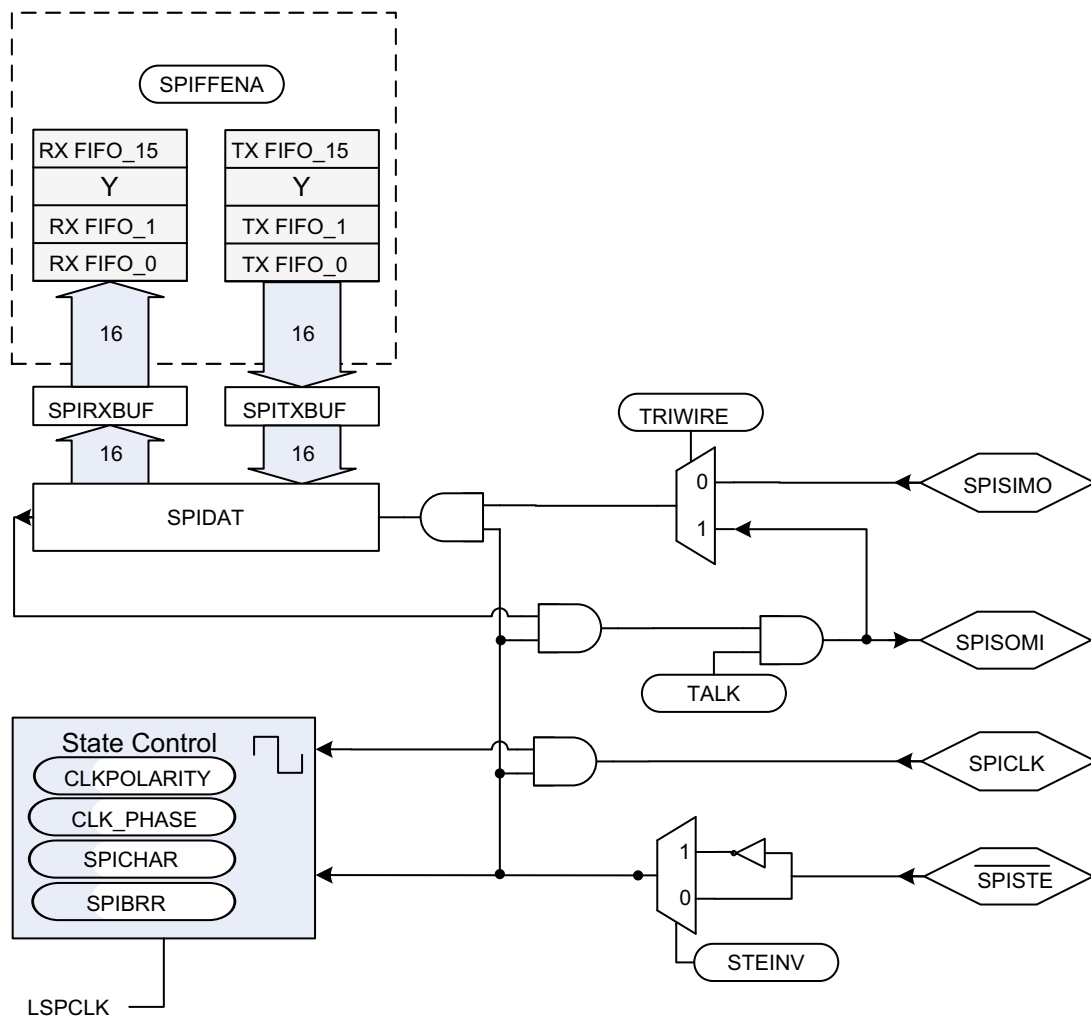


Figure 17-6. SPI Module Slave Configuration

### 17.3.4 Data Format

The four-bit SPICHR register field specifies the number of bits in the data character (1 to 16). This information directs the state control logic to count the number of bits received or transmitted to determine when a complete character has been processed.

The following statements apply to characters with fewer than 16 bits:

- Data must be left-justified when written to SPIDAT and SPITXBUF.
- Data read back from SPIRXBUF is right-justified.
- SPIRXBUF contains the most recently received character, right-justified, plus any bits that remain from previous transmission(s) that have been shifted to the left (shown in [Example 17-1](#)).

#### **Example 17-1. Transmission of Bit from SPIRXBUF**

Conditions:

1. Transmission character length = 1 bit (specified in SPICHR bits)
2. The current value of SPIDAT = 737Bh

SPIDAT (before transmission)																	
	0	1	1	1	0	0	1	1	0	1	1	1	1	0	1	1	
SPIDAT (after transmission)																	
(TXed) 0 ←	1	1	1	0	0	1	1	0	1	1	1	1	0	1	1	x <sup>(1)</sup>	← (RXed)
SPIRXBUF (after transmission)																	
	1	1	1	0	0	1	1	0	1	1	1	1	0	1	1	x <sup>(1)</sup>	

(1) x = 1, if SPISOMI data is high; x = 0, if SPISOMI data is low; master mode is assumed.

### 17.3.5 Baud Rate Selection

The SPI module supports 125 different baud rates and four different clock schemes. Depending on whether the SPI clock is in slave or master mode, the SPICLK pin can receive an external SPI clock signal or provide the SPI clock signal, respectively.

- In the slave mode, the SPI clock is received on the SPICLK pin from the external source and can be no greater than the LSPCLK frequency divided by 4.
- In the master mode, the SPI clock is generated by the SPI and is output on the SPICLK pin and can be no greater than the LSPCLK frequency divided by 4.

---

#### Note

The baud rate must be configured to not exceed the maximum rated GPIO toggle frequency. Refer to the device data sheet for the maximum GPIO toggle frequency.

---

[Example 17-2](#) shows how to determine the SPI baud rates.

[Example 17-3](#) shows how to calculate the baud rate of the SPI module in standard SPI mode (`HS_MODE = 0`).

#### Example 17-2. Baud Rate Determination

For SPIBRR = 3 to 127:

$$\text{SPI Baud Rate} = \frac{\text{LSPCLK}}{(\text{SPIBRR} + 1)}$$

For SPIBRR = 0, 1, or 2:

$$\text{SPI Baud Rate} = \frac{\text{LSPCLK}}{4}$$

where:

LSPCLK = Low-speed peripheral clock frequency of the device

SPIBRR = Contents of the SPIBRR in the master SPI device

To determine what value to load into SPIBRR, you must know the device system clock (LSPCLK) frequency (that is device-specific) and the baud rate at which you are operating.

#### Example 17-3. Baud Rate Calculation in Non-High Speed Mode (`HS_MODE = 0`)

$$\begin{aligned} \text{SPI Baud Rate} &= \frac{\text{LSPCLK}}{\text{SPIBRR} + 1} \quad \text{LSPCLK} = 50 \text{ MHz} \\ &= \frac{50 \times 10^6}{3 + 1} \\ &= 12.5 \text{ Mbps} \end{aligned}$$

### 17.3.6 SPI Clocking Schemes

The clock polarity select bit (CLKPOLARITY) and the clock phase select bit (CLK\_PHASE) control four different clocking schemes on the SPICLK pin. CLKPOLARITY selects the active edge, either rising or falling, of the clock. CLK\_PHASE selects a half-cycle delay of the clock. The four different clocking schemes are:

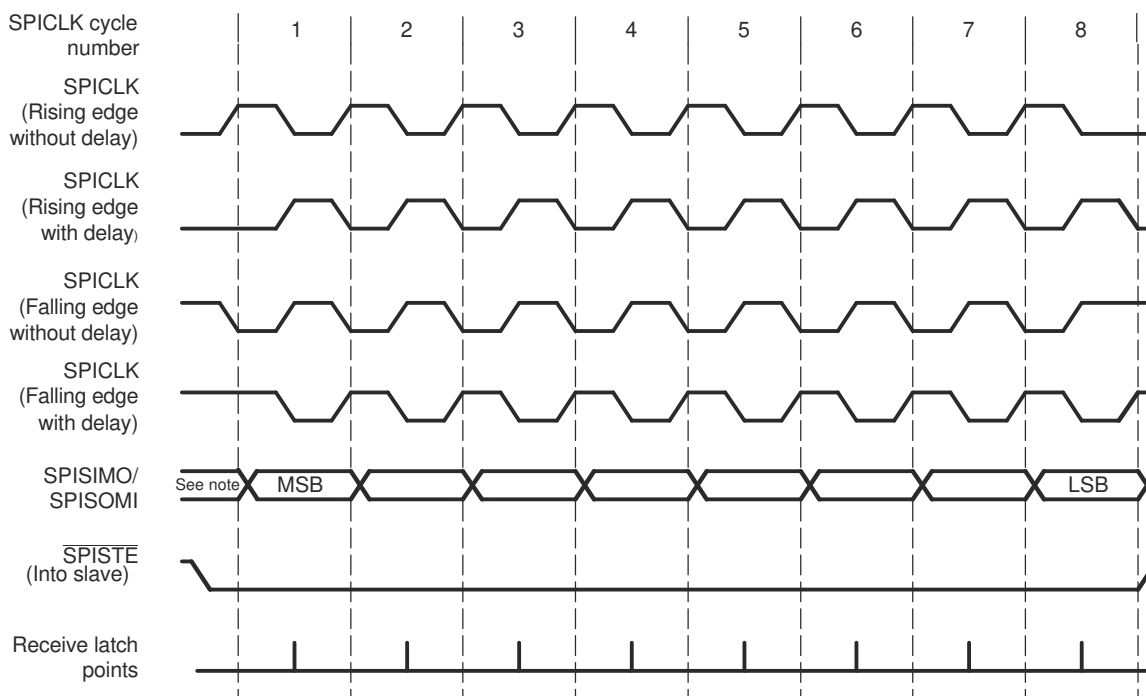
- Falling Edge Without Delay. The SPI transmits data on the falling edge of the SPICLK and receives data on the rising edge of the SPICLK.
- Falling Edge With Delay. The SPI transmits data one half-cycle ahead of the falling edge of the SPICLK signal and receives data on the falling edge of the SPICLK signal.
- Rising Edge Without Delay. The SPI transmits data on the rising edge of the SPICLK signal and receives data on the falling edge of the SPICLK signal.
- Rising Edge With Delay. The SPI transmits data one half-cycle ahead of the rising edge of the SPICLK signal and receives data on the rising edge of the SPICLK signal.

The selection procedure for the SPI clocking scheme is shown in [Table 17-3](#). Examples of these four clocking schemes relative to transmitted and received data are shown in [Figure 17-7](#).

**Table 17-3. SPI Clocking Scheme Selection Guide**

SPICLK Scheme	CLKPOLARITY <sup>(1)</sup>	CLK_PHASE <sup>(1)</sup>
Rising edge without delay	0	0
Rising edge with delay	0	1
Falling edge without delay	1	0
Falling edge with delay	1	1

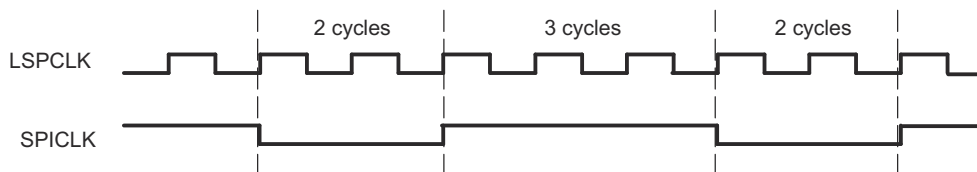
(1) The description of CLK\_PHASE and CLKPOLARITY differs between manufacturers. For proper operation, select the desired waveform to determine the clock phase and clock polarity settings.



**Note:** Previous data bit

**Figure 17-7. SPICLK Signal Options**

SPICLK symmetry is retained only when the result of  $(SPIBRR + 1)$  is an even value. When  $(SPIBRR + 1)$  is an odd value and SPIBRR is greater than 3, SPICLK becomes asymmetrical. The low pulse of SPICLK is one LSPCLK cycle longer than the high pulse when CLKPOLARITY bit is clear (0). When CLKPOLARITY bit is set to 1, the high pulse of the SPICLK is one LSPCLK cycle longer than the low pulse, as shown in Figure 17-8.



**Figure 17-8. SPI: SPICLK-LSPCLK Characteristic when  $(BRR + 1)$  is Odd,  $BRR > 3$ , and CLKPOLARITY = 1**

### 17.3.7 SPI FIFO Description

The following steps explain the FIFO features and help with programming the SPI FIFOs:

1. **Reset.** At reset the SPI powers up in standard SPI mode and the FIFO function is disabled. The FIFO registers SPIFFTX, SPIFFRX and SPIFFCT remain inactive.
2. **Standard SPI.** The standard 28x SPI mode works with SPIINT/SPIRXINT as the interrupt source.
3. **Mode change.** FIFO mode is enabled by setting the SPIFFENA bit to 1 in the SPIFFTX register. SPIRST can reset the FIFO mode at any stage of the operation.
4. **Active registers.** All the SPI registers and SPI FIFO registers SPIFFTX, SPIFFRX, and SPIFFCT are active.
5. **Interrupts.** FIFO mode has two interrupts: one for the transmit FIFO, SPITXINT; one for the receive FIFO, SPIRXINT. SPIRXINT is the common interrupt for SPI FIFO receive, receive error and receive FIFO overflow conditions. The single SPIINT for both transmit and receive sections of the standard SPI are disabled and this interrupt is serviced as SPI receive FIFO interrupt. For more information, refer to Section 17.2.3.
6. **Buffers.** Transmit and receive buffers are each supplemented with a 16-word FIFO. The one-word transmit buffer (SPITXBUF) of the standard SPI functions as a transition buffer between the transmit FIFO and shift register. The one-word transmit buffer is loaded from transmit FIFO only after the last bit of the shift register is shifted out.
7. **Delayed transfer.** The rate at which transmit words in the FIFO are transferred to transmit shift register is programmable. The SPIFFCT register bits (7–0) FFTXDLY7–FFTXDLY0 define the delay between the word transfer. The delay is defined in number SPI serial clock cycles. The 8-bit register can define a minimum delay of 0 SPICLK cycles and a maximum of 255 SPICLK cycles. With zero delay, the SPI module can transmit data in continuous mode with the FIFO words shifting out back to back. With the 255 clock delay, the SPI module can transmit data in a maximum delayed mode with the FIFO words shifting out with a delay of 255 SPICLK cycles between each words. The programmable delay facilitates glueless interface to various slow SPI peripherals, such as EEPROMs, ADC, DAC, and so on.
8. **FIFO status bits.** Both transmit and receive FIFOs have status bits TXFFST or RXFFST that define the number of words available in the FIFOs at any time. The transmit FIFO reset bit (TXFIFO) and receive reset bit (RXFIFO) reset the FIFO pointers to zero when these bits are set to 1. The FIFOs resume operation from start once these bits are cleared to zero.
9. **Programmable interrupt levels.** Both transmit and receive FIFOs can generate CPU interrupts and DMA triggers. The transmit interrupt (SPITXINT) is generated whenever the transmit FIFO status bits (TXFFST) match (less than or equal to) the interrupt trigger level bits (TXFFIL). The receive interrupt (SPIRXINT) is generated whenever the receive FIFO status bits (RXFFST) match (greater than or equal to) the interrupt trigger level RXFFIL. This provides a programmable interrupt trigger for transmit and receive sections of the SPI. The default value for these trigger level bits is 0x11111 for receive FIFO and 0x00000 for transmit FIFO, respectively.

### 17.3.8 SPI DMA Transfers

#### 17.3.8.1 Transmitting Data Using SPI with DMA

When using the DMA with the TX FIFO, the DMA Burst Size (DMA\_BURST\_SIZE) must be no greater than 16 – TXFFIL, to prevent the DMA from writing to an already full FIFO. This leads to data loss and is not recommended.

For complete data transmission, follow these steps:

1. Calculate the total number of words to be transmitted. [NUM\_WORDS]
2. Decide the transmit FIFO level. [TXFFIL]
3. Calculate the number of DMA transfers. [DMA\_TRANSFER\_SIZE]
4. Calculate the size of the DMA Burst. [DMA\_BURST\_SIZE]
5. Configure DMA using calculated values.
6. Configure SPI with FIFO using the calculated values.

To transfer 128 words to SPI using the DMA:

NUM\_WORDS: 128

TXFFIL: 8

DMA\_TRANSFER\_SIZE:  $(\text{NUM\_WORDS} / \text{TXFFIL}) - 1 = (128/8) - 1 = 15$  (16 transfers)

DMA\_BURST\_SIZE:  $(16 - \text{TXFFIL}) - 1 = (16 - 8) - 1 = 7$  (8 words per burst)

---

**Note**

Avoid setting TXFFIL to 0h or 10h to ensure of proper DMA configuration.

---

#### 17.3.8.2 Receiving Data Using SPI with DMA

When using the DMA with the RX FIFO, the DMA Burst Size (BURST\_SIZE) must be no greater than RXFFIL to prevent the DMA from reading from an empty FIFO. To make sure that the DMA correctly receives all data from the RX FIFO, the DMA Burst Size can equal RXFFIL and also be an integer divisor of the total number of SPI transmissions.

For complete data reception, follow these steps:

1. Calculate the number of words to be received. [NUM\_WORDS]
2. Calculate the necessary FIFO level [RXFFIL]
3. Calculate the total number of DMA transfers. [DMA\_TRANSFER\_SIZE]
4. Calculate the size of the DMA Burst. [DMA\_BURST\_SIZE]
5. Configure DMA using the calculated values.
6. Configure SPI with FIFO using the calculated values.

To receive 200 words from SPI using the DMA:

NUM\_WORDS = 200

RXFFIL: 4

DMA\_TRANSFER\_SIZE:  $(\text{NUM\_WORDS} / \text{RXFFIL}) - 1 = (200/4) - 1 = 49$  (50 transfers)

DMA\_BURST\_SIZE =  $\text{RXFFIL} - 1 = 3$  (4 words per burst)

---

**Note**

Avoid setting RXFFIL to 0h to ensure proper DMA configuration.

---

### 17.3.9 SPI High-Speed Mode

The SPI module is capable of reaching full-duplex communication speeds up to LSPCLK/4 (where LSPCLK equals SYSCLK). For the maximum rated speed, refer to the device data sheet.

To achieve the maximum full-duplex speeds, the following restrictions are placed on the design:

- Single master to single slave configuration is supported.
- Loading on the pins must not exceed the value stated in the device data sheet.

When configuring the GPIOs to support high-speed mode, refer to [Section 17.2.2.1](#) for more information.

### 17.3.10 SPI 3-Wire Mode Description

SPI 3-wire mode allows for SPI communication over three pins instead of the normal four pins.

In master mode, if the TRIWIRE bit is set, enabling 3-wire SPI mode, SPISIMOX becomes the bi-directional SPIMOMIx (SPI master out, master in) pin, and SPISOMIx is no longer used by the SPI. In slave mode, if the TRIWIRE bit is set, SPISOMIx becomes the bi-directional SPISISOx (SPI slave in, slave out) pin, and SPISIMOX is no longer used by the SPI.

[Table 17-4](#) indicates the pin function differences between 3-wire and 4-wire SPI mode for a master and slave SPI.

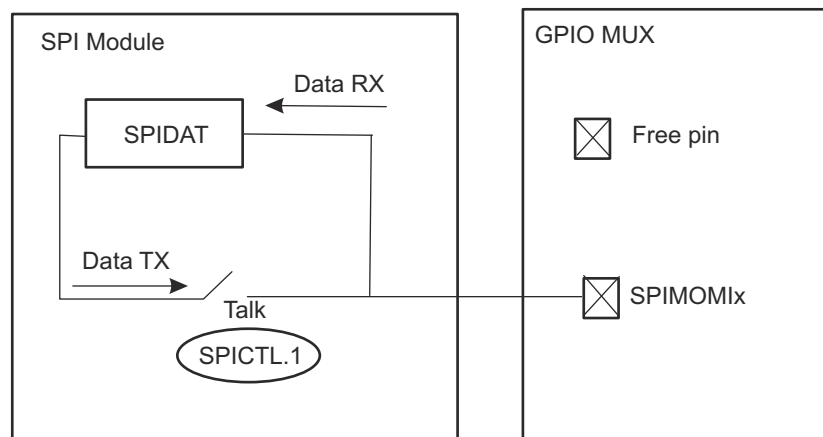
**Table 17-4. 4-wire versus 3-wire SPI Pin Functions**

4-wire SPI	3-wire SPI (Master)	3-wire SPI (Slave)
SPICLKx	SPICLKx	SPICLKx
SPISTEx	SPISTEx	SPISTEx
SPISIMOX	SPIMOMIx	Free
SPISOMIx	Free	SPISISOx

Because in 3-wire mode, the receive and transmit paths within the SPI are connected, any data transmitted by the SPI module is also received by itself. The application software must take care to perform a dummy read to clear the SPI data register of the additional received data.

The TALK bit plays an important role in 3-wire SPI mode. The bit must be set to transmit data and cleared prior to reading data. In master mode, in order to initiate a read, the application software must write dummy data to the SPI data register (SPIDAT or SPIRXBUF) while the TALK bit is cleared (no data is transmitted out the SPIMOMI pin) before reading from the data register.

[Figure 17-9](#) and [Figure 17-10](#) illustrate 3-wire master and slave mode.



**Figure 17-9. SPI 3-wire Master Mode**

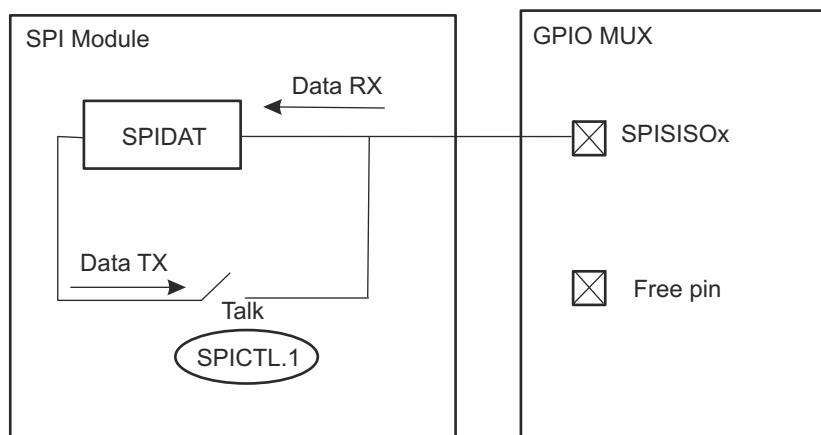

**Figure 17-10. SPI 3-wire Slave Mode**

Table 17-5 indicates how data is received or transmitted in the various SPI modes while the TALK bit is set or cleared.

**Table 17-5. 3-Wire SPI Pin Configuration**

Pin Mode	SPIPRI[TRIWIRE]	SPICTL[TALK]	SPISIMO	SPISOMI
<b>Master Mode</b>				
4-wire	0	X	TX	RX
3-pin mode	1	0	RX	Disconnect from SPI
		1	TX/RX	
<b>Slave Mode</b>				
4-wire	0	X	RX	TX
3-pin mode	1	0	Disconnect from SPI	RX
		1		TX/RX



## 17.4 Programming Procedure

This section describes the procedure for configuring the SPI for the various modes of operation.

### 17.4.1 Initialization Upon Reset

A system reset forces the SPI peripheral into the following default configuration:

- Unit is configured as a slave module (MASTER\_SLAVE = 0)
- Transmit capability is disabled (TALK = 0)
- Data is latched at the input on the falling edge of the SPICLK signal
- Character length is assumed to be one bit
- SPI interrupts are disabled
- Data in SPIDAT is reset to 0000h

### 17.4.2 Configuring the SPI

This section describes the procedure in which to configure the SPI module for operation. To prevent unwanted and unforeseen events from occurring during or as a result of initialization changes, clear the SPISWRESET bit before making initialization changes, and then set this bit after initialization is complete. While the SPI is held in reset (SPISWRESET = 0), configuration can be changed in any order. The following list shows the SPI configuration procedure in a logical order. However, the SPI registers can be written with single 16-bit writes, so the order is not required with the exception of SPISWRESET.

---

#### Note

Do not change the SPI configuration when communication is in progress.

---

To change the SPI configuration:

1. Clear the SPI Software Reset bit (SPISWRESET) to 0 to force the SPI to the reset state.
2. Configure the SPI as desired:
  - Select either master or slave mode (MASTER\_SLAVE).
  - Choose SPICLK polarity and phase (CLKPOLARITY and CLK\_PHASE).
  - Set the desired baud rate (SPIBRR).
  - Enable high-speed mode, if desired (HS\_MODE).
  - Set the SPI character length (SPICHR).
  - Clear the SPI Flags (OVERRUN\_FLAG, INT\_FLAG).
  - Enable  $\overline{\text{SPISTE}}$  inversion (STEINV), if needed.
  - Enable 3-wire mode (TRIWIRE), if needed.
  - If using FIFO enhancements:
    - Enable the FIFO enhancements (SPIFFENA).
    - Clear the FIFO Flags (TXFFINTCLR, RXFFOVFCLR, and RXFFINTCLR).
    - Release transmit and receive FIFO resets (TXFIFO and RXFIFORESET).
    - Release SPI FIFO channels from reset (SPIRST).
3. If interrupts are used:
  - In non-FIFO mode, enable the receiver overrun and/or SPI interrupts (OVERRUNINTENA and SPIINTENA).
  - In FIFO mode, set the transmit and receive interrupt levels (TXFFIL and RXFFIL) then enable the interrupts (TXFFIENA and RXFFIENA).
4. Set SPISWRESET to 1 to release the SPI from the reset state.

### 17.4.3 Configuring the SPI for High-Speed Mode

To achieve the maximum rated speeds, the following settings must be made. This example assumes that the device is operating at 100 MHz.

Set LSPCLK equal to SYSCLK:

```
ClkCfgRegs.LOSPCP.bit.LSPCLKDIV = 0;
```

Select the appropriate Pin Mux options in GPIO\_CTRL\_REGS.

During the SPI configuration procedure:

Set HS\_MODE to 1.

```
SpiARegs.SPICCR.bit.HS_MODE = 0x1;
```

Set SPIBRR to 3.  $SPICLK = LSPCLK / (SPIBRR + 1) = 25\text{-MHz}$

```
SpiARegs.SPIBRR = 0x3;
```

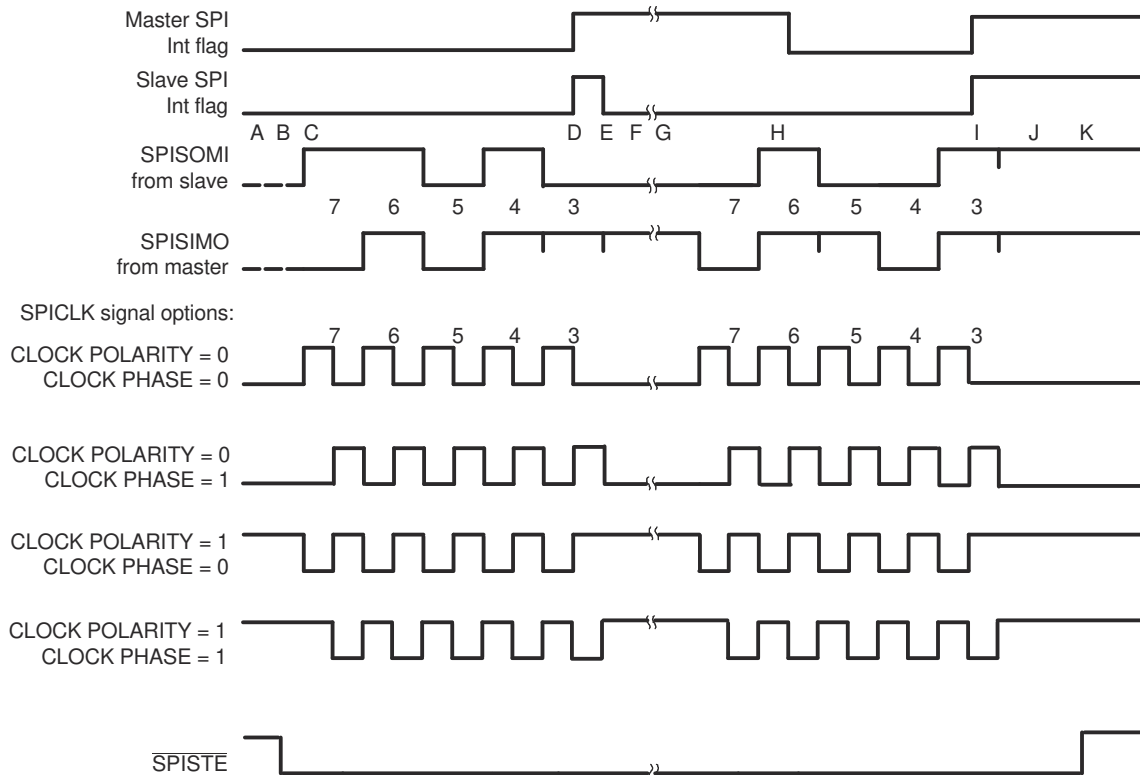
There are no other differences in the configuration from normal SPI operation. Sending and receiving data, DMA operation, and interrupts operates without change.

### 17.4.4 Data Transfer Example

The timing diagram shown in Figure 17-11 shows an SPI data transfer between two devices using a character length of five bits with the SPICLK being symmetrical.

The timing diagram with SPICLK asymmetrical (Figure 17-8) shares similar characterizations with Figure 17-11 except that the data transfer is one LSPCLK cycle longer per bit during the low pulse (CLKPOLARITY = 0) or during the high pulse (CLKPOLARITY = 1) of the SPICLK.

Figure 17-11 is applicable for 8-bit SPI only and is not for C28x devices that are capable of working with 16-bit data. The figure is shown for illustrative purposes only.



- Slave writes 0D0h to SPIDAT and waits for the master to shift out the data.
- Master sets the slave  $\overline{\text{SPISTE}}$  signal low (active).
- Master writes 058h to SPIDAT, which starts the transmission procedure.
- First byte is finished and sets the interrupt flags.
- Slave reads 0Bh from its SPIRXBUF (right-justified).
- Slave writes 04Ch to SPIDAT and waits for the master to shift out the data.
- Master writes 06Ch to SPIDAT, which starts the transmission procedure.
- Master reads 01Ah from the SPIRXBUF (right-justified).
- Second byte is finished and sets the interrupt flags.
- Master reads 89h and the slave reads 8Dh from their respective SPIRXBUF. After the user software masks off the unused bits, the master receives 09h and the slave receives 0Dh.
- Master clears the slave  $\overline{\text{SPISTE}}$  signal high (inactive).

Figure 17-11. Five Bits per Character

### 17.4.5 SPI 3-Wire Mode Code Examples

In addition to the normal SPI initialization, to configure the SPI module for 3-wire mode, the TRIWIRE bit (SPIPRI.0) must be set to 1. After initialization, there are several considerations to take into account when transmitting and receiving data in 3-wire master and slave mode. The following examples demonstrate these considerations.

In 3-wire master mode, SPICLKx,  $\overline{\text{SPISTEx}}$ , and SPISIMOX pins must be configured as SPI pins (SPISOMIx pin can be configured as non-SPI pin). When the master transmits, the master receives the data the master transmits (because SPISIMOX and SPISOMIx are connected internally in 3-wire mode). Therefore, the junk data received must be cleared from the receive buffer every time data is transmitted.

#### Example 17-4. 3-Wire Master Mode Transmit

```

uint16 data;
uint16 dummy;
    SpiaRegs.SPICTL.bit.TALK = 1;           // Enable Transmit path
    SpiaRegs.SPITXBUF = data; // Master transmits data
    while(SpiaRegs.SPISTS.bit.INT_FLAG !=1) {} // waits until data rx'd
    dummy = SpiaRegs.SPIRXBUF;             // Clears junk data from itself
                                           // bc it rx'd same data tx'd

```

To receive data in 3-wire master mode, the master must clear the TALK (SPICTL.1) bit to 0 to close the transmit path and then transmit dummy data in order to initiate the transfer from the slave. Because the TALK bit is 0, unlike in transmit mode, the master dummy data does not appear on the SPISIMOX pin, and the master does not receive its own dummy data. Instead, the data from the slave is received by the master.

#### Example 17-5. 3-Wire Master Mode Receive

```

uint16 rdata;
uint16 dummy;
    SpiaRegs.SPICTL.bit.TALK = 0;           // Disable Transmit path
    SpiaRegs.SPITXBUF = dummy;             // Send dummy to start tx
    // NOTE: because TALK = 0, data does not tx onto SPISIMOA pin
    while(SpiaRegs.SPISTS.bit.INT_FLAG !=1) {} // wait until data received
    rdata = SpiaRegs.SPIRXBUF;             // Master reads data

```

In 3-wire slave mode, SPICLKx, SPISITEx, and SPISOMIx pins must be configured as SPI pins (SPISIMOX pin can be configured as non-SPI pin). Like in master mode, when transmitting, the slave receives the data it transmits and must clear this junk data from its receive buffer.

#### Example 17-6. 3-Wire Slave Mode Transmit

```

uint16 data;
uint16 dummy;
    SpiaRegs.SPICTL.bit.TALK = 1;           // Enable Transmit path
    SpiaRegs.SPITXBUF = data;             // Slave transmits data
    while(SpiaRegs.SPISTS.bit.INT_FLAG !=1) {} // wait until data rx'd
    dummy = SpiaRegs.SPIRXBUF;             // Clears junk data from itself

```

As in 3-wire master mode, the TALK bit must be cleared to 0. Otherwise, the slave receives data normally.

**Example 17-7. 3-Wire Slave Mode Receive**

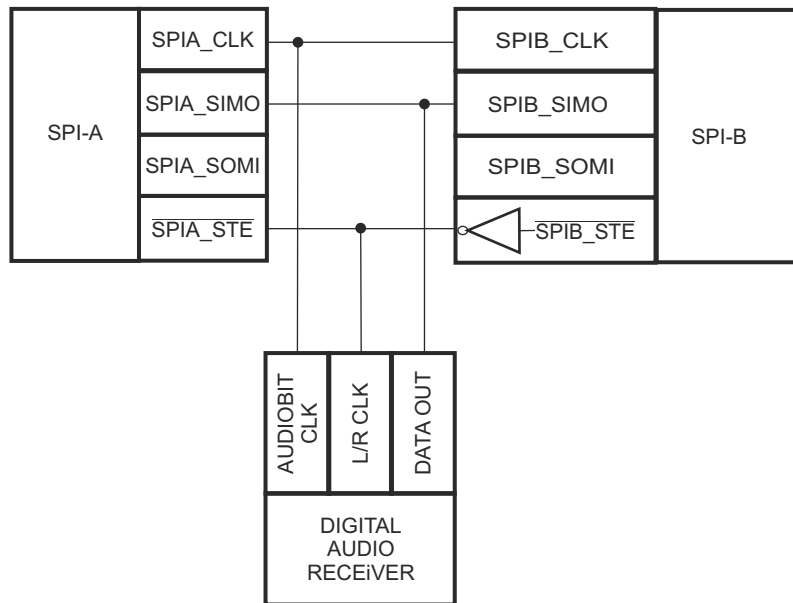
```
Uint16 rdata;
Spiaregs.SPICTL.bit.TALK = 0;
while(SpiaRegs.SPISTS.bit.INT_FLAG !=1) {} // Disable Transmit path
rdata = Spiaregs.SPIRXBUF;                // waits until data rx'd
                                           // Slave reads data
```

### 17.4.6 SPI STEINV Bit in Digital Audio Transfers

On those devices with two SPI modules, enabling the STEINV bit on one of the SPI modules allows the pair of SPIs to receive both left and right-channel digital audio data in slave mode. The SPI module that receives a normal active-low  $\overline{\text{SPISTE}}$  signal stores right-channel data, and the SPI module that receives an inverted active-high  $\overline{\text{SPISTE}}$  signal stores left-channel data from the master. To receive digital audio data from a digital audio interface receiver, the SPI modules can be connected as shown in Figure 17-12.

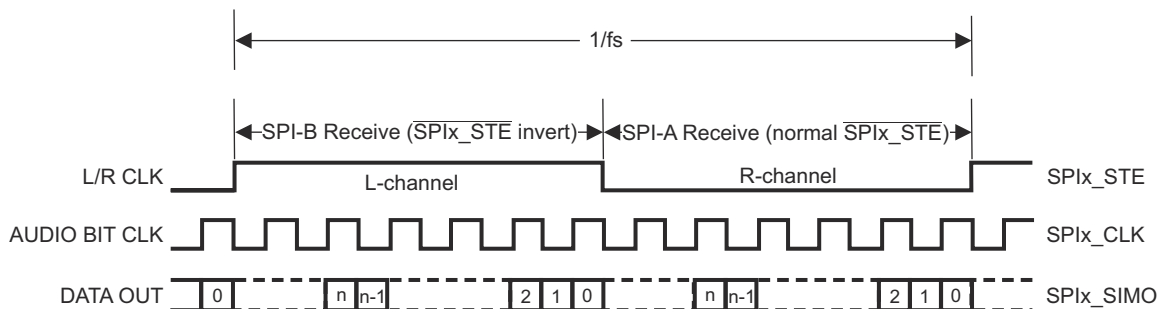
#### Note

This configuration is only applicable to slave mode (MASTER\_SLAVE = 0). When the SPI is configured as master (MASTER\_SLAVE = 1), the STEINV bit has no effect on the  $\overline{\text{SPISTE}}$  pin.



**Figure 17-12. SPI Digital Audio Receiver Configuration Using Two SPIs**

Standard C28x SPI timing requirements limit the number of digital audio interface formats supported using the 2-SPI configuration with the STEINV bit. See the device data sheet electrical specifications for SPI timing requirements. With the SPI clock phase configured such that the CLKPOLARITY bit is 0 and the CLK\_PHASE bit is 1 (data latched on rising edge of clock), standard right-justified digital audio interface data format is supported as shown in Figure 17-13.



**Figure 17-13. Standard Right-Justified Digital Audio Data Format**

## 17.5 Software

### 17.5.1 SPI Examples

NOTE: These examples are located in the [C2000Ware](#) installation at the following location:  
C2000Ware\_VERSION#/driverlib/DEVICE\_GPN/examples/CORE\_IF\_MULTICORE/spi

Cloud access to these examples is available at the following link: [dev.ti.com](http://dev.ti.com) [C2000Ware Examples](#).

#### 17.5.1.1 SPI Digital Loopback

FILE: spi\_ex1\_loopback.c

This program uses the internal loopback test mode of the SPI module. This is a very basic loopback that does not use the FIFOs or interrupts. A stream of data is sent and then compared to the received stream. The pinmux and SPI modules are configured through the sysconfig file.

The sent data looks like this:

```
0000 0001 0002 0003 0004 0005 0006 0007 .... FFFE FFFF 0000
```

This pattern is repeated forever.

##### External Connections

- None

##### Watch Variables

- *sData* - Data to send
- *rData* - Received data

#### 17.5.1.2 SPI Digital Loopback with FIFO Interrupts

FILE: spi\_ex2\_loopback\_fifo\_interrupts.c

This program uses the internal loopback test mode of the SPI module. Both the SPI FIFOs and their interrupts are used.

A stream of data is sent and then compared to the received stream. The sent data looks like this:

```
0000 0001
0001 0002
0002 0003
....
FFFE FFFF
FFFF 0000
etc..
```

This pattern is repeated forever.

##### External Connections

- None

##### Watch Variables

- *sData* - Data to send
- *rData* - Received data
- *rDataPoint* - Used to keep track of the last position in the receive stream for error checking

#### 17.5.1.3 SPI Digital External Loopback without FIFO Interrupts

FILE: spi\_ex3\_external\_loopback.c

This program uses the external loopback between two SPI modules. Both the SPI FIFOs and interrupts are not used in this example. SPIA is configured as a peripheral and SPI B is configured as controller. This example demonstrates full duplex communication where both controller and peripheral transmit and receive data simultaneously.

### External Connections

Refer to SysConfig for external connections (GPIO pin numbers) specific to each device

#### Watch Variables

- *TxData\_SPIA* - Data send from SPIA (peripheral)
- *TxData\_SPIB* - Data send from SPIB (controller)
- *RxData\_SPIA* - Data received by SPIA (peripheral)
- *RxData\_SPIB* - Data received by SPIB (controller)

#### 17.5.1.4 SPI Digital External Loopback with FIFO Interrupts

FILE: spi\_ex4\_external\_loopback\_fifo\_interrupts.c

This program uses the external loopback between two SPI modules. Both the SPI FIFOs and their interrupts are used. SPIA is configured as a peripheral and receives data from SPI B which is configured as a controller.

A stream of data is sent and then compared to the received stream. The sent data looks like this:

```
0000 0001
0001 0002
0002 0003
```

```
....
```

```
FFFE FFFF
FFFF 0000
```

```
etc..
```

This pattern is repeated forever.

### External Connections

Refer to SysConfig for external connections (GPIO pin numbers) specific to each device

#### Watch Variables

- *sData* - Data to send
- *rData* - Received data
- *rDataPoint* - Used to keep track of the last position in the receive stream for error checking

#### 17.5.1.5 SPI Digital Loopback with DMA

FILE: spi\_ex5\_loopback\_dma.c

This program uses the internal loopback test mode of the SPI module. Both DMA interrupts and the SPI FIFOs are used. When the SPI transmit FIFO has enough space (as indicated by its FIFO level interrupt signal), the DMA will transfer data from global variable *sData* into the FIFO. This will be transmitted to the receive FIFO via the internal loopback.

When enough data has been placed in the receive FIFO (as indicated by its FIFO level interrupt signal), the DMA will transfer the data from the FIFO into global variable *rData*.

When all data has been placed into *rData*, a check of the validity of the data will be performed in one of the DMA channels' ISRs.

### External Connections

- None

#### Watch Variables

- *sData* - Data to send
- *rData* - Received data

#### 17.5.1.6 SPI EEPROM

FILE: spi\_ex6\_eeprom.c

This program will write 8 bytes to EEPROM and read them back. The device communicates with the EEPROM via SPI and specific opcodes. This example is written to work with the SPI Serial EEPROM AT25128/256.



### External Connections

#### ExternalConnections

- Connect external SPI EEPROM
- Connect GPIO16 (PICO) to external EEPROM SI pin
- Connect GPIO17 (POCI) to external EEPROM SO pin
- Connect GPIO18 (CLK) to external EEPROM SCK pin
- Connect GPIO11 (CS) to external EEPROM CS pin
- Connect the external EEPROM VCC and GND pins

#### Watch Variables

- writeBuffer - Data that is written to external EEPROM
- readBuffer - Data that is read back from EEPROM
- error - Error count

### 17.5.1.7 SPI DMA EEPROM

FILE: spi\_ex7\_eeprom\_dma.c

This program will write 8 bytes to EEPROM and read them back. The device communicates with the EEPROM via SPI using DMA and specific opcodes. This example is written to work with the SPI Serial EEPROM AT25128/256.

### External Connections

#### ExternalConnections

- Connect external SPI EEPROM
- Connect GPIO16 (PICO) to external EEPROM SI pin
- Connect GPIO17 (POCI) to external EEPROM SO pin
- Connect GPIO18 (CLK) to external EEPROM SCK pin
- Connect GPIO11 (CS) to external EEPROM CS pin
- Connect the external EEPROM VCC and GND pins

#### Watch Variables

- writeBuffer - Data that is written to external EEPROM
- SPI\_DMA\_Handle.RXdata - Data that is read back from EEPROM when number of received bytes is less than 4
- SPI\_DMA\_Handle.pSPIRXDMA->pbuffer - Start address of received data from EEPROM
- error - Error count

## 17.6 SPI Registers

This section describes the Serial Peripheral Interface registers. It is important to note that the SPI registers only allow 16-bit accesses.

### 17.6.1 SPI Base Addresses

**Table 17-6. SPI Base Address Table**

Device Registers	Register Name	Start Address	End Address
SpiaRegs	SPI_REGS	0x0000_6100	0x0000_610F
SpibRegs	SPI_REGS	0x0000_6110	0x0000_611F
SpicRegs	SPI_REGS	0x0000_6120	0x0000_612F

## 17.6.2 SPI\_REGS Registers

Table 17-7 lists the memory-mapped registers for the SPI\_REGS registers. All register offset addresses not listed in Table 17-7 should be considered as reserved locations and the register contents should not be modified.

**Table 17-7. SPI\_REGS Registers**

Offset	Acronym	Register Name	Write Protection	Section
0h	SPICCR	SPI Configuration Control Register		<a href="#">Go</a>
1h	SPICTL	SPI Operation Control Register		<a href="#">Go</a>
2h	SPISTS	SPI Status Register		<a href="#">Go</a>
4h	SPIBRR	SPI Baud Rate Register		<a href="#">Go</a>
6h	SPIRXEMU	SPI Emulation Buffer Register		<a href="#">Go</a>
7h	SPIRXBUF	SPI Serial Input Buffer Register		<a href="#">Go</a>
8h	SPITXBUF	SPI Serial Output Buffer Register		<a href="#">Go</a>
9h	SPIDAT	SPI Serial Data Register		<a href="#">Go</a>
Ah	SPIFFTX	SPI FIFO Transmit Register		<a href="#">Go</a>
Bh	SPIFFRX	SPI FIFO Receive Register		<a href="#">Go</a>
Ch	SPIFFCT	SPI FIFO Control Register		<a href="#">Go</a>
Fh	SPIPRI	SPI Priority Control Register		<a href="#">Go</a>

Complex bit access types are encoded to fit into small table cells. Table 17-8 shows the codes that are used for access types in this section.

**Table 17-8. SPI\_REGS Access Type Codes**

Access Type	Code	Description
Read Type		
R	R	Read
RC	R C	Read to Clear
Write Type		
W	W	Write
W1C	W 1C	Write 1 to clear
Reset or Default Value		
-n		Value after reset or the default value

### 17.6.2.1 SPICCR Register (Offset = 0h) [Reset = 0000h]

SPICCR is shown in [Figure 17-14](#) and described in [Table 17-9](#).

Return to the [Summary Table](#).

SPICCR controls the setup of the SPI for operation.

**Figure 17-14. SPICCR Register**

15	14	13	12	11	10	9	8
RESERVED							
R-0h							
7	6	5	4	3	2	1	0
SPISWRESET	CLKPOLARITY	HS_MODE	SPI_LBK	SPICCHAR			
R/W-0h	R/W-0h	R/W-0h	R/W-0h	R/W-0h			

**Table 17-9. SPICCR Register Field Descriptions**

Bit	Field	Type	Reset	Description
15-8	RESERVED	R	0h	Reserved
7	SPISWRESET	R/W	0h	<p>SPI Software Reset</p> <p>When changing configuration, you should clear this bit before the changes and set this bit before resuming operation.</p> <p>Reset type: SYSRSn</p> <p>0h (R/W) = Initializes the SPI operating flags to the reset condition. Specifically, the RECEIVER OVERRUN Flag bit (SPISTS.7), the SPI INT FLAG bit (SPISTS.6), and the TXBUF FULL Flag bit (SPISTS.5) are cleared. SPISWRESET will become inactive. SPICLK will be immediately driven to 0 regardless of the clock polarity. The SPI configuration remains unchanged.</p> <p>1h (R/W) = SPI is ready to transmit or receive the next character. When the SPI SW RESET bit is a 0, a character written to the transmitter will not be shifted out when this bit is set. A new character must be written to the serial data register. SPICLK will be returned to its inactive state one SPICLK cycle after this bit is set.</p>
6	CLKPOLARITY	R/W	0h	<p>Shift Clock Polarity</p> <p>This bit controls the polarity of the SPICLK signal. CLOCK POLARITY and POLARITY CLOCK PHASE (SPICTL.3) control four clocking schemes on the SPICLK pin.</p> <p>Reset type: SYSRSn</p> <p>0h (R/W) = Data is output on rising edge and input on falling edge. When no SPI data is sent, SPICLK is at low level. The data input and output edges depend on the value of the CLOCK PHASE bit (SPICTL.3) as follows:</p> <ul style="list-style-type: none"> <li>- CLOCK PHASE = 0: Data is output on the rising edge of the SPICLK signal. Input data is latched on the falling edge of the SPICLK signal.</li> <li>- CLOCK PHASE = 1: Data is output one half-cycle before the first rising edge of the SPICLK signal and on subsequent falling edges of the SPICLK signal. Input data is latched on the rising edge of the SPICLK signal.</li> </ul> <p>1h (R/W) = Data is output on falling edge and input on rising edge. When no SPI data is sent, SPICLK is at high level. The data input and output edges depend on the value of the CLOCK PHASE bit (SPICTL.3) as follows:</p> <ul style="list-style-type: none"> <li>- CLOCK PHASE = 0: Data is output on the falling edge of the SPICLK signal. Input data is latched on the rising edge of the SPICLK signal.</li> <li>- CLOCK PHASE = 1: Data is output one half-cycle before the first falling edge of the SPICLK signal and on subsequent rising edges of the SPICLK signal. Input data is latched on the falling edge of the SPICLK signal.</li> </ul>

**Table 17-9. SPICCR Register Field Descriptions (continued)**

Bit	Field	Type	Reset	Description
5	HS_MODE	R/W	0h	High Speed Mode Enable Bits This bit determines if the High Speed mode is enabled. The correct GPIOs should be selected in the GPxGMUX/GPxMUX registers. Reset type: SYSRSn 0h (R/W) = SPI High Speed mode disabled. This is the default value after reset. 1h (R/W) = SPI High Speed mode enabled,
4	SPILBK	R/W	0h	SPI Loopback Mode Select Loopback mode allows module validation during device testing. This mode is valid only in master mode of the SPI. Reset type: SYSRSn 0h (R/W) = SPI loopback mode disabled. This is the default value after reset. 1h (R/W) = SPI loopback mode enabled, SIMO/SOMI lines are connected internally. Used for module self-tests.
3-0	SPICHR	R/W	0h	Character Length Control Bits These four bits determine the number of bits to be shifted in or SPI CHAR0 out as a single character during one shift sequence. SPICHR = Word length - 1 Reset type: SYSRSn 0h (R/W) = 1-bit word 1h (R/W) = 2-bit word 7h (R/W) = 8-bit word Fh (R/W) = 16-bit word

### 17.6.2.2 SPICTL Register (Offset = 1h) [Reset = 0000h]

SPICTL is shown in [Figure 17-15](#) and described in [Table 17-10](#).

Return to the [Summary Table](#).

SPICTL controls data transmission, the SPI's ability to generate interrupts, the SPICLK phase, and the operational mode (slave or master).

**Figure 17-15. SPICTL Register**

15	14	13	12	11	10	9	8
RESERVED							
R-0h							
7	6	5	4	3	2	1	0
RESERVED			OVERRUNINT ENA	CLK_PHASE	MASTER_SLAV E	TALK	SPIINTENA
R-0h			R/W-0h	R/W-0h	R/W-0h	R/W-0h	R/W-0h

**Table 17-10. SPICTL Register Field Descriptions**

Bit	Field	Type	Reset	Description
15-5	RESERVED	R	0h	Reserved
4	OVERRUNINTENA	R/W	0h	<p>Overrun Interrupt Enable</p> <p>Overrun Interrupt Enable. Setting this bit causes an interrupt to be generated when the RECEIVER_OVERRUN Flag bit (SPISTS.7) is set by hardware. Interrupts generated by the RECEIVER_OVERRUN Flag bit and the SPI_INT_FLAG bit (SPISTS.6) share the same interrupt vector.</p> <p>Reset type: SYSRSn</p> <p>0h (R/W) = Disable RECEIVER_OVERRUN interrupts.</p> <p>1h (R/W) = Enable RECEIVER_OVERRUN interrupts.</p>
3	CLK_PHASE	R/W	0h	<p>SPI Clock Phase Select</p> <p>This bit controls the phase of the SPICLK signal. CLOCK_PHASE and CLOCK_POLARITY (SPICCR.6) make four different clocking schemes possible (see clocking figures in SPI chapter). When operating with CLOCK_PHASE high, the SPI (master or slave) makes the first bit of data available after SPIDAT is written and before the first edge of the SPICLK signal, regardless of which SPI mode is being used.</p> <p>Reset type: SYSRSn</p> <p>0h (R/W) = Normal SPI clocking scheme, depending on the CLOCK_POLARITY bit (SPICCR.6).</p> <p>1h (R/W) = SPICLK signal delayed by one half-cycle. Polarity determined by the CLOCK_POLARITY bit.</p>
2	MASTER_SLAVE	R/W	0h	<p>SPI Network Mode Control</p> <p>This bit determines whether the SPI is a network master or slave. SLAVE During reset initialization, the SPI is automatically configured as a network slave.</p> <p>Reset type: SYSRSn</p> <p>0h (R/W) = SPI is configured as a slave.</p> <p>1h (R/W) = SPI is configured as a master.</p>

**Table 17-10. SPICTL Register Field Descriptions (continued)**

Bit	Field	Type	Reset	Description
1	TALK	R/W	0h	<p><b>Transmit Enable</b>                      The TALK bit can disable data transmission (master or slave) by placing the serial data output in the high-impedance state. If this bit is disabled during a transmission, the transmit shift register continues to operate until the previous character is shifted out. When the TALK bit is disabled, the SPI is still able to receive characters and update the status flags. TALK is cleared (disabled) by a system reset.</p> <p>Reset type: SYSRSn                      0h (R/W) = Disables transmission:                      - Slave mode operation: If not previously configured as a general-purpose I/O pin, the SPISOMI pin will be put in the high-impedance state.                      - Master mode operation: If not previously configured as a general-purpose I/O pin, the SPISIMO pin will be put in the high-impedance state.                      1h (R/W) = Enables transmission For the 4-pin option, ensure to enable the receiver's SPISTEn input pin.</p>
0	SPIINTENA	R/W	0h	<p><b>SPI Interrupt Enable</b>                      This bit controls the SPI's ability to generate a transmit/receive interrupt. The SPI INT FLAG bit (SPISTS.6) is unaffected by this bit.</p> <p>Reset type: SYSRSn                      0h (R/W) = Disables the interrupt.                      1h (R/W) = Enables the interrupt.</p>

### 17.6.2.3 SPISTS Register (Offset = 2h) [Reset = 0000h]

SPISTS is shown in [Figure 17-16](#) and described in [Table 17-11](#).

Return to the [Summary Table](#).

SPISTS contains interrupt and status bits.

**Figure 17-16. SPISTS Register**

15	14	13	12	11	10	9	8
RESERVED							
R-0h							
7	6	5	4	3	2	1	0
OVERRUN_FL AG	INT_FLAG	BUFFULL_FL AG	RESERVED				
W1C-0h	RC-0h	R-0h	R-0h				

**Table 17-11. SPISTS Register Field Descriptions**

Bit	Field	Type	Reset	Description
15-8	RESERVED	R	0h	Reserved
7	OVERRUN_FLAG	W1C	0h	<p>SPI Receiver Overrun Flag</p> <p>This bit is a read/clear-only flag. The SPI hardware sets this bit when a receive or transmit operation completes before the previous character has been read from the buffer. The bit is cleared in one of three ways:</p> <ul style="list-style-type: none"> <li>- Writing a 1 to this bit</li> <li>- Writing a 0 to SPI SW RESET (SPICCR.7)</li> <li>- Resetting the system</li> </ul> <p>If the OVERRUN INT ENA bit (SPICTL.4) is set, the SPI requests only one interrupt upon the first occurrence of setting the RECEIVER OVERRUN Flag bit. Subsequent overruns will not request additional interrupts if this flag bit is already set. This means that in order to allow new overrun interrupt requests the user must clear this flag bit by writing a 1 to SPISTS.7 each time an overrun condition occurs. In other words, if the RECEIVER OVERRUN Flag bit is left set (not cleared) by the interrupt service routine, another overrun interrupt will not be immediately re-entered when the interrupt service routine is exited.</p> <p>Reset type: SYSRSn</p> <p>0h (R/W) = A receive overrun condition has not occurred.</p> <p>1h (R/W) = The last received character has been overwritten and therefore lost (when the SPIRXBUF was overwritten by the SPI module before the previous character was read by the user application).</p> <p>Writing a '1' will clear this bit. The RECEIVER OVERRUN Flag bit should be cleared during the interrupt service routine because the RECEIVER OVERRUN Flag bit and SPI INT FLAG bit (SPISTS.6) share the same interrupt vector. This will alleviate any possible doubt as to the source of the interrupt when the next byte is received.</p>

**Table 17-11. SPISTS Register Field Descriptions (continued)**

Bit	Field	Type	Reset	Description
6	INT_FLAG	RC	0h	<p>SPI Interrupt Flag</p> <p>SPI INT FLAG is a read-only flag. Hardware sets this bit to indicate that the SPI has completed sending or receiving the last bit and is ready to be serviced. This flag causes an interrupt to be requested if the SPI INT ENA bit (SPICTL.0) is set. The received character is placed in the receiver buffer at the same time this bit is set. This bit is cleared in one of three ways:</p> <ul style="list-style-type: none"> <li>- Reading SPIRXBUF</li> <li>- Writing a 0 to SPI SW RESET (SPICCR.7)</li> <li>- Resetting the system</li> </ul> <p>Note: This bit should not be used if FIFO mode is enabled. The internal process of copying the received word from SPIRXBUF to the Receive FIFO will clear this bit. Use the FIFO status, or FIFO interrupt bits for similar functionality.</p> <p>Reset type: SYSRSn</p> <p>0h (R/W) = No full words have been received or transmitted.                      1h (R/W) = Indicates that the SPI has completed sending or receiving the last bit and is ready to be serviced.</p>
5	BUFFULL_FLAG	R	0h	<p>SPI Transmit Buffer Full Flag</p> <p>This read-only bit gets set to 1 when a character is written to the SPI Transmit buffer SPITXBUF. It is cleared when the character is automatically loaded into SPIDAT when the shifting out of a previous character is complete.</p> <p>Reset type: SYSRSn</p> <p>0h (R/W) = Transmit buffer is not full.                      1h (R/W) = Transmit buffer is full.</p>
4-0	RESERVED	R	0h	Reserved



### 17.6.2.4 SPIBRR Register (Offset = 4h) [Reset = 0000h]

SPIBRR is shown in [Figure 17-17](#) and described in [Table 17-12](#).

Return to the [Summary Table](#).

SPIBRR contains the bits used for baud-rate selection.

**Figure 17-17. SPIBRR Register**

15	14	13	12	11	10	9	8
RESERVED							
R-0h							
7	6	5	4	3	2	1	0
RESERVED		SPI_BIT_RATE					
R-0h		R/W-0h					

**Table 17-12. SPIBRR Register Field Descriptions**

Bit	Field	Type	Reset	Description
15-7	RESERVED	R	0h	Reserved
6-0	SPI_BIT_RATE	R/W	0h	<p>SPI Baud Rate Control</p> <p>These bits determine the bit transfer rate if the SPI is the network SPI BIT RATE 0 master. There are 125 data-transfer rates (each a function of the CPU clock, LSPCLK) that can be selected. One data bit is shifted per SPICLK cycle. (SPICLK is the baud rate clock output on the SPICLK pin.)</p> <p>If the SPI is a network slave, the module receives a clock on the SPICLK pin from the network master. Therefore, these bits have no effect on the SPICLK signal. The frequency of the input clock from the master should not exceed the slave SPI's LSPCLK signal divided by 4.</p> <p>In master mode, the SPI clock is generated by the SPI and is output on the SPICLK pin. The SPI baud rates are determined by the following formula:</p> <p>For SPIBRR = 3 to 127: SPI Baud Rate = LSPCLK / (SPIBRR + 1)</p> <p>For SPIBRR = 0, 1, or 2: SPI Baud Rate = LSPCLK / 4</p> <p>Reset type: SYSRSn</p> <p>3h (R/W) = SPI Baud Rate = LSPCLK/4</p> <p>4h (R/W) = SPI Baud Rate = LSPCLK/5</p> <p>7Eh (R/W) = SPI Baud Rate = LSPCLK/127</p> <p>7Fh (R/W) = SPI Baud Rate = LSPCLK/128</p>

### 17.6.2.5 SPIRXEMU Register (Offset = 6h) [Reset = 0000h]

SPIRXEMU is shown in [Figure 17-18](#) and described in [Table 17-13](#).

Return to the [Summary Table](#).

SPIRXEMU contains the received data. Reading SPIRXEMU does not clear the SPI INT FLAG bit of SPISTS. This is not a real register but a dummy address from which the contents of SPIRXBUF can be read by the emulator without clearing the SPI INT FLAG.

**Figure 17-18. SPIRXEMU Register**

15	14	13	12	11	10	9	8
ERXBn							
R-0h							
7	6	5	4	3	2	1	0
ERXBn							
R-0h							

**Table 17-13. SPIRXEMU Register Field Descriptions**

Bit	Field	Type	Reset	Description
15-0	ERXBn	R	0h	Emulation Buffer Received Data SPIRXEMU functions almost identically to SPIRXBUF, except that reading SPIRXEMU does not clear the SPI INT FLAG bit (SPISTS.6). Once the SPIDAT has received the complete character, the character is transferred to SPIRXEMU and SPIRXBUF, where it can be read. At the same time, SPI INT FLAG is set. This mirror register was created to support emulation. Reading SPIRXBUF clears the SPI INT FLAG bit (SPISTS.6). In the normal operation of the emulator, the control registers are read to continually update the contents of these registers on the display screen. SPIRXEMU was created so that the emulator can read this register and properly update the contents on the display screen. Reading SPIRXEMU does not clear the SPI INT FLAG bit, but reading SPIRXBUF clears this flag. In other words, SPIRXEMU enables the emulator to emulate the true operation of the SPI more accurately. It is recommended that you view SPIRXEMU in the normal emulator run mode. Reset type: SYSRSn

### 17.6.2.6 SPIRXBUF Register (Offset = 7h) [Reset = 0000h]

SPIRXBUF is shown in [Figure 17-19](#) and described in [Table 17-14](#).

Return to the [Summary Table](#).

SPIRXBUF contains the received data. Reading SPIRXBUF clears the SPI INT FLAG bit in SPISTS. If FIFO mode is enabled, reading this register will also decrement the RXFFST counter in SPIFFRX.

**Figure 17-19. SPIRXBUF Register**

15	14	13	12	11	10	9	8
RXBn							
R-0h							
7	6	5	4	3	2	1	0
RXBn							
R-0h							

**Table 17-14. SPIRXBUF Register Field Descriptions**

Bit	Field	Type	Reset	Description
15-0	RXBn	R	0h	<p>Received Data</p> <p>Once SPIDAT has received the complete character, the character is transferred to SPIRXBUF, where it can be read. At the same time, the SPI INT FLAG bit (SPISTS.6) is set. Since data is shifted into the SPI's most significant bit first, it is stored right-justified in this register.</p> <p>Reset type: SYSRSn</p>

### 17.6.2.7 SPITXBUF Register (Offset = 8h) [Reset = 0000h]

SPITXBUF is shown in [Figure 17-20](#) and described in [Table 17-15](#).

Return to the [Summary Table](#).

SPITXBUF stores the next character to be transmitted. Writing to this register sets the TX BUF FULL Flag bit in SPISTS. When the transmission of the current character is complete, the contents of this register are automatically loaded in SPIDAT and the TX BUF FULL Flag is cleared. If no transmission is currently active, data written to this register falls through into the SPIDAT register and the TX BUF FULL Flag is not set.

In master mode, if no transmission is currently active, writing to this register initiates a transmission in the same manner that writing to SPIDAT does.

**Figure 17-20. SPITXBUF Register**

15	14	13	12	11	10	9	8
TXBn							
R/W-0h							
7	6	5	4	3	2	1	0
TXBn							
R/W-0h							

**Table 17-15. SPITXBUF Register Field Descriptions**

Bit	Field	Type	Reset	Description
15-0	TXBn	R/W	0h	Transmit Data Buffer This is where the next character to be transmitted is stored. When the transmission of the current character has completed, if the TX BUF FULL Flag bit is set, the contents of this register is automatically transferred to SPIDAT, and the TX BUF FULL Flag is cleared. Writes to SPITXBUF must be left-justified. Reset type: SYSRSn

### 17.6.2.8 SPIDAT Register (Offset = 9h) [Reset = 0000h]

SPIDAT is shown in [Figure 17-21](#) and described in [Table 17-16](#).

Return to the [Summary Table](#).

SPIDAT is the transmit and receive shift register. Data written to SPIDAT is shifted out (MSB) on subsequent SPICLK cycles. For every bit (MSB) shifted out of the SPI, a bit is shifted into the LSB end of the shift register.

**Figure 17-21. SPIDAT Register**

15	14	13	12	11	10	9	8
SDATn							
R/W-0h							
7	6	5	4	3	2	1	0
SDATn							
R/W-0h							

**Table 17-16. SPIDAT Register Field Descriptions**

Bit	Field	Type	Reset	Description
15-0	SDATn	R/W	0h	<p>Serial Data Shift Register</p> <ul style="list-style-type: none"> <li>- It provides data to be output on the serial output pin if the TALK bit (SPICTL.1) is set.</li> <li>- When the SPI is operating as a master, a data transfer is initiated. When initiating a transfer, check the CLOCK POLARITY bit (SPICCR.6) described in Section 10.2.1.1 and the CLOCK PHASE bit (SPICTL.3) described in Section 10.2.1.2, for the requirements. In master mode, writing dummy data to SPIDAT initiates a receiver sequence. Since the data is not hardware-justified for characters shorter than sixteen bits, transmit data must be written in left-justified form, and received data read in right-justified form.</li> </ul> <p>Reset type: SYSRSn</p>

### 17.6.2.9 SPIFFTX Register (Offset = Ah) [Reset = A000h]

SPIFFTX is shown in [Figure 17-22](#) and described in [Table 17-17](#).

Return to the [Summary Table](#).

SPIFFTX contains both control and status bits related to the output FIFO buffer. This includes FIFO reset control, FIFO interrupt level control, FIFO level status, as well as FIFO interrupt enable and clear bits.

**Figure 17-22. SPIFFTX Register**

15		14		13		12		11		10		9		8	
SPIRST		SPIFFENA		TXFIFO						TXFFST					
R/W-1h		R/W-0h		R/W-1h						R-0h					
7		6		5		4		3		2		1		0	
TXFFINT		TXFFINTCLR		TXFFIENA						TXFFIL					
R-0h		W-0h		R/W-0h						R/W-0h					

**Table 17-17. SPIFFTX Register Field Descriptions**

Bit	Field	Type	Reset	Description
15	SPIRST	R/W	1h	SPI Reset Reset type: SYSRSn 0h (R/W) = Write 0 to reset the SPI transmit and receive channels. The SPI FIFO register configuration bits will be left as is. 1h (R/W) = SPI FIFO can resume transmit or receive. No effect to the SPI registers bits.
14	SPIFFENA	R/W	0h	SPI FIFO Enhancements Enable Reset type: SYSRSn 0h (R/W) = SPI FIFO enhancements are disabled. 1h (R/W) = SPI FIFO enhancements are enabled.
13	TXFIFO	R/W	1h	TX FIFO Reset Reset type: SYSRSn 0h (R/W) = Write 0 to reset the FIFO pointer to zero, and hold in reset. 1h (R/W) = Release transmit FIFO from reset.
12-8	TXFFST	R	0h	Transmit FIFO Status Reset type: SYSRSn 0h (R/W) = Transmit FIFO is empty. 1h (R/W) = Transmit FIFO has 1 word. 2h (R/W) = Transmit FIFO has 2 words. 10h (R/W) = Transmit FIFO has 16 words, which is the maximum. 1Fh (R/W) = Reserved.
7	TXFFINT	R	0h	TX FIFO Interrupt Flag Reset type: SYSRSn 0h (R/W) = TXFIFO interrupt has not occurred, This is a read-only bit. 1h (R/W) = TXFIFO interrupt has occurred, This is a read-only bit.
6	TXFFINTCLR	W	0h	TXFIFO Interrupt Clear Reset type: SYSRSn 0h (R/W) = Write 0 has no effect on TXFIFINT flag bit, Bit reads back a zero. 1h (R/W) = Write 1 to clear SPIFFTX[TXFFINT] flag.
5	TXFFIENA	R/W	0h	TX FIFO Interrupt Enable Reset type: SYSRSn 0h (R/W) = TX FIFO interrupt based on TXFFIL match (less than or equal to) will be disabled. 1h (R/W) = TX FIFO interrupt based on TXFFIL match (less than or equal to) will be enabled.

**Table 17-17. SPIFFTX Register Field Descriptions (continued)**

Bit	Field	Type	Reset	Description
4-0	TXFFIL	R/W	0h	Transmit FIFO Interrupt Level Bits Transmit FIFO will generate interrupt when the FIFO status bits (TXFFST4-0) and FIFO level bits (TXFFIL4-0) match (less than or equal to). Reset type: SYSRSn 0h (R/W) = A TX FIFO interrupt request is generated when there are no words remaining in the TX buffer. 1h (R/W) = A TX FIFO interrupt request is generated when there is 1 word or no words remaining in the TX buffer. 2h (R/W) = A TX FIFO interrupt request is generated when there is 2 words or fewer remaining in the TX buffer. 10h (R/W) = A TX FIFO interrupt request is generated when there are 16 words or fewer remaining in the TX buffer. 1Fh (R/W) = Reserved.

### 17.6.2.10 SPIFFRX Register (Offset = Bh) [Reset = 201Fh]

SPIFFRX is shown in [Figure 17-23](#) and described in [Table 17-18](#).

Return to the [Summary Table](#).

SPIFFRX contains both control and status bits related to the input FIFO buffer. This includes FIFO reset control, FIFO interrupt level control, FIFO level status, as well as FIFO interrupt enable and clear bits.

**Figure 17-23. SPIFFRX Register**

15	14	13	12	11	10	9	8	
RXFFOVF	RXFFOVFCLR	RXFIFORESET	RXFFST					
R-0h	W-0h	R/W-1h	R-0h					
7	6	5	4	3	2	1	0	
RXFFINT	RXFFINTCLR	RXFFIENA	RXFFIL					
R-0h	W-0h	R/W-0h	R/W-1Fh					

**Table 17-18. SPIFFRX Register Field Descriptions**

Bit	Field	Type	Reset	Description
15	RXFFOVF	R	0h	Receive FIFO Overflow Flag Reset type: SYSRSn 0h (R/W) = Receive FIFO has not overflowed. This is a read-only bit. 1h (R/W) = Receive FIFO has overflowed, read-only bit. More than 16 words have been received in to the FIFO, and the first received word is lost.
14	RXFFOVFCLR	W	0h	Receive FIFO Overflow Clear Reset type: SYSRSn 0h (R/W) = Write 0 does not affect RXFFOVF flag bit, Bit reads back a zero. 1h (R/W) = Write 1 to clear SPIFFRX[RXFFOVF].
13	RXFIFORESET	R/W	1h	Receive FIFO Reset Reset type: SYSRSn 0h (R/W) = Write 0 to reset the FIFO pointer to zero, and hold in reset. 1h (R/W) = Re-enable receive FIFO operation.
12-8	RXFFST	R	0h	Receive FIFO Status Reset type: SYSRSn 0h (R/W) = Receive FIFO is empty. 1h (R/W) = Receive FIFO has 1 word. 2h (R/W) = Receive FIFO has 2 words. 10h (R/W) = Receive FIFO has 16 words, which is the maximum. 1Fh (R/W) = Reserved.
7	RXFFINT	R	0h	Receive FIFO Interrupt Flag Reset type: SYSRSn 0h (R/W) = RXFIFO interrupt has not occurred. This is a read-only bit. 1h (R/W) = RXFIFO interrupt has occurred. This is a read-only bit.
6	RXFFINTCLR	W	0h	Receive FIFO Interrupt Clear Reset type: SYSRSn 0h (R/W) = Write 0 has no effect on RXFIFINT flag bit, Bit reads back a zero. 1h (R/W) = Write 1 to clear SPIFFRX[RXFFINT] flag
5	RXFFIENA	R/W	0h	RX FIFO Interrupt Enable Reset type: SYSRSn 0h (R/W) = RX FIFO interrupt based on RXFFIL match (greater than or equal to) will be disabled. 1h (R/W) = RX FIFO interrupt based on RXFFIL match (greater than or equal to) will be enabled.



**Table 17-18. SPIFFRX Register Field Descriptions (continued)**

Bit	Field	Type	Reset	Description
4-0	RXFFIL	R/W	1Fh	<p>Receive FIFO Interrupt Level Bits</p> <p>Receive FIFO generates an interrupt when the FIFO status bits (RXFFST4-0) are greater than or equal to the FIFO level bits (RXFFIL4-0). The default value of these bits after reset is 11111. This avoids frequent interrupts after reset, as the receive FIFO will be empty most of the time.</p> <p>Reset type: SYSRSn</p> <p>0h (R/W) = A RX FIFO interrupt request is generated when there is 0 or more words in the RX buffer.</p> <p>1h (R/W) = A RX FIFO interrupt request is generated when there are 1 or more words in the RX buffer.</p> <p>2h (R/W) = A RX FIFO interrupt request is generated when there are 2 or more words in the RX buffer.</p> <p>10h (R/W) = A RX FIFO interrupt request is generated when there are 16 words in the RX buffer.</p> <p>1Fh (R/W) = Reserved.</p>

### 17.6.2.11 SPIFFCT Register (Offset = Ch) [Reset = 0000h]

SPIFFCT is shown in [Figure 17-24](#) and described in [Table 17-19](#).

Return to the [Summary Table](#).

SPIFFCT controls the FIFO transmit delay bits.

**Figure 17-24. SPIFFCT Register**

15	14	13	12	11	10	9	8
RESERVED							
R-0h							
7	6	5	4	3	2	1	0
TXDLY							
R/W-0h							

**Table 17-19. SPIFFCT Register Field Descriptions**

Bit	Field	Type	Reset	Description
15-8	RESERVED	R	0h	Reserved
7-0	TXDLY	R/W	0h	FIFO Transmit Delay Bits These bits define the delay between every transfer from FIFO transmit buffer to transmit shift register. The delay is defined in number SPI serial clock cycles. The 8-bit register could define a minimum delay of 0 serial clock cycles and a maximum of 255 serial clock cycles. In FIFO mode, the buffer (TXBUF) between the shift register and the FIFO should be filled only after the shift register has completed shifting of the last bit. This is required to pass on the delay between transfers to the data stream. In the FIFO mode TXBUF should not be treated as one additional level of buffer. Reset type: SYSRSn 0h (R/W) = The next word in the TX FIFO buffer is transferred to SPITXBUF immediately upon completion of transmission of the previous word. 1h (R/W) = The next word in the TX FIFO buffer is transferred to SPITXBUF1 serial clock cycle after completion of transmission of the previous word. 2h (R/W) = The next word in the TX FIFO buffer is transferred to SPITXBUF 2 serial clock cycles after completion of transmission of the previous word. FFh (R/W) = The next word in the TX FIFO buffer is transferred to SPITXBUF 255 serial clock cycles after completion of transmission of the previous word.

### 17.6.2.12 SPIPRI Register (Offset = Fh) [Reset = 0000h]

SPIPRI is shown in [Figure 17-25](#) and described in [Table 17-20](#).

Return to the [Summary Table](#).

SPIPRI controls auxiliary functions for the SPI including emulation control, SPISTE inversion, and 3-wire control.

**Figure 17-25. SPIPRI Register**

15	14	13	12	11	10	9	8
RESERVED							
R-0h							
7	6	5	4	3	2	1	0
RESERVED	RESERVED	SOFT	FREE	RESERVED		STEINV	TRIWIRES
R-0h	R/W-0h	R/W-0h	R/W-0h	R-0h		R/W-0h	R/W-0h

**Table 17-20. SPIPRI Register Field Descriptions**

Bit	Field	Type	Reset	Description
15-7	RESERVED	R	0h	Reserved
6	RESERVED	R/W	0h	Reserved
5	SOFT	R/W	0h	Emulation Soft Run This bit only has an effect when the FREE bit is 0. Reset type: SYSRSn 0h (R/W) = Transmission stops midway in the bit stream while TSUSPEND is asserted. Once TSUSPEND is deasserted without a system reset, the remainder of the bits pending in the DATBUF are shifted. Example: If SPIDAT has shifted 3 out of 8 bits, the communication freezes right there. However, if TSUSPEND is later deasserted without resetting the SPI, SPI starts transmitting from where it had stopped (fourth bit in this case) and will transmit 8 bits from that point. 1h (R/W) = If the emulation suspend occurs before the start of a transmission, (that is, before the first SPICLK pulse) then the transmission will not occur. If the emulation suspend occurs after the start of a transmission, then the data will be shifted out to completion. When the start of transmission occurs is dependent on the baud rate used. Standard SPI mode: Stop after transmitting the words in the shift register and buffer. That is, after TXBUF and SPIDAT are empty. In FIFO mode: Stop after transmitting the words in the shift register and buffer. That is, after TX FIFO and SPIDAT are empty.
4	FREE	R/W	0h	Emulation Free Run These bits determine what occurs when an emulation suspend occurs (for example, when the debugger hits a breakpoint). The peripheral can continue whatever it is doing (free-run mode) or, if in stop mode, it can either stop immediately or stop when the current operation (the current receive/transmit sequence) is complete. Reset type: SYSRSn 0h (R/W) = Emulation mode is selected by the SOFT bit 1h (R/W) = Free run, continue SPI operation regardless of suspend or when the suspend occurred.
3-2	RESERVED	R	0h	Reserved
1	STEINV	R/W	0h	SPISTEn Inversion Bit On devices with 2 SPI modules, inverting the SPISTE signal on one of the modules allows the device to receive left and right- channel digital audio data. This bit is only applicable to slave mode. Writing to this bit while configured as master (MASTER_SLAVE = 1) has no effect Reset type: SYSRSn 0h (R/W) = SPISTEn is active low (normal) 1h (R/W) = SPISTE is active high (inverted)

**Table 17-20. SPIPRI Register Field Descriptions (continued)**

Bit	Field	Type	Reset	Description
0	TRIWIRE	R/W	0h	SPI 3-wire Mode Enable Reset type: SYSRSn 0h (R/W) = Normal 4-wire SPI mode. 1h (R/W) = 3-wire SPI mode enabled. The unused pin becomes a GPIO pin. In master mode, the SPISIMO pin becomes the SPIMOMI (master receive and transmit) pin and SPISOMI is free for non-SPI use. In slave mode, the SPISOMI pin becomes the SPISISO (slave receive and transmit) pin and SPISIMO is free for non-SPI use.

### 17.6.3 SPI Registers to Driverlib Functions

**Table 17-21. SPI Registers to Driverlib Functions**

File	Driverlib Function
<b>SPICCR</b>	
spi.c	SPI_setConfig
spi.c	SPI_clearInterruptStatus
spi.h	SPI_enableModule
spi.h	SPI_disableModule
spi.h	SPI_setcharLength
spi.h	SPI_enableLoopback
spi.h	SPI_disableLoopback
spi.h	SPI_enableHighSpeedMode
spi.h	SPI_disableHighSpeedMode
<b>SPICTL</b>	
spi.c	SPI_setConfig
spi.c	SPI_enableInterrupt
spi.c	SPI_disableInterrupt
spi.h	SPI_enableTalk
spi.h	SPI_disableTalk
<b>SPISTS</b>	
spi.c	SPI_getInterruptStatus
spi.c	SPI_clearInterruptStatus
spi.h	SPI_writeDataBlockingNonFIFO
spi.h	SPI_readDataBlockingNonFIFO
<b>SPIBRR</b>	
spi.c	SPI_setConfig
spi.c	SPI_setBaudRate
<b>SPIRXEMU</b>	
spi.h	SPI_readRxEmulationBuffer
<b>SPIRXBUF</b>	
spi.h	SPI_readDataNonBlocking
spi.h	SPI_readDataBlockingFIFO
spi.h	SPI_readDataBlockingNonFIFO
<b>SPITXBUF</b>	
spi.h	SPI_writeDataNonBlocking
spi.h	SPI_writeDataBlockingFIFO
spi.h	SPI_writeDataBlockingNonFIFO
<b>SPIDAT</b>	

**Table 17-21. SPI Registers to Driverlib Functions (continued)**

File	Driverlib Function
-	
<b>SPIFFTX</b>	
spi.c	SPI_enableInterrupt
spi.c	SPI_disableInterrupt
spi.c	SPI_getInterruptStatus
spi.c	SPI_clearInterruptStatus
spi.h	SPI_enableFIFO
spi.h	SPI_disableFIFO
spi.h	SPI_resetTxFIFO
spi.h	SPI_setFIFOInterruptLevel
spi.h	SPI_getFIFOInterruptLevel
spi.h	SPI_getTxFIFOStatus
spi.h	SPI_isBusy
spi.h	SPI_reset
<b>SPIFFRX</b>	
spi.c	SPI_enableInterrupt
spi.c	SPI_disableInterrupt
spi.c	SPI_getInterruptStatus
spi.c	SPI_clearInterruptStatus
spi.h	SPI_enableFIFO
spi.h	SPI_disableFIFO
spi.h	SPI_resetRxFIFO
spi.h	SPI_setFIFOInterruptLevel
spi.h	SPI_getFIFOInterruptLevel
spi.h	SPI_getRxFIFOStatus
<b>SPIFFCT</b>	
spi.h	SPI_setTxFifoTransmitDelay
<b>SPIPRI</b>	
spi.h	SPI_enableTriWire
spi.h	SPI_disableTriWire
spi.h	SPI_setPTESignalPolarity
spi.h	SPI_setEmulationMode

This page intentionally left blank.

## Chapter 18 Serial Communications Interface (SCI)



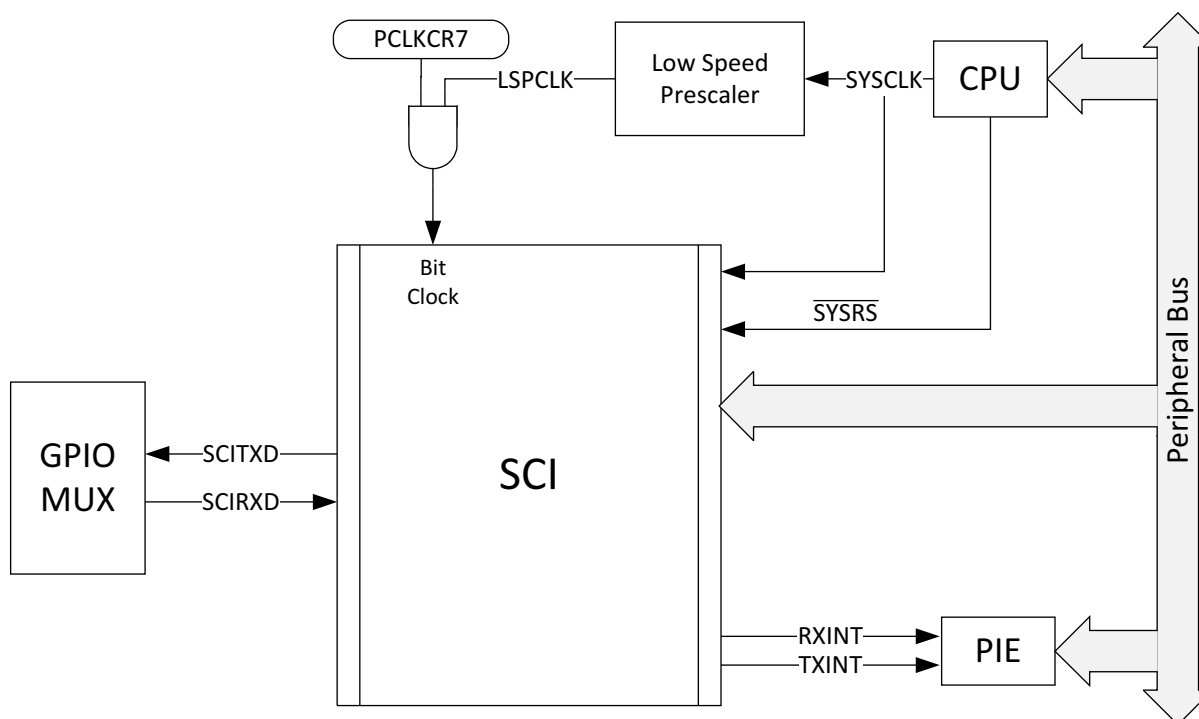
This chapter describes the features and operation of the serial communication interface (SCI) module. SCI is a two-wire asynchronous serial port, commonly known as a UART. The SCI modules support digital communications between the CPU and other asynchronous peripherals that use the standard non-return-to-zero (NRZ) format. The SCI receiver and transmitter each have a 16-level deep FIFO for reducing servicing overhead, and each has a separate enable and interrupt bits. Both can be operated independently for half-duplex communication, or simultaneously for full-duplex communication.

To specify data integrity, the SCI checks received data for break detection, parity, overrun, and framing errors. The bit rate is programmable to different speeds through a 16-bit baud-select register.

<b>18.1 Introduction</b> .....	2152
<b>18.2 Architecture</b> .....	2153
<b>18.3 SCI Module Signal Summary</b> .....	2153
<b>18.4 Configuring Device Pins</b> .....	2155
<b>18.5 Multiprocessor and Asynchronous Communication Modes</b> .....	2155
<b>18.6 SCI Programmable Data Format</b> .....	2156
<b>18.7 SCI Multiprocessor Communication</b> .....	2157
<b>18.8 Idle-Line Multiprocessor Mode</b> .....	2158
<b>18.9 Address-Bit Multiprocessor Mode</b> .....	2160
<b>18.10 SCI Communication Format</b> .....	2161
<b>18.11 SCI Port Interrupts</b> .....	2164
<b>18.12 SCI Baud Rate Calculations</b> .....	2166
<b>18.13 SCI Enhanced Features</b> .....	2167
<b>18.14 Software</b> .....	2170
<b>18.15 SCI Registers</b> .....	2170

## 18.1 Introduction

The SCI interfaces are shown in [Figure 18-1](#).



**Figure 18-1. SCI CPU Interface**

### 18.1.1 Features

Features of the SCI module include:

- Two external pins (both pins can be used as GPIO, if not used for SCI):
  - SCITXD: SCI transmit-output pin
  - SCIRXD: SCI receive-input pin
- Baud rate programmable to 64K different rates
- Data-word format
  - One start bit
  - Data-word length programmable from one to eight bits
  - Optional even/odd/no parity bit
  - One or two stop bits
  - An extra bit to distinguish addresses from data (address bit mode only)
- Four error-detection flags: parity, overrun, framing, and break detection
- Two wake-up multiprocessor modes: idle-line and address bit
- Half- or full-duplex operation
- Double-buffered receive and transmit functions
- Transmitter and receiver operations can be accomplished through interrupt-driven or polled algorithms with status flags
- Separate enable bits for transmitter and receiver interrupts (except BRKDT)
- NRZ (non-return-to-zero) format

Enhanced features include:

- Auto-baud-detect hardware logic
- 16-level transmit/receive FIFO



## 18.1.2 SCI Related Collateral

### Foundational Materials

- [C2000 Academy - SCI](#)
- [One Minute RS-485 Introduction \(Video\)](#)
- [RS-232, RS-422, RS-485: What Are the Differences? \(Video\)](#)

### Getting Started Materials

- [\[FAQ\] My C2000 SCI is not Transmitting and/or Receiving data correctly, how do I fix this?](#)

## 18.1.3 Block Diagram

Figure 18-2 shows the SCI module block diagram. The SCI port operation is configured and controlled by the registers listed in Section 18.15.

## 18.2 Architecture

The major elements used in full-duplex operation are shown in Figure 18-2 and include:

- A transmitter (TX) and its major registers (upper half of Figure 18-2)
  - SCITXBUF — transmitter data buffer register. Contains data (loaded by the CPU) to be transmitted
  - TXSHF register — transmitter shift register. Accepts data from register SCITXBUF and shifts data onto the SCITXD pin, one bit at a time
- A receiver (RX) and its major registers (lower half of Figure 18-2)
  - RXSHF register — receiver shift register. Shifts data in from SCIRXD pin, one bit at a time
  - SCIRXBUF — receiver data buffer register. Contains data to be read by the CPU. Data from a remote processor is loaded into register RXSHF and then into registers SCIRXBUF and SCIRXEMU
- A programmable baud generator
- Control and status registers

The SCI receiver and transmitter can operate either independently or simultaneously.

## 18.3 SCI Module Signal Summary

A summarized description of each SCI signal name is shown in Table 18-1.

**Table 18-1. SCI Module Signal Summary**

Signal Name	Description
<b>External signals</b>	
SCIRXD	SCI Asynchronous Serial Port receive data
SCITXD	SCI Asynchronous Serial Port transmit data
<b>Control</b>	
Baud clock	LSPCLK Prescaled clock
<b>Interrupt signals</b>	
TXINT	Transmit interrupt
RXINT	Receive interrupt

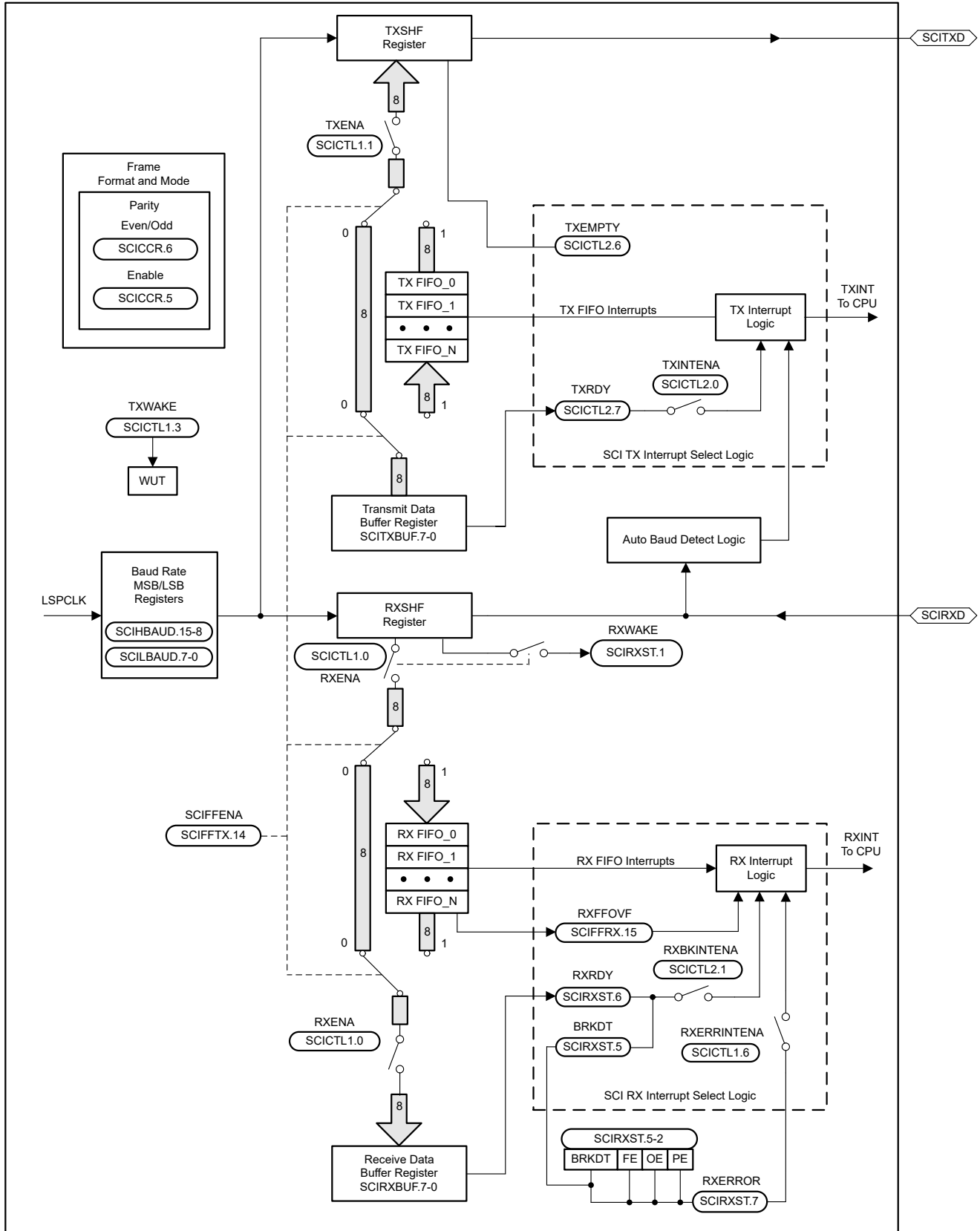


Figure 18-2. Serial Communications Interface (SCI) Module Block Diagram

## 18.4 Configuring Device Pins

The GPIO mux registers must be configured to connect this peripheral to the device pins. To avoid glitches on the pins, the GPyGMUX bits must be configured first (while keeping the corresponding GPyMUX bits at the default of zero), followed by writing the GPyMUX register to the desired value.

Some IO functionality is defined by GPIO register settings independent of this peripheral. For input signals, the GPIO input qualification must be set to asynchronous mode by setting the appropriate GPxQSELn register bits to 11b. The internal pullups can be configured in the GPyPUD register.

See the *General-Purpose Input/Output (GPIO)* chapter for more details on GPIO mux and settings.

## 18.5 Multiprocessor and Asynchronous Communication Modes

The SCI has two multiprocessor protocols, the idle-line multiprocessor mode (see [Section 18.8](#)) and the address-bit multiprocessor mode (see [Section 18.9](#)). These protocols allow efficient data transfer between multiple processors.

The SCI offers the universal asynchronous receiver/transmitter (UART) communications mode for interfacing with many popular peripherals. The asynchronous mode (see [Section 18.10](#)) requires two lines to interface with many standard devices such as terminals and printers that use RS-232-C formats. Data transmission characteristics include:

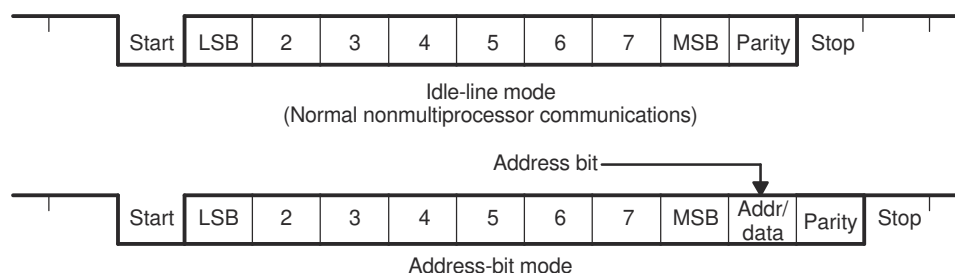
- One start bit
- One to eight data bits
- An even/odd parity bit or no parity bit
- One or two stop bits

## 18.6 SCI Programmable Data Format

SCI data, both receive and transmit, is in NRZ (non-return-to-zero) format. The NRZ data format, shown in Figure 18-3, consists of:

- One start bit
- One to eight data bits
- An even/odd parity bit (optional)
- One or two stop bits
- An extra bit to distinguish addresses from data (address-bit mode only)

The basic unit of data is called a character and is one to eight bits in length. Each character of data is formatted with a start bit, one or two stop bits, and optional parity and address bits. A character of data with formatting information is called a frame and is shown in Figure 18-3.



**Figure 18-3. Typical SCI Data Frame Formats**

To program the data format, use the SCICCR register. The bits used to program the data format are shown in Table 18-2.

**Table 18-2. Programming the Data Format Using SCICCR**

Bits	Bit Name	Designation	Functions
2-0	SCICCHAR	SCICCR.2:0	Select the character (data) length (one to eight bits).
5	PARITYENA (ENABLE)	SCICCR.5	Enables the parity function if set to 1, or disables the parity function if cleared to 0.
6	PARITY (EVEN/ODD)	SCICCR.6	If parity is enabled, selects odd parity if cleared to 0; even parity if set to 1.
7	STOPBITS	SCICCR.7	Determines the number of stop bits transmitted—one stop bit if cleared to 0 or two stop bits if set to 1.

## 18.7 SCI Multiprocessor Communication

The multiprocessor communication format allows one processor to efficiently send blocks of data to other processors on the same serial link. On one serial line, there can be only one transfer at a time. In other words, there can be only one talker on a serial line at a time.

### Address Byte

The first byte of a block of information that the talker sends contains an address byte that is read by all listeners. Only listeners with the correct address can be interrupted by the data bytes that follow the address byte. The listeners with an incorrect address remain uninterrupted until the next address byte.

### Sleep Bit

All processors on the serial link set the SCI SLEEP bit (bit 2 of SCICTL1) to 1 so that the processor is interrupted only when the address byte is detected. When the processor reads a block address that corresponds to the CPU device address as set by your application software, your program must clear the SLEEP bit to enable the SCI to generate an interrupt on receipt of each data byte.

Although the receiver still operates when the SLEEP bit is 1, the receiver does not set RXRDY, RXINT, or any of the receiver error status bits to 1 unless the address byte is detected and the address bit in the received frame is a 1 (applicable to address-bit mode). The SCI does not alter the SLEEP bit; your software must alter the SLEEP bit.

### 18.7.1 Recognizing the Address Byte

A processor recognizes an address byte differently, depending on the multiprocessor mode used. For example:

- The idle-line mode ([Section 18.8](#)) leaves a quiet space before the address byte. This mode does not have an extra address/data bit and is more efficient than the address-bit mode for handling blocks that contain more than 10 bytes of data. The idle-line mode must be used for typical non-multiprocessor SCI communication.
- The address-bit mode ([Section 18.9](#)) adds an extra bit (that is, an address bit) into every byte to distinguish addresses from data. This mode is more efficient in handling many small blocks of data because, unlike the idle mode, this mode does not wait between blocks of data. However, at a high transmit speed, the program is not fast enough to avoid a 10-bit idle in the transmission stream.

### 18.7.2 Controlling the SCI TX and RX Features

The multiprocessor mode is software selectable using the ADDR/IDLE MODE bit (SCICCR, bit 3). Both modes use the TXWAKE flag bit (SCICTL1, bit 3), RXWAKE flag bit (SCIRXST, bit1), and the SLEEP flag bit (SCICTL1, bit 2) to control the SCI transmitter and receiver features of these modes.

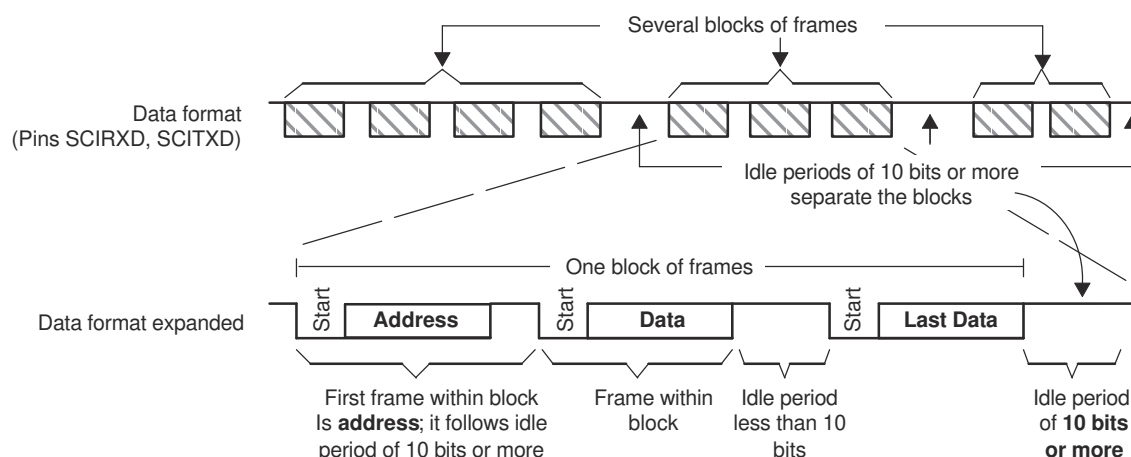
### 18.7.3 Receipt Sequence

In both multiprocessor modes, the receive sequence is as follows:

1. At the receipt of an address block, the SCI port wakes up and requests an interrupt (bit number 1 RX/BK INT ENA-of SCICTL2 must be enabled to request an interrupt in non-FIFO mode of operation. In FIFO mode, RXFFINT serves this purpose and to enable this, RXFFINTEN in SCIFFRX register must be enabled with RXFFIL in the same register set to 1). It reads the first frame of the block, which contains the destination address.
2. A software routine is entered through the interrupt and checks the incoming address. This address byte is checked against its device address byte stored in memory.
3. If the check shows that the block is addressed to the device CPU, the CPU clears the SLEEP bit and reads the rest of the block. If not, the software routine exits with the SLEEP bit still set, and does not receive interrupts until the next block start.

## 18.8 Idle-Line Multiprocessor Mode

In the idle-line multiprocessor protocol (ADDR/IDLE MODE bit=0), blocks are separated by having a longer idle time between the blocks than between frames in the blocks. An idle time of ten or more high-level bits after a frame indicates the start of a new block. The time of a single bit is calculated directly from the baud value (bits per second). The idle-line multiprocessor communication format is shown in Figure 18-4 (ADDR/IDLE MODE bit is bit 3 of SCICCR).



**Figure 18-4. Idle-Line Multiprocessor Communication Format**

### 18.8.1 Idle-Line Mode Steps

The steps followed by the idle-line mode:

1. SCI wakes up after receipt of the block-start signal.
2. The processor recognizes the next SCI interrupt.
3. The interrupt service routine compares the received address (sent by a remote transmitter) to its own.
4. If the CPU is being addressed, the service routine clears the SLEEP bit and receives the rest of the data block.
5. If the CPU is not being addressed, the SLEEP bit remains set. This lets the CPU continue to execute the main program without being interrupted by the SCI port until the next detection of a block start.

#### Note

In IDLE mode, if the SCI is taking greater than 10 bit periods to read all the RXDATA from the FIFO, the SCI can miss the immediate block start to be detected.

The RXWAKE logic asserts only one time when the SCI identifies 10 bit periods of IDLE. The SCI does not assert again if RXBUF is read (which clears the WAKE condition) even if the line continues to be idle after RXBUF read.

So, if the ISR is taking more than 10 bit periods of time to read all the RXDATA from the FIFO using RXBUF, the SCI can miss to detect the next block start. This is applicable for both FIFO and Non-FIFO mode when the CPU takes greater than 10 bit clocks of SCI to read the data from RXBUF/ FIFO.

To avoid this, either of the following is recommended:

- Set SCICTL1.SWRESET after reading all RX data at the end of the ISR.
- Read and check RXWAKE status bit before reading the RXBUF register. If RXWAKE is set, don't set SLEEP bit for RX at the end of the ISR.

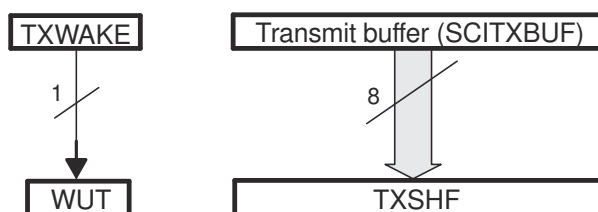
## 18.8.2 Block Start Signal

There are two ways to send a block-start signal:

- **Method 1:** Deliberately leave an idle time of ten bits or more by delaying the time between the transmission of the last frame of data in the previous block and the transmission of the address frame of the new block.
- **Method 2:** The SCI port first sets the TXWAKE bit (SCICTL1, bit 3) to 1 before writing to the SCITXBUF register. This sends an idle time of exactly 11 bits. In this method, the serial communications line is not idle any longer than necessary. (A don't care byte has to be written to SCITXBUF after setting TXWAKE, and before sending the address, so as to transmit the idle time.)

## 18.8.3 Wake-Up Temporary (WUT) Flag

Associated with the TXWAKE bit is the wake-up temporary (WUT) flag. WUT is an internal flag, double-buffered with TXWAKE. When TXSHF is loaded from SCITXBUF, WUT is loaded from TXWAKE, and the TXWAKE bit is cleared to 0. This arrangement is shown in [Figure 18-5](#).



**Figure 18-5. Double-Buffered WUT and TXSHF**

### 18.8.3.1 Sending a Block Start Signal

To send out a block-start signal of exactly one frame time during a sequence of block transmissions:

1. Write a 1 to the TXWAKE bit.
2. Write a data word (content not important: a don't care) to the SCITXBUF register (transmit data buffer) to send a block-start signal. (The first data word written is suppressed while the block-start signal is sent out and ignored after that.) When the TXSHF (transmit shift register) is free again, SCITXBUF contents are shifted to TXSHF, the TXWAKE value is shifted to WUT, and then TXWAKE is cleared.

Because TXWAKE was set to a 1, the start, data, and parity bits are replaced by an idle period of 11 bits transmitted following the last stop bit of the previous frame.

3. Write a new address value to SCITXBUF.

A don't-care data word must first be written to register SCITXBUF so that the TXWAKE bit value can be shifted to WUT. After the don't-care data word is shifted to the TXSHF register, the SCITXBUF (and TXWAKE, if necessary) can be written to again because TXSHF and WUT are both double-buffered.

## 18.8.4 Receiver Operation

The receiver operates regardless of the SLEEP bit. However, the receiver neither sets RXRDY nor the error status bits, nor does it request a receive interrupt until an address frame is detected.

## 18.9 Address-Bit Multiprocessor Mode

In the address-bit protocol (ADDR/IDLE MODE bit=1), frames have an extra bit called an address bit that immediately follows the last data bit. The address bit is set to 1 in the first frame of the block and to 0 in all other frames. The idle period timing is irrelevant (see Figure 18-6).

### 18.9.1 Sending an Address

The TXWAKE bit value is placed in the address bit. During transmission, when the SCITXBUF register and TXWAKE are loaded into the TXSHF register and WUT respectively, TXWAKE is reset to 0 and WUT becomes the value of the address bit of the current frame. Thus, to send an address:

1. Set the TXWAKE bit to 1 and write the appropriate address value to the SCITXBUF register.

When this address value is transferred to the TXSHF register and shifted out, the address bit is sent as a 1. This flags the other processors on the serial link to read the address.

2. Write to SCITXBUF and TXWAKE after TXSHF and WUT are loaded. (Can be written to immediately since both TXSHF and WUT are both double-buffered.)
3. Leave the TXWAKE bit set to 0 to transmit non-address frames in the block.

#### Note

As a general rule, the address-bit format is typically used for data frames of 11 bytes or less. This format adds one bit value (1 for an address frame, 0 for a data frame) to all data bytes transmitted. The idle-line format is typically used for data frames of 12 bytes or more.

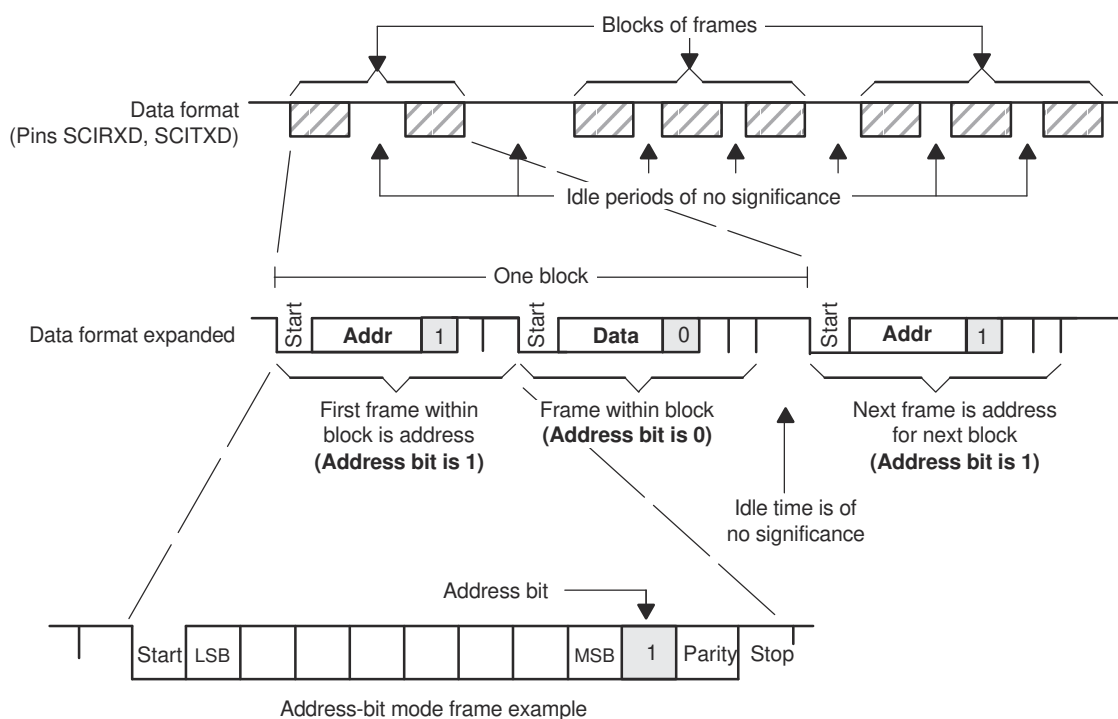


Figure 18-6. Address-Bit Multiprocessor Communication Format



### 18.10 SCI Communication Format

The SCI asynchronous communication format uses either single line (one way) or two line (two way) communications. In this mode, the frame consists of a start bit, one to eight data bits, an optional even/odd parity bit, and one or two stop bits (shown in Figure 18-7). There are eight SCICLK periods per data bit.

The receiver begins operation on receipt of a valid start bit. A valid start bit is identified by four consecutive internal SCICLK periods of zero bits as shown in Figure 18-7. If any bit is not zero, then the processor starts over and begins looking for another start bit.

For the bits following the start bit, the processor determines the bit value by making three samples in the middle of the bits. These samples occur on the fourth, fifth, and sixth SCICLK periods, and bit-value determination is on a majority (two out of three) basis. Figure 18-7 illustrates the asynchronous communication format for this with a start bit showing where a majority vote is taken.

Since the receiver synchronizes itself to frames, the external transmitting and receiving devices do not use a synchronized serial clock. The clock can be generated locally.

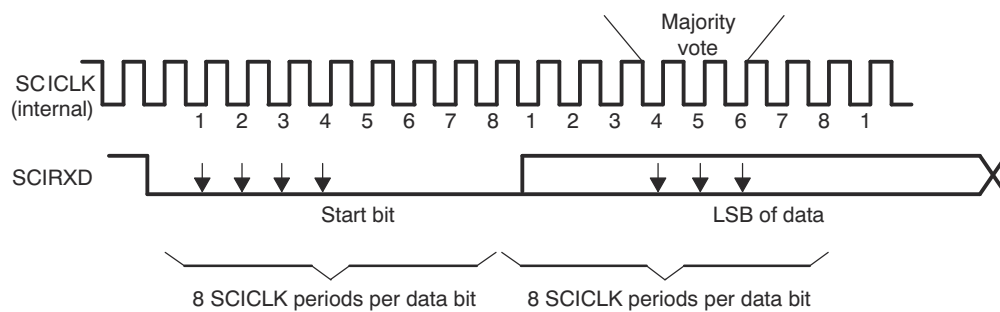
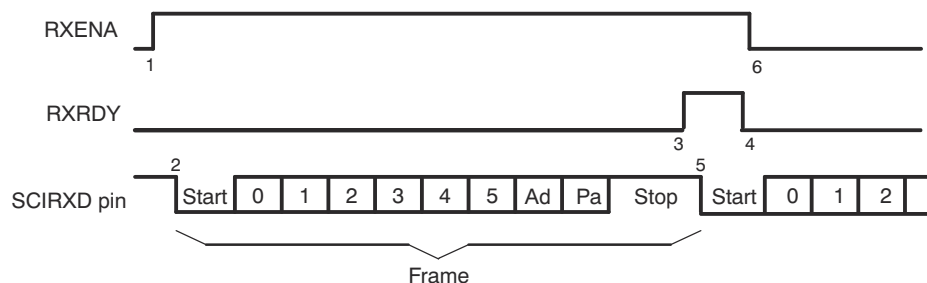


Figure 18-7. SCI Asynchronous Communications Format

### 18.10.1 Receiver Signals in Communication Modes

Figure 18-8 illustrates an example of receiver signal timing that assumes the following conditions:

- Address-bit wake-up mode (address bit does not appear in idle-line mode)
- Six bits per character



**Figure 18-8. SCI RX Signals in Communication Modes**

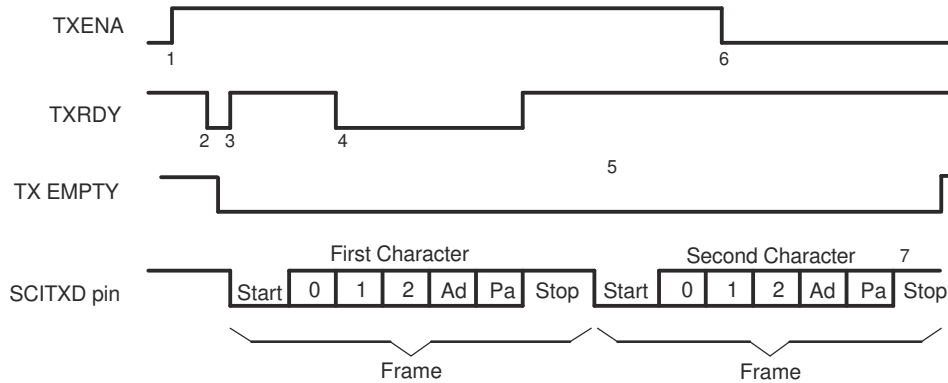
**Notes:**

1. Flag bit RXENA (SCICTL1, bit 0) goes high to enable the receiver.
2. Data arrives on the SCIRXD pin, start bit detected.
3. Data is shifted from RXSHF to the receiver buffer register (SCIRXBUF); an interrupt is requested. Flag bit RXRDY (SCIRXST, bit 6) goes high to signal that a new character has been received.
4. The program reads SCIRXBUF; flag RXRDY is automatically cleared.
5. The next byte of data arrives on the SCIRXD pin; the start bit is detected, then cleared.
6. Bit RXENA is brought low to disable the receiver. Data continues to be assembled in RXSHF but is not transferred to the receiver buffer register.

### 18.10.2 Transmitter Signals in Communication Modes

Figure 18-9 illustrates an example of transmitter signal timing that assumes the following conditions:

- Address-bit wake-up mode (address bit does not appear in idle-line mode)
- Three bits per character



**Figure 18-9. SCI TX Signals in Communications Mode**

#### Notes:

1. Bit TXENA (SCICTL1, bit 1) goes high, enabling the transmitter to send data.
2. SCITXBUF is written to; thus, (1) the transmitter is no longer empty, and (2) TXRDY goes low.
3. The SCI transfers data to the shift register (TXSHF). The transmitter is ready for a second character (TXRDY goes high), and it requests an interrupt (to enable an interrupt, bit TX INT ENA — SCICTL2, bit 0 — must be set).
4. The program writes a second character to SCITXBUF after TXRDY goes high (item 3). (TXRDY goes low again after the second character is written to SCITXBUF.)
5. Transmission of the first character is complete. Transfer of the second character to shift register TXSHF begins.
6. Bit TXENA goes low to disable the transmitter; the SCI finishes transmitting the current character.
7. Transmission of the second character is complete; transmitter is empty and ready for new character.

## 18.11 SCI Port Interrupts

The SCI receiver and transmitter can be interrupt controlled. The SCICTL2 register has one flag bit (TXRDY) that indicates active interrupt conditions, and the SCIRXST register has two interrupt flag bits (RXRDY and BRKDT), plus the RX ERROR interrupt flag that is a logical-OR of the FE, OE, BRKDT, and PE conditions. The transmitter and receiver have separate interrupt-enable bits. When not enabled, the interrupts are not asserted; however, the condition flags remain active, reflecting transmission and receipt status.

The SCI has independent peripheral interrupt vectors for the receiver and transmitter. Peripheral interrupt requests can be either high priority or low priority. This is indicated by the priority bits that are output from the peripheral to the PIE controller. When both RX and TX interrupt requests are made at the same priority level, the receiver always has higher priority than the transmitter, reducing the possibility of receiver overrun.

The operation of peripheral interrupts is described in the Peripheral Interrupts section of the *System Control and Interrupts* chapter.

- If the RX/BK INT ENA bit (SCICTL2, bit 1) is set, the receiver peripheral interrupt request is asserted when one of the following events occurs:
  - The SCI receives a complete frame and transfers the data in the RXSHF register to the SCIRXBUF register. This action sets the RXRDY flag (SCIRXST, bit 6) and initiates an interrupt.
  - A break detect condition occurs (the SCIRXD is low for 9.625 bit periods following a missing stop bit). This action sets the BRKDT flag bit (SCIRXST, bit 5) and initiates an interrupt.
- If the TX INT ENA bit (SCICTL2.0) is set, the transmitter peripheral interrupt request is asserted whenever the data in the SCITXBUF register is transferred to the TXSHF register, indicating that the CPU can write to SCITXBUF; this action sets the TXRDY flag bit (SCICTL2, bit 7) and initiates an interrupt.

**Note**

SCI Module Interrupt Reaction Time - Occasional BRKDT or other errors such as FE/PE being triggered can occur if there are tight timings occurring in the application.

Interrupts are not triggered until approximately 7/8 of the stop bit has been detected (approximately 0.875 bit time). Actual value of this delay before ISR entry is:  $((7 * \text{BAUD\_CLK\_PERIOD}) / 8 + 3 * \text{SYSCLK\_PERIOD})$ .

The SCI does not begin reading additional bits/characters until the RX ISR completes, so complete the ISR before the next byte's start bit begins. This leaves approximately 1/8 bit time (approximately 0.125 bit time) to complete the entire ISR, regardless of interrupt cause.

If the ISR is not completed before the beginning of the next start bit (before the RX line goes low again), the SCI module begins reading the start bit late in the wrong location and therefore may read all bits incorrectly until the next correctly aligned start bit (when ISR has sufficient time to process before a start bit again).

Recommended methods for avoiding errors (to accommodate for the 0.875 bit time required for ISR to begin):

1. Keep the RX ISR short. The RX ISR must only be used to move data in the FIFO/buffer into memory where the data can be processed in another, less time-critical function.
  2. Avoid excessive nesting of other interrupts within the SCI RX ISR. Do not allow the nesting to delay SCI RX ISR completion past the approximately 0.125 bit time window allowed.
  3. If additional time (more than the approximately 0.125 bit time) is required, delay can be added in the other device's firmware before transmitting additional data to the C2000 device's SCI RX pin. Delays can be added to the other device as follows:
    - a. Sending bytes with 2 stop bits to the C2000 device provides approximately 1.125 bit time of processing time for C2000 RX ISR to complete.
    - b. Adding manual delay in the firmware of the other device transmitting to the C2000 device after every BYTE transmitted provides (delay + approximately 0.125 bit time) processing time for the C2000 RX ISR to complete.
    - c. Adding manual delay in the firmware of the other device transmitting to the C2000 device after every C2000 RX INTERRUPT occurs provides (delay + approximately 0.125 bit time) processing time for the C2000 RX ISR to complete. This is more difficult to implement because the other device to predict when the transmitted data triggers an RX interrupt on the C2000 device is required. Examples of things that can trigger an RX interrupt are RX-FIFO level being reached, BRKDT being sent, RXERROR occurring, etc.
- 

**Note**

Interrupt generation due to the RXRDY and BRKDT bits is controlled by the RX/BK INT ENA bit (SCICTL2, bit 1). Interrupt generation due to the RX ERROR bit is controlled by the RX ERR INT ENA bit (SCICTL1, bit 6).

---

### 18.11.1 Break Detect

A "break" signal (also called a "break detect" or "break sequence") can be sent to the module to signal to the bus a specific condition. This break signal is defined as a low pulse of a certain amount of time, typically at least 1 packet wide (including a missed stop bit). The SCI has two main methods for detecting a "break" signal sent on the line, with certain limitations for each.

The first for break detect method involves reading the SCIRXST.BRKDT bit. A break condition that triggers the BRKDT bit occurs when the SCI receiver data line (SCIRXD) remains continuously low for at least 9.625 bits, beginning after a missing first stop bit. If the SCIRX line goes high at any point during the 9.625 bits then the SCI does not flag a break detect. To trigger the first stop bit missed, the typical method is to hold the RX line low for:

- 1 start bit
- 8 data bits
- (optional) 1 address bit
- (optional) 1 parity bit
- 1 stop bit
- 9.625 bits of additional time held low

This is a total of 19.625 (systems using no parity or address bit), 20.625 (systems using either parity or address bit but not both), or 21.625 (systems using both parity and address bit) bit times held low.

The second method for break detect is to instead use the SCIRXST.FE, SCIRXST.PE and SCIRXBUF.SAR bits to detect a break signal of 10 or 11 bits of low. ISR code can use the following combination of flags and received data to determine if a break detect occurred:

- Break signal = 11 bits low (requires parity enabled)
  - FE==1
  - PE==1 for odd parity, PE==0 for even parity
  - SCIRXBUF.SAR (received character)==0x00
- Break signal = 10 bits low (requires parity disabled)
  - FE==1
  - SCIRXBUF.SAR (received character)==0x00

### 18.12 SCI Baud Rate Calculations

The internally generated serial clock is determined by the low-speed peripheral clock (LSPCLK) and the baud-select registers. The SCI uses the 16-bit value of the baud-select registers to select one of the 64K different serial clock rates possible for a given LSPCLK.

See the bit descriptions in the baud-select registers, for the formula to use when calculating the SCI asynchronous baud. [Table 18-3](#) shows the baud-select values for common SCI bit rates. LSPCLK/16 is the maximum baud rate. For example, if LSPCLK is 100 MHz, then the maximum baud rate is 6.25 Mbps.

**Table 18-3. Asynchronous Baud Register Values for Common SCI Bit Rates**

Baud Rate	LSPCLK Clock Frequency, 100 MHz		
	BRR	Actual Baud Rate	% Error
2400	5207 (1457h)	2400	0
4800	2603 (A2Bh)	4800	0
9600	1301 (515h)	9601	0.01
19200	650 (28Ah)	19201	0.01
38400	324 (144h)	38462	0.16

## 18.13 SCI Enhanced Features

The C28x SCI features autobaud detection and transmit/receive FIFO. The following section explains the FIFO operation.

### 18.13.1 SCI FIFO Description

The following steps explain the FIFO features and help with programming the SCI with FIFOs.

1. **Reset.** At reset the SCI powers up in standard SCI mode and the FIFO function is disabled. The FIFO registers SCIFFTX, SCIFFRX, and SCIFFCT remain inactive.
2. **Standard SCI.** The standard SCI modes work normally with TXINT/RXINT interrupts as the interrupt source for the module.
3. **FIFO enable.** FIFO mode is enabled by setting the SCIFFEN bit in the SCIFFTX register. SCIRST can reset the FIFO mode at any stage of the operation.
4. **Active registers.** All the SCI registers and SCI FIFO registers (SCIFFTX, SCIFFRX, and SCIFFCT) are active.
5. **Interrupts.** FIFO mode has two interrupts; transmit FIFO (TXINT) and receive FIFO (RXINT). The RXINT is the common interrupt for SCI FIFO receive, receive error, and receive FIFO overflow conditions. The TXINT of the standard SCI is disabled and this interrupt serves as SCI transmit FIFO interrupt.
6. **Buffers.** Transmit and receive buffers are supplemented with two 16-level FIFOs. The transmit FIFO registers are 8-bits wide and receive FIFO registers are 10-bits wide. The one-word transmit buffer (SCITXBUF) of the standard SCI functions as a transition buffer before the transmit FIFO and shift register. SCITXBUF is loaded into either the FIFO (when FIFO is enabled) or the TXSHF (when FIFO is disabled). When FIFO is enabled, SCITXBUF loads into the FIFO only after the last bit of the shift register is shifted out, so SCITXBUF cannot be treated as an additional level of buffer. With the FIFO enabled, TXSHF is directly loaded from the FIFO (not TXBUF) after an optional delay value (SCIFFCT). When FIFO mode is enabled for SCI, characters written to SCITXBUF are queued in to SCI-TXFIFO and the characters received in SCI-RXFIFO can be read using SCIRXBUF.
7. **Delayed transfer.** The rate that words in the FIFO are transferred to the transmit shift register is programmable. The SCIFFCT register bits (7–0) FFTXDLY7–FFTXDLY0 define the delay between the word transfer. The delay is defined in the number SCI baud clock cycles. The 8 bit register can define a minimum delay of 0 baud clock cycles and a maximum of 256-baud clock cycles. With zero delay, the SCI module can transmit data in continuous mode with the FIFO words shifting out back to back. With the 256 clock delay the SCI module can transmit data in a maximum delayed mode with the FIFO words shifting out with a delay of 256 baud clocks between each words. The programmable delay facilitates communication with slow SCI/UARTs with little CPU intervention.
8. **FIFO status bits.** Both the transmit and receive FIFOs have status bits TXFFST or RXFFST (bits 12–8) that define the number of words available in the FIFOs at any time. The transmit FIFO reset bit TXFIFO and receive reset bit RXFIFO reset the FIFO pointers to zero when these bits are cleared to 0. The FIFOs resumes operation from start once these bits are set to 1.
9. **Programmable interrupt levels.** Both transmit and receive FIFO can generate CPU interrupts. The interrupt trigger is generated whenever the transmit FIFO status bits TXFFST (bits 12–8) match (less than or equal to) the interrupt trigger level bits TXFFIL (bits 4–0). This provides a programmable interrupt trigger for transmit and receive sections of the SCI. Default value for these trigger level bits is 0x11111 for receive FIFO and 0x00000 for transmit FIFO, respectively.

Figure 18-10 and Table 18-4 explain the operation/configuration of SCI interrupts in nonFIFO/FFO mode.

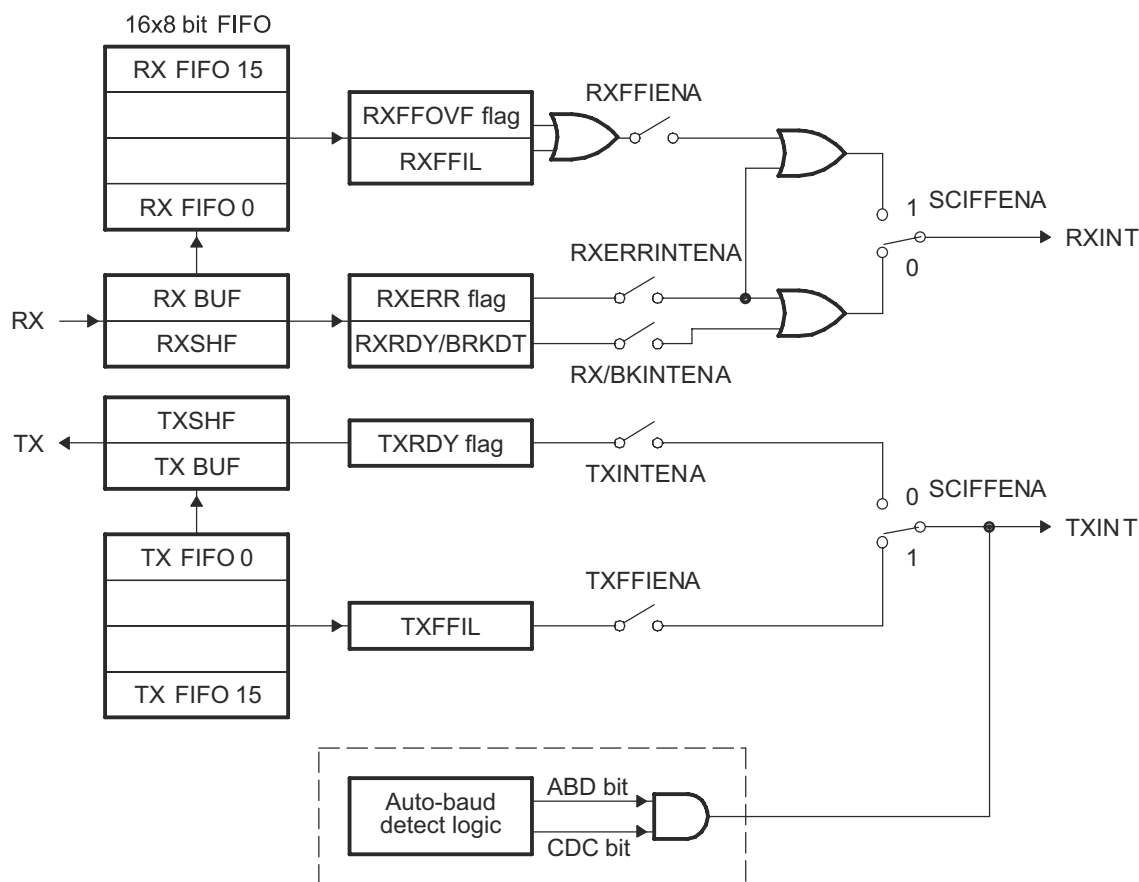


Figure 18-10. SCI FIFO Interrupt Flags and Enable Logic

Table 18-4. SCI Interrupt Flags

FIFO Options <sup>(1)</sup>	SCI Interrupt Source	Interrupt Flags	Interrupt Enables	FIFO Enable SCIFFENA	Interrupt Line
SCI without FIFO	Receive error	RXERR <sup>(2)</sup>	RXERRINTENA	0	RXINT
	Receive break	BRKDT	RX/BKINTENA	0	RXINT
	Data receive	RXRDY	RX/BKINTENA	0	RXINT
	Transmit empty	TXRDY	TXINTENA	0	TXINT
SCI with FIFO	Receive error and receive break	RXERR	RXERRINTENA	1	RXINT
	FIFO receive	RXFFIL	RXFFIENA	1	RXINT
	Transmit empty	TXFFIL	TXFFIENA	1	TXINT
Auto-baud	Auto-baud detected	ABD	Don't care	x	TXINT

(1) FIFO mode TXSHF is directly loaded after delay value, TXBUF is not used.

(2) RXERR can be set by BRKDT, FE, OE, PE flags. In FIFO mode, BRKDT interrupt is only through RXERR flag.



### 18.13.2 SCI Auto-Baud

Most SCI modules do not have an auto-baud detect logic built-in hardware. These SCI modules are integrated with embedded controllers whose clock rates are dependent on PLL reset values. Often embedded controller clocks change after final design. In the enhanced feature set this module supports an autobaud-detect logic in hardware. The following section explains the enabling sequence for autobaud-detect feature.

### 18.13.3 Autobaud-Detect Sequence

Bits ABD and CDC in SCIFFCT control the autobaud logic. The SCIRST bit can be enabled to make autobaud logic work.

If ABD is set while CDC is 1, which indicates auto-baud alignment, SCI transmit FIFO interrupt occurs (TXINT). After the interrupt service, the CDC bit must be cleared by software. If CDC remains set even after interrupt service, there can be no repeat interrupts.

1. Enable autobaud-detect mode for the SCI by setting the CDC bit (bit 13) in SCIFFCT and clearing the ABD bit (Bit 15) by writing a 1 to ABDCLR bit (bit 14).
2. Initialize the baud register to be 1 or less than a baud rate limit of 500 Kbps.
3. Allow SCI to receive either character "A" or "a" from a host at the desired baud rate. If the first character is either "A" or "a", the autobaud-detect hardware detects the incoming baud rate and sets the ABD bit.
4. The auto-detect hardware updates the baud rate register with the equivalent baud value hex. The logic also generates an interrupt to the CPU.
5. Respond to the interrupt clear ADB bit by writing a 1 to ABD CLR (bit 14) of SCIFFCT register and disable further autobaud locking by clearing CDC bit by writing a 0.
6. Read the receive buffer for character "A" or "a" to empty the buffer and buffer status.
7. If ABD is set while CDC is 1, which indicates autobaud alignment, the SCI transmit FIFO interrupt occurs (TXINT). After the interrupt service, the CDC bit must be cleared by software.

---

#### Note

At higher baud rates, the slew rate of the incoming data bits can be affected by transceiver and connector performance. While normal serial communications can work well, this slew rate can limit reliable autobaud detection at higher baud rates (typically beyond 100k baud) and cause the auto-baudlock feature to fail.

To avoid this, the following is recommended:

- Achieve a baud-lock between the host and C28x SCI boot loader using a lower baud rate.
  - The host can then handshake with the loaded C28x application to set the SCI baud rate register to the desired higher baud rate.
-

## 18.14 Software

### 18.14.1 SCI Examples

NOTE: These examples are located in the [C2000Ware](#) installation at the following location:  
 C2000Ware\_VERSION#/driverlib/DEVICE\_GPN/examples/CORE\_IF\_MULTICORE/sci

Cloud access to these examples is available at the following link: [dev.ti.com](http://dev.ti.com) [C2000Ware Examples](#).

## 18.15 SCI Registers

The section describes the Serial Communication Interface module registers.

### 18.15.1 SCI Base Addresses

**Table 18-5. SCI Base Address Table**

Device Registers	Register Name	Start Address	End Address
SciaRegs	SCI_REGS	0x0000_7200	0x0000_720F
ScibRegs	SCI_REGS	0x0000_7210	0x0000_721F
ScicRegs	SCI_REGS	0x0000_7220	0x0000_722F
ScidRegs	SCI_REGS	0x0000_7230	0x0000_723F

### 18.15.2 SCI\_REGS Registers

Table 18-6 lists the memory-mapped registers for the SCI\_REGS registers. All register offset addresses not listed in Table 18-6 should be considered as reserved locations and the register contents should not be modified.

**Table 18-6. SCI\_REGS Registers**

Offset	Acronym	Register Name	Write Protection	Section
0h	SCICCR	Communications control register		<a href="#">Go</a>
1h	SCICTL1	Control register 1		<a href="#">Go</a>
2h	SCIHBAUD	Baud rate (high) register		<a href="#">Go</a>
3h	SCILBAUD	Baud rate (low) register		<a href="#">Go</a>
4h	SCICTL2	Control register 2		<a href="#">Go</a>
5h	SCIRXST	Receive status register		<a href="#">Go</a>
6h	SCIRXEMU	Receive emulation buffer register		<a href="#">Go</a>
7h	SCIRXBUF	Receive data buffer		<a href="#">Go</a>
9h	SCITXBUF	Transmit data buffer		<a href="#">Go</a>
Ah	SCIFFTX	FIFO transmit register		<a href="#">Go</a>
Bh	SCIFFRX	FIFO receive register		<a href="#">Go</a>
Ch	SCIFFCT	FIFO control register		<a href="#">Go</a>
Fh	SCIPRI	SCI priority control		<a href="#">Go</a>

Complex bit access types are encoded to fit into small table cells. Table 18-7 shows the codes that are used for access types in this section.

**Table 18-7. SCI\_REGS Access Type Codes**

Access Type	Code	Description
Read Type		
R	R	Read
R-0	R -0	Read Returns 0s
Write Type		
W	W	Write
W1S	W 1S	Write 1 to set
Reset or Default Value		
-n		Value after reset or the default value

### 18.15.2.1 SCICCR Register (Offset = 0h) [Reset = 0000h]

SCICCR is shown in [Figure 18-11](#) and described in [Table 18-8](#).

Return to the [Summary Table](#).

SCICCR defines the character format, protocol, and communications mode used by the SCI.

**Figure 18-11. SCICCR Register**

15	14	13	12	11	10	9	8
RESERVED							
R-0h							
7	6	5	4	3	2	1	0
STOPBITS	PARITY	PARITYENA	LOOPBKENA	ADDRIDLE_MODE	SCICHAR		
R/W-0h	R/W-0h	R/W-0h	R/W-0h	R/W-0h	R/W-0h		

**Table 18-8. SCICCR Register Field Descriptions**

Bit	Field	Type	Reset	Description
15-8	RESERVED	R	0h	Reserved
7	STOPBITS	R/W	0h	SCI number of stop bits. This bit specifies the number of stop bits transmitted. The receiver checks for only one stop bit. Reset type: SYSRSn 0h (R/W) = One stop bit 1h (R/W) = Two stop bits
6	PARITY	R/W	0h	SCI parity odd/even selection. If the PARITY ENABLE bit (SCICCR, bit 5) is set, PARITY (bit 6) designates odd or even parity (odd or even number of bits with the value of 1 in both transmitted and received characters). Reset type: SYSRSn 0h (R/W) = Odd parity 1h (R/W) = Even parity
5	PARITYENA	R/W	0h	SCI parity enable. This bit enables or disables the parity function. If the SCI is in the addressbit multiprocessor mode (set using bit 3 of this register), the address bit is included in the parity calculation (if parity is enabled). For characters of less than eight bits, the remaining unused bits should be masked out of the parity calculation. Reset type: SYSRSn 0h (R/W) = Parity disabled no parity bit is generated during transmission or is expected during reception 1h (R/W) = Parity is enabled
4	LOOPBKENA	R/W	0h	Loop Back test mode enable. This bit enables the Loop Back test mode where the Tx pin is internally connected to the Rx pin. Reset type: SYSRSn 0h (R/W) = Loop Back test mode disabled 1h (R/W) = Loop Back test mode enabled

**Table 18-8. SCICCR Register Field Descriptions (continued)**

Bit	Field	Type	Reset	Description
3	ADDRIDLE_MODE	R/W	0h	<p>SCI multiprocessor mode control bit.</p> <p>This bit selects one of the multiprocessor protocols. Multiprocessor communication is different from the other communication modes because it uses SLEEP and TXWAKE functions (bits SCICTL1, bit 2 and SCICTL1, bit 3, respectively). The idle-line mode is usually used for normal communications because the address-bit mode adds an extra bit to the frame. The idle-line mode does not add this extra bit and is compatible with RS-232 type communications.</p> <p>Reset type: SYSRSn</p> <p>0h (R/W) = Idle-line mode protocol selected 1h (R/W) = Address-bit mode protocol selected</p>
2-0	SCICCHAR	R/W	0h	<p>Character-length control bits 2-0.</p> <p>These bits select the SCI character length from one to eight bits. Characters of less than eight bits are right-justified in SCIRXBUF and SCIRXEMU and are padded with leading zeros in SCIRXBUF. SCITXBUF doesn't need to be padded with leading zeros.</p> <p>Reset type: SYSRSn</p> <p>0h (R/W) = SCICCHAR_LENGTH_1 1h (R/W) = SCICCHAR_LENGTH_2 2h (R/W) = SCICCHAR_LENGTH_3 3h (R/W) = SCICCHAR_LENGTH_4 4h (R/W) = SCICCHAR_LENGTH_5 5h (R/W) = SCICCHAR_LENGTH_6 6h (R/W) = SCICCHAR_LENGTH_7 7h (R/W) = SCICCHAR_LENGTH_8</p>

### 18.15.2.2 SCICTL1 Register (Offset = 1h) [Reset = 0000h]

SCICTL1 is shown in [Figure 18-12](#) and described in [Table 18-9](#).

Return to the [Summary Table](#).

SCICTL1 controls the receiver/transmitter enable, TXWAKE and SLEEP functions, and the SCI software reset.

**Figure 18-12. SCICTL1 Register**

15	14	13	12	11	10	9	8
RESERVED							
R-0h							
7	6	5	4	3	2	1	0
RESERVED	RXERRINTENA	SWRESET	RESERVED	TXWAKE	SLEEP	TXENA	RXENA
R-0h	R/W-0h	R/W-0h	R-0h	R/W-0h	R/W-0h	R/W-0h	R/W-0h

**Table 18-9. SCICTL1 Register Field Descriptions**

Bit	Field	Type	Reset	Description
15-7	RESERVED	R	0h	Reserved
6	RXERRINTENA	R/W	0h	SCI receive error interrupt enable. Setting this bit enables an interrupt if the RX ERROR bit (SCIRXST, bit 7) becomes set because of errors occurring. Reset type: SYSRSn 0h (R/W) = Receive error interrupt disabled 1h (R/W) = Receive error interrupt enabled
5	SWRESET	R/W	0h	SCI software reset (active low). Writing a 0 to this bit initializes the SCI state machines and operating flags (registers SCICTL2 and SCIRXST) to the reset condition. This reset will not reset the FIFO pointers or flush out the data in TX/RX FIFO. If you need to clear the FIFO then perform SWRESET + TXFFINT + RXFFINT or refer to a channel reset SCIFFTX[SCIRST]. The SW RESET bit does not affect any of the configuration bits. All affected logic is held in the specified reset state until a 1 is written to SW RESET (the bit values following a reset are shown beneath each register diagram in this section). Thus, after a system reset, re-enable the SCI by writing a 1 to this bit. Clear this bit after a receiver break detect (BRKDT flag, bit SCIRXST, bit 5). SW RESET affects the operating flags of the SCI, but it neither affects the configuration bits nor restores the reset values. Once SW RESET is asserted, the flags are frozen until the bit is deasserted. The affected flags are as follows: Value After SW SCI Flag Register Bit RESET 1 TXRDY SCICTL2, bit 7 1 TX EMPTY SCICTL2, bit 6 0 RXWAKE SCIRXST, bit 1 0 PE SCIRXST, bit 2 0 OE SCIRXST, bit 3 0 FE SCIRXST, bit 4 0 BRKDT SCIRXST, bit 5 0 RXRDY SCIRXST, bit 6 0 RX ERROR SCIRXST, bit 7 Reset type: SYSRSn 0h (R/W) = Writing a 0 to this bit initializes the SCI state machines and operating flags (registers SCICTL2 and SCIRXST) to the reset condition. 1h (R/W) = After a system reset, re-enable the SCI by writing a 1 to this bit. There is no time requirement to meet before writing a one to this bit after writing a zero.
4	RESERVED	R	0h	Reserved

**Table 18-9. SCICTL1 Register Field Descriptions (continued)**

Bit	Field	Type	Reset	Description
3	TXWAKE	R/W	0h	<p>SCI transmitter wake-up method select.</p> <p>The TXWAKE bit controls selection of the data-transmit feature, depending on which transmit mode (idle-line or address-bit) is specified at the ADDR/IDLE MODE bit (SCICCR, bit 3)</p> <p>Reset type: SYSRSn</p> <p>0h (R/W) = Transmit feature is not selected. In idle-line mode: write a 1 to TXWAKE, then write data to register SCITXBUF to generate an idle period of 11 data bits In address-bit mode: write a 1 to TXWAKE, then write data to SCITXBUF to set the address bit for that frame to 1</p> <p>1h (R/W) = Transmit feature selected is dependent on the mode, idle-line or address-bit: TXWAKE is not cleared by the SW RESET bit (SCICTL1, bit 5)</p> <p>it is cleared by a system reset or the transfer of TXWAKE to the WUT flag.</p>
2	SLEEP	R/W	0h	<p>SCI sleep.</p> <p>The TXWAKE bit controls selection of the data-transmit feature, depending on which transmit mode (idle-line or address-bit) is specified at the ADDR/IDLE MODE bit (SCICCR, bit 3). In a multiprocessor configuration, this bit controls the receiver sleep function. Clearing this bit brings the SCI out of the sleep mode. The receiver still operates when the SLEEP bit is set however, operation does not update the receiver buffer ready bit (SCIRXST, bit 6, RXRDY) or the error status bits (SCIRXST, bit 5-2: BRKDT, FE, OE, and PE) unless the address byte is detected. SLEEP is not cleared when the address byte is detected.</p> <p>Reset type: SYSRSn</p> <p>0h (R/W) = Sleep mode disabled</p> <p>1h (R/W) = Sleep mode enabled</p>
1	TXENA	R/W	0h	<p>SCI transmitter enable.</p> <p>Data is transmitted through the SCITXD pin only when TXENA is set. If reset, transmission is halted but only after all data previously written to SCITXBUF has been sent. Data written into SCITXBUF when TXENA is disabled will not be transmitted even if the TXENA is enabled later.</p> <p>Reset type: SYSRSn</p> <p>0h (R/W) = Transmitter disabled</p> <p>1h (R/W) = Transmitter enabled</p>
0	RXENA	R/W	0h	<p>SCI receiver enable.</p> <p>Data is received on the SCIRXD pin and is sent to the receiver shift register and then the receiver buffers. This bit enables or disables the receiver (transfer to the buffers).</p> <p>Clearing RXENA stops received characters from being transferred to the two receiver buffers and also stops the generation of receiver interrupts. However, this will not stop RX errors from triggering interrupts. To disable interrupts from RX errors use the RXERRINTENA bit. To stop propagation of the BRKDT interrupt use the RXBKINTENA bit.</p> <p>The receiver shift register can continue to assemble characters even while RXENA is cleared. Thus, if RXENA is set during the reception of a character, the complete character will be transferred into the receiver buffer registers, SCIRXEMU and SCIRXBUF.</p> <p>Reset type: SYSRSn</p> <p>0h (R/W) = Prevent received characters from transfer into the SCIRXEMU and SCIRXBUF receiver buffers</p> <p>1h (R/W) = Send received characters to SCIRXEMU and SCIRXBUF</p>

### 18.15.2.3 SCIHBAUD Register (Offset = 2h) [Reset = 0000h]

SCIHBAUD is shown in [Figure 18-13](#) and described in [Table 18-10](#).

Return to the [Summary Table](#).

The values in SCIHBAUD and SCILBAUD specify the baud rate for the SCI.

**Figure 18-13. SCIHBAUD Register**

15	14	13	12	11	10	9	8
RESERVED							
R-0h							
7	6	5	4	3	2	1	0
BAUD							
R/W-0h							

**Table 18-10. SCIHBAUD Register Field Descriptions**

Bit	Field	Type	Reset	Description
15-8	RESERVED	R	0h	Reserved
7-0	BAUD	R/W	0h	SCI 16-bit baud selection Registers SCIHBAUD (MSbyte). The internally-generated serial clock is determined by the low speed peripheral clock (LSPCLK) signal and the two baud-select registers. The SCI uses the 16-bit value of these registers to select one of 64K serial clock rates for the communication modes. $BRR = (SCIHBAUD \ll 8) + (SCILBAUD)$ The SCI baud rate is calculated using the following equation: SCI Asynchronous Baud = $LSPCLK / ((BRR + 1) * 8)$ Alternatively, $BRR = LSPCLK / (SCI \text{ Asynchronous Baud} * 8) - 1$ Note that the above formulas are applicable only when $0 < BRR < 65536$ . If $BRR = 0$ , then SCI Asynchronous Baud = $LSPCLK / 16$ Where: BRR = the 16-bit value (in decimal) in the baud-select registers Reset type: SYSRSn



### 18.15.2.4 SCILBAUD Register (Offset = 3h) [Reset = 0000h]

SCILBAUD is shown in [Figure 18-14](#) and described in [Table 18-11](#).

Return to the [Summary Table](#).

The values in SCIHBAUD and SCILBAUD specify the baud rate for the SCI.

**Figure 18-14. SCILBAUD Register**

15	14	13	12	11	10	9	8
RESERVED							
R-0h							
7	6	5	4	3	2	1	0
BAUD							
R/W-0h							

**Table 18-11. SCILBAUD Register Field Descriptions**

Bit	Field	Type	Reset	Description
15-8	RESERVED	R	0h	Reserved
7-0	BAUD	R/W	0h	See SCIHBAUD Detailed Description Reset type: SYSRSn

### 18.15.2.5 SCICTL2 Register (Offset = 4h) [Reset = 00C0h]

SCICTL2 is shown in [Figure 18-15](#) and described in [Table 18-12](#).

Return to the [Summary Table](#).

SCICTL2 enables the receive-ready, break-detect, and transmit-ready interrupts as well as transmitter-ready and -empty flags.

**Figure 18-15. SCICTL2 Register**

15	14	13	12	11	10	9	8
RESERVED							
R-0h							
7	6	5	4	3	2	1	0
TXRDY	TXEMPTY	RESERVED				RXBKINTENA	TXINTENA
R-1h	R-1h	R-0h				R/W-0h	R/W-0h

**Table 18-12. SCICTL2 Register Field Descriptions**

Bit	Field	Type	Reset	Description
15-8	RESERVED	R	0h	Reserved
7	TXRDY	R	1h	Transmitter buffer register ready flag. When set, this bit indicates that the transmit data buffer register, SCITXBUF, is ready to receive another character. Writing data to the SCITXBUF automatically clears this bit. When set, this flag asserts a transmitter interrupt request if the interrupt-enable bit, TX INT ENA (SCICTL2.0), is also set. TXRDY is set to 1 by enabling the SW RESET bit (SCICTL1.5) or by a system reset. Reset type: SYSRSn 0h (R/W) = SCITXBUF is full 1h (R/W) = SCITXBUF is ready to receive the next character
6	TXEMPTY	R	1h	Transmitter empty flag. This flag's value indicates the contents of the transmitter's buffer register (SCITXBUF) and shift register (TXSHF). An active SW RESET (SCICTL1.5), or a system reset, sets this bit. This bit does not cause an interrupt request. Reset type: SYSRSn 0h (R/W) = Transmitter buffer or shift register or both are loaded with data 1h (R/W) = Transmitter buffer and shift registers are both empty
5-2	RESERVED	R	0h	Reserved
1	RXBKINTENA	R/W	0h	Receiver-buffer/break interrupt enable. This bit controls the interrupt request caused by either the RXRDY flag or the BRKDT flag (bits SCIRXST.6 and .5) being set. However, RX/BK INT ENA does not prevent the setting of these flags. Reset type: SYSRSn 0h (R/W) = Disable RXRDY/BRKDT interrupt 1h (R/W) = Enable RXRDY/BRKDT interrupt

**Table 18-12. SCICTL2 Register Field Descriptions (continued)**

Bit	Field	Type	Reset	Description
0	TXINTENA	R/W	0h	<p>SCITXBUF-register interrupt enable.</p> <p>This bit controls the interrupt request caused by the setting of TXRDY flag bit (SCICTL2.7). However, it does not prevent the TXRDY flag from being set (which indicates SCITXBUF is ready to receive another character).</p> <p>0 Disable TXRDY interrupt 1 Enable TXRDY interrupt.</p> <p>In non-FIFO mode, a dummy (or a valid) data has to be written to SCITXBUF for the first transmit interrupt to occur. This is the case when you enable the transmit interrupt for the first time and also when you re-enable (disable and then enable) the transmit interrupt. If TXINTENA is enabled after writing the data to SCITXBUF, it will not generate an interrupt.</p> <p>Reset type: SYSRSn</p> <p>0h (R/W) = Disable TXRDY interrupt 1h (R/W) = Enable TXRDY interrupt</p>

### 18.15.2.6 SCIRXST Register (Offset = 5h) [Reset = 0000h]

SCIRXST is shown in [Figure 18-16](#) and described in [Table 18-13](#).

Return to the [Summary Table](#).

SCIRXST contains seven bits that are receiver status flags (two of which can generate interrupt requests). Each time a complete character is transferred to the receiver buffers (SCIRXEMU and SCIRXBUF), the status flags are updated.

**Figure 18-16. SCIRXST Register**

15	14	13	12	11	10	9	8
RESERVED							
R-0h							
7	6	5	4	3	2	1	0
RXERROR	RXRDY	BRKDT	FE	OE	PE	RXWAKE	RESERVED
R-0h	R-0h	R-0h	R-0h	R-0h	R-0h	R-0h	R-0h

**Table 18-13. SCIRXST Register Field Descriptions**

Bit	Field	Type	Reset	Description
15-8	RESERVED	R	0h	Reserved

**Table 18-13. SCIRXST Register Field Descriptions (continued)**

Bit	Field	Type	Reset	Description
7	RXERROR	R	0h	<p>SCI receiver error flag.</p> <p>The RX ERROR flag indicates that one of the error flags in the receiver status register is set. RX ERROR is a logical OR of the break detect, framing error, overrun, and parity error enable flags (bits 5-2: BRKDT, FE, OE, and PE).</p> <p>A 1 on this bit will cause an interrupt if the RX ERR INT ENA bit (SCICTL1.6) is set. This bit can be used for fast error-condition checking during the interrupt service routine. This error flag cannot be cleared directly</p> <p>it is cleared by an active SW RESET, channel reset (SCIRST), or by a system reset.</p> <p>Note: SCI Module Interrupt Reaction Time - Occasional BRKDT or other errors such as FE/PE being triggered could occur if there are tight timings occurring in the application.</p> <p>Interrupts are not triggered until approximately 7/8 of the stop bit has been detected (~0.875 bit time). Actual value of this delay before ISR entry is: <math>((7 * \text{BAUD\_CLK\_PERIOD}) / 8 + 3 * \text{SYSCLK\_PERIOD})</math>.</p> <p>The SCI will not begin reading additional bits/characters until the RX ISR completes so it is critical to complete the ISR before the next byte's start bit begins. This leaves approximately 1/8 bit time (~0.125 bit time) to complete the entire ISR, regardless of interrupt cause. If the ISR is not completed before the beginning of the next start bit (before the RX line goes low again), the SCI module will begin reading the start bit late in the wrong location and therefore may read all bits incorrectly until the next correctly aligned start bit (when ISR has sufficient time to process before a start bit again).</p> <p>Recommended methods for avoiding errors (to accommodate for the 0.875 bit time required for ISR to begin):</p> <ol style="list-style-type: none"> <li>1. Keep the RX ISR short. The RX ISR should only be used to move data in the FIFO/buffer into memory where it can be processed in another, less time-critical function.</li> <li>2. Avoid excessive nesting of other interrupts within the SCI RX ISR. Do not allow the nesting to delay SCI RX ISR completion past the ~0.125 bit time window allowed.</li> <li>3. If additional time (more than the ~0.125 bit time) is required, delay can be added in the other device's firmware before transmitting additional data to the C2000 device's SCI RX pin. Delays can be added to the other device as follows: <ul style="list-style-type: none"> <li>A. Sending bytes with 2 stop bits to the C2000 device provides ~1.125 bit time of processing time for C2000 RX ISR to complete.</li> <li>B. Adding manual delay in the firmware of the other device transmitting to the C2000 device after every BYTE transmitted will provide (delay + ~0.125 bit time) processing time for the C2000 RX ISR to complete.</li> <li>C. Adding manual delay in the firmware of the other device transmitting to the C2000 device after every C2000 RX INTERRUPT occurs will provide (delay + ~0.125 bit time) processing time for the C2000 RX ISR to complete. This is more difficult to implement as it requires the other device to predict when its transmitted data will trigger an RX interrupt on the C2000 device. Examples of things that can trigger an RX interrupt are RX-FIFO level being reached, BRKDT being sent, RXERROR occurring, etc.</li> </ul> </li> </ol> <p>Reset type: SYSRSn  0h (R/W) = No error flags set  1h (R/W) = Error flag(s) set</p>
6	RXRDY	R	0h	<p>SCI receiver-ready flag.</p> <p>When a new character is ready to be read from the SCIRXBUF register, the receiver sets this bit, and a receiver interrupt is generated if the RX/BK INT ENA bit (SCICTL2.1) is a 1. RXRDY is cleared by a reading of the SCIRXBUF register, by an active SW RESET, channel reset (SCIRST), or by a system reset.</p> <p>Reset type: SYSRSn  0h (R/W) = No new character in SCIRXBUF  1h (R/W) = Character ready to be read from SCIRXBUF</p>

**Table 18-13. SCIRXST Register Field Descriptions (continued)**

Bit	Field	Type	Reset	Description
5	BRKDT	R	0h	<p>SCI break-detect flag.</p> <p>The SCI sets this bit when a break condition occurs. A break condition occurs when the SCI receiver data line (SCIRXD) remains continuously low for at least 9.625 bits, beginning after a missing first stop bit. If the SCIRX line goes high at any point during the 9.625 bits then the SCI will not flag a break detect. In order to trigger the first stop bit missed, the typical method is to hold the RX line low for 1 start bit, 8 data bits, 1 optional address bit, 1 optional parity bit, 1 stop bit, and 9.625 bits of additional time held low. This is a total of 19.625 (no parity/address bit), 20.625 (either parity or address bit), or 21.625 (both parity and address bit) bit times.</p> <p>To instead detect a 'break seq' or 'break sequence' of 11 bits of low voltage level (0), ISR code can use the following combination of flags and received data: FE==1 &amp;&amp; PE==1 &amp;&amp; SCIRXBUF.SAR (received character)==0x00. This assumes parity enabled and odd parity set. With even parity, PE==0 instead. The detection of 11 bits of low/0 can be reduced to 10 bits of low if no parity bit is used (then PE flag does not matter to detect the sequence).</p> <p>The occurrence of a break causes a receiver interrupt to be generated if the RX/BK INT ENA bit is a 1, but it does not cause the receiver buffer to be loaded.</p> <p>A BRKDT interrupt can occur even if the receiver SLEEP bit is set to 1.</p> <p>BRKDT is cleared by an active SW RESET, SCIRST bit, or by a system reset. It is not cleared by receipt of a character after the break is detected.</p> <p>If Break Detect (BRKDT) is set, then RXRDY won't be set and there will be no further interrupts after the first interrupt where there is an error detected if a SW reset, channel reset, or system reset is not performed. In order to receive more characters, the SCI must be reset by toggling the SW RESET bit, channel reset (SCIRST), or by a system reset.</p> <p>NOTE: If your system is susceptible to break detects, ensure that you have a pull-up resistor on the SCI-RX pin to provide proper return-to-high signal behavior and noise immunity.</p> <p>NOTE: To monitor a break detect, place an oscilloscope on the C2000 SCI-RX line and monitor for a low-signal greater than 9.625 bits wide. If this is found and a break is not expected, please correct the software in the other device that is transmitting to this C2000 device. There should never be a low-signal greater than 9.625 bits wide on the SCI-RX line of the C2000 device unless a break detect is being transmitted purposely.</p> <p>Reset type: SYSRSn  0h (R/W) = No break condition  1h (R/W) = Break condition occurred</p>
4	FE	R	0h	<p>SCI framing-error flag.</p> <p>The SCI sets this bit when an expected stop bit is not found. Only the first stop bit is checked. The missing stop bit indicates that synchronization with the start bit has been lost and that the character is incorrectly framed. The FE bit is reset by a clearing of the SW RESET bit, channel reset (SCIRST), or by a system reset. NOTE: FE will be flagged prior to BRKDT, except when RX is in sleep mode. In sleep mode, when there is no RX WAKEUP and RXD line is low for greater than 10 bits, BRKDT will be flagged while FE will not be flagged.</p> <p>Reset type: SYSRSn  0h (R/W) = No framing error detected  1h (R/W) = Framing error detected</p>

**Table 18-13. SCIRXST Register Field Descriptions (continued)**

Bit	Field	Type	Reset	Description
3	OE	R	0h	<p>SCI overrun-error flag.</p> <p>The SCI sets this bit when a character is transferred into registers SCIRXEMU and SCIRXBUF before the previous character is fully read by the CPU or DMAC. The previous character is overwritten and lost. The OE flag bit is reset by an active SW RESET, channel reset (SCIRST), or a system reset.</p> <p>Reset type: SYSRSn</p> <p>0h (R/W) = No overrun error detected 1h (R/W) = Overrun error detected</p>
2	PE	R	0h	<p>SCI parity-error flag.</p> <p>This flag bit is set when a character is received with a mismatch between the number of 1s and its parity bit. The address bit is included in the calculation. If parity generation and detection is not enabled, the PE flag is disabled and read as 0. The PE bit is reset by an active SW RESET, channel reset (SCIRST), or a system reset.</p> <p>Reset type: SYSRSn</p> <p>0h (R/W) = No parity error or parity is disabled 1h (R/W) = Parity error is detected</p>
1	RXWAKE	R	0h	<p>Receiver wake-up-detect flag</p> <p>Reset type: SYSRSn</p> <p>0h (R/W) = No detection of a receiver wake-up condition 1h (R/W) = A value of 1 in this bit indicates detection of a receiver wake-up condition. In the address-bit multiprocessor mode (SCICCR.3 = 1), RXWAKE reflects the value of the address bit for the character contained in SCIRXBUF. In the idle-line multiprocessor mode, RXWAKE is set if the SCIRXD data line is detected as idle. RXWAKE is a read-only flag, cleared by one of the following:</p> <ul style="list-style-type: none"> <li>- The transfer of the first byte after the address byte to SCIRXBUF (only in non-FIFO mode)</li> <li>- The reading of SCIRXBUF</li> <li>- An active SW RESET</li> <li>- Channel reset (SCIRST)</li> <li>- A system reset</li> </ul>
0	RESERVED	R	0h	Reserved

### 18.15.2.7 SCIRXEMU Register (Offset = 6h) [Reset = 0000h]

SCIRXEMU is shown in [Figure 18-17](#) and described in [Table 18-14](#).

Return to the [Summary Table](#).

Normal SCI data-receive operations read the data received from the SCIRXBUF register. The SCIRXEMU register is used principally by the emulator (EMU) because it can continuously read the data received for screen updates without clearing the RXRDY flag. SCIRXEMU is cleared by a system reset. This is the register that should be used in an emulator watch window to view the contents of the SCIRXBUF register. SCIRXEMU is not physically implemented

it is just a different address location to access the SCIRXBUF register without clearing the RXRDY flag.

**Figure 18-17. SCIRXEMU Register**

15	14	13	12	11	10	9	8
RESERVED							
R-0h							
7	6	5	4	3	2	1	0
ERXDT							
R-0h							

**Table 18-14. SCIRXEMU Register Field Descriptions**

Bit	Field	Type	Reset	Description
15-8	RESERVED	R	0h	Reserved
7-0	ERXDT	R	0h	Receive emulation buffer data Reset type: SYSRSn



### 18.15.2.8 SCIRXBUF Register (Offset = 7h) [Reset = 0000h]

SCIRXBUF is shown in [Figure 18-18](#) and described in [Table 18-15](#).

Return to the [Summary Table](#).

When the current data received is shifted from RXSHF to the receiver buffer, flag bit RXRDY is set and the data is ready to be read. If the RXBKINTENA bit (SCICTL2.1) is set, this shift also causes an interrupt. When SCIRXBUF is read, the RXRDY flag is reset. SCIRXBUF is cleared by a system reset.

**Figure 18-18. SCIRXBUF Register**

15	14	13	12	11	10	9	8
SCIFFFE	SCIFFPE	RESERVED					
R-0h	R-0h	R-0h					
7	6	5	4	3	2	1	0
SAR							
R-0h							

**Table 18-15. SCIRXBUF Register Field Descriptions**

Bit	Field	Type	Reset	Description
15	SCIFFFE	R	0h	SCIFFFE. SCI FIFO Framing error flag bit (applicable only if the FIFO is enabled) Note: 'SCIFFFE' is meant to serve as a flag for the specific set of data being received/read in the SCIRXBUF register. Each set of data received into the FIFO will have this information. The 'FE' bit within the SCIRXST register can be thought off as high level error flag where the flag will get set if any data that has been received has a framing error. Reset type: SYSRSn 0h (R/W) = No frame error occurred while receiving the character, in bits 7-0. This bit is associated with the character on the top of the FIFO. 1h (R/W) = A frame error occurred while receiving the character in bits 7-0. This bit is associated with the character on the top of the FIFO.
14	SCIFFPE	R	0h	SCIFFPE. SCI FIFO parity error flag bit (applicable only if the FIFO is enabled) Note: 'SCIFFPE' is meant to serve as a flag for the specific set of data being received/read in the SCIRXBUF register. Each set of data received into the FIFO will have this information. The 'PE' bit within the SCIRXST register can be thought off as high level error flag where the flag will get set if any data that has been received has a parity error. Note: If the parity is changed in the middle of data reception, the SCI module will not reinterpret the data with the new parity or other settings that may have changed. Therefore, changing the parameter, the FIFO should be cleared or the user should acknowledge that there will most likely be errors in the data caused by the change. Note: If RX parity errors are occurring intermittently this could be due to the length of the SCI ISR. To help prevent this, ensure that interrupt nesting is limited, increase the SCI interrupt priority, and move as much of the processing as possible out of the ISR (to reduce ISR time to the absolute minimum). Reset type: SYSRSn 0h (R/W) = No parity error occurred while receiving the character, in bits 7-0. This bit is associated with the character on the top of the FIFO. 1h (R/W) = A parity error occurred while receiving the character in bits 7-0. This bit is associated with the character on the top of the FIFO.
13-8	RESERVED	R	0h	Reserved

**Table 18-15. SCIRXBUF Register Field Descriptions (continued)**

Bit	Field	Type	Reset	Description
7-0	SAR	R	0h	Receive Character bits Reset type: SYSRSn

### 18.15.2.9 SCITXBUF Register (Offset = 9h) [Reset = 0000h]

SCITXBUF is shown in [Figure 18-19](#) and described in [Table 18-16](#).

Return to the [Summary Table](#).

Data bits to be transmitted are written to SCITXBUF. These bits must be rightjustified because the leftmost bits are ignored for characters less than eight bits long. The transfer of data from this register to the TXSHF transmitter shift register sets the TXRDY flag (SCICTL2.7), indicating that SCITXBUF is ready to receive another set of data. If bit TXINTENA (SCICTL2.0) is set, this data transfer also causes an interrupt.

**Figure 18-19. SCITXBUF Register**

15	14	13	12	11	10	9	8
RESERVED							
R-0h							
7	6	5	4	3	2	1	0
TXDT							
R/W-0h							

**Table 18-16. SCITXBUF Register Field Descriptions**

Bit	Field	Type	Reset	Description
15-8	RESERVED	R	0h	Reserved
7-0	TXDT	R/W	0h	Transmit data buffer Reset type: SYSRSn

### 18.15.2.10 SCIFFTX Register (Offset = Ah) [Reset = A000h]

SCIFFTX is shown in [Figure 18-20](#) and described in [Table 18-17](#).

Return to the [Summary Table](#).

SCIFFTX controls the transmit FIFO interrupt, FIFO enhancements, and reset for the SCI transmit and receive channels.

**Figure 18-20. SCIFFTX Register**

15		14		13		12		11		10		9		8	
SCIRST		SCIFFENA		TXFIFORESET						TXFFST					
R/W-1h		R/W-0h		R/W-1h						R-0h					
7		6		5		4		3		2		1		0	
TXFFINT		TXFFINTCLR		TXFFIENA						TXFFIL					
R-0h		R-0/W1S-0h		R/W-0h						R/W-0h					

**Table 18-17. SCIFFTX Register Field Descriptions**

Bit	Field	Type	Reset	Description
15	SCIRST	R/W	1h	SCI Reset 0 A write of 0 will cause a SW RESET + a RESET of TXFFINT and RXFFINT, essentially clearing TX/RX FIFO content. The SCI will be held in reset until a write of 1. Additionally it resets the RXFFOVF, PE, OE, FE, RXERROR, BRKDET, RXRDY, and RXWAKE flags. It will also set TXRDY and TXEMPTY bits as 1. 1 SCI FIFO can resume transmit or receive. SCIRST should be 1 even for Autobaud logic to work. Reset type: SYSRSn
14	SCIFFENA	R/W	0h	SCI FIFO enable Reset type: SYSRSn 0h (R/W) = SCI FIFO enhancements are disabled 1h (R/W) = SCI FIFO enhancements are enabled
13	TXFIFORESET	R/W	1h	Transmit FIFO reset Reset type: SYSRSn 0h (R/W) = Reset the FIFO pointer to zero and hold in reset 1h (R/W) = Re-enable transmit FIFO operation
12-8	TXFFST	R	0h	FIFO status Reset type: SYSRSn 0h (R/W) = Transmit FIFO is empty 1h (R/W) = Transmit FIFO has 1 words 2h (R/W) = Transmit FIFO has 2 words 3h (R/W) = Transmit FIFO has 3 words 4h (R/W) = Transmit FIFO has 4 words 5h (R/W) = Transmit FIFO has 5 words 6h (R/W) = Transmit FIFO has 6 words 7h (R/W) = Transmit FIFO has 7 words 8h (R/W) = Transmit FIFO has 8 words 9h (R/W) = Transmit FIFO has 9 words Ah (R/W) = Transmit FIFO has 10 words Bh (R/W) = Transmit FIFO has 11 words Ch (R/W) = Transmit FIFO has 12 words Dh (R/W) = Transmit FIFO has 13 words Eh (R/W) = Transmit FIFO has 14 words Fh (R/W) = Transmit FIFO has 15 words 10h (R/W) = Transmit FIFO has 16 words
7	TXFFINT	R	0h	Transmit FIFO interrupt Reset type: SYSRSn 0h (R/W) = TXFIFO interrupt has not occurred, read-only bit 1h (R/W) = TXFIFO interrupt has occurred, read-only bit

**Table 18-17. SCIFTX Register Field Descriptions (continued)**

Bit	Field	Type	Reset	Description
6	TXFFINTCLR	R-0/W1S	0h	Transmit FIFO clear Reset type: SYSRSn 0h (R/W) = Write 0 has no effect on TXFIFINT flag bit, Bit reads back a zero 1h (R/W) = Write 1 to clear TXFFINT flag in bit 7
5	TXFFIENA	R/W	0h	Transmit FIFO interrupt enable Reset type: SYSRSn 0h (R/W) = TX FIFO interrupt is disabled 1h (R/W) = TX FIFO interrupt is enabled. This interrupt is triggered whenever the transmit FIFO status (TXFFST) bits match (equal to or less than) the interrupt trigger level bits TXFFIL (bits 4-0).
4-0	TXFFIL	R/W	0h	TXFFIL4-0 Transmit FIFO interrupt level bits. The transmit FIFO generates an interrupt whenever the FIFO status bits (TXFFST4-0) are less than or equal to the FIFO level bits (TXFFIL4-0). The maximum value that can be assigned to these bits to generate an interrupt cannot be more than the depth of the TX FIFO. The default value of these bits after reset is 00000b. Users should set TXFFIL to best fit their application needs by weighing between the CPU overhead to service the ISR and the best possible usage of SCI bus bandwidth. Reset type: SYSRSn

### 18.15.2.11 SCIFFRX Register (Offset = Bh) [Reset = 201Fh]

SCIFFRX is shown in [Figure 18-21](#) and described in [Table 18-18](#).

Return to the [Summary Table](#).

SCIFFRX controls the receive FIFO interrupt, receive FIFO reset, and status of the receive FIFO overflow.

**Figure 18-21. SCIFFRX Register**

15	14	13	12	11	10	9	8	
RXFFOVF	RXFFOVRCLR	RXFIFORESET	RXFFST					
R-0h	R-0/W1S-0h	R/W-1h					R-0h	
7	6	5	4	3	2	1	0	
RXFFINT	RXFFINTCLR	RXFFIENA	RXFFIL					
R-0h	W-0h	R/W-0h					R/W-1Fh	

**Table 18-18. SCIFFRX Register Field Descriptions**

Bit	Field	Type	Reset	Description
15	RXFFOVF	R	0h	Receive FIFO overflow. This will function as flag, but cannot generate interrupt by itself. This condition will occur while receive interrupt is active. Receive interrupts should service this flag condition. This bit is cleared by RXFFOVRCLR, a channel reset (SCIRST), or a system reset. Reset type: SYSRSn 0h (R/W) = Receive FIFO has not overflowed, read-only bit 1h (R/W) = Receive FIFO has overflowed, read-only bit. More than 16 words have been received in to the FIFO, and the first received word is lost
14	RXFFOVRCLR	R-0/W1S	0h	RXFFOVF clear Note: Both RXFFIL and RXFFOVF flags are ORed together, so they need to be cleared at the same time (RXFFINTCLR & RXFFOVRCLR) during overflow scenarios else it will prevent further interrupts from occurring. Reset type: SYSRSn 0h (R/W) = Write 0 has no effect on RXFFOVF flag bit, Bit reads back a zero 1h (R/W) = Write 1 to clear RXFFOVF flag in bit 15
13	RXFIFORESET	R/W	1h	Receive FIFO reset Reset type: SYSRSn 0h (R/W) = Write 0 to reset the FIFO pointer to zero, and hold in reset. 1h (R/W) = Re-enable receive FIFO operation

**Table 18-18. SCIFFRX Register Field Descriptions (continued)**

Bit	Field	Type	Reset	Description
12-8	RXFFST	R	0h	<p>FIFO status</p> <p>Reset type: SYSRSn</p> <p>0h (R/W) = Receive FIFO is empty            1h (R/W) = Receive FIFO has 1 words            2h (R/W) = Receive FIFO has 2 words            3h (R/W) = Receive FIFO has 3 words            4h (R/W) = Receive FIFO has 4 words            5h (R/W) = Receive FIFO has 5 words            6h (R/W) = Receive FIFO has 6 words            7h (R/W) = Receive FIFO has 7 words            8h (R/W) = Receive FIFO has 8 words            9h (R/W) = Receive FIFO has 9 words            Ah (R/W) = Receive FIFO has 10 words            Bh (R/W) = Receive FIFO has 11 words            Ch (R/W) = Receive FIFO has 12 words            Dh (R/W) = Receive FIFO has 13 words            Eh (R/W) = Receive FIFO has 14 words            Fh (R/W) = Receive FIFO has 15 words            10h (R/W) = Receive FIFO has 16 words</p>
7	RXFFINT	R	0h	<p>Receive FIFO interrupt</p> <p>Reset type: SYSRSn</p> <p>0h (R/W) = RXFIFO interrupt has not occurred, read-only bit            1h (R/W) = RXFIFO interrupt has occurred, read-only bit</p>
6	RXFFINTCLR	W	0h	<p>Receive FIFO interrupt clear</p> <p>Note: Both RXFFIL and RXFFOVF flags are ORed together, so they need to be cleared at the same time (RXFFINTCLR &amp; RXFFOVRCLR) during overflow scenarios else it will prevent further interrupts from occurring.</p> <p>Reset type: SYSRSn</p> <p>0h (R/W) = Write 0 has no effect on RXFIFINT flag bit. Bit reads back a zero.            1h (R/W) = Write 1 to clear RXFFINT flag in bit 7</p>
5	RXFFIENA	R/W	0h	<p>Receive FIFO interrupt enable</p> <p>Reset type: SYSRSn</p> <p>0h (R/W) = RX FIFO interrupt is disabled            1h (R/W) = RX FIFO interrupt is enabled. This interrupt is triggered whenever the receive FIFO status (RXFFST) bits match (equal to or greater than) the interrupt trigger level bits RXFFIL (bits 4-0).</p>
4-0	RXFFIL	R/W	1Fh	<p>Receive FIFO interrupt level bits</p> <p>The receive FIFO generates an interrupt whenever the FIFO status bits (RXFFST4-0) are greater than or equal to the FIFO level bits (RXFFIL4-0). The maximum value that can be assigned to these bits to generate an interrupt cannot be more than the depth of the RX FIFO. The default value of these bits after reset is 11111b. Users should set RXFFIL to best fit their application needs by weighing between the CPU overhead to service the ISR and the best possible usage of received SCI data.</p> <p>Reset type: SYSRSn</p>

### 18.15.2.12 SCIFFCT Register (Offset = Ch) [Reset = 0000h]

SCIFFCT is shown in [Figure 18-22](#) and described in [Table 18-19](#).

Return to the [Summary Table](#).

SCIFFCT contains the status of auto-baud detect, clears the auto-baud flag, and calibrate for A-detect bit.

**Figure 18-22. SCIFFCT Register**

15	14	13	12	11	10	9	8
ABD	ABDCLR	CDC	RESERVED				
R-0h	W-0h	R/W-0h	R-0h				
7	6	5	4	3	2	1	0
FFTXDLY							
R/W-0h							

**Table 18-19. SCIFFCT Register Field Descriptions**

Bit	Field	Type	Reset	Description
15	ABD	R	0h	Auto-baud detect (ABD) bit Reset type: SYSRSn 0h (R/W) = Auto-baud detection is not complete. 'A','a' character has not been received successfully. 1h (R/W) = Auto-baud hardware has detected 'A' or 'a' character on the SCI receive register. Auto-detect is complete.
14	ABDCLR	W	0h	ABD-clear bit Reset type: SYSRSn 0h (R/W) = Write 0 has no effect on ABD flag bit. Bit reads back a zero. 1h (R/W) = Write 1 to clear ABD flag in bit 15.
13	CDC	R/W	0h	CDC calibrate A-detect bit Reset type: SYSRSn 0h (R/W) = Disables auto-baud alignment 1h (R/W) = Enables auto-baud alignment
12-8	RESERVED	R	0h	Reserved
7-0	FFTXDLY	R/W	0h	FIFO transfer delay. These bits define the delay between every transfer from FIFO transmit bufferto transmit shift register. The delay is defined in the number of SCI serial baud clock cycles. The 8 bit register could define a minimum delay of 0 baud clock cycles and a maximum of 256 baud clock cycles In FIFO mode, the buffer (TXBUF) between the shift register and the FIFO should be filled only after the shift register has completed shifting of the last bit. This is required to pass on the delay between transfers to the data stream. In FIFO mode, TXBUF should not be treated as one additional level of buffer. The delayed transmit feature will help to create an auto-flow scheme without RTS/CTS controls as in standard UARTS. When SCI is configured for one stop-bit, delay introduced by FFTXDLY between one frame and the next frame is equal to number of baud clock cycles that FFTXDLY is set to. When SCI is configured for two stop-bits, delay introduced by FFTXDLY between one frame and the next frame is equal to number of baud clock cycles that FFTXDLY is set to minus 1. Reset type: SYSRSn



### 18.15.2.13 SCIPRI Register (Offset = Fh) [Reset = 0000h]

SCIPRI is shown in [Figure 18-23](#) and described in [Table 18-20](#).

Return to the [Summary Table](#).

SCIPRI determines what happens when an emulation suspend event occurs.

**Figure 18-23. SCIPRI Register**

15	14	13	12	11	10	9	8
RESERVED							
R-0h							
7	6	5	4	3	2	1	0
RESERVED			FREESOFT			RESERVED	
R-0h			R/W-0h			R-0h	

**Table 18-20. SCIPRI Register Field Descriptions**

Bit	Field	Type	Reset	Description
15-8	RESERVED	R	0h	Reserved
7-5	RESERVED	R	0h	Reserved
4-3	FREESOFT	R/W	0h	These bits determine what occurs when an emulation suspend event occurs (for example, when the debugger hits a breakpoint). The peripheral can continue whatever it is doing (free-run mode), or if in stop mode, it can either stop immediately or stop when the current operation (the current receive/transmit sequence) is complete. Reset type: SYSRSn 0h (R/W) = Immediate stop on suspend 1h (R/W) = Complete current receive/transmit sequence before stopping 2h (R/W) = Free run 3h (R/W) = Free run
2-0	RESERVED	R	0h	Reserved

### 18.15.3 SCI Registers to Driverlib Functions

**Table 18-21. SCI Registers to Driverlib Functions**

File	Driverlib Function
<b>SCICCR</b>	
sci.c	SCI_setConfig
sci.h	SCI_setParityMode
sci.h	SCI_getParityMode
sci.h	SCI_setAddrMultiProcessorMode
sci.h	SCI_setIdleMultiProcessorMode
sci.h	SCI_getConfig
sci.h	SCI_enableLoopback
sci.h	SCI_disableLoopback
<b>SCICTL1</b>	
sci.c	SCI_enableInterrupt
sci.c	SCI_disableInterrupt
sci.c	SCI_setWakeFlag
sci.h	SCI_enableModule
sci.h	SCI_disableModule
sci.h	SCI_enableTxModule
sci.h	SCI_disableTxModule

**Table 18-21. SCI Registers to Driverlib Functions (continued)**

File	Driverlib Function
sci.h	SCI_enableRxModule
sci.h	SCI_disableRxModule
sci.h	SCI_enableSleepMode
sci.h	SCI_disableSleepMode
sci.h	SCI_performSoftwareReset
<b>SCIHBAUD</b>	
sci.c	SCI_setConfig
sci.c	SCI_setBaud
sci.h	SCI_lockAutobaud
sci.h	SCI_getConfig
<b>SCILBAUD</b>	
sci.c	SCI_setConfig
sci.c	SCI_setBaud
sci.h	SCI_lockAutobaud
sci.h	SCI_getConfig
<b>SCICTL2</b>	
sci.c	SCI_enableInterrupt
sci.c	SCI_disableInterrupt
sci.c	SCI_getInterruptStatus
sci.h	SCI_isSpaceAvailableNonFIFO
sci.h	SCI_isTransmitterBusy
<b>SCIRXST</b>	
sci.c	SCI_getInterruptStatus
sci.h	SCI_isDataAvailableNonFIFO
sci.h	SCI_getRxStatus
<b>SCIRXEMU</b>	
-	
<b>SCIRXBUF</b>	
sci.c	SCI_readCharArray
sci.h	SCI_readCharBlockingFIFO
sci.h	SCI_readCharBlockingNonFIFO
sci.h	SCI_readCharNonBlocking
<b>SCITXBUF</b>	
sci.c	SCI_writeCharArray
sci.h	SCI_writeCharBlockingFIFO
sci.h	SCI_writeCharBlockingNonFIFO
sci.h	SCI_writeCharNonBlocking
<b>SCIFFTX</b>	
sci.c	SCI_enableInterrupt
sci.c	SCI_disableInterrupt
sci.c	SCI_getInterruptStatus
sci.c	SCI_clearInterruptStatus
sci.h	SCI_setFIFOInterruptLevel
sci.h	SCI_getFIFOInterruptLevel
sci.h	SCI_disableModule

**Table 18-21. SCI Registers to Driverlib Functions (continued)**

File	Driverlib Function
sci.h	SCI_enableFIFO
sci.h	SCI_disableFIFO
sci.h	SCI_isFIFOEnabled
sci.h	SCI_resetTxFIFO
sci.h	SCI_resetChannels
sci.h	SCI_getTxFIFOStatus
sci.h	SCI_isTransmitterBusy
<b>SCIFFRX</b>	
sci.c	SCI_enableInterrupt
sci.c	SCI_disableInterrupt
sci.c	SCI_getInterruptStatus
sci.c	SCI_clearInterruptStatus
sci.h	SCI_setFIFOInterruptLevel
sci.h	SCI_getFIFOInterruptLevel
sci.h	SCI_enableFIFO
sci.h	SCI_resetRxFIFO
sci.h	SCI_getRxFIFOStatus
sci.h	SCI_getOverflowStatus
sci.h	SCI_clearOverflowStatus
<b>SCIFFCT</b>	
sci.h	SCI_lockAutobaud
<b>SCIPRI</b>	
-	

This page intentionally left blank.

Chapter 19  
**Inter-Integrated Circuit Module (I2C)**

---



This chapter describes the features and operation of the inter-integrated circuit (I2C) module. The I2C module provides an interface between one of these devices and devices compliant with the NXP Semiconductors Inter-IC bus (I2C bus) specification version 2.1, and connected by way of an I2C bus. External components attached to this 2-wire serial bus can transmit/receive 1- to 8-bit data to/from the device through the I2C module. This chapter assumes the reader is familiar with the I2C bus specification.

---

**Note**

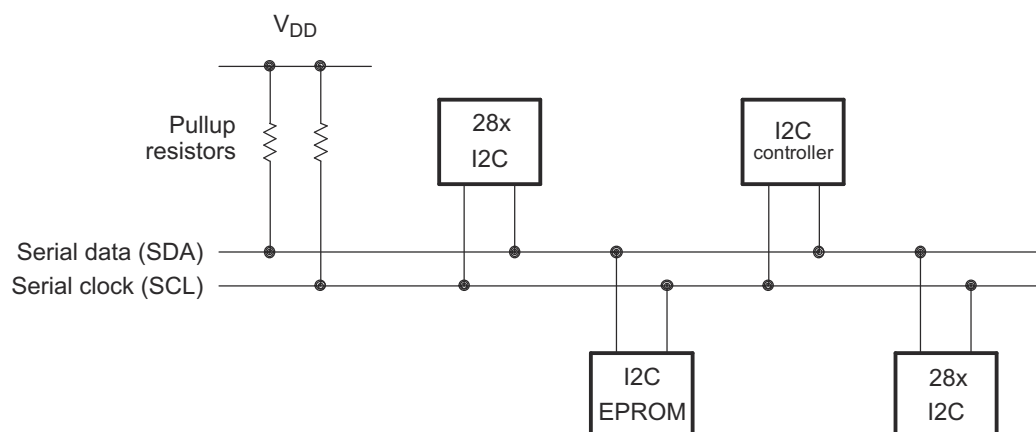
A unit of data transmitted or received by the I2C module can have fewer than 8 bits; however, for convenience, a unit of data is called a data byte throughout this chapter. The number of bits in a data byte is selectable by way of the BC bits of the mode register, I2CMDR.

---

<b>19.1 Introduction</b> .....	<b>2198</b>
<b>19.2 Configuring Device Pins</b> .....	<b>2203</b>
<b>19.3 I2C Module Operational Details</b> .....	<b>2203</b>
<b>19.4 Interrupt Requests Generated by the I2C Module</b> .....	<b>2215</b>
<b>19.5 Resetting or Disabling the I2C Module</b> .....	<b>2218</b>
<b>19.6 Software</b> .....	<b>2219</b>
<b>19.7 I2C Registers</b> .....	<b>2221</b>

## 19.1 Introduction

The I2C module supports any slave or master I2C-compatible device. [Figure 19-1](#) shows an example of multiple I2C modules connected for a two-way transfer from one device to other devices.



**Figure 19-1. Multiple I2C Modules Connected**

### 19.1.1 I2C Related Collateral

#### Foundational Materials

- [C2000 Academy - I2C](#)
- [I2C Hardware Overview \(Video\)](#)
- [I2C Protocol Overview \(Video\)](#)
- [Understanding the I2C Bus Application Report](#)

#### Getting Started Materials

- [Configuring the TMS320F280x DSP as an I2C Processor Application Report](#)
- [I2C Buffers Overview \(Video\)](#)
- [I2C Dynamic Addressing Application Report](#)
- [I2C translators overview \(Video\)](#)
- [Interfacing EEPROM Using C2000 I2C Module Application Report](#)
- [Why, When, and How to use I2C Buffers Application Report](#)

#### Expert Materials

- [I2C Bus Pull-Up Resistor Calculation Application Report](#)
- [Maximum Clock Frequency of I2C Bus Using Repeaters Application Report](#)

### 19.1.2 Features

The I2C module has the following features:

- Compliance with the NXP Semiconductors I2C bus specification (version 2.1):
  - Support for 8-bit format transfers
  - 7-bit and 10-bit addressing modes
  - General call
  - START byte mode
  - Support for multiple master-transmitters and slave-receivers
  - Support for multiple slave-transmitters and master-receivers
  - Combined master transmit/receive and receive/transmit mode
  - Data transfer rate from 10 kbps up to 400 kbps (Fast-mode)
- Receive FIFO and Transmitter FIFO (16-deep x 8-bit FIFO)
- Supports two ePIE interrupts:
  - I2Cx Interrupt – Any of the following events can be configured to generate an I2Cx interrupt:
    - Transmit-data ready
    - Receive-data ready
    - Register-access ready
    - No-acknowledgment received
    - Arbitration lost
    - Stop condition detected
    - Addressed as slave
  - I2Cx\_FIFO interrupts:
    - Transmit FIFO interrupt
    - Receive FIFO interrupt
- Module enable and disable capability
- Free data format mode

### 19.1.3 Features Not Supported

The I2C module does not support:

- High-speed mode (Hs-mode)
- CBUS-compatibility mode

### 19.1.4 Functional Overview

Each device connected to an I2C bus is recognized by a unique address. Each device can operate as either a transmitter or a receiver, depending on the function of the device. A device connected to the I2C bus can also be considered as the master or the slave when performing data transfers. A master device is the device that initiates a data transfer on the bus and generates the clock signals to permit that transfer. During this transfer, any device addressed by this master is considered a slave. The I2C module supports the multi-master mode, in which one or more devices capable of controlling an I2C bus can be connected to the same I2C bus.

For data communication, the I2C module has a serial data pin (SDA) and a serial clock pin (SCL), as shown in [Figure 19-2](#). These two pins carry information between the C28x device and other devices connected to the I2C bus. The SDA and SCL pins are both bidirectional and each must be connected to a positive supply voltage using a pull-up resistor. When the bus is free, both pins are high. The driver of these two pins has an open-drain configuration to perform the required wired-AND function.

There are two major transfer techniques:

- Standard Mode: Send exactly n data values, where n is a value you program in an I2C module register. See the I2CCNT register in [Section 19.7](#) for more information.
- Repeat Mode: Keep sending data values until you use software to initiate a STOP condition or a new START condition. See the I2CMDR register in [Section 19.7](#) for RM bit information.

The I2C module consists of the following primary blocks:

- A serial interface: one data pin (SDA) and one clock pin (SCL)
- Data registers and FIFOs to temporarily hold receive data and transmit data traveling between the SDA pin and the CPU
- Control and status registers
- A peripheral bus interface to enable the CPU to access the I2C module registers and FIFOs.
- A clock synchronizer to synchronize the I2C input clock (from the device clock generator) and the clock on the SCL pin, and to synchronize data transfers with masters of different clock speeds
- A prescaler to divide down the input clock that is driven to the I2C module
- A noise filter on each of the two pins, SDA and SCL
- An arbitrator to handle arbitration between the I2C module (when the I2C module is a master) and another master
- Interrupt generation logic, so that an interrupt can be sent to the CPU
- FIFO interrupt generation logic, so that FIFO access can be synchronized to data reception and data transmission in the I2C module

[Figure 19-2](#) shows the four registers used for transmission and reception in non-FIFO mode. The CPU writes data for transmission to I2CDXR and reads received data from I2CDRR. When the I2C module is configured as a transmitter, data written to I2CDXR is copied to I2CXSR and shifted out on the SDA pin one bit at a time. When the I2C module is configured as a receiver, received data is shifted into I2CRSR and then copied to I2CDRR.



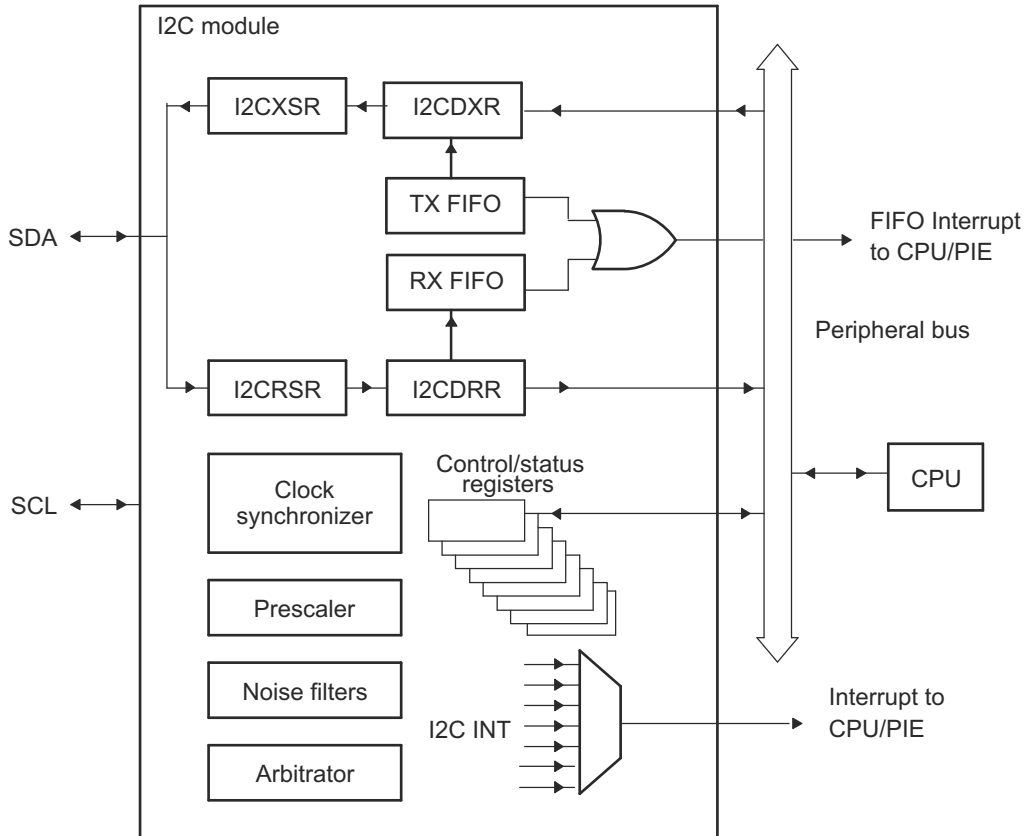


Figure 19-2. I2C Module Conceptual Block Diagram

### 19.1.5 Clock Generation

The I2C module clock determines the frequency at which the I2C module operates. A programmable prescaler in the I2C module divides down the SYSCLK to produce the I2C module clock and this I2C module clock is divided further to produce the I2C master clock on the SCL pin. Figure 19-3 shows the clock generation diagram for I2C module.

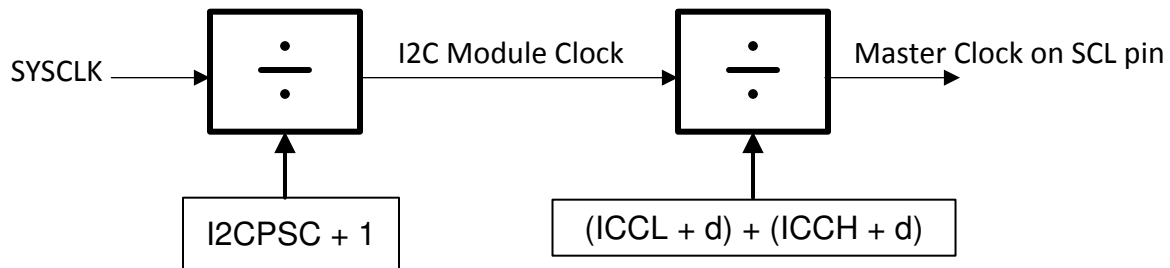


Figure 19-3. Clocking Diagram for the I2C Module

**Note**

To meet all of the I2C protocol timing specifications, the I2C module clock must be between 7-12 MHz.

To specify the divide-down value, initialize the IPSC field of the prescaler register, I2CPSC. The resulting frequency is:

$$\text{I2C Module Clock (Fmod)} = \frac{\text{SYSCLK}}{(\text{I2CPSC} + 1)} \quad (19)$$

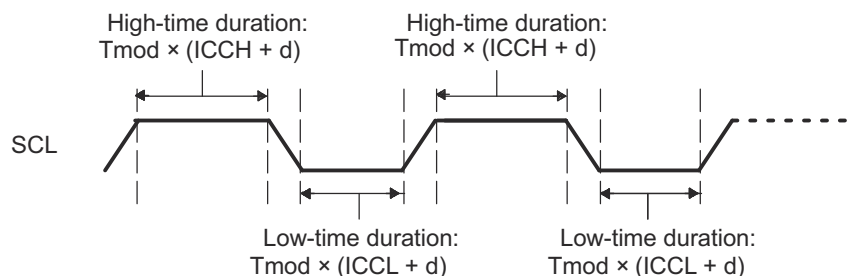
The prescaler must be initialized only while the I2C module is in the reset state (IRS = 0 in I2CMDR). The prescaled frequency takes effect only when IRS is changed to 1. Changing the IPSC value while IRS = 1 has no effect.

The master clock appears on the SCL pin when the I2C module is configured to be a master on the I2C bus. This clock controls the timing of communication between the I2C module and a slave. As shown in Figure 19-3, a second clock divider in the I2C module divides down the module clock to produce the master clock. The clock divider uses the ICCL value of I2CCLKL to divide down the low portion of the module clock signal and uses the ICCH value of I2CCLKH to divide down the high portion of the module clock signal. See Section 19.1.6 for the master clock frequency equation.

### 19.1.6 I2C Clock Divider Registers (I2CCLKL and I2CCLKH)

As explained in Section 19.1.5, when the I2C module is a master, the I2C module clock is divided down further to use as the master clock on the SCL pin. As shown in Figure 19-4, the shape of the master clock depends on two divide-down values:

- ICCL in I2CCLKL. For each master clock cycle, ICCL determines the amount of time the signal is low.
- ICCH in I2CCLKH. For each master clock cycle, ICCH determines the amount of time the signal is high.



**Figure 19-4. Roles of the Clock Divide-Down Values (ICCL and ICCH)**

#### 19.1.6.1 Formula for the Master Clock Period

The master clock period ( $T_{\text{mst}}$ ) is a multiple of the period of the I2C Module Clock ( $T_{\text{mod}}$ ):

$$\text{Master Clock period (Tmst)} = \frac{[(\text{ICCH} + d) + (\text{ICCL} + d)]}{\text{I2C Module Clock (Fmod)}} \quad (20)$$

where  $d$  depends on the divide-down value IPSC, as shown in Table 19-1. IPSC is described in the I2CPSC register.

**Table 19-1. Dependency of Delay  $d$  on the Divide-Down Value IPSC**

IPSC	$d$
0	7
1	6
Greater than 1	5

## 19.2 Configuring Device Pins

The GPIO mux registers must be configured to connect this peripheral to the device pins. To avoid glitches on the pins, the GPyGMUX bits must be configured first (while keeping the corresponding GPyMUX bits at the default of zero), followed by writing the GPyMUX register to the desired value.

Some IO functionality is defined by GPIO register settings independent of this peripheral. For input signals, the GPIO input qualification must be set to asynchronous mode by setting the appropriate GPxQSELn register bits to 11b. The internal pullups can be configured in the GPyPUD register.

See the *General-Purpose Input/Output (GPIO)* chapter for more details on GPIO mux and settings.

## 19.3 I2C Module Operational Details

This section provides an overview of the I2C bus protocol and how it is implemented.

### 19.3.1 Input and Output Voltage Levels

One clock pulse is generated by the master device for each data bit transferred. Due to a variety of different technology devices that can be connected to the I2C bus, the levels of logic 0 (low) and logic 1 (high) are not fixed and depend on the associated level of  $V_{DD}$ . For details, see the device data sheet.

### 19.3.2 Selecting Pullup Resistors

The chosen pullup resistor must meet the I2C standard timings. In most circumstances, 2.2 k $\Omega$  of total bus resistance to VDDIO is sufficient. It is also recommended that the value of the pullup resistance used on both the SCL and SDA pins be matched. For evaluating pullup resistor values for a particular design, see the [I2C Bus Pullup Resistor Calculation](#) Application Report.

### 19.3.3 Data Validity

The data on SDA must be stable during the high period of the clock (see [Figure 19-5](#)). The high or low state of the data line, SDA, must change only when the clock signal on SCL is low.

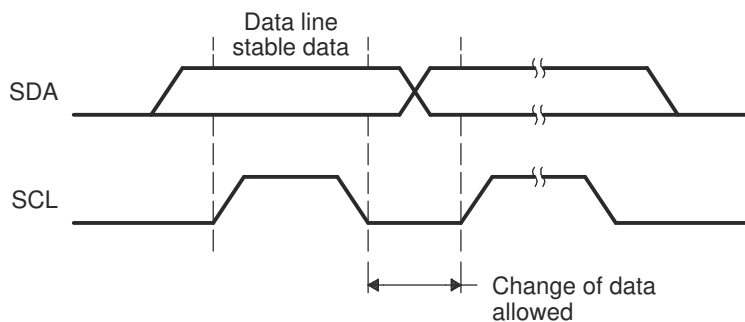


Figure 19-5. Bit Transfer on the I2C bus

### 19.3.4 Operating Modes

The I2C module has four basic operating modes to support data transfers as a master and as a slave. See [Table 19-2](#) for the names and descriptions of the modes.

If the I2C module is a master, the I2C module begins as a master-transmitter and typically transmits an address for a particular slave. When giving data to the slave, the I2C module must remain a master-transmitter. To receive data from a slave, the I2C module must be changed to the master-receiver mode.

If the I2C module is a slave, the I2C module begins as a slave-receiver and typically sends acknowledgment when the I2C module recognizes the slave address from a master. If the master is sending data to the I2C module, the module must remain a slave-receiver. If the master has requested data from the I2C module, the module must be changed to the slave-transmitter mode.

**Table 19-2. Operating Modes of the I2C Module**

Operating Mode	Description
Slave-receiver mode	The I2C module is a slave and receives data from a master.  All slaves begin in this mode. In this mode, serial data bits received on SDA are shifted in with the clock pulses that are generated by the master. As a slave, the I2C module does not generate the clock signal, but it can hold SCL low while the intervention of the device is required (RSFULL = 1 in I2CSTR) after a byte has been received. See <a href="#">Section 19.3.8</a> for more details.
Slave-transmitter mode	The I2C module is a slave and transmits data to a master.  This mode can be entered only from the slave-receiver mode; the I2C module must first receive a command from the master. When you are using any of the 7-bit/10-bit addressing formats, the I2C module enters its slave-transmitter mode if the slave address byte is the same as its own address (in I2COAR) and the master has transmitted R/ $\bar{W}$ = 1. As a slave-transmitter, the I2C module then shifts the serial data out on SDA with the clock pulses that are generated by the master. While a slave, the I2C module does not generate the clock signal, but it can hold SCL low while the intervention of the device is required (XSMT = 0 in I2CSTR) after a byte has been transmitted. See <a href="#">Section 19.3.8</a> for more details.
Master-receiver mode	The I2C module is a master and receives data from a slave.  This mode can be entered only from the master-transmitter mode; the I2C module must first transmit a command to the slave. When you are using any of the 7-bit/10-bit addressing formats, the I2C module enters its master-receiver mode after transmitting the slave address byte and R/ $\bar{W}$ = 1. Serial data bits on SDA are shifted into the I2C module with the clock pulses generated by the I2C module on SCL. The clock pulses are inhibited and SCL is held low when the intervention of the device is required (RSFULL = 1 in I2CSTR) after a byte has been received.
Master-transmitter mode	The I2C module is a master and transmits control information and data to a slave.  All masters begin in this mode. In this mode, data assembled in any of the 7-bit/10-bit addressing formats is shifted out on SDA. The bit shifting is synchronized with the clock pulses generated by the I2C module on SCL. The clock pulses are inhibited and SCL is held low when the intervention of the device is required (XSMT = 0 in I2CSTR) after a byte has been transmitted.

To summarize, SCL is held low in the following conditions:

- When an overrun condition is detected (RSFULL = 1), in Slave-receiver mode.
- When an underflow condition is detected (XSMT = 0), in Slave-transmitter mode.

I2C slave nodes accept and provide data when the I2C master node requests data.

- To release SCL in slave-receiver mode, read data from I2CDRR.
- To release SCL in slave-transmitter mode, write data to I2CDXR.
- To force a release without handling the data, reset the module using the I2CMDR.IRS bit.

**Table 19-3. Master-Transmitter/Receiver Bus Activity Defined by the RM, STT, and STP Bits of I2CMDR**

RM	STT	STP	Bus Activity <sup>(1)</sup>	Description
0	0	0	None	No activity
0	0	1	P	STOP condition
0	1	0	S-A-D..(n)..D.	START condition, slave address, n data bytes (n = value in I2CCNT)
0	1	1	S-A-D..(n)..D-P	START condition, slave address, n data bytes, STOP condition (n = value in I2CCNT)
1	0	0	None	No activity
1	0	1	P	STOP condition
1	1	0	S-A-D-D-D.	Repeat mode transfer: START condition, slave address, continuous data transfers until STOP condition or next START condition
1	1	1	None	Reserved bit combination (No activity)

(1) S = START condition; A = Address; D = Data byte; P = STOP condition;

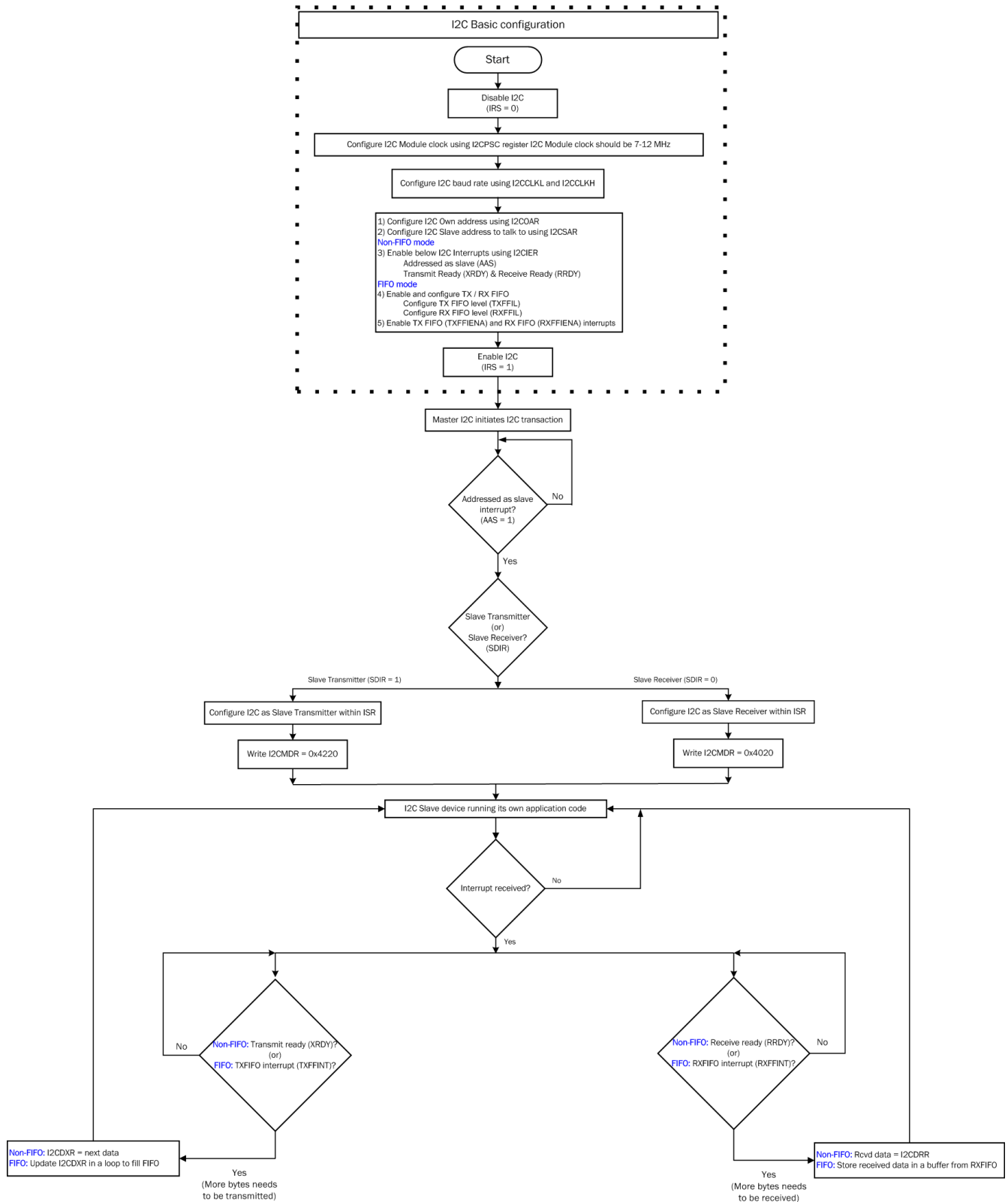


Figure 19-6. I2C Slave TX / RX Flowchart

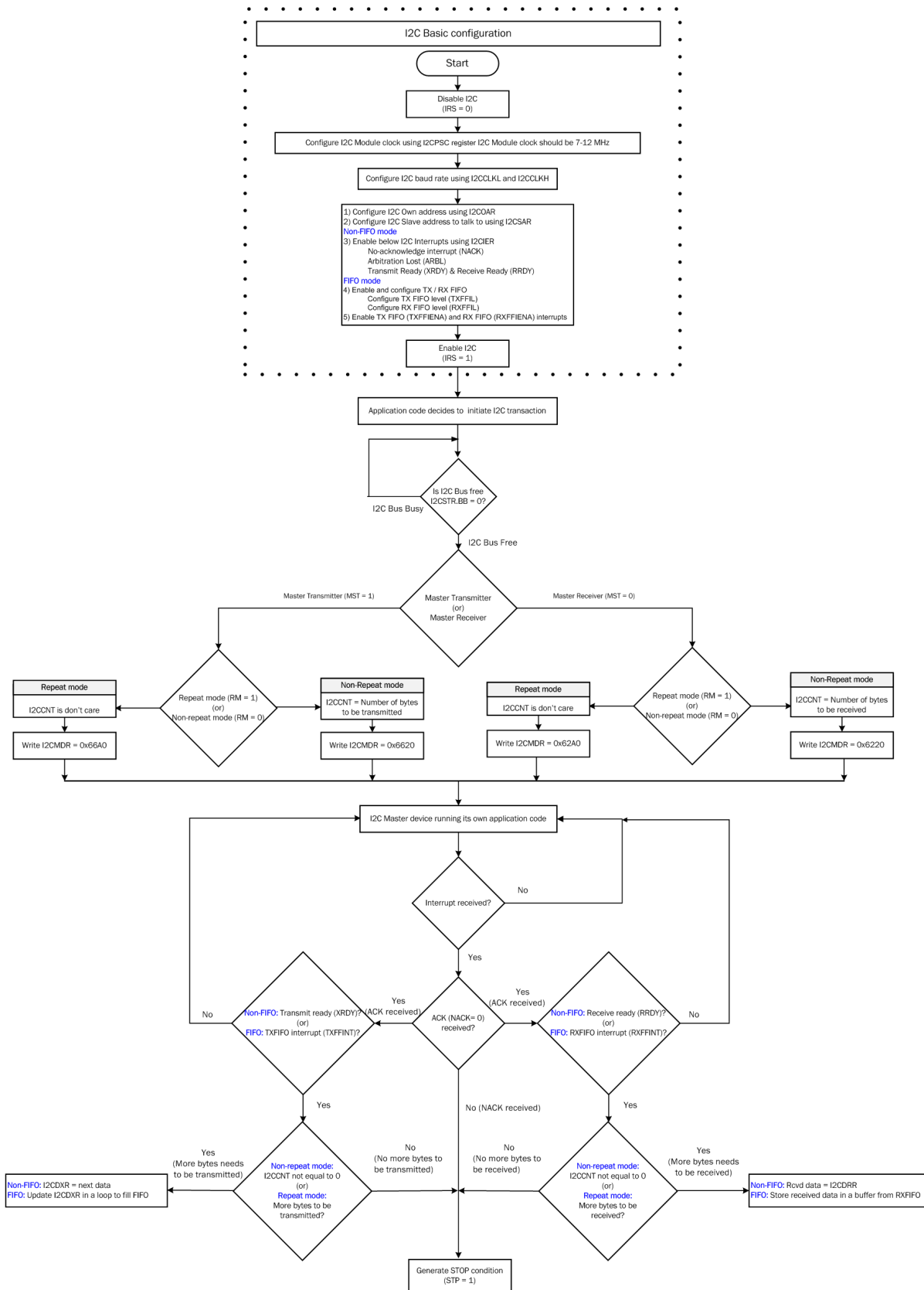
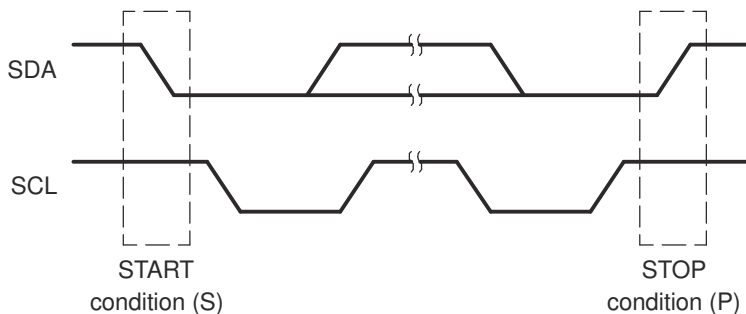


Figure 19-7. I2C Master TX / RX Flowchart

### 19.3.5 I2C Module START and STOP Conditions

START and STOP conditions can be generated by the I2C module when the module is configured to be a master on the I2C bus. As shown in [Figure 19-8](#):

- The START condition is defined as a high-to-low transition on the SDA line while SCL is high. A master drives this condition to indicate the start of a data transfer.
- The STOP condition is defined as a low-to-high transition on the SDA line while SCL is high. A master drives this condition to indicate the end of a data transfer.



**Figure 19-8. I2C Module START and STOP Conditions**

After a START condition and before a subsequent STOP condition, the I2C bus is considered busy, and the bus busy (BB) bit of I2CSTR is 1. Between a STOP condition and the next START condition, the bus is considered free, and BB is 0.

For the I2C module to start a data transfer with a START condition, the master mode bit (MST) and the START condition bit (STT) in I2CMDR must both be 1. For the I2C module to end a data transfer with a STOP condition, the STOP condition bit (STP) must be set to 1. When the BB bit is set to 1 and the STT bit is set to 1, a repeated START condition is generated. For a description of I2CMDR and the bits (including MST, STT, and STP), see [Section 19.7](#).

The I2C peripheral cannot detect a START or STOP condition while in reset (IRS = 0). The BB bit remains in the cleared state (BB = 0) while the I2C peripheral is in reset (IRS = 0). When the I2C peripheral is taken out of reset (IRS set to 1), the BB bit does not correctly reflect the I2C bus status until a START or STOP condition is detected.

Follow these steps before initiating the first data transfer with I2C:

1. After taking the I2C peripheral out of reset by setting the IRS bit to 1, wait a period larger than the total time taken for the longest data transfer in the application. By waiting for a period of time after I2C comes out of reset, make sure that at least one START or STOP condition has occurred on the I2C bus and has been captured by the BB bit. After this period, the BB bit correctly reflects the state of the I2C bus.
2. Check the BB bit and verify that BB = 0 (bus not busy) before proceeding.
3. Begin data transfers.

Not resetting the I2C peripheral in between transfers makes sure that the BB bit reflects the actual bus status. If users must reset the I2C peripheral in between transfers, repeat steps 1 through 3 every time the I2C peripheral is taken out of reset.

### 19.3.6 Non-repeat Mode versus Repeat Mode

#### Non-repeat mode:

- When I2CMDR.RM = 0, I2C module is configured in non-repeat mode.
- I2CCNT register determines the number of bytes to be transmitted or received.
- If STP = 0 in I2CMDR, the ARDY bit is set when the internal data counter counts down to 0.
- If STP = 1, ARDY bit does not get set and I2C module generates a STOP condition when the internal data counter counts down to 0.

---

#### Note

In non-repeat mode (RM = 0), if I2CCNT is set to 0, I2C state machine expects to transmit or receive 65536 bytes and not 0 bytes.

---

#### Repeat mode:

- When I2CMDR.RM = 1, I2C module is configured in repeat mode.
- I2CCNT register contents do not determine the number of bytes to be transmitted or received.
- Number of bytes to be transmitted or received can be controlled by software.
- ARDY bit gets set at end of transmission and reception of each byte.

---

#### Note

Once you start I2C transaction in non-repeat mode or repeat mode, you cannot switch into another mode until the I2C transaction is completed with a STOP condition.

---

### 19.3.7 Serial Data Formats

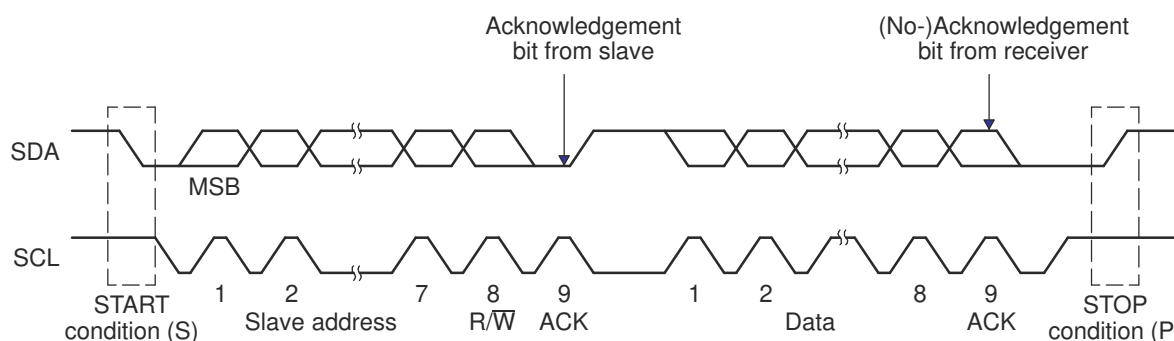
Figure 19-9 shows an example of a data transfer on the I2C bus. The I2C module supports 1 to 8-bit data values. In Figure 19-9, 8-bit data is transferred. Each bit put on the SDA line equates to 1 pulse on the SCL line, and the values are always transferred with the most significant bit (MSB) first. The number of data values that can be transmitted or received is unrestricted. The serial data format used in Figure 19-9 is the 7-bit addressing format. The I2C module supports the formats shown in Figure 19-10 through Figure 19-12 and described in the paragraphs that follow the figures.

---

#### Note

In Figure 19-9 through Figure 19-12, n = the number of data bits (from 1 to 8) specified by the bit count (BC) field of I2CMDR.

---



**Figure 19-9. I2C Module Data Transfer (7-Bit Addressing with 8-bit Data Configuration Shown)**



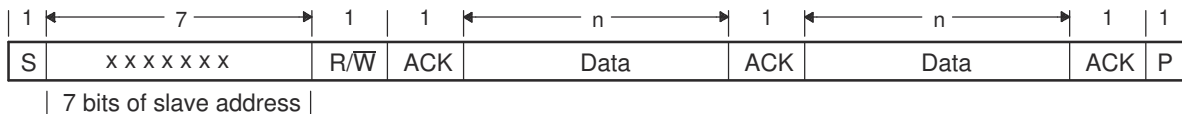
### 19.3.7.1 7-Bit Addressing Format

The 7-bit addressing format is the default format after reset. Disabling expanded address (I2CMDR.XA = 0) and free data format (I2CMDR.FDF = 0) enables 7-bit addressing format.

In this format (see [Figure 19-10](#)), the first byte after a START condition (S) consists of a 7-bit slave address followed by a R/W bit. R/W determines the direction of the data:

- R/W = 0: The I2C master writes (transmits) data to the addressed slave. This can be achieved by setting I2CMDR.TRX = 1 (Transmitter mode)
- R/W = 1: The I2C master reads (receives) data from the slave. This can be achieved by setting I2CMDR.TRX = 0 (Receiver mode)

An extra clock cycle dedicated for acknowledgment (ACK) is inserted after each byte. If the ACK bit is inserted by the slave after the first byte from the master, it is followed by n bits of data from the transmitter (master or slave, depending on the R/W bit). n is a number from 1 to 8 determined by the bit count (BC) field of I2CMDR. After the data bits have been transferred, the receiver inserts an ACK bit.

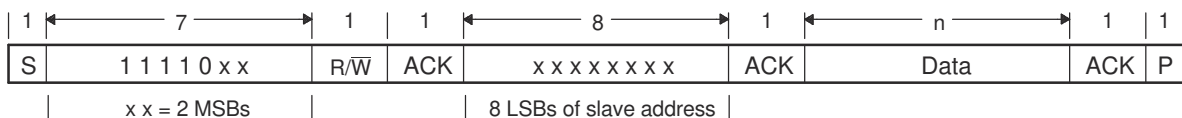


**Figure 19-10. I2C Module 7-Bit Addressing Format (FDF = 0, XA = 0 in I2CMDR)**

### 19.3.7.2 10-Bit Addressing Format

The 10-bit addressing format can be enabled by setting expanded address (I2CMDR.XA = 1) and disabling free data format (I2CMDR.FDF = 0).

The 10-bit addressing format (see [Figure 19-11](#)) is similar to the 7-bit addressing format, but the master sends the slave address in two separate byte transfers. The first byte consists of 11110b, the two MSBs of the 10-bit slave address, and R/W. The second byte is the remaining 8 bits of the 10-bit slave address. The slave must send acknowledgment after each of the two byte transfers. Once the master has written the second byte to the slave, the master can either write data or use a repeated START condition to change the data direction. For more details about using 10-bit addressing, see the NXP Semiconductors I2C bus specification.

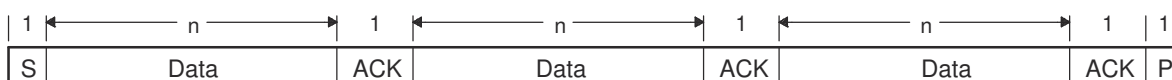


**Figure 19-11. I2C Module 10-Bit Addressing Format (FDF = 0, XA = 1 in I2CMDR)**

### 19.3.7.3 Free Data Format

The free data format can be enabled by setting I2CMDR. FDF = 1.

In this format (see [Figure 19-12](#)), the first byte after a START condition (S) is a data byte. An ACK bit is inserted after each data byte, which can be from 1 to 8 bits, depending on the BC field of I2CMDR. No address or data-direction bit is sent. Therefore, the transmitter and the receiver must both support the free data format, and the direction of the data must be constant throughout the transfer.



**Figure 19-12. I2C Module Free Data Format (FDF = 1 in I2CMDR)**

#### Note

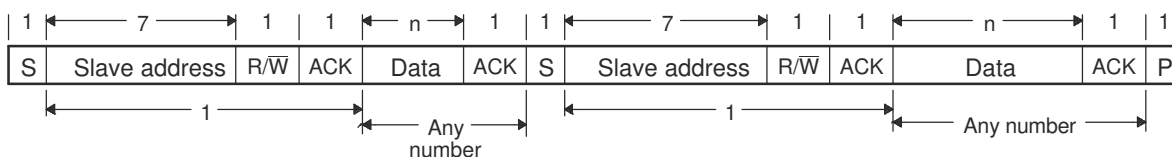
The free data format is not supported in the digital loopback mode (I2CMDR.DLB = 1).

**Table 19-4. How the MST and FDF Bits of I2CMDR Affect the Role of the TRX Bit of I2CMDR**

MST	FDF	I2C Module State	Function of TRX
0	0	In slave mode but not free data format mode	TRX is a don't care. Depending on the command from the master, the I2C module responds as a receiver or a transmitter.
0	1	In slave mode and free data format mode	The free data format mode requires that the I2C module remains the transmitter or the receiver throughout the transfer. TRX identifies the role of the I2C module: TRX = 1: The I2C module is a transmitter. TRX = 0: The I2C module is a receiver.
1	0	In master mode but not free data format mode	TRX = 1: The I2C module is a transmitter. TRX = 0: The I2C module is a receiver.
1	1	In master mode and free data format mode	TRX = 0: The I2C module is a receiver. TRX = 1: The I2C module is a transmitter.

### 19.3.7.4 Using a Repeated START Condition

I2C master can communicate with multiple slave addresses without having to give up control of the I2C bus by driving a STOP condition. This can be achieved by driving another START condition at the end of each data type. The repeated START condition can be used with the 7-bit addressing and 10-bit addressing. [Figure 19-13](#) shows a repeated START condition in the 7-bit addressing format.



**Figure 19-13. Repeated START Condition (in This Case, 7-Bit Addressing Format)**

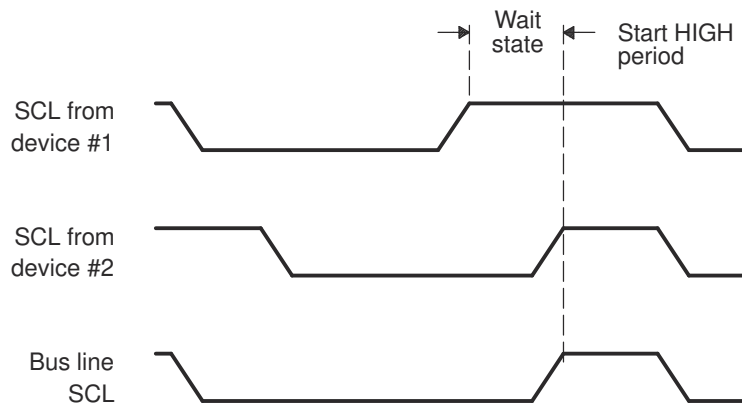
#### Note

In [Figure 19-13](#), n = the number of data bits (from 1 to 8) specified by the bit count (BC) field of I2CMDR.

### 19.3.8 Clock Synchronization

Under normal conditions, only one master device generates the clock signal, SCL. During the arbitration procedure, however, there are two or more masters and the clock must be synchronized so that the data output can be compared. Figure 19-14 illustrates the clock synchronization. The wired-AND property of SCL means that a device that first generates a low period on SCL overrules the other devices. At this high-to-low transition, the clock generators of the other devices are forced to start their own low period. The SCL is held low by the device with the longest low period. The other devices that finish their low periods must wait for SCL to be released, before starting their high periods. A synchronized signal on SCL is obtained, where the slowest device determines the length of the low period and the fastest device determines the length of the high period.

If a device pulls down the clock line for a longer time, the result is that all clock generators must enter the wait state. In this way, a slave slows down a fast master and the slow device creates enough time to store a received byte or to prepare a byte to be transmitted.



**Figure 19-14. Synchronization of Two I2C Clock Generators During Arbitration**

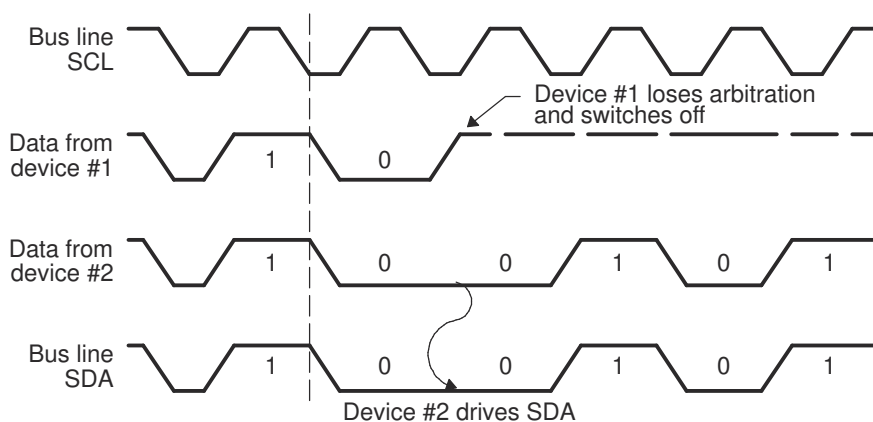
### 19.3.9 Arbitration

If two or more master-transmitters attempt to start a transmission on the same bus at approximately the same time, an arbitration procedure is invoked. The arbitration procedure uses the data presented on the serial data bus (SDA) by the competing transmitters. Figure 19-15 illustrates the arbitration procedure between two devices. The first master-transmitter that releases the SDA line high is overruled by another master-transmitter that drives the SDA low. The arbitration procedure gives priority to the device that transmits the serial data stream with the lowest binary value. If two or more devices send identical first bytes, arbitration continues on the subsequent bytes.

If the I2C module is the losing master, the I2C module switches to the slave-receiver mode, sets the arbitration lost (ARBL) flag, and generates the arbitration-lost interrupt request.

If during a serial transfer the arbitration procedure is still in progress when a repeated START condition or a STOP condition is transmitted to SDA, the master-transmitters involved must send the repeated START condition or the STOP condition at the same position in the format frame. Arbitration is not allowed between:

- A repeated START condition and a data bit
- A STOP condition and a data bit
- A repeated START condition and a STOP condition



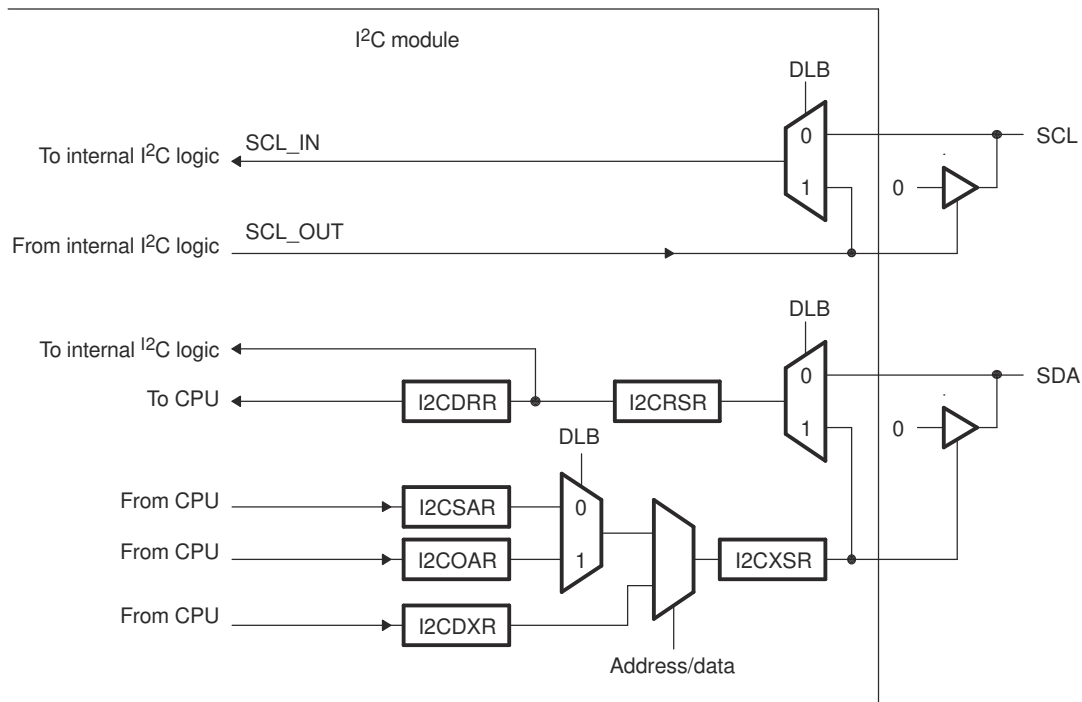
**Figure 19-15. Arbitration Procedure Between Two Master-Transmitters**

### 19.3.10 Digital Loopback Mode

The I2C module support a self-test mode called digital loopback, which is enabled by setting the DLB bit in the I2CMDR register. In this mode, data transmitted out of the I2CDXR register is received in the I2CDRR register. The data follows an internal path, and takes n cycles to reach I2CDRR, where:

$$n = 8 * (\text{SYSCLK}) / (\text{I2C module clock (Fmod)})$$

The transmit clock and the receive clock are the same. The address seen on the external SDA pin is the address in the I2COAR register. Figure 19-16 shows the signal routing in digital loopback mode.



**Figure 19-16. Pin Diagram Showing the Effects of the Digital Loopback Mode (DLB) Bit**

**Note**

The free data format (I2CMDR.FDF = 1) is not supported in digital loopback mode.

### 19.3.11 NACK Bit Generation

When the I2C module is a receiver (master or slave), the I2C module can acknowledge or ignore bits sent by the transmitter. To ignore any new bits, the I2C module must send a no-acknowledge (NACK) bit during the acknowledge cycle on the bus. [Table 19-5](#) summarizes the various ways you can allow the I2C module to send a NACK bit.

---

#### Note

When a NACK is sent, the following occurs:

1. The STP in I2CMR is cleared
  2. SCL is held low
  3. The NACK in I2CSTR is set
- 

**Table 19-5. Ways to Generate a NACK Bit**

I2C Module Condition	NACK Bit Generation Options
Slave-receiver modes	Allow an overrun condition (RSFULL = 1 in I2CSTR) Reset the module (IRS = 0 in I2CMR) Set the NACKMOD bit of I2CMR before the rising edge of the last data bit you intend to receive
Master-receiver mode AND Repeat mode (RM = 1 in I2CMR)	Generate a STOP condition (STP = 1 in I2CMR) Reset the module (IRS = 0 in I2CMR) Set the NACKMOD bit of I2CMR before the rising edge of the last data bit you intend to receive
Master-receiver mode AND Nonrepeat mode (RM = 0 in I2CMR)	If STP = 1 in I2CMR, allow the internal data counter to count down to 0 and thus force a STOP condition If STP = 0, make STP = 1 to generate a STOP condition Reset the module (IRS = 0 in I2CMR). = 1 to generate a STOP condition Set the NACKMOD bit of I2CMR before the rising edge of the last data bit you intend to receive

## 19.4 Interrupt Requests Generated by the I2C Module

Each I2C module can generate two CPU interrupts.

1. Basic I2C interrupt: Possible basic I2C interrupt sources that can trigger this interrupt are described in [Section 19.4.1](#).
2. I2C FIFO interrupt: Possible I2C FIFO interrupt sources that can trigger this interrupt are described in [Section 19.4.2](#)

### 19.4.1 Basic I2C Interrupt Requests

The I2C module generates the interrupt requests described in [Table 19-6](#). As shown in [Figure 19-17](#), all requests are multiplexed through an arbiter to a single I2C interrupt request to the CPU. Each interrupt request has a flag bit in the status register (I2CSTR) and an enable bit in the interrupt enable register (I2CIER). When one of the specified events occurs, the flag bit is set. If the corresponding enable bit is 0, the interrupt request is blocked. If the enable bit is 1, the request is forwarded to the CPU as an I2C interrupt.

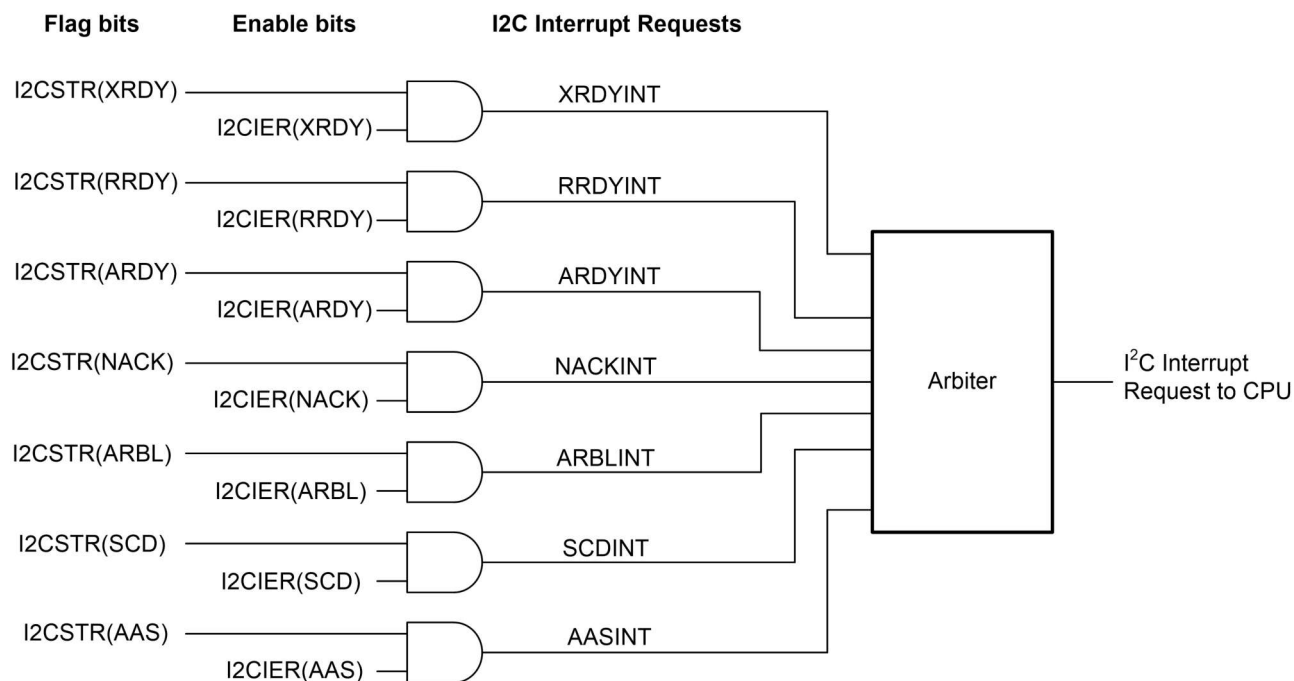
The I2C interrupt is one of the maskable interrupts of the CPU. As with any maskable interrupt request, if the request is properly enabled in the CPU, the CPU executes the corresponding interrupt service routine (I2CINT1A\_ISR). The I2CINT1A\_ISR for the I2C interrupt can determine the interrupt source by reading the interrupt source register, I2CISRC. Then the I2CINT1A\_ISR can branch to the appropriate subroutine.

After the CPU reads I2CISRC, the following events occur:

1. The flag for the source interrupt is cleared in I2CSTR. Exception: The ARDY, RRDY, and XRDY bits in I2CSTR are not cleared when I2CISRC is read. To clear one of these bits, write a 1 to the bit.
2. The arbiter determines which of the remaining interrupt requests has the highest priority, writes the code for that interrupt to I2CISRC, and forwards the interrupt request to the CPU.

**Table 19-6. Descriptions of the Basic I2C Interrupt Requests**

I2C Interrupt Request	Interrupt Source
XRDYINT	Transmit ready condition: The data transmit register (I2CDXR) is ready to accept new data because the previous data has been copied from I2CDXR to the transmit shift register (I2CXSR). As an alternative to using XRDYINT, the CPU can poll the XRDY bit of the status register, I2CSTR. XRDYINT must not be used when in FIFO mode. Use the FIFO interrupts instead.
RRDYINT	Receive ready condition: The data receive register (I2CDRR) is ready to be read because data has been copied from the receive shift register (I2CRSR) to I2CDRR. As an alternative to using RRDYINT, the CPU can poll the RRDY bit of I2CSTR. RRDYINT must not be used when in FIFO mode. Use the FIFO interrupts instead.
ARDYINT	Register-access ready condition: The I2C module registers are ready to be accessed because the previously programmed address, data, and command values have been used. The specific events that generate ARDYINT are the same events that set the ARDY bit of I2CSTR. As an alternative to using ARDYINT, the CPU can poll the ARDY bit.
NACKINT	No-acknowledgment condition: The I2C module is configured as a master-transmitter and did not received acknowledgment from the slave-receiver. As an alternative to using NACKINT, the CPU can poll the NACK bit of I2CSTR.
ARBLINT	Arbitration-lost condition: The I2C module has lost an arbitration contest with another master-transmitter. As an alternative to using ARBLINT, the CPU can poll the ARBL bit of I2CSTR.
SCDINT	Stop condition detected: A STOP condition was detected on the I2C bus. As an alternative to using SCDINT, the CPU can poll the SCD bit of the status register, I2CSTR.
AASINT	Addressed as slave condition: The I2C has been addressed as a slave device by another master on the I2C bus. As an alternative to using AASINT, the CPU can poll the AAS bit of the status register, I2CSTR.



**Figure 19-17. Enable Paths of the I2C Interrupt Requests**

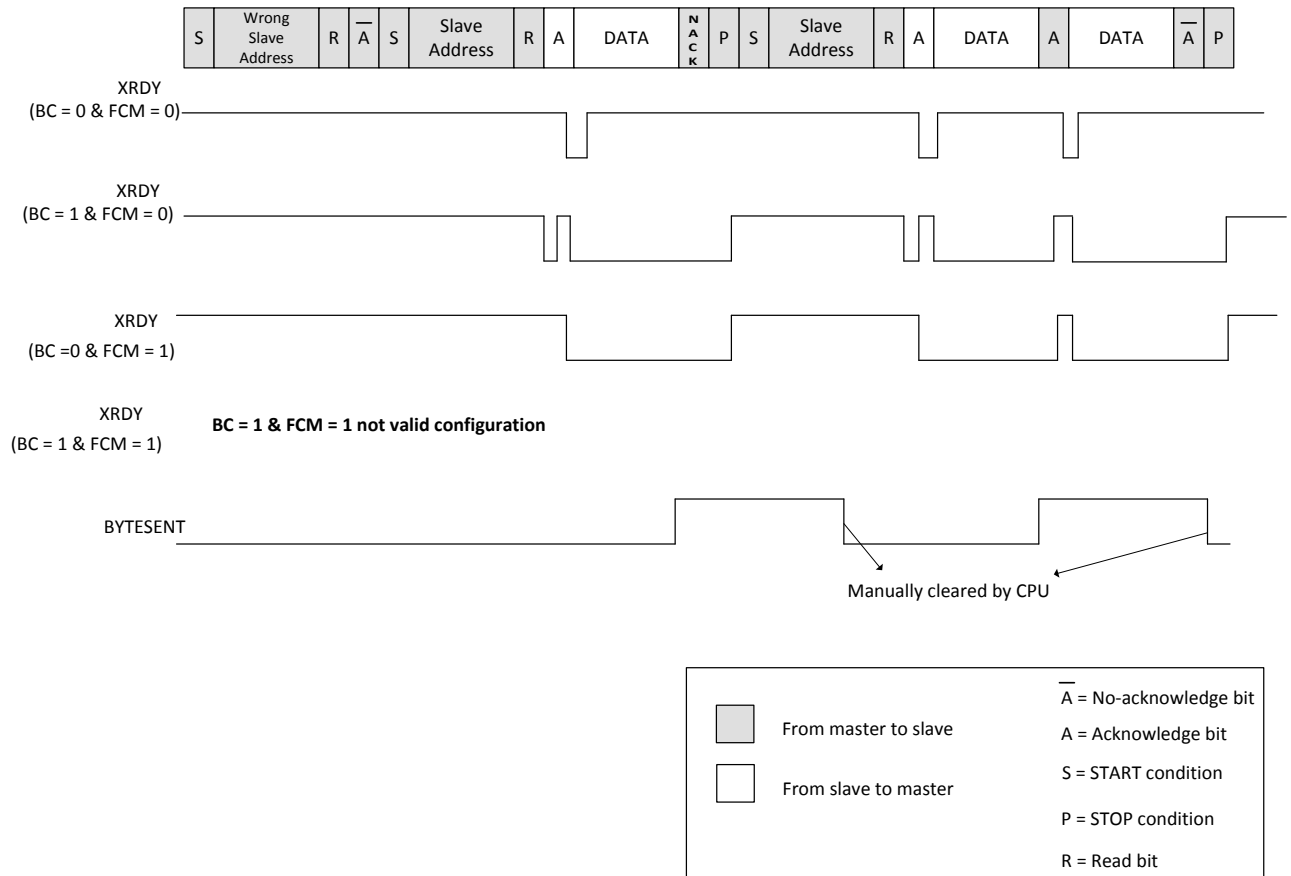
The priorities of the basic I2C interrupt requests are listed in order of highest priority to lowest priority:

1. ARBLINT
2. NACKINT
3. ARDYINT
4. RRDYINT
5. XRDYINT
6. SCDINT
7. AASINT

The I2C module has a backwards compatibility bit (BC) in the I2CEMDR register. The timing diagram in [Figure 19-18](#) demonstrates the effect the backwards compatibility bit has on I2C module registers and interrupts when configured as a slave-transmitter.



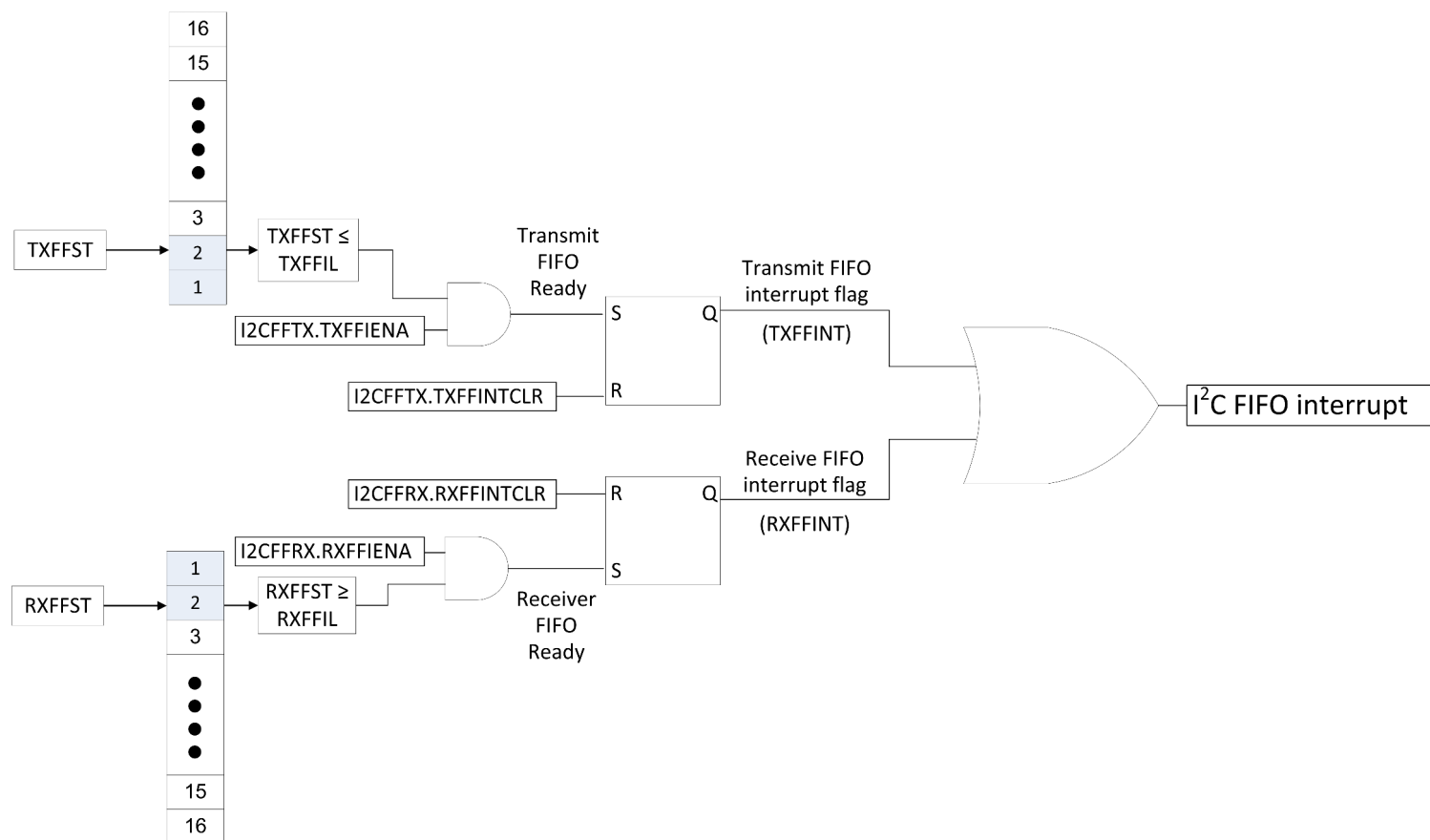
Slave Transmitter



**Figure 19-18. Backwards Compatibility Mode and Forward Compatibility Bit, Slave Transmitter**

### 19.4.2 I2C FIFO Interrupts

In addition to the seven basic I2C interrupts, the transmit and receive FIFOs each contain the ability to generate an interrupt (I2CINT2A). The transmit FIFO can be configured to generate an interrupt after transmitting a defined number of bytes, up to 16. The receive FIFO can be configured to generate an interrupt after receiving a defined number of bytes, up to 16. These two interrupt sources are ORed together into a single maskable CPU interrupt. Figure 19-19 shows the structure of I2C FIFO interrupt. The interrupt service routine can then read the FIFO interrupt status flags to determine from which source the interrupt came. See the I2C transmit FIFO register (I2CFFTX) and the I2C receive FIFO register (I2CFFRX) descriptions.



**Figure 19-19. I2C FIFO Interrupt**

### 19.5 Resetting or Disabling the I2C Module

You can reset or disable the I2C module in two ways:

- Write 0 to the I2C reset bit (IRS) in the I2C mode register (I2CMR). All status bits (in I2CSTR) are forced to their default values, and the I2C module remains disabled until IRS is changed to 1. The SDA and SCL pins are in the high-impedance state.
- Initiate a device reset by driving the  $\overline{\text{XRS}}$  pin low. The entire device is reset and is held in the reset state until you drive the pin high. When the  $\overline{\text{XRS}}$  pin is released, all I2C module registers are reset to their default values. The IRS bit is forced to 0, which resets the I2C module. The I2C module stays in the reset state until you write 1 to IRS.

The IRS must be 0 while you configure or reconfigure the I2C module. Forcing IRS to 0 can be used to save power and to clear error conditions.

## 19.6 Software

### 19.6.1 I2C Examples

NOTE: These examples are located in the [C2000Ware](#) installation at the following location:  
C2000Ware\_VERSION#/driverlib/DEVICE\_GPN/examples/CORE\_IF\_MULTICORE/i2c

Cloud access to these examples is available at the following link: [dev.ti.com](http://dev.ti.com) [C2000Ware Examples](#).

#### 19.6.1.1 C28x-I2C Library source file for FIFO interrupts

FILE: i2cLib\_FIFO\_controller\_interrupt.c

#### 19.6.1.2 C28x-I2C Library source file for FIFO using polling

FILE: i2cLib\_FIFO\_polling.c

#### 19.6.1.3 C28x-I2C Library source file for FIFO interrupts

FILE: i2cLib\_FIFO\_controller\_target\_interrupt.c

#### 19.6.1.4 I2C Digital Loopback with FIFO Interrupts

FILE: i2c\_ex1\_loopback.c

This program uses the internal loopback test mode of the I2C module. Both the TX and RX I2C FIFOs and their interrupts are used. The pinmux and I2C initialization is done through the sysconfig file.

A stream of data is sent and then compared to the received stream. The sent data looks like this:

```
0000 0001
0001 0002
0002 0003
....
00FE 00FF
00FF 0000
etc..
```

This pattern is repeated forever.

#### External Connections

- None

#### Watch Variables

- *sData* - Data to send
- *rData* - Received data
- *rDataPoint* - Used to keep track of the last position in the receive stream for error checking

#### 19.6.1.5 I2C EEPROM

FILE: i2c\_ex2\_eeprom.c

This program will write 1-14 words to EEPROM and read them back. The data written and the EEPROM address written to are contained in the message structure, i2cMsgOut. The data read back will be contained in the message structure i2cMsgIn.

#### External Connections

- Connect external I2C EEPROM at address 0x50
- Connect DEVICE\_GPIO\_PIN\_SDAA on to external EEPROM SDA (serial data) pin
- Connect DEVICE\_GPIO\_PIN\_SCL on to external EEPROM SCL (serial clock) pin

#### Watch Variables

- *i2cMsgOut* - Message containing data to write to EEPROM
- *i2cMsgIn* - Message containing data read from EEPROM

### 19.6.1.6 I2C Digital External Loopback with FIFO Interrupts

FILE: i2c\_ex3\_external\_loopback.c

This program uses the I2CA and I2CB modules for achieving external loopback. The I2CA TX FIFO and the I2CB RX FIFO are used along with their interrupts.

A stream of data is sent on I2CA and then compared to the received stream on I2CB. The sent data looks like this:

```
0000 0001
0001 0002
0002 0003
....
00FE 00FF
00FF 0000
etc..
```

This pattern is repeated forever.

#### External Connections

- Connect SCLA (DEVICE\_GPIO\_PIN\_SCLA) to SCLB (DEVICE\_GPIO\_PIN\_SCLB)
- and SDAA (DEVICE\_GPIO\_PIN\_SDAA) to SDAB (DEVICE\_GPIO\_PIN\_SDAB)
- Connect DEVICE\_GPIO\_PIN\_LED1 to an LED used to depict data transfers.

#### Watch Variables

- *sData* - Data to send
- *rData* - Received data
- *rDataPoint* - Used to keep track of the last position in the receive stream for error checking

### 19.6.1.7 I2C EEPROM

FILE: i2c\_ex4\_eeprom\_polling.c

This program will show how to perform different EEPROM write and read commands using I2C polling method. EEPROM used for this example is AT24C256.

#### External Connections

- Connect external I2C EEPROM at address 0x50 Signal | I2CA | EEPROM

SCL | DEVICE\_GPIO\_PIN\_SCLA | SCL SDA | DEVICE\_GPIO\_PIN\_SDAA | SDA

Make sure to connect GND pins if EEPROM and C2000 device are in different board.

### 19.6.1.8 I2C controller target communication using FIFO interrupts

FILE: i2c\_ex5\_controller\_target\_interrupt.c

This program shows how to use I2CA and I2CB modules in both controller and target configuration. This example uses I2C FIFO interrupts and doesn't use polling.

Example1: I2CA as controller Transmitter and I2CB working target Receiver  
 Example2: I2CA as controller Receiver and I2CB working target Transmitter  
 Example3: I2CB as controller Transmitter and I2CA working target Receiver  
 Example4: I2CB as controller Receiver and I2CA working target Transmitter

External Connections on launchpad should be made as shown below

```
Signal | I2CA | I2CB
SCL | DEVICE_GPIO_PIN_SCLA | DEVICE_GPIO_PIN_SCLB
SDA | DEVICE_GPIO_PIN_SDAA | DEVICE_GPIO_PIN_SDAB
```

Watch Variables in memory window

- *I2CA\_TXdata*
- *I2CA\_RXdata*

- *I2CB\_TXdata*
- *I2CB\_RXdata* stream for error checking

### 19.6.1.9 I2C EEPROM

FILE: i2c\_ex6\_eeprom\_interrupt.c

This program will show how to perform different EEPROM write and read commands using I2C interrupts. EEPROM used for this example is AT24C256.

#### External Connections

- Connect external I2C EEPROM at address 0x50. Signal | I2CA | EEPROM

SCL | DEVICE\_GPIO\_PIN\_SCL | SCL. SDA | DEVICE\_GPIO\_PIN\_SDA | SDA

Make sure to connect GND pins if EEPROM and C2000 device are in different boards.

//Example 1: EEPROM Byte Write //Example 2: EEPROM Byte Read //Example 3: EEPROM word (16-bit) write //Example 4: EEPROM word (16-bit) read //Example 5: EEPROM Page write //Example 6: EEPROM word Paged read

#### Watch Variables

- *TX\_MsgBuffer* - Message buffer which stores the data to be transmitted
- *RX\_MsgBuffer* - Message buffer which stores the data to be received

## 19.7 I2C Registers

This section describes the I2C Module Registers.

### 19.7.1 I2C Base Addresses

**Table 19-7. I2C Base Address Table (C28)**

Bit Field Name		DriverLib Name	Base Address	CPU1	CPU2	DMA	CLA	Pipeline Protected
Instance	Structure							
I2caRegs	I2C_REGS	I2CA_BASE	0x0000_7300	YES	YES	-	-	YES
I2cbRegs	I2C_REGS	I2CB_BASE	0x0000_7340	YES	YES	-	-	YES

## 19.7.2 I2C\_REGS Registers

Table 19-8 lists the memory-mapped registers for the I2C\_REGS registers. All register offset addresses not listed in Table 19-8 should be considered as reserved locations and the register contents should not be modified.

**Table 19-8. I2C\_REGS Registers**

Offset	Acronym	Register Name	Write Protection	Section
0h	I2COAR	I2C Own address		<a href="#">Go</a>
1h	I2CIER	I2C Interrupt Enable		<a href="#">Go</a>
2h	I2CSTR	I2C Status		<a href="#">Go</a>
3h	I2CCLKL	I2C Clock low-time divider		<a href="#">Go</a>
4h	I2CCLKH	I2C Clock high-time divider		<a href="#">Go</a>
5h	I2CCNT	I2C Data count		<a href="#">Go</a>
6h	I2CDRR	I2C Data receive		<a href="#">Go</a>
7h	I2CSAR	I2C Slave address		<a href="#">Go</a>
8h	I2CDXR	I2C Data Transmit		<a href="#">Go</a>
9h	I2CMDR	I2C Mode		<a href="#">Go</a>
Ah	I2CISRC	I2C Interrupt Source		<a href="#">Go</a>
Bh	I2CEMDR	I2C Extended Mode		<a href="#">Go</a>
Ch	I2CPSC	I2C Prescaler		<a href="#">Go</a>
20h	I2CFFTX	I2C FIFO Transmit		<a href="#">Go</a>
21h	I2CFFRX	I2C FIFO Receive		<a href="#">Go</a>

Complex bit access types are encoded to fit into small table cells. Table 19-9 shows the codes that are used for access types in this section.

**Table 19-9. I2C\_REGS Access Type Codes**

Access Type	Code	Description
Read Type		
R	R	Read
R-0	R -0	Read Returns 0s
Write Type		
W	W	Write
W1C	W 1C	Write 1 to clear
W1S	W 1S	Write 1 to set
Reset or Default Value		
-n		Value after reset or the default value
Register Array Variables		
i,j,k,l,m,n		When these variables are used in a register name, an offset, or an address, they refer to the value of a register array where the register is part of a group of repeating registers. The register groups form a hierarchical structure and the array is represented with a formula.
y		When this variable is used in a register name, an offset, or an address it refers to the value of a register array.

### 19.7.2.1 I2COAR Register (Offset = 0h) [Reset = 0000h]

I2COAR is shown in [Figure 19-20](#) and described in [Table 19-10](#).

Return to the [Summary Table](#).

The I2C own address register (I2COAR) is a 16-bit register. The I2C module uses this register to specify its own slave address, which distinguishes it from other slaves connected to the I2C-bus. If the 7-bit addressing mode is selected (XA = 0 in I2CMDR), only bits 6-0 are used write 0s to bits 9-7.

**Figure 19-20. I2COAR Register**

15	14	13	12	11	10	9	8
RESERVED						OAR	
R-0h						R/W-0h	
7	6	5	4	3	2	1	0
OAR							
R/W-0h							

**Table 19-10. I2COAR Register Field Descriptions**

Bit	Field	Type	Reset	Description
15-10	RESERVED	R	0h	Reserved
9-0	OAR	R/W	0h	In 7-bit addressing mode (XA = 0 in I2CMDR): 00h-7Fh Bits 6-0 provide the 7-bit slave address of the I2C module. Write 0s to bits 9-7. In 10-bit addressing mode (XA = 1 in I2CMDR): 000h-3FFh Bits 9-0 provide the 10-bit slave address of the I2C module. Reset type: SYSRSn

### 19.7.2.2 I2CIER Register (Offset = 1h) [Reset = 0000h]

I2CIER is shown in [Figure 19-21](#) and described in [Table 19-11](#).

Return to the [Summary Table](#).

I2CIER is used by the CPU to individually enable or disable I2C interrupt requests.

**Figure 19-21. I2CIER Register**

15	14	13	12	11	10	9	8
RESERVED							
R-0h							
7	6	5	4	3	2	1	0
RESERVED	AAS	SCD	XRDY	RRDY	ARDY	NACK	ARBL
R-0h	R/W-0h	R/W-0h	R/W-0h	R/W-0h	R/W-0h	R/W-0h	R/W-0h

**Table 19-11. I2CIER Register Field Descriptions**

Bit	Field	Type	Reset	Description
15-7	RESERVED	R	0h	Reserved
6	AAS	R/W	0h	Addressed as slave interrupt enable Reset type: SYSRSn 0h (R/W) = Interrupt request disabled 1h (R/W) = Interrupt request enabled
5	SCD	R/W	0h	Stop condition detected interrupt enable Reset type: SYSRSn 0h (R/W) = Interrupt request disabled 1h (R/W) = Interrupt request enabled
4	XRDY	R/W	0h	Transmit-data-ready interrupt enable bit. This bit should not be set when using FIFO mode. Reset type: SYSRSn 0h (R/W) = Interrupt request disabled 1h (R/W) = Interrupt request enabled
3	RRDY	R/W	0h	Receive-data-ready interrupt enable bit. This bit should not be set when using FIFO mode. Reset type: SYSRSn 0h (R/W) = Interrupt request disabled 1h (R/W) = Interrupt request enabled
2	ARDY	R/W	0h	Register-access-ready interrupt enable Reset type: SYSRSn 0h (R/W) = Interrupt request disabled 1h (R/W) = Interrupt request enabled
1	NACK	R/W	0h	No-acknowledgment interrupt enable Reset type: SYSRSn 0h (R/W) = Interrupt request disabled 1h (R/W) = Interrupt request enabled
0	ARBL	R/W	0h	Arbitration-lost interrupt enable Reset type: SYSRSn 0h (R/W) = Interrupt request disabled 1h (R/W) = Interrupt request enabled



### 19.7.2.3 I2CSTR Register (Offset = 2h) [Reset = 0410h]

I2CSTR is shown in [Figure 19-22](#) and described in [Table 19-12](#).

Return to the [Summary Table](#).

The I2C status register (I2CSTR) is a 16-bit register used to determine which interrupt has occurred and to read status information.

**Figure 19-22. I2CSTR Register**

15	14	13	12	11	10	9	8
RESERVED	SDIR	NACKSNT	BB	RSFULL	XSMT	AAS	AD0
R-0h	R/W1C-0h	R/W1C-0h	R-0h	R-0h	R-1h	R-0h	R-0h
7	6	5	4	3	2	1	0
RESERVED		SCD	XRDY	RRDY	ARDY	NACK	ARBL
R-0h		R/W1C-0h	R-1h	R/W1C-0h	R/W1C-0h	R/W1C-0h	R/W1C-0h

**Table 19-12. I2CSTR Register Field Descriptions**

Bit	Field	Type	Reset	Description
15	RESERVED	R	0h	Reserved
14	SDIR	R/W1C	0h	Slave direction bit Reset type: SYSRSn 0h (R/W) = I2C is not addressed as a slave transmitter. SDIR is cleared by one of the following events: - It is manually cleared. To clear this bit, write a 1 to it. - Digital loopback mode is enabled. - A START or STOP condition occurs on the I2C bus. 1h (R/W) = I2C is addressed as a slave transmitter.
13	NACKSNT	R/W1C	0h	NACK sent bit. This bit is used when the I2C module is in the receiver mode. One instance in which NACKSNT is affected is when the NACK mode is used (see the description for NACKMOD in Reset type: SYSRSn 0h (R/W) = NACK not sent. NACKSNT bit is cleared by any one of the following events: - It is manually cleared. To clear this bit, write a 1 to it. - The I2C module is reset (either when 0 is written to the IRS bit of I2CMDR or when the whole device is reset). 1h (R/W) = NACK sent: A no-acknowledge bit was sent during the acknowledge cycle on the I2C-bus.
12	BB	R	0h	Bus busy bit. BB indicates whether the I2C-bus is busy or is free for another data transfer. See the paragraph following the table for more information Reset type: SYSRSn 0h (R/W) = Bus free. BB is cleared by any one of the following events: - The I2C module receives or transmits a STOP bit (bus free). - The I2C module is reset. 1h (R/W) = Bus busy: The I2C module has received or transmitted a START bit on the bus.

**Table 19-12. I2CSTR Register Field Descriptions (continued)**

Bit	Field	Type	Reset	Description
11	RSFULL	R	0h	Receive shift register full bit. RSFULL indicates an overrun condition during reception. Overrun occurs when new data is received into the shift register (I2CRSR) and the old data has not been read from the receive register (I2CDRR). As new bits arrive from the SDA pin, they overwrite the bits in I2CRSR. The new data will not be copied to ICDRR until the previous data is read. Reset type: SYSRSn 0h (R/W) = No overrun detected. RSFULL is cleared by any one of the following events: - I2CDRR is read by the CPU. Emulator reads of the I2CDRR do not affect this bit. - The I2C module is reset. 1h (R/W) = Overrun detected
10	XSMT	R	1h	Transmit shift register empty bit. XSMT = 0 indicates that the transmitter has experienced underflow. Underflow occurs when the transmit shift register (I2CXSR) is empty but the data transmit register (I2CDXR) has not been loaded since the last I2CDXR-to-I2CXSR transfer. The next I2CDXR-to-I2CXSR transfer will not occur until new data is in I2CDXR. If new data is not transferred in time, the previous data may be re-transmitted on the SDA pin. Reset type: SYSRSn 0h (R/W) = Underflow detected (empty) 1h (R/W) = No underflow detected (not empty). XSMT is set by one of the following events: - Data is written to I2CDXR. - The I2C module is reset
9	AAS	R	0h	Addressed-as-slave bit Reset type: SYSRSn 0h (R/W) = In the 7-bit addressing mode, the AAS bit is cleared when receiving a NACK, a STOP condition, or a repeated START condition. In the 10-bit addressing mode, the AAS bit is cleared when receiving a NACK, a STOP condition, or by a slave address different from the I2C peripheral's own slave address. 1h (R/W) = The I2C module has recognized its own slave address or an address of all zeros (general call).
8	AD0	R	0h	Address 0 bits Reset type: SYSRSn 0h (R/W) = AD0 has been cleared by a START or STOP condition. 1h (R/W) = An address of all zeros (general call) is detected.
7-6	RESERVED	R	0h	Reserved
5	SCD	R/W1C	0h	Stop condition detected bit. SCD is set when the I2C sends or receives a STOP condition. The I2C module delays clearing of the I2CMDR[STP] bit until the SCD bit is set. Reset type: SYSRSn 0h (R/W) = STOP condition not detected since SCD was last cleared. SCD is cleared by any one of the following events: - I2CISRC is read by the CPU when it contains the value 110b (stop condition detected). Emulator reads of the I2CISRC do not affect this bit. - SCD is manually cleared. To clear this bit, write a 1 to it. - The I2C module is reset. 1h (R/W) = A STOP condition has been detected on the I2C bus.

**Table 19-12. I2CSTR Register Field Descriptions (continued)**

Bit	Field	Type	Reset	Description
4	XRDY	R	1h	<p>Transmit-data-ready interrupt flag bit.</p> <p>When not in FIFO mode, XRDY indicates that the data transmit register (I2CDXR) is ready to accept new data because the previous data has been copied from I2CDXR to the transmit shift register (I2CXSR). The CPU can poll XRDY or use the XRDY interrupt request. When in FIFO mode, use TXFFINT instead.</p> <p>Reset type: SYSRSn</p> <p>0h (R/W) = I2CDXR not ready. XRDY is cleared when data is written to I2CDXR.</p> <p>1h (R/W) = I2CDXR ready: Data has been copied from I2CDXR to I2CXSR.</p> <p>XRDY is also forced to 1 when the I2C module is reset.</p>
3	RRDY	R/W1C	0h	<p>Receive-data-ready interrupt flag bit.</p> <p>When not in FIFO mode, RRDY indicates that the data receive register (I2CDRR) is ready to be read because data has been copied from the receive shift register (I2CRSR) to I2CDRR. The CPU can poll RRDY or use the RRDY interrupt request. When in FIFO mode, use RXFFINT instead.</p> <p>Reset type: SYSRSn</p> <p>0h (R/W) = I2CDRR not ready. RRDY is cleared by any one of the following events:</p> <ul style="list-style-type: none"> <li>- I2CDRR is read by the CPU. Emulator reads of the I2CDRR do not affect this bit.</li> <li>- RRDY is manually cleared. To clear this bit, write a 1 to it.</li> <li>- The I2C module is reset.</li> </ul> <p>1h (R/W) = I2CDRR ready: Data has been copied from I2CRSR to I2CDRR.</p>
2	ARDY	R/W1C	0h	<p>Register-access-ready interrupt flag bit (only applicable when the I2C module is in the master mode).</p> <p>ARDY indicates that the I2C module registers are ready to be accessed because the previously programmed address, data, and command values have been used. The CPU can poll ARDY or use the ARDY interrupt request.</p> <p>Reset type: SYSRSn</p> <p>0h (R/W) = The registers are not ready to be accessed. ARDY is cleared by any one of the following events:</p> <ul style="list-style-type: none"> <li>- The I2C module starts using the current register contents.</li> <li>- ARDY is manually cleared. To clear this bit, write a 1 to it.</li> <li>- The I2C module is reset.</li> </ul> <p>1h (R/W) = The registers are ready to be accessed.</p> <p>In the nonrepeat mode (RM = 0 in I2CMMDR): If STP = 0 in I2CMMDR, the ARDY bit is set when the internal data counter counts down to 0. If STP = 1, ARDY is not affected (instead, the I2C module generates a STOP condition when the counter reaches 0).</p> <p>In the repeat mode (RM = 1): ARDY is set at the end of each byte transmitted from I2CDXR.</p>

**Table 19-12. I2CSTR Register Field Descriptions (continued)**

Bit	Field	Type	Reset	Description
1	NACK	R/W1C	0h	<p>No-acknowledgment interrupt flag bit.</p> <p>NACK applies when the I2C module is a master transmitter. NACK indicates whether the I2C module has detected an acknowledge bit (ACK) or a noacknowledge bit (NACK) from the slave receiver. The CPU can poll NACK or use the NACK interrupt request.</p> <p>Reset type: SYSRSn</p> <p>0h (R/W) = ACK received/NACK not received. This bit is cleared by any one of the following events:</p> <ul style="list-style-type: none"> <li>- An acknowledge bit (ACK) has been sent by the slave receiver.</li> <li>- NACK is manually cleared. To clear this bit, write a 1 to it.</li> <li>- The CPU reads the interrupt source register (I2CISRC) and the register contains the code for a NACK interrupt. Emulator reads of the I2CISRC do not affect this bit.</li> <li>- The I2C module is reset.</li> </ul> <p>1h (R/W) = NACK bit received. The hardware detects that a no-acknowledge (NACK) bit has been received.</p> <p>Note: While the I2C module performs a general call transfer, NACK is 1, even if one or more slaves send acknowledgment.</p>
0	ARBL	R/W1C	0h	<p>Arbitration-lost interrupt flag bit (only applicable when the I2C module is a master-transmitter).</p> <p>ARBL primarily indicates when the I2C module has lost an arbitration contest with another master/transmitter. The CPU can poll ARBL or use the ARBL interrupt request.</p> <p>Reset type: SYSRSn</p> <p>0h (R/W) = Arbitration not lost. AL is cleared by any one of the following events:</p> <ul style="list-style-type: none"> <li>- AL is manually cleared. To clear this bit, write a 1 to it.</li> <li>- The CPU reads the interrupt source register (I2CISRC) and the register contains the code for an AL interrupt. Emulator reads of the I2CISRC do not affect this bit.</li> <li>- The I2C module is reset.</li> </ul> <p>1h (R/W) = Arbitration lost. AL is set by any one of the following events:</p> <ul style="list-style-type: none"> <li>- The I2C module senses that it has lost an arbitration with two or more competing transmitters that started a transmission almost simultaneously.</li> <li>- The I2C module attempts to start a transfer while the BB (bus busy) bit is set to 1.</li> </ul> <p>When AL becomes 1, the MST and STP bits of I2CMMDR are cleared, and the I2C module becomes a slave-receiver.</p>

#### 19.7.2.4 I2CCLKL Register (Offset = 3h) [Reset = 0000h]

I2CCLKL is shown in [Figure 19-23](#) and described in [Table 19-13](#).

Return to the [Summary Table](#).

I2C Clock low-time divider

**Figure 19-23. I2CCLKL Register**

15	14	13	12	11	10	9	8
I2CCLKL							
R/W-0h							
7	6	5	4	3	2	1	0
I2CCLKL							
R/W-0h							

**Table 19-13. I2CCLKL Register Field Descriptions**

Bit	Field	Type	Reset	Description
15-0	I2CCLKL	R/W	0h	<p>Clock low-time divide-down value.</p> <p>To produce the low time duration of the master clock, the period of the module clock is multiplied by (ICCL + d). d is an adjustment factor based on the prescaler. See the Clock Divider Registers section of the Introduction for details.</p> <p>Note: These bits must be set to a non-zero value for proper I2C clock generation.</p> <p>Reset type: SYSRSn</p>

### 19.7.2.5 I2CCLKH Register (Offset = 4h) [Reset = 0000h]

I2CCLKH is shown in [Figure 19-24](#) and described in [Table 19-14](#).

Return to the [Summary Table](#).

I2C Clock high-time divider

**Figure 19-24. I2CCLKH Register**

15	14	13	12	11	10	9	8
I2CCLKH							
R/W-0h							
7	6	5	4	3	2	1	0
I2CCLKH							
R/W-0h							

**Table 19-14. I2CCLKH Register Field Descriptions**

Bit	Field	Type	Reset	Description
15-0	I2CCLKH	R/W	0h	Clock high-time divide-down value. To produce the high time duration of the master clock, the period of the module clock is multiplied by (ICCL + d). d is an adjustment factor based on the prescaler. See the Clock Divider Registers section of the Introduction for details. Note: These bits must be set to a non-zero value for proper I2C clock generation. Reset type: SYSRSn

### 19.7.2.6 I2CCNT Register (Offset = 5h) [Reset = 0000h]

I2CCNT is shown in [Figure 19-25](#) and described in [Table 19-15](#).

Return to the [Summary Table](#).

I2CCNT is a 16-bit register used to indicate how many data bytes to transfer when the I2C module is configured as a transmitter, or to receive when configured as a master receiver. In the repeat mode (RM = 1), I2CCNT is not used.

The value written to I2CCNT is copied to an internal data counter. The internal data counter is decremented by 1 for each byte transferred (I2CCNT remains unchanged). If a STOP condition is requested in the master mode (STP = 1 in I2CMDR), the I2C module terminates the transfer with a STOP condition when the countdown is complete (that is, when the last byte has been transferred).

**Figure 19-25. I2CCNT Register**

15	14	13	12	11	10	9	8
I2CCNT							
R/W-0h							
7	6	5	4	3	2	1	0
I2CCNT							
R/W-0h							

**Table 19-15. I2CCNT Register Field Descriptions**

Bit	Field	Type	Reset	Description
15-0	I2CCNT	R/W	0h	<p>Data count value. I2CCNT indicates the number of data bytes to transfer or receive.</p> <p>If a STOP condition is specified (STP=1) then I2CCNT will decrease after each byte is sent until it reaches zero, which in turn will generate a STOP condition.</p> <p>The value in I2CCNT is a don't care when the RM bit in I2CMDR is set to 1.</p> <p>Reset type: SYSRSn</p> <p>0h (R/W) = data count value is 65536</p> <p>1h (R/W) = data count value is 1</p> <p>2h (R/W) = data count value is 2</p> <p>FFFFh (R/W) = data count value is 65535</p>

### 19.7.2.7 I2CDRR Register (Offset = 6h) [Reset = 0000h]

I2CDRR is shown in [Figure 19-26](#) and described in [Table 19-16](#).

Return to the [Summary Table](#).

I2CDRR is a 16-bit register used by the CPU to read received data. The I2C module can receive a data byte with 1 to 8 bits. The number of bits is selected with the bit count (BC) bits in I2CMADR. One bit at a time is shifted in from the SDA pin to the receive shift register (I2CRSR). When a complete data byte has been received, the I2C module copies the data byte from I2CRSR to I2CDRR. The CPU cannot access I2CRSR directly.

If a data byte with fewer than 8 bits is in I2CDRR, the data value is right-justified, and the other bits of I2CDRR(7-0) are undefined. For example, if BC = 011 (3-bit data size), the receive data is in I2CDRR(2-0), and the content of I2CDRR(7-3) is undefined.

When in the receive FIFO mode, the I2CDRR register acts as the receive FIFO buffer.

**Figure 19-26. I2CDRR Register**

15	14	13	12	11	10	9	8
RESERVED							
R-0h							
7	6	5	4	3	2	1	0
DATA							
R-0h							

**Table 19-16. I2CDRR Register Field Descriptions**

Bit	Field	Type	Reset	Description
15-8	RESERVED	R	0h	Reserved
7-0	DATA	R	0h	Receive data Reset type: SYSRSn



### 19.7.2.8 I2CSAR Register (Offset = 7h) [Reset = 03FFh]

I2CSAR is shown in [Figure 19-27](#) and described in [Table 19-17](#).

Return to the [Summary Table](#).

The I2C slave address register (I2CSAR) is a 16-bit register for storing the next slave address that will be transmitted by the I2C module when it is a master. The SAR field of I2CSAR contains a 7-bit or 10-bit slave address. When the I2C module is not using the free data format (FDF = 0 in I2CMDR), it uses this address to initiate data transfers with a slave, or slaves. When the address is nonzero, the address is for a particular slave. When the address is 0, the address is a general call to all slaves. If the 7-bit addressing mode is selected (XA = 0 in I2CMDR), only bits 6-0 of I2CSAR are used write 0s to bits 9-7.

**Figure 19-27. I2CSAR Register**

15	14	13	12	11	10	9	8
RESERVED						SAR	
R-0h						R/W-3FFh	
7	6	5	4	3	2	1	0
SAR							
R/W-3FFh							

**Table 19-17. I2CSAR Register Field Descriptions**

Bit	Field	Type	Reset	Description
15-10	RESERVED	R	0h	Reserved
9-0	SAR	R/W	3FFh	In 7-bit addressing mode (XA = 0 in I2CMDR): 00h-7Fh Bits 6-0 provide the 7-bit slave address that the I2C module transmits when it is in the master-transmitter mode. Write 0s to bits 9-7. In 10-bit addressing mode (XA = 1 in I2CMDR): 000h-3FFh Bits 9-0 provide the 10-bit slave address that the I2C module transmits when it is in the master transmitter mode. Reset type: SYSRSn

### 19.7.2.9 I2CDXR Register (Offset = 8h) [Reset = 0000h]

I2CDXR is shown in [Figure 19-28](#) and described in [Table 19-18](#).

Return to the [Summary Table](#).

The CPU writes transmit data to I2CDXR. This 16-bit register accepts a data byte with 1 to 8 bits. Before writing to I2CDXR, specify how many bits are in a data byte by loading the appropriate value into the bit count (BC) bits of I2CMR. When writing a data byte with fewer than 8 bits, make sure the value is right-aligned in I2CDXR. After a data byte is written to I2CDXR, the I2C module copies the data byte to the transmit shift register (I2CXSR). The CPU cannot access I2CXSR directly. From I2CXSR, the I2C module shifts the data byte out on the SDA pin, one bit at a time.

When in the transmit FIFO mode, the I2CDXR register acts as the transmit FIFO buffer.

**Figure 19-28. I2CDXR Register**

15	14	13	12	11	10	9	8
RESERVED							
R-0h							
7	6	5	4	3	2	1	0
DATA							
R/W-0h							

**Table 19-18. I2CDXR Register Field Descriptions**

Bit	Field	Type	Reset	Description
15-8	RESERVED	R	0h	Reserved
7-0	DATA	R/W	0h	Transmit data Reset type: SYSRSn

### 19.7.2.10 I2CMR Register (Offset = 9h) [Reset = 0000h]

I2CMR is shown in [Figure 19-29](#) and described in [Table 19-19](#).

Return to the [Summary Table](#).

The I2C mode register (I2CMR) is a 16-bit register that contains the control bits of the I2C module.

**Figure 19-29. I2CMR Register**

15	14	13	12	11	10	9	8
NACKMOD	FREE	STT	RESERVED	STP	MST	TRX	XA
R/W-0h	R/W-0h	R/W-0h	R-0h	R/W-0h	R/W-0h	R/W-0h	R/W-0h
7	6	5	4	3	2	1	0
RM	DLB	IRS	STB	FDL		BC	
R/W-0h	R/W-0h	R/W-0h	R/W-0h	R/W-0h		R/W-0h	

**Table 19-19. I2CMR Register Field Descriptions**

Bit	Field	Type	Reset	Description
15	NACKMOD	R/W	0h	<p>NACK mode bit. This bit is only applicable when the I2C module is acting as a receiver.</p> <p>Reset type: SYSRSn</p> <p>0h (R/W) = In the slave-receiver mode: The I2C module sends an acknowledge (ACK) bit to the transmitter during each acknowledge cycle on the bus. The I2C module only sends a no-acknowledge (NACK) bit if you set the NACKMOD bit.</p> <p>In the master-receiver mode: The I2C module sends an ACK bit during each acknowledge cycle until the internal data counter counts down to 0. At that point, the I2C module sends a NACK bit to the transmitter. To have a NACK bit sent earlier, you must set the NACKMOD bit</p> <p>1h (R/W) = In either slave-receiver or master-receiver mode: The I2C module sends a NACK bit to the transmitter during the next acknowledge cycle on the bus. Once the NACK bit has been sent, NACKMOD is cleared.</p> <p>Important: To send a NACK bit in the next acknowledge cycle, you must set NACKMOD before the rising edge of the last data bit.</p>
14	FREE	R/W	0h	<p>This bit controls the action taken by the I2C module when a debugger breakpoint is encountered.</p> <p>Reset type: SYSRSn</p> <p>0h (R/W) = When I2C module is master: If SCL is low when the breakpoint occurs, the I2C module stops immediately and keeps driving SCL low, whether the I2C module is the transmitter or the receiver. If SCL is high, the I2C module waits until SCL becomes low and then stops.</p> <p>When I2C module is slave: A breakpoint forces the I2C module to stop when the current transmission/reception is complete.</p> <p>1h (R/W) = The I2C module runs free that is, it continues to operate when a breakpoint occurs.</p>
13	STT	R/W	0h	<p>START condition bit (only applicable when the I2C module is a master). The RM, STT, and STP bits determine when the I2C module starts and stops data transmissions (see Table 9-6). Note that the STT and STP bits can be used to terminate the repeat mode, and that this bit is not writable when IRS = 0.</p> <p>Reset type: SYSRSn</p> <p>0h (R/W) = In the master mode, STT is automatically cleared after the START condition has been generated.</p> <p>1h (R/W) = In the master mode, setting STT to 1 causes the I2C module to generate a START condition on the I2C-bus</p>
12	RESERVED	R	0h	Reserved

**Table 19-19. I2CMDR Register Field Descriptions (continued)**

Bit	Field	Type	Reset	Description
11	STP	R/W	0h	<p>STOP condition bit (only applicable when the I2C module is a master).</p> <p>In the master mode, the RM,STT, and STP bits determine when the I2C module starts and stops data transmissions.</p> <p>Note that the STT and STP bits can be used to terminate the repeat mode, and that this bit is not writable when IRS=0. When in non-repeat mode, at least one byte must be transferred before a stop condition can be generated. The I2C module delays clearing of this bit until after the I2CSTR[SCD] bit is set. To avoid disrupting the I2C state machine, the user must wait until this bit is clear before initiating a new message.</p> <p>Reset type: SYSRSn</p> <p>0h (R/W) = STP is automatically cleared after the STOP condition has been generated</p> <p>1h (R/W) = STP has been set by the device to generate a STOP condition when the internal data counter of the I2C module counts down to 0.</p>
10	MST	R/W	0h	<p>Master mode bit.</p> <p>MST determines whether the I2C module is in the slave mode or the master mode. MST is automatically changed from 1 to 0 when the I2C master generates a STOP condition</p> <p>Reset type: SYSRSn</p> <p>0h (R/W) = Slave mode. The I2C module is a slave and receives the serial clock from the master.</p> <p>1h (R/W) = Master mode. The I2C module is a master and generates the serial clock on the SCL pin.</p>
9	TRX	R/W	0h	<p>Transmitter mode bit.</p> <p>When relevant, TRX selects whether the I2C module is in the transmitter mode or the receiver mode.</p> <p>Reset type: SYSRSn</p> <p>0h (R/W) = Receiver mode. The I2C module is a receiver and receives data on the SDA pin.</p> <p>1h (R/W) = Transmitter mode. The I2C module is a transmitter and transmits data on the SDA pin.</p>
8	XA	R/W	0h	<p>Expanded address enable bit.</p> <p>Reset type: SYSRSn</p> <p>0h (R/W) = 7-bit addressing mode (normal address mode). The I2C module transmits 7-bit slave addresses (from bits 6-0 of I2CSAR), and its own slave address has 7 bits (bits 6-0 of I2COAR).</p> <p>1h (R/W) = 10-bit addressing mode (expanded address mode). The I2C module transmits 10-bit slave addresses (from bits 9-0 of I2CSAR), and its own slave address has 10 bits (bits 9-0 of I2COAR).</p>
7	RM	R/W	0h	<p>Repeat mode bit (only applicable when the I2C module is a master-transmitter or master-receiver).</p> <p>The RM, STT, and STP bits determine when the I2C module starts and stops data transmissions</p> <p>Reset type: SYSRSn</p> <p>0h (R/W) = Nonrepeat mode. The value in the data count register (I2CCNT) determines how many bytes are received/transmitted by the I2C module.</p> <p>1h (R/W) = Repeat mode. A data byte is transmitted each time the I2CDXR register is written to (or until the transmit FIFO is empty when in FIFO mode) until the STP bit is manually set. The value of I2CCNT is ignored. The ARDY bit/interrupt can be used to determine when the I2CDXR (or FIFO) is ready for more data, or when the data has all been sent and the CPU is allowed to write to the STP bit.</p>

**Table 19-19. I2CMDR Register Field Descriptions (continued)**

Bit	Field	Type	Reset	Description
6	DLB	R/W	0h	<p>Digital loopback mode bit.</p> <p>Reset type: SYSRSn</p> <p>0h (R/W) = Digital loopback mode is disabled.</p> <p>1h (R/W) = Digital loopback mode is enabled. For proper operation in this mode, the MST bit must be 1.</p> <p>In the digital loopback mode, data transmitted out of I2CDXR is received in I2CDRR after n device cycles by an internal path, where: <math>n = ((I2C \text{ input clock frequency/module clock frequency}) \times 8)</math></p> <p>The transmit clock is also the receive clock. The address transmitted on the SDA pin is the address in I2COAR.</p> <p>Note: The free data format (FDF = 1) is not supported in the digital loopback mode.</p>
5	IRS	R/W	0h	<p>I2C module reset bit.</p> <p>Reset type: SYSRSn</p> <p>0h (R/W) = The I2C module is in reset/disabled. When this bit is cleared to 0, all status bits (in I2CSTR) are set to their default values.</p> <p>1h (R/W) = The I2C module is enabled. This has the effect of releasing the I2C bus if the I2C peripheral is holding it.</p>
4	STB	R/W	0h	<p>START byte mode bit. This bit is only applicable when the I2C module is a master. As described in version 2.1 of the Philips Semiconductors I2C-bus specification, the START byte can be used to help a slave that needs extra time to detect a START condition. When the I2C module is a slave, it ignores a START byte from a master, regardless of the value of the STB bit.</p> <p>Reset type: SYSRSn</p> <p>0h (R/W) = The I2C module is not in the START byte mode.</p> <p>1h (R/W) = The I2C module is in the START byte mode. When you set the START condition bit (STT), the I2C module begins the transfer with more than just a START condition. Specifically, it generates:</p> <ol style="list-style-type: none"> <li>1. A START condition</li> <li>2. A START byte (0000 0001b)</li> <li>3. A dummy acknowledge clock pulse</li> <li>4. A repeated START condition</li> </ol> <p>Then, as normal, the I2C module sends the slave address that is in I2CSAR.</p>
3	FDF	R/W	0h	<p>Free data format mode bit.</p> <p>Reset type: SYSRSn</p> <p>0h (R/W) = Free data format mode is disabled. Transfers use the 7-/10-bit addressing format selected by the XA bit.</p> <p>1h (R/W) = Free data format mode is enabled. Transfers have the free data (no address) format described in Section 9.2.5.</p> <p>The free data format is not supported in the digital loopback mode (DLB=1).</p>

**Table 19-19. I2CMDR Register Field Descriptions (continued)**

Bit	Field	Type	Reset	Description
2-0	BC	R/W	0h	<p>Bit count bits.</p> <p>BC defines the number of bits (1 to 8) in the next data byte that is to be received or transmitted by the I2C module. The number of bits selected with BC must match the data size of the other device. Notice that when BC = 000b, a data byte has 8 bits. BC does not affect address bytes, which always have 8 bits.</p> <p>Note: If the bit count is less than 8, receive data is right-justified in I2CDRR(7-0), and the other bits of I2CDRR(7-0) are undefined. Also, transmit data written to I2CDXR must be right-justified</p> <p>Reset type: SYSRSn</p> <p>0h (R/W) = 8 bits per data byte            1h (R/W) = 1 bit per data byte            2h (R/W) = 2 bits per data byte            3h (R/W) = 3 bits per data byte            4h (R/W) = 4 bits per data byte            5h (R/W) = 5 bits per data byte            6h (R/W) = 6 bits per data byte            7h (R/W) = 7 bits per data byte</p>

### 19.7.2.11 I2CISRC Register (Offset = Ah) [Reset = 0000h]

I2CISRC is shown in [Figure 19-30](#) and described in [Table 19-20](#).

Return to the [Summary Table](#).

The I2C interrupt source register (I2CISRC) is a 16-bit register used by the CPU to determine which event generated the I2C interrupt.

**Figure 19-30. I2CISRC Register**

15	14	13	12	11	10	9	8
RESERVED				WRITE_ZEROS			
R-0h				R/W-0h			
7	6	5	4	3	2	1	0
RESERVED				INTCODE			
R-0h				R-0h			

**Table 19-20. I2CISRC Register Field Descriptions**

Bit	Field	Type	Reset	Description
15-12	RESERVED	R	0h	Reserved
11-8	WRITE_ZEROS	R/W	0h	TI internal testing bits These reserved bit locations should always be written as zeros. Reset type: SYSRSn
7-3	RESERVED	R	0h	Reserved
2-0	INTCODE	R	0h	Interrupt code bits. The binary code in INTCODE indicates the event that generated an I2C interrupt. A CPU read will clear this field. If another lower priority interrupt is pending and enabled, the value corresponding to that interrupt will then be loaded. Otherwise, the value will stay cleared. The interrupt events below are listed in descending order of priority. That is INTCODE 1 (Arbitration lost) has the highest priority and INTCODE 7 (Addressed as slave) has the lowest priority. In the case of an arbitration lost, a no-acknowledgment condition detected, or a stop condition detected, a CPU read will also clear the associated interrupt flag bit in the I2CSTR register. Emulator reads will not affect the state of this field or of the status bits in the I2CSTR register. Reset type: SYSRSn 0h (R/W) = None 1h (R/W) = Arbitration lost 2h (R/W) = No-acknowledgment condition detected 3h (R/W) = Registers ready to be accessed 4h (R/W) = Receive data ready 5h (R/W) = Transmit data ready 6h (R/W) = Stop condition detected 7h (R/W) = Addressed as slave

### 19.7.2.12 I2CEMDR Register (Offset = Bh) [Reset = 0001h]

I2CEMDR is shown in [Figure 19-31](#) and described in [Table 19-21](#).

Return to the [Summary Table](#).

I2C Extended Mode

**Figure 19-31. I2CEMDR Register**

15	14	13	12	11	10	9	8
RESERVED							
R-0h							
7	6	5	4	3	2	1	0
RESERVED							BC
R-0h							R/W-1h

**Table 19-21. I2CEMDR Register Field Descriptions**

Bit	Field	Type	Reset	Description
15-1	RESERVED	R	0h	Reserved
0	BC	R/W	1h	Backwards compatibility mode. This bit affects the timing of the transmit status bits (XRDY and XSMT) in the I2CSTR register when in slave transmitter mode. Check Backwards Compatibility Mode Bit, Slave Transmitter diagram for more details. Reset type: SYSRSn 0h (R/W) = See the 'Backwards Compatibility Mode Bit, Slave Transmitter' Figure for details. 1h (R/W) = See the 'Backwards Compatibility Mode Bit, Slave Transmitter' Figure for details.



### 19.7.2.13 I2CPSC Register (Offset = Ch) [Reset = 0000h]

I2CPSC is shown in [Figure 19-32](#) and described in [Table 19-22](#).

Return to the [Summary Table](#).

The I2C prescaler register (I2CPSC) is a 16-bit register (see [Figure 14-21](#)) used for dividing down the I2C input clock to obtain the desired module clock for the operation of the I2C module. See the device-specific data manual for the supported range of values for the module clock frequency.

IPSC must be initialized while the I2C module is in reset (IRS = 0 in I2CMDR). The prescaled frequency takes effect only when IRS is changed to 1. Changing the IPSC value while IRS = 1 has no effect.

**Figure 19-32. I2CPSC Register**

15	14	13	12	11	10	9	8
RESERVED							
R-0h							
7	6	5	4	3	2	1	0
IPSC							
R/W-0h							

**Table 19-22. I2CPSC Register Field Descriptions**

Bit	Field	Type	Reset	Description
15-8	RESERVED	R	0h	Reserved
7-0	IPSC	R/W	0h	I2C prescaler divide-down value. IPSC determines how much the CPU clock is divided to create the module clock of the I2C module: module clock frequency = I2C input clock frequency / (IPSC + 1) Note: IPSC must be initialized while the I2C module is in reset (IRS = 0 in I2CMDR). Reset type: SYSRSn

### 19.7.2.14 I2CFFTX Register (Offset = 20h) [Reset = 0000h]

I2CFFTX is shown in [Figure 19-33](#) and described in [Table 19-23](#).

Return to the [Summary Table](#).

The I2C transmit FIFO register (I2CFFTX) is a 16-bit register that contains the I2C FIFO mode enable bit as well as the control and status bits for the transmit FIFO mode of operation on the I2C peripheral.

**Figure 19-33. I2CFFTX Register**

15	14	13	12	11	10	9	8	
RESERVED	I2CFFEN	TXFFRST	TXFFST					
R-0h	R/W-0h	R/W-0h	R-0h					
7	6	5	4	3	2	1	0	
TXFFINT	TXFFINTCLR	TXFFIENA	TXFFIL					
R-0h	R-0/W1S-0h	R/W-0h	R/W-0h					

**Table 19-23. I2CFFTX Register Field Descriptions**

Bit	Field	Type	Reset	Description
15	RESERVED	R	0h	Reserved
14	I2CFFEN	R/W	0h	I2C FIFO mode enable bit. This bit must be enabled for either the transmit or the receive FIFO to operate correctly. Reset type: SYSRSn 0h (R/W) = Disable the I2C FIFO mode. 1h (R/W) = Enable the I2C FIFO mode.
13	TXFFRST	R/W	0h	Transmit FIFO Reset Reset type: SYSRSn 0h (R/W) = Reset the transmit FIFO pointer to 0000 and hold the transmit FIFO in the reset state. 1h (R/W) = Enable the transmit FIFO operation.
12-8	TXFFST	R	0h	Contains the status of the transmit FIFO: xxxxx Transmit FIFO contains xxxxx bytes. 00000 Transmit FIFO is empty. Note: Since these bits are reset to zero, the transmit FIFO interrupt flag will be set when the transmit FIFO operation is enabled and the I2C is taken out of reset. This will generate a transmit FIFO interrupt if enabled. To avoid any detrimental effects from this, write a one to the TXFFINTCLR once the transmit FIFO operation is enabled and the I2C is taken out of reset. Reset type: SYSRSn
7	TXFFINT	R	0h	Transmit FIFO interrupt flag. This bit cleared by a CPU write of a 1 to the TXFFINTCLR bit. If the TXFFIENA bit is set, this bit will generate an interrupt when it is set. Reset type: SYSRSn 0h (R/W) = Transmit FIFO interrupt condition has not occurred. 1h (R/W) = Transmit FIFO interrupt condition has occurred.
6	TXFFINTCLR	R-0/W1S	0h	Transmit FIFO Interrupt Flag Clear Reset type: SYSRSn 0h (R/W) = Writes of zeros have no effect. Reads return a 0. 1h (R/W) = Writing a 1 to this bit clears the TXFFINT flag.
5	TXFFIENA	R/W	0h	Transmit FIFO Interrupt Enable Reset type: SYSRSn 0h (R/W) = Disabled. TXFFINT flag does not generate an interrupt when set. 1h (R/W) = Enabled. TXFFINT flag does generate an interrupt when set.

**Table 19-23. I2CFFTX Register Field Descriptions (continued)**

Bit	Field	Type	Reset	Description
4-0	TXFFIL	R/W	0h	Transmit FIFO interrupt level. These bits set the status level that will set the transmit interrupt flag. When the TXFFST4-0 bits reach a value equal to or less than these bits, the TXFFINT flag will be set. This will generate an interrupt if the TXFFIENA bit is set. Because the I2C on this device has a 16-level transmit FIFO, these bits cannot be configured for an interrupt of more than 16 FIFO levels. Reset type: SYSRSn

### 19.7.2.15 I2CFFRX Register (Offset = 21h) [Reset = 0000h]

I2CFFRX is shown in [Figure 19-34](#) and described in [Table 19-24](#).

Return to the [Summary Table](#).

The I2C receive FIFO register (I2CFFRX) is a 16-bit register that contains the control and status bits for the receive FIFO mode of operation on the I2C peripheral.

**Figure 19-34. I2CFFRX Register**

15	14	13	12	11	10	9	8	
RESERVED		RXFFRST	RXFFST					
R-0h		R/W-0h	R-0h					
7	6	5	4	3	2	1	0	
RXFFINT	RXFFINTCLR	RXFFIENA	RXFFIL					
R-0h	R-0/W1S-0h	R/W-0h	R/W-0h					

**Table 19-24. I2CFFRX Register Field Descriptions**

Bit	Field	Type	Reset	Description
15-14	RESERVED	R	0h	Reserved
13	RXFFRST	R/W	0h	I2C receive FIFO reset bit Reset type: SYSRSn 0h (R/W) = Reset the receive FIFO pointer to 0000 and hold the receive FIFO in the reset state. 1h (R/W) = Enable the receive FIFO operation.
12-8	RXFFST	R	0h	Contains the status of the receive FIFO: xxxxx Receive FIFO contains xxxxx bytes 00000 Receive FIFO is empty. Reset type: SYSRSn
7	RXFFINT	R	0h	Receive FIFO interrupt flag. This bit cleared by a CPU write of a 1 to the RXFFINTCLR bit. If the RXFFIENA bit is set, this bit will generate an interrupt when it is set Reset type: SYSRSn 0h (R/W) = Receive FIFO interrupt condition has not occurred. 1h (R/W) = Receive FIFO interrupt condition has occurred.
6	RXFFINTCLR	R-0/W1S	0h	Receive FIFO interrupt flag clear bit. Reset type: SYSRSn 0h (R/W) = Writes of zeros have no effect. Reads return a zero. 1h (R/W) = Writing a 1 to this bit clears the RXFFINT flag.
5	RXFFIENA	R/W	0h	Receive FIFO interrupt enable bit. Reset type: SYSRSn 0h (R/W) = Disabled. RXFFINT flag does not generate an interrupt when set. 1h (R/W) = Enabled. RXFFINT flag does generate an interrupt when set.
4-0	RXFFIL	R/W	0h	Receive FIFO interrupt level. These bits set the status level that will set the receive interrupt flag. When the RXFFST4-0 bits reach a value equal to or greater than these bits, the RXFFINT flag is set. This will generate an interrupt if the RXFFIENA bit is set. Note: Since these bits are reset to zero, the receive FIFO interrupt flag will be set if the receive FIFO operation is enabled and the I2C is taken out of reset. This will generate a receive FIFO interrupt if enabled. To avoid this, modify these bits on the same instruction as or prior to setting the RXFFRST bit. Because the I2C on this device has a 16-level receive FIFO, these bits cannot be configured for an interrupt of more than 16 FIFO levels. Reset type: SYSRSn

### 19.7.3 I2C Registers to Driverlib Functions

**Table 19-25. I2C Registers to Driverlib Functions**

File	Driverlib Function
<b>OAR</b>	
i2c.h	I2C_setOwnAddress
<b>IER</b>	
i2c.c	I2C_enableInterrupt
i2c.c	I2C_disableInterrupt
<b>STR</b>	
i2c.c	I2C_getInterruptStatus
i2c.c	I2C_clearInterruptStatus
i2c.h	I2C_isBusBusy
i2c.h	I2C_getStatus
i2c.h	I2C_clearStatus
<b>CLKL</b>	
i2c.c	I2C_initController
<b>CLKH</b>	
i2c.c	I2C_initController
<b>CNT</b>	
i2c.h	I2C_setDataCount
<b>DRR</b>	
i2c.h	I2C_getData
<b>TAR</b>	
i2c.h	I2C_setTargetAddress
<b>DXR</b>	
i2c.h	I2C_putData
<b>MDR</b>	
i2c.h	I2C_enableModule
i2c.h	I2C_disableModule
i2c.h	I2C_setConfig
i2c.h	I2C_setBitCount
i2c.h	I2C_sendStartCondition
i2c.h	I2C_sendStopCondition
i2c.h	I2C_sendNACK
i2c.h	I2C_getStopConditionStatus
i2c.h	I2C_setAddressMode
i2c.h	I2C_setEmulationMode
i2c.h	I2C_enableLoopback
i2c.h	I2C_disableLoopback
<b>ISRC</b>	
i2c.h	I2C_getInterruptSource
<b>EMDR</b>	
-	
<b>PSC</b>	
i2c.c	I2C_initController
i2c.c	I2C_configureModuleFrequency

**Table 19-25. I2C Registers to Driverlib Functions (continued)**

File	Driverlib Function
i2c.h	I2C_getPreScaler
<b>FFTX</b>	
i2c.c	I2C_enableInterrupt
i2c.c	I2C_disableInterrupt
i2c.c	I2C_getInterruptStatus
i2c.c	I2C_clearInterruptStatus
i2c.h	I2C_enableFIFO
i2c.h	I2C_disableFIFO
i2c.h	I2C_setFIFOInterruptLevel
i2c.h	I2C_getFIFOInterruptLevel
i2c.h	I2C_getTxFIFOStatus
<b>FFRX</b>	
i2c.c	I2C_enableInterrupt
i2c.c	I2C_disableInterrupt
i2c.c	I2C_getInterruptStatus
i2c.c	I2C_clearInterruptStatus
i2c.h	I2C_enableFIFO
i2c.h	I2C_disableFIFO
i2c.h	I2C_setFIFOInterruptLevel
i2c.h	I2C_getFIFOInterruptLevel
i2c.h	I2C_getRxFIFOStatus

## Chapter 20 Multichannel Buffered Serial Port (McBSP)

---



This chapter describes the multichannel buffered serial port (McBSP).

20.1 Introduction.....	2248
20.2 Configuring Device Pins.....	2249
20.3 McBSP Operation.....	2250
20.4 McBSP Sample Rate Generator.....	2260
20.5 McBSP Exception/Error Conditions.....	2267
20.6 Multichannel Selection Modes.....	2276
20.7 SPI Operation Using the Clock Stop Mode.....	2284
20.8 Receiver Configuration.....	2291
20.9 Transmitter Configuration.....	2313
20.10 Emulation and Reset Considerations.....	2331
20.11 Data Packing Examples.....	2334
20.12 Interrupt Generation.....	2337
20.13 McBSP Modes.....	2339
20.14 Special Case: External Device is the Transmit Frame Master .....	2339
20.15 Software.....	2341
20.16 McBSP Registers.....	2341

## 20.1 Introduction

This device provides up to two high-speed multichannel buffered serial ports (McBSPs) that allow direct interface to codecs and other devices in a system. The McBSP consists of a data-flow path and a control path connected to external devices by six pins as shown in [Figure 20-1](#).

Data is communicated to devices interfaced with the McBSP via the data transmit (DX) pin for transmission and via the data receive (DR) pin for reception. Control information in the form of clocking and frame synchronization is communicated via the following pins: CLKX (transmit clock), CLKR (receive clock), FSX (transmit frame synchronization), and FSR (receive frame synchronization).

The CPU and the DMA controller communicate with the McBSP through 16-bit wide registers accessible via the internal peripheral bus. The CPU or the DMA controller writes the data to be transmitted to the data transmit registers (DXR1, DXR2). Data written to the DXRs is shifted out to the DX pin via the transmit shift registers (XSR1, XSR2). Similarly, receive data on the DR pin is shifted into the receive shift registers (RSR1, RSR2) and copied into the receive buffer registers (RBR1, RBR2). The contents of the receive buffer registers (RBRs) is then copied to the data receive registers (DRRs), which can be read by the CPU or the DMA controller. This allows simultaneous movement of internal and external data communications.

If the serial word length is 8 bits, 12 bits, or 16 bits, the DRR2, RBR2, RSR2, DXR2, and XSR2 registers are not used (written, read, or shifted) For larger word lengths, these registers are needed to hold the most significant bits.

The frame and clock loop-back is implemented at chip level to enable CLKX and FSX to drive CLKR and FSR. If the loop-back is enabled, the CLKR and FSR get their signals from the CLKX and FSX pads; instead of the CLKR and FSR pins.

### 20.1.1 MCBSP Related Collateral

#### Foundational Materials

- [C2000 Academy - McBSP](#)
- [KeyStone Architecture Multichannel Buffered Serial Port \(McBSP\)](#)

### 20.1.2 Features of the McBSPs

The McBSPs feature:

- Full-duplex communication
- Double-buffered transmission and triple-buffered reception, allowing a continuous data stream
- Independent clocking and framing for reception and transmission
- The capability to send interrupts to the CPU and to send DMA events to the DMA controller
- 128 channels for transmission and reception
- Multichannel selection modes that enable or disable block transfers in each of the channels
- Direct interface to industry-standard codecs, analog interface chips (AICs), and other serially connected A/D and D/A devices
- Support for external generation of clock signals and frame-synchronization signals
- A programmable sample rate generator for internal generation and control of clock signals and frame-synchronization signals
- Programmable polarity for frame-synchronization pulses and clock signals
- Direct interface to:
  - T1/E1 framers
  - IOM-2 compliant devices
  - AC97-compliant devices (the necessary multiphase frame capability is provided)
  - I2S compliant devices
  - SPI devices



- A wide selection of data sizes: 8, 12, 16, 20, 24, and 32 bits

---

**Note**

A value of the chosen data size is referred to as a *serial word* or *word* throughout the McBSP chapter. Elsewhere, *word* is used to describe a 16-bit value.

---

- $\mu$ -law and A-law companding
- The option of transmitting/receiving 8-bit data with the LSB first
- Status bits for flagging exception/error conditions
- ABIS mode is not supported

### 20.1.3 McBSP Pins/Signals

Table 20-1 describes the McBSP interface pins and some internal signals.

**Table 20-1. McBSP Interface Pins/Signals**

McBSP-A Pin	McBSP-B Pin	Type	Description
MCLKRA	MCLKRB	I/O	Supplies or reflects the receive clock; supplies the input clock of the sample rate generator
MCLKXA	MCLKXB	I/O	Supplies or reflects the transmit clock; supplies the input clock of the sample rate generator
MDRA	MDRB	I	Serial data receive pin
MDXA	MDXB	O	Serial data transmit pin
MFSRA	MFSRB	I/O	Supplies or reflects the receive frame-sync signal; controls sample rate generator synchronization when GSYNC = 1 (see Section 20.4.3)
MFSXA	MFSXB	I/O	Supplies or reflects the transmit frame-sync signal
<b>CPU Interrupt Signals</b>			
MRINT			Receive interrupt to CPU
MXINT			Transmit interrupt to CPU
<b>DMA Events</b>			
REVT			Receive synchronization event to DMA
XEVT			Transmit synchronization event to DMA

#### 20.1.3.1 McBSP Generic Block Diagram

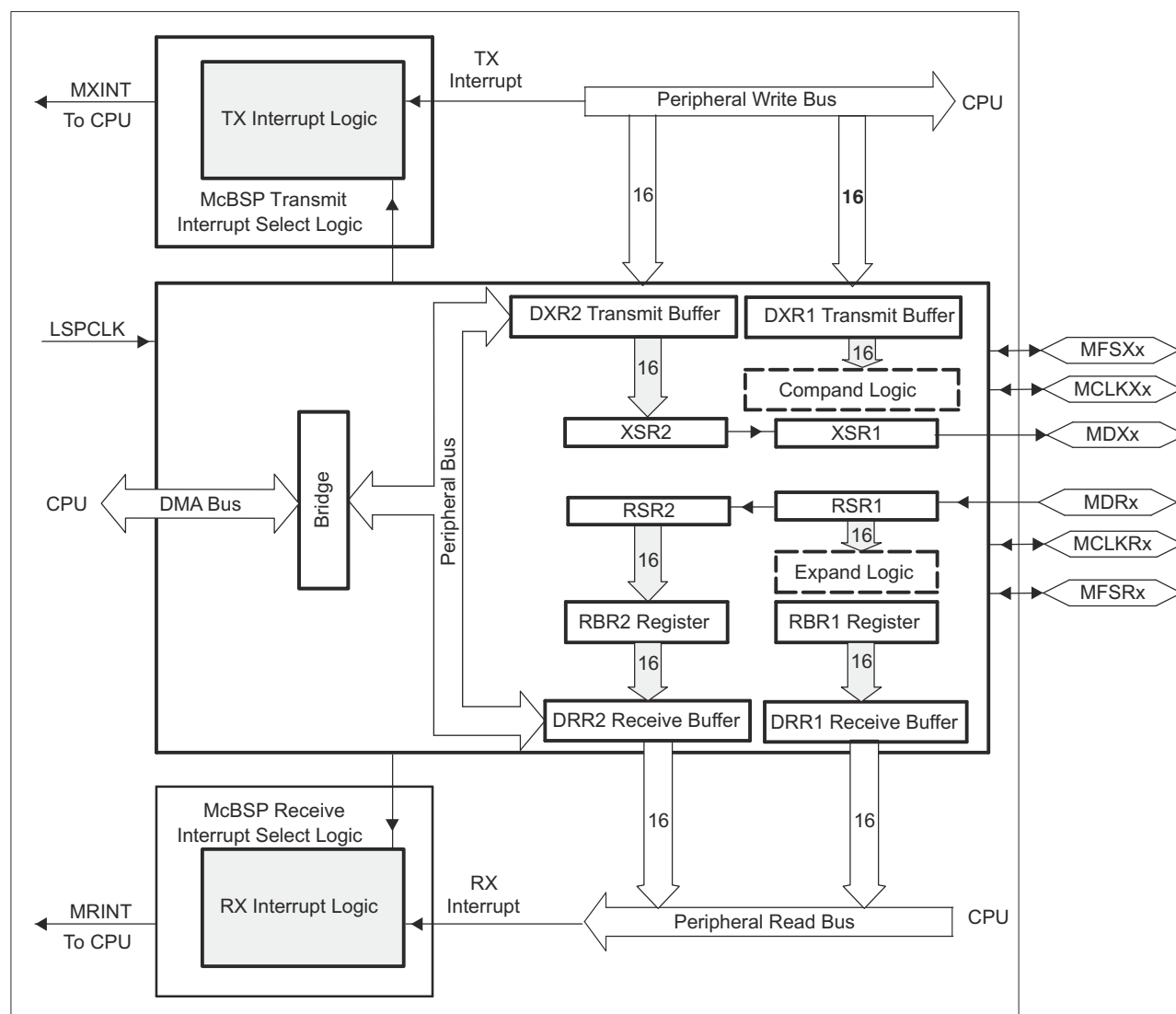
The McBSP consists of a data-flow path and a control path connected to external devices by six pins as shown in Figure 20-1. The figure and the text in this section use generic pin names.

### 20.2 Configuring Device Pins

The GPIO mux registers must be configured to connect this peripheral to the device pins. To avoid glitches on the pins, the GPyGMUX bits must be configured first (while keeping the corresponding GPyMUX bits at the default of zero), followed by writing the GPyMUX register to the desired value.

Some IO functionality is defined by GPIO register settings independent of this peripheral. For input signals, the GPIO input qualification must be set to asynchronous mode by setting the appropriate GPxQSELn register bits to 11b. The internal pullups can be configured in the GPyPUD register.

See the *General-Purpose Input/Output (GPIO)* chapter for more details on GPIO mux and settings.



A. Not available in all devices. See the device-specific data sheet.

**Figure 20-1. Conceptual Block Diagram of the McBSP**

## 20.3 McBSP Operation

This section addresses the following topics:

- Data transfer process
- Companding (compressing and expanding) data
- Clocking and framing data
- Frame phases
- McBSP reception
- McBSP transmission
- Interrupts and DMA events generated by McBSPs

### 20.3.1 Data Transfer Process of McBSPs

Figure 20-2 shows a diagram of the McBSP data transfer paths. The McBSP receive operation is triple-buffered, and transmit operation is double-buffered. The use of registers varies, depending on whether the defined length of each serial word is 16 bits.

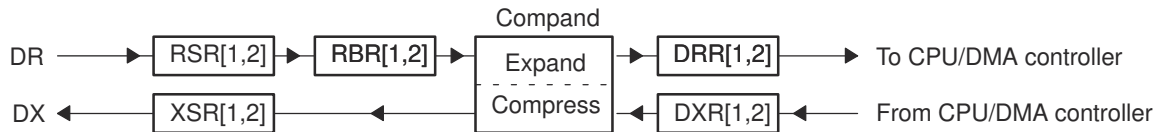


Figure 20-2. McBSP Data Transfer Paths

#### 20.3.1.1 Data Transfer Process for Word Length of 8, 12, or 16 Bits

If the word length is 16 bits or smaller, only one 16-bit register is needed at each stage of the data transfer paths. The registers DRR2, RBR2, RSR2, DXR2, and XSR2 are not used (written, read, or shifted).

Receive data arrives on the DR pin and is shifted into receive shift register 1 (RSR1). Once a full word is received, the content of RSR1 is copied to the receive buffer register 1 (RBR1), that is, if RBR1 is not full with previous data. RBR1 is then copied to the data receive register 1 (DRR1), unless the previous content of DRR1 has not been read by the CPU or the DMA controller. If the companding feature of the McBSP is implemented, the required word length is 8 bits and receive data is expanded into the appropriate format before being passed from RBR1 to DRR1. For more details about reception, see [Section 20.3.5](#).

Transmit data is written by the CPU or the DMA controller to the data transmit register 1 (DXR1). If there is no previous data in the transmit shift register (XSR1), the value in DXR1 is copied to XSR1; otherwise, DXR1 is copied to XSR1 when the last bit of the previous data is shifted out on the DX pin. If selected, the companding module compresses 16-bit data into the appropriate 8-bit format before passing it to XSR1. After transmit frame synchronization, the transmitter begins shifting bits from XSR1 to the DX pin. For more details about transmission, see [Section 20.3.6](#).

#### 20.3.1.2 Data Transfer Process for Word Length of 20, 24, or 32 Bits

If the word length is larger than 16 bits, two 16-bit registers are needed at each stage of the data transfer paths. The registers DRR2, RBR2, RSR2, DXR2, and XSR2 are needed to hold the most significant bits.

Receive data arrives on the DR pin and is shifted first into RSR2 and then into RSR1. Once the full word is received, the contents of RSR2 and RSR1 are copied to RBR2 and RBR1, respectively, if RBR1 is not full. Then the contents of RBR2 and RBR1 are copied to DRR2 and DRR1, respectively, unless the previous content of DRR1 has not been read by the CPU or the DMA controller. The CPU or the DMA controller must read data from DRR2 first and then from DRR1. When DRR1 is read, the next RBR-to-DRR copy occurs. For more details about reception, see [Section 20.3.5](#).

For transmission, the CPU or the DMA controller must write data to DXR2 first and then to DXR1. When new data arrives in DXR1, if there is no previous data in XSR1, the contents of DXR2 and DXR1 are copied to XSR2 and XSR1, respectively; otherwise, the contents of the DXRs are copied to the XSRs when the last bit of the previous data is shifted out on the DX pin. After transmit frame synchronization, the transmitter begins shifting bits from the XSRs to the DX pin. For more details about transmission, see [Section 20.3.6](#).

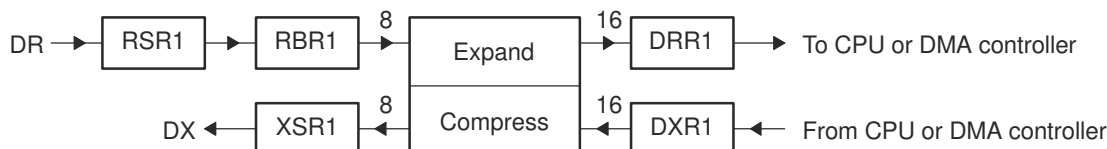
### 20.3.2 Companding (Compressing and Expanding) Data

Companding (COMpressing and exPANDING) hardware allows compression and expansion of data in either  $\mu$ -law or A-law format. The companding standard employed in the United States and Japan is  $\mu$ -law. The European companding standard is referred to as A-law. The specifications for  $\mu$ -law and A-law log PCM are part of the CCITT G.711 recommendation.

A-law and  $\mu$ -law allow 13 bits and 14 bits of dynamic range, respectively. Any values outside this range are set to the most positive or most negative value. Thus, for companding to work best, the data transferred to and from the McBSP via the CPU or DMA controller must be at least 16 bits wide.

The  $\mu$ -law and A-law formats both encode data into 8-bit code words. Companded data is always 8 bits wide; the appropriate word length bits (RWDLEN1, RWDLEN2, XWDLEN1, XWDLEN2) must therefore be set to 0, indicating an 8-bit wide serial data stream. If companding is enabled and either of the frame phases does not have an 8-bit word length, companding continues as if the word length is 8 bits.

Figure 20-3 illustrates the companding processes. When companding is chosen for the transmitter, compression occurs during the process of copying data from DXR1 to XSR1. The transmit data is encoded according to the specified companding law (A-law or  $\mu$ -law). When companding is chosen for the receiver, expansion occurs during the process of copying data from RBR1 to DRR1. The receive data is decoded to two's complement format.

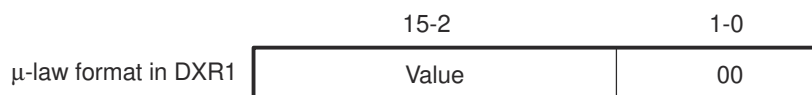


**Figure 20-3. Companding Processes**

### 20.3.2.1 Companding Formats

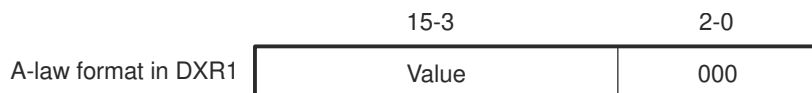
For reception, the 8-bit compressed data in RBR1 is expanded to left-justified 16-bit data in DRR1. The receive sign-extension and justification mode specified in RJUST is ignored when companding is used.

For transmission using  $\mu$ -law compression, the 14 data bits must be left-justified in DXR1 with the remaining two low-order bits filled with 0s as shown in Figure 20-4.



**Figure 20-4.  $\mu$ -Law Transmit Data Companding Format**

For transmission using A-law compression, the 13 data bits must be left-justified in DXR1, with the remaining three low-order bits filled with 0s as shown in Figure 20-5.



**Figure 20-5. A-Law Transmit Data Companding Format**

### 20.3.2.2 Capability to Compand Internal Data

If the McBSP is unused (the serial port transmit and receive sections are reset), the companding hardware can compand internal data. This can be used to:

- Convert linear to the appropriate  $\mu$ -law or A-law format
- Convert  $\mu$ -law or A-law to the linear format
- Observe the quantization effects in companding by transmitting linear data and compressing and re-expanding this data. This is useful only if both XCOMPAND and RCOMPAND enable the same companding format.

Figure 20-6 shows two methods by which the McBSP can compand internal data. Data paths for these two methods are used to indicate:

- When both the transmit and receive sections of the serial port are reset, DRR1 and DXR1 are connected internally through the companding logic. Values from DXR1 are compressed, as selected by XCOMPAND, and then expanded, as selected by RCOMPAND. RRDY and XRDY bits are not set. However, data is available in DRR1 within four CPU clocks after being written to DXR1.

The advantage of this method is the speed. The disadvantage is that there is no synchronization available to the CPU and DMA to control the flow. DRR1 and DXR1 are internally connected if the (X/R)COMPAND bits are set to 10b or 11b (compand using  $\mu$ -law or A-law).

- The McBSP is enabled in digital loopback mode with companding appropriately enabled by RCOMPAND and XCOMPAND. Receive and transmit interrupts (RINT when RINTM = 0 and XINT when XINTM = 0) or synchronization events (REVT and XEVT) allow synchronization of the CPU or DMA to these conversions, respectively. Here, the time for this companding depends on the serial bit rate selected.

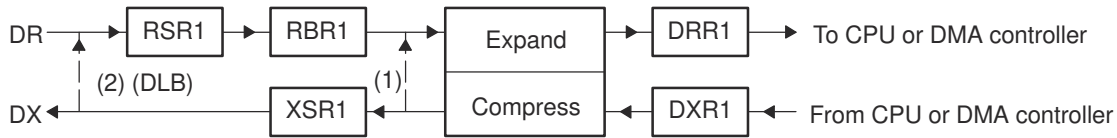


Figure 20-6. Two Methods by Which the McBSP Can Compand Internal Data

### 20.3.2.3 Reversing Bit Order: Option to Transfer LSB First

Generally, the McBSP transmits or receives all data with the most significant bit (MSB) first. However, certain 8-bit data protocols (that do not use companded data) require the least significant bit (LSB) to be transferred first. If you set XCOMPAND = 01b in XCR2, the bit ordering of 8-bit words is reversed (LSB first) before being sent from the serial port. If you set RCOMPAND = 01b in RCR2, the bit ordering of 8-bit words is reversed during reception. Similar to companding, this feature is enabled only if the appropriate word length bits are set to 0, indicating that 8-bit words are to be transferred serially. If either phase of the frame does not have an 8-bit word length, the McBSP assumes the word length is eight bits, and LSB-first ordering is done.

### 20.3.3 Clocking and Framing Data

This section explains basic concepts and terminology important for understanding how McBSP data transfers are timed and delimited.

#### 20.3.3.1 Clocking

##### Note

The McBSP cannot operate at a frequency faster than  $\frac{1}{2}$  the LSPCLK frequency. When driving CLKX or CLKR at the pin, choose an appropriate input clock frequency. When using the internal sample rate generator for CLKX and/or CLKR, choose an appropriate input clock frequency and divide down value (CLKDV) (that is, be certain that  $CLKX$  or  $CLKR \leq LSPCLK/2$ ).

Data is shifted one bit at a time from the DR pin to the RSRs or from the XSRs to the DX pin. The time for each bit transfer is controlled by the rising or falling edge of a clock signal.

The receive clock signal (CLKR) controls bit transfers from the DR pin to the RSRs. The transmit clock signal (CLKX) controls bit transfers from the XSRs to the DX pin. CLKR or CLKX can be derived from a pin at the boundary of the McBSP or derived from inside the McBSP. The polarities of CLKR and CLKX are programmable.

Figure 20-7 shows how the clock signal controls the timing of each bit transfer on the pin.

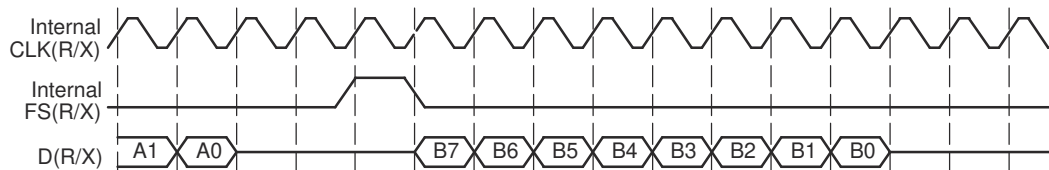


Figure 20-7. Example - Clock Signal Control of Bit Transfer Timing

### 20.3.3.2 Serial Words

Bits traveling between a shift register (RSR or XSR) and a data pin (DR or DX) are transferred in a group called a serial word. You can define how many bits are in a word.

Bits coming in on the DR pin are held in RSR until RSR holds a full serial word. Only then is the word passed to RBR (and ultimately to the DRR).

During transmission, XSR does not accept new data from DXR until a full serial word has been passed from XSR to the DX pin.

In the example in [Figure 20-7](#), an 8-bit word size was defined (see bits 7 through 0 of word B being transferred).

### 20.3.3.3 Frames and Frame Synchronization

One or more words are transferred in a group called a frame. You can define how many words are in a frame.

All of the words in a frame are sent in a continuous stream. However, there can be pauses between frame transfers. The McBSP uses frame-synchronization signals to determine when each frame is received/transmitted. When a pulse occurs on a frame-synchronization signal, the McBSP begins receiving/transmitting a frame of data. When the next pulse occurs, the McBSP receives/transmits the next frame, and so on.

Pulses on the receive frame-synchronization (FSR) signal initiate frame transfers on the DR data pin. Pulses on the transmit frame-sync (FSX) signal initiate frame transfers on DX. FSR or FSX can be derived from a pin at the boundary of the McBSP or derived from inside the McBSP.

In [Figure 20-7](#), a one-word frame is transferred when a frame-synchronization pulse occurs.

In McBSP operation, the inactive-to-active transition of the frame-synchronization signal indicates the start of the next frame. For this reason, the frame-synchronization signal may be high for an arbitrary number of clock cycles. Only after the signal is recognized to have gone inactive, and then active again, does the next frame synchronization occur.

### 20.3.3.4 Generating Transmit and Receive Interrupts

The McBSP can send receive and transmit interrupts to the CPU to indicate specific events in the McBSP. To facilitate detection of frame synchronization, these interrupts can be sent in response to frame-synchronization pulses. Set the appropriate interrupt mode bits to 10b (for reception, RINTM = 10b; for transmission, XINTM = 10b).

#### 20.3.3.4.1 Detecting Frame-Synchronization Pulses, Even in Reset State

Unlike other serial port interrupt modes, this mode can operate while the associated portion of the serial port is in reset (such as activating RINT when the receiver is in reset). In this case, FSRM/FSXM and FSRP/FSXP still select the appropriate source and polarity of frame synchronization. Thus, even when the serial port is in the reset state, these signals are synchronized to the CPU clock and then sent to the CPU in the form of RINT and XINT at the point at which they feed the receiver and transmitter of the serial port. Consequently, a new frame-synchronization pulse can be detected, and after this occurs the CPU can take the serial port out of reset safely.

### 20.3.3.5 Ignoring Frame-Synchronization Pulses

The McBSP can be configured to ignore transmit and/or receive frame-synchronization pulses. To have the receiver or transmitter recognize frame-synchronization pulses, clear the appropriate frame-synchronization ignore bit (RFIG = 0 for the receiver, XFIG = 0 for the transmitter). To have the receiver or transmitter ignore frame-synchronization pulses until the desired frame length or number of words is reached, set the appropriate frame-synchronization ignore bit (RFIG = 1 for the receiver, XFIG = 1 for the transmitter). For more details on unexpected frame-synchronization pulses, see one of the following topics:

- *Unexpected Receive Frame-Synchronization Pulse* (see [Section 20.5.3](#))
- *Unexpected Transmit Frame-Synchronization Pulse* (see [Section 20.5.6](#))

You can also use the frame-synchronization ignore function for data packing (for more details, see [Section 20.11.2](#)).

### 20.3.3.6 Frame Frequency

The frame frequency is determined by the period between frame-synchronization pulses and is defined by the equation:

$$\text{Frame Frequency} = \frac{\text{Clock Frequency}}{\text{Number of Clock Cycles Between Frame- Sync Pulses}}$$

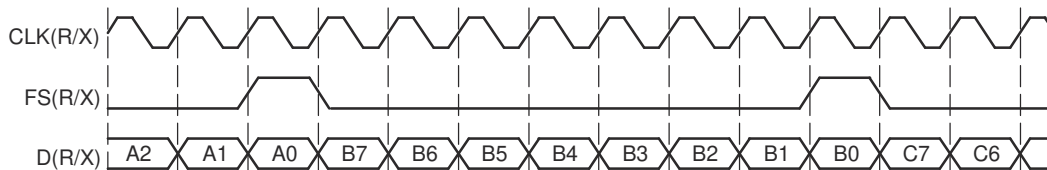
The frame frequency can be increased by decreasing the time between frame-synchronization pulses (limited only by the number of bits per frame). As the frame transmit frequency increases, the inactivity period between the data packets for adjacent transfers decreases to zero.

### 20.3.3.7 Maximum Frame Frequency

The minimum number of clock cycles between frame synchronization pulses is equal to the number of bits transferred per frame. The maximum frame frequency is defined by the equation:

$$\text{Maximum Frame Frequency} = \frac{\text{Clock Frequency}}{\text{Number of Bits Per Frame}}$$

[Figure 20-8](#) shows the McBSP operating at maximum packet frequency. At maximum packet frequency, the data bits in consecutive packets are transmitted contiguously with no inactivity between bits.



**Figure 20-8. McBSP Operating at Maximum Packet Frequency**

If there is a 1-bit data delay as shown in [Figure 20-8](#), the frame-synchronization pulse overlaps the last bit transmitted in the previous frame. Effectively, this permits a continuous stream of data, making frame-synchronization pulses redundant. Theoretically, only an initial frame-synchronization pulse is required to initiate a multipacket transfer.

The McBSP supports operation of the serial port in this fashion by ignoring the successive frame-synchronization pulses. Data is clocked into the receiver or clocked out of the transmitter during every clock cycle.

#### Note

For XDATDLY = 0 (0-bit data delay), the first bit of data is transmitted asynchronously to the internal transmit clock signal (CLKX). For more details, see [Section 20.9.13](#).

## 20.3.4 Frame Phases

The McBSP allows you to configure each frame to contain one or two phases. The number of words and the number of bits per word can be specified differently for each of the two phases of a frame, allowing greater flexibility in structuring data transfers. For example, you might define a frame as consisting of one phase containing two words of 16 bits each, followed by a second phase consisting of 10 words of 8 bits each. This configuration permits you to compose frames for custom applications or, in general, to maximize the efficiency of data transfers.

### 20.3.4.1 Number of Phases, Words, and Bits Per Frame

Table 20-2 shows which bit-fields in the receive control registers (RCR1 and RCR2) and in the transmit control registers (XCR1 and XCR2) determine the number of phases per frame, the number of words per frame, and number of bits per word for each phase, for the receiver and transmitter. The maximum number of words per frame is 128 for a single-phase frame and 256 for a dual-phase frame. The number of bits per word can be 8, 12, 16, 20, 24, or 32 bits.

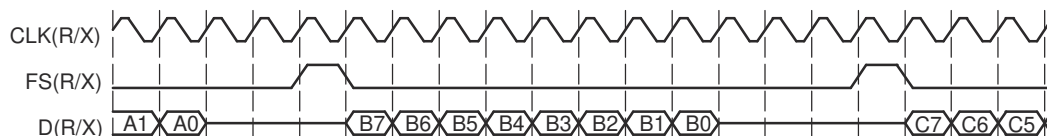
**Table 20-2. Register Bits That Determine the Number of Phases, Words, and Bits**

Operation	Number of Phases	Words per Frame Set With	Bits per Word Set With
Reception	1 (RPHASE = 0)	RFRLN1	RWDLEN1
Reception	2 (RPHASE = 1)	RFRLN1 and RFRLN2	RWDLEN1 for phase 1 RWDLEN2 for phase 2
Transmission	1 (XPHASE = 0)	XFRLN1	XWDLEN1
Transmission	2 (XPHASE = 1)	XFRLN1 and XFRLN2	XWDLEN1 for phase 1 XWDLEN2 for phase 2

### 20.3.4.2 Single-Phase Frame Example

Figure 20-9 shows an example of a single-phase data frame containing one 8-bit word. Because the transfer is configured for one data bit delay, the data on the DX and DR pins are available one clock cycle after FS(R/X) goes active. The figure makes the following assumptions:

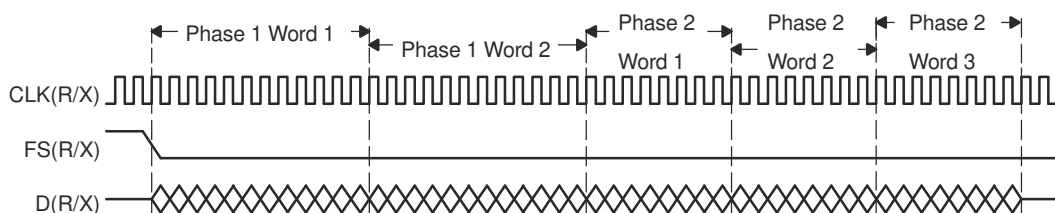
- (R/X)PHASE = 0: Single-phase frame
- (R/X)FRLN1 = 0b: 1 word per frame
- (R/X)WDLEN1 = 000b: 8-bit word length
- (R/X)FRLN2 and (R/X)WDLEN2 are ignored
- CLK(X/R)P = 0: Receive data clocked on falling edge; transmit data clocked on rising edge
- FS(R/X)P = 0: Active-high frame-synchronization signals
- (R/X)DATDLY = 01b: 1-bit data delay



**Figure 20-9. Single-Phase Frame for a McBSP Data Transfer**

### 20.3.4.3 Dual-Phase Frame Example

Figure 20-10 shows an example of a frame where the first phase consists of two words of 12 bits each, followed by a second phase of three words of 8 bits each. The entire bit stream in the frame is contiguous. There are no gaps either between words or between phases.



- A. XRDY gets asserted once per phase. So, if there are 2 phases, XRDY gets asserted twice (once per phase).

**Figure 20-10. Dual-Phase Frame for a McBSP Data Transfer**



### 20.3.4.4 Implementing the AC97 Standard With a Dual-Phase Frame

Figure 20-11 shows an example of the Audio Codec '97 (AC97) standard, which uses the dual-phase frame feature. Notice that words, not individual bits, are shown on the D(R/X) signal. The first phase (P1) consists of a single 16-bit word. The second phase (P2) consists of twelve 20-bit words. The phase configurations are listed after the figure.

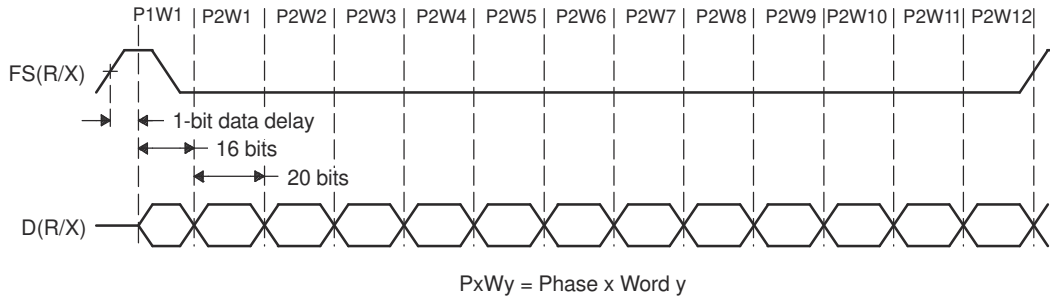


Figure 20-11. Implementing the AC97 Standard With a Dual-Phase Frame

- (R/X)PHASE = 1: Dual-phase frame
- (R/X)FRLLEN1 = 0000000b: 1 word in phase 1
- (R/X)WDLEN1 = 010b: 16 bits per word in phase 1
- (R/X)FRLLEN2 = 0001011b: 12 words in phase 2
- (R/X)WDLEN2 = 011b: 20 bits per word in phase 2
- CLKRP/CLKXP= 0: Receive data sampled on falling edge of internal CLKR / transmit data clocked on rising edge of internal CLKX
- FSRP/FSXP = 0: Active-high frame-sync signal
- (R/X)DATDLY = 01b: Data delay of 1 clock cycle (1-bit data delay)

Figure 20-12 shows the timing of an AC97-standard data transfer near frame synchronization. In this figure, individual bits are shown on D(R/X). Specifically, it shows the last two bits of phase 2 of one frame and the first four bits of phase 1 of the next frame. Regardless of the data delay, data transfers can occur without gaps. The first bit of the second frame (P1W1B15) immediately follows the last bit of the first frame (P2W12B0). Because a 1-bit data delay has been chosen, the transition on the frame-sync signal can occur when P2W12B0 is transferred.

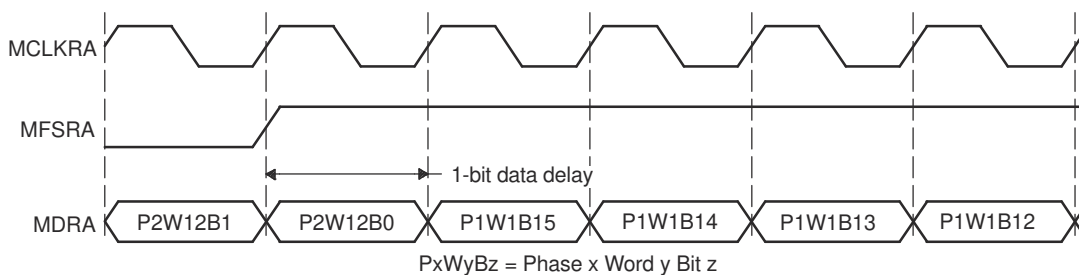
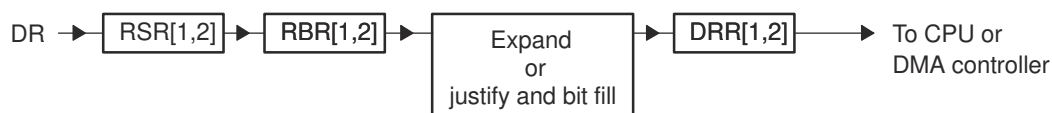


Figure 20-12. Timing of an AC97-Standard Data Transfer Near Frame Synchronization

### 20.3.5 McBSP Reception

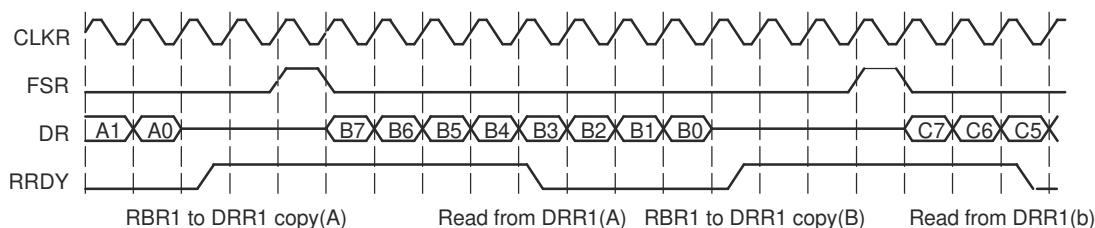
This section explains the fundamental process of reception in the McBSP. For details about how to program the McBSP receiver, see [Section 20.8](#).

[Figure 20-13](#) and [Figure 20-14](#) show how reception occurs in the McBSP. [Figure 20-13](#) shows the physical path for the data. [Figure 20-14](#) is a timing diagram showing signal activity for one possible reception scenario. A description of the process follows the figures.



- A. RSR[1,2]: Receive shift registers 1 and 2
- B. RBR[1,2]: Receive buffer registers 1 and 2
- C. DRR[1,2]: Data receive registers 1 and 2

**Figure 20-13. McBSP Reception Physical Data Path**



- A. CLKR: Internal receive clock
- B. FSR: Internal receive frame-synchronization signal
- C. DR: Data on DR pin
- D. RRDY: Status of receiver ready bit (high is 1)

**Figure 20-14. McBSP Reception Signal Activity**

The following process describes how data travels from the DR pin to the CPU or to the DMA controller:

1. The McBSP waits for a receive frame-synchronization pulse on internal FSR.
2. When the pulse arrives, the McBSP inserts the appropriate data delay that is selected with the RDATDLY bits of RCR2.  
In the preceding timing diagram, a 1-bit data delay is selected.
3. The McBSP accepts data bits on the DR pin and shifts them into the receive shift registers.  
If the word length is 16 bits or smaller, only RSR1 is used. If the word length is larger than 16 bits, RSR2 and RSR1 are used and RSR2 contains the most-significant bits. For details on choosing a word length, see [Section 20.8.8](#).
4. When a full word is received, the McBSP copies the contents of the receive shift registers to the receive buffer registers, provided that RBR1 is not full with previous data.  
If the word length is 16 bits or smaller, only RBR1 is used. If the word length is larger than 16 bits, RBR2 and RBR1 are used and RBR2 contains the most-significant bits.
5. The McBSP copies the contents of the receive buffer registers into the data receive registers, provided that DRR1 is not full with previous data. When DRR1 receives new data, the receiver ready bit (RRDY) is set in SPCR1. This indicates that received data is ready to be read by the CPU or the DMA controller.  
If the word length is 16 bits or smaller, only DRR1 is used. If the word length is larger than 16 bits, DRR2 and DRR1 are used and DRR2 contains the most-significant bits.  
If companding is used during the copy (RCOMPAND = 10b or 11b in RCR2), the 8-bit compressed data in RBR1 is expanded to a left-justified 16-bit value in DRR1. If companding is disabled, the data copied from RBR[1,2] to DRR[1,2] is justified and bit filled according to the RJUST bits.

- The CPU or the DMA controller reads the data from the data receive registers. When DRR1 is read, RRDY is cleared and the next RBR-to-DRR copy is initiated.

**Note**

If both DRRs are required (word length larger than 16 bits), the CPU or the DMA controller must read from DRR2 first and then from DRR1. As soon as DRR1 is read, the next RBR-to-DRR copy is initiated. If DRR2 is not read first, the data in DRR2 is lost.

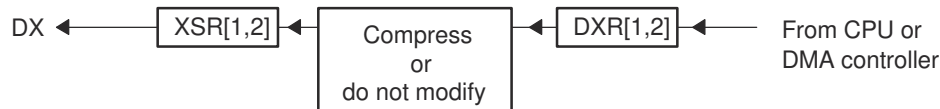
When activity is not properly timed, errors can occur. See the following topics for more details:

- [Section 20.5.2](#)
- [Section 20.5.3](#)

**20.3.6 McBSP Transmission**

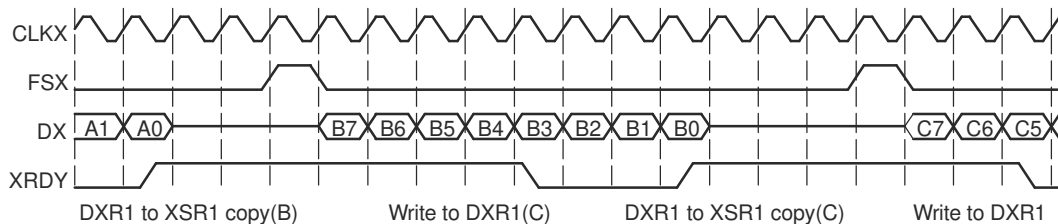
This section explains the fundamental process of transmission in the McBSP. For details about how to program the McBSP transmitter, see [Section 20.9](#).

[Figure 20-15](#) and [Figure 20-16](#) show how transmission occurs in the McBSP. [Figure 20-15](#) shows the physical path for the data. [Figure 20-16](#) is a timing diagram showing signal activity for one possible transmission scenario. A description of the process follows the figures.



- XSR[1,2]: Transmit shift registers 1 and 2
- DXR[1,2]: Data transmit registers 1 and 2

**Figure 20-15. McBSP Transmission Physical Data Path**



- CLKX: Internal transmit clock
- FSX: Internal transmit frame-synchronization signal
- DX: Data on DX pin
- XRDY: Status of transmitter ready bit (high is 1)

**Figure 20-16. McBSP Transmission Signal Activity**

- The CPU or the DMA controller writes data to the data transmit registers. When DXR1 is loaded, the transmitter ready bit (XRDY) is cleared in SPCR2 to indicate that the transmitter is not ready for new data. If the word length is 16 bits or smaller, only DXR1 is used. If the word length is larger than 16 bits, DXR2 and DXR1 are used and DXR2 contains the most-significant bits. For details on choosing a word length, see [Section 20.9.9](#).

**Note**

If both DXRs are needed (word length larger than 16 bits), the CPU or the DMA controller must load DXR2 first and then load DXR1. As soon as DXR1 is loaded, the contents of both DXRs are copied to the transmit shift registers (XSRs), as described in the next step. If DXR2 is not loaded first, the previous content of DXR2 is passed to the XSR2.

2. When new data arrives in DXR1, the McBSP copies the content of the data transmit registers to the transmit shift registers. In addition, the transmit ready bit (XRDY) is set. This indicates that the transmitter is ready to accept new data from the CPU or the DMA controller.  
 If the word length is 16 bits or smaller, only XSR1 is used. If the word length is larger than 16 bits, XSR2 and XSR1 are used and XSR2 contains the most-significant bits.  
 If companding is used during the transfer (XCOMPAND = 10b or 11b in XCR2), the McBSP compresses the 16-bit data in DXR1 to 8-bit data in the  $\mu$ -law or A-law format in XSR1. If companding is disabled, the McBSP passes data from the DXRs to the XSRs without modification.
3. The McBSP waits for a transmit frame-synchronization pulse on internal FSX.
4. When the pulse arrives, the McBSP inserts the appropriate data delay that is selected with the XDATDLY bits of XCR2.  
 In the preceding timing diagram (Figure 20-16), a 1-bit data delay is selected.
5. The McBSP shifts data bits from the transmit shift registers to the DX pin.

When activity is not properly timed, errors can occur. See the following topics for more details:

- [Section 20.5.4](#)
- [Section 20.5.5](#)
- [Section 20.5.6](#)

### 20.3.7 Interrupts and DMA Events Generated by a McBSP

The McBSP sends notification of important events to the CPU and DMA via the internal signals shown in [Table 20-3](#).

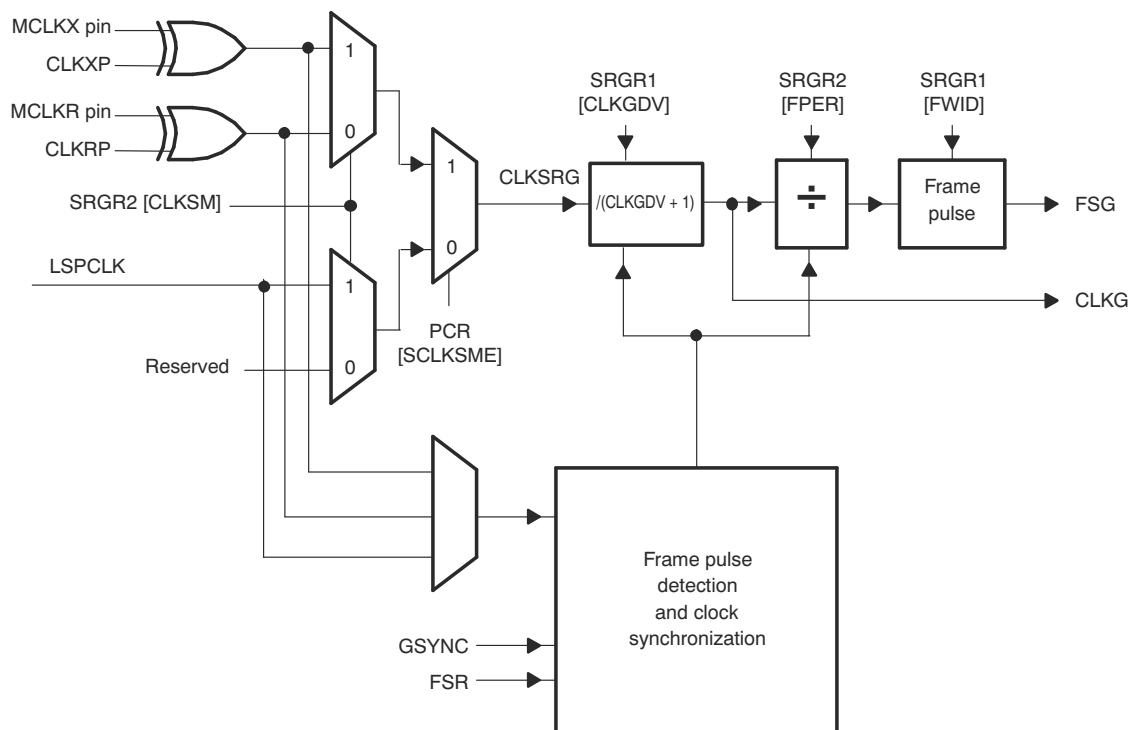
**Table 20-3. Interrupts and DMA Events Generated by a McBSP**

Internal Signal	Description
RINT	Receive interrupt  The McBSP sends a receive interrupt request to the CPU based upon a selected condition in the receiver of the McBSP (a condition selected by the RINTM bits of SPCR1).
XINT	Transmit interrupt  The McBSP sends a transmit interrupt request to the CPU based upon a selected condition in the transmitter of the McBSP (a condition selected by the XINTM bits of SPCR2).
REVT	Receive synchronization event  An REVT signal is sent to the DMA when data has been received in the data receive registers (DRRs).
XEVT	Transmit synchronization event  An XEVT signal is sent to the DMA when the data transmit registers (DXRs) are ready to accept the next serial word for transmission.

## 20.4 McBSP Sample Rate Generator

Each McBSP contains a sample rate generator (SRG) that can be programmed to generate an internal data clock (CLKG) and an internal frame-synchronization signal (FSG). CLKG can be used for bit shifting on the data receive (DR) pin and/or the data transmit (DX) pin. FSG can be used to initiate frame transfers on DR and/or DX. [Figure 20-17](#) is a conceptual block diagram of the sample rate generator.

### 20.4.1 Block Diagram



**Figure 20-17. Conceptual Block Diagram of the Sample Rate Generator**

The source clock for the sample rate generator (labeled CLKS<sub>RG</sub> in the diagram) can be supplied by the LSPCLK, or by an external pin (MCLKX or MCLKR). The source is selected with the SCLKME bit of PCR and the CLKSM bit of SRGR2. If a pin is used, the polarity of the incoming signal can be inverted with the appropriate polarity bit (CLKXP of PCR or CLKRP of PCR).

The sample rate generator has a three-stage clock divider that gives CLKG and FSG programmability. The three stages provide:

- Clock divide-down. The source clock is divided according to the CLKGDV bits of SRGR1 to produce CLKG.
- Frame period divide-down. CLKG is divided according to the FPER bits of SRGR2 to control the period from the start of a frame-pulse to the start of the next pulse.
- Frame-synchronization pulse-width countdown. CLKG cycles are counted according to the FWID bits of SRGR1 to control the width of each frame-synchronization pulse.

#### Note

The McBSP cannot operate at a frequency faster than  $\frac{1}{2}$  the source clock frequency. You must choose an input clock frequency and a CLKGDV value such that CLKG is less than or equal to  $\frac{1}{2}$  the source clock frequency.

In addition to the three-stage clock divider, the sample rate generator has a frame-synchronization pulse detection and clock synchronization module that allows synchronization of the clock divide down with an incoming frame-synchronization pulse on the FSR pin. This feature is enabled or disabled with the GSYNC bit of SRGR2.

For details on getting the sample rate generator ready for operation, see [Section 20.4.4](#).

### 20.4.1.1 Clock Generation in the Sample Rate Generator

The sample rate generator can produce a clock signal (CLKG) for use by the receiver, the transmitter, or both. Use of the sample rate generator to drive clocking is controlled by the clock mode bits (CLKRM and CLKXM) in the pin control register (PCR). When a clock mode bit is set to 1 (CLKRM = 1 for reception, CLKXM = 1 for transmission), the corresponding data clock (CLKR for reception, CLKX for transmission) is driven by the internal sample rate generator output clock (CLKG).

The effects of CLKRM = 1 and CLKXM = 1 on the McBSP are partially affected by the use of the digital loopback mode and the clock stop (SPI) mode, respectively, as described in [Table 20-4](#). The digital loopback mode (described in [Section 20.8.4](#)) is selected with the DLB bit of SPCR1. The clock stop mode (described in [Section 20.7.2](#)) is selected with the CLKSTP bits of SPCR1.

When using the sample rate generator as a clock source, make sure the sample rate generator is enabled (GRST = 1).

**Table 20-4. Effects of DLB and CLKSTP on Clock Modes**

Mode Bit Settings		Effect
CLKRM = 1	DLB = 0 (Digital loopback mode disabled)	CLKR is an output pin driven by the sample rate generator output clock (CLKG).
	DLB = 1 (Digital loopback mode enabled)	CLKR is an output pin driven by internal CLKX. The source for CLKX depends on the CLKXM bit.
CLKXM = 1	CLKSTP = 00b or 01b (Clock stop (SPI) mode disabled)	CLKX is an output pin driven by the sample rate generator output clock (CLKG).
	CLKSTP = 10b or 11b (Clock stop (SPI) mode enabled)	The McBSP is a master in an SPI system. Internal CLKX drives internal CLKR and the shift clocks of any SPI-compliant slave devices in the system. CLKX is driven by the internal sample rate generator.

### 20.4.1.2 Choosing an Input Clock

The sample rate generator must be driven by an input clock signal from one of the three sources selectable with the SCLKME bit of PCR and the CLKSM bit of SRGR2 (see [Table 20-5](#)). When CLKSM = 1, the minimum divide down value in CLKGDV bits is 1. CLKGDV is described in [Section 20.4.1.4](#).

**Table 20-5. Choosing an Input Clock for the Sample Rate Generator with the SCLKME and CLKSM Bits**

SCLKME	CLKSM	Input Clock for Sample Rate Generator
0	0	Reserved
0	1	LSPCLK
1	0	Signal on MCLKR pin
1	1	Signal on MCLKX pin

### 20.4.1.3 Choosing a Polarity for the Input Clock

As shown in [Figure 20-18](#), when the input clock is received from a pin, you can choose the polarity of the input clock. The rising edge of CLKSRG generates CLKG and FSG, but you can determine which edge of the input clock causes a rising edge on CLKSRG. The polarity options and their effects are described in [Table 20-6](#).

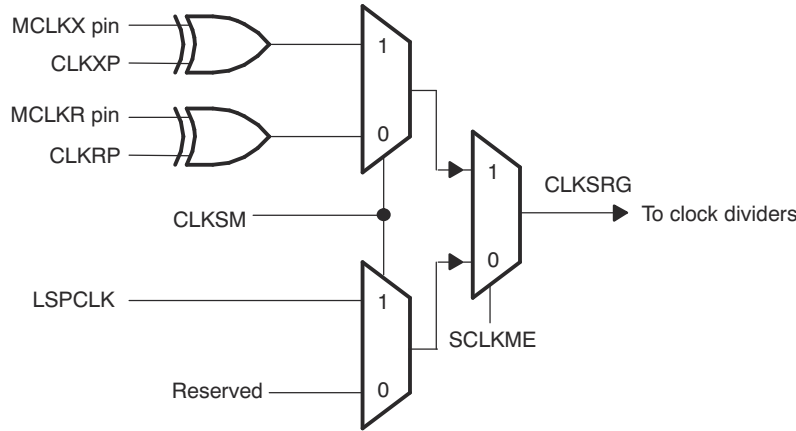


Figure 20-18. Possible Inputs to the Sample Rate Generator and the Polarity Bits

Table 20-6. Polarity Options for the Input to the Sample Rate Generator

Input Clock	Polarity Option	Effect
LSPCLK	Always positive polarity	Rising edge of CPU clock generates transitions on CLKG and FSG.
Signal on MCLKR pin	CLKRP = 0 in PCR	Falling edge on MCLKR pin generates transitions on CLKG and FSG.
	CLKRP = 1 in PCR	Rising edge on MCLKR pin generates transitions on CLKG and FSG.
Signal on MCLKX pin	CLKXP = 0 in PCR	Rising edge on MCLKX pin generates transitions on CLKG and FSG.
	CLKXP = 1 in PCR	Falling edge on MCLKX pin generates transitions on CLKG and FSG.

#### 20.4.1.4 Choosing a Frequency for the Output Clock (CLKG)

The input clock (LSPCLK or external clock) can be divided down by a programmable value to drive CLKG. Regardless of the source to the sample rate generator, the rising edge of CLKSRG (see Section 20.4.1.2) generates CLKG and FSG.

The first divider stage of the sample rate generator creates the output clock from the input clock. This divider stage uses a counter that is preloaded with the divide down value in the CLKGDV bits of SRGR1. The output of this stage is the data clock (CLKG). CLKG has the frequency represented by the following equation:

$$\text{CLKG frequency} = \frac{\text{Input clock frequency}}{(\text{CLKGDV} + 1)}$$

##### 20.4.1.4.1 CLKG Frequency

Thus, the input clock frequency is divided by a value between 1 and 256. When CLKGDV is odd or equal to 0, the CLKG duty cycle is 50%. When CLKGDV is an even value, 2p, representing an odd divide down, the high-state duration is p+1 cycles and the low-state duration is p cycles.

##### 20.4.1.5 Keeping CLKG Synchronized to External MCLKR

When the MCLKR pin is used to drive the sample rate generator (see Section 20.4.1.2), the GSYNC bit in SRGR2 and the FSR pin can be used to configure the timing of the output clock (CLKG) relative to the input clock. Note that this feature is available only when the MCLKR pin is used to feed the external clock.

GSYNC = 1 ensures that the McBSP and an external device are dividing down the input clock with the same phase relationship. If GSYNC = 1, an inactive-to-active transition on the FSR pin triggers a resynchronization of CLKG and generation of FSG.

For more details about synchronization, see Section 20.4.3.

## 20.4.2 Frame Synchronization Generation in the Sample Rate Generator

The sample rate generator can produce a frame-synchronization signal (FSG) for use by the receiver, the transmitter, or both.

If you want the receiver to use FSG for frame synchronization, make sure FSRM = 1. (When FSRM = 0, receive frame synchronization is supplied via the FSR pin.)

If you want the transmitter to use FSG for frame synchronization, you must set:

- FSXM = 1 in PCR: This indicates that transmit frame synchronization is supplied by the McBSP itself rather than from the FSX pin.
- FSGM = 1 in SRGR2: This indicates that when FSXM = 1, transmit frame synchronization is supplied by the sample rate generator. (When FSGM = 0 and FSXM = 1, the transmitter uses frame-synchronization pulses generated every time data is transferred from DXR[1,2] to XSR[1,2].)

In either case, the sample rate generator must be enabled (GRST = 1) and the frame-synchronization logic in the sample rate generator must be enabled (FRST = 1).

### 20.4.2.1 Choosing the Width of the Frame-Synchronization Pulse on FSG

Each pulse on FSG has a programmable width. You program the FWID bits of SRGR1, and the resulting pulse width is (FWID + 1) CLKG cycles, where CLKG is the output clock of the sample rate generator.

### 20.4.2.2 Controlling the Period Between the Starting Edges of Frame-Synchronization Pulses on FSG

You can control the amount of time from the starting edge of one FSG pulse to the starting edge of the next FSG pulse. This period is controlled in one of two ways, depending on the configuration of the sample rate generator:

- If the sample rate generator is using an external input clock and GSYNC = 1 in SRGR2, FSG pulses in response to an inactive-to-active transition on the FSR pin. Thus, the frame-synchronization period is controlled by an external device.
- Otherwise, you program the FPER bits of SRGR2, and the resulting frame-synchronization period is (FPER + 1) CLKG cycles, where CLKG is the output clock of the sample rate generator.

### 20.4.2.3 Keeping FSG Synchronized to an External Clock

When an external signal is selected to drive the sample rate generator (see [Section 20.4.1.2](#)), the GSYNC bit of SRGR2 and the FSR pin can be used to configure the timing of FSG pulses.

GSYNC = 1 ensures that the McBSP and an external device are dividing down the input clock with the same phase relationship. If GSYNC = 1, an inactive-to-active transition on the FSR pin triggers a resynchronization of CLKG and generation of FSG.

See [Section 20.4.3](#) for more details about synchronization.

## 20.4.3 Synchronizing Sample Rate Generator Outputs to an External Clock

The sample rate generator can produce a clock signal (CLKG) and a frame-synchronization signal (FSG) based on an input clock signal that is either the CPU clock signal or a signal at the MCLKR or MCLKX pin. When an external clock is selected to drive the sample rate generator, the GSYNC bit of SRGR2 and the FSR pin can be used to control the timing of CLKG and the pulsing of FSG relative to the chosen input clock.

Make GSYNC = 1 when you want the McBSP and an external device to divide down the input clock with the same phase relationship. If GSYNC = 1:

- An inactive-to-active transition on the FSR pin triggers a resynchronization of CLKG and a pulsing of FSG.
- CLKG always begins with a high state after synchronization.
- FSR is always detected at the same edge of the input clock signal that generates CLKG, no matter how long the FSR pulse is.
- The FPER bits of SRGR2 are ignored because the frame-synchronization period on FSG is determined by the arrival of the next frame-synchronization pulse on the FSR pin.



If GSYNC = 0, CLKG runs freely and is not resynchronized, and the frame-synchronization period on FSG is determined by FPER.

### 20.4.3.1 Operating the Transmitter Synchronously with the Receiver

When GSYNC = 1, the transmitter can operate synchronously with the receiver, provided that:

- FSX is programmed to be driven by FSG (FSGM = 1 in SRGR2 and FSXM = 1 in PCR). If the input FSR has appropriate timing so that it can be sampled by the falling edge of CLKG, it can be used, instead, by setting FSXM = 0 and connecting FSR to FSX externally.
- The sample rate generator clock drives the transmit and receive clocking (CLKRM = CLKXM = 1 in PCR).

### 20.4.3.2 Synchronization Examples

Figure 20-19 and Figure 20-20 show the clock and frame-synchronization operation with various polarities of CLKR and FSR. These figures assume FWID = 0 in SRGR1, for an FSG pulse that is one CLKG cycle wide. The FPER bits of SRGR2 are not programmed; the period from the start of a frame-synchronization pulse to the start of the next pulse is determined by the arrival of the next inactive-to-active transition on the FSR pin. Each of the figures shows what happens to CLKG when it is initially synchronized and GSYNC = 1, and when it is not initially synchronized and GSYNC = 1. Figure 20-20 has a slower CLKG frequency (it has a larger divide-down value in the CLKGDV bits of SRGR1).

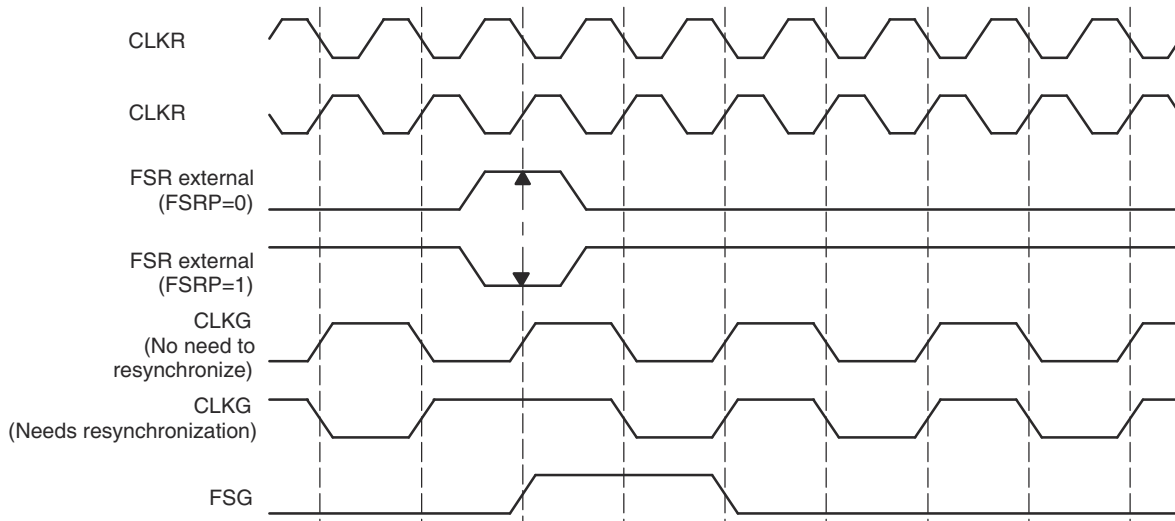
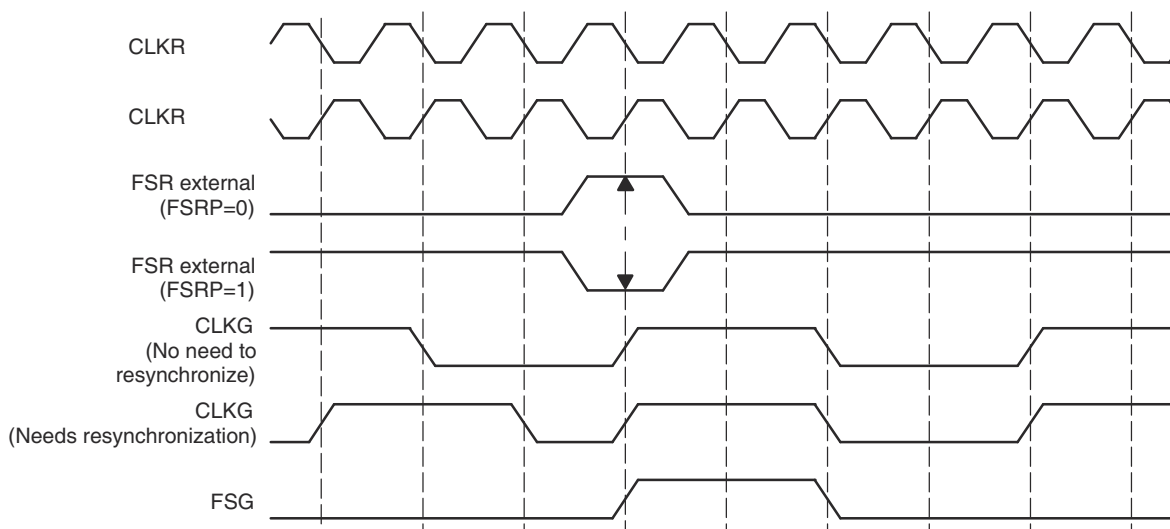


Figure 20-19. CLKG Synchronization and FSG Generation When GSYNC = 1 and CLKGDV = 1



**Figure 20-20. CLKG Synchronization and FSG Generation When GSYNC = 1 and CLKGDV = 3**

#### 20.4.4 Reset and Initialization Procedure for the Sample Rate Generator

To reset and initialize the sample rate generator:

1. Place the McBSP/sample rate generator in reset.

During a DSP reset, the sample rate generator, the receiver, and the transmitter reset bits (GRST, RRST, and XRST) are automatically forced to 0. Otherwise, during normal operation, the sample rate generator can be reset by setting GRST = 0 in SPCR2, provided that CLKG and/or FSG is not used by any portion of the McBSP. Depending on your system, you can reset the receiver (RRST = 0 in SPCR1) and reset the transmitter (XRST = 0 in SPCR2).

If GRST = 0 due to a device reset, CLKG is driven by the CPU clock divided by 2, and FSG is driven inactive-low. If GRST = 0 due to program code, CLKG and FSG are driven low (inactive).

2. Program the registers that affect the sample rate generator.

Program the sample rate generator registers (SRGR1 and SRGR2) as required for your application. If necessary, other control registers can be loaded with desired values, provided the respective portion of the McBSP (the receiver or transmitter) is in reset.

After the sample rate generator registers are programmed, wait 2 CLKSRG cycles. This makes sure of proper synchronization internally.

3. Enable the sample rate generator (take the sample rate generator out of reset).

In SPCR2, make GRST = 1 to enable the sample rate generator.

After the sample rate generator is enabled, wait two CLKG cycles for the sample rate generator logic to stabilize.

On the next rising edge of CLKSRG, CLKG transitions to 1 and starts clocking with a frequency equal to the following CLKG frequency equation:

$$\text{CLKG frequency} = \frac{\text{Input clock frequency}}{(\text{CLKGDV} + 1)}$$

where the input clock is selected with the SCLKME bit of PCR and the CLKSM bit of SRGR2 in one of the configurations shown in [Table 20-7](#).

**Table 20-7. Input Clock Selection for Sample Rate Generator**

SCLKME	CLKSM	Input Clock for Sample Rate Generator
0	0	Reserved
0	1	LSPCLK
1	0	Signal on MCLKR pin
1	1	Signal on MCLKX pin

- If necessary, enable the receiver and/or the transmitter.

If necessary, remove the receiver and/or transmitter from reset by setting RRST and/or XRST = 1.

- If necessary, enable the frame-synchronization logic of the sample rate generator.

After the required data acquisition setup is done (DXR[1,2] is loaded with data), set GRST = 1 in SPCR2 if an internally generated frame-synchronization pulse is required. FSG is generated with an active-high edge after the programmed number of CLKG clocks (FPER + 1) have elapsed.

## 20.5 McBSP Exception/Error Conditions

This section describes exception/error conditions and how to handle them.

### 20.5.1 Types of Errors

There are five serial port events that can constitute a system error:

- Receiver overrun (RFULL = 1)

This error occurs when DRR1 has not been read since the last RBR-to-DRR copy. Consequently, the receiver does not copy a new word from the RBRs to the DRRs and the RSRs are now full with another new word shifted in from DR. Therefore, RFULL = 1 indicates an error condition wherein any new data that can arrive at this time on DR replaces the contents of the RSRs, and the previous word is lost. The RSRs continue to be overwritten as long as new data arrives on DR and DRR1 is not read. For more details about overrun in the receiver, see [Section 20.5.2](#).

- Unexpected receive frame-synchronization pulse (RSYNCERR = 1)

This error occurs during reception when RFIG = 0 and an unexpected frame-synchronization pulse occurs. An unexpected frame-synchronization pulse is one that begins the next frame transfer before all the bits of the current frame have been received. Such a pulse causes data reception to abort and restart. If new data has been copied into the RBRs from the RSRs since the last RBR-to-DRR copy, this new data in the RBRs is lost. This is because no RBR-to-DRR copy occurs; the reception has been restarted. For more details about receive frame-synchronization errors, see [Section 20.5.3](#).

- Transmitter data overwrite

This error occurs when the CPU or DMA controller overwrites data in the DXRs before the data is copied to the XSRs. The overwritten data never reaches the DX pin. For more details about overwrite in the transmitter, see [Section 20.5.4](#).

- Transmitter underflow ( $\overline{\text{XEMPTY}} = 0$ )

If a new frame-synchronization signal arrives before new data is loaded into DXR1, the previous data in the DXRs is sent again. This procedure continues for every new frame-synchronization pulse that arrives until DXR1 is loaded with new data. For more details about underflow in the transmitter, see [Section 20.5.5](#).

- Unexpected transmit frame-synchronization pulse (XSYNCERR = 1)

This error occurs during transmission when XFIG = 0 and an unexpected frame-synchronization pulse occurs. An unexpected frame-synchronization pulse is one that begins the next frame transfer before all the bits of the current frame have been transferred. Such a pulse causes the current data transmission to abort and restart. If new data has been written to the DXRs since the last DXR-to-XSR copy, the current value in the XSRs is lost. For more details about transmit frame-synchronization errors, see [Section 20.5.6](#).

## 20.5.2 Overrun in the Receiver

RFULL = 1 in SPCR1 indicates that the receiver has experienced overrun and is in an error condition. RFULL is set when all of the following conditions are met:

1. DRR1 has not been read since the last RBR-to-DRR copy (RRDY = 1).
2. RBR1 is full and an RBR-to-DRR copy has not occurred.
3. RSR1 is full and an RSR1-to-RBR copy has not occurred.

As described in [Section 20.3.5](#), data arriving on DR is continuously shifted into RSR1 (for word length of 16 bits or smaller) or RSR2 and RSR1 (for word length larger than 16 bits). Once a complete word is shifted into the RSR(s), an RSR-to-RBR copy can occur only if the previous data in RBR1 has been copied to DRR1. The RRDY bit is set when new data arrives in DRR1 and is cleared when that data is read from DRR1. Until RRDY = 0, the next RBR-to-DRR copy does not take place, and the data is held in the RSR(s). New data arriving on the DR pin is shifted into RSR(s), and the previous content of the RSR(s) is lost.

You can prevent the loss of data if DRR1 is read no later than 2.5 cycles before the end of the third word is shifted into the RSR1.

### Note

If both DRRs are needed (word length larger than 16 bits), the CPU or the DMA controller must read from DRR2 first and then from DRR1. As soon as DRR1 is read, the next RBR-to-DRR copy is initiated. If DRR2 is not read first, the data in DRR2 is lost.

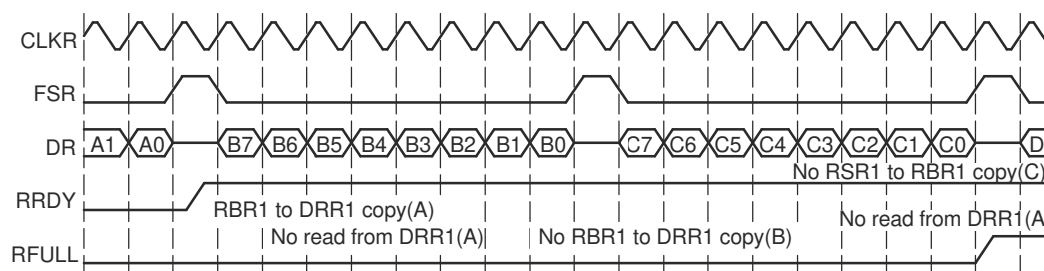
After the receiver starts running from reset, a minimum of three words must be received before RFULL is set. Either of the following events clears the RFULL bit and allows subsequent transfers to be read properly:

- The CPU or DMA controller reads DRR1.
- The receiver is reset individually (RRST = 0) or as part of a device reset.

Another frame-synchronization pulse is required to restart the receiver.

### 20.5.2.1 Example of Overrun Condition

[Figure 20-21](#) shows the receive overrun condition. Because serial word A is not read from DRR1 before serial word B arrives in RBR1, B is not transferred to DRR1 yet. Another new word ©) arrives and RSR1 is full with this data. DRR1 is finally read, but not earlier than 2.5 cycles before the end of word C. Therefore, new data (D) overwrites word C in RSR1. If DRR1 is not read in time, the next word can overwrite D.



**Figure 20-21. Overrun in the McBSP Receiver**

### 20.5.2.2 Example of Preventing Overrun Condition

Figure 20-22 shows the case where RFULL is set, but the overrun condition is prevented by a read from DRR1 at least 2.5 cycles before the next serial word is completely shifted into RSR1. This makes sure that an RBR1-to-DRR1 copy of word B occurs before receiver attempts to transfer word C from RSR1 to RBR1.

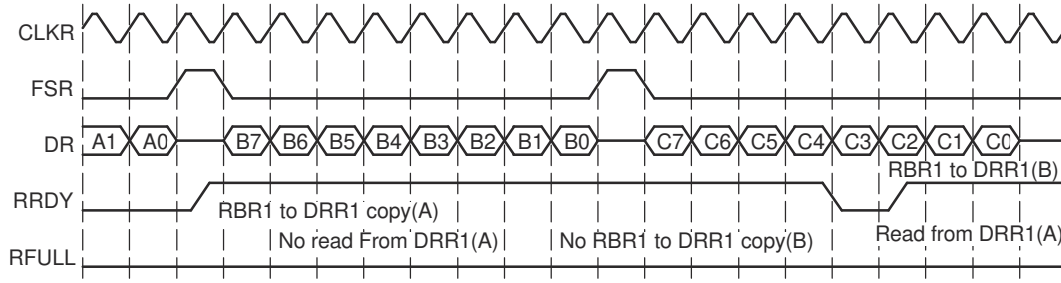


Figure 20-22. Overrun Prevented in the McBSP Receiver

### 20.5.3 Unexpected Receive Frame-Synchronization Pulse

Section 20.5.3.1 shows how the McBSP responds to any receive frame-synchronization pulses, including an unexpected pulse. Section 20.5.3.2 and Section 20.5.3.3 show an example of a frame-synchronization error and an example of how to prevent such an error, respectively.

#### 20.5.3.1 Possible Responses to Receive Frame-Synchronization Pulses

Figure 20-23 shows the decision tree that the receiver uses to handle all incoming frame-synchronization pulses. The figure assumes that the receiver has been started (RRST = 1 in SPCR1). Case 3 shows where an error occurs.

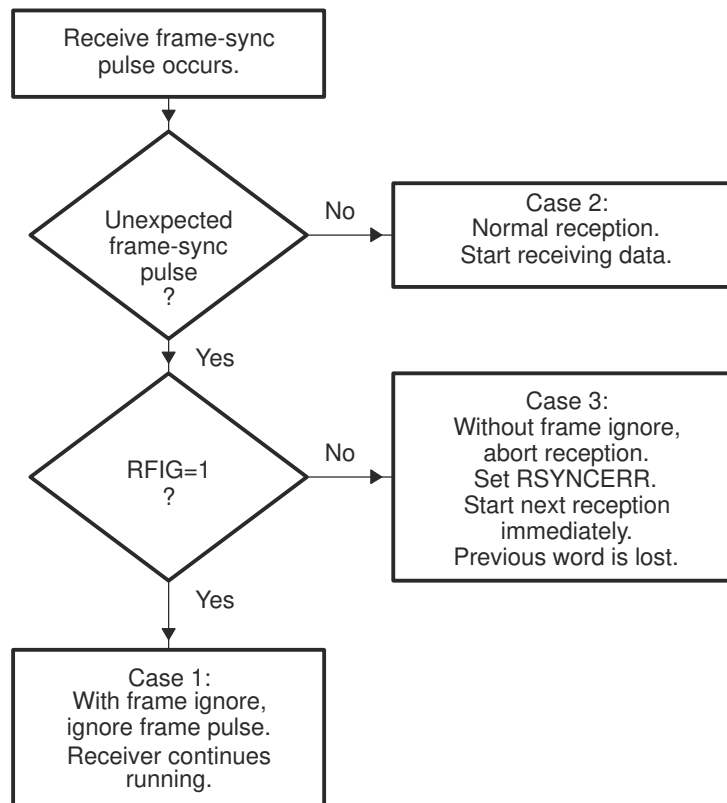


Figure 20-23. Possible Responses to Receive Frame-Synchronization Pulses

Any one of three cases can occur:

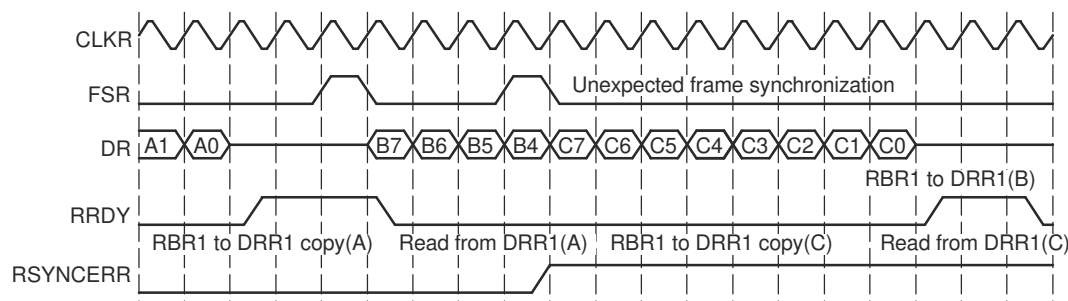
- Case 1: Unexpected internal FSR pulses with RFIG = 1 in RCR2. Receive frame-synchronization pulses are ignored, and the reception continues.
- Case 2: Normal serial port reception. Reception continues normally because the frame-synchronization pulse is not unexpected. There are three possible reasons why a receive operation might *not* be in progress when the pulse occurs:
  - The FSR pulse is the first after the receiver is enabled (RRST = 1 in SPCR1).
  - The FSR pulse is the first after DRR[1,2] is read, clearing a receiver full (RFULL = 1 in SPCR1) condition.
  - The serial port is in the interpacket intervals. The programmed data delay for reception (programmed with the RDATDLY bits in RCR2) may start during these interpacket intervals for the first bit of the next word to be received. Thus, at maximum frame frequency, frame synchronization can still be received 0 to 2 clock cycles before the first bit of the synchronized frame.
- Case 3: Unexpected receive frame synchronization with RFIG = 0 (frame-synchronization pulses not ignored). Unexpected frame-synchronization pulses can originate from an external source or from the internal sample rate generator.

If a frame-synchronization pulse starts the transfer of a new frame before the current frame is fully received, this pulse is treated as an unexpected frame-synchronization pulse, and the receiver sets the receive frame-synchronization error bit (RSYNCERR) in SPCR1. RSYNCERR can be cleared only by a receiver reset or by a write of 0 to this bit.

If you want the McBSP to notify the CPU of receive frame-synchronization errors, you can set a special receive interrupt mode with the RINTM bits of SPCR1. When RINTM = 11b, the McBSP sends a receive interrupt (RINT) request to the CPU each time that RSYNCERR is set.

### 20.5.3.2 Example of Unexpected Receive Frame-Synchronization Pulse

Figure 20-30 shows an unexpected receive frame-synchronization pulse during normal operation of the serial port, with time intervals between data packets. When the unexpected frame-synchronization pulse occurs, the RSYNCERR bit is set, the reception of data B is aborted, and the reception of data C begins. In addition, if RINTM = 11b, the McBSP sends a receive interrupt (RINT) request to the CPU.



**Figure 20-24. An Unexpected Frame-Synchronization Pulse During a McBSP Reception**

### 20.5.3.3 Preventing Unexpected Receive Frame-Synchronization Pulses

Each frame transfer can be delayed by 0, 1, or 2 MCLKR cycles, depending on the value in the RDATDLY bits of RCR2. For each possible data delay, Figure 20-25 shows when a new frame-synchronization pulse on FSR can safely occur relative to the last bit of the current frame.

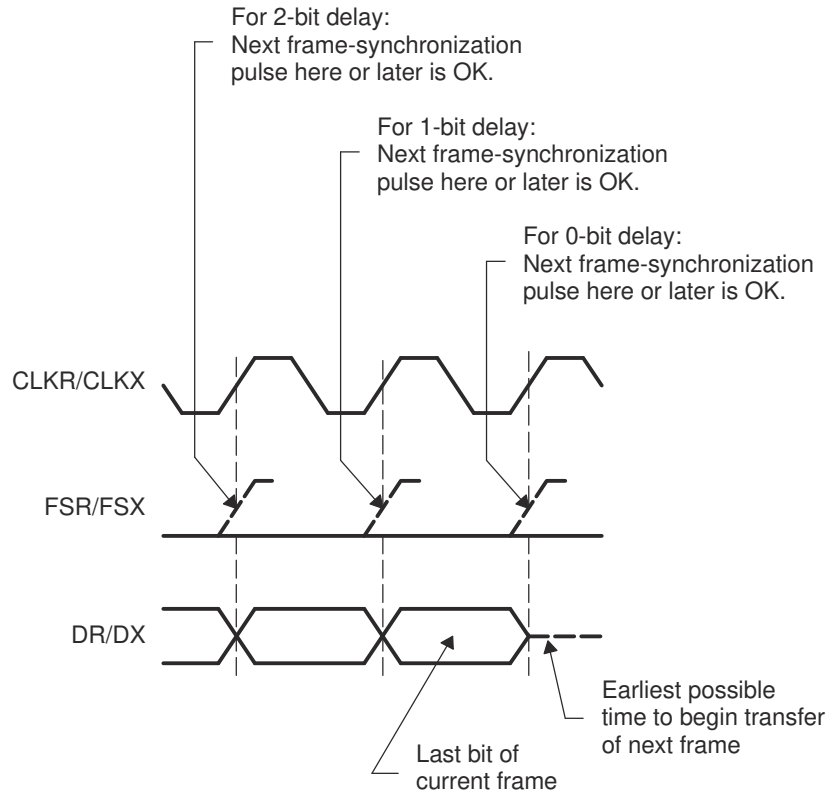


Figure 20-25. Proper Positioning of Frame-Synchronization Pulses

### 20.5.4 Overwrite in the Transmitter

As described in Section 20.3.6, the transmitter must copy the data previously written to the DXR(s) by the CPU or DMA controller into the XSR(s) and then shift each bit from the XSR(s) to the DX pin. If new data is written to the DXR(s) before the previous data is copied to the XSR(s), the previous data in the DXR(s) is overwritten and thus lost.

#### 20.5.4.1 Example of Overwrite Condition

Figure 20-26 shows what happens if the data in DXR1 is overwritten before being transmitted. Initially, DXR1 is loaded with data C. A subsequent write to DXR1 overwrites C with D before C is copied to XSR1. Thus, C is never transmitted on DX.

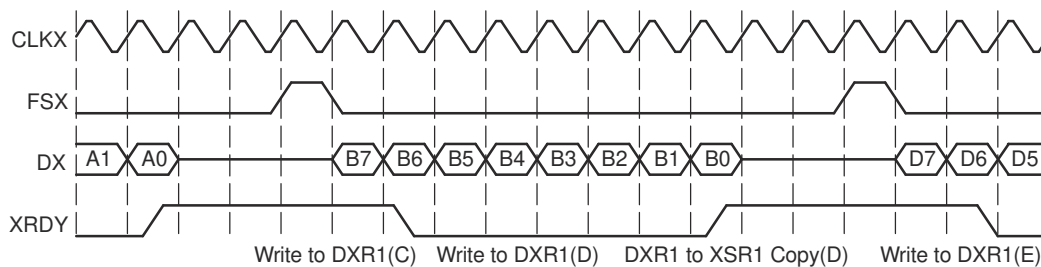


Figure 20-26. Data in the McBSP Transmitter Overwritten and Thus Not Transmitted

#### 20.5.4.2 Preventing Overwrites

You can prevent CPU overwrites by making the CPU:

- Poll for XRDY = 1 in SPCR2 before writing to the DXRs. XRDY is set when data is copied from DXR1 to XSR1 and is cleared when new data is written to DXR1.

- Wait for a transmit interrupt (XINT) before writing to the DXRs. When XINTM = 00b in SPCR2, the transmitter sends XINT to the CPU each time XRDY is set.

You can prevent DMA overwrites by synchronizing DMA transfers to the transmit synchronization event XEVT. The transmitter sends an XEVT signal each time XRDY is set.

### 20.5.5 Underflow in the Transmitter

The McBSP indicates a transmitter empty (or underflow) condition by clearing the  $\overline{\text{XEMPTY}}$  bit in SPCR2. Either of the following events activates  $\overline{\text{XEMPTY}}$  ( $\text{XEMPTY} = 0$ ):

- DXR1 has not been loaded since the last DXR-to-XSR copy, and all bits of the data word in the XSR(s) have been shifted out on the DX pin.
- The transmitter is reset (by forcing XRST = 0 in SPCR2, or by a device reset) and is then restarted.

In the underflow condition, the transmitter continues to transmit the old data that is in the DXR(s) for every new transmit frame-synchronization signal, until a new value is loaded into DXR1 by the CPU or the DMA controller.

#### Note

If both DXRs are needed (word length larger than 16 bits), the CPU or the DMA controller must load DXR2 first and then load DXR1. As soon as DXR1 is loaded, the contents of both DXRs are copied to the transmit shift registers (XSRs). If DXR2 is not loaded first, the previous content of DXR2 is passed to the XSR2.

XEMPTY is deactivated ( $\text{XEMPTY} = 1$ ) when a new word in DXR1 is transferred to XSR1. If FSXM = 1 in PCR and FSGM = 0 in SRGR2, the transmitter generates a single internal FSX pulse in response to a DXR-to-XSR copy. Otherwise, the transmitter waits for the next frame-synchronization pulse before sending out the next frame on DX.

When the transmitter is taken out of reset ( $\text{XRST} = 1$ ), it is in a transmitter ready ( $\text{XRDY} = 1$  in SPCR2) and transmitter empty ( $\text{XEMPTY} = 0$ ) state. If DXR1 is loaded by the CPU or the DMA controller before internal FSX goes active high, a valid DXR-to-XSR transfer occurs. This allows for the first word of the first frame to be valid even before the transmit frame-synchronization pulse is generated or detected. Alternatively, if a transmit frame-synchronization pulse is detected before DXR1 is loaded, zeros are output on DX.

#### 20.5.5.1 Example of the Underflow Condition

Figure 20-27 shows an underflow condition. After B is transmitted, DXR1 is not reloaded before the subsequent frame-synchronization pulse. Thus, B is again transmitted on DX.

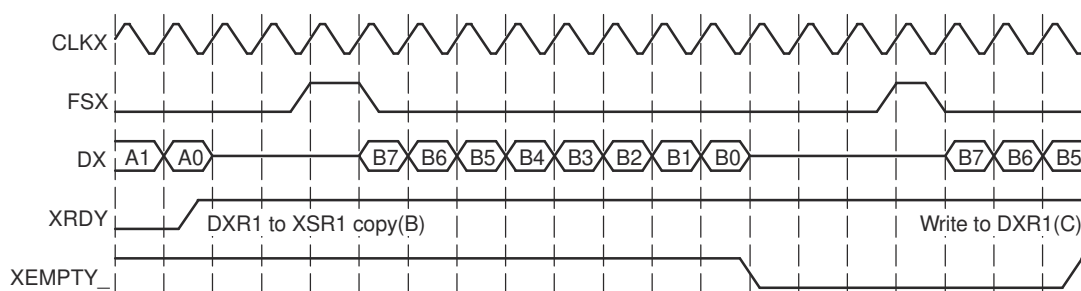


Figure 20-27. Underflow During McBSP Transmission

#### 20.5.5.2 Example of Preventing Underflow Condition

Figure 20-28 shows the case of writing to DXR1 just before an underflow condition can otherwise occur. After B is transmitted, C is written to DXR1 before the next frame-synchronization pulse. As a result, there is no underflow; B is not transmitted twice.



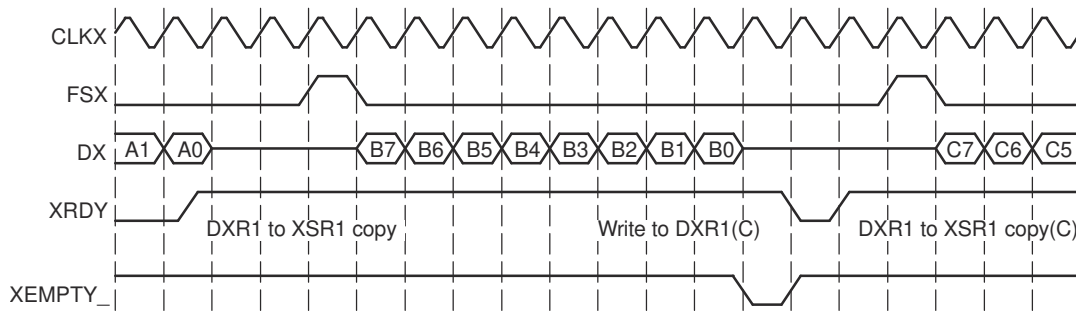


Figure 20-28. Underflow Prevented in the McBSP Transmitter

### 20.5.6 Unexpected Transmit Frame-Synchronization Pulse

Section 20.5.6.1 shows how the McBSP responds to any transmit frame-synchronization pulses, including an unexpected pulse. Section 20.5.6.2 and Section 20.5.6.3 show examples of a frame-synchronization error and an example of how to prevent such an error, respectively.

#### 20.5.6.1 Possible Responses to Transmit Frame-Synchronization Pulses

Figure 20-29 shows the decision tree that the transmitter uses to handle all incoming frame-synchronization pulses. The figure assumes that the transmitter has been started (XRST = 1 in SPCR2). Case 3 shows where an error occurs.

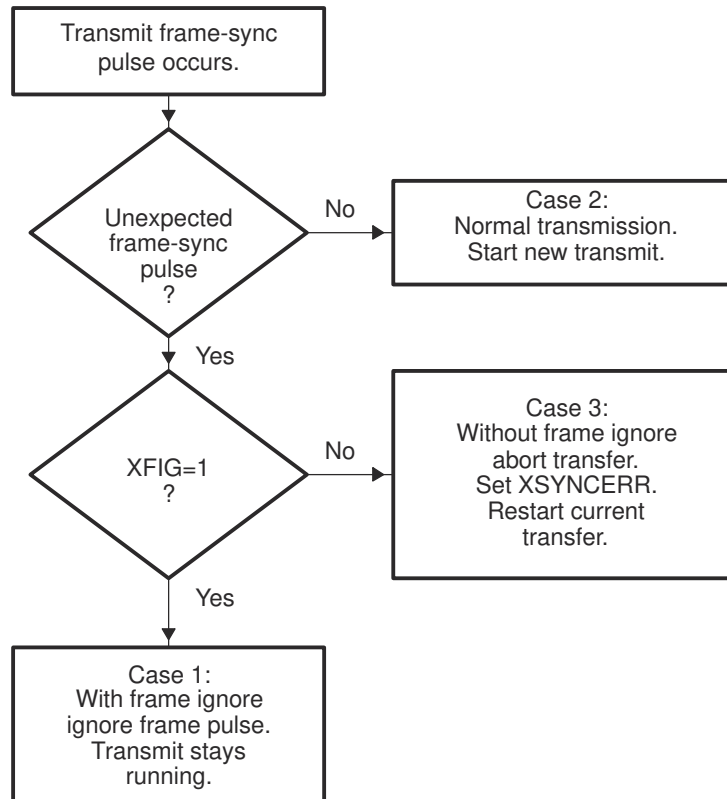


Figure 20-29. Possible Responses to Transmit Frame-Synchronization Pulses

Any one of three cases can occur:

- Case 1: Unexpected internal FSX pulses with XFIG = 1 in XCR2. Transmit frame-synchronization pulses are ignored, and the transmission continues.
- Case 2: Normal serial port transmission. Transmission continues normally because the frame-synchronization pulse is not unexpected. There are two possible reasons why a transmit operations might *not* be in progress when the pulse occurs:

This FSX pulse is the first after the transmitter is enabled (XRST = 1).

The serial port is in the interpacket intervals. The programmed data delay for transmission (programmed with the XDATDLY bits of XCR2) may start during these interpacket intervals before the first bit of the previous word is transmitted. Thus, at maximum packet frequency, frame synchronization can still be received 0 to 2 clock cycles before the first bit of the synchronized frame.

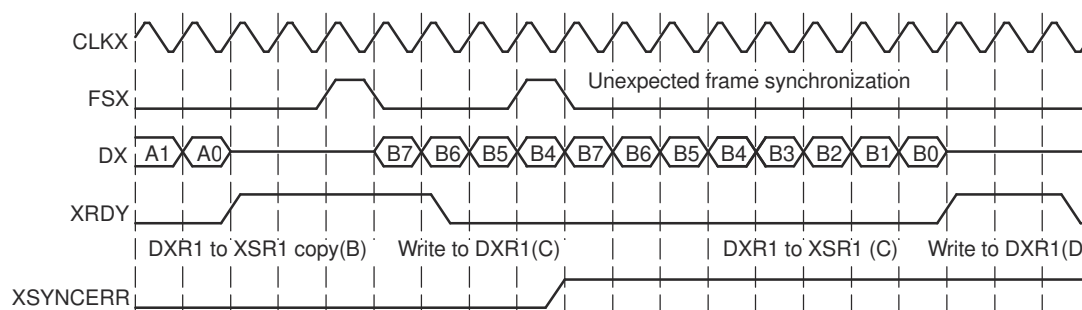
- Case 3: Unexpected transmit frame synchronization with XFIG = 0 (frame-synchronization pulses not ignored). Unexpected frame-synchronization pulses can originate from an external source or from the internal sample rate generator.

If a frame-synchronization pulse starts the transfer of a new frame before the current frame is fully transmitted, this pulse is treated as an unexpected frame-synchronization pulse, and the transmitter sets the transmit frame-synchronization error bit (XSYNCERR) in SPCR2. XSYNCERR can be cleared only by a transmitter reset or by a write of 0 to this bit.

If you want the McBSP to notify the CPU of frame-synchronization errors, you can set a special transmit interrupt mode with the XINTM bits of SPCR2. When XINTM = 11b, the McBSP sends a transmit interrupt (XINT) request to the CPU each time that XSYNCERR is set.

### 20.5.6.2 Example of Unexpected Transmit Frame-Synchronization Pulse

Section 20.5.3.2 shows an unexpected transmit frame-synchronization pulse during normal operation of the serial port with intervals between the data packets. When the unexpected frame-synchronization pulse occurs, the XSYNCERR bit is set and the transmission of data B is restarted because no new data has been passed to XSR1 yet. In addition, if XINTM = 11b, the McBSP sends a transmit interrupt (XINT) request to the CPU.



**Figure 20-30. An Unexpected Frame-Synchronization Pulse During a McBSP Transmission**

### 20.5.6.3 Preventing Unexpected Transmit Frame-Synchronization Pulses

Each frame transfer can be delayed by 0, 1, or 2 CLKX cycles, depending on the value in the XDATDLY bits of XCR2. For each possible data delay, Figure 20-31 shows when a new frame-synchronization pulse on FSX can safely occur relative to the last bit of the current frame.

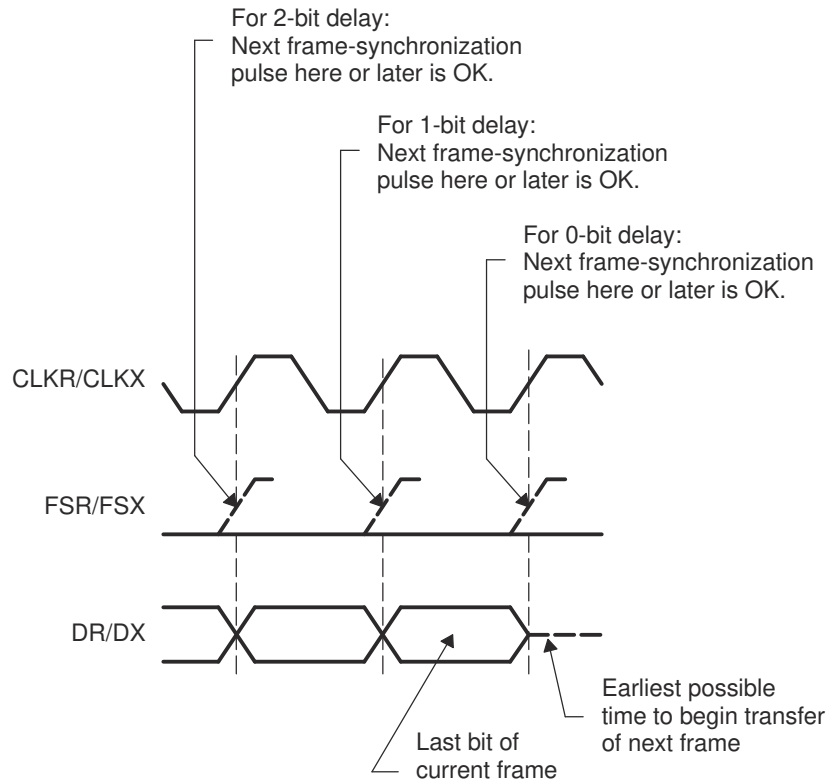


Figure 20-31. Proper Positioning of Frame-Synchronization Pulses

## 20.6 Multichannel Selection Modes

This section discusses the multichannel selection modes for the McBSP.

### 20.6.1 Channels, Blocks, and Partitions

A McBSP channel is a time slot for shifting in/out the bits of one serial word. Each McBSP supports up to 128 channels for reception and 128 channels for transmission.

In the receiver and in the transmitter, the 128 available channels are divided into eight blocks that each contain 16 contiguous channels (see [Table 20-8](#) through [Table 20-10](#)):

- It is possible to have two receive partitions (A and B) and 8 transmit partitions (A to H).
- McBSP can transmit/receive on selected channels.
- Each channel partition has a dedicated channel-enable register. Each bit controls whether data flow is allowed or prevented in one of the channels assigned to that partition.
- There are three transmit multichannel modes and one receive multichannel mode.

The blocks are assigned to partitions according to the selected partition mode. In the two-partition mode (described in [Section 20.6.4](#)), you assign one even-numbered block (0, 2, 4, or 6) to partition A and one odd-numbered block (1, 3, 5, or 7) to partition B. In the 8-partition mode (described in [Section 20.6.5](#)), blocks 0 through 7 are automatically assigned to partitions, A through H, respectively.

The number of partitions for reception and the number of partitions for transmission are independent. For example, using two receive partitions (A and B) and eight transmit partitions (A to H) is possible.

**Table 20-8. Block - Channel Assignment**

Block	Channels
0	0 - 15
1	16 - 31
2	32 - 47
3	48 - 63
4	64 - 79
5	80 - 95
6	96 - 111
7	112 - 127

**Table 20-9. 2-Partition Mode**

Partition	Blocks
A	0, 2, 4, or 6
B	1, 3, 5, or 7

**Table 20-10. 8-Partition Mode**

Partition	Blocks	Channels
A	0	0 - 15
B	1	16 - 31
C	2	32 - 47
D	3	48 - 63
E	4	64 - 79
F	5	80 - 95
G	6	96 - 111
H	7	112 - 127

## 20.6.2 Multichannel Selection

When a McBSP uses a time-division multiplexed (TDM) data stream while communicating with other McBSPs or serial devices, the McBSP may need to receive and/or transmit on only a few channels. To save memory and bus bandwidth, you can use a multichannel selection mode to prevent data flow in some of the channels.

Each channel partition has a dedicated channel enable register. If the appropriate multichannel selection mode is on, each bit in the register controls whether data flow is allowed or prevented in one of the channels that is assigned to that partition.

The McBSP has one receive multichannel selection mode (described in [Section 20.6.6](#)) and three transmit multichannel selection modes (described in [Section 20.6.7](#)).

## 20.6.3 Configuring a Frame for Multichannel Selection

Before you enable a multichannel selection mode, make sure you properly configure the data frame:

- Select a single-phase frame (RPHASE/XPULSE = 0). Each frame represents a TDM data stream.
- Set a frame length (in RFLEN1/XFLEN1) that includes the highest-numbered channel to be used. For example, if you plan to use channels 0, 15, and 39 for reception, the receive frame length must be at least 40 (RFLEN1 = 39). If XFLEN1 = 39 in this case, the receiver creates 40 time slots per frame but only receives data during time slots 0, 15, and 39 of each frame.

## 20.6.4 Using Two Partitions

For multichannel selection operation in the receiver and/or the transmitter, you can use two partitions or eight partitions (described in [Section 20.6.5](#)). If you choose the 2-partition mode (RMCME = 0 for reception, XMCME = 0 for transmission), McBSP channels are activated using an alternating scheme. In response to a frame-synchronization pulse, the receiver or transmitter begins with the channels in partition A and then alternates between partitions B and A until the complete frame has been transferred. When the next frame-synchronization pulse occurs, the next frame is transferred beginning with the channels in partition A.

### 20.6.4.1 Assigning Blocks to Partitions A and B

For reception, any two of the eight receive-channel blocks can be assigned to receive partitions A and B, which means up to 32 receive channels can be enabled at any given point in time. Similarly, any two of the eight transmit-channel blocks (up to 32 enabled transmit channels) can be assigned to transmit partitions A and B.

For reception:

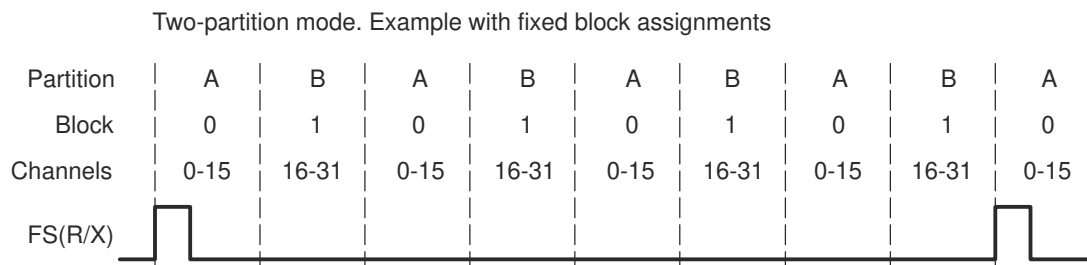
- Assign an even-numbered channel block (0, 2, 4, or 6) to receive partition A by writing to the RPABLK bits. In the receive multichannel selection mode (described in [Section 20.6.6](#)), the channels in this partition are controlled by receive channel enable register A (RCERA).
- Assign an odd-numbered block (1, 3, 5, or 7) to receive partition B with the RPBBLK bits. In the receive multichannel selection mode, the channels in this partition are controlled by receive channel enable register B (RCERB).

For transmission:

- Assign an even-numbered channel block (0, 2, 4, or 6) to transmit partition A by writing to the XPABLK bits. In one of the transmit multichannel selection modes (described in [Section 20.6.7](#)), the channels in this partition are controlled by transmit channel enable register A (XCERA).
- Assign an odd-numbered block (1, 3, 5, or 7) to transmit partition B with the XPBBLK bits. In one of the transmit multichannel selection modes, the channels in this partition are controlled by transmit channel enable register B (XCERB).

[Figure 20-32](#) shows an example of alternating between the channels of partition A and the channels of partition B. Channels 0-15 have been assigned to partition A, and channels 16-31 have been assigned to partition B. In response to a frame-synchronization pulse, the McBSP begins a frame transfer with partition A and then alternates between partitions B and A until the complete frame is transferred.

As explained in [Section 20.6.4.2](#), you can dynamically change which blocks of channels are assigned to the partitions.



**Figure 20-32. Alternating Between the Channels of Partition A and the Channels of Partition B**

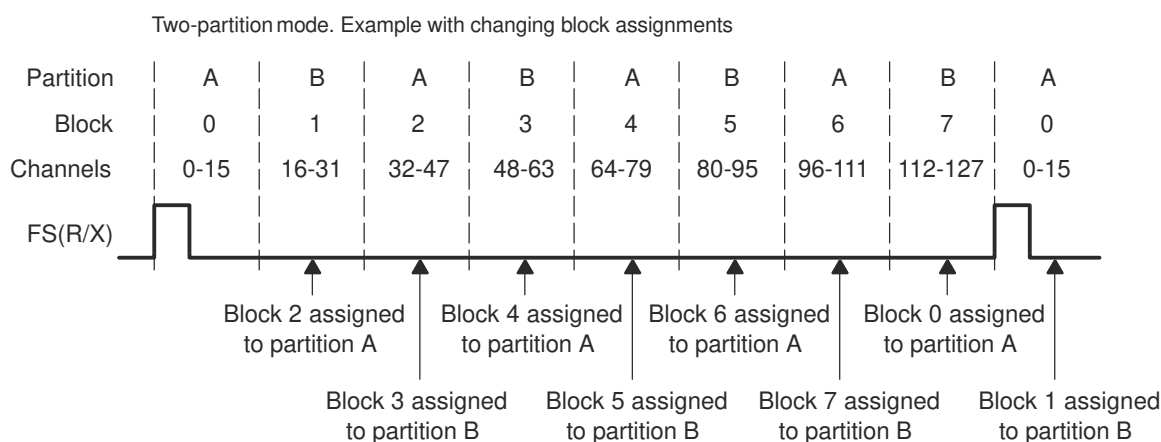
### 20.6.4.2 Reassigning Blocks During Reception/Transmission

If you want to use more than 32 channels, you can change which channel blocks are assigned to partitions A and B during the course of a data transfer. However, these changes must be carefully timed. While a partition is being transferred, the associated block assignment bits cannot be modified and the associated channel enable register cannot be modified. For example, if block 3 is being transferred and block 3 is assigned to partition A, you cannot modify (R/X)PABLK to assign different channels to partition A, nor (R/X)CERA to change the channel configuration for partition A.

Several features of the McBSP help you time the reassignment:

- The block of channels currently involved in reception and transmission (the current block) is reflected in the RCBLK/XCBLK bits. Your program can poll these bits to determine which partition is active. When a partition is not active, it is safe to change its block assignment and channel configuration.
- At the end of every block (at the boundary of two partitions), an interrupt can be sent to the CPU. In response to the interrupt, the CPU can then check the RCBLK/XCBLK bits and update the inactive partition. See [Section 20.6.8](#).

[Figure 20-33](#) shows an example of reassigning channels throughout a data transfer. In response to a frame-synchronization pulse, the McBSP alternates between partitions A and B. Whenever partition B is active, the CPU changes the block assignment for partition A. Whenever partition A is active, the CPU changes the block assignment for partition B.



**Figure 20-33. Reassigning Channel Blocks Throughout a McBSP Data Transfer**

### 20.6.5 Using Eight Partitions

For multichannel selection operation in the receiver and/or the transmitter, you can use eight partitions or two partitions (described in Section 20.6.4). If you choose the 8-partition mode (RMCME = 1 for reception, XMCME = 1 for transmission), McBSP channels are activated in the following order: A, B, C, D, E, F, G, H. In response to a frame-synchronization pulse, the receiver or transmitter begins with the channels in partition A and then continues with the other partitions in order until the complete frame has been transferred. When the next frame-synchronization pulse occurs, the next frame is transferred, beginning with the channels in partition A.

In the 8-partition mode, the (R/X)PABLK and (R/X)PBBLK bits are ignored and the 16-channel blocks are assigned to the partitions as shown in Table 20-11 and Table 20-12. These assignments cannot be changed. The tables also show the registers used to control the channels in the partitions.

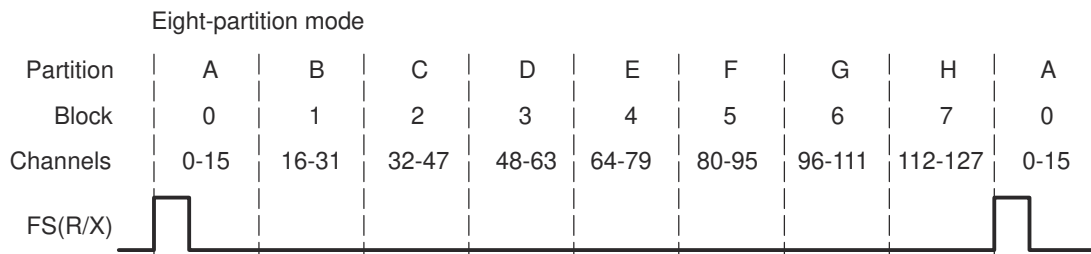
**Table 20-11. Receive Channel Assignment and Control With Eight Receive Partitions**

Receive Partition	Assigned Block of Receive Channels	Register Used For Channel Control
A	Block 0: channels 0 through 15	RCERA
B	Block 1: channels 16 through 31	RCERB
C	Block 2: channels 32 through 47	RCERC
D	Block 3: channels 48 through 63	RCERD
E	Block 4: channels 64 through 79	RCERE
F	Block 5: channels 80 through 95	RCERF
G	Block 6: channels 96 through 111	RCERG
H	Block 7: channels 112 through 127	RCERH

**Table 20-12. Transmit Channel Assignment and Control When Eight Transmit Partitions Are Used**

Transmit Partition	Assigned Block of Transmit Channels	Register Used For Channel Control
A	Block 0: channels 0 through 15	XCERA
B	Block 1: channels 16 through 31	XCERB
C	Block 2: channels 32 through 47	XCERC
D	Block 3: channels 48 through 63	XCERD
E	Block 4: channels 64 through 79	XCERE
F	Block 5: channels 80 through 95	XCERF
G	Block 6: channels 96 through 111	XCERG
H	Block 7: channels 112 through 127	XCERH

Figure 20-34 shows an example of the McBSP using the 8-partition mode. In response to a frame-synchronization pulse, the McBSP begins a frame transfer with partition A and then activates B, C, D, E, F, G, and H to complete a 128-word frame.



**Figure 20-34. McBSP Data Transfer in the 8-Partition Mode**

### 20.6.6 Receive Multichannel Selection Mode

The RMCM bit of MCR1 determines whether all channels or only selected channels are enabled for reception. When RMCM = 0, all 128 receive channels are enabled and cannot be disabled. When RMCM = 1, the receive multichannel selection mode is enabled. In this mode:

- Channels can be individually enabled or disabled. The only channels enabled are those selected in the appropriate receive channel enable registers (RCERs). The way channels are assigned to the RCERs depends on the number of receive channel partitions (2 or 8), as defined by the RMCME bit of MCR1.
- If a receive channel is disabled, any bits received in that channel are passed only as far as the receive buffer registers (RBRs). The receiver does not copy the content of the RBRs to the DRRs, and as a result, does not set the receiver ready bit (RRDY). Therefore, no DMA synchronization event (REVT) is generated and, if the receiver interrupt mode depends on RRDY (RINTM = 00b), no interrupt is generated.

As an example of how the McBSP behaves in the receive multichannel selection mode, suppose you enable only channels 0, 15, and 39 and that the frame length is 40. The McBSP:

1. Accepts bits shifted in from the DR pin in channel 0
2. Ignores bits received in channels 1-14
3. Accepts bits shifted in from the DR pin in channel 15
4. Ignores bits received in channels 16-38
5. Accepts bits shifted in from the DR pin in channel 39



## 20.6.7 Transmit Multichannel Selection Modes

The XMCM bits of XCR2 determine whether all channels or only selected channels are enabled and unmasked for transmission. More details on enabling and masking are in [Section 20.6.7.1](#). The McBSP has three transmit multichannel selection modes (XMCM = 01b, XMCM = 10b, and XMCM = 11b), which are described in [Table 20-13](#).

**Table 20-13. Selecting a Transmit Multichannel Selection Mode With the XMCM Bits**

XMCM	Transmit Multichannel Selection Mode
00b	No transmit multichannel selection mode is on. All channels are enabled and unmasked. No channels can be disabled or masked.
01b	All channels are disabled unless the channels are selected in the appropriate transmit channel enable registers (XCERs). If enabled, a channel in this mode is also unmasked. The XMCME bit of MCR2 determines whether 32 channels or 128 channels are selectable in XCERs.
10b	All channels are enabled, but the channels are masked unless the channels are selected in the appropriate transmit channel enable registers (XCERs). The XMCME bit of MCR2 determines whether 32 channels or 128 channels are selectable in XCERs.
11b	This mode is used for symmetric transmission and reception. All channels are disabled for transmission unless the channels are enabled for reception in the appropriate receive channel enable registers (RCERs). Once enabled, the channels are masked unless the channels are also selected in the appropriate transmit channel enable registers (XCERs). The XMCME bit of MCR2 determines whether 32 channels or 128 channels are selectable in RCERs and XCERs.

As an example of how the McBSP behaves in a transmit multichannel selection mode, suppose that XMCM = 01b (all channels disabled unless individually enabled) and that you have enabled only channels 0, 15, and 39. Suppose also that the frame length is 40. The McBSP:

1. Shifts data to the DX pin in channel 0
2. Places the DX pin in the high impedance state in channels 1-14
3. Shifts data to the DX pin in channel 15
4. Places the DX pin in the high impedance state in channels 16-38
5. Shifts data to the DX pin in channel 39

### 20.6.7.1 Disabling/Enabling Versus Masking/Unmasking

For transmission, a channel can be:

- Enabled and unmasked (transmission can begin and can be completed)
- Enabled but masked (transmission can begin but cannot be completed)
- Disabled (transmission cannot occur)

The following definitions explain the channel control options:

#### Enabled channel

A channel that can begin transmission by passing data from the data transmit registers (DXRs) to the transmit shift registers (XSRs).

#### Masked channel

A channel that cannot complete transmission. The DX pin is held in the high impedance state; data cannot be shifted out on the DX pin.

In systems where symmetric transmit and receive provides software benefits, this feature allows transmit channels to be disabled on a shared serial bus. A similar feature is not needed for reception because multiple receptions cannot cause serial bus contention.

<b>Disabled channel</b>	<p>A channel that is not enabled. A disabled channel is also masked.</p> <p>Because no DXR-to-XSR copy occurs, the XRDY bit of SPCR2 is not set. Therefore, no DMA synchronization event (XEVT) is generated, and if the transmit interrupt mode depends on XRDY (XINTM = 00b in SPCR2), no interrupt is generated.</p> <p>The XEMPTY bit of SPCR2 is not affected.</p>
<b>Unmasked channel</b>	<p>A channel that is not masked. Data in the XSRs is shifted out on the DX pin.</p>

### 20.6.7.2 Activity on McBSP Pins for Different Values of XMCM

Figure 20-35 shows the activity on the McBSP pins for the various XMCM values. In all cases, the transmit frame is configured as follows:

- XPHASE = 0: Single-phase frame (required for multichannel selection modes)
- XFRLLEN1 = 0000011b: 4 words per frame
- XWDLEN1 = 000b: 8 bits per word
- XMCME = 0: 2-partition mode (only partitions A and B used)

In the case where XMCM = 11b, transmission and reception are symmetric, which means the corresponding bits for the receiver (RPHASE, RFRLLEN1, RWDLEN1, and RMCME) must have the same values as XPHASE, XFRLLEN1, and XWDLEN1, respectively.

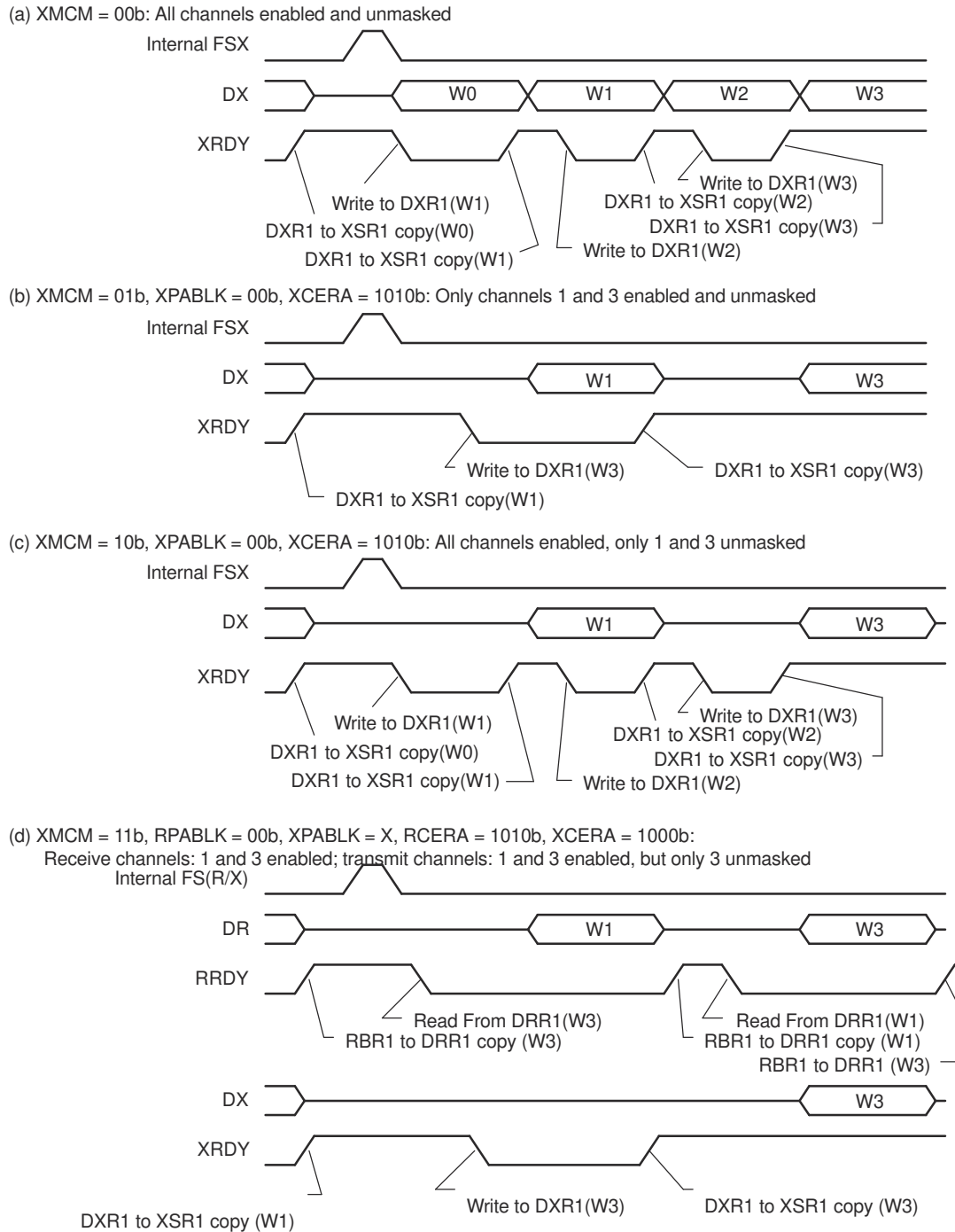
In the figure, the arrows showing where the various events occur are only sample indications. Wherever possible, there is a time window in which these events can occur.

### 20.6.8 Using Interrupts Between Block Transfers

When a multichannel selection mode is used, an interrupt request can be sent to the CPU at the end of every 16-channel block (at the boundary between partitions and at the end of the frame). In the receive multichannel selection mode, a receive interrupt (RINT) request is generated at the end of each block transfer if RINTM = 01b. In any of the transmit multichannel selection modes, a transmit interrupt (XINT) request is generated at the end of each block transfer if XINTM = 01b. When RINTM/XINTM = 01b, no interrupt is generated unless a multichannel selection mode is on.

These interrupt pulses are active high and last for two CPU clock cycles.

This type of interrupt is especially helpful if you are using the two-partition mode (described in Section 20.6.4) and you want to know when you can assign a different block of channels to partition A or B.



**Figure 20-35. Activity on McBSP Pins for the Possible Values of XMCM**

## 20.7 SPI Operation Using the Clock Stop Mode

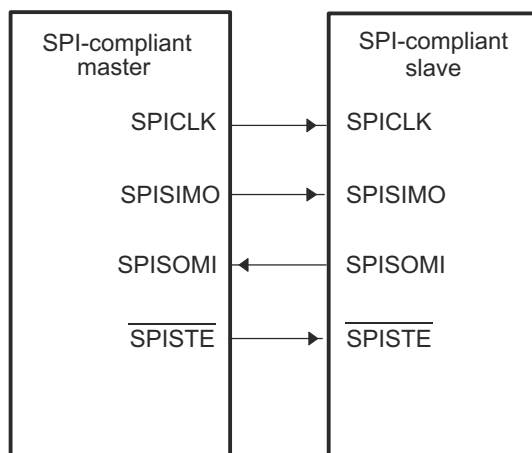
This section explains how to use the McBSP in SPI mode.

### 20.7.1 SPI Protocol

The SPI protocol is a master-slave configuration with one master device and one or more slave devices. The interface consists of the following four signals:

- Serial data input (also referred to as master in/slave out, or SPISOMI)
- Serial data output (also referred to as master out/slave in, or SPISIMO)
- Shift-clock (also referred to as SPICLK)
- Slave-enable signal (also referred to as  $\overline{\text{SPISTE}}$ )

A typical SPI interface with a single slave device is shown in [Figure 20-36](#).



**Figure 20-36. Typical SPI Interface**

The master device controls the flow of communication by providing shift-clock and slave-enable signals. The slave-enable signal is an optional active-low signal that enables the serial data input and output of the slave device (device not sending out the clock).

In the absence of a dedicated slave-enable signal, communication between the master and slave is determined by the presence or absence of an active shift-clock. When the McBSP is operating in SPI master mode and the  $\overline{\text{SPISTE}}$  signal is not used by the SPI slave port, the slave device must remain enabled at all times, and multiple slaves cannot be used.

### 20.7.2 Clock Stop Mode

The clock stop mode of the McBSP provides compatibility with the SPI protocol. When the McBSP is configured in clock stop mode, the transmitter and receiver are internally synchronized so that the McBSP functions as an SPI master or slave device. The transmit clock signal (CLKX) corresponds to the serial clock signal (SPICLK) of the SPI protocol, while the transmit frame-synchronization signal (FSX) is used as the slave-enable signal ( $\overline{\text{SPISTE}}$ ).

The receive clock signal (MCLKR) and receive frame-synchronization signal (FSR) are not used in the clock stop mode because these signals are internally connected to their transmit counterparts, CLKX and FSX.

### 20.7.3 Enable and Configure the Clock Stop Mode

The bits required to configure the McBSP as an SPI device are introduced in [Table 20-14](#). [Table 20-15](#) shows how the various combinations of the CLKSTP bit and the polarity bits CLKXP and CLKRP create four possible clock stop mode configurations. The timing diagrams in [Section 20.7.4](#) show the effects of CLKSTP, CLKXP, and CLKRP.

**Table 20-14. Bits Used to Enable and Configure the Clock Stop Mode**

Bit Field	Description
CLKSTP bits of SPCR1	Use these bits to enable the clock stop mode and to select one of two timing variations. (See also <a href="#">Table 20-15</a> .)
CLKXP bit of PCR	This bit determines the polarity of the CLKX signal. (See also <a href="#">Table 20-15</a> .)
CLKRP bit of PCR	This bit determines the polarity of the MCLKR signal. (See also <a href="#">Table 20-15</a> .)
CLKXM bit of PCR	This bit determines whether CLKX is an input signal (McBSP as slave) or an output signal (McBSP as master).
XPHASE bit of XCR2	You must use a single-phase transmit frame (XPHASE = 0).
RPHASE bit of RCR2	You must use a single-phase receive frame (RPHASE = 0).
XFRLN1 bits of XCR1	You must use a transmit frame length of 1 serial word (XFRLN1 = 0).
RFRLN1 bits of RCR1	You must use a receive frame length of 1 serial word (RFRLN1 = 0).
XWDLEN1 bits of XCR1	The XWDLEN1 bits determine the transmit packet length. XWDLEN1 must be equal to RWDLEN1 because in the clock stop mode. The McBSP transmit and receive circuits are synchronized to a single clock.
RWDLEN1 bits of RCR1	The RWDLEN1 bits determine the receive packet length. RWDLEN1 must be equal to XWDLEN1 because in the clock stop mode. The McBSP transmit and receive circuits are synchronized to a single clock.

**Table 20-15. Effects of CLKSTP, CLKXP, and CLKRP on the Clock Scheme**

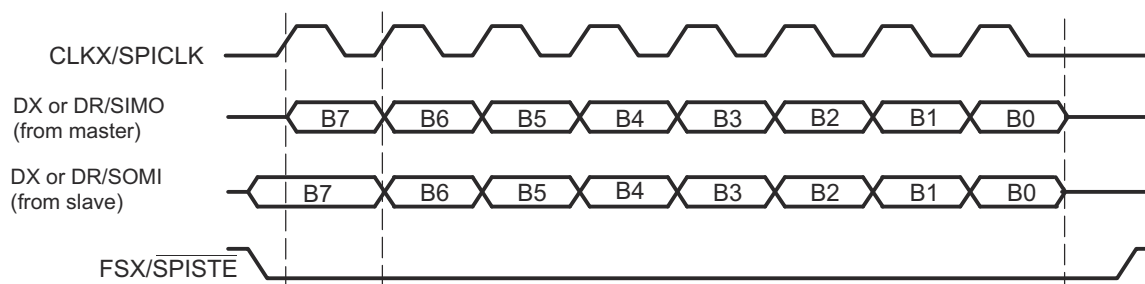
Bit Settings	Clock Scheme
CLKSTP = 00b or 01b CLKXP = 0 or 1 CLKRP = 0 or 1	Clock stop mode disabled. Clock enabled for non-SPI mode.
CLKSTP = 10b CLKXP = 0 CLKRP = 0	Low inactive state without delay: The McBSP transmits data on the rising edge of CLKX and receives data on the falling edge of MCLKR.
CLKSTP = 11b CLKXP = 0 CLKRP = 1	Low inactive state with delay: The McBSP transmits data one-half cycle ahead of the rising edge of CLKX and receives data on the rising edge of MCLKR.
CLKSTP = 10b CLKXP = 1 CLKRP = 0	High inactive state without delay: The McBSP transmits data on the falling edge of CLKX and receives data on the rising edge of MCLKR.
CLKSTP = 11b CLKXP = 1 CLKRP = 1	High inactive state with delay: The McBSP transmits data one-half cycle ahead of the falling edge of CLKX and receives data on the falling edge of MCLKR.

## 20.7.4 Clock Stop Mode Timing Diagrams

The timing diagrams for the four possible clock stop mode configurations are shown here. Notice that the frame-synchronization signal used in clock stop mode is active throughout the entire transmission as a slave-enable signal. Although the timing diagrams show 8-bit transfers, the packet length can be set to 8, 12, 16, 20, 24, or 32 bits per packet. The receive packet length is selected with the RWDLEN1 bits of RCR1, and the transmit packet length is selected with the XWDLEN1 bits of XCR1. For clock stop mode, the values of RWDLEN1 and XWDLEN1 must be the same because the McBSP transmit and receive circuits are synchronized to a single clock.

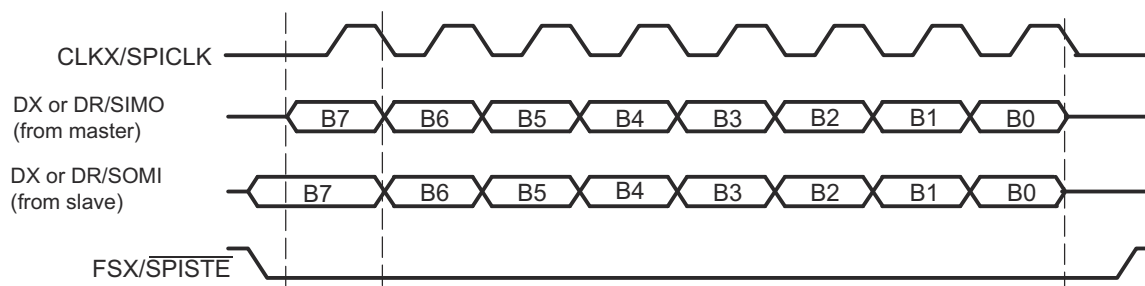
### Note

Even if multiple words are consecutively transferred, the CLKX signal is always stopped and the FSX signal returns to the inactive state after a packet transfer. When consecutive packet transfers are performed, this leads to a minimum idle time of two bit-periods between each packet transfer.



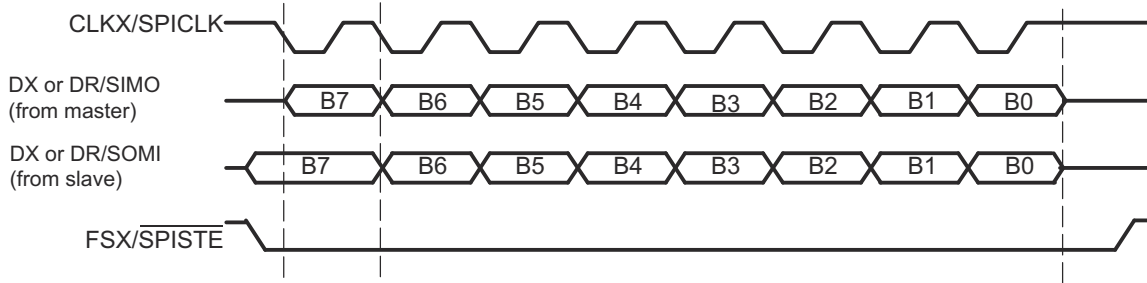
- A. If the McBSP is the SPI master ( $CLKXM = 1$ ), SIMO = DX. If the McBSP is the SPI slave ( $CLKXM = 0$ ), SIMO = DR.  
 B. If the McBSP is the SPI master ( $CLKXM = 1$ ), SOMI = DR. If the McBSP is the SPI slave ( $CLKXM = 0$ ), SOMI = DX.

**Figure 20-37. SPI Transfer with  $CLKSTP = 10b$  (No Clock Delay),  $CLKXP = 0$ , and  $CLKRP = 0$**



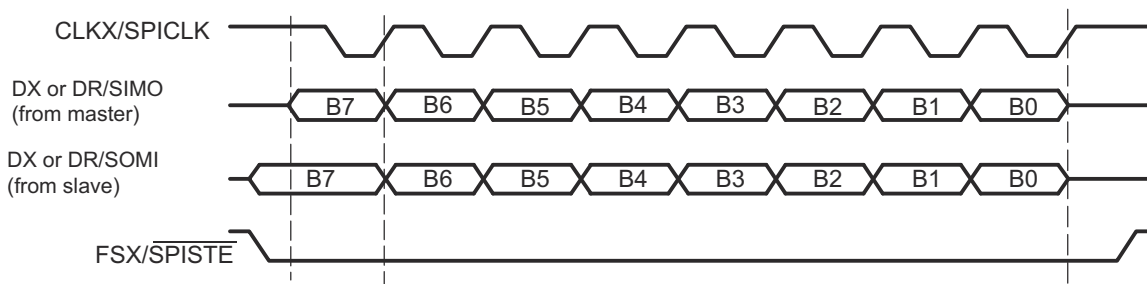
- A. If the McBSP is the SPI master ( $CLKXM = 1$ ), SIMO = DX. If the McBSP is the SPI slave ( $CLKXM = 0$ ), SIMO = DR.  
 B. If the McBSP is the SPI master ( $CLKXM = 1$ ), SOMI = DR. If the McBSP is the SPI slave ( $CLKXM = 0$ ), SOMI = DX.

**Figure 20-38. SPI Transfer with  $CLKSTP = 11b$  (Clock Delay),  $CLKXP = 0$ ,  $CLKRP = 1$**



- A. If the McBSP is the SPI master (CLKXM = 1), SIMO = DX. If the McBSP is the SPI slave (CLKXM = 0), SIMO = DR.
- B. If the McBSP is the SPI master (CLKXM = 1), SOMI = DR. If the McBSP is the SPI slave (CLKXM = 0), SOMI = DX.

**Figure 20-39. SPI Transfer with CLKSTP = 10b (No Clock Delay), CLKXP = 1, and CLKRP = 0**



- A. If the McBSP is the SPI master (CLKXM = 1), SIMO = DX. If the McBSP is the SPI slave (CLKXM = 0), SIMO = DR.
- B. If the McBSP is the SPI master (CLKXM = 1), SOMI = DR. If the McBSP is the SPI slave (CLKXM = 0), SOMI = DX.

**Figure 20-40. SPI Transfer with CLKSTP = 11b (Clock Delay), CLKXP = 1, CLKRP = 1**

## 20.7.5 Procedure for Configuring a McBSP for SPI Operation

To configure the McBSP for SPI master or slave operation:

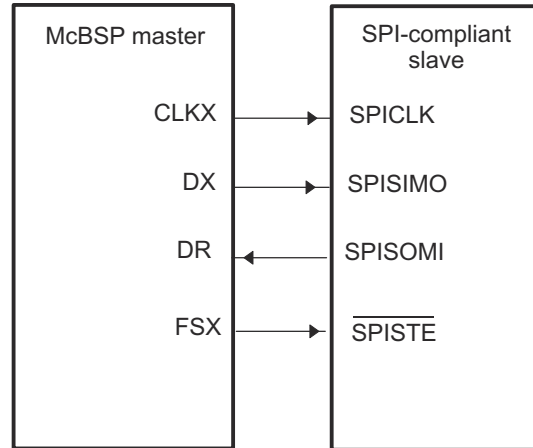
1. Place the transmitter and receiver in reset.  
Clear the transmitter reset bit (XRST = 0) in SPCR2 to reset the transmitter. Clear the receiver reset bit (RRST = 0) in SPCR1 to reset the receiver.
2. Place the sample rate generator in reset.  
Clear the sample rate generator reset bit (GRST = 0) in SPCR2 to reset the sample rate generator.
3. Program registers that affect SPI operation.  
Program the appropriate McBSP registers to configure the McBSP for proper operation as an SPI master or an SPI slave. For a list of important bits settings, see one of the following topics:
  - [Section 20.7.6](#)
  - [Section 20.7.7](#)
4. Enable the sample rate generator.  
To release the sample rate generator from reset, set the sample rate generator reset bit (GRST = 1) in SPCR2.  
Make sure that during the write to SPCR2, you only modify GRST. Otherwise, you modify the McBSP configuration you selected in the previous step.
5. Enable the transmitter and receiver.  
After the sample rate generator is released from reset, wait two sample rate generator clock periods for the McBSP logic to stabilize.  
If the CPU services the McBSP transmit and receive buffers, then you can immediately enable the transmitter (XRST = 1 in SPCR2) and enable the receiver (RRST = 1 in SPCR1).  
If the DMA controller services the McBSP transmit and receive buffers, then you must first configure the DMA controller (this includes enabling the channels that service the McBSP buffers). When the DMA controller is ready, make XRST = 1 and RRST = 1.  
In either case, make sure you only change XRST and RRST when you write to SPCR2 and SPCR1.  
Otherwise, you modify the bit settings you selected earlier in this procedure.  
After the transmitter and receiver are released from reset, wait two sample rate generator clock periods for the McBSP logic to stabilize.
6. If necessary, enable the frame-synchronization logic of the sample rate generator.  
After the required data acquisition setup is done (DXR[1,2] is loaded with data), set FRST = 1 if an internally generated frame-synchronization pulse is required (that is, if the McBSP is the SPI master).

### 20.7.6 McBSP as the SPI Master

An SPI interface with the McBSP used as the master is shown in [Figure 20-41](#). When the McBSP is configured as a master, the transmit output signal (DX) is used as the SPISIMO signal of the SPI protocol and the receive input signal (DR) is used as the SPISOMI signal.

The register bit values required to configure the McBSP as a master are listed in [Table 20-16](#). After [Table 20-16](#) are more details about the configuration requirements.





**Figure 20-41. SPI Interface with McBSP Used as Master**

**Table 20-16. Bit Values Required to Configure the McBSP as an SPI Master**

Required Bit Setting	Description
CLKSTP = 10b or 11b	The clock stop mode (without or with a clock delay) is selected.
CLKXP = 0 or 1	The polarity of CLKX as seen on the MCLKX pin is positive (CLKXP = 0) or negative (CLKXP = 1).
CLKRP = 0 or 1	The polarity of MCLKR as seen on the MCLKR pin is positive (CLKRP = 0) or negative (CLKRP = 1).
CLKXM = 1	The MCLKX pin is an output pin driven by the internal sample rate generator. Because CLKSTP is equal to 10b or 11b, MCLKR is driven internally by CLKX.
SCLKME = 0	The clock generated by the sample rate generator (CLKG) is derived from the CPU clock.
CLKSM = 1	
CLKGDV is a value from 1 to 255	CLKGDV defines the divide down value for CLKG.
FSXM = 1	The FSX pin is an output pin driven according to the FSGM bit.
FSGM = 0	The transmitter drives a frame-synchronization pulse on the FSX pin every time data is transferred from DXR1 to XSR1.
FSXP = 1	The FSX pin is active low.
XDATDLY = 01b	This setting provides the correct setup time on the FSX signal.
RDATDLY = 01b	

When the McBSP functions as the SPI master, the McBSP controls the transmission of data by producing the serial clock signal. The clock signal on the MCLKX pin is enabled only during packet transfers. When packets are not being transferred, the MCLKX pin remains high or low depending on the polarity used.

For SPI master operation, the MCLKX pin must be configured as an output. The sample rate generator is then used to derive the CLKX signal from the CPU clock. The clock stop mode internally connects the MCLKX pin to the MCLKR signal so that no external signal connection is required on the MCLKR pin and both the transmit and receive circuits are clocked by the master clock (CLKX).

The data delay parameters of the McBSP (XDATDLY and RDATDLY) must be set to 1 for proper SPI master operation. A data delay value of 0 or 2 is undefined in the clock stop mode.

The McBSP can also provide a slave-enable signal ( $\overline{\text{SPISTE}}$ ) on the FSX pin. If a slave-enable signal is required, the FSX pin must be configured as an output and the transmitter must be configured so that a frame-synchronization pulse is generated automatically each time a packet is transmitted (FSGM = 0). The polarity of the FSX pin is programmable high or low; however, in most cases the pin must be configured active low.

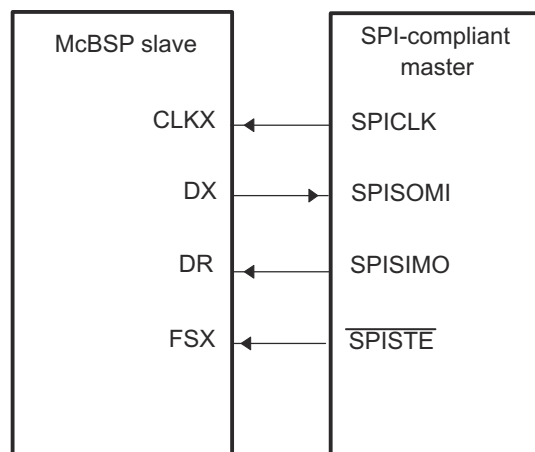
When the McBSP is configured as described for SPI master operation, the bit fields for frame-synchronization pulse width (FWID) and frame-synchronization period (FPER) are overridden, and custom frame-synchronization

waveforms are not allowed. To see the resulting waveform produced on the FSX pin, see the timing diagrams in [Section 20.7.4](#). The signal becomes active before the first bit of a packet transfer, and remains active until the last bit of the packet is transferred. After the packet transfer is complete, the FSX signal returns to the inactive state.

### 20.7.7 McBSP as an SPI Slave

An SPI with the McBSP used as a slave is shown in [Figure 20-42](#). When the McBSP is configured as a slave, DX is used as the SPISOMI signal and DR is used as the SPISIMO signal.

The register bit values required to configure the McBSP as a slave are listed in [Table 20-17](#). After [Table 20-17](#) are more details about configuration requirements.



**Figure 20-42. SPI Interface With McBSP Used as Slave**

**Table 20-17. Bit Values Required to Configure the McBSP as an SPI Slave**

Required Bit Setting	Description
CLKSTP = 10b or 11b	The clock stop mode (without or with a clock delay) is selected.
CLKXP = 0 or 1	The polarity of CLKX as seen on the MCLKX pin is positive (CLKXP = 0) or negative (CLKXP = 1).
CLKRP = 0 or 1	The polarity of MCLKR as seen on the MCLKR pin is positive (CLKRP = 0) or negative (CLKRP = 1).
CLKXM = 0	The MCLKX pin is an input pin, so that the pin can be driven by the SPI master. Because CLKSTP = 10b or 11b, MCLKR is driven internally by CLKX.
SCLKME = 0	The clock generated by the sample rate generator (CLKG) is derived from the CPU clock. (The sample rate generator is used to synchronize the McBSP logic with the externally-generated master clock.)
CLKSM = 1	
CLKGDV = 1	The sample rate generator divides the CPU clock before generating CLKG.
FSXM = 0	The FSX pin is an input pin, so that the pin can be driven by the SPI master.
FSXP = 1	The FSX pin is active low.
XDATDLY = 00b	These bits must be 0s for SPI slave operation.
RDATDLY = 00b	

When the McBSP is used as an SPI slave, the master clock and slave-enable signals are generated externally by a master device. Accordingly, the CLKX and FSX pins must be configured as inputs. The MCLKX pin is internally connected to the MCLKR signal, so that both the transmit and receive circuits of the McBSP are clocked by the external master clock. The FSX pin is also internally connected to the FSR signal, and no external signal connections are required on the MCLKR and FSR pins.

Although the CLKX signal is generated externally by the master and is asynchronous to the McBSP, the sample rate generator of the McBSP must be enabled for proper SPI slave operation. The sample rate generator must

be programmed to the maximum rate of half the CPU clock rate. The internal sample rate clock is then used to synchronize the McBSP logic to the external master clock and slave-enable signals.

The McBSP requires an active edge of the slave-enable signal on the FSX input for each transfer. This means that the master device must assert the slave-enable signal at the beginning of each transfer, and deassert the signal after the completion of each packet transfer; the slave-enable signal cannot remain active between transfers. Unlike the standard SPI, this pin cannot be tied low all the time.

The data delay parameters of the McBSP must be set to 0 for proper SPI slave operation. A value of 1 or 2 is undefined in the clock stop mode.

## 20.8 Receiver Configuration

To configure the McBSP receiver, perform the following procedure:

1. Place the McBSP/receiver in reset (see [Section 20.8.2](#)).
2. Program McBSP registers for the desired receiver operation (see [Section 20.8.1](#)).
3. Take the receiver out of reset (see [Section 20.8.2](#)).

### 20.8.1 Programming the McBSP Registers for the Desired Receiver Operation

The following is a list of important tasks to be performed when you are configuring the McBSP receiver. Each task corresponds to one or more McBSP register bit fields.

- Global behavior:
  - Set the receiver pins to operate as McBSP pins.
  - Enable/disable the digital loopback mode.
  - Enable/disable the clock stop mode.
  - Enable/disable the receive multichannel selection mode.
- Data behavior:
  - Choose 1 or 2 phases for the receive frame.
  - Set the receive word length(s).
  - Set the receive frame length.
  - Enable/disable the receive frame-synchronization ignore function.
  - Set the receive companding mode.
  - Set the receive data delay.
  - Set the receive sign-extension and justification mode.
  - Set the receive interrupt mode.
- Frame-synchronization behavior:
  - Set the receive frame-synchronization mode.
  - Set the receive frame-synchronization polarity.
  - Set the sample rate generator (SRG) frame-synchronization period and pulse width.
- Clock behavior:
  - Set the receive clock mode.
  - Set the receive clock polarity.
  - Set the SRG clock divide-down value.
  - Set the SRG clock synchronization mode.
  - Set the SRG clock mode (choose an input clock).
  - Set the SRG input clock polarity.

## 20.8.2 Resetting and Enabling the Receiver

The first step of the receiver configuration procedure is to reset the receiver, and the last step is to enable the receiver (to take the receiver out of reset). [Table 20-18](#) describes the bits used for both of these steps.

**Table 20-18. Register Bits Used to Reset or Enable the McBSP Receiver Field Descriptions**

Register	Bit	Field	Value	Description
SPCR2	7	FRST	0	Frame-synchronization logic is reset. The sample rate generator does not generate frame-synchronization signal FSG, even if GRST = 1.
			1	If GRST = 1, frame-synchronization signal FSG is generated after (FPER + 1) number of CLKG clock cycles; all frame counters are loaded with their programmed values.
SPCR2	6	GRST	0	Sample rate generator is reset. If GRST = 0 due to a DSP reset, CLKG is driven by the CPU clock divided by 2, and FSG is driven low (inactive). If GRST = 0 due to program code, CLKG and FSG are both driven low (inactive).
			1	Sample rate generator is enabled. CLKG is driven according to the configuration programmed in the sample rate generator registers (SRGR[1,2]). If FRST = 1, the generator also generates the frame-synchronization signal FSG as programmed in the sample rate generator registers.
SPCR1	0	RRST	0	Receiver reset
			1	The serial port receiver is disabled and in the reset state.

### 20.8.2.1 Reset Considerations

The serial port can be reset in the following two ways:

1. The DSP reset ( $\overline{XRS}$  signal driven low) places the receiver, transmitter, and sample rate generator in reset. When the device reset is removed ( $\overline{XRS}$  signal released), GRST = FRST = RRST = XRST = 0 keep the entire serial port in the reset state, provided the McBSP clock is turned on.
2. The serial port transmitter and receiver can be reset directly using the RRST and XRST bits in the serial port control registers. The sample rate generator can be reset directly using the GRST bit in SPCR2.

[Table 20-19](#) shows the state of McBSP pins when the serial port is reset due to a device reset and a direct receiver/transmitter reset.

For more details about McBSP reset conditions and effects, see [Section 20.10.2](#).

**Table 20-19. Reset State of Each McBSP Pin**

Pin	Possible States <sup>(1)</sup>	State Forced By Device Reset	State Forced By Receiver Reset (RRST = 0 and GRST = 1)
MDRx	I	GPIO Input	Input
MCLKRx	I/O/Z	GPIO Input	Known state, if input; MCLKR running, if output
MFSRx	I/O/Z	GPIO Input	Known state, if input; FSRP inactive state, if output
MDXx	O/Z	GPIO Input	Transmitter reset (XRST = 0 and GRST = 1) Low impedance after transmit bit clock provided
MCLKXx	I/O/Z	GPIO Input	Known state, if input; CLKX running, if output
MFSXx	I/O/Z	GPIO Input	Known state, if input; FSXP inactive state, if output

(1) In Possible States column, I = input, O = output, Z = high impedance

### 20.8.3 Set the Receiver Pins to Operate as McBSP Pins

To configure a pin for McBSP functioning, configure the bits of the GPxMUXn register appropriately. In addition to this, bits 12 and 13 of the PCR register must be set to 0. These bits are defined as reserved.

### 20.8.4 Digital Loopback Mode

The DLB bit determines whether the digital loopback mode is on. DLB is described in [Table 20-20](#).

**Table 20-20. Register Bit Used to Enable/Disable the Digital Loopback Mode**

Register	Bit	Name	Function	Type	Reset Value	
SPCR1	15	DLB	Digital loopback mode	R/W	0	
			DLB = 0			Digital loopback mode is disabled.
			DLB = 1			Digital loopback mode is enabled.

In the digital loopback mode, the receive signals are connected internally through multiplexers to the corresponding transmit signals, as shown in [Table 20-21](#). This mode allows testing of serial port code with a single DSP device; the McBSP receives the data the McBSP transmits.

**Table 20-21. Receive Signals Connected to Transmit Signals in Digital Loopback Mode**

This Receive Signal	Is Fed Internally by This Transmit Signal
MDR (receive data)	MDX (transmit data)
MFSR (receive frame synchronization)	MFSX (transmit frame synchronization)
MCLKR (receive clock)	MCLKX (transmit clock)

### 20.8.5 Clock Stop Mode

The CLKSTP bits determine whether the clock stop mode is on. CLKSTP is described in [Table 20-22](#).

**Table 20-22. Register Bits Used to Enable/Disable the Clock Stop Mode**

Register	Bit	Name	Function	Type	Reset Value	
SPCR1	12-11	CLKSTP	Clock stop mode	R/W	00	
			CLKSTP = 0Xb			Clock stop mode disabled; normal clocking for non-SPI mode
			CLKSTP = 10b			Clock stop mode enabled, without clock delay
			CLKSTP = 11b			Clock stop mode enabled, with clock delay

The clock stop mode supports the SPI master-slave protocol. If you do not plan to use the SPI protocol, you can clear CLKSTP to disable the clock stop mode.

In the clock stop mode, the clock stops at the end of each data transfer. At the beginning of each data transfer, the clock starts immediately (CLKSTP = 10b) or after a half-cycle delay (CLKSTP = 11b). The CLKXP bit determines whether the starting edge of the clock on the MCLKX pin is rising or falling. The CLKRP bit determines whether receive data is sampled on the rising or falling edge of the clock shown on the MCLKR pin.

[Table 20-23](#) summarizes the impact of CLKSTP, CLKXP, and CLKRP on serial port operation. In the clock stop mode, the receive clock is tied internally to the transmit clock, and the receive frame-synchronization signal is tied internally to the transmit frame-synchronization signal.

**Table 20-23. Effects of CLKSTP, CLKXP, and CLKRP on the Clock Scheme**

Bit Settings	Clock Scheme
CLKSTP = 00b or 01b CLKXP = 0 or 1 CLKRP = 0 or 1	Clock stop mode disabled. Clock enabled for non-SPI mode.
CLKSTP = 10b CLKXP = 0 CLKRP = 0	Low inactive state without delay: The McBSP transmits data on the rising edge of CLKX and receives data on the falling edge of MCLKR.
CLKSTP = 11b CLKXP = 0 CLKRP = 1	Low inactive state with delay: The McBSP transmits data one-half cycle ahead of the rising edge of CLKX and receives data on the rising edge of MCLKR.
CLKSTP = 10b CLKXP = 1 CLKRP = 0	High inactive state without delay: The McBSP transmits data on the falling edge of CLKX and receives data on the rising edge of MCLKR.
CLKSTP = 11b CLKXP = 1 CLKRP = 1	High inactive state with delay: The McBSP transmits data one-half cycle ahead of the falling edge of CLKX and receives data on the falling edge of MCLKR.

### 20.8.6 Receive Multichannel Selection Mode

The RMCM bit determines whether the receive multichannel selection mode is on. RMCM is described in [Table 20-24](#). For more details, see [Section 20.6.6](#).

**Table 20-24. Register Bit Used to Enable/Disable the Receive Multichannel Selection Mode**

Register	Bit	Name	Function	Type	Reset Value
MCR1	0	RMCM	Receive multichannel selection mode	R/W	0
			RMCM = 0		The mode is disabled. All 128 channels are enabled.
			RMCM = 1		The mode is enabled. Channels can be individually enabled or disabled. The only channels enabled are those selected in the appropriate receive channel enable registers (RCERs). The way channels are assigned to the RCERs depends on the number of receive channel partitions (2 or 8), as defined by the RMCME bit.

### 20.8.7 Receive Frame Phases

The RPHASE bit (see [Table 20-25](#)) determines whether the receive data frame has one or two phases.

**Table 20-25. Register Bit Used to Choose One or Two Phases for the Receive Frame**

Register	Bit	Name	Function	Type	Reset Value
RCR2	15	RPHASE	Receive phase number	R/W	0
			Specifies whether the receive frame has 1 or 2 phases.		
			RPHASE = 0		Single-phase frame
			RPHASE = 1		Dual-phase frame

## 20.8.8 Receive Word Lengths

The RWDLEN1 and RWDLEN2 bit fields (see [Table 20-26](#)) determine how many bits are in each serial word in phase 1 and in phase 2, respectively, of the receive data frame.

**Table 20-26. Register Bits Used to Set the Receive Word Lengths**

Register	Bit	Name	Function	Type	Reset Value	
RCR1	7-5	RWDLEN1	Receive word length 1	R/W	000	
			Specifies the length of every serial word in phase 1 of the receive frame.			
			RWDLEN1 = 000			8 bits
			RWDLEN1 = 001			12 bits
			RWDLEN1 = 010			16 bits
			RWDLEN1 = 011			20 bits
			RWDLEN1 = 100			24 bits
			RWDLEN1 = 101			32 bits
		RWDLEN1 = 11X	Reserved			
RCR2	7-5	RWDLEN2	Receive word length 2	R/W	000	
			If a dual-phase frame is selected, RWDLEN2 specifies the length of every serial word in phase 2 of the frame.			
			RWDLEN2 = 000			8 bits
			RWDLEN2 = 001			12 bits
			RWDLEN2 = 010			16 bits
			RWDLEN2 = 011			20 bits
			RWDLEN2 = 100			24 bits
			RWDLEN2 = 101			32 bits
		RWDLEN2 = 11X	Reserved			

### 20.8.8.1 Word Length Bits

Each frame can have one or two phases, depending on the value that you load into the RPHASE bit. If a single-phase frame is selected, RWDLEN1 selects the length for every serial word received in the frame. If a dual-phase frame is selected, RWDLEN1 determines the length of the serial words in phase 1 of the frame and RWDLEN2 determines the word length in phase 2 of the frame.

## 20.8.9 Receive Frame Length

The RFRLN1 and RFRLN2 bit fields (see [Table 20-27](#)) determine how many serial words are in phase 1 and in phase 2, respectively, of the receive data frame.

**Table 20-27. Register Bits Used to Set the Receive Frame Length**

Register	Bit	Name	Function	Type	Reset Value
RCR1	14-8	RFRLN1	Receive frame length 1 (RFRLN1 + 1) is the number of serial words in phase 1 of the receive frame.  RFRLN1 = 000 0000                      1 word in phase 1 RFRLN1 = 000 0001                      2 words in phase 1     RFRLN1 = 111 1111                      128 words in phase 1	R/W	000 0000
RCR2	14-8	RFRLN2	Receive frame length 2 If a dual-phase frame is selected, (RFRLN2 + 1) is the number of serial words in phase 2 of the receive frame.  RFRLN2 = 000 0000                      1 word in phase 2 RFRLN2 = 000 0001                      2 words in phase 2     RFRLN2 = 111 1111                      128 words in phase 2	R/W	000 0000

### 20.8.9.1 Selected Frame Length

The receive frame length is the number of serial words in the receive frame. Each frame can have one or two phases, depending on value that you load into the RPHASE bit.

If a single-phase frame is selected (RPHASE = 0), the frame length is equal to the length of phase 1. If a dual-phase frame is selected (RPHASE = 1), the frame length is the length of phase 1 plus the length of phase 2.

The 7-bit RFRLN fields allow up to 128 words per phase. See [Table 20-28](#) for a summary of how to calculate the frame length. This length corresponds to the number of words or logical time slots or channels per frame-synchronization pulse.

Program the RFRLN fields with  $[w \text{ minus } 1]$ , where  $w$  represents the number of words per phase. For the example, if you want a phase length of 128 words in phase 1, load 127 into RFRLN1.

**Table 20-28. How to Calculate the Length of the Receive Frame**

RPHASE	RFRLN1	RFRLN2	Frame Length
0	$0 \leq \text{RFRLN1} \leq 127$	Don't care	(RFRLN1 + 1) words
1	$0 \leq \text{RFRLN1} \leq 127$	$0 \leq \text{RFRLN2} \leq 127$	(RFRLN1 + 1) + (RFRLN2 + 1) words



### 20.8.10 Receive Frame-Synchronization Ignore Function

The RFIG bit (see [Table 20-29](#)) controls the receive frame-synchronization ignore function.

**Table 20-29. Register Bit Used to Enable/Disable the Receive Frame-Synchronization Ignore Function**

Register	Bit	Name	Function	Type	Reset Value
RCR2	2	RFIG	Receive frame-synchronization ignore	R/W	0
			RFIG = 0     An unexpected receive frame-synchronization pulse causes the McBSP to restart the frame transfer.		
			RFIG = 1     The McBSP ignores unexpected receive frame-synchronization pulses.		

#### 20.8.10.1 Unexpected Frame-Synchronization Pulses and the Frame-Synchronization Ignore Function

If a frame-synchronization pulse starts the transfer of a new frame before the current frame is fully received, this pulse is treated as an unexpected frame-synchronization pulse.

When RFIG = 1, reception continues, ignoring the unexpected frame-synchronization pulses.

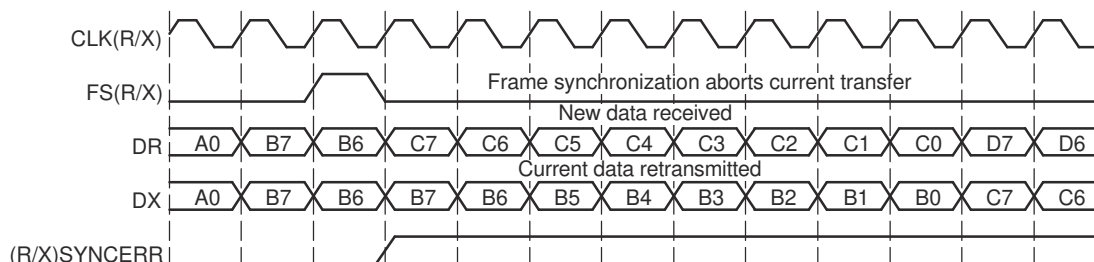
When RFIG = 0, an unexpected FSR pulse causes the McBSP to discard the contents of RSR[1,2] in favor of the new incoming data. Therefore, if RFIG = 0 and an unexpected frame-synchronization pulse occurs, the serial port:

1. Aborts the current data transfer
2. Sets RSYNCERR in SPCR1 to 1
3. Begins the transfer of a new data word

For more details about the frame-synchronization error condition, see [Section 20.5.3](#).

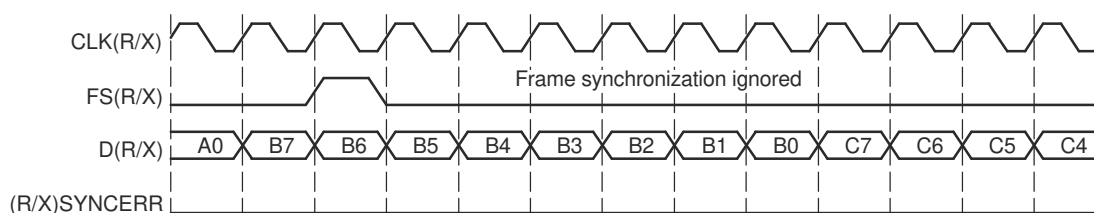
### 20.8.10.2 Examples of Effects of RFIG

Figure 20-43 shows an example in which word B is interrupted by an unexpected frame-synchronization pulse when (R/X)FIG = 0. In the case of reception, the reception of B is aborted (B is lost), and a new data word C in this example) is received after the appropriate data delay. This condition is a receive synchronization error, which sets the RSYNCERR bit.



**Figure 20-43. Unexpected Frame-Synchronization Pulse With (R/X)FIG = 0**

In contrast with Figure 20-43, Figure 20-44 shows McBSP operation when unexpected frame-synchronization signals are ignored (when (R/X)FIG = 1). Here, the transfer of word B is not affected by an unexpected pulse.



**Figure 20-44. Unexpected Frame-Synchronization Pulse With (R/X)FIG = 1**

### 20.8.11 Receive Companding Mode

The RCOMPAND bits (see Table 20-30) determine whether companding or another data transfer option is chosen for McBSP reception.

**Table 20-30. Register Bits Used to Set the Receive Companding Mode**

Register	Bit	Name	Function	Type	Reset Value
RCR2	4-3	RCOMPAND	Receive companding mode	R/W	00
			Modes other than 00b are enabled only when the appropriate RWDLEN is 000b, indicating 8-bit data.		
			RCOMPAND = 00		No companding, any size data, MSB received first
			RCOMPAND = 01		No companding, 8-bit data, LSB received first (for details, see Section 20.8.11.4).
			RCOMPAND = 10		$\mu$ -law companding, 8-bit data, MSB received first
			RCOMPAND = 11		A-law companding, 8-bit data, MSB received first

### 20.8.11.1 Companding

Companding (COMpressing and exPANDING) hardware allows compression and expansion of data in either  $\mu$ -law or A-law format. The companding standard employed in the United States and Japan is  $\mu$ -law. The European companding standard is referred to as A-law. The specifications for  $\mu$ -law and A-law log PCM are part of the CCITT G.711 recommendation.

A-law and  $\mu$ -law allow 13 bits and 14 bits of dynamic range, respectively. Any values outside this range are set to the most positive or most negative value. Thus, for companding to work best, the data transferred to and from the McBSP via the CPU or DMA controller must be at least 16 bits wide.

The  $\mu$ -law and A-law formats both encode data into 8-bit code words. Companded data is always 8 bits wide; the appropriate word length bits (RWDLEN1, RWDLEN2, XWDLEN1, XWDLEN2) must therefore be set to 0, indicating an 8-bit wide serial data stream. If companding is enabled and either of the frame phases does not have an 8-bit word length, companding continues as if the word length is 8 bits.

Figure 20-45 illustrates the companding processes. When companding is chosen for the transmitter, compression occurs during the process of copying data from DXR1 to XSR1. The transmit data is encoded according to the specified companding law (A-law or  $\mu$ -law). When companding is chosen for the receiver, expansion occurs during the process of copying data from RBR1 to DRR1. The receive data is decoded to 2's-complement format.

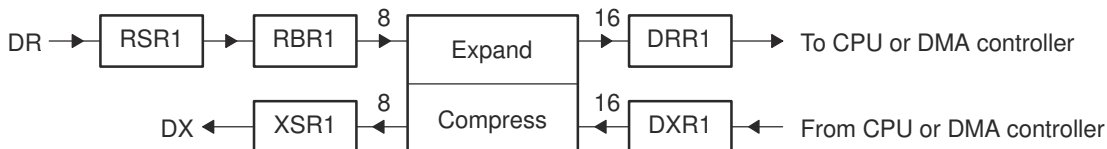


Figure 20-45. Companding Processes for Reception and for Transmission

### 20.8.11.2 Format of Expanded Data

For reception, the 8-bit compressed data in RBR1 is expanded to left-justified 16-bit data in DRR1. The RJUST bit of SPCR1 is ignored when companding is used.

### 20.8.11.3 Companding Internal Data

If the McBSP is otherwise unused (the serial port transmit and receive sections are reset), the companding hardware can compand internal data. See Section 20.3.2.2.

### 20.8.11.4 Option to Receive LSB First

Normally, the McBSP transmits or receives all data with the most significant bit (MSB) first. However, certain 8-bit data protocols (that do not use companded data) require the least significant bit (LSB) to be transferred first. If you set RCOMPAND = 01b in RCR2, the bit ordering of 8-bit words is reversed during reception. Similar to companding, this feature is enabled only if the appropriate word length bits are set to 0, indicating that 8-bit words are to be transferred serially. If either phase of the frame does not have an 8-bit word length, the McBSP assumes the word length is eight bits and LSB-first ordering is done.

## 20.8.12 Receive Data Delay

The RDATDLY bits (see [Table 20-31](#)) determine the length of the data delay for the receive frame.

**Table 20-31. Register Bits Used to Set the Receive Data Delay**

Register	Bit	Name	Function	Type	Reset Value	
RCR2	1-0	RDATDLY	Receive data delay	R/W	00	
			RDATDLY = 00	0-bit data delay		
			RDATDLY = 01	1-bit data delay		
			RDATDLY = 10	2-bit data delay		
			RDATDLY = 11	Reserved		

### 20.8.12.1 Data Delay

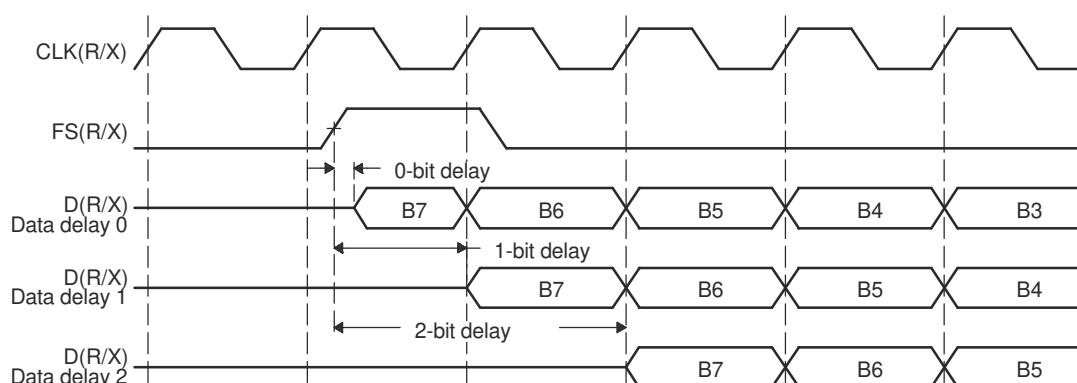
The start of a frame is defined by the first clock cycle in which frame synchronization is found to be active. The beginning of actual data reception or transmission with respect to the start of the frame can be delayed if required. This delay is called data delay.

RDATDLY specifies the data delay for reception. The range of programmable data delay is zero to two bit-clocks (RDATDLY = 00b-10b), as described in [Table 20-31](#) and shown in [Figure 20-46](#). In this figure, the data transferred is an 8-bit value with bits labeled B7, B6, B5, and so on. Typically a 1-bit delay is selected, because data often follows a 1-cycle active frame-synchronization pulse.

#### 20.8.12.2 0-Bit Data Delay

Normally, a frame-synchronization pulse is detected or sampled with respect to an edge of internal serial clock CLK(R/X). Thus, on the following cycle or later (depending on the data delay value), data may be received or transmitted. However, in the case of 0-bit data delay, the data must be ready for reception and/or transmission on the same serial clock cycle.

For reception, this problem is solved because receive data is sampled on the first falling edge of MCLKR where an active-high internal FSR is detected. However, data transmission must begin on the rising edge of the internal CLKX clock that generated the frame synchronization. Therefore, the first data bit is assumed to be present in XSR1, and thus on DX. The transmitter then asynchronously detects the frame-synchronization signal (FSX) going active high and immediately starts driving the first bit to be transmitted on the DX pin.



**Figure 20-46. Range of Programmable Data Delay**

### 20.8.12.3 2-Bit Data Delay

A data delay of two bit periods allows the serial port to interface to different types of T1 framing devices where the data stream is preceded by a framing bit. During reception of such a stream with data delay of two bits (framing bit appears after a 1-bit delay and data appears after a 2-bit delay), the serial port essentially discards the framing bit from the data stream, as shown in Figure 20-47. In this figure, the data transferred is an 8-bit value with bits labeled B7, B6, B5, and so on.

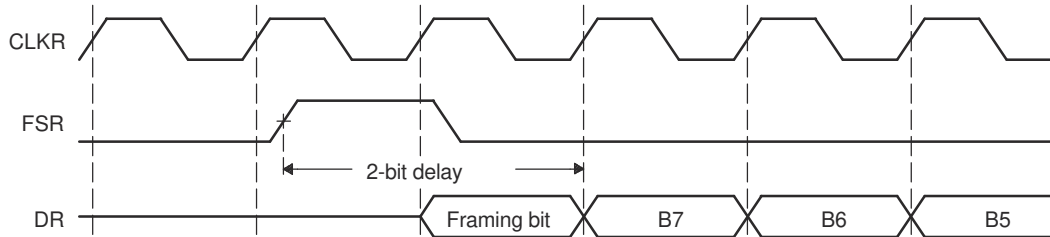


Figure 20-47. 2-Bit Data Delay Used to Skip a Framing Bit

### 20.8.13 Receive Sign-Extension and Justification Mode

The RJUST bits (see [Table 20-32](#)) determine whether data received by the McBSP is sign-extended and how the data is justified.

**Table 20-32. Register Bits Used to Set the Receive Sign-Extension and Justification Mode**

Register	Bit	Name	Function	Type	Reset Value
SPCR1	14-13	RJUST	Receive sign-extension and justification mode	R/W	00
			RJUST = 00      Right justify data and zero fill MSBs in DRR[1,2]		
			RJUST = 01      Right justify data and sign extend the data into the MSBs in DRR[1,2]		
			RJUST = 10      Left justify data and zero fill LSBs in DRR[1,2]		
			RJUST = 11      Reserved		

#### 20.8.13.1 Sign-Extension and the Justification

RJUST in SPCR1 selects whether data in RBR[1,2] is right- or left-justified (with respect to the MSB) in DRR[1,2] and whether unused bits in DRR[1,2] are filled with zeros or with sign bits.

[Table 20-33](#) and [Table 20-34](#) show the effects of various RJUST values. The first table shows the effect on an example 12-bit receive-data value ABCCh. The second table shows the effect on an example 20-bit receive-data value ABCDEh.

**Table 20-33. Example: Use of RJUST Field With 12-Bit Data Value ABCCh**

RJUST	Justification	Extension	Value in DRR2	Value in DRR1
00b	Right	Zero fill MSBs	0000h	0ABCCh
01b	Right	Sign extend data into MSBs	FFFFh	FABCCh
10b	Left	Zero fill LSBs	0000h	ABC0Ch
11b	Reserved	Reserved	Reserved	Reserved

**Table 20-34. Example: Use of RJUST Field With 20-Bit Data Value ABCDEh**

RJUST	Justification	Extension	Value in DRR2	Value in DRR1
00b	Right	Zero fill MSBs	000Ah	BCDEh
01b	Right	Sign extend data into MSBs	FFFAh	BCDEh
10b	Left	Zero fill LSBs	ABCDh	E000h
11b	Reserved	Reserved	Reserved	Reserved

### 20.8.14 Receive Interrupt Mode

The RINTM bits (see [Table 20-35](#)) determine which event generates a receive interrupt request to the CPU.

The receive interrupt (RINT) informs the CPU of changes to the serial port status. Four options exist for configuring this interrupt. The options are set by the receive interrupt mode bits, RINTM, in SPCR1.

**Table 20-35. Register Bits Used to Set the Receive Interrupt Mode**

Register	Bit	Name	Function	Type	Reset Value
SPCR1	5-4	RINTM	Receive interrupt mode	R/W	00
			RINTM = 00		
			RINT generated when RRDY changes from 0 to 1. Interrupt on every serial word by tracking the RRDY bit in SPCR1. Regardless of the value of RINTM, RRDY can be read to detect the RRDY = 1 condition.		
			RINTM = 01		
			RINT generated by an end-of-block or end-of-frame condition in the receive multichannel selection mode. In the multichannel selection mode, interrupt after every 16-channel block boundary has been crossed within a frame and at the end of the frame. For details, see <a href="#">Section 20.6.8</a> . In any other serial transfer case, this setting is not applicable and, therefore, no interrupts are generated.		
			RINTM = 10		
			RINT generated by a new receive frame-synchronization pulse. Interrupt on detection of receive frame-synchronization pulses. This generates an interrupt even when the receiver is in the reset state. This is done by synchronizing the incoming frame-synchronization pulse to the CPU clock and sending the pulse to the CPU using RINT.		
			RINTM = 11		
			RINT generated when RSYNCERR is set. Interrupt on frame-synchronization error. Regardless of the value of RINTM, RSYNCERR can be read to detect this condition. For information on using RSYNCERR, see <a href="#">Section 20.5.3</a> .		

### 20.8.15 Receive Frame-Synchronization Mode

The bits described in [Table 20-36](#) determine the source for receive frame synchronization and the function of the FSR pin.

#### 20.8.15.1 Receive Frame-Synchronization Modes

[Table 20-37](#) shows how you can select various sources to provide the receive frame-synchronization signal and the effect on the FSR pin. The polarity of the signal on the FSR pin is determined by the FSRP bit.

In digital loopback mode (DLB = 1), the transmit frame-synchronization signal is used as the receive frame-synchronization signal.

Also in the clock stop mode, the internal receive clock signal (MCLKR) and the internal receive frame-synchronization signal (FSR) are internally connected to their transmit counterparts, CLKX and FSX.

**Table 20-36. Register Bits Used to Set the Receive Frame Synchronization Mode**

Register	Bit	Name	Function	Type	Reset Value	
PCR	10	FSRM	Receive frame-synchronization mode	R/W	0	
			FSRM = 0  Receive frame synchronization is supplied by an external source via the FSR pin.  FSRM = 1  Receive frame synchronization is supplied by the sample rate generator. FSR is an output pin reflecting internal FSR, except when GSYNC = 1 in SRGR2.			
SRGR2	15	GSYNC	Sample rate generator clock synchronization mode	R/W	0	
			If the sample rate generator creates a frame-synchronization signal (FSG) that is derived from an external input clock, the GSYNC bit determines whether FSG is kept synchronized with pulses on the FSR pin.  GSYNC = 0  No clock synchronization is used: CLKG oscillates without adjustment, and FSG pulses every (FPER + 1) CLKG cycles.  GSYNC = 1  Clock synchronization is used. When a pulse is detected on the FSR pin: <ul style="list-style-type: none"> <li>• CLKG is adjusted as necessary so that CLKG is synchronized with the input clock on the MCLKR pin.</li> <li>• FSG pulses FSG only pulses in response to a pulse on the FSR pin. The frame-synchronization period defined in FPER is ignored.</li> </ul> For more details, see <a href="#">Section 20.4.3</a> .			
SPCR1	15	DLB	Digital loopback mode	R/W	0	
			DLB = 0  Digital loopback mode is disabled.  DLB = 1  Digital loopback mode is enabled. The receive signals, including the receive frame-synchronization signal, are connected internally through multiplexers to the corresponding transmit signals.			
SPCR1	12-11	CLKSTP	Clock stop mode	R/W	00	
			CLKSTP = 0xb			Clock stop mode disabled; normal clocking for non-SPI mode.
			CLKSTP = 10b			Clock stop mode enabled without clock delay. The internal receive clock signal (MCLKR) and the internal receive frame-synchronization signal (FSR) are internally connected to their transmit counterparts, CLKX and FSX.
		CLKSTP = 11b	Clock stop mode enabled with clock delay. The internal receive clock signal (MCLKR) and the internal receive frame-synchronization signal (FSR) are internally connected to their transmit counterparts, CLKX and FSX.			



**Table 20-37. Select Sources to Provide the Receive Frame-Synchronization Signal and the Effect on the FSR Pin**

DLB	FSRM	GSYNC	Source of Receive Frame Synchronization	FSR Pin Status
0	0	0 or 1	An external frame-synchronization signal enters the McBSP through the FSR pin. The signal is then inverted as determined by FSRP before being used as internal FSR.	Input
0	1	0	Internal FSR is driven by the sample rate generator frame-synchronization signal (FSG).	Output. FSG is inverted as determined by FSRP before being driven out on the FSR pin.
0	1	1	Internal FSR is driven by the sample rate generator frame-synchronization signal (FSG).	Input. The external frame-synchronization input on the FSR pin is used to synchronize CLKG and generate FSG pulses.
1	0	0	Internal FSX drives internal FSR.	High impedance
1	0 or 1	1	Internal FSX drives internal FSR.	Input. If the sample rate generator is running, external FSR is used to synchronize CLKG and generate FSG pulses.
1	1	0	Internal FSX drives internal FSR.	Output. Receive (same as transmit) frame synchronization is inverted as determined by FSRP before being driven out on the FSR pin.

### 20.8.16 Receive Frame-Synchronization Polarity

The FSRP bit (see [Table 20-38](#)) determines whether frame-synchronization pulses are active high or active low on the FSR pin.

**Table 20-38. Register Bit Used to Set Receive Frame-Synchronization Polarity**

Register	Bit	Name	Function	Type	Reset Value
PCR	2	FSRP	Receive frame-synchronization polarity	R/W	0
			FSRP = 0		Frame-synchronization pulse FSR is active high.
			FSRP = 1		Frame-synchronization pulse FSR is active low.

### 20.8.16.1 Frame-Synchronization Pulses, Clock Signals, and Their Polarities

Receive frame-synchronization pulses can be generated internally by the sample rate generator (see [Section 20.4.2](#)) or driven by an external source. The source of frame synchronization is selected by programming the mode bit, FSRM, in PCR. FSR is also affected by the GSYNC bit in SRGR2. For information about the effects of FSRM and GSYNC, see [Section 20.8.15](#). Similarly, receive clocks can be selected to be inputs or outputs by programming the mode bit, CLKRM, in the PCR (see [Section 20.8.17](#)).

When FSR and FSX are inputs (FSXM = FSRM = 0, external frame-synchronization pulses), the McBSP detects them on the internal falling edge of clock, internal MCLKR, and internal CLKX, respectively. The receive data arriving at the DR pin is also sampled on the falling edge of internal MCLKR. These internal clock signals are either derived from an external source via CLK(R/X) pins or driven by the sample rate generator clock (CLKG) internal to the McBSP.

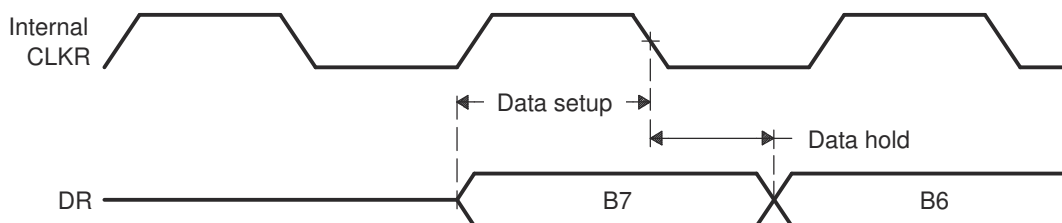
When FSR and FSX are outputs, implying that the outputs are driven by the sample rate generator, the outputs are generated (transition to their active state) on the rising edge of the internal clock, CLK(R/X). Similarly, data on the DX pin is output on the rising edge of internal CLKX.

FSRP, FSXP, CLKRP, and CLKXP in the pin control register (PCR) configure the polarities of the FSR, FSX, MCLKR, and CLKX signals, respectively. All frame-synchronization signals (internal FSR, internal FSX) that are internal to the serial port are active high. If the serial port is configured for external frame synchronization (FSR/FSX are inputs to McBSP), and FSRP = FSXP = 1, the external active-low frame-synchronization signals are inverted before being sent to the receiver (internal FSR) and transmitter (internal FSX). Similarly, if internal synchronization (FSR/FSX are output pins and GSYNC = 0) is selected, the internal active-high frame-synchronization signals are inverted, if the polarity bit FS(R/X)P = 1, before being sent to the FS(R/X) pin.

On the transmit side, the transmit clock polarity bit, CLKXP, sets the edge used to shift and clock out transmit data. Data is always transmitted on the rising edge of internal CLKX. If CLKXP = 1 and external clocking is selected (CLKXM = 0 and CLKX is an input), the external falling-edge triggered input clock on CLKX is inverted to a rising-edge triggered clock before being sent to the transmitter. If CLKXP = 1, and internal clocking selected (CLKXM = 1 and CLKX is an output pin), the internal (rising-edge triggered) clock, internal CLKX, is inverted before being sent out on the MCLKX pin.

Similarly, the receiver can reliably sample data that is clocked with a rising edge clock (by the transmitter). The receive clock polarity bit, CLKRP, sets the edge used to sample received data. The receive data is always sampled on the falling edge of internal MCLKR. Therefore, if CLKRP = 1 and external clocking is selected (CLKRM = 0 and MCLKR is an input pin), the external rising-edge triggered input clock on MCLKR is inverted to a falling-edge triggered clock before being sent to the receiver. If CLKRP = 1 and internal clocking is selected (CLKRM = 1), the internal falling-edge triggered clock is inverted to a rising-edge triggered clock before being sent out on the MCLKR pin.

MCLKRP = CLKXP in a system where the same clock (internal or external) is used to clock the receiver and transmitter. The receiver uses the opposite edge as the transmitter to make sure of valid setup and hold of data around this edge. [Figure 20-48](#) shows how data clocked by an external serial device using a rising edge can be sampled by the McBSP receiver on the falling edge of the same clock.



**Figure 20-48. Data Clocked Externally Using a Rising Edge and Sampled by the McBSP Receiver on a Falling Edge**

Set the SRG Frame-Synchronization Period and Pulse Width.

### 20.8.16.2 Frame-Synchronization Period and the Frame-Synchronization Pulse Width

The sample rate generator can produce a clock signal, CLKG, and a frame-synchronization signal, FSG. If the sample rate generator is supplying receive or transmit frame synchronization, you must program the bit fields FPER and FWID.

On FSG, the period from the start of a frame-synchronization pulse to the start of the next pulse is  $(FPER + 1)$  CLKG cycles. The 12 bits of FPER allow a frame-synchronization period of 1 to 4096 CLKG cycles, which allows up to 4096 data bits per frame. When GSYNC = 1, FPER is a don't care value.

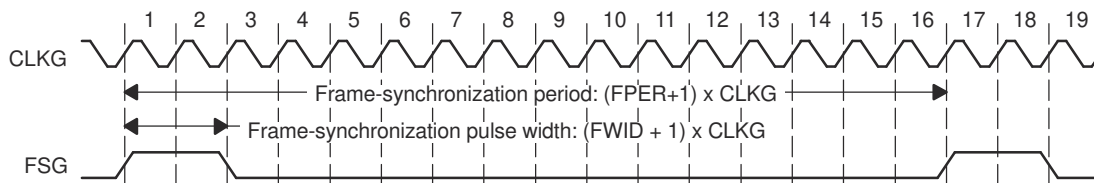
Each pulse on FSG has a width of  $(FWID + 1)$  CLKG cycles. The eight bits of FWID allow a pulse width of 1 to 256 CLKG cycles. It is recommended that FWID be programmed to a value less than the programmed word length.

The values in FPER and FWID are loaded into separate down-counters. The 12-bit FPER counter counts down the generated clock cycles from the programmed value (4095 maximum) to 0. The 8-bit FWID counter counts down from the programmed value (255 maximum) to 0. [Table 20-39](#) shows settings for FPER and FWID.

[Figure 20-49](#) shows a frame-synchronization period of 16 CLKG periods ( $FPER = 15$  or 00001111b) and a frame-synchronization pulse with an active width of 2 CLKG periods ( $FWID = 1$ ).

**Table 20-39. Register Bits Used to Set the SRG Frame-Synchronization Period and Pulse Width**

Register	Bit	Name	Function	Type	Reset Value
SRGR2	11-0	FPER	Sample rate generator frame-synchronization period  For the frame-synchronization signal FSG, $(FPER + 1)$ determines the period from the start of a frame-synchronization pulse to the start of the next frame-synchronization pulse.  Range for $(FPER + 1)$ : 1 to 4096 CLKG cycles	R/W	0000 0000 0000
SRGR1	15-8	FWID	Sample rate generator frame-synchronization pulse width  This field plus 1 determines the width of each frame-synchronization pulse on FSG.  Range for $(FWID + 1)$ : 1 to 256 CLKG cycles	R/W	0000 0000



**Figure 20-49. Frame of Period 16 CLKG Periods and Active Width of 2 CLKG Periods**

When the sample rate generator comes out of reset, FSG is in the inactive state. Then, when  $GRST = 1$  and  $FSGM = 1$ , a frame-synchronization pulse is generated. The frame width value  $(FWID + 1)$  is counted down on every CLKG cycle until the value reaches 0, at which time FSG goes low. At the same time, the frame period value  $(FPER + 1)$  is also counting down. When this value reaches 0, FSG goes high, indicating a new frame.

## 20.8.17 Receive Clock Mode

Table 20-40 shows the settings for bits used to set receive clock mode.

**Table 20-40. Register Bits Used to Set the Receive Clock Mode**

Register	Bit	Name	Function	Type	Reset Value	
PCR	8	CLKRM	Receive clock mode	R/W	0	
			Case 1: Digital loopback mode not set (DLB = 0) in SPCR1.			
			CLKRM = 0			The MCLKR pin is an input pin that supplies the internal receive clock (MCLKR).
			CLKRM = 1			Internal MCLKR is driven by the sample rate generator of the McBSP. The MCLKR pin is an output pin that reflects internal MCLKR.
			Case 2: Digital loopback mode set (DLB = 1) in SPCR1.			
			CLKRM = 0			The MCLKR pin is in the high impedance state. The internal receive clock (MCLKR) is driven by the internal transmit clock (CLKX). Internal CLKX is derived according to the CLKXM bit of PCR.
CLKRM = 1	Internal MCLKR is driven by internal CLKX. The MCLKR pin is an output pin that reflects internal MCLKR. Internal CLKX is derived according to the CLKXM bit of PCR.					
SPCR1	15	DLB	Digital loopback mode	R/W	00	
			DLB = 0			Digital loopback mode is disabled.
			DLB = 1			Digital loopback mode is enabled. The receive signals, including the receive frame-synchronization signal, are connected internally through multiplexers to the corresponding transmit signals.
SPCR1	12-11	CLKSTP	Clock stop mode	R/W	00	
			CLKSTP = 0xb			Clock stop mode disabled; normal clocking for non-SPI mode.
			CLKSTP = 10b			Clock stop mode enabled without clock delay. The internal receive clock signal (MCLKR) and the internal receive frame-synchronization signal (FSR) are internally connected to their transmit counterparts, CLKX and FSX.
			CLKSTP = 11b			Clock stop mode enabled with clock delay. The internal receive clock signal (MCLKR) and the internal receive frame-synchronization signal (FSR) are internally connected to their transmit counterparts, CLKX and FSX.

### 20.8.17.1 Selecting a Source for the Receive Clock and a Data Direction for the MCLKR Pin

Table 20-41 shows how you can select various sources to provide the receive clock signal and affect the MCLKR pin. The polarity of the signal on the MCLKR pin is determined by the CLKRP bit.

In the digital loopback mode (DLB = 1), the transmit clock signal is used as the receive clock signal.

Also, in the clock stop mode, the internal receive clock signal (MCLKR) and the internal receive frame-synchronization signal (FSR) are internally connected to their transmit counterparts, CLKX and FSX.

**Table 20-41. Receive Clock Signal Source Selection**

DLB in SPCR1	CLKRM in PCR	Source of Receive Clock	MCLKR Pin Status
0	0	The MCLKR pin is an input driven by an external clock. The external clock signal is inverted as determined by CLKRP before being used.	Input
0	1	The sample rate generator clock (CLKG) drives internal MCLKR.	Output. CLKG, inverted as determined by CLKRP, is driven out on the MCLKR pin.
1	0	Internal CLKX drives internal MCLKR. To configure CLKX, see Section 20.9.19.	High impedance
1	1	Internal CLKX drives internal MCLKR. To configure CLKX, see Section 20.9.19.	Output. Internal MCLKR (same as internal CLKX) is inverted as determined by CLKRP before being driven out on the MCLKR pin.

### 20.8.18 Receive Clock Polarity

Table 20-42 shows which register bits set the Receive Clock Polarity.

**Table 20-42. Register Bit Used to Set Receive Clock Polarity**

Register	Bit	Name	Function	Type	Reset Value	
PCR	0	CLKRP	Receive clock polarity	R/W	0	
			CLKRP = 0			Receive data sampled on falling edge of MCLKR
			CLKRP = 1			Receive data sampled on rising edge of MCLKR

### 20.8.18.1 Frame Synchronization Pulses, Clock Signals, and Their Polarities

Receive frame-synchronization pulses can be generated internally by the sample rate generator (see [Section 20.4.2](#)) or driven by an external source. The source of frame synchronization is selected by programming the mode bit, FSRM, in PCR. FSR is also affected by the GSYNC bit in SRGR2. For information about the effects of FSRM and GSYNC, see [Section 20.8.15](#). Similarly, receive clocks can be selected to be inputs or outputs by programming the mode bit, CLKRM, in the PCR (see [Section 20.8.17](#)).

When FSR and FSX are inputs (FSXM = FSRM = 0, external frame-synchronization pulses), the McBSP detects them on the internal falling edge of clock, internal MCLKR, and internal CLKX, respectively. The receive data arriving at the DR pin is also sampled on the falling edge of internal MCLKR. These internal clock signals are either derived from external source via CLK(R/X) pins or driven by the sample rate generator clock (CLKG) internal to the McBSP.

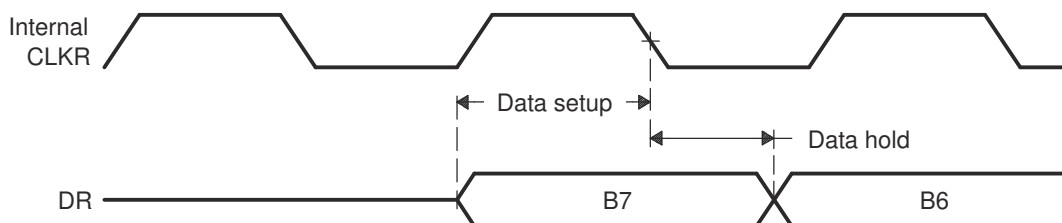
When FSR and FSX are outputs, implying that the outputs are driven by the sample rate generator, the outputs are generated (transition to their active state) on the rising edge of internal clock, CLK(R/X). Similarly, data on the DX pin is output on the rising edge of internal CLKX.

FSRP, FSXP, CLKRP, and CLKXP in the pin control register (PCR) configure the polarities of the FSR, FSX, MCLKR, and CLKX signals, respectively. All frame-synchronization signals (internal FSR, internal FSX) that are internal to the serial port are active high. If the serial port is configured for external frame synchronization (FSR/FSX are inputs to McBSP) and FSRP = FSXP = 1, the external active-low frame-synchronization signals are inverted before being sent to the receiver (internal FSR) and transmitter (internal FSX). Similarly, if internal synchronization (FSR/FSX are output pins and GSYNC = 0) is selected, the internal active-high frame-synchronization signals are inverted, if the polarity bit FS(R/X)P = 1, before being sent to the FS(R/X) pin.

On the transmit side, the transmit clock polarity bit, CLKXP, sets the edge used to shift and clock out transmit data. Data is always transmitted on the rising edge of internal CLKX. If CLKXP = 1 and external clocking is selected (CLKXM = 0 and CLKX is an input), the external falling-edge triggered input clock on CLKX is inverted to a rising-edge triggered clock before being sent to the transmitter. If CLKXP = 1 and internal clocking is selected (CLKXM = 1 and CLKX is an output pin), the internal (rising-edge triggered) clock, internal CLKX, is inverted before being sent out on the MCLKX pin.

Similarly, the receiver can reliably sample data that is clocked with a rising edge clock (by the transmitter). The receive clock polarity bit, CLKRP, sets the edge used to sample received data. The receive data is always sampled on the falling edge of internal MCLKR. Therefore, if CLKRP = 1 and external clocking is selected (CLKRM = 0 and MCLKR is an input pin), the external rising-edge triggered input clock on MCLKR is inverted to a falling-edge triggered clock before being sent to the receiver. If CLKRP = 1 and internal clocking is selected (CLKRM = 1), the internal falling-edge triggered clock is inverted to a rising-edge triggered clock before being sent out on the MCLKR pin.

CLKRP = CLKXP in a system where the same clock (internal or external) is used to clock the receiver and transmitter. The receiver uses the opposite edge as the transmitter to make sure of valid setup and hold of data around this edge. [Figure 20-50](#) shows how data clocked by an external serial device using a rising edge can be sampled by the McBSP receiver on the falling edge of the same clock.



**Figure 20-50. Data Clocked Externally Using a Rising Edge and Sampled by the McBSP Receiver on a Falling Edge**

## 20.8.19 SRG Clock Divide-Down Value

**Table 20-43. Register Bits Used to Set the Sample Rate Generator (SRG) Clock Divide-Down Value**

Register	Bit	Name	Function	Type	Reset Value
SRGR1	7-0	CLKGDV	Sample rate generator clock divide-down value  The input clock of the sample rate generator is divided by (CLKGDV + 1) to generate the required sample rate generator clock frequency. The default value of CLKGDV is 1 (divide input clock by 2).	R/W	0000 0001

### 20.8.19.1 Sample Rate Generator Clock Divider

The first divider stage generates the serial data bit clock from the input clock. This divider stage utilizes a counter, preloaded by CLKGDV, that contains the divide ratio value.

The output of the first divider stage is the data bit clock, which is output as CLKG and which serves as the input for the second and third stages of the divider.

CLKG has a frequency equal to  $1/(\text{CLKGDV} + 1)$  of sample rate generator input clock. Thus, the sample generator input clock frequency is divided by a value between 1 and 256. When CLKGDV is odd or equal to 0, the CLKG duty cycle is 50%. When CLKGDV is an even value,  $2p$ , representing an odd divide-down, the high-state duration is  $p + 1$  cycles and the low-state duration is  $p$  cycles.

## 20.8.20 SRG Clock Synchronization Mode

For more details on using the clock synchronization feature, see [Section 20.4.3](#).

**Table 20-44. Register Bit Used to Set the SRG Clock Synchronization Mode**

Register	Bit	Name	Function	Type	Reset Value
SRGR2	15	GSYNC	Sample rate generator clock synchronization  GSYNC is used only when the input clock source for the sample rate generator is external—on the MCLKR or MCLKX pin.  GSYNC = 0      The sample rate generator clock (CLKG) is free running. CLKG oscillates without adjustment, and FSG pulses every (FPER + 1) CLKG cycles.  GSYNC = 1      Clock synchronization is performed. When a pulse is detected on the FSR pin: <ul style="list-style-type: none"> <li>• CLKG is adjusted as necessary so that CLKG is synchronized with the input clock on the MCLKR or MCLKX pin.</li> <li>• FSG pulses. FSG only pulses in response to a pulse on the FSR pin. The frame-synchronization period defined in FPER is ignored.</li> </ul>	R/W	0

## 20.8.21 SRG Clock Mode (Choose an Input Clock)

The sample rate generator can produce a clock signal (CLKG) for use by the receiver, the transmitter, or both, but CLKG is derived from an input clock. [Table 20-45](#) shows the four possible sources of the input clock. For more details on generating CLKG, see [Section 20.4.1.1](#).

**Table 20-45. Register Bits Used to Set the SRG Clock Mode (Choose an Input Clock)**

Register	Bit	Name	Function	Type	Reset Value
PCR	7	SCLKME	Sample rate generator clock mode	R/W	0
SRGR2	13	CLKSM		R/W	1
			SCLKME = 0      Reserved CLKSM = 0		
			SCLKME = 0      Sample rate generator clock derived from LSPCLK CLKSM = 1      (default)		
			SCLKME = 1      Sample rate generator clock derived from MCLKR CLKSM = 0      pin		
			SCLKME = 1      Sample rate generator clock derived from MCLKX CLKSM = 1      pin		

## 20.8.22 SRG Input Clock Polarity

[Table 20-46](#) shows which register bits set the SRG Input Clock Polarity.

**Table 20-46. Register Bits Used to Set the SRG Input Clock Polarity**

Register	Bit	Name	Function	Type	Reset Value
PCR	1	CLKXP	MCLKX pin polarity CLKXP determines the input clock polarity when the MCLKX pin supplies the input clock (SCLKME = 1 and CLKSM = 1). CLKXP = 0      Rising edge on MCLKX pin generates transitions on CLKG and FSG. CLKXP = 1      Falling edge on MCLKX pin generates transitions on CLKG and FSG.	R/W	0
PCR	0	CLKRP	MCLKR pin polarity CLKRP determines the input clock polarity when the MCLKR pin supplies the input clock (SCLKME = 1 and CLKSM = 0). CLKRP = 0      Falling edge on MCLKR pin generates transitions on CLKG and FSG. CLKRP = 1      Rising edge on MCLKR pin generates transitions on CLKG and FSG.	R/W	0



### 20.8.22.1 Using CLKXP/CLKRP to Choose an Input Clock Polarity

The sample rate generator can produce a clock signal (CLKG) and a frame-synchronization signal (FSG) for use by the receiver, the transmitter, or both. To produce CLKG and FSG, the sample rate generator must be driven by an input clock signal derived from the CPU clock or from an external clock on the CLKX or MCLKR pin. If you use a pin, choose a polarity for that pin by using the appropriate polarity bit (CLKXP for the MCLKX pin, CLKRP for the MCLKR pin). The polarity determines whether the rising or falling edge of the input clock generates transitions on CLKG and FSG.

## 20.9 Transmitter Configuration

To configure the McBSP transmitter, perform the following procedure:

1. Place the McBSP/transmitter in reset (see [Section 20.9.2](#)).
2. Program the McBSP registers for the desired transmitter operation (see [Section 20.9.1](#)).
3. Take the transmitter out of reset (see [Section 20.9.2](#)).

### 20.9.1 Programming the McBSP Registers for the Desired Transmitter Operation

The following is a list of important tasks to be performed when you are configuring the McBSP transmitter. Each task corresponds to one or more McBSP register bit fields.

- Global behavior:
  - Set the transmitter pins to operate as McBSP pins.
  - Enable/disable the digital loopback mode.
  - Enable/disable the clock stop mode.
  - Enable/disable transmit multichannel selection.
- Data behavior:
  - Choose 1 or 2 phases for the transmit frame.
  - Set the transmit word length(s).
  - Set the transmit frame length.
  - Enable/disable the transmit frame-synchronization ignore function.
  - Set the transmit companding mode.
  - Set the transmit data delay.
  - Set the transmit DXENA mode.
  - Set the transmit interrupt mode.
- Frame-synchronization behavior:
  - Set the transmit frame-synchronization mode.
  - Set the transmit frame-synchronization polarity.
  - Set the SRG frame-synchronization period and pulse width.
- Clock behavior:
  - Set the transmit clock mode.
  - Set the transmit clock polarity.
  - Set the SRG clock divide-down value.
  - Set the SRG clock synchronization mode.
  - Set the SRG clock mode (choose an input clock).
  - Set the SRG input clock polarity.

## 20.9.2 Resetting and Enabling the Transmitter

The first step of the transmitter configuration procedure is to reset the transmitter, and the last step is to enable the transmitter (to take the transmitter out of reset). [Table 20-47](#) describes the bits used for both of these steps.

**Table 20-47. Register Bits Used to Place Transmitter in Reset Field Descriptions**

Register	Bit	Field	Value	Description
SPCR2	7	FRST	0	Frame-synchronization logic is reset. The sample rate generator does not generate frame-synchronization signal FSG, even if GRST = 1.
			1	Frame-synchronization is enabled. If GRST = 1, frame-synchronization signal FSG is generated after (FPER + 1) number of CLKG clock cycles; all frame counters are loaded with their programmed values.
SPCR2	6	GRST	0	Sample rate generator is reset. If GRST = 0 due to a device reset, CLKG is driven by the CPU clock divided by 2, and FSG is driven low (inactive). If GRST = 0 due to program code, CLKG and FSG are both driven low (inactive).
			1	Sample rate generator is enabled. CLKG is driven according to the configuration programmed in the sample rate generator registers (SRGR[1,2]). If FRST = 1, the generator also generates the frame-synchronization signal FSG as programmed in the sample rate generator registers.
SPCR2	0	XRST	0	The serial port transmitter is disabled and in the reset state.
			1	The serial port transmitter is enabled.

### 20.9.2.1 Reset Considerations

The serial port can be reset in the following two ways:

1. A DSP reset ( $\overline{\text{XRS}}$  signal driven low) places the receiver, transmitter, and sample rate generator in reset. When the device reset is removed, GRST = FRST = RRST = XRST = 0, keeping the entire serial port in the reset state.
2. The serial port transmitter and receiver can be reset directly using the RRST and XRST bits in the serial port control registers. The sample rate generator can be reset directly using the GRST bit in SPCR2.
3. When using the DMA, the order in which McBSP events must occur is important. DMA channel and peripheral interrupts must be configured prior to releasing the McBSP transmitter from reset.

The reason for this is that an XRDY is fired when XRST = 1. The XRDY signals the DMA to start copying data from the buffer into the transmit register. If the McBSP transmitter is released from reset before the DMA channel and peripheral interrupts are configured, the XRDY signals before the DMA channel can receive the signal; therefore, the DMA does not move the data from the buffer to the transmit register. The DMA PERINTFLG is edge-sensitive and will fail to recognize the XRDY, which is continuously high.

For more details about McBSP reset conditions and effects, see [Section 20.10.2](#).

### 20.9.3 Set the Transmitter Pins to Operate as McBSP Pins

To configure a pin for McBSP functioning, configure the bits of the GPxMUXn register appropriately. In addition to this, bits 12 and 13 of the PCR register must be set to 0. These bits are defined as reserved.

### 20.9.4 Digital Loopback Mode

The DLB bit determines whether the digital loopback mode is on. DLB is described in [Table 20-48](#).

**Table 20-48. Register Bit Used to Enable/Disable the Digital Loopback Mode**

Register	Bit	Name	Function	Type	Reset Value	
SPCR1	15	DLB	Digital loopback mode	R/W	0	
			DLB = 0			Digital loopback mode is disabled.
			DLB = 1			Digital loopback mode is enabled.

In the digital loopback mode, the receive signals are connected internally through multiplexers to the corresponding transmit signals, as shown in [Table 20-49](#). This mode allows testing of serial port code with a single DSP device; the McBSP receives the data it transmits.

**Table 20-49. Receive Signals Connected to Transmit Signals in Digital Loopback Mode**

This Receive Signal	Is Fed Internally by This Transmit Signal
DR (receive data)	DX (transmit data)
FSR (receive frame synchronization)	FSX (transmit frame synchronization)
MCLKR (receive clock)	CLKX (transmit clock)

### 20.9.5 Clock Stop Mode

The CLKSTP bits determine whether the clock stop mode is on. CLKSTP is described in [Table 20-50](#).

**Table 20-50. Register Bits Used to Enable/Disable the Clock Stop Mode**

Register	Bit	Name	Function	Type	Reset Value	
SPCR1	12-11	CLKSTP	Clock stop mode	R/W	00	
			CLKSTP = 0xb			Clock stop mode disabled; normal clocking for non-SPI mode.
			CLKSTP = 10b			Clock stop mode enabled without clock delay
			CLKSTP = 11b			Clock stop mode enabled with clock delay

The clock stop mode supports the SPI master-slave protocol. If you do not plan to use the SPI protocol, you can clear CLKSTP to disable the clock stop mode.

In the clock stop mode, the clock stops at the end of each data transfer. At the beginning of each data transfer, the clock starts immediately (CLKSTP = 10b) or after a half-cycle delay (CLKSTP = 11b). The CLKXP bit determines whether the starting edge of the clock on the MCLKX pin is rising or falling. The CLKRP bit determines whether receive data is sampled on the rising or falling edge of the clock shown on the MCLKR pin.

[Table 20-51](#) summarizes the impact of CLKSTP, CLKXP, and CLKRP on serial port operation. In the clock stop mode, the receive clock is tied internally to the transmit clock, and the receive frame-synchronization signal is tied internally to the transmit frame-synchronization signal.

**Table 20-51. Effects of CLKSTP, CLKXP, and CLKRP on the Clock Scheme**

Bit Settings	Clock Scheme
CLKSTP = 00b or 01b CLKXP = 0 or 1 CLKRP = 0 or 1	Clock stop mode disabled. Clock enabled for non-SPI mode.
CLKSTP = 10b CLKXP = 0 CLKRP = 0	Low inactive state without delay: The McBSP transmits data on the rising edge of CLKX and receives data on the falling edge of MCLKR.
CLKSTP = 11b CLKXP = 0 CLKRP = 1	Low inactive state with delay: The McBSP transmits data one-half cycle ahead of the rising edge of CLKX and receives data on the rising edge of MCLKR.
CLKSTP = 10b CLKXP = 1 CLKRP = 0	High inactive state without delay: The McBSP transmits data on the falling edge of CLKX and receives data on the rising edge of MCLKR.
CLKSTP = 11b CLKXP = 1 CLKRP = 1	High inactive state with delay: The McBSP transmits data one-half cycle ahead of the falling edge of CLKX and receives data on the falling edge of MCLKR.

### 20.9.6 Transmit Multichannel Selection Mode

For more details, see [Section 20.6.7](#).

**Table 20-52. Register Bits Used to Enable/Disable Transmit Multichannel Selection**

Register	Bit	Name	Function	Type	Reset Value
MCR2	1-0	XMCM	Transmit multichannel selection	R/W	00
			XMCM = 00b		No transmit multichannel selection mode is on. All channels are enabled and unmasked. No channels can be disabled or masked.
			XMCM = 01b		All channels are disabled unless the channels are selected in the appropriate transmit channel enable registers (XCERs). If enabled, a channel in this mode is also unmasked.  The XMCM bit determines whether 32 channels or 128 channels are selectable in XCERs.
			XMCM = 10b		All channels are enabled, but the channels are masked unless the channels are selected in the appropriate transmit channel enable registers (XCERs).  The XMCM bit determines whether 32 channels or 128 channels are selectable in XCERs.
			XMCM = 11b		This mode is used for symmetric transmission and reception.  All channels are disabled for transmission unless the channels are enabled for reception in the appropriate receive channel enable registers (RCERs). Once enabled, the channels are masked unless the channels are also selected in the appropriate transmit channel enable registers (XCERs).  The XMCM bit determines whether 32 channels or 128 channels are selectable in RCERs and XCERs.

### 20.9.7 XCERs Used in the Transmit Multichannel Selection Mode

For multichannel selection operation, the assignment of channels to the XCERs depends on whether 32 or 128 channels are individually selectable by the XMCME bit, as shown in [Table 20-53](#). The table shows which block of channels is assigned to each XCER that is used. For each XCER, the table shows which channel is assigned to each of the bits.

#### Note

When XMCM = 11b (for symmetric transmission and reception), the transmitter uses the receive channel enable registers (RCERs) to enable channels and uses the XCERs to unmask channels for transmission.

**Table 20-53. Use of the Transmit Channel Enable Registers**

Number of Selectable Channels	Block Assignments		Channel Assignments	
	XCERx	Block Assigned	Bit in XCERx	Channel Assigned
32 (XMCME = 0)	XCERA	Channels n to (n + 15)	XCE0	Channel n
			XCE1	Channel (n + 1)
			XCE2	Channel (n + 2)
			:	:
			XCE15	Channel (n + 15)
	XCERB	Channels m to (m + 15)	XCE0	Channel m
			XCE1	Channel (m + 1)
			XCE2	Channel (m + 2)
			:	:
			XCE15	Channel (m + 15)
128 (XMCME = 1)	XCERA	Block 0	XCE0	Channel 0
			XCE1	Channel 1
			XCE2	Channel 2
			:	:
			XCE15	Channel 15
	XCERB	Block 1	XCE0	Channel 16
			XCE1	Channel 17
			XCE2	Channel 18
			:	:
			XCE15	Channel 31
	XCERC	Block 2	XCE0	Channel 32
			XCE1	Channel 33
			XCE2	Channel 34
			:	:
			XCE15	Channel 47
XCERD	Block 3	XCE0	Channel 48	
		XCE1	Channel 49	
		XCE2	Channel 50	
		:	:	
		XCE15	Channel 63	

**Table 20-53. Use of the Transmit Channel Enable Registers (continued)**

Number of Selectable Channels	Block Assignments		Channel Assignments	
	XCERx	Block Assigned	Bit in XCERx	Channel Assigned
	XCERE	Block 4	XCE0	Channel 64
			XCE1	Channel 65
			XCE2	Channel 66
			:	:
			XCE15	Channel 79
	XCERF	Block 5	XCE0	Channel 80
			XCE1	Channel 81
			XCE2	Channel 82
			:	:
			XCE15	Channel 95
	XCERG	Block 6	XCE0	Channel 96
			XCE1	Channel 97
			XCE2	Channel 98
			:	:
			XCE15	Channel 111
	XCERH	Block 7	XCE0	Channel 112
			XCE1	Channel 113
			XCE2	Channel 114
			:	:
			XCE15	Channel 127

## 20.9.8 Transmit Frame Phases

The XPHASE bit (see [Table 20-54](#)) determines whether the transmit data frame has one or two phases.

**Table 20-54. Register Bit Used to Choose 1 or 2 Phases for the Transmit Frame**

Register	Bit	Name	Function	Type	Reset Value
XCR2	15	XPHASE	Transmit phase number Specifies whether the transmit frame has 1 or 2 phases. XPHASE = 0            Single-phase frame XPHASE = 1            Dual-phase frame	R/W	0

## 20.9.9 Transmit Word Lengths

The XWDLEN1 and XWDLEN2 bit fields (see [Table 20-55](#)) determine how many bits are in each serial word in phase 1 and in phase 2, respectively, of the transmit data frame.

**Table 20-55. Register Bits Used to Set the Transmit Word Lengths**

Register	Bit	Name	Function	Type	Reset Value
XCR1	7-5	XWDLEN1	Transmit word length of frame phase 1	R/W	000
			XWDLEN1 = 000b      8 bits		
			XWDLEN1 = 001b      12 bits		
			XWDLEN1 = 010b      16 bits		
			XWDLEN1 = 011b      20 bits		
			XWDLEN1 = 100b      24 bits		
			XWDLEN1 = 101b      32 bits		
			XWDLEN1 = 11Xb      Reserved		
XCR2	7-5	XWDLEN2	Transmit word length of frame phase 2	R/W	000
			XWDLEN2 = 000b      8 bits		
			XWDLEN2 = 001b      12 bits		
			XWDLEN2 = 010b      16 bits		
			XWDLEN2 = 011b      20 bits		
			XWDLEN2 = 100b      24 bits		
			XWDLEN2 = 101b      32 bits		
			XWDLEN2 = 11Xb      Reserved		

### 20.9.9.1 Word Length Bits

Each frame can have one or two phases, depending on the value that you load into the RPHASE bit. If a single-phase frame is selected, XWDLEN1 selects the length for every serial word transmitted in the frame. If a dual-phase frame is selected, XWDLEN1 determines the length of the serial words in phase 1 of the frame, and XWDLEN2 determines the word length in phase 2 of the frame.

## 20.9.10 Transmit Frame Length

The XFRLLEN1 and XFRLLEN2 bit fields (see [Table 20-56](#)) determine how many serial words are in phase 1 and in phase 2, respectively, of the transmit data frame.

**Table 20-56. Register Bits Used to Set the Transmit Frame Length**

Register	Bit	Name	Function	Type	Reset Value
XCR1	14-8	XFRLLEN1	Transmit frame length 1 (XFRLLEN1 + 1) is the number of serial words in phase 1 of the transmit frame. XFRLLEN1 = 000 0000      1 word in phase 1 XFRLLEN1 = 000 0001      2 words in phase 1     XFRLLEN1 = 111 1111      128 words in phase 1	R/W	000 0000
XCR2	14-8	XFRLLEN2	Transmit frame length 2 If a dual-phase frame is selected, (XFRLLEN2 + 1) is the number of serial words in phase 2 of the transmit frame. XFRLLEN2 = 000 0000      1 word in phase 2 XFRLLEN2 = 000 0001      2 words in phase 2     XFRLLEN2 = 111 1111      128 words in phase 2	R/W	000 0000

### 20.9.10.1 Selected Frame Length

The transmit frame length is the number of serial words in the transmit frame. Each frame can have one or two phases, depending on the value that you load into the XPHASE bit.

If a single-phase frame is selected (XPHASE = 0), the frame length is equal to the length of phase 1. If a dual-phase frame is selected (XPHASE = 1), the frame length is the length of phase 1 plus the length of phase 2.

The 7-bit XFRLLEN fields allow up to 128 words per phase. See [Table 20-57](#) for a summary of how to calculate the frame length. This length corresponds to the number of words or logical time slots or channels per frame-synchronization pulse.

#### Note

Program the XFRLLEN fields with  $[w \text{ minus } 1]$ , where  $w$  represents the number of words per phase. For example, if you want a phase length of 128 words in phase 1, load 127 into XFRLLEN1.

**Table 20-57. How to Calculate Frame Length**

XPHASE	XFRLLEN1	XFRLLEN2	Frame Length
0	$0 \leq \text{XFRLLEN1} \leq 127$	Don't care	(XFRLLEN1 + 1) words
1	$0 \leq \text{XFRLLEN1} \leq 127$	$0 \leq \text{XFRLLEN2} \leq 127$	(XFRLLEN1 + 1) + (XFRLLEN2 + 1) words



### 20.9.11 Enable/Disable the Transmit Frame-Synchronization Ignore Function

**Table 20-58. Register Bit Used to Enable/Disable the Transmit Frame-Synchronization Ignore Function**

Register	Bit	Name	Function	Type	Reset Value
XCR2	2	XFIG	Transmit frame-synchronization ignore	R/W	0
			XFIG = 0	An unexpected transmit frame-synchronization pulse causes the McBSP to restart the frame transfer.	
			XFIG = 1	The McBSP ignores unexpected transmit frame-synchronization pulses.	

#### 20.9.11.1 Unexpected Frame-Synchronization Pulses and Frame-Synchronization Ignore

If a frame-synchronization pulse starts the transfer of a new frame before the current frame is fully transmitted, this pulse is treated as an unexpected frame-synchronization pulse.

When XFIG = 1, normal transmission continues with unexpected frame-synchronization signals ignored.

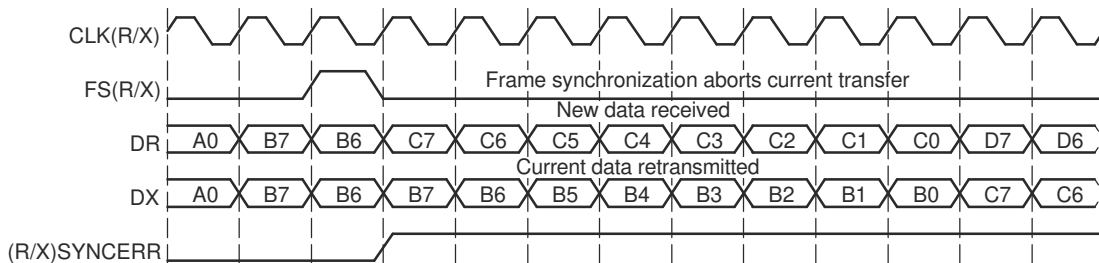
When XFIG = 0 and an unexpected frame-synchronization pulse occurs, the serial port:

1. Aborts the present transmission
2. Sets XSYNCERR to 1 in SPCR2
3. Reinitiates transmission of the current word that was aborted

For more details about the frame-synchronization error condition, see [Section 20.5.6](#).

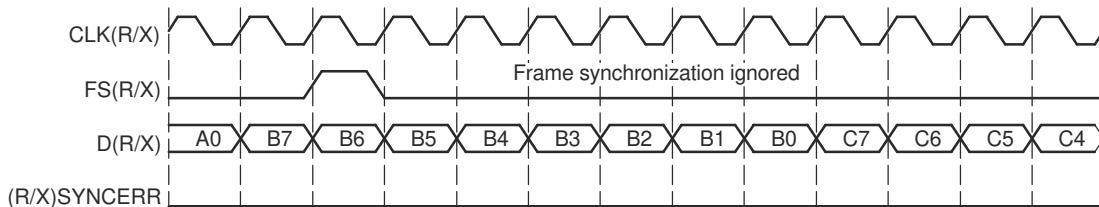
#### 20.9.11.2 Examples Showing the Effects of XFIG

Figure 20-51 shows an example in which word B is interrupted by an unexpected frame-synchronization pulse when (R/X)FIG = 0. In the case of transmission, the transmission of B is aborted (B is lost). This condition is a transmit synchronization error, which sets the XSYNCERR bit. No new data has been written to DXR[1,2]; therefore, the McBSP transmits B again.



**Figure 20-51. Unexpected Frame-Synchronization Pulse With (R/X) FIG = 0**

In contrast with Figure 20-51, Figure 20-52 shows McBSP operation when unexpected frame-synchronization signals are ignored (when (R/X)FIG = 1). Here, the transfer of word B is not affected by an unexpected frame-synchronization pulse.



**Figure 20-52. Unexpected Frame-Synchronization Pulse With (R/X) FIG = 1**

## 20.9.12 Transmit Companding Mode

The XCOMPAND bits (see [Table 20-59](#)) determine whether companding or another data transfer option is chosen for McBSP transmission.

**Table 20-59. Register Bits Used to Set the Transmit Companding Mode**

Register	Bit	Name	Function	Type	Reset Value
XCR2	4-3	XCOMPAND	Transmit companding mode  Modes other than 00b are enabled only when the appropriate XWDLEN is 000b, indicating 8-bit data.  XCOMPAND = 00b      No companding, any size data, MSB transmitted first  XCOMPAND = 01b      No companding, 8-bit data, LSB transmitted first (for details, see <a href="#">Section 20.8.11.4</a> )  XCOMPAND = 10b $\mu$ -law companding, 8-bit data, MSB transmitted first  XCOMPAND = 11b      A-law companding, 8-bit data, MSB transmitted first	R/W	00

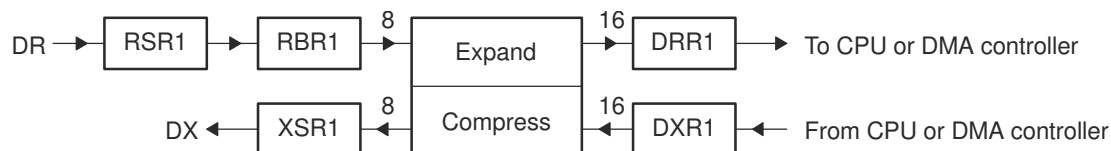
### 20.9.12.1 Companding

Companding (COMpressing and exPANDING) hardware allows compression and expansion of data in either  $\mu$ -law or A-law format. The companding standard employed in the United States and Japan is  $\mu$ -law. The European companding standard is referred to as A-law. The specifications for  $\mu$ -law and A-law log PCM are part of the CCITT G.711 recommendation.

A-law and  $\mu$ -law allow 13 bits and 14 bits of dynamic range, respectively. Any values outside this range are set to the most positive or most negative value. Thus, for companding to work best, the data transferred to and from the McBSP via the CPU or DMA controller must be at least 16 bits wide.

The  $\mu$ -law and A-law formats both encode data into 8-bit code words. Companded data is always 8 bits wide; the appropriate word length bits (RWDLEN1, RWDLEN2, XWDLEN1, XWDLEN2) must therefore be set to 0, indicating an 8-bit wide serial data stream. If companding is enabled and either of the frame phases does not have an 8-bit word length, companding continues as if the word length is 8 bits.

[Figure 20-53](#) illustrates the companding processes. When companding is chosen for the transmitter, compression occurs during the process of copying data from DXR1 to XSR1. The transmit data is encoded according to the specified companding law (A-law or  $\mu$ -law). When companding is chosen for the receiver, expansion occurs during the process of copying data from RBR1 to DRR1. The receive data is decoded to two's-complement format.



**Figure 20-53. Companding Processes for Reception and for Transmission**

### 20.9.12.2 Format for Data To Be Compressed

For transmission using  $\mu$ -law compression, make sure the 14 data bits are left-justified in DXR1, with the remaining two low-order bits filled with 0s as shown in Figure 20-54.

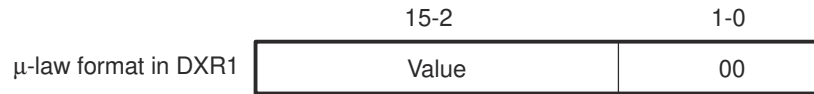


Figure 20-54.  $\mu$ -Law Transmit Data Companding Format

For transmission using A-law compression, make sure the 13 data bits are left-justified in DXR1, with the remaining three low-order bits filled with 0s as shown in Figure 20-55.

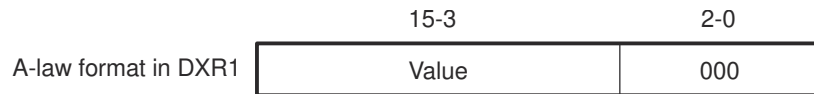


Figure 20-55. A-Law Transmit Data Companding Format

### 20.9.12.3 Capability to Compand Internal Data

If the McBSP is otherwise unused (the serial port transmit and receive sections are reset), the companding hardware can compand internal data. See Section 20.3.2.2.

### 20.9.12.4 Option to Transmit LSB First

Normally, the McBSP transmit or receives all data with the most significant bit (MSB) first. However, certain 8-bit data protocols (that do not use companded data) require the least significant bit (LSB) to be transferred first. If you set XCOMPAND = 01b in XCR2, the bit ordering of 8-bit words is reversed (LSB first) before being sent from the serial port. Similar to companding, this feature is enabled only if the appropriate word length bits are set to 0, indicating that 8-bit words are to be transferred serially. If either phase of the frame does not have an 8-bit word length, the McBSP assumes the word length is eight bits and LSB-first ordering is done.

### 20.9.13 Transmit Data Delay

The XDATDLY bits (see Table 20-60) determine the length of the data delay for the transmit frame.

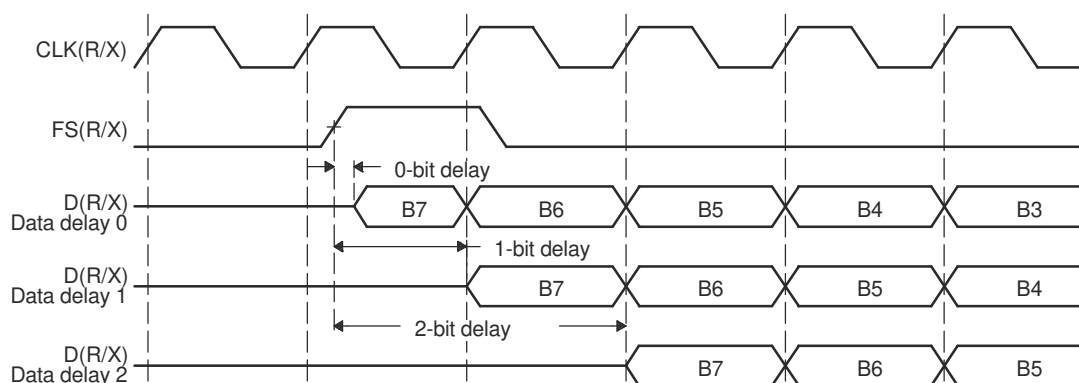
Table 20-60. Register Bits Used to Set the Transmit Data Delay

Register	Bit	Name	Function	Type	Reset Value	
XCR2	1-0	XDATDLY	Transmitter data delay	R/W	00	
			XDATDLY = 00			0-bit data delay
			XDATDLY = 01			1-bit data delay
			XDATDLY = 10			2-bit data delay
			XDATDLY = 11			Reserved

### 20.9.13.1 Data Delay

The start of a frame is defined by the first clock cycle in which frame synchronization is found to be active. The beginning of actual data reception or transmission with respect to the start of the frame can be delayed if necessary. This delay is called data delay.

XDATDLY specifies the data delay for transmission. The range of programmable data delay is zero to two bit-clocks (XDATDLY = 00b-10b), as described in Table 20-60 and Figure 20-56. In this figure, the data transferred is an 8-bit value with bits labeled B7, B6, B5, and so on. Typically a 1-bit delay is selected, because data often follows a 1-cycle active frame-synchronization pulse.


**Figure 20-56. Range of Programmable Data Delay**

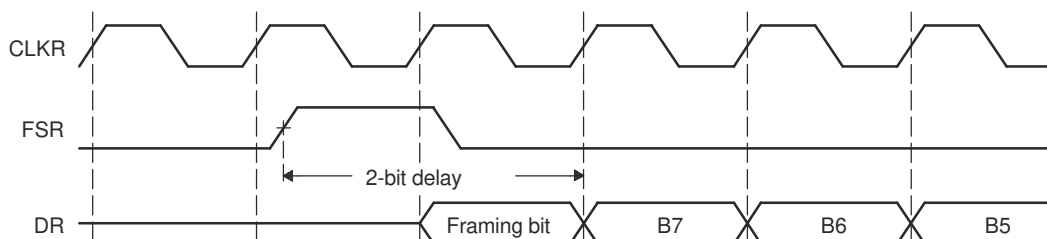
### 20.9.13.2 0-Bit Data Delay

Normally, a frame-synchronization pulse is detected or sampled with respect to an edge of serial clock internal CLK(R/X). Thus, on the following cycle or later (depending on the data delay value), data can be received or transmitted. However, in the case of 0-bit data delay, the data must be ready for reception and/or transmission on the same serial clock cycle.

For reception this problem is solved because receive data is sampled on the first falling edge of MCLKR where an active-high internal FSR is detected. However, data transmission must begin on the rising edge of the internal CLKX clock that generated the frame synchronization. Therefore, the first data bit is assumed to be present in XSR1, and thus DX. The transmitter then asynchronously detects the frame synchronization, FSX, going active high and immediately starts driving the first bit to be transmitted on the DX pin.

### 20.9.13.3 2-Bit Data Delay

A data delay of two bit-periods allows the serial port to interface to different types of T1 framing devices where the data stream is preceded by a framing bit. During reception of such a stream with data delay of two bits (framing bit appears after a 1-bit delay and data appears after a 2-bit delay), the serial port essentially discards the framing bit from the data stream, as shown in Figure 20-57. In this figure, the data transferred is an 8-bit value with bits labeled B7, B6, B5, and so on.


**Figure 20-57. 2-Bit Data Delay Used to Skip a Framing Bit**

### 20.9.14 Transmit DXENA Mode

Table 20-61 shows which register bit enables the Transmit DXENA (DX Delay Enabler) Mode.

**Table 20-61. Register Bit Used to Set the Transmit DXENA (DX Delay Enabler) Mode**

Register	Bit	Name	Function	Type	Reset Value	
SPCR1	7	DXENA	DX delay enabler mode	R/W	0	
			DXENA = 0			DX delay enabler is off.
			DXENA = 1			DX delay enabler is on.

The DXENA bit controls the delay enabler on the DX pin. Set DXENA to enable an extra delay for turn-on time. This bit does not control the data itself, so only the first bit is delayed.

If you tie together the DX pins of multiple McBSPs, make sure DXENA = 1 to avoid having more than one McBSP transmit on the data line at one time.

### 20.9.15 Transmit Interrupt Mode

The transmitter interrupt (XINT) signals the CPU of changes to the serial port status. Four options exist for configuring this interrupt. The options are set by the transmit interrupt mode bits, XINTM, in SPCR2.

**Table 20-62. Register Bits Used to Set the Transmit Interrupt Mode**

Register	Bit	Name	Function	Type	Reset Value	
SPCR2	5-4	XINTM	Transmit interrupt mode	R/W	00	
			XINTM = 00			XINT generated when XRDY changes from 0 to 1.
			XINTM = 01			XINT generated by an end-of-block or end-of-frame condition in a transmit multichannel selection mode. In any of the transmit multichannel selection modes, interrupt after every 16-channel block boundary has been crossed within a frame and at the end of the frame. For details, see <a href="#">Section 20.6.8</a> . In any other serial transfer case, this setting is not applicable and, therefore, no interrupts are generated.
			XINTM = 10			XINT generated by a new transmit frame-synchronization pulse. Interrupt on detection of each transmit frame-synchronization pulse. This generates an interrupt even when the transmitter is in the reset state. This is done by synchronizing the incoming frame-synchronization pulse to the CPU clock and sending the pulse to the CPU using XINT.
XINTM = 11	XINT generated when XSYNCERR is set. Interrupt on frame-synchronization error. Regardless of the value of XINTM, XSYNCERR can be read to detect this condition. For more information on using XSYNCERR, see <a href="#">Section 20.5.6</a> .					

## 20.9.16 Transmit Frame-Synchronization Mode

Table 20-63 shows which register bits enable the Transmit Frame-Synchronization Mode.

**Table 20-63. Register Bits Used to Set the Transmit Frame-Synchronization Mode**

Register	Bit	Name	Function	Type	Reset Value	
PCR	11	FSXM	Transmit frame-synchronization mode	R/W	0	
			FSXM = 0			Transmit frame synchronization is supplied by an external source via the FSX pin.
			FSXM = 1			Transmit frame synchronization is supplied by the McBSP, as determined by the FSGM bit of SRGR2.
SRGR2	12	FSGM	Sample rate generator transmit frame-synchronization mode	R/W	0	
			Used when FSXM = 1 in PCR.			
			FSGM = 0			The McBSP generates a transmit frame-synchronization pulse when the content of DXR[1,2] is copied to XSR[1,2].
		FSGM = 1	The transmitter uses frame-synchronization pulses generated by the sample rate generator. Program the FWID bits to set the width of each pulse. Program the FPER bits to set the frame-synchronization period.			

Table 20-64 shows how FSXM and FSGM select the source of transmit frame-synchronization pulses. The three choices are:

- External frame-synchronization input
- Sample rate generator frame-synchronization signal (FSG)
- Internal signal that indicates a DXR-to-XSR copy has been made

Table 20-64 also shows the effect of each bit setting on the FSX pin. The polarity of the signal on the FSX pin is determined by the FSXP bit.

**Table 20-64. How FSXM and FSGM Select the Source of Transmit Frame-Synchronization Pulses**

FSXM	FSGM	Source of Transmit Frame Synchronization	FSX Pin Status
0	0 or 1	An external frame-synchronization signal enters the McBSP through the FSX pin. The signal is then inverted by FSXP before being used as internal FSX.	Input
1	1	Internal FSX is driven by the sample rate generator frame-synchronization signal (FSG).	Output. FSG is inverted by FSXP before being driven out on FSX pin.
1	0	A DXR-to-XSR copy causes the McBSP to generate a transmit frame-synchronization pulse that is 1 cycle wide.	Output. The generated frame-synchronization pulse is inverted as determined by FSXP before being driven out on FSX pin.

### 20.9.16.1 Other Considerations

If the sample rate generator creates a frame-synchronization signal (FSG) that is derived from an external input clock, the GSYNC bit determines whether FSG is kept synchronized with pulses on the FSR pin. For more details, see Section 20.4.3.

In the clock stop mode (CLKSTP = 10b or 11b), the McBSP can act as a master or as a slave in the SPI protocol. If the McBSP is a master and must provide a slave-enable signal (SPISTE) on the FSX pin, make sure that FSXM = 1 and FSGM = 0 so that FSX is an output and is driven active for the duration of each transmission. If the McBSP is a slave, make sure that FSXM = 0 so that the McBSP can receive the slave-enable signal on the FSX pin.

## 20.9.17 Transmit Frame-Synchronization Polarity

Table 20-65 shows which register bits enable the Transmit Frame-Synchronization Polarity.

**Table 20-65. Register Bit Used to Set Transmit Frame-Synchronization Polarity**

Register	Bit	Name	Function	Type	Reset Value
PCR	3	FSXP	Transmit frame-synchronization polarity	R/W	0
			FSXP = 0    Frame-synchronization pulse FSX is active high.		
			FSXP = 1    Frame-synchronization pulse FSX is active low.		

### 20.9.17.1 Frame Synchronization Pulses, Clock Signals, and Their Polarities

Transmit frame-synchronization pulses can be generated internally by the sample rate generator (see Section 20.4.2) or driven by an external source. The source of frame synchronization is selected by programming the mode bit, FSXM, in PCR. FSX is also affected by the FSGM bit in SRGR2. For information about the effects of FSXM and FSGM, see Section 20.9.16). Similarly, transmit clocks can be selected to be inputs or outputs by programming the mode bit, CLKXM, in the PCR (see Section 20.9.19).

When FSR and FSX are inputs (FSXM = FSRM = 0, external frame-synchronization pulses), the McBSP detects them on the internal falling edge of clock, internal MCLKR, and internal CLKX, respectively. The receive data arriving at the DR pin is also sampled on the falling edge of internal MCLKR. These internal clock signals are either derived from external source via CLK(R/X) pins or driven by the sample rate generator clock (CLKG) internal to the McBSP.

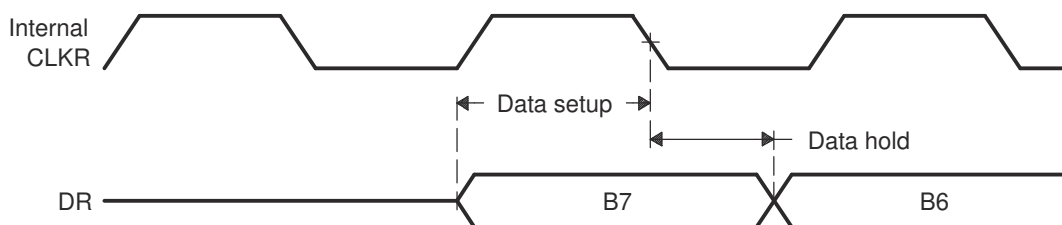
When FSR and FSX are outputs, implying that the outputs are driven by the sample rate generator, the outputs are generated (transition to their active state) on the rising edge of internal clock, CLK(R/X). Similarly, data on the DX pin is output on the rising edge of internal CLKX.

FSRP, FSXP, CLKRP, and CLKXP in the pin control register (PCR) configure the polarities of the FSR, FSX, MCLKR, and CLKX signals, respectively. All frame-synchronization signals (internal FSR, internal FSX) that are internal to the serial port are active high. If the serial port is configured for external frame synchronization (FSR/FSX are inputs to McBSP) and FSRP = FSXP = 1, the external active-low frame-synchronization signals are inverted before being sent to the receiver (internal FSR) and transmitter (internal FSX). Similarly, if internal synchronization (FSR/FSX are output pins and GSYNC = 0) is selected and the polarity bit FS(R/X)P = 1, the internal active-high frame-synchronization signals are inverted before being sent to the FS(R/X) pin.

On the transmit side, the transmit clock polarity bit, CLKXP, sets the edge used to shift and clock out transmit data. Data is always transmitted on the rising edge of internal CLKX. If CLKXP = 1 and external clocking is selected (CLKXM = 0 and CLKX is an input), the external falling-edge triggered input clock on CLKX is inverted to a rising-edge triggered clock before being sent to the transmitter. If CLKXP = 1, and internal clocking selected (CLKXM = 1 and CLKX is an output pin), the internal (rising-edge triggered) clock, internal CLKX, is inverted before being sent out on the MCLKX pin.

Similarly, the receiver can reliably sample data that is clocked with a rising edge clock (by the transmitter). The receive clock polarity bit, CLKRP, sets the edge used to sample received data. The receive data is always sampled on the falling edge of internal MCLKR. Therefore, if CLKRP = 1 and external clocking is selected (CLKRM = 0 and MCLKR is an input pin), the external rising-edge triggered input clock on MCLKR is inverted to a falling-edge triggered clock before being sent to the receiver. If CLKRP = 1 and internal clocking is selected (CLKRM = 1), the internal falling-edge triggered clock is inverted to a rising-edge triggered clock before being sent out on the MCLKR pin.

CLKRP = CLKXP in a system where the same clock (internal or external) is used to clock the receiver and transmitter. The receiver uses the opposite edge as the transmitter to make sure of valid setup and hold of data around this edge. Figure 20-58 shows how data clocked by an external serial device using a rising edge can be sampled by the McBSP receiver on the falling edge of the same clock.



**Figure 20-58. Data Clocked Externally Using a Rising Edge and Sampled by the McBSP Receiver on a Falling Edge**

### 20.9.18 SRG Frame-Synchronization Period and Pulse Width

Table 20-66 shows which register bits set the SRG Frame-Synchronization Period and Pulse Width.

**Table 20-66. Register Bits Used to Set SRG Frame-Synchronization Period and Pulse Width**

Register	Bit	Name	Function	Type	Reset Value
SRGR2	11-0	FPER	Sample rate generator frame-synchronization period For the frame-synchronization signal FSG, (FPER + 1) determines the period from the start of a frame-synchronization pulse to the start of the next frame-synchronization pulse. Range for (FPER + 1): 1 to 4096 CLKG cycles.	R/W	0000 0000 0000
SRGR1	15-8	FWID	Sample rate generator frame-synchronization pulse width This field plus 1 determines the width of each frame-synchronization pulse on FSG. Range for (FWID + 1): 1 to 256 CLKG cycles.	R/W	0000 0000

#### 20.9.18.1 Frame-Synchronization Period and Frame-Synchronization Pulse Width

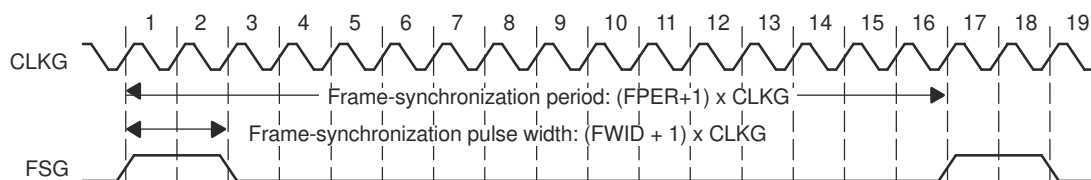
The sample rate generator can produce a clock signal, CLKG, and a frame-synchronization signal, FSG. If the sample rate generator is supplying receive or transmit frame synchronization, you must program the bit fields FPER and FWID.

On FSG, the period from the start of a frame-synchronization pulse to the start of the next pulse is (FPER + 1) CLKG cycles. The 12 bits of FPER allow a frame-synchronization period of 1 to 4096 CLKG cycles, which allows up to 4096 data bits per frame. When GSYNC = 1, FPER is a don't care value.

Each pulse on FSG has a width of (FWID + 1) CLKG cycles. The eight bits of FWID allow a pulse width of 1 to 256 CLKG cycles. It is recommended that FWID be programmed to a value less than the programmed word length.

The values in FPER and FWID are loaded into separate down-counters. The 12-bit FPER counter counts down the generated clock cycles from the programmed value (4095 maximum) to 0. The 8-bit FWID counter counts down from the programmed value (255 maximum) to 0.

Figure 20-59 shows a frame-synchronization period of 16 CLKG periods (FPER = 15 or 00001111b) and a frame-synchronization pulse with an active width of 2 CLKG periods (FWID = 1).



**Figure 20-59. Frame of Period 16 CLKG Periods and Active Width of 2 CLKG Periods**



When the sample rate generator comes out of reset, FSG is in the inactive state. Then, when GRST = 1 and FSGM = 1, a frame-synchronization pulse is generated. The frame width value (FWID + 1) is counted down on every CLKG cycle until the value reaches 0, at which time FSG goes low. At the same time, the frame period value (FPER + 1) is also counting down. When this value reaches 0, FSG goes high, indicating a new frame.

### 20.9.19 Transmit Clock Mode

Table 20-67 shows which register bits can set the Transmit Clock Mode.

**Table 20-67. Register Bit Used to Set the Transmit Clock Mode**

Register	Bit	Name	Function	Type	Reset Value	
PCR	9	CLKXM	Transmit clock mode	R/W	0	
			CLKXM = 0			The transmitter gets the clock signal from an external source via the MCLKX pin.
			CLKXM = 1			The MCLKX pin is an output pin driven by the sample rate generator of the McBSP.

#### 20.9.19.1 Selecting a Source for the Transmit Clock and a Data Direction for the MCLKX pin

Table 20-68 shows how the CLKXM bit selects the transmit clock and the corresponding status of the MCLKX pin. The polarity of the signal on the MCLKX pin is determined by the CLKXP bit.

**Table 20-68. How the CLKXM Bit Selects the Transmit Clock and the Corresponding Status of the MCLKX pin**

CLKXM in PCR	Source of Transmit Clock	MCLKX pin Status
0	Internal CLKX is driven by an external clock on the MCLKX pin. CLKX is inverted as determined by CLKXP before being used.	Input
1	Internal CLKX is driven by the sample rate generator clock, CLKG.	Output. CLKG, inverted as determined by CLKXP, is driven out on CLKX.

#### 20.9.19.2 Other Considerations

If the sample rate generator creates a clock signal (CLKG) that is derived from an external input clock, the GSYNC bit determines whether CLKG is kept synchronized with pulses on the FSR pin. For more details, see Section 20.4.3.

In the clock stop mode (CLKSTP = 10b or 11b), the McBSP can act as a master or as a slave in the SPI protocol. If the McBSP is a master, make sure that CLKXM = 1 so that CLKX is an output to supply the master clock to any slave devices. If the McBSP is a slave, make sure that CLKXM = 0 so that CLKX is an input to accept the master clock signal.

### 20.9.20 Transmit Clock Polarity

Table 20-69 shows which register bits set the Transmit Clock Polarity.

**Table 20-69. Register Bit Used to Set Transmit Clock Polarity**

Register	Bit	Name	Function	Type	Reset Value	
PCR	1	CLKXP	Transmit clock polarity	R/W	0	
			CLKXP = 0			Transmit data sampled on rising edge of CLKX.
			CLKXP = 1			Transmit data sampled on falling edge of CLKX.

### 20.9.20.1 Frame Synchronization Pulses, Clock Signals, and Their Polarities

Transmit frame-synchronization pulses can be either generated internally by the sample rate generator (see [Section 20.4.2](#)) or driven by an external source. The source of frame synchronization is selected by programming the mode bit, FSXM, in PCR. FSX is also affected by the FSGM bit in SRGR2. For information about the effects of FSXM and FSGM, see [Section 20.9.16](#)). Similarly, transmit clocks can be selected to be inputs or outputs by programming the mode bit, CLKXM, in the PCR (see [Section 20.9.19](#)).

When FSR and FSX are inputs (FSXM = FSRM = 0, external frame-synchronization pulses), the McBSP detects them on the internal falling edge of clock, internal MCLKR, and internal CLKX, respectively. The receive data arriving at the DR pin is also sampled on the falling edge of internal MCLKR. These internal clock signals are either derived from external source via CLK(R/X) pins or driven by the sample rate generator clock (CLKG) internal to the McBSP.

When FSR and FSX are outputs, implying that the outputs are driven by the sample rate generator, the outputs are generated (transition to their active state) on the rising edge of internal clock, CLK(R/X). Similarly, data on the DX pin is output on the rising edge of internal CLKX.

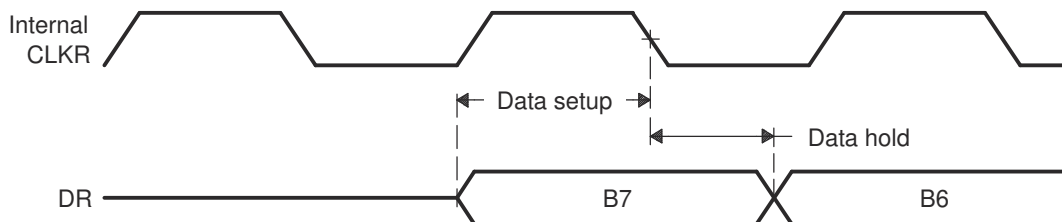
FSRP, FSXP, CLKRP, and CLKXP in the pin control register (PCR) configure the polarities of the FSR, FSX, MCLKR, and CLKX signals, respectively. All frame-synchronization signals (internal FSR, internal FSX) that are internal to the serial port are active high. If the serial port is configured for external frame synchronization (FSR/FSX are inputs to McBSP), and FSRP = FSXP = 1, the external active-low frame-synchronization signals are inverted before being sent to the receiver (internal FSR) and transmitter (internal FSX). Similarly, if internal synchronization (FSR/FSX are output pins and GSYNC = 0) is selected, the internal active-high frame-synchronization signals are inverted, if the polarity bit FS(R/X)P = 1, before being sent to the FS(R/X) pin.

On the transmit side, the transmit clock polarity bit, CLKXP, sets the edge used to shift and clock out transmit data. Data is always transmitted on the rising edge of internal CLKX. If CLKXP = 1 and external clocking is selected (CLKXM = 0 and CLKX is an input), the external falling-edge triggered input clock on CLKX is inverted to a rising-edge triggered clock before being sent to the transmitter. If CLKXP = 1 and internal clocking is selected (CLKXM = 1 and CLKX is an output pin), the internal (rising-edge triggered) clock, internal CLKX, is inverted before being sent out on the MCLKX pin.

Similarly, the receiver can reliably sample data that is clocked with a rising edge clock (by the transmitter). The receive clock polarity bit, CLKRP, sets the edge used to sample received data. The receive data is always sampled on the falling edge of internal MCLKR. Therefore, if CLKRP = 1 and external clocking is selected (CLKRM = 0 and CLKR is an input pin), the external rising-edge triggered input clock on CLKR is inverted to a falling-edge triggered clock before being sent to the receiver. If CLKRP = 1 and internal clocking is selected (CLKRM = 1), the internal falling-edge triggered clock is inverted to a rising-edge triggered clock before being sent out on the MCLKR pin.

CLKRP = CLKXP in a system where the same clock (internal or external) is used to clock the receiver and transmitter. The receiver uses the opposite edge as the transmitter to make sure of valid setup and hold of data around this edge (see [Figure 20-58](#)).

[Figure 20-60](#) shows how data clocked by an external serial device using a rising edge can be sampled by the McBSP receiver on the falling edge of the same clock.



**Figure 20-60. Data Clocked Externally Using a Rising Edge and Sampled by the McBSP Receiver on a Falling Edge**

## 20.10 Emulation and Reset Considerations

This section covers the following topics:

- How to program McBSP response to a breakpoint in the high-level language debugger (see [Section 20.10.1](#))
- How to reset and initialize the various parts of the McBSP (see [Section 20.10.2](#))

### 20.10.1 McBSP Emulation Mode

FREE and SOFT are special emulation bits in SPCR2 that determine the state of the McBSP when a breakpoint is encountered in the high-level language debugger. If FREE = 1, the clock continues to run upon a software breakpoint and data is still shifted out. When FREE = 1, the SOFT bit is a *don't care*.

If FREE = 0, the SOFT bit takes effect. If SOFT = 0 when breakpoint occurs, the clock stops immediately, aborting a transmission. If SOFT = 1 and a breakpoint occurs while transmission is in progress, the transmission continues until completion of the transfer and then the clock halts. These options are listed in [Table 20-70](#).

The McBSP receiver functions in a similar fashion. If a mode other than the immediate stop mode (SOFT = FREE = 0) is chosen, the receiver continues running and an overrun error is possible.

**Table 20-70. McBSP Emulation Modes Selectable with FREE and SOFT Bits of SPCR2**

FREE	SOFT	McBSP Emulation Mode
0	0	Immediate stop mode (reset condition). The transmitter or receiver stops immediately in response to a breakpoint.
0	1	Soft stop mode When a breakpoint occurs, the transmitter stops after completion of the current word. The receiver is not affected.
1	0 or 1	Free run mode The transmitter and receiver continue to run when a breakpoint occurs.

### 20.10.2 Resetting and Initializing McBSPs

This section discusses in greater depth the McBSP Reset and Initialization configurations.

#### 20.10.2.1 McBSP Pin States: DSP Reset Versus Receiver/Transmitter Reset

[Table 20-71](#) shows the state of McBSP pins when the serial port is reset due to direct receiver or transmitter reset on the 2833x device.

**Table 20-71. Reset State of Each McBSP Pin**

Pin	Possible States <sup>(1)</sup>	State Forced by Device Reset	State Forced by Receiver/Transmitter Reset
<b>Receiver reset (RRST = 0 and GRST = 1)</b>			
MDRx	I	GPIO-input	Input
MCLKRx	I/O/Z	GPIO-input	Known state if input; MCLKR running if output
MFSRx	I/O/Z	GPIO-input	Known state if input; FSRP inactive state if output
<b>Transmitter reset (XRST = 0 and GRST = 1)</b>			
MDXx	O/Z	GPIO Input	High impedance
MCLKXx	I/O/Z	GPIO-input	Known state if input; CLKX running if output
MFSXx	I/O/Z	GPIO-input	Known state if input; FSXP inactive state if output

(1) In Possible States column, I = Input, O = Output, Z = High impedance. In the C28x family, at device reset, all I/Os default to GPIO function and generally as inputs.

### 20.10.2.2 Device Reset, McBSP Reset, and Sample Rate Generator Reset

When the McBSP is reset in either of the above two ways, the machine is reset to its initial state, including reset of all counters and status bits. The receive status bits include RFULL, RRDY, and RSYNCERR. The transmit status bits include XEMPTY, XRDY, and XSYNCERR.

- Device reset. When the whole DSP is reset ( $\overline{\text{XRS}}$  signal is driven low), all McBSP pins are in GPIO mode. When the device is pulled out of reset, the clock to the McBSP modules remains disabled.
- McBSP reset. When the receiver and transmitter reset bits, RRST and XRST, are loaded with 0s, the respective portions of the McBSP are reset and activity in the corresponding section of the serial port stops. Input-only pins such as MDRx, and all other pins that are configured as inputs are in a known state. The MFSRx and MFSXx pins are driven to their inactive state if they are not outputs. If the MCLKR and MCLKX pins are programmed as outputs, they are driven by CLKG, provided that GRST = 1. Lastly, the MDXx pin is in the high-impedance state when the transmitter and/or the device is reset.

During normal operation, the sample rate generator is reset if the GRST bit is cleared. GRST must be 0 only when neither the transmitter nor the receiver is using the sample rate generator. In this case, the internal sample rate generator clock (CLKG) and its frame-synchronization signal (FSG) are driven inactive low.

When the sample rate generator is not in the reset state (GRST = 1), pins MFSRx and MFSXx are in an inactive state when RRST = 0 and XRST = 0, respectively, even if they are outputs driven by FSG. This ensures that when only one portion of the McBSP is in reset, the other portion can continue operation when GRST = 1 and its frame synchronization is driven by FSG.

- Sample rate generator reset. The sample rate generator is reset when GRST is loaded with 0.

When neither the transmitter nor the receiver is fed by CLKG and FSG, you can reset the sample rate generator by clearing GRST. In this case, CLKG and FSG are driven inactive low. If you then set GRST, CLKG starts and runs as programmed. Later, if GRST = 1, FSG pulses active high after the programmed number of CLKG cycles has elapsed.

### 20.10.2.3 McBSP Initialization Procedure

The serial port initialization procedure is as follows:

1. Make XRST = RRST = GRST = 0 in SPCR[1,2]. If coming out of a device reset, this step is not required.
2. While the serial port is in the reset state, program only the McBSP configuration registers (not the data registers) as required.
3. Wait for two clock cycles. This makes sure of proper internal synchronization.
4. Set up data acquisition as required (such as writing to DXR[1,2]).
5. Make XRST = RRST = 1 to enable the serial port. Make sure that as you set these reset bits, you do not modify any of the other bits in SPCR1 and SPCR2. Otherwise, you change the configuration you selected in step 2.
6. Set FRST = 1, if internally generated frame synchronization is required.
7. Wait two clock cycles for the receiver and transmitter to become active.

Alternatively, on either write (step 1 or 5), the transmitter and receiver can be placed in or taken out of reset individually by modifying the desired bit.

The previous procedure for reset/initialization can be applied in general when the receiver or transmitter must be reset during normal operation and when the sample rate generator is not used for either operation.

---

#### Note

1. The necessary duration of the active-low period of XRST or RRST is at least two MCLKR/CLKX cycles.
  2. The appropriate bits in serial port configuration registers SPCR[1,2], PCR, RCR[1,2], XCR[1,2], and SRGR[1,2] must only be modified when the affected portion of the serial port is in the reset state.
  3. In most cases, the data transmit registers (DXR[1,2]) must be loaded by the CPU or by the DMA controller only when the transmitter is enabled (XRST = 1). An exception to this rule is when these registers are used for companding internal data (see [Section 20.3.2.2](#)).
  4. The bits of the channel control registers—MCR[1,2], RCER[A-H], XCER[A-H]—can be modified at any time as long as the bits are not being used by the current reception/transmission in a multichannel selection mode.
-

### 20.10.2.4 Resetting the Transmitter While the Receiver is Running

**Example 20-1** shows values in the control registers that reset and configure the transmitter while the receiver is running.

#### Example 20-1. Resetting and Configuring McBSP Transmitter While McBSP Receiver Running

```

SPCR1 = 0001h SPCR2 = 0030h ;
The receiver is running with the receive interrupt (RINT) triggered by the receiver ready bit (RRDY).;
The transmitter is in its reset state.;
The transmit interrupt (XINT) will be triggered by the transmit frame-sync error bit (XSYNCERR).;
PCR = 0900h ;
Transmit frame synchronization is generated internally according to the FSGM bit of SRGR2.;
The transmit clock is driven by an external source. ;
The receive clock continues to be driven by sample rate generator. The input clock ;
of the sample rate generator is supplied by the CPU clock. ;
SRGR1 = 0001h SRGR2 = 2000h ;
The CPU clock is the input clock for the sample rate generator. The sample ;
rate generator divides the CPU clock by 2 to generate its output clock (CLKG). ;
Transmit frame synchronization is tied to the automatic copying of data from ;
the DXR(s) to the XSR(s). ;
XCR1 = 0740h XCR2 = 8321h ;
The transmit frame has two phases. Phase 1 has eight 16-bit words. ;
Phase 2 has four 12-bit words. There is 1-bit data delay between the start of a ;
frame-sync pulse and the first data bit transmitted. ;
SPCR2 = 0031h ;
The transmitter is taken out of reset.
    
```

## 20.11 Data Packing Examples

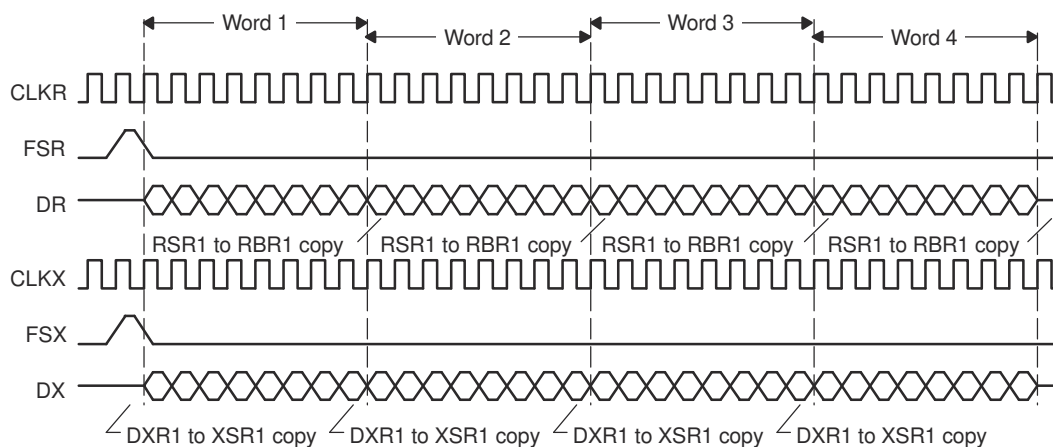
This section shows two ways to implement data packing in the McBSP.

### 20.11.1 Data Packing Using Frame Length and Word Length

Frame length and word length can be manipulated to effectively pack data. For example, consider a situation where four 8-bit words are transferred in a single-phase frame as shown in [Figure 20-61](#). In this case:

- (R/X)PHASE = 0: Single-phase frame
- (R/X)FRLLEN1 = 0000011b: 4-word frame
- (R/X)WDLEN1 = 000b: 8-bit words

Four 8-bit data words are transferred to and from the McBSP by the CPU or by the DMA controller. Thus, four reads from DRR1 and four writes to DXR1 are necessary for each frame.



**Figure 20-61. Four 8-Bit Data Words Transferred To/From the McBSP**

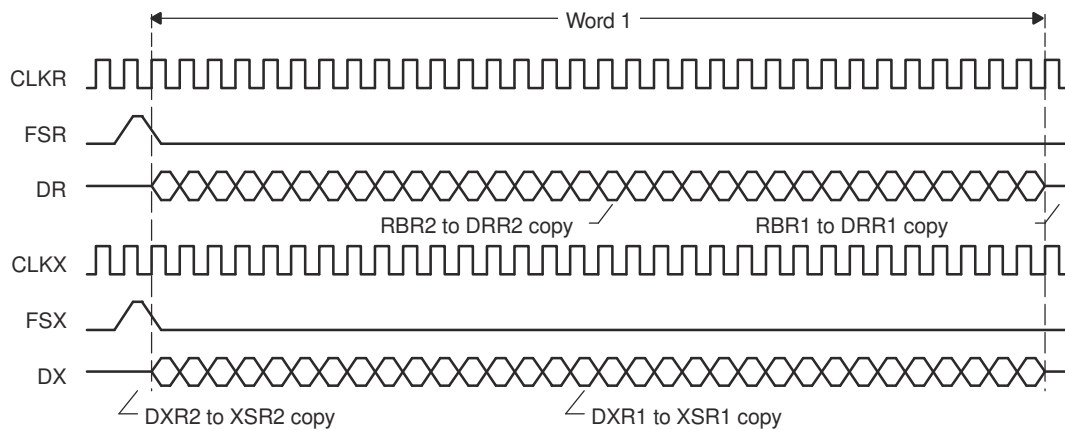
This data can also be treated as a single-phase frame consisting of one 32-bit data word, as shown in [Figure 20-62](#). In this case:

- (R/X)PHASE = 0: Single-phase frame
- (R/X)FRLLEN1 = 0000000b: 1-word frame
- (R/X)WDLEN1 = 101b: 32-bit word

Two 16-bit data words are transferred to and from the McBSP by the CPU or DMA controller. Thus, two reads, from DRR2 and DRR1, and two writes, to DXR2 and DXR1, are necessary for each frame. This results in only half the number of transfers compared to the previous case. This manipulation reduces the percentage of bus time required for serial port data movement.

**Note**

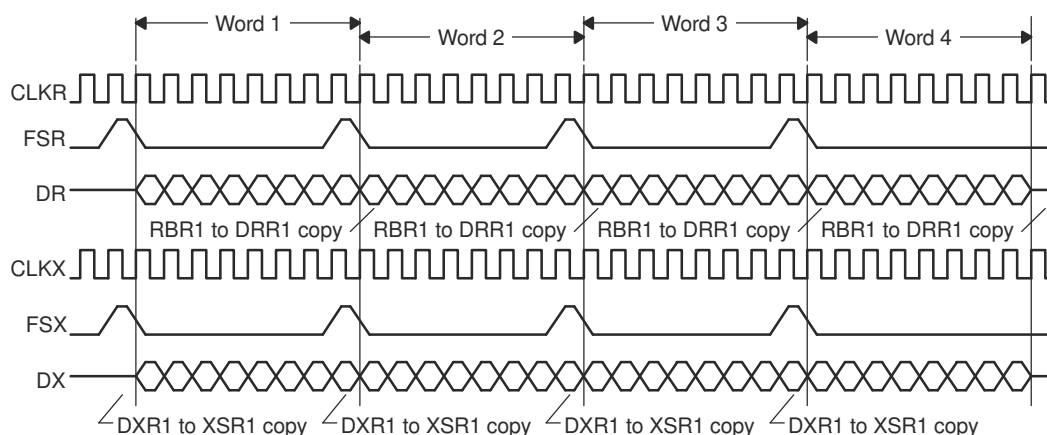
When the word length is larger than 16 bits, make sure you access DRR2/DXR2 before you access DRR1/DXR1. McBSP activity is tied to accesses of DRR1/DXR1. During the reception of 24-bit or 32-bit words, read DRR2 and then read DRR1. Otherwise, the next RBR[1,2]-to-DRR[1,2] copy occurs before DRR2 is read. Similarly, during the transmission of 24-bit or 32-bit words, write to DXR2 and then write to DXR1. Otherwise, the next DXR[1,2]-to-XSR[1,2] copy occurs before DXR2 is loaded with new data.



**Figure 20-62. One 32-Bit Data Word Transferred To/From the McBSP**

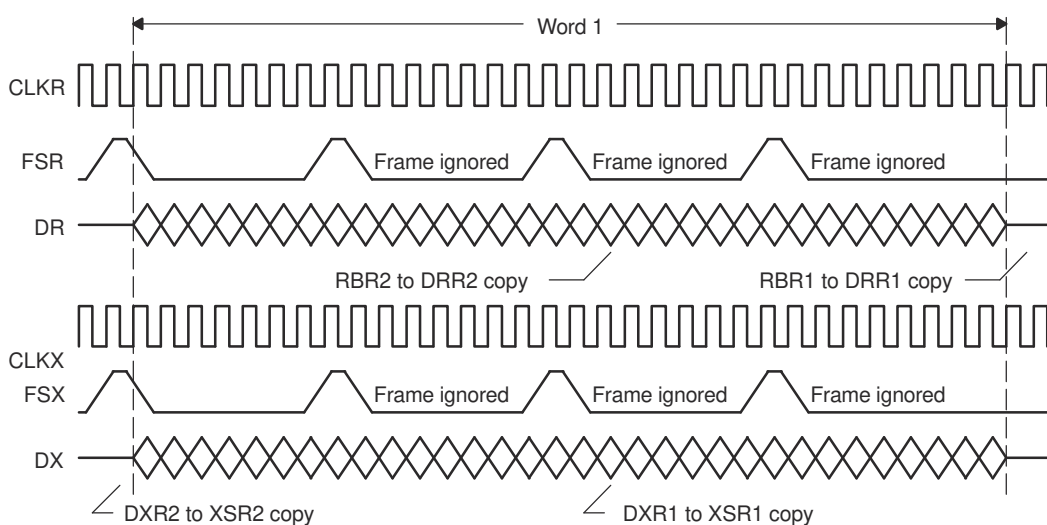
### 20.11.2 Data Packing Using Word Length and the Frame-Synchronization Ignore Function

When there are multiple words per frame, you can implement data packing by increasing the word length (defining a serial word with more bits) and by ignoring frame-synchronization pulses. First, consider [Figure 20-63](#), which shows the McBSP operating at the maximum packet frequency. Here, each frame only has a single 8-bit word. Notice the frame-synchronization pulse that initiates each frame transfer for reception and for transmission. For reception, this configuration requires one read operation for each word. For transmission, this configuration requires one write operation for each word.



**Figure 20-63. 8-Bit Data Words Transferred at Maximum Packet Frequency**

[Figure 20-64](#) shows the McBSP configured to treat this data stream as a continuous 32-bit word. In this example, the McBSP responds to an initial frame-synchronization pulse. However, (R/X)FIG = 1 so that the McBSP ignores subsequent pulses. Only two read transfers or two write transfers are needed every 32 bits. This configuration effectively reduces the required bus bandwidth to half the bandwidth needed to transfer four 8-bit words.



**Figure 20-64. Configuring the Data Stream of [Figure 20-63](#) as a Continuous 32-Bit Word**

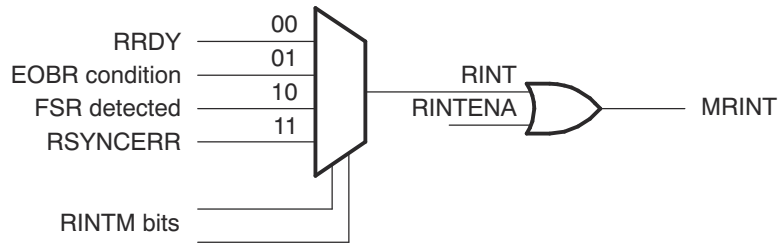


## 20.12 Interrupt Generation

McBSP registers can be programmed to receive and transmit data through DRR2/DRR1 and DXR2/DXR1 registers, respectively. The CPU can directly access these registers to move data from memory to these registers. Interrupt signals are based on these register pair contents and the related flags. MRINT/MXINT generates CPU interrupts for receive and transmit conditions.

### 20.12.1 McBSP Receive Interrupt Generation

In the McBSP module, data receive and error conditions generate two sets of interrupt signals. One set is used for the CPU and the other set is for DMA.



**Figure 20-65. Receive Interrupt Generation**

**Table 20-72. Receive Interrupt Sources and Signals**

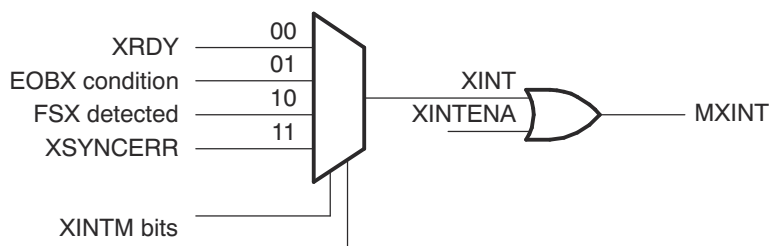
McBSP Interrupt Signal	Interrupt Flags	Interrupt Enables in SPCR1 (RINTM Bits)	Interrupt Enables	Type of Interrupt	Interrupt Line
RINT	RRDY	00	RINTENA	Every word receive	MRINT
	EOBR	01	RINTENA	Every 16-channel block boundary	
	FSR	10	RINTENA	On every FSR	
	RSYNCERR	11	RINTENA	Frame sync error	

#### Note

Since X/RINT, X/REVTA, and X/RXFFINT share the same CPU interrupt, it is recommended that all applications use one of the above selections for interrupt generation. If multiple interrupt enables are selected at the same time, there is a likelihood of interrupts being masked or not recognized.

### 20.12.2 McBSP Transmit Interrupt Generation

McBSP module data transmit and error conditions generate two sets of interrupt signals. One set is used for the CPU and the other set is for DMA.



**Figure 20-66. Transmit Interrupt Generation**

**Table 20-73. Transmit Interrupt Sources and Signals**

McBSP Interrupt Signal	Interrupt Flags	Interrupt Enables in SPCR2 (XINTM Bits)	Interrupt Enables	Type of Interrupt	Interrupt Line
XINT	XRDY	00	XINTENA	Every word transmit	MXINT
	EOBX	01	XINTENA	Every 16-channel block boundary	
	FSX	10	XINTENA	On every FSX	
	XSYNCERR	11	XINTENA	Frame sync error	

### 20.12.3 Error Flags

The McBSP has several error flags both on receive and transmit channel. [Table 20-74](#) explains the error flags and their meaning.

**Table 20-74. Error Flags**

Error Flags	Function
RFULL	Indicates DRR2/DRR1 are not read and RXR register is overwritten
RSYNCERR	Indicates unexpected frame-sync condition, current data reception will abort and restart. Use RINTM bit 11 for interrupt generation on this condition.
XSYNCERR	Indicates unexpected frame-sync condition, current data transmission will abort and restart. Use XINTM bit 11 for interrupt generation on this condition.

## 20.13 McBSP Modes

McBSP, in its normal mode, communicates with various types of Codecs with variable word size. Apart from this mode, the McBSP uses time-division multiplexed (TDM) data stream while communicating with other McBSPs or serial devices. The multichannel mode provides flexibility while transmitting/receiving selected channels or all the channels in a TDM stream.

Table 20-75 provides a quick reference to McBSP mode selection.

**Table 20-75. McBSP Mode Selection**

No.	McBSP Word Size	Register Bits Used for Mode Selection				Mode and Function Description
		MCR1 bit 9,0		MCR2 bit 9,1,0		
		RMCME	RMCM	XMCME	XMCM	
1	8/12/16/20/24/32 bit words	0	0	0	0	<b>Normal Mode</b> All types of Codec interface will use this selection
2	8-bit words					<b>Multichannel Mode</b>
						2 Partition or 32-channel Mode
		0	1	0	1	All channels are disabled, unless selected in X/RCERA/B
		0	1	0	10	All channels are enabled, but masked unless selected in X/RCERA/B
		0	1	0	11	Symmetric transmit, receive 8 Partition or 128 Channel Mode Transmit/Receive Channels selected by X/RCERA to X/RCERH bits
						<b>Multichannel Mode is ON</b>
		1	1	1	1	All channels are disabled, unless selected in XCERs
		1	1	1	10	All channels are enabled, but masked unless selected in XCERs
		1	1	1	11	Symmetric transmit, receive Continuous mode, transmit
		1	0	1	0	<b>Multi-Channel Mode is OFF</b> All 128 channels are active and enabled

## 20.14 Special Case: External Device is the Transmit Frame Master

Care must be taken if the transmitter expects a frame sync from an external device. After the transmitter comes out of reset (XRST = 1), the transmitter waits for a frame sync from the external device. If the first frame sync arrives very shortly after the transmitter is enabled, the CPU or DMA controller cannot have a chance to service DXR. In this case, the transmitter shifts out the default data in XSR instead of the desired value, which has not yet arrived in DXR. This causes problems in some applications, as the first data element in the frame is invalid. The data stream appears element-shifted (the first data word can appear in the second channel instead of the first).

To make sure of proper operation when the external device is the frame master, you must verify that DXR is already serviced with the first word when a frame sync occurs. To do so, you can keep the transmitter in reset until the first frame sync is detected. Upon detection of the first frame sync, the McBSP generates an interrupt to the CPU. Within the interrupt service routine, the transmitter is taken out of reset (XRST = 1). This verifies that the transmitter does not begin data transfers at the data pin during the first frame sync period. This also provides almost an entire frame period for the DSP to service DXR with the first word before the second frame sync occurs. The transmitter only begins data transfers upon receiving the second frame sync. At this point, DXR is already serviced with the first word.

The interrupt service routine must first be setup, then follow this modified procedure for proper initialization:

1. Make sure that no portion of the McBSP is using the internal sample rate generator signal CLKG and the internal frame sync generator signal FSG (GRST = FRST = 0). The respective portion of the McBSP needs to be in reset (XRST = 0 and/or RRST = 0).
2. Program SRGR and other control registers as required. Make sure the internal sample rate generator and the internal frame sync generator are still in reset (GRST = FRST = 0). Also make sure the respective portion of the McBSP is still in reset in this step (XRST = 0 and/or RRST = 0).
3. Program the XINTM bits to 2h in SPCR to generate an interrupt to the CPU upon detection of a transmit frame sync. Do not enable the XINT interrupt in the interrupt enable register (IER) in this step.
4. Wait for proper internal synchronization. If the external device provides the bit clock, wait for two CLKR or CLKX cycles. If the McBSP generates the bit clock as a master clock, wait for two CLKSRG cycles. In this case, the clock source to the sample rate generator (CLKSRG) is selected by the CLKSM bit in SRGR.
5. Skip this step if the bit clock is provided by the external device. This step only applies if the McBSP is the bit master clock and the internal sample rate generator is used.
  - a. Start the sample rate generator by setting the GRST bit to 1. Wait two CLKG bit clocks for synchronization. CLKG is the output of the sample rate generator.
  - b. On the next rising edge of CLKSRG, CLKG transitions to 1 and starts clocking with a frequency equal to  $1/(\text{CLKGDV} + 1)$  of the sample rate generator source clock CLKSRG.
6. A transmit sync error (XSYNCERR) can occur when enabled for the first time after device reset. The purpose of this step is to clear any potential XSYNCERR that occurs on the transmitter at this time:
  - a. Set the XRST bit to 1 to enable the transmitter.
  - b. Wait for any unexpected frame sync error to occur. If the external device provides the bit clock, wait for two CLKR or CLKX cycles. If the McBSP generates the bit clock as a master clock, wait for two CLKG cycles. The unexpected frame sync error (XSYNCERR), if any, occurs within this time period.
  - c. Disable the transmitter (XRST = 0). This clears any outstanding XSYNCERR.
7. Setup data acquisition as required:
  - a. If the DMA controller is used to service the McBSP, setup data acquisition as desired and start the DMA controller in this step, before the McBSP is taken out of reset.
  - b. If CPU interrupt is used to service the McBSP, no action is required in this step.
  - c. If CPU polling is used to service the McBSP, no action is required in this step.
8. Enable the XINT interrupt by setting the corresponding bit in the interrupt enable register (IER). In this step, the McBSP transmitter is still in reset. Upon detection of the first transmit frame sync from the external device, the McBSP generates an interrupt to the CPU and the DSP enters the interrupt service routine (ISR). The ISR needs to perform these tasks in this order:
  - a. Modify the XINTM bits to the value desired for normal McBSP operations. If CPU interrupt is used to service the McBSP in normal operations, make sure that the XINTM bits are modified to 0 to detect the McBSP XRDY event. If no McBSP interrupt is desired in normal operations, disable future McBSP-to-CPU interrupt in the interrupt enable register (IER).
  - b. Set the XRST bit and/or the RRST bit to 1 to enable the respective portion of the McBSP. The McBSP is now ready to transmit and/or receive.
9. Service the McBSP:
  - a. If CPU polling is used to service the McBSP in normal operations, CPU polling can do so upon exit from the ISR.
  - b. If CPU interrupt is used to service the McBSP in normal operations, upon XRDY interrupt service routine is entered. The ISR must be setup to verify that XRDY = 1 and service the McBSP accordingly.
  - c. If DMA controller is used to service the McBSP in normal operations, the DMA controller services the McBSP automatically upon receiving the XEVT and/or REVT.
10. Upon detection of the second frame sync, DXR is already serviced and the transmitter is ready to transmit the valid data. The receiver is also serviced properly by the DSP.

## 20.15 Software

### 20.15.1 McBSP Examples

NOTE: These examples are located in the [C2000Ware](#) installation at the following location:  
 C2000Ware\_VERSION#/driverlib/DEVICE\_GPN/examples/CORE\_IF\_MULTICORE/mcbbsp

Cloud access to these examples is available at the following link: [dev.ti.com](http://dev.ti.com) [C2000Ware Examples](#).

## 20.16 McBSP Registers

This section describes the McBSP registers.

### 20.16.1 McBSP Base Addresses

**Table 20-76. McBSP Base Address Table**

Device Registers	Register Name	Start Address	End Address
McbspaRegs	MCBSP_REGS	0x0000_6000	0x0000_603F
McbspbRegs	MCBSP_REGS	0x0000_6040	0x0000_607F

## 20.16.2 McBSP\_REGS Registers

Table 20-77 lists the memory-mapped registers for the McBSP\_REGS registers. All register offset addresses not listed in Table 20-77 should be considered as reserved locations and the register contents should not be modified.

**Table 20-77. MCBSP\_REGS Registers**

Offset	Acronym	Register Name	Write Protection	Section
0h	DRR2	Data receive register bits 31-16		<a href="#">Go</a>
1h	DRR1	Data receive register bits 15-0		<a href="#">Go</a>
2h	DXR2	Data transmit register bits 31-16		<a href="#">Go</a>
3h	DXR1	Data transmit register bits 15-0		<a href="#">Go</a>
4h	SPCR2	Serial port control register 2		<a href="#">Go</a>
5h	SPCR1	Serial port control register 1		<a href="#">Go</a>
6h	RCR2	Receive Control register 2		<a href="#">Go</a>
7h	RCR1	Receive Control register 1		<a href="#">Go</a>
8h	XCR2	Transmit Control register 2		<a href="#">Go</a>
9h	XCR1	Transmit Control register 1		<a href="#">Go</a>
Ah	SRGR2	Sample rate generator register 2		<a href="#">Go</a>
Bh	SRGR1	Sample rate generator register 1		<a href="#">Go</a>
Ch	MCR2	Multi-channel control register 2		<a href="#">Go</a>
Dh	MCR1	Multi-channel control register 1		<a href="#">Go</a>
Eh	RCERA	Receive channel enable partition A		<a href="#">Go</a>
Fh	RCERB	Receive channel enable partition B		<a href="#">Go</a>
10h	XCERA	Transmit channel enable partition A		<a href="#">Go</a>
11h	XCERB	Transmit channel enable partition B		<a href="#">Go</a>
12h	PCR	Pin Control register		<a href="#">Go</a>
13h	RCERC	Receive channel enable partition C		<a href="#">Go</a>
14h	RCERD	Receive channel enable partition D		<a href="#">Go</a>
15h	XCERC	Transmit channel enable partition C		<a href="#">Go</a>
16h	XCERD	Transmit channel enable partition D		<a href="#">Go</a>
17h	RCERE	Receive channel enable partition E		<a href="#">Go</a>
18h	RCERF	Receive channel enable partition F		<a href="#">Go</a>
19h	XCERE	Transmit channel enable partition E		<a href="#">Go</a>
1Ah	XCERF	Transmit channel enable partition F		<a href="#">Go</a>
1Bh	RCERG	Receive channel enable partition G		<a href="#">Go</a>
1Ch	RCERH	Receive channel enable partition H		<a href="#">Go</a>
1Dh	XCERG	Transmit channel enable partition G		<a href="#">Go</a>
1Eh	XCERH	Transmit channel enable partition H		<a href="#">Go</a>
23h	MFFINT	Interrupt enable		<a href="#">Go</a>

Complex bit access types are encoded to fit into small table cells. Table 20-78 shows the codes that are used for access types in this section.

**Table 20-78. McBSP\_REGS Access Type Codes**

Access Type	Code	Description
Read Type		
R	R	Read
Write Type		

**Table 20-78. McBSP\_REGS Access Type Codes (continued)**

Access Type	Code	Description
W	W	Write
Reset or Default Value		
-n		Value after reset or the default value
Register Array Variables		
i,j,k,l,m,n		When these variables are used in a register name, an offset, or an address, they refer to the value of a register array where the register is part of a group of repeating registers. The register groups form a hierarchical structure and the array is represented with a formula.
y		When this variable is used in a register name, an offset, or an address it refers to the value of a register array.

### 20.16.2.1 DRR2 Register (Offset = 0h) [Reset = 0000h]

DRR2 is shown in [Figure 20-67](#) and described in [Table 20-79](#).

Return to the [Summary Table](#).

DRR2 contains the upper 16 bits of the received data to be read by the CPU or DMA. DRR2 is only used if the word length is greater than 16 bits.

**Figure 20-67. DRR2 Register**

15	14	13	12	11	10	9	8
HWHB							
R/W-0h							
7	6	5	4	3	2	1	0
HWLB							
R/W-0h							

**Table 20-79. DRR2 Register Field Descriptions**

Bit	Field	Type	Reset	Description
15-8	HWHB	R/W	0h	High word high byte Reset type: SYSRSn
7-0	HWLB	R/W	0h	High word low byte Reset type: SYSRSn



### 20.16.2.2 DRR1 Register (Offset = 1h) [Reset = 0000h]

DRR1 is shown in [Figure 20-68](#) and described in [Table 20-80](#).

Return to the [Summary Table](#).

DRR1 contains the lower 16 bits of the received data to be read by either the CPU or DMA.

**Figure 20-68. DRR1 Register**

15	14	13	12	11	10	9	8
LWHB							
R/W-0h							
7	6	5	4	3	2	1	0
LWLB							
R/W-0h							

**Table 20-80. DRR1 Register Field Descriptions**

Bit	Field	Type	Reset	Description
15-8	LWHB	R/W	0h	Low word high byte Reset type: SYSRSn
7-0	LWLB	R/W	0h	Low word low byte Reset type: SYSRSn

### 20.16.2.3 DXR2 Register (Offset = 2h) [Reset = 0000h]

DXR2 is shown in [Figure 20-69](#) and described in [Table 20-81](#).

Return to the [Summary Table](#).

DXR2 contains the upper 16 bits of the data to be transmitted after being written by the CPU or DMA. DXR2 is only used if the word length is greater than 16 bits.

**Figure 20-69. DXR2 Register**

15	14	13	12	11	10	9	8
HWHB							
R/W-0h							
7	6	5	4	3	2	1	0
HWLB							
R/W-0h							

**Table 20-81. DXR2 Register Field Descriptions**

Bit	Field	Type	Reset	Description
15-8	HWHB	R/W	0h	Low word high byte Reset type: SYSRSn
7-0	HWLB	R/W	0h	Low word low byte Reset type: SYSRSn

### 20.16.2.4 DXR1 Register (Offset = 3h) [Reset = 0000h]

DXR1 is shown in [Figure 20-70](#) and described in [Table 20-82](#).

Return to the [Summary Table](#).

DXR1 contains the lower 16 bits of the data to be transmitted after being written by the CPU or DMA.

**Figure 20-70. DXR1 Register**

15	14	13	12	11	10	9	8
LWHB							
R/W-0h							
7	6	5	4	3	2	1	0
LWLB							
R/W-0h							

**Table 20-82. DXR1 Register Field Descriptions**

Bit	Field	Type	Reset	Description
15-8	LWHB	R/W	0h	Low word high byte Reset type: SYSRSn
7-0	LWLB	R/W	0h	Low word low byte Reset type: SYSRSn

### 20.16.2.5 SPCR2 Register (Offset = 4h) [Reset = 0000h]

SPCR2 is shown in [Figure 20-71](#) and described in [Table 20-83](#).

Return to the [Summary Table](#).

SPCR2 contains control and status bits for various McBSP functions such as emulation modes, transmit interrupt mode control, transmitter status bits, and transmitter and other internal reset controls.

**Figure 20-71. SPCR2 Register**

15	14	13	12	11	10	9	8
RESERVED						FREE	SOFT
R-0h						R/W-0h	R/W-0h
7	6	5	4	3	2	1	0
FRST	GRST	XINTM		XSYNCERR	XEMPTY	XRDY	XRST
R/W-0h	R/W-0h	R/W-0h		R/W-0h	R-0h	R-0h	R/W-0h

**Table 20-83. SPCR2 Register Field Descriptions**

Bit	Field	Type	Reset	Description
15-10	RESERVED	R	0h	Reserved
9	FREE	R/W	0h	Free run bit. When a breakpoint is encountered in the high-level language debugger, FREE determines whether the McBSP transmit and receive clocks continue to run or whether they are affected as determined by the SOFT bit. When one of the clocks stops, the corresponding data transfer (transmission or reception) stops. Reset type: SYSRSn
8	SOFT	R/W	0h	Soft stop bit. When FREE = 0, SOFT determines the response of the McBSP transmit and receive clocks when a breakpoint is encountered in the high-level language debugger. When one of the clocks stops, the corresponding data transfer (transmission or reception) stops. Reset type: SYSRSn
7	FRST	R/W	0h	Frame-synchronization logic reset bit. The sample rate generator of the McBSP includes framesynchronization logic to generate an internal frame-synchronization signal. You can use FRST to take the frame-synchronization logic into and out of its reset state. This bit has a negative polarity FRST = 0 indicates the reset state. Reset type: SYSRSn 0h (R/W) = If you read a 0, the frame-synchronization logic is in its reset state. If you write a 0, you reset the frame-synchronization logic. In the reset state, the frame-synchronization logic does not generate a frame-synchronization signal (FSG). 1h (R/W) = If you read a 1, the frame-synchronization logic is enabled. If you write a 1, you enable the frame-synchronization logic by taking it out of its reset state. When the frame-synchronization logic is enabled (FRST = 1) and the sample rate generator as a whole is enabled (GRST = 1), the frame-synchronization logic generates the frame-synchronization signal FSG as programmed.

**Table 20-83. SPCR2 Register Field Descriptions (continued)**

Bit	Field	Type	Reset	Description
6	GRST	R/W	0h	<p>Sample rate generator reset bit.</p> <p>You can use GRST to take the McBSP sample rate generator into and out of its reset state. This bit has a negative polarity GRST = 0 indicates the reset state.</p> <p>Reset type: SYSRSn</p> <p>0h (R/W) = If you read a 0, the sample rate generator is in its reset state.</p> <p>If you write a 0, you reset the sample rate generator.</p> <p>If GRST = 0 due to a reset, CLKG is driven by the CPU clock divided by 2, and FSG is driven low (inactive). If GRST = 0 due to program code, CLKG and FSG are both driven low (inactive).</p> <p>1h (R/W) = If you read a 1, the sample rate generator is enabled.</p> <p>If you write a 1, you enable the sample rate generator by taking it out of its reset state.</p> <p>When enabled, the sample rate generator generates the clock signal CLKG as programmed in the sample rate generator registers. If FRST = 1, the generator also generates the frame-synchronization signal FSG as programmed in the sample rate generator registers.</p>
5-4	XINTM	R/W	0h	<p>Transmit interrupt mode bits.</p> <p>XINTM determines which event in the McBSP transmitter generates a transmit interrupt (XINT) request. If XINT is properly enabled, the CPU services the interrupt request otherwise, the CPU ignores the request.</p> <p>Reset type: SYSRSn</p> <p>0h (R/W) = The McBSP sends a transmit interrupt (XINT) request to the CPU when the XRDY bit changes from 0 to 1, indicating that transmitter is ready to accept new data (the content of DXR[1,2] has been copied to XSR[1,2]).</p> <p>Regardless of the value of XINTM, you can check XRDY to determine whether a word transfer is complete.</p> <p>The McBSP sends an XINT request to the CPU when 16 enabled bits have been transmitted on the DX pin.</p> <p>1h (R/W) = In the multichannel selection mode, the McBSP sends an XINT request to the CPU after every 16- channel block is transmitted in a frame.</p> <p>Outside of the multichannel selection mode, no interrupt request is sent.</p> <p>2h (R/W) = The McBSP sends an XINT request to the CPU when each transmit frame-synchronization pulse is detected. The interrupt request is sent even if the transmitter is in its reset state.</p> <p>3h (R/W) = The McBSP sends an XINT request to the CPU when the XSYNCERR bit is set, indicating a transmit frame-synchronization error.</p> <p>Regardless of the value of XINTM, you can check XSYNCERR to determine whether a transmit framesynchronization error occurred.</p>
3	XSYNCERR	R/W	0h	<p>Transmit frame-synchronization error bit.</p> <p>XSYNCERR is set when a transmit frame-synchronization error is detected by the McBSP. If XINTM = 11b, the McBSP sends a transmit interrupt (XINT) request to the CPU when XSYNCERR is set. The flag remains set until you write a 0 to it or reset the transmitter.</p> <p>Reset type: SYSRSn</p> <p>0h (R/W) = No error</p> <p>1h (R/W) = Transmit frame-synchronization error</p>

**Table 20-83. SPCR2 Register Field Descriptions (continued)**

Bit	Field	Type	Reset	Description
2	XEMPTY	R	0h	<p>Transmitter empty bit.</p> <p>XEMPTY is cleared when the transmitter is ready to send new data but no new data is available (transmitter-empty condition). This bit has a negative polarity</p> <p>a transmitter-empty condition is indicated by XEMPTY = 0.</p> <p>Reset type: SYSRSn</p> <p>0h (R/W) = Transmitter-empty condition</p> <p>Typically this indicates that all the bits of the current word have been transmitted but there is no new data in DXR1. XEMPTY is also cleared if the transmitter is reset and then restarted.</p> <p>1h (R/W) = No transmitter-empty condition</p>
1	XRDY	R	0h	<p>Transmitter ready bit.</p> <p>XRDY is set when the transmitter is ready to accept new data in DXR[1,2]. Specifically, XRDY is set in response to a copy from DXR1 to XSR1.</p> <p>If the transmit interrupt mode is XINTM = 00b, the McBSP sends a transmit interrupt (XINT) request to the CPU when XRDY changes from 0 to 1.</p> <p>Also, when XRDY changes from 0 to 1, the McBSP sends a transmit synchronization event (XEVT) signal to the DMA controller.</p> <p>Reset type: SYSRSn</p> <p>0h (R/W) = Transmitter not ready</p> <p>When DXR1 is loaded, XRDY is automatically cleared.</p> <p>1h (R/W) = Transmitter ready: DXR[1,2] is ready to accept new data.</p> <p>If both DXRs are needed (word length larger than 16 bits), the CPU or the DMA controller must load DXR2 first and then load DXR1. As soon as DXR1 is loaded, the contents of both DXRs are copied to the transmit shift registers (XSRs), as described in the next step. If DXR2 is not loaded first, the previous content of DXR2 is passed to the XSR2</p>
0	XRST	R/W	0h	<p>Transmitter reset bit. You can use XRST to take the McBSP transmitter into and out of its reset state. This bit has a negative polarity</p> <p>XRST = 0 indicates the reset state.</p> <p>To read about the effects of a transmitter reset, see Section 15.10.2, Resetting and Initializing a McBSP.</p> <p>Reset type: SYSRSn</p> <p>0h (R/W) = If you read a 0, the transmitter is in its reset state.</p> <p>If you write a 0, you reset the transmitter.</p> <p>1h (R/W) = If you read a 1, the transmitter is enabled.</p> <p>If you write a 1, you enable the transmitter by taking it out of its reset state.</p>

### 20.16.2.6 SPCR1 Register (Offset = 5h) [Reset = 0000h]

SPCR1 is shown in [Figure 20-72](#) and described in [Table 20-84](#).

Return to the [Summary Table](#).

SPCR1 contains control and status bits for various McBSP functions such as digital loopback, receive data justification, clock stop mode, receive interrupt mode, DX pin delay enabler, receiver status bits, and receiver reset control.

**Figure 20-72. SPCR1 Register**

15	14	13	12	11	10	9	8
DLB	RJUST		CLKSTP		RESERVED		
R/W-0h	R/W-0h		R/W-0h		R-0h		
7	6	5	4	3	2	1	0
DXENA	RESERVED	RINTM		RSYNCERR	RFULL	RRDY	RRST
R/W-0h	R/W-0h	R/W-0h		R/W-0h	R-0h	R-0h	R/W-0h

**Table 20-84. SPCR1 Register Field Descriptions**

Bit	Field	Type	Reset	Description
15	DLB	R/W	0h	Digital loopback mode bit. DLB disables or enables the digital loopback mode of the McBSP: Reset type: SYSRSn 0h (R/W) = Disabled Internal DR is supplied by the MDRx pin. Internal FSR and internal MCLKR can be supplied by their respective pins or by the sample rate generator, depending on the mode bits FSRM and CLKRM. Internal DX is supplied by the MDXx pin. Internal FSX and internal CLKX are supplied by their respective pins or are generated internally, depending on the mode bits FSXM and CLKXM. 1h (R/W) = Enabled Internal receive signals are supplied by internal transmit signals: MDRx connected to MDXx MFSRx connected to MFSXx MCLKR connected to MCLKXx This mode allows you to test serial port code with a single DSP. The McBSP transmitter directly supplies data, frame synchronization, and clocking to the McBSP receiver.
14-13	RJUST	R/W	0h	Receive sign-extension and justification mode bits. During reception, RJUST determines how data is justified and bit filled before being passed to the data receive registers (DRR1, DRR2). RJUST is ignored if you enable a companding mode with the RCOMPAND bits. In a companding mode, the 8-bit compressed data in RBR1 is expanded to left-justified 16-bit data in DRR1. Reset type: SYSRSn 0h (R/W) = Right justify the data and zero fill the MSBs 1h (R/W) = Right justify the data and sign-extend the data into the MSBs 2h (R/W) = Left justify the data and zero fill the LSBs 3h (R/W) = Reserved (do not use)

**Table 20-84. SPCR1 Register Field Descriptions (continued)**

Bit	Field	Type	Reset	Description
12-11	CLKSTP	R/W	0h	Clock stop mode bits. CLKSTP allows you to use the clock stop mode to support the SPI masterslave protocol. If you will not be using the SPI protocol, you can clear CLKSTP to disable the clock stop mode. In the clock stop mode, the clock stops at the end of each data transfer. At the beginning of each data transfer, the clock starts immediately (CLKSTP = 10b) or after a half-cycle delay (CLKSTP = 11b). Reset type: SYSRSn 0h (R/W) = Clock stop mode is disabled. 1h (R/W) = Clock stop mode is disabled. 2h (R/W) = Clock stop mode, without clock delay 3h (R/W) = Clock stop mode, with half-cycle clock delay
10-8	RESERVED	R	0h	Reserved
7	DXENA	R/W	0h	DX delay enabler mode bit. DXENA controls the delay enabler for the DX pin. The enabler creates an extra delay for turn-on time (for the length of the delay, see the device-specific data sheet). Reset type: SYSRSn 0h (R/W) = DX delay enabler off 1h (R/W) = DX delay enabler on
6	RESERVED	R/W	0h	Reserved
5-4	RINTM	R/W	0h	Receive interrupt mode bits. RINTM determines which event in the McBSP receiver generates a receive interrupt (RINT) request. If RINT is properly enabled inside the CPU, the CPU services the interrupt request otherwise, the CPU ignores the request. Reset type: SYSRSn 0h (R/W) = The McBSP sends a receive interrupt (RINT) request to the CPU when the RRDY bit changes from 0 to 1, indicating that receive data is ready to be read (the content of RBR[1,2] has been copied to DRR[1,2]): Regardless of the value of RINTM, you can check RRDY to determine whether a word transfer is complete. The McBSP sends a RINT request to the CPU when 16 enabled bits have been received on the DR pin. 1h (R/W) = In the multichannel selection mode, the McBSP sends a RINT request to the CPU after every 16- channel block is received in a frame. Outside of the multichannel selection mode, no interrupt request is sent. 2h (R/W) = The McBSP sends a RINT request to the CPU when each receive frame-synchronization pulse is detected. The interrupt request is sent even if the receiver is in its reset state. 3h (R/W) = The McBSP sends a RINT request to the CPU when the RSYNCERR bit is set, indicating a receive frame-synchronization error. Regardless of the value of RINTM, you can check RSYNCERR to determine whether a receive frame-synchronization error occurred.
3	RSYNCERR	R/W	0h	Receive frame-sync error bit. RSYNCERR is set when a receive frame-sync error is detected by the McBSP. If RINTM = 11b, the McBSP sends a receive interrupt (RINT) request to the CPU when RSYNCERR is set. The flag remains set until you write a 0 to it or reset the receiver. Reset type: SYSRSn 0h (R/W) = No error 1h (R/W) = Receive frame-synchronization error.



**Table 20-84. SPCR1 Register Field Descriptions (continued)**

Bit	Field	Type	Reset	Description
2	RFULL	R	0h	<p>Receiver full bit.</p> <p>RFULL is set when the receiver is full with new data and the previously received data has not been read (receiver-full condition). For more details about this condition,</p> <p>Reset type: SYSRSn</p> <p>0h (R/W) = No receiver-full condition</p> <p>1h (R/W) = Receiver-full condition: RSR[1,2] and RBR[1,2] are full with new data, but the previous data in DRR[1,2] has not been read</p>
1	RRDY	R	0h	<p>Receiver ready bit.</p> <p>RRDY is set when data is ready to be read from DRR[1,2]. Specifically, RRDY is set in response to a copy from RBR1 to DRR1. If the receive interrupt mode is RINTM = 00b, the McBSP sends a receive interrupt request to the CPU when RRDY changes from 0 to 1.</p> <p>Also, when RRDY changes from 0 to 1, the McBSP sends a receive synchronization event (REVT) signal to the DMA controller.</p> <p>Reset type: SYSRSn</p> <p>0h (R/W) = Receiver not ready</p> <p>When the content of DRR1 is read, RRDY is automatically cleared.</p> <p>1h (R/W) = Receiver ready: New data can be read from DRR[1,2].</p> <p>Important: If both DRRs are required (word length larger than 16 bits), the CPU or the DMA controller must read from DRR2 first and then from DRR1. As soon as DRR1 is read, the next RBR-to-DRR copy is initiated. If DRR2 is not read first, the data in DRR2 is lost.</p>
0	RRST	R/W	0h	<p>Receiver reset bit.</p> <p>You can use RRST to take the McBSP receiver into and out of its reset state. This bit has a negative polarity</p> <p>RRST = 0 indicates the reset state.</p> <p>Reset type: SYSRSn</p> <p>0h (R/W) = If you read a 0, the receiver is in its reset state. If you write a 0, you reset the receiver.</p> <p>1h (R/W) = If you read a 1, the receiver is enabled. If you write a 1, you enable the receiver by taking it out of its reset state.</p>

### 20.16.2.7 RCR2 Register (Offset = 6h) [Reset = 0000h]

RCR2 is shown in [Figure 20-73](#) and described in [Table 20-85](#).

Return to the [Summary Table](#).

RCR2 contains control bits for the receiver such as number of phases in each frame, the serial word length and number of words for phase 2 of dual phase frames, receive companding mode, receive frame synchronization ignore function, and the receive data delay.

**Figure 20-73. RCR2 Register**

15	14	13	12	11	10	9	8
RPHASE		RFRLN2					
R/W-0h		R/W-0h					
7	6	5	4	3	2	1	0
RWDLEN2			RCOMPAND		RFIG	RDATDLY	
R/W-0h			R/W-0h		R/W-0h	R/W-0h	

**Table 20-85. RCR2 Register Field Descriptions**

Bit	Field	Type	Reset	Description
15	RPHASE	R/W	0h	Receive phase number bit. RPHASE determines whether the receive frame has one phase or two phases. For each phase you can define the serial word length and the number of serial words in the phase. To set up phase 1, program RWDLEN1 (word length) and RFRLN1 (number of words). To set up phase 2 (if there are two phases), program RWDLEN2 and RFRLN2. Reset type: SYSRSn 0h (R/W) = Single-phase frame The receive frame has only one phase, phase 1. 1h (R/W) = Dual-phase frame The receive frame has two phases, phase 1 and phase 2.
14-8	RFRLN2	R/W	0h	Receive frame length 2 (1 to 128 words). Each frame of receive data can have one or two phases, depending on value that you load into the RPHASE bit. If a single-phase frame is selected, RFRLN1 in RCR1 selects the number of serial words (8, 12, 16, 20, 24, or 32 bits per word) in the frame. If a dual-phase frame is selected, RFRLN1 determines the number of serial words in phase 1 of the frame, and RFRLN2 in RCR2 determines the number of words in phase 2 of the frame. The 7-bit RFRLN fields allow up to 128 words per phase. See <a href="#">Table 15-77</a> for a summary of how to determine the frame length. This length corresponds to the number of words or logical time slots or channels per frame-synchronization period. Program the RFRLN fields with [w minus 1], where w represents the number of words per phase. For example, if you want a phase length of 128 words in phase 2, load 127 into RFRLN2. Reset type: SYSRSn

**Table 20-85. RCR2 Register Field Descriptions (continued)**

Bit	Field	Type	Reset	Description
7-5	RWDLEN2	R/W	0h	<p>Receive word length 2. Each frame of receive data can have one or two phases, depending on the value that you load into the RPHASE bit. If a single-phase frame is selected, RWDLEN1 in RCR1 selects the length for every serial word received in the frame. If a dual-phase frame is selected, RWDLEN1 determines the length of the serial words in phase 1 of the frame, and RWDLEN2 in RCR2 determines the word length in phase 2 of the frame.</p> <p>Reset type: SYSRSn</p> <p>0h (R/W) = 8 bits            1h (R/W) = 12 bits            2h (R/W) = 16 bits            3h (R/W) = 20 bits            4h (R/W) = 24 bits            5h (R/W) = 32 bits            6h (R/W) = Reserved (do not use)            7h (R/W) = Reserved (do not use)</p>
4-3	RCOMPAND	R/W	0h	<p>Receive companding mode bits. Companding (COMpress and exPAND) hardware allows compression and expansion of data in either u-law or A-law format. RCOMPAND allows you to choose one of the following companding modes for the McBSP receiver:</p> <p>For more details about these companding modes, see Section 15.1.5, Companding (Compressing and Expanding) Data.</p> <p>Reset type: SYSRSn</p> <p>0h (R/W) = No companding, any size data, MSB received first            1h (R/W) = No companding, 8-bit data, LSB received first            2h (R/W) = u-law companding, 8-bit data, MSB received first            3h (R/W) = A-law companding, 8-bit data, MSB received first</p>
2	RFIG	R/W	0h	<p>Receive frame-synchronization ignore bit. If a frame-synchronization pulse starts the transfer of a new frame before the current frame is fully received, this pulse is treated as an unexpected framesynchronization pulse. Unexpected Receive Frame-Synchronization Pulse.</p> <p>Setting RFIG causes the serial port to ignore unexpected frame-synchronization signals during reception.</p> <p>Reset type: SYSRSn</p> <p>0h (R/W) = Frame-synchronization detect. An unexpected FSR pulse causes the receiver to discard the contents of RSR[1,2] in favor of the new incoming data. The receiver:</p> <ol style="list-style-type: none"> <li>1. Aborts the current data transfer</li> <li>2. Sets RSYNCERR in SPCR1</li> <li>3. Begins the transfer of a new data word</li> </ol> <p>1h (R/W) = Frame-synchronization ignore. An unexpected FSR pulse is ignored. Reception continues uninterrupted.</p>
1-0	RDATDLY	R/W	0h	<p>Receive data delay bits. RDATDLY specifies a data delay of 0, 1, or 2 receive clock cycles after framesynchronization and before the reception of the first bit of the frame.</p> <p>Reset type: SYSRSn</p> <p>0h (R/W) = 0-bit data delay            1h (R/W) = 1-bit data delay            2h (R/W) = 2-bit data delay            3h (R/W) = Reserved (do not use)</p>

### 20.16.2.8 RCR1 Register (Offset = 7h) [Reset = 0000h]

RCR1 is shown in [Figure 20-74](#) and described in [Table 20-86](#).

Return to the [Summary Table](#).

RCR1 contains control bits for the receiver such as the serial word length and number of words for single phase transmissions, or phase 1 if dual phase frames are used.

**Figure 20-74. RCR1 Register**

15	14	13	12	11	10	9	8
RESERVED		RFRLN1					
R-0h		R/W-0h					
7	6	5	4	3	2	1	0
RWDLEN1			RESERVED				
R/W-0h			R-0h				

**Table 20-86. RCR1 Register Field Descriptions**

Bit	Field	Type	Reset	Description
15	RESERVED	R	0h	Reserved
14-8	RFRLN1	R/W	0h	<p>Receive frame length 1 (1 to 128 words). Each frame of receive data can have one or two phases, depending on value that you load into the RPHASE bit. If a single-phase frame is selected, RFRLN1 in RCR1 selects the number of serial words (8, 12, 16, 20, 24, or 32 bits per word) in the frame. If a dualphase frame is selected, RFRLN1 determines the number of serial words in phase 1 of the frame, and RFRLN2 in RCR2 determines the number of words in phase 2 of the frame. The 7-bit RFRLN fields allow up to 128 words per phase. See Table 15-75 for a summary of how you determine the frame length. This length corresponds to the number of words or logical time slots or channels per framesynchronization period.</p> <p>Program the RFRLN fields with [w minus 1], where w represents the number of words per phase. For example, if you want a phase length of 128 words in phase 1, load 127 into RFRLN1.</p> <p>Note: When operating in SPI mode, the frame length can only be 1 word.</p> <p>Reset type: SYSRSn</p>
7-5	RWDLEN1	R/W	0h	<p>Receive word length 1. Each frame of receive data can have one or two phases, depending on the value that you load into the RPHASE bit. If a single-phase frame is selected, RWDLEN1 in RCR1 selects the length for every serial word received in the frame. If a dual-phase frame is selected, RWDLEN1 determines the length of the serial words in phase 1 of the frame, and RWDLEN2 in RCR2 determines the word length in phase 2 of the frame.</p> <p>Reset type: SYSRSn</p> <p>0h (R/W) = 8 bits                      1h (R/W) = 12 bits                      2h (R/W) = 16 bits                      3h (R/W) = 20 bits                      4h (R/W) = 24 bits                      5h (R/W) = 32 bits                      6h (R/W) = Reserved (do not use)                      7h (R/W) = Reserved (do not use)</p>
4-0	RESERVED	R	0h	Reserved

### 20.16.2.9 XCR2 Register (Offset = 8h) [Reset = 0000h]

XCR2 is shown in [Figure 20-75](#) and described in [Table 20-87](#).

Return to the [Summary Table](#).

XCR2 contains control bits for the transmitter such as number of phases in each frame, the serial word length and number of words for phase 2 of dual phase frames, transmit companding mode, transmit frame synchronization ignore function, and the transmit data delay control.

**Figure 20-75. XCR2 Register**

15	14	13	12	11	10	9	8
XPHASE		XFRLEN2					
R/W-0h		R/W-0h					
7	6	5	4	3	2	1	0
XWDLEN2			XCOMPAND		XFIG	XDATDLY	
R/W-0h			R/W-0h		R/W-0h	R/W-0h	

**Table 20-87. XCR2 Register Field Descriptions**

Bit	Field	Type	Reset	Description
15	XPHASE	R/W	0h	Transmit phase number bit. XPHASE determines whether the transmit frame has one phase or two phases. For each phase you can define the serial word length and the number of serial words in the phase. To set up phase 1, program XWDLEN1 (word length) and XFRLEN1 (number of words). To set up phase 2 (if there are two phases), program XWDLEN2 and XFRLEN2. Reset type: SYSRSn
14-8	XFRLEN2	R/W	0h	Transmit frame length 2 (1 to 128 words). Each frame of transmit data can have one or two phases, depending on value that you load into the XPHASE bit. If a single-phase frame is selected, XFRLEN1 in XCR1 selects the number of serial words (8, 12, 16, 20, 24, or 32 bits per word) in the frame. If a dual-phase frame is selected, XFRLEN1 determines the number of serial words in phase 1 of the frame and XFRLEN2 in XCR2 determines the number of words in phase 2 of the frame. The 7-bit XFRLEN fields allow up to 128 words per phase. See Table 15-81 for a summary of how to determine the frame length. This length corresponds to the number of words or logical time slots or channels per framesynchronization period. Program the XFRLEN fields with [w minus 1], where w represents the number of words per phase. For example, if you want a phase length of 128 words in phase 1, load 127 into XFRLEN1. Reset type: SYSRSn
7-5	XWDLEN2	R/W	0h	Transmit word length 2. Each frame of transmit data can have one or two phases, depending on the value that you load into the XPHASE bit. If a single-phase frame is selected, XWDLEN1 in XCR1 selects the length for every serial word transmitted in the frame. If a dual-phase frame is selected, XWDLEN1 determines the length of the serial words in phase 1 of the frame and XWDLEN2 in XCR2 determines the word length in phase 2 of the frame. Reset type: SYSRSn 0h (R/W) = 8 bits 1h (R/W) = 12 bits 2h (R/W) = 16 bits 3h (R/W) = 20 bits 4h (R/W) = 24 bits 5h (R/W) = 32 bits 6h (R/W) = Reserved (do not use) 7h (R/W) = Reserved (do not use)

**Table 20-87. XCR2 Register Field Descriptions (continued)**

Bit	Field	Type	Reset	Description
4-3	XCOMPAND	R/W	0h	Transmit companding mode bits. Companding (COMpress and exPAND) hardware allows compression and expansion of data in either u-law or A-law format. Reset type: SYSRSn 0h (R/W) = No companding, any size data, MSB received first 1h (R/W) = No companding, 8-bit data, LSB received first 2h (R/W) = u-law companding, 8-bit data, MSB received first 3h (R/W) = A-law companding, 8-bit data, MSB received first
2	XFIG	R/W	0h	Transmit frame-synchronization ignore bit. If a frame-synchronization pulse starts the transfer of a new frame before the current frame is fully transmitted, this pulse is treated as an unexpected framesynchronization pulse. Setting XFIG causes the serial port to ignore unexpected frame-synchronization pulses during transmission. Reset type: SYSRSn 0h (R/W) = Frame-synchronization detect. An unexpected FSX pulse causes the transmitter to discard the content of XSR[1,2]. The transmitter: <ol style="list-style-type: none"> <li>1. Aborts the present transmission</li> <li>2. Sets XSYNCERR in SPCR2</li> <li>3. Begins a new transmission from DXR[1,2]. If new data was written to DXR[1,2] since the last DXR[1,2]-to-XSR[1,2] copy, the current value in XSR[1,2] is lost. Otherwise, the same data is transmitted.</li> </ol> 1h (R/W) = Frame-synchronization ignore. An unexpected FSX pulse is ignored. Transmission continues uninterrupted.
1-0	XDATDLY	R/W	0h	Transmit data delay bits. XDATDLY specifies a data delay of 0, 1, or 2 transmit clock cycles after frame synchronization and before the transmission of the first bit of the frame. Reset type: SYSRSn 0h (R/W) = 0-bit data delay 1h (R/W) = 1-bit data delay 2h (R/W) = 2-bit data delay 3h (R/W) = Reserved (do not use)

### 20.16.2.10 XCR1 Register (Offset = 9h) [Reset = 0000h]

XCR1 is shown in [Figure 20-76](#) and described in [Table 20-88](#).

Return to the [Summary Table](#).

XCR1 contains control bits for the transmitter such as the serial word length and number of words for single phase transmissions, or phase 1 if dual phase frames are used.

**Figure 20-76. XCR1 Register**

15	14	13	12	11	10	9	8
RESERVED		XFRLN1					
R-0h		R/W-0h					
7	6	5	4	3	2	1	0
XWDLEN1			RESERVED				
R/W-0h			R-0h				

**Table 20-88. XCR1 Register Field Descriptions**

Bit	Field	Type	Reset	Description
15	RESERVED	R	0h	Reserved
14-8	XFRLN1	R/W	0h	<p>Transmit frame length 1 (1 to 128 words). Each frame of transmit data can have one or two phases, depending on value that you load into the XPHASE bit. If a single-phase frame is selected, XFRLN1 in XCR1 selects the number of serial words (8, 12, 16, 20, 24, or 32 bits per word) in the frame. If a dual-phase frame is selected, XFRLN1 determines the number of serial words in phase 1 of the frame and XFRLN2 in XCR2 determines the number of words in phase 2 of the frame. The 7-bit XFRLN fields allow up to 128 words per phase. See <a href="#">Table 15-79</a> for a summary of how you determine the frame length. This length corresponds to the number of words or logical time slots or channels per frame-synchronization period. Program the XFRLN fields with [w minus 1], where w represents the number of words per phase. For example, if you want a phase length of 128 words in phase 1, load 127 into XFRLN1.</p> <p>Note: When operating in SPI mode, the frame length can only be 1 word.</p> <p>Reset type: SYSRSn</p>
7-5	XWDLEN1	R/W	0h	<p>Transmit word length 1.</p> <p>Each frame of transmit data can have one or two phases, depending on the value that you load into the XPHASE bit. If a single-phase frame is selected, XWDLEN1 in XCR1 selects the length for every serial word transmitted in the frame. If a dual-phase frame is selected, XWDLEN1 determines the length of the serial words in phase 1 of the frame and XWDLEN2 in XCR2 determines the word length in phase 2 of the frame.</p> <p>Reset type: SYSRSn</p> <p>0h (R/W) = 8 bits            1h (R/W) = 12 bits            2h (R/W) = 16 bits            3h (R/W) = 20 bits            4h (R/W) = 24 bits            5h (R/W) = 32 bits            6h (R/W) = Reserved (do not use)            7h (R/W) = Reserved (do not use)</p>
4-0	RESERVED	R	0h	Reserved

### 20.16.2.11 SRGR2 Register (Offset = Ah) [Reset = 0000h]

SRGR2 is shown in [Figure 20-77](#) and described in [Table 20-89](#).

Return to the [Summary Table](#).

SRGR2 contains control bits for the sample rate generator such as input clock selection, internal transmit frame-synchronization source selection, and the period between frame-synchronization pulses.

If an external source provides the input clock source for the sample rate generator, a control bit is provided to make the CLKG synchronized to an external frame synchronization pulse on the FSR pin so that CLKG is kept in phase with the input clock.

**Figure 20-77. SRGR2 Register**

15	14	13	12	11	10	9	8
GSYNC	RESERVED	CLKSM	FSGM	FPER			
R/W-0h	R/W-0h	R/W-0h	R/W-0h	R/W-0h			
7	6	5	4	3	2	1	0
FPER							
R/W-0h							

**Table 20-89. SRGR2 Register Field Descriptions**

Bit	Field	Type	Reset	Description
15	GSYNC	R/W	0h	Clock synchronization mode bit for CLKG. GSYNC is used only when the input clock source for the sample rate generator is external—on the MCLKR pin. When GSYNC = 1, the clock signal (CLKG) and the frame-synchronization signal (FSG) generated by the sample rate generator are made dependent on pulses on the FSR pin. Reset type: SYSRSn 0h (R/W) = No clock synchronization CLKG oscillates without adjustment, and FSG pulses every (FPER + 1) CLKG cycles. 1h (R/W) = Clock synchronization - CLKG is adjusted as necessary so that it is synchronized with the input clock on the MCLKR pin. - FSG pulses. FSG only pulses in response to a pulse on the FSR pin. The frame-synchronization period defined in FPER is ignored.
14	RESERVED	R/W	0h	Reserved



**Table 20-89. SRGR2 Register Field Descriptions (continued)**

Bit	Field	Type	Reset	Description
13	CLKSM	R/W	0h	<p>Sample rate generator mode</p> <p>Reset type: SYSRSn</p> <p>0h (R/W) = Sample rate generator input clock mode bit. The sample rate generator can accept an input clock signal and divide it down according to CLKGDV to produce an output clock signal, CLKG. The frequency of CLKG is:</p> $\text{CLKG frequency} = (\text{input clock frequency}) / (\text{CLKGDV} + 1)$ <p>CLKSM is used in conjunction with the SCLKME bit to determine the source for the input clock.</p> <p>A reset selects the CPU clock as the input clock and forces the CLKG frequency to half the LSPCLK frequency.</p> <p>The input clock for the sample rate generator is taken from the MCLKR pin, depending on the value of the SCLKME bit of PCR:</p> <p>SCLKME CLKSM Input Clock For Sample Rate Generator</p> <p>0 0 Reserved 1 0 Signal on MCLKR pin</p> <p>1h (R/W) = The input clock for the sample rate generator is taken from the LSPCLK or from the MCLKX pin, depending on the value of the SCLKME bit of PCR:</p> <p>SCLKME CLKSM Input Clock For Sample Rate Generator</p> <p>0 1 LSPCLK 1 1 Signal on MCLKX pin</p>
12	FSGM	R/W	0h	<p>Sample rate generator transmit frame-synchronization mode bit. The transmitter can get frame synchronization from the FSX pin (FSXM = 0) or from inside the McBSP (FSXM = 1). When FSXM = 1, the FSGM bit determines how the McBSP supplies frame-synchronization pulses.</p> <p>Reset type: SYSRSn</p> <p>0h (R/W) = If FSXM = 1, the McBSP generates a transmit frame-synchronization pulse when the content of DXR[1,2] is copied to XSR[1,2].</p> <p>1h (R/W) = If FSXM = 1, the transmitter uses frame-synchronization pulses generated by the sample rate generator. Program the FWID bits to set the width of each pulse. Program the FPER bits to set the period between pulses.</p>
11-0	FPER	R/W	0h	<p>Frame-synchronization period bits for FSG.</p> <p>The sample rate generator can produce a clock signal, CLKG, and a frame-synchronization signal, FSG. The period between framesynchronization pulses on FSG is (FPER + 1) CLKG cycles. The 12 bits of FPER allow a frame-synchronization period of 1 to 4096 CLKG cycles:</p> <p>Reset type: SYSRSn</p>

### 20.16.2.12 SRGR1 Register (Offset = Bh) [Reset = 0001h]

SRGR1 is shown in [Figure 20-78](#) and described in [Table 20-90](#).

Return to the [Summary Table](#).

SRGR1 contains control bits for the sample rate generator functions such as the divide down frequency, and the width fo the frame-synchronization pulses on FSG.

**Figure 20-78. SRGR1 Register**

15	14	13	12	11	10	9	8
FWID							
R/W-0h							
7	6	5	4	3	2	1	0
CLKGDV							
R/W-1h							

**Table 20-90. SRGR1 Register Field Descriptions**

Bit	Field	Type	Reset	Description
15-8	FWID	R/W	0h	Divide-down value for CLKG. The sample rate generator can accept an input clock signal and divide it down according to CLKGDV to produce an output clock signal, CLKG. The frequency of CLKG is: $CLKG \text{ frequency} = (\text{Input clock frequency}) / (\text{CLKGDV} + 1)$ The input clock is selected by the SCLKME and CLKSM bits: SCLKME CLKSM Input Clock For Sample Rate Generator 0 0 Reserved 0 1 LSPCLK 1 0 Signal on MCLKR pin 1 1 Signal on MCLKX pin Reset type: SYSRSn
7-0	CLKGDV	R/W	1h	Frame-synchronization pulse width bits for FSG The sample rate generator can produce a clock signal, CLKG, and a frame-synchronization signal, FSG. For frame-synchronization pulses on FSG, (FWID + 1) is the pulse width in CLKG cycles. The eight bits of FWID allow a pulse width of 1 to 256 CLKG cycles: $0 \leq FWID \leq 255$ $1 \leq (FWID + 1) \leq 256 \text{ CLKG cycles}$ The period between the frame-synchronization pulses on FSG is defined by the FPER bits. Reset type: SYSRSn

### 20.16.2.13 MCR2 Register (Offset = Ch) [Reset = 0000h]

MCR2 is shown in [Figure 20-79](#) and described in [Table 20-91](#).

Return to the [Summary Table](#).

MCR2 contains control bits for the transmitter multi-channel functions such as channel enable mode selection, channel partition modes, channel block assignments, and active channel status bits.

**Figure 20-79. MCR2 Register**

15	14	13	12	11	10	9	8
RESERVED						XMCME	XPBBLK
R-0h						R/W-0h	R/W-0h
7	6	5	4	3	2	1	0
XPBBLK	XPABLK		XCBLK			XMCM	
R/W-0h	R/W-0h		R-0h			R/W-0h	

**Table 20-91. MCR2 Register Field Descriptions**

Bit	Field	Type	Reset	Description
15-10	RESERVED	R	0h	Reserved
9	XMCME	R/W	0h	Transmit multichannel partition mode bit. XMCME determines whether only 32 channels or all 128 channels are to be individually selectable. XMCME is only applicable if channels can be individually disabled/enabled or masked/unmasked for transmission (XMCM is nonzero). Reset type: SYSRSn
8-7	XPBBLK	R/W	0h	Transmit partition B block bits XPBBLK is only applicable if channels can be individually disabled/enabled and masked/unmasked (XMCM is nonzero) and the 2-partition mode is selected (XMCME = 0). Under these conditions, the McBSP transmitter can transmit or withhold data in any of the 32 channels that are assigned to partitions A and B of the transmitter. The 128 transmit channels of the McBSP are divided equally among 8 blocks (0 through 7). When XPBBLK is applicable, use XPBBLK to assign one of the odd-numbered blocks (1, 3, 5, or 7) to partition B, as shown in the following table. Use the PABLK bit to assign one of the even-numbered blocks (0, 2, 4, or 6) to partition A. If you want to use more than 32 channels, you can change block assignments dynamically. You can assign a new block to one partition while the transmitter is handling activity in the other partition. For example, while the block in partition A is active, you can change which block is assigned to partition B. The XCBLK bits are regularly pdated to indicate which block is active. When XMCM = 11b (for symmetric transmission and reception), the transmitter uses the receive block bits (RPABLK and RPBBLK) rather than the transmit block bits (XPABLK and XPBBLK). Reset type: SYSRSn 0h (R/W) = Block 1: channels 16 through 31 1h (R/W) = Block 3: channels 48 through 63 2h (R/W) = Block 5: channels 80 through 95 3h (R/W) = Block 7: channels 112 through 127

**Table 20-91. MCR2 Register Field Descriptions (continued)**

Bit	Field	Type	Reset	Description
6-5	XPABLK	R/W	0h	<p>Transmit partition A block bits.</p> <p>XPABLK is only applicable if channels can be individually disabled/enabled and masked/unmasked (XMCME is nonzero) and the 2-partition mode is selected (XMCME = 0). Under these conditions, the McBSP transmitter can transmit or withhold data in any of the 32 channels that are assigned to partitions A and B of the transmitter. See the Description for XPBBLK (bits 8-7) for more information about assigning blocks to partitions A and B.</p> <p>Reset type: SYSRSn</p> <p>0h (R/W) = Block 0: channels 0 through 15                      1h (R/W) = Block 2: channels 32 through 47                      2h (R/W) = Block 4: channels 64 through 79                      3h (R/W) = Block 6: channels 96 through 111</p>
4-2	XCBLK	R	0h	<p>Transmit current block indicator.</p> <p>XCBLK indicates which block of 16 channels is involved in the current McBSP transmission:</p> <p>Reset type: SYSRSn</p> <p>0h (R/W) = Block 0: channels 0 through 15                      1h (R/W) = Block 1: channels 16 through 31                      2h (R/W) = Block 2: channels 32 through 47                      3h (R/W) = Block 3: channels 48 through 63                      4h (R/W) = Block 4: channels 64 through 79                      5h (R/W) = Block 5: channels 80 through 95                      6h (R/W) = Block 6: channels 96 through 111                      7h (R/W) = Block 7: channels 112 through 127</p>
1-0	XMCM	R/W	0h	<p>Transmit multichannel selection mode bits.</p> <p>XMCM determines whether all channels or only selected channels are enabled and unmasked for transmission.</p> <p>Reset type: SYSRSn</p> <p>0h (R/W) = No transmit multichannel selection mode is on. All channels are enabled and unmasked. No channels can be disabled or masked</p> <p>1h (R/W) = All channels are disabled unless they are selected in the appropriate transmit channel enable registers (XCERs). If enabled, a channel in this mode is also unmasked.</p> <p>The XMCME bit determines whether 32 channels or 128 channels are selectable in XCERs.</p> <p>2h (R/W) = All channels are enabled, but they are masked unless they are selected in the appropriate transmit channel enable registers (XCERs).</p> <p>The XMCME bit determines whether 32 channels or 128 channels are selectable in XCERs.</p> <p>3h (R/W) = This mode is used for symmetric transmission and reception.</p> <p>All channels are disabled for transmission unless they are enabled for reception in the appropriate receive channel enable registers (RCERs). Once enabled, they are masked unless they are also selected in the appropriate transmit channel enable registers (XCERs).</p> <p>The XMCME bit determines whether 32 channels or 128 channels are selectable in RCERs and XCERs.</p>

### 20.16.2.14 MCR1 Register (Offset = Dh) [Reset = 0000h]

MCR1 is shown in [Figure 20-80](#) and described in [Table 20-92](#).

Return to the [Summary Table](#).

MCR1 contains control bits for the receiver multi-channel functions such as channel enable mode selection, channel partition modes, channel block assignments, and active channel status bits.

**Figure 20-80. MCR1 Register**

15	14	13	12	11	10	9	8
RESERVED						RMCME	RPBBLK
R-0h						R/W-0h	R/W-0h
7	6	5	4	3	2	1	0
RPBBLK	RPABLK		RCBLK			RESERVED	RMCM
R/W-0h	R/W-0h		R-0h			R/W-0h	R/W-0h

**Table 20-92. MCR1 Register Field Descriptions**

Bit	Field	Type	Reset	Description
15-10	RESERVED	R	0h	Reserved
9	RMCME	R/W	0h	Receive multichannel partition mode bit. RMCME is only applicable if channels can be individually enabled or disabled for reception (RMCM = 1). RMCME determines whether only 32 channels or all 128 channels are to be individually selectable. Reset type: SYSRSn 0h (R/W) = 2-partition mode Only partitions A and B are used. You can control up to 32 channels in the receive multichannel selection mode (RMCM = 1). Assign 16 channels to partition A with the RPABLK bits. Assign 16 channels to partition B with the RPBBLK bits. You control the channels with the appropriate receive channel enable registers: RCERA: Channels in partition A RCERB: Channels in partition B 1h (R/W) = 8-partition mode All partitions (A through H) are used. You can control up to 128 channels in the receive multichannel selection mode. You control the channels with the appropriate receive channel enable registers: RCERA: Channels 0 through 15 RCERB: Channels 16 through 31 RCERC: Channels 32 through 47 RCERD: Channels 48 through 63 RCERE: Channels 64 through 79 RCERF: Channels 80 through 95 RCERG: Channels 96 through 111 RCERH: Channels 112 through 127

**Table 20-92. MCR1 Register Field Descriptions (continued)**

Bit	Field	Type	Reset	Description
8-7	RPBBLK	R/W	0h	<p>Receive partition B block bits</p> <p>RPBBLK is only applicable if channels can be individually enabled or disabled (RMCM = 1) and the 2-partition mode is selected (RMCME = 0). Under these conditions, the McBSP receiver can accept or ignore data in any of the 32 channels that are assigned to partitions A and B of the receiver.</p> <p>The 128 receive channels of the McBSP are divided equally among 8 blocks (0 through 7). When RPBBLK is applicable, use RPBBLK to assign one of the odd-numbered blocks (1, 3, 5, or 7) to partition B. Use the RPABLK bits to assign one of the even-numbered blocks (0, 2, 4, or 6) to partition A.</p> <p>If you want to use more than 32 channels, you can change block assignments dynamically. You can assign a new block to one partition while the receiver is handling activity in the other partition. For example, while the block in partition A is active, you can change which block is assigned to partition B. The RCBLK bits are regularly updated to indicate which block is active.</p> <p>When XMCM = 11b (for symmetric transmission and reception), the transmitter uses the receive block bits (RPABLK and RPBBLK) rather than the transmit block bits (XPABLK and XPBBLK).</p> <p>Reset type: SYSRSn</p> <p>0h (R/W) = Block 1: channels 16 through 31                      1h (R/W) = Block 3: channels 48 through 63                      2h (R/W) = Block 5: channels 80 through 95                      3h (R/W) = Block 7: channels 112 through 127</p>
6-5	RPABLK	R/W	0h	<p>Receive partition A block bits</p> <p>RPABLK is only applicable if channels can be individually enabled or disabled (RMCM = 1) and the 2-partition mode is selected (RMCME = 0). Under these conditions, the McBSP receiver can accept or ignore data in any of the 32 channels that are assigned to partitions A and B of the receiver. See the Description for RPBBLK (bits 8-7) for more information about assigning blocks to partitions A and B.</p> <p>Reset type: SYSRSn</p> <p>0h (R/W) = Block 0: channels 0 through 15                      1h (R/W) = Block 2: channels 32 through 47                      2h (R/W) = Block 4: channels 64 through 79                      3h (R/W) = Block 6: channels 96 through 111</p>
4-2	RCBLK	R	0h	<p>Receive current block indicator.</p> <p>RCBLK indicates which block for 16 channels is involved in the current McBSP reception</p> <p>Reset type: SYSRSn</p> <p>0h (R/W) = Block 0: channels 0 through 15                      1h (R/W) = Block 1: channels 16 through 31                      2h (R/W) = Block 2: channels 32 through 47                      3h (R/W) = Block 3: channels 48 through 63                      4h (R/W) = Block 4: channels 64 through 79                      5h (R/W) = Block 5: channels 80 through 95                      6h (R/W) = Block 6: channels 96 through 111                      7h (R/W) = Block 7: channels 112 through 127</p>
1	RESERVED	R/W	0h	Reserved
0	RMCM	R/W	0h	<p>Receive multichannel selection mode bit. RMCM determines whether all channels or only selected channels are enabled for reception:</p> <p>Reset type: SYSRSn</p> <p>0h (R/W) = All 128 channels are enabled.                      1h (R/W) = Multichanneled selection mode. Channels can be individually enabled or disabled.</p> <p>The only channels enabled are those selected in the appropriate receive channel enable registers (RCERs). The way channels are assigned to the RCERs depends on the number of receive channel partitions (2 or 8), as defined by the RMCME bit.</p>

### 20.16.2.15 RCERA Register (Offset = Eh) [Reset = 0000h]

RCERA is shown in [Figure 20-81](#) and described in [Table 20-93](#).

Return to the [Summary Table](#).

RCERA contains the receive channel enable registers for the A partition. This register is only used when the receiver is configured to allow individual disabling/enabling and masking/unmasking of the channels (e.g. RMCM is nonzero).

**Figure 20-81. RCERA Register**

15	14	13	12	11	10	9	8
RCEA							
R/W-0h							
7	6	5	4	3	2	1	0
RCEA							
R/W-0h							

**Table 20-93. RCERA Register Field Descriptions**

Bit	Field	Type	Reset	Description
15-0	RCEA	R/W	0h	Receive channel enable bit. For receive multichannel selection mode (RMCM = 1): Reset type: SYSRSn 0h (R/W) = Disable the channel that is mapped to RCEX. 1h (R/W) = Enable the channel that is mapped to RCEX.

### 20.16.2.16 RCERB Register (Offset = Fh) [Reset = 0000h]

RCERB is shown in [Figure 20-82](#) and described in [Table 20-94](#).

Return to the [Summary Table](#).

RCERB contains the receive channel enable registers for the B partition. This register is only used when the receiver is configured to allow individual disabling/enabling and masking/unmasking of the channels (e.g. RMCM is nonzero).

**Figure 20-82. RCERB Register**

15	14	13	12	11	10	9	8
RCEB							
R/W-0h							
7	6	5	4	3	2	1	0
RCEB							
R/W-0h							

**Table 20-94. RCERB Register Field Descriptions**

Bit	Field	Type	Reset	Description
15-0	RCEB	R/W	0h	Receive channel enable bit. For receive multichannel selection mode (RMCM = 1): Reset type: SYSRSn 0h (R/W) = Disable the channel that is mapped to RCEX. 1h (R/W) = Enable the channel that is mapped to RCEX.



### 20.16.2.17 XCERA Register (Offset = 10h) [Reset = 0000h]

XCERA is shown in [Figure 20-83](#) and described in [Table 20-95](#).

Return to the [Summary Table](#).

XCERA contains the transmit channel enable registers for the A partition. This register is only used when the transmitter is configured to allow individual disabling/enabling and masking/unmasking of the channels (e.g. XMCM is nonzero).

**Figure 20-83. XCERA Register**

15	14	13	12	11	10	9	8
XCERA							
R/W-0h							
7	6	5	4	3	2	1	0
XCERA							
R/W-0h							

**Table 20-95. XCERA Register Field Descriptions**

Bit	Field	Type	Reset	Description
15-0	XCERA	R/W	0h	<p>Transmit channel enable bit.</p> <p>The role of this bit depends on which transmit multichannel selection mode is selected with the XMCM bits.</p> <p>Reset type: SYSRSn</p> <p>0h (R/W) = For multichannel selection when XMCM = 01b (all channels disabled unless selected):  Disable and mask the channel that is mapped to XCEX.  For multichannel selection when XMCM = 10b (all channels enabled but masked unless selected):  Mask the channel that is mapped to XCEX.  For multichannel selection when XMCM = 11b (all channels masked unless selected):  Mask the channel that is mapped to XCEX. Even if the channel is enabled by the corresponding receive channel enable bit, this channel's data cannot appear on the DX pin.</p> <p>1h (R/W) = For multichannel selection when XMCM = 01b (all channels disabled unless selected):  Enable and unmask the channel that is mapped to XCEX.  For multichannel selection when XMCM = 10b (all channels enabled but masked unless selected):  Unmask the channel that is mapped to XCEX.  For multichannel selection when XMCM = 11b (all channels masked unless selected):  Unmask the channel that is mapped to XCEX. If the channel is also enabled by the corresponding receive channel enable bit, full transmission can occur.</p>

### 20.16.2.18 XCERB Register (Offset = 11h) [Reset = 0000h]

XCERB is shown in [Figure 20-84](#) and described in [Table 20-96](#).

Return to the [Summary Table](#).

XCERB contains the transmit channel enable registers for the B partition. This register is only used when the transmitter is configured to allow individual disabling/enabling and masking/unmasking of the channels (e.g. XMCM is nonzero).

**Figure 20-84. XCERB Register**

15	14	13	12	11	10	9	8
XCERB							
R/W-0h							
7	6	5	4	3	2	1	0
XCERB							
R/W-0h							

**Table 20-96. XCERB Register Field Descriptions**

Bit	Field	Type	Reset	Description
15-0	XCERB	R/W	0h	Transmit channel enable bit. The role of this bit depends on which transmit multichannel selection mode is selected with the XMCM bits. Reset type: SYSRSn 0h (R/W) = For multichannel selection when XMCM = 01b (all channels disabled unless selected): Disable and mask the channel that is mapped to XCEX. For multichannel selection when XMCM = 10b (all channels enabled but masked unless selected): Mask the channel that is mapped to XCEX. For multichannel selection when XMCM = 11b (all channels masked unless selected): Mask the channel that is mapped to XCEX. Even if the channel is enabled by the corresponding receive channel enable bit, this channel's data cannot appear on the DX pin. 1h (R/W) = For multichannel selection when XMCM = 01b (all channels disabled unless selected): Enable and unmask the channel that is mapped to XCEX. For multichannel selection when XMCM = 10b (all channels enabled but masked unless selected): Unmask the channel that is mapped to XCEX. For multichannel selection when XMCM = 11b (all channels masked unless selected): Unmask the channel that is mapped to XCEX. If the channel is also enabled by the corresponding receive channel enable bit, full transmission can occur.

### 20.16.2.19 PCR Register (Offset = 12h) [Reset = 0000h]

PCR is shown in [Figure 20-85](#) and described in [Table 20-97](#).

Return to the [Summary Table](#).

PCR contains control bits for the McBSP pins such as frame synchronization modes, clock modes, input clock source selection for the sample rate generator, frame synchronization pulse active polarity, and transmit/receive active edge selection.

**Figure 20-85. PCR Register**

15	14	13	12	11	10	9	8
RESERVED				FSXM	FSRM	CLKXM	CLKRM
R-0h				R/W-0h	R/W-0h	R/W-0h	R/W-0h
7	6	5	4	3	2	1	0
SCLKME	RESERVED	RESERVED	RESERVED	FSXP	FSRP	CLKXP	CLKRP
R/W-0h	R-0h	R-0h	R-0h	R/W-0h	R-0h	R-0h	R/W-0h

**Table 20-97. PCR Register Field Descriptions**

Bit	Field	Type	Reset	Description
15-12	RESERVED	R	0h	Reserved
11	FSXM	R/W	0h	Transmit frame-synchronization mode bit. FSXM determines whether transmit framesynchronization pulses are supplied externally or internally. The polarity of the signal on the FSX pin is determined by the FSXP bit. Reset type: SYSRSn 0h (R/W) = Transmit frame synchronization is supplied by an external source via the FSX pin. 1h (R/W) = Transmit frame synchronization is generated internally by the Sample Rate generator, as determined by the FSGM bit of SRGR2
10	FSRM	R/W	0h	Receive frame-synchronization mode bit. FSRM determines whether receive framesynchronization pulses are supplied externally or internally. The polarity of the signal on the FSR pin is determined by the FSRP bit. Reset type: SYSRSn 0h (R/W) = Receive frame synchronization is supplied by an external source via the FSR pin. 1h (R/W) = Receive frame synchronization is supplied by the sample rate generator. FSR is an output pin reflecting internal FSR, except when GSYNC = 1 in SRGR2

**Table 20-97. PCR Register Field Descriptions (continued)**

Bit	Field	Type	Reset	Description
9	CLKXM	R/W	0h	<p>Transmit clock mode bit.</p> <p>CLKXM determines whether the source for the transmit clock is external or internal, and whether the MCLKX pin is an input or an output. The polarity of the signal on the MCLKX pin is determined by the CLKXP bit.</p> <p>In the clock stop mode (CLKSTP = 10b or 11b), the McBSP can act as a master or as a slave in the SPI protocol. If the McBSP is a master, make sure that CLKX is an output. If the McBSP is a slave, make sure that CLKX is an input.</p> <p>Reset type: SYSRSn</p> <p>0h (R/W) = Not in clock stop mode (CLKSTP = 00b or 01b): The transmitter gets its clock signal from an external source via the MCLKX pin.</p> <p>In clock stop mode (CLKSTP = 10b or 11b): The McBSP is a slave in the SPI protocol. The internal transmit clock (CLKX) is driven by the SPI master via the MCLKX pin. The internal receive clock (MCLKR) is driven internally by CLKX, so that both the transmitter and the receiver are controlled by the external master clock.</p> <p>1h (R/W) = Not in clock stop mode (CLKSTP = 00b or 01b): Internal CLKX is driven by the sample rate generator of the McBSP. The MCLKX pin is an output pin that reflects internal CLKX.</p> <p>In clock stop mode (CLKSTP = 10b or 11b): The McBSP is a master in the SPI protocol. The sample rate generator drives the internal transmit clock (CLKX). Internal CLKX is reflected on the MCLKX pin to drive the shift clock of the SPI-compliant slaves in the system. Internal CLKX also drives the internal receive clock (MCLKR), so that both the transmitter and the receiver are controlled by the internal master clock</p>
8	CLKRM	R/W	0h	<p>Receive clock mode bit.</p> <p>The role of CLKRM and the resulting effect on the MCLKR pin depend on whether the McBSP is in the digital loopback mode (DLB = 1).</p> <p>The polarity of the signal on the MCLKR pin is determined by the CLKRP bit.</p> <p>Reset type: SYSRSn</p> <p>0h (R/W) = Not in digital loopback mode (DLB = 0): The MCLKR pin is an input pin that supplies the internal receive clock (MCLKR).</p> <p>In digital loopback mode (DLB = 1): The MCLKR pin is in the high impedance state. The internal receive clock (MCLKR) is driven by the internal transmit clock (CLKX). CLKX is derived according to the CLKXM bit.</p> <p>1h (R/W) = Not in digital loopback mode (DLB = 0): Internal MCLKR is driven by the sample rate generator of the McBSP. The MCLKR pin is an output pin that reflects internal MCLKR.</p> <p>In digital loopback mode (DLB = 1): Internal MCLKR is driven by internal CLKX. The MCLKR pin is an output pin that reflects internal MCLKR. CLKX is derived according to the CLKXM bit.</p>

**Table 20-97. PCR Register Field Descriptions (continued)**

Bit	Field	Type	Reset	Description
7	SCLKME	R/W	0h	<p>Sample rate generator input clock mode bit. The sample rate generator can produce a clock signal, CLKG. The frequency of CLKG is:</p> $\text{CLKG freq.} = (\text{Input clock frequency}) / (\text{CLKGDV} + 1)$ <p>SCLKME is used in conjunction with the CLKSM bit to select the input clock.</p> <p>SCLKME CLKSM Input Clock For Sample Rate Generator</p> <p>0 0 Reserved 0 1 LSPCLK</p> <p>The input clock for the sample rate generator is taken from the MCLKR pin or from the MCLKX pin, depending on the value of the CLKSM bit of SRGR2:</p> <p>SCLKME CLKSM Input Clock For Sample Rate Generator</p> <p>1 0 Signal on MCLKR pin 1 1 Signal on MCLKX pin</p> <p>Reset type: SYSRSn</p>
6	RESERVED	R	0h	Reserved
5	RESERVED	R	0h	Reserved
4	RESERVED	R	0h	Reserved
3	FSXP	R/W	0h	<p>Transmit frame-synchronization polarity bit. FSXP determines the polarity of FSX as seen on the FSX pin.</p> <p>Reset type: SYSRSn</p> <p>0h (R/W) = Transmit frame-synchronization pulses are active high. 1h (R/W) = Transmit frame-synchronization pulses are active low.</p>
2	FSRP	R	0h	<p>Receive frame-synchronization polarity bit. FSRP determines the polarity of FSR as seen on the FSR pin.</p> <p>Reset type: SYSRSn</p> <p>0h (R/W) = Receive frame-synchronization pulses are active high. 1h (R/W) = Receive frame-synchronization pulses are active low.</p>
1	CLKXP	R	0h	<p>Transmit clock polarity bit. CLKXP determines the polarity of CLKX as seen on the MCLKX pin.</p> <p>Reset type: SYSRSn</p> <p>0h (R/W) = Transmit data is sampled on the rising edge of CLKX. 1h (R/W) = Transmit data is sampled on the falling edge of CLKX.</p>
0	CLKRP	R/W	0h	<p>Receive clock polarity bit. CLKRP determines the polarity of CLKR as seen on the MCLKR pin.</p> <p>Reset type: SYSRSn</p> <p>0h (R/W) = Receive data is sampled on the falling edge of MCLKR. 1h (R/W) = Receive data is sampled on the rising edge of MCLKR.</p>

### 20.16.2.20 RCERC Register (Offset = 13h) [Reset = 0000h]

RCERC is shown in [Figure 20-86](#) and described in [Table 20-98](#).

Return to the [Summary Table](#).

RCERC contains the receive channel enable registers for the C partition. This register is only used when the receiver is configured to allow individual disabling/enabling and masking/unmasking of the channels (e.g. RMCM is nonzero).

**Figure 20-86. RCERC Register**

15	14	13	12	11	10	9	8
RCEC							
R/W-0h							
7	6	5	4	3	2	1	0
RCEC							
R/W-0h							

**Table 20-98. RCERC Register Field Descriptions**

Bit	Field	Type	Reset	Description
15-0	RCEC	R/W	0h	Receive channel enable bit. For receive multichannel selection mode (RMCM = 1): Reset type: SYSRSn 0h (R/W) = Disable the channel that is mapped to RCEX. 1h (R/W) = Enable the channel that is mapped to RCEX.

**20.16.2.21 RCERD Register (Offset = 14h) [Reset = 0000h]**

RCERD is shown in [Figure 20-87](#) and described in [Table 20-99](#).

Return to the [Summary Table](#).

RCERD contains the receive channel enable registers for the D partition. This register is only used when the receiver is configured to allow individual disabling/enabling and masking/unmasking of the channels (e.g. RMCM is nonzero).

**Figure 20-87. RCERD Register**

15	14	13	12	11	10	9	8
RCED							
R/W-0h							
7	6	5	4	3	2	1	0
RCED							
R/W-0h							

**Table 20-99. RCERD Register Field Descriptions**

Bit	Field	Type	Reset	Description
15-0	RCED	R/W	0h	Receive channel enable bit. For receive multichannel selection mode (RMCM = 1): Reset type: SYSRSn 0h (R/W) = Disable the channel that is mapped to RCEX. 1h (R/W) = Enable the channel that is mapped to RCEX.

### 20.16.2.22 XCERC Register (Offset = 15h) [Reset = 0000h]

XCERC is shown in [Figure 20-88](#) and described in [Table 20-100](#).

Return to the [Summary Table](#).

XCERC contains the transmit channel enable registers for the C partition. This register is only used when the transmitter is configured to allow individual disabling/enabling and masking/unmasking of the channels (e.g. XMCM is nonzero).

**Figure 20-88. XCERC Register**

15	14	13	12	11	10	9	8
XCERC							
R/W-0h							
7	6	5	4	3	2	1	0
XCERC							
R/W-0h							

**Table 20-100. XCERC Register Field Descriptions**

Bit	Field	Type	Reset	Description
15-0	XCERC	R/W	0h	Transmit channel enable bit. The role of this bit depends on which transmit multichannel selection mode is selected with the XMCM bits. Reset type: SYSRSn 0h (R/W) = For multichannel selection when XMCM = 01b (all channels disabled unless selected): Disable and mask the channel that is mapped to XCEX. For multichannel selection when XMCM = 10b (all channels enabled but masked unless selected): Mask the channel that is mapped to XCEX. For multichannel selection when XMCM = 11b (all channels masked unless selected): Mask the channel that is mapped to XCEX. Even if the channel is enabled by the corresponding receive channel enable bit, this channel's data cannot appear on the DX pin. 1h (R/W) = For multichannel selection when XMCM = 01b (all channels disabled unless selected): Enable and unmask the channel that is mapped to XCEX. For multichannel selection when XMCM = 10b (all channels enabled but masked unless selected): Unmask the channel that is mapped to XCEX. For multichannel selection when XMCM = 11b (all channels masked unless selected): Unmask the channel that is mapped to XCEX. If the channel is also enabled by the corresponding receive channel enable bit, full transmission can occur.



### 20.16.2.23 XCERD Register (Offset = 16h) [Reset = 0000h]

XCERD is shown in [Figure 20-89](#) and described in [Table 20-101](#).

Return to the [Summary Table](#).

XCERD contains the transmit channel enable registers for the D partition. This register is only used when the transmitter is configured to allow individual disabling/enabling and masking/unmasking of the channels (e.g. XMCM is nonzero).

**Figure 20-89. XCERD Register**

15	14	13	12	11	10	9	8
XCERD							
R/W-0h							
7	6	5	4	3	2	1	0
XCERD							
R/W-0h							

**Table 20-101. XCERD Register Field Descriptions**

Bit	Field	Type	Reset	Description
15-0	XCERD	R/W	0h	<p>Transmit channel enable bit.</p> <p>The role of this bit depends on which transmit multichannel selection mode is selected with the XMCM bits.</p> <p>Reset type: SYSRSn</p> <p>0h (R/W) = For multichannel selection when XMCM = 01b (all channels disabled unless selected):  Disable and mask the channel that is mapped to XCEX.  For multichannel selection when XMCM = 10b (all channels enabled but masked unless selected):  Mask the channel that is mapped to XCEX.  For multichannel selection when XMCM = 11b (all channels masked unless selected):  Mask the channel that is mapped to XCEX. Even if the channel is enabled by the corresponding receive channel enable bit, this channel's data cannot appear on the DX pin.</p> <p>1h (R/W) = For multichannel selection when XMCM = 01b (all channels disabled unless selected):  Enable and unmask the channel that is mapped to XCEX.  For multichannel selection when XMCM = 10b (all channels enabled but masked unless selected):  Unmask the channel that is mapped to XCEX.  For multichannel selection when XMCM = 11b (all channels masked unless selected):  Unmask the channel that is mapped to XCEX. If the channel is also enabled by the corresponding receive channel enable bit, full transmission can occur.</p>

### 20.16.2.24 RCERE Register (Offset = 17h) [Reset = 0000h]

RCERE is shown in [Figure 20-90](#) and described in [Table 20-102](#).

Return to the [Summary Table](#).

RCERE contains the receive channel enable registers for the E partition. This register is only used when the receiver is configured to allow individual disabling/enabling and masking/unmasking of the channels (e.g. RMCM is nonzero).

**Figure 20-90. RCERE Register**

15	14	13	12	11	10	9	8
RCEE							
R/W-0h							
7	6	5	4	3	2	1	0
RCEE							
R/W-0h							

**Table 20-102. RCERE Register Field Descriptions**

Bit	Field	Type	Reset	Description
15-0	RCEE	R/W	0h	Receive channel enable bit. For receive multichannel selection mode (RMCM = 1): Reset type: SYSRSn 0h (R/W) = Disable the channel that is mapped to RCEX. 1h (R/W) = Enable the channel that is mapped to RCEX.

### 20.16.2.25 RCERF Register (Offset = 18h) [Reset = 0000h]

RCERF is shown in [Figure 20-91](#) and described in [Table 20-103](#).

Return to the [Summary Table](#).

RCERF contains the receive channel enable registers for the F partition. This register is only used when the receiver is configured to allow individual disabling/enabling and masking/unmasking of the channels (e.g. RMCM is nonzero).

**Figure 20-91. RCERF Register**

15	14	13	12	11	10	9	8
RCEF							
R/W-0h							
7	6	5	4	3	2	1	0
RCEF							
R/W-0h							

**Table 20-103. RCERF Register Field Descriptions**

Bit	Field	Type	Reset	Description
15-0	RCEF	R/W	0h	Receive channel enable bit. For receive multichannel selection mode (RMCM = 1): Reset type: SYSRSn 0h (R/W) = Disable the channel that is mapped to RCEX. 1h (R/W) = Enable the channel that is mapped to RCEX.

### 20.16.2.26 XCERE Register (Offset = 19h) [Reset = 0000h]

XCERE is shown in [Figure 20-92](#) and described in [Table 20-104](#).

Return to the [Summary Table](#).

XCERE contains the transmit channel enable registers for the E partition. This register is only used when the transmitter is configured to allow individual disabling/enabling and masking/unmasking of the channels (e.g. XMCM is nonzero).

**Figure 20-92. XCERE Register**

15	14	13	12	11	10	9	8
XCERE							
R/W-0h							
7	6	5	4	3	2	1	0
XCERE							
R/W-0h							

**Table 20-104. XCERE Register Field Descriptions**

Bit	Field	Type	Reset	Description
15-0	XCERE	R/W	0h	Transmit channel enable bit. The role of this bit depends on which transmit multichannel selection mode is selected with the XMCM bits. Reset type: SYSRSn 0h (R/W) = For multichannel selection when XMCM = 01b (all channels disabled unless selected): Disable and mask the channel that is mapped to XCEX. For multichannel selection when XMCM = 10b (all channels enabled but masked unless selected): Mask the channel that is mapped to XCEX. For multichannel selection when XMCM = 11b (all channels masked unless selected): Mask the channel that is mapped to XCEX. Even if the channel is enabled by the corresponding receive channel enable bit, this channel's data cannot appear on the DX pin. 1h (R/W) = For multichannel selection when XMCM = 01b (all channels disabled unless selected): Enable and unmask the channel that is mapped to XCEX. For multichannel selection when XMCM = 10b (all channels enabled but masked unless selected): Unmask the channel that is mapped to XCEX. For multichannel selection when XMCM = 11b (all channels masked unless selected): Unmask the channel that is mapped to XCEX. If the channel is also enabled by the corresponding receive channel enable bit, full transmission can occur.

### 20.16.2.27 XCERF Register (Offset = 1Ah) [Reset = 0000h]

XCERF is shown in [Figure 20-93](#) and described in [Table 20-105](#).

Return to the [Summary Table](#).

XCERF contains the transmit channel enable registers for the F partition. This register is only used when the transmitter is configured to allow individual disabling/enabling and masking/unmasking of the channels (e.g. XMCM is nonzero).

**Figure 20-93. XCERF Register**

15	14	13	12	11	10	9	8
XCERF							
R/W-0h							
7	6	5	4	3	2	1	0
XCERF							
R/W-0h							

**Table 20-105. XCERF Register Field Descriptions**

Bit	Field	Type	Reset	Description
15-0	XCERF	R/W	0h	<p>Transmit channel enable bit.</p> <p>The role of this bit depends on which transmit multichannel selection mode is selected with the XMCM bits.</p> <p>Reset type: SYSRSn</p> <p>0h (R/W) = For multichannel selection when XMCM = 01b (all channels disabled unless selected): Disable and mask the channel that is mapped to XCEX. For multichannel selection when XMCM = 10b (all channels enabled but masked unless selected): Mask the channel that is mapped to XCEX. For multichannel selection when XMCM = 11b (all channels masked unless selected): Mask the channel that is mapped to XCEX. Even if the channel is enabled by the corresponding receive channel enable bit, this channel's data cannot appear on the DX pin.</p> <p>1h (R/W) = For multichannel selection when XMCM = 01b (all channels disabled unless selected): Enable and unmask the channel that is mapped to XCEX. For multichannel selection when XMCM = 10b (all channels enabled but masked unless selected): Unmask the channel that is mapped to XCEX. For multichannel selection when XMCM = 11b (all channels masked unless selected): Unmask the channel that is mapped to XCEX. If the channel is also enabled by the corresponding receive channel enable bit, full transmission can occur.</p>

### 20.16.2.28 RCERG Register (Offset = 1Bh) [Reset = 0000h]

RCERG is shown in [Figure 20-94](#) and described in [Table 20-106](#).

Return to the [Summary Table](#).

RCERG contains the receive channel enable registers for the G partition. This register is only used when the receiver is configured to allow individual disabling/enabling and masking/unmasking of the channels (e.g. RMCM is nonzero).

**Figure 20-94. RCERG Register**

15	14	13	12	11	10	9	8
RCEG							
R/W-0h							
7	6	5	4	3	2	1	0
RCEG							
R/W-0h							

**Table 20-106. RCERG Register Field Descriptions**

Bit	Field	Type	Reset	Description
15-0	RCEG	R/W	0h	Receive channel enable bit. For receive multichannel selection mode (RMCM = 1): Reset type: SYSRSn 0h (R/W) = Disable the channel that is mapped to RCEX. 1h (R/W) = Enable the channel that is mapped to RCEX.

### 20.16.2.29 RCERH Register (Offset = 1Ch) [Reset = 0000h]

RCERH is shown in [Figure 20-95](#) and described in [Table 20-107](#).

Return to the [Summary Table](#).

RCERH contains the receive channel enable registers for the H partition. This register is only used when the receiver is configured to allow individual disabling/enabling and masking/unmasking of the channels (e.g. RMCM is nonzero).

**Figure 20-95. RCERH Register**

15	14	13	12	11	10	9	8
RCEH							
R/W-0h							
7	6	5	4	3	2	1	0
RCEH							
R/W-0h							

**Table 20-107. RCERH Register Field Descriptions**

Bit	Field	Type	Reset	Description
15-0	RCEH	R/W	0h	Receive channel enable bit. For receive multichannel selection mode (RMCM = 1): Reset type: SYSRSn 0h (R/W) = Disable the channel that is mapped to RCEX. 1h (R/W) = Enable the channel that is mapped to RCEX.

### 20.16.2.30 XCERG Register (Offset = 1Dh) [Reset = 0000h]

XCERG is shown in [Figure 20-96](#) and described in [Table 20-108](#).

Return to the [Summary Table](#).

XCERG contains the transmit channel enable registers for the G partition. This register is only used when the transmitter is configured to allow individual disabling/enabling and masking/unmasking of the channels (e.g. XMCM is nonzero).

**Figure 20-96. XCERG Register**

15	14	13	12	11	10	9	8
XCERG							
R/W-0h							
7	6	5	4	3	2	1	0
XCERG							
R/W-0h							

**Table 20-108. XCERG Register Field Descriptions**

Bit	Field	Type	Reset	Description
15-0	XCERG	R/W	0h	Transmit channel enable bit. The role of this bit depends on which transmit multichannel selection mode is selected with the XMCM bits. Reset type: SYSRSn 0h (R/W) = For multichannel selection when XMCM = 01b (all channels disabled unless selected): Disable and mask the channel that is mapped to XCEX. For multichannel selection when XMCM = 10b (all channels enabled but masked unless selected): Mask the channel that is mapped to XCEX. For multichannel selection when XMCM = 11b (all channels masked unless selected): Mask the channel that is mapped to XCEX. Even if the channel is enabled by the corresponding receive channel enable bit, this channel's data cannot appear on the DX pin. 1h (R/W) = For multichannel selection when XMCM = 01b (all channels disabled unless selected): Enable and unmask the channel that is mapped to XCEX. For multichannel selection when XMCM = 10b (all channels enabled but masked unless selected): Unmask the channel that is mapped to XCEX. For multichannel selection when XMCM = 11b (all channels masked unless selected): Unmask the channel that is mapped to XCEX. If the channel is also enabled by the corresponding receive channel enable bit, full transmission can occur.



### 20.16.2.31 XCERH Register (Offset = 1Eh) [Reset = 0000h]

XCERH is shown in [Figure 20-97](#) and described in [Table 20-109](#).

Return to the [Summary Table](#).

XCERH contains the transmit channel enable registers for the H partition. This register is only used when the transmitter is configured to allow individual disabling/enabling and masking/unmasking of the channels (e.g. XMCM is nonzero).

**Figure 20-97. XCERH Register**

15	14	13	12	11	10	9	8
XCERH							
R/W-0h							
7	6	5	4	3	2	1	0
XCERH							
R/W-0h							

**Table 20-109. XCERH Register Field Descriptions**

Bit	Field	Type	Reset	Description
15-0	XCERH	R/W	0h	<p>Transmit channel enable bit.</p> <p>The role of this bit depends on which transmit multichannel selection mode is selected with the XMCM bits.</p> <p>Reset type: SYSRSn</p> <p>0h (R/W) = For multichannel selection when XMCM = 01b (all channels disabled unless selected): Disable and mask the channel that is mapped to XCEX. For multichannel selection when XMCM = 10b (all channels enabled but masked unless selected): Mask the channel that is mapped to XCEX. For multichannel selection when XMCM = 11b (all channels masked unless selected): Mask the channel that is mapped to XCEX. Even if the channel is enabled by the corresponding receive channel enable bit, this channel's data cannot appear on the DX pin.</p> <p>1h (R/W) = For multichannel selection when XMCM = 01b (all channels disabled unless selected): Enable and unmask the channel that is mapped to XCEX. For multichannel selection when XMCM = 10b (all channels enabled but masked unless selected): Unmask the channel that is mapped to XCEX. For multichannel selection when XMCM = 11b (all channels masked unless selected): Unmask the channel that is mapped to XCEX. If the channel is also enabled by the corresponding receive channel enable bit, full transmission can occur.</p>

### 20.16.2.32 MFFINT Register (Offset = 23h) [Reset = 0000h]

MFFINT is shown in [Figure 20-98](#) and described in [Table 20-110](#).

Return to the [Summary Table](#).

MFFINT contains the enable bits for both the transmitter and receiver interrupts.

**Figure 20-98. MFFINT Register**

15	14	13	12	11	10	9	8
RESERVED							
R-0h							
7	6	5	4	3	2	1	0
RESERVED					RINT	RESERVED	XINT
R-0h					R/W-0h	R-0h	R/W-0h

**Table 20-110. MFFINT Register Field Descriptions**

Bit	Field	Type	Reset	Description
15-3	RESERVED	R	0h	Reserved
2	RINT	R/W	0h	Enable for Receive Interrupt Reset type: SYSRSn 0h (R/W) = Receive interrupt on RRDY is disabled. 1h (R/W) = Receive interrupt on RRDY is enabled.
1	RESERVED	R	0h	Reserved
0	XINT	R/W	0h	Enable for Transmit Interrupt Reset type: SYSRSn 0h (R/W) = Transmit interrupt on XRDY is disabled. 1h (R/W) = Transmit interrupt on XRDY is enabled.

### 20.16.3 MCBSP Registers to Driverlib Functions

**Table 20-111. MCBSP Registers to Driverlib Functions**

File	Driverlib Function
<b>DRR2</b>	
mcbbsp.h	McBSP_read32bitData
<b>DRR1</b>	
mcbbsp.h	McBSP_read16bitData
mcbbsp.h	McBSP_read32bitData
<b>DXR2</b>	
mcbbsp.h	McBSP_write32bitData
<b>DXR1</b>	
mcbbsp.h	McBSP_write16bitData
mcbbsp.h	McBSP_write32bitData
<b>SPCR2</b>	
mcbbsp.h	McBSP_setEmulationMode
mcbbsp.h	McBSP_resetFrameSyncLogic
mcbbsp.h	McBSP_enableFrameSyncLogic
mcbbsp.h	McBSP_resetSampleRateGenerator
mcbbsp.h	McBSP_enableSampleRateGenerator
mcbbsp.h	McBSP_setTxInterruptSource
mcbbsp.h	McBSP_getTxErrorStatus
mcbbsp.h	McBSP_clearTxFrameSyncError

**Table 20-111. McBSP Registers to Driverlib Functions (continued)**

File	Driverlib Function
mcbbsp.h	McBSP_isTxReady
mcbbsp.h	McBSP_resetTransmitter
mcbbsp.h	McBSP_enableTransmitter
<b>SPCR1</b>	
mcbbsp.h	McBSP_disableLoopback
mcbbsp.h	McBSP_enableLoopback
mcbbsp.h	McBSP_setRxSignExtension
mcbbsp.h	McBSP_setClockStopMode
mcbbsp.h	McBSP_disableDxPinDelay
mcbbsp.h	McBSP_enableDxPinDelay
mcbbsp.h	McBSP_setRxInterruptSource
mcbbsp.h	McBSP_clearRxFrameSyncError
mcbbsp.h	McBSP_getRxErrorStatus
mcbbsp.h	McBSP_isRxReady
mcbbsp.h	McBSP_resetReceiver
mcbbsp.h	McBSP_enableReceiver
<b>RCR2</b>	
mcbbsp.c	McBSP_setRxDataSize
mcbbsp.h	McBSP_disableTwoPhaseRx
mcbbsp.h	McBSP_enableTwoPhaseRx
mcbbsp.h	McBSP_setRxCompandingMode
mcbbsp.h	McBSP_disableRxFrameSyncErrorDetection
mcbbsp.h	McBSP_enableRxFrameSyncErrorDetection
mcbbsp.h	McBSP_setRxDataDelayBits
<b>RCR1</b>	
mcbbsp.c	McBSP_setRxDataSize
<b>XCR2</b>	
mcbbsp.c	McBSP_setTxDataSize
mcbbsp.h	McBSP_disableTwoPhaseTx
mcbbsp.h	McBSP_enableTwoPhaseTx
mcbbsp.h	McBSP_setTxCompandingMode
mcbbsp.h	McBSP_disableTxFrameSyncErrorDetection
mcbbsp.h	McBSP_enableTxFrameSyncErrorDetection
mcbbsp.h	McBSP_setTxDataDelayBits
<b>XCR1</b>	
mcbbsp.c	McBSP_setTxDataSize
<b>SRGR2</b>	
mcbbsp.h	McBSP_setFrameSyncPulsePeriod
mcbbsp.h	McBSP_disableSRGSyncFSR
mcbbsp.h	McBSP_enableSRGSyncFSR
mcbbsp.h	McBSP_setRxSRGClockSource
mcbbsp.h	McBSP_setTxSRGClockSource
mcbbsp.h	McBSP_setTxInternalFrameSyncSource
<b>SRGR1</b>	
mcbbsp.h	McBSP_setFrameSyncPulseWidthDivider

**Table 20-111. McBSP Registers to Driverlib Functions (continued)**

File	Driverlib Function
mcbbsp.h	McBSP_setSRGDataClockDivider
<b>MCR2</b>	
mcbbsp.h	McBSP_setTxMultichannelPartition
mcbbsp.h	McBSP_setTxTwoPartitionBlock
mcbbsp.h	McBSP_getTxActiveBlock
mcbbsp.h	McBSP_setTxChannelMode
<b>MCR1</b>	
mcbbsp.h	McBSP_setRxMultichannelPartition
mcbbsp.h	McBSP_setRxTwoPartitionBlock
mcbbsp.h	McBSP_getRxActiveBlock
mcbbsp.h	McBSP_setRxChannelMode
<b>RCERA</b>	
mcbbsp.c	McBSP_disableRxChannel
mcbbsp.c	McBSP_enableRxChannel
<b>RCERB</b>	
-	See RCERA
<b>XCERA</b>	
mcbbsp.c	McBSP_disableTxChannel
mcbbsp.c	McBSP_enableTxChannel
<b>XCERB</b>	
-	See XCERA
<b>PCR</b>	
mcbbsp.h	McBSP_setRxSRGClockSource
mcbbsp.h	McBSP_setTxSRGClockSource
mcbbsp.h	McBSP_setTxFrameSyncSource
mcbbsp.h	McBSP_setRxFrameSyncSource
mcbbsp.h	McBSP_setTxClockSource
mcbbsp.h	McBSP_setRxClockSource
mcbbsp.h	McBSP_setTxFrameSyncPolarity
mcbbsp.h	McBSP_setRxFrameSyncPolarity
mcbbsp.h	McBSP_setTxClockPolarity
mcbbsp.h	McBSP_setRxClockPolarity
<b>RCERC</b>	
-	See RCERA
<b>RCERD</b>	
-	See RCERA
<b>XCERC</b>	
-	See XCERA
<b>XCERD</b>	
-	See XCERA
<b>RCERE</b>	
-	See RCERA
<b>RCERF</b>	
-	See RCERA
<b>XCERE</b>	

**Table 20-111. McBSP Registers to Driverlib Functions (continued)**

File	Driverlib Function
-	See XCERA
<b>XCERF</b>	
-	See XCERA
<b>RCERG</b>	
-	See RCERA
<b>RCERH</b>	
-	See RCERA
<b>XCERG</b>	
-	See XCERA
<b>XCERH</b>	
-	See XCERA
<b>MFFINT</b>	
mcbasp.h	McBSP_enableRxInterrupt
mcbasp.h	McBSP_disableRxInterrupt
mcbasp.h	McBSP_enableTxInterrupt
mcbasp.h	McBSP_disableTxInterrupt

This page intentionally left blank.

## Chapter 21 Controller Area Network (CAN)



This chapter describes the Controller Area Network (CAN) module. CAN is a serial communications protocol that efficiently supports distributed real-time control with a high level of reliability. The CAN module supports bit rates up to 1 Mbit/s and is compliant with the ISO11898-1 (CAN 2.0B) protocol specification.

Further information can be found in:

- [Calculator for CAN Bit Timing Parameters Application Report](#)
- [Programming Examples and Debug Strategies for the DCAN Module Application Report](#)
- [Configurable Error Generator for Controller Area Network Application Report](#)

<b>21.1 Introduction</b> .....	<b>2392</b>
<b>21.2 Functional Description</b> .....	<b>2395</b>
<b>21.3 Operating Modes</b> .....	<b>2397</b>
<b>21.4 Multiple Clock Source</b> .....	<b>2403</b>
<b>21.5 Interrupt Functionality</b> .....	<b>2404</b>
<b>21.6 Parity Check Mechanism</b> .....	<b>2406</b>
<b>21.7 Debug Mode</b> .....	<b>2407</b>
<b>21.8 Module Initialization</b> .....	<b>2407</b>
<b>21.9 Configuration of Message Objects</b> .....	<b>2408</b>
<b>21.10 Message Handling</b> .....	<b>2409</b>
<b>21.11 CAN Bit Timing</b> .....	<b>2415</b>
<b>21.12 Message Interface Register Sets</b> .....	<b>2424</b>
<b>21.13 Message RAM</b> .....	<b>2426</b>
<b>21.14 Software</b> .....	<b>2431</b>
<b>21.15 CAN Registers</b> .....	<b>2431</b>

## 21.1 Introduction

This device uses the CAN IP known as DCAN.

### 21.1.1 DCAN Related Collateral

#### Foundational Materials

- [Automotive CAN Overview and Training](#) (Video)
- [C2000 Academy - CAN](#)
  - Refer to the DCAN section
- [CAN Physical layer](#) (Video)
- [CAN and CAN FD Overview](#) (Video)
- [CAN and CAN FD Protocol](#) (Video)

#### Getting Started Materials

- [Programming Examples and Debug Strategies for the DCAN Module Application Report](#)

#### Expert Materials

- [Configurable Error Generator for Controller Area Network Application Report](#)

### 21.1.2 Features

The CAN module implements the following features:

- Complies with ISO11898-1 (Bosch® CAN protocol specification 2.0 A and B)
- Bit rates up to 1 Mbps
- Multiple clock sources
- 32 message objects (“message objects” are also referred to as “mailboxes” in this document; the two terms are used interchangeably), each with the following properties:
  - Configurable as receive or transmit
  - Configurable with standard (11-bit) or extended (29-bit) identifier
  - Supports programmable identifier receive mask
  - Supports data and remote frames
  - Holds 0 to 8 bytes of data
  - Parity-checked configuration and data RAM
- Individual identifier mask for each message object
- Programmable FIFO mode for message objects
- Programmable loop-back modes for self-test operation
- Suspend mode for debug support
- Software module reset
- Automatic bus-on, after bus-off state by a programmable 32-bit timer
- Message-RAM parity-check mechanism
- Two interrupt lines

---

#### Note

For a CAN bit clock of 200 MHz, the smallest bit rate possible is 7.8125 kbps.

Depending on the timing settings used, the accuracy of the on-chip zero-pin oscillator (specified in the data sheet) may not meet the requirements of the CAN protocol. In this situation, an external clock source must be used.

---



### 21.1.3 Block Diagram

Figure 21-1 shows a block diagram of the CAN module. Following is a description of some of the main blocks.

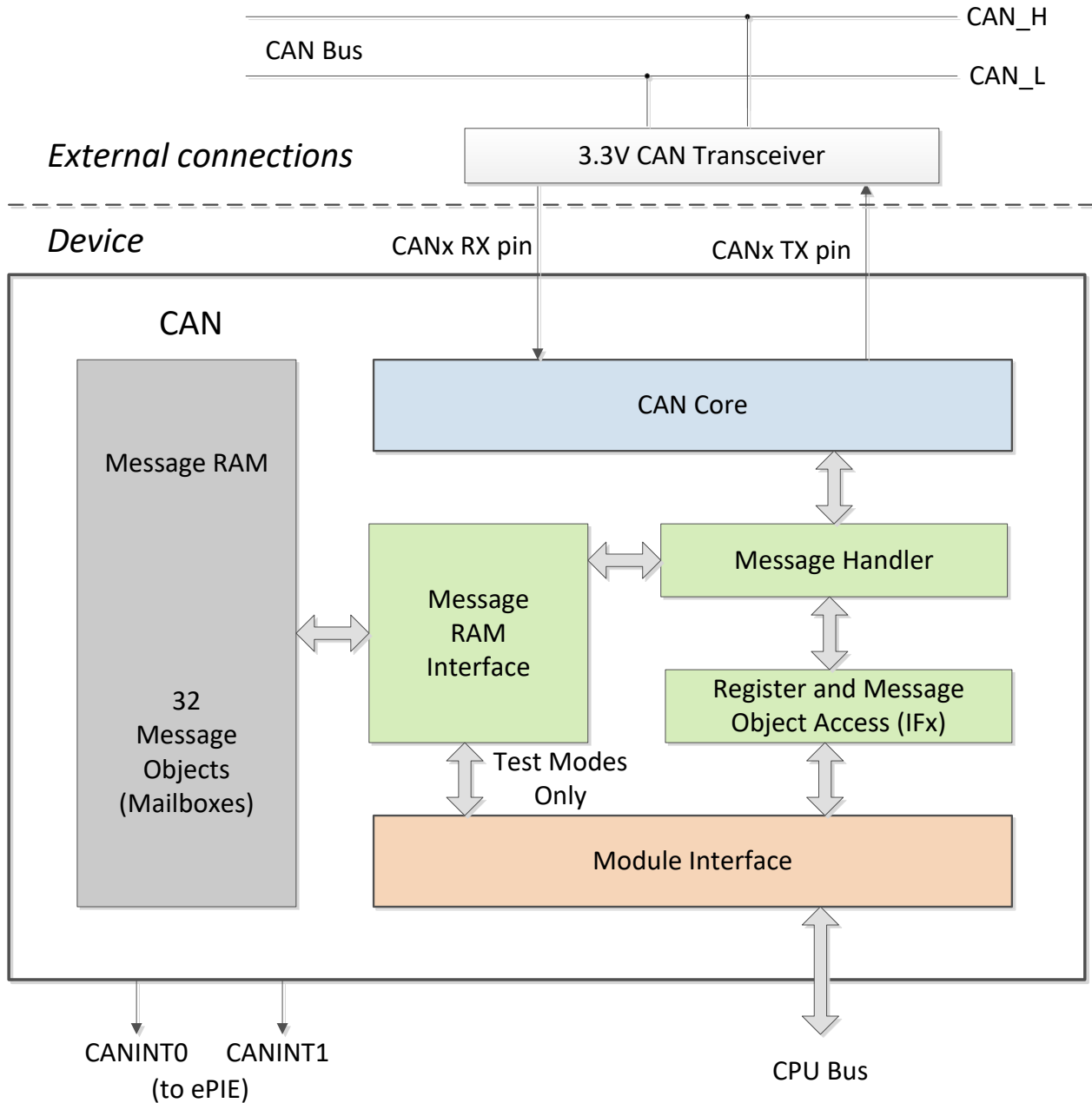


Figure 21-1. CAN Block Diagram

### 21.1.3.1 CAN Core

The CAN core consists of the CAN Protocol Controller and the Rx/Tx Shift register. It handles all ISO 11898-1 protocol functions.

### 21.1.3.2 Message Handler

The message handler is a state machine which controls the data transfer between the single-port Message RAM and the CAN Core's Rx/Tx Shift register. It also handles acceptance filtering and the interrupt request generation as programmed in the control registers.

### 21.1.3.3 Message RAM

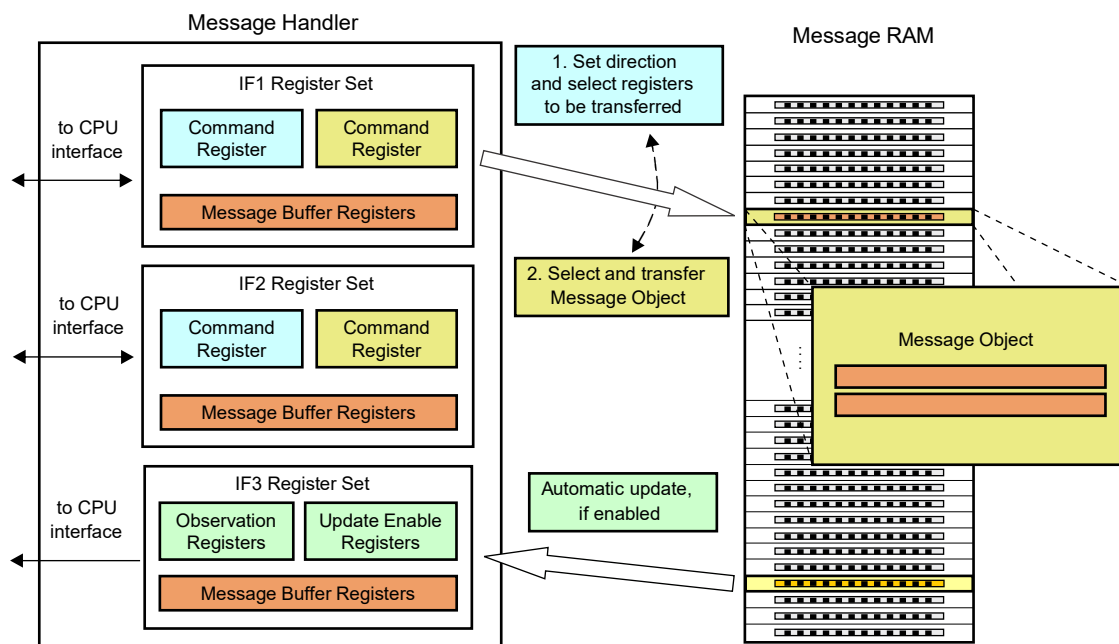
The CAN message RAM enables the storage of 32 CAN messages.

### 21.1.3.4 Registers and Message Object Access (IFx)

Data consistency is provided by indirect accesses to the message objects. During normal operation, all CPU accesses to the message RAM are done through Interface registers. The IFx registers can be thought of as a "window" through which the message objects (mailboxes) are accessed.

Three Interface register sets control the CPU read and write accesses to the Message RAM, see [Figure 21-2](#). There are two Interface register sets for read/write access (IF1 and IF2) and one Interface register set for read access only (IF3). See also [Section 21.12](#). The Interface registers have the same word length as the message RAM.

In a dedicated test mode, the message RAM is memory-mapped and can be directly accessed.



**Figure 21-2. Accessing Message Objects Through IFx Registers**

## 21.2 Functional Description

The CAN module performs CAN protocol communication according to ISO 11898-1. The bit rate can be programmed to values up to 1 Mbps. A CAN transceiver chip is required for the connection to the physical layer (CAN bus).

For communication on a CAN network, individual message objects can be configured. The message objects and identifier masks are stored in the Message RAM.

All functions concerning the handling of messages are implemented in the message handler. These functions are: acceptance filtering; the transfer of messages between the CAN Core and the Message RAM; and the handling of transmission requests .

The register set of the CAN can be accessed directly by the CPU through the module interface. These registers are used to control and configure the CAN core and the message handler, and to access the message RAM.

### 21.2.1 Configuring Device Pins

The GPIO mux registers must be configured to connect this peripheral to the device pins. To avoid glitches on the pins, the GPyGMUX bits must be configured first (while keeping the corresponding GPyMUX bits at the default of zero), followed by writing the GPyMUX register to the desired value.

Some I/O functionality is defined by GPIO register settings independent of this peripheral. For input signals, the GPIO input qualification must be set to asynchronous mode by setting the appropriate GPxQSELn register bits to 11b. The internal pull-ups can be configured in the GPyPUD register.

See the *General-Purpose Input/Output (GPIO)* chapter for more details on GPIO mux and settings.

### 21.2.2 Address/Data Bus Bridge

The CAN module uses a special addressing scheme to support byte accesses. This is the same addressing scheme that is used on the USB module. It is recommended to only use 32-bit accesses to the CAN registers using the *HWREG\_BP()* macro that uses the *\_\_byte\_peripheral\_32()* intrinsic. If 16-bit accesses are to be used, the lower 16-bits must be written to the register's address, and the upper 16-bits must be written to the register's address plus 2.

Because of the bus bridge, the view of the CAN module's register space through the Code Composer Studio™ (CCS) IDE memory window does not always match the actual addressing. When the view mode is 32-bit or 16-bit, even addresses are effectively duplicated; odd addresses can be ignored. When the view mode is 8-bit, even addresses from within the CAN module are duplicated into the odd addresses in the CCS memory view; odd addresses from the module are not displayed.

**Table 21-1. CAN Register Access from Software**

CAN Register Space			C28x 8-Bit		C28x 16-Bit		C28x 32-Bit	
Address	Name	Data	Access	Data	Access	Data	Address	Data
0x00	CAN_CTL	0x33221100	__byte((int *)0x00,0)	0x0000	(*((short *)0x00))	0x1100	(*((long *)0x00))	0x33221100
0x04	CAN_ES	0x77665544	__byte((int *)0x01,0)	0x0011	(*((short *)0x01))	0x1100	(*((long *)0x01))	0x33221100
0x08	CAN_ERRC	0xBBA9988	__byte((int *)0x02,0)	0x0022	(*((short *)0x02))	0x3322	(*((long *)0x02))	0x33221100
0x0C	CAN_BTR	0xFFEEDDCC	__byte((int *)0x03,0)	0x0033	(*((short *)0x03))	0x3322	(*((long *)0x03))	0x33221100
			__byte((int *)0x04,0)	0x0044	(*((short *)0x04))	0x5544	(*((long *)0x04))	0x77665544
			__byte((int *)0x05,0)	0x0055	(*((short *)0x05))	0x5544	(*((long *)0x05))	0x77665544
			__byte((int *)0x06,0)	0x0066	(*((short *)0x06))	0x7766	(*((long *)0x06))	0x77665544
			__byte((int *)0x07,0)	0x0077	(*((short *)0x07))	0x7766	(*((long *)0x07))	0x77665544
			__byte((int *)0x08,0)	0x0088	(*((short *)0x08))	0x9988	(*((long *)0x08))	0xBBA9988
			__byte((int *)0x09,0)	0x0099	(*((short *)0x09))	0x9988	(*((long *)0x09))	0xBBA9988
			__byte((int *)0x0A,0)	0x00AA	(*((short *)0x0A))	0xBBAA	(*((long *)0x0A))	0xBBA9988
			__byte((int *)0x0B,0)	0x00BB	(*((short *)0x0B))	0xBBAA	(*((long *)0x0B))	0xBBA9988
			__byte((int *)0x0C,0)	0x00CC	(*((short *)0x0C))	0xDDCC	(*((long *)0x0C))	0xFFEEDDCC
			__byte((int *)0x0D,0)	0x00DD	(*((short *)0x0D))	0xDDCC	(*((long *)0x0D))	0xFFEEDDCC
			__byte((int *)0x0E,0)	0x00EE	(*((short *)0x0E))	0xFFEE	(*((long *)0x0E))	0xFFEEDDCC
			__byte((int *)0x0F,0)	0x00FF	(*((short *)0x0F))	0xFFEE	(*((long *)0x0F))	0xFFEEDDCC

**Table 21-2. CAN Register Access from Code Composer Studio™ IDE**

CCS 8-Bit		CCS 16-Bit		CCS 32-Bit	
Address	Displayed Data	Address	Displayed Data	Address	Displayed Data
0x00	0x00	0x00	0x1100	0x00	0x11001100
0x01	0x00	0x01	0x1100	0x02	0x33223322
0x02	0x22	0x02	0x3322	0x04	0x55445544
0x03	0x22	0x03	0x3322	0x06	0x77667766
0x04	0x44	0x04	0x5544	0x08	0x99889988
0x05	0x44	0x05	0x5544	0x0A	0xBBAABBAA
0x06	0x66	0x06	0x7766	0x0C	0xDDCCDDCC
0x07	0x66	0x07	0x7766	0x0E	0xFFEEFFEE
0x08	0x88	0x08	0x9988		
0x09	0x88	0x09	0x9988		
0x0A	0xAA	0x0A	0xBBAA		
0x0B	0xAA	0x0B	0xBBAA		
0x0C	0xCC	0x0C	0xDDCC		
0x0D	0xCC	0x0D	0xDDCC		
0x0E	0xEE	0x0E	0xFFEE		
0x0F	0xEE	0x0F	0xFFEE		

## 21.3 Operating Modes

### 21.3.1 Initialization

The initialization mode is entered either by software (by setting the **Init** bit in the CAN\_CTL register), by hardware reset, or by going bus-off. While the Init bit is set, the message transfer from and to the CAN bus is stopped, and the status of the CAN\_TX output is recessive (high). The CAN error counters are not updated. Setting the Init bit does not change any other configuration register.

To initialize the CAN controller, the CPU has to configure the CAN bit timing and those message objects that are used for CAN communication. Message objects that are not needed, can be deactivated with their MsgVal bits cleared.

The access to the Bit Timing Register for the configuration of the bit timing is enabled when both **Init** and CCE bits in the CAN Control register are set.

Clearing the Init bit finishes the software initialization. Afterwards, the bit stream processor (BSP) synchronizes itself to the data transfer on the CAN bus by waiting for the occurrence of a sequence of 11 consecutive recessive bits (= Bus Idle) before the BSP can take part in bus activities and start the message transfer. For more details, see [Section 21.11](#).

The initialization of the message objects is independent of the Init bit; however, all message objects must be configured with particular identifiers or set to "not-valid" before the message transfer is started.

It is possible to change the configuration of message objects during normal operation by the CPU. After setup and subsequent transfer of message object from interface registers to message RAM, the acceptance filtering is applied to it when the modified message object number is same or smaller than the previously found message object. This makes sure of data consistency even when changing message objects; for example, while there is a pending CAN frame reception.

### 21.3.2 CAN Message Transfer (Normal Operation)

Once the CAN is initialized and the Init bit is reset to zero, the CAN Core synchronizes itself to the CAN bus and is ready for communication.

Received messages are stored into their appropriate message objects, if the messages pass acceptance filtering. The whole message (MSGID, DLC, and up to 8 data bytes) is stored into the message object. As a consequence, for example, if the identifier mask is used, the MSGID bits that are masked to "don't care" can change in the message object when a received message is stored.

The CPU can read or write each message at any time using the interface registers, as the message handler provides data consistency in case of concurrent accesses.

Messages to be transmitted can be updated by the CPU. If a permanent message object (MSGID, control bits set up during configuration, and setup for multiple CAN transfers) exists for the message, it is possible to only update the data bytes. If several transmit messages must be assigned to one message object, the whole message object has to be configured before the transmission of this message is requested.

The transmission of multiple message objects can be requested at the same time. The message objects are subsequently transmitted, according to their internal priority. Messages can be updated or set to 'not valid' at any time, even if a requested transmission is still pending. However, the data bytes are discarded if a message is updated before a pending transmission has started.

Depending on the configuration of the message object, a transmission can be automatically requested by the reception of a remote frame with a matching identifier.

#### 21.3.2.1 Disabled Automatic Retransmission

According to the CAN Specification (see ISO11898, 6.3.3 Recovery Management), the CAN provides a mechanism to automatically retransmit frames that have lost arbitration or have been disturbed by errors during transmission. The frame transmission service is not confirmed to the user before the transmission is successfully completed.

By default, this automatic retransmission is enabled and can be disabled by setting the DAR bit in the CAN control register. Further details to this mode are provided in [Section 21.10.3](#).

#### 21.3.2.2 Auto-Bus-On

After the CAN has entered the bus-off state, the CPU can start a bus-off-recovery sequence by resetting the *Init* bit. If this is not done, the module stays in the bus-off state.

The CAN provides an automatic auto-bus-on feature that is enabled by the ABO bit. If set, the CAN automatically starts the bus-off-recovery sequence. The sequence can be delayed by a user-defined number of clock cycles.

---

#### Note

If the CAN module goes Bus-Off due to multiple CAN bus errors, the CAN module stops all bus activities and automatically sets the Init bit. Once the Init bit is cleared by the application (or due to the auto-bus-on feature), the device waits for 129 occurrences of Bus Idle (equal to  $129 * 11$  consecutive recessive bits) before resuming normal operation. The Bus-Off recovery sequence cannot be shortened by setting or resetting the Init bit. At the end of the bus-off recovery sequence, the error counters reset. After the Init bit is reset, each time when a sequence of 11 recessive bits is monitored, a Bit0 Error code is written to the Error and Status Register. This enables the CPU to check whether the CAN bus is stuck at dominant or continuously disturbed, and to monitor the proceeding of the Bus-Off recovery sequence.

---

### 21.3.3 Test Modes

The CAN module provides several test modes that are mainly intended for self-test purposes. Figure 21-3 aids in understanding the various test modes. Figure 21-3 must be viewed as representative of the module behavior, and not as a gate-accurate implementation of the module. Figure 21-3 does not include the GPIO muxing or the I/O buffers.

For all test modes, the Test bit in the CAN control register needs to be set to 1 to enable write access to the CAN\_TEST register.

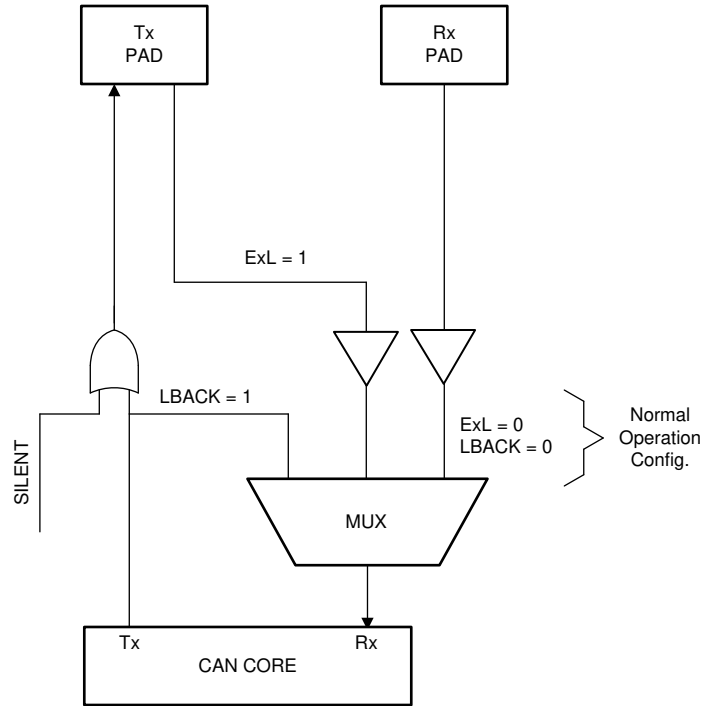


Figure 21-3. CAN\_MUX

### 21.3.3.1 Silent Mode

The silent mode can be used to analyze the traffic on the CAN bus without affecting the CAN by sending dominant bits (for example, acknowledge bit, overload flag, active error flag). The CAN is still able to receive valid data frames and valid remote frames, but the CAN does not send any dominant bits. However, the received frames are internally routed to the CAN Core.

Figure 21-4 shows the connection of signals CAN\_TX and CAN\_RX to the CAN core in silent mode. Silent mode can be activated by setting the Silent bit in test register (CAN\_TEST), to 1. In ISO 11898-1, the silent mode is called the bus monitoring mode.

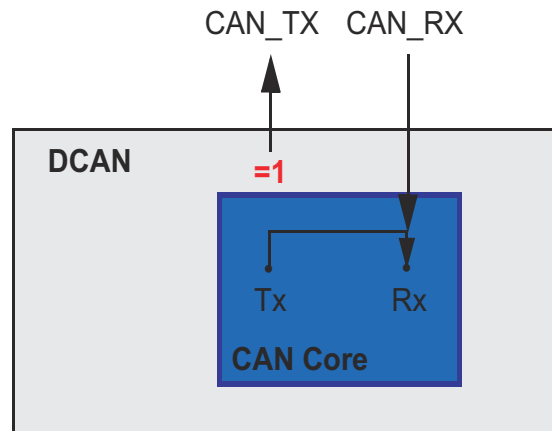


Figure 21-4. CAN Core in Silent Mode



### 21.3.3.2 Loopback Mode

The loopback mode is mainly intended for hardware self-test functions. In this mode, the CAN core uses internal feedback from Tx output to Rx input. Transmitted messages are treated as received messages, and can be stored into message objects if the messages pass acceptance filtering. The actual value of the CAN\_RX input pin is disregarded by the CAN core. Transmitted messages still can be monitored at the CAN\_TX pin.

To be independent from external stimulation, the CAN core ignores acknowledge errors (recessive bit sampled in the acknowledge slot of a data/remote frame) in loopback mode.

Figure 21-5 shows the connection of signals CAN\_TX and CAN\_RX to the CAN core in loopback mode. Loopback mode can be activated by setting the LBack bit in the CAN\_TEST register to 1.

#### Note

In loopback mode, the signal path from the CAN core to the Tx pin, the Tx pin itself, and the signal path from the Tx pin back to the CAN core are disregarded. For including these into the testing, see [Section 21.3.3.3](#).

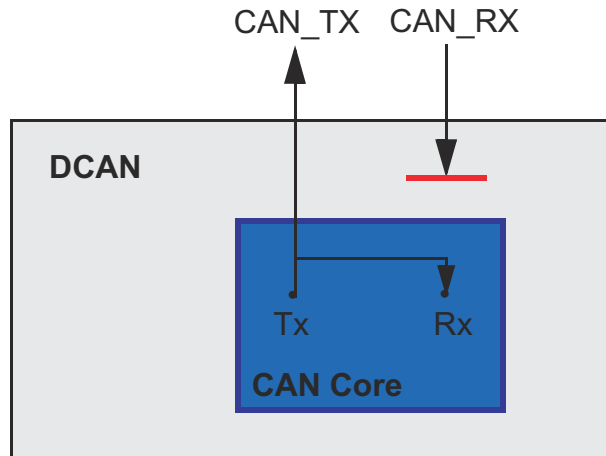


Figure 21-5. CAN Core in Loopback Mode

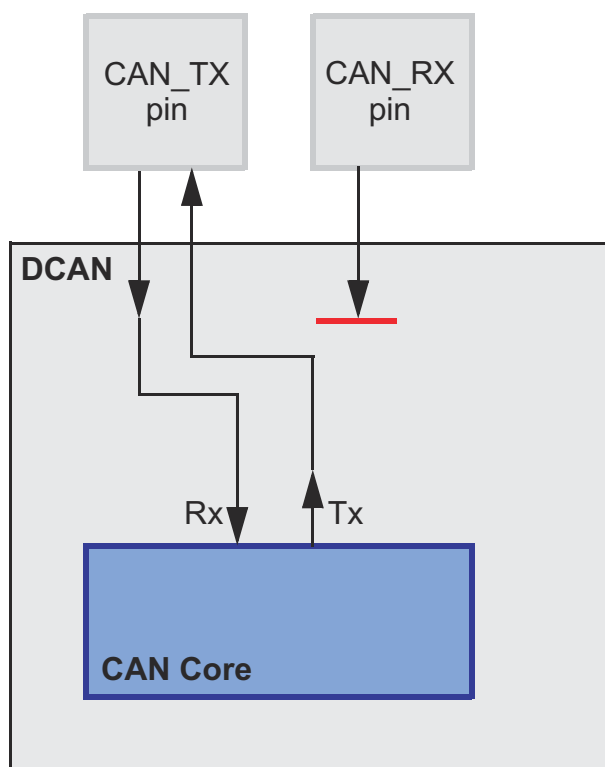
### 21.3.3.3 External Loopback Mode

The external loopback mode is similar to the loopback mode; however, the external loopback mode includes the signal path from the CAN core to the Tx pin, the Tx pin itself, and the signal path from the Tx pin back to the CAN core. When the external loopback mode is selected, the CAN core is connected to the input buffer of the Tx pin. With this configuration, the Tx pin IO circuit can be tested. External loopback mode can be activated by setting the ExL bit in Test Register to 1.

Figure 21-6 shows the connection of signals CAN\_TX and CAN\_RX to the CAN Core in external loopback mode.

**Note**

When loopback mode is active (LBack bit set), the ExL bit is ignored.

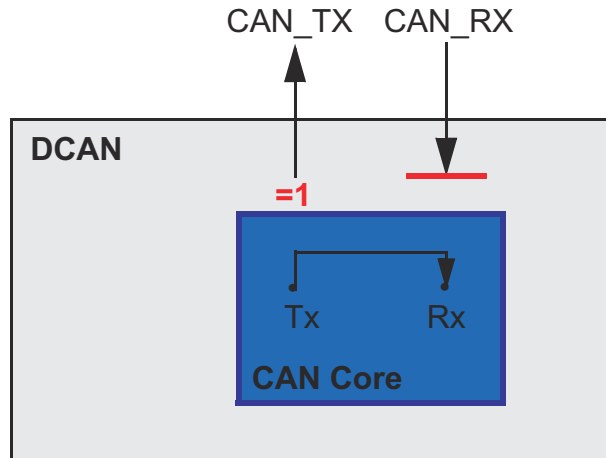


**Figure 21-6. CAN Core in External Loopback Mode**

### 21.3.3.4 Loopback Combined with Silent Mode

It is also possible to combine loopback mode and silent mode by setting bits LBack and Silent at the same time. The CAN hardware can be tested without affecting the CAN network. In this mode, the CAN\_RX pin is disconnected from the CAN core and no dominant bits are sent on the CAN\_TX pin.

Figure 21-7 shows the connection of the signals CAN\_TX and CAN\_RX to the CAN Core in case of the combination of loopback mode with silent mode.



**Figure 21-7. CAN Core in Loopback Combined with Silent Mode**

## 21.4 Multiple Clock Source

Three clock domains are provided to the CAN module for generating the CAN bit timing: the external clock (X1/X2), the system clock (SYSCLK), and the GPIO\_AUXCLKIN.

The *System Control and Interrupts* chapter and the device data sheet provide more information on how to configure the relevant clock source registers in the system module.

### Note

The CAN core has to be programmed to at least 8 clock cycles per bit time. To achieve a transfer rate of 1Mbps an oscillator frequency of 8 MHz or higher has to be used.

## 21.5 Interrupt Functionality

Interrupts can be generated on two interrupt lines: CAN0INT and CAN1INT. These lines can be enabled by setting the IE0 and IE1 bits, respectively, in the CAN Control register.

The CAN provides three groups of interrupt sources: message object interrupts, status change interrupts, and error interrupts. The source of an interrupt can be determined by the interrupt identifiers Int0ID and Int1ID in the CAN\_INT Interrupt register. When no interrupt is pending, the register holds the value zero. Each interrupt line remains active until the dedicated field in the Interrupt register (Int0ID or Int1ID) again reaches zero (this means the cause of the interrupt is reset), or until IE0 and IE1 are reset. The value 0x8000 in the Int0ID field indicates that an interrupt is pending because the CAN core has updated (not necessarily changed) the Error and Status Register (Error Interrupt or Status Interrupt). This interrupt has the highest priority. The CPU can update (reset) the status bits RxOk, TxOk, and LEC by reading the Error and Status Register, but a write access of the CPU never generates or resets an interrupt.

Values between 1 and the number of the last message object indicates that the source of the interrupt is one of the message objects. INT0ID and INT1ID point to the pending message interrupt with the highest priority. The Message Object 1 has the highest priority, the last message object has the lowest priority.

An interrupt service routine that reads the message from the interrupt source can also read the message and reset the message object's IntPnd at the same time (ClrIntPnd bit in the IF1 or IF2 Command register). When IntPnd is cleared, the Interrupt register points to the next message object with a pending interrupt.

The CAN module features a module-level interrupt enable and acknowledge mechanism. To enable the CAN0 and CAN1 interrupts, you must set the appropriate bits in the CAN\_GLB\_INT\_EN register. When handling an interrupt, the individual message or status change flag must be cleared prior to acknowledging the interrupt using CAN\_GLB\_INT\_CLR and PIEACK.

### 21.5.1 Message Object Interrupts

Message object interrupts are generated by events from the message objects. They are controlled by the flags IntPND, TxIE and RxIE which are described in [Section 21.13.1](#). Message object interrupts can be routed to the CAN0INT or CAN1INT line, which is controlled by the Interrupt Multiplexer register.

Note that writing to the IntPnd bit in the CAN\_IFnMCTL registers can force an interrupt.

### 21.5.2 Status Change Interrupts

The events RxOk, TxOk, and LEC in the Error and Status register belong to the status change interrupts. The status change interrupt group can be enabled by the SIE bit in the CAN Control Register. If SIE is set, a status change interrupt is generated at each CAN frame, independent of bus errors or valid CAN communication, and also independent of the Message RAM configuration. Status Change interrupts can only be routed to interrupt line CAN0INT which has to be enabled by setting IE0 in the CAN\_CTL Register.

### 21.5.3 Error Interrupts

The events PER, BOff and EWarn, belong to the error interrupts. The error interrupt group can be enabled by setting bit EIE. Also, error interrupts can only be routed to interrupt line CAN0INT, which has to be enabled by setting IE0 in the CAN\_CTL register.

### 21.5.4 Peripheral Interrupt Expansion (PIE) Module Nomenclature for DCAN Interrupts

[Table 21-3](#) shows the Peripheral Interrupt Expansion (PIE) module nomenclature for the interrupts.

**Table 21-3. PIE Module Nomenclature for Interrupts**

Interrupt	CANA	CANB
CANINT0	CANA_0	CANB_0
CANINT1	CANA_1	CANB_1

### 21.5.5 Interrupt Topologies

Interrupt topologies for CAN are illustrated in Figure 21-8 and Figure 21-9. Mailbox interrupts for transmit and receive operations can be routed to both CANINT0 and CANINT1. However, error and status interrupts can only be routed to CANINT0.

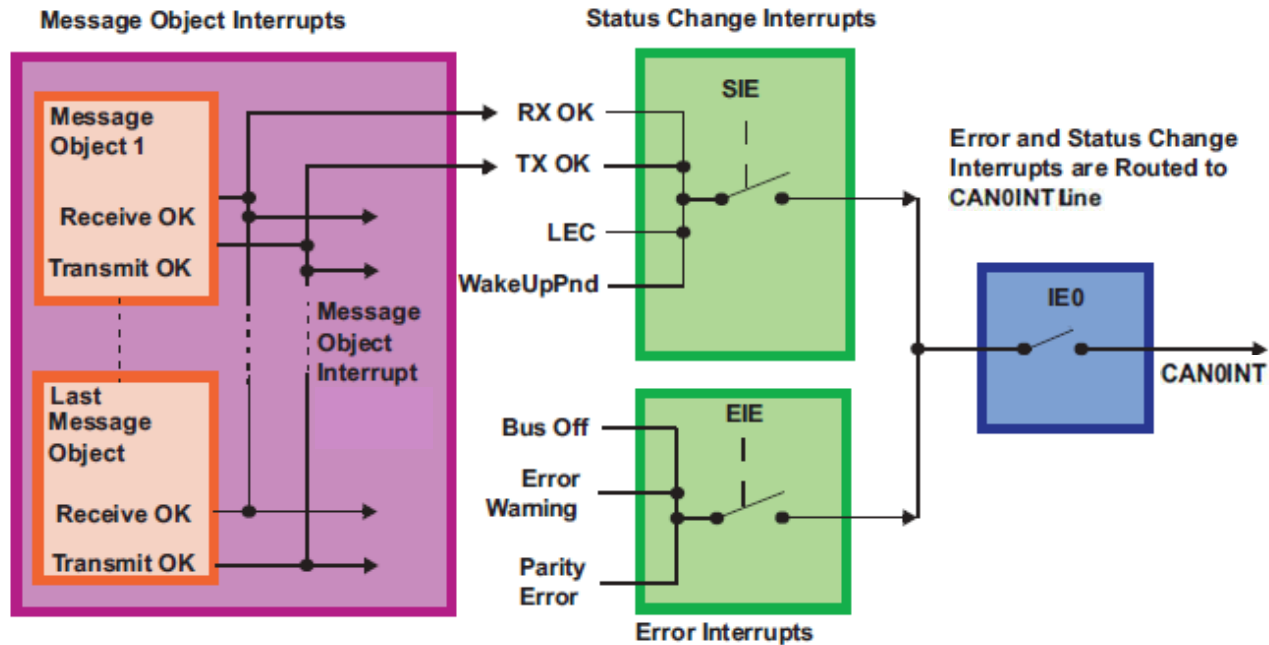


Figure 21-8. CAN Interrupt Topology 1

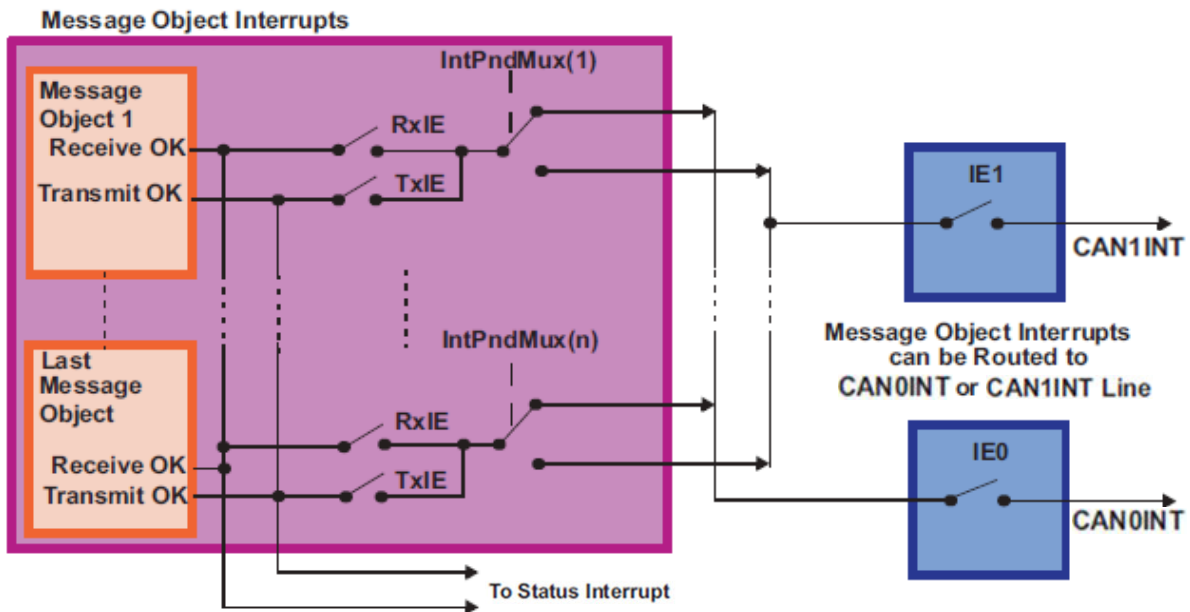


Figure 21-9. CAN Interrupt Topology 2

## 21.6 Parity Check Mechanism

The CAN provides a parity check mechanism to make sure data integrity of the message RAM data. For each word (32 bits) in Message RAM, one parity bit is calculated.

Parity information is stored in the Message RAM on write accesses and is checked against the stored parity bit from Message RAM on read accesses.

The parity check functionality can be enabled or disabled by the PMD bit field in the CAN control register. In case of a disabled parity check, the parity bits in message RAM are left unchanged on write access to the data area and no check is done on read access.

If parity checking is enabled, parity bits are automatically generated and checked by the CAN. A parity bit is set if the modulo-2-sum of the data bits is 1. This means that if the parity bit is set, then there are an odd number of 1 bits in the data.

### 21.6.1 Behavior on Parity Error

On any read access to Message RAM, for example, during the start of a CAN frame transmission, the parity of the message object is checked. If a parity error is detected, the PER bit in the Error and Status register is set. If error interrupts are enabled, an interrupt can also be generated. To avoid the transmission of invalid data over the CAN bus, the MsgVal bit of the message object is reset.

The message object data can be read by the CPU, independently of parity errors. Thus, the application has to make sure that the read data is valid, for example, by immediately checking the Parity Error Code register on parity error interrupt.

## 21.7 Debug Mode

The module supports the usage of an external debug unit by providing functions like pausing CAN activities and making message RAM content accessible from the debugger. Debug mode is entered automatically when an external debugger is connected and the core is halted.

Before entering Debug mode, the circuit waits until a transmission is started, a reception is finished, or the Bus idle state is recognized. If the IDS bit is set, the debugger immediately interrupts the current transmission or reception. Afterwards, the CAN enters Debug mode, indicated by the InitDbg flag, in the CAN Control register. During debug mode, all CAN registers can be accessed. Reading reserved bits returns a 0; writing to reserved bits has no effect. Also, the message RAM is memory-mapped, so this allows the external debug unit to read the message RAM. For the memory organization (see [Section 21.13.3](#)).

---

### Note

During debug mode, the Message RAM cannot be accessed using the IFx register sets.

Writing to control registers in Debug mode can influence the CAN state machine and further message handling.

---

For debug support, the auto clear functionality of the following CAN registers is disabled:

- Error and Status register (clear of status flags by read)
- IF1/IF2 Command registers

## 21.8 Module Initialization

After hardware reset, the Init bit in the CAN Control register is set and all CAN protocol functions are disabled. The configuration of the bit timing and of the message objects must be completed before the CAN protocol functions are enabled.

For the configuration of the message objects, see [Section 21.9](#).

For the configuration of the Bit Timing, see [Section 21.11.2](#).

The bits MsgVal, NewDat, IntPnd, and TxRqst of the message objects are reset to 0 by a hardware reset. The configuration of a message object is done by programming Mask, Arbitration, Control and Data bits of one of the IF1/IF2 Interface register sets to the desired values. By writing the message object number to bits [7:0] of the corresponding IF1/IF2 Command register, the IF1/IF2 Interface Register content is loaded into the addressed message object in the Message RAM.

The configuration of the bit timing requires that the CCE bit in the CAN Control register is set additionally to Init. This is not required for the configuration of the message objects.

When the Init bit in the CAN Control register is cleared, the CAN Protocol Controller state machine of the CAN Core and the message handler State Machine start to control the CAN's internal data flow. Received messages which pass the acceptance filtering are stored into the Message RAM; messages with pending transmission request are loaded into the CAN Core's Shift register and are transmitted using the CAN bus.

The CPU can enable the interrupt lines (setting IE0 and IE1 to 1) at the same time when the CPU clears Init and CCE. The status interrupts EIE and SIE can be enabled simultaneously.

The CAN communication can be controlled interrupt-driven or in polling mode. The Interrupt Register points to those message objects with IntPnd = 1. The register is updated even if the interrupt lines to the CPU are disabled (IE0 and IE1 are 0).

The CPU can poll all MessageObject's NewDat and TxRqst bits in parallel from the NewData registers and the Transmission Request registers. Polling can be made easier if all Transmit Objects are grouped at the low numbers; all Receive Objects are grouped at the high numbers.

## 21.9 Configuration of Message Objects

The entire Message RAM must be configured before the end of the initialization; however, it is also possible to change the configuration of message objects during CAN communication.

### 21.9.1 Configuration of a Transmit Object for Data Frames

Figure 21-10 shows how a transmit object can be initialized.

**Figure 21-10. Initialization of a Transmit Object**

MsgVal	Arb	Data	Mask	EoB	Dir	NewDat	MsgLst	RxIE	TxIE	IntPnd	RmtEn	TxRqst
1	appl.	appl.	appl.	1	1	0	0	0	appl.	0	appl.	0

- The arbitration bits (ID[28:0] and Xtd bit) are given by the application. The arbitration bits define the identifier and type of the outgoing message. If an 11-bit Identifier (standard frame) is used (Xtd = 0), the Identifier is programmed to ID[28:18]. In this case, ID[17:0] can be ignored.
- The data registers (DLC[3:0] and Data0-7) are given by the application. TxRqst and RmtEn must not be set before the data is valid.
- If the TxIE bit is set, the IntPnd bit is set after a successful transmission of the message object.
- If the RmtEn bit is set, a matching received remote frame causes the TxRqst bit to be set; the remote frame is autonomously answered by a data frame.
- The Mask bits (Msk[28:0], UMask, MXtd, and MDir bits) can be used (UMask = 1) to allow groups of remote frames with similar identifiers to set the TxRqst bit. The Dir bit must not be masked. For details, see [Section 21.10.8](#). Identifier masking must be disabled (UMask = 0) if no remote frames are allowed to set the TxRqst bit (RmtEn = 0).

### 21.9.2 Configuration of a Transmit Object for Remote Frames

It is not necessary to configure transmit objects for the transmission of remote frames. Setting TxRqst for a receive object causes the transmission of a remote frame with the same identifier as the data frame for which this receive object is configured.

### 21.9.3 Configuration of a Single Receive Object for Data Frames

Figure 21-11 shows how a receive object for data frames can be initialized.

**Figure 21-11. Initialization of a Single Receive Object for Data Frames**

MsgVal	Arb	Data	Mask	EoB	Dir	NewDat	MsgLst	RxIE	TxIE	IntPnd	RmtEn	TxRqst
1	appl.	appl.	appl.	1	0	0	0	appl.	0	0	0	0

- The arbitration bits (ID[28:0] and Xtd bit) are given by the application. The arbitration bits define the identifier and type of accepted received messages. If an 11-bit Identifier (Standard Frame) is used (Xtd = 0), the Identifier is programmed to ID[28:18]. In this case, ID[17:0] can be ignored. When a data frame with an 11-bit Identifier is received, ID[17:0] is set to 0.
- When the message handler stores a data frame in the message object, the message handler stores the received data length code and the corresponding number of data bytes. If the data length code is less than 8, the remaining bytes of the message object can be overwritten by non-specified values.
- The mask bits (Msk[28:0], UMask, MXtd, and MDir bits) can be used (UMask = 1) to allow groups of data frames with similar identifiers to be accepted. The Dir bit must not be masked in typical applications. If some bits of the Mask bits are set to "don't care", the corresponding bits of the Arbitration Register are overwritten by the bits of the stored data frame.
- If the RxIE bit is set, the IntPnd bit is set when a received data frame is accepted and stored in the message object.
- If the TxRqst bit is set, the transmission of a remote frame with the same identifier as stored in the Arbitration bits is triggered. The content of the Arbitration bits can change if the Mask bits are used (UMask = 1) for acceptance filtering.



### 21.9.4 Configuration of a Single Receive Object for Remote Frames

Figure 21-12 shows how a receive object for remote frames can be initialized.

**Figure 21-12. Initialization of a Single Receive Object for Remote Frames**

MsgVal	Arb	Data	Mask	EoB	Dir	NewDat	MsgLst	RxIE	TxIE	IntPnd	RmtEn	TxRqst
1	appl.	appl.	appl.	1	1	0	0	appl.	0	0	0	0

- Receive objects for remote frames can be used to monitor remote frames on the CAN bus. The remote frame stored in the receive object does not trigger the transmission of a data frame. Receive objects for remote frames can be expanded to a FIFO buffer, see [Section 21.9.5](#).
- UMask must be set to 1. The Mask bits (Msk[28:0], UMask, MXtd, and MDir bits) can be set to "must-match" or to "don't care", to allow groups of remote frames with similar identifiers to be accepted. The Dir bit must not be masked in typical applications. For details, see [Section 21.10.8](#).
- The arbitration bits (ID[28:0] and Xtd bit) can be given by the application. The arbitration bits define the identifier and type of accepted received remote frames. If some bits of the Mask bits are set to "don't care", the corresponding bits of the arbitration bits are overwritten by the bits of the stored remote frame. If an 11-bit Identifier (standard frame) is used (Xtd = 0), the Identifier is programmed to ID[28:18]. In this case, ID[17:0] can be ignored. When a remote frame with an 11-bit Identifier is received, ID[17:0] is set to 0.
- The data length code (DLC[3:0]) can be given by the application. When the message handler stores a remote frame in the message object, the message handler stores the received data length code. The data bytes of the message object remain unchanged.
- If the RxIE bit is set, the IntPnd bit is set when a received remote frame is accepted and stored in the message object.

### 21.9.5 Configuration of a FIFO Buffer

With the exception of the EoB bit, the configuration of receive objects belonging to a FIFO buffer is the same as the configuration of a single receive object.

To concatenate multiple message objects to form a FIFO, the identifiers and masks (if used) of these message objects are programmed to matching values. Due to the implicit priority of the message objects, the message object with the lowest number is the first message object of the FIFO buffer. The EoB bit of all message objects of a FIFO buffer except the last one must be programmed to 0. The EoB bit of the last message object of a FIFO buffer is set to 1, configuring the last message object as the end of the block.

### 21.10 Message Handling

When initialization is finished, the CAN module synchronizes itself to the traffic on the CAN bus. The CAN module does acceptance filtering on received messages and stores those frames that are accepted into the designated message objects. The application must update the data of the messages to be transmitted and to enable and request their transmission. The transmission is requested automatically when a matching remote frame is received.

The application can read messages that are received and accepted. Messages that are not read before the next messages are accepted for the same message object are overwritten. Messages can be read interrupt-driven or after polling of NewDat.

### 21.10.1 Message Handler Overview

The message handler state machine controls the data transfer between the Rx/Tx Shift Register of the CAN Core and the Message RAM. The message handler state machine performs the following tasks:

- Data transfer from Message RAM to CAN Core (messages to be transmitted).
- Data transfer from CAN Core to the Message RAM (received messages).
- Data transfer from CAN Core to the Acceptance Filtering unit.
- Scanning of Message RAM for a matching message object (acceptance filtering).
- Scanning the same message object after being changed by IF1/IF2 registers when priority is same or higher as message the object found by last scanning.
- Handling of TxRqst flags.
- Handling of interrupt flags.

The message handler registers contains status flags of all message objects grouped into the following topics:

- Transmission request flags
- New data flags
- Interrupt pending flags
- Message valid registers

Instead of collecting above listed status information of each message object using IFx registers separately, these message handler registers provide a fast and easy way to get an overview, for example, about all pending transmission requests.

All message handler registers are read-only.

### 21.10.2 Receive/Transmit Priority

The receive/transmit priority for the message objects is attached to the message number, not to the CAN identifier. Message object 1 has the highest priority, while message object 32 has the lowest priority. If more than one transmission request is pending, the requests are serviced according to the priority of the corresponding message object, so for example, messages with the highest priority can be placed in the message objects with the lowest numbers.

The acceptance filtering for received data frames or remote frames is also done in ascending order of message objects, so a frame that has been accepted by a message object cannot be accepted by another message object with a higher message number. The last message object can be configured to accept any data frame or remote frame that was not accepted by any other message object, for nodes that need to log the complete message traffic on the CAN bus.

### 21.10.3 Transmission of Messages in Event Driven CAN Communication

If the shift register of the CAN Core is ready for loading and if there is no data transfer between the IFx registers and Message RAM, the MsgVal bits in the Message Valid register and the TxRqst bits in the transmission request register are evaluated. The valid message object with the highest priority pending transmission request is loaded into the shift register by the message handler and the transmission is started. The message object's NewDat bit is reset.

After a successful transmission and if no new data was written to the message object (NewDat = 0) since the start of the transmission, the TxRqst bit is reset. If TxIE is set, IntPnd is set after a successful transmission. If the CAN has lost the arbitration or if an error occurred during the transmission, the message is retransmitted as soon as the CAN bus is free again. If meanwhile the transmission of a message with higher priority has been requested, the messages are transmitted in the order of their priority.

If automatic retransmission mode is disabled by setting the DAR bit in the CAN control register, the behavior of bits TxRqst and NewDat in the Message Control register of the Interface register set is as follows:

- When a transmission starts, the TxRqst bit of the respective Interface register set is reset, while bit NewDat remains set.
- When the transmission has been successfully completed, the NewDat bit is reset.

When a transmission failed (lost arbitration or error) bit NewDat remains set. To restart the transmission, the application has to set TxRqst again.

Received remote frames do not require a receive object for storage. The remote frames automatically trigger the transmission of a data frame, if the *RmtEn* bit is set in the matching Transmit Object.

#### 21.10.4 Updating a Transmit Object

The CPU can update the data bytes of a transmit object any time using the IF1 and IF2 interface registers; neither MsgVal nor TxRqst need to be reset before the update.

Even if only a part of the data bytes are to be updated, all four bytes in the corresponding IF1/IF2 Data A register or IF1/IF2 Data B register must be valid before the content of that register is transferred to the message object. Either the CPU has to write all four bytes into the IF1/IF2 Data register or the message object is transferred to the IF1/IF2 Data Register before the CPU writes the new data bytes.

When only the data bytes are updated, first 0x87 can be written to bits [23:16] of the Command register and then the number of the message object is written to bits [7:0] of the Command register, concurrently updating the data bytes and setting TxRqst with NewDat.

To prevent the reset of TxRqst at the end of a transmission that can already be in progress while the data is updated, NewDat has to be set together with TxRqst in event driven CAN communication. For details see [Section 21.10.3](#).

When NewDat is set together with TxRqst, NewDat is reset as soon as the new transmission has started.

#### 21.10.5 Changing a Transmit Object

If the number of implemented message objects is not sufficient to be used as permanent message objects only, the transmit objects can be managed dynamically. The CPU can write the whole message (arbitration, control, and data) into the Interface register. The bits [23:16] of the Command register can be set to 0xB7 for the transfer of the whole message object content into the message object. Neither MsgVal nor TxRqst need to be reset before this operation.

If a previously requested transmission of this message object is not completed but already in progress, the transmission is continued; however, the transmission is not repeated if the transmission is disturbed.

To update only the data bytes of a message being transmitted, set bits [23:16] of the Command register to 0x87.

---

#### Note

After the update of the transmit object, the interface register set contains a copy of the actual contents of the object, including the part that had not been updated.

---

### 21.10.6 Acceptance Filtering of Received Messages

When the arbitration and control bits (Identifier + IDE + RTR + DLC) of an incoming message is completely shifted into the shift register of the CAN Core, the message handler starts to scan the message RAM for a matching valid message object:

- The acceptance filtering unit is loaded with the arbitration bits from the CAN Core shift register.
- Then the arbitration and mask bits (including MsgVal, UMask, NewDat, and EoB) of Message Object 1 are loaded into the Acceptance Filtering unit and are compared with the arbitration bits from the shift register. This is repeated for all following message objects until a matching message object is found, or until the end of the Message RAM is reached.
- If a match occurs, the scanning is stopped and the message handler proceeds depending on the type of the frame (data frame or remote frame) received.

### 21.10.7 Reception of Data Frames

The message handler stores the message from the CAN Core shift register into the respective message object in the Message RAM. Not only the data bytes, but all arbitration bits and the data length code are stored into the corresponding message object. This makes sure that the data bytes stay associated to the identifier even if arbitration mask registers are used.

The NewDat bit is set to indicate that new data (not yet seen by the CPU) has been received. The CPU must reset the NewDat bit when the CPU reads the message object. If at the time of the reception the NewDat bit was already set, MsgLst is set to indicate that the previous data (not seen by the CPU) is lost. If the RxIE bit is set, the IntPnd bit is set, causing the Interrupt Register to point to this message object.

The TxRqst bit of this message object is reset to prevent the transmission of a remote frame, while the requested data frame has just been received.

### 21.10.8 Reception of Remote Frames

When a remote frame is received, three different configurations of the matching message object are considered:

1. Dir = 1 (direction = transmit), RmtEn = 1, UMask = 1 or 0  
The TxRqst bit of this message object is set at the reception of a matching remote frame. The rest of the message object remains unchanged.
2. Dir = 1 (direction = transmit), RmtEn = 0, UMask = 0  
The remote frame is ignored, this message object remains unchanged.
3. Dir = 1 (direction = transmit), RmtEn = 0, UMask = 1  
The remote frame is treated similar to a received data frame. At the reception of a matching remote frame, the TxRqst bit of this message object is reset. The arbitration and control bits (Identifier + IDE + RTR + DLC) from the shift register are stored in the message object in the Message RAM and the NewDat bit of this message object is set. The data bytes of the message object remain unchanged

### 21.10.9 Reading Received Messages

The CPU can read a received message any time using the IFx interface registers, the data consistency is provided by the message handler state machine.

Typically the CPU writes 0x7F to bits [23:16] and then the number of the message object to bits [7:0] of the Command Register. That combination transfers the whole received message from the Message RAM into the Interface Register set. Additionally, the bits NewDat and IntPnd are cleared in the Message RAM (not in the Interface Register set). The values of these bits in the Message Control Register always reflect the status before resetting the bits.

If the message object uses masks for acceptance filtering, the arbitration bits show which of the different matching messages has been received.

The actual value of NewDat shows whether a new message has been received since the last time when this message object was read. The actual value of MsgLst shows whether more than one message have been received since the last time when this message object was read. MsgLst is not automatically reset.

#### 21.10.10 Requesting New Data for a Receive Object

By means of a remote frame, the CPU can request another CAN node to provide new data for a receive object. Setting the TxRqst bit of a receive object causes the transmission of a remote frame with the receive object's identifier. This remote frame triggers the other CAN node to start the transmission of the matching data frame. If the matching data frame is received before the remote frame can be transmitted, the TxRqst bit is automatically reset.

Setting the TxRqst bit without changing the contents of a message object requires the value 0x84 in bits [23:16] of the Command Register.

#### 21.10.11 Storing Received Messages in FIFO Buffers

Several message objects can be grouped to form one or more FIFO Buffers. Each FIFO Buffer configured to store received messages with a particular (group of) Identifiers. Arbitration and Mask registers of the FIFO Buffer's message objects are identical. The EoB (End of Buffer) bits of all but the last of the FIFO Buffer's message objects are 0, in the last bit the EoB bit is 1.

Received messages with identifiers matching to a FIFO Buffer are stored into a message object of this FIFO Buffer, starting with the message object with the lowest message number.

When a message is stored into a message object of a FIFO Buffer the NewDat bit of this message object is set. By setting NewDat while EoB is 0, the message object is locked for further write accesses by the message handler until the CPU has cleared the NewDat bit.

Messages are stored into a FIFO Buffer until the last message object of this FIFO Buffer is reached. If none of the preceding message objects is released by writing NewDat to 0, all further messages for this FIFO Buffer are written into the last message object of the FIFO Buffer (EoB = 1) and therefore overwrite previous messages in this message object.

#### 21.10.12 Reading from a FIFO Buffer

Several messages can be accumulated in a set of message objects that are concatenated to form a FIFO buffer before the application program is required (to avoid the loss of data) to empty the buffer. A FIFO buffer of length N stores N-1 plus the last received message since the last time the FIFO buffer was cleared. A FIFO buffer is cleared by reading and resetting the NewDat bits of all the message objects, starting at the FIFO object with the lowest message number. This can be done in a subroutine following the example shown in [Figure 21-13](#).

---

#### Note

All message objects of a FIFO buffer needs to be read and cleared before the next batch of messages can be stored. Otherwise, true FIFO functionality cannot be maintained, since the message objects of a partly read buffer are refilled according to the normal (descending) priority.

---

Reading from a FIFO Buffer message object and resetting the NewDat bit is handled the same way as reading from a single message object.

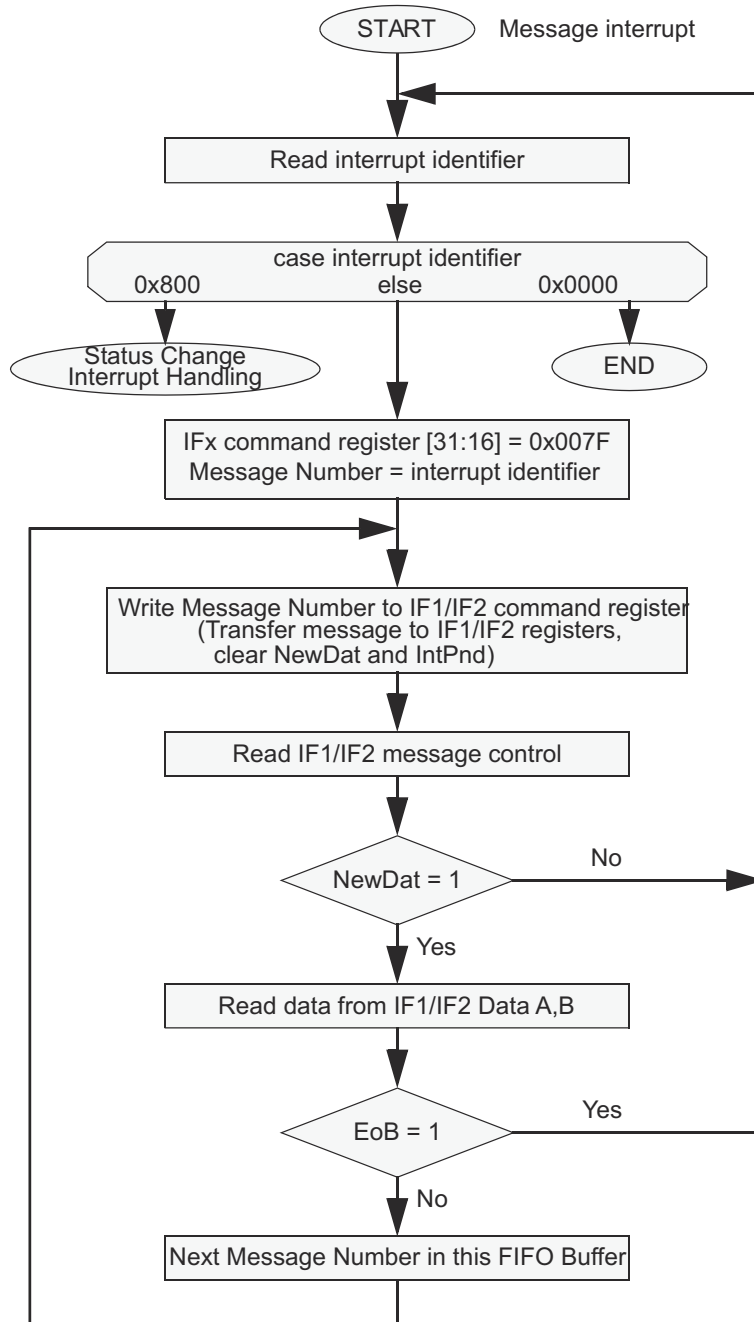


Figure 21-13. CPU Handling of a FIFO Buffer (Interrupt Driven)

## 21.11 CAN Bit Timing

The CAN supports bit rates up to 1000 kBit/s.

Each CAN node has its own clock generator, typically derived from a crystal oscillator. The bit timing parameters can be configured individually for each CAN node, creating a common Bit rate even though the CAN nodes' oscillator periods ( $F_{osc}$ ) can be different.

The frequencies of these oscillators are not absolutely stable. Small variations are caused by changes in temperature or voltage and by deteriorating components. As long as the variations remain inside a specific oscillator tolerance range ( $df$ ), the CAN nodes are able to compensate for the different bit rates by resynchronizing to the bit stream.

In many cases, the CAN bit synchronization amends a faulty configuration of the CAN bit timing to such a degree that only occasionally an error frame is generated. In the case of arbitration, when two or more CAN nodes simultaneously try to transmit a frame, a misplaced sample point can cause one of the transmitters to become error passive.

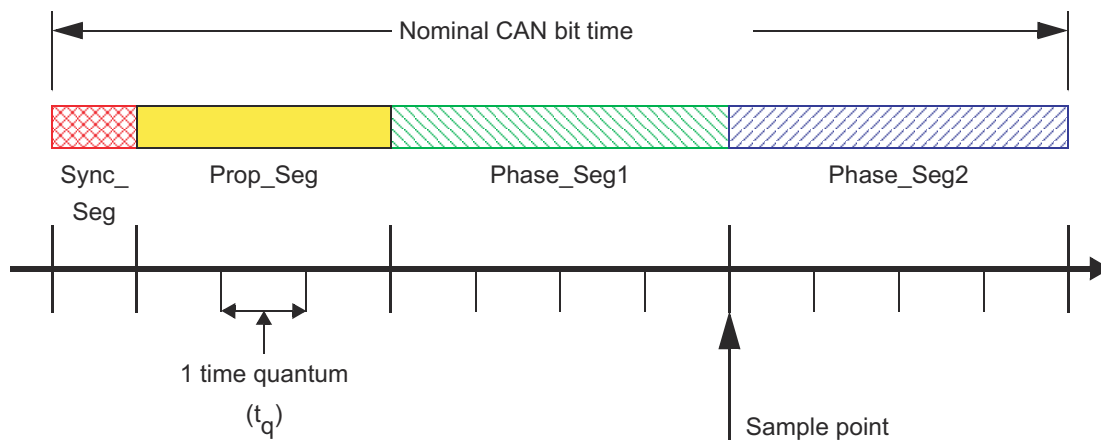
The analysis of such sporadic errors requires a detailed knowledge of the CAN bit synchronization inside a CAN node and of the CAN nodes' interaction on the CAN bus.

Even if minor errors in the configuration of the CAN bit timing do not result in immediate failure, the performance of a CAN network can be reduced significantly.

### 21.11.1 Bit Time and Bit Rate

According to the CAN specification, the Bit time is divided into four segments (see [Figure 21-14](#)):

- Synchronization Segment (Sync\_Seg)
- Propagation Time Segment (Prop\_Seg)
- Phase Buffer Segment 1 (Phase\_Seg1)
- Phase Buffer Segment 2 (Phase\_Seg2)



**Figure 21-14. Bit Timing**

Each segment consists of a specific number of time quanta. The length of one time quantum ( $t_q$ ), which is the basic time unit of the bit time, is given by the CAN\_CLK and the Baud Rate Prescalers (BRPE and BRP). With these two Baud Rate Prescalers combined, divider values from 1 to 1024 can be programmed:

$$t_q = \text{Baud Rate Prescaler} / \text{CAN\_CLK}$$

Apart from the fixed length of the synchronization segment, these numbers are programmable. [Table 21-4](#) describes the minimum programmable ranges required by the CAN protocol.

A given bit rate can be met by different bit time configurations.

**Table 21-4. Programmable Ranges Required by CAN Protocol**

Parameter	Range	Remark
Sync_Seg	1 $t_q$ (fixed)	Synchronization of bus input to CAN_CLK
Prop_Seg	[1 ... 8] $t_q$	Compensates for the physical delay times
Phase_Seg1	[1 ... 8] $t_q$	Can be lengthened temporarily by synchronization
Phase_Seg2	[1 ... 8] $t_q$	Can be shortened temporarily by synchronization
Synchronization Jump Width (SJW)	[1 ... 4] $t_q$	Cannot be longer than either phase buffer segment

**Note**

For proper functionality of the CAN network, the physical delay times and the oscillator's tolerance range must be considered.

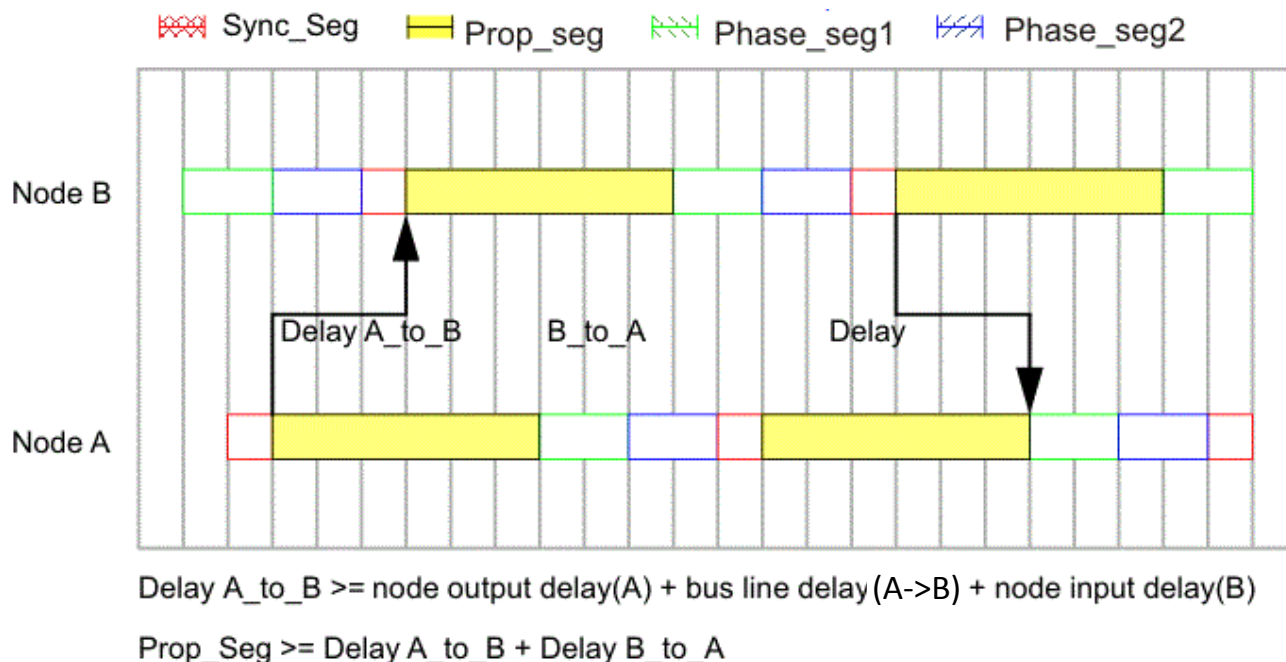
**21.11.1.1 Synchronization Segment**

The Synchronization Segment (Sync\_Seg) is the part of the bit time where edges of the CAN bus level are expected to occur. If an edge occurs outside of Sync\_Seg, its distance to the Sync\_Seg is called the phase error of this edge.

**21.11.1.2 Propagation Time Segment**

This part of the bit time is used to compensate physical delay times within the CAN network. These delay times consist of the signal propagation time on the bus and the internal delay time of the CAN nodes.

Any CAN node synchronized to the bit stream on the CAN bus can be out of phase with the transmitter of the bit stream, caused by the signal propagation time between the two nodes. The CAN protocol's nondestructive bitwise arbitration and the dominant acknowledge bit provided by receivers of CAN messages require that a CAN node transmitting a bit stream must also be able to receive dominant bits transmitted by other CAN nodes that are synchronized to that bit stream. The example in Figure 21-15 shows the phase shift and propagation times between two CAN nodes.


**Figure 21-15. Propagation Time Segment**



In this example, both nodes A and B are transmitters performing an arbitration for the CAN bus. Node A has sent a Start of Frame bit less than one bit time earlier than node B, therefore node B has synchronized itself to the received edge from recessive to dominant. Since node B has received this edge delay ( $A\_to\_B$ ) after the bit has been transmitted, node B's bit timing segments are shifted with regard to node A. Node B sends an identifier with higher priority, so node B wins the arbitration at a specific identifier bit when node B transmits a dominant bit while node A transmits a recessive bit. The dominant bit transmitted by node B arrives at node A after the delay ( $B\_to\_A$ ).

Due to oscillator tolerances, the actual position of node A's Sample Point can be anywhere inside the nominal range of node A's Phase Buffer Segments, so the bit transmitted by node B must arrive at node A before the start of Phase\_Seg1. This condition defines the length of Prop\_Seg.

If the edge from recessive to dominant transmitted by node B arrives at node A after the start of Phase\_Seg1, node A can potentially sample a recessive bit instead of a dominant bit, resulting in a bit error and the destruction of the current frame by an error flag.

This error only occurs when two nodes arbitrate for the CAN bus, which have oscillators of opposite ends of the tolerance range and are separated by a long bus line; this is an example of a minor error in the bit timing configuration (Prop\_Seg too short) that causes sporadic bus errors.

Some CAN implementations provide an optional 3-Sample Mode. The CAN module on this device does not. In this mode, the CAN bus input signal passes a digital low-pass filter, using three samples and a majority logic to determine the valid bit value. This results in an additional input delay of  $1 t_q$ , requiring a longer Prop\_Seg.

### 21.11.1.3 Phase Buffer Segments and Synchronization

The phase buffer segments (Phase\_Seg1 and Phase\_Seg2) and the synchronization jump width (SJW) are used to compensate for the oscillator tolerance.

The phase buffer segments surround the sample point. The phase buffer segments can be lengthened or shortened by synchronization.

The synchronization jump width (SJW) defines how far the resynchronizing mechanism can move the sample point inside the limits defined by the phase buffer segments to compensate for edge phase errors.

Synchronizations occur on edges from recessive to dominant. Their purpose is to control the distance between edges and sample points.

Edges are detected by sampling the actual bus level in each time quantum and comparing the sample with the bus level at the previous sample point. A synchronization can be done only if a recessive bit was sampled at the previous sample point and if the actual time quantum's bus level is dominant.

An edge is synchronous if the edge occurs inside of Sync\_Seg; otherwise, the distance to the Sync\_Seg is the edge phase error, measured in time quanta. If the edge occurs before Sync\_Seg, the phase error is negative; else, the phase error is positive.

Two types of synchronization exist: hard synchronization and resynchronization. A hard synchronization is done once at the start of a frame; inside a frame, only resynchronization is possible.

- **Hard Synchronization:** After a hard synchronization, the bit time is restarted with the end of Sync\_Seg, regardless of the edge phase error. Thus hard synchronization forces the edge which has caused the hard synchronization to lie within the synchronization segment of the restarted bit time.
- **Bit Resynchronization:** Resynchronization leads to a shortening or lengthening of the bit time such that the position of the sample point is shifted with regard to the edge.

When the phase error of the edge that causes resynchronization is positive, Phase\_Seg1 is lengthened. If the magnitude of the phase error is less than SJW, Phase\_Seg1 is lengthened by the magnitude of the phase error; else, Phase\_Seg1 is lengthened by SJW.

When the phase error of the edge that causes resynchronization is negative, Phase\_Seg2 is shortened. If the magnitude of the phase error is less than SJW, Phase\_Seg2 is shortened by the magnitude of the phase error; else, Phase\_Seg2 is shortened by SJW.

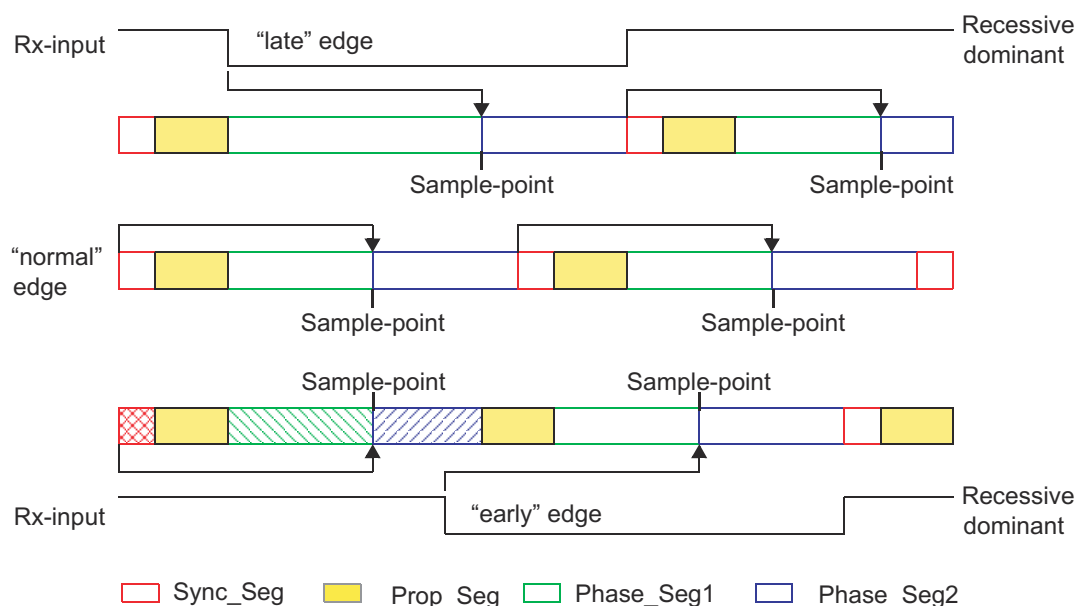
If the magnitude of the phase error of the edge is less than or equal to the programmed value of SJW, the results of hard synchronization and resynchronization are the same. If the magnitude of the phase error is larger than SJW, the resynchronization cannot compensate the phase error completely, and an error of (phase error - SJW) remains.

Only one synchronization can be done between two sample points. The synchronizations maintain a minimum distance between edges and sample points, giving the bus level time to stabilize and filtering out spikes that are shorter than (Prop\_Seg + Phase\_Seg1).

Apart from noise spikes, most synchronizations are caused by arbitration. All nodes synchronize "hard" on the edge transmitted by the "leading" transceiver that started transmitting first, but due to propagation delay times, the nodes cannot become completely synchronized. The "leading" transmitter does not necessarily win the arbitration; therefore, the receivers must synchronize themselves to different transmitters that subsequently "take the lead" and that are differently synchronized to the previously "leading" transmitter. The same happens at the acknowledge field, where the transmitter and some of the receivers must synchronize to the receiver that "takes the lead" in the transmission of the dominant acknowledge bit.

Synchronizations after the end of the arbitration are caused by oscillator tolerance, when the differences in the oscillator's clock periods of transmitter and receivers sum up during the time between synchronizations (at most 10 bits). These summarized differences cannot be longer than the SJW, limiting the oscillator's tolerance range.

The examples in [Figure 21-16](#) show how the phase buffer segments are used to compensate for phase errors. There are three drawings of each two consecutive bit timings. The upper drawing shows the synchronization on a "late" edge, the lower drawing shows the synchronization on an "early" edge, and the middle drawing is the reference without synchronization.



**Figure 21-16. Synchronization on Late and Early Edges**

In the first example, an edge from recessive to dominant occurs at the end of Prop\_Seg. The edge is "late" since the edge occurs after the Sync\_Seg. Reacting to the "late" edge, Phase\_Seg1 is lengthened so that the distance from the edge to the sample point is the same as from the Sync\_Seg to the sample point if no edge had occurred. The phase error of this "late" edge is less than SJW, so it is fully compensated and the edge from dominant to recessive at the end of the bit, which is one nominal bit time long, occurs in the Sync\_Seg.

In the second example, an edge from recessive to dominant occurs during Phase\_Seg2. The edge is "early" since it occurs before a Sync\_Seg. Reacting to the "early" edge, Phase\_Seg2 is shortened and Sync\_Seg is omitted, so that the distance from the edge to the sample point is the same as from a Sync\_Seg to the sample point if no edge had occurred. As in the previous example, the magnitude of this "early" edge's phase error is less than SJW, so it is fully compensated.

The phase buffer segments are lengthened or shortened temporarily only; at the next bit time, the segments return to their nominal programmed values.

In these examples, the bit timing is seen from the point of view of the CAN implementation's state machine, where the bit time starts and ends at the sample points. The state machine omits Sync\_Seg when synchronizing on an "early" edge because the state machine cannot subsequently redefine that time quantum of Phase\_Seg2 where the edge occurs to be the Sync\_Seg.

The examples in Figure 21-17 show how short dominant noise spikes are filtered by synchronizations. In both examples, the spike starts at the end of Prop\_Seg and has the length of (Prop\_Seg + Phase\_Seg1).

In the first example, the synchronization jump width is greater than or equal to the phase error of the spike's edge from recessive to dominant. Therefore the sample point is shifted after the end of the spike; a recessive bus level is sampled.

In the second example, SJW is shorter than the phase error, so the sample point cannot be shifted far enough; the dominant spike is sampled as actual bus level.

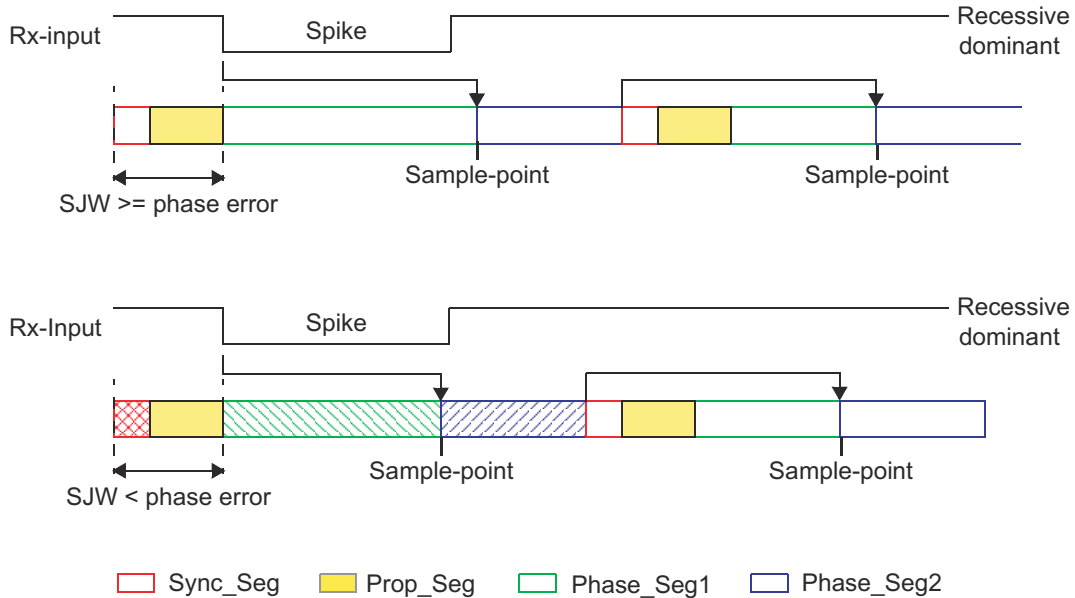


Figure 21-17. Filtering of Short Dominant Spikes

### 21.11.1.4 Oscillator Tolerance Range

With the introduction of CAN protocol version 1.2, the option to synchronize on edges from dominant to recessive became obsolete. Only edges from recessive to dominant are considered for synchronization. The protocol update to version 2.0 (A and B) had no influence on the oscillator tolerance.

The tolerance range  $df$  for an oscillator's frequency  $f_{osc}$  around the nominal frequency  $f_{nom}$  with:

$$(1 - df) * f_{nom} \leq f_{osc} \leq (1 + df) * f_{nom}$$

depends on the proportions of Phase\_Seg1, Phase\_Seg2, SJW, and the bit time. The maximum tolerance  $df$  is defined by two conditions (both must be met):

$$df \leq \frac{\min(Tseg1, Tseg2)}{2((13 \times bit\ time) - Tseg2)}$$

$$df \leq \frac{SJW}{20 \times bit\_time}$$

You must consider that SJW cannot be larger than the smaller of the phase buffer segments and that the propagation time segment limits that part of the bit time that can be used for the phase buffer segments.

The combination Prop\_Seg = 1 and Phase\_Seg1 = Phase\_Seg2 = SJW = 4 allows the largest possible oscillator tolerance of 1.58%. This combination with a Propagation Time Segment of only 10% of the bit time is not for short bit times; the combination can be used for bit rates of up to 125 kBit/s (bit time = 8  $\mu$ s) with a bus length of 40 m.

### 21.11.2 Configuration of the CAN Bit Timing

In the CAN, the bit timing configuration is programmed in two register bytes, additionally a third byte for a baud rate prescaler extension of 4 bits (BRPE) is provided. The sum of Prop\_Seg and Phase\_Seg1 (as TSEG1) is combined with Phase\_Seg2 (as TSEG2) in one byte, SJW and BRP (plus BRPE in third byte) are combined in the other byte (see [Figure 21-18](#)).

In this bit timing register, the components TSEG1, TSEG2, SJW, and BRP are programmed to a numerical value that is one less than the functional value; so instead of values in the range of [1...n], values in the range of [0...n-1] are programmed. That way, for example, SJW (functional range of [1...4]) is represented by only two bits.

Therefore the length of the bit time is either:

- (programmed values) [TSEG1 + TSEG2 + 3]  $t_q$
- (functional values) [Sync\_Seg + Prop\_Seg + Phase\_Seg1 + Phase\_Seg2]  $t_q$

The data in the Bit Timing Register is the configuration input of the CAN protocol controller. The baud rate prescaler (configured by BRPE/BRP) defines the length of the time quantum (the basic time unit of the bit time); the bit timing logic (configured by TSEG1, TSEG2, and SJW) defines the number of time quanta in the bit time.

The processing of the bit time, the calculation of the position of the Sample Point, and occasional synchronizations are controlled by the Bit timing state machine, which is evaluated once each time quantum. The rest of the CAN protocol controller, the Bit Stream Processor (BSP) state machine, is evaluated once each bit time, at the Sample Point.

The Shift register serializes the messages to be sent and parallelizes received messages. Loading and shifting is controlled by the BSP.

The BSP translates messages into frames and conversely. The BSP generates and discards the enclosing fixed format bits, inserts and extracts stuff bits, calculates and checks the CRC code, performs the error management, and decides which type of synchronization is to be used. It is evaluated at the sample point and processes the sampled bus input bit. The time after the sample point that is needed to calculate the next bit to be sent (for example, data bit, CRC bit, stuff bit, error flag, or idle) is called the Information Processing Time (IPT), which is  $0 t_q$  for the CAN.

Generally, the IPT is CAN controller specific, but cannot be longer than  $2 t_q$ . The IPT length is the lower limit of the programmed length of Phase\_Seg2. In case of a synchronization, Phase\_Seg2 can be shortened to a value less than IPT, which does not affect bus timing.

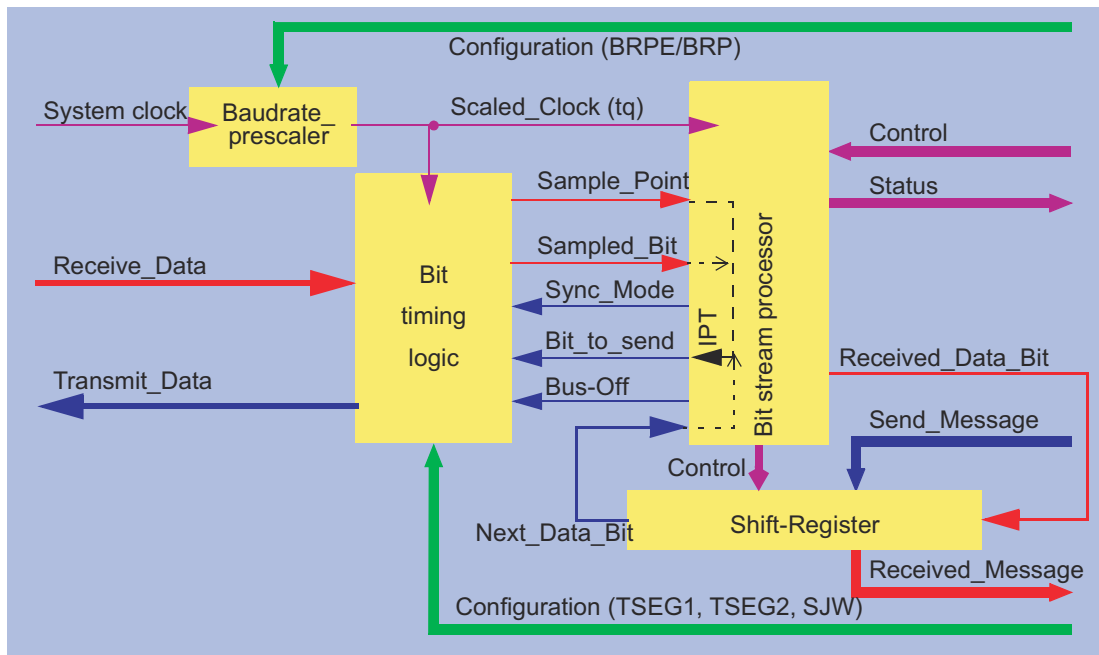


Figure 21-18. Structure of the CAN Core's CAN Protocol Controller

### 21.11.2.1 Calculation of the Bit Timing Parameters

Usually, the calculation of the bit timing configuration starts with a desired bit rate or bit time. The resulting Bit time (1/Bit rate) must be an integer multiple of the CAN clock period.

---

#### Note

8 MHz is the minimum CAN clock frequency required to operate the CAN at a bit rate of 1 MBit/s.

---

The bit time can consist of 8 to 25 time quanta. The length of the time quantum  $t_q$  is defined by the Baud Rate Prescaler with  $t_q = (\text{Baud Rate Prescaler}) / \text{CAN\_CLK}$ . Several combinations can lead to the desired bit time, allowing iterations of the following steps.

The first part of the bit time to be defined is the Prop\_Seg. The length depends on the delay times measured in the system. A maximum bus length as well as a maximum node delay has to be defined for expandable CAN bus systems. The resulting time for Prop\_Seg is converted into time quanta (rounded up to the nearest integer multiple of  $t_q$ ).

The Sync\_Seg is 1  $t_q$  long (fixed), leaving  $(\text{bit time} - \text{Prop\_Seg} - 1) t_q$  for the two Phase Buffer Segments. If the number of remaining  $t_q$  is even, the Phase Buffer Segments have the same length,  $\text{Phase\_Seg2} = \text{Phase\_Seg1}$ ; else,  $\text{Phase\_Seg2} = \text{Phase\_Seg1} + 1$ .

The minimum nominal length of Phase\_Seg2 has to be regarded as well. Phase\_Seg2 cannot be shorter than the Information Processing Time of any node in the network, which is device dependent and can be in the range of  $[0 \text{ to } 2] t_q$ .

The length of the synchronization jump width is set to the maximum value, which is the minimum of 4 and Phase\_Seg1.

The oscillator tolerance range necessary for the resulting configuration is calculated by the formulas given in [Section 21.11.1.4](#).

If more than one configurations are possible to reach a certain bit rate, it is recommended to choose the configuration that allows the highest oscillator tolerance range.

CAN nodes with different clocks require different configurations to come to the same bit rate. The calculation of the propagation time in the CAN network, based on the nodes with the longest delay times, is done once for the whole network.

The CAN system oscillator tolerance range is limited by the node with the lowest tolerance range.

The calculation can show that bus length or bit rate has to be decreased or that the oscillator frequency stability has to be increased to find a protocol compliant configuration of the CAN bit timing.

The resulting configuration is written into the Bit Timing register:

$$(\text{Phase\_Seg2}-1) \& (\text{Phase\_Seg1} + \text{Prop\_Seg} - 1) \& (\text{SynchronizationJumpWidth} - 1) \& (\text{Prescaler} - 1)$$

### 21.11.2.2 Example for Bit Timing at High Baudrate

In this example, the frequency of CAN\_CLK is 10 MHz, BRP is 0, the bit rate is 1 MBit/s.

$t_q$	100 ns	=	$t_{CAN\_CLK}$
delay of bus driver	90 ns	=	
delay of receiver circuit	40 ns	=	
delay of bus line (40m)	220 ns	=	
$t_{Prop}$	700 ns	=	$2 \cdot \text{delays} = 7 \cdot t_q$
$t_{SJW}$	100 ns	=	$1 \cdot t_q$
$t_{TSeg1}$	800 ns	=	$t_{Prop} + t_{SJW}$
$t_{TSeg2}$	100 ns	=	Information Processing Time + $1 \cdot t_q$
$t_{Sync-Seg}$	100 ns	=	$1 \cdot t_q$
bit time	1000 ns	=	$t_{Sync-Seg} + t_{TSeg1} + t_{TSeg2}$
tolerance for CAN_CLK	0.35 %	=	$\frac{\min(Tseg1, Tseg2)}{2((13 \times \text{bit time}) - Tseg2)}$
			$= \frac{0.1 \mu s}{2((13 \times 1 \mu s) - 0.1 \mu s)}$

In this example, the concatenated bit time parameters are  $(1-1)_3 \& (8-1)_4 \& (1-1)_2 \& (1-1)_6$ , so the Bit Timing Register is programmed to = 0x00000700.

### 21.11.2.3 Example for Bit Timing at Low Baudrate

In this example, the frequency of CAN\_CLK is 2 MHz, BRP is 1, the bit rate is 100 KBit/s.

$t_q$	1 $\mu s$	=	$2 \cdot t_{CAN\_CLK}$
delay of bus driver	200 ns	=	
delay of receiver circuit	80 ns	=	
delay of bus line (40m)	220 ns	=	
$t_{Prop}$	1 $\mu s$	=	$1 \cdot t_q$
$t_{SJW}$	4 $\mu s$	=	$4 \cdot t_q$
$t_{TSeg1}$	5 $\mu s$	=	$t_{Prop} + t_{SJW}$
$t_{TSeg2}$	4 $\mu s$	=	Information Processing Time + $4 \cdot t_q$
$t_{Sync-Seg}$	1 $\mu s$	=	$1 \cdot t_q$
bit time	10 $\mu s$	=	$t_{Sync-Seg} + t_{TSeg1} + t_{TSeg2}$
tolerance for CAN_CLK	1.58 %	=	$\frac{\min(Tseg1, Tseg2)}{2((13 \times \text{bit time}) - Tseg2)}$
			$= \frac{4 \mu s}{2((13 \times 10 \mu s) - 4 \mu s)}$

In this example, the concatenated bit time parameters are  $(4-1)_3 \& (5-1)_4 \& (4-1)_2 \& (2-1)_6$ , so the Bit Timing register is programmed to = 0x000034C1.

## 21.12 Message Interface Register Sets

The interface register sets control the CPU read and write accesses to the Message RAM. There are two interface register sets for read and write access (IF1 and IF2) and one Interface Register Set for read access only (IF3).

Due to the structure of the Message RAM, it is not possible to change single bits or bytes of a message object. Instead, always a complete message object in the Message RAM is accessed. Therefore the data transfer from the IF1/IF2 registers to the Message RAM requires the message handler to perform a read-modify-write cycle. First those parts of the message object that are not to be changed are read from the Message RAM into the Interface Register set, and after the update the whole content of the Interface Register set is written into the message object.

After the partial write of a message object, those parts of the Interface Register set that are not selected in the Command Register are set to the actual contents of the selected message object. After the partial read of a message object, those parts of the Interface Register set that are not selected in the Command Register are left unchanged.

By buffering the data to be transferred, the Interface Register sets avoid conflicts between concurrent CPU accesses to the Message RAM and CAN message reception and transmission. A complete message object (see [Section 21.13.1](#)) or parts of the message object can be transferred between the Message RAM and the IF1/IF2 Register set in one single transfer. This transfer, performed in parallel on all selected parts of the message object, maintains the data consistency of the CAN message.

There is one condition that can cause a write access to the message RAM to be lost. If `MsgVal = 1` for the message object that is accessed and CAN communication is ongoing, a transfer from the IFx register to message RAM can be lost. The reason this can happen is that the IFx register write to the message RAM occurs in between a read-modify-write access of the Host Message Handler when in the process of receiving a message for the same message object.

To avoid this issue with receive mail boxes, reset `MsgVal` before changing any of the following: `Id28-0`, `Xtd`, `Dir`, `DLC3-0`, `RxIE`, `TxIE`, `RmtEn`, `EoB`, `Umask`, `Msk28-0`, `MXtd`, and `MDir`.

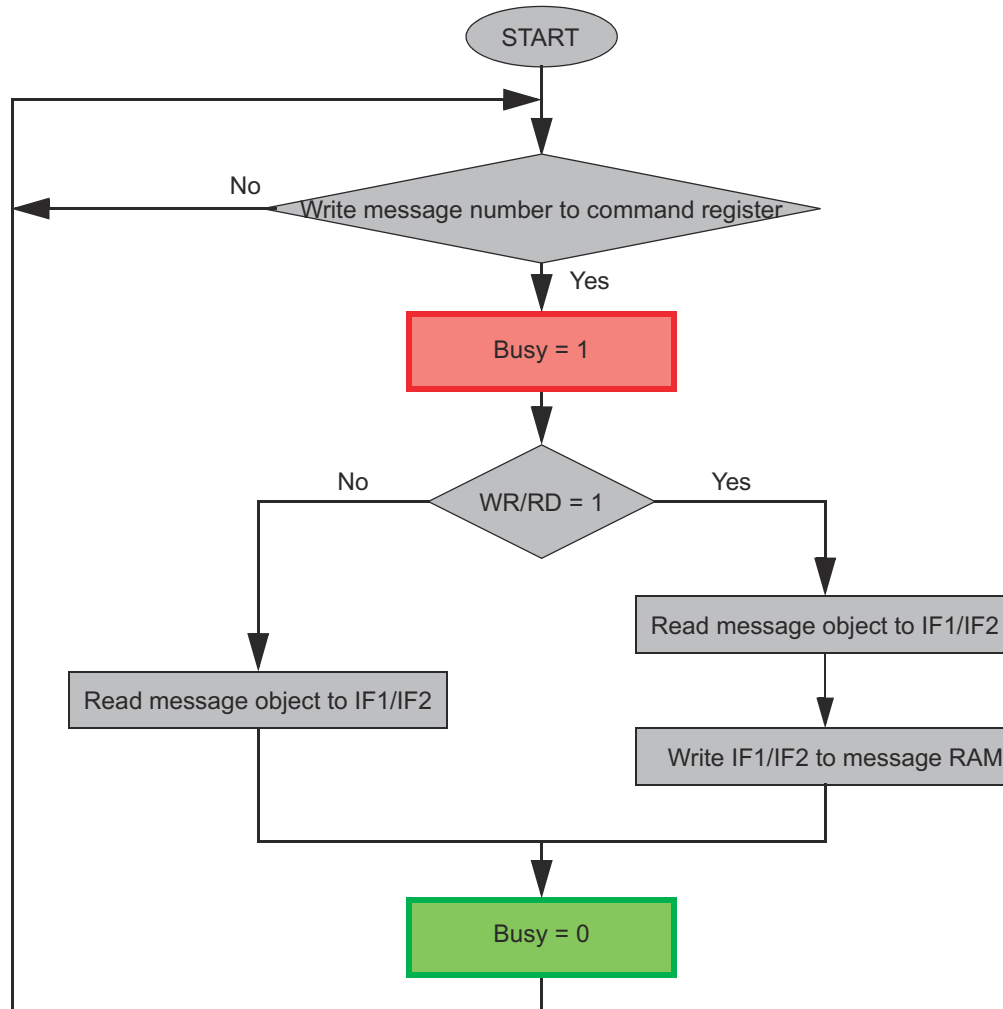
To avoid this issue with transmit mail boxes, reset `MsgVal` before changing any of the following: `Dir`, `RxIE`, `TxIE`, `RmtEn`, `EoB`, `Umask`, `Msk28-0`, `MXtd`, and `MDir`. Other fields not listed above, like `Data`, can be changed without fear of losing a write to the message RAM.

### 21.12.1 Message Interface Register Sets 1 and 2 (IF1 and IF2)

The IF1 and IF2 register sets allow data transfers to and from the message objects. The IFxCMD register for an interface control the direction of the data transfer. If the IFxCMD register is set to write, then the message object fields selected by the IFxCMD register are overwritten by values taken from the other IFx registers. If the IFxCMD register is set to read, then the message object fields selected by the IFxCMD register is copied from the message object to the other IFx registers. The interfaces allow for transfers of a complete message object as well as individual parts. The transfer begins with the desired message object number is written to bits 7:0 of the IFxCMD register.

When the CPU initiates a data transfer between the IF1/IF2 registers and Message RAM, the message handler sets the Busy bit in the respective Command Register to 1. After the transfer has completed, the Busy bit is set back to 0 (see [Figure 21-19](#)).





**Figure 21-19. Data Transfer Between IF1 / IF2 Registers and Message RAM**

### 21.12.2 Message Interface Register Set 3 (IF3)

The IF3 register set can automatically be updated with received message objects without the need to initiate the transfer from Message RAM by CPU. The automatic update functionality can be programmed for each message object (see the IF3 Update Enable register).

All valid message objects in Message RAM that are configured for automatic update are checked for active NewDat flags. If such a message object is found, the message objects are transferred to the IF3 register, controlled by IF3 Observation register. If more than one NewDat flag is active, the message object with the lowest number has the highest priority for automatic IF3 update.

The NewDat bit in the message object is reset by a transfer to IF3.

If DCAN internal IF3 update is complete, an IF3 interrupt can also be generated.

#### Note

The IF3 register set cannot be used for transferring data into message objects.

## 21.13 Message RAM

The CAN Message RAM contains message objects and parity bits for the message objects. There are 32 message objects in the Message RAM.

During normal operation, accesses to the Message RAM are performed using the Interface Register sets, and the CPU cannot directly access the Message RAM.

The Interface Register sets IF1 and IF2 provide indirect read/write access from the CPU to the Message RAM. The IF1 and IF2 register sets can buffer control and user data to be transferred to and from the message objects.

The third Interface Register set IF3 can be configured to automatically receive control and user data from the Message RAM when a message object has been updated after reception of a CAN message. The CPU does not need to initiate the transfer from Message RAM to IF3 Register set.

The message handler avoids potential conflicts between concurrent accesses to Message RAM and CAN frame reception/transmission.

The message RAM can only be accessed in debug mode. The message RAM base address is 0x1000 above the base address of the CAN peripheral.

### 21.13.1 Structure of Message Objects

Figure 21-20 shows the structure of a message object.

The grayed fields are those parts of the message object which are represented in dedicated registers. For example, the transmit request flags of all message objects are represented in centralized transmit request registers.

**Figure 21-20. Structure of a Message Object**

Message Object												
UMask	Msk[28:0]	MXtd	MDir	EoB	unused	NewDat	MsgLst	RxIE	TxE	IntPnd	RmtEn	TxRqst
MsgVal	ID[28:0]	Xtd	Dir	DLC[3:0]	Data 0	Data 1	Data 2	Data 3	Data 4	Data 5	Data 6	Data 7

**Table 21-5. Message Object Field Descriptions**

Name	Value	Description
MsgVal	0 1	Message valid The message object is ignored by the message handler. The message object is to be used by the message handler. Note: This bit can be kept at level 1 even when the identifier bits ID[28:0], the control bits Xtd, Dir, or the data length code DLC[3:0] are changed.
UMask	0 1	Use Acceptance Mask Mask bits (Msk[28:0], MXtd and MDir) are ignored and not used for acceptance filtering. Mask bits are used for acceptance filtering. Note: If the UMask bit is set to 1, the message object's mask bits are programmed during initialization of the message object before MsgVal is set to 1. Note: The bit functionality in the DCAN module is the opposite of the Local Acceptance Mask bit functionality in the eCAN module found in older C28x devices, where a 1 means the corresponding bit is not used for filtering and a 0 means the bit is used.
ID[28:0]	ID[28:0] ID[28:18]	Message Identifier 29-bit ("extended") identifier bits 11-bit ("standard") identifier bits

**Table 21-5. Message Object Field Descriptions (continued)**

Name	Value	Description
Msk[28:0]	0	Identifier Mask The corresponding bit in the message identifier is not used for acceptance filtering (don't care).
	1	The corresponding bit in the message identifier is used for acceptance filtering. Note: The bit functionality in the DCAN module is the opposite of the Local Acceptance Mask bit functionality in the eCAN module found in older C28x devices, where a 1 means the corresponding bit is not used for filtering, and a 0 means the bit is used.
Xtd	0	Extended Identifier The 11-bit ("standard") identifier is used for this message object.
	1	The 29-bit ("extended") identifier is used for this message object.
MXtd	0	Mask Extended Identifier The extended identifier bit (IDE) has no effect on the acceptance filtering.
	1	The extended identifier bit (IDE) is used for acceptance filtering. Note: When 11-bit ("standard") Identifiers are used for a message object, the identifiers of received data frames are written into bits ID[28:18]. For acceptance filtering, only these bits together with mask bits Msk[28:18] are considered.
Dir	0	Message Direction Direction = receive: On TxRqst, a remote frame with the identifier of this message object is transmitted. On reception of a data frame with matching identifier, the message is stored in this message object.
	1	Direction = transmit: On TxRqst, a data frame is transmitted. On reception of a remote frame with matching identifier, the TxRqst bit of this message object is set (if RmtEn = 1).
MDir	0	Mask Message Direction The message direction bit (Dir) has no effect on the acceptance filtering.
	1	The message direction bit (Dir) is used for acceptance filtering.
EOB	0	End of Block The message object is part of a FIFO Buffer block and is not the last message object of this FIFO Buffer block.
	1	The message object is a single message object or the last message object in a FIFO Buffer Block. Note: This bit is used to concatenate multiple message objects to build a FIFO Buffer. For single message objects (not belonging to a FIFO Buffer), this bit must always be set to 1.
NewDat	0	New Data No new data has been written into the data bytes of this message object by the message handler since the last time when this flag was cleared by the CPU.
	1	The message handler or the CPU has written new data into the data bytes of this message object.
MsgLst	0	Message Lost (only valid for Message Objects with direction = receive) No message was lost since the last time when this bit was reset by the CPU.
	1	The message handler stored a new message into this message object when NewDat was still set, so the previous message has been overwritten.
RxIE	0	Receive Interrupt Enable IntPnd is not triggered after the successful reception of a frame.
	1	IntPnd is triggered after the successful reception of a frame.
TxIE	0	Transmit Interrupt Enable IntPnd is not triggered after the successful transmission of a frame.
	1	IntPnd is triggered after the successful transmission of a frame.
IntPnd	0	Interrupt Pending This message object is not the source of an interrupt.
	1	This message object is the source of an interrupt. The Interrupt Identifier in the Interrupt Register point to this message object, if there is no other interrupt source with higher priority.

**Table 21-5. Message Object Field Descriptions (continued)**

Name	Value	Description
RmtEn	0	Remote Enable At the reception of a remote frame, TxRqst is not changed.
	1	At the reception of a remote frame, TxRqst is set. Note: See <a href="#">Section 21.10.8</a> for details on the setup of RmtEn and UMask for remote frames.
TxRqst	0	Transmit Request This message object is not waiting for a transmission.
	1	The transmission of this message object is requested and is not yet done.
DLC[3:0]	0-8	Data length code Data frame has 0-8 data bytes.
	9-15	Data frame has 8 data bytes. Note: The data length code of a message object must be defined to the same value as in the corresponding objects with the same identifier at other nodes. When the message handler stores a data frame, the message handler writes the DLC to the value given by the received message.
Data 0		1st data byte of a CAN data frame
Data 1		2nd data byte of a CAN data frame
Data 2		3rd data byte of a CAN data frame
Data 3		4th data byte of a CAN data frame
Data 4		5th data byte of a CAN data frame
Data 5		6th data byte of a CAN data frame
Data 6		7th data byte of a CAN data frame
Data 7		8th data byte of a CAN data frame Note: Byte Data 0 is the first data byte shifted into the shift register of the CAN core during a reception, byte Data 7 is the last. When the message handler stores a data frame, the message handler writes all the eight data bytes into a message object. If the data length code is less than 8, the remaining bytes of the message object can be overwritten by undefined values.

### 21.13.2 Addressing Message Objects in RAM

The starting location of a particular message object in RAM is:

$$\text{Message RAM base address} + (\text{message object number}) * 0x20$$

This means that Message Object 1 starts at offset 0x0020; Message Object 2 starts at offset 0x0040, and so on.

#### Note

A 0 is not a valid message object number. At address 0x0000, the last message object (32) (with the lowest priority) is located. Writing to the address of an unimplemented message object can overwrite an implemented message object.

Message Object number 1 has the highest priority.

**Table 21-6. Message RAM Addressing in Debug Mode**

Message Object Number	Offset From Base Address	Word Number	Debug Mode <sup>(1)</sup>
last implemented (here:32)	0x0000	1	Parity
	0x0004	2	MXtd,MDir,Mask
	0x0008	3	Xtd,Dir,ID
	0x000C	4	Ctrl
	0x0010	5	Data Bytes 3-0
	0x0014	6	Data Bytes 7-4
1	0x0020	1	Parity
	0x0024	2	MXtd,MDir,Mask
	0x0028	3	Xtd,Dir,ID
	0x002C	4	Ctrl
	0x0030	5	Data Bytes 3-0
	0x0034	6	Data Bytes 7-4
2	0x0040	1	Parity
	0x0044	2	MXtd,MDir,Mask
	0x0048	3	Xtd,Dir,ID
	0x004C	4	Ctrl
	0x0050	5	Data Bytes 3-0
	0x0054	6	Data Bytes 7-4
...	...	...	...
31	0x03E0	1	Parity
	0x03E4	2	MXtd,MDir,Mask
	0x03E8	3	Xtd,Dir,ID
	0x03EC	4	Ctrl
	0x03F0	5	Data Bytes 3-0
	0x03F4	6	Data Bytes 7-4

(1) See [Section 21.13.3](#).

### 21.13.3 Message RAM Representation in Debug Mode

In debug mode, the Message RAM is memory-mapped. This allows the external debug unit to access the Message RAM.

#### Note

During debug mode, the Message RAM cannot be accessed using the IFx register sets.

**Figure 21-21. Message RAM Representation in Debug Mode**

31	30	29	28	27	26	25	24	23	22	21	20	19	18	17	16
15	14	13	12	11	10	9	8	7	6	5	4	3	2	1	0

#### MsgAddr + 0x00

Reserved															
Reserved												Parity[4:0]			

#### MsgAddr + 0x04

MXtd	MDir	Rsvd	Msk[28:16]												
Msk[15:0]															

#### MsgAddr + 0x08

Rsvd	Xtd	Dir	ID[28:16]												
ID[15:0]															

#### MsgAddr + 0x0C

Reserved															
Rsvd	MsgLst	Rsvd	UMask	TxIE	RxIE	RmtEn	Rsvd	EOB	Reserved						DLC[3:0]

#### MsgAddr + 0x10

Data 3								Data 2							
Data 1								Data 0							

#### MsgAddr + 0x14

Data 7								Data 6							
Data 5								Data 4							

## 21.14 Software

### 21.14.1 CAN Examples

NOTE: These examples are located in the [C2000Ware](#) installation at the following location:  
 C2000Ware\_VERSION#/driverlib/DEVICE\_GPN/examples/CORE\_IF\_MULTICORE/can

Cloud access to these examples is available at the following link: [dev.ti.com](http://dev.ti.com) [C2000Ware Examples](#).

## 21.15 CAN Registers

This section describes the Controller Area Network registers.

### 21.15.1 CAN Base Addresses

**Table 21-7. CAN Base Address Table**

Device Registers	Register Name	Start Address	End Address
CanaRegs	CAN_REGS	0x0004_8000	0x0004_87FF
CanbRegs	CAN_REGS	0x0004_A000	0x0004_A7FF

## 21.15.2 CAN\_REGS Registers

Table 21-8 lists the memory-mapped registers for the CAN\_REGS registers. All register offset addresses not listed in Table 21-8 should be considered as reserved locations and the register contents should not be modified.

**Table 21-8. CAN\_REGS Registers**

Offset	Acronym	Register Name	Write Protection	Section
0h	CAN_CTL	CAN Control Register		<a href="#">Go</a>
4h	CAN_ES	Error and Status Register		<a href="#">Go</a>
8h	CAN_ERRC	Error Counter Register		<a href="#">Go</a>
Ch	CAN_BTR	Bit Timing Register		<a href="#">Go</a>
10h	CAN_INT	Interrupt Register		<a href="#">Go</a>
14h	CAN_TEST	Test Register		<a href="#">Go</a>
1Ch	CAN_PERR	CAN Parity Error Code Register		<a href="#">Go</a>
40h	CAN_RAM_INIT	CAN RAM Initialization Register		<a href="#">Go</a>
50h	CAN_GLB_INT_EN	CAN Global Interrupt Enable Register		<a href="#">Go</a>
54h	CAN_GLB_INT_FLG	CAN Global Interrupt Flag Register		<a href="#">Go</a>
58h	CAN_GLB_INT_CLR	CAN Global Interrupt Clear Register		<a href="#">Go</a>
80h	CAN_ABOTR	Auto-Bus-On Time Register		<a href="#">Go</a>
84h	CAN_TXRQ_X	CAN Transmission Request Register		<a href="#">Go</a>
88h	CAN_TXRQ_21	CAN Transmission Request 2_1 Register		<a href="#">Go</a>
98h	CAN_NDAT_X	CAN New Data Register		<a href="#">Go</a>
9Ch	CAN_NDAT_21	CAN New Data 2_1 Register		<a href="#">Go</a>
ACh	CAN_IPEN_X	CAN Interrupt Pending Register		<a href="#">Go</a>
B0h	CAN_IPEN_21	CAN Interrupt Pending 2_1 Register		<a href="#">Go</a>
C0h	CAN_MVAL_X	CAN Message Valid Register		<a href="#">Go</a>
C4h	CAN_MVAL_21	CAN Message Valid 2_1 Register		<a href="#">Go</a>
D8h	CAN_IP_MUX21	CAN Interrupt Multiplexer 2_1 Register		<a href="#">Go</a>
100h	CAN_IF1CMD	IF1 Command Register		<a href="#">Go</a>
104h	CAN_IF1MSK	IF1 Mask Register		<a href="#">Go</a>
108h	CAN_IF1ARB	IF1 Arbitration Register		<a href="#">Go</a>
10Ch	CAN_IF1MCTL	IF1 Message Control Register		<a href="#">Go</a>
110h	CAN_IF1DATA	IF1 Data A Register		<a href="#">Go</a>
114h	CAN_IF1DATB	IF1 Data B Register		<a href="#">Go</a>
120h	CAN_IF2CMD	IF2 Command Register		<a href="#">Go</a>
124h	CAN_IF2MSK	IF2 Mask Register		<a href="#">Go</a>
128h	CAN_IF2ARB	IF2 Arbitration Register		<a href="#">Go</a>
12Ch	CAN_IF2MCTL	IF2 Message Control Register		<a href="#">Go</a>
130h	CAN_IF2DATA	IF2 Data A Register		<a href="#">Go</a>
134h	CAN_IF2DATB	IF2 Data B Register		<a href="#">Go</a>
140h	CAN_IF3OBS	IF3 Observation Register		<a href="#">Go</a>
144h	CAN_IF3MSK	IF3 Mask Register		<a href="#">Go</a>
148h	CAN_IF3ARB	IF3 Arbitration Register		<a href="#">Go</a>
14Ch	CAN_IF3MCTL	IF3 Message Control Register		<a href="#">Go</a>
150h	CAN_IF3DATA	IF3 Data A Register		<a href="#">Go</a>
154h	CAN_IF3DATB	IF3 Data B Register		<a href="#">Go</a>
160h	CAN_IF3UPD	IF3 Update Enable Register		<a href="#">Go</a>



Complex bit access types are encoded to fit into small table cells. [Table 21-9](#) shows the codes that are used for access types in this section.

**Table 21-9. CAN\_REGS Access Type Codes**

Access Type	Code	Description
Read Type		
R	R	Read
R-0	R-0	Read Returns 0s
Write Type		
W	W	Write
W1C	W 1C	Write 1 to clear
W1S	W 1S	Write 1 to set
Reset or Default Value		
-n		Value after reset or the default value
Register Array Variables		
i,j,k,l,m,n		When these variables are used in a register name, an offset, or an address, they refer to the value of a register array where the register is part of a group of repeating registers. The register groups form a hierarchical structure and the array is represented with a formula.
y		When this variable is used in a register name, an offset, or an address it refers to the value of a register array.

### 21.15.2.1 CAN\_CTL Register (Offset = 0h) [Reset = 0001401h]

CAN\_CTL is shown in [Figure 21-22](#) and described in [Table 21-10](#).

Return to the [Summary Table](#).

This register is used for configuring the CAN module in terms of interrupts, parity, debug-mode behavior etc.

**Figure 21-22. CAN\_CTL Register**

31	30	29	28	27	26	25	24
RESERVED						RESERVED	RESERVED
R-0h						R/W-0h	R/W-0h
23	22	21	20	19	18	17	16
RESERVED			RESERVED	RESERVED	RESERVED	IE1	INITDBG
R-0h			R/W-0h	R/W-0h	R/W-0h	R/W-0h	R-0h
15	14	13	12	11	10	9	8
SWR	RESERVED	PMD				ABO	IDS
R-0/W1C-0h	R-0h	R/W-5h				R/W-0h	R/W-0h
7	6	5	4	3	2	1	0
Test	CCE	DAR	RESERVED	EIE	SIE	IE0	Init
R/W-0h	R/W-0h	R/W-0h	R-0h	R/W-0h	R/W-0h	R/W-0h	R/W-1h

**Table 21-10. CAN\_CTL Register Field Descriptions**

Bit	Field	Type	Reset	Description
31-26	RESERVED	R	0h	Reserved
25	RESERVED	R/W	0h	Reserved
24	RESERVED	R/W	0h	Reserved
23-21	RESERVED	R	0h	Reserved
20	RESERVED	R/W	0h	Reserved
19	RESERVED	R/W	0h	Reserved
18	RESERVED	R/W	0h	Reserved
17	IE1	R/W	0h	Interrupt line 1 Enable 0 CANINT1 is disabled. 1 CANINT1 is enabled. Interrupts will assert CANINT1 line to 1 line remains active until pending interrupts are processed. Reset type: SYSRSn
16	INITDBG	R	0h	Debug Mode Status Bit: This bit indicates the internal init state for a debug access 0 Not in debug mode, or debug mode requested but not entered. 1 Debug mode requested and internally entered the CAN module is ready for debug accesses. Reset type: SYSRSn

**Table 21-10. CAN\_CTL Register Field Descriptions (continued)**

Bit	Field	Type	Reset	Description
15	SWR	R-0/W1C	0h	Software Reset Enable Bit: This bit activates the software reset. 0 Normal Operation. 1 Module is forced to reset state. This bit will get cleared automatically one clock cycle after execution of software reset. Note: To execute software reset, the following procedure is necessary: 1. Set INIT bit to shut down CAN communication. 2. Set SWR bit. Note: This bit is write-protected by Init bit. If module is reset using the SWR bit, no user configuration is lost. Only status bits get reset along with logic which needs to be reset for the next CAN transaction. If module is reset using SOFTPRES register, entire module will get reset, including configuration registers. Reset type: SYSRSn
14	RESERVED	R	0h	Reserved
13-10	PMD	R/W	5h	Parity on/off 0101 Parity function disabled Any other value - Parity function enabled Reset type: SYSRSn
9	ABO	R/W	0h	Auto-Bus-On Enable 0 The Auto-Bus-On feature is disabled 1 The Auto-Bus-On feature is enabled Reset type: SYSRSn
8	IDS	R/W	0h	Interruption Debug Support Enable 0 When Debug mode is requested, the CAN module will wait for a started transmission or reception to be completed before entering Debug mode 1 When Debug mode is requested, the CAN module will interrupt any transmission or reception, and enter Debug mode immediately. Reset type: SYSRSn
7	Test	R/W	0h	Test Mode Enable 0 Disable Test Mode (Normal operation) 1 Enable Test Mode Reset type: SYSRSn
6	CCE	R/W	0h	Configuration Change Enable 0 The CPU has no write access to the configuration registers. 1 The CPU has write access to the configuration registers (when Init bit is set). Reset type: SYSRSn
5	DAR	R/W	0h	Disable Automatic Retransmission 0 Automatic Retransmission of 'not successful' messages enabled. 1 Automatic Retransmission disabled. Reset type: SYSRSn
4	RESERVED	R	0h	Reserved
3	EIE	R/W	0h	Error Interrupt Enable 0 Disabled - PER, BOff and EWarn bits cannot generate an interrupt. 1 Enabled - PER, BOff and EWarn bits can generate an interrupt at CANINT0 line and affect the Interrupt Register. Reset type: SYSRSn
2	SIE	R/W	0h	Status Change Interrupt Enable 0 Disabled - RxOk, TxOk and LEC bits cannot generate an interrupt. 1 Enabled - RxOk, TxOk and LEC can generate an interrupt on the CANINT0 line Reset type: SYSRSn

**Table 21-10. CAN\_CTL Register Field Descriptions (continued)**

Bit	Field	Type	Reset	Description
1	IE0	R/W	0h	Interrupt line 0 Enable 0 CANINT0 is disabled. 1 CANINT0 is enabled. Interrupts will assert CANINT0 line to 1 line remains active until pending interrupts are processed. Reset type: SYSRSn
0	Init	R/W	1h	Initialization Mode This bit is used to keep the CAN module inactive during bit timing configuration and message RAM initialization. It is set automatically during a bus off event. Clearing this bit will not shorten the bus recovery time. 0 CAN module processes messages normally 1 CAN module ignores bus activity Reset type: SYSRSn

### 21.15.2.2 CAN\_ES Register (Offset = 4h) [Reset = 0000007h]

CAN\_ES is shown in [Figure 21-23](#) and described in [Table 21-11](#).

Return to the [Summary Table](#).

This register indicates error conditions, if any, of the CAN module. Interrupts are generated by PER, BOff and EWarn bits (if EIE bit in CAN Control Register is set) and by RxOk, TxOk, and LEC bits (if SIE bit in CAN Control Register is set). A change of bit EPass will not generate an Interrupt.

Reading the Error and Status Register clears the PER, RxOk and TxOk bits and sets the LEC to value '7'. Additionally, the Status Interrupt value (0x8000) in the Interrupt Register will be replaced by the next lower priority interrupt value.

For debug support, the auto clear functionality of Error and Status Register (clear of status flags by read) is disabled when in Debug/Suspend mode.

**Figure 21-23. CAN\_ES Register**

31	30	29	28	27	26	25	24
RESERVED							
R-0h							
23	22	21	20	19	18	17	16
RESERVED							
R-0h							
15	14	13	12	11	10	9	8
RESERVED					RESERVED	RESERVED	PER
R-0h				R-0h		R-0h	R-0h
7	6	5	4	3	2	1	0
BOff	EWarn	EPass	RxOk	TxOk	LEC		
R-0h	R-0h	R-0h	R-0h	R-0h	R-7h		

**Table 21-11. CAN\_ES Register Field Descriptions**

Bit	Field	Type	Reset	Description
31-11	RESERVED	R	0h	Reserved
10	RESERVED	R	0h	Reserved
9	RESERVED	R	0h	Reserved
8	PER	R	0h	Parity Error Detected: This bit will be reset after the CPU reads the register. 0 No parity error has been detected since last read access. 1 The parity check mechanism has detected a parity error in the Message RAM. Reset type: SYSRSn
7	BOff	R	0h	Bus-off Status Bit: 0 The CAN module is not in Bus-Off state. 1 The CAN module is in Bus-Off state. Reset type: SYSRSn
6	EWarn	R	0h	Warning State Bit: 0 Both error counters are below the error warning limit of 96. 1 At least one of the error counters has reached the error warning limit of 96. Reset type: SYSRSn
5	EPass	R	0h	Error Passive State 0 On CAN Bus error, the CAN could send active error frames. 1 The CAN Core is in the error passive state as defined in the CAN Specification. Reset type: SYSRSn

**Table 21-11. CAN\_ES Register Field Descriptions (continued)**

Bit	Field	Type	Reset	Description
4	RxOk	R	0h	<p>Reception status Bit: This bit indicates the status of reception. The bit will be reset after the CPU reads the register.</p> <p>0 No message has been successfully received since the last time when this bit was read by the CPU. This bit is never reset by CAN internal events.</p> <p>1 A message has been successfully received since the last time when this bit was reset by a read access of the CPU. This bit will be set independent of the result of acceptance filtering.</p> <p>Reset type: SYSRSn</p>
3	TxOk	R	0h	<p>Transmission status Bit: This bit indicates the status of transmission. The bit will be reset after the CPU reads the register.</p> <p>0 No message has been successfully transmitted since the last time when this bit was read by the CPU. This bit is never reset by CAN internal events.</p> <p>1 A message has been successfully transmitted (error free and acknowledged by at least one other node) since the last time when this bit was cleared by a read access of the CPU.</p> <p>Reset type: SYSRSn</p>
2-0	LEC	R	7h	<p>Last Error Code</p> <p>The LEC field indicates the type of the last error on the CAN bus. This field will be cleared to '0' when a message has been transferred (reception or transmission) without error. This field will be reset to '7' whenever the CPU reads the register.</p> <p>0 No Error</p> <p>1 Stuff Error: More than five equal bits in a row have been detected in a part of a received message where this is not allowed.</p> <p>2 Form Error: A fixed format part of a received frame has the wrong format.</p> <p>3 Ack Error: The message this CAN Core transmitted was not acknowledged by another node.</p> <p>4 Bit1 Error: During the transmission of a message (with the exception of the arbitration field), the device wanted to send a recessive level (bit of logical value '1'), but the monitored bus value was dominant.</p> <p>5 Bit0 Error: During the transmission of a message (or acknowledge bit, or active error flag, or overload flag), the device wanted to send a dominant level (logical value '0'), but the monitored bus level was recessive. During Bus-Off recovery, this status is set each time a sequence of 11 recessive bits has been monitored. This enables the CPU to monitor the proceeding of the Bus-Off recovery sequence (indicating the bus is not stuck at dominant or continuously disturbed).</p> <p>6 CRC Error: In a received message, the CRC check sum was incorrect. (CRC received for an incoming message does not match the calculated CRC for the received data).</p> <p>7 No CAN bus event was detected since the last time when CPU has read the Error and Status Register. Any read access to the Error and Status Register re-initializes the LEC to value '7'.</p> <p>Reset type: SYSRSn</p>

### 21.15.2.3 CAN\_ERRC Register (Offset = 8h) [Reset = 0000000h]

CAN\_ERRC is shown in [Figure 21-24](#) and described in [Table 21-12](#).

Return to the [Summary Table](#).

This register reflects the value of the Transmit and Receive error counters

**Figure 21-24. CAN\_ERRC Register**

31	30	29	28	27	26	25	24	23	22	21	20	19	18	17	16
RESERVED															
R-0h															
15	14	13	12	11	10	9	8	7	6	5	4	3	2	1	0
RP		REC						TEC							
R-0h				R-0h						R-0h					

**Table 21-12. CAN\_ERRC Register Field Descriptions**

Bit	Field	Type	Reset	Description
31-16	RESERVED	R	0h	Reserved
15	RP	R	0h	Receive Error Passive 0 The Receive Error Counter is below the error passive level. 1 The Receive Error Counter has reached the error passive level as defined in the CAN Specification. Reset type: SYSRSn
14-8	REC	R	0h	Receive Error Counter Actual state of the Receive Error Counter (values from 0 to 127). Reset type: SYSRSn
7-0	TEC	R	0h	Transmit Error Counter Actual state of the Transmit Error Counter. (values from 0 to 255). Reset type: SYSRSn

### 21.15.2.4 CAN\_BTR Register (Offset = Ch) [Reset = 00002301h]

CAN\_BTR is shown in [Figure 21-25](#) and described in [Table 21-13](#).

Return to the [Summary Table](#).

This register is used to configure the bit-timing parameters for the CAN module. This register is only writable if CCE and Init bits in the CAN Control Register are set.

The CAN bit time may be programmed in the range of 8 to 25 time quanta.

The CAN time quantum may be programmed in the range of 1 to 1024 CAN\_CLK periods.

**Figure 21-25. CAN\_BTR Register**

31	30	29	28	27	26	25	24
RESERVED							
R-0h							
23	22	21	20	19	18	17	16
RESERVED				BRPE			
R-0h				R/W-0h			
15	14	13	12	11	10	9	8
RESERVED	TSEG2			TSEG1			
R-0h		R/W-2h		R/W-3h			
7	6	5	4	3	2	1	0
SJW		BRP					
R/W-0h		R/W-1h					

**Table 21-13. CAN\_BTR Register Field Descriptions**

Bit	Field	Type	Reset	Description
31-20	RESERVED	R	0h	Reserved
19-16	BRPE	R/W	0h	Baud Rate Prescaler Extension Valid programmed values are 0 to 15. By programming BRPE the Baud Rate Prescaler can be extended to values up to 1024. Note: This bit is Write Protected by CCE bit. Reset type: SYSRSn
15	RESERVED	R	0h	Reserved
14-12	TSEG2	R/W	2h	Time segment after the sample point Valid programmed values are 0 to 7. The actual TSeg2 value which is interpreted for the Bit Timing will be the programmed TSeg2 value + 1. Note: This bit is Write Protected by CCE bit. Reset type: SYSRSn
11-8	TSEG1	R/W	3h	Time segment before the sample point Valid programmed values are 1 to 15. The actual TSeg1 value interpreted for the Bit Timing will be the programmed TSeg1 value + 1. Note: This bit is Write Protected by CCE bit. Reset type: SYSRSn
7-6	SJW	R/W	0h	Synchronization Jump Width Valid programmed values are 0 to 3. The actual SJW value interpreted for the Synchronization will be the programmed SJW value + 1. Note: This bit is Write Protected by CCE bit. Reset type: SYSRSn



**Table 21-13. CAN\_BTR Register Field Descriptions (continued)**

Bit	Field	Type	Reset	Description
5-0	BRP	R/W	1h	Baud Rate Prescaler- Value by which the CAN_CLK frequency is divided for generating the bit time quanta. The bit time is built up from a multiple of this quanta. Valid programmed values are 0 to 63. The actual BRP value interpreted for the Bit Timing will be the programmed BRP value + 1. Note: This bit is Write Protected by CCE bit. Reset type: SYSRSn

### 21.15.2.5 CAN\_INT Register (Offset = 10h) [Reset = 0000000h]

CAN\_INT is shown in [Figure 21-26](#) and described in [Table 21-14](#).

Return to the [Summary Table](#).

This register is used to identify the source of the interrupt(s).

**Figure 21-26. CAN\_INT Register**

31	30	29	28	27	26	25	24	23	22	21	20	19	18	17	16	15	14	13	12	11	10	9	8	7	6	5	4	3	2	1	0
RESERVED								INT1ID								INT0ID															
R-0h								R-0h								R-0h															

**Table 21-14. CAN\_INT Register Field Descriptions**

Bit	Field	Type	Reset	Description
31-24	RESERVED	R	0h	Reserved
23-16	INT1ID	R	0h	Interrupt 1 Cause 0x00 No interrupt is pending. 0x01-0x20 Number of message object (mailbox) which caused the interrupt. 0x21-0xFF Unused. If several interrupts are pending, the CAN Interrupt Register will point to the pending interrupt with the highest priority. Note: The CANINT1 interrupt line remains active until INT1ID reaches value 0 (the cause of the interrupt is reset) or until IE0 is cleared. A message interrupt is cleared by clearing the mailbox's IntPnd bit. Among the message interrupts, the mailbox's interrupt priority decreases with increasing message number. Reset type: SYSRSn
15-0	INT0ID	R	0h	Interrupt 0 Cause 0x0000 - No interrupt is pending. 0x0001 - 0x0020 - Number of message object which caused the interrupt. 0x0021 - 0x7FFF - Unused. 0x8000 - Error and Status Register value is not 0x07. 0x8001 - 0xFFFF - Unused. If several interrupts are pending, the CAN Interrupt Register will point to the pending interrupt with the highest priority. Note: The CANINT0 interrupt line remains active until INT0ID reaches value 0 (the cause of the interrupt is reset) or until IE0 is cleared. The Status Interrupt has the highest priority. Among the message interrupts, the message object's interrupt priority decreases with increasing message number. Reset type: SYSRSn

### 21.15.2.6 CAN\_TEST Register (Offset = 14h) [Reset = 0000000h]

CAN\_TEST is shown in [Figure 21-27](#) and described in [Table 21-15](#).

Return to the [Summary Table](#).

This register is used to configure the various test options supported. For all test modes, the Test bit in CAN Control Register needs to be set to one. If Test bit is set, the RDA, EXL, Tx1, Tx0, LBack and Silent bits are writable. Bit Rx monitors the state of CANRX pin and therefore is only readable. All Test Register functions are disabled when Test bit is cleared.

Note: Setting Tx[1:0] other than '00' will disturb message transfer.

Note: When the internal loop back mode is active (bit LBack is set), bit EXL will be ignored.

**Figure 21-27. CAN\_TEST Register**

31	30	29	28	27	26	25	24
RESERVED							
R-0h							
23	22	21	20	19	18	17	16
RESERVED							
R-0h							
15	14	13	12	11	10	9	8
RESERVED						RDA	EXL
R-0h						R/W-0h	R/W-0h
7	6	5	4	3	2	1	0
RX	TX		LBACK	SILENT	RESERVED		
R-0h	R/W-0h		R/W-0h	R/W-0h	R-0h		

**Table 21-15. CAN\_TEST Register Field Descriptions**

Bit	Field	Type	Reset	Description
31-10	RESERVED	R	0h	Reserved
9	RDA	R/W	0h	RAM Direct Access Enable: 0 Normal Operation. 1 Direct access to the RAM is enabled while in Test Mode. Reset type: SYSRSn
8	EXL	R/W	0h	External Loop Back Mode: 0 Disabled. 1 Enabled. Reset type: SYSRSn
7	RX	R	0h	Monitors the actual value of the CANRX pin: 0 The CAN bus is dominant. 1 The CAN bus is recessive. Reset type: SYSRSn
6-5	TX	R/W	0h	Control of CANTX pin: 00 Normal operation, CANTX is controlled by the CAN Core. 01 Sample Point can be monitored at CANTX pin. 10 CANTX pin drives a dominant value. 11 CANTX pin drives a recessive value. Reset type: SYSRSn
4	LBACK	R/W	0h	Loop Back Mode: 0 Disabled. 1 Enabled. Reset type: SYSRSn

**Table 21-15. CAN\_TEST Register Field Descriptions (continued)**

Bit	Field	Type	Reset	Description
3	SILENT	R/W	0h	Silent Mode: 0 Disabled. 1 Enabled. Reset type: SYSRSn
2-0	RESERVED	R	0h	Reserved

### 21.15.2.7 CAN\_PERR Register (Offset = 1Ch) [Reset = 00000100h]

CAN\_PERR is shown in [Figure 21-28](#) and described in [Table 21-16](#).

Return to the [Summary Table](#).

This register indicates the Word/Mailbox number where a parity error has been detected. If a parity error is detected, the PER flag will be set in the Error and Status Register. This bit is not reset by the parity check mechanism

it must be reset by reading the Error and Status Register. In addition to the PER flag, the Parity Error Code Register will indicate the memory area where the parity error has been detected. If more than one word with a parity error was detected, the highest word number with a parity error will be displayed. After a parity error has been detected, the register will hold the last error code until power is removed.

**Figure 21-28. CAN\_PERR Register**

31	30	29	28	27	26	25	24	23	22	21	20	19	18	17	16
RESERVED															
R-0h															
15	14	13	12	11	10	9	8	7	6	5	4	3	2	1	0
RESERVED					WORD_NUM					MSG_NUM					
R-0h					R-1h					R-0h					

**Table 21-16. CAN\_PERR Register Field Descriptions**

Bit	Field	Type	Reset	Description
31-11	RESERVED	R	0h	Reserved
10-8	WORD_NUM	R	1h	0x01-0x05 Word number where parity error has been detected. RDA word number (1 to 5) of the mailbox (according to the Message RAM representation in RDA mode). Reset type: SYSRSn
7-0	MSG_NUM	R	0h	0x01-0x21 Mailbox number where parity error has been detected Reset type: SYSRSn

### 21.15.2.8 CAN\_RAM\_INIT Register (Offset = 40h) [Reset = 0000005h]

CAN\_RAM\_INIT is shown in [Figure 21-29](#) and described in [Table 21-17](#).

Return to the [Summary Table](#).

This register is used to initialize the Mailbox RAM. It clears the entire mailbox RAM, including the MsgVal bits.

**Figure 21-29. CAN\_RAM\_INIT Register**

31	30	29	28	27	26	25	24
RESERVED							
R-0h							
23	22	21	20	19	18	17	16
RESERVED							
R-0h							
15	14	13	12	11	10	9	8
RESERVED							
R-0h							
7	6	5	4	3	2	1	0
RESERVED		RAM_INIT_DONE	CAN_RAM_INIT	KEY3	KEY2	KEY1	KEY0
R-0h		R-0h	R/W-0h	R/W-0h	R/W-1h	R/W-0h	R/W-1h

**Table 21-17. CAN\_RAM\_INIT Register Field Descriptions**

Bit	Field	Type	Reset	Description
31-6	RESERVED	R	0h	Reserved
5	RAM_INIT_DONE	R	0h	CAN Mailbox RAM initialization status: 0 Read: Initialization is on-going or initialization not initiated. 1 Read: Initialization complete Reset type: SYSRSn
4	CAN_RAM_INIT	R/W	0h	Initiate CAN Mailbox RAM initialization: 0 Read: Initialization complete or initialization not initiated. Write: No action 1 Read: Initialization is on-going Write: Initiate CAN Mailbox RAM initialization. After initialization, this bit will be automatically cleared to 0. Reset type: SYSRSn
3	KEY3	R/W	0h	See Key 0 Reset type: SYSRSn
2	KEY2	R/W	1h	See Key 0 Reset type: SYSRSn
1	KEY1	R/W	0h	See Key 0 Reset type: SYSRSn
0	KEY0	R/W	1h	KEY3-KEY0 should be 1010 for any write to this register to be valid. These bits will be restored to their reset state after the CAN RAM initialization is complete. Reset type: SYSRSn

### 21.15.2.9 CAN\_GLB\_INT\_EN Register (Offset = 50h) [Reset = 0000000h]

CAN\_GLB\_INT\_EN is shown in [Figure 21-30](#) and described in [Table 21-18](#).

Return to the [Summary Table](#).

This register is used to enable the interrupt lines to the PIE.

**Figure 21-30. CAN\_GLB\_INT\_EN Register**

31	30	29	28	27	26	25	24
RESERVED							
R-0h							
23	22	21	20	19	18	17	16
RESERVED							
R-0h							
15	14	13	12	11	10	9	8
RESERVED							
R-0h							
7	6	5	4	3	2	1	0
RESERVED						GLBINT1_EN	GLBINT0_EN
R-0h						R/W-0h	R/W-0h

**Table 21-18. CAN\_GLB\_INT\_EN Register Field Descriptions**

Bit	Field	Type	Reset	Description
31-2	RESERVED	R	0h	Reserved
1	GLBINT1_EN	R/W	0h	Global Interrupt Enable for CANINT1 0 CANINT1 does not generate interrupt to PIE 1 CANINT1 generates interrupt to PIE if interrupt condition occurs Reset type: SYSRSn
0	GLBINT0_EN	R/W	0h	Global Interrupt Enable for CANINT0 0 CANINT0 does not generate interrupt to PIE 1 CANINT0 generates interrupt to PIE if interrupt condition occurs Reset type: SYSRSn

### 21.15.2.10 CAN\_GLB\_INT\_FLG Register (Offset = 54h) [Reset = 0000000h]

CAN\_GLB\_INT\_FLG is shown in [Figure 21-31](#) and described in [Table 21-19](#).

Return to the [Summary Table](#).

This register indicates if and when the interrupt line to the PIE is active.

**Figure 21-31. CAN\_GLB\_INT\_FLG Register**

31	30	29	28	27	26	25	24
RESERVED							
R-0h							
23	22	21	20	19	18	17	16
RESERVED							
R-0h							
15	14	13	12	11	10	9	8
RESERVED							
R-0h							
7	6	5	4	3	2	1	0
RESERVED						INT1_FLG	INT0_FLG
R-0h						R-0h	R-0h

**Table 21-19. CAN\_GLB\_INT\_FLG Register Field Descriptions**

Bit	Field	Type	Reset	Description
31-2	RESERVED	R	0h	Reserved
1	INT1_FLG	R	0h	CANINT1 Flag 0 No interrupt generated 1 Interrupt is generated due to CANINT1 (refer to CAN Interrupt Status Register for the condition) Reset type: SYSRSn
0	INT0_FLG	R	0h	CANINT0 Flag 0 No interrupt generated 1 Interrupt is generated due to CANINT0 (refer to CAN Interrupt Status Register for the condition) Reset type: SYSRSn



### 21.15.2.11 CAN\_GLB\_INT\_CLR Register (Offset = 58h) [Reset = 0000000h]

CAN\_GLB\_INT\_CLR is shown in [Figure 21-32](#) and described in [Table 21-20](#).

Return to the [Summary Table](#).

This register is used to clear the interrupt to the PIE.

**Figure 21-32. CAN\_GLB\_INT\_CLR Register**

31	30	29	28	27	26	25	24
RESERVED							
R-0h							
23	22	21	20	19	18	17	16
RESERVED							
R-0h							
15	14	13	12	11	10	9	8
RESERVED							
R-0h							
7	6	5	4	3	2	1	0
RESERVED						INT1_FLG_CLR	INT0_FLG_CLR
R-0h						W-0h	W-0h

**Table 21-20. CAN\_GLB\_INT\_CLR Register Field Descriptions**

Bit	Field	Type	Reset	Description
31-2	RESERVED	R	0h	Reserved
1	INT1_FLG_CLR	W	0h	Global Interrupt flag clear for CANINT1 0 No effect 1 Write 1 to clear the corresponding bit of the Global Interrupt Flag Register and allow the PIE to receive another interrupt from CANINT1. Reset type: SYSRSn
0	INT0_FLG_CLR	W	0h	Global Interrupt flag clear for CANINT0 0 No effect 1 Write 1 to clear the corresponding bit of the Global Interrupt Flag Register and allow the PIE to receive another interrupt from CANINT0. Reset type: SYSRSn

### 21.15.2.12 CAN\_ABOTR Register (Offset = 80h) [Reset = 00000000h]

CAN\_ABOTR is shown in [Figure 21-33](#) and described in [Table 21-21](#).

Return to the [Summary Table](#).

This register is used to introduce a variable delay before the Bus-off recovery sequence is started.

**Figure 21-33. CAN\_ABOTR Register**

31	30	29	28	27	26	25	24	23	22	21	20	19	18	17	16	15	14	13	12	11	10	9	8	7	6	5	4	3	2	1	0
ABO_Time																															
R/W-0h																															

**Table 21-21. CAN\_ABOTR Register Field Descriptions**

Bit	Field	Type	Reset	Description
31-0	ABO_Time	R/W	0h	Auto-Bus-On Timer Number of clock cycles before a Bus-Off recovery sequence is started by clearing the Init bit. 'Clock' refers to the input clock to the CAN module. This function has to be enabled by setting bit ABO in CAN Control Register. The Auto-Bus-On timer is realized by a 32-bit counter which starts to count down to zero when the module goes Bus-Off. The counter will be reloaded with the preload value of the ABO Time register after this phase. NOTE: On write access to the CAN Control register while Auto-Bus-On timer is running, the Auto-Bus-On procedure will be aborted. NOTE: During Debug mode, running Auto-Bus-On timer will be paused. Reset type: SYSRSn

### 21.15.2.13 CAN\_TXRQ\_X Register (Offset = 84h) [Reset = 0000000h]

CAN\_TXRQ\_X is shown in [Figure 21-34](#) and described in [Table 21-22](#).

Return to the [Summary Table](#).

With these bits, the CPU can detect if one or more bits in the CAN Transmission Request 21 Register (CAN\_TXRQ\_21) is set. Each bit in this register represents a group of eight mailboxes. If at least one of the TxRqst bits of these message objects is set, the corresponding bit in this register will be set.

**Figure 21-34. CAN\_TXRQ\_X Register**

31	30	29	28	27	26	25	24
RESERVED							
R-0h							
23	22	21	20	19	18	17	16
RESERVED							
R-0h							
15	14	13	12	11	10	9	8
RESERVED							
R-0h							
7	6	5	4	3	2	1	0
RESERVED				TxRqstReg2		TxRqstReg1	
R-0h				R-0h		R-0h	

**Table 21-22. CAN\_TXRQ\_X Register Field Descriptions**

Bit	Field	Type	Reset	Description
31-4	RESERVED	R	0h	Reserved
3-2	TxRqstReg2	R	0h	Transmit Request Register 2 flag: Bit 2 represents byte 2 of CAN_TXRQ_21. If one or more bits in that byte are set, then bit 2 will be set. Bit 3 represents byte 3 of CAN_TXRQ_21 Register. If one or more bits in that byte are set, then bit 3 will be set. Reset type: SYSRSn
1-0	TxRqstReg1	R	0h	Transmit Request Register 1 flag: Bit 0 represents byte 0 of CAN_TXRQ_21 Register. If one or more bits in that byte are set, then bit 0 will be set. Bit 1 represents byte 1 of CAN_TXRQ_21 Register. If one or more bits in that byte are set, then bit 1 will be set. Reset type: SYSRSn

### 21.15.2.14 CAN\_TXRQ\_21 Register (Offset = 88h) [Reset = 0000000h]

CAN\_TXRQ\_21 is shown in [Figure 21-35](#) and described in [Table 21-23](#).

Return to the [Summary Table](#).

This register holds the TxRqst bits of the mailboxes. By reading out these bits, the CPU can check for pending transmission requests. The TxRqst bit in a specific mailbox can be set/reset by the CPU via the IF1/IF2 message interface registers, or by the message handler after reception of a remote frame or after a successful transmission.

**Figure 21-35. CAN\_TXRQ\_21 Register**

31	30	29	28	27	26	25	24	23	22	21	20	19	18	17	16	15	14	13	12	11	10	9	8	7	6	5	4	3	2	1	0
TxRqst																															
R-0h																															

**Table 21-23. CAN\_TXRQ\_21 Register Field Descriptions**

Bit	Field	Type	Reset	Description
31-0	TxRqst	R	0h	Transmission Request Bits (for all message objects) 0 No transmission has been requested for this message object. 1 The transmission of this message object is requested and is not yet done. Note: Bit 0 is for mailbox 1, Bit 1 is for mailbox 2, Bit 2 is for mailbox 3,..., Bit 31 is for mailbox 32 Reset type: SYSRSn

### 21.15.2.15 CAN\_NDAT\_X Register (Offset = 98h) [Reset = 0000000h]

CAN\_NDAT\_X is shown in [Figure 21-36](#) and described in [Table 21-24](#).

Return to the [Summary Table](#).

With these bits, the CPU can detect if one or more bits in the CAN New Data 21 Register (CAN\_NDAT\_21) is set. Each bit in this register represents a group of eight mailboxes. If at least one of the NewDat bits of these mailboxes are set, the corresponding bit in this register will be set.

**Figure 21-36. CAN\_NDAT\_X Register**

31	30	29	28	27	26	25	24
RESERVED							
R-0h							
23	22	21	20	19	18	17	16
RESERVED							
R-0h							
15	14	13	12	11	10	9	8
RESERVED							
R-0h							
7	6	5	4	3	2	1	0
RESERVED				NewDatReg2		NewDatReg1	
R-0h				R-0h		R-0h	

**Table 21-24. CAN\_NDAT\_X Register Field Descriptions**

Bit	Field	Type	Reset	Description
31-4	RESERVED	R	0h	Reserved
3-2	NewDatReg2	R	0h	New Data Register 2 flag: Bit 2 represents byte 2 of CAN_NDAT_21 Register. If one or more bits in that byte are set, then bit 2 will be set. Bit 3 represents byte 3 of CAN_NDAT_21 Register. If one or more bits in that byte are set, then bit 3 will be set. Reset type: SYSRSn
1-0	NewDatReg1	R	0h	New Data Register 1 flag: Bit 0 represents byte 0 of CAN_NDAT_21 Register. If one or more bits in that byte are set, then bit 0 will be set. Bit 1 represents byte 1 of CAN_NDAT_21 Register. If one or more bits in that byte are set, then bit 1 will be set. Reset type: SYSRSn

### 21.15.2.16 CAN\_NDAT\_21 Register (Offset = 9Ch) [Reset = 0000000h]

CAN\_NDAT\_21 is shown in [Figure 21-37](#) and described in [Table 21-25](#).

Return to the [Summary Table](#).

This register holds the NewDat bits of all mailboxes. By reading out the NewDat bits, the CPU can check for which mailboxes the data portion was updated. The NewDat bit of a specific mailbox can be set/reset by the CPU via the IFx 'Message Interface' Registers or by the Message Handler after reception of a Data Frame or after a successful transmission.

**Figure 21-37. CAN\_NDAT\_21 Register**

31	30	29	28	27	26	25	24	23	22	21	20	19	18	17	16	15	14	13	12	11	10	9	8	7	6	5	4	3	2	1	0
NewDat																															
R-0h																															

**Table 21-25. CAN\_NDAT\_21 Register Field Descriptions**

Bit	Field	Type	Reset	Description
31-0	NewDat	R	0h	New Data Bits (for all message objects) 0 No new data has been written into the data portion of this message object by the message handler since the last time when this flag was cleared by the CPU. 1 The message handler or the CPU has written new data into the data portion of this message object. Note: Bit 0 is for mailbox 1, Bit 1 is for mailbox 2, Bit 2 is for mailbox 3,..., Bit 31 is for mailbox 32 Reset type: SYSRSn

### 21.15.2.17 CAN\_IPEN\_X Register (Offset = ACh) [Reset = 0000000h]

CAN\_IPEN\_X is shown in [Figure 21-38](#) and described in [Table 21-26](#).

Return to the [Summary Table](#).

With these bits, the CPU can detect if one or more bits in the CAN Interrupt Pending 21 Register (CAN\_IPEN\_21) is set. Each bit in this register represents a group of eight mailboxes. If at least one of the IntPnd bits of these mailboxes are set, the corresponding bit in this register will be set.

**Figure 21-38. CAN\_IPEN\_X Register**

31	30	29	28	27	26	25	24
RESERVED							
R-0h							
23	22	21	20	19	18	17	16
RESERVED							
R-0h							
15	14	13	12	11	10	9	8
RESERVED							
R-0h							
7	6	5	4	3	2	1	0
RESERVED				IntPndReg2		IntPndReg1	
R-0h				R-0h		R-0h	

**Table 21-26. CAN\_IPEN\_X Register Field Descriptions**

Bit	Field	Type	Reset	Description
31-4	RESERVED	R	0h	Reserved
3-2	IntPndReg2	R	0h	Interrupt Pending Register 2 flag: Bit 2 represents byte 2 of CAN_IPEN_21 Register. If one or more bits in that byte are set, then bit 2 will be set. Bit 3 represents byte 3 of CAN_IPEN_21 Register. If one or more bits in that byte are set, then bit 3 will be set. Reset type: SYSRSn
1-0	IntPndReg1	R	0h	Interrupt Pending Register 1 flag: Bit 0 represents byte 0 of CAN_IPEN_21 Register. If one or more bits in that byte are set, then bit 0 will be set. Bit 1 represents byte 1 of CAN_IPEN_21 Register. If one or more bits in that byte are set, then bit 1 will be set. Reset type: SYSRSn

### 21.15.2.18 CAN\_IPEN\_21 Register (Offset = B0h) [Reset = 0000000h]

CAN\_IPEN\_21 is shown in [Figure 21-39](#) and described in [Table 21-27](#).

Return to the [Summary Table](#).

This register holds the IntPnd bits of the mailboxes. By reading out these bits, the CPU can check for pending interrupts in the mailboxes. The IntPnd bit of a specific mailbox can be set/reset by the CPU via the IF1/IF2 interface register sets, or by the message handler after a reception or a successful transmission.

**Figure 21-39. CAN\_IPEN\_21 Register**

31	30	29	28	27	26	25	24	23	22	21	20	19	18	17	16	15	14	13	12	11	10	9	8	7	6	5	4	3	2	1	0
IntPnd																															
R-0h																															

**Table 21-27. CAN\_IPEN\_21 Register Field Descriptions**

Bit	Field	Type	Reset	Description
31-0	IntPnd	R	0h	Interrupt Pending bits: This register contains the bits that indicate the pending interrupts in each one of the 32 mailboxes. 0 This mailbox is not the source of an interrupt. 1 This mailbox is the source of an interrupt. Note: Bit 0 is for mailbox 1, Bit 1 is for mailbox 2, Bit 2 is for mailbox 3,..., Bit 31 is for mailbox 32 Reset type: SYSRSn



### 21.15.2.19 CAN\_MVAL\_X Register (Offset = C0h) [Reset = 0000000h]

CAN\_MVAL\_X is shown in [Figure 21-40](#) and described in [Table 21-28](#).

Return to the [Summary Table](#).

With these bits, the CPU can detect if one or more bits in the CAN Message Valid 2\_1 Register (CAN\_MVAL\_21) is set. Each bit in this register represents a group of eight mailboxes. If at least one of the MsgVal bits of these mailboxes are set, the corresponding bit in this register will be set.

**Figure 21-40. CAN\_MVAL\_X Register**

31	30	29	28	27	26	25	24
RESERVED							
R-0h							
23	22	21	20	19	18	17	16
RESERVED							
R-0h							
15	14	13	12	11	10	9	8
RESERVED							
R-0h							
7	6	5	4	3	2	1	0
RESERVED				MsgValReg2		MsgValReg1	
R-0h				R-0h		R-0h	

**Table 21-28. CAN\_MVAL\_X Register Field Descriptions**

Bit	Field	Type	Reset	Description
31-4	RESERVED	R	0h	Reserved
3-2	MsgValReg2	R	0h	Message Valid Register 2 flag: Bit 2 represents byte 2 of CAN_MVAL_21 Register. If one or more bits in that byte are set, then bit 2 will be set. Bit 3 represents byte 3 of CAN_MVAL_21 Register. If one or more bits in that byte are set, then bit 3 will be set. Reset type: SYSRSn
1-0	MsgValReg1	R	0h	Message Valid Register 1 flag: Bit 0 represents byte 0 of CAN_MVAL_21 Register. If one or more bits in that byte are set, then bit 0 will be set. Bit 1 represents byte 1 of CAN_MVAL_21 Register. If one or more bits in that byte are set, then bit 1 will be set. Reset type: SYSRSn

### 21.15.2.20 CAN\_MVAL\_21 Register (Offset = C4h) [Reset = 0000000h]

CAN\_MVAL\_21 is shown in [Figure 21-41](#) and described in [Table 21-29](#).

Return to the [Summary Table](#).

This registers hold the MsgVal bits of all mailboxes. By reading out the MsgVal bits, the CPU can check which mailbox is valid. The MsgVal bit of a specific mailbox can be set/reset by the CPU via the IF1/2 'Message Interface' Registers.

**Figure 21-41. CAN\_MVAL\_21 Register**

31	30	29	28	27	26	25	24	23	22	21	20	19	18	17	16	15	14	13	12	11	10	9	8	7	6	5	4	3	2	1	0
MsgValReg																															
R-0h																															

**Table 21-29. CAN\_MVAL\_21 Register Field Descriptions**

Bit	Field	Type	Reset	Description
31-0	MsgValReg	R	0h	Message Valid Bits (for all message objects) 0 This message object is ignored by the message handler. 1 This message object is configured and will be considered by the message handler. Note: Bit 0 is for mailbox 1, Bit 1 is for mailbox 2, Bit 2 is for mailbox 3,..., Bit 31 is for mailbox 32 Reset type: SYSRSn

### 21.15.2.21 CAN\_IP\_MUX21 Register (Offset = D8h) [Reset = 0000000h]

CAN\_IP\_MUX21 is shown in [Figure 21-42](#) and described in [Table 21-30](#).

Return to the [Summary Table](#).

The IntMux bit determines for each mailbox, which of the two interrupt lines (CANINT0 or CANINT1) will be asserted when the IntPnd bit of that mailbox is set. Both interrupt lines can be globally enabled or disabled by setting or clearing IE0 and IE1 bits in CAN Control Register. This will also affect the INT0ID or INT1ID flags in the Interrupt Register.

**Figure 21-42. CAN\_IP\_MUX21 Register**

31	30	29	28	27	26	25	24	23	22	21	20	19	18	17	16	15	14	13	12	11	10	9	8	7	6	5	4	3	2	1	0
																	IntMux														
R/W-0h																															

**Table 21-30. CAN\_IP\_MUX21 Register Field Descriptions**

Bit	Field	Type	Reset	Description
31-0	IntMux	R/W	0h	Interrupt Mux bits: 0 CANINT0 line is active if corresponding IntPnd flag is one. 1 CANINT1 line is active if corresponding IntPnd flag is one. Note: Bit 0 is for mailbox 32, Bit 1 is for mailbox 1, Bit 2 is for mailbox 2,..., Bit 31 is for mailbox 31 Reset type: SYSRSn

### 21.15.2.22 CAN\_IF1CMD Register (Offset = 100h) [Reset = 0000001h]

CAN\_IF1CMD is shown in [Figure 21-43](#) and described in [Table 21-31](#).

Return to the [Summary Table](#).

The IF1/IF2 Command Registers configure and initiate the transfer between the IF1/IF2 Register sets and the Message RAM. It is configurable which portions of the message object should be transferred. A transfer is started when the CPU writes the message number to bits [7:0] of the IF1/IF2 Command Register. With this write operation, the Busy bit is automatically set to '1' to indicate that a transfer is in progress. After 4 to 14 clock cycles, the transfer between the Interface Register and the Message RAM will be completed and the Busy bit is cleared. The maximum number of cycles is needed when the message transfer coincides with a CAN message transmission, acceptance filtering, or message storage.

If the CPU writes to both IF1/IF2 Command Registers consecutively (request of a second transfer while first transfer is still in progress), the second transfer will start after the first one has been completed. The following points must be borne in mind while writing to this register: (1) Do not write zeros to the whole register. (2) Write to the register in a single 32-bit write or write the upper 16-bits before writing to the lower 16- bits.

Note: While Busy bit is one, IF1/IF2 Register sets are write protected.

Note: For debug support, the auto clear functionality of the IF1/IF2 Command Registers (clear of DMAactive flag by R/W, for devices with DMA support) is disabled during Debug/Suspend mode.

Note: If an invalid Message Number is written to bits [7:0] of the IF1/IF2 Command Register, the Message Handler may access an implemented (valid) message object instead.

**Figure 21-43. CAN\_IF1CMD Register**

31	30	29	28	27	26	25	24
RESERVED							
R-0h							
23	22	21	20	19	18	17	16
DIR	Mask	Arb	Control	ClrIntPnd	TXRQST	DATA_A	DATA_B
R/W-0h	R/W-0h	R/W-0h	R/W-0h	R/W-0h	R/W-0h	R/W-0h	R/W-0h
15	14	13	12	11	10	9	8
Busy	RESERVED	RESERVED					
R-0h	R/W-0h	R-0h					
7	6	5	4	3	2	1	0
MSG_NUM							
R/W-1h							

**Table 21-31. CAN\_IF1CMD Register Field Descriptions**

Bit	Field	Type	Reset	Description
31-24	RESERVED	R	0h	Reserved
23	DIR	R/W	0h	Write/Read 0 Direction = Read: Transfer direction is from the message object addressed by Message Number (Bits [7:0]) to the IF1/IF2 Register set. That is, transfer data from the mailbox into the selected IF1/IF2 Message Buffer Registers. 1 Direction = Write: Transfer direction is from the IF1/IF2 Register set to the message object addressed by Message Number (Bits [7:0]) . That is, transfer data from the selected IF1/IF2 Message Buffer Registers to the mailbox. The other bits of IF1/IF2 Command Mask Register have different functions depending on the transfer direction. Note: This bit is write protected by Busy bit. Reset type: SYSRSn

**Table 21-31. CAN\_IF1CMD Register Field Descriptions (continued)**

Bit	Field	Type	Reset	Description
22	Mask	R/W	0h	<p>Access Mask Bits</p> <p>0 Mask bits will not be changed</p> <p>1 (Direction = Read): The Mask bits (Identifier Mask + MDir + MXtd) will be transferred from the message object addressed by Message Number (Bits [7:0]) to the IF1/IF2 Register set.</p> <p>1 (Direction = Write): The Mask bits (Identifier Mask + MDir + MXtd) will be transferred from the IF1/IF2 Register set to the message object addressed by Message Number (Bits [7:0]).</p> <p>Note: This bit is write protected by Busy bit.</p> <p>Reset type: SYSRSn</p>
21	Arb	R/W	0h	<p>Access Arbitration Bits</p> <p>0 Arbitration bits will not be changed</p> <p>1 (Direction = Read): The Arbitration bits (Identifier + Dir + Xtd + MsgVal) will be transferred from the message object addressed by Message Number (Bits [7:0]) to the corresponding IF1/IF2 Register set.</p> <p>1 (Direction = Write): The Arbitration bits (Identifier + Dir + Xtd + MsgVal) will be transferred from the IF1/IF2 Register set to the message object addressed by Message Number (Bits [7:0]).</p> <p>Note: This bit is write protected by Busy bit.</p> <p>Reset type: SYSRSn</p>
20	Control	R/W	0h	<p>Access control bits.</p> <p>If the TxRqst/NewDat bit in this register(Bit [18]) is set, the TxRqst/NewDat bit in the IF1 message control register will be ignored.</p> <p>0 Control bits will not be changed.</p> <p>1 (Direction = Read): The message control bits will be transferred from the message object addressed by message number (Bits [7:0]) to the IF1 register set.</p> <p>1 (Direction = Write): The message control bits will be transferred from the IF1 register set to the message object addressed by message number (Bits [7:0]).</p> <p>Note: This bit is write protected by the Busy bit.</p> <p>Reset type: SYSRSn</p>
19	ClrIntPnd	R/W	0h	<p>Clear Interrupt Pending Bit</p> <p>0 IntPnd bit will not be changed</p> <p>1 (Direction = Read): Clears IntPnd bit in the message object.</p> <p>1 (Direction = Write): This bit is ignored.</p> <p>Note: This bit is write protected by Busy bit.</p> <p>Reset type: SYSRSn</p>
18	TXRQST	R/W	0h	<p>Access Transmission Request (TxRqst) / New Data (NewDat) Bit</p> <p>0 (Direction = Read): NewDat bit will not be changed.</p> <p>0 (Direction = Write): TxRqst/NewDat bit will be handled according to the Control bit.</p> <p>1 (Direction = Read): Clears NewDat bit in the message object.</p> <p>1 (Direction = Write): Sets TxRqst/NewDat in message object.</p> <p>Note: If a CAN transmission is requested by setting TxRqst/NewDat in this register, the TxRqst/NewDat bits in the message object will be set to one independent of the values in IF1/IF2 Message Control Register.</p> <p>Note: A read access to a message object can be combined with the reset of the control bits IntPnd and NewDat. The values of these bits transferred to the IF1/IF2 Message Control Register always reflect the status before resetting them.</p> <p>Note: This bit is write protected by Busy bit.</p> <p>Reset type: SYSRSn</p>

**Table 21-31. CAN\_IF1CMD Register Field Descriptions (continued)**

Bit	Field	Type	Reset	Description
17	DATA_A	R/W	0h	Access Data Bytes 0-3 0 Data Bytes 0-3 will not be changed. 1 (Direction = Read): The Data Bytes 0-3 will be transferred from the message object addressed by the Message Number (Bits [7:0]) to the corresponding IF1/IF2 Register set. 1 (Direction = Write): The Data Bytes 0-3 will be transferred from the IF1/IF2 Register set to the message object addressed by the Message Number (Bits [7:0]). Note: The duration of the message transfer is independent of the number of bytes to be transferred. Note: This bit is write protected by Busy bit. Reset type: SYSRSn
16	DATA_B	R/W	0h	Access Data Bytes 4-7 0 Data Bytes 4-7 will not be changed. 1 (Direction = Read): The Data Bytes 4-7 will be transferred from the message object addressed by Message Number (Bits [7:0]) to the corresponding IF1/IF2 Register set. 1 (Direction = Write): The Data Bytes 4-7 will be transferred from the IF1/IF2 Register set to the message object addressed by Message Number (Bits [7:0]). Note: The duration of the message transfer is independent of the number of bytes to be transferred. Note: This bit is write protected by Busy bit. Reset type: SYSRSn
15	Busy	R	0h	Busy Flag 0 No transfer between IF1/IF2 Register Set and Message RAM is in progress. 1 Transfer between IF1/IF2 Register Set and Message RAM is in progress. This bit is set to one after the message number has been written to bits [7:0]. IF1/IF2 Register Set will be write protected. The bit is cleared after read/write action has been finished. Reset type: SYSRSn
14	RESERVED	R/W	0h	Reserved
13-8	RESERVED	R	0h	Reserved
7-0	MSG_NUM	R/W	1h	Number of message object in Message RAM which is used for data transfer 0x00 Invalid message number 0x01-0x20 Valid message numbers 0x21-0xFF Invalid message numbers Note: This bit is write protected by Busy bit. Reset type: SYSRSn

### 21.15.2.23 CAN\_IF1MSK Register (Offset = 104h) [Reset = FFFFFFFFh]

CAN\_IF1MSK is shown in [Figure 21-44](#) and described in [Table 21-32](#).

Return to the [Summary Table](#).

The bits of the IF1/IF2 Mask Registers mirror the mask bits of a message object.

Note: While Busy bit of IF1/IF2 Command Register is one, IF1/IF2 Register Set is write-protected.

**Figure 21-44. CAN\_IF1MSK Register**

31	30	29	28	27	26	25	24
MXtd	MDir	RESERVED	Msk				
R/W-1h	R/W-1h	R-1h	R/W-1FFFFFFFh				
23	22	21	20	19	18	17	16
Msk							
R/W-1FFFFFFFh							
15	14	13	12	11	10	9	8
Msk							
R/W-1FFFFFFFh							
7	6	5	4	3	2	1	0
Msk							
R/W-1FFFFFFFh							

**Table 21-32. CAN\_IF1MSK Register Field Descriptions**

Bit	Field	Type	Reset	Description
31	MXtd	R/W	1h	Mask Extended Identifier 0 The extended identifier bit (Xtd) has no effect on the acceptance filtering. 1 The extended identifier bit (Xtd) is used for acceptance filtering. When 11-bit ('standard') identifiers are used for a message object, the identifiers of received data frames are written into bits ID[28:18]. For acceptance filtering, only these bits together with mask bits Msk[28:18] are considered. Note: This bit is write protected by Busy bit. Reset type: SYSRSn
30	MDir	R/W	1h	Mask Message Direction 0 The message direction bit (Dir) has no effect on the acceptance filtering. 1 The message direction bit (Dir) is used for acceptance filtering. Note: This bit is write protected by Busy bit. Reset type: SYSRSn
29	RESERVED	R	1h	Reserved
28-0	Msk	R/W	1FFFFFFFh	Identifier Mask- 0 The corresponding bit in the identifier of the message object is not used for acceptance filtering (don't care). 1 The corresponding bit in the identifier of the message object is used for acceptance filtering. Note: This bit is write protected by Busy bit. Reset type: SYSRSn

### 21.15.2.24 CAN\_IF1ARB Register (Offset = 108h) [Reset = 0000000h]

CAN\_IF1ARB is shown in [Figure 21-45](#) and described in [Table 21-33](#).

Return to the [Summary Table](#).

The bits of the IF1/IF2 Arbitration Registers mirror the arbitration bits of a message object. The Arbitration bits ID[28:0], Xtd, and Dir are used to define the identifier and type of outgoing messages and (together with the Mask bits Msk[28:0], MXtd, and MDir) for acceptance filtering of incoming messages.

A received message is stored into the valid message object with matching identifier and Direction = receive (Data Frame) or Direction = transmit (Remote Frame).

Extended frames can be stored only in message objects with Xtd = one, standard frames in message objects with Xtd = zero.

If a received message (Data Frame or Remote Frame) matches more than one valid message objects, it is stored into the one with the lowest message number.

Note: While Busy bit of IF1/IF2 Command Register is one, IF1/IF2 Register Set is write-protected.

**Figure 21-45. CAN\_IF1ARB Register**

31	30	29	28	27	26	25	24
MsgVal	Xtd	Dir	ID				
R/W-0h	R/W-0h	R/W-0h	R/W-0h				
23	22	21	20	19	18	17	16
ID							
R/W-0h							
15	14	13	12	11	10	9	8
ID							
R/W-0h							
7	6	5	4	3	2	1	0
ID							
R/W-0h							

**Table 21-33. CAN\_IF1ARB Register Field Descriptions**

Bit	Field	Type	Reset	Description
31	MsgVal	R/W	0h	Message Valid 0 The mailbox is disabled. (The message object is ignored by the message handler). 1 The mailbox is enabled. (The message object is to be used by the message handler). The CPU should reset the MsgVal bit of all unused Messages Objects during the initialization before it resets the Init bit in the CAN Control Register. Note: This bit is write protected by Busy bit. Reset type: SYSRSn
30	Xtd	R/W	0h	Extended Identifier 0 The 11-bit ('standard') Identifier is used for this message object. 1 The 29-bit ('extended') Identifier is used for this message object. Note: This bit is write protected by Busy bit. Reset type: SYSRSn



**Table 21-33. CAN\_IF1ARB Register Field Descriptions (continued)**

Bit	Field	Type	Reset	Description
29	Dir	R/W	0h	Message Direction 0 Direction = receive: On TxRqst, a remote frame with the identifier of this message object is transmitted. On reception of a data frame with matching identifier, that frame is stored in this message object. 1 Direction = transmit: On TxRqst, the respective message object is transmitted as a data frame. On reception of a remote frame with matching identifier, the TxRqst bit of this message object is set (if RmtEn = one). Note: This bit is write protected by Busy bit. Reset type: SYSRSn
28-0	ID	R/W	0h	Message Identifier ID[28:0] 29-bit Identifier ('Extended Frame') ID[28:18] 11-bit Identifier ('Standard Frame') Note: This bit is write protected by Busy bit. Reset type: SYSRSn

### 21.15.2.25 CAN\_IF1MCTL Register (Offset = 10Ch) [Reset = 00000000h]

CAN\_IF1MCTL is shown in [Figure 21-46](#) and described in [Table 21-34](#).

Return to the [Summary Table](#).

The bits of the IF1/IF2 Message Control Registers mirror the message control bits of a message object. This register has control/status bits pertaining to interrupts, acceptance mask, remote frames and FIFO option.

**Figure 21-46. CAN\_IF1MCTL Register**

31	30	29	28	27	26	25	24
RESERVED							
R-0h							
23	22	21	20	19	18	17	16
RESERVED							
R-0h							
15	14	13	12	11	10	9	8
NewDat	MsgLst	IntPnd	UMask	TxIE	RxIE	RmtEn	TxRqst
R/W-0h	R/W-0h	R/W-0h	R/W-0h	R/W-0h	R/W-0h	R/W-0h	R/W-0h
7	6	5	4	3	2	1	0
EoB	RESERVED			DLC			
R/W-0h	R-0h			R/W-0h			

**Table 21-34. CAN\_IF1MCTL Register Field Descriptions**

Bit	Field	Type	Reset	Description
31-16	RESERVED	R	0h	Reserved
15	NewDat	R/W	0h	New Data 0 No new data has been written into the data portion of this message object by the message handler since the last time when this flag was cleared by the CPU. 1 The message handler or the CPU has written new data into the data portion of this message object. Note: This bit is write protected by Busy bit. Reset type: SYSRSn
14	MsgLst	R/W	0h	Message Lost (only valid for message objects with direction = receive) 0 No message lost since the last time when this bit was reset by the CPU. 1 The message handler stored a new message into this object when NewDat was still set, so the previous message has been overwritten. Note: This bit is write protected by Busy bit. Reset type: SYSRSn
13	IntPnd	R/W	0h	Interrupt Pending 0 This message object is not the source of an interrupt. 1 This message object is the source of an interrupt. The Interrupt Identifier in the Interrupt Register will point to this message object if there is no other interrupt source with higher priority. Note: This bit is write protected by Busy bit. Reset type: SYSRSn
12	UMask	R/W	0h	Use Acceptance Mask 0 Mask ignored 1 Use Mask (Msk[28:0], MXtd, and MDir) for acceptance filtering If the UMask bit is set to one, the message object's mask bits have to be programmed during initialization of the message object before MsgVal is set to one. Note: This bit is write protected by Busy bit. Reset type: SYSRSn

**Table 21-34. CAN\_IF1MCTL Register Field Descriptions (continued)**

Bit	Field	Type	Reset	Description
11	TxE	R/W	0h	<p>Transmit Interrupt Enable</p> <p>0 IntPnd will not be triggered after the successful transmission of a frame.</p> <p>1 IntPnd will be triggered after the successful transmission of a frame.</p> <p>Note: This bit is write protected by Busy bit.</p> <p>Reset type: SYSRSn</p>
10	RxE	R/W	0h	<p>Receive Interrupt Enable</p> <p>0 IntPnd will not be triggered after the successful reception of a frame.</p> <p>1 IntPnd will be triggered after the successful reception of a frame.</p> <p>Note: This bit is write protected by Busy bit.</p> <p>Reset type: SYSRSn</p>
9	RmtEn	R/W	0h	<p>Remote Enable</p> <p>0 At the reception of a remote frame, TxRqst is not changed.</p> <p>1 At the reception of a remote frame, TxRqst is set.</p> <p>Note: This bit is write protected by Busy bit.</p> <p>Reset type: SYSRSn</p>
8	TxRqst	R/W	0h	<p>Transmit Request</p> <p>0 This message object is not waiting for a transmission.</p> <p>1 The transmission of this message object is requested and is not yet done.</p> <p>Note: This bit is write protected by Busy bit.</p> <p>Reset type: SYSRSn</p>
7	EoB	R/W	0h	<p>End of Block</p> <p>0 The message object is part of a FIFO Buffer block and is not the last message object of the FIFO Buffer block.</p> <p>1 The message object is a single message object or the last message object in a FIFO Buffer Block.</p> <p>Note: This bit is used to concatenate multiple message objects to build a FIFO Buffer. For single message objects (not belonging to a FIFO Buffer), this bit must always be set to one.</p> <p>Note: This bit is write protected by Busy bit.</p> <p>Reset type: SYSRSn</p>
6-4	RESERVED	R	0h	Reserved
3-0	DLC	R/W	0h	<p>Data length code</p> <p>0-8 Data frame has 0-8 data bytes.</p> <p>9-15 Data frame has 8 data bytes.</p> <p>Note: The data length code of a message object must be defined the same as in all the corresponding objects with the same identifier at other nodes. When the message handler stores a data frame, it will write the DLC to the value given by the received message.</p> <p>Note: This bit is write protected by Busy bit.</p> <p>Reset type: SYSRSn</p>

### 21.15.2.26 CAN\_IF1DATA Register (Offset = 110h) [Reset = 0000000h]

CAN\_IF1DATA is shown in [Figure 21-47](#) and described in [Table 21-35](#).

Return to the [Summary Table](#).

This register provides a window to the data bytes of the CAN message. The data bytes of CAN messages are stored in the IF1/IF2 registers in the following order. In a CAN Data Frame, Data 0 is the first, and Data 7 is the last byte to be transmitted or received. In CAN's serial bit stream, the MSB of each byte will be transmitted first. All bits in this register are write-protected by the Busy bit.

**Figure 21-47. CAN\_IF1DATA Register**

31	30	29	28	27	26	25	24	23	22	21	20	19	18	17	16	15	14	13	12	11	10	9	8	7	6	5	4	3	2	1	0
Data_3								Data_2								Data_1								Data_0							
R/W-0h								R/W-0h								R/W-0h								R/W-0h							

**Table 21-35. CAN\_IF1DATA Register Field Descriptions**

Bit	Field	Type	Reset	Description
31-24	Data_3	R/W	0h	Data Byte 3 Reset type: SYSRSn
23-16	Data_2	R/W	0h	Data Byte 2 Reset type: SYSRSn
15-8	Data_1	R/W	0h	Data Byte 1 Reset type: SYSRSn
7-0	Data_0	R/W	0h	Data Byte 0 Reset type: SYSRSn

### 21.15.2.27 CAN\_IF1DATB Register (Offset = 114h) [Reset = 0000000h]

CAN\_IF1DATB is shown in [Figure 21-48](#) and described in [Table 21-36](#).

Return to the [Summary Table](#).

This register provides a window to the data bytes of the CAN message. The data bytes of CAN messages are stored in the IF1/IF2 registers in the following order. In a CAN Data Frame, Data 0 is the first, and Data 7 is the last byte to be transmitted or received. In CAN's serial bit stream, the MSB of each byte will be transmitted first. All bits in this register are write-protected by the Busy bit.

**Figure 21-48. CAN\_IF1DATB Register**

31	30	29	28	27	26	25	24	23	22	21	20	19	18	17	16	15	14	13	12	11	10	9	8	7	6	5	4	3	2	1	0
Data_7								Data_6								Data_5								Data_4							
R/W-0h								R/W-0h								R/W-0h								R/W-0h							

**Table 21-36. CAN\_IF1DATB Register Field Descriptions**

Bit	Field	Type	Reset	Description
31-24	Data_7	R/W	0h	Data Byte 7 Reset type: SYSRSn
23-16	Data_6	R/W	0h	Data Byte 6 Reset type: SYSRSn
15-8	Data_5	R/W	0h	Data Byte 5 Reset type: SYSRSn
7-0	Data_4	R/W	0h	Data Byte 4 Reset type: SYSRSn

### 21.15.2.28 CAN\_IF2CMD Register (Offset = 120h) [Reset = 0000001h]

CAN\_IF2CMD is shown in [Figure 21-49](#) and described in [Table 21-37](#).

Return to the [Summary Table](#).

The IF1/IF2 Command Registers configure and initiate the transfer between the IF1/IF2 Register sets and the Message RAM. It is configurable which portions of the message object should be transferred. A transfer is started when the CPU writes the message number to bits [7:0] of the IF1/IF2 Command Register. With this write operation, the Busy bit is automatically set to '1' to indicate that a transfer is in progress. After 4 to 14 clock cycles, the transfer between the Interface Register and the Message RAM will be completed and the Busy bit is cleared. The maximum number of cycles is needed when the message transfer coincides with a CAN message transmission, acceptance filtering, or message storage.

If the CPU writes to both IF1/IF2 Command Registers consecutively (request of a second transfer while first transfer is still in progress), the second transfer will start after the first one has been completed. The following points must be borne in mind while writing to this register: (1) Do not write zeros to the whole register. (2) Write to the register in a single 32-bit write or write the upper 16-bits before writing to the lower 16- bits.

Note: While Busy bit is one, IF1/IF2 Register sets are write protected.

Note: For debug support, the auto clear functionality of the IF1/IF2 Command Registers (clear of DMAactive flag by R/W, for devices with DMA support) is disabled during Debug/Suspend mode.

Note: If an invalid Message Number is written to bits [7:0] of the IF1/IF2 Command Register, the Message Handler may access an implemented (valid) message object instead.

**Figure 21-49. CAN\_IF2CMD Register**

31	30	29	28	27	26	25	24
RESERVED							
R-0h							
23	22	21	20	19	18	17	16
DIR	Mask	Arb	Control	ClrIntPnd	TxRqst	DATA_A	DATA_B
R/W-0h	R/W-0h	R/W-0h	R/W-0h	R/W-0h	R/W-0h	R/W-0h	R/W-0h
15	14	13	12	11	10	9	8
Busy	RESERVED	RESERVED					
R-0h	R/W-0h	R-0h					
7	6	5	4	3	2	1	0
MSG_NUM							
R/W-1h							

**Table 21-37. CAN\_IF2CMD Register Field Descriptions**

Bit	Field	Type	Reset	Description
31-24	RESERVED	R	0h	Reserved
23	DIR	R/W	0h	Write/Read 0 Direction = Read: Transfer direction is from the message object addressed by Message Number (Bits [7:0]) to the IF1/IF2 Register set. That is, transfer data from the mailbox into the selected IF1/IF2 Message Buffer Registers. 1 Direction = Write: Transfer direction is from the IF1/IF2 Register set to the message object addressed by Message Number (Bits [7:0]) . That is, transfer data from the selected IF1/IF2 Message Buffer Registers to the mailbox. The other bits of IF1/IF2 Command Mask Register have different functions depending on the transfer direction. Note: This bit is write protected by Busy bit. Reset type: SYSRSn

**Table 21-37. CAN\_IF2CMD Register Field Descriptions (continued)**

Bit	Field	Type	Reset	Description
22	Mask	R/W	0h	<p>Access Mask Bits</p> <p>0 Mask bits will not be changed</p> <p>1 (Direction = Read): The Mask bits (Identifier Mask + MDir + MXtd) will be transferred from the message object addressed by Message Number (Bits [7:0]) to the IF1/IF2 Register set.</p> <p>1 (Direction = Write): The Mask bits (Identifier Mask + MDir + MXtd) will be transferred from the IF1/IF2 Register set to the message object addressed by Message Number (Bits [7:0]).</p> <p>Note: This bit is write protected by Busy bit.</p> <p>Reset type: SYSRSn</p>
21	Arb	R/W	0h	<p>Access Arbitration Bits</p> <p>0 Arbitration bits will not be changed</p> <p>1 (Direction = Read): The Arbitration bits (Identifier + Dir + Xtd + MsgVal) will be transferred from the message object addressed by Message Number (Bits [7:0]) to the corresponding IF1/IF2 Register set.</p> <p>1 (Direction = Write): The Arbitration bits (Identifier + Dir + Xtd + MsgVal) will be transferred from the IF1/IF2 Register set to the message object addressed by Message Number (Bits [7:0]).</p> <p>Note: This bit is write protected by Busy bit.</p> <p>Reset type: SYSRSn</p>
20	Control	R/W	0h	<p>Access control bits.</p> <p>If the TxRqst/NewDat bit in this register(Bit [18]) is set, the TxRqst/NewDat bit in the IF1 message control register will be ignored.</p> <p>0 Control bits will not be changed.</p> <p>1 (Direction = Read): The message control bits will be transferred from the message object addressed by message number (Bits [7:0]) to the IF1 register set.</p> <p>1 (Direction = Write): The message control bits will be transferred from the IF1 register set to the message object addressed by message number (Bits [7:0]).</p> <p>Note: This bit is write protected by the Busy bit.</p> <p>Reset type: SYSRSn</p>
19	ClrIntPnd	R/W	0h	<p>Clear Interrupt Pending Bit</p> <p>0 IntPnd bit will not be changed</p> <p>1 (Direction = Read): Clears IntPnd bit in the message object.</p> <p>1 (Direction = Write): This bit is ignored.</p> <p>Note: This bit is write protected by Busy bit.</p> <p>Reset type: SYSRSn</p>
18	TxRqst	R/W	0h	<p>Access Transmission Request (TxRqst) / New Data (NewDat) Bit</p> <p>0 (Direction = Read): NewDat bit will not be changed.</p> <p>0 (Direction = Write): TxRqst/NewDat bit will be handled according to the Control bit.</p> <p>1 (Direction = Read): Clears NewDat bit in the message object.</p> <p>1 (Direction = Write): Sets TxRqst/NewDat in message object.</p> <p>Note: If a CAN transmission is requested by setting TxRqst/NewDat in this register, the TxRqst/NewDat bits in the message object will be set to one independent of the values in IF1/IF2 Message Control Register.</p> <p>Note: A read access to a message object can be combined with the reset of the control bits IntPnd and NewDat. The values of these bits transferred to the IF1/IF2 Message Control Register always reflect the status before resetting them.</p> <p>Note: This bit is write protected by Busy bit.</p> <p>Reset type: SYSRSn</p>

**Table 21-37. CAN\_IF2CMD Register Field Descriptions (continued)**

Bit	Field	Type	Reset	Description
17	DATA_A	R/W	0h	Access Data Bytes 0-3 0 Data Bytes 0-3 will not be changed. 1 (Direction = Read): The Data Bytes 0-3 will be transferred from the message object addressed by the Message Number (Bits [7:0]) to the corresponding IF1/IF2 Register set. 1 (Direction = Write): The Data Bytes 0-3 will be transferred from the IF1/IF2 Register set to the message object addressed by the Message Number (Bits [7:0]). Note: The duration of the message transfer is independent of the number of bytes to be transferred. Note: This bit is write protected by Busy bit. Reset type: SYSRSn
16	DATA_B	R/W	0h	Access Data Bytes 4-7 0 Data Bytes 4-7 will not be changed. 1 (Direction = Read): The Data Bytes 4-7 will be transferred from the message object addressed by Message Number (Bits [7:0]) to the corresponding IF1/IF2 Register set. 1 (Direction = Write): The Data Bytes 4-7 will be transferred from the IF1/IF2 Register set to the message object addressed by Message Number (Bits [7:0]). Note: The duration of the message transfer is independent of the number of bytes to be transferred. Note: This bit is write protected by Busy bit. Reset type: SYSRSn
15	Busy	R	0h	Busy Flag 0 No transfer between IF1/IF2 Register Set and Message RAM is in progress. 1 Transfer between IF1/IF2 Register Set and Message RAM is in progress. This bit is set to one after the message number has been written to bits [7:0]. IF1/IF2 Register Set will be write protected. The bit is cleared after read/write action has been finished. Reset type: SYSRSn
14	RESERVED	R/W	0h	Reserved
13-8	RESERVED	R	0h	Reserved
7-0	MSG_NUM	R/W	1h	Number of message object in Message RAM which is used for data transfer 0x00 Invalid message number 0x01-0x20 Valid message numbers 0x21-0xFF Invalid message numbers Note: This bit is write protected by Busy bit. Reset type: SYSRSn



### 21.15.2.29 CAN\_IF2MSK Register (Offset = 124h) [Reset = FFFFFFFFh]

CAN\_IF2MSK is shown in [Figure 21-50](#) and described in [Table 21-38](#).

Return to the [Summary Table](#).

The bits of the IF1/IF2 Mask Registers mirror the mask bits of a message object.

Note: While Busy bit of IF1/IF2 Command Register is one, IF1/IF2 Register Set is write-protected.

**Figure 21-50. CAN\_IF2MSK Register**

31	30	29	28	27	26	25	24
MXtd	MDir	RESERVED	Msk				
R/W-1h	R/W-1h	R-1h	R/W-1FFFFFFFh				
23	22	21	20	19	18	17	16
Msk							
R/W-1FFFFFFFh							
15	14	13	12	11	10	9	8
Msk							
R/W-1FFFFFFFh							
7	6	5	4	3	2	1	0
Msk							
R/W-1FFFFFFFh							

**Table 21-38. CAN\_IF2MSK Register Field Descriptions**

Bit	Field	Type	Reset	Description
31	MXtd	R/W	1h	Mask Extended Identifier 0 The extended identifier bit (Xtd) has no effect on the acceptance filtering. 1 The extended identifier bit (Xtd) is used for acceptance filtering. When 11-bit ('standard') identifiers are used for a message object, the identifiers of received data frames are written into bits ID[28:18]. For acceptance filtering, only these bits together with mask bits Msk[28:18] are considered. Note: This bit is write protected by Busy bit. Reset type: SYSRSn
30	MDir	R/W	1h	Mask Message Direction 0 The message direction bit (Dir) has no effect on the acceptance filtering. 1 The message direction bit (Dir) is used for acceptance filtering. Note: This bit is write protected by Busy bit. Reset type: SYSRSn
29	RESERVED	R	1h	Reserved
28-0	Msk	R/W	1FFFFFFFh	Identifier Mask 0 The corresponding bit in the identifier of the message object is not used for acceptance filtering (don't care). 1 The corresponding bit in the identifier of the message object is used for acceptance filtering. Note: This bit is write protected by Busy bit. Reset type: SYSRSn

### 21.15.2.30 CAN\_IF2ARB Register (Offset = 128h) [Reset = 0000000h]

CAN\_IF2ARB is shown in [Figure 21-51](#) and described in [Table 21-39](#).

Return to the [Summary Table](#).

The bits of the IF1/IF2 Arbitration Registers mirror the arbitration bits of a message object. The Arbitration bits ID[28:0], Xtd, and Dir are used to define the identifier and type of outgoing messages and (together with the Mask bits Msk[28:0], MXtd, and MDir) for acceptance filtering of incoming messages.

A received message is stored into the valid message object with matching identifier and Direction = receive (Data Frame) or Direction = transmit (Remote Frame).

Extended frames can be stored only in message objects with Xtd = one, standard frames in message objects with Xtd = zero.

If a received message (Data Frame or Remote Frame) matches more than one valid message objects, it is stored into the one with the lowest message number.

Note: While Busy bit of IF1/IF2 Command Register is one, IF1/IF2 Register Set is write-protected.

**Figure 21-51. CAN\_IF2ARB Register**

31	30	29	28	27	26	25	24
MsgVal	Xtd	Dir	ID				
R/W-0h	R/W-0h	R/W-0h	R/W-0h				
23	22	21	20	19	18	17	16
ID							
R/W-0h							
15	14	13	12	11	10	9	8
ID							
R/W-0h							
7	6	5	4	3	2	1	0
ID							
R/W-0h							

**Table 21-39. CAN\_IF2ARB Register Field Descriptions**

Bit	Field	Type	Reset	Description
31	MsgVal	R/W	0h	Message Valid 0 The mailbox is disabled. (The message object is ignored by the message handler). 1 The mailbox is enabled. (The message object is to be used by the message handler). The CPU should reset the MsgVal bit of all unused Messages Objects during the initialization before it resets the InIt bit in the CAN Control Register. Note: This bit is write protected by Busy bit. Reset type: SYSRSn
30	Xtd	R/W	0h	Extended Identifier 0 The 11-bit ('standard') Identifier is used for this message object. 1 The 29-bit ('extended') Identifier is used for this message object. Note: This bit is write protected by Busy bit. Reset type: SYSRSn

**Table 21-39. CAN\_IF2ARB Register Field Descriptions (continued)**

Bit	Field	Type	Reset	Description
29	Dir	R/W	0h	Message Direction 0 Direction = receive: On TxRqst, a remote frame with the identifier of this message object is transmitted. On reception of a data frame with matching identifier, that frame is stored in this message object. 1 Direction = transmit: On TxRqst, the respective message object is transmitted as a data frame. On reception of a remote frame with matching identifier, the TxRqst bit of this message object is set (if RmtEn = one). Note: This bit is write protected by Busy bit. Reset type: SYSRSn
28-0	ID	R/W	0h	Message Identifier ID[28:0] 29-bit Identifier ('Extended Frame') ID[28:18] 11-bit Identifier ('Standard Frame') Note: This bit is write protected by Busy bit. Reset type: SYSRSn

### 21.15.2.31 CAN\_IF2MCTL Register (Offset = 12Ch) [Reset = 00000000h]

CAN\_IF2MCTL is shown in [Figure 21-52](#) and described in [Table 21-40](#).

Return to the [Summary Table](#).

The bits of the IF1/IF2 Message Control Registers mirror the message control bits of a message object. This register has control/status bits pertaining to interrupts, acceptance mask, remote frames and FIFO option.

**Figure 21-52. CAN\_IF2MCTL Register**

31	30	29	28	27	26	25	24
RESERVED							
R-0h							
23	22	21	20	19	18	17	16
RESERVED							
R-0h							
15	14	13	12	11	10	9	8
NewDat	MsgLst	IntPnd	UMask	TxIE	RxIE	RmtEn	TxRqst
R/W-0h	R/W-0h	R/W-0h	R/W-0h	R/W-0h	R/W-0h	R/W-0h	R/W-0h
7	6	5	4	3	2	1	0
EoB	RESERVED			DLC			
R/W-0h	R-0h			R/W-0h			

**Table 21-40. CAN\_IF2MCTL Register Field Descriptions**

Bit	Field	Type	Reset	Description
31-16	RESERVED	R	0h	Reserved
15	NewDat	R/W	0h	New Data 0 No new data has been written into the data portion of this message object by the message handler since the last time when this flag was cleared by the CPU. 1 The message handler or the CPU has written new data into the data portion of this message object. Note: This bit is write protected by Busy bit. Reset type: SYSRSn
14	MsgLst	R/W	0h	Message Lost (only valid for message objects with direction = receive) 0 No message lost since the last time when this bit was reset by the CPU. 1 The message handler stored a new message into this object when NewDat was still set, so the previous message has been overwritten. Note: This bit is write protected by Busy bit. Reset type: SYSRSn
13	IntPnd	R/W	0h	Interrupt Pending 0 This message object is not the source of an interrupt. 1 This message object is the source of an interrupt. The Interrupt Identifier in the Interrupt Register will point to this message object if there is no other interrupt source with higher priority. Note: This bit is write protected by Busy bit. Reset type: SYSRSn
12	UMask	R/W	0h	Use Acceptance Mask 0 Mask ignored 1 Use Mask (Msk[28:0], MXtd, and MDir) for acceptance filtering If the UMask bit is set to one, the message object's mask bits have to be programmed during initialization of the message object before MsgVal is set to one. Note: This bit is write protected by Busy bit. Reset type: SYSRSn

**Table 21-40. CAN\_IF2MCTL Register Field Descriptions (continued)**

Bit	Field	Type	Reset	Description
11	TxE	R/W	0h	<p>Transmit Interrupt Enable</p> <p>0 IntPnd will not be triggered after the successful transmission of a frame.</p> <p>1 IntPnd will be triggered after the successful transmission of a frame.</p> <p>Note: This bit is write protected by Busy bit.</p> <p>Reset type: SYSRSn</p>
10	RxE	R/W	0h	<p>Receive Interrupt Enable</p> <p>0 IntPnd will not be triggered after the successful reception of a frame.</p> <p>1 IntPnd will be triggered after the successful reception of a frame.</p> <p>Note: This bit is write protected by Busy bit.</p> <p>Reset type: SYSRSn</p>
9	RmtEn	R/W	0h	<p>Remote Enable</p> <p>0 At the reception of a remote frame, TxRqst is not changed.</p> <p>1 At the reception of a remote frame, TxRqst is set.</p> <p>Note: This bit is write protected by Busy bit.</p> <p>Reset type: SYSRSn</p>
8	TxRqst	R/W	0h	<p>Transmit Request</p> <p>0 This message object is not waiting for a transmission.</p> <p>1 The transmission of this message object is requested and is not yet done.</p> <p>Note: This bit is write protected by Busy bit.</p> <p>Reset type: SYSRSn</p>
7	EoB	R/W	0h	<p>End of Block</p> <p>0 The message object is part of a FIFO Buffer block and is not the last message object of the FIFO Buffer block.</p> <p>1 The message object is a single message object or the last message object in a FIFO Buffer Block.</p> <p>Note: This bit is used to concatenate multiple message objects to build a FIFO Buffer. For single message objects (not belonging to a FIFO Buffer), this bit must always be set to one.</p> <p>Note: This bit is write protected by Busy bit.</p> <p>Reset type: SYSRSn</p>
6-4	RESERVED	R	0h	Reserved
3-0	DLC	R/W	0h	<p>Data length code</p> <p>0-8 Data frame has 0-8 data bytes.</p> <p>9-15 Data frame has 8 data bytes.</p> <p>Note: The data length code of a message object must be defined the same as in all the corresponding objects with the same identifier at other nodes. When the message handler stores a data frame, it will write the DLC to the value given by the received message.</p> <p>Note: This bit is write protected by Busy bit.</p> <p>Reset type: SYSRSn</p>

### 21.15.2.32 CAN\_IF2DATA Register (Offset = 130h) [Reset = 0000000h]

CAN\_IF2DATA is shown in [Figure 21-53](#) and described in [Table 21-41](#).

Return to the [Summary Table](#).

This register provides a window to the data bytes of the CAN message. The data bytes of CAN messages are stored in the IF1/IF2 registers in the following order. In a CAN Data Frame, Data 0 is the first, and Data 7 is the last byte to be transmitted or received. In CAN's serial bit stream, the MSB of each byte will be transmitted first. All bits in this register are write-protected by the Busy bit.

**Figure 21-53. CAN\_IF2DATA Register**

31	30	29	28	27	26	25	24	23	22	21	20	19	18	17	16	15	14	13	12	11	10	9	8	7	6	5	4	3	2	1	0
Data_3								Data_2								Data_1								Data_0							
R/W-0h								R/W-0h								R/W-0h								R/W-0h							

**Table 21-41. CAN\_IF2DATA Register Field Descriptions**

Bit	Field	Type	Reset	Description
31-24	Data_3	R/W	0h	Data Byte 3 Reset type: SYSRSn
23-16	Data_2	R/W	0h	Data Byte 2 Reset type: SYSRSn
15-8	Data_1	R/W	0h	Data Byte 1 Reset type: SYSRSn
7-0	Data_0	R/W	0h	Data Byte 0 Reset type: SYSRSn

### 21.15.2.33 CAN\_IF2DATB Register (Offset = 134h) [Reset = 0000000h]

CAN\_IF2DATB is shown in [Figure 21-54](#) and described in [Table 21-42](#).

Return to the [Summary Table](#).

This register provides a window to the data bytes of the CAN message. The data bytes of CAN messages are stored in the IF1/IF2 registers in the following order. In a CAN Data Frame, Data 0 is the first, and Data 7 is the last byte to be transmitted or received. In CAN's serial bit stream, the MSB of each byte will be transmitted first. All bits in this register are write-protected by the Busy bit.

**Figure 21-54. CAN\_IF2DATB Register**

31	30	29	28	27	26	25	24	23	22	21	20	19	18	17	16	15	14	13	12	11	10	9	8	7	6	5	4	3	2	1	0
Data_7								Data_6								Data_5								Data_4							
R/W-0h								R/W-0h								R/W-0h								R/W-0h							

**Table 21-42. CAN\_IF2DATB Register Field Descriptions**

Bit	Field	Type	Reset	Description
31-24	Data_7	R/W	0h	Data Byte 7 Reset type: SYSRSn
23-16	Data_6	R/W	0h	Data Byte 6 Reset type: SYSRSn
15-8	Data_5	R/W	0h	Data Byte 5 Reset type: SYSRSn
7-0	Data_4	R/W	0h	Data Byte 4 Reset type: SYSRSn

### 21.15.2.34 CAN\_IF3OBS Register (Offset = 140h) [Reset = 0000000h]

CAN\_IF3OBS is shown in [Figure 21-55](#) and described in [Table 21-43](#).

Return to the [Summary Table](#).

The IF3 register set can automatically be updated with received message objects without the need to initiate the transfer from Message RAM by CPU.

The observation flags (Bits [4:0]) in the IF3 Observation register are used to determine, which data sections of the IF3 Interface Register set have to be read in order to complete a DMA read cycle. After all marked data sections are read, the DCAN is enabled to update the IF3 Interface Register set with new data.

Any access order of single bytes or half-words is supported. When using byte or half-word accesses, a data section is marked as completed, if all bytes are read.

Note: If IF3 Update Enable is used and no Observation flag is set, the corresponding message objects will be copied to IF3 without activating the DMA request line and without waiting for DMA read accesses.

A write access to this register aborts a pending DMA cycle by resetting the DMA line and enables updating of IF3 Interface Register set with new data. To avoid data inconsistency, the DMA controller should be disabled before reconfiguring IF3 observation register. The status of the current read-cycle can be observed via status flags (Bits [12:8]).

With this, the observation status bits and the IF3Upd bit could be used by the application to realize the notification about new IF3 content in polling or interrupt mode

**Figure 21-55. CAN\_IF3OBS Register**

31	30	29	28	27	26	25	24
RESERVED							
R-0h							
23	22	21	20	19	18	17	16
RESERVED							
R-0h							
15	14	13	12	11	10	9	8
IF3Upd	RESERVED		IF3SDB	IF3SDA	IF3SC	IF3SA	IF3SM
R-0h	R-0h		R-0h	R-0h	R-0h	R-0h	R-0h
7	6	5	4	3	2	1	0
RESERVED			Data_B	Data_A	Ctrl	Arb	Mask
R-0h			R/W-0h	R/W-0h	R/W-0h	R/W-0h	R/W-0h

**Table 21-43. CAN\_IF3OBS Register Field Descriptions**

Bit	Field	Type	Reset	Description
31-16	RESERVED	R	0h	Reserved
15	IF3Upd	R	0h	IF3 Update Data 0 No new data has been loaded since last IF3 read. 1 New data has been loaded since last IF3 read. Reset type: SYSRSn
14-13	RESERVED	R	0h	Reserved
12	IF3SDB	R	0h	IF3 Status of Data B read access 0 All Data B bytes are already read out, or are not marked to be read. 1 Data B section has still data to be read out. Reset type: SYSRSn
11	IF3SDA	R	0h	IF3 Status of Data A read access 0 All Data A bytes are already read out, or are not marked to be read. 1 Data A section has still data to be read out. Reset type: SYSRSn



**Table 21-43. CAN\_IF3OBS Register Field Descriptions (continued)**

Bit	Field	Type	Reset	Description
10	IF3SC	R	0h	IF3 Status of Control bits read access 0 All Control section bytes are already read out, or are not marked to be read. 1 Control section has still data to be read out. Reset type: SYSRSn
9	IF3SA	R	0h	IF3 Status of Arbitration data read access 0 All Arbitration data bytes are already read out, or are not marked to be read. 1 Arbitration section has still data to be read out. Reset type: SYSRSn
8	IF3SM	R	0h	IF3 Status of Mask data read access 0 All Mask data bytes are already read out, or are not marked to be read. 1 Mask section has still data to be read out. Reset type: SYSRSn
7-5	RESERVED	R	0h	Reserved
4	Data_B	R/W	0h	Data B read observation 0 Data B section not to be read. 1 Data B section has to be read to enable next IF3 update. Reset type: SYSRSn
3	Data_A	R/W	0h	Data A read observation 0 Data A section not to be read. 1 Data A section has to be read to enable next IF3 update. Reset type: SYSRSn
2	Ctrl	R/W	0h	Ctrl read observation 0 Ctrl section not to be read. 1 Ctrl section has to be read to enable next IF3 update. Reset type: SYSRSn
1	Arb	R/W	0h	Arbitration data read observation 0 Arbitration data not to be read. 1 Arbitration data has to be read to enable next IF3 update. Reset type: SYSRSn
0	Mask	R/W	0h	Mask data read observation 0 Mask data not to be read. 1 Mask data has to be read to enable next IF3 update. Reset type: SYSRSn

### 21.15.2.35 CAN\_IF3MSK Register (Offset = 144h) [Reset = FFFFFFFFh]

CAN\_IF3MSK is shown in [Figure 21-56](#) and described in [Table 21-44](#).

Return to the [Summary Table](#).

This register provides a window to the acceptance mask for the chosen mailbox.

**Figure 21-56. CAN\_IF3MSK Register**

31	30	29	28	27	26	25	24
MXtd	MDir	RESERVED	Msk				
R-1h	R-1h	R-1h	R-1FFFFFFFh				
23	22	21	20	19	18	17	16
Msk							
R-1FFFFFFFh							
15	14	13	12	11	10	9	8
Msk							
R-1FFFFFFFh							
7	6	5	4	3	2	1	0
Msk							
R-1FFFFFFFh							

**Table 21-44. CAN\_IF3MSK Register Field Descriptions**

Bit	Field	Type	Reset	Description
31	MXtd	R	1h	Mask Extended Identifier 0 The extended identifier bit (Xtd) has no effect on the acceptance filtering. 1 The extended identifier bit (Xtd) is used for acceptance filtering. Note: When 11-bit ('standard') identifiers are used for a message object, the identifiers of received data frames are written into bits ID[28:18]. For acceptance filtering, only these bits together with mask bits Msk[28:18] are considered. Reset type: SYSRSn
30	MDir	R	1h	Mask Message Direction 0 The message direction bit (Dir) has no effect on the acceptance filtering. 1 The message direction bit (Dir) is used for acceptance filtering. Reset type: SYSRSn
29	RESERVED	R	1h	Reserved
28-0	Msk	R	1FFFFFFFh	Identifier Mask Identifier Mask 0 The corresponding bit in the identifier of the message object is not used for acceptance filtering (don't care). 1 The corresponding bit in the identifier of the message object is used for acceptance filtering. Identifier Mask Reset type: SYSRSn

### 21.15.2.36 CAN\_IF3ARB Register (Offset = 148h) [Reset = 0000000h]

CAN\_IF3ARB is shown in [Figure 21-57](#) and described in [Table 21-45](#).

Return to the [Summary Table](#).

The bits of the IF3 Arbitration Register mirrors the arbitration bits of a message object.

**Figure 21-57. CAN\_IF3ARB Register**

31	30	29	28	27	26	25	24	
MsgVal	Xtd	Dir	ID					
R-0h	R-0h	R-0h	R-0h					
23	22	21	20	19	18	17	16	
ID								
R-0h								
15	14	13	12	11	10	9	8	
ID								
R-0h								
7	6	5	4	3	2	1	0	
ID								
R-0h								

**Table 21-45. CAN\_IF3ARB Register Field Descriptions**

Bit	Field	Type	Reset	Description
31	MsgVal	R	0h	Message Valid 0 The message object is ignored by the message handler. 1 The message object is to be used by the message handler. The CPU should reset the MsgVal bit of all unused Messages Objects during the initialization before it resets bit Init in the CAN Control Register. Reset type: SYSRSn
30	Xtd	R	0h	Extended Identifier 0 The 11-bit ('standard') Identifier is used for this message object. 1 The 29-bit ('extended') Identifier is used for this message object. Reset type: SYSRSn
29	Dir	R	0h	Message Direction 0 Direction = receive: On TxRqst, a remote frame with the identifier of this message object is transmitted. On reception of a data frame with matching identifier, that message is stored in this message object. 1 Direction = transmit: On TxRqst, the respective message object is transmitted as a data frame. On reception of a remote frame with matching identifier, the TxRqst bit of this message object is set (if RmtEn = one). Reset type: SYSRSn
28-0	ID	R	0h	Message Identifier ID[28:0] 29-bit Identifier ('Extended Frame') ID[28:18] 11-bit Identifier ('Standard Frame') Reset type: SYSRSn

### 21.15.2.37 CAN\_IF3MCTL Register (Offset = 14Ch) [Reset = 00000000h]

CAN\_IF3MCTL is shown in [Figure 21-58](#) and described in [Table 21-46](#).

Return to the [Summary Table](#).

The bits of the IF3 Message Control Register mirrors the message control bits of a message object.

**Figure 21-58. CAN\_IF3MCTL Register**

31	30	29	28	27	26	25	24
RESERVED							
R-0h							
23	22	21	20	19	18	17	16
RESERVED							
R-0h							
15	14	13	12	11	10	9	8
NewDat	MsgLst	IntPnd	UMask	TxIE	RxIE	RmtEn	TxRqst
R-0h	R-0h	R-0h	R-0h	R-0h	R-0h	R-0h	R-0h
7	6	5	4	3	2	1	0
EoB	RESERVED			DLC			
R-0h	R-0h			R-0h			

**Table 21-46. CAN\_IF3MCTL Register Field Descriptions**

Bit	Field	Type	Reset	Description
31-16	RESERVED	R	0h	Reserved
15	NewDat	R	0h	New Data 0 No new data has been written into the data portion of this message object by the message handler since the last time when this flag was cleared by the CPU. 1 The message handler or the CPU has written new data into the data portion of this message object. Reset type: SYSRSn
14	MsgLst	R	0h	Message Lost (only valid for message objects with direction = receive) 0 No message lost since the last time when this bit was reset by the CPU. 1 The message handler stored a new message into this object when NewDat was still set, so the previous message has been overwritten. Reset type: SYSRSn
13	IntPnd	R	0h	Interrupt Pending 0 This message object is not the source of an interrupt. 1 This message object is the source of an interrupt. The Interrupt Identifier in the Interrupt Register will point to this message object if there is no other interrupt source with higher priority. Reset type: SYSRSn
12	UMask	R	0h	Use Acceptance Mask 0 Mask ignored 1 Use Mask (Msk[28:0], MXtd, and MDir) for acceptance filtering If the UMask bit is set to one, the message object's mask bits have to be programmed during initialization of the message object before MsgVal is set to one. Reset type: SYSRSn

**Table 21-46. CAN\_IF3MCTL Register Field Descriptions (continued)**

Bit	Field	Type	Reset	Description
11	TxE	R	0h	Transmit Interrupt Enable 0 IntPnd will not be triggered after the successful transmission of a frame. 1 IntPnd will be triggered after the successful transmission of a frame. Reset type: SYSRSn
10	RxE	R	0h	Receive Interrupt Enable 0 IntPnd will not be triggered after the successful reception of a frame. 1 IntPnd will be triggered after the successful reception of a frame. Reset type: SYSRSn
9	RmtEn	R	0h	Remote Enable 0 At the reception of a remote frame, TxRqst is not changed. 1 At the reception of a remote frame, TxRqst is set. Reset type: SYSRSn
8	TxRqst	R	0h	Transmit Request 0 This message object is not waiting for a transmission. 1 The transmission of this message object is requested and is not yet done. Reset type: SYSRSn
7	EoB	R	0h	End of Block 0 The message object is part of a FIFO Buffer block and is not the last message object of the FIFO Buffer block. 1 The message object is a single message object or the last message object in a FIFO Buffer Block. Note: This bit is used to concatenate multiple message objects to build a FIFO Buffer. For single message objects (not belonging to a FIFO Buffer), this bit must always be set to one. Reset type: SYSRSn
6-4	RESERVED	R	0h	Reserved
3-0	DLC	R	0h	Data length code 0-8 Data frame has 0-8 data bytes. 9-15 Data frame has 8 data bytes. Note: The data length code of a message object must be defined the same as in all the corresponding objects with the same identifier at other nodes. When the message handler stores a data frame, it will write the DLC to the value given by the received message. Reset type: SYSRSn

### 21.15.2.38 CAN\_IF3DATA Register (Offset = 150h) [Reset = 0000000h]

CAN\_IF3DATA is shown in [Figure 21-59](#) and described in [Table 21-47](#).

Return to the [Summary Table](#).

This register provides a window to the data bytes of the CAN message.

**Figure 21-59. CAN\_IF3DATA Register**

31	30	29	28	27	26	25	24	23	22	21	20	19	18	17	16	15	14	13	12	11	10	9	8	7	6	5	4	3	2	1	0
Data_3								Data_2								Data_1								Data_0							
R-0h								R-0h								R-0h								R-0h							

**Table 21-47. CAN\_IF3DATA Register Field Descriptions**

Bit	Field	Type	Reset	Description
31-24	Data_3	R	0h	Data Byte 3 Reset type: SYSRSn
23-16	Data_2	R	0h	Data Byte 2 Reset type: SYSRSn
15-8	Data_1	R	0h	Data Byte 1 Reset type: SYSRSn
7-0	Data_0	R	0h	Data Byte 0 Reset type: SYSRSn

### 21.15.2.39 CAN\_IF3DATB Register (Offset = 154h) [Reset = 0000000h]

CAN\_IF3DATB is shown in [Figure 21-60](#) and described in [Table 21-48](#).

Return to the [Summary Table](#).

This register provides a window to the data bytes of the CAN message.

**Figure 21-60. CAN\_IF3DATB Register**

31	30	29	28	27	26	25	24	23	22	21	20	19	18	17	16	15	14	13	12	11	10	9	8	7	6	5	4	3	2	1	0
Data_7								Data_6								Data_5								Data_4							
R-0h								R-0h								R-0h								R-0h							

**Table 21-48. CAN\_IF3DATB Register Field Descriptions**

Bit	Field	Type	Reset	Description
31-24	Data_7	R	0h	Data Byte 7 Reset type: SYSRSn
23-16	Data_6	R	0h	Data Byte 6 Reset type: SYSRSn
15-8	Data_5	R	0h	Data Byte 5 Reset type: SYSRSn
7-0	Data_4	R	0h	Data Byte 4 Reset type: SYSRSn

### 21.15.2.40 CAN\_IF3UPD Register (Offset = 160h) [Reset = 0000000h]

CAN\_IF3UPD is shown in [Figure 21-61](#) and described in [Table 21-49](#).

Return to the [Summary Table](#).

The automatic update functionality of the IF3 register set can be configured for each message object. A message object is enabled for automatic IF3 update, if the dedicated IF3UpdEn flag is set. This means that an active NewDat flag of this message object (e.g due to reception of a CAN frame) will trigger an automatic copy of the whole message object to IF3 register set. Note: IF3 Update enable should not be set for transmit objects.

**Figure 21-61. CAN\_IF3UPD Register**

31	30	29	28	27	26	25	24	23	22	21	20	19	18	17	16	15	14	13	12	11	10	9	8	7	6	5	4	3	2	1	0
IF3UpdEn																															
R/W-0h																															

**Table 21-49. CAN\_IF3UPD Register Field Descriptions**

Bit	Field	Type	Reset	Description
31-0	IF3UpdEn	R/W	0h	IF3 Update Enabled (for all message objects) 0 Automatic IF3 update is disabled for this message object. 1 Automatic IF3 update is enabled for this message object. A message object is scheduled to be copied to IF3 register set, if NewDat flag of the message object is active. Reset type: SYSRSn

### 21.15.3 CAN Registers to Driverlib Functions

**Table 21-50. CAN Registers to Driverlib Functions**

File	Driverlib Function
<b>CAN_CTL</b>	
can.c	CAN_initModule
can.c	CAN_setBitTiming
can.h	CAN_startModule
can.h	CAN_enableController
can.h	CAN_disableController
can.h	CAN_enableTestMode
can.h	CAN_disableTestMode
can.h	CAN_setInterruptDebugMode
can.h	CAN_disableAutoBusOn
can.h	CAN_enableAutoBusOn
can.h	CAN_enableInterrupt
can.h	CAN_disableInterrupt
can.h	CAN_enableRetry
can.h	CAN_disableRetry
can.h	CAN_isRetryEnabled
<b>CAN_ES</b>	
can.c	CAN_clearInterruptStatus
can.h	CAN_getStatus
<b>CAN_ERRC</b>	
can.h	CAN_getErrorCount
<b>CAN_BTR</b>	
can.c	CAN_setBitTiming



**Table 21-50. CAN Registers to Driverlib Functions (continued)**

File	Driverlib Function
can.h	CAN_getBitTiming
<b>CAN_INT</b>	
can.h	CAN_getInterruptCause
<b>CAN_TEST</b>	
can.h	CAN_enableTestMode
can.h	CAN_disableTestMode
can.h	CAN_enableMemoryAccessMode
can.h	CAN_disableMemoryAccessMode
<b>CAN_PERR</b>	
-	
<b>CAN_RAM_INIT</b>	
can.h	CAN_initRAM
<b>CAN_GLB_INT_EN</b>	
can.h	CAN_enableGlobalInterrupt
can.h	CAN_disableGlobalInterrupt
<b>CAN_GLB_INT_FLG</b>	
can.h	CAN_getGlobalInterruptStatus
<b>CAN_GLB_INT_CLR</b>	
can.h	CAN_clearGlobalInterruptStatus
<b>CAN_ABOTR</b>	
can.h	CAN_setAutoBusOnTime
<b>CAN_TXRQ_X</b>	
-	
<b>CAN_TXRQ_21</b>	
can.h	CAN_getTxRequests
<b>CAN_NDAT_X</b>	
-	
<b>CAN_NDAT_21</b>	
can.h	CAN_getNewDataFlags
<b>CAN_IPEN_X</b>	
-	
<b>CAN_IPEN_21</b>	
can.h	CAN_getInterruptMessageSource
<b>CAN_MVAL_X</b>	
-	
<b>CAN_MVAL_21</b>	
can.h	CAN_getValidMessageObjects
<b>CAN_IP_MUX21</b>	
can.h	CAN_getInterruptMux
can.h	CAN_setInterruptMux
<b>CAN_IF1CMD</b>	
can.c	CAN_clearInterruptStatus
can.c	CAN_setupMessageObject
can.c	CAN_sendMessage
can.c	CAN_sendMessage_16bit

**Table 21-50. CAN Registers to Driverlib Functions (continued)**

File	Driverlib Function
can.c	CAN_sendMessage_32bit
can.c	CAN_sendMessage_updateDLC
can.c	CAN_sendRemoteRequestMessage
can.c	CAN_transferMessage
can.c	CAN_clearMessage
can.c	CAN_disableMessageObject
can.c	CAN_disableAllMessageObjects
<b>CAN_IF1MSK</b>	
can.c	CAN_setupMessageObject
<b>CAN_IF1ARB</b>	
can.c	CAN_setupMessageObject
can.c	CAN_clearMessage
can.c	CAN_disableMessageObject
can.c	CAN_disableAllMessageObjects
<b>CAN_IF1MCTL</b>	
can.c	CAN_setupMessageObject
can.c	CAN_sendMessage
can.c	CAN_sendMessage_16bit
can.c	CAN_sendMessage_32bit
can.c	CAN_sendMessage_updateDLC
can.c	CAN_sendRemoteRequestMessage
<b>CAN_IF1DATA</b>	
can.c	CAN_sendMessage
can.c	CAN_sendMessage_16bit
can.c	CAN_sendMessage_32bit
can.c	CAN_sendMessage_updateDLC
<b>CAN_IF1DATB</b>	
-	See IF1DATA
<b>CAN_IF2CMD</b>	
can.c	CAN_readMessage
can.c	CAN_transferMessage
<b>CAN_IF2MSK</b>	
-	
<b>CAN_IF2ARB</b>	
can.c	CAN_readMessageWithID
<b>CAN_IF2MCTL</b>	
can.c	CAN_readMessage
<b>CAN_IF2DATA</b>	
can.c	CAN_readMessage
<b>CAN_IF2DATB</b>	
-	See IF2DATA
<b>CAN_IF3OBS</b>	
-	
<b>CAN_IF3MSK</b>	
-	

**Table 21-50. CAN Registers to Driverlib Functions (continued)**

File	Driverlib Function
CAN_IF3ARB	
-	
CAN_IF3MCTL	
-	
CAN_IF3DATA	
-	
CAN_IF3DATB	
-	See IF3DATA
CAN_IF3UPD	
-	

This page intentionally left blank.

Chapter 22  
**Universal Serial Bus (USB) Controller**

---



This chapter discusses the features and functions of the universal serial bus (USB) controller.

<b>22.1 Introduction</b> .....	<b>2494</b>
<b>22.2 Functional Description</b> .....	<b>2497</b>
<b>22.3 Initialization and Configuration</b> .....	<b>2508</b>
<b>22.4 USB Global Interrupts</b> .....	<b>2509</b>
<b>22.5 Software</b> .....	<b>2510</b>
<b>22.6 USB Registers</b> .....	<b>2510</b>

## 22.1 Introduction

The USB controller operates as a full-speed function controller during point-to-point communications with the USB host. The controller complies with the USB 2.0 standard, which includes SUSPEND and RESUME signaling. The USB controller has thirty-two endpoints, one-half of them being for IN transactions and one-half of them being for OUT transactions. One IN and one OUT endpoint are fixed-function endpoints used for control transfers; the others are defined by firmware. A dynamically sizeable FIFO supports queuing multiple packets. Software-controlled connect and disconnect allow flexibility during USB device startup.

### 22.1.1 Features

The USB module has the following features:

- Complies with USB-IF certification standards
- USB 2.0 full-speed (12 Mbps) operation in host and device modes as well as low-speed (1.5 Mbps) operation in host mode
- Integrated PHY
- Three transfer types: Control, Interrupt, and Bulk
- Thirty-two endpoints
  - One dedicated control IN endpoint and one dedicated control OUT endpoint
  - Fifteen configurable IN endpoints and fifteen configurable OUT endpoints
- Four KB dedicated endpoint memory

### 22.1.2 USB Related Collateral

#### Foundational Materials

- [C2000 Academy - USB](#)
- [USB Precision Labs](#) (Video)

#### Expert Materials

- [High-Speed Interface Layout Guidelines Application Report](#)
- [USB Flash Programming of C2000 Microcontrollers Application Report](#)

### 22.1.3 Block Diagram

The USB block diagram is shown in Figure 22-1.

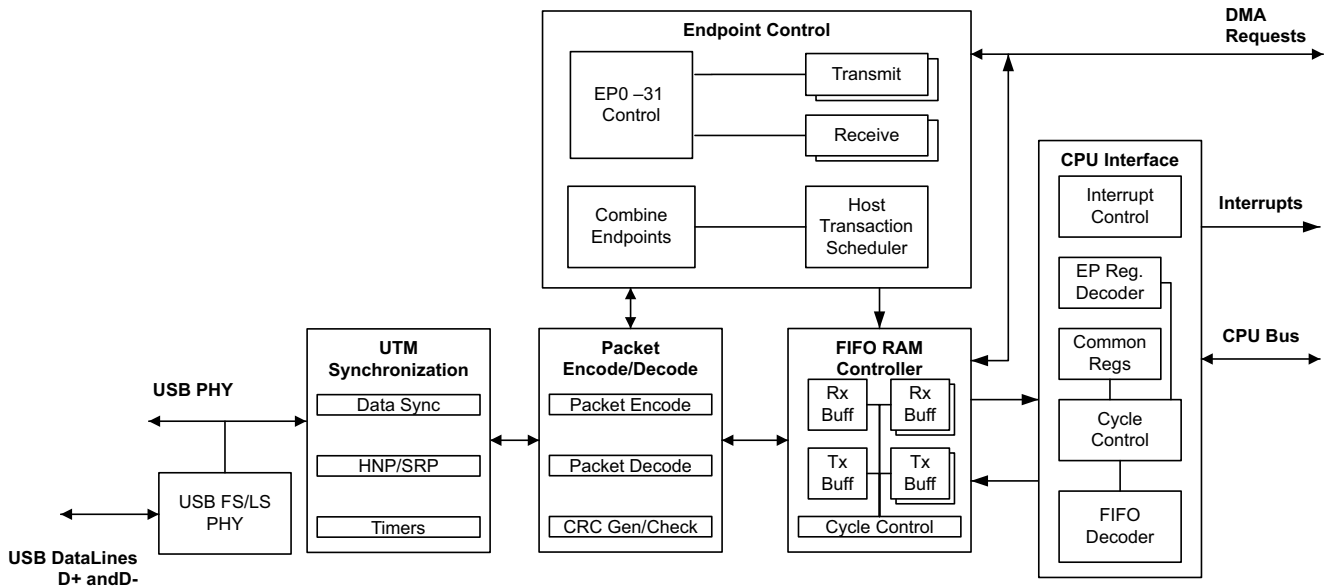


Figure 22-1. USB Block Diagram

#### 22.1.3.1 Signal Description

The USB controller requires a total of three signals (D+, D-, and  $V_{BUS}$ ) to operate in device mode and two signals (D+, D-) to operate in embedded host mode. Because of the differential signaling needed for USB, the D+ and D- pins have special buffers to support USB. As such, their position on the chip is not user-selectable. The D+ and D- pins at reset are, by default, GPIOs and must be configured before being used as USB function pins. Bits 10 and 11 in the GPIO B Analog Mode Select register (GPBAMSEL) must be set to choose the USB function. The signals USB bus voltage ( $V_{BUS}$ ), external power enable (EPEN), and power fault (PFLT) are not hardwired to any pin and some applications require these signals be implemented in software using a GPIO. Software that implements these signals is available in the USB software library.

#### 22.1.3.2 VBus Recommendations

Most applications do not need to monitor  $V_{BUS}$ . Because of this, a dedicated  $V_{BUS}$  monitoring pin was not included on this microcontroller. If you are designing a bus-powered device application or an embedded host application, you do not need to monitor  $V_{BUS}$ . If you are designing a self-powered device, you need to actively monitor the state of the  $V_{BUS}$  pin to make sure compliance with the USB specification. In Section 7.1.5 and Section 7.2.1 of the USB Specification Revision 2.0™:

- "The voltage source on the [speed identification] pull-up resistor must be derived from or controlled by the power supplied on the USB cable such that when  $V_{BUS}$  is removed, the pull-up resistor does not supply current on the data line to which it is attached.
- When  $V_{BUS}$  is removed, the device must remove power from the D+/D- pull-up resistor within 10 seconds.
- Later in the timing tables (Section 7.3.2) of the USB Specification 2.0, it is also stated that the D+/D- pull-up resistor must be applied within 100 ms of  $V_{BUS}$  reaching a valid level."

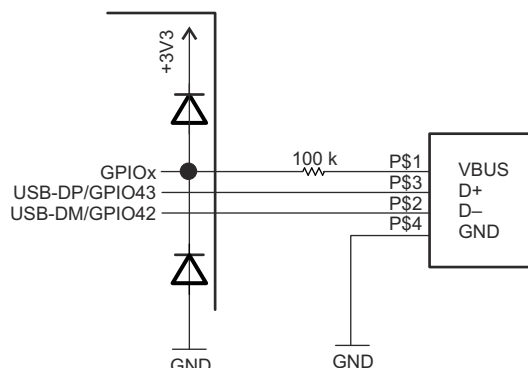
Meeting the above specification is easy because of the slow timing requirements. The hardware part of the  $V_{BUS}$  monitoring is discussed in this chapter. The corresponding software is discussed briefly, but for examples and an explanation, consult the USB software guide.

The pins of this microcontroller are not 5-V tolerant, and because of this, the  $V_{BUS}$  signal cannot be directly connected to a GPIO pin. Directly connecting 5 V to a pin of the microcontroller destroys the I/O buffer of the pin

and possibly more of the chip. The most cost-effective way of making any pin capable of reading a 5-V input is to use a series resistance in conjunction with the ESD diode clamps already present inside the device on every pin. It is recommended to use a 100-k $\Omega$  series resistor between the  $V_{BUS}$  signal and the pin chosen to monitor it. A diagram of this setup is shown in [Figure 22-2](#).

In [Figure 22-2](#), if  $V_{BUS}$  is above or below 3.3 V and 0 V, respectively, one of the ESD clamp diodes is forward-biased, allowing current to flow through the 100-k $\Omega$  resistor. The purpose of the diode clamps is to protect the pins of the microcontroller from very short over voltage spikes of a high magnitude. The diode clamps do this by clamping the voltage excursion to one of the supply rails. We are effectively requiring the ESD clamps to do the same thing the clamps were designed to do, but instead of a short high magnitude pulse, we are giving the clamps a long low magnitude static value using the 100-k $\Omega$  resistor.

Any pin that has digital input and output functionality can potentially be used to monitor  $V_{BUS}$ , but the use of an interrupt-capable GPIO is recommended. A pin that does not have external interrupt capability can also be used, but the input state of the pin must be polled periodically by the application software to make sure appropriate action is taken whenever  $V_{BUS}$  is applied or removed. If an interrupt-capable GPIO is chosen, the GPIO can be configured to generate an interrupt on both the rising and falling edge. More information on external interrupts can be found in the *System Control and Interrupts* chapter. Example code that implements  $V_{BUS}$  monitoring using external interrupts and takes the appropriate actions is documented in the USB Software Guide and can be found in the associated USB software package.



**Figure 22-2. USB Scheme**



## 22.2 Functional Description

The USB controller can be configured to act as either a dedicated host or device. However, when the USB controller is acting as a self-powered device, a GPIO input or analog comparator input must be connected to  $V_{BUS}$  and configured to generate an interrupt when the  $V_{BUS}$  level drops. This interrupt is used to disable the pullup resistor on the USB0DP signal.

---

### Note

When USB is used in the system, the minimum system frequency is 30 MHz.

---

### 22.2.1 Operation as a Device

This section describes how the USB controller performs when the USB controller is being used as a USB device. IN endpoints, OUT endpoints, entry into and exit from SUSPEND mode, and recognition of start of frame (SOF) are all described.

When in device mode, IN transactions are controlled by the endpoint transmit interface and uses the transmit endpoint registers for the given endpoint. OUT transactions are handled with the endpoints receive interface and use the receive endpoint registers for the given endpoint. When configuring the size of the FIFOs for endpoints, take into account the maximum packet size for an endpoint. Note the following:

- Bulk endpoints must be the size of the maximum packet (up to 64 bytes) or twice the maximum packet size if double buffering is used (described further in the following section).
- Interrupt endpoints must be the size of the maximum packet (up to 64 bytes) or twice the maximum packet size if double buffering is used.
- It is also possible to specify a separate control endpoint for a USB device. However, in most cases the USB device must use the dedicated control endpoint on the USB controller's endpoint 0.

#### 22.2.1.1 Control and Configurable Endpoints

When operating as a device, the USB controller provides two dedicated control endpoints (IN and OUT). The remaining available configurable endpoints (one-half IN and one-half OUT) can be used for communications with a host controller. The endpoint number and direction associated with an endpoint is directly related to the register designation. For example, when the Host is transmitting to endpoint 1, all configuration and data is in the endpoint 1 transmit register interface. Endpoint 0 is a dedicated control endpoint used for all control transactions to endpoint 0 during enumeration or when any other control requests are made to endpoint 0. Endpoint 0 uses the first 64 bytes of the USB controller's FIFO RAM as a shared memory for both IN and OUT transactions. The remaining six endpoints can be configured as control, bulk, or interrupt endpoints. The six endpoints can be treated as three configurable IN and three configurable OUT endpoints. The endpoint pairs are not required to have the same type for their IN and OUT endpoint configuration. For example, the OUT portion of an endpoint pair can be a bulk endpoint, while the IN portion of that endpoint pair can be an interrupt endpoint. The address and size of the FIFOs attached to each endpoint can be modified to fit the application's needs.

### 22.2.1.1.1 IN Transactions as a Device

When operating as a USB device, data for IN transactions is handled through the FIFOs attached to the transmit endpoints. The sizes of the FIFOs for the configurable IN endpoints are determined by the USB Transmit FIFO Start Address (USBTXFIFOADD) register. The maximum size of a data packet that can be placed in a transmit endpoint's FIFO for transmission is programmable and is determined by the value written to the USB Maximum Transmit Data Endpoint n (USBTXMAXPn) register for that endpoint. The endpoint's FIFO can also be configured to use double-packet or single-packet buffering. When double-packet buffering is enabled, two data packets can be buffered in the FIFO, which also requires that the FIFO is at least two packets in size. When double-packet buffering is disabled, only one packet can be buffered, even if the packet size is less than half the FIFO size.

---

#### Note

The maximum packet size set for any endpoint must not exceed the FIFO size. The USBTXMAXPn register cannot be written to while data is in the FIFO as unexpected results can occur.

---

### Single-Packet Buffering

If the size of the transmit endpoint's FIFO is less than twice the maximum packet size for this endpoint (as set in the USB Transmit Dynamic FIFO Sizing (USBTXFIFOSZ) register), only one packet can be buffered in the FIFO and single-packet buffering is required. When each packet is completely loaded into the transmit FIFO, the TXRDY bit in the USB Transmit Control and Status Endpoint n Low (USBTXCSSLn) register must be set. If the AUTOSET bit in the USB Transmit Control and Status Endpoint n High (USBTXCSSRHn) register is set, the TXRDY bit is automatically set when a maximum-sized packet is loaded into the FIFO. For packet sizes less than the maximum, the TXRDY bit must be set manually. When the TXRDY bit is set, either manually or automatically, the packet is ready to be sent. When the packet has been successfully sent, both TXRDY and FIFONE are cleared, and the appropriate transmit endpoint interrupt signaled. At this point, the next packet can be loaded into the FIFO.

### Double-Packet Buffering

If the size of the transmit endpoint's FIFO is at least twice the maximum packet size for this endpoint, two packets can be buffered in the FIFO and double-packet buffering is allowed. As each packet is loaded into the transmit FIFO, the TXRDY bit in the USBTXCSSLn register must be set. If the AUTOSET bit in the USBTXCSSLn register is set, the TXRDY bit is automatically set when a maximum-sized packet is loaded into the FIFO. For packet sizes less than the maximum, TXRDY must be set manually. When the TXRDY bit is set, either manually or automatically, the packet is ready to be sent. After the first packet is loaded, TXRDY is immediately cleared and an interrupt is generated. A second packet can now be loaded into the transmit FIFO and TXRDY set again (either manually or automatically if the packet is the maximum size). At this point, both packets are ready to be sent. After each packet has been successfully sent, TXRDY is automatically cleared and the appropriate transmit endpoint interrupt signaled to indicate that another packet can now be loaded into the transmit FIFO. The state of the FIFONE bit in the USBTXCSSLn register at this point indicates how many packets can be loaded. If the FIFONE bit is set, then another packet is in the FIFO and only one more packet can be loaded. If the FIFONE bit is clear, then no packets are in the FIFO and two more packets can be loaded.

---

#### Note

Double-packet buffering is disabled if an endpoint's corresponding EPn bit is set in the USB Transmit Double Packet Buffer Disable (USBTXDPKTBUFDIS) register. This bit is set by default, so the bit must be cleared to enable double-packet buffering.

---

### 22.2.1.1.2 Out Transactions as a Device

When in device mode, OUT transactions are handled through the USB controller receive FIFOs. The sizes of the receive FIFOs for the configurable OUT endpoints are determined by the USB Receive FIFO Start Address (USBRXFIFOADD) register. The maximum amount of data received by an endpoint in any packet is determined by the value written to the USB Maximum Receive Data Endpoint n (USBRXMAXPn) register for that endpoint. When double-packet buffering is enabled, two data packets can be buffered in the FIFO. When double-packet buffering is disabled, only one packet can be buffered even if the packet is less than half the FIFO size.

---

**Note**

In all cases, the maximum packet size must not exceed the FIFO size.

---

#### Single-Packet Buffering

If the size of the receive endpoint FIFO is less than twice the maximum packet size for an endpoint, only one data packet can be buffered in the FIFO and single-packet buffering is required. When a packet is received and placed in the receive FIFO, the RXRDY and FULL bits in the USB Receive Control and Status Endpoint n Low (USBRXCSRL[n]) register are set and the appropriate receive endpoint is signaled, indicating that a packet can now be unloaded from the FIFO. After the packet has been unloaded, the RXRDY bit must be cleared to allow further packets to be received. This action also generates the acknowledge signaling to the Host controller. If the AUTOCL bit in the USB Receive Control and Status Endpoint n High (USBRXCSRH[n]) register is set and a maximum-sized packet is unloaded from the FIFO, the RXRDY and FULL bits are cleared automatically. For packet sizes less than the maximum, RXRDY must be cleared manually.

#### Double-Packet Buffering

If the size of the receive endpoint FIFO is at least twice the maximum packet size for the endpoint, two data packets can be buffered and double-packet buffering can be used. When the first packet is received and loaded into the receive FIFO, the RXRDY bit in the USBRXCSRL[n] register is set and the appropriate receive endpoint interrupt is signaled to indicate that a packet can now be unloaded from the FIFO.

---

**Note**

The FULL bit in USBRXCSRL[n] is not set when the first packet is received. The FULL bit is only set if a second packet is received and loaded into the receive FIFO.

---

After each packet has been unloaded, the RXRDY bit must be cleared to allow further packets to be received. If the AUTOCL bit in the USBRXCSRH[n] register is set and a maximum-sized packet is unloaded from the FIFO, the RXRDY bit is cleared automatically. For packet sizes less than the maximum, RXRDY must be cleared manually. If the FULL bit is set when RXRDY is cleared, the USB controller first clears the FULL bit, then sets RXRDY again to indicate that there is another packet waiting in the FIFO to be unloaded.

---

**Note**

Double-packet buffering is disabled if an endpoint's corresponding EPn bit is set in the USB Receive Double Packet Buffer Disable (USBRXDPKTBUFDIS) register. This bit is set by default, so the bit must be cleared to enable double-packet buffering.

---

### 22.2.1.1.3 Scheduling

The device has no control over the scheduling of transactions as scheduling is determined by the Host controller. The USB controller can set up a transaction at any time. The USB controller waits for the request from the Host controller and generates an interrupt when the transaction is complete or if it was terminated due to some error. If the Host controller makes a request and the device controller is not ready, the USB controller sends a busy response (NAK) to all requests until it is ready.

### 22.2.1.1.4 Additional Actions

The USB controller responds automatically to certain conditions on the USB bus or actions by the Host controller such as when the USB controller automatically stalls a control transfer or unexpected zero length OUT data packets.

#### Stalled Control Transfer

The USB controller automatically issues a STALL handshake to a control transfer under the following conditions:

1. The Host sends more data during an OUT data phase of a control transfer than was specified in the device request during the SETUP phase. This condition is detected by the USB controller when the Host sends an OUT token (instead of an IN token) after the last OUT packet has been unloaded and the DATAEND bit in the USB Control and Status Endpoint 0 Low (USBCSRL0) register has been set.
2. The Host requests more data during an IN data phase of a control transfer than was specified in the device request during the SETUP phase. This condition is detected by the USB controller when the Host sends an IN token (instead of an OUT token) after the CPU has cleared TXRDY and set DATAEND in response to the ACK issued by the Host to what must have been the last packet.
3. The Host sends more than USBRXMAXPn bytes of data with an OUT data token.
4. The Host sends more than a zero length data packet for the OUT STATUS phase.

#### Zero Length OUT Data Packets

A zero-length OUT data packet is used to indicate the end of a control transfer. In normal operation, such packets must only be received after the entire length of the device request has been transferred. However, if the Host sends a zero-length OUT data packet before the entire length of device request has been transferred, the Host is signaling the premature end of the transfer. In this case, the USB controller automatically flushes any IN token ready for the data phase from the FIFO and sets the DATAEND bit in the USBCSRL0 register.

#### Setting the Device Address

When a Host is attempting to enumerate the USB device, the Host requests that the device change the address from zero to some other value. The address is changed by writing the value that the Host requested to the USB Device Functional Address (USBFADDR) register. However, care must be taken when writing to USBFADDR to avoid changing the address before the transaction is complete. This register must only be set after the SET\_ADDRESS command is complete. Like all control transactions, the transaction is only complete after the device has left the STATUS phase. In the case of a SET\_ADDRESS command, the transaction is completed by responding to the IN request from the Host with a zero-byte packet. Once the device has responded to the IN request, the USBFADDR register must be programmed to the new value as soon as possible to avoid missing any new commands sent to the new address.

---

#### Note

If the USBFADDR register is set to the new value as soon as the device receives the OUT transaction with the SET\_ADDRESS command in the packet, it changes the address during the control transfer. In this case, the device does not receive the IN request that allows the USB transaction to exit the STATUS phase of the control transfer because it is sent to the old address. As a result, the Host does not get a response to the IN request, and the Host fails to enumerate the device.

---

#### 22.2.1.1.5 Device Mode Suspend

When no activity has occurred on the USB bus for 3 ms, the USB controller automatically enters SUSPEND mode. If the SUSPEND interrupt has been enabled in the USB Interrupt Enable (USBIE) register, an interrupt is generated at this time. When in SUSPEND mode, the PHY also goes into SUSPEND mode. When RESUME signaling is detected, the USB controller exits SUSPEND mode and takes the PHY out of SUSPEND. If the RESUME interrupt is enabled, an interrupt is generated. The USB controller can also be forced to exit SUSPEND mode by setting the RESUME bit in the USB Power (USBPOWER) register. When this bit is set, the USB controller exits SUSPEND mode and drives RESUME signaling onto the bus. The RESUME bit must be cleared after 10 ms (a maximum of 15 ms) to end RESUME signaling. To meet USB power requirements, the controller can be put into Deep Sleep mode which keeps the controller in a static state.

#### 22.2.1.1.6 Start of Frame

When the USB controller is operating in device mode, it receives a Start-Of-Frame (SOF) packet from the Host once every millisecond. When the SOF packet is received, the 11-bit frame number contained in the packet is written into the USB Frame Value (USBFRAME) register, and an SOF interrupt is also signaled and can be handled by the application. Once the USB controller has started to receive SOF packets, it expects one every millisecond. If no SOF packet is received after 1.00358 ms, the packet is assumed to have been lost, and the USBFRAME register is not updated. The USB controller continues and resynchronizes these pulses to the received SOF packets when these packets are successfully received again.

#### 22.2.1.1.7 USB Reset

When the USB controller is in device mode and a RESET condition is detected on the USB bus, the USB controller automatically performs the following actions:

- Clears the USBFADDR register
- Clears the USB Endpoint Index (USBEPIDX) register
- Flushes all endpoint FIFOs
- Clears all control/status registers
- Enables all endpoint interrupts
- Generates a RESET interrupt

#### 22.2.1.1.8 Connect/Disconnect

The USB controller connection to the USB bus is handled by software. The USB PHY can be switched between normal mode and non-driving mode by setting or clearing the SOFTCONN bit of the USBPOWER register. When the SOFTCONN bit is set, the PHY is placed in the normal mode, and the USB0DP/USB0DM lines of the USB bus are enabled. At the same time, the USB controller is placed into a state that does not respond to any USB signaling except a USB RESET. When the SOFTCONN bit is cleared, the PHY is put into non-driving mode, USB0DP and USB0DM are tristated, and the USB controller appears to other devices on the USB bus as if the USB controller has been disconnected. The non-driving mode is the default so the USB controller appears disconnected until the SOFTCONN bit has been set. The application software can then choose when to set the PHY into the normal mode. Systems with a lengthy initialization procedure can use this to make sure that initialization is complete, and the system is ready to perform enumeration before connecting to the USB bus. Once the SOFTCONN bit has been set, the USB controller can be disconnected by clearing this bit.

---

#### Note

The USB controller does not generate an interrupt when the device is connected to the Host. However, an interrupt is generated when the Host terminates a session.

---

### 22.2.2 Operation as a Host

When the USB controller is operating in Host mode, the USB controller can either be used for point-to-point communications with another USB device or, when attached to a hub, for communication with multiple devices. Full-speed and low-speed USB devices are supported, both for point-to-point communication and for operation through a hub. The USB controller automatically carries out the necessary transaction translation needed to allow a low-speed or full-speed device to be used with a USB 2.0 hub. Control, bulk, and interrupt transactions are supported. This section describes the USB controller's actions when the USB controller is being used as a USB Host. Configuration of IN endpoints, OUT endpoints, entry into and exit from SUSPEND mode, and RESET are all described.

When in Host mode, IN transactions are controlled by an endpoint's receive interface. All IN transactions use the receive endpoint registers and all OUT endpoints use the transmit endpoint registers for a given endpoint. As in device mode, the FIFOs for endpoints must take into account the maximum packet size for an endpoint.

- Bulk endpoints must be the size of the maximum packet (up to 64 bytes) or twice the maximum packet size if double buffering is used (described further in the following section).
- Interrupt endpoints must be the size of the maximum packet (up to 64 bytes) or twice the maximum packet size if double buffering is used.
- It is also possible to specify a separate control endpoint to communicate with a device. However, in most cases the USB controller must use the dedicated control endpoint to communicate with a device's endpoint 0.

#### 22.2.2.1 Endpoint Registers

The endpoint registers are used to control the USB endpoint interfaces which communicate with devices that are connected. The endpoints consist of a dedicated control IN endpoint and a dedicated control OUT endpoint. The remaining available endpoints are configurable, with one-half of them being OUT endpoints, and one-half of them being IN endpoints. See [Section 22.1.1](#) for the number of available endpoints on this device.

The dedicated control interface can only be used for control transactions to endpoint 0 of devices. These control transactions are used during enumeration or other control functions that communicate using endpoint 0 of devices. This control endpoint shares the first 64 bytes of the USB controller's FIFO RAM for IN and OUT transactions. The remaining IN and OUT interfaces can be configured to communicate with control, bulk, or interrupt endpoints.

These USB interfaces can be used to simultaneously schedule as many as 15 independent OUT and 15 independent IN transactions to any endpoints on any device. The IN and OUT controls are paired together in the same set of registers for the respective endpoints. However, the IN and OUT controls can be configured to communicate with different types of endpoints and different endpoints on devices. For example, the first pair of endpoint controls can be split so that the OUT portion is communicating with a device's bulk OUT endpoint 1, while the IN portion is communicating with a device's interrupt IN endpoint 2.

Before accessing any device, whether for point-to-point communications or for communications using a hub, the relevant USB Receive Functional Address Endpoint *n* (USB<sub>RX</sub>FUNCADDR<sub>n</sub>) or USB Transmit Functional Address Endpoint *n* (USB<sub>TX</sub>FUNCADDR<sub>n</sub>) registers must be set for each receive or transmit endpoint to record the address of the device being accessed.

The USB controller also supports connections to devices through a USB hub by providing a register that specifies the hub address and port of each USB transfer. The FIFO address and size are customizable and can be specified for each USB IN and OUT transfer. Customization includes allowing one FIFO per transaction, sharing a FIFO across transactions, and allowing for double-buffered FIFOs.

### 22.2.2.2 IN Transactions as a Host

IN transactions are handled in a similar manner to the way in which OUT transactions are handled when the USB controller is in device mode except that the transaction first must be initiated by setting the REQPKT bit in the USBCSRL0 register, indicating to the transaction scheduler that there is an active transaction on this endpoint. The transaction scheduler then sends an IN token to the target device. When the packet is received and placed in the receive FIFO, the RXRDY bit in the USBCSRL0 register is set, and the appropriate receive endpoint interrupt is signaled to indicate that a packet can now be unloaded from the FIFO.

When the packet has been unloaded, RXRDY must be cleared. The AUTOCL bit in the USBRXCSRHn register can be used to have RXRDY automatically cleared when a maximum-sized packet has been unloaded from the FIFO. The AUTORQ bit in USBRXCSRHn causes the REQPKT bit to be automatically set when the RXRDY bit is cleared. When the RXRDY bit is cleared, the controller sends an acknowledge to the device. When there is a known number of packets to be transferred, the USB Request Packet Count in Block Transfer Endpoint n (USBRQPKTCOUNTn) register associated with the endpoint must be configured to the number of packets to be transferred. The USB controller decrements the value in the USBRQPKTCOUNTn register following each request. When the USBRQPKTCOUNTn value decrements to 0, the AUTORQ bit is cleared to prevent any further transactions being attempted. For cases where the size of the transfer is unknown, USBRQPKTCOUNTn must be cleared. AUTORQ then remains set until cleared by the reception of a short packet (that is, less than the MAXLOAD value in the USBRXMAXPn register) such as can occur at the end of a bulk transfer.

If the device responds to a bulk or interrupt IN token with a NAK, the USB Host controller keeps retrying the transaction until any NAK Limit that has been set has been reached. If the target device responds with a STALL, however, the USB Host controller does not retry the transaction but sets the STALLED bit in the USBCSRL0 register. If the target device does not respond to the IN token within the required time, or the packet contained a CRC or bit-stuff error, the USB Host controller retries the transaction. If after three attempts the target device has still not responded, the USB Host controller clears the REQPKT bit and sets the ERROR bit in the USBCSRL0 register.

### 22.2.2.3 OUT Transactions as a Host

OUT transactions are handled in a similar manner to the way in which IN transactions are handled when the USB controller is in device mode. The TXRDY bit in the USBTXCSRLn register must be set as each packet is loaded into the transmit FIFO. Again, setting the AUTOSET bit in the USBTXCSRHn register automatically sets TXRDY when a maximum-sized packet has been loaded into the FIFO.

If the target device responds to the OUT token with a NAK, the USB Host controller keeps retrying the transaction until the NAK Limit that has been set has been reached. However, if the target device responds with a STALL, the USB controller does not retry the transaction but interrupts the main processor by setting the STALLED bit in the USBTXCSRLn register. If the target device does not respond to the OUT token within the required time, or the packet contained a CRC or bit-stuff error, the USB Host controller retries the transaction. If after three attempts the target device has still not responded, the USB controller flushes the FIFO and sets the ERROR bit in the USBTXCSRLn register.

#### 22.2.2.4 Transaction Scheduling

Scheduling of transactions is handled automatically by the USB Host controller. The Host controller allows configuration of the endpoint communication scheduling based on the type of endpoint transaction. Interrupt transactions can be scheduled to occur in the range of every frame to every 255 frames in 1 frame increments. Bulk endpoints do not allow scheduling parameters, but do allow for a NAK timeout in the event an endpoint on a device is not responding.

The USB controller maintains a frame counter. If the target device is a full-speed device, the USB controller automatically sends an SOF packet at the start of each frame and increments the frame counter. If the target device is a low-speed device, a K state is transmitted on the bus to act as a keep-alive to stop the low-speed device from going into SUSPEND mode.

After the SOF packet has been transmitted, the USB Host controller cycles through all the configured endpoints looking for active transactions. An active transaction is defined as a receive endpoint for which the REQPKT bit is set or a transmit endpoint for which the TXRDY bit and/or the FIFONE bit is set.

An interrupt transaction is started if the transaction is found on the first scheduler cycle of a frame and if the interval counter for that endpoint has counted down to zero. As a result, only one interrupt transaction occurs per endpoint every  $n$  frames, where  $n$  is the interval set using the USB Host Transmit Interval Endpoint  $n$  (USBTXINTERVAL[ $n$ ]) or USB Host Receive Interval Endpoint  $n$  (USBRXINTERVAL[ $n$ ]) register for that endpoint.

An active bulk transaction starts immediately, provided sufficient time is left in the frame to complete the transaction before the next SOF packet is due. If the transaction must be retried (for example, because a NAK was received or the target device did not respond), then the transaction is not retried until the transaction scheduler has first checked all the other endpoints for active transactions. This process makes sure that an endpoint that is sending a lot of NAKs does not block other transactions on the bus. The controller also allows the user to specify a limit to the length of time for NAKs to be received from a target device before the endpoint times out.



### **22.2.2.5 USB Hubs**

The following setup requirements apply to the USB Host controller only if it is used with a USB hub. When a full- or low-speed device is connected to the USB controller using a USB 2.0 hub, details of the hub address and the hub port also must be recorded in the corresponding USB Receive Hub Address Endpoint  $n$  (USBRXHUBADDR $n$ ) and USB Receive Hub Port Endpoint  $n$  (USBRXHUBPORT $n$ ) or the USB Transmit Hub Address Endpoint  $n$  (USBTXHUBADDR $n$ ) and USB Transmit Hub Port Endpoint  $n$  (USBTXHUBPORT $n$ ) registers. In addition, the speed at which the device operates (full or low) must be recorded in the USB Type Endpoint 0 (USBTYP0) (endpoint 0), USB Host Configure Transmit Type Endpoint  $n$  (USBTXTYPE $n$ ), or USB Host Configure Receive Type Endpoint  $n$  (USBRXTYPE $n$ ) registers for each endpoint that is accessed by the device.

For hub communications, the settings in these registers record the current allocation of the endpoints to the attached USB devices. To maximize the number of devices supported, the USB Host controller allows this allocation to be changed dynamically by simply updating the address and speed information recorded in these registers. Any changes in the allocation of endpoints to device functions must be made following the completion of any on-going transactions on the endpoints affected.

### **22.2.2.6 Babble**

The USB Host controller does not start a transaction until the bus has been inactive for at least the minimum inter-packet delay. The controller also does not start a transaction unless it can be finished before the end of the frame. If the bus is still active at the end of a frame, then the USB Host controller assumes that the target device to which it is connected has malfunctioned, and the USB controller suspends all transactions and generates a babble interrupt.

### **22.2.2.7 Host SUSPEND**

If the SUSPEND bit in the USBPOWER register is set, the USB Host controller completes the current transaction then stops the transaction scheduler and frame counter. No further transactions are started and no SOF packets are generated.

To exit SUSPEND mode, set the RESUME bit and clear the SUSPEND bit. While the RESUME bit is set, the USB Host controller generates RESUME signaling on the bus. After 20 ms, the RESUME bit must be cleared, at which point the frame counter and transaction scheduler start. The Host supports the detection of a remote wake-up.

### **22.2.2.8 USB RESET**

If the RESET bit in the USBPOWER register is set, the USB Host controller generates USB RESET signaling on the bus. The RESET bit must be set for at least 20 ms to make sure of correct resetting of the target device. After the CPU has cleared the bit, the USB Host controller starts the frame counter and transaction scheduler.

### **22.2.2.9 Connect/Disconnect**

A session is started by setting the SESSION bit in the USB device Control (USBDEVCTL) register, enabling the USB controller to wait for a device to be connected. When a device is detected, a connect interrupt is generated. The speed of the device that has been connected can be determined by reading the USBDEVCTL register where the FSDEV bit is set for a full-speed device, and the LSDEV bit is set for a low-speed device. The USB controller must generate a RESET to the device, and then the USB Host controller can begin device enumeration. If the device is disconnected while a session is in progress, a disconnect interrupt is generated.

### 22.2.3 DMA Operation

The USB module DMA trigger signals are not supported on this device. The DMA controller can be used to read and write the USB FIFOs using software triggering. See the *Direct Memory Access (DMA)* chapter for more details about programming the DMA controller. See the *USB DMA Event Trigger* advisory in the device errata for more information.

### 22.2.4 Address/Data Bus Bridge

This USB controller was originally designed to connect to an ARM AHB bus, but has been modified to function with the C28x device bus architecture. The modifications made are largely invisible to the user application, but there are some things to note.

- The USB memory space is 8 bits wide, while the C28x memory space is 16 bits wide.
- 32- and 16-bit accesses (r/w) are completely transparent to the user application code, no changes need be made.
- The C28x core only supports 8 bit accesses through a byte intrinsic type. This can be used to perform 8 bit reads or writes to the USB controller.
  - `int &__byte(int *array, unsigned int byte_index);`
  - `*array = ptr to address to access, byte_index = always 0 (for USB)`  
See [Table 22-1](#) for example.
  - See the [TMS320C28x Optimizing C/C++ Compiler User's Guide](#) and the [TMS320C28x Assembly Language Tools User's Guide](#)
- Because of the bridge, the memory view of the USB controller memory space in CCS is not a 1:1 representation of what is in the controller
  - When the view mode is
    - 32 bit or 16 bit, even address are effectively duplicated, ignore odd addresses.
    - 8 bit, even addresses from within the controller are duplicated into odd address in the view window; odd addresses from within the controller are not displayed.  
See [Table 22-2](#) for example.

**Table 22-1. USB Memory Access from Software**

USB Controller Memory			C28x 8 Bit	
Address	Register Name	Data	Access	Data
0x00	FADDR	0x00	__byte((int *)0x00,0)	0x0000
0x01	POWER	0x11	__byte((int *)0x01,0)	0x0011
0x02	TXIS (LSB)	0x22	__byte((int *)0x02,0)	0x0022
0x03	TXIS (MSB)	0x33	__byte((int *)0x03,0)	0x0033
0x04	RXIS (LSB)	0x44	__byte((int *)0x04,0)	0x0044
0x05	RXIS (MSB)	0x55	__byte((int *)0x05,0)	0x0055
0x06	TXIE (LSB)	0x66	__byte((int *)0x06,0)	0x0066
0x07	TXIE (MSB)	0x77	__byte((int *)0x07,0)	0x0077
0x08	RXIE (LSB)	0x88	__byte((int *)0x08,0)	0x0088
0x09	RXIE (MSB)	0x99	__byte((int *)0x09,0)	0x0099
0x0A	USBIS	0xAA	__byte((int *)0x0A,0)	0x00AA
0x0B	USBIE	0xBB	__byte((int *)0x0B,0)	0x00BB
0x0C	FRAME (LSB)	0xCC	__byte((int *)0x0C,0)	0x00CC
0x0D	FRAME (MSB)	0xDD	__byte((int *)0x0D,0)	0x00DD
0x0E	EPIDX	0xEE	__byte((int *)0x0E,0)	0x00EE
0x0F	TEST	0xFF	__byte((int *)0x0F,0)	0x00FF
C28x 16 Bit		C28x 32 Bit		
Access	Data		Access	Data
*((short *)0x00))	0x1100		*((long *)0x00))	0x33221100
*((short *)0x01))	0x1100		*((long *)0x01))	0x33221100
*((short *)0x02))	0x3322		*((long *)0x02))	0x33221100
*((short *)0x03))	0x3322		*((long *)0x03))	0x33221100
*((short *)0x04))	0x5544		*((long *)0x04))	0x77665544
*((short *)0x05))	0x5544		*((long *)0x05))	0x77665544
*((short *)0x06))	0x7766		*((long *)0x06))	0x77665544
*((short *)0x07))	0x7766		*((long *)0x07))	0x77665544
*((short *)0x08))	0x9988		*((long *)0x08))	0xBBA9988
*((short *)0x09))	0x9988		*((long *)0x09))	0xBBA9988
*((short *)0x0A))	0xBBAA		*((long *)0x0A))	0xBBA9988
*((short *)0x0B))	0xBBAA		*((long *)0x0B))	0xBBA9988
*((short *)0x0C))	0xDDCC		*((long *)0x0C))	0xFFEEDDCC
*((short *)0x0D))	0xDDCC		*((long *)0x0D))	0xFFEEDDCC
*((short *)0x0E))	0xFFEE		*((long *)0x0E))	0xFFEEDDCC
*((short *)0x0F))	0xFFEE		*((long *)0x0F))	0xFFEEDDCC

**Table 22-2. USB Memory Access from CCS IDE**

CCS 8 Bit		CCS 16 Bit		CCS 32 Bit	
Address	Displayed Data	Address	Displayed Data	Address	Displayed Data
0x00	0x00	0x00	0x1100	0x00	0x11001100
0x01	0x00	0x01	0x1100	0x02	0x33223322
0x02	0x22	0x02	0x3322	0x04	0x55445544
0x03	0x22	0x03	0x3322	0x06	0x77667766
0x04	0x44	0x04	0x5544	0x08	0x99889988
0x05	0x44	0x05	0x5544	0x0A	0xBBAABBAA
0x06	0x66	0x06	0x7766	0x0C	0xDDCCDDCC
0x07	0x66	0x07	0x7766	0x0E	0xFFEEFFEE
0x08	0x88	0x08	0x9988		
0x09	0x88	0x09	0x9988		
0x0A	0xAA	0x0A	0xBBAA		
0x0B	0xAA	0x0B	0xBBAA		
0x0C	0xCC	0x0C	0xDDCC		
0x0D	0xCC	0x0D	0xDDCC		
0x0E	0xEE	0x0E	0xFFEE		
0x0F	0xEE	0x0F	0xFFEE		

## 22.3 Initialization and Configuration

To use the USB controller, the peripheral clock must be enabled using the System Control module PCLKCR11 register. In addition, the USB PHY signals must be connected to their respective pins using the GPIO module GPBAMSEL register. Set bits 10 and 11 for USB0DM (GPIO42) and USB0DP (GPIO43).

Set up the auxiliary PLL so a 60-MHz output clock is provided to the USB module. This fixed frequency is required for all USB operations. See the *System Control and Interrupts* chapter for more details.

In host mode, the USB controller is responsible for supplying power to the bus. To avoid incorrectly supplying voltage to the bus, the external power control signal, USB0EPEN, must be kept inactive on start-up. This can be done by connecting the USB0EPEN and USB0PFLT pins to the USB controller as soon as possible.

### 22.3.1 Pin Configuration

To give more flexibility, the signals External Power Enable (EPEN) and Power Fault (PFLT) were not implemented in hardware and the user must implement these signals in software. Examples of how to implement these signals in software can be found in the [USB Software Guide](#) located in C2000Ware in the \libraries\communications\usb\ directory.

When using the device controller portion of the USB controller in a system that also provides host functionality, the power to  $V_{BUS}$  must be disabled to allow the external host controller to supply power. Usually, the EPEN signal is used to control the external regulator and must be negated to avoid having two devices driving the  $V_{BUS}$  power pin on the USB connector.

When the USB controller is acting as a host, the USB controller is in control of two signals that are attached to an external voltage supply that provides power to  $V_{BUS}$ . The Host controller uses the EPEN signal to enable or disable power to the  $V_{BUS}$  pin on the USB connector. An input pin, PFLT, provides feedback when there has been a power fault on  $V_{BUS}$ . The PFLT signal can be configured to either automatically negate the EPEN signal to disable power, or the PFLT signal can generate an interrupt to the interrupt controller to allow software to handle the power fault condition. The polarity and actions related to both EPEN and PFLT are fully configurable in the USB controller. The controller also provides interrupts on device insertion and removal to allow the Host controller code to respond to these external events.

### 22.3.2 Endpoint Configuration

To start communication in Host or device mode, the endpoint registers must first be configured. In Host mode, this configuration establishes a connection between an endpoint register and an endpoint on a device. In device mode, an endpoint must be configured before enumerating to the Host controller.

In both cases, the endpoint 0 configuration is limited because the endpoint is a fixed-function, fixed-FIFO-size endpoint. In device and Host modes, the endpoint requires little setup but does require a software-based state machine to progress through the setup, data, and status phases of a standard control transaction. In device mode, the configuration of the remaining endpoints is done once before enumerating and then only changed if an alternate configuration is selected by the Host controller. In Host mode, the endpoints must be configured to operate as control, bulk, or interrupt mode. Once the type of endpoint is configured, a FIFO area must be assigned to each endpoint. In the case of bulk, control and interrupt endpoints, each has a maximum of 64 bytes per transaction. The maximum packet size for the given endpoint must be set prior to sending or receiving data.

Configuring each endpoint's FIFO involves reserving a portion of the overall USB FIFO RAM to each endpoint. The total FIFO RAM available is 4 Kbytes with the first 64 bytes reserved for endpoint 0. The endpoint's FIFO must be at least as large as the maximum packet size. The FIFO can also be configured as a double-buffered FIFO so that interrupts occur at the end of each packet and allow filling the other half of the FIFO.

If operating as a device, the USB device controller's soft connect must be enabled when the device is ready to start communications, indicating to the host controller that the device is ready to start the enumeration process. If operating as a Host controller, the device soft connect must be disabled and power must be provided to  $V_{BUS}$  using the USB0EPEN signal.

### 22.4 USB Global Interrupts

Global interrupt enable, flag, and clear registers have been added to make sure that no interrupt is missed. The USB interrupt can be enabled or blocked using the INTEN bit. The INTFLG bit indicates whether an interrupt has occurred or not. Finally, the INTFLGCLR bit clears the INTFLG when a value of 1 is written to the field.

## 22.5 Software

### 22.5.1 USB Examples

NOTE: These examples are located in the [C2000Ware](#) installation at the following location:  
C2000Ware\_VERSION#/driverlib/DEVICE\_GPN/examples/CORE\_IF\_MULTICORE/usb

Cloud access to these examples is available at the following link: [dev.ti.com](http://dev.ti.com) [C2000Ware Examples](#).

### 22.6 USB Registers

This section describes the Universal Serial Bus (USB) Controller registers.

#### 22.6.1 USB Base Address

**Table 22-3. USB Base Address Table (C28)**

DriverLib Name	Base Address	CPU1	CPU2	DMA	CLA	Pipeline Protected
USB_BASE	0x0004_0000	YES	-	-	-	YES

#### 22.6.2 USB Register Map

[Table 22-4](#) lists the registers. All addresses given are relative to the USB base address of 0x0000\_5E00.

#### Note

The USB controller clock must be enabled before the registers can be programmed (see [Chapter 3](#)).

**Table 22-4. Universal Serial Bus (USB) Controller Register Map**

Offset	Acronym	Register Name	Section
0x000	USBFADDR <sup>(1)</sup>	USB Device Functional Address	<a href="#">Go</a>
0x001	USBPOWER <sup>(1) (2)</sup>	USB Power	<a href="#">Go</a>
0x002	USBTXIS <sup>(1) (2)</sup>	USB Transmit Interrupt Status	<a href="#">Go</a>
0x004	USBRXIS <sup>(1) (2)</sup>	USB Receive Interrupt Status	<a href="#">Go</a>
0x006	USBTXIE <sup>(1) (2)</sup>	USB Transmit Interrupt Enable	<a href="#">Go</a>
0x008	USBRXIE <sup>(1) (2)</sup>	USB Receive Interrupt Enable	<a href="#">Go</a>
0x00A	USBIS <sup>(1) (2)</sup>	USB General Interrupt Status	<a href="#">Go</a>
0x00B	USBIE <sup>(1) (2)</sup>	USB Interrupt Enable	<a href="#">Go</a>
0x00C	USBFRAME <sup>(1) (2)</sup>	USB Frame Value	<a href="#">Go</a>
0x00E	USBEPIDX <sup>(1) (2)</sup>	USB Endpoint Index	<a href="#">Go</a>
0x00F	USBTTEST <sup>(1) (2)</sup>	USB Test Mode	<a href="#">Go</a>
0x020	USBFIFO0 <sup>(1) (2)</sup>	USB FIFO Endpoint 0	<a href="#">Go</a>
0x024	USBFIFO1 <sup>(1) (2)</sup>	USB FIFO Endpoint 1	<a href="#">Go</a>
0x028	USBFIFO2 <sup>(1) (2)</sup>	USB FIFO Endpoint 2	<a href="#">Go</a>
0x02C	USBFIFO3 <sup>(1) (2)</sup>	USB FIFO Endpoint 3	<a href="#">Go</a>
0x060	USBDEVCTL <sup>(2)</sup>	USB Device Control	<a href="#">Go</a>
0x062	USBTXFIFOSZ <sup>(1) (2)</sup>	USB Transmit Dynamic FIFO Sizing	<a href="#">Go</a>
0x063	USBRXFIFOSZ <sup>(1) (2)</sup>	USB Receive Dynamic FIFO Sizing	<a href="#">Go</a>
0x064	USBTXFIFOADD <sup>(1) (2)</sup>	USB Transmit FIFO Start Address	<a href="#">Go</a>
0x066	USBRXFIFOADD <sup>(1) (2)</sup>	USB Receive FIFO Start Address	<a href="#">Go</a>
0x07A	USBCONTIM <sup>(1) (2)</sup>	USB Connect Timing	<a href="#">Go</a>
0x07D	USBFSEOF <sup>(1) (2)</sup>	USB Full-Speed Last Transaction to End of Frame Timing	<a href="#">Go</a>
0x07E	USBLSEOF <sup>(1) (2)</sup>	USB Low-Speed Last Transaction to End of Frame Timing	<a href="#">Go</a>
0x080	USBTXFUNCADDR0 <sup>(2)</sup>	USB Transmit Functional Address Endpoint 0	<a href="#">Go</a>

**Table 22-4. Universal Serial Bus (USB) Controller Register Map (continued)**

Offset	Acronym	Register Name	Section
0x082	USBTXHUBADDR0 <sup>(2)</sup>	USB Transmit Hub Address Endpoint 0	<a href="#">Go</a>
0x083	USBTXHUBPORT0 <sup>(2)</sup>	USB Transmit Hub Port Endpoint 0	<a href="#">Go</a>
0x088	USBTXFUNCADDR1 <sup>(2)</sup>	USB Transmit Functional Address Endpoint 1	<a href="#">Go</a>
0x08A	USBTXHUBADDR1 <sup>(2)</sup>	USB Transmit Hub Address Endpoint 1	<a href="#">Go</a>
0x08B	USBTXHUBPORT1 <sup>(2)</sup>	USB Transmit Hub Port Endpoint 1	<a href="#">Go</a>
0x08C	USBRXFUNCADDR1 <sup>(2)</sup>	USB Receive Functional Address Endpoint 1	<a href="#">Go</a>
0x08E	USBRXHUBADDR1 <sup>(2)</sup>	USB Receive Hub Address Endpoint 1	<a href="#">Go</a>
0x08F	USBRXHUBPORT1 <sup>(2)</sup>	USB Receive Hub Port Endpoint 1	<a href="#">Go</a>
0x090	USBTXFUNCADDR2 <sup>(2)</sup>	USB Transmit Functional Address Endpoint 2	<a href="#">Go</a>
0x092	USBTXHUBADDR2 <sup>(2)</sup>	USB Transmit Hub Address Endpoint 2	<a href="#">Go</a>
0x093	USBTXHUBPORT2 <sup>(2)</sup>	USB Transmit Hub Port Endpoint 2	<a href="#">Go</a>
0x094	USBRXFUNCADDR2 <sup>(2)</sup>	USB Receive Functional Address Endpoint 2	<a href="#">Go</a>
0x096	USBRXHUBADDR2 <sup>(2)</sup>	USB Receive Hub Address Endpoint 2	<a href="#">Go</a>
0x097	USBRXHUBPORT2 <sup>(2)</sup>	USB Receive Hub Port Endpoint 2	<a href="#">Go</a>
0x098	USBTXFUNCADDR3 <sup>(2)</sup>	USB Transmit Functional Address Endpoint 3	<a href="#">Go</a>
0x09A	USBTXHUBADDR3 <sup>(2)</sup>	USB Transmit Hub Address Endpoint 3	<a href="#">Go</a>
0x09B	USBTXHUBPORT3 <sup>(2)</sup>	USB Transmit Hub Port Endpoint 3	<a href="#">Go</a>
0x09C	USBRXFUNCADDR3 <sup>(2)</sup>	USB Receive Functional Address Endpoint 3	<a href="#">Go</a>
0x09E	USBRXHUBADDR3 <sup>(2)</sup>	USB Receive Hub Address Endpoint 3	<a href="#">Go</a>
0x09F	USBRXHUBPORT3 <sup>(2)</sup>	USB Receive Hub Port Endpoint 3	<a href="#">Go</a>
0xA0	USBTXFUNCADDR4 <sup>(2)</sup>	USB Transmit Functional Address Endpoint 4	<a href="#">Go</a>
0xA2	USBTXHUBADDR4 <sup>(2)</sup>	USB Transmit Hub Address Endpoint 4	<a href="#">Go</a>
0xA3	USBTXHUBPORT4 <sup>(2)</sup>	USB Transmit Hub Port Endpoint 4	<a href="#">Go</a>
0xA4	USBRXFUNCADDR4 <sup>(2)</sup>	USB Receive Functional Address Endpoint 4	<a href="#">Go</a>
0xA6	USBRXHUBADDR4 <sup>(2)</sup>	USB Receive Hub Address Endpoint 4	<a href="#">Go</a>
0xA7	USBRXHUBPORT4 <sup>(2)</sup>	USB Receive Hub Port Endpoint 4	<a href="#">Go</a>
0xA8	USBTXFUNCADDR5 <sup>(2)</sup>	USB Transmit Functional Address Endpoint 5	<a href="#">Go</a>
0xAA	USBTXHUBADDR5 <sup>(2)</sup>	USB Transmit Hub Address Endpoint 5	<a href="#">Go</a>
0xAB	USBTXHUBPORT5 <sup>(2)</sup>	USB Transmit Hub Port Endpoint 5	<a href="#">Go</a>
0xAC	USBRXFUNCADDR4 <sup>(2)</sup>	USB Receive Functional Address Endpoint 5	<a href="#">Go</a>
0xAE	USBRXHUBADDR5 <sup>(2)</sup>	USB Receive Hub Address Endpoint 5	<a href="#">Go</a>
0xAF	USBRXHUBPORT5 <sup>(2)</sup>	USB Receive Hub Port Endpoint 5	<a href="#">Go</a>
0xB0	USBTXFUNCADDR6 <sup>(2)</sup>	USB Transmit Functional Address Endpoint 6	<a href="#">Go</a>
0xB2	USBTXHUBADDR6 <sup>(2)</sup>	USB Transmit Hub Address Endpoint 6	<a href="#">Go</a>
0xB3	USBTXHUBPORT6 <sup>(2)</sup>	USB Transmit Hub Port Endpoint 6	<a href="#">Go</a>
0xB4	USBRXFUNCADDR6 <sup>(2)</sup>	USB Receive Functional Address Endpoint 6	<a href="#">Go</a>
0xB6	USBRXHUBADDR6 <sup>(2)</sup>	USB Receive Hub Address Endpoint 6	<a href="#">Go</a>
0xB7	USBRXHUBPORT6 <sup>(2)</sup>	USB Receive Hub Port Endpoint 6	<a href="#">Go</a>
0xB8	USBTXFUNCADDR7 <sup>(2)</sup>	USB Transmit Functional Address Endpoint 7	<a href="#">Go</a>
0xBA	USBTXHUBADDR7 <sup>(2)</sup>	USB Transmit Hub Address Endpoint 7	<a href="#">Go</a>
0xBB	USBTXHUBPORT7 <sup>(2)</sup>	USB Transmit Hub Port Endpoint 7	<a href="#">Go</a>
0xBC	USBRXFUNCADDR7 <sup>(2)</sup>	USB Receive Functional Address Endpoint 7	<a href="#">Go</a>
0xBE	USBRXHUBADDR7 <sup>(2)</sup>	USB Receive Hub Address Endpoint 7	<a href="#">Go</a>
0xBF	USBRXHUBPORT7 <sup>(2)</sup>	USB Receive Hub Port Endpoint 7	<a href="#">Go</a>
0x0C0	USBTXFUNCADDR8 <sup>(2)</sup>	USB Transmit Functional Address Endpoint 8	<a href="#">Go</a>

**Table 22-4. Universal Serial Bus (USB) Controller Register Map (continued)**

Offset	Acronym	Register Name	Section
0x0C2	USBTXHUBADDR8 <sup>(2)</sup>	USB Transmit Hub Address Endpoint 8	<a href="#">Go</a>
0x0C3	USBTXHUBPORT8 <sup>(2)</sup>	USB Transmit Hub Port Endpoint 8	<a href="#">Go</a>
0x0C4	USBRXFUNCADDR8 <sup>(2)</sup>	USB Receive Functional Address Endpoint 8	<a href="#">Go</a>
0x0C6	USBRXHUBADDR8 <sup>(2)</sup>	USB Receive Hub Address Endpoint 8	<a href="#">Go</a>
0x0C7	USBRXHUBPORT8 <sup>(2)</sup>	USB Receive Hub Port Endpoint 8	<a href="#">Go</a>
0xC8	USBTXFUNCADDR9 <sup>(2)</sup>	USB Transmit Functional Address Endpoint 9	<a href="#">Go</a>
0x0CA	USBTXHUBADDR9 <sup>(2)</sup>	USB Transmit Hub Address Endpoint 9	<a href="#">Go</a>
0x0CB	USBTXHUBPORT9 <sup>(2)</sup>	USB Transmit Hub Port Endpoint 9	<a href="#">Go</a>
0x0CC	USBRXFUNCADDR9 <sup>(2)</sup>	USB Receive Functional Address Endpoint 9	<a href="#">Go</a>
0x0CE	USBRXHUBADDR9 <sup>(2)</sup>	USB Receive Hub Address Endpoint 9	<a href="#">Go</a>
0x0CF	USBRXHUBPORT9 <sup>(2)</sup>	USB Receive Hub Port Endpoint 9	<a href="#">Go</a>
0x0D0	USBTXFUNCADDR10 <sup>(2)</sup>	USB Transmit Functional Address Endpoint 10	<a href="#">Go</a>
0x0D2	USBTXHUBADDR10 <sup>(2)</sup>	USB Transmit Hub Address Endpoint 10	<a href="#">Go</a>
0x0D3	USBTXHUBPORT10 <sup>(2)</sup>	USB Transmit Hub Port Endpoint 10	<a href="#">Go</a>
0x0D4	USBRXFUNCADDR10 <sup>(2)</sup>	USB Receive Functional Address Endpoint 10	<a href="#">Go</a>
0x0D6	USBRXHUBADDR10 <sup>(2)</sup>	USB Receive Hub Address Endpoint 10	<a href="#">Go</a>
0x0D7	USBRXHUBPORT10 <sup>(2)</sup>	USB Receive Hub Port Endpoint 10	<a href="#">Go</a>
0x0D8	USBTXFUNCADDR11 <sup>(2)</sup>	USB Transmit Functional Address Endpoint 11	<a href="#">Go</a>
0x0DA	USBTXHUBADDR11 <sup>(2)</sup>	USB Transmit Hub Address Endpoint 11	<a href="#">Go</a>
0x0DB	USBTXHUBPORT11 <sup>(2)</sup>	USB Transmit Hub Port Endpoint 11	<a href="#">Go</a>
0x0DC	USBRXFUNCADDR11 <sup>(2)</sup>	USB Receive Functional Address Endpoint 11	<a href="#">Go</a>
0x0DE	USBRXHUBADDR11 <sup>(2)</sup>	USB Receive Hub Address Endpoint 11	<a href="#">Go</a>
0x0DF	USBRXHUBPORT11 <sup>(2)</sup>	USB Receive Hub Port Endpoint 11	<a href="#">Go</a>
0x0E0	USBTXFUNCADDR12 <sup>(2)</sup>	USB Transmit Functional Address Endpoint 12	<a href="#">Go</a>
0x0E2	USBTXHUBADDR12 <sup>(2)</sup>	USB Transmit Hub Address Endpoint 12	<a href="#">Go</a>
0x0E3	USBTXHUBPORT12 <sup>(2)</sup>	USB Transmit Hub Port Endpoint 12	<a href="#">Go</a>
0x0E4	USBRXFUNCADDR12 <sup>(2)</sup>	USB Receive Functional Address Endpoint 12	<a href="#">Go</a>
0x0E6	USBRXHUBADDR12 <sup>(2)</sup>	USB Receive Hub Address Endpoint 12	<a href="#">Go</a>
0x0E7	USBRXHUBPORT12 <sup>(2)</sup>	USB Receive Hub Port Endpoint 12	<a href="#">Go</a>
0x0E8	USBTXFUNCADDR13 <sup>(2)</sup>	USB Transmit Functional Address Endpoint 13	<a href="#">Go</a>
0x0EA	USBTXHUBADDR13 <sup>(2)</sup>	USB Transmit Hub Address Endpoint 13	<a href="#">Go</a>
0x0EB	USBTXHUBPORT13 <sup>(2)</sup>	USB Transmit Hub Port Endpoint 13	<a href="#">Go</a>
0x0EC	USBRXFUNCADDR13 <sup>(2)</sup>	USB Receive Functional Address Endpoint 13	<a href="#">Go</a>
0x0EE	USBRXHUBADDR13 <sup>(2)</sup>	USB Receive Hub Address Endpoint 13	<a href="#">Go</a>
0x0EF	USBRXHUBPORT13 <sup>(2)</sup>	USB Receive Hub Port Endpoint 13	<a href="#">Go</a>
0x0F0	USBTXFUNCADDR14 <sup>(2)</sup>	USB Transmit Functional Address Endpoint 14	<a href="#">Go</a>
0x0F2	USBTXHUBADDR14 <sup>(2)</sup>	USB Transmit Hub Address Endpoint 14	<a href="#">Go</a>
0x0F3	USBTXHUBPORT14 <sup>(2)</sup>	USB Transmit Hub Port Endpoint 14	<a href="#">Go</a>
0x0F4	USBRXFUNCADDR14 <sup>(2)</sup>	USB Receive Functional Address Endpoint 14	<a href="#">Go</a>
0x0F6	USBRXHUBADDR14 <sup>(2)</sup>	USB Receive Hub Address Endpoint 14	<a href="#">Go</a>
0x0F7	USBRXHUBPORT14 <sup>(2)</sup>	USB Receive Hub Port Endpoint 14	<a href="#">Go</a>
0x0F8	USBTXFUNCADDR15 <sup>(2)</sup>	USB Transmit Functional Address Endpoint 15	<a href="#">Go</a>
0x0FA	USBTXHUBADDR15 <sup>(2)</sup>	USB Transmit Hub Address Endpoint 15	<a href="#">Go</a>
0x0FB	USBTXHUBPORT15 <sup>(2)</sup>	USB Transmit Hub Port Endpoint 15	<a href="#">Go</a>
0x0FC	USBRXFUNCADDR15 <sup>(2)</sup>	USB Receive Functional Address Endpoint 15	<a href="#">Go</a>



**Table 22-4. Universal Serial Bus (USB) Controller Register Map (continued)**

Offset	Acronym	Register Name	Section
0x0FE	USBRXHUBADDR15 <sup>(2)</sup>	USB Receive Hub Address Endpoint 15	<a href="#">Go</a>
0x0FF	USBRXHUBPORT15 <sup>(2)</sup>	USB Receive Hub Port Endpoint 15	<a href="#">Go</a>
0x102	USBCSRL0 <sup>(1) (2)</sup>	USB Control and Status Endpoint 0 Low	<a href="#">Go</a>
0x103	USBCSRH0 <sup>(1) (2)</sup>	USB Control and Status Endpoint 0 High	<a href="#">Go</a>
0x108	USBCOUNT0 <sup>(1) (2)</sup>	USB Receive Byte Count Endpoint 0	<a href="#">Go</a>
0x10A	USBTYP0 <sup>(2)</sup>	USB Type Endpoint 0	<a href="#">Go</a>
0x10B	USBNACLMT <sup>(2)</sup>	USB NAK Limit	<a href="#">Go</a>
0x110	USBTXMAXP1 <sup>(1) (2)</sup>	USB Maximum Transmit Data Endpoint 1	<a href="#">Go</a>
0x112	USBTXCURL1 <sup>(1) (2)</sup>	USB Transmit Control and Status Endpoint 1 Low	<a href="#">Go</a>
0x113	USBTXCSRH1 <sup>(1) (2)</sup>	USB Transmit Control and Status Endpoint 1 High	<a href="#">Go</a>
0x114	USBRXMAXP1 <sup>(1) (2)</sup>	USB Maximum Receive Data Endpoint 1	<a href="#">Go</a>
0x116	USBRXCURL1 <sup>(1) (2)</sup>	USB Receive Control and Status Endpoint 1 Low	<a href="#">Go</a>
0x117	USBRXCSRH1 <sup>(1) (2)</sup>	USB Receive Control and Status Endpoint 1 High	<a href="#">Go</a>
0x118	USBRXCOUNT1 <sup>(1) (2)</sup>	USB Receive Byte Count Endpoint 1	<a href="#">Go</a>
0x11A	USBTXTYPE1 <sup>(2)</sup>	USB Host Transmit Configure Type Endpoint 1	<a href="#">Go</a>
0x11B	USBTXINTERVAL1 <sup>(2)</sup>	USB Host Transmit Interval Endpoint 1	<a href="#">Go</a>
0x11C	USBRXTYPE1 <sup>(2)</sup>	USB Host Configure Receive Type Endpoint 1	<a href="#">Go</a>
0x11D	USBRXINTERVAL1 <sup>(2)</sup>	USB Host Receive Polling Interval Endpoint 1	<a href="#">Go</a>
0x120	USBTXMAXP2 <sup>(1) (2)</sup>	USB Maximum Transmit Data Endpoint 2	<a href="#">Go</a>
0x122	USBTXCURL2 <sup>(1) (2)</sup>	USB Transmit Control and Status Endpoint 2 Low	<a href="#">Go</a>
0x123	USBTXCSRH2 <sup>(1) (2)</sup>	USB Transmit Control and Status Endpoint 2 High	<a href="#">Go</a>
0x124	USBRXMAXP2 <sup>(1) (2)</sup>	USB Maximum Receive Data Endpoint 2	<a href="#">Go</a>
0x126	USBRXCURL2 <sup>(1) (2)</sup>	USB Receive Control and Status Endpoint 2 Low	<a href="#">Go</a>
0x127	USBRXCSRH2 <sup>(1) (2)</sup>	USB Receive Control and Status Endpoint 2 High	<a href="#">Go</a>
0x128	USBRXCOUNT2 <sup>(1) (2)</sup>	USB Receive Byte Count Endpoint 2	<a href="#">Go</a>
0x12A	USBTXTYPE2 <sup>(2)</sup>	USB Host Transmit Configure Type Endpoint 2	<a href="#">Go</a>
0x12B	USBTXINTERVAL2 <sup>(2)</sup>	USB Host Transmit Interval Endpoint 2	<a href="#">Go</a>
0x12C	USBRXTYPE2 <sup>(2)</sup>	USB Host Configure Receive Type Endpoint 2	<a href="#">Go</a>
0x12D	USBRXINTERVAL2 <sup>(2)</sup>	USB Host Receive Polling Interval Endpoint 2	<a href="#">Go</a>
0x130	USBTXMAXP3 <sup>(1) (2)</sup>	USB Maximum Transmit Data Endpoint 3	<a href="#">Go</a>
0x132	USBTXCURL3 <sup>(1) (2)</sup>	USB Transmit Control and Status Endpoint 3 Low	<a href="#">Go</a>
0x133	USBTXCSRH3 <sup>(1) (2)</sup>	USB Transmit Control and Status Endpoint 3 High	<a href="#">Go</a>
0x134	USBRXMAXP3 <sup>(1) (2)</sup>	USB Maximum Receive Data Endpoint 3	<a href="#">Go</a>
0x136	USBRXCURL3 <sup>(1) (2)</sup>	USB Receive Control and Status Endpoint 3 Low	<a href="#">Go</a>
0x137	USBRXCSRH3 <sup>(1) (2)</sup>	USB Receive Control and Status Endpoint 3 High	<a href="#">Go</a>
0x138	USBRXCOUNT3 <sup>(1) (2)</sup>	USB Receive Byte Count Endpoint 3	<a href="#">Go</a>
0x13A	USBTXTYPE3 <sup>(2)</sup>	USB Host Transmit Configure Type Endpoint 3	<a href="#">Go</a>
0x13B	USBTXINTERVAL3 <sup>(2)</sup>	USB Host Transmit Interval Endpoint 3	<a href="#">Go</a>
0x13C	USBRXTYPE3 <sup>(2)</sup>	USB Host Configure Receive Type Endpoint 3	<a href="#">Go</a>
0x13D	USBRXINTERVAL3 <sup>(2)</sup>	USB Host Receive Polling Interval Endpoint 3	<a href="#">Go</a>
0x140	USBTXMAXP4 <sup>(1) (2)</sup>	USB Maximum Transmit Data Endpoint 4	<a href="#">Go</a>
0x142	USBTXCURL4 <sup>(1) (2)</sup>	USB Transmit Control and Status Endpoint 4 Low	<a href="#">Go</a>
0x143	USBTXCSRH4 <sup>(1) (2)</sup>	USB Transmit Control and Status Endpoint 4 High	<a href="#">Go</a>
0x144	USBRXMAXP4 <sup>(1) (2)</sup>	USB Maximum Receive Data Endpoint 4	<a href="#">Go</a>
0x146	USBRXCURL4 <sup>(1) (2)</sup>	USB Receive Control and Status Endpoint 4 Low	<a href="#">Go</a>

**Table 22-4. Universal Serial Bus (USB) Controller Register Map (continued)**

Offset	Acronym	Register Name	Section
0x147	USBRXCSRH4 <sup>(1) (2)</sup>	USB Receive Control and Status Endpoint 4 High	<a href="#">Go</a>
0x148	USBRXCOUNT4 <sup>(1) (2)</sup>	USB Receive Byte Count Endpoint 4	<a href="#">Go</a>
0x14A	USBTXTYPE4 <sup>(2)</sup>	USB Host Transmit Configure Type Endpoint 4	<a href="#">Go</a>
0x14B	USBTXINTERVAL4 <sup>(2)</sup>	USB Host Transmit Interval Endpoint 4	<a href="#">Go</a>
0x14C	USBRXTYPE4 <sup>(2)</sup>	USB Host Configure Receive Type Endpoint 4	<a href="#">Go</a>
0x14D	USBRXINTERVAL4 <sup>(2)</sup>	USB Host Receive Polling Interval Endpoint 4	<a href="#">Go</a>
0x150	USBTXMAXP5 <sup>(1) (2)</sup>	USB Maximum Transmit Data Endpoint 5	<a href="#">Go</a>
0x152	USBTXCURL5 <sup>(1) (2)</sup>	USB Transmit Control and Status Endpoint 5 Low	<a href="#">Go</a>
0x153	USBTXCSRH5 <sup>(1) (2)</sup>	USB Transmit Control and Status Endpoint 5 High	<a href="#">Go</a>
0x154	USBRXMAXP5 <sup>(1) (2)</sup>	USB Maximum Receive Data Endpoint 5	<a href="#">Go</a>
0x156	USBRXCURL5 <sup>(1) (2)</sup>	USB Receive Control and Status Endpoint 5 Low	<a href="#">Go</a>
0x157	USBRXCSRH5 <sup>(1) (2)</sup>	USB Receive Control and Status Endpoint 5 High	<a href="#">Go</a>
0x158	USBRXCOUNT5 <sup>(1) (2)</sup>	USB Receive Byte Count Endpoint 5	<a href="#">Go</a>
0x15A	USBTXTYPE5 <sup>(2)</sup>	USB Host Transmit Configure Type Endpoint 5	<a href="#">Go</a>
0x15B	USBTXINTERVAL5 <sup>(2)</sup>	USB Host Transmit Interval Endpoint 5	<a href="#">Go</a>
0x15C	USBRXTYPE5 <sup>(2)</sup>	USB Host Configure Receive Type Endpoint 5	<a href="#">Go</a>
0x15D	USBRXINTERVAL5 <sup>(2)</sup>	USB Host Receive Polling Interval Endpoint 5	<a href="#">Go</a>
0x160	USBTXMAXP6 <sup>(1) (2)</sup>	USB Maximum Transmit Data Endpoint 6	<a href="#">Go</a>
0x162	USBTXCURL6 <sup>(1) (2)</sup>	USB Transmit Control and Status Endpoint 6 Low	<a href="#">Go</a>
0x163	USBTXCSRH6 <sup>(1) (2)</sup>	USB Transmit Control and Status Endpoint 6 High	<a href="#">Go</a>
0x164	USBRXMAXP6 <sup>(1) (2)</sup>	USB Maximum Receive Data Endpoint 6	<a href="#">Go</a>
0x166	USBRXCURL6 <sup>(1) (2)</sup>	USB Receive Control and Status Endpoint 6 Low	<a href="#">Go</a>
0x167	USBRXCSRH6 <sup>(1) (2)</sup>	USB Receive Control and Status Endpoint 6 High	<a href="#">Go</a>
0x168	USBRXCOUNT6 <sup>(1) (2)</sup>	USB Receive Byte Count Endpoint 6	<a href="#">Go</a>
0x16A	USBTXTYPE6 <sup>(2)</sup>	USB Host Transmit Configure Type Endpoint 6	<a href="#">Go</a>
0x16B	USBTXINTERVAL6 <sup>(2)</sup>	USB Host Transmit Interval Endpoint 6	<a href="#">Go</a>
0x16C	USBRXTYPE6 <sup>(2)</sup>	USB Host Configure Receive Type Endpoint 6	<a href="#">Go</a>
0x16D	USBRXINTERVAL6 <sup>(2)</sup>	USB Host Receive Polling Interval Endpoint 6	<a href="#">Go</a>
0x170	USBTXMAXP7 <sup>(1) (2)</sup>	USB Maximum Transmit Data Endpoint 7	<a href="#">Go</a>
0x172	USBTXCURL7 <sup>(1) (2)</sup>	USB Transmit Control and Status Endpoint 7 Low	<a href="#">Go</a>
0x173	USBTXCSRH7 <sup>(1) (2)</sup>	USB Transmit Control and Status Endpoint 7 High	<a href="#">Go</a>
0x174	USBRXMAXP7 <sup>(1) (2)</sup>	USB Maximum Receive Data Endpoint 7	<a href="#">Go</a>
0x176	USBRXCURL7 <sup>(1) (2)</sup>	USB Receive Control and Status Endpoint 7 Low	<a href="#">Go</a>
0x177	USBRXCSRH7 <sup>(1) (2)</sup>	USB Receive Control and Status Endpoint 7 High	<a href="#">Go</a>
0x178	USBRXCOUNT7 <sup>(1) (2)</sup>	USB Receive Byte Count Endpoint 7	<a href="#">Go</a>
0x17A	USBTXTYPE7 <sup>(2)</sup>	USB Host Transmit Configure Type Endpoint 7	<a href="#">Go</a>
0x17B	USBTXINTERVAL7 <sup>(2)</sup>	USB Host Transmit Interval Endpoint 7	<a href="#">Go</a>
0x17C	USBRXTYPE7 <sup>(2)</sup>	USB Host Configure Receive Type Endpoint 7	<a href="#">Go</a>
0x17D	USBRXINTERVAL7 <sup>(2)</sup>	USB Host Receive Polling Interval Endpoint 7	<a href="#">Go</a>
0x180	USBTXMAXP8 <sup>(1) (2)</sup>	USB Maximum Transmit Data Endpoint 8	<a href="#">Go</a>
0x182	USBTXCURL8 <sup>(1) (2)</sup>	USB Transmit Control and Status Endpoint 8 Low	<a href="#">Go</a>
0x183	USBTXCSRH8 <sup>(1) (2)</sup>	USB Transmit Control and Status Endpoint 8 High	<a href="#">Go</a>
0x184	USBRXMAXP8 <sup>(1) (2)</sup>	USB Maximum Receive Data Endpoint 8	<a href="#">Go</a>
0x186	USBRXCURL8 <sup>(1) (2)</sup>	USB Receive Control and Status Endpoint 8 Low	<a href="#">Go</a>
0x187	USBRXCSRH8 <sup>(1) (2)</sup>	USB Receive Control and Status Endpoint 8 High	<a href="#">Go</a>

**Table 22-4. Universal Serial Bus (USB) Controller Register Map (continued)**

Offset	Acronym	Register Name	Section
0x188	USBRXCOUNT8 <sup>(1) (2)</sup>	USB Receive Byte Count Endpoint 8	<a href="#">Go</a>
0x18A	USBTXTYPE8 <sup>(2)</sup>	USB Host Transmit Configure Type Endpoint 8	<a href="#">Go</a>
0x18B	USBTXINTERVAL8 <sup>(2)</sup>	USB Host Transmit Interval Endpoint 8	<a href="#">Go</a>
0x18C	USBRXTYPE8 <sup>(2)</sup>	USB Host Configure Receive Type Endpoint 8	<a href="#">Go</a>
0x18D	USBRXINTERVAL8 <sup>(2)</sup>	USB Host Receive Polling Interval Endpoint 8	<a href="#">Go</a>
0x190	USBTXMAXP9 <sup>(1) (2)</sup>	USB Maximum Transmit Data Endpoint 9	<a href="#">Go</a>
0x192	USBTXCSSL9 <sup>(1) (2)</sup>	USB Transmit Control and Status Endpoint 9 Low	<a href="#">Go</a>
0x193	USBTXCSSL9H <sup>(1) (2)</sup>	USB Transmit Control and Status Endpoint 9 High	<a href="#">Go</a>
0x194	USBRXMAXP9 <sup>(1) (2)</sup>	USB Maximum Receive Data Endpoint 9	<a href="#">Go</a>
0x196	USBRXCSSL9 <sup>(1) (2)</sup>	USB Receive Control and Status Endpoint 9 Low	<a href="#">Go</a>
0x197	USBRXCSSL9H <sup>(1) (2)</sup>	USB Receive Control and Status Endpoint 9 High	<a href="#">Go</a>
0x198	USBRXCOUNT9 <sup>(1) (2)</sup>	USB Receive Byte Count Endpoint 9	<a href="#">Go</a>
0x19A	USBTXTYPE9 <sup>(2)</sup>	USB Host Transmit Configure Type Endpoint 9	<a href="#">Go</a>
0x19B	USBTXINTERVAL9 <sup>(2)</sup>	USB Host Transmit Interval Endpoint 9	<a href="#">Go</a>
0x19C	USBRXTYPE9 <sup>(2)</sup>	USB Host Configure Receive Type Endpoint 9	<a href="#">Go</a>
0x19D	USBRXINTERVAL9 <sup>(2)</sup>	USB Host Receive Polling Interval Endpoint 9	<a href="#">Go</a>
0x1A0	USBTXMAXP10 <sup>(1) (2)</sup>	USB Maximum Transmit Data Endpoint 10	<a href="#">Go</a>
0x1A2	USBTXCSSL10 <sup>(1) (2)</sup>	USB Transmit Control and Status Endpoint 10 Low	<a href="#">Go</a>
0x1A3	USBTXCSSL10H <sup>(1) (2)</sup>	USB Transmit Control and Status Endpoint 10 High	<a href="#">Go</a>
0x1A4	USBRXMAXP10 <sup>(1) (2)</sup>	USB Maximum Receive Data Endpoint 10	<a href="#">Go</a>
0x1A6	USBRXCSSL10 <sup>(1) (2)</sup>	USB Receive Control and Status Endpoint 10 Low	<a href="#">Go</a>
0x1A7	USBRXCSSL10H <sup>(1) (2)</sup>	USB Receive Control and Status Endpoint 10 High	<a href="#">Go</a>
0x1A8	USBRXCOUNT10 <sup>(1) (2)</sup>	USB Receive Byte Count Endpoint 10	<a href="#">Go</a>
0x1AA	USBTXTYPE10 <sup>(2)</sup>	USB Host Transmit Configure Type Endpoint 10	<a href="#">Go</a>
0x1AB	USBTXINTERVAL10 <sup>(2)</sup>	USB Host Transmit Interval Endpoint 10	<a href="#">Go</a>
0x1AC	USBRXTYPE10 <sup>(2)</sup>	USB Host Configure Receive Type Endpoint 10	<a href="#">Go</a>
0x1AD	USBRXINTERVAL10 <sup>(2)</sup>	USB Host Receive Polling Interval Endpoint 10	<a href="#">Go</a>
0x1B0	USBTXMAXP11 <sup>(1) (2)</sup>	USB Maximum Transmit Data Endpoint 11	<a href="#">Go</a>
0x1B2	USBTXCSSL11 <sup>(1) (2)</sup>	USB Transmit Control and Status Endpoint 11 Low	<a href="#">Go</a>
0x1B3	USBTXCSSL11H <sup>(1) (2)</sup>	USB Transmit Control and Status Endpoint 11 High	<a href="#">Go</a>
0x1B4	USBRXMAXP11 <sup>(1) (2)</sup>	USB Maximum Receive Data Endpoint 11	<a href="#">Go</a>
0x1B6	USBRXCSSL11 <sup>(1) (2)</sup>	USB Receive Control and Status Endpoint 11 Low	<a href="#">Go</a>
0x1B7	USBRXCSSL11H <sup>(1) (2)</sup>	USB Receive Control and Status Endpoint 11 High	<a href="#">Go</a>
0x1B8	USBRXCOUNT11 <sup>(1) (2)</sup>	USB Receive Byte Count Endpoint 11	<a href="#">Go</a>
0x1BA	USBTXTYPE11 <sup>(2)</sup>	USB Host Transmit Configure Type Endpoint 11	<a href="#">Go</a>
0x1BB	USBTXINTERVAL11 <sup>(2)</sup>	USB Host Transmit Interval Endpoint 11	<a href="#">Go</a>
0x1BC	USBRXTYPE11 <sup>(2)</sup>	USB Host Configure Receive Type Endpoint 11	<a href="#">Go</a>
0x1BD	USBRXINTERVAL11 <sup>(2)</sup>	USB Host Receive Polling Interval Endpoint 11	<a href="#">Go</a>
0x1C0	USBTXMAXP12 <sup>(1) (2)</sup>	USB Maximum Transmit Data Endpoint 12	<a href="#">Go</a>
0x1C2	USBTXCSSL12 <sup>(1) (2)</sup>	USB Transmit Control and Status Endpoint 12 Low	<a href="#">Go</a>
0x1C3	USBTXCSSL12H <sup>(1) (2)</sup>	USB Transmit Control and Status Endpoint 12 High	<a href="#">Go</a>
0x1C4	USBRXMAXP12 <sup>(1) (2)</sup>	USB Maximum Receive Data Endpoint 12	<a href="#">Go</a>
0x1C6	USBRXCSSL12 <sup>(1) (2)</sup>	USB Receive Control and Status Endpoint 12 Low	<a href="#">Go</a>
0x1C7	USBRXCSSL12H <sup>(1) (2)</sup>	USB Receive Control and Status Endpoint 12 High	<a href="#">Go</a>
0x1C8	USBRXCOUNT12 <sup>(1) (2)</sup>	USB Receive Byte Count Endpoint 12	<a href="#">Go</a>

**Table 22-4. Universal Serial Bus (USB) Controller Register Map (continued)**

Offset	Acronym	Register Name	Section
0x1CA	USBTXTYPE12 <sup>(2)</sup>	USB Host Transmit Configure Type Endpoint 12	<a href="#">Go</a>
0x1CB	USBTXINTERVAL12 <sup>(2)</sup>	USB Host Transmit Interval Endpoint 12	<a href="#">Go</a>
0x1CC	USBRXTYPE12 <sup>(2)</sup>	USB Host Configure Receive Type Endpoint 12	<a href="#">Go</a>
0x1CD	USBRXINTERVAL12 <sup>(2)</sup>	USB Host Receive Polling Interval Endpoint 12	<a href="#">Go</a>
0x1D0	USBTXMAXP13 <sup>(1) (2)</sup>	USB Maximum Transmit Data Endpoint 13	<a href="#">Go</a>
0x1D2	USBTXCSSL13 <sup>(1) (2)</sup>	USB Transmit Control and Status Endpoint 13 Low	<a href="#">Go</a>
0x1D3	USBTXCSSRH13 <sup>(1) (2)</sup>	USB Transmit Control and Status Endpoint 13 High	<a href="#">Go</a>
0x1D4	USBRXMAXP13 <sup>(1) (2)</sup>	USB Maximum Receive Data Endpoint 13	<a href="#">Go</a>
0x1D6	USBRXCSSL13 <sup>(1) (2)</sup>	USB Receive Control and Status Endpoint 13 Low	<a href="#">Go</a>
0x1D7	USBRXCSSRH13 <sup>(1) (2)</sup>	USB Receive Control and Status Endpoint 13 High	<a href="#">Go</a>
0x1D8	USBRXCOUNT13 <sup>(1) (2)</sup>	USB Receive Byte Count Endpoint 13	<a href="#">Go</a>
0x1DA	USBTXTYPE13 <sup>(2)</sup>	USB Host Transmit Configure Type Endpoint 13	<a href="#">Go</a>
0x1DB	USBTXINTERVAL13 <sup>(2)</sup>	USB Host Transmit Interval Endpoint 13	<a href="#">Go</a>
0x1DC	USBRXTYPE13 <sup>(2)</sup>	USB Host Configure Receive Type Endpoint 13	<a href="#">Go</a>
0x1DD	USBRXINTERVAL13 <sup>(2)</sup>	USB Host Receive Polling Interval Endpoint 13	<a href="#">Go</a>
0x1E0	USBTXMAXP14 <sup>(1) (2)</sup>	USB Maximum Transmit Data Endpoint 14	<a href="#">Go</a>
0x1E2	USBTXCSSL14 <sup>(1) (2)</sup>	USB Transmit Control and Status Endpoint 14 Low	<a href="#">Go</a>
0x1E3	USBTXCSSRH14 <sup>(1) (2)</sup>	USB Transmit Control and Status Endpoint 14 High	<a href="#">Go</a>
0x1E4	USBRXMAXP14 <sup>(1) (2)</sup>	USB Maximum Receive Data Endpoint 14	<a href="#">Go</a>
0x1E6	USBRXCSSL14 <sup>(1) (2)</sup>	USB Receive Control and Status Endpoint 14 Low	<a href="#">Go</a>
0x1E7	USBRXCSSRH14 <sup>(1) (2)</sup>	USB Receive Control and Status Endpoint 14 High	<a href="#">Go</a>
0x1E8	USBRXCOUNT14 <sup>(1) (2)</sup>	USB Receive Byte Count Endpoint 14	<a href="#">Go</a>
0x1EA	USBTXTYPE14 <sup>(2)</sup>	USB Host Transmit Configure Type Endpoint 14	<a href="#">Go</a>
0x1EB	USBTXINTERVAL14 <sup>(2)</sup>	USB Host Transmit Interval Endpoint 14	<a href="#">Go</a>
0x1EC	USBRXTYPE14 <sup>(2)</sup>	USB Host Configure Receive Type Endpoint 14	<a href="#">Go</a>
0x1ED	USBRXINTERVAL14 <sup>(2)</sup>	USB Host Receive Polling Interval Endpoint 14	<a href="#">Go</a>
0x1F0	USBTXMAXP15 <sup>(1) (2)</sup>	USB Maximum Transmit Data Endpoint 15	<a href="#">Go</a>
0x1F2	USBTXCSSL15 <sup>(1) (2)</sup>	USB Transmit Control and Status Endpoint 15 Low	<a href="#">Go</a>
0x1F3	USBTXCSSRH15 <sup>(1) (2)</sup>	USB Transmit Control and Status Endpoint 15 High	<a href="#">Go</a>
0x1F4	USBRXMAXP15 <sup>(1) (2)</sup>	USB Maximum Receive Data Endpoint 15	<a href="#">Go</a>
0x1F6	USBRXCSSL15 <sup>(1) (2)</sup>	USB Receive Control and Status Endpoint 15 Low	<a href="#">Go</a>
0x1F7	USBRXCSSRH15 <sup>(1) (2)</sup>	USB Receive Control and Status Endpoint 15 High	<a href="#">Go</a>
0x1F8	USBRXCOUNT15 <sup>(1) (2)</sup>	USB Receive Byte Count Endpoint 15	<a href="#">Go</a>
0x1FA	USBTXTYPE15 <sup>(2)</sup>	USB Host Transmit Configure Type Endpoint 15	<a href="#">Go</a>
0x1FB	USBTXINTERVAL15 <sup>(2)</sup>	USB Host Transmit Interval Endpoint 15	<a href="#">Go</a>
0x1FC	USBRXTYPE15 <sup>(2)</sup>	USB Host Configure Receive Type Endpoint 15	<a href="#">Go</a>
0x1FD	USBRXINTERVAL15 <sup>(2)</sup>	USB Host Receive Polling Interval Endpoint 15	<a href="#">Go</a>
0x304	USBRQPKTCOUNT1 <sup>(2)</sup>	USB Request Packet Count in Block Transfer Endpoint 1	<a href="#">Go</a>
0x308	USBRQPKTCOUNT2 <sup>(2)</sup>	USB Request Packet Count in Block Transfer Endpoint 2	<a href="#">Go</a>
0x30C	USBRQPKTCOUNT3 <sup>(2)</sup>	USB Request Packet Count in Block Transfer Endpoint 3	<a href="#">Go</a>
0x310	USBRQPKTCOUNT4 <sup>(2)</sup>	USB Request Packet Count in Block Transfer Endpoint 4	<a href="#">Go</a>
0x314	USBRQPKTCOUNT5 <sup>(2)</sup>	USB Request Packet Count in Block Transfer Endpoint 5	<a href="#">Go</a>
0x318	USBRQPKTCOUNT6 <sup>(2)</sup>	USB Request Packet Count in Block Transfer Endpoint 6	<a href="#">Go</a>
0x31C	USBRQPKTCOUNT7 <sup>(2)</sup>	USB Request Packet Count in Block Transfer Endpoint 7	<a href="#">Go</a>
0x320	USBRQPKTCOUNT8 <sup>(2)</sup>	USB Request Packet Count in Block Transfer Endpoint 8	<a href="#">Go</a>

**Table 22-4. Universal Serial Bus (USB) Controller Register Map (continued)**

Offset	Acronym	Register Name	Section
0x324	USBRQPKTCOUNT9 <sup>(2)</sup>	USB Request Packet Count in Block Transfer Endpoint 9	<a href="#">Go</a>
0x328	USBRQPKTCOUNT10 <sup>(2)</sup>	USB Request Packet Count in Block Transfer Endpoint 10	<a href="#">Go</a>
0x32C	USBRQPKTCOUNT11 <sup>(2)</sup>	USB Request Packet Count in Block Transfer Endpoint 11	<a href="#">Go</a>
0x330	USBRQPKTCOUNT12 <sup>(2)</sup>	USB Request Packet Count in Block Transfer Endpoint 12	<a href="#">Go</a>
0x334	USBRQPKTCOUNT13 <sup>(2)</sup>	USB Request Packet Count in Block Transfer Endpoint 13	<a href="#">Go</a>
0x338	USBRQPKTCOUNT14 <sup>(2)</sup>	USB Request Packet Count in Block Transfer Endpoint 14	<a href="#">Go</a>
0x33C	USBRQPKTCOUNT15 <sup>(2)</sup>	USB Request Packet Count in Block Transfer Endpoint 15	<a href="#">Go</a>
0x340	USBRXDPKTBUFDIS <sup>(1) (2)</sup>	USB Receive Double Packet Buffer Disable	<a href="#">Go</a>
0x342	USBTXDPKTBUFDIS <sup>(1) (2)</sup>	USB Transmit Double Packet Buffer Disable	<a href="#">Go</a>
0x400	USBEP <sup>(1) (2)</sup>	USB External Power Control	<a href="#">Go</a>
0x404	USBEP <sup>(1) (2)</sup> CRIS	USB External Power Control Raw Interrupt Status	<a href="#">Go</a>
0x408	USBEP <sup>(2) (1)</sup> CIM	USB External Power Control Interrupt Mask	<a href="#">Go</a>
0x40C	USBEP <sup>(1) (2)</sup> CISC	USB External Power Control Interrupt Status and Clear	<a href="#">Go</a>
0x410	USBD <sup>(1) (2)</sup> RRIS	USB Device RESUME Raw Interrupt Status	<a href="#">Go</a>
0x414	USBD <sup>(1) (2)</sup> DRIM	USB Device RESUME Interrupt Mask	<a href="#">Go</a>
0x418	USBD <sup>(1) (2)</sup> DRISC	USB Device RESUME Interrupt Status and Clear	<a href="#">Go</a>
0x41C	USBG <sup>(1) (2)</sup> PCS	USB General-Purpose Control and Status	<a href="#">Go</a>
0x450	USB <sup>(1) (2)</sup> DMASEL	USB DMA Select	<a href="#">Go</a>

- (1) This register is used in Device mode. Some registers are used for both Host and Device mode and can have different bit definitions depending on the mode.
- (2) This register is used in Host mode. Some registers are used for both Host and Device mode and can have different bit definitions depending on the mode. The USB controller is in Device mode upon reset, so the reset values shown for these registers apply to the Device mode definition.

## 22.6.3 Register Descriptions

### 22.6.3.1 USB Device Functional Address Register (USBFADDR), offset 0x000

The USB function address 8-bit register (USBFADDR) contains the 7-bit address of the device part of the transaction.

When the USB controller is being used in device mode (the HOST bit in the USBDEVCTL register is clear), this register must be written with the address received through a SET\_ADDRESS command, which is then used for decoding the function address in subsequent token packets.

**Mode(s):** Device

For special considerations when writing this register, see the *Setting the Device Address* in [Section 22.2.1.1.4](#).

USBFADDR is shown in [Figure 22-3](#) and described in [Table 22-5](#).

**Figure 22-3. USB Device Functional Address Register (USBFADDR)**



LEGEND: R/W = Read/Write; R = Read only; -n = value after reset

**Table 22-5. USB Device Functional Address Register (USBFADDR) Field Descriptions**

Bit	Field	Value	Description
7	Reserved	0	Reserved
6-0	FUNCADDR	0-7Fh	Function Address of Device as received through SET_ADDRESS.

### 22.6.3.2 USB Power Management Register (USBPOWER), offset 0x001

The power management 8-bit register (USBPOWER) is used for controlling SUSPEND and RESUME signaling, and some basic operational aspects of the USB controller.

**Mode(s):** Host Device

USBPOWER in Host Mode is shown in [Figure 22-4](#) and described in [Table 22-6](#).

**Figure 22-4. USB Power Management Register (USBPOWER) in Host Mode**

7	4	3	2	1	0
Reserved		RESET	RESUME	SUSPEND	PWRDNPHY
R-0		R/W-0	R/W-0	R/W-1S	R/W-0

LEGEND: R/W = Read/Write; R = Read only; -n = value after reset

**Table 22-6. USB Power Management Register (USBPOWER) in Host Mode Field Descriptions**

Bit	Field	Value	Description
7-4	Reserved	0	Reserved
3	RESET	0	RESET signaling. Ends RESET signaling on the bus.
		1	Enables RESET signaling on the bus.
2	RESUME	0	RESUME signaling. The bit can be cleared by software 20 ms after being set. Ends RESUME signaling on the bus.
		1	Enables RESUME signaling when the Device is in SUSPEND mode.
1	SUSPEND	0	SUSPEND mode No effect
		1	Enables SUSPEND mode.
0	PWRDNPHY	0	Power Down PHY No effect
		1	Powers down the internal USB PHY.

USBPOWER in Device Mode is shown in [Figure 22-5](#) and described in [Table 22-7](#).

**Figure 22-5. USB Power Management Register (USBPOWER) in Device Mode**

	7	6	5	4	3	2	1	0
ISOUPDATE	SOFTCONN	Reserved		RESET	RESUME	SUSPEND	PWRDNPHY	
R/W-0	R/W-0	R-0		R/W-0	R/W-0	R-0	R/W-0	

LEGEND: R/W = Read/Write; R = Read only; -n = value after reset

**Table 22-7. USB Power Management Register (USBPOWER) in Device Mode Field Descriptions**

Bit	Field	Value	Description
7	Reserved		Reserved
6	SOFTCONN	0	Soft Connect/Disconnect The USB D+/D- lines are tri-stated.
		1	The USB D+/D- lines are enabled.
5-4	Reserved	0	Reserved
3	RESET		RESET signaling
		0	Ends RESET signaling on the bus.
		1	Enables RESET signaling on the bus.
2	RESUME		RESUME signaling. The bit can be cleared by software 10 ms (a maximum of 15 ms) after being set.
		0	Ends RESUME signaling on the bus.
		1	Enables RESUME signaling when the Device is in SUSPEND mode.
1	SUSPEND		SUSPEND mode.
		0	This bit is cleared when software reads the interrupt register or sets the RESUME bit above.
		1	The USB controller is in SUSPEND mode.
0	PWRDNPHY		Power Down PHY
		0	No effect
		1	Powers down the internal USB PHY.





**Table 22-8. USB Transmit Interrupt Status Register (USBTXIS) Field Descriptions (continued)**

Bit	Field	Value	Description
9	EP9		TX Endpoint 9 Interrupt
		0	No interrupt
		1	The Endpoint 9 transmit interrupt is asserted.
		8	EP8
0	No interrupt		
		1	The Endpoint 8 transmit interrupt is asserted.
		7	EP7
0	No interrupt		
		1	The Endpoint 7 transmit interrupt is asserted.
		6	EP6
0	No interrupt		
		1	The Endpoint 6 transmit interrupt is asserted.
		5	EP5
0	No interrupt		
		1	The Endpoint 5 transmit interrupt is asserted.
		4	EP4
0	No interrupt		
		1	The Endpoint 4 transmit interrupt is asserted.
		3	EP3
0	No interrupt		
		1	The Endpoint 3 transmit interrupt is asserted.
		2	EP2
0	No interrupt		
		1	The Endpoint 2 transmit interrupt is asserted.
		1	EP1
0	No interrupt		
		1	The Endpoint 1 transmit interrupt is asserted.
		0	EP0
0	No interrupt		
		1	The Endpoint 0 transmit and receive interrupt is asserted.

### 22.6.3.4 USB Receive Interrupt Status Register (USBRXIS), offset 0x004

#### Note

Use caution when reading this register. Performing a read may change bit status.

The USB receive interrupt status 16-bit read-only register (USBRXIS) indicates which interrupts are currently active for receive endpoints 1–15.

**Note:** The USBRXIS register does not have a bit for EP0. See the USBTXIS register for EP0 use.

**Note:** Bits relating to endpoints that have not been configured always return 0. All active interrupts are cleared when this register is read.

**Mode(s):** Host Device

USBRXIS is shown in [Figure 22-7](#) and described in [Table 22-9](#).

**Figure 22-7. USB Transmit Interrupt Status Register (USBRXIS)**

15	14	13	12	11	10	9	8
EP15	EP14	EP13	EP12	EP11	EP10	EP9	EP8
R-0							
EP7	EP6	EP5	EP4	EP3	EP2	EP1	EP0
R-0							Reserved

**Table 22-9. USB Transmit Interrupt Status Register (USBRXIS) Field Descriptions**

Bit	Field	Value	Description
15	EP15		RX Endpoint 15 Interrupt
		0	No interrupt
14	EP14	1	The Endpoint 15 receive interrupt is asserted.
		0	No interrupt
13	EP13	1	The Endpoint 14 receive interrupt is asserted.
		0	No interrupt
12	EP12	1	The Endpoint 13 receive interrupt is asserted.
		0	No interrupt
11	EP11	1	The Endpoint 12 receive interrupt is asserted.
		0	No interrupt
10	EP10	1	The Endpoint 11 receive interrupt is asserted.
		0	No interrupt
9	EP9	1	The Endpoint 10 receive interrupt is asserted.
		0	No interrupt
		1	The Endpoint 9 receive interrupt is asserted.
		0	No interrupt

**Table 22-9. USB Transmit Interrupt Status Register (USBXIS) Field Descriptions (continued)**

Bit	Field	Value	Description
8	EP8		RX Endpoint 8 Interrupt
		0	No interrupt
		1	The Endpoint 8 receive interrupt is asserted.
		7	EP7
0	No interrupt		
		1	The Endpoint 7 receive interrupt is asserted.
		6	EP6
0	No interrupt		
		1	The Endpoint 6 receive interrupt is asserted.
		5	EP5
0	No interrupt		
		1	The Endpoint 5 receive interrupt is asserted.
		4	EP4
0	No interrupt		
		1	The Endpoint 4 receive interrupt is asserted.
		3	EP3
0	No interrupt		
		1	The Endpoint 3 receive interrupt is asserted.
		2	EP2
0	No interrupt		
		1	The Endpoint 2 receive interrupt is asserted.
		1	EP1
0	No interrupt		
		1	The Endpoint 1 receive interrupt is asserted.
		0	Reserved
0	Reserved		Reserved

### 22.6.3.5 USB Transmit Interrupt Enable Register

#### (USBTXIE), offset 0x006

The USB transmit interrupt enable 16-bit register (USBTXIE) provides interrupt enable bits for the interrupts in the USBTXIS register. When a bit is set, the USB interrupt is asserted to the interrupt controller when the corresponding interrupt bit in the USBTXIS register is set. When a bit is cleared, the interrupt in the USBTXIS register is still set but the USB interrupt to the interrupt controller is not asserted. On reset, all interrupts are enabled.

**Note:**The EP0 bit is special in Host and Device modes. Both the control IN and control OUT endpoints are captured in the EP0 bit of the USBTXIE register.

**Mode(s):** Host Device

USBTXIS is shown in [Figure 22-8](#) and described in [Table 22-10](#).

**Figure 22-8. USB Transmit Interrupt Status Enable Register (USBTXIE)**

15	14	13	12	11	10	9	8
EP15	EP14	EP13	EP12	EP11	EP10	EP9	EP8
R-0							
EP7	EP6	EP5	EP4	EP3	EP2	EP1	EP0
R-0				R/W-1	R/W-1	R/W-1	R/W-1

**Table 22-10. USB Transmit Interrupt Status Register (USBTXIE) Field Descriptions**

Bit	Field	Value	Description
15	EP15		TX Endpoint 15 Interrupt Enable
		0	The EP15 transmit interrupt is suppressed and not sent to the interrupt controller.
		1	An interrupt is sent to the interrupt controller when the EP15 bit in the USBTXIS register is set.
14	EP14		TX Endpoint 14 Interrupt Enable
		0	The EP14 transmit interrupt is suppressed and not sent to the interrupt controller.
		1	An interrupt is sent to the interrupt controller when the EP14 bit in the USBTXIS register is set.
13	EP13		TX Endpoint 13 Interrupt Enable
		0	The EP13 transmit interrupt is suppressed and not sent to the interrupt controller.
		1	An interrupt is sent to the interrupt controller when the EP13 bit in the USBTXIS register is set.
12	EP12		TX Endpoint 12 Interrupt Enable
		0	The EP12 transmit interrupt is suppressed and not sent to the interrupt controller.
		1	An interrupt is sent to the interrupt controller when the EP12 bit in the USBTXIS register is set.
11	EP11		TX Endpoint 11 Interrupt Enable
		0	The EP11 transmit interrupt is suppressed and not sent to the interrupt controller.
		1	An interrupt is sent to the interrupt controller when the EP11 bit in the USBTXIS register is set.
10	EP10		TX Endpoint 10 Interrupt Enable
		0	The EP10 transmit interrupt is suppressed and not sent to the interrupt controller.
		1	An interrupt is sent to the interrupt controller when the EP10 bit in the USBTXIS register is set.
9	EP9		TX Endpoint 9 Interrupt Enable
		0	The EP9 transmit interrupt is suppressed and not sent to the interrupt controller.
		1	An interrupt is sent to the interrupt controller when the EP9 bit in the USBTXIS register is set.
8	EP8		TX Endpoint 8 Interrupt Enable
		0	The EP8 transmit interrupt is suppressed and not sent to the interrupt controller.
		1	An interrupt is sent to the interrupt controller when the EP8 bit in the USBTXIS register is set.

**Table 22-10. USB Transmit Interrupt Status Register (USBTXIE) Field Descriptions (continued)**

Bit	Field	Value	Description
7	EP7		TX Endpoint 7 Interrupt Enable
		0	The EP7 transmit interrupt is suppressed and not sent to the interrupt controller.
		1	An interrupt is sent to the interrupt controller when the EP7 bit in the USBTXIS register is set.
6	EP6		TX Endpoint 6 Interrupt Enable
		0	The EP6 transmit interrupt is suppressed and not sent to the interrupt controller.
		1	An interrupt is sent to the interrupt controller when the EP6 bit in the USBTXIS register is set.
5	EP5		TX Endpoint 5 Interrupt Enable
		0	The EP5 transmit interrupt is suppressed and not sent to the interrupt controller.
		1	An interrupt is sent to the interrupt controller when the EP5 bit in the USBTXIS register is set.
4	EP4		TX Endpoint 4 Interrupt Enable
		0	The EP4 transmit interrupt is suppressed and not sent to the interrupt controller.
		1	An interrupt is sent to the interrupt controller when the EP4 bit in the USBTXIS register is set.
3	EP3		TX Endpoint 3 Interrupt Enable
		0	The EP3 transmit interrupt is suppressed and not sent to the interrupt controller.
		1	An interrupt is sent to the interrupt controller when the EP3 bit in the USBTXIS register is set.
2	EP2		TX Endpoint 2 Interrupt Enable
		0	The EP2 transmit interrupt is suppressed and not sent to the interrupt controller.
		1	An interrupt is sent to the interrupt controller when the EP2 bit in the USBTXIS register is set.
1	EP1		TX Endpoint 1 Interrupt Enable
		0	The EP1 transmit interrupt is suppressed and not sent to the interrupt controller.
		1	An interrupt is sent to the interrupt controller when the EP1 bit in the USBTXIS register is set.
0	EP0		TX and RX Endpoint 0 Interrupt Enable
		0	The EP0 transmit and receive interrupt is suppressed and not sent to the interrupt controller.
		1	An interrupt is sent to the interrupt controller when the EP0 bit in the USBTXIS register is set.

### 22.6.3.6 USB Receive Interrupt Enable Register

#### (USBRXIE), offset 0x008

The USB receive interrupt enable 16-bit register (USBRXIE) provides interrupt enable bits for the interrupts in the USBRXIS register. When a bit is set, the USB interrupt is asserted to the interrupt controller when the corresponding interrupt bit in the USBRXIS register is set. When a bit is cleared, the interrupt in the USBRXIS register is still set but the USB interrupt to the interrupt controller is not asserted. On reset, all interrupts are enabled.

**Note:** The USBRXIE register does not have a bit for EP0. See the USBTXIE register for EP0 use.

**Mode(s):** Host Device

USBRXIE is shown in [Figure 22-9](#) and described in [Table 22-11](#).

**Figure 22-9. USB Transmit Interrupt Status Enable Register (USBRXIE)**

15	14	13	12	11	10	9	8
EP15	EP14	EP13	EP12	EP11	EP10	EP9	EP8
R-0							
EP7	EP6	EP5	EP4	EP3	EP2	EP1	EP0
R-0				R/W-1	R/W-1	R/W-1	Reserved

**Table 22-11. USB Transmit Interrupt Status Register (USBRXIE) Field Descriptions**

Bit	Field	Value	Description
15	EP15	0	RX Endpoint 15 Interrupt Enable The EP15 transmit interrupt is suppressed and not sent to the interrupt controller.
		1	An interrupt is sent to the interrupt controller when the EP15 bit in the USBRXIS register is set.
14	EP14	0	RX Endpoint 14 Interrupt Enable The EP14 transmit interrupt is suppressed and not sent to the interrupt controller.
		1	An interrupt is sent to the interrupt controller when the EP14 bit in the USBRXIS register is set.
13	EP13	0	RX Endpoint 13 Interrupt Enable The EP13 transmit interrupt is suppressed and not sent to the interrupt controller.
		1	An interrupt is sent to the interrupt controller when the EP13 bit in the USBRXIS register is set.
12	EP12	0	RX Endpoint 12 Interrupt Enable The EP12 transmit interrupt is suppressed and not sent to the interrupt controller.
		1	An interrupt is sent to the interrupt controller when the EP12 bit in the USBRXIS register is set.
11	EP11	0	RX Endpoint 11 Interrupt Enable The EP11 transmit interrupt is suppressed and not sent to the interrupt controller.
		1	An interrupt is sent to the interrupt controller when the EP11 bit in the USBRXIS register is set.
10	EP10	0	RX Endpoint 10 Interrupt Enable The EP10 transmit interrupt is suppressed and not sent to the interrupt controller.
		1	An interrupt is sent to the interrupt controller when the EP10 bit in the USBRXIS register is set.
9	EP9	0	RX Endpoint 9 Interrupt Enable The EP9 transmit interrupt is suppressed and not sent to the interrupt controller.
		1	An interrupt is sent to the interrupt controller when the EP9 bit in the USBRXIS register is set.
8	EP8	0	RX Endpoint 8 Interrupt Enable The EP8 transmit interrupt is suppressed and not sent to the interrupt controller.
		1	An interrupt is sent to the interrupt controller when the EP8 bit in the USBRXIS register is set.

**Table 22-11. USB Transmit Interrupt Status Register (USBXIE) Field Descriptions (continued)**

Bit	Field	Value	Description
7	EP7		RX Endpoint 7 Interrupt Enable
		0	The EP7 transmit interrupt is suppressed and not sent to the interrupt controller.
		1	An interrupt is sent to the interrupt controller when the EP7 bit in the USBXIS register is set.
6	EP6		RX Endpoint 6 Interrupt Enable
		0	The EP6 transmit interrupt is suppressed and not sent to the interrupt controller.
		1	An interrupt is sent to the interrupt controller when the EP6 bit in the USBXIS register is set.
5	EP5		RX Endpoint 5 Interrupt Enable
		0	The EP5 transmit interrupt is suppressed and not sent to the interrupt controller.
		1	An interrupt is sent to the interrupt controller when the EP5 bit in the USBXIS register is set.
4	EP4		RX Endpoint 4 Interrupt Enable
		0	The EP4 transmit interrupt is suppressed and not sent to the interrupt controller.
		1	An interrupt is sent to the interrupt controller when the EP4 bit in the USBXIS register is set.
3	EP3		RX Endpoint 3 Interrupt Enable
		0	The EP3 transmit interrupt is suppressed and not sent to the interrupt controller.
		1	An interrupt is sent to the interrupt controller when the EP3 bit in the USBXIS register is set.
2	EP2		RX Endpoint 2 Interrupt Enable
		0	The EP2 transmit interrupt is suppressed and not sent to the interrupt controller.
		1	An interrupt is sent to the interrupt controller when the EP2 bit in the USBXIS register is set.
1	EP1		RX Endpoint 1 Interrupt Enable
		0	The EP1 transmit interrupt is suppressed and not sent to the interrupt controller.
		1	An interrupt is sent to the interrupt controller when the EP1 bit in the USBXIS register is set.
0	Reserved	0	Reserved





USBIS in Device Mode is shown in [Figure 22-11](#) and described in [Table 22-13](#).

**Figure 22-11. USB General Interrupt Status Register (USBIS) in Device Mode**

7	6	5	4	3	2	1	0
Reserved	DISCON	Reserved	SOF	RESET	RESUME	SUSPEND	
R-0	R-0	R-0	R-0	R-0	R-0	R-0	R-0

LEGEND: R = Read only; -n = value after reset

**Table 22-13. USB General Interrupt Status Register (USBIS) in Device Mode Field Descriptions**

Bit	Field	Value	Description
7-6	Reserved	0	Reserved
5	DISCON	0	Session Disconnect No interrupt
		1	The device has been disconnected from the host.
4	Reserved	0	Reserved
3	SOF	0	Start of frame No interrupt
		1	A new frame has started.
2	RESET	0	RESET Signaling Detected No interrupt
		1	RESET signaling has been detected on the bus.
1	RESUME	0	RESUME Signaling Detected. This interrupt can only be used if the USB controller's system clock is enabled. If the user disables the clock programming, the USBDRRIS, USBDRIM, and USBDRISC registers should be used. No interrupt
		1	RESUME signaling has been detected on the bus while the USB controller is in SUSPEND mode.
0	SUSPEND	0	SUSPEND Signaling Detected No interrupt
		1	SUSPEND signaling has been detected on the bus.

### 22.6.3.8 USB Interrupt Enable Register (USBIE), offset 0x00B

**CAUTION**

Use caution when reading this register. Performing a read may change bit status.

The USB interrupt enable 8-bit register (USBIE) provides interrupt enable bits for each of the interrupts in USBIS. At reset interrupts 1 and 2 are enabled in device mode.

**Mode(s):**      Host    Device

USBIE in Host Mode is shown in [Figure 22-12](#) and described in [Table 22-14](#).

**Figure 22-12. USB Interrupt Enable Register (USBIE) in Host Mode**

	7	6	5	4	3	2	1	0
VBUSERR	SESREQ	DISCON	CONN	SOF	BABBLE	RESUME	Reserved	
R-W	R-W	R-W	R-W	R-W	R-W	R-W	R-W	R-0

LEGEND: R/W = Read/Write; R = Read only; -n = value after reset

**Table 22-14. USB Interrupt Enable Register (USBIE) in Host Mode Field Descriptions**

Bit	Field	Value	Description
7	VBUSERR	0 1	Enable VBUS Error Interrupt The VBUSERR interrupt is suppressed and not sent to the interrupt controller. An interrupt is sent to the interrupt controller when the VBUSERR bit in the USBIS register is set.
6	SESREQ	0 1	Enable Session Request The SESREQ interrupt is suppressed and not sent to the interrupt controller. An interrupt is sent to the interrupt controller when the SESREQ bit in the USBIS register is set.
5	DISCON	0 1	Enable Disconnect Interrupt The DISCON interrupt is suppressed and not sent to the interrupt controller. An interrupt is sent to the interrupt controller when the DISCON bit in the USBIS register is set.
4	CONN	0 1	Enable Connect Interrupt The CONN interrupt is suppressed and not sent to the interrupt controller. An interrupt is sent to the interrupt controller when the CONN bit in the USBIS register is set.
3	SOF	0 1	Start of Frame The SOF interrupt is suppressed and not sent to the interrupt controller. An interrupt is sent to the interrupt controller when the SOF bit in the USBIS register is set.
2	BABBLE	0 1	Babble Detected The BABBLE interrupt is suppressed and not sent to the interrupt controller. An interrupt is sent to the interrupt controller when the BABBLE bit in the USBIS register is set.
1	RESUME	0 1	RESUME Signaling Detected. This interrupt can only be used if the USB controller's system clock is enabled. If the user disables the clock programming, the USBDRRIS, USBDRIM, and USBDRISC registers should be used. The RESUME interrupt is suppressed and not sent to the interrupt controller. An interrupt is sent to the interrupt controller when the RESUME bit in the USBIS register is set.
0	Reserved	0	Reserved

USBIE in Device Mode is shown in [Figure 22-11](#) and described in [Table 22-13](#).

**Figure 22-13. USB Interrupt Enable Register (USBIE) in Device Mode**

7	6	5	4	3	2	1	0
Reserved	DISCON	Reserved	SOF	RESET	RESUME	SUSPEND	
R-0	R/W-0	R-0	R/W-0	R/W-1	RW-1	R/W-0	

LEGEND: R/W = Read/Write; R = Read only; -n = value after reset

**Table 22-15. USB Interrupt Enable Register (USBIE) in Device Mode Field Descriptions**

Bit	Field	Value	Description
7-6	Reserved	0	Reserved
5	DISCON	0	Enable Disconnect Interrupt The DISCON interrupt is suppressed and not sent to the interrupt controller.
		1	An interrupt is sent to the interrupt controller when the DISCON bit in the USBIS register is set.
4	Reserved	0	Reserved
3	SOF	0	Start of frame The SOF interrupt is suppressed and not sent to the interrupt controller.
		1	An interrupt is sent to the interrupt controller when the SOF bit in the USBIS register is set.
2	RESET	0	RESET Signaling Detected The RESET interrupt is suppressed and not sent to the interrupt controller.
		1	An interrupt is sent to the interrupt controller when the RESET bit in the USBIS register is set.
1	RESUME	0	RESUME Signaling Detected. This interrupt can only be used if the USB controller's system clock is enabled. If the user disables the clock programming, the USBDRRIS, USBDRIM, and USBDRISC registers should be used. The RESUME interrupt is suppressed and not sent to the interrupt controller.
		1	An interrupt is sent to the interrupt controller when the RESUME bit in the USBIS register is set.
0	SUSPEND	0	SUSPEND Signaling Detected The SUSPEND interrupt is suppressed and not sent to the interrupt controller.
		1	An interrupt is sent to the interrupt controller when the DISCON bit in the USBIS register is set.

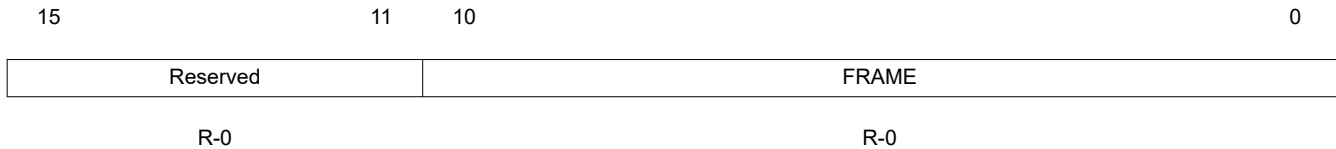
### 22.6.3.9 USB Frame Value Register (USBFRAME), offset 0x00C

The frame number 16-bit read-only register (USBFRAME) holds the last received frame number.

**Mode(s):** Host Device

USBFRAME is shown in [Figure 22-14](#) and described in [Table 22-16](#).

**Figure 22-14. USB Frame Value Register (USBFRAME)**



LEGEND: R = Read only; -n = value after reset

**Table 22-16. USB Frame Value Register (USBFRAME) Field Descriptions**

Bit	Field	Value	Description
15-11	Reserved	0	Reserved
10-0	FRAME	0-7FFh	Last received frame number

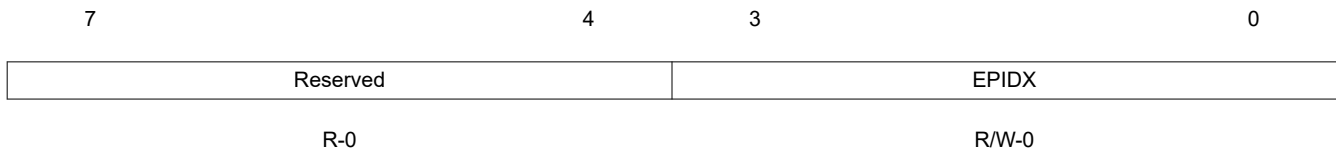
### 22.6.3.10 USB Endpoint Index Register (USBEPIDX), offset 0x00E

Each endpoint buffer can be accessed by configuring a FIFO size and starting address. The endpoint index 16-bit register (USBEPIDX) is used with the USBTXFIFOSZ, USBRXFIFOSZ, USBTXFIFOADD, and USBRXFIFOADD registers.

**Mode(s):** Host Device

USBEPIDX is shown in [Figure 22-15](#) and described in [Table 22-17](#).

**Figure 22-15. USB Endpoint Index Register (USBEPIDX)**



LEGEND: R/W = Read/Write; R = Read only; -n = value after reset

**Table 22-17. USB Endpoint Index Register (USBEPIDX) Field Descriptions**

Bit	Field	Value	Description
7-4	Reserved	0	Reserved
3-0	EPIDX	0-4h	Endpoint Index. This bit field configures which endpoint is accessed when reading or writing to one of the USB controller's indexed registers. A value of 0x0 corresponds to Endpoint 0 and a value of 0xF corresponds to Endpoint 15.

### 22.6.3.11 USB Test Mode Register (USBTEST), offset 0x00F

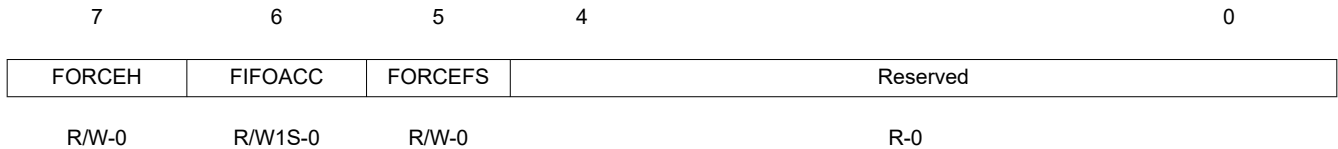
The USB test mode 8-bit register (USBTEST) is primarily used to put the USB controller into one of the four test modes for operation described in the USB Specification 2.0 , in response to a SET FEATURE: USBTESTMODE command. This register is not used in normal operation.

**Note:** Only one of these bits should be set at any time.

**Mode(s):**      Host    Device

USBTEST in Host Mode is shown in [Figure 22-16](#) and described in [Table 22-18](#).

**Figure 22-16. USB Test Mode Register (USBTEST) in Host Mode**



LEGEND: R/W = Read/Write; R = Read only; -n = value after reset

**Table 22-18. USB Test Mode Register (USBTEST) in Host Mode Field Descriptions**

Bit	Field	Value	Description
7	FORCEH	0	No effect
		1	Forces the USB controller to enter Host mode when the SESSION bit is set, regardless of whether the USB controller is connected to any peripheral. The state of the USB0DP and USB0DM signals is ignored. The USB controller then remains in Host mode until the SESSION bit is cleared, even if a Device is disconnected. If the FORCEH bit remains set, the USB controller re-enters Host mode the next time the SESSION bit is set.
6	FIFOACC	0	FIFO Access No effect
		1	Transfers the packet in the endpoint 0 transmit FIFO to the endpoint 0 receive FIFO.
5	FORCEFS	0	Force Full-Speed Mode The USB controller operates at Low Speed.
		1	Forces the USB controller into Full-Speed mode upon receiving a USB RESET.
4-0	Reserved	0	Reserved

USBTEST in Device Mode is shown in [Figure 22-17](#) and described in [Table 22-19](#).

**Figure 22-17. USB Test Mode Register (USBTEST) in Device Mode**

7	6	5	4	0
Reserved	FIFOACC	FORCEFS	Reserved	
R-0	R/W1S-0	R/W-0	R-0	

LEGEND: R/W = Read/Write; R = Read only; -n = value after reset

**Table 22-19. USB Test Mode Register (USBTEST) in Device Mode Field Descriptions**

Bit	Field	Value	Description
7	Reserved		Force Host Mode. While in this mode, status of the bus connection may be read using the DEV bit of the USBDEVCTL register. The operating speed is determined from the FORCEFS bit.
6	FIFOACC	0	FIFO Access No effect
		1	Transfers the packet in the endpoint 0 transmit FIFO to the endpoint 0 receive FIFO.
5	FORCEFS	0	Force Full-Speed Mode The USB controller operates at Low Speed.
		1	Forces the USB controller into Full-Speed mode upon receiving a USB RESET.
4-0	Reserved	0	Reserved

### 22.6.3.12 USB FIFO Endpoint $n$ Register (USBFIFO[0]-USBFIFO[3])

#### Note

Use caution when reading these registers. Performing a read may change bit status.

The USB FIFO endpoint  $n$  32-bit registers (USBFIFO[ $n$ ]) provide an address for CPU access to the FIFOs for each endpoint. Writing to these addresses loads data into the Transmit FIFO for the corresponding endpoint. Reading from these addresses unloads data from the Receive FIFO for the corresponding endpoint.

Transfers to and from FIFOs can be 8-bit, 16-bit or 32-bit as required, and any combination of accesses is allowed provided the data accessed is contiguous. All transfers associated with one packet must be of the same width so that the data is consistently byte-, halfword- or word-aligned. However, the last transfer may contain fewer bytes than the previous transfers in order to complete an odd-byte or odd-word transfer.

Depending on the size of the FIFO and the expected maximum packet size, the FIFOs support either single-packet or double-packet buffering (see *Single-Packet Buffering* in [Section 22.2.1.1.2](#)). Burst writing of multiple packets is not supported as flags must be set after each packet is written.

Following a STALL response or a transmit error on endpoint 1–3, the associated FIFO is completely flushed.

**Mode(s):**      Host                                  Device

USBFIFO0-3 are shown in [Figure 22-18](#) and described in [Table 22-20](#).

**Figure 22-18. USB FIFO Endpoint  $n$  Register (USBFIFO[ $n$ ])**

31 0

EPDATA

R/W-0

LEGEND: R/W = Read/Write; - $n$  = value after reset

**Table 22-20. USB FIFO Endpoint  $n$  Register (USBFIFO[ $n$ ]) Field Descriptions**

Bit	Field	Reset	Description
31-0	EPDATA	0x0000.0000	Endpoint Data. Writing to this register loads the data into the Transmit FIFO and reading unloads data from the Receive FIFO.



### 22.6.3.13 USB Device Control Register (USBDEVCTL), offset 0x060

The USB device control 8-bit register (USBDEVCTL) is used for controlling and monitoring the USB VBUS line. If the PHY is suspended, no PHY clock is received and the VBUS is not sampled. In addition, in Host mode, USBDEVCTL provides the status information for the current operating mode (Host or Device) of the USB controller. If the USB controller is in Host mode, this register also indicates if a full- or low-speed Device has been connected.

**Mode(s):**      Host                                  Device

USBDEVCTL is shown in [Figure 22-19](#) and described in [Table 22-21](#).

**Figure 22-19. USB Device Control Register (USBDEVCTL)**

7	6	5	4	3	2	1	0
DEV	FSDEV	LSDEV	VBUS		HOSTMODE	HOSTREQ	SESSION
R-1	R-0	R-0	R-0		R-0	R/W-0	R/W-0

LEGEND: R/W = Read/Write; R = Read only; -n = value after reset

**Table 22-21. USB Device Control Register (USBDEVCTL) Field Descriptions**

Bit	Field	Value	Description
7	DEV	0 1	Device mode The USB controller is operating on the OTG A side of the cable. The USB controller is operating on the OTG B side of the cable. Only valid while a session is in progress.
6	FSDEV	0 1	Full-Speed Device Detected A full-speed Device has not been detected on the port. A full-speed Device has been detected on the port.
5	LSDEV	0 1	Low-Speed Device Detected A low-speed Device has not been detected on the port. A low-speed Device has been detected on the port.
4-3	VBUS	0-3h 0 1h 2h 3h	These read-only bits encode the current VBus level as follows: 0 Below Session End. VBUS is detected as under 0.5 V. 1h Above Session End, below AValid. VBUS is detected as above 0.5 V and under 1.5 V. 2h Above AValid, below VBusValid. VBUS is detected as above 1.5 V and below 4.75 V. 3h Above VBusValid. VBUS is detected as above 4.75 V.
2	HOSTMODE	0 1	This read-only bit is set when the USB controller is acting as a Host. 0 The USB controller is acting as a Device. 1 The USB controller is acting as a Host. Only valid while a session is in progress.
1	HOSTREQ	0 1	When set, the USB controller will initiate the Host Negotiation when Suspend mode is entered. It is cleared when Host Negotiation is completed. 0 No effect 1 Initiates the Host Negotiation when SUSPENDmode is entered.

**Table 22-21. USB Device Control Register (USBDEVCTL) Field Descriptions (continued)**

Bit	Field	Value	Description
0	SESSION		Session Start/End When operating as a Host:
		0	When cleared by software, this bit ends a session.
		1	When set by software, this bit starts a session.
			When operating as a Device:
		0	The USB controller has ended a session. When the USB controller is in SUSPEND mode, this bit may be cleared by software to perform a software disconnect.
		1	The USB controller has started a session. When set by software, the Session Request Protocol is initiated.
			Clearing this bit when the USB controller is not suspended results in undefined behavior.

### 22.6.3.14 USB Transmit Dynamic FIFO Sizing Register (USBTXFIFOSZ), offset 0x062

The USB transmit dynamic FIFO sizing 8-bit register (USBTXFIFOSZ) allows the selected TX endpoint FIFOs to be dynamically sized. USBEPIDX is used to configure each transmit endpoint's FIFO size.

**Mode(s):** Host Device

USBTXFIFOSZ is shown in [Figure 22-20](#) and described in [Table 22-22](#).

**Figure 22-20. USB Transmit Dynamic FIFO Sizing Register (USBTXFIFOSZ)**

7	5	4	3	0
Reserved		DPB	SZ	
R-0		R/W-0	R-0	

LEGEND: R/W = Read/Write; R = Read only; -n = value after reset

**Table 22-22. USB Transmit Dynamic FIFO Sizing Register (USBTXFIFOSZ) Field Descriptions**

Bit	Field	Value	Description
7-5	Reserved	0	Reserved
4	DPB	0	Double Packet Buffering Support Single packet buffering is supported.
		1	Double packet buffering is enabled.
3-0	SZ		Maximum packet size to be allowed. If DPB = 0, the FIFO also is this size; if DPB = 1, the FIFO is twice this size. Packet size in bytes:
		0h	8
		1h	16
		2h	32
		3h	64
		4h	128
		5h	256
		6h	512
		7h	1024
		8h	2048
		9-Fh	Reserved

### 22.6.3.15 USB Receive Dynamic FIFO Sizing Register (USBXFIFOSZ), offset 0x063

The USB receive dynamic FIFO sizing 8-bit register (USBXFIFOSZ) allows the selected RX endpoint FIFOs to be dynamically sized.

**Mode(s):** Host Device

USBXFIFOSZ is shown in [Figure 22-21](#) and described in [Table 22-23](#).

**Figure 22-21. USB Receive Dynamic FIFO Sizing Register (USBXFIFOSZ)**

7	5	4	3	0
Reserved		DPB	SZ	
R-0		R/W-0	R-0	

LEGEND: R/W = Read/Write; R = Read only; -n = value after reset

**Table 22-23. USB Receive Dynamic FIFO Sizing Register (USBXFIFOSZ) Field Descriptions**

Bit	Field	Value	Description
7-5	Reserved	0	Reserved
4	DPB	0	Double Packet Buffering Support Single packet buffering is supported.
		1	Double packet buffering is enabled.
3-0	SZ		Maximum packet size to be allowed. If DPB = 0, the FIFO also is this size; if DPB = 1, the FIFO is twice this size. Packet size in bytes:
		0h	8
		1h	16
		2h	32
		3h	64
		4h	128
		5h	256
		6h	512
		7h	1024
8h	2048		
	9-Fh	Reserved	

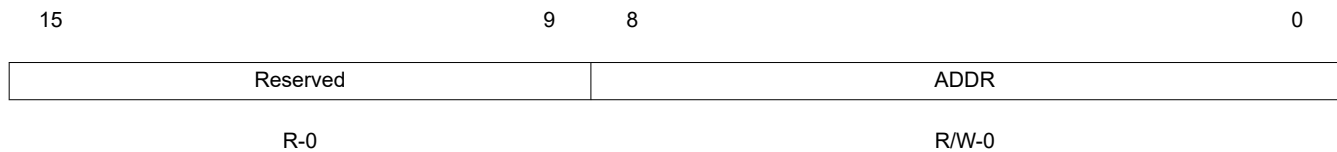
### 22.6.3.16 USB Transmit FIFO Start Address Register (USBTXFIFOADD), offset 0x064

The USB transmit FIFO start address 16-bit register (USBTXFIFOADD) controls the start address of the selected transmit endpoint FIFOs.

**Mode(s):** Host Device

USBTXFIFOADDR is shown in [Figure 22-22](#) and described in [Table 22-24](#).

**Figure 22-22. USB Transmit FIFO Start Address Register (USBTXFIFOADDR)**



LEGEND: R/W = Read/Write; R = Read only; -n = value after reset

**Table 22-24. USB Transmit FIFO Start Address Register (USBTXFIFOADDR) Field Descriptions**

Bit	Field	Value	Description
15-9	Reserved	0	Reserved
8-0	ADDR		Start Address of the endpoint FIFO in units of 8 bytes.
		0h	0
		1h	8
		2h	16
		3h	24
		4h	32
		5h	40
		6h	48
		7h	56
		8h	64
		..	..
		1FFh	4095

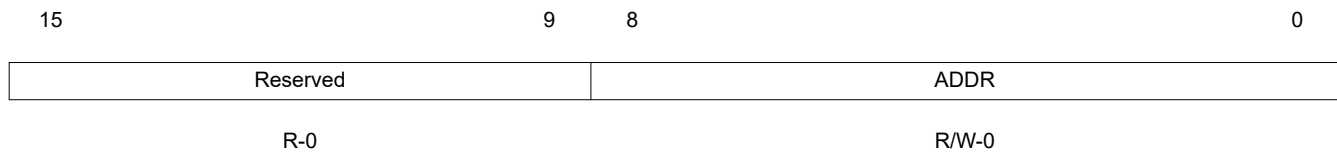
### 22.6.3.17 USB Receive FIFO Start Address Register (USBXFIFOADDR), offset 0x066

The USB receive FIFO start address 16-bit register (USBXFIFOADDR) controls the start address of the selected receive endpoint FIFOs.

**Mode(s):** Host Device

USBXFIFOADDR is shown in [Figure 22-23](#) and described in [Table 22-25](#).

**Figure 22-23. USB Receive FIFO Start Address Register (USBXFIFOADDR)**



LEGEND: R/W = Read/Write; R = Read only; -n = value after reset

**Table 22-25. USB Receive FIFO Start Address Register (USBXFIFOADDR) Field Descriptions**

Bit	Field	Value	Description
15-9	Reserved	0	Reserved
8-0	ADDR	0h	0
		1h	8
		2h	16
		3h	24
		4h	32
		5h	40
		6h	48
		7h	56
		8h	64
		..	..
		1FFh	4095

### 22.6.3.18 USB Connect Timing Register (USBCONTIM), offset 0x07A

The USB connect timing 8-bit configuration register (USBCONTIM) specifies connection and negotiation delays.

Mode(s): Host Device

USBCONTIM is shown in [Figure 22-24](#) and described in [Table 22-26](#).

**Figure 22-24. USB Connect Timing Register (USBCONTIM)**

7	4	3	0
WTCON		WTID	
R/W-1		R/W-1	

LEGEND: R/W = Read/Write; -n = value after reset

**Table 22-26. USB Connect Timing Register (USBCONTIM) Field Descriptions**

Bit	Field	Value	Description
7-4	WTCON	5h	The connect wait field configures the wait required to allow for the user's connect/disconnect filter, in units of 533.3 ns. The default corresponds to 2.667 $\mu$ s.
3-0	WTID	Ch	The wait ID field configures the delay required from the enable of the ID detection to when the ID value is valid, in units of 4.369 ms. The default corresponds to 52.43 ms.

### 22.6.3.19 USB Full-Speed Last Transaction to End of Frame Timing Register (USBFSEOF), offset 0x07D

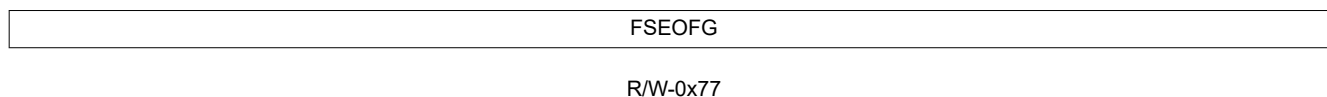
USB full-speed last transaction to end of frame timing 8-bit configuration register (USBFSEOF) specifies the minimum time gap allowed between the start of the last transaction and the EOF for full-speed transactions.

**Mode(s):** Host Device

USBFSEOF is shown in [Figure 22-25](#) and described in [Table 22-27](#).

**Figure 22-25. USB Full-Speed Last Transaction to End of Frame Timing Register (USBFSEOF)**

7 0



LEGEND: R/W = Read/Write; -n = value after reset

**Table 22-27. USB Full-Speed Last Transaction to End of Frame Timing Register (USBFSEOF) Field Descriptions**

Bit	Field	Reset	Description
7-0	FSEOFG	77h	The full-speed end-of-frame gap field is used during full-speed transactions to configure the gap between the last transaction and the End-of-Frame (EOF), in units of 533.3 ns. The default corresponds to 63.46 $\mu$ s.

### 22.6.3.20 USB Low-Speed Last Transaction to End of Frame Timing Register (USBLSEOF), offset 0x07E

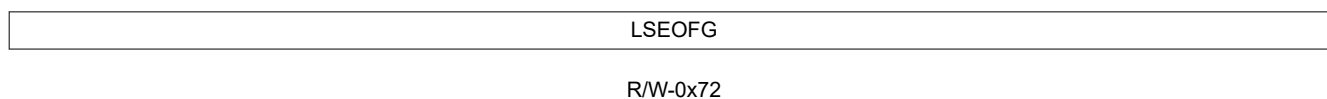
The USB low-speed last transaction to end of frame timing 8-bit configuration register (USBLSEOF) specifies the minimum time gap that is to be allowed between the start of the last transaction and the EOF for low-speed transactions.

**Mode(s):** Host Device

USBLSEOF is shown in [Figure 22-26](#) and described in [Table 22-28](#).

**Figure 22-26. USB Low-Speed Last Transaction to End of Frame Timing Register (USBLSEOF)**

7 0



LEGEND: R/W = Read/Write; -n = value after reset

**Table 22-28. USB Low-Speed Last Transaction to End of Frame Timing Register (USBLSEOF) Field Descriptions**

Bit	Field	Reset	Description
7-0	LSEOFG	72h	The low-speed end-of-frame gap field is used during low-speed transactions to set the gap between the last transaction and the End-of-Frame (EOF), in units of 1.067 $\mu$ s. The default corresponds to 121.6 $\mu$ s.





### 22.6.3.22 USB Transmit Hub Address Endpoint $n$ Registers (USBTXHUBADDR[0]-USBTXHUBADDR[ $n$ ])

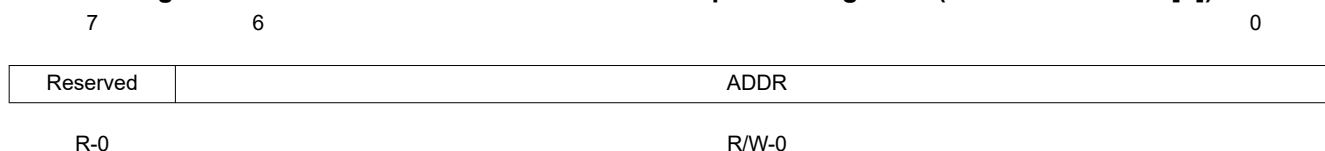
The transmit hub address endpoint  $n$  8-bit read/write registers (USBTXHUBADDR[ $n$ ]), like USBTXHUBPORT[ $n$ ], must be written only when a USB device is connected to transmit endpoint EP $n$  via a USB 2.0 hub. This register records the address of the USB 2.0 hub through which the target associated with the endpoint is accessed.

**Note:** USBTXHUBADDR0 is used for both receive and transmit for endpoint 0.

**Mode(s):** Host

The USBTXHUBADDR[ $n$ ] registers are shown in [Figure 22-27](#) and described in [Table 22-29](#).

**Figure 22-28. USB Transmit Hub Address Endpoint  $n$  Registers (USBTXHUBADDR[ $n$ ])**



LEGEND: R/W = Read/Write; - $n$  = value after reset

**Table 22-30. USB Transmit Hub Address Endpoint  $n$  Registers(USBTXHUBADDR[ $n$ ]) Field Descriptions**

Bit	Field	Value	Description
7	Reserved	0	Reserved
6-0	ADDR	0	Device Address specifies the USB bus address for the target Device.

### 22.6.3.23 USB Transmit Hub Port Endpoint $n$ Registers (USBTXHUBPORT[0]-USBTXHUBPORT[ $n$ ])

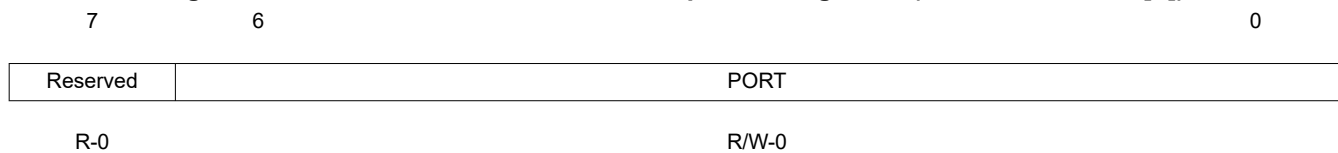
The transmit hub port endpoint  $n$  8-bit read/write registers (USBTXHUBPORT[ $n$ ]), like USBTXHUBADDR[ $n$ ], must be written only when a full- or low-speed Device is connected to transmit endpoint EP $n$  with a USB 2.0 hub. This register records the port of the USB 2.0 hub through which the target associated with the endpoint is accessed.

**Note:** USBTXHUBPORT0 is used for both receive and transmit for endpoint 0.

**Mode(s):** Host

The USBTXHUBPORT $n$  registers are shown in [Figure 22-29](#) and described in [Table 22-31](#).

**Figure 22-29. USB Transmit Hub Port Endpoint  $n$  Registers (USBTXHUBPORT[ $n$ ])**



LEGEND: R/W = Read/Write; - $n$  = value after reset

**Table 22-31. USB Transmit Hub Port Endpoint  $n$  Registers(USBTXHUBPORT[ $n$ ]) Field Descriptions**

Bit	Field	Value	Description
7	Reserved	0	Reserved
6-0	PORT	0	Hub Port specifies the USB hub port number.

### 22.6.3.24 USB Receive Functional Address Endpoint $n$ Registers (USBXFUNCADDR[1]-USBXFUNCADDR[ $n$ ])

The receive functional address endpoint  $n$  8-bit read/write registers (USBXFUNCADDR[ $n$ ]) record the address of the target function to be accessed through the associated endpoint (EP $n$ ). USBXFUNCADDR $x$  must be defined for each receive endpoint that is used.

**Note:** USBTXFUNCADDR0 is used for both receive and transmit for endpoint 0.

**Mode(s):** Host

The USBXFUNCADDR[ $n$ ] registers are shown in [Figure 22-30](#) and described in [Table 22-32](#).

**Figure 22-30. USB Receive Functional Address Endpoint  $n$  Registers (USBFIFO[ $n$ ])**



LEGEND: R/W = Read/Write; - $n$  = value after reset

**Table 22-32. USB Receive Functional Address Endpoint  $n$  Registers(USBFIFO[ $n$ ]) Field Descriptions**

Bit	Field	Value	Description
7	Reserved	0	Reserved
6-0	ADDR	0	Device Address specifies the USB bus address for the target Device.

### 22.6.3.25 USB Receive Hub Address Endpoint $n$ Registers (USBRXHUBADDR[1]-USBRXHUBADDR[ $n$ ])

The receive hub address endpoint  $n$  8-bit read/write registers (USBRXHUBADDR[ $n$ ]), like [ $n$ ], must be written only when a full- or low-speed Device is connected to receive endpoint EP $n$  with a USB 2.0 hub. Each register records the address of the USB 2.0 hub through which the target associated with the endpoint is accessed.

**Note:** USBTXHUBADDR0 is used for both receive and transmit for endpoint 0.

**Mode(s):** Host

The USBRXHUBADDR[ $n$ ] registers are shown in [Figure 22-31](#) and described in [Table 22-33](#).

**Figure 22-31. USB Receive Hub Address Endpoint  $n$  Registers (USBRXHUBADDR[ $n$ ])**



LEGEND: R/W = Read/Write; - $n$  = value after reset

**Table 22-33. USB Receive Hub Address Endpoint  $n$  Registers (USBRXHUBADDR[ $n$ ]) Field Descriptions**

Bit	Field	Value	Description
7	MULTTRAN	0	Multiple Translators Clear to indicate that the hub has a single transaction translator.
		1	Set to indicate that the hub has multiple transaction translators.
6-0	ADDR	0	Device Address specifies the USB bus address for the target Device.

### 22.6.3.26 USB Receive Hub Port Endpoint $n$ Register (USBRXHUBPORT[1]-USBRXHUBPORT[ $n$ ])

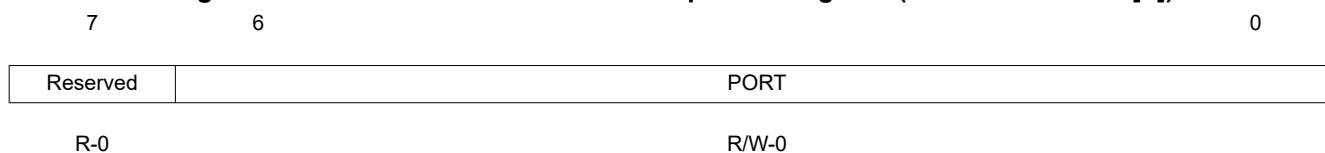
The receive hub port endpoint  $n$  8-bit read/write registers (USBRXHUBPORT[ $n$ ]), like USBRXHUBADDR[ $n$ ], must be written only when a full- or low-speed device is connected to receive endpoint EP $n$  with a USB 2.0 hub. Each register records the port of the USB 2.0 hub through which the target associated with the endpoint is accessed.

**Note:** USBTXHUBPORT0 is used for both receive and transmit for endpoint 0.

**Mode(s):** Host

The USBRXHUBPORT $n$  registers are shown in [Figure 22-32](#) and described in [Table 22-34](#).

**Figure 22-32. USB Receive Hub Port Endpoint  $n$  Register (USBRXHUBPORT[ $n$ ])**



LEGEND: R/W = Read/Write; - $n$  = value after reset

**Table 22-34. USB Receive Hub Port Endpoint  $n$  Register (USBRXHUBPORT[ $n$ ]) Field Descriptions**

Bit	Field	Value	Description
7	Reserved	0	Reserved
6-0	PORT	0	Hub Port specifies the USB hub port number.

### 22.6.3.27 USB Maximum Transmit Data Endpoint $n$ Registers (USBTXMAXP[1]-USBTXMAXP[ $n$ ])

The USB maximum transmit data endpoint  $n$  16-bit registers (USBTXMAXP[ $n$ ]) define the maximum amount of data that can be transferred through the selected transmit endpoint in a single operation.

Bits 10:0 define (in bytes) the maximum payload transmitted in a single transaction. The value set can be up to 1024 bytes but is subject to the constraints placed by the USB Specification on packet sizes for bulk and interrupt transfers in full-speed operation.

The total amount of data represented by the value written to this register must not exceed the FIFO size for the transmit endpoint, and must not exceed half the FIFO size if double-buffering is required.

If this register is changed after packets have been sent from the endpoint, the transmit endpoint FIFO must be completely flushed (using the FLUSH bit in USBTXCSRL $n$ ) after writing the new value to this register.

**Note:** USBTXMAXP[ $n$ ] must be set to an even number of bytes for proper interrupt generation in DMA Basic Mode.

**Mode(s):** Host Device

The USBTXMAXP[ $n$ ] registers are shown in [Figure 22-33](#) and described in [Table 22-35](#).

**Figure 22-33. USB Maximum Transmit Data Endpoint  $n$  Registers (USBTXMAXP[ $n$ ])**

15	11	10	0
Reserved		MAXLOAD	
R-0		R/W-000	

LEGEND: R/W = Read/Write; R = Read only; - $n$  = value after reset

**Table 22-35. USB Maximum Transmit Data Endpoint  $n$  Registers (USBTXMAXP[ $n$ ]) Field Descriptions**

Bit	Field	Value	Description
15-11	Reserved	0	Reserved
10-0	MAXLOAD		Maximum Payload specifies the maximum payload in bytes per transaction.

### 22.6.3.28 USB Control and Status Endpoint 0 Low Register (USBCSRL0), offset 0x102

The USB control and status endpoint 0 low 8-bit register (USBCSRL0) provides control and status bits for endpoint 0.

**Mode(s):** Host Device

USBCSRL0 in Host mode is shown in [Figure 22-34](#) and described in [Table 22-36](#).

**Figure 22-34. USB Control and Status Endpoint 0 Low Register (USBCSRL0) in Host Mode**

7	6	5	4	3	2	1	0
NAKTO	STATUS	REQPKT	ERROR	SETUP	STALLED	TXRDY	RXRDY
R/W-0	R/W-0	R/W-0	R/W-0	R/W-0	R/W-0	R/W-0	R/W-0

LEGEND: R/W = Read/Write; -n = value after reset

**Table 22-36. USB Control and Status Endpoint 0 Low Register (USBCSRL0) in Host Mode Field Descriptions**

Bit	Field	Value	Description
7	NAKTO	0	NAK Timeout. Software must clear this bit to allow the endpoint to continue. No timeout
		1	Indicates that endpoint 0 is halted following the receipt of NAK responses for longer than the time set by the USBNAKLMT register.
6	STATUS	0	Status Packet. Setting this bit ensures that the DT bit is set in the USBCSRH0 register so that a DATA1 packet is used for the STATUS stage transaction. No transaction
		1	Initiates a STATUS stage transaction. This bit must be set at the same time as the TXRDY or REQPKT bit is set. This bit is automatically cleared when the STATUS stage is over.
5	REQPKT	0	Request Packet. This bit is cleared when the RXRDY bit is set. No request
		1	Requests an IN transaction.
4	ERROR	0	Error. Software must clear this bit. No error
		1	Three attempts have been made to perform a transaction with no response from the peripheral. The EP0 bit in the USBTXIS register is also set in this situation.
3	SETUP	0	Setup Packet. Setting this bit always clears the DT bit in the USBCSRH0 register to send a DATA0 packet. Sends an OUT token.
		1	Sends a SETUP token instead of an OUT token for the transaction. This bit should be set at the same time as the TXRDY bit is set.
2	STALLED	0	Endpoint Stalled. Software must clear this bit. No handshake has been received.
		1	A STALL handshake has been received.
1	TXRDY	0	Transmit Packet Ready. If both the TXRDY and SETUP bits are set, a setup packet is sent. If just TXRDY is set, an OUT packet is sent. No transmit packet is ready.
		1	Software sets this bit after loading a data packet into the TX FIFO. The EP0 bit in the USBTXIS register is also set in this situation.



**Table 22-36. USB Control and Status Endpoint 0 Low Register (USBCSRL0) in Host Mode Field Descriptions (continued)**

Bit	Field	Value	Description
0	RXRDY		Receive Packet Ready. Software must clear this bit after the packet has been read from the FIFO to acknowledge that the data has been read from the FIFO.
		0	No receive packet has been received.
		1	Indicates that a data packet has been received in the RX FIFO. The EP0 bit in the USBTXIS register is also set in this situation.

USBCSRL0 in Device mode is shown in [Figure 22-35](#) and described in [Table 22-37](#).

**Figure 22-35. USB Control and Status Endpoint 0 Low Register (USBCSRL0) in Device Mode**

7	6	5	4	3	2	1	0
SETENDC	RXRDYC	STALL	SETEND	DATAEND	STALLED	TXRDY	RXRDY
W1C-0	W1C-0	R/W-0	R-0	R/W-0	R/W-0	R/W-0	R-0

LEGEND: R/W = Read/Write; R = Read only; W = Write only; -n = value after reset

**Table 22-37. USB Control and Status Endpoint 0 Low Register (USBCSRL0) in Device Mode Field Descriptions**

Bit	Field	Value	Description
7	SETENDC		Setup End Clear
		0	No effect
		1	Writing a 1 to this bit clears the SETEND bit.
6	RXRDYC		RXRDY Clear
		0	No effect
		1	Writing a 1 to this bit clears the RXRDY bit.
5	STALL		Send Stall.
		0	No effect
		1	Terminates the current transaction and transmits the STALL handshake. This bit is cleared automatically after the STALL handshake is transmitted.
4	SETEND		Setup end.
		0	A control transaction has not ended or ended after the DATAEND bit was set.
		1	A control transaction has ended before the DATAEND bit has been set. The EP0 bit in the USBTXIS register is also set in this situation. This bit is cleared by writing a 1 to the SETENDC bit.
3	DATAEND		Data end.
		0	No effect
		1	Set this bit in the following situations: <ul style="list-style-type: none"> <li>When setting TXRDY for the last data packet</li> <li>When clearing RXRDY after unloading the last data packet</li> <li>When setting TXRDY for a zero-length data packet</li> </ul> This bit is cleared automatically.
2	STALLED		Endpoint Stalled. Software must clear this bit.
		0	A STALL handshake has not been transmitted.
		1	A STALL handshake has been transmitted.

**Table 22-37. USB Control and Status Endpoint 0 Low Register (USBCSRL0) in Device Mode Field Descriptions (continued)**

Bit	Field	Value	Description
1	TXRDY	0 1	<p>Transmit Packet Ready. If both the TXRDY and SETUP bits are set, a setup packet is sent. If just TXRDY is set, an OUT packet is sent.</p> <p>0 No transmit packet is ready.</p> <p>1 Software sets this bit after loading an IN data packet into the TX FIFO. The EP0 bit in the USBTXIS register is also set in this situation.</p>
0	RXRDY	0 1	<p>Receive Packet Ready.</p> <p>0 No receive packet has been received.</p> <p>1 A data packet has been received. The EP0 bit in the USBTXIS register is also set in this situation. This bit is cleared by writing a 1 to the RXRDYC bit.</p>

### 22.6.3.29 USB Control and Status Endpoint 0 High Register (USBCSRH0), offset 0x103

The USB control and status endpoint 0 high 8-bit register (USBCSRH0) provides control and status bits for endpoint 0.

**Mode(s):** Host Device

USBCSRH0 in Host mode is shown in [Figure 22-36](#) and described in [Table 22-38](#).

**Figure 22-36. USB Control and Status Endpoint 0 High Register (USBCSRH0) in Host Mode**

7	3	2	1	0
Reserved		DTWE	DT	FLUSH
R-0		R/W-0	R/W-0	R/W-0

LEGEND: R/W = Read/Write; R = Read only; -n = value after reset

**Table 22-38. USB Control and Status Endpoint 0 High Register (USBCSRH0) in Host Mode Field Descriptions**

Bit	Field	Value	Description
7-3	Reserved	0	Reserved
2	DTWE	0	Data Toggle Write Enable. This bit is automatically cleared once the new value is written. The DT bit cannot be written.
		1	Enables the current state of the endpoint 0 data toggle to be written (see DT bit).
1	DT		Data Toggle. When read, this bit indicates the current state of the endpoint 0 data toggle. If DTWE is set, this bit may be written with the required setting of the data toggle. If DTWE is Low, this bit cannot be written. Care should be taken when writing to this bit as it should only be changed to RESET USB endpoint 0.
0	FLUSH	0	Flush FIFO. This bit is automatically cleared after the flush is performed. No effect
		1	Flushes the next packet to be transmitted/read from the endpoint 0 FIFO. The FIFO pointer is reset and the TXRDY/RXRDY bit is cleared. <b>Note:</b> This bit should only be set when TXRDY/RXRDY is set. At other times, it may cause data to be corrupted.

USBCSRH0 in Device mode is shown in [Figure 22-37](#) and described in [Table 22-39](#).

**Figure 22-37. USB Control and Status Endpoint 0 High Register (USBCSRH0) in Device Mode**

7 1 0

Reserved	FLUSH
R-0	R/W-0

LEGEND: R/W = Read/Write; R = Read only; -n = value after reset

**Table 22-39. USB Control and Status Endpoint 0 High Register (USBCSRH0) in Device Mode Field Descriptions**

Bit	Field	Value	Description
7-1	Reserved	0	Reserved
0	FLUSH	0	Flush FIFO. This bit is automatically cleared after the flush is performed. No effect
		1	Flushes the next packet to be transmitted/read from the endpoint 0 FIFO. The FIFO pointer is reset and the TXRDY/RXRDY bit is cleared. <b>Note:</b> This bit should only be set when TXRDY/RXRDY is set. At other times, it may cause data to be corrupted.

### 22.6.3.30 USB Receive Byte Count Endpoint 0 Register (USBCOUNT0), offset 0x108

The USB receive byte count endpoint 0 8-bit read-only register (USBCOUNT0) indicates the number of received data bytes in the endpoint 0 FIFO. The value returned changes as the contents of the FIFO change and is only valid while the RXRDY bit is set.

**Mode(s):** Host Device

USBCOUNT0 is shown in [Figure 22-38](#) and described in [Table 22-40](#).

**Figure 22-38. USB Receive Byte Count Endpoint 0 Register (USBCOUNT0)**

7	6	0
Reserved	COUNT	
R-0	R/W-0	

LEGEND: R/W = Read/Write; R = Read only; -n = value after reset

**Table 22-40. USB Receive Byte Count Endpoint 0 Register (USBCOUNT0) Field Descriptions**

Bit	Field	Value	Description
7	Reserved	0	Reserved
6-0	COUNT	0	FIFO Count. COUNT is a read-only value that indicates the number of received data bytes in the endpoint 0 FIFO.

### 22.6.3.31 USB Type Endpoint 0 Register (USBTYPE0), offset 0x10A

The USB type endpoint 0 8-bit register (USBTYPE0) must be written with the operating speed of the targeted Device being communicated with using endpoint 0.

**Mode(s):** Host

USBTYPE0 is shown in [Figure 22-39](#) and described in [Table 22-41](#).

**Figure 22-39. USB Type Endpoint 0 Register (USBTYPE0)**

7	6	5	0
SPEED		Reserved	
R/W-0		R-0	

LEGEND: R/W = Read/Write; R = Read only; -n = value after reset

**Table 22-41. USB Type Endpoint 0 Register (USBTYPE0) Field Descriptions**

Bit	Field	Value	Description
7-6	SPEED	0	Operating Speed specifies the operating speed of the target Device. If selected, the target is assumed to have the same connection speed as the USB controller.
		0-1h	Reserved
		2h	Full
		3h	Low
5-0	Reserved	0	Reserved

### 22.6.3.32 USB NAK Limit Register (USBNAKLMT), offset 0x10B

The USB NAK limit 8-bit read-only register (USBNAKLMT) sets the number of frames after which endpoint 0 should time out on receiving a stream of NAK responses. (Equivalent settings for other endpoints can be made through their USBTXINTERVAL[*n*] and USBRXINTERVAL[*n*] registers.)

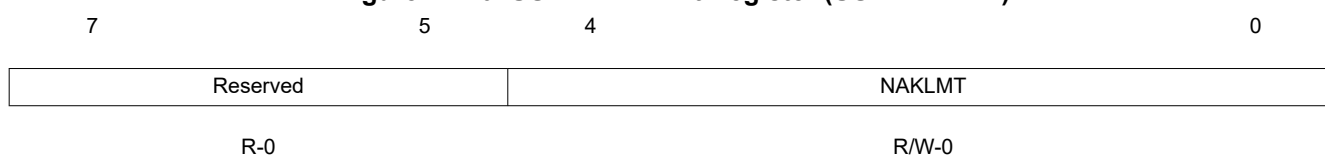
The number of frames selected is  $2^{(m-1)}$  (where *m* is the value set in the register, with valid values of 2–16). If the Host receives NAK responses from the target for more frames than the number represented by the limit set in this register, the endpoint is halted.

**Note:** A value of 0 or 1 disables the NAK timeout function.

**Mode(s):** Host

USBNAKLMT is shown in [Figure 22-40](#) and described in [Table 22-42](#).

**Figure 22-40. USB NAK Limit Register (USBNAKLMT)**



LEGEND: R/W = Read/Write; R = Read only; -*n* = value after reset

**Table 22-42. USB NAK Limit Register (USBNAKLMT) Field Descriptions**

Bit	Field	Value	Description
7-5	Reserved	0	Reserved
4-0	NAKLMT	0	EP0 NAK Limit specifies the number of frames after receiving a stream of NAK responses.

### 22.6.3.33 USB Transmit Control and Status Endpoint $n$ Low Register (USBTXCSRL[1]-USBTXCSRL[ $n$ ])

The USB transmit control and status endpoint  $n$  low 8-bit registers (USBTXCSRL[ $n$ ]) provide control and status bits for transfers through the currently selected transmit endpoint.

**Mode(s):** Host Device

The USBTXCSRL[ $n$ ] registers in Host Mode are shown in [Figure 22-41](#) and described in [Table 22-43](#).

**Figure 22-41. USB Transmit Control and Status Endpoint  $n$  Low Register (USBTXCSRL[ $n$ ]) in Host Mode**

7	6	5	4	3	2	1	0
NAKTO	CLRDT	STALLED	SETUP	FLUSH	ERROR	FIFONE	TXRDY
R/W-0	R/W-0	R/W-0	R/W-0	R/W-0	R/W-0	R/W-0	R/W-0

LEGEND: R/W = Read/Write; - $n$  = value after reset

**Table 22-43. USB Transmit Control and Status Endpoint  $n$  Low Register (USBTXCSRL[ $n$ ]) in Host Mode Field Descriptions**

Bit	Field	Value	Description
7	NAKTO	0 1	NAK Timeout. Software must clear this bit to allow the endpoint to continue. No timeout Bulk endpoints only: Indicates that the transmit endpoint is halted following the receipt of NAK responses for longer than the time set by the NAKLMT field in the USBTXINTERVAL[ $n$ ] register.
6	CLRDT	0 1	Clear DataToggle No effect Writing a 1 to this bit clears the DT bit in the USBTXCSRH[ $n$ ] register.
5	STALLED	0 1	Endpoint Stalled. Software must clear this bit. A STALL handshake has not been received Indicates that a STALL handshake has been received. When this bit is set, any DMA request that is in progress is stopped, the FIFO is completely flushed, and the TXRDY bit is cleared.
4	SETUP	0 1	Setup Packet. No SETUP token is sent. Sends a SETUP token instead of an OUT token for the transaction. This bit should be set at the same time as the TXRDY bit is set. <b>Note:</b> Setting this bit also clears the DT bit in the USBTXCSRH[ $n$ ] register.
3	FLUSH	0 1	Flush FIFO. This bit can be set simultaneously with the TXRDY bit to abort the packet that is currently being loaded into the FIFO. Note that if the FIFO is double-buffered, FLUSH may have to be set twice to completely clear the FIFO. No effect Flushes the latest packet from the endpoint transmit FIFO. The FIFO pointer is reset and the TXRDY bit is cleared. The EP $n$ bit in the USBTXIS register is also set in this situation. <b>Note:</b> This bit should only be set when the TXRDY bit is set. At other times, it may cause data to be corrupted.
2	ERROR	0 1	Error. Software must clear this bit. No error Three attempts have been made to send a packet and no handshake packet has been received. The TXRDY bit is cleared, the EP $n$ bit in the USBTXIS register is set, and the FIFO is completely flushed in this situation. <b>Note:</b> This bit is valid only when the endpoint is operating in Bulk or Interrupt mode.
1	FIFONE	0 1	FIFO Not Empty The FIFO is empty At least one packet is in the transmit FIFO.

**Table 22-43. USB Transmit Control and Status Endpoint n Low Register (USBTXCSRL[n]) in Host Mode  
Field Descriptions (continued)**

Bit	Field	Value	Description
0	TXRDY		Transmit Packet Ready. This bit is cleared automatically when a data packet has been transmitted. The EPn bit in the USBTXIS register is also set at this point. TXRDY is also automatically cleared prior to loading a second packet into a double-buffered FIFO.
		0	No transmit packet is ready.
		1	Software sets this bit after loading a data packet into the TX FIFO.

The USBTXCSRL[n] registers in Device Mode are shown in [Figure 22-42](#) and described in [Table 22-44](#).

**Figure 22-42. USB Transmit Control and Status Endpoint n Low Register (USBTXCSRL[n]) in Device Mode**

7	6	5	4	3	2	1	0
Reserved	CLRDT	STALLED	STALL	FLUSH	UNDRN	FIFONE	TXRDY
R-0	R/W-0	R/W-0	R/W-0	R/W-0	R/W-0	R/W-0	R/W-0

LEGEND: R/W = Read/Write; R = Read only; -n = value after reset

**Table 22-44. USB Transmit Control and Status Endpoint n Low Register (USBTXCSRL[n]) in Device Mode  
Field Descriptions**

Bit	Field	Value	Description
7	Reserved	0	Reserved
6	CLRDT	0	No effect
		1	Writing a 1 to this bit clears the DT bit in the USBTXCSRH[n] register.
5	STALLED	0	Endpoint Stalled. Software must clear this bit. A STALL handshake has not been transmitted.
		1	A STALL handshake has been transmitted. The FIFO is flushed and the TXRDY bit is cleared.
4	STALL	0	No effect
		1	Issues a STALL handshake to an IN token.
3	FLUSH	0	Flush FIFO. This bit may be set simultaneously with the TXRDY bit to abort the packet that is currently being loaded into the FIFO. Note that if the FIFO is double-buffered, FLUSH may have to be set twice to completely clear the FIFO. <b>Note:</b> This bit should only be set when the TXRDY bit is set. At other times, it may cause data to be corrupted.
		1	Flushes the latest packet from the endpoint transmit FIFO. The FIFO pointer is reset and the TXRDY bit is cleared. The EPn bit in the USBTXIS register is also set in this situation. This bit is cleared automatically.
2	UNDRN	0	Underrun. Software must clear this bit. No underrun
		1	An IN token has been received when TXRDY is not set.
1	FIFONE	0	FIFO Not Empty The FIFO is empty.
		1	At least one packet is in the transmit FIFO.



**Table 22-44. USB Transmit Control and Status Endpoint n Low Register (USBTXCSRL[n]) in Device Mode  
Field Descriptions (continued)**

Bit	Field	Value	Description
0	TXRDY		Transmit Packet Ready. This bit is cleared automatically when a data packet has been transmitted. The EPn bit in the USBTXIS register is also set at this point. TXRDY is also automatically cleared prior to loading a second packet into a double-buffered FIFO.
		0	No transmit packet is ready.
		1	Software sets this bit after loading a data packet into the TX FIFO. This bit is cleared by writing a 1 to the RXRDYC bit.

### 22.6.3.34 USB Transmit Control and Status Endpoint $n$ High Register (USBTXCSRH[1]-USBTXCSRH[ $n$ ])

The USB transmit control and status endpoint  $n$  high 8-bit registers (USBTXCSRH[ $n$ ]) provide additional control for transfers through the currently selected transmit endpoint.

**Mode(s):** Host Device

The USBTXCSRH[ $n$ ] registers in Host Mode are shown in [Figure 22-43](#) and described in [Table 22-45](#).

**Figure 22-43. USB Transmit Control and Status Endpoint  $n$  High Register (USBTXCSRH[ $n$ ]) in Host Mode**

7	6	5	4	3	2	1	0
AUTOSET	Reserved	MODE	DMAEN	FDT	DMAMOD	DTWE	DT
R/W-0	R-0	R/W-0	R/W-0	R/W-0	R/W-0	R/W-0	R/W-0

LEGEND: R/W = Read/Write; - $n$  = value after reset

**Table 22-45. USB Transmit Control and Status Endpoint  $n$  High Register (USBTXCSRH[ $n$ ]) in Host Mode Field Descriptions**

Bit	Field	Value	Description
7	AUTOSET	0	Auto Set The TXRDY bit must be set manually.
		1	Enables the TXRDY bit to be automatically set when data of the maximum packet size (value in USBTXMAXP[ $n$ ]) is loaded into the transmit FIFO. If a packet of less than the maximum packet size is loaded, then the TXRDY bit must be set manually.
6	Reserved	0	Reserved. Any writes to these bit(s) must always have a value of 0.
5	MODE	0	Mode <b>Note:</b> This bit only has an effect when the same endpoint FIFO is used for both transmit and receive transactions. Enables the endpoint direction as RX.
		1	Enables the endpoint direction as TX.
4	DMAEN	0	DMA Request Enable <b>Note:</b> Three TX and three /RX endpoints can be connected to the DMA module. If this bit is set for a particular endpoint, the DMAATX, DMABTX, or DMAXTX field in the USB DMA Select (USBDMASEL) register must be programmed correspondingly. Disables the DMA request for the transmit endpoint.
		1	Enables the DMA request for the transmit endpoint.
3	FDT	0	Force Data Toggle No effect
		1	Forces the endpoint DT bit to switch and the data packet to be cleared from the FIFO, regardless of whether an ACK was received. <b>Note:</b> This bit should only be set when the TXRDY bit is set. At other times, it may cause data to be corrupted.
2	DMAMOD	0	DMA Request Mode <b>Note:</b> This bit must not be cleared either before or in the same cycle as the above DMAEN bit is cleared. An interrupt is generated after every DMA packet transfer.
		1	An interrupt is generated only after the entire DMA transfer is complete. <b>Note:</b> This bit is valid only when the endpoint is operating in Bulk or Interrupt mode.
1	DTWE	0	Data Toggle Write Enable. This bit is automatically cleared once the new value is written. The DT bit cannot be written.
		1	Enables the current state of the transmit endpoint data to be written (see DT bit).

**Table 22-45. USB Transmit Control and Status Endpoint n High Register (USBTXCSRH[n]) in Host Mode Field Descriptions (continued)**

Bit	Field	Value	Description
0	DT		Data Toggle. When read, this bit indicates the current state of the transmit endpoint data toggle.  If DTWE is High, this bit can be written with the required setting of the data toggle. If DTWE is Low, any value written to this bit is ignored. Care should be taken when writing to this bit as it should only be changed to RESET the transmit endpoint.

The USBTXCSRH[n] registers in Device Mode are shown in [Figure 22-44](#) and described in [Table 22-46](#).

**Figure 22-44. USB Transmit Control and Status Endpoint n High Register (USBTXCSRH[n]) in Device Mode**

7	6	5	4	3	2	1	0
AUTOSET	Reserved	MODE	DMAEN	FDT	DMAMOD	Reserved	
R/W-0	R/W-0	R/W-0	R/W-0	R/W-0	R/W-0	R-0	

LEGEND: R/W = Read/Write; R = Read only; -n = value after reset

**Table 22-46. USB Transmit Control and Status Endpoint n High Register (USBTXCSRH[n]) in Device Mode Field Descriptions**

Bit	Field	Value	Description
7	AUTOSET	0	Auto Set The TXRDY bit must be set manually.
		1	Enables the TXRDY bit to be automatically set when data of the maximum packet size (value in USBTXMAXP[n]) is loaded into the transmit FIFO. If a packet of less than the maximum packet size is loaded, then the TXRDY bit must be set manually.
6	Reserved		Reserved. Should always have a value of 0.
5	MODE	0	Mode <b>Note:</b> This bit only has an effect when the same endpoint FIFO is used for both transmit and receive transactions. Enables the endpoint direction as RX.
		1	Enables the endpoint direction as TX.
4	DMAEN	0	DMA Request Enable <b>Note:</b> Three TX and three /RX endpoints can be connected to the DMA module. If this bit is set for a particular endpoint, the DMAATX, DMABTX, or DMACTX field in the USB DMA Select (USBDMASEL) register must be programmed correspondingly. Disables the DMA request for the transmit endpoint.
		1	Enables the DMA request for the transmit endpoint.
3	FDT	0	Force Data Toggle No effect
		1	Forces the endpoint DT bit to switch and the data packet to be cleared from the FIFO, regardless of whether an ACK was received.
2	DMAMOD	0	DMA Request Mode <b>Note:</b> This bit must not be cleared either before or in the same cycle as the above DMAEN bit is cleared. An interrupt is generated after every DMA packet transfer.
		1	An interrupt is generated only after the entire DMA transfer is complete.
0	Reserved	0	Reserved

### 22.6.3.35 USB Maximum Receive Data Endpoint $n$ Registers (USBXMAXP[1]-USBXMAXP[ $n$ ])

The USB maximum receive data endpoint  $n$  16-bit registers (USBXMAXP[ $n$ ]) define the maximum amount of data that can be transferred through the selected receive endpoint in a single operation.

Bits 10:0 define (in bytes) the maximum payload transmitted in a single transaction. The value set can be up to 1024 bytes but is subject to the constraints placed by the USB Specification on packet sizes for bulk and interrupt transfers in full-speed operation.

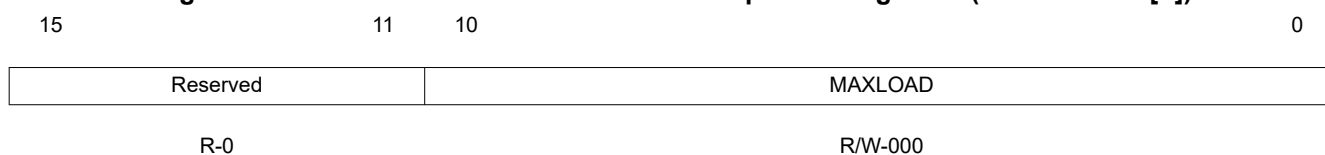
The total amount of data represented by the value written to this register must not exceed the FIFO size for the transmit endpoint, and must not exceed half the FIFO size if double-buffering is required.

**Note:** USBXMAXP[ $n$ ] must be set to an even number of bytes for proper interrupt generation in DMA Basic Mode.

**Mode(s):** Host Device

The USBXMAXP[ $n$ ] registers are shown in [Figure 22-45](#) and described in [Table 22-47](#).

**Figure 22-45. USB Maximum Receive Data Endpoint  $n$  Registers (USBXMAXP[ $n$ ])**



LEGEND: R/W = Read/Write; R = Read only; - $n$  = value after reset

**Table 22-47. USB Maximum Receive Data Endpoint  $n$  Registers (USBXMAXP[ $n$ ]) Field Descriptions**

Bit	Field	Value	Description
15-11	Reserved	0	Reserved
10-0	MAXLOAD		Maximum Payload specifies the maximum payload in bytes per transaction.

### 22.6.3.36 USB Receive Control and Status Endpoint $n$ Low Register (USBXCSRL[1]-USBXCSRL[ $n$ ])

The USB receive control and status endpoint  $n$  low 8-bit register (USBXCSRL[ $n$ ]) provides control and status bits for transfers through the currently selected receive endpoint.

**Mode(s):** Host Device

The USBXCSRL[ $n$ ] registers in Host mode are shown in [Figure 22-46](#) and described in [Table 22-48](#).

**Figure 22-46. USB Receive Control and Status Endpoint  $n$  Low Register (USBXCSRL[ $n$ ]) in Host Mode**

7	6	5	4	3	2	1	0
CLRDT	STALLED	REQPKT	FLUSH	DATAERR / NAKTO	ERROR	FULL	RXRDY
W1C-0	R/W-0	R/W-0	R/W-0	R/W-0	R/W-0	R/W-0	R/W-0

LEGEND: R/W = Read/Write; W = Write only; - $n$  = value after reset

**Table 22-48. USB Receive Control and Status Endpoint  $n$  Low Register (USBXCSRL[ $n$ ]) in Host Mode Field Descriptions**

Bit	Field	Value	Description
7	NAKTO	0 1	Clear Data Toggle. No effect Writing a 1 to this bit clears the DT bit in the USBXCSRH[ $n$ ] register.
6	STALLED	0 1	Endpoint Stalled. Software must clear this bit. No handshake has been received. A STALL handshake has been received. The EP $n$ bit in the USBXIS register is also set.
5	REQPKT	0 1	Request Packet. This bit is cleared when the RXRDY bit is set. No request Requests an IN transaction.
4	FLUSH	0 1	Flush FIFO. If the FIFO is double-buffered, FLUSH may have to be set twice to completely clear the FIFO. <b>Note:</b> This bit should only be set when the RXRDY bit is set. At other times, it may cause data to be corrupted. No effect Flushes the next packet to be read from the endpoint receive FIFO. The FIFO pointer is reset and the RXRDY bit is cleared.
3	DATAERR / NAKTO	0 1	Data Error / NAK Timeout Normal operation Bulk endpoints only: Indicates that the receive endpoint is halted following the receipt of NAK responses for longer than the time set by the NAKLMT field in the USBXINTERVAL[ $n$ ] register. Software must clear this bit to allow the endpoint to continue.
2	ERROR	0 1	Error. Software must clear this bit. <b>Note:</b> This bit is only valid when the receive endpoint is operating in Bulk or Interrupt mode. No error Three attempts have been made to receive a packet and no data packet has been received. The EP $n$ bit in the USBXIS register is set in this situation.
1	FULL	0 1	FIFO Full The receive FIFO is not full. No more packets can be loaded into the receive FIFO.

**Table 22-48. USB Receive Control and Status Endpoint n Low Register (USBXCSRL[n]) in Host Mode  
Field Descriptions (continued)**

Bit	Field	Value	Description
0	RXRDY		Receive Packet Ready. If the AUTOCLR bit in the USBXCSRH[n] register is set, then the this bit is automatically cleared when a packet of USBXMAXP[n] bytes has been unloaded from the receive FIFO. If the AUTOCLR bit is clear, or if packets of less than the maximum packet size are unloaded, then software must clear this bit manually when the packet has been unloaded from the receive FIFO.
		0	No data packet has been received.
		1	Indicates that a data packet has been received. The EPn bit in the USBTXIS register is also set in this situation.

 USBCSRL0 in Device mode is shown in [Figure 22-47](#) and described in [Table 22-49](#).

**Figure 22-47. USB Receive Control and Status Endpoint n Low Register (USBXCSRL[n]) in Device Mode**

7	6	5	4	3	2	1	0
CLRDT	STALLED	STALL	FLUSH	Reserved	FULL	RXRDY	
W1C-0	W1C-0	R/W-0	R-0	R/W-0	R/W-0	R/W-0	R-0

LEGEND: R/W = Read/Write; R = Read only; W = Write only; -n = value after reset

**Table 22-49. USB Receive Control and Status Endpoint n Low Register (USBX CSRL[n]) in Device Mode  
Field Descriptions**

Bit	Field	Value	Description
7	CLRDT		Clear Data Toggle
		0	No effect
		1	Writing a 1 to this bit clears the DT bit in the USBXCSRH[n] register.
6	STALLED		Endpoint Stalled. Software must clear this bit.
		0	A STALL handshake has been transmitted.
		1	A STALL handshake has been transmitted.
5	STALL		Send Stall. Software must clear this bit to terminate the STALL condition.
		0	No effect
		1	Issues a STALL handshake.
4	FLUSH		Flush FIFO. The CPU writes a 1 to this bit to flush the next packet to be read from the endpoint receive FIFO. The FIFO pointer is reset and the RXRDY bit is cleared. Note that if the FIFO is double-buffered, FLUSH may have to be set twice to completely clear the FIFO.
		0	No effect
		1	Flushes the next packet from the endpoint receive FIFO. The FIFO pointer is reset and the RXRDY bit is cleared. <b>Note:</b> This bit should only be set when the RXRDY bit is set. At other times, it may cause data to be corrupted.
3-2	Reserved		Reserved
1	FULL		FIFO Full
		0	The receive FIFO is not full.
		1	No more packets can be loaded into the receive FIFO.

**Table 22-49. USB Receive Control and Status Endpoint n Low Register (USBX CSRL[n]) in Device Mode  
Field Descriptions (continued)**

Bit	Field	Value	Description
0	RXRDY		Receive Packet Ready. If the AUTOCLR bit in the USBXCSRH[n] register is set, then the this bit is automatically cleared when a packet of USBXMAXP[n] bytes has been unloaded from the receive FIFO. If the AUTOCLR bit is clear, or if packets of less than the maximum packet size are unloaded, then software must clear this bit manually when the packet has been unloaded from the receive FIFO.
		0	No data packet has been received.
		1	A data packet has been received. The EPn bit in the USBTXIS register is also set in this situation.
			This bit is cleared by writing a 1 to the RXRDYC bit.

### 22.6.3.37 USB Receive Control and Status Endpoint $n$ High Register (USBXCSRH[1]-USBXCSRH[ $n$ ])

The USB receive control and status endpoint  $n$  high 8-bit register (USBXCSRH[ $n$ ]) provides additional control and status bits for transfers through the currently selected receive endpoint.

**Mode(s):** Host Device

The USBXCSRH[ $n$ ] registers in OTG A/Host mode are shown in [Figure 22-48](#) and described in [Table 22-50](#).

**Figure 22-48. USB Receive Control and Status Endpoint  $n$  High Register (USBXCSRH[ $n$ ]) in Host Mode**

7	6	5	4	3	2	1	0
AUTOCL	AUTORQ	DMAEN	Reserved	DMAMOD	DTWE	DT	Reserved
W1C-0	R/W-0	R/W-0	R-0	R/W-0	R-0	R-0	R-0

LEGEND: R/W = Read/Write; - $n$  = value after reset

**Table 22-50. USB Receive Control and Status Endpoint  $n$  High Register (USBXCSRH[ $n$ ]) in Host Mode Field Descriptions**

Bit	Field	Value	Description
7	AUTOCL	0	Auto Clear No effect
		1	Enables the RXRDY bit to be automatically cleared when a packet of USBRXMAXP[ $n$ ] bytes has been unloaded from the receive FIFO. When packets of less than the maximum packet size are unloaded, RXRDY must be cleared manually. Care must be taken when using DMA to unload the receive FIFO as data is read from the receive FIFO in 4-byte chunks regardless of the value of the MAXLOAD field in the USBRXMAXP[ $n$ ] register, see <a href="#">Section 22.2.3</a> .
6	AUTORQ	0	Auto Request <b>Note:</b> This bit is automatically cleared when a short packet is received. No effect
		1	Enables the REQPKT bit to be automatically set when the RXRDY bit is cleared.
5	DMAEN	0	DMA Request Enable <b>Note:</b> Three TX and three RX endpoints can be connected to the DMA module. If this bit is set for a particular endpoint, the DMAARX, DMABRX, or DMACRX field in the USB DMA Select (USBDMASEL) register must be programmed correspondingly. Disables the DMA request for the receive endpoint.
		1	Enables the DMA request for the receive endpoint.
4	Reserved		Reserved
3	DMAMOD		DMAMOD <b>Note:</b> This bit must not be cleared either before or in the same cycle as the above DMAEN bit is cleared.
		0	An interrupt is generated after every DMA packet transfer.
2	DTWE	1	An interrupt is generated only after the entire DMA transfer is complete.
		0	Data Toggle Write Enable. This bit is automatically cleared once the new value is written. The DT bit cannot be written.
1	DT	1	Enables the current state of the receive endpoint data to be written (see DT bit).
		0	Data Toggle. When read, this bit indicates the current state of the receive data toggle. If DTWE is High, this bit may be written with the required setting of the data toggle. If DTWE is Low, any value written to this bit is ignored. Care should be taken when writing to this bit as it should only be changed to RESET the receive endpoint.
0	Reserved	0	Reserved



The USBCSRH[n] registers in Device mode are shown in [Figure 22-49](#) and described in [Table 22-51](#).

**Figure 22-49. USB Receive Control and Status Endpoint n High Register (USBXRCSRH[n]) in Device Mode**

7	6	5	4	3	2	1	0
AUTOCL	Reserved	DMAEN	DISNYET / PIDERR	DMAMOD		Reserved	
R/W-0	R/W-0	R/W-0	R/W-0	R/W-0		R-0	

LEGEND: R/W = Read/Write; R = Read only; -n = value after reset

**Table 22-51. USB Receive Control and Status Endpoint n High Register (USBXRCSRH[n]) in Device Mode Field Descriptions**

Bit	Field	Value	Description
7	AUTOCL	0	Auto Clear No effect
		1	Enables the RXRDY bit to be automatically cleared when a packet of USBRXMAXP[n] bytes has been unloaded from the receive FIFO. When packets of less than the maximum packet size are unloaded, RXRDY must be cleared manually. Care must be taken when using DMA to unload the receive FIFO as data is read from the receive FIFO in 4-byte chunks regardless of the value of the MAXLOAD field in the USBRXMAXP[n] register, see <a href="#">Section 22.2.3</a> .
6	Reserved		Reserved
5	DMAEN	0	DMA Request Enable <b>Note:</b> Three TX and three RX endpoints can be connected to the DMA module. If this bit is set for a particular endpoint, the DMAARX, DMABRX, or DMACRX field in the USB DMA Select (USBDMASEL) register must be programmed correspondingly. Disables the DMA request for the receive endpoint.
		1	Enables the DMA request for the receive endpoint.
4	DISNYET/ PIDERR	0	Disable NYET / PID Error No effect
		1	For bulk or interrupt transactions: Disables the sending of NYET handshakes. When this bit is set, all successfully received packets are acknowledged, including at the point at which the FIFO becomes full.
3	DMAMOD	0	DMA Request Mode <b>Note:</b> This bit must not be cleared either before or in the same cycle as the above DMAEN bit is cleared. An interrupt is generated after every DMA packet transfer.
		1	An interrupt is generated only after the entire DMA transfer is complete.
0	Reserved	0	Reserved

### 22.6.3.38 USB Receive Byte Count Endpoint $n$ Register (USBXCOUNT[1]-USBXCOUNT[ $n$ ])

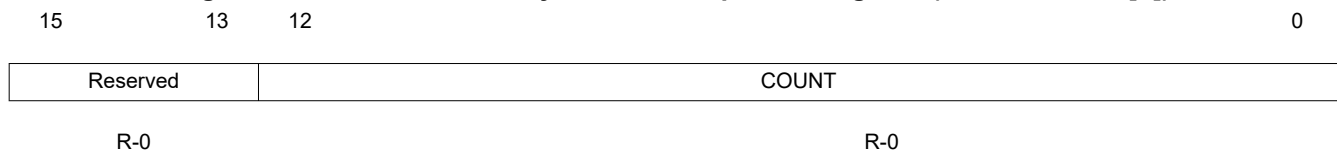
The USB receive byte count endpoint  $n$  16-bit read-only registers hold the number of data bytes in the packet currently in line to be read from the receive FIFO. If the packet is transmitted as multiple bulk packets, the number given is for the combined packet.

**Note:** The value returned changes as the FIFO is unloaded and is only valid while the RXRDY bit in the USBXCSSLn register is set.

**Mode(s):**      Host                                  Device

The USBXCOUNT[ $n$ ] registers are shown in [Figure 22-50](#) and described in [Table 22-52](#).

**Figure 22-50. USB Receive Byte Count Endpoint  $n$  Register (USBXCOUNT[ $n$ ])**



LEGEND: R = Read only; - $n$  = value after reset

**Table 22-52. USB Receive Byte Count Endpoint  $n$  Register (USBXCOUNT[ $n$ ]) Field Descriptions**

Bit	Field	Value	Description
15-13	Reserved	0	Reserved
12-0	COUNT		Receive Packet Count indicates the number of bytes in the receive packet.

### 22.6.3.39 USB Host Transmit Configure Type Endpoint $n$ Registers (USBTXTYPE[1]-USBTXTYPE[ $n$ ])

The USB host transmit configure type endpoint  $n$  8-bit registers (USBTXTYPE[ $n$ ]) must be written with the endpoint number to be targeted by the endpoint, the transaction protocol to use for the currently selected transmit endpoint, and its operating speed.

**Mode(s):** Host

The USBTXTYPE[ $n$ ] registers are shown in [Figure 22-51](#) and described in [Table 22-53](#).

**Figure 22-51. USB Host Transmit Configure Type Endpoint  $n$  Registers (USBTXTYPE[ $n$ ])**

7	6	5	4	3	0
SPEED		PROTO		TEP	
R/W-0		R/W-0		R/W-0	

LEGEND: R/W = Read/Write; - $n$  = value after reset

**Table 22-53. USB Host Transmit Configure Type Endpoint  $n$  Registers (USBTXTYPE[ $n$ ]) Field Descriptions**

Bit	Field	Value	Description
7-6	SPEED	0h 1h 2h 3h	Operating Speed. This bit field specifies the operating speed of the target Device: Default. The target is assumed to be using the same connection speed as the USB controller. Reserved Full Low
5-4	PROTO	0h 1h 2h 3h	Protocol. Software must configure this bit field to select the required protocol for the transmit endpoint: Control Reserved Bulk Interrupt
3-0	TEP	0	Target Endpoint Number. Software must configure this value to the endpoint number contained in the transmit endpoint descriptor returned to the USB controller during Device enumeration.

### 22.6.3.40 USB Host Transmit Interval Endpoint $n$ Registers (USBTXINTERVAL[1]-USBTXINTERVAL[ $n$ ])

The USB host transmit interval endpoint  $n$  8-bit registers (USBTXINTERVAL[ $n$ ]), for interrupt transfers, define the polling interval for the currently selected transmit endpoint. For bulk endpoints, this register defines the number of frames after which the endpoint should time out on receiving a stream of NAK responses.

The USBTXINTERVAL[ $n$ ] registers values define a number of frames, as follows:

**Table 22-54. USB Host Transmit Interval Endpoint  $n$  Registers (USBTXINTERVAL[ $n$ ]) Frame Numbers**

Transfer Type	Speed	Valid Values (m)	Interpretation
Interrupt	Low-speed or Full-speed	0x01-0xFF	The polling interval is $m$ frames.
Bulk	Full-speed	0x02-0x10	The NAK Limit is $2^{(m-1)}$ frames. A value of 0 or 1 disables the NAK timeout function.

Mode(s): Host

The USBTXINTERVAL[ $n$ ] registers are shown in [Figure 22-51](#) and described in [Table 22-53](#).

**Figure 22-52. USB Host Transmit Interval Endpoint  $n$  Registers (USBTXINTERVAL[ $n$ ])**

7

0

TXPOLL / NAKLMT
-----------------

R/W-0

LEGEND: R/W = Read/Write; - $n$  = value after reset

**Table 22-55. USB Host Transmit Interval Endpoint  $n$  Registers (USBTXINTERVAL[ $n$ ]) Field Descriptions**

Bit	Field	Value	Description
7-0	TXPOLL / NAKLMT	0	TX Polling / NAK Limit The polling interval for interrupt transfers; the NAK limit for bulk transfers. See <a href="#">Table 22-54</a> for valid entries; other values are reserved.

### 22.6.3.41 USB Host Configure Receive Type Endpoint $n$ Register (USBRTYPE[1]-USBRTYPE[ $n$ ])

The USB host configure receive type endpoint  $n$  8-bit registers (USBRTYPE[ $n$ ]) must be written with the endpoint number to be targeted by the endpoint, the transaction protocol to use for the currently selected receive endpoint, and its operating speed.

**Mode(s):** Host

The USBRTYPE[ $n$ ] registers are shown in [Figure 22-53](#) and described in [Table 22-56](#).

**Figure 22-53. USB Host Configure Receive Type Endpoint  $n$  Register (USBRTYPE[ $n$ ])**

7	6	5	4	3	0
SPEED		PROTO		TEP	
R/W-0		R/W-0		R/W-0	

LEGEND: R/W = Read/Write; - $n$  = value after reset

**Table 22-56. USB Host Configure Receive Type Endpoint  $n$  Register (USBRTYPE[ $n$ ]) Field Descriptions**

Bit	Field	Value	Description
7-6	SPEED	0h 1h 2h 3h	Operating Speed. This bit field specifies the operating speed of the target Device: Default. The target is assumed to be using the same connection speed as the USB controller. Reserved Full Low
5-4	PROTO	0h 1h 2h 3h	Protocol. Software must configure this bit field to select the required protocol for the receive endpoint: Control Reserved Bulk Interrupt
3-0	TEP	0	Target Endpoint Number. Software must configure this value to the endpoint number contained in the transmit endpoint descriptor returned to the USB controller during Device enumeration.

### 22.6.3.42 USB Host Receive Polling Interval Endpoint $n$ Registers (USBXINTERVAL[1]-USBXINTERVAL[ $n$ ])

The USB host receive polling interval endpoint  $n$  8-bit registers (USBXINTERVAL[ $n$ ]), for interrupt transfers, define the polling interval for the currently selected transmit endpoint. For bulk endpoints, this register defines the number of frames after which the endpoint should time out on receiving a stream of NAK responses.

The USBXINTERVAL[ $n$ ] registers values define a number of frames, as follows:

**Table 22-57. USB Host Receive Polling Interval Endpoint  $n$  Registers (USBXINTERVAL[ $n$ ]) Frame Numbers**

Transfer Type	Speed	Valid Values (m)	Interpretation
Interrupt	Low-speed or Full-speed	0x01-0xFF	The polling interval is $m$ frames.
Bulk	Full-speed	0x02-0x10	The NAK Limit is $2^{(m-1)}$ frames. A value of 0 or 1 disables the NAK timeout function.

Mode(s): Host

The USBXINTERVAL[ $n$ ] registers are shown in [Figure 22-51](#) and described in [Table 22-53](#).

**Figure 22-54. USB Host Receive Polling Interval Endpoint  $n$  Registers (USBXINTERVAL[ $n$ ])**

7

0

TXPOLL / NAKLMT
-----------------

R/W-0

LEGEND: R/W = Read/Write; - $n$  = value after reset

**Table 22-58. USB Host Receive Polling Interval Endpoint  $n$  Registers (USBXINTERVAL[ $n$ ]) Field Descriptions**

Bit	Field	Value	Description
7-0	TXPOLL / NAKLMT	0	TX Polling / NAK Limit The polling interval for interrupt transfers; the NAK limit for bulk transfers. See <a href="#">Table 22-57</a> for valid entries; other values are reserved.

### 22.6.3.43 USB Request Packet Count in Block Transfer Endpoint $n$ Registers (USBQPKTCOUNT[1]-USBQPKTCOUNT[ $n$ ])

The USB receive packet count in block transfer endpoint  $n$  16-bit read/writer registers are used in Host mode to specify the number of packets that are to be transferred in a block transfer of one or more bulk packets to receive endpoint  $n$ . The USB controller uses the value recorded in this register to determine the number of requests to issue where the AUTORQ bit in the USBRXCSRH[ $n$ ] register has been set. For more information about IN transactions as a host, see [Section 22.2.2.2](#).

**Note:** Multiple packets combined into a single bulk packet within the FIFO count as one packet.

**Mode(s):** Host

The USBQPKTCOUNT[ $n$ ] registers are shown in [Figure 22-55](#) and described in [Table 22-59](#).

**Figure 22-55. USB Request Packet Count in Block Transfer Endpoint  $n$  Registers (USBQPKTCOUNT[ $n$ ])**

15	13	12	0
Reserved		COUNT	
R-0		R/W-0	

LEGEND: R/W = Read/Write; R = Read only; - $n$  = value after reset

**Table 22-59. USB Request Packet Count in Block Transfer Endpoint  $n$  Registers (USBQPKTCOUNT[ $n$ ])  
Field Descriptions**

Bit	Field	Value	Description
15-13	Reserved	0	Reserved
12-0	COUNT		Block Transfer Packet Count sets the number of packets of the size defined by the MAXLOAD bit field that are to be transferred in a block transfer. <b>Note:</b> This is only used in Host mode when AUTORQ is set. The bit has no effect in Device mode or when AUTORQ is not set.





### 22.6.3.45 USB Transmit Double Packet Buffer Disable Register (USBTXDPKTBUFDIS), offset 0x342

The USB transmit double packet buffer disable 16-bit register (USBTXDPKTBUFDIS) indicates which of the transmit endpoints have disabled the double-packet buffer functionality (see *Double-Packet Buffering* in [Section 22.2.1.1.1](#)).

**Note:** The USBTXDPKTBUFDIS register is not applicable to the control IN and control OUT endpoints, therefore the EP0 bit does not exist for the USBTXDPKTBUFDIS register.

**Mode(s):** Host Device

USBTXDPKTBUFDIS is shown in [Figure 22-57](#) and described in [Table 22-61](#).

**Figure 22-57. USB Transmit Double Packet Buffer Disable Register (USBTXDPKTBUFDIS)**

15	Reserved	4	3	2	1	0
		EP3	EP2	EP1	Rsvd	
R-0		R/W-1	R/W-1	R/W-1	R-0	

LEGEND: R/W = Read/Write; R = Read only; -n = value after reset

**Table 22-61. USB Transmit Double Packet Buffer Disable Register (USBTXDPKTBUFDIS) Field Descriptions**

Bit	Field	Value	Description
15-4	Reserved		Reserved
3	EP3	0	EP3 RX Double-Packet Buffer Disable Disables double-packet buffering.
		1	Enables double-packet buffering.
2	EP2	0	EP2 RX Double-Packet Buffer Disable Disables double-packet buffering.
		1	Enables double-packet buffering.
1	EP1	0	EP1 RX Double-Packet Buffer Disable Disables double-packet buffering.
		1	Enables double-packet buffering.
0	Reserved	0	Reserved

### 22.6.3.46 USB External Power Control Register (USBEPIC), offset 0x400

The USB external power control 32-bit register (USBEPIC) specifies the function of the two-pin external power interface (USB0EPEN and USB0PFLT). The assertion of the power fault input may generate an automatic action, as controlled by the hardware configuration registers. The automatic action is necessary because the fault condition may require a response faster than one provided by firmware.

**Mode(s):** Host Device

USBEPIC is shown in [Figure 22-58](#) and described in [Table 22-62](#).

**Figure 22-58. USB External Power Control Register (USBEPIC)**

31							10	9	8
Reserved							PFLTACT		
R-0							R/W-0		
7	6	5	4	3	2	1	0		
Reserved	PFLTAEN	PFLTSEN	PFLTEN	Reserved	EPENDE	EPEN			
R-0	R/W-0	R/W-0	R/W-0	R-0	R/W-0	R/W-0			

LEGEND: R/W = Read/Write; R = Read only; -n = value after reset

**Table 22-62. USB External Power Control Register (USBEPIC) Field Descriptions**

Bit	Field	Value	Description
31-10	Reserved	0	Reserved
9-8	PFLTACT	0h 1h 2h 3h	Power Fault Action. This bit field specifies how the USB0EPEN signal is changed when detecting a USB power fault. 0h Unchanged. USB0EPEN is controlled by the combination of the EPEN and EPENDE bits. 1h Tristate. USB0EPEN is undriven (tristate). 2h Low. USB0EPEN is driven Low. 3h High. USB0EPEN is driven High.
7	Reserved	0	Reserved
6	PFLTAEN	0 1	Power Fault Action Enable. This bit specifies whether a USB power fault triggers any automatic corrective action regarding the driven state of the USB0EPEN signal. 0 Disabled. USB0EPEN is controlled by the combination of the EPEN and EPENDE bits. 1 Enabled. The USB0EPEN output is automatically changed to the state specified by the PFLTACT field.
5	PFLTSEN	0 1	Power Fault Sense. This bit specifies the logical sense of the USB0PFLT input signal that indicates an error condition. The complementary state is the inactive state. 0 Low Fault. If USB0PFLT is driven Low, the power fault is signaled internally (if enabled by the PFLTEN bit). 1 High Fault. If USB0PFLT is driven High, the power fault is signaled internally (if enabled by the PFLTEN bit).
4	PFLTEN	0 1	Power Fault Input Enable. This bit specifies whether the USB0PFLT input signal is used in internal logic. 0 Not Used. The USB0PFLT signal is ignored. 1 Used. The USB0PFLT signal is used internally
3	Reserved	0	Reserved

**Table 22-62. USB External Power Control Register (USBEPIC) Field Descriptions (continued)**

Bit	Field	Value	Description
2	EPENDE		<p>EPEN Drive Enable. This bit specifies whether the USB0EPEN signal is driven or undriven (tristate). When driven, the signal value is specified by the EPEN field. When not driven, the EPEN field is ignored and the USB0EPEN signal is placed in a high-impedance state.</p> <p>The USB0EPEN signal is undriven at reset because the sense of the external power supply enable is unknown. By adding the high-impedance state, system designers can bias the power supply enable to the disabled state using a large resistor (100 kΩ) and later configure and drive the output signal to enable the power supply.</p>
		0	Not Driven. The USB0EPEN signal is high impedance.
		1	Driven. The USB0EPEN signal is driven to the logical value specified by the value of the EPEN field.
1-0	EPEN		<p>External Power Supply Enable Configuration. This bit field specifies and controls the logical value driven on the USB0EPEN signal.</p>
		0h	Power Enable Active Low. The USB0EPEN signal is driven Low if the EPENDE bit is set.
		1h	Power Enable Active High. The USB0EPEN signal is driven High if the EPENDE bit is set.
		2h	Power Enable High if VBUS Low. The USB0EPEN signal is driven High when the A device is not recognized.
		3h	Power Enable High if VBUS High. The USB0EPEN signal is driven High when the A device is recognized.

### 22.6.3.47 USB External Power Control Raw Interrupt Status Register (USBEPCRIS), offset 0x404

The USB external power control raw interrupt status 32-bit register (USBEPCRIS) specifies the unmasked interrupt status of the two-pin external power interface.

**Mode(s):** Host Device

USBEPCRIS is shown in [Figure 22-59](#) and described in [Table 22-63](#).

**Figure 22-59. USB External Power Control Raw Interrupt Status Register (USBEPCRIS)**

31		1	0
Reserved			PF
	R-0		R-0

LEGEND: R = Read only; -n = value after reset

**Table 22-63. USB External Power Control Raw Interrupt Status Register (USBEPCRIS) Field Descriptions**

Bit	Field	Value	Description
31-1	Reserved	0	Reserved
0	PF		USB Power Fault Interrupt Status. This bit is cleared by writing a 1 to the PF bit in the USBEPCISC register.
		0	A Power Fault status has been detected.
		1	An interrupt has not occurred.

### 22.6.3.48 USB External Power Control Interrupt Mask Register (USBEPICM), offset 0x408

The USB external power control interrupt mask 32-bit register (USBEPICM) specifies the interrupt mask of the two-pin external power interface.

**Mode(s):** Host Device

USBEPICM is shown in [Figure 22-60](#) and described in [Table 22-64](#).

**Figure 22-60. USB External Power Control Interrupt Mask Register (USBEPICM)**

31	Reserved	1	0
			PF
R-0			R-0

LEGEND: R = Read only; -n = value after reset

**Table 22-64. USB External Power Control Interrupt Mask Register (USBEPICM) Field Descriptions**

Bit	Field	Value	Description
31-1	Reserved	0	Reserved
0	PF	0	USB Power Fault Interrupt Mask.
		1	The raw interrupt signal from a detected power fault is sent to the interrupt controller. A detected power fault does not affect the interrupt status.

### 22.6.3.49 USB External Power Control Interrupt Status and Clear Register (USBEPICISC), offset 0x40C

The USB external power control interrupt status and clear 32-bit register (USBEPICISC) specifies the unmasked interrupt status of the two-pin external power interface.

**Mode(s):**      Host                                  Device

USBEPICISC is shown in [Figure 22-61](#) and described in [Table 22-65](#).

**Figure 22-61. USB External Power Control Interrupt Status and Clear Register (USBEPICISC)**

31		1	0
	Reserved		PF
	R-0		R-0

LEGEND: R = Read only; -n = value after reset

**Table 22-65. USB External Power Control Interrupt Status and Clear Register (USBEPICISC) Field Descriptions**

Bit	Field	Value	Description
31-1	Reserved	0	Reserved. Reset is 0x0000.000.
0	PF		USB Power Fault Interrupt Status and Clear. This bit is cleared by writing a 1. Clearing this bit also clears the PF bit in the USBEPICISC register.
		0	The PF bits in the USBEPCRIS and USBEPCIM registers are set, providing an interrupt to the interrupt controller.
		1	No interrupt has occurred or the interrupt is masked.

### 22.6.3.50 USB Device RESUME Raw Interrupt Status Register (USBDRRIS), offset 0x410

The USB device RESUME raw interrupt status register (USBDRRIS) is the raw interrupt status register. On a read, this register gives the current raw status value of the corresponding interrupt prior to masking. A write has no effect.

**Mode(s):** Host Device

USBDRRIS is shown in [Figure 22-62](#) and described in [Table 22-66](#).

**Figure 22-62. USB Device RESUME Raw Interrupt Status Register (USBDRRIS)**

31		1	0
Reserved		RESUME	
R-0		R-0	

LEGEND: R = Read only; -n = value after reset

**Table 22-66. USB Device RESUME Raw Interrupt Status Register (USBDRRIS) Field Descriptions**

Bit	Field	Value	Description
31-1	Reserved	0	Reserved. Reset is 0x0000.000.
0	PF	0	RESUME Interrupt Status This bit is cleared by writing a 1 to the RESUME bit in the USBDRISC register. A RESUME status has been detected.
		1	An interrupt has not occurred.

### 22.6.3.51 USB Device RESUME Raw Interrupt Mask Register (USBDRIM), offset 0x414

The USB device RESUME raw interrupt status register (USBDRIM) is the masked interrupt status register. On a read, this register gives the current masked status value of the corresponding interrupt. A write has no effect.

**Mode(s):** Host Device

USBDRIM is shown in [Figure 22-63](#) and described in [Table 22-67](#).

**Figure 22-63. USB Device RESUME Raw Interrupt Status Register (USBDRIS)**

31		1	0
Reserved		RESUME	
R-0		R-0	

LEGEND: R = Read only; -n = value after reset

**Table 22-67. USB Device RESUME Raw Interrupt Status Register (USBDRIS) Field Descriptions**

Bit	Field	Value	Description
31-1	Reserved	0	Reserved. Reset is 0x0000.000.
0	PF	0	The raw interrupt signal from a detected RESUME is sent to the interrupt controller. This bit should only be set when a SUSPEND has been detected (the SUSPEND bit in the USBIS register is set).
		1	A detected RESUME does not affect the interrupt status.





### 22.6.3.53 USB General-Purpose Control and Status Register (USBGPCS), offset 0x41C

The USB general-purpose control and status register (USBGPCS) provides the state of the internal ID signal.

When the USB controller is used as either a dedicated Host or Device, the DEVMODOTG and DEVMOD bits in the USB General-Purpose Control and Status (USBGPCS) register should be used to connect the ID inputs to fixed levels internally. For proper self-powered Device operation, the VBUS value must be monitored to assure that if the Host removes VBUS, the self-powered Device disables the D+/D- pull-up resistors. This function can be accomplished by connecting a standard GPIO to VBUS.

**Mode(s):**      Host    Device

USBGPCS is shown in [Figure 22-65](#) and described in [Table 22-69](#).

**Figure 22-65. USB General-Purpose Control and Status Register (USBGPCS)**

31	2	1	0
Reserved	DEVMODOTG	DEVMOD	
R-0	R/W-0	R/W-0	

LEGEND: R/W = Read/Write; R = Read only; -n = value after reset

**Table 22-69. USB General-Purpose Control and Status Register (USBGPCS) Field Descriptions**

Bit	Field	Value	Description
31-2	Reserved	0	Reserved. Reset is 0x0000.000.
1	DEVMODOTG	0	Enable Device Mode. This bit enables the DEVMOD bit to control the state of the internal ID signal in OTG mode.
		1	The mode is specified by the state of the internal ID signal.
		1	This bit enables the DEVMOD bit to control the internal ID signal.
0	DEVMOD	0	Device Mode This bit specifies the state of the internal ID signal in Host mode and in OTG mode when the DEVMODOTG bit is set.
		0	In Device mode this bit is ignored (assumed set).
		0	Host mode
		1	Device mode

### 22.6.3.54 USB DMA Select Register (USBDMASEL), offset 0x450

The USB DMA select 32-bit register (USBDMASEL) specifies whether the unmasked interrupt status of the ID value is valid.

**Mode(s):** Host Device

USBDMASEL is shown in [Figure 22-66](#) and described in [Table 22-70](#).

**Figure 22-66. USB DMA Select Register (USBDMASEL)**

31	24	23	20	19	16
Reserved		DMACTX		DMACRX	
R/0		R/W-0		R/W-0	
15	12	11	8	7	4
DMABTX		DMABRX		DMAATX	
R/W-0		R/W-0		R/W-0	
3	DMAARX				
R/W-0		R/W-0			0

LEGEND: R/W = Read/Write; R = Read only; -n = value after reset

**Table 22-70. USB DMA Select Register (USBDMASEL) Field Descriptions**

Bit	Field	Value	Description
31-24	Reserved	0	Reserved. Reset is 0x0000.000.
23-20	DMACTX	0h 1h 2h 3h	DMA C TX Select specifies the TX mapping of the third USB endpoint on DMA channel 5 (primary assignment). Reserved Endpoint 1 TX Endpoint 2 TX Endpoint 3 TX
19-16	DMACRX	0h 1h 2h 3h	DMA C RX Select specifies the RX and TX mapping of the third USB endpoint on DMA channel 4 (primary assignment). Reserved Endpoint 1 RX Endpoint 2 RX Endpoint 3 RX
15-12	DMABTX	0h 1h 2h 3h	DMA B TX Select specifies the TX mapping of the second USB endpoint on DMA channel 3 (primary assignment). Reserved Endpoint 1 TX Endpoint 2 TX Endpoint 3 TX
11-8	DMABRX	0h 1h 2h 3h	DMA B RX Select Specifies the RX mapping of the second USB endpoint on DMA channel 2 (primary assignment). Reserved Endpoint 1 RX Endpoint 2 RX Endpoint 3 RX

**Table 22-70. USB DMA Select Register (USBDMASEL) Field Descriptions (continued)**

Bit	Field	Value	Description
7-4	DMAATX		DMA A TX Select specifies the TX mapping of the first USB endpoint on DMA channel 1 (primary assignment).
		0h	Reserved
		1h	Endpoint 1 TX
		2h	Endpoint 2 TX
3-0	DMAARX		DMA A RX Select specifies the RX mapping of the first USB endpoint on DMA channel 0 (primary assignment).
		0h	Reserved
		1h	Endpoint 1 RX
		2h	Endpoint 2 RX
		3h	Endpoint 3 RX

## 22.6.4 USB Registers to Driverlib Functions

**Table 22-71. USB Registers to Driverlib Functions**

File	Driverlib Function
<b>FADDR</b>	
usb.c	USBDevAddrSet
usb.c	USBDevAddrGet
<b>POWER</b>	
usb.c	USBHostSuspend
usb.c	USBHostReset
usb.c	USBHostResume
usb.c	USBDevConnect
usb.c	USBDevDisconnect
usb.c	USBPHYPowerOff
usb.c	USBPHYPowerOn
<b>TXIS</b>	
usb.c	USBIntStatus
usb.c	USBIntStatusEndpoint
<b>RXIS</b>	
usb.c	USBIntStatus
usb.c	USBIntStatusEndpoint
<b>TXIE</b>	
usb.c	USBIntDisableEndpoint
usb.c	USBIntEnableEndpoint
<b>RXIE</b>	
usb.c	USBIntDisableEndpoint
usb.c	USBIntEnableEndpoint
<b>IS</b>	
usb.c	USBIntStatus
usb.c	USBIntStatusControl
<b>IE</b>	
usb.c	USBIntDisableControl
usb.c	USBIntEnableControl
<b>FRAME</b>	

**Table 22-71. USB Registers to Driverlib Functions (continued)**

File	Driverlib Function
usb.c	USBFrameNumberGet
<b>EPIDX</b>	
usb.c	USBIndexWrite
usb.c	USBIndexRead
<b>TEST</b>	
-	
<b>FIFO0</b>	
usb.c	USBEndpointDataGet
usb.c	USBEndpointDataPut
usb.c	USBFIFOAddrGet
<b>FIFO1</b>	
-	
<b>FIFO2</b>	
-	
<b>FIFO3</b>	
-	
<b>FIFO4</b>	
-	
<b>FIFO5</b>	
-	
<b>FIFO6</b>	
-	
<b>FIFO7</b>	
-	
<b>FIFO8</b>	
-	
<b>FIFO9</b>	
-	
<b>FIFO10</b>	
-	
<b>FIFO11</b>	
-	
<b>FIFO12</b>	
-	
<b>FIFO13</b>	
-	
<b>FIFO14</b>	
-	
<b>FIFO15</b>	
-	
<b>DEVCTL</b>	
usb.c	USBHostSpeedGet
usb.c	USBOTGSessionRequest
usb.c	USBModeGet
<b>TXFIFOSZ</b>	

**Table 22-71. USB Registers to Driverlib Functions (continued)**

File	Driverlib Function
usb.c	USBFIFOConfigSet
usb.c	USBFIFOConfigGet
<b>RXFIFOSZ</b>	
usb.c	USBFIFOConfigSet
usb.c	USBFIFOConfigGet
<b>TXFIFOADD</b>	
usb.c	USBFIFOConfigSet
usb.c	USBFIFOConfigGet
<b>RXFIFOADD</b>	
usb.c	USBFIFOConfigSet
usb.c	USBFIFOConfigGet
<b>CONTIM</b>	
-	
<b>VPLEN</b>	
-	
<b>FSEOF</b>	
-	
<b>LSEOF</b>	
-	
<b>TXFUNCADDR0</b>	
usb.c	USBHostAddrSet
usb.c	USBHostAddrGet
<b>TXHUBADDR0</b>	
usb.c	USBHostHubAddrSet
usb.c	USBHostHubAddrGet
<b>TXHUBPORT0</b>	
-	
<b>TXFUNCADDR1</b>	
-	
<b>TXHUBADDR1</b>	
-	
<b>TXHUBPORT1</b>	
-	
<b>RXFUNCADDR1</b>	
-	
<b>RXHUBADDR1</b>	
-	
<b>RXHUBPORT1</b>	
-	
<b>TXFUNCADDR2</b>	
-	
<b>TXHUBADDR2</b>	
-	
<b>TXHUBPORT2</b>	
-	

**Table 22-71. USB Registers to Driverlib Functions (continued)**

File	Driverlib Function
RXFUNCADDR2	
-	
RXHUBADDR2	
-	
RXHUBPORT2	
-	
TXFUNCADDR3	
-	
TXHUBADDR3	
-	
TXHUBPORT3	
-	
RXFUNCADDR3	
-	
RXHUBADDR3	
-	
RXHUBPORT3	
-	
TXFUNCADDR4	
-	
TXHUBADDR4	
-	
TXHUBPORT4	
-	
RXFUNCADDR4	
-	
RXHUBADDR4	
-	
RXHUBPORT4	
-	
TXFUNCADDR5	
-	
TXHUBADDR5	
-	
TXHUBPORT5	
-	
RXFUNCADDR5	
-	
RXHUBADDR5	
-	
RXHUBPORT5	
-	
TXFUNCADDR6	
-	
TXHUBADDR6	

**Table 22-71. USB Registers to Driverlib Functions (continued)**

File	Driverlib Function
-	
<b>TXHUBPORT6</b>	
-	
<b>RXFUNCADDR6</b>	
-	
<b>RXHUBADDR6</b>	
-	
<b>RXHUBPORT6</b>	
-	
<b>TXFUNCADDR7</b>	
-	
<b>TXHUBADDR7</b>	
-	
<b>TXHUBPORT7</b>	
-	
<b>RXFUNCADDR7</b>	
-	
<b>RXHUBADDR7</b>	
-	
<b>RXHUBPORT7</b>	
-	
<b>TXFUNCADDR8</b>	
-	
<b>TXHUBADDR8</b>	
-	
<b>TXHUBPORT8</b>	
-	
<b>RXFUNCADDR8</b>	
-	
<b>RXHUBADDR8</b>	
-	
<b>RXHUBPORT8</b>	
-	
<b>TXFUNCADDR9</b>	
-	
<b>TXHUBADDR9</b>	
-	
<b>TXHUBPORT9</b>	
-	
<b>RXFUNCADDR9</b>	
-	
<b>RXHUBADDR9</b>	
-	
<b>RXHUBPORT9</b>	
-	



**Table 22-71. USB Registers to Driverlib Functions (continued)**

File	Driverlib Function
<b>TXFUNCADDR10</b>	
-	
<b>TXHUBADDR10</b>	
-	
<b>TXHUBPORT10</b>	
-	
<b>RXFUNCADDR10</b>	
-	
<b>RXHUBADDR10</b>	
-	
<b>RXHUBPORT10</b>	
-	
<b>TXFUNCADDR11</b>	
-	
<b>TXHUBADDR11</b>	
-	
<b>TXHUBPORT11</b>	
-	
<b>RXFUNCADDR11</b>	
-	
<b>RXHUBADDR11</b>	
-	
<b>RXHUBPORT11</b>	
-	
<b>TXFUNCADDR12</b>	
-	
<b>TXHUBADDR12</b>	
-	
<b>TXHUBPORT12</b>	
-	
<b>RXFUNCADDR12</b>	
-	
<b>RXHUBADDR12</b>	
-	
<b>RXHUBPORT12</b>	
-	
<b>TXFUNCADDR13</b>	
-	
<b>TXHUBADDR13</b>	
-	
<b>TXHUBPORT13</b>	
-	
<b>RXFUNCADDR13</b>	
-	
<b>RXHUBADDR13</b>	

**Table 22-71. USB Registers to Driverlib Functions (continued)**

File	Driverlib Function
-	
<b>RXHUBPORT13</b>	
-	
<b>TXFUNCADDR14</b>	
-	
<b>TXHUBADDR14</b>	
-	
<b>TXHUBPORT14</b>	
-	
<b>RXFUNCADDR14</b>	
-	
<b>RXHUBADDR14</b>	
-	
<b>RXHUBPORT14</b>	
-	
<b>TXFUNCADDR15</b>	
-	
<b>TXHUBADDR15</b>	
-	
<b>TXHUBPORT15</b>	
-	
<b>RXFUNCADDR15</b>	
-	
<b>RXHUBADDR15</b>	
-	
<b>RXHUBPORT15</b>	
-	
<b>CSRL0</b>	
usb.c	USBHostEndpointStatusClear
usb.c	USBDevEndpointStatusClear
usb.c	USBDevEndpointStall
usb.c	USBDevEndpointStallClear
usb.c	USBEndpointDataAvail
usb.c	USBEndpointDataGet
usb.c	USBDevEndpointDataAck
usb.c	USBHostEndpointDataAck
usb.c	USBEndpointDataPut
usb.c	USBEndpointDataSend
usb.c	USBFIFOFlush
usb.c	USBHostRequestIN
usb.c	USBHostRequestINClear
usb.c	USBHostRequestStatus
<b>CSRH0</b>	
usb.c	USBHostEndpointDataToggle
usb.c	USBFIFOFlush

**Table 22-71. USB Registers to Driverlib Functions (continued)**

File	Driverlib Function
<b>COUNT0</b>	
usb.c	USBEndpointDataAvail
usb.c	USBEndpointDataGet
<b>TYPE0</b>	
usb.c	USBHostEndpointConfig
usb.c	USBHostHubAddrSet
<b>NAKLMT</b>	
usb.c	USBHostEndpointConfig
<b>TXMAXP1</b>	
usb.c	USBHostEndpointConfig
usb.c	USBDevEndpointConfigSet
usb.c	USBDevEndpointConfigGet
<b>TXCSRL1</b>	
usb.c	USBEndpointStatus
usb.c	USBHostEndpointStatusClear
usb.c	USBDevEndpointStatusClear
usb.c	USBEndpointDataToggleClear
usb.c	USBDevEndpointStall
usb.c	USBDevEndpointStallClear
usb.c	USBDevEndpointConfigSet
usb.c	USBFIFOFlush
<b>TXCSRH1</b>	
usb.c	USBHostEndpointDataToggle
usb.c	USBHostEndpointConfig
usb.c	USBDevEndpointConfigSet
usb.c	USBDevEndpointConfigGet
usb.c	USBEndpointDMAConfigSet
usb.c	USBEndpointDMAEnable
usb.c	USBEndpointDMADisable
<b>RXMAXP1</b>	
usb.c	USBHostEndpointConfig
usb.c	USBDevEndpointConfigSet
usb.c	USBDevEndpointConfigGet
<b>RXCSRL1</b>	
usb.c	USBEndpointStatus
usb.c	USBHostEndpointStatusClear
usb.c	USBDevEndpointStatusClear
usb.c	USBEndpointDataToggleClear
usb.c	USBDevEndpointStall
usb.c	USBDevEndpointStallClear
usb.c	USBDevEndpointConfigSet
usb.c	USBEndpointDataAvail
usb.c	USBEndpointDataGet
usb.c	USBDevEndpointDataAck
usb.c	USBHostEndpointDataAck

**Table 22-71. USB Registers to Driverlib Functions (continued)**

File	Driverlib Function
usb.c	USBFIFOFlush
usb.c	USBHostRequestIN
usb.c	USBHostRequestINClear
<b>RXCSRH1</b>	
usb.c	USBHostEndpointDataToggle
usb.c	USBHostEndpointConfig
usb.c	USBDevEndpointConfigSet
usb.c	USBDevEndpointConfigGet
usb.c	USBEndpointDMAConfigSet
usb.c	USBEndpointDMAEnable
usb.c	USBEndpointDMADisable
<b>RXCOUNT1</b>	
-	
<b>TXTYPE1</b>	
usb.c	USBHostEndpointConfig
<b>TXINTERVAL1</b>	
usb.c	USBHostEndpointConfig
<b>RXTYPE1</b>	
usb.c	USBHostEndpointConfig
<b>RXINTERVAL1</b>	
usb.c	USBHostEndpointConfig
<b>TXMAXP2</b>	
-	
<b>TXCSRL2</b>	
-	
<b>TXCSRH2</b>	
-	
<b>RXMAXP2</b>	
-	
<b>RXCSRL2</b>	
-	
<b>RXCSRH2</b>	
-	
<b>RXCOUNT2</b>	
-	
<b>TXTYPE2</b>	
-	
<b>TXINTERVAL2</b>	
-	
<b>RXTYPE2</b>	
-	
<b>RXINTERVAL2</b>	
-	
<b>TXMAXP3</b>	
-	

**Table 22-71. USB Registers to Driverlib Functions (continued)**

File	Driverlib Function
<b>TXCSRL3</b>	
-	
<b>TXCSRH3</b>	
-	
<b>RXMAXP3</b>	
-	
<b>RXCSRL3</b>	
-	
<b>RXCSRH3</b>	
-	
<b>RXCOUNT3</b>	
-	
<b>TXTYPE3</b>	
-	
<b>TXINTERVAL3</b>	
-	
<b>RXTYPE3</b>	
-	
<b>RXINTERVAL3</b>	
-	
<b>TXMAXP4</b>	
-	
<b>TXCSRL4</b>	
-	
<b>TXCSRH4</b>	
-	
<b>RXMAXP4</b>	
-	
<b>RXCSRL4</b>	
-	
<b>RXCSRH4</b>	
-	
<b>RXCOUNT4</b>	
-	
<b>TXTYPE4</b>	
-	
<b>TXINTERVAL4</b>	
-	
<b>RXTYPE4</b>	
-	
<b>RXINTERVAL4</b>	
-	
<b>TXMAXP5</b>	
-	
<b>TXCSRL5</b>	

**Table 22-71. USB Registers to Driverlib Functions (continued)**

File	Driverlib Function
-	
<b>TXCSRH5</b>	
-	
<b>RXMAXP5</b>	
-	
<b>RXCSRL5</b>	
-	
<b>RXCSRH5</b>	
-	
<b>RXCOUNT5</b>	
-	
<b>TXTYPE5</b>	
-	
<b>TXINTERVAL5</b>	
-	
<b>RXTYPE5</b>	
-	
<b>RXINTERVAL5</b>	
-	
<b>TXMAXP6</b>	
-	
<b>TXCSRL6</b>	
-	
<b>TXCSRH6</b>	
-	
<b>RXMAXP6</b>	
-	
<b>RXCSRL6</b>	
-	
<b>RXCSRH6</b>	
-	
<b>RXCOUNT6</b>	
-	
<b>TXTYPE6</b>	
-	
<b>TXINTERVAL6</b>	
-	
<b>RXTYPE6</b>	
-	
<b>RXINTERVAL6</b>	
-	
<b>TXMAXP7</b>	
-	
<b>TXCSRL7</b>	
-	

**Table 22-71. USB Registers to Driverlib Functions (continued)**

File	Driverlib Function
<b>TXCSRH7</b>	
-	
<b>RXMAXP7</b>	
-	
<b>RXCSSL7</b>	
-	
<b>RXCSRH7</b>	
-	
<b>RXCOUNT7</b>	
-	
<b>TXTYPE7</b>	
-	
<b>TXINTERVAL7</b>	
-	
<b>RXTYPE7</b>	
-	
<b>RXINTERVAL7</b>	
-	
<b>TXMAXP8</b>	
-	
<b>TXCSSL8</b>	
-	
<b>TXCSRH8</b>	
-	
<b>RXMAXP8</b>	
-	
<b>RXCSSL8</b>	
-	
<b>RXCSRH8</b>	
-	
<b>RXCOUNT8</b>	
-	
<b>TXTYPE8</b>	
-	
<b>TXINTERVAL8</b>	
-	
<b>RXTYPE8</b>	
-	
<b>RXINTERVAL8</b>	
-	
<b>TXMAXP9</b>	
-	
<b>TXCSSL9</b>	
-	
<b>TXCSRH9</b>	

**Table 22-71. USB Registers to Driverlib Functions (continued)**

File	Driverlib Function
-	
<b>RXMAXP9</b>	
-	
<b>RXCSRL9</b>	
-	
<b>RXCSRH9</b>	
-	
<b>RXCOUNT9</b>	
-	
<b>TXTYPE9</b>	
-	
<b>TXINTERVAL9</b>	
-	
<b>RXTYPE9</b>	
-	
<b>RXINTERVAL9</b>	
-	
<b>TXMAXP10</b>	
-	
<b>TXCSRL10</b>	
-	
<b>TXCSRH10</b>	
-	
<b>RXMAXP10</b>	
-	
<b>RXCSRL10</b>	
-	
<b>RXCSRH10</b>	
-	
<b>RXCOUNT10</b>	
-	
<b>TXTYPE10</b>	
-	
<b>TXINTERVAL10</b>	
-	
<b>RXTYPE10</b>	
-	
<b>RXINTERVAL10</b>	
-	
<b>TXMAXP11</b>	
-	
<b>TXCSRL11</b>	
-	
<b>TXCSRH11</b>	
-	



**Table 22-71. USB Registers to Driverlib Functions (continued)**

File	Driverlib Function
<b>RXMAXP11</b>	
-	
<b>RXCSRL11</b>	
-	
<b>RXCSRH11</b>	
-	
<b>RXCOUNT11</b>	
-	
<b>TXTYPE11</b>	
-	
<b>TXINTERVAL11</b>	
-	
<b>RXTYPE11</b>	
-	
<b>RXINTERVAL11</b>	
-	
<b>TXMAXP12</b>	
-	
<b>TXCSRL12</b>	
-	
<b>TXCSRH12</b>	
-	
<b>RXMAXP12</b>	
-	
<b>RXCSRL12</b>	
-	
<b>RXCSRH12</b>	
-	
<b>RXCOUNT12</b>	
-	
<b>TXTYPE12</b>	
-	
<b>TXINTERVAL12</b>	
-	
<b>RXTYPE12</b>	
-	
<b>RXINTERVAL12</b>	
-	
<b>TXMAXP13</b>	
-	
<b>TXCSRL13</b>	
-	
<b>TXCSRH13</b>	
-	
<b>RXMAXP13</b>	

**Table 22-71. USB Registers to Driverlib Functions (continued)**

File	Driverlib Function
-	
<b>RXCSRL13</b>	
-	
<b>RXCSRH13</b>	
-	
<b>RXCOUNT13</b>	
-	
<b>TXTYPE13</b>	
-	
<b>TXINTERVAL13</b>	
-	
<b>RXTYPE13</b>	
-	
<b>RXINTERVAL13</b>	
-	
<b>TXMAXP14</b>	
-	
<b>TXCSRL14</b>	
-	
<b>TXCSRH14</b>	
-	
<b>RXMAXP14</b>	
-	
<b>RXCSRL14</b>	
-	
<b>RXCSRH14</b>	
-	
<b>RXCOUNT14</b>	
-	
<b>TXTYPE14</b>	
-	
<b>TXINTERVAL14</b>	
-	
<b>RXTYPE14</b>	
-	
<b>RXINTERVAL14</b>	
-	
<b>TXMAXP15</b>	
-	
<b>TXCSRL15</b>	
-	
<b>TXCSRH15</b>	
-	
<b>RXMAXP15</b>	
-	

**Table 22-71. USB Registers to Driverlib Functions (continued)**

File	Driverlib Function
<b>RXCSSL15</b>	
-	
<b>RXCSRH15</b>	
-	
<b>RXCOUNT15</b>	
-	
<b>TXTYPE15</b>	
-	
<b>TXINTERVAL15</b>	
-	
<b>RXTYPE15</b>	
-	
<b>RXINTERVAL15</b>	
-	
<b>RQPKTCOUNT1</b>	
usb.c	USBEndpointPacketCountSet
<b>RQPKTCOUNT2</b>	
-	
<b>RQPKTCOUNT3</b>	
-	
<b>RQPKTCOUNT4</b>	
-	
<b>RQPKTCOUNT5</b>	
-	
<b>RQPKTCOUNT6</b>	
-	
<b>RQPKTCOUNT7</b>	
-	
<b>RQPKTCOUNT8</b>	
-	
<b>RQPKTCOUNT9</b>	
-	
<b>RQPKTCOUNT10</b>	
-	
<b>RQPKTCOUNT11</b>	
-	
<b>RQPKTCOUNT12</b>	
-	
<b>RQPKTCOUNT13</b>	
-	
<b>RQPKTCOUNT14</b>	
-	
<b>RQPKTCOUNT15</b>	
-	
<b>RXDPKTBUFDIS</b>	

**Table 22-71. USB Registers to Driverlib Functions (continued)**

File	Driverlib Function
-	
<b>TXDPKTBUFDIS</b>	
-	
<b>EPC</b>	
usb.c	USBIntDisableControl
usb.c	USBIntEnableControl
usb.c	USBIntStatus
usb.c	USBIntStatusControl
usb.c	USBHostPwrConfig
usb.c	USBHostPwrFaultEnable
usb.c	USBHostPwrFaultDisable
usb.c	USBHostPwrEnable
usb.c	USBHostPwrDisable
<b>EPCRIS</b>	
-	
<b>EPCIM</b>	
usb.c	USBIntDisableControl
usb.c	USBIntEnableControl
<b>EPCISC</b>	
usb.c	USBIntStatus
usb.c	USBIntStatusControl
<b>DRRIS</b>	
-	
<b>DRIM</b>	
-	
<b>DRISC</b>	
-	
<b>GPCS</b>	
usb.c	USBHostMode
usb.c	USBDevMode
usb.c	USBOTGMode
<b>VDC</b>	
usb.c	USBHostPwrConfig
<b>VDCRIS</b>	
-	
<b>VDCIM</b>	
-	
<b>VDCISC</b>	
-	
<b>IDVRIS</b>	
-	
<b>IDVIM</b>	
usb.c	USBIntDisableControl
usb.c	USBIntEnableControl
<b>IDVISC</b>	

**Table 22-71. USB Registers to Driverlib Functions (continued)**

File	Driverlib Function
usb.c	USBIntStatus
usb.c	USBIntStatusControl
<b>DMASEL</b>	
usb.c	USBEndpointDMAChannel
<b>PP</b>	
-	

This page intentionally left blank.

Chapter 23  
**External Memory Interface (EMIF)**

---



This chapter describes the external memory interface (EMIF).

Further information can be found in the following documents:

[Accessing External SDRAM on the TMS320F2837x/2807x Microcontrollers Using C/C++ Application Report](#)

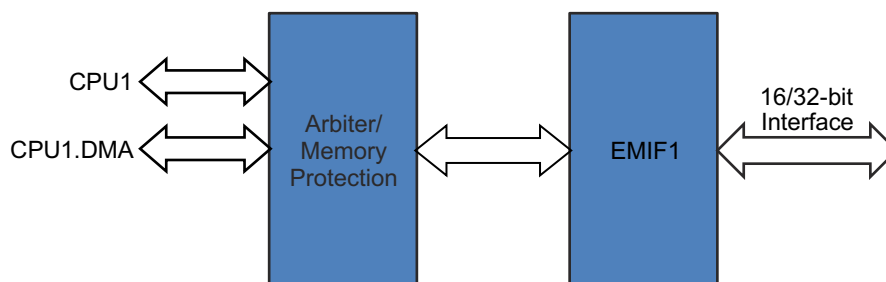
[Design and Usage Guidelines for the C2000™ External Memory Interface \(EMIF\) Application Report](#)

<b>23.1 Introduction</b> .....	<b>2608</b>
<b>23.2 EMIF Module Architecture</b> .....	<b>2611</b>
<b>23.3 Example Configuration</b> .....	<b>2641</b>
<b>23.4 EMIF Registers</b> .....	<b>2649</b>

## 23.1 Introduction

This device supports one EMIF module — EMIF1, as shown in [Figure 23-1](#).

[Table 23-1](#) gives the configuration for the EMIF module.



**Figure 23-1. EMIF Module Overview**

**Table 23-1. Configuration for the EMIF1 Module**

	EMIF1
Maximum Data Width	32
Maximum Address Width	22 (Some of EMIF1 pins are muxed with each other. Refer to <a href="#">Section 23.2.11</a> for usage)
SDRAM CSx Support	1 (CS0)
ASRAM CSx Support	3 (CS2/CS3/CS4)

### Note

Subsequent sections in this chapter provide the details on the generic EMIF module. Unless otherwise specified, pin names are used from EMIF1 to define the functionality.

### 23.1.1 Purpose of the Peripheral

This EMIF memory controller is compliant with the JESD21-C SDR SDRAM memories utilizing a 32-bit/16-bit data bus. The purpose of this EMIF is to provide a means for the CPU to connect to a variety of external devices including:

- Single data rate (SDR) SDRAM
- Asynchronous devices including NOR Flash and SRAM

A common use for the EMIF is to interface with both a Flash device and an SDRAM device simultaneously. [Section 23.3](#) contains an example of operating the EMIF in this configuration.

### 23.1.2 EMIF Related Collateral

#### Foundational Materials

- [C2000 Academy - EMIF](#)

#### Getting Started Materials

- [Design and Usage Guidelines for the C2000 External Memory Interface \(EMIF\) Application Report](#)

#### Expert Materials

- [Accessing External SDRAM on the TMS320F2837x/2807x Microcontrollers Using C/C++ Application Report](#)
  - In addition to the devices in the title, this material also applies to other devices with EMIF.



### 23.1.3 Features

The EMIF controller includes many features to enhance the ease and flexibility of connecting to the external SDR SDRAM and asynchronous devices.

#### 23.1.3.1 Asynchronous Memory Support

The EMIF controller supports asynchronous:

- SRAM memories
- NOR Flash memories

There is an external wait input that allows slower asynchronous memories to extend the memory access. The EMIF module supports more than one chip select (enable). Each chip select has the following individually programmable attributes:

- Data bus width
- Read cycle timings: setup, hold, strobe
- Write cycle timings: setup, hold, strobe
- Bus turnaround time
- Extended wait option with programmable timeout
- Select strobe option

#### 23.1.3.2 Synchronous DRAM Memory Support

The EMIF module supports 16-bit/32-bit SDRAM in addition to the asynchronous memories listed in [Section 23.1.3.1](#). The EMIF module has a single SDRAM chip select. SDRAM configurations that are supported are:

- One, two and four bank SDRAM devices
- Devices with eight, nine, ten, and eleven column address
- CAS latency of two or three clock cycles
- 16-bit/32-bit data bus width
- 3.3V LVCMOS interface

Additionally, the EMIF supports placing the SDRAM in self-refresh and power-down modes. The self-refresh mode allows the SDRAM to be put in a low-power state while still retaining memory contents, since the SDRAM continues to refresh itself even without clocks from the microcontroller. The power-down mode achieves even lower power, except the microcontroller must periodically wake up and issue refreshes if data retention is required.

Note that the EMIF module does not support mobile SDRAM devices.

### 23.1.4 Functional Block Diagram

Figure 23-2 shows the connections between the EMIF and the internal requesters, along with the external EMIF pins. Section 23.2.2 contains a description of the entities internal to the MCU that can send requests to the EMIF, along with their prioritization. Section 23.2.3 describes the EMIF external pins and summarizes their purpose when interfacing with the SDRAM and asynchronous devices.

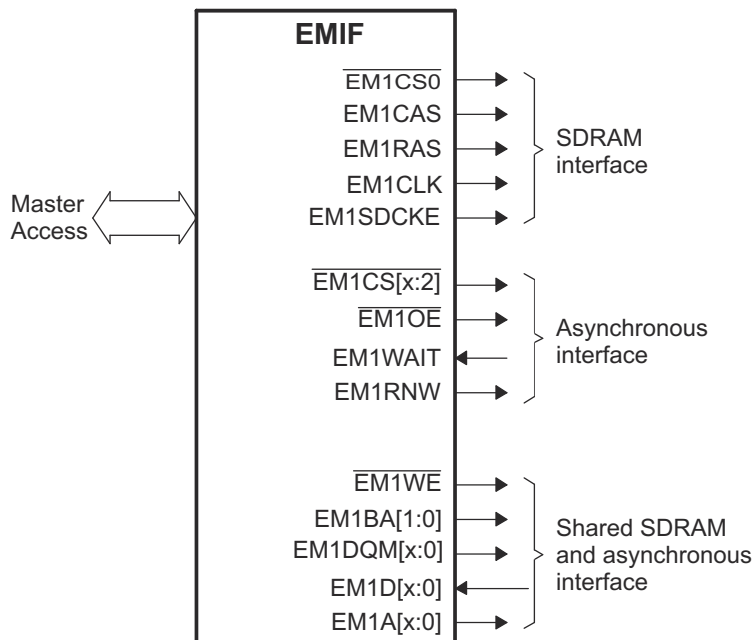


Figure 23-2. EMIF Functional Block Diagram

### 23.1.5 Configuring Device Pins

The GPIO mux registers must be configured to connect this peripheral to the device pins. To avoid glitches on the pins, the GPyGMUX bits must be configured first (while keeping the corresponding GPyMUX bits at the default of zero), followed by writing the GPyMUX register to the desired value.

Some IO functionality is defined by GPIO register settings independent of this peripheral. For input signals, the GPIO input qualification must be set to asynchronous mode by setting the appropriate GPxQSELn register bits to 11b. The internal pullups can be configured in the GPyPUD register.

See the *General-Purpose Input/Output (GPIO)* chapter for more details on GPIO mux and settings.

## 23.2 EMIF Module Architecture

This section provides details about the architecture and operation of the EMIF. Both the SDRAM and asynchronous interface are covered, along with other system-related configurations such as clock control.

### 23.2.1 EMIF Clock Control

The EMIF clock is output on the EM1CLK pin and must be used when interfacing to external SDRAM devices. The EMIF module gets the PLLSYSCLK clock domain as the input. The user can choose to run the EMIF at PLLSYSCLK/1 or PLLSYSCLK/2 clock frequency by configuring the EMIF1CLKDIV field in the PERCLKDIVSEL register in the *Clock Control* module.

### 23.2.2 EMIF Requests

Different sources within the MCU can make requests to the EMIF. These requests consist of accesses to the SDRAM memory, the asynchronous memory, and the EMIF registers. The EMIF can process only one request at a time. Therefore, a high performance master arbitration block exists within the MCU to provide prioritized requests from the different sources to the EMIF. The sources are:

- CPU1
- CPU1.DMA

If a request is submitted from two or more sources simultaneously, the crossbar switch forwards the highest priority request to the EMIF first. Upon completion of a request, the master arbitration block again evaluates the pending requests and forwards the highest priority pending request to the EMIF.

The master arbitration block always allows RD access from any of the masters. But for WR access (or execute access), the master arbitration block only allows access of masters from a CPU subsystem that takes master ownership of the EMIF module based on the configuration in the EMIF1MSEL register in the *Memory Controller* module.

When the EMIF receives a request, the request can or cannot be immediately processed. In some cases, the EMIF performs one or more auto-refresh cycles before processing the request. For details on the EMIF internal arbitration between performing requests and performing auto-refresh cycles, see [Section 23.2.13](#).

### 23.2.3 EMIF Signal Descriptions

This section describes the function of each of the EMIF signals.

**Table 23-2. EMIF Pins Used to Access Both SDRAM and Asynchronous Memories**

Pins	I/O	Description
EM1D[x:0]	I/O	<b>EMIF data bus.</b>
EM1A[x:0]	O	<b>EMIF address bus.</b> When interfacing to an SDRAM device, these pins are primarily used to provide the row and column address to the SDRAM. The mapping from the internal program address to the external values placed on these pins is found in <a href="#">Table 23-14</a> . EM1A[10] is also used during the PRE command to select which banks to deactivate. When interfacing to an asynchronous device, these pins are used in conjunction with the EM1BA pins to form the address that is sent to the device. The mapping from the internal program address to the external values placed on these pins is found in <a href="#">Section 23.2.6.1</a> .
EM1BA[1:0]	O	<b>EMIF bank address.</b> When interfacing to an SDRAM device, these pins are used to provide the bank address inputs to the SDRAM. The mapping from the internal program address to the external values placed on these pins is found in <a href="#">Table 23-14</a> . When interfacing to an asynchronous device, these pins are used in conjunction with the EM1A pins to form the address that is sent to the device. The mapping from the internal program address to the external values placed on these pins is found in <a href="#">Section 23.2.6.1</a> .
EM1DQM[x:0]	O	<b>Active-low byte enables.</b> When interfacing to SDRAM, these pins are connected to the DQM pins of the SDRAM to individually enable/disable each of the bytes in a data access. When interfacing to an asynchronous device, these pins are connected to byte enables. See <a href="#">Section 23.2.6</a> for details.
EM1WE	O	<b>Active-low write enable.</b> When interfacing to SDRAM, this pin is connected to the nWE pin of the SDRAM and is used to send commands to the device. When interfacing to an asynchronous device, this pin provides a signal which is active-low during the strobe period of an asynchronous write access cycle.

**Table 23-3. EMIF Pins Specific to SDRAM**

Pins	I/O	Description
EM1CS0	O	<b>Active-low chip enable pin for SDRAM devices.</b> This pin is connected to the chip-select pin of the attached SDRAM device and is used for enabling/disabling commands. By default, EMIF keeps this SDRAM chip select active, even if EMIF is not interfaced with an SDRAM device. This pin is deactivated when accessing the asynchronous memory bank and is reactivated on completion of the asynchronous access.
EM1RAS	O	<b>Active-low row address strobe pin.</b> This pin is connected to the nRAS pin of the attached SDRAM device and is used for sending commands to the device.
EM1CAS	O	<b>Active-low column address strobe pin.</b> This pin is connected to the nCAS pin of the attached SDRAM device and is used for sending commands to the device.
EM1SDCKE	O	<b>Clock enable pin.</b> This pin is connected to the CKE pin of the attached SDRAM device and is used for issuing the SELF REFRESH command which places the device in self-refresh mode. See <a href="#">Section 23.2.5.7</a> for details.
EM1CLK	O	<b>SDRAM clock pin.</b> This pin is connected to the CLK pin of the attached SDRAM device. See <a href="#">Section 23.2.1</a> for details on the clock signal.

**Table 23-4. EMIF Pins Specific to Asynchronous Memory**

Pins	I/O	Description
EM1CS[4:2]	O	<b>Active-low chip enable pins for asynchronous devices.</b> These pins are meant to be connected to the chip-select pins of the attached asynchronous device. These pins are active only during accesses to the asynchronous memory.
EM1OE	O	<b>Active-low pin enable for asynchronous devices.</b> This pin provides a signal which is active-low during the strobe period of an asynchronous read access cycle.
EM1RNW	O	<b>EMIF asynchronous read/write control.</b> This pin stays high during reads and stays low during writes (same duration as CS).

### 23.2.4 EMIF Signal Multiplexing Control

Several EMIF signals are multiplexed with other functions on this microcontroller. Refer to the multiplexing section of the *General-Purpose Input/Output (GPIO)* chapter for more information on how to enable the output of these EMIF signals.

### 23.2.5 SDRAM Controller and Interface

The EMIF controller provides a glueless interface to most standard SDR SDRAM devices and supports features like self-refresh mode and prioritized refresh. In addition, it provides flexibility through programmable parameters such as the refresh rate, CAS latency, and many SDRAM timing parameters. The following sections include details on how to interface and properly configure the EMIF to perform read and write operations to externally connected SDR SDRAM devices. Also, [Section 23.3](#) provides a detailed example of interfacing the EMIF to a common SDRAM device.

#### 23.2.5.1 SDRAM Commands

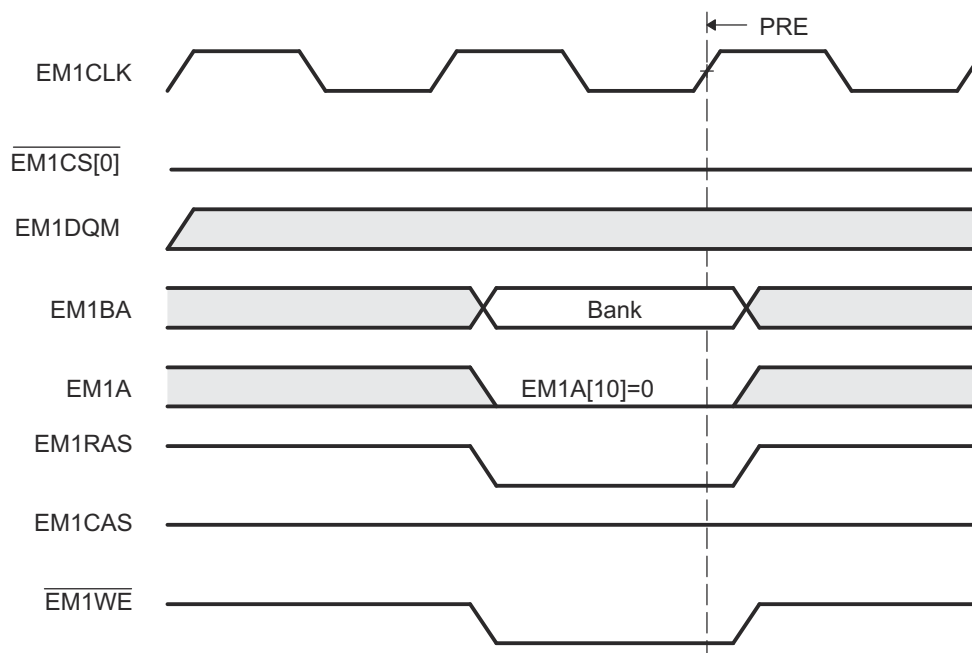
The EMIF controller supports the SDRAM commands described in [Table 23-5](#). [Table 23-6](#) shows the truth table for the SDRAM commands, and an example timing waveform of the PRE command is shown in [Figure 23-3](#). EM1A[10] is pulled low in this example to deactivate only the bank specified by the EM1BA pins.

**Table 23-5. EMIF SDRAM Commands**

Command	Function
PRE	<b>Precharge.</b> Depending on the value of EM1A[10], the PRE command either deactivates the open row in all banks (EM1A[10] = 1) or only the bank specified by the EM1BA[1:0] pins (EM1A[10] = 0).
ACTV	<b>Activate.</b> The ACTV command activates the selected row in a particular bank for the current access.
READ	<b>Read.</b> The READ command outputs the starting column address and signals the SDRAM to begin the burst read operation. Address EM1A[10] is always pulled low to avoid auto precharge. This allows for better bank interleaving performance.
WRT	<b>Write.</b> The WRT command outputs the starting column address and signals the SDRAM to begin the burst write operation. Address EM1A[10] is always pulled low to avoid auto precharge. This allows for better bank interleaving performance.
BT	<b>Burst terminate.</b> The BT command is used to truncate the current read or write burst request. On this device, all the SDRAM accesses are single access except when EMIF controller splits a single access into multiple access (for example, a 32-bit access from CPU is split into two 16-bit accesses if external SDRAM device is 16 bit (NM = 1)).
LMR	<b>Load mode register.</b> The LMR command sets the mode register of the attached SDRAM devices and is only issued during the SDRAM initialization sequence described in <a href="#">Section 23.2.5.4</a> .
REFR	<b>Auto refresh.</b> The REFR command signals the SDRAM to perform an auto refresh according to the internal address.
SLFR	<b>Self refresh.</b> The self-refresh command places the SDRAM into self-refresh mode, during which the SDRAM provides a clock signal and auto refresh cycles.
NOP	<b>No operation.</b> The NOP command is issued during all cycles in which one of the above commands is not issued.

**Table 23-6. Truth Table for SDRAM Commands**

SDRAM Pins:	CKE	nCS	nRAS	nCAS	nWE	BA[1:0]	A[12:11]	A[10]	A[9:0]
EMIF Pins:	EM1SDCKE	$\overline{\text{EM1CS}}[0]$	EM1RAS	EM1CAS	$\overline{\text{EM1WE}}$	EM1BA[1:0]	EM1A[12:11]	EM1A[10]	EM1A[9:0]
PRE	H	L	L	H	L	Bank/X	X	L/H	X
ACTV	H	L	L	H	H	Bank	Row	Row	Row
READ	H	L	H	L	H	Bank	Column	L	Column
WRT	H	L	H	L	L	Bank	Column	L	Column
BT	H	L	H	H	L	X	X	X	X
LMR	H	L	L	L	L	X	Mode	Mode	Mode
REFR	H	L	L	L	H	X	X	X	X
SLFR	L	L	L	L	H	X	X	X	X
NOP	H	L	H	H	H	X	X	X	X


**Figure 23-3. Timing Waveform of SDRAM PRE Command**

### 23.2.5.2 Interfacing to SDRAM

The EMIF supports a glueless interface to SDRAM devices with the following characteristics:

- Pre-charge bit is A[10]
- The number of column address bits is 8, 9, 10, or 11.
- The number of row address bits is 13, 14, 15, or 16.
- The number of internal banks is 1, 2, or 4.

Figure 23-4 shows an interface between the EMIF and a 2M × 16 × 4 bank SDRAM device, and Figure 23-5 shows an interface between the EMIF and a 512K × 16 × 2 bank SDRAM device. For devices supporting 16-bit interface, refer to Table 23-7 for list of commonly-supported SDRAM devices and the required connections for the address pins.

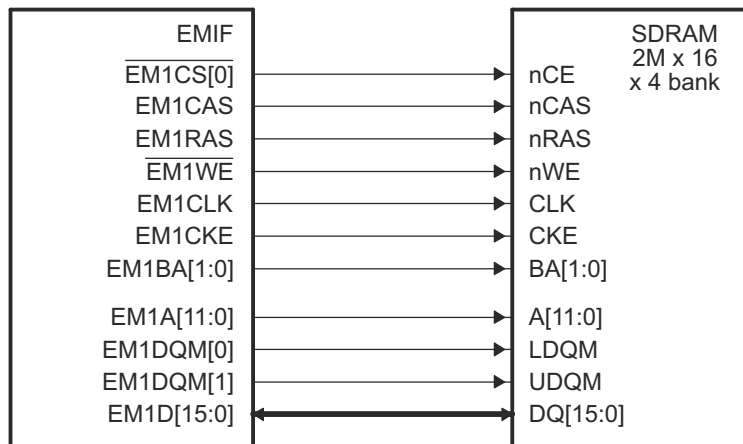


Figure 23-4. EMIF to 2M × 16 × 4 Bank SDRAM Interface

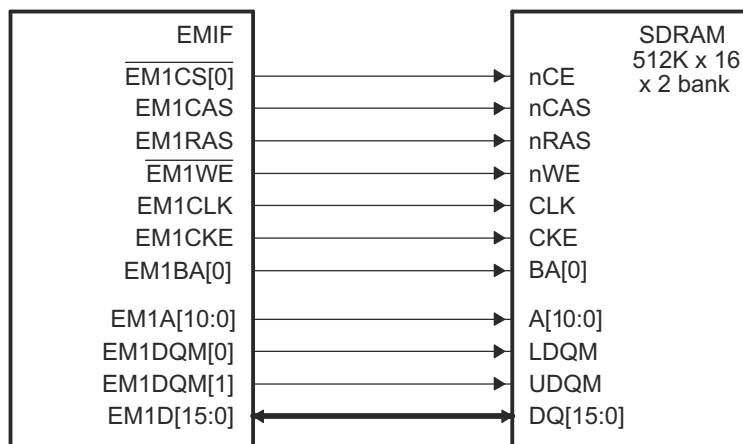


Figure 23-5. EMIF to 512K × 16 × 2 Bank SDRAM Interface

**Table 23-7. 16-bit EMIF Address Pin Connections**

SDRAM Size	Width	Banks	Device	Address Pins
16M bits	×16	2	SDRAM	A[10:0]
			EMIF	EM1A[10:0]
64M bits	×16	4	SDRAM	A[11:0]
			EMIF	EM1A[11:0]
128M bits	×16	4	SDRAM	A[11:0]
			EMIF	EM1A[11:0]
256M bits	×16	4	SDRAM	A[12:0]
			EMIF	EM1A[12:0]
512M bits	×16	4	SDRAM	A[12:0]
			EMIF	EM1A[12:0]

### 23.2.5.3 SDRAM Configuration Registers

The operation of the EMIF SDRAM interface is controlled by programming the appropriate configuration registers. This section describes the purpose and function of each configuration register, but [Section 23.4](#) can be referred to for a more detailed description of each register, including the default registers values and bit-field positions. The following tables list the four such configuration registers, along with a description of each of their programmable fields.

#### Note

Writing to any of the fields: NM, CL, IBANK, and PAGESIZE in the SDRAM configuration register (SDRAM\_CR) causes the EMIF to abandon whatever the EMIF is currently doing and trigger the SDRAM initialization procedure described in [Section 23.2.5.4](#).



**Table 23-8. Description of the SDRAM Configuration Register (SDRAM\_CR)**

Parameter	Description
SR	This bit controls entering and exiting of the self-refresh mode
PD	This bit controls entering and exiting of the power-down mode. If both SR and PD bits are set, the EMIF goes into self-refresh mode.
PDWR	Perform refreshes during power down. Writing a 1 to this bit causes the EMIF to exit the power-down state and issue an AUTO REFRESH command every time Refresh May level is set. This bit must be set along with PD when entering power-down mode.
NM	<b>Narrow Mode.</b> This bit defines the width of the data bus between the EMIF and the attached SDRAM device. When set to 1, the data bus is set to 16-bits. When set to 0, the data bus is set to 32-bits.
CL	<b>CAS latency.</b> This field defines the number of clock cycles between when an SDRAM issues a READ command and when the first piece of data appears on the bus. The value in this field is sent to the attached SDRAM device using the LOAD MODE REGISTER command during the SDRAM initialization procedure as described in <a href="#">Section 23.2.5.4</a> . Only, values of 2h (CAS latency = 2) and 3h (CAS latency = 3) are supported and must be written to this field. While updating the CL field, BIT11_9LOCK bit field must be set to 1 simultaneously.
IBANK	<p><b>Number of Internal SDRAM Banks.</b> This field defines the number of banks inside the attached SDRAM devices in the following way:</p> <ul style="list-style-type: none"> <li>• When IBANK = 0, 1 internal bank is used</li> <li>• When IBANK = 1h, 2 internal banks are used</li> <li>• When IBANK = 2h, 4 internal banks are used</li> </ul> <p>This field value affects the mapping of logical addresses to the SDRAM row, column, and bank addresses. See <a href="#">Section 23.2.5.11</a> for details.</p>
PAGESIZE	<p><b>Page Size.</b> This field defines the internal page size of the attached SDRAM devices in the following way:</p> <ul style="list-style-type: none"> <li>• When PAGESIZE = 0, 256-word pages are used</li> <li>• When PAGESIZE = 1h, 512-word pages are used</li> <li>• When PAGESIZE = 2h, 1024-word pages are used</li> <li>• When PAGESIZE = 3h, 2048-word pages are used</li> </ul> <p>This field value affects the mapping of logical addresses to the SDRAM row, column, and bank addresses. See <a href="#">Section 23.2.5.11</a> for details.</p>

**Table 23-9. Description of the SDRAM Refresh Control Register (SDRAM\_RCR)**

Parameter	Description
RR	<p><b>Refresh Rate.</b> This field controls the rate at which attached SDRAM devices are refreshed. The following equation can be used to determine the required value of RR for an SDRAM device:</p> <ul style="list-style-type: none"> <li>• <math>RR = f_{EM1CLK} / (\text{Required SDRAM Refresh Rate})</math></li> </ul> <p>More information about the operation of the SDRAM refresh controller is found in <a href="#">Section 23.2.5.6</a>.</p>

**Table 23-10. Description of the SDRAM Timing Register (SDRAM\_TR)**

Parameter	Description
T_RFC	<b>SDRAM Timing Parameters.</b> These fields configure the EMIF to comply with the AC timing requirements of the attached SDRAM devices. This allows the EMIF to avoid violating SDRAM timing constraints and to more efficiently schedule operations. More details about each of these parameters can be found in the SDRAM_TR register description. These parameters must be set to satisfy the corresponding timing requirements found in the SDRAM data sheet.
T_RP	
T_RCD	
T_WR	
T_RAS	
T_RC	
T_RRD	

**Table 23-11. Description of the SDRAM Self Refresh Exit Timing Register (SDR\_EXT\_TMNG)**

Parameter	Description
T_XS	<b>Self Refresh Exit Parameter.</b> The T_XS field of this register informs the EMIF about the minimum number of EM1CLK cycles required between exiting self-refresh and issuing any command. This parameter must be set to satisfy the $t_{XSR}$ value for the attached SDRAM device.

### 23.2.5.4 SDRAM Auto-Initialization Sequence

The EMIF automatically performs an SDRAM initialization sequence, regardless of whether the EMIF is interfaced to an SDRAM device, when either of the following two events occur:

- The EMIF comes out of reset. No memory accesses to the SDRAM and asynchronous interfaces are performed until this auto-initialization is complete.
- A write is performed to any of the three least-significant bytes of the SDRAM configuration register (SDRAM\_CR)

An SDRAM initialization sequence consists of the following steps:

1. If the initialization sequence is activated by a write to SDRAM\_CR, and if any of the SDRAM banks are open, the EMIF issues a PRE command with EM1A[10] held high to indicate all banks. This is done so that the maximum ACTV to PRE timing for an SDRAM is not violated.
2. The EMIF drives EM1SDCKE high and begins continuously issuing NOP commands until eight SDRAM refresh intervals have elapsed. An SDRAM refresh interval is equal to the value of the RR field of the SDRAM refresh control register (SDRAM\_RCR), divided by the frequency of EM1CLK ( $RR/f_{EM1CLK}$ ). This step is used to avoid violating the power-up constraint of most SDRAM devices that requires 200  $\mu$ s (sometimes 100  $\mu$ s) between receiving stable Vdd and CLK and the issuing of a PRE command. Depending on the frequency of EM1CLK, this step can or cannot be sufficient to avoid violating the SDRAM constraint. See [Section 23.2.5.5](#) for more information.
3. After the refresh intervals have elapsed, the EMIF issues a PRE command with EM1A[10] held high to indicate all banks.
4. The EMIF issues eight AUTO REFRESH commands.
5. The EMIF issues the LMR command with the EM1A[9:0] pins set as described in [Table 23-12](#).
6. Finally, the EMIF performs a refresh cycle, which consists of the following steps:
  - a. Issuing a PRE command with EM1A[10] held high if any banks are open
  - b. Issuing an REF command

**Table 23-12. SDRAM LOAD MODE REGISTER Command**

EM1A[9:7]	EM1A[6:4]	EM1A[3]	EM1A[2:0]
0 (Write bursts are of the programmed burst length in EM1A[2:0])	These bits control the CAS latency of the SDRAM and are set according to CL field in the SDRAM configuration register (SDRAM_CR) as follows: <ul style="list-style-type: none"> <li>• If CL = 2, EM1A[6:4] = 2h (CAS latency = 2)</li> <li>• If CL = 3, EM1A[6:4] = 3h (CAS latency = 3)</li> </ul>	0 (Sequential Burst Type. Interleaved Burst Type not supported)	These bits control the burst length of the SDRAM and are set according to the NM field in the SDRAM configuration register (SDRAM_CR) as follows: <ul style="list-style-type: none"> <li>• If NM = 0, EM1A[2:0] = 2h (Burst Length = 4)</li> <li>• If NM = 1, EM1A[2:0] = 3h (Burst Length = 8)</li> </ul>

### 23.2.5.5 SDRAM Configuration Procedure

There are two different SDRAM configuration procedures. Although the EMIF automatically performs the SDRAM initialization sequence described in [Section 23.2.5.4](#) when coming out of reset, it is recommended to follow one of the procedures before performing any EMIF memory requests.

Procedure A must be followed if the SDRAM power-up constraint was not violated during the SDRAM auto-initialization sequence detailed in [Section 23.2.5.4](#) on coming out of Reset. The SDRAM power-up constraint specifies that 200  $\mu$ s (sometimes 100  $\mu$ s) must exist between receiving stable Vdd and CLK and the issuing of a PRE command.

Procedure B must be followed if the SDRAM power-up constraint was violated. The 200  $\mu$ s (100  $\mu$ s) SDRAM power-up constraint is violated, if the frequency of EM1CLK is greater than 50 MHz (100 MHz for 100  $\mu$ s SDRAM power-up constraint) during SDRAM Auto-Initialization Sequence. Procedure B must be followed if there is any doubt that the power-up constraint was not met.

**Procedure A** — Following is the procedure to be followed if the SDRAM power-up constraint was NOT violated:

1. Place the SDRAM into self-refresh mode by setting the SR bit of SDRAM\_CR to 1. The SDRAM can be placed into self-refresh mode when changing the frequency of the EM1CLK to avoid incurring the 200  $\mu$ s power-up constraint again.
2. Configure the desired EMIF1 clock (EM1CLK) frequency. The frequency of the memory clock must meet the timing requirements in the SDRAM manufacturer's documentation and the timing limitations shown in the electrical specifications of the device data manual.
3. Remove the SDRAM from self-refresh mode by clearing the SR bit of the SDRAM\_CR to 0.
4. Program SDRAM\_TR and SDR\_EXT\_TMNG to satisfy the timing requirements for the attached SDRAM device. The timing parameters must be taken from the SDRAM data sheet.
5. Program the RR field of SDRAM\_RCR to match that of the attached device's refresh interval. See [Section 23.2.5.6.1](#) details on determining the appropriate value.
6. Program the SDRAM\_CR to match the characteristics of the attached SDRAM device. This causes the auto-initialization sequence in [Section 23.2.5.4](#) to be re-run. This second initialization generally takes much less time due to the increased frequency of EM1CLK.

**Procedure B** — Following is the procedure to be followed if the SDRAM power-up constraint was violated:

1. Configure the desired EM1CLK clock frequency. The frequency of the memory clock must meet the timing requirements in the SDRAM manufacturer's documentation and the timing limitations shown in the electrical specifications of the device data manual.
2. Program SDRAM\_TR and SDR\_EXT\_TMNG to satisfy the timing requirements for the attached SDRAM device. The timing parameters must be taken from the SDRAM data sheet.
3. Program the RR field of the SDRAM\_RCR such that the following equation is satisfied:  $(RR \times 8) / (f_{EM1CLK}) > 200 \mu\text{s}$  (sometimes 100  $\mu$ s). For example, an EM1CLK frequency of 100 MHz requires setting RR to 2501 (9C5h) or higher to meet a 200  $\mu$ s constraint.
4. Program the SDRAM\_CR to match the characteristics of the attached SDRAM device. This causes the auto-initialization sequence in [Section 23.2.5.4](#) to be re-run with the new value of RR.
5. Perform a read from the SDRAM to make sure that step 5 of this procedure occurs after the initialization process has completed. Alternatively, wait for 200  $\mu$ s instead of performing a read.
6. Finally, program the RR field to match that of the attached device's refresh interval. See [Section 23.2.5.6.1](#) details on determining the appropriate value.

After following the above procedure, the EMIF is ready to perform accesses to the attached SDRAM device.

### 23.2.5.6 EMIF Refresh Controller

An SDRAM device requires that each of the rows be refreshed at a minimum required rate. The EMIF can meet this constraint by performing auto refresh cycles at or above this required rate. An auto-refresh cycle consists of issuing a PRE command to all banks of the SDRAM device followed by issuing a REFR command. To inform the EMIF of the required rate for performing auto refresh cycles, the RR field of the SDRAM refresh control register (SDRAM\_RCR) must be programmed. The EMIF uses this value along with two internal counters to automatically perform auto refresh cycles at the required rate. The auto-refresh cycles cannot be disabled, even if the EMIF is not interfaced with an SDRAM. The remainder of this section details the EMIF's refresh scheme and provides an example for determining the appropriate value to place in the RR field of the SDRAM\_RCR.

The two counters used to perform auto-refresh cycles are a 13-bit refresh interval counter and a 4-bit refresh backlog counter. At reset and upon writing to the RR field, the refresh interval counter is loaded with the value from RR field and begins decrementing, by one, each EMIF clock cycle. When the refresh interval counter reaches zero, the following actions occur:

- The refresh interval counter is reloaded with the value from the RR field and restarts decrementing.
- The 4-bit refresh backlog counter increments unless the counter has already reached the maximum value.

The refresh backlog counter records the number of auto refresh cycles that the EMIF currently has outstanding. This counter is decremented by one each time an auto refresh cycle is performed and incremented by one each time the refresh interval counter expires. The refresh backlog counter saturates at the values of 0000b and 1111b. The EMIF uses the refresh backlog counter to determine the urgency with which an auto refresh cycle must be performed. The four levels of urgency are described in [Table 23-13](#). This refresh scheme allows the required refreshes to be performed with minimal impact on access requests.

**Table 23-13. Refresh Urgency Levels**

Urgency Level	Refresh Backlog Counter Range	Action Taken
Refresh May	1-3	An auto-refresh cycle is performed only if the EMIF has no requests pending and none of the SDRAM banks are open.
Refresh Release	4-7	An auto-refresh cycle is performed if the EMIF has no requests pending, regardless of whether any SDRAM banks are open.
Refresh Need	8-11	An auto-refresh cycle is performed at the completion of the current access unless there are read requests pending.
Refresh Must	12-15	Multiple auto-refresh cycles are performed at the completion of the current access until the Refresh Release urgency level is reached. At that point, the EMIF can begin servicing any new read or write requests.

### 23.2.5.6.1 Determining the Appropriate Value for the RR Field

The value that must be programmed into the RR field of the SDRAM\_RCR must can be calculated by using the frequency of the EM1CLK signal ( $f_{EM1CLK}$ ) and the required refresh rate of the SDRAM ( $f_{Refresh}$ ). The following formula can be used:

$$RR = f_{EM1CLK} / f_{Refresh}$$

The SDRAM data sheet often communicates the required SDRAM Refresh Rate in terms of the number of REFR commands required in a given time interval. The required SDRAM Refresh Rate in the formula above can therefore be calculated by dividing the number of required cycles per time interval ( $n_{cycles}$ ) by the time interval given in the data manual ( $t_{Refresh\ Period}$ ):

$$f_{Refresh} = n_{cycles} / t_{Refresh\ Period}$$

Combining these formulas, the value that must be programmed into the RR field can be computed as:

$$RR = f_{EM1CLK} \times t_{Refresh\ Period} / n_{cycles}$$

The following example illustrates calculating the value of RR. Given that:

- $f_{EM1CLK} = 100\text{ MHz}$  (frequency of EMIF clock)
- $t_{Refresh\ Period} = 64\text{ ms}$  (required refresh interval of the SDRAM)
- $n_{cycles} = 8192$  (number of cycles in a refresh interval for the SDRAM)

RR can be calculated as:

$$RR = 100\text{ MHz} \times 64\text{ ms} / 8192$$

$$RR = 781.25$$

$$RR = 782\text{ cycles} = 30Eh\text{ cycles}$$

### 23.2.5.7 Self-Refresh Mode

The EMIF can be programmed to enter the self-refresh state by setting the SR bit of SDRAM\_CR to 1. This causes the EMIF to issue the SLFR command after completing any outstanding SDRAM access requests and clearing the refresh backlog counter by performing one or more auto refresh cycles. This places the attached SDRAM device into self-refresh mode in which the EMIF consumes a minimal amount of power while performing the refresh cycles.

While in the self-refresh state, the EMIF continues to service asynchronous bank requests and register accesses as normal, with one caveat. The EMIF does not park the data bus following a read to asynchronous memory while in the self-refresh state. Instead, the EMIF tri-states the data bus. Therefore, it is not recommended to perform asynchronous read operations while the EMIF is in the self-refresh state to prevent floating inputs on the data bus. More information about data bus parking can be found in [Section 23.2.7](#).

The EMIF exits from the self-refresh state, if either of the following events occur:

- The SR bit of SDRAM\_CR is cleared to 0.
- An SDRAM accesses is requested.

The EMIF exits from the self-refresh state by driving EM1SDCKE high and performing an auto refresh cycle.

The attached SDRAM device must also be placed into self-refresh mode when changing the frequency of EM1CLK. If the frequency of EM1CLK changes while the SDRAM is not in self-refresh mode, Procedure B in [Section 23.2.5.5](#) must be followed to reinitialize the device.

### 23.2.5.8 Power-Down Mode

To support low-power modes, the EMIF can be requested to issue a POWER DOWN command to the SDRAM by setting the PD bit in the SDRAM configuration register (SDRAM\_CR). When this bit is set, the EMIF continues normal operation until all outstanding memory access requests have been serviced and the SDRAM refresh backlog (if there is one) has been cleared. At this point, the EMIF enters the power-down state. Upon entering this state, the EMIF issues a POWER DOWN command (same as a NOP command but driving the EM1SDCKE low on the same cycle). The EMIF then maintains the EM1SDCKE low until the EMIF exits the power-down state.

Since the EMIF services the refresh backlog before the EMIF enters the power-down state, all internal banks of the SDRAM are closed (precharged) prior to issuing the POWER DOWN command. Therefore, the EMIF only supports precharge power-down. The EMIF does not support active power-down, where internal banks of the SDRAM are open (active) before the POWER DOWN command is issued.

During the power-down state, the EMIF services the SDRAM, asynchronous memory, and register accesses as normal, returning to the power-down state upon completion.

The PDWR bit in the SDRAM\_CR indicates whether the EMIF must perform refreshes in power-down state. If the PDWR bit is set, the EMIF exits the power-down state every time the Refresh Must level is set, performs AUTO REFRESH commands to the SDRAM, and returns back to the power-down state. This evenly distributes the refreshes to the SDRAM in power-down state. If the PDWR bit is not set, the EMIF does not perform any refreshes to the SDRAM. Therefore, the data integrity of the SDRAM is not maintained upon power-down exit, if the PDWR bit is not set.

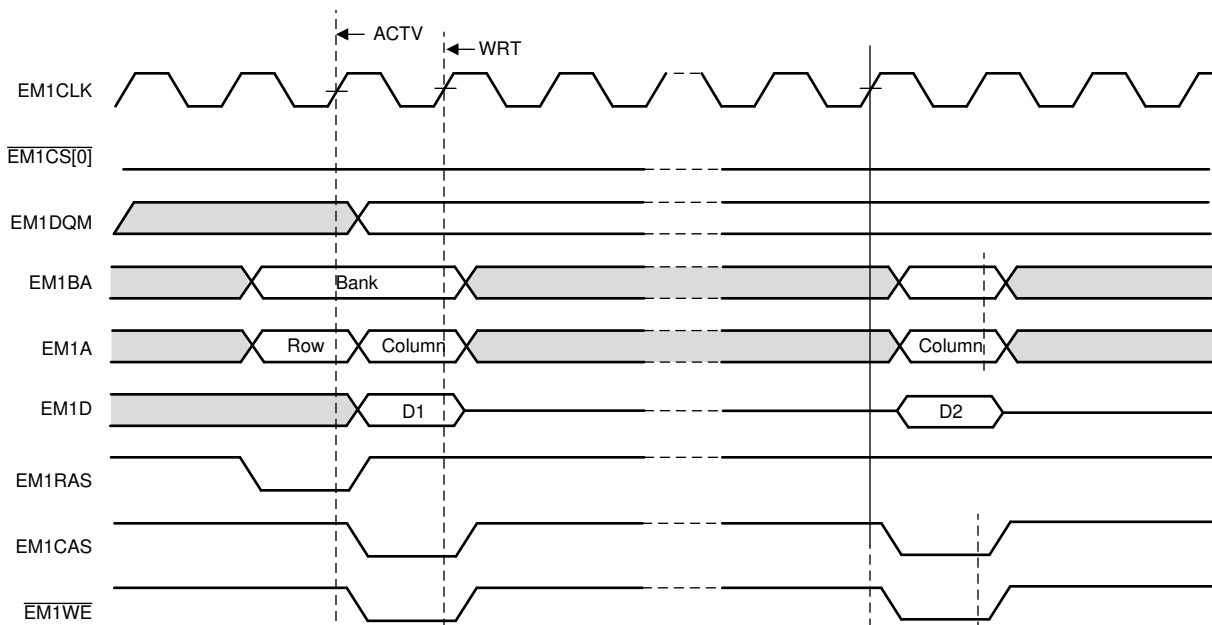
If the PD bit is cleared while in the power-down state, the EMIF comes out of the power-down state. The EMIF:

- Drives EM1SDCKE high
- Enters the idle state

### 23.2.5.9 SDRAM Read Operation

When the EMIF receives a read request to the SDRAM from one of the requesters listed in [Section 23.2.2](#), the EMIF performs one or more read access cycles. A read access cycle begins with the issuing of the ACTV command to select the desired bank and row of the SDRAM device. After the row has been opened, the EMIF proceeds to issue a READ command while specifying the desired bank and column address. EM1A[10] is held low during the READ command to avoid auto-precharging. The READ command signals the SDRAM device to output data from the specified address while EMIF issues NOP commands. Following a READ command, the CL field of the SDRAM configuration register (SDRAM\_CR) defines how many delay cycles are present before the read data appears on the data bus. This is referred to as the CAS latency.

[Figure 23-6](#) shows the signal waveforms for a basic SDRAM read operation in which multiple data is read from a single page. On this device, burst accesses are not supported; hence, the EMIF issues a READ command for each data access. Only when the EMIF SDRAM interface is configured to 16-bit by setting the NM bit of the SDRAM configuration register (SDRAM\_CR) to 1 and CPU (or any other master) does a 32-bit READ access, a burst access is issued with a size of two.



**Figure 23-6. Timing Waveform for Basic SDRAM Read Operation**

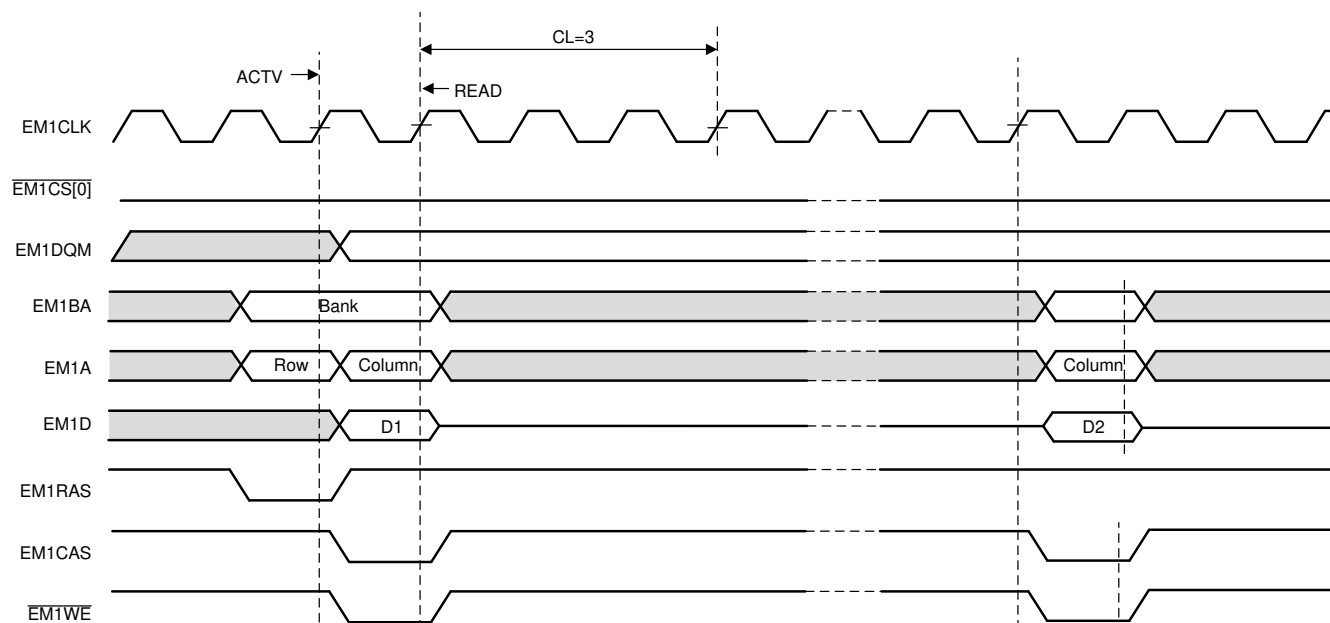
Several other pins are also active during a read access. The EM1DQM[x:0] pins are driven low during the READ commands and are kept low during the NOP commands that correspond to the burst request. The state of the other EMIF pins during each command can be found in [Table 23-6](#).

The EMIF schedules the commands based on the timing information that is provided to the EMIF in the SDRAM timing register (SDRAM\_TR). The values for the timing parameters in this register must be chosen to satisfy the timing requirements listed in the SDRAM data manual. The EMIF uses this timing information to avoid violating any timing constraints related to issuing commands. This is commonly accomplished by inserting NOP commands between various commands during an access. Refer to the register description of SDRAM\_TR in the SDTIMER register for more details on the various timing parameters.

### 23.2.5.10 SDRAM Write Operations

When the EMIF receives a write request to SDRAM from one of the requesters listed in [Section 23.2.2](#), the EMIF performs one or more write-access cycles. A write-access cycle begins with the issuing of the ACTV command to select the desired bank and row of the SDRAM device. After the row has been opened, the EMIF proceeds to issue a WRT command while specifying the desired bank and column address. EM1A[10] is held low during the WRT command to avoid auto-precharging. The WRT command signals the SDRAM device to start writing the given data to the specified address while the EMIF issues NOP commands. On this device, burst accesses are not supported; hence, the EMIF issues a WRITE command for each data access. Only when the EMIF SDRAM interface is configured to 16-bit by setting the NM bit of the SDRAM configuration register (SDRAM\_CR) to 1 and CPU (or any other master) does a 32bit WRITE access, a burst access is issued with size of two.

[Figure 23-7](#) shows the signal waveforms for a basic SDRAM write operation.



**Figure 23-7. Timing Waveform for Basic SDRAM Write Operation**

The EMIF truncates a series of bursting data if the remaining addresses of the burst are not part of the write request. The EMIF can truncate the burst in three ways:

- By issuing another WRT to the same page
- By issuing a PRE command to prepare for accessing a different page of the same bank
- By issuing a BT command to prepare for accessing a page in a different bank

Several other pins are also active during a write access. The EM1DQM[x:0] pins are driven to select which bytes of the data word are written to the SDRAM device. The pins are also used to mask out entire undesired data words during a burst access. The state of the other EMIF pins during each command can be found in [Table 23-6](#).

The EMIF schedules the commands based on the timing information that is provided to the EMIF in the SDRAM timing register (SDRAM\_TR). The values for the timing parameters in this register must be chosen to satisfy the timing requirements listed in the SDRAM data sheet. The EMIF uses this timing information to avoid violating any timing constraints related to issuing commands. This is commonly accomplished by inserting NOP commands during various cycles of an access. Refer to the register description of SDRAM\_TR in the SDTIMR register for more details on the various timing parameters.



### 23.2.5.11 Mapping from Logical Address to EMIF Pins

When the EMIF receives an SDRAM access request, the EMIF must convert the address of the access into the appropriate signals to send to the SDRAM device. The details of this address mapping are shown in [Table 23-14](#) for 32-bit operation and in [Table 23-15](#) for 16-bit operation. Using the settings of the IBANK and PAGESIZE fields of the SDRAM configuration register (SDRAM\_CR), the EMIF determines which bits of the logical address are mapped to the SDRAM row, column, and bank addresses.

As the logical address is incremented by one halfword (16-bit operation), the column address is likewise incremented by one until a page boundary is reached. When the logical address increments across a page boundary, the EMIF moves into the same page in the next bank of the attached device by incrementing the bank address EM1BA and resetting the column address. The page in the previous bank is left open until necessary to close the page. This method of traversal through the SDRAM banks helps maximize the number of open banks inside of the SDRAM and results in an efficient use of the device. There is no limitation on the number of banks that can be open at one time, but only one page within a bank can be open at a time.

The EMIF uses the EM1DQM[3:0] pins during a WRT command to mask out selected bytes or entire words. The EM1DQM[3:0] pins are always low during a READ command.

**Table 23-14. Mapping from Logical Address to EMIF Pins for 32-bit SDRAM**

IBANK	PAGESIZE	Logical Address														
		31:27	26	25	24	23	22	21:14	13	12	11	10	9	8:1	0	
0	0	-						Row Address						Col Address	EM1DQM[2]/EM1DQM[3]	
1	0	-						Row Address						EM1BA[0]	Col Address	EM1DQM[2]/EM1DQM[3]
2	0	-						Row Address						EM1BA[1:0]	Col Address	EM1DQM[2]/EM1DQM[3]
0	1	-						Row Address						Column Address		EM1DQM[2]/EM1DQM[3]
1	1	-						Row Address						EM1BA[0]	Column Address	EM1DQM[2]/EM1DQM[3]
2	1	-						Row Address						EM1BA[1:0]	Column Address	EM1DQM[2]/EM1DQM[3]
0	2	-						Row Address						Column Address		EM1DQM[2]/EM1DQM[3]
1	2	-						Row Address						EM1BA[0]	Column Address	EM1DQM[2]/EM1DQM[3]
2	2	-						Row Address						EM1BA[1:0]	Column Address	EM1DQM[2]/EM1DQM[3]
0	3	-						Row Address						Column Address		EM1DQM[2]/EM1DQM[3]
1	3	-						Row Address						EM1BA[0]	Column Address	EM1DQM[2]/EM1DQM[3]
2	3	-						Row Address						EM1BA[1:0]	Column Address	EM1DQM[2]/EM1DQM[3]

**Table 23-15. Mapping from Logical Address to EMIF Pins for 16-bit SDRAM**

IBANK	PAGESIZE	Logical Address													
		31:26	25	24	23	22	21	20:13	12	11	10	9	8	7:0	
0	0	-						Row Address						Col Address	
1	0	-						Row Address						EM1BA[0]	Col Address
2	0	-						Row Address						EM1BA[1:0]	Col Address
0	1	-						Row Address						Column Address	
1	1	-						Row Address						EM1BA[0]	Column Address
2	1	-						Row Address						EM1BA[1:0]	Column Address
0	2	-						Row Address						Column Address	
1	2	-						Row Address						EM1BA[0]	Column Address
2	2	-						Row Address						EM1BA[1:0]	Column Address
0	3	-						Row Address						Column Address	
1	3	-						Row Address						EM1BA[0]	Column Address
2	3	-						Row Address						EM1BA[1:0]	Column Address

**Note**

The upper bit of the row address is used only when addressing 256-Mbit and 512-Mbit SDRAM memories.

### 23.2.6 Asynchronous Controller and Interface

The EMIF easily interfaces to a variety of asynchronous devices including NOR Flash and SRAM. It can be operated in two major modes (see [Table 23-16](#)):

- Normal Mode
- Select Strobe Mode

**Table 23-16. Normal Mode vs. Select Strobe Mode**

Mode	Function of EM1DQM pins	Operation of EM1CS[4:2]
Normal Mode	Byte enables	Active during the entire asynchronous access cycle
Select Strobe Mode	Byte enables	Active only during the strobe period of an access cycle

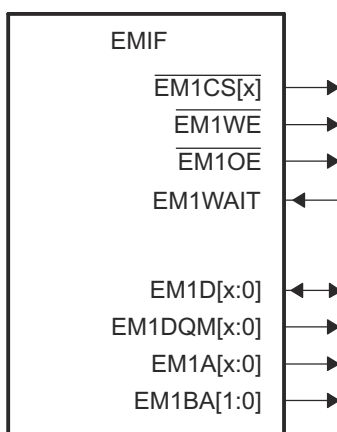
The first mode of operation is normal mode, in which the EM1DQM pins of the EMIF function as byte enables. In this mode, the  $\overline{\text{EM1CS}}[4:2]$  pins behave as typical chip select signals, remaining active for the duration of the asynchronous access. See [Section 23.2.6.1](#) for an example interface with multiple 8-bit devices.

The second mode of operation is select strobe mode, in which the  $\overline{\text{EM1CS}}[4:2]$  pins act as a strobe, active only during the strobe period of an access. In this mode, the EM1DQM pins of the EMIF function as standard byte enables for reads and writes. A summary of the differences between the two modes of operation are shown in [Table 23-16](#). Refer to [Section 23.2.6.4](#) for the details of asynchronous operations in normal mode, and to [Section 23.2.6.5](#) for the details of asynchronous operations in select strobe mode. The EMIF hardware defaults to normal mode, but can be manually switched to select strobe mode by setting the SS bit in the asynchronous  $m$  ( $m = 1, 2, 3, \text{ or } 4$ ) configuration register (CENCFG) ( $n = 2, 3, \text{ or } 4$ ). Throughout the chapter,  $m$  can hold the values 1, 2, 3 or 4; and  $n$  can hold the values 2, 3, or 4.

The EMIF also provides configurable cycle timing parameters and an extended wait mode that allows the connected device to extend the strobe period of an access cycle. The following sections describe the features related to interfacing with external asynchronous devices.

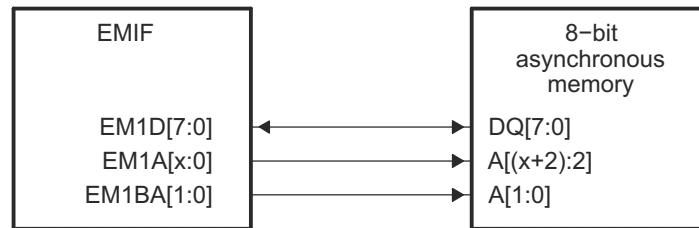
#### 23.2.6.1 Interfacing to Asynchronous Memory

[Figure 23-8](#) shows the EMIF's external pins used in interfacing with an asynchronous device. In  $\overline{\text{EM1CS}}[n]$ ,  $n = 2, 3, \text{ or } 4$ .

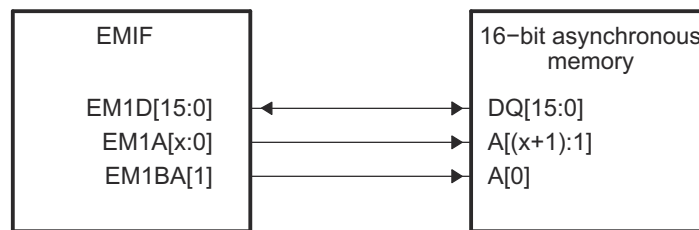

**Figure 23-8. EMIF Asynchronous Interface**

Of special note is the connection between the EMIF and the external device's address bus. The EMIF address pin EM1A[0] always provides the least-significant bit of a 32-bit word address. Therefore, when interfacing to a 16-bit or 8-bit asynchronous device, the EM1BA[1] and EM1BA[0] pins provide the least-significant bits of the halfword or byte address, respectively. Figure 23-9 and Figure 23-10 show the mapping between the EMIF and the connected device's data and address pins for various programmed data bus widths. The data bus width can be configured in the asynchronous  $n$  configuration register (ASYNC\_CS $n$ \_CR).

Figure 23-10 shows an interface between the EMIF and an external memory with byte enables. The EMIF must be operated in either normal mode or select strobe mode when using this interface, so that the EM1DQM signals operate as byte enables.

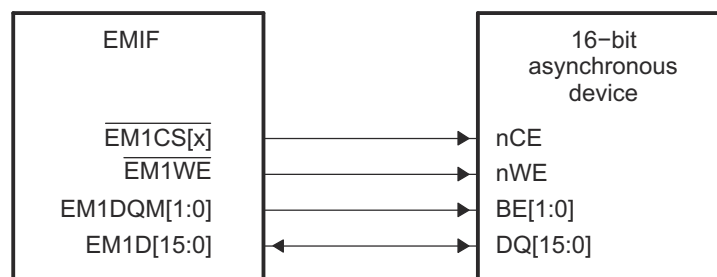


a) EMIF to 8-bit memory interface



b) EMIF to 16-bit memory interface

**Figure 23-9. EMIF to 8-bit/16-bit Memory Interface**



**Figure 23-10. Common Asynchronous Interface**

### 23.2.6.2 Accessing Larger Asynchronous Memories

If a device such as a large asynchronous Flash needs to be attached to the EMIF, then GPIO pins can be used to control the Flash device upper address lines.

### 23.2.6.3 Configuring EMIF for Asynchronous Accesses

The operation of the EMIF's asynchronous interface can be configured by programming the appropriate register fields. The reset value and bit position for each register field can be found in [Section 23.4](#). The following tables list the register fields that can be programmed and describe the purpose of each field. These registers can be programmed prior to accessing the external memory, and the transfer following a write to these registers uses the new configuration.

**Table 23-17. Description of the Asynchronous *m* Configuration Register (ASYNC\_CS<sub>*n*</sub>\_CR)**

Parameter	Description
SS	<p><b>Select Strobe mode.</b> This bit selects the EMIF's mode of operation in the following way:</p> <ul style="list-style-type: none"> <li>• SS = 0 selects Normal Mode                             <ul style="list-style-type: none"> <li>– EM1DQM pins function as byte enables</li> <li>– <math>\overline{\text{EM1CS}}[4:2]</math> active for duration of access</li> </ul> </li> <li>• SS = 1 selects Select Strobe Mode                             <ul style="list-style-type: none"> <li>– EM1DQM pins function as byte enables</li> <li>– <math>\overline{\text{EM1CS}}[4:2]</math> acts as a strobe.</li> </ul> </li> </ul>
EW	<p><b>Extended Wait Mode enable.</b></p> <ul style="list-style-type: none"> <li>• EW = 0 disables extended wait mode</li> <li>• EW = 1 enables extended wait mode</li> </ul> <p>When set to 1, the EMIF enables the extended wait mode in which the strobe width of an access cycle can be extended in response to the assertion of the EM1WAIT pin. The WP<sub><i>n</i></sub> bit in the asynchronous wait cycle configuration register (ASYNC_WCCR) controls the polarity of the EM1WAIT pin. See <a href="#">Section 23.2.6.6</a> for more details on this mode of operation.</p>
W_SETUP/R_SETUP	<p><b>Read/Write setup widths.</b></p> <p>These fields define the number of EMIF clock cycles of setup time for the address pins (EM1A), byte enables (EM1DQM), and asynchronous chip enable (<math>\overline{\text{EM1CS}}[4:2]</math>) before the read strobe pin (EM103) or write strobe pin (<math>\overline{\text{EM1WE}}</math>) falls, minus one cycle. For writes, the W_SETUP field also defines the setup time for the data pins (EM1D). Refer to the asynchronous device's data sheet to determine the appropriate setting for this field.</p>
W_STROBE/R_STROBE	<p><b>Read/Write strobe widths.</b></p> <p>These fields define the number of EMIF clock cycles between the falling and rising of the read strobe pin (EM103) or write strobe pin (EM1WEn), minus one cycle. If Extended Wait Mode is enabled by setting the EW field in the asynchronous <i>n</i> configuration register (ASYNC_CS<sub><i>n</i></sub>_CR), these fields must be set to a value greater than zero. Refer to the data manual of the external asynchronous device to determine the appropriate setting for this field.</p>
W_HOLD/R_HOLD	<p><b>Read/Write hold widths.</b></p> <p>These fields define the number of EMIF clock cycles of hold time for the address pins (EM1A and EM1BA), byte enables (EM1DQM), and asynchronous chip enable (<math>\overline{\text{EM1CS}}[4:2]</math>) after the read strobe pin (EM103) or write strobe pin (<math>\overline{\text{EM1WE}}</math>) rises, minus one cycle. For writes, the W_HOLD field also defines the hold time for the data pins (EM1D). Refer to the data manual of the external asynchronous device to determine the appropriate setting for this field.</p>
TA	<p><b>Minimum turnaround time.</b></p> <p>This field defines the minimum number of EMIF clock cycles between asynchronous reads and writes, minus one cycle. The purpose of this feature is to avoid contention on the bus. The value written to this field also determines the number of cycles that are inserted between asynchronous accesses and SDRAM accesses. Refer to the data manual of the external asynchronous device to determine the appropriate setting for this field.</p>

**Table 23-17. Description of the Asynchronous *m* Configuration Register (ASYNC\_CS<sub>n</sub>\_CR) (continued)**

Parameter	Description
ASIZE	<p><b>Asynchronous Device Bus Width.</b> This field determines the data bus width of the asynchronous interface in the following way:</p> <ul style="list-style-type: none"> <li>ASIZE = 0 selects an 8-bit bus</li> <li>ASIZE = 1 selects a 16-bit bus</li> <li>ASIZE = 2 selects a 32-bit bus</li> </ul> <p>The configuration of ASIZE determines the function of the EM1A and EM1BA pins as described in <a href="#">Section 23.2.6.1</a>. This field also determines the number of external accesses required to fulfill a request generated by one of the sources mentioned in <a href="#">Section 23.2.2</a>. For example, a request for a 32-bit word requires four external access when ASIZE = 0. Refer to the data manual of the external asynchronous device to determine the appropriate setting for this field.</p>

**Table 23-18. Description of the Asynchronous Wait Cycle Configuration Register (ASYNC\_WCCR)**

Parameter	Description
WP <sub>n</sub>	<p><b>EM_WAIT Polarity.</b></p> <ul style="list-style-type: none"> <li>WP<sub>n</sub> = 0 selects active-low polarity</li> <li>WP<sub>n</sub> = 1 selects active-high polarity</li> </ul> <p>When set to 1, the EMIF waits if the EM1WAIT pin is high. When cleared to 0, the EMIF waits if the EM1WAIT pin is low. The EMIF must have the Extended Wait Mode enabled for the EM1WAIT pin to affect the width of the strobe period.</p>
MAX_EXT_WAIT	<p><b>Maximum Extended Wait Cycles.</b> This field configures the number of EMIF clock cycles the EMIF waits for the EM1WAIT pin to be deactivated during the strobe period of an access cycle. The maximum number of EMIF clock cycles the EMIF waits is determined by the following formula: Maximum Extended Wait Cycles = (MAX_EXT_WAIT + 1) × 16 If the EM1WAIT pin is not deactivated within the time specified by this field, the EMIF resumes the access cycle, registering whatever data is on the bus and proceeding to the hold period of the access cycle. This situation is referred to as an Asynchronous Timeout. An Asynchronous Timeout generates an interrupt, if the interrupt has been enabled in the EMIF interrupt mask set register (INT_MSK_SET). Refer to <a href="#">Section 23.2.9.1</a> for more information about EMIF interrupts.</p>

**Table 23-19. Description of EMIF Interrupt Mask Set Register (INT\_MSK\_SET)**

Parameter	Description
WR_MASK_SET	<p><b>Wait Rise Mask Set.</b> Writing a 1 enables an interrupt to be generated when a rising edge on EM1WAIT occurs.</p>
AT_MASK_SET	<p><b>Asynchronous Timeout Mask Set.</b> Writing a 1 to this bit enables an interrupt to be generated when an Asynchronous Timeout occurs.</p>

**Table 23-20. Description of EMIF Interrupt Mast Clear Register (INT\_MSK\_CLR)**

Parameter	Description
WR_MASK_CLR	<b>Wait Rise Mask Clear.</b> Writing a 1 to this bit disables the interrupt, clearing the WR_MASK_SET bit in EMIF interrupt mask set register (INT_MSK_SET).
AT_MASK_CLR	<b>Asynchronous Timeout Mask Clear.</b> Writing a 1 to this bit prevents an interrupt from being generated when an Asynchronous Timeout occurs.

#### Note

The EMIF performs SDRAM refreshes even if the SDRAM interface is not used. If using only the ASRAM interface, then SDRAM refreshes impact the ASRAM performance. To avoid this, set PD=1 in the SDRAM\_CR register (Emif1Regs.SDRAM\_CR.bit.PD=1). This bit can be updated only if there are no pending EMIF accesses.

### 23.2.6.4 Read and Write Operations in Normal Mode

Normal mode is the asynchronous interface's default mode of operation. It is selected when the SS bit in the asynchronous *n* configuration register (ASYNC\_CS<sub>*n*</sub>\_CR) is cleared to 0. In this mode, the EM1DQM pins operate as byte enables. [Section 23.2.6.4.1](#) and [Section 23.2.6.4.2](#) explain the details of read and write operations while in normal mode.

#### 23.2.6.4.1 Asynchronous Read Operations (Normal Mode)

#### Note

During an entire asynchronous read operation, the EM1WE pin is driven high.

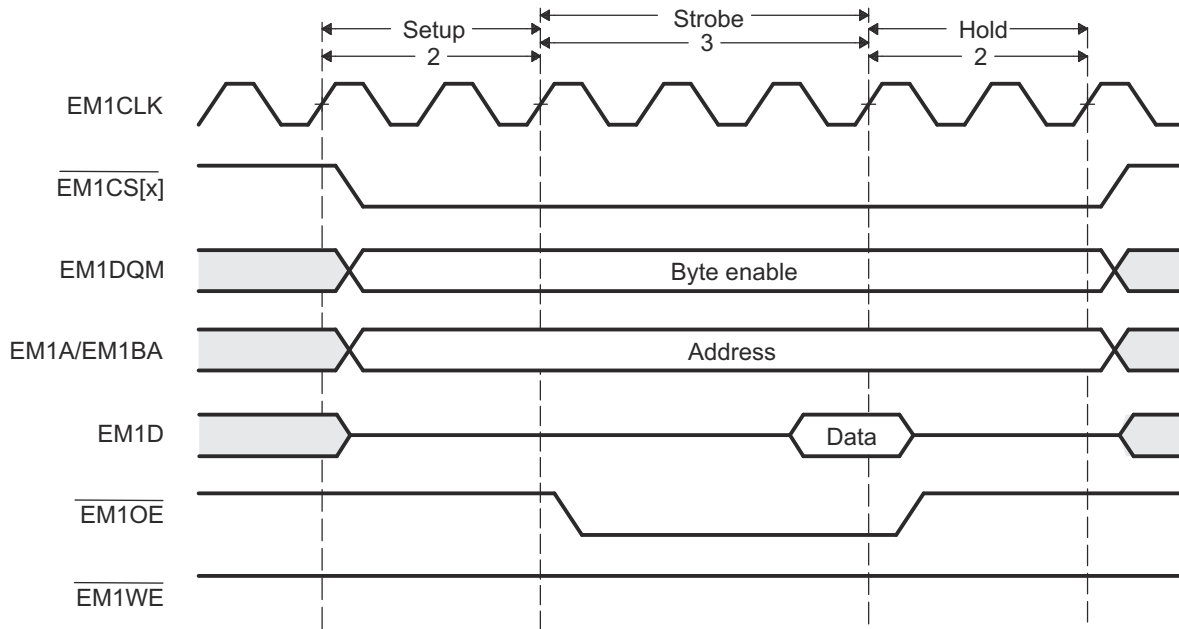
An asynchronous read is performed when any of the requesters mentioned in [Section 23.2.2](#) request a read from the attached asynchronous memory. After the request is received, a read operation is initiated once the request becomes the EMIF's highest priority task, according to the priority scheme detailed in [Section 23.2.13](#). In the event that the read request cannot be serviced by a single access cycle to the external device, multiple access cycles are performed by EMIF until the entire request is fulfilled. The details of an asynchronous read operation in normal mode are described in [Table 23-21](#). Also, [Figure 23-11](#) shows an example timing diagram of a basic read operation.

**Table 23-21. Asynchronous Read Operation in Normal Mode**

Time Interval	Pin Activity in Normal Mode
Turnaround period	Once the read operation becomes the highest priority task for EMIF, the EMIF waits for the programmed number of turn-around cycles before proceeding to the setup period of the operation. The number of wait cycles is taken directly from the TA field of the asynchronous <i>n</i> configuration register (ASYNC_CS <sub><i>n</i></sub> _CR). Between each access (write or read), the EMIF inserts two cycles of delay even though TA field is programmed as 0. After the EMIF has waited for the turnaround cycles to complete, the EMIF again checks to make sure that the read operation is still the highest priority task. If so, the EMIF proceeds to the setup period of the operation. If the read operation is no longer the highest priority task, the EMIF terminates the operation.
Start of the setup period	The following actions occur at the start of the setup period: <ul style="list-style-type: none"> <li>The setup, strobe, and hold values are set according to the R_SETUP, R_STROBE, and R_HOLD values in ASYNC_CS<sub><i>n</i></sub>_CR.</li> <li>The address pins EM1A and EM1BA become valid and carry the values described in <a href="#">Section 23.2.6.1</a>.</li> <li>EM1CS[4:2] falls to enable the external device (if not already low from a previous operation)</li> </ul>

**Table 23-21. Asynchronous Read Operation in Normal Mode (continued)**

Time Interval	Pin Activity in Normal Mode
Strobe period	<p>The following actions occur during the strobe period of a read operation:</p> <ol style="list-style-type: none"> <li>1. <math>\overline{\text{EM1OE}}</math> falls at the start of the strobe period</li> <li>2. On the rising edge of the clock that is concurrent with the end of the strobe period: <ul style="list-style-type: none"> <li>• <math>\overline{\text{EM1OE}}</math> rises</li> <li>• The data on the EM1Dx bus is sampled by EMIF.</li> </ul> </li> </ol> <p>In <a href="#">Figure 23-11</a>, EM1WAIT is inactive. If EM1WAIT is instead activated, the strobe period can be extended by the external device to give it more time to provide the data. <a href="#">Section 23.2.6.6</a> contains more details on using the EM1WAIT pin.</p>
End of the hold period	<p>At the end of the hold period:</p> <ul style="list-style-type: none"> <li>• The address pins EM1A and EM1BA become invalid</li> <li>• <math>\overline{\text{EM1CS}}[4:2]</math> rises (if no more operations are required to complete the current request)</li> </ul> <p>The EMIF can be required to issue additional read operations to a device with a small data bus width to complete an entire word access. In this case, the EMIF immediately re-enters the setup period to begin another operation without incurring the turn-round cycle delay. The setup, strobe, and hold values are not updated in this case. If the entire word access has been completed, the EMIF returns to the previous state unless another asynchronous request has been submitted and is currently the highest priority task. If this is the case, EMIF instead enters directly into the turnaround period for the pending read or write operation.</p>



**Figure 23-11. Timing Waveform of an Asynchronous Read Cycle in Normal Mode**

### 23.2.6.4.2 Asynchronous Write Operations (Normal Mode)

#### Note

During an entire asynchronous write operation, the EM1OE pin is driven high.

An asynchronous write is performed when any of the requesters mentioned in [Section 23.2.2](#) request a write to memory in the asynchronous bank of EMIF. After the request is received, a write operation is initiated once the request becomes the EMIF's highest priority task, according to the priority scheme detailed in [Section 23.2.13](#). In the event that the write request cannot be serviced by a single access cycle to the external device, multiple access cycles are performed by the EMIF until the entire request is fulfilled. The details of an asynchronous write operation in normal mode are described in [Table 23-22](#). Also, [Figure 23-12](#) shows an example timing diagram of a basic write operation.

**Table 23-22. Asynchronous Write Operation in Normal Mode**

Time Interval	Pin Activity in Normal Mode
Turnaround period	<p>Once the write operation becomes the highest priority task for the EMIF, the EMIF waits for the programmed number of turn-around cycles before proceeding to the setup period of the operation. The number of wait cycles is taken directly from the TA field of the asynchronous <math>n</math> configuration register (ASYNC_CS<math>n</math>_CR). Between each access (write or read) EMIF inserts two cycles of delay even though TA field is programmed as 0.</p> <p>After the EMIF has waited for the turn-around cycles to complete, the EMIF again checks to make sure that the write operation is still the highest priority task. If so, the EMIF proceeds to the setup period of the operation. If the write operation is no longer the highest priority task, EMIF terminates the operation.</p>
Start of the setup period	<p>The following actions occur at the start of the setup period:</p> <ul style="list-style-type: none"> <li>The setup, strobe, and hold values are set according to the W_SETUP, W_STROBE, and W_HOLD values in ASYNC_CS<math>n</math>_CR.</li> <li>The address pins EM1A and EM1BA and the data pins EM1Dx become valid. The EM1A and EM1BA pins carry the values described in <a href="#">Section 23.2.6.1</a>.</li> <li><math>\overline{\text{EM1CS}}[4:2]</math> falls to enable the external device (if not already low from a previous operation).</li> </ul>
Strobe period	<p>The following actions occur at the start of the strobe period of a write operation:</p> <ol style="list-style-type: none"> <li><math>\overline{\text{EM1WE}}</math> falls</li> <li>The EM1DQM pins become valid as byte enables.</li> </ol> <p>The following actions occur on the rising edge of the clock that is concurrent with the end of the strobe period:</p> <ol style="list-style-type: none"> <li><math>\overline{\text{EM1WE}}</math> rises</li> <li>The EM1DQM pins deactivate</li> </ol> <p>In <a href="#">Figure 23-12</a>, EM1WAIT is inactive. If EM1WAIT is instead activated, the strobe period can be extended by the external device to give it more time to accept the data. <a href="#">Section 23.2.6.6</a> contains more details on using the EM1WAIT pin.</p>
End of the hold period	<p>At the end of the hold period:</p> <ul style="list-style-type: none"> <li>The address pins EM1Ax and EM1BAx become invalid</li> <li>The data pins become invalid</li> <li><math>\overline{\text{EM1CS}}[n]</math> (<math>n = 2, 3, \text{ or } 4</math>) rises (if no more operations are required to complete the current request)</li> </ul> <p>The EMIF can be required to issue additional write operations to a device with a small data bus width to complete an entire word access. In this case, the EMIF immediately re-enters the setup period to begin another operation without incurring the turnaround cycle delay. The setup, strobe, and hold values are not updated in this case. If the entire word access has been completed, the EMIF returns to the previous state unless another asynchronous request has been submitted and is currently the highest priority task. If this is the case, the EMIF instead enters directly into the turnaround period for the pending read or write operation.</p>



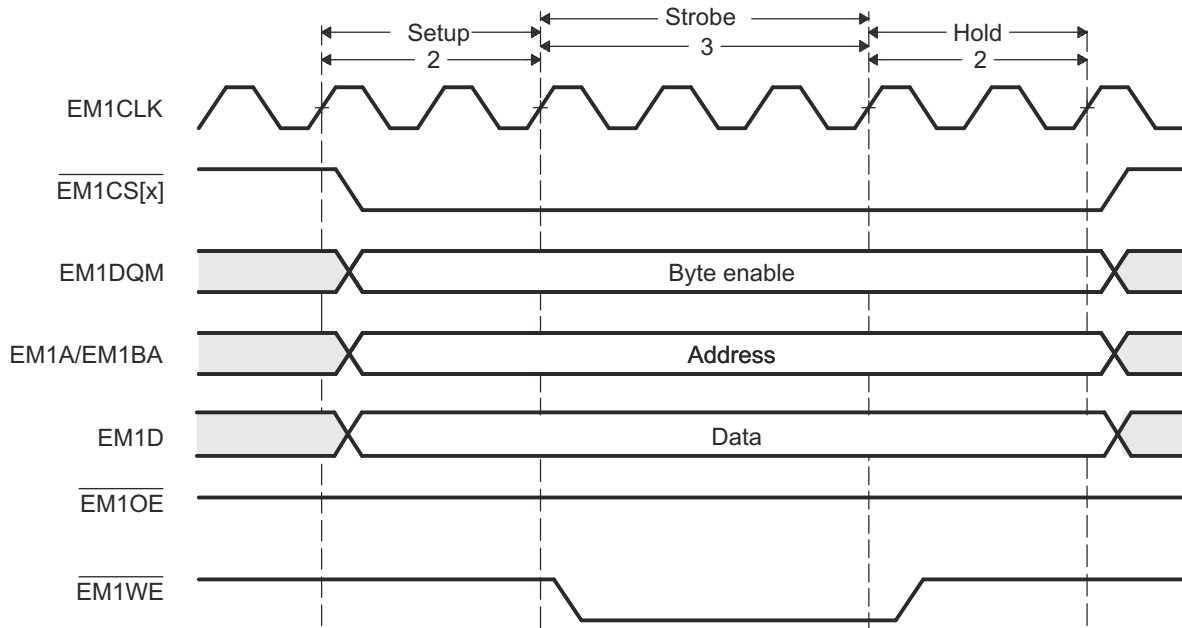


Figure 23-12. Timing Waveform of an Asynchronous Write Cycle in Normal Mode

### 23.2.6.5 Read and Write Operation in Select Strobe Mode

Select Strobe Mode is the EMIF's second mode of operation. It is selected when the SS bit of the asynchronous  $n$  configuration register (ASYNC\_CS $_n$ \_CR) is set to 1. In this mode, the EM1DQM pins operate as byte enables and the  $\overline{\text{EM1CS}}[n]$  ( $n = 2, 3, \text{ or } 4$ ) pin is only active during the strobe period of an access cycle. [Section 23.2.6.4.1](#) and [Section 23.2.6.4.2](#) explain the details of read and write operations while in select strobe mode.

#### 23.2.6.5.1 Asynchronous Read Operations (Select Strobe Mode)

##### Note

During the entirety of an asynchronous read operation, the EM1WEn pin is driven high.

An asynchronous read is performed when any of the requesters mentioned in [Section 23.2.2](#) request a read from the attached asynchronous memory. After the request is received, a read operation is initiated once the request becomes the EMIF's highest priority task, according to the priority scheme detailed in [Section 23.2.13](#). In the event that the read request cannot be serviced by a single access cycle to the external device, multiple access cycles are performed by the EMIF until the entire request is fulfilled. The details of an asynchronous read operation in select strobe mode are described in [Table 23-23](#). Also, [Figure 23-13](#) shows an example timing diagram of a basic read operation.

**Table 23-23. Asynchronous Read Operation in Select Strobe Mode**

Time Interval	Pin Activity in Select Strobe Mode
Turnaround period	Once the read operation becomes the highest priority task for the EMIF, the EMIF waits for the programmed number of turnaround cycles before proceeding to the setup period of the operation. The number of wait cycles is taken directly from the TA field of the asynchronous $n$ configuration register (ASYNC_CS $_n$ _CR). Between each access (Write or Read) EMIF inserts two cycles of delay even though TA field is programmed as 0. After the EMIF has waited for the turn-around cycles to complete, the EMIF again checks to make sure that the read operation is still the highest priority task. If so, the EMIF proceeds to the setup period of the operation. If the read operation is no longer the highest priority task, the EMIF terminates the operation.
Start of the setup period	The following actions occur at the start of the setup period: <ul style="list-style-type: none"> <li>The setup, strobe, and hold values are set according to the R_SETUP, R_STROBE, and R_HOLD values in ASYNC_CS<math>_n</math>_CR.</li> <li>The address pins EM1A and EM1BA become valid and carry the values described in <a href="#">Section 23.2.6.1</a>.</li> <li>The EM1DQM pins become valid as byte enables.</li> </ul>
Strobe period	The following actions occur during the strobe period of a read operation: <ol style="list-style-type: none"> <li>EM1CS<math>[n]</math> (<math>n = 2, 3, \text{ or } 4</math>) and EM1OE fall at the start of the strobe period</li> <li>On the rising edge of the clock that is concurrent with the end of the strobe period: <ul style="list-style-type: none"> <li>EM1CS<math>[n]</math> (<math>n = 2, 3, \text{ or } 4</math>) and EM1OE rise</li> <li>The data on the EM1D bus is sampled by EMIF.</li> </ul> </li> </ol> <p>In <a href="#">Figure 23-13</a>, EM1WAIT is inactive. If EM1WAIT is instead activated, the strobe period can be extended by the external device to give more time to provide the data. <a href="#">Section 23.2.6.6</a> contains more details on using the EM1WAIT pin.</p>
End of the hold period	At the end of the hold period: <ul style="list-style-type: none"> <li>The address pins EM1A and EM1BA become invalid</li> <li>The EM1DQM pins become invalid</li> </ul> <p>The EMIF can be required to issue additional read operations to a device with a small data bus width to complete an entire word access. In this case, the EMIF immediately re-enters the setup period to begin another operation without incurring the turnaround cycle delay. The setup, strobe, and hold values are not updated in this case. If the entire word access has been completed, the EMIF returns to the previous state unless another asynchronous request has been submitted and is currently the highest priority task. If this is the case, the EMIF instead enters directly into the turnaround period for the pending read or write operation.</p>

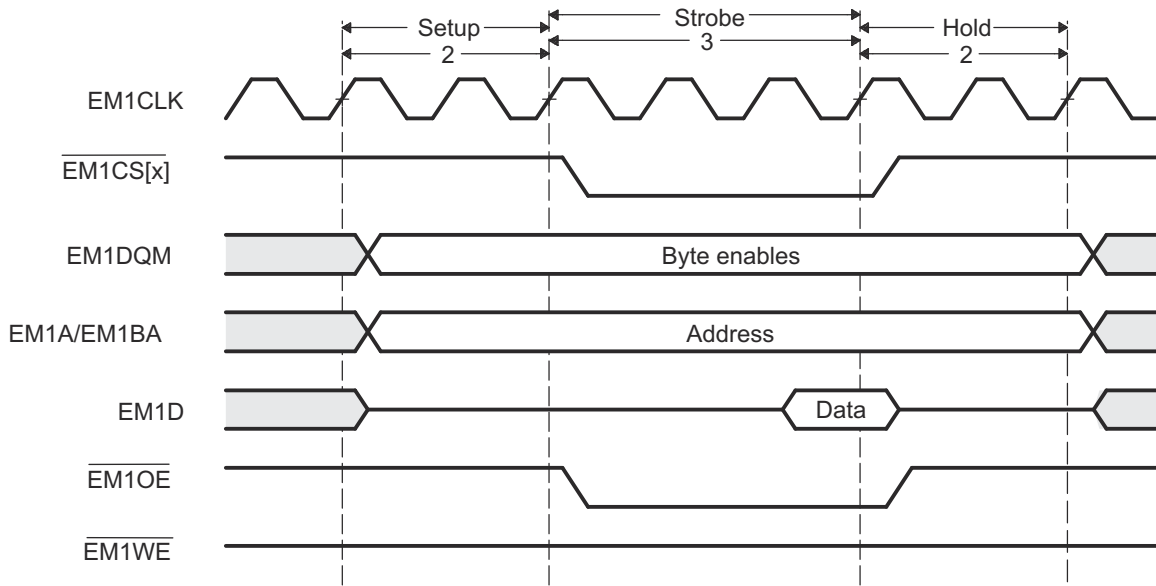


Figure 23-13. Timing Waveform of an Asynchronous Read Cycle in Select Strobe Mode

### 23.2.6.5.2 Asynchronous Write Operations (Select Strobe Mode)

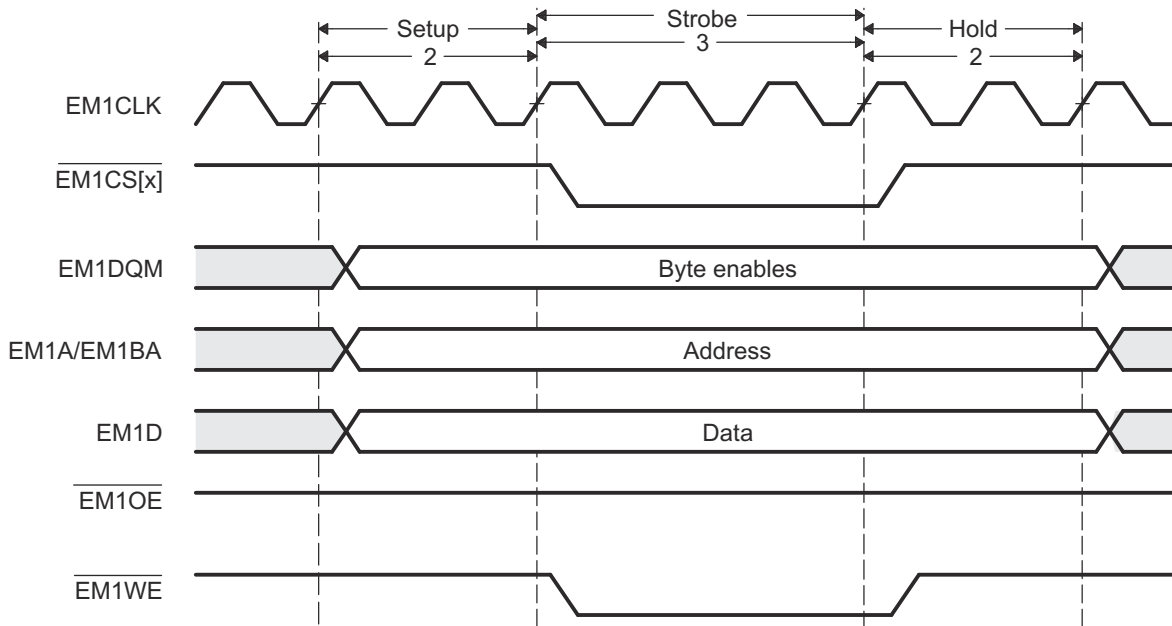
#### Note

During the entirety of an asynchronous write operation, the  $\overline{\text{EM1OE}}$  pin is driven high.

An asynchronous write is performed when any of the requesters mentioned in [Section 23.2.2](#) request a write to memory in the asynchronous bank of EMIF. After the request is received, a write operation is initiated once the request becomes the EMIF's highest priority task, according to the priority scheme detailed in [Section 23.2.13](#). In the event that the write request cannot be serviced by a single access cycle to the external device, multiple access cycles are performed by the EMIF until the entire request is fulfilled. The details of an asynchronous write operation in select strobe mode are described in [Table 23-24](#). Also, [Figure 23-14](#) shows an example timing diagram of a basic write operation.

**Table 23-24. Asynchronous Write Operation in Select Strobe Mode**

Time Interval	Pin Activity in Select Strobe Mode
Turnaround period	<p>Once the write operation becomes the highest priority task for the EMIF, the EMIF waits for the programmed number of turnaround cycles before proceeding to the setup period of the operation. The number of wait cycles is taken directly from the TA field of the asynchronous <math>n</math> configuration register (ASYNC_CS<math>n</math>_CR). Between each access (Write or Read) EMIF inserts two cycles of delay even though TA field is programmed as 0.</p> <p>After the EMIF has waited for the turnaround cycles to complete, the EMIF again checks to make sure that the write operation is still the highest priority task. If so, the EMIF proceeds to the setup period of the operation. If the write operation is no longer the highest priority task, the EMIF terminates the operation.</p>
Start of the setup period	<p>The following actions occur at the start of the setup period:</p> <ul style="list-style-type: none"> <li>The setup, strobe, and hold values are set according to the W_SETUP, W_STROBE, and W_HOLD values in ASYNC_CS<math>n</math>_CR.</li> <li>The address pins EM1A and EM1BA and the data pins EM1D become valid. The EM1A and EM1BA pins carry the values described in <a href="#">Section 23.2.6.1</a>.</li> <li>The EM1DQM pins become active as byte enables.</li> </ul>
Strobe period	<p>The following actions occur at the start of the strobe period of a write operation:</p> <ul style="list-style-type: none"> <li><math>\overline{\text{EM1CS}}[n]</math> (<math>n = 2, 3, \text{ or } 4</math>) and <math>\overline{\text{EM1WE}}</math> fall</li> </ul> <p>The following actions occur on the rising edge of the clock which is concurrent with the end of the strobe period:</p> <ul style="list-style-type: none"> <li><math>\overline{\text{EM1CS}}[n]</math> (<math>n = 2, 3, \text{ or } 4</math>) and <math>\overline{\text{EM1WE}}</math> rise</li> </ul> <p>In <a href="#">Figure 23-14</a>, EM1WAIT is inactive. If EM1WAIT is instead activated, the strobe period can be extended by the external device to give more time to accept the data. <a href="#">Section 23.2.6.6</a> contains more details on using the EM1WAIT pin.</p>
End of the hold period	<p>At the end of the hold period:</p> <ul style="list-style-type: none"> <li>The address pins EM1A and EM1BA become invalid</li> <li>The data pins become invalid</li> <li>The EM1DQM pins become invalid</li> </ul> <p>The EMIF can be required to issue additional write operations to a device with a small data bus width to complete an entire word access. In this case, the EMIF immediately re-enters the setup period to begin another operation without incurring the turnaround cycle delay. The setup, strobe, and hold values are not updated in this case. If the entire word access has been completed, the EMIF returns to the previous state unless another asynchronous request has been submitted and is currently the highest priority task. If this is the case, the EMIF instead enters directly into the turnaround period for the pending read or write operation.</p>



**Figure 23-14. Timing Waveform of an Asynchronous Write Cycle in Select Strobe Mode**

### 23.2.6.6 Extended Wait Mode and the EM1WAIT Pin

The EMIF supports the extended wait mode. This is a mode that the external asynchronous device can assert control over the length of the strobe period. The extended wait mode can be entered by setting the EW bit in the asynchronous  $n$  configuration register (ASYNC\_CS $n$ \_CR ( $n = 2, 3, \text{ or } 4$ )). When this bit is set, the EMIF monitors the EM1WAIT pin to determine if the attached device wishes to extend the strobe period of the current access cycle beyond the programmed number of clock cycles.

When the EMIF detects that the EM1WAIT pin has been asserted, the EMIF begins inserting extra strobe cycles into the operation until the EM1WAIT pin is deactivated by the external device. The EMIF then returns to the last cycle of the programmed strobe period and the operation proceeds as usual from this point. Refer to the device data sheet for details on the timing requirements of the EM1WAIT signal.

The EM1WAIT pin cannot be used to extend the strobe period indefinitely. The programmable MAX\_EXT\_WAIT field in the asynchronous wait cycle configuration register (AWCC) determines the maximum number of EM1CLK cycles the strobe period can be extended beyond the programmed length. When the counter expires, the EMIF proceeds to the hold period of the operation regardless of the state of the EM1WAIT pin. The EMIF can also generate an interrupt upon expiration of this counter. See [Section 23.2.9.1](#) for details on enabling this interrupt.

For the EMIF to function properly in the extended wait mode, the WP $n$  bit of AWCC must be programmed to match the polarity of the EM1WAIT pin. In the reset state of 1, the EMIF inserts wait cycles when the EM1WAIT pin is sampled high. When set to 0, the EMIF inserts wait cycles only when EM1WAIT is sampled low. This programmability allows for a glueless connection to larger variety of asynchronous devices.

Finally, a restriction is placed on the strobe period timing parameters when operating in extended wait mode. Specifically, the sum of the W\_SETUP and W\_STROBE fields must be greater than four, and the sum of the R\_SETUP and R\_STROBE fields must be greater than four for the EMIF to recognize the EM1WAIT pin has been asserted. The W\_SETUP, W\_STROBE, R\_SETUP, and R\_STROBE fields are in ASYNC\_CS $n$ \_CR.

### 23.2.7 Data Bus Parking

The EMIF always drives the data bus to the previous write data value when the EMIF is idle. This feature is called data bus parking. Only when the EMIF issues a read command to the external memory does the EMIF stop driving the data bus. After the EMIF latches the last read data, the EMIF immediately parks the data bus again.

The one exception to this behavior occurs after performing an asynchronous read operation while the EMIF is in the self-refresh state. In this situation, the read operation is not followed by the EMIF parking the data bus. Instead, the EMIF tri-states the data bus. Therefore, it is not recommended to perform asynchronous read operations while the EMIF is in the self-refresh state, to prevent floating inputs on the data bus. External pull-ups, such as 10-kohm resistors, must be placed on the 16 EMIF data bus pins (that do not have internal pull-ups) if required to perform reads in this situation. The precise resistor value must be chosen so that the worst case combined off-state leakage currents do not cause the voltage levels on the associated pins to drop below the high-level input voltage requirement.

For information about the self-refresh state, see [Section 23.2.5.7](#).

### 23.2.8 Reset and Initialization Considerations

The EMIF memory controller has two active-low reset signals, `CHIP_RST_n` and `MOD_G_RST_n`. Both these reset signals are driven by the device system reset signal. This device does not offer the flexibility to reset just the EMIF state machine without also resetting the EMIF controller's memory-mapped registers. As soon as the device system reset is released (driven high), the EMIF memory controller immediately begins its initialization sequence. Command and data stored in the EMIF memory controller FIFOs are lost. Refer to [Section 23.2](#) for more information on conditions that can cause a device system reset to be asserted.

When system reset is released, the EMIF automatically begins running the SDRAM initialization sequence described in [Section 23.2.5.4](#). Even though the initialization procedure is automatic, a special procedure, found in [Section 23.2.5.5](#) must still be followed.

### 23.2.9 Interrupt Support

The EMIF supports a single interrupt to the CPU. [Section 23.2.9.1](#) details the generation and internal masking of EMIF interrupts.

#### 23.2.9.1 Interrupt Events

There are three conditions that can cause the EMIF to generate an interrupt to the CPU. These conditions are:

- A rising edge on the EM1WAIT signal (wait rise interrupt)
- An asynchronous time out
- Usage of unsupported addressing mode (line trap interrupt)

The wait rise interrupt occurs when a rising edge is detected on EM1WAIT signal. This interrupt generation is not affected by the `WPn` bit in the asynchronous wait cycle configuration register (`ASYNC_WCCR`). The asynchronous time out interrupt condition occurs when the attached asynchronous device fails to deassert the EM1WAIT pin within the number of cycles defined by the `MAX_EXT_WAIT` bit in `AWCC` (this happens only in extended wait mode). The EMIF supports only linear incrementing and cache line wrap addressing modes. If an access request for an unsupported addressing mode is received, the EMIF sets the `LT` bit in the EMIF interrupt raw register (`INT_RAW`) and treats the request as a linear incrementing request.

Only when the interrupt is enabled by setting the appropriate bit (`WR_MASK_SET/AT_MASK_SET/LT_MASK_SET`) in the EMIF interrupt mask set register (`INT_MSK_SET`) to 1, is the interrupt sent to the CPU. Once enabled, the interrupt can be disabled by writing a 1 to the corresponding bit in the EMIF interrupt mask clear register (`INT_MSK_CLR`). The bit fields in both the `INT_MSK_SET` and `INT_MSK_CLR` can be used to indicate whether the interrupt is enabled. When the interrupt is enabled, the corresponding bit field in both the `INT_MSK_SET` and `INT_MSK_CLR` have a value of 1; when the interrupt is disabled, the corresponding bit field has a value of 0.

The EMIF interrupt raw register (INT\_RAW) and the IF interrupt mask register (INT\_MSK) indicate the status of each interrupt. The appropriate bit (WR/AT/LT) in INT\_RAW is set when the interrupt condition occurs, whether or not the interrupt has been enabled. However, the appropriate bit (WR\_MASKED/AT\_MASKED/LT\_MASKED) in INT\_MSK is set only when the interrupt condition occurs and the interrupt is enabled. Writing a 1 to the bit in INT\_RAW clears the INT\_RAW bit as well as the corresponding bit in INT\_MSK. [Table 23-25](#) contains a brief summary of the interrupt status and control bit fields. See for complete details on the register fields.

**Table 23-25. Interrupt Monitor and Control Bit Fields**

Register Name	Bit Name	Description
EMIF interrupt raw register (INT_RAW)	WR	This bit is set when a rising edge on the EM1WAIT signal occurs. Writing a 1 clears the WR bit as well as the WR_MASKED bit in INT_MSK.
	AT	This bit is set when an asynchronous timeout occurs. Writing a 1 clears the AT bit as well as the AT_MASKED bit in INT_MSK.
	LT	This bit is set when an unsupported addressing mode is used. Writing a 1 clears LT bit as well as the LT_MASKED bit in INT_MSK.
EMIF interrupt mask register (INT_MSK)	WR_MASKED	This bit is set only when a rising edge on the EM1WAIT signal occurs and the interrupt has been enabled by writing a 1 to the WR_MASK_SET bit in INT_MSK_SET.
	AT_MASKED	This bit is set only when an asynchronous timeout occurs and the interrupt has been enabled by writing a 1 to the AT_MASK_SET bit in INT_MSK_SET.
	LT_MASKED	This bit is set only when line trap interrupt occurs and the interrupt has been enabled by writing a 1 to the LT_MASK_SET bit in INT_MSK_SET.
EMIF interrupt mask set register (INT_MSK_SET)	WR_MASK_SET	Writing a 1 to this bit enables the wait rise interrupt.
	AT_MASK_SET	Writing a 1 to this bit enables the asynchronous timeout interrupt.
	LT_MASK_SET	Writing a 1 to this bit enables the line trap interrupt.
EMIF interrupt mask clear register (INT_MSK_CLR)	WR_MASK_CLR	Writing a 1 to this bit disables the wait rise interrupt.
	AT_MASK_CLR	Writing a 1 to this bit disables the asynchronous timeout interrupt.
	LT_MASK_CLR	Writing a 1 to this bit disables the line trap interrupt.

### 23.2.10 DMA Event Support

The EMIF memory controller is a DMA slave peripheral and therefore does not generate DMA events. Data read and write requests can be made directly, by masters and the DMA.

### 23.2.11 EMIF Signal Multiplexing

For details on the EMIF signal multiplexing, see the *GPIO* chapter, I/O Multiplexing Module section, of this technical reference manual.

### 23.2.12 Memory Map

For information describing the device memory-map, see your device-specific data manual.

### 23.2.13 Priority and Arbitration

[Section 23.2.2](#) describes the external prioritization and arbitration among requests from different sources within the microcontroller. The result of this external arbitration is that only one request is presented to the EMIF at a time. Once the EMIF completes a request, the external arbiter then provides the EMIF with the next pending request.

Internally, the EMIF undertakes memory device transactions according to a strict priority scheme. The highest priority events are:

- A device reset.
- A write to any of the three least significant bytes of the SDRAM configuration register (SDRAM\_CR).

Either of these events causes the EMIF to immediately commence the initialization sequence as described in [Section 23.2.5.4](#).

Once the EMIF has completed its initialization sequence, the EMIF performs memory transactions according to the following priority scheme (highest priority listed first):

1. If the EMIF's backlog refresh counter is at the Refresh Must urgency level, the EMIF performs multiple SDRAM auto-refresh cycles until the Refresh Release urgency level is reached.
2. If an SDRAM or asynchronous read has been requested, the EMIF performs a read operation.
3. If the EMIF's backlog refresh counter is at the Refresh Need urgency level, the EMIF performs an SDRAM auto-refresh cycle.
4. If an SDRAM or asynchronous write has been requested, the EMIF performs a write operation.
5. If the EMIF's backlog refresh counter is at the Refresh May or Refresh Release urgency level, the EMIF performs an SDRAM auto-refresh cycle.
6. If the value of the SR bit in SDRAM\_CR has been set to 1, the EMIF enters the self-refresh state as described in [Section 23.2.5.7](#).

After taking one of the actions listed above, the EMIF then returns to the top of the priority list to determine the next action.

Because the EMIF does not issue auto-refresh cycles when in the self-refresh state, the above priority scheme does not apply when in this state. See [Section 23.2.5.7](#) for details on the operation of the EMIF when in the self-refresh state.

### 23.2.14 System Considerations

This section describes various system considerations to keep in mind when operating the EMIF.

#### 23.2.14.1 Asynchronous Request Times

In a system that interfaces to both SDRAM and asynchronous memory, the asynchronous requests must not take longer than the smaller of the following two values:

- $t_{RAS}$  (typically 120  $\mu s$ ) - to avoid violating the maximum time allowed between issuing an ACTV and PRE command to the SDRAM.
- $t_{Refresh\ Rate} \times 11$  (typically 15.7  $\mu s \times 11 = 172.7 \mu s$ ) - to avoid refresh violations on the SDRAM.

The length of an asynchronous request is controlled by multiple factors, the primary factor being the number of access cycles required to complete the request. For example, an asynchronous request for 4 bytes requires four access cycles using an 8-bit data bus and only two access cycle using a 16-bit data bus. The maximum request size that the EMIF can be sent is 16 words; therefore, the maximum number of access cycles per memory request is 64 when the EMIF is configured with an 8-bit data bus. The length of the individual access cycles that make up the asynchronous request is determined by the programmed setup, strobe, hold, and turnaround values, but can also be extended with the assertion of the EM1WAIT input signal up to a programmed maximum limit. The user must make sure that an entire asynchronous request does not exceed the timing values listed above when also interfacing to an SDRAM device. This can be done by limiting the asynchronous timing parameters.



### 23.2.15 Power Management

Power dissipation from the EMIF memory controller can be managed by following methods:

- Self-refresh mode
- Power-down mode
- Gating input clocks to the module off

Gating input clocks off to the EMIF memory controller achieves higher power savings when compared to the power savings of self-refresh or power down mode. The input clock to EMIF can be turned off through the use of the Global Clock Module (GCM). Before gating clocks off, the EMIF memory controller must place the SDR SDRAM memory in self-refresh mode. If the external memory requires a continuous clock, the VCLK3 clock domain must not be turned off because this can result in data corruption. See the following subsections for the proper procedures to follow when stopping EMIF memory controller clocks.

#### 23.2.15.1 Power Management Using Self-Refresh Mode

The EMIF memory controller can be placed into a self-refresh state in order to place the attached SDRAM devices into self-refresh mode, which consumes less power for most SDRAM devices. In this state, the attached SDRAM device uses an internal clock to perform its own auto refresh cycles. This maintains the validity of the data in the SDRAM without the need for any external commands. Refer to [Section 23.2.5.7](#) for more details on placing the EMIF into the self-refresh state.

#### 23.2.15.2 Power Management Using Power Down Mode

In the power down mode, the EMIF drives EM1SDCKE low to lower the power consumption. EM1SDCKE goes high when there is a need to send refresh (REFR) commands, after which EM1SDCKE is again driven low. EM1SDCKE remains low until any request arrives. Refer to [Section 23.2.5.8](#) for more details on placing the EMIF in power-down mode.

### 23.2.16 Emulation Considerations

The EMIF remains fully functional during emulation halts in order to allow emulation access to external memory.

## 23.3 Example Configuration

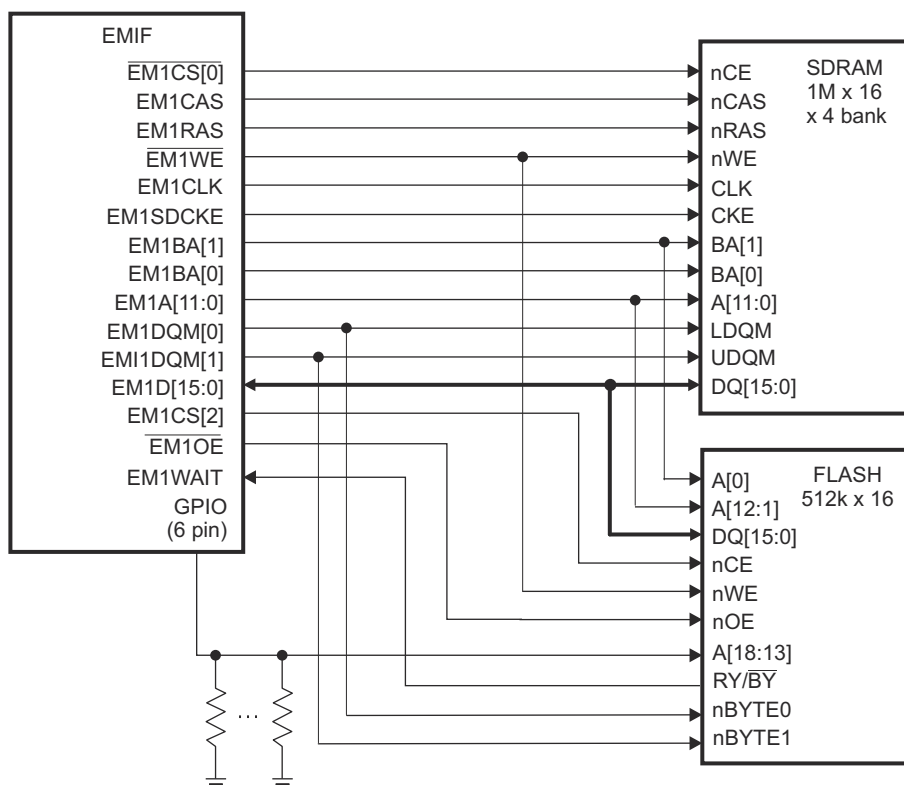
This section presents an example of interfacing the EMIF1 to both an SDR SDRAM device and an asynchronous Flash device.

### 23.3.1 Hardware Interface

[Figure 23-15](#) shows the hardware interface between the EMIF, a Samsung K4S641632H-TC(L)70 64Mb SDRAM device, and a SHARP LH28F800BJE-PTTL90 8Mb Flash memory. The connection between EMIF and the SDRAM is straightforward, but the connection between the EMIF and the Flash deserves a detailed look.

The address inputs for the Flash are provided by three sources. The A[18:0] address inputs are provided by a combination of the EM1A and EM1BA pins according to [Section 23.2.6.1](#), and a set of GPIO pins. The RD/nBY signal from Flash is connected to EM1WAIT pin of the EMIF.

Finally, this example configuration connects the  $\overline{\text{EM1WE}}$  pin to the nWE input of the Flash and operates the EMIF in select strobe mode.


**Figure 23-15. Example Configuration Interface**

### 23.3.2 Software Configuration

The following sections describe how to configure the EMIF registers and bit fields to interface the EMIF with the Samsung K4S641632H-TC(L)70 SDRAM and the SHARP LH28F800BJE-PTTL90 8Mb Flash memory.

#### 23.3.2.1 Configuring the SDRAM Interface

This section describes how to configure the EMIF to interface with the Samsung K4S641632H-TC(L)70 SDRAM with a clock frequency of  $f_{EM1CLK} = 100$  MHz. Procedure A described in [Section 23.2.5.5](#) is followed that assumes that the SDRAM power-up timing constraints were met during the SDRAM auto-initialization sequence after reset.

##### 23.3.2.1.1 PLL Programming for EMIF to K4S641632H-TC(L)70 Interface

If the system PLL is programmed to provide a SYSCLK frequency  $> 100$  MHz, then configure the EMIF1CLKDIV field in the PERSYSCLKDIVSEL register to make  $EM1CLK = SYSCLK/2$  (default configuration). Before doing this, the SDRAM must be placed in self-refresh mode by setting the SR bit in the SDRAM configuration register. Once the EM1CLK frequency has been configured, remove the SDRAM from self-refresh by clearing the SR bit in SDRAM\_CR.

**Table 23-26. SR Field Value For EMIF to K4S641632H-TC(L)70 Interface**

Field	Value	Purpose
SR	1 then 0	To place the EMIF into the self-refresh state

### 23.3.2.1.2 SDRAM Timing Register (SDRAM\_TR) Settings for EMIF to K4S641632H-TC(L)70 Interface

The fields of the SDRAM timing register (SDRAM\_TR) must be programmed first as described in [Table 23-27](#) to satisfy the required timing parameters for the K4S641632H-TC(L)70. Based on these calculations, a value of 6111 4610h must be written to the SDRAM\_TR. [Figure 23-16](#) shows a graphical description of how the SDRAM\_TR must be programmed.

**Table 23-27. SDRAM\_TR Field Calculations for EMIF to K4S641632H-TC(L)70 Interface**

Field Name	Formula	Value from K4S641632H-TC(L)70 Data Sheet	Value Calculated for Field
T_RFC	$T\_RFC \geq (t_{RFC} \times f_{EM1CLK}) - 1$	$t_{RC} = 68 \text{ ns (min)}^{(1)}$	6
T_RP	$T\_RP \geq (t_{RP} \times f_{EM1CLK}) - 1$	$t_{RP} = 20 \text{ ns (min)}$	1
T_RCD	$T\_RCD \geq (t_{RCD} \times f_{EM1CLK}) - 1$	$t_{RCD} = 20 \text{ ns (min)}$	1
T_WR	$T\_WR \geq (t_{WR} \times f_{EM1CLK}) - 1$	$t_{RDL} = 2 \text{ CLK} = 20 \text{ ns (min)}^{(2)}$	1
T_RAS	$T\_RAS \geq (t_{RAS} \times f_{EM1CLK}) - 1$	$t_{RAS} = 49 \text{ ns (min)}$	4
T_RC	$T\_RC \geq (t_{RC} \times f_{EM1CLK}) - 1$	$t_{RC} = 68 \text{ ns (min)}$	6
T_RRD	$T\_RRD \geq (t_{RRD} \times f_{EM1CLK}) - 1$	$t_{RRD} = 14 \text{ ns (min)}$	1

- (1) The Samsung data sheet does not specify a  $t_{RFC}$  value. Instead, Samsung specifies  $t_{RC}$  as the minimum auto refresh period.  
 (2) The Samsung data sheet does not specify a  $t_{WR}$  value. Instead, Samsung specifies  $t_{RDL}$  as last data in to row precharge minimum delay.

**Figure 23-16. SDRAM Timing Register (SDRAM\_TR)**

31	30	29	28	27	26	24	23	22	21	20	19	18	17	16	
0 0110				001		0	001		0	001					
T_RFC				T_RP		Rsvd	T_RCD		Rsvd	T_WR					
15	14	13	12	11	10	9	8	7	6	5	4	3	2	1	0
0100				0110		0	001		0000						
T_RAS				T_RC		Rsvd	T_RRD		Reserved						

### 23.3.2.1.3 SDRAM Self Refresh Exit Timing Register (SDR\_EXT\_TMNG) Settings for EMIF to K4S641632H-TC(L)70 Interface

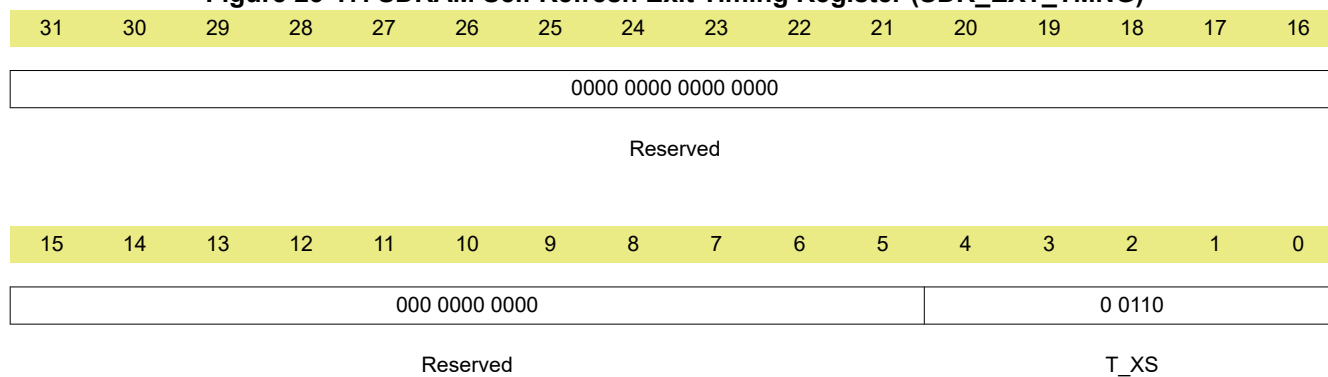
The SDRAM self-refresh exit timing register (SDSRETR) must be programmed second to satisfy the  $t_{XSR}$  timing requirement from the K4S641632H-TC(L)70 data sheet. [Table 23-28](#) shows the calculation of the proper value to program into the T\_XS field of this register. Based on this calculation, a value of 6h must be written to the SDSRETR. [Figure 23-17](#) shows how the SDSRETR must be programmed.

**Table 23-28. RR Calculation for EMIF to K4S641632H-TC(L)70 Interface**

Field Name	Formula	Value from K4S641632H-TC(L)70 Data Sheet	Value Calculated for Field
T_XS	$T_{XS} \geq (t_{XSR} \times f_{EM1CLK}) - 1$	$t_{RC} = 68 \text{ ns (min)}^{(1)}$	6

(1) The Samsung data sheet does not specify a  $t_{XSR}$  value. Instead, Samsung specifies  $t_{RC}$  as the minimum required time after CKE going high to complete self-refresh exit.

**Figure 23-17. SDRAM Self Refresh Exit Timing Register (SDR\_EXT\_TMNG)**



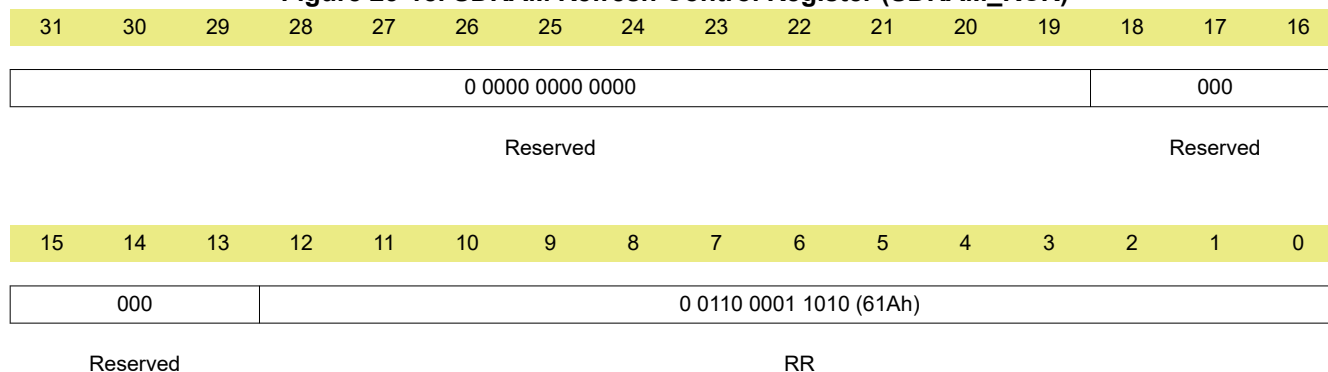
### 23.3.2.1.4 SDRAM Refresh Control Register (SDRAM\_RCR) Settings for EMIF to K4S641632H-TC(L)70 Interface

The SDRAM refresh control register (SDRAM\_RCR) can next be programmed to satisfy the required refresh rate of the K4S641632H-TC(L)70. [Table 23-29](#) shows the calculation of the proper value to program into the RR field of this register. Based on this calculation, a value of 61Ah must be written to the SDRAM\_RCR. [Figure 23-18](#) shows how the SDRAM\_RCR must be programmed.

**Table 23-29. RR Calculation for EMIF to K4S641632H-TC(L)70 Interface**

Field Name	Formula	Values	Value Calculated for Field
RR	$RR \leq f_{EM1CLK} \times \frac{t_{Refresh \text{ Period}}}{n_{cycles}}$	From SDRAM data sheet: $t_{Refresh \text{ Period}} = 64 \text{ ms}$ ; $n_{cycles} = 4096 \text{ EMIF clock rate}$ ; $f_{EM1CLK} = 100 \text{ MHz}$	$RR = 1562 \text{ cycles} = 61Ah \text{ cycles}$

**Figure 23-18. SDRAM Refresh Control Register (SDRAM\_RCR)**



### 23.3.2.1.5 SDRAM Configuration Register (SDRAM\_CR) Settings for EMIF to K4S641632H-TC(L)70 Interface

Finally, the fields of the SDRAM configuration register (SDRAM\_CR) must be programmed as described in [Table 23-30](#) to properly interface with the K4S641632H-TC(L)70 device. Based on these settings, a value of 4720h must be written to the SDRAM\_CR. [Figure 23-19](#) shows how the SDRAM\_CR must be programmed. The EMIF is now ready to perform read and write accesses to the SDRAM.

**Table 23-30. SDRAM\_CR Field Values For EMIF to K4S641632H-TC(L)70 Interface**

Field	Value	Purpose
SR	0	To avoid placing the EMIF into the self-refresh state
NM	1	To configure the EMIF for a 16-bit data bus
CL	011b	To select a CAS latency of 3
BIT11_9LOCK	1	To allow the CL field to be written
IBANK	010b	To select 4 internal SDRAM banks
PAGESIZE	0	To select a page size of 256 words

**Figure 23-19. SDRAM Configuration Register (SDRAM\_CR)**

31	30	29	28	27	26	25	24
0	0	0	0 0000				
SR	Reserved	Reserved	Reserved				
23	22	21	20	19	18	17	16
00 0000						0	0
Reserved						Reserved	Reserved
15	14	13	12	11	10	9	8
0	1	0	0	011		1	
Reserved	NM	Reserved	Reserved	CL		BIT11_9LOCK	
7	6	5	4	3	2	1	0
0	010			0	000		
Reserved	IBANK			Reserved	PAGESIZE		

### 23.3.2.2 Configuring the Flash Interface

This section describes how to configure the EMIF to interface with the SHARP LH28F800BJE-PTTL90 8Mb Flash memory with a clock frequency of  $f_{EM1CLK} = 100$  MHz.

#### 23.3.2.2.1 Asynchronous 1 Configuration Register (ASYNC\_CS2\_CFG) Settings for EMIF to LH28F800BJE-PTTL90 Interface

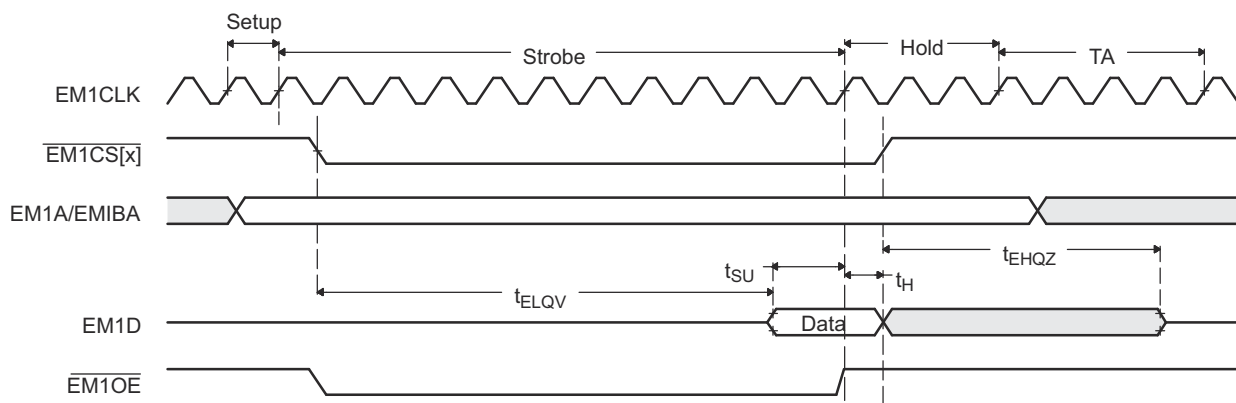
The asynchronous 1 configuration register (ASYNC\_CS2\_CFG) is the only register that is necessary to program for this asynchronous interface. The SS bit must be set to 1 to enable select strobe command and the ASIZE field can be set to 1 to select a 16-bit interface. The other fields in this register control the shaping of the EMIF signals, and the proper values can be determined by referring to the AC Characteristics in the Flash data sheet and the device data sheet. [Table 23-31](#) and [Table 23-32](#) show the pertinent AC Characteristics for reads and writes to the Flash device, and [Figure 23-20](#) and [Figure 23-21](#) show the associated timing waveforms. Finally, [Figure 23-22](#) shows programming the ASYNC\_CS2\_CFG with the calculated values.

**Table 23-31. AC Characteristics for a Read Access**

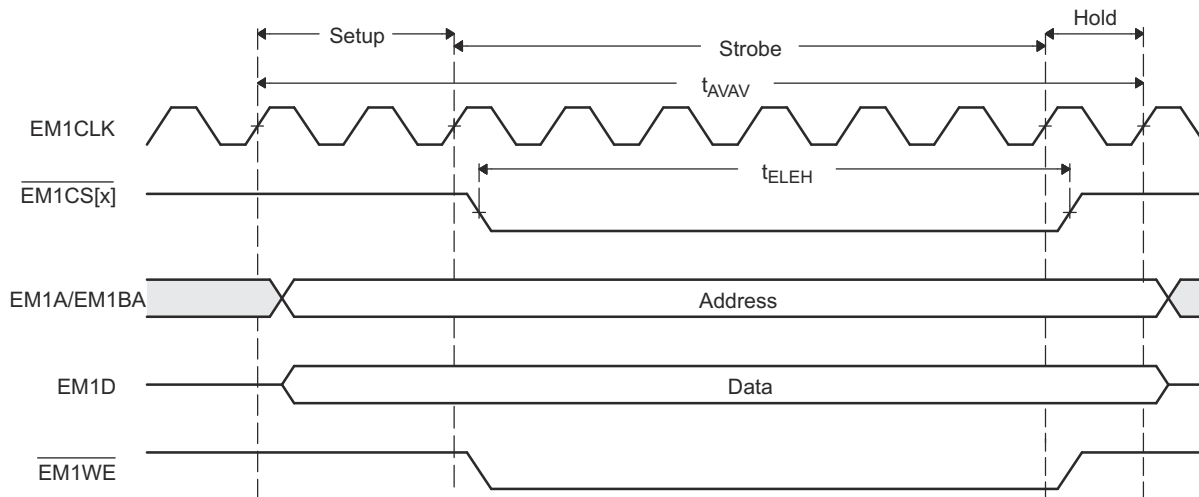
AC Characteristic	Device	Definition	Minimum	Maximum	Unit
$t_{SU}$	EMIF	Setup time, read EM1D before EM1OE high	15		ns
$t_H$	EMIF	Data hold time, read EM1D after EM1OE high	0		ns
$t_{ELQV}$	Flash	nCE to Output Delay		90	ns
$t_{EHQZ}$	Flash	nCE High to Output in High Impedance		55	ns

**Table 23-32. AC Characteristics for a Write Access**

AC Characteristic	Device	Definition	Minimum	Maximum	Unit
$t_{AVAV}$	Flash	Write Cycle Time	90		ns
$t_{ELEH}$	Flash	nCE Pulse Width Low	50		ns
$t_{EHEL}$	Flash	nCE Pulse Width High (not shown in <a href="#">Figure 23-21</a> )	30		ns



**Figure 23-20. LH28F800BJE-PTTL90 to EMIF Read Timing Waveforms**



**Figure 23-21. LH28F800BJE-PTTL90 to EMIF Write Timing Waveforms**

The R\_STROBE field must be set to meet the following equation:

$$R\_STROBE \geq (t_{ELQV} + t_{SU}) \times f_{EM1CLK} - 1$$

$$R\_STROBE \geq (90 \text{ ns} + 15 \text{ ns}) \times 200 \text{ MHz} - 1$$

$$R\_STROBE \geq 20$$

$$R\_STROBE = 20$$

The R\_HOLD field must be large enough to satisfy EMIF Data hold time,  $t_H$ :

$$R\_HOLD \geq t_H \times f_{EM1CLK} - 1$$

$$R\_HOLD \geq 0 \text{ ns} \times 200 \text{ MHz} - 1$$

$$R\_HOLD \geq -1$$

The R\_HOLD field must also combine with the TA field to satisfy the Flash's nCE High to Output in High Impedance time,  $t_{EHQZ}$ :

$$R\_HOLD + TA \geq t_{EHQZ} \times f_{EM1CLK} - 2$$

$$R\_HOLD + TA \geq 55 \text{ ns} \times 200 \text{ MHz} - 2$$

$$R\_HOLD + TA \geq 9$$

The largest value that can be programmed into the TA field is 3h, therefore the following values must be used:

$$R\_HOLD = 6$$

$$TA = 3$$

For Writes, the W\_STROBE field must be set to satisfy the Flash's nCE Pulse Width constraint,  $t_{ELEH}$ :

$$W\_STROBE \geq t_{ELEH} \times f_{EM1CLK} - 1$$

$$W\_STROBE \geq 50 \text{ ns} \times 200 \text{ MHz} - 1$$

$$W\_STROBE \geq 9$$

The W\_SETUP and W\_HOLD fields must combine to satisfy the Flash's nCE Pulse Width High constraint,  $t_{EHEL}$ :

$$W\_SETUP + W\_HOLD \geq t_{EHEL} \times f_{EM1CLK} - 2$$

$$W\_SETUP + W\_HOLD \geq 30 \text{ ns} \times 200 \text{ MHz} - 2$$

$$W\_SETUP + W\_HOLD \geq 4$$

In addition, the entire Write access length must satisfy the Flash minimum Write Cycle Time,  $t_{AVAV}$ :

$$W\_SETUP + W\_STROBE + W\_HOLD \geq t_{AVAV} \times f_{EM1CLK} - 3$$

$$W\_SETUP + W\_STROBE + W\_HOLD \geq 90 \text{ ns} \times 200 \text{ MHz} - 3$$

$$W\_SETUP + W\_STROBE + W\_HOLD \geq 15$$

Solving the above equations for the Write fields results in the following:

$$W\_SETUP = 4$$

$$W\_STROBE = 10$$

$$W\_HOLD = 1$$

Adding a 5 ns (1 cycle) margin to each of the periods (excluding TA that is already at the maximum) in this example produces the following recommended values:

$$W\_SETUP = 5h$$

$$W\_STROBE = 8h$$

$$W\_HOLD = 2h$$

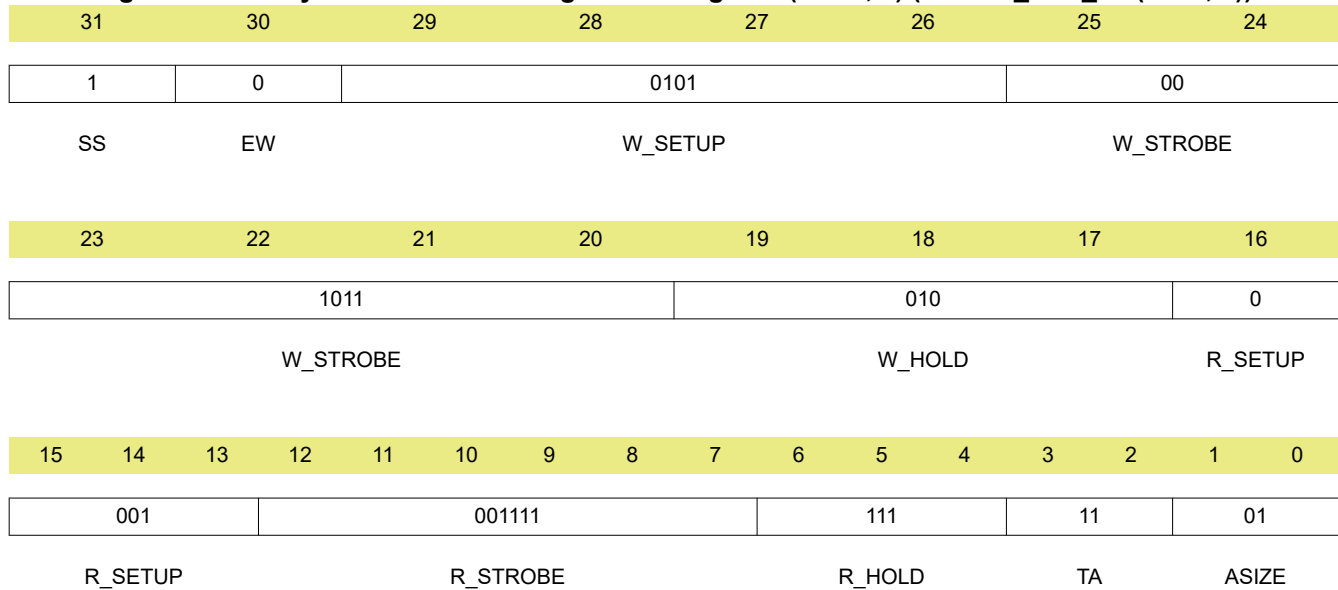
$$R\_SETUP = 1h$$

$$R\_STROBE = 15h$$

$$R\_HOLD = 7h$$

$$TA = 3h$$



**Figure 23-22. Asynchronous  $m$  Configuration Register ( $m = 1, 2$ ) (ASYNC\_CS $n$ \_CR( $n = 2, 3$ ))**


## 23.4 EMIF Registers

This section describes the External Memory Interface Registers.

### 23.4.1 EMIF Base Addresses

**Table 23-33. EMIF Base Address Table**

Device Registers	Register Name	Start Address	End Address
Emif1Regs	EMIF_REGS	0x0004_7000	0x0004_77FF
Emif2Regs <sup>(1)</sup>	EMIF_REGS	0x0004_7800	0x0004_7FFF
Emif1ConfigRegs	EMIF1_CONFIG_REGS	0x0005_F480	0x0005_F49F
Emif2ConfigRegs	EMIF2_CONFIG_REGS	0x0005_F4A0	0x0005_F4BF

(1) Only available on CPU1.

### 23.4.2 EMIF\_REGS Registers

Table 23-34 lists the memory-mapped registers for the EMIF\_REGS registers. All register offset addresses not listed in Table 23-34 should be considered as reserved locations and the register contents should not be modified.

**Table 23-34. EMIF\_REGS Registers**

Offset	Acronym	Register Name	Write Protection	Section
0h	RCSR	Revision Code and Status Register		<a href="#">Go</a>
2h	ASYNC_WCCR	Async Wait Cycle Config Register		<a href="#">Go</a>
4h	SDRAM_CR	SDRAM (EMxCS0n) Config Register		<a href="#">Go</a>
6h	SDRAM_RCR	SDRAM Refresh Control Register		<a href="#">Go</a>
8h	ASYNC_CS2_CR	Async 1 (EMxCS2n) Config Register		<a href="#">Go</a>
Ah	ASYNC_CS3_CR	Async 2 (EMxCS3n) Config Register		<a href="#">Go</a>
Ch	ASYNC_CS4_CR	Async 3 (EMxCS4n) Config Register		<a href="#">Go</a>
10h	SDRAM_TR	SDRAM Timing Register		<a href="#">Go</a>
18h	TOTAL_SDRAM_AR	Total SDRAM Accesses Register		<a href="#">Go</a>
1Ah	TOTAL_SDRAM_ACTR	Total SDRAM Activate Register		<a href="#">Go</a>
1Eh	SDR_EXT_TMNG	SDRAM SR/PD Exit Timing Register		<a href="#">Go</a>
20h	INT_RAW	Interrupt Raw Register		<a href="#">Go</a>
22h	INT_MSK	Interrupt Masked Register		<a href="#">Go</a>
24h	INT_MSK_SET	Interrupt Mask Set Register		<a href="#">Go</a>
26h	INT_MSK_CLR	Interrupt Mask Clear Register		<a href="#">Go</a>

Complex bit access types are encoded to fit into small table cells. Table 23-35 shows the codes that are used for access types in this section.

**Table 23-35. EMIF\_REGS Access Type Codes**

Access Type	Code	Description
Read Type		
R	R	Read
R-0	R -0	Read Returns 0s
Write Type		
W	W	Write
W1S	W 1S	Write 1 to set
Reset or Default Value		
-n		Value after reset or the default value
Register Array Variables		
i,j,k,l,m,n		When these variables are used in a register name, an offset, or an address, they refer to the value of a register array where the register is part of a group of repeating registers. The register groups form a hierarchical structure and the array is represented with a formula.
y		When this variable is used in a register name, an offset, or an address it refers to the value of a register array.

### 23.4.2.1 RCSR Register (Offset = 0h) [Reset = 4000205h]

RCSR is shown in [Figure 23-23](#) and described in [Table 23-36](#).

Return to the [Summary Table](#).

Revision Code and Status Register

**Figure 23-23. RCSR Register**

31	30	29	28	27	26	25	24	23	22	21	20	19	18	17	16
BE	FR	MODULE_ID													
R-0h	R-1h	R-0h													
15	14	13	12	11	10	9	8	7	6	5	4	3	2	1	0
MAJOR_REVISION								MINOR_REVISION							
R-2h								R-5h							

**Table 23-36. RCSR Register Field Descriptions**

Bit	Field	Type	Reset	Description
31	BE	R	0h	EMIF endian mode. 0: Little Endian. 1: Big Endian. Reset type: SYSRSn
30	FR	R	1h	EMIF operating rate. 0: Half Rate. 1: Full Rate. Reset type: SYSRSn
29-16	MODULE_ID	R	0h	EMIF module ID. 0x0000: EMIF_24. 0x000E: EMIF_24 SDRAM. 0x000F: EMIF_24 ASYNC. Reset type: SYSRSn
15-8	MAJOR_REVISION	R	2h	Major Revision. EMIF code revisions are indicated by a revision code taking the format major_revision.minor_revision. Reset type: SYSRSn
7-0	MINOR_REVISION	R	5h	Minor Revision. See major_revision field description. Reset type: SYSRSn

### 23.4.2.2 ASYNC\_WCCR Register (Offset = 2h) [Reset = F000080h]

ASYNC\_WCCR is shown in [Figure 23-24](#) and described in [Table 23-37](#).

Return to the [Summary Table](#).

Async Wait Cycle Config Register

**Figure 23-24. ASYNC\_WCCR Register**

31	30	29	28	27	26	25	24
RESERVED	RESERVED	RESERVED	WP0	RESERVED			
R/W-1h	R/W-1h	R/W-1h	R/W-1h	R-0h			
23	22	21	20	19	18	17	16
RESERVED		RESERVED		RESERVED		RESERVED	
R/W-0h		R/W-0h		R/W-0h		R/W-0h	
15	14	13	12	11	10	9	8
RESERVED							
R-0h							
7	6	5	4	3	2	1	0
MAX_EXT_WAIT							
R/W-80h							

**Table 23-37. ASYNC\_WCCR Register Field Descriptions**

Bit	Field	Type	Reset	Description
31	RESERVED	R/W	1h	Reserved
30	RESERVED	R/W	1h	Reserved
29	RESERVED	R/W	1h	Reserved
28	WP0	R/W	1h	Defines the polarity of the EMxWAIT port.: 0: Wait if EMxWAIT port is low. 1: Wait if EMxWAIT port is high. Reset type: SYSRSn
27-24	RESERVED	R	0h	Reserved
23-22	RESERVED	R/W	0h	Reserved
21-20	RESERVED	R/W	0h	Reserved
19-18	RESERVED	R/W	0h	Reserved
17-16	RESERVED	R/W	0h	Reserved
15-8	RESERVED	R	0h	Reserved
7-0	MAX_EXT_WAIT	R/W	80h	The EMIF will wait for (max_ext_wait + 1) * 16 clock cycles before an extended asynchronous cycle is terminated. Reset type: SYSRSn

### 23.4.2.3 SDRAM\_CR Register (Offset = 4h) [Reset = 0000620h]

SDRAM\_CR is shown in [Figure 23-25](#) and described in [Table 23-38](#).

Return to the [Summary Table](#).

SDRAM (EMxCS0n) Config Register

**Figure 23-25. SDRAM\_CR Register**

31	30	29	28	27	26	25	24
SR	PD	PDWR	RESERVED			RESERVED	
R/W-0h	R/W-0h	R/W-0h	R-0h			R/W-0h	
23	22	21	20	19	18	17	16
RESERVED	RESERVED			RESERVED	RESERVED		RESERVED
R/W-0h	R/W-0h			R/W-0h	R/W-0h		R/W-0h
15	14	13	12	11	10	9	8
RESERVED	NM	RESERVED	RESERVED	CL			BIT_11_9_LOCK
R-0h	R/W-0h	R/W-0h	R/W-0h	R/W-3h			R-0/W1S-0h
7	6	5	4	3	2	1	0
RESERVED	IBANK			RESERVED	PAGESIGE		
R-0h	R/W-2h			R/W-0h	R/W-0h		

**Table 23-38. SDRAM\_CR Register Field Descriptions**

Bit	Field	Type	Reset	Description
31	SR	R/W	0h	Self Refresh. Writing a 1 to this bit will cause connected SDRAM devices to be placed into Self Refresh mode and the EMIF to enter the self refresh state. In this state the EMIF will service all asynchronous memory accesses immediately but any SDRAM access will take at least $t_{ras} + 1$ cycles due to the time required for the SDRAM devices to out of Self Refresh mode. If an SDRAM access immediately follows the setting of the sr bit, the access will take $t_{ras} + t_{xs} + 2$ cycles. If both sr and pd bits are set, the EMIF will go into Self Refresh. Reset type: SYSRSn
30	PD	R/W	0h	Power Down. Writing a 1 to this bit will cause connected SDRAM devices to be placed into Power Down mode. If both sr and pd bits are set, the EMIF will go into Self Refresh. Reset type: SYSRSn
29	PDWR	R/W	0h	Perform refreshes during Power Down. Writing a 1 to this bit will cause the EMIF to exit the power down state and issue an AUTO REFRESH command every time Refresh May level is set. Reset type: SYSRSn
28-26	RESERVED	R	0h	Reserved
25-23	RESERVED	R/W	0h	Reserved
22-20	RESERVED	R/W	0h	Reserved
19	RESERVED	R/W	0h	Reserved
18-17	RESERVED	R/W	0h	Reserved
16	RESERVED	R/W	0h	Reserved
15	RESERVED	R	0h	Reserved

**Table 23-38. SDRAM\_CR Register Field Descriptions (continued)**

Bit	Field	Type	Reset	Description
14	NM	R/W	0h	Narrow mode. Set to 1 when system bus width to memory bus width is 2:1 for SDR SDRAM. Set to 0 when system bus width to memory bus width is 1:1 for SDR SDRAM. A write to this field will cause the EMIF to start the SDRAM initialization sequence. Reset type: SYSRSn
13	RESERVED	R/W	0h	Reserved
12	RESERVED	R/W	0h	Reserved
11-9	CL	R/W	3h	The value of this field defines the CAS latency to be used when accessing connected SDRAM devices. Only CAS latencies of 2 (cl = 2) and 3 (cl = 3) are supported. A write to this field will cause the EMIF to start the SDRAM initialization sequence. Reset type: SYSRSn
8	BIT_11_9_LOCK	R-0/W1S	0h	Bits 11 to 9 can only be written if this bit is set to 1. Reset type: SYSRSn
7	RESERVED	R	0h	Reserved
6-4	IBANK	R/W	2h	Defines number of banks inside connected SDRAM devices: 000: 1 bank SDRAM devices. 001: 2 bank SDRAM devices. 010: 4 bank SDRAM devices. 011: Reserved. 1xx: Reserved. A write to this field will cause the EMIF to start the SDRAM initialization sequence. Reset type: SYSRSn
3	RESERVED	R/W	0h	Reserved
2-0	PAGESIGE	R/W	0h	Defines the internal page size of connected SDRAM devices: 000: 256-word pages requiring 8 column address bits. 001: 512-word pages requiring 9 column address bits. 010: 1024-word pages requiring 10 column address bits. 011: 2048-word pages requiring 11 column address bits. 1xx: Reserved. A write to this field will cause the EMIF to start the SDRAM initialization sequence. Reset type: SYSRSn

### 23.4.2.4 SDRAM\_RCR Register (Offset = 6h) [Reset = 0000080h]

SDRAM\_RCR is shown in [Figure 23-26](#) and described in [Table 23-39](#).

Return to the [Summary Table](#).

SDRAM Refresh Control Register

**Figure 23-26. SDRAM\_RCR Register**

31	30	29	28	27	26	25	24
RESERVED							
R-0h							
23	22	21	20	19	18	17	16
RESERVED				RESERVED			
R-0h				R/W-0h			
15	14	13	12	11	10	9	8
RESERVED			REFRESH_RATE				
R-0h			R/W-80h				
7	6	5	4	3	2	1	0
REFRESH_RATE							
R/W-80h							

**Table 23-39. SDRAM\_RCR Register Field Descriptions**

Bit	Field	Type	Reset	Description
31-19	RESERVED	R	0h	Reserved
18-16	RESERVED	R/W	0h	Reserved
15-13	RESERVED	R	0h	Reserved
12-0	REFRESH_RATE	R/W	80h	Value in this field is used to define the rate at which connected SDRAM devices will be refreshed, as follows: SDRAM refresh rate = EMIF rate/refresh_rate where EMIF rate=clk rate when full_rate=1, or EMIF rate=1/2 clk rate when full_rate=0. Writing a value < 0x0020 to this field will cause it to be loaded with (2 * t_rfc) + 1 value from SDRAM Timing register. Reset type: SYSRSn

### 23.4.2.5 ASYNC\_CS2\_CR Register (Offset = 8h) [Reset = 3FFFFFFDh]

ASYNC\_CS2\_CR is shown in [Figure 23-27](#) and described in [Table 23-40](#).

Return to the [Summary Table](#).

Async 1 (EMxCS2n) Config Register

**Figure 23-27. ASYNC\_CS2\_CR Register**

31	30	29	28	27	26	25	24	23	22	21	20	19	18	17	16
SS	EW	W_SETUP				W_STROBE				W_HOLD			R_SETUP		
R/W-0h		R/W-0h		R/W-Fh				R/W-3Fh				R/W-7h		R/W-Fh	
15	14	13	12	11	10	9	8	7	6	5	4	3	2	1	0
R_SETUP			R_STROBE				R_HOLD			TA	ASIZE				
R/W-Fh			R/W-3Fh				R/W-7h			R/W-3h		R/W-1h			

**Table 23-40. ASYNC\_CS2\_CR Register Field Descriptions**

Bit	Field	Type	Reset	Description
31	SS	R/W	0h	Select Strobe mode. Set to 1 if chip selects need to have write or read strobe timing. Reset type: SYSRSn
30	EW	R/W	0h	Extend Wait mode. Set to 1 if extended asynchronous cycles are required based on EMxWAIT. Reset type: SYSRSn
29-26	W_SETUP	R/W	Fh	Write Strobe Setup cycles. Number of EMxCLK cycles from EMxAy, EMxBAy, EMxDQMy, and EMxCS2n being set to EMxWEn asserted, minus one cycle. The reset value is 16 cycles. Reset type: SYSRSn
25-20	W_STROBE	R/W	3Fh	Write Strobe Duration cycles. Number of EMxCLK cycles for which EMxWEn is held active, minus one cycle. The reset value is 64 cycles. This field cannot be zero when ew = 1. Reset type: SYSRSn
19-17	W_HOLD	R/W	7h	Write Strobe Hold cycles. Number of EMxCLK cycles for which EMxAy, EMxBAy, EMxDQMy, and EMxCS2n are held after EMxWEn has been deasserted, minus one cycle. The reset value is 8 cycles. Reset type: SYSRSn
16-13	R_SETUP	R/W	Fh	Read Strobe Setup cycles. Number of EMxCLK cycles from EMxAy, EMxBAy, EMxDQMy, and EMxCS2n being set to EMxOEn asserted, minus one cycle. The reset value is 16 cycles. Reset type: SYSRSn
12-7	R_STROBE	R/W	3Fh	Read Strobe Duration cycles. Number of EMxCLK cycles for which EMxOEn is held active, minus one cycle. The reset value is 64 cycles. This field cannot be zero when ew = 1. Reset type: SYSRSn
6-4	R_HOLD	R/W	7h	Read Strobe Hold cycles. Number of EMxCLK cycles for which EMxAy, EMxBAy, EMxDQMy, and EMxCS2n are held after EMxOEn has been deasserted, minus one cycle. The reset value is 8 cycles. Reset type: SYSRSn
3-2	TA	R/W	3h	Turn Around cycles. Number of EMxCLK cycles between the end of one asynchronous memory access and the start of another asynchronous memory access, minus one cycle. This delay is not incurred between a read followed by a read, or a write followed by a write to the same chip select. The reset value is 4 cycles. Reset type: SYSRSn



**Table 23-40. ASYNC\_CS2\_CR Register Field Descriptions (continued)**

Bit	Field	Type	Reset	Description
1-0	ASIZE	R/W	1h	Asynchronous Memory Size. Defines the width of the asynchronous device's data bus : 00: 8 Bit data bus. 01: 16 Bit data bus. 10: 32 Bit data bus. 11: Reserved. Reset type: SYSRSn

### 23.4.2.6 ASYNC\_CS3\_CR Register (Offset = Ah) [Reset = 3FFFFFFDh]

ASYNC\_CS3\_CR is shown in [Figure 23-28](#) and described in [Table 23-41](#).

Return to the [Summary Table](#).

Async 2 (EMxCS3n) Config Register

**Figure 23-28. ASYNC\_CS3\_CR Register**

31	30	29	28	27	26	25	24	23	22	21	20	19	18	17	16
SS	EW	W_SETUP				W_STROBE				W_HOLD			R_SETUP		
R/W-0h	R/W-0h	R/W-Fh				R/W-3Fh				R/W-7h			R/W-Fh		
15	14	13	12	11	10	9	8	7	6	5	4	3	2	1	0
R_SETUP			R_STROBE				R_HOLD			TA	ASIZE				
R/W-Fh			R/W-3Fh				R/W-7h			R/W-3h		R/W-1h			

**Table 23-41. ASYNC\_CS3\_CR Register Field Descriptions**

Bit	Field	Type	Reset	Description
31	SS	R/W	0h	Select Strobe mode. Set to 1 if chip selects need to have write or read strobe timing. Reset type: SYSRSn
30	EW	R/W	0h	Extend Wait mode. Set to 1 if extended asynchronous cycles are required based on EMxWAIT. Reset type: SYSRSn
29-26	W_SETUP	R/W	Fh	Write Strobe Setup cycles. Number of EMxCLK cycles from EMxAy, EMxBAy, EMxDQMy, and EMxCS3n being set to EMxWEn asserted, minus one cycle. The reset value is 16 cycles. Reset type: SYSRSn
25-20	W_STROBE	R/W	3Fh	Write Strobe Duration cycles. Number of EMxCLK cycles for which EMxWEn is held active, minus one cycle. The reset value is 64 cycles. This field cannot be zero when ew = 1. Reset type: SYSRSn
19-17	W_HOLD	R/W	7h	Write Strobe Hold cycles. Number of EMxCLK cycles for which EMxAy, EMxBAy, EMxDQMy, and EMxCS3n are held after EMxWEn has been deasserted, minus one cycle. The reset value is 8 cycles. Reset type: SYSRSn
16-13	R_SETUP	R/W	Fh	Read Strobe Setup cycles. Number of EMxCLK cycles from EMxAy, EMxBAy, EMxDQMy, and EMxCS3n being set to EMxOEn asserted, minus one cycle. The reset value is 16 cycles. Reset type: SYSRSn
12-7	R_STROBE	R/W	3Fh	Read Strobe Duration cycles. Number of EMxCLK cycles for which EMxOEn is held active, minus one cycle. The reset value is 64 cycles. This field cannot be zero when ew = 1. Reset type: SYSRSn
6-4	R_HOLD	R/W	7h	Read Strobe Hold cycles. Number of EMxCLK cycles for which EMxAy, EMxBAy, EMxDQMy, and EMxCS3n are held after EMxOEn has been deasserted, minus one cycle. The reset value is 8 cycles. Reset type: SYSRSn
3-2	TA	R/W	3h	Turn Around cycles. Number of EMxCLK cycles between the end of one asynchronous memory access and the start of another asynchronous memory access, minus one cycle. This delay is not incurred between a read followed by a read, or a write followed by a write to the same chip select. The reset value is 4 cycles. Reset type: SYSRSn

**Table 23-41. ASYNC\_CS3\_CR Register Field Descriptions (continued)**

Bit	Field	Type	Reset	Description
1-0	ASIZE	R/W	1h	Asynchronous Memory Size. Defines the width of the asynchronous device's data bus : 00: 8 Bit data bus. 01: 16 Bit data bus. 10: 32 Bit data bus. 11: Reserved. Reset type: SYSRSn

### 23.4.2.7 ASYNC\_CS4\_CR Register (Offset = Ch) [Reset = 3FFFFFFDh]

ASYNC\_CS4\_CR is shown in [Figure 23-29](#) and described in [Table 23-42](#).

Return to the [Summary Table](#).

Async 3 (EMxCS4n) Config Register

**Figure 23-29. ASYNC\_CS4\_CR Register**

31	30	29	28	27	26	25	24	23	22	21	20	19	18	17	16
SS	EW	W_SETUP				W_STROBE				W_HOLD			R_SETUP		
R/W-0h	R/W-0h	R/W-Fh				R/W-3Fh				R/W-7h			R/W-Fh		
15	14	13	12	11	10	9	8	7	6	5	4	3	2	1	0
R_SETUP		R_STROBE				R_HOLD			TA	ASIZE					
R/W-Fh		R/W-3Fh				R/W-7h			R/W-3h	R/W-1h					

**Table 23-42. ASYNC\_CS4\_CR Register Field Descriptions**

Bit	Field	Type	Reset	Description
31	SS	R/W	0h	Select Strobe mode. Set to 1 if chip selects need to have write or read strobe timing. Reset type: SYSRSn
30	EW	R/W	0h	Extend Wait mode. Set to 1 if extended asynchronous cycles are required based on EMxWAIT. Reset type: SYSRSn
29-26	W_SETUP	R/W	Fh	Write Strobe Setup cycles. Number of EMxCLK cycles from EMxAy, EMxBAy, EMxDQMy, and EMxCS4n being set to EMxWEn asserted, minus one cycle. The reset value is 16 cycles. Reset type: SYSRSn
25-20	W_STROBE	R/W	3Fh	Write Strobe Duration cycles. Number of EMxCLK cycles for which EMxWEn is held active, minus one cycle. The reset value is 64 cycles. This field cannot be zero when ew = 1. Reset type: SYSRSn
19-17	W_HOLD	R/W	7h	Write Strobe Hold cycles. Number of EMxCLK cycles for which EMxAy, EMxBAy, EMxDQMy, and EMxCS4n are held after EMxWEn has been deasserted, minus one cycle. The reset value is 8 cycles. Reset type: SYSRSn
16-13	R_SETUP	R/W	Fh	Read Strobe Setup cycles. Number of EMxCLK cycles from EMxAy, EMxBAy, EMxDQMy, and EMxCS4n being set to EMxOEn asserted, minus one cycle. The reset value is 16 cycles. Reset type: SYSRSn
12-7	R_STROBE	R/W	3Fh	Read Strobe Duration cycles. Number of EMxCLK cycles for which EMxOEn is held active, minus one cycle. The reset value is 64 cycles. This field cannot be zero when ew = 1. Reset type: SYSRSn
6-4	R_HOLD	R/W	7h	Read Strobe Hold cycles. Number of EMxCLK cycles for which EMxAy, EMxBAy, EMxDQMy, and EMxCS4n are held after EMxOEn has been deasserted, minus one cycle. The reset value is 8 cycles. Reset type: SYSRSn
3-2	TA	R/W	3h	Turn Around cycles. Number of EMxCLK cycles between the end of one asynchronous memory access and the start of another asynchronous memory access, minus one cycle. This delay is not incurred between a read followed by a read, or a write followed by a write to the same chip select. The reset value is 4 cycles. Reset type: SYSRSn

**Table 23-42. ASYNC\_CS4\_CR Register Field Descriptions (continued)**

Bit	Field	Type	Reset	Description
1-0	ASIZE	R/W	1h	Asynchronous Memory Size. Defines the width of the asynchronous device's data bus : 00: 8 Bit data bus. 01: 16 Bit data bus. 10: 32 Bit data bus. 11: Reserved. Reset type: SYSRSn

### 23.4.2.8 SDRAM\_TR Register (Offset = 10h) [Reset = 19214610h]

SDRAM\_TR is shown in [Figure 23-30](#) and described in [Table 23-43](#).

Return to the [Summary Table](#).

SDRAM Timing Register

**Figure 23-30. SDRAM\_TR Register**

31	30	29	28	27	26	25	24
T_RFC				T_RP			
R/W-3h				R/W-1h			
23	22	21	20	19	18	17	16
RESERVED	T_RCD			RESERVED	T_WR		
R-0h		R/W-2h		R-0h		R/W-1h	
15	14	13	12	11	10	9	8
T_RAS				T_RC			
R/W-4h				R/W-6h			
7	6	5	4	3	2	1	0
RESERVED	T_RRD			RESERVED			
R-0h		R/W-1h		R-0h			

**Table 23-43. SDRAM\_TR Register Field Descriptions**

Bit	Field	Type	Reset	Description
31-27	T_RFC	R/W	3h	Minimum number of EMxCLK cycles from Refresh or Load Mode to Refresh or Activate, minus one. Reset type: SYSRSn
26-24	T_RP	R/W	1h	Minimum number of EMxCLK cycles from Precharge to Activate or Refresh, minus one. Reset type: SYSRSn
23	RESERVED	R	0h	Reserved
22-20	T_RCD	R/W	2h	Minimum number of EMxCLK cycles from Activate to Read or Write, minus one. Reset type: SYSRSn
19	RESERVED	R	0h	Reserved
18-16	T_WR	R/W	1h	For SDR, this is equal to minimum number of EMxCLK cycles from last Write transfer to Precharge, minus one. Reset type: SYSRSn
15-12	T_RAS	R/W	4h	Minimum number of EMxCLK cycles from Activate to Precharge, minus one. $t_{ras} \geq t_{rcd}$ . Reset type: SYSRSn
11-8	T_RC	R/W	6h	Minimum number of EMxCLK cycles from Activate to Activate minus one. Reset type: SYSRSn
7	RESERVED	R	0h	Reserved
6-4	T_RRD	R/W	1h	Minimum number of EMxCLK cycles from Activate to Activate for a different bank, minus one. Reset type: SYSRSn
3-0	RESERVED	R	0h	Reserved

### 23.4.2.9 TOTAL\_SDRAM\_AR Register (Offset = 18h) [Reset = 0000000h]

TOTAL\_SDRAM\_AR is shown in [Figure 23-31](#) and described in [Table 23-44](#).

Return to the [Summary Table](#).

Total SDRAM Accesses Register

**Figure 23-31. TOTAL\_SDRAM\_AR Register**

31	30	29	28	27	26	25	24	23	22	21	20	19	18	17	16	15	14	13	12	11	10	9	8	7	6	5	4	3	2	1	0
TOTAL_SDRAM_AR																															
R-0h																															

**Table 23-44. TOTAL\_SDRAM\_AR Register Field Descriptions**

Bit	Field	Type	Reset	Description
31-0	TOTAL_SDRAM_AR	R	0h	Indicates the total number of accesses to SDRAM from a master (CPUx/CPUX.DMA). This counter is incremented by two for a single access crossing page boundaries. Reset type: SYSRSn

### 23.4.2.10 TOTAL\_SDRAM\_ACTR Register (Offset = 1Ah) [Reset = 0000000h]

TOTAL\_SDRAM\_ACTR is shown in [Figure 23-32](#) and described in [Table 23-45](#).

Return to the [Summary Table](#).

Total SDRAM Activate Register

**Figure 23-32. TOTAL\_SDRAM\_ACTR Register**

31	30	29	28	27	26	25	24	23	22	21	20	19	18	17	16	15	14	13	12	11	10	9	8	7	6	5	4	3	2	1	0
TOTAL_SDRAM_ACTR																															
R-0h																															

**Table 23-45. TOTAL\_SDRAM\_ACTR Register Field Descriptions**

Bit	Field	Type	Reset	Description
31-0	TOTAL_SDRAM_ACTR	R	0h	Indicates the total number of SDRAM accesses which require an activate command. Reset type: SYSRSn



### 23.4.2.11 SDR\_EXT\_TMNG Register (Offset = 1Eh) [Reset = 0000007h]

SDR\_EXT\_TMNG is shown in [Figure 23-33](#) and described in [Table 23-46](#).

Return to the [Summary Table](#).

SDRAM SR/PD Exit Timing Register

**Figure 23-33. SDR\_EXT\_TMNG Register**

31	30	29	28	27	26	25	24	23	22	21	20	19	18	17	16	15	14	13	12	11	10	9	8	7	6	5	4	3	2	1	0
RESERVED																RESERVED											T_XS				
R-0h																R-0h											R/W-7h				

**Table 23-46. SDR\_EXT\_TMNG Register Field Descriptions**

Bit	Field	Type	Reset	Description
31-16	RESERVED	R	0h	Reserved
15-5	RESERVED	R	0h	Reserved
4-0	T_XS	R/W	7h	This is equal to minimum number of EMxCLK cycles from Self Refresh exit to any command, minus one. For SDR SDRAM, this count should satisfy tXSR. Reset type: SYSRSn

### 23.4.2.12 INT\_RAW Register (Offset = 20h) [Reset = 0000000h]

INT\_RAW is shown in [Figure 23-34](#) and described in [Table 23-47](#).

Return to the [Summary Table](#).

Interrupt Raw Register

**Figure 23-34. INT\_RAW Register**

31	30	29	28	27	26	25	24	23	22	21	20	19	18	17	16
RESERVED															
R-0h															
15	14	13	12	11	10	9	8	7	6	5	4	3	2	1	0
RESERVED										WR		LT	AT		
R-0h										R/W1S-0h		R/ W1S-0 h	R/ W1S-0 h		

**Table 23-47. INT\_RAW Register Field Descriptions**

Bit	Field	Type	Reset	Description
31-16	RESERVED	R	0h	Reserved
15-6	RESERVED	R	0h	Reserved
5-2	WR	R/W1S	0h	Wait Rise. Set to 1 by hardware to indicate rising edge on the corresponding EMxWAIT has been detected. The WPx bits in the Async Wait Cycle Config register has no effect on these bits. Writing a 1 will clear these bits as well as the wr_masked bits in the Interrupt Masked register. Writing a 0 has no effect. Reset type: SYSRSn
1	LT	R/W1S	0h	Line Trap. Set to 1 by hardware to indicate illegal memory access type or invalid cache line size. Writing a 1 will clear this bit as well as the lt_masked bit in the Interrupt Masked register. Writing a 0 has no effect. Reset type: SYSRSn
0	AT	R/W1S	0h	Asynchronous Timeout. Set to 1 by hardware to indicate that during an extended asynchronous memory access cycle, the EMxWAIT signal did not go inactive within the number of cycles defined by the max_ext_wait field in Async Wait Cycle Config register. Writing a 1 will clear this bit as well as the at_masked bit in the Interrupt Masked register. Writing a 0 has no effect. Reset type: SYSRSn

### 23.4.2.13 INT\_MSK Register (Offset = 22h) [Reset = 0000000h]

INT\_MSK is shown in [Figure 23-35](#) and described in [Table 23-48](#).

Return to the [Summary Table](#).

Interrupt Masked Register

**Figure 23-35. INT\_MSK Register**

31	30	29	28	27	26	25	24	
RESERVED								
R-0h								
23	22	21	20	19	18	17	16	
RESERVED								
R-0h								
15	14	13	12	11	10	9	8	
RESERVED								
R-0h								
7	6	5	4	3	2	1	0	
RESERVED		WR_MASKED				LT_MASKED	AT_MASKED	
R-0h		R/W1S-0h				R/W1S-0h	R/W1S-0h	

**Table 23-48. INT\_MSK Register Field Descriptions**

Bit	Field	Type	Reset	Description
31-16	RESERVED	R	0h	Reserved
15-6	RESERVED	R	0h	Reserved
5-2	WR_MASKED	R/W1S	0h	Masked Wait Rise. Set to 1 by hardware to indicate rising edge on the corresponding EMxWAIT has been detected, only if the wr_mask_set bit in the Interrupt Mask Set register is set to 1. The WPx bits in the Async Wait Cycle Config register has no effect on these bits. Writing a 1 will clear these bits as well as the wr bits in the Interrupt Raw register. Writing a 0 has no effect. Reset type: SYSRSn
1	LT_MASKED	R/W1S	0h	Masked Line Trap. Set to 1 by hardware to indicate illegal memory access type or invalid cache line size, only if the lt_mask_set bit in the Interrupt Mask Set register is set to 1. Writing a 1 will clear this bit as well as the lt bit in the Interrupt Raw register. Writing a 0 has no effect. Reset type: SYSRSn
0	AT_MASKED	R/W1S	0h	Masked Asynchronous Timeout. Set to 1 by hardware to indicate that during an extended asynchronous memory access cycle, the EMxWAIT signal did not go inactive within the number of cycles defined by the max_ext_wait field in Async Wait Cycle Config register, only if the at_mask_set bit in the Interrupt Mask Set register is set to 1. Writing a 1 will clear this bit as well as the at bit in the Interrupt Raw register. Writing a 0 has no effect. Reset type: SYSRSn

### 23.4.2.14 INT\_MSK\_SET Register (Offset = 24h) [Reset = 0000000h]

INT\_MSK\_SET is shown in [Figure 23-36](#) and described in [Table 23-49](#).

Return to the [Summary Table](#).

Interrupt Mask Set Register

**Figure 23-36. INT\_MSK\_SET Register**

31	30	29	28	27	26	25	24	
RESERVED								
R-0h								
23	22	21	20	19	18	17	16	
RESERVED								
R-0h								
15	14	13	12	11	10	9	8	
RESERVED								
R-0h								
7	6	5	4	3	2	1	0	
RESERVED		WR_MASK_SET				LT_MASK_SET	AT_MASK_SET	
R-0h		R/W1S-0h				R/W1S-0h	R/W1S-0h	

**Table 23-49. INT\_MSK\_SET Register Field Descriptions**

Bit	Field	Type	Reset	Description
31-16	RESERVED	R	0h	Reserved
15-6	RESERVED	R	0h	Reserved
5-2	WR_MASK_SET	R/W1S	0h	Mask set for wr_masked bits in the Interrupt Masked Register. Writing a 1 will enable the interrupts, and set these bits as well as the wr_mask_clr bits in the Interrupt Mask Clear register. Writing a 0 has no effect. Reset type: SYSRSn
1	LT_MASK_SET	R/W1S	0h	Mask set for lt_masked bit in the Interrupt Masked Register. Writing a 1 will enable the interrupt, and set this bit as well as the lt_mask_clr bit in the Interrupt Mask Clear register. Writing a 0 has no effect. Reset type: SYSRSn
0	AT_MASK_SET	R/W1S	0h	Mask set for at_masked bit in the Interrupt Masked Register. Writing a 1 will enable the interrupt, and set this bit as well as the at_mask_clr bit in the Interrupt Mask Clear register. Writing a 0 has no effect. Reset type: SYSRSn

### 23.4.2.15 INT\_MSK\_CLR Register (Offset = 26h) [Reset = 0000000h]

INT\_MSK\_CLR is shown in [Figure 23-37](#) and described in [Table 23-50](#).

Return to the [Summary Table](#).

Interrupt Mask Clear Register

**Figure 23-37. INT\_MSK\_CLR Register**

31	30	29	28	27	26	25	24	
RESERVED								
R-0h								
23	22	21	20	19	18	17	16	
RESERVED								
R-0h								
15	14	13	12	11	10	9	8	
RESERVED								
R-0h								
7	6	5	4	3	2	1	0	
RESERVED		WR_MASK_CLR				LT_MASK_CLR	AT_MASK_CLR	
R-0h		R/W1S-0h				R/W1S-0h	R/W1S-0h	

**Table 23-50. INT\_MSK\_CLR Register Field Descriptions**

Bit	Field	Type	Reset	Description
31-16	RESERVED	R	0h	Reserved
15-6	RESERVED	R	0h	Reserved
5-2	WR_MASK_CLR	R/W1S	0h	Mask clear for wr_masked bits in the Interrupt Masked Register. Writing a 1 will disable the interrupts, and clear these bits as well as the wr_mask_set bits in the Interrupt Mask Set register. Writing a 0 has no effect. Reset type: SYSRSn
1	LT_MASK_CLR	R/W1S	0h	Mask clear for lt_masked bit in the Interrupt Masked Register. Writing a 1 will disable the interrupt, and clear this bit as well as the lt_mask_set bit in the Interrupt Mask Set register. Writing a 0 has no effect. Reset type: SYSRSn
0	AT_MASK_CLR	R/W1S	0h	Mask clear for at_masked bit in the Interrupt Masked Register. Writing a 1 will disable the interrupt, and clear this bit as well as the at_mask_set bit in the Interrupt Mask Set register. Writing a 0 has no effect. Reset type: SYSRSn

### 23.4.3 EMIF1\_CONFIG\_REGS Registers

Table 23-51 lists the memory-mapped registers for the EMIF1\_CONFIG\_REGS registers. All register offset addresses not listed in Table 23-51 should be considered as reserved locations and the register contents should not be modified.

**Table 23-51. EMIF1\_CONFIG\_REGS Registers**

Offset	Acronym	Register Name	Write Protection	Section
0h	EMIF1LOCK	EMIF1 Config Lock Register	EALLOW	<a href="#">Go</a>
2h	EMIF1COMMIT	EMIF1 Config Lock Commit Register	EALLOW	<a href="#">Go</a>
8h	EMIF1ACCPROTO	EMIF1 Config Register 0	EALLOW	<a href="#">Go</a>

Complex bit access types are encoded to fit into small table cells. Table 23-52 shows the codes that are used for access types in this section.

**Table 23-52. EMIF1\_CONFIG\_REGS Access Type Codes**

Access Type	Code	Description
Read Type		
R	R	Read
R-0	R -0	Read Returns 0s
Write Type		
W	W	Write
WOnce	W Once	Write Set once
Reset or Default Value		
-n		Value after reset or the default value
Register Array Variables		
i,j,k,l,m,n		When these variables are used in a register name, an offset, or an address, they refer to the value of a register array where the register is part of a group of repeating registers. The register groups form a hierarchical structure and the array is represented with a formula.
y		When this variable is used in a register name, an offset, or an address it refers to the value of a register array.

### 23.4.3.1 EMIF1LOCK Register (Offset = 0h) [Reset = 0000000h]

EMIF1LOCK is shown in [Figure 23-38](#) and described in [Table 23-53](#).

Return to the [Summary Table](#).

EMIF1 Config Lock Register

**Figure 23-38. EMIF1LOCK Register**

31	30	29	28	27	26	25	24
RESERVED							
R-0h							
23	22	21	20	19	18	17	16
RESERVED							
R-0h							
15	14	13	12	11	10	9	8
RESERVED							
R-0h							
7	6	5	4	3	2	1	0
RESERVED							LOCK_EMIF1
R-0h							R/W-0h

**Table 23-53. EMIF1LOCK Register Field Descriptions**

Bit	Field	Type	Reset	Description
31-16	RESERVED	R	0h	Reserved
15-1	RESERVED	R	0h	Reserved
0	LOCK_EMIF1	R/W	0h	Locks the write to access protection and master select fields for EMIF1: 0: Write to ACCPROT and Mselect fields are allowed. 1: Write to ACCPROT and Mselect fields are blocked. Reset type: SYSRSn

### 23.4.3.2 EMIF1COMMIT Register (Offset = 2h) [Reset = 0000000h]

EMIF1COMMIT is shown in [Figure 23-39](#) and described in [Table 23-54](#).

Return to the [Summary Table](#).

EMIF1 Config Lock Commit Register

**Figure 23-39. EMIF1COMMIT Register**

31	30	29	28	27	26	25	24
RESERVED							
R-0h							
23	22	21	20	19	18	17	16
RESERVED							
R-0h							
15	14	13	12	11	10	9	8
RESERVED							
R-0h							
7	6	5	4	3	2	1	0
RESERVED							COMMIT_EMIF 1
R-0h							R/WOnce-0h

**Table 23-54. EMIF1COMMIT Register Field Descriptions**

Bit	Field	Type	Reset	Description
31-16	RESERVED	R	0h	Reserved
15-1	RESERVED	R	0h	Reserved
0	COMMIT_EMIF1	R/WOnce	0h	Permanently Locks the write to access protection and master select fields for EMIF1: 0: Write to ACCPROT and Mselect fields are allowed based on value of lock field in EMIF1LOCK register. 1: Write to ACCPROT and Mselect fields are permanently blocked. Reset type: SYSRSn



### 23.4.3.3 EMIF1ACCPROT0 Register (Offset = 8h) [Reset = 0000000h]

EMIF1ACCPROT0 is shown in [Figure 23-40](#) and described in [Table 23-55](#).

Return to the [Summary Table](#).

EMIF1 Config Register 0

**Figure 23-40. EMIF1ACCPROT0 Register**

31	30	29	28	27	26	25	24
RESERVED							
R-0h							
23	22	21	20	19	18	17	16
RESERVED							
R-0h							
15	14	13	12	11	10	9	8
RESERVED							
R-0h							
7	6	5	4	3	2	1	0
RESERVED					DMAWRPROT_ EMIF1	CPUWRPROT_ EMIF1	FETCHPROT_ EMIF1
R-0h					R/W-0h	R/W-0h	R/W-0h

**Table 23-55. EMIF1ACCPROT0 Register Field Descriptions**

Bit	Field	Type	Reset	Description
31-16	RESERVED	R	0h	Reserved
15-3	RESERVED	R	0h	Reserved
2	DMAWRPROT_EMIF1	R/W	0h	DMA WR Protection For EMIF1: 0: DMA Writes are allowed. 1: DMA Writes are blocked. Reset type: SYSRSn
1	CPUWRPROT_EMIF1	R/W	0h	CPU WR Protection For EMIF1: 0: CPU Writes are allowed. 1: CPU Writes are blocked. Reset type: SYSRSn
0	FETCHPROT_EMIF1	R/W	0h	Fetch Protection For EMIF1: 0: CPU Fetches are allowed. 1: CPU Fetches are blocked. Reset type: SYSRSn

### 23.4.4 EMIF2\_CONFIG\_REGS Registers

Table 23-56 lists the memory-mapped registers for the EMIF2\_CONFIG\_REGS registers. All register offset addresses not listed in Table 23-56 should be considered as reserved locations and the register contents should not be modified.

**Table 23-56. EMIF2\_CONFIG\_REGS Registers**

Offset	Acronym	Register Name	Write Protection	Section
0h	EMIF2LOCK	EMIF2 Config Lock Register		<a href="#">Go</a>
2h	EMIF2COMMIT	EMIF2 Config Lock Commit Register	EALLOW	<a href="#">Go</a>
8h	EMIF2ACCPROTO	EMIF2 Config Register 0	EALLOW	<a href="#">Go</a>

Complex bit access types are encoded to fit into small table cells. Table 23-57 shows the codes that are used for access types in this section.

**Table 23-57. EMIF2\_CONFIG\_REGS Access Type Codes**

Access Type	Code	Description
Read Type		
R	R	Read
Write Type		
W	W	Write
WSonce	W Sonce	Write Set once
Reset or Default Value		
-n		Value after reset or the default value
Register Array Variables		
i,j,k,l,m,n		When these variables are used in a register name, an offset, or an address, they refer to the value of a register array where the register is part of a group of repeating registers. The register groups form a hierarchical structure and the array is represented with a formula.
y		When this variable is used in a register name, an offset, or an address it refers to the value of a register array.

### 23.4.4.1 EMIF2LOCK Register (Offset = 0h) [Reset = 0000000h]

EMIF2LOCK is shown in [Figure 23-41](#) and described in [Table 23-58](#).

Return to the [Summary Table](#).

EMIF2 Config Lock Register

**Figure 23-41. EMIF2LOCK Register**

31	30	29	28	27	26	25	24
RESERVED							
R-0h							
23	22	21	20	19	18	17	16
RESERVED							
R-0h							
15	14	13	12	11	10	9	8
RESERVED							
R-0h							
7	6	5	4	3	2	1	0
RESERVED							LOCK_EMIF2
R-0h							R/W-0h

**Table 23-58. EMIF2LOCK Register Field Descriptions**

Bit	Field	Type	Reset	Description
31-16	RESERVED	R	0h	Reserved
15-1	RESERVED	R	0h	Reserved
0	LOCK_EMIF2	R/W	0h	Locks the write to access protection fields for EMIF2: 0: Write to ACCPROT and Mselect fields are allowed. 1: Write to ACCPROT and Mselect fields are blocked. Reset type: CPU1.SYSRSn

### 23.4.4.2 EMIF2COMMIT Register (Offset = 2h) [Reset = 0000000h]

EMIF2COMMIT is shown in [Figure 23-42](#) and described in [Table 23-59](#).

Return to the [Summary Table](#).

EMIF2 Config Lock Commit Register

**Figure 23-42. EMIF2COMMIT Register**

31	30	29	28	27	26	25	24
RESERVED							
R-0h							
23	22	21	20	19	18	17	16
RESERVED							
R-0h							
15	14	13	12	11	10	9	8
RESERVED							
R-0h							
7	6	5	4	3	2	1	0
RESERVED							COMMIT_EMIF2
R-0h							R/WOnce-0h

**Table 23-59. EMIF2COMMIT Register Field Descriptions**

Bit	Field	Type	Reset	Description
31-16	RESERVED	R	0h	Reserved
15-1	RESERVED	R	0h	Reserved
0	COMMIT_EMIF2	R/WOnce	0h	Permanently Locks the write to access protection fields for EMIF2: 0: Write to ACCPROT fields are allowed based on value of lock field in EMIF2LOCK register. 1: Write to ACCPROT fields are permanently blocked. Reset type: CPU1.SYSRSn

### 23.4.4.3 EMIF2ACCPROT0 Register (Offset = 8h) [Reset = 0000000h]

EMIF2ACCPROT0 is shown in [Figure 23-43](#) and described in [Table 23-60](#).

Return to the [Summary Table](#).

EMIF2 Config Register 0

**Figure 23-43. EMIF2ACCPROT0 Register**

31	30	29	28	27	26	25	24
RESERVED							
R-0h							
23	22	21	20	19	18	17	16
RESERVED							
R-0h							
15	14	13	12	11	10	9	8
RESERVED							
R-0h							
7	6	5	4	3	2	1	0
RESERVED						CPUWRPROT_ EMIF2	FETCHPROT_ EMIF2
R-0h						R/W-0h	R/W-0h

**Table 23-60. EMIF2ACCPROT0 Register Field Descriptions**

Bit	Field	Type	Reset	Description
31-16	RESERVED	R	0h	Reserved
15-2	RESERVED	R	0h	Reserved
1	CPUWRPROT_EMIF2	R/W	0h	CPU WR Protection For EMIF2: 0: CPU Writes are allowed. 1: CPU Writes are blocked. Reset type: SYSRSn
0	FETCHPROT_EMIF2	R/W	0h	Fetch Protection For EMIF2 0: CPU Fetches are allowed. 1: CPU Fetches are blocked. Reset type: SYSRSn

### 23.4.5 EMIF Registers to Driverlib Functions

**Table 23-61. EMIF Registers to Driverlib Functions**

File	Driverlib Function
<b>RCSR</b>	
-	
<b>ASYNC_WCCR</b>	
emif.h	EMIF_setAsyncWaitPolarity
emif.h	EMIF_setAsyncMaximumWaitCycles
<b>SDRAM_CR</b>	
emif.h	EMIF_setSyncMemoryConfig
emif.h	EMIF_enableSyncSelfRefresh
emif.h	EMIF_disableSyncSelfRefresh
emif.h	EMIF_enableSyncPowerDown
emif.h	EMIF_disableSyncPowerDown
emif.h	EMIF_enableSyncRefreshInPowerDown

**Table 23-61. EMIF Registers to Driverlib Functions (continued)**

File	Driverlib Function
emif.h	EMIF_disableSyncRefreshInPowerDown
<b>SDRAM_RCR</b>	
emif.h	EMIF_setSyncRefreshRate
<b>ASYNC_CS2_CR</b>	
emif.h	EMIF_setAsyncMode
emif.h	EMIF_enableAsyncExtendedWait
emif.h	EMIF_setAsyncTimingParams
emif.h	EMIF_setAsyncDataBusWidth
<b>ASYNC_CS3_CR</b>	
-	See ASYNC_CS2_CR
<b>ASYNC_CS4_CR</b>	
-	See ASYNC_CS2_CR
<b>SDRAM_TR</b>	
emif.h	EMIF_setSyncTimingParams
<b>TOTAL_SDRAM_AR</b>	
emif.h	EMIF_getSyncTotalAccesses
<b>TOTAL_SDRAM_ACTR</b>	
emif.h	EMIF_getSyncTotalActivateAccesses
<b>SDR_EXT_TMNG</b>	
emif.h	EMIF_setSyncSelfRefreshExitTmng
<b>INT_RAW</b>	
-	
<b>INT_MSK</b>	
emif.h	EMIF_enableAsyncInterrupt
emif.h	EMIF_disableAsyncInterrupt
emif.h	EMIF_getAsyncInterruptStatus
emif.h	EMIF_clearAsyncInterruptStatus
<b>INT_MSK_SET</b>	
emif.h	EMIF_enableAsyncInterrupt
<b>INT_MSK_CLR</b>	
emif.h	EMIF_disableAsyncInterrupt

Chapter 24  
**Configurable Logic Block (CLB)**

---



This chapter describes the features and operation of the configurable logic block (CLB) that is a collection of configurable blocks that can be inter-connected using software to implement custom digital logic functions.

<b>24.1 Introduction</b> .....	<b>2680</b>
<b>24.2 Description</b> .....	<b>2680</b>
<b>24.3 CLB Input/Output Connection</b> .....	<b>2683</b>
<b>24.4 CLB Tile</b> .....	<b>2691</b>
<b>24.5 CPU Interface</b> .....	<b>2704</b>
<b>24.6 DMA Access</b> .....	<b>2705</b>
<b>24.7 Software</b> .....	<b>2706</b>
<b>24.8 CLB Registers</b> .....	<b>2709</b>

## 24.1 Introduction

The configurable logic block (CLB) is a collection of configurable blocks that can be inter-connected using software to implement custom digital logic functions. The CLB is able to enhance existing peripherals through a set of crossbar interconnections, which provide a high level of connectivity to existing control peripherals such as enhanced pulse width modulators (ePWM), enhanced capture modules (eCAP), and enhanced quadrature encoder pulse modules (eQEP). The crossbars also allow the CLB to be connected to external GPIO pins. In this way, the CLB can be configured to interact with device peripherals to perform small logical functions such as simple PWM generators, or to implement custom serial data exchange protocols.

The CLB peripheral is configured through the CLB tool. For more information on the CLB tool, available examples, application reports, and user's guide, refer to the following location in your C2000WARE package (C2000Ware\_2\_00\_00\_03 and higher): C2000WARE\_INSTALL\_LOCATION\utilities\clb\_tool\clb\_syscfg\doc

### 24.1.1 CLB Related Collateral

#### Foundational Materials

- [C2000 Academy - CLB](#)
- [C2000™ Configurable Logic Block \(CLB\) Series \(Video\)](#)
- [Customizing on-chip peripherals defies conventional logic](#)
- [Enable Differentiation and win with CLB in various applications Application Report](#)
- [Enable Differentiation with Configurable Logic in Various Automotive Applications \(Video\)](#)

#### Getting Started Materials

- [C2000™ Position Manager PTO API Reference Guide Application Report](#)
- [CLB Tool User Guide](#)
  - Basic examples are 7 - 15 (start with these). More involved examples are 1-6.
- [Designing With The C2000 Configurable Logic Block Application Report](#)
- [How do I add SYSCONFIG support \(Pinmux and Peripheral Initialization\) to an existing driverlib project?](#)
- [How to Migrate Custom Logic From an FPGA/CPLD to C2000 Microcontrollers Application Report](#)
  - Chapters 1-3 are very useful for getting started and learning the CLB. Later chapters are very useful Expert materials for migrating from FPGA/CPLD to C2000's CLB.

#### Expert Materials

- [Achieve Delayed Protection for Three-Level Inverter With CLB Application Report](#)
- [Diagnosing Delta-Sigma Modulator Bitstream Using C2000™ Configurable Logic Block Application Report](#)
- [How to Implement Custom Serial Interfaces Using Configurable Logic Block \(CLB\) Application Report](#)
- [Tamagawa T-Format Absolute-Encoder Master Interface Reference Design for C2000™ MCUs](#)

## 24.2 Description

The CLB subsystem contains a number of identical tiles. There are four such tiles in the CLB subsystem; other devices can contain more or fewer tiles. Tiles are numbered 1 to N, where N is the total tile count on the device. Each tile contains combinational and sequential logic blocks, as well as other dedicated hardware to be described later in this document. [Figure 24-1](#) shows the structure of the CLB subsystem in the device.

The tile contains the core logic, providing the logic reconfiguration capability. Each CLB tile is associated with a separate CPU interface, which contains the registers needed to control and configure the logic in the tile. The CPU interface also contains data transfer buffers that can be used as part of the configurable logic to exchange data with the rest of the device. [Figure 24-2](#) shows the connections between the tile, the CPU interface, and the device.



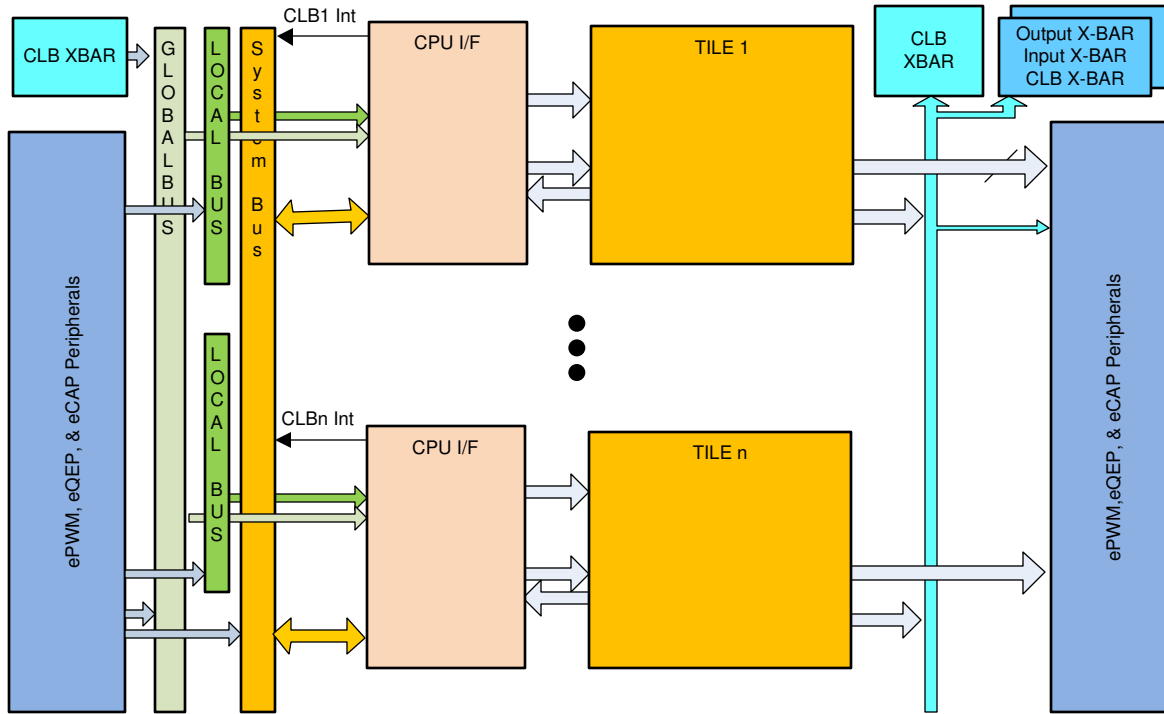


Figure 24-1. Block Diagram of the CLB Subsystem in the Device

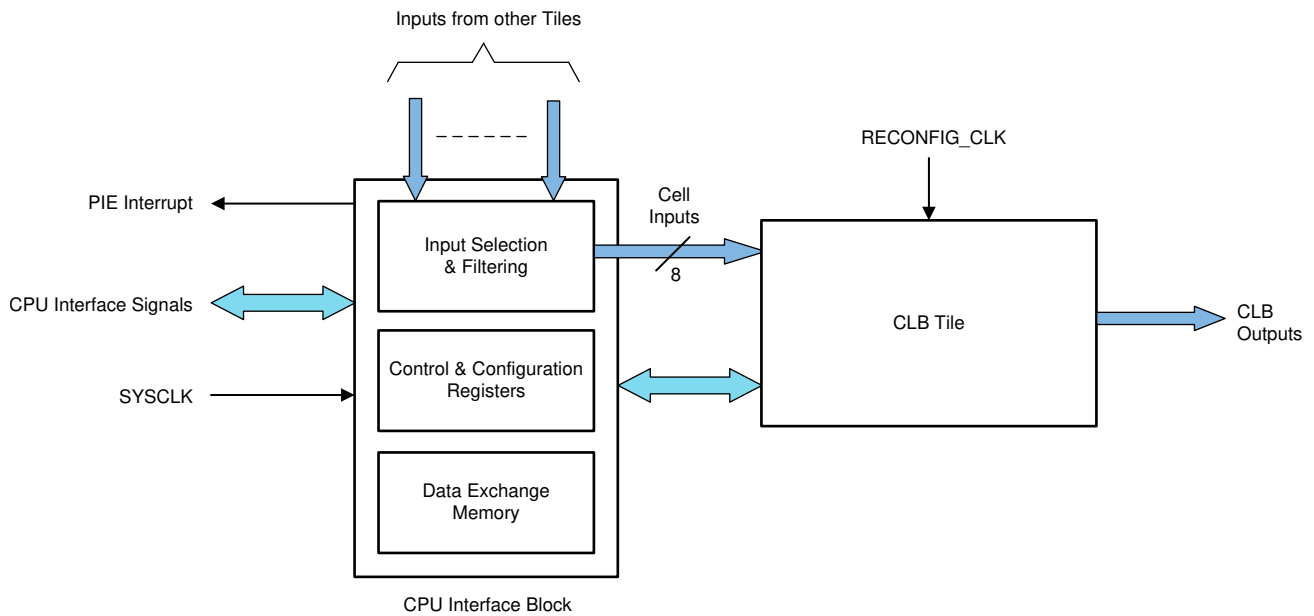
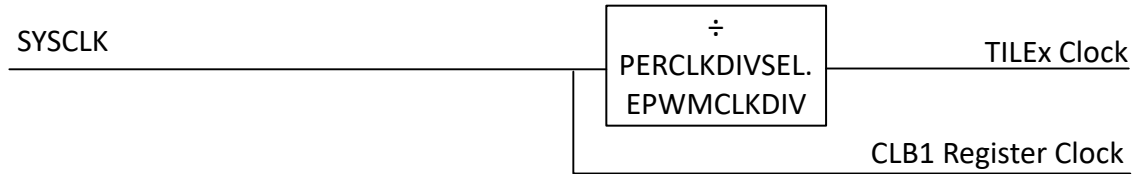


Figure 24-2. Block Diagram of a CLB Tile and CPU Interface

### 24.2.1 CLB Clock

In this device, the CLB clock is the same as the ePWM1 clock, and the maximum frequency is 100 MHz. When using CLB<sub>x</sub>, the corresponding EPWM<sub>x</sub> module clock bit must be enabled. For example, when CLB1 is being used on the device, EPWM1 clock must be enabled. Likewise, EPWM2 clock must be enabled when making use of CLB2. The other CLBs on the device follow similar requirements.



**Figure 24-3. CLB Clocking**

## 24.3 CLB Input/Output Connection

### 24.3.1 Overview

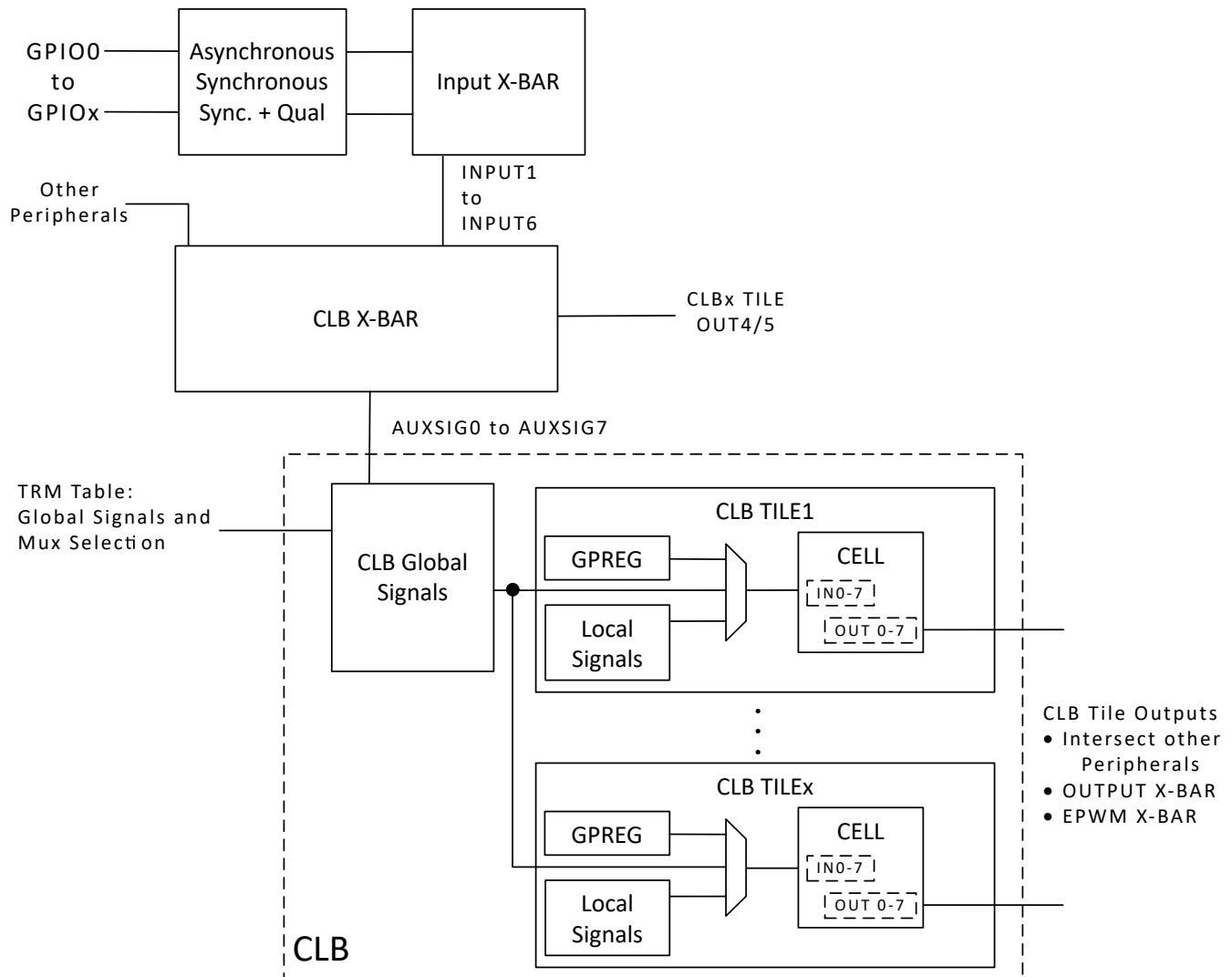
There are four instances of the CLB module in the device. Each CLB instance has a common set of input signals referred to as global input signals. Additionally, each CLB instance has a specific set of input signals that are unique to each instance, and are referred to as local input signals. Each of the eight inputs of a CLB can be chosen from any of the global input signals or the local input signals.

**Note**

Signals routed into the CLB using the XBAR must be synchronized within the CLB itself.

### 24.3.2 CLB Input Selection

Each CLB module has eight inputs that are applied to the reconfigurable logic cell. Each of these inputs can be selectively driven by a predefined set of signals. A two-level mux structure allows each input of each CLB instance to select a signal.



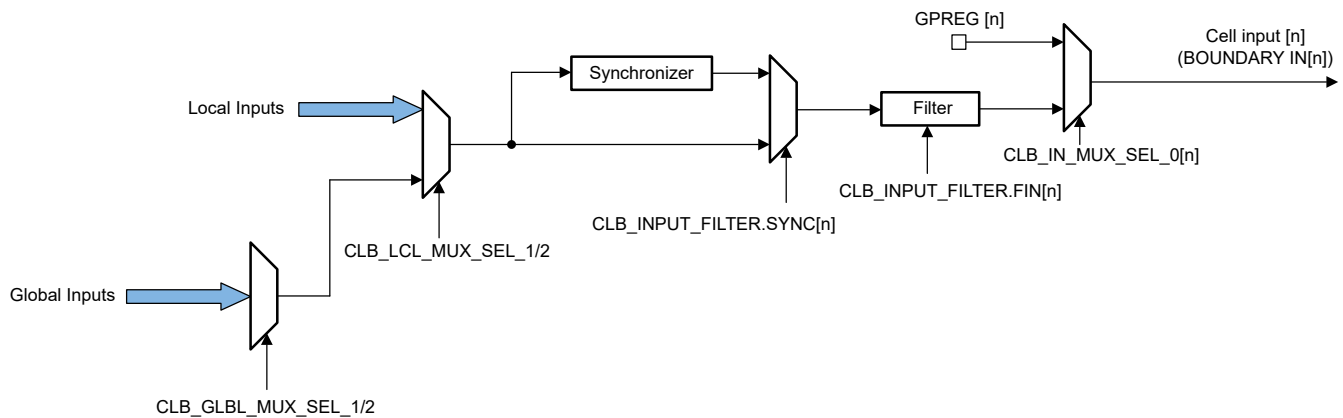
**Figure 24-4. GPIO to CLB Tile Connections**

A set of signals is common to all the CLB instances. These are referred to as global inputs in [Figure 24-5](#). A separate set of signals is unique to each instance of the CLB. These are referred to as local inputs in [Figure 24-5](#).

Registers `CLB_LCL_MUX_SEL_1` and `CLB_LCL_MUX_SEL_2` control the local mux selection for each of the eight inputs. The mux control registers `CLB_GLBL_MUX_SEL_1` and `CLB_GLBL_MUX_SEL_2` control the global mux selection for each of the eight inputs.

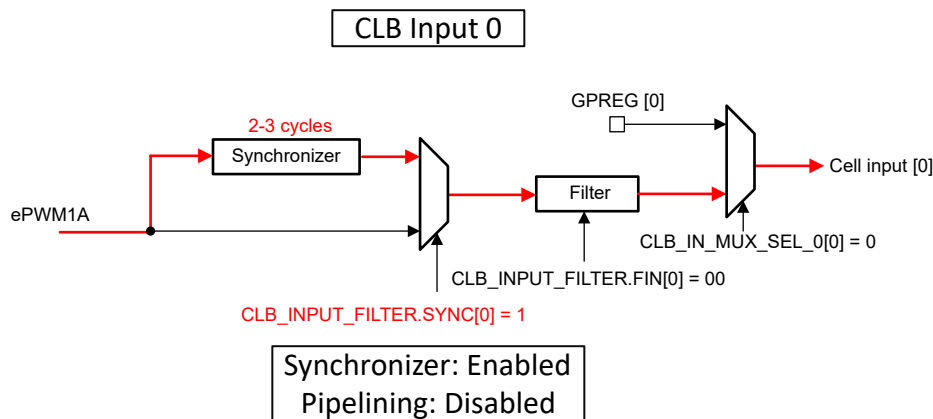
The local mux select value of 0 causes the selected global mux input signal to be connected to the corresponding CLB Input. For example, setting `CLB_LCL_MUX_SEL_IN_0 = 0` and `CLB_GLBL_MUX_SEL_IN_0 = 8` causes the global mux input number 8 to be connected to CLB Input 0. The input filter feature can be used to enable edge detection on the CLB inputs. The input filter feature can also synchronize the input with the CLB clock.

The global mux settings are shown in [Table 24-1](#). The local input mux settings are shown in [Table 24-2](#).



**Figure 24-5. CLB Input Mux and Filter**

[Figure 24-6](#) shows an example of how to use synchronization for an asynchronous signal, in this case the ePWM signal.



**Figure 24-6. CLB Input Synchronization Example**

### Note

If a signal in the following table indicates that synchronization is required, then the CLB input synchronizer must be enabled using the appropriate SYNC bit in the CLB\_INPUT\_FILTER register. This synchronization adds a 2-3 CLB clock cycle delay to the input. This delay is either 2 or 3 cycles and is not predictable. There is a potential for a metastability hazard, if the indicated signals are not first synchronized before going into the CLB tile. This metastability can cause errors dependent on voltage, temperature, and wafer fab process. Note that this requirement is in addition to and separate from GPIO input synchronization.

**Table 24-1. Global Signals and Mux Selection**

Select Value	CLB1 Input	CLB2 Input	CLB3 Input	CLB4 Input	Synchronization Requirement
0	EPWM1A	EPWM1A	EPWM1A	EPWM1A	Enable
1	EPWM1A_OE	EPWM1A_OE	EPWM1A_OE	EPWM1A_OE	Enable
2	EPWM1B	EPWM1B	EPWM1B	EPWM1B	Enable
3	EPWM1B_OE	EPWM1B_OE	EPWM1B_OE	EPWM1B_OE	Enable
4	EPWM1_CTR_ZERO	EPWM1_CTR_ZERO	EPWM1_CTR_ZERO	EPWM1_CTR_ZERO	Disable
5	EPWM1_CTR_PRD	EPWM1_CTR_PRD	EPWM1_CTR_PRD	EPWM1_CTR_PRD	Disable
6	EPWM1_CTR_DIR	EPWM1_CTR_DIR	EPWM1_CTR_DIR	EPWM1_CTR_DIR	Disable
7	EPWM1_TBCLK	EPWM1_TBCLK	EPWM1_TBCLK	EPWM1_TBCLK	Disable
8	EPWM1_CTR_CMPA	EPWM1_CTR_CMPA	EPWM1_CTR_CMPA	EPWM1_CTR_CMPA	Disable
9	EPWM1_CTR_CMPB	EPWM1_CTR_CMPB	EPWM1_CTR_CMPB	EPWM1_CTR_CMPB	Disable
10	EPWM1_CTR_CMPC	EPWM1_CTR_CMPC	EPWM1_CTR_CMPC	EPWM1_CTR_CMPC	Disable
11	EPWM1_CTR_CMPD	EPWM1_CTR_CMPD	EPWM1_CTR_CMPD	EPWM1_CTR_CMPD	Disable
12	EPWM1A_AQ	EPWM1A_AQ	EPWM1A_AQ	EPWM1A_AQ	Disable
13	EPWM1B_AQ	EPWM1B_AQ	EPWM1B_AQ	EPWM1B_AQ	Disable
14	EPWM1A_DB	EPWM1A_DB	EPWM1A_DB	EPWM1A_DB	Disable
15	EPWM1B_DB	EPWM1B_DB	EPWM1B_DB	EPWM1B_DB	Disable
16	EPWM2A	EPWM2A	EPWM2A	EPWM2A	Enable
17	EPWM2A_OE	EPWM2A_OE	EPWM2A_OE	EPWM2A_OE	Enable
18	EPWM2B	EPWM2B	EPWM2B	EPWM2B	Enable
19	EPWM2B_OE	EPWM2B_OE	EPWM2B_OE	EPWM2B_OE	Enable
20	EPWM2_CTR_ZERO	EPWM2_CTR_ZERO	EPWM2_CTR_ZERO	EPWM2_CTR_ZERO	Disable
21	EPWM2_CTR_PRD	EPWM2_CTR_PRD	EPWM2_CTR_PRD	EPWM2_CTR_PRD	Disable
22	EPWM2_CTR_DIR	EPWM2_CTR_DIR	EPWM2_CTR_DIR	EPWM2_CTR_DIR	Disable
23	EPWM2_TBCLK	EPWM2_TBCLK	EPWM2_TBCLK	EPWM2_TBCLK	Disable
24	EPWM2_CTR_CMPA	EPWM2_CTR_CMPA	EPWM2_CTR_CMPA	EPWM2_CTR_CMPA	Disable
25	EPWM2_CTR_CMPB	EPWM2_CTR_CMPB	EPWM2_CTR_CMPB	EPWM2_CTR_CMPB	Disable
26	EPWM2_CTR_CMPC	EPWM2_CTR_CMPC	EPWM2_CTR_CMPC	EPWM2_CTR_CMPC	Disable
27	EPWM2_CTR_CMPD	EPWM2_CTR_CMPD	EPWM2_CTR_CMPD	EPWM2_CTR_CMPD	Disable
28	EPWM2A_AQ	EPWM2A_AQ	EPWM2A_AQ	EPWM2A_AQ	Disable
29	EPWM2B_AQ	EPWM2B_AQ	EPWM2B_AQ	EPWM2B_AQ	Disable

**Table 24-1. Global Signals and Mux Selection (continued)**

Select Value	CLB1 Input	CLB2 Input	CLB3 Input	CLB4 Input	Synchronization Requirement
30	EPWM2A_DB	EPWM2A_DB	EPWM2A_DB	EPWM2A_DB	Disable
31	EPWM2B_DB	EPWM2B_DB	EPWM2B_DB	EPWM2B_DB	Disable
32	EPWM3A	EPWM3A	EPWM3A	EPWM3A	Enable
33	EPWM3A_OE	EPWM3A_OE	EPWM3A_OE	EPWM3A_OE	Enable
34	EPWM3B	EPWM3B	EPWM3B	EPWM3B	Enable
35	EPWM3B_OE	EPWM3B_OE	EPWM3B_OE	EPWM3B_OE	Enable
36	EPWM3_CTR_ZERO	EPWM3_CTR_ZERO	EPWM3_CTR_ZERO	EPWM3_CTR_ZERO	Disable
37	EPWM3_CTR_PRD	EPWM3_CTR_PRD	EPWM3_CTR_PRD	EPWM3_CTR_PRD	Disable
38	EPWM3_CTR_DIR	EPWM3_CTR_DIR	EPWM3_CTR_DIR	EPWM3_CTR_DIR	Disable
39	EPWM3_TBCLK	EPWM3_TBCLK	EPWM3_TBCLK	EPWM3_TBCLK	Disable
40	EPWM3_CTR_CMPA	EPWM3_CTR_CMPA	EPWM3_CTR_CMPA	EPWM3_CTR_CMPA	Disable
41	EPWM3_CTR_CMPB	EPWM3_CTR_CMPB	EPWM3_CTR_CMPB	EPWM3_CTR_CMPB	Disable
42	EPWM3_CTR_CMPC	EPWM3_CTR_CMPC	EPWM3_CTR_CMPC	EPWM3_CTR_CMPC	Disable
43	EPWM3_CTR_CMPD	EPWM3_CTR_CMPD	EPWM3_CTR_CMPD	EPWM3_CTR_CMPD	Disable
44	EPWM3A_AQ	EPWM3A_AQ	EPWM3A_AQ	EPWM3A_AQ	Disable
45	EPWM3B_AQ	EPWM3B_AQ	EPWM3B_AQ	EPWM3B_AQ	Disable
46	EPWM3A_DB	EPWM3A_DB	EPWM3A_DB	EPWM3A_DB	Disable
47	EPWM3B_DB	EPWM3B_DB	EPWM3B_DB	EPWM3B_DB	Disable
48	EPWM4A	EPWM4A	EPWM4A	EPWM4A	Enable
49	EPWM4A_OE	EPWM4A_OE	EPWM4A_OE	EPWM4A_OE	Enable
50	EPWM4B	EPWM4B	EPWM4B	EPWM4B	Enable
51	EPWM4B_OE	EPWM4B_OE	EPWM4B_OE	EPWM4B_OE	Enable
52	EPWM4_CTR_ZERO	EPWM4_CTR_ZERO	EPWM4_CTR_ZERO	EPWM4_CTR_ZERO	Disable
53	EPWM4_CTR_PRD	EPWM4_CTR_PRD	EPWM4_CTR_PRD	EPWM4_CTR_PRD	Disable
54	EPWM4_CTR_DIR	EPWM4_CTR_DIR	EPWM4_CTR_DIR	EPWM4_CTR_DIR	Disable
55	EPWM4_TBCLK	EPWM4_TBCLK	EPWM4_TBCLK	EPWM4_TBCLK	Disable
56	EPWM4_CTR_CMPA	EPWM4_CTR_CMPA	EPWM4_CTR_CMPA	EPWM4_CTR_CMPA	Disable
57	EPWM4_CTR_CMPB	EPWM4_CTR_CMPB	EPWM4_CTR_CMPB	EPWM4_CTR_CMPB	Disable
58	EPWM4_CTR_CMPC	EPWM4_CTR_CMPC	EPWM4_CTR_CMPC	EPWM4_CTR_CMPC	Disable
59	EPWM4_CTR_CMPD	EPWM4_CTR_CMPD	EPWM4_CTR_CMPD	EPWM4_CTR_CMPD	Disable
60	EPWM4A_AQ	EPWM4A_AQ	EPWM4A_AQ	EPWM4A_AQ	Disable
61	EPWM4B_AQ	EPWM4B_AQ	EPWM4B_AQ	EPWM4B_AQ	Disable
62	EPWM4A_DB	EPWM4A_DB	EPWM4A_DB	EPWM4A_DB	Disable
63	EPWM4B_DB	EPWM4B_DB	EPWM4B_DB	EPWM4B_DB	Disable
64	AUXSIG0	AUXSIG0	AUXSIG0	AUXSIG0	Enable
65	AUXSIG1	AUXSIG1	AUXSIG1	AUXSIG1	Enable
66	AUXSIG2	AUXSIG2	AUXSIG2	AUXSIG2	Enable

**Table 24-1. Global Signals and Mux Selection (continued)**

Select Value	CLB1 Input	CLB2 Input	CLB3 Input	CLB4 Input	Synchronization Requirement
67	AUXSIG3	AUXSIG3	AUXSIG3	AUXSIG3	Enable
68	AUXSIG4	AUXSIG4	AUXSIG4	AUXSIG4	Enable
69	AUXSIG5	AUXSIG5	AUXSIG5	AUXSIG5	Enable
70	AUXSIG6	AUXSIG6	AUXSIG6	AUXSIG6	Enable
71	AUXSIG7	AUXSIG7	AUXSIG7	AUXSIG7	Enable
72-127	Reserved	Reserved	Reserved	Reserved	Reserved

**Note**

EPWMxA\_OE and EPWMxB\_OE refer to trip outputs from the respective EPWM module.

EPWMxA\_AQ and EPWMxB\_AQ refer to the output of the AQ submodule in the respective EPWM module.

EPWMxA\_DB and EPWMBx\_DB refer to the output of the DB submodule in the respective EPWM module.

**Note**

If a signal in the following table indicates that synchronization is required, then the CLB input synchronizer must be enabled using the appropriate SYNC bit in the CLB\_INPUT\_FILTER register. This synchronization adds a 2-3 CLB clock cycle delay to the input. This delay is either 2 or 3 cycles and is not predictable. There is a potential for a metastability hazard, if the indicated signals are not first synchronized before going into the CLB tile. This metastability can cause errors dependent on voltage, temperature, and wafer fab process. Note that this requirement is in addition to and separate from GPIO input synchronization.

**Table 24-2. Local Signals and Mux Selection**

Select Value	CLB1 Input	CLB2 Input	CLB3 Input	CLB4 Input	Synchronization Requirement
0	CLB1_GLB_MUX_OUT	CLB2_GLB_MUX_OUT	CLB3_GLB_MUX_OUT	CLB4_GLB_MUX_OUT	Enable
1	EPWM1_DCAEVT1	EPWM2_DCAEVT1	EPWM3_DCAEVT1	EPWM4_DCAEVT1	Enable
2	EPWM1_DCAEVT2	EPWM2_DCAEVT2	EPWM3_DCAEVT2	EPWM4_DCAEVT2	Enable
3	EPWM1_DCBEVT1	EPWM2_DCBEVT1	EPWM3_DCBEVT1	EPWM4_DCBEVT1	Enable
4	EPWM1_DCBEVT2	EPWM2_DCBEVT2	EPWM3_DCBEVT2	EPWM4_DCBEVT2	Enable
5	EPWM1_DCAH	EPWM2_DCAH	EPWM3_DCAH	EPWM4_DCAH	Enable
6	EPWM1_DCAL	EPWM2_DCAL	EPWM3_DCAL	EPWM4_DCAL	Enable
7	EPWM1_DCBH	EPWM2_DCBH	EPWM3_DCBH	EPWM4_DCBH	Enable
8	EPWM1_DCBL	EPWM2_DCBL	EPWM3_DCBL	EPWM4_DCBL	Enable
9	EPWM1_OST	EPWM2_OST	EPWM3_OST	EPWM4_OST	Enable
10	EPWM1_CBC	EPWM2_CBC	EPWM3_CBC	EPWM4_CBC	Enable
11	ECAP1IN0	ECAP2IN0	ECAP3IN0	ECAP4IN0	Enable
12	ECAP1_OUT	ECAP2_OUT	ECAP3_OUT	ECAP4_OUT	Disable
13	ECAP1_OUT_EN	ECAP2_OUT_EN	ECAP3_OUT_EN	ECAP4_OUT_EN	Disable

**Table 24-2. Local Signals and Mux Selection (continued)**

Select Value	CLB1 Input	CLB2 Input	CLB3 Input	CLB4 Input	Synchronization Requirement
14	ECAP1_CEVT1	ECAP2_CEVT1	ECAP3_CEVT1	ECAP4_CEVT1	Disable
15	ECAP1_CEVT2	ECAP2_CEVT2	ECAP3_CEVT2	ECAP4_CEVT2	Disable
16	ECAP1_CEVT3	ECAP2_CEVT3	ECAP3_CEVT3	ECAP4_CEVT3	Disable
17	ECAP1_CEVT4	ECAP2_CEVT4	ECAP3_CEVT4	ECAP4_CEVT4	Disable
18	EQEP1A	EQEP2A	EQEP3A	Reserved	Enable
19	EQEP1B	EQEP2B	EQEP3B	Reserved	Enable
20	EQEP1I	EQEP2I	EQEP3I	Reserved	Enable
21	EQEP1S	EQEP2S	EQEP3S	Reserved	Enable
22	CPU1_TBCLKSYNC	CPU1_TBCLKSYNC	Reserved	Reserved	Disable
23	CPU2_TBCLKSYNC	CPU2_TBCLKSYNC	Reserved	Reserved	Disable
24	CPU1_HALT	CPU1_HALT	Reserved	Reserved	Disable
25	CPU2_HALT	CPU2_HALT	Reserved	Reserved	Disable
26-31	Reserved	Reserved	Reserved	Reserved	Reserved

The GPREG is accessible by the CPU and the bits of this register can be used as BOUNDARY INPUTs for the CLB Tiles. For example, CLB1s GPREG[0] can be used as BOUNDARY IN0 (Cell Input 0) for the corresponding CLB Tile.

To connect multiple tiles to each other, you can use the CLBx OUT4/5 and connect to CLBy BOUNDARY INz through the CLB X-BAR and the Global Signals Mux.

Another option is to connect the CLBx OUT0-7 to a GPIO and then use the INPUT X-BAR to bring the signal back in to the device and connect to the CLBy BOUNDARY INz through the CLB X-BAR and the Global Signals Mux.

To use GPIOs as inputs to the CLB, you must utilize the Input X-BAR and the CLB X-BAR. [Figure 24-4](#) shows how GPIOs can be used as inputs to the CLB tiles.

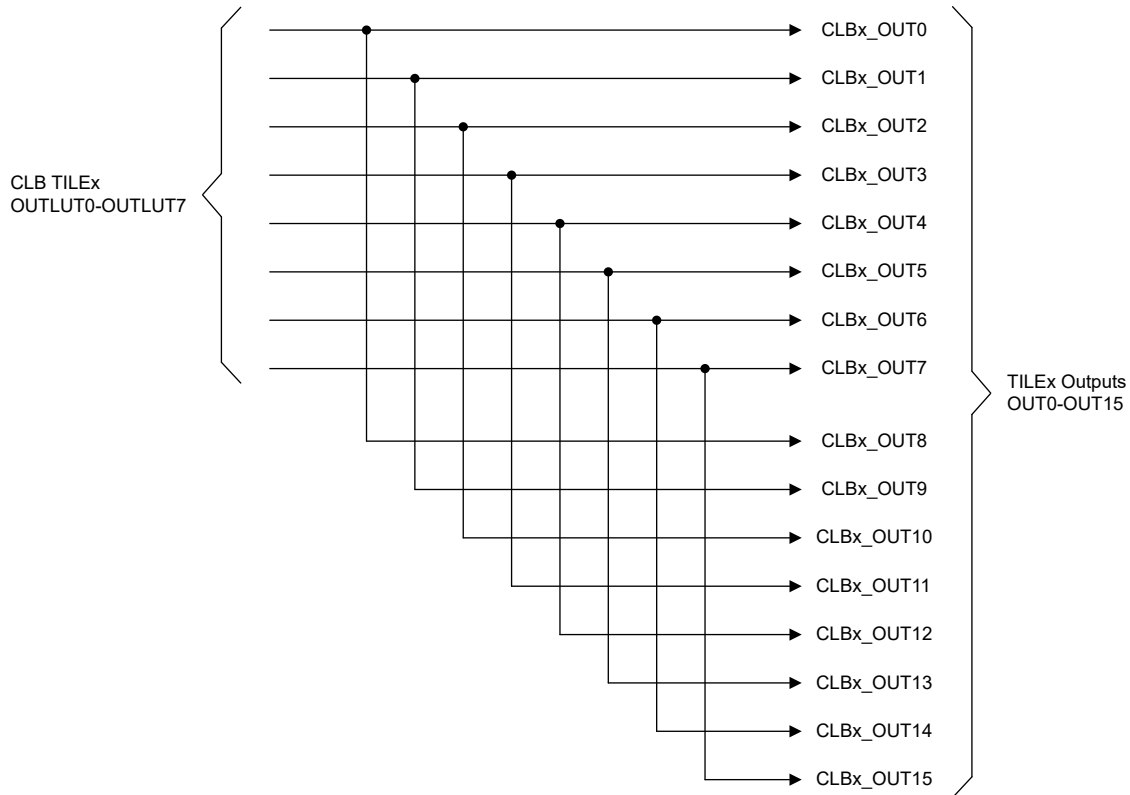


### 24.3.3 CLB Output Selection

The eight outputs of the CLB are replicated to create 16 output signals. Each of these 16 outputs has a separate enable bit defined in the CLB output enable register, CLB\_OUT\_EN. The CLB outputs go to the ePWM, eCAP, eQEP and the crossbar module in the device. This allows the user to enhance the functionality of these modules with the CLB. [Figure 24-7](#) shows the CLB outputs.

**Note**

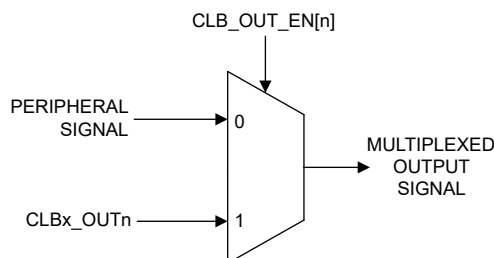
The output from OUTLUT0 is connected to OUT0 and OUT8. While the signal is the same, each OUTy has access to a different peripheral as shown in [Section 24.3.4](#). Likewise, OUTLUT1 is connected to OUT1 and OUT9, and are the same signal.



**Figure 24-7. CLB Outputs**

### 24.3.4 CLB Output Signal Multiplexer

Each CLB output signal passes through an external multiplexer that intersects a specific peripheral signal, see [Figure 24-8](#). The output of the multiplexer is connected to the destination of the original peripheral signal and the default multiplexer setting is that the peripheral signal is passed through. The multiplexer is controlled by bit[n] in the CLB output enable register CLB\_OUT\_EN.



**Figure 24-8. CLB Output Signal Multiplexer**

For example, if the CLB1 OUT0 must override the EPWM1A signal, the OUPUT ENABLE bit for OUT0 must be set to 1.

[Table 24-3](#) shows the allocation of peripheral signals and the CLB outputs.

**Table 24-3. CLB Output Signal Multiplexer Table**

CLB Output	CLB OUTLUT	CLB1 Destination	CLB2 Destination	CLB3 Destination	CLB4 Destination
0	OUTLUT0	EPWM1A	EPWM2A	EPWM3A	EPWM4A
1	OUTLUT1	EPWM1A_OE	EPWM2A_OE	EPWM3A_OE	EPWM4A_OE
2	OUTLUT2	EPWM1B	EPWM2B	EPWM3B	EPWM4B
3	OUTLUT3	EPWM1B_OE	EPWM2B_OE	EPWM3B_OE	EPWM4B_OE
4	OUTLUT4	EPWM1A_AQ	EPWM2A_AQ	EPWM3A_AQ	EPWM4A_AQ
5	OUTLUT5	EPWM1B_AQ	EPWM2B_AQ	EPWM3B_AQ	EPWM4B_AQ
6	OUTLUT6	EPWM1A_DB	EPWM2A_DB	EPWM3A_DB	EPWM4A_DB
7	OUTLUT7	EPWM1B_DB	EPWM2B_DB	EPWM3B_DB	EPWM4B_DB
8	OUTLUT0	EQEP1_QCLK	EQEP2_QCLK	EQEP3_QCLK	Reserved
9	OUTLUT1	EQEP1_QDIR	EQEP2_QDIR	EQEP3_QDIR	Reserved
10	OUTLUT2	Reserved	Reserved	Reserved	Reserved
11	OUTLUT3	Reserved	Reserved	Reserved	Reserved
12	OUTLUT4	All XBARs	All XBARs	All XBARs	All XBARs
13	OUTLUT5	All XBARs	All XBARs	All XBARs	All XBARs
14	OUTLUT6	ECAP1_OUT	ECAP2_OUT	ECAP3_OUT	ECAP4_OUT
15	OUTLUT7	ECAP1_OUT_EN	ECAP2_OUT_EN	ECAP3_OUT_EN	ECAP4_OUT_EN

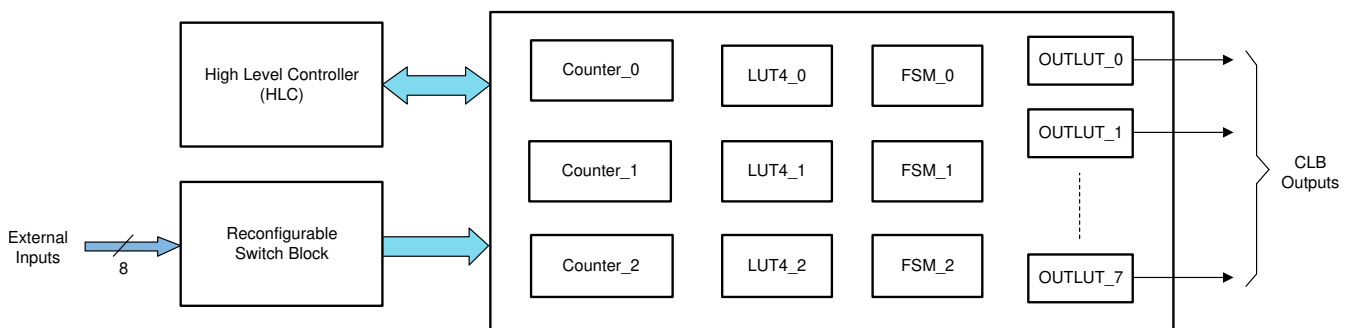
## 24.4 CLB Tile

The purpose of the CLB tile is to provide the logic reconfiguration capability of the CLB. The CLB tile contains the following submodules:

- **Counter:** The counter submodule can be configured as an adder, a counter, or a shifter. When functioning as an adder, the counter submodule can either add or subtract. When functioning as a counter, the counter submodule can count up or count down. When functioning as a shifter, the counter submodule can shift left or shift right. The counter event inputs, as well as the reset input, can be freely connected to any of the other submodules in the same tile. There are three counters in each tile.
- **LUT4:** The LUT4 submodule has a 4-input look-up table functionality and is capable of realizing any combinatorial Boolean equation of up to four inputs. There are three LUT4 submodules in each CLB tile.
- **FSM:** The Finite State Machine (FSM) submodule can be configured either as a single four-state finite state machine, or as two independent two-state finite state machines. The FSM accepts two external inputs, and generates two state outputs and one combination output. When not used as a state machine, the FSM submodule can accept two external inputs and function as a 4-input LUT. There are three FSM submodules in each CLB tile.
- **Output LUT:** The output LUT is a 3-input lookup table submodule capable of realizing any combinatorial Boolean equation of up to three inputs. There are eight such blocks in a CLB tile, each associated with one of the tile outputs.
- **High Level Controller:** The High Level Controller (HLC) submodule is an event-driven block that can handle up to four concurrent events. The event can be an activity on any of the other block outputs. A predefined set of operations is executed when each event occurs. The HLC also provides a data exchange and interrupt mechanism to the CPU subsystem. There are four working registers (R0, R1, R2, and R3) that can be used for basic operations, and to modify or set up values for the three counter blocks. Unlike the other submodules, there is only one HLC in each CLB tile.
- **Static Switch Block:** The static switch block provides dynamic connectivity between all of the blocks listed above. Submodules can be connected by the user, with the only restriction that the submodules must not form a combinational loop within the tile.

A CLB tile consists of three sets each of the counter block, FSM, and LUT4, one high-level controller, and eight output LUT blocks. The submodule numbering is shown in [Figure 24-9](#).

The functionality of the LUT submodules is configured using a register field containing the binary pattern of the output of the desired look-up table. For example, a 4-input LUT has 16 possible input permutations, each of which corresponds to a desired binary 0 or 1 at the output. The register field can, therefore, be 16-bits in length, with each bit representing the desired result of a binary pattern. Input pattern sequences start at 0000 and continue sequentially to 1111. A similar method is used to encode the 16-bit state equations in the FSM submodule.



**Figure 24-9. CLB Tile Submodules**

### 24.4.1 Static Switch Block

The Static Switch Block provides the configurable connectivity between the submodules in the CLB tile. The outputs of all the submodules and the eight external inputs are connected to a common internal bus inside the tile. Every input port has a 32-to-1 multiplexer and an associated 5-bit selection value that allows the user to select one of the inputs on the bus. The only restrictions are certain signals (described below) that are tied off in the design to prevent creation of accidental combinatorial loops.

**Table 24-4. Output Table**

Bit Position	Signal Connection	Comment
0	Always 0	This select value is used to tie an input to 0.
1	COUNTER_0 MATCH2	
2	COUNTER_0 ZERO	
3	COUNTER_0 MATCH1	
4	FSM_0 STATE_BIT_0	
5	FSM_0 STATE_BIT_1	
6	FSM_0 LUT output	
7	LUT4_0 output	
8	Always 1	This select value is used to tie an input to 1.
9	COUNTER_1 MATCH2	
10	COUNTER_1 ZERO	
11	COUNTER_1 MATCH1	
12	FSM_1 STATE_BIT_0	
13	FSM_1 STATE_BIT_1	
14	FSM_1 LUT output	
15	LUT4_1 output	
16	Always '0'	
17	COUNTER_2 MATCH2	
18	COUNTER_2 ZERO	
19	COUNTER_2 MATCH1	
20	FSM_2 STATE_BIT_0	
21	FSM_2 STATE_BIT_1	
22	FSM_2 LUT output	
23	LUT4_2 output	
24	External Input 0	
25	External Input 1	
26	External Input 2	
27	External Input 3	
28	External Input 4	
29	External Input 5	
30	External Input 6	
31	External Input 7	

**Table 24-5. Input Table**

Module Name	Port Name	Description
Counter Block	RESET	Acts as an active high reset when used as a counter
	MODE_0	Acts as an enable when used as a counter. The counter counts only when this input is 1.
	MODE_1	Acts as a direction control when used as a counter. If this input is 1, then the counter counts up; else, the counter counts down.
LUT	IN0	Input 0 of the 4-input LUT.
	IN1	Input 1 of the 4-input LUT.
	IN2	Input 2 of the 4-input LUT.
	IN3	Input 3 of the 4-input LUT.
FSM	EXT_IN0	Input 0 of the FSM block.
	EXT_IN1	Input 1 of the FSM block.
	EXTRA_EXT_IN0	Extra external input 0 of the FSM block. This input matters only if configured in the LUT mode.
	EXTRA_EXT_IN1	Extra external input 1 of the FSM block. This input matters only if configured in the LUT mode.

The static switch block allows the user to define the input connection of any submodule to come from any of the outputs in [Table 24-4](#). It is therefore easy to create a combinatorial loop. To prevent this, certain paths are broken in the input path of each submodule. These port positions are tied to 0, as shown in [Table 24-6](#).

**Table 24-6. Ports Tied Off to Prevent Combinatorial Loops**

Module Name	Ports of Input MUX Tied Off to 0 to Prevent Combinatorial Loops
LUT_0	LUT_0 , LUT_1, and LUT_2 output, FSM_0, FSM_1, and FSM_2 output.
FSM_0	LUT_1 and LUT_2 output, FSM_0, FSM_1, and FSM_2 output.
LUT_1	LUT_1 and LUT_2 output, FSM_1 and FSM_2 output.
FSM_1	LUT_2 output, FSM_1 and FSM_2 output.
LUT_2	LUT_2 output, FSM_2 output.
FSM_2	FSM_2 output.

## 24.4.2 Counter Block

### 24.4.2.1 Counter Description

The counter block is a complex functional submodule that can be configured either as a counter, an adder, or a shifter. Apart from the normal operational control, this block has a dedicated EVENT input, which can trigger an addition, subtraction or shift operation, or load data into the counter register. The inputs to the counter submodule are shown in Figure 24-10.

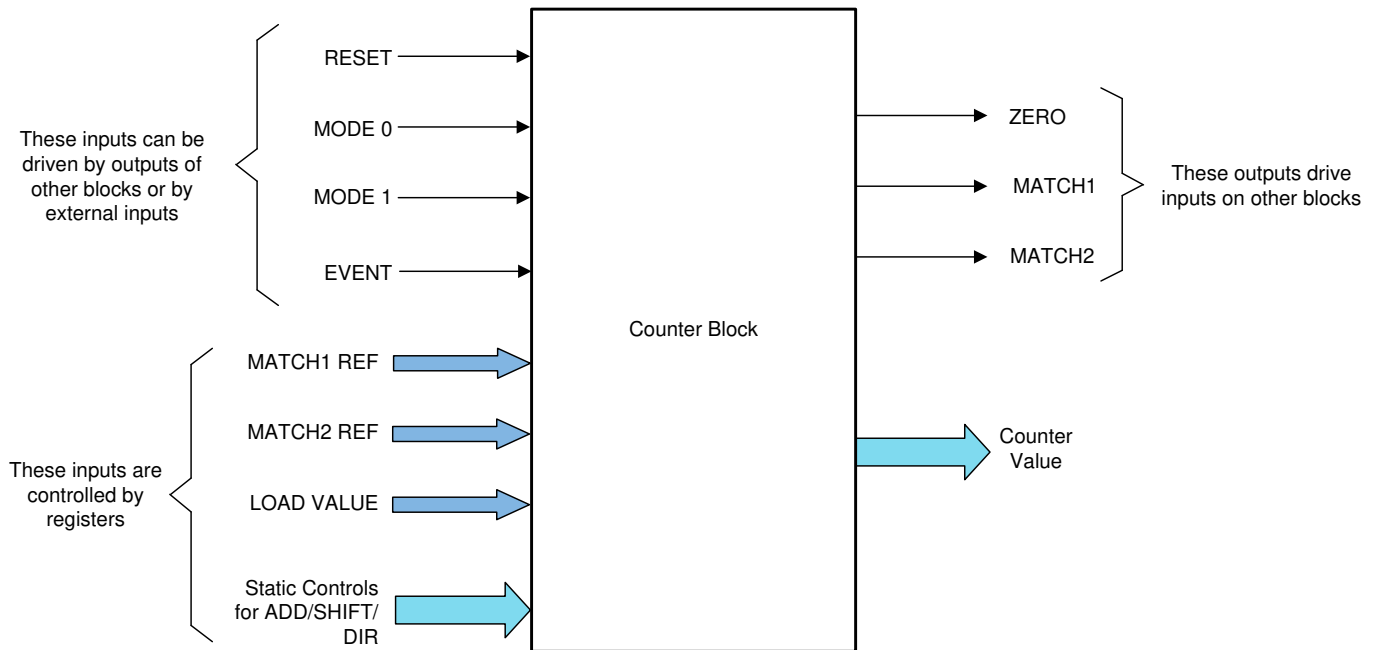


Figure 24-10. Counter Block

### 24.4.2.2 Counter Operation

At the heart of the counter block is a 32-bit count register. This register can either be loaded statically before counting commences, or dynamically at run time. The operation of the counter submodule is determined by the inputs described below. Note that each of the inputs can be connected to the outputs of any of the other blocks in the CLB tile. These connections are made by configuring the static switch block.

The counter inputs are:

- **RESET:** This is the highest priority input and takes precedence over all other inputs. The input is level sensitive and as long as the input remains high, the counter resets to 0 on the next clock cycle.
- **MODE\_0:** This input is an enable for the counter. The counter begins counting (up or down depending on the MODE\_1 setting) only when this input is high. If this input is low, then no counting takes place.
- **MODE\_1:** This input is the direction control for the counter. If this input is high, then the counter increments on every clock cycle where MODE\_0 is high. If this input is low, then the counter decrements on every clock cycle where MODE\_0 is high. The counter wraps around to 0x00000000 after 0xFFFFFFFF when counting up. The counter wraps around to 0xFFFFFFFF after 0x00000000 when counting down. The only exception to this is when an EVENT occurs at exactly the same time, causing a different value to be loaded into the counter.
- **EVENT:** This input is defined for the purpose of triggering actions in the counter based on certain events. The event itself can be any of the outputs of the other blocks or an external input to the tile. The counter's static control inputs define the behavior of the counter on an active event. An active event is defined as a rising edge on the EVENT input. The counter can be configured to perform one of the following actions:
  - Load a predefined 32-bit value from the LOAD VALUE register into the count register
  - Shift the contents of the counter register left or right by a predefined amount between 0 and 31
  - Add or subtract a predefined 32-bit value. Addition and subtraction are treated as 32-bit unsigned operations and there is no saturation.

Note that the effect of a rising edge on the EVENT input only lasts for one cycle. On the next cycle, the counter operation continues based on the MODE\_0, MODE\_1, and RESET inputs.

MATCH1 REF and MATCH2 REF are 32-bit reference values that are used to generate the MATCH1 and MATCH2 outputs. The MATCH1 output becomes active high whenever the counter register value matches the 32-bit MATCH1 REF value. MATCH2 behaves in a similar manner in relation to the MATCH2 REF register. The reference values for MATCH1 and MATCH2 can either be setup once before the start of operation, or can be modified dynamically. The High Level Controller can load desired values into the MATCH1 REF and MATCH2 REF registers.

Note that the counter load and match registers are not memory-mapped. For more information, see [Section 24.5.2](#).

The three logic outputs of the counter block are:

- **ZERO:** This output goes high whenever the counter register is 0.
- **MATCH1:** This output goes high whenever the counter register is equal to the MATCH1 REF input register.
- **MATCH2:** This output goes high whenever the counter register is equal to the MATCH2 REF input register.

The operation of the counter block is controlled by the CFG\_MISC\_CTRL register. The following three bits of this register are relevant for each counter. The “x” below refers to the counter instance; 0, 1, or 2. For more information, see the CLB\_MISC\_CONTROL register description located in [Section 24.8](#).

- COUNT\_EVENT\_CTRL\_x: This bit defines whether the counter performs an addition or a shift on an event. A value of 0 means that on an event, the counter loads the static value; 1 means an add/shift operation is performed. This bit must be 0 for indirect loads and HLC loads of the counter to take effect.
- COUNT\_ADD\_SHIFT\_x. 1 means add, 0 means shift.
- COUNT\_DIR\_x. 1 means left shift or add. 0 means right shift or subtract.

Table 24-7 shows the logical operation of the counter block in terms of the inputs and control register bits. Count up and down modes are the normal operation with EVENT = 0. The operations on the CNTVAL register are:

Load:  $CNTVAL = EVENT\_LOAD\_VAL$

Shift right:  $CNTVAL = CNTVAL \gg EVENT\_LOAD\_VAL$

Shift left:  $CNTVAL = CNTVAL \ll EVENT\_LOAD\_VAL$

Subtract:  $CNTVAL = CNTVAL - EVENT\_LOAD\_VAL$

Add:  $CNTVAL = CNTVAL + EVENT\_LOAD\_VAL$

**Table 24-7. Counter Block Operating Modes**

EVENT	MODE_0	MODE_1	COUNT_EVENT_CTRL_x	COUNT_ADD_SHIFT_x	COUNT_DIR_x	Action on CNTVAL
0	0	0	X	X	X	None
0	0	1	X	X	X	None
0	1	0	X	X	X	Count down
0	1	1	X	X	X	Count up
1	X	X	0	X	X	Load
1	X	X	1	0	0	Shift right
1	X	X	1	0	1	Shift left
1	X	X	1	1	0	Subtract
1	X	X	1	1	1	Add



### 24.4.3 FSM Block

The Finite State Machine (FSM) block provides the ability to build programmable finite state machines with up to four states. The FSM block has two register bits and two external inputs, and can be programmed either as two 2-state machines or as a single 4-state machine. For additional flexibility, there are two auxiliary inputs (EXTRA\_EXT\_IN0 and EXTRA\_EXT\_IN1) that can be used to create larger combinational functions by giving up a state functionality. The structure of the FSM is shown in Figure 24-11.

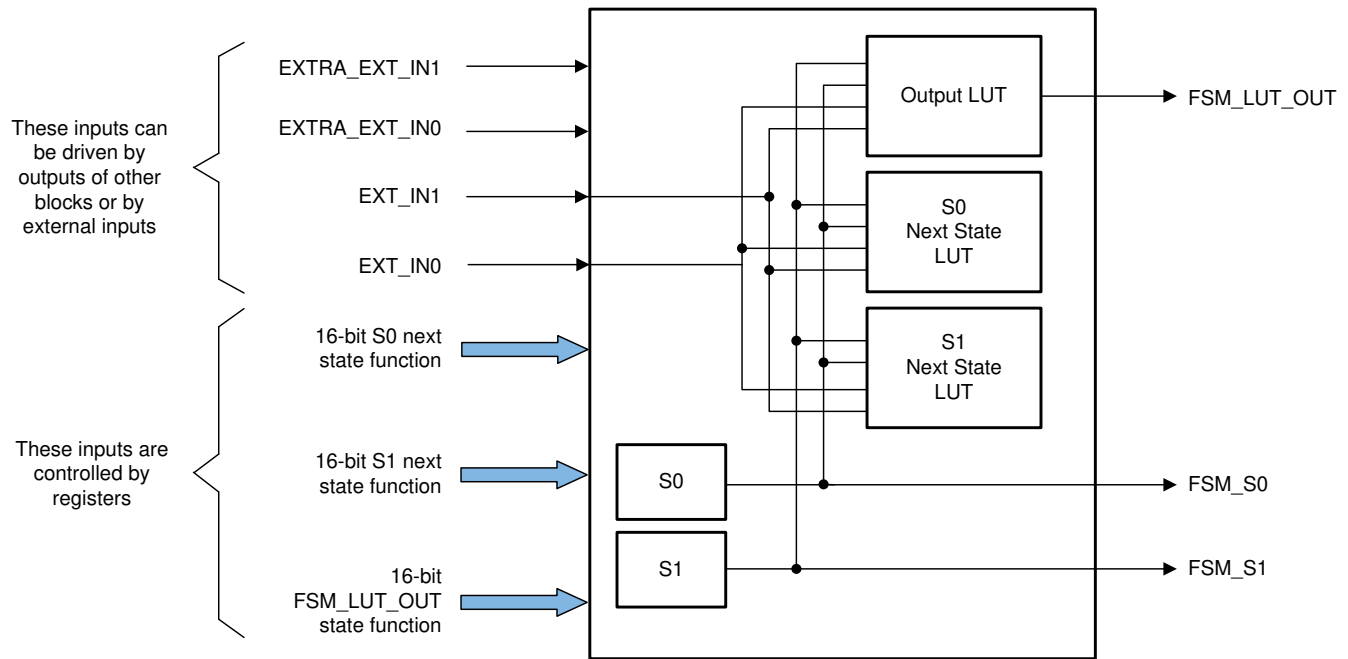


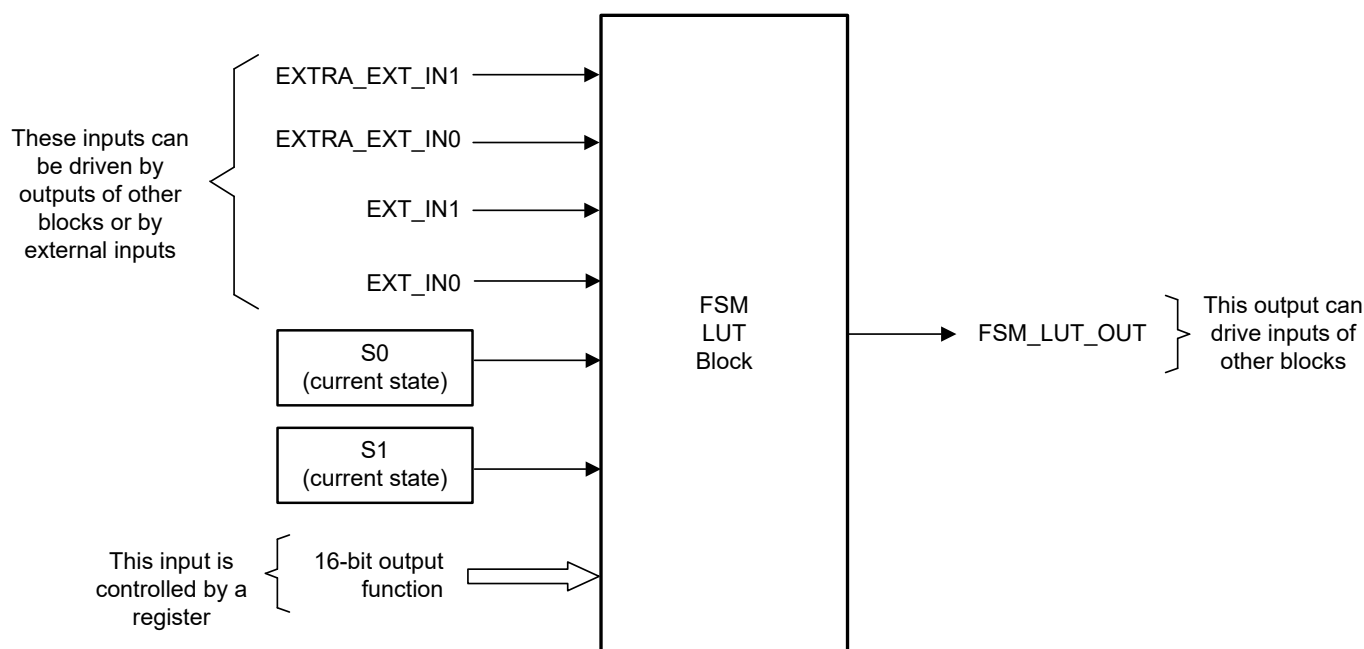
Figure 24-11. FSM Block

The signals and functionality of the FSM block are:

- **EXT\_IN0 and EXT\_IN1:** These are the two external inputs that can be used to control the output FSM\_LUT\_OUT or either of the states S0 and S1.
- **S0 and S1** are two state bits that have independent state control equations.
- **16-bit S0 equation** defines a function (EXT\_IN1, EXT\_IN0, S1, S0). The four bits in the order defined are used as an index into the 16-bit register to decide the next state of S0.
- **16-bit S1 equation** defines a function (EXT\_IN1, EXT\_IN0, S1, S0). The four bits in the order defined are used as an index into the 16-bit register to decide the next state of S1.
- **16-bit output equation** defines a function (EXT\_IN1, EXT\_IN0, S1, S0). The four bits in the order defined are used as an index into the 16-bit register to decide the output value of FSM\_LUT\_OUT. An additional level of configurability is provided such that FSM\_LUT\_OUT can use extra inputs in case the states S0 and S1 are unused.

One extra bit is used to select EXTRA\_EXT\_IN0 instead of S0. One extra bit is used to select EXTRA\_EXT\_IN1 instead of S1. Using these, one can effectively build 3-input or a 4-input LUT for the FSM\_LUT\_OUT by giving up one or two state bits, respectively.

The CFG\_MISC\_CTRL register controls the operation of the FSM block. Two bits in this register are used for each FSM Block to determine whether the FSM output LUT function uses the state variable S0/S1, or the corresponding extra external input signal FSM\_EXTRA\_EXT\_INx. A 0 means use the state bit, and a 1 means use the FSM\_EXTRA\_EXT\_IN0 / FSM\_EXTRA\_EXT\_IN1 signal.



**Figure 24-12. FSM LUT Block**

### 24.4.4 LUT4 Block

This is a simple four input Look-Up table (LUT) block with inputs IN0, IN1, IN2, and IN3 (see [Figure 24-13](#)). Any combinatorial Boolean equation using the four inputs can be realized by programming the 16-bit control register associated with each LUT4 block. For more information, see the LUT4 register descriptions located in [Section 24.8](#).

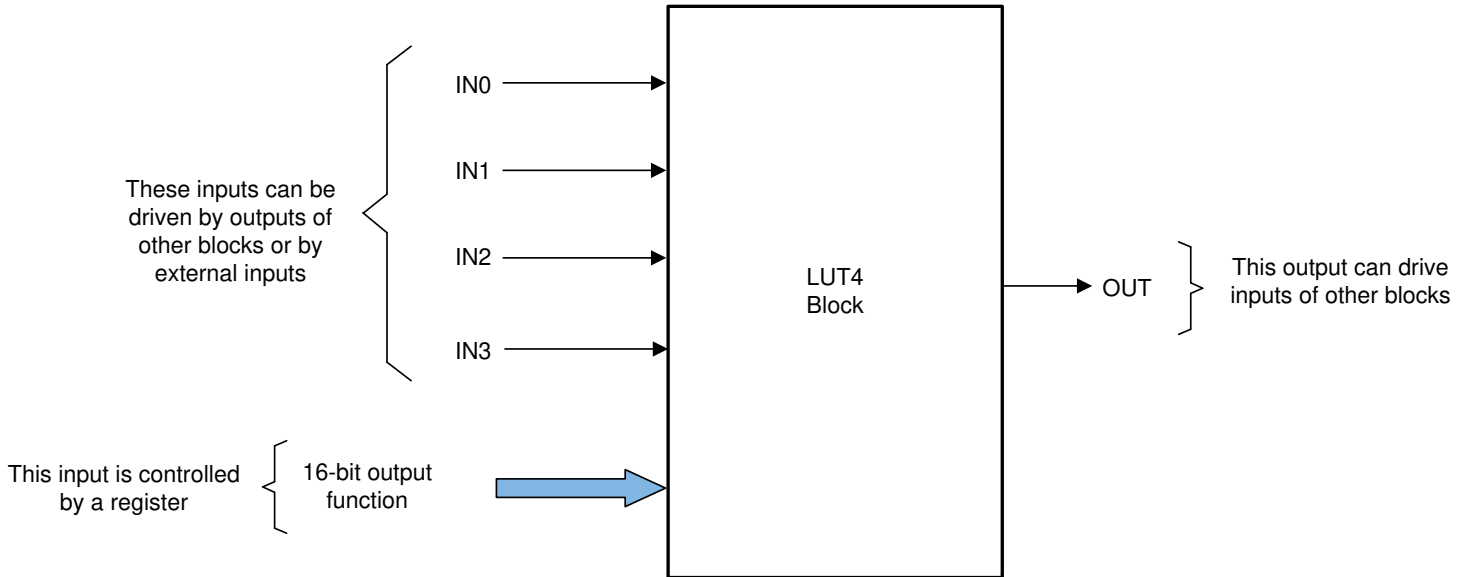


Figure 24-13. LUT4 Block

### 24.4.5 Output LUT Block

The output LUT block ([Figure 24-14](#)) is very similar in functionality to the LUT4 block, except that the output LUT block has three inputs. Unlike the other sub blocks, the outputs of these blocks are meant to go out of the tile and hence cannot be used by any other block within the tile. Any combinatorial function of the three inputs can be realized by the output LUT block. For more information, see the output LUT register descriptions located in [Section 24.8](#).

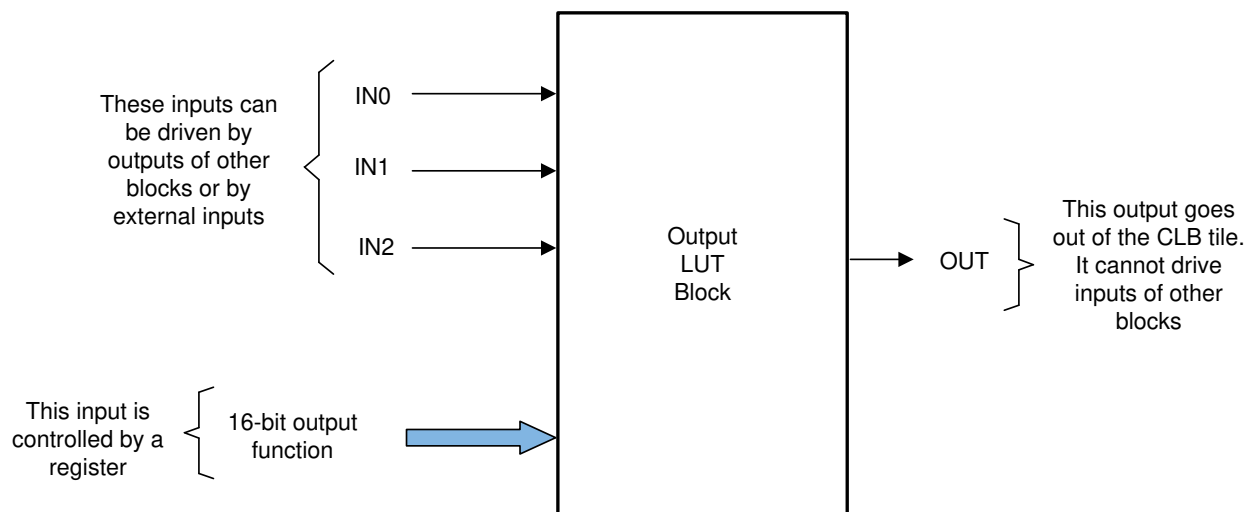


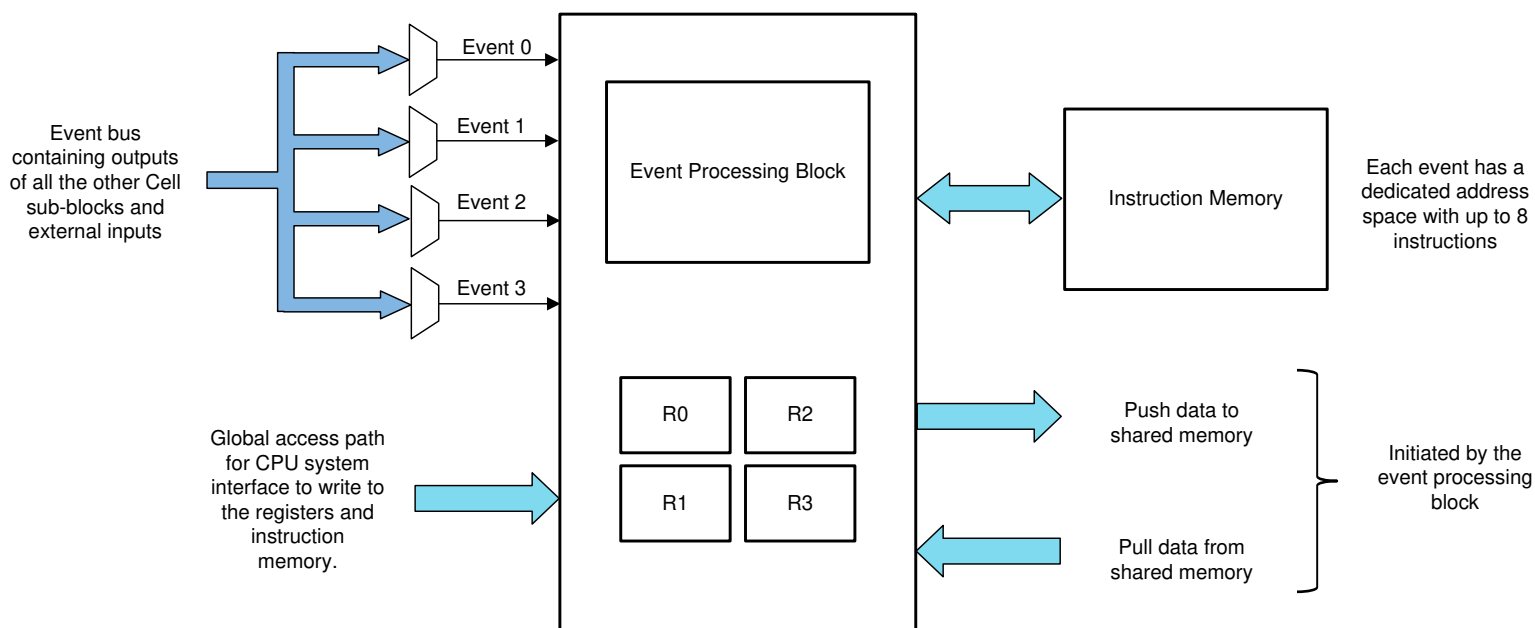
Figure 24-14. Output LUT Block

### 24.4.6 High Level Controller (HLC)

The High Level Controller (HLC) is significantly more complex than the other blocks in the CLB tile. The HLC performs two main functions:

- Provides a means of communication and data exchange with the rest of the device. This is done through two methods: a global access path to four general purpose HLC registers (R0 through R3) and PUSH and PULL FIFOs between the CPU and the HLC. The general-purpose HLC registers are designed to only be written to during device configuration time. To avoid unexpected behavior, the HLC registers must not be written to during run-time operation. The PUSH and PULL FIFOs are the primary avenues of data exchange during run-time, refer to [Section 24.4.6.4](#) for more information.
- Provides a programmable, event-based action system, which performs computation, manipulation of logic functionality, and data movement. In other words, events can be configured to trigger a predefined set of actions in the CLB tile, or to initiate data exchange with the rest of the device.

The architecture of the HLC is shown in [Figure 24-15](#). The HLC is an event-based system capable of handling up to four simultaneous events that can be selected from any outputs of the other blocks within the tile or from an external input.



**Figure 24-15. High Level Controller Block**

### 24.4.6.1 High Level Controller Events

Each of the four HLC events has a dedicated address from which instructions are executed. Events are selected from the set of signals listed in [Table 24-8](#). The lowest numbered event (Event 0) has the highest priority, and the highest numbered event (Event 3) has the lowest priority.

**Table 24-8. HLC Event List**

Index	HLC Event Mux
0	Always 0
1	COUNTER_0 MATCH2
2	COUNTER_0 ZERO
3	COUNTER_0 MATCH1
4	FSM_0 STATE_BIT_0
5	FSM_0 STATE_BIT_1
6	FSM_0 LUT output
7	LUT4_0 output
8	Always 1
9	COUNTER_1 MATCH2
10	COUNTER_1 ZERO
11	COUNTER_1 MATCH1
12	FSM_1 STATE_BIT_0
13	FSM_1 STATE_BIT_1
14	FSM_1 LUT output
15	LUT4_1 output
16	Always '0'
17	COUNTER_2 MATCH2
18	COUNTER_2 ZERO
19	COUNTER_2 MATCH1
20	FSM_2 STATE_BIT_0
21	FSM_2 STATE_BIT_1
22	FSM_2 LUT output
23	LUT4_2 output
24	External Input 0
25	External Input 1
26	External Input 2
27	External Input 3
28	External Input 4
29	External Input 5
30	External Input 6
31	External Input 7

### 24.4.6.2 High Level Controller Instructions

The instruction memory supports up to eight instructions per event. Each instruction sequence gets triggered on the rising edge of the corresponding event.

The HLC memory supports up to eight instructions per event, starting at the beginning of the fixed address range shown in [Table 24-9](#). An instruction sequence is triggered on the rising edge of the corresponding event. If two or more events occur simultaneously, the associated instruction sequences each are executed sequentially in priority order.

**Table 24-9. HLC Instruction Address Ranges**

Address	Instructions for
00000 to 00111	Event 0
01000 to 01111	Event 1
10000 to 10111	Event 2
11000 to 11111	Event 3

The HLC instruction format is shown in [Table 24-10](#).

**Table 24-10. HLC Instruction Format**

Last Instruction Bit	5-Bit Opcode	3-Bit Source	3-Bit Destination
This bit when set to 1 stops execution after the current instruction.	MOV 00000	Source can be R0, R1, R2, R3, C0, C1, C2.	Destination can be R0, R1, R2, R3, C0, C1, C2.  Note that for ADD/SUB instructions, only R0, R1, R2, or R3 can be the destination.
	MOV_T1 00001		
	MOV_T2 00010		
	PUSH 00011		
	PULL 00100		
	ADD 00101		
	SUB 00110		
	INTR 00111		

R0, R1, R2, and R3 are four 32-bit general-purpose registers in the HLC. C0, C1, and C2 are three counter registers present in the CLB tile. <Src> is used to indicate the source and <Dest> is used to indicate the destination. [Table 24-11](#) describes the HLC instructions.

**Table 24-11. HLC Instruction Description**

Instruction	Description
ADD <Src>, <Dest>	This instruction performs an unsigned 32-bit addition. <Dest> = <Dest> + <Src>. The <Src> can be R0, R1, R2, R3, C0, C1, or C2. The <Dest> can only be R0, R1, R2, or R3.
INTR <6-bit constant>	This instruction flags an interrupt through the CPU interface. The 6-bit constant is stored in the interrupt flag register CLB_INTR_TAG_REG. If multiple INTR instructions are called consecutively, only the first one has an effect. When multiple INTR calls are needed, each can be separated by other HLC instructions to make sure the interrupt calls take effect.
MOV <Src>, <Dest>	This instruction moves <Src> to <Dest>. Both <Src> and <Dest> can be any of R0, R1, R2, R3, C0, C1, or C2. The COUNT_EVENT_CTRL_x bit must be configured to load (that is, 0) for indirect loads and HLC loads of the counter to take effect.
MOV_T1 <Src>, <Dest>	This instruction moves <Src> to the Match1 register of the <Dest> counter. <Src> can be any of the registers R0, R1, R2, R3, or the counter values associated with C0, C1, or C2. <Dest> is the Match1 register of any of the counters C0, C1, or C2. Examples are: <ul style="list-style-type: none"> <li>This instruction moves the count value in C1 into register R0: MOV_T1 C1 R0</li> <li>This instruction moves the value in R2 into the Match1 register of counter C0: MOV_T1 R2 C0</li> </ul>
MOV_T2 <Src>, <Dest>	This instruction is similar to MOV_T1. The instruction moves <Src> to the Match2 register of the <Dest> counter. <Src> can be any of the registers R0, R1, R2, R3, or the counter values associated with C0, C1, or C2. <Dest> is the Match2 register of any of the counters C0, C1, or C2.

**Table 24-11. HLC Instruction Description (continued)**

Instruction	Description
PULL <Dest>	This instruction transfers data from the data exchange pull memory buffer in the CPU interface to the <Dest> register. <Dest> can be any of R0, R1, R2, or R3. The PULL instruction is used as seen from the High Level Controller and a PULL operation reads (pulls) data from an internal 4-word FIFO.
<b>Note</b>	
Back-to-back PUSH/PULL instructions cannot be used, if using more than one HLC EVENT channel.	
PUSH <Src>	This instruction transfers data from <Src> to the data exchange push memory buffer in the CPU interface. <Src> can be any of R0, R1, R2, R3, C0, C1, or C2. The PUSH instruction is used as seen from the High Level Controller and pushes data into an internal 4 word FIFO.
SUB <Src>, <Dest>	This instruction performs an unsigned 32-bit subtraction. <Dest> = <Dest> - <Src>. The <Src> can be R0, R1, R2, R3, C0, C1, or C2. The <Dest> can only be R0, R1, R2, or R3.

MOV, MOV\_T1, MOV\_T2, ADD, SUB, and INTR instructions take one cycle to execute. PUSH and PULL require two cycles to execute. Note that the PUSH and PULL instructions are pipeline protected, meaning that a register can be used immediately after a PUSH/PULL to that register.

For multiple events triggered simultaneously, if the last instruction in the higher priority event is a PUSH or a PULL, there is an additional cycle delay between the end of the higher priority event and the start of the next event. If the last instruction is not a PUSH or PULL, then there is no cycle delay between the events.

If there is the possibility of more than one event coming into the HLC, then PUSH/PULL instructions must not be placed back-to-back. It is necessary to re-order the HLC instructions such that every PUSH and PULL is followed by a non-PUSH/PULL instruction. If only one event can enter the HLC at any time, then back-to-back PUSH/PULL is not an issue.

#### 24.4.6.3 <Src> and <Dest>

Three bits are used to encode the <Src> and <Dest> registers as shown in [Table 24-12](#).

**Table 24-12. HLC Register Encoding**

Bits	Register
000	R0
001	R1
010	R2
011	R3
100	C0
101	C1
110	C2

#### 24.4.6.4 Operation of the PUSH and PULL Instructions (Overflow and Underflow Detection)

The PUSH and PULL operations of the HLC are intended for data exchange with the host system. There are separate FIFO buffers for PUSH and PULL operations. For example, a series of PUSH operations write to successive locations in a linearly mapped-memory buffer. The PUSH buffer and the PULL buffer are mapped at address offsets shown in the *Registers* section.

The CPU can read from and write to the PUSH and PULL buffers, respectively, to exchange data with the HLC. Data pushed by the HLC is read by the CPU from the PUSH buffers. Data sent from the CPU to the HLC is written by the CPU to the PULL buffer and is read by the HLC using the PULL instruction.

Refer to *clb\_ex13\_push\_pull* for guidance on properly using the PUSH and PULL buffers. To make use of one of the CLB inputs as a GPREG, have this input indicate when data is written to the FIFO by the CPU.

There are separate PUSH and PULL address pointers that increment each time the HLC performs a PUSH or PULL operation. These address pointers are also memory-mapped so that the CPU can determine their value. These address pointers are also writable and can be reset by the CPU at any time.

Overflow and underflow detection is done by simply reading the values of the PUSH and PULL address pointers.

In the CLB module of the device, the depth of the PUSH and PULL FIFOs is four 32-bit words each. If the CPU starts a fresh data transfer to the PULL buffers and sees the address pointer greater than four, then an underflow has occurred since the HLC has pulled more data than the number of words written by the CPU into the buffer.

---

#### Note

Back-to-back PUSH and PULL instructions (in either order) do not work, if you have more than one HLC event enabled.

---

## 24.5 CPU Interface

### 24.5.1 Register Description

There are three classes of registers that are used to control and configure the CLB tile. This specification only describes the offset addresses of the registers. The absolute register addresses are different for each CLB tile. The three instances of the various blocks (LUT4, FSM, and Counter Block) are numbered 0, 1, and 2.

- **Logic configuration registers (0x000 – 0x0FF):** These registers control the core reconfiguration logic for the tile. All registers in this group are EALLOW protected and also protected by the LOCK register.
- **Top level control registers (0x100 – 0x1FF):** These registers are used for top level and device related control of the CLB. These registers typically control mux selects for inputs, global enables, and so forth, and are accessible by normal memory mapped access. Some of these registers have EALLOW and LOCK protection.
- **Data exchange registers (0x200 – 0x3FF):** These registers are used to exchange data between the CLB and the rest of the device. The registers are accessible by normal memory-mapped access and no EALLOW or LOCK protection exists.

---

#### Note

EALLOW protection means that the write access to the register is enabled only when the EALLOW instruction has been executed prior to the write access. The complementary EDIS instruction disables access to all registers protected in this way. For more information, see [Section 24.8](#).

---



## 24.5.2 Non-Memory Mapped Registers

The memory-mapped CLB registers are described later in this chapter; however, many of the CLB resources including counters, the instruction memory of the High Level Controller, and the HLC general-purpose registers (R0 through R3) are only indirectly accessible through a local interface bus and are not memory-mapped. These registers are accessible through the two memory-mapped registers CLB\_LOAD\_DATA and CLB\_LOAD\_ADDR. Note that the general-purpose registers R0 through R3 must only be written to during configuration-time and are not intended to be written to during run-time. Writes during run-time can lead to unexpected behavior. If run-time data exchange is desired, refer to [Section 24.4.6.4](#).

Load the data to be written into the CLB\_LOAD\_DATA register, then load the appropriate address into CLB\_LOAD\_ADDR to determine where this data is written. Writing a 1 to bit position 0 in the CLB\_LOAD\_EN register then causes an internal write operation to be triggered. The address allocation for the CLB\_LOAD\_ADDR register is shown in [Table 24-13](#).

### Note

The COUNT\_EVENT\_CTRL\_x bit must be configured to load (that is, 0) for indirect loads and for HLC loads of the counter to take effect.

**Table 24-13. Non-Memory Mapped Register Addresses**

Address (Binary)	Resource
000000 to 000010	Counter 0 to 2 Load value
000100 to 000110	Counter 0 to 2 Match1 value
001000 to 001010	Counter 0 to 2 Match2 value
001100 to 001111	R0 to R3 of High Level Controller
100000 to 100111	Instructions for Event 0
101000 to 101111	Instructions for Event 1
110000 to 110111	Instructions for Event 2
111000 to 111111	Instructions for Event 3

Use the following steps to load the value 0x11223344 into the general purpose R0 register:

1. Write 0x11223344 to CLB\_LOAD\_DATA.
2. Write 0xc to CLB\_LOAD\_ADDR.
3. Write 0x1 to CLB\_LOAD\_EN.

### Note

Even though HLC registers are accessible by the CPU, your application code needs to make sure that no other CLB internal logics are updating the same HLC register at the same time, causing a race condition.

## 24.6 DMA Access

The DMA does not have access to the CLB memory-mapped registers, including the PUSH and PULL FIFO registers. For more information, refer to [Section 24.8](#).

## 24.7 Software

### 24.7.1 CLB Examples

NOTE: These examples are located in the [C2000Ware](#) installation at the following location:  
C2000Ware\_VERSION#/driverlib/DEVICE\_GPN/examples/CORE\_IF\_MULTICORE/clb

Cloud access to these examples is available at the following link: [dev.ti.com](http://dev.ti.com) [C2000Ware Examples](#).

#### 24.7.1.1 CLB Empty Project

FILE: empty.c

For the detailed description of this example, please refer to:  
C2000Ware\_PATH\utilities\clb\_tool\clb\_syscfg\doc\CLB Tool Users Guide.pdf

#### 24.7.1.2 CLB Combinational Logic

FILE: clb\_ex1\_combinatorial\_logic.c

For the detailed description of this example, please refer to:  
C2000Ware\_PATH\utilities\clb\_tool\clb\_syscfg\doc\CLB Tool Users Guide.pdf

The objective of this example is to prevent simultaneous high or low outputs on a PWM pair. PWM modules 1 and 2 are configured to generate identical waveforms based on a fixed frequency up-count mode.

#### 24.7.1.3 CLB GPIO Input Filter

FILE: clb\_ex2\_gpio\_input\_filter.c

For the detailed description of this example, please refer to:  
C2000Ware\_PATH\utilities\clb\_tool\clb\_syscfg\doc\CLB Tool Users Guide.pdf

This example demonstrates use of finite state machines (FSMs) and counters to implement a simple 'glitch' filter which might, for example, be applied to an incoming GPIO signal to remove unwanted short duration pulses.

#### 24.7.1.4 CLB Auxiliary PWM

FILE: clb\_ex3\_auxiliary\_pwm.c

For the detailed description of this example, please refer to:  
C2000Ware\_PATH\utilities\clb\_tool\clb\_syscfg\doc\CLB Tool Users Guide.pdf

This example configures a CLB tile as an auxiliary PWM generator. The example uses combinatorial logic (LUTs), state machines (FSMs), counters, and the high level controller (HLC) to demonstrate the PWM output generation capabilities using CLB.

#### 24.7.1.5 CLB PWM Protection

FILE: clb\_ex4\_pwm\_protection.c

For the detailed description of this example, please refer to:  
C2000Ware\_PATH\utilities\clb\_tool\clb\_syscfg\doc\CLB Tool Users Guide.pdf

This example extends the features of example 1 to ensure an active high complementary pair PWM configuration always operates with a minimum value of dead-band irrespective of how the generating PWM module is configured. The example illustrates the configuration of four separate PWM tiles to implement PWM protection on four PWM modules. The outputs of PWM modules 1 to 4 are operated on by CLB tiles 1 to 4, respectively.

#### 24.7.1.6 CLB Event Window

FILE: clb\_ex5\_event\_window.c

For the detailed description of this example, please refer to:  
C2000Ware\_PATH\utilities\clb\_tool\clb\_syscfg\doc\CLB Tool Users Guide.pdf

This example uses the counter, FSM, and HLC sub-modules of the CLB to implement an event timing feature which detects whether an interrupt service routine takes too long to respond to an interrupt. The example configures four PWM modules to operate in up-count mode and generate a low-to-high edge on a timer zero match event. The zero match event also triggers a PWM ISR which, for the purposes of this example, contains a dummy payload of variable length. At the end of the ISR, a write operation takes place to a CLB GP register to indicate the ISR has ended.

#### **24.7.1.7 CLB Signal Generator**

FILE: clb\_ex6\_siggen.c

For the detailed description of this example, please refer to:  
C2000Ware\_PATH\utilities\clb\_tool\clb\_syscfg\doc\CLB Tool Users Guide.pdf

This example uses CLB1 to generate a rectangular wave and CLB2 to check the rectangular wave generated by CLB1 doesn't exceed the defined duty cycle and period limits.

#### **24.7.1.8 CLB State Machine**

FILE: clb\_ex7\_state\_machine.c

For the detailed description of this example, please refer to:  
C2000Ware\_PATH\utilities\clb\_tool\clb\_syscfg\doc\Designing With the C2000 CLB.pdf This application report describes the process of creating this CLB example and can be used as guidance on designing custom logic with the CLB. This example uses all submodules inside a CLB TILE in order to implement a complete system.

#### **24.7.1.9 CLB External Signal AND Gate**

FILE: clb\_ex8\_external\_signal\_AND\_gate.c

For the detailed description of this example, please refer to:  
C2000Ware\_PATH\utilities\clb\_tool\clb\_syscfg\doc\CLB Tool Users Guide.pdf

In this example, two external signals from two GPIOs are passed through the Input X-BAR and the CLB X-BAR to the CLB TILE. Inside the CLB module these two signals are ANDED. The output of the AND gate is then exported to a GPIO, using Output X-BAR.

#### **24.7.1.10 CLB Timer**

FILE: clb\_ex9\_timer.c

For the detailed description of this example, please refer to:  
C2000Ware\_PATH\utilities\clb\_tool\clb\_syscfg\doc\CLB Tool Users Guide.pdf

In this example, a COUNTER module is used to create timed events. The use of the GP Register is shown. Through setting/clearing the bits in the GP register, the timer is started, stopped or changes direction. The output of the timer event (1-clock cycle) is exported to a GPIO. Interrupts are generated from the timer event using the HLC module. A GPIO is also toggled inside the CLB ISR. The indirect CLB register access is used to update the timer's event match value and the active counter register to modify the frequency of the timer.

#### **24.7.1.11 CLB Timer Two States**

FILE: clb\_ex10\_timer\_two\_states.c

For the detailed description of this example, please refer to:  
C2000Ware\_PATH\utilities\clb\_tool\clb\_syscfg\doc\CLB Tool Users Guide.pdf

In this example, the timer is setup the same as the previous example. The difference is the use of the FSM submodule to toggle the output of the CLB which is then exported to a GPIO. The FSM module acts as a single bit memory block. Interrupts are setup in the same format as the previous example. The interrupt delay of the CLB can be seen by comparing the output of the CLB and the GPIO toggled in the ISR.

#### **24.7.1.12 CLB Interrupt Tag**

FILE: clb\_ex11\_interrupt\_tag.c

For the detailed description of this example, please refer to:  
C2000Ware\_PATH\utilities\clb\_tool\clb\_syscfg\doc\CLB Tool Users Guide.pdf

In this example, a timer is setup with two different match values. These two events are used by the HLC submodule to generate interrupts. The interrupt TAG is used to differentiate between the interrupt generated due to the match1 event of the CLB counter and the match2 event of the CLB counter.

#### **24.7.1.13 CLB Output Intersect**

FILE: clb\_ex12\_output\_intersect.c

For the detailed description of this example, please refer to:  
C2000Ware\_PATH\utilities\clb\_tool\clb\_syscfg\doc\CLB Tool Users Guide.pdf

In this example, the CLB module is set up the same as the external\_AND\_gate example. However, instead of the output being exported to the GPIO using Output X-BAR, the output is exported to the GPIO by replacing the output of ePWM1. This is done by configuring the GPIO for EPWM1A output, followed by enabling output intersection.

#### **24.7.1.14 CLB PUSH PULL**

FILE: clb\_ex13\_push\_pull.c

For the detailed description of this example, please refer to:  
C2000Ware\_PATH\utilities\clb\_tool\clb\_syscfg\doc\CLB Tool Users Guide.pdf

In this example, the use of the PUSH-PULL interface is shown. Multiple COUNTER submodules, HLC submodule, FSM submodules, and OUTLUT submodules are used. The PUSH-PULL interface is used alongside the GP register to update the COUNTER submodules' event frequencies.

#### **24.7.1.15 CLB Multi Tile**

FILE: clb\_ex14\_multi\_tile.c

For the detailed description of this example, please refer to:  
C2000Ware\_PATH\utilities\clb\_tool\clb\_syscfg\doc\CLB Tool Users Guide.pdf

In this example the output of a CLB TILE is passed to the input of another CLB TILE. The output of the second CLB TILE is then exported to a GPIO, showcasing how two CLB TILES can be used in series.

#### **24.7.1.16 CLB Tile to Tile Delay**

FILE: clb\_ex15\_tile\_to\_tile\_delay.c

For the detailed description of this example, please refer to:  
C2000Ware\_PATH\utilities\clb\_tool\clb\_syscfg\doc\CLB Tool Users Guide.pdf

In this example the output of a GPIO is taken into the CLB TILE through INPUT XBAR and the CLB XBAR. The signal is forwarded by the TILE to the next TILE. This time the signal only goes through the CLB XBAR and NOT the Input XBAR. This is done to show that delays are added when the signals are passed from TILE to TILE and the delay is NOT characterized. The user should always avoid passing signals with timing requirements between tiles. The COUNTER modules inside the CLBs will count the amount of delay in cycles.

#### **24.7.1.17 CLB based One-shot PWM**

FILE: clb\_ex17\_one\_shot\_pwm.c

For the detailed description of this example, please refer to :  
C2000Ware\_PATH\utilities\clb\_tool\clb\_syscfg\doc\CLB Tool Users Guide.pdf

### 24.7.1.18 CLB Trip Zone Timestamp

FILE: clb\_ex29\_timestamp.c

This example displays how to timestamp interrupts generated by the CLB. An interrupt is generated when ePWM1 is tripped.

ePWM1 is configured to be interrupted by TZ1 and TZ2, both one shot trip sources.

The CLB is configured as follows:

- COUNTER0 and COUNTER1 continually count when the program begins.
- COUNTER0 timestamps TZ1 and COUNTER1 timestamps TZ2.
- COUNTER2 increments once when COUNTER0/COUNTER1 overflows using LUT2.
- FSM0/1 are configured to sync counters and stop COUNTER0/1 when an interrupt is received.
- TZ1 (GPIO12) and TZ2 (GPIO13) are routed as inputs through CLBXBAR.
- BOUNDARY.boundaryInput0 denotes TZ1. On rising edge, HLC issues an interrupt with tag 12.
- BOUNDARY.in1 denotes TZ2. On rising edge, HLC issues an interrupt with tag 13.
- BOUNDARY.boundaryInput7 serves as a simultaneous enable for COUNTER0/1 to begin counting.

TZ1 is tripped when GPIO12 is connected to GND. TZ2 is tripped when GPIO13 is connected to GND. When an interrupt occurs, the interrupt handler determines the initial trip source and stores this value in a variable 'initialTripZone'.

View these variables in Debug Expressions tab:

initialTripZone: stores the first TZ to have been tripped tz1Counter64bit: stores the counter value at the instant that TZ1 is tripped. tz2Counter64bit: stores the counter value at the instant that TZ2 is tripped.

## 24.8 CLB Registers

This section describes the Configurable Logic Block Registers.

### 24.8.1 CLB Base Addresses

**Table 24-14. CLB Base Address Table (C28)**

Bit Field Name		DriverLib Name	Base Address
Instance	Structure		
Clb1LogicCfgRegs	CLB_LOGIC_CONFIG_REGS	CLB1_LOGICCFG_BASE	0x0000_3000
Clb1LogicCtrlRegs	CLB_LOGIC_CONTROL_REGS	CLB1_LOGICCTRL_BASE	0x0000_3100
Clb1DataExchRegs	CLB_DATA_EXCHANGE_REGS	CLB1_DATAEXCH_BASE	0x0000_3200
Clb2LogicCfgRegs	CLB_LOGIC_CONFIG_REGS	CLB2_LOGICCFG_BASE	0x0000_3400
Clb2LogicCtrlRegs	CLB_LOGIC_CONTROL_REGS	CLB2_LOGICCTRL_BASE	0x0000_3500
Clb2DataExchRegs	CLB_DATA_EXCHANGE_REGS	CLB2_DATAEXCH_BASE	0x0000_3600
Clb3LogicCfgRegs	CLB_LOGIC_CONFIG_REGS	CLB3_LOGICCFG_BASE	0x0000_3800
Clb3LogicCtrlRegs	CLB_LOGIC_CONTROL_REGS	CLB3_LOGICCTRL_BASE	0x0000_3900
Clb3DataExchRegs	CLB_DATA_EXCHANGE_REGS	CLB3_DATAEXCH_BASE	0x0000_3A00
Clb4LogicCfgRegs	CLB_LOGIC_CONFIG_REGS	CLB4_LOGICCFG_BASE	0x0000_3C00
Clb4LogicCtrlRegs	CLB_LOGIC_CONTROL_REGS	CLB4_LOGICCTRL_BASE	0x0000_3D00
Clb4DataExchRegs	CLB_DATA_EXCHANGE_REGS	CLB4_DATAEXCH_BASE	0x0000_3E00

## 24.8.2 CLB\_LOGIC\_CONFIG\_REGS Registers

Table 24-15 lists the memory-mapped registers for the CLB\_LOGIC\_CONFIG\_REGS registers. All register offset addresses not listed in Table 24-15 should be considered as reserved locations and the register contents should not be modified.

**Table 24-15. CLB\_LOGIC\_CONFIG\_REGS Registers**

Offset	Acronym	Register Name	Write Protection	Section
2h	CLB_COUNT_RESET	Counter Block RESET	EALLOW, LOCK	<a href="#">Go</a>
4h	CLB_COUNT_MODE_1	Counter Block MODE_1	EALLOW, LOCK	<a href="#">Go</a>
6h	CLB_COUNT_MODE_0	Counter Block MODE_0	EALLOW, LOCK	<a href="#">Go</a>
8h	CLB_COUNT_EVENT	Counter Block EVENT	EALLOW, LOCK	<a href="#">Go</a>
Ah	CLB_FSM_EXTRA_IN0	FSM Extra EXT_IN0	EALLOW, LOCK	<a href="#">Go</a>
Ch	CLB_FSM_EXTERNAL_IN0	FSM EXT_IN0	EALLOW, LOCK	<a href="#">Go</a>
Eh	CLB_FSM_EXTERNAL_IN1	FSM_EXT_IN1	EALLOW, LOCK	<a href="#">Go</a>
10h	CLB_FSM_EXTRA_IN1	FSM Extra EXT_IN1	EALLOW, LOCK	<a href="#">Go</a>
12h	CLB_LUT4_IN0	LUT4_0/1/2 IN0 input source	EALLOW, LOCK	<a href="#">Go</a>
14h	CLB_LUT4_IN1	LUT4_0/1/2 IN1 input source	EALLOW, LOCK	<a href="#">Go</a>
16h	CLB_LUT4_IN2	LUT4_0/1/2 IN2 input source	EALLOW, LOCK	<a href="#">Go</a>
18h	CLB_LUT4_IN3	LUT4_0/1/2 IN3 input source	EALLOW, LOCK	<a href="#">Go</a>
1Ch	CLB_FSM_LUT_FN1_0	LUT function for FSM Unit 1 and Unit 0	EALLOW, LOCK	<a href="#">Go</a>
1Eh	CLB_FSM_LUT_FN2	LUT function for FSM Unit 2	EALLOW, LOCK	<a href="#">Go</a>
20h	CLB_LUT4_FN1_0	LUT function for LUT4 block of Unit 1 and 0	EALLOW, LOCK	<a href="#">Go</a>
22h	CLB_LUT4_FN2	LUT function for LUT4 block of Unit 2	EALLOW, LOCK	<a href="#">Go</a>
24h	CLB_FSM_NEXT_STATE_0	FSM Next state equations for Unit 0	EALLOW, LOCK	<a href="#">Go</a>
26h	CLB_FSM_NEXT_STATE_1	FSM Next state equations for Unit 1	EALLOW, LOCK	<a href="#">Go</a>
28h	CLB_FSM_NEXT_STATE_2	FSM Next state equations for Unit 2	EALLOW, LOCK	<a href="#">Go</a>
2Ah	CLB_MISC_CONTROL	Static controls for Ctr,FSM	EALLOW, LOCK	<a href="#">Go</a>
2Ch	CLB_OUTPUT_LUT_0	Inp Sel, LUT fns for Out0	EALLOW, LOCK	<a href="#">Go</a>
2Eh	CLB_OUTPUT_LUT_1	Inp Sel, LUT fns for Out1	EALLOW, LOCK	<a href="#">Go</a>
30h	CLB_OUTPUT_LUT_2	Inp Sel, LUT fns for Out2	EALLOW, LOCK	<a href="#">Go</a>
32h	CLB_OUTPUT_LUT_3	Inp Sel, LUT fns for Out3	EALLOW, LOCK	<a href="#">Go</a>
34h	CLB_OUTPUT_LUT_4	Inp Sel, LUT fns for Out4	EALLOW, LOCK	<a href="#">Go</a>
36h	CLB_OUTPUT_LUT_5	Inp Sel, LUT fns for Out5	EALLOW, LOCK	<a href="#">Go</a>
38h	CLB_OUTPUT_LUT_6	Inp Sel, LUT fns for Out6	EALLOW, LOCK	<a href="#">Go</a>
3Ah	CLB_OUTPUT_LUT_7	Inp Sel, LUT fns for Out7	EALLOW, LOCK	<a href="#">Go</a>
3Ch	CLB_HLC_EVENT_SEL	Event Selector register for the High Level controller	EALLOW, LOCK	<a href="#">Go</a>

Complex bit access types are encoded to fit into small table cells. Table 24-16 shows the codes that are used for access types in this section.

**Table 24-16. CLB\_LOGIC\_CONFIG\_REGS Access Type Codes**

Access Type	Code	Description
Read Type		
R	R	Read
R-0	R-0	Read Returns 0s
Write Type		
W	W	Write

**Table 24-16. CLB\_LOGIC\_CONFIG\_REGS Access Type Codes (continued)**

Access Type	Code	Description
W1C	W 1C	Write 1 to clear
Reset or Default Value		
-n		Value after reset or the default value
Register Array Variables		
i,j,k,l,m,n		When these variables are used in a register name, an offset, or an address, they refer to the value of a register array where the register is part of a group of repeating registers. The register groups form a hierarchical structure and the array is represented with a formula.
y		When this variable is used in a register name, an offset, or an address it refers to the value of a register array.

### 24.8.2.1 CLB\_COUNT\_RESET Register (Offset = 2h) [Reset = 0000000h]

CLB\_COUNT\_RESET is shown in [Figure 24-16](#) and described in [Table 24-17](#).

Return to the [Summary Table](#).

Counter Block RESET

**Figure 24-16. CLB\_COUNT\_RESET Register**

31	30	29	28	27	26	25	24	23	22	21	20	19	18	17	16	15	14	13	12	11	10	9	8	7	6	5	4	3	2	1	0
RESERVED															SEL_2			SEL_1			SEL_0										
R/W1C-0h															R/W-0h			R/W-0h			R/W-0h										

**Table 24-17. CLB\_COUNT\_RESET Register Field Descriptions**

Bit	Field	Type	Reset	Description
31-15	RESERVED	R/W1C	0h	Reserved
14-10	SEL_2	R/W	0h	Counter reset select inputs for unit 2. See the Static Switch Block Output Mux Table. Reset type: SYSRSn
9-5	SEL_1	R/W	0h	Counter reset select inputs for unit 1. See the Static Switch Block Output Mux Table. Reset type: SYSRSn
4-0	SEL_0	R/W	0h	Counter reset select inputs for unit 0. See the Static Switch Block Output Mux Table. Reset type: SYSRSn



### 24.8.2.2 CLB\_COUNT\_MODE\_1 Register (Offset = 4h) [Reset = 0000000h]

CLB\_COUNT\_MODE\_1 is shown in [Figure 24-17](#) and described in [Table 24-18](#).

Return to the [Summary Table](#).

Counter Block MODE\_1

**Figure 24-17. CLB\_COUNT\_MODE\_1 Register**

31	30	29	28	27	26	25	24	23	22	21	20	19	18	17	16	15	14	13	12	11	10	9	8	7	6	5	4	3	2	1	0
RESERVED															SEL_2			SEL_1			SEL_0										
R/W1C-0h															R/W-0h			R/W-0h			R/W-0h										

**Table 24-18. CLB\_COUNT\_MODE\_1 Register Field Descriptions**

Bit	Field	Type	Reset	Description
31-15	RESERVED	R/W1C	0h	Reserved
14-10	SEL_2	R/W	0h	Counter MODE_1 select inputs for unit 2. See the Static Switch Block Output Mux Table. Reset type: SYSRSn
9-5	SEL_1	R/W	0h	Counter MODE_1 select inputs for unit 1. See the Static Switch Block Output Mux Table. Reset type: SYSRSn
4-0	SEL_0	R/W	0h	Counter MODE_1 select inputs for unit 0. See the Static Switch Block Output Mux Table. Reset type: SYSRSn

### 24.8.2.3 CLB\_COUNT\_MODE\_0 Register (Offset = 6h) [Reset = 0000000h]

CLB\_COUNT\_MODE\_0 is shown in [Figure 24-18](#) and described in [Table 24-19](#).

Return to the [Summary Table](#).

Counter Block MODE\_0

**Figure 24-18. CLB\_COUNT\_MODE\_0 Register**

31	30	29	28	27	26	25	24	23	22	21	20	19	18	17	16	15	14	13	12	11	10	9	8	7	6	5	4	3	2	1	0
RESERVED															SEL_2			SEL_1			SEL_0										
R/W1C-0h															R/W-0h			R/W-0h			R/W-0h										

**Table 24-19. CLB\_COUNT\_MODE\_0 Register Field Descriptions**

Bit	Field	Type	Reset	Description
31-15	RESERVED	R/W1C	0h	Reserved
14-10	SEL_2	R/W	0h	Counter MODE_0 select inputs for unit 2. See the Static Switch Block Output Mux Table. Reset type: SYSRSn
9-5	SEL_1	R/W	0h	Counter MODE_0 select inputs for unit 1. See the Static Switch Block Output Mux Table. Reset type: SYSRSn
4-0	SEL_0	R/W	0h	Counter MODE_0 select inputs for unit 0. See the Static Switch Block Output Mux Table. Reset type: SYSRSn

#### 24.8.2.4 CLB\_COUNT\_EVENT Register (Offset = 8h) [Reset = 0000000h]

CLB\_COUNT\_EVENT is shown in [Figure 24-19](#) and described in [Table 24-20](#).

Return to the [Summary Table](#).

Counter Block EVENT

**Figure 24-19. CLB\_COUNT\_EVENT Register**

31	30	29	28	27	26	25	24	23	22	21	20	19	18	17	16	15	14	13	12	11	10	9	8	7	6	5	4	3	2	1	0
RESERVED															SEL_2			SEL_1			SEL_0										
R/W1C-0h															R/W-0h			R/W-0h			R/W-0h										

**Table 24-20. CLB\_COUNT\_EVENT Register Field Descriptions**

Bit	Field	Type	Reset	Description
31-15	RESERVED	R/W1C	0h	Reserved
14-10	SEL_2	R/W	0h	Counter event select inputs for unit 2. See the Static Switch Block Output Mux Table. Reset type: SYSRSn
9-5	SEL_1	R/W	0h	Counter event select inputs for unit 1. See the Static Switch Block Output Mux Table. Reset type: SYSRSn
4-0	SEL_0	R/W	0h	Counter event select inputs for unit 0. See the Static Switch Block Output Mux Table. Reset type: SYSRSn

### 24.8.2.5 CLB\_FSM\_EXTRA\_IN0 Register (Offset = Ah) [Reset = 0000000h]

CLB\_FSM\_EXTRA\_IN0 is shown in [Figure 24-20](#) and described in [Table 24-21](#).

Return to the [Summary Table](#).

FSM Extra EXT\_IN0

**Figure 24-20. CLB\_FSM\_EXTRA\_IN0 Register**

31	30	29	28	27	26	25	24	23	22	21	20	19	18	17	16	15	14	13	12	11	10	9	8	7	6	5	4	3	2	1	0
RESERVED															SEL_2			SEL_1			SEL_0										
R/W1C-0h															R/W-0h			R/W-0h			R/W-0h										

**Table 24-21. CLB\_FSM\_EXTRA\_IN0 Register Field Descriptions**

Bit	Field	Type	Reset	Description
31-15	RESERVED	R/W1C	0h	Reserved
14-10	SEL_2	R/W	0h	FSM block extra external IN0 select inputs for unit 2. See the Static Switch Block Output Mux Table. Reset type: SYSRSn
9-5	SEL_1	R/W	0h	FSM block extra external IN0 select inputs for unit 1. See the Static Switch Block Output Mux Table. Reset type: SYSRSn
4-0	SEL_0	R/W	0h	FSM block extra external IN0 select inputs for unit 0. See the Static Switch Block Output Mux Table. Reset type: SYSRSn

### 24.8.2.6 CLB\_FSM\_EXTERNAL\_IN0 Register (Offset = Ch) [Reset = 0000000h]

CLB\_FSM\_EXTERNAL\_IN0 is shown in [Figure 24-21](#) and described in [Table 24-22](#).

Return to the [Summary Table](#).

FSM EXT\_IN0

**Figure 24-21. CLB\_FSM\_EXTERNAL\_IN0 Register**

31	30	29	28	27	26	25	24	23	22	21	20	19	18	17	16	15	14	13	12	11	10	9	8	7	6	5	4	3	2	1	0
RESERVED															SEL_2			SEL_1			SEL_0										
R/W1C-0h															R/W-0h			R/W-0h			R/W-0h										

**Table 24-22. CLB\_FSM\_EXTERNAL\_IN0 Register Field Descriptions**

Bit	Field	Type	Reset	Description
31-15	RESERVED	R/W1C	0h	Reserved
14-10	SEL_2	R/W	0h	FSM block EXT_IN0 select input for unit 2. See the Static Switch Block Output Mux Table. Reset type: SYSRSn
9-5	SEL_1	R/W	0h	FSM block EXT_IN0 select input for unit 1. See the Static Switch Block Output Mux Table. Reset type: SYSRSn
4-0	SEL_0	R/W	0h	FSM block EXT_IN0 select input for unit 0. See the Static Switch Block Output Mux Table. Reset type: SYSRSn

### 24.8.2.7 CLB\_FSM\_EXTERNAL\_IN1 Register (Offset = Eh) [Reset = 0000000h]

CLB\_FSM\_EXTERNAL\_IN1 is shown in [Figure 24-22](#) and described in [Table 24-23](#).

Return to the [Summary Table](#).

FSM\_EXT\_IN1

**Figure 24-22. CLB\_FSM\_EXTERNAL\_IN1 Register**

31	30	29	28	27	26	25	24	23	22	21	20	19	18	17	16	15	14	13	12	11	10	9	8	7	6	5	4	3	2	1	0
RESERVED															SEL_2			SEL_1			SEL_0										
R/W1C-0h															R/W-0h			R/W-0h			R/W-0h										

**Table 24-23. CLB\_FSM\_EXTERNAL\_IN1 Register Field Descriptions**

Bit	Field	Type	Reset	Description
31-15	RESERVED	R/W1C	0h	Reserved
14-10	SEL_2	R/W	0h	FSM block EXT_IN1 select input for unit 2. See the Static Switch Block Output Mux Table. Reset type: SYSRSn
9-5	SEL_1	R/W	0h	FSM block EXT_IN1 select input for unit 1. See the Static Switch Block Output Mux Table. Reset type: SYSRSn
4-0	SEL_0	R/W	0h	FSM block EXT_IN1 select input for unit 0. See the Static Switch Block Output Mux Table. Reset type: SYSRSn

### 24.8.2.8 CLB\_FSM\_EXTRA\_IN1 Register (Offset = 10h) [Reset = 0000000h]

CLB\_FSM\_EXTRA\_IN1 is shown in [Figure 24-23](#) and described in [Table 24-24](#).

Return to the [Summary Table](#).

FSM Extra\_EXT\_IN1

**Figure 24-23. CLB\_FSM\_EXTRA\_IN1 Register**

31	30	29	28	27	26	25	24	23	22	21	20	19	18	17	16	15	14	13	12	11	10	9	8	7	6	5	4	3	2	1	0
RESERVED															SEL_2			SEL_1			SEL_0										
R/W1C-0h															R/W-0h			R/W-0h			R/W-0h										

**Table 24-24. CLB\_FSM\_EXTRA\_IN1 Register Field Descriptions**

Bit	Field	Type	Reset	Description
31-15	RESERVED	R/W1C	0h	Reserved
14-10	SEL_2	R/W	0h	FSM block extra external IN1 select inputs for unit 2. See the Static Switch Block Output Mux Table. Reset type: SYSRSn
9-5	SEL_1	R/W	0h	FSM block extra external IN1 select inputs for unit 1. See the Static Switch Block Output Mux Table. Reset type: SYSRSn
4-0	SEL_0	R/W	0h	FSM block extra external IN1 select inputs for unit 0. See the Static Switch Block Output Mux Table. Reset type: SYSRSn

### 24.8.2.9 CLB\_LUT4\_IN0 Register (Offset = 12h) [Reset = 0000000h]

CLB\_LUT4\_IN0 is shown in [Figure 24-24](#) and described in [Table 24-25](#).

Return to the [Summary Table](#).

LUT4\_0/1/2 IN0 input source

**Figure 24-24. CLB\_LUT4\_IN0 Register**

31	30	29	28	27	26	25	24	23	22	21	20	19	18	17	16	15	14	13	12	11	10	9	8	7	6	5	4	3	2	1	0
RESERVED															SEL_2			SEL_1			SEL_0										
R/W1C-0h															R/W-0h			R/W-0h			R/W-0h										

**Table 24-25. CLB\_LUT4\_IN0 Register Field Descriptions**

Bit	Field	Type	Reset	Description
31-15	RESERVED	R/W1C	0h	Reserved
14-10	SEL_2	R/W	0h	LUT4 block IN0 select inputs for unit 2. See the Static Switch Block Output Mux Table. Reset type: SYSRSn
9-5	SEL_1	R/W	0h	LUT4 block IN0 select inputs for unit 1. See the Static Switch Block Output Mux Table. Reset type: SYSRSn
4-0	SEL_0	R/W	0h	LUT4 block IN0 select inputs for unit 0. See the Static Switch Block Output Mux Table. Reset type: SYSRSn



### 24.8.2.10 CLB\_LUT4\_IN1 Register (Offset = 14h) [Reset = 0000000h]

CLB\_LUT4\_IN1 is shown in [Figure 24-25](#) and described in [Table 24-26](#).

Return to the [Summary Table](#).

LUT4\_0/1/2 IN1 input source

**Figure 24-25. CLB\_LUT4\_IN1 Register**

31	30	29	28	27	26	25	24	23	22	21	20	19	18	17	16	15	14	13	12	11	10	9	8	7	6	5	4	3	2	1	0
RESERVED															SEL_2			SEL_1			SEL_0										
R/W1C-0h															R/W-0h			R/W-0h			R/W-0h										

**Table 24-26. CLB\_LUT4\_IN1 Register Field Descriptions**

Bit	Field	Type	Reset	Description
31-15	RESERVED	R/W1C	0h	Reserved
14-10	SEL_2	R/W	0h	LUT4 block IN1 select inputs for unit 2. See the Static Switch Block Output Mux Table. Reset type: SYSRSn
9-5	SEL_1	R/W	0h	LUT4 block IN1 select inputs for unit 1. See the Static Switch Block Output Mux Table. Reset type: SYSRSn
4-0	SEL_0	R/W	0h	LUT4 block IN1 select inputs for unit 0. See the Static Switch Block Output Mux Table. Reset type: SYSRSn

### 24.8.2.11 CLB\_LUT4\_IN2 Register (Offset = 16h) [Reset = 00000000h]

CLB\_LUT4\_IN2 is shown in [Figure 24-26](#) and described in [Table 24-27](#).

Return to the [Summary Table](#).

LUT4\_0/1/2 IN2 input source

**Figure 24-26. CLB\_LUT4\_IN2 Register**

31	30	29	28	27	26	25	24	23	22	21	20	19	18	17	16	15	14	13	12	11	10	9	8	7	6	5	4	3	2	1	0
RESERVED															SEL_2			SEL_1			SEL_0										
R/W1C-0h															R/W-0h			R/W-0h			R/W-0h										

**Table 24-27. CLB\_LUT4\_IN2 Register Field Descriptions**

Bit	Field	Type	Reset	Description
31-15	RESERVED	R/W1C	0h	Reserved
14-10	SEL_2	R/W	0h	LUT4 block IN2 select inputs for unit 2. See the Static Switch Block Output Mux Table. Reset type: SYSRSn
9-5	SEL_1	R/W	0h	LUT4 block IN2 select inputs for unit 1. See the Static Switch Block Output Mux Table. Reset type: SYSRSn
4-0	SEL_0	R/W	0h	LUT4 block IN2 select inputs for unit 0. See the Static Switch Block Output Mux Table. Reset type: SYSRSn

### 24.8.2.12 CLB\_LUT4\_IN3 Register (Offset = 18h) [Reset = 0000000h]

CLB\_LUT4\_IN3 is shown in [Figure 24-27](#) and described in [Table 24-28](#).

Return to the [Summary Table](#).

LUT4\_0/1/2 IN3 input source

**Figure 24-27. CLB\_LUT4\_IN3 Register**

31	30	29	28	27	26	25	24	23	22	21	20	19	18	17	16	15	14	13	12	11	10	9	8	7	6	5	4	3	2	1	0
RESERVED															SEL_2			SEL_1			SEL_0										
R/W1C-0h															R/W-0h			R/W-0h			R/W-0h										

**Table 24-28. CLB\_LUT4\_IN3 Register Field Descriptions**

Bit	Field	Type	Reset	Description
31-15	RESERVED	R/W1C	0h	Reserved
14-10	SEL_2	R/W	0h	LUT4 block IN3 select inputs for unit 2. See the Static Switch Block Output Mux Table. Reset type: SYSRSn
9-5	SEL_1	R/W	0h	LUT4 block IN3 select inputs for unit 1. See the Static Switch Block Output Mux Table. Reset type: SYSRSn
4-0	SEL_0	R/W	0h	LUT4 block IN3 select inputs for unit 0. See the Static Switch Block Output Mux Table. Reset type: SYSRSn

### 24.8.2.13 CLB\_FSM\_LUT\_FN1\_0 Register (Offset = 1Ch) [Reset = 0000000h]

CLB\_FSM\_LUT\_FN1\_0 is shown in [Figure 24-28](#) and described in [Table 24-29](#).

Return to the [Summary Table](#).

LUT function for FSM Unit 1 and Unit 0

**Figure 24-28. CLB\_FSM\_LUT\_FN1\_0 Register**

31	30	29	28	27	26	25	24	23	22	21	20	19	18	17	16	15	14	13	12	11	10	9	8	7	6	5	4	3	2	1	0
FN1																FN0															
R/W-0h																R/W-0h															

**Table 24-29. CLB\_FSM\_LUT\_FN1\_0 Register Field Descriptions**

Bit	Field	Type	Reset	Description
31-16	FN1	R/W	0h	FSM block LUT output function for unit 1 Reset type: SYSRSn
15-0	FN0	R/W	0h	FSM block LUT output function for unit 0 Reset type: SYSRSn

#### 24.8.2.14 CLB\_FSM\_LUT\_FN2 Register (Offset = 1Eh) [Reset = 0000000h]

CLB\_FSM\_LUT\_FN2 is shown in [Figure 24-29](#) and described in [Table 24-30](#).

Return to the [Summary Table](#).

LUT function for FSM Unit 2

**Figure 24-29. CLB\_FSM\_LUT\_FN2 Register**

31	30	29	28	27	26	25	24	23	22	21	20	19	18	17	16	15	14	13	12	11	10	9	8	7	6	5	4	3	2	1	0
RESERVED																FN1															
R/W1C-0h																R/W-0h															

**Table 24-30. CLB\_FSM\_LUT\_FN2 Register Field Descriptions**

Bit	Field	Type	Reset	Description
31-16	RESERVED	R/W1C	0h	Reserved
15-0	FN1	R/W	0h	LUT4 output function for unit 2 Reset type: SYSRSn

### 24.8.2.15 CLB\_LUT4\_FN1\_0 Register (Offset = 20h) [Reset = 0000000h]

CLB\_LUT4\_FN1\_0 is shown in [Figure 24-30](#) and described in [Table 24-31](#).

Return to the [Summary Table](#).

LUT function for LUT4 block of Unit 1 and 0

**Figure 24-30. CLB\_LUT4\_FN1\_0 Register**

31	30	29	28	27	26	25	24	23	22	21	20	19	18	17	16	15	14	13	12	11	10	9	8	7	6	5	4	3	2	1	0
FN1																FN0															
R/W-0h																R/W-0h															

**Table 24-31. CLB\_LUT4\_FN1\_0 Register Field Descriptions**

Bit	Field	Type	Reset	Description
31-16	FN1	R/W	0h	LUT4 output function for unit 1 Reset type: SYSRSn
15-0	FN0	R/W	0h	LUT4 output function for unit 0 Reset type: SYSRSn

### 24.8.2.16 CLB\_LUT4\_FN2 Register (Offset = 22h) [Reset = 0000000h]

CLB\_LUT4\_FN2 is shown in [Figure 24-31](#) and described in [Table 24-32](#).

Return to the [Summary Table](#).

LUT function for LUT4 block of Unit 2

**Figure 24-31. CLB\_LUT4\_FN2 Register**

31	30	29	28	27	26	25	24	23	22	21	20	19	18	17	16	15	14	13	12	11	10	9	8	7	6	5	4	3	2	1	0
RESERVED																FN1															
R/W1C-0h																R/W-0h															

**Table 24-32. CLB\_LUT4\_FN2 Register Field Descriptions**

Bit	Field	Type	Reset	Description
31-16	RESERVED	R/W1C	0h	Reserved
15-0	FN1	R/W	0h	LUT4 output function for unit 2 Reset type: SYSRSn

### 24.8.2.17 CLB\_FSM\_NEXT\_STATE\_0 Register (Offset = 24h) [Reset = 0000000h]

CLB\_FSM\_NEXT\_STATE\_0 is shown in [Figure 24-32](#) and described in [Table 24-33](#).

Return to the [Summary Table](#).

FSM Next state equations for Unit 0

**Figure 24-32. CLB\_FSM\_NEXT\_STATE\_0 Register**

31	30	29	28	27	26	25	24	23	22	21	20	19	18	17	16	15	14	13	12	11	10	9	8	7	6	5	4	3	2	1	0
S1																S0															
R/W-0h																R/W-0h															

**Table 24-33. CLB\_FSM\_NEXT\_STATE\_0 Register Field Descriptions**

Bit	Field	Type	Reset	Description
31-16	S1	R/W	0h	FSM next state function for S1, unit0 Reset type: SYSRSn
15-0	S0	R/W	0h	FSM next state function for S0, unit0 Reset type: SYSRSn



**24.8.2.18 CLB\_FSM\_NEXT\_STATE\_1 Register (Offset = 26h) [Reset = 0000000h]**

CLB\_FSM\_NEXT\_STATE\_1 is shown in [Figure 24-33](#) and described in [Table 24-34](#).

Return to the [Summary Table](#).

FSM Next state equations for Unit 1

**Figure 24-33. CLB\_FSM\_NEXT\_STATE\_1 Register**

31	30	29	28	27	26	25	24	23	22	21	20	19	18	17	16	15	14	13	12	11	10	9	8	7	6	5	4	3	2	1	0
S1																S0															
R/W-0h																R/W-0h															

**Table 24-34. CLB\_FSM\_NEXT\_STATE\_1 Register Field Descriptions**

Bit	Field	Type	Reset	Description
31-16	S1	R/W	0h	FSM next state function for S1, unit1 Reset type: SYSRSn
15-0	S0	R/W	0h	FSM next state function for S0, unit1 Reset type: SYSRSn

### 24.8.2.19 CLB\_FSM\_NEXT\_STATE\_2 Register (Offset = 28h) [Reset = 0000000h]

CLB\_FSM\_NEXT\_STATE\_2 is shown in [Figure 24-34](#) and described in [Table 24-35](#).

Return to the [Summary Table](#).

FSM Next state equations for Unit 2

**Figure 24-34. CLB\_FSM\_NEXT\_STATE\_2 Register**

31	30	29	28	27	26	25	24	23	22	21	20	19	18	17	16	15	14	13	12	11	10	9	8	7	6	5	4	3	2	1	0
S1																S0															
R/W-0h																R/W-0h															

**Table 24-35. CLB\_FSM\_NEXT\_STATE\_2 Register Field Descriptions**

Bit	Field	Type	Reset	Description
31-16	S1	R/W	0h	FSM next state function for S1, unit2 Reset type: SYSRSn
15-0	S0	R/W	0h	FSM next state function for S0, unit2 Reset type: SYSRSn

### 24.8.2.20 CLB\_MISC\_CONTROL Register (Offset = 2Ah) [Reset = 0000000h]

CLB\_MISC\_CONTROL is shown in [Figure 24-35](#) and described in [Table 24-36](#).

Return to the [Summary Table](#).

Static controls for Ctr,FSM

**Figure 24-35. CLB\_MISC\_CONTROL Register**

31	30	29	28	27	26	25	24
RESERVED							
R-0-0h							
23	22	21	20	19	18	17	16
RESERVED						FSM_EXTRA_S EL1_2	FSM_EXTRA_S EL0_2
R-0-0h						R/W-0h	R/W-0h
15	14	13	12	11	10	9	8
FSM_EXTRA_S EL1_1	FSM_EXTRA_S EL0_1	FSM_EXTRA_S EL1_0	FSM_EXTRA_S EL0_0	COUNT_SERIA LIZER_2	COUNT_SERIA LIZER_1	COUNT_SERIA LIZER_0	COUNT_EVEN T_CTRL_2
R/W-0h	R/W-0h	R/W-0h	R/W-0h	R/W-0h	R/W-0h	R/W-0h	R/W-0h
7	6	5	4	3	2	1	0
COUNT_DIR_2	COUNT_ADD_ SHIFT_2	COUNT_EVEN T_CTRL_1	COUNT_DIR_1	COUNT_ADD_ SHIFT_1	COUNT_EVEN T_CTRL_0	COUNT_DIR_0	COUNT_ADD_ SHIFT_0
R/W-0h	R/W-0h	R/W-0h	R/W-0h	R/W-0h	R/W-0h	R/W-0h	R/W-0h

**Table 24-36. CLB\_MISC\_CONTROL Register Field Descriptions**

Bit	Field	Type	Reset	Description
31-18	RESERVED	R-0	0h	Reserved
17	FSM_EXTRA_SEL1_2	R/W	0h	Defines which input should be selected for the FSM LUT of UNIT 2 0 = Selects State S1 for the FSM LUT 1 = Selects EXTRA_EXT_IN1 for the FSM LUT Reset type: SYSRSn
16	FSM_EXTRA_SEL0_2	R/W	0h	Defines which input should be selected for the FSM LUT of UNIT 2 0 = Selects State S0 for the FSM LUT 1 = Selects EXTRA_EXT_IN0 for the FSM LUT Reset type: SYSRSn
15	FSM_EXTRA_SEL1_1	R/W	0h	Defines which input should be selected for the FSM LUT of UNIT 1 0 = Selects State S1 for the FSM LUT 1 = Selects EXTRA_EXT_IN1 for the FSM LUT Reset type: SYSRSn
14	FSM_EXTRA_SEL0_1	R/W	0h	Defines which input should be selected for the FSM LUT of UNIT 1 0 = Selects State S0 for the FSM LUT 1 = Selects EXTRA_EXT_IN0 for the FSM LUT Reset type: SYSRSn
13	FSM_EXTRA_SEL1_0	R/W	0h	Defines which input should be selected for the FSM LUT of UNIT 0 0 = Selects State S1 for the FSM LUT 1 = Selects EXTRA_EXT_IN1 for the FSM LUT Reset type: SYSRSn
12	FSM_EXTRA_SEL0_0	R/W	0h	Defines which input should be selected for the FSM LUT of UNIT 0 0 = Selects State S0 for the FSM LUT 1 = Selects EXTRA_EXT_IN0 for the FSM LUT Reset type: SYSRSn

**Table 24-36. CLB\_MISC\_CONTROL Register Field Descriptions (continued)**

Bit	Field	Type	Reset	Description
11	COUNT_SERIALIZER_2	R/W	0h	Controls if the Counter of UNIT 2 is the Serialzer mode or not. 0 = Normal mode 1 = Serialzer mode Reset type: SYSRSn
10	COUNT_SERIALIZER_1	R/W	0h	Controls if the Counter of UNIT 1 is the Serialzer mode or not. 0 = Normal mode 1 = Serialzer mode Reset type: SYSRSn
9	COUNT_SERIALIZER_0	R/W	0h	Controls if the Counter of UNIT 0 is the Serialzer mode or not. 0 = Normal mode 1 = Serialzer mode Reset type: SYSRSn
8	COUNT_EVENT_CTRL_2	R/W	0h	Controls the actions on an EVENT for UNIT2. Must be 0 for indirect loads and HLC loads of the counter to take effect. 0 = No add or shift, but load the predefined value 1 = Based on other bits, add/shift with the predefined value Reset type: SYSRSn
7	COUNT_DIR_2	R/W	0h	Controls add/shift direction for UNIT 2 0 = right shift or subtract 1 = left shift or add Reset type: SYSRSn
6	COUNT_ADD_SHIFT_2	R/W	0h	Controls whether the UNIT 2 counter will do an ADD or a SHIFT on an EVENT. 0 =Shift 1 = ADD Reset type: SYSRSn
5	COUNT_EVENT_CTRL_1	R/W	0h	Controls the actions on an EVENT for UNIT1. Must be 0 for indirect loads and HLC loads of the counter to take effect. 0 = No add or shift, but load the predefined value 1 = Based on other bits, add/shift with the predefined value Reset type: SYSRSn
4	COUNT_DIR_1	R/W	0h	Controls add/shift direction for UNIT 1 0 = right shift or subtract 1 = left shift or add Reset type: SYSRSn
3	COUNT_ADD_SHIFT_1	R/W	0h	Controls whether the UNIT 1 counter will do an ADD or a SHIFT on an EVENT. 0 = Shift 1 = ADD Reset type: SYSRSn
2	COUNT_EVENT_CTRL_0	R/W	0h	Controls the actions on an EVENT for UNIT1. Must be 0 for indirect loads and HLC loads of the counter to take effect. 0 = No add or shift, but load the predefined value 1 = Based on other bits, add/shift with the predefined value Reset type: SYSRSn
1	COUNT_DIR_0	R/W	0h	Controls add/shift direction for UNIT 0 0 = right shift or subtract 1 = left shift or add Reset type: SYSRSn
0	COUNT_ADD_SHIFT_0	R/W	0h	Controls whether the UNIT 0 counter will do an ADD or a SHIFT on an EVENT. 0 = Shift 1 = ADD Reset type: SYSRSn

### 24.8.2.21 CLB\_OUTPUT\_LUT\_0 Register (Offset = 2Ch) [Reset = 0000000h]

CLB\_OUTPUT\_LUT\_0 is shown in [Figure 24-36](#) and described in [Table 24-37](#).

Return to the [Summary Table](#).

Inp Sel, LUT fns for Out0

**Figure 24-36. CLB\_OUTPUT\_LUT\_0 Register**

31	30	29	28	27	26	25	24	23	22	21	20	19	18	17	16	15	14	13	12	11	10	9	8	7	6	5	4	3	2	1	0
RESERVED									FN				IN2				IN1				IN0										
R/W1C-0h									R/W-0h				R/W-0h				R/W-0h				R/W-0h										

**Table 24-37. CLB\_OUTPUT\_LUT\_0 Register Field Descriptions**

Bit	Field	Type	Reset	Description
31-23	RESERVED	R/W1C	0h	Reserved
22-15	FN	R/W	0h	Output function for output LUT Reset type: SYSRSn
14-10	IN2	R/W	0h	Select value for IN2 of output LUT. See the Static Switch Block Output Mux Table. Reset type: SYSRSn
9-5	IN1	R/W	0h	Select value for IN1 of output LUT. See the Static Switch Block Output Mux Table. Reset type: SYSRSn
4-0	IN0	R/W	0h	Select value for IN0 of output LUT. See the Static Switch Block Output Mux Table. Reset type: SYSRSn

### 24.8.2.22 CLB\_OUTPUT\_LUT\_1 Register (Offset = 2Eh) [Reset = 0000000h]

CLB\_OUTPUT\_LUT\_1 is shown in [Figure 24-37](#) and described in [Table 24-38](#).

Return to the [Summary Table](#).

Inp Sel, LUT fns for Out1

**Figure 24-37. CLB\_OUTPUT\_LUT\_1 Register**

31	30	29	28	27	26	25	24	23	22	21	20	19	18	17	16	15	14	13	12	11	10	9	8	7	6	5	4	3	2	1	0
RESERVED									FN				IN2				IN1				IN0										
R/W1C-0h									R/W-0h				R/W-0h				R/W-0h				R/W-0h										

**Table 24-38. CLB\_OUTPUT\_LUT\_1 Register Field Descriptions**

Bit	Field	Type	Reset	Description
31-23	RESERVED	R/W1C	0h	Reserved
22-15	FN	R/W	0h	Output function for output LUT Reset type: SYSRSn
14-10	IN2	R/W	0h	Select value for IN2 of output LUT. See the Static Switch Block Output Mux Table. Reset type: SYSRSn
9-5	IN1	R/W	0h	Select value for IN1 of output LUT. See the Static Switch Block Output Mux Table. Reset type: SYSRSn
4-0	IN0	R/W	0h	Select value for IN0 of output LUT. See the Static Switch Block Output Mux Table. Reset type: SYSRSn

### 24.8.2.23 CLB\_OUTPUT\_LUT\_2 Register (Offset = 30h) [Reset = 0000000h]

CLB\_OUTPUT\_LUT\_2 is shown in [Figure 24-38](#) and described in [Table 24-39](#).

Return to the [Summary Table](#).

Inp Sel, LUT fns for Out2

**Figure 24-38. CLB\_OUTPUT\_LUT\_2 Register**

31	30	29	28	27	26	25	24	23	22	21	20	19	18	17	16	15	14	13	12	11	10	9	8	7	6	5	4	3	2	1	0
RESERVED									FN						IN2				IN1				IN0								
R/W1C-0h									R/W-0h						R/W-0h				R/W-0h				R/W-0h								

**Table 24-39. CLB\_OUTPUT\_LUT\_2 Register Field Descriptions**

Bit	Field	Type	Reset	Description
31-23	RESERVED	R/W1C	0h	Reserved
22-15	FN	R/W	0h	Output function for output LUT Reset type: SYSRSn
14-10	IN2	R/W	0h	Select value for IN2 of output LUT. See the Static Switch Block Output Mux Table. Reset type: SYSRSn
9-5	IN1	R/W	0h	Select value for IN1 of output LUT. See the Static Switch Block Output Mux Table. Reset type: SYSRSn
4-0	IN0	R/W	0h	Select value for IN0 of output LUT. See the Static Switch Block Output Mux Table. Reset type: SYSRSn

#### 24.8.2.24 CLB\_OUTPUT\_LUT\_3 Register (Offset = 32h) [Reset = 0000000h]

CLB\_OUTPUT\_LUT\_3 is shown in [Figure 24-39](#) and described in [Table 24-40](#).

Return to the [Summary Table](#).

Inp Sel, LUT fns for Out3

**Figure 24-39. CLB\_OUTPUT\_LUT\_3 Register**

31	30	29	28	27	26	25	24	23	22	21	20	19	18	17	16	15	14	13	12	11	10	9	8	7	6	5	4	3	2	1	0
RESERVED									FN				IN2				IN1				IN0										
R/W1C-0h									R/W-0h				R/W-0h				R/W-0h				R/W-0h										

**Table 24-40. CLB\_OUTPUT\_LUT\_3 Register Field Descriptions**

Bit	Field	Type	Reset	Description
31-23	RESERVED	R/W1C	0h	Reserved
22-15	FN	R/W	0h	Output function for output LUT Reset type: SYSRSn
14-10	IN2	R/W	0h	Select value for IN2 of output LUT. See the Static Switch Block Output Mux Table. Reset type: SYSRSn
9-5	IN1	R/W	0h	Select value for IN1 of output LUT. See the Static Switch Block Output Mux Table. Reset type: SYSRSn
4-0	IN0	R/W	0h	Select value for IN0 of output LUT. See the Static Switch Block Output Mux Table. Reset type: SYSRSn



### 24.8.2.25 CLB\_OUTPUT\_LUT\_4 Register (Offset = 34h) [Reset = 0000000h]

CLB\_OUTPUT\_LUT\_4 is shown in [Figure 24-40](#) and described in [Table 24-41](#).

Return to the [Summary Table](#).

Inp Sel, LUT fns for Out4

**Figure 24-40. CLB\_OUTPUT\_LUT\_4 Register**

31	30	29	28	27	26	25	24	23	22	21	20	19	18	17	16	15	14	13	12	11	10	9	8	7	6	5	4	3	2	1	0
RESERVED									FN				IN2				IN1				IN0										
R/W1C-0h									R/W-0h				R/W-0h				R/W-0h				R/W-0h										

**Table 24-41. CLB\_OUTPUT\_LUT\_4 Register Field Descriptions**

Bit	Field	Type	Reset	Description
31-23	RESERVED	R/W1C	0h	Reserved
22-15	FN	R/W	0h	Output function for output LUT Reset type: SYSRSn
14-10	IN2	R/W	0h	Select value for IN2 of output LUT. See the Static Switch Block Output Mux Table. Reset type: SYSRSn
9-5	IN1	R/W	0h	Select value for IN1 of output LUT. See the Static Switch Block Output Mux Table. Reset type: SYSRSn
4-0	IN0	R/W	0h	Select value for IN0 of output LUT. See the Static Switch Block Output Mux Table. Reset type: SYSRSn

### 24.8.2.26 CLB\_OUTPUT\_LUT\_5 Register (Offset = 36h) [Reset = 0000000h]

CLB\_OUTPUT\_LUT\_5 is shown in [Figure 24-41](#) and described in [Table 24-42](#).

Return to the [Summary Table](#).

Inp Sel, LUT fns for Out5

**Figure 24-41. CLB\_OUTPUT\_LUT\_5 Register**

31	30	29	28	27	26	25	24	23	22	21	20	19	18	17	16	15	14	13	12	11	10	9	8	7	6	5	4	3	2	1	0
RESERVED									FN				IN2				IN1				IN0										
R/W1C-0h									R/W-0h				R/W-0h				R/W-0h				R/W-0h										

**Table 24-42. CLB\_OUTPUT\_LUT\_5 Register Field Descriptions**

Bit	Field	Type	Reset	Description
31-23	RESERVED	R/W1C	0h	Reserved
22-15	FN	R/W	0h	Output function for output LUT Reset type: SYSRSn
14-10	IN2	R/W	0h	Select value for IN2 of output LUT. See the Static Switch Block Output Mux Table. Reset type: SYSRSn
9-5	IN1	R/W	0h	Select value for IN1 of output LUT. See the Static Switch Block Output Mux Table. Reset type: SYSRSn
4-0	IN0	R/W	0h	Select value for IN0 of output LUT. See the Static Switch Block Output Mux Table. Reset type: SYSRSn

### 24.8.2.27 CLB\_OUTPUT\_LUT\_6 Register (Offset = 38h) [Reset = 0000000h]

CLB\_OUTPUT\_LUT\_6 is shown in [Figure 24-42](#) and described in [Table 24-43](#).

Return to the [Summary Table](#).

Inp Sel, LUT fns for Out6

**Figure 24-42. CLB\_OUTPUT\_LUT\_6 Register**

31	30	29	28	27	26	25	24	23	22	21	20	19	18	17	16	15	14	13	12	11	10	9	8	7	6	5	4	3	2	1	0
RESERVED									FN						IN2			IN1			IN0										
R/W1C-0h									R/W-0h						R/W-0h			R/W-0h			R/W-0h										

**Table 24-43. CLB\_OUTPUT\_LUT\_6 Register Field Descriptions**

Bit	Field	Type	Reset	Description
31-23	RESERVED	R/W1C	0h	Reserved
22-15	FN	R/W	0h	Output function for output LUT Reset type: SYSRSn
14-10	IN2	R/W	0h	Select value for IN2 of output LUT. See the Static Switch Block Output Mux Table. Reset type: SYSRSn
9-5	IN1	R/W	0h	Select value for IN1 of output LUT. See the Static Switch Block Output Mux Table. Reset type: SYSRSn
4-0	IN0	R/W	0h	Select value for IN0 of output LUT. See the Static Switch Block Output Mux Table. Reset type: SYSRSn

### 24.8.2.28 CLB\_OUTPUT\_LUT\_7 Register (Offset = 3Ah) [Reset = 0000000h]

CLB\_OUTPUT\_LUT\_7 is shown in [Figure 24-43](#) and described in [Table 24-44](#).

Return to the [Summary Table](#).

Inp Sel, LUT fns for Out7

**Figure 24-43. CLB\_OUTPUT\_LUT\_7 Register**

31	30	29	28	27	26	25	24	23	22	21	20	19	18	17	16	15	14	13	12	11	10	9	8	7	6	5	4	3	2	1	0
RESERVED									FN				IN2				IN1				IN0										
R/W1C-0h									R/W-0h				R/W-0h				R/W-0h				R/W-0h										

**Table 24-44. CLB\_OUTPUT\_LUT\_7 Register Field Descriptions**

Bit	Field	Type	Reset	Description
31-23	RESERVED	R/W1C	0h	Reserved
22-15	FN	R/W	0h	Output function for output LUT Reset type: SYSRSn
14-10	IN2	R/W	0h	Select value for IN2 of output LUT. See the Static Switch Block Output Mux Table. Reset type: SYSRSn
9-5	IN1	R/W	0h	Select value for IN1 of output LUT. See the Static Switch Block Output Mux Table. Reset type: SYSRSn
4-0	IN0	R/W	0h	Select value for IN0 of output LUT. See the Static Switch Block Output Mux Table. Reset type: SYSRSn

### 24.8.2.29 CLB\_HLC\_EVENT\_SEL Register (Offset = 3Ch) [Reset = 0000000h]

CLB\_HLC\_EVENT\_SEL is shown in [Figure 24-44](#) and described in [Table 24-45](#).

Return to the [Summary Table](#).

Event Selector register for the High Level controller

**Figure 24-44. CLB\_HLC\_EVENT\_SEL Register**

31	30	29	28	27	26	25	24	23	22	21	20	19	18	17	16
RESERVED												EVENT3_SEL			
R-0-0h												R/W-0h			
15	14	13	12	11	10	9	8	7	6	5	4	3	2	1	0
EVENT3_SEL	EVENT2_SEL					EVENT1_SEL					EVENT0_SEL				
R/W-0h	R/W-0h					R/W-0h					R/W-0h				

**Table 24-45. CLB\_HLC\_EVENT\_SEL Register Field Descriptions**

Bit	Field	Type	Reset	Description
31-20	RESERVED	R-0	0h	Reserved
19-15	EVENT3_SEL	R/W	0h	5 bit select value for EVENT3 of the High Level Controller. See the Static Switch Block Output Mux Table. Reset type: SYSRSn
14-10	EVENT2_SEL	R/W	0h	5 bit select value for EVENT2 of the High Level Controller. See the Static Switch Block Output Mux Table. Reset type: SYSRSn
9-5	EVENT1_SEL	R/W	0h	5 bit select value for EVENT1 of the High Level Controller. See the Static Switch Block Output Mux Table. Reset type: SYSRSn
4-0	EVENT0_SEL	R/W	0h	5 bit select value for EVENT0 of the High Level Controller. See the Static Switch Block Output Mux Table. Reset type: SYSRSn

### 24.8.3 CLB\_LOGIC\_CONTROL\_REGS Registers

Table 24-46 lists the memory-mapped registers for the CLB\_LOGIC\_CONTROL\_REGS registers. All register offset addresses not listed in Table 24-46 should be considered as reserved locations and the register contents should not be modified.

**Table 24-46. CLB\_LOGIC\_CONTROL\_REGS Registers**

Offset	Acronym	Register Name	Write Protection	Section
0h	CLB_LOAD_EN	Global enable & indirect load enable control, only Global Enable Bit is LOCK protected	LOCK	<a href="#">Go</a>
2h	CLB_LOAD_ADDR	Indirect address		<a href="#">Go</a>
4h	CLB_LOAD_DATA	Data for indirect loads		<a href="#">Go</a>
6h	CLB_INPUT_FILTER	Input filter selection for both edge detection and synchronizers	LOCK	<a href="#">Go</a>
8h	CLB_IN_MUX_SEL_0	Input selection to decide between Signals and GP register	LOCK	<a href="#">Go</a>
Ah	CLB_LCL_MUX_SEL_1	Input Mux selection for local mux	LOCK	<a href="#">Go</a>
Ch	CLB_LCL_MUX_SEL_2	Input Mux selection for local mux	LOCK	<a href="#">Go</a>
Eh	CLB_BUF_PTR	PUSH and PULL pointers		<a href="#">Go</a>
10h	CLB_GP_REG	General purpose register for CELL inputs		<a href="#">Go</a>
12h	CLB_OUT_EN	CELL output enable register		<a href="#">Go</a>
14h	CLB_GLBL_MUX_SEL_1	Global Mux select for CELL inputs	LOCK	<a href="#">Go</a>
16h	CLB_GLBL_MUX_SEL_2	Global Mux select for CELL inputs	LOCK	<a href="#">Go</a>
20h	CLB_INTR_TAG_REG	Interrupt Tag register		<a href="#">Go</a>
22h	CLB_LOCK	Lock control register	EALLOW	<a href="#">Go</a>
30h	CLB_DBG_R0	R0 of High level Controller		<a href="#">Go</a>
32h	CLB_DBG_R1	R1 of High level Controller		<a href="#">Go</a>
34h	CLB_DBG_R2	R2 of High level Controller		<a href="#">Go</a>
36h	CLB_DBG_R3	R3 of High level Controller		<a href="#">Go</a>
38h	CLB_DBG_C0	Count of Unit 0		<a href="#">Go</a>
3Ah	CLB_DBG_C1	Count of Unit 1		<a href="#">Go</a>
3Ch	CLB_DBG_C2	Count of Unit 2		<a href="#">Go</a>
3Eh	CLB_DBG_OUT	Outputs of various units in the Cell		<a href="#">Go</a>

Complex bit access types are encoded to fit into small table cells. Table 24-47 shows the codes that are used for access types in this section.

**Table 24-47. CLB\_LOGIC\_CONTROL\_REGS Access Type Codes**

Access Type	Code	Description
Read Type		
R	R	Read
R-0	R-0	Read Returns 0s
R-1	R-1	Read Returns 1s
Write Type		
W	W	Write
WOnce	WOnce	Write Set once
Reset or Default Value		
-n		Value after reset or the default value

**Table 24-47. CLB\_LOGIC\_CONTROL\_REGS Access Type Codes (continued)**

Access Type	Code	Description
Register Array Variables		
i,j,k,l,m,n		When these variables are used in a register name, an offset, or an address, they refer to the value of a register array where the register is part of a group of repeating registers. The register groups form a hierarchical structure and the array is represented with a formula.
y		When this variable is used in a register name, an offset, or an address it refers to the value of a register array.

### 24.8.3.1 CLB\_LOAD\_EN Register (Offset = 0h) [Reset = 0000h]

CLB\_LOAD\_EN is shown in [Figure 24-45](#) and described in [Table 24-48](#).

Return to the [Summary Table](#).

Global enable & indirect load enable control, only Global Enable Bit is LOCK protected

**Figure 24-45. CLB\_LOAD\_EN Register**

15	14	13	12	11	10	9	8
RESERVED							
R-0-0h							
7	6	5	4	3	2	1	0
RESERVED					STOP	GLOBAL_EN	LOAD_EN
R-0-0h					R/W-0h	R/W-0h	R/W-0h

**Table 24-48. CLB\_LOAD\_EN Register Field Descriptions**

Bit	Field	Type	Reset	Description
15-3	RESERVED	R-0	0h	Reserved
2	STOP	R/W	0h	This bit defines the behaviour of the sequential elements in the CELL during debug HALTs of the CPU. If this bit is set to 0, the debug HALT condition is ignored. Reset type: SYSRSn
1	GLOBAL_EN	R/W	0h	This bit is a global enable signal for the logic in the CELL. This also acts as a soft reset for the CELL logic. CLB outputs (including LUTs and OUTLUTs) will be gated when this bit is cleared from 1 to 0, i.e., the CLB outputs will be low when GLOBAL_EN is low. Additionally, the FSM and AOC blocks will also be reset. Note that when this bit goes low, the COUNTER blocks and HLC are simply halted, but they will NOT be reset internally. This allows the ability to preload these submodules when GLOBAL_EN is 0. This bit is normally set after all the other configuration settings are completed. This bit is LOCK protected. Reset type: SYSRSn
0	LOAD_EN	R/W	0h	A write with this bit set to 1 will pulse the Load Enable signal for the indirect register loads in the CELL. Reset type: SYSRSn



### 24.8.3.2 CLB\_LOAD\_ADDR Register (Offset = 2h) [Reset = 0000000h]

CLB\_LOAD\_ADDR is shown in [Figure 24-46](#) and described in [Table 24-49](#).

Return to the [Summary Table](#).

Indirect address

**Figure 24-46. CLB\_LOAD\_ADDR Register**

31	30	29	28	27	26	25	24	23	22	21	20	19	18	17	16	15	14	13	12	11	10	9	8	7	6	5	4	3	2	1	0
RESERVED																ADDR															
R-0-0h																R/W-0h															

**Table 24-49. CLB\_LOAD\_ADDR Register Field Descriptions**

Bit	Field	Type	Reset	Description
31-6	RESERVED	R-0	0h	Reserved
5-0	ADDR	R/W	0h	These are the address bits used for writing to the indirect address space of the CELL. Reset type: SYSRSn

### 24.8.3.3 CLB\_LOAD\_DATA Register (Offset = 4h) [Reset = 0000000h]

CLB\_LOAD\_DATA is shown in [Figure 24-47](#) and described in [Table 24-50](#).

Return to the [Summary Table](#).

Data for indirect loads

**Figure 24-47. CLB\_LOAD\_DATA Register**

31	30	29	28	27	26	25	24	23	22	21	20	19	18	17	16	15	14	13	12	11	10	9	8	7	6	5	4	3	2	1	0
DATA																															
R/W-0h																															

**Table 24-50. CLB\_LOAD\_DATA Register Field Descriptions**

Bit	Field	Type	Reset	Description
31-0	DATA	R/W	0h	This register holds the 32-bit data for writing to the indirect address space of the CELL. Reset type: SYSRSn

### 24.8.3.4 CLB\_INPUT\_FILTER Register (Offset = 6h) [Reset = 0000000h]

CLB\_INPUT\_FILTER is shown in [Figure 24-48](#) and described in [Table 24-51](#).

Return to the [Summary Table](#).

Input filter selection for both edge detection and synchronizers

**Figure 24-48. CLB\_INPUT\_FILTER Register**

31	30	29	28	27	26	25	24
RESERVED							
R-0-0h							
23	22	21	20	19	18	17	16
SYNC7	SYNC6	SYNC5	SYNC4	SYNC3	SYNC2	SYNC1	SYNC0
R/W-0h	R/W-0h	R/W-0h	R/W-0h	R/W-0h	R/W-0h	R/W-0h	R/W-0h
15	14	13	12	11	10	9	8
FIN7		FIN6		FIN5		FIN4	
R/W-0h		R/W-0h		R/W-0h		R/W-0h	
7	6	5	4	3	2	1	0
FIN3		FIN2		FIN1		FIN0	
R/W-0h		R/W-0h		R/W-0h		R/W-0h	

**Table 24-51. CLB\_INPUT\_FILTER Register Field Descriptions**

Bit	Field	Type	Reset	Description
31-24	RESERVED	R-0	0h	Reserved
23	SYNC7	R/W	0h	Synchronizer Select Control for Input 7 Reset type: SYSRSn
22	SYNC6	R/W	0h	Synchronizer Select Control for Input 6 Reset type: SYSRSn
21	SYNC5	R/W	0h	Synchronizer Select Control for Input 5 Reset type: SYSRSn
20	SYNC4	R/W	0h	Synchronizer Select Control for Input 4 Reset type: SYSRSn
19	SYNC3	R/W	0h	Synchronizer Select Control for Input 3 Reset type: SYSRSn
18	SYNC2	R/W	0h	Synchronizer Select Control for Input 2 Reset type: SYSRSn
17	SYNC1	R/W	0h	Synchronizer Select Control for Input 1 Reset type: SYSRSn
16	SYNC0	R/W	0h	Synchronizer Select Control for Input 0 Reset type: SYSRSn
15-14	FIN7	R/W	0h	Input filter selection for CELL Input 7 2 bits are used to define the edge filtering . 00 : No filtering 01 : Rising edge detect 10 : Falling edge detect 11 : Any edge detect Reset type: SYSRSn

**Table 24-51. CLB\_INPUT\_FILTER Register Field Descriptions (continued)**

Bit	Field	Type	Reset	Description
13-12	FIN6	R/W	0h	Input filter selection for CELL Input 6 2 bits are used to define the edge filtering . 00 : No filtering 01 : Rising edge detect 10 : Falling edge detect 11 : Any edge detect Reset type: SYSRSn
11-10	FIN5	R/W	0h	Input filter selection for CELL Input 5 2 bits are used to define the edge filtering . 00 : No filtering 01 : Rising edge detect 10 : Falling edge detect 11 : Any edge detect Reset type: SYSRSn
9-8	FIN4	R/W	0h	Input filter selection for CELL Input 4 2 bits are used to define the edge filtering . 00 : No filtering 01 : Rising edge detect 10 : Falling edge detect 11 : Any edge detect Reset type: SYSRSn
7-6	FIN3	R/W	0h	Input filter selection for CELL Input 3 2 bits are used to define the edge filtering . 00 : No filtering 01 : Rising edge detect 10 : Falling edge detect 11 : Any edge detect Reset type: SYSRSn
5-4	FIN2	R/W	0h	Input filter selection for CELL Input 2 2 bits are used to define the edge filtering . 00 : No filtering 01 : Rising edge detect 10 : Falling edge detect 11 : Any edge detect Reset type: SYSRSn
3-2	FIN1	R/W	0h	Input filter selection for CELL Input 1 2 bits are used to define the edge filtering . 00 : No filtering 01 : Rising edge detect 10 : Falling edge detect 11 : Any edge detect Reset type: SYSRSn
1-0	FIN0	R/W	0h	Input filter selection for CELL Input 0 2 bits are used to define the edge filtering . 00 : No filtering 01 : Rising edge detect 10 : Falling edge detect 11 : Any edge detect Reset type: SYSRSn

### 24.8.3.5 CLB\_IN\_MUX\_SEL\_0 Register (Offset = 8h) [Reset = 0000000h]

CLB\_IN\_MUX\_SEL\_0 is shown in [Figure 24-49](#) and described in [Table 24-52](#).

Return to the [Summary Table](#).

Input selection to decide between Signals and GP register

**Figure 24-49. CLB\_IN\_MUX\_SEL\_0 Register**

31	30	29	28	27	26	25	24
RESERVED							
R-0-0h							
23	22	21	20	19	18	17	16
RESERVED							
R-0-0h							
15	14	13	12	11	10	9	8
RESERVED							
R-0-0h							
7	6	5	4	3	2	1	0
SEL_GP_IN_7	SEL_GP_IN_6	SEL_GP_IN_5	SEL_GP_IN_4	SEL_GP_IN_3	SEL_GP_IN_2	SEL_GP_IN_1	SEL_GP_IN_0
R/W-0h	R/W-0h	R/W-0h	R/W-0h	R/W-0h	R/W-0h	R/W-0h	R/W-0h

**Table 24-52. CLB\_IN\_MUX\_SEL\_0 Register Field Descriptions**

Bit	Field	Type	Reset	Description
31-8	RESERVED	R-0	0h	Reserved
7	SEL_GP_IN_7	R/W	0h	Select control for Input 7 to decide between external input and CLB_GP_REG[7] 0 : Input comes from selected external input 1 : Input comes from CLB_GP_REG[7] Reset type: SYSRSn
6	SEL_GP_IN_6	R/W	0h	Select control for Input 6 to decide between external input and CLB_GP_REG[6] 0 : Input comes from selected external input 1 : Input comes from CLB_GP_REG[6] Reset type: SYSRSn
5	SEL_GP_IN_5	R/W	0h	Select control for Input 5 to decide between external input and CLB_GP_REG[5] 0 : Input comes from selected external input 1 : Input comes from CLB_GP_REG[5] Reset type: SYSRSn
4	SEL_GP_IN_4	R/W	0h	Select control for Input 4 to decide between external input and CLB_GP_REG[4] 0 : Input comes from selected external input 1 : Input comes from CLB_GP_REG[4] Reset type: SYSRSn
3	SEL_GP_IN_3	R/W	0h	Select control for Input 3 to decide between external input and CLB_GP_REG[3] 0 : Input comes from selected external input 1 : Input comes from CLB_GP_REG[3] Reset type: SYSRSn
2	SEL_GP_IN_2	R/W	0h	Select control for Input 2 to decide between external input and CLB_GP_REG[2] 0 : Input comes from selected external input 1 : Input comes from CLB_GP_REG[2] Reset type: SYSRSn

**Table 24-52. CLB\_IN\_MUX\_SEL\_0 Register Field Descriptions (continued)**

Bit	Field	Type	Reset	Description
1	SEL_GP_IN_1	R/W	0h	Select control for Input 1 to decide between external input and CLB_GP_REG[1] 0 : Input comes from selected external input 1 : Input comes from CLB_GP_REG[1] Reset type: SYSRSn
0	SEL_GP_IN_0	R/W	0h	Select control for Input 0 to decide between external input and CLB_GP_REG[0] 0 : Input comes from selected external input 1 : Input comes from CLB_GP_REG[0] Reset type: SYSRSn

### 24.8.3.6 CLB\_LCL\_MUX\_SEL\_1 Register (Offset = Ah) [Reset = 0000000h]

CLB\_LCL\_MUX\_SEL\_1 is shown in [Figure 24-50](#) and described in [Table 24-53](#).

Return to the [Summary Table](#).

Input Mux selection for local mux

**Figure 24-50. CLB\_LCL\_MUX\_SEL\_1 Register**

31	30	29	28	27	26	25	24
RESERVED							
R-0-0h							
23	22	21	20	19	18	17	16
RESERVED				LCL_MUX_SEL_IN_3			
R-0-0h				R/W-0h			
15	14	13	12	11	10	9	8
LCL_MUX_SEL_IN_3	LCL_MUX_SEL_IN_2					LCL_MUX_SEL_IN_1	
R/W-0h		R/W-0h			R/W-0h		
7	6	5	4	3	2	1	0
LCL_MUX_SEL_IN_1			LCL_MUX_SEL_IN_0				
R/W-0h			R/W-0h				

**Table 24-53. CLB\_LCL\_MUX\_SEL\_1 Register Field Descriptions**

Bit	Field	Type	Reset	Description
31-20	RESERVED	R-0	0h	Reserved
19-15	LCL_MUX_SEL_IN_3	R/W	0h	5 bit MUX Select for Local MUX control for Input 3 See Local Signals and Mux Selection Table Reset type: SYSRSn
14-10	LCL_MUX_SEL_IN_2	R/W	0h	5 bit MUX Select for Local MUX control for Input 2 See Local Signals and Mux Selection Table Reset type: SYSRSn
9-5	LCL_MUX_SEL_IN_1	R/W	0h	5 bit MUX Select for Local MUX control for Input 1 See Local Signals and Mux Selection Table Reset type: SYSRSn
4-0	LCL_MUX_SEL_IN_0	R/W	0h	5 bit MUX Select for Local MUX control for Input 0 See Local Signals and Mux Selection Table Reset type: SYSRSn

### 24.8.3.7 CLB\_LCL\_MUX\_SEL\_2 Register (Offset = Ch) [Reset = 0000000h]

CLB\_LCL\_MUX\_SEL\_2 is shown in [Figure 24-51](#) and described in [Table 24-54](#).

Return to the [Summary Table](#).

Input Mux selection for local mux

**Figure 24-51. CLB\_LCL\_MUX\_SEL\_2 Register**

31	30	29	28	27	26	25	24
RESERVED							
R-0-0h							
23	22	21	20	19	18	17	16
RESERVED				LCL_MUX_SEL_IN_7			
R-0-0h				R/W-0h			
15	14	13	12	11	10	9	8
LCL_MUX_SEL_IN_7	LCL_MUX_SEL_IN_6					LCL_MUX_SEL_IN_5	
R/W-0h		R/W-0h			R/W-0h		
7	6	5	4	3	2	1	0
LCL_MUX_SEL_IN_5			LCL_MUX_SEL_IN_4				
R/W-0h			R/W-0h				

**Table 24-54. CLB\_LCL\_MUX\_SEL\_2 Register Field Descriptions**

Bit	Field	Type	Reset	Description
31-20	RESERVED	R-0	0h	Reserved
19-15	LCL_MUX_SEL_IN_7	R/W	0h	5 bit MUX Select for Local MUX control for Input 7 See Local Signals and Mux Selection Table Reset type: SYSRSn
14-10	LCL_MUX_SEL_IN_6	R/W	0h	5 bit MUX Select for Local MUX control for Input 6 See Local Signals and Mux Selection Table Reset type: SYSRSn
9-5	LCL_MUX_SEL_IN_5	R/W	0h	5 bit MUX Select for Local MUX control for Input 5 See Local Signals and Mux Selection Table Reset type: SYSRSn
4-0	LCL_MUX_SEL_IN_4	R/W	0h	5 bit MUX Select for Local MUX control for Input 4 See Local Signals and Mux Selection Table Reset type: SYSRSn



### 24.8.3.8 CLB\_BUF\_PTR Register (Offset = Eh) [Reset = 0000000h]

CLB\_BUF\_PTR is shown in [Figure 24-52](#) and described in [Table 24-55](#).

Return to the [Summary Table](#).

PUSH and PULL pointers

**Figure 24-52. CLB\_BUF\_PTR Register**

31	30	29	28	27	26	25	24	23	22	21	20	19	18	17	16	15	14	13	12	11	10	9	8	7	6	5	4	3	2	1	0
RESERVED								PUSH								RESERVED								PULL							
R-0-0h								R/W-0h								R-0-0h								R/W-0h							

**Table 24-55. CLB\_BUF\_PTR Register Field Descriptions**

Bit	Field	Type	Reset	Description
31-24	RESERVED	R-0	0h	Reserved
23-16	PUSH	R/W	0h	8 bit pointer which indicates the number of data values which have been pulled from the buffer by the High Level Controller. This counter will wrap around after 0xff. The Least significant 2 bits are used as the actual pointer for the operation. Reset type: SYSRSn
15-8	RESERVED	R-0	0h	Reserved
7-0	PULL	R/W	0h	8 bit pointer which indicates the number of data values that have been written by the High Level controller into the buffer. The Least significant 2 bits are used as the actual pointer for the operation. Reset type: SYSRSn

### 24.8.3.9 CLB\_GP\_REG Register (Offset = 10h) [Reset = 0000000h]

CLB\_GP\_REG is shown in [Figure 24-53](#) and described in [Table 24-56](#).

Return to the [Summary Table](#).

General purpose register for CELL inputs

**Figure 24-53. CLB\_GP\_REG Register**

31	30	29	28	27	26	25	24	23	22	21	20	19	18	17	16	15	14	13	12	11	10	9	8	7	6	5	4	3	2	1	0
RESERVED														REG																	
R-0-0h														R/W-0h																	

**Table 24-56. CLB\_GP\_REG Register Field Descriptions**

Bit	Field	Type	Reset	Description
31-8	RESERVED	R-0	0h	Reserved
7-0	REG	R/W	0h	8 bits which are directly connected to the 8 inputs of the CELL if that corresponding bit is selected in the CLB_IN_MUX_SEL_0 register Reset type: SYSRSn

### 24.8.3.10 CLB\_OUT\_EN Register (Offset = 12h) [Reset = 0000000h]

CLB\_OUT\_EN is shown in [Figure 24-54](#) and described in [Table 24-57](#).

Return to the [Summary Table](#).

CELL output enable register

**Figure 24-54. CLB\_OUT\_EN Register**

31	30	29	28	27	26	25	24	23	22	21	20	19	18	17	16	15	14	13	12	11	10	9	8	7	6	5	4	3	2	1	0
RESERVED																OUT0															
R-0-0h																R/W-0h															

**Table 24-57. CLB\_OUT\_EN Register Field Descriptions**

Bit	Field	Type	Reset	Description
31-16	RESERVED	R-0	0h	Reserved
15-0	OUT0	R/W	0h	16 bits which are directly driven out as OUTPUT_EN signals. Enabling bit x (x = 0:15) will override the corresponding peripheral signal muxed on the CLB OUTx. Reset type: SYSRSn

### 24.8.3.11 CLB\_GLBL\_MUX\_SEL\_1 Register (Offset = 14h) [Reset = 0000000h]

CLB\_GLBL\_MUX\_SEL\_1 is shown in [Figure 24-55](#) and described in [Table 24-58](#).

Return to the [Summary Table](#).

Global Mux select for CELL inputs

**Figure 24-55. CLB\_GLBL\_MUX\_SEL\_1 Register**

31	30	29	28	27	26	25	24	23	22	21	20	19	18	17	16
RESERVED				GLBL_MUX_SEL_IN_3							GLBL_MUX_SEL_IN_2				
R-0-0h				R/W-0h							R/W-0h				
15	14	13	12	11	10	9	8	7	6	5	4	3	2	1	0
GLBL_MUX_SEL_IN_2		GLBL_MUX_SEL_IN_1							GLBL_MUX_SEL_IN_0						
R/W-0h		R/W-0h							R/W-0h						

**Table 24-58. CLB\_GLBL\_MUX\_SEL\_1 Register Field Descriptions**

Bit	Field	Type	Reset	Description
31-28	RESERVED	R-0	0h	Reserved
27-21	GLBL_MUX_SEL_IN_3	R/W	0h	7 bit MUX Select for Global MUX control for Input 3 See Global Signals and Mux Selection Table Reset type: SYSRSn
20-14	GLBL_MUX_SEL_IN_2	R/W	0h	7 bit MUX Select for Global MUX control for Input 2 See Global Signals and Mux Selection Table Reset type: SYSRSn
13-7	GLBL_MUX_SEL_IN_1	R/W	0h	7 bit MUX Select for Global MUX control for Input 1 See Global Signals and Mux Selection Table Reset type: SYSRSn
6-0	GLBL_MUX_SEL_IN_0	R/W	0h	7 bit MUX Select for Global MUX control for Input 0 See Global Signals and Mux Selection Table Reset type: SYSRSn

### 24.8.3.12 CLB\_GLBL\_MUX\_SEL\_2 Register (Offset = 16h) [Reset = 0000000h]

CLB\_GLBL\_MUX\_SEL\_2 is shown in [Figure 24-56](#) and described in [Table 24-59](#).

Return to the [Summary Table](#).

Global Mux select for CELL inputs

**Figure 24-56. CLB\_GLBL\_MUX\_SEL\_2 Register**

31	30	29	28	27	26	25	24	23	22	21	20	19	18	17	16
RESERVED				GLBL_MUX_SEL_IN_7							GLBL_MUX_SEL_IN_6				
R-0-0h				R/W-0h							R/W-0h				
15	14	13	12	11	10	9	8	7	6	5	4	3	2	1	0
GLBL_MUX_SEL_IN_6		GLBL_MUX_SEL_IN_5							GLBL_MUX_SEL_IN_4						
R/W-0h		R/W-0h							R/W-0h						

**Table 24-59. CLB\_GLBL\_MUX\_SEL\_2 Register Field Descriptions**

Bit	Field	Type	Reset	Description
31-28	RESERVED	R-0	0h	Reserved
27-21	GLBL_MUX_SEL_IN_7	R/W	0h	7 bit MUX Select for Global MUX control for Input 7 See Global Signals and Mux Selection Table Reset type: SYSRSn
20-14	GLBL_MUX_SEL_IN_6	R/W	0h	7 bit MUX Select for Global MUX control for Input 6 See Global Signals and Mux Selection Table Reset type: SYSRSn
13-7	GLBL_MUX_SEL_IN_5	R/W	0h	7 bit MUX Select for Global MUX control for Input 5 See Global Signals and Mux Selection Table Reset type: SYSRSn
6-0	GLBL_MUX_SEL_IN_4	R/W	0h	7 bit MUX Select for Global MUX control for Input 4 See Global Signals and Mux Selection Table Reset type: SYSRSn

### 24.8.3.13 CLB\_INTR\_TAG\_REG Register (Offset = 20h) [Reset = 0000h]

CLB\_INTR\_TAG\_REG is shown in [Figure 24-57](#) and described in [Table 24-60](#).

Return to the [Summary Table](#).

Interrupt Tag register

**Figure 24-57. CLB\_INTR\_TAG\_REG Register**

15	14	13	12	11	10	9	8
RESERVED							
R-0-0h							
7	6	5	4	3	2	1	0
RESERVED				TAG			
R-0-0h				R/W-0h			

**Table 24-60. CLB\_INTR\_TAG\_REG Register Field Descriptions**

Bit	Field	Type	Reset	Description
15-6	RESERVED	R-0	0h	Reserved
5-0	TAG	R/W	0h	6 bits which are used by the High Level Controller to set a tag value on flagging interrupts. . This can be cleared through the VBUS interface since it is writeable through the VBUS. Reset type: SYSRSn

### 24.8.3.14 CLB\_LOCK Register (Offset = 22h) [Reset = 0000000h]

CLB\_LOCK is shown in [Figure 24-58](#) and described in [Table 24-61](#).

Return to the [Summary Table](#).

Lock control register

**Figure 24-58. CLB\_LOCK Register**

31	30	29	28	27	26	25	24
KEY							
WSonce-0h							
23	22	21	20	19	18	17	16
KEY							
WSonce-0h							
15	14	13	12	11	10	9	8
RESERVED							
R-0-0h							
7	6	5	4	3	2	1	0
RESERVED							LOCK
R-0-0h							R/W-0h

**Table 24-61. CLB\_LOCK Register Field Descriptions**

Bit	Field	Type	Reset	Description
31-16	KEY	WSonce	0h	These 16 bits act as a key to enable writes to Bit 0 of this register. The only time a '1' can be written to Bit 0 is by a single 32-bit write where bits 31:16 equal 0x5a5a and bit 0 is '1'. All other writes are ignored including separate 16-bit writes. This is EALLOW protected. Reset type: SYSRSn
15-1	RESERVED	R-0	0h	Reserved
0	LOCK	R/W	0h	This bit is used as a one-time write bit (Set Once). Once it is set to '1', only a reset (SYSRSN 0) will clear this bit back to 0. Reset type: SYSRSn

### 24.8.3.15 CLB\_DBG\_R0 Register (Offset = 30h) [Reset = 0000000h]

CLB\_DBG\_R0 is shown in [Figure 24-59](#) and described in [Table 24-62](#).

Return to the [Summary Table](#).

R0 of High level Controller

**Figure 24-59. CLB\_DBG\_R0 Register**

31	30	29	28	27	26	25	24	23	22	21	20	19	18	17	16	15	14	13	12	11	10	9	8	7	6	5	4	3	2	1	0
																	DBG														
																	R-0h														

**Table 24-62. CLB\_DBG\_R0 Register Field Descriptions**

Bit	Field	Type	Reset	Description
31-0	DBG	R	0h	CLB_DBG_R0 Reset type: SYSRSn



### 24.8.3.16 CLB\_DBG\_R1 Register (Offset = 32h) [Reset = 0000000h]

CLB\_DBG\_R1 is shown in [Figure 24-60](#) and described in [Table 24-63](#).

Return to the [Summary Table](#).

R1 of High level Controller

**Figure 24-60. CLB\_DBG\_R1 Register**

31	30	29	28	27	26	25	24	23	22	21	20	19	18	17	16	15	14	13	12	11	10	9	8	7	6	5	4	3	2	1	0
																	DBG														
																	R-0h														

**Table 24-63. CLB\_DBG\_R1 Register Field Descriptions**

Bit	Field	Type	Reset	Description
31-0	DBG	R	0h	CLB_DBG_R1 Reset type: SYSRSn

### 24.8.3.17 CLB\_DBG\_R2 Register (Offset = 34h) [Reset = 0000000h]

CLB\_DBG\_R2 is shown in [Figure 24-61](#) and described in [Table 24-64](#).

Return to the [Summary Table](#).

R2 of High level Controller

**Figure 24-61. CLB\_DBG\_R2 Register**

31	30	29	28	27	26	25	24	23	22	21	20	19	18	17	16	15	14	13	12	11	10	9	8	7	6	5	4	3	2	1	0
																	DBG														
																	R-0h														

**Table 24-64. CLB\_DBG\_R2 Register Field Descriptions**

Bit	Field	Type	Reset	Description
31-0	DBG	R	0h	CLB_DBG_R2 Reset type: SYSRSn

### 24.8.3.18 CLB\_DBG\_R3 Register (Offset = 36h) [Reset = 0000000h]

CLB\_DBG\_R3 is shown in [Figure 24-62](#) and described in [Table 24-65](#).

Return to the [Summary Table](#).

R3 of High level Controller

**Figure 24-62. CLB\_DBG\_R3 Register**

31	30	29	28	27	26	25	24	23	22	21	20	19	18	17	16	15	14	13	12	11	10	9	8	7	6	5	4	3	2	1	0
																	DBG														
																	R-0h														

**Table 24-65. CLB\_DBG\_R3 Register Field Descriptions**

Bit	Field	Type	Reset	Description
31-0	DBG	R	0h	CLB_DBG_R3 Reset type: SYSRSn

### 24.8.3.19 CLB\_DBG\_C0 Register (Offset = 38h) [Reset = 0000000h]

CLB\_DBG\_C0 is shown in [Figure 24-63](#) and described in [Table 24-66](#).

Return to the [Summary Table](#).

Count of Unit 0

**Figure 24-63. CLB\_DBG\_C0 Register**

31	30	29	28	27	26	25	24	23	22	21	20	19	18	17	16	15	14	13	12	11	10	9	8	7	6	5	4	3	2	1	0
																	DBG														
																	R-0h														

**Table 24-66. CLB\_DBG\_C0 Register Field Descriptions**

Bit	Field	Type	Reset	Description
31-0	DBG	R	0h	CLB_DBG_C0 Reset type: SYSRSn

### 24.8.3.20 CLB\_DBG\_C1 Register (Offset = 3Ah) [Reset = 0000000h]

CLB\_DBG\_C1 is shown in [Figure 24-64](#) and described in [Table 24-67](#).

Return to the [Summary Table](#).

Count of Unit 1

**Figure 24-64. CLB\_DBG\_C1 Register**

31	30	29	28	27	26	25	24	23	22	21	20	19	18	17	16	15	14	13	12	11	10	9	8	7	6	5	4	3	2	1	0
																	DBG														
																	R-0h														

**Table 24-67. CLB\_DBG\_C1 Register Field Descriptions**

Bit	Field	Type	Reset	Description
31-0	DBG	R	0h	CLB_DBG_C1 Reset type: SYSRSn

### 24.8.3.21 CLB\_DBG\_C2 Register (Offset = 3Ch) [Reset = 0000000h]

CLB\_DBG\_C2 is shown in [Figure 24-65](#) and described in [Table 24-68](#).

Return to the [Summary Table](#).

Count of Unit 2

**Figure 24-65. CLB\_DBG\_C2 Register**

31	30	29	28	27	26	25	24	23	22	21	20	19	18	17	16	15	14	13	12	11	10	9	8	7	6	5	4	3	2	1	0
																	DBG														
																	R-0h														

**Table 24-68. CLB\_DBG\_C2 Register Field Descriptions**

Bit	Field	Type	Reset	Description
31-0	DBG	R	0h	CLB_DBG_C2 Reset type: SYSRSn

### 24.8.3.22 CLB\_DBG\_OUT Register (Offset = 3Eh) [Reset = 00010100h]

CLB\_DBG\_OUT is shown in [Figure 24-66](#) and described in [Table 24-69](#).

Return to the [Summary Table](#).

Outputs of various units in the Cell

**Figure 24-66. CLB\_DBG\_OUT Register**

31	30	29	28	27	26	25	24
OUT7	OUT6	OUT5	OUT4	OUT3	OUT2	OUT1	OUT0
R-0h	R-0h	R-0h	R-0h	R-0h	R-0h	R-0h	R-0h
23	22	21	20	19	18	17	16
LUT42_OUT	FSM2_LUTOUT	FSM2_S1	FSM2_S0	COUNT2_MAT CH1	COUNT2_ZER O	COUNT2_MAT CH2	RESERVED
R-0h	R-0h	R-0h	R-0h	R-0h	R-0h	R-0h	R-1-1h
15	14	13	12	11	10	9	8
LUT41_OUT	FSM1_LUTOUT	FSM1_S1	FSM1_S0	COUNT1_MAT CH1	COUNT1_ZER O	COUNT1_MAT CH2	RESERVED
R-0h	R-0h	R-0h	R-0h	R-0h	R-0h	R-0h	R-1-1h
7	6	5	4	3	2	1	0
LUT40_OUT	FSM0_LUTOUT	FSM0_S1	FSM0_S0	COUNT0_MAT CH1	COUNT0_ZER O	COUNT0_MAT CH2	RESERVED
R-0h	R-0h	R-0h	R-0h	R-0h	R-0h	R-0h	R-0-0h

**Table 24-69. CLB\_DBG\_OUT Register Field Descriptions**

Bit	Field	Type	Reset	Description
31	OUT7	R	0h	CELL Output 7 Reset type: SYSRSn
30	OUT6	R	0h	CELL Output 6 Reset type: SYSRSn
29	OUT5	R	0h	CELL Output 5 Reset type: SYSRSn
28	OUT4	R	0h	CELL Output 4 Reset type: SYSRSn
27	OUT3	R	0h	CELL Output 3 Reset type: SYSRSn
26	OUT2	R	0h	CELL Output 2 Reset type: SYSRSn
25	OUT1	R	0h	CELL Output 1 Reset type: SYSRSn
24	OUT0	R	0h	CELL Output 0 Reset type: SYSRSn
23	LUT42_OUT	R	0h	LUT4_OUT UNIT 2 Reset type: SYSRSn
22	FSM2_LUTOUT	R	0h	FSM_LUT_OUT UNIT 2 Reset type: SYSRSn
21	FSM2_S1	R	0h	FSM_S1 UNIT 2 Reset type: SYSRSn
20	FSM2_S0	R	0h	FSM_S0 UNIT 2 Reset type: SYSRSn

**Table 24-69. CLB\_DBG\_OUT Register Field Descriptions (continued)**

Bit	Field	Type	Reset	Description
19	COUNT2_MATCH1	R	0h	COUNT_MATCH1 UNIT 2 Reset type: SYSRSn
18	COUNT2_ZERO	R	0h	COUNT_ZERO UNIT 2 Reset type: SYSRSn
17	COUNT2_MATCH2	R	0h	COUNT_MATCH2 UNIT 2 Reset type: SYSRSn
16	RESERVED	R-1	1h	Reserved
15	LUT41_OUT	R	0h	LUT4_OUT UNIT 1 Reset type: SYSRSn
14	FSM1_LUTOUT	R	0h	FSM_LUT_OUT UNIT 1 Reset type: SYSRSn
13	FSM1_S1	R	0h	FSM_S1 UNIT 1 Reset type: SYSRSn
12	FSM1_S0	R	0h	FSM_S0 UNIT 1 Reset type: SYSRSn
11	COUNT1_MATCH1	R	0h	COUNT_MATCH1 UNIT 1 Reset type: SYSRSn
10	COUNT1_ZERO	R	0h	COUNT_ZERO UNIT 1 Reset type: SYSRSn
9	COUNT1_MATCH2	R	0h	COUNT_MATCH2 UNIT 1 Reset type: SYSRSn
8	RESERVED	R-1	1h	Reserved
7	LUT40_OUT	R	0h	LUT4_OUT UNIT 0 Reset type: SYSRSn
6	FSM0_LUTOUT	R	0h	FSM_LUT_OUT UNIT 0 Reset type: SYSRSn
5	FSM0_S1	R	0h	FSM_S1 UNIT 0 Reset type: SYSRSn
4	FSM0_S0	R	0h	FSM_S0 UNIT 0 Reset type: SYSRSn
3	COUNT0_MATCH1	R	0h	COUNT_MATCH1 UNIT 0 Reset type: SYSRSn
2	COUNT0_ZERO	R	0h	COUNT_ZERO UNIT 0 Reset type: SYSRSn
1	COUNT0_MATCH2	R	0h	COUNT_MATCH2 UNIT 0 Reset type: SYSRSn
0	RESERVED	R-0	0h	Reserved



## 24.8.4 CLB\_DATA\_EXCHANGE\_REGS Registers

Table 24-70 lists the memory-mapped registers for the CLB\_DATA\_EXCHANGE\_REGS registers. All register offset addresses not listed in Table 24-70 should be considered as reserved locations and the register contents should not be modified.

**Table 24-70. CLB\_DATA\_EXCHANGE\_REGS Registers**

Offset	Acronym	Register Name	Write Protection	Section
0h + formula	CLB_PUSH_y	CLB_PUSH FIFO Registers (from HLC)		<a href="#">Go</a>
100h + formula	CLB_PULL_y	CLB_PULL FIFO Registers (TO HLC)		<a href="#">Go</a>

Complex bit access types are encoded to fit into small table cells. Table 24-71 shows the codes that are used for access types in this section.

**Table 24-71. CLB\_DATA\_EXCHANGE\_REGS Access Type Codes**

Access Type	Code	Description
Read Type		
R	R	Read
Write Type		
W	W	Write
Reset or Default Value		
-n		Value after reset or the default value
Register Array Variables		
i,j,k,l,m,n		When these variables are used in a register name, an offset, or an address, they refer to the value of a register array where the register is part of a group of repeating registers. The register groups form a hierarchical structure and the array is represented with a formula.
y		When this variable is used in a register name, an offset, or an address it refers to the value of a register array.

#### 24.8.4.1 CLB\_PUSH\_y Register (Offset = 0h + formula) [Reset = 00000000h]

CLB\_PUSH\_y is shown in [Figure 24-67](#) and described in [Table 24-72](#).

Return to the [Summary Table](#).

CLB\_PUSH FIFO Registers (from HLC)

Offset = 0h + (y \* 2h); where y = 0h to 3h

**Figure 24-67. CLB\_PUSH\_y Register**

31	30	29	28	27	26	25	24	23	22	21	20	19	18	17	16	15	14	13	12	11	10	9	8	7	6	5	4	3	2	1	0
																	PUSH														
																	R-0h														

**Table 24-72. CLB\_PUSH\_y Register Field Descriptions**

Bit	Field	Type	Reset	Description
31-0	PUSH	R	0h	FIFO TO System From CLB Note: The PUSH FIFO register does not get reset, so random values are expected upon power-on reset. Reset type: SYSRSn

#### 24.8.4.2 CLB\_PULL\_y Register (Offset = 100h + formula) [Reset = 0000000h]

CLB\_PULL\_y is shown in [Figure 24-68](#) and described in [Table 24-73](#).

Return to the [Summary Table](#).

CLB\_PULL FIFO Registers (TO HLC)

Offset = 100h + (y \* 2h); where y = 0h to 3h

**Figure 24-68. CLB\_PULL\_y Register**

31	30	29	28	27	26	25	24	23	22	21	20	19	18	17	16	15	14	13	12	11	10	9	8	7	6	5	4	3	2	1	0
PULL																															
R/W-0h																															

**Table 24-73. CLB\_PULL\_y Register Field Descriptions**

Bit	Field	Type	Reset	Description
31-0	PULL	R/W	0h	FIFO From system TO CLB Note: The PULL FIFO register does not get reset, so random values are expected upon power-on reset. Reset type: SYSRSn

#### 24.8.5 CLB Registers to Driverlib Functions

**Table 24-74. CLB Registers to Driverlib Functions**

File	Driverlib Function
<b>COUNT_RESET</b>	
clb.h	CLB_selectCounterInputs
<b>COUNT_MODE_1</b>	
clb.h	CLB_selectCounterInputs
<b>COUNT_MODE_0</b>	
clb.h	CLB_selectCounterInputs
<b>COUNT_EVENT</b>	
clb.h	CLB_selectCounterInputs
<b>FSM_EXTRA_IN0</b>	
clb.h	CLB_selectFSMInputs
<b>FSM_EXTERNAL_IN0</b>	
clb.h	CLB_selectFSMInputs
<b>FSM_EXTERNAL_IN1</b>	
clb.h	CLB_selectFSMInputs
<b>FSM_EXTRA_IN1</b>	
clb.h	CLB_selectFSMInputs
<b>LUT4_IN0</b>	
clb.h	CLB_selectLUT4Inputs
<b>LUT4_IN1</b>	
clb.h	CLB_selectLUT4Inputs
<b>LUT4_IN2</b>	
clb.h	CLB_selectLUT4Inputs
<b>LUT4_IN3</b>	
clb.h	CLB_selectLUT4Inputs
<b>FSM_LUT_FN1_0</b>	
clb.h	CLB_configFSMLUTFunction

**Table 24-74. CLB Registers to Driverlib Functions (continued)**

File	Driverlib Function
<b>FSM_LUT_FN2</b>	
clb.h	CLB_configFSMLUTFunction
<b>LUT4_FN1_0</b>	
clb.h	CLB_configLUT4Function
<b>LUT4_FN2</b>	
clb.h	CLB_configLUT4Function
<b>FSM_NEXT_STATE_0</b>	
clb.h	CLB_configFSMNextState
<b>FSM_NEXT_STATE_1</b>	
clb.h	CLB_configFSMNextState
<b>FSM_NEXT_STATE_2</b>	
clb.h	CLB_configFSMNextState
<b>MISC_CONTROL</b>	
clb.h	CLB_configMiscCtrlModes
<b>OUTPUT_LUT_0</b>	
clb.h	CLB_configOutputLUT
<b>OUTPUT_LUT_1</b>	
-	See OUTPUT_LUT_0
<b>OUTPUT_LUT_2</b>	
-	See OUTPUT_LUT_0
<b>OUTPUT_LUT_3</b>	
-	See OUTPUT_LUT_0
<b>OUTPUT_LUT_4</b>	
-	See OUTPUT_LUT_0
<b>OUTPUT_LUT_5</b>	
-	See OUTPUT_LUT_0
<b>OUTPUT_LUT_6</b>	
-	See OUTPUT_LUT_0
<b>OUTPUT_LUT_7</b>	
-	See OUTPUT_LUT_0
<b>HLC_EVENT_SEL</b>	
clb.h	CLB_configHLCEventSelect
<b>LOAD_EN</b>	
clb.h	CLB_enableCLB
clb.h	CLB_disableCLB
clb.h	CLB_writeInterface
<b>LOAD_ADDR</b>	
clb.h	CLB_writeInterface
<b>LOAD_DATA</b>	
clb.h	CLB_writeInterface
<b>INPUT_FILTER</b>	
clb.h	CLB_selectInputFilter
clb.h	CLB_enableSynchronization
clb.h	CLB_disableSynchronization
<b>IN_MUX_SEL_0</b>	

**Table 24-74. CLB Registers to Driverlib Functions (continued)**

File	Driverlib Function
clb.h	CLB_configGPInputMux
<b>LCL_MUX_SEL_1</b>	
clb.h	CLB_configLocalInputMux
<b>LCL_MUX_SEL_2</b>	
clb.h	CLB_configLocalInputMux
<b>BUF_PTR</b>	
clb.c	CLB_clearFIFOs
<b>GP_REG</b>	
clb.h	CLB_setGPREG
clb.h	CLB_getGPREG
<b>OUT_EN</b>	
clb.h	CLB_setOutputMask
<b>GLBL_MUX_SEL_1</b>	
clb.h	CLB_configGlobalInputMux
<b>GLBL_MUX_SEL_2</b>	
clb.h	CLB_configGlobalInputMux
<b>INTR_TAG_REG</b>	
clb.h	CLB_getInterruptTag
clb.h	CLB_clearInterruptTag
<b>LOCK</b>	
clb.h	CLB_enableLock
<b>DBG_R0</b>	
-	
<b>DBG_R1</b>	
-	
<b>DBG_R2</b>	
-	
<b>DBG_R3</b>	
-	
<b>DBG_C0</b>	
-	
<b>DBG_C1</b>	
-	
<b>DBG_C2</b>	
-	
<b>DBG_OUT</b>	
clb.h	CLB_getOutputStatus
<b>PUSH</b>	
clb.c	CLB_readFIFOs
<b>PULL</b>	
clb.c	CLB_clearFIFOs
clb.c	CLB_writeFIFOs

# Revision History



NOTE: Page numbers for previous revisions may differ from page numbers in the current version.

## Changes from September 11, 2019 to October 26, 2023 (from Revision F (September 2019) to Revision G (October 2023))

	Page
• Changed Abstract in <a href="#">Chapter 1</a> .....	69
• Changed <a href="#">Section 1.7</a> .....	71
• Added <a href="#">Section 3.4.5.1</a> .....	86
• Changed Name of Vector ID 17 in <a href="#">Table 3-3</a> .....	87
• Added <a href="#">Section 3.7.7</a> .....	107
• Added <a href="#">Section 3.13.1.5</a> .....	139
• Added JTAGLOCK to <a href="#">Figure 3-21</a> .....	140
• Added <a href="#">Section 3.15</a> .....	150
• Added Z1OTP_JTAGLOCK to DCSM_Z1_OTP Registers subsection in <a href="#">Section 3.17</a> .....	156
• Added Z2OTP_JTAGLOCK to DCSM_Z2_OTP Registers subsection in <a href="#">Section 3.17</a> .....	156
• Added DcsmZ1OTPREgs and DcsmZ2OTPREgs in <a href="#">Table 3-20</a> .....	156
• Added Note in <a href="#">Section 4.8</a> .....	577
• Added footnote to <a href="#">Table 4-13</a> .....	582
• Moved <a href="#">Section 5.1.2</a> into <a href="#">Section 5.1</a> .....	609
• Added Caution in <a href="#">Section 5.2.2</a> .....	610
• Changed <a href="#">Figure 5-5</a> .....	615
• Added <a href="#">Section 6.3.2</a> .....	671
• Added <a href="#">Section 6.3.3</a> .....	672
• Added <a href="#">Section 6.3.4</a> .....	672
• Added <a href="#">Section 6.5.4</a> .....	682
• Added <a href="#">list of Instructions</a> in <a href="#">Section 6.7.3</a> .....	688
• Deleted General Instructions table. Subsequent tables renumbered.....	688
• Added <a href="#">Section 7.7.1</a> .....	871
• Added <a href="#">Section 7.7.2</a> .....	877
• Changed Abstract in <a href="#">Chapter 8</a> .....	1103
• Changed last sentence in first paragraph of <a href="#">Section 10.5</a> .....	1467
• Changed OFFSET field to DELAY field in <a href="#">Section 10.7.3</a> .....	1473
• Added <a href="#">Section 10.13.4</a> . Subsequent subsections renumbered.....	1491
• Deleted third paragraph in <a href="#">Section 10.13.5</a> .....	1491
• LATCHCLR signal description revised to show that the signal clears all blocks in <a href="#">Section 12.6.1</a> .....	1663
• Added <a href="#">Section 13.7</a> . Subsequent subsections renumbered.....	1708
• Changed <a href="#">Figure 14-7</a> .....	1768
• Added <a href="#">Section 14.4.7.3</a> . Subsequent figures renumbered.....	1775
• Added Note before Immediate Load Mode in <a href="#">Section 14.5.3</a> .....	1778
• Changed <a href="#">Figure 14-21</a> .....	1783
• Added footnote to <a href="#">Figure 14-23</a> .....	1786
• Added footnote to <a href="#">Figure 14-24</a> .....	1786
• Changed last two sentences in first paragraph after Note in <a href="#">Section 14.6.5</a> .....	1788
• Changed TZSEL[CBC5] = 1 of Scenario B in <a href="#">Example 14-1</a> .....	1809
• Changed <a href="#">Figure 14-47</a> .....	1813
• Changed <a href="#">Figure 14-48</a> .....	1813

---

• Changed <a href="#">Figure 14-72</a> .....	1839
• Changed sentence in paragraph to internal programmable 12-bit DAC in <a href="#">Section 14.13.10</a> .....	1844
• Moved <a href="#">Figure 14-79</a> to <a href="#">Section 14.14</a> .....	1846
• Changed Step 2 in <a href="#">Section 14.14.1.5.4</a> .....	1859
• Added Note in <a href="#">Section 15.5.6</a> .....	2014
• Changed <a href="#">Table 16-2</a> .....	2053
• Changed <a href="#">Figure 17-2</a> .....	2107
• Changed <a href="#">Section 18.1</a> .....	2152
• Added <a href="#">Section 18.1.1</a> .....	2152
• Added <a href="#">Section 18.1.3</a> .....	2153
• Changed <a href="#">Section 18.4</a> .....	2155
• Added <a href="#">Figure 19-6</a> .....	2203
• Added <a href="#">Figure 19-7</a> . Subsequent figures renumbered.....	2203
• Moved <a href="#">Section 19.3.11</a> .....	2214
• Changed second paragraph in Abstract of <a href="#">Chapter 21</a> .....	2391
• Changed content of <a href="#">Section 21.1</a> .....	2392
• Added last sentence to first paragraph in <a href="#">Section 21.1.3.4</a> .....	2394
• Added <a href="#">Figure 21-2</a> .....	2394
• Moved Functional Description subsection from <a href="#">Section 21.1</a> .....	2395
• Changed paragraph in <a href="#">Section 21.5.5</a> .....	2405
• Changed content of <a href="#">Section 23.1</a> .....	2608
• Changed title of <a href="#">Section 24.2</a> .....	2680
• Changed <a href="#">Figure 24-1</a> .....	2680
• Added <a href="#">Section 24.2.1</a> .....	2682
• Changed <a href="#">Figure 24-5</a> .....	2683
• Changed Note in <a href="#">Section 24.3.3</a> .....	2689
• Changed <a href="#">Figure 24-7</a> .....	2689
• Changed <a href="#">Figure 24-8</a> .....	2690
• Changed <a href="#">Table 24-3</a> .....	2690
• Changed <a href="#">Figure 24-9</a> .....	2691
• Corrected MOV instructions in <a href="#">Table 24-10</a> .....	2702
• Reformatted bulleted information into <a href="#">Table 24-11</a> . Subsequent tables are renumbered.....	2702
• Corrected ADD and SUB destination registers to only R0 and R3 in <a href="#">Table 24-11</a> .....	2702
• Added <a href="#">Section 24.6</a> . Subsequent subsections renumbered.....	2705

---

This page intentionally left blank.



## IMPORTANT NOTICE AND DISCLAIMER

TI PROVIDES TECHNICAL AND RELIABILITY DATA (INCLUDING DATA SHEETS), DESIGN RESOURCES (INCLUDING REFERENCE DESIGNS), APPLICATION OR OTHER DESIGN ADVICE, WEB TOOLS, SAFETY INFORMATION, AND OTHER RESOURCES "AS IS" AND WITH ALL FAULTS, AND DISCLAIMS ALL WARRANTIES, EXPRESS AND IMPLIED, INCLUDING WITHOUT LIMITATION ANY IMPLIED WARRANTIES OF MERCHANTABILITY, FITNESS FOR A PARTICULAR PURPOSE OR NON-INFRINGEMENT OF THIRD PARTY INTELLECTUAL PROPERTY RIGHTS.

These resources are intended for skilled developers designing with TI products. You are solely responsible for (1) selecting the appropriate TI products for your application, (2) designing, validating and testing your application, and (3) ensuring your application meets applicable standards, and any other safety, security, regulatory or other requirements.

These resources are subject to change without notice. TI grants you permission to use these resources only for development of an application that uses the TI products described in the resource. Other reproduction and display of these resources is prohibited. No license is granted to any other TI intellectual property right or to any third party intellectual property right. TI disclaims responsibility for, and you will fully indemnify TI and its representatives against, any claims, damages, costs, losses, and liabilities arising out of your use of these resources.

TI's products are provided subject to [TI's Terms of Sale](#) or other applicable terms available either on [ti.com](https://www.ti.com) or provided in conjunction with such TI products. TI's provision of these resources does not expand or otherwise alter TI's applicable warranties or warranty disclaimers for TI products.

TI objects to and rejects any additional or different terms you may have proposed.

Mailing Address: Texas Instruments, Post Office Box 655303, Dallas, Texas 75265  
Copyright © 2023, Texas Instruments Incorporated