

## **TIDA-00830 24V Stepper Motor Design with AutoTune™ TI Reference Design**

---



---

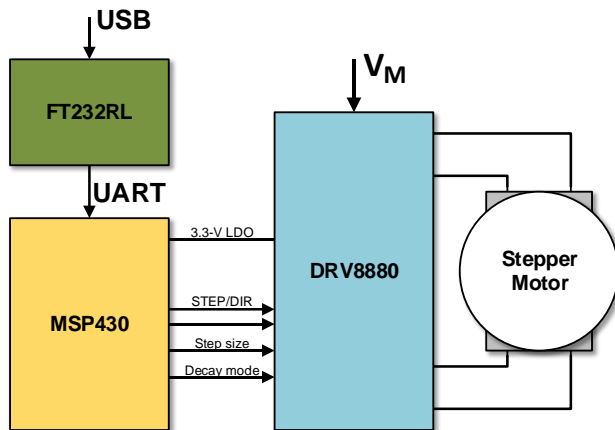
### Design Overview

TIDA-00830 is an application overview of TI's automatic stepper motor tuning feature known as AutoTune™. This design showcases how quickly AutoTune™ can adapt to changes in system inputs or motor characteristics without the user having to apply any type of parameter tuning. The hardware for this design is sourced from the DRV8880 Evaluation Module so the user has the ability to work with the entire feature set of this device.

### Design Resources

[TIDA-00830](#)  
[DRV8880](#)  
[MSP430F2617](#)  
[FT232RL](#)

Design Folder  
 Product Folder  
 Product Folder  
 Product Folder

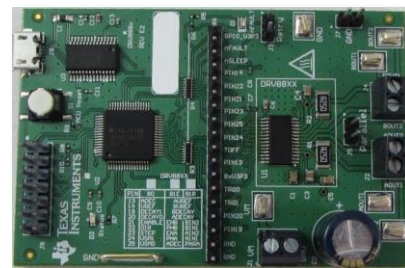


### Design Features

- 6.5- to 45-V operation with up to 2.0-A full-scale (max drive current)
- Configurable PWM Off-Time of 10-, 20-, or 30- $\mu$ s
- 3.3-V, 10-mA LDO Regulator supply
- AutoTune stepper motor tuning
- Simple GUI for driver input control and motor tuning
- Onboard USB communication for easy connectivity with external controller
- 100 mil header gives test probe access to all driver input controls

### Featured Applications

- Automatic Teller and Money Handling Machines
- 3D Printers
- Factory Automation and Robotics
- Video Security Cameras

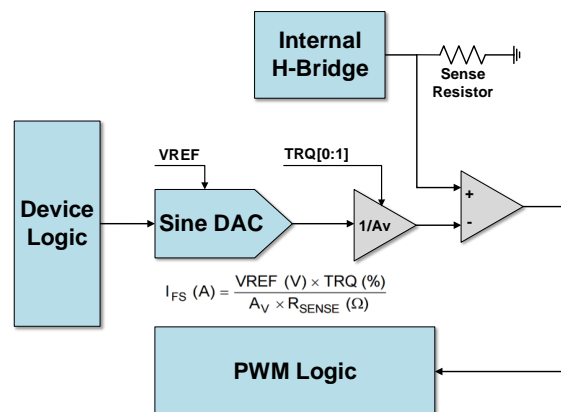


## 1. Introduction

For stepper motors, a common design problem is tuning. Tuning involves selecting the best decay mode to operate the stepper motor efficiently. A well-behaved current waveform makes for a well-behaved stepper. These steppers will run smoothly (less vibration), quietly (less noise) and efficiently (less power dissipation). Unfortunately, there are a lot of factors that can affect the waveform, such as supply voltage, motor parameters, motor speed and load. Finding a fixed decay mode to match these settings can sometimes be difficult, especially if these parameters shift during operation. Texas Instruments AutoTune offered in the DRV8880 makes this process much simpler by determining the proper decay mode and fast decay percentage based on individual motor characteristics and system inputs.

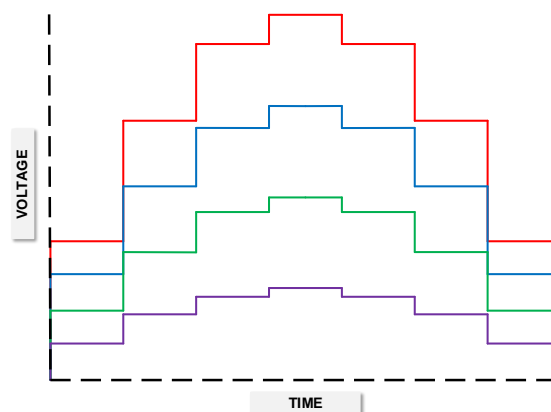
## 2. Current Limiting

In order to properly commutate a stepper motor, the controller device must continuously regulate the current through the motor coils at predetermined current values. An overview of the current regulation scheme found in the DRV8880 is shown in **Figure 1** below.



**Figure 1.** Single Phase Current Regulation Control Scheme

- |                        |                       |
|------------------------|-----------------------|
| ① TRQ[1:0] = 00 – 100% | ③ TRQ[1:0] = 10 – 50% |
| ② TRQ[1:0] = 01 – 75%  | ④ TRQ[1:0] = 11 – 25% |



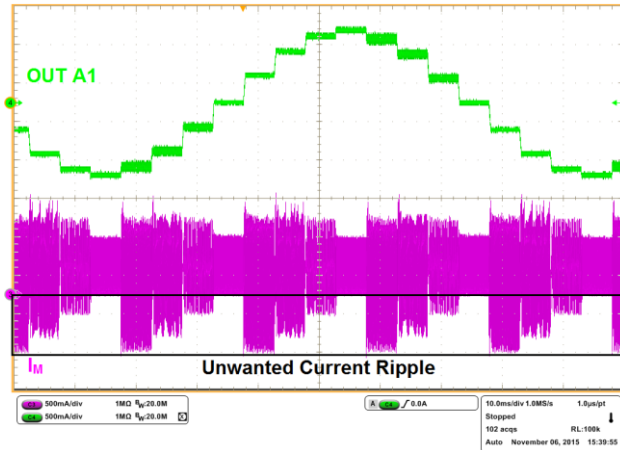
**Figure 2.** 1/4 Step Current Regulation Scaled by TRQ Percentage

The DRV8880 adjusts the current flowing through each phase of a stepper motor by internally comparing a reference voltage generated by the internal sine DAC to the voltage measured across an external sense resistor. This internal sine DAC is scaled based on the value of  $V_{REF}$  and has a preset table of voltage levels for each micro-stepping state. Current magnitude can be scaled using the percent torque inputs TRQ[1:0] as shown in **Figure 2** above. Adjusting the current magnitude using just the TRQ[1:0] bits simplifies the control process by not requiring a change in  $V_M$  or a change in  $V_{REF}$ . If the voltage across the sense resistor is larger than the internal comparison voltage, the device enters a different decay mode depending on the state of the decay mode setting pins and ATE pin. Depending on if the sine DAC table is increasing or decreasing steps will also affect the decay mode the device uses. All of these features included in the DRV8880s current regulation system allow the driver to have constant control over how much current is being supplied to the stepper motor.

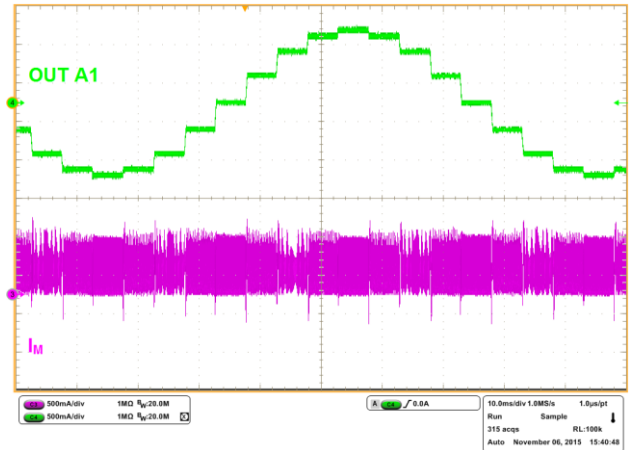
## 3. Current Ripple

While the device is enforcing a specific current level during each step, there is a tradeoff between using slow or fast decay modes for current regulation. If the device uses too much fast decay then the level of current ripple in the power supply will increase and can result in unwanted noise and vibration in the stepper motor. However, if the device does not use enough fast decay then the current in the motor will gradually increase and result in the device not being able to effectively regulate current. This can damage the motor and create an uneven driving pattern. Some stepper motor drivers utilize a decay mode called mixed decay to operate while the device is lowering current through the motor windings. Mixed decay works by including a percentage of fast decay during  $t_{OFF}$  and then the remaining amount of  $t_{OFF}$  is held at slow decay. This allows the current to drop quickly during the fast decay interval and then slowly dissipate during the slow decay period, thus keeping the current ripple to a minimum. The downside to this form of current decay is that each  $t_{OFF}$  interval is often enforced regardless of how

much fast decay is needed. An example of a motor tuning that utilizes too much fast decay at some steps is shown in **Figure 3** below. This results in a large amount of power supply decay current ripple.



**Figure 3.** Supply Current Ripple Using Fast / Slow Decay

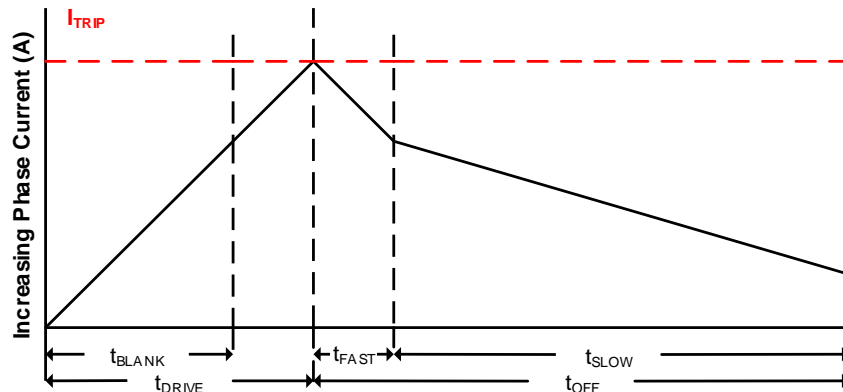


**Figure 4.** Supply Current Ripple Using AutoTune

To avoid this issue, the DRV8880 has an adaptive decay mode called AutoTune™ that automatically adjusts the amount of fast decay inserted during  $t_{OFF}$  to best suit the motor characteristics and load conditions at any instance in time. An example of AutoTune working is shown in **Figure 4** above.

#### 4. AutoTune

By utilizing AutoTune™, the user can simply connect a motor and the driver will begin spinning it in the most effective way possible without requiring any other parameter tuning. AutoTune operates by actively calculating and adjusting the current decay. Each drive cycle has a mandatory  $t_{BLANK}$  interval to drive the motor. Once the  $t_{BLANK}$  interval has elapsed, the device can continue with the remainder of the  $t_{DRIVE}$  interval if it has not hit the current limit  $I_{TRIP}$ , or stop driving and begin decaying current if the current limit has been reached based on whichever decay setting AutoTune™ chooses.



**Figure 5.** Mixed Decay Timing Profile

If AutoTune™ selects a mixed decay mode the driver actively inserts different percentages of fast decay during each  $t_{OFF}$  interval, and effectively lowers the current ripple while driving the motor in the most efficient way possible. An example of a mixed decay current profile is shown in **Figure 5** above. Since the driver is allowed to actively change the decay pattern it can also easily adapt to changing motor operation factors without requiring the user to retune any of the driver parameters. This is an especially relevant feature in applications where the motor will be run for long periods of time and aging effects need to be considered.

## 5. AutoTune Adaptation

### 5.1. Torque DAC

In applications that require a driver to vary the amount of torque being supplied to the motor, the DRV8880 allows the user to dynamically adjust a torque register (TRQ[0:1]) to change the magnitude of current supplied to the motor. Once the torque register has changed, the device must change the motor current regulation pattern and actively adapt the level of current supplied to the motor as shown in **Figure 1** on page 2. The amount of time it takes for current in the motor windings to change is dependent on the decay patterns ability to adapt to this new current limit while also considering the inductance of the motor windings. **Figure 6** and **Figure 7** below show the interval where the torque value is changed from 100% to 25% torque using AutoTune and Slow / Fast decay modes. In **Figure 6**, AutoTune™ is being used to quickly adapt to the change in required torque and keep the regulation pattern constant. Minimal current ripple is observed during the lower current steps. **Figure 7** uses a fixed decay setting where the current decreases more slowly through the winding until it falls below the current limit.

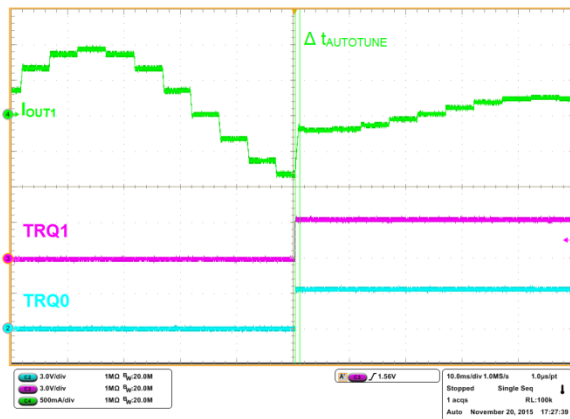


Figure 6. AutoTune 100% - 25% Torque Change

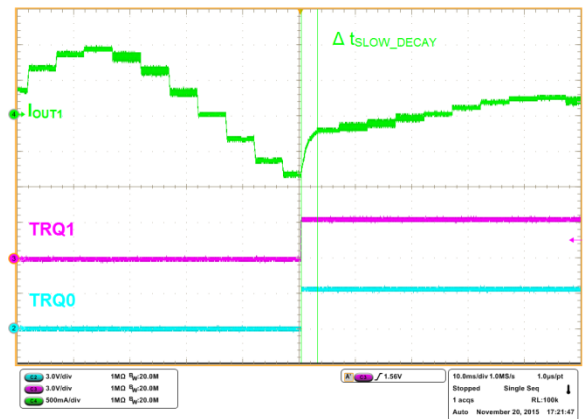


Figure 7. Slow / Fast Decay 100% - 25% Torque Change

### 5.2. Power Supply Variations

In a typical stepper motor power supply, there is the possibility for voltage variations caused by capacitance instability, conducted / inducted noise, and other system design issues. With a typical decay pattern and motor tuning, the driver may not be able to adapt to a sudden change in voltage supplied to the motor rail. An example of how the current ripple can vary as  $V_M$  (Motor Voltage) changes is shown in **Figure 9** below.

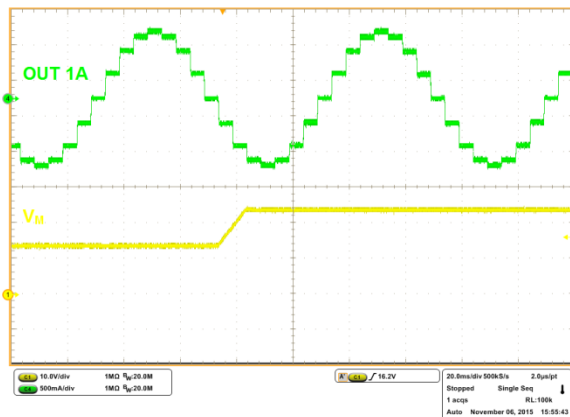


Figure 8. AutoTune Adaption to  $V_M$  Variation

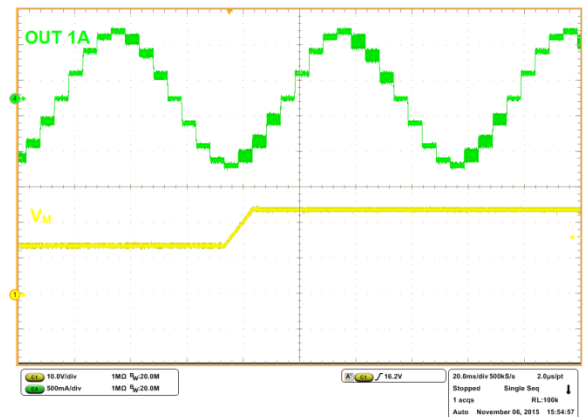
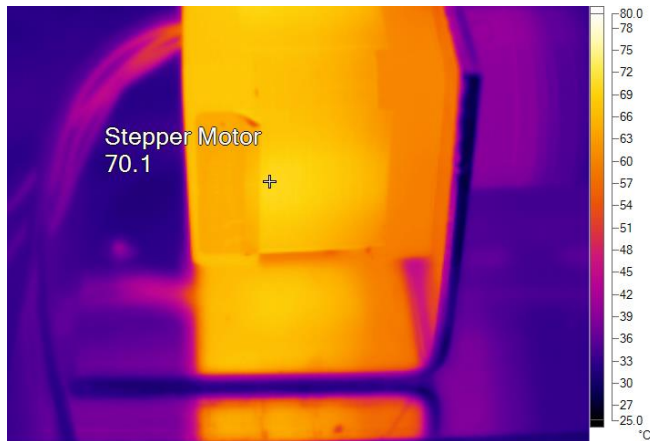


Figure 9. Slow / Fast Decay Adaption to  $V_M$  Variation

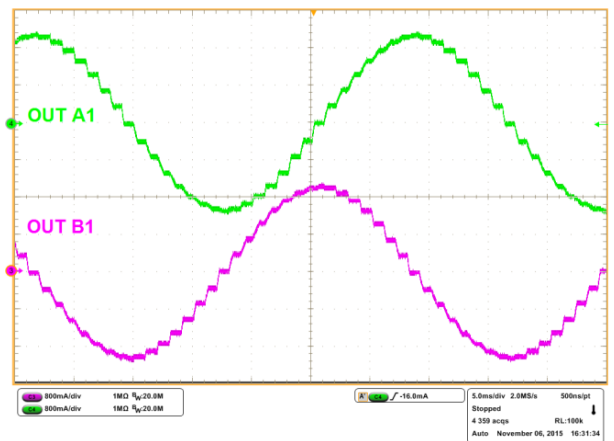
This additional chopping is an effect of the device trying to regulate the large amount of current that is now present in the coils as compared to before. If the previous tune has a barely acceptable amount of current ripple, then the change in  $V_M$  will cause a larger amount of ripple. This can result in instability and other issues on devices sharing the  $V_M$  rail throughout the rest of the design. By utilizing AutoTune™ in the DRV8880, the device can quickly tune the stepper motor to run at this voltage and regulate the current accordingly as shown in **Figure 8** above.

### 5.3. Temperature Effects

A typical application may require the stepper motor to run at a continuous speed with a large load for a prolonged period of time, which can cause the stepper motor to significantly increase in temperature. This increase in temperature results in an increase in the motor resistance, causing the motor to start drawing less current from the power supply. If the motor were tuned at room temperature and without any load that same tuning may no longer be ideal once temperature increases. AutoTune™ can actively adapt to changes in motor resistance caused by the increase in temperature. Using a QSH 4218-41-10-035 stepper motor running at 1000 PPS under loaded conditions for 350 seconds at 1/8 micro-stepping the following temperature plot and current profile were captured in **Figure 10** and **11** below.



**Figure 10.** Stepper Motor Thermal Characteristics



**Figure 11.** Stepper Motor Current Profile

## 6. Board Layout

This design is intended to allow the user to quickly test AutoTune’s capabilities against a variety of different stepper motors without having to tune a lot of different motor parameters. This design also offers the full functionality of a Texas Instruments EVM, allowing the entire feature set of the device to be configurable via the supplied GUI and a 100 mil header located at the center of the board for the driver inputs. This board also includes an onboard USB – UART IC for quick interfacing with an MSP430 that controls fault handling and motor commutation.



## IMPORTANT NOTICE FOR TI REFERENCE DESIGNS

Texas Instruments Incorporated ("TI") reference designs are solely intended to assist designers ("Buyers") who are developing systems that incorporate TI semiconductor products (also referred to herein as "components"). Buyer understands and agrees that Buyer remains responsible for using its independent analysis, evaluation and judgment in designing Buyer's systems and products.

TI reference designs have been created using standard laboratory conditions and engineering practices. **TI has not conducted any testing other than that specifically described in the published documentation for a particular reference design.** TI may make corrections, enhancements, improvements and other changes to its reference designs.

Buyers are authorized to use TI reference designs with the TI component(s) identified in each particular reference design and to modify the reference design in the development of their end products. HOWEVER, NO OTHER LICENSE, EXPRESS OR IMPLIED, BY ESTOPPEL OR OTHERWISE TO ANY OTHER TI INTELLECTUAL PROPERTY RIGHT, AND NO LICENSE TO ANY THIRD PARTY TECHNOLOGY OR INTELLECTUAL PROPERTY RIGHT, IS GRANTED HEREIN, including but not limited to any patent right, copyright, mask work right, or other intellectual property right relating to any combination, machine, or process in which TI components or services are used. Information published by TI regarding third-party products or services does not constitute a license to use such products or services, or a warranty or endorsement thereof. Use of such information may require a license from a third party under the patents or other intellectual property of the third party, or a license from TI under the patents or other intellectual property of TI.

TI REFERENCE DESIGNS ARE PROVIDED "AS IS". TI MAKES NO WARRANTIES OR REPRESENTATIONS WITH REGARD TO THE REFERENCE DESIGNS OR USE OF THE REFERENCE DESIGNS, EXPRESS, IMPLIED OR STATUTORY, INCLUDING ACCURACY OR COMPLETENESS. TI DISCLAIMS ANY WARRANTY OF TITLE AND ANY IMPLIED WARRANTIES OF MERCHANTABILITY, FITNESS FOR A PARTICULAR PURPOSE, QUIET ENJOYMENT, QUIET POSSESSION, AND NON-INFRINGEMENT OF ANY THIRD PARTY INTELLECTUAL PROPERTY RIGHTS WITH REGARD TO TI REFERENCE DESIGNS OR USE THEREOF. TI SHALL NOT BE LIABLE FOR AND SHALL NOT DEFEND OR INDEMNIFY BUYERS AGAINST ANY THIRD PARTY INFRINGEMENT CLAIM THAT RELATES TO OR IS BASED ON A COMBINATION OF COMPONENTS PROVIDED IN A TI REFERENCE DESIGN. IN NO EVENT SHALL TI BE LIABLE FOR ANY ACTUAL, SPECIAL, INCIDENTAL, CONSEQUENTIAL OR INDIRECT DAMAGES, HOWEVER CAUSED, ON ANY THEORY OF LIABILITY AND WHETHER OR NOT TI HAS BEEN ADVISED OF THE POSSIBILITY OF SUCH DAMAGES, ARISING IN ANY WAY OUT OF TI REFERENCE DESIGNS OR BUYER'S USE OF TI REFERENCE DESIGNS.

TI reserves the right to make corrections, enhancements, improvements and other changes to its semiconductor products and services per JESD46, latest issue, and to discontinue any product or service per JESD48, latest issue. Buyers should obtain the latest relevant information before placing orders and should verify that such information is current and complete. All semiconductor products are sold subject to TI's terms and conditions of sale supplied at the time of order acknowledgment.

TI warrants performance of its components to the specifications applicable at the time of sale, in accordance with the warranty in TI's terms and conditions of sale of semiconductor products. Testing and other quality control techniques for TI components are used to the extent TI deems necessary to support this warranty. Except where mandated by applicable law, testing of all parameters of each component is not necessarily performed.

TI assumes no liability for applications assistance or the design of Buyers' products. Buyers are responsible for their products and applications using TI components. To minimize the risks associated with Buyers' products and applications, Buyers should provide adequate design and operating safeguards.

Reproduction of significant portions of TI information in TI data books, data sheets or reference designs is permissible only if reproduction is without alteration and is accompanied by all associated warranties, conditions, limitations, and notices. TI is not responsible or liable for such altered documentation. Information of third parties may be subject to additional restrictions.

Buyer acknowledges and agrees that it is solely responsible for compliance with all legal, regulatory and safety-related requirements concerning its products, and any use of TI components in its applications, notwithstanding any applications-related information or support that may be provided by TI. Buyer represents and agrees that it has all the necessary expertise to create and implement safeguards that anticipate dangerous failures, monitor failures and their consequences, lessen the likelihood of dangerous failures and take appropriate remedial actions. Buyer will fully indemnify TI and its representatives against any damages arising out of the use of any TI components in Buyer's safety-critical applications.

In some cases, TI components may be promoted specifically to facilitate safety-related applications. With such components, TI's goal is to help enable customers to design and create their own end-product solutions that meet applicable functional safety standards and requirements. Nonetheless, such components are subject to these terms.

No TI components are authorized for use in FDA Class III (or similar life-critical medical equipment) unless authorized officers of the parties have executed an agreement specifically governing such use.

Only those TI components that TI has specifically designated as military grade or "enhanced plastic" are designed and intended for use in military/aerospace applications or environments. Buyer acknowledges and agrees that any military or aerospace use of TI components that have **not** been so designated is solely at Buyer's risk, and Buyer is solely responsible for compliance with all legal and regulatory requirements in connection with such use.

TI has specifically designated certain components as meeting ISO/TS16949 requirements, mainly for automotive use. In any case of use of non-designated products, TI will not be responsible for any failure to meet ISO/TS16949.