

Utilizing Sitara™ Processors and Microcontrollers for Industry 4.0 Servo Drives



Eddie Esparza

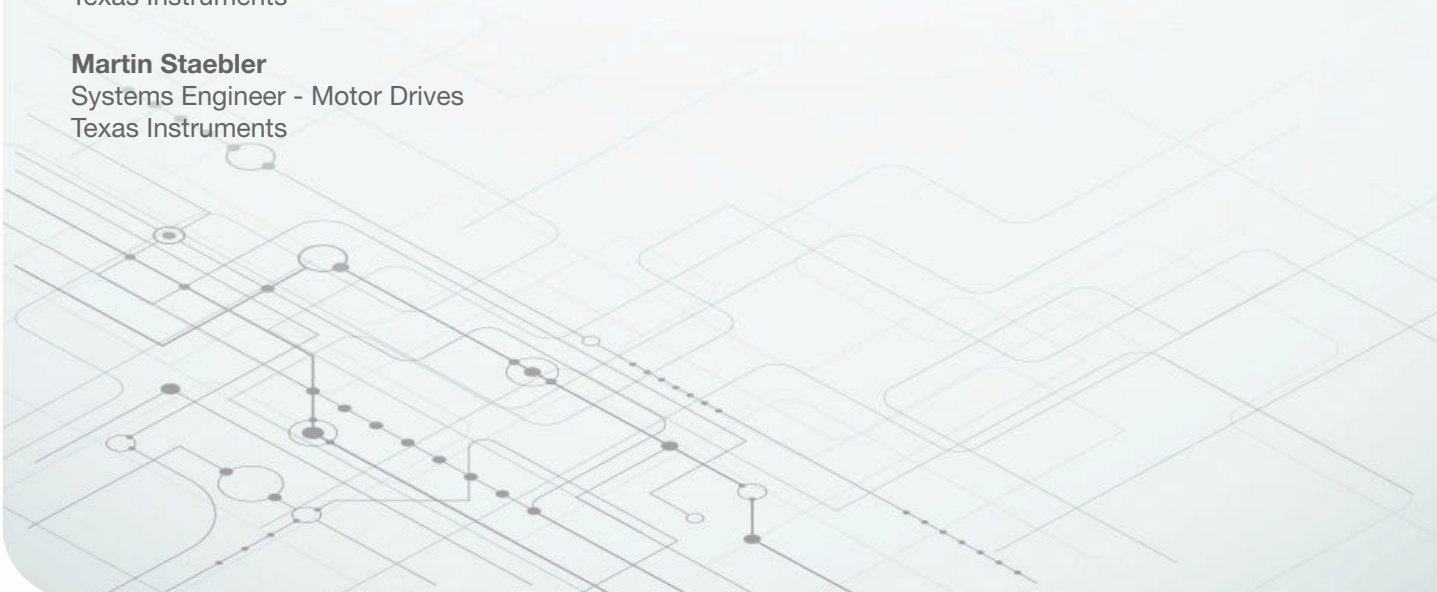
Product Marketing - Sitara™ Processors
Texas Instruments

Jason Reeder

Systems Engineer - Motor Drives
Texas Instruments

Martin Staebler

Systems Engineer - Motor Drives
Texas Instruments



The manufacturing and automation industries have used servo motor control for many years, but the rise of Industry 4.0 and smart factories have accelerated the adoption of automated systems, which in turn has led to increased demand for smarter servo drives with more functionality and the ability to control more axes.

At a glance

This article explores how Sitara microcontrollers (MCUs) and processors (MPUs) address servo drive market trends and new requirements of Industry 4.0 and smart factory systems.



1 Performance

MPUs and MCUs with higher raw performance can complete control processing faster and have more computing bandwidth to provide more services and features to meet growing demands for automation and intelligence.



2 Industrial communication

The rapid adoption of multi-protocol industrial Ethernet is among the most noticeable in the industrial servo drives sector. Sitara devices enable real-time and low-latency communication between machines to help increase performance, safety and reliability.



3 Functional safety

The trend toward autonomous decision making and operation, as well as increased human-machine interaction, has increased the need for functional safety in more factory applications.

Historically, high-end microcontrollers and large field-programmable gate arrays (FPGAs) performed the low-level control algorithms and provided peripherals to

connect to the drive output and motor feedback. The requirements for what a servo drive must support are rapidly changing, however, as equipment gets smarter and higher in performance. Features like real-time industrial communications, functional safety, predictive maintenance and cloud connectivity are being brought into the servo control board to provide more services at the edge. This increased level of integration and need for higher performance are leading designers to look to heterogeneous products, such as Sitara™ processors (MPU) and microcontrollers (MCU) from Texas Instruments, to handle the processing needs for Industry 4.0 applications.

Performance

In servo motor-drive applications, motor control is typically separated into several control-loop layers: current/torque loop, speed loop, position loop and a higher-level motion-control loop. These loops are typically arranged in a cascade, each with their own “real-time” processing requirements. The current or torque loop is the tightest control loop. Each upstream loop runs at a multiple of the loop before it and provides input references to the downstream loops. **Figure 1** shows a typical cascaded control topology.

The blocks in **Figure 1** lend themselves well to logical partitioning across cores within a heterogeneous processor, or between a processor and a microcontroller. Spreading the various loops among the different cores

in a multicore MPU or MCU maximizes the processing bandwidth dedicated to each loop. When an MPU or MCU core receives its control-loop input data, it can run the algorithm to completion as quickly as possible, provide the reference value for the downstream loop and then continue providing other services until the next set of input data is ready.

MPUs and MCUs with higher raw performance can finish the control processing faster and have more bandwidth available to provide more services and features. Fast processing is especially crucial when cycle times approach 31.25 μ s in a 32-kHz control loop or

when inputs from multiple axes must be processed practically simultaneously.

There are a few options for the strict real-time processing requirements of servo control, including digital signal processors (DSPs), FPGAs and standard Arm® processing cores. Choosing the right processing core can be difficult because there's a balance between flexibility and optimizing control algorithms. In the past, optimizing control algorithms was the No. 1 priority, so DSPs, application-specific integrated circuits (ASICs) and FPGAs were the clear choice.

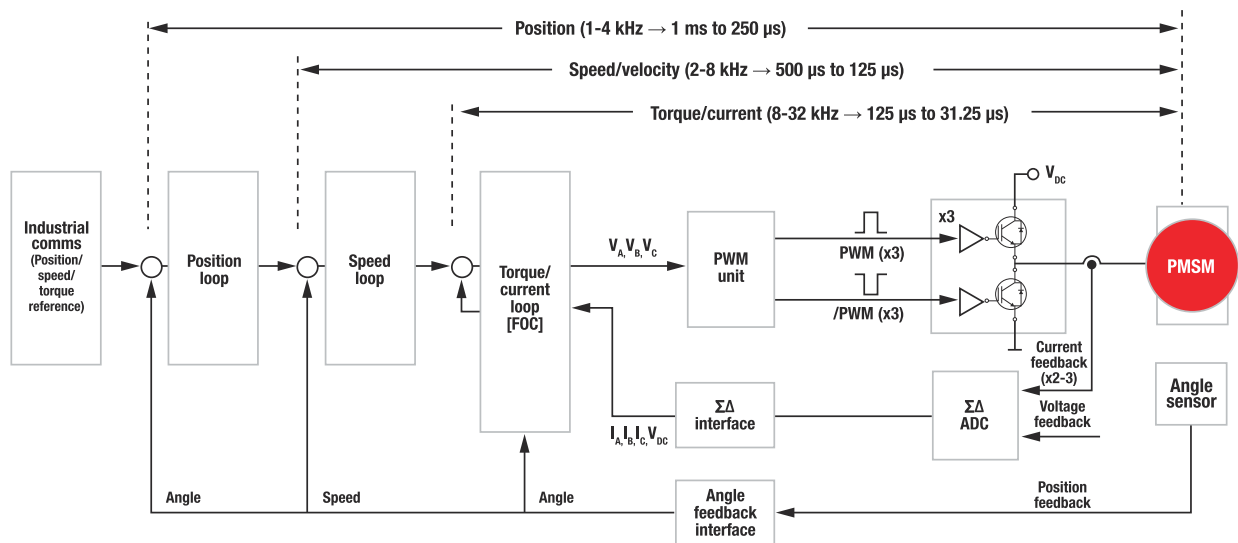


Figure 1. Typical servo motor control loop topology

Now, the need to add Industry 4.0 services to servo drives has resulted in the adoption of standard Arm Cortex®-A and Cortex-R cores. Cortex-A cores can achieve very high bandwidths, which is good for rapid processing, but they lack the real-time component of the Cortex-R, which is why Cortex-R is a better fit than the Cortex-A for real-time control applications, such as servo control. On the other hand, the Cortex-A is much better suited than the Cortex-R for many other services, such as motion control, predictive maintenance or Linux based web service. Fortunately, multicore devices like Sitara AM64x MPU and AM243x MCU can contain all of the processing elements mentioned here, enabling all necessary elements in a single chip.

Industrial communication

Industry 4.0 brings many new and exciting things to the factory, but the rapid adoption of multiprotocol industrial Ethernet is among the most noticeable in the industrial servo drives sector. There are over a dozen different communication protocols on the market for industrial Ethernet, field-bus and position encoders, each with its own pros and cons. EtherCAT®, PROFINET® and EtherNet/IP are the most popular Ethernet-based protocols in the servo drives market, and Hiperface® Digital Servo Link (DSL), EnDat 2.2 and Bidirectional Interface for Serial/Synchronous C (BiSS C) are among the more popular position-encoder protocols.

Many of these protocols have ASICs that you can attach to host processors to support that specific

communication protocol. In some cases, with a multichip solution, the protocol's stack runs on the host processor and the ASIC performs the media access control layer. Manufacturers who only plan to support a single protocol prefer this distributed architecture, since ASICs are typically optimized for that specific communication standard. Once the need to support multiple protocols arises, a multichip solution loses its attractiveness for multiple reasons. Each new protocol requires that you familiarize yourself with a new device (which adds development effort and cost) and manufacturers must maintain several versions of their boards for each of the different protocols.

Solutions such as Sitara MPU and MCU have integrated multiprotocol support onto the host processor, helping save costs, board space and development effort, while also minimizing the latency associated with communication between external components and the host. Devices in the Sitara AM64x processor and AM243x MCU families offer pre-integrated stacks, and can support EtherCAT, Profinet RT/IRT, Ethernet/IP and more. A single platform supporting multiple standards enables you to maintain a single board for the different versions of your end product.

If you need to future-proof your products, you must also take into account the need to support Time Sensitive Networking (TSN). The platform chosen for industrial communication must be flexible enough to adapt to evolving TSN standards, or risk being outdated once the standards are finally set. The Sitara AM6x MPU and AM243x MCU families provide a solution through its flexible programmable real-time industrial communications subsystem (PRU-ICSS), which enables gigabit TSN as well as traditional 100-Mb protocols like EtherCAT.

Functional safety

The trend toward autonomous machine decision making and operation, as well as increased human machine interaction in potentially dangerous factory environments, means that functional safety is becoming more important for many applications in the smart factory, including servo drives. For a detailed description of functional safety standards and how Sitara MPU and MCU play in the industrial environment. For more information, read the white paper, [The state of functional safety in Industry 4.0](#).

System partitions

The cascaded control loops in a servo drive typically span at least two circuit boards, separated by a reinforced isolation boundary. This isolation boundary creates what's referred to as a "hot side" and a "cold side." The hot side is closest to the motor and includes the high-voltage components that supply power to the motor. The cold side is on the other side of the isolation and typically holds the control units.

The modular nature of the various control loops in a motor drive give you many possibilities when partitioning your system across the isolation boundary. [Figure 2](#), [Figure 3](#), and [Figure 4](#) show a few possible partitions of a servo drive.

Figure 2 shows a two-chip solution, with the two system on chips (SoCs) separated by the isolation boundary. This partition is often referred to as a decentralized control architecture. The benefit of this architecture is

that the total time for the field-oriented control loop to get inputs from the motor and return a current is short, because the entire loop runs on the power-stage board.

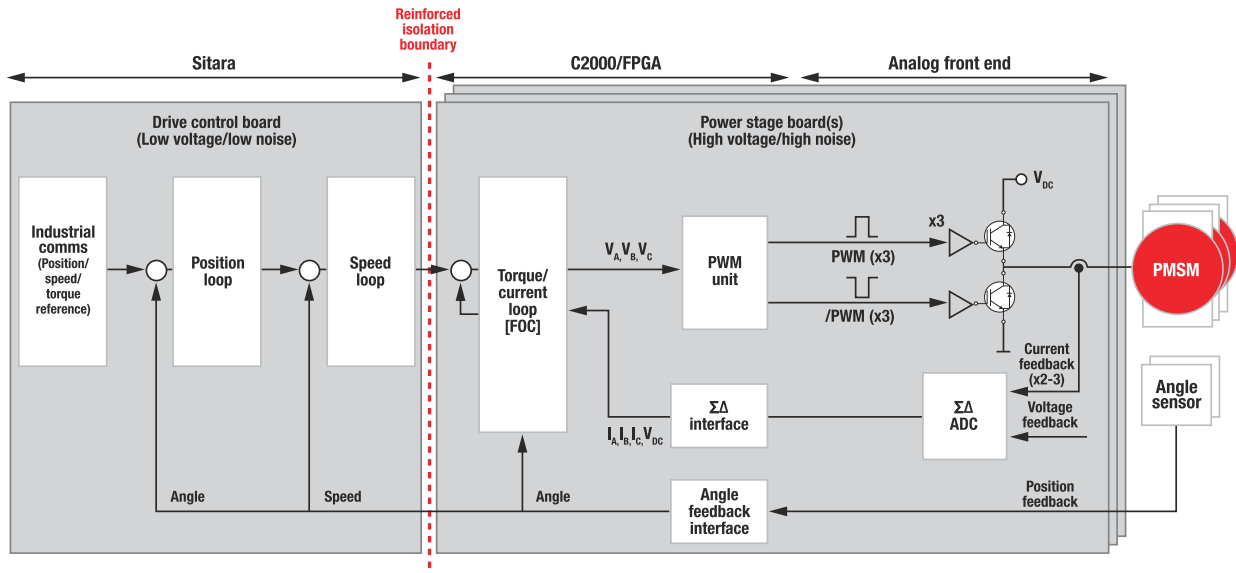


Figure 2. Example of using a Sitara processor/microcontroller to communicate across the isolation boundary to a separate control unit on the hot side of the system

Figure 3 also shows a two-chip solution, but this time both SoCs are on the control board on the cold side. The control loop is split between two SoCs: one handles the algorithm processing and the other acts as an aggregator and provides the pulse-width modulators (PWMs) across

the isolation boundary. A system partition with all of the control logic combined on a single board is often referred to as a centralized control architecture. The benefit of this architecture is that it enables lower-cost power-stage boards, but maintaining the same performance levels as the partition shown in Figure 2 requires a high-speed interface between the two SoCs.

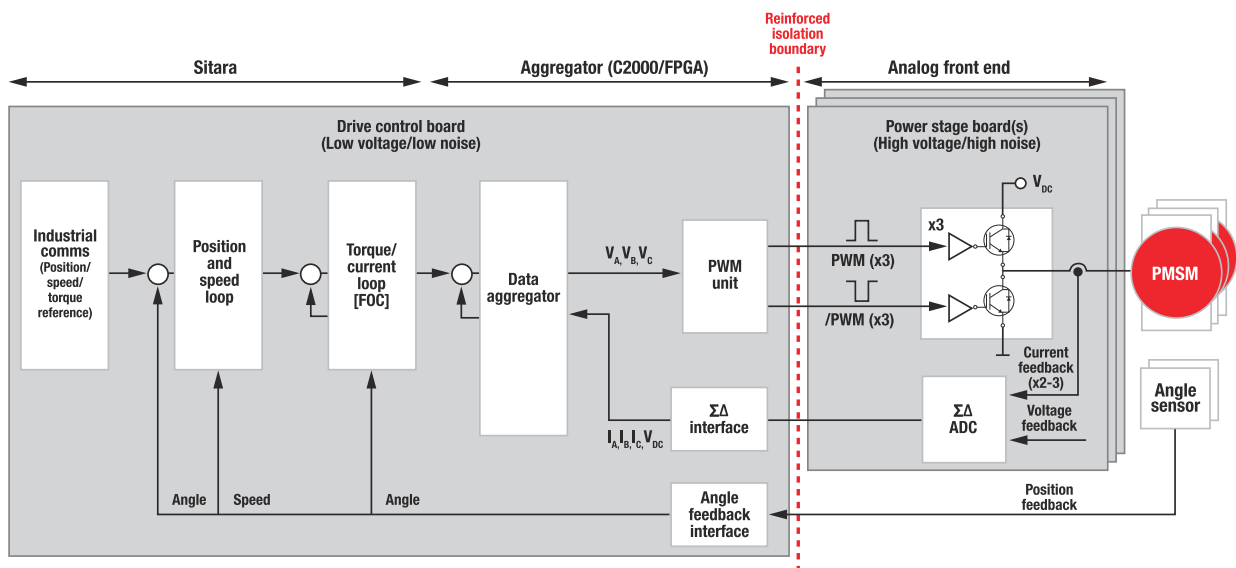


Figure 3. Example of using a Sitara processor/microcontroller as a servo processor with control function offloaded to a C2000™ microcontroller or an FPGA on the cold side of the system

In **Figure 4**, the entire control loop including the PWM and motion profile generation—typically handled by a programmable logic controller (PLC)— is integrated into a single SoC on the cold side. This architecture

enables even more cost savings through integration and eliminates the latency associated with the interface between SoCs.

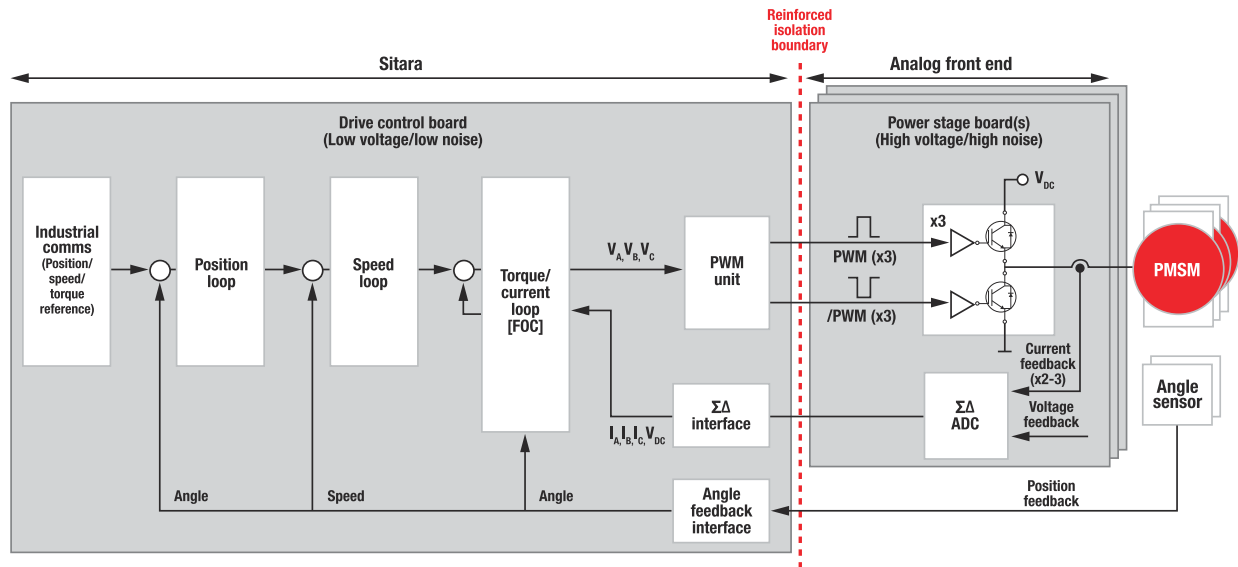


Figure 4. Example of using a Sitara processor/microcontroller to implement full servo control on the cold side

Solutions from Texas Instruments

The Sitara MPU and MCU families have SoCs to handle everything from standalone industrial communications modules to fully featured multi-axis servo drives for any of the system partitions discussed in this paper. Sitara AMIC processors contain the PRU-ICSS subsystem and have been optimized for stand-alone multiprotocol industrial communications modules. The AM64x and AM243x families take integration to the next level by offering a single-chip solution for multiprotocol industrial communications, real-time motor control, cloud connectivity, and other Industry 4.0 services.

Conclusion

New guidelines and system requirements for servo drives are being introduced with Industry 4.0, making it important for designers to select a solution that fits the needs of current and future servo drives. Devices like Sitara AM64x MPU and AM243x MCU, which include Arm cores and support 100-Mb and 1-Gb industrial networking, are capable of supporting existing

and future servo drives. TI also offers a variety of products, including other Sitara MPU, MCU and C2000™ microcontrollers, to serve the changing needs of the industrial market.

Additional resources

1. Read our white paper, [The state of functional safety in Industry 4.0](#).
2. Check out our demo for [Multiprotocol industrial communications on Sitara AMIC110](#).
3. Read our app note, [Industrial Communication Protocols Supported on Sitara™ Processors](#).
4. Check out the [Sitara AM6442 MPU](#) and [Sitara AM2432 MCU](#).
5. Read the white paper, [Revolutionizing performance in real-time control, networking and analytics with Sitara™ AM2x MCUs](#).

Important Notice: The products and services of Texas Instruments Incorporated and its subsidiaries described herein are sold subject to TI's standard terms and conditions of sale. Customers are advised to obtain the most current and complete information about TI products and services before placing orders. TI assumes no liability for applications assistance, customer's applications or product designs, software performance, or infringement of patents. The publication of information regarding any other company's products or services does not constitute TI's approval, warranty or endorsement thereof.

Sitara™ and C2000™ are trademarks of Texas Instruments.
Arm® and Cortex® are registered trademarks of Arm Limited (or its subsidiaries) in the US and/or elsewhere.
All trademarks are the property of their respective owners.

IMPORTANT NOTICE AND DISCLAIMER

TI PROVIDES TECHNICAL AND RELIABILITY DATA (INCLUDING DATASHEETS), DESIGN RESOURCES (INCLUDING REFERENCE DESIGNS), APPLICATION OR OTHER DESIGN ADVICE, WEB TOOLS, SAFETY INFORMATION, AND OTHER RESOURCES "AS IS" AND WITH ALL FAULTS, AND DISCLAIMS ALL WARRANTIES, EXPRESS AND IMPLIED, INCLUDING WITHOUT LIMITATION ANY IMPLIED WARRANTIES OF MERCHANTABILITY, FITNESS FOR A PARTICULAR PURPOSE OR NON-INFRINGEMENT OF THIRD PARTY INTELLECTUAL PROPERTY RIGHTS.

These resources are intended for skilled developers designing with TI products. You are solely responsible for (1) selecting the appropriate TI products for your application, (2) designing, validating and testing your application, and (3) ensuring your application meets applicable standards, and any other safety, security, or other requirements. These resources are subject to change without notice. TI grants you permission to use these resources only for development of an application that uses the TI products described in the resource. Other reproduction and display of these resources is prohibited. No license is granted to any other TI intellectual property right or to any third party intellectual property right. TI disclaims responsibility for, and you will fully indemnify TI and its representatives against, any claims, damages, costs, losses, and liabilities arising out of your use of these resources.

TI's products are provided subject to TI's Terms of Sale (<https://www.ti.com/legal/termsofsale.html>) or other applicable terms available either on [ti.com](https://www.ti.com) or provided in conjunction with such TI products. TI's provision of these resources does not expand or otherwise alter TI's applicable warranties or warranty disclaimers for TI products.

Mailing Address: Texas Instruments, Post Office Box 655303, Dallas, Texas 75265
Copyright © 2021, Texas Instruments Incorporated