

# CDCDB400 DB800ZL-Compliant 4-Output Clock Buffer for PCIe Gen 1 to Gen 7

## 1 Features

- 4 LP-HCSL outputs with programmable integrated 85Ω (default) or 100Ω differential output terminations
- 4 hardware output enable (OE#) controls
- Additive phase jitter after PCIE Gen 7 filter: 11.3fs, RMS (maximum)
- Additive phase jitter after PCIE Gen 6 filter: 16.1fs, RMS (maximum)
- Additive phase jitter after PCIE Gen 5 filter: 25fs, RMS (maximum)
- Additive phase jitter after DB2000Q filter: 38fs, RMS (maximum)
- Supports Common Clock (CC) and Individual Reference (IR) architectures
  - Spread spectrum-compatible
- Output-to-output skew: < 50ps
- Input-to-output delay: < 3ns
- Fail-safe input
- Programmable output slew rate control
- 3 selectable SMBus addresses
- 3.3V core and IO supply voltages
- Hardware-controlled low power mode (PD#)
- Current consumption: 46mA maximum
- 5mm × 5mm, 32-pin VQFN package

## 2 Applications

- [Microserver & tower server](#)
- [Storage area network & host bus adapter card](#)
- [Network attached storage](#)
- [Hardware accelerator](#)
- [Rack server](#)
- [Communications switch](#)
- [Computer on module](#)
- [CT & PET scanners](#)
- [Rugged PC laptop](#)

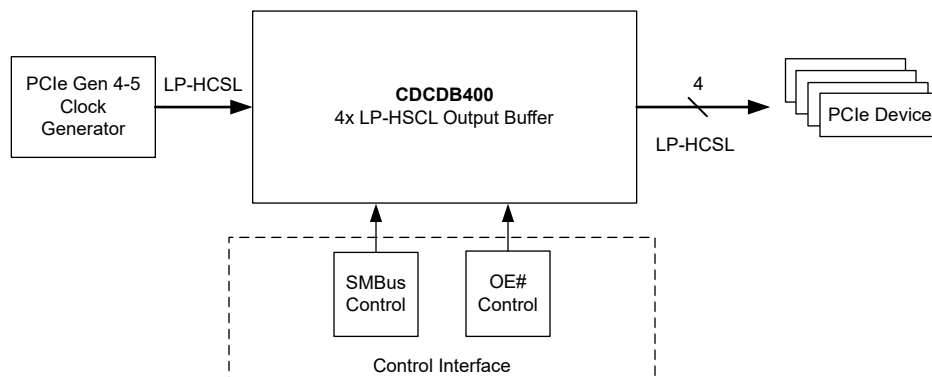
## 3 Description

The CDCDB400 is a 4-output LP-HCSL, DB800ZL-compliant, clock buffer capable of distributing the reference clock for PCIe Gen 1-7, QuickPath Interconnect (QPI), UPI, SAS, and SATA interfaces in CC, SRNS, or SRIS architectures. The SMBus interface and four output enable pins allow the configuration and control of all four outputs individually. The CDCDB400 is a DB800ZL derivative buffer and meets or exceeds the system parameters in the DB800ZL specification. The device also meets or exceeds the parameters in the DB2000Q specification. The CDCDB400 is packaged in a 5mm × 5mm, 32-pin VQFN package.

### Package Information

PART NUMBER	PACKAGE <sup>(1)</sup>	PACKAGE SIZE <sup>(2)</sup>
CDCDB400	VQFN (32)	5.00mm × 5.00mm

- (1) For all available packages, see the orderable addendum at the end of the data sheet.
- (2) The package size (length × width) is a nominal value and includes pins, where applicable.



**CDCDB400 System Diagram**

## Table of Contents

<b>1 Features</b> .....	<b>1</b>	<b>8 Register Maps</b> .....	<b>15</b>
<b>2 Applications</b> .....	<b>1</b>	8.1 CDCDB400 Registers.....	15
<b>3 Description</b> .....	<b>1</b>	<b>9 Application and Implementation</b> .....	<b>19</b>
<b>4 Pin Configuration and Functions</b> .....	<b>3</b>	9.1 Application Information.....	19
<b>5 Specifications</b> .....	<b>5</b>	9.2 Typical Application.....	19
5.1 Absolute Maximum Ratings.....	5	9.3 Power Supply Recommendations.....	20
5.2 ESD Ratings.....	5	9.4 Layout.....	21
5.3 Recommended Operating Conditions.....	5	<b>10 Device and Documentation Support</b> .....	<b>24</b>
5.4 Thermal Information.....	5	10.1 Device Support.....	24
5.5 Electrical Characteristics.....	6	10.2 Documentation Support.....	24
5.6 Timing Requirements.....	8	10.3 Receiving Notification of Documentation Updates.....	24
5.7 Typical Characteristics.....	9	10.4 Support Resources.....	24
<b>6 Parameter Measurement Information</b> .....	<b>10</b>	10.5 Trademarks.....	24
<b>7 Detailed Description</b> .....	<b>11</b>	10.6 Electrostatic Discharge Caution.....	24
7.1 Overview.....	11	10.7 Glossary.....	24
7.2 Functional Block Diagram.....	11	<b>11 Revision History</b> .....	<b>24</b>
7.3 Feature Description.....	11	<b>12 Mechanical, Packaging, and Orderable Information</b> .....	<b>25</b>
7.4 Device Functional Modes.....	12		
7.5 Programming.....	13		

## 4 Pin Configuration and Functions

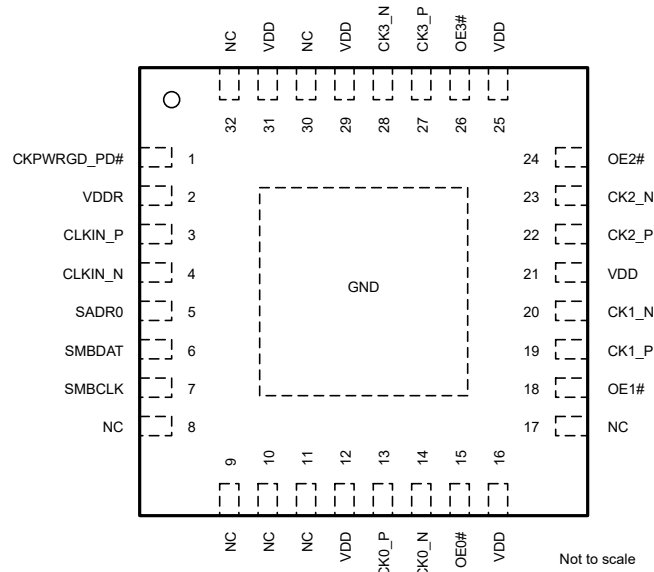


Figure 4-1. CDCDB400 RHB Package 32-Pin VQFN Top View

Table 4-1. Pin Functions

PIN		TYPE <sup>(2)</sup>	DESCRIPTION
NAME	NO.		
<b>INPUT CLOCK</b>			
CLKIN_P	3	I	LP-HCSL differential clock input. Typically connected directly to the differential output of clock source.
CLKIN_N	4	I	
<b>OUTPUT CLOCKS</b>			
CK0_P	13	O	LP-HCSL differential clock output of channel 0. Typically connected directly to PCIe differential clock input. If unused, the pins can be left no connect.
CK0_N	14	O	
CK1_P	19	O	LP-HCSL differential clock output of channel 1. Typically connected directly to PCIe differential clock input. If unused, the pins can be left no connect.
CK1_N	20	O	
CK2_P	22	O	LP-HCSL differential clock output of channel 2. Typically connected directly to PCIe differential clock input. If unused, the pins can be left no connect.
CK2_N	23	O	
CK3_P	27	O	LP-HCSL differential clock output of channel 3. Typically connected directly to PCIe differential clock input. If unused, the pins can be left no connect.
CK3_N	28	O	
<b>MANAGEMENT AND CONTROL <sup>(1)</sup></b>			
CKPWRGD_PD#	1	I, S, PD	Clock Power Good and Power Down multi-function input pin with internal 180kΩ pulldown. Typically connected to GPIO of microcontroller. If unused, the pin can be left no connect. After PWRGD has been asserted high for the first time, the pin becomes a PD# pin and the pin controls power-down mode: LOW: Power-down mode, all output channels tri-stated. HIGH: Normal operation mode.

**Table 4-1. Pin Functions (continued)**

PIN		TYPE <sup>(2)</sup>	DESCRIPTION
NAME	NO.		
OE0#	15	I, S, PD	Output Enable for channel 0 with internal 180kΩ pulldown, active low. Typically connected to GPIO of microcontroller. If unused, the pin can be left no connect. LOW: enable output channel 0. HIGH: disable output channel 0.
OE1#	18	I, S, PD	Output Enable for channel 1 with internal 180kΩ pulldown, active low. Typically connected to GPIO of microcontroller. If unused, the pin can be left no connect. LOW: enable output channel 1. HIGH: disable output channel 1.
OE2#	24	I, S, PD	Output Enable for channel 2 with internal 180kΩ pulldown, active low. Typically connected to GPIO of microcontroller. If unused, the pin can be left no connect. LOW: enable output channel 2. HIGH: disable output channel 2.
OE3#	26	I, S, PD	Output Enable for channel 3, with internal 180kΩ pulldown, active low. Typically connected to GPIO of microcontroller. If unused, the pin can be left no connect. LOW: enable output channel 3. HIGH: disable output channel 3.
<b>SMBUS AND SMBUS ADDRESS</b>			
SADR0	5	I, S, PU / PD	SMBus address strap bit. This is a 3-level input that is decoded in conjunction with pin B8 to set SMBus address. The pin has internal 180kΩ pullup / pulldown network biasing to GND when no connect. For a high-level input configuration, the pin must be pulled up to 3.3V VDD through an external pullup resistor from 1k to 5k with 5% tolerance. For a low-level input configuration input, the pin must be pulled down to ground through an external pulldown resistor from 1k to 5k with 5% tolerance. For a mid-level input configuration, the pin must be left floating and not connected to VDD or ground.
SMBDAT	6	I / O	Data pin of SMBus interface. Typically pulled up to 3.3V VDD using external pullup resistor. The recommended pullup resistor value is > 8.5k.
SMBCLK	7	I	Clock pin of SMBus interface. Typically pulled up to 3.3V VDD using external pullup resistor. The recommended pullup resistor value is > 8.5k.
<b>SUPPLY VOLTAGE AND GROUND</b>			
VDDR	2	P	Power supply input for input clock receiver. Connect to 3.3V power supply rail with decoupling capacitor to GND. Place a 0.1μF capacitor close to each supply pin between power supply and ground.
VDD	12, 16, 21, 25, 29, 31	P	3.3V power supply for output channels and core voltage.
GND	DAP	G	Ground. Connect ground pad to system ground.
<b>NO CONNECT</b>			
NC	8, 9, 10, 11, 17, 30	—	Do not connect pins to GND or VDD. Leave floating.
NC	32	—	Pin can be connected to GND, VDD, or otherwise tied to any potential within the Supply Voltage range stated in the Absolute Maximum Ratings.

(1) The “#” symbol at the end of a pin name indicates that the active state occurs when the signal is at a low voltage level. When “#” is not present, the signal is active high.

(2) The definitions below define the I/O type for each pin.

- I = Input
- O = Output
- I / O = Input / Output
- PU / PD = Internal 180kΩ pullup / Pulldown network biasing to VDD/2
- PD = Internal 180kΩ pulldown
- S = Hardware Configuration Pin
- P = Power Supply
- G = Ground

## 5 Specifications

### 5.1 Absolute Maximum Ratings

over operating free-air temperature range (unless otherwise noted)<sup>(1)</sup>

		MIN	MAX	UNIT
V <sub>DD</sub> , V <sub>DD_R</sub>	Power supply voltage	-0.3	3.6	V
V <sub>IN</sub>	IO input voltage	-0.3	3.6	V
T <sub>J</sub>	Junction temperature		125	°C
T <sub>stg</sub>	Storage temperature	-65	150	°C

- (1) Operation outside the *Absolute Maximum Ratings* may cause permanent device damage. *Absolute Maximum Ratings* do not imply functional operation of the device at these or any other conditions beyond those listed under *Recommended Operating Conditions*. If used outside the *Recommended Operating Conditions* but within the *Absolute Maximum Ratings*, the device may not be fully functional, and this may affect device reliability, functionality, performance, and shorten the device lifetime.

### 5.2 ESD Ratings

			VALUE	UNIT
V <sub>(ESD)</sub>	Electrostatic discharge	Human body model (HBM), per ANSI/ESDA/JEDEC JS-001, all pins <sup>(1)</sup>	±3500	V
		Charged device model (CDM), per JEDEC specification JESD22-C101, all pins <sup>(2)</sup>	±1000	

- (1) JEDEC document JEP155 states that 500VHBM allows safe manufacturing with a standard ESD control process.  
 (2) JEDEC document JEP157 states that 250VCDM allows safe manufacturing with a standard ESD control process.

### 5.3 Recommended Operating Conditions

over operating free-air temperature range (unless otherwise noted)

		MIN	NOM	MAX	UNIT
V <sub>DD</sub>	IO, Core supply voltage	3	3.3	3.6	V
V <sub>DD_R</sub>	Input supply voltage	3	3.3	3.6	V
T <sub>A</sub>	Ambient temperature	-40		105	°C

### 5.4 Thermal Information

THERMAL METRIC <sup>(1)</sup>		CDCDB400	UNIT
		RHB (QFN)	
		32 PINS	
R <sub>θJA</sub>	Junction-to-ambient thermal resistance	35.3	°C/W
R <sub>θJC(top)</sub>	Junction-to-case (top) thermal resistance	27.3	°C/W
R <sub>θJB</sub>	Junction-to-board thermal resistance	16.2	°C/W
Ψ <sub>JT</sub>	Junction-to-top characterization parameter	0.6	°C/W
Ψ <sub>JB</sub>	Junction-to-board characterization parameter	16.2	°C/W
R <sub>θJC(bot)</sub>	Junction-to-case (bottom) thermal resistance	6.1	°C/W

- (1) For more information about traditional and new thermal metrics, see the [Semiconductor and IC Package Thermal Metrics](#) application note.

## 5.5 Electrical Characteristics

VDD, VDD\_R = 3.3V ±5 %, -40°C ≤ T<sub>A</sub> ≤ 85°C. Typical values are at VDD = VDD\_R = 3.3V, 25°C (unless otherwise noted)

PARAMETER		TEST CONDITIONS		MIN	TYP	MAX	UNIT
<b>CURRENT CONSUMPTION</b>							
I <sub>DD_R</sub>	Core supply current	Active mode. CKPWRGD_PD# = 1				8.5	mA
		Power down mode. CKPWRGD_PD# = 0				2	
I <sub>DD</sub>	IO supply current	All outputs disabled				18	mA
		All outputs active, 100MHz (Per output)				8.5	
		Power down mode. CKPWRGD_PD# = 0				1.5	
<b>CLOCK INPUT</b>							
f <sub>IN</sub>	Input frequency			50	100	250	MHz
V <sub>IN</sub>	Input voltage swing	Differential voltage between CLKIN_P and CLKIN_N <sup>(1)</sup>		200		2300	mV <sub>Diff-peak</sub>
dV/dt	Input voltage edge rate	20% - 80% of input swing		0.7			V/ns
DV <sub>CROSS</sub>	Total variation of V <sub>CROSS</sub>	Total variation across V <sub>CROSS</sub>			140		mV
DC <sub>IN</sub>	Input duty cycle			40		60	%
C <sub>IN</sub>	Input capacitance <sup>(2)</sup>	Differential capacitance between CLKIN_P and CLKIN_N pins			2.2		pF
<b>CLOCK OUTPUT</b>							
f <sub>OUT</sub>	Output frequency			50	100	250	MHz
C <sub>OUT</sub>	Output capacitance <sup>(1)</sup>	Differential capacitance between CKx_P and CKx_N pins			4		pF
V <sub>OH</sub>	Output high voltage	Single-ended <sup>(2) (3)</sup>		225		270	mV
V <sub>OL</sub>	Output low voltage			10		150	
V <sub>HIGH</sub>	Output high voltage	Measured into an AC load as defined in DB800ZL		660		850	
V <sub>LOW</sub>	Output low voltage	Measured into an AC load as defined in DB800ZL		-150		150	
V <sub>MAX</sub>	Output Max voltage	Measured into an AC load as defined in DB800ZL				1150	
V <sub>CROSS</sub>	Crossing point voltage	<sup>(3) (4)</sup>		130		200	
V <sub>CROSSAC</sub>	Crossing point voltage (AC load)	Measured into an AC load as defined in DB800ZL		250		550	
DV <sub>CROSS</sub>	Total variation of V <sub>CROSS</sub>	Variation of V <sub>CROSS</sub> <sup>(3) (4)</sup>			35	140	
V <sub>ovs</sub>	Overshoot voltage	<sup>(3)</sup>				V <sub>OH</sub> +75	
V <sub>ovs(AC)</sub>	Overshoot voltage (AC load)	Measured into an AC load as defined in DB800ZL				V <sub>HIGH</sub> +30 0	
V <sub>uds</sub>	Undershoot voltage	<sup>(3)</sup>				V <sub>OL</sub> -75	
V <sub>uds(AC)</sub>	Undershoot voltage	Measured into an AC load as defined in DB800ZL				V <sub>Low</sub> - 300	mV
V <sub>rb</sub>	Ringback Voltage	Measured into an AC load as defined in DB800ZL and taken from Single Ended waveform.	Measured into an AC load as defined in DB800ZL and taken from Single Ended waveform.	-0.2		0.2	V

VDD, VDD\_R = 3.3V ±5 %, -40°C ≤ T<sub>A</sub> ≤ 85°C. Typical values are at VDD = VDD\_R = 3.3V, 25°C (unless otherwise noted)

PARAMETER		TEST CONDITIONS		MIN	TYP	MAX	UNIT
Z <sub>DIFF</sub>	Differential impedance (Default setting, 85 Ω)	Measured at V <sub>OL</sub> /V <sub>OH</sub>		81	85	89	Ω
	Differential impedance (Output impedance selection bit =1, 100Ω)	Measured at V <sub>OL</sub> /V <sub>OH</sub>		95	100	105	
Z <sub>DIFF_CROSS</sub>	Differential impedance (Default setting, 85Ω)	Measured at V <sub>CROSS</sub>		68	85	102	
	Differential impedance (Output impedance selection bit = 1, 100Ω)	Measured at V <sub>CROSS</sub>		80	100	120	
t <sub>EDGE</sub>	Differential edge rate	Measured (±150mV) around V <sub>CROSS</sub> <sup>(7)</sup>		2		4	V/ns
D <sub>EDGE</sub>	Edge rate matching	Measured (±150mV) V <sub>CROSS</sub> <sup>(7)</sup>				20	%
t <sub>STABLE</sub>	Power good assertion to stable clock output	CKPWRGD_PD# pin transitions from 0 to 1, f <sub>IN</sub> = 100MHz	Measured when positive output reaches 0.2V			1.8	ms
t <sub>DRIVE_PD#</sub>	Power good assertion to outputs driven high	CKPWRGD_PD# pin transitions from 0 to 1, f <sub>IN</sub> = 100MHz	Measured when positive output reaches 0.2V			300	μs
t <sub>OE</sub>	Output enable assertion to stable clock output	OEx# pin transitions from 1 to 0				10	CLKIN Periods
t <sub>OD</sub>	Output enable de-assertion to no clock output	OEx# pin transitions from 0 to 1				10	
t <sub>PD</sub>	Power down assertion to no clock output	CKPWRGD_PD# pin transitions from 1 to 0				3	
t <sub>DCD</sub>	Duty cycle distortion	Differential; f <sub>IN</sub> = 100MHz, f <sub>IN_DC</sub> = 50%		-1		1	%
t <sub>DLY</sub>	Propagation delay	<sup>(5)</sup>		0.5		3	ns
t <sub>SKEW</sub>	Skew between outputs	<sup>(6)</sup>				50	ps
t <sub>DELAY(IN-OUT)</sub>	Input to output delay variation	Input-to-output delay variation at 100MHz across voltage and temperature		-250		250	ps
J <sub>CKX_PCIE</sub> <sup>(7)</sup>	Additive jitter for DB2000QL	DB2000QL filter, for input of 200mV differential swing at 1.5V/ns				38	fs, RMS
	Additive jitter for PCIe7.0	PCIe7.0 filter	PCIe7.0 filter			11.3	
	Additive jitter for PCIe6.0	PCIe6.0 filter				16.1	
	Additive jitter for PCIe5.0		PCIe5.0 filter			26.4	
	Additive jitter for PCIe4.0	PCIe5.0 filter	Input clock slew rate ≥ 1.8V/ns			63.0	
J <sub>CKX_PCIE</sub> <sup>(7)</sup>	Additive jitter for PCIe3.0	PLL BW = 2 to 5MHz; CDR = 10MHz	Input clock slew rate ≥ 0.6V/ns			0.1	ps, RMS
J <sub>CKX</sub>	Additive jitter	f <sub>IN</sub> = 100MHz; slew rate ≥ 3V/ns; 12kHz to 20MHz integration bandwidth.			100	160	fs, RMS
NF	Noise floor	f <sub>IN</sub> = 100MHz; f <sub>Offset</sub> ≥ 10MHz	Input clock slew rate ≥ 3V/ns		-160	-155	dBc/Hz
<b>SMBUS INTERFACE, OEx#, CKPWRGD_PD#</b>							
V <sub>IH</sub>	High level input voltage			2.0			V
V <sub>IL</sub>	Low level input voltage					0.8	

VDD, VDD\_R = 3.3V ± 5 %, -40°C ≤ T<sub>A</sub> ≤ 85°C. Typical values are at VDD = VDD\_R = 3.3V, 25°C (unless otherwise noted)

PARAMETER		TEST CONDITIONS		MIN	TYP	MAX	UNIT
I <sub>IH</sub>	Input leakage current	With internal pull-up/pull-down	GND ≤ V <sub>IN</sub> ≤ V <sub>DD</sub>	-30		30	μA
I <sub>IL</sub>	Input leakage current	With internal pull-up/pull-down	GND ≤ V <sub>IN</sub> ≤ V <sub>DD</sub>	-30		30	μA
I <sub>IH</sub>	Input leakage current	Without internal pull-up/pull-down	GND ≤ V <sub>IN</sub> ≤ V <sub>DD</sub>	-5		5	μA
I <sub>IL</sub>	Input leakage current	Without internal pull-up/pull-down	GND ≤ V <sub>IN</sub> ≤ V <sub>DD</sub>	-5		5	μA
C <sub>IN</sub>	Input capacitance				4.5		pF
C <sub>OUT</sub>	Output capacitance				4.5		pF
<b>3-LEVEL DIGITAL INTERFACE (SADR0)</b>							
V <sub>IH</sub>	High level input voltage			2.3			V
V <sub>IM</sub>	Mid level input voltage			1.25	V <sub>DD</sub> /2	1.725	
V <sub>IL</sub>	Low level input voltage					0.85	
I <sub>IH</sub>	Input leakage current	With internal pull-up/pull-down	V <sub>IN</sub> = V <sub>DD</sub>	-30		30	μA
I <sub>IL</sub>	Input leakage current	With internal pull-up/pull-down	V <sub>IN</sub> = GND	-30		30	μA
C <sub>IN</sub>	Input capacitance <sup>(1)</sup>				4.5		pF

- (1) Voltage swing includes overshoot.
- (2) Not tested in production. Verified by design and characterization.
- (3) Measured into DC test load.
- (4) V<sub>CROSS</sub> is single-ended voltage when CK<sub>x</sub>\_P = CK<sub>x</sub>\_N with respect to system ground. Only valid on rising edge of CK<sub>x</sub>, when CK<sub>x</sub>\_P is rising.
- (5) Measured from rising edge of CLK\_IN to any CK<sub>x</sub> output.
- (6) Measured from rising edge of any CK<sub>x</sub> output to any other CK<sub>x</sub> output.
- (7) Measured into AC test load.

## 5.6 Timing Requirements

VDD, VDD\_R = 3.3V ± 5 %, -40°C ≤ T<sub>A</sub> ≤ 85 °C. Typical values are at VDD = VDD\_R = 3.3 V, 25°C (unless otherwise noted)

			MIN	NOM	MAX	UNIT
<b>SMBUS COMPATIBLE INTERFACE TIMING</b>						
f <sub>SMB</sub>	SMBus operating frequency		10		400	kHz
t <sub>BUF</sub>	Bus free time between STOP and START		4.7			μs
t <sub>HD_STA</sub>	START condition hold time	SMBCLK low after SMBDAT low	4			
t <sub>SU_STA</sub>	START condition setup time	SMBCLK high before SMBDAT low	4.7			
t <sub>SU_STO</sub>	STOP condition setup time		4			
t <sub>HD_DAT</sub>	SMBDAT hold time		300			ns
t <sub>SU_DAT</sub>	SMBDAT setup time		250			
t <sub>TIMEOUT</sub>	Detect SMBCLK low timeout	In terms of device input clock frequency	1e6			cycles
t <sub>LOW</sub>	SMBCLK low period		4.7			μs
t <sub>HIGH</sub>	SMBCLK high period		4		50	
t <sub>F</sub>	SMBCLK/SMBDAT fall time <sup>(1)</sup>				300	ns
t <sub>R</sub>	SMBCLK/SMBDAT rise time <sup>(2)</sup>				1000	

- (1) T<sub>F</sub> = (VIHMIN + 0.15) to (VILMAX - 0.15)
- (2) T<sub>R</sub> = (VILMAX - 0.15) to (VIHMIN + 0.15)



## 5.7 Typical Characteristics

Figure 5-1 shows both the phase noise of the source as well as the output of the DUT (CDCDB400). The phase noise plot shows that the DUT has a very low phase noise profile with total jitter of 81.5fs, rms. By rms subtracting the clock reference noise, the additive jitter of CDCDB400 under typical conditions is lower than 81.5fs, rms.

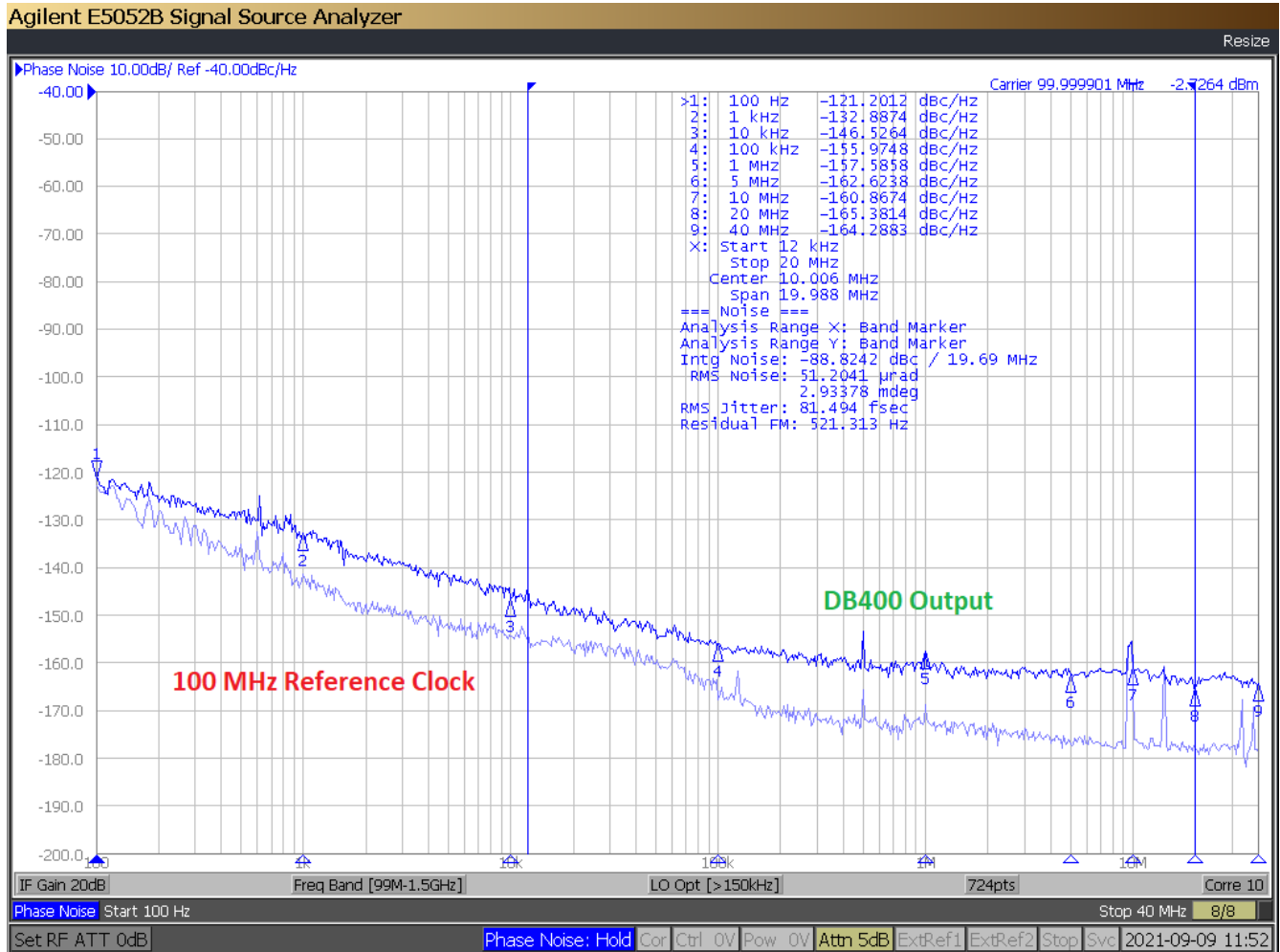


Figure 5-1. CDCDB400 Clock Out (CK0:4) Phase Noise

## 6 Parameter Measurement Information

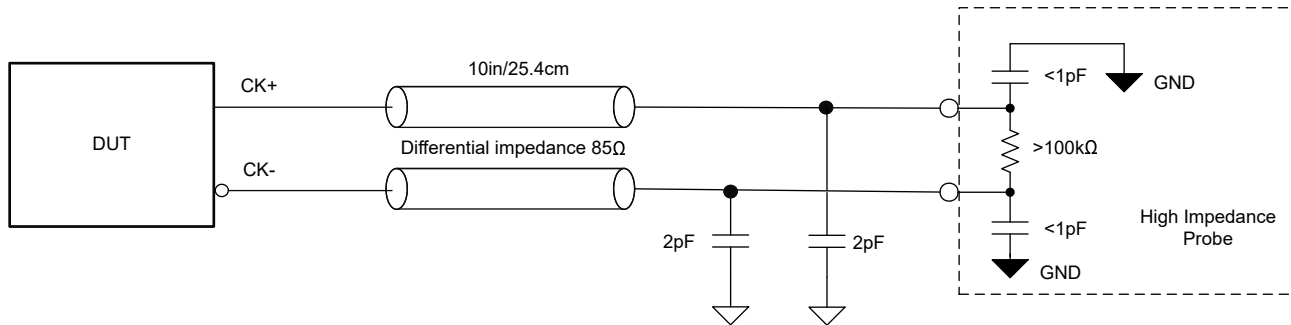
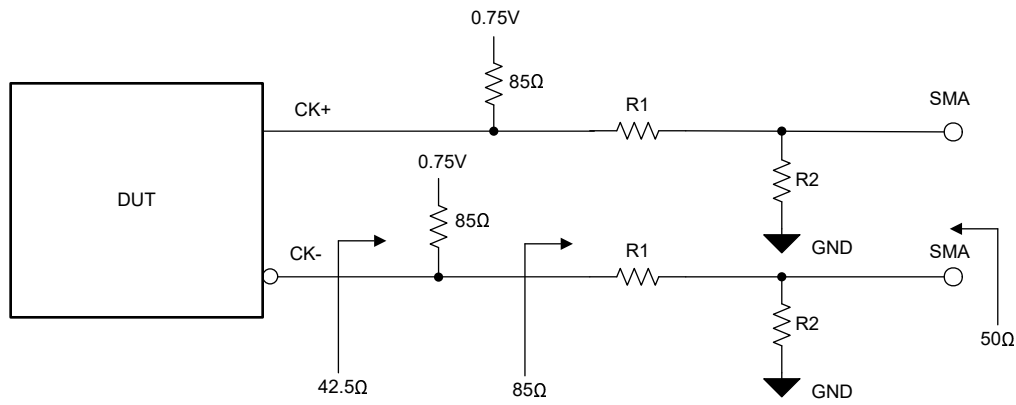


Figure 6-1. AC Test Load (Referencing Intel DB2000QL Document)



R1 = 47Ω and R2 = 147Ω.

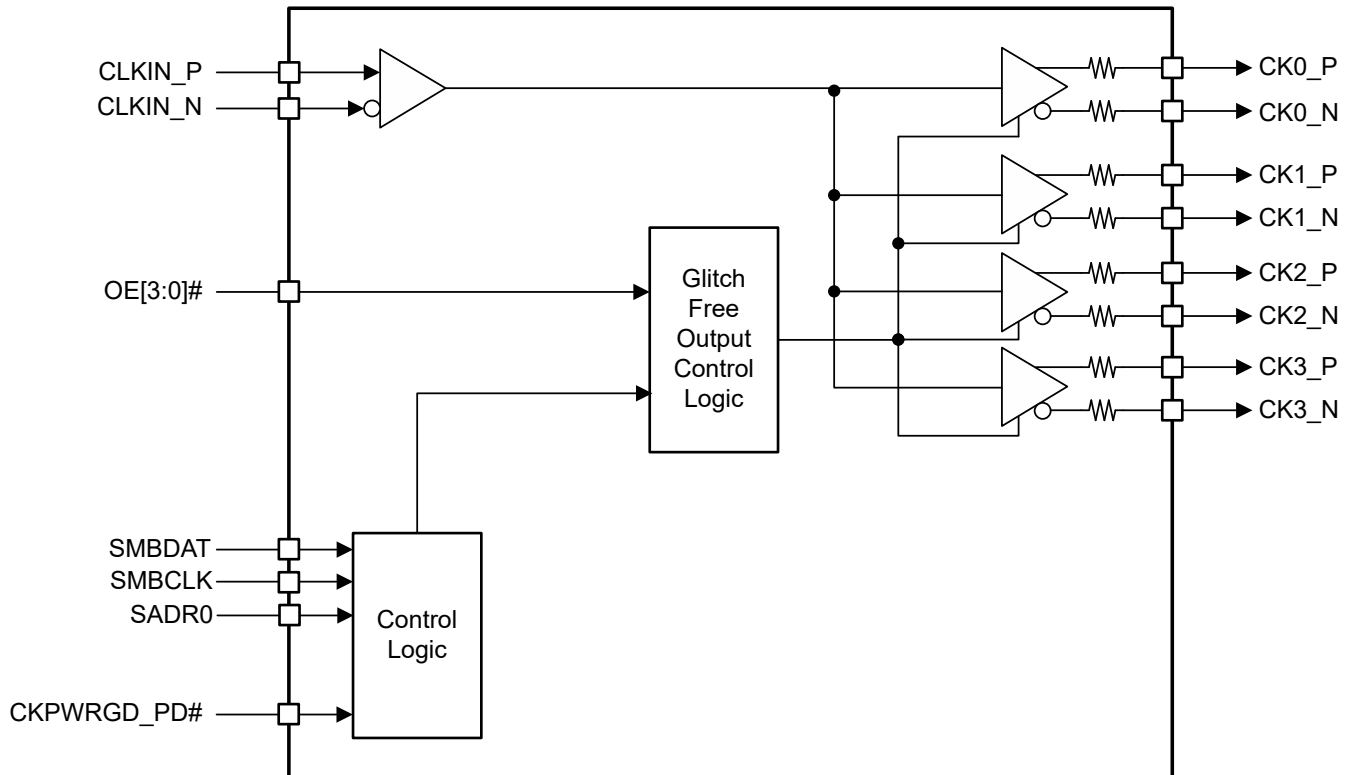
Figure 6-2. DC Simulation Load (Referencing Intel DB2000QL Document)

## 7 Detailed Description

### 7.1 Overview

The CDCDB400 is a low additive-jitter, low propagation delay clock buffer designed to meet the strict performance requirements for PCIe Gen 1-7, QPI, UPI, SAS, and SATA reference clocks in CC, SRNS, or SRIS architectures. The CDCDB400 allows buffering and replication of a single clock source to up to four individual outputs in the LP-HCSL format. The CDCDB400 also includes status and control registers accessible by an SMBus version 2.0 compliant interface. The device integrates a large amount of external passive components to reduce overall system cost.

### 7.2 Functional Block Diagram



### 7.3 Feature Description

#### 7.3.1 Fail-Safe Input

The CDCDB400 is designed to support fail-safe input operation feature. This feature allows the user to drive the device inputs before  $V_{DD}$  is applied without damaging the device. Refer to the [Absolute Maximum Ratings](#) table for more information on the maximum input supported by the device.

#### 7.3.2 Output Enable Control

The CDCDB400 uses SMBus and OE# to control the state of the output channels. The OE# pins control the state of the output with the same number. For example, the OE3# pin controls the state of the CK3 output driver. The SMBus registers can enable or disable the output when the corresponding OE# pin is held low.

#### 7.3.3 SMBus

The CDCDB400 has an SMBus interface that is active only when CKPWRGD\_PD# = 1. The SMBus allows individual enable/disable of each output.

When CKPWRGD\_PD# = 0, the SMBus pins are placed in a Hi-Z state, but all register settings are retained. The SMBus register values are only retained while  $V_{DD}$  remains inside of the recommended operating voltage.

### 7.3.3.1 SMBus Address Assignment

The SMBus address is assigned by configuring the SADR0 pin which is capable of supporting three levels. This configuration allows the CDCDB400 to assume three different SMBus addresses.

The SMBus address pin is sampled when PWRGD is set to 1. See [Table 7-1](#) for address pin configuration. The address can only be changed by power cycling the device.

**Table 7-1. SMBus Address Assignment**

SADR0	SMBus ADDRESS : WRITE OPERATION (READ/WRITE=0)	SMBus ADDRESS : READ OPERATION (READ/WRITE=1)
L	0xD8	0xD9
M	0xDA	0xDB
H	0xDE	0xDF

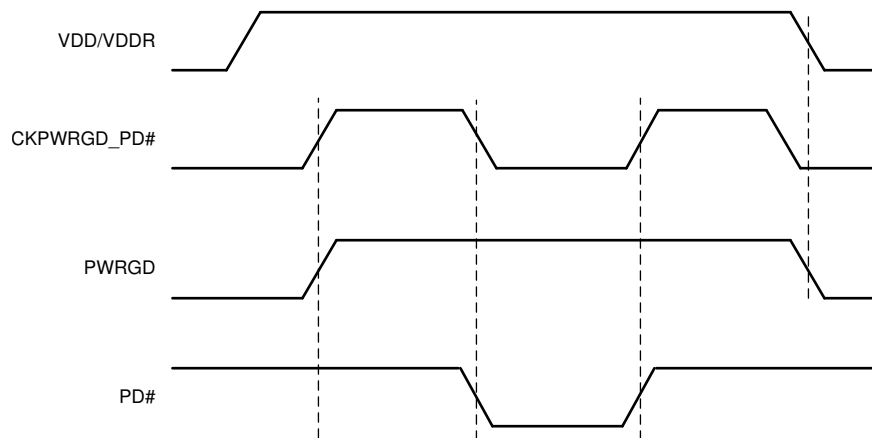
## 7.4 Device Functional Modes

### 7.4.1 CKPWRGD\_PD# Function

The CKPWRGD\_PD# pin is used to set two state variables inside of the device: PWRGD and PD#. The PWRGD and PD# variables control which functions of the device are active at any time, as well as the state of the input and output pins.

The PWRGD and PD# states are multiplexed on the CKPWRGD\_PD# pin. CKPWRGD\_PD# must remain below  $V_{OL}$  and not exceed  $V_{DDR} + 0.3V$  until  $V_{DD}$  and  $V_{DDR}$  are present and within the recommended operating conditions. After CKPWRGD\_PD# is set high, a valid CLKIN must be present to use PD#.

The first rising edge of the CKPWRGD\_PD# pin sets PWRGD = 1. After PWRGD is set to 1, the CKPWRGD\_PD# pin is used to assert PD# mode only. PWRGD variable only clears to 0 with the removal of  $V_{DD}$  and  $V_{DDR}$ .



**Figure 7-1. PWRGD and PD# State Changes**

### 7.4.2 OE[3:0]# and SMBus Output Enables

Each output channel, 0 to 3, can be individually enabled or disabled by a SMBus control register bit, called SMB enable bits. Additionally, each output channel has a dedicated, corresponding, OE[3:0]# hardware pin. The OE[3:0]# pins are asynchronously asserted-low signals that can enable or disable the output.

Refer to [Table 7-2](#) for enabling and disabling outputs through the hardware and software. Note that both the SMB enable bit must be a 1 and the OEx# pin must be an input low voltage 0 for the output channel to be active.

**Table 7-2. OE[3:0]# Functionality**

Control Inputs	Power State Variables (Internal)		CLKIN	OE[3:0]# HARDWARE PINS AND SMBus CONTROL REGISTER BITS			CK[3:0]_P/ CK[3:0]_N
	CKPWRGD_PD#	PWRGD		PD#	OE[3:0]#	OUT_EN_CLK[3:0]	
0	0	0	X	X	X	X	LOW/LOW
1	1	1	X <sup>(1)</sup>	X	0	0	LOW/LOW
						1	TRI-STATE
				1	X	0	LOW/LOW
					1	TRI-STATE	
		Running <sup>(1)</sup>	0	1	X	Running	
0	0	0	X <sup>(2)</sup>	X	X	0	LOW/LOW
						1	TRI-STATE

(1) To enter the power-down state, CLKIN must remain active for at least 3 clock cycles after CKPWRGD\_PD# transitions from 1 to 0.

(2) To enter the powered-up state with active clock outputs, CLKIN must be active before CKPWRGD\_PD# transitions from 0 to 1.

### 7.4.3 Output Slew Rate Control

The CDCDB400 provides output slew rate control feature which customer can use to compensate for increased output trace length based on the board design. The slew rate of the 4 outputs, CK0 to CK3, can be changed within a given range by a SMBus control register called CAPTRIM. Refer to [Table 8-13](#) for more information.

### 7.4.4 Output Impedance Control

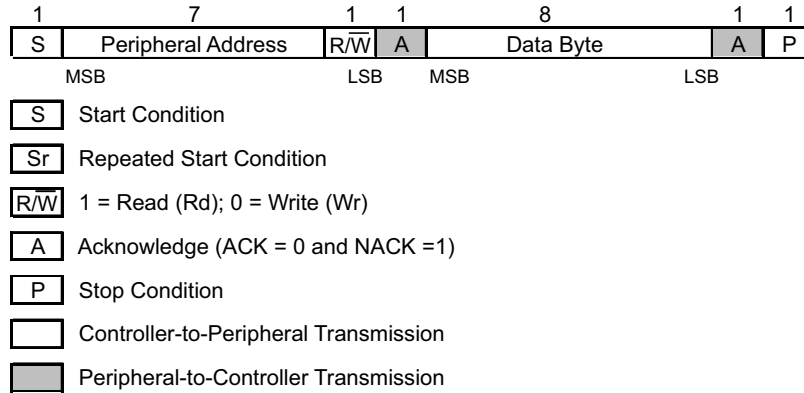
The integrated termination on the CDCDB400 can be programmed either for 85Ω or 100Ω. This flexibility verifies that the customer can use the same device across various applications irrespective of the characteristic board impedance which is typically either 85Ω or 100Ω. This termination resistor can be changed for all the outputs as whole using bit 5 of a register called OUTSET. Refer to [Table 8-11](#) for more information.

## 7.5 Programming

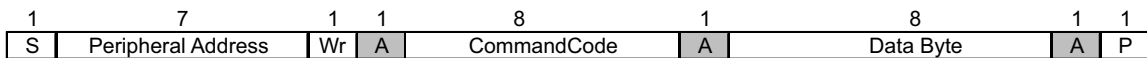
The CDCDB400 uses SMBus to program the states of the four output drivers. See [SMBus](#) for more information on the SMBus programming, and [Register Maps](#) for information on the registers.

**Table 7-3. Command Code Definition**

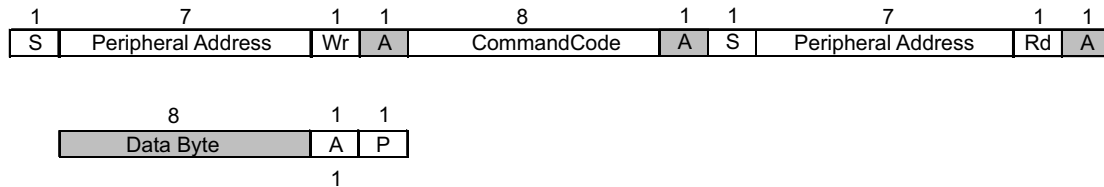
BIT	DESCRIPTION
7	0 = <i>Block Read</i> or <i>Block Write</i> operation 1 = <i>Byte Read</i> or <i>Byte Write</i> operation
(6:0)	Register address for <i>Byte</i> operations, or starting register address for <i>Block</i> , operations



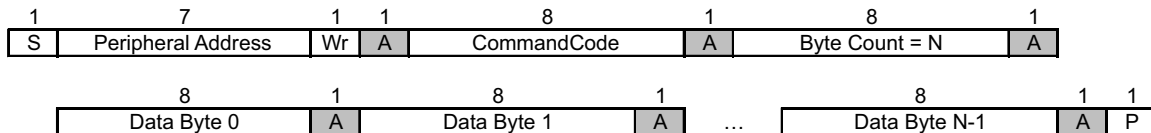
**Figure 7-2. Generic Programming Sequence**



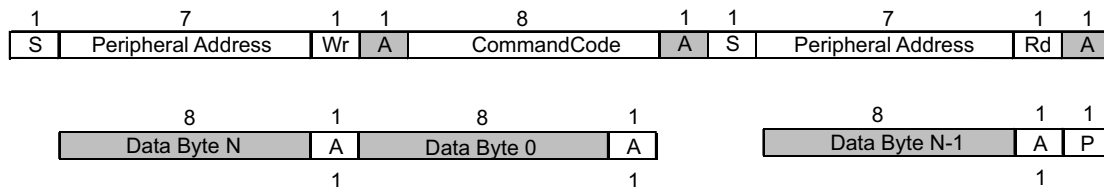
**Figure 7-3. Byte Write Protocol**



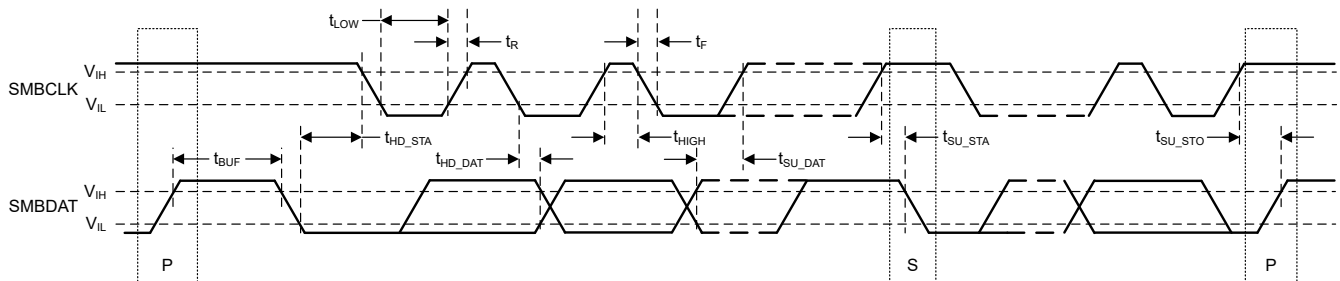
**Figure 7-4. Byte Read Protocol**



**Figure 7-5. Block Write Protocol**



**Figure 7-6. Block Read Protocol**



**Figure 7-7. SMBus Timing Diagram**

## 8 Register Maps

### 8.1 CDCDB400 Registers

Table 8-1 lists the CDCDB400 registers. All register locations not listed in Table 8-1 must be considered as reserved locations and the register contents must not be modified.

**Table 8-1. CDCDB400 Registers**

Address	Acronym	Register Name	Section
0h	RCR1	Reserved Control Register 1	<a href="#">Go</a>
1h	OECR1	Output Enable Control 1	<a href="#">Go</a>
2h	OECR2	Output Enable Control 2	<a href="#">Go</a>
3h	OERDBK	Output Enable# Pin Read Back	<a href="#">Go</a>
4h	RCR2	Reserved Control Register 2	<a href="#">Go</a>
5h	VDRREVID	Vendor/Revision Identification	<a href="#">Go</a>
6h	DEVID	Device Identification	<a href="#">Go</a>
7h	BTRDCNT	Byte Read Count Control	<a href="#">Go</a>
8h	OUTSET	Output Setting Control	<a href="#">Go</a>
4Ch	CAPTRIM	Slew Rate Capacitor Cluster 1 & 2	<a href="#">Go</a>

Complex bit access types are encoded to fit into small table cells. Table 8-2 shows the codes that are used for access types in this section.

**Table 8-2. CDCDB400 Access Type Codes**

Access Type	Code	Description
Read Type		
R	R	Read
Write Type		
W	W	Write
Reset or Default Value		
-n		Value after reset or the default value

#### 8.1.1 RCR1 Register (Address = 0h) [reset = 47h]

RCR1 is shown in Table 8-3.

Return to the [Summary Table](#).

The RCR1 register contains reserved bits.

**Table 8-3. RCR1 Register Field Descriptions**

Bit	Field	Type	Reset	Description
7-4	Reserved	R	4h	Reserved.
3-0	Reserved	R/W	7h	Writing to these bits does not affect the functionality of the device.

#### 8.1.2 OECR1 Register (Address = 1h) [reset = FFh]

OECR1 is shown in Table 8-4.

Return to the [Summary Table](#).

The OECR1 register contains bits that enable or disable individual output clock channels [1:0].

**Table 8-4. OECR1 Register Field Descriptions**

Bit	Field	Type	Reset	Description
7	Reserved	R/W	1h	Writing to this bit does not affect the functionality of the device.
6	Reserved	R/W	1h	Writing to this bit does not affect the functionality of the device.
5	OUT_EN_CLK1	R/W	1h	This bit controls the output enable signal for output channel CK1_P/ CK1_N. 0h = Output Disabled 1h = Output Enabled
4	Reserved	R/W	1h	Writing to this bit does not affect the functionality of the device.
3	Reserved	R/W	1h	Writing to this bit does not affect the functionality of the device.
2	OUT_EN_CLK0	R/W	1h	This bit controls the output enable signal for output channel CK0_P/ CK0_N. 0h = Output Disabled 1h = Output Enabled
1	Reserved	R/W	1h	Writing to this bit does not affect the functionality of the device.
0	Reserved	R/W	1h	Writing to this bit does not affect the functionality of the device.

### 8.1.3 OECR2 Register (Address = 2h) [reset = 0Fh]

OECR2 is shown in [Table 8-5](#).

Return to the [Summary Table](#).

The OECR2 register contains bits that enable or disable individual output clock channels [3:2].

**Table 8-5. OECR2 Register Field Descriptions**

Bit	Field	Type	Reset	Description
7-4	Reserved	R/W	0h	Writing to these bits does not affect the functionality of the device.
3	Reserved	R/W	1h	Writing to this bit does not affect the functionality of the device.
2	OUT_EN_CLK3	R/W	1h	This bit controls the output enable signal for output channel CK3_P/ CK3_N. 0h = Output Disabled 1h = Output Enabled
1	Reserved	R/W	1h	Writing to this bit does not affect the functionality of the device.
0	OUT_EN_CLK2	R/W	1h	This bit controls the output enable signal for output channel CK2_P/ CK2_N. 0h = Output Disabled 1h = Output Enabled

### 8.1.4 OERDBK Register (Address = 3h) [reset = 0h]

OERDBK is shown in [Table 8-6](#).

Return to the [Summary Table](#).

The OERDBK register contains bits that report the current state of the OE[3:0]# input pins.

**Table 8-6. OERDBK Register Field Descriptions**

Bit	Field	Type	Reset	Description
7	RB_OEZ3	R	0h	This bit reports the logic level present on the OE3# pin.
6	RB_OEZ2	R	0h	This bit reports the logic level present on the OE2# pin.
5-4	Reserved	R	0h	Reserved.
3	RB_OEZ1	R	0h	This bit reports the logic level present on the OE1# pin.
2	Reserved	R	0h	Reserved.



**Table 8-6. OERDBK Register Field Descriptions (continued)**

Bit	Field	Type	Reset	Description
1	RB_OEZ0	R	0h	This bit reports the logic level present on the OE0# pin.
0	Reserved	R	0h	Reserved.

### 8.1.5 RCR2 Register (Address = 4h) [reset = 0h]

RCR2 is shown in [Table 8-7](#).

Return to the [Summary Table](#).

The RCR2 register contains reserved bits.

**Table 8-7. RCR2 Register Field Descriptions**

Bit	Field	Type	Reset	Description
7-0	Reserved	R	0h	Reserved.

### 8.1.6 VDRREVID Register (Address = 5h) [reset = 0Ah]

VDRREVID is shown in [Table 8-8](#).

Return to the [Summary Table](#).

The VDRREVID register contains a vendor identification code and silicon revision code.

**Table 8-8. VDRREVID Register Field Descriptions**

Bit	Field	Type	Reset	Description
7-4	REV_ID	R	0h	Silicon revision code. Silicon revision code bits [3:0] map to register bits [7:4] directly.
3-0	VENDOR_ID	R	Ah	Vendor identification code. Vendor ID bits [3:0] map to register bits [3:0] directly.

### 8.1.7 DEVID Register (Address = 6h) [reset = E7h]

DEVID is shown in [Table 8-9](#).

Return to the [Summary Table](#).

The DEVID register contains a device identification code.

**Table 8-9. DEVID Register Field Descriptions**

Bit	Field	Type	Reset	Description
7-0	DEV_ID	R	E7h	Device ID code. Device ID bits[7:0] map to register bits[7:0] directly.

### 8.1.8 BTRDCNT Register (Address = 7h) [reset = 8h]

BTRDCNT is shown in [Table 8-10](#).

Return to the [Summary Table](#).

The BTRDCNT register contains bits [4:0] which configure the number of bytes which is read back.

**Table 8-10. BTRDCNT Register Field Descriptions**

Bit	Field	Type	Reset	Description
7-5	Reserved	R/W	0h	Writing to these bits does not affect the functionality of the device.
4	BYTE_COUNTER	R/W	0h	Writing to this register configures how many bytes are read back.
3-0	BYTE_COUNTER	R/W	8h	

### 8.1.9 OUTSET Register (Address = 8h) [reset = 0h]

OUTSET is shown in [Table 8-11](#).

Return to the [Summary Table](#).

Bit5 of the OUTSET register sets the termination for all the outputs while bit4 can be used to set the power-down state for all outputs. The remaining bits for this register are reserved.

**Table 8-11. OUTSET Register Field Descriptions**

Bit	Field	Type	Reset	Description
7-6	Reserved	R	0h	Reserved.
5	CH_ZOUT_SEL	R/W	0h	Select between 85Ω (0) and 100Ω (1) Output impedance
4	d_DRIVE_OP_STATE_CTRL	R/W	0h	Power-down state of all output clocks. 0: LOW/LOW 1: TRI_STATE
3-0	Reserved	R/W	0h	Register bits can be written to 0. Writing a different value than 0 affects the device functionality.

### 8.1.10 CAPTRIM Register (Address = 4Ch) [reset = 66h]

CAPTRIM is shown in [Table 8-13](#).

Return to the [Summary Table](#).

Bits [7:4] of the CAPTRIM register is used to control the slew rate for output channel cluster 2. Bits [3:0] control the slew rate for output channel cluster 1. Refer below for cluster identification.

**Table 8-12. Cluster Identification**

Cluster	Outputs
1	CK1, CK0
2	CK3, CK2

**Table 8-13. CAPTRIM Register Field Descriptions**

Bit	Field	Type	Reset	Description
7-4	CLUSTER2_CAP_TRIM	R/W	6h	Slew Rate Reduction Cap Trim for Cluster 2 Default value of 6h. 0: minimum F: maximum
3-0	CLUSTER1_CAP_TRIM	R/W	6h	Slew Rate Reduction Cap Trim for Cluster 1. Default value of 6h. 0: minimum F: maximum

## 9 Application and Implementation

### Note

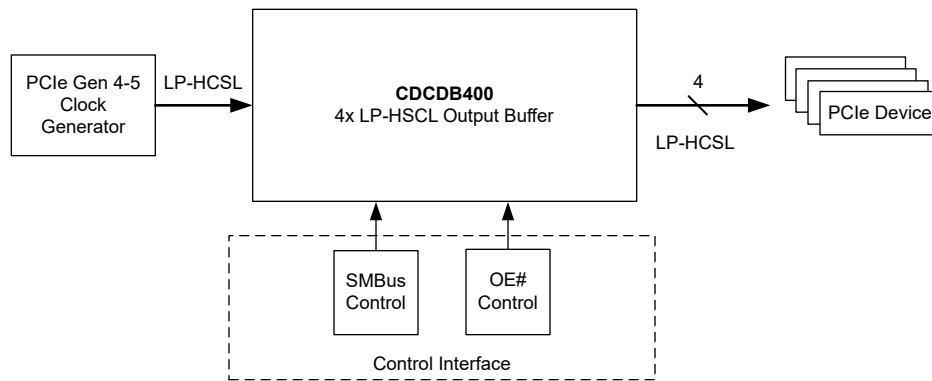
Information in the following applications sections is not part of the TI component specification, and TI does not warrant its accuracy or completeness. TI's customers are responsible for determining suitability of components for their purposes, as well as validating and testing their design implementation to confirm system functionality.

### 9.1 Application Information

The CDCDB400 is a fanout buffer that supports PCIe generation 6 and PCIe generation 7 REFCLK distribution. The device is used to distribute up to four copies of a typically 100MHz clock.

### 9.2 Typical Application

Figure 9-1 shows a CDCDB400 typical application. In this application, a clock generator provides a 100MHz reference to the CDCDB400 which then distributes that clock to PCIe endpoints. The clock generator can be a discrete clock generator like the CDCI6214 or the clock generator can be integrated in a larger component such as a Platform Controller Hub (PCH) or application processor.



**Figure 9-1. Typical Application**

#### 9.2.1 Design Requirements

Consider a typical server motherboard application which must distribute a 100MHz PCIe reference clock from the PCH of a processor chipset to multiple endpoints. An example of clock input and output requirements is:

- Clock Input:
  - 100MHz LP-HCSL
- Clock Output:
  - 2x 100MHz to processors, LP-HCSL
  - 1x 100MHz to riser/retimer, LP-HCSL
  - 1x 100MHz to DDR memory controller, LP-HCSL

#### 9.2.2 Detailed Design Procedure

The following items must be determined before starting design of a CDCDB400 socket:

- Output Enable Control Method
- SMBus address

##### 9.2.2.1 Output Enable Control Method

The device provides an option to either use SMBus programmed registers (software) to control the outputs or by using the hardware OE# pins. When using software to control the outputs, the hardware OE# pins can be

left floating as each of these pins have a pulldown to ground. Refer to [Table 7-2](#) and [Register Maps](#) for more information on programming the register.

When the user wants to control the outputs with the hardware OE# pins, the user can connect these pins to a GPIO controller and set the outputs to HIGH/LOW (see [Table 4-1](#)). Registers OECR1 ([Table 8-4](#)) and OECR2 ([Table 8-5](#)) show the OUT\_EN\_CLK3 to OUT\_EN\_CLK0 bits used to control the outputs. These register bits are set to 1 by default to verify that the outputs are "software enabled" and the state is therefore set by hardware OE# pins.

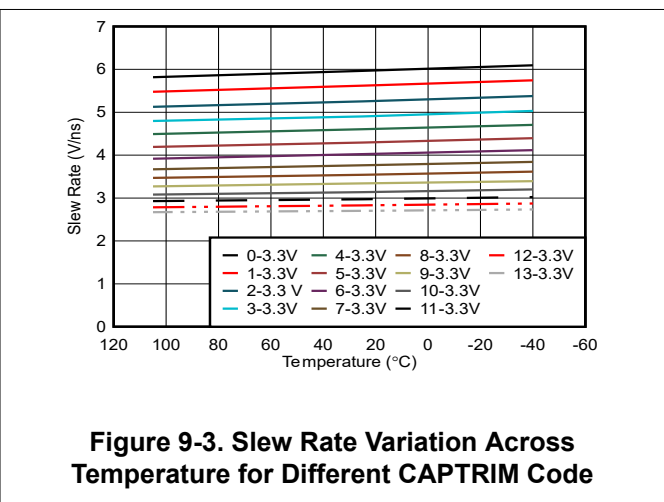
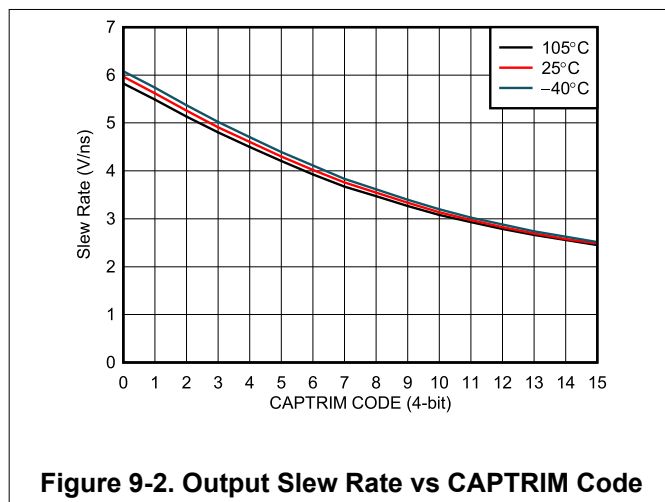
### 9.2.2.2 SMBus Address

Select a SMBus address from the list of potential addresses in [Table 7-1](#). Place the appropriate pullup or pulldown resistor on the SADR0 pin as indicated in the table. Verify that the SMBus address is not already in use to avoid conflict.

### 9.2.3 Application Curves

[Figure 5-1](#) in the [Typical Characteristics](#) section can be used as both an application curve and a typical characteristics plot in this example.

The [Figure 9-2](#) and [Figure 9-3](#) show characterization data for the Output slew rate for various CAPTRIM codes and across temperature. Customers can use these plots as reference for choosing the appropriate output slew rate based on the system requirement.

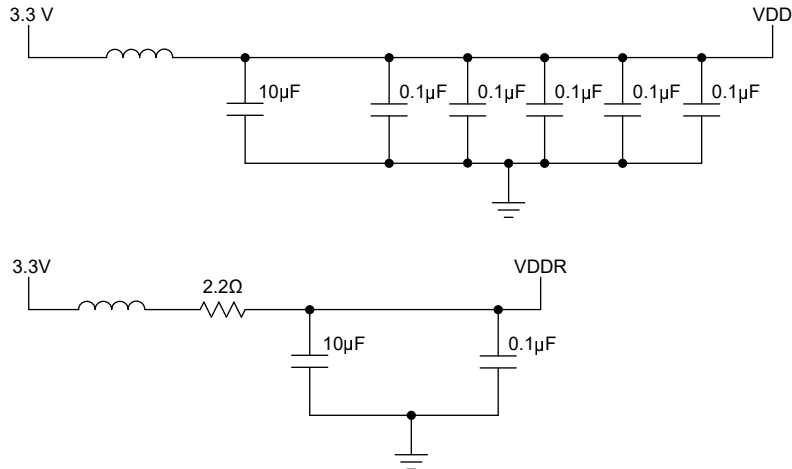


## 9.3 Power Supply Recommendations

High-performance clock buffers are sensitive to noise on the power supply, which can dramatically increase the additive jitter of the buffer. Thus, reducing noise from the system power supply is essential, especially when the jitter and phase noise is critical to applications.

Filter capacitors are used to eliminate the low-frequency noise from the power supply, where the bypass capacitors provide the very low impedance path for high-frequency noise and guards the power-supply system against induced fluctuations. These bypass capacitors also provide instantaneous current surges as required by the device and must have low equivalent series resistance (ESR). To properly use the bypass capacitors, place the capacitors very close to the power-supply terminals and lay out with short loops to minimize inductance. TI recommends to insert a ferrite bead between the board power supply and the chip power supply that isolates the high-frequency switching noises generated by the clock buffer. These beads prevent the switching noise from leaking into the board supply. Selecting an appropriate ferrite bead with very low DC resistance is imperative for providing adequate isolation between the board supply and the chip supply, as well as to maintain a voltage at the supply terminals that is greater than the minimum voltage required for proper operation.

[Figure 9-4](#) shows the recommended power supply filtering and decoupling method.



**Figure 9-4. Power Supply Decoupling**

## 9.4 Layout

### 9.4.1 Layout Guidelines

The following section provides the layout guidelines to provide good thermal performance and power supply connections for the CDCDB400.

In [Layout Examples](#), the CDCDB400 has 85Ω differential output impedance LP-HCSL format drivers as per register default settings. All transmission lines connected to CKx pins must be 85Ω differential impedance, 42.5Ω single-ended impedance to avoid reflections and increased radiated emissions. If 100Ω output impedance is enabled, the transmission lines connected to CKx pins must be 100Ω differential impedance, 50Ω single-ended impedance. Take care to eliminate or reduce stubs on the transmission lines.

### 9.4.2 Layout Examples

[Figure 9-5](#) through [Figure 9-7](#) are printed circuit board (PCB) layout examples that show the application of thermal design practices and a low-inductance ground connection between the device DAP and the PCB.

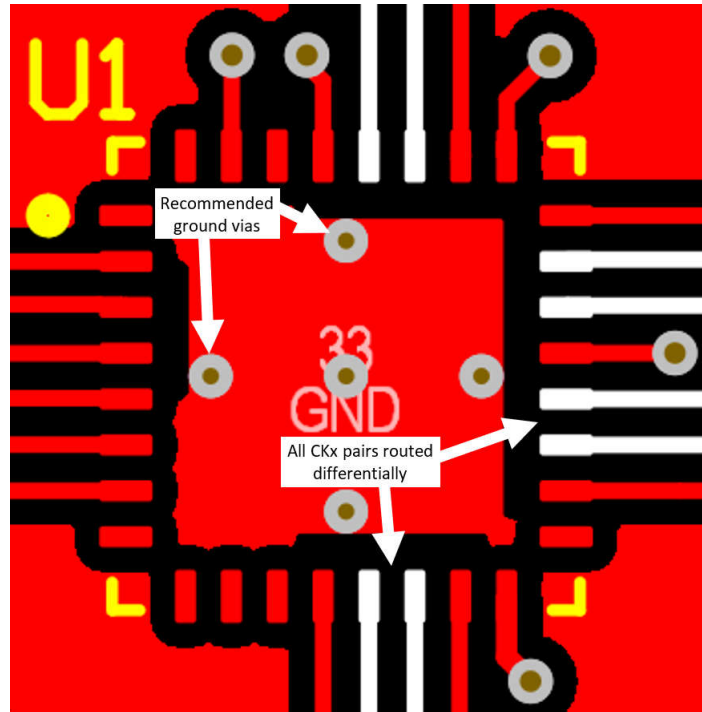


Figure 9-5. PCB Layout Example for CDCDB400, Top layer

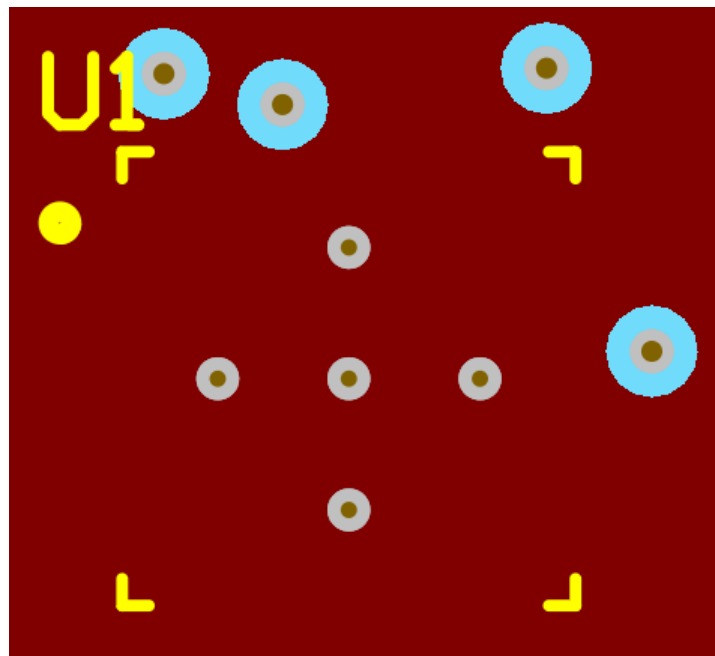


Figure 9-6. PCB Layout Example for CDCDB400, GND Layer

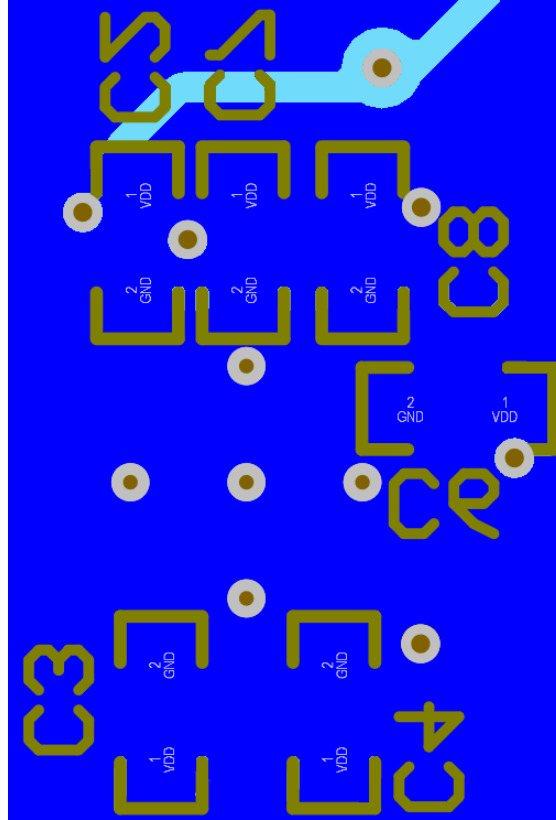


Figure 9-7. PCB Layout Example for CDCDB400, Bottom Layer

## 10 Device and Documentation Support

### 10.1 Device Support

#### 10.1.1 TICS Pro

TICS Pro is an offline software tool for EVM programming and also for register map generation to program a device configuration for a specific application. For TICS Pro, go to <https://www.ti.com/tool/TICSPRO-SW>.

### 10.2 Documentation Support

#### 10.2.1 Related Documentation

- Texas Instruments, [CDCDB800/803 Ultra-Low Additive Jitter, 8-Output PCIe Gen1 to Gen5 Clock Buffer](#)

### 10.3 Receiving Notification of Documentation Updates

To receive notification of documentation updates, navigate to the device product folder on [ti.com](https://www.ti.com). Click on *Notifications* to register and receive a weekly digest of any product information that has changed. For change details, review the revision history included in any revised document.

### 10.4 Support Resources

TI E2E™ [support forums](#) are an engineer's go-to source for fast, verified answers and design help — straight from the experts. Search existing answers or ask your own question to get the quick design help you need.

Linked content is provided "AS IS" by the respective contributors. They do not constitute TI specifications and do not necessarily reflect TI's views; see TI's [Terms of Use](#).

### 10.5 Trademarks

TI E2E™ is a trademark of Texas Instruments.

All trademarks are the property of their respective owners.

### 10.6 Electrostatic Discharge Caution



This integrated circuit can be damaged by ESD. Texas Instruments recommends that all integrated circuits be handled with appropriate precautions. Failure to observe proper handling and installation procedures can cause damage.

ESD damage can range from subtle performance degradation to complete device failure. Precision integrated circuits may be more susceptible to damage because very small parametric changes could cause the device not to meet its published specifications.

### 10.7 Glossary

[TI Glossary](#) This glossary lists and explains terms, acronyms, and definitions.

## 11 Revision History

NOTE: Page numbers for previous revisions may differ from page numbers in the current version.

Changes from Revision A (May 2022) to Revision B (August 2025)	Page
• Added PCIe Gen 7 specifications in the <i>Features, Applications, and Description</i> sections.....	1
• Added PCIe Gen 7 specifications in the <i>Overview</i> section .....	11

Changes from Revision * (November 2021) to Revision A (May 2022)	Page
• Changed the data sheet title.....	1
• Added PCIe Gen 6 to the data sheet.....	1
• Changed the pin description for pin 5.....	3



## 12 Mechanical, Packaging, and Orderable Information

The following pages include mechanical, packaging, and orderable information. This information is the most current data available for the designated devices. This data is subject to change without notice and revision of this document. For browser-based versions of this data sheet, refer to the left-hand navigation.

**PACKAGING INFORMATION**

Orderable part number	Status (1)	Material type (2)	Package   Pins	Package qty   Carrier	RoHS (3)	Lead finish/ Ball material (4)	MSL rating/ Peak reflow (5)	Op temp (°C)	Part marking (6)
<a href="#">CDCDB400RHBR</a>	Active	Production	VQFN (RHB)   32	3000   LARGE T&R	Yes	NIPDAU	Level-1-260C-UNLIM	-40 to 105	CDCB400
CDCDB400RHBR.A	Active	Production	VQFN (RHB)   32	3000   LARGE T&R	Yes	NIPDAU	Level-1-260C-UNLIM	-40 to 105	CDCB400
<a href="#">CDCDB400RHBT</a>	Active	Production	VQFN (RHB)   32	250   SMALL T&R	Yes	NIPDAU	Level-1-260C-UNLIM	-40 to 105	CDCB400
CDCDB400RHBT.A	Active	Production	VQFN (RHB)   32	250   SMALL T&R	Yes	NIPDAU	Level-1-260C-UNLIM	-40 to 105	CDCB400

(1) **Status:** For more details on status, see our [product life cycle](#).

(2) **Material type:** When designated, preproduction parts are prototypes/experimental devices, and are not yet approved or released for full production. Testing and final process, including without limitation quality assurance, reliability performance testing, and/or process qualification, may not yet be complete, and this item is subject to further changes or possible discontinuation. If available for ordering, purchases will be subject to an additional waiver at checkout, and are intended for early internal evaluation purposes only. These items are sold without warranties of any kind.

(3) **RoHS values:** Yes, No, RoHS Exempt. See the [TI RoHS Statement](#) for additional information and value definition.

(4) **Lead finish/Ball material:** Parts may have multiple material finish options. Finish options are separated by a vertical ruled line. Lead finish/Ball material values may wrap to two lines if the finish value exceeds the maximum column width.

(5) **MSL rating/Peak reflow:** The moisture sensitivity level ratings and peak solder (reflow) temperatures. In the event that a part has multiple moisture sensitivity ratings, only the lowest level per JEDEC standards is shown. Refer to the shipping label for the actual reflow temperature that will be used to mount the part to the printed circuit board.

(6) **Part marking:** There may be an additional marking, which relates to the logo, the lot trace code information, or the environmental category of the part.

Multiple part markings will be inside parentheses. Only one part marking contained in parentheses and separated by a "~" will appear on a part. If a line is indented then it is a continuation of the previous line and the two combined represent the entire part marking for that device.

**Important Information and Disclaimer:** The information provided on this page represents TI's knowledge and belief as of the date that it is provided. TI bases its knowledge and belief on information provided by third parties, and makes no representation or warranty as to the accuracy of such information. Efforts are underway to better integrate information from third parties. TI has taken and continues to take reasonable steps to provide representative and accurate information but may not have conducted destructive testing or chemical analysis on incoming materials and chemicals. TI and TI suppliers consider certain information to be proprietary, and thus CAS numbers and other limited information may not be available for release.

In no event shall TI's liability arising out of such information exceed the total purchase price of the TI part(s) at issue in this document sold by TI to Customer on an annual basis.

**TAPE AND REEL INFORMATION**

**QUADRANT ASSIGNMENTS FOR PIN 1 ORIENTATION IN TAPE**


\*All dimensions are nominal

Device	Package Type	Package Drawing	Pins	SPQ	Reel Diameter (mm)	Reel Width W1 (mm)	A0 (mm)	B0 (mm)	K0 (mm)	P1 (mm)	W (mm)	Pin1 Quadrant
CDCDB400RHBR	VQFN	RHB	32	3000	330.0	12.4	5.3	5.3	1.1	8.0	12.0	Q2
CDCDB400RHBT	VQFN	RHB	32	250	180.0	12.4	5.3	5.3	1.1	8.0	12.0	Q2

**TAPE AND REEL BOX DIMENSIONS**


\*All dimensions are nominal

Device	Package Type	Package Drawing	Pins	SPQ	Length (mm)	Width (mm)	Height (mm)
CDCDB400RHBR	VQFN	RHB	32	3000	367.0	367.0	35.0
CDCDB400RHBT	VQFN	RHB	32	250	210.0	185.0	35.0

## GENERIC PACKAGE VIEW

**RHB 32**

**VQFN - 1 mm max height**

5 x 5, 0.5 mm pitch

PLASTIC QUAD FLATPACK - NO LEAD



Images above are just a representation of the package family, actual package may vary.  
Refer to the product data sheet for package details.

4224745/A



4223442/B 08/2019

NOTES:

1. All linear dimensions are in millimeters. Any dimensions in parenthesis are for reference only. Dimensioning and tolerancing per ASME Y14.5M.
2. This drawing is subject to change without notice.
3. The package thermal pad must be soldered to the printed circuit board for thermal and mechanical performance.

# EXAMPLE BOARD LAYOUT

RHB0032E

VQFN - 1 mm max height

PLASTIC QUAD FLATPACK - NO LEAD



LAND PATTERN EXAMPLE  
SCALE:18X



SOLDER MASK DETAILS

4223442/B 08/2019

NOTES: (continued)

4. This package is designed to be soldered to a thermal pad on the board. For more information, see Texas Instruments literature number SLUA271 ([www.ti.com/lit/slua271](http://www.ti.com/lit/slua271)).
5. Vias are optional depending on application, refer to device data sheet. If any vias are implemented, refer to their locations shown on this view. It is recommended that vias under paste be filled, plugged or tented.

# EXAMPLE STENCIL DESIGN

RHB0032E

VQFN - 1 mm max height

PLASTIC QUAD FLATPACK - NO LEAD



**SOLDER PASTE EXAMPLE**  
 BASED ON 0.125 mm THICK STENCIL

EXPOSED PAD 33:  
 75% PRINTED SOLDER COVERAGE BY AREA UNDER PACKAGE  
 SCALE:20X

4223442/B 08/2019

NOTES: (continued)

6. Laser cutting apertures with trapezoidal walls and rounded corners may offer better paste release. IPC-7525 may have alternate design recommendations.



## IMPORTANT NOTICE AND DISCLAIMER

TI PROVIDES TECHNICAL AND RELIABILITY DATA (INCLUDING DATASHEETS), DESIGN RESOURCES (INCLUDING REFERENCE DESIGNS), APPLICATION OR OTHER DESIGN ADVICE, WEB TOOLS, SAFETY INFORMATION, AND OTHER RESOURCES "AS IS" AND WITH ALL FAULTS, AND DISCLAIMS ALL WARRANTIES, EXPRESS AND IMPLIED, INCLUDING WITHOUT LIMITATION ANY IMPLIED WARRANTIES OF MERCHANTABILITY, FITNESS FOR A PARTICULAR PURPOSE OR NON-INFRINGEMENT OF THIRD PARTY INTELLECTUAL PROPERTY RIGHTS.

These resources are intended for skilled developers designing with TI products. You are solely responsible for (1) selecting the appropriate TI products for your application, (2) designing, validating and testing your application, and (3) ensuring your application meets applicable standards, and any other safety, security, regulatory or other requirements.

These resources are subject to change without notice. TI grants you permission to use these resources only for development of an application that uses the TI products described in the resource. Other reproduction and display of these resources is prohibited. No license is granted to any other TI intellectual property right or to any third party intellectual property right. TI disclaims responsibility for, and you fully indemnify TI and its representatives against any claims, damages, costs, losses, and liabilities arising out of your use of these resources.

TI's products are provided subject to [TI's Terms of Sale](#), [TI's General Quality Guidelines](#), or other applicable terms available either on [ti.com](#) or provided in conjunction with such TI products. TI's provision of these resources does not expand or otherwise alter TI's applicable warranties or warranty disclaimers for TI products. Unless TI explicitly designates a product as custom or customer-specified, TI products are standard, catalog, general purpose devices.

TI objects to and rejects any additional or different terms you may propose.

Copyright © 2025, Texas Instruments Incorporated

Last updated 10/2025