

DS560MB410 Low-Power 56-Gbps PAM4 4-Channel Linear Redriver with Crosspoint

1 Features

- Quad-channel multi-protocol linear equalizer supporting up to 28-GBd (PAM4) and 32-GBd (NRZ) interfaces
- Suitable for up to CEI-56G, Ethernet (400 GbE), Fibre Channel (64GFC), InfiniBand™ (HDR), and CPRI/eCPRI PCB and copper cable applications
- Selectable CTLE boost profiles to compensate either PCB or cable loss
- Integrated 2×2 crosspoint with pin or register control for mux, fanout, and signal crossing
- Low power consumption: 160 mW / channel (typical)
- No heat sink required
- Linear equalization with CTLE for seamless support of CR/KR link training, auto-negotiation, and FEC pass-through
- Extends long-reach links by 18-dB+ beyond normal ASIC-to-ASIC capability at 13.28 GHz
- Eye expander for PAM-4 eye symmetry enhancement
- Low input-to-output latency: 80 ps (typical)
- Low additive random jitter
- Small 6.00 mm × 6.00 mm BGA package for easy flow-through routing
- No reference clock required
- Single 2.5-V ± 5% power supply
- –40°C to +85°C ambient temperature range

2 Applications

- [Backplane \(KR\) and midplane C2C attachment unit interface \(AUI\) reach extension](#)
- [Active copper cables \(ACC\) \(SFP56, QSFP56, QSFP-DD, or OSFP\)](#)
- [Mux and de-mux for failover redundancy](#)

3 Description

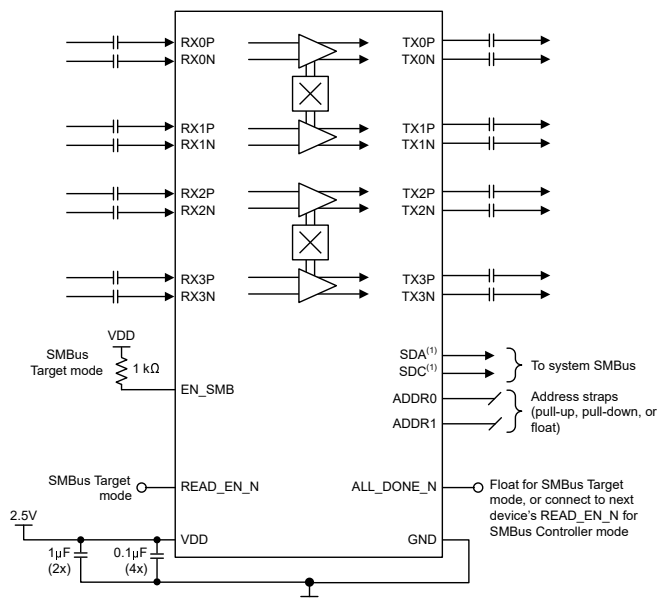
The DS560MB410 is a low-power, high-performance four-channel linear equalizer supporting multi-rate, multi-protocol interfaces up to 28 GBd using four-level pulse amplitude modulation (PAM4), or up to 32 GBd using non-return-to-zero (NRZ) modulation. It is used to extend the reach and robustness of high-speed serial links for backplane, midplane, and active copper cable (ACC) applications. The DS560MB410 can increase the reach between two ASICs by 18+ dB beyond the normal ASIC-to-ASIC reach.

Each channel operates independently with a user-selectable CTLE boost profile optimized for equalizing either PCB or copper cable loss profiles. The linear nature of the DS560MB410's equalization preserves input signal characteristics traveling through the redriver. This transparency allows link partner ASICs to negotiate Tx equalizer coefficients freely during link training and to support individual lane Forward Error Correction (FEC) pass-through in mission mode with minimal effect on latency.

Package Information

PART NUMBER	PACKAGE ⁽¹⁾	PACKAGE SIZE ⁽²⁾
DS560MB410	ZAS (nFBGA, 101)	6 mm × 6 mm

- (1) For all available packages, see the orderable addendum at the end of the data sheet.
- (2) The package size (length × width) is a nominal value and includes pins, where applicable.



Simplified Schematic



Table of Contents

1 Features	1	6.2 Receiving Notification of Documentation Updates.....	4
2 Applications	1	6.3 Support Resources.....	4
3 Description	1	6.4 Trademarks.....	4
4 Revision History	2	6.5 Electrostatic Discharge Caution.....	4
5 Description (Continued)	3	6.6 Glossary.....	4
6 Device and Documentation Support	4	7 Mechanical, Packaging, and Orderable Information	4
6.1 Documentation Support.....	4		

4 Revision History

NOTE: Page numbers for previous revisions may differ from page numbers in the current version.

Changes from Revision * (December 2022) to Revision A (October 2023)	Page
• Updated <i>Package Information</i> table to include package leads.....	1
• Added clarification that signal crossover configuration supports NRZ only (up to 32 GBd).....	3

5 Description (Continued)

The DS560MB410 includes a full 2×2 crosspoint between each pair of adjacent channels to enable 2-to-1 multiplexing and 1-to-2 de-multiplexing for failover redundancy, 1-to-2 fanout for diagnostic monitoring, and signal crossover (NRZ only up to 32 Gb/s) for PCB routing flexibility. The crosspoint is controllable through pins or the SMBus register interface.

The DS560MB410's small package dimensions and optimized high-speed signal escape are an excellent choice for small form-factor applications. Simplified equalization control, low power consumption, and ultra-low additive jitter make it suitable for chip-to-chip reach extension and signal distribution over backplanes and midplanes. The small 6.00 mm × 6.00 mm footprint easily fits in active copper cable (ACC) assembly applications without the need for a heat sink.

The DS560MB410 has a single power supply and minimal need for external components. These features reduce PCB routing complexity and bill of materials (BOM) cost. The DS560MB410 can be configured through SMBus or through an external EEPROM. Up to 16 devices can share a single EEPROM.

6 Device and Documentation Support

6.1 Documentation Support

6.1.1 Related Documentation

For related documentation see the following:

- Texas Instruments, [DS560MB410 Programmer's Guide](#)
- Texas Instruments, [50 GbE PAM4 Equalization Optimization with TI DS560MB410 Redrivers](#)

6.2 Receiving Notification of Documentation Updates

To receive notification of documentation updates, navigate to the device product folder on ti.com. In the upper right corner, click on *Alert me* to register and receive a weekly digest of any product information that has changed. For change details, review the revision history included in any revised document.

6.3 Support Resources

6.4 Trademarks

InfiniBand™ is a trademark of InfiniBand Trade Association.

All trademarks are the property of their respective owners.

6.5 Electrostatic Discharge Caution



This integrated circuit can be damaged by ESD. Texas Instruments recommends that all integrated circuits be handled with appropriate precautions. Failure to observe proper handling and installation procedures can cause damage.

ESD damage can range from subtle performance degradation to complete device failure. Precision integrated circuits may be more susceptible to damage because very small parametric changes could cause the device not to meet its published specifications.

6.6 Glossary

[TI Glossary](#) This glossary lists and explains terms, acronyms, and definitions.

7 Mechanical, Packaging, and Orderable Information

The following pages include mechanical, packaging, and orderable information. This information is the most current data available for the designated devices. This data is subject to change without notice and revision of this document. For browser-based versions of this data sheet, refer to the left-hand navigation.

PACKAGING INFORMATION

Orderable part number	Status (1)	Material type (2)	Package Pins	Package qty Carrier	RoHS (3)	Lead finish/ Ball material (4)	MSL rating/ Peak reflow (5)	Op temp (°C)	Part marking (6)
DS560MB410ZASR	Active	Production	NFBGA (ZAS) 101	2500 LARGE T&R	Yes	SNAGCU	Level-3-260C-168 HR	-40 to 85	DS56MB410
DS560MB410ZASR.A	Active	Production	NFBGA (ZAS) 101	2500 LARGE T&R	Yes	SNAGCU	Level-3-260C-168 HR	-40 to 85	DS56MB410
DS560MB410ZASR.B	Active	Production	NFBGA (ZAS) 101	2500 LARGE T&R	Yes	SNAGCU	Level-3-260C-168 HR	-40 to 85	DS56MB410
DS560MB410ZAST	Active	Production	NFBGA (ZAS) 101	250 SMALL T&R	Yes	SNAGCU	Level-3-260C-168 HR	-40 to 85	DS56MB410
DS560MB410ZAST.A	Active	Production	NFBGA (ZAS) 101	250 SMALL T&R	Yes	SNAGCU	Level-3-260C-168 HR	-40 to 85	DS56MB410
DS560MB410ZAST.B	Active	Production	NFBGA (ZAS) 101	250 SMALL T&R	Yes	SNAGCU	Level-3-260C-168 HR	-40 to 85	DS56MB410

(1) **Status:** For more details on status, see our [product life cycle](#).

(2) **Material type:** When designated, preproduction parts are prototypes/experimental devices, and are not yet approved or released for full production. Testing and final process, including without limitation quality assurance, reliability performance testing, and/or process qualification, may not yet be complete, and this item is subject to further changes or possible discontinuation. If available for ordering, purchases will be subject to an additional waiver at checkout, and are intended for early internal evaluation purposes only. These items are sold without warranties of any kind.

(3) **RoHS values:** Yes, No, RoHS Exempt. See the [TI RoHS Statement](#) for additional information and value definition.

(4) **Lead finish/Ball material:** Parts may have multiple material finish options. Finish options are separated by a vertical ruled line. Lead finish/Ball material values may wrap to two lines if the finish value exceeds the maximum column width.

(5) **MSL rating/Peak reflow:** The moisture sensitivity level ratings and peak solder (reflow) temperatures. In the event that a part has multiple moisture sensitivity ratings, only the lowest level per JEDEC standards is shown. Refer to the shipping label for the actual reflow temperature that will be used to mount the part to the printed circuit board.

(6) **Part marking:** There may be an additional marking, which relates to the logo, the lot trace code information, or the environmental category of the part.

Multiple part markings will be inside parentheses. Only one part marking contained in parentheses and separated by a "~" will appear on a part. If a line is indented then it is a continuation of the previous line and the two combined represent the entire part marking for that device.

Important Information and Disclaimer: The information provided on this page represents TI's knowledge and belief as of the date that it is provided. TI bases its knowledge and belief on information provided by third parties, and makes no representation or warranty as to the accuracy of such information. Efforts are underway to better integrate information from third parties. TI has taken and continues to take reasonable steps to provide representative and accurate information but may not have conducted destructive testing or chemical analysis on incoming materials and chemicals. TI and TI suppliers consider certain information to be proprietary, and thus CAS numbers and other limited information may not be available for release.

In no event shall TI's liability arising out of such information exceed the total purchase price of the TI part(s) at issue in this document sold by TI to Customer on an annual basis.

TAPE AND REEL INFORMATION

QUADRANT ASSIGNMENTS FOR PIN 1 ORIENTATION IN TAPE

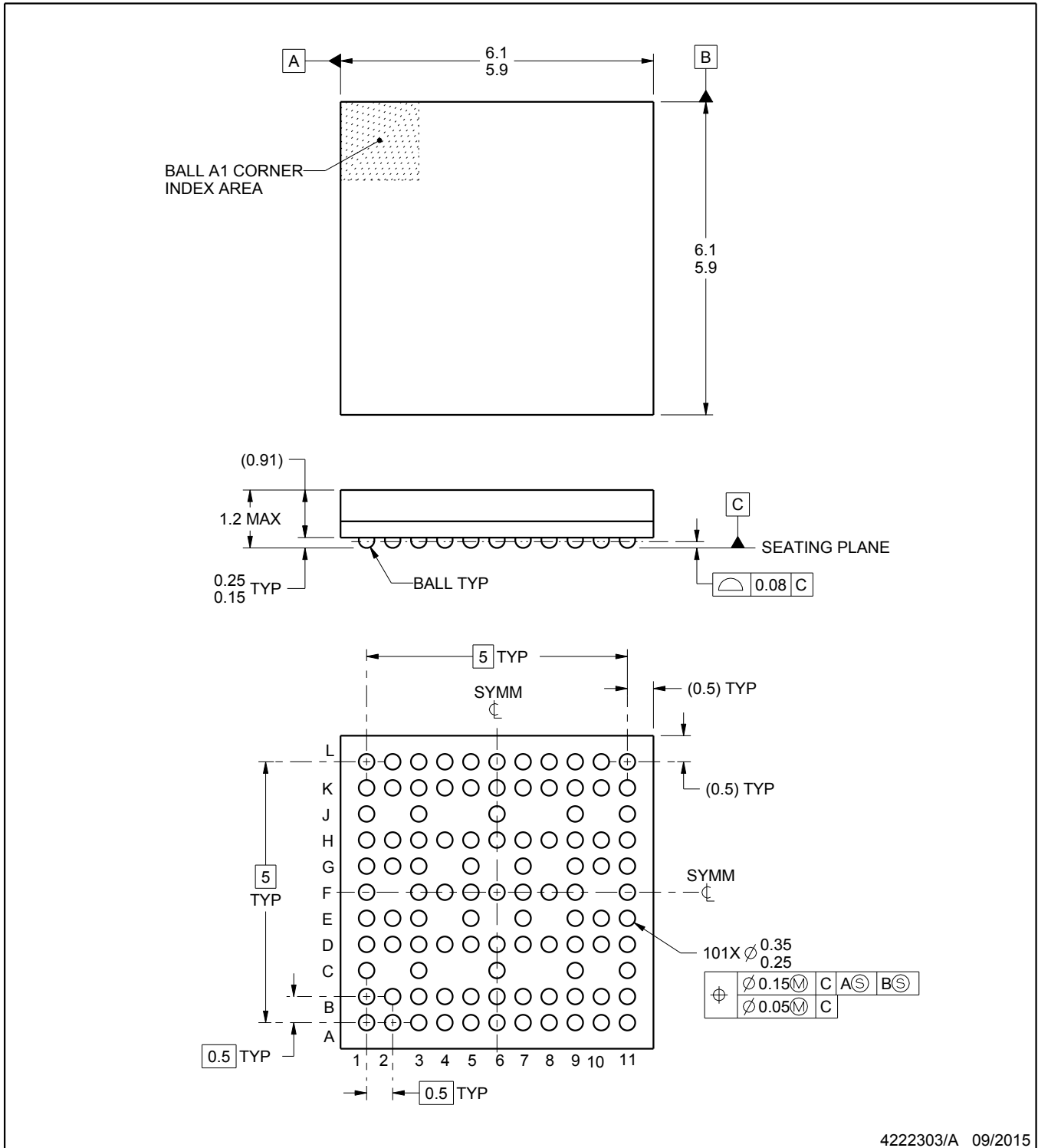
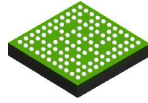

*All dimensions are nominal

Device	Package Type	Package Drawing	Pins	SPQ	Reel Diameter (mm)	Reel Width W1 (mm)	A0 (mm)	B0 (mm)	K0 (mm)	P1 (mm)	W (mm)	Pin1 Quadrant
DS560MB410ZASR	NFBGA	ZAS	101	2500	330.0	16.4	6.3	6.3	2.1	8.0	16.0	Q1

TAPE AND REEL BOX DIMENSIONS


*All dimensions are nominal

Device	Package Type	Package Drawing	Pins	SPQ	Length (mm)	Width (mm)	Height (mm)
DS560MB410ZASR	NFBGA	ZAS	101	2500	336.6	336.6	31.8



NOTES:

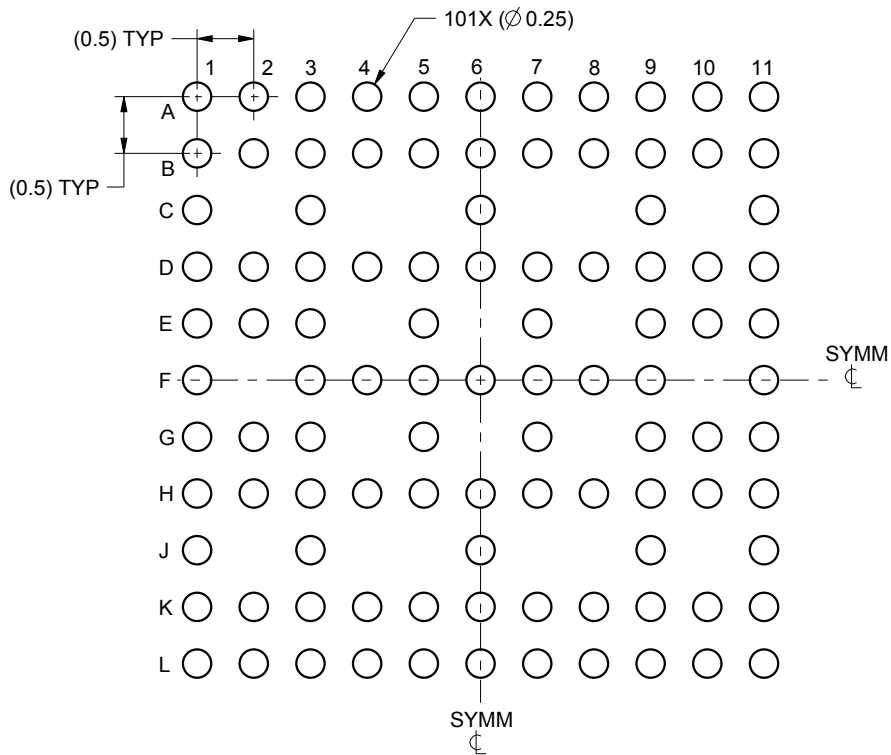
1. All linear dimensions are in millimeters. Any dimensions in parenthesis are for reference only. Dimensioning and tolerancing per ASME Y14.5M.
2. This drawing is subject to change without notice.

EXAMPLE BOARD LAYOUT

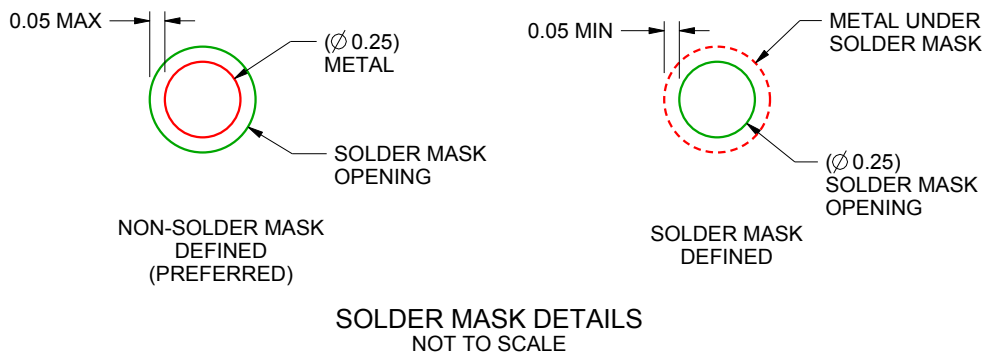
ZAS0101A

NFBGA - 1.2 mm max height

PLASTIC BALL GRID ARRAY



LAND PATTERN EXAMPLE
SCALE:15X



SOLDER MASK DETAILS
NOT TO SCALE

4222303/A 09/2015

NOTES: (continued)

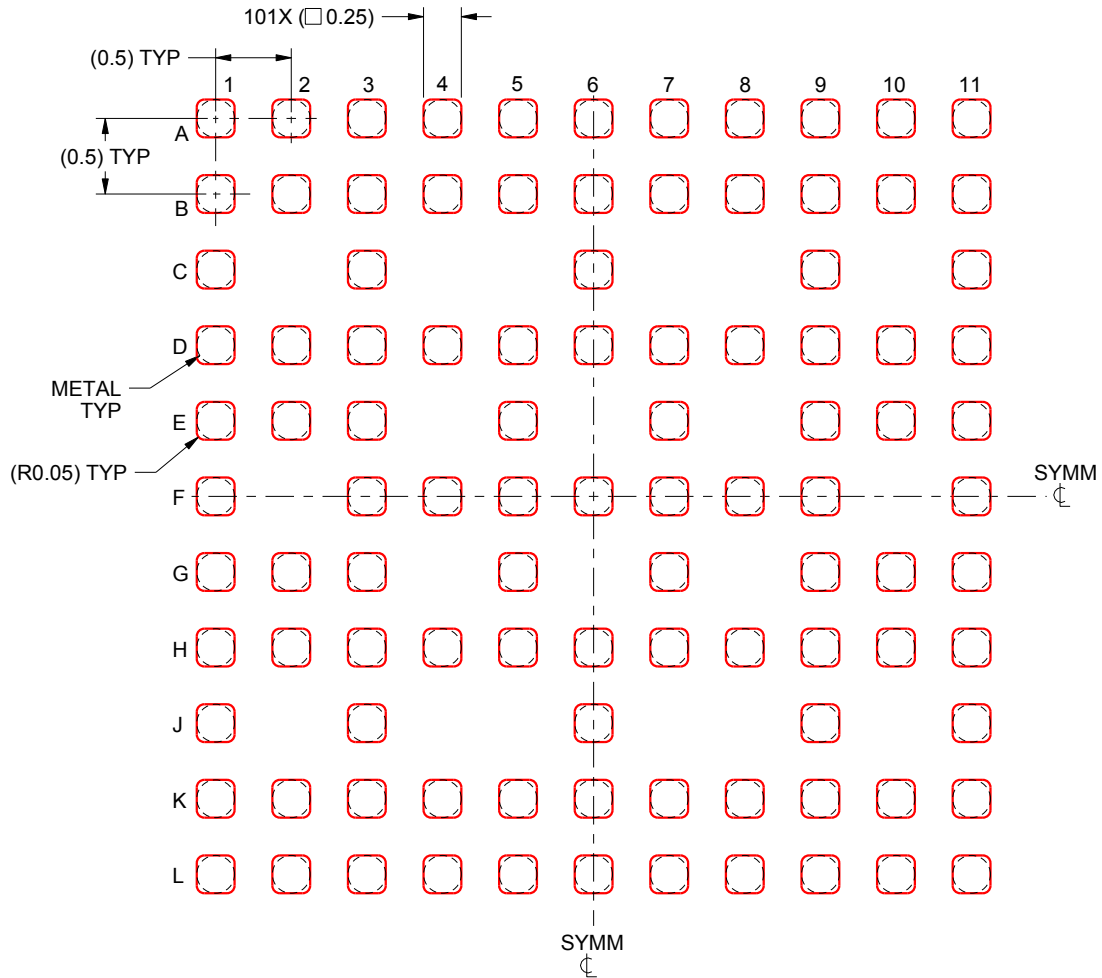
- Final dimensions may vary due to manufacturing tolerance considerations and also routing constraints. For information, see Texas Instruments literature number SPRAA99 (www.ti.com/lit/spraa99).

EXAMPLE STENCIL DESIGN

ZAS0101A

NFBGA - 1.2 mm max height

PLASTIC BALL GRID ARRAY



SOLDER PASTE EXAMPLE
BASED ON 0.1 mm THICK STENCIL
SCALE:20X

4222303/A 09/2015

NOTES: (continued)

4. Laser cutting apertures with trapezoidal walls and rounded corners may offer better paste release.

IMPORTANT NOTICE AND DISCLAIMER

TI PROVIDES TECHNICAL AND RELIABILITY DATA (INCLUDING DATASHEETS), DESIGN RESOURCES (INCLUDING REFERENCE DESIGNS), APPLICATION OR OTHER DESIGN ADVICE, WEB TOOLS, SAFETY INFORMATION, AND OTHER RESOURCES "AS IS" AND WITH ALL FAULTS, AND DISCLAIMS ALL WARRANTIES, EXPRESS AND IMPLIED, INCLUDING WITHOUT LIMITATION ANY IMPLIED WARRANTIES OF MERCHANTABILITY, FITNESS FOR A PARTICULAR PURPOSE OR NON-INFRINGEMENT OF THIRD PARTY INTELLECTUAL PROPERTY RIGHTS.

These resources are intended for skilled developers designing with TI products. You are solely responsible for (1) selecting the appropriate TI products for your application, (2) designing, validating and testing your application, and (3) ensuring your application meets applicable standards, and any other safety, security, regulatory or other requirements.

These resources are subject to change without notice. TI grants you permission to use these resources only for development of an application that uses the TI products described in the resource. Other reproduction and display of these resources is prohibited. No license is granted to any other TI intellectual property right or to any third party intellectual property right. TI disclaims responsibility for, and you fully indemnify TI and its representatives against any claims, damages, costs, losses, and liabilities arising out of your use of these resources.

TI's products are provided subject to [TI's Terms of Sale](#), [TI's General Quality Guidelines](#), or other applicable terms available either on [ti.com](#) or provided in conjunction with such TI products. TI's provision of these resources does not expand or otherwise alter TI's applicable warranties or warranty disclaimers for TI products. Unless TI explicitly designates a product as custom or customer-specified, TI products are standard, catalog, general purpose devices.

TI objects to and rejects any additional or different terms you may propose.

Copyright © 2025, Texas Instruments Incorporated

Last updated 10/2025