

PCM1733

SoundPLUS™ Stereo Audio DIGITAL-TO-ANALOG CONVERTER 18 Bits, 96kHz Sampling

FEATURES

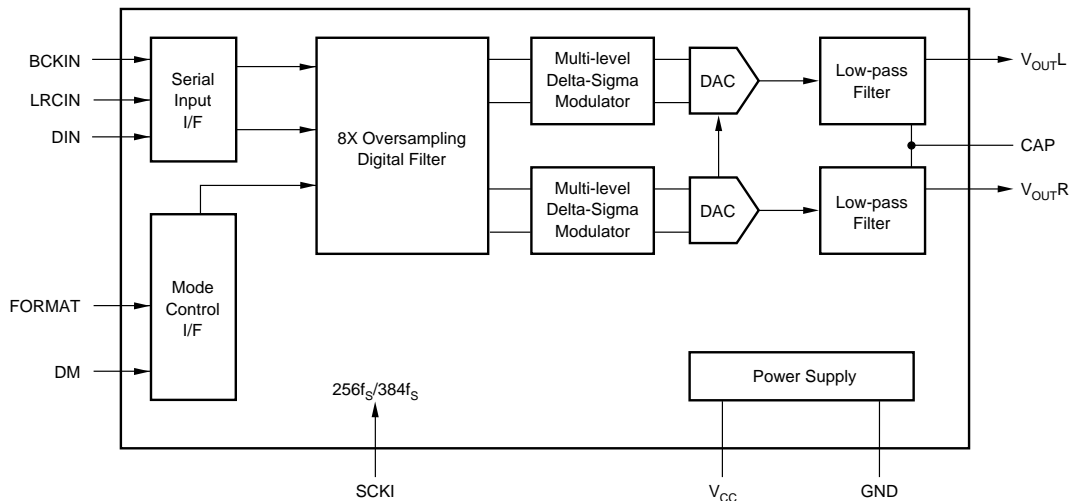
- **COMPLETE STEREO DAC:** Includes Digital Filter and Output Amp
- **DYNAMIC RANGE:** 95dB
- **MULTIPLE SAMPLING FREQUENCIES:** 16kHz to 96kHz
- **8X OVERSAMPLING DIGITAL FILTER**
- **SYSTEM CLOCK:** $256f_s/384f_s$
- **NORMAL OR I²S DATA INPUT FORMATS**
- **SMALL 14-PIN SOIC PACKAGE**

DESCRIPTION

The PCM1733 is a complete low cost stereo audio digital-to-analog converter (DAC), operating off of a $256f_s$ or $384f_s$ system clock. The DAC contains a 3rd-order $\Delta\Sigma$ modulator, a digital interpolation filter, and an analog output amplifier. The PCM1733 accepts 18-bit input data in either normal or I²S formats.

The digital filter performs an 8X interpolation function and includes de-emphasis at 44.1kHz. The PCM1733 can accept digital audio sampling frequencies from 16kHz to 96kHz, always at 8X oversampling.

The PCM1733 is ideal for low-cost, CD-quality consumer audio applications.



International Airport Industrial Park • Mailing Address: PO Box 11400, Tucson, AZ 85734 • Street Address: 6730 S. Tucson Blvd., Tucson, AZ 85706 • Tel: (520) 746-1111 • Twx: 910-952-1111
Internet: <http://www.burr-brown.com/> • FAXLine: (800) 548-6133 (US/Canada Only) • Cable: BBRCORP • Telex: 066-6491 • FAX: (520) 889-1510 • Immediate Product Info: (800) 548-6132

SPECIFICATIONS

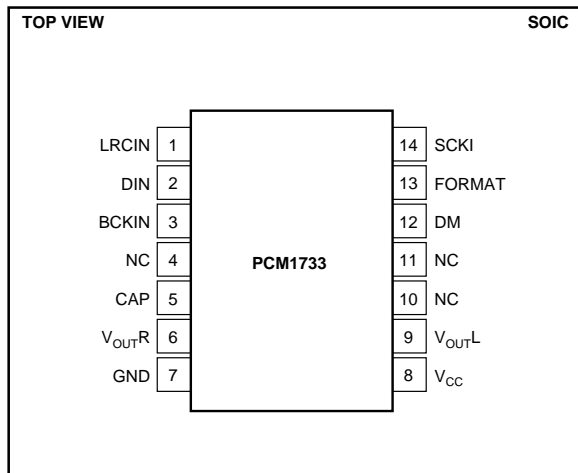
All specifications at +25°C, +V_{CC} = +5V, f_s = 44.1kHz, and 18-bit input data, SYSCLK = 384f_s, unless otherwise noted.

PARAMETER	CONDITIONS	PCM1733			UNITS
		MIN	TYP	MAX	
RESOLUTION		18			Bits
DATA FORMAT Audio Data Interface Format Audio Data Format Sampling Frequency (f _s) Internal System Clock Frequency		16	Standard/I ² S Two's Binary Complement	96	kHz
DIGITAL INPUT/OUTPUT Logic Level Input Logic Level V _{IH} ⁽¹⁾ V _{IL} ⁽¹⁾ Input Logic Current: I _{IN} ⁽¹⁾		2.0	TTL	0.8 ±0.8	VDC VDC μA
DYNAMIC PERFORMANCE ⁽²⁾ THD+N at FS (0dB) THD+N at -60dB Dynamic Range Signal-to-Noise Ratio Channel Separation	f = 991kHz EIAJ, A-weighted EIAJ, A-weighted	 90 90 88	 -83 -32 95 97 95	 -78	 dB dB dB dB
DC ACCURACY Gain Error Gain Mismatch, Channel-to-Channel Bipolar Zero Error	V _{OUT} = V _{CC} /2 at BPZ		±1.0 ±1.0 ±20	±5.0 ±5.0 ±50	% of FSR % of FSR mV
ANALOG OUTPUT Output Voltage Center Voltage Load Impedance	Full Scale (0dB) AC Load	10	0.62 x V _{CC} V _{CC} /2		Vp-p VDC kΩ
DIGITAL FILTER PERFORMANCE Passband Stopband Passband Ripple Stopband Attenuation Delay Time		0.555 -35	 11.125/f _s	0.445 ±0.17	f _s f _s dB dB sec
INTERNAL ANALOG FILTER -3dB Bandwidth Passband Response	f = 20kHz		100 -0.16		kHz dB
POWER SUPPLY REQUIREMENTS Voltage Range Supply Current Power Dissipation		4.5	5 13 65	5.5 18 90	VDC mA mW
TEMPERATURE RANGE Operation Storage		-25 -55		+85 +125	°C °C

NOTES: (1) Pins 1, 2, 3, 12, 13, 14: LRCIN, DIN, BCKIN, DM, FORMAT, SCKI. (2) Dynamic performance specs are tested with 20kHz low pass filter and THD+N specs are tested with 30kHz LPF, 400Hz HPF, Average-Mode.

The information provided herein is believed to be reliable; however, BURR-BROWN assumes no responsibility for inaccuracies or omissions. BURR-BROWN assumes no responsibility for the use of this information, and all use of such information shall be entirely at the user's own risk. Prices and specifications are subject to change without notice. No patent rights or licenses to any of the circuits described herein are implied or granted to any third party. BURR-BROWN does not authorize or warrant any BURR-BROWN product for use in life support devices and/or systems.

PIN CONFIGURATION



PACKAGE INFORMATION

PRODUCT	PACKAGE	PACKAGE DRAWING NUMBER ⁽¹⁾
PCM1733U	14 Pin SOIC	235

NOTE: (1) For detailed drawing and dimension table, please see end of data sheet, or Appendix C of Burr-Brown IC Data Book.

ABSOLUTE MAXIMUM RATINGS

Power Supply Voltage	+6.5V
+V _{CC} to +V _{DD} Difference	±0.1V
Input Logic Voltage	-0.3V to (V _{DD} + 0.3V)
Power Dissipation	290mW
Operating Temperature Range	-25°C to +85°C
Storage Temperature	-55°C to +125°C
Lead Temperature (soldering, 5s)	+260°C
Thermal Resistance, θ_{JA}	+90°C/W

PIN ASSIGNMENTS

PIN	NAME	I/O	FUNCTION
1 ⁽¹⁾	LRCIN	IN	Sample Rate Clock Input
2 ⁽¹⁾	DIN	IN	Audio Data Input
3 ⁽¹⁾	BCKIN	IN	Bit Clock Input for Audio Data.
4	NC	—	No Connection
5	CAP	—	Common Pin of Analog Output Amp
6	V _{OUTR}	OUT	Right-Channel Analog Output
7	GND	—	Ground
8	V _{CC}	—	Power Supply
9	V _{OUTL}	OUT	Left-Channel Analog Output
10	NC	—	No Connection
11	NC	—	No Connection
12 ⁽²⁾	DM	IN	De-emphasis Control HIGH: De-emphasis ON LOW: De-emphasis OFF
13 ⁽²⁾	FORMAT	IN	Audio Data Format Select HIGH: I ² S Data Format LOW: Standard Data Format
14	SCKI	IN	System Clock Input (256f _s or 384f _s)

NOTES: (1) Schmitt Trigger input. (2) Schmitt Trigger input with internal pull-up.



ELECTROSTATIC DISCHARGE SENSITIVITY

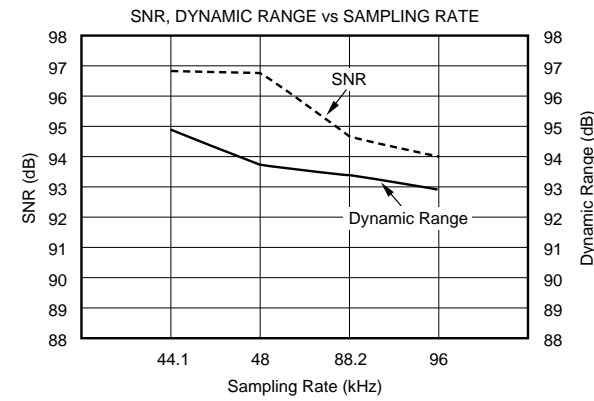
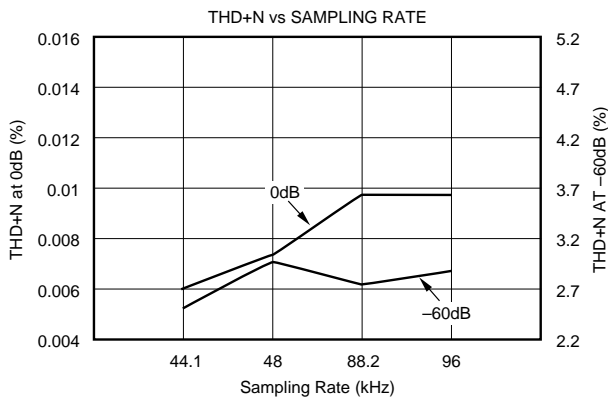
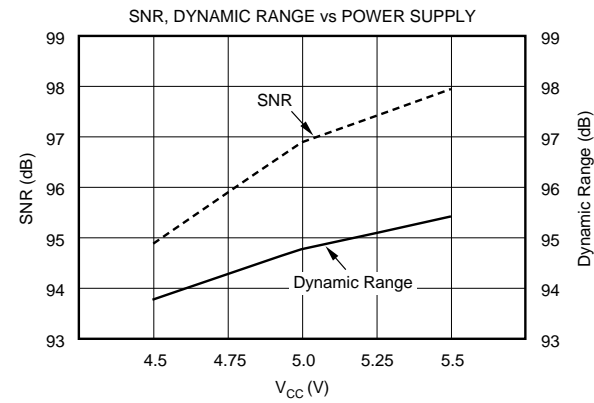
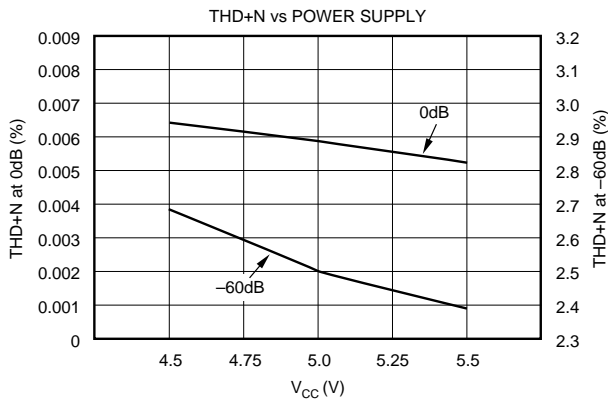
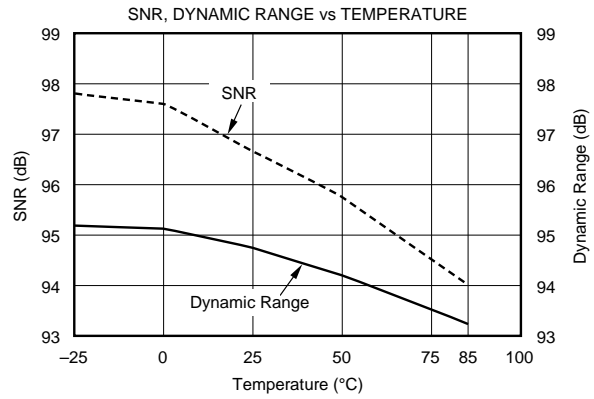
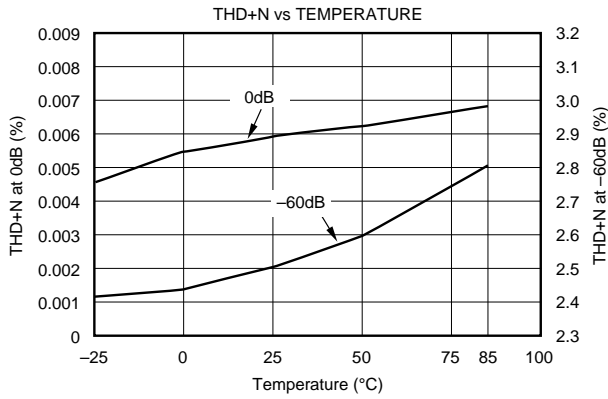
This integrated circuit can be damaged by ESD. Burr-Brown recommends that all integrated circuits be handled with appropriate precautions. Failure to observe proper handling and installation procedures can cause damage.

ESD damage can range from subtle performance degradation to complete device failure. Precision integrated circuits may be more susceptible to damage because very small parametric changes could cause the device not to meet its published specifications.

TYPICAL PERFORMANCE CURVES

At $T_A = +25^\circ\text{C}$, $V_{CC} = +5\text{V}$, $f_s = 44.1\text{kHz}$, $\text{SYSCLK} = 256f_s$, unless otherwise noted.

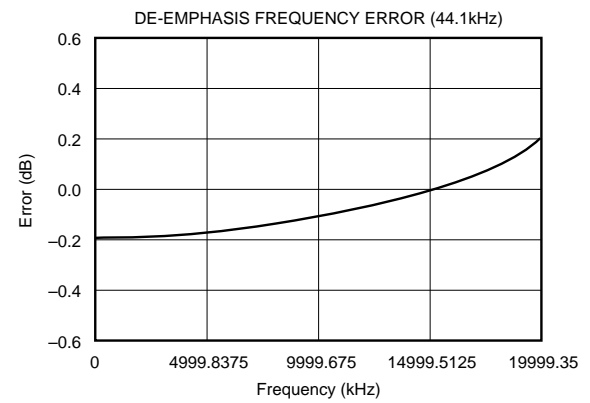
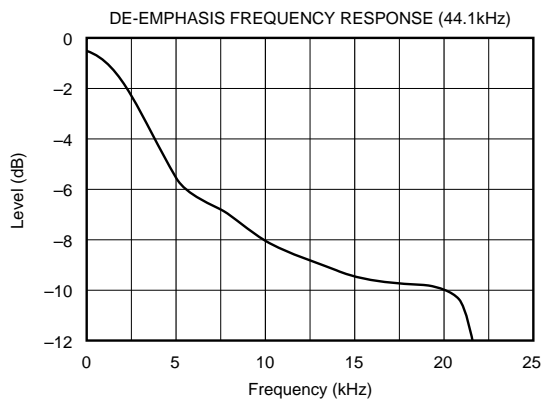
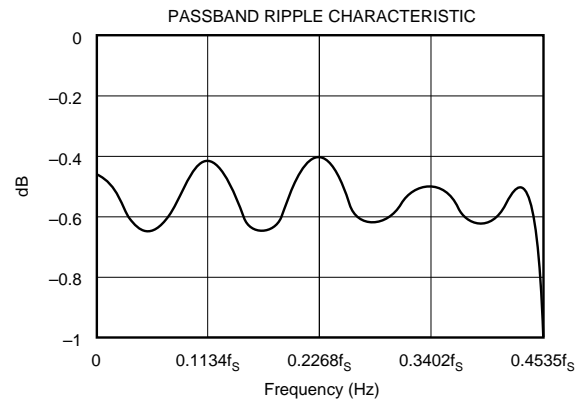
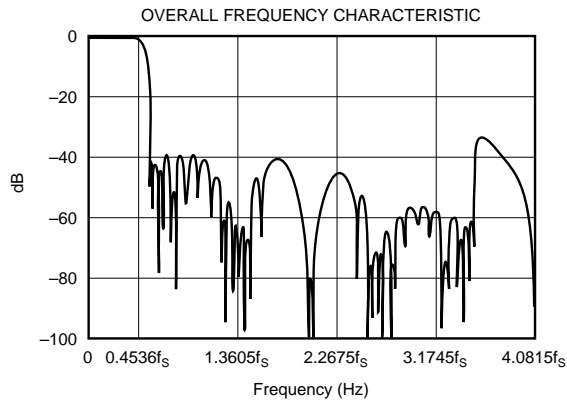
DYNAMIC PERFORMANCE



TYPICAL PERFORMANCE CURVES

At $T_A = +25^\circ\text{C}$, $+V_{CC} = +V_{DD} = +5\text{V}$, $f_S = 44.1\text{kHz}$, and 18-bit input data, $\text{SYSCLK} = 384f_S$, unless otherwise noted.

DIGITAL FILTER



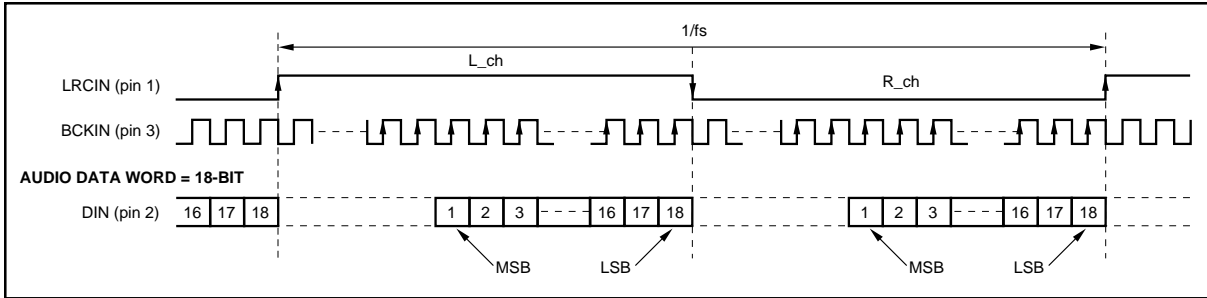


FIGURE 1. "Normal" Data Input Timing.

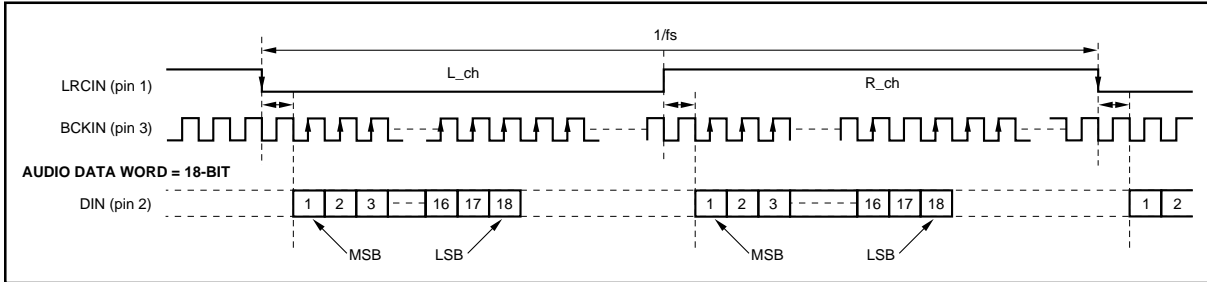


FIGURE 2. "I²S" Data Input Timing.

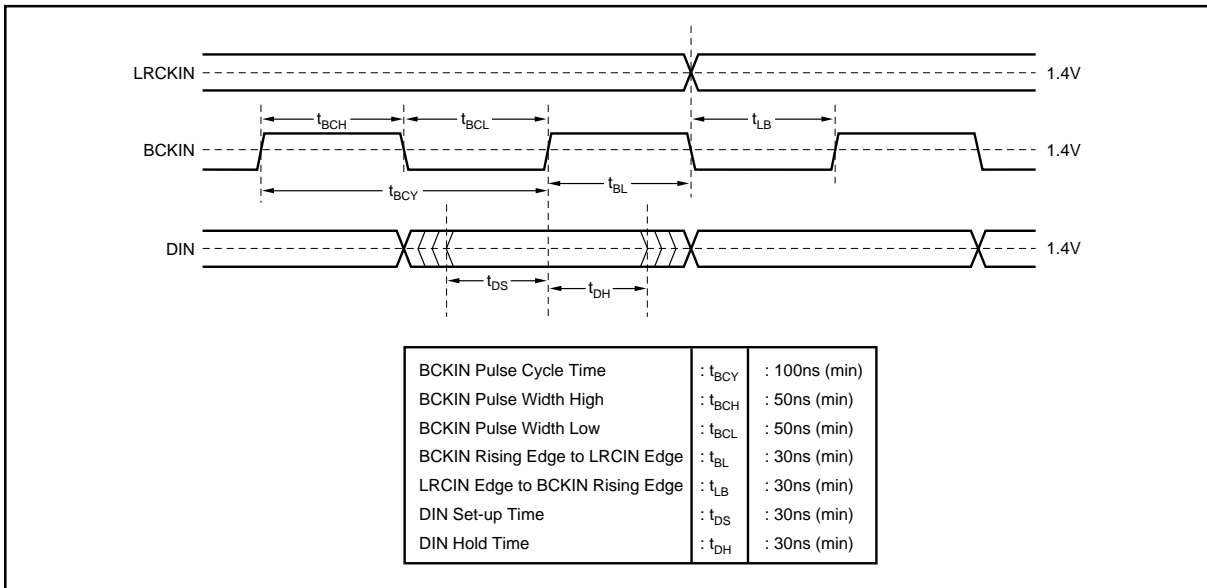


FIGURE 3. Audio Data Input Timing.

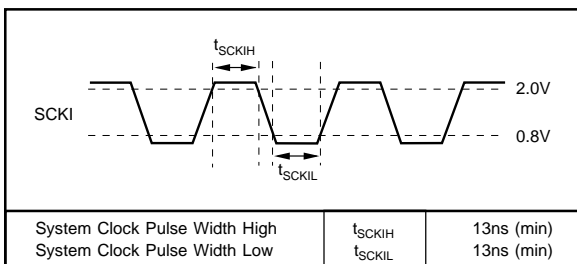


FIGURE 4. System Clock Timing Requirements.

SYSTEM CLOCK

The system clock for PCM1733 must be either $256f_s$ or $384f_s$, where f_s is the audio sampling frequency (LRCIN), typically 32kHz, 44.1kHz or 48kHz. The system clock is used to operate the digital filter and the noise shaper. The system clock input (SCKI) is at pin 14. Timing conditions for SCKI are shown in Figure 4.

PCM1733 has a system clock detection circuit which automatically detects the frequency, either $256f_s$ or $384f_s$. The system clock should be synchronized with LRCIN (pin 1), but PCM1733 can compensate for phase differences. If the phase difference between LRCIN and system clock is greater than ± 6 bit clocks (BCKIN), the synchronization is performed automatically. The analog outputs are forced to a bipolar zero state ($V_{CC}/2$) during the synchronization function. Table I shows the typical system clock frequency inputs for the PCM1733.

SAMPLING RATE (LRCIN)	SYSTEM CLOCK FREQUENCY (MHz)	
	$256f_s$	$384f_s$
32kHz	8.192	12.288
44.1kHz	11.2896	16.9340
48kHz	12.288	18.432

TABLE I. System Clock Frequencies vs Sampling Rate.

TYPICAL CONNECTION DIAGRAM

Figure 5 illustrates the typical connection diagram for PCM1733 used in a stand-alone application.

INPUT DATA FORMAT

PCM1733 can accept input data in either normal (MSB-first, right-justified) or I²S formats. When pin 13 (FORMAT) is LOW, normal data format is selected; a HIGH on pin 13 selects I²S format.

FORMAT	
0	Normal Format (MSB-first, right-justified)
1	I ² S Format (Philips serial data protocol)

TABLE II. Input Format Selection.

RESET

PCM1733 has an internal power-on reset circuit. The internal power-on reset initializes (resets) when the supply voltage $V_{CC} > 2.2V$ (typ). The power-on reset has an initialization period equal to 1024 system clock periods after $V_{CC} > 2.2V$. During the initialization period, the outputs of the DAC are invalid, and the analog outputs are forced to $V_{CC}/2$. Figure 6 illustrates the power-on reset and reset-pin reset timing.

DE-EMPHASIS CONTROL

Pin 12 (DM) enables PCM1733's de-emphasis function. De-emphasis operates only at 44.1kHz.

DM	
0	De-emphasis OFF
1	De-emphasis ON (44.1kHz)

TABLE III. De-emphasis Control Selection.

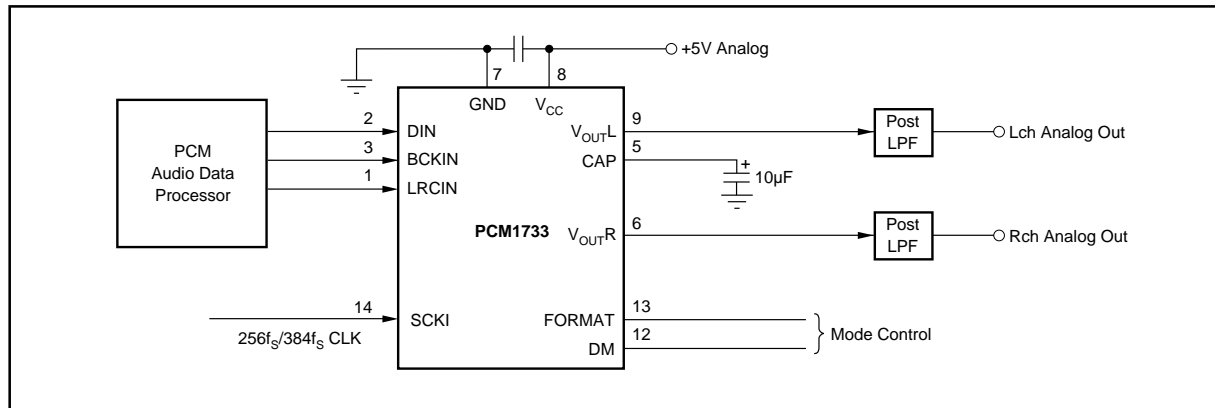


FIGURE 5. Typical Connection Diagram.

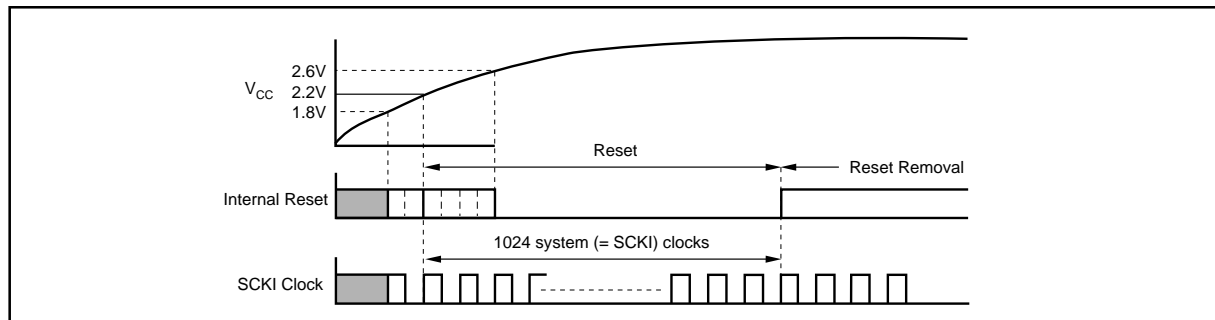


FIGURE 6. Internal Power-On Reset Timing.

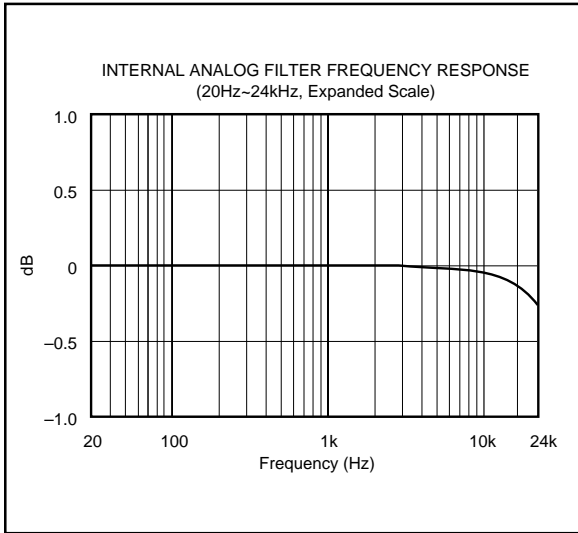


FIGURE 7. Low Pass Filter Frequency Response.

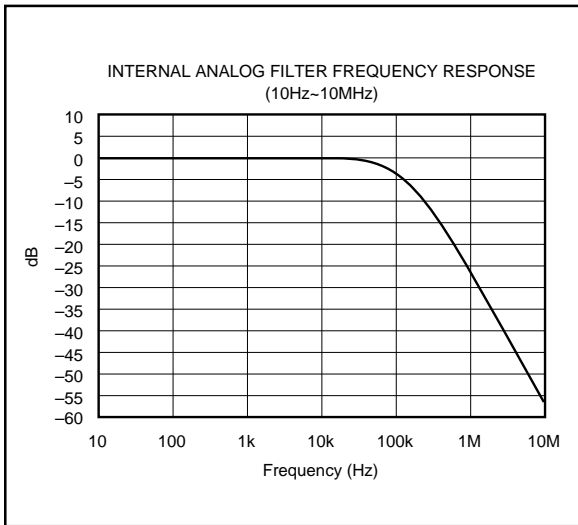


FIGURE 8. Low Pass Filter Wideband Frequency Response.

APPLICATION CONSIDERATIONS

DELAY TIME

There is a finite delay time in delta-sigma converters. In A/D converters, this is commonly referred to as latency. For a delta-sigma D/A converter, delay time is determined by the order number of the FIR filter stage, and the chosen sampling rate. The following equation expresses the delay time of PCM1733:

$$T_D = 11.125 \times 1/f_S$$

$$\text{For } f_S = 44.1\text{kHz, } T_D = 11.125/44.1\text{kHz} = 251.4\mu\text{s}$$

Applications using data from a disc or tape source, such as CD audio, CD-Interactive, Video CD, DAT, Minidisc, etc., generally are not affected by delay time. For some professional applications such as broadcast audio for studios, it is important for total delay time to be less than 2ms.

OUTPUT FILTERING

For testing purposes all dynamic tests are done on the PCM1733 using a 20kHz low pass filter. This filter limits the measured bandwidth for THD+N, etc. to 20kHz. Failure to use such a filter will result in higher THD+N and lower SNR and Dynamic Range readings than are found in the specifications. The low pass filter removes out of band noise. Although it is not audible, it may affect dynamic specification numbers.

The performance of the internal low pass filter from DC to 24kHz is shown in Figure 7. The higher frequency rolloff of the filter is shown in Figure 8. If the user's application has the PCM1733 driving a wideband amplifier, it is recommended to use an external low pass filter. A simple 3rd-order filter is shown in Figure 9. For some applications, a passive RC filter or 2nd-order filter may be adequate.

BYPASSING POWER SUPPLIES

The power supplies should be bypassed as close as possible to the unit. It is also recommended to include a 0.1μF ceramic capacitor in parallel with the 10μF tantalum bypass capacitor.

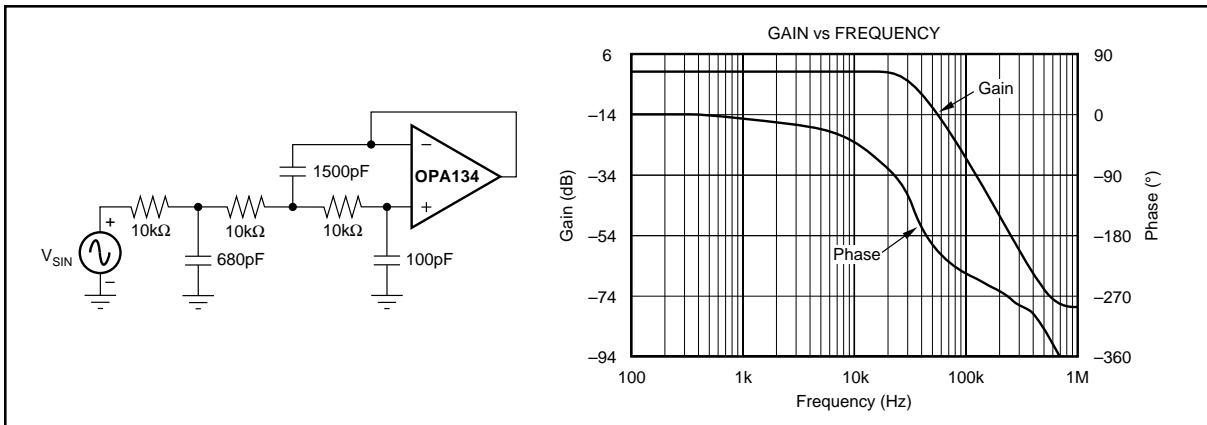


FIGURE 9. 3rd-Order LPF.

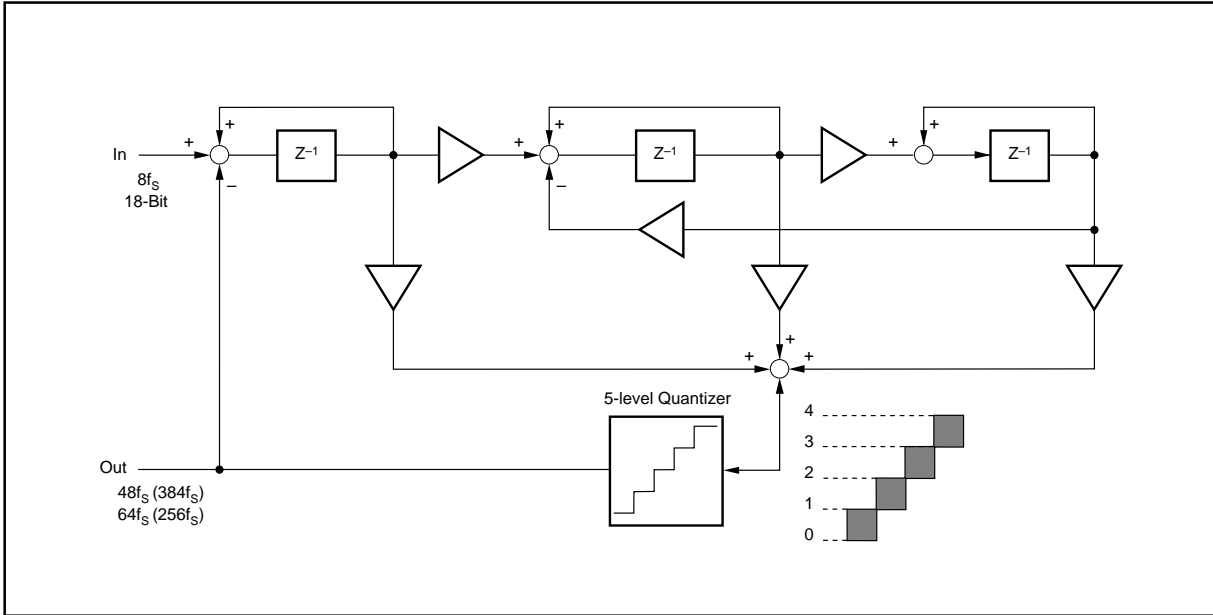


FIGURE 10. 5-Level $\Delta\Sigma$ Modulator Block Diagram.

THEORY OF OPERATION

The delta-sigma section of PCM1733 is based on a 5-level amplitude quantizer and a 3rd-order noise shaper. This section converts the oversampled input data to 5-level delta-sigma format. A block diagram of the 5-level delta-sigma modulator is shown in Figure 10. This 5-level delta-sigma modulator has the advantage of stability and clock jitter over the typical one-bit (2-level) delta-sigma modulator.

The combined oversampling rate of the delta-sigma modulator and the internal 8X interpolation filter is $96f_s$ for a $384f_s$ system clock, and $64f_s$ for a $256f_s$ system clock. The theoretical quantization noise performance of the 5-level delta-sigma modulator is shown in Figure 11.

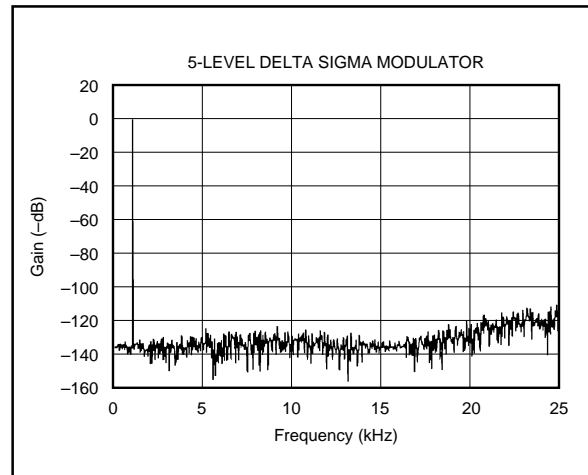


FIGURE 11. Quantization Noise Spectrum.

PACKAGING INFORMATION

Orderable part number	Status (1)	Material type (2)	Package Pins	Package qty Carrier	RoHS (3)	Lead finish/ Ball material (4)	MSL rating/ Peak reflow (5)	Op temp (°C)	Part marking (6)
PCM1733U	Active	Production	SOIC (D) 14	50 TUBE	Yes	NIPDAU	Level-1-260C-UNLIM	-	PCM1733U
PCM1733U.B	Active	Production	SOIC (D) 14	50 TUBE	Yes	NIPDAU	Level-1-260C-UNLIM	See PCM1733U	PCM1733U

(1) **Status:** For more details on status, see our [product life cycle](#).

(2) **Material type:** When designated, preproduction parts are prototypes/experimental devices, and are not yet approved or released for full production. Testing and final process, including without limitation quality assurance, reliability performance testing, and/or process qualification, may not yet be complete, and this item is subject to further changes or possible discontinuation. If available for ordering, purchases will be subject to an additional waiver at checkout, and are intended for early internal evaluation purposes only. These items are sold without warranties of any kind.

(3) **RoHS values:** Yes, No, RoHS Exempt. See the [TI RoHS Statement](#) for additional information and value definition.

(4) **Lead finish/Ball material:** Parts may have multiple material finish options. Finish options are separated by a vertical ruled line. Lead finish/Ball material values may wrap to two lines if the finish value exceeds the maximum column width.

(5) **MSL rating/Peak reflow:** The moisture sensitivity level ratings and peak solder (reflow) temperatures. In the event that a part has multiple moisture sensitivity ratings, only the lowest level per JEDEC standards is shown. Refer to the shipping label for the actual reflow temperature that will be used to mount the part to the printed circuit board.

(6) **Part marking:** There may be an additional marking, which relates to the logo, the lot trace code information, or the environmental category of the part.

Multiple part markings will be inside parentheses. Only one part marking contained in parentheses and separated by a "~" will appear on a part. If a line is indented then it is a continuation of the previous line and the two combined represent the entire part marking for that device.

Important Information and Disclaimer:The information provided on this page represents TI's knowledge and belief as of the date that it is provided. TI bases its knowledge and belief on information provided by third parties, and makes no representation or warranty as to the accuracy of such information. Efforts are underway to better integrate information from third parties. TI has taken and continues to take reasonable steps to provide representative and accurate information but may not have conducted destructive testing or chemical analysis on incoming materials and chemicals. TI and TI suppliers consider certain information to be proprietary, and thus CAS numbers and other limited information may not be available for release.

In no event shall TI's liability arising out of such information exceed the total purchase price of the TI part(s) at issue in this document sold by TI to Customer on an annual basis.

TUBE


*All dimensions are nominal

Device	Package Name	Package Type	Pins	SPQ	L (mm)	W (mm)	T (μm)	B (mm)
PCM1733U	D	SOIC	14	50	506.6	8	3940	4.32
PCM1733U.B	D	SOIC	14	50	506.6	8	3940	4.32

IMPORTANT NOTICE AND DISCLAIMER

TI PROVIDES TECHNICAL AND RELIABILITY DATA (INCLUDING DATASHEETS), DESIGN RESOURCES (INCLUDING REFERENCE DESIGNS), APPLICATION OR OTHER DESIGN ADVICE, WEB TOOLS, SAFETY INFORMATION, AND OTHER RESOURCES "AS IS" AND WITH ALL FAULTS, AND DISCLAIMS ALL WARRANTIES, EXPRESS AND IMPLIED, INCLUDING WITHOUT LIMITATION ANY IMPLIED WARRANTIES OF MERCHANTABILITY, FITNESS FOR A PARTICULAR PURPOSE OR NON-INFRINGEMENT OF THIRD PARTY INTELLECTUAL PROPERTY RIGHTS.

These resources are intended for skilled developers designing with TI products. You are solely responsible for (1) selecting the appropriate TI products for your application, (2) designing, validating and testing your application, and (3) ensuring your application meets applicable standards, and any other safety, security, regulatory or other requirements.

These resources are subject to change without notice. TI grants you permission to use these resources only for development of an application that uses the TI products described in the resource. Other reproduction and display of these resources is prohibited. No license is granted to any other TI intellectual property right or to any third party intellectual property right. TI disclaims responsibility for, and you fully indemnify TI and its representatives against any claims, damages, costs, losses, and liabilities arising out of your use of these resources.

TI's products are provided subject to [TI's Terms of Sale](#), [TI's General Quality Guidelines](#), or other applicable terms available either on ti.com or provided in conjunction with such TI products. TI's provision of these resources does not expand or otherwise alter TI's applicable warranties or warranty disclaimers for TI products. Unless TI explicitly designates a product as custom or customer-specified, TI products are standard, catalog, general purpose devices.

TI objects to and rejects any additional or different terms you may propose.

Copyright © 2025, Texas Instruments Incorporated

Last updated 10/2025