

TL441AM LOGARITHMIC AMPLIFIER

SLFS038 – JUNE 1976 – REVISED FEBRUARY 1989

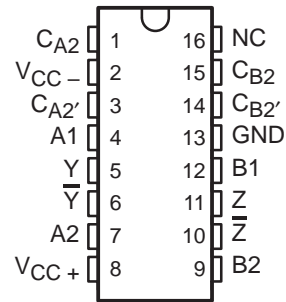
- Excellent Dynamic Range
- Wide Bandwidth
- Built-In Temperature Compensation
- Log Linearity (30 dB Sections) . . . 1 dB Typ
- Wide Input Voltage Range

description

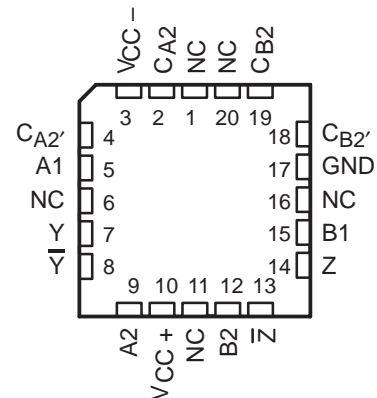
This monolithic amplifier circuit contains four 30-dB logarithmic stages. Gain in each stage is such that the output of each stage is proportional to the logarithm of the input voltage over the 30-dB input voltage range. Each half of the circuit contains two of these 30-dB stages summed together in one differential output that is proportional to the sum of the logarithms of the input voltages of the two stages. The four stages may be interconnected to obtain a theoretical input voltage range of 120-dB. In practice, this permits the input voltage range to be typically greater than 80-dB with log linearity of ± 0.5 -dB (see application data). Bandwidth is from dc to 40 MHz.

This circuit is useful in military weapons systems, broadband radar, and infrared reconnaissance systems. It serves for data compression and analog compensation. This logarithmic amplifier is used in log IF circuitry as well as video and log amplifiers. The TL441AM is characterized for operation over the full military temperature range of -55°C to 125°C .

J PACKAGE
(TOP VIEW)

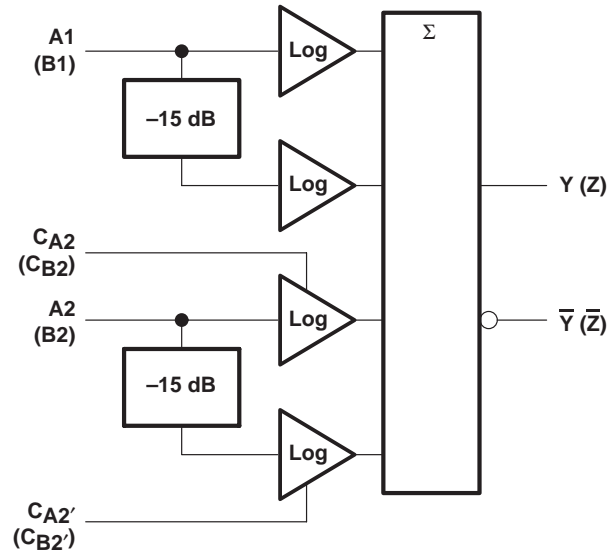


FK PACKAGE
(TOP VIEW)



NC — No internal connection

functional block diagram (one half)

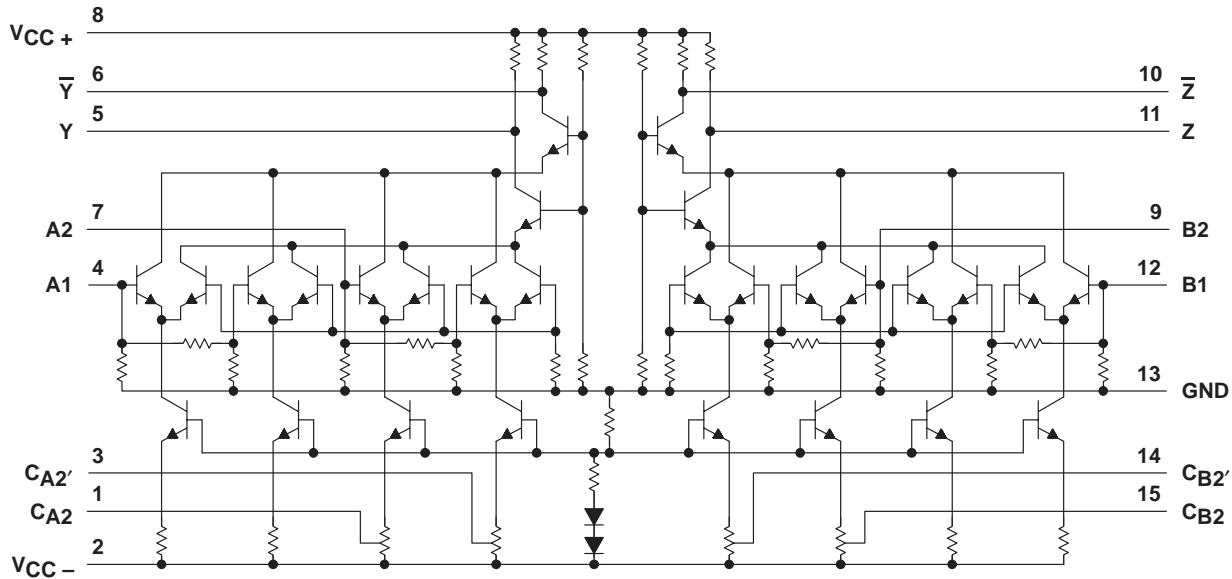


$Y \propto \log A1 + \log A2$; $Z \propto \log B1 + \log B2$
 where: A1, A2, B1, and B2 are in dBV, 0 dBV = 1 V.
 CA2, CA2', CB2, and CB2' are detector compensation inputs.

TL441AM LOGARITHMIC AMPLIFIER

SLFS038 – JUNE 1976 – REVISED FEBRUARY 1989

schematic



Pin numbers shown are for the J package.

absolute maximum ratings over operating free-air temperature range (unless otherwise noted)†

| | |
|---|------------------------------|
| Supply voltages (see Note 1): V_{CC+} | 8 V |
| V_{CC-} | -8 V |
| Input voltage (see Note 1) | 6 V |
| Output sink current (any one output) | 30 mA |
| Continuous total dissipation | See Dissipation Rating Table |
| Operating free-air temperature range | -55°C to 125°C |
| Storage temperature range | -65°C to 150°C |
| Case temperature for 60 seconds: FK package | 260°C |
| Lead temperature 1,6 mm (1/16 inch) from case for 60 seconds: J package | 300°C |

† Stresses beyond those listed under absolute maximum ratings may cause permanent damage to the device. This is a stress rating only, and functional operation of the device at these or any other conditions beyond those indicated in the recommended operating conditions section of this specification is not implied. Exposure to absolute-maximum-rated conditions for extended periods may affect device reliability.

NOTE 1: All voltages, except differential output voltages, are with respect to network ground terminal.

DISSIPATION RATING TABLE

| PACKAGE | $T_A \leq 25^\circ\text{C}$ POWER RATING | DERATING FACTOR | DERATE ABOVE T_A | $T_A = 70^\circ\text{C}$ POWER RATING | $T_A = 125^\circ\text{C}$ POWER RATING |
|---------|---|--------------------|-----------------------|--|---|
| FK | 500 mW | 11.0 mW/°C | 104°C | 500 mW | 275 mW |
| J | 500 mW | 11.0 mW/°C | 104°C | 500 mW | 275 mW |

recommended operating conditions

| | MIN | MAX | UNIT |
|---|------|-----|------|
| Peak-to-peak input voltage for each 30-dB stage | 0.01 | 1 | V |
| Operating free-air temperature, T_A | -55 | 125 | °C |



POST OFFICE BOX 655303 • DALLAS, TEXAS 75265

electrical characteristics, $V_{CC\pm} = \pm 6\text{ V}$, $T_A = 25^\circ\text{C}$

| PARAMETER | TEST FIGURE | MIN | TYP | MAX | UNIT |
|---|-------------|------|----------|----------|----------|
| Differential output offset voltage | 1 | | ± 25 | ± 70 | mV |
| Quiescent output voltage | 2 | 5.45 | 5.6 | 5.85 | V |
| DC scale factor (differential output), each 3-dB stage, -35 dBV to -5 dBV | 3 | 7 | 8 | 11 | mV/dB |
| AC scale factor (differential output) | | | 8 | | mV/dB |
| DC error at -20 dBV (midpoint of -35 dBV to -5 dBV range) | 3 | | 1 | 2.6 | dB |
| Input impedance | | | 500 | | Ω |
| Output impedance | | | 200 | | Ω |
| Rise time, 10% to 90% points, $C_L = 24\text{ pF}$ | 4 | | 20 | 35 | ns |
| Supply current from V_{CC+} | 2 | 14.5 | 18.5 | 23 | mA |
| Supply current from V_{CC-} | 2 | -6 | -8.5 | -10.5 | mA |
| Power dissipation | 2 | 123 | 162 | 201 | mW |

electrical characteristics over operating free-air temperature range, $V_{CC\pm} = \pm 6\text{ V}$ (unless otherwise noted)

| PARAMETER | TEST FIGURE | MIN | MAX | UNIT |
|---|-------------|---------------------------|-----------|-------|
| Differential output offset voltage | 1 | | ± 100 | mV |
| Quiescent output voltage | 2 | 5.3 | 5.85 | V |
| DC scale factor (differential output) each 30-dB stage, -35 dBV to -5 dBV | 3 | 7 | 11 | mV/dB |
| DC error at -20 dBV (midpoint of -35 dBV to -5 dBV range) | 3 | | 4 | dB |
| | | $T_A = -55^\circ\text{C}$ | 3 | |
| Supply current from V_{CC+} | 2 | 10 | 31 | mA |
| Supply current from V_{CC-} | 2 | -4.5 | -15 | mA |
| Power dissipation | 2 | 87 | 276 | mW |

PARAMETER MEASUREMENT INFORMATION

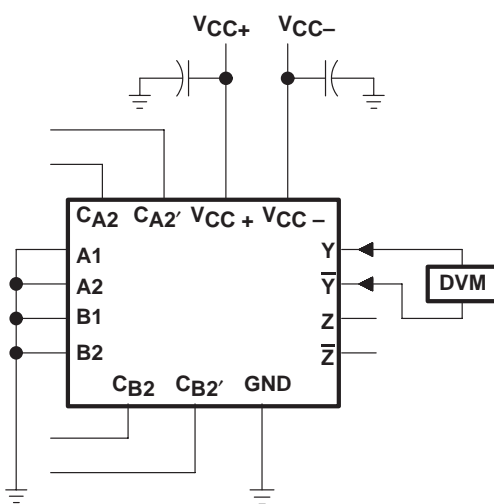


Figure 1

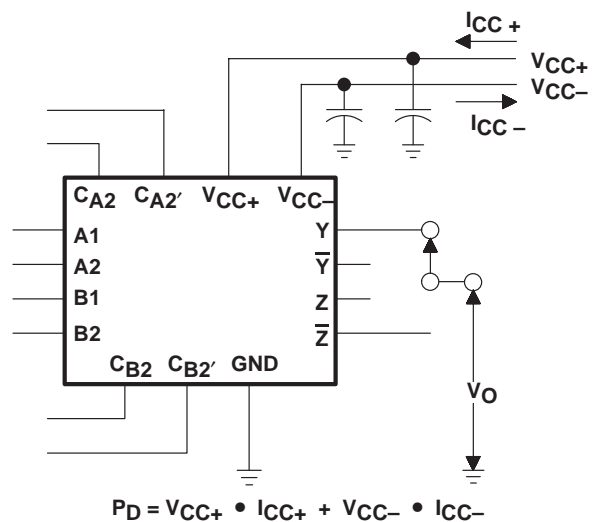


Figure 2

TL441AM LOGARITHMIC AMPLIFIER

SLFS038 – JUNE 1976 – REVISED FEBRUARY 1989

PARAMETER MEASUREMENT INFORMATION

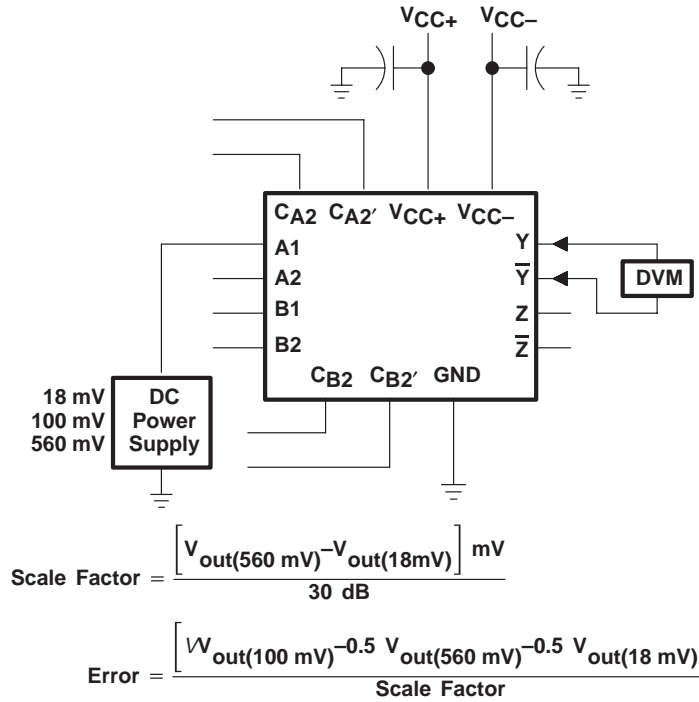
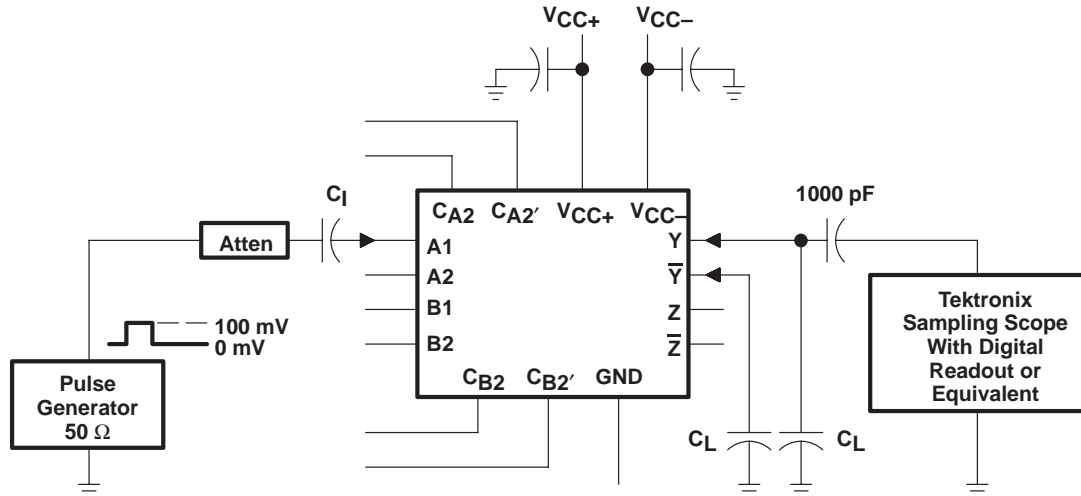


Figure 3



- NOTES: A. The input pulse has the following characteristics: $t_w = 200 \text{ ns}$, $t_r \leq 2 \text{ ns}$, $t_f \leq 2 \text{ ns}$, $\text{PRR} \leq 10 \text{ MHz}$.
 B. Capacitor C_1 consists of three capacitors in parallel: $1 \mu\text{F}$, $0.1 \mu\text{F}$, and $0.01 \mu\text{F}$.
 C. C_L includes probe and jig capacitance.

Figure 4

TYPICAL CHARACTERISTICS

DIFFERENTIAL OUTPUT OFFSET VOLTAGE
vs
FREE-AIR TEMPERATURE

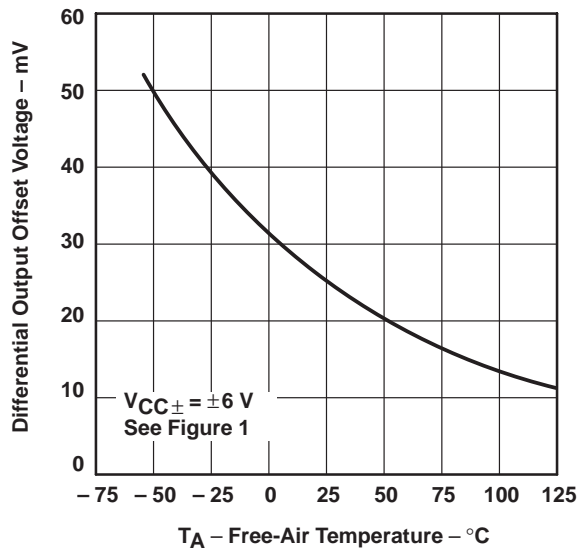


Figure 5

QUIESCENT OUTPUT VOLTAGE
vs
FREE-AIR TEMPERATURE

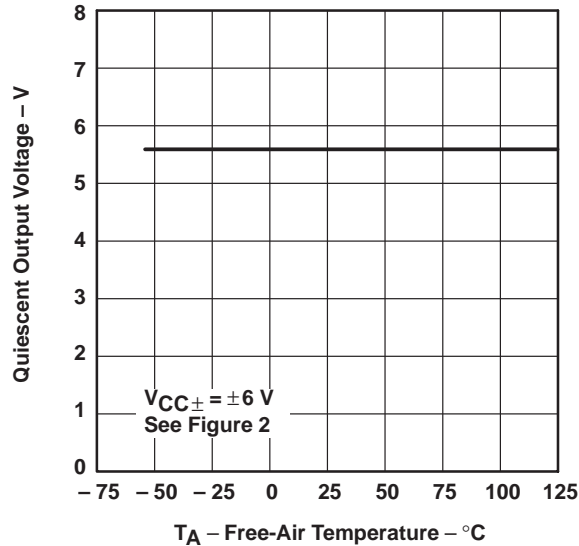


Figure 6

DC SCALE FACTOR
vs
FREE-AIR TEMPERATURE

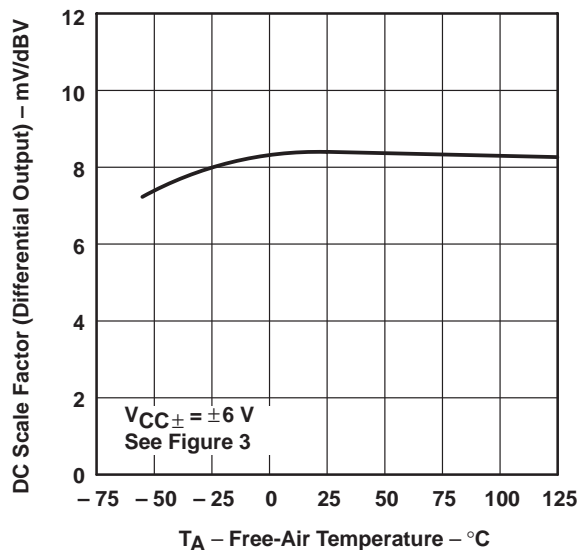


Figure 7

DC ERROR
vs
FREE-AIR TEMPERATURE

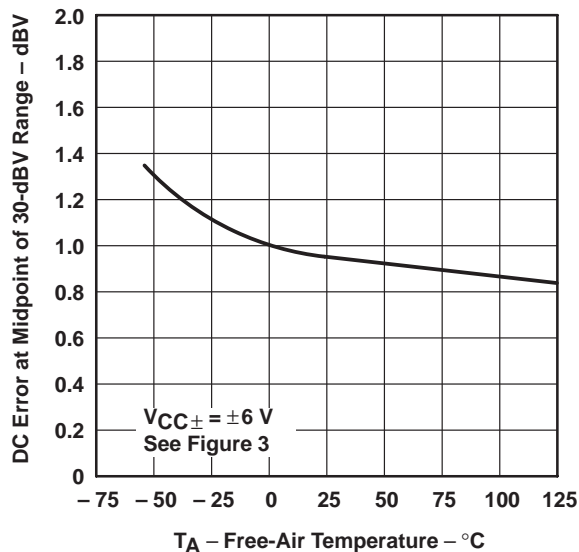


Figure 8

TYPICAL CHARACTERISTICS

OUTPUT RISE TIME
VS
LOAD CAPACITANCE

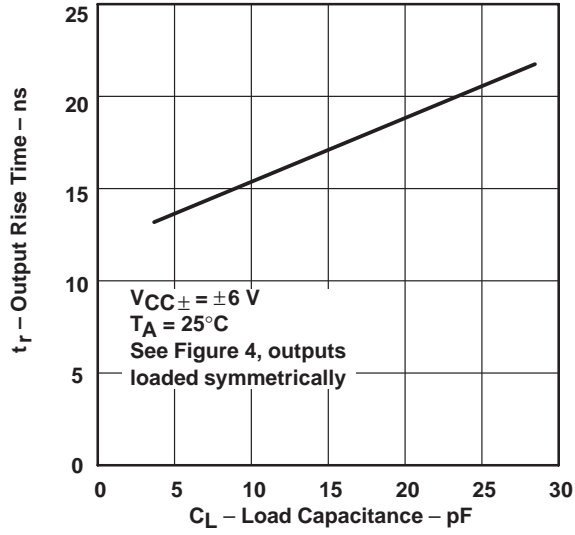


Figure 9

POWER DISSIPATION
VS
FREE-AIR TEMPERATURE

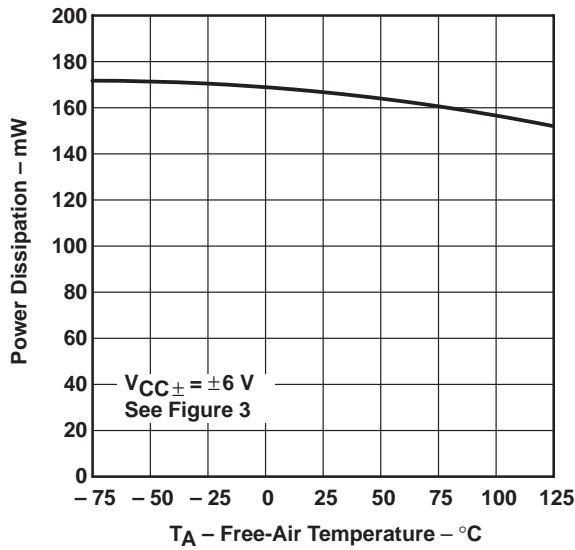


Figure 10

APPLICATION INFORMATION

Although designed for high-performance applications such as broadband radar, infrared detection and weapons systems, this device has a wide range of applications in data compression and analog computation.

basic logarithmic function

The basic logarithmic response is derived from the exponential current-voltage relationship of collector current and base-emitter voltage. This relationship is given in the equation:

$$m \cdot V_{BE} = \ln [(I_C + I_{CES})/I_{CES}]$$

where:

I_C = collector current

I_{CES} = collector current at $V_{BE} = 0$

$m = q/kT$ (in V^{-1})

V_{BE} = base-emitter voltage

The differential input amplifier allows dual-polarity inputs, is self-compensating for temperature variations, and is relatively insensitive to common-mode noise.

functional block diagram

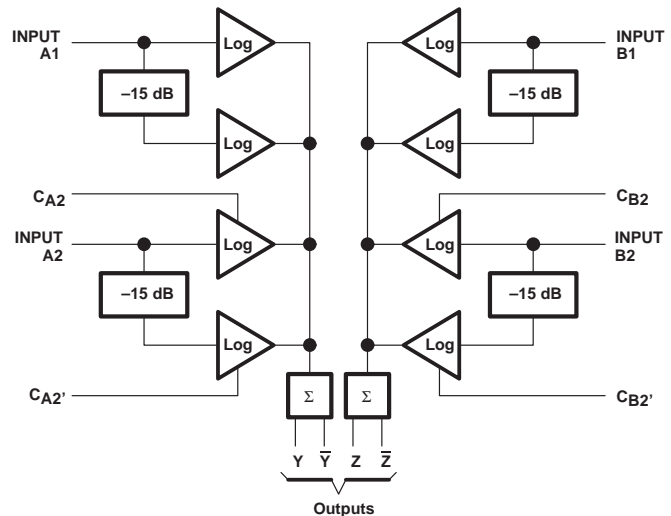


Figure 11

logarithmic sections

As can be seen from the schematic, there are eight differential pairs. Each pair is a 15-dB log subsection, and each input feeds two pairs for a range of 30-dB per stage.

Four compensation points are made available to allow slight variations in the gain (slope) of the two individual 15-dB stages of input A2 and B2. By slightly changing the voltage on any of the compensation pins from its quiescent value, the gain of that particular 15-dB stage can be adjusted to match the other 15-dB stage in the pair. The compensation pins may also be used to match the transfer characteristics of input A2 to A1 or B2 to B1.

The log stages in each half of the circuit are summed by directly connecting their collectors together and summing through a common-base output stage. The two sets of output collectors are used to give two log outputs, Y and \bar{Y} (or Z and \bar{Z}) which are equal in amplitude but opposite in polarity. This increases the versatility of the device.

By proper choice of external connections, linear amplification, and linear attenuation, and many different applications requiring logarithmic signal processing are possible.

input levels

The recommended input voltage range of any one stage is given as 0.01 V to 1 V. Input levels in excess of 1 V may result in a distorted output. When several log sections are summed together, the distorted area of one section overlaps with the next section and the resulting distortion is insignificant. However, there is a limit to the amount of overdrive that may be applied. As the input drive reaches ± 3.5 V, saturation occurs, clamping the collector-summing line and severely distorting the output. Therefore, the signal to any input must be limited to approximately ± 3 V to ensure a clean output.

TL441AM LOGARITHMIC AMPLIFIER

SLFS038 – JUNE 1976 – REVISED FEBRUARY 1989

APPLICATION INFORMATION

output levels

Differential-output-voltage levels are low, generally less than 0.6 V. As demonstrated in Figure 12, the output swing and the slope of the output response can be adjusted by varying the gain by means of the slope control. The coordinate origin may also be adjusted by positioning the offset of the output buffer.

circuits

Figures 12 through 19 show typical circuits using this logarithmic amplifier. Operational amplifiers not otherwise designated are TLC271. For operation at higher frequencies, the TL592 is recommended instead of the TLC271.

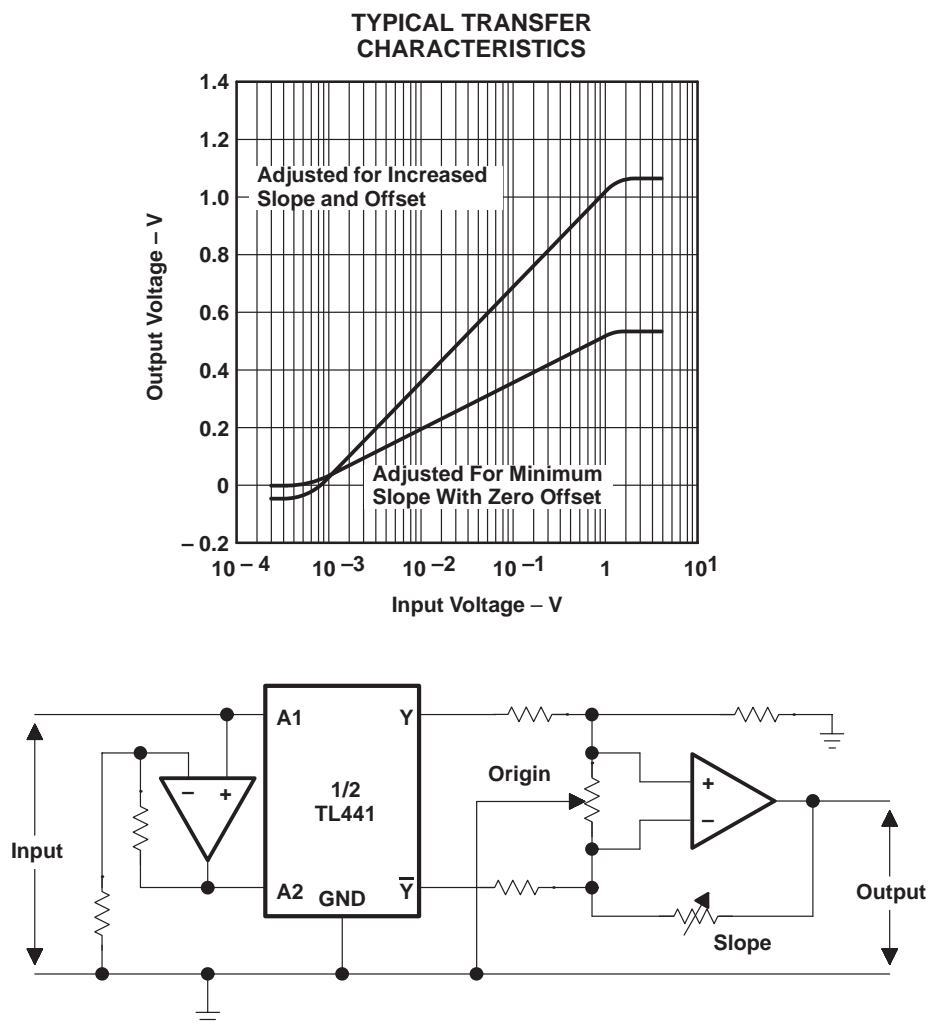


Figure 12. Output Slope and Origin Adjustment

APPLICATION INFORMATION

TRANSFER CHARACTERISTICS
OF TWO TYPICAL INPUT STAGES

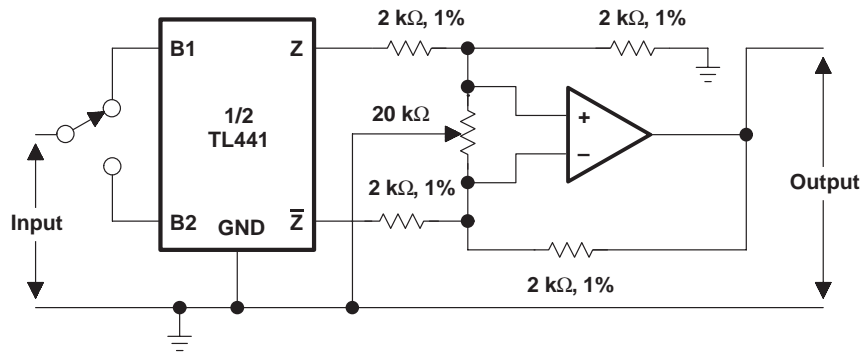
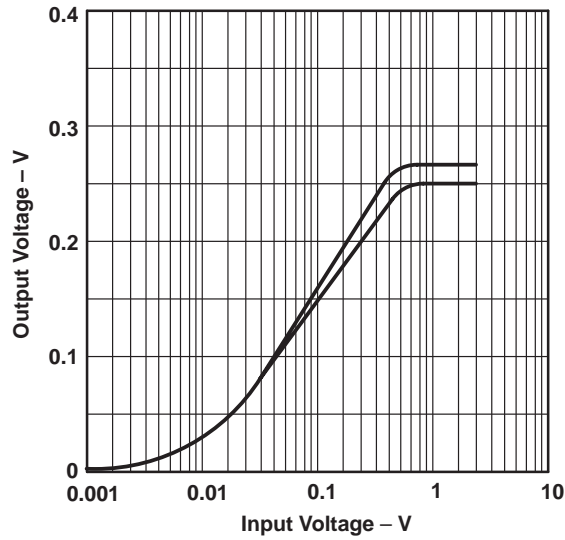


Figure 13. Utilization of Separate Stages

TL441AM LOGARITHMIC AMPLIFIER

SLFS038 – JUNE 1976 – REVISED FEBRUARY 1989

APPLICATION INFORMATION

TRANSFER CHARACTERISTICS WITH BOTH SIDES PARALLELED

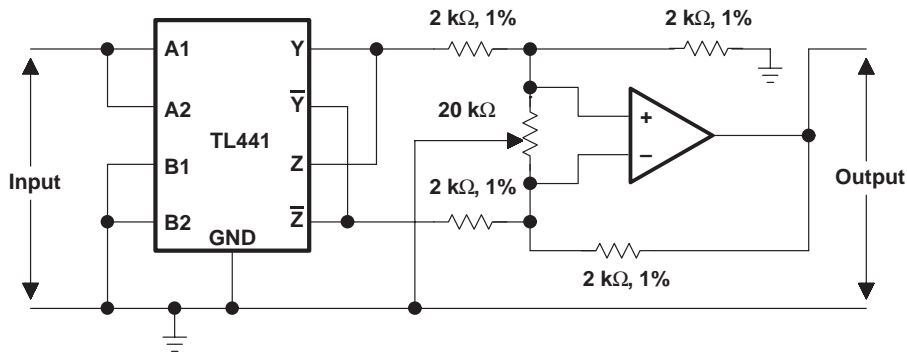
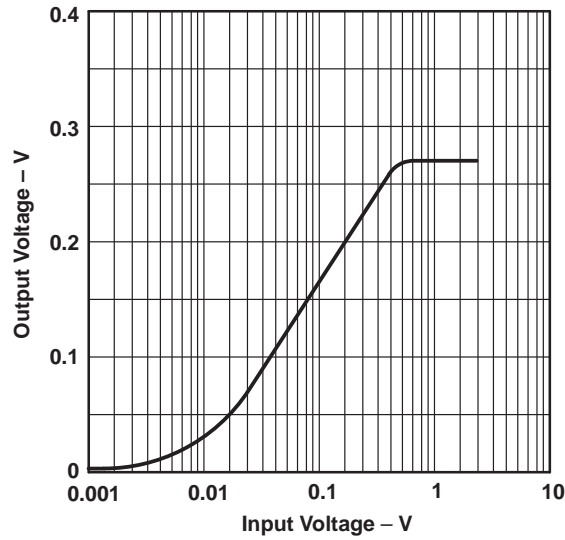
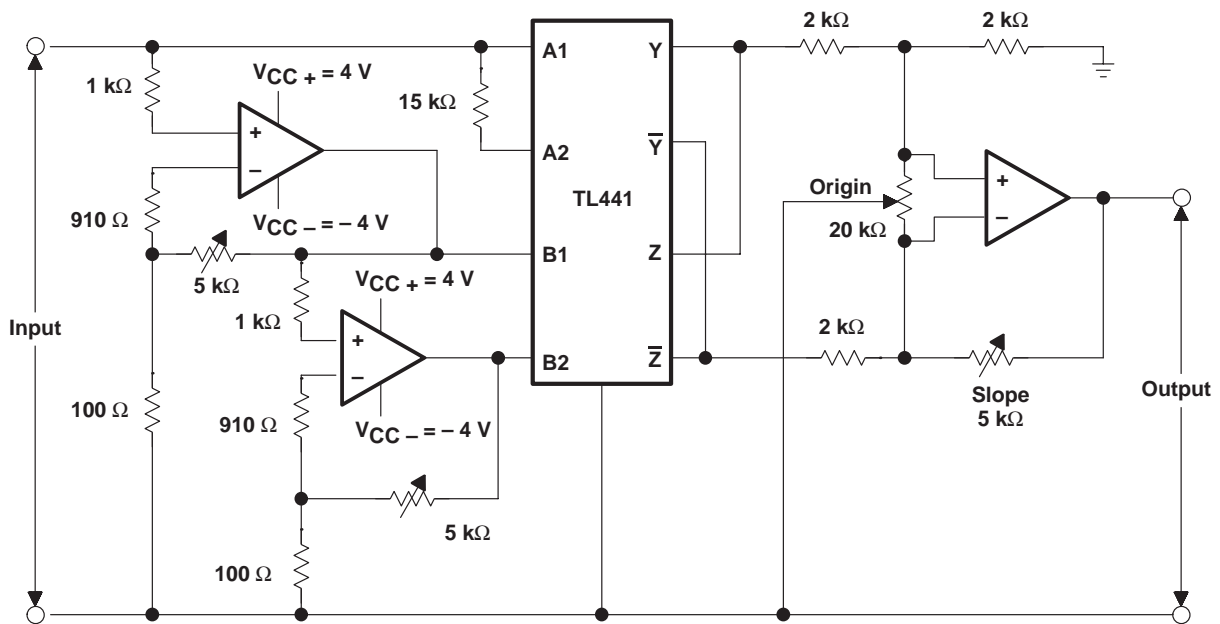
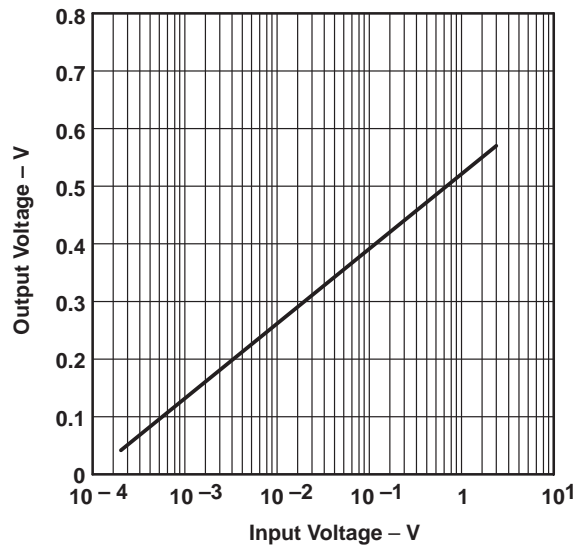


Figure 14. Utilization of Paralleled Inputs

APPLICATION INFORMATION

TRANSFER CHARACTERISTICS



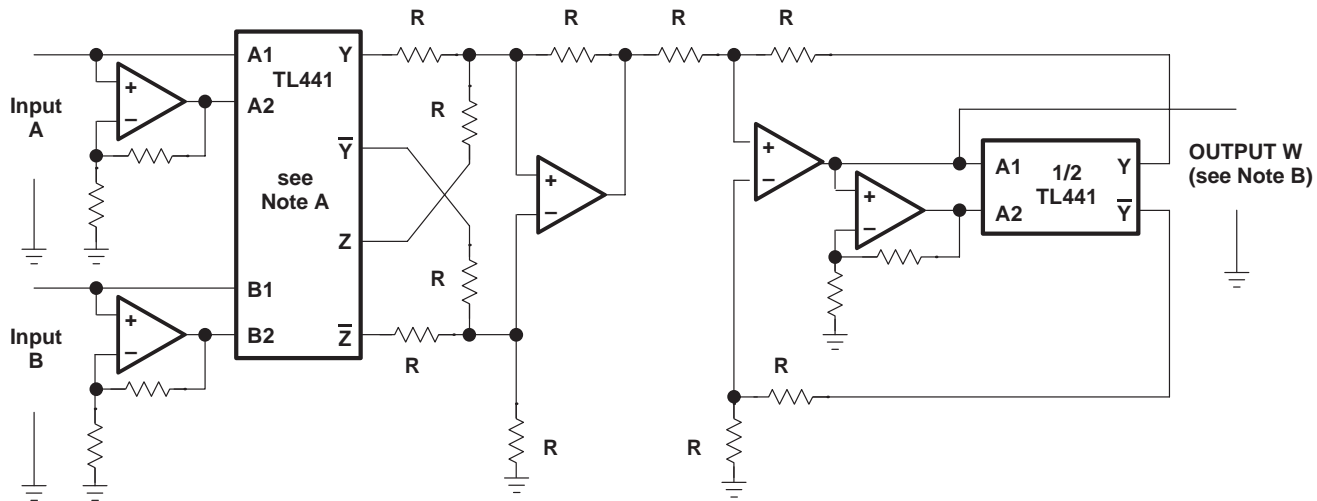
- NOTES: A. Inputs are limited by reducing the supply voltages for the input amplifiers to ± 4 V.
B. The gains of the input amplifiers are adjusted to achieve smooth transitions.

Figure 15. Logarithmic Amplifier With Input Voltage Range Greater Than 80 dB

TL441AM LOGARITHMIC AMPLIFIER

SLFS038 – JUNE 1976 – REVISED FEBRUARY 1989

APPLICATION INFORMATION

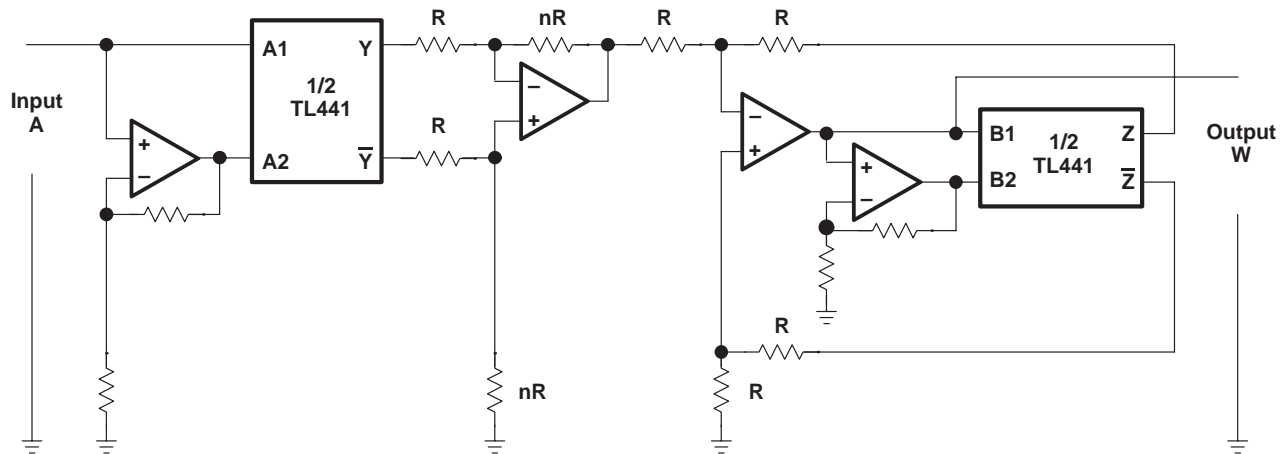


- NOTES: A. Connections shown are for multiplication. For division, Z and \bar{Z} connections are reversed.
 B. Output W may need to be amplified to give actual product or quotient of A and B.
 C. R designates resistors of equal value, typically 2 kΩ to 10 kΩ.

Multiplication: $W = A \cdot B \Rightarrow \log W = \log A + \log B$, or $W = a^{(\log_a A + \log_a B)}$

Division: $W = A/B \Rightarrow \log W = \log A - \log B$, or $W = a^{(\log_a A - \log_a B)}$

Figure 16. Multiplication or Division

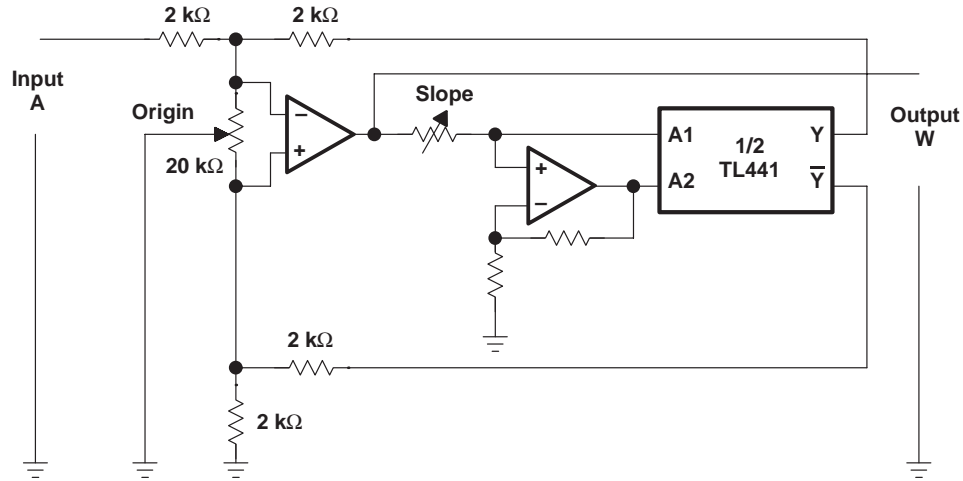


NOTE: R designates resistors of equal value, typically 2 kΩ to 10 kΩ. The power to which the input variable is raised is fixed by setting nR. Output W may need to be amplified to give the correct value.

Exponential: $W = A^n \Rightarrow \log W = n \log A$, or $W = a^{(n \log_a A)}$

Figure 17. Raising a Variable to a Fixed Power

APPLICATION INFORMATION



NOTE: Adjust the slope to correspond to the base "a".
Exponential to any base: $W = a$.

Figure 18. Raising a Fixed Number to a Variable Power

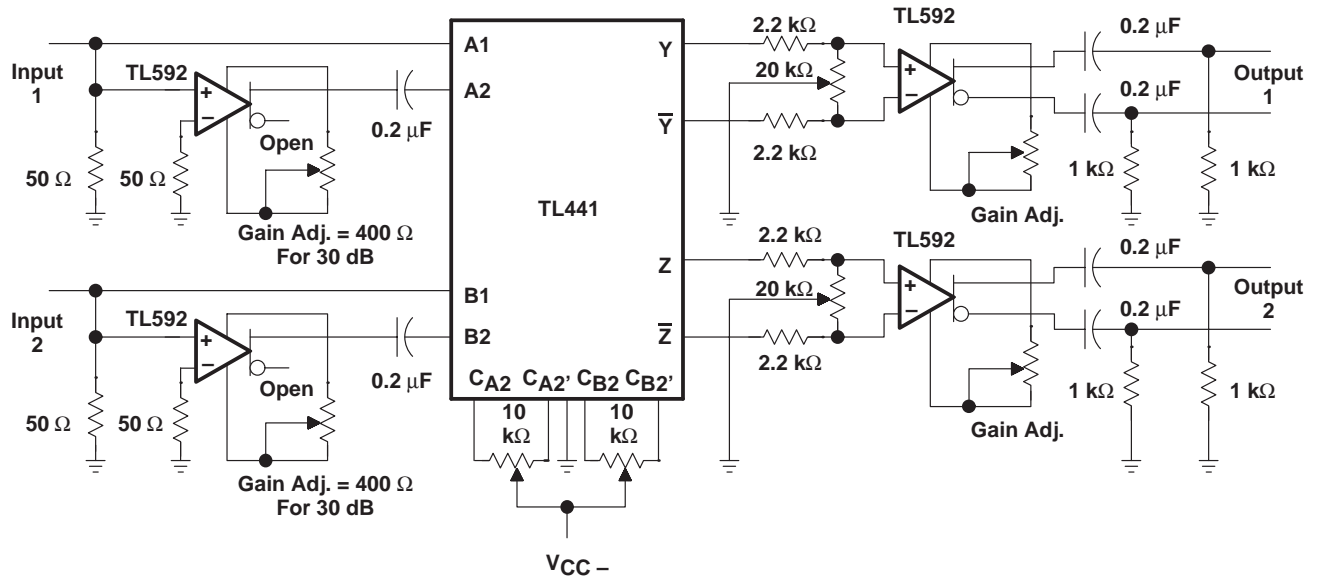


Figure 19. Dual-Channel RF Logarithmic Amplifier With 50-dB Input Range Per Channel at 10 MHz

PACKAGING INFORMATION

| Orderable part number | Status (1) | Material type (2) | Package Pins | Package qty Carrier | RoHS (3) | Lead finish/ Ball material (4) | MSL rating/ Peak reflow (5) | Op temp (°C) | Part marking (6) |
|---------------------------------|---------------|----------------------|----------------|-----------------------|-------------|--------------------------------------|-----------------------------------|--------------|----------------------------------|
| 5962-9176301QEA | Active | Production | CDIP (J) 16 | 25 TUBE | No | SNPB | N/A for Pkg Type | -55 to 125 | 5962-9176301QE A TL441AMJB |
| TL441AMJ | Active | Production | CDIP (J) 16 | 25 TUBE | No | SNPB | N/A for Pkg Type | - | TL441AMJ |
| TL441AMJ.A | Active | Production | CDIP (J) 16 | 25 TUBE | No | SNPB | N/A for Pkg Type | -55 to 125 | TL441AMJ |
| TL441AMJB | Active | Production | CDIP (J) 16 | 25 TUBE | No | SNPB | N/A for Pkg Type | - | 5962-9176301QE A TL441AMJB |
| TL441AMJB.A | Active | Production | CDIP (J) 16 | 25 TUBE | No | SNPB | N/A for Pkg Type | -55 to 125 | 5962-9176301QE A TL441AMJB |

(1) **Status:** For more details on status, see our [product life cycle](#).

(2) **Material type:** When designated, preproduction parts are prototypes/experimental devices, and are not yet approved or released for full production. Testing and final process, including without limitation quality assurance, reliability performance testing, and/or process qualification, may not yet be complete, and this item is subject to further changes or possible discontinuation. If available for ordering, purchases will be subject to an additional waiver at checkout, and are intended for early internal evaluation purposes only. These items are sold without warranties of any kind.

(3) **RoHS values:** Yes, No, RoHS Exempt. See the [TI RoHS Statement](#) for additional information and value definition.

(4) **Lead finish/Ball material:** Parts may have multiple material finish options. Finish options are separated by a vertical ruled line. Lead finish/Ball material values may wrap to two lines if the finish value exceeds the maximum column width.

(5) **MSL rating/Peak reflow:** The moisture sensitivity level ratings and peak solder (reflow) temperatures. In the event that a part has multiple moisture sensitivity ratings, only the lowest level per JEDEC standards is shown. Refer to the shipping label for the actual reflow temperature that will be used to mount the part to the printed circuit board.

(6) **Part marking:** There may be an additional marking, which relates to the logo, the lot trace code information, or the environmental category of the part.

Multiple part markings will be inside parentheses. Only one part marking contained in parentheses and separated by a "-" will appear on a part. If a line is indented then it is a continuation of the previous line and the two combined represent the entire part marking for that device.

Important Information and Disclaimer:The information provided on this page represents TI's knowledge and belief as of the date that it is provided. TI bases its knowledge and belief on information provided by third parties, and makes no representation or warranty as to the accuracy of such information. Efforts are underway to better integrate information from third parties. TI has taken and continues to take reasonable steps to provide representative

and accurate information but may not have conducted destructive testing or chemical analysis on incoming materials and chemicals. TI and TI suppliers consider certain information to be proprietary, and thus CAS numbers and other limited information may not be available for release.

In no event shall TI's liability arising out of such information exceed the total purchase price of the TI part(s) at issue in this document sold by TI to Customer on an annual basis.

IMPORTANT NOTICE AND DISCLAIMER

TI PROVIDES TECHNICAL AND RELIABILITY DATA (INCLUDING DATASHEETS), DESIGN RESOURCES (INCLUDING REFERENCE DESIGNS), APPLICATION OR OTHER DESIGN ADVICE, WEB TOOLS, SAFETY INFORMATION, AND OTHER RESOURCES "AS IS" AND WITH ALL FAULTS, AND DISCLAIMS ALL WARRANTIES, EXPRESS AND IMPLIED, INCLUDING WITHOUT LIMITATION ANY IMPLIED WARRANTIES OF MERCHANTABILITY, FITNESS FOR A PARTICULAR PURPOSE OR NON-INFRINGEMENT OF THIRD PARTY INTELLECTUAL PROPERTY RIGHTS.

These resources are intended for skilled developers designing with TI products. You are solely responsible for (1) selecting the appropriate TI products for your application, (2) designing, validating and testing your application, and (3) ensuring your application meets applicable standards, and any other safety, security, regulatory or other requirements.

These resources are subject to change without notice. TI grants you permission to use these resources only for development of an application that uses the TI products described in the resource. Other reproduction and display of these resources is prohibited. No license is granted to any other TI intellectual property right or to any third party intellectual property right. TI disclaims responsibility for, and you fully indemnify TI and its representatives against any claims, damages, costs, losses, and liabilities arising out of your use of these resources.

TI's products are provided subject to [TI's Terms of Sale](#), [TI's General Quality Guidelines](#), or other applicable terms available either on ti.com or provided in conjunction with such TI products. TI's provision of these resources does not expand or otherwise alter TI's applicable warranties or warranty disclaimers for TI products. Unless TI explicitly designates a product as custom or customer-specified, TI products are standard, catalog, general purpose devices.

TI objects to and rejects any additional or different terms you may propose.

Copyright © 2026, Texas Instruments Incorporated

Last updated 10/2025