

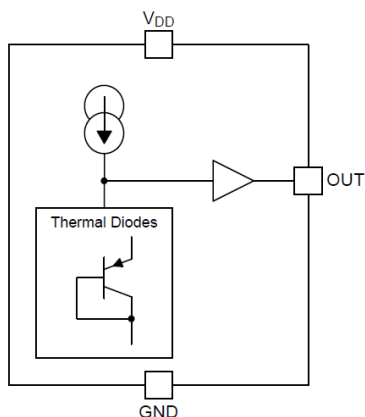
TMP9A00-EP ± 2.5 °C Low-Power, Analog Out Temperature Sensor

1 Features

- ± 2.5 °C Accuracy from -55 °C to $+130$ °C
- ± 3.5 °C Accuracy from -55 °C to $+150$ °C
- Supply voltage range: 1.8 V to 5.5 V
- Low power: 4 μ A (maximum)
- Microsize package: SC70
- Supports defense, aerospace, and medical applications
 - Controlled baseline
 - One assembly/test site
 - One fabrication site
 - Extended product life cycle
 - Extended product-change notification
 - Product traceability

2 Applications

- Defense radio
- Radar
- Avionics
- Sensors and imaging



Device Block Diagram

3 Description

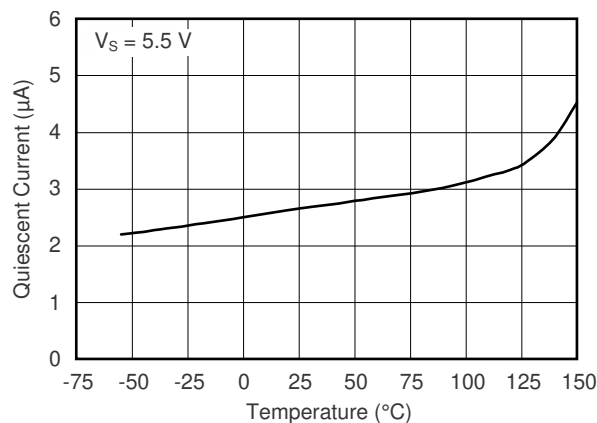
The TMP9A00-EP device is a CMOS, precision analog output temperature sensor available in a tiny 5-pin SC70 package. The TMP9A00-EP operates from -55 °C to 150 °C on a supply voltage of 1.8 V to 5.5 V with a supply current of 4 μ A. Operation as low as 1.8 V is possible for temperatures between 15 °C and 150 °C. The linear transfer function has a slope of -11.77 mV/°C (typical) and an output voltage of 1.8639 V (typical) at 0 °C. The TMP9A00-EP has a ± 2.5 °C accuracy a from -55 °C to 130 °C and ± 3.5 °C from 130 °C to 150 °C.

The 4- μ A (maximum) supply current of the TMP9A00-EP limits self-heating of the device to less than 0.01 °C. When $V+$ is less than 0.5 V, the device is in shutdown mode and consumes less than 20 nA (typical).

The TMP9A00-EP is available in a 5-pin SC70 package that reduces the overall required board space.

Device Information

PART NUMBER	PACKAGE	BODY SIZE (NOM)
TMP9A00-EP	SC70 (5)	2.00 mm \times 1.25 mm



Device Quiescent Current Over Temperature



Table of Contents

1 Features	1	7.4 Device Functional Modes.....	10
2 Applications	1	8 Application and Implementation	11
3 Description	1	8.1 Application Information.....	11
4 Revision History	2	8.2 Typical Application.....	12
5 Pin Configuration and Functions	3	9 Power Supply Recommendations	13
6 Specifications	4	10 Layout	14
6.1 Absolute Maximum Ratings	4	10.1 Layout Guidelines.....	14
6.2 ESD Ratings	4	10.2 Layout Example.....	14
6.3 Recommended Operating Conditions	4	11 Device and Documentation Support	15
6.4 Thermal Information	4	11.1 Receiving Notification of Documentation Updates..	15
6.5 Electrical Characteristics	5	11.2 Support Resources.....	15
6.6 Typical Characteristics.....	6	11.4 Electrostatic Discharge Caution.....	15
7 Detailed Description	8	11.5 Glossary.....	15
7.1 Overview.....	8	12 Introduction to Mechanical, Packaging, and	
7.2 Functional Block Diagram.....	8	Orderable Information	15
7.3 Feature Description.....	8		

4 Revision History

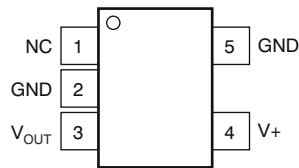
NOTE: Page numbers for previous revisions may differ from page numbers in the current version.

Changes from Revision * (December 2020) to Revision A (February 2021)

Page

• Updated Wirebond Life Derating Curve.....	12
---	----

5 Pin Configuration and Functions



NC- no internal connection

Figure 5-1. DCK Package 5-Pin SC70 Top View

Table 5-1. Pin Functions

PIN		I/O	DESCRIPTION
NAME	DCK (SC70)		
GND	2	—	This pin must be grounded or left floating. For best thermal response, connect to GND plane. See Layout Example for more information.
	5	—	Ground pin
NC	1	—	This pin must be grounded or left floating. See Layout Example for more information.
V _{OUT}	3	O	Analog output
V+	4	I	Positive supply voltage

6 Specifications

6.1 Absolute Maximum Ratings

Over free-air temperature range unless otherwise noted⁽¹⁾

		MIN	MAX	UNIT
Supply voltage	V_{DD}	-0.3	7	V
Operating junction temperature, T_J		-65	150	°C
Storage temperature, T_{stg}		-65	150	°C

- (1) Stresses beyond those listed under *Absolute Maximum Ratings* may cause permanent damage to the device. These are stress ratings only, which do not imply functional operation of the device at these or any other conditions beyond those indicated under *Recommended Operating Conditions*. Exposure to absolute-maximum-rated conditions for extended periods may affect device reliability.

6.2 ESD Ratings

			VALUE	UNIT
V_{ESD}	Electrostatic discharge	Human-body model (HBM), per ANSI/ESDA/JEDEC JS-001 ⁽¹⁾	±4000	V
		Charged-device model (CDM), per JEDEC specification JESD22-C101 ⁽²⁾	±1000	

- (1) JEDEC document JEP155 states that 500-V HBM allows safe manufacturing with a standard ESD control process.
 (2) JEDEC document JEP157 states that 250-V CDM allows safe manufacturing with a standard ESD control process.

6.3 Recommended Operating Conditions

		MIN	NOM	MAX	UNIT
V_{DD}	Supply voltage	1.8	3.3	5.5	V
T_A	Operating ambient temperature	-55		150	°C

6.4 Thermal Information

THERMAL METRIC ⁽¹⁾		TMP9A00-EP
		DCK
		6-pins
$R_{\theta JA}$	Junction-to-ambient thermal resistance	229.0
$R_{\theta JC(top)}$	Junction-to-case (top) thermal resistance	148.9
$R_{\theta JC(bot)}$	Junction-to-case (bottom) thermal resistance	N/A
$R_{\theta JB}$	Junction-to-board thermal resistance	73.4
Ψ_{JT}	Junction-to-top characterization parameter	42.5
Ψ_{JB}	Junction-to-board characterization parameter	73.0

- (1) For more information about traditional and new thermal metrics, see the *IC Package Thermal Metrics* application report, [SPRA953](#).

6.5 Electrical Characteristics

Over free-air temperature range and $V_{DD} = 1.8\text{ V to }5.5\text{ V}$ (unless otherwise noted); Typical specifications are at $T_A = 25\text{ }^\circ\text{C}$ and $V_{DD} = 3.3\text{ V}$ (unless otherwise noted)

PARAMETER		TEST CONDITIONS		MIN	TYP	MAX	UNIT
TEMPERATURE SENSOR							
T_{ERR}	Temperature accuracy ⁽¹⁾	-55 °C to 130 °C		-2.5		2.5	°C
		130 °C to 150 °C		-3.5		3.5	°C
PSR	DC power supply rejection	$V_{DD} = 1.8\text{ V to }5.5\text{ V}$ $T_A = 15\text{ }^\circ\text{C to }150\text{ }^\circ\text{C}$		-0.05		0.05	°C/V
		$V_{DD} = 2.7\text{ V to }5.5\text{ V}$ $T_A = -55\text{ }^\circ\text{C to }150\text{ }^\circ\text{C}$		-0.15		0.15	°C/V
T_{SENS}	Temperature sensitivity ⁽²⁾	$T_A = -55\text{ }^\circ\text{C to }150\text{ }^\circ\text{C}$			-11.77		mV/°C
V_{OUT}	Output voltage ⁽³⁾	$T_A = 0\text{ }^\circ\text{C}$			1863.9		mV
		$T_A = 25\text{ }^\circ\text{C}$			1574		mV
NL	Nonlinearity ⁽⁴⁾	$T_A = -55\text{ }^\circ\text{C to }150\text{ }^\circ\text{C}$			±0.4		%
ANALOG OUTPUT							
V_{OUT_R}	Output resistance	$I_{LOAD} = -600\text{ }\mu\text{A to }600\text{ }\mu\text{A}$			10		Ω
L_R	Load regulation	$I_{LOAD} = -600\text{ }\mu\text{A to }600\text{ }\mu\text{A}$			6		mV
C_L	Maximum capacitive load				1		nF
POWER SUPPLY							
V_{DD}	Operating voltage	$T_A = -55\text{ }^\circ\text{C to }150\text{ }^\circ\text{C}$		2.7		5.5	V
		$T_A = 15\text{ }^\circ\text{C to }150\text{ }^\circ\text{C}$ ⁽⁵⁾		1.8		5.5	V
I_{DD}	Supply current	$V_{DD} = 5.5\text{ V}$ $T_A = 25\text{ }^\circ\text{C}$			2.6	4	μA
		$V_{DD} = 5.5\text{ V}$ $T_A = -55\text{ }^\circ\text{C to }150\text{ }^\circ\text{C}$				7	μA
I_{DD_SD}	Shutdown current	$V_{DD} < 0.5\text{ V}$			20		nA

- (1) Power-supply rejection is encompassed in the accuracy specification.
- (2) Temperature sensitivity is the average slope to the equation $VO = (-11.77 \times T) + 1.860\text{ V}$
- (3) V_{OUT} is calculated from temperature with the following equation:
 $VO = (-3.88 \times 10^{-6} \times T^2) + (-1.15 \times 10^{-2} \times T) + 1.8639\text{ V}$, where T is in °C.
- (4) Nonlinearity is the deviation of the calculated output voltage from the best fit straight line.
- (5) The TMP9A00-EP transfer function requires the output voltage to rise above the 1.8-V supply as the temperature decreases below 15°C. When operating at a 1.8-V supply, it is normal for the TMP9A00-EP output to approach 1.8 V and remain at that voltage as the temperature continues to decrease below 15°C. This condition does not damage the device. Once the temperature rises above 15°C, the output voltage resumes changing as the temperature changes, according to the transfer function specified in this document.

6.6 Typical Characteristics

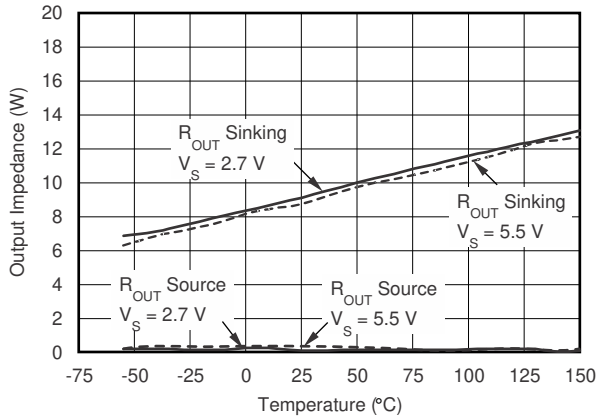


Figure 6-1. Output Impedance vs Temperature

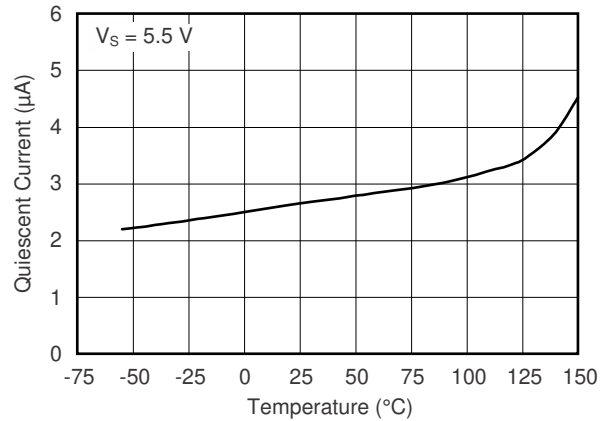


Figure 6-2. Quiescent Current vs Temperature

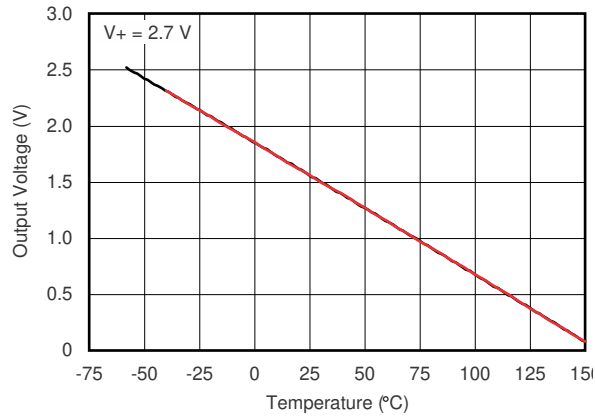


Figure 6-3. Output Voltage vs Temperature

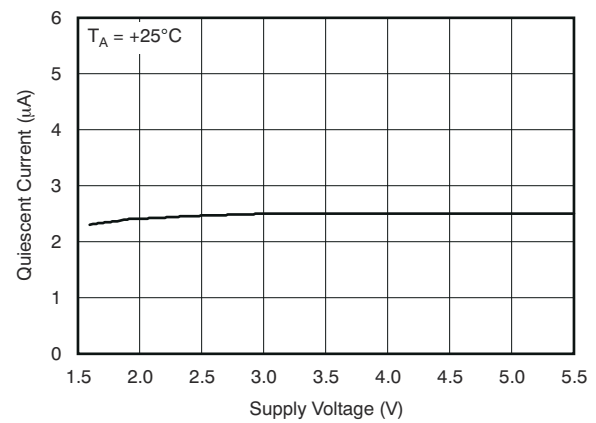


Figure 6-4. Quiescent Current vs Supply Voltage

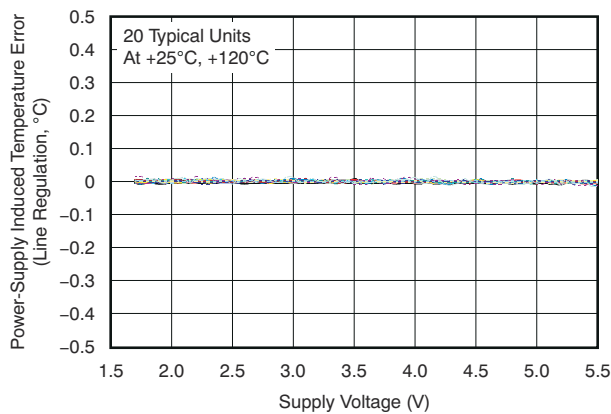


Figure 6-5. Power-Supply Rejection vs Temperature

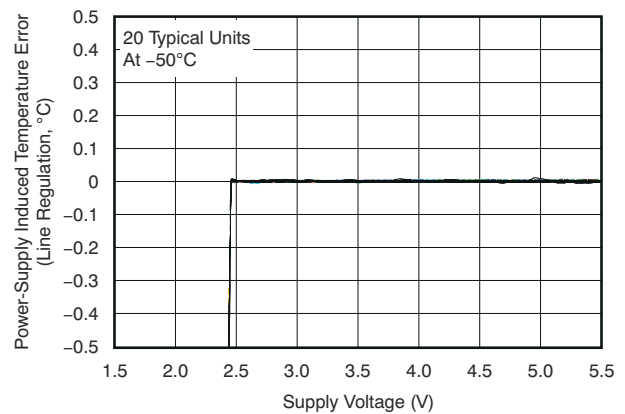


Figure 6-6. Power-Supply Rejection vs Temperature

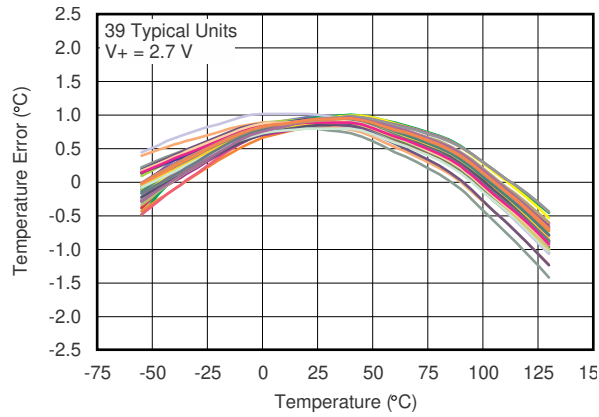


Figure 6-7. Temperature Error vs Temperature

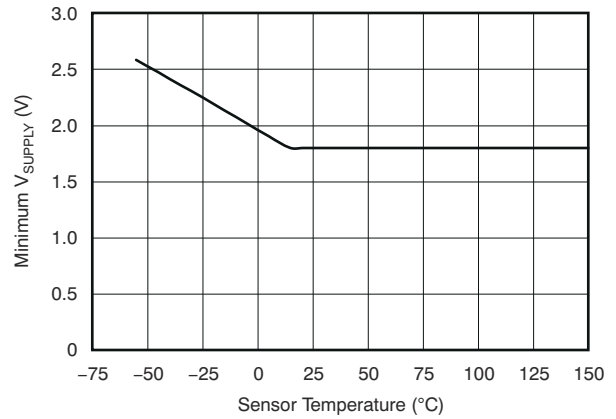


Figure 6-8. Minimum Supply Voltage vs Temperature

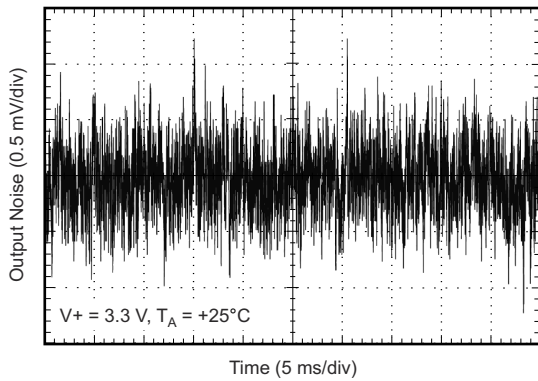


Figure 6-9. Wideband Output Noise Voltage

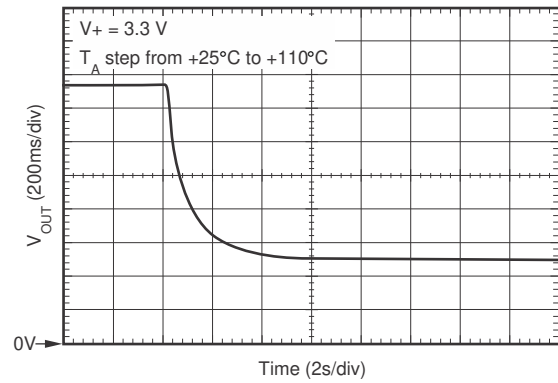


Figure 6-10. Thermal Settling (Fluid-Filled Temperature Bath)

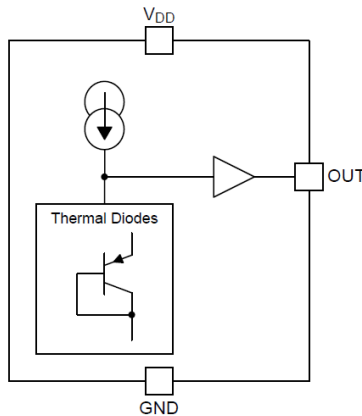
7 Detailed Description

7.1 Overview

The TMP9A00-EP device is a precision analog output temperature sensor. The temperature range of operation is $-55\text{ }^{\circ}\text{C}$ to $150\text{ }^{\circ}\text{C}$ with supply voltages of 1.8 V to 5.5 V. The TMP9A00-EP operates from power-supply voltages as low as 1.8 V over a temperature range of $15\text{ }^{\circ}\text{C}$ to $150\text{ }^{\circ}\text{C}$.

TI recommends power supply bypassing. Use a 100-nF capacitor placed as close to the supply pin as possible.

7.2 Functional Block Diagram



7.3 Feature Description

7.3.1 Transfer Function

The analog output of the TMP9A00-EP over the $-55\text{ }^{\circ}\text{C}$ to $150\text{ }^{\circ}\text{C}$ temperature range corresponds to the parabolic transfer function shown in [Equation 1](#):

$$V_{\text{OUT}} = \left(-3.88 \times 10^{-6} \times T^2\right) + \left(-1.15 \times 10^{-2} \times T\right) + 1.8639 \text{ V} \quad (1)$$

Where:

- The temperature (T) is in $^{\circ}\text{C}$.

When solving for temperature, the equation is shown as [Equation 2](#).

$$T = -1481.96 + \sqrt{2.1962 \times 10^6 + \frac{(1.8639 - V_o)}{3.88 \times 10^{-6}}} \quad (2)$$

These equations apply over the entire operating range of $-55\text{ }^{\circ}\text{C}$ to $150\text{ }^{\circ}\text{C}$.

A simplified linear transfer function referenced at $0\text{ }^{\circ}\text{C}$ is shown in [Equation 3](#):

$$V_{\text{OUT}} = -11.69 \text{ mV} / ^{\circ}\text{C} \times T + 1.8863 \text{ V} \quad (3)$$

Linear transfer functions are calculated for limited temperature ranges by calculating the slope and offset for that limited range, where slope is calculated by [Equation 4](#):

$$m = -7.76 \times 10^{-6} \times T - 0.0115 \quad (4)$$

Where:

- T equals the temperature at the middle of the temperature range of interest.

The offset in the linear transfer function is calculated with [Equation 5](#):

$$b = (V_{OUT}(T_{MAX}) + V_{OUT}(T) - m \times (T_{MAX} + T)) / 2 \quad (5)$$

where

- $V_{OUT}(T_{MAX})$ is the calculated output voltage at T_{MAX} .

7.3.1.1 Example 1

Determine the linear transfer function for $-40\text{ }^{\circ}\text{C}$ to $110\text{ }^{\circ}\text{C}$.

$T_{MIN} = -40\text{ }^{\circ}\text{C}$; $T_{MAX} = 110\text{ }^{\circ}\text{C}$; therefore, $T = 35\text{ }^{\circ}\text{C}$

$m = -11.77\text{ mV}/^{\circ}\text{C}$

$V_{OUT}(110\text{ }^{\circ}\text{C}) = 0.5520\text{ V}$

$V_{OUT}(35\text{ }^{\circ}\text{C}) = 1.4566\text{ V}$

$b = 1.8576\text{ V}$

The linear transfer function for $-40\text{ }^{\circ}\text{C}$ to $110\text{ }^{\circ}\text{C}$ is shown in [Equation 6](#):

$$V_{OUT} = -11.77\text{ mV}/^{\circ}\text{C} \times T + 1.8576\text{ V} \quad (6)$$

Table 7-1 lists common temperature ranges of interest and the corresponding linear transfer functions for these ranges. Note that the error (maximum deviation) of the linear equation from the parabolic equation increases as the temperature ranges widen.

Table 7-1. Common Temperature Ranges and Corresponding Linear Transfer Functions

TEMPERATURE RANGE		LINEAR EQUATION (V)	MAXIMUM DEVIATION OF LINEAR EQUATION FROM PARABOLIC EQUATION (°C)
T _{MIN} (°C)	T _{MAX} (°C)		
-55	130	$V_{OUT} = -11.79 \text{ mV}/^{\circ}\text{C} \times T + 1.8528$	±1.41
-40	110	$V_{OUT} = -11.77 \text{ mV}/^{\circ}\text{C} \times T + 1.8577$	±0.93
-30	100	$V_{OUT} = -11.77 \text{ mV}/^{\circ}\text{C} \times T + 1.8605$	±0.70
-40	85	$V_{OUT} = -11.67 \text{ mV}/^{\circ}\text{C} \times T + 1.8583$	±0.65
-10	65	$V_{OUT} = -11.71 \text{ mV}/^{\circ}\text{C} \times T + 1.8641$	±0.23
35	45	$V_{OUT} = -11.81 \text{ mV}/^{\circ}\text{C} \times T + 1.8701$	±0.004
20	30	$V_{OUT} = -11.69 \text{ mV}/^{\circ}\text{C} \times T + 1.8663$	±0.004

7.4 Device Functional Modes

The singular functional mode of the TMP9A00-EP is an analog output inversely proportional to temperature.

8 Application and Implementation

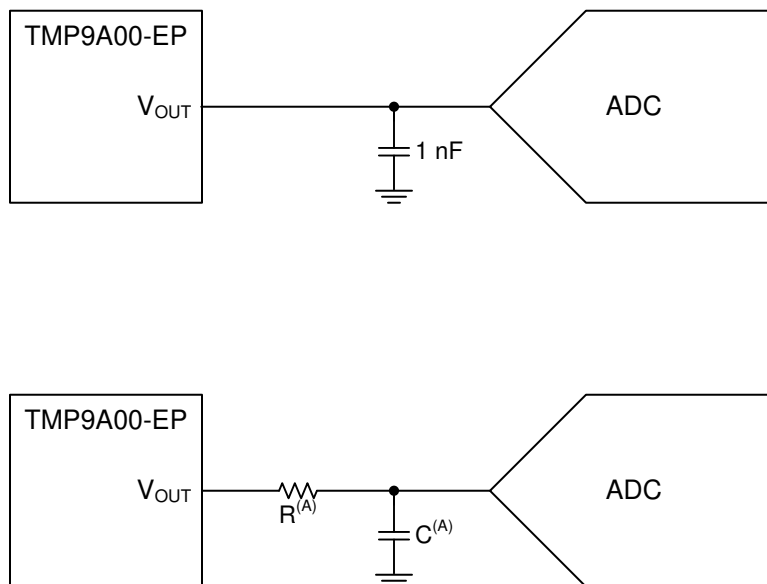
Note

Information in the following applications sections is not part of the TI component specification, and TI does not warrant its accuracy or completeness. TI's customers are responsible for determining suitability of components for their purposes, as well as validating and testing their design implementation to confirm system functionality.

8.1 Application Information

8.1.1 Output Drive and Capacitive Loads

When used in noisy environments, adding a capacitor from the output to ground with a series resistor filters the TMP9A00-EP output as shown in Figure 8-1. The TMP9A00-EP can drive up to 1-nF load capacitance while sourcing and sinking 600 μ A. While sinking or sourcing 600 μ A, capacitive loads in the range of 1 nF to 10 μ F require a 150- Ω series output resistor to achieve a stable temperature measurement. The output impedance of the TMP9A00-EP is typically 10 Ω when sinking currents and less than 1 Ω when sourcing current as shown in Figure 6-1.

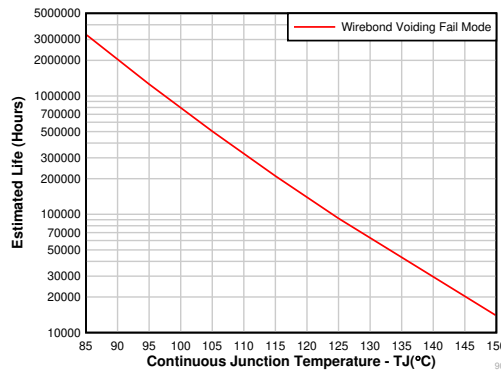


- A. A series resistor (R) may be required depending on the amount of capacitance (C) and the amount of source and sink current drawn from the output of the TMP9A00-EP.

Figure 8-1. TMP9A00-EP Output Filtering

8.1.2 Operating Life Deration

The information in this section is provided solely for your convenience and does not extend or modify the warranty provided under TI's standard terms and conditions for TI semiconductor products.



1. Silicon operating life design goal is 100000 power-on hours (POH) at 105 °C junction temperature (does not include package interconnect life).
2. The predicted operating lifetime versus junction temperature is based on reliability modeling using wirebond lifetime as the dominant failure mechanism affecting device wear out for the specific device process and design characteristics.

Wirebond Life Derating Curve

8.2 Typical Application

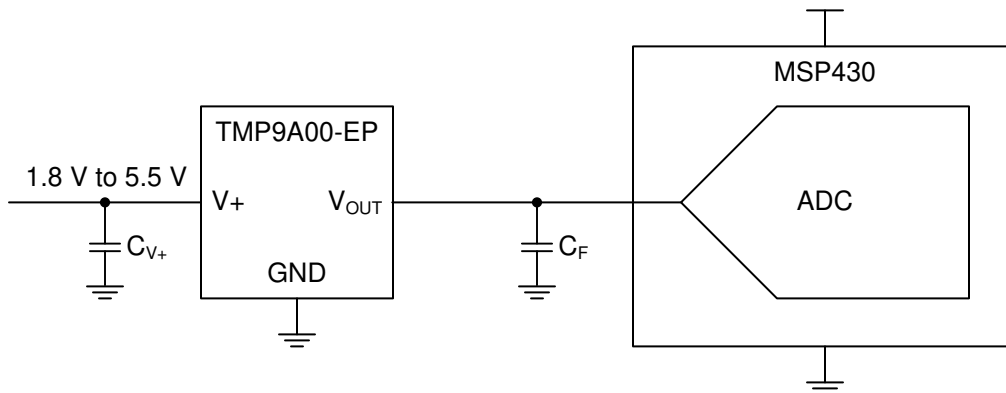


Figure 8-2. Suggested Connections to a MCU ADC

8.2.1 Design Requirements

ADCs that are found in microcontrollers have leakage current during the sampling phase to charge the sampling capacitor. A high sampling frequency can have higher average input leakage that sags the output voltage of the TMP9A00-EP, which results in a reading that is hotter than normal. To mitigate this, place a capacitor (C_F) between the TMP9A00-EP and the ADC. The capacitor functions as a charge reservoir to smooth out the output voltage and remove the voltage sag.

The TMP9A00-EP output voltage has a negative slope and can not output a voltage higher than the VDD voltage. For this reason the effective operating temperature range of the device is restricted by supply. At 2.7 V, the device will output accurate temperature results from $-55\text{ }^\circ\text{C}$ to $150\text{ }^\circ\text{C}$. Using a supply voltage of 1.8 V will rail the output unless the temperature range is between $15\text{ }^\circ\text{C}$ to $150\text{ }^\circ\text{C}$. Equation 7 can be used to find the minimum operating temperature of the device in this region. The minimum VDD must also satisfy the Recommended Operating Conditions 1.8 V regardless of ambient temperature.

$$VDD_{MIN} = \frac{(1863.9 - 11.77 \times T_A + 110)}{1000} \quad (7)$$

8.2.2 Detailed Design Procedure

The size of C_F depends on the size of the internal sampling capacitor and the sampling frequency. The charge requirements may vary because not all ADCs have identical input stages. This general ADC application is shown as an example only.

Equation 8 shows an example of how to translate the V_{OUT} of the TMP9A00-EP into temperature. This can be implemented in the microcontroller in control of the ADC to record temperature. Another possible way to use the TMP9A00-EP is as a temperature switch in software. The same equation can be used to translate different temperature points into discrete voltages. For example, if a desired overtemperature condition is 105 °C, the corresponding voltage output would be 628 mV.

$$T = \frac{(1.8639 - V_{OUT})}{0.01177} \quad (8)$$

8.2.3 Application Curves

Figure 8-3 shows the quiescent current versus temperature.

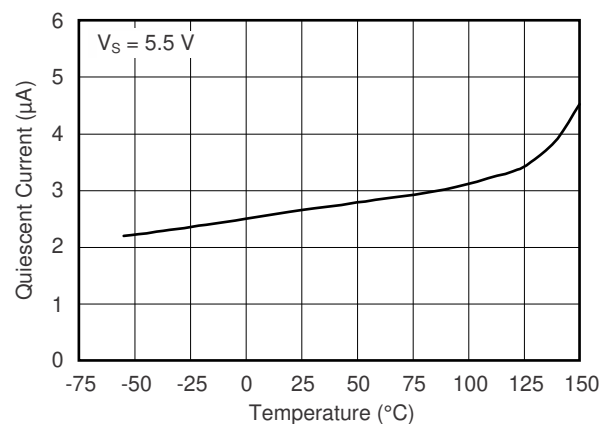


Figure 8-3. Quiescent Current vs Temperature

9 Power Supply Recommendations

The low supply current and supply range of 1.8 V to 5.5 V enable the TMP9A00-EP to be powered from a variety of supply topologies.

Power supply bypassing is optional and is typically dependent on the noise of the power supply. In noisy systems, adding bypass capacitors may be necessary to decrease the noise that couples to the output of the TMP9A00-EP.

10 Layout

10.1 Layout Guidelines

The substrate on the TMP9A00-EPAIDCK package is directly connected through a conductive epoxy to pin 2 on the lead frame. Consequently, pin 2 is the best lead for a conductive thermal connection to the TMP9A00-EP die. The optimal electrical connection for this pin is ground (GND).

CAUTION

Do not attempt to connect pin 2 (DCK package) to any electrical potential other than ground.

If it is not possible to connect pin 2 to ground, it is possible to electrically isolate this pin (that is, leave it floating). Take care when electrically isolating this pin because any noise or electromagnetic interference or radio frequency interference (EMI or RFI) spikes that couple in through this pin can cause erroneous temperature results.

10.2 Layout Example

Figure 10-1 shows a layout of the TMP9A00-EP with proper electrical and thermal connections to pin 2.

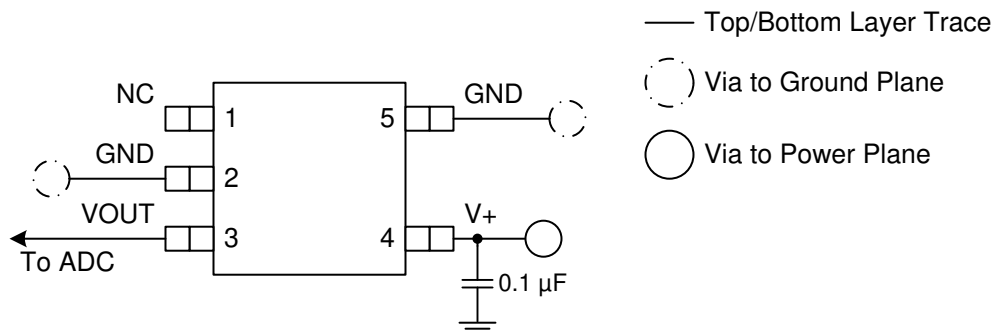


Figure 10-1. TMP9A00-EP Layout With Proper Electrical and Thermal Connections

11 Device and Documentation Support

11.1 Receiving Notification of Documentation Updates

To receive notification of documentation updates, navigate to the device product folder on ti.com. Click on *Subscribe to updates* to register and receive a weekly digest of any product information that has changed. For change details, review the revision history included in any revised document.

11.2 Support Resources

[TI E2E™ support forums](#) are an engineer's go-to source for fast, verified answers and design help — straight from the experts. Search existing answers or ask your own question to get the quick design help you need.

Linked content is provided "AS IS" by the respective contributors. They do not constitute TI specifications and do not necessarily reflect TI's views; see TI's [Terms of Use](#).

11.3 Trademarks

TI E2E™ is a trademark of Texas Instruments.
All trademarks are the property of their respective owners.

11.4 Electrostatic Discharge Caution



This integrated circuit can be damaged by ESD. Texas Instruments recommends that all integrated circuits be handled with appropriate precautions. Failure to observe proper handling and installation procedures can cause damage.

ESD damage can range from subtle performance degradation to complete device failure. Precision integrated circuits may be more susceptible to damage because very small parametric changes could cause the device not to meet its published specifications.

11.5 Glossary

[TI Glossary](#) This glossary lists and explains terms, acronyms, and definitions.

12 Introduction to Mechanical, Packaging, and Orderable Information

The following pages include mechanical, packaging, and orderable information. This information is the most current data available for the designated devices. This data is subject to change without notice and revision of this document. For browser-based versions of this data sheet, refer to the left-hand navigation.

PACKAGING INFORMATION

Orderable part number	Status (1)	Material type (2)	Package Pins	Package qty Carrier	RoHS (3)	Lead finish/ Ball material (4)	MSL rating/ Peak reflow (5)	Op temp (°C)	Part marking (6)
TMP9A00MDCKREP	Active	Production	SC70 (DCK) 5	3000 LARGE T&R	Yes	NIPDAU	Level-3-260C-168 HR	-55 to 150	117
TMP9A00MDCKREP.A	Active	Production	SC70 (DCK) 5	3000 LARGE T&R	Yes	NIPDAU	Level-3-260C-168 HR	-55 to 150	117
TMP9A00MDCKTEP	Active	Production	SC70 (DCK) 5	250 SMALL T&R	Yes	NIPDAU	Level-3-260C-168 HR	-55 to 150	117
TMP9A00MDCKTEP.A	Active	Production	SC70 (DCK) 5	250 SMALL T&R	Yes	NIPDAU	Level-3-260C-168 HR	-55 to 150	117
V62/20606-01EX	Active	Production	SC70 (DCK) 5	3000 LARGE T&R	Yes	NIPDAU	Level-3-260C-168 HR	-55 to 150	117
V62/20606-01EX-T	Active	Production	SC70 (DCK) 5	250 SMALL T&R	Yes	NIPDAU	Level-3-260C-168 HR	-55 to 150	117

(1) **Status:** For more details on status, see our [product life cycle](#).

(2) **Material type:** When designated, preproduction parts are prototypes/experimental devices, and are not yet approved or released for full production. Testing and final process, including without limitation quality assurance, reliability performance testing, and/or process qualification, may not yet be complete, and this item is subject to further changes or possible discontinuation. If available for ordering, purchases will be subject to an additional waiver at checkout, and are intended for early internal evaluation purposes only. These items are sold without warranties of any kind.

(3) **RoHS values:** Yes, No, RoHS Exempt. See the [TI RoHS Statement](#) for additional information and value definition.

(4) **Lead finish/Ball material:** Parts may have multiple material finish options. Finish options are separated by a vertical ruled line. Lead finish/Ball material values may wrap to two lines if the finish value exceeds the maximum column width.

(5) **MSL rating/Peak reflow:** The moisture sensitivity level ratings and peak solder (reflow) temperatures. In the event that a part has multiple moisture sensitivity ratings, only the lowest level per JEDEC standards is shown. Refer to the shipping label for the actual reflow temperature that will be used to mount the part to the printed circuit board.

(6) **Part marking:** There may be an additional marking, which relates to the logo, the lot trace code information, or the environmental category of the part.

Multiple part markings will be inside parentheses. Only one part marking contained in parentheses and separated by a "~" will appear on a part. If a line is indented then it is a continuation of the previous line and the two combined represent the entire part marking for that device.

Important Information and Disclaimer: The information provided on this page represents TI's knowledge and belief as of the date that it is provided. TI bases its knowledge and belief on information provided by third parties, and makes no representation or warranty as to the accuracy of such information. Efforts are underway to better integrate information from third parties. TI has taken and continues to take reasonable steps to provide representative and accurate information but may not have conducted destructive testing or chemical analysis on incoming materials and chemicals. TI and TI suppliers consider certain information to be proprietary, and thus CAS numbers and other limited information may not be available for release.

In no event shall TI's liability arising out of such information exceed the total purchase price of the TI part(s) at issue in this document sold by TI to Customer on an annual basis.

TAPE AND REEL INFORMATION



QUADRANT ASSIGNMENTS FOR PIN 1 ORIENTATION IN TAPE



*All dimensions are nominal

Device	Package Type	Package Drawing	Pins	SPQ	Reel Diameter (mm)	Reel Width W1 (mm)	A0 (mm)	B0 (mm)	K0 (mm)	P1 (mm)	W (mm)	Pin1 Quadrant
TMP9A00MDCKREP	SC70	DCK	5	3000	180.0	8.4	2.47	2.3	1.25	4.0	8.0	Q3
TMP9A00MDCKTEP	SC70	DCK	5	250	180.0	8.4	2.47	2.3	1.25	4.0	8.0	Q3

TAPE AND REEL BOX DIMENSIONS



*All dimensions are nominal

Device	Package Type	Package Drawing	Pins	SPQ	Length (mm)	Width (mm)	Height (mm)
TMP9A00MDCKREP	SC70	DCK	5	3000	213.0	191.0	35.0
TMP9A00MDCKTEP	SC70	DCK	5	250	213.0	191.0	35.0

DCK0005A



PACKAGE OUTLINE

SOT - 1.1 max height

SMALL OUTLINE TRANSISTOR



4214834/G 11/2024

NOTES:

1. All linear dimensions are in millimeters. Any dimensions in parenthesis are for reference only. Dimensioning and tolerancing per ASME Y14.5M.
2. This drawing is subject to change without notice.
3. Reference JEDEC MO-203.
4. Support pin may differ or may not be present.
5. Lead width does not comply with JEDEC.
6. Body dimensions do not include mold flash, protrusions, or gate burrs. Mold flash, protrusions, or gate burrs shall not exceed 0.25mm per side

EXAMPLE BOARD LAYOUT

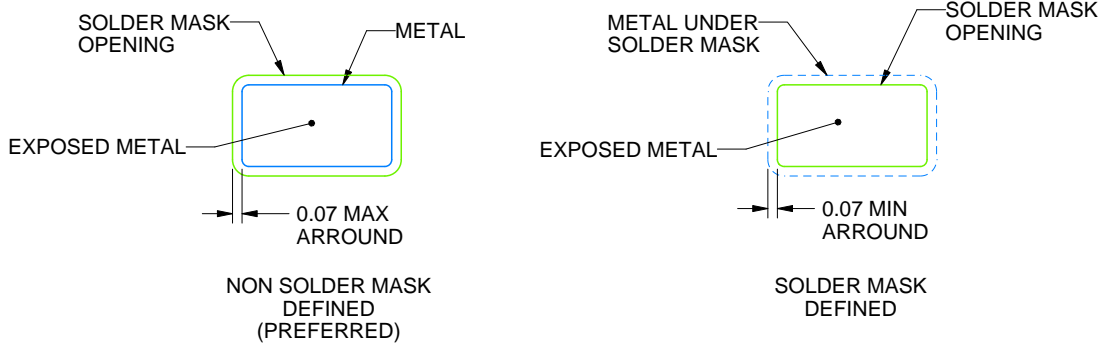
DCK0005A

SOT - 1.1 max height

SMALL OUTLINE TRANSISTOR



LAND PATTERN EXAMPLE
EXPOSED METAL SHOWN
SCALE:18X



SOLDER MASK DETAILS

4214834/G 11/2024

NOTES: (continued)

- 7. Publication IPC-7351 may have alternate designs.
- 8. Solder mask tolerances between and around signal pads can vary based on board fabrication site.

EXAMPLE STENCIL DESIGN

DCK0005A

SOT - 1.1 max height

SMALL OUTLINE TRANSISTOR



SOLDER PASTE EXAMPLE
BASED ON 0.125 THICK STENCIL
SCALE: 18X

4214834/G 11/2024

NOTES: (continued)

9. Laser cutting apertures with trapezoidal walls and rounded corners may offer better paste release. IPC-7525 may have alternate design recommendations.
10. Board assembly site may have different recommendations for stencil design.

IMPORTANT NOTICE AND DISCLAIMER

TI PROVIDES TECHNICAL AND RELIABILITY DATA (INCLUDING DATASHEETS), DESIGN RESOURCES (INCLUDING REFERENCE DESIGNS), APPLICATION OR OTHER DESIGN ADVICE, WEB TOOLS, SAFETY INFORMATION, AND OTHER RESOURCES "AS IS" AND WITH ALL FAULTS, AND DISCLAIMS ALL WARRANTIES, EXPRESS AND IMPLIED, INCLUDING WITHOUT LIMITATION ANY IMPLIED WARRANTIES OF MERCHANTABILITY, FITNESS FOR A PARTICULAR PURPOSE OR NON-INFRINGEMENT OF THIRD PARTY INTELLECTUAL PROPERTY RIGHTS.

These resources are intended for skilled developers designing with TI products. You are solely responsible for (1) selecting the appropriate TI products for your application, (2) designing, validating and testing your application, and (3) ensuring your application meets applicable standards, and any other safety, security, regulatory or other requirements.

These resources are subject to change without notice. TI grants you permission to use these resources only for development of an application that uses the TI products described in the resource. Other reproduction and display of these resources is prohibited. No license is granted to any other TI intellectual property right or to any third party intellectual property right. TI disclaims responsibility for, and you fully indemnify TI and its representatives against any claims, damages, costs, losses, and liabilities arising out of your use of these resources.

TI's products are provided subject to [TI's Terms of Sale](#), [TI's General Quality Guidelines](#), or other applicable terms available either on [ti.com](#) or provided in conjunction with such TI products. TI's provision of these resources does not expand or otherwise alter TI's applicable warranties or warranty disclaimers for TI products. Unless TI explicitly designates a product as custom or customer-specified, TI products are standard, catalog, general purpose devices.

TI objects to and rejects any additional or different terms you may propose.

Copyright © 2025, Texas Instruments Incorporated

Last updated 10/2025