

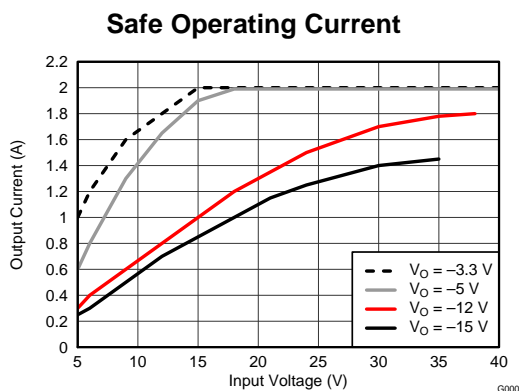
TPS84259 4.5-V to 40-V Input, 15-W, Negative Output, Integrated Power Solution

1 FEATURES

- Complete Integrated Power Solution Allows Small Footprint, Low-Profile Design
- Wide Input-Voltage Range from 4.5 V to 40 V
- Output Adjustable from -3 V to -17 V
- Supplies up to 2-A of Output Current
- 45-V Surge Capability
- Synchronizes to an External Clock
- Adjustable Slow Start
- Programmable Undervoltage Lockout (UVLO)
- Output Overcurrent Protection
- Overtemperature Protection
- Operating Temperature Range: -40°C to $+85^{\circ}\text{C}$
- Enhanced Thermal Performance: 14°C/W
- Meets EN55022 Class B Emissions
- For Design Help visit <http://www.ti.com/TPS84259>

2 APPLICATIONS

- Industrial and Motor Controls
- Automated Test Equipment
- Bipolar Amplifiers in Audio/Video
- High Density Power Systems

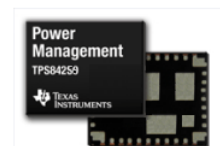
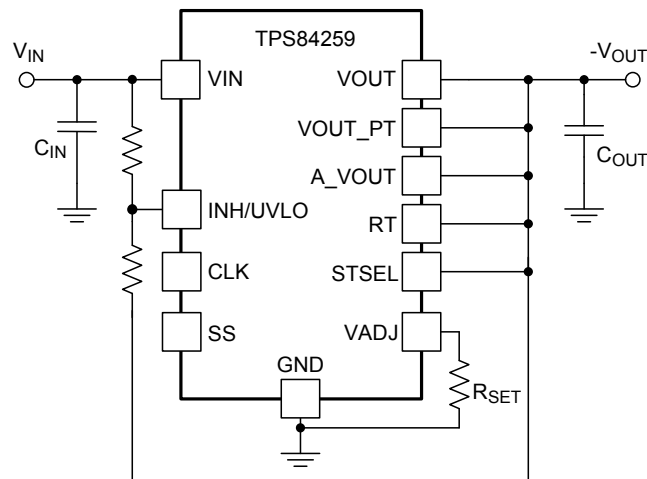


3 DESCRIPTION

The TPS84259 is an easy-to-use negative output voltage power module that combines a 15-W DC/DC converter with an inductor, and passives into a low-profile QFN package. This total power solution allows as few as five external components and eliminates the loop compensation and magnetics part selection process.

The $9 \times 11 \times 2.8$ mm QFN package is easy to solder onto a printed circuit board. Its compact design also contains fewer components and possesses excellent power dissipation capability. The TPS84259 offers the flexibility and the feature-set of a discrete design and is ideal for powering a wide range of ICs and analog circuits requiring a negative output voltage. Advanced packaging technology affords a robust and reliable power solution, compatible with standard QFN mounting and testing techniques.

SIMPLIFIED APPLICATION



9 mm × 11 mm × 2.8 mm



Table 1. ORDERING INFORMATION

For the most current package and ordering information, see the Package Option Addendum at the end of this datasheet, or see the TI website at www.ti.com.

4 Specifications

4.1 ABSOLUTE MAXIMUM RATINGS⁽¹⁾

Over Operating Temperature Range (Unless Otherwise Noted)		MIN	MAX	UNIT
Input Voltage	V _{IN}	-0.3	45	V
	INH/UVLO	-0.3	5 ⁽²⁾	V
	VADJ	-0.3	3 ⁽²⁾	V
	SS	-0.3	3 ⁽²⁾	V
	STSEL	-0.3	3 ⁽²⁾	V
	RT	-0.3	3.6 ⁽²⁾	V
	CLK	-0.3	3.6 ⁽²⁾	V
Output Voltage	PH	-0.6	45	V
	PH 10ns Transient	-2	45	V
	V _{OUT}	-0.6	V _{IN} ⁽²⁾	V
V _{DIFF} (V _{OUT} to exposed thermal pad)			±200	mV
Source Current	INH/UVLO		100	µA
Sink Current	SS		200	µA
Operating Junction Temperature		-40	105 ⁽³⁾	°C
Storage Temperature		-65	150	°C
Peak Reflow Case Temperature ⁽⁴⁾⁽⁵⁾			250	°C
Maximum Number of Reflows Allowed ⁽⁴⁾⁽⁵⁾			3	
Mechanical Shock	Mil-STD-883D, Method 2002.3, 1 ms, 1/2 sine, mounted		1500	G
Mechanical Vibration	Mil-STD-883D, Method 2007.2, 20-2000Hz		20	

- (1) Stresses beyond those listed under absolute maximum ratings may cause permanent damage to the device. These are stress ratings only, and functional operation of the device at these or any other conditions beyond those indicated under recommended operating conditions is not implied. Exposure to absolute-maximum-rated conditions for extended periods may affect device reliability.
- (2) This voltage rating is referenced to A_VOUT, not GND.
- (3) See the temperature derating curves in the Typical Characteristics section for thermal information.
- (4) For soldering specifications, refer to the [Soldering Requirements for BQFN Packages](#) application note.
- (5) Devices with a date code prior to week 14 2018 (1814) have a peak reflow case temperature of 240°C with a maximum of one reflow.

4.2 RECOMMENDED OPERATING CONDITIONS

Over Operating Free-Air Temperature Range (Unless Otherwise Noted)		MIN	MAX	UNIT
V _{IN}	Input Voltage	4.5	40	V
V _{OUT}	Output Voltage	-3.0	-17	V

4.3 PACKAGE SPECIFICATIONS

TPS84259		UNIT
Weight		0.9 grams
Flammability	Meets UL 94 V-O	
MTBF Calculated reliability	Per Bellcore TR-332, 50% stress, T _A = 40°C, ground benign	31.7 Mhrs

4.4 ELECTRICAL CHARACTERISTICS

 $-40^{\circ}\text{C} \leq T_A \leq +85^{\circ}\text{C}$, $V_{\text{IN}} = 12\text{ V}$, $V_{\text{OUT}} = -5.0\text{ V}$, $I_{\text{OUT}} = 2.0\text{ A}$
 $C_{\text{IN}} = 2 \times 2.2\ \mu\text{F}$ ceramic, $C_{\text{OUT}} = 2 \times 47\ \mu\text{F}$ ceramic (unless otherwise noted)

PARAMETER		TEST CONDITIONS		MIN	TYP	MAX	UNIT
I_{OUT}	Output current	Over input voltage and output voltage range		0 ⁽¹⁾		2.0 ⁽²⁾	A
V_{IN}	Input voltage range	Over output current range		4.5		40 ⁽³⁾	V
UVLO	V_{IN} Undervoltage lockout	Rising only, $R_{\text{UVLO1}} = 174\ \text{k}\Omega$, $R_{\text{UVLO2}} = 63.4\ \text{k}\Omega$			4.5		V
$V_{\text{OUT(adj)}}$	Output voltage adjust range	Over output current range		-3.0		-17 ⁽³⁾	V
V_{OUT}	Set-point voltage tolerance	$T_A = 25^{\circ}\text{C}$, $I_{\text{OUT}} = 100\ \text{mA}$				2.0% ⁽⁴⁾	
	Temperature variation	$-40^{\circ}\text{C} \leq T_A \leq +85^{\circ}\text{C}$			$\pm 0.5\%$	$\pm 1.0\%$	
	Line regulation	Over input voltage range			$\pm 0.1\%$		
	Load regulation	From 100 mA to $I_{\text{OUT(max)}}$			$\pm 0.4\%$		
	Total output voltage variation	Includes set-point, line, load, and temperature variation				3.0% ⁽⁴⁾	
η	Efficiency	$V_{\text{IN}} = 24\ \text{V}$	$V_{\text{OUT}} = -12\ \text{V}$, $I_{\text{OUT}} = 1.0\ \text{A}$		85 %		
			$V_{\text{OUT}} = -5.0\ \text{V}$, $I_{\text{OUT}} = 1.0\ \text{A}$		81 %		
			$V_{\text{OUT}} = -3.3\ \text{V}$, $I_{\text{OUT}} = 1.0\ \text{A}$		77 %		
		$V_{\text{IN}} = 12\ \text{V}$	$V_{\text{OUT}} = -12\ \text{V}$, $I_{\text{OUT}} = 0.6\ \text{A}$		86 %		
			$V_{\text{OUT}} = -5.0\ \text{V}$, $I_{\text{OUT}} = 1.0\ \text{A}$		81 %		
		$V_{\text{OUT}} = -3.3\ \text{V}$, $I_{\text{OUT}} = 1.0\ \text{A}$		78 %			
	Output voltage ripple	20 MHz bandwidth, $100\ \text{mA} \leq I_{\text{OUT}} \leq I_{\text{OUT(max)}}$			1%		V_{OUT}
I_{LIM}	Current limit threshold				3.0 ⁽⁵⁾		A
	Transient response	1.0 A/ μs load step from 25 to 75% $I_{\text{OUT(max)}}$	Recovery time		500		μs
			V_{OUT} over/undershoot		80		mV
V_{INH}	Inhibit threshold voltage	INH with respect to A_VOUT		1.15	1.25	1.36 ⁽⁶⁾	V
I_{INH}	INH Input current	$V_{\text{INH}} < 1.15\ \text{V}$			-0.9		μA
		$V_{\text{INH}} > 1.36\ \text{V}$			-3.8		μA
$I_{\text{I(stby)}}$	Input standby current	INH pin to A_VOUT			1.3	4	μA
f_{SW}	Switching frequency	RT pin to A_VOUT		700	800	900	kHz
f_{CLK}	Synchronization frequency	$R_{\text{RT}} = 0\ \Omega$		700 ⁽⁷⁾		900 ⁽⁷⁾	kHz
		$R_{\text{RT}} = 93.1\ \text{k}\Omega$		400 ⁽⁷⁾		600 ⁽⁷⁾	kHz
$V_{\text{CLK-H}}$	CLK High-Level Threshold	With respect to A_VOUT			1.9	2.2	V
$V_{\text{CLK-L}}$	CLK Low-Level Threshold	With respect to A_VOUT		0.5	0.7		V
D_{CLK}	CLK Duty cycle			25%	50%	75%	
	Thermal Shutdown	Thermal shutdown			180		$^{\circ}\text{C}$
		Thermal shutdown hysteresis			15		$^{\circ}\text{C}$
C_{IN}	External input capacitance	Ceramic		4.7 ⁽⁸⁾	10		μF
		Non-ceramic			22		μF
C_{OUT}	External output capacitance			100 ⁽⁹⁾		430 ⁽⁹⁾	μF

- (1) This device can regulate V_{OUT} down to 0 A, however the ripple may increase due to pulse-skipping at light loads. See [Light-Load Behavior](#) for more information. See [No-Load Operation](#) when operating at 0 A.
- (2) The maximum current is dependant on V_{IN} and V_{OUT} , see [Figure 33](#).
- (3) The sum of $V_{\text{IN}} + |V_{\text{OUT}}|$ must not exceed 50 V.
- (4) The stated limit of the set-point voltage tolerance includes the tolerance of both the internal voltage reference and the internal adjustment resistor. The overall output voltage tolerance will be affected by the tolerance of the external R_{SET} resistor.
- (5) This product is not designed to endure a sustained (> 5 sec) over-current condition.
- (6) If this pin is left open circuit, the device operates when input power is applied. An external level-shifter is required to interface with this pin. See [Output On/Off Inhibit \(INH\)](#) for further guidance.
- (7) The synchronization frequency is dependant on V_{IN} and V_{OUT} as shown in [Switching Frequency](#). R_{RT} must be either 0 Ω or 93.1k Ω .
- (8) A minimum of 4.7 μF of ceramic external capacitance is required across the input (V_{IN} and PGND connected) for proper operation. Locate the capacitor close to the device. See [Table 3](#) for more details.
- (9) The amount of required capacitance must include at least 2 x 47 μF ceramic capacitor (or 4 x 22 μF). Locate the capacitance close to the device. Adding additional capacitance close to the load improves the response of the regulator to load transients. See [Table 3](#) for more details. See [Inrush Current](#) section when adding additional output capacitance.

4.5 THERMAL INFORMATION

THERMAL METRIC ⁽¹⁾		TPS84259	UNIT
		RKG	
		41 PINS	
θ_{JA}	Junction-to-ambient thermal resistance ⁽²⁾	14	°C/W
ψ_{JT}	Junction-to-top characterization parameter ⁽³⁾	3.3	
ψ_{JB}	Junction-to-board characterization parameter ⁽⁴⁾	6.8	

- (1) For more information about traditional and new thermal metrics, see the IC Package Thermal Metrics application report, literature number [SPRA953](#).
- (2) The junction-to-ambient thermal resistance, θ_{JA} , applies to devices soldered directly to a 100 mm x 100 mm double-sided PCB with 1 oz. copper and natural convection cooling. Additional airflow reduces θ_{JA} .
- (3) The junction-to-top characterization parameter, ψ_{JT} , estimates the junction temperature, T_J , of a device in a real system, using a procedure described in JESD51-2A (sections 6 and 7). $T_J = \psi_{JT} * P_{dis} + T_T$; where P_{dis} is the power dissipated in the device and T_T is the temperature of the top of the device.
- (4) The junction-to-board characterization parameter, ψ_{JB} , estimates the junction temperature, T_J , of a device in a real system, using a procedure described in JESD51-2A (sections 6 and 7). $T_J = \psi_{JB} * P_{dis} + T_B$; where P_{dis} is the power dissipated in the device and T_B is the temperature of the board 1mm from the device.

5 DEVICE INFORMATION

FUNCTIONAL BLOCK DIAGRAM

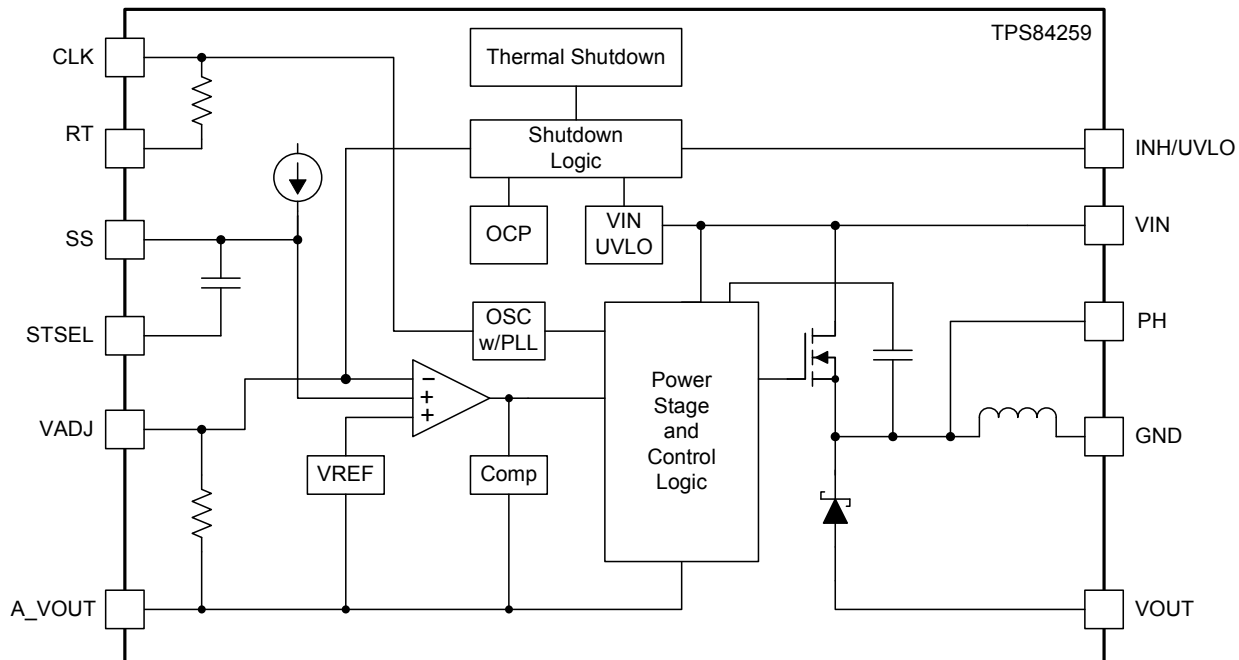
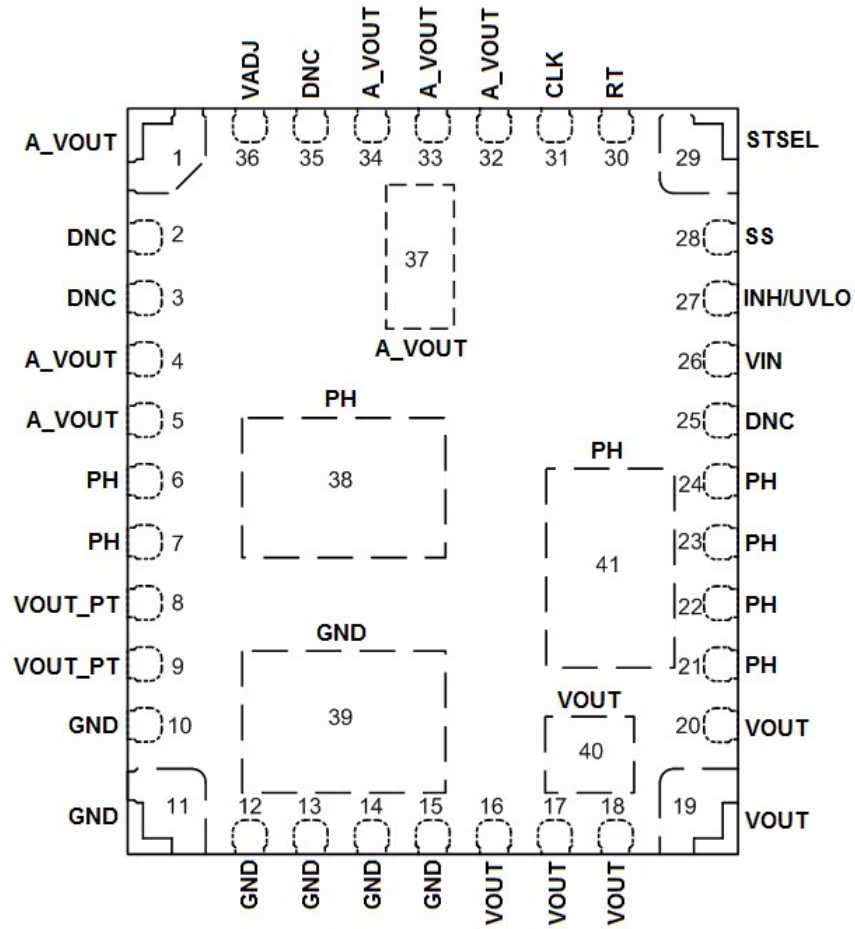


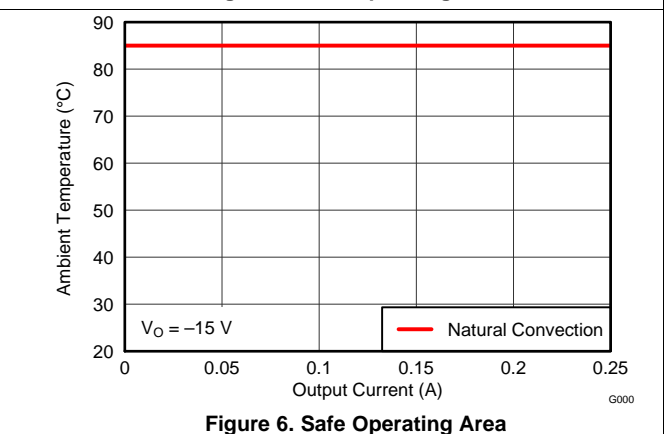
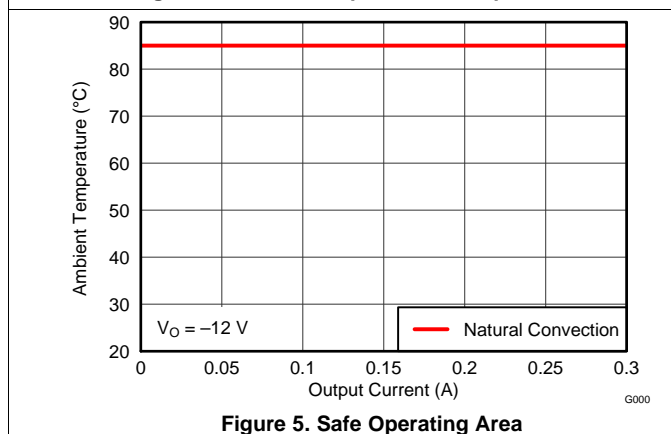
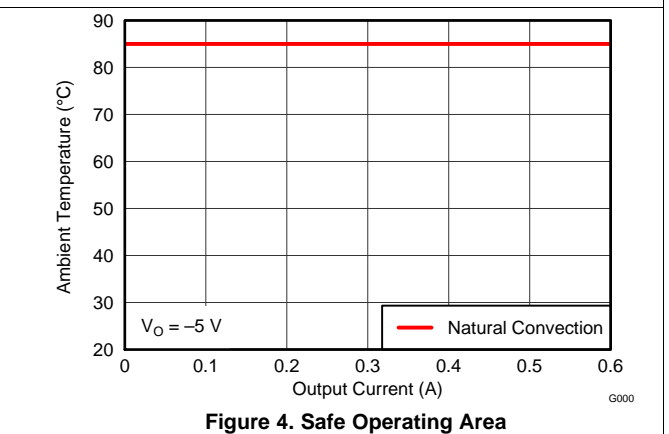
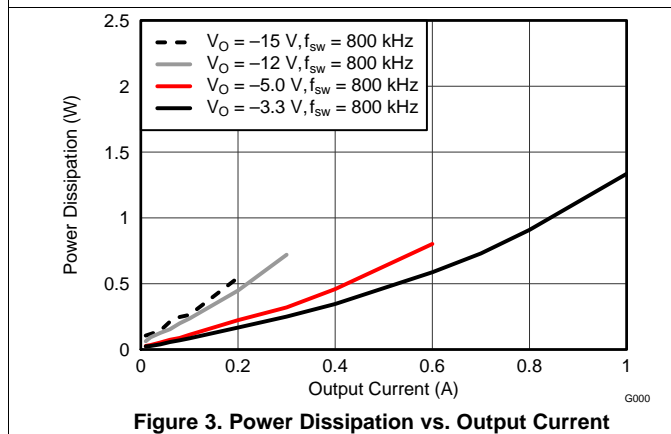
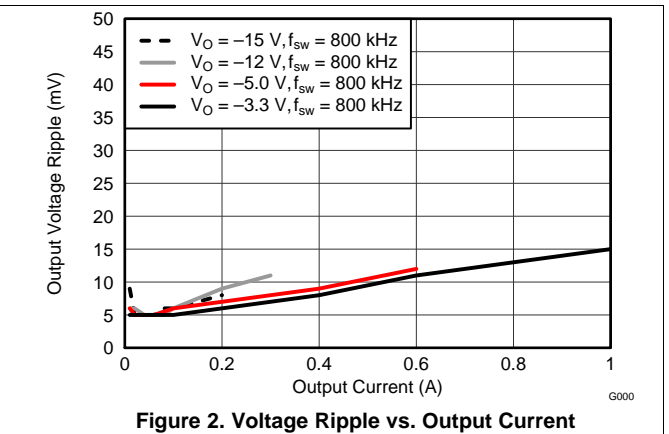
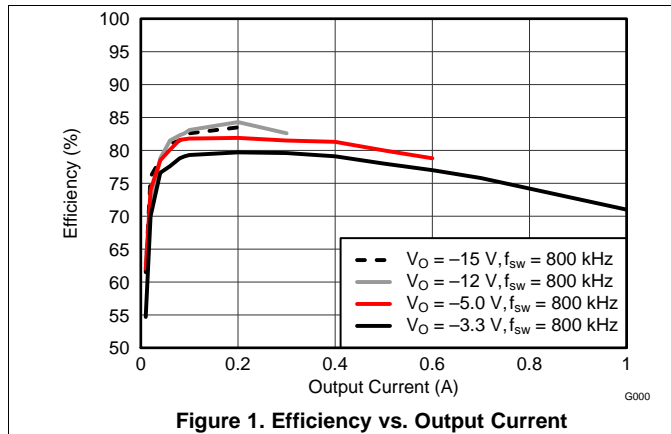
Table 2. PIN DESCRIPTIONS

TERMINAL		DESCRIPTION
NAME	NO.	
VIN	26	Input voltage. This pin supplies all power to the converter. Connect this pin to the input supply and connect bypass capacitors between this pin and GND.
VOUT	16	Negative output voltage with respect to GND. Connect these pins to the output load and connect external bypass capacitors between these pins and GND. Pad 40 should be connected to PCB VOUT planes using multiple vias for good thermal performance.
	17	
	18	
	19	
	20	
GND	40	This is the return current path for the power stage of the device. These pins are connected to the internal output inductor. Connect these pins to the load and to the bypass capacitors associated with VIN and VOUT.
	10	
	11	
	12	
	13	
PH	14	Phase switch node. Do not place any external component on these pins or tie them to a pin of another function.
	15	
	39	
	6	
	7	
	21	
	22	
VOUT_PT	23	VOUT and A_VOUT Connection Point. Connect VOUT to A_VOUT at these pins as shown in the Layout Considerations section. These pins are not connected to internal circuitry, and are not connected to one another.
	24	
DNC	38	Do Not Connect. Do not connect these pins to GND, to another DNC pin, or to any other voltage. These pins are connected to internal circuitry. Each pin must be soldered to an isolated pad.
	41	
	8	
A_VOUT	9	These pins are connected to the internal analog reference (A_VOUT) of the device. This node should be treated as the negative voltage reference for the analog control circuitry. Pad 37 should be connected to the PCB A_VOUT plane using multiple vias for good thermal performance. Not all pins are connected together internally. All pins must be connected together externally with a copper plane or pour directly under the module. Connect A_VOUT to VOUT at a single point (VOUT_PT; pins 8 & 9). See Layout Recommendations .
	2	
	3	
	25	
	35	
	37	
RT	30	Switching frequency adjust pin. To operate at the recommended free-running frequency, connect this pin to A_VOUT. Connecting a resistor between this pin and A_VOUT will reduce the switching frequency. See Switching Frequency section.
CLK	31	Use this pin to synchronize to an external clock. If unused, isolate this pin from any other signal.
INH/UVLO	27	Inhibit and UVLO adjust pin. Use an external level-shifter device to ground this pin to control the INH function. A resistor divider between this pin, A_VOUT, and VIN sets the UVLO voltage.
SS	28	Slow-start pin. Connecting an external capacitor between this pin and A_VOUT adjusts the output voltage rise time.
STSEL	29	Slow-start select. Connect this pin to A_VOUT to enable the internal SS capacitor.
VADJ	36	Connecting a resistor between this pin and GND sets the output voltage. A dedicated GND sense line connected at the load will improve regulation at the load. See Figure 48 in the Layout Considerations section.

RKG PACKAGE
(TOP VIEW)



6 TYPICAL CHARACTERISTICS (VIN = 5 V) ⁽¹⁾ ⁽²⁾



- (1) The electrical characteristic data has been developed from actual products tested at 25°C. This data is considered typical for the converter. Applies to [Figure 1](#), [Figure 2](#), and [Figure 3](#).
- (2) The temperature derating curves represent the conditions at which internal components are at or below the manufacturer's maximum operating temperatures. Derating limits apply to devices soldered directly to a 100 mm × 100 mm, 4-layer, double-sided PCB with 1 oz. copper. Applies to [Figure 4](#), [Figure 5](#), and [Figure 6](#).

7 TYPICAL CHARACTERISTICS (VIN = 12 V) (1) (2)

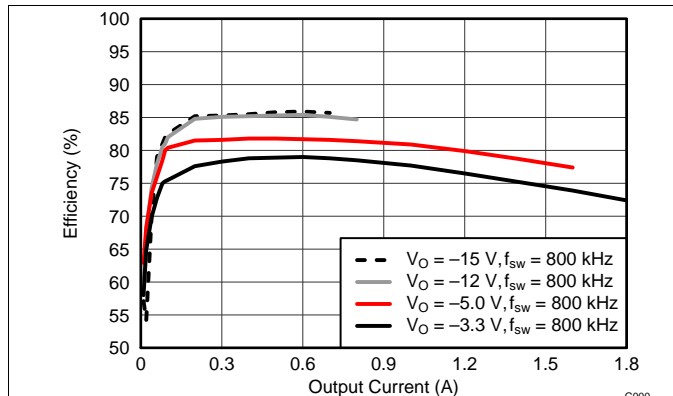


Figure 7. Efficiency vs. Output Current

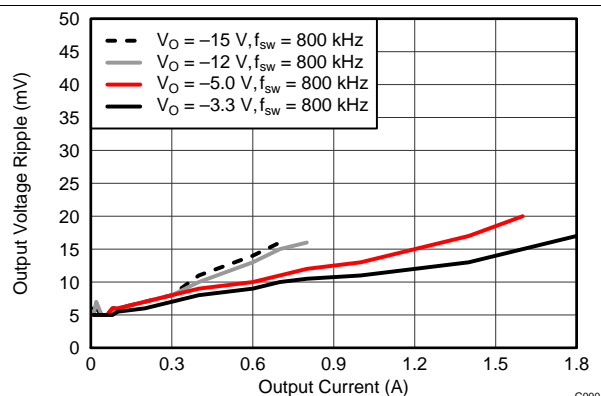


Figure 8. Voltage Ripple vs. Output Current

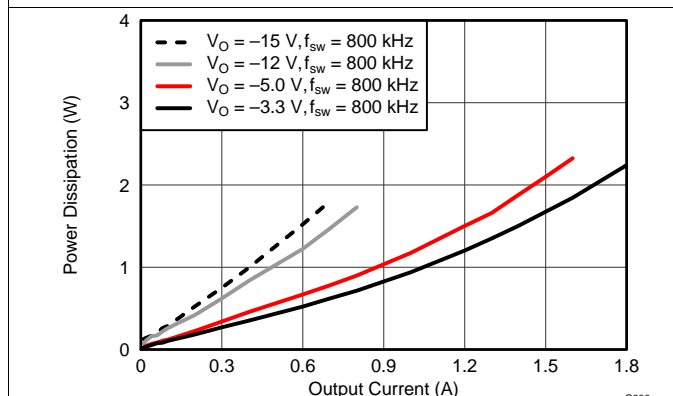


Figure 9. Power Dissipation vs. Output Current

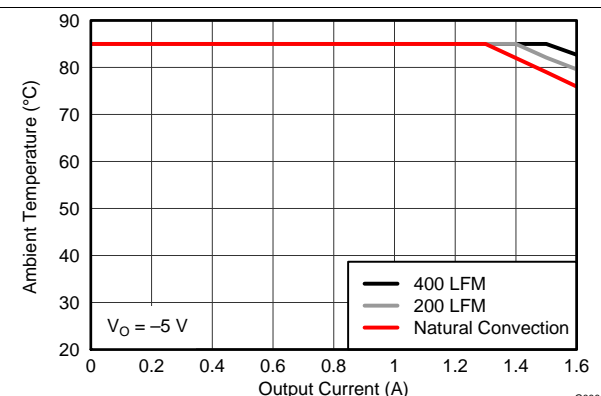


Figure 10. Safe Operating Area

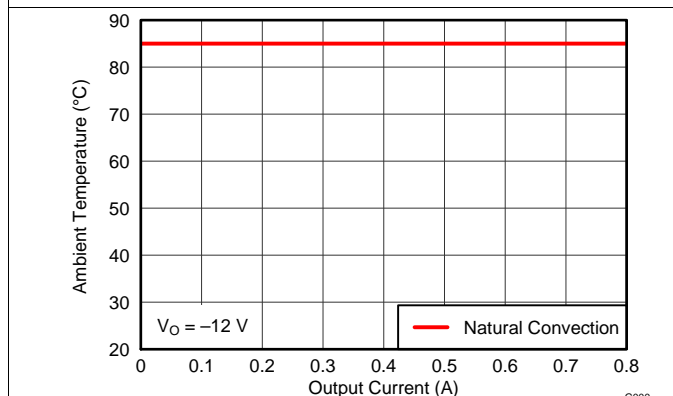


Figure 11. Safe Operating Area

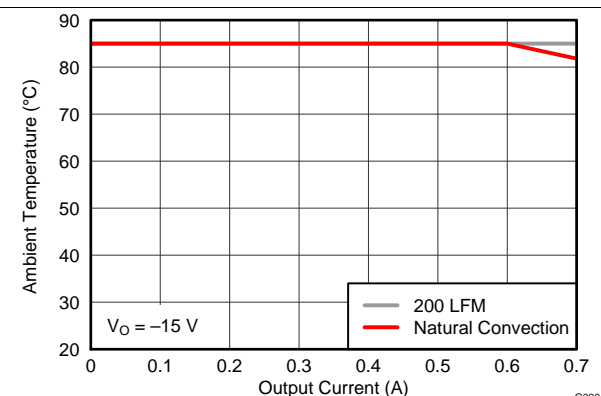


Figure 12. Safe Operating Area

- (1) The electrical characteristic data has been developed from actual products tested at 25°C. This data is considered typical for the converter. Applies to [Figure 7](#), [Figure 8](#), and [Figure 9](#).
- (2) The temperature derating curves represent the conditions at which internal components are at or below the manufacturer's maximum operating temperatures. Derating limits apply to devices soldered directly to a 100 mm x 100 mm, 4-layer, double-sided PCB with 1 oz. copper. Applies to [Figure 10](#), [Figure 11](#), and [Figure 12](#).

8 TYPICAL CHARACTERISTICS (VIN = 24 V) (1) (2) (3)

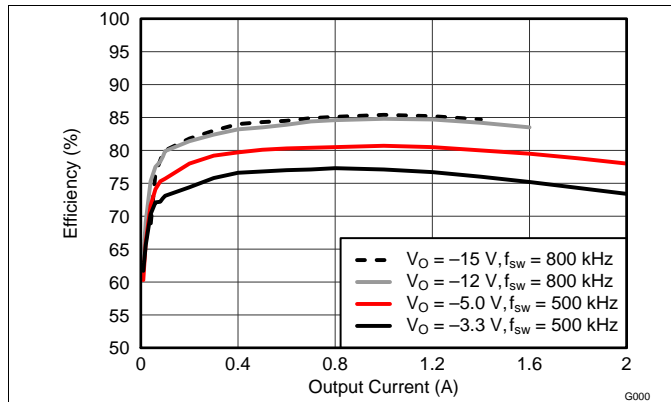


Figure 13. Efficiency vs. Output Current

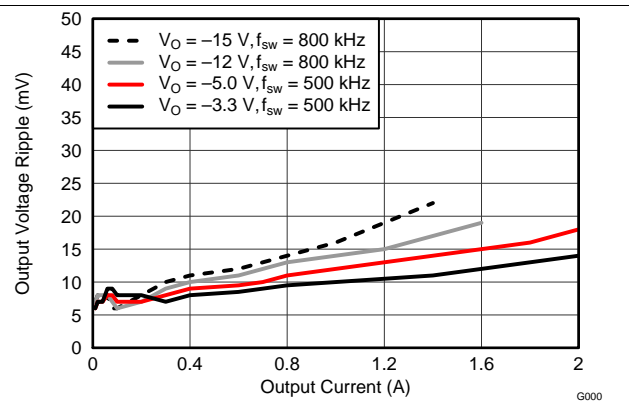


Figure 14. Voltage Ripple vs. Output Current

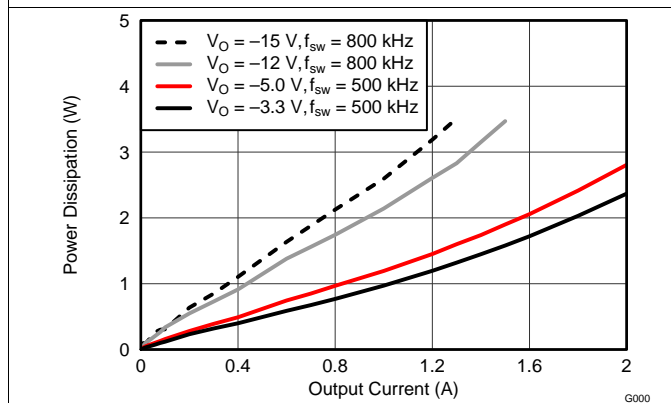


Figure 15. Power Dissipation vs. Output Current

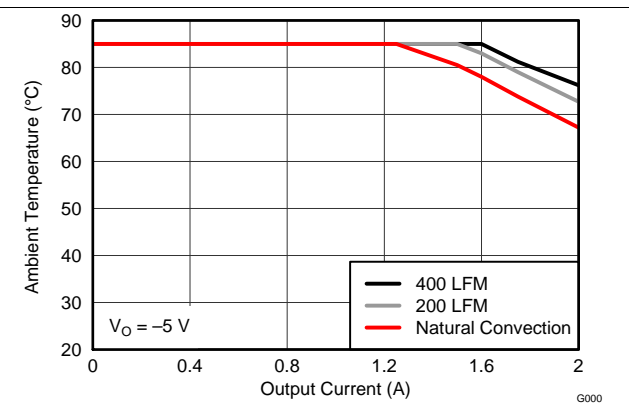


Figure 16. Safe Operating Area

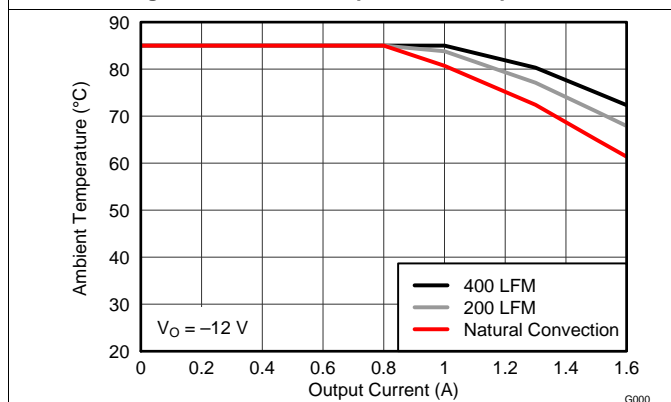


Figure 17. Safe Operating Area

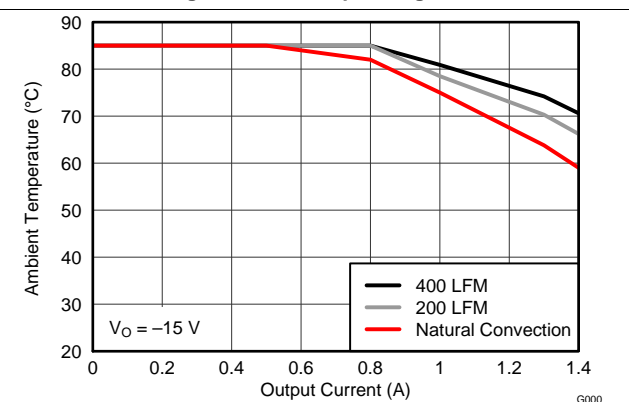


Figure 18. Safe Operating Area

- (1) The electrical characteristic data has been developed from actual products tested at 25°C. This data is considered typical for the converter. Applies to [Figure 13](#), [Figure 14](#), and [Figure 15](#).
- (2) At light load the output voltage ripple may increase due to pulse skipping. See [Light-Load Behavior](#) for more information. Applies to [Figure 14](#).
- (3) The temperature derating curves represent the conditions at which internal components are at or below the manufacturer's maximum operating temperatures. Derating limits apply to devices soldered directly to a 100 mm × 100 mm, 4-layer, double-sided PCB with 1 oz. copper. Applies to [Figure 16](#), [Figure 17](#), and [Figure 18](#).

9 TYPICAL CHARACTERISTICS (VIN = 36 V) (1) (2) (3)

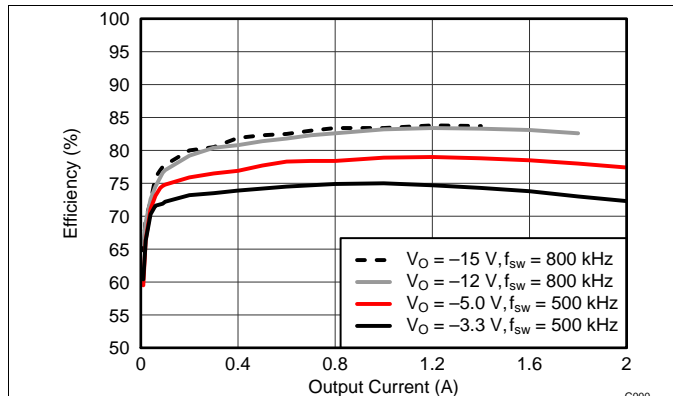


Figure 19. Efficiency vs. Output Current

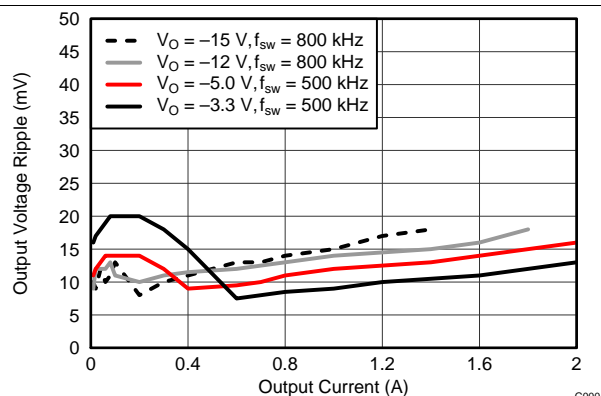


Figure 20. Voltage Ripple vs. Output Current

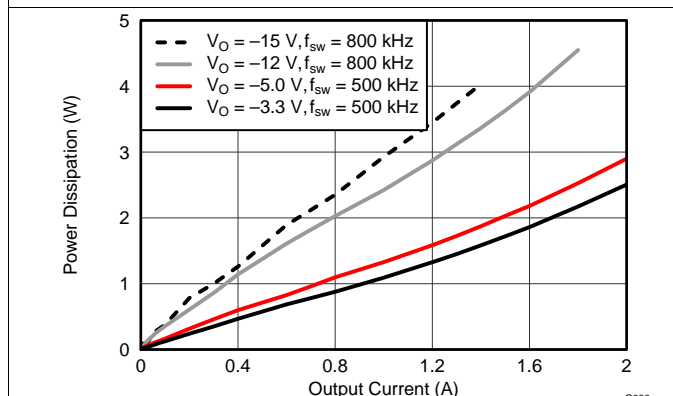


Figure 21. Power Dissipation vs. Output Current

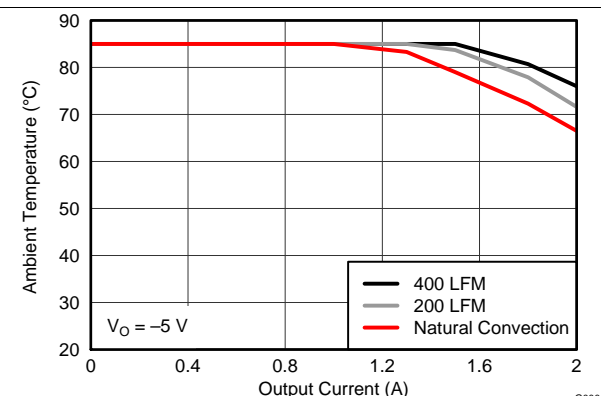


Figure 22. Safe Operating Area

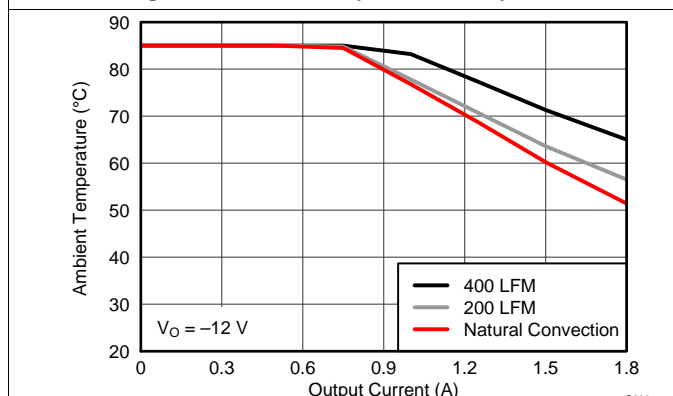


Figure 23. Safe Operating Area

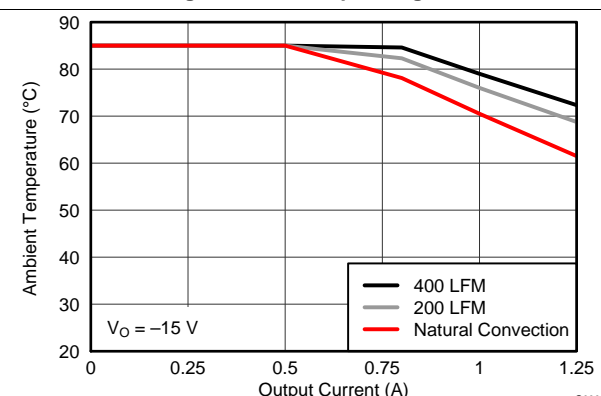
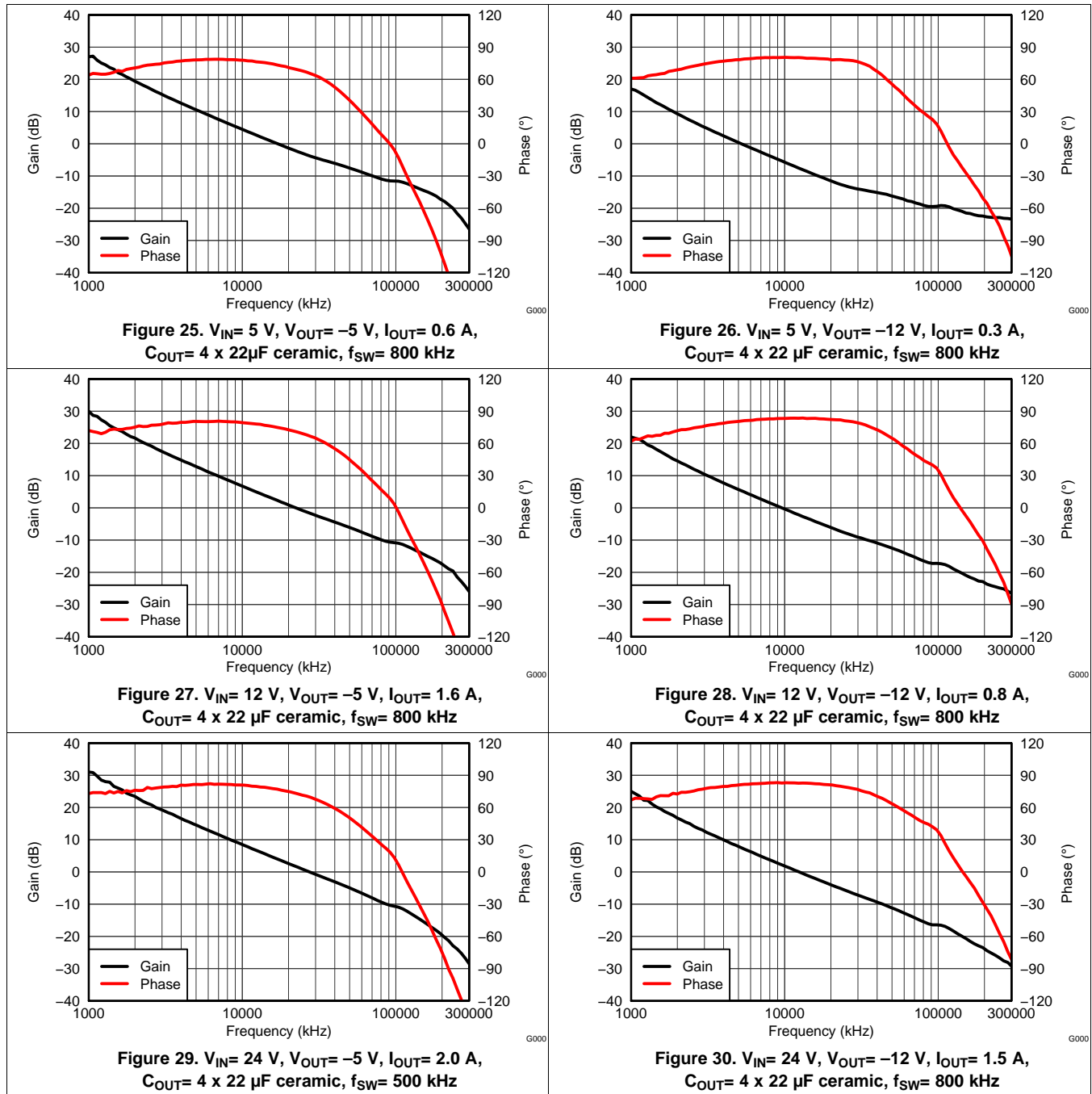


Figure 24. Safe Operating Area

- (1) The electrical characteristic data has been developed from actual products tested at 25°C. This data is considered typical for the converter. Applies to [Figure 19](#), [Figure 20](#), and [Figure 21](#).
- (2) At light load the output voltage ripple may increase due to pulse skipping. See [Light-Load Behavior](#) for more information. Applies to [Figure 20](#).
- (3) The temperature derating curves represent the conditions at which internal components are at or below the manufacturer's maximum operating temperatures. Derating limits apply to devices soldered directly to a 100 mm × 100 mm, 4-layer, double-sided PCB with 1 oz. copper. Applies to [Figure 22](#), [Figure 23](#), and [Figure 24](#).

10 TYPICAL CHARACTERISTICS (BODE PLOTS) ⁽¹⁾



(1) The electrical characteristic data has been developed from actual products tested at 25°C. This data is considered typical for the converter.

TYPICAL CHARACTERISTICS (BODE PLOTS) ⁽¹⁾ (continued)

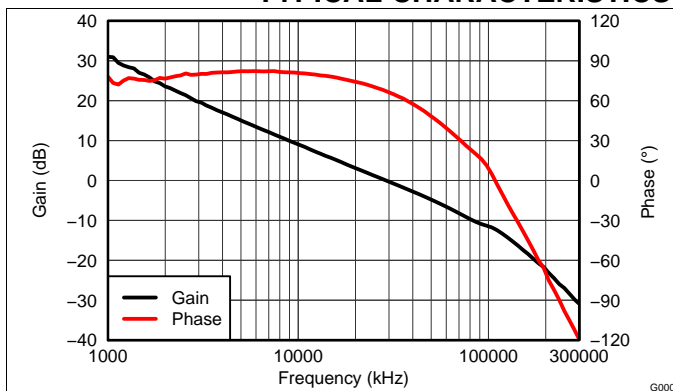


Figure 31. $V_{IN} = 36\text{ V}$, $V_{OUT} = -5\text{ V}$, $I_{OUT} = 2.0\text{ A}$,
 $C_{OUT} = 4 \times 22\text{ }\mu\text{F ceramic}$, $f_{SW} = 500\text{ kHz}$

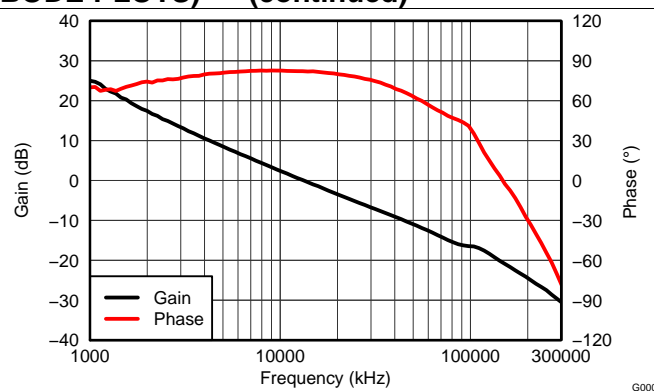


Figure 32. $V_{IN} = 36\text{ V}$, $V_{OUT} = -12\text{ V}$, $I_{OUT} = 1.8\text{ A}$,
 $C_{OUT} = 4 \times 22\text{ }\mu\text{F ceramic}$, $f_{SW} = 800\text{ kHz}$

11 CAPACITOR RECOMMENDATIONS FOR THE TPS84259 POWER SUPPLY

11.1 Capacitor Technologies

11.1.1 Electrolytic, Polymer-Electrolytic Capacitors

When using electrolytic capacitors, high-quality, computer-grade electrolytic capacitors are recommended. Polymer-electrolytic type capacitors are recommended for applications where the ambient operating temperature is less than 0°C. The Sanyo OS-CON capacitor series is suggested due to the lower ESR, higher rated surge, power dissipation, ripple current capability, and small package size. Aluminum electrolytic capacitors provide adequate decoupling over the frequency range of 2 kHz to 150 kHz, and are suitable when ambient temperatures are above 0°C.

11.1.2 Ceramic Capacitors

The performance of aluminum electrolytic capacitors is less effective than ceramic capacitors above 150 kHz. Multilayer ceramic capacitors have a low ESR and a resonant frequency higher than the bandwidth of the regulator. They can be used to reduce the reflected ripple current at the input as well as improve the transient response of the output.

11.1.3 Tantalum, Polymer-Tantalum Capacitors

Polymer-tantalum type capacitors are recommended for applications where the ambient operating temperature is less than 0°C. The Sanyo POSCAP series and Kemet T530 capacitor series are recommended rather than many other tantalum types due to their lower ESR, higher rated surge, power dissipation, ripple current capability, and small package size. Tantalum capacitors that have no stated ESR or surge current rating are not recommended for power applications.

11.2 Input Capacitor

The TPS84259 requires a minimum input capacitance of 4.7 μF of ceramic type. The voltage rating of input capacitors must be greater than the maximum input voltage. The ripple current rating of the capacitor must be at least 450 mA rms. [Table 3](#) includes a preferred list of capacitors by vendor.

11.3 Output Capacitor

The required output capacitance of the TPS84259 can be comprised of either all ceramic capacitors, or a combination of ceramic and bulk capacitors. The required output capacitance must include at least $2 \times 47 \mu\text{F}$ of ceramic type (or $4 \times 22 \mu\text{F}$). The voltage rating of output capacitors must be greater than the output voltage. When adding additional non-ceramic bulk capacitors, low-ESR devices like the ones recommended in [Table 3](#) are required. Additional capacitance above the required minimum is determined by actual transient deviation requirements. [Table 3](#) includes a preferred list of capacitors by vendor.

Table 3. Recommended Input/Output Capacitors⁽¹⁾

VENDOR	SERIES	PART NUMBER	CAPACITOR CHARACTERISTICS		
			WORKING VOLTAGE (V)	CAPACITANCE (μF)	ESR ⁽²⁾ (m Ω)
Murata	X5R	GRM31CR61H225KA88L	50	2.2	2
TDK	X5R	C3216X5R1H475K	50	4.7	2
Murata	X5R	GRM32ER61E226K	16	22	2
TDK	X5R	C3225X5R0J476K	6.3	47	2
Murata	X5R	GRM32ER60J476M	6.3	47	2
Sanyo	POSCAP	16TQC68M	16	68	50
Sanyo	POSCAP	6TPE100MI	6.3	100	25
Kemet	T530	T530D227M006ATE006	6.3	220	6

(1) **Capacitor Supplier Verification, RoHS, Lead-free and Material Details**

Consult capacitor suppliers regarding availability, material composition, RoHS and lead-free status, and manufacturing process requirements for any capacitors identified in this table.

(2) Maximum ESR @ 100 kHz, 25°C.

12 APPLICATION INFORMATION

12.1 Adjusting the Output Voltage

The TPS84259 is designed to provide output voltages from –3 V to –17 V. The output voltage is determined by the value of R_{SET} , which must be connected between the VADJ pin (Pin 36) and GND. Table 4 gives the standard external R_{SET} resistor for a number of common bus voltages.

Table 4. Standard R_{SET} Resistor Values for Common Output Voltages

OUTPUT VOLTAGE V_{OUT} (V)	–3.3	–5.0	–8.0	–12.0	–15.0
R_{SET} (k Ω)	31.6	52.3	90.9	140	178

For other output voltages the value of R_{SET} can be calculated using the following formula, or simply selected from the range of values given in Table 5.

$$R_{SET} = 10 \times \left(\frac{|V_{OUT}|}{0.798} - 1 \right) \text{ (k}\Omega\text{)} \quad (1)$$

Table 5. Standard R_{SET} Resistor Values

V_{OUT} (V)	R_{SET} (k Ω)	V_{OUT} (V)	R_{SET} (k Ω)	V_{OUT} (V)	R_{SET} (k Ω)
–3.0	27.4	–7.5	84.5	–12.5	147
–3.3	31.6	–8.0	90.9	–13.0	154
–3.5	34.0	–8.5	97.6	–13.5	158
–4.0	40.2	–9.0	102	–14.0	165
–4.5	46.4	–9.5	110	–14.5	174
–5.0	52.3	–10.0	115	–15.0	178
–5.5	59.0	–10.5	121	–15.5	187
–6.0	64.9	–11.0	127	–16.0	191
–6.5	71.5	–11.5	133	–16.5	196
–7.0	78.7	–12.0	140	–17.0	205

12.2 Safe Operating Current

The amount of output current that can safely be delivered by the TPS84259 depends on the input voltage and the output voltage. Figure 33 shows the maximum output current for four standard output voltages over input voltage.

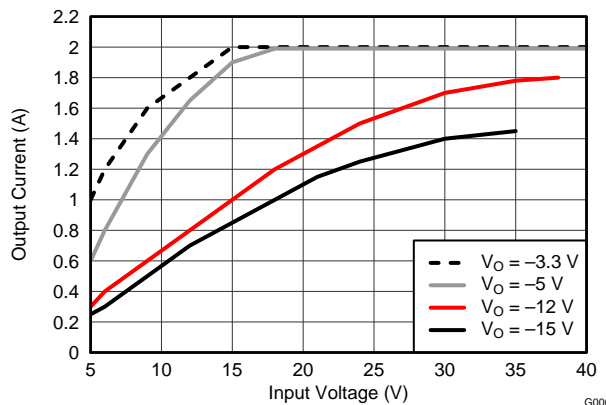


Figure 33. Safe Operating Current

12.3 Application Schematics

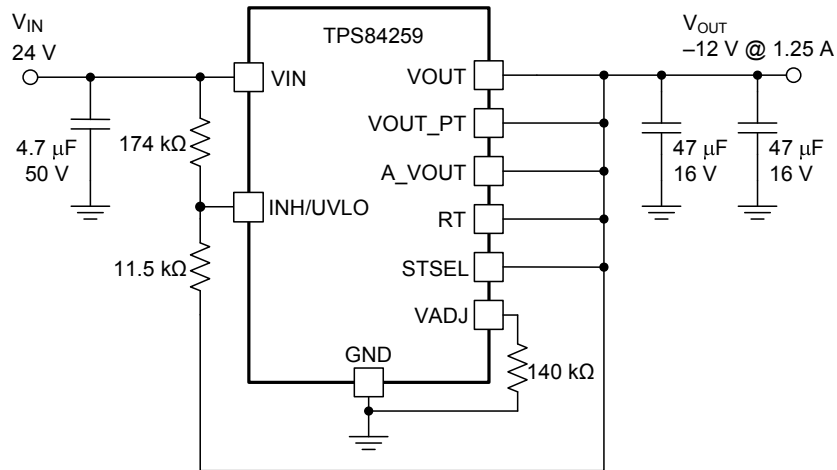


Figure 34. Typical Schematic
 $V_{IN} = 24\text{ V}$, $V_{OUT} = -12\text{ V}$

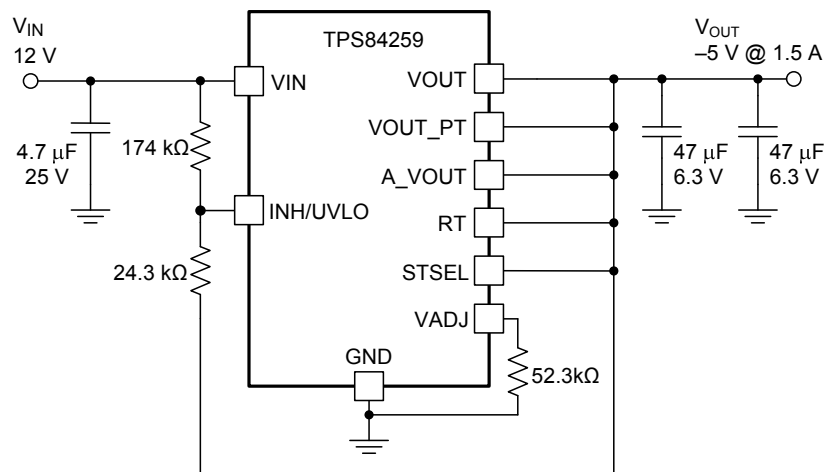


Figure 35. Typical Schematic
 $V_{IN} = 12\text{ V}$, $V_{OUT} = -5\text{ V}$

12.4 Input Voltage

The TPS84259 operates over the input voltage range of 4.5 V to 40 V. The maximum input voltage is 40 V, however, the sum of $V_{IN} + |V_{OUT}|$ must not exceed 50 V.

See the [Undervoltage Lockout \(UVLO\) Threshold](#) section of this datasheet for more information.

12.5 Undervoltage Lockout (UVLO) Threshold

At turn-on, the V_{ON} UVLO threshold determines the input voltage level where the device begins power conversion. R_{UVLO1} and R_{UVLO2} set the turn-on threshold as shown in [Figure 36](#). The UVLO threshold is not present during the power-down sequence. Applications requiring a turn-off threshold must monitor the input voltage with external circuitry and shut-down using the INH control (see [Output On/Off Inhibit \(INH\)](#)).

The V_{ON} UVLO threshold must be set to at least 4.5 V to insure proper start-up and reduce current surges on the host input supply as the voltage rises. If possible, it is recommended to set the UVLO threshold to approximately 80 to 85% of the minimum expected input voltage.

Use [Equation 2](#) and [Equation 3](#) to calculate the values of R_{UVLO1} and R_{UVLO2} . V_{ON} is the voltage threshold during power-up when the input voltage is rising. [Table 6](#) lists standard resistor values for R_{UVLO1} and R_{UVLO2} for adjusting the V_{ON} UVLO threshold for several input voltages.

$$R_{UVLO1} = \frac{0.5}{2.9 \times 10^{-3}} \text{ (k}\Omega\text{)} \tag{2}$$

$$R_{UVLO2} = \frac{1.25}{\left(\frac{V_{ON} - 1.25}{R_{UVLO1}}\right) + 0.9 \times 10^{-3}} \text{ (k}\Omega\text{)} \tag{3}$$

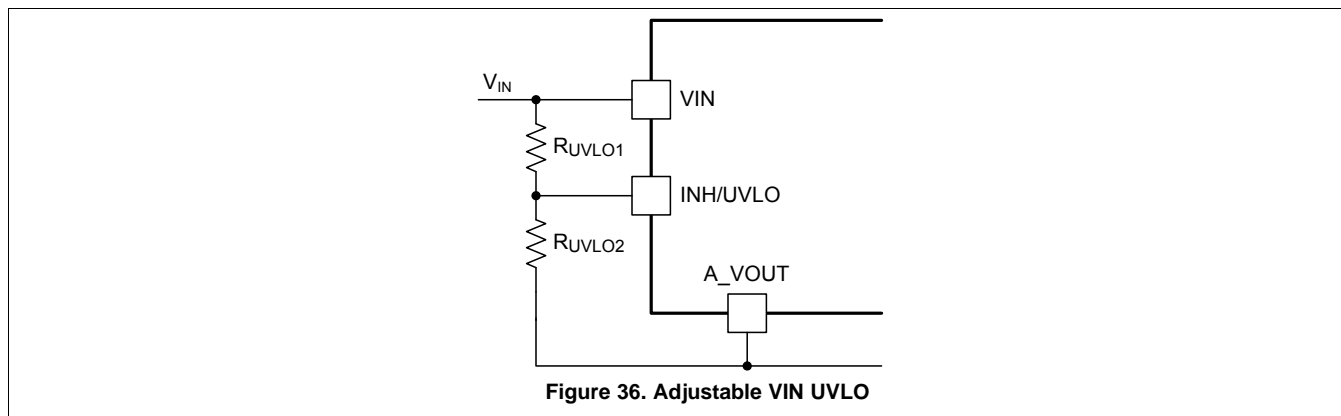


Table 6. Standard Resistor Values to set V_{ON} UVLO Threshold

V_{ON} THRESHOLD (V)	4.5	5.0	6.5	8.0	9.0	10.0	15.0	20.0	30.0
R_{UVLO1} (k Ω)	174	174	174	174	174	174	174	174	174
R_{UVLO2} (k Ω)	63.4	56.2	40.2	31.6	27.4	24.3	15.8	11.5	7.50

12.6 Power-Up Characteristics

When configured as shown in the application schematics, the TPS84259 produces a regulated output voltage following the application of a valid input voltage. During the power-up, internal soft-start circuitry slows the rate that the output voltage rises, thereby limiting the amount of in-rush current that can be drawn from the input source. The soft-start circuitry introduces a short time delay from the point that a valid input voltage is recognized. [Figure 37](#) shows the start-up waveforms for a TPS84259, operating from a 12 V input and the output voltage adjusted to –5 V. The waveform were measured with a 1.5-A constant current load.

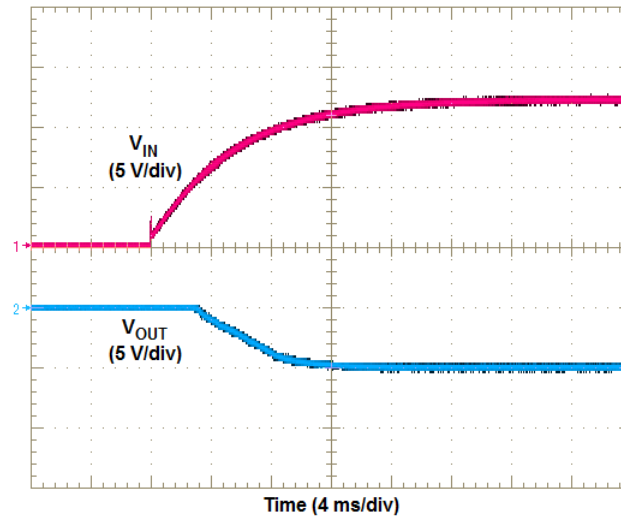


Figure 37. Start-Up Sequence

12.7 Light-Load Behavior

The TPS84259 is a non-synchronous converter. One of the characteristics of non-synchronous operation is that as the output load current decreases, a point is reached where the energy delivered by a single switching pulse is more than the load can absorb. This energy causes the output voltage to rise slightly. This rise in output voltage is sensed by the feedback loop and the device responds by skipping one or more switching cycles until the output voltage falls back to the set point. At very light loads or no load, many switching cycles are skipped. The observed effect during this pulse skipping mode of operation is an increase in the peak to peak ripple voltage, and a decrease in the ripple frequency. The amount of load current when pulse skipping begins is a function of the input voltage, the output voltage, and the switching frequency.

12.8 No-Load Operation

When operating at no load or very light load and the input voltage is removed, the output voltage discharges very slowly. If the input voltage is re-applied before the output voltage discharges, the slow-start circuit does not activate and the amount of inrush current is extremely large and may cause an over-current condition. To avoid this condition the output voltage must be allowed to discharge before re-applying the input voltage. Applying a 50-mA to 100-mA minimum load helps discharge the output voltage. Additionally, monitoring the input voltage with a supervisor and shutting-down using the INH control (see [Output On/Off Inhibit \(INH\)](#)) activates the internal slow-start circuit.

12.9 Switching Frequency

The recommended switching frequency of the TPS84259 is 800 kHz. To operate at the recommended switching frequency, connect the RT pin (Pin 30) to A_VOUT (at pin 32).

It is recommended to adjust the switching frequency in applications with both, higher input voltage (> 18V) and lower output voltage (< -8V). For these applications, improved operating performance can be obtained by decreasing the operating frequency to 500 kHz by adding a resistor, R_{RT} of 93.1 kΩ between the RT pin and A_VOUT as shown in Figure 38. Figure 39 shows the recommended switching frequency over input voltage and output voltage.

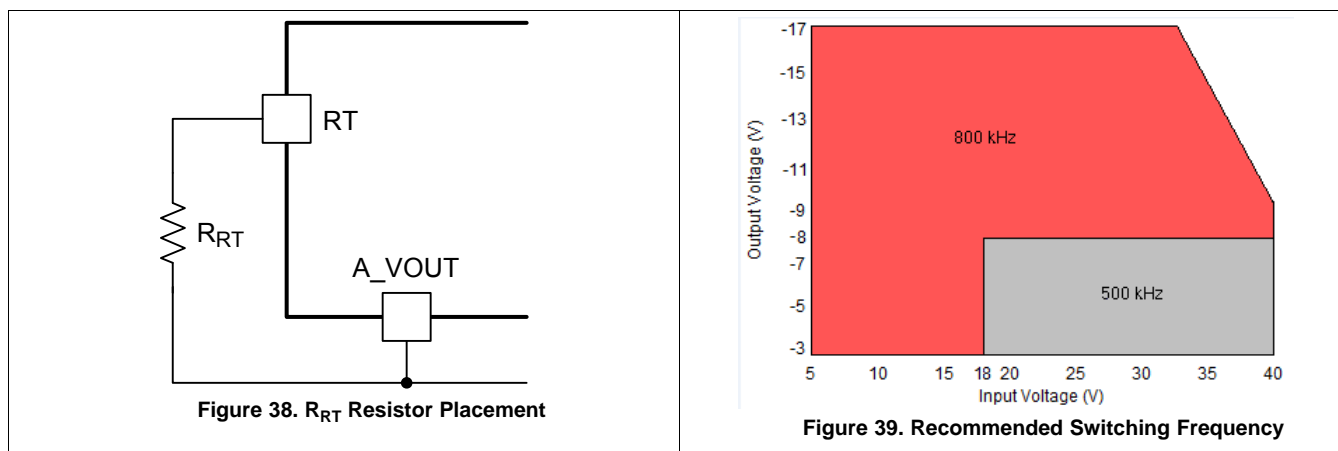


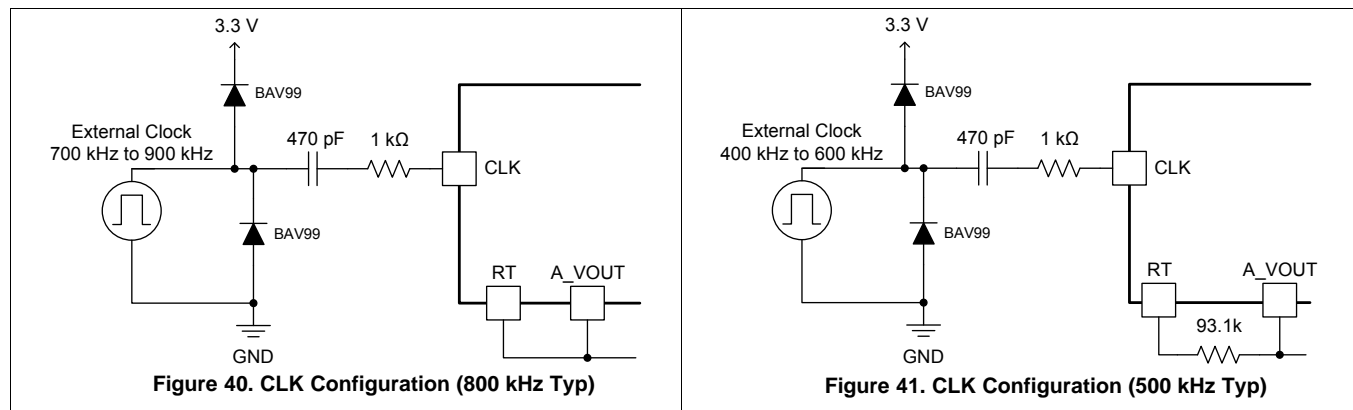
Table 7. Standard Resistor Values For Setting Switching Frequency

f _{sw} (kHz)	500	800
R _{RT} (kΩ)	93.1	0 (short)

12.10 Synchronization (CLK)

An internal phase locked loop (PLL) allows synchronization from 700 kHz to 900 kHz for 800 kHz applications, or 400 kHz to 600 kHz for 500 kHz applications. See Figure 39 to determine switching frequency based on input voltage and output voltage. To implement the synchronization feature, connect a square wave clock signal to the RT/CLK pin with a duty cycle between 25% to 75%. The clock signal amplitude must transition lower than 0.5 V and higher than 2.2 V. The start of the switching cycle is synchronized to the falling edge of RT/CLK pin. In applications requiring CLK mode, configure the device as shown in Figure 40 (800 kHz) and Figure 41 (500kHz).

Before the external clock is present, the device works in RT mode where the switching frequency is set by the R_{RT} resistor. When the external clock is present, the CLK mode overrides the RT mode. The first time the CLK pin is pulled above the RT/CLK high threshold (2.2 V), the device switches from RT mode to CLK mode and the CLK pin becomes high impedance as the PLL starts to lock onto the frequency of the external clock. It is not recommended to switch from CLK mode back to RT mode because the internal switching frequency drops to 100 kHz first before returning to the switching frequency set by the RT resistor.

Synchronization (CLK) (continued)


12.11 Output On/Off Inhibit (INH)

The INH pin provides electrical on/off control of the device. Once the INH pin voltage exceeds the threshold voltage, the device starts operation. If the INH pin voltage is pulled below the threshold voltage, the regulator stops switching and enters low quiescent current state.

The INH pin has an internal pull-up current source, allowing the user to float the INH pin for enabling the device. If an application requires controlling the INH pin, an external level-shifter is required to interface with the pin because in a positive-to-negative buck-boost supply, the INH pin is referenced to VOUT, not GND. Adding a level-shifter (U1) as shown in Figure 42, allows the INH control to be referenced to GND. A recommended level-shifter part # is DCX144EH-7 from Diodes Inc.

Pulling the input of U1 to GND applies a low voltage to the inhibit control pin and disables the output of the supply, shown in . Releasing the input of U1 enables the device, which executes a soft-start power-up sequence, as shown in Figure 44. The device produces a regulated output voltage within 10 ms. The waveforms were measured with a 1.5-A constant current load.

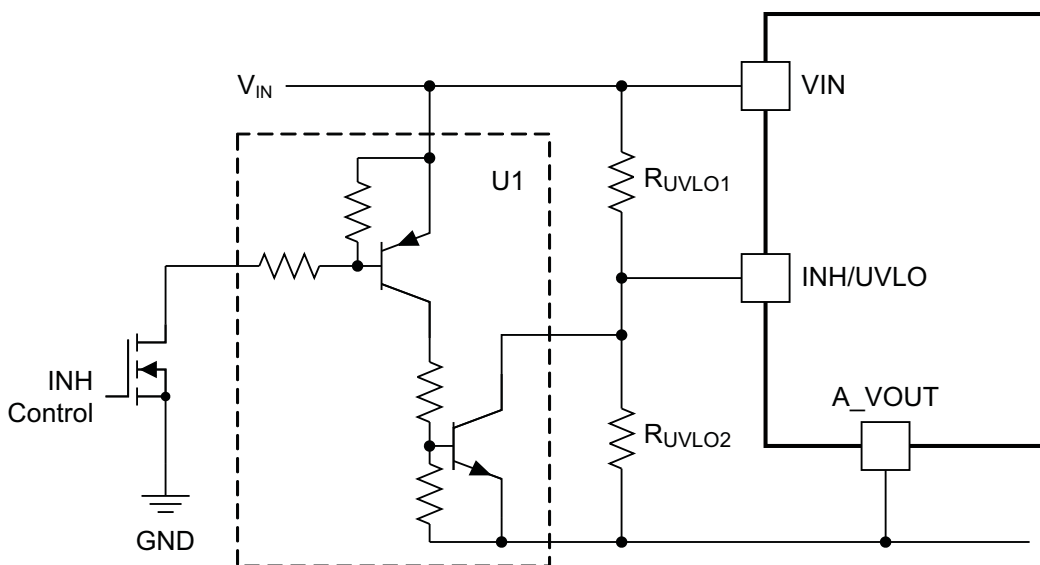


Figure 42. Typical Inhibit Control

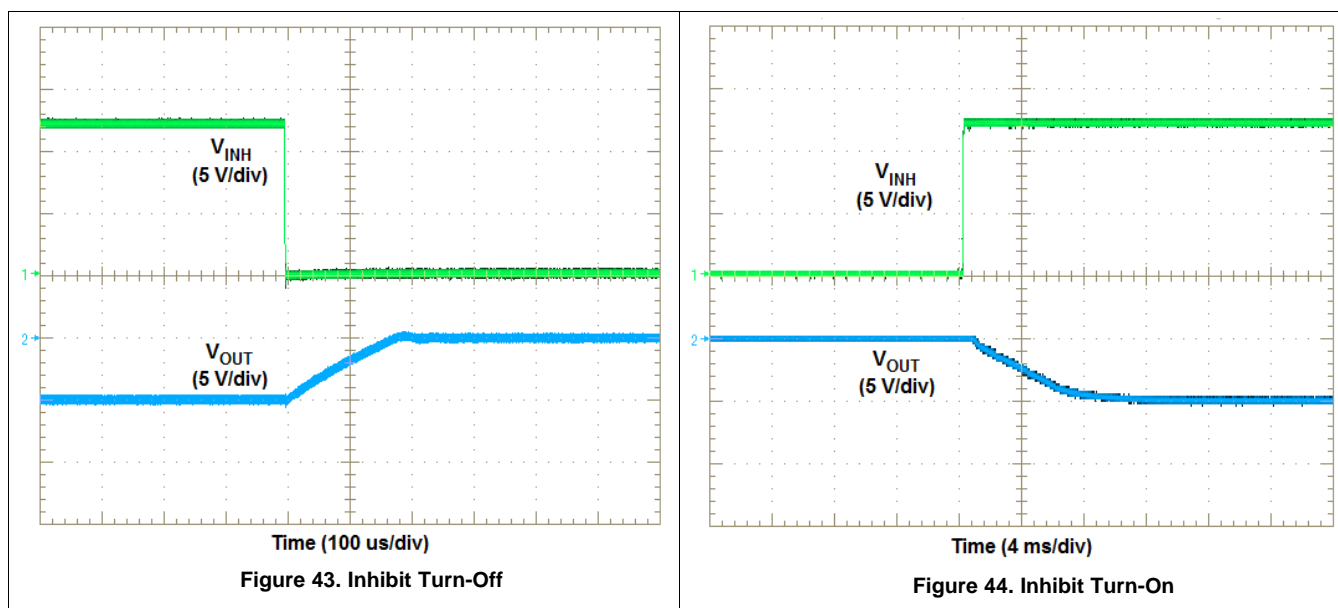


Figure 43. Inhibit Turn-Off

Figure 44. Inhibit Turn-On

12.12 Slow-Start Circuit (SS)

Connecting the STSEL pin (Pin 29) to A_VOUT while leaving SS pin (Pin 28) open, enables the internal SS capacitor with a slow-start interval of approximately 10 ms. Adding additional SS capacitance between the SS pin and A_VOUT increases the slow-start time. Figure 45 shows an additional SS capacitor connected to the SS pin and the STSEL pin connected to A_VOUT. See Table 8 below for SS capacitor values and timing interval.

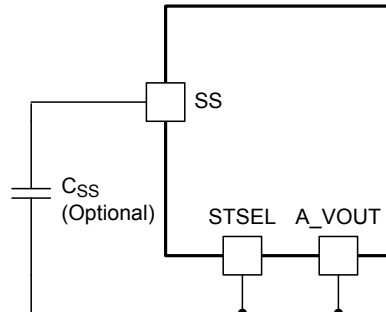


Figure 45. Slow-Start Capacitor (C_{SS}) and STSEL Connection

Table 8. Slow-Start Capacitor Values and Slow-Start Time

C _{SS} (nF)	Open	10	15	22
SS Time (ms)	10	15	17	20

12.13 Inrush Current

During turn-on, as the TPS84259 performs a slow-start sequence, an inrush current is induced as the output capacitors charge up. The inrush current is in addition to the DC input current. The amount of inrush current depends on the input voltage, output voltage and amount of output capacitance. Table 9 shows the typical inrush current for the input voltage, output voltage and the amount of output capacitance. Increasing the slow-start capacitor reduces the inrush current by slowing down the ramp of the output voltage. See Slow-Start Circuit (SS).

Table 9. Typical Inrush Current

Output Capacitance →		100 μF Ceramic	200 μF ⁽¹⁾	320 μF ⁽¹⁾	430 μF ⁽¹⁾
VIN (V)	VOUT (V)	Inrush Current (A)			
5	-3.3	0.1	0.1	0.1	0.1
	-5	0.1	0.2	0.2	0.3
	-12	0.3	0.8	1.2	1.8
	-15	0.4	1.3	2.5	3.6
12	-3.3	0.1	0.1	0.1	0.1
	-5	0.1	0.1	0.1	0.2
	-12	0.2	0.4	0.6	0.8
	-15	0.3	0.5	0.9	1.3
24	-3.3	0.1	0.1	0.1	0.1
	-5	0.1	0.1	0.2	0.2
	-12	0.2	0.2	0.3	0.5
	-15	0.3	0.3	0.5	0.7
36	-3.3	0.2	0.2	0.2	0.2
	-5	0.2	0.2	0.2	0.2
	-12	0.2	0.3	0.4	0.4

(1) This amount of capacitance includes the required 100 μF of ceramic capacitance with additional bulk capacitance.

12.14 Input to Output Coupling Capacitor

Adding an input to output coupling capacitor (C_{IO}) across V_{IN} to V_{OUT} as shown in Figure 46 can help reduce output voltage ripple and improve transient response. A typical value for C_{IO} is 2.2 μF ceramic with a voltage rating greater than the sum of $V_{IN} + |V_{OUT}|$.

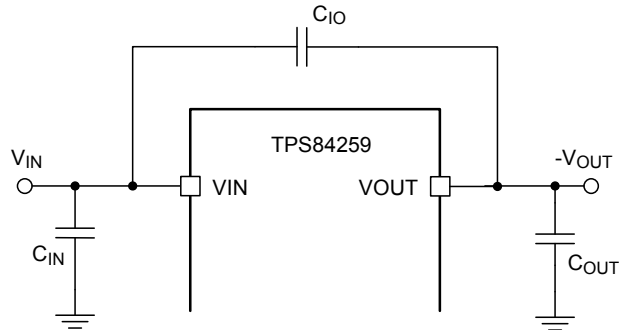


Figure 46. Input to Output Coupling Capacitor

12.15 Overcurrent Protection

For protection against load faults, the TPS84259 incorporates cycle-by-cycle current limiting. During an overcurrent condition the output current is limited and the output voltage is reduced. If the output voltage drops more than 25%, the switching frequency is lowered to reduce power dissipation within the device. When the overcurrent condition is removed, the output voltage returns to the established voltage.

The TPS84259 is not designed to endure a sustained short circuit condition. The use of an output fuse, voltage supervisor circuit, or other overcurrent protection circuit is recommended.

12.16 Thermal Shutdown

The internal thermal shutdown circuitry forces the device to stop switching if the junction temperature exceeds 180°C typically. The device reinitiates the power up sequence when the junction temperature drops below 165°C typically.

12.17 Layout Considerations

To achieve optimal electrical and thermal performance, an optimized PCB layout is required. Figure 47 through Figure 50 show a typical four layer PCB layout. Some considerations for an optimized layout are:

- Use large copper areas for power planes (VIN, VOUT, and GND) to minimize conduction loss and thermal stress.
- Place ceramic input and output capacitors close to the module pins to minimize high frequency noise.
- Locate additional output capacitors between the ceramic capacitor and the load.
- Place a dedicated A_VOUT copper area beneath the TPS84259.
- Isolate the PH copper area from the GND copper area using the VOUT copper area.
- Connect the VOUT and A_VOUT copper areas at one point; at pins 8 & 9.
- Place R_{SET} , R_{RT} , and C_{SS} as close as possible to their respective pins.
- Use multiple vias to connect the power planes to internal layers.
- Use a dedicated sense line to connect R_{SET} to GND near the load for best regulation.

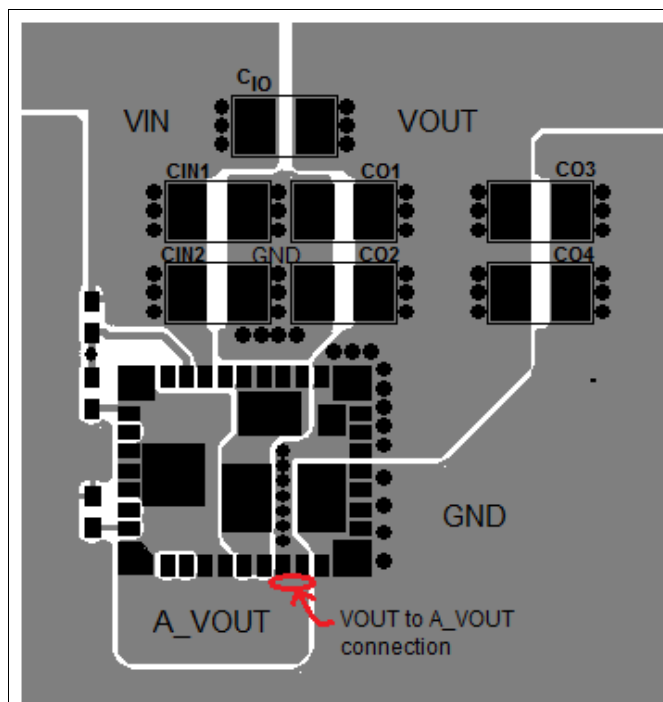


Figure 47. Typical Top-Layer Recommended Layout

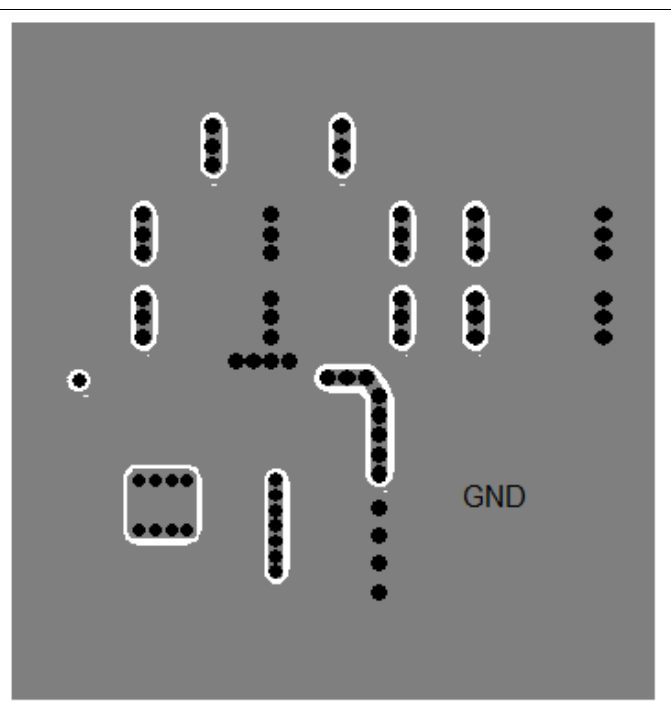


Figure 48. Typical GND-Layer Recommended Layout

Layout Considerations (continued)

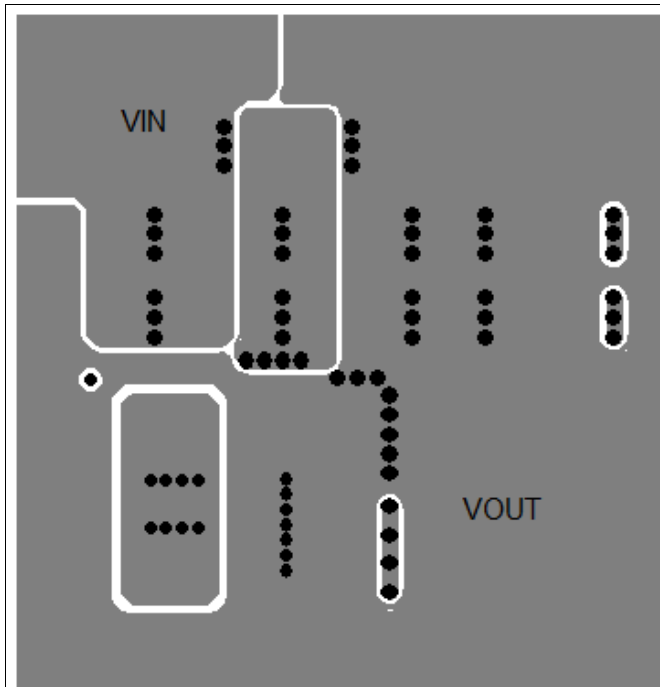


Figure 49. Typical VOUT-Layer Recommended Layout

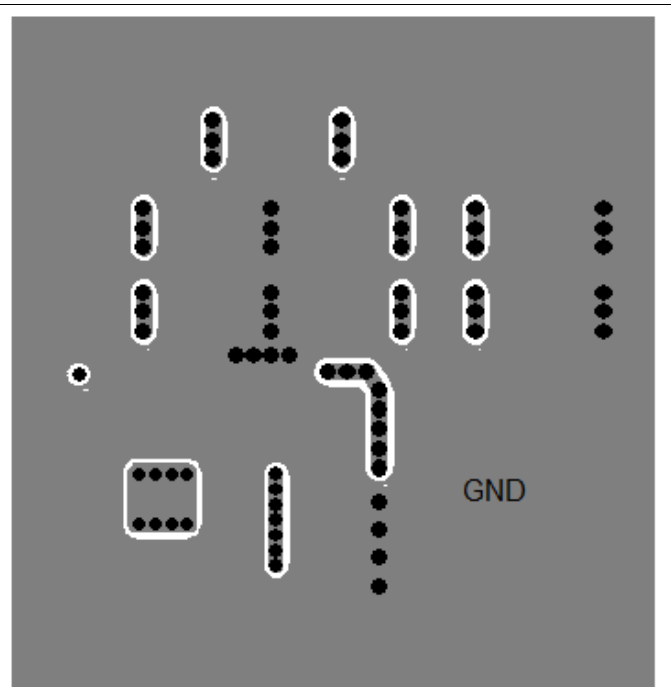


Figure 50. Typical Bottom-Layer Recommended Layout

13 Revision History

NOTE: Page numbers for previous revisions may differ from page numbers in the current version.

Changes from Revision C (June 2017) to Revision D	Page
• Added top navigator icon for TI reference design	1
• Increased the peak reflow temperature and maximum number of reflows to JEDEC specification for improved manufacturability.	2
<hr/>	
Changes from Revision B (September 2013) to Revision C	Page
• Added peak reflow and maximum number of reflows information	2
<hr/>	
Changes from Revision A (June 2013) to Revision B	Page
• Changed incorrect R_{SET} value for $-5.5 V_{OUT}$ in Table 5	15
• Added <i>Mechanical, Packaging, and Orderable Information</i> section.....	27
<hr/>	
Changes from Original (August 2012) to Revision A	Page
• Changed describing pins 8 & 9 not connected together internally.	6
• Added multiple layout layers to the recommended layout.....	24
<hr/>	

14 Device and Documentation Support

14.1 Receiving Notification of Documentation Updates

To receive notification of documentation updates, navigate to the device product folder on ti.com. In the upper right corner, click on *Alert me* to register and receive a weekly digest of any product information that has changed. For change details, review the revision history included in any revised document.

14.2 Community Resources

The following links connect to TI community resources. Linked contents are provided "AS IS" by the respective contributors. They do not constitute TI specifications and do not necessarily reflect TI's views; see TI's [Terms of Use](#).

TI E2E™ Online Community *TI's Engineer-to-Engineer (E2E) Community*. Created to foster collaboration among engineers. At e2e.ti.com, you can ask questions, share knowledge, explore ideas and help solve problems with fellow engineers.

Design Support *TI's Design Support* Quickly find helpful E2E forums along with design support tools and contact information for technical support.

14.3 Trademarks

E2E is a trademark of Texas Instruments.
All other trademarks are the property of their respective owners.

14.4 Electrostatic Discharge Caution



This integrated circuit can be damaged by ESD. Texas Instruments recommends that all integrated circuits be handled with appropriate precautions. Failure to observe proper handling and installation procedures can cause damage.

ESD damage can range from subtle performance degradation to complete device failure. Precision integrated circuits may be more susceptible to damage because very small parametric changes could cause the device not to meet its published specifications.

14.5 Glossary

[SLYZ022](#) — *TI Glossary*.

This glossary lists and explains terms, acronyms, and definitions.

15 Mechanical, Packaging, and Orderable Information

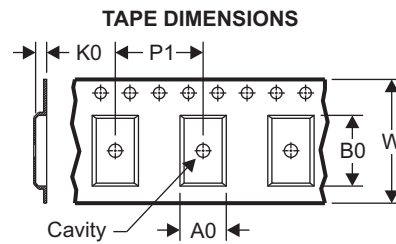
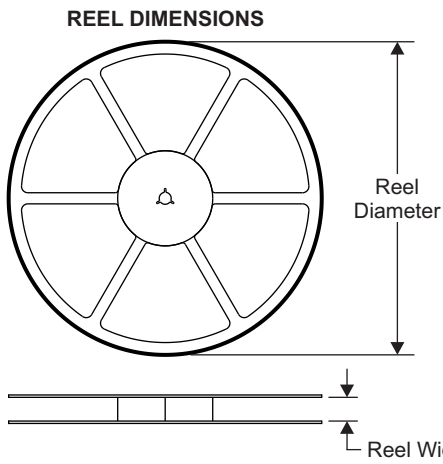
The following pages include mechanical, packaging, and orderable information. This information is the most current data available for the designated devices. This data is subject to change without notice and revision of this document. For browser-based versions of this data sheet, refer to the left-hand navigation.

TPS84259

SLVSB00D – AUGUST 2012 – REVISED APRIL 2018

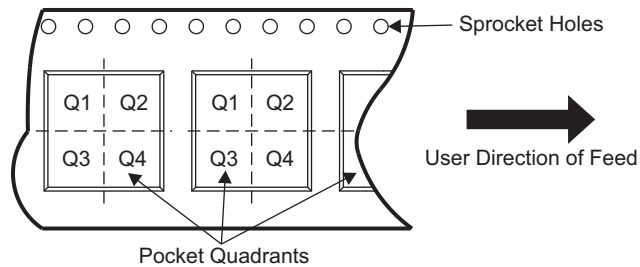
www.ti.com

15.1 Tape and Reel Information



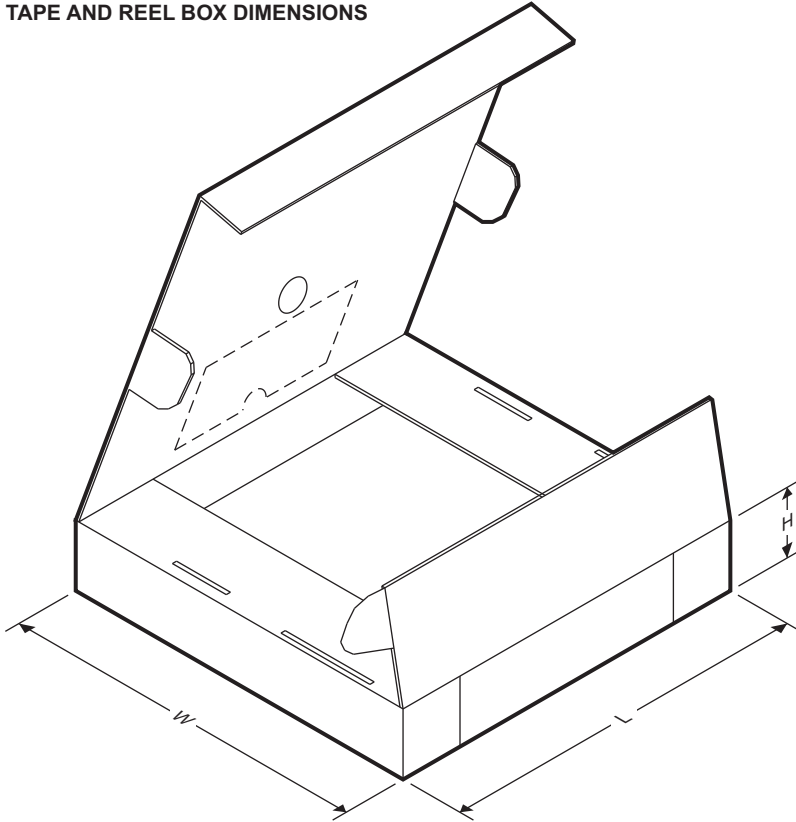
A0	Dimension designed to accommodate the component width
B0	Dimension designed to accommodate the component length
K0	Dimension designed to accommodate the component thickness
W	Overall width of the carrier tape
P1	Pitch between successive cavity centers

QUADRANT ASSIGNMENTS FOR PIN 1 ORIENTATION IN TAPE



Device	Package Type	Package Drawing	Pins	SPQ	Reel Diameter (mm)	Reel Width W1 (mm)	A0 (mm)	B0 (mm)	K0 (mm)	P1 (mm)	W (mm)	Pin1 Quadrant
TPS84259RKGR	B1QFN	RKG	41	500	330.0	24.4	9.35	11.35	3.1	16.0	24.0	Q1
TPS84259RKGT	B1QFN	RKG	41	250	330.0	24.4	9.35	11.35	3.1	16.0	24.0	Q1

TAPE AND REEL BOX DIMENSIONS



Device	Package Type	Package Drawing	Pins	SPQ	Length (mm)	Width (mm)	Height (mm)
TPS84259RKGR	B1QFN	RKG	41	500	383.0	353.0	58.0
TPS84259RKGT	B1QFN	RKG	41	250	383.0	353.0	58.0

PACKAGING INFORMATION

Orderable part number	Status (1)	Material type (2)	Package Pins	Package qty Carrier	RoHS (3)	Lead finish/ Ball material (4)	MSL rating/ Peak reflow (5)	Op temp (°C)	Part marking (6)
TPS84259RKGR	Active	Production	B1QFN (RKG) 41	500 LARGE T&R	Exempt	NIPDAU	Level-3-250C-168 HR	-40 to 85	(54260, TPS84259)
TPS84259RKGR.A	Active	Production	B1QFN (RKG) 41	500 LARGE T&R	Exempt	NIPDAU	Level-3-250C-168 HR	-40 to 85	(54260, TPS84259)
TPS84259RKGRG4	Active	Production	B1QFN (RKG) 41	500 LARGE T&R	No	NIPDAU	Level-3-250C-168 HR	-40 to 85	TPS84259
TPS84259RKGRG4.A	Active	Production	B1QFN (RKG) 41	500 LARGE T&R	No	NIPDAU	Level-3-250C-168 HR	-40 to 85	TPS84259
TPS84259RKGRG4.B	Active	Production	B1QFN (RKG) 41	500 LARGE T&R	No	NIPDAU	Level-3-250C-168 HR	-40 to 85	TPS84259
TPS84259RKGT	Active	Production	B1QFN (RKG) 41	250 SMALL T&R	Exempt	NIPDAU	Level-3-250C-168 HR	-40 to 85	(54260, TPS84259)
TPS84259RKGT.A	Active	Production	B1QFN (RKG) 41	250 SMALL T&R	Exempt	NIPDAU	Level-3-250C-168 HR	-40 to 85	(54260, TPS84259)

(1) **Status:** For more details on status, see our [product life cycle](#).

(2) **Material type:** When designated, preproduction parts are prototypes/experimental devices, and are not yet approved or released for full production. Testing and final process, including without limitation quality assurance, reliability performance testing, and/or process qualification, may not yet be complete, and this item is subject to further changes or possible discontinuation. If available for ordering, purchases will be subject to an additional waiver at checkout, and are intended for early internal evaluation purposes only. These items are sold without warranties of any kind.

(3) **RoHS values:** Yes, No, RoHS Exempt. See the [TI RoHS Statement](#) for additional information and value definition.

(4) **Lead finish/Ball material:** Parts may have multiple material finish options. Finish options are separated by a vertical ruled line. Lead finish/Ball material values may wrap to two lines if the finish value exceeds the maximum column width.

(5) **MSL rating/Peak reflow:** The moisture sensitivity level ratings and peak solder (reflow) temperatures. In the event that a part has multiple moisture sensitivity ratings, only the lowest level per JEDEC standards is shown. Refer to the shipping label for the actual reflow temperature that will be used to mount the part to the printed circuit board.

(6) **Part marking:** There may be an additional marking, which relates to the logo, the lot trace code information, or the environmental category of the part.

Multiple part markings will be inside parentheses. Only one part marking contained in parentheses and separated by a "-" will appear on a part. If a line is indented then it is a continuation of the previous line and the two combined represent the entire part marking for that device.

Important Information and Disclaimer: The information provided on this page represents TI's knowledge and belief as of the date that it is provided. TI bases its knowledge and belief on information provided by third parties, and makes no representation or warranty as to the accuracy of such information. Efforts are underway to better integrate information from third parties. TI has taken and continues to take reasonable steps to provide representative and accurate information but may not have conducted destructive testing or chemical analysis on incoming materials and chemicals. TI and TI suppliers consider certain information to be proprietary, and thus CAS numbers and other limited information may not be available for release.

In no event shall TI's liability arising out of such information exceed the total purchase price of the TI part(s) at issue in this document sold by TI to Customer on an annual basis.

TAPE AND REEL INFORMATION

QUADRANT ASSIGNMENTS FOR PIN 1 ORIENTATION IN TAPE

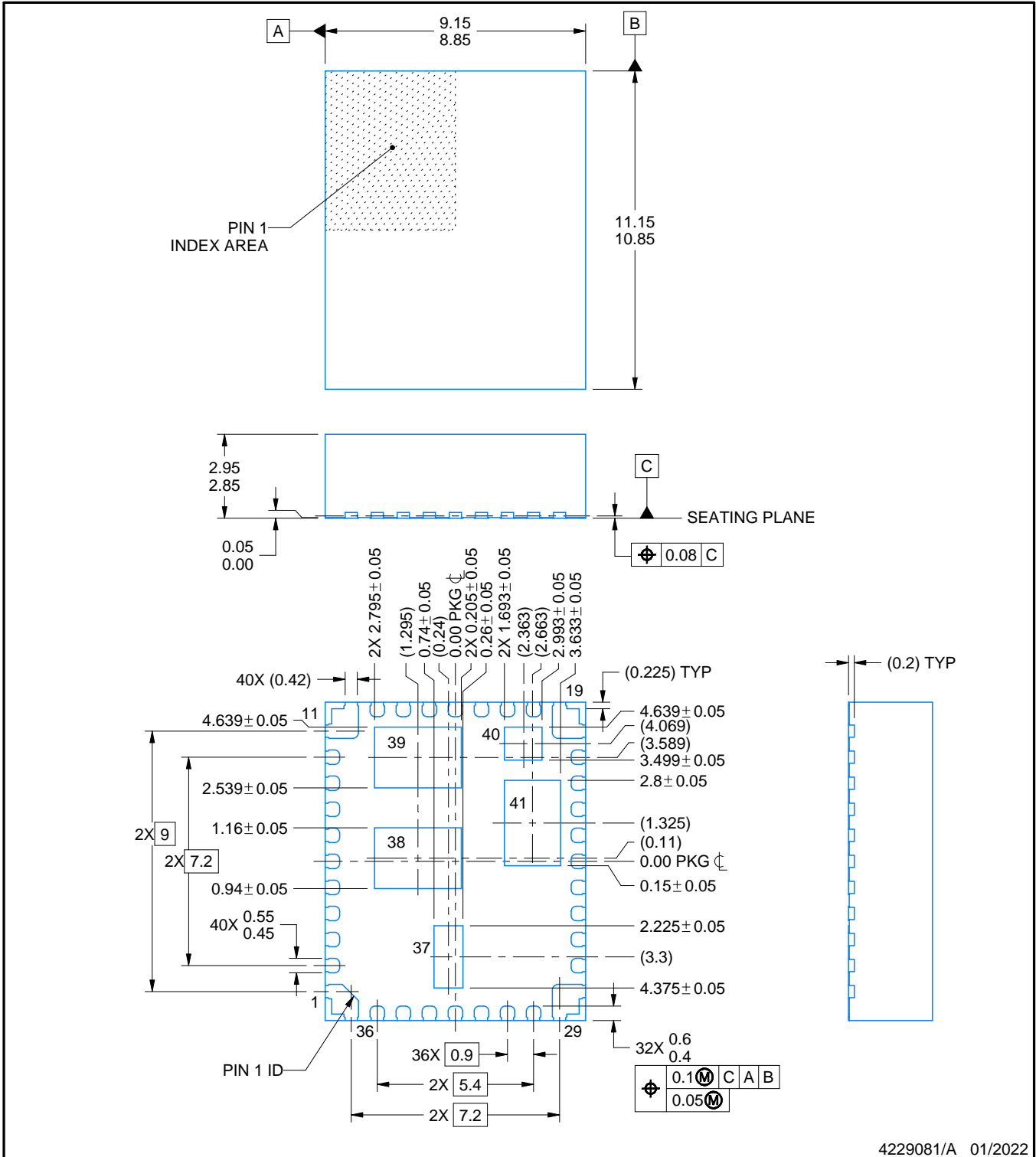
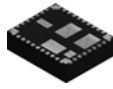

*All dimensions are nominal

Device	Package Type	Package Drawing	Pins	SPQ	Reel Diameter (mm)	Reel Width W1 (mm)	A0 (mm)	B0 (mm)	K0 (mm)	P1 (mm)	W (mm)	Pin1 Quadrant
TPS84259RKGR	B1QFN	RKG	41	500	330.0	24.4	9.35	11.35	3.1	16.0	24.0	Q1
TPS84259RKGRG4	B1QFN	RKG	41	500	330.0	24.4	9.35	11.35	3.1	16.0	24.0	Q1
TPS84259RKGT	B1QFN	RKG	41	250	330.0	24.4	9.35	11.35	3.1	16.0	24.0	Q1

TAPE AND REEL BOX DIMENSIONS


*All dimensions are nominal

Device	Package Type	Package Drawing	Pins	SPQ	Length (mm)	Width (mm)	Height (mm)
TPS84259RKGR	B1QFN	RKG	41	500	383.0	353.0	58.0
TPS84259RKGRG4	B1QFN	RKG	41	500	383.0	353.0	58.0
TPS84259RKGT	B1QFN	RKG	41	250	383.0	353.0	58.0



4229081/A 01/2022

NOTES:

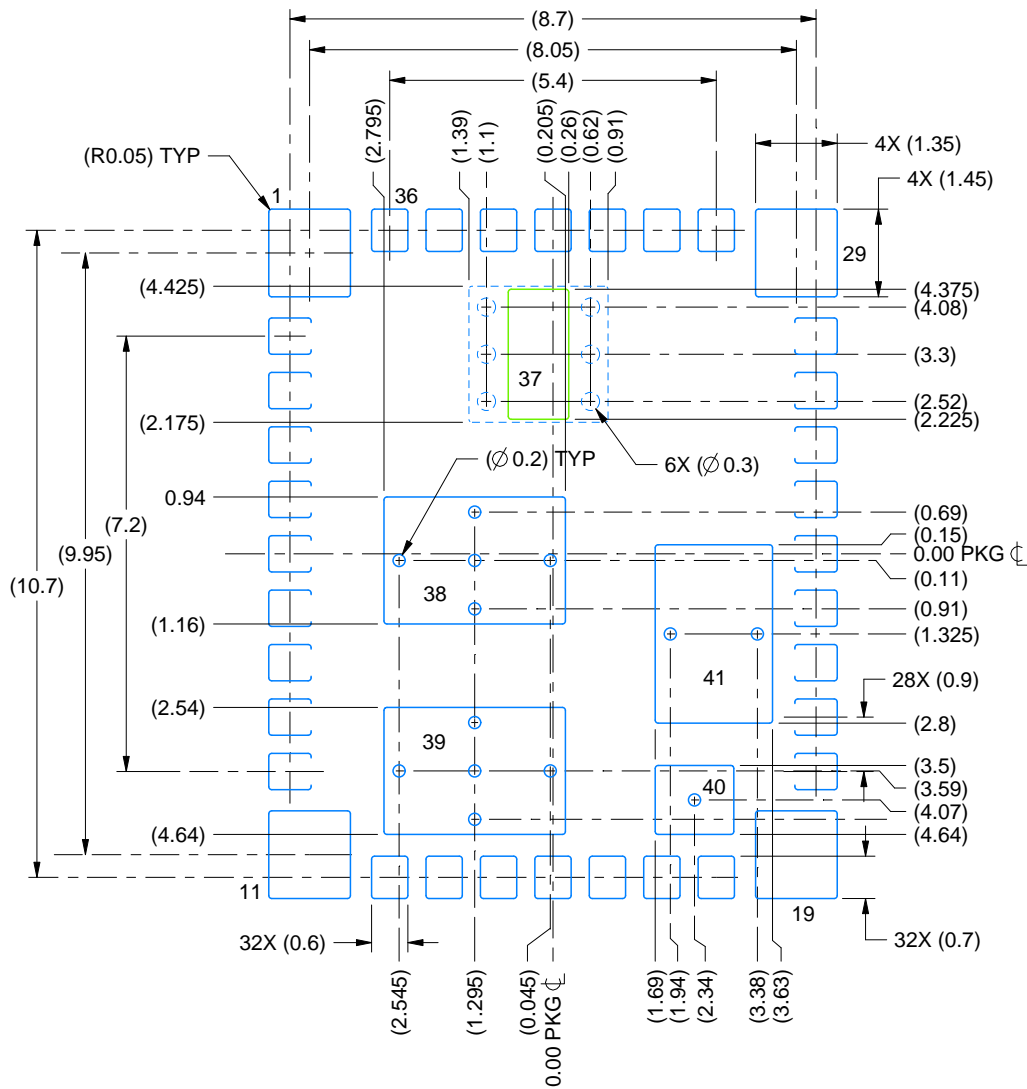
1. All linear dimensions are in millimeters. Any dimensions in parenthesis are for reference only. Dimensioning and tolerancing per ASME Y14.5M.
2. This drawing is subject to change without notice.
3. The package thermal pads must be soldered to the printed circuit board for optimal thermal and mechanical performance.

EXAMPLE BOARD LAYOUT

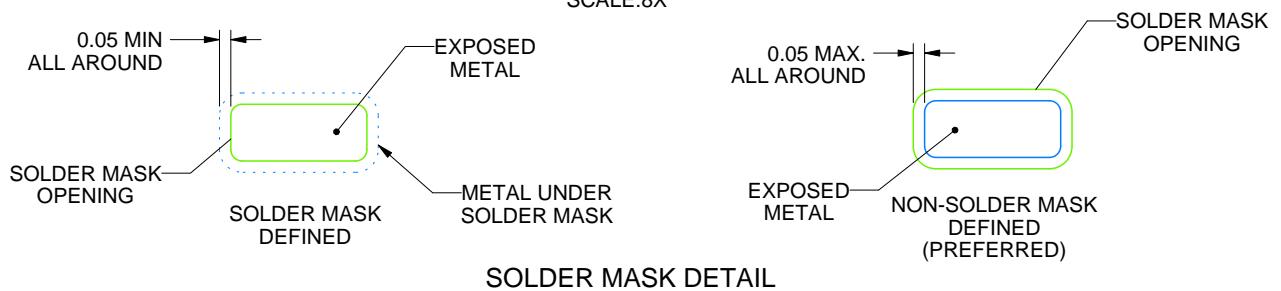
RKG0041A

B1QFN - 2.8 mm max height

PLASTIC QUAD FLATPACK - NO LEAD



LAND PATTERN EXAMPLE
EXPOSED METAL SHOWN
SCALE:8X



4229081/A 01/2022

NOTES: (continued)

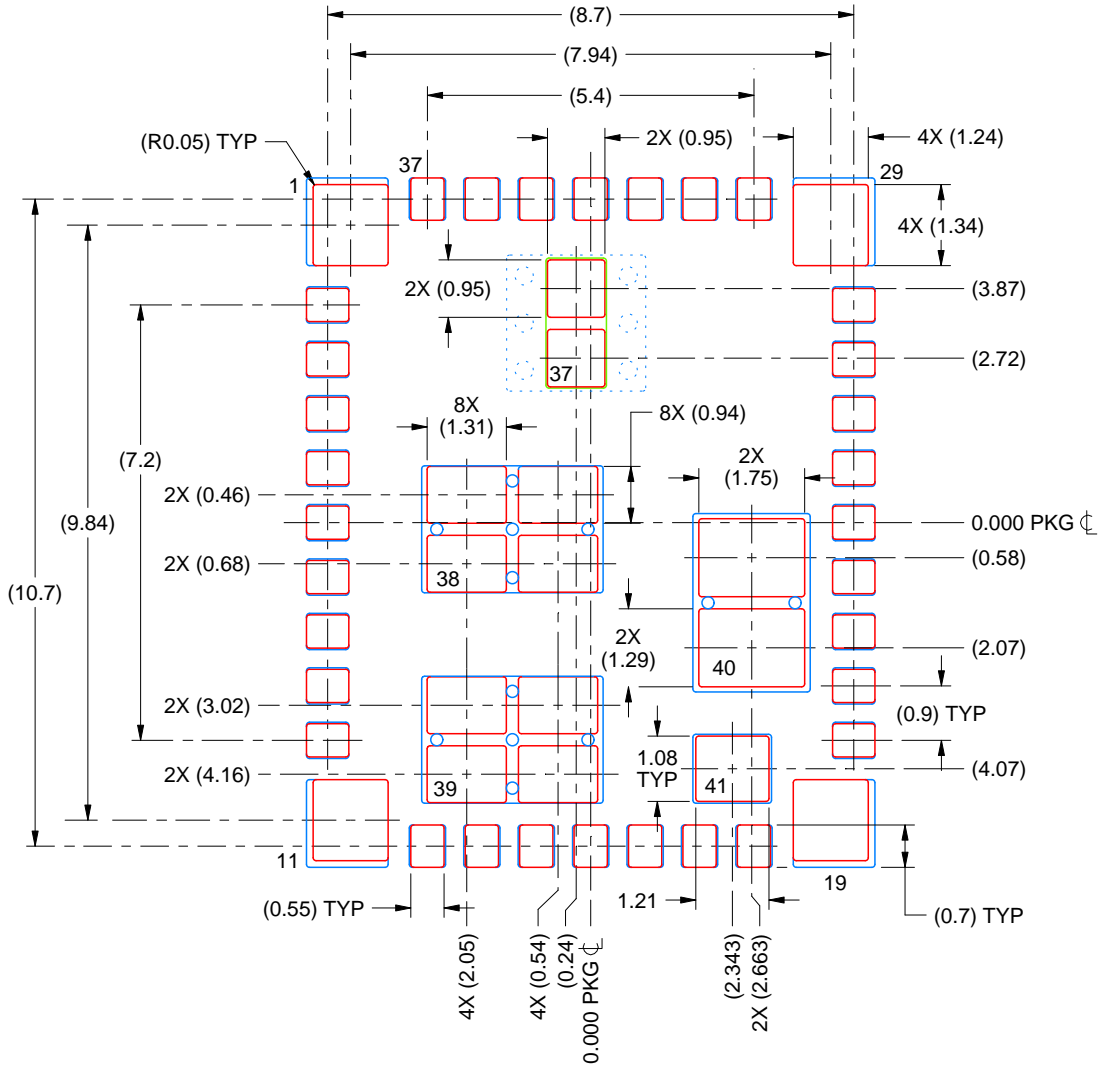
- This package designed to be soldered to a thermal pads on the board. For more information, see Texas Instruments literature number SLUA271 (www.ti.com/lit/slua271).
- Vias are optional depending on application, refer to device data sheet. If any vias are implemented, refer to their locations shown on this view. It is recommended that vias under paste be filled, plugged or tented.

EXAMPLE STENCIL DESIGN

RKG0041A

B1QFN - 2.8 mm max height

PLASTIC QUAD FLATPACK - NO LEAD



SOLDER PASTE EXAMPLE
 BASED ON 0.1 mm STENCIL THICKNESS

4229081/A 01/2022

NOTES: (continued)

- 6. Laser cutting apertures with trapezoidal walls and rounded corners may offer better paste release. IPC-7525 may have alternate design recommendations.

IMPORTANT NOTICE AND DISCLAIMER

TI PROVIDES TECHNICAL AND RELIABILITY DATA (INCLUDING DATASHEETS), DESIGN RESOURCES (INCLUDING REFERENCE DESIGNS), APPLICATION OR OTHER DESIGN ADVICE, WEB TOOLS, SAFETY INFORMATION, AND OTHER RESOURCES "AS IS" AND WITH ALL FAULTS, AND DISCLAIMS ALL WARRANTIES, EXPRESS AND IMPLIED, INCLUDING WITHOUT LIMITATION ANY IMPLIED WARRANTIES OF MERCHANTABILITY, FITNESS FOR A PARTICULAR PURPOSE OR NON-INFRINGEMENT OF THIRD PARTY INTELLECTUAL PROPERTY RIGHTS.

These resources are intended for skilled developers designing with TI products. You are solely responsible for (1) selecting the appropriate TI products for your application, (2) designing, validating and testing your application, and (3) ensuring your application meets applicable standards, and any other safety, security, regulatory or other requirements.

These resources are subject to change without notice. TI grants you permission to use these resources only for development of an application that uses the TI products described in the resource. Other reproduction and display of these resources is prohibited. No license is granted to any other TI intellectual property right or to any third party intellectual property right. TI disclaims responsibility for, and you fully indemnify TI and its representatives against any claims, damages, costs, losses, and liabilities arising out of your use of these resources.

TI's products are provided subject to [TI's Terms of Sale](#), [TI's General Quality Guidelines](#), or other applicable terms available either on ti.com or provided in conjunction with such TI products. TI's provision of these resources does not expand or otherwise alter TI's applicable warranties or warranty disclaimers for TI products. Unless TI explicitly designates a product as custom or customer-specified, TI products are standard, catalog, general purpose devices.

TI objects to and rejects any additional or different terms you may propose.

Copyright © 2026, Texas Instruments Incorporated

Last updated 10/2025