

# **BQ25886 QFN Standalone boost-mode battery charger evaluation module**

This user's guide provides detailed testing instructions for the BQ25886 evaluation module (EVM). Also included are descriptions of the necessary equipment, equipment setup, procedures, the printed-circuit board layouts, schematics, and the bill of materials (BOM).

Throughout this user's guide, the abbreviations *EVM*, *BQ25886EVM*, *BMS016*, and the term *evaluation module* are synonymous with the BQ25886 QFN evaluation module, unless otherwise noted.

## Contents

1	Introduction .....	2
1.1	EVM Features .....	2
1.2	I/O Descriptions .....	2
2	Test Summary .....	4
2.1	Equipment .....	4
2.2	Charge Mode .....	5
2.3	OTG Mode .....	8
2.4	Helpful Tips .....	10
3	PCB Layout Guidelines .....	10
4	Board Layout, Schematic, and Bill of Materials .....	11
4.1	Board Layout .....	11
4.2	Schematic .....	12
4.3	Bill of Materials .....	13

## List of Figures

1	BQ25886 Charge Mode Test Setup .....	5
2	Charge Mode Startup .....	7
3	BQ25886 OTG Mode Test Setup .....	8
4	OTG Mode Startup .....	9
5	BQ2588xEVM Top Overlay .....	11
6	BQ2588xEVM Layer 2 .....	11
7	BQ2588xEVM Layer 3 .....	11
8	BQ2588xEVM Bottom Overlay .....	11
9	BQ25886EVM Schematic .....	12

## List of Tables

1	Device Data Sheets .....	2
2	EVM Connections .....	2
3	EVM Jumper Connections and Shunt Installation .....	3
4	Recommended Operating Conditions .....	3
5	BQ25886EVM .....	13

## Trademarks

All trademarks are the property of their respective owners.

## 1 Introduction

As industry improvements continue to make portable electronics more powerful, their power requirements increase. Using two series Li-Ion polymer cells is one way to achieve this power increase. Charging these 8.4-V battery packs from a legacy 5-V USB port requires a boost charger. The BQ25886 is a highly-integrated 2-A boosting, 1.5-MHz switch-mode battery charge management device for a 2s Li-Ion and Li-polymer battery. BQ25886 is the standalone solution which device can operate without the need of a host.

### 1.1 EVM Features

The BQ25886 QFN evaluation module (EVM) is a complete charger module for evaluating the standalone, 2s battery NVDC charger in the QFN package. Key features of this EVM include:

- Easily evaluate the high-efficiency 2-A, 1.5-MHz integrated field-effect-transistor (FET), switch-mode boost charger in the QFN package
- Use of an onboard USB input adapter for connecting to a USB source and either communication through D+/D- to set the default input current limit
- Onboard test points, sense resistors, and jumpers facilitate measurement of high-efficiency- and high-accuracy voltage and current regulation

See the device data sheet ([Table 1](#)) for detailed features and operation of the integrated circuit (IC).

**Table 1. Device Data Sheets**

Device	Data Sheet	EVM Label	Variant
BQ25886	<a href="#">SLUSDE6</a>	BQ25886EVM-002	002

### 1.2 I/O Descriptions

[Table 2](#) lists the jumper connections available on this EVM.

**Table 2. EVM Connections**

Jack	Description
J1(2)–VBUS	Connection for positive terminal of charger power source
J1(1)–GND	Connection for negative terminal (ground terminal) of charger power source
J2(1)–SYS	Connection to system load
J2(2)–GND	Ground
J3(1)–PMID	PMID pin connection
J3(2)–GND	Ground
J4(1)–BAT+	Connection for battery pack positive node to BAT pin
J4(2)–TOP- /BOT+	Connection for the mid connection point of the top and bottom cell (BQ25887 only. Do not use for BQ25883 or BQ25886)
J5(1)–GND	Connection to battery pack negative node = EVM ground
J5(2)–TS	Connection for the NTC thermistor
J6	I <sup>2</sup> C 4-pin connector for EV2400
J7	Input mini-USB port

lists the EVM jumper connections.

**Table 3. EVM Jumper Connections and Shunt Installation**

Jack	Description	BQ25886 Setting
JP1	STAT, $\overline{PG}$ , $\overline{CE}$ pins 3.3-V LDO pullup source of either SYS (pin 1 to 2) or BAT (pin 2 to 3)	Shunt pins 2 and 3
JP2	ILIM pin connection to resistor to GND	Installed
JP3	Connects D+ pin to pin 3 of J5 mini-USB port	Installed
JP4	DNI	NA
JP5	TS resistor divider pullup source (REGN) connection	Installed
JP6	Connects D- pin to pin 2 of J5 mini-USB port	Installed
JP7	Connects an onboard 10 k $\Omega$ from TS pin to GND	Installed
JP8	Connects OTG pin to GND	Open
JP9	Connects $\overline{CE}$ pin to GND	Installed
JP10	Pulls up STAT through diode and resistor to pullup source	Installed
JP11	Pulls up $\overline{PG}$ through diode and resistor to pullup source	Shunt pins 2 and 1
JP12	Pull up GND pin to GND	Shunt pins 2 and 3
JP13	NC pin	Open
JP14	DNI	NA
JP15	Pull up $\overline{CE}$ pin through 10-k $\Omega$ resistor	Open
JP16	Connects VSET to GND through 18-k $\Omega$ resistor sets VREG to 8.2V	Open
JP17	Connects VSET to GND through 39.2-k $\Omega$ resistor sets VREG to 8.8V	Open
JP18	Connects VSET to GND through 75-k $\Omega$ resistor sets VREG to 8.7V	Open
JP19	Connects VSET to GND through 150-k $\Omega$ resistor sets VREG to 8.4V	Installed

Table 4 lists the recommended operating conditions for this EVM.

**Table 4. Recommended Operating Conditions**

Symbol	Description	MIN	TYP	MAX	Unit
Supply voltage, $V_{VBUS}$	Input voltage from AC adapter	4.3			
Battery voltage, $V_{BAT}$ in charge mode	Voltage applied at $V_{BAT}$ terminal	0 or floating	8.4	9.2	V
$I_{BAT}$	Fast charging current	0	—	2.2	A
	Discharging current through internal MOSFET	6	—	—	A
Supply current, $I_{IN}$	Maximum input current from AC adapter input	0	—	3.3	A

## 2 Test Summary

### 2.1 Equipment

This section includes a list of supplies required to perform tests on this EVM.

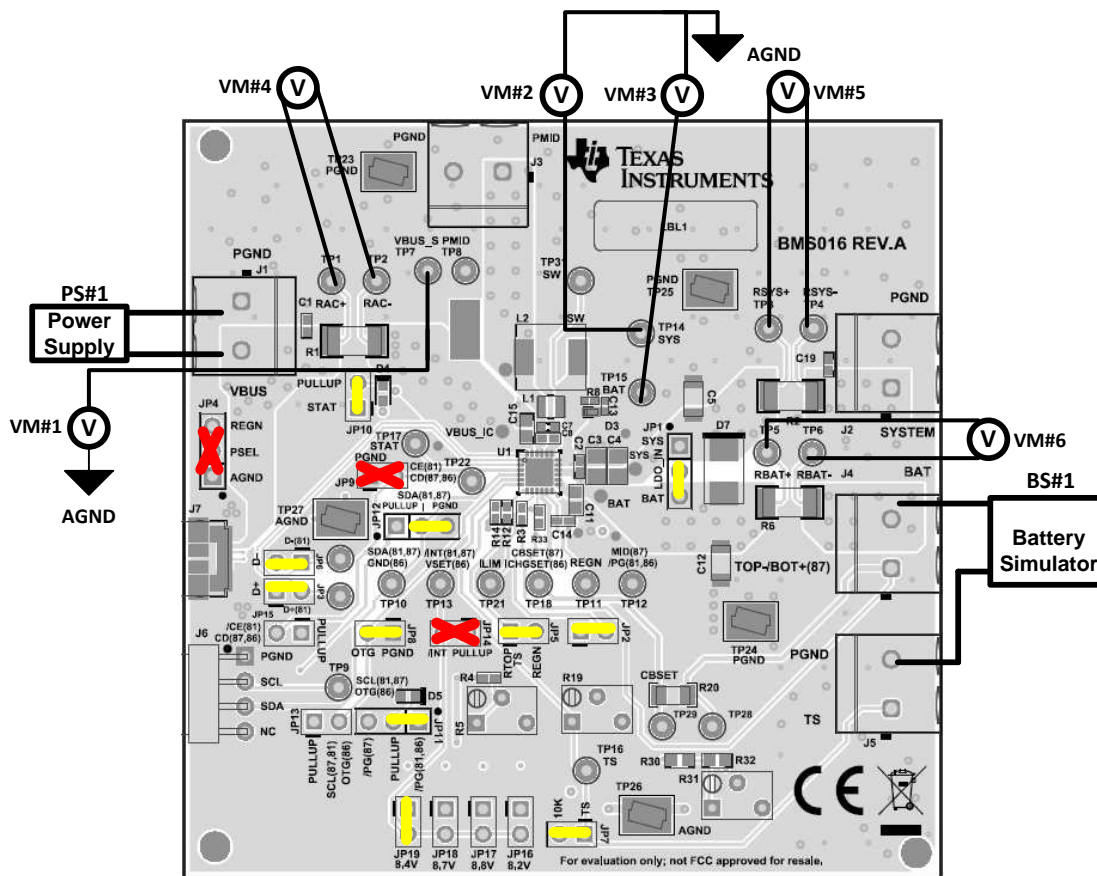
1. *Power supply (PS#1)* : The power supply must be capable of supplying up to 6.5 V at 3.3 A. While this part can handle larger voltage and current, it is not necessary for this procedure.
2. *Battery simulator (BS#1)* : Four-quadrant supply set to constant voltage  $\leq 9.2$  V  
Example: Kepco Bipolar Power Supply: BOP 20–5M, DC 0 to  $\pm 20$  V, 0 to  $\pm 5$  A (or higher) and Keithley 2420 Sourcemeter
3. *Load #1*: Electronic or resistive load capable of sinking up to 3 A at 9.2 V
4. *Meters*: Six Fluke 75 multimeters (equivalent or better)
  - Alternatively; four equivalent voltage meters and two equivalent current meters. The current meters must be capable of measuring greater than 3 A of current. A current meter in series with the battery or battery simulator must have auto-ranging disabled and should only be used for DC measurements (no start-up, transients, and so forth).

## 2.2 Charge Mode

### 2.2.1 Charge Mode Test Setup

Use the following list to set up the equipment for charge mode operation:

1. **Figure 1** shows the test setup for BQ25886 when in charge (boosting) mode including jumper settings per **Table 2**. Ensure that the power supply and battery simulator are turned off before connecting to the EVM.



**Figure 1. BQ25886 Charge Mode Test Setup**

2. Voltmeters 1 through 3 (VM1, VM2, and VM3) connect to Kelvin test points for measuring VBUS, SYS, and BAT as close to the IC pins as possible. Voltmeters 4 through 6 measure the voltage across 0.01  $\Omega$ , which gives the current.
3. Before attaching to the EVM, set battery simulator 1 (BS#1) no higher than 7.6 V and at a 2.5-A current limit and set power supply 1 (PS#1) for 5.5 V and a 3.5-A current limit.
4. Turn off BS#1 and PS#1 then attach BS#1 to the BAT (J4) and PGND(J5) terminal of the EVM and attach PS#1 to J1 (VBUS, GND) of the EVM.
5. For and BQ25886, optionally, turn off an electronic load and attach to the J2 (SYS, GND) terminal of the EVM.
6. For BQ25886EVM, place shunt on JP15. Adjust R31 potentiometer such that the resistance measured between TP18 and TP26 is 4.15k $\Omega$ . Adjust R5 potentiometer such that the resistance measured between TP21 AND tp26 is 500 $\Omega$ . Short D+ and D- pin to put the device in DCP upon adapter plug in (Place shunt on JP3 pin 2 to JP6 pin 1).

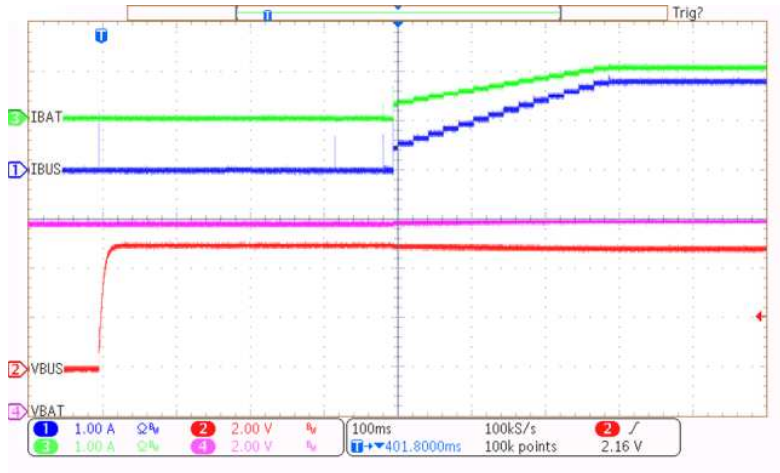
### 2.2.2 Charge Mode Test Procedure

Use the following steps for charge mode verification and testing:

1. Turn on PS#1 and click the *Read Register* button twice.
  - *Observe* → everything "Normal" at the *Fault* box
  - *Observe* → D4 (STAT) is off because charge is disabled.
  - *Observe* → D5 ( $\overline{PG}$ ) is on indicating power is good.
  - *Measure on VM2* → V(TP14 (SYS), TP26 (AGND)) = 6.4 V  $\pm$ 50 mV
2. On BQ25886EVM, remove shunt on JP15 to start charge. To correct for cable resistance, adjust PS#1 until VM1 [TP7 (VBUS\_S), TP26 (AGND)] measures 5.5 V  $\pm$ 50 mV and adjust BS#1 until VM3 [TP15 (BAT), TP26 (AGND)] measures 7.6 V  $\pm$ 50 mV.
  - *Measure on VM6* → V(TP5 (RBAT+), TP6 (RBAT-)) = 10 mV  $\pm$ 0.7 mV which corresponds to ICHG = 1.0 A  $\pm$ 5% through a 0.010- $\Omega$   $\pm$ 1% resistor. Voltage of 0.1 mV is added to account for DMM accuracy.
  - *Measure on VM4* → V(TP1 (RAC+), TP2 (RAC-)) = 14.8 mV  $\pm$ 0.7 mV which corresponds to IVBUS = 1.48 A  $\pm$ 5% (accounting for efficiency variation across ICs and inductors) through a 0.010- $\Omega$   $\pm$ 1% resistor. Voltage of 0.1 mV is added to account for DMM accuracy.
3. Optionally, . Adjust the RLIM potentiometer (R5) until:
  - *Measure on VM4* → V(TP1 (RAC+), TP2 (RAC-)) = 10 mV  $\pm$ 0.7 mV which corresponds to IVBUS = 1.0 A  $\pm$ 5% through a 0.010- $\Omega$   $\pm$ 1% resistor. Voltage of 0.1 mV is added to account for DMM accuracy.
4. Turn off and disconnect PS#1, BS#1, Load#1, and voltmeters.

### 2.2.3 Charge Mode Evaluation Results

Figure 2 shows the *Charge Mode Startup* graph.



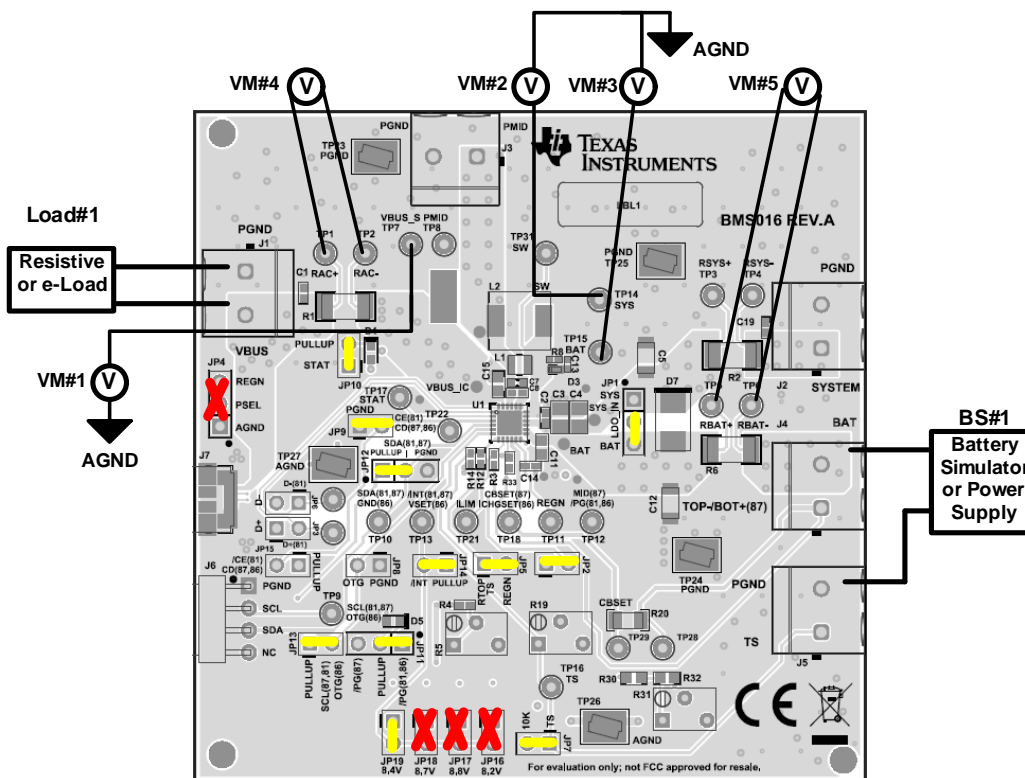
**Figure 2. Charge Mode Startup**

## 2.3 OTG Mode

### 2.3.1 OTG Mode Test Setup

Use the following list to set up the equipment for boost mode operation:

1. Ensure that the electronic load and battery simulator are turned off when connecting to the EVM. Figure 3 shows the test setup for when in OTG mode, including the jumper settings per Table 2.



**Figure 3. BQ25886 OTG Mode Test Setup**

2. Voltmeters 1 through 3 (VM1, VM2, and VM3) connect to Kelvin test points for measuring VBUS, SYS, and BAT as close to the IC pins as possible. Voltmeters 4 through 5 measure the voltage across 0.01  $\Omega$ , which gives the current.
3. Set BS#1 to 7.6 V and at a 6-A current limit, then turn off BS#1 and attach to the J4 (BAT, GND) terminal of the EVM.
4. With electronic load disabled, attach to the J1 (VBUS, GND) terminal of the EVM.
5. Place shunt on JP8 to pull OTG pin high to enable OTG mode.

### 2.3.2 OTG Mode Test Procedure

Use the following steps for boost mode verification:

1. *Measure on VM2*  $\rightarrow$  V(TP1 (VBUS), TP26 (AGND)) = 5.1 V  $\pm$ 160 mV. Voltage of 10 mV is added to account for DMM accuracy.
2. Set electronic load in CC mode to 500 mA, or resistive load to 10  $\Omega$ .
3. *Measure on VM2*  $\rightarrow$  V(TP1 (VBUS), TP26 (AGND)) = 5.1 V  $\pm$ 160 mV. Voltage of 10 mV is added to account for DMM accuracy.
4. Turn off and disconnect BS#1, Load#1, and voltmeters.



### 2.3.3 OTG Mode Evaluation Results

Figure 4 shows the OTG Mode Startup graph.

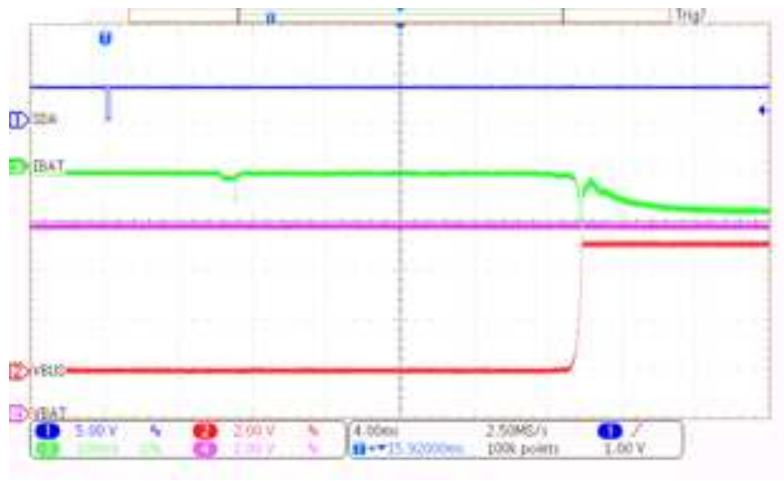


Figure 4. OTG Mode Startup

## 2.4 Helpful Tips

The following list provides a few helpful tips:

- The leads and cables to the various power supplies, batteries, and loads have resistance. The current meters also have series resistance. The charger dynamically reduces charge current depending on the voltage sensed at its VBUS pin (using the VINDPM feature), BAT pin (as part of normal termination), and TS pin (through its battery temperature monitoring feature through the battery thermistor). Therefore, the designer must use voltmeters to measure the voltage as close to the IC pins (TP7, TP15, and TP16) as possible instead of relying on the digital readouts of the power supply.
- When using a source meter that can source and sink current as the battery simulator, TI highly recommends adding a large (1000  $\mu$ F or greater) capacitor at the EVM BAT and GND connectors to prevent oscillations at the BAT pin, which are due to mismatched impedances of the charger output and source meter input within their respective regulation loop bandwidths. Configuring the source meter for four-wire sensing eliminates the requirement for a separate voltmeter to measure the voltage at the BAT pin. When using four-wire sensing, always ensure that the sensing leads are connected to prevent accidental overvoltage by the power supply.
- For precise measurements of efficiency and charge current or battery regulation (or both) near termination, a current meter in series with the battery or battery simulator must not be set to auto-range and may require removal, entirely. This EVM offers an alternate method for measuring currents by measuring the voltage across a 1%, thermally-capable (for example, 0.010  $\Omega$  in a 1210 or larger footprint) resistor in series between the power sources and power pins.

## 3 PCB Layout Guidelines

Minimize the switching node rise and fall times for minimum switching loss. Proper layout of the components that minimize the high-frequency current path loop is important to prevent electrical and magnetic field radiation and high-frequency resonant problems. To ensure proper layout, follow the priority list for this printed-circuit board (PCB) in the order presented:

1. Place the output capacitor as close as possible to the SYS pin and GND pin connections and use the shortest copper trace connection or GND plane.
2. Put the input capacitors near to the VBUS and PMID pins. Tie ground connections to the IC ground with a short copper trace connection or GND plane.
3. Place the inductor input terminal as close to the SW pin as possible. Minimize the copper area of this trace to lower electrical and magnetic field radiation but make the trace wide enough to carry the charging current. Do not use multiple layers in parallel for this connection. Minimize parasitic capacitance from this area to any other trace or plane.
4. Route analog ground separately from power ground. Connect analog ground and connect power ground separately. Connect analog ground and power ground together using the power pad as the single ground connection point or use a 0- $\Omega$  resistor to tie analog ground to power ground.
5. Use a single ground connection to tie the charger power ground to the charger analog ground just beneath the IC. Use ground copper pour but avoid power pins to reduce inductive and capacitive noise coupling.
6. Place decoupling capacitors next to the IC pins and make the trace connection as short as possible.
7. One critical note regarding the layout is that the exposed power pad on the backside of the IC package must be soldered to the PCB ground. Ensure that there are sufficient thermal vias directly under the IC connecting to the ground plane on the other layers.
8. The via size and number must be sufficient for a given current path.

See the EVM design for the recommended component placement with trace and via locations..

## 4 Board Layout, Schematic, and Bill of Materials

### 4.1 Board Layout

Figure 5 through Figure 8 show the PCB board layouts.

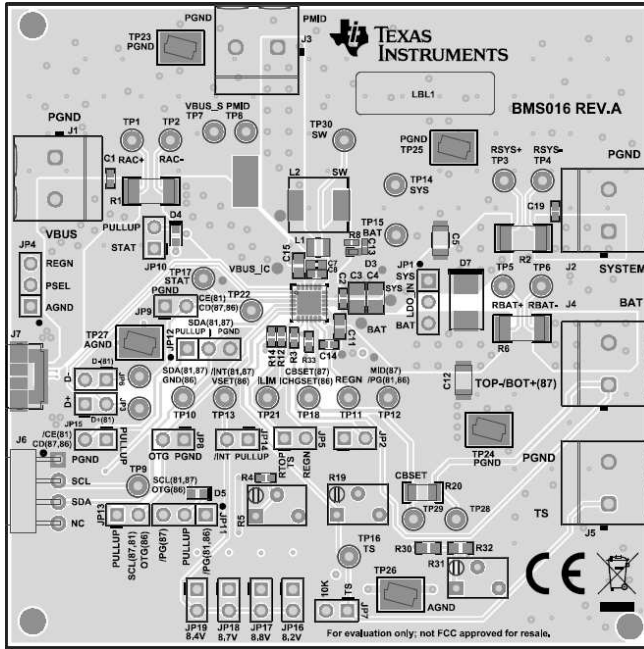


Figure 5. BQ2588xEVM Top Overlay

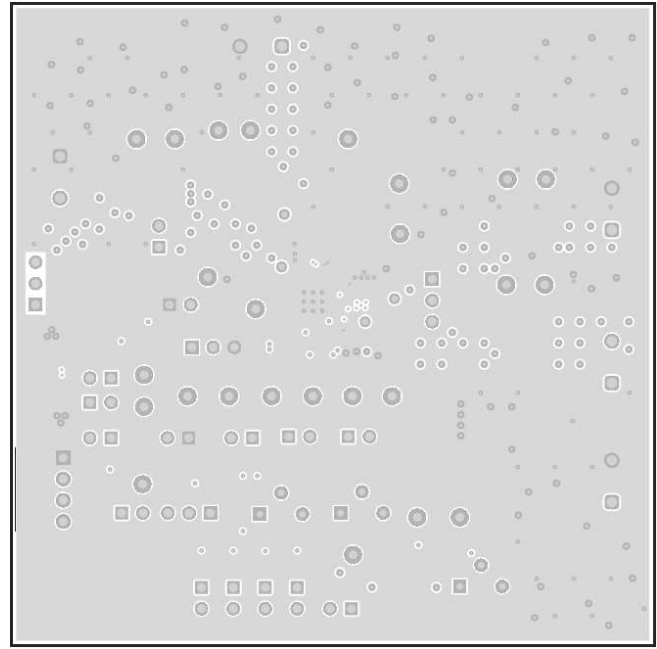


Figure 6. BQ2588xEVM Layer 2

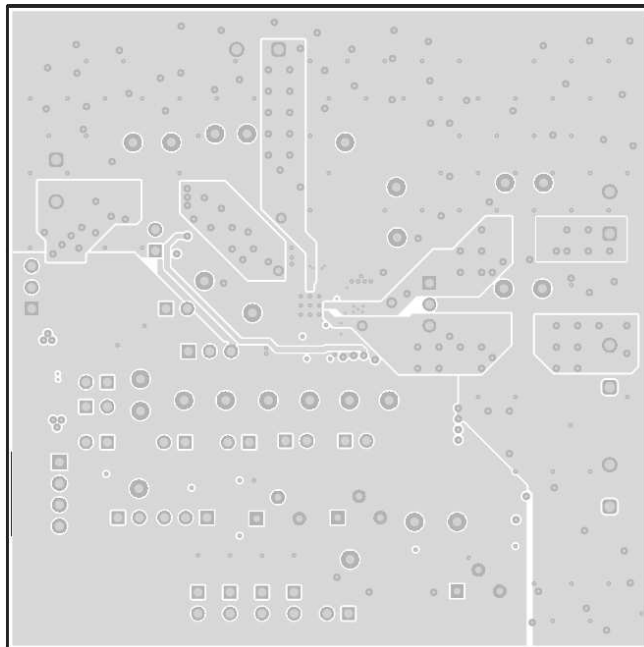


Figure 7. BQ2588xEVM Layer 3

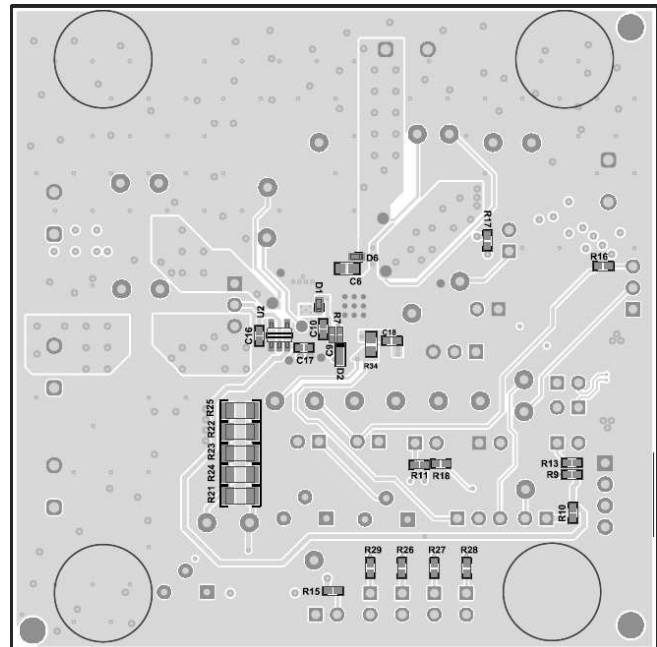


Figure 8. BQ2588xEVM Bottom Overlay

## 4.2 Schematic

Figure 9 shows the schematic for the BQ2588x QFN EVM.

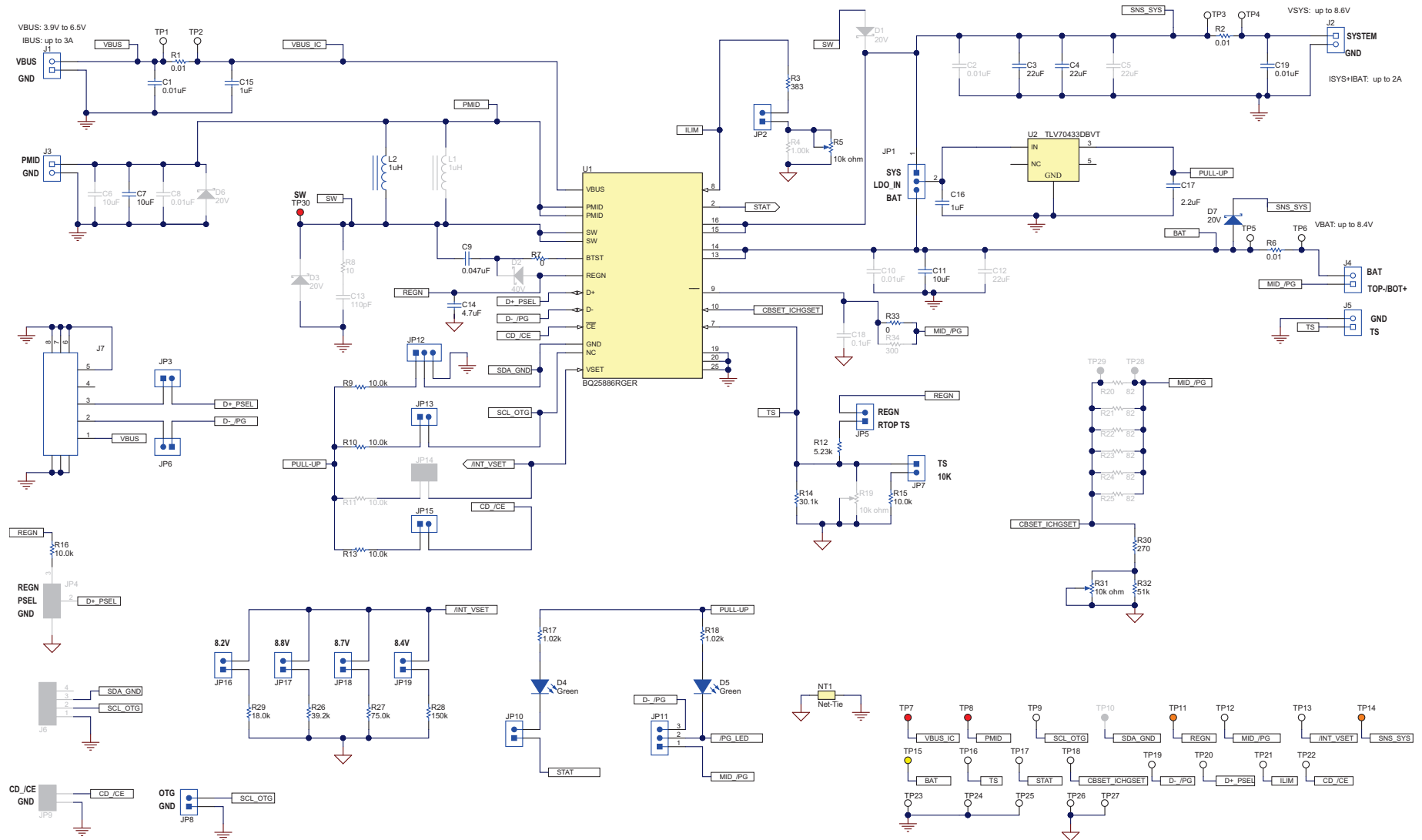


Figure 9. BQ25886EVM Schematic

### 4.3 Bill of Materials

Table 5 lists the BQ25886EVM BOM.

**Table 5. BQ25886EVM<sup>(1)</sup>**

Designator	Quantity	Value	Description	PackageReference	PartNumber	Manufacturer	Alternate PartNumber	Alternate Manufacturer
!PCB	1		Printed Circuit Board		BMS016	Any	-	-
C1	1	0.01uF	CAP, CERM, 0.01 uF, 25 V, +/- 10%, X7R, 0402	0402	GCM155R71E103 KA37D	MuRata		
C3, C4	2	22uF	CAP, CERM, 22 uF, 25 V, +/- 20%, X5R, 0805	0805	GRM21BR61E226 ME44L	MuRata		
C7, C11	2	10uF	CAP, CERM, 10 uF, 25 V, +/- 20%, X5R, 0603	0603	GRM188R61E106 MA73D	MuRata		
C9	1	0.047uF	CAP, CERM, 0.047 uF, 25 V, +/- 10%, X7R, 0402	0402	GRM155R71E473 KA88D	MuRata		
C14	1	4.7uF	CAP, CERM, 4.7 uF, 10 V, +/- 20%, X5R, 0402	0402	GRM155R61A475 MEAAD	MuRata		
C15	1	1uF	CAP, CERM, 1 uF, 25 V, +/- 10%, X5R, 0603	0603	C1608X5R1E105K 080AC	TDK		
C16	1	1uF	CAP, CERM, 1 uF, 16 V, +/- 10%, X5R, 0402	0402	EMK105BJ105KVHF	Taiyo Yuden		
C17	1	2.2uF	CAP, CERM, 2.2 uF, 10 V, +/- 20%, X5R, 0402	0402	GRM155R61A225 ME95	MuRata		
C19	1	0.01uF	CAP, CERM, 0.01 uF, 25 V, +/- 10%, X7R, 0402	0402	GRM155R71E103 KA01D	MuRata		
D4, D5	2	Green	LED, Green, SMD	1.6x0.8x0.8mm	LTST-C190GKT	Lite-On		
D7	1	20V	Diode, Schottky, 20 V, 3 A, SMB	SMB	B320B-13-F	Diodes Inc.		

<sup>(1)</sup> Unless otherwise noted in the Alternate PartNumber and/or Alternate Manufacturer columns, all parts may be substituted with equivalents.

Table 5. BQ25886EVM<sup>(1)</sup> (continued)

Designator	Quantity	Value	Description	PackageReference	PartNumber	Manufacturer	Alternate PartNumber	Alternate Manufacturer
H9, H10, H11, H12	4		Bumpon, Hemisphere, 0.44 X 0.20, Clear	Transparent Bumpon	SJ-5303 (CLEAR)	3M		
J1, J2, J3, J4, J5	5		Terminal Block, 5mm, 2x1, R/A, TH	Terminal Block, 5mm, 2x1, R/A, TH	1792863	Phoenix Contact		
J7	1		Connector, Receptacle, Micro-USB Type B, R/A, Bottom Mount SMT	7.5x2.45x5mm	473460001	Molex		
JP1, JP11, JP12	3		Header, 100mil, 3x1, Tin, TH	Header, 3 PIN, 100mil, Tin	PEC03SAAN	Sullins Connector Solutions		
JP2, JP3, JP5, JP6, JP7, JP8, JP10, JP13, JP15, JP16, JP17, JP18, JP19	13		Header, 100mil, 2x1, Tin, TH	Header, 2 PIN, 100mil, Tin	PEC02SAAN	Sullins Connector Solutions		
L2	1	1uH	Inductor, Shielded Drum Core, Powdered Iron, 1 uH, 11 A, 0.009 ohm, SMD	IHLP-2525CZ	IHLP2525CZER1R0M01	Vishay-Dale		
LBL1	1		Thermal Transfer Printable Labels, 0.650" W x 0.200" H - 10,000 per roll	PCB Label 0.650 x 0.200 inch	THT-14-423-10	Brady		
R1, R2, R6	3	0.01	RES, 0.01, 1%, 1 W, 2010	2010	WSL2010R0100FEA18	Vishay-Dale		
R3	1	383	RES, 383, 1%, 0.063 W, AEC-Q200 Grade 0, 0402	0402	CRCW0402383RFKED	Vishay-Dale		
R5, R31	2	10k ohm	Trimmer, 10k ohm, 0.25W, TH	4.5x8x6.7mm	3266W-1-103LF	Bourns		
R7	1	0	RES, 0, 5%, 0.063 W, 0402	0402	CRCW04020000Z0ED	Vishay-Dale		
R9, R10, R13, R15, R16	5	10.0k	RES, 10.0 k, 1%, 0.063 W, 0402	0402	CRCW040210K0FKED	Vishay-Dale		
R12	1	5.23k	RES, 5.23 k, 1%, 0.063 W, 0402	0402	CRCW04025K23FKED	Vishay-Dale		
R14	1	30.1k	RES, 30.1 k, 1%, 0.063 W, 0402	0402	CRCW040230K1FKED	Vishay-Dale		

**Table 5. BQ25886EVM<sup>(1)</sup> (continued)**

Designator	Quantity	Value	Description	PackageReference	PartNumber	Manufacturer	Alternate PartNumber	Alternate Manufacturer
R17, R18	2	1.02k	RES, 1.02 k, 1%, 0.063 W, 0402	0402	CRCW04021K02FKED	Vishay-Dale		
R26	1	39.2k	RES, 39.2 k, 1%, 0.063 W, AEC-Q200 Grade 0, 0402	0402	CRCW040239K2FKED	Vishay-Dale		
R27	1	75.0k	RES, 75.0 k, 1%, 0.063 W, AEC-Q200 Grade 0, 0402	0402	CRCW040275K0FKED	Vishay-Dale		
R28	1	150k	RES, 150 k, 1%, 0.1 W, AEC-Q200 Grade 0, 0402	0402	ERJ-2RKF1503X	Panasonic		
R29	1	18.0k	RES, 18.0 k, 1%, 0.063 W, AEC-Q200 Grade 0, 0402	0402	CRCW040218K0FKED	Vishay-Dale		
R30	1	270	RES, 270, 5%, 0.1 W, 0603	0603	CRCW0603270RJNEA	Vishay-Dale		
R32	1	51k	RES, 51 k, 5%, 0.1 W, 0603	0603	CRCW060351K0JNEA	Vishay-Dale		
R33	1	0	RES, 0, 5%, 0.063 W, 0402	0402	RC0402JR-070RL	Yageo America		
SH-JP1, SH-JP2, SH-JP3, SH-JP4, SH-JP5, SH-JP6, SH-JP7, SH-JP8, SH-JP9, SH-JP10, SH-JP11, SH-JP12, SH-JP13, SH-JP14, SH-JP15, SH-JP16	16	1x2	Shunt, 100mil, Gold plated, Black	Shunt	SNT-100-BK-G	Samtec	969102-0000-DA	3M
TP1, TP2, TP3, TP4, TP5, TP6, TP9, TP12, TP13, TP16, TP17, TP18, TP19, TP20, TP21, TP22	16		Test Point, Miniature, White, TH	White Miniature Testpoint	5002	Keystone		
TP7, TP8, TP30	3		Test Point, Miniature, Red, TH	Red Miniature Testpoint	5000	Keystone		
TP11, TP14	2		Test Point, Miniature, Orange, TH	Orange Miniature Testpoint	5003	Keystone		

Table 5. BQ25886EVM<sup>(1)</sup> (continued)

Designator	Quantity	Value	Description	PackageReference	PartNumber	Manufacturer	Alternate PartNumber	Alternate Manufacturer
TP15	1		Test Point, Miniature, Yellow, TH	Yellow Miniature Testpoint	5004	Keystone		
TP23, TP24, TP25, TP26, TP27	5		Test Point, Compact, SMT	Testpoint_Keystone_Compact	5016	Keystone		
U1	1		2-Cell, 2-A Boost-Mode Battery Charger for USB Input, RGE0024H (VQFN-24)	RGE0024H	BQ25886RGER	Texas Instruments	BQ25886RGET	Texas Instruments
U2	1		Single Output LDO, 150 mA, Fixed 3.3 V Output, 2.5 to 24 V Input, with Ultra-Low IQ, 5-pin SOT-23 (DBV), -40 to 125 degC, Green (RoHS and no Sb/Br)	DBV0005A	TLV70433DBVT	Texas Instruments		
C2, C8, C10	0	0.01uF	CAP, CERM, 0.01 uF, 25 V, +/- 10%, X7R, 0402	0402	GRM155R71E103 KA01D	MuRata		
C5	0	22uF	CAP, CERM, 22 uF, 25 V, +/- 10%, X5R, 1206	1206	GRM31CR61E226 KE15L	MuRata		
C6	0	10uF	CAP, CERM, 10 uF, 25 V, +/- 20%, X5R, 0603	0603	GRM188R61E106 MA73D	MuRata		
C12	0	22uF	CAP, CERM, 22 uF, 25 V, +/- 10%, X5R, AEC-Q200 Grade 3, 1206	1206	GRT31CR61E226 KE01L	MuRata		
C13	0	110pF	CAP, CERM, 110 pF, 25 V, +/- 5%, C0G/NP0, 0402	0402	GRM1555C1E111J A01D	MuRata		
C18	0	0.1uF	CAP, CERM, 0.1 uF, 16 V, +/- 10%, X7R, 0402	0402	GCM155R71C104 KA55D	MuRata		
D1, D3, D6	0	20V	Diode, Schottky, 20 V, 1 A, 152AD	152AD	NSR10F20NXT5G	ON Semiconductor		
D2	0	40V	Diode, Schottky, 40 V, 0.38 A, SOD-523	SOD-523	ZLLS350TA	Diodes Inc.		



Table 5. BQ25886EVM<sup>(1)</sup> (continued)

Designator	Quantity	Value	Description	PackageReference	PartNumber	Manufacturer	Alternate PartNumber	Alternate Manufacturer
FID1, FID2, FID3, FID4, FID5, FID6	0		Fiducial mark. There is nothing to buy or mount.	N/A	N/A	N/A		
J6	0		Header (friction lock), 100mil, 4x1, R/A, TH	4x1 R/A Header	22-05-3041	Molex		
JP4	0		Header, 100mil, 3x1, Tin, TH	Header, 3 PIN, 100mil, Tin	PEC03SAAN	Sullins Connector Solutions		
JP9, JP14	0		Header, 100mil, 2x1, Tin, TH	Header, 2 PIN, 100mil, Tin	PEC02SAAN	Sullins Connector Solutions		
L1	0	1uH	Inductor, Shielded, Metal Composite, 1 uH, 3.3 A, 0.04 ohm, SMD	2.5x1.2x2mm	DFE252012F-1R0M=P2	MuRata Toko		
R4	0	1.00k	RES, 1.00 k, 1%, 0.063 W, 0402	0402	CRCW04021K00FKED	Vishay-Dale		
R8	0	10	RES, 10, 5%, 0.063 W, 0402	0402	CRCW040210R0JNED	Vishay-Dale		
R11	0	10.0k	RES, 10.0 k, 1%, 0.063 W, 0402	0402	CRCW040210K0FKED	Vishay-Dale		
R19	0	10k ohm	Trimmer, 10k ohm, 0.25W, TH	4.5x8x6.7mm	3266W-1-103LF	Bourns		
R20, R21, R22, R23, R24, R25	0	82	RES, 82, 5%, 0.25 W, AEC-Q200 Grade 0, 1206	1206	CRCW120682R0JNEA	Vishay-Dale		
R34	0	300	RES, 300, 1%, 0.1 W, 0603	0603	RC0603FR-07300RL	Yageo America		
TP10, TP28, TP29	0		Test Point, Miniature, White, TH	White Miniature Testpoint	5002	Keystone		



---

**IMPORTANT NOTICE AND DISCLAIMER**

TI PROVIDES TECHNICAL AND RELIABILITY DATA (INCLUDING DATASHEETS), DESIGN RESOURCES (INCLUDING REFERENCE DESIGNS), APPLICATION OR OTHER DESIGN ADVICE, WEB TOOLS, SAFETY INFORMATION, AND OTHER RESOURCES “AS IS” AND WITH ALL FAULTS, AND DISCLAIMS ALL WARRANTIES, EXPRESS AND IMPLIED, INCLUDING WITHOUT LIMITATION ANY IMPLIED WARRANTIES OF MERCHANTABILITY, FITNESS FOR A PARTICULAR PURPOSE OR NON-INFRINGEMENT OF THIRD PARTY INTELLECTUAL PROPERTY RIGHTS.

These resources are intended for skilled developers designing with TI products. You are solely responsible for (1) selecting the appropriate TI products for your application, (2) designing, validating and testing your application, and (3) ensuring your application meets applicable standards, and any other safety, security, or other requirements. These resources are subject to change without notice. TI grants you permission to use these resources only for development of an application that uses the TI products described in the resource. Other reproduction and display of these resources is prohibited. No license is granted to any other TI intellectual property right or to any third party intellectual property right. TI disclaims responsibility for, and you will fully indemnify TI and its representatives against, any claims, damages, costs, losses, and liabilities arising out of your use of these resources.

TI's products are provided subject to TI's Terms of Sale ([www.ti.com/legal/termsofsale.html](http://www.ti.com/legal/termsofsale.html)) or other applicable terms available either on [ti.com](http://ti.com) or provided in conjunction with such TI products. TI's provision of these resources does not expand or otherwise alter TI's applicable warranties or warranty disclaimers for TI products.

Mailing Address: Texas Instruments, Post Office Box 655303, Dallas, Texas 75265  
Copyright © 2019, Texas Instruments Incorporated

## IMPORTANT NOTICE AND DISCLAIMER

TI PROVIDES TECHNICAL AND RELIABILITY DATA (INCLUDING DATASHEETS), DESIGN RESOURCES (INCLUDING REFERENCE DESIGNS), APPLICATION OR OTHER DESIGN ADVICE, WEB TOOLS, SAFETY INFORMATION, AND OTHER RESOURCES "AS IS" AND WITH ALL FAULTS, AND DISCLAIMS ALL WARRANTIES, EXPRESS AND IMPLIED, INCLUDING WITHOUT LIMITATION ANY IMPLIED WARRANTIES OF MERCHANTABILITY, FITNESS FOR A PARTICULAR PURPOSE OR NON-INFRINGEMENT OF THIRD PARTY INTELLECTUAL PROPERTY RIGHTS.

These resources are intended for skilled developers designing with TI products. You are solely responsible for (1) selecting the appropriate TI products for your application, (2) designing, validating and testing your application, and (3) ensuring your application meets applicable standards, and any other safety, security, regulatory or other requirements.

These resources are subject to change without notice. TI grants you permission to use these resources only for development of an application that uses the TI products described in the resource. Other reproduction and display of these resources is prohibited. No license is granted to any other TI intellectual property right or to any third party intellectual property right. TI disclaims responsibility for, and you fully indemnify TI and its representatives against any claims, damages, costs, losses, and liabilities arising out of your use of these resources.

TI's products are provided subject to [TI's Terms of Sale](#), [TI's General Quality Guidelines](#), or other applicable terms available either on [ti.com](http://ti.com) or provided in conjunction with such TI products. TI's provision of these resources does not expand or otherwise alter TI's applicable warranties or warranty disclaimers for TI products. Unless TI explicitly designates a product as custom or customer-specified, TI products are standard, catalog, general purpose devices.

TI objects to and rejects any additional or different terms you may propose.

Copyright © 2026, Texas Instruments Incorporated

Last updated 10/2025