

ABSTRACT

This User's Guide discusses how to properly operate and configure the DP83TC812 Media Converter EVM. For best layout practices, schematic files, and Bill of Materials, see the associated support documents.

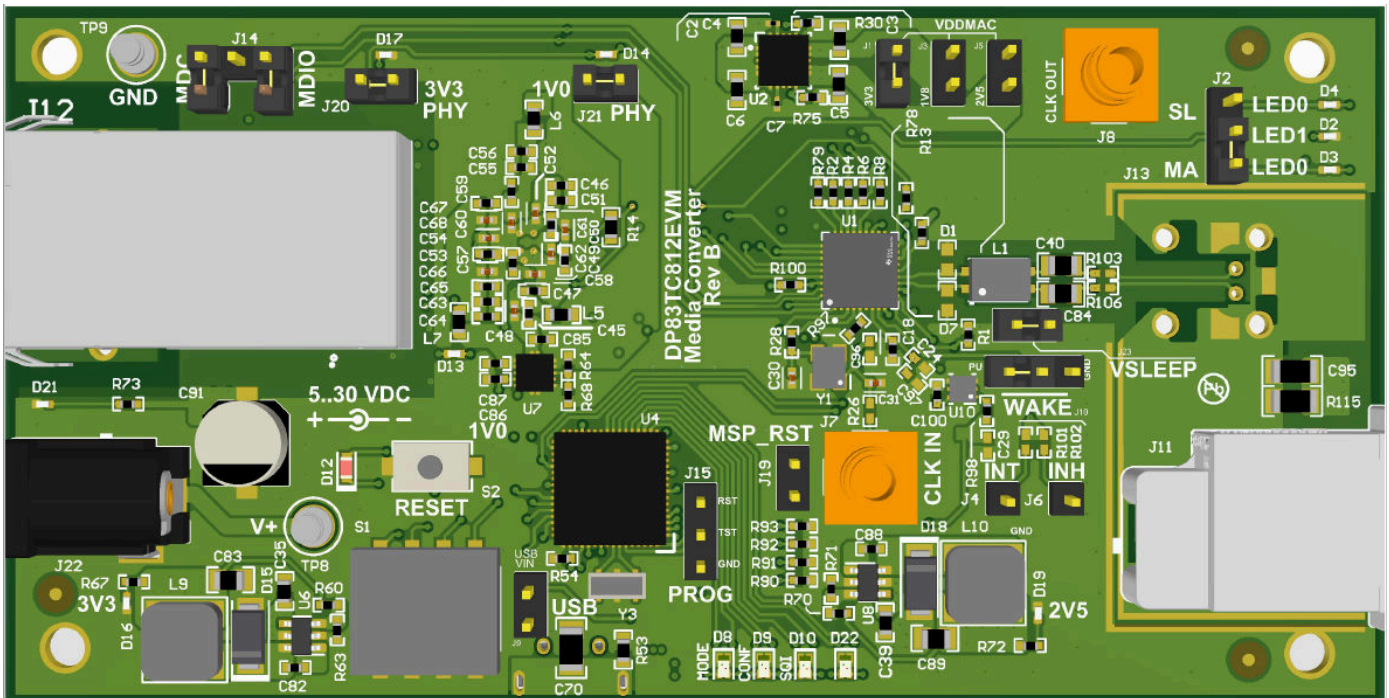


Figure 1-1. DP83TC812EVM-MC

Table of Contents

1 Revision History	2
2 Introduction	3
2.1 Key Features.....	3
2.2 Operation – Quick Setup.....	4
3 Board Setup Details	7
3.1 Block Diagram.....	7
3.2 Configuration Options.....	7
4 Definitions	8
5 Schematics	9
5.1 Main Block Schematic.....	9
5.2 DP83867 Schematic.....	10
5.3 Power Schematic.....	11
5.4 AFE Schematic.....	12
5.5 Comms Schematic.....	13
5.6 Hardware Schematic.....	14
6 Layout	15

List of Figures

Figure 1-1. DP83TC812EVM-MC.....	1
Figure 2-1. DP83TC812EVM-MC – Top Side.....	3
Figure 2-2. DP83TC812EVM-MC – Bottom Side.....	4
Figure 2-3. Onboard Supply Connection and Jumpers.....	4
Figure 2-4. VSLEEP and WAKE Jumpers.....	5
Figure 2-5. On-board MSP connections for MDIO and MDC.....	5
Figure 2-6. DP83TC812 configured as Master.....	6
Figure 2-7. Wake pin in pulled up position.....	6
Figure 3-1. DP83TC812EVM-MC Block Diagram.....	7
Figure 5-1. Main Schematic.....	9
Figure 5-2. DP83867 Schematic.....	10
Figure 5-3. Power Schematic.....	11
Figure 5-4. AFE Schematic.....	12
Figure 5-5. Comms Schematic.....	13
Figure 5-6. Hardware Schematic.....	14
Figure 6-1. Top Overlay.....	15
Figure 6-2. Bottom Overlay.....	16

1 Revision History

NOTE: Page numbers for previous revisions may differ from page numbers in the current version.

Changes from Revision * (November 2020) to Revision A (March 2022)

Page

• Updated EVM User Guide throughout to reflect new board.....	3
---	---

Trademarks

All trademarks are the property of their respective owners.

2 Introduction

The DP83TC812EVM-MC supports 100-Mbps speed and is IEEE 802.3bw compliant. There is an on-board MSP430F5528 for use with the USB2MDIO graphical user interface tool. DP83867 is provided for copper (100BASE-TX) support using RGMII MAC Interface.

2.1 Key Features

- Media Converter: 100BASE-T1 to 100BASE-TX
- IEEE802.3bw Compliant
- IEEE802.3u Compliant
- RGMII Back-to-Back Configuration
- On-board MSP430F5528
 - USB-2-MDIO Support
- Status LEDs
 - DP83TC812
 - Link
 - Link + Activity
 - DP83822
 - Link (RJ-45)
 - Power-on Indicator (D21, D16, D17, D14, D19, D13)
 - SMI Command
- Variable VDDMAC Voltage Range: 1.8 V, 2.5 V, and 3.3 V

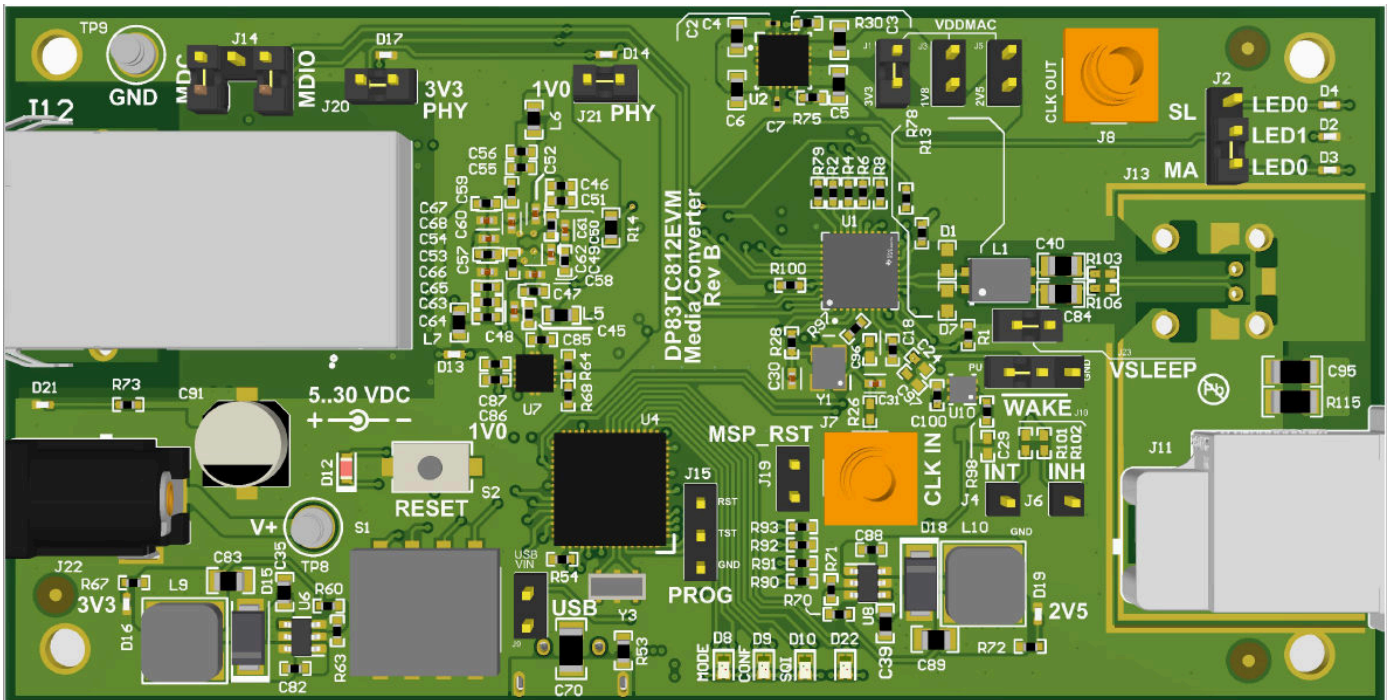


Figure 2-1. DP83TC812EVM-MC – Top Side

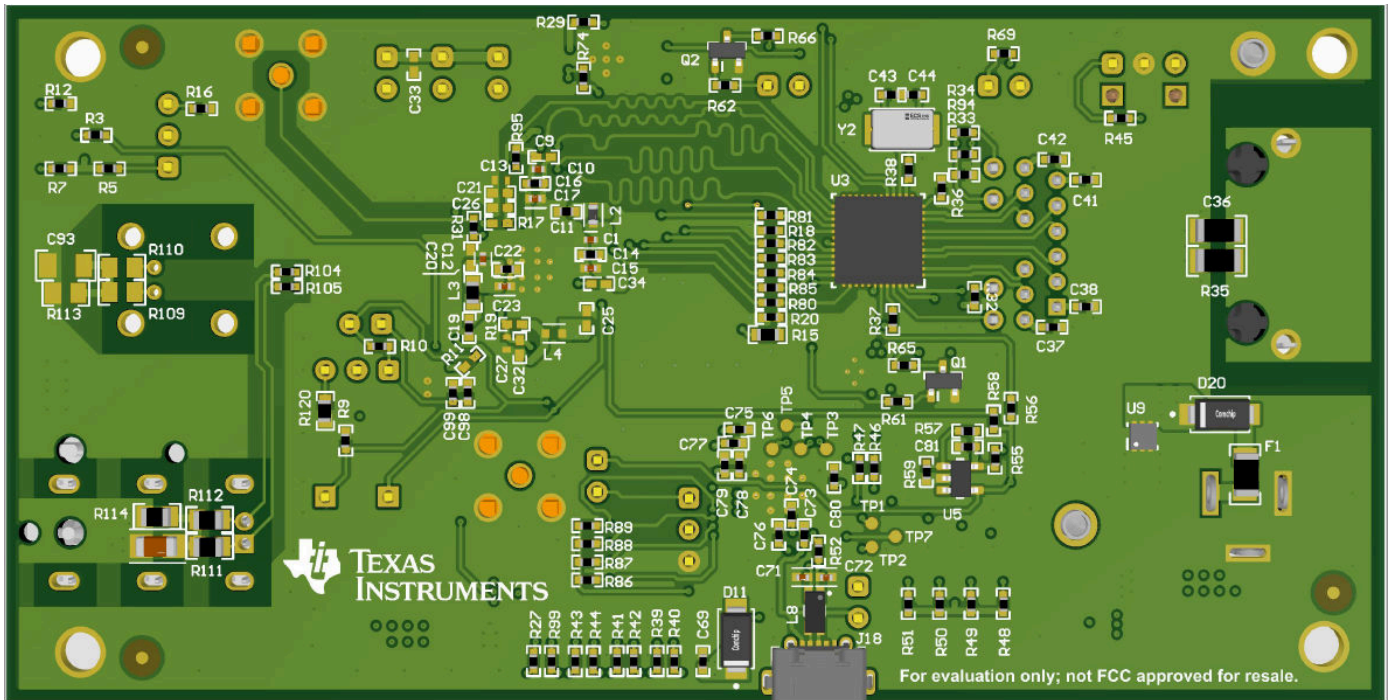


Figure 2-2. DP83TC812EVM-MC – Bottom Side

2.2 Operation – Quick Setup

2.2.1 Onboard Power Supply Operation

- EVM can operate from a single supply connected to the turret or barrel jack connector through TP8 (TP9 is GND)
 - Wide Vin: 5 V to 30 V
- Place shunts on J20, and J21 to enable LDOs for VDD3P3, and VDD1P0
- Place shunt on VDDMAC. This supply can have adjustable voltages depending on location of shunt.
 - J1 for 3.3V operation
 - J3 for 1.8V operation
 - J5 for 2.5V operation
- Place shunts on J23 and J10 (left and center) to enable VSLEEP LDO and keep WAKE pin high

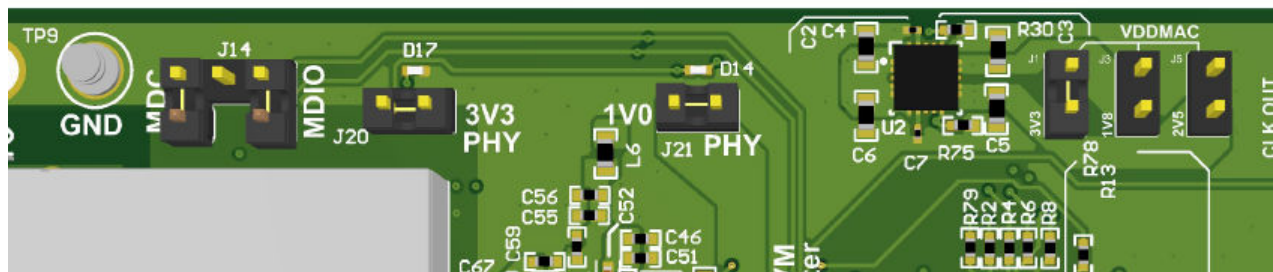


Figure 2-3. Onboard Supply Connection and Jumpers

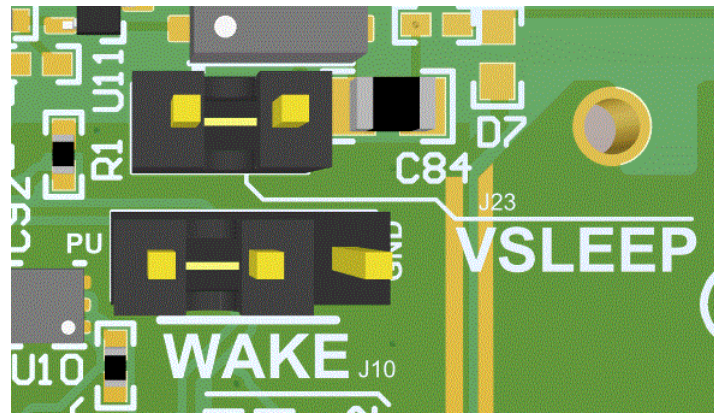


Figure 2-4. VSLEEP and WAKE Jumpers

Note

- The board can be powered over USB by populating J9. Ensure external supply is not connected to TP8.
- This header has a 5-V maximum limit

2.2.2 SMI Connection and Communication

2.2.2.1 On-board MSP Connection

- To connect the DP83TC812 and DP83867 to the on-board MSP430 for MDIO and MDC communication:
 - Populate J14 as indicated in figure below

Note

- To use external MSP connection, please remove jumpers on J14 and connect MDC to top-left most pin and MDIO to top-right most pin
- Cross-connection rework required for Rev A board not required for Rev B (current) board

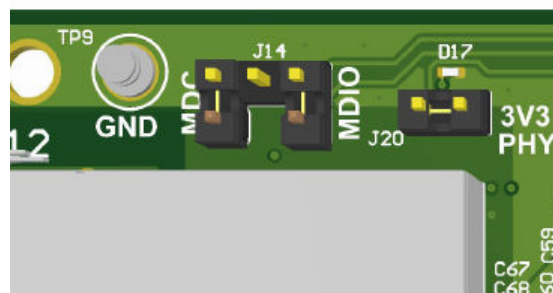


Figure 2-5. On-board MSP connections for MDIO and MDC

2.2.2.2 Downloading USB2MDIO for SMI

The on-board MSP430 comes pre-programmed and ready to use. When using this EVM for the first time on a Windows 10 PC, MSP430 drivers and USB-2-MDIO software utility need to be installed. USB-2-MDIO software can be used for accessing the PHY's registers. The software is available to download along with its user's guide in the link.

[USB2MDIO](#)

2.2.2.3 SMI Interface

Note

- DP83TC812 PHY_ID on EVM is 10
- DP83867 PHY_ID on EVM is 01

After installing and enabling the USB2MDIO tool, power on the EVM and connect to the computer through the micro-USB port. Verify communication on each PHY by reading register 0x0001.

- DP83TC812 will read 0x1 = 0x0061 with no link partner and 0x1 = 0x0065 with a link partner connected
- DP83867 will read 0x1 = 0x7949 with no link partner and 0x1 = 0x796D with a link partner connected
- To enable analog loopback on the DP83TC812, write 0x0108 to address 0x0016

2.2.3 Master and Slave Mode Selection – DP83TC812

- Master Mode
 - Place shunt across pins 1 and 2 of J2 as demonstrated in figure below
- Slave Mode
 - Place shunt across pins 2 and 3 of J2

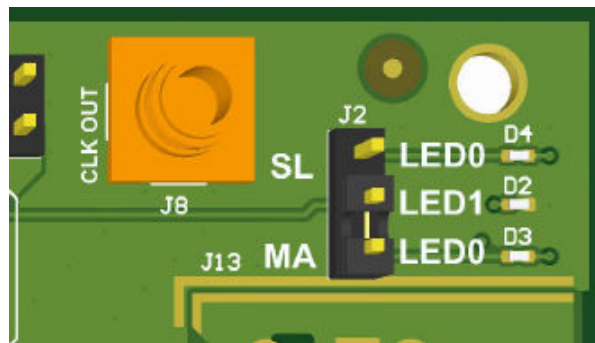


Figure 2-6. DP83TC812 configured as Master

2.2.4 Wake Selection – DP83TC812

- Place shunt in *PU* position at WAKE header shown to pull wake pin of DP83TC812.
- Place shunt in *GND* position at WAKE header shown to pull down wake pin of DP83TC812.

Figure 2-7 shows jumper in PU position on header.

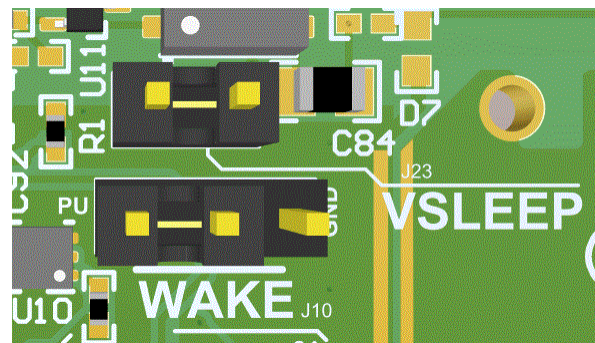


Figure 2-7. Wake pin in pulled up position

2.2.5 LED Indication

- Look for LED_0 (D3 or D4) and LED_1 (D2) to illuminate when a link is successfully established on the DP83TC812
- Look for LED to illuminate on the RJ45 when a link is successfully established on the DP83867
- LED_1 (D2) will blink for TX/RX activity

3 Board Setup Details

3.1 Block Diagram

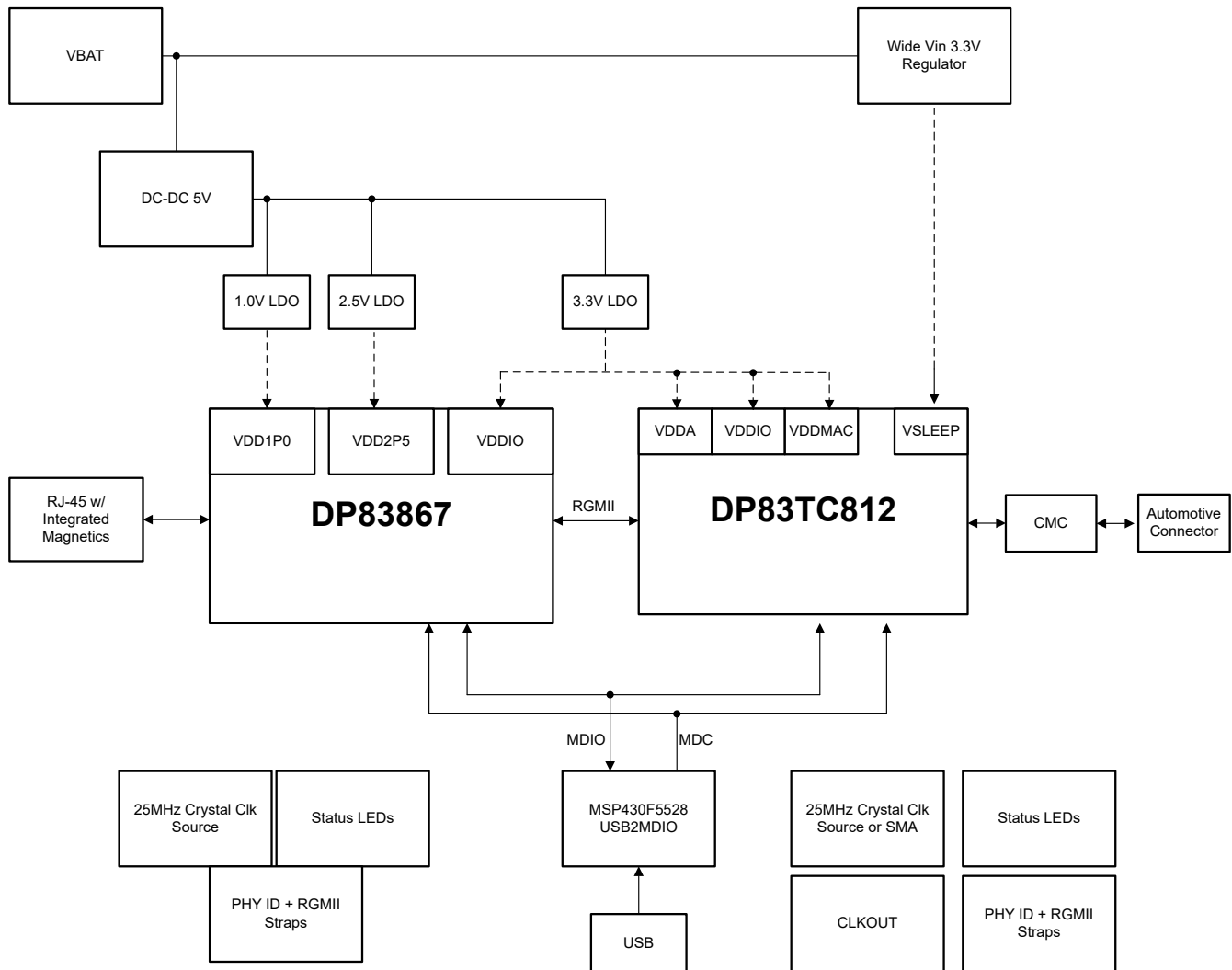


Figure 3-1. DP83TC812EVM-MC Block Diagram

3.2 Configuration Options

3.2.1 Clock Configuration

- Onboard Clock
 - The onboard crystal is enabled by default
- External Clock
 - Remove R97 and Y1
 - Populate R26 with a 0-Ω resistor
 - Use the SMA labeled CLK_IN to input the external clock source

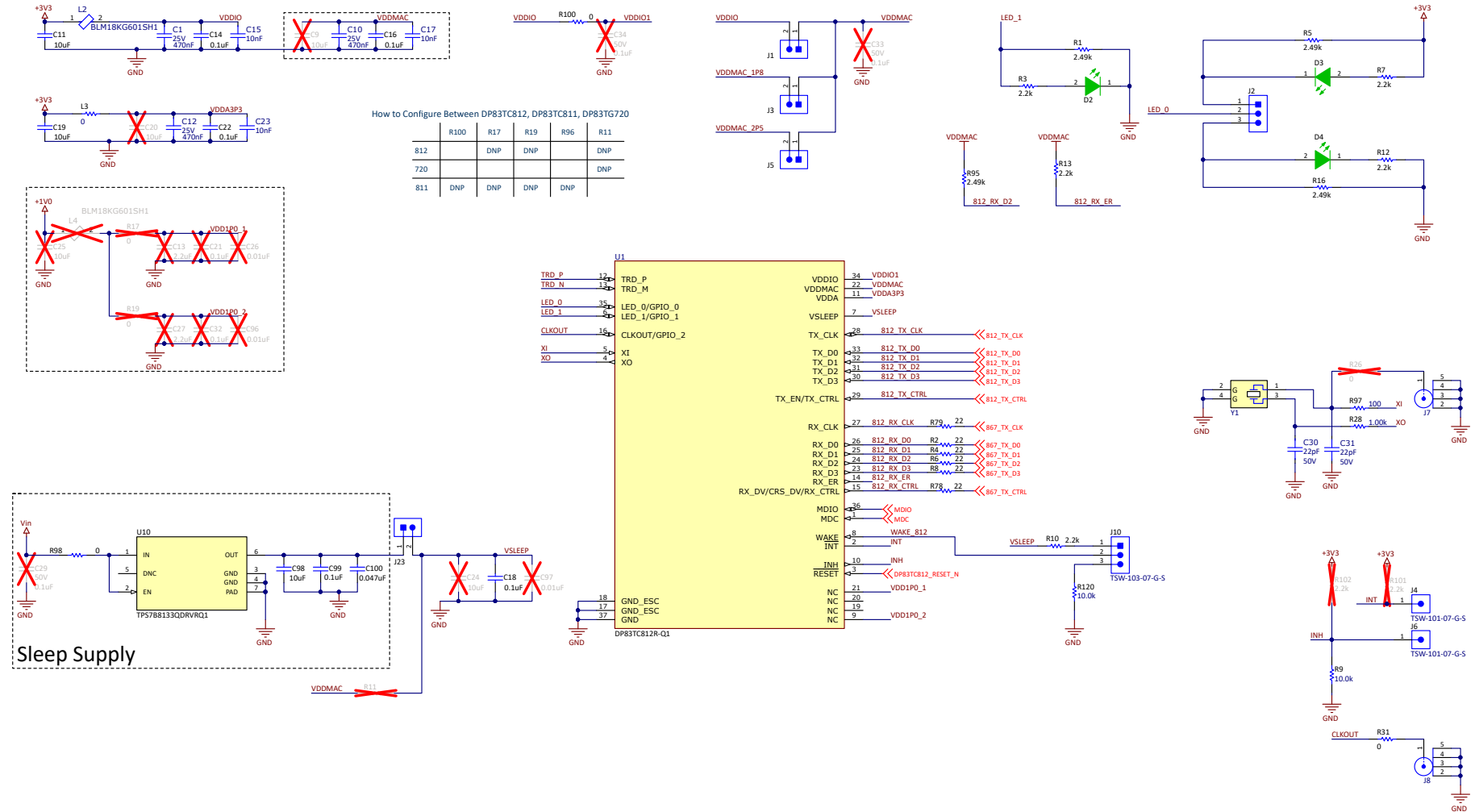
4 Definitions

Terminology

PHY	Physical Layer Transceiver
MAC	Media Access Controller
SMI	Serial Management Interface
MDIO	Management Data I/O
MDC	Management Data Clock
RGMII	Reduced Gigabyte Media Independent Interface
SFD	Start-of-Frame Detection
VDDA	Analog Core Supply Rail
VDDIO	Digital Supply Rail
PD	Pull-down
PU	Pullup
MC	Micro-controller

5 Schematics

5.1 Main Block Schematic



How to Configure Between DP83TC812, DP83TC811, DP83TG720

	R100	R17	R19	R96	R11
812	DNP	DNP	DNP	DNP	DNP
720	DNP	DNP	DNP	DNP	DNP
811	DNP	DNP	DNP	DNP	DNP

Figure 5-1. Main Schematic

5.2 DP83867 Schematic

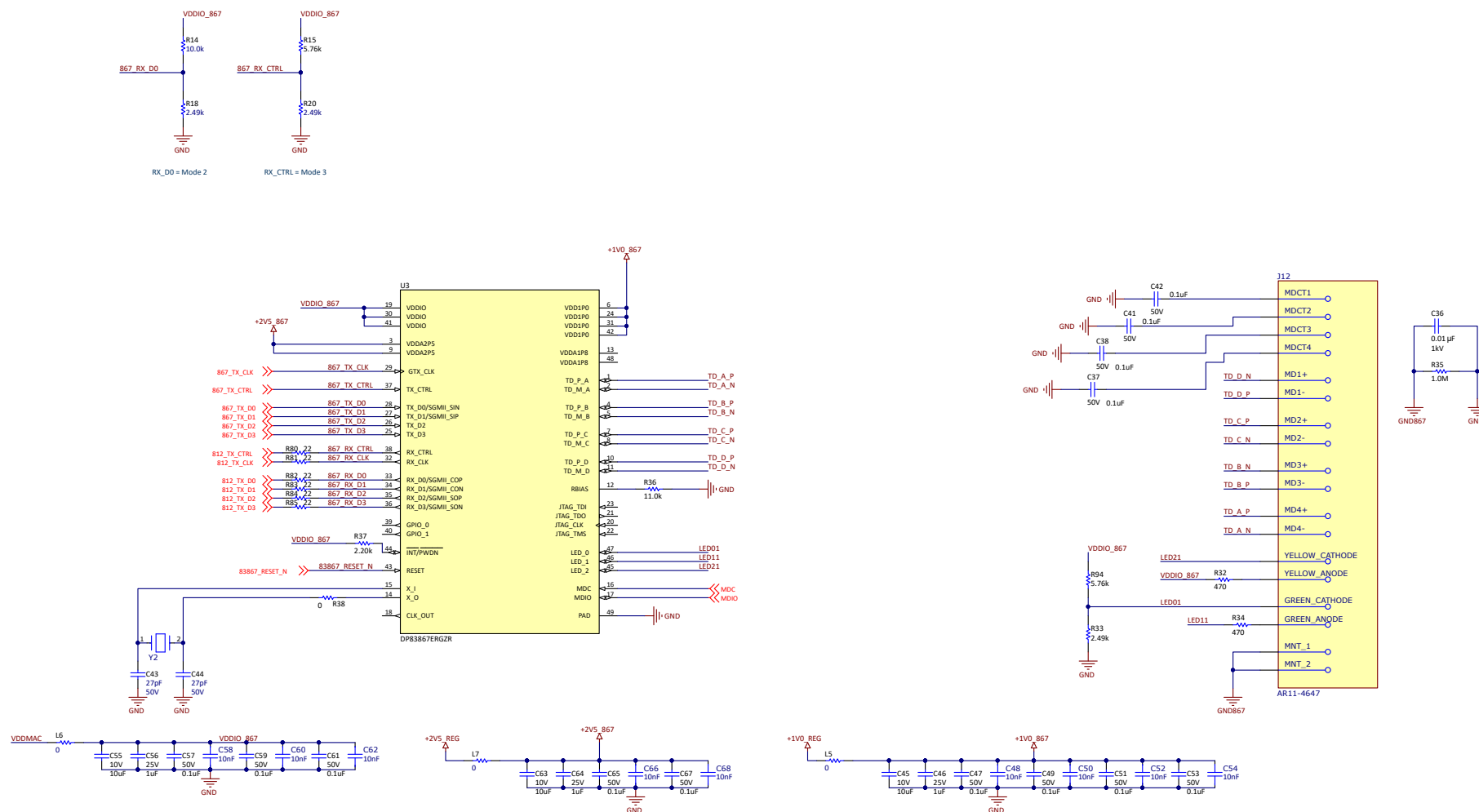
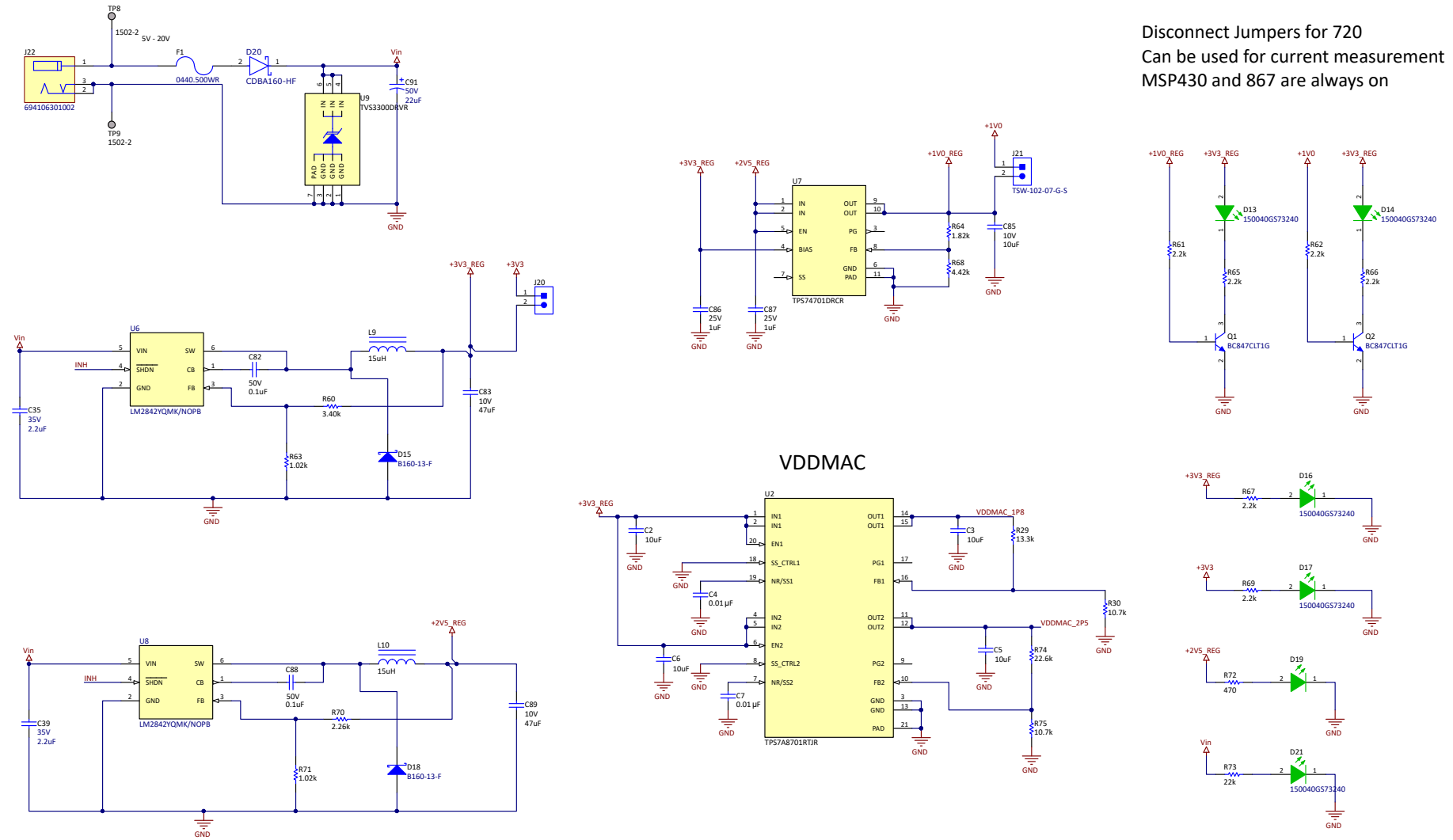


Figure 5-2. DP83867 Schematic

5.3 Power Schematic



Disconnect Jumpers for 720
Can be used for current measurement
MSP430 and 867 are always on

Figure 5-3. Power Schematic

5.4 AFE Schematic

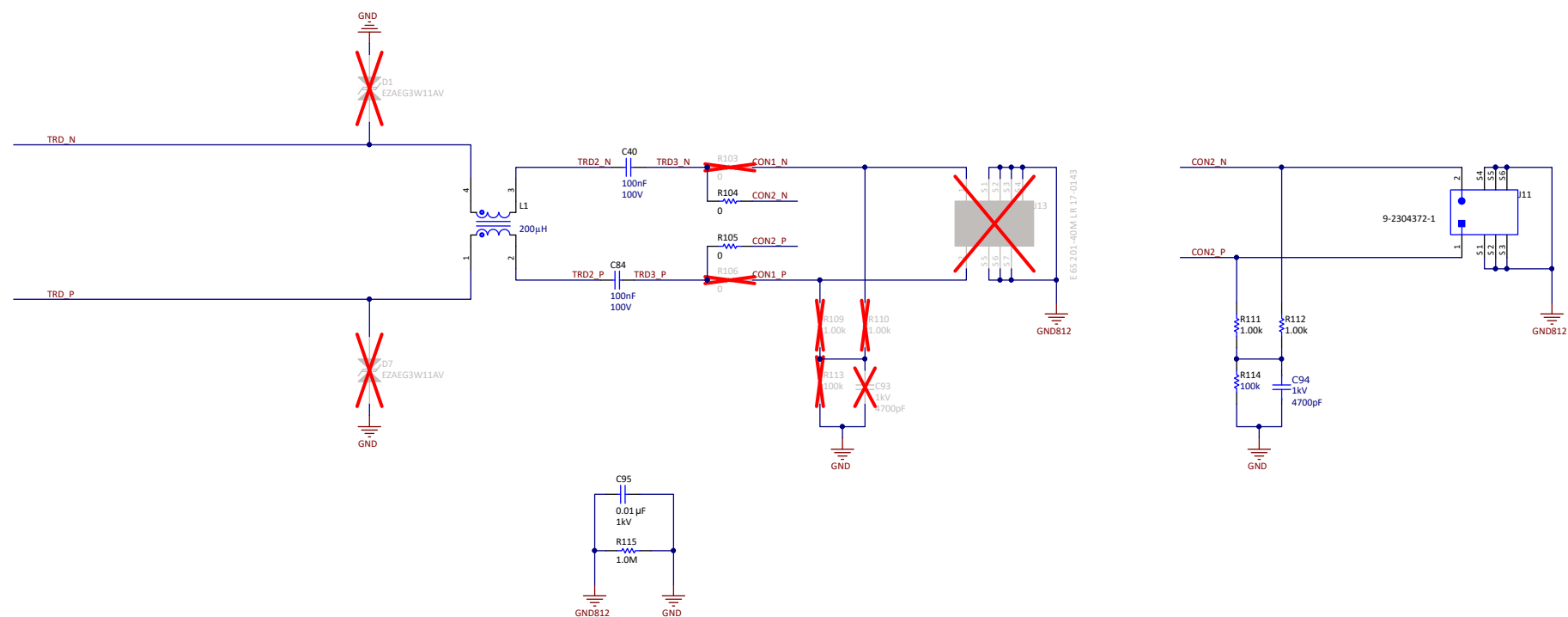


Figure 5-4. AFE Schematic

5.5 Comms Schematic

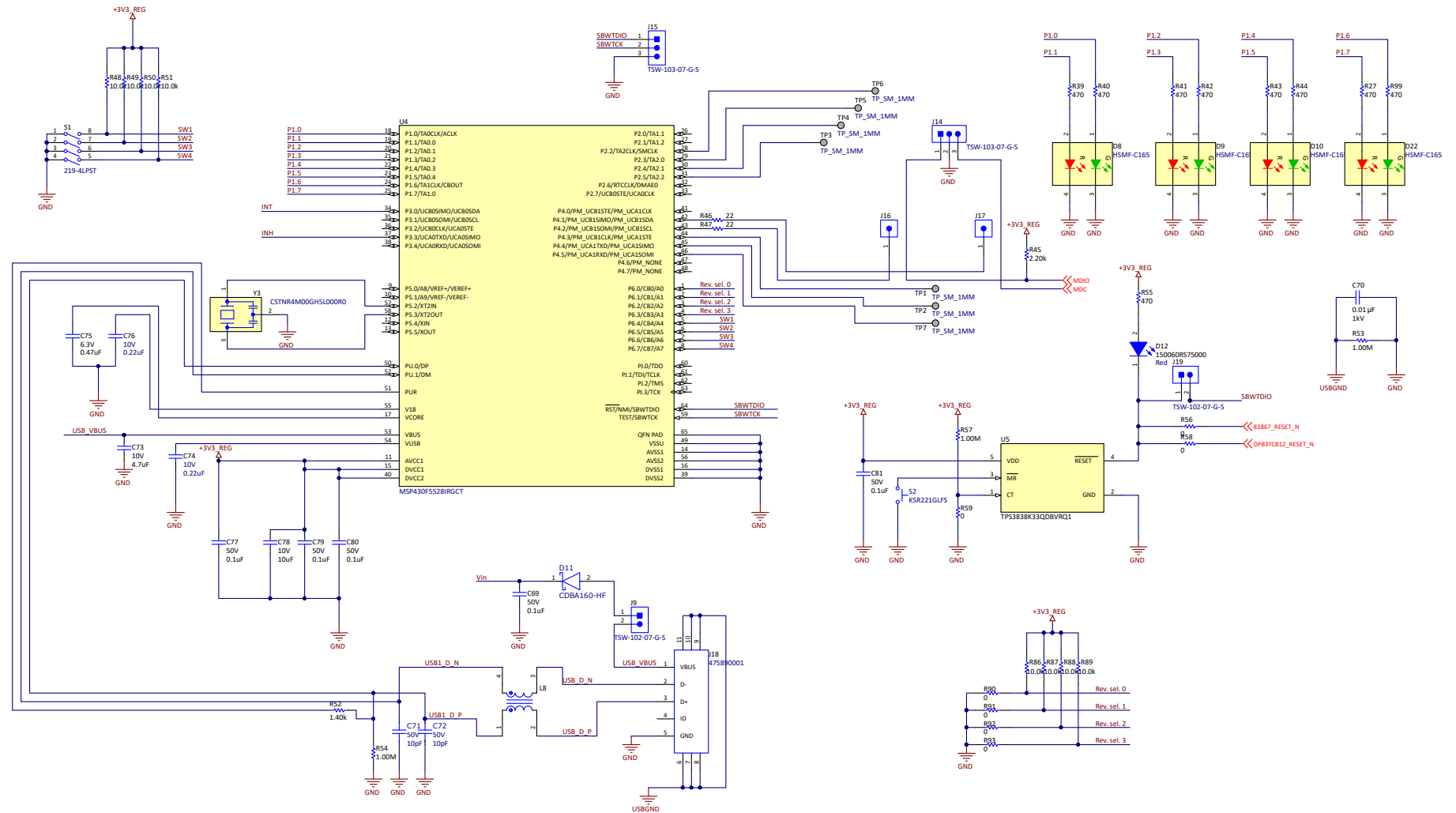


Figure 5-5. Comms Schematic

5.6 Hardware Schematic

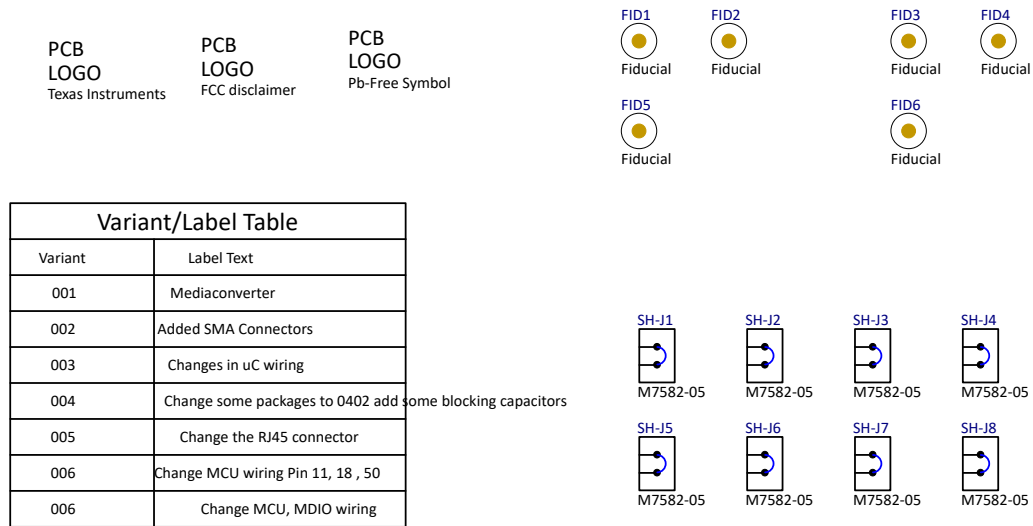


Figure 5-6. Hardware Schematic

6 Layout

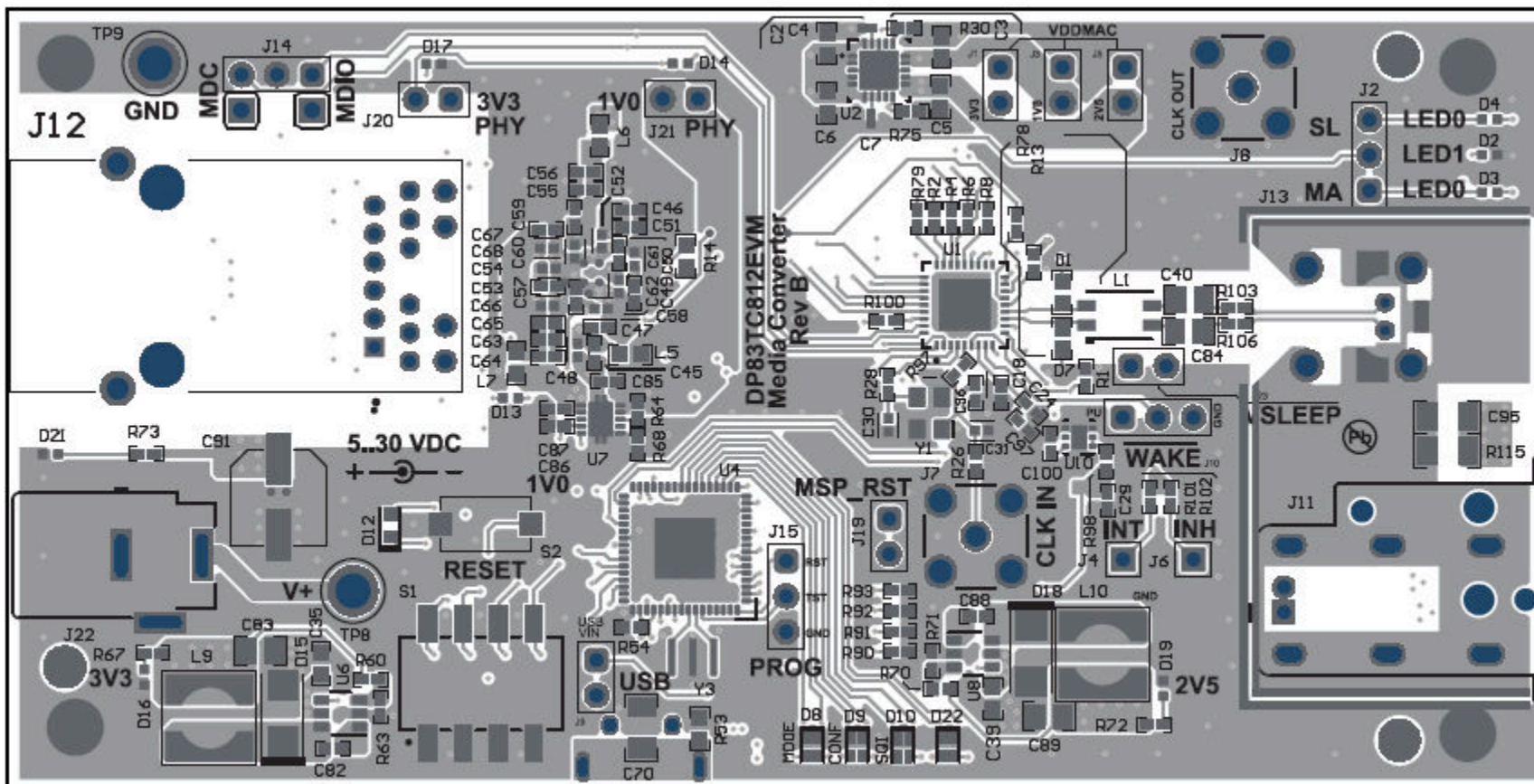


Figure 6-1. Top Overlay

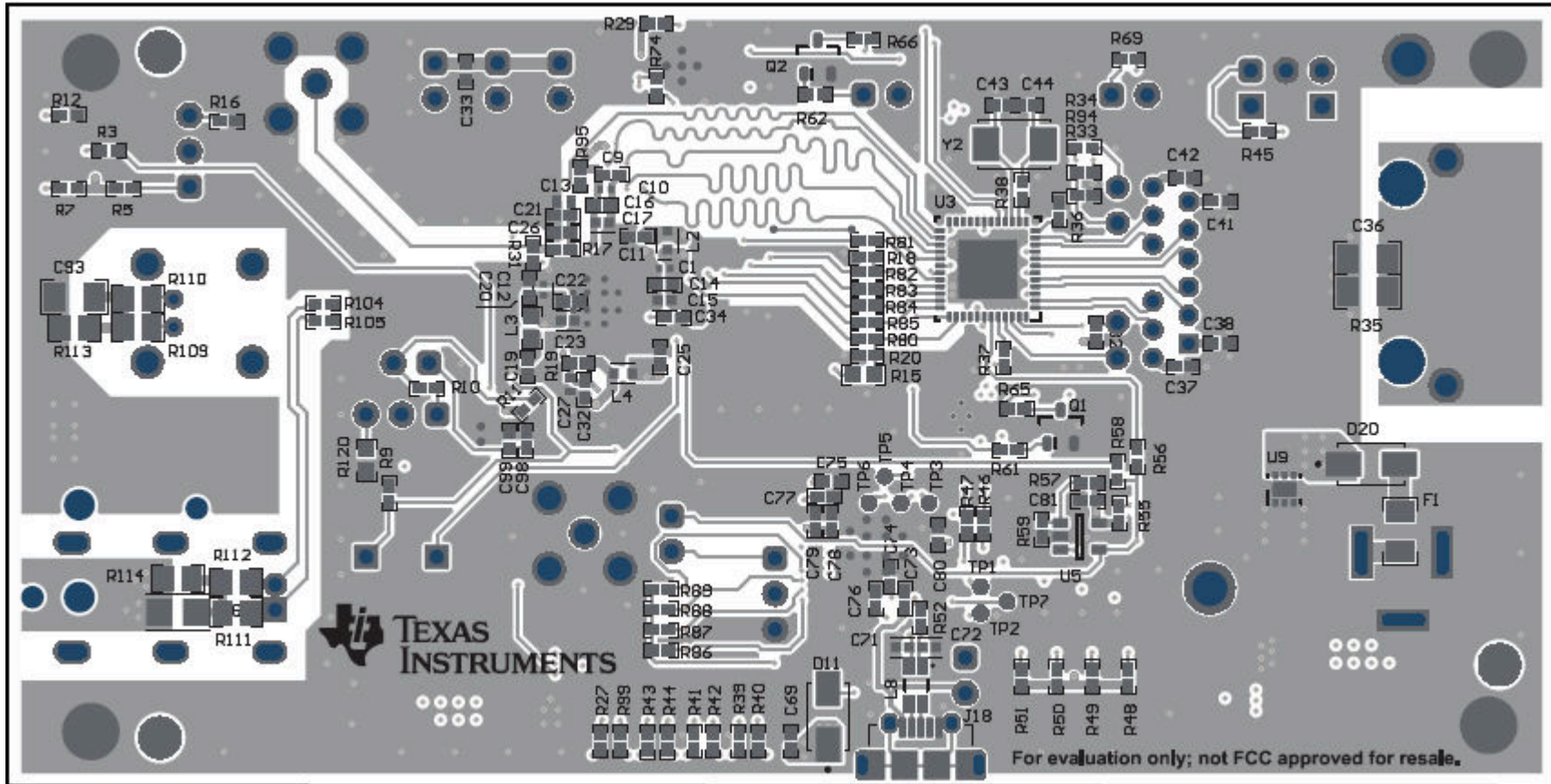


Figure 6-2. Bottom Overlay

IMPORTANT NOTICE AND DISCLAIMER

TI PROVIDES TECHNICAL AND RELIABILITY DATA (INCLUDING DATASHEETS), DESIGN RESOURCES (INCLUDING REFERENCE DESIGNS), APPLICATION OR OTHER DESIGN ADVICE, WEB TOOLS, SAFETY INFORMATION, AND OTHER RESOURCES "AS IS" AND WITH ALL FAULTS, AND DISCLAIMS ALL WARRANTIES, EXPRESS AND IMPLIED, INCLUDING WITHOUT LIMITATION ANY IMPLIED WARRANTIES OF MERCHANTABILITY, FITNESS FOR A PARTICULAR PURPOSE OR NON-INFRINGEMENT OF THIRD PARTY INTELLECTUAL PROPERTY RIGHTS.

These resources are intended for skilled developers designing with TI products. You are solely responsible for (1) selecting the appropriate TI products for your application, (2) designing, validating and testing your application, and (3) ensuring your application meets applicable standards, and any other safety, security, regulatory or other requirements.

These resources are subject to change without notice. TI grants you permission to use these resources only for development of an application that uses the TI products described in the resource. Other reproduction and display of these resources is prohibited. No license is granted to any other TI intellectual property right or to any third party intellectual property right. TI disclaims responsibility for, and you fully indemnify TI and its representatives against any claims, damages, costs, losses, and liabilities arising out of your use of these resources.

TI's products are provided subject to [TI's Terms of Sale](#), [TI's General Quality Guidelines](#), or other applicable terms available either on ti.com or provided in conjunction with such TI products. TI's provision of these resources does not expand or otherwise alter TI's applicable warranties or warranty disclaimers for TI products. Unless TI explicitly designates a product as custom or customer-specified, TI products are standard, catalog, general purpose devices.

TI objects to and rejects any additional or different terms you may propose.

Copyright © 2026, Texas Instruments Incorporated

Last updated 10/2025