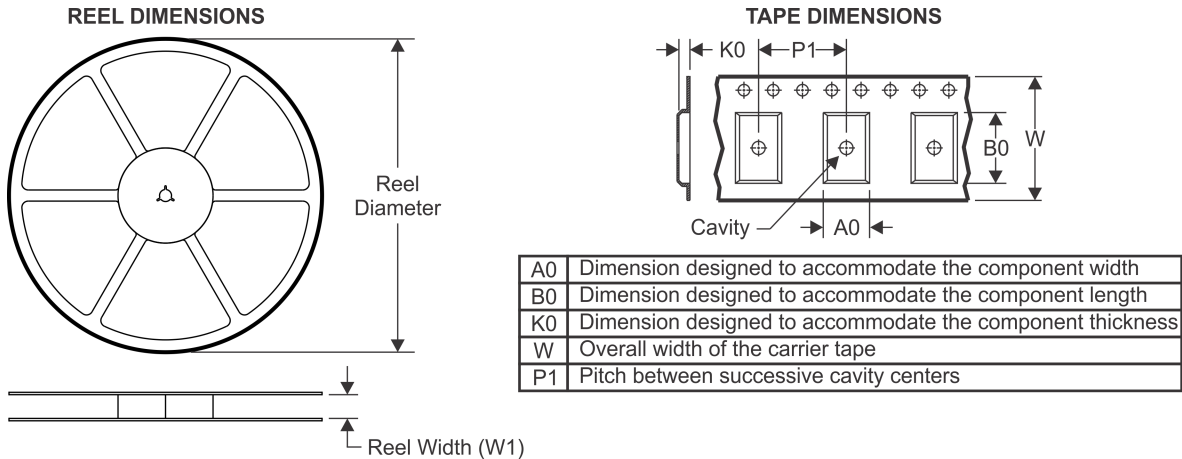
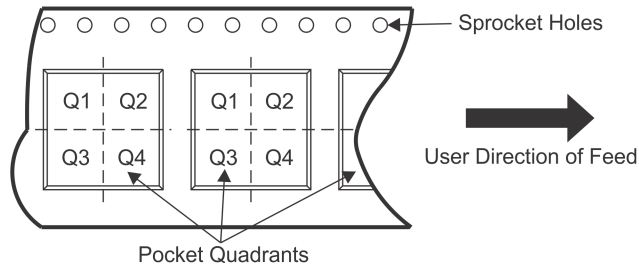
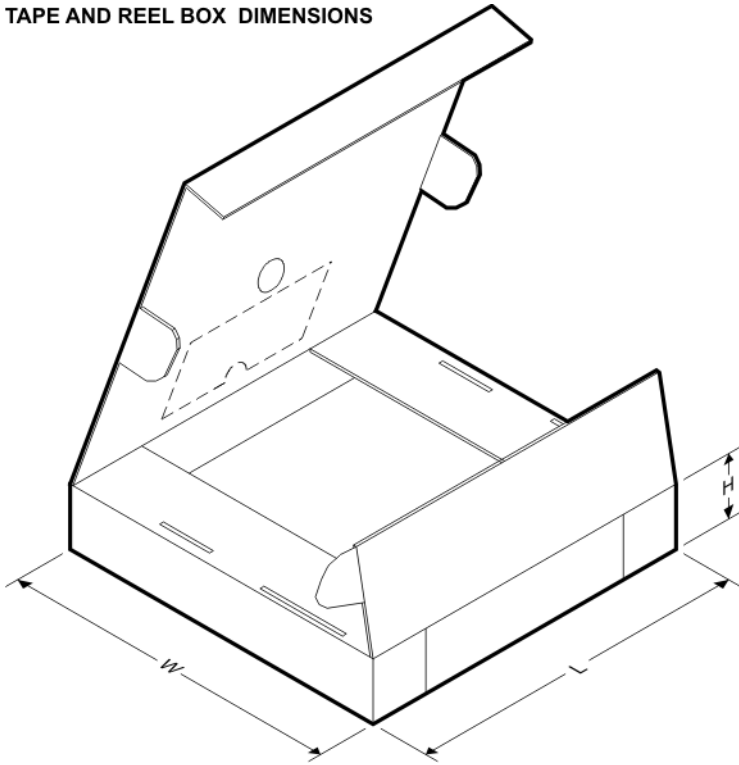


TAPE AND REEL INFORMATION

QUADRANT ASSIGNMENTS FOR PIN 1 ORIENTATION IN TAPE


*All dimensions are nominal

Device	Package Type	Package Drawing	Pins	SPQ	Reel Diameter (mm)	Reel Width W1 (mm)	A0 (mm)	B0 (mm)	K0 (mm)	P1 (mm)	W (mm)	Pin1 Quadrant
AFE4900YZR	DSBGA	YZ	30	3000	178.0	9.2	2.27	2.72	0.78	4.0	8.0	Q1
AFE4900YZT	DSBGA	YZ	30	250	178.0	9.2	2.27	2.72	0.78	4.0	8.0	Q1

TAPE AND REEL BOX DIMENSIONS


*All dimensions are nominal

Device	Package Type	Package Drawing	Pins	SPQ	Length (mm)	Width (mm)	Height (mm)
AFE4900YZR	DSBGA	YZ	30	3000	220.0	220.0	35.0
AFE4900YZT	DSBGA	YZ	30	250	220.0	220.0	35.0