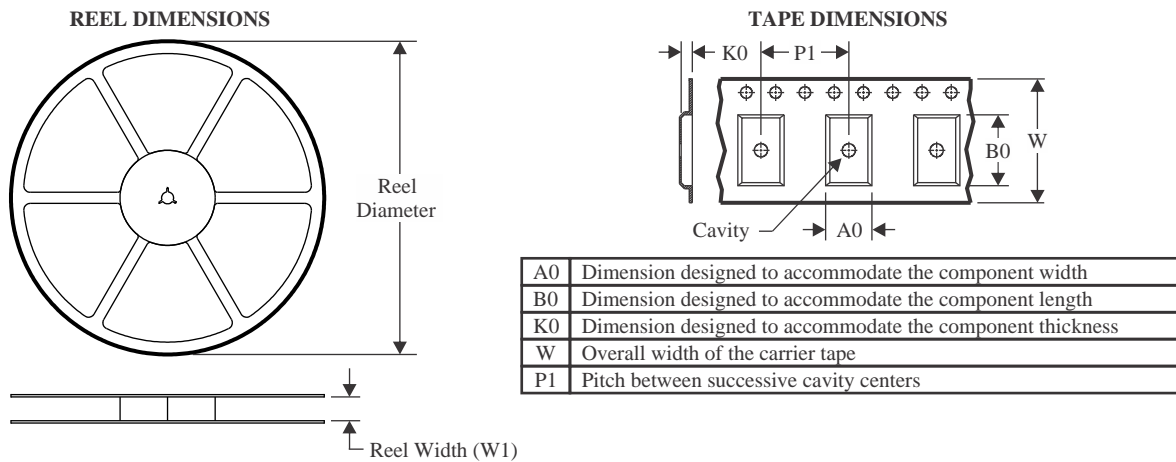
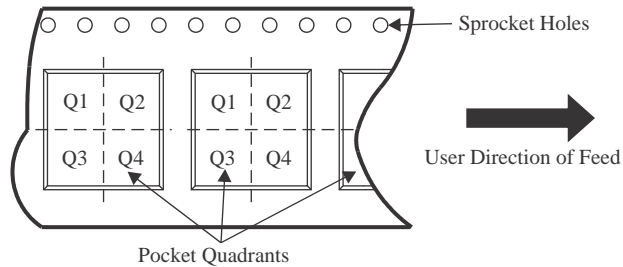
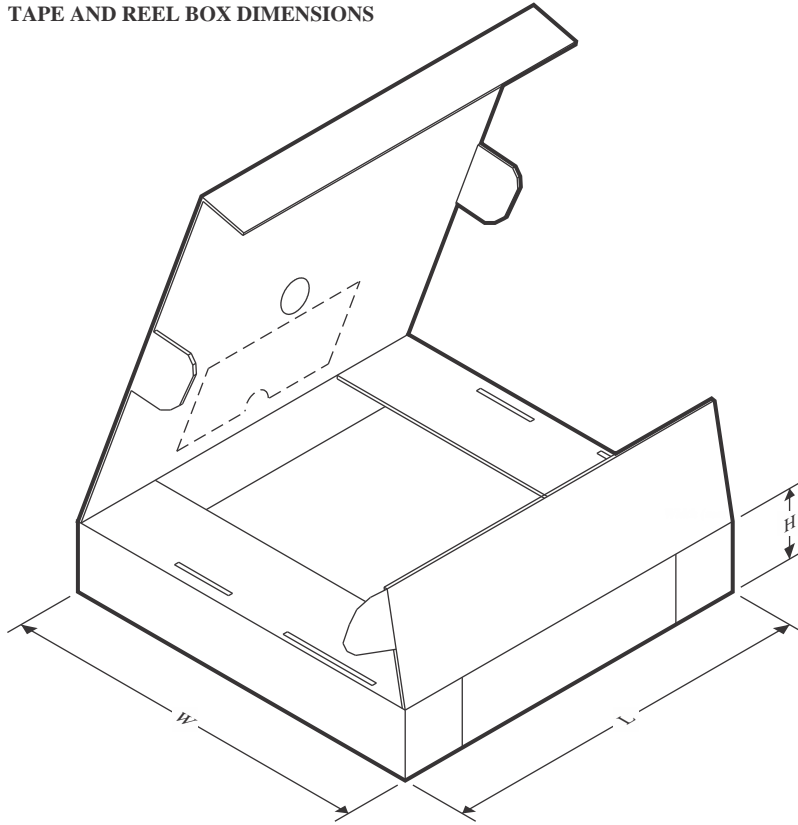


TAPE AND REEL INFORMATION

QUADRANT ASSIGNMENTS FOR PIN 1 ORIENTATION IN TAPE


*All dimensions are nominal

Device	Package Type	Package Drawing	Pins	SPQ	Reel Diameter (mm)	Reel Width W1 (mm)	A0 (mm)	B0 (mm)	K0 (mm)	P1 (mm)	W (mm)	Pin1 Quadrant
DP83869HMRGZR	VQFN	RGZ	48	2000	330.0	16.4	7.3	7.3	1.1	12.0	16.0	Q2
DP83869HMRGZT	VQFN	RGZ	48	250	180.0	16.4	7.3	7.3	1.1	12.0	16.0	Q2

TAPE AND REEL BOX DIMENSIONS


*All dimensions are nominal

Device	Package Type	Package Drawing	Pins	SPQ	Length (mm)	Width (mm)	Height (mm)
DP83869HMRGZR	VQFN	RGZ	48	2000	367.0	367.0	38.0
DP83869HMRGZT	VQFN	RGZ	48	250	210.0	185.0	35.0