

TAPE AND REEL INFORMATION



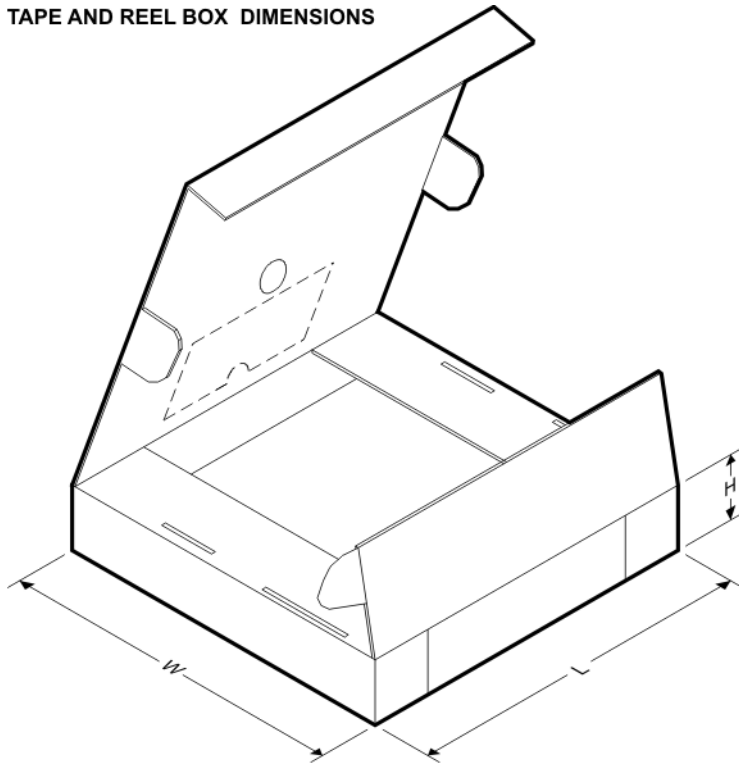
QUADRANT ASSIGNMENTS FOR PIN 1 ORIENTATION IN TAPE



*All dimensions are nominal

Device	Package Type	Package Drawing	Pins	SPQ	Reel Diameter (mm)	Reel Width W1 (mm)	A0 (mm)	B0 (mm)	K0 (mm)	P1 (mm)	W (mm)	Pin1 Quadrant
INA181A1IDBVR	SOT-23	DBV	6	3000	178.0	9.0	3.23	3.17	1.37	4.0	8.0	Q3
INA181A1IDBVT	SOT-23	DBV	6	250	178.0	9.0	3.23	3.17	1.37	4.0	8.0	Q3
INA181A2IDBVR	SOT-23	DBV	6	3000	178.0	9.0	3.23	3.17	1.37	4.0	8.0	Q3
INA181A2IDBVT	SOT-23	DBV	6	250	178.0	9.0	3.23	3.17	1.37	4.0	8.0	Q3
INA181A3IDBVR	SOT-23	DBV	6	3000	178.0	9.0	3.23	3.17	1.37	4.0	8.0	Q3
INA181A3IDBVT	SOT-23	DBV	6	250	178.0	9.0	3.23	3.17	1.37	4.0	8.0	Q3
INA181A4IDBVR	SOT-23	DBV	6	3000	178.0	9.0	3.23	3.17	1.37	4.0	8.0	Q3
INA181A4IDBVT	SOT-23	DBV	6	250	178.0	9.0	3.23	3.17	1.37	4.0	8.0	Q3
INA2181A1IDGSR	VSSOP	DGS	10	2500	330.0	12.4	5.3	3.4	1.4	8.0	12.0	Q1
INA2181A1IDGST	VSSOP	DGS	10	250	330.0	12.4	5.3	3.4	1.4	8.0	12.0	Q1
INA2181A1IDSQR	WSOP	DSQ	10	3000	180.0	8.4	2.3	2.3	1.15	4.0	8.0	Q2
INA2181A1IDSQT	WSOP	DSQ	10	250	180.0	8.4	2.3	2.3	1.15	4.0	8.0	Q2
INA2181A2IDGSR	VSSOP	DGS	10	2500	330.0	12.4	5.3	3.4	1.4	8.0	12.0	Q1
INA2181A2IDGST	VSSOP	DGS	10	250	330.0	12.4	5.3	3.4	1.4	8.0	12.0	Q1
INA2181A2IDSQR	WSOP	DSQ	10	3000	180.0	8.4	2.3	2.3	1.15	4.0	8.0	Q2
INA2181A2IDSQT	WSOP	DSQ	10	250	180.0	8.4	2.3	2.3	1.15	4.0	8.0	Q2
INA2181A3IDGSR	VSSOP	DGS	10	2500	330.0	12.4	5.3	3.4	1.4	8.0	12.0	Q1
INA2181A3IDGST	VSSOP	DGS	10	250	330.0	12.4	5.3	3.4	1.4	8.0	12.0	Q1

Device	Package Type	Package Drawing	Pins	SPQ	Reel Diameter (mm)	Reel Width W1 (mm)	A0 (mm)	B0 (mm)	K0 (mm)	P1 (mm)	W (mm)	Pin1 Quadrant
INA2181A3IDSQR	WSON	DSQ	10	3000	180.0	8.4	2.3	2.3	1.15	4.0	8.0	Q2
INA2181A3IDSQT	WSON	DSQ	10	250	180.0	8.4	2.3	2.3	1.15	4.0	8.0	Q2
INA2181A4IDGSR	VSSOP	DGS	10	2500	330.0	12.4	5.3	3.4	1.4	8.0	12.0	Q1
INA2181A4IDGST	VSSOP	DGS	10	250	330.0	12.4	5.3	3.4	1.4	8.0	12.0	Q1
INA2181A4IDSQR	WSON	DSQ	10	3000	180.0	8.4	2.3	2.3	1.15	4.0	8.0	Q2
INA2181A4IDSQT	WSON	DSQ	10	250	180.0	8.4	2.3	2.3	1.15	4.0	8.0	Q2
INA4181A1IPWR	TSSOP	PW	20	2000	330.0	16.4	6.95	7.0	1.4	8.0	16.0	Q1
INA4181A2IPWR	TSSOP	PW	20	2000	330.0	16.4	6.95	7.0	1.4	8.0	16.0	Q1
INA4181A3IPWR	TSSOP	PW	20	2000	330.0	16.4	6.95	7.0	1.4	8.0	16.0	Q1
INA4181A4IPWR	TSSOP	PW	20	2000	330.0	16.4	6.95	7.0	1.4	8.0	16.0	Q1

TAPE AND REEL BOX DIMENSIONS


*All dimensions are nominal

Device	Package Type	Package Drawing	Pins	SPQ	Length (mm)	Width (mm)	Height (mm)
INA181A1IDBVR	SOT-23	DBV	6	3000	180.0	180.0	18.0
INA181A1IDBVT	SOT-23	DBV	6	250	180.0	180.0	18.0
INA181A2IDBVR	SOT-23	DBV	6	3000	180.0	180.0	18.0
INA181A2IDBVT	SOT-23	DBV	6	250	180.0	180.0	18.0
INA181A3IDBVR	SOT-23	DBV	6	3000	180.0	180.0	18.0
INA181A3IDBVT	SOT-23	DBV	6	250	180.0	180.0	18.0
INA181A4IDBVR	SOT-23	DBV	6	3000	180.0	180.0	18.0

Device	Package Type	Package Drawing	Pins	SPQ	Length (mm)	Width (mm)	Height (mm)
INA181A4IDBVT	SOT-23	DBV	6	250	180.0	180.0	18.0
INA2181A1IDGSR	VSSOP	DGS	10	2500	366.0	364.0	50.0
INA2181A1IDGST	VSSOP	DGS	10	250	366.0	364.0	50.0
INA2181A1IDSQR	WSON	DSQ	10	3000	210.0	185.0	35.0
INA2181A1IDSQT	WSON	DSQ	10	250	210.0	185.0	35.0
INA2181A2IDGSR	VSSOP	DGS	10	2500	366.0	364.0	50.0
INA2181A2IDGST	VSSOP	DGS	10	250	366.0	364.0	50.0
INA2181A2IDSQR	WSON	DSQ	10	3000	210.0	185.0	35.0
INA2181A2IDSQT	WSON	DSQ	10	250	210.0	185.0	35.0
INA2181A3IDGSR	VSSOP	DGS	10	2500	366.0	364.0	50.0
INA2181A3IDGST	VSSOP	DGS	10	250	366.0	364.0	50.0
INA2181A3IDSQR	WSON	DSQ	10	3000	210.0	185.0	35.0
INA2181A3IDSQT	WSON	DSQ	10	250	210.0	185.0	35.0
INA2181A4IDGSR	VSSOP	DGS	10	2500	366.0	364.0	50.0
INA2181A4IDGST	VSSOP	DGS	10	250	366.0	364.0	50.0
INA2181A4IDSQR	WSON	DSQ	10	3000	210.0	185.0	35.0
INA2181A4IDSQT	WSON	DSQ	10	250	210.0	185.0	35.0
INA4181A1IPWR	TSSOP	PW	20	2000	853.0	449.0	35.0
INA4181A2IPWR	TSSOP	PW	20	2000	853.0	449.0	35.0
INA4181A3IPWR	TSSOP	PW	20	2000	853.0	449.0	35.0
INA4181A4IPWR	TSSOP	PW	20	2000	853.0	449.0	35.0