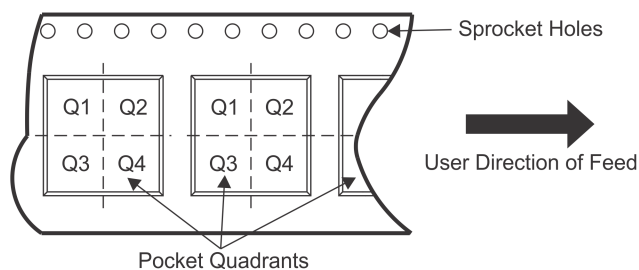


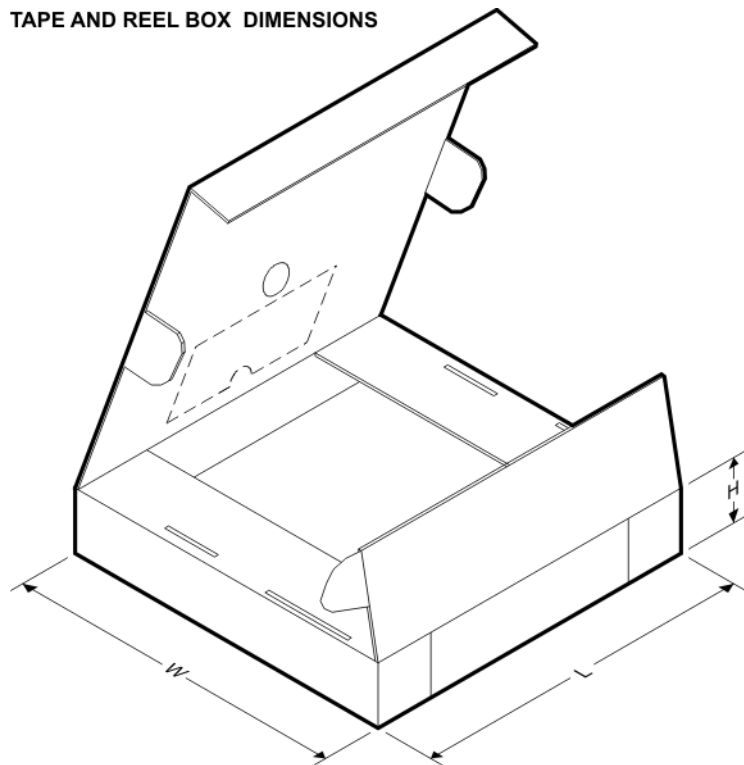
TAPE AND REEL INFORMATION

QUADRANT ASSIGNMENTS FOR PIN 1 ORIENTATION IN TAPE


*All dimensions are nominal

Device	Package Type	Package Drawing	Pins	SPQ	Reel Diameter (mm)	Reel Width W1 (mm)	A0 (mm)	B0 (mm)	K0 (mm)	P1 (mm)	W (mm)	Pin1 Quadrant
INA186A1IDCKR	SC70	DCK	6	3000	178.0	9.0	2.4	2.5	1.2	4.0	8.0	Q3
INA186A1IDCKT	SC70	DCK	6	250	178.0	9.0	2.4	2.5	1.2	4.0	8.0	Q3
INA186A1IDDFR	SOT-23-THIN	DDF	8	3000	180.0	8.4	3.2	3.2	1.4	4.0	8.0	Q3
INA186A1IYFDR	DSBGA	YFD	6	3000	178.0	8.4	0.84	1.27	0.46	4.0	8.0	Q2
INA186A2IDCKR	SC70	DCK	6	3000	178.0	9.0	2.4	2.5	1.2	4.0	8.0	Q3
INA186A2IDCKT	SC70	DCK	6	250	178.0	9.0	2.4	2.5	1.2	4.0	8.0	Q3
INA186A2IDDFR	SOT-23-THIN	DDF	8	3000	180.0	8.4	3.2	3.2	1.4	4.0	8.0	Q3
INA186A2IDDFR	SOT-23-THIN	DDF	8	250	180.0	8.4	3.2	3.2	1.4	4.0	8.0	Q3
INA186A2IYFDR	DSBGA	YFD	6	3000	178.0	8.4	0.84	1.27	0.46	4.0	8.0	Q2
INA186A3IDCKR	SC70	DCK	6	3000	178.0	9.0	2.4	2.5	1.2	4.0	8.0	Q3
INA186A3IDCKT	SC70	DCK	6	250	178.0	9.0	2.4	2.5	1.2	4.0	8.0	Q3
INA186A3IDDFR	SOT-23-THIN	DDF	8	3000	180.0	8.4	3.2	3.2	1.4	4.0	8.0	Q3
INA186A3IDDFR	SOT-23-THIN	DDF	8	250	180.0	8.4	3.2	3.2	1.4	4.0	8.0	Q3
INA186A3IYFDR	DSBGA	YFD	6	3000	178.0	8.4	0.84	1.27	0.46	4.0	8.0	Q2

Device	Package Type	Package Drawing	Pins	SPQ	Reel Diameter (mm)	Reel Width W1 (mm)	A0 (mm)	B0 (mm)	K0 (mm)	P1 (mm)	W (mm)	Pin1 Quadrant
INA186A4IDCKR	SC70	DCK	6	3000	178.0	9.0	2.4	2.5	1.2	4.0	8.0	Q3
INA186A4IDCKT	SC70	DCK	6	250	178.0	9.0	2.4	2.5	1.2	4.0	8.0	Q3
INA186A4IDDFR	SOT-23-THIN	DDF	8	3000	180.0	8.4	3.2	3.2	1.4	4.0	8.0	Q3
INA186A4IYFDR	DSBGA	YFD	6	3000	178.0	8.4	0.84	1.27	0.46	4.0	8.0	Q2
INA186A5IDCKR	SC70	DCK	6	3000	178.0	9.0	2.4	2.5	1.2	4.0	8.0	Q3
INA186A5IDCKT	SC70	DCK	6	250	178.0	9.0	2.4	2.5	1.2	4.0	8.0	Q3
INA186A5IDDFR	SOT-23-THIN	DDF	8	3000	180.0	8.4	3.2	3.2	1.4	4.0	8.0	Q3
INA186A5IDDFR	SOT-23-THIN	DDF	8	250	180.0	8.4	3.2	3.2	1.4	4.0	8.0	Q3
INA186A5IDDFR	SOT-23-THIN	DDF	8	250	180.0	8.4	3.2	3.2	1.4	4.0	8.0	Q3
INA186A5IYFDR	DSBGA	YFD	6	3000	178.0	8.4	0.84	1.27	0.46	4.0	8.0	Q2

TAPE AND REEL BOX DIMENSIONS


*All dimensions are nominal

Device	Package Type	Package Drawing	Pins	SPQ	Length (mm)	Width (mm)	Height (mm)
INA186A1IDCKR	SC70	DCK	6	3000	180.0	180.0	18.0
INA186A1IDCKT	SC70	DCK	6	250	180.0	180.0	18.0
INA186A1IDDFR	SOT-23-THIN	DDF	8	3000	210.0	185.0	35.0
INA186A1IYFDR	DSBGA	YFD	6	3000	220.0	220.0	35.0
INA186A2IDCKR	SC70	DCK	6	3000	180.0	180.0	18.0
INA186A2IDCKT	SC70	DCK	6	250	180.0	180.0	18.0

Device	Package Type	Package Drawing	Pins	SPQ	Length (mm)	Width (mm)	Height (mm)
INA186A2IDDFR	SOT-23-THIN	DDF	8	3000	210.0	185.0	35.0
INA186A2IDDFT	SOT-23-THIN	DDF	8	250	210.0	185.0	35.0
INA186A2IYFDR	DSBGA	YFD	6	3000	220.0	220.0	35.0
INA186A3IDCKR	SC70	DCK	6	3000	180.0	180.0	18.0
INA186A3IDCKT	SC70	DCK	6	250	180.0	180.0	18.0
INA186A3IDDFR	SOT-23-THIN	DDF	8	3000	210.0	185.0	35.0
INA186A3IDDFT	SOT-23-THIN	DDF	8	250	210.0	185.0	35.0
INA186A3IYFDR	DSBGA	YFD	6	3000	220.0	220.0	35.0
INA186A4IDCKR	SC70	DCK	6	3000	180.0	180.0	18.0
INA186A4IDCKT	SC70	DCK	6	250	180.0	180.0	18.0
INA186A4IDDFR	SOT-23-THIN	DDF	8	3000	210.0	185.0	35.0
INA186A4IYFDR	DSBGA	YFD	6	3000	220.0	220.0	35.0
INA186A5IDCKR	SC70	DCK	6	3000	180.0	180.0	18.0
INA186A5IDCKT	SC70	DCK	6	250	180.0	180.0	18.0
INA186A5IDDFR	SOT-23-THIN	DDF	8	3000	210.0	185.0	35.0
INA186A5IDDFT	SOT-23-THIN	DDF	8	250	210.0	185.0	35.0
INA186A5IYFDR	DSBGA	YFD	6	3000	220.0	220.0	35.0