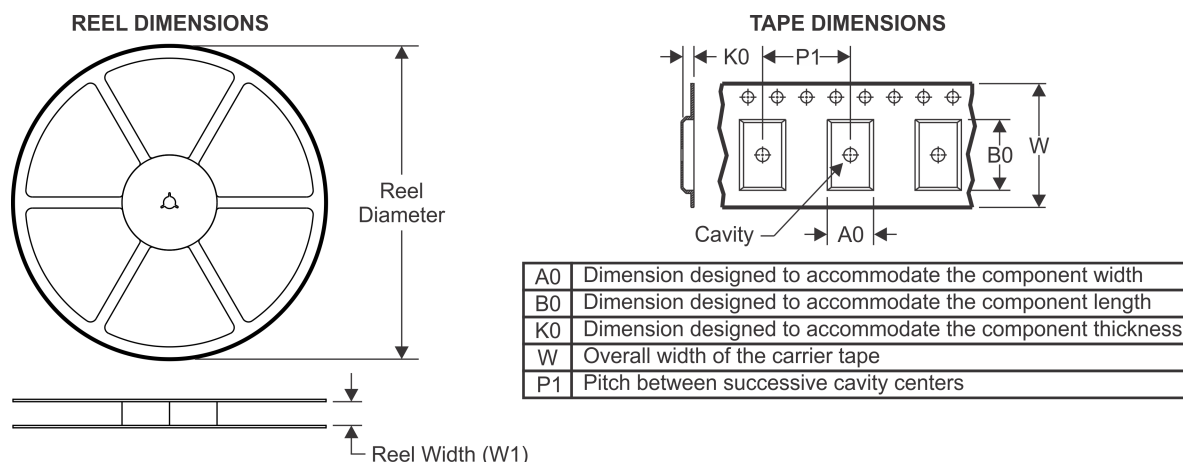


TAPE AND REEL INFORMATION



QUADRANT ASSIGNMENTS FOR PIN 1 ORIENTATION IN TAPE



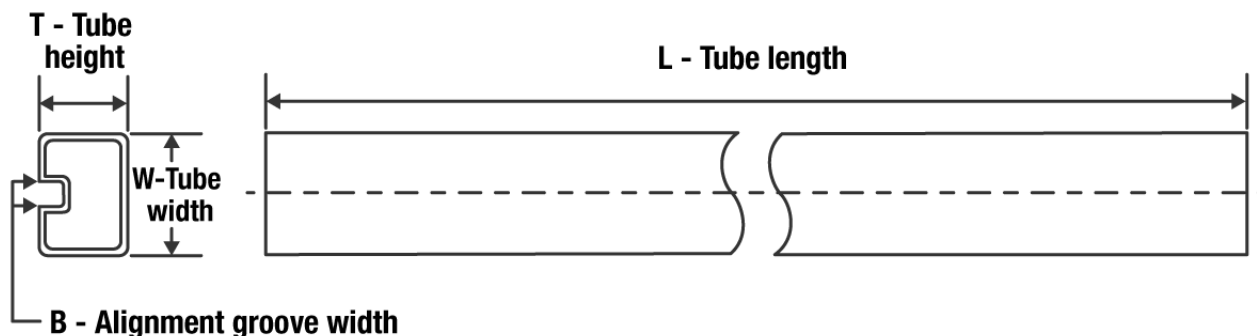
*All dimensions are nominal

Device	Package Type	Package Drawing	Pins	SPQ	Reel Diameter (mm)	Reel Width W1 (mm)	A0 (mm)	B0 (mm)	K0 (mm)	P1 (mm)	W (mm)	Pin1 Quadrant
LM2679SD-3.3/NOPB	VSON	NHM	14	250	178.0	16.4	5.3	6.3	1.5	12.0	16.0	Q1
LM2679SD-5.0/NOPB	VSON	NHM	14	250	178.0	16.4	5.3	6.3	1.5	12.0	16.0	Q1
LM2679SD-ADJ/NOPB	VSON	NHM	14	250	178.0	16.4	5.3	6.3	1.5	12.0	16.0	Q1
LM2679SDX-3.3/NOPB	VSON	NHM	14	2500	330.0	16.4	5.3	6.3	1.5	12.0	16.0	Q1
LM2679SDX-ADJ/NOPB	VSON	NHM	14	2500	330.0	16.4	5.3	6.3	1.5	12.0	16.0	Q1
LM2679SX-12/NOPB	DDPAK/ TO-263	KTW	7	500	330.0	24.4	10.75	14.85	5.0	16.0	24.0	Q2
LM2679SX-3.3/NOPB	DDPAK/ TO-263	KTW	7	500	330.0	24.4	10.75	14.85	5.0	16.0	24.0	Q2
LM2679SX-5.0	DDPAK/ TO-263	KTW	7	500	330.0	24.4	10.75	14.85	5.0	16.0	24.0	Q2
LM2679SX-5.0/NOPB	DDPAK/ TO-263	KTW	7	500	330.0	24.4	10.75	14.85	5.0	16.0	24.0	Q2
LM2679SX-ADJ	DDPAK/ TO-263	KTW	7	500	330.0	24.4	10.75	14.85	5.0	16.0	24.0	Q2
LM2679SX-ADJ/NOPB	DDPAK/ TO-263	KTW	7	500	330.0	24.4	10.75	14.85	5.0	16.0	24.0	Q2

TAPE AND REEL BOX DIMENSIONS


*All dimensions are nominal

Device	Package Type	Package Drawing	Pins	SPQ	Length (mm)	Width (mm)	Height (mm)
LM2679SD-3.3/NOPB	VSON	NHM	14	250	210.0	185.0	35.0
LM2679SD-5.0/NOPB	VSON	NHM	14	250	210.0	185.0	35.0
LM2679SD-ADJ/NOPB	VSON	NHM	14	250	210.0	185.0	35.0
LM2679SDX-3.3/NOPB	VSON	NHM	14	2500	367.0	367.0	35.0
LM2679SDX-ADJ/NOPB	VSON	NHM	14	2500	367.0	367.0	35.0
LM2679SX-12/NOPB	DDPAK/TO-263	KTW	7	500	367.0	367.0	45.0
LM2679SX-3.3/NOPB	DDPAK/TO-263	KTW	7	500	367.0	367.0	45.0
LM2679SX-5.0	DDPAK/TO-263	KTW	7	500	367.0	367.0	45.0
LM2679SX-5.0/NOPB	DDPAK/TO-263	KTW	7	500	367.0	367.0	45.0
LM2679SX-ADJ	DDPAK/TO-263	KTW	7	500	367.0	367.0	45.0
LM2679SX-ADJ/NOPB	DDPAK/TO-263	KTW	7	500	367.0	367.0	45.0

TUBE


*All dimensions are nominal

Device	Package Name	Package Type	Pins	SPQ	L (mm)	W (mm)	T (μm)	B (mm)
LM2679S-12/NOPB	KTW	TO-263	7	45	502	25	8204.2	9.19
LM2679S-3.3	KTW	TO-263	7	45	502	25	8204.2	9.19
LM2679S-3.3	KTW	TO-263	7	45	502	25	8204.2	9.19
LM2679S-3.3/NOPB	KTW	TO-263	7	45	502	25	8204.2	9.19
LM2679S-5.0	KTW	TO-263	7	45	502	25	8204.2	9.19
LM2679S-5.0	KTW	TO-263	7	45	502	25	8204.2	9.19
LM2679S-5.0/NOPB	KTW	TO-263	7	45	502	25	8204.2	9.19
LM2679S-ADJ	KTW	TO-263	7	45	502	25	8204.2	9.19
LM2679S-ADJ	KTW	TO-263	7	45	502	25	8204.2	9.19
LM2679S-ADJ/NOPB	KTW	TO-263	7	45	502	25	8204.2	9.19
LM2679T-12/NOPB	NDZ	TO-220	7	45	502	30	30048.2	10.74
LM2679T-3.3/NOPB	NDZ	TO-220	7	45	502	30	30048.2	10.74
LM2679T-5.0/NOPB	NDZ	TO-220	7	45	502	30	30048.2	10.74
LM2679T-ADJ/NOPB	NDZ	TO-220	7	45	502	30	30048.2	10.74