

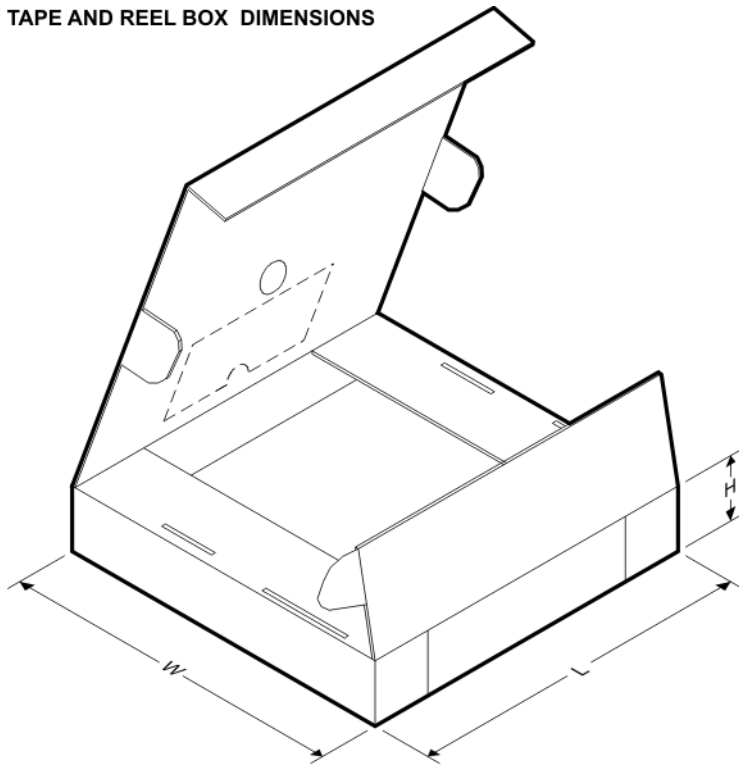
TAPE AND REEL INFORMATION

QUADRANT ASSIGNMENTS FOR PIN 1 ORIENTATION IN TAPE


*All dimensions are nominal

| Device | Package Type | Package Drawing | Pins | SPQ | Reel Diameter (mm) | Reel Width W1 (mm) | A0 (mm) | B0 (mm) | K0 (mm) | P1 (mm) | W (mm) | Pin1 Quadrant |
|------------------|----------------------|-----------------|------|------|--------------------|--------------------|---------|---------|---------|---------|--------|---------------|
| MSP430F5324IRGCR | VQFN | RGC | 64 | 2000 | 330.0 | 16.4 | 9.3 | 9.3 | 1.5 | 12.0 | 16.0 | Q2 |
| MSP430F5324IRGCT | VQFN | RGC | 64 | 250 | 180.0 | 16.4 | 9.3 | 9.3 | 1.5 | 12.0 | 16.0 | Q2 |
| MSP430F5324IZQER | BGA MICROSTAR JUNIOR | ZQE | 80 | 2500 | 330.0 | 12.4 | 5.3 | 5.3 | 1.5 | 8.0 | 12.0 | Q1 |
| MSP430F5324IZXHR | NFBGA | ZXH | 80 | 2500 | 330.0 | 12.4 | 5.3 | 5.3 | 1.5 | 8.0 | 12.0 | Q1 |
| MSP430F5325IPNR | LQFP | PN | 80 | 1000 | 330.0 | 24.4 | 15.0 | 15.0 | 2.1 | 20.0 | 24.0 | Q2 |
| MSP430F5326IRGCR | VQFN | RGC | 64 | 2000 | 330.0 | 16.4 | 9.3 | 9.3 | 1.5 | 12.0 | 16.0 | Q2 |
| MSP430F5326IRGCT | VQFN | RGC | 64 | 250 | 180.0 | 16.4 | 9.3 | 9.3 | 1.5 | 12.0 | 16.0 | Q2 |
| MSP430F5326IZQER | BGA MICROSTAR JUNIOR | ZQE | 80 | 2500 | 330.0 | 12.4 | 5.3 | 5.3 | 1.5 | 8.0 | 12.0 | Q1 |
| MSP430F5326IZXHR | NFBGA | ZXH | 80 | 2500 | 330.0 | 12.4 | 5.3 | 5.3 | 1.5 | 8.0 | 12.0 | Q1 |
| MSP430F5327IPNR | LQFP | PN | 80 | 1000 | 330.0 | 24.4 | 15.0 | 15.0 | 2.1 | 20.0 | 24.0 | Q2 |
| MSP430F5328IRGCR | VQFN | RGC | 64 | 2000 | 330.0 | 16.4 | 9.3 | 9.3 | 1.5 | 12.0 | 16.0 | Q2 |
| MSP430F5328IRGCT | VQFN | RGC | 64 | 250 | 180.0 | 16.4 | 9.3 | 9.3 | 1.5 | 12.0 | 16.0 | Q2 |
| MSP430F5328IZQER | BGA MICROSTAR | ZQE | 80 | 2500 | 330.0 | 12.4 | 5.3 | 5.3 | 1.5 | 8.0 | 12.0 | Q1 |

| Device | Package Type | Package Drawing | Pins | SPQ | Reel Diameter (mm) | Reel Width W1 (mm) | A0 (mm) | B0 (mm) | K0 (mm) | P1 (mm) | W (mm) | Pin1 Quadrant |
|------------------|--------------|-----------------|------|------|--------------------|--------------------|---------|---------|---------|---------|--------|---------------|
| | R JUNIOR | | | | | | | | | | | |
| MSP430F5328IZXHR | NFBGA | ZXH | 80 | 2500 | 330.0 | 12.4 | 5.3 | 5.3 | 1.5 | 8.0 | 12.0 | Q1 |
| MSP430F5329IPNR | LQFP | PN | 80 | 1000 | 330.0 | 24.4 | 15.0 | 15.0 | 2.1 | 20.0 | 24.0 | Q2 |

TAPE AND REEL BOX DIMENSIONS


*All dimensions are nominal

| Device | Package Type | Package Drawing | Pins | SPQ | Length (mm) | Width (mm) | Height (mm) |
|------------------|----------------------|-----------------|------|------|-------------|------------|-------------|
| MSP430F5324IRGCR | VQFN | RGC | 64 | 2000 | 853.0 | 449.0 | 35.0 |
| MSP430F5324IRGCT | VQFN | RGC | 64 | 250 | 210.0 | 185.0 | 35.0 |
| MSP430F5324IZQER | BGA MICROSTAR JUNIOR | ZQE | 80 | 2500 | 350.0 | 350.0 | 43.0 |
| MSP430F5324IZXHR | NFBGA | ZXH | 80 | 2500 | 350.0 | 350.0 | 43.0 |
| MSP430F5325IPNR | LQFP | PN | 80 | 1000 | 350.0 | 350.0 | 43.0 |
| MSP430F5326IRGCR | VQFN | RGC | 64 | 2000 | 853.0 | 449.0 | 35.0 |
| MSP430F5326IRGCT | VQFN | RGC | 64 | 250 | 210.0 | 185.0 | 35.0 |
| MSP430F5326IZQER | BGA MICROSTAR JUNIOR | ZQE | 80 | 2500 | 350.0 | 350.0 | 43.0 |
| MSP430F5326IZXHR | NFBGA | ZXH | 80 | 2500 | 350.0 | 350.0 | 43.0 |
| MSP430F5327IPNR | LQFP | PN | 80 | 1000 | 350.0 | 350.0 | 43.0 |
| MSP430F5328IRGCR | VQFN | RGC | 64 | 2000 | 853.0 | 449.0 | 35.0 |
| MSP430F5328IRGCT | VQFN | RGC | 64 | 250 | 210.0 | 185.0 | 35.0 |

| Device | Package Type | Package Drawing | Pins | SPQ | Length (mm) | Width (mm) | Height (mm) |
|------------------|-------------------------|-----------------|------|------|-------------|------------|-------------|
| MSP430F5328IZQER | BGA MICROSTAR JUNIOR | ZQE | 80 | 2500 | 350.0 | 350.0 | 43.0 |
| MSP430F5328IZXHR | NFBGA | ZXH | 80 | 2500 | 350.0 | 350.0 | 43.0 |
| MSP430F5329IPNR | LQFP | PN | 80 | 1000 | 350.0 | 350.0 | 43.0 |