

TAPE AND REEL INFORMATION



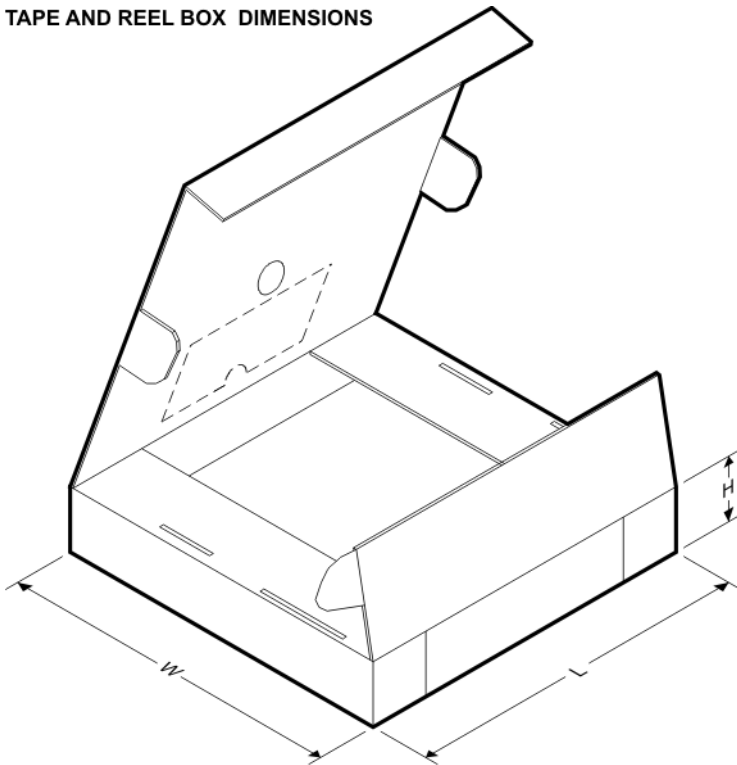
QUADRANT ASSIGNMENTS FOR PIN 1 ORIENTATION IN TAPE



*All dimensions are nominal

| Device | Package Type | Package Drawing | Pins | SPQ | Reel Diameter (mm) | Reel Width W1 (mm) | A0 (mm) | B0 (mm) | K0 (mm) | P1 (mm) | W (mm) | Pin1 Quadrant |
|-------------------|--------------|-----------------|------|------|--------------------|--------------------|---------|---------|---------|---------|--------|---------------|
| MSP430FR5720IPWR | TSSOP | PW | 28 | 2000 | 330.0 | 16.4 | 6.9 | 10.2 | 1.8 | 12.0 | 16.0 | Q1 |
| MSP430FR5720IRGER | VQFN | RGE | 24 | 3000 | 330.0 | 12.4 | 4.25 | 4.25 | 1.15 | 8.0 | 12.0 | Q2 |
| MSP430FR5720IRGET | VQFN | RGE | 24 | 250 | 180.0 | 12.4 | 4.25 | 4.25 | 1.15 | 8.0 | 12.0 | Q2 |
| MSP430FR5721IDAR | TSSOP | DA | 38 | 2000 | 330.0 | 24.4 | 8.6 | 13.0 | 1.8 | 12.0 | 24.0 | Q1 |
| MSP430FR5721IRHAR | VQFN | RHA | 40 | 2500 | 330.0 | 16.4 | 6.3 | 6.3 | 1.1 | 12.0 | 16.0 | Q2 |
| MSP430FR5721IRHAT | VQFN | RHA | 40 | 250 | 180.0 | 16.4 | 6.3 | 6.3 | 1.1 | 12.0 | 16.0 | Q2 |
| MSP430FR5722IRGET | VQFN | RGE | 24 | 250 | 180.0 | 12.4 | 4.25 | 4.25 | 1.15 | 8.0 | 12.0 | Q2 |
| MSP430FR5723IRHAR | VQFN | RHA | 40 | 2500 | 330.0 | 16.4 | 6.3 | 6.3 | 1.1 | 12.0 | 16.0 | Q2 |
| MSP430FR5723IRHAT | VQFN | RHA | 40 | 250 | 180.0 | 16.4 | 6.3 | 6.3 | 1.1 | 12.0 | 16.0 | Q2 |
| MSP430FR5724IPWR | TSSOP | PW | 28 | 2000 | 330.0 | 16.4 | 6.9 | 10.2 | 1.8 | 12.0 | 16.0 | Q1 |
| MSP430FR5724IRGER | VQFN | RGE | 24 | 3000 | 330.0 | 12.4 | 4.25 | 4.25 | 1.15 | 8.0 | 12.0 | Q2 |
| MSP430FR5724IRGET | VQFN | RGE | 24 | 250 | 180.0 | 12.4 | 4.25 | 4.25 | 1.15 | 8.0 | 12.0 | Q2 |
| MSP430FR5725IDAR | TSSOP | DA | 38 | 2000 | 330.0 | 24.4 | 8.6 | 13.0 | 1.8 | 12.0 | 24.0 | Q1 |
| MSP430FR5725IRHAR | VQFN | RHA | 40 | 2500 | 330.0 | 16.4 | 6.3 | 6.3 | 1.1 | 12.0 | 16.0 | Q2 |
| MSP430FR5725IRHAT | VQFN | RHA | 40 | 250 | 180.0 | 16.4 | 6.3 | 6.3 | 1.1 | 12.0 | 16.0 | Q2 |
| MSP430FR5726IRGER | VQFN | RGE | 24 | 3000 | 330.0 | 12.4 | 4.25 | 4.25 | 1.15 | 8.0 | 12.0 | Q2 |
| MSP430FR5727IDAR | TSSOP | DA | 38 | 2000 | 330.0 | 24.4 | 8.6 | 13.0 | 1.8 | 12.0 | 24.0 | Q1 |
| MSP430FR5727IRHAT | VQFN | RHA | 40 | 250 | 180.0 | 16.4 | 6.3 | 6.3 | 1.1 | 12.0 | 16.0 | Q2 |

| Device | Package Type | Package Drawing | Pins | SPQ | Reel Diameter (mm) | Reel Width W1 (mm) | A0 (mm) | B0 (mm) | K0 (mm) | P1 (mm) | W (mm) | Pin1 Quadrant |
|-------------------|--------------|-----------------|------|------|--------------------|--------------------|---------|---------|---------|---------|--------|---------------|
| MSP430FR5728IPWR | TSSOP | PW | 28 | 2000 | 330.0 | 16.4 | 6.9 | 10.2 | 1.8 | 12.0 | 16.0 | Q1 |
| MSP430FR5728IRGER | VQFN | RGE | 24 | 3000 | 330.0 | 12.4 | 4.25 | 4.25 | 1.15 | 8.0 | 12.0 | Q2 |
| MSP430FR5728IRGET | VQFN | RGE | 24 | 250 | 180.0 | 12.4 | 4.25 | 4.25 | 1.15 | 8.0 | 12.0 | Q2 |
| MSP430FR5729IDAR | TSSOP | DA | 38 | 2000 | 330.0 | 24.4 | 8.6 | 13.0 | 1.8 | 12.0 | 24.0 | Q1 |
| MSP430FR5729IRHAR | VQFN | RHA | 40 | 2500 | 330.0 | 16.4 | 6.3 | 6.3 | 1.1 | 12.0 | 16.0 | Q2 |
| MSP430FR5729IRHAR | VQFN | RHA | 40 | 2500 | 330.0 | 16.4 | 6.3 | 6.3 | 1.1 | 12.0 | 16.0 | Q2 |
| MSP430FR5729IRHAT | VQFN | RHA | 40 | 250 | 180.0 | 16.4 | 6.3 | 6.3 | 1.1 | 12.0 | 16.0 | Q2 |

TAPE AND REEL BOX DIMENSIONS


*All dimensions are nominal

| Device | Package Type | Package Drawing | Pins | SPQ | Length (mm) | Width (mm) | Height (mm) |
|-------------------|--------------|-----------------|------|------|-------------|------------|-------------|
| MSP430FR5720IPWR | TSSOP | PW | 28 | 2000 | 350.0 | 350.0 | 43.0 |
| MSP430FR5720IRGER | VQFN | RGE | 24 | 3000 | 367.0 | 367.0 | 35.0 |
| MSP430FR5720IRGET | VQFN | RGE | 24 | 250 | 210.0 | 185.0 | 35.0 |
| MSP430FR5721IDAR | TSSOP | DA | 38 | 2000 | 350.0 | 350.0 | 43.0 |
| MSP430FR5721IRHAR | VQFN | RHA | 40 | 2500 | 367.0 | 367.0 | 38.0 |
| MSP430FR5721IRHAT | VQFN | RHA | 40 | 250 | 210.0 | 185.0 | 35.0 |
| MSP430FR5722IRGET | VQFN | RGE | 24 | 250 | 210.0 | 185.0 | 35.0 |
| MSP430FR5723IRHAR | VQFN | RHA | 40 | 2500 | 367.0 | 367.0 | 38.0 |
| MSP430FR5723IRHAT | VQFN | RHA | 40 | 250 | 210.0 | 185.0 | 35.0 |
| MSP430FR5724IPWR | TSSOP | PW | 28 | 2000 | 350.0 | 350.0 | 43.0 |

| Device | Package Type | Package Drawing | Pins | SPQ | Length (mm) | Width (mm) | Height (mm) |
|-------------------|--------------|-----------------|------|------|-------------|------------|-------------|
| MSP430FR5724IRGER | VQFN | RGE | 24 | 3000 | 367.0 | 367.0 | 35.0 |
| MSP430FR5724IRGET | VQFN | RGE | 24 | 250 | 210.0 | 185.0 | 35.0 |
| MSP430FR5725IDAR | TSSOP | DA | 38 | 2000 | 350.0 | 350.0 | 43.0 |
| MSP430FR5725IRHAR | VQFN | RHA | 40 | 2500 | 367.0 | 367.0 | 38.0 |
| MSP430FR5725IRHAT | VQFN | RHA | 40 | 250 | 210.0 | 185.0 | 35.0 |
| MSP430FR5726IRGER | VQFN | RGE | 24 | 3000 | 367.0 | 367.0 | 35.0 |
| MSP430FR5727IDAR | TSSOP | DA | 38 | 2000 | 350.0 | 350.0 | 43.0 |
| MSP430FR5727IRHAT | VQFN | RHA | 40 | 250 | 210.0 | 185.0 | 35.0 |
| MSP430FR5728IPWR | TSSOP | PW | 28 | 2000 | 350.0 | 350.0 | 43.0 |
| MSP430FR5728IRGER | VQFN | RGE | 24 | 3000 | 367.0 | 367.0 | 35.0 |
| MSP430FR5728IRGET | VQFN | RGE | 24 | 250 | 210.0 | 185.0 | 35.0 |
| MSP430FR5729IDAR | TSSOP | DA | 38 | 2000 | 350.0 | 350.0 | 43.0 |
| MSP430FR5729IRHAR | VQFN | RHA | 40 | 2500 | 367.0 | 367.0 | 38.0 |
| MSP430FR5729IRHAR | VQFN | RHA | 40 | 2500 | 367.0 | 367.0 | 38.0 |
| MSP430FR5729IRHAT | VQFN | RHA | 40 | 250 | 210.0 | 185.0 | 35.0 |