

TAPE AND REEL INFORMATION



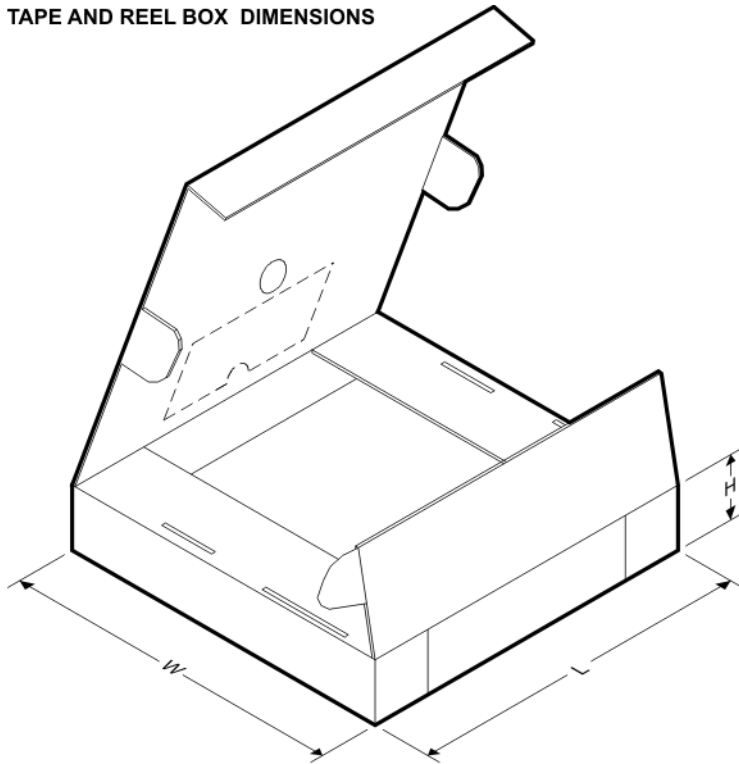
QUADRANT ASSIGNMENTS FOR PIN 1 ORIENTATION IN TAPE



*All dimensions are nominal

Device	Package Type	Package Drawing	Pins	SPQ	Reel Diameter (mm)	Reel Width W1 (mm)	A0 (mm)	B0 (mm)	K0 (mm)	P1 (mm)	W (mm)	Pin1 Quadrant
MSP430FR5730IRGER	VQFN	RGE	24	3000	330.0	12.4	4.25	4.25	1.15	8.0	12.0	Q2
MSP430FR5730IRGET	VQFN	RGE	24	250	180.0	12.4	4.25	4.25	1.15	8.0	12.0	Q2
MSP430FR5731IRHAT	VQFN	RHA	40	250	180.0	16.4	6.3	6.3	1.1	12.0	16.0	Q2
MSP430FR5732IRGET	VQFN	RGE	24	250	180.0	12.4	4.25	4.25	1.15	8.0	12.0	Q2
MSP430FR5733IRHAR	VQFN	RHA	40	2500	330.0	16.4	6.3	6.3	1.1	12.0	16.0	Q2
MSP430FR5733IRHAT	VQFN	RHA	40	250	180.0	16.4	6.3	6.3	1.1	12.0	16.0	Q2
MSP430FR5734IPWR	TSSOP	PW	28	2000	330.0	16.4	6.9	10.2	1.8	12.0	16.0	Q1
MSP430FR5735IDAR	TSSOP	DA	38	2000	330.0	24.4	8.6	13.0	1.8	12.0	24.0	Q1
MSP430FR5735IRHAR	VQFN	RHA	40	2500	330.0	16.4	6.3	6.3	1.1	12.0	16.0	Q2
MSP430FR5735IRHAT	VQFN	RHA	40	250	180.0	16.4	6.3	6.3	1.1	12.0	16.0	Q2
MSP430FR5736IRGER	VQFN	RGE	24	3000	330.0	12.4	4.25	4.25	1.15	8.0	12.0	Q2
MSP430FR5736IRGET	VQFN	RGE	24	250	180.0	12.4	4.25	4.25	1.15	8.0	12.0	Q2
MSP430FR5737IRHAT	VQFN	RHA	40	250	180.0	16.4	6.3	6.3	1.1	12.0	16.0	Q2
MSP430FR5738IPWR	TSSOP	PW	28	2000	330.0	16.4	6.9	10.2	1.8	12.0	16.0	Q1
MSP430FR5738IRGET	VQFN	RGE	24	250	180.0	12.4	4.25	4.25	1.15	8.0	12.0	Q2
MSP430FR5738IYQDR	DSBGA	YQD	24	3000	180.0	8.4	2.13	2.33	0.69	4.0	8.0	Q1
MSP430FR5738IYQDT	DSBGA	YQD	24	250	180.0	8.4	2.13	2.33	0.69	4.0	8.0	Q1
MSP430FR5739IDAR	TSSOP	DA	38	2000	330.0	24.4	8.6	13.0	1.8	12.0	24.0	Q1

Device	Package Type	Package Drawing	Pins	SPQ	Reel Diameter (mm)	Reel Width W1 (mm)	A0 (mm)	B0 (mm)	K0 (mm)	P1 (mm)	W (mm)	Pin1 Quadrant
MSP430FR5739IRHAR	VQFN	RHA	40	2500	330.0	16.4	6.3	6.3	1.1	12.0	16.0	Q2
MSP430FR5739IRHAR	VQFN	RHA	40	2500	330.0	16.4	6.3	6.3	1.1	12.0	16.0	Q2
MSP430FR5739IRHAT	VQFN	RHA	40	250	180.0	16.4	6.3	6.3	1.1	12.0	16.0	Q2

TAPE AND REEL BOX DIMENSIONS


*All dimensions are nominal

Device	Package Type	Package Drawing	Pins	SPQ	Length (mm)	Width (mm)	Height (mm)
MSP430FR5730IRGER	VQFN	RGE	24	3000	367.0	367.0	35.0
MSP430FR5730IRGET	VQFN	RGE	24	250	210.0	185.0	35.0
MSP430FR5731IRHAT	VQFN	RHA	40	250	210.0	185.0	35.0
MSP430FR5732IRGET	VQFN	RGE	24	250	210.0	185.0	35.0
MSP430FR5733IRHAR	VQFN	RHA	40	2500	367.0	367.0	38.0
MSP430FR5733IRHAT	VQFN	RHA	40	250	210.0	185.0	35.0
MSP430FR5734IPWR	TSSOP	PW	28	2000	350.0	350.0	43.0
MSP430FR5735IDAR	TSSOP	DA	38	2000	350.0	350.0	43.0
MSP430FR5735IRHAR	VQFN	RHA	40	2500	367.0	367.0	38.0
MSP430FR5735IRHAT	VQFN	RHA	40	250	210.0	185.0	35.0
MSP430FR5736IRGER	VQFN	RGE	24	3000	367.0	367.0	35.0
MSP430FR5736IRGET	VQFN	RGE	24	250	210.0	185.0	35.0
MSP430FR5737IRHAT	VQFN	RHA	40	250	210.0	185.0	35.0
MSP430FR5738IPWR	TSSOP	PW	28	2000	350.0	350.0	43.0

Device	Package Type	Package Drawing	Pins	SPQ	Length (mm)	Width (mm)	Height (mm)
MSP430FR5738IRGET	VQFN	RGE	24	250	210.0	185.0	35.0
MSP430FR5738IYQDR	DSBGA	YQD	24	3000	182.0	182.0	20.0
MSP430FR5738IYQDT	DSBGA	YQD	24	250	182.0	182.0	20.0
MSP430FR5739IDAR	TSSOP	DA	38	2000	350.0	350.0	43.0
MSP430FR5739IRHAR	VQFN	RHA	40	2500	367.0	367.0	38.0
MSP430FR5739IRHAR	VQFN	RHA	40	2500	853.0	449.0	35.0
MSP430FR5739IRHAT	VQFN	RHA	40	250	210.0	185.0	35.0