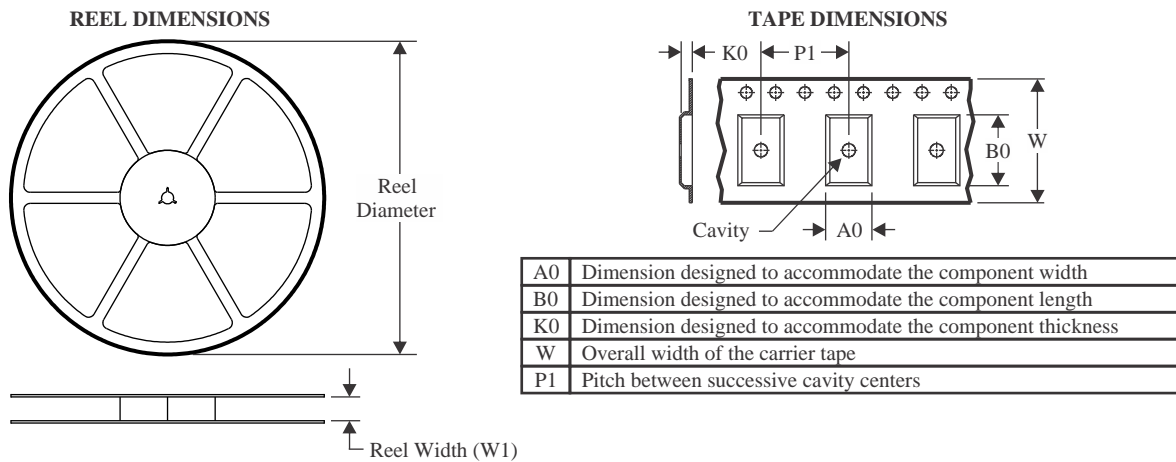
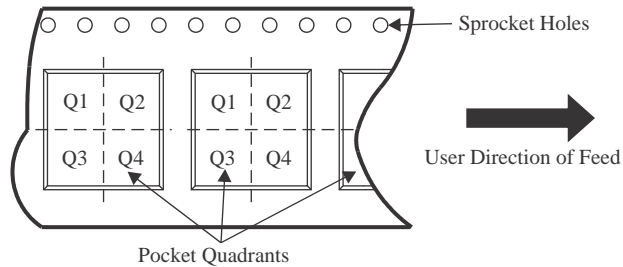
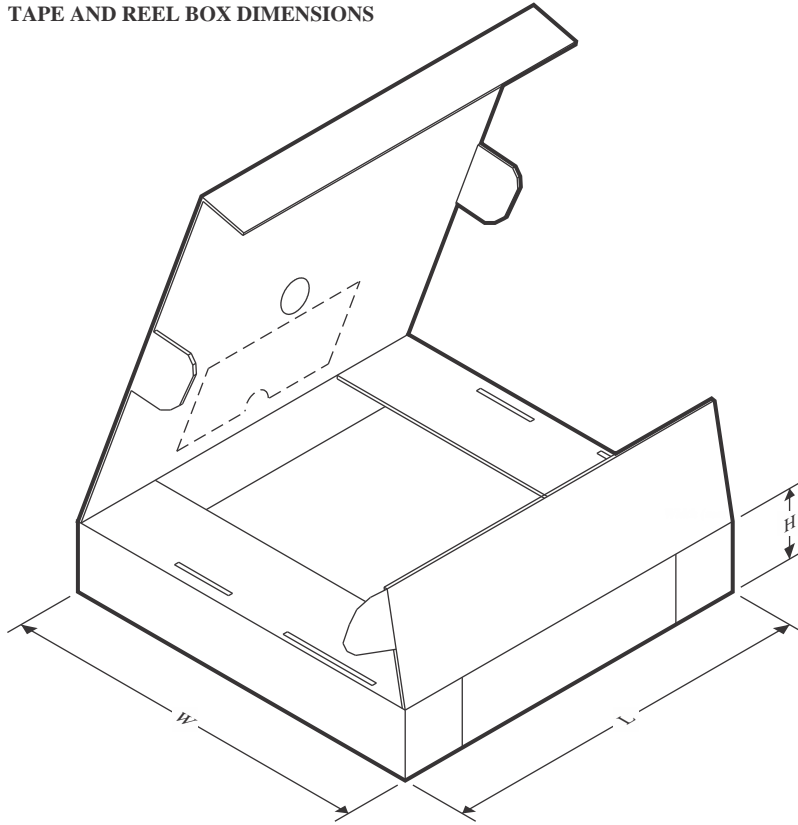


TAPE AND REEL INFORMATION

QUADRANT ASSIGNMENTS FOR PIN 1 ORIENTATION IN TAPE


*All dimensions are nominal

Device	Package Type	Package Drawing	Pins	SPQ	Reel Diameter (mm)	Reel Width W1 (mm)	A0 (mm)	B0 (mm)	K0 (mm)	P1 (mm)	W (mm)	Pin1 Quadrant
THVD1424RGTR	VQFN	RGT	16	5000	330.0	12.4	3.3	3.3	1.0	8.0	12.0	Q2
THVD1424RGTRG4	VQFN	RGT	16	5000	330.0	12.4	3.3	3.3	1.1	8.0	12.0	Q2

TAPE AND REEL BOX DIMENSIONS


*All dimensions are nominal

Device	Package Type	Package Drawing	Pins	SPQ	Length (mm)	Width (mm)	Height (mm)
THVD1424RGTR	VQFN	RGT	16	5000	356.0	356.0	36.0
THVD1424RGTRG4	VQFN	RGT	16	5000	367.0	367.0	35.0