

TAPE AND REEL INFORMATION



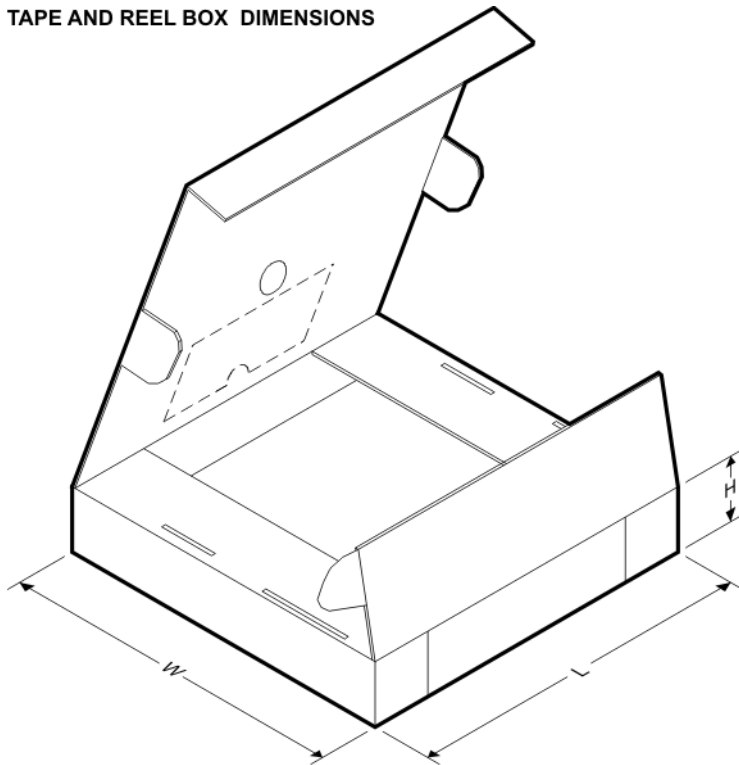
QUADRANT ASSIGNMENTS FOR PIN 1 ORIENTATION IN TAPE



*All dimensions are nominal

| Device | Package Type | Package Drawing | Pins | SPQ | Reel Diameter (mm) | Reel Width W1 (mm) | A0 (mm) | B0 (mm) | K0 (mm) | P1 (mm) | W (mm) | Pin1 Quadrant |
|------------------|--------------|-----------------|------|------|--------------------|--------------------|---------|---------|---------|---------|--------|---------------|
| TLV702125QDBVRQ1 | SOT-23 | DBV | 5 | 3000 | 180.0 | 8.4 | 3.23 | 3.17 | 1.37 | 4.0 | 8.0 | Q3 |
| TLV70212QDBVRQ1 | SOT-23 | DBV | 5 | 3000 | 180.0 | 8.4 | 3.23 | 3.17 | 1.37 | 4.0 | 8.0 | Q3 |
| TLV70212QDSERQ1 | WSO | DSE | 6 | 3000 | 179.0 | 8.4 | 1.8 | 1.8 | 1.0 | 4.0 | 8.0 | Q2 |
| TLV70213QDSERQ1 | WSO | DSE | 6 | 3000 | 179.0 | 8.4 | 1.8 | 1.8 | 1.0 | 4.0 | 8.0 | Q2 |
| TLV70215QDBVRQ1 | SOT-23 | DBV | 5 | 3000 | 180.0 | 8.4 | 3.23 | 3.17 | 1.37 | 4.0 | 8.0 | Q3 |
| TLV70215QDSERQ1 | WSO | DSE | 6 | 3000 | 179.0 | 8.4 | 1.8 | 1.8 | 1.0 | 4.0 | 8.0 | Q2 |
| TLV70218QDBVRQ1 | SOT-23 | DBV | 5 | 3000 | 180.0 | 8.4 | 3.23 | 3.17 | 1.37 | 4.0 | 8.0 | Q3 |
| TLV70218QDSERQ1 | WSO | DSE | 6 | 3000 | 179.0 | 8.4 | 1.8 | 1.8 | 1.0 | 4.0 | 8.0 | Q2 |
| TLV70225QDSERQ1 | WSO | DSE | 6 | 3000 | 179.0 | 8.4 | 1.8 | 1.8 | 1.0 | 4.0 | 8.0 | Q2 |
| TLV70227QDBVRQ1 | SOT-23 | DBV | 5 | 3000 | 180.0 | 8.4 | 3.23 | 3.17 | 1.37 | 4.0 | 8.0 | Q3 |
| TLV70227QDSERQ1 | WSO | DSE | 6 | 3000 | 179.0 | 8.4 | 1.8 | 1.8 | 1.0 | 4.0 | 8.0 | Q2 |
| TLV70228QDBVRQ1 | SOT-23 | DBV | 5 | 3000 | 180.0 | 8.4 | 3.23 | 3.17 | 1.37 | 4.0 | 8.0 | Q3 |
| TLV70228QDDCRQ1 | SOT-23-THIN | DDC | 5 | 3000 | 179.0 | 8.4 | 3.2 | 3.2 | 1.4 | 4.0 | 8.0 | Q3 |
| TLV70228QDSERQ1 | WSO | DSE | 6 | 3000 | 179.0 | 8.4 | 1.8 | 1.8 | 1.0 | 4.0 | 8.0 | Q2 |
| TLV70229QDBVRQ1 | SOT-23 | DBV | 5 | 3000 | 180.0 | 8.4 | 3.23 | 3.17 | 1.37 | 4.0 | 8.0 | Q3 |
| TLV70229QDSERQ1 | WSO | DSE | 6 | 3000 | 179.0 | 8.4 | 1.8 | 1.8 | 1.0 | 4.0 | 8.0 | Q2 |
| TLV70230QDBVRQ1 | SOT-23 | DBV | 5 | 3000 | 180.0 | 8.4 | 3.23 | 3.17 | 1.37 | 4.0 | 8.0 | Q3 |

| Device | Package Type | Package Drawing | Pins | SPQ | Reel Diameter (mm) | Reel Width W1 (mm) | A0 (mm) | B0 (mm) | K0 (mm) | P1 (mm) | W (mm) | Pin1 Quadrant |
|-----------------|--------------|-----------------|------|------|--------------------|--------------------|---------|---------|---------|---------|--------|---------------|
| TLV70230QDSERQ1 | WSON | DSE | 6 | 3000 | 179.0 | 8.4 | 1.8 | 1.8 | 1.0 | 4.0 | 8.0 | Q2 |
| TLV70231QDSERQ1 | WSON | DSE | 6 | 3000 | 179.0 | 8.4 | 1.8 | 1.8 | 1.0 | 4.0 | 8.0 | Q2 |
| TLV70232QDSERQ1 | WSON | DSE | 6 | 3000 | 179.0 | 8.4 | 1.8 | 1.8 | 1.0 | 4.0 | 8.0 | Q2 |
| TLV70233QDBVRQ1 | SOT-23 | DBV | 5 | 3000 | 180.0 | 8.4 | 3.23 | 3.17 | 1.37 | 4.0 | 8.0 | Q3 |
| TLV70233QDSERQ1 | WSON | DSE | 6 | 3000 | 179.0 | 8.4 | 1.8 | 1.8 | 1.0 | 4.0 | 8.0 | Q2 |
| TLV70236QDSERQ1 | WSON | DSE | 6 | 3000 | 179.0 | 8.4 | 1.8 | 1.8 | 1.0 | 4.0 | 8.0 | Q2 |
| TLV70245QDSERQ1 | WSON | DSE | 6 | 3000 | 179.0 | 8.4 | 1.8 | 1.8 | 1.0 | 4.0 | 8.0 | Q2 |

TAPE AND REEL BOX DIMENSIONS


*All dimensions are nominal

| Device | Package Type | Package Drawing | Pins | SPQ | Length (mm) | Width (mm) | Height (mm) |
|------------------|--------------|-----------------|------|------|-------------|------------|-------------|
| TLV702125QDBVRQ1 | SOT-23 | DBV | 5 | 3000 | 183.0 | 183.0 | 20.0 |
| TLV70212QDBVRQ1 | SOT-23 | DBV | 5 | 3000 | 183.0 | 183.0 | 20.0 |
| TLV70212QDSERQ1 | WSON | DSE | 6 | 3000 | 200.0 | 183.0 | 25.0 |
| TLV70213QDSERQ1 | WSON | DSE | 6 | 3000 | 200.0 | 183.0 | 25.0 |
| TLV70215QDBVRQ1 | SOT-23 | DBV | 5 | 3000 | 183.0 | 183.0 | 20.0 |
| TLV70215QDSERQ1 | WSON | DSE | 6 | 3000 | 200.0 | 183.0 | 25.0 |
| TLV70218QDBVRQ1 | SOT-23 | DBV | 5 | 3000 | 183.0 | 183.0 | 20.0 |
| TLV70218QDSERQ1 | WSON | DSE | 6 | 3000 | 200.0 | 183.0 | 25.0 |
| TLV70225QDSERQ1 | WSON | DSE | 6 | 3000 | 200.0 | 183.0 | 25.0 |
| TLV70227QDBVRQ1 | SOT-23 | DBV | 5 | 3000 | 183.0 | 183.0 | 20.0 |

| Device | Package Type | Package Drawing | Pins | SPQ | Length (mm) | Width (mm) | Height (mm) |
|-----------------|--------------|-----------------|------|------|-------------|------------|-------------|
| TLV70227QDSERQ1 | WSON | DSE | 6 | 3000 | 200.0 | 183.0 | 25.0 |
| TLV70228QDBVRQ1 | SOT-23 | DBV | 5 | 3000 | 183.0 | 183.0 | 20.0 |
| TLV70228QDDCRQ1 | SOT-23-THIN | DDC | 5 | 3000 | 213.0 | 191.0 | 35.0 |
| TLV70228QDSERQ1 | WSON | DSE | 6 | 3000 | 200.0 | 183.0 | 25.0 |
| TLV70229QDBVRQ1 | SOT-23 | DBV | 5 | 3000 | 183.0 | 183.0 | 20.0 |
| TLV70229QDSERQ1 | WSON | DSE | 6 | 3000 | 200.0 | 183.0 | 25.0 |
| TLV70230QDBVRQ1 | SOT-23 | DBV | 5 | 3000 | 183.0 | 183.0 | 20.0 |
| TLV70230QDSERQ1 | WSON | DSE | 6 | 3000 | 200.0 | 183.0 | 25.0 |
| TLV70231QDSERQ1 | WSON | DSE | 6 | 3000 | 200.0 | 183.0 | 25.0 |
| TLV70232QDSERQ1 | WSON | DSE | 6 | 3000 | 200.0 | 183.0 | 25.0 |
| TLV70233QDBVRQ1 | SOT-23 | DBV | 5 | 3000 | 183.0 | 183.0 | 20.0 |
| TLV70233QDSERQ1 | WSON | DSE | 6 | 3000 | 200.0 | 183.0 | 25.0 |
| TLV70236QDSERQ1 | WSON | DSE | 6 | 3000 | 200.0 | 183.0 | 25.0 |
| TLV70245QDSERQ1 | WSON | DSE | 6 | 3000 | 200.0 | 183.0 | 25.0 |