

TAPE AND REEL INFORMATION

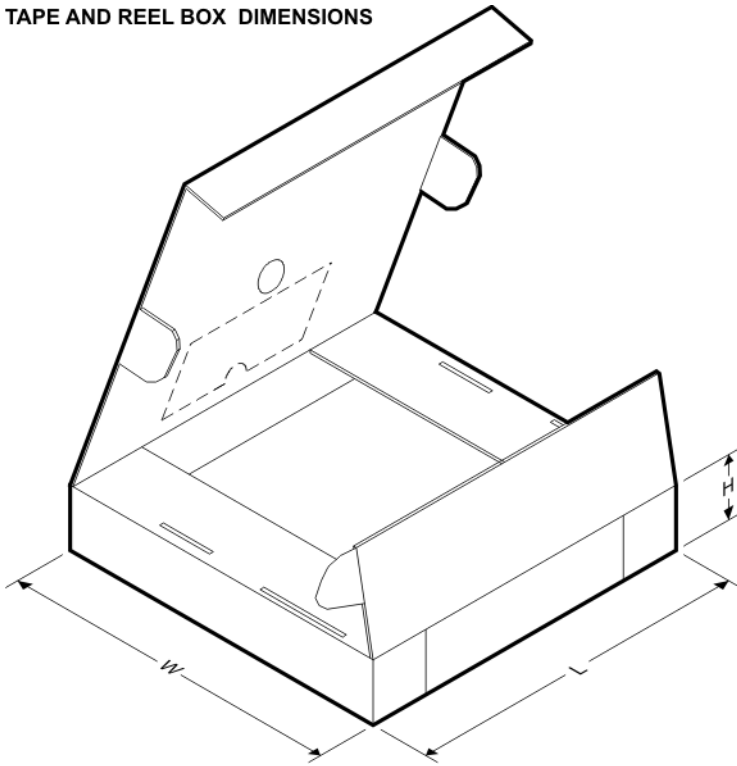


QUADRANT ASSIGNMENTS FOR PIN 1 ORIENTATION IN TAPE



*All dimensions are nominal

| Device | Package Type | Package Drawing | Pins | SPQ | Reel Diameter (mm) | Reel Width W1 (mm) | A0 (mm) | B0 (mm) | K0 (mm) | P1 (mm) | W (mm) | Pin1 Quadrant |
|-------------|--------------|-----------------|------|------|--------------------|--------------------|---------|---------|---------|---------|--------|---------------|
| TMP431ADGKR | VSSOP | DGK | 8 | 2500 | 330.0 | 12.4 | 5.3 | 3.4 | 1.4 | 8.0 | 12.0 | Q1 |
| TMP431ADGKT | VSSOP | DGK | 8 | 250 | 330.0 | 12.4 | 5.3 | 3.4 | 1.4 | 8.0 | 12.0 | Q1 |
| TMP431BDGKR | VSSOP | DGK | 8 | 2500 | 330.0 | 12.4 | 5.3 | 3.4 | 1.4 | 8.0 | 12.0 | Q1 |
| TMP431BDGKT | VSSOP | DGK | 8 | 250 | 330.0 | 12.4 | 5.3 | 3.4 | 1.4 | 8.0 | 12.0 | Q1 |
| TMP431CDGKR | VSSOP | DGK | 8 | 2500 | 330.0 | 12.4 | 5.3 | 3.4 | 1.4 | 8.0 | 12.0 | Q1 |
| TMP431CDGKT | VSSOP | DGK | 8 | 250 | 177.8 | 12.4 | 5.3 | 3.4 | 1.4 | 8.0 | 12.0 | Q1 |
| TMP431CDGKT | VSSOP | DGK | 8 | 250 | 330.0 | 12.4 | 5.3 | 3.4 | 1.4 | 8.0 | 12.0 | Q1 |
| TMP431DDGKR | VSSOP | DGK | 8 | 2500 | 330.0 | 12.4 | 5.3 | 3.4 | 1.4 | 8.0 | 12.0 | Q1 |
| TMP431DDGKT | VSSOP | DGK | 8 | 250 | 177.8 | 12.4 | 5.3 | 3.4 | 1.4 | 8.0 | 12.0 | Q1 |
| TMP432ADGSR | VSSOP | DGS | 10 | 2500 | 330.0 | 12.4 | 5.3 | 3.4 | 1.4 | 8.0 | 12.0 | Q1 |
| TMP432ADGSR | VSSOP | DGS | 10 | 2500 | 330.0 | 12.4 | 5.3 | 3.4 | 1.4 | 8.0 | 12.0 | Q1 |
| TMP432ADGST | VSSOP | DGS | 10 | 250 | 330.0 | 12.4 | 5.3 | 3.4 | 1.4 | 8.0 | 12.0 | Q1 |
| TMP432ADGST | VSSOP | DGS | 10 | 250 | 330.0 | 12.4 | 5.3 | 3.4 | 1.4 | 8.0 | 12.0 | Q1 |
| TMP432BDGSR | VSSOP | DGS | 10 | 2500 | 330.0 | 12.4 | 5.3 | 3.4 | 1.4 | 8.0 | 12.0 | Q1 |
| TMP432BDGSR | VSSOP | DGS | 10 | 2500 | 330.0 | 12.4 | 5.3 | 3.4 | 1.4 | 8.0 | 12.0 | Q1 |
| TMP432BDGST | VSSOP | DGS | 10 | 250 | 177.8 | 12.4 | 5.3 | 3.4 | 1.4 | 8.0 | 12.0 | Q1 |
| TMP432BDGST | VSSOP | DGS | 10 | 250 | 330.0 | 12.4 | 5.3 | 3.4 | 1.4 | 8.0 | 12.0 | Q1 |

TAPE AND REEL BOX DIMENSIONS


*All dimensions are nominal

| Device | Package Type | Package Drawing | Pins | SPQ | Length (mm) | Width (mm) | Height (mm) |
|-------------|--------------|-----------------|------|------|-------------|------------|-------------|
| TMP431ADGKR | VSSOP | DGK | 8 | 2500 | 366.0 | 364.0 | 50.0 |
| TMP431ADGKT | VSSOP | DGK | 8 | 250 | 366.0 | 364.0 | 50.0 |
| TMP431BDGKR | VSSOP | DGK | 8 | 2500 | 366.0 | 364.0 | 50.0 |
| TMP431BDGKT | VSSOP | DGK | 8 | 250 | 366.0 | 364.0 | 50.0 |
| TMP431CDGKR | VSSOP | DGK | 8 | 2500 | 346.0 | 346.0 | 41.0 |
| TMP431CDGKR | VSSOP | DGK | 8 | 2500 | 366.0 | 364.0 | 50.0 |
| TMP431CDGKT | VSSOP | DGK | 8 | 250 | 223.0 | 270.0 | 35.0 |
| TMP431CDGKT | VSSOP | DGK | 8 | 250 | 366.0 | 364.0 | 50.0 |
| TMP431DDGKR | VSSOP | DGK | 8 | 2500 | 346.0 | 346.0 | 29.0 |
| TMP431DDGKT | VSSOP | DGK | 8 | 250 | 223.0 | 270.0 | 35.0 |
| TMP432ADGSR | VSSOP | DGS | 10 | 2500 | 366.0 | 364.0 | 50.0 |
| TMP432ADGSR | VSSOP | DGS | 10 | 2500 | 346.0 | 346.0 | 41.0 |
| TMP432ADGST | VSSOP | DGS | 10 | 250 | 366.0 | 364.0 | 50.0 |
| TMP432ADGST | VSSOP | DGS | 10 | 250 | 358.0 | 335.0 | 35.0 |
| TMP432BDGSR | VSSOP | DGS | 10 | 2500 | 366.0 | 364.0 | 50.0 |
| TMP432BDGSR | VSSOP | DGS | 10 | 2500 | 346.0 | 346.0 | 41.0 |
| TMP432BDGST | VSSOP | DGS | 10 | 250 | 223.0 | 270.0 | 35.0 |
| TMP432BDGST | VSSOP | DGS | 10 | 250 | 366.0 | 364.0 | 50.0 |