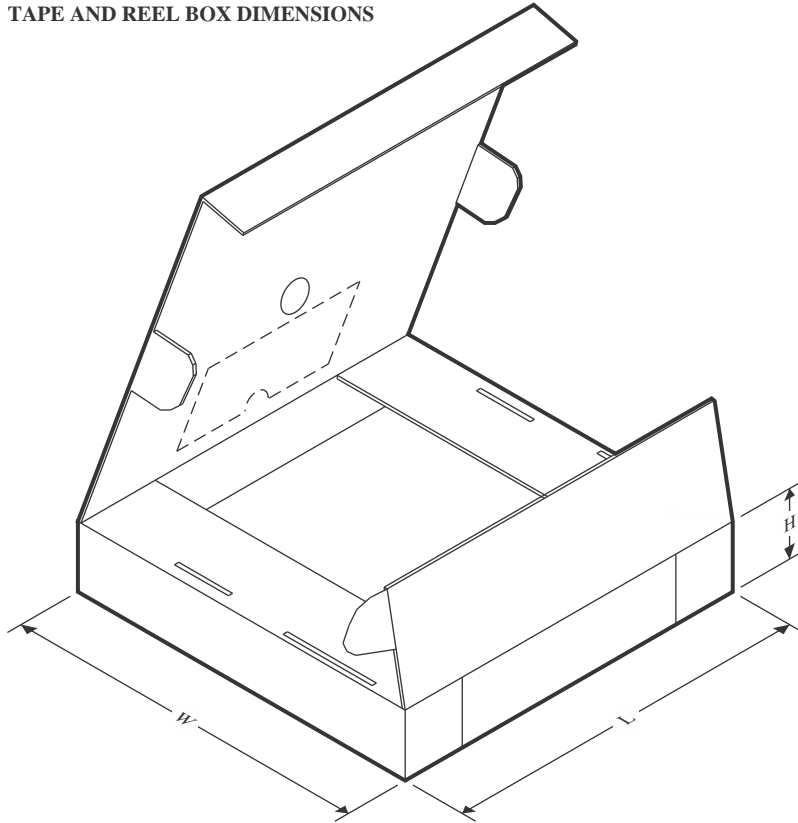


**TAPE AND REEL INFORMATION**

**QUADRANT ASSIGNMENTS FOR PIN 1 ORIENTATION IN TAPE**


\*All dimensions are nominal

Device	Package Type	Package Drawing	Pins	SPQ	Reel Diameter (mm)	Reel Width W1 (mm)	A0 (mm)	B0 (mm)	K0 (mm)	P1 (mm)	W (mm)	Pin1 Quadrant
TPS26600PWPR	HTSSOP	PWP	16	2000	330.0	12.4	6.9	5.6	1.6	8.0	12.0	Q1
TPS26600PWPT	HTSSOP	PWP	16	250	180.0	12.4	6.9	5.6	1.6	8.0	12.0	Q1
TPS26600PWPTG4	HTSSOP	PWP	16	250	180.0	12.4	6.9	5.6	1.6	8.0	12.0	Q1
TPS26600RHFR	VQFN	RHF	24	3000	330.0	12.4	4.3	5.3	1.3	8.0	12.0	Q1
TPS26600RHFT	VQFN	RHF	24	250	180.0	12.4	4.3	5.3	1.3	8.0	12.0	Q1
TPS26600RHFTG4	VQFN	RHF	24	250	180.0	12.4	4.3	5.3	1.3	8.0	12.0	Q1
TPS26601RHFR	VQFN	RHF	24	3000	330.0	12.4	4.3	5.3	1.3	8.0	12.0	Q1
TPS26601RHFT	VQFN	RHF	24	250	180.0	12.4	4.3	5.3	1.3	8.0	12.0	Q1
TPS26601RHFTG4	VQFN	RHF	24	250	180.0	12.4	4.3	5.3	1.3	8.0	12.0	Q1
TPS26602PWPR	HTSSOP	PWP	16	2000	330.0	12.4	6.9	5.6	1.6	8.0	12.0	Q1
TPS26602PWPT	HTSSOP	PWP	16	250	180.0	12.4	6.9	5.6	1.6	8.0	12.0	Q1
TPS26602PWPTG4	HTSSOP	PWP	16	250	180.0	12.4	6.9	5.6	1.6	8.0	12.0	Q1
TPS26602RHFR	VQFN	RHF	24	3000	330.0	12.4	4.3	5.3	1.3	8.0	12.0	Q1
TPS26602RHFR	VQFN	RHF	24	3000	330.0	12.4	4.3	5.3	1.3	8.0	12.0	Q1
TPS26602RHFRG4	VQFN	RHF	24	3000	330.0	12.4	4.3	5.3	1.3	8.0	12.0	Q1
TPS26602RHFT	VQFN	RHF	24	250	180.0	12.4	4.3	5.3	1.3	8.0	12.0	Q1

**TAPE AND REEL BOX DIMENSIONS**


\*All dimensions are nominal

Device	Package Type	Package Drawing	Pins	SPQ	Length (mm)	Width (mm)	Height (mm)
TPS26600PWPR	HTSSOP	PWP	16	2000	350.0	350.0	43.0
TPS26600PWPT	HTSSOP	PWP	16	250	210.0	185.0	35.0
TPS26600PWPTG4	HTSSOP	PWP	16	250	210.0	185.0	35.0
TPS26600RHFR	VQFN	RHF	24	3000	367.0	367.0	35.0
TPS26600RHFT	VQFN	RHF	24	250	210.0	185.0	35.0
TPS26600RHFTG4	VQFN	RHF	24	250	210.0	185.0	35.0
TPS26601RHFR	VQFN	RHF	24	3000	367.0	367.0	35.0
TPS26601RHFT	VQFN	RHF	24	250	210.0	185.0	35.0
TPS26601RHFTG4	VQFN	RHF	24	250	210.0	185.0	35.0
TPS26602PWPR	HTSSOP	PWP	16	2000	350.0	350.0	43.0
TPS26602PWPT	HTSSOP	PWP	16	250	210.0	185.0	35.0
TPS26602PWPTG4	HTSSOP	PWP	16	250	210.0	185.0	35.0
TPS26602RHFR	VQFN	RHF	24	3000	346.0	346.0	33.0
TPS26602RHFR	VQFN	RHF	24	3000	367.0	367.0	35.0
TPS26602RHFRG4	VQFN	RHF	24	3000	367.0	367.0	35.0
TPS26602RHFT	VQFN	RHF	24	250	210.0	185.0	35.0