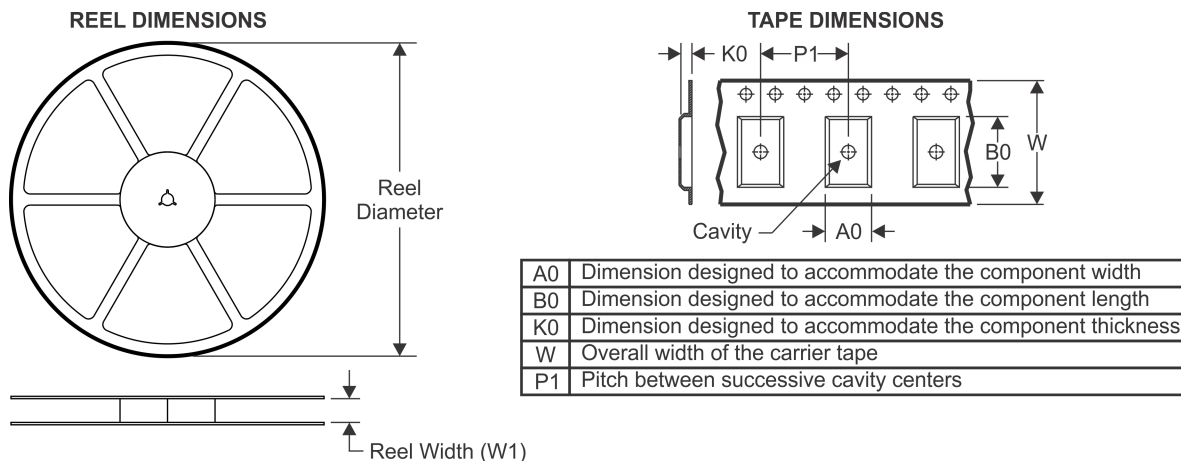
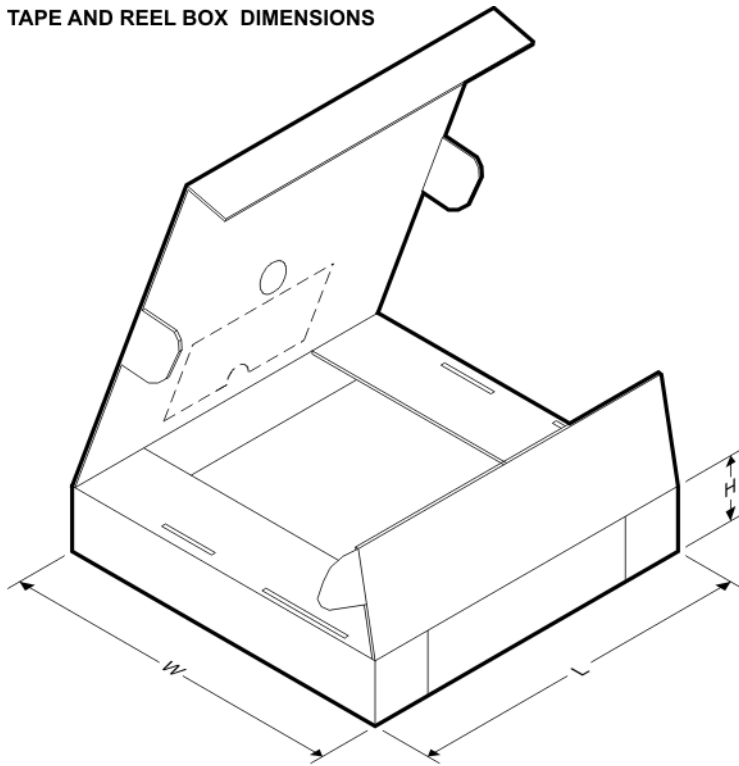


TAPE AND REEL INFORMATION

QUADRANT ASSIGNMENTS FOR PIN 1 ORIENTATION IN TAPE


*All dimensions are nominal

| Device | Package Type | Package Drawing | Pins | SPQ | Reel Diameter (mm) | Reel Width W1 (mm) | A0 (mm) | B0 (mm) | K0 (mm) | P1 (mm) | W (mm) | Pin1 Quadrant |
|-----------------|--------------|-----------------|------|------|--------------------|--------------------|---------|---------|---------|---------|--------|---------------|
| TPS3851G18EDRBR | SON | DRB | 8 | 3000 | 330.0 | 12.4 | 3.3 | 3.3 | 1.1 | 8.0 | 12.0 | Q2 |
| TPS3851G18EDRBT | SON | DRB | 8 | 250 | 180.0 | 12.4 | 3.3 | 3.3 | 1.1 | 8.0 | 12.0 | Q2 |
| TPS3851G18SDRBR | SON | DRB | 8 | 3000 | 330.0 | 12.4 | 3.3 | 3.3 | 1.1 | 8.0 | 12.0 | Q2 |
| TPS3851G18SDRBT | SON | DRB | 8 | 250 | 180.0 | 12.4 | 3.3 | 3.3 | 1.1 | 8.0 | 12.0 | Q2 |
| TPS3851G25EDRBR | SON | DRB | 8 | 3000 | 330.0 | 12.4 | 3.3 | 3.3 | 1.1 | 8.0 | 12.0 | Q2 |
| TPS3851G25EDRBT | SON | DRB | 8 | 250 | 180.0 | 12.4 | 3.3 | 3.3 | 1.1 | 8.0 | 12.0 | Q2 |
| TPS3851G30EDRBR | SON | DRB | 8 | 3000 | 330.0 | 12.4 | 3.3 | 3.3 | 1.1 | 8.0 | 12.0 | Q2 |
| TPS3851G30EDRBT | SON | DRB | 8 | 250 | 180.0 | 12.4 | 3.3 | 3.3 | 1.1 | 8.0 | 12.0 | Q2 |
| TPS3851G33EDRBR | SON | DRB | 8 | 3000 | 330.0 | 12.4 | 3.3 | 3.3 | 1.1 | 8.0 | 12.0 | Q2 |
| TPS3851G33EDRBT | SON | DRB | 8 | 250 | 180.0 | 12.4 | 3.3 | 3.3 | 1.1 | 8.0 | 12.0 | Q2 |
| TPS3851G33SDRBR | SON | DRB | 8 | 3000 | 330.0 | 12.4 | 3.3 | 3.3 | 1.1 | 8.0 | 12.0 | Q2 |
| TPS3851G33SDRBT | SON | DRB | 8 | 250 | 180.0 | 12.4 | 3.3 | 3.3 | 1.1 | 8.0 | 12.0 | Q2 |
| TPS3851G50EDRBR | SON | DRB | 8 | 3000 | 330.0 | 12.4 | 3.3 | 3.3 | 1.1 | 8.0 | 12.0 | Q2 |
| TPS3851G50EDRBT | SON | DRB | 8 | 250 | 180.0 | 12.4 | 3.3 | 3.3 | 1.1 | 8.0 | 12.0 | Q2 |
| TPS3851G50SDRBR | SON | DRB | 8 | 3000 | 330.0 | 12.4 | 3.3 | 3.3 | 1.1 | 8.0 | 12.0 | Q2 |
| TPS3851G50SDRBT | SON | DRB | 8 | 250 | 180.0 | 12.4 | 3.3 | 3.3 | 1.1 | 8.0 | 12.0 | Q2 |
| TPS3851H18EDRBR | SON | DRB | 8 | 3000 | 330.0 | 12.4 | 3.3 | 3.3 | 1.1 | 8.0 | 12.0 | Q2 |
| TPS3851H18EDRBT | SON | DRB | 8 | 250 | 180.0 | 12.4 | 3.3 | 3.3 | 1.1 | 8.0 | 12.0 | Q2 |

| Device | Package Type | Package Drawing | Pins | SPQ | Reel Diameter (mm) | Reel Width W1 (mm) | A0 (mm) | B0 (mm) | K0 (mm) | P1 (mm) | W (mm) | Pin1 Quadrant |
|-----------------|--------------|-----------------|------|------|--------------------|--------------------|---------|---------|---------|---------|--------|---------------|
| TPS3851H25EDRBR | SON | DRB | 8 | 3000 | 330.0 | 12.4 | 3.3 | 3.3 | 1.1 | 8.0 | 12.0 | Q2 |
| TPS3851H25EDRBT | SON | DRB | 8 | 250 | 180.0 | 12.4 | 3.3 | 3.3 | 1.1 | 8.0 | 12.0 | Q2 |
| TPS3851H30EDRBR | SON | DRB | 8 | 3000 | 330.0 | 12.4 | 3.3 | 3.3 | 1.1 | 8.0 | 12.0 | Q2 |
| TPS3851H30EDRBT | SON | DRB | 8 | 250 | 180.0 | 12.4 | 3.3 | 3.3 | 1.1 | 8.0 | 12.0 | Q2 |
| TPS3851H33EDRBR | SON | DRB | 8 | 3000 | 330.0 | 12.4 | 3.3 | 3.3 | 1.1 | 8.0 | 12.0 | Q2 |
| TPS3851H33EDRBT | SON | DRB | 8 | 250 | 180.0 | 12.4 | 3.3 | 3.3 | 1.1 | 8.0 | 12.0 | Q2 |
| TPS3851H50EDRBR | SON | DRB | 8 | 3000 | 330.0 | 12.4 | 3.3 | 3.3 | 1.1 | 8.0 | 12.0 | Q2 |
| TPS3851H50EDRBT | SON | DRB | 8 | 250 | 180.0 | 12.4 | 3.3 | 3.3 | 1.1 | 8.0 | 12.0 | Q2 |

TAPE AND REEL BOX DIMENSIONS


*All dimensions are nominal

| Device | Package Type | Package Drawing | Pins | SPQ | Length (mm) | Width (mm) | Height (mm) |
|-----------------|--------------|-----------------|------|------|-------------|------------|-------------|
| TPS3851G18EDRBR | SON | DRB | 8 | 3000 | 367.0 | 367.0 | 35.0 |
| TPS3851G18EDRBT | SON | DRB | 8 | 250 | 210.0 | 185.0 | 35.0 |
| TPS3851G18SDRBR | SON | DRB | 8 | 3000 | 367.0 | 367.0 | 35.0 |
| TPS3851G18SDRBT | SON | DRB | 8 | 250 | 210.0 | 185.0 | 35.0 |
| TPS3851G25EDRBR | SON | DRB | 8 | 3000 | 367.0 | 367.0 | 35.0 |
| TPS3851G25EDRBT | SON | DRB | 8 | 250 | 210.0 | 185.0 | 35.0 |
| TPS3851G30EDRBR | SON | DRB | 8 | 3000 | 367.0 | 367.0 | 35.0 |
| TPS3851G30EDRBT | SON | DRB | 8 | 250 | 210.0 | 185.0 | 35.0 |
| TPS3851G33EDRBR | SON | DRB | 8 | 3000 | 367.0 | 367.0 | 35.0 |

| Device | Package Type | Package Drawing | Pins | SPQ | Length (mm) | Width (mm) | Height (mm) |
|-----------------|--------------|-----------------|------|------|-------------|------------|-------------|
| TPS3851G33EDRBT | SON | DRB | 8 | 250 | 210.0 | 185.0 | 35.0 |
| TPS3851G33SDRBR | SON | DRB | 8 | 3000 | 367.0 | 367.0 | 35.0 |
| TPS3851G33SDRBT | SON | DRB | 8 | 250 | 210.0 | 185.0 | 35.0 |
| TPS3851G50EDRBR | SON | DRB | 8 | 3000 | 367.0 | 367.0 | 35.0 |
| TPS3851G50EDRBT | SON | DRB | 8 | 250 | 210.0 | 185.0 | 35.0 |
| TPS3851G50SDRBR | SON | DRB | 8 | 3000 | 367.0 | 367.0 | 35.0 |
| TPS3851G50SDRBT | SON | DRB | 8 | 250 | 210.0 | 185.0 | 35.0 |
| TPS3851H18EDRBR | SON | DRB | 8 | 3000 | 367.0 | 367.0 | 35.0 |
| TPS3851H18EDRBT | SON | DRB | 8 | 250 | 210.0 | 185.0 | 35.0 |
| TPS3851H25EDRBR | SON | DRB | 8 | 3000 | 367.0 | 367.0 | 35.0 |
| TPS3851H25EDRBT | SON | DRB | 8 | 250 | 210.0 | 185.0 | 35.0 |
| TPS3851H30EDRBR | SON | DRB | 8 | 3000 | 367.0 | 367.0 | 35.0 |
| TPS3851H30EDRBT | SON | DRB | 8 | 250 | 210.0 | 185.0 | 35.0 |
| TPS3851H33EDRBR | SON | DRB | 8 | 3000 | 367.0 | 367.0 | 35.0 |
| TPS3851H33EDRBT | SON | DRB | 8 | 250 | 210.0 | 185.0 | 35.0 |
| TPS3851H50EDRBR | SON | DRB | 8 | 3000 | 367.0 | 367.0 | 35.0 |
| TPS3851H50EDRBT | SON | DRB | 8 | 250 | 210.0 | 185.0 | 35.0 |