

TAPE AND REEL INFORMATION



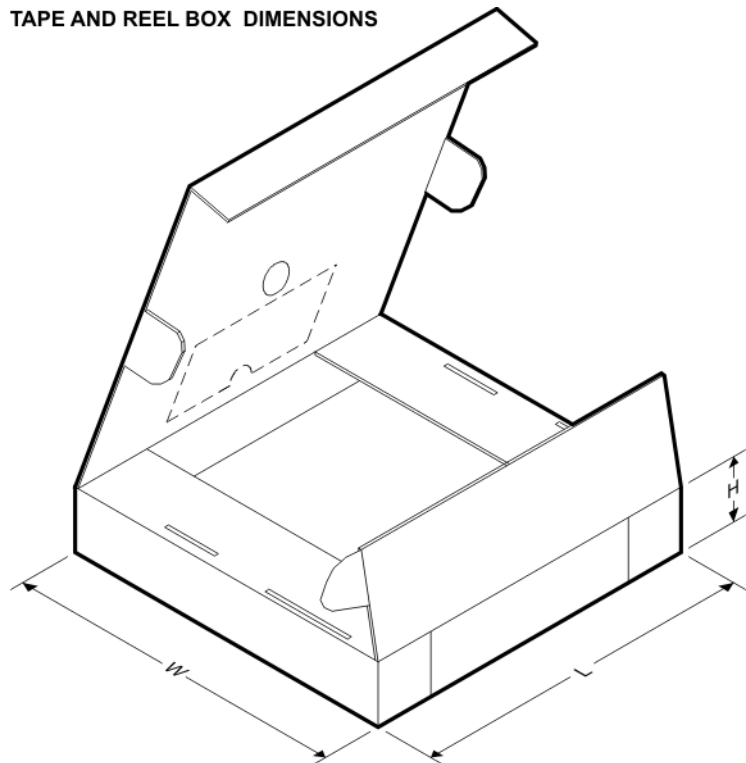
QUADRANT ASSIGNMENTS FOR PIN 1 ORIENTATION IN TAPE



*All dimensions are nominal

| Device | Package Type | Package Drawing | Pins | SPQ | Reel Diameter (mm) | Reel Width W1 (mm) | A0 (mm) | B0 (mm) | K0 (mm) | P1 (mm) | W (mm) | Pin1 Quadrant |
|----------------|--------------|-----------------|------|------|--------------------|--------------------|---------|---------|---------|---------|--------|---------------|
| TPS62824ADMQR | VSON-HR | DMQ | 6 | 3000 | 180.0 | 8.4 | 1.75 | 1.75 | 1.0 | 4.0 | 8.0 | Q2 |
| TPS6282518DMQR | VSON-HR | DMQ | 6 | 3000 | 180.0 | 8.4 | 1.7 | 1.7 | 1.14 | 4.0 | 8.0 | Q2 |
| TPS6282518DMQR | VSON-HR | DMQ | 6 | 3000 | 180.0 | 8.4 | 1.75 | 1.75 | 1.0 | 4.0 | 8.0 | Q2 |
| TPS6282518DMQT | VSON-HR | DMQ | 6 | 250 | 180.0 | 8.4 | 1.7 | 1.7 | 1.14 | 4.0 | 8.0 | Q2 |
| TPS62825ADMQR | VSON-HR | DMQ | 6 | 3000 | 180.0 | 8.4 | 1.75 | 1.75 | 1.0 | 4.0 | 8.0 | Q2 |
| TPS62825DMQR | VSON-HR | DMQ | 6 | 3000 | 180.0 | 8.4 | 1.7 | 1.7 | 1.14 | 4.0 | 8.0 | Q2 |
| TPS62825DMQR | VSON-HR | DMQ | 6 | 3000 | 180.0 | 8.4 | 1.75 | 1.75 | 1.0 | 4.0 | 8.0 | Q2 |
| TPS62825DMQT | VSON-HR | DMQ | 6 | 250 | 180.0 | 8.4 | 1.7 | 1.7 | 1.14 | 4.0 | 8.0 | Q2 |
| TPS62825DMQT | VSON-HR | DMQ | 6 | 250 | 180.0 | 8.4 | 1.75 | 1.75 | 1.0 | 4.0 | 8.0 | Q2 |
| TPS6282618DMQR | VSON-HR | DMQ | 6 | 3000 | 180.0 | 8.4 | 1.75 | 1.75 | 1.0 | 4.0 | 8.0 | Q2 |
| TPS6282618DMQR | VSON- | DMQ | 6 | 3000 | 180.0 | 8.4 | 1.7 | 1.7 | 1.14 | 4.0 | 8.0 | Q2 |

| Device | Package Type | Package Drawing | Pins | SPQ | Reel Diameter (mm) | Reel Width W1 (mm) | A0 (mm) | B0 (mm) | K0 (mm) | P1 (mm) | W (mm) | Pin1 Quadrant |
|----------------|--------------|-----------------|------|------|--------------------|--------------------|---------|---------|---------|---------|--------|---------------|
| | HR | | | | | | | | | | | |
| TPS6282618DMQT | VSON-HR | DMQ | 6 | 250 | 180.0 | 8.4 | 1.75 | 1.75 | 1.0 | 4.0 | 8.0 | Q2 |
| TPS6282618DMQT | VSON-HR | DMQ | 6 | 250 | 180.0 | 8.4 | 1.7 | 1.7 | 1.14 | 4.0 | 8.0 | Q2 |
| TPS62826ADMQR | VSON-HR | DMQ | 6 | 3000 | 180.0 | 8.4 | 1.75 | 1.75 | 1.0 | 4.0 | 8.0 | Q2 |
| TPS62826DMQR | VSON-HR | DMQ | 6 | 3000 | 180.0 | 8.4 | 1.75 | 1.75 | 1.0 | 4.0 | 8.0 | Q2 |
| TPS62826DMQR | VSON-HR | DMQ | 6 | 3000 | 180.0 | 8.4 | 1.7 | 1.7 | 1.14 | 4.0 | 8.0 | Q2 |
| TPS62826DMQT | VSON-HR | DMQ | 6 | 250 | 180.0 | 8.4 | 1.7 | 1.7 | 1.14 | 4.0 | 8.0 | Q2 |
| TPS62826DMQT | VSON-HR | DMQ | 6 | 250 | 180.0 | 8.4 | 1.75 | 1.75 | 1.0 | 4.0 | 8.0 | Q2 |
| TPS62827ADMQR | VSON-HR | DMQ | 6 | 3000 | 180.0 | 8.4 | 1.75 | 1.75 | 1.0 | 4.0 | 8.0 | Q2 |
| TPS62827DMQR | VSON-HR | DMQ | 6 | 3000 | 180.0 | 8.4 | 1.7 | 1.7 | 1.14 | 4.0 | 8.0 | Q2 |
| TPS62827DMQR | VSON-HR | DMQ | 6 | 3000 | 180.0 | 8.4 | 1.75 | 1.75 | 1.0 | 4.0 | 8.0 | Q2 |
| TPS62827DMQT | VSON-HR | DMQ | 6 | 250 | 180.0 | 8.4 | 1.7 | 1.7 | 1.14 | 4.0 | 8.0 | Q2 |

TAPE AND REEL BOX DIMENSIONS


*All dimensions are nominal

| Device | Package Type | Package Drawing | Pins | SPQ | Length (mm) | Width (mm) | Height (mm) |
|----------------|--------------|-----------------|------|------|-------------|------------|-------------|
| TPS62824ADMQR | VSON-HR | DMQ | 6 | 3000 | 210.0 | 185.0 | 35.0 |
| TPS6282518DMQR | VSON-HR | DMQ | 6 | 3000 | 182.0 | 182.0 | 20.0 |
| TPS6282518DMQR | VSON-HR | DMQ | 6 | 3000 | 210.0 | 185.0 | 35.0 |
| TPS6282518DMQT | VSON-HR | DMQ | 6 | 250 | 182.0 | 182.0 | 20.0 |
| TPS62825ADMQR | VSON-HR | DMQ | 6 | 3000 | 210.0 | 185.0 | 35.0 |
| TPS62825DMQR | VSON-HR | DMQ | 6 | 3000 | 182.0 | 182.0 | 20.0 |
| TPS62825DMQR | VSON-HR | DMQ | 6 | 3000 | 210.0 | 185.0 | 35.0 |
| TPS62825DMQT | VSON-HR | DMQ | 6 | 250 | 182.0 | 182.0 | 20.0 |
| TPS62825DMQT | VSON-HR | DMQ | 6 | 250 | 210.0 | 185.0 | 35.0 |
| TPS6282618DMQR | VSON-HR | DMQ | 6 | 3000 | 210.0 | 185.0 | 35.0 |
| TPS6282618DMQR | VSON-HR | DMQ | 6 | 3000 | 182.0 | 182.0 | 20.0 |
| TPS6282618DMQT | VSON-HR | DMQ | 6 | 250 | 210.0 | 185.0 | 35.0 |
| TPS6282618DMQT | VSON-HR | DMQ | 6 | 250 | 182.0 | 182.0 | 20.0 |
| TPS62826ADMQR | VSON-HR | DMQ | 6 | 3000 | 210.0 | 185.0 | 35.0 |
| TPS62826DMQR | VSON-HR | DMQ | 6 | 3000 | 210.0 | 185.0 | 35.0 |
| TPS62826DMQR | VSON-HR | DMQ | 6 | 3000 | 182.0 | 182.0 | 20.0 |
| TPS62826DMQT | VSON-HR | DMQ | 6 | 250 | 182.0 | 182.0 | 20.0 |
| TPS62826DMQT | VSON-HR | DMQ | 6 | 250 | 210.0 | 185.0 | 35.0 |
| TPS62827ADMQR | VSON-HR | DMQ | 6 | 3000 | 210.0 | 185.0 | 35.0 |
| TPS62827DMQR | VSON-HR | DMQ | 6 | 3000 | 182.0 | 182.0 | 20.0 |
| TPS62827DMQR | VSON-HR | DMQ | 6 | 3000 | 210.0 | 185.0 | 35.0 |
| TPS62827DMQT | VSON-HR | DMQ | 6 | 250 | 182.0 | 182.0 | 20.0 |