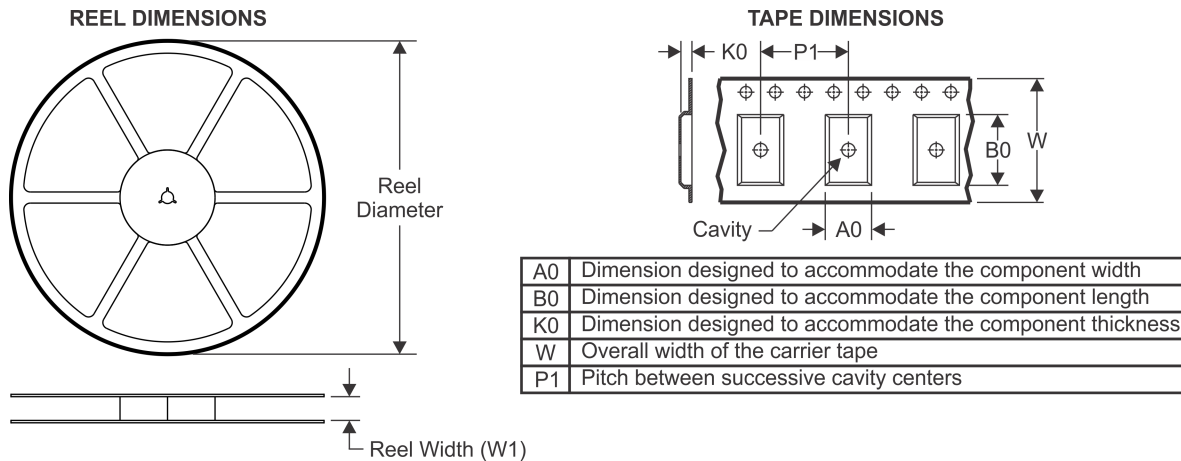
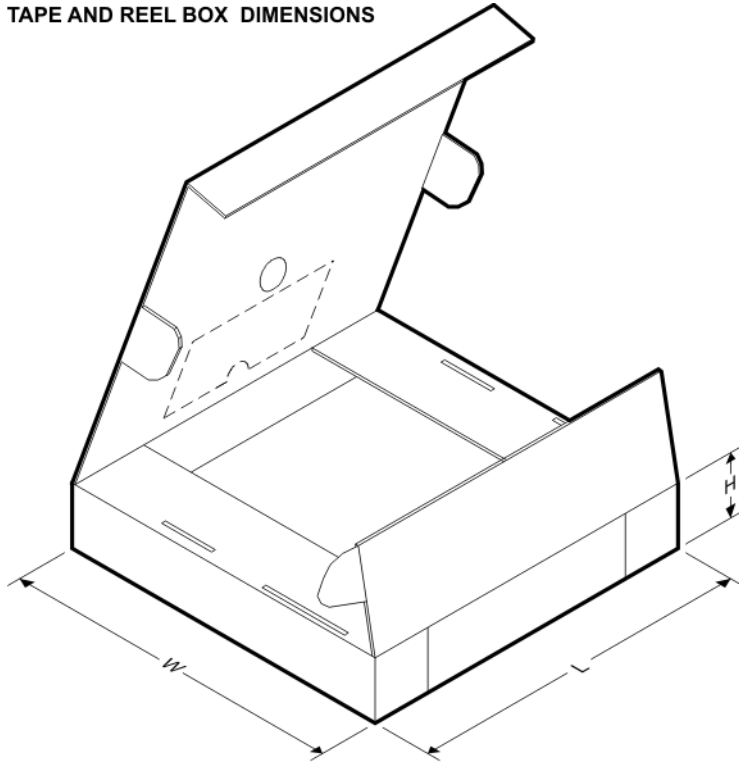


TAPE AND REEL INFORMATION

QUADRANT ASSIGNMENTS FOR PIN 1 ORIENTATION IN TAPE


*All dimensions are nominal

Device	Package Type	Package Drawing	Pins	SPQ	Reel Diameter (mm)	Reel Width W1 (mm)	A0 (mm)	B0 (mm)	K0 (mm)	P1 (mm)	W (mm)	Pin1 Quadrant
UCC2813DTR-0	SOIC	D	8	2500	330.0	12.4	6.4	5.2	2.1	8.0	12.0	Q1
UCC2813DTR-1	SOIC	D	8	2500	330.0	12.4	6.4	5.2	2.1	8.0	12.0	Q1
UCC2813DTR-2	SOIC	D	8	2500	330.0	12.4	6.4	5.2	2.1	8.0	12.0	Q1
UCC2813DTR-3	SOIC	D	8	2500	330.0	12.4	6.4	5.2	2.1	8.0	12.0	Q1
UCC2813DTR-4	SOIC	D	8	2500	330.0	12.4	6.4	5.2	2.1	8.0	12.0	Q1
UCC2813DTR-5	SOIC	D	8	2500	330.0	12.4	6.4	5.2	2.1	8.0	12.0	Q1
UCC2813PWTR-0	TSSOP	PW	8	2000	330.0	12.4	7.0	3.6	1.6	8.0	12.0	Q1
UCC2813PWTR-1	TSSOP	PW	8	2000	330.0	12.4	7.0	3.6	1.6	8.0	12.0	Q1
UCC2813PWTR-3	TSSOP	PW	8	2000	330.0	12.4	7.0	3.6	1.6	8.0	12.0	Q1
UCC2813PWTR-4	TSSOP	PW	8	2000	330.0	12.4	7.0	3.6	1.6	8.0	12.0	Q1
UCC2813PWTR-5	TSSOP	PW	8	2000	330.0	12.4	7.0	3.6	1.6	8.0	12.0	Q1
UCC3813DTR-0	SOIC	D	8	2500	330.0	12.4	6.4	5.2	2.1	8.0	12.0	Q1
UCC3813DTR-1	SOIC	D	8	2500	330.0	12.4	6.4	5.2	2.1	8.0	12.0	Q1
UCC3813DTR-2	SOIC	D	8	2500	330.0	12.4	6.4	5.2	2.1	8.0	12.0	Q1
UCC3813DTR-3	SOIC	D	8	2500	330.0	12.4	6.4	5.2	2.1	8.0	12.0	Q1
UCC3813DTR-4	SOIC	D	8	2500	330.0	12.4	6.4	5.2	2.1	8.0	12.0	Q1
UCC3813DTR-5	SOIC	D	8	2500	330.0	12.4	6.4	5.2	2.1	8.0	12.0	Q1
UCC3813PWTR-0	TSSOP	PW	8	2000	330.0	12.4	7.0	3.6	1.6	8.0	12.0	Q1

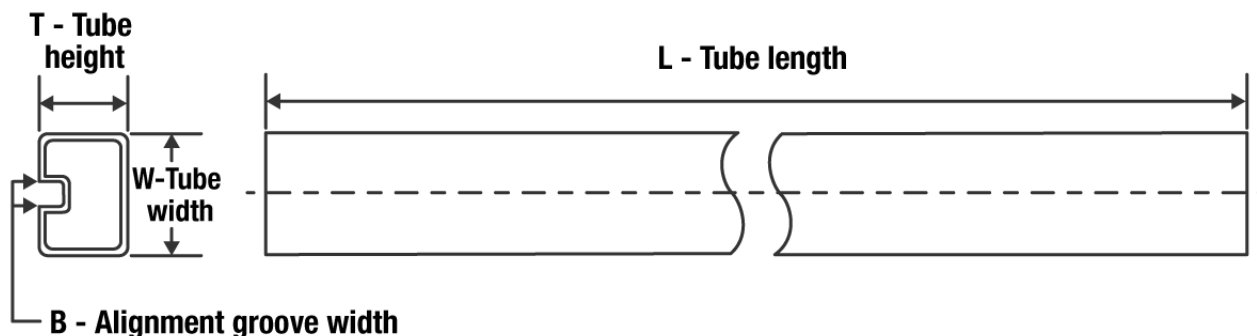
Device	Package Type	Package Drawing	Pins	SPQ	Reel Diameter (mm)	Reel Width W1 (mm)	A0 (mm)	B0 (mm)	K0 (mm)	P1 (mm)	W (mm)	Pin1 Quadrant
UCC3813PWTR-3	TSSOP	PW	8	2000	330.0	12.4	7.0	3.6	1.6	8.0	12.0	Q1
UCC3813PWTR-5	TSSOP	PW	8	2000	330.0	12.4	7.0	3.6	1.6	8.0	12.0	Q1

TAPE AND REEL BOX DIMENSIONS


*All dimensions are nominal

Device	Package Type	Package Drawing	Pins	SPQ	Length (mm)	Width (mm)	Height (mm)
UCC2813DTR-0	SOIC	D	8	2500	340.5	336.1	25.0
UCC2813DTR-1	SOIC	D	8	2500	340.5	336.1	25.0
UCC2813DTR-2	SOIC	D	8	2500	340.5	336.1	25.0
UCC2813DTR-3	SOIC	D	8	2500	340.5	336.1	25.0
UCC2813DTR-4	SOIC	D	8	2500	340.5	336.1	25.0
UCC2813DTR-5	SOIC	D	8	2500	340.5	336.1	25.0
UCC2813PWTR-0	TSSOP	PW	8	2000	853.0	449.0	35.0
UCC2813PWTR-1	TSSOP	PW	8	2000	853.0	449.0	35.0
UCC2813PWTR-3	TSSOP	PW	8	2000	853.0	449.0	35.0
UCC2813PWTR-4	TSSOP	PW	8	2000	853.0	449.0	35.0
UCC2813PWTR-5	TSSOP	PW	8	2000	853.0	449.0	35.0
UCC3813DTR-0	SOIC	D	8	2500	340.5	336.1	25.0
UCC3813DTR-1	SOIC	D	8	2500	340.5	336.1	25.0
UCC3813DTR-2	SOIC	D	8	2500	340.5	336.1	25.0
UCC3813DTR-3	SOIC	D	8	2500	340.5	336.1	25.0

Device	Package Type	Package Drawing	Pins	SPQ	Length (mm)	Width (mm)	Height (mm)
UCC3813DTR-4	SOIC	D	8	2500	340.5	336.1	25.0
UCC3813DTR-5	SOIC	D	8	2500	340.5	336.1	25.0
UCC3813PWTR-0	TSSOP	PW	8	2000	853.0	449.0	35.0
UCC3813PWTR-3	TSSOP	PW	8	2000	853.0	449.0	35.0
UCC3813PWTR-5	TSSOP	PW	8	2000	853.0	449.0	35.0

TUBE


*All dimensions are nominal

Device	Package Name	Package Type	Pins	SPQ	L (mm)	W (mm)	T (μm)	B (mm)
UCC2813D-0	D	SOIC	8	75	507	8	3940	4.32
UCC2813D-0G4	D	SOIC	8	75	507	8	3940	4.32
UCC2813D-1	D	SOIC	8	75	507	8	3940	4.32
UCC2813D-2	D	SOIC	8	75	507	8	3940	4.32
UCC2813D-2G4	D	SOIC	8	75	507	8	3940	4.32
UCC2813D-3	D	SOIC	8	75	507	8	3940	4.32
UCC2813D-4	D	SOIC	8	75	507	8	3940	4.32
UCC2813D-5	D	SOIC	8	75	507	8	3940	4.32
UCC2813D-5G4	D	SOIC	8	75	507	8	3940	4.32
UCC2813N-0	P	PDIP	8	50	506	13.97	11230	4.32
UCC2813N-1	P	PDIP	8	50	506	13.97	11230	4.32
UCC2813N-2	P	PDIP	8	50	506	13.97	11230	4.32
UCC2813N-4	P	PDIP	8	50	506	13.97	11230	4.32
UCC2813N-5	P	PDIP	8	50	506	13.97	11230	4.32
UCC2813PW-0	PW	TSSOP	8	150	508	8.5	3250	2.8
UCC2813PW-1	PW	TSSOP	8	150	508	8.5	3250	2.8
UCC2813PW-2	PW	TSSOP	8	150	508	8.5	3250	2.8
UCC2813PW-3	PW	TSSOP	8	150	508	8.5	3250	2.8
UCC2813PW-3G4	PW	TSSOP	8	150	508	8.5	3250	2.8
UCC2813PW-4	PW	TSSOP	8	150	508	8.5	3250	2.8
UCC2813PW-5	PW	TSSOP	8	150	508	8.5	3250	2.8
UCC2813PW-5G4	PW	TSSOP	8	150	508	8.5	3250	2.8
UCC3813D-0	D	SOIC	8	75	507	8	3940	4.32
UCC3813D-1	D	SOIC	8	75	507	8	3940	4.32
UCC3813D-1G4	D	SOIC	8	75	507	8	3940	4.32
UCC3813D-2	D	SOIC	8	75	507	8	3940	4.32
UCC3813D-3	D	SOIC	8	75	507	8	3940	4.32
UCC3813D-4	D	SOIC	8	75	507	8	3940	4.32

Device	Package Name	Package Type	Pins	SPQ	L (mm)	W (mm)	T (μm)	B (mm)
UCC3813D-5	D	SOIC	8	75	507	8	3940	4.32
UCC3813N-0	P	PDIP	8	50	506	13.97	11230	4.32
UCC3813N-0G4	P	PDIP	8	50	506	13.97	11230	4.32
UCC3813N-1	P	PDIP	8	50	506	13.97	11230	4.32
UCC3813N-2	P	PDIP	8	50	506	13.97	11230	4.32
UCC3813N-2G4	P	PDIP	8	50	506	13.97	11230	4.32
UCC3813N-3	P	PDIP	8	50	506	13.97	11230	4.32
UCC3813N-4	P	PDIP	8	50	506	13.97	11230	4.32
UCC3813N-5	P	PDIP	8	50	506	13.97	11230	4.32
UCC3813PW-0	PW	TSSOP	8	150	530	10.2	3600	3.5
UCC3813PW-1	PW	TSSOP	8	150	508	8.5	3250	2.8
UCC3813PW-2	PW	TSSOP	8	150	508	8.5	3250	2.8
UCC3813PW-3	PW	TSSOP	8	150	508	8.5	3250	2.8
UCC3813PW-4	PW	TSSOP	8	150	508	8.5	3250	2.8
UCC3813PW-4G4	PW	TSSOP	8	150	508	8.5	3250	2.8
UCC3813PW-5	PW	TSSOP	8	150	508	8.5	3250	2.8
UCC3813PW-5G4	PW	TSSOP	8	150	508	8.5	3250	2.8