

# bq2023 SINGLE-WIRE ADVANCED BATTERY MONITOR IC FOR CELLULAR AND PDA APPLICATIONS

SLUS480B – MAY 2001

- **Multifunction Monitoring IC Designed to Work With an Intelligent Host Controller:**
  - Provides Accurate State of Charge Information for Rechargeable Batteries
  - Enhances Power and Charge Management in the System
- **Supply Operation Down to 2.4 V; Ideal for Single-Cell Li-Ion or Li-Pol Applications**
- **Communicates Over Single-Wire SDQ™ Serial Interface**
- **Resolves Signals Down to 3.05  $\mu$ Vh**
- **High-Accuracy Coulometric Charge and Discharge Current Integration**
- **Differential Current Sense Input**
- **Automatic and Continuous Offset Calibration and Compensation**
- **32 Bytes of General-Purpose RAM, 224 Bytes of FLASH, and 8 Bytes of Secure ID ROM**
- **Internal Temperature Sensor With 0.25°K Resolution Eliminates the Need for an External Thermistor**
- **Programmable Digital Output Port**
- **Battery-Pack Removal Detection Input Places the IC in the Sleep Mode When System Is Not Present**
- **High-Accuracy Internal Timebase Eliminates External Crystal Oscillator**
- **Low Power Consumption:**
  - Operating: 40  $\mu$ A
  - Sleep: 1.5  $\mu$ A

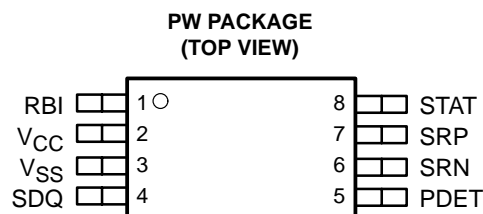
## description

The bq2023 is an advanced battery monitoring IC that accurately measures the charge and discharge currents in rechargeable battery packs. Intended for pack integration, the bq2023 contains all the necessary functions to form the basis for an accurate battery gas gauge in cellular phones, PDAs, or other portable products.

Gas gauging is accomplished by coulomb counting (i.e., measuring the charge input to and subsequently removed from the battery). The bq2023 achieves that by measuring the differential voltage drop across a low-value series sense resistor between the negative terminal of the battery and the battery-pack negative contact. An internal voltage-to-frequency converter (VFC) converts this voltage into charge and discharge counts. The VFC is capable of resolving signals down to 3.05  $\mu$ V. By using the accumulated counts in the charge, discharge, and self-discharge registers, an intelligent host controller can determine battery state-of-charge information. To improve accuracy, the bq2023 continuously measures and compensates offset errors in the VFC.

The bq2023 works with the host controller in the portable system to implement the battery management system. The host controller interprets the bq2023 data and communicates meaningful battery data to the end-user or power-management system. The SDQ single-wire bus architecture allows multiple bq2023s to exist on the same communications node simultaneously.

The bq2023 provides 224 bytes of flash memory, 8-bytes of secure ID ROM, and 32 bytes of RAM. The nonvolatile memory maintains formatted battery monitor information, identification codes, warranty information, or other critical battery parameters while the battery is temporarily shorted or deeply discharged.



### AVAILABLE OPTIONS

| T <sub>A</sub> | PACKAGED DEVICE |
|----------------|-----------------|
|                |                 |
| -20°C to 70°C  | bq2023PW        |



Please be aware that an important notice concerning availability, standard warranty, and use in critical applications of Texas Instruments semiconductor products and disclaimers thereto appears at the end of this data sheet.

SDQ is a trademark of Texas Instruments.

PRODUCTION DATA information is current as of publication date. Products conform to specifications per the terms of Texas Instruments standard warranty. Production processing does not necessarily include testing of all parameters.

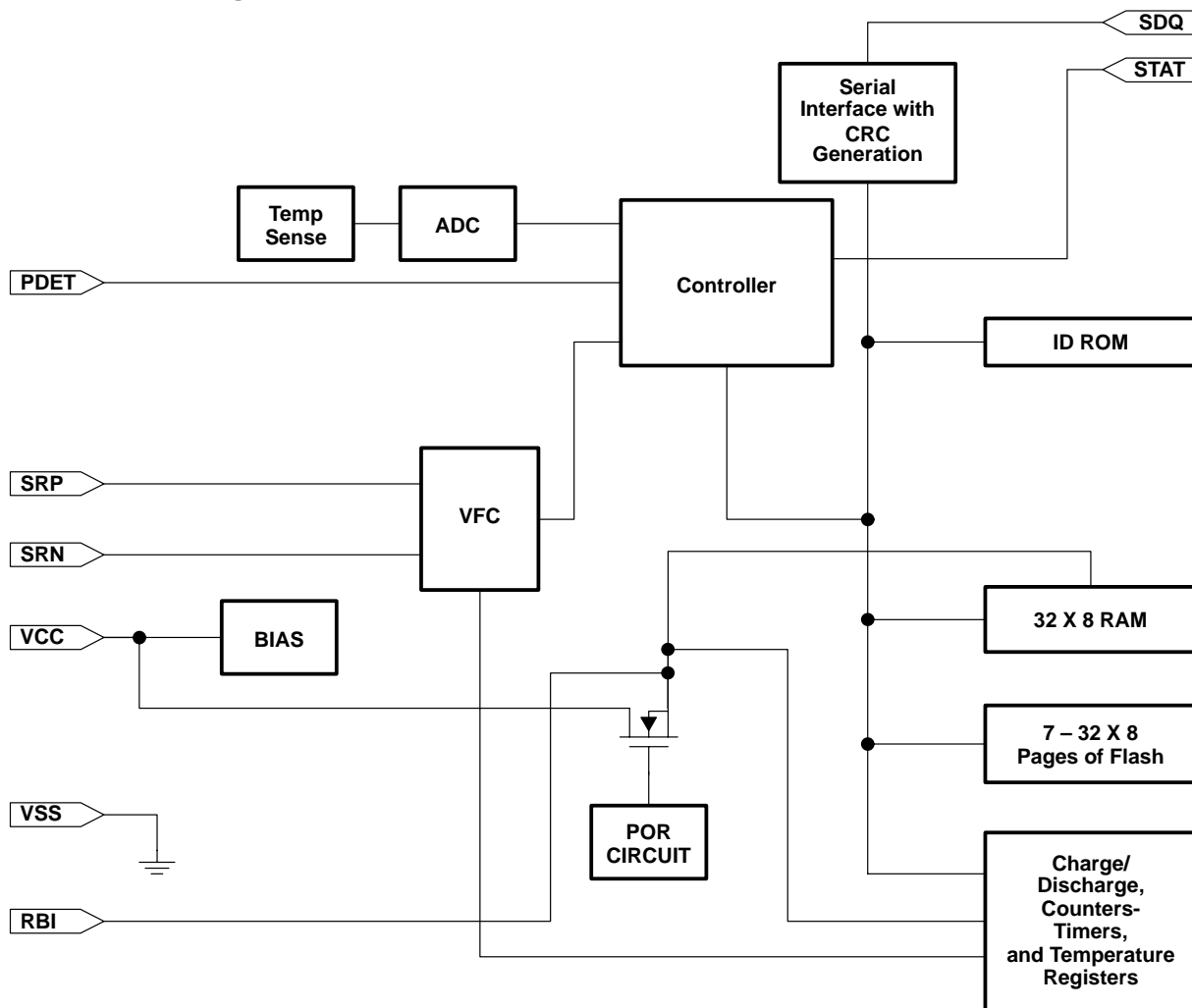


Copyright © 2001, Texas Instruments Incorporated

**bq2023**  
**SINGLE-WIRE ADVANCED BATTERY MONITOR IC**  
**FOR CELLULAR AND PDA APPLICATIONS**

SLUS480B – MAY 2001

**functional block diagram**



**Terminal Functions**

| TERMINAL NAME | NO. | I/O | DESCRIPTION   |
|---------------|-----|-----|---|
| PDET          | 5   | I   | Pack removal detection input  |
| RBI           | 1   | I/O | Register backup input when $V_{CC} < V_{(POR)}$ ; $V_{CC}$ output when $V_{CC} > V_{(POR)}$ |
| SDQ           | 4   | I/O | Single-wire data input/output port  |
| SRN           | 6   | I   | Current sense input 2   |
| SRP           | 7   | I   | Current sense input 1   |
| STAT          | 8   | O   | Open-drain status output  |
| VCC           | 2   | I   | Supply voltage  |
| VSS           | 3   |     | Ground  |



## detailed description

### register backup

The RBI input pin is used with a storage capacitor or external supply to provide backup potential to the internal RAM and registers while  $V_{CC}$  is below the minimum operating voltage.

### single-wire data input/output port

SDQ is a single-wire serial communications interface port. This bidirectional input/output communicates the information to the host system. SDQ is compatible with Dallas Semiconductor's 1-wire™ interface.

### pack removal detection

A low-level PDET input places the bq2023 in sleep mode and turns off the open-drain output of the STAT pin.

### current sense inputs

The bq2023 interprets charge and discharge activity by monitoring and integrating the voltage drop,  $V_{(SR)}$ , across pins SRP and SRN. The SRP input connects to the sense resistor and the negative terminal of the battery. The SRN input connects to the sense resistor and the negative terminal of the pack.  $V_{(SRP)} < V_{(SRN)}$  indicates discharge, and  $V_{(SRP)} > V_{(SRN)}$  indicates charge.

### absolute maximum ratings over operating free-air temperature (unless otherwise noted)†

|  |                            |
|--|----------------------------|
| Supply voltage ( $V_{CC}$ with respect to GND)                     | –0.3 V to +7 V             |
| Input voltage, $V_I$ (SRP, SRN, PDET, RBI all with respect to GND) | –0.3 V to $V_{CC} + 0.3$ V |
| Pullup voltage $V_{PU}$ (SDQ and STAT pins)                        | –0.3 V to +7 V             |
| Output current, $I_O$ (STAT pin)                                   | 5 mA                       |
| Output current, $I_O$ (SDQ pin)                                    | 3 mA                       |
| Operating free-air temperature range, $T_A$                        | –20°C to 70°C              |
| Storage temperature range, $T_{stg}$                               | –65°C to 150°C             |
| Lead temperature (soldering, 10 s)                                 | 300°C                      |

† Stresses beyond those listed under “absolute maximum ratings” may cause permanent damage to the device. These are stress ratings only, and functional operation of the device at these or any other conditions beyond those indicated under “recommended operating conditions” is not implied. Exposure to absolute-maximum-rated conditions for extended periods may affect device reliability.

### recommended operating conditions

|   | MIN | NOM | MAX  | UNIT    |
|---|-----|-----|------|---------|
| Operation range with flash write or erase capability, $V_{CC}$    | 2.8 |     | 5.0  | V       |
| Operation range without flash write or erase capability, $V_{CC}$ | 2.4 |     | 5.0  |         |
| Pullup voltage on SDQ and STAT pins, $V_{(PU)}$                   | 2.4 |     | 6.0  |         |
| Supply current, $I_{CC(OP)}$ , See Note 1                         |     | 35  | 60   | $\mu$ A |
| Supply current, $I_{CC(OP)}$ , See Note 2                         |     | 32  | 40   |         |
| Sleep current, $I_{(SLEEP)}$ , See Note 3                         |     | 1.0 | 1.5  | $\mu$ A |
| Register back-up current, $I_{(RBI)}$ , See Note 4                |     |     | 20   | nA      |
| Operating ambient temperature, $T_A$                              | –20 |     | 70   | °C      |
| Power-on reset voltage, $V_{(POR)}$                               | 2.0 |     | 2.34 | V       |

- NOTES: 1.  $V_{CC} = 5$  V, flash write or erase not active  
2.  $V_{CC} = 4.2$  V, flash write or erase not active  
3.  $V_{CC} = 4.2$  V, flash write or erase not active, excludes SDR register maintenance  
4. RBI pin only,  $V_{CC} < V_{(POR)}$

1-wire is a trademark of Dallas Semiconductor.

**bq2023**  
**SINGLE-WIRE ADVANCED BATTERY MONITOR IC**  
**FOR CELLULAR AND PDA APPLICATIONS**

SLUS480B – MAY 2001

**electrical characteristics over recommended operating free-air temperature range and supply voltage (unless otherwise noted)**

**dc**

| PARAMETER               |  | TEST CONDITIONS  | MIN                  | TYP                  | MAX | UNIT |
|-------------------------|--|--|----------------------|----------------------|-----|------|
| V <sub>OL</sub>         | Digital output low SDQ and STAT pin        | I <sub>OL</sub> = 1 mA   |                      |                      | 0.4 | V    |
| I <sub>OL</sub>         | Digital output low sink current on SDQ pin |  |                      |                      | 1   | mA   |
| V <sub>IL</sub>         | Digital input low SDQ pin                  |  |                      |                      | 0.7 | V    |
| V <sub>IH</sub>         | Digital input high SDQ pin                 |  | 1.7                  |                      |     | V    |
| V <sub>IH</sub> (PDETH) | Digital input high PDET pin                |  | V <sub>CC</sub> -0.1 | V <sub>CC</sub> +0.3 |     | V    |
| R <sub>SR</sub>         | SR input impedance                         | 0.1 V < (V <sub>SRP</sub> , V <sub>SRN</sub> ) < V <sub>CC</sub> | 10                   |                      |     | MΩ   |

**ac**

| PARAMETER             |                      | TEST CONDITIONS   | MIN | TYP | MAX | UNIT |
|-----------------------|----------------------|---|-----|-----|-----|------|
| t <sub>d</sub> (POR)  | Power on reset delay | Delay required to attempt communication after V <sub>CC</sub> > 2.4 V                             |     |     | 500 | ms   |
| t <sub>d</sub> (PDET) | PDET delay           | Sleep delay time after PDET transitions from high to low (and all sleep conditions have been met) |     |     | 1   | ms   |
| t <sub>d</sub> (SDQ)  | SDQ wake-up delay    | Wake-up delay after SDQ activity detected (see Note 5)  |     |     | 300 | μs   |

NOTE 5: Assured by design. Not production tested.

**timer characteristics over recommended operating temperature and supply voltage (unless otherwise noted)**

| PARAMETER |                      | TEST CONDITIONS | MIN | TYP | MAX | UNIT |
|-----------|----------------------|-----------------|-----|-----|-----|------|
| E(TMR)    | Timer accuracy error |                 | -4% |     | 4%  |      |

**characteristics over recommended operating temperature and supply voltage (unless otherwise noted)**

| PARAMETER |                                 | TEST CONDITIONS | MIN | TYP  | MAX | UNIT |
|-----------|---------------------------------|-----------------|-----|------|-----|------|
| T(RES)    | Reported temperature resolution |                 |     | 0.25 |     | °K   |
| E(T)      | Reported temperature accuracy   |                 | -4  |      | 4   | °K   |

**VFC characteristics over recommended operating temperature and supply voltage (unless otherwise noted)**

| PARAMETER           |   | TEST CONDITIONS  | MIN   | TYP    | MAX   | UNIT |
|---------------------|---|--|-------|--------|-------|------|
| V <sub>I</sub> (SR) | Input voltage: V <sub>SRP</sub> -V <sub>SRN</sub> |  | -100  |        | 100   | mV   |
| G(VFC)              | Charge/discharge gain                             | T <sub>A</sub> = 22°C, V <sub>CC</sub> = 3.6 V, See Note 6               | 91.1  | 94.1   | 97.1  | Hz/V |
| G(VCC)              | Supply voltage gain coefficient                   | T <sub>A</sub> = 22°C, See Note 6  |       | -0.54  | -1.25 | %/V  |
| G(TCO)              | Temperature gain coefficient                      | Slope for T <sub>A</sub> = -20°C to 70°C, See Note 6                     |       | -0.05  | 0.06  | %/°C |
|                     |   | Total deviation for T <sub>A</sub> = -20°C to 70°C, See Note 6           |       | -1.5%  | -2.2% |      |
|                     |   | Slope for T <sub>A</sub> = 0°C to 50°C, See Note 6                       |       | -0.04  | 0.05  | %/°C |
|                     |   | Total deviation for T <sub>A</sub> = 0°C to 50°C, See Note 6             |       | -0.58% | -1.2% |      |
| INL                 | Integral nonlinearity                             | See Note 6   | -0.1% | 0.04%  | 0.2%  |      |
| V(COS)              | Auto compensated offset                           | See Note 6   |       | -15.8  | 11.4  | μV   |
|                     |   | 0°C < T <sub>A</sub> < 50°C, 2.4 V < V <sub>CC</sub> < 4.2 V, See Note 6 |       | -12.1  | 7.2   | μV   |

NOTE 6: -100 mV < (V<sub>SRP</sub> - V<sub>SRN</sub>) < 100 mV



**flash memory characteristics over recommended operating temperature and supply voltage  
 (unless otherwise noted)**

| PARAMETER  | TEST CONDITIONS                 | MIN    | TYP   | MAX | UNIT   |
|--|---------------------------------|--------|-------|-----|--------|
| Data retention                                     | See Note 7                      |        |       | 5   | Years  |
| Flash programming write-cycles                     | See Note 7                      | 10,000 |       |     | Cycles |
| t(BYTERPROG) Byte programming time                 | See Note 7                      |        | 200   |     | μs     |
| t(BLKERASE) Block-erase time                       | 60 μs + 30 μs/byte, See Note 7  |        | 1,500 |     | μs     |
| I <sub>CC</sub> (PROG) Flash-write supply current  | V <sub>CC</sub> = 5, See Note 7 |        | 30    |     | mA     |
| I <sub>CC</sub> (ERASE) Flash-erase supply current | V <sub>CC</sub> = 5, See Note 7 |        | 30    |     | mA     |

NOTE 7: Assured by design. Not production tested.

**SDQ communication timing specification over recommended operating temperature and pull-up voltage  
 (unless otherwise noted) (See Figures 2 through 6)**

| PARAMETER                                    | TEST CONDITIONS                               | MIN  | TYP | MAX | UNIT |
|--|---|------|-----|-----|------|
| t(SLOT) Bit cycle time (See Figure 1)        | See Note 8                                    | 60   |     | 120 | μs   |
| t(LOW1) Write bit one time (See Figure 1)    |   | 1    |     | 15  |      |
| t(LOW0) Write bit zero time (See Figure 2)   | t(LOW0) must be less than t(SLOT), See Note 8 | 60   |     | 120 | μs   |
| t(REC) Recovery time (See Figure 2)          | See Note 8                                    | 1    |     |     | μs   |
| t(LOWR) Read bit strobe time (See Figure 3)  | See Note 8                                    | 1    |     | 15  | μs   |
| t(RDV) Read data valid time (See Figure 3)   | See Note 8                                    | LOWR |     | 15  | μs   |
| t(REL) Read data release time (See Figure 4) | See Note 8                                    |      |     | 30  | μs   |
| t(RSTL) Reset time low (See Figure 5)        | t(RSTL) + t(R) < 960 μs, See Note 8           | 480  |     |     | μs   |
| t(RSTH) Reset time high (See Figure 5)       | See Note 8                                    | 300  |     |     | μs   |
| t(PDH) Presence pulse delay (See Figure 5)   | See Note 8                                    | 15   |     | 60  | μs   |
| t(PDL) Presence pulse delay (See Figure 5)   | See Note 8                                    | 60   |     | 240 | μs   |

NOTE 8: 5-kΩ pullup on SDQ pin

**timing requirements**

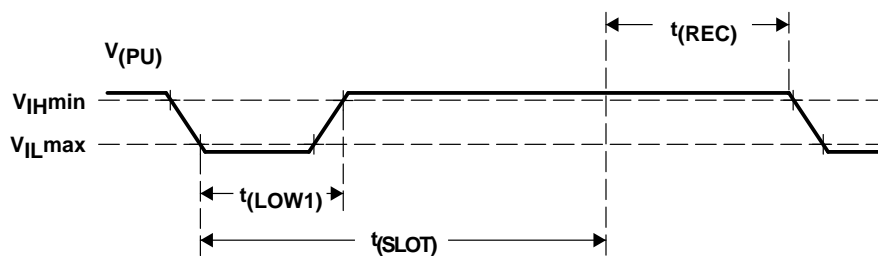


Figure 1. SDQ Write Bit-ONE Timing Diagram

**bq2023**  
**SINGLE-WIRE ADVANCED BATTERY MONITOR IC**  
**FOR CELLULAR AND PDA APPLICATIONS**

SLUS480B – MAY 2001

timing requirements (continued)

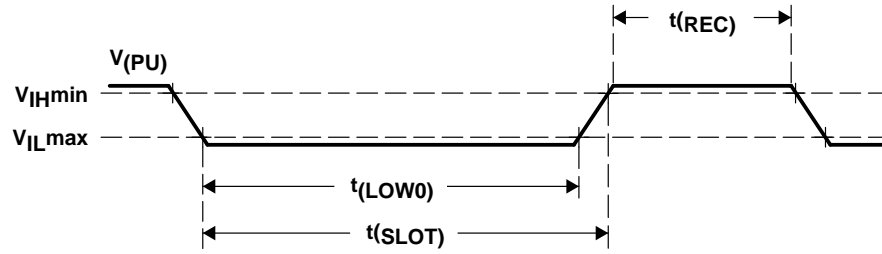


Figure 2. SDQ Write Bit-ZERO Timing Diagram

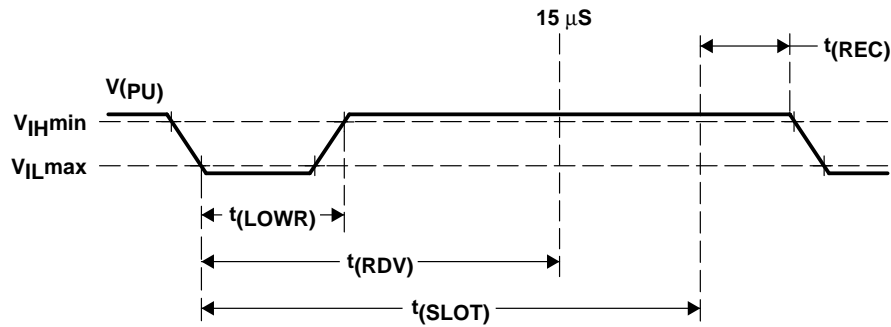


Figure 3. SDQ Read Bit-One Timing Diagram

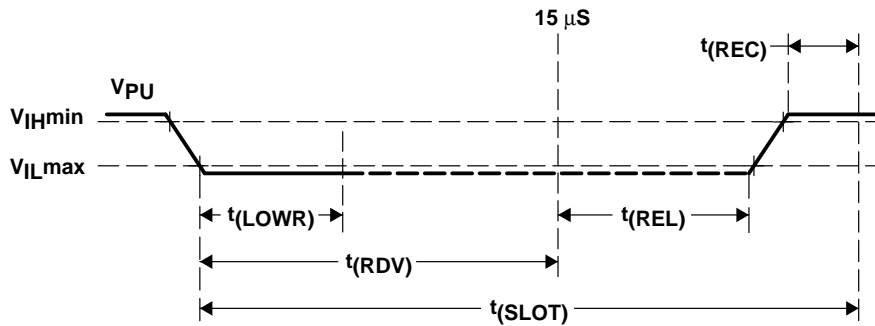


Figure 4. SDQ Read Bit-Zero Timing Diagram

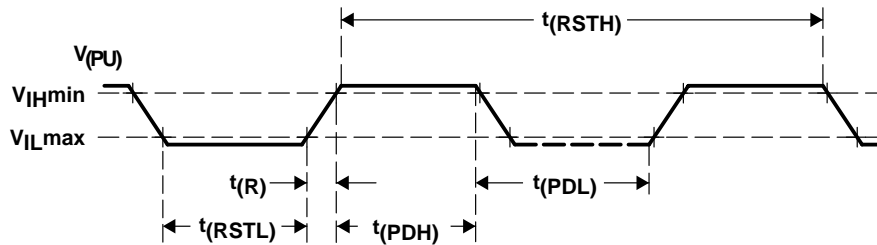


Figure 5. SDQ RESET Timing Diagram

**TYPICAL CHARACTERISTICS**

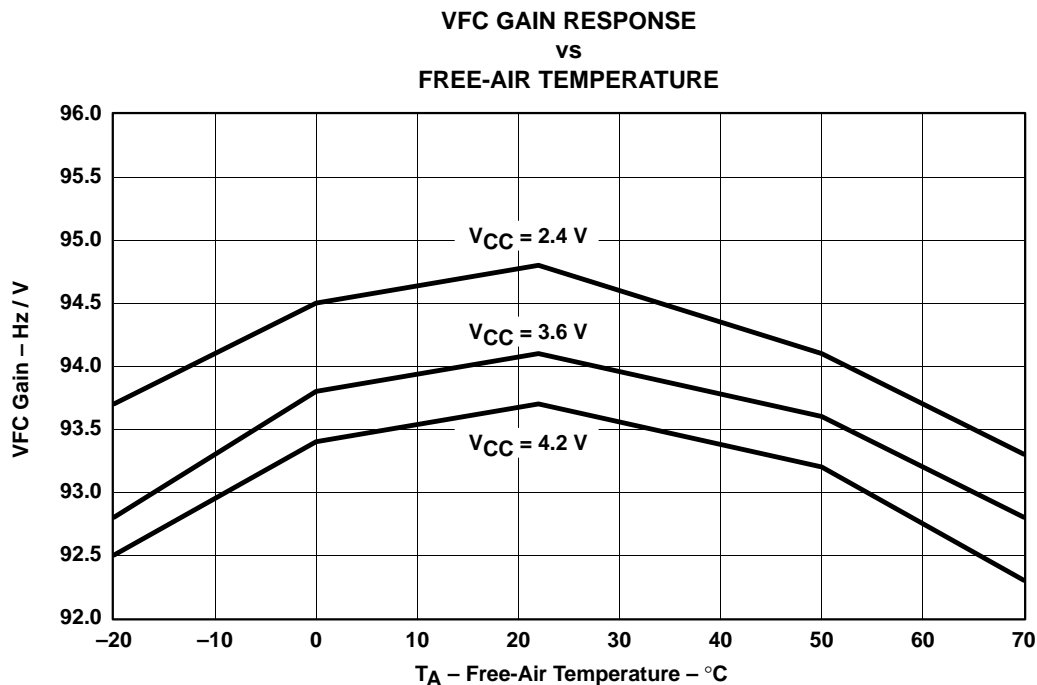


Figure 6

**APPLICATION INFORMATION**

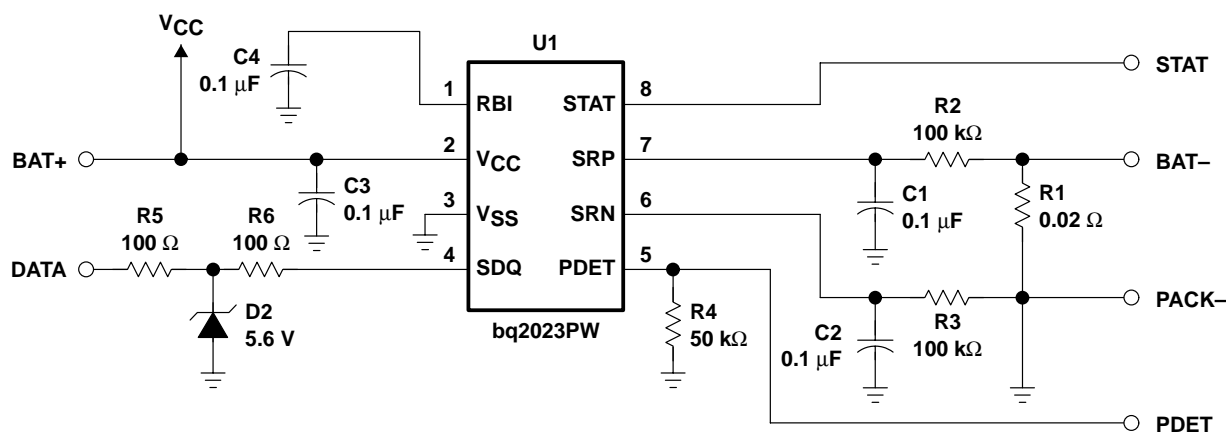


Figure 7. Typical Application Diagram for Single-Cell Li-Ion or Li-Pol Pack

**bq2023**  
**SINGLE-WIRE ADVANCED BATTERY MONITOR IC**  
**FOR CELLULAR AND PDA APPLICATIONS**

SLUS480B – MAY 2001

**APPLICATION INFORMATION**

**functional description**

The bq2023 measures the differential voltage drop across a low-value series sense resistor between the negative terminal of the battery and the battery-pack ground contact. An internal VFC (voltage-to-frequency converter) converts this voltage into charge and discharge counts. The VFC is capable of resolving signals down to 3.05  $\mu$ V. By using the accumulated counts in the charge, discharge, and self-discharge registers, an intelligent host controller can determine battery state-of-charge information. To improve accuracy, the bq2023 automatically self-calibrates every hour and continuously compensates offset errors in the VFC every hour.

Access to the registers and control of the bq2023 is accomplished through a single-wire interface command protocol which includes placing the device in the low-power mode, hardware register reset, and flash programming.

**charge and discharge count operation**

Table 1 shows the main counters and registers of the bq2023. The bq2023 accumulates charge and discharge counts into two count registers, the discharge count register (DCR) and the charge count register (CCR). The DCR or CCR independently counts depending on the signal between pins SRP and SRN.

During discharge, the DCR and the discharge time counter (DTC) are active. If ( $V_{SRP} - V_{SRN}$ ) is less than zero, indicating a discharge, the DCR counts at a rate equivalent to one count per 3.05  $\mu$ V-hr, and the DTC counts at 1.1378 counts per second (4096 counts = 1 hour). For example, if it is assumed that no rollover of the DTC register is incipient, a negative 24.42 mV signal between pins SRP and SRN produces 8000 DCR counts and 4096 DTC counts each hour.

During charge, the CCR and the charge time counter (CTC) are active. If ( $V_{SRP} - V_{SRN}$ ) is greater than zero, indicating a charge, the CCR counts at a rate equivalent to one count per 3.05  $\mu$ V-hr, and the CTC counts at 1.1378 counts per seconds. In this case a +24.42mV signal produces 8000 CCR counts and 4096 CTC counts (assuming no rollover) each hour.

The DTC and the CTC are 16-bit registers, which roll over at FFFF hex. If a rollover occurs, the corresponding bit in the mode register is set, and the counter increments at 1/256 of the normal rate (16 counts per hour).

For self-discharge calculation, the self-discharge count register (SCR) counts at a rate equivalent to 1 count every hour at a nominal 25°C and doubles approximately every 10°C up to 60°C. The SCR count rate is halved every 10°C below 25°C down to 0°C. The value in SCR is useful in determining an estimation of the battery self-discharge based on capacity and storage temperature conditions.

**Table 1. bq2023 Counters**

| NAME | DESCRIPTION                   | RANGE   | RAM SIZE |
|------|-------------------------------|---|----------|
| DCR  | Discharge count register      | $V_{(SR)} < V_{SS}$ (Maximum = -100 mV) 3.05 $\mu$ Vh/LSB     | 16-bit   |
| CCR  | Charge count register         | $V_{(SR)} > V_{SS}$ (Maximum = 100 mV) 3.05 $\mu$ Vh/LSB      | 16-bit   |
| SCR  | Self-discharge count register | 1 count/hour at 25°C  | 16-bit   |
| DTC  | Discharge time counter        | 1 count/0.8789s if STD is clear<br>1 count/225s if STD is set | 16-bit   |
| CTC  | Charge time counter           | 1 count/0.8789s if STC is clear<br>1 count/225s if STC is set | 16-bit   |





## APPLICATION INFORMATION

### functional description (continued)

#### low-power sleep mode

In order to minimize power consumption, the bq2023 offers a low-power sleep mode. Table 2 shows the active registers during normal and sleep modes.

**Table 2. Operational States**

| MODE   | ACTIVE REGISTERS                      |
|--------|---------------------------------------|
| Normal | CCE, DCR, CTC, DTC, SDR, TEMPH, TEMPL |
| Sleep  | SDR, TEMPH, TEMPL                     |

There are two methods for entering the sleep mode.

#### *sleep mode as a result of charge/discharge inactivity*

The bq2023 enters sleep mode if battery current (i.e., voltage difference between the SRP and SRN pins) is less than the WOE threshold, and the SLEN bit (in the MODE/WOE register) is set, and there is no communication activity on the SDQ pin for approximately one hour. The bq2023 wakes on either a low to high or high to low transition on the SDQ pin. The SLEN bit is set during power-on-reset. Table 2 shows the available WOE thresholds.

**Table 3. WOE Thresholds**

| WOE3-1<br>(HEX) | VWOE<br>( $\mu$ V) |
|-----------------|--------------------|
| 0h              | N/A                |
| 1h              | 21.35              |
| 2h              | 18.30              |
| 3h              | 15.25              |
| 4h              | 12.20              |
| 5h              | 9.15               |
| 6h              | 6.10               |
| 7h <sup>†</sup> | 3.05               |

<sup>†</sup> Default

#### *sleep mode as a result of change PDET input*

PDET input can also place the bq2023 in sleep mode. The bq2023 enters sleep mode in response to PDET input going low. This happens regardless of the state of the SLEN bit (in the MODE/WOE register). In order to wake up the bq2023, several conditions need to be considered:

- A low-to-high transition on PDET will wake the device, if
  - SLEN = 0, or
  - SLEN = 1 and the device was awake when PDET was pulled low.
  - To ensure proper wake-up sequence it is recommended that the host initiate either a low to high or high to low transition on the SDQ pin.
- A low-to-high transition will not wake the device if
  - SLEN = 1 and the device was asleep when PDET was pulled low.

Note that PDET signal should be tied to the  $V_{CC}$  during a POR condition.

**bq2023**  
**SINGLE-WIRE ADVANCED BATTERY MONITOR IC**  
**FOR CELLULAR AND PDA APPLICATIONS**

SLUS480B – MAY 2001

**APPLICATION INFORMATION**

**functional description (continued)**

**current sense offset**

The bq2023 automatically self-calibrates and compensates for current offset. The self-calibration is performed once every hour.

**gas gauge control registers**

The host maintains the charge/discharge and self-discharge count registers (CCR, CTC, DCR, DTC, and SCR). To facilitate this, the bq2023 provides the CLR register to clear an individual counter or register pair. The host system clears a register by writing the corresponding register bit to 1. When the bq2023 completes the clear action, the corresponding bit in the CLR register is automatically reset to 0. Clearing the DTC or CTC registers also clears the corresponding STC or STD bit in the MODE register.

**device temperature measurement**

The bq2023 reports die temperature in units of °K through register pair TEMPH-TEMPL. See the TMP register description for more details.

**register interface**

Information exchange between the host system and the bq2023 is through the data register interface. See Table 4. The register set consists of a 271-location address space of 8-bit bytes segmented into:

**Table 4. bq2023 Memory Map**

| ADDRESS       | NAME     | BIT 7                                      | BIT 6 | BIT 5 | BIT 4 | BIT 3 | BIT 2 | BIT 1 | BIT 0 |
|---------------|----------|--|-------|-------|-------|-------|-------|-------|-------|
| 0x010F        | DCRH     | Discharge-count register high byte         |       |       |       |       |       |       |       |
| 0x010E        | DCRL     | Discharge-count register low byte          |       |       |       |       |       |       |       |
| 0x010D        | CCRH     | Charge-count register high byte            |       |       |       |       |       |       |       |
| 0x010C        | CCRL     | Charge-count register low byte             |       |       |       |       |       |       |       |
| 0x010B        | SCRH     | Self-discharge count register high byte    |       |       |       |       |       |       |       |
| 0x010A        | SCRL     | Self-discharge count register low byte     |       |       |       |       |       |       |       |
| 0x0109        | DTCH     | Discharge-timer-counter register high byte |       |       |       |       |       |       |       |
| 0x0108        | DTCL     | Discharge-timer-counter register low byte  |       |       |       |       |       |       |       |
| 0x0107        | CTCH     | Charge-timer-counter register high byte    |       |       |       |       |       |       |       |
| 0x0106        | CTCL     | Charge-timer-counter register low byte     |       |       |       |       |       |       |       |
| 0x0105        | MODE/WOE | RSVD                                       | SLEN  | STC   | STD   | WOE2  | WOE1  | WOE0  | RSVD  |
| 0x0104        | CLR      | RSVD                                       | POR   | STAT  | CTC   | DTC   | SCR   | CCR   | DCR   |
| 0x0103        | TEMPH    | Temperature high byte                      |       |       |       |       |       |       |       |
| 0x0102        | TEMPL    | Temperature low byte                       |       |       |       |       |       |       |       |
| 0x0101        | FED      | RSVD                                       | PAGE6 | PAGE5 | PAGE4 | PAGE3 | PAGE2 | PAGE1 | PAGE0 |
| 0x0100        |          | Reserved                                   |       |       |       |       |       |       |       |
| 0x00E0-0x00FF | RAM      | Page 7, 32 bytes of RAM                    |       |       |       |       |       |       |       |
| 0x00C0-0x00DF | Flash    | Page 6, 32 bytes of flash                  |       |       |       |       |       |       |       |
| 0x00A0-0x00BF | Flash    | Page 5, 32 bytes of flash                  |       |       |       |       |       |       |       |
| 0x0080-0x009F | Flash    | Page 4, 32 bytes of flash                  |       |       |       |       |       |       |       |
| 0x0060-0x007F | Flash    | Page 3, 32 bytes of flash                  |       |       |       |       |       |       |       |
| 0x0040-0x005F | Flash    | Page 2, 32 bytes of flash                  |       |       |       |       |       |       |       |
| 0x0020-0x003F | Flash    | Page 1, 32 bytes of flash                  |       |       |       |       |       |       |       |
| 0x0000-0x001F | Flash    | Page 0, 32 bytes of flash                  |       |       |       |       |       |       |       |



## APPLICATION INFORMATION

### functional description (continued)

#### memory

##### **ID ROM**

The bq2023 has 64 bits of ID ROM as shown in Table 5. Forty-eight bits of this data field and the family code can be factory programmed with a unique and secure product serialization. Contact Texas Instruments for details.

**Table 5. 64-Bit ID ROM**

| 8-BIT CRC CODE |     | 48-BIT SERIAL NUMBER |     | 8-BIT FAMILY CODE |     |
|----------------|-----|----------------------|-----|-------------------|-----|
| MSB            | LSB | MSB                  | LSB | MSB               | LSB |
|                |     |                      |     |                   |     |

##### **flash**

Table 6 shows the memory map of the 224 x 8-bit flash section of the bq2023. The flash memory is configured into seven 32-byte pages. To modify the flash, data are first written to the communication buffer with the write data-memory command and then verified by reading an 8-bit CRC (cyclic redundancy check) from the bq2023 that confirms proper receipt of the data. These are then programmed into flash by issuing the programming verification code. For further details on reading and programming the flash, refer to the memory function commands section of this data sheet.

**Table 6. 224 Bytes Flash Data Memory Map**

| ADDRESS (HEX) | PAGE   |
|---------------|--------|
| 00C0–00DF     | Page 6 |
| 00A0–00BF     | Page 5 |
| 0080–009F     | Page 4 |
| 0060–007F     | Page 3 |
| 0040–005F     | Page 2 |
| 0020–003F     | Page 1 |
| 0000–001F     | Page 0 |

##### **pack removal detection**

The PDET input pin can detect removal of the battery pack from the device it is powering. Also, it can ensure that external devices driven by the STAT output are not active after a battery pack is removed. When the PDET input is low, the bq2023 immediately enters sleep mode and turns off the open-drain output of the STAT pin.

##### **SDQ serial communication**

The host reads memory or registers, and programs the bq2023 through a hierarchical command structure. Figure 8 illustrates this command structure and shows that ROM function commands select the bq2023 before the registers or memory can be read or modified. A successful completion of the command selects or activates the bq2023, allowing it to respond to further commands. All bytes sent and received by the bq2023 are transmitted least significant bit first.

To validate the data transmitted from the bq2023, the host may generate a CRC value from the data as they are received. This generated value is compared to the CRC value transmitted by the bq2023. If the two CRC values match, the transmission is error-free. The equivalent polynomial function of this CRC is  $X^8 + X^5 + X^4 + 1$ . For more details, see the CRC generation section of this data sheet.

# **bq2023** **SINGLE-WIRE ADVANCED BATTERY MONITOR IC** **FOR CELLULAR AND PDA APPLICATIONS**

SLUS480B – MAY 2001

---

## **APPLICATION INFORMATION**

### **initialization and selected states**

#### ***initialization***

After the SDQ pin has been driven low for at least 480  $\mu$ s and then is driven high, the bq2023 will issue a presence pulse. After the presence pulse is sent, the bq2023 is initialized.

#### ***selected***

After successful completion of a ROM function command, the bq2023 is in the selected state.

### **ROM function commands**

Figure 8 illustrates the four ROM function commands. On the successful completion of a ROM function command, the bq2023 will respond to a memory/status function command.

#### ***read ROM***

When the bq2023 is initialized, the read ROM command, 33 hex, directs the bq2023 to transmit the contents of the 64 bit ID ROM in order, starting with the least significant bit 0. After the bq2023 transmits the 64th bit, the bq2023 is in the selected state.

#### ***match ROM***

When the bq2023 is initialized, the match ROM command, 55 hex, directs the bq2023 to compare the next 64 bits received to its own ID ROM contents. If each of the received bits matches, then the bq2023 is selected.

#### ***search ROM***

When the bq2023 is initialized, the search ROM command, F0 hex, directs the bq2023 to transmit each bit of the ID ROM twice but in a different form each time, and then to receive a bit. First the true value of the bit is transmitted; then the complement of the bit is transmitted. Then, the bq2023 receives a bit. This received bit is compared to the true bit. This process is repeated and the bq2023 compares all bits received to the contents of the ID ROM. If the received bits match the contents of the ID ROM the bq2023 is selected.

#### ***skip ROM***

When the bq2023 is initialized, the SKIP ROM command, CC hex, directs the bq2023 to be selected.

### **memory function commands**

Six memory function commands allow reading of all registers, flash, and RAM, and allow modification of flash and RAM locations. There are two types of read-memory command, the write data memory, the program profile byte command, and the flash erase command. The bq2023 responds to the memory function commands only after it is selected by a ROM function command.

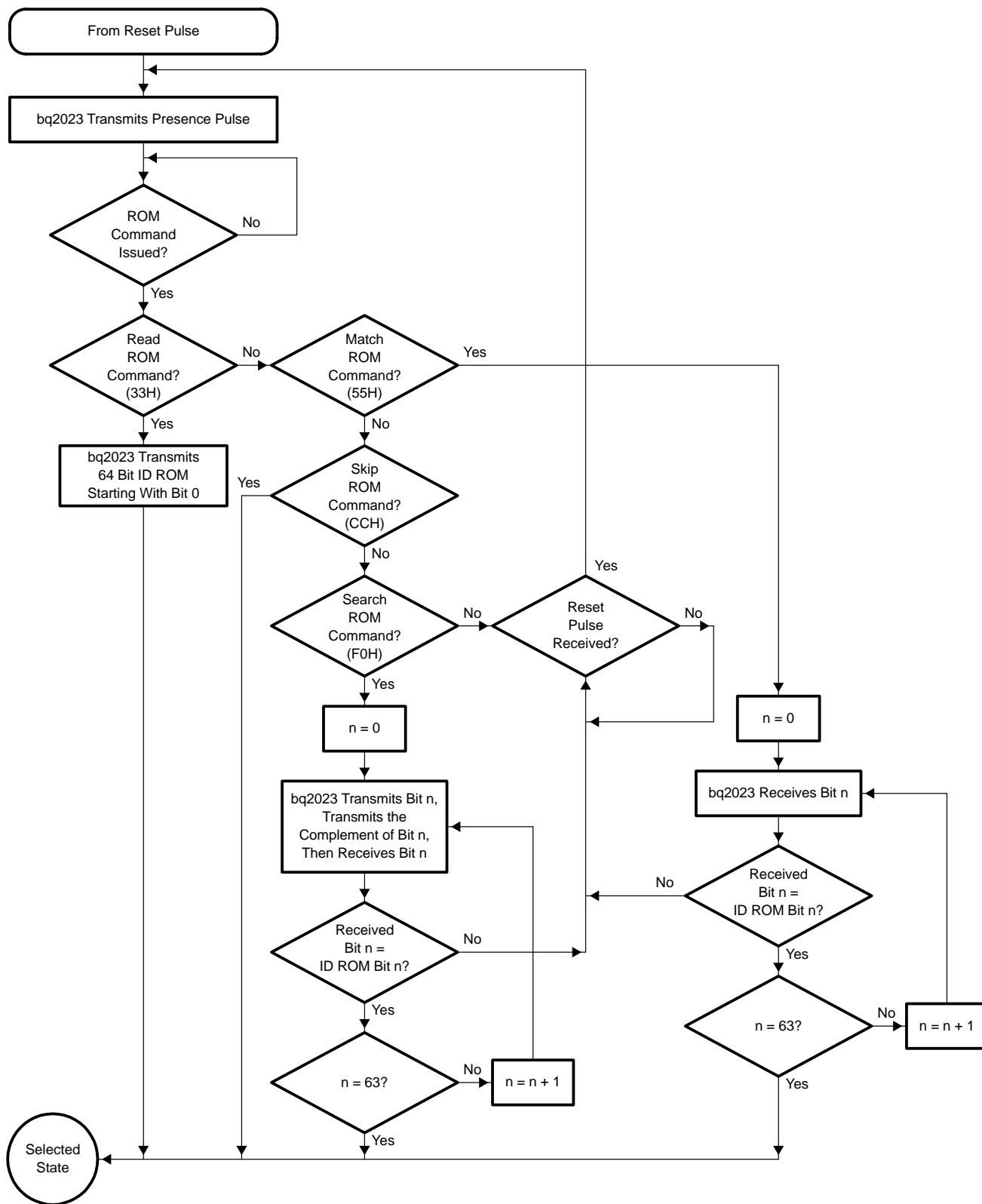
#### ***read memory-page CRC***

The read memory/page CRC command reads part or all of the 271 memory addresses shown in the register map with 8-bit CRCs generated at 32-byte page boundaries.

The flowchart in Figure 9 illustrates that when the bq2023 is in the selected state, the read memory/page CRC command, C3 hex, directs the bq2023 to load the next two bytes (low byte and high byte of the starting address) into the address counter. Individual bytes of address and data are transmitted least significant bit first. An 8-bit CRC of the command byte and address bytes is computed and transmitted by the bq2023. When the bq2023 detects a start frame for read time slots it transmits data from the 271 bytes of data memory field as pointed to by the address counter. After each byte of data is transmitted, the address counter is incremented. If the end of a page is reached, the bq2023 calculates and transmits an 8-bit CRC that is the result of shifting into the CRC generator all of the data bytes from the initial starting byte to the last byte of the current page. Once the 8-bit CRC has been transmitted, data are transmitted from memory as pointed to by the address counter, which at this point is the start of the next page. This sequence will continue until the final page and its accompanying CRC are transmitted. The read memory/page CRC command sequence can be terminated at any point by issuing a reset pulse.



**APPLICATION INFORMATION**

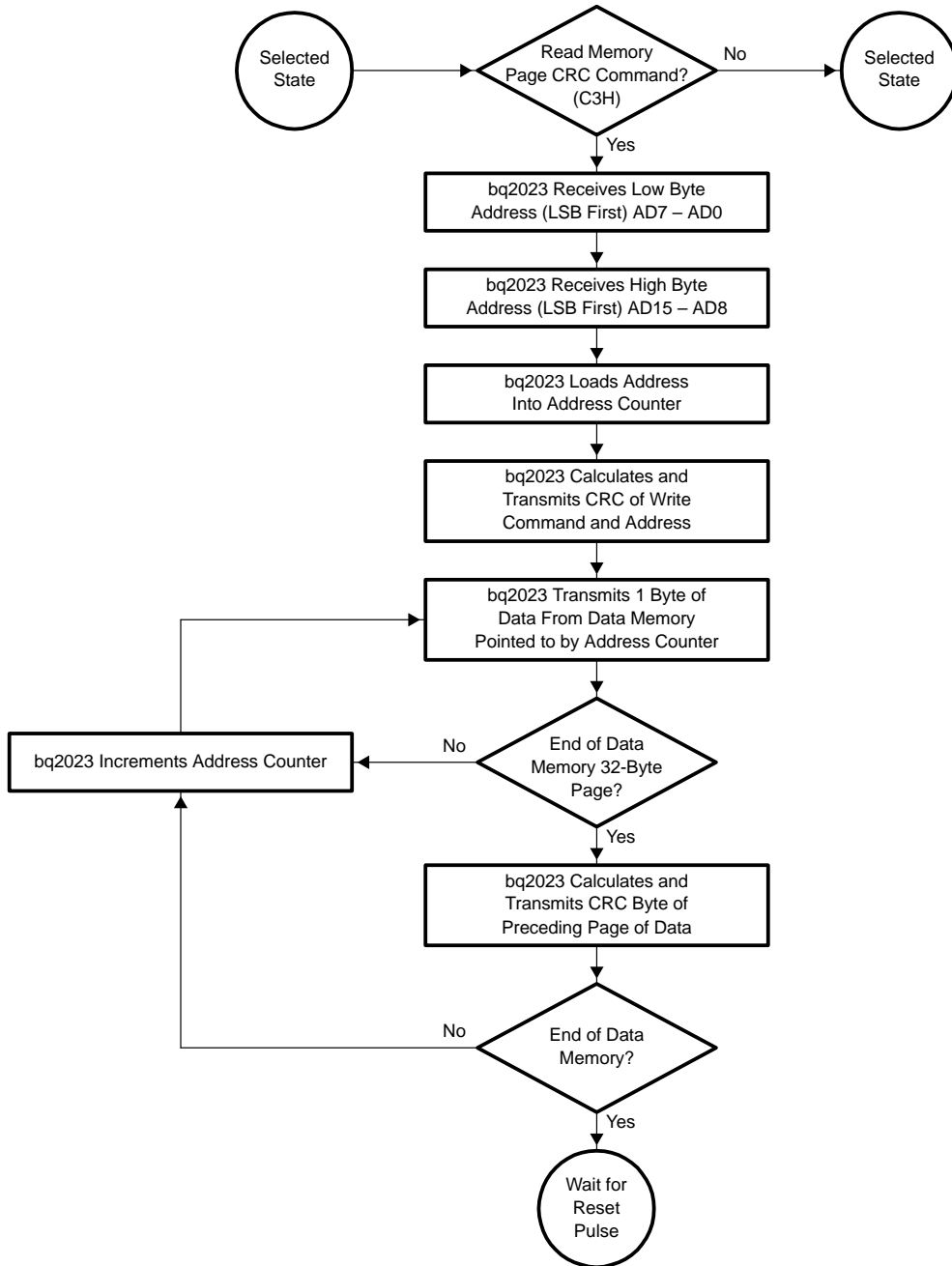


**Figure 8. ROM Command Flow Chart**

**bq2023**  
**SINGLE-WIRE ADVANCED BATTERY MONITOR IC**  
**FOR CELLULAR AND PDA APPLICATIONS**

SLUS480B – MAY 2001

**APPLICATION INFORMATION**



**Figure 9. Read Memory and Generate PAGE CRC Command Flow**

---

## APPLICATION INFORMATION

### ***read memory/field CRC***

The read memory/field CRC command reads part or all of the 271 memory addresses shown in the register map with an 8-bit CRC generated at the end of the 271-byte register map.

The flowchart in figure 10 illustrates when the bq2023 is in the selected state. The read memory/field CRC command, F0 hex, directs the bq2023 to load the next two bytes, low byte and high byte of the starting address, into the address counter. Individual bytes of address and data are transmitted least significant bit first. An 8-bit CRC of the command byte and address bytes is computed and transmitted by the bq2023. When the bq2023 detects a start frame for read time slots, it transmits data from the 271 available registers bytes as pointed to by the address counter. After each byte of data is transmitted, the address counter is incremented. This process repeats until the end of the register map is reached. At the end of the data field, the bq2023 calculates and transmits another 8-bit CRC of all data bytes read from the initial starting byte through the last byte of memory.

The read memory/field CRC command sequence can be terminated at any point by issuing a reset pulse.

### ***write data memory***

The write data memory command programs the 224 bytes of flash and modifies RAM registers that can be written. Data are first written into a communication buffer. When programming flash, the contents of the communication buffer are ANDed with the contents of the flash memory field when the programming code is issued. Before programming, data in flash will appear as 1s. When writing to non-flash registers, the bq2023 copies data from the communication buffer into the byte to be modified.

The flowchart in Figure 11 illustrates that when the bq2023 is in the selected state, the write data memory command, 0F hex, directs the bq2023 to load the next two bytes (low byte and high byte of the starting address) into the address counter. Eight bits of data are transmitted to the bq2023. Individual bytes of address and data are transmitted least significant bit first. The bq2023 calculates and transmits an 8-bit CRC based on the write data memory command, address, and data. The highest starting address of the bq2023 is 10F hex.

After verifying the CRC, the host issues the programming code, 5A hex. Then the communication buffer is logically ANDed with the contents of the flash byte pointed to by the address register.

#### **NOTE:**

If the address is greater than DF or not equal to 101 hex, no programming code is required, because the write is to a RAM register.

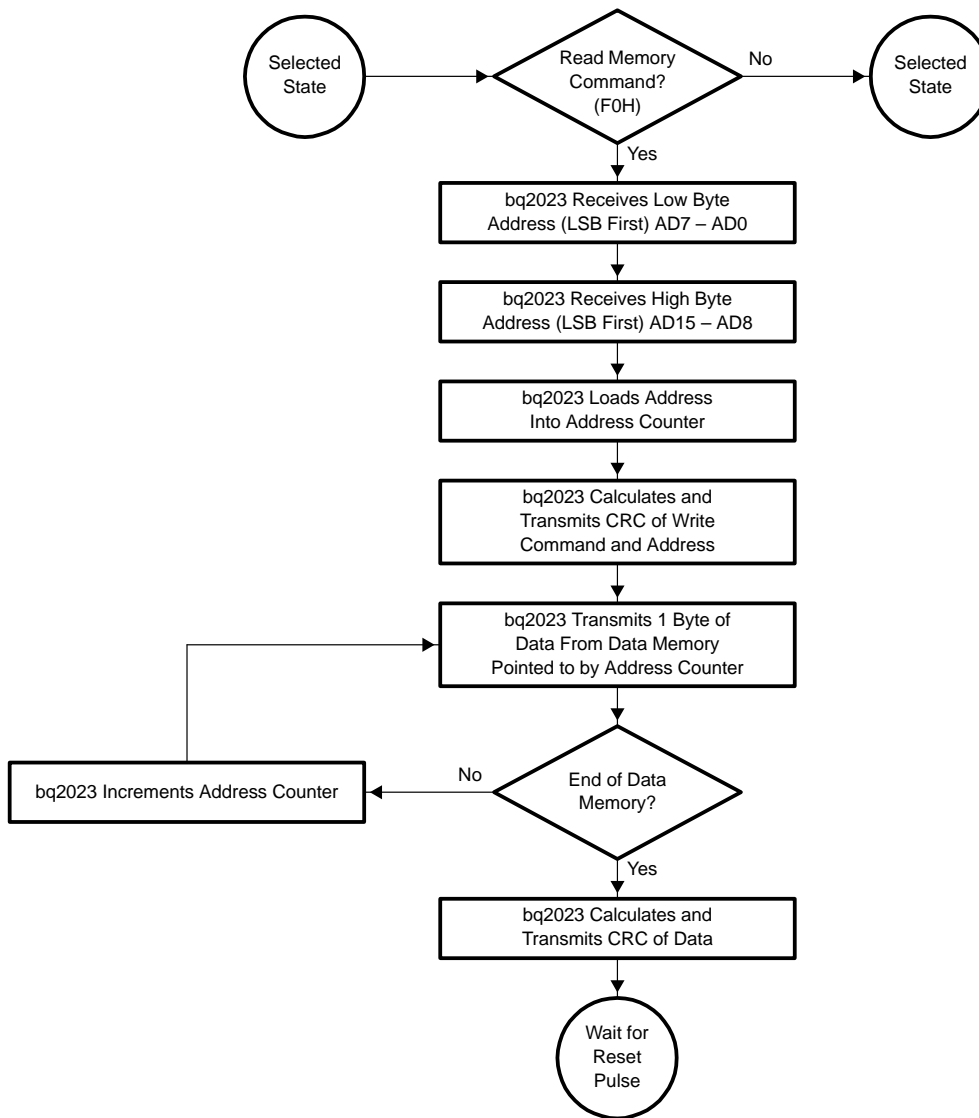
The data are then transmitted back to the host from flash to verify that the byte was correctly programmed or written. If the address is less than 10F hex and is a modifiable location, then the next byte of data may be transmitted to the bq2023 from the host. The bq2023 calculates the 8-bit CRC by loading the least significant byte of the address register and shifting in the new data. This CRC is then transmitted for verification.

The write data memory command sequence can be terminated at any point by issuing a reset pulse.

**bq2023**  
**SINGLE-WIRE ADVANCED BATTERY MONITOR IC**  
**FOR CELLULAR AND PDA APPLICATIONS**

SLUS480B – MAY 2001

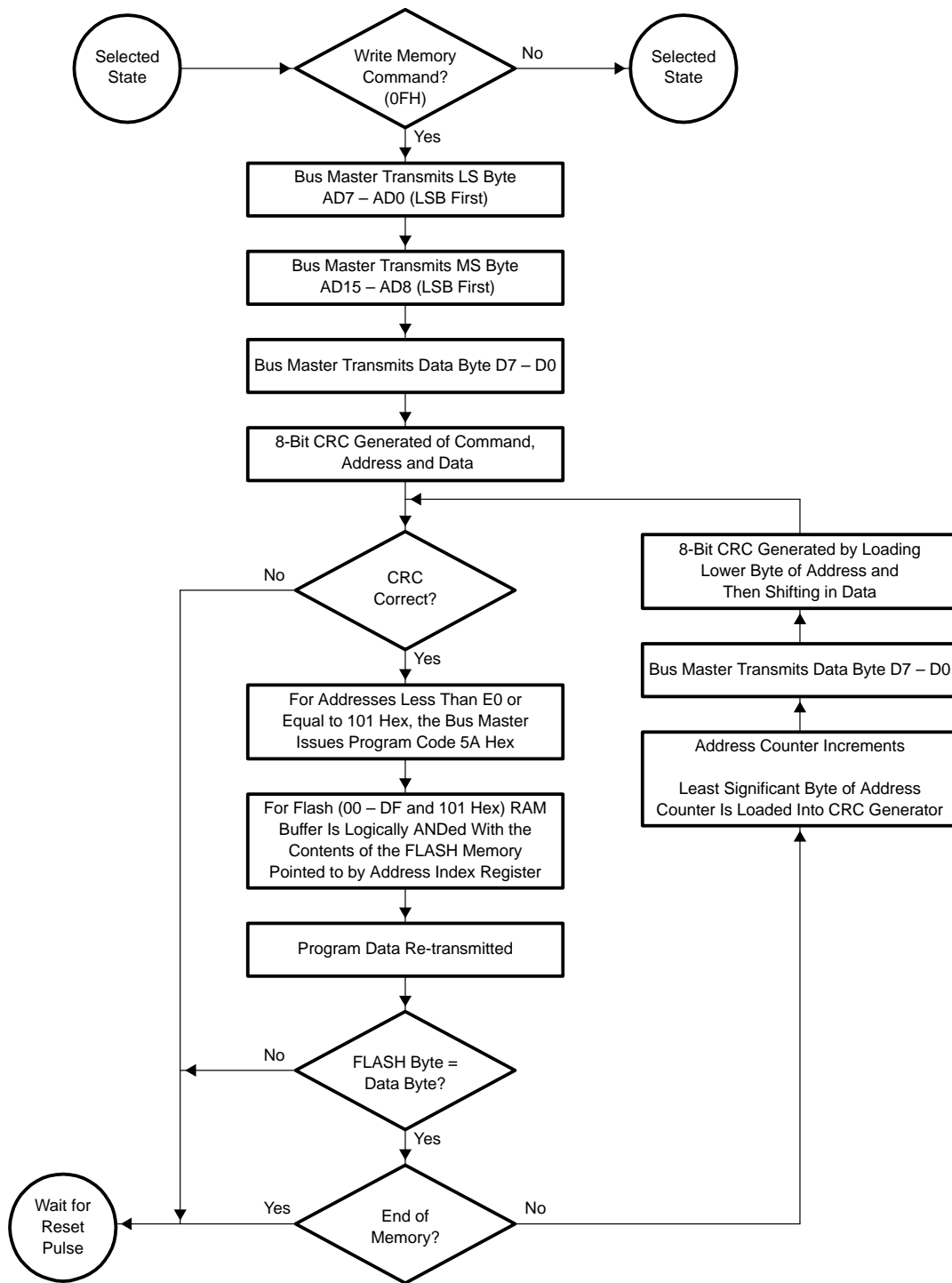
**APPLICATION INFORMATION**



**Figure 10. Read Data Memory With Field CRC Command Flow**



**APPLICATION INFORMATION**



**Figure 11. Write Memory Command Flow**

# bq2023 SINGLE-WIRE ADVANCED BATTERY MONITOR IC FOR CELLULAR AND PDA APPLICATIONS

SLUS480B – MAY 2001

## APPLICATION INFORMATION

### program profile byte

The program profile byte provides the user a convenient method to differentiate the programming profile required by the bq2023 from other similar products. The flowchart in Figure 12 illustrates that when the bq2023 is in the selected state, the program profile byte, 99 hex, directs the bq2023 to transmit the value 55 hex.

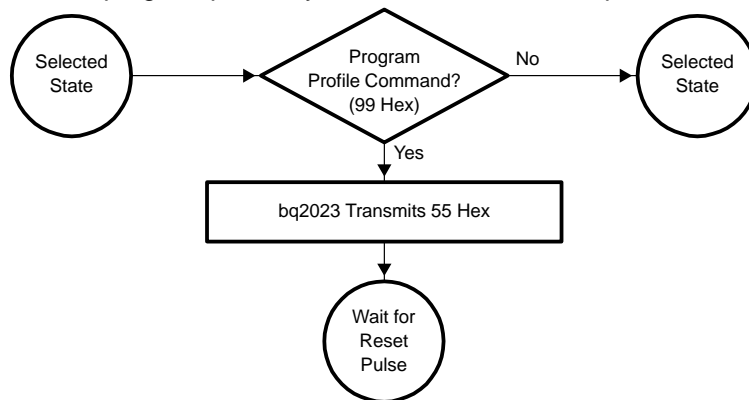


Figure 12. PROGRAM PROFILE Command Flow

### flash erase command sequence

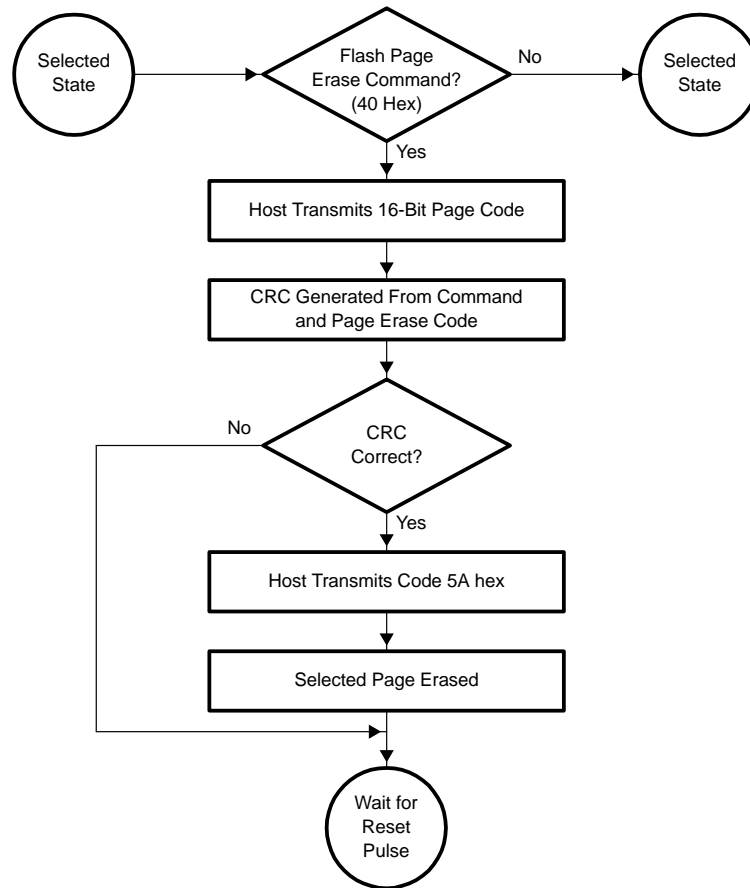
The flash erase command erases individual pages of flash. The flowchart in Figure 13 illustrates when a ROM command has selected the bq2023, 40 hex directs the bq2023 into the erase page mode. The host then transmits the 16-bit page erase codes found in Table 6 for the desired page to be erased.

Table 7. Page Erase Codes

| FLASH PAGE | CODE (HEX) |
|------------|------------|
| 0          | 0000       |
| 1          | 0020       |
| 2          | 0040       |
| 3          | 0060       |
| 4          | 0080       |
| 5          | 00A0       |
| 6          | 00C0       |

An 8-bit CRC of the command byte and page code is computed and transmitted by the bq2023. If the CRC is correct, the host then transmits code 5A hex to begin the erase.

**APPLICATION INFORMATION**



**Figure 13. FLASH Erase Command**

**bq2023 registers**

***physical address space***

The highest address decoded by the bq2023 is 0x011f. Physical registers located between 0x0020 and 0x00ff are repeated on 256-byte boundaries, starting at 0x0120. Any write to address 0x0120 and above can cause a data overwrite to FLASH and/or RAM.

***register maintenance***

The host system is responsible for register maintenance. To facilitate this maintenance, the bq2023 has a clear register (TMP/CLR) that resets the specific counter or register pair to zero. The host system clears a register by writing the corresponding register bit to 1. When the bq2023 completes the reset, the corresponding bit in the TMP/CLR register is automatically reset to 0, which saves the host an extra write/read cycle. Clearing the DTC register clears the STD bit and sets the DTC count rate to the default value of 1 count per 0.8789 s. Clearing the CTC register clears the STC bit and sets the CTC count rate to the default value of 1 count per 0.8789 s.

**bq2023**  
**SINGLE-WIRE ADVANCED BATTERY MONITOR IC**  
**FOR CELLULAR AND PDA APPLICATIONS**

SLUS480B – MAY 2001

**APPLICATION INFORMATION**

**bq2023 registers (continued)**

**Table 8. bq2023 Register Map**

| ADDRESS       | NAME     | BIT 7                                      | BIT 6 | BIT 5 | BIT 4 | BIT 3 | BIT 2 | BIT 1 | BIT 0 |
|---------------|----------|--|-------|-------|-------|-------|-------|-------|-------|
| 0x010F        | DCRH     | Discharge count register high byte         |       |       |       |       |       |       |       |
| 0x010E        | DCRL     | Discharge count register low byte          |       |       |       |       |       |       |       |
| 0x010D        | CCRH     | Charge count register high byte            |       |       |       |       |       |       |       |
| 0x010C        | CCRL     | Charge count register low byte             |       |       |       |       |       |       |       |
| 0x010B        | SCRH     | Self discharge count register high byte    |       |       |       |       |       |       |       |
| 0x010A        | SCRL     | Self-discharge count register low byte     |       |       |       |       |       |       |       |
| 0x0109        | DTCH     | Discharge timer counter register high byte |       |       |       |       |       |       |       |
| 0x0108        | DTCL     | Discharge timer count register low byte    |       |       |       |       |       |       |       |
| 0x0107        | CTCH     | Charge timer counter register high byte    |       |       |       |       |       |       |       |
| 0x0106        | CTCL     | Charge timer counter register low byte     |       |       |       |       |       |       |       |
| 0x0105        | MODE/WOE | RSVD                                       | SLEN  | STC   | STD   | WOE2  | WOE1  | WOE0  | RSVD  |
| 0x0104        | CLR      | RSVD                                       | POR   | STAT  | CTC   | DTC   | SCR   | CCR   | DCR   |
| 0x0103        | TEMPH    | Temperature high byte                      |       |       |       |       |       |       |       |
| 0x0102        | TEMPL    | Temperature low byte                       |       |       |       |       |       |       |       |
| 0x0101        | FED      | RSVD                                       | PAGE6 | PAGE5 | PAGE4 | PAGE3 | PAGE2 | PAGE1 | PAGE0 |
| 0x0100        |          | Reserved                                   |       |       |       |       |       |       |       |
| 0x00E0-0x00FF | RAM      | Page 7, 32 bytes of RAM                    |       |       |       |       |       |       |       |
| 0x00C0-0x00DF | Flash    | Page 6, 32 bytes of flash                  |       |       |       |       |       |       |       |
| 0x00A0-0x00BF | Flash    | Page 5, 32 bytes of flash                  |       |       |       |       |       |       |       |
| 0x0080-0x009F | Flash    | Page 4, 32 bytes of flash                  |       |       |       |       |       |       |       |
| 0x0060-0x007F | Flash    | Page 3, 32 bytes of flash                  |       |       |       |       |       |       |       |
| 0x0040-0x005F | Flash    | Page 2, 32 bytes of flash                  |       |       |       |       |       |       |       |
| 0x0020-0x003F | Flash    | Page 1, 32 bytes of flash                  |       |       |       |       |       |       |       |
| 0x0000-0x001F | Flash    | Page 0, 32 bytes of flash                  |       |       |       |       |       |       |       |

**register descriptions**

**id ROM**

The factory programmed ID ROM can be programmed to customers specification. Contact Texas Instruments for details.

**discharge count registers (DCRH/DCRL)**

The DCRH high-byte register (address 010F hex) and the DCRL low-byte register (address 010E hex), which contain the count of the discharge, are incremented whenever  $V_{SRP} < V_{SRN}$  (1 LSB = 3.05  $\mu$ V-hr). These registers continue to count beyond FFFF hex, so proper register maintenance should be done by the host system. The TMP/CLR register forces the reset of both the DCRH and DCRL to zero when the DCR bit is set.

**charge count registers (CCRH/CCRL)**

The CCRH high-byte register (address 010D hex) and the CCRL low-byte register (address 010C hex), which contain the count of the charge, are incremented whenever  $V_{SRP} > V_{SRN}$  (1 LSB = 3.05  $\mu$ V-hr). These registers continue to count beyond FFFF hex, so proper register maintenance should be done by the host system. The TMP/CLR register forces the reset of both the CCRH and CCRL to zero when the CCR bit is set.



## APPLICATION INFORMATION

### register descriptions (continued)

#### **self-discharge count registers (SCRH/SCRL)**

The SCRH high-byte register (address 010B hex) and the SCRL low-byte register (address 010A hex) contain the self-discharge count. This register is continually updated in both the normal operating and sleep modes of the bq2023. The counts in these registers are incremented on the basis of time and temperature. The SCR counts at 1 count per hour at 20–30°C and doubles every 10°C to greater than 60°C (16 counts/hour). The count halves every 10°C below 20–30°C to less than 0°C (1 count/8 hours). These registers continue to count beyond FFFF hex, so proper register maintenance should be done by the host system. The TMP/CLR register forces the reset of both the SCRH and SCRL to zero when the SDR bit is set. During device sleep the bq2023 wakes approximately every hour for 4 seconds to maintain the self-discharge registers.

#### **discharge time count registers (DTCH/DTCL)**

The DTCH high-byte register (address 0109 hex) and the DTCL low-byte register (address 0108 hex) determine the length of time that  $V_{SRP} < V_{SRN}$ , indicating a discharge. The counts in these registers are incremented at 4096 counts per hour. If the DTCH/DTCL register continues to count beyond FFFF hex, the STD bit is set in the MODE/WOE register indicating a rollover. Once set, DTCH and DTCL increment at 16 counts per hour.

**NOTE:**

If a second rollover occurs, STD is cleared. Access to the bq2023 should be timed to clear DTCH/DTCL more often than every 170 days. The TEMP/CLR register forces the reset of both the DTCH and DTCL to zero when the DTC bit is set.

#### **charge time count registers (CTCH/CTCL)**

The CTCH high-byte register (address 0107 hex) and the CTCL low-byte register (address 0106 hex) determine the length of time that  $V_{SRP} > V_{SRN}$ , indicating a charge. The counts in these registers are incremented at 4096 counts per hour. If the CTCH/CTCL registers continue to count beyond FFFF hex, the STC bit is set in the MODE/WOE register, indicating a rollover. Once set, CTCH and CTCL increment at 16 counts per hour.

**NOTE:**

If a second rollover occurs, STC is cleared. Access to the bq2023 should be timed to clear CTCH/CTCL more often than every 170 days. The TMP/CLR register forces the reset of both the CTCH and CTCL to zero when the CTC bit is set.

#### **mode, wake-up enable register (MOE/WOE)**

The Mode/WOE register (address 0105 hex) contains the SLEEP ENABLE bit, the STC and STD bits, and wake-up enable information as described below:

| MODE/WOE BITS |      |     |     |      |      |      |      |
|---------------|------|-----|-----|------|------|------|------|
| 7             | 6    | 5   | 4   | 3    | 2    | 1    | 0    |
| RSVD          | SLEN | STC | STD | WOE2 | WOE1 | WOE0 | RSVD |

**RSVD** BIT7 is a reserved bit and must always be set to 0. This bit is cleared on Power-on-Reset.

**SLEN** The SLEN bit allows the bq2023 to enter sleep mode. The bq2023 enters sleep mode if battery current (i.e., voltage difference between the SRP and SRN pins) is less than WOE threshold, the SLEN bit is set, and there is no communication activity on the SDQ pin for approximately one hour. The bq2023 wakes on either a low-to-high or high-to-low transition on the SDQ pin. The SLEN bit is set during power-on-reset or after a wake-up condition.

**NOTE:**

Entering sleep mode does not clear this bit. It must be cleared by the host. This bit is set during power-on-reset.

# bq2023 SINGLE-WIRE ADVANCED BATTERY MONITOR IC FOR CELLULAR AND PDA APPLICATIONS

SLUS480B – MAY 2001

## APPLICATION INFORMATION

### register descriptions (continued)

**STC and STD** The slow time charge (STC) and slow time discharge (STD) flags indicate if the CTC or DTC registers have rolled over beyond FFFF hex. STC set to 1 indicates a CTC rollover; STD set to 1 indicates a DTC rollover. These bits are in indeterminate states on power-on-reset.

**WOE[2..0]** The wake-up output enable (WOE) bits (bits 3–1) set the wake-up enable signal level. Whenever  $|V_{SRP} - V_{SRN}| < V_{WOE}$ , and the SLEN bit is set the bq2023 will enter sleep mode, after approximately one hour of inactivity on SDQ pin. Setting all of these bits to zero will cause the device to sleep if SLEN is set and there is no SDQ activity, regardless of  $V_{SRP} - V_{SRN}$  voltage. Refer to Table 3 for the various WOE values. All WOE bits are set to 1 on power-on-reset.

**RSVD** BIT0 is a reserved bit and must always be set to 0. This bit is cleared on power-on-reset.

### clear register (CLR)

As described in the table below, the bits in the CLR register (address 0104 hex) clear the DCR, CCR, SCR, DTC and CTC registers, determine if a power-on-reset occurred, and set the state of the STAT pin.

| CLR BITS |     |      |     |     |     |     |     |
|----------|-----|------|-----|-----|-----|-----|-----|
| 7        | 6   | 5    | 4   | 3   | 2   | 1   | 0   |
| RSVD     | POR | STAT | CTC | DTC | SCR | CCR | DCR |

**RSVD** Reserved for future use.

**POR** The POR bit (bit 6) indicates a power-on-reset has occurred. This bit is set when VCC has gone below the POR level. This bit can be set and cleared by the host, but setting has no effect.

**STAT** The STAT bit (bit 5) sets the state of the open drain output of the STAT pin. A 1 turns off the open drain output while a 0 turns the output on. This bit is set to a 1 on power-on-reset.

**CTC** The CTC bit (bit 4) clears the CTCH, CTCL registers and the STC bit. A 1 clears the corresponding registers and bit. After the registers are cleared, the CTC bit is cleared. This bit is cleared on power-on-reset.

**DTC** The DTC bit (bit 3) clears the DTCH, DTCL registers and the STD bit. A 1 clears the corresponding registers and bit. After the registers are cleared, the DTC bit is cleared. This bit is cleared on power-on-reset.

**SCR** The SCR bit (bit 2) clears both the SCRH and SCRL registers. Writing a 1 to this bit clears the SCRH and SCRL register. After these registers are cleared, the SCR bit is cleared. This bit is cleared on power-on-reset.

**CCR** The CCR bit (bit 1) clears both the CCRH and CCRL registers. Writing a 1 to this bit clears the CCRH and CCRL registers. After these registers are cleared, the CCR bit is cleared. This bit is cleared on power-on-reset.

**DCR** The DCR bit (bit 0) clears both the DCRH and DCRL registers to 0. Writing a 1 to this bit clears the SCRH and SCRL register. After these registers are cleared, the SCR bit is cleared. This bit is cleared on power-on-reset.

### temperature registers

The TMPH register (address 0103 hex) and the TMPL register (address 0102 hex) report die temperature in hex format in increments of 0.25°K. These read-only temperature registers count at 1 count/0.25K. The read at 25°C (i.e., 298°K) will be 0x4A8 hex.



## APPLICATION INFORMATION

### register descriptions (continued)

#### *flash erase disable (FED) register*

The FED register (address 101 hex) contains the bits that disable the flash erase on page boundaries. When a bit is cleared, the corresponding page of flash can no longer be programmed or erased. Once a disable erase page bit has been set, it cannot be cleared. This register is a flash register, programmed using the write memory command protocol, and it requires issuing the program code 5A hex after CRC verification.

| FED BITS |       |       |       |       |       |       |       |
|----------|-------|-------|-------|-------|-------|-------|-------|
| 7        | 6     | 5     | 4     | 3     | 2     | 1     | 0     |
| RSVD     | PAGE6 | PAGE5 | PAGE4 | PAGE3 | PAGE2 | PAGE1 | PAGE0 |

- RSVD** Reserved for future use.
- PAGE6** The PAGE6 bit disables PROGRAM/ERASE for flash memory locations C0 through DF hex when set to 0.
- PAGE5** The PAGE5 bit disables PROGRAM/ERASE for flash memory locations A0 through BF hex when set to 0.
- PAGE4** The PAGE4 bit disables PROGRAM/ERASE for flash memory locations 80 through 9F hex when set to 0.
- PAGE3** The PAGE3 bit disables PROGRAM/ERASE for flash memory locations 60 through 7F hex when set to 0.
- PAGE2** The PAGE2 bit disables PROGRAM/ERASE for flash memory locations 40 through 5F hex when set to 0.
- PAGE1** The PAGE1 bit disables PROGRAM/ERASE for flash memory locations 20 through 3F hex when set to 0.
- PAGE0** The PAGE0 bit disables PROGRAM/ERASE for flash memory locations 00 through 1F hex when set to 0.

### CRC generation

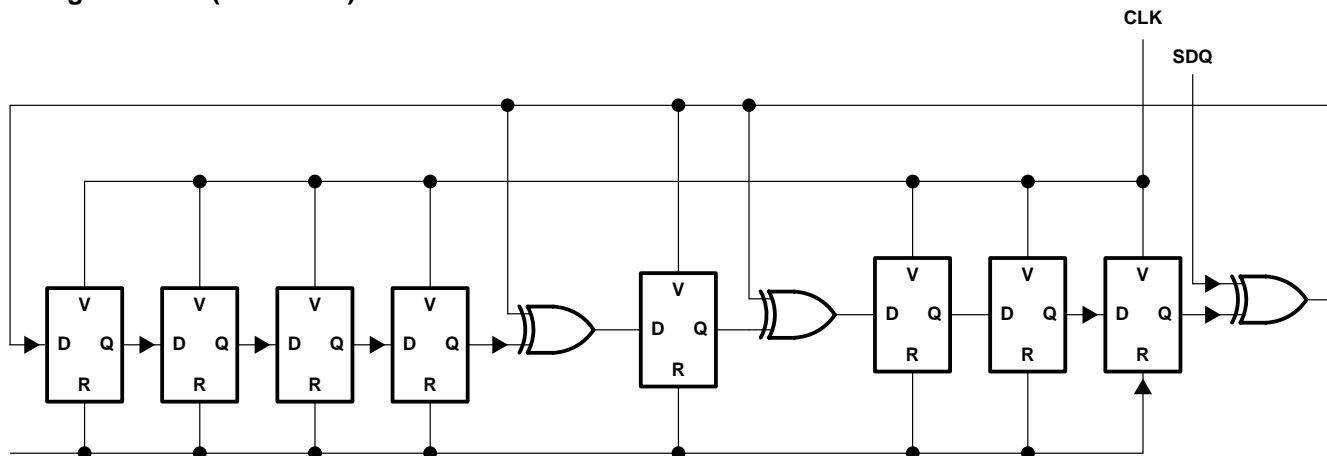
The bq2023 has an 8-bit CRC stored in the most significant byte of the 64-bit ROM. The bus master can compute a CRC value from the first 56 bits of the 64-bit ROM and compare it to the value stored within the bq2023 to determine if the ROM data have been received error-free by the bus master. The equivalent polynomial function of this CRC is:  $X^8 + X^5 + X^4 + 1$ . The CRC generator circuit is shown in Figure 14.

Under certain conditions, the bq2023 also generates an 8-bit CRC value using the same polynomial function shown above and provides this value to the bus master to validate the transfer of command, address, and data bytes from the bus master to the bq2023. The bq2023 receives data bytes for the write memory and flash page erase commands. It computes an 8-bit CRC for the command, address, and data bytes of each of these commands and then outputs this value to the bus master to confirm proper transfer. Similarly the bq2023 computes an 8-bit CRC for the command and address bytes received from the bus master for the Read Memory commands to confirm that these bytes have been received correctly.

In each case where a CRC is used for data transfer validation, the bus master must calculate a CRC value using the polynomial function given above and compare the calculated value to either the 8-bit CRC value stored in the 64-bit ROM portion of the bq2023 (for ROM reads) or the 8-bit CRC value computed within the bq2023. The comparison of CRC values and decision to continue with an operation are determined entirely by the bus master. There is no circuitry on the bq2023 that prevents a command sequence from proceeding if the CRC stored in or calculated by the bq2023 does not match the value generated by the bus master.

**APPLICATION INFORMATION**

**CRC generation (continued)**



**Figure 14. 8-Bit CRC Generator Circuit ( $X^8 + X^5 + X^4 + 1$ )**



**PACKAGING INFORMATION**

| Orderable part number     | Status<br>(1) | Material type<br>(2) | Package   Pins | Package qty   Carrier | RoHS<br>(3) | Lead finish/<br>Ball material<br>(4) | MSL rating/<br>Peak reflow<br>(5) | Op temp (°C) | Part marking<br>(6) |
|---------------------------|---------------|----------------------|----------------|-----------------------|-------------|--------------------------------------|-----------------------------------|--------------|---------------------|
| <a href="#">BQ2023PW</a>  | Last Time Buy | Production           | TSSOP (PW)   8 | 100   TUBE            | Yes         | NIPDAU                               | Level-2-260C-1 YEAR               | -20 to 70    | 2023                |
| BQ2023PW.B                | Last Time Buy | Production           | TSSOP (PW)   8 | 100   TUBE            | Yes         | NIPDAU                               | Level-2-260C-1 YEAR               | -20 to 70    | 2023                |
| <a href="#">BQ2023PWR</a> | Last Time Buy | Production           | TSSOP (PW)   8 | 2000   LARGE T&R      | Yes         | NIPDAU                               | Level-2-260C-1 YEAR               | -20 to 70    | 2023                |
| BQ2023PWR.B               | Last Time Buy | Production           | TSSOP (PW)   8 | 2000   LARGE T&R      | Yes         | NIPDAU                               | Level-2-260C-1 YEAR               | -20 to 70    | 2023                |

(1) **Status:** For more details on status, see our [product life cycle](#).

(2) **Material type:** When designated, preproduction parts are prototypes/experimental devices, and are not yet approved or released for full production. Testing and final process, including without limitation quality assurance, reliability performance testing, and/or process qualification, may not yet be complete, and this item is subject to further changes or possible discontinuation. If available for ordering, purchases will be subject to an additional waiver at checkout, and are intended for early internal evaluation purposes only. These items are sold without warranties of any kind.

(3) **RoHS values:** Yes, No, RoHS Exempt. See the [TI RoHS Statement](#) for additional information and value definition.

(4) **Lead finish/Ball material:** Parts may have multiple material finish options. Finish options are separated by a vertical ruled line. Lead finish/Ball material values may wrap to two lines if the finish value exceeds the maximum column width.

(5) **MSL rating/Peak reflow:** The moisture sensitivity level ratings and peak solder (reflow) temperatures. In the event that a part has multiple moisture sensitivity ratings, only the lowest level per JEDEC standards is shown. Refer to the shipping label for the actual reflow temperature that will be used to mount the part to the printed circuit board.

(6) **Part marking:** There may be an additional marking, which relates to the logo, the lot trace code information, or the environmental category of the part.

Multiple part markings will be inside parentheses. Only one part marking contained in parentheses and separated by a "-" will appear on a part. If a line is indented then it is a continuation of the previous line and the two combined represent the entire part marking for that device.

**Important Information and Disclaimer:** The information provided on this page represents TI's knowledge and belief as of the date that it is provided. TI bases its knowledge and belief on information provided by third parties, and makes no representation or warranty as to the accuracy of such information. Efforts are underway to better integrate information from third parties. TI has taken and continues to take reasonable steps to provide representative and accurate information but may not have conducted destructive testing or chemical analysis on incoming materials and chemicals. TI and TI suppliers consider certain information to be proprietary, and thus CAS numbers and other limited information may not be available for release.

In no event shall TI's liability arising out of such information exceed the total purchase price of the TI part(s) at issue in this document sold by TI to Customer on an annual basis.



**TAPE AND REEL INFORMATION**

**QUADRANT ASSIGNMENTS FOR PIN 1 ORIENTATION IN TAPE**


\*All dimensions are nominal

| Device    | Package Type | Package Drawing | Pins | SPQ  | Reel Diameter (mm) | Reel Width W1 (mm) | A0 (mm) | B0 (mm) | K0 (mm) | P1 (mm) | W (mm) | Pin1 Quadrant |
|-----------|--------------|-----------------|------|------|--------------------|--------------------|---------|---------|---------|---------|--------|---------------|
| BQ2023PWR | TSSOP        | PW              | 8    | 2000 | 330.0              | 12.4               | 7.0     | 3.6     | 1.6     | 8.0     | 12.0   | Q1            |

**TAPE AND REEL BOX DIMENSIONS**


\*All dimensions are nominal

| Device    | Package Type | Package Drawing | Pins | SPQ  | Length (mm) | Width (mm) | Height (mm) |
|-----------|--------------|-----------------|------|------|-------------|------------|-------------|
| BQ2023PWR | TSSOP        | PW              | 8    | 2000 | 350.0       | 350.0      | 43.0        |

**TUBE**


\*All dimensions are nominal

| Device     | Package Name | Package Type | Pins | SPQ | L (mm) | W (mm) | T (μm) | B (mm) |
|------------|--------------|--------------|------|-----|--------|--------|--------|--------|
| BQ2023PW   | PW           | TSSOP        | 8    | 100 | 300    | 8.5    | 3250   | 4      |
| BQ2023PW.B | PW           | TSSOP        | 8    | 100 | 300    | 8.5    | 3250   | 4      |

PW0008A



**PACKAGE OUTLINE**  
**TSSOP - 1.2 mm max height**

SMALL OUTLINE PACKAGE



4221848/A 02/2015

NOTES:

- All linear dimensions are in millimeters. Any dimensions in parenthesis are for reference only. Dimensioning and tolerancing per ASME Y14.5M.
- This drawing is subject to change without notice.
- This dimension does not include mold flash, protrusions, or gate burrs. Mold flash, protrusions, or gate burrs shall not exceed 0.15 mm per side.
- This dimension does not include interlead flash. Interlead flash shall not exceed 0.25 mm per side.
- Reference JEDEC registration MO-153, variation AA.

# EXAMPLE BOARD LAYOUT

PW0008A

TSSOP - 1.2 mm max height

SMALL OUTLINE PACKAGE



LAND PATTERN EXAMPLE  
SCALE:10X



SOLDER MASK DETAILS  
NOT TO SCALE

4221848/A 02/2015

NOTES: (continued)

- 6. Publication IPC-7351 may have alternate designs.
- 7. Solder mask tolerances between and around signal pads can vary based on board fabrication site.

# EXAMPLE STENCIL DESIGN

PW0008A

TSSOP - 1.2 mm max height

SMALL OUTLINE PACKAGE



SOLDER PASTE EXAMPLE  
BASED ON 0.125 mm THICK STENCIL  
SCALE:10X

4221848/A 02/2015

NOTES: (continued)

8. Laser cutting apertures with trapezoidal walls and rounded corners may offer better paste release. IPC-7525 may have alternate design recommendations.
9. Board assembly site may have different recommendations for stencil design.



## IMPORTANT NOTICE AND DISCLAIMER

TI PROVIDES TECHNICAL AND RELIABILITY DATA (INCLUDING DATASHEETS), DESIGN RESOURCES (INCLUDING REFERENCE DESIGNS), APPLICATION OR OTHER DESIGN ADVICE, WEB TOOLS, SAFETY INFORMATION, AND OTHER RESOURCES "AS IS" AND WITH ALL FAULTS, AND DISCLAIMS ALL WARRANTIES, EXPRESS AND IMPLIED, INCLUDING WITHOUT LIMITATION ANY IMPLIED WARRANTIES OF MERCHANTABILITY, FITNESS FOR A PARTICULAR PURPOSE OR NON-INFRINGEMENT OF THIRD PARTY INTELLECTUAL PROPERTY RIGHTS.

These resources are intended for skilled developers designing with TI products. You are solely responsible for (1) selecting the appropriate TI products for your application, (2) designing, validating and testing your application, and (3) ensuring your application meets applicable standards, and any other safety, security, regulatory or other requirements.

These resources are subject to change without notice. TI grants you permission to use these resources only for development of an application that uses the TI products described in the resource. Other reproduction and display of these resources is prohibited. No license is granted to any other TI intellectual property right or to any third party intellectual property right. TI disclaims responsibility for, and you fully indemnify TI and its representatives against any claims, damages, costs, losses, and liabilities arising out of your use of these resources.

TI's products are provided subject to [TI's Terms of Sale](#), [TI's General Quality Guidelines](#), or other applicable terms available either on [ti.com](http://ti.com) or provided in conjunction with such TI products. TI's provision of these resources does not expand or otherwise alter TI's applicable warranties or warranty disclaimers for TI products. Unless TI explicitly designates a product as custom or customer-specified, TI products are standard, catalog, general purpose devices.

TI objects to and rejects any additional or different terms you may propose.

Copyright © 2026, Texas Instruments Incorporated

Last updated 10/2025