

LM74681 100V Ideal Diode Bridge Controller for PoE Powered Applications

1 Features

- Input operating voltage range: 30V to 90V
 - 100V absolute maximum
- 4× integrated gate drive control
- 165µA gate pull-up strength
- 100mA gate pull-down strength
- Ultra-low quiescent current of 0.27µA during detection and classification phase ($V_{IN1-IN2} < 23V$)
- Linear gate regulation control for supply ORing applications
 - $V_{TG_REG} = 11mV$
- Enable pin for user controlled device on/off function
- -40°C to 125°C operating junction temperature range
- Small footprint: 3mm × 3mm WSON-12
 - Meets IPC-9592 spacing rules

2 Applications

- [PoE powered devices \(48V\)](#)
- [Video surveillance: IP cameras](#)
- Polarity agnostic power inputs

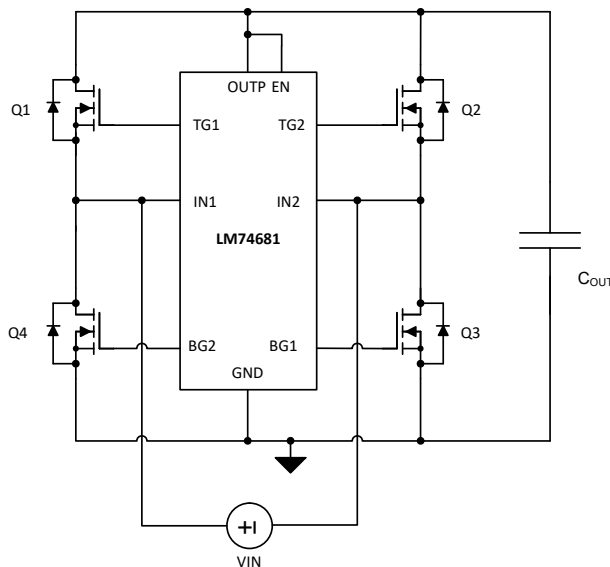
3 Description

The LM74681 is a 100V ideal diode bridge controller capable of driving a MOSFET bridge, enabling efficient low-loss bridge rectifier solutions in Power over Ethernet (PoE) applications. It allows a Power over Ethernet, powered device (PD) to receive power from RJ-45 data pairs, spare pairs, or any combination of the two, regardless of voltage polarity. The integrated charge pump allows use of N-channel MOSFETs, which are smaller and more cost effective than P-channel MOSFETs for the same power level. The LM74681 along with N-channel MOSFET bridge can replace the conventional diode bridge and can be conveniently implemented in both 2-pair and 4-pair PoE PD systems. In the event of a power source failure or short circuit, a rapid turn-off feature reduces reverse current spikes. The device also features an ultra-low quiescent current of 0.27µA, which ensures that there is no data corruption during the PoE PD detection and classification phase. This device is characterized for operation over a junction temperature range of -40°C to +125°C.

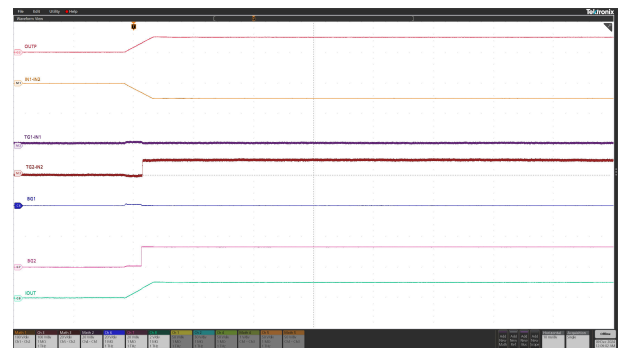
Package Information

PART NUMBER	PACKAGE ⁽¹⁾	PACKAGE SIZE ⁽²⁾
LM74681	DRR (WSON, 12)	3mm × 3mm

- (1) For all available packages, see the orderable addendum at the end of the data sheet.
- (2) The package size (length × width) is a nominal value and includes pins, where applicable.



Typical Application Schematic



-48V DC Input, Startup With Vin Ramp



Table of Contents

1 Features	1	7.4 Device Functional Modes.....	12
2 Applications	1	8 Application and Implementation	13
3 Description	1	8.1 Application Information.....	13
4 Pin Configuration and Functions	3	8.2 Typical Application.....	13
5 Specifications	4	8.3 Powered Device for IEEE 802.3bt Class 5-8 (45W-90W) Systems.....	15
5.1 Absolute Maximum Ratings.....	4	8.4 Power Supply Recommendations.....	17
5.2 ESD Ratings.....	4	8.5 Layout.....	17
5.3 Recommended Operating Conditions.....	4	9 Device and Documentation Support	19
5.4 Thermal Information.....	4	9.1 Receiving Notification of Documentation Updates....	19
5.5 Electrical Characteristics.....	5	9.2 Support Resources.....	19
5.6 Switching Characteristics.....	6	9.3 Trademarks.....	19
5.7 Typical Characteristics.....	7	9.4 Electrostatic Discharge Caution.....	19
6 Parameter Measurement Information	9	9.5 Glossary.....	19
7 Detailed Description	10	10 Revision History	19
7.1 Overview.....	10	11 Mechanical, Packaging, and Orderable Information	19
7.2 Functional Block Diagram.....	10		
7.3 Feature Description.....	11		

4 Pin Configuration and Functions

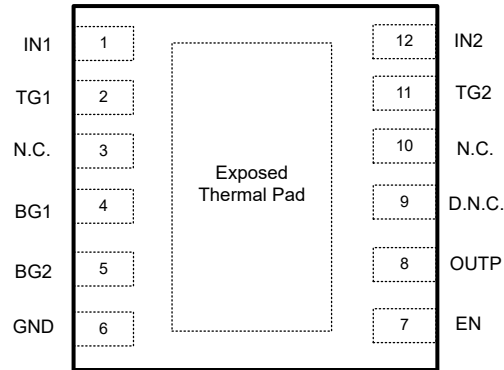


Figure 4-1. DRR Package, 12-Pin WSON (Top View)

Table 4-1. Pin Functions

PIN		I/O ⁽¹⁾	DESCRIPTION
NO.	NAME		
1	IN1	I	Bridge rectifier input 1. Connect to top side MOSFET Q1 source and bottom side MOSFET Q4 drain.
2	TG1	O	Top side MOSFET gate drive 1.
3	N.C.	—	No connection.
4	BG1	O	Bottom side MOSFET gate drive 1.
5	BG2	O	Bottom side MOSFET gate drive 2.
6	GND	G	Device ground. Connect to bottom side MOSFETs Q3 and Q4 source and output ground.
7	EN	I	Enable pin. Can be connected to OUTP for always ON operation.
8	OUTP	I	Bridge rectifier output. Connect to top side MOSFETs Q1 and Q2 drain. Connect a minimum of 0.1µF between OUTP and GND close to the IC.
9	D.N.C.	—	No connection. Do not connect externally.
10	N.C.	—	No connection.
11	TG2	O	Top side MOSFET gate drive 2.
12	IN2	I	Bridge rectifier input 2. Connect to top side MOSFET Q2 source and bottom side MOSFET Q3 drain.

(1) I = Input, O = Output, G = GND

5 Specifications

5.1 Absolute Maximum Ratings

over operating free-air temperature range (unless otherwise noted)⁽¹⁾

		MIN	MAX	UNIT
Input Pins	OUTP to GND	-0.3	100	V
	IN1, IN2 to GND	-2	OUTP+2	
	EN to GND	-0.3	OUTP	
	IN1-IN2	-100	100	
Output Pins	BG1, BG2 to GND	-0.3	15	V
	TG1 to IN1 and TG2 to IN2	-0.3	15	
Operating junction temperature ⁽²⁾		-40	150	°C
Storage temperature, T _{stg}		-40	150	°C

- (1) Stresses beyond those listed under Absolute Maximum Ratings may cause permanent damage to the device. These are stress ratings only, which do not imply functional operation of the device at these or any other conditions beyond those indicated under Recommended Operating Conditions. Exposure to absolute-maximum-rated conditions for extended periods may affect device reliability.
- (2) High junction temperatures degrade operating lifetimes. Operating lifetime is de-rated for junction temperatures greater than 125°C.

5.2 ESD Ratings

			VALUE	UNIT
V _(ESD)	Electrostatic discharge	Human body model (HBM), per ANSI/ESDA/ JEDEC JS-001 ⁽¹⁾	±2000	V
		Charged device model (CDM), per JEDEC specification JS-002 ⁽²⁾	±500	

- (1) JEDEC document JEP155 states that 500-V HBM allows safe manufacturing with a standard ESD control process.
- (2) JEDEC document JEP157 states that 250-V CDM allows safe manufacturing with a standard ESD control process.

5.3 Recommended Operating Conditions

over operating free-air temperature range (unless otherwise noted)⁽¹⁾

		MIN	NOM	MAX	UNIT
Input Pins	OUTP to GND	30		90	V
	EN to GND	0		OUTP	
Input to Output pins	OUTP to INx	-90			V
External MOSFET max V _{GS} rating	GATE to SOURCE	15			V
T _J	Operating junction temperature range ⁽²⁾	-40		150	°C

- (1) Recommended Operating Conditions are conditions under which the device is intended to be functional. For specifications and test conditions, see [Section 5.5](#).
- (2) High junction temperatures degrade operating lifetimes. Operating lifetime is de-rated for junction temperatures greater than 125°C.

5.4 Thermal Information

THERMAL METRIC ⁽¹⁾		LM7468x	UNIT
		DRR (WSON)	
		12 PINS	
R _{θJA}	Junction-to-ambient thermal resistance	60.9	°C/W
R _{θJC(top)}	Junction-to-case (top) thermal resistance	48	°C/W
R _{θJB}	Junction-to-board thermal resistance	31.5	°C/W
Ψ _{JT}	Junction-to-top characterization parameter	1.2	°C/W
Ψ _{JB}	Junction-to-board characterization parameter	31.4	°C/W

5.4 Thermal Information (continued)

THERMAL METRIC ⁽¹⁾		LM7468x	UNIT
		DRR (WSON)	
		12 PINS	
R _{θJC(bot)}	Junction-to-case (bottom) thermal resistance	7.1	°C/W

(1) For more information about traditional and new thermal metrics, see the Semiconductor and IC Package Thermal Metrics application report, SPRA953.

5.5 Electrical Characteristics

T_J = -40°C to +125°C; typical values at T_J = 25°C, O_{UTP} = 48 V, V_(EN) = O_{UTP}, C_{OUT}: 1μF over operating free-air temperature range (unless otherwise noted)

PARAMETER		TEST CONDITIONS	MIN	TYP	MAX	UNIT
SUPPLY VOLTAGE						
V _{OUTP}	O _{UTP} voltage range		30		90	V
V _{OUT_UVLOR}			24.9	27.6	29.5	V
V _{OUT_UVLOF}			24	26.7	28.5	V
V _{OUT_UVLO_Hyst}				0.9		V
I _Q	Operating Quiescent Current	V _{EN} = 3.3V, V _{OUTP} = 48V, I _{GND}		270	450	μA
I _{SHDN}	Shutdown Supply Current	V _{EN} = 0 V, V _{OUTP} = 48 V		12.8	15	μA
	UVLO shutdown current (detection phase)	2.7 V ≤ V _{OUTP} ≤ 10.1 V		0.27	3.8	μA
	UVLO shutdown current (classification phase)	10.2 V ≤ V _{OUTP} ≤ 23 V		0.27	3.8	μA
ENABLE INPUT						
V _{EN_IL}	Enable input low threshold		0.413	0.7	0.96	V
V _{EN_IH}	Enable input high threshold		0.631	0.9	1.15	
V _{EN_Hys}	Enable Hysteresis			0.2		V
I _{EN}	Enable pin leakage current	V _(EN) = 48 V		87	241	nA
V_{IN} to V_{OUTP}						
V _{FWD}	Threshold for forward conduction		169	195	226	mV
V _{REV}	Threshold for reverse current blocking		-17	-11	-5	mV
V _{TG_REG}	Top side gate drive regulation voltage		7	11	16	mV
V _{TG_REG_SINK}	Top side regulation sink current		5	10	16	μA
V _{TG_FC}	Full conduction threshold			56		mV
GATE DRIVE						
V _{TGx} - V _{INx}	Top Gate Drive Voltage		8.7	10	11.1	V
V _{BGx} - V _{GND}	Bottom Gate Drive Voltage		11.96	13	13.85	V
I _{TGx}	Peak source current	V _{INx} - V _{GND} = 100 mV, V _{TGx} - V _{INx} = 5 V	124	165	210	μA
	Peak sink current	V _{INx} - V _{GND} = -50 mV, V _{TGx} - V _{INx} = 5 V		100		mA
I _{BGx}	Peak source current	V _{BGx} - V _{GND} = 5 V	2.3	3.7	5	mA
	Peak sink current	V _{BGx} - V _{GND} = 5 V		80		mA

5.6 Switching Characteristics

$T_J = -40^{\circ}\text{C}$ to $+125^{\circ}\text{C}$; typical values at $T_J = 25^{\circ}\text{C}$, $\text{OUTP} = 48\text{ V}$, $V_{(\text{EN})} = \text{OUTP}$, $C_{\text{OUT}}: 1\mu\text{F}$ over operating free-air temperature range (unless otherwise noted)

PARAMETER		TEST CONDITIONS	MIN	TYP	MAX	UNIT
EN_{TDLY}	Enable (low to high) to TGx Turn On delay			170	265	μs
EN_{TDLY}	Enable (low to high) to BGx Turn On delay			6	9.5	μs
$t_{\text{Reverse delay}}$	Reverse voltage detection to TGx Turn Off delay	$V_{(\text{IN})} - V_{(\text{OUTP})} = 100\text{ mV to } -100\text{ mV}$		2	3	μs
$t_{\text{Forward recovery}}$	Forward voltage detection to TGx Turn On delay	$V_{(\text{IN})} - V_{(\text{OUTP})} = -100\text{ mV to } 700\text{ mV}$		5	9.1	μs

5.7 Typical Characteristics

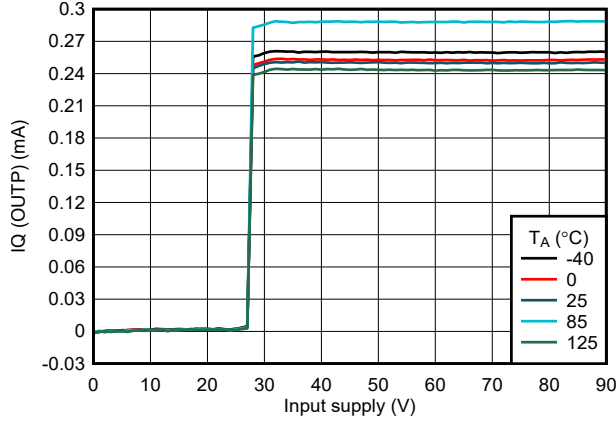


Figure 5-1. I_Q vs Supply Voltage

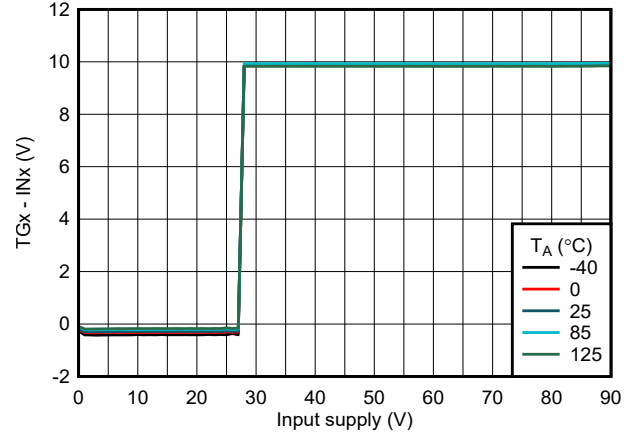


Figure 5-2. Top Side Gate Drive Voltage vs Supply Voltage

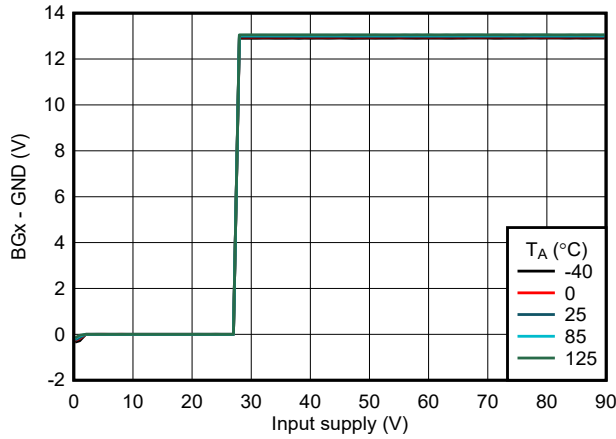


Figure 5-3. Bottom Side Gate Drive Voltage vs Supply Voltage

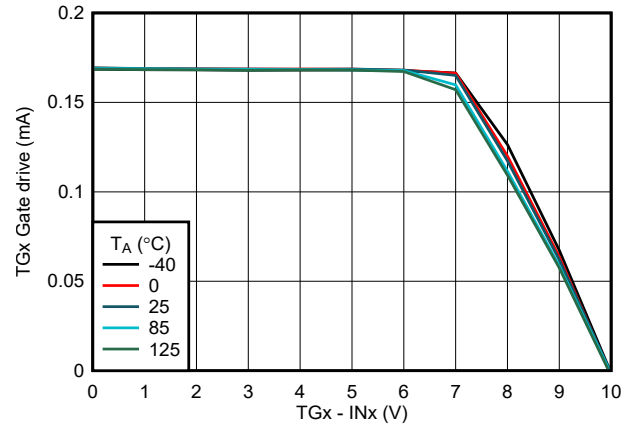


Figure 5-4. Top Side Gate Drive Source Current vs Gate Drive Voltage

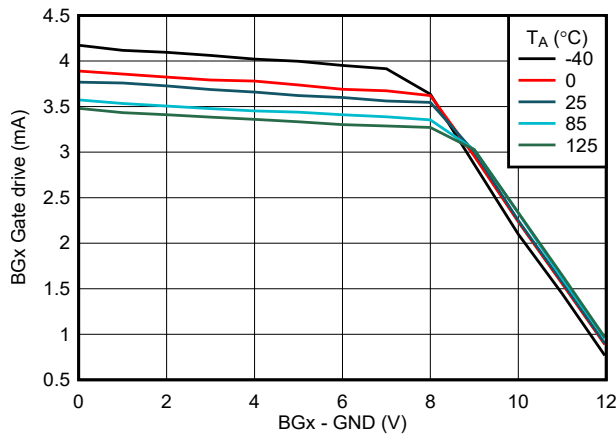


Figure 5-5. Bottom Side Gate Drive Source Current vs Gate Drive Voltage

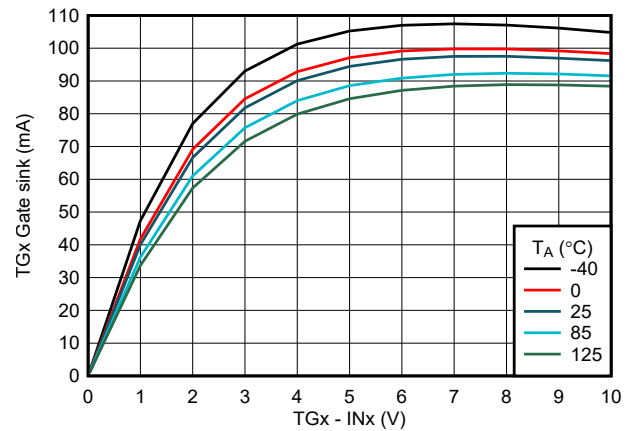
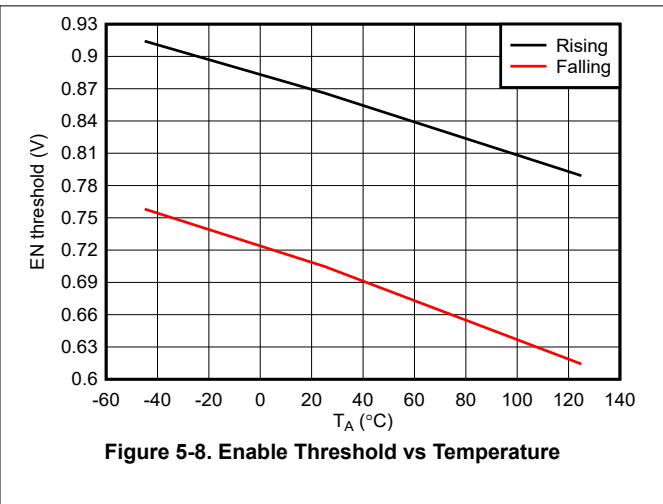
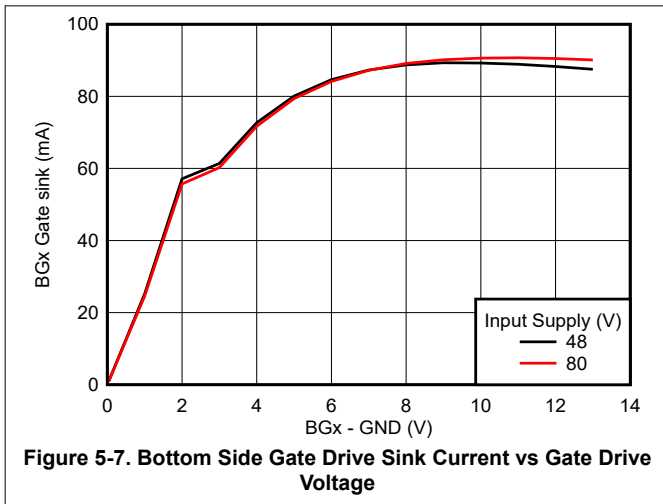


Figure 5-6. Top Side Gate Drive Sink Current vs Gate Drive Voltage

5.7 Typical Characteristics (continued)



6 Parameter Measurement Information

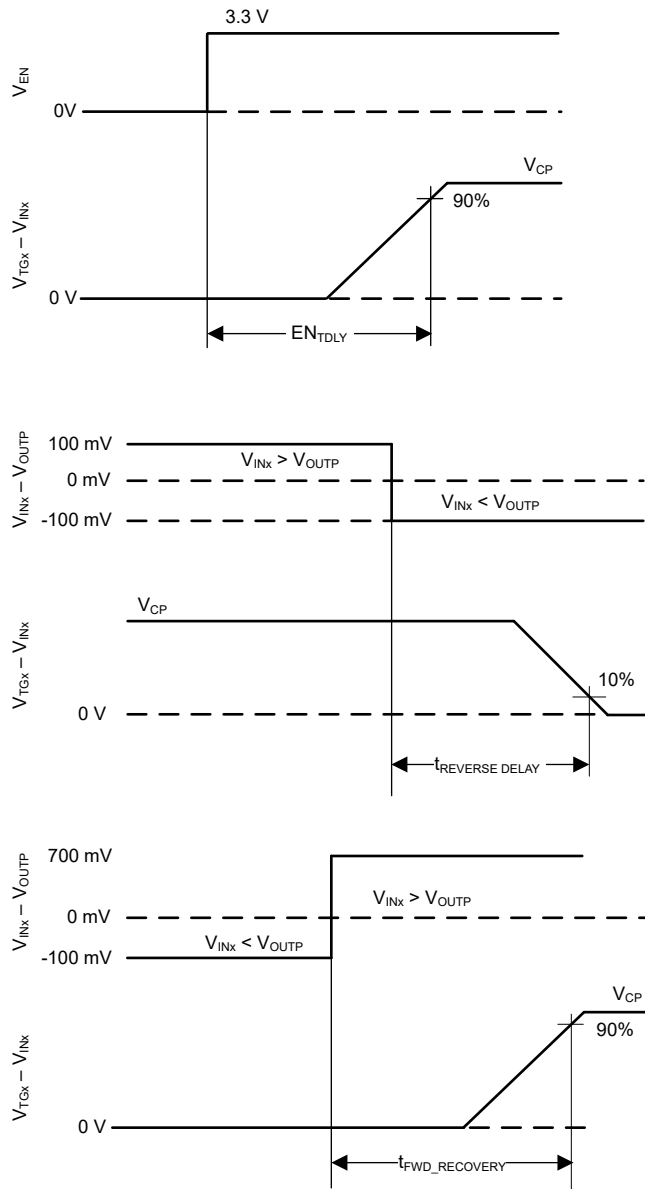


Figure 6-1. Timing Waveforms

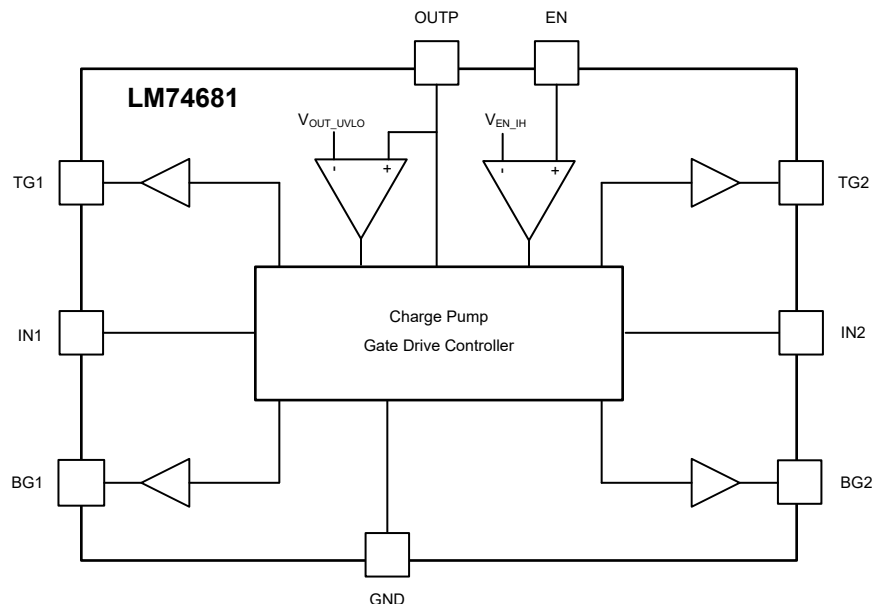
7 Detailed Description

7.1 Overview

The LM74681 is an ideal diode bridge controller designed to meet input rectifier requirements in PoE PD applications. A very common application is an IEEE 802.3 powered device, which is required to accept voltage in either polarity at its RJ-45 input (polarity agnostics input). Traditional diode bridges have lower efficiency due to the forward drop generated across two conducting diodes. Schottky diode based bridge rectifier offer lower forward drop compared to standard diode bridge however the schottky bridge may not be suitable for high temperature applications. Schottky diode bridges exhibit temperature induced leakage currents. These leakage currents have a voltage dependency that can invalidate the measured detection signature. In addition, these leakage currents can back-feed through the unpowered branch and the unused bridge, violating IEEE 802.3 specifications. Ideal diode bridge circuits are often implemented with discrete components such as a combination of P-channel and N-channel MOSFETs. These bridges usually exhibit poorer performance in terms of quiescent current, transient immunity against supply transients, and wider variation in leakage currents over temperature.

LM74681 offers integrated gate control for the external MOSFET bridge to realize low-loss rectifier solution for PoE PD applications. This device can handle transient voltages up to 100V, which makes it suitable to meet voltage transient requirements in 48V PoE powered applications. LM74681 features a linear ORing gate control mechanism that stops the powered device from allowing current to back-feed into the Ethernet cable. It also incorporates a built-in under-voltage lockout (UVLO) feature to ensure ultra-low quiescent current during both PoE PD detection ($V_{IN} < 10.5V$) and classification phases ($V_{IN} < 20.5V$).

7.2 Functional Block Diagram



7.3 Feature Description

7.3.1 Input and Output Voltage

LM74681 supports power sources with wide input voltage range enabling polarity-agnostic power source to be connected to its IN1 and IN2 pins. LM74681 is designed to operate with IN1 and IN2 designed to vary from 90V to -90V. The LM74681 device includes an OOTP UVLO feature that enables it to consume extremely low quiescent current, around 0.27 μ A, when the OOTP voltage is below V_{OOTP_UVLO} . This capability guarantees that data corruption does not occur during the Power over Ethernet (PoE) Powered Device (PD) detection and classification stage.

The OOTP pin is used to power the internal circuitry of LM74681, typically drawing I_Q when enabled and I_{SHDN} when disabled. If the OOTP pin voltage is greater than the V_{OOTP_UVLO} rising threshold, then LM74681 operates in either shutdown mode or active mode in as per the EN pin voltage. LM74681 supports an OOTP voltage of up to 90V during normal operation and can withstand voltage transients up to 100V ensuring protection against surges.

7.3.2 Charge Pump

The internal charge pump supplies the voltage necessary to drive the gate of the external N-channel MOSFETs. The charge pump is activated once the EN pin voltage is above the specified input high threshold, V_{EN_IH} . If EN pin is pulled low, then the charge pump remains disabled. By enabling and disabling the charge pump, the operating quiescent current of the LM74681 can be optimized as per system requirements.

7.3.3 Gate Driver

The gate drivers are used to control the external N-Channel MOSFETs by setting the GATE to SOURCE voltage to the corresponding mode of operation. The FETs on the top side Q1 and Q2 are driven by gates TG1 and TG2 and the FETs on the bottom side Q3 and Q4 are driven by gates BG1 and BG2 respectively.

The internal charge pump powers the top side gate drivers and depending on the DRAIN to SOURCE voltage of each MOSFET, LM74681 has three defined modes of operation the gate driver operates under which are forward regulation, full conduction mode and reverse current protection. These modes are described in more detail in [Section 7.4.1.1](#), [Section 7.4.1.2](#), and [Section 7.4.2](#). [Figure 7-1](#) depicts how the modes of operation vary according to the DRAIN to SOURCE voltage. The threshold between forward regulation and conduction modes is when the DRAIN to SOURCE voltage is V_{TG_REG} . The threshold between forward regulation mode and reverse current protection mode is when the DRAIN to SOURCE voltage is V_{REV} .

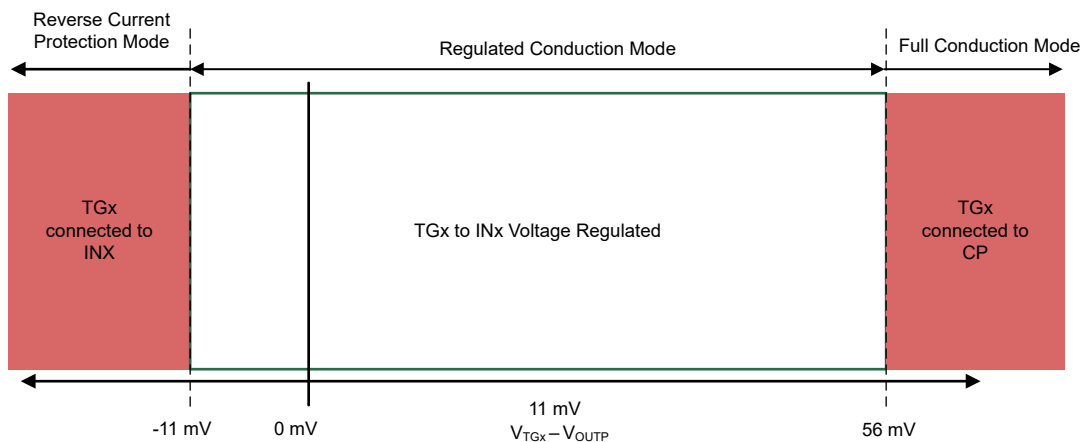


Figure 7-1. Gate Driver Mode Transitions

The bottom-side gate drivers of the LM74681 are powered directly from the IN1 or IN2 voltage and operate in two distinct modes which are forward full conduction and reverse current blocking. These gate drivers are controlled by below logic to ensure efficient power flow and protection against reverse current.

- BG1 is enabled and in full conduction when the voltage at IN1 is greater than that GND+2V and is disabled when IN1 falls below IN2 to block reverse current flow.

- Similarly, BG2 is enabled when IN2 exceeds GND+2V and is disabled when IN2 is lower than IN1.

7.3.4 Enable

The enable pin allows for the gate driver to be either enabled or disabled by an external signal. If the EN pin voltage is greater than the rising threshold, the gate drivers and charge pump operates as described in [Section 7.3.3](#) and [Section 7.3.2](#). If the enable pin voltage is less than the input low threshold, the charge pump and gate drivers are disabled placing the LM74681 in shutdown mode. The EN pin to be connected directly to the OUPP pin if enable control is not needed.

7.4 Device Functional Modes

7.4.1 Conduction Mode

Conduction mode occurs when the top gate drivers are enabled and there are two regions of operating in this mode based on the source to drain voltage of the FETs driven by LM74681. The modes are described in [Section 7.4.1.1](#) and [Section 7.4.1.2](#).

7.4.1.1 Regulated Conduction Mode

For the LM74681 to operate its top gates TG1 and TG2 in regulated conduction mode, the gate driver must be enabled as described in [Section 7.3.3](#) and the current from source to drain of the external MOSFET must be within the range to result in an INx to OUPP voltage drop of V_{REV} to V_{TG_FC} . During forward regulation mode, the INx to OUPP voltage is regulated to V_{TG_REG} by adjusting the gate to source voltage. This closed loop regulation scheme enables graceful turn-off of the MOSFET at very light loads and ensures zero DC reverse current flow.

7.4.1.2 Full Conduction Mode

For the LM74681 to operate its top gates TG1 and TG2 in full conduction mode the gate driver must be enabled as described in [Section 7.3.3](#) and the current from source to drain of the external MOSFET must be large enough to result in an INx to OUPP voltage drop of greater than V_{TG_FC} . If these conditions are achieved the GATE pin is internally connected to the charge pump resulting in the INx to OUPP voltage being equal to $V_{TGx} - V_{INx}$. By connecting the internal charge pump to GATE the external MOSFET $R_{DS(ON)}$ is minimized reducing the power loss of the external MOSFET when forward currents are large.

7.4.2 Reverse Current Protection Mode

For the LM74681 to operate in reverse current protection mode, the gate driver must be enabled as described in [Section 7.3.3](#) and the current of the external MOSFET must be flowing from the drain to the source. When the INx to OUPP voltage is typically less than V_{REV} , reverse current protection mode is entered and the FET gates is internally connected to the source. This connection of the TGx to INx pin disables the external MOSFET. The body diode of the MOSFET blocks any reverse current from flowing from the drain to source.

8 Application and Implementation

Note

Information in the following applications sections is not part of the TI component specification, and TI does not warrant its accuracy or completeness. TI's customers are responsible for determining suitability of components for their purposes, as well as validating and testing their design implementation to confirm system functionality.

8.1 Application Information

The LM74681 drives four external N-channel MOSFETs in a diode bridge configuration, making it ideal for rectifying power supplies of any polarity. By replacing traditional diodes with MOSFETs, the device minimizes conduction losses, resulting in improved thermal performance and increased overall system efficiency. OUTP UVLO feature of LM74681 makes it suitable for Power over Ethernet (PoE) applications. The schematic for a 48V POE PD application is shown in [Figure 8-1](#) where the LM74681 is driving the high side MOSFETs Q1, Q2 and low side MOSFETs Q3, Q4 in diode bridge configuration.

8.2 Typical Application

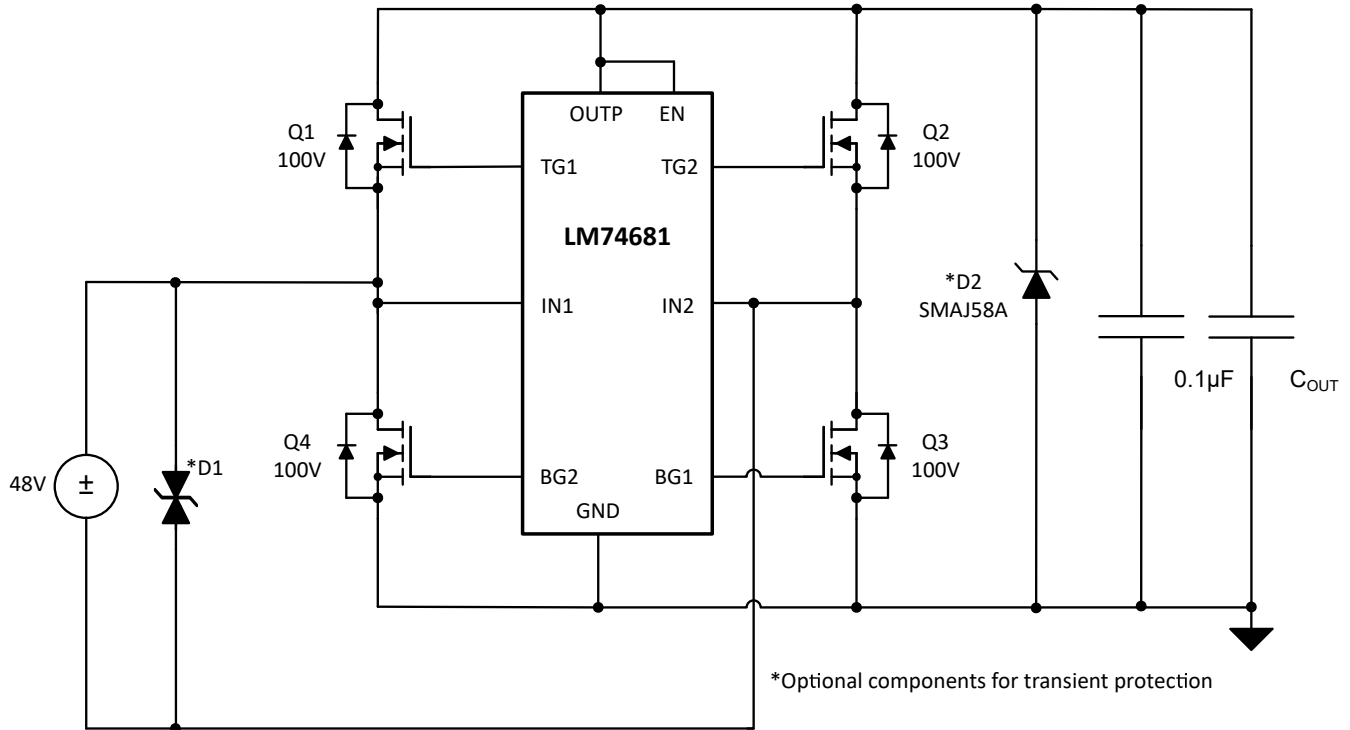


Figure 8-1. Typical Application Circuit

8.2.1 Design Requirements

A design example, with system design parameters listed in [Table 8-1](#) is presented.

Table 8-1. Design Parameters

DESIGN PARAMETER	EXAMPLE VALUE
Application	PoE PD input IEEE 802.3at
Input voltage range	44V to 57V
Input Power	30W

8.2.2 Detailed Design Procedure

8.2.2.1 Design Considerations

- Input operating voltage range, including line transients
- Maximum load current
- Output Capacitance

8.2.2.2 MOSFET Selection

The important MOSFET electrical parameters are the maximum continuous drain current I_D , the maximum drain-to-source voltage $V_{DS(MAX)}$, the maximum gate-to-source voltage $V_{GS(MAX)}$, and the drain-to-source On resistance $R_{DS(ON)}$.

The $V_{DS(MAX)}$ rating of the MOSFET must be high enough to withstand the highest differential voltage seen in the application, including any anticipated transients during fault conditions. For a 48V PoE application, a MOSFET with a voltage rating of 100V is recommended. The LM74681 can drive a maximum gate-to-source voltage of 13.8V. A MOSFET with a minimum $V_{GS(MAX)}$ rating of 15V should be selected. For MOSFETs with lower V_{GS} ratings, a Zener diode can be used to clamp the voltage to a safe level.

The MOSFET I_D rating must exceed the maximum continuous load current to ensure reliable operation under full load conditions. Additionally, the MOSFET thermal resistance should be considered to ensure the junction temperature (T_J) remains within safe limits under the expected maximum power dissipation including the initial inrush phase when the output capacitors are charged through the MOSFETs body diode.

To reduce the MOSFET conduction losses, the lowest possible $R_{DS(ON)}$ is preferred, but selecting a MOSFET based on low $R_{DS(ON)}$ may not always be beneficial. Higher $R_{DS(ON)}$ will provide increased voltage information to the LM74681 reverse comparator at a lower reverse current. Reverse current detection is better with increased $R_{DS(ON)}$. Choosing a MOSFET with $R_{DS(ON)}$ that develops <30mV forward voltage drop at maximum current is a good starting point. Usually, $R_{DS(ON)}$ increases drastically below 4.5V V_{GS} and $R_{DS(ON)}$ is highest when V_{GS} is close to MOSFET V_{th} . For stable regulation at light load conditions, it is recommended to operate the MOSFET close to 4.5V V_{GS} , that is, much higher than the MOSFET gate threshold voltage. It is recommended to choose MOSFET gate threshold voltage V_{th} of 2.5V to 3.5V maximum. Choosing a lower V_{th} MOSFET also reduces the turn ON time.

PSMN040-100MSE N-channel MOSFET is selected to meet this 48V PoE PD bridge rectifier design and it is rated at:

- $V_{DS(MAX)}$: 100V
- $V_{GS(MAX)}$: $\pm 20V$
- $R_{DS(ON)}$: 29.4m Ω (typical) and 36.6m Ω (maximum) at 10V V_{GS}

8.2.2.3 Output capacitance

A minimum ceramic capacitor of 0.1 μF is recommended to be placed across the OUTP and GND pins as close to the LM74681 as possible for decoupling. Additional output capacitance C_{OUT} may be required,

- Downstream DC-DC converter input capacitance requirement
- To ensure that the rectified output voltage remains stable during load transients
- To smooth the output voltage and reduce ripple to acceptable level

8.2.3 Application Curves

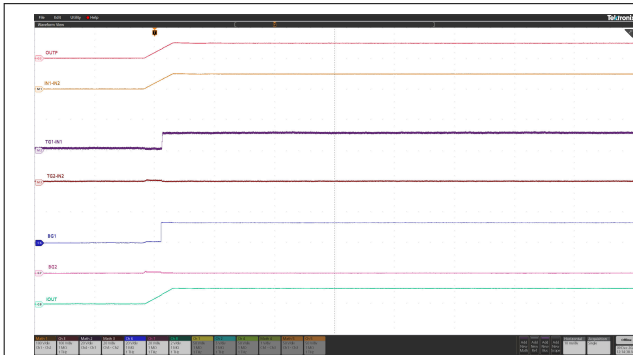


Figure 8-2. +48V DC Input, Startup with Vin Ramp

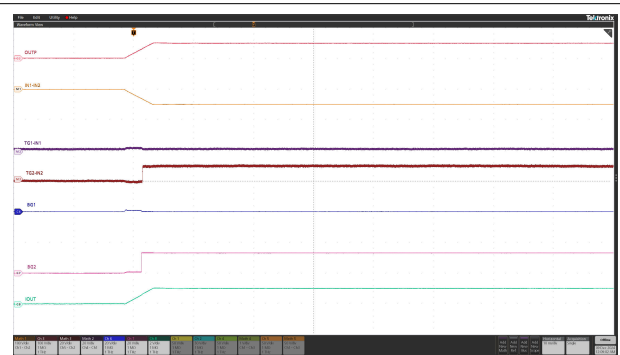


Figure 8-3. -48V DC Input, Startup with Vin Ramp

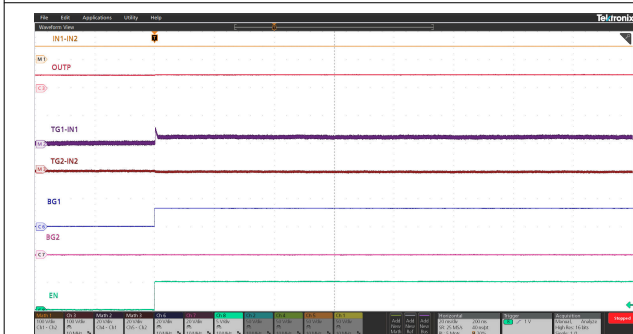


Figure 8-4. 48V DC Input, Startup with EN toggle High

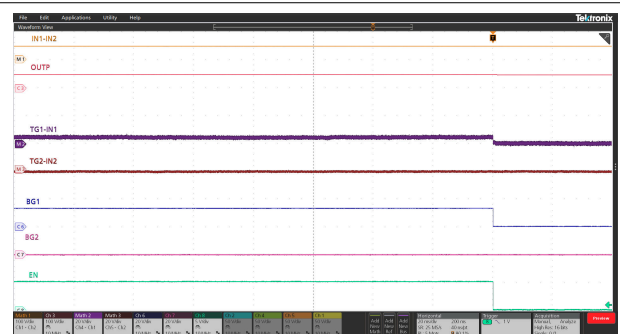


Figure 8-5. 48V DC Input, Shutdown with EN toggle Low

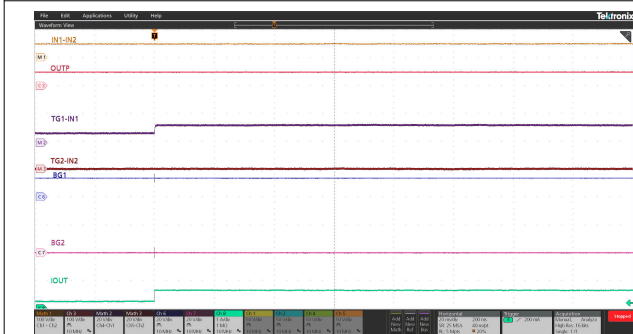


Figure 8-6. Load Step Increase from 10W to 30W

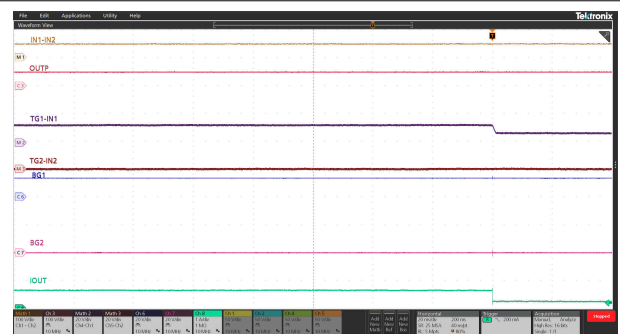


Figure 8-7. Load Step Decrease from 30W to 10W

8.3 Powered Device for IEEE 802.3bt Class 5-8 (45W-90W) Systems

In PoE PD applications requiring greater than 30W power, the IEEE 802.3bt standard recommends the use of a 4-pair cable for efficient power delivery. To support this, two LM74681 controllers can be used to drive two independent N-channel MOSFET based full-bridge rectifiers connected to a common output. Each LM74681 drives one full-bridge rectifier, enabling power rectification from the two separate 2-pair power paths provided by the 4-pair cable. This approach ensures compliance with the higher power delivery capabilities of the IEEE 802.3bt standard while maintaining high efficiency.

The linear ORing gate control mechanism of LM74681 actively drives the MOSFET gates, allowing forward conduction and reverse current blocking. This prevents backflow between the two power paths and avoids current flow back into the Ethernet cable. By replacing traditional diodes with low $R_{DS(ON)}$ MOSFETs, the LM74681 reduces conduction losses and heat generation, which is critical for high-power PoE systems. The rectified outputs of the two full bridges are combined at the PD input, providing seamless power delivery. This

architecture enables efficient, reliable operation for PoE PD systems requiring high power levels in compliance with IEEE 802.3bt standards.

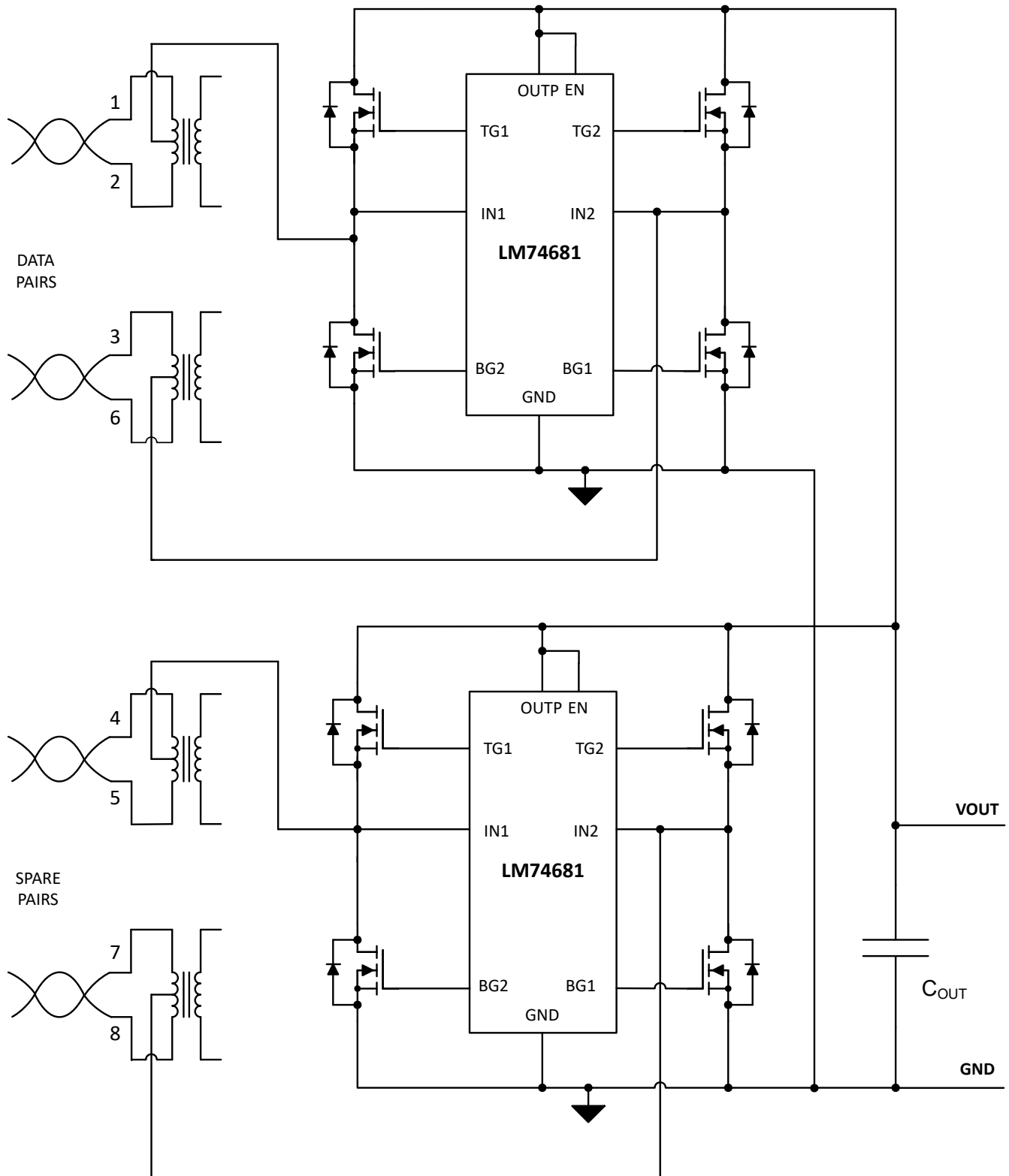


Figure 8-8. Typical PoE PD High Power Application

8.4 Power Supply Recommendations

8.4.1 Transient Protection

The TVS at input or output is not required for the LM74681 to operate, but it may be required to clamp the voltage transients caused by lightning, switching surges, or power disturbances that can exceed the voltage ratings of MOSFETs and the controller possibly causing damage. A TVS diode protects against such events by clamping the transient voltages to safe levels. For 48V PoE PD application, a unidirectional TVS like SMAJ58A with a standoff voltage above the maximum input DC voltage and a clamping voltage below the MOSFET's maximum rating is recommended. This TVS is recommended to be placed as close to the LM74681 as possible. In well-regulated applications with minimal transient risks, a TVS diode may not be necessary.

8.5 Layout

8.5.1 Layout Guidelines

- Place the decoupling capacitor close to the OUTP pin and IC GND.
- For the top side MOSFETs, connect the INx, TGx, and OUTP pins of LM74681 close to the MOSFET SOURCE, GATE, and DRAIN pins.
- The high current path is through the MOSFETs, therefore it is important to use thick and short traces for the source and drain of the MOSFET to minimize resistive losses.
- The TGx and BGx pins of the LM74681 must be connected to the respective MOSFET gate with a short trace.
- Place transient suppression components close to LM74681.
- Obtaining acceptable performance with alternate layout schemes is possible, however the layout shown in the [Section 8.5.2](#) is intended as a guideline and to produce good results.

8.5.2 Layout Example

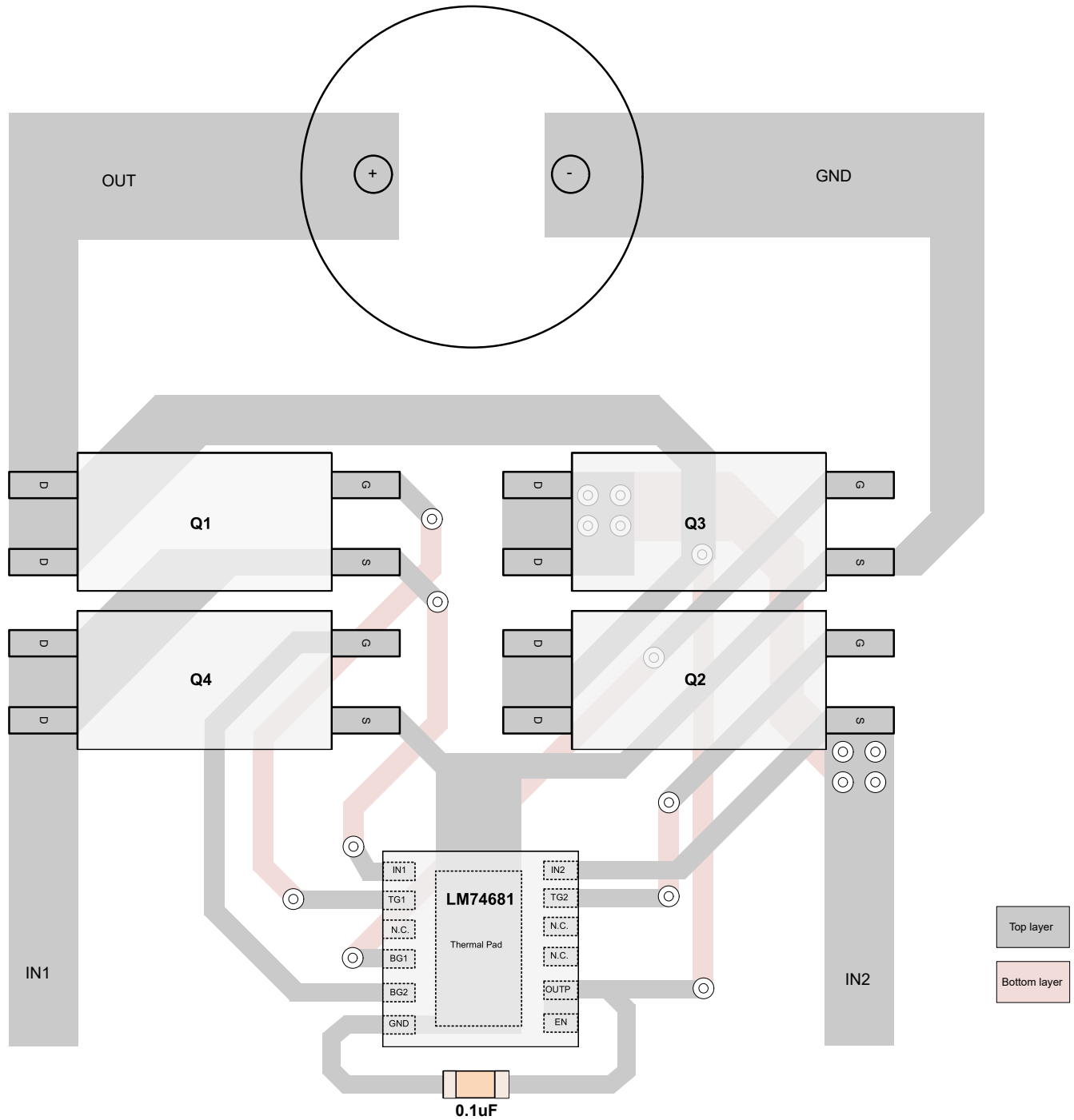


Figure 8-9. LM74681 Example Layout

9 Device and Documentation Support

9.1 Receiving Notification of Documentation Updates

To receive notification of documentation updates, navigate to the device product folder on ti.com. Click on *Notifications* to register and receive a weekly digest of any product information that has changed. For change details, review the revision history included in any revised document.

9.2 Support Resources

[TI E2E™ support forums](#) are an engineer's go-to source for fast, verified answers and design help — straight from the experts. Search existing answers or ask your own question to get the quick design help you need.

Linked content is provided "AS IS" by the respective contributors. They do not constitute TI specifications and do not necessarily reflect TI's views; see TI's [Terms of Use](#).

9.3 Trademarks

TI E2E™ is a trademark of Texas Instruments.
All trademarks are the property of their respective owners.

9.4 Electrostatic Discharge Caution



This integrated circuit can be damaged by ESD. Texas Instruments recommends that all integrated circuits be handled with appropriate precautions. Failure to observe proper handling and installation procedures can cause damage.

ESD damage can range from subtle performance degradation to complete device failure. Precision integrated circuits may be more susceptible to damage because very small parametric changes could cause the device not to meet its published specifications.

9.5 Glossary

[TI Glossary](#) This glossary lists and explains terms, acronyms, and definitions.

10 Revision History

NOTE: Page numbers for previous revisions may differ from page numbers in the current version.

DATE	REVISION	NOTES
December 2024	*	Initial Release

11 Mechanical, Packaging, and Orderable Information

The following pages include mechanical, packaging, and orderable information. This information is the most current data available for the designated devices. This data is subject to change without notice and revision of this document. For browser-based versions of this data sheet, refer to the left-hand navigation.

PACKAGING INFORMATION

Orderable part number	Status (1)	Material type (2)	Package Pins	Package qty Carrier	RoHS (3)	Lead finish/ Ball material (4)	MSL rating/ Peak reflow (5)	Op temp (°C)	Part marking (6)
LM74681DRRR	Active	Production	WSON (DRR) 12	5000 LARGE T&R	Yes	NIPDAU	Level-2-260C-1 YEAR	-40 to 125	L74681
LM74681DRRR.A	Active	Production	WSON (DRR) 12	5000 LARGE T&R	Yes	NIPDAU	Level-2-260C-1 YEAR	See LM74681DRRR	L74681

(1) **Status:** For more details on status, see our [product life cycle](#).

(2) **Material type:** When designated, preproduction parts are prototypes/experimental devices, and are not yet approved or released for full production. Testing and final process, including without limitation quality assurance, reliability performance testing, and/or process qualification, may not yet be complete, and this item is subject to further changes or possible discontinuation. If available for ordering, purchases will be subject to an additional waiver at checkout, and are intended for early internal evaluation purposes only. These items are sold without warranties of any kind.

(3) **RoHS values:** Yes, No, RoHS Exempt. See the [TI RoHS Statement](#) for additional information and value definition.

(4) **Lead finish/Ball material:** Parts may have multiple material finish options. Finish options are separated by a vertical ruled line. Lead finish/Ball material values may wrap to two lines if the finish value exceeds the maximum column width.

(5) **MSL rating/Peak reflow:** The moisture sensitivity level ratings and peak solder (reflow) temperatures. In the event that a part has multiple moisture sensitivity ratings, only the lowest level per JEDEC standards is shown. Refer to the shipping label for the actual reflow temperature that will be used to mount the part to the printed circuit board.

(6) **Part marking:** There may be an additional marking, which relates to the logo, the lot trace code information, or the environmental category of the part.

Multiple part markings will be inside parentheses. Only one part marking contained in parentheses and separated by a "~" will appear on a part. If a line is indented then it is a continuation of the previous line and the two combined represent the entire part marking for that device.

Important Information and Disclaimer:The information provided on this page represents TI's knowledge and belief as of the date that it is provided. TI bases its knowledge and belief on information provided by third parties, and makes no representation or warranty as to the accuracy of such information. Efforts are underway to better integrate information from third parties. TI has taken and continues to take reasonable steps to provide representative and accurate information but may not have conducted destructive testing or chemical analysis on incoming materials and chemicals. TI and TI suppliers consider certain information to be proprietary, and thus CAS numbers and other limited information may not be available for release.

In no event shall TI's liability arising out of such information exceed the total purchase price of the TI part(s) at issue in this document sold by TI to Customer on an annual basis.

TAPE AND REEL INFORMATION

QUADRANT ASSIGNMENTS FOR PIN 1 ORIENTATION IN TAPE


*All dimensions are nominal

Device	Package Type	Package Drawing	Pins	SPQ	Reel Diameter (mm)	Reel Width W1 (mm)	A0 (mm)	B0 (mm)	K0 (mm)	P1 (mm)	W (mm)	Pin1 Quadrant
LM74681DRRR	WSO	DRR	12	5000	330.0	12.4	3.3	3.3	1.1	8.0	12.0	Q2

TAPE AND REEL BOX DIMENSIONS


*All dimensions are nominal

Device	Package Type	Package Drawing	Pins	SPQ	Length (mm)	Width (mm)	Height (mm)
LM74681DRRR	WSON	DRR	12	5000	367.0	367.0	35.0

GENERIC PACKAGE VIEW

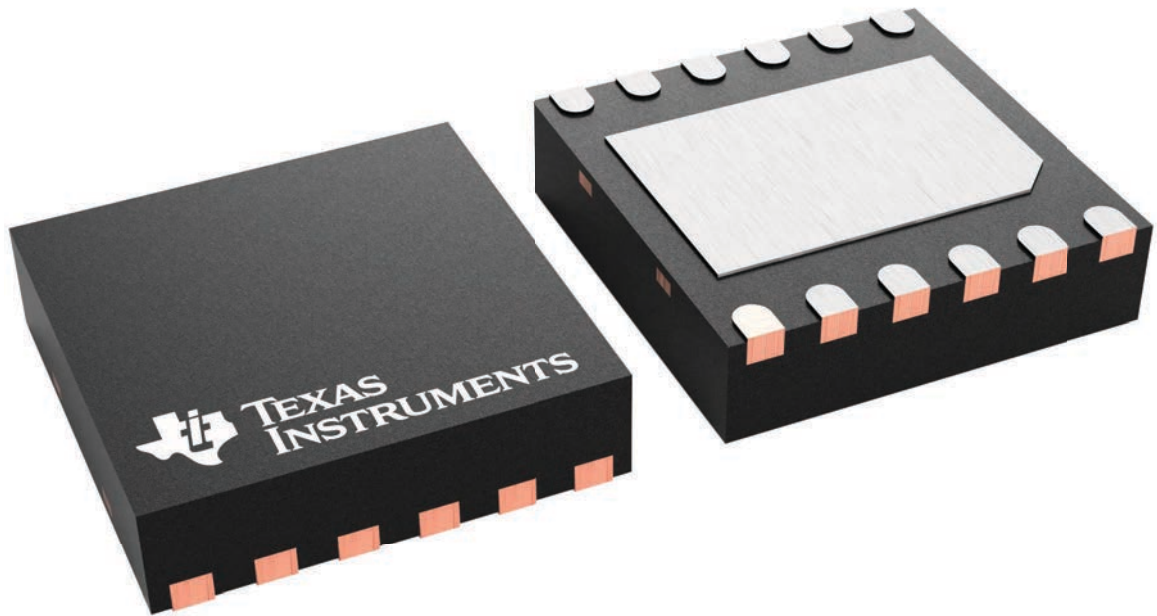
DRR 12

WSON - 0.8 mm max height

3 x 3, 0.5 mm pitch

PLASTIC SMALL OUTLINE - NO LEAD

This image is a representation of the package family, actual package may vary.
Refer to the product data sheet for package details.



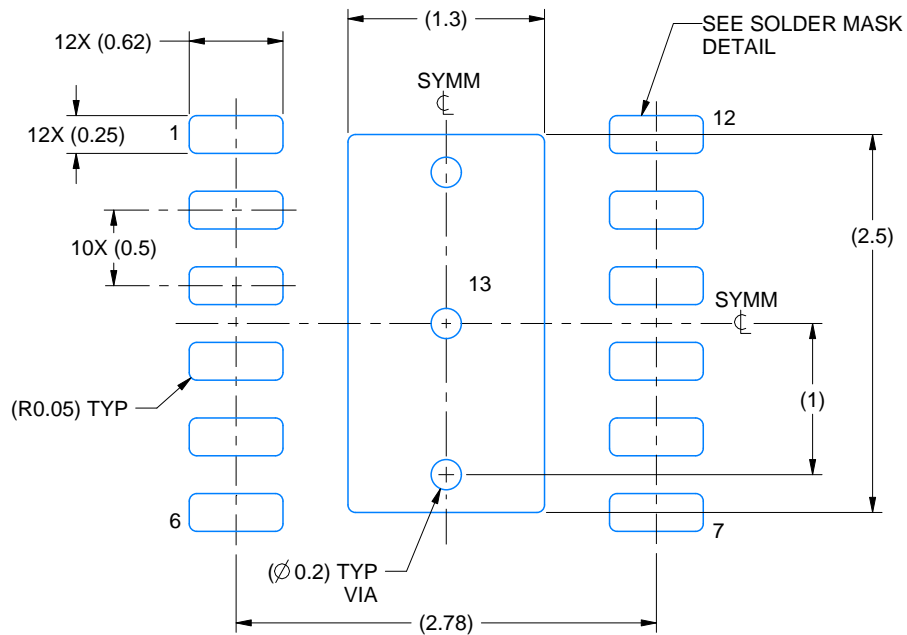
4223490/B

EXAMPLE BOARD LAYOUT

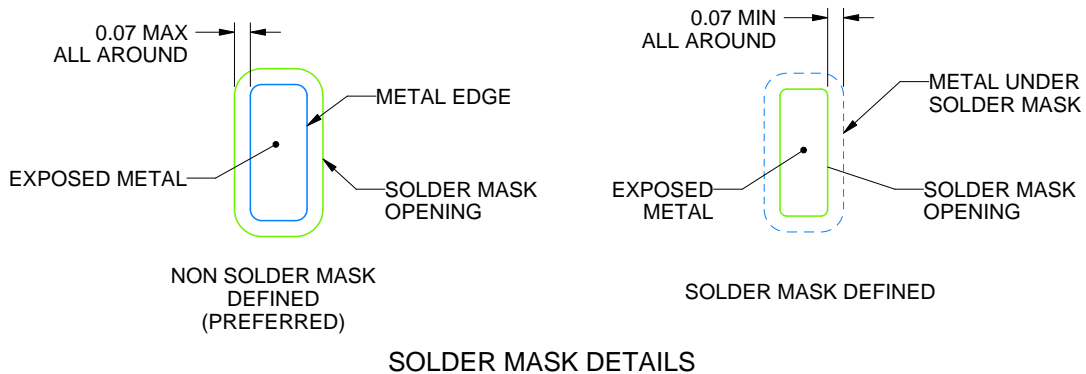
DRR0012G

WSON - 0.8 mm max height

PLASTIC SMALL OUTLINE - NO LEAD



LAND PATTERN EXAMPLE
EXPOSED METAL SHOWN
SCALE: 20X



4227052/A 08/2021

NOTES: (continued)

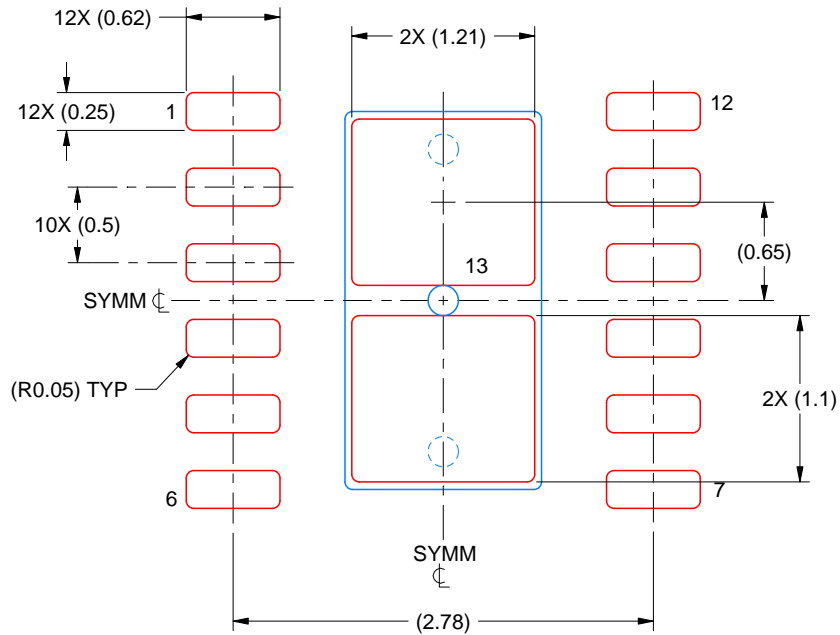
- This package is designed to be soldered to a thermal pad on the board. For more information, see Texas Instruments literature number SLUA271 (www.ti.com/lit/slua271).
- Vias are optional depending on application, refer to device data sheet. If any vias are implemented, refer to their locations shown on this view. It is recommended that vias under paste be filled, plugged or tented.

EXAMPLE STENCIL DESIGN

DRR0012G

WSON - 0.8 mm max height

PLASTIC SMALL OUTLINE - NO LEAD



SOLDER PASTE EXAMPLE
BASED ON 0.125 MM THICK STENCIL
SCALE: 20X

EXPOSED PAD 13
82% PRINTED SOLDER COVERAGE BY AREA UNDER PACKAGE

4227052/A 08/2021

NOTES: (continued)

6. Laser cutting apertures with trapezoidal walls and rounded corners may offer better paste release. IPC-7525 may have alternate design recommendations.

IMPORTANT NOTICE AND DISCLAIMER

TI PROVIDES TECHNICAL AND RELIABILITY DATA (INCLUDING DATASHEETS), DESIGN RESOURCES (INCLUDING REFERENCE DESIGNS), APPLICATION OR OTHER DESIGN ADVICE, WEB TOOLS, SAFETY INFORMATION, AND OTHER RESOURCES "AS IS" AND WITH ALL FAULTS, AND DISCLAIMS ALL WARRANTIES, EXPRESS AND IMPLIED, INCLUDING WITHOUT LIMITATION ANY IMPLIED WARRANTIES OF MERCHANTABILITY, FITNESS FOR A PARTICULAR PURPOSE OR NON-INFRINGEMENT OF THIRD PARTY INTELLECTUAL PROPERTY RIGHTS.

These resources are intended for skilled developers designing with TI products. You are solely responsible for (1) selecting the appropriate TI products for your application, (2) designing, validating and testing your application, and (3) ensuring your application meets applicable standards, and any other safety, security, regulatory or other requirements.

These resources are subject to change without notice. TI grants you permission to use these resources only for development of an application that uses the TI products described in the resource. Other reproduction and display of these resources is prohibited. No license is granted to any other TI intellectual property right or to any third party intellectual property right. TI disclaims responsibility for, and you fully indemnify TI and its representatives against any claims, damages, costs, losses, and liabilities arising out of your use of these resources.

TI's products are provided subject to [TI's Terms of Sale](#), [TI's General Quality Guidelines](#), or other applicable terms available either on ti.com or provided in conjunction with such TI products. TI's provision of these resources does not expand or otherwise alter TI's applicable warranties or warranty disclaimers for TI products. Unless TI explicitly designates a product as custom or customer-specified, TI products are standard, catalog, general purpose devices.

TI objects to and rejects any additional or different terms you may propose.

Copyright © 2026, Texas Instruments Incorporated

Last updated 10/2025