

SN5474, SN54LS74A, SN54S74 SN7474, SN74LS74A, SN74S74

DUAL D-TYPE POSITIVE-EDGE-TRIGGERED FLIP-FLOPS WITH PRESET AND CLEAR

SDLS119 - DECEMBER 1983 - REVISED MARCH 1988

- Package Options Include Plastic "Small Outline" Packages, Ceramic Chip Carriers and Flat Packages, and Plastic and Ceramic DIPs
- Dependable Texas Instruments Quality and Reliability

description

These devices contain two independent D-type positive-edge-triggered flip-flops. A low level at the preset or clear inputs sets or resets the outputs regardless of the levels of the other inputs. When preset and clear are inactive (high), data at the D input meeting the setup time requirements are transferred to the outputs on the positive-going edge of the clock pulse. Clock triggering occurs at a voltage level and is not directly related to the rise time of the clock pulse. Following the hold time interval, data at the D input may be changed without affecting the levels at the outputs.

The SN54' family is characterized for operation over the full military temperature range of -55°C to 125°C . The SN74' family is characterized for operation from 0°C to 70°C .

FUNCTION TABLE

| INPUTS | | | | OUTPUTS | |
|--------|-----|-----|---|----------------|----------------|
| PRE | CLR | CLK | D | Q | \bar{Q} |
| L | H | X | X | H | L |
| H | L | X | X | L | H |
| L | L | X | X | H [†] | H [†] |
| H | H | ↑ | H | H | L |
| H | H | ↑ | L | L | H |
| H | H | L | X | Q_0 | \bar{Q}_0 |

† The output levels in this configuration are not guaranteed to meet the minimum levels in V_{OH} if the lows at preset and clear are near V_{IL} maximum. Furthermore, this configuration is nonstable; that is, it will not persist when either preset or clear returns to its inactive (high) level.

logic symbol[‡]



[‡]This symbol is in accordance with ANSI/IEEE Std 91-1984 and IEC Publication 617-12.

Pin numbers shown are for D, J, N, and W packages.

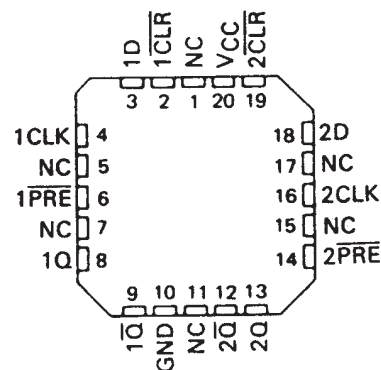
SN5474 . . . J PACKAGE
SN54LS74A, SN54S74 . . . J OR W PACKAGE
SN7474 . . . N PACKAGE
SN74LS74A, SN74S74 . . . D OR N PACKAGE
(TOP VIEW)



SN5474 . . . W PACKAGE
(TOP VIEW)

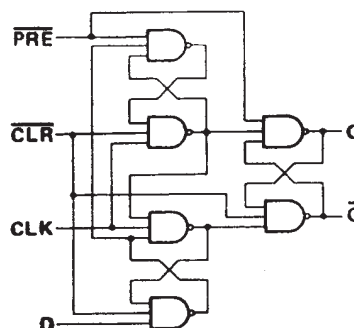


SN54LS74A, SN54S74 . . . FK PACKAGE
(TOP VIEW)



NC - No internal connection

logic diagram (positive logic)



PRODUCTION DATA information is current as of publication date. Products conform to specifications per the terms of Texas Instruments standard warranty. Production processing does not necessarily include testing of all parameters.

**TEXAS
INSTRUMENTS**

POST OFFICE BOX 655303 • DALLAS, TEXAS 75265

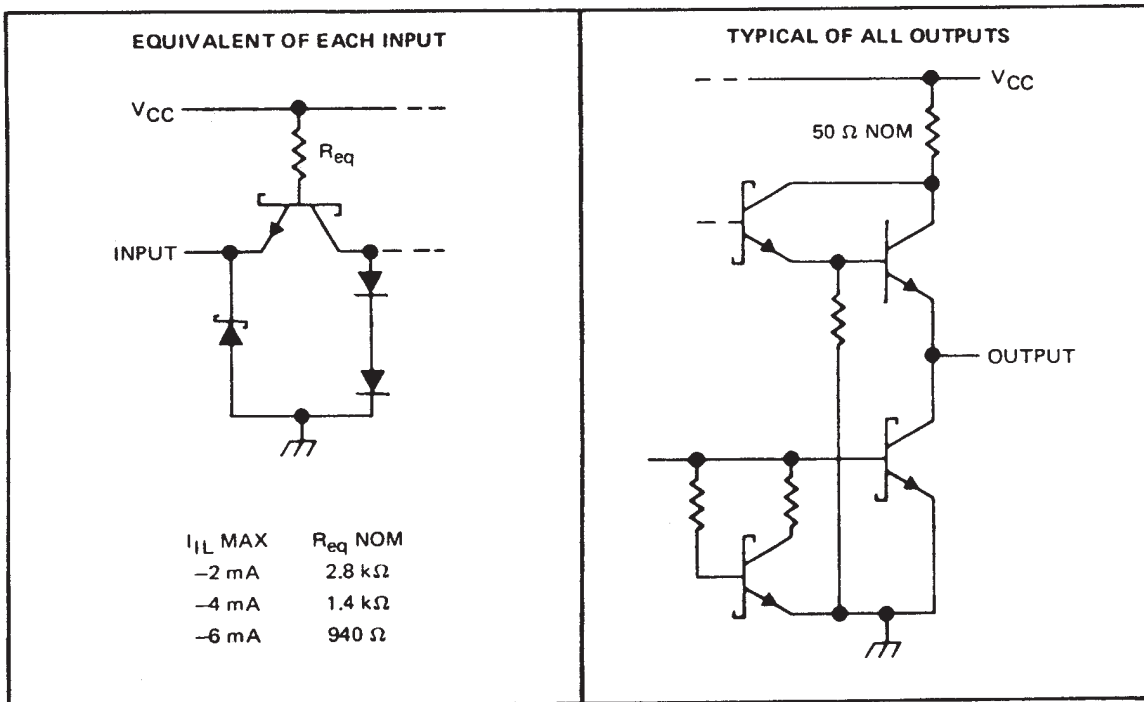
Copyright © 1988, Texas Instruments Incorporated

schematics of inputs and outputs

74



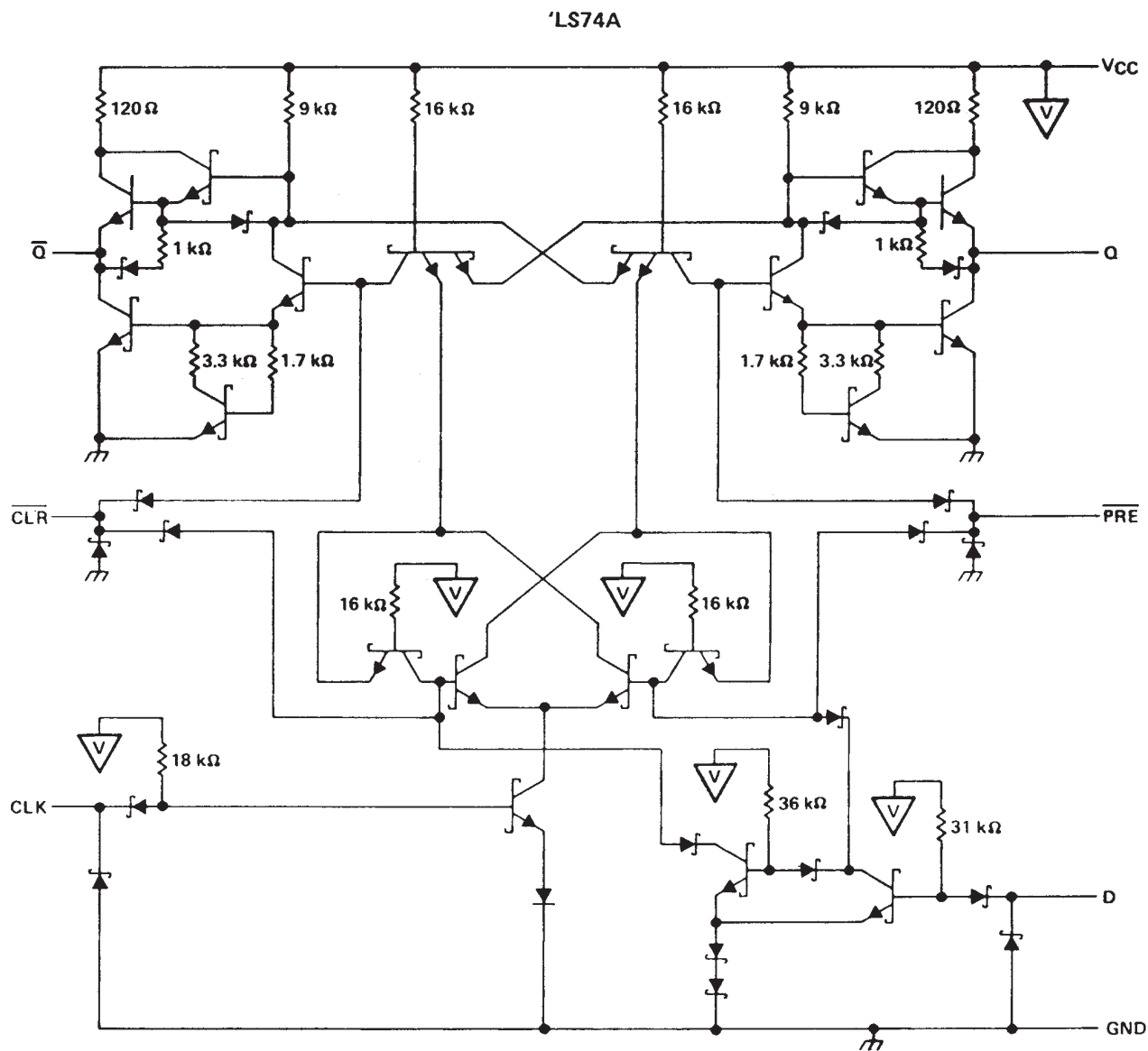
'S74



DUAL D-TYPE POSITIVE-EDGE-TRIGGERED FLIP-FLOPS WITH PRESET AND CLEAR

SDLS119 - DECEMBER 1983 - REVISED MARCH 1988

schematic



absolute maximum ratings over operating free-air temperature range (unless otherwise noted)

| | |
|---|----------------|
| Supply voltage, V_{CC} (see Note 1) | 7 V |
| Input voltage: '74, 'S74 | 5.5 V |
| 'LS74A | 7 V |
| Operating free-air temperature range: SN54' | -55°C to 125°C |
| SN74' | 0°C to 70°C |
| Storage temperature range | -65°C to 150°C |

NOTE 1: Voltage values are with respect to network ground terminal.



SN5474, SN54LS74A, SN54S74

SN7474, SN74LS74A, SN74S74

DUAL D-TYPE POSITIVE-EDGE-TRIGGERED FLIP-FLOPS WITH PRESET AND CLEAR

SDLS119 – DECEMBER 1983 – REVISED MARCH 1988

recommended operating conditions

| | | SN5474 | | | SN7474 | | | UNIT |
|-----------------|----------------------------------|----------------|-----|------|--------|-----|------|------|
| | | MIN | NOM | MAX | MIN | NOM | MAX | |
| V _{CC} | Supply voltage | 4.5 | 5 | 5.5 | 4.75 | 5 | 5.25 | V |
| V _{IH} | High-level input voltage | 2 | | | 2 | | | V |
| V _{IL} | Low-level input voltage | | | 0.8 | | | 0.8 | V |
| I _{OH} | High-level output current | | | -0.4 | | | -0.4 | mA |
| I _{OL} | Low-level output current | | | 16 | | | 16 | mA |
| t _w | Pulse duration | CLK high | | 30 | 30 | | ns | |
| | | CLK low | | 37 | 37 | | | |
| | | PRE or CLR low | | 30 | 30 | | | |
| t _{su} | Input setup time before CLK ↑ | 20 | | | 20 | | | ns |
| t _h | Input hold time-data after CLK ↑ | 5 | | | 5 | | | ns |
| T _A | Operating free-air temperature | -55 | | 125 | 0 | | 70 | °C |

electrical characteristics over recommended operating free-air temperature range (unless otherwise noted)

| PARAMETER | | TEST CONDITIONS† | | SN5474 | | SN7474 | | UNIT |
|-------------------|-----------|------------------------|--|--------|------|--------|-----|------|
| | | | | MIN | TYP‡ | MAX | MIN | |
| V _{IK} | | V _{CC} = MIN, | I _I = -12 mA | -1.5 | | -1.5 | | V |
| V _{OH} | | V _{CC} = MIN, | V _{IH} = 2 V, V _{IL} = 0.8 V, I _{OH} = -0.4 mA | 2.4 | 3.4 | 2.4 | 3.4 | V |
| V _{OL} | | V _{CC} = MIN, | V _{IH} = 2 V, V _{IL} = 0.8 V, I _{OL} = 16 mA | 0.2 | 0.4 | 0.2 | 0.4 | V |
| I _I | | V _{CC} = MAX, | V _I = 5.5 V | 1 | | 1 | | mA |
| I _{IH} | D | V _{CC} = MAX, | V _I = 2.4 V | 40 | | 40 | | μA |
| | CLR | | | 120 | | 120 | | |
| | All Other | | | 80 | | 80 | | |
| I _{IL} | D | V _{CC} = MAX, | V _I = 0.4 V | -1.6 | | -1.6 | | mA |
| | PRE‡ | | | -1.6 | | -1.6 | | |
| | CLR‡ | | | -3.2 | | -3.2 | | |
| | CLK | | | -3.2 | | -3.2 | | |
| I _{OS} † | | V _{CC} = MAX | | -20 | -57 | -18 | -57 | mA |
| I _{CC} # | | V _{CC} = MAX, | See Note 2 | 8.5 | 15 | 8.5 | 15 | mA |

†For conditions shown as MIN or MAX, use the appropriate value specified under recommended operating conditions.

‡All typical values are at V_{CC} = 5 V, T_A = 25°C.

§Clear is tested with preset high and preset is tested with clear high.

†Not more than one output should be shown at a time.

#Average per flip-flop.

NOTE 2: With all outputs open, I_{CC} is measured with the Q and Q̄ outputs high in turn. At the time of measurement, the clock input is grounded.

switching characteristics, V_{CC} = 5 V, T_A = 25°C (see note 3)

| PARAMETER | FROM (INPUT) | TO (OUTPUT) | TEST CONDITIONS | | MIN | TYP | MAX | UNIT | |
|------------------|--------------|-------------|-------------------------|------------------------|-----|-----|-----|------|----|
| f _{max} | | | | | 15 | 25 | | MHz | |
| t _{PLH} | PRE or CLR | Q or Q̄ | R _L = 400 Ω, | C _L = 15 pF | | | 25 | ns | |
| t _{PHL} | | | | | | | 40 | ns | |
| t _{PLH} | CLK | Q or Q̄ | | | | | 14 | 25 | ns |
| t _{PHL} | | | | | | | 20 | 40 | ns |

NOTE 3: Load circuits and voltage waveforms are shown in Section 1.



DUAL D-TYPE POSITIVE-EDGE-TRIGGERED FLIP-FLOPS WITH PRESET AND CLEAR

SDLS119 - DECEMBER 1983 - REVISED MARCH 1988

recommended operating conditions

| | | SN54LS74A | | | SN74LS74A | | | UNIT | | |
|--------------------|--------------------------------|-----------------|-----|------|-----------|-----|------|------|----|----|
| | | MIN | NOM | MAX | MIN | NOM | MAX | | | |
| V _{CC} | Supply voltage | 4.5 | 5 | 5.5 | 4.75 | 5 | 5.25 | V | | |
| V _{IH} | High-level input voltage | 2 | | | 2 | | | V | | |
| V _{IL} | Low-level input voltage | | | 0.7 | | | 0.8 | V | | |
| I _{OH} | High-level output current | | | -0.4 | | | -0.4 | mA | | |
| I _{OL} | Low-level output current | | | 4 | | | 8 | mA | | |
| f _{clock} | Clock frequency | 0 | | 25 | 0 | | 25 | MHz | | |
| t _w | Pulse duration | CLK high | | 25 | 25 | | | ns | | |
| | | PRE or CLR low | | 25 | 25 | | | | | |
| t _{su} | Setup time-before CLK ↑ | High-level data | | 20 | 20 | | | ns | | |
| | | Low-level data | | 20 | 20 | | | | | |
| t _h | Hold time-data after CLK ↑ | 5 | | | 5 | | | ns | | |
| T _A | Operating free-air temperature | -55 | | | 125 | | | 0 | 70 | °C |

electrical characteristics over recommended operating free-air temperature range (unless otherwise noted)

| PARAMETER | TEST CONDITIONS† | SN54LS74A | | | SN74LS74A | | | UNIT |
|-------------------------|--|-----------|------|------|-----------|------|------|------|
| | | MIN | TYP‡ | MAX | MIN | TYP‡ | MAX | |
| V _{IK} | V _{CC} = MIN, I _I = -18 mA | -1.5 | | | -1.5 | | | V |
| V _{OH} | V _{CC} = MIN, V _{IH} = 2 V, V _{IL} = MAX, I _{OH} = -0.4 mA | 2.5 | 3.4 | | 2.7 | 3.4 | | V |
| V _{OL} | V _{CC} = MIN, V _{IL} = MAX, V _{IH} = 2 V, I _{OL} = 4 mA | | 0.25 | 0.4 | | 0.25 | 0.4 | V |
| | V _{CC} = MIN, V _{IL} = MAX, V _{IH} = 2 V, I _{OL} = 8 mA | | | | | 0.35 | 0.5 | |
| I _I | D or CLK | 0.1 | | | 0.1 | | | mA |
| | CLR or PRE | 0.2 | | | 0.2 | | | |
| I _{IH} | D or CLK | 20 | | | 20 | | | μA |
| | CLR or PRE | 40 | | | 40 | | | |
| I _{IL} | D or CLK | -0.4 | | | -0.4 | | | mA |
| | CLR or PRE | -0.8 | | | -0.8 | | | |
| I _{OS} § | V _{CC} = MAX, See Note 4 | -20 | | -100 | -20 | | -100 | mA |
| I _{CC} (Total) | V _{CC} = MAX, See Note 2 | 4 | | 8 | 4 | | 8 | mA |

† For conditions shown as MIN or MAX, use the appropriate value specified under recommended operating conditions.

‡ All typical values are at V_{CC} = 5 V, T_A = 25°C.

§ Not more than one output should be shorted at a time, and the duration of the short circuit should not exceed one second.

NOTE 2: With all outputs open, I_{CC} is measured with the Q and Q̄ outputs high in turn. At the time of measurement, the clock input is grounded.

NOTE 4: For certain devices where state commutation can be caused by shorting an output to ground, an equivalent test may be performed with V_O = 2.25 V and 2.125 V for the 54 family and the 74 family, respectively, with the minimum and maximum limits reduced to one half of their stated values.

switching characteristics, V_{CC} = 5 V, T_A = 25°C (see note 3)

| PARAMETER | FROM (INPUT) | TO (OUTPUT) | TEST CONDITIONS | | MIN | TYP | MAX | UNIT |
|------------------|-----------------|-------------|------------------------|------------------------|-----|-----|-----|------|
| f _{max} | | | | | 25 | 33 | | MHz |
| t _{PLH} | CLR, PRE or CLK | Q or Q̄ | R _L = 2 kΩ, | C _L = 15 pF | | 13 | 25 | ns |
| t _{PHL} | | | | | | 25 | 40 | ns |

Note 3: Load circuits and voltage waveforms are shown in Section 1.



SN5474, SN54LS74A, SN54S74

SN7474, SN74LS74A, SN74S74

DUAL D-TYPE POSITIVE-EDGE-TRIGGERED FLIP-FLOPS WITH PRESET AND CLEAR

SDLS119 – DECEMBER 1983 – REVISED MARCH 1988

recommended operating conditions

| | | SN54S74 | | | SN74S74 | | | UNIT |
|-----------------|------------------------------------|-----------------|-----|-----|---------|-----|------|------|
| | | MIN | NOM | MAX | MIN | NOM | MAX | |
| V _{CC} | Supply voltage | 4.5 | 5 | 5.5 | 4.75 | 5 | 5.25 | V |
| V _{IH} | High-level input voltage | 2 | | | 2 | | | V |
| V _{IL} | Low-level input voltage | 0.8 | | | 0.8 | | | V |
| I _{OH} | High-level output current | -1 | | | -1 | | | mA |
| I _{OL} | Low-level output current | 20 | | | 20 | | | mA |
| t _w | Pulse duration | CLK high | | 6 | 6 | | ns | |
| | | CLK low | | 7.3 | 7.3 | | | |
| | | CLR or PRE low | | 7 | 7 | | | |
| t _{su} | Setup time, before CLK ↑ | High-level data | | 3 | 3 | | ns | |
| | | Low-level data | | 3 | 3 | | | |
| t _h | Input hold time - data after CLK ↑ | 2 | | | 2 | | | ns |
| T _A | Operating free-air temperature | -55 | | 125 | 0 | | 70 | °C |

electrical characteristics over recommended operating free-air temperature range (unless otherwise noted)

| PARAMETER | | TEST CONDITIONS† | SN54S74 | | | SN74S74 | | | UNIT | |
|-------------------|------------|--|---------|------|------|---------|------|------|------|----|
| | | | MIN | TYP‡ | MAX | MIN | TYP‡ | MAX | | |
| V _{IK} | | V _{CC} = MIN, I _I = -18 mA, | | | -1.2 | | | -1.2 | V | |
| V _{OH} | | V _{CC} = MIN, V _{IH} = 2 V, V _{IL} = 0.8 V, I _{OH} = -1 mA | 2.5 | 3.4 | | 2.7 | 3.4 | | V | |
| V _{OL} | | V _{CC} = MIN, V _{IH} = 2 V, V _{IL} = 0.8 V, I _{OL} = 20 mA | | | 0.5 | | | 0.5 | V | |
| I _I | | V _{CC} = MAX, V _I = 5.5 V | | | 1 | | | 1 | mA | |
| I _{IH} | D | V _{CC} = MAX, V _I = 2.7 V | | | 50 | | | 50 | μA | |
| | CLR | | | | 150 | | | 150 | | |
| | PRE or CLK | | | | 100 | | | 100 | | |
| I _{IL} | D | V _{CC} = MAX, V _I = 0.5 V | | | -2 | | | -2 | mA | |
| | CLR† | | | | -6 | | | -6 | | |
| | PRE† | | | | -4 | | | -4 | | |
| | CLK | | | | -4 | | | -4 | | |
| I _{OS} ‡ | | V _{CC} = MAX | -40 | | -100 | | -40 | | -100 | mA |
| I _{CC} # | | V _{CC} = MAX, See Note 2 | | 15 | 25 | | 15 | 25 | mA | |

†For conditions shown as MIN or MAX, use the appropriate value specified under recommended operating conditions.

‡All typical values are at V_{CC} = 5 V, T_A = 25°C.

§Not more than one output should be shorted at a time, and the duration of the short circuit should not exceed one second.

†Clear is tested with preset high and preset is tested with clear high.

#Average per flip-flop.

NOTE 2: With all outputs open, I_{CC} is measured with the Q and Q̄ outputs high in turn. At the time of measurement, the clock input is grounded.

switching characteristics, V_{CC} = 5 V, T_A = 25°C (see note 3)

| PARAMETER | FROM (INPUT) | TO (OUTPUT) | TEST CONDITIONS | MIN | TYP | MAX | UNIT |
|------------------|-----------------------|-------------|--|-----|-----|------|------|
| f _{max} | | | R _L = 280 Ω, C _L = 15 pF | 75 | 110 | | MHz |
| t _{PLH} | PRE or CLR | Q or Q̄ | | | 4 | 6 | ns |
| t _{PHL} | PRE or CLR (CLK high) | Q̄ or Q | | | 9 | 13.5 | ns |
| | PRE or CLR (CLK low) | | | | 5 | 8 | |
| t _{PLH} | CLK | Q or Q̄ | | | 6 | 9 | ns |
| t _{PHL} | | | | | 6 | 9 | ns |

NOTE 3: Load circuits and voltage waveforms are shown in Section 1.



PACKAGING INFORMATION

| Orderable part number | Status (1) | Material type (2) | Package Pins | Package qty Carrier | RoHS (3) | Lead finish/ Ball material (4) | MSL rating/ Peak reflow (5) | Op temp (°C) | Part marking (6) |
|----------------------------------|---------------|----------------------|----------------|-----------------------|-------------|--------------------------------------|-----------------------------------|--------------|----------------------|
| JM38510/07101BCA | Active | Production | CDIP (J) 14 | 25 TUBE | No | SNPB | N/A for Pkg Type | -55 to 125 | JM38510/ 07101BCA |
| JM38510/07101BCA.A | Active | Production | CDIP (J) 14 | 25 TUBE | No | SNPB | N/A for Pkg Type | -55 to 125 | JM38510/ 07101BCA |
| JM38510/07101BCA.A | Active | Production | CDIP (J) 14 | 25 TUBE | No | SNPB | N/A for Pkg Type | -55 to 125 | JM38510/ 07101BCA |
| JM38510/07101BDA | Active | Production | CFP (W) 14 | 25 TUBE | No | SNPB | N/A for Pkg Type | -55 to 125 | JM38510/ 07101BDA |
| JM38510/07101BDA | Active | Production | CFP (W) 14 | 25 TUBE | No | SNPB | N/A for Pkg Type | -55 to 125 | JM38510/ 07101BDA |
| JM38510/07101BDA.A | Active | Production | CFP (W) 14 | 25 TUBE | No | SNPB | N/A for Pkg Type | -55 to 125 | JM38510/ 07101BDA |
| JM38510/07101BDA.A | Active | Production | CFP (W) 14 | 25 TUBE | No | SNPB | N/A for Pkg Type | -55 to 125 | JM38510/ 07101BDA |
| JM38510/30102B2A | Active | Production | LCCC (FK) 20 | 55 TUBE | No | SNPB | N/A for Pkg Type | -55 to 125 | JM38510/ 30102B2A |
| JM38510/30102B2A | Active | Production | LCCC (FK) 20 | 55 TUBE | No | SNPB | N/A for Pkg Type | -55 to 125 | JM38510/ 30102B2A |
| JM38510/30102B2A.A | Active | Production | LCCC (FK) 20 | 55 TUBE | No | SNPB | N/A for Pkg Type | -55 to 125 | JM38510/ 30102B2A |
| JM38510/30102B2A.A | Active | Production | LCCC (FK) 20 | 55 TUBE | No | SNPB | N/A for Pkg Type | -55 to 125 | JM38510/ 30102B2A |
| JM38510/30102BCA | Active | Production | CDIP (J) 14 | 25 TUBE | No | SNPB | N/A for Pkg Type | -55 to 125 | JM38510/ 30102BCA |
| JM38510/30102BCA | Active | Production | CDIP (J) 14 | 25 TUBE | No | SNPB | N/A for Pkg Type | -55 to 125 | JM38510/ 30102BCA |
| JM38510/30102BCA.A | Active | Production | CDIP (J) 14 | 25 TUBE | No | SNPB | N/A for Pkg Type | -55 to 125 | JM38510/ 30102BCA |
| JM38510/30102BCA.A | Active | Production | CDIP (J) 14 | 25 TUBE | No | SNPB | N/A for Pkg Type | -55 to 125 | JM38510/ 30102BCA |
| JM38510/30102BDA | Active | Production | CFP (W) 14 | 25 TUBE | No | SNPB | N/A for Pkg Type | -55 to 125 | JM38510/ 30102BDA |

| Orderable part number | Status (1) | Material type (2) | Package Pins | Package qty Carrier | RoHS (3) | Lead finish/ Ball material (4) | MSL rating/ Peak reflow (5) | Op temp (°C) | Part marking (6) |
|----------------------------------|---------------|----------------------|----------------|-----------------------|-------------|--------------------------------------|-----------------------------------|--------------|----------------------|
| JM38510/30102BDA | Active | Production | CFP (W) 14 | 25 TUBE | No | SNPB | N/A for Pkg Type | -55 to 125 | JM38510/ 30102BDA |
| JM38510/30102BDA.A | Active | Production | CFP (W) 14 | 25 TUBE | No | SNPB | N/A for Pkg Type | -55 to 125 | JM38510/ 30102BDA |
| JM38510/30102BDA.A | Active | Production | CFP (W) 14 | 25 TUBE | No | SNPB | N/A for Pkg Type | -55 to 125 | JM38510/ 30102BDA |
| JM38510/30102SCA | Active | Production | CDIP (J) 14 | 25 TUBE | No | SNPB | N/A for Pkg Type | -55 to 125 | JM38510/30102S CA |
| JM38510/30102SCA | Active | Production | CDIP (J) 14 | 25 TUBE | No | SNPB | N/A for Pkg Type | -55 to 125 | JM38510/30102S CA |
| JM38510/30102SCA.A | Active | Production | CDIP (J) 14 | 25 TUBE | No | SNPB | N/A for Pkg Type | -55 to 125 | JM38510/30102S CA |
| JM38510/30102SCA.A | Active | Production | CDIP (J) 14 | 25 TUBE | No | SNPB | N/A for Pkg Type | -55 to 125 | JM38510/30102S CA |
| JM38510/30102SDA | Active | Production | CFP (W) 14 | 25 TUBE | No | SNPB | N/A for Pkg Type | -55 to 125 | JM38510/30102S DA |
| JM38510/30102SDA | Active | Production | CFP (W) 14 | 25 TUBE | No | SNPB | N/A for Pkg Type | -55 to 125 | JM38510/30102S DA |
| JM38510/30102SDA.A | Active | Production | CFP (W) 14 | 25 TUBE | No | SNPB | N/A for Pkg Type | -55 to 125 | JM38510/30102S DA |
| JM38510/30102SDA.A | Active | Production | CFP (W) 14 | 25 TUBE | No | SNPB | N/A for Pkg Type | -55 to 125 | JM38510/30102S DA |
| M38510/07101BCA | Active | Production | CDIP (J) 14 | 25 TUBE | No | SNPB | N/A for Pkg Type | -55 to 125 | JM38510/ 07101BCA |
| M38510/07101BCA | Active | Production | CDIP (J) 14 | 25 TUBE | No | SNPB | N/A for Pkg Type | -55 to 125 | JM38510/ 07101BCA |
| M38510/07101BDA | Active | Production | CFP (W) 14 | 25 TUBE | No | SNPB | N/A for Pkg Type | -55 to 125 | JM38510/ 07101BDA |
| M38510/07101BDA | Active | Production | CFP (W) 14 | 25 TUBE | No | SNPB | N/A for Pkg Type | -55 to 125 | JM38510/ 07101BDA |
| M38510/30102B2A | Active | Production | LCCC (FK) 20 | 55 TUBE | No | SNPB | N/A for Pkg Type | -55 to 125 | JM38510/ 30102B2A |
| M38510/30102B2A | Active | Production | LCCC (FK) 20 | 55 TUBE | No | SNPB | N/A for Pkg Type | -55 to 125 | JM38510/ 30102B2A |

| Orderable part number | Status (1) | Material type (2) | Package Pins | Package qty Carrier | RoHS (3) | Lead finish/ Ball material (4) | MSL rating/ Peak reflow (5) | Op temp (°C) | Part marking (6) |
|---------------------------------|---------------|----------------------|----------------|-----------------------|-------------|--------------------------------------|-----------------------------------|--------------|----------------------|
| M38510/30102BCA | Active | Production | CDIP (J) 14 | 25 TUBE | No | SNPB | N/A for Pkg Type | -55 to 125 | JM38510/ 30102BCA |
| M38510/30102BCA | Active | Production | CDIP (J) 14 | 25 TUBE | No | SNPB | N/A for Pkg Type | -55 to 125 | JM38510/ 30102BCA |
| M38510/30102BDA | Active | Production | CFP (W) 14 | 25 TUBE | No | SNPB | N/A for Pkg Type | -55 to 125 | JM38510/ 30102BDA |
| M38510/30102BDA | Active | Production | CFP (W) 14 | 25 TUBE | No | SNPB | N/A for Pkg Type | -55 to 125 | JM38510/ 30102BDA |
| M38510/30102SCA | Active | Production | CDIP (J) 14 | 25 TUBE | No | SNPB | N/A for Pkg Type | -55 to 125 | JM38510/30102S CA |
| M38510/30102SCA | Active | Production | CDIP (J) 14 | 25 TUBE | No | SNPB | N/A for Pkg Type | -55 to 125 | JM38510/30102S CA |
| M38510/30102SDA | Active | Production | CFP (W) 14 | 25 TUBE | No | SNPB | N/A for Pkg Type | -55 to 125 | JM38510/30102S DA |
| M38510/30102SDA | Active | Production | CFP (W) 14 | 25 TUBE | No | SNPB | N/A for Pkg Type | -55 to 125 | JM38510/30102S DA |
| SN54LS74AJ | Active | Production | CDIP (J) 14 | 25 TUBE | No | SNPB | N/A for Pkg Type | -55 to 125 | SN54LS74AJ |
| SN54LS74AJ | Active | Production | CDIP (J) 14 | 25 TUBE | No | SNPB | N/A for Pkg Type | -55 to 125 | SN54LS74AJ |
| SN54LS74AJ.A | Active | Production | CDIP (J) 14 | 25 TUBE | No | SNPB | N/A for Pkg Type | -55 to 125 | SN54LS74AJ |
| SN54LS74AJ.A | Active | Production | CDIP (J) 14 | 25 TUBE | No | SNPB | N/A for Pkg Type | -55 to 125 | SN54LS74AJ |
| SN54S74J | Active | Production | CDIP (J) 14 | 25 TUBE | No | SNPB | N/A for Pkg Type | -55 to 125 | SN54S74J |
| SN54S74J | Active | Production | CDIP (J) 14 | 25 TUBE | No | SNPB | N/A for Pkg Type | -55 to 125 | SN54S74J |
| SN54S74J.A | Active | Production | CDIP (J) 14 | 25 TUBE | No | SNPB | N/A for Pkg Type | -55 to 125 | SN54S74J |
| SN54S74J.A | Active | Production | CDIP (J) 14 | 25 TUBE | No | SNPB | N/A for Pkg Type | -55 to 125 | SN54S74J |
| SN74LS74AD | Obsolete | Production | SOIC (D) 14 | - | - | Call TI | Call TI | 0 to 70 | LS74A |
| SN74LS74AD | Obsolete | Production | SOIC (D) 14 | - | - | Call TI | Call TI | 0 to 70 | LS74A |
| SN74LS74ADBR | Active | Production | SSOP (DB) 14 | 2000 LARGE T&R | Yes | NIPDAU | Level-1-260C-UNLIM | 0 to 70 | LS74A |
| SN74LS74ADBR | Active | Production | SSOP (DB) 14 | 2000 LARGE T&R | Yes | NIPDAU | Level-1-260C-UNLIM | 0 to 70 | LS74A |
| SN74LS74ADBR.A | Active | Production | SSOP (DB) 14 | 2000 LARGE T&R | Yes | NIPDAU | Level-1-260C-UNLIM | 0 to 70 | LS74A |
| SN74LS74ADBR.A | Active | Production | SSOP (DB) 14 | 2000 LARGE T&R | Yes | NIPDAU | Level-1-260C-UNLIM | 0 to 70 | LS74A |
| SN74LS74ADR | Active | Production | SOIC (D) 14 | 2500 LARGE T&R | Yes | NIPDAU | Level-1-260C-UNLIM | 0 to 70 | LS74A |
| SN74LS74ADR | Active | Production | SOIC (D) 14 | 2500 LARGE T&R | Yes | NIPDAU | Level-1-260C-UNLIM | 0 to 70 | LS74A |
| SN74LS74ADR.A | Active | Production | SOIC (D) 14 | 2500 LARGE T&R | Yes | NIPDAU | Level-1-260C-UNLIM | 0 to 70 | LS74A |

| Orderable part number | Status (1) | Material type (2) | Package Pins | Package qty Carrier | RoHS (3) | Lead finish/ Ball material (4) | MSL rating/ Peak reflow (5) | Op temp (°C) | Part marking (6) |
|------------------------------|---------------|----------------------|----------------|-----------------------|-------------|--------------------------------------|-----------------------------------|--------------|---------------------|
| SN74LS74ADR.A | Active | Production | SOIC (D) 14 | 2500 LARGE T&R | Yes | NIPDAU | Level-1-260C-UNLIM | 0 to 70 | LS74A |
| SN74LS74ADRG4 | Active | Production | SOIC (D) 14 | 2500 LARGE T&R | Yes | NIPDAU | Level-1-260C-UNLIM | 0 to 70 | LS74A |
| SN74LS74ADRG4 | Active | Production | SOIC (D) 14 | 2500 LARGE T&R | Yes | NIPDAU | Level-1-260C-UNLIM | 0 to 70 | LS74A |
| SN74LS74AN | Active | Production | PDIP (N) 14 | 25 TUBE | Yes | NIPDAU | N/A for Pkg Type | 0 to 70 | SN74LS74AN |
| SN74LS74AN | Active | Production | PDIP (N) 14 | 25 TUBE | Yes | NIPDAU | N/A for Pkg Type | 0 to 70 | SN74LS74AN |
| SN74LS74AN.A | Active | Production | PDIP (N) 14 | 25 TUBE | Yes | NIPDAU | N/A for Pkg Type | 0 to 70 | SN74LS74AN |
| SN74LS74AN.A | Active | Production | PDIP (N) 14 | 25 TUBE | Yes | NIPDAU | N/A for Pkg Type | 0 to 70 | SN74LS74AN |
| SN74LS74ANE4 | Active | Production | PDIP (N) 14 | 25 TUBE | Yes | NIPDAU | N/A for Pkg Type | 0 to 70 | SN74LS74AN |
| SN74LS74ANE4 | Active | Production | PDIP (N) 14 | 25 TUBE | Yes | NIPDAU | N/A for Pkg Type | 0 to 70 | SN74LS74AN |
| SN74LS74ANSR | Active | Production | SOP (NS) 14 | 2000 LARGE T&R | Yes | NIPDAU | Level-1-260C-UNLIM | 0 to 70 | 74LS74A |
| SN74LS74ANSR | Active | Production | SOP (NS) 14 | 2000 LARGE T&R | Yes | NIPDAU | Level-1-260C-UNLIM | 0 to 70 | 74LS74A |
| SN74LS74ANSR.A | Active | Production | SOP (NS) 14 | 2000 LARGE T&R | Yes | NIPDAU | Level-1-260C-UNLIM | 0 to 70 | 74LS74A |
| SN74LS74ANSR.A | Active | Production | SOP (NS) 14 | 2000 LARGE T&R | Yes | NIPDAU | Level-1-260C-UNLIM | 0 to 70 | 74LS74A |
| SN74LS74ANSRG4 | Active | Production | SOP (NS) 14 | 2000 LARGE T&R | Yes | NIPDAU | Level-1-260C-UNLIM | 0 to 70 | 74LS74A |
| SN74LS74ANSRG4 | Active | Production | SOP (NS) 14 | 2000 LARGE T&R | Yes | NIPDAU | Level-1-260C-UNLIM | 0 to 70 | 74LS74A |
| SN74S74D | Active | Production | SOIC (D) 14 | 50 TUBE | Yes | NIPDAU | Level-1-260C-UNLIM | 0 to 70 | S74 |
| SN74S74D | Active | Production | SOIC (D) 14 | 50 TUBE | Yes | NIPDAU | Level-1-260C-UNLIM | 0 to 70 | S74 |
| SN74S74D.A | Active | Production | SOIC (D) 14 | 50 TUBE | Yes | NIPDAU | Level-1-260C-UNLIM | 0 to 70 | S74 |
| SN74S74D.A | Active | Production | SOIC (D) 14 | 50 TUBE | Yes | NIPDAU | Level-1-260C-UNLIM | 0 to 70 | S74 |
| SN74S74N | Active | Production | PDIP (N) 14 | 25 TUBE | Yes | NIPDAU | N/A for Pkg Type | 0 to 70 | SN74S74N |
| SN74S74N | Active | Production | PDIP (N) 14 | 25 TUBE | Yes | NIPDAU | N/A for Pkg Type | 0 to 70 | SN74S74N |
| SN74S74N.A | Active | Production | PDIP (N) 14 | 25 TUBE | Yes | NIPDAU | N/A for Pkg Type | 0 to 70 | SN74S74N |
| SN74S74N.A | Active | Production | PDIP (N) 14 | 25 TUBE | Yes | NIPDAU | N/A for Pkg Type | 0 to 70 | SN74S74N |
| SNJ54LS74AFK | Active | Production | LCCC (FK) 20 | 55 TUBE | No | SNPB | N/A for Pkg Type | -55 to 125 | SNJ54LS 74AFK |
| SNJ54LS74AFK | Active | Production | LCCC (FK) 20 | 55 TUBE | No | SNPB | N/A for Pkg Type | -55 to 125 | SNJ54LS 74AFK |
| SNJ54LS74AFK.A | Active | Production | LCCC (FK) 20 | 55 TUBE | No | SNPB | N/A for Pkg Type | -55 to 125 | SNJ54LS 74AFK |
| SNJ54LS74AFK.A | Active | Production | LCCC (FK) 20 | 55 TUBE | No | SNPB | N/A for Pkg Type | -55 to 125 | SNJ54LS 74AFK |
| SNJ54LS74AJ | Active | Production | CDIP (J) 14 | 25 TUBE | No | SNPB | N/A for Pkg Type | -55 to 125 | SNJ54LS74AJ |

| Orderable part number | Status (1) | Material type (2) | Package Pins | Package qty Carrier | RoHS (3) | Lead finish/ Ball material (4) | MSL rating/ Peak reflow (5) | Op temp (°C) | Part marking (6) |
|-----------------------------|---------------|----------------------|----------------|-----------------------|-------------|--------------------------------------|-----------------------------------|--------------|---------------------|
| SNJ54LS74AJ | Active | Production | CDIP (J) 14 | 25 TUBE | No | SNPB | N/A for Pkg Type | -55 to 125 | SNJ54LS74AJ |
| SNJ54LS74AJ.A | Active | Production | CDIP (J) 14 | 25 TUBE | No | SNPB | N/A for Pkg Type | -55 to 125 | SNJ54LS74AJ |
| SNJ54LS74AJ.A | Active | Production | CDIP (J) 14 | 25 TUBE | No | SNPB | N/A for Pkg Type | -55 to 125 | SNJ54LS74AJ |
| SNJ54LS74AW | Active | Production | CFP (W) 14 | 25 TUBE | No | SNPB | N/A for Pkg Type | -55 to 125 | SNJ54LS74AW |
| SNJ54LS74AW | Active | Production | CFP (W) 14 | 25 TUBE | No | SNPB | N/A for Pkg Type | -55 to 125 | SNJ54LS74AW |
| SNJ54LS74AW.A | Active | Production | CFP (W) 14 | 25 TUBE | No | SNPB | N/A for Pkg Type | -55 to 125 | SNJ54LS74AW |
| SNJ54LS74AW.A | Active | Production | CFP (W) 14 | 25 TUBE | No | SNPB | N/A for Pkg Type | -55 to 125 | SNJ54LS74AW |
| SNJ54S74J | Active | Production | CDIP (J) 14 | 25 TUBE | No | SNPB | N/A for Pkg Type | -55 to 125 | SNJ54S74J |
| SNJ54S74J | Active | Production | CDIP (J) 14 | 25 TUBE | No | SNPB | N/A for Pkg Type | -55 to 125 | SNJ54S74J |
| SNJ54S74J.A | Active | Production | CDIP (J) 14 | 25 TUBE | No | SNPB | N/A for Pkg Type | -55 to 125 | SNJ54S74J |
| SNJ54S74J.A | Active | Production | CDIP (J) 14 | 25 TUBE | No | SNPB | N/A for Pkg Type | -55 to 125 | SNJ54S74J |
| SNJ54S74W | Active | Production | CFP (W) 14 | 25 TUBE | No | SNPB | N/A for Pkg Type | -55 to 125 | SNJ54S74W |
| SNJ54S74W | Active | Production | CFP (W) 14 | 25 TUBE | No | SNPB | N/A for Pkg Type | -55 to 125 | SNJ54S74W |
| SNJ54S74W.A | Active | Production | CFP (W) 14 | 25 TUBE | No | SNPB | N/A for Pkg Type | -55 to 125 | SNJ54S74W |
| SNJ54S74W.A | Active | Production | CFP (W) 14 | 25 TUBE | No | SNPB | N/A for Pkg Type | -55 to 125 | SNJ54S74W |

(1) **Status:** For more details on status, see our [product life cycle](#).

(2) **Material type:** When designated, preproduction parts are prototypes/experimental devices, and are not yet approved or released for full production. Testing and final process, including without limitation quality assurance, reliability performance testing, and/or process qualification, may not yet be complete, and this item is subject to further changes or possible discontinuation. If available for ordering, purchases will be subject to an additional waiver at checkout, and are intended for early internal evaluation purposes only. These items are sold without warranties of any kind.

(3) **RoHS values:** Yes, No, RoHS Exempt. See the [TI RoHS Statement](#) for additional information and value definition.

(4) **Lead finish/Ball material:** Parts may have multiple material finish options. Finish options are separated by a vertical ruled line. Lead finish/Ball material values may wrap to two lines if the finish value exceeds the maximum column width.

(5) **MSL rating/Peak reflow:** The moisture sensitivity level ratings and peak solder (reflow) temperatures. In the event that a part has multiple moisture sensitivity ratings, only the lowest level per JEDEC standards is shown. Refer to the shipping label for the actual reflow temperature that will be used to mount the part to the printed circuit board.

(6) **Part marking:** There may be an additional marking, which relates to the logo, the lot trace code information, or the environmental category of the part.

Multiple part markings will be inside parentheses. Only one part marking contained in parentheses and separated by a "~" will appear on a part. If a line is indented then it is a continuation of the previous line and the two combined represent the entire part marking for that device.

Important Information and Disclaimer: The information provided on this page represents TI's knowledge and belief as of the date that it is provided. TI bases its knowledge and belief on information provided by third parties, and makes no representation or warranty as to the accuracy of such information. Efforts are underway to better integrate information from third parties. TI has taken and continues to take reasonable steps to provide representative and accurate information but may not have conducted destructive testing or chemical analysis on incoming materials and chemicals. TI and TI suppliers consider certain information to be proprietary, and thus CAS numbers and other limited information may not be available for release.

In no event shall TI's liability arising out of such information exceed the total purchase price of the TI part(s) at issue in this document sold by TI to Customer on an annual basis.

OTHER QUALIFIED VERSIONS OF SN54LS74A, SN54LS74A-SP, SN54S74, SN74LS74A, SN74S74 :

- Catalog : [SN74LS74A](#), [SN54LS74A](#), [SN74S74](#)
- Military : [SN54LS74A](#), [SN54S74](#)
- Space : [SN54LS74A-SP](#)

NOTE: Qualified Version Definitions:

- Catalog - TI's standard catalog product
- Military - QML certified for Military and Defense Applications
- Space - Radiation tolerant, ceramic packaging and qualified for use in Space-based application

TAPE AND REEL INFORMATION

QUADRANT ASSIGNMENTS FOR PIN 1 ORIENTATION IN TAPE


*All dimensions are nominal

| Device | Package Type | Package Drawing | Pins | SPQ | Reel Diameter (mm) | Reel Width W1 (mm) | A0 (mm) | B0 (mm) | K0 (mm) | P1 (mm) | W (mm) | Pin1 Quadrant |
|--------------|--------------|-----------------|------|------|--------------------|--------------------|---------|---------|---------|---------|--------|---------------|
| SN74LS74ADBR | SSOP | DB | 14 | 2000 | 330.0 | 16.4 | 8.35 | 6.6 | 2.4 | 12.0 | 16.0 | Q1 |
| SN74LS74ADR | SOIC | D | 14 | 2500 | 330.0 | 16.4 | 6.5 | 9.0 | 2.1 | 8.0 | 16.0 | Q1 |
| SN74LS74ANSR | SOP | NS | 14 | 2000 | 330.0 | 16.4 | 8.1 | 10.4 | 2.5 | 12.0 | 16.0 | Q1 |

TAPE AND REEL BOX DIMENSIONS


*All dimensions are nominal

| Device | Package Type | Package Drawing | Pins | SPQ | Length (mm) | Width (mm) | Height (mm) |
|--------------|--------------|-----------------|------|------|-------------|------------|-------------|
| SN74LS74ADBR | SSOP | DB | 14 | 2000 | 353.0 | 353.0 | 32.0 |
| SN74LS74ADR | SOIC | D | 14 | 2500 | 353.0 | 353.0 | 32.0 |
| SN74LS74ANSR | SOP | NS | 14 | 2000 | 353.0 | 353.0 | 32.0 |

TUBE


*All dimensions are nominal

| Device | Package Name | Package Type | Pins | SPQ | L (mm) | W (mm) | T (µm) | B (mm) |
|--------------------|--------------|--------------|------|-----|--------|--------|--------|--------|
| JM38510/07101BDA | W | CFP | 14 | 25 | 506.98 | 26.16 | 6220 | NA |
| JM38510/07101BDA.A | W | CFP | 14 | 25 | 506.98 | 26.16 | 6220 | NA |
| JM38510/30102B2A | FK | LCCC | 20 | 55 | 506.98 | 12.06 | 2030 | NA |
| JM38510/30102B2A.A | FK | LCCC | 20 | 55 | 506.98 | 12.06 | 2030 | NA |
| JM38510/30102BDA | W | CFP | 14 | 25 | 506.98 | 26.16 | 6220 | NA |
| JM38510/30102BDA.A | W | CFP | 14 | 25 | 506.98 | 26.16 | 6220 | NA |
| JM38510/30102SDA | W | CFP | 14 | 25 | 506.98 | 26.16 | 6220 | NA |
| JM38510/30102SDA.A | W | CFP | 14 | 25 | 506.98 | 26.16 | 6220 | NA |
| M38510/07101BDA | W | CFP | 14 | 25 | 506.98 | 26.16 | 6220 | NA |
| M38510/30102B2A | FK | LCCC | 20 | 55 | 506.98 | 12.06 | 2030 | NA |
| M38510/30102BDA | W | CFP | 14 | 25 | 506.98 | 26.16 | 6220 | NA |
| M38510/30102SDA | W | CFP | 14 | 25 | 506.98 | 26.16 | 6220 | NA |
| SN74LS74AN | N | PDIP | 14 | 25 | 506 | 13.97 | 11230 | 4.32 |
| SN74LS74AN | N | PDIP | 14 | 25 | 506 | 13.97 | 11230 | 4.32 |
| SN74LS74AN.A | N | PDIP | 14 | 25 | 506 | 13.97 | 11230 | 4.32 |
| SN74LS74AN.A | N | PDIP | 14 | 25 | 506 | 13.97 | 11230 | 4.32 |
| SN74LS74ANE4 | N | PDIP | 14 | 25 | 506 | 13.97 | 11230 | 4.32 |
| SN74LS74ANE4 | N | PDIP | 14 | 25 | 506 | 13.97 | 11230 | 4.32 |
| SN74S74D | D | SOIC | 14 | 50 | 506.6 | 8 | 3940 | 4.32 |
| SN74S74D.A | D | SOIC | 14 | 50 | 506.6 | 8 | 3940 | 4.32 |
| SN74S74N | N | PDIP | 14 | 25 | 506 | 13.97 | 11230 | 4.32 |
| SN74S74N | N | PDIP | 14 | 25 | 506 | 13.97 | 11230 | 4.32 |
| SN74S74N.A | N | PDIP | 14 | 25 | 506 | 13.97 | 11230 | 4.32 |
| SN74S74N.A | N | PDIP | 14 | 25 | 506 | 13.97 | 11230 | 4.32 |
| SNJ54LS74AFK | FK | LCCC | 20 | 55 | 506.98 | 12.06 | 2030 | NA |
| SNJ54LS74AFK.A | FK | LCCC | 20 | 55 | 506.98 | 12.06 | 2030 | NA |
| SNJ54LS74AW | W | CFP | 14 | 25 | 506.98 | 26.16 | 6220 | NA |
| SNJ54LS74AW.A | W | CFP | 14 | 25 | 506.98 | 26.16 | 6220 | NA |
| SNJ54S74W | W | CFP | 14 | 25 | 506.98 | 26.16 | 6220 | NA |

| Device | Package Name | Package Type | Pins | SPQ | L (mm) | W (mm) | T (μm) | B (mm) |
|-------------|--------------|--------------|------|-----|--------|--------|--------|--------|
| SNJ54S74W.A | W | CFP | 14 | 25 | 506.98 | 26.16 | 6220 | NA |

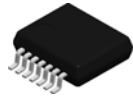
W (R-GDFP-F14)

CERAMIC DUAL FLATPACK



- NOTES:
- A. All linear dimensions are in inches (millimeters).
 - B. This drawing is subject to change without notice.
 - C. This package can be hermetically sealed with a ceramic lid using glass frit.
 - D. Index point is provided on cap for terminal identification only.
 - E. Falls within MIL STD 1835 GDFP1-F14

DB0014A



PACKAGE OUTLINE

SSOP - 2 mm max height

SMALL OUTLINE PACKAGE



NOTES:

1. All linear dimensions are in millimeters. Any dimensions in parenthesis are for reference only. Dimensioning and tolerancing per ASME Y14.5M.
2. This drawing is subject to change without notice.
3. This dimension does not include mold flash, protrusions, or gate burrs. Mold flash, protrusions, or gate burrs shall not exceed 0.15 mm per side.
4. Reference JEDEC registration MO-150.

EXAMPLE BOARD LAYOUT

DB0014A

SSOP - 2 mm max height

SMALL OUTLINE PACKAGE



LAND PATTERN EXAMPLE
EXPOSED METAL SHOWN
SCALE: 10X



4220762/A 05/2024

NOTES: (continued)

- 5. Publication IPC-7351 may have alternate designs.
- 6. Solder mask tolerances between and around signal pads can vary based on board fabrication site.

EXAMPLE STENCIL DESIGN

DB0014A

SSOP - 2 mm max height

SMALL OUTLINE PACKAGE



SOLDER PASTE EXAMPLE
BASED ON 0.125 mm THICK STENCIL
SCALE: 10X

4220762/A 05/2024

NOTES: (continued)

7. Laser cutting apertures with trapezoidal walls and rounded corners may offer better paste release. IPC-7525 may have alternate design recommendations.
8. Board assembly site may have different recommendations for stencil design.

N (R-PDIP-T**)

PLASTIC DUAL-IN-LINE PACKAGE

16 PINS SHOWN



- NOTES:
- A. All linear dimensions are in inches (millimeters).
 - B. This drawing is subject to change without notice.
 - $\triangle C$ Falls within JEDEC MS-001, except 18 and 20 pin minimum body length (Dim A).
 - $\triangle D$ The 20 pin end lead shoulder width is a vendor option, either half or full width.

4040049/E 12/2002

D0014A



PACKAGE OUTLINE

SOIC - 1.75 mm max height

SMALL OUTLINE INTEGRATED CIRCUIT



4220718/A 09/2016

NOTES:

1. All linear dimensions are in millimeters. Dimensions in parenthesis are for reference only. Dimensioning and tolerancing per ASME Y14.5M.
2. This drawing is subject to change without notice.
3. This dimension does not include mold flash, protrusions, or gate burrs. Mold flash, protrusions, or gate burrs shall not exceed 0.15 mm, per side.
4. This dimension does not include interlead flash. Interlead flash shall not exceed 0.43 mm, per side.
5. Reference JEDEC registration MS-012, variation AB.

EXAMPLE BOARD LAYOUT

D0014A

SOIC - 1.75 mm max height

SMALL OUTLINE INTEGRATED CIRCUIT



LAND PATTERN EXAMPLE
SCALE:8X



SOLDER MASK DETAILS

4220718/A 09/2016

NOTES: (continued)

- 6. Publication IPC-7351 may have alternate designs.
- 7. Solder mask tolerances between and around signal pads can vary based on board fabrication site.

EXAMPLE STENCIL DESIGN

D0014A

SOIC - 1.75 mm max height

SMALL OUTLINE INTEGRATED CIRCUIT



SOLDER PASTE EXAMPLE
BASED ON 0.125 mm THICK STENCIL
SCALE:8X

4220718/A 09/2016

NOTES: (continued)

8. Laser cutting apertures with trapezoidal walls and rounded corners may offer better paste release. IPC-7525 may have alternate design recommendations.
9. Board assembly site may have different recommendations for stencil design.

MECHANICAL DATA

NS (R-PDSO-G**)

PLASTIC SMALL-OUTLINE PACKAGE

14-PINS SHOWN



- NOTES:
- A. All linear dimensions are in millimeters.
 - B. This drawing is subject to change without notice.
 - C. Body dimensions do not include mold flash or protrusion, not to exceed 0,15.

GENERIC PACKAGE VIEW

FK 20

LCCC - 2.03 mm max height

8.89 x 8.89, 1.27 mm pitch

LEADLESS CERAMIC CHIP CARRIER

This image is a representation of the package family, actual package may vary.
Refer to the product data sheet for package details.



4229370VA\

J 14

GENERIC PACKAGE VIEW
CDIP - 5.08 mm max height
CERAMIC DUAL IN LINE PACKAGE



Images above are just a representation of the package family, actual package may vary.
Refer to the product data sheet for package details.

4040083-5/G

J0014A



PACKAGE OUTLINE

CDIP - 5.08 mm max height

CERAMIC DUAL IN LINE PACKAGE



4214771/A 05/2017

NOTES:

1. All controlling linear dimensions are in inches. Dimensions in brackets are in millimeters. Any dimension in brackets or parenthesis are for reference only. Dimensioning and tolerancing per ASME Y14.5M.
2. This drawing is subject to change without notice.
3. This package is hermetically sealed with a ceramic lid using glass frit.
4. Index point is provided on cap for terminal identification only and on press ceramic glass frit seal only.
5. Falls within MIL-STD-1835 and GDIP1-T14.

EXAMPLE BOARD LAYOUT

J0014A

CDIP - 5.08 mm max height

CERAMIC DUAL IN LINE PACKAGE



LAND PATTERN EXAMPLE
NON-SOLDER MASK DEFINED
SCALE: 5X



4214771/A 05/2017

IMPORTANT NOTICE AND DISCLAIMER

TI PROVIDES TECHNICAL AND RELIABILITY DATA (INCLUDING DATASHEETS), DESIGN RESOURCES (INCLUDING REFERENCE DESIGNS), APPLICATION OR OTHER DESIGN ADVICE, WEB TOOLS, SAFETY INFORMATION, AND OTHER RESOURCES "AS IS" AND WITH ALL FAULTS, AND DISCLAIMS ALL WARRANTIES, EXPRESS AND IMPLIED, INCLUDING WITHOUT LIMITATION ANY IMPLIED WARRANTIES OF MERCHANTABILITY, FITNESS FOR A PARTICULAR PURPOSE OR NON-INFRINGEMENT OF THIRD PARTY INTELLECTUAL PROPERTY RIGHTS.

These resources are intended for skilled developers designing with TI products. You are solely responsible for (1) selecting the appropriate TI products for your application, (2) designing, validating and testing your application, and (3) ensuring your application meets applicable standards, and any other safety, security, regulatory or other requirements.

These resources are subject to change without notice. TI grants you permission to use these resources only for development of an application that uses the TI products described in the resource. Other reproduction and display of these resources is prohibited. No license is granted to any other TI intellectual property right or to any third party intellectual property right. TI disclaims responsibility for, and you fully indemnify TI and its representatives against any claims, damages, costs, losses, and liabilities arising out of your use of these resources.

TI's products are provided subject to [TI's Terms of Sale](#), [TI's General Quality Guidelines](#), or other applicable terms available either on ti.com or provided in conjunction with such TI products. TI's provision of these resources does not expand or otherwise alter TI's applicable warranties or warranty disclaimers for TI products. Unless TI explicitly designates a product as custom or customer-specified, TI products are standard, catalog, general purpose devices.

TI objects to and rejects any additional or different terms you may propose.

Copyright © 2026, Texas Instruments Incorporated

Last updated 10/2025